

## AVOID ACCIDENTS

Most accidents, whether they occur in industry, on the farm, at home or on the highway, are caused by the failure of some individuals to follow simple and fundamental safety rules or precautions. For this reason **MOST ACCIDENTS CAN BE PREVENTED** by recognizing the real cause and doing something about it before the accident occurs. Regardless of the care used in the design and construction of any type of equipment there are conditions that cannot be completely safeguarded against without interfering with reasonable accessibility and efficient operation.

Carefully read instructions, cautions and safety warning quoted in the "SAFETY RULES" section.

A careful operator is the best insurance against an accident.

The complete observance of one simple rule would prevent many thousand serious injuries each year.

The rule is:

**Never attempt to clean, oil or adjust a machine while it is in motion.**

## WARNING

On machines having hydraulically, or mechanically, controlled equipment be certain the equipment is lowered to the ground before servicing, adjusting and/or repairing. If it is necessary to have the controlled equipment partially or fully raised to gain access to certain items, be sure the equipment is suitably supported by means of proper devices other than those used for controlling the equipment.

### CALIFORNIA

#### Proposition 65 Warning

Diesel engine exhaust and some of its constituents are known to the State of California to cause cancer, birth defects, and other reproductive harm.

## COPYRIGHT BY FIATALLIS

All rights reserved. Reproduction of text and illustrations in whole or in part, is strictly prohibited.

73177712 ISSUE 1 SEPTEMBER 1998

## NOTES

### Structure of spare-parts list

- The table of contents includes type-related overview illustrations and lists of sub-assemblies.
- A sub-assembly is composed of an illustration of the part and the individual parts list. Illustration and parts list are identified by the same sub-assembly and parts numbers. In the example, the sub-assembly "driver's seat" has sub-assembly no. 34.500 and parts no. 2 281 157 with modification index 9 00.

### Individual spare-parts list

- The list of individual spare-parts contains the item, quantity, part number and designation of the spare part. The item number permits to determine the pertaining part number from the individual spare-parts list. The quantity indicated (piece, length, set) refers to the sub-assembly represented. The number of sub-assemblies present in the machine is not mentioned. If the quantity indicated is 0, the number of pieces - respectively the length - are to be determined by the ordering party. For spare-parts ordering, the part number is binding.
- The illustration of spare part is not always representative of the part itself. The list is subject to modifications in the interests of technical progress.

### Illustration of spare part

The spare-part illustration may contain the following indications:



The item number in a circle represents a sub-assembly which can be ordered completely.



The upper item number includes the item numbers below. These items can, however, also be delivered separately.

3

The item number designates the spare part.

(10)

The complete sub-assembly can be found in the individual spare-parts list under the item with the pertaining part number.

2 - 6

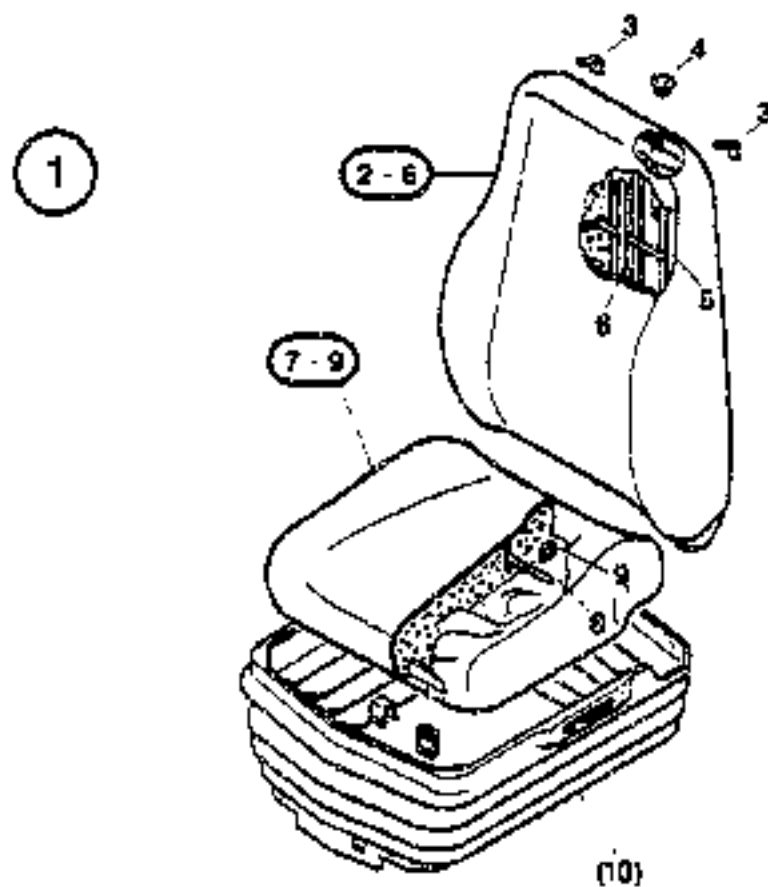
The parts following the first item number are delivered together with this item. They can, however, also be ordered separately.

34.500

The sub-assembly number indicates where the spare parts can be found.

NOTES

34.500



2 281 157 000

				34.500 · 000	
				OPERATOR'S SEAT	
				T 2281157 · 000	
				B 2281157 · 000	
Item	Quan.	ME	Part No.	Description	
001	1	00	72157083	OPERATOR'S SEAT	
002	1	00	79485490	BACKREST CUSHION	
003	2	00	71426315	CLAMP	
004	2	00	77302409	CAP	
005	1	00	72895897	BAR	
006	1	00	72895898	BAR	
007	1	00	71463160	SEAT CUSHION	
008	2	00	77302410	WIRE	
009	1	00	77302411	CLAMP	
010	1	00		34.500 2280364 OPERATOR'S SEAT	

ME: 00 = piece 13-m 28-m² 38-m³ 43-kg 50-kg (lbs)

2219101

---

## NOTES

---

### Ordering information

For spare-part orders we need the following indications:

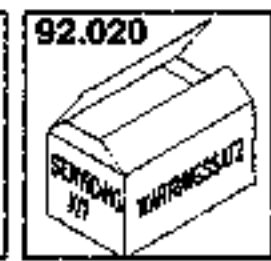
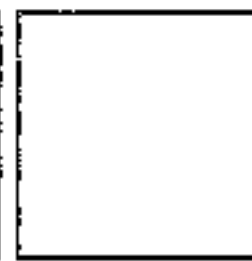
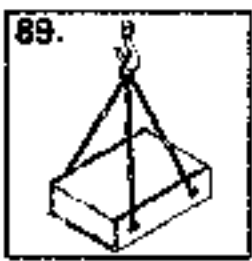
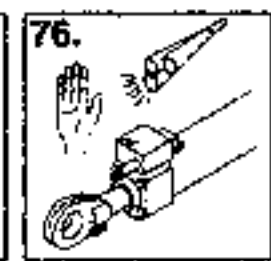
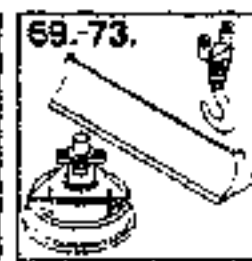
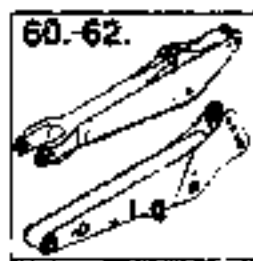
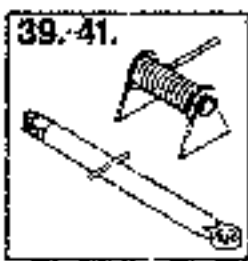
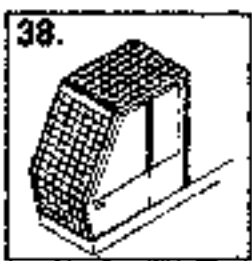
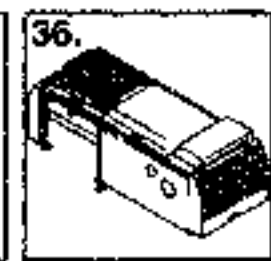
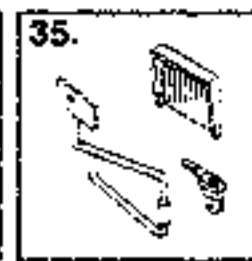
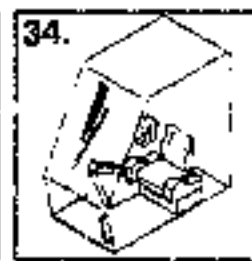
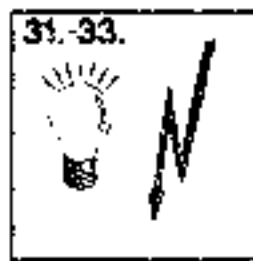
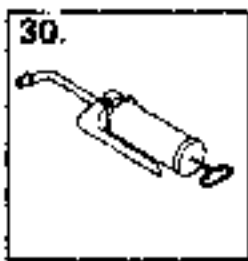
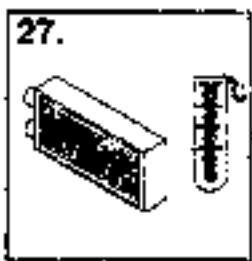
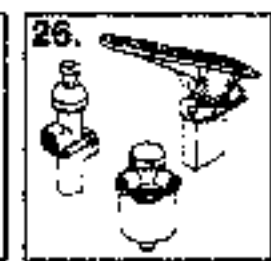
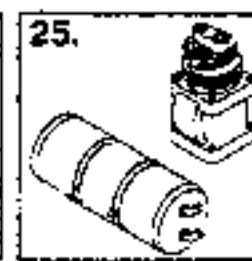
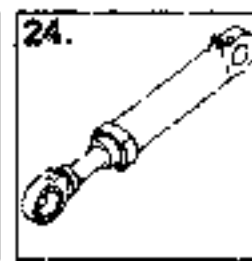
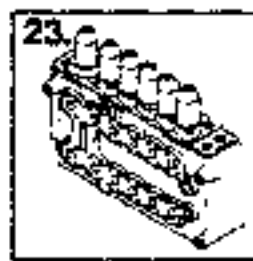
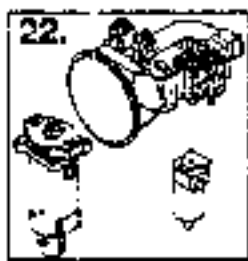
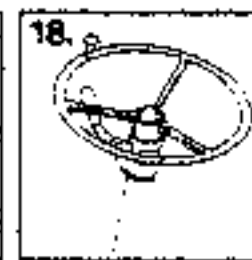
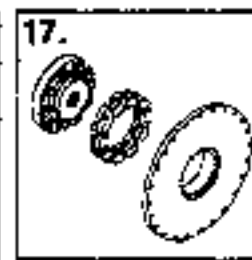
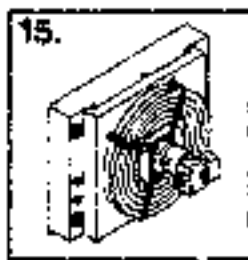
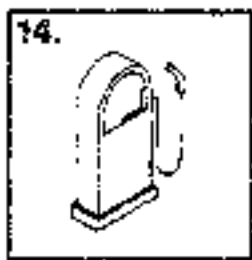
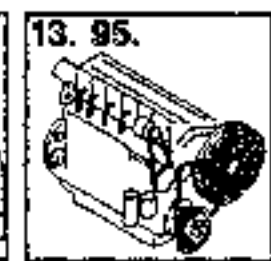
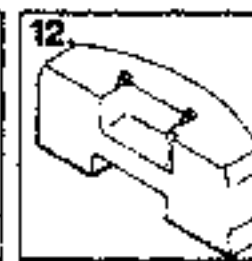
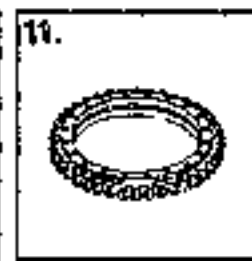
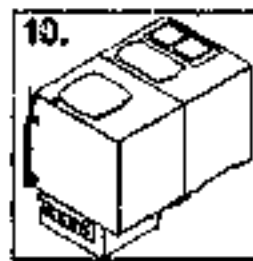
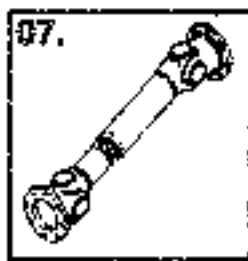
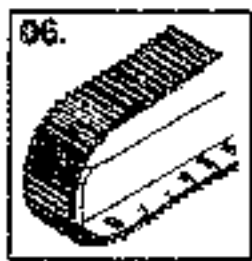
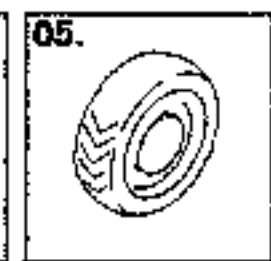
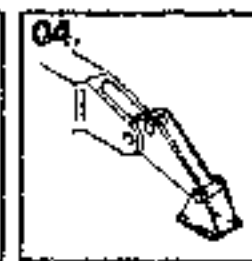
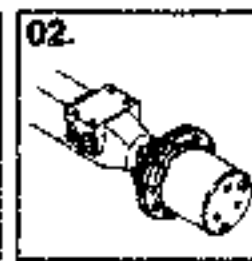
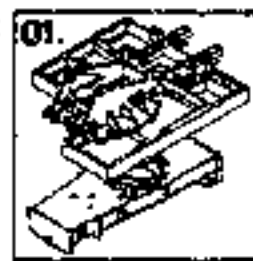
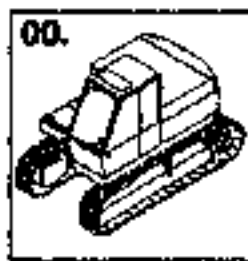
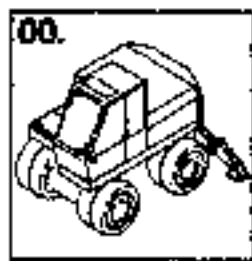
- Type of machine and machine number (if applicable, also the number of the unit/installation)
- Part number
- Quantity (unit, length, set)
- Delivery address (consignee, railway station, airport)
- Mode of dispatch (post, express, air-freight)
- Invoicing address (if not identical with delivery address)

For a fast delivery of spare parts, the indications must be complete.



**FIATALLIS®**

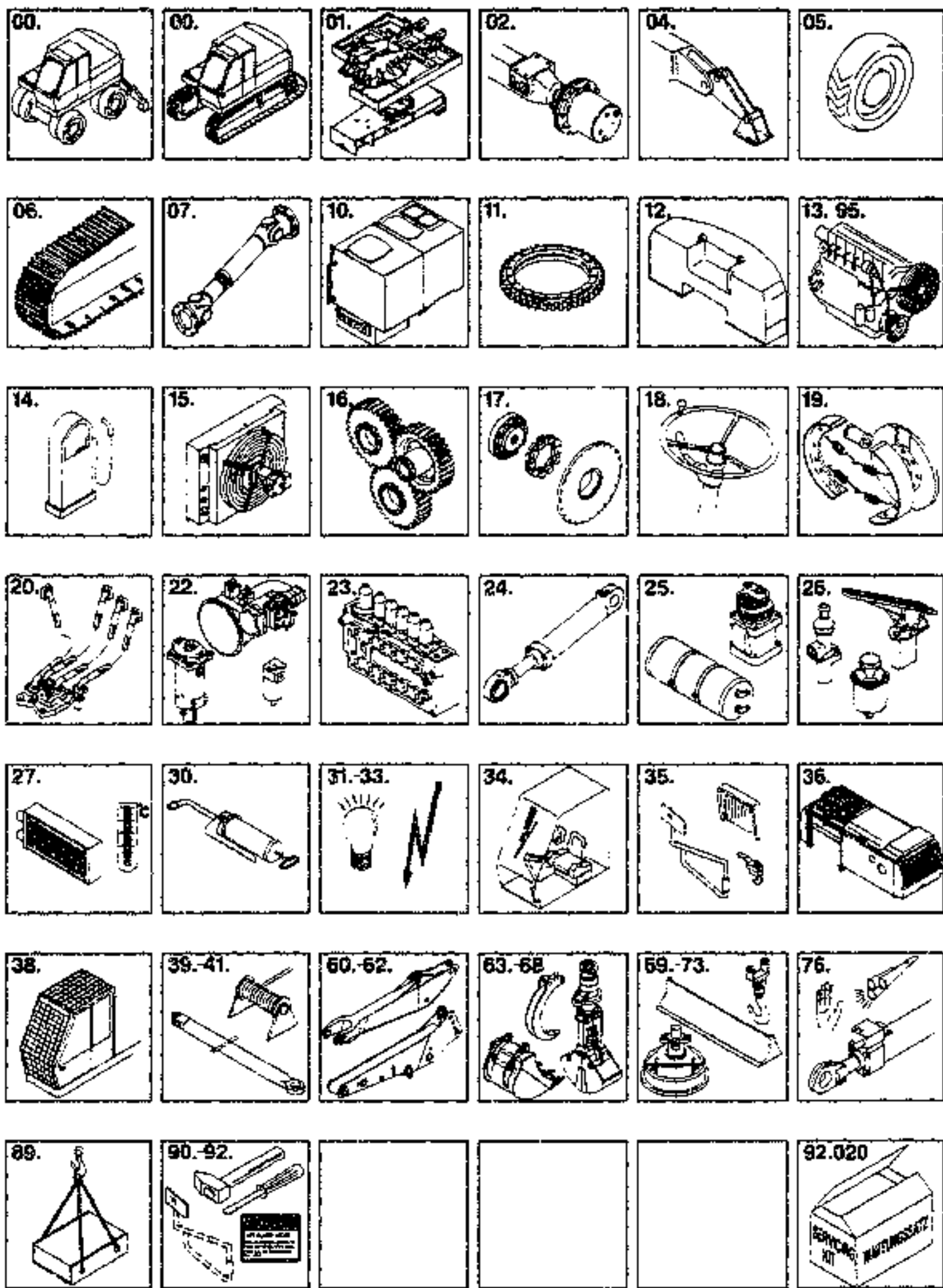
**List of machine types**





## TABLE OF CONTENTS / HYDRAULIC EXCAVATOR

Assembly Group	Description	Assembly Group	Description
00 ...	Survey	38 ...	Protect. coachwork
01 ...	Artic-joint comp.	39 ...	Towing device
02 ...	Axles	40 ..	Loading coachwork
04 ...	Support	41 ...	Winches
05 ...	Wheel chassis	42 ...	Special equipment
06 ...	Crawler chassis	60 ...	Work.equip. - load-bearing
07 ...	Prop shaft	61 ...	Work.equip. - receiving
10 ...	Container	62 ...	Work.equip. - bearing
11 ...	Swivel connection	63 ...	Work.equip. - backhoe
12 ...	Ballast	64 ...	Work.equip. - bucket
13 ...	Motor	66 ...	Work.equip. - grab
14 ...	Fuelling system	67 ...	Work.equip. - pliers/hammer
15 ...	Cooling system	68 ...	Work.equip. - ripper
16 ...	Transmission gear	69 ...	Work.equip. - leveling
17 ...	Coupling, converter	70 ...	Work.equip. - load bearing
18 ...	Steering	71 ...	Work.equip. - option
19 ...	Brake system	73 ...	Attachment / other
20 ...	Hydr.syst., basic machine	76 ...	Safety devices
22 ...	Hydr.syst., components	89 ...	Loading / transp. / ass.devic.
23 ...	Hydr.syst., valves	90 ...	Paint-finish-preservation
24 ...	Hydr.syst., cylinder	91 ...	Plates
25 ...	Comp.-air syst., basic machine	92 ...	Tools
26 ...	Comp.-air syst., components	93 ...	Packaging
27 ...	Heating/ventilat./air conditioning	94 ...	Consumables
30 ...	Greasing system	95 ...	Motor spare parts
31 ...	Electr.syst., basic machine		
32 ...	Electr.syst., addition		
33 ...	Electr.driva, components		
34 ...	Cab module		
35 ...	Equipment		
36 ...	Paneling / cover, insulation mat		







## TABLE OF CONTENTS / HYDRAULIC EXCAVATOR

Assembly Group	Description	Assembly Group	Description
01 ...	Artic-joint comp.	91 ...	Plates
73 ...	Attachment / other	07 ...	Prop shaft
02 ...	Axles	38 ...	Protect. coachwork
12 ...	Ballast	78 ...	Safety devices
19 ...	Brake system	42 ...	Special equipment
34 ...	Cab module	18 ...	Steering
25 ...	Comp.-air syst., basic machine	04 ...	Support
26 ...	Comp.-air syst., components	00 ...	Survey
94 ...	Consumables	11 ...	Swivel connection
10 ...	Container	92 ...	Tools
15 ...	Cooling system	39 ...	Towing device
17 ...	Coupling, converter	16 ...	Transmission gear
06 ...	Crawler chassis	05 ...	Wheel chassis
33 ...	Electr.drive, components	41 ...	Winches
32 ...	Electr.syst., addition	63 ...	Work.equip. - backhoe
31 ...	Electr.syst., basic machine	62 ...	Work.equip. - bearing
35 ...	Equipment	64 ...	Work.equip. - bucket
14 ...	Fuelling system	66 ...	Work.equip. - grab
30 ...	Greasing system	69 ...	Work.equip. - leveling
27 ...	Heating / ventilat. / air conditioning	60 ...	Work.equip. - load-bearing
20 ...	Hydr.syst., basic machine	70 ...	Work.equip. - load bearing
22 ...	Hydr.syst., components	71 ...	Work.equip. - option
24 ...	Hydr.syst., cylinder	67 ...	Work.equip. - pliers/hammer
23 ...	Hydr.syst., valves	61 ...	Work.equip. - receiving
40 ...	Loading coachwork	88 ...	Work.equip. - ripper
89 ...	Loading / transp. / ass.devic.		
13 ...	Motor		
95 ...	Motor spare parts		
93 ...	Packaging		
90 ...	Paint-finish-preservation		
36 ...	Paneling / cover, insulation mat		



## Table of contents

SURVEY		Machine type	FX800	Machine no.
No. of assembly	Description			
23.050 -	2495629	ADDING VALVE		
13.500 -	2215820	AIR FILTER INSTALL.MATERIAL		
13.501 -	2175501	AIR FILTER MOUNTING PARTS		
22.510 -	2496819	ARRESTOR ROTOR		
22.110 -	2496812	AXIAL PISTON MOTOR		
22.110 -	2495217	AXIAL PISTON MOTOR		
24.052 -	2495307	BACKHOE CYLINDER		
24.050 -	2495222	BACKHOE CYLINDER INSTALL.MATERIAL		
12.010 -	2782083	BALLAST INSTALL.MATERIAL		
12.010 -	2496776	BALLAST INSTALL.MATERIAL		
31.300 -	2443932	BATTERY INSTALL.MATERIAL		
01.670 -	2443601	BEARING BOOM		
01.650 -	2443600	BEARING FRAME		
13.020 -	2495261	BEARING MOTOR		
34.300 -	2444897	BEARING OPERATOR'S CAB		
23.122 -	2141669	BLOCKING VALVE		
23.122 -	1593293	BLOCKING VALVE		
24.022 -	2495403	BOOM CYLINDERS		
24.020 -	2495404	BOOM CYLINDERS INSTALL.MATERIAL		
34.140 -	2782774	BRACKET INSTALL.MATERIAL		
34.140 -	2444887	BRACKET INSTALL.MATERIAL		
34.140 -	2782774	BRACKET INSTALL.MATERIAL		
34.141 -	2444877	BRACKET MOUNTING PARTS		
34.141 -	2444874	BRACKET MOUNTING PARTS		
34.141 -	2444877	BRACKET MOUNTING PARTS		
34.141 -	2444874	BRACKET MOUNTING PARTS		
34.220 -	2444896	CAB DOOR		
34.220 -	2496873	CAB DOOR		
34.010 -	2496800	CAB MODULE INSTALL.MATERIAL		
34.210 -	2443232	CAB ROOF		
30.040 -	2782656	CENTRAL LUBE SYST.		
23.152 -	2495870	CHECK VALVE		
06.200 -	2141764	CLAMPING CYLINDER GREASE FILLING		
13.400 -	2782790	COLD-START SYSTEM		
15.120 -	2496872	COMB. COOL. SYST. WATER/OIL INSTALL.MATERIAL		
15.121 -	2782175	COMB. COOL. SYST. WATER/OIL MOUNTING PARTS		
15.122 -	2496866	COMBINED COOLER WATER/OIL		
10.010 -	2782700	CONTAINER INSTALL.MATERIAL		
23.612 -	2283064	CONTROL BLOCK		
23.610 -	2496814	CONTROL BLOCK INSTALL.MATERIAL		
23.610 -	2444673	CONTROL BLOCK INSTALL.MATERIAL		
23.610 -	2496814	CONTROL BLOCK INSTALL.MATERIAL		
23.611 -	2283063	CONTROL BLOCK MOUNTING PARTS		
23.611 -	2248584	CONTROL BLOCK MOUNTING PARTS		



## Table of contents

SURVEY		Machine type	FX800	Machine no.
No. of assembly	Description			
23.511 -	2283063	CONTROL BLOCK MOUNTING PARTS		
34.130 -	2496286	CONTROL COLUMN INSTALL.MATERIAL		
34.131 -	2444891	CONTROL COLUMN MOUNTING PARTS		
23.182 -	2141196	CONTROL VALVE		
23.182 -	1707400	CONTROL VALVE		
23.182 -	2141196	CONTROL VALVE		
23.180 -	2283060	CONTROL VALVE INSTALL.MATERIAL		
17.102 -	2444158	COUPLING/CLUTCH		
36.512 -	2495247	COVER SWING BEARING		
36.540 -	2486907	COVER TRAVEL GEAR		
36.500 -	2782741	COVER UPPER CARRIAGE		
36.500 -	2782702	COVER UPPER CARRIAGE		
06.010 -	2496890	CRAWLER CHASSIS INSTALL.MATERIAL		
31.600 -	2782775	DASHBOARD INSTALL.MATERIAL		
91.010 -	2782250	DECAL KIT		
91.010 -	2782884	DECAL KIT		
91.010 -	2782250	DECAL KIT		
91.010 -	2782884	DECAL KIT		
22.402 -	2444968	DISTRIBUTOR		
22.400 -	1708496	DISTRIBUTOR INSTALL.MATERIAL		
22.820 -	2496846	DOUBLEPUMP		
06.102 -	2443903	DRIVING CHAIN		
31.050 -	1287263	ELECTRICAL COMPON. I.CIRCUIT DIAGRAMM		
32.999 -	2782749	ELECTRICAL SYSTEM ADDITION OTHER		
13.220 -	2495258	EXHAUST SYSTEM INSTALL.MATERIAL		
22.202 -	2248164	FILTER		
22.200 -	2444371	FILTER INSTALL.MATERIAL		
22.200 -	2444372	FILTER INSTALL.MATERIAL		
22.200 -	2444371	FILTER INSTALL.MATERIAL		
34.105 -	2495303	FOOT REST PLATFORM		
01.200 -	2486943	FRAME LOWER CARRIAGE WITH MOUNT. PARTS		
01.300 -	2782703	FRAME UPPER CARRIAGE WITH MOUNT. PARTS		
01.300 -	2782740	FRAME UPPER CARRIAGE WITH MOUNT. PARTS		
01.300 -	2486775	FRAME UPPER CARRIAGE WITH MOUNT. PARTS		
01.300 -	2782082	FRAME UPPER CARRIAGE WITH MOUNT. PARTS		
13.300 -	2443690	FUEL SYSTEM		
10.202 -	2782698	FUEL TANK		
22.052 -	2488848	GEARED PUMP		
34.230 -	2495011	GLAZING OPERATOR'S CAB		
34.230 -	2495016	GLAZING OPERATOR'S CAB		
34.230 -	2444012	GLAZING OPERATOR'S CAB		
34.230 -	2782255	GLAZING OPERATOR'S CAB		
34.230 -	2486010	GLAZING OPERATOR'S CAB		
34.230 -	2782254	GLAZING OPERATOR'S CAB		



## Table of contents

SURVEY

Machine type

FX800

Machine no.

No. assembly	Description
30.200 - 2444234	GREASING SYSTEM MONO
06.162 - 2176026	GUIDE WHEEL
06.160 - 2249284	GUIDE WHEEL INSTALL.MATERIAL
27.012 - 2496799	HEATING
27.010 - 2496798	HEATING INSTALL.MATERIAL
10.102 - 2443385	HYD. OIL TANK
20.642 - 2496464	HYDRAULIC SYSTEM CASCADE
20.640 - 2782182	HYDRAULIC SYSTEM CASCADE INSTALL.MATERIAL
20.641 - 2782161	HYDRAULIC SYSTEM CASCADE MOUNTING PARTS
20.641 - 2782747	HYDRAULIC SYSTEM CASCADE MOUNTING PARTS
20.641 - 2782181	HYDRAULIC SYSTEM CASCADE MOUNTING PARTS
20.310 - 2496820	HYDRAULIC SYSTEM HIGH PRESSURE
20.320 - 2496832	HYDRAULIC SYSTEM LOW PRESSURE
20.020 - 2496909	HYDRAULIC SYSTEM LOWER CARRIAGE
60.160 - 2496032	HYDRAULIC SYSTEM MONOBLOC BOOM
60.180 - 2496031	HYDRAULIC SYSTEM MONOBLOC BOOM
60.160 - 2496850	HYDRAULIC SYSTEM MONOBLOC BOOM
60.160 - 2443421	HYDRAULIC SYSTEM MONOBLOC BOOM
20.290 - 2496788	HYDRAULIC SYSTEM OIL COOLER
20.280 - 2496866	HYDRAULIC SYSTEM PUMP GOVERNING
20.610 - 2496797	HYDRAULIC SYSTEM SERVO CONTROL
61.032 - 2496859	HYDRAULIC SYSTEM STICK
20.030 - 2782183	HYDRAULIC SYSTEM UPPER CARRIAGE
08.150 - 2443681	IDLER ROLLER
13.230 - 2782549	INTAKE SYSTEM INSTALL.MATERIAL
90.100 - 2496594	LINING ARRANGEMENT
00.200 - 2496540	LOWER CARRIAGE EXCAVATOR
92.020 - 2782033	MAINTENANCE MATERL
35.060 - 2443940	MIRROR SUPPORT INSTALL.MATERIAL
35.060 - 1907741	MIRROR SUPPORT INSTALL.MATERIAL
35.060 - 2443940	MIRROR SUPPORT INSTALL.MATERIAL
35.060 - 1907741	MIRROR SUPPORT INSTALL.MATERIAL
35.060 - 2284173	MIRROR SUPPORT INSTALL.MATERIAL
60.161 - 2444419	MONOBLOC BOOM MOUNTING PARTS
22.100 - 2496888	MOTOR INSTALL.MATERIAL
13.010 - 2496874	MOTOR INSTALL.MATERIAL
13.011 - 2496855	MOTOR MOUNTING PARTS
20.260 - 2782179	OIL SUCTION SYSTEM
34.022 - 2444904	OPERATOR'S CAB
34.022 - 2782256	OPERATOR'S CAB
34.020 - 2782257	OPERATOR'S CAB INSTALL.MATERIAL
34.020 - 2782252	OPERATOR'S CAB INSTALL.MATERIAL
34.021 - 2496857	OPERATOR'S CAB MOUNTING PARTS
34.021 - 2782259	OPERATOR'S CAB MOUNTING PARTS



## Table of contents

SURVEY		Machine type	FX600	Machine no.
No. of assembly		Description		
36.010 -	2443764	PANELING INSTALL.MATERIAL		
36.010 -	2495254	PANELING INSTALL.MATERIAL		
36.010 -	2443764	PANELING INSTALL.MATERIAL		
36.010 -	2495254	PANELING INSTALL.MATERIAL		
62.210 -	2249912	PIN NO.1		
34.100 -	1908540	PLATFORM PLATE INSTALL.MATERIAL		
34.101 -	2444880	PLATFORM PLATE MOUNTING PARTS		
23.312 -	2216823	PROPORTIONAL VALVE		
22.010 -	2496849	PUMP INSTALL.MATERIAL		
16.042 -	2443685	PUMP DRIVE		
31.510 -	2496871	RADIO INSTALL.MATERIAL		
22.520 -	2444775	RODS TREADLE VALVE		
22.502 -	2443610	ROTOR		
22.500 -	2496820	ROTOR INSTALL.MATERIAL		
22.501 -	2496818	ROTOR MOUNTING PARTS		
11.020 -	2495246	SEAL GASKET SWIVEL CONNECTION		
34.502 -	2782536	SEAT		
34.502 -	2444945	SEAT		
34.500 -	2444944	SEAT INSTALL.MATERIAL		
34.500 -	2782534	SEAT INSTALL.MATERIAL		
23.272 -	2496570	SERVO VALVE		
23.270 -	2496571	SERVO VALVE INSTALL.MATERIAL		
23.270 -	2496569	SERVO VALVE INSTALL.MATERIAL		
23.270 -	2496571	SERVO VALVE INSTALL.MATERIAL		
23.271 -	2782654	SERVO VALVE MOUNTING PARTS		
23.271 -	2496568	SERVO VALVE MOUNTING PARTS		
23.271 -	2782654	SERVO VALVE MOUNTING PARTS		
23.212 -	2444920	SHIFT VALVE		
31.530 -	2782746	SIGNAL GENERAL		
31.530 -	2782748	SIGNAL GENERAL		
10.032 -	2496807	SLEWING GEAR COMPLETE		
16.031 -	2496806	SLEWING GEAR MOUNTING PARTS		
16.031 -	2496808	SLEWING GEAR MOUNTING PARTS		
16.031 -	2496806	SLEWING GEAR MOUNTING PARTS		
16.031 -	2496808	SLEWING GEAR MOUNTING PARTS		
23.232 -	2249696	SOLENOID VALVE		
23.232 -	2496293	SOLENOID VALVE		
23.232 -	2249696	SOLENOID VALVE		
23.232 -	1996158	SOLENOID VALVE		
23.230 -	2496357	SOLENOID VALVE INSTALL.MATERIAL		
23.231 -	2496356	SOLENOID VALVE MOUNTING PARTS		
06.170 -	2141753	SPRING GUIDE WHEEL		
01.810 -	2496632	STEPS INSTALL.MATERIAL		
61.011 -	2495220	STICK MOUNTING PARTS		



## Table of contents

SURVEY		Machine type	FX600	Machine no.
No. of assembly		Description		
24.032 -	2495225	STICK CYLINDER		
24.030 -	2495219	STICK CYLINDER INSTALL.MATERIAL		
23.142 -	2443928	STOP VALVE		
23.141 -	2444879	STOP VALVE MOUNTING PARTS		
06.180 -	2495891	SUPPORT ROLLER		
19.400 -	2495811	SWING BRAKE INSTALL.MATERIAL		
22.080 -	2495947	SWING PUMP		
11.010 -	2495245	SWIVEL CONNECTION INSTALL.MATERIAL		
11.010 -	2495248	SWIVEL CONNECTION INSTALL.MATERIAL		
11.010 -	2495910	SWIVEL CONNECTION INSTALL.MATERIAL		
11.010 -	2495245	SWIVEL CONNECTION INSTALL.MATERIAL		
06.190 -	2495889	TENSIONING DEVICE		
62.012 -	2495906	TOGGLE & LINKAGE		
82.010 -	2782496	TOOL SET		
19.502 -	2495921	TRACK BRAKE		
16.023 -	2495820	TRAVEL GEAR BASE		
16.022 -	2495922	TRAVEL GEAR COMPLETE		
16.020 -	2495886	TRAVEL GEAR INSTALL.MATERIAL		
16.021 -	2495887	TRAVEL GEAR MOUNTING PARTS		
23.292 -	2782655	TREADLE VALVE		
23.292 -	2495572	TREADLE VALVE		
23.292 -	2782655	TREADLE VALVE		
23.290 -	2495573	TREADLE VALVE INSTALL.MATERIAL		
23.291 -	2444789	TREADLE VALVE MOUNTING PARTS		
00.300 -	2782201	UPPER CARRIAGE EXCAVATOR		
00.300 -	2495539	UPPER CARRIAGE EXCAVATOR		
06.210 -	2495893	VALVE CHAIN TENSIONER GREASE FILLING		
23.242 -	2783875	VALVE INTERCONN.		
23.240 -	2783334	VALVE INTERCONN. INSTALL.MATERIAL		
23.241 -	2783333	VALVE INTERCONN. MOUNTING PARTS		
34.642 -	2463302	WATER RESERVOIR WINDSCREEN WASHER		
34.640 -	2444862	WINDSCREEN WASHER INSTALL.MATERIAL		
34.630 -	2444918	WINDSCREEN WIPER INSTALL.MATERIAL		
31.410 -	2444808	WORKING HEADLIGHT INSTALL.MATERIAL		



## Table of contents

SURVEY		Machine type	FX800	Machine no.
No. of assembly		Description		
00.200 -	2496540	LOWER CARRIAGE EXCAVATOR		
00.300 -	2496538	UPPER CARRIAGE EXCAVATOR		
00.300 -	2782201	UPPER CARRIAGE EXCAVATOR		
01.200 -	2496943	FRAME LOWER CARRIAGE WITH MOUNT. PARTS		
01.300 -	2496775	FRAME UPPER CARRIAGE WITH MOUNT. PARTS		
01.300 -	2782082	FRAME UPPER CARRIAGE WITH MOUNT. PARTS		
01.300 -	2782703	FRAME UPPER CARRIAGE WITH MOUNT. PARTS		
01.300 -	2782740	FRAME UPPER CARRIAGE WITH MOUNT. PARTS		
01.650 -	2443600	BEARING FRAME		
01.670 -	2443601	BEARING BOOM		
01.810 -	2495632	STEPS INSTALL.MATERIAL		
06.010 -	2496890	CRAWLER CHASSIS INSTALL.MATERIAL		
06.102 -	2443903	DRIVING CHAIN		
06.150 -	2443691	IDLER ROLLER		
06.160 -	2249284	GUIDE WHEEL INSTALL.MATERIAL		
06.162 -	2176026	GUIDE WHEEL		
06.170 -	2141753	SPRING GUIDE WHEEL		
06.180 -	2496891	SUPPORT ROLLER		
06.190 -	2496899	TENSIONING DEVICE		
06.200 -	2141764	CLAMPING CYLINDER GREASE FILLING		
06.210 -	2496893	VALVE CHAIN TENSIONER GREASE FILLING		
10.010 -	2782700	CONTAINER INSTALL.MATERIAL		
10.102 -	2443395	HYD. OIL TANK		
10.202 -	2782698	FUEL TANK		
11.010 -	2495245	SWIVEL CONNECTION INSTALL.MATERIAL		
11.010 -	2496910	SWIVEL CONNECTION INSTALL.MATERIAL		
11.010 -	2495248	SWIVEL CONNECTION INSTALL.MATERIAL		
11.020 -	2495246	SEAL GASKET SWIVEL CONNECTION		
12.010 -	2496776	BALLAST INSTALL.MATERIAL		
12.010 -	2782083	BALLAST INSTALL.MATERIAL		
13.010 -	2496874	MOTOR INSTALL.MATERIAL		
13.011 -	2496855	MOTOR MOUNTING PARTS		
13.020 -	2495261	BEARING MOTOR		
13.220 -	2495258	EXHAUST SYSTEM INSTALL.MATERIAL		
13.230 -	2782549	INTAKE SYSTEM INSTALL.MATERIAL		
13.300 -	2443698	FUEL SYSTEM		
13.400 -	2782730	COLD-START SYSTEM		
13.500 -	2215820	AIR FILTER INSTALL.MATERIAL		
13.501 -	2175501	AIR FILTER MOUNTING PARTS		
15.120 -	2496872	COMB. COOL. SYST. WATER/OIL INSTALL.MATERIAL		
15.121 -	2782176	COMB. COOL. SYST. WATER/OIL MOUNTING PARTS		
15.122 -	2496858	COMBINED COOLER WATER/OIL		
16.020 -	2496886	TRAVEL GEAR INSTALL.MATERIAL		
16.021 -	2496887	TRAVEL GEAR MOUNTING PARTS		
16.022 -	2496922	TRAVEL GEAR COMPLETE		
16.023 -	2496920	TRAVEL GEAR BASE		
16.031 -	2496808	SLEWING GEAR MOUNTING PARTS		
16.031 -	2496806	SLEWING GEAR MOUNTING PARTS		
16.032 -	2496807	SLEWING GEAR COMPLETE		
16.042 -	2443695	PUMP DRIVE		
17.102 -	2444158	COUPLING/CLUTCH		
19.400 -	2496811	SWING BRAKE INSTALL.MATERIAL		



## Table of contents

SURVEY

Machine type

FX600

Machine no.

No. of assembly

Description

19.502 -	2496921	TRACK BRAKE
20.020 -	2496909	HYDRAULIC SYSTEM LOWER CARRIAGE
20.030 -	2782183	HYDRAULIC SYSTEM UPPER CARRIAGE
20.260 -	2782173	OIL SUCTION SYSTEM
20.280 -	2496866	HYDRAULIC SYSTEM PUMP GOVERNING
20.290 -	2496788	HYDRAULIC SYSTEM OIL COOLER
20.310 -	2496823	HYDRAULIC SYSTEM HIGH PRESSURE
20.320 -	2496832	HYDRAULIC SYSTEM LOW PRESSURE
20.610 -	2496797	HYDRAULIC SYSTEM SERVO CONTROL
20.640 -	2782182	HYDRAULIC SYSTEM CASCADE INSTALL.MATERIAL
20.641 -	2782747	HYDRAULIC SYSTEM CASCADE MOUNTING PARTS
20.641 -	2782181	HYDRAULIC SYSTEM CASCADE MOUNTING PARTS
20.642 -	2496464	HYDRAULIC SYSTEM CASCADE
22.010 -	2496849	PUMP INSTALL.MATERIAL
22.020 -	2496846	DOUBLEPUMP
22.030 -	2496847	SWING PUMP
22.052 -	2496848	GEARED PUMP
22.100 -	2496888	MOTOR INSTALL.MATERIAL
22.110 -	2495217	AXIAL PISTON MOTOR
22.110 -	2496812	AXIAL PISTON MOTOR
22.200 -	2444371	FILTER INSTALL.MATERIAL
22.200 -	2444372	FILTER INSTALL.MATERIAL
22.202 -	2248164	FILTER
22.400 -	1708488	DISTRIBUTOR INSTALL.MATERIAL
22.402 -	2444968	DISTRIBUTOR
22.500 -	2496820	ROTOR INSTALL.MATERIAL
22.501 -	2496818	ROTOR MOUNTING PARTS
22.502 -	2443510	ROTOR
22.510 -	2496819	ARRESTOR ROTOR
22.520 -	2444775	RODS TREADLE VALVE
23.050 -	2495829	ADDING VALVE
23.122 -	2141859	BLOCKING VALVE
23.122 -	1593293	BLOCKING VALVE
23.141 -	2444878	STOP VALVE MOUNTING PARTS
23.142 -	2443928	STOP VALVE
23.152 -	2485870	CHECK VALVE
23.180 -	2283060	CONTROL VALVE INSTALL.MATERIAL
23.182 -	1707400	CONTROL VALVE
23.182 -	2141196	CONTROL VALVE
23.212 -	2444920	SHIFT VALVE
23.230 -	2495357	SOLENOID VALVE INSTALL.MATERIAL
23.231 -	2495356	SOLENOID VALVE MOUNTING PARTS
23.232 -	1998158	SOLENOID VALVE
23.232 -	2248896	SOLENOID VALVE
23.232 -	2495293	SOLENOID VALVE
23.240 -	2783334	VALVE INTERCONN. INSTALL.MATERIAL
23.241 -	2783333	VALVE INTERCONN. MOUNTING PARTS
23.242 -	2783675	VALVE INTERCONN.
23.270 -	2496568	SERVO VALVE INSTALL.MATERIAL
23.270 -	2496571	SERVO VALVE INSTALL.MATERIAL
23.271 -	2496568	SERVO VALVE MOUNTING PARTS
23.271 -	2782654	SERVO VALVE MOUNTING PARTS





## Table of contents

SURVEY		Machine type	FX500	Machine no.
No. of assembly	Description			
23.272 -	2495570	SERVO VALVE		
23.290 -	2496573	TREADLE VALVE INSTALL.MATERIAL		
23.291 -	2444789	TREADLE VALVE MOUNTING PARTS		
23.292 -	2496572	TREADLE VALVE		
23.292 -	2782656	TREADLE VALVE		
23.312 -	2216823	PROPORTIONAL VALVE		
23.610 -	2444673	CONTROL BLOCK INSTALL.MATERIAL		
23.610 -	2496814	CONTROL BLOCK INSTALL.MATERIAL		
23.611 -	2248584	CONTROL BLOCK MOUNTING PARTS		
23.611 -	2283063	CONTROL BLOCK MOUNTING PARTS		
23.612 -	2283084	CONTROL BLOCK		
24.020 -	2495404	BOOM CYLINDERS INSTALL.MATERIAL		
24.022 -	2495403	BOOM CYLINDERS		
24.030 -	2495219	STICK CYLINDER INSTALL.MATERIAL		
24.032 -	2495225	STICK CYLINDER		
24.050 -	2495222	BACKHOE CYLINDER INSTALL.MATERIAL		
24.052 -	2495307	BACKHOE CYLINDER		
27.010 -	2496788	HEATING INSTALL.MATERIAL		
27.012 -	2496799	HEATING		
30.040 -	2782656	CENTRAL LUBE SYST.		
30.200 -	2444234	GREASING SYSTEM MONO		
31.050 -	1287263	ELECTRICAL COMPON. I.CIRCUIT DIAGRAMM		
31.300 -	2443932	BATTERY INSTALL.MATERIAL		
31.410 -	2444808	WORKING HEADLIGHT INSTALL.MATERIAL		
31.510 -	2496871	RADIO INSTALL.MATERIAL		
31.530 -	2782746	SIGNAL GENERAL		
31.530 -	2782748	SIGNAL GENERAL		
31.500 -	2782775	DASHBOARD INSTALL.MATERIAL		
32.999 -	2782749	ELECTRICAL SYSTEM ADDITION OTHER		
34.010 -	2496800	CAB MODULE INSTALL.MATERIAL		
34.020 -	2782267	OPERATOR'S CAB INSTALL.MATERIAL		
34.020 -	2782262	OPERATOR'S CAB INSTALL.MATERIAL		
34.021 -	2782263	OPERATOR'S CAB MOUNTING PARTS		
34.021 -	2496867	OPERATOR'S CAB MOUNTING PARTS		
34.022 -	2782256	OPERATOR'S CAB		
34.022 -	2444904	OPERATOR'S CAB		
34.100 -	1908540	PLATFORM PLATE INSTALL.MATERIAL		
34.101 -	2444880	PLATFORM PLATE MOUNTING PARTS		
34.105 -	2495303	FOOT REST PLATFORM		
34.130 -	2496286	CONTROL COLUMN INSTALL.MATERIAL		
34.131 -	2444891	CONTROL COLUMN MOUNTING PARTS		
34.140 -	2444887	BRACKET INSTALL.MATERIAL		
34.140 -	2782774	BRACKET INSTALL.MATERIAL		
34.141 -	2444874	BRACKET MOUNTING PARTS		
34.141 -	2444877	BRACKET MOUNTING PARTS		
34.210 -	2443232	CAB ROOF		
34.220 -	2444896	CAB DOOR		
34.220 -	2496873	CAB DOOR		
34.230 -	2495011	GLAZING OPERATOR'S CAB		
34.230 -	2782256	GLAZING OPERATOR'S CAB		
34.230 -	2444012	GLAZING OPERATOR'S CAB		
34.230 -	2495010	GLAZING OPERATOR'S CAB		



### Table of contents

SURVEY		Machine type	FX600	Machine no.
No. of assembly		Description		
34.230 -	2782254	GLAZING OPERATOR'S CAB		
34.300 -	2444897	BEARING OPERATOR'S CAB		
34.500 -	2444944	SEAT INSTALL.MATERIAL		
34.500 -	2782534	SEAT INSTALL.MATERIAL		
34.502 -	2444945	SEAT		
34.502 -	2782535	SEAT		
34.630 -	2444916	WINDSCREEN WIPER INSTALL.MATERIAL		
34.640 -	2444852	WINDSCREEN WASHER INSTALL.MATERIAL		
34.642 -	2463302	WATER RESERVOIR WINDSCREEN WASHER		
35.060 -	2284173	MIRROR SUPPORT INSTALL.MATERIAL		
35.060 -	2443940	MIRROR SUPPORT INSTALL.MATERIAL		
35.060 -	1907741	MIRROR SUPPORT INSTALL.MATERIAL		
36.010 -	2443764	PANELING INSTALL.MATERIAL		
36.010 -	2495254	PANELING INSTALL.MATERIAL		
36.500 -	2782702	COVER UPPER CARRIAGE		
36.500 -	2782741	COVER UPPER CARRIAGE		
36.512 -	2495247	COVER SWING BEARING		
36.540 -	2496907	COVER TRAVEL GEAR		
60.151 -	2444419	MONOBLOC BOOM MOUNTING PARTS		
60.160 -	2443421	HYDRAULIC SYSTEM MONOBLOC BOOM		
60.160 -	2495032	HYDRAULIC SYSTEM MONOBLOC BOOM		
60.160 -	2496850	HYDRAULIC SYSTEM MONOBLOC BOOM		
60.180 -	2495031	HYDRAULIC SYSTEM MONOBLOC BOOM		
61.011 -	2495220	STICK MOUNTING PARTS		
61.032 -	2496859	HYDRAULIC SYSTEM STICK		
62.012 -	2498906	TOGGLE & LINKAGE		
62.210 -	2249912	PIN NO.1		
90.100 -	2496594	LINING ARRANGEMENT		
91.010 -	2782250	DECAL KIT		
91.010 -	2782884	DECAL KIT		
92.010 -	2782496	TOOL SLT		
92.020 -	2782039	MAINTENANCE MATER.		



### Cross reference

SURVEY		Machine type		FX600	Machine no.	
Part No.	No. of assembly	Item	Part No.	No. of assembly	Item	
73170000	00.200 - 2496540	020	73170051	10.102 - 2443385	040	
73170001	00.200 - 2496540	201	73170051	16.023 - 2496920	122	
73170002	00.200 - 2496540	205	73170051	22.502 - 2443610	009	
73170003	01.200 - 2496943	004	73170051	23.212 - 2444920	006	
73170004	01.200 - 2496943	005	73170051	23.612 - 2283064	042	
73170005	01.200 - 2496943	006	73170052	16.023 - 2496920	127	
73170006	01.200 - 2496943	007	73170053	16.023 - 2496920	128	
73170007	01.200 - 2496943	008	73170054	16.023 - 2496920	131	
73170008	01.200 - 2496943	009	73170055	16.023 - 2496920	201	
73170009	06.190 - 2496889	013	73170056	16.023 - 2496920	202	
73170010	06.010 - 2496890	008	73170058	16.023 - 2496920	203	
73170010	06.160 - 2249284	017	73170059	16.023 - 2496920	204	
73170010	06.190 - 2496889	019	73170060	16.023 - 2496920	301	
73170012	06.160 - 2249284	003	73170061	16.023 - 2496920	302	
73170013	06.160 - 2249284	009	73170062	16.023 - 2496920	303	
73170014	01.810 - 2496632	003	73170062	19.502 - 2496921	010	
73170014	06.160 - 2249284	011	73170063	16.023 - 2496920	304	
73170014	20.260 - 2782173	010	73170064	16.023 - 2496920	403	
73170015	06.160 - 2249284	012	73170065	16.023 - 2496920	404	
73170016	22.010 - 2496849	009	73170066	16.023 - 2496920	506	
73170017	06.160 - 2243284	018	73170067	16.023 - 2496920	607	
73170019	06.010 - 2496890	005	73170068	16.023 - 2496920	508	
73170020	06.010 - 2496890	006	73170069	16.023 - 2496920	610	
73170020	13.020 - 2496261	009	73170070	16.023 - 2496920	511	
73170022	06.010 - 2496890	007	73170071	16.023 - 2496920	514	
73170022	13.010 - 2496874	014	73170072	16.023 - 2496920	515	
73170023	06.102 - 2443903	001	73170073	16.023 - 2496920	516	
73170024	06.102 - 2443903	101	73170074	16.023 - 2496920	517	
73170025	06.102 - 2443903	102	73170075	16.023 - 2496920	518	
73170026	06.102 - 2443903	102	73170076	16.023 - 2496920	519	
73170027	06.102 - 2443903	104	73170077	16.021 - 2496887	002	
73170028	06.102 - 2443903	401	73170078	16.021 - 2496887	003	
73170029	06.102 - 2443903	402	73170079	16.020 - 2496886	005	
73170030	06.102 - 2443903	403	73170080	16.020 - 2496886	009	
73170031	06.102 - 2443903	404	73170081	16.020 - 2496886	015	
73170032	06.102 - 2443903	405	73170082	06.150 - 2443691	001	
73170033	06.102 - 2443903	406	73170083	06.150 - 2443691	002	
73170034	06.102 - 2443903	407	73170084	06.150 - 2443691	003	
73170036	06.102 - 2443903	409	73170085	06.150 - 2443691	006	
73170036	06.102 - 2443903	409	73170087	06.150 - 2443691	007	
73170037	19.502 - 2496921	001	73170088	06.160 - 2443691	008	
73170038	16.022 - 2496922	031	73170090	06.150 - 2443691	009	
73170039	16.022 - 2496922	102	73170091	06.150 - 2443691	010	
73170040	16.022 - 2496922	104	73170092	06.150 - 2443691	011	
73170041	16.022 - 2496922	105	73170094	06.160 - 2496891	031	
73170042	16.022 - 2496922	202	73170095	06.180 - 2496891	003	
73170043	16.022 - 2496922	203	73170096	06.180 - 2496891	004	
73170044	16.023 - 2496920	003	73170097	06.180 - 2496891	006	
73170045	16.023 - 2496920	115	73170098	06.180 - 2496891	007	
73170046	16.023 - 2496920	116	73170099	06.180 - 2496891	008	
73170047	16.023 - 2496920	117	73170100	06.180 - 2496891	009	
73170048	16.023 - 2496920	120	73170101	06.180 - 2496891	010	
73170050	16.023 - 2496920	121	73170102	06.180 - 2496891	011	



### Cross reference

SURVEY		Machine type		FX800		Machine no.	
Part No.	No. of assembly	Item	Part No.	No. of assembly	Item		
73170103	06.180 - 2496891	013	73170144	06.200 - 2141764	004		
73170104	06.180 - 2496891	014	73170145	06.200 - 2141764	008		
73170105	06.180 - 2496891	015	73170146	06.200 - 2141764	009		
73170107	06.180 - 2496891	016	73170147	00.300 - 2496638	006		
73170108	06.180 - 2496891	017	73170147	00.300 - 2782201	005		
73170109	06.162 - 2176026	001	73170150	13.010 - 2496974	013		
73170110	06.162 - 2176026	002	73170151	36.010 - 2443764	002		
73170111	06.162 - 2176026	003	73170152	36.010 - 2443764	003		
73170112	06.162 - 2176026	005	73170153	10.010 - 2782700	141		
73170113	06.162 - 2176026	006	73170153	36.010 - 2443764	004		
73170114	06.162 - 2176026	008	73170154	36.010 - 2443764	007		
73170115	06.162 - 2176026	010	73170157	36.010 - 2443764	011		
73170116	06.162 - 2176026	011	73170158	36.010 - 2443764	012		
73170117	06.162 - 2176026	012	73170159	36.010 - 2443764	013		
73170118	06.162 - 2176026	103	73170159	36.010 - 2495254	017		
73170119	06.162 - 2176026	502	73170160	10.010 - 2782700	125		
73170120	06.170 - 2141753	008	73170160	10.010 - 2782700	136		
73170121	06.170 - 2141753	002	73170160	10.102 - 2443385	014		
73170122	06.170 - 2141753	003	73170160	20.260 - 2782173	018		
73170123	06.170 - 2141753	004	73170160	23.050 - 2496629	009		
73170124	06.170 - 2141753	005	73170160	23.290 - 2496573	006		
73170125	06.170 - 2141753	006	73170160	30.200 - 2444234	015		
73170126	06.170 - 2141753	007	73170160	30.200 - 2444411	016		
73170127	22.100 - 2496888	001	73170160	31.530 - 2782748	003		
73170128	01.810 - 2495632	001	73170160	34.101 - 2444880	003		
73170129	01.810 - 2495632	004	73170160	34.220 - 2444866	155		
73170130	22.500 - 2496820	005	73170160	34.220 - 2496873	155		
73170130	34.830 - 2444916	043	73170160	34.230 - 2495010	061		
73170130	36.540 - 2496907	005	73170160	34.640 - 2444852	004		
73170131	36.540 - 2496907	006	73170160	36.010 - 2443764	014		
73170132	36.540 - 2496907	101	73170160	36.010 - 2495254	031		
73170133	36.540 - 2496907	102	73170161	01.300 - 2495775	207		
73170134	36.540 - 2496907	103	73170161	01.300 - 2782082	207		
73170135	36.540 - 2496907	104	73170161	10.010 - 2782700	128		
73170136	36.540 - 2496907	105	73170161	10.010 - 2782700	136		
73170137	06.210 - 2496893	001	73170161	23.202 - 2496572	007		
73170133	06.210 - 2496893	002	73170161	34.021 - 2495867	194		
73170138	24.022 - 2495403	024	73170161	34.022 - 2444904	194		
73170138	24.032 - 2495225	014	73170161	34.101 - 2444880	129		
73170138	24.032 - 2495225	306	73170161	34.630 - 2444916	219		
73170138	24.052 - 2495307	013	73170161	36.010 - 2443764	016		
73170138	24.052 - 2495307	306	73170161	36.010 - 2495254	037		
73170138	60.150 - 2495218	106	73170162	10.102 - 2443986	027		
73170138	60.151 - 2444419	108	73170162	13.230 - 2782549	006		
73170138	61.010 - 2444197	112	73170162	15.120 - 2496872	018		
73170138	61.011 - 2495220	112	73170162	20.310 - 2496823	027		
73170138	62.012 - 2496906	219	73170162	36.010 - 2443764	017		
73170139	06.210 - 2496893	003	73170162	80.150 - 2495218	203		
73170140	06.210 - 2496893	004	73170162	60.161 - 2444419	203		
73170141	06.210 - 2496893	005	73170163	36.010 - 2443764	018		
73170142	06.210 - 2496893	006	73170164	31.050 - 1287263	134		
73170142	22.110 - 2496812	082	73170164	36.010 - 2443764	019		
73170143	06.200 - 2141764	001	73170164	36.010 - 2495254	020		



### Cross reference

SURVEY		Machine type		FX600	Machine no.		
Part No.	No. of assembly	Item	Part No.	No. of assembly	Item		
73170165	36.010 -	2443764	020	73170184	36.010 -	2443764	035
73170167	01.300 -	2495775	208	73170184	36.010 -	2495254	036
73170167	01.300 -	2782082	208	73170185	10.010 -	2782700	123
73170167	34.021 -	2498867	212	73170185	10.010 -	2782700	133
73170167	34.022 -	2444904	212	73170185	10.202 -	2782698	010
73170167	35.060 -	1907741	003	73170185	13.400 -	2782790	003
73170167	36.010 -	2443764	021	73170185	16.031 -	2496808	108
73170167	36.010 -	2495254	039	73170185	23.230 -	2495357	004
73170168	34.101 -	2444880	144	73170185	32.999 -	2782749	007
73170169	13.230 -	2782549	007	73170185	34.021 -	2496867	180
73170169	22.510 -	2496819	005	73170185	34.022 -	2444904	180
73170169	34.100 -	1908540	005	73170185	34.230 -	2495010	048
73170169	36.010 -	2443764	022	73170185	36.010 -	2443764	036
73170169	60.160 -	2444410	037	73170185	36.010 -	2495254	030
73170169	60.180 -	2495031	037	73170185	38.512 -	2495247	007
73170170	36.010 -	2443764	023	73170185	36.010 -	2495254	001
73170171	36.010 -	2443764	024	73170187	36.010 -	2495254	002
73170172	36.010 -	2443764	025	73170188	36.010 -	2495254	003
73170173	36.010 -	2443764	026	73170189	36.010 -	2495254	004
73170174	36.010 -	2443764	027	73170190	36.010 -	2495254	005
73170175	10.010 -	2782700	113	73170191	36.010 -	2495254	006
73170175	13.230 -	2782549	012	73170192	36.010 -	2495254	007
73170175	20.290 -	2496788	015	73170193	36.010 -	2495254	008
73170175	34.300 -	2444897	004	73170194	36.010 -	2495254	010
73170175	36.010 -	2443764	028	73170195	36.010 -	2495254	011
73170176	20.260 -	2782173	017	73170196	36.010 -	2495254	012
73170176	23.291 -	2444789	012	73170197	36.010 -	2495254	013
73170176	34.101 -	2444880	002	73170198	36.010 -	2495254	014
73170176	34.105 -	2495303	019	73170200	10.010 -	2782700	128
73170176	36.010 -	2443764	029	73170200	10.010 -	2782700	138
73170177	36.010 -	2443764	030	73170200	36.010 -	2495254	018
73170178	20.310 -	2496823	028	73170201	10.010 -	2782700	124
73170178	36.010 -	2443764	031	73170201	10.010 -	2782700	134
73170178	60.150 -	2495218	204	73170201	36.010 -	2495254	019
73170178	60.151 -	2444419	204	73170202	32.999 -	2782749	006
73170180	22.200 -	2444371	006	73170202	36.010 -	2495254	021
73170180	22.200 -	2444372	003	73170203	16.031 -	2496808	104
73170180	35.030 -	2443940	004	73170203	36.010 -	2495254	022
73170180	36.010 -	2443764	032	73170204	36.010 -	2495254	023
73170180	36.010 -	2495254	029	73170205	23.290 -	2496573	006
73170182	10.010 -	2782700	143	73170205	27.010 -	2496799	004
73170182	10.102 -	2443385	012	73170205	30.200 -	2444234	014
73170182	10.202 -	2782698	014	73170205	30.200 -	2444411	014
73170182	13.300 -	2443899	007	73170205	34.130 -	2496280	002
73170182	30.040 -	2782655	028	73170205	34.640 -	2444352	003
73170182	31.300 -	2443932	004	73170205	35.060 -	1907741	004
73170182	36.010 -	2443764	033	73170205	35.060 -	2284173	002
73170183	10.010 -	2782700	142	73170205	36.010 -	2495254	024
73170183	22.510 -	2496819	004	73170206	22.402 -	2444869	011
73170183	36.010 -	2443764	034	73170208	30.010 -	2495254	025
73170184	16.031 -	2496808	105	73170208	01.300 -	2495775	206
73170184	34.101 -	2444880	128	73170200	01.300 -	2782002	208
73170184	34.141 -	2444877	028	73170208	36.010 -	2495254	027



### Cross reference

SURVEY		Machine type		FX500	Machine no.		
Part No.	No. of assembly		Item	Part No.	No. of assembly		Item
73170210	11.020 -	2495246	003	73170227	36.010 -	2495254	301
73170210	15.120 -	2496872	007	73170228	35.010 -	2495254	302
73170210	22.200 -	2444371	007	73170229	33.010 -	2495254	303
73170210	22.200 -	2444372	004	73170230	36.010 -	2495254	401
73170210	35.060 -	2443940	002	73170231	35.010 -	2495254	402
73170210	36.010 -	2495254	028	73170232	36.010 -	2495254	501
73170211	36.010 -	2495254	032	73170233	36.010 -	2495254	502
73170212	23.281 -	2444789	013	73170234	36.010 -	2495254	503
73170212	27.010 -	2496798	005	73170235	31.600 -	2782775	103
73170212	34.101 -	2444880	034	73170236	36.010 -	2495254	601
73170212	34.130 -	2496286	009	73170237	36.010 -	2495254	602
73170212	34.600 -	2444944	004	73170238	13.011 -	2496865	007
73170212	34.500 -	2782534	102	73170239	13.011 -	2496855	009
73170212	36.010 -	2495254	033	73170240	20.260 -	2782173	001
73170213	10.010 -	2782700	114	73170241	20.260 -	2782173	002
73170213	11.020 -	2495246	004	73170243	20.260 -	2782173	004
73170213	13.220 -	2495258	007	73170244	20.260 -	2782173	005
73170213	13.230 -	2782549	014	73170245	20.260 -	2782173	006
73170213	20.230 -	2496788	014	73170246	20.260 -	2782173	007
73170213	34.300 -	2444897	002	73170247	20.260 -	2782173	008
73170213	36.010 -	2495254	034	73170248	20.260 -	2782173	009
73170214	15.121 -	2782175	005	73170249	10.102 -	2443385	018
73170214	36.010 -	2495254	036	73170249	20.260 -	2782173	011
73170215	13.220 -	2495258	008	73170250	10.102 -	2443385	015
73170215	13.230 -	2782549	013	73170250	20.260 -	2782173	012
73170216	13.300 -	2443698	006	73170262	20.260 -	2782173	013
73170216	20.290 -	2496788	013	73170253	20.260 -	2782173	014
73170216	20.320 -	2496832	058	73170254	20.260 -	2782173	015
73170216	23.180 -	2283050	004	73170255	20.610 -	2495797	062
73170216	30.040 -	2782656	027	73170255	23.611 -	2248584	011
73170216	31.300 -	2443932	003	73170256	20.260 -	2782173	018
73170216	34.022 -	2444804	005	73170257	20.260 -	2782173	023
73170216	35.060 -	2443940	003	73170258	20.260 -	2782173	024
73170216	36.010 -	2495254	038	73170262	20.260 -	2782173	273
73170216	36.010 -	2495254	040	73170262	20.260 -	2782173	276
73170217	36.010 -	2495254	041	73170263	20.260 -	2782173	278
73170217	36.010 -	2495254	042	73170264	20.260 -	2782173	277
73170217	36.010 -	2495254	043	73170265	20.260 -	2782173	279
73170218	36.010 -	2495254	044	73170288	20.260 -	2782173	100
73170218	36.010 -	2495254	045	73170268	92.020 -	2782033	022
73170218	36.010 -	2495254	046	73170270	20.260 -	2782173	255
73170219	36.010 -	2495254	048	73170271	20.260 -	2782173	258
73170220	36.010 -	2495254	048	73170272	10.102 -	2443385	001
73170221	36.010 -	2495254	101	73170273	10.102 -	2443385	002
73170222	36.010 -	2495254	102	73170274	10.102 -	2443385	003
73170223	36.010 -	2495254	103	73170275	10.102 -	2443385	004
73170223	36.010 -	2495254	204	73170276	10.102 -	2443385	005
73170223	36.010 -	2495254	304	73170276	10.102 -	2443385	101
73170223	36.010 -	2495254	409	73170277	10.102 -	2443385	006
73170223	36.010 -	2495254	603	73170277	92.020 -	2782033	024
73170224	36.010 -	2495254	201	73170278	10.102 -	2443385	007
73170225	36.010 -	2495254	202	73170279	10.102 -	2443385	008
73170226	36.010 -	2495254	203	73170279	10.202 -	2782033	003



### Cross reference

SURVEY			Machine type	FX800	Machine no.		
Part No.	No. of assembly		Item	Part No.	No. of assembly		Item
73170280	10.102 -	2443385	009	73170302	60.180 -	2495031	026
73170280	92.020 -	2782033	015	73170303	10.010 -	2782700	009
73170281	10.102 -	2443385	010	73170304	10.010 -	2782700	010
73170282	10.102 -	2443385	011	73170304	13.011 -	2496855	177
73170282	10.202 -	2782598	013	73170304	15.120 -	2496872	077
73170283	10.102 -	2443335	013	73170305	10.102 -	2443385	102
73170283	15.120 -	2496872	010	73170306	10.102 -	2443385	103
73170283	34.220 -	2444896	153	73170307	10.102 -	2443385	104
73170283	34.220 -	2496873	153	73170307	92.020 -	2782033	016
73170284	10.102 -	2443385	017	73170308	10.102 -	2443385	105
73170286	10.102 -	2443385	020	73170308	92.020 -	2782033	017
73170286	10.102 -	2443385	021	73170309	10.102 -	2443385	106
73170286	92.020 -	2782033	018	73170309	92.020 -	2782033	014
73170287	10.102 -	2443385	022	73170310	10.102 -	2443385	107
73170288	10.102 -	2443385	023	73170312	13.230 -	2782549	003
73170289	10.102 -	2443385	024	73170314	13.230 -	2782549	004
73170290	92.020 -	2782033	025	73170316	13.230 -	2782540	005
73170291	10.102 -	2443385	025	73170317	13.230 -	2782549	008
73170292	10.102 -	2443385	026	73170318	13.230 -	2782549	009
73170293	10.102 -	2443385	028	73170319	13.230 -	2782549	010
73170294	10.102 -	2443385	029	73170320	13.230 -	2782549	011
73170295	10.102 -	2443385	030	73170322	13.500 -	2215820	002
73170295	22.030 -	2496847	020	73170323	13.500 -	2215820	003
73170295	10.102 -	2443385	031	73170324	22.501 -	2496818	003
73170295	15.121 -	2782175	015	73170325	15.121 -	2782175	014
73170295	18.031 -	2496806	010	73170325	22.501 -	2496818	004
73170295	20.020 -	2496909	014	73170326	22.501 -	2496818	010
73170295	20.642 -	2496454	026	73170327	20.310 -	2496823	015
73170295	22.501 -	2496818	005	73170327	20.320 -	2496832	016
73170295	23.050 -	2496629	003	73170327	22.501 -	2496818	011
73170295	23.180 -	2283060	104	73170327	23.152 -	2496870	008
73170295	23.231 -	2496356	003	73170327	23.610 -	2496814	008
73170295	23.240 -	2783334	002	73170327	23.611 -	2248584	008
73170295	23.610 -	2496814	014	73170327	23.611 -	2283063	007
73170295	30.040 -	2782656	025	73170327	60.180 -	2444410	022
73170298	10.102 -	2443385	032	73170327	60.180 -	2495031	022
73170298	10.202 -	2782698	012	73170328	20.310 -	2496823	016
73170298	15.120 -	2496872	028	73170328	22.501 -	2496818	012
73170298	15.121 -	2782175	013	73170328	23.611 -	2248584	007
73170298	18.031 -	2496806	011	73170328	60.180 -	2444410	033
73170298	23.610 -	2496814	030	73170328	60.180 -	2495031	033
73170300	10.102 -	2443385	033	73170330	22.502 -	2443610	001
73170300	20.180 -	2496866	029	73170331	22.502 -	2443610	004
73170300	20.280 -	2496788	003	73170332	22.502 -	2443610	005
73170301	10.102 -	2443385	034	73170333	22.502 -	2443610	006
73170301	15.121 -	2782175	018	73170334	22.502 -	2443610	011
73170301	16.031 -	2496806	012	73170335	22.502 -	2443610	012
73170301	22.400 -	1709496	005	73170336	22.502 -	2443610	013
73170301	23.610 -	2496814	035	73170337	22.502 -	2443610	017
73170302	10.102 -	2443385	035	73170338	20.310 -	2496823	003
73170302	20.280 -	2496866	022	73170339	20.310 -	2496823	005
73170302	20.320 -	2496832	046	73170340	20.310 -	2496823	006
73170302	60.180 -	2444410	025	73170341	20.310 -	2496823	012



### Cross reference

SURVEY		Machine type		FX600	Machine no.		
Part No.	No. of assembly	Item	Part No.	No. of assembly	Item	Item	
73170342	20.310 -	2496823	013	73170373	20.310 -	2496823	314
73170343	20.310 -	2496823	017	73170374	20.310 -	2496823	317
73170344	20.020 -	2496909	022	73170374	20.310 -	2496823	319
73170344	20.310 -	2496823	018	73170374	20.310 -	2496823	320
73170345	20.310 -	2496823	019	73170374	20.310 -	2496823	321
73170346	20.020 -	2496909	023	73170375	20.310 -	2496823	318
73170346	20.310 -	2496823	020	73170375	20.310 -	2496823	322
73170346	22.402 -	2444968	016	73170376	20.310 -	2496823	331
73170346	23.122 -	1593293	007	73170377	20.310 -	2496823	332
73170346	23.810 -	2496814	005	73170378	20.310 -	2496823	351
73170346	23.611 -	2283063	103	73170378	20.310 -	2496823	352
73170346	60.160 -	2444410	024	73170379	20.310 -	2496823	353
73170346	60.160 -	2496850	024	73170379	20.310 -	2496823	354
73170346	60.160 -	2783776	024	73170380	16.032 -	2496807	344
73170346	60.180 -	2495031	024	73170380	20.020 -	2496909	017
73170346	61.032 -	2496859	003	73170380	20.280 -	2496866	020
73170346	61.032 -	2496882	003	73170380	23.270 -	2496569	003
73170347	20.020 -	2496909	025	73170380	23.270 -	2496571	003
73170347	20.310 -	2496823	021	73170380	23.290 -	2496573	003
73170347	60.160 -	2444410	030	73170382	20.280 -	2496866	021
73170347	60.180 -	2495031	030	73170383	20.280 -	2496866	023
73170347	61.032 -	2496859	005	73170383	23.050 -	2495629	005
73170347	61.032 -	2496882	005	73170384	20.280 -	2496866	025
73170349	20.310 -	2496823	022	73170385	20.280 -	2496866	026
73170349	20.310 -	2496823	023	73170387	20.280 -	2496866	027
73170350	20.310 -	2496823	024	73170388	20.280 -	2496866	028
73170350	20.320 -	2496832	024	73170389	20.230 -	2496866	031
73170361	20.310 -	2496823	025	73170391	20.280 -	2496866	032
73170362	15.120 -	2496872	016	73170392	20.280 -	2496866	033
73170362	20.310 -	2496823	026	73170392	20.610 -	2496797	060
73170363	15.121 -	2782175	011	73170392	20.642 -	2496464	008
73170363	20.310 -	2496823	029	73170392	22.200 -	2444371	006
73170366	20.310 -	2496823	032	73170392	23.610 -	2496814	021
73170367	20.310 -	2496823	034	73170393	20.020 -	2496909	018
73170369	10.202 -	2782698	018	73170393	20.280 -	2496866	034
73170369	16.032 -	2496807	345	73170393	22.200 -	2444371	004
73170369	22.020 -	2496846	016	73170394	20.280 -	2496866	036
73170369	22.020 -	2496846	062	73170395	20.280 -	2496866	201
73170369	22.030 -	2496847	021	73170396	20.280 -	2496866	261
73170369	23.122 -	1593293	008	73170398	20.280 -	2496866	263
73170369	23.142 -	2443928	006	73170399	20.280 -	2496866	264
73170360	20.310 -	2496823	035	73170400	20.280 -	2496866	265
73170361	20.310 -	2496823	036	73170402	20.280 -	2496866	267
73170363	20.290 -	2496788	020	73170403	20.290 -	2496866	272
73170364	20.290 -	2496788	021	73170406	20.280 -	2496866	260
73170366	20.290 -	2496788	022	73170407	20.280 -	2496866	284
73170367	20.310 -	2496823	301	73170408	20.280 -	2496866	285
73170368	20.310 -	2496823	302	73170409	20.280 -	2496866	267
73170370	20.310 -	2496823	306	73170410	20.280 -	2496866	288
73170371	20.310 -	2496823	307	73170411	20.280 -	2496866	289
73170372	20.310 -	2496823	311	73170412	23.180 -	2283060	003
73170372	20.310 -	2496823	313	73170413	23.180 -	2283060	102
73170373	20.310 -	2496823	312	73170414	15.121 -	2782175	010





### Cross reference

SURVEY		Machine type		FX600	Machine no.		
Part No.	No. of assembly		Item	Part No.	No. of assembly		Item
73170414	23.180 -	2283060	103	73170462	23.612 -	2283064	402
73170414	23.610 -	2496814	024	73170462	23.612 -	2283064	502
73170415	23.241 -	2783333	014	73170462	23.612 -	2283064	602
73170416	23.241 -	2783333	016	73170463	23.612 -	2283064	203
73170417	23.122 -	1593293	001	73170463	23.612 -	2283064	303
73170418	23.122 -	1593293	002	73170463	23.612 -	2283064	403
73170419	23.122 -	1593293	003	73170463	23.612 -	2283064	503
73170420	23.122 -	1593293	004	73170463	23.612 -	2283064	603
73170421	23.122 -	1593293	005	73170464	23.612 -	2283064	204
73170422	23.122 -	1593293	006	73170464	23.612 -	2283064	304
73170423	23.122 -	1593293	010	73170464	23.612 -	2283064	404
73170424	23.122 -	1593293	011	73170464	23.612 -	2283064	504
73170425	23.122 -	1593293	012	73170464	23.612 -	2283064	604
73170426	23.122 -	1593293	013	73170465	23.612 -	2283064	205
73170428	23.122 -	1593293	014	73170465	23.612 -	2283064	305
73170429	23.122 -	1593293	015	73170465	23.612 -	2283064	405
73170431	23.122 -	1593293	016	73170465	23.612 -	2283064	505
73170433	23.122 -	1593293	017	73170465	23.612 -	2283064	605
73170436	22.030 -	2496847	347	73170466	23.612 -	2283064	206
73170436	23.212 -	2444920	170	73170466	23.612 -	2283064	306
73170438	23.122 -	2141659	001	73170466	23.612 -	2283064	406
73170439	23.122 -	2141659	002	73170466	23.612 -	2283064	506
73170440	15.121 -	2782175	027	73170466	23.612 -	2283064	606
73170440	16.042 -	2443695	300	73170467	20.320 -	2496832	045
73170440	23.122 -	2141659	003	73170467	23.610 -	2496814	019
73170440	34.022 -	2444904	122	73170468	20.320 -	2496832	040
73170441	23.612 -	2283064	001	73170469	20.320 -	2496832	042
73170443	23.612 -	2283064	007	73170470	20.320 -	2496832	043
73170444	23.612 -	2283064	008	73170471	20.320 -	2496832	047
73170445	23.612 -	2283064	014	73170471	60.160 -	2444410	027
73170446	23.612 -	2283064	015	73170471	60.180 -	2495031	027
73170447	23.612 -	2283064	016	73170473	20.320 -	2496832	048
73170448	23.612 -	2283064	017	73170473	23.610 -	2496814	018
73170449	23.612 -	2283064	019	73170474	20.320 -	2496832	049
73170450	23.612 -	2283064	030	73170475	20.320 -	2496832	054
73170451	23.612 -	2283064	031	73170476	20.320 -	2496832	250
73170453	23.612 -	2283064	032	73170477	20.320 -	2496832	251
73170454	23.612 -	2283064	033	73170478	20.320 -	2496832	252
73170455	23.612 -	2283064	034	73170479	20.320 -	2496832	253
73170456	23.612 -	2283064	035	73170480	20.320 -	2496832	270
73170457	23.240 -	2783334	011	73170481	20.320 -	2496832	280
73170457	23.612 -	2283064	037	73170482	20.320 -	2496832	281
73170458	23.612 -	2283064	038	73170483	20.320 -	2496832	282
73170459	22.030 -	2496847	032	73170484	20.320 -	2496832	283
73170459	22.030 -	2496847	312	73170485	20.320 -	2496832	291
73170459	23.292 -	2496572	022	73170486	22.400 -	1708496	001
73170459	23.612 -	2283064	040	73170488	22.402 -	2444968	006
73170460	23.612 -	2283064	049	73170489	22.400 -	1708496	003
73170461	22.402 -	2444966	013	73170490	22.400 -	1708496	007
73170461	23.610 -	2496814	023	73170492	23.312 -	2216823	001
73170461	23.612 -	2283064	050	73170493	23.312 -	2216823	101
73170462	23.612 -	2283064	202	73170494	22.020 -	2496846	111
73170462	23.612 -	2283064	302	73170494	22.020 -	2496846	311



### Cross reference

SURVEY		Machine type		FX600	Machine no.		
Part No.	No. of assembly	Item	Part No.	No. of assembly	Item		
73170494	22.030 -	2496847	384	73170551	23.152 -	2495870	209
73170494	23.212 -	2444920	033	73170552	22.110 -	2496812	001
73170496	22.030 -	2496847	326	73170553	23.141 -	2444879	002
73170496	23.232 -	1988158	004	73170554	11.020 -	2495246	005
73170496	23.232 -	2249696	013	73170556	16.031 -	2496808	101
73170500	23.232 -	2495293	001	73170558	16.031 -	2495261	005
73170501	23.232 -	2495293	002	73170559	13.020 -	2495261	001
73170502	23.232 -	2495293	003	73170560	13.020 -	2495261	002
73170503	23.232 -	2495293	004	73170561	13.020 -	2495261	003
73170504	23.610 -	2496814	006	73170562	13.020 -	2495261	004
73170505	23.610 -	2496814	009	73170563	13.020 -	2495261	005
73170506	23.610 -	2496814	015	73170565	13.020 -	2495261	006
73170509	23.610 -	2496814	017	73170566	13.020 -	2495261	007
73170510	23.240 -	2783334	005	73170567	13.020 -	2495261	008
73170510	23.610 -	2496814	020	73170568	13.020 -	2495261	010
73170511	23.610 -	2496814	033	73170569	13.020 -	2495261	011
73170512	23.610 -	2496814	102	73170570	13.020 -	2495261	012
73170513	23.610 -	2496814	275	73170572	19.400 -	2496811	001
73170514	23.182 -	1707400	001	73170573	19.400 -	2496811	002
73170515	23.182 -	1707400	002	73170574	19.400 -	2496811	003
73170516	23.182 -	1707400	003	73170575	19.400 -	2496811	004
73170517	23.182 -	1707400	005	73170576	16.032 -	2496807	001
73170518	23.182 -	1707400	006	73170577	16.032 -	2496807	010
73170519	23.182 -	1707400	007	73170578	22.010 -	2496849	010
73170521	23.182 -	1707400	008	73170579	16.032 -	2496807	012
73170523	23.182 -	2141196	001	73170579	22.010 -	2496849	007
73170524	23.182 -	2141196	002	73170581	16.032 -	2496807	201
73170525	23.182 -	2141196	003	73170582	16.032 -	2496807	202
73170526	23.611 -	2248584	006	73170583	16.032 -	2496807	203
73170527	23.611 -	2283063	002	73170584	16.032 -	2496807	221
73170528	23.611 -	2283063	003	73170585	16.032 -	2496807	222
73170529	23.611 -	2283063	006	73170585	16.032 -	2496807	251
73170530	23.611 -	2283063	008	73170587	16.032 -	2496807	252
73170532	10.202 -	2782698	016	73170588	16.032 -	2496807	263
73170532	23.611 -	2283063	102	73170589	16.032 -	2496807	223
73170533	23.142 -	2443928	001	73170590	16.032 -	2496807	224
73170534	23.142 -	2443928	003	73170591	16.032 -	2496807	225
73170535	23.142 -	2443928	004	73170592	16.032 -	2496807	227
73170536	23.142 -	2443928	005	73170593	16.032 -	2496807	340
73170537	23.142 -	2443928	007	73170595	16.032 -	2496807	343
73170538	23.142 -	2443928	008	73170596	16.032 -	2496807	347
73170539	23.142 -	2443928	011	73170597	16.032 -	2496807	348
73170540	23.152 -	2495870	001	73170598	16.032 -	2496807	349
73170541	23.152 -	2495870	002	73170599	16.032 -	2496807	561
73170542	23.152 -	2495870	201	73170600	16.032 -	2496807	552
73170543	22.030 -	2496847	047	73170601	16.032 -	2496807	563
73170544	23.152 -	2495870	202	73170602	16.032 -	2496807	554
73170545	23.152 -	2495870	203	73170603	16.032 -	2496807	556
73170546	23.152 -	2495870	204	73170604	16.032 -	2496807	557
73170547	23.152 -	2495870	205	73170605	16.032 -	2496807	558
73170548	23.152 -	2495870	206	73170606	16.032 -	2496807	559
73170549	23.152 -	2495870	207	73170607	16.032 -	2496807	560
73170550	23.152 -	2495870	208	73170608	16.032 -	2496807	561



### Cross reference

SURVEY		Machine type		FX600	Machine no.	
Part No.	No. of assembly	Item	Part No.	No. of assembly	Item	
73170610	16.032 - 2496807	562	73170669	22.202 - 2248164	005	
73170612	16.032 - 2496807	563	73170669	92.020 - 2782033	020	
73170613	16.032 - 2496807	564	73170670	22.202 - 2248164	006	
73170614	10.202 - 2782698	015	73170671	22.202 - 2248164	007	
73170614	16.032 - 2496807	565	73170671	92.020 - 2782033	021	
73170615	16.032 - 2496807	573	73170672	22.200 - 2444371	002	
73170616	36.512 - 2495247	001	73170674	22.200 - 2444372	002	
73170617	36.512 - 2495247	002	73170675	13.501 - 2175501	001	
73170618	36.512 - 2495247	003	73170676	13.501 - 2175501	101	
73170619	36.512 - 2495247	004	73170676	92.020 - 2782033	013	
73170620	36.512 - 2495247	005	73170677	13.501 - 2175501	102	
73170621	34.101 - 2444880	132	73170678	92.020 - 2782033	012	
73170621	36.512 - 2495247	006	73170679	13.501 - 2175501	103	
73170622	36.512 - 2495247	008	73170681	13.501 - 2175501	105	
73170623	24.022 - 2495403	001	73170682	13.501 - 2175501	106	
73170624	24.022 - 2495403	002	73170683	13.300 - 2443698	001	
73170626	24.022 - 2495403	003	73170684	13.300 - 2443698	002	
73170628	24.022 - 2495403	302	73170685	13.300 - 2443698	004	
73170629	24.022 - 2495403	303	73170685	20.020 - 2496909	040	
73170630	24.022 - 2495403	304	73170685	34.640 - 2444852	008	
73170631	24.022 - 2495403	305	73170686	30.200 - 2444234	012	
73170632	24.022 - 2495403	006	73170687	13.300 - 2443698	005	
73170634	24.022 - 2495403	402	73170689	10.202 - 2782698	004	
73170635	24.022 - 2495403	403	73170691	10.202 - 2782698	005	
73170636	24.022 - 2495403	404	73170693	10.202 - 2782698	006	
73170637	24.022 - 2495403	405	73170694	10.202 - 2782698	007	
73170639	24.022 - 2495403	407	73170696	10.202 - 2782698	009	
73170640	24.022 - 2495403	408	73170696	13.400 - 2782790	002	
73170642	24.022 - 2495403	008	73170696	23.292 - 2496572	009	
73170643	24.022 - 2495403	011	73170699	10.202 - 2782698	011	
73170643	24.052 - 2495307	008	73170699	15.121 - 2782175	030	
73170644	24.022 - 2495403	019	73170706	10.202 - 2782698	022	
73170645	24.022 - 2495403	023	73170707	15.120 - 2496872	026	
73170646	24.022 - 2495403	026	73170708	10.202 - 2782698	023	
73170647	24.022 - 2495403	202	73170709	10.202 - 2782698	024	
73170648	24.022 - 2495403	203	73170710	10.202 - 2782698	025	
73170649	24.022 - 2495403	204	73170711	22.010 - 2496849	006	
73170650	24.022 - 2495403	406	73170712	22.010 - 2496849	008	
73170651	24.022 - 2495403	800	73170713	22.010 - 2496849	011	
73170652	23.240 - 2783334	003	73170714	22.010 - 2496849	012	
73170653	22.200 - 2444371	003	73170714	24.032 - 2495225	009	
73170653	23.240 - 2783334	004	73170715	22.010 - 2496849	013	
73170656	23.270 - 2496569	004	73170717	22.010 - 2496849	014	
73170656	23.270 - 2496571	004	73170720	22.010 - 2496849	017	
73170658	23.240 - 2783334	010	73170722	22.010 - 2496849	018	
73170659	23.240 - 2783334	012	73170724	22.010 - 2496849	019	
73170664	23.232 - 1998158	002	73170726	22.010 - 2496849	020	
73170664	23.232 - 2249696	002	73170728	17.102 - 2444158	001	
73170664	23.242 - 2783875	120	73170729	17.102 - 2444158	002	
73170665	23.242 - 2783875	130	73170730	17.102 - 2444158	003	
73170667	22.202 - 2248164	001	73170731	17.102 - 2444158	004	
73170668	22.202 - 2248164	003	73170732	22.020 - 2496846	001	
73170668	92.020 - 2782033	019	73170733	22.020 - 2496846	006	



### Cross reference

SURVE.		Machine type		FX600		Machine no.	
		Part No.	No. of assembly	Item	Part No.	No. of assembly	Item
73170734	22.020 -	2496845	011	73170794	22.110 -	2495217	001
73170735	22.020 -	2496846	017	73170795	22.110 -	2495217	004
73170738	22.020 -	2496846	022	73170796	22.110 -	2495217	006
73170736	22.100 -	2496888	018	73170797	22.110 -	2495217	007
73170737	22.020 -	2496846	024	73170799	22.110 -	2495217	010
73170738	22.020 -	2496846	032	73170800	22.110 -	2495217	014
73170739	16.042 -	2443685	280	73170802	22.110 -	2495217	016
73170739	22.020 -	2496846	037	73170803	10.010 -	2782700	004
73170740	22.020 -	2496846	038	73170804	01.300 -	2495775	104
73170742	22.020 -	2496846	039	73170804	01.300 -	2782082	104
73170744	22.020 -	2496846	040	73170804	10.010 -	2782700	005
73170748	22.020 -	2496846	041	73170804	11.010 -	2496910	001
73170749	22.020 -	2496846	053	73170805	10.010 -	2782700	006
73170749	22.030 -	2496847	511	73170806	10.010 -	2782700	008
73170750	22.020 -	2496846	054	73170807	10.010 -	2782700	110
73170751	22.020 -	2496846	061	73170808	10.010 -	2782700	111
73170753	22.020 -	2496846	112	73170809	10.010 -	2782700	112
73170753	22.020 -	2496846	212	73170810	10.010 -	2782700	115
73170754	23.212 -	2444920	011	73170811	10.010 -	2782700	122
73170755	22.020 -	2496846	213	73170811	10.010 -	2782700	132
73170755	22.030 -	2496847	358	73170812	10.010 -	2782700	127
73170757	22.020 -	2496846	312	73170812	10.010 -	2782700	137
73170758	22.020 -	2496846	313	73170813	10.010 -	2782700	129
73170759	16.042 -	2443685	080	73170813	10.010 -	2782700	138
73170760	16.042 -	2443685	090	73170814	22.500 -	2496620	004
73170761	16.042 -	2443685	100	73170815	22.510 -	2496819	001
73170762	16.042 -	2443685	110	73170816	30.040 -	2782656	005
73170763	16.042 -	2443685	120	73170819	30.040 -	2782656	009
73170764	16.042 -	2443685	130	73170819	30.200 -	2444234	008
73170765	16.042 -	2443685	140	73170819	30.200 -	2444411	008
73170766	16.042 -	2443685	150	73170820	30.040 -	2782656	010
73170767	16.042 -	2443685	160	73170820	30.200 -	2444234	009
73170768	16.042 -	2443685	170	73170820	30.200 -	2444411	005
73170769	16.042 -	2443685	180	73170822	30.040 -	2782656	011
73170769	16.042 -	2443685	190	73170822	30.200 -	2444234	010
73170770	16.042 -	2443685	200	73170822	30.200 -	2444411	010
73170771	16.042 -	2443685	210	73170823	30.040 -	2782656	012
73170772	16.042 -	2443685	220	73170823	30.200 -	2444234	011
73170773	16.042 -	2443685	230	73170823	30.200 -	2444411	011
73170774	16.042 -	2443685	240	73170825	30.040 -	2782656	013
73170775	16.042 -	2443685	250	73170826	30.040 -	2782656	016
73170776	16.042 -	2443685	260	73170826	30.200 -	2444234	021
73170777	16.042 -	2443685	270	73170826	30.200 -	2444411	021
73170778	16.042 -	2443685	290	73170827	30.040 -	2782656	017
73170779	16.042 -	2443685	310	73170829	30.040 -	2782656	018
73170780	16.042 -	2443685	320	73170831	30.040 -	2782656	020
73170780	22.030 -	2496847	408	73170831	30.200 -	2444234	018
73170781	16.042 -	2443685	330	73170831	30.200 -	2444411	018
73170782	16.042 -	2443685	350	73170833	30.040 -	2782656	023
73170783	16.042 -	2443685	360	73170833	30.200 -	2444234	016
73170784	16.042 -	2443685	370	73170833	30.200 -	2444411	016
73170785	16.042 -	2443685	380	73170834	22.520 -	2444775	259
73170793	13.400 -	2782790	001	73170834	30.040 -	2782656	024



### Cross reference

SURVEY		Machine type		FX800	Machine no.		
Part No.	No. of assembly		Item	Part No.	No. of assembly		Item
73170997	35.060 -	2443940	001	73171041	34.022 -	2444904	025
73170998	34.300 -	2444897	001	73171042	34.021 -	2496867	026
73170998	36.500 -	2782741	013	73171043	34.021 -	2496867	031
73170999	34.230 -	2495010	020	73171043	34.022 -	2444904	031
73170999	34.300 -	2444897	003	73171044	34.021 -	2496867	032
73171000	01.300 -	2496775	103	73171044	34.022 -	2444904	032
73171000	01.300 -	2782082	103	73171045	34.021 -	2496867	033
73171001	01.300 -	2496775	203	73171045	34.022 -	2444904	033
73171001	01.300 -	2782082	203	73171046	34.021 -	2496867	037
73171002	01.300 -	2496775	204	73171046	34.022 -	2444904	037
73171002	01.300 -	2782082	204	73171047	34.021 -	2496867	040
73171003	11.010 -	2495248	001	73171047	34.022 -	2444904	040
73171004	11.010 -	2495248	002	73171047	34.220 -	2444896	037
73171005	11.010 -	2495248	004	73171047	34.220 -	2496873	037
73171007	11.010 -	2496910	003	73171048	34.021 -	2496867	043
73171012	92.010 -	2782496	114	73171048	34.022 -	2444904	043
73171013	92.010 -	2782496	126	73171049	34.021 -	2496867	044
73171014	92.010 -	2782496	002	73171049	34.022 -	2444904	044
73171015	92.010 -	2782496	003	73171050	34.021 -	2496867	050
73171016	92.010 -	2782496	004	73171050	34.022 -	2444904	050
73171017	92.010 -	2782496	005	73171051	34.021 -	2496867	055
73171019	92.010 -	2782496	201	73171051	34.022 -	2444904	055
73171020	92.010 -	2782496	202	73171052	34.021 -	2496867	056
73171021	92.010 -	2782496	006	73171052	34.022 -	2444904	056
73171022	92.010 -	2782496	204	73171053	34.021 -	2496867	075
73171023	92.010 -	2782496	205	73171053	34.022 -	2444904	075
73171024	34.640 -	2444852	002	73171054	34.021 -	2496867	077
73171025	34.630 -	2444916	014	73171054	34.022 -	2444904	077
73171025	34.640 -	2444852	005	73171055	34.021 -	2496867	107
73171025	34.640 -	2444852	006	73171055	34.022 -	2444904	107
73171026	34.640 -	2444852	007	73171056	34.021 -	2496867	115
73171027	34.540 -	2444852	009	73171056	34.022 -	2444904	115
73171028	34.640 -	2444852	010	73171058	34.021 -	2496867	128
73171029	34.640 -	2444852	015	73171058	34.022 -	2444904	128
73171030	31.510 -	2495871	012	73171059	34.021 -	2496867	130
73171030	31.510 -	2496871	021	73171059	34.022 -	2444904	130
73171030	34.131 -	2444891	004	73171060	34.021 -	2496867	195
73171030	34.140 -	2444887	013	73171060	34.022 -	2444904	195
73171030	34.140 -	2782774	013	73171061	34.021 -	2496867	218
73171030	34.640 -	2444852	016	73171061	34.022 -	2444904	218
73171032	34.640 -	2444852	017	73171062	34.021 -	2496867	250
73171033	27.010 -	2496798	006	73171062	34.022 -	2444904	250
73171033	34.021 -	2496867	052	73171064	34.021 -	2496867	400
73171033	34.022 -	2444904	052	73171065	34.021 -	2496867	410
73171034	27.010 -	2496798	007	73171065	34.022 -	2444904	410
73171034	34.021 -	2496867	078	73171066	34.502 -	2444945	001
73171034	34.022 -	2444904	078	73171067	34.502 -	2444945	005
73171035	27.010 -	2496798	009	73171067	34.502 -	2782535	005
73171039	34.021 -	2496867	017	73171068	34.502 -	2444945	012
73171039	34.022 -	2444904	017	73171068	34.502 -	2782535	012
73171040	34.021 -	2496867	022	73171069	34.502 -	2444945	019
73171040	34.022 -	2444904	022	73171069	34.502 -	2782535	019
73171041	34.021 -	2496867	025	73171070	34.502 -	2444945	021



### Cross reference

SURVEY		Machine type		FX800	Machine no.	
Part No.	No. of assembly	Item	Part No.	No. of assembly	Item	
73171070	34.502 - 2782535	021	73171103	34.630 - 2444916		101
73171071	34.602 - 2444945	023	73171104	34.630 - 2444916		102
73171071	34.502 - 2782535	022	73171105	34.630 - 2444916		103
73171072	34.502 - 2444945	040	73171106	34.630 - 2444916		004
73171072	34.502 - 2782535	040	73171108	34.630 - 2444916		006
73171073	34.502 - 2444945	061	73171109	34.630 - 2444916		007
73171073	34.502 - 2782535	051	73171110	34.630 - 2444916		008
73171074	34.502 - 2444945	063	73171111	34.630 - 2444916		011
73171075	34.502 - 2444945	055	73171112	34.630 - 2444916		012
73171075	34.502 - 2782535	055	73171113	34.630 - 2444916		017
73171076	34.502 - 2444945	056	73171114	34.630 - 2444916		020
73171076	34.502 - 2782535	056	73171115	34.630 - 2444916		025
73171077	34.502 - 2444945	057	73171116	34.630 - 2444916		044
73171077	34.502 - 2782535	057	73171117	34.630 - 2444916		045
73171078	34.502 - 2444945	070	73171119	34.630 - 2444916		100
73171078	34.502 - 2782535	070	73171120	34.630 - 2444916		201
73171080	34.502 - 2444945	071	73171121	34.630 - 2444916		220
73171080	34.502 - 2782535	071	73171124	34.230 - 2495010		002
73171081	34.502 - 2444945	072	73171125	34.230 - 2495010		004
73171081	34.502 - 2782535	072	73171126	34.230 - 2495010		005
73171083	34.502 - 2444945	090	73171127	34.230 - 2495010		007
73171083	34.502 - 2782535	090	73171128	34.230 - 2495010		008
73171084	34.502 - 2444945	091	73171129	34.230 - 2495010		009
73171084	34.502 - 2782535	091	73171131	34.230 - 2495010		011
73171085	34.220 - 2496873	001	73171132	34.230 - 2495010		012
73171086	34.220 - 2444896	010	73171133	34.230 - 2495010		013
73171086	34.220 - 2496873	010	73171134	34.230 - 2495010		014
73171087	34.220 - 2444896	011	73171136	34.230 - 2495010		016
73171087	34.220 - 2496873	011	73171137	34.230 - 2495010		017
73171088	34.220 - 2444896	013	73171138	34.230 - 2495010		018
73171088	34.220 - 2496873	013	73171139	34.230 - 2495010		019
73171089	34.220 - 2444896	019	73171140	34.230 - 2495010		021
73171089	34.220 - 2496873	019	73171141	34.230 - 2495010		022
73171090	34.220 - 2496873	036	73171142	34.230 - 2495010		023
73171091	34.220 - 2496873	040	73171143	34.230 - 2495010		024
73171092	34.220 - 2444896	047	73171144	34.230 - 2495010		025
73171092	34.220 - 2496873	047	73171145	34.230 - 2495010		026
73171093	34.131 - 2444891	007	73171146	34.230 - 2495010		027
73171093	34.220 - 2444896	049	73171147	34.230 - 2495010		028
73171093	34.220 - 2496873	049	73171148	34.230 - 2495010		029
73171095	34.220 - 2444896	056	73171149	34.230 - 2495010		030
73171095	34.220 - 2496873	056	73171150	34.230 - 2495010		031
73171096	34.220 - 2444896	058	73171151	34.230 - 2495010		032
73171096	34.220 - 2496873	058	73171151	34.230 - 2495010		035
73171096	34.230 - 2495010	050	73171152	34.230 - 2495010		033
73171097	34.220 - 2444896	100	73171153	34.230 - 2495010		034
73171097	34.220 - 2496873	100	73171154	34.230 - 2495010		036
73171098	34.220 - 2444896	150	73171156	34.230 - 2495010		038
73171098	34.220 - 2496873	150	73171157	34.230 - 2495010		039
73171099	34.220 - 2444896	152	73171158	34.230 - 2495010		040
73171099	34.220 - 2496873	152	73171159	34.230 - 2495010		041
73171101	34.630 - 2444916	001	73171160	34.230 - 2495010		042
73171102	34.630 - 2444916	003	73171161	34.230 - 2495010		043



### Cross reference

SURVEY		Machine type		FX600	Machine no.	
Part No.	No. of assembly	Item	Part No.	No. of assembly	Item	
73171162	34.230 - 2495010	044	73171214	34.101 - 2444880	122	
73171163	34.230 - 2495010	045	73171215	34.101 - 2444880	124	
73171165	34.230 - 2495010	046	73171216	34.101 - 2444880	130	
73171166	34.230 - 2495010	047	73171217	34.101 - 2444880	131	
73171168	34.230 - 2495010	049	73171218	34.101 - 2444880	133	
73171169	31.510 - 2495871	001	73171219	34.101 - 2444880	134	
73171170	31.510 - 2495871	002	73171220	34.101 - 2444880	136	
73171171	31.510 - 2495871	003	73171221	34.101 - 2444880	138	
73171172	31.510 - 2495871	005	73171222	34.101 - 2444880	139	
73171173	31.510 - 2495871	007	73171223	34.101 - 2444880	140	
73171173	31.510 - 2495871	032	73171224	34.101 - 2444880	141	
73171174	31.510 - 2495871	020	73171225	34.101 - 2444880	142	
73171175	31.510 - 2495871	031	73171226	34.101 - 2444880	143	
73171176	31.510 - 2495871	035	73171227	34.101 - 2444880	145	
73171177	90.100 - 2495594	001	73171228	34.140 - 2444887	001	
73171178	90.100 - 2495594	002	73171229	34.140 - 2444887	010	
73171179	90.100 - 2495594	003	73171230	34.140 - 2444887	011	
73171180	90.100 - 2495594	005	73171231	34.140 - 2444887	012	
73171181	34.210 - 2443232	001	73171231	34.140 - 2782774	012	
73171182	34.210 - 2443232	006	73171232	34.140 - 2444887	014	
73171183	34.100 - 1908540	001	73171232	34.140 - 2782774	014	
73171184	34.100 - 1908540	002	73171233	23.270 - 2495569	005	
73171186	34.100 - 1908540	003	73171233	23.270 - 2495571	006	
73171187	34.100 - 1908540	004	73171233	34.140 - 2444887	016	
73171188	34.140 - 2444887	003	73171233	34.140 - 2782774	016	
73171188	34.140 - 2782774	003	73171234	34.140 - 2782774	001	
73171188	34.500 - 2444944	003	73171235	34.140 - 2782774	011	
73171188	34.500 - 2782534	101	73171236	34.022 - 2444904	607	
73171189	34.105 - 2495303	018	73171239	31.600 - 2782775	001	
73171190	34.130 - 2495285	001	73171240	31.600 - 2782776	002	
73171191	34.131 - 2444891	001	73171243	31.600 - 2782775	202	
73171192	34.131 - 2444891	006	73171245	31.600 - 2782775	012	
73171193	34.131 - 2444891	101	73171245	31.600 - 2782775	017	
73171184	34.131 - 2444891	102	73171245	31.600 - 2782775	022	
73171195	34.101 - 2444880	001	73171245	31.600 - 2782775	027	
73171196	34.101 - 2444880	101	73171245	31.600 - 2782775	032	
73171197	34.101 - 2444880	102	73171245	31.600 - 2782776	042	
73171198	34.101 - 2444880	103	73171246	31.600 - 2782775	101	
73171199	34.101 - 2444880	104	73171247	31.600 - 2782775	102	
73171200	34.101 - 2444880	105	73171249	34.141 - 2444874	001	
73171201	34.101 - 2444880	107	73171250	34.141 - 2444877	027	
73171202	34.101 - 2444880	108	73171251	23.232 - 1998158	001	
73171203	34.101 - 2444880	109	73171252	23.232 - 1998158	003	
73171204	34.101 - 2444880	111	73171253	23.232 - 2249596	001	
73171205	34.101 - 2444880	112	73171254	23.232 - 2249596	008	
73171206	34.101 - 2444880	113	73171255	23.232 - 2249596	009	
73171207	34.101 - 2444880	114	73171255	23.232 - 2249596	014	
73171208	34.101 - 2444880	115	73171257	23.212 - 2444920	107	
73171209	34.101 - 2444880	115	73171257	23.232 - 2249596	015	
73171210	34.101 - 2444880	117	73171258	23.232 - 2249596	016	
73171211	31.050 - 1287253	080	73171259	23.232 - 2249596	017	
73171212	34.101 - 2444880	118	73171260	23.232 - 2249596	018	
73171213	34.101 - 2444880	119	73171261	23.232 - 2249596	019	



### Cross reference

SURVEY		Machine type		FX600	Machine no.	
Part No.	No. of assembly	Item	Part No.	No. of assembly	Item	
73171352	60.180 - 2495031	009	73171380	61.011 - 2495220	104	
73171353	60.180 - 2495031	016	73171391	61.010 - 2444197	105	
73171354	60.160 - 2444410	016	73171391	61.011 - 2495220	105	
73171354	60.180 - 2495031	016	73171392	61.010 - 2444197	105	
73171355	60.160 - 2444410	017	73171392	61.011 - 2495220	106	
73171355	60.180 - 2495031	017	73171393	61.010 - 2444197	107	
73171356	60.160 - 2444410	018	73171393	61.011 - 2495220	107	
73171356	60.180 - 2495031	018	73171394	61.010 - 2444197	108	
73171357	60.160 - 2444410	019	73171394	61.011 - 2495220	108	
73171357	60.180 - 2495031	019	73171395	61.032 - 2496859	008	
73171358	60.180 - 2495031	021	73171395	61.032 - 2496882	009	
73171362	60.180 - 2495031	028	73171396	61.032 - 2496859	010	
73171363	60.160 - 2444410	036	73171396	61.032 - 2496882	010	
73171363	60.180 - 2495031	036	73171397	61.032 - 2496882	012	
73171364	60.160 - 2444410	700	73171403	62.012 - 2496906	104	
73171364	60.180 - 2495031	700	73171404	62.012 - 2496906	105	
73171365	60.180 - 2495031	701	73171406	62.012 - 2496906	110	
73171366	60.160 - 2496850	004	73171407	62.012 - 2496906	111	
73171366	60.160 - 2783776	004	73171408	62.012 - 2496906	114	
73171366	61.032 - 2496859	013	73171409	62.012 - 2496906	213	
73171366	61.032 - 2496882	013	73171410	24.052 - 2495307	010	
73171367	60.160 - 2496850	029	73171410	24.052 - 2495307	303	
73171367	60.160 - 2783776	029	73171410	62.012 - 2496906	218	
73171367	61.032 - 2496859	014	73171411	24.032 - 2495225	001	
73171367	61.032 - 2496882	014	73171412	24.032 - 2495225	008	
73171368	60.160 - 2496850	703	73171413	24.032 - 2495225	010	
73171369	22.402 - 2444968	001	73171413	24.032 - 2495225	302	
73171370	22.402 - 2444968	002	73171414	24.032 - 2495225	011	
73171371	22.402 - 2444968	005	73171414	24.032 - 2495225	303	
73171372	22.402 - 2444968	007	73171415	24.032 - 2495225	202	
73171374	22.402 - 2444968	008	73171416	24.032 - 2495225	203	
73171375	22.402 - 2444968	009	73171417	24.032 - 2495225	204	
73171376	22.402 - 2444968	010	73171418	24.032 - 2495225	304	
73171377	22.402 - 2444968	014	73171419	24.032 - 2495225	305	
73171379	30.200 - 2444234	007	73171419	24.052 - 2495307	305	
73171379	30.200 - 2444411	007	73171420	24.032 - 2495225	402	
73171380	30.200 - 2444234	551	73171421	24.032 - 2495225	403	
73171381	30.200 - 2444234	552	73171422	24.032 - 2495225	404	
73171381	30.200 - 2444411	552	73171423	24.032 - 2495225	405	
73171382	30.200 - 2444234	553	73171425	24.032 - 2495225	406	
73171382	30.200 - 2444411	553	73171426	24.032 - 2495225	407	
73171383	30.200 - 2444234	554	73171427	24.032 - 2495225	408	
73171384	30.200 - 2444234	555	73171428	24.032 - 2495225	800	
73171384	30.200 - 2444411	555	73171434	24.052 - 2495307	001	
73171385	30.200 - 2444234	556	73171435	24.052 - 2495307	002	
73171386	61.011 - 2495220	001	73171436	24.052 - 2495307	003	
73171387	61.010 - 2444197	101	73171437	24.052 - 2495307	004	
73171387	61.011 - 2495220	101	73171439	24.052 - 2495307	402	
73171388	61.010 - 2444197	102	73171440	24.052 - 2495307	403	
73171388	61.011 - 2495220	102	73171441	24.052 - 2495307	404	
73171389	61.010 - 2444197	103	73171442	24.052 - 2495307	405	
73171389	61.011 - 2495220	103	73171443	24.052 - 2495307	406	
73171390	61.010 - 2444197	104	73171444	24.052 - 2495307	407	





### Cross reference

SURVEY		Machine type		FX800	Machine no.		
Part No.	No. of assembly	Item	Part No.	No. of assembly	Item		
73171445	24.052 -	2495307	408	73172009	34.022 -	2444904	502
73171445	24.052 -	2495307	009	73172010	34.022 -	2444904	503
73171446	24.052 -	2495307	302	73172011	34.022 -	2444904	501
73171447	24.052 -	2495307	202	73172012	34.022 -	2444904	602
73171448	24.052 -	2495307	203	73172013	34.022 -	2444904	604
73171449	24.052 -	2495307	304	73172014	34.022 -	2444904	606
73171450	24.052 -	2495307	800	73172015	34.220 -	2444896	001
73171451	62.210 -	2249912	001	73172017	34.220 -	2444896	036
73171452	62.210 -	2249912	002	73172018	34.220 -	2444896	040
73171453	62.210 -	2249912	007	73172063	62.012 -	2496908	212
73171454	27.012 -	2496799	001	73172160	50.200 -	2444411	012
73171455	31.050 -	1287263	062	73172203	20.260 -	2782173	272
73171455	34.642 -	2453302	001	73172242	19.502 -	2496921	003
73171456	34.642 -	2453302	002	73172243	19.502 -	2496921	004
73171457	34.642 -	2453302	003	73172245	19.400 -	2496811	306
73171458	34.642 -	2453302	004	73172246	19.502 -	2496921	005
73171459	34.642 -	2453302	005	73172246	19.400 -	2496811	305
73171502	20.020 -	2496909	026	73172246	19.502 -	2496921	006
73171557	10.010 -	2782700	007	73172248	19.502 -	2496921	008
73171558	15.122 -	2496856	001	73172249	19.502 -	2496921	009
73171559	22.030 -	2496847	001	73172250	19.502 -	2496921	011
73171560	20.290 -	2496788	004	73172251	19.502 -	2496921	012
73171561	20.290 -	2496788	005	73172252	19.502 -	2496921	013
73171562	20.290 -	2496788	006	73172253	19.502 -	2496921	014
73171563	20.290 -	2496788	007	73172254	19.502 -	2496921	015
73171564	22.052 -	2496848	001	73172287	35.010 -	2496254	026
73171565	36.010 -	2443764	018	73172288	36.010 -	2496254	016
73171667	20.020 -	2496909	015	73172308	20.260 -	2782173	003
73171664	31.050 -	1287263	068	73172322	20.310 -	2496823	065
73171665	10.202 -	2782698	020	73172324	20.310 -	2496823	067
73171665	22.030 -	2496847	022	73172334	20.320 -	2496832	056
73171665	22.030 -	2496847	335	73172335	20.320 -	2496832	057
73171665	22.030 -	2496847	519	73172358	22.110 -	2496812	015
73171741	16.031 -	2496808	002	73172360	23.292 -	2496572	010
73171742	16.031 -	2496808	004	73172445	22.100 -	2496888	120
73171751	22.030 -	2496847	137	73172457	22.030 -	2496847	048
73171805	20.641 -	2782181	105	73172457	22.030 -	2496847	518
73171805	20.641 -	2782181	107	73172459	22.030 -	2496847	025
73171805	20.641 -	2782181	125	73172466	22.030 -	2496847	307
73171805	20.641 -	2782181	127	73172470	22.030 -	2496847	360
73171806	20.641 -	2782181	108	73172471	22.030 -	2496847	365
73171806	20.641 -	2782181	123	73172486	20.020 -	2496909	016
73171833	22.030 -	2496847	313	73172487	13.011 -	2496855	171
73171883	23.240 -	2783334	006	73172489	12.010 -	2782083	001
73171993	23.240 -	2783334	007	73172506	31.410 -	2444808	001
73171996	30.040 -	2782656	029	73172507	31.410 -	2444808	005
73172000	31.050 -	1287263	126	73172508	31.050 -	1287263	127
73172001	31.050 -	1287263	030	73172508	31.410 -	2444808	101
73172003	31.050 -	1287263	004	73172509	31.050 -	1287263	009
73172005	34.022 -	2444904	018	73172509	31.050 -	1287263	011
73172006	34.022 -	2444904	060	73172509	31.050 -	1287263	013
73172007	34.022 -	2444904	400	73172509	31.050 -	1287263	015
73172008	34.022 -	2444904	501	73172509	31.050 -	1287263	017



### Cross reference

SURVEY		Machine type		FX600	Machine no.	
Part No.	No. of assembly	Item	Part No.	No. of assembly	Item	
73172509	31.050 - 1287263	018	73172533	31.050 - 1287263		121
73172509	31.410 - 2444808	103	73172534	31.050 - 1287263		122
73172510	31.050 - 1287263	010	73172635	31.050 - 1287263		123
73172510	31.050 - 1287263	012	73172636	31.050 - 1287263		124
73172510	31.050 - 1287263	014	73172640	31.050 - 1287263		135
73172510	31.050 - 1287263	016	73172641	31.050 - 1287263		139
73172510	31.050 - 1287263	018	73172642	31.050 - 1287263		140
73172510	31.050 - 1287263	020	73172785	06.170 - 2141753		001
73172510	31.410 - 2444808	104	73172847	24.032 - 2495225		002
73172511	31.050 - 1287263	151	73172848	24.032 - 2495225		003
73172511	31.410 - 2444808	105	73173010	24.032 - 2495225		004
73172512	31.050 - 1287263	070	73173011	10.102 - 2443353		038
73172512	31.410 - 2444808	106	73173012	22.400 - 1708496		002
73172513	34.140 - 2782774	101	73173016	13.501 - 2175501		104
73172514	34.140 - 2782774	102	73173027	31.050 - 1287263		117
73172516	31.050 - 1287263	078	73173031	31.050 - 1287263		128
73172516	31.600 - 2782775	037	73173064	16.031 - 2496808		003
73172527	27.012 - 2496799	090	73173305	31.050 - 1287263		001
73172586	22.030 - 2496847	359	73173305	31.050 - 1287263		005
73172587	22.030 - 2496847	302	73173305	31.050 - 1287263		007
73172588	31.050 - 1287263	002	73173305	31.050 - 1287263		008
73172589	31.050 - 1287263	003	73173305	31.050 - 1287263		045
73172594	13.011 - 2496855	176	73173305	31.050 - 1287263		046
73172594	15.120 - 2496872	076	73173305	31.050 - 1287263		047
73172604	31.050 - 1287263	021	73173305	31.050 - 1287263		050
73172605	31.050 - 1287263	022	73173305	31.050 - 1287263		059
73172606	31.050 - 1287263	026	73173305	31.050 - 1287263		060
73172606	31.050 - 1287263	031	73173305	31.050 - 1287263		061
73172606	31.050 - 1287263	032	73173305	31.050 - 1287263		063
73172606	31.050 - 1287263	033	73173305	31.050 - 1287263		065
73172608	31.050 - 1287263	034	73173305	31.050 - 1287263		066
73172606	31.050 - 1287263	038	73173305	31.050 - 1287263		067
73172606	31.050 - 1287263	041	73173305	31.050 - 1287263		075
73172606	31.050 - 1287263	043	73173305	31.050 - 1287263		079
73172606	31.050 - 1287263	044	73173305	31.050 - 1287263		081
73172606	32.999 - 2782749	004	73173305	31.050 - 1287263		082
73172607	31.050 - 1287263	035	73173305	31.050 - 1287263		083
73172607	31.050 - 1287263	039	73173305	31.050 - 1287263		084
73172608	31.050 - 1287263	040	73173305	31.050 - 1287263		087
73172611	31.050 - 1287263	046	73173305	31.050 - 1287263		088
73172618	31.050 - 1287263	094	73173305	31.050 - 1287263		097
73172618	31.050 - 1287263	095	73173305	31.050 - 1287263		099
73172618	31.050 - 1287263	096	73173305	31.050 - 1287263		100
73172618	31.050 - 1287263	102	73173305	31.050 - 1287263		101
73172618	31.050 - 1287263	107	73173305	31.050 - 1287263		103
73172620	31.050 - 1287263	098	73173305	31.050 - 1287263		104
73172624	31.050 - 1287263	089	73173305	31.050 - 1287263		106
73172625	31.050 - 1287263	090	73173305	31.050 - 1287263		106
73172626	31.050 - 1287263	091	73173305	31.050 - 1287263		108
73172627	31.050 - 1287263	092	73173305	31.050 - 1287263		152
73172628	31.050 - 1287263	093	73173305	31.050 - 1287263		153
73172631	31.050 - 1287263	119	73173305	31.050 - 1287263		154
73172632	31.050 - 1287263	120	73173305	31.050 - 1287263		155



### Cross reference

SURVEY		Machine type		FX600	Machine no.	
Part No.	No. of assembly	Item	Part No.	No. of assembly	Item	
73173305	31.050 - 1287263	156	73175203	20.310 - 2496823	038	
73173305	31.050 - 1287263	157	73175204	20.310 - 2496823	308	
73173305	31.050 - 1287263	158	73175211	20.290 - 2496788	010	
73173305	31.050 - 1287263	159	73175212	20.290 - 2496788	011	
73173305	31.050 - 1287263	160	73175213	20.290 - 2496788	012	
73173305	31.050 - 1287263	161	73175214	20.290 - 2496788	023	
73173305	31.050 - 1287263	162	73175215	20.290 - 2496788	254	
73173305	31.050 - 1287263	163	73175216	20.290 - 2496788	256	
73173305	31.050 - 1287263	164	73175217	20.290 - 2496788	257	
73173305	31.050 - 1287263	165	73175221	31.050 - 1287263	071	
73173305	31.050 - 1287263	166	73175223	34.022 - 2782256	001	
73173305	31.050 - 1287263	167	73175224	34.230 - 2496011	003	
73173305	31.050 - 1287263	168	73175224	34.230 - 2782255	003	
73173564	22.100 - 2496888	009	73175225	34.230 - 2495011	004	
73173826	20.310 - 2496823	086	73175225	34.230 - 2782255	004	
73174128	31.050 - 1287263	052	73175226	34.230 - 2495011	005	
73174128	31.050 - 1287263	053	73175226	34.230 - 2782255	005	
73174128	31.050 - 1287263	054	73175227	34.230 - 2782254	001	
73174128	31.050 - 1287263	055	73175228	34.230 - 2495010	001	
73174128	32.998 - 2782749	005	73175229	34.230 - 2495010	005	
73174165	31.050 - 1287263	056	73175230	34.230 - 2495010	010	
73174165	31.050 - 1287263	058	73175231	34.230 - 2495010	015	
73174171	31.050 - 1287263	150	73175232	34.230 - 2495010	037	
73174352	22.030 - 2496847	219	73175233	20.610 - 2496797	124	
73174521	92.010 - 2782496	124	73175233	20.610 - 2496797	126	
73174524	92.010 - 2782496	120	73175239	62.012 - 2496906	001	
73175137	31.050 - 1287263	023	73175240	62.012 - 2496906	101	
73175137	31.050 - 1287263	024	73175241	62.012 - 2496906	102	
73175137	31.050 - 1287263	025	73175242	62.012 - 2496906	103	
73175140	31.050 - 1287263	072	73175243	62.012 - 2496906	106	
73175141	31.050 - 1287263	073	73175248	27.012 - 2496799	030	
73175142	31.050 - 1287263	074	73175249	27.012 - 2496799	060	
73175147	31.050 - 1287263	125	73175250	27.012 - 2496799	070	
73175148	31.050 - 1287263	129	73175251	27.012 - 2496799	080	
73175153	31.050 - 1287263	027	73175263	27.012 - 2496799	100	
73175164	31.050 - 1287263	028	73175254	27.012 - 2496799	110	
73175156	31.050 - 1287263	029	73175255	27.012 - 2496799	120	
73175156	31.050 - 1287263	042	73175260	31.050 - 1287263	006	
73175157	31.050 - 1287263	051	73175261	31.050 - 1287263	035	
73175158	31.050 - 1287263	113	73175262	31.050 - 1287263	037	
73175159	31.050 - 1287263	114	73175263	31.050 - 1287263	076	
73175160	31.050 - 1287263	115	73175264	31.050 - 1287263	130	
73175162	31.050 - 1287263	118	73175267	31.050 - 1287263	077	
73175169	22.100 - 2496888	112	73175267	31.600 - 2782775	036	
73175170	22.100 - 2496888	149	73175268	31.050 - 1287263	085	
73175172	22.100 - 2496888	124	73175268	31.600 - 2782775	005	
73175174	22.100 - 2496888	125	73175269	31.050 - 1287263	086	
73175176	22.100 - 2496888	126	73175269	31.600 - 2782775	006	
73175176	22.100 - 2496888	127	73175270	31.050 - 1287263	108	
73175180	22.100 - 2496888	132	73175270	31.050 - 1287263	110	
73175181	22.100 - 2496888	210	73175270	31.050 - 1287263	111	
73175182	22.100 - 2496888	205	73175270	31.050 - 1287263	112	
73175202	20.310 - 2496823	037	73175271	31.050 - 1287263	141	



### Cross reference

SURVEY		Machine type	FX600	Machine no.		
Part No.	No. of assembly	Item	Part No.	No. of assembly	Item	
73175272	31.050 - 1287263	142	73175398	34.230 - 2444012		001
73175273	31.050 - 1287263	143	73175400	34.230 - 2444012		002
73175274	31.050 - 1287263	144	73175400	34.230 - 2782254		004
73175275	31.050 - 1287263	145	73175401	34.230 - 2444012		003
73175294	15.120 - 2496872	054	73175402	34.230 - 2444012		004
73175295	15.121 - 2782175	008	73175402	34.230 - 2782254		005
73175296	15.121 - 2782175	251	73175403	34.230 - 2444012		005
73175297	16.020 - 2496886	008	73175403	34.230 - 2782254		006
73175298	19.400 - 2496811	301	73175404	34.230 - 2444012		006
73175299	19.400 - 2496811	303	73175404	34.230 - 2782254		007
73175300	19.400 - 2496811	308	73175405	34.230 - 2444012		007
73175301	19.400 - 2496811	309	73175406	34.230 - 2444012		008
73175302	19.400 - 2496811	310	73175406	34.230 - 2782254		008
73175303	19.400 - 2496811	311	73175446	22.110 - 2496812		004
73175304	19.400 - 2496811	312	73175447	22.110 - 2496812		014
73175305	20.020 - 2496909	006	73175448	22.110 - 2496812		061
73175306	20.020 - 2496909	007	73175759	13.400 - 2782790		004
73175307	20.020 - 2496909	019	73175766	31.050 - 1287263		049
73175308	20.020 - 2496909	020	73175766	31.530 - 2782748		001
73175310	20.020 - 2496909	021	73175769	34.502 - 2782535		001
73175312	20.020 - 2496909	030	73175808	22.052 - 2496848		002
73175313	20.020 - 2496909	450	73175810	22.100 - 2496888		010
73175314	20.020 - 2496909	451	73175811	22.100 - 2496888		012
73175315	20.020 - 2496909	452	73175812	22.100 - 2496888		013
73175316	20.020 - 2496909	453	73175813	22.100 - 2496888		014
73175317	20.020 - 2496909	454	73175814	22.100 - 2496888		025
73175318	20.020 - 2496909	500	73175815	22.100 - 2496888		110
73175319	20.020 - 2496909	501	73175816	22.100 - 2496888		122
73175321	20.260 - 2782173	256	73175817	22.100 - 2496888		130
73175322	20.260 - 2782173	271	73175818	22.100 - 2496888		150
73175323	20.280 - 2496866	024	73175819	22.100 - 2496888		201
73175324	20.280 - 2496866	262	73175820	22.100 - 2496888		202
73175325	20.280 - 2496866	266	73175822	22.100 - 2496888		211
73175325	20.280 - 2496866	276	73175823	13.230 - 2782549		002
73175326	20.280 - 2496866	273	73175824	22.030 - 2496847		004
73175326	20.280 - 2496866	274	73175827	22.030 - 2496847		403
73175327	20.310 - 2496823	014	73175827	22.030 - 2496847		409
73175328	20.310 - 2496823	030	73175828	22.030 - 2496847		005
73175329	20.310 - 2496823	031	73175831	22.030 - 2496847		138
73175330	20.310 - 2496823	303	73175832	22.030 - 2496847		217
73175331	20.310 - 2496823	304	73175834	22.030 - 2496847		220
73175332	20.320 - 2496832	055	73175835	22.030 - 2496847		301
73175333	20.320 - 2496832	058	73175836	22.030 - 2496847		303
73175334	20.641 - 2782181	224	73175837	22.030 - 2496847		309
73175335	20.641 - 2782181	225	73175838	22.030 - 2496847		351
73175336	92.020 - 2782033	001	73175839	22.030 - 2496847		513
73175337	92.020 - 2782033	003	73175840	22.052 - 2496848		016
73175338	92.020 - 2782033	004	73175841	22.052 - 2496848		800
73175339	92.020 - 2782033	005	73175904	30.040 - 2782656		006
73175342	10.202 - 2782698	002	73175905	30.040 - 2782656		008
73175344	10.202 - 2782698	008	73175906	30.040 - 2782656		014
73175385	22.052 - 2496848	801	73175907	30.040 - 2782656		552
73175398	34.021 - 2782263	001	73175908	30.040 - 2782656		562



### Cross reference

**SURVEY****Machine type****FX600****Machine no.****Part No.****No. of assembly****Item****Part No.****No. of assembly****Item**

73175910	10.202 -	2782698	001	73176060	23.292 -	2782656	007
73175911	36.500 -	2782702	001	73176061	31.050 -	1287263	146
73175970	92.020 -	2782033	006	73176063	31.050 -	1287263	147
73175971	92.020 -	2782033	009	73176064	31.050 -	1287263	148
73175973	92.020 -	2782033	008	73176065	31.050 -	1287263	149
73176010	20.641 -	2782747	002	73176122	34.502 -	2782535	002
73176011	20.641 -	2782747	003	73176123	34.502 -	2782535	006
73176012	91.530 -	2782748	002	73176124	34.502 -	2782535	013
73176014	31.600 -	2782775	003	73176125	34.502 -	2782535	016
73176024	36.500 -	2782741	014	73176126	34.502 -	2782535	016
73176032	23.271 -	2496568	004	73176127	34.502 -	2782535	017
73176033	23.271 -	2496568	050	73176128	34.502 -	2782535	018
73176033	23.271 -	2782654	050	73176129	34.502 -	2782535	023
73176034	23.271 -	2496568	051	73176130	34.502 -	2782535	041
73176034	23.271 -	2782654	051	73176131	34.502 -	2782535	050
73176035	23.271 -	2496568	106	73176132	34.502 -	2782535	053
73176035	23.271 -	2782654	106	73176133	34.502 -	2782535	080
73176036	23.271 -	2496568	203	73176153	92.010 -	2782496	001
73176036	23.271 -	2782654	203	73176154	92.010 -	2782496	101
73176037	23.271 -	2496568	205	73176155	92.010 -	2782496	102
73176037	23.271 -	2782654	205	73176156	92.010 -	2782496	103
73176038	23.271 -	2496568	206	73176157	92.010 -	2782496	104
73176038	23.271 -	2782654	206	73176158	92.010 -	2782496	105
73176039	23.271 -	2496568	210	73176159	92.010 -	2782496	106
73176039	23.271 -	2782654	210	73176160	92.010 -	2782496	107
73176040	23.271 -	2782654	004	73176161	92.010 -	2782496	108
73176041	23.272 -	2496570	001	73176162	92.010 -	2782496	110
73176042	23.272 -	2496570	003	73176163	92.010 -	2782496	111
73176042	23.292 -	2782655	003	73176164	92.010 -	2782496	112
73176043	23.272 -	2496570	004	73176165	92.010 -	2782496	115
73176043	23.292 -	2782655	004	73176166	92.010 -	2782496	116
73176044	23.272 -	2496570	006	73176167	92.010 -	2782496	117
73176044	23.292 -	2782655	006	73176168	92.010 -	2782496	118
73176045	23.272 -	2496570	007	73176169	92.010 -	2782496	121
73176046	23.272 -	2496570	010	73176170	92.010 -	2782496	122
73176046	23.292 -	2782656	010	73176171	92.010 -	2782496	123
73176047	23.272 -	2496570	011	73176173	92.020 -	2782033	007
73176047	23.292 -	2782656	011	73176176	23.271 -	2496568	100
73176048	23.272 -	2496570	012	73176176	23.271 -	2782654	100
73176048	23.292 -	2782655	012	73176180	36.500 -	2782741	001
73176049	23.272 -	2496570	013	73176181	36.500 -	2782741	002
73176049	23.292 -	2782655	013	73176182	36.500 -	2782741	003
73176050	23.272 -	2496570	014	73176183	36.500 -	2782741	004
73176050	23.292 -	2782656	014	73176184	36.500 -	2782741	005
73176051	23.292 -	2496572	002	73176185	36.500 -	2782741	006
73176052	23.292 -	2496572	003	73176186	36.500 -	2782741	007
73176053	23.292 -	2496572	004	73176187	36.500 -	2782741	008
73176054	23.292 -	2496572	005	73176188	36.500 -	2782741	009
73176055	23.292 -	2496572	006	73176189	36.500 -	2782741	010
73176056	23.292 -	2496572	008	73176180	36.500 -	2782741	011
73176057	23.292 -	2496572	011	73176191	36.500 -	2782741	012
73176058	23.292 -	2496572	012	73176428	91.010 -	2782250	105
73176059	23.292 -	2782656	001	73176429	91.010 -	2782250	104



### Cross reference

SURVEY		Machine type	FX600	Machine no.			
Part No.	No. of assembly		Item	Part No.	No. of assembly		Item
73176430	91.010 -	2782884	001	73177533	23.242 -	2783875	001
73176431	91.010 -	2782884	002	73177832	92.020 -	2782033	002
73176432	91.010 -	2782884	003	73177873	20.260 -	2782173	257
73176433	91.010 -	2782884	004	73177874	31.050 -	1287263	116
73176434	91.010 -	2782884	005	73177875	31.050 -	1287263	133
73176435	91.010 -	2782884	007	73177876	61.010 -	2444197	001
73176436	91.010 -	2782884	008	73177877	31.600 -	2782775	205
73176437	91.010 -	2782884	011				
73176438	91.010 -	2782884	012				
73176439	91.010 -	2782884	013				
73176440	91.010 -	2782884	016				
73176441	91.010 -	2782884	017				
73176442	91.010 -	2782884	020				
73176443	91.010 -	2782884	021				
73176444	91.010 -	2782884	022				
73176445	91.010 -	2782884	023				
73176446	91.010 -	2782884	027				
73176866	23.240 -	2783334	008				
73177266	92.010 -	2782496	127				
73177290	31.050 -	1287263	064				
73177290	31.600 -	2782775	201				
73177291	31.050 -	1287263	132				
73177292	31.050 -	1287263	135				
73177293	31.050 -	1287263	137				
73177294	31.050 -	1287263	138				
73177318	32.999 -	2782749	010				
73177319	32.999 -	2782749	011				
73177354	31.050 -	1287263	057				
73177354	32.999 -	2782749	008				
73177355	31.050 -	1287263	131				
73177377	23.252 -	2496572	032				
73177384	34.230 -	2782254	002				
73177385	34.230 -	2782254	003				
73177386	13.011 -	2496855	175				
73177419	30.200 -	2444411	551				
73177420	30.200 -	2444411	554				
73177421	30.200 -	2444411	556				
73177422	60.150 -	2495218	001				
73177423	60.160 -	2444410	005				
73177424	60.160 -	2444410	006				
73177425	60.160 -	2444410	007				
73177426	60.160 -	2444410	008				
73177427	60.160 -	2444410	009				
73177428	60.160 -	2444410	014				
73177429	60.160 -	2444410	021				
73177430	60.160 -	2444410	023				
73177431	60.160 -	2444410	701				
73177432	60.160 -	2783776	709				
73177433	91.010 -	2782250	101				
73177434	91.010 -	2782250	109				
73177502	61.032 -	2496882	011				
73177513	61.032 -	2496859	011				
73177514	61.032 -	2496859	012				



### Cross reference

SURVEY		Machine type		FX800	Machine no.	
Part No.	No. of assembly	Item	Part No.	No. of assembly	Item	
73170138	60.150 - 2495218	106	73171372	22.402 - 2444968	007	
73170138	61.010 - 2444197	112	73171374	22.402 - 2444968	008	
73170160	30.200 - 2444411	015	73171375	22.402 - 2444968	009	
73170162	60.150 - 2495218	203	73171376	22.402 - 2444968	010	
73170169	60.160 - 2444410	037	73171377	22.402 - 2444968	014	
73170178	60.150 - 2495218	204	73171379	30.200 - 2444411	007	
73170205	30.200 - 2444411	014	73171381	30.200 - 2444411	552	
73170208	22.402 - 2444968	011	73171382	30.200 - 2444411	553	
73170302	60.160 - 2444410	025	73171384	30.200 - 2444411	555	
73170327	60.160 - 2444410	022	73171387	61.010 - 2444197	101	
73170328	60.160 - 2444410	033	73171388	61.010 - 2444197	102	
73170346	22.402 - 2444968	016	73171389	61.010 - 2444197	103	
73170346	60.160 - 2444410	024	73171390	61.010 - 2444197	104	
73170346	60.160 - 2783776	024	73171391	61.010 - 2444197	105	
73170346	61.032 - 2496882	003	73171392	61.010 - 2444197	106	
73170347	60.160 - 2444410	030	73171393	61.010 - 2444197	107	
73170347	61.032 - 2496882	005	73171394	61.010 - 2444197	108	
73170461	22.402 - 2444968	013	73171395	61.032 - 2496882	008	
73170471	60.160 - 2444410	027	73171396	61.032 - 2496882	010	
73170488	22.402 - 2444968	006	73171397	61.032 - 2496882	012	
73170819	30.200 - 2444411	008	73172150	30.200 - 2444411	012	
73170820	30.200 - 2444411	009	73177419	30.200 - 2444411	551	
73170822	30.200 - 2444411	010	73177420	30.200 - 2444411	554	
73170823	30.200 - 2444411	011	73177421	30.200 - 2444411	556	
73170826	30.200 - 2444411	021	73177422	60.150 - 2495218	001	
73170831	30.200 - 2444411	018	73177423	60.160 - 2444410	005	
73170833	30.200 - 2444411	016	73177424	60.160 - 2444410	006	
73170879	60.150 - 2495218	108	73177425	60.160 - 2444410	007	
73170979	61.010 - 2444197	109	73177426	60.160 - 2444410	008	
73170981	60.150 - 2495218	110	73177427	60.160 - 2444410	009	
73170981	61.010 - 2444197	110	73177428	60.160 - 2444410	014	
73171339	60.150 - 2495218	101	73177429	60.160 - 2444410	021	
73171340	60.150 - 2495218	102	73177430	60.160 - 2444410	023	
73171341	60.150 - 2495218	103	73177431	60.160 - 2444410	701	
73171342	60.150 - 2495218	104	73177432	60.160 - 2783776	703	
73171343	60.150 - 2495218	105	73177602	61.032 - 2496882	011	
73171344	60.150 - 2495218	107	73177876	61.010 - 2444197	001	
73171345	60.150 - 2495218	111				
73171346	61.010 - 2444197	111				
73171346	60.150 - 2495218	202				
73171354	60.160 - 2444410	016				
73171355	60.160 - 2444410	017				
73171356	60.160 - 2444410	018				
73171357	60.160 - 2444410	019				
73171363	60.160 - 2444410	036				
73171364	60.160 - 2444410	700				
73171366	60.160 - 2783776	004				
73171366	61.032 - 2496882	013				
73171367	60.160 - 2783776	029				
73171367	61.032 - 2496882	014				
73171369	22.402 - 2444968	001				
73171370	22.402 - 2444968	002				
73171371	22.402 - 2444968	005				



### Cross reference

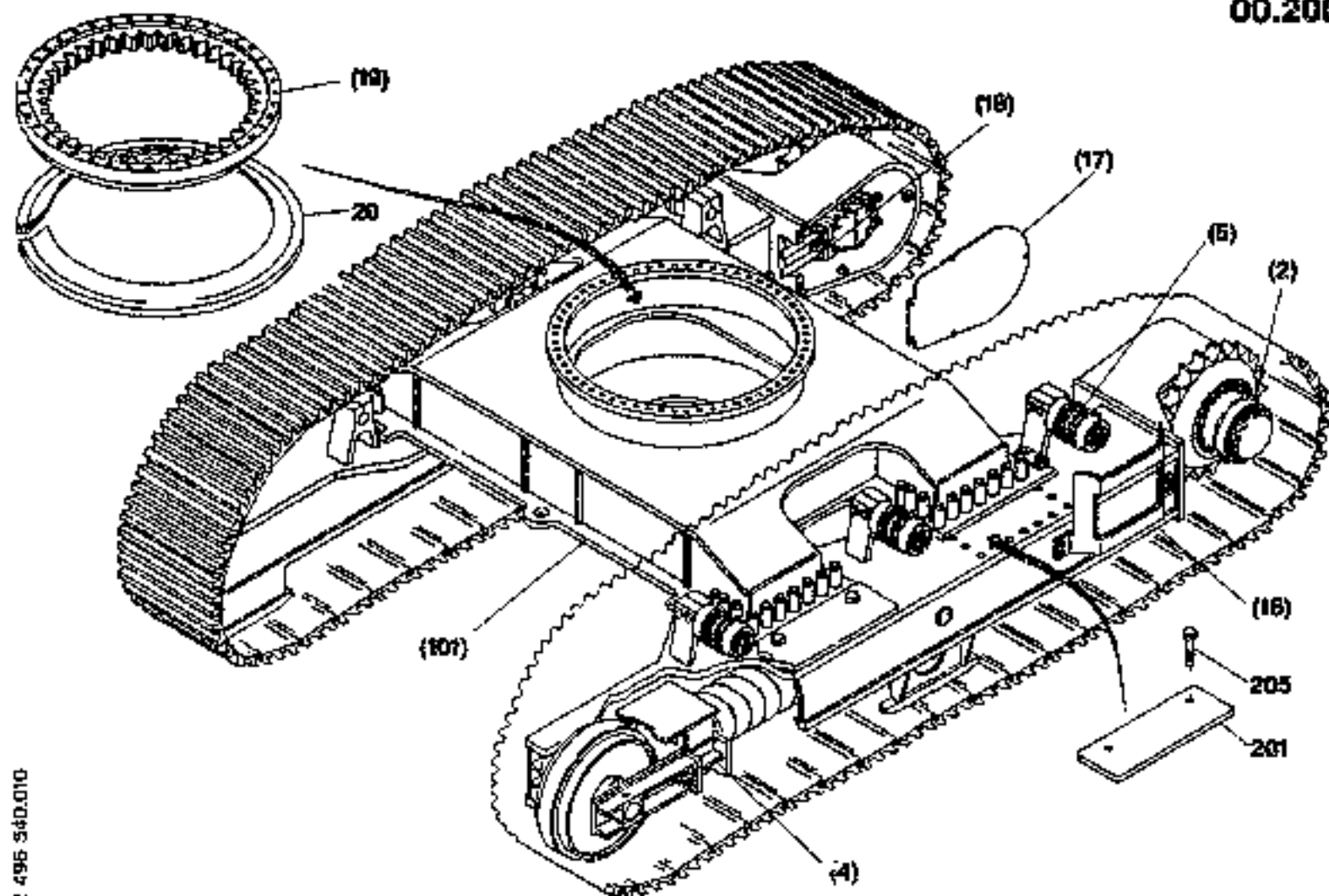
SURVEY		Machine type		FX600	Machine no.		
Part No.	No. of assembly		Item	Part No.	No. of assembly		Item
73171262	20.610 -	2496797	016	73171309	20.641 -	2782181	218
73171262	20.610 -	2496797	017	73171310	20.641 -	2782181	219
73171264	20.610 -	2496797	061	73171311	20.641 -	2782181	220
73171265	20.610 -	2496797	066	73171312	20.641 -	2782181	221
73171265	20.642 -	2496464	023	73171313	20.641 -	2782181	222
73171266	20.610 -	2496797	067	73171314	20.641 -	2782181	223
73171266	20.641 -	2782747	001	73171317	20.641 -	2782181	230
73171266	20.642 -	2496464	018	73171318	20.641 -	2782181	241
73171266	20.642 -	2496464	022	73171319	20.641 -	2782181	242
73171267	20.610 -	2496797	104	73171320	23.050 -	2495629	002
73171267	20.610 -	2496797	105	73171321	23.050 -	2495629	004
73171268	20.610 -	2496797	115	73171322	23.050 -	2495629	007
73171268	20.610 -	2496797	116	73171323	23.292 -	2496572	001
73171269	20.610 -	2496797	117	73171324	23.291 -	2444789	003
73171269	20.610 -	2496797	118	73171325	23.291 -	2444789	016
73171270	20.610 -	2496797	119	73171326	23.212 -	2444920	001
73171270	20.610 -	2496797	122	73171327	23.212 -	2444920	002
73171271	20.610 -	2496797	120	73171328	23.212 -	2444920	034
73171272	20.610 -	2496797	121	73171329	23.212 -	2444920	145
73171273	20.640 -	2782182	009	73171330	23.212 -	2444920	150
73171274	20.640 -	2782182	004	73171331	23.212 -	2444920	180
73171275	20.642 -	2496464	001	73171333	23.212 -	2444920	190
73171275	20.642 -	2496464	002	73171334	23.212 -	2444920	200
73171277	20.642 -	2496464	003	73171335	23.230 -	2495357	003
73171278	20.642 -	2496464	004	73171336	23.271 -	2495588	001
73171279	20.642 -	2496464	005	73171337	23.271 -	2782654	001
73171280	20.642 -	2496464	007	73171338	60.151 -	2444419	001
73171281	20.642 -	2496464	009	73171339	60.150 -	2495218	101
73171282	20.642 -	2496464	010	73171339	60.151 -	2444419	101
73171283	20.642 -	2496464	012	73171340	60.150 -	2495218	102
73171284	20.642 -	2496464	013	73171340	60.151 -	2444419	102
73171285	20.642 -	2496464	014	73171341	60.150 -	2495218	103
73171286	20.642 -	2496464	015	73171341	60.151 -	2444419	103
73171287	20.642 -	2496464	016	73171342	60.150 -	2495218	104
73171288	20.642 -	2496464	017	73171342	60.151 -	2444419	104
73171289	20.642 -	2496464	020	73171343	60.150 -	2495218	106
73171290	20.642 -	2496464	027	73171343	60.151 -	2444419	105
73171291	20.642 -	2496464	136	73171344	60.150 -	2495218	107
73171292	20.642 -	2496464	137	73171344	60.151 -	2444419	107
73171293	20.642 -	2496464	201	73171345	60.150 -	2495218	111
73171297	20.641 -	2782181	128	73171345	60.151 -	2444419	111
73171298	20.641 -	2782181	111	73171345	61.010 -	2444197	111
73171298	20.641 -	2782181	112	73171345	61.011 -	2495220	111
73171298	20.641 -	2782181	113	73171345	62.012 -	2496906	109
73171298	20.641 -	2782181	114	73171345	62.210 -	2246912	003
73171301	20.641 -	2782181	203	73171345	20.310 -	2496823	058
73171302	20.641 -	2782181	212	73171346	60.150 -	2495218	202
73171303	20.641 -	2782181	211	73171346	60.151 -	2444419	202
73171304	20.641 -	2782181	214	73171347	60.160 -	2443421	702
73171305	20.641 -	2782181	213	73171348	60.180 -	2495031	005
73171306	20.641 -	2782181	215	73171349	60.180 -	2495031	006
73171307	20.641 -	2782181	216	73171350	60.180 -	2495031	007
73171308	20.641 -	2782181	217	73171351	60.180 -	2495031	008





### Cross reference

SURVEY		Machine type		FX600	Machine no.	
Part No.	No. of assembly	Item	Part No.	No. of assembly	Item	
73170834	31.050 - 1287263	089	73170945	15.120 - 2496872	075	
73170834	31.510 - 2496871	023	73170946	15.121 - 2782175	006	
73170834	34.140 - 2444887	015	73170947	15.121 - 2782175	007	
73170834	34.140 - 2782774	015	73170949	15.121 - 2782175	012	
73170835	30.040 - 2782656	025	73170950	15.121 - 2782175	020	
73170838	30.040 - 2782656	550	73170951	15.121 - 2782175	021	
73170849	30.040 - 2782656	553	73170952	15.121 - 2782175	022	
73170850	30.040 - 2782656	556	73170954	15.121 - 2782175	253	
73170851	30.040 - 2782656	556	73170955	15.121 - 2782175	258	
73170852	30.040 - 2782656	558	73170956	15.121 - 2782175	259	
73170853	30.040 - 2782656	559	73170957	22.520 - 2444775	001	
73170858	30.040 - 2782656	563	73170960	22.520 - 2444775	002	
73170901	13.220 - 2495258	001	73170961	22.520 - 2444775	256	
73170902	13.220 - 2495258	002	73170962	22.520 - 2444775	257	
73170903	13.220 - 2495258	003	73170962	34.131 - 2444891	103	
73170904	13.220 - 2495258	004	73170963	22.520 - 2444775	258	
73170906	13.220 - 2495258	005	73170963	31.510 - 2496871	022	
73170907	13.220 - 2495258	006	73170964	22.520 - 2444775	260	
73170909	15.120 - 2496872	006	73170965	12.010 - 2496776	001	
73170910	15.120 - 2496872	006	73170966	12.010 - 2496776	002	
73170911	15.120 - 2496872	008	73170966	12.010 - 2782083	002	
73170912	15.120 - 2496872	009	73170967	12.010 - 2496776	003	
73170913	15.120 - 2496872	011	73170967	12.010 - 2782083	003	
73170915	15.120 - 2496872	012	73170978	01.650 - 2443600	001	
73170916	15.120 - 2496872	013	73170979	01.650 - 2443600	002	
73170918	15.120 - 2496872	014	73170979	60.150 - 2495218	108	
73170919	15.120 - 2496872	015	73170979	60.151 - 2444419	108	
73170920	15.120 - 2496872	017	73170979	61.010 - 2444197	109	
73170921	15.120 - 2496872	019	73170979	61.011 - 2495220	109	
73170922	15.120 - 2496872	020	73170979	62.012 - 2496906	108	
73170923	15.120 - 2496872	021	73170979	62.210 - 2249912	004	
73170924	15.120 - 2496872	022	73170980	01.650 - 2443600	003	
73170925	15.120 - 2496872	027	73170981	01.650 - 2443600	004	
73170926	15.120 - 2496872	030	73170981	60.150 - 2495218	110	
73170927	15.120 - 2496872	040	73170981	60.151 - 2444419	110	
73170928	15.120 - 2496872	041	73170981	61.010 - 2444197	110	
73170929	15.120 - 2496872	042	73170981	61.011 - 2495220	110	
73170930	15.120 - 2496872	043	73170981	62.012 - 2496906	112	
73170931	15.120 - 2496872	044	73170981	62.210 - 2249912	005	
73170932	15.120 - 2496872	045	73170983	01.650 - 2443600	005	
73170932	15.120 - 2496872	046	73170984	01.650 - 2443600	006	
73170932	15.120 - 2496872	047	73170985	01.670 - 2443601	001	
73170932	15.120 - 2496872	049	73170985	01.670 - 2443601	002	
73170934	15.120 - 2496872	048	73170987	01.670 - 2443601	003	
73170935	15.120 - 2496872	050	73170988	31.300 - 2443932	001	
73170936	15.120 - 2496872	051	73170989	31.300 - 2443932	002	
73170936	27.010 - 2496798	008	73170990	31.300 - 2443932	101	
73170937	15.120 - 2496872	052	73170991	31.300 - 2443932	102	
73170938	15.120 - 2496872	053	73170992	35.060 - 1907741	201	
73170940	15.120 - 2496872	055	73170993	35.060 - 1907741	202	
73170941	15.120 - 2496872	060	73170993	35.060 - 2284173	001	
73170942	15.120 - 2496872	061	73170994	35.060 - 1907741	205	
73170944	15.120 - 2496872	068	73170996	35.060 - 2284173	004	



2 496 540.010



## LOWER CARRIAGE EXCAVATOR

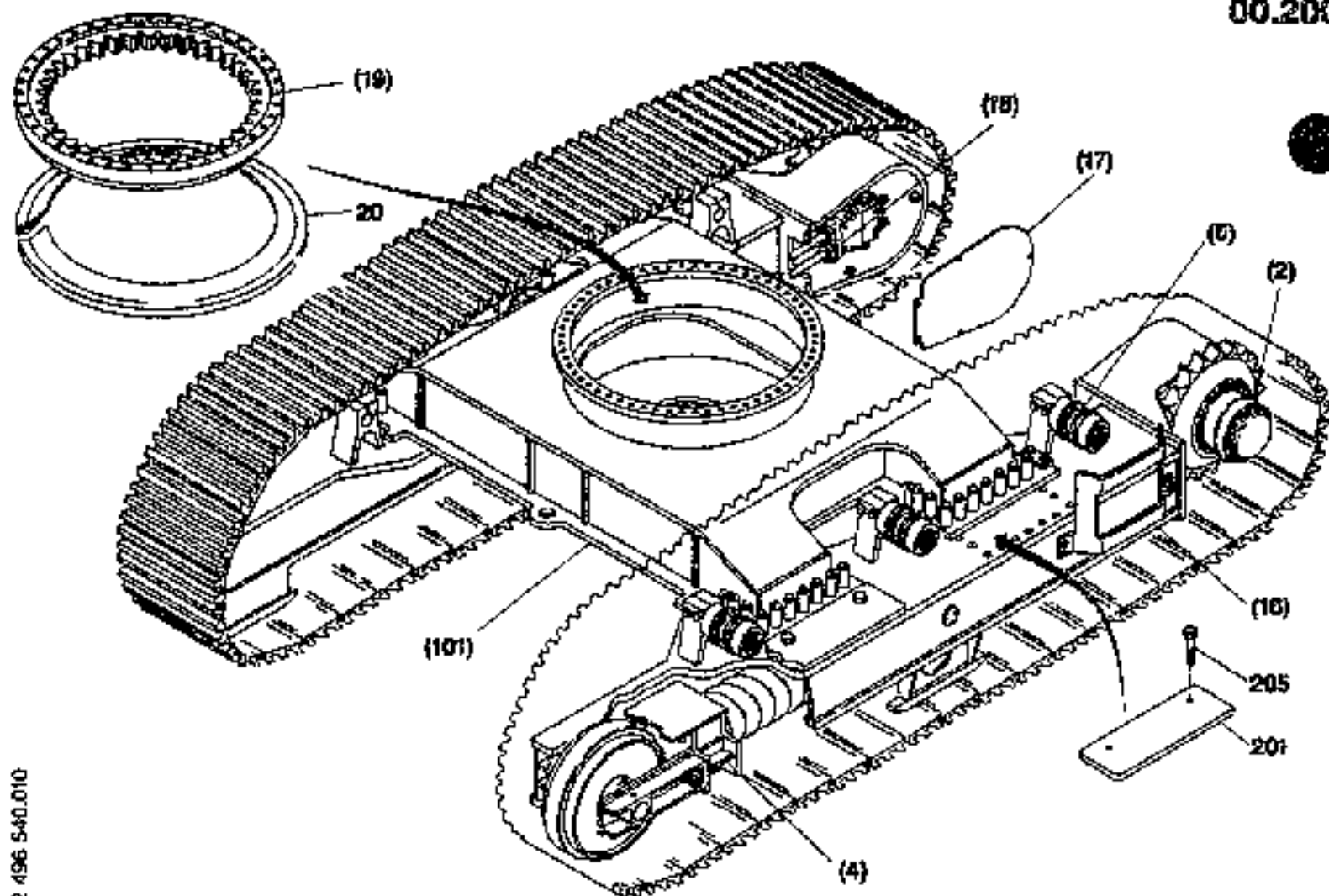
00.200

FX600 / 106101 - .....

T 2496540 - 000

B 2496540 - 010

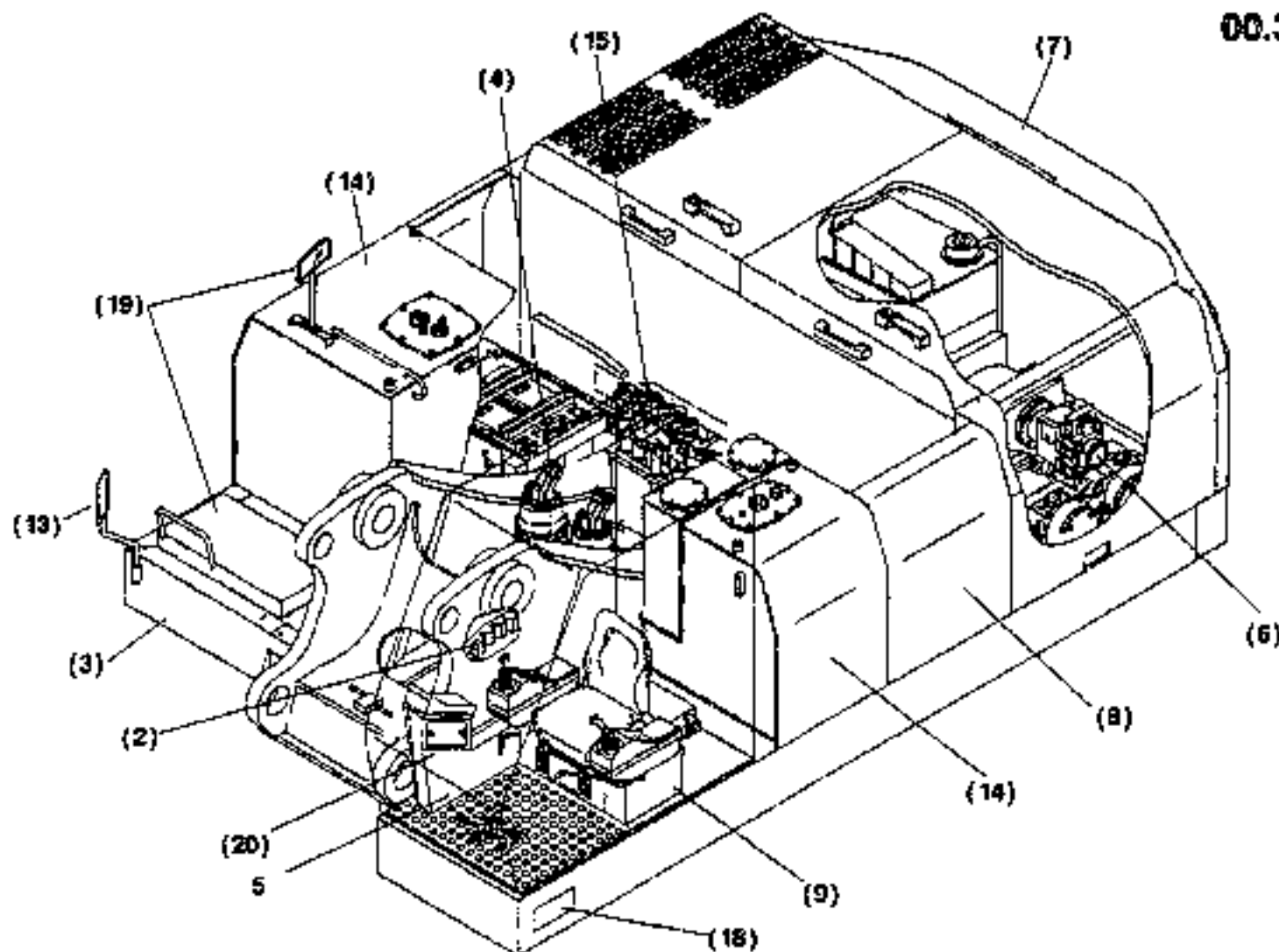
Item	Quan.	ME	Part No.	Description
002	2	00	16.020 2496886	TRAVEL GEAR INSTALL.MATERIAL
004	2	00	06.190 2496889	TENSIONING DEVICE
005	2	00	06.010 2496890	CRAWLER CHASSIS INSTALL.MATERIAL
016	1	00	01.010 2495632	STEPS INSTALL.MATERIAL
017	1	00	36.540 2496907	COVER TRAVEL GEAR
018	1	00	20.020 2496908	HYDRAULIC SYSTEM LOWER CARRIAGE



2 496 540.010

Item	Quan.	ME	Part No.	Description
019	1	00		11.010 2496010 SWIVEL CONNECTION INSTALL.MATERIAL
020	4,46	13	73170000	GASKET
101	1	00		01.200 2496043 FRAME LOWER CARRIAGE WITH MOUNT. PARTS
201	4	00	73170001	COVER PLATE
205	8	00	73170002	HEXAGON BOLT

00.300



2 498 539 010



## UPPER CARRIAGE EXCAVATOR

00.300

FX600 / 76027 - 76027

T 2496538 - 001

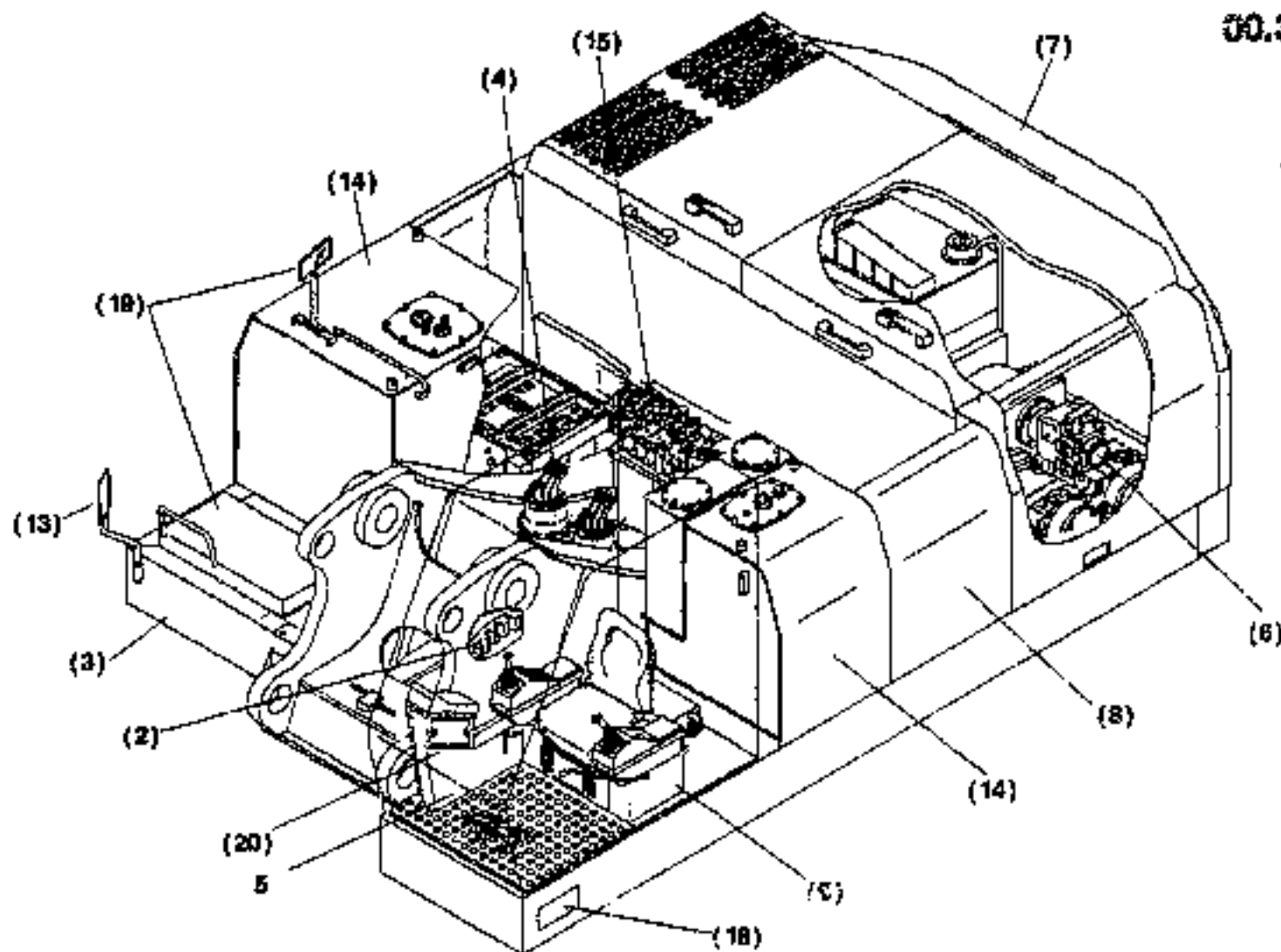
B 2496538 - 010

Item	Quan.	ME	Part No.	Description
001	1	00		92.020 2782033 MAINTENANCE MATER. FX600
002	1	00		11.010 2495245 SWIVEL CONNECTION INSTALL.MATERIAL
003	1	00		01.300 2496775 FRAME UPPER CARRIAGE WITH MOUNT. PARTS
004	2	00		18.031 2496808 SLEWING GEAR MOUNTING PARTS
005	1	00	73170147	REGULATOR
006	1	00		13.010 2496874 MOTOR INSTALL.MATERIAL
007	1	00		12.010 2496776 BALLAST INSTALL.MATERIAL

ME: 00 = Stück/piece 18 = m 28 = m<sup>2</sup> 39 = m<sup>3</sup> 43 = kg 60 = l (litre)

1998-09-10

00.300

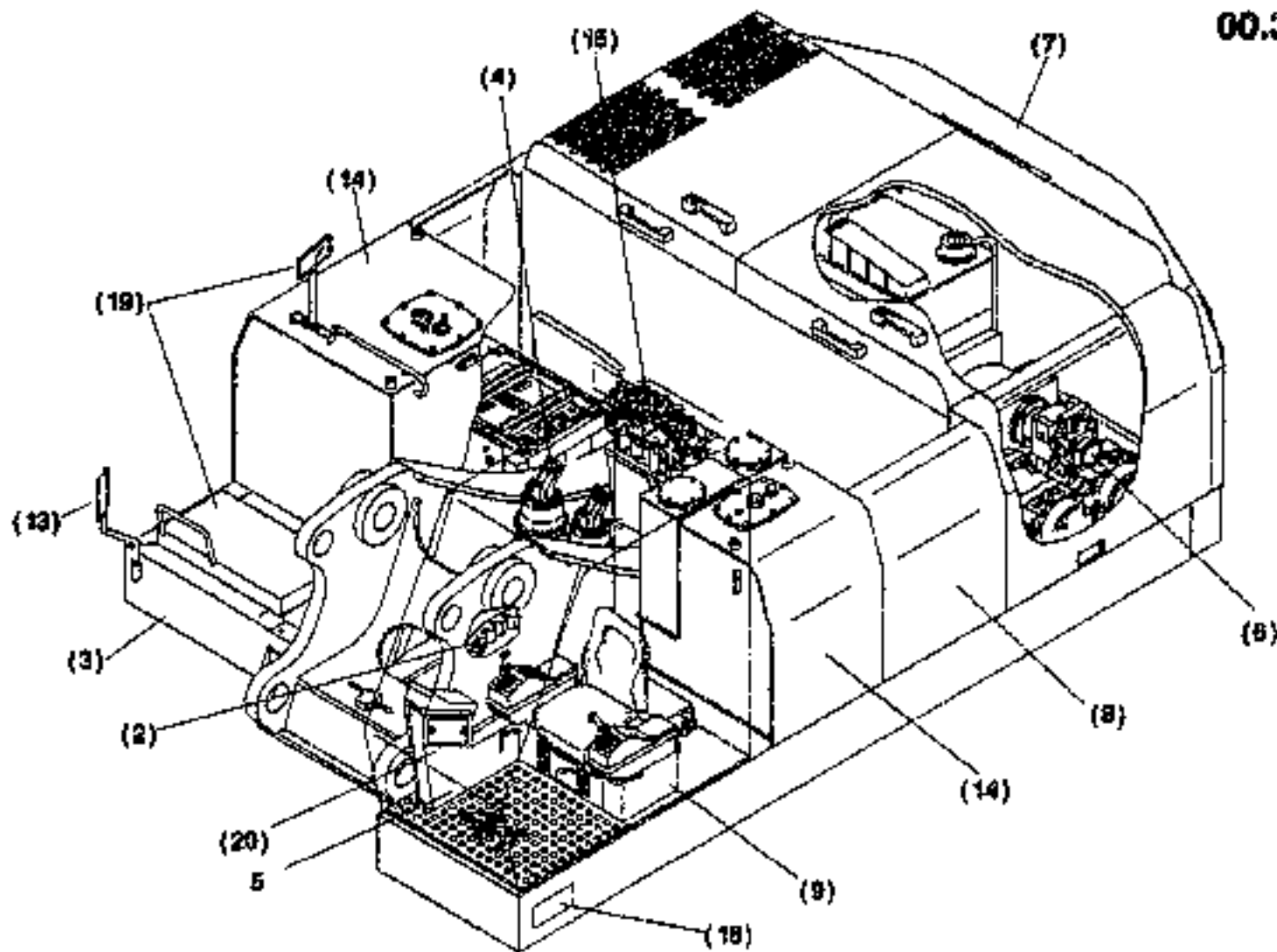


2 496 538 010

				00.300	
				I 2496538 - 001 B 2496538 - 010	
				FX600 / 76027 - 76027	
Item	Quan.	ME	Part No.	Description	
008	1	00	38.010 2443784	PANELING INSTALL.MATERIAL	
009	1	00	34.010 2496900	CAB MODULE INSTALL.MATERIAL	
013	1	00	01.300 2782703	FRAME UPPER CARRIAGE WITH MOUNT. PARTS	
014	1	00	10.010 2782700	CONTAINER INSTALL.MATERIAL	
015	1	00	20.030 2782183	HYDRAULIC SYSTEM UPPER CARRIAGE	
018	1	00	91.010 2782250	DECAL KIT	

ME: 00 = Stückpiece 13 = m 28 = m<sup>2</sup> 38 = m<sup>3</sup> 43 = kg 50 = l (litre)

1998-09-10



2 406 538 010



**UPPER CARRIAGE EXCAVATOR**

00.300

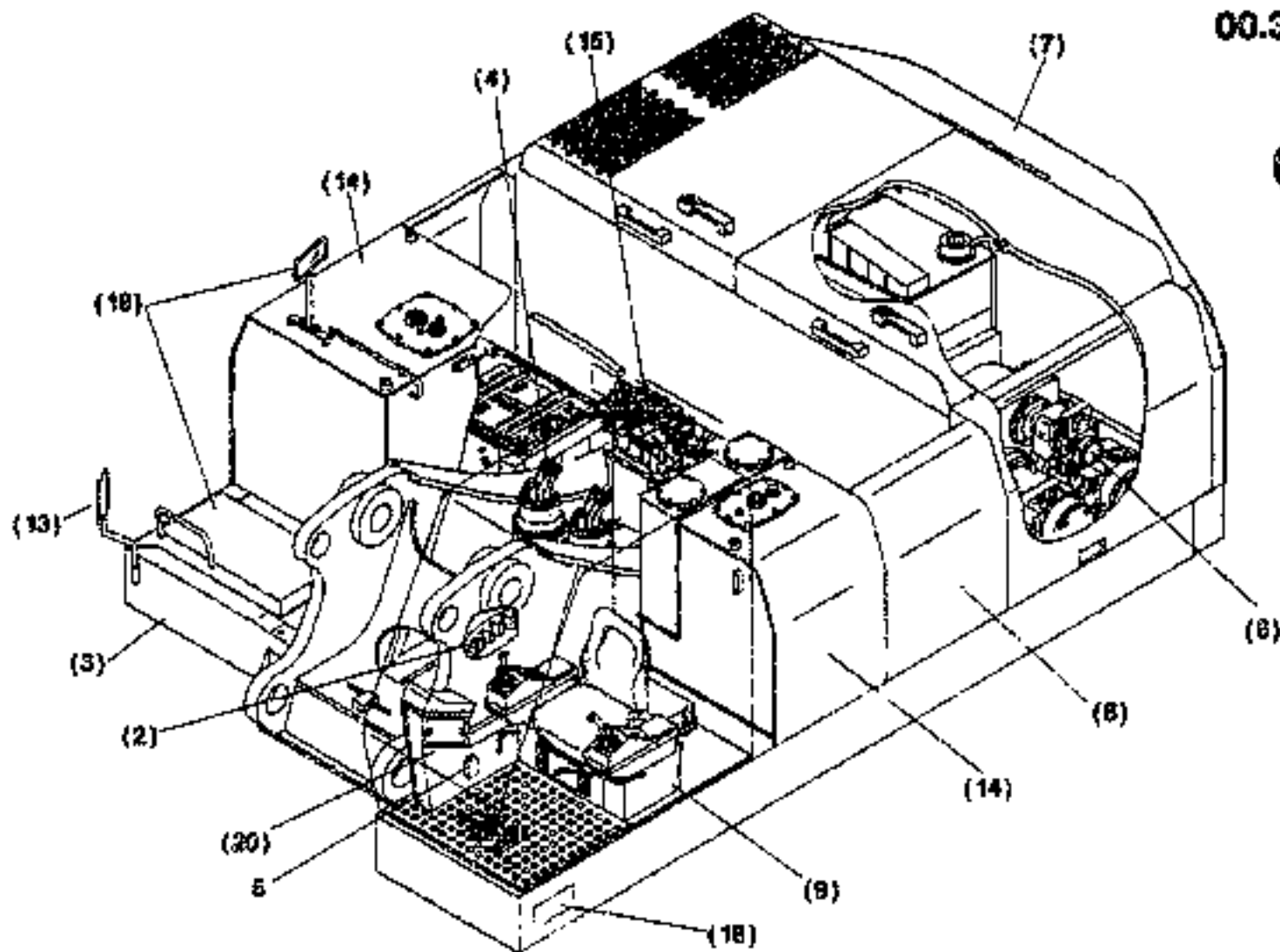
FX600 / 76027 - 76027

T 2406538 - 001

B 2496538 - 010

Item	Quan.	ME	Part No.	Description
019	1	00		82.010 2782496 TOOL SET
020	1	00		31.050 1287283 ELECTRICAL COMPON. I.CIRCUIT DIAGRAM

00.300



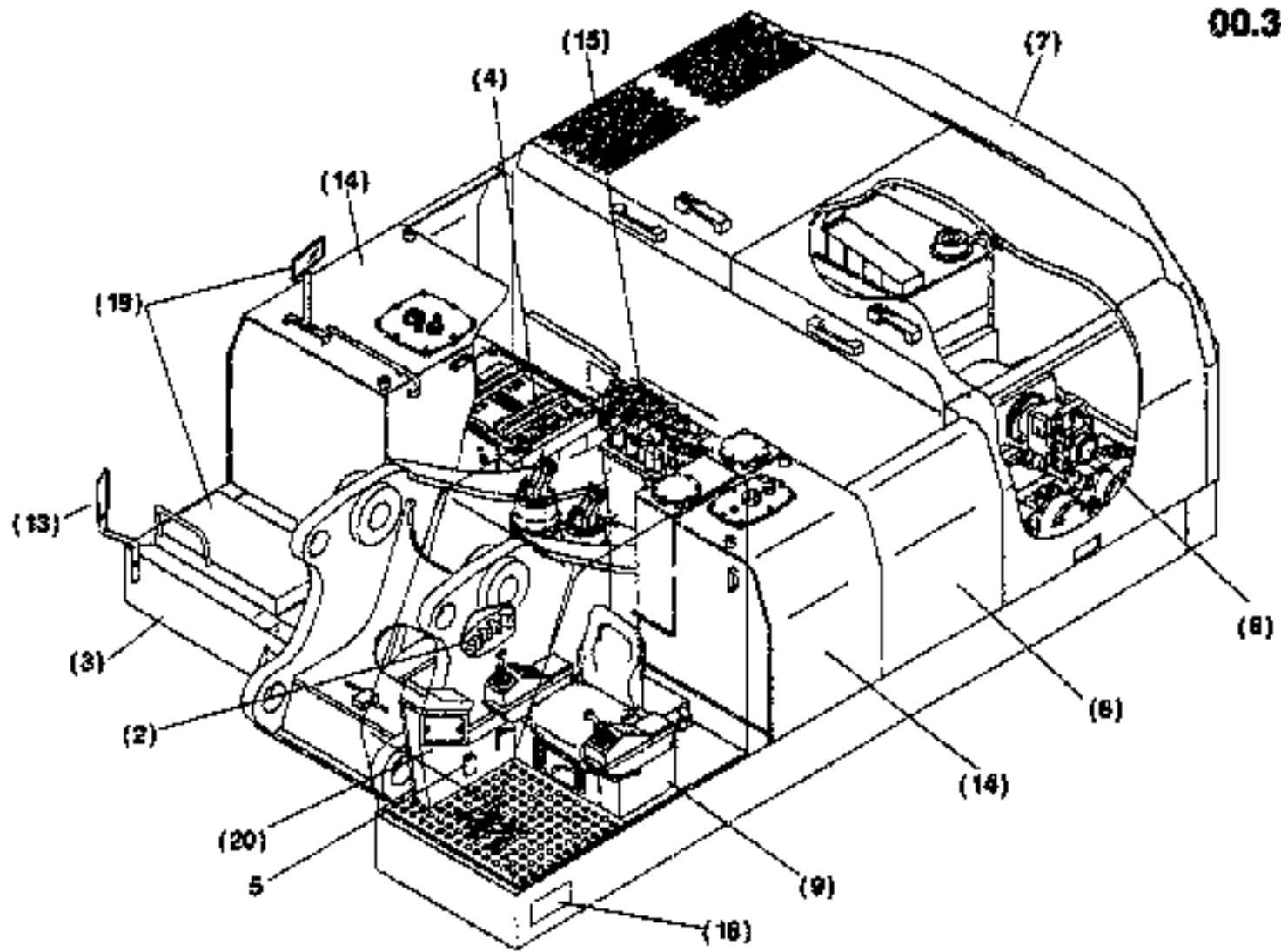
2 782 201 010

Item	Quan.	ME	Part No.	Description
000	1	00		82.020 2782033 MAINTENANCE MATER. FX600
002	1	00		11.010 2495245 SWIVEL CONNECTION INSTALL.MATERIAL
003	1	00		01.300 2782082 FRAME UPPER CARRIAGE WITH MOUNT. PARTS
004	1	00		16.031 2496808 SLEWING GEAR MOUNTING PARTS
005	1	00	73170147	REGULATOR
006	1	00		13.010 2496874 MOTOR INSTALL.MATERIAL
007	1	00		12.01 2782083 BALLAST INSTALL.MATERIAL

ME: 00 = Stück/piece 13 = m 26 = m<sup>2</sup> 39 = m<sup>3</sup> 43 = kg 50 = l (litre)

1988-09-10

00.300



2 782 201 030

00.300



## UPPER CARRIAGE EXCAVATOR

FX600 / 106101 - .....

T 2782201 - 001

B 2782201 - 010

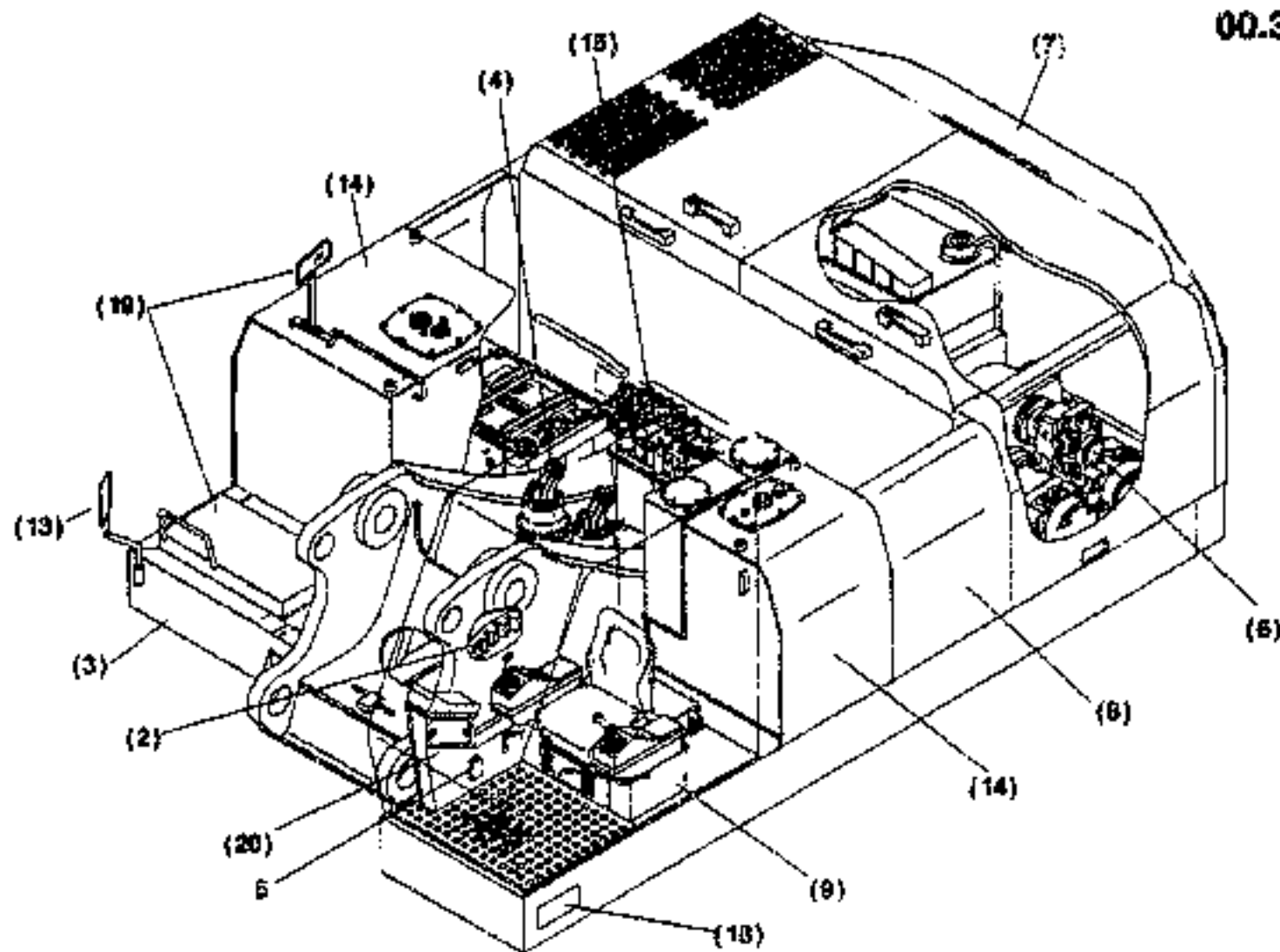
Item	Quan.	ME	Part No.	Description
008	1	00	36.010 2443764	PANELING INSTALL.MATERIAL
009	1	00	34.010 2496800	CAB MODULE INSTALL.MATERIAL
013	1	00	01.300 2782740	FRAME UPPER CARRIAGE WITH MOUNT. PARTS
014	1	00	10.010 2782700	CONTAINER INSTALL.MATERIAL
015	1	00	20.030 2782183	HYDRAULIC SYSTEM UPPER CARRIAGE
018	1	00	01.010 2782250	DECAL KIT

ME: 00 = Súčkováce 13 = m 26 = m<sup>2</sup> 33 = m<sup>3</sup> 43 = kg 50 = l (litre)

1996-09-10



00.300

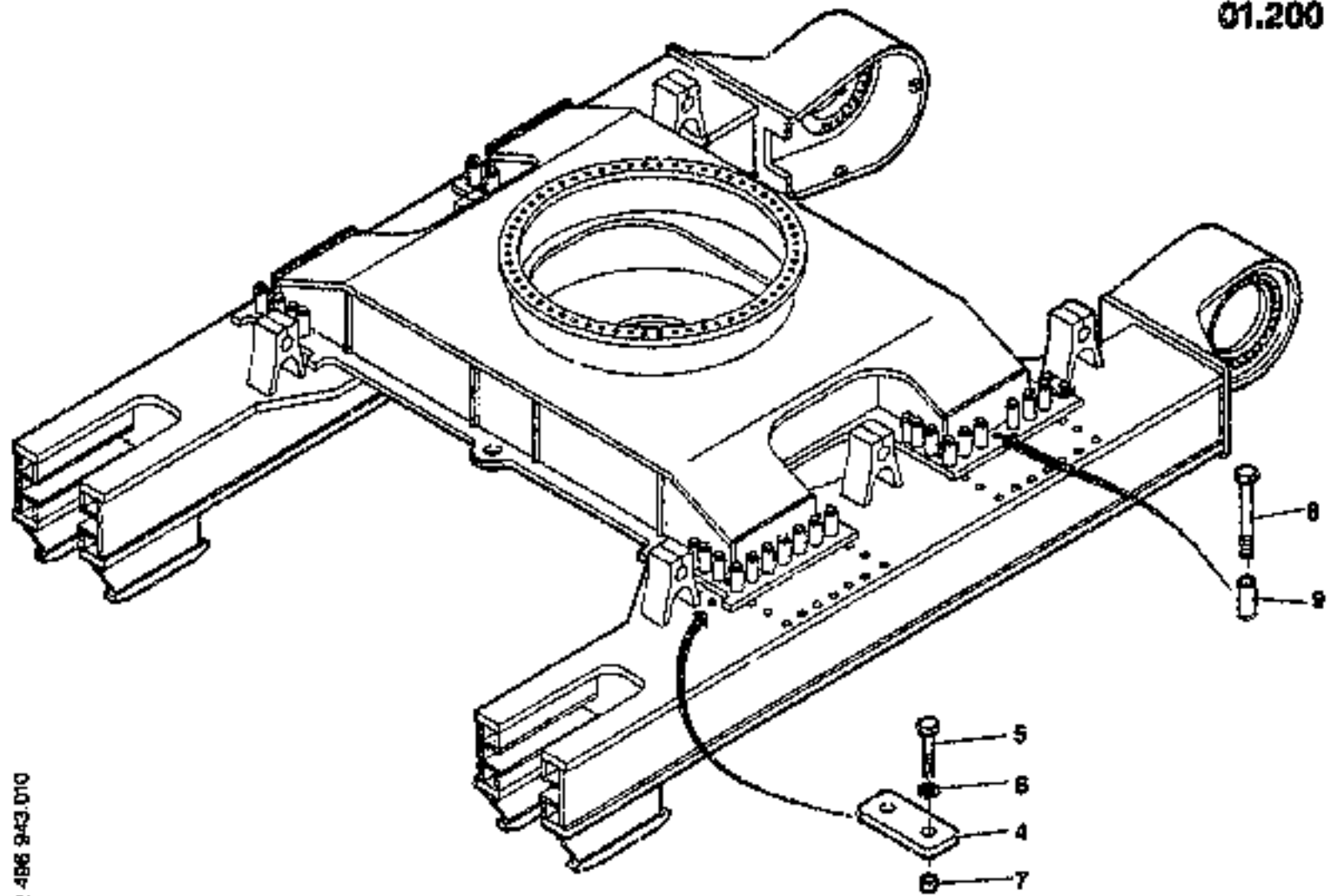


2 782 201 010

Item	Quan.	ME	Part No.	Description
019	1	00	92.010 2782496	TOOL SET
020	1	00	31.050 1287263	ELECTRICAL COMPON. I.CIRCUIT DIAGRAM

ME: 00 = Stückpiece 13 = m 28 = m<sup>2</sup> 39 = m<sup>3</sup> 43 = kg 50 = l (litr)

1998-09-10



2-486 943 010



## FRAME LOWER CARRIAGE WITH MOUNT. PARTS

01.200

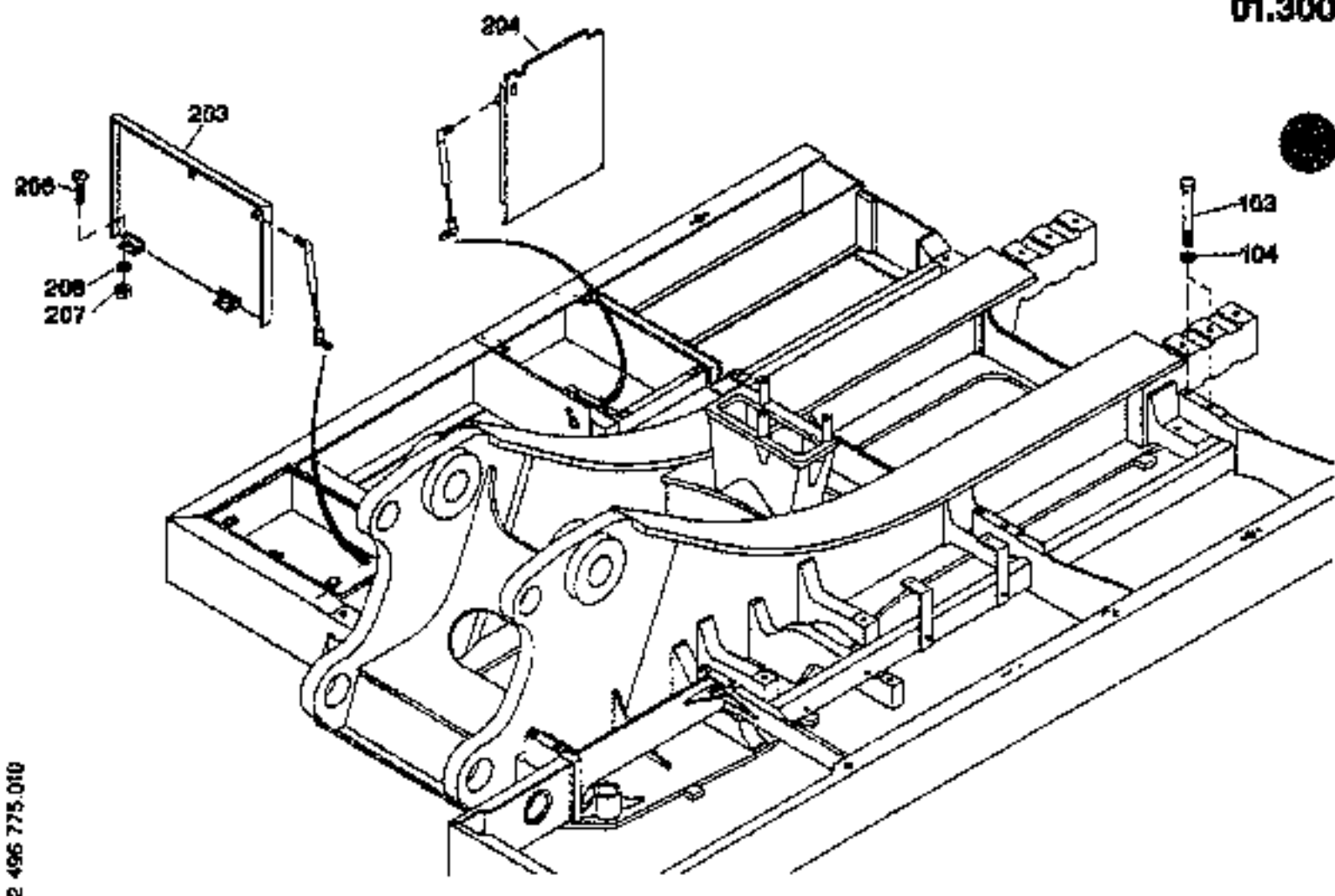
FX600 / 106101 - .....

T 2496943 - 000

B 2496943 - 010

Item	Quan.	ME	Part No.	Description
004	4	00	73170003	PLATE
005	8	00	73170004	HEXAGON BOLT
006	8	00	73170005	DISK/WASHER
007	8	00	73170006	BUSHING
008	52	00	73170007	HEXAGON BOLT
009	52	00	73170008	SLEEVE

01.300



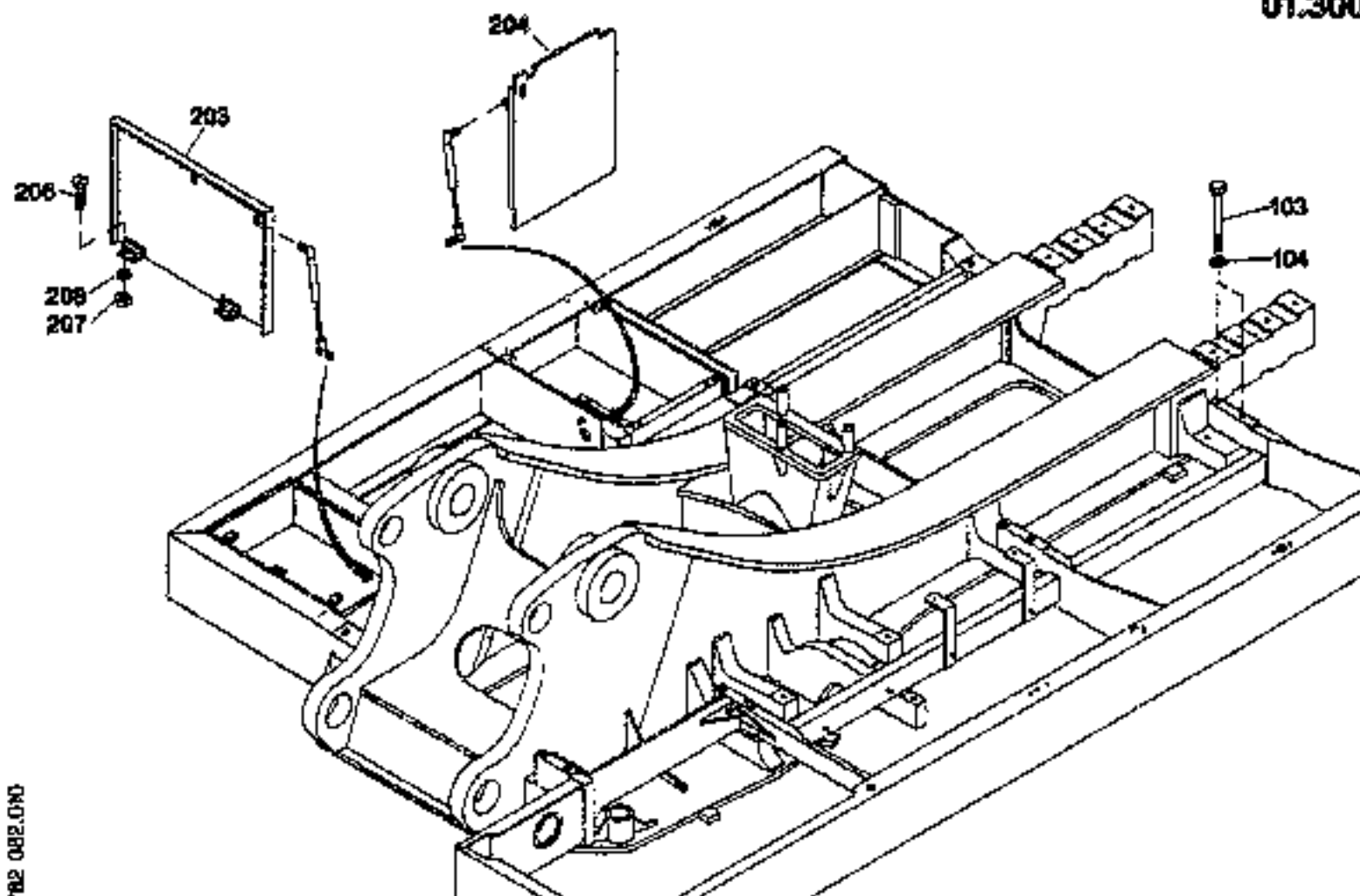
2 496 775 010

				01.300	
				T 2496775 - 000	
				B 2496775 - 010	
				FX600 / 76027 - 76027	
Item	Quan.	ME	Part No.	Description	
103	16	00	73171000	HEXAGON BOLT	
104	16	00	73170604	DISK/WASHER	
203	1	00	73171001	COVER	
204	1	00	73171002	COVER	
206	8	00	73170208	CENTER-SUNK SCREW	
207	8	00	73170161	HEXAGON NUT	
208	8	00	73170167	LOCK WASHER	

ME: 00 = Stück/piece 13 = m 26 = m<sup>2</sup> 39 = m<sup>3</sup> 43 = kg 50 = l (litre)

1998-09-10

01.300



2 782 082.010



## FRAME UPPER CARRIAGE WITH MOUNT. PARTS

01.300

FX600 / 106101 - .....

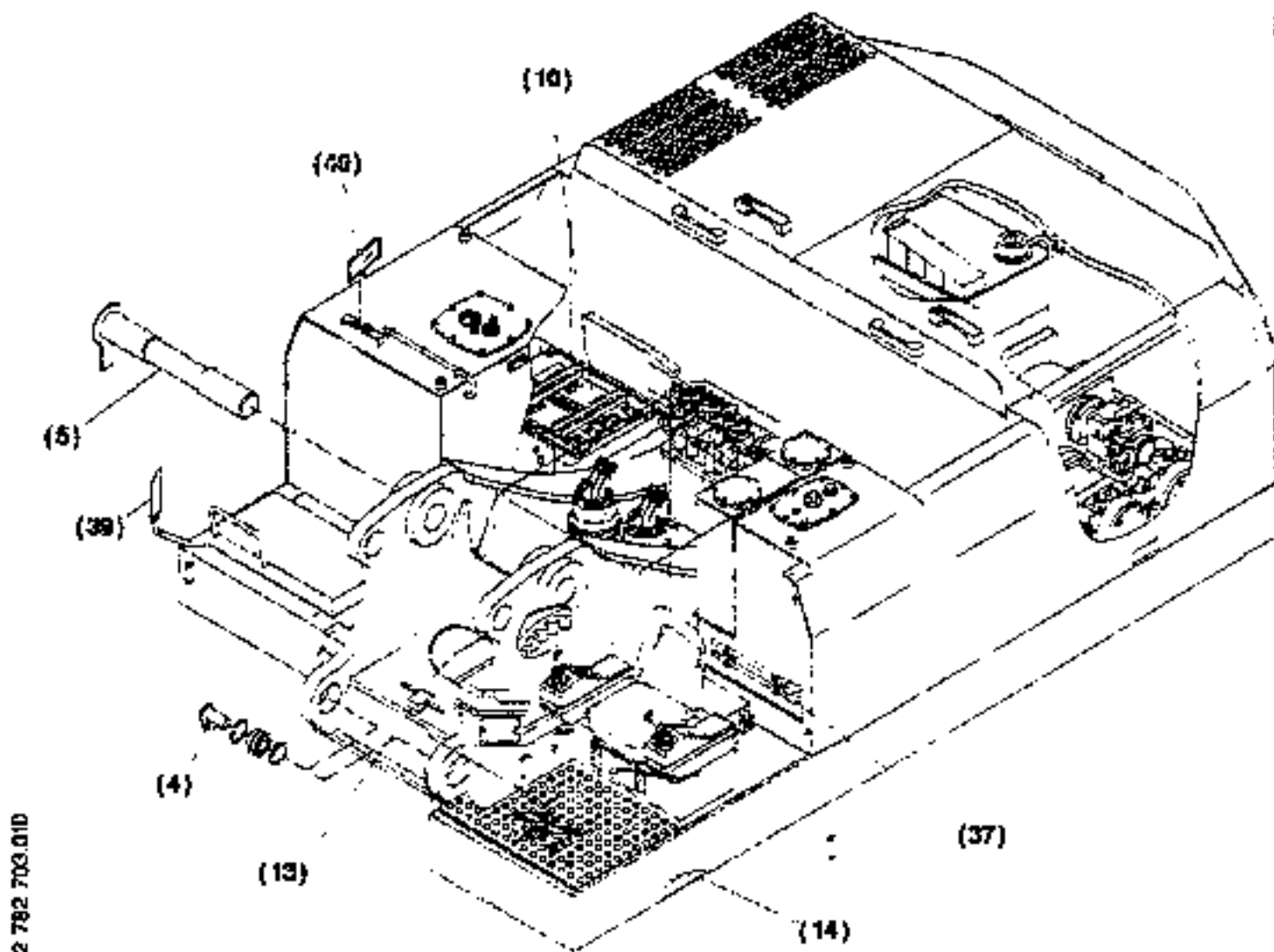
T 2782082 - 000

E 2782082 - 010

Item	Quan.	ME	Part No.	Description
103	16	00	73171000	HEXAGON BOLT
104	16	00	73170804	DISK/WASHER
203	1	00	73171001	COVER
204	1	00	73171002	COVER
206	8	00	73170208	CONTER-SUNK SCREW
207	8	00	73170161	HEXAGON NUT
208	8	00	73170167	LOCK WASHER

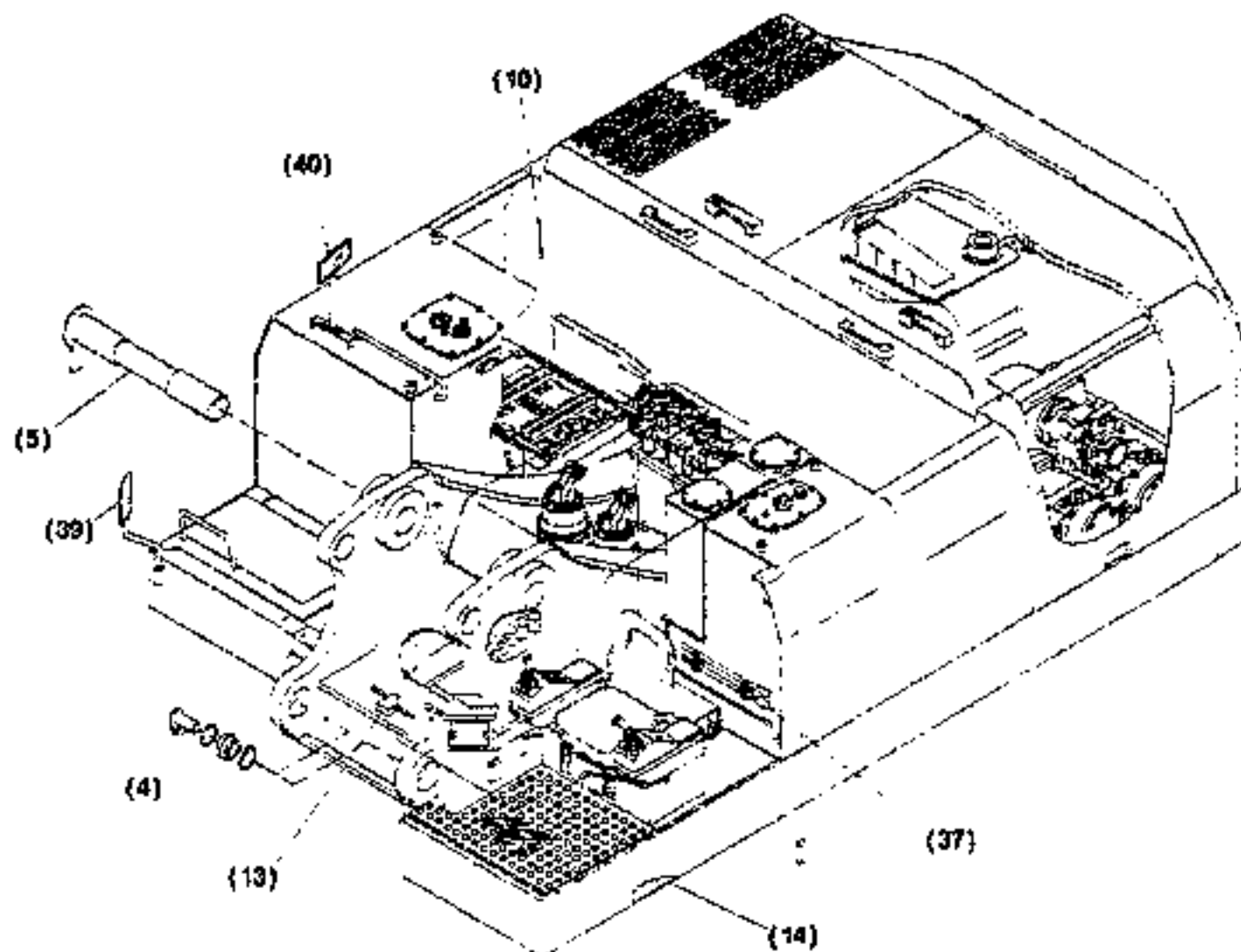
ME: 00 = Stück/piece 13 = m 28 = m<sup>2</sup> 39 = m<sup>3</sup> 49 = kg 50 = l (litre)

1998-09-10



2 782 703 010

Item	Quan.	ME	Part No.	Description
004	2	00	01.650 2443800	BEARING FRAME
005	1	00	01.670 2443801	BEARING BOOM
010	1	00	31.300 2443932	BATTERY INSTALL.MATERIAL
013	1	00	30.040 2782656	CENTRAL LUBE SYST.
014	1	00	36.500 2782702	COVER UPPER CARRIAGE
037	1	00	22.520 2444775	RODS TREADLE VALVE



2 782 703 010

**FRAME UPPER CARRIAGE WITH MOUNT. PARTS**

01.300



FX800 / 70027 - 76027

T 2782703 - 000

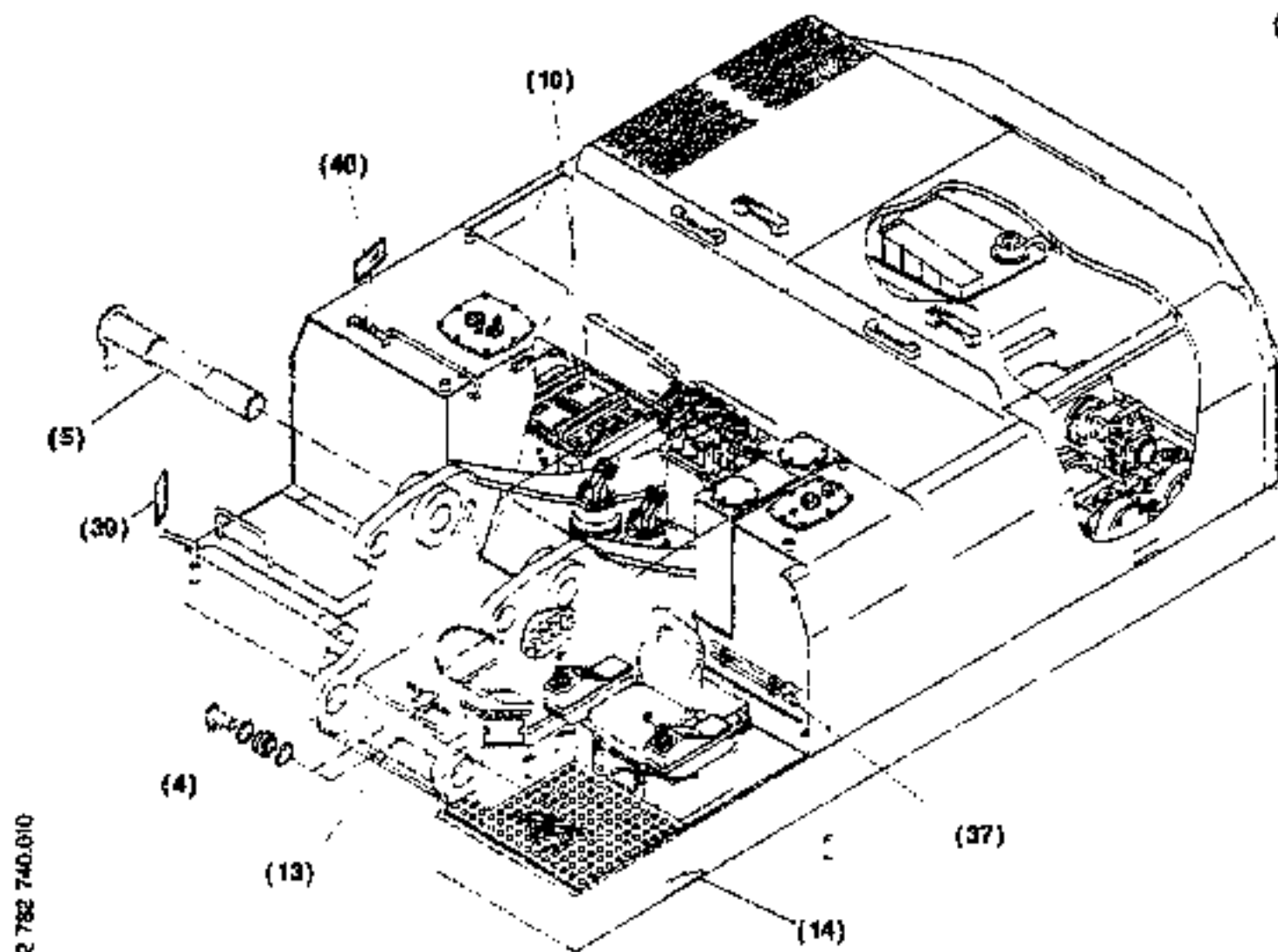
B 2782703 - 010

Item	Quan.	ME	Part No.	Description
039	1	00		35.060 2284173 MIRROR SUPPORT INSTALL.MATERIAL
040	1	00		35.060 2443940 MIRROR SUPPORT INSTALL.MATERIAL

ME: 00=Stock/piece 13=mm 25=m<sup>2</sup> 39=m<sup>3</sup> 43=kg 50=l (litre)

1898-00-10

01.300

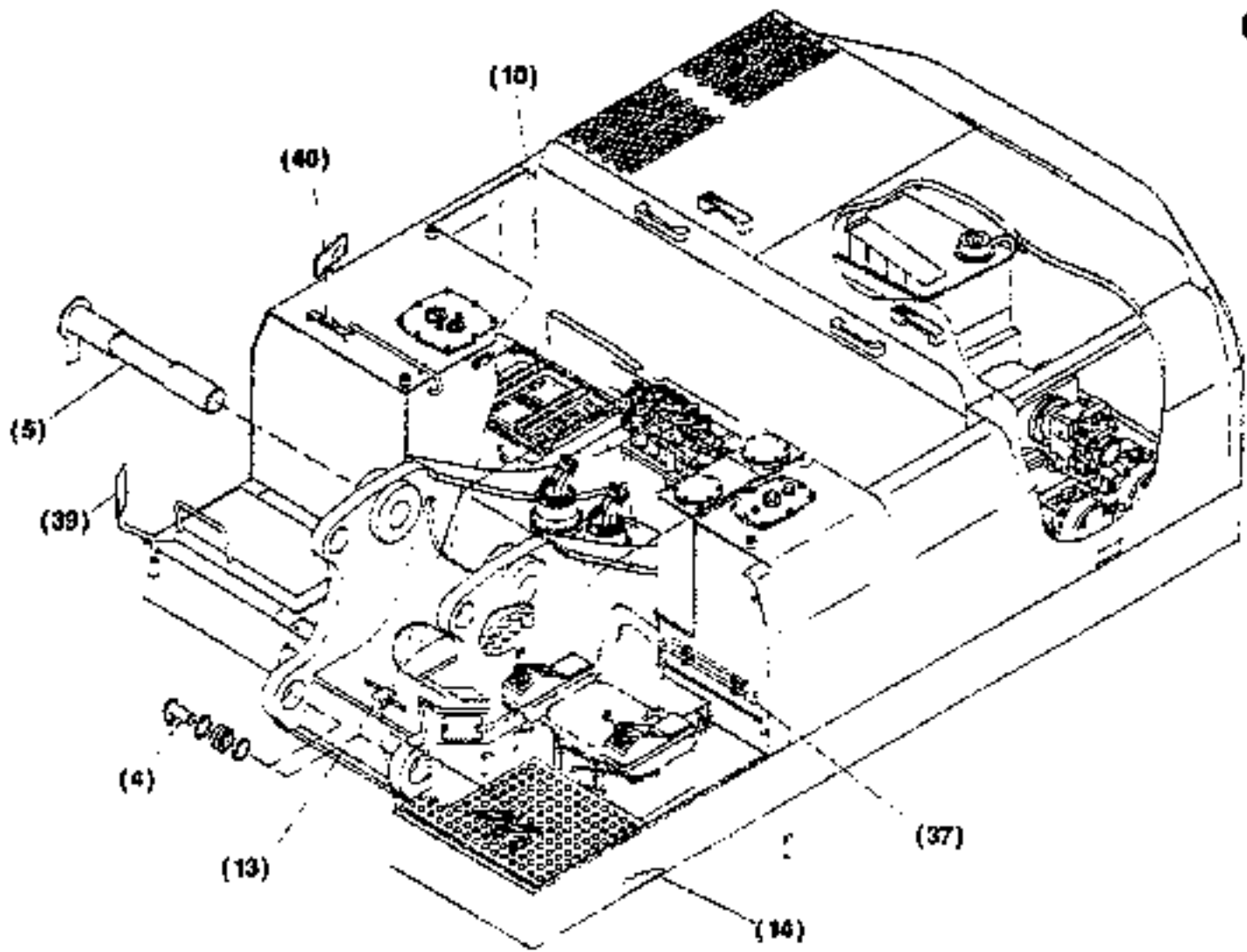


2 782 740.010

				01.300	
				T 2782740 - 000	
				B 2782740 - 010	
				FX500 / 106101 - .....	
Item	Quan.	ME	Part No.	Description	
004	2	00	01.650 2443800	BEARING FRAME	
005	1	00	01.670 2443801	BEARING BOOM	
010	1	00	31.300 2443832	BATTERY INSTALL.MATERIAL	
013	1	00	30.040 2782650	CENTRAL LUBE SYST.	
014	1	00	38.600 2782741	COVER UPPER CARRIAGE	
037	1	00	22.520 2444775	RODS TREADLE VALVE	

ME: 00=Stück/piece 13=m 28=m<sup>2</sup> 39=m<sup>3</sup> 48=kg 50=l (litre)

1995-09-10

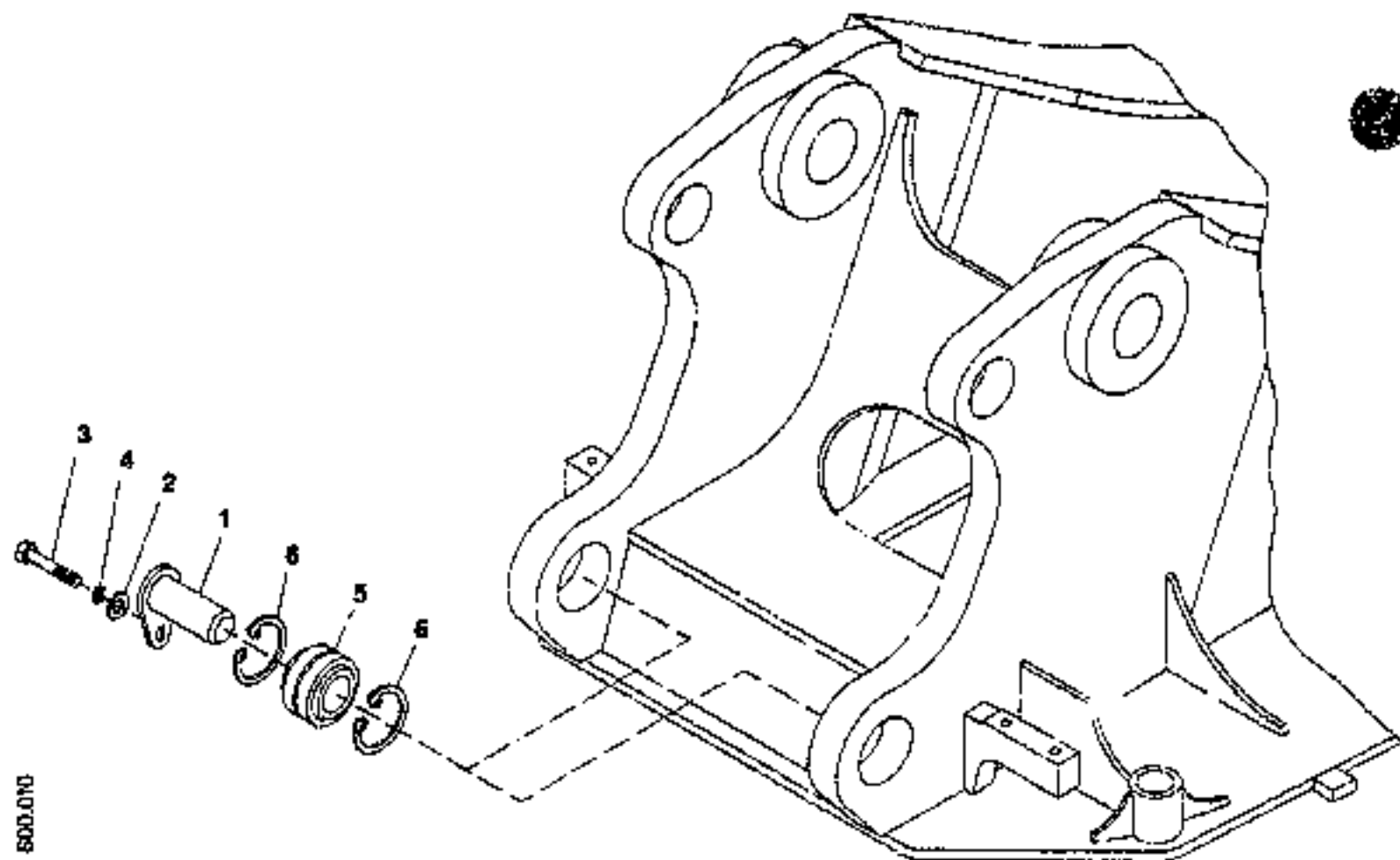


2 782 740 010

				01.300	
				T 2782740 - 000 B 2782740 - 010	
				FY600 / 106101 - .....	
Item	Quan.	ME	Part No.	Description	
039	1	00		35.060 2204173	MIRROR SUPPORT INSTALL.MATERIAL
040	1	00		38.060 2443540	MIRROR SUPPORT INSTALL.MATERIAL



01.650



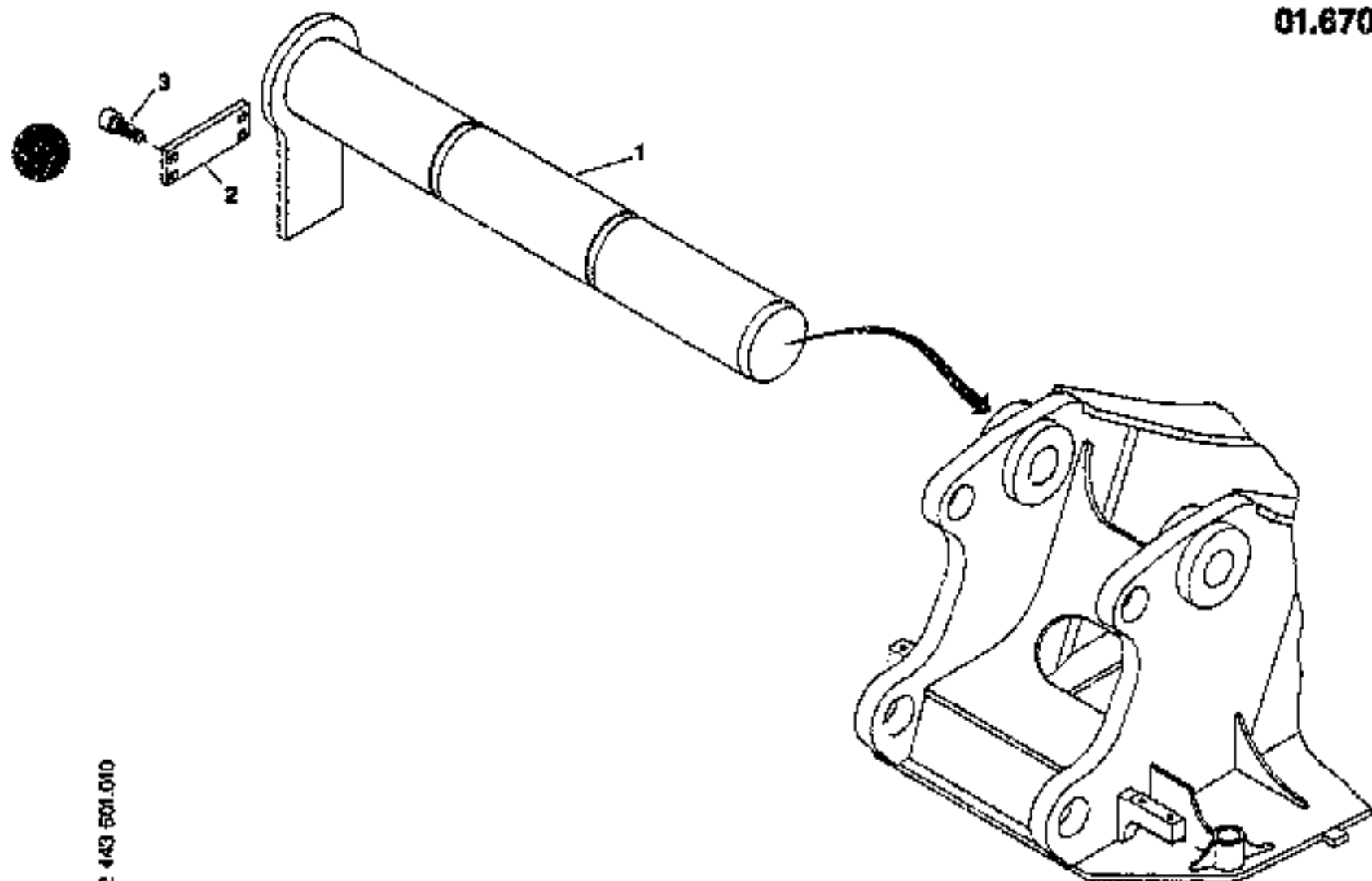
2 449 600.010

				01.650	
				T 2443600 - 000	
				E 2443600 - 010	
				FX600 / 106101 - .....	
Item	Quant.	ME	Part No.	Description	
001	1	00	73170978	HITCH PIN	
002	1	00	73170979	DISK/WASHER	
003	1	00	73170980	HEXAGON BOLT	
004	1	00	73170981	LOCK WASHER	
005	1	00	73170983	JOINT BEARING	
006	2	00	73170984	CIRCLIP	

ME: 00 = Stückpiece 10 = m 20 = m<sup>2</sup> 30 = m<sup>3</sup> 40 = kg 50 = l (litre)

1998-U9-10

01.670



2 443 501 010



## BEARING BOOM

01.670

FX600 / 106101 - .....

T 2443551 - 000

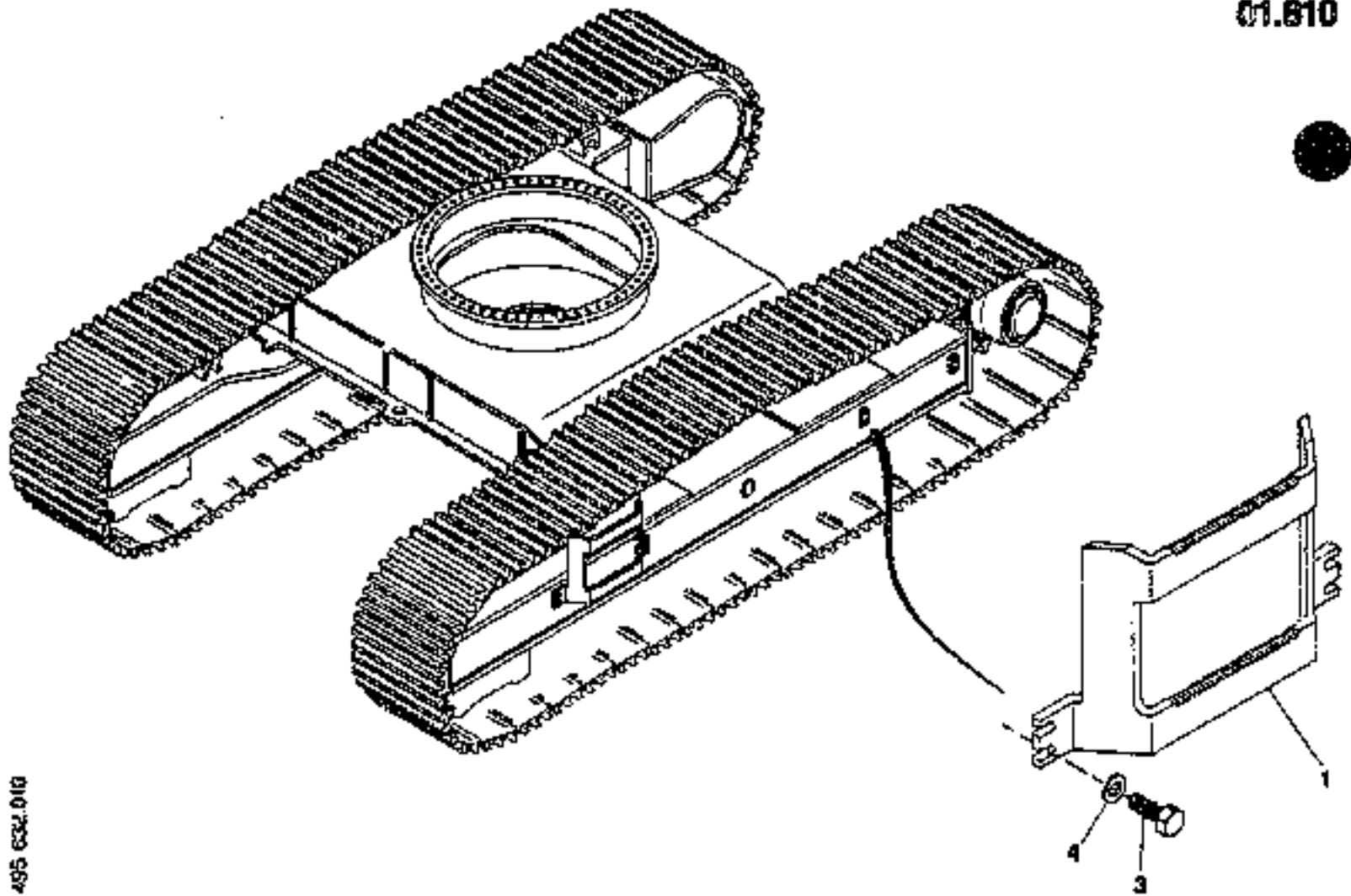
B 2443501 - 010

Item	Quan.	ME	Part No.	Description
001	1	00	73170985	PIN
002	1	00	73170986	PLATE
003	4	00	73170887	CYL.HEAD SCREW

ME: 00 = Stück/piece 13 = m 26 = m<sup>2</sup> 38 = m<sup>3</sup> 43 = kg 50 = l (litre)

1998-08-10

01.810

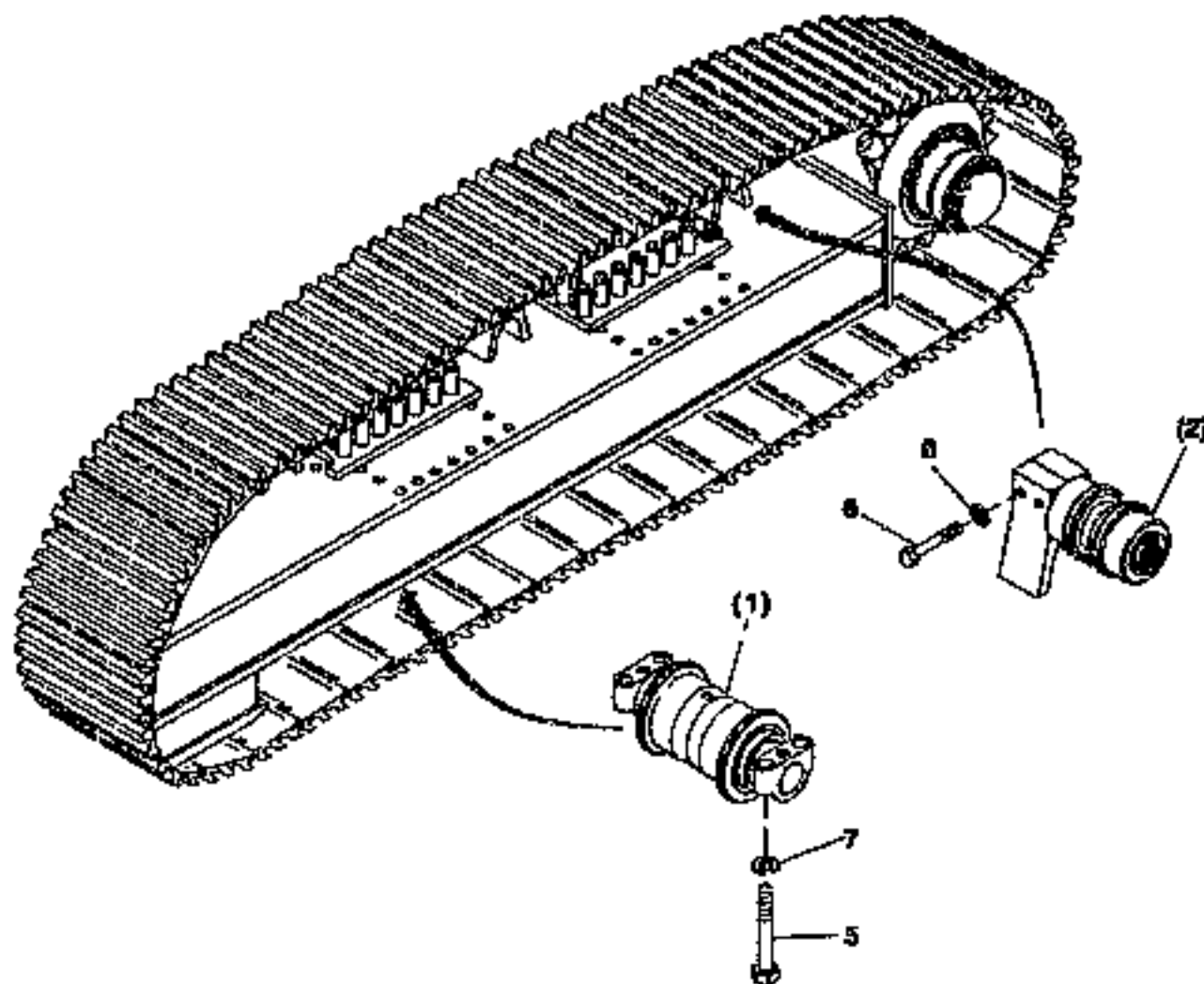


2 495 632 010

				01.810	
				T 2495632 - 000	
				B 2495632 - 010	
				FX600 / 108101 - .....	
Item	Quan.	ME	Part No.	Description	
001	4	00	73170128	STEP	
003	16	00	73170014	HEXAGON BOLT	
004	16	00	73170129	DISK/WASHER	

ME: 00 = Stück/piece 13 = m 26 = m<sup>2</sup> 39 = m<sup>3</sup> 43 = kg 50 = l (litre)

1898-09-10



2 496 890.010



## CRAWLER CHASSIS INSTALL.MATERIAL

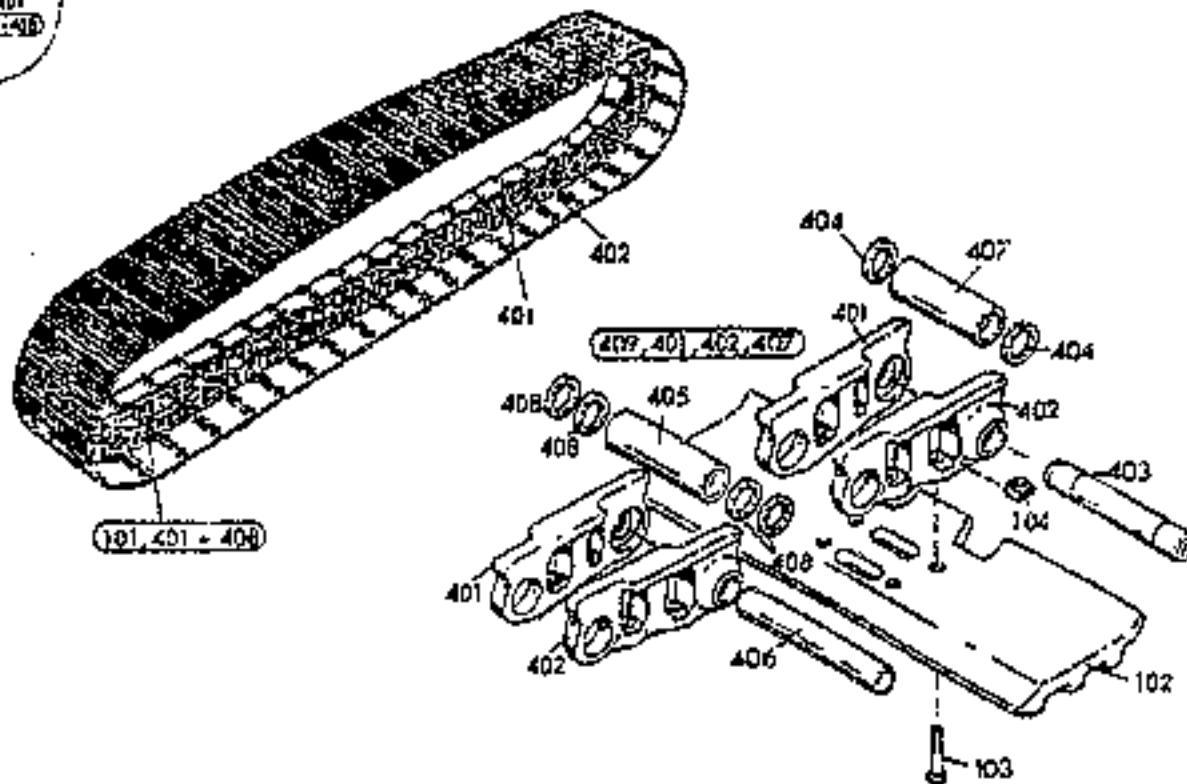
08.010

FX600 / 10B101 - .....

T 2496890 - 000

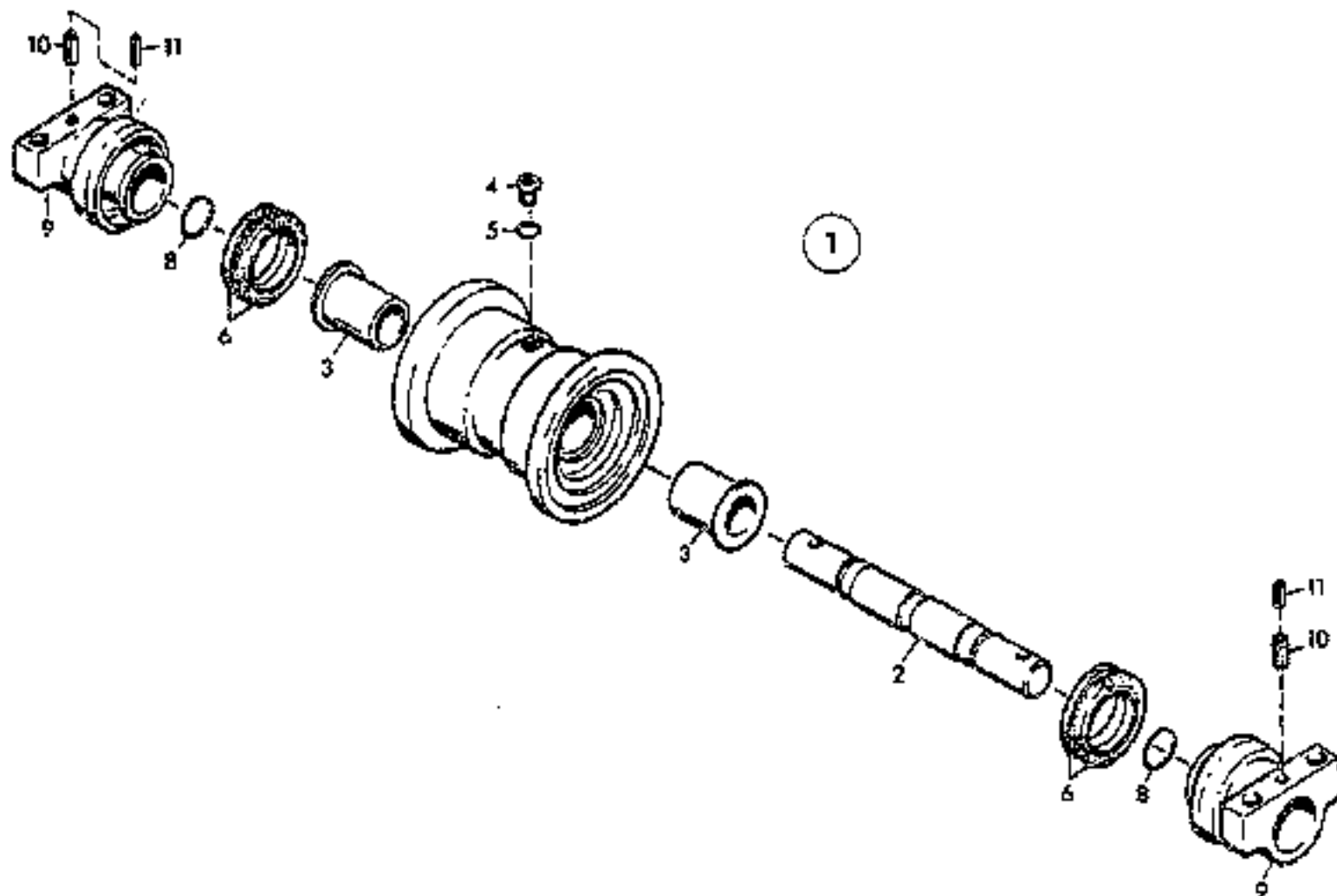
B 2496890 - 010

Item	Quan.	ME	Part No.	Description
001	8	30		08.150 2443891 IDLER ROLLER
002	3	00		08.190 2496891 SUPPORT ROLLER
005	32	00	7317001B	HEXAGON BOLT
006	6	00	7317002B	HEXAGON BOLT
007	32	00	73170022	DISK/WASHER
008	6	00	73170010	DISK/WASHER



2 443 903 010

			<b>DRIVING CHAIN</b>		06.102
			FX600 / 106101 - .....		T 2443903 - 060 B 2443903 - 010
Item	Qusn.	ME	Part No.	Description	
001	2	00	73170023	DRIVING CHAIN	
101	1	00	73170024	DRIVING CHAIN	
102	53	00	73170025	BASEPLATE	
103	212	00	73170026	HEXAGON BOLT	
104	212	00	73170027	NUT	
401	53	00	73170028	CHAIN LINK	
402	53	00	73170029	CHAIN LINK	
403	1	00	73170030	PIN	
404	2	00	73170031	END PLATE	
405	53	00	73170032	BUSHING	
406	53	00	73170033	PIN	
407	1	00	73170034	ENDBUSHING	
408	212	00	73170035	CUP SPRING	
409	0	00	73170036	SEGMENT	



-J 691.010



## IDLER ROLLER

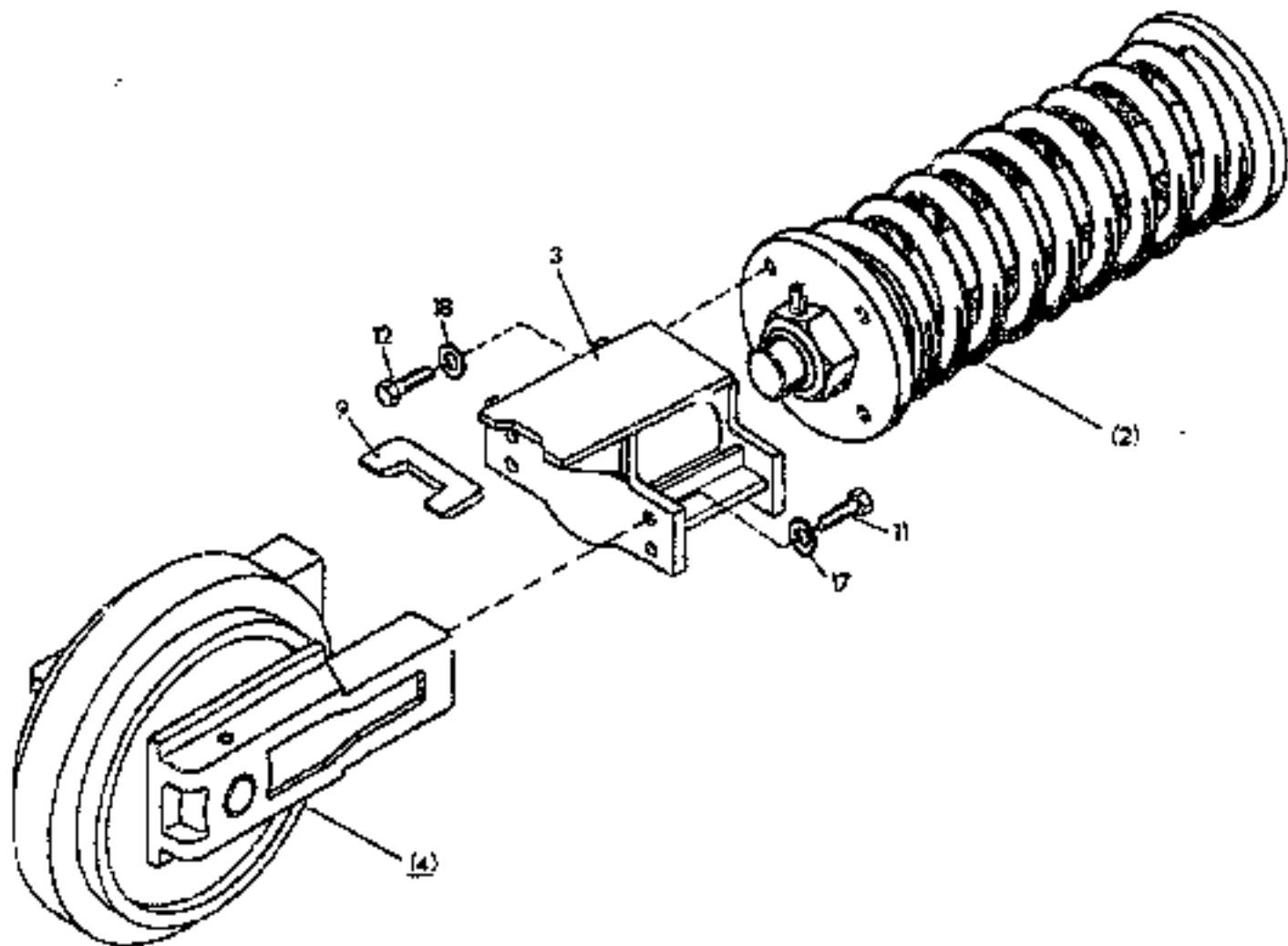
06.150

FX600 / 106101 - .....

T 2443691 - 000

B 2443691 - 010

Item	Quan.	ME	Part No.	Description
001	1	00	73170082	IDLER ROLLER
002	1	00	73170083	AXLE
003	2	00	73170084	FLANGED BUSH
006	2	00	73170085	DUO-CONE SEAL
007	2	00	73170087	BEARING
008	2	00	73170088	O-RING
009	2	00	73170080	MOUNT
010	2	00	73170091	LOCKING PIN
011	2	00	73170092	LOCKING PIN



2 249 284 010


**GUIDE WHEEL INSTALL.MATERIAL**

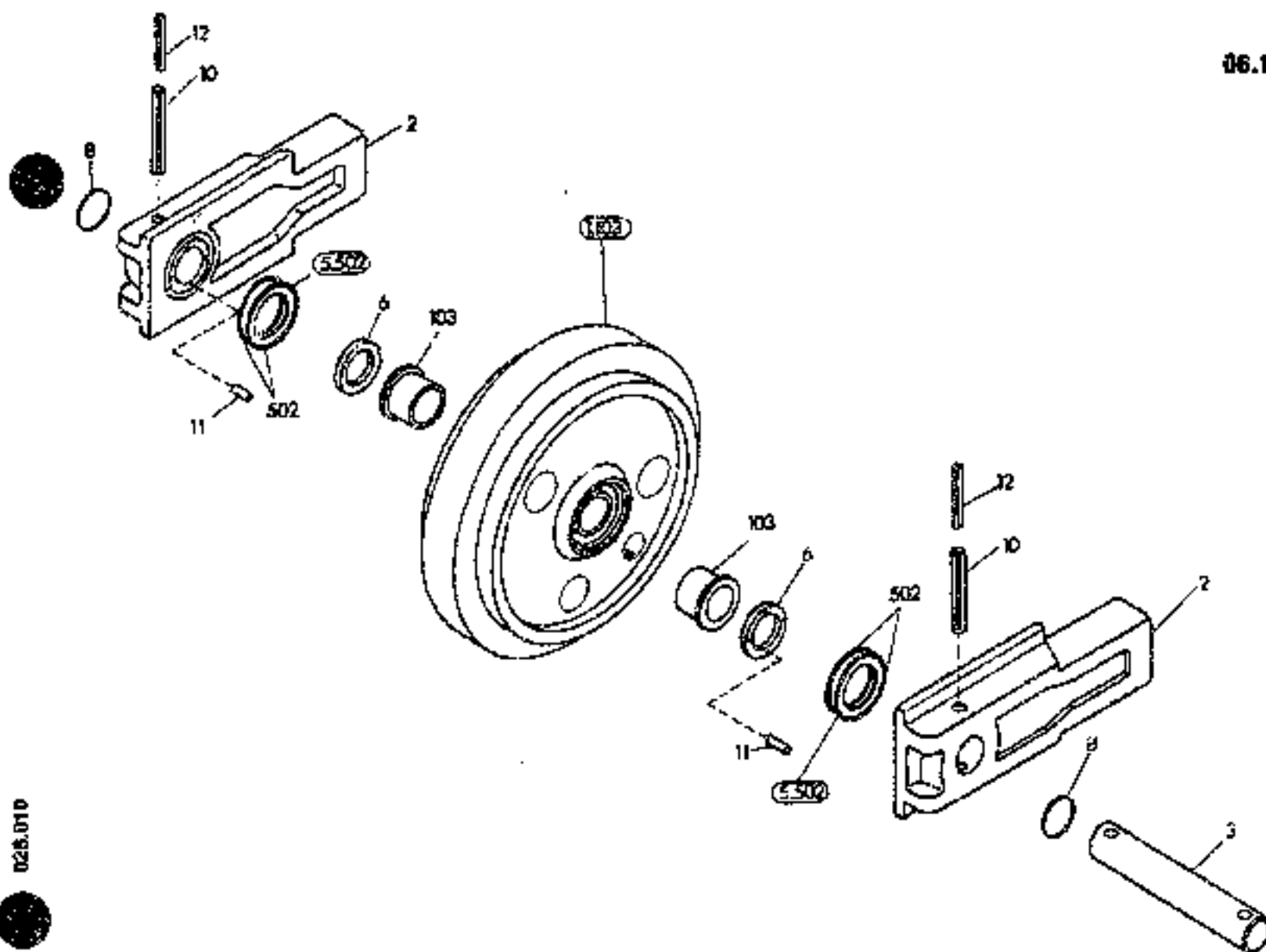
06.160

FX600 / 106101 - .....

T 2249284 - 030

B 2249284 - 010

Item	Quan.	ME	Part No.	Description
002	1	00		06.170 2141753 SPRING GUIDE WHEEL
003	1	00	73170012	SPACER PIECE
004	1	00		06.162 2176026 GUIDE WHEEL
009	1	00	73170013	SCRAPER
011	4	00	73170014	HEXAGON BOLT
012	4	00	73170015	HEXAGON BOLT
017	4	00	73170010	DISK/WASHER
018	4	00	73170017	RETAINING WASHER



026.010



## GUIDE WHEEL

06.162

FX600 / 106101 - .....

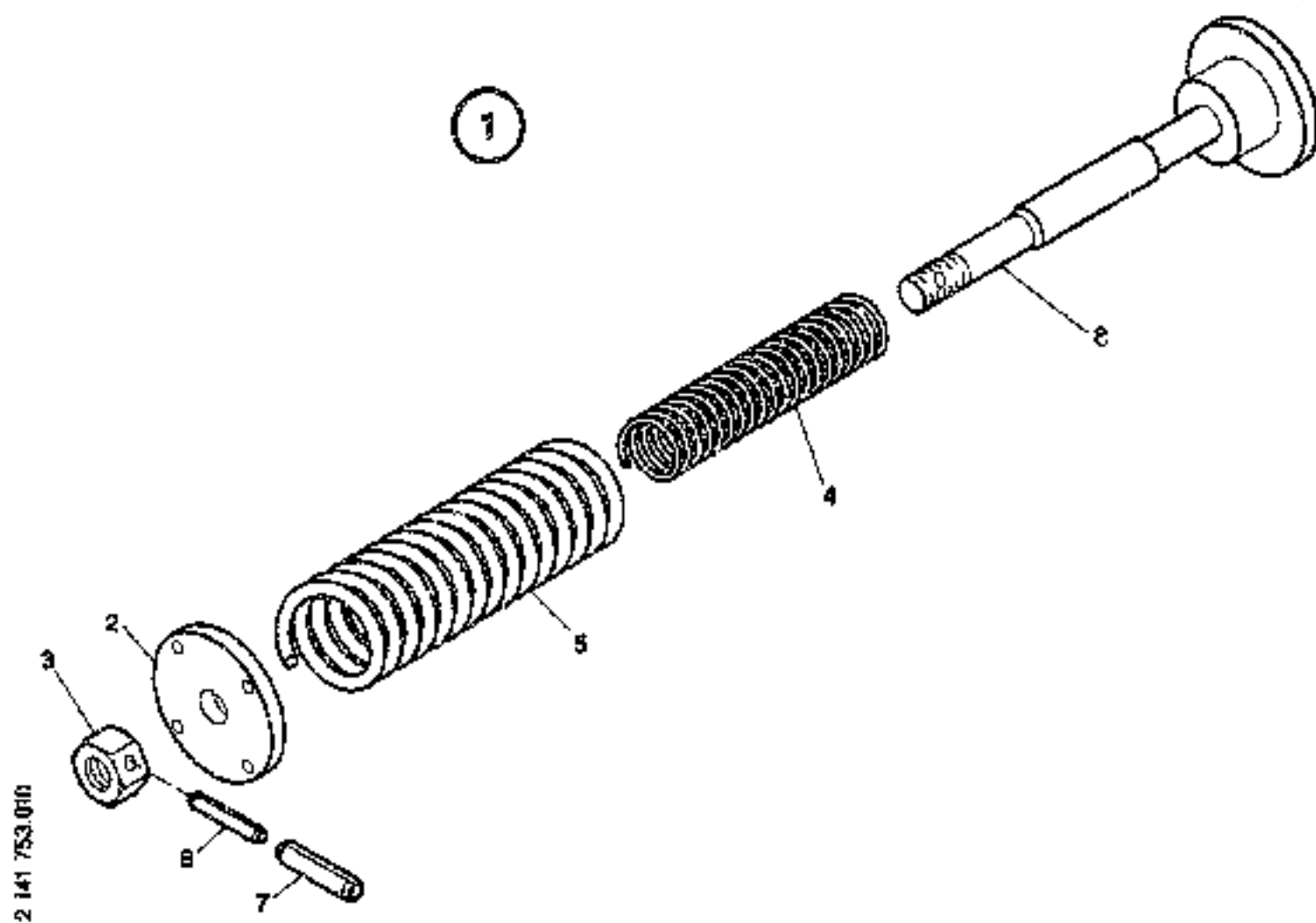
T 2176026 - 000

B 2176026 - 010

Item	Quan.	ME	Part No.	Description
001	1	00	73170109	GUIDE WHEEL
002	2	00	73170110	SLIDING PIECE
003	1	00	73170111	AXLE
005	2	00	73170112	DUO-CONE SEAL
006	2	00	73170113	STOP RING
008	2	00	73170114	ROUND SEALING RING
010	2	00	73170115	LOCKING PIN
011	8	00	73170116	STRAIGHT PIN
012	2	00	73170117	LOCKING PIN
103	2	00	73170118	FLANGED BUSH
502	2	00	73170119	ROUND SEALING RING



06.170



### SPRING GUIDE WHEEL

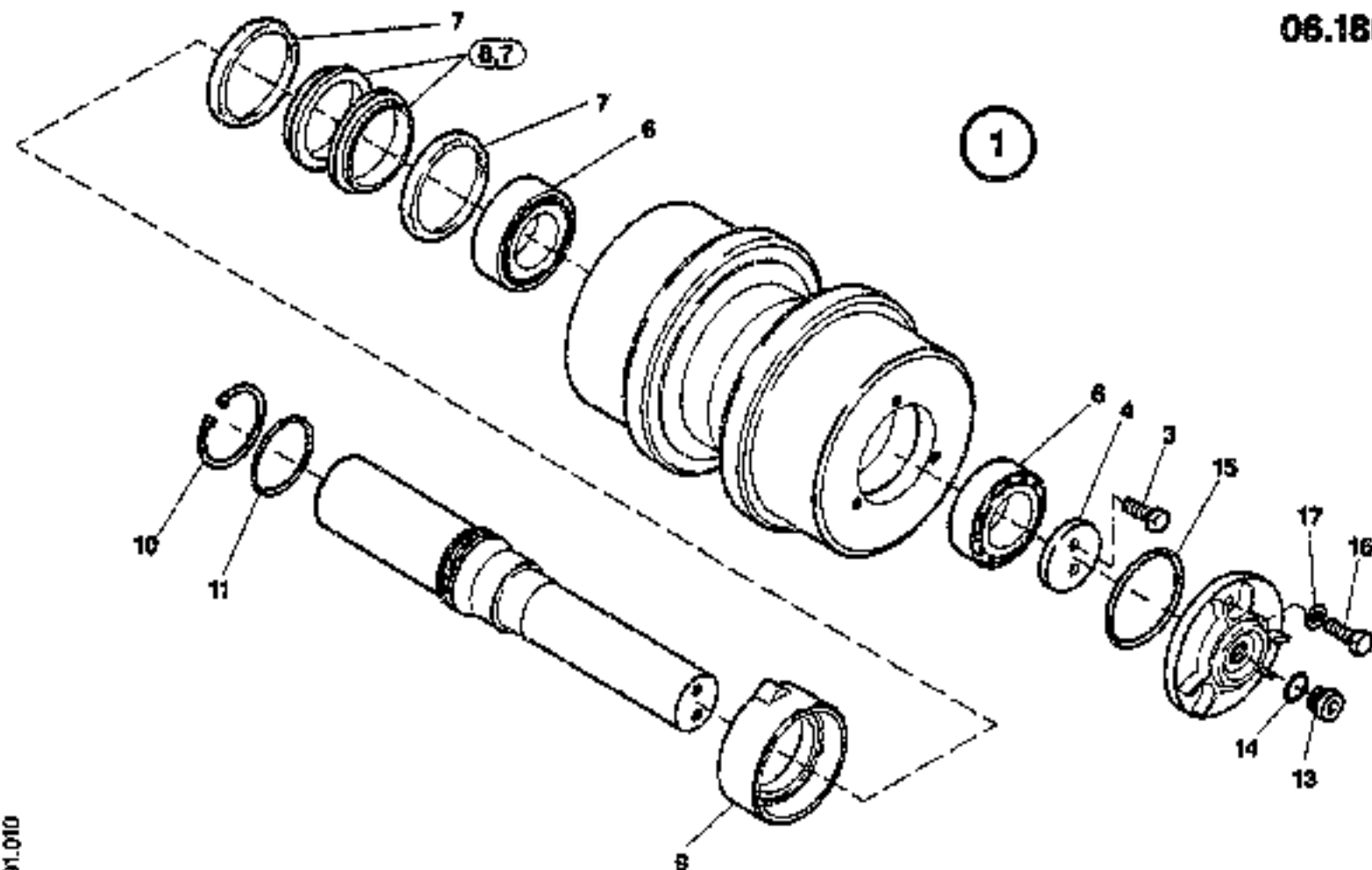
06.170

FX600 / 106101 - .....

T 2141753 - 001

B 2141753 - 010

Item	Quan.	ME	Part No.	Description
001	1	00	73172785	SPRING
002	1	00	73170121	PLATE
003	1	00	73170122	NUT
004	1	00	73170123	SPRING
005	1	00	73170124	SPRING
006	1	00	73170125	LOCKING PIN
007	1	00	73170126	LOCKING PIN
008	1	00	73170120	SPRING SEAT



2 4B6 891.010



## SUPPORT ROLLER

06.180

FX600 / 106101 - .....

T 2496891 - 000

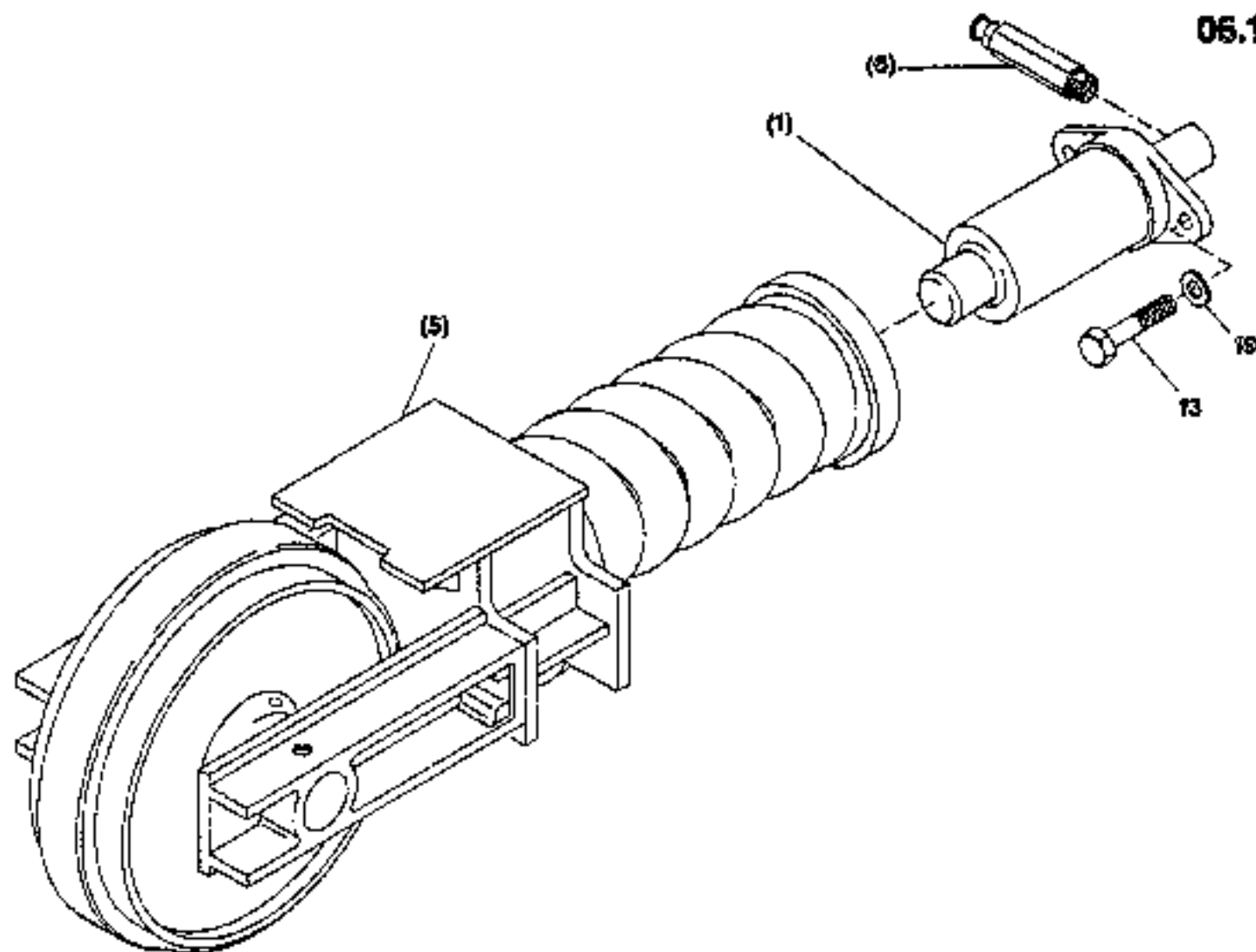
B 2496891 - 010

Item	Quan.	ME	Part No.	Description
001	1	00	73170084	SUPPORT ROLLER
003	2	00	73170095	HEXAGON BOLT
004	1	00	73170096	DISK/WASHER
006	2	00	73170087	TAP.ROLLER BEARING
007	2	00	73170088	O-RING
008	2	00	73170099	GASKET SET
009	1	00	73170100	BEARING
010	1	00	73170101	CIRCLIP
011	1	00	73170102	O-RING
013	1	00	73170103	SCREW PLUG
014	1	00	73170104	O-RING
015	1	00	73170105	O-RING
016	3	00	73170107	HEX.HD.SCREW
017	3	00	73170108	DISK/WASHER

ME: 00 = Stück/piece 13 = m 28 = m<sup>2</sup> 38 = m<sup>3</sup> 43 = kg 50 = l (litre)

1998-09-10

2 498 889 010



06.190



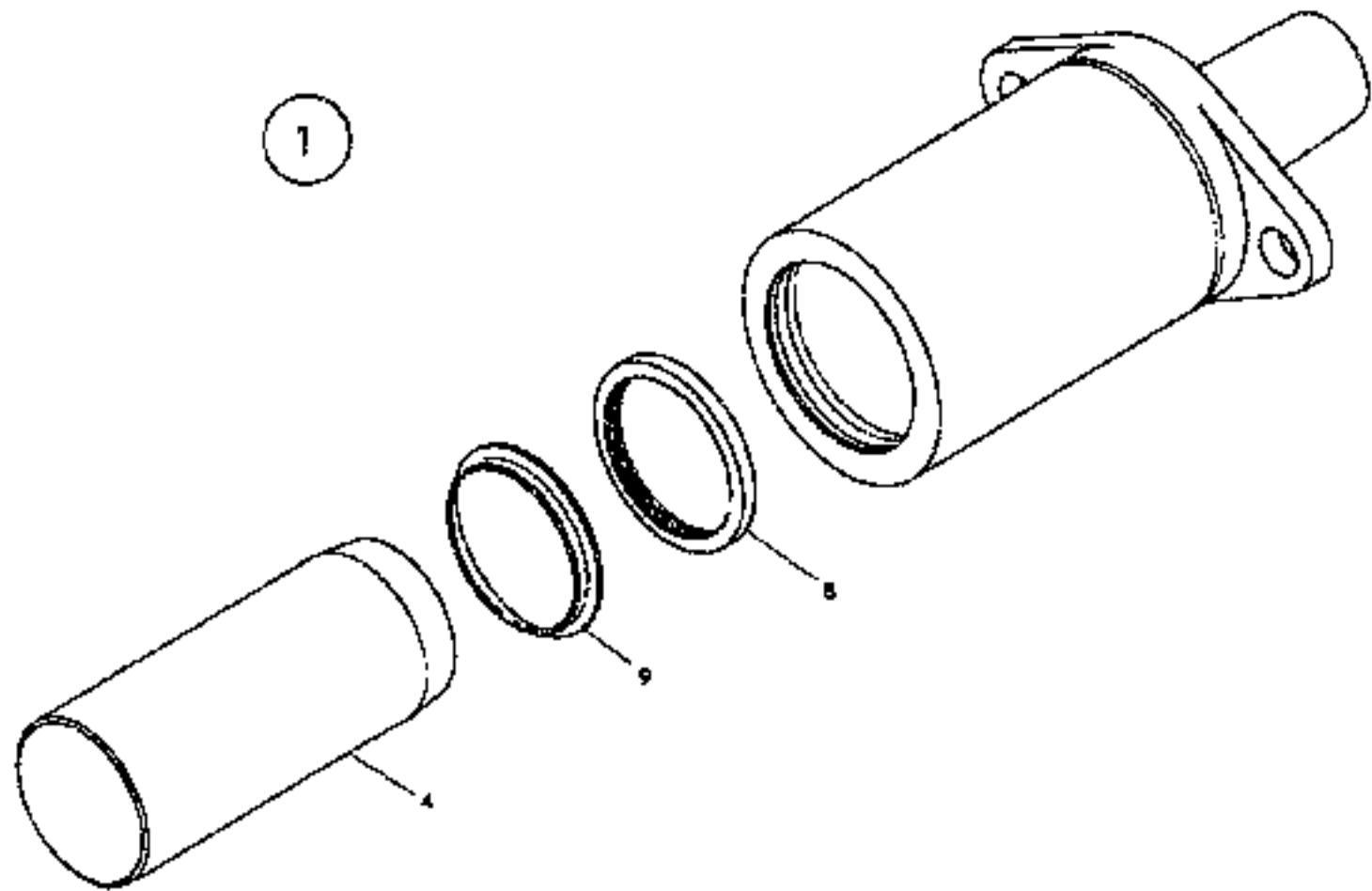
**TENSIONING DEVICE**

06.190

FX600 / 106101 - .....

T 2496889 - 000  
B 2496889 - 010

Item	Quan.	ME	Part No.	Description
001	1	00	06.200 2141764	CLAMPING CYLINDER GREASE FILLING
005	1	00	06.160 2249284	GUIDE WHEEL INSTALL.MATERIAL
006	1	00	06.210 2496893	VALVE CHAIN TENSIONER GREASE FILLING
013	2	00	73170008	HEXAGON BOLT
019	2	00	73170010	DISK/WASHER



2 141 764 090



## CLAMPING CYLINDER GREASE FILLING

06.200

FX600 / 106101 - .....

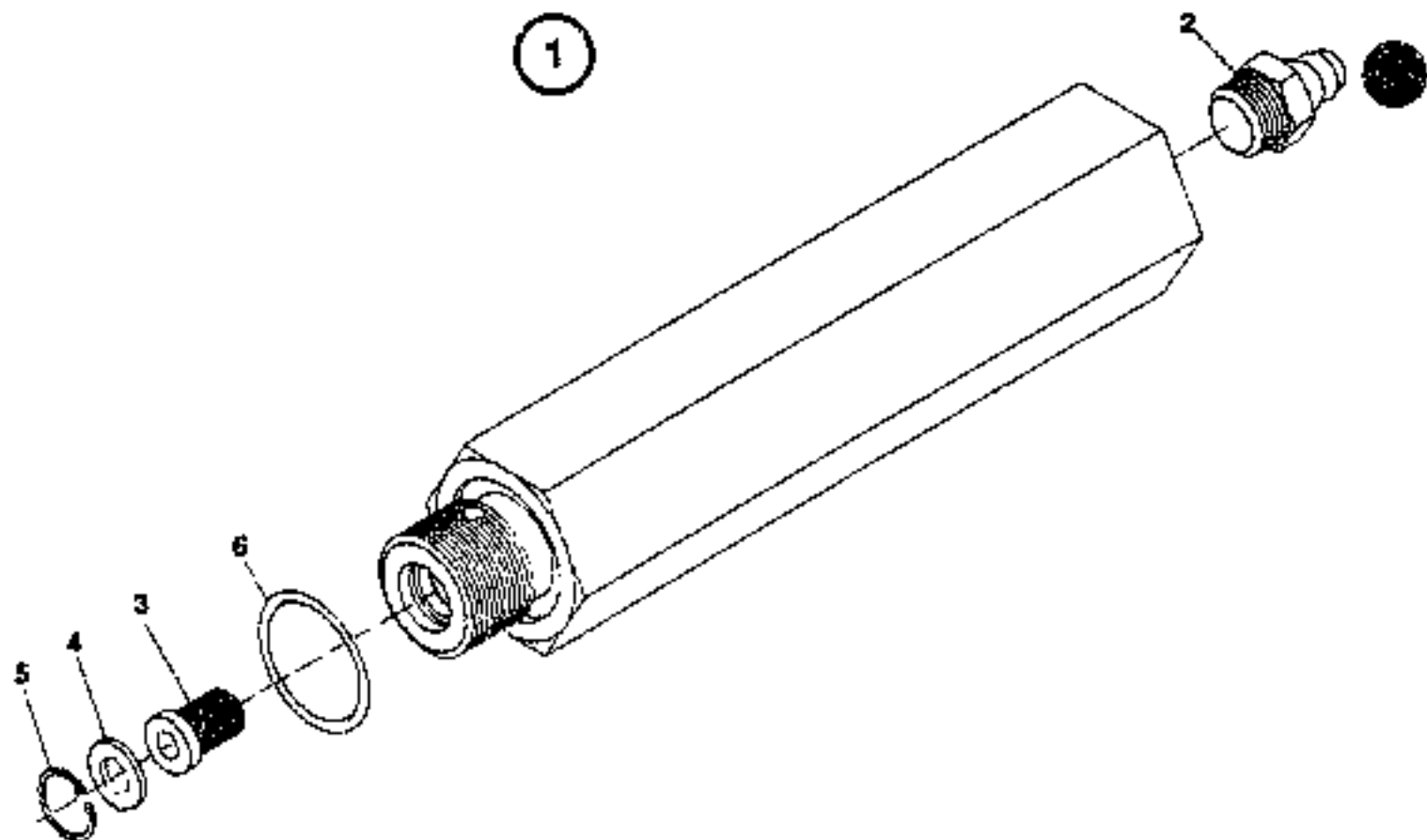
T 2141764 - 000

B 2141764 - 010

Item	Quan.	ME	Part No.	Description
001	1	00	73170143	CYLINDER
004	1	00	73170144	PISTON
008	1	00	73170145	GROOVED RING
009	1	00	73170145	SCRAPER

06.210

2 496 893 010



**VALVE CHAIN TENSIONER GREASE FILLING**

06.210



FX600 / 106101 - .....

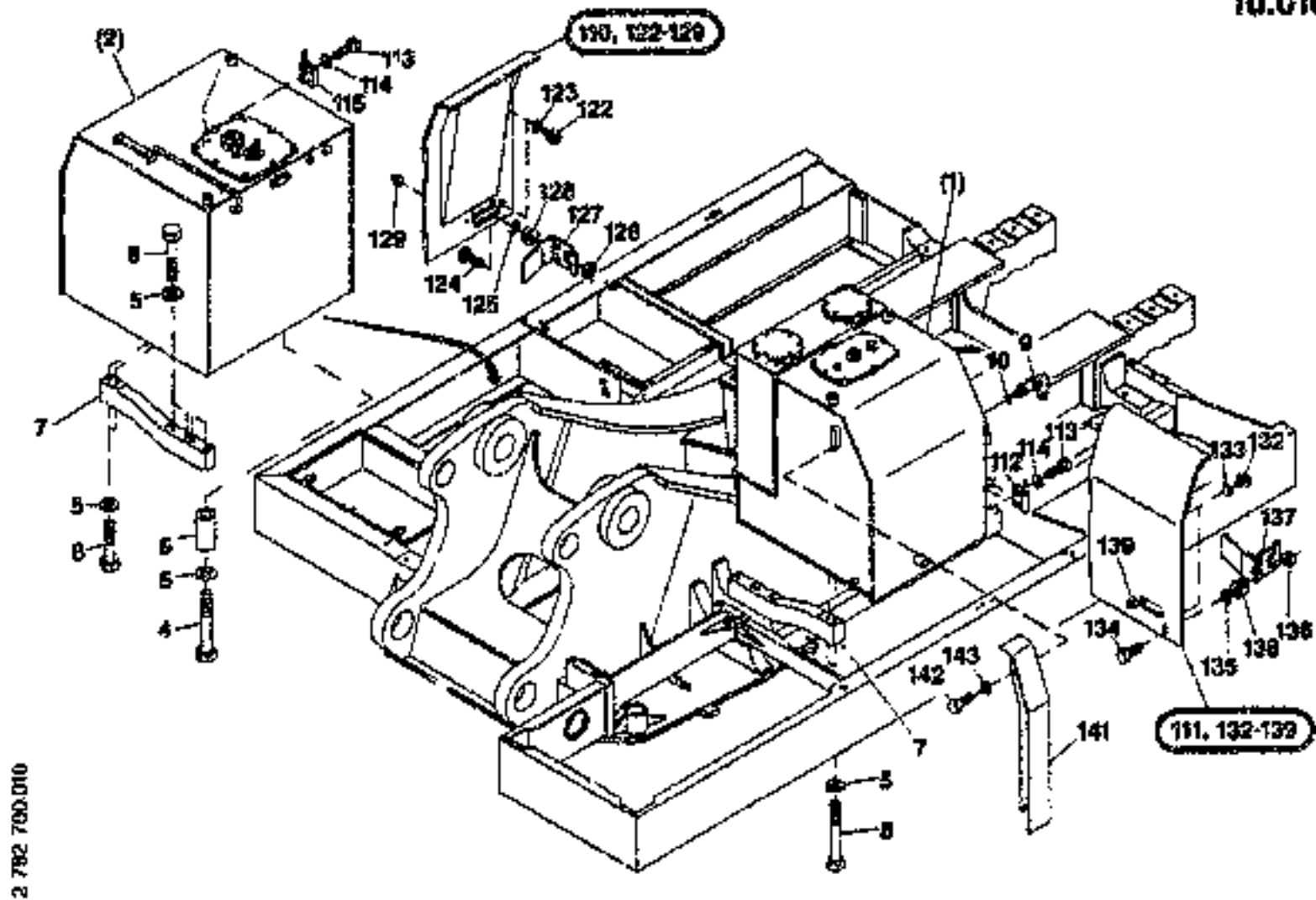
T 2496893 - 000

B 2496893 - 010

Item	Quan.	ME	Part No.	Description
001	1	00	73170137	CHECK VALVE
002	1	00	73170138	GREASE NIPPLE
003	1	00	73170139	VALVE
004	1	00	73170140	DISK/WASHER
005	1	00	73170141	CIRCLIP
006	1	00	73170142	SEALING RING

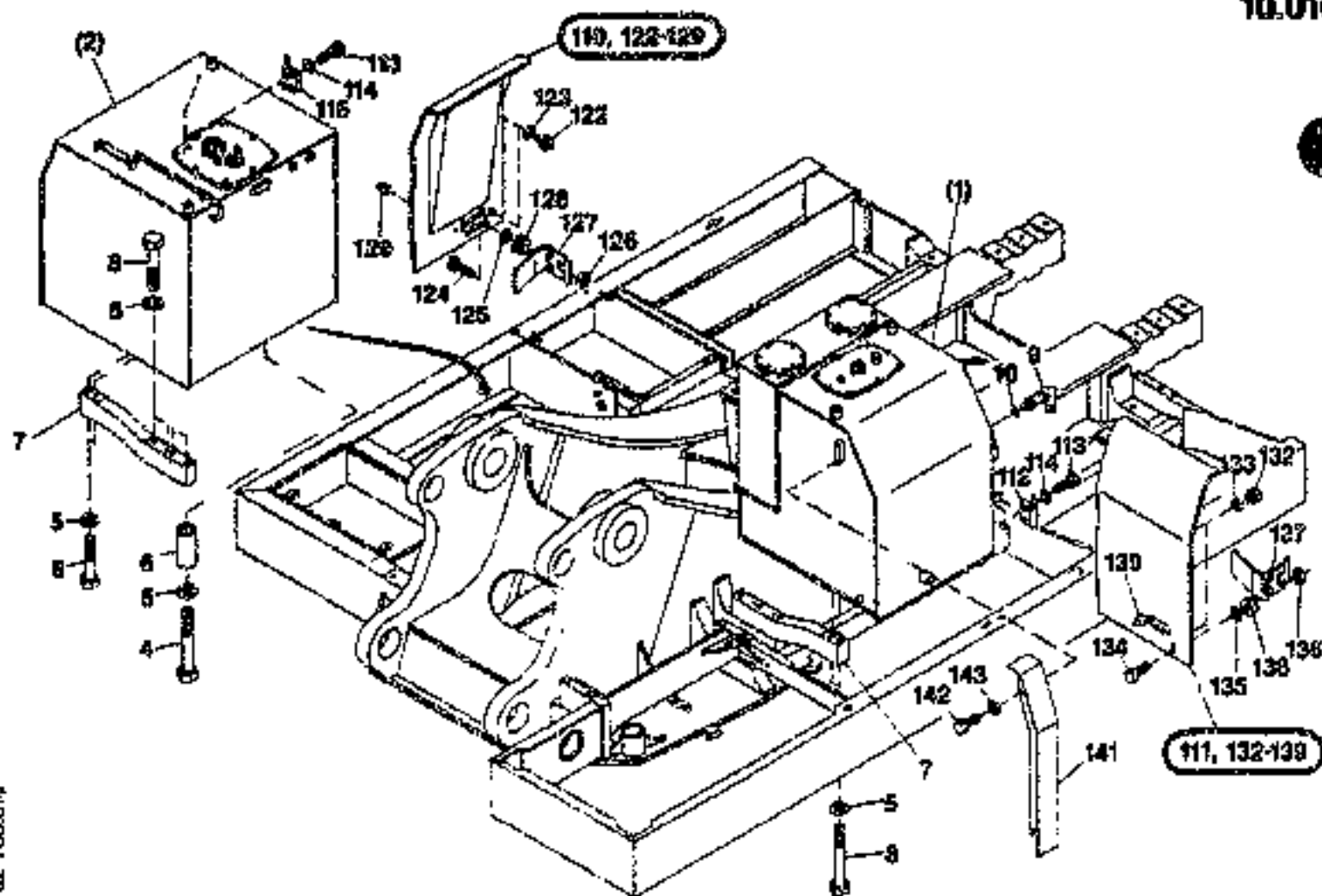
ME: 00 = Stück/piece 13 = m 26 = m<sup>2</sup> 39 = m<sup>3</sup> 43 = kg 50 = l (litre)

1898-09-10



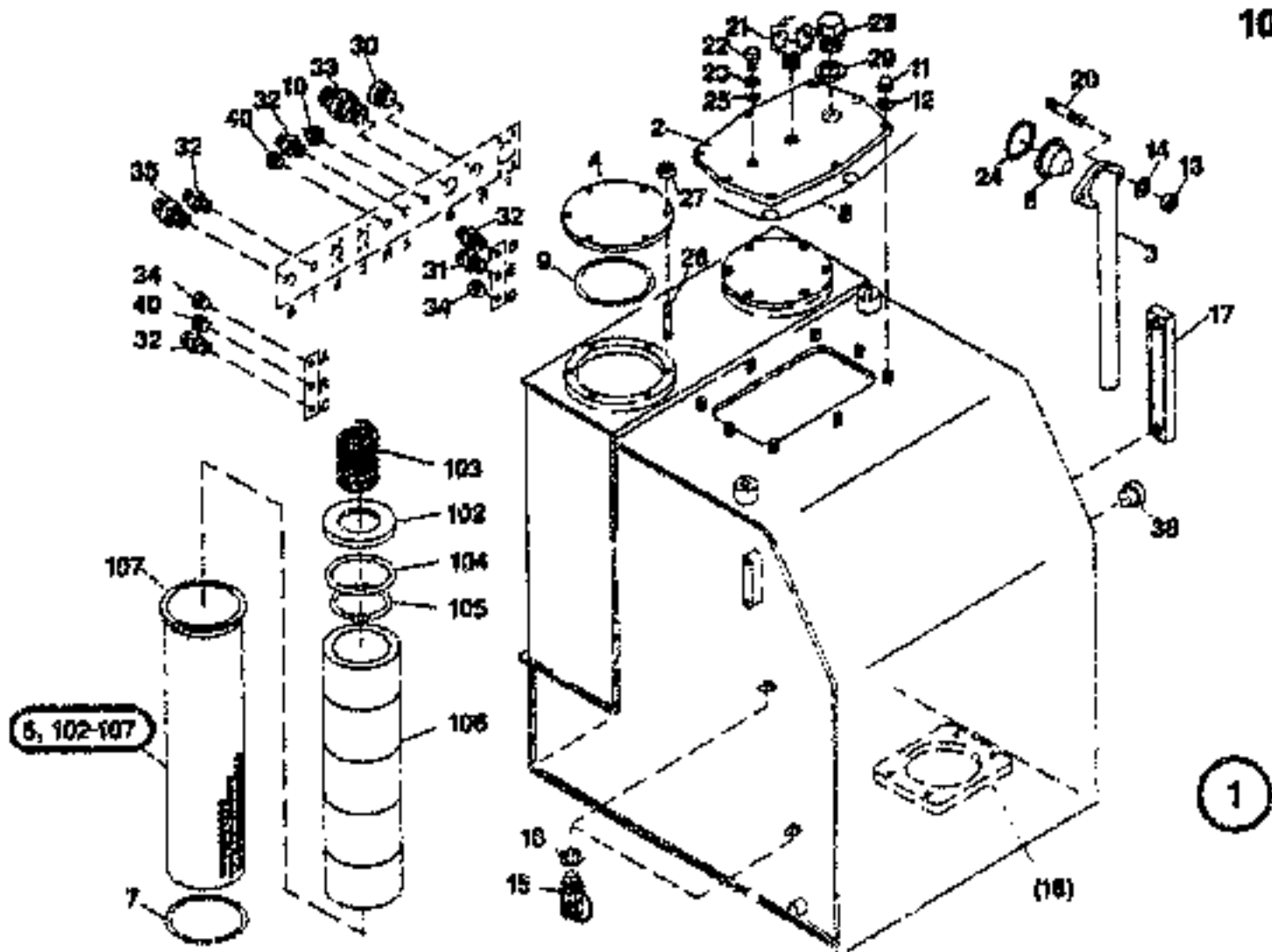
			<b>CONTAINER INSTALL.MATERIAL</b>		10.010
			FX600 / 108101 - .....		T 2782700 - 000 B 2782700 - 010
Item	Quant.	ME	Part No.	Description	
001	1	00	10.102 2443385	HYD. OIL. TANK	
002	1	00	10.202 2782898	FUEL TANK	
004	1	00	73170003	HEXAGON BOLT	
005	10	00	73170804	DISKWASHER	
006	1	00	73170805	SPACER	
007	2	00	73171557	BRACKET	
008	9	00	73170808	HEXAGON BOLT	
009	1	00	73170303	LEVEL SWITCH	
010	1	00	73170904	SEALING RING	
110	1	00	73170907	DOOR	
111	1	00	73170809	DOOR	
112	2	00	73170809	HINGE	
113	8	00	73170176	HEXAGON BOLT	
114	8	00	73170213	DISKWASHER	
115	2	00	73170810	HINGE	

ME: 00=Stück/piece 13=m 26=m<sup>2</sup> 39=m<sup>3</sup> 43=kg 50=l (litre)



2 782 700.010

				10.010
				T 2782700 - 000
				B 2782700 - 010
CONTAINER INSTALL MATERIAL				
FX800 106101 - .....				
Item	Quan.	ME	Part No.	Description
122	2	00	73170811	RUBBER STOP
123	6	00	73170185	DISK/WASHER
124	2	00	73170201	HEXAGON BOLT
125	2	00	73170180	DISK/WASHER
126	2	00	73170181	HEXAGON NUT
127	1	00	73170812	LOCKING BAR
128	2	00	73170200	BUMPER
129	1	00	73170813	ARRESTOR
132	2	00	73170811	RUBBER STOP
133	6	00	73170185	DISK/WASHER
134	2	00	73170201	HEXAGON BOLT
135	2	00	73170180	DISK/WASHER
136	2	00	73170181	HEXAGON NUT
137	1	00	73170812	LOCKING BAR
138	2	00	73170200	BUMPER
139	1	00	73170813	ARRESTOR
141	1	00	73170153	PANELING
142	2	00	73170183	HEXAGON BOLT



2 443 385 010

1

10.102

## HYD. OIL TANK



FX500 / 106101 - .....

T 2443385 - 003

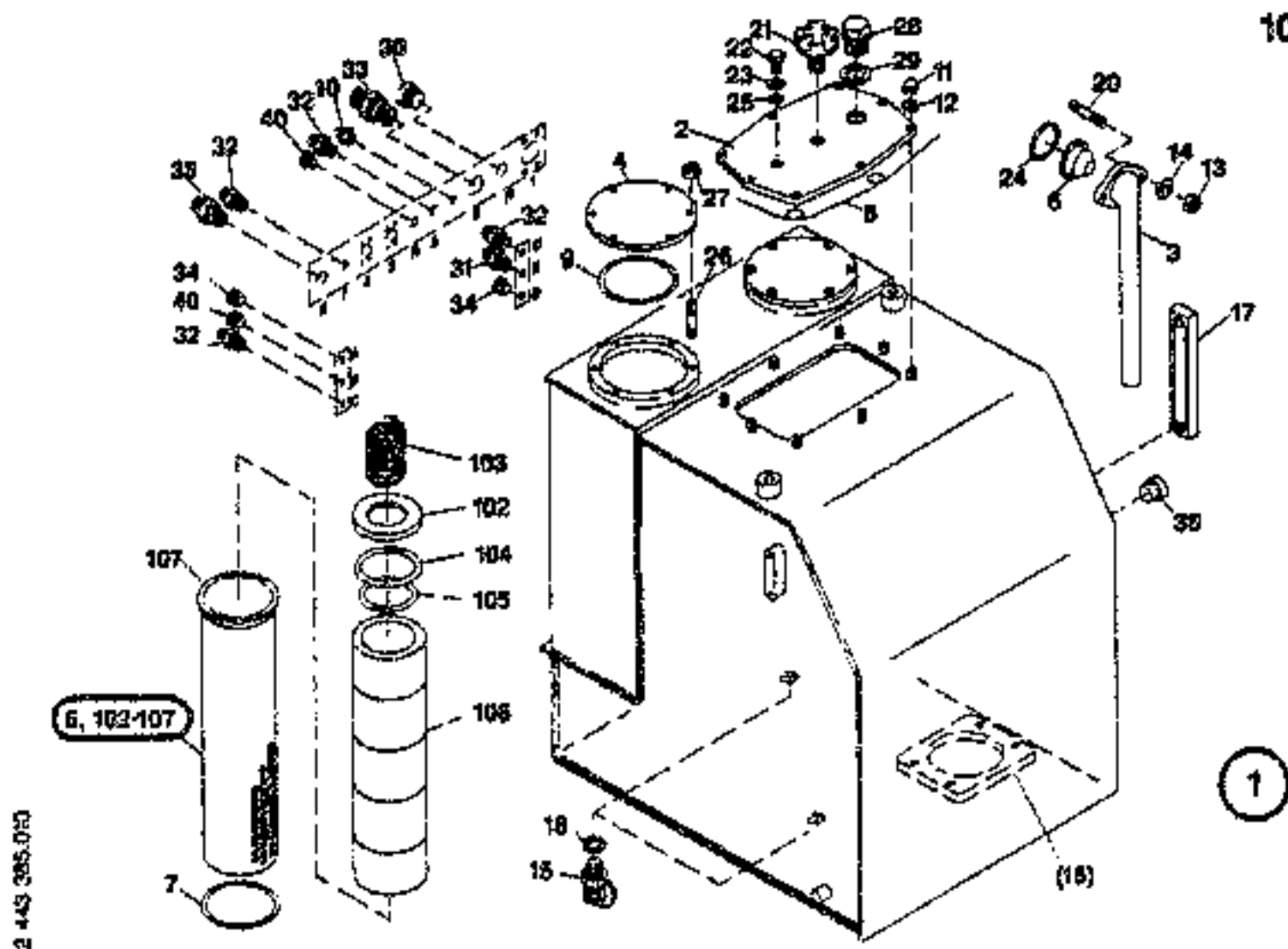
B 2443385 - 010

Item	Quan.	ME	Part No.	Description
001	1	00	73170272	HYD. OIL TANK
002	1	00	73170273	LID
003	3	00	73170274	HOUSING
004	2	00	73170275	LID
005	2	00	73170276	FILTER
006	3	00	73170277	VALVE
007	2	00	73170278	O-RING
008	1.60	13	73170279	RUBBER PIPING
009	2	00	73170280	O-RING
010	1	00	73170281	SWITCH
011	8	00	73170282	CAP NUT
012	8	00	73170182	DISK/WASHER
013	6	00	73170283	LOCKING NUT
014	6	00	73170180	DISK/WASHER
015	2	00	73170250	SCREW

ME: 00 = Stück/piece 13 = m 26 = m<sup>2</sup> 39 = m<sup>3</sup> 43 = kg 50 = l (litre)

1988-09-10





2 443 385-010

## HYD. OIL TANK

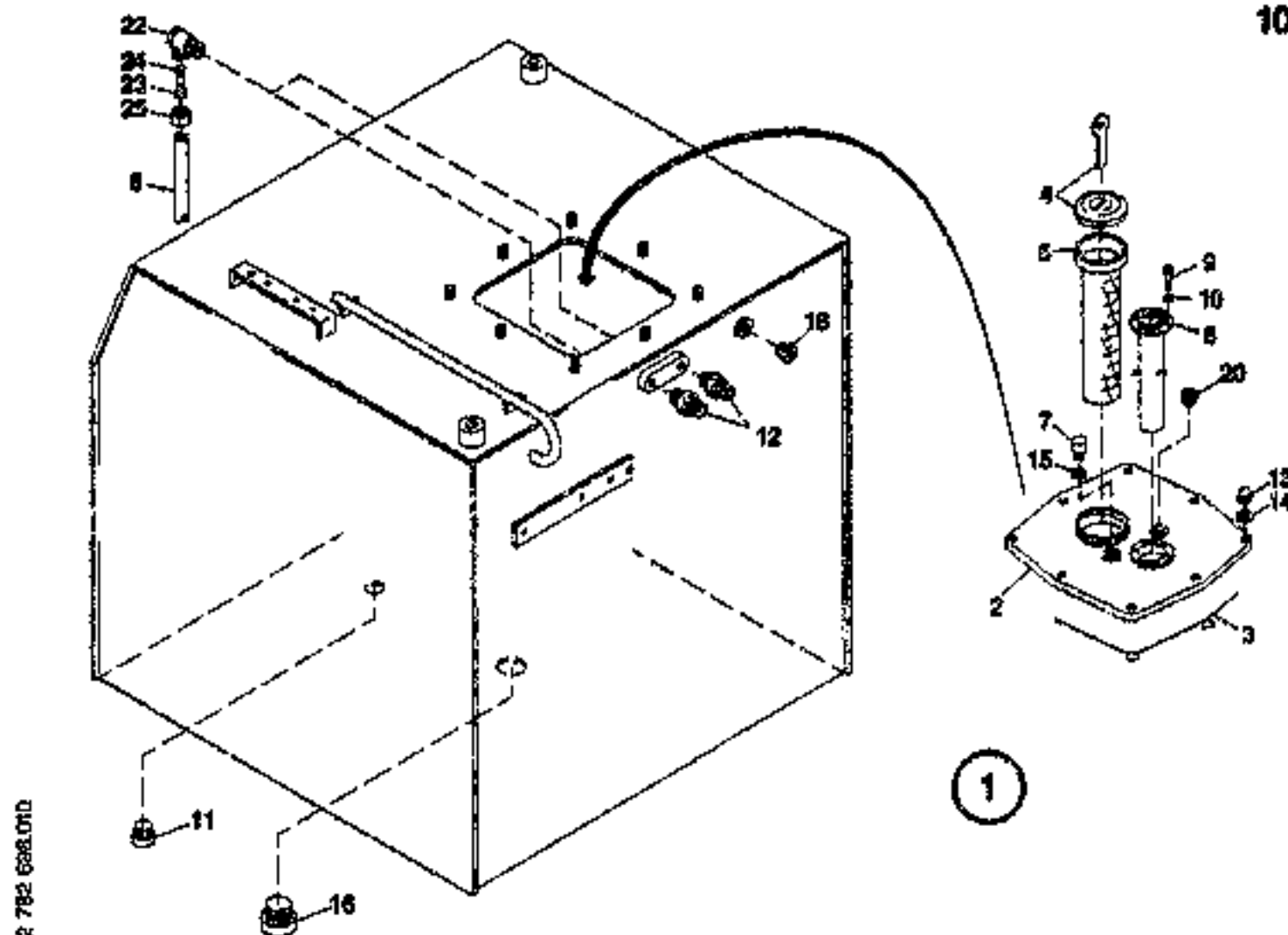


FX600 / 106101 - .....

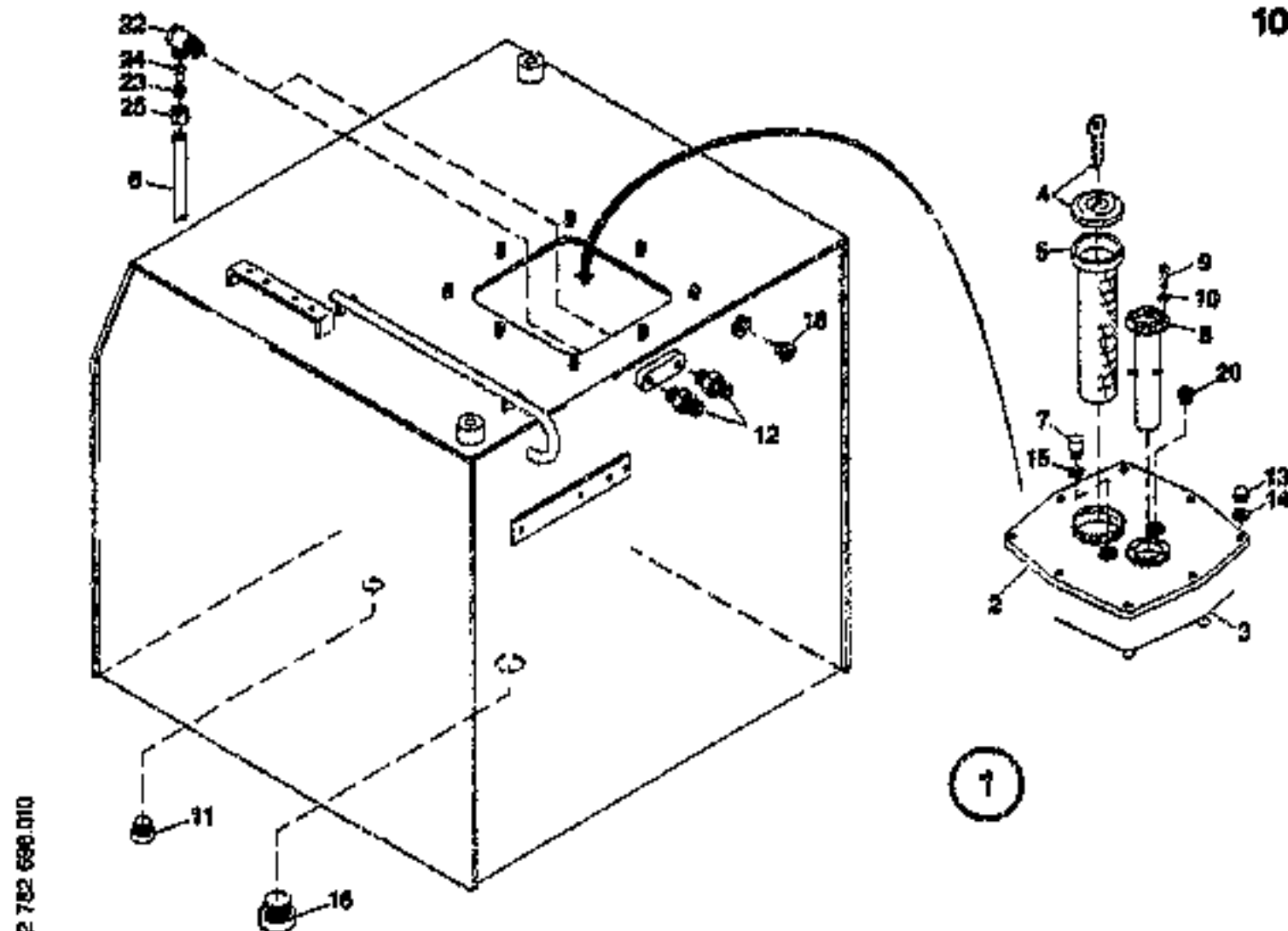
T 2443385 - 003

B 2443385 - 010

Item	Quan.	ME	Part No.	Description
034	2	00	73170301	SCREW PLUG
035	1	00	73170302	SOCKET
038	1	00	73173011	PROTECTIVE PLUG
040	2	00	73170051	SCREW PLUG
101	2	00	73170278	FILTER
102	2	00	73170305	PRESS PART
103	2	00	73170306	SPRING
104	2	00	73170307	ROUND SEALING RING
105	2	00	73170308	O-RING
106	2	00	73170309	ELEMENT
107	2	00	73170310	BEAM




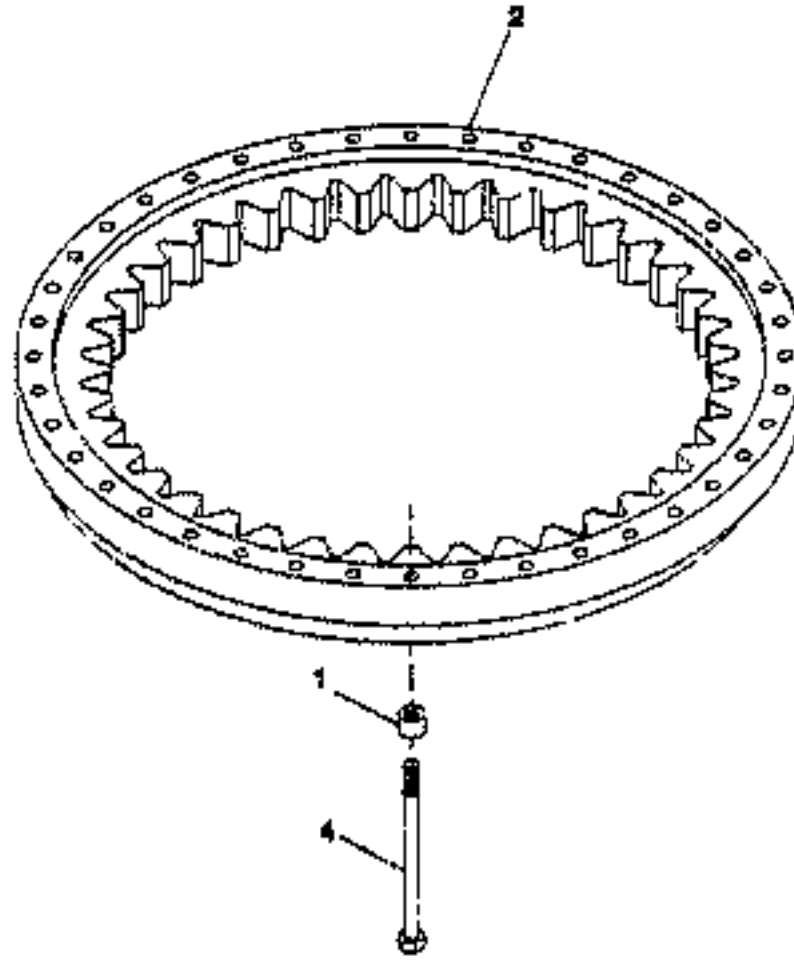
				10.202	
				T 2782698 - 000	
				B 2782698 - 010	
<b>FUEL TANK</b>					
FX800 / 105101 - .....					
Item	Quan.	ME	Part No.	Description	
001	1	00	73175910	FUEL TANK	
002	1	00	73175342	LID	
003	1,37	13	73170279	RUBBER PIPING	
004	1	00	73170090	CAP	
005	1	00	73170001	SIEVE	
008	1,01	13	73170893	PIPE	
007	1	00	73170004	FILTER	
008	1	00	73175344	FUEL LEVEL SENDER	
009	6	00	73170898	HEXAGON BOLT	
010	6	00	73170185	DISK/WASHER	
011	1	00	73170899	SCREW PLUG	
012	2	00	73170298	SOCKET	
013	8	00	73170282	CAP NUT	
014	8	00	73170182	DISK/WASHER	
015	1	00	73170814	SEALING RING	
016	1	00	73170532	SCREW PLUG	
018	1	00	73170359	SCREW PLUG	
020	1	00	73171855	SCREW PLUG	




2 782 698 010

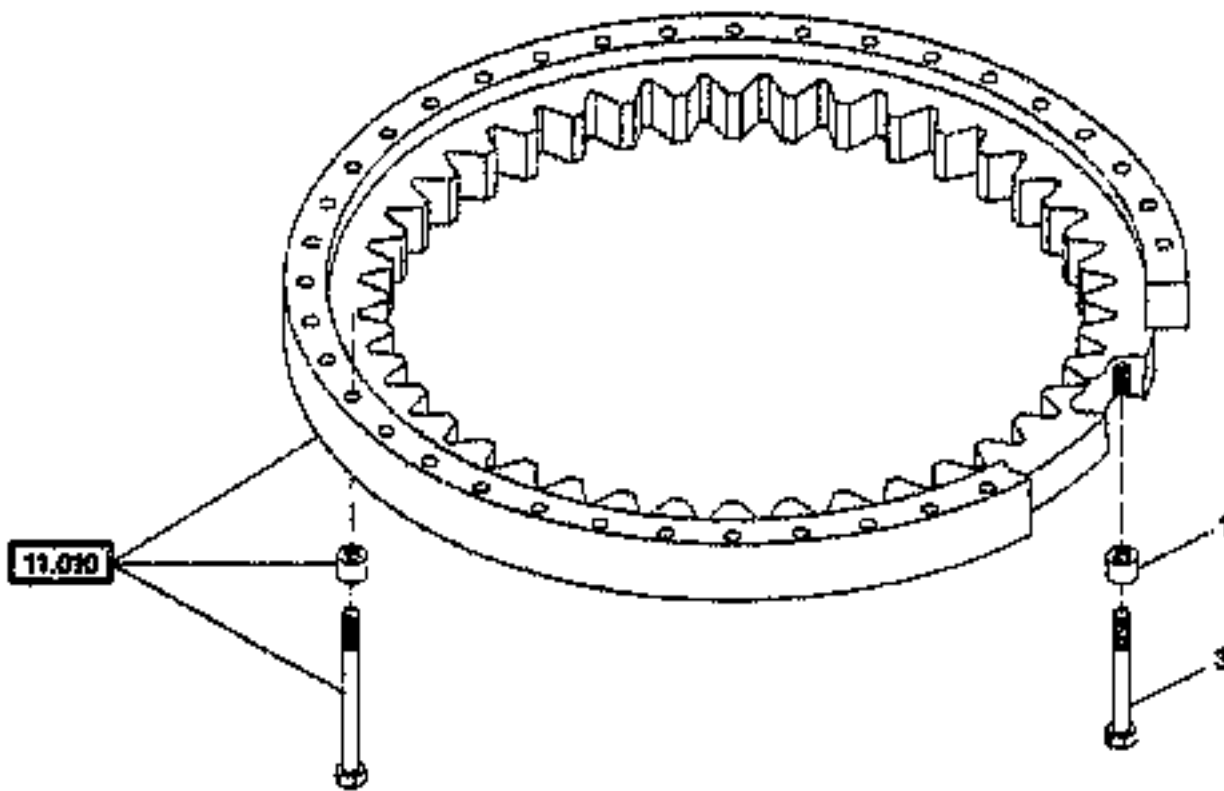
1

				10.202
				
<b>FUEL TANK</b>				
FX600 / 106101 - .....				T 2782698 - 000 B 2782698 - 010
Item	Quan.	ME	Part No.	Description
022	2	00	73170706	SCREWING
023	2	00	73170708	CLAMPING RING
024	2	00	73170709	SUPPORT RING
025	2	00	73170710	CONN.NUT




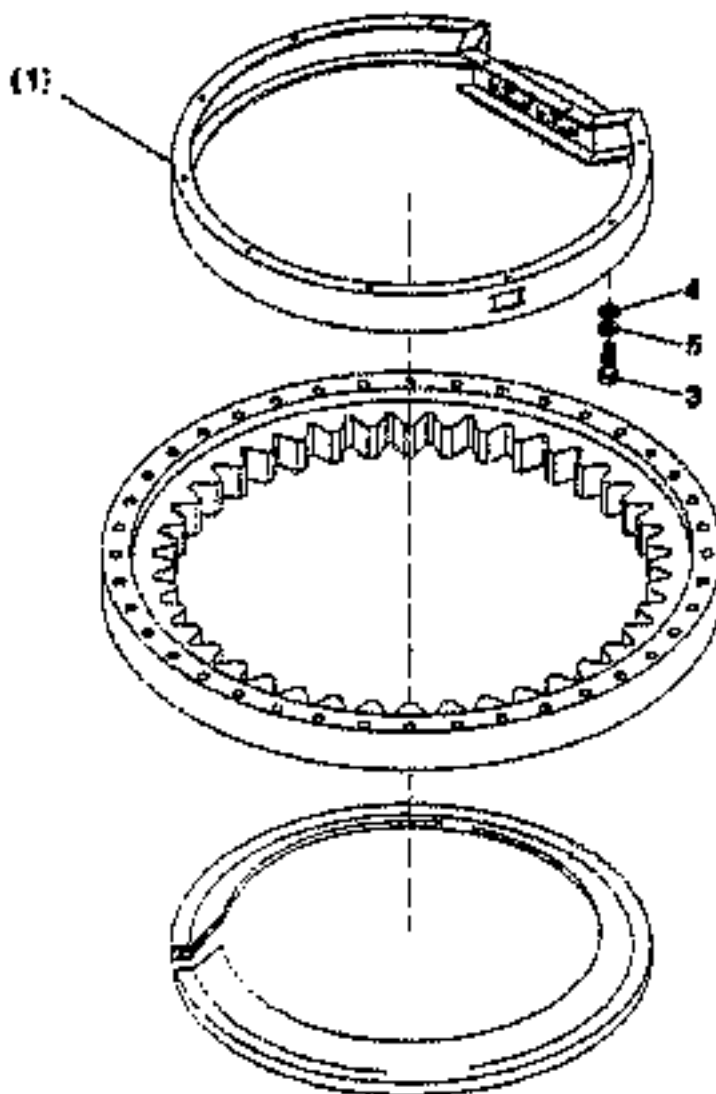
2 485 248 010

 <b>SWIVEL CONNECTION INSTALL.MATERIAL</b> <span style="float: right;">11.010</span>				
FX600 / 106101 - .....				
Item	Quan.	ME	Part No.	Description
001	60	00	73171003	SPACER
002	1	00	73171004	SWIVEL CONNECTION
004	60	00	73171005	HEXAGON BOLT




2-456 SWAD10

				11.010
SWIVEL CONNECTION INSTALL.MATERIAL				
FX600 / 105101 - .....				
T 2498910 - 000				
B 2498910 - 010				
Item	Quant.	ME	Part No.	Description
001	60	00	73170804	DISKWASHER
003	60	00	73171007	HEXAGON BOLT



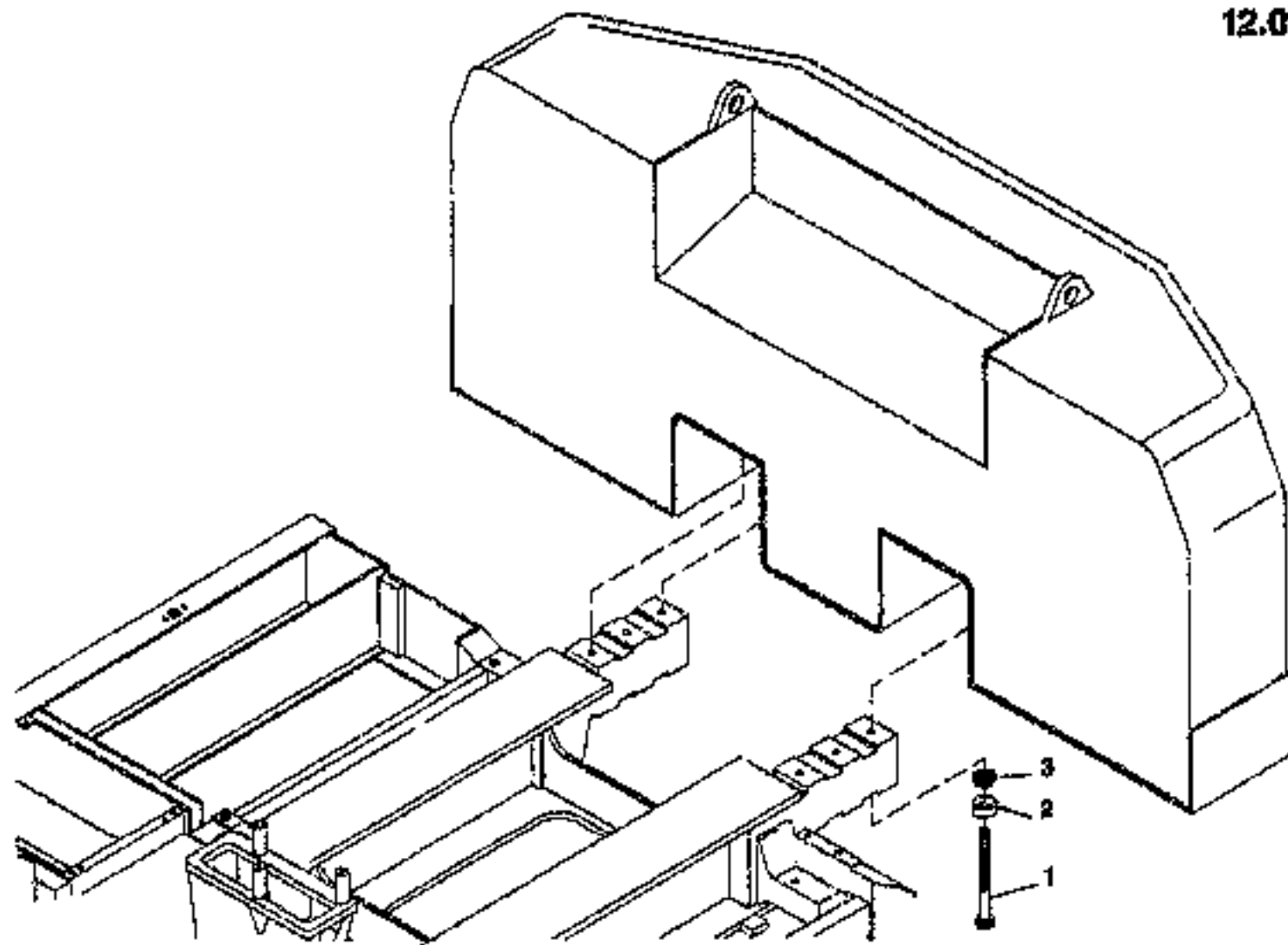
2 495 246 010

 <b>SEAL GASKET SWIVEL CONNECTION</b> <span style="float: right;">11.020</span>				
FX600 / 106101 - .....				
Item	Quan.	ME	Part No.	Description
001	1	00		38.512 2495247 COVER SWING BEARING
003	11	00	73170210	HEXAGON BOLT
004	11	00	73170213	DISK/WASHER
005	11	00	73170564	FANSHAPED WASHER

2 495 246 - 000  
3 2495246 - 010

12.010

2 496 776 010



12.010



## BALLAST INSTALL.MATERIAL

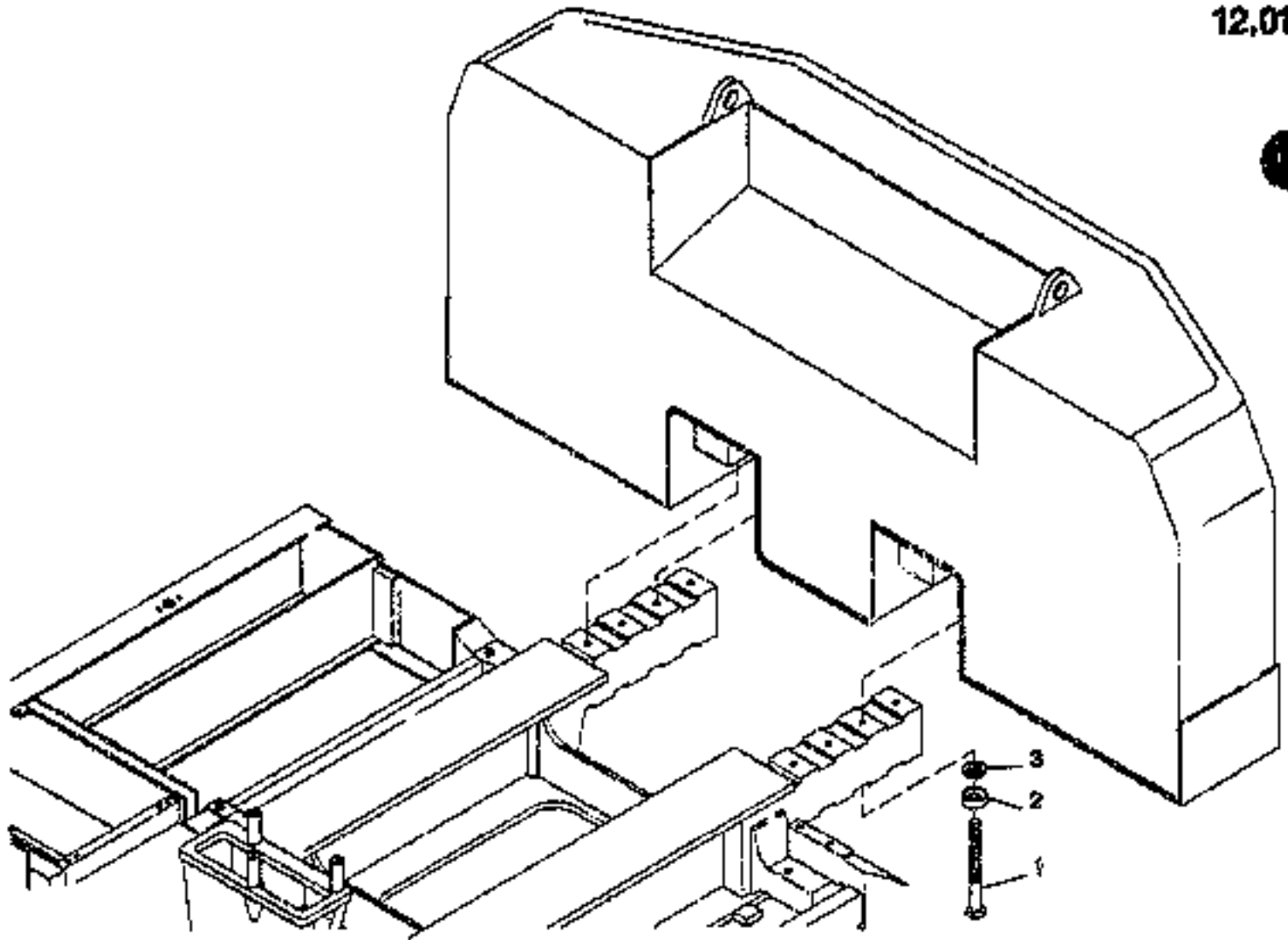
FX600 / 76027 - 76027

T 2496776 - 003  
B 2496776 - 010

Item	Quan.	ME	Part No.	Description
001	6	00	73170985	HEXAGON BOLT
002	6	00	73170988	BALL SOCKET
003	6	00	73170987	DISKWASHER

12.010

2 782 083 010

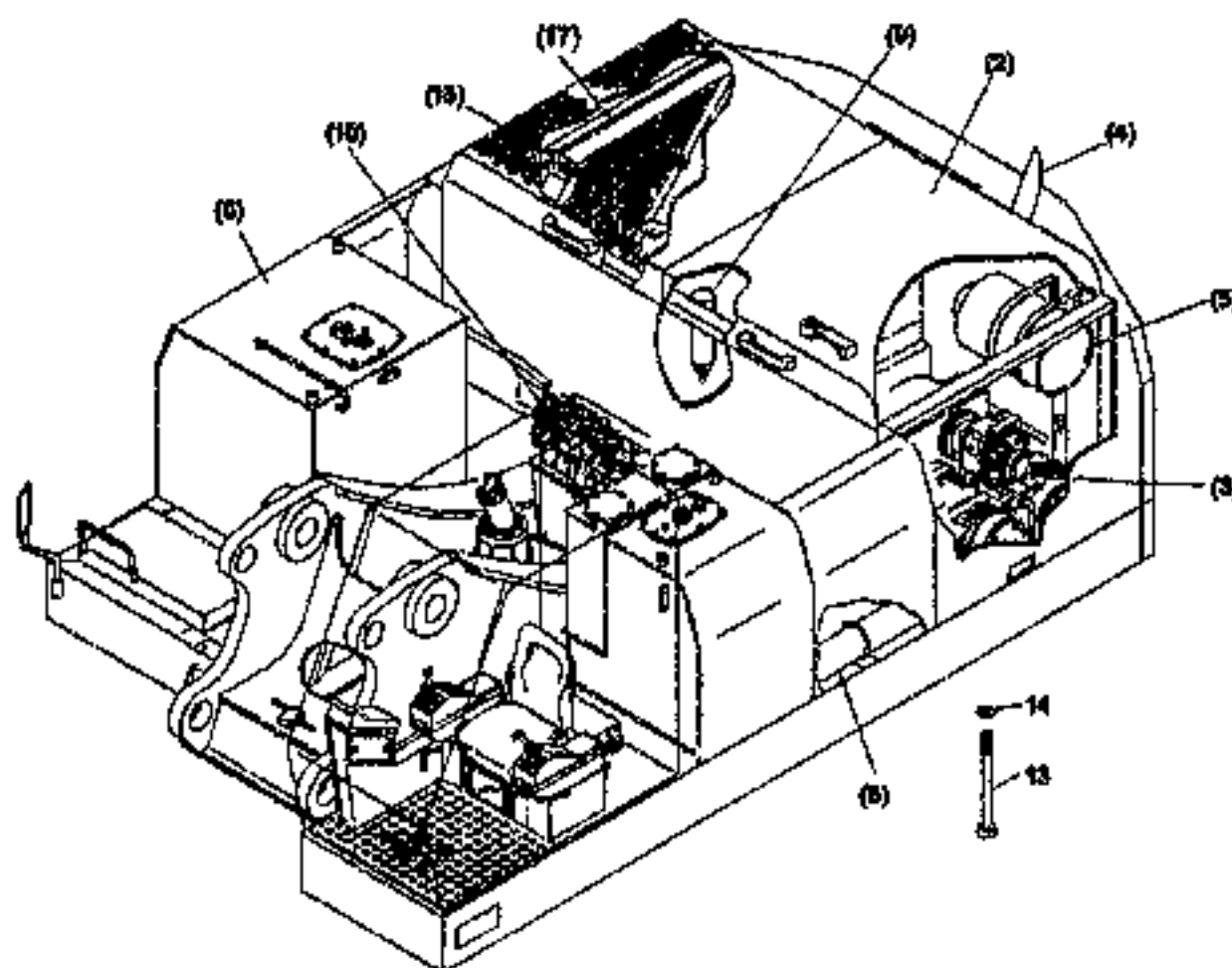


		<b>BALLAST INSTALL.MATERIAL</b>			12.010
		FX500 / 108101 - .....			T 2782083 - 000 B 2782083 - 010
Item	Quan.	ME	Part No.	Description	
001	8	00	73172489	HEXAGON BOLT	
002	8	00	73170988	BALL SOCKET	
003	8	00	73170987	DISKWASHER ANZIEHDREHMOMENT 3000NM	

ME: 00 = Stück/piece 13 = m 28 = m<sup>2</sup> 89 = m<sup>3</sup> 42 = kg 50 = l (litre)

1990-09-10





2 486 874.010



## MOTOR INSTALL.MATERIAL

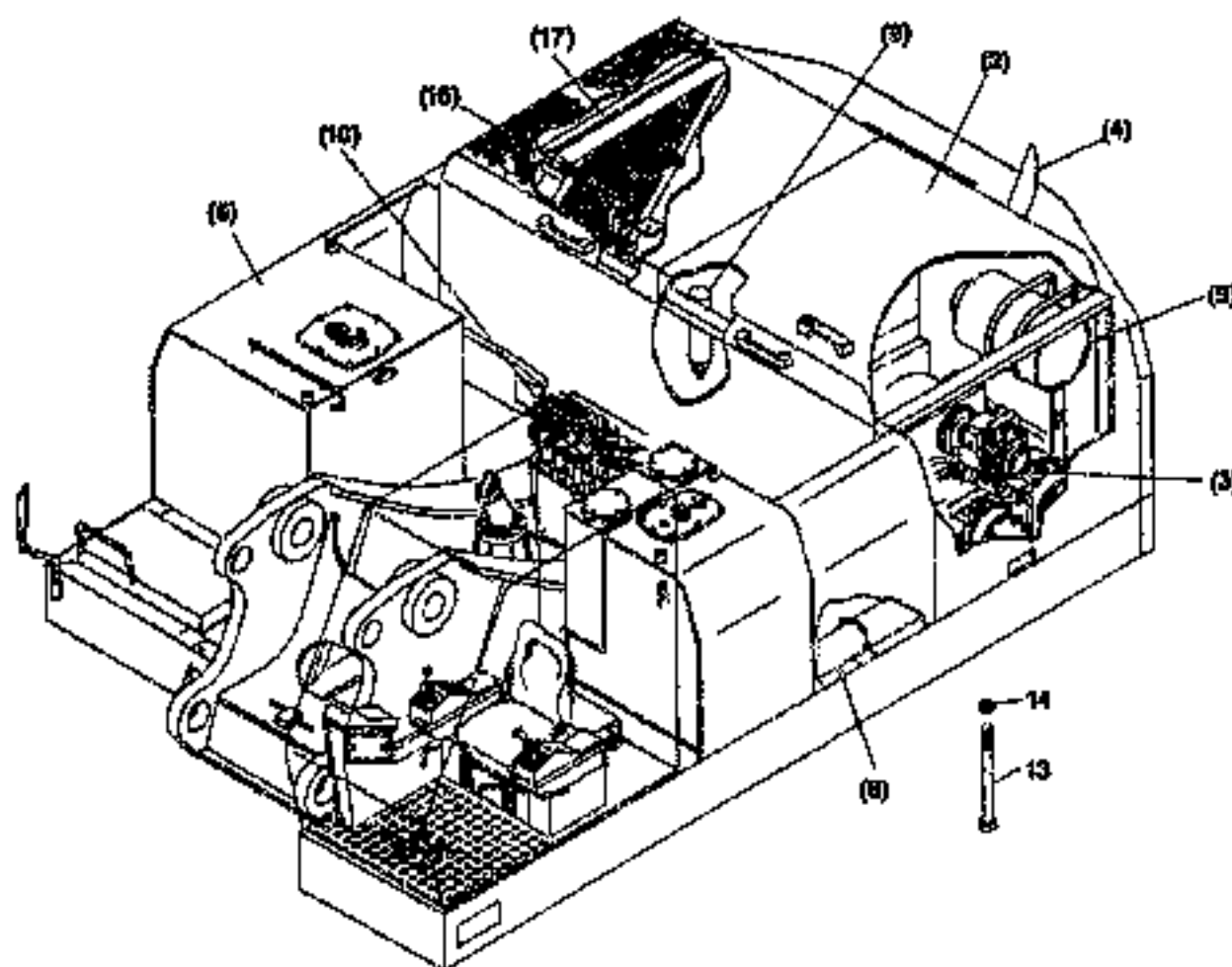
13.010

FX600 / 106101 - .....

T 2486874 - 001

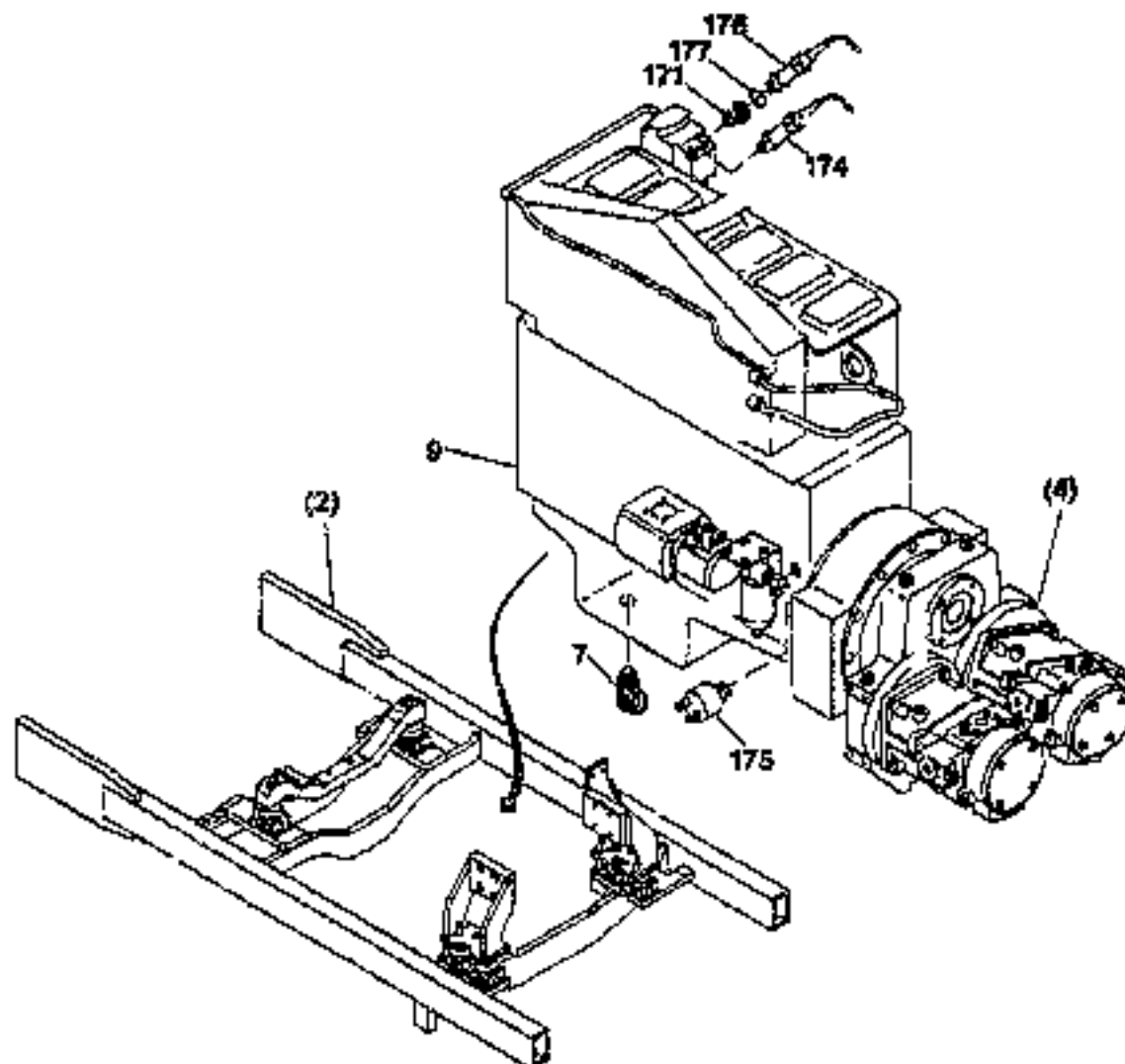
B 2486874 - 010

Item	Quan.	ME	Part No.	Description
002	1	00	36.010 2493254	PANELING INSTALL.MATERIAL
003	1	00	13.011 2496855	MOTOR MOUNTING PARTS
004	1	00	13.220 2495268	EXHAUST SYSTEM INSTALL.MATERIAL
005	1	00	13.230 2782549	INTAKE SYSTEM INSTALL.MATERIAL
006	1	00	13.300 2443698	FUEL SYSTEM
008	1	00	20.260 2702173	OIL SUCTION SYSTEM



2 496 874 010

				13.010	
				T 2498874 - 001 B 2496874 - 010	
				FX600 / 106101 - .....	
Item	Quan.	ME	Part No.	Description	
009	1	00		13.400	2782780 COLD-START SYSTEM
010	1	00		20.280	2496868 HYDRAULIC SYSTEM PUMP GOVERNING
013	4	00	73170160		HEXAGON BOLT
014	4	00	73170022		DISK/WASHER
016	1	00		20.280	2496768 HYDRAULIC SYSTEM OIL COOLER
017	1	00		15.120	2496872 COMB. COOL. SYST. WATER/OIL INSTALL.MATERIAL



2-496 855.011



## MOTOR MOUNTING PARTS

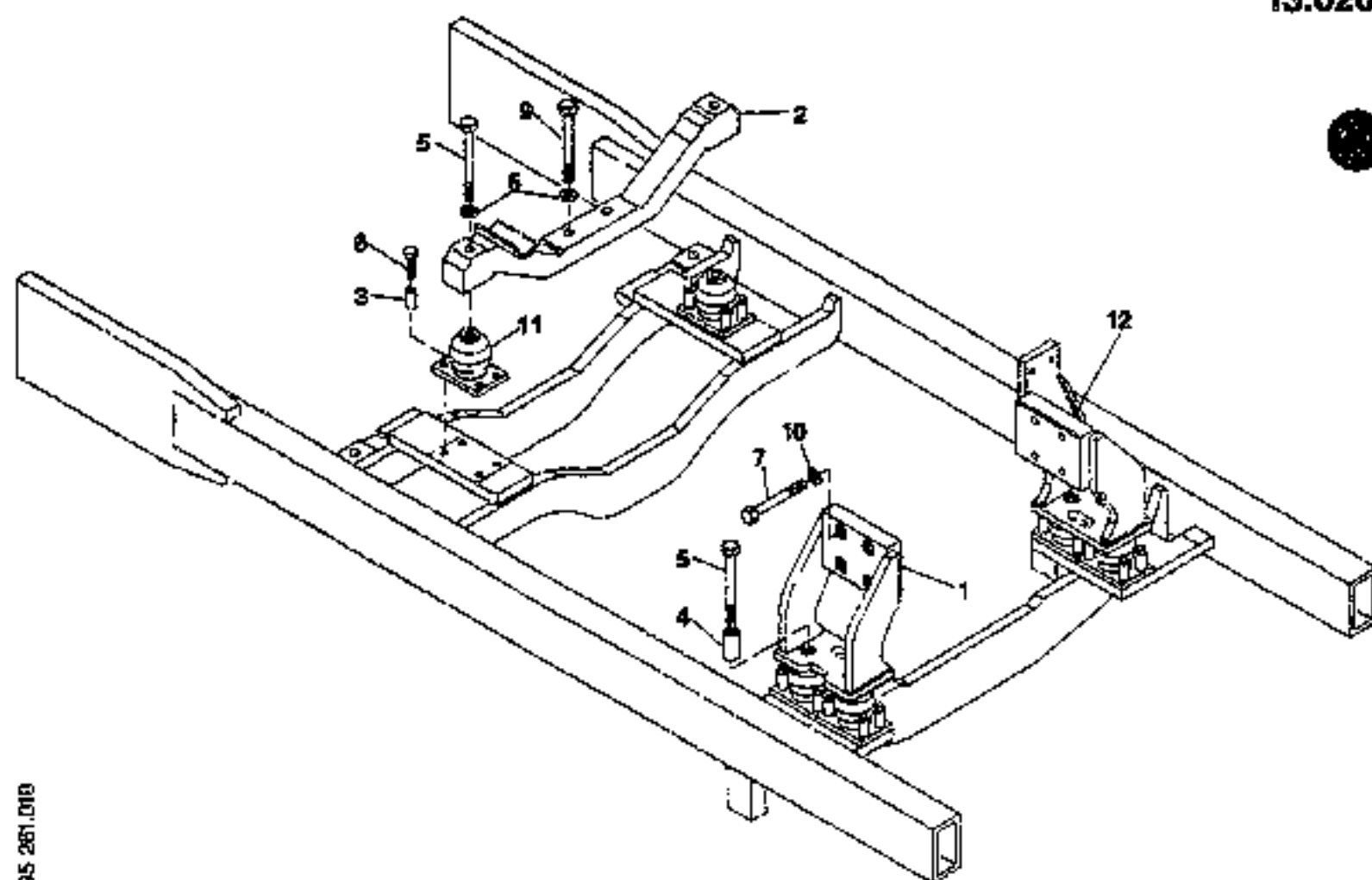
13.011

FX600 / 106101 - .....

T 2498855 - 001

B 2496855 - 011

Item	Quan.	ME	Part No.	Description
002	1	00		13.020 2495281 BEARING MOTOR
004	1	00		22.010 2488849 PUMP INSTALL.MATERIAL
007	1	00	73170238	DRAIN VALVE
009	1	00	73170238	DIESEL ENGINE
171	1	00	73172487	ADAPTER
175	1	00	73177388	PRESSUR.SWITCH
176	1	00	73172594	TEMP.TRANSMITTER
177	1	00	73170304	SEALING RING
178	1	00	73176174	BELT, ENGINE
179	1	00	73146075	BELT, ENGINE NOT ILLUSTRATED



2 495 261 010



## BEARING MOTOR

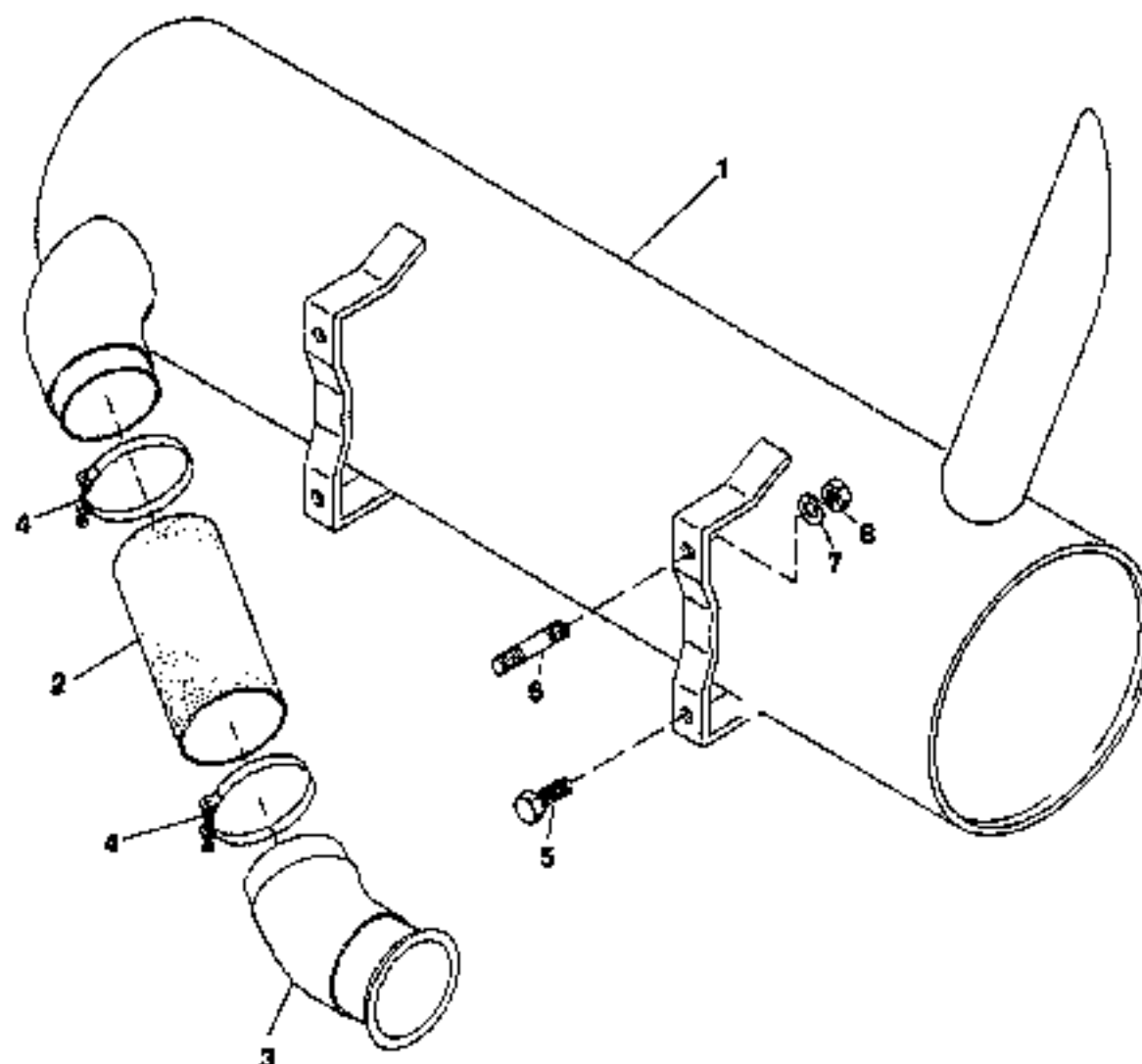
13.020

FX600 / 106101 - .....

T 2495261 - 000

B 2495261 - 010

Item	Quan.	ME	Part No.	Description
001	1	00	73170559	MOUNT
002	1	00	73170560	CROSS MEMBER
003	24	00	73170561	SPACER SLEEVE
004	4	00	73170562	SLEEVE
005	6	00	73170563	HEXAGON BOLT
006	4	00	73170565	DISK/WASHER
007	8	00	73170568	HEXAGON BOLT
008	24	00	73170567	HEXAGON BOLT
009	2	00	73170020	HEXAGON BOLT
010	8	00	73170568	DISK/WASHER
011	6	00	73170569	BEARING
012	1	00	73170570	MOUNT



2 495 258-010



## EXHAUST SYSTEM INSTALL MATERIAL

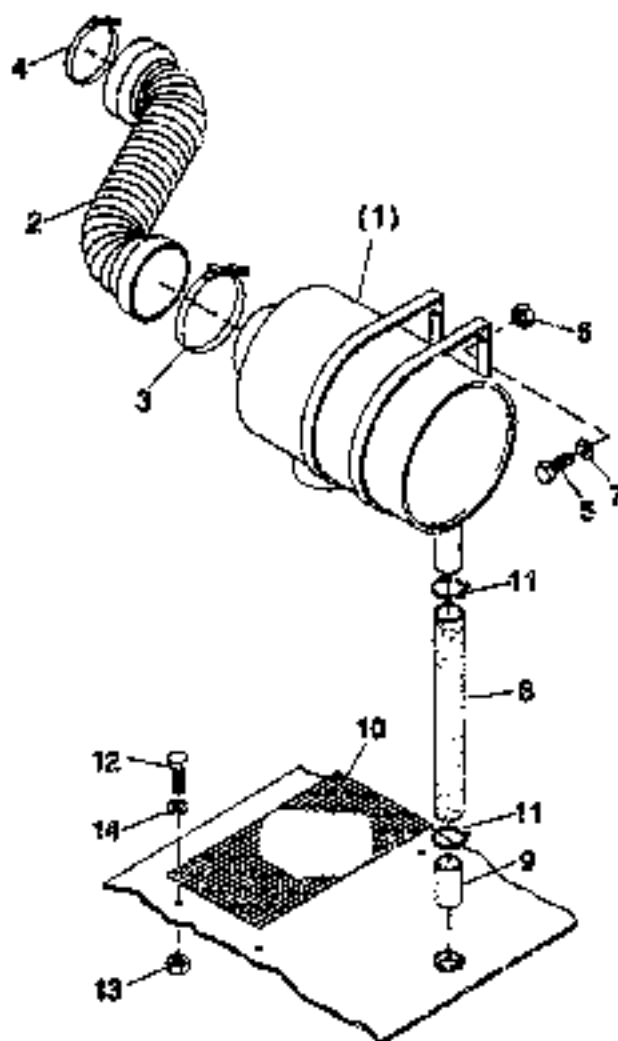
13.220

FX600 / 106101 - .....

T 2495258 - 000

B 2495258 - 010

Item	Quan.	ME	Part No.	Description
001	1	00	73170901	MUFFLER
002	1	00	73170902	METAL HOSE
003	1	00	73170903	LINE
004	2	00	73170904	CLIP
005	2	00	73170906	HEXAGON BOLT
006	2	00	73170907	STUD
007	2	00	73170213	DISK/WASHER
008	2	00	73170215	HEXAGON NUT



2 782 549 010



## INTAKE SYSTEM INSTALL.MATERIAL

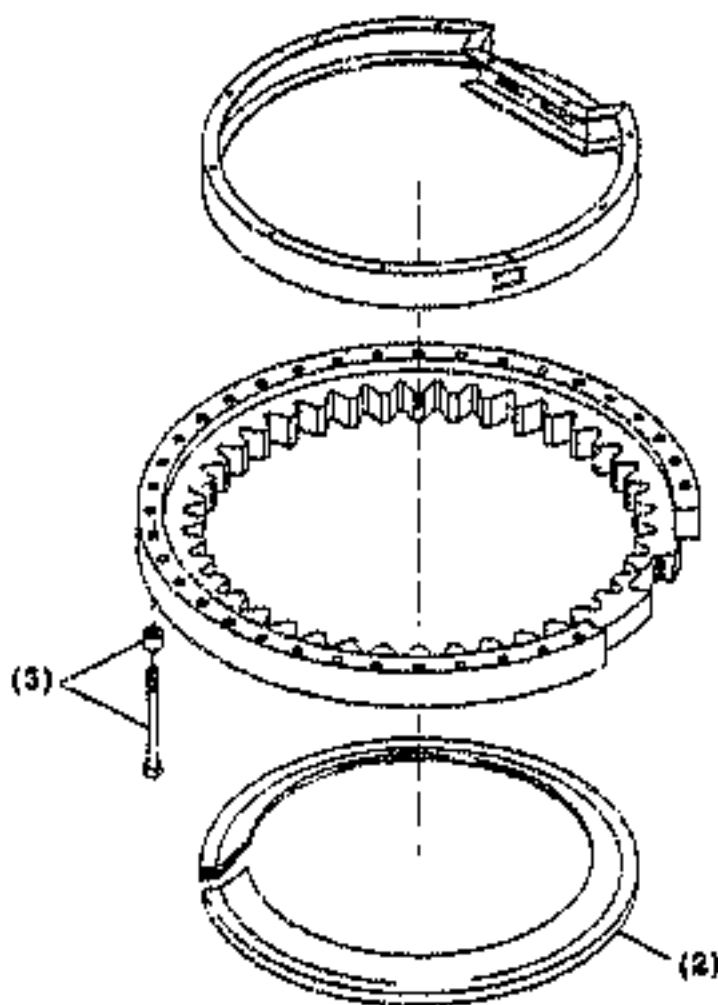
13.230

FX600 / 106101 - .....


T 2782549 - 001

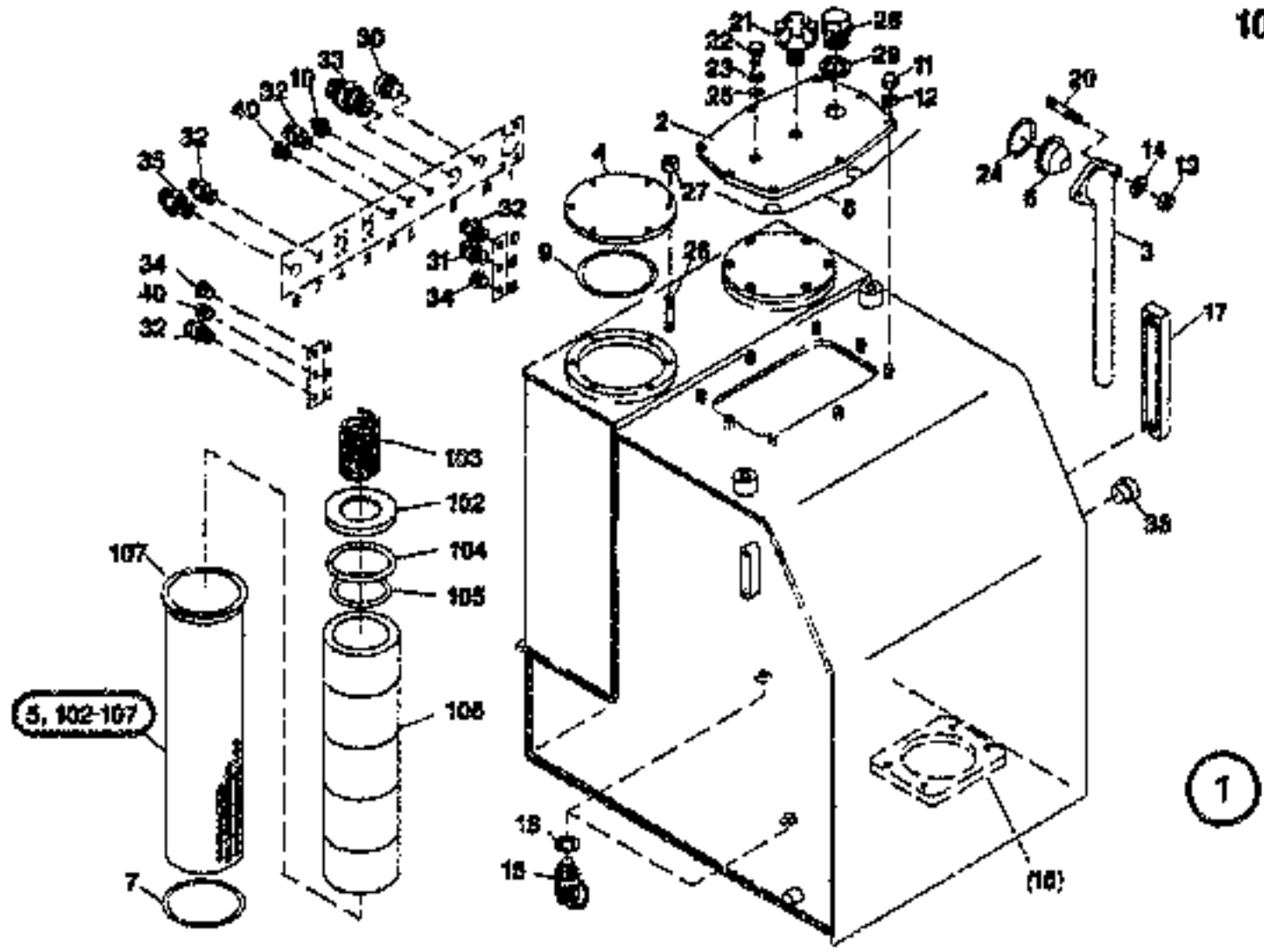
B 2782549 - 010

Item	Quan.	ME	Part No.	Description
001	1	00	13.500 2215920	AIR FILTER INSTALL.MATERIAL
002	1	00	73175823	INLET PIPE
003	1	00	73170312	CLIP
004	1	00	73170314	CLIP
005	4	00	73170316	HEXAGON BOLT
006	4	00	73170162	HEXAGON NUT
007	4	00	73170169	DISK/WASHER
008	0,66	13	73170317	HOSE
009	1	00	73170318	LINE
010	1	00	73170319	WIRE MESH ONLY FOR 76027
011	2	00	73170320	CLIP
012	4	00	73170175	HEXAGON BOLT
013	4	00	73170215	HEXAGON NUT ONLY FOR 76027



2 485 245.011

				11.010
<b>SWIVEL CONNECTION INSTALL.MATERIAL</b>				T 2495245 - 002 B 2495245 - 011
FX800 / 108101 - .....				
Item	Quan.	ME	Part No.	Description
002	1	00		11.020 2495246 SEAL GASKET SWIVEL CONNECTION
003	1	00		11.010 2495248 SWIVEL CONNECTION INSTALL.MATERIAL

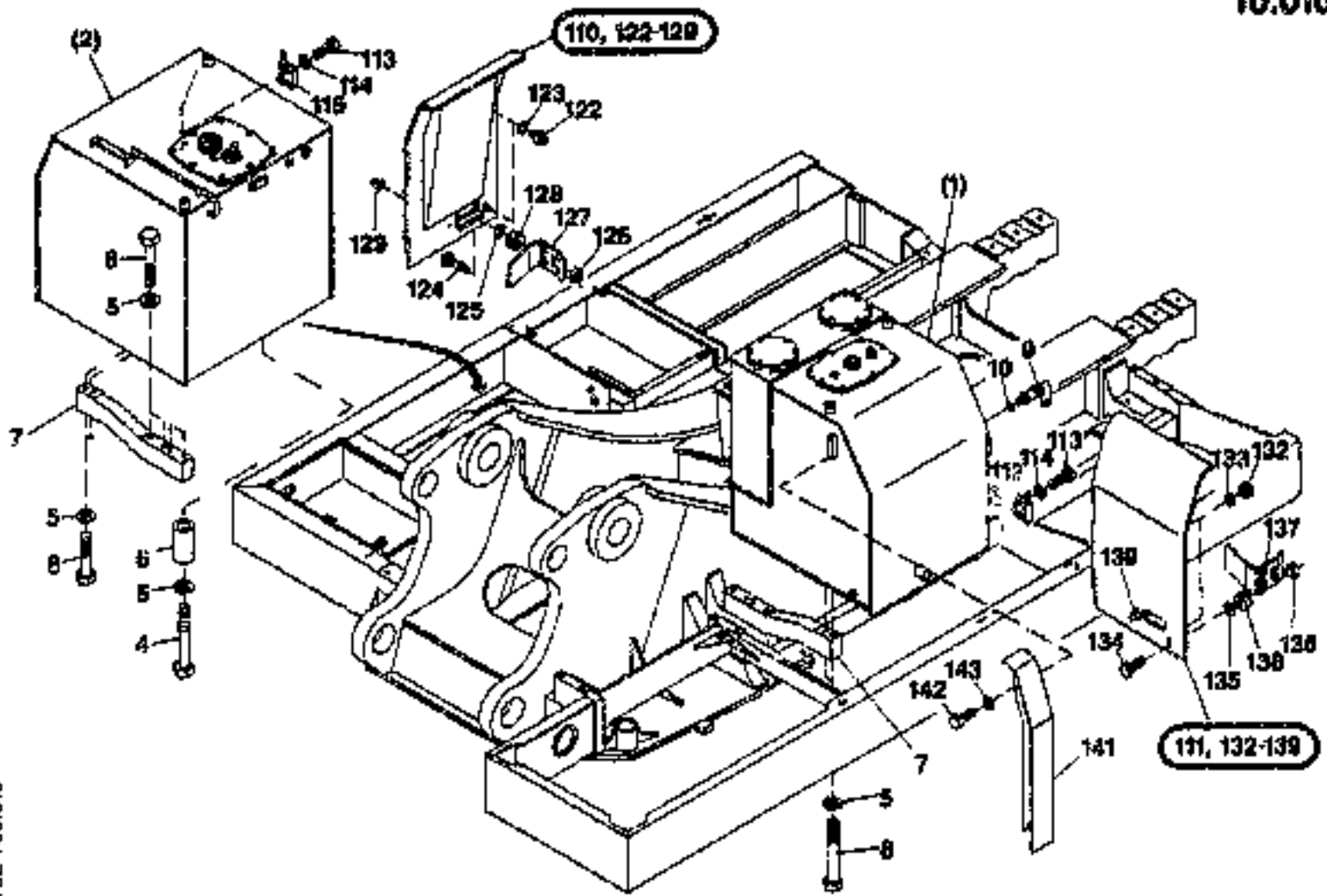


2 443 385-070

			HYD. OIL TANK		10.102
			FX600 / 106101 - .....		T 2443385 - 003 B 2443385 - 010
Item	Quan.	ME	Part No.	Description	
016	1	00	23.122 2141659	BLOCKING VALVE	
017	1	00	73170294	INDICATOR	
018	2	00	73170249	SEALING RING	
020	6	00	73170295	STUD	
021	1	00	73170288	FILTER	
022	1	00	73170287	HOLLOW SCREW	
023	1	00	73170288	PRESSURE RING	
024	3	00	73170289	O-RING	
025	1	00	73170281	O-RING	
026	12	00	73170292	STUD	
027	12	00	73170162	HEXAGON NUT	
028	1	00	73170293	SCREW PLUG	
029	1	00	73170284	SEALING RING	
030	1	00	73170295	SCREW PLUG	
031	1	00	73170298	SOCKET	
032	4	00	73170298	SOCKET	
033	1	00	73170300	SOCKET	

ME: 00 = Stockpiece 19 = m 25 = m<sup>2</sup> 39 = m<sup>3</sup> 43 = kg 50 = l (litre)





2 782 700 010



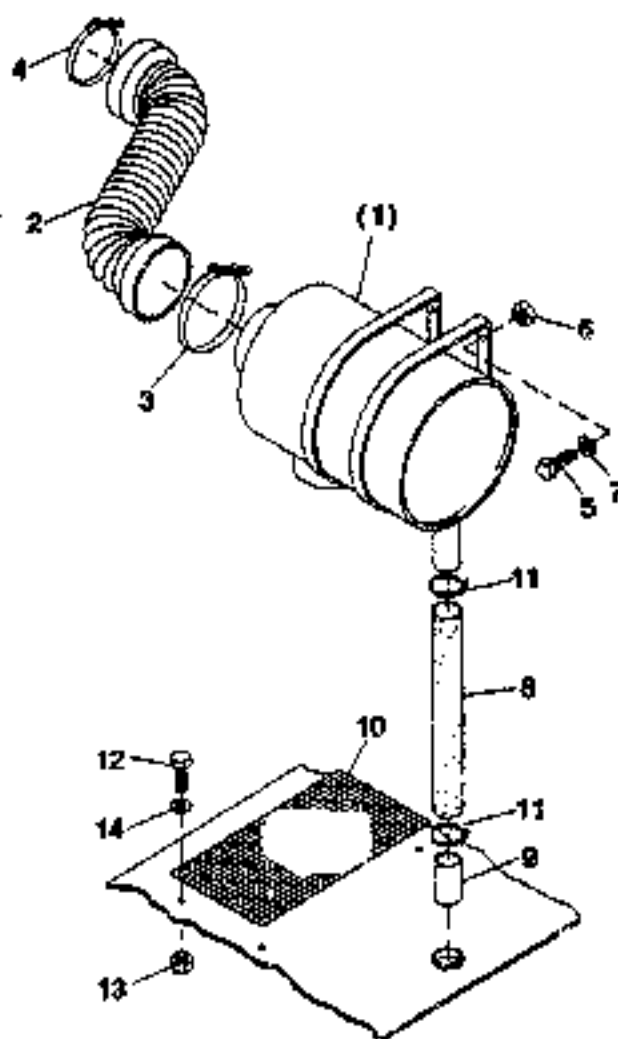
CONTAINER INSTALL.MATERIAL

10.010

FX600 / 106101 - .....

T 2782700 - 000  
B 2782700 - 010

Item	Quan.	ME	Part No.	Description
143	2	00	73170102	DISK/WASHER



E 782 549 010

13.230


**INTAKE SYSTEM INSTALL.MATERIAL**

FX600 / 106101 - .....

T 2782549 - 001

B 2782549 - 010

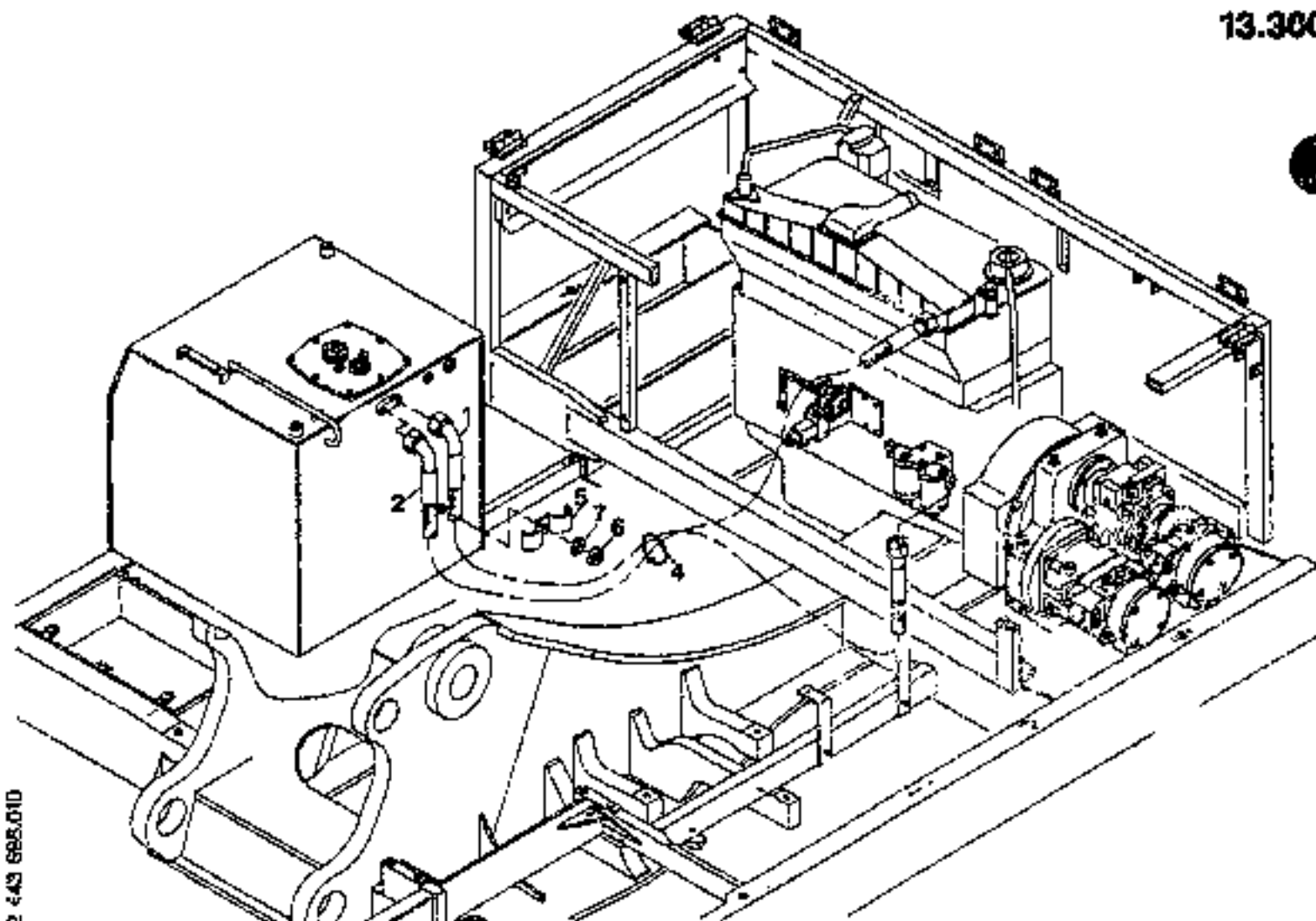
Item	Quan.	ME	Part No.	Description
014	8	00	73170213	DISK/WASHER ONLY FOR 76027

ME: 00 = Stack/piece 13 = m 26 = m<sup>2</sup> 39 = m<sup>3</sup> 43 = kg 50 = l (litre)

1988-08-10

13.300

2 443 685.010



## FUEL SYSTEM

13.300



FX600 / 106101 - .....

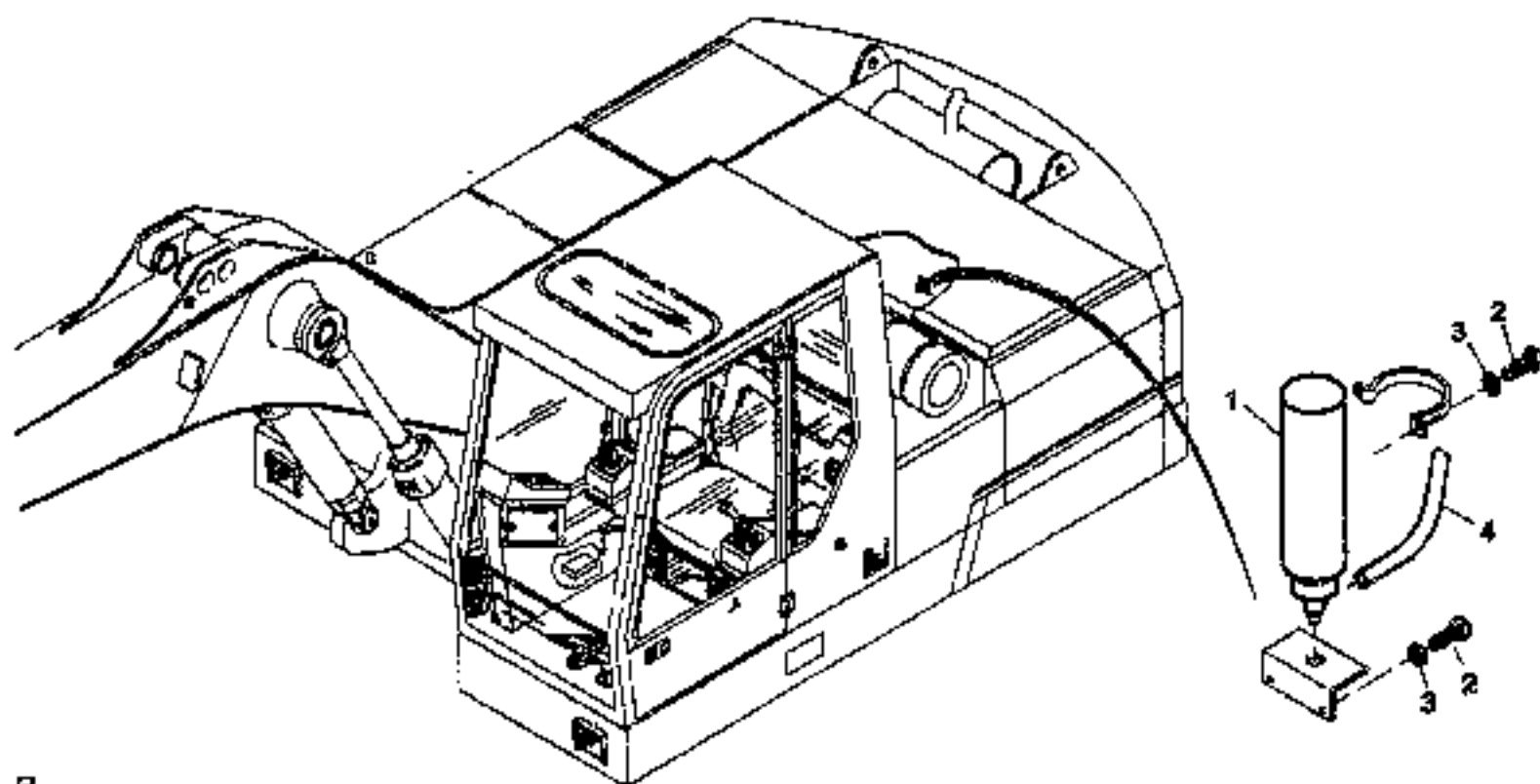
T 2443698 - 000

B 2443698 - 010

Item	Quan.	ME	Part No.	Description
001	1	00	73170883	HOSE
002	1	00	73170884	HOSE
004	5	00	73170885	RIBBON
005	2	00	73170887	HOSE CLIP
006	1	00	73170215	HEXAGON NUT
007	1	00	73170182	DISK/WASHER

ME: 00 = St0ck/piece 13 = m 26 = m<sup>2</sup> 39 = m<sup>3</sup> 43 = kg 50 = l (litre)

1998-09-10



2 782 290 010



## COLD-START SYSTEM

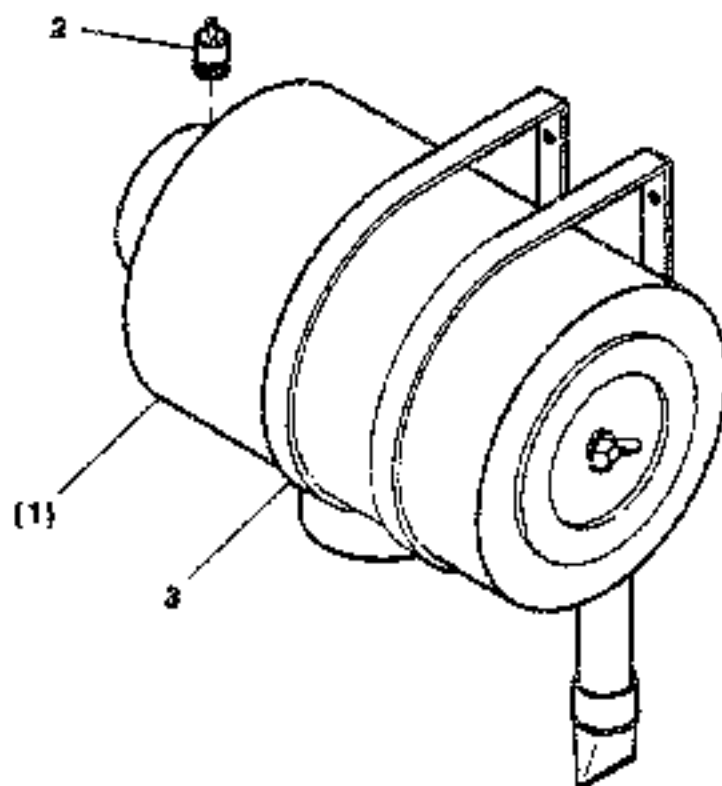
13.400

FX600 / 106101 - .....

T 2782790 - 000  
B 2782790 - 010

Item	Quan.	ME	Part No.	Description
001	1	00	73170793	BOTTLE
002	4	00	73170656	HEXAGON BOLT
003	4	00	73170186	DISK/WASHER
004	1,50	13	73175759	PIPE

13.500

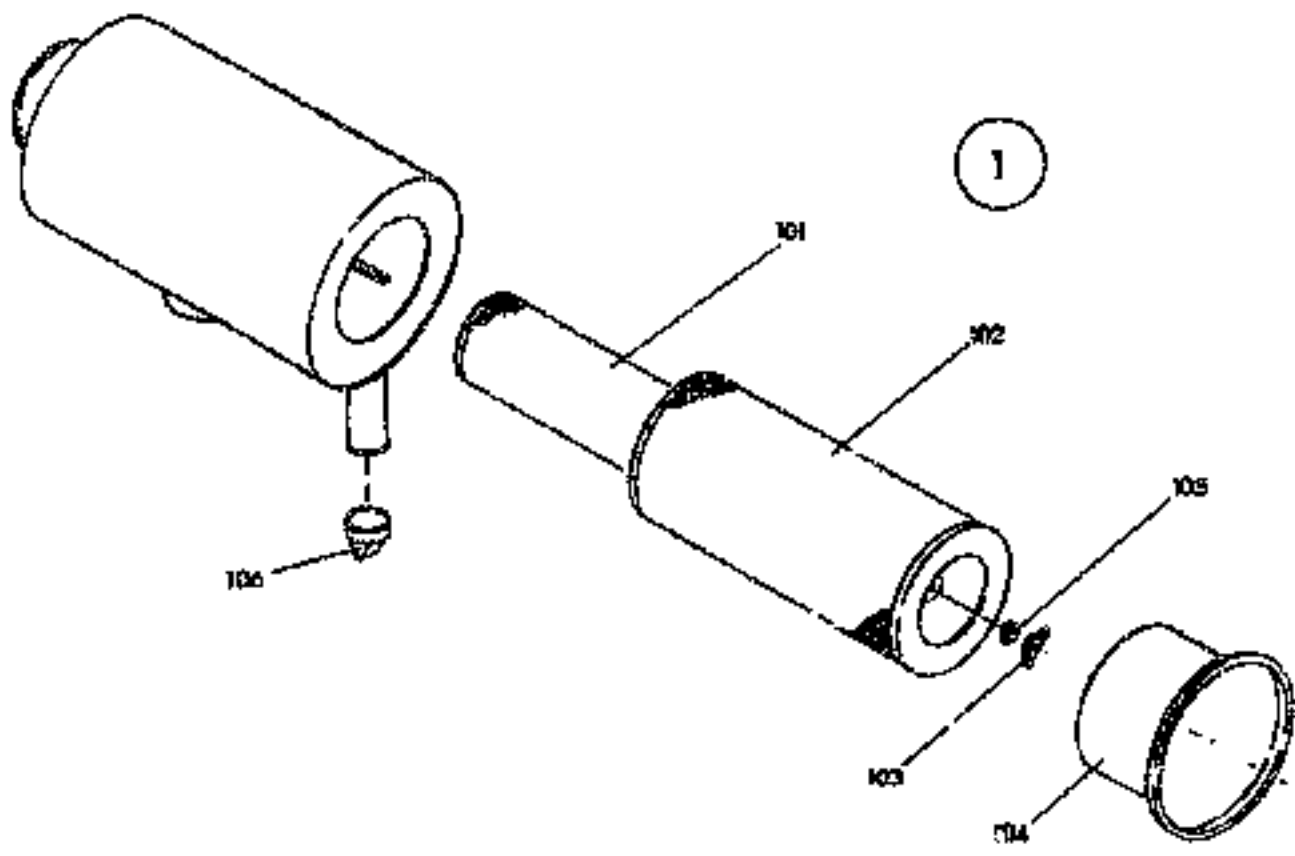


2 215 520 010

				13.500	
				T 2215520 - 000	
				B 2216820 - 010	
				FX600 / 105101 - .....	
Item	Quan.	ME	Part No.	Description	
001	1	00		13.501 217501 AIR FILTER MOUNTING PARTS FTG 18	
002	1	00	73170322	INDICATOR	
003	2	00	73170323	CLIP	

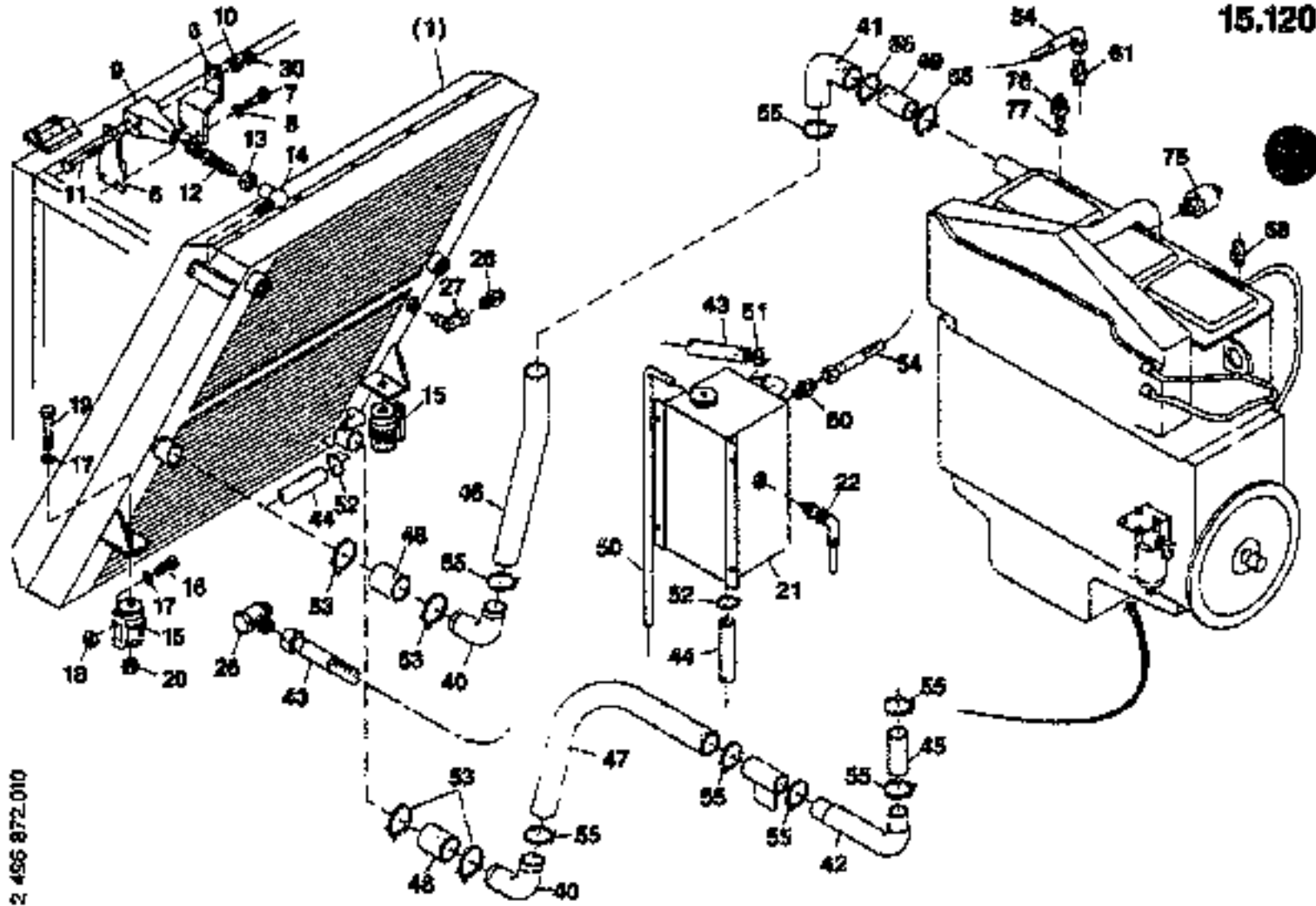
ME: 00 = Stück/placc 13 = m 25 = m<sup>2</sup> 30 = m<sup>3</sup> 43 = kg 50 = l (litre)

1998-09-10




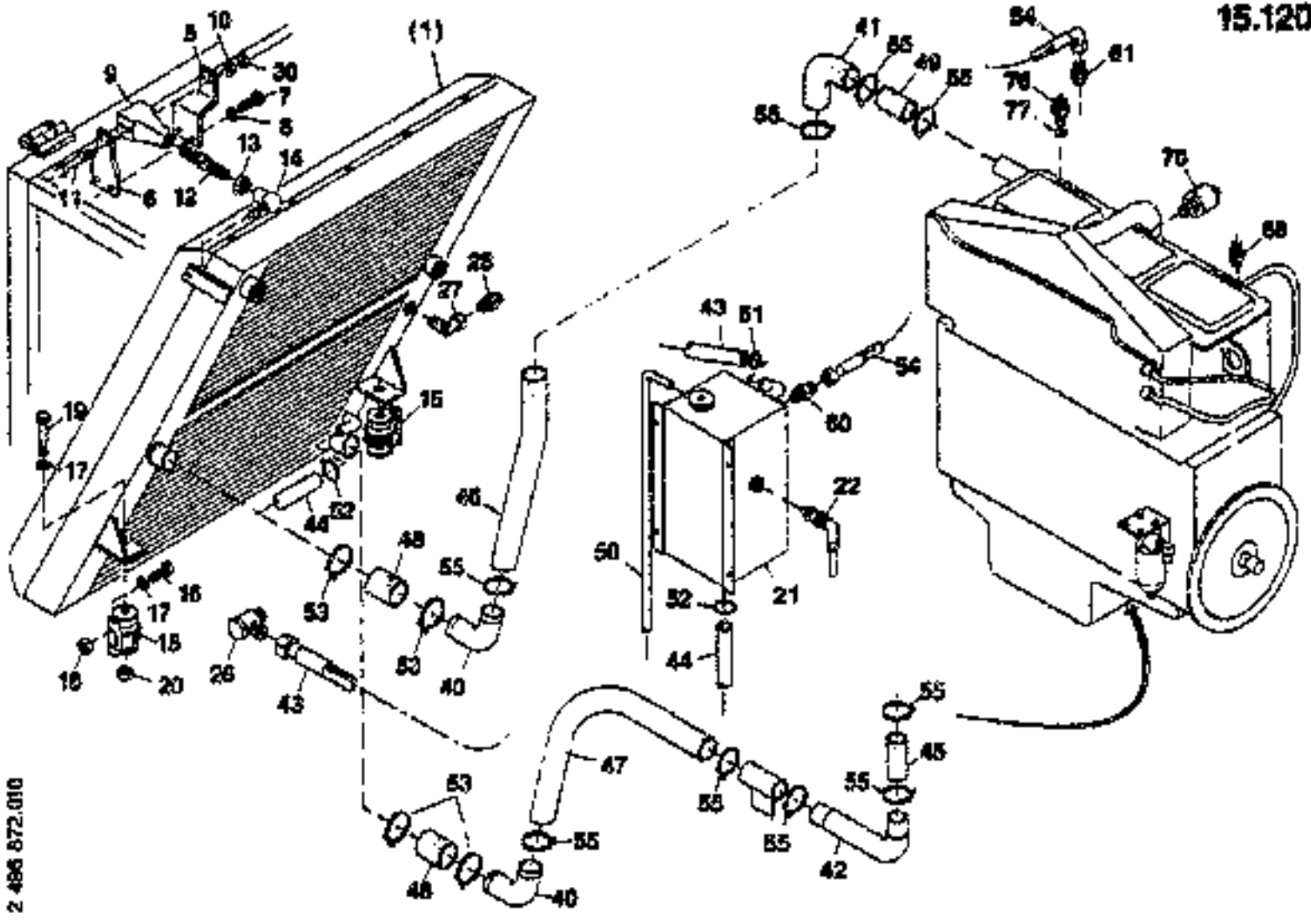
2 175 501.DXD

				13.501	
				T 2175501 - 000 B 2175501 - 010	
				FX603 / 106101 - .....	
Item	QTY	ME	Part No.	Description	
001	1	00	73170675	AIR FILTER	
101	1	00	73170676	FILTER INSERT	
102	1	00	73170677	FILTER INSERT	
103	1	00	73170679	WING NUT	
104	1	00	73173016	GASKET	
105	1	00	73170681	DISKWASHER	
106	1	00	73170682	VALVE	




2 496 872 010

				15.120
 <b>COMB. COOL. SYST. WATER/OIL INSTALL.MATERIAL</b>				
FX600 / 106101 - .....				T 2496872 - 001 B 2496872 - 010
Item	Quan.	ME	Part No.	Description
001	1	00	15.121 2782175	COMB. COOL. SYST. WATER/OIL MOUNTING PARTS
005	2	00	73170909	BRACKET
006	2	00	73170910	PLATE
007	4	00	73170210	HEXAGON BOLT
008	4	00	73170911	DISK/WASHER
009	2	00	73170912	HEAD
010	4	00	73170283	LOCKING NUT
011	4	00	73170913	HEXAGON BOLT
012	2	00	73170915	TENSIONING SCREW
013	2	00	73170919	HEXAGON NUT
014	2	00	73170918	JOINT
015	2	00	73170919	MOUNTING FOOT
016	4	00	73170352	HEXAGON BOLT
017	10	00	73170920	DISK/WASHER
018	4	00	73170162	HEXAGON NUT
019	2	00	73170921	HEXAGON BOLT
020	2	00	73170922	LOCKING NUT

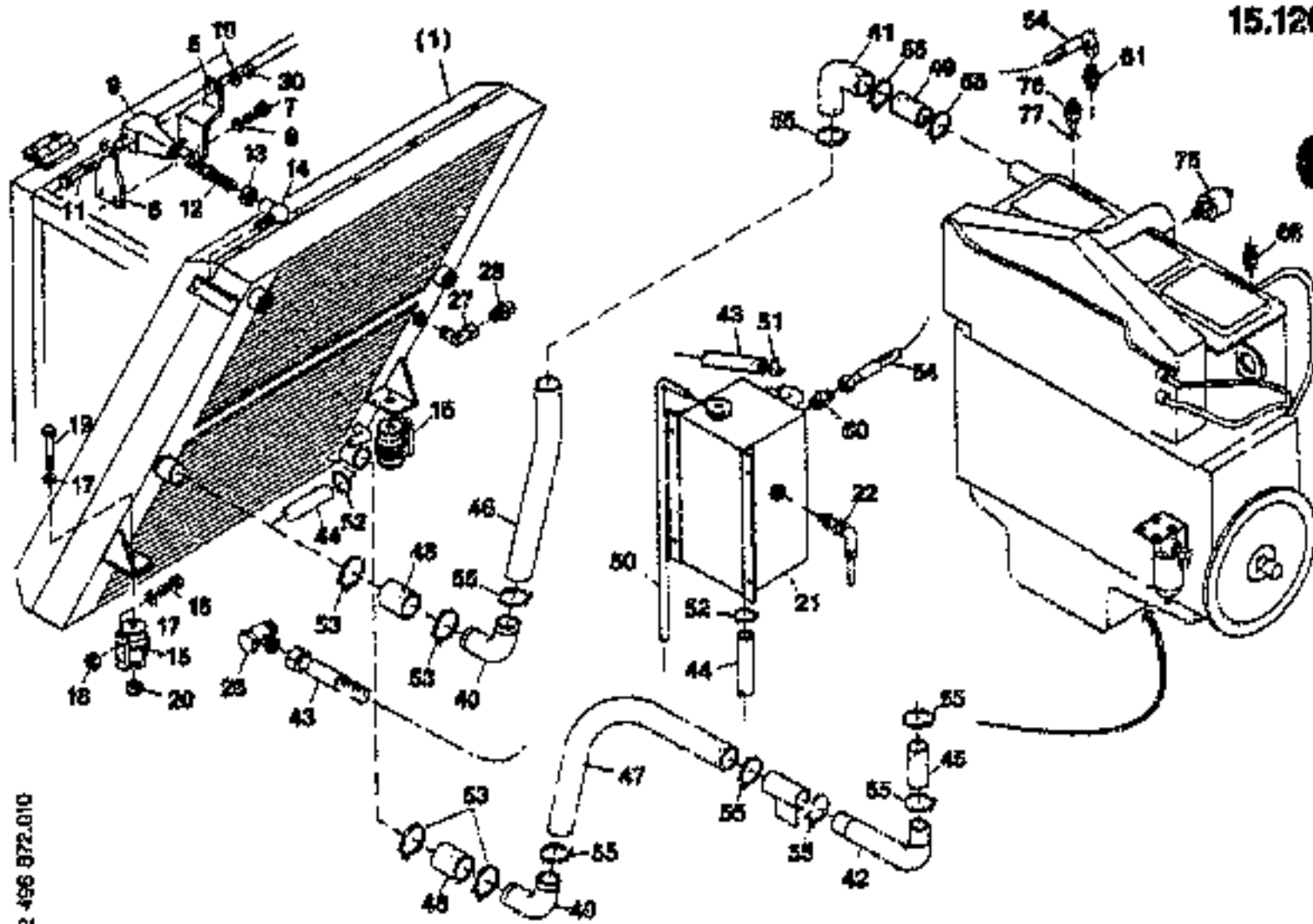


2 486 872.010

				15.120
 <b>COMB. COOL. SYST. WATER/OIL INSTALL.MATERIAL</b>				
FX600 / 108101 - .....				T 2496872 - 001 B 2496872 - 010
Item	Quan.	ME	Part No.	Description
021	0	00	73170923	CONTAINER
022	1	00	73170924	LEVEL SWITCH
026	1	00	73170707	TUBE FITTING
027	1	00	73170925	SOCKET
028	1	00	73170256	SOCKET
030	2	00	73170926	HEXAGON NUT
040	2	00	73170927	COOLANT TUBE
041	1	00	73170928	COOLANT TUBE
042	1	00	73170929	COOLANT TUBE
043	1	00	73170930	HOSE
044	2,10	13	73170931	SUCTION HOSE
045	0,12	13	73170932	HOSE
046	1,30	13	73170932	HOSE
047	0,70	13	73170932	HOSE
048	0,12	13	73170934	HOSE
048	0,10	13	73170932	HOSE
050	1	13	73170935	HOSE
061	1	00	73170936	CLIP

ME: 00 = Stück/piece 13 = m 26 = m<sup>2</sup> 30 = m<sup>3</sup> 43 = kg 50 = l (litre)





2 496 872.010

15.120

**COMB. COOL. SYST. WATER/OIL INSTALL.MATERIAL**


FX500 / 106101 - .....

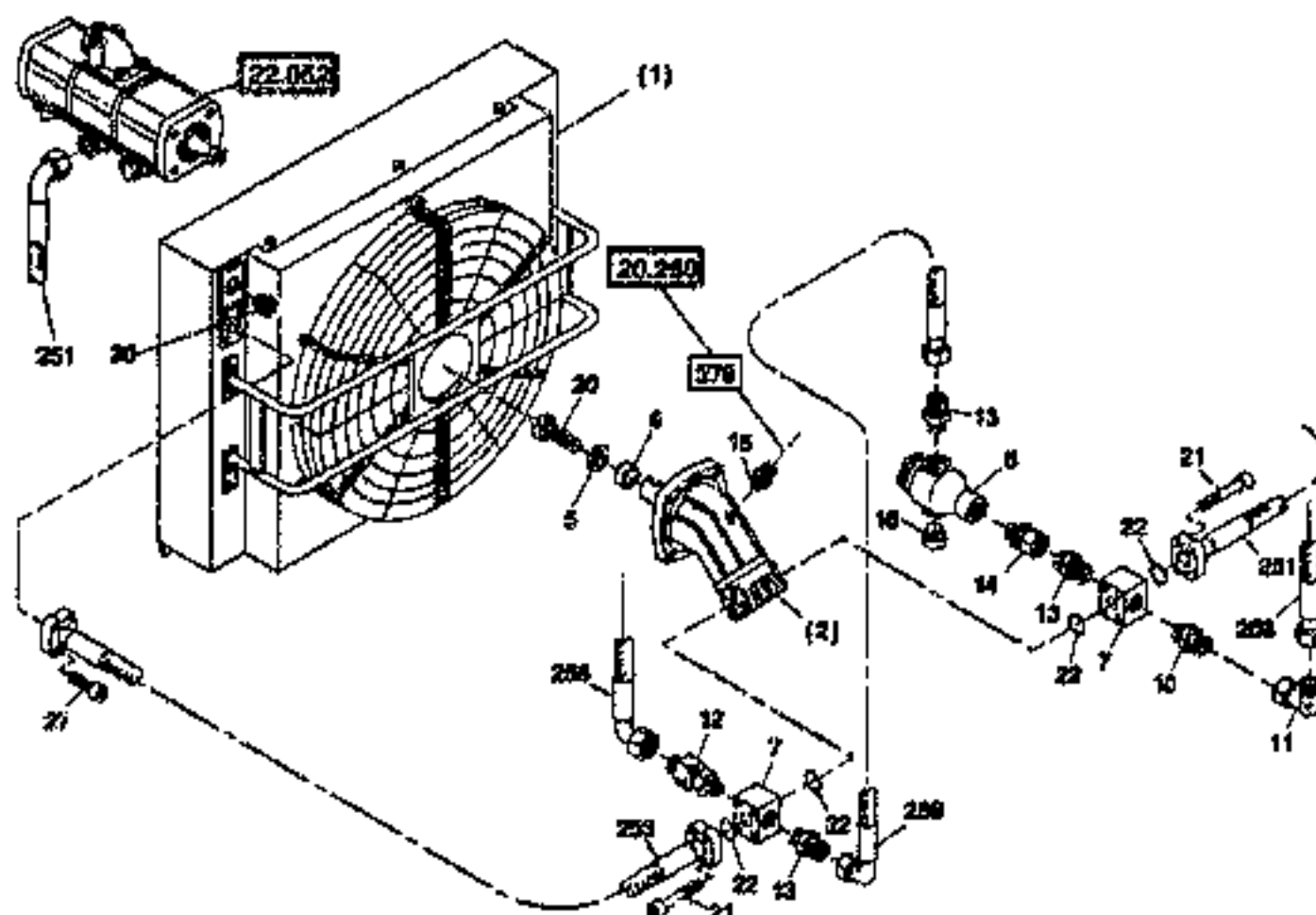
T 2498872 - 001

B 2498872 - 010

Item	Quan.	ME	Part No.	Description
052	2	00	73170937	HOSE CLIP
053	4	00	73170938	HOSE CLIP
054	1	00	73175294	HOSE
055	9	00	73170940	HOSE CLIP
060	1	00	73170941	SOCKET
061	1	00	73170942	SOCKET
068	1	00	73170944	SCREWING
075	1	00	73170645	
076	1	00	73172594	TEMP.TRANSMITTER
077	1	00	73170304	SEALING RING

ME: 00 = 8 Stück/piece 13 = m 28 = m<sup>2</sup> 39 = m<sup>3</sup> 43 = kg 50 = l (litr)

1998-09-10



2 782 175.010


**COMB. COOL. SYST. WATER/OIL MOUNTING PARTS**

15.121

FX600 / 106101 - .....

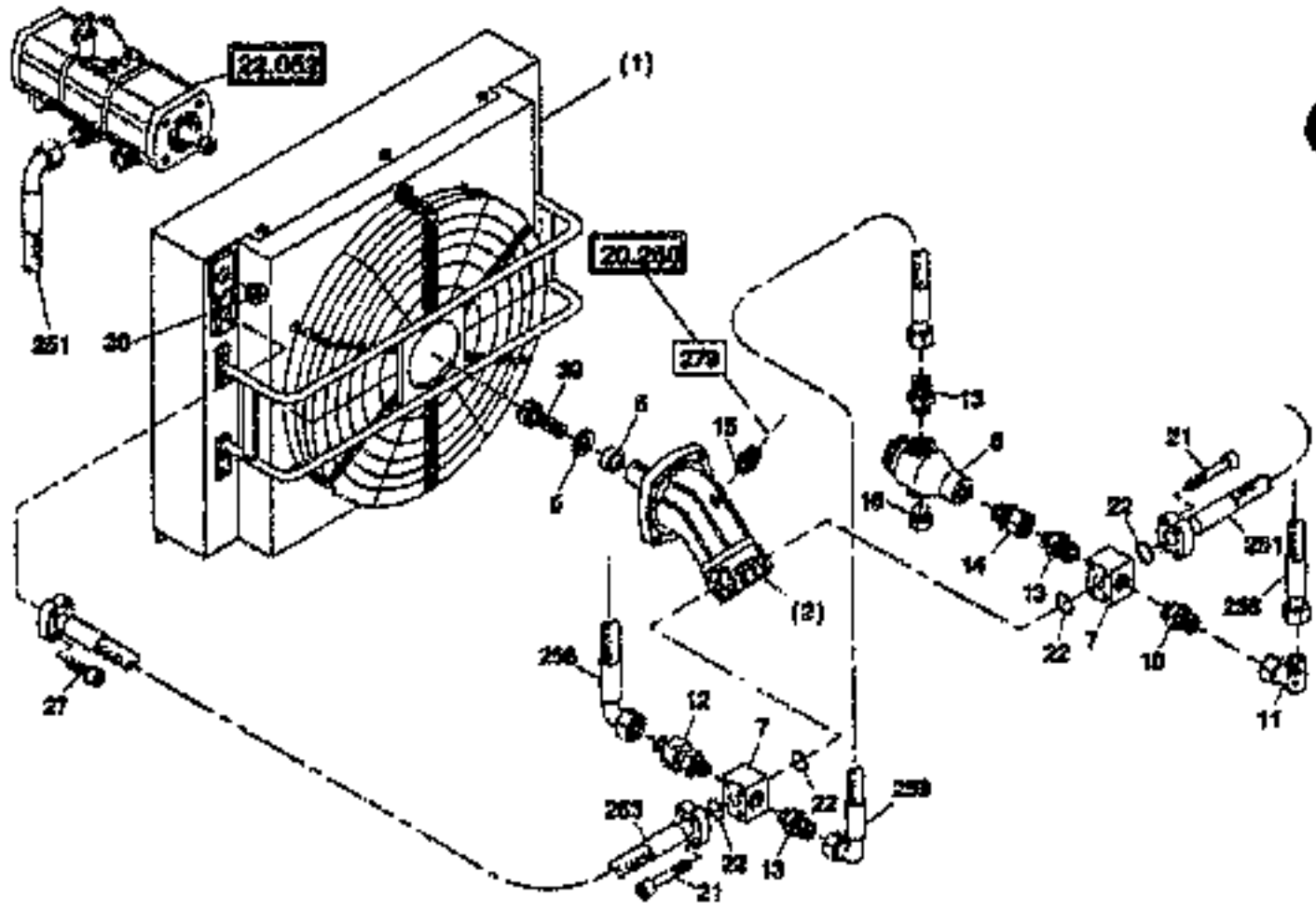
T 2782175 - 000

B 2782175 - 010


Item	Quan.	ME	Part No.	Description
001	1	00	16.122 2493650	COMBINED COOLER WATER/OIL
002	1	00	22.110 2495217	AXIAL PISTON MOTOR
005	1	00	73170214	DISKWASHER
009	1	00	73170949	SLEEVE
007	2	00	73170947	FLANGE
008	1	00	73175295	
010	1	00	73170414	SOCKET
011	1	00	73170353	SOCKET
012	1	00	73170949	CHECK VALVE
013	3	00	73170298	SOCKET
014	1	00	73170325	SOCKET/ADAPTER
015	1	00	73170296	SOCKET
016	1	00	73170301	SCREW PLUG
020	1	00	73170950	HEXAGON BOLT
021	8	00	73170861	CYL.HEAD SCREW

ME: 00 = Stück/piece 13 = m 20 = m<sup>2</sup> 30 = m<sup>3</sup> 43 = kg 50 = l (ltrs)

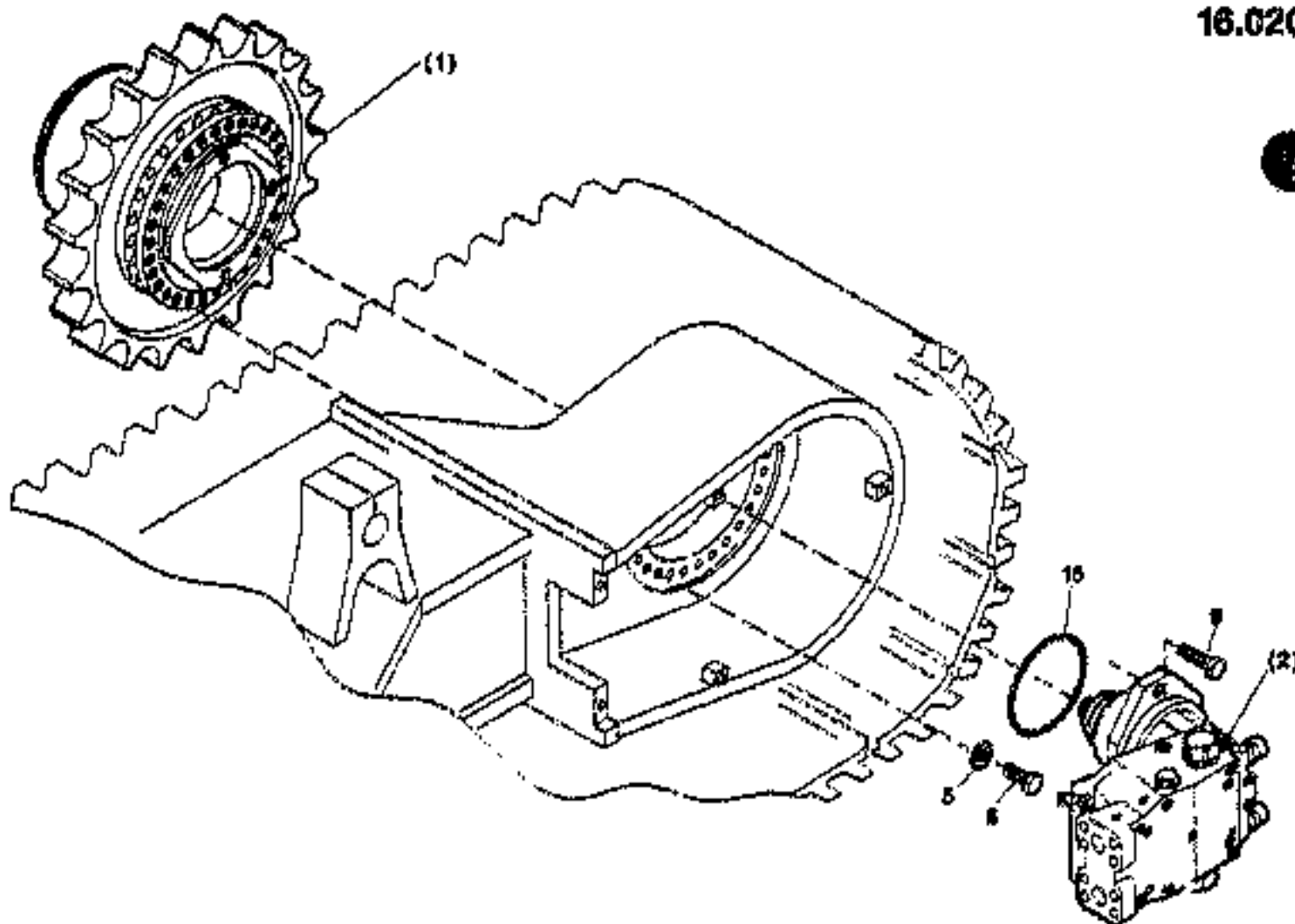
1998-09-10




2 782 175.010

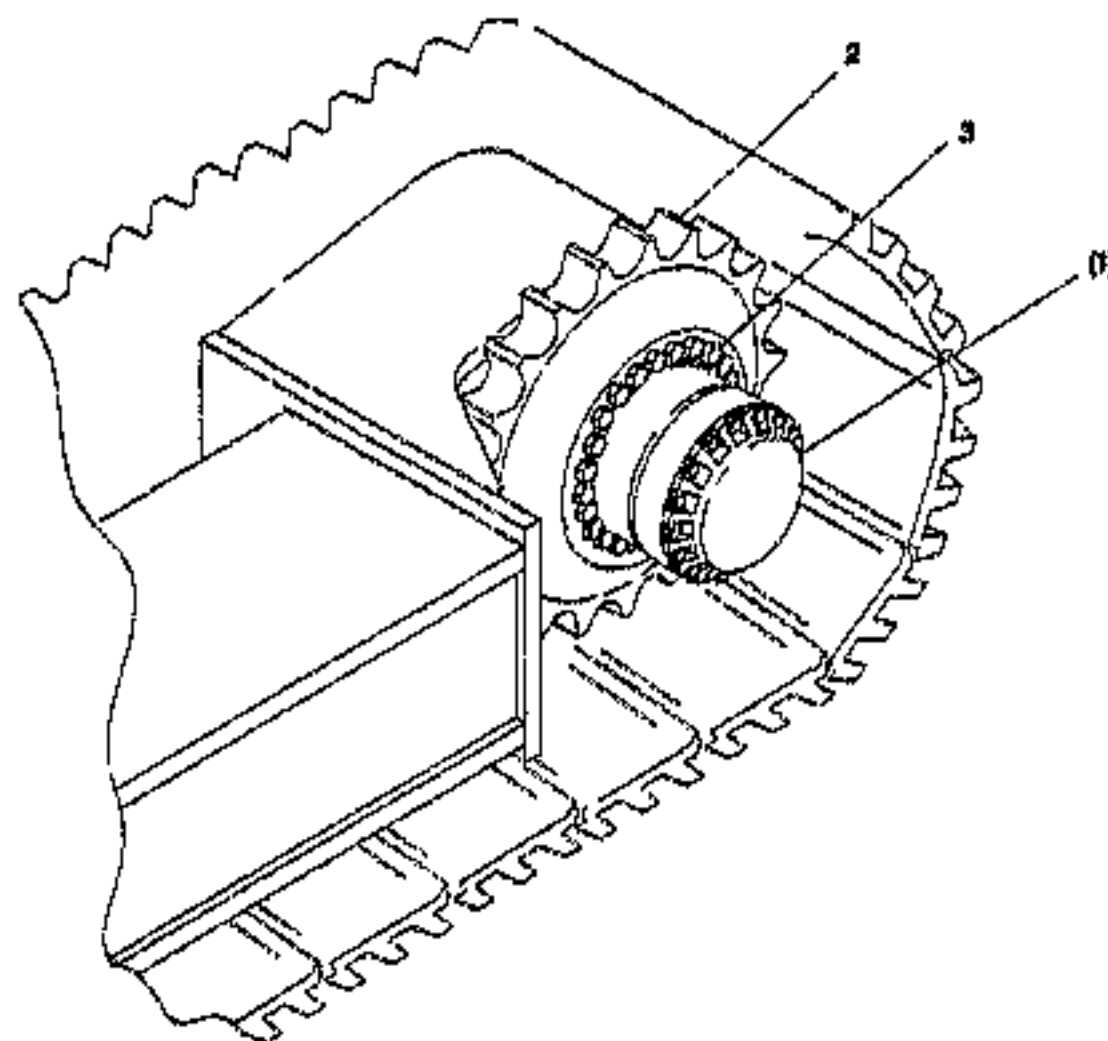
 <b>COMB. COOL. SYST. WATER/OIL MOUNTING PARTS</b> <span style="float: right;">15.121</span>				
FX500 / 108101 - .....				
Item	Quan.	ME	Part No.	Description
022	4	00	73170552	SEALING RING
027	4	00	73170440	CYL.HEAD SCREW
030	1	00	73170600	SCREW PLUG
251	1	00	73175295	HOSE
253	1	00	73170954	HOSE
258	1	00	73170955	HOSE
258	1	00	73170958	HOSE

T 2782175 - 000  
B 2782175 - 010



2495886D10

				16.020
<b>TRAVEL GEAR INSTALL.MATERIAL</b>				
				T 2496388 - 000
FX600 / 108101 - .....				B 2495886 - 010
Item	Quan.	ME	Part No.	Description
001	1	00		16.021 2496387 TRAVEL GEAR MOUNTING PARTS
002	1	00		22.100 2496388 MOTOR INSTALL.MATERIAL
005	30	00	73170079	DISK/WASHER
008	30	00	73175297	HEXAGON BOLT
009	2	00	73170080	HEXAGON BOLT
016	1	00	73170081	O-RING



2 486 887.040



## TRAVEL GEAR MOUNTING PARTS

16.021

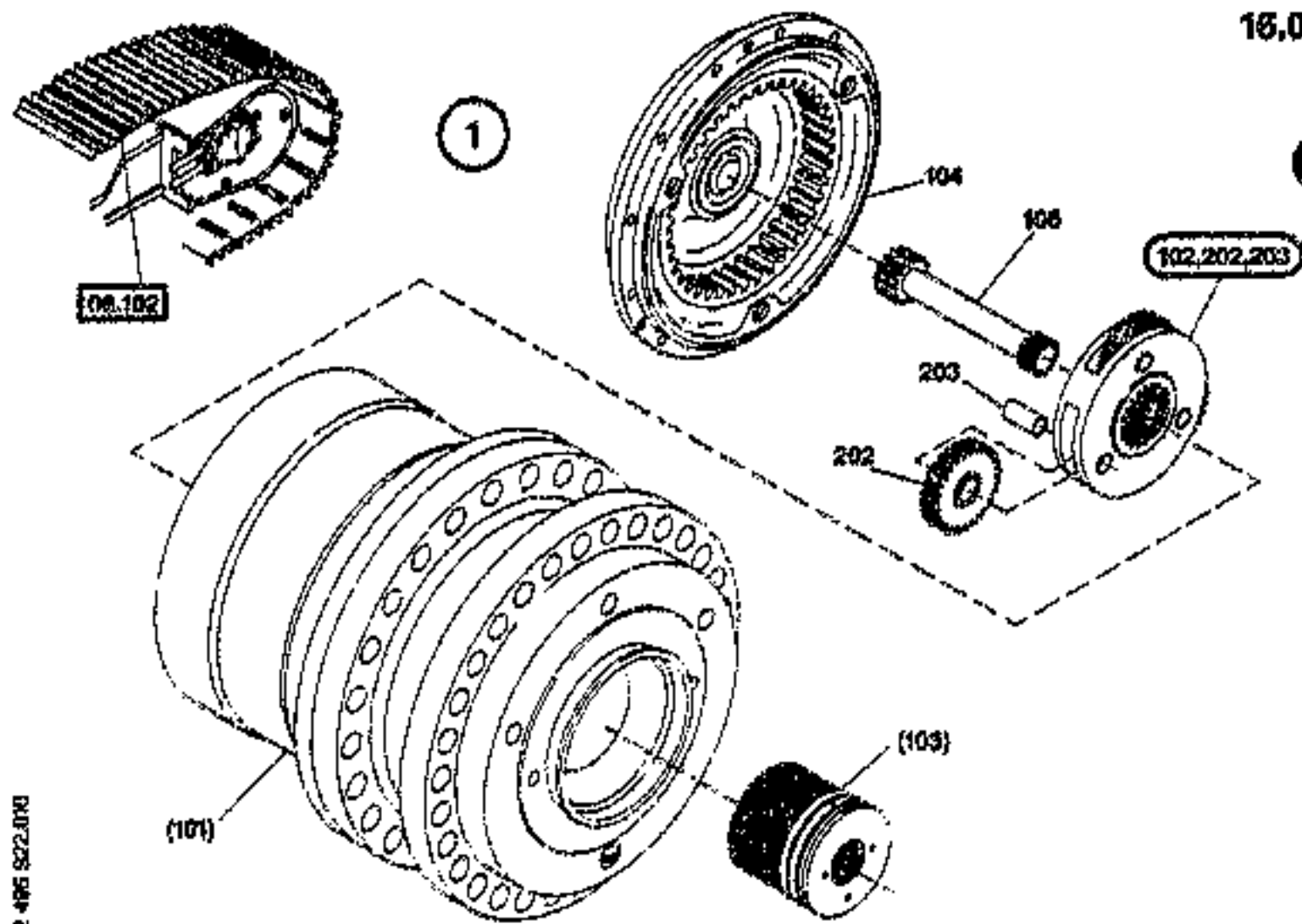
FX600 / 106101 - .....

7 246887 - 000


8 246887 - 010

Item	Quan.	ME	Part No.	Description
001	1	00		16.022 2468922 TRAVEL GEAR COMPLETE
002	1	00	73170077	SPROCKET
003	24	00	73170078	HEXAGON BOLT

16.022

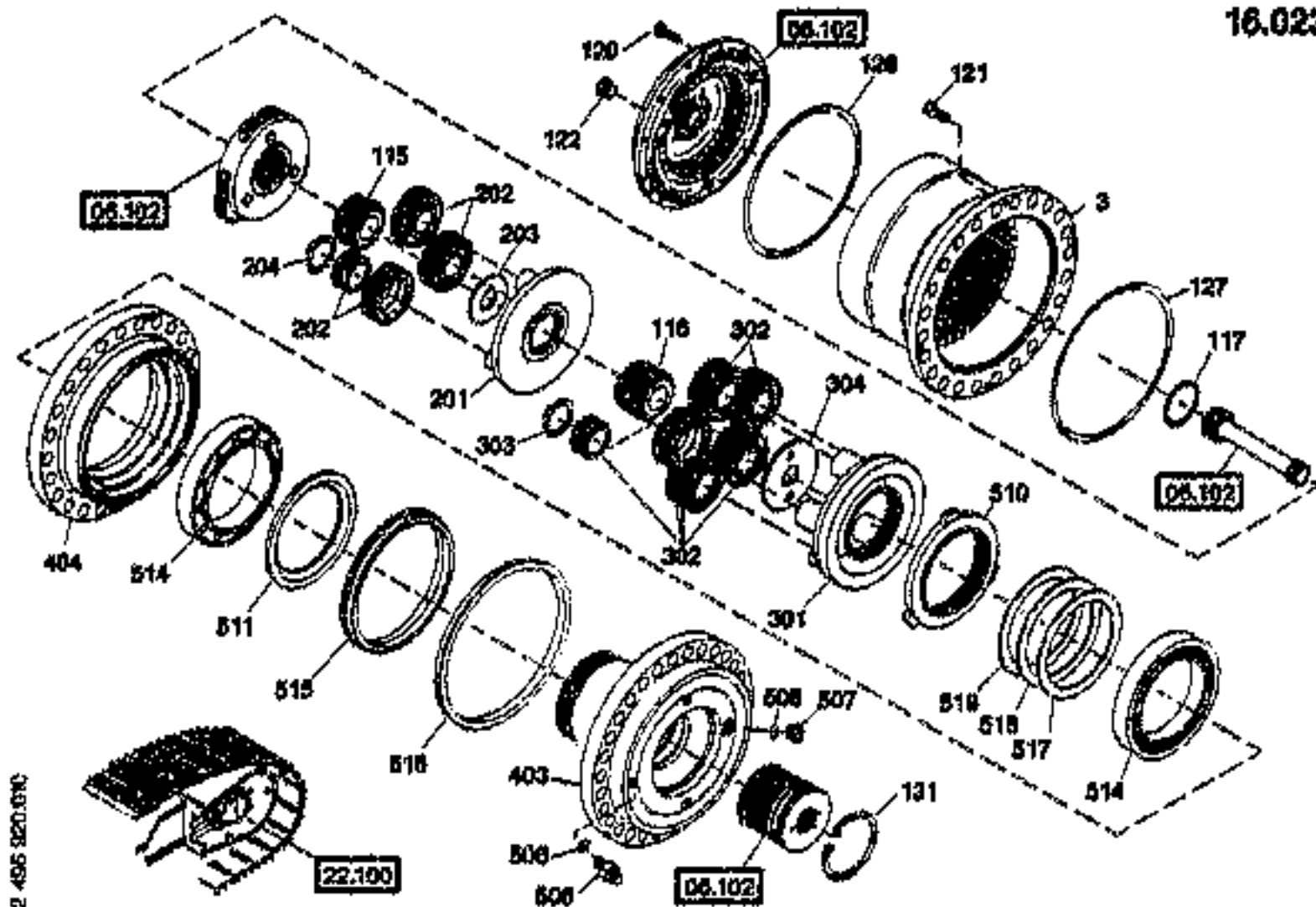



2 495 922.010

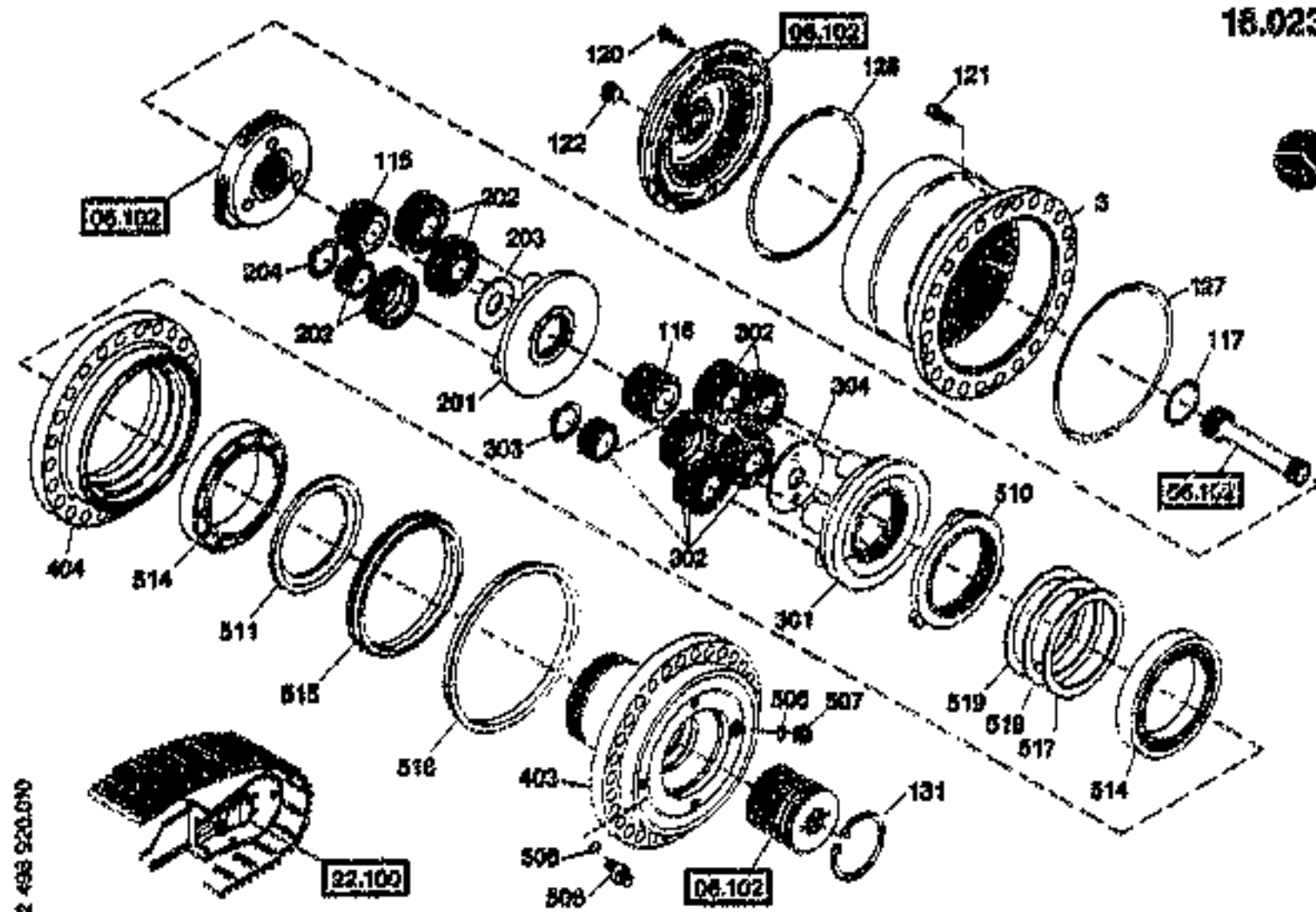
				16.022
				T 2498922 - 000
				B 2498922 - 010
 <b>TRAVEL GEAR COMPLETE</b>				
FX500 / 106101 - .....				
Item	Quan.	ME	Part No.	Description
001	1	00	73170038	TRANSMISSION GEAR
101	1	00	16.023 2498920	TRAVEL GEAR BASE
102	1	00	73170039	BEAM
103	1	00	19.502 2498921	TRACK BRAKE
104	1	00	73170040	LID
105	1	00	73170041	GEAR PINION
202	3	00	73170042	SPUR GEAR
203	3	00	73170043	PIN


ME: 00=Block/plate 13=mm 25=cm<sup>2</sup> 39=cm<sup>2</sup> 43=kg 50=l (litr)

1995-09-10



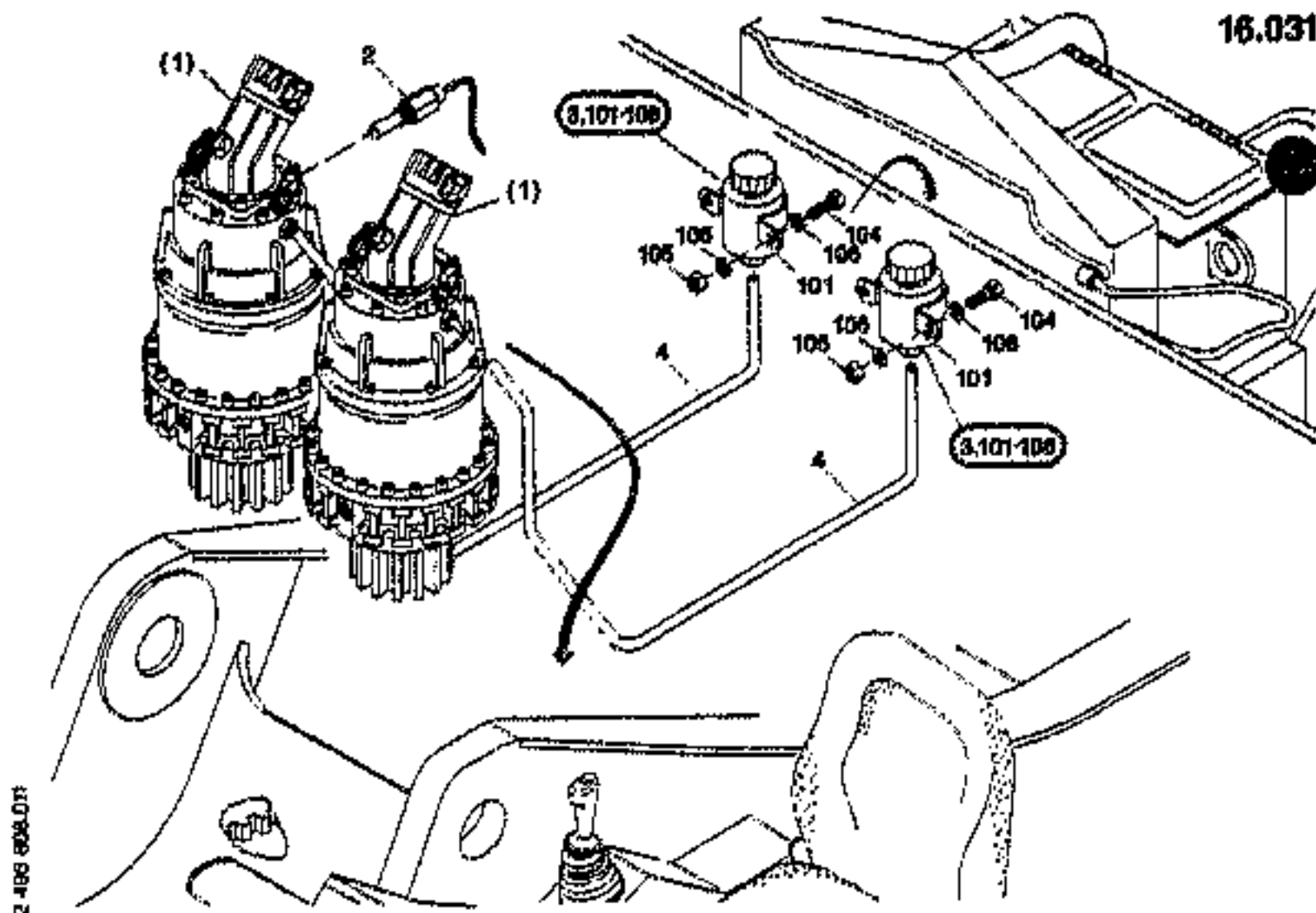
				16.023
 <b>TRAVEL GEAR BASE</b>				T 2496920 - 000
FX600 / 108101 - .....				B 2496920 - 010
Item	Quant.	ME	Part No.	Description
003	1	00	73170044	HOLLOW WHEEL
115	1	00	73170045	SPUR GEAR
116	1	00	73170046	SPUR GEAR
117	1	00	73170047	DISKWASHER
120	12	00	73170048	HEXAGON BOLT
121	2	00	73170050	CYL HEAD SCREW
122	2	00	73170051	SCREW PLUG
127	1	00	73170052	O-RING
128	1	00	73170053	ROUND SEALING RING
131	1	00	73170054	CIRCLIP
201	1	00	73170055	PLANETARY CARRIER
202	3	00	73170056	SPUR GEAR
203	3	00	73170058	DISKWASHER
204	3	00	73170059	CIRCLIP
301	1	00	73170060	PLANETARY CARRIER
302	5	00	73170061	SPUR GEAR
303	5	00	73170062	CIRCLIP
304	1	00	73170063	DISKWASHER



				16.023
				
<b>TRAVEL GEAR BASE</b>				
FX600 / 106101 - .....				T 2498920 - 000 B 2498920 - 010
Item	Quan.	ME	Part No.	Description
403	1	00	73170084	CARRIER
404	1	00	73170085	HUB
506	1	00	73170086	BREATHER VALVE
507	2	00	73170087	SCREW PLUG
508	3	00	73170088	SEALING RING
510	1	00	73170089	NUT
511	1	00	73170070	RING
514	2	00	73170071	TAP ROLLER BEARING
515	1	00	73170072	DUO-CONE SEAL
516	1	00	73170073	ROT.SHAFT LIP SEAL
517	1	00	73170074	ADJUSTMENT RING
518	1	00	73170075	ADJUSTMENT RING
519	1	00	73170076	ADJUSTMENT RING



16.031



16.031

## SLEWING GEAR MOUNTING PARTS



FX600 / 108101 - ...

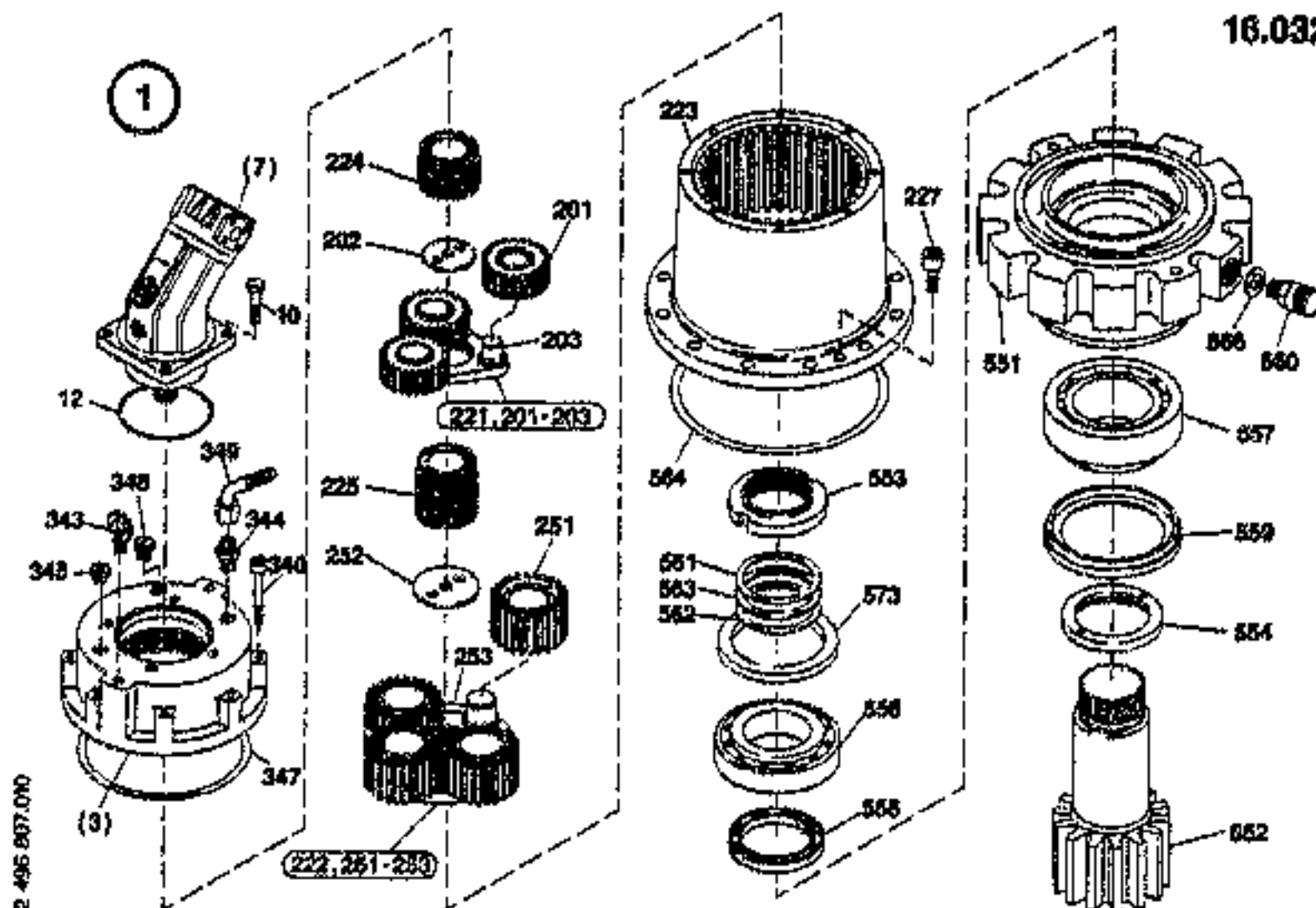
T 2498808 - 002


B 2498808 - 011

Item	Quan.	ME	Part No.	Description
001	2	00		16.031 2498808 SLEWING GEAR MOUNTING PARTS
002	1	00	73171741	SPEED SENSOR
003	2	00	73173084	CONTAINER
004	4,80	13	73171742	HOSE 2 X 2,4M
101	1	00	73170658	CONTAINER
104	2	00	73170203	HEXAGON BOLT
105	2	00	73170184	HEXAGON NUT
106	4	00	73170185	DISKWASHER

ME: 00 = Stück (piece) 13 = m 28 = m<sup>2</sup> 39 = m<sup>3</sup> 43 = kg 60 = l (litre)

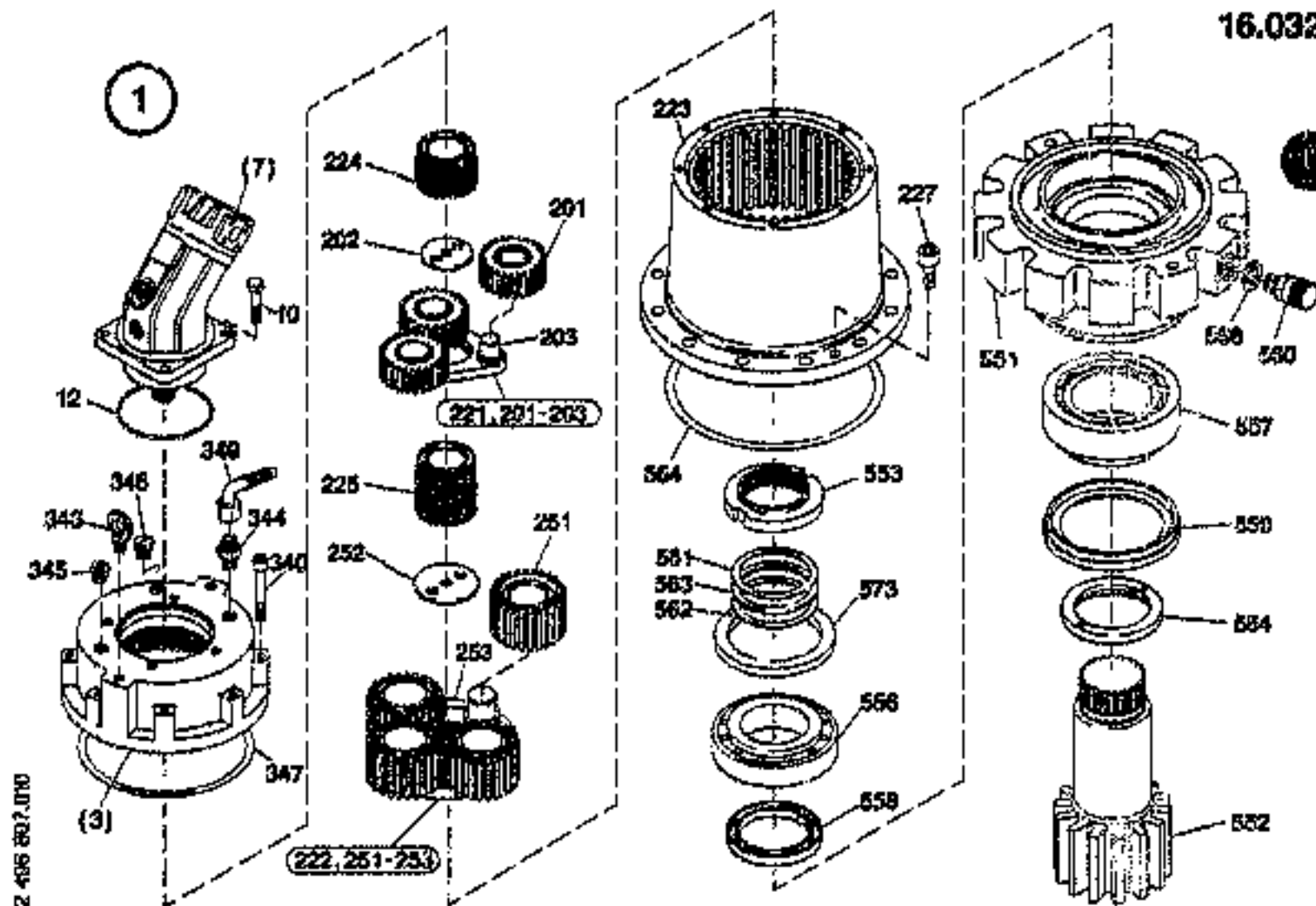
1998-09-10



				16.032	
				SLEWING GEAR COMPLETE	
		FX600 / 100101 - .....		T 2496807 - 000 B 2496807 - 010	
Item	Quan.	ME	Part No.	Description	
001	1	00	73170576	SLEWING GEAR	
003	1	00		10.400 2496811 SWING BRAKE INSTALL.MATERIAL	
007	1	00		22.110 2496812 AXIAL PISTON MOTOR SLEWING GEAR	
010	4	00	73170577	HEXAGON BOLT	
012	1	00	73170578	RDR	
201	1	00	73170581	SET OF SPUR GEARS	
202	1	00	73170582	DISK/WASHER	
203	1	00	73170583	PLANETARY CARRIER	
221	1	00	73170584	PLANETARY CARRIER	
222	1	00	73170585	PLANETARY CARRIER	
223	1	00	73170589	HOLLOW WHEEL	
224	1	00	73170590	GEAR PINION	
225	1	00	73170591	GEAR PINION	
227	2	00	73170592	CYL.HEAD SCREW	
251	1	00	73170595	SET OF SPUR GEARS	

ME: 00=Block/piece 10=mm 25=mm<sup>2</sup> 39=mm<sup>2</sup> 43=kg 50=1(600)

16.032



## SLEWING GEAR COMPLETE

16.032



FX600 / 100101 - .....

T 2496807 - 000

S 2496807 - 010

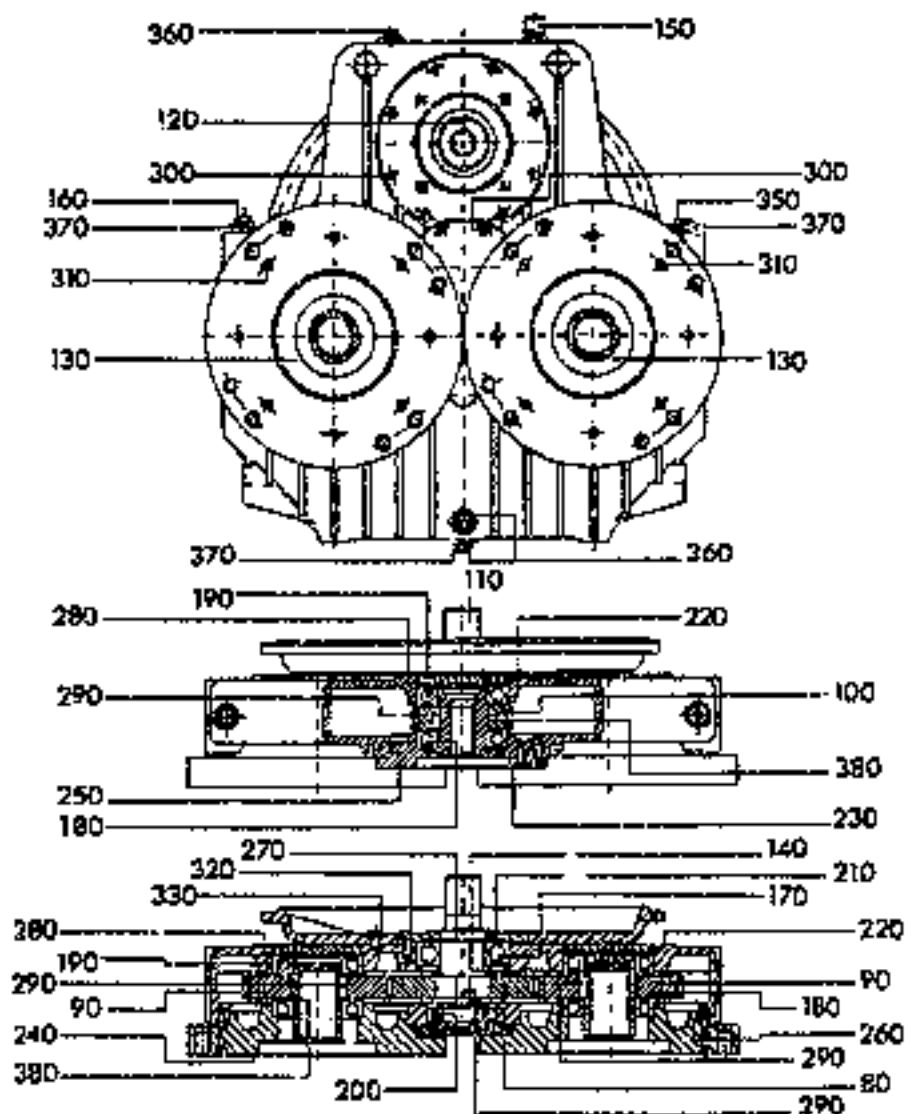
Item	Quan.	ME	Part No.	Description
252	1	00	73170687	DISK/WASHER
253	1	00	73170688	PLANETARY CARRIER
340	12	00	73170693	CYL.HEAD SCREW
343	2	00	73170695	SCREW
344	1	00	73170380	SOCKET
346	1	00	73170359	SCREW PLUG
347	0,77	13	73170586	ROUND STEEL
348	1	00	73170587	SCREW PLUG
349	1	00	73170588	PIPE BEND
551	1	00	73170689	HOUSING
552	1	00	73170690	GEAR PINION
553	1	00	73170601	NUT
554	1	00	73170602	RING
556	1	00	73170603	TAP.ROLLER BEARING
557	1	00	73170604	TAP.ROLLER BEARING
558	1	00	73170605	ROT.SHAFT LIP SEAL
559	1	00	73170608	SEALING RING
560	1	00	73170607	SCREW PLUG

ME: 00 = Stück/proce 13 = m 25 = m<sup>2</sup> 39 = m<sup>3</sup> 43 = kg 57 = l (kvb)

1988-09-10







655.010

18.042



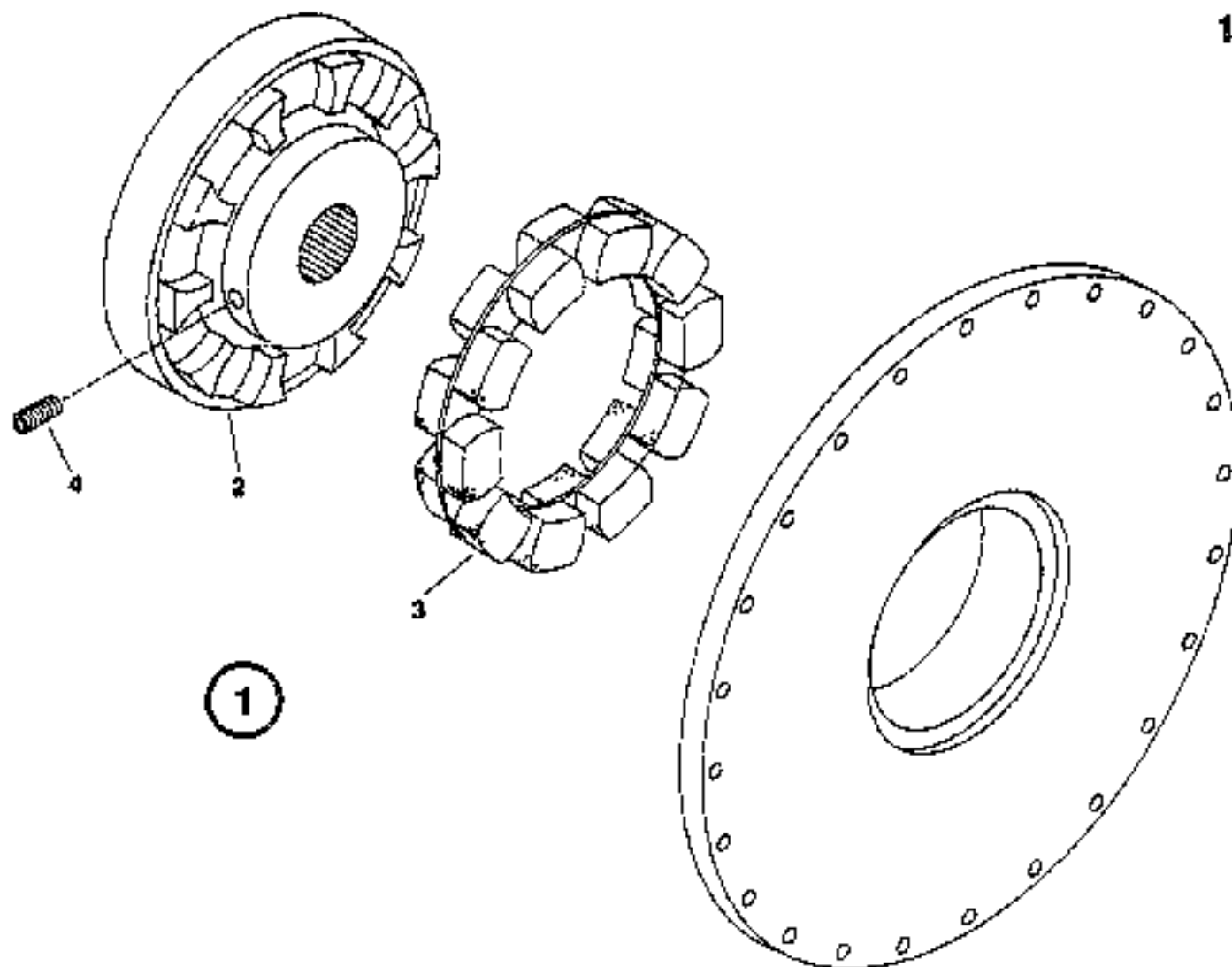
## PUMP DRIVE

FX600 / 106101 - .....

T 2443685 - 000

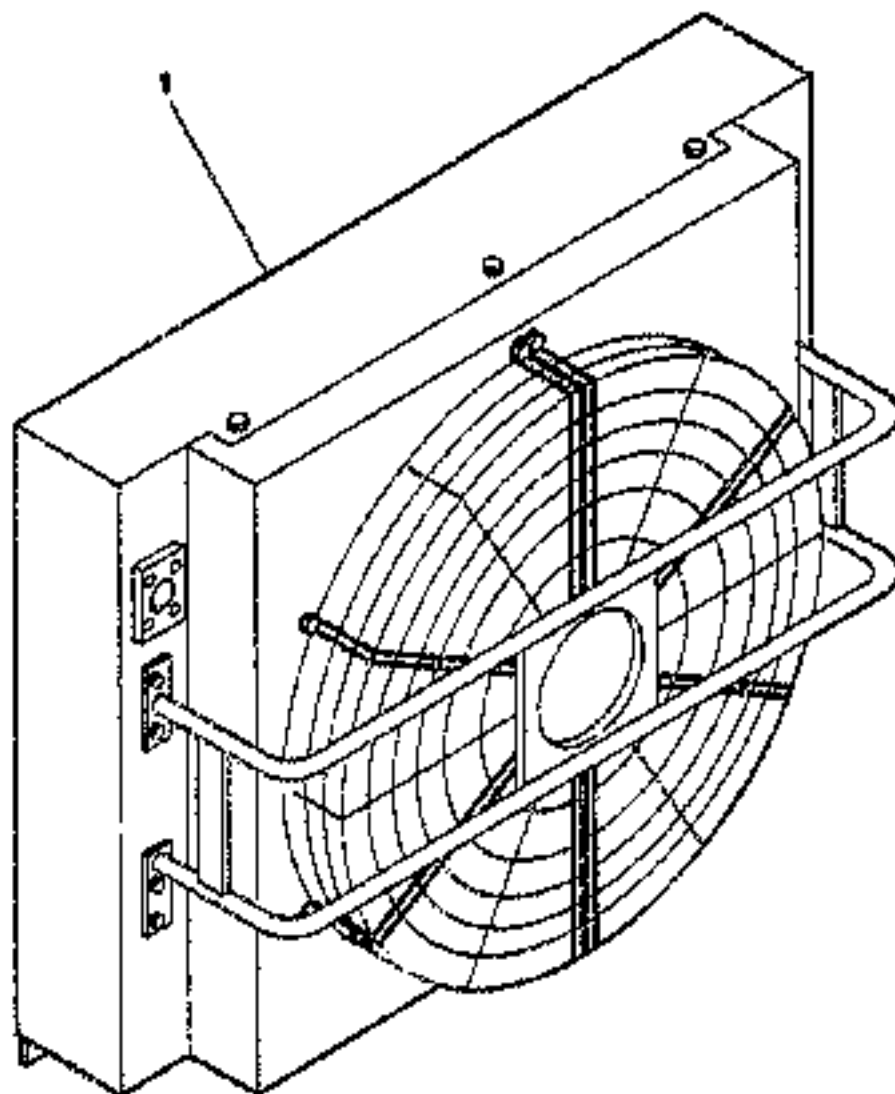
B 2443685 - 010

Item	Quan.	ME	Part No.	Description
260	2	00	73170776	O-RING
270	1	00	73170777	CIRCLIP
280	3	00	73170729	CIRCLIP
290	8	00	73170778	FEATHER KEY
300	14	00	73170440	CYL.HEAD SCREW
310	16	00	73170779	CYL.HEAD SCREW
320	6	00	73170780	CYL.HEAD SCREW
330	17	00	73170781	HEXAGON BOLT
350	1	00	73170782	
360	3	00	73170783	SCREW PLUG
370	5	00	73170784	SEALING RING
380	3	00	73170785	SHIM RING



2 444 158 010

				17.102	
		<b>COUPLING/CLUTCH</b>			
		FX600 / 106101 - .....		T 2444158 - 000 B 2444158 - 010	
Item	Quan.	ME	Part No.	Description	
001	1	00	73170728	COUPLING/CLUTCH	
002	1	00	73170729	CLUTCH HUB	
003	1	00	73170730	RING	
004	1	00	73170731	GRUB SCREW	



2 496 B55.010



## COMBINED COOLER WATER/OIL

15.122

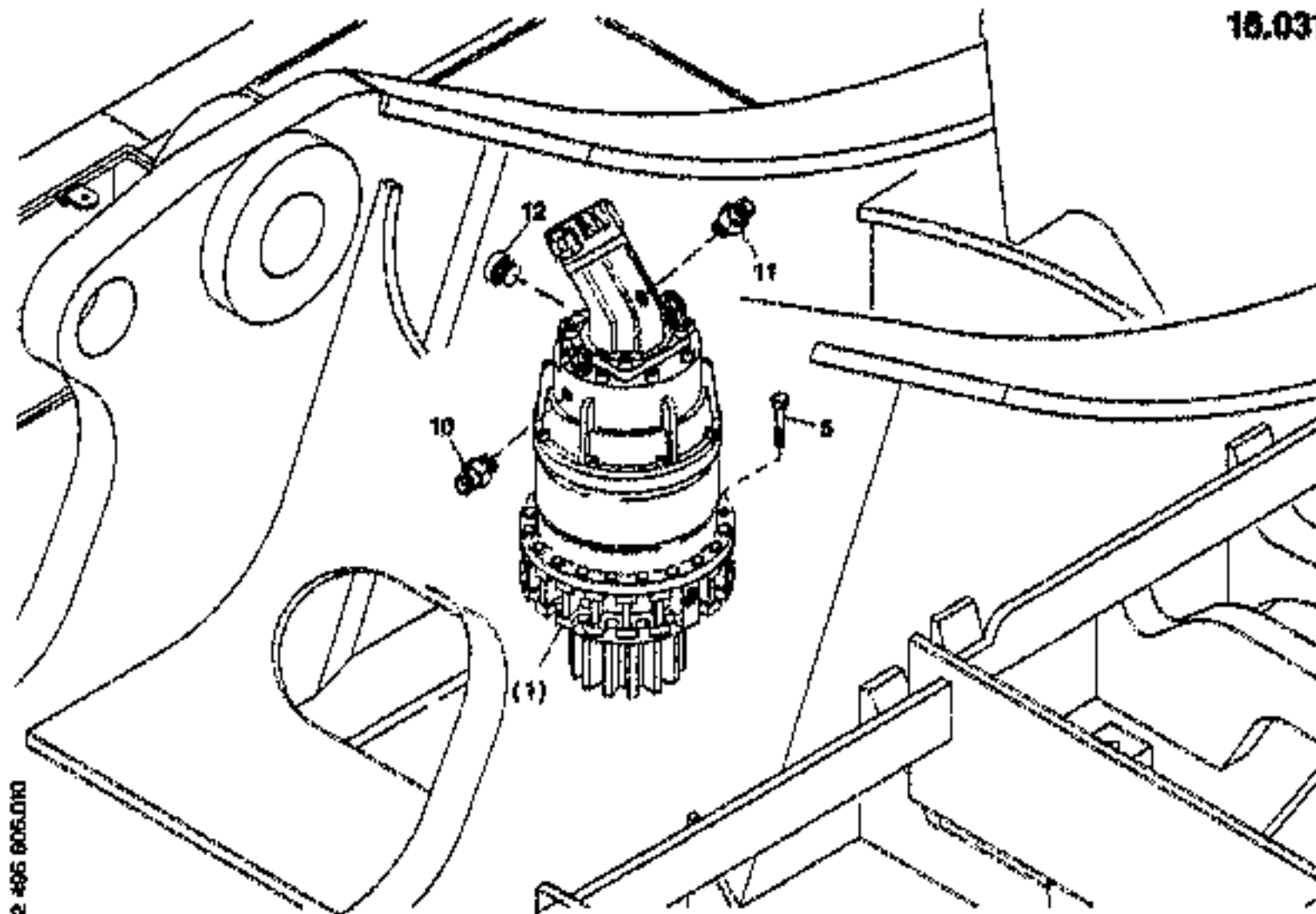
FX800 / 106101 - .....

T 2496855 - 000

E 2496855 - 010

Item	Quan.	ME	Part No.	Description
001	1	00	73171650	RADIATOR





2 496 805.010



## SLEWING GEAR MOUNTING PARTS

16.031

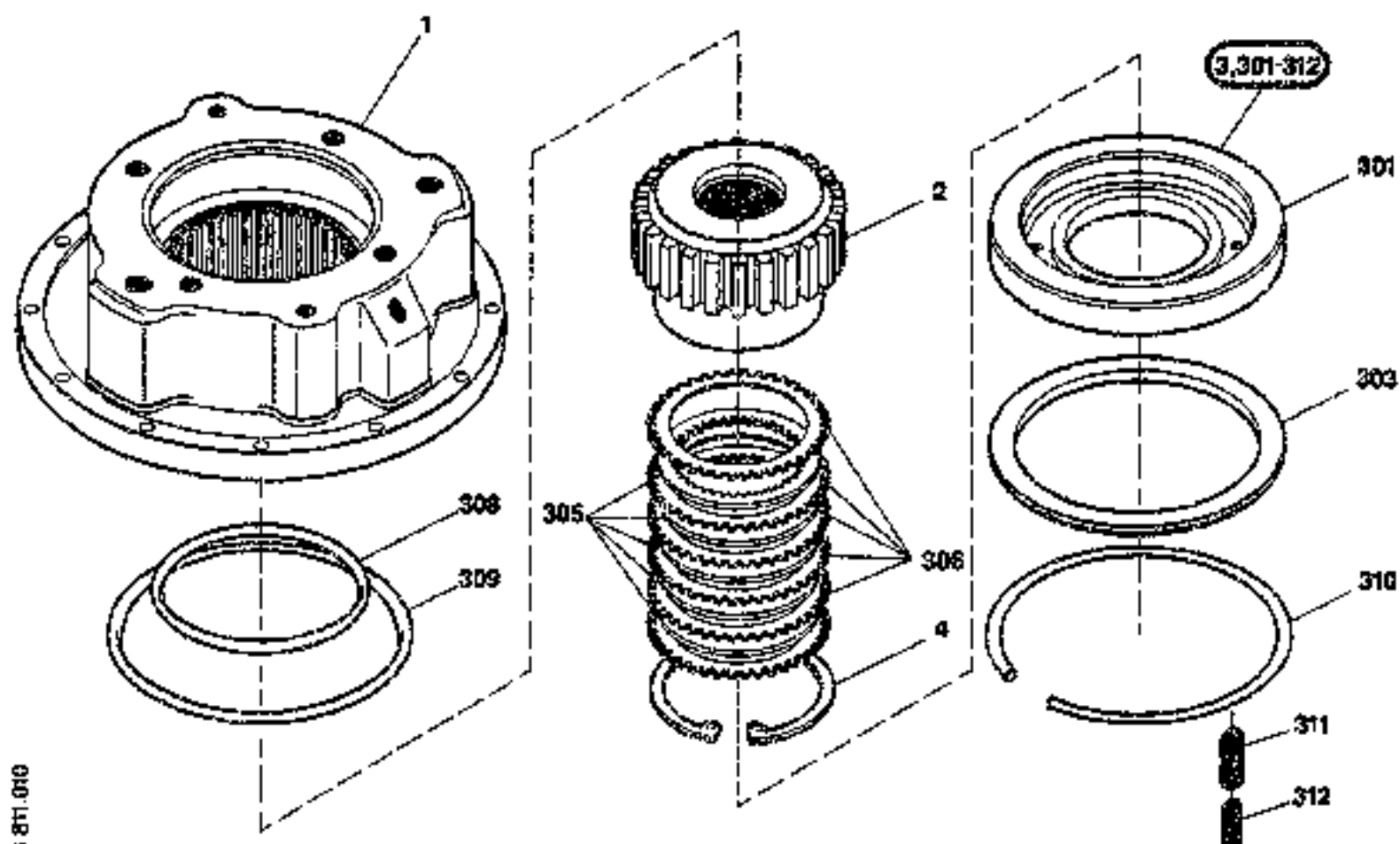
FX800 / 106101 - .....

T 2496808 - 000

B 2496808 - 010

Item	Quan.	ME	Part No.	Description
001	1	00		16.032 2496807 SLEWING GEAR COMPLETE
005	16	00	73170656	HEXAGON BOLT
010	1	00	73170296	SOCKET
011	1	00	73170296	SOCKET
012	1	00	73170301	SCREW PLUG

19.400



2 496 811 010

19.400


**SWING BRAKE INSTALL.MATERIAL**

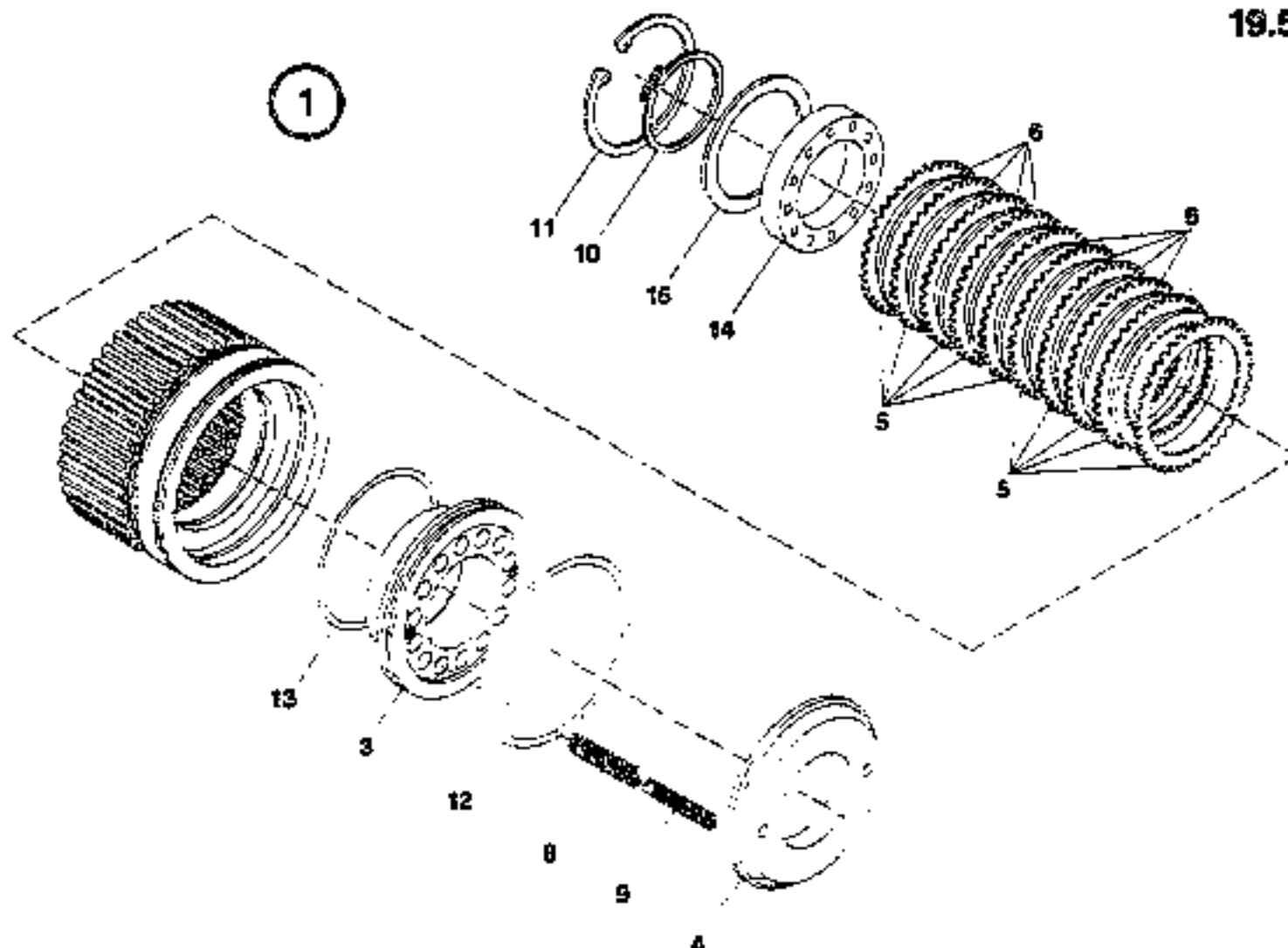
FX600 / 108101 - .....

T 2496811 - 000  
E 2496811 - 010

Item	Qunt.	ME	Part No.	Description
001	1	00	73170572	HOUSING
002	1	00	73170573	INTERNAL CASING
003	1	00	73170574	BRAKE
004	1	00	73170575	CIRCLIP
301	1	00	73175298	PISTON
303	1	00	73175299	CYLINDER/COVER
305	5	00	73172248	INTERNAL DISK
306	6	00	73172245	EXTERNAL DISK
308	1	00	73175300	GASKET
309	1	00	73175301	GASKET
310	1	00	73178302	SNAP RING
311	30	00	73175303	SPRING
312	30	00	73175304	SPRING

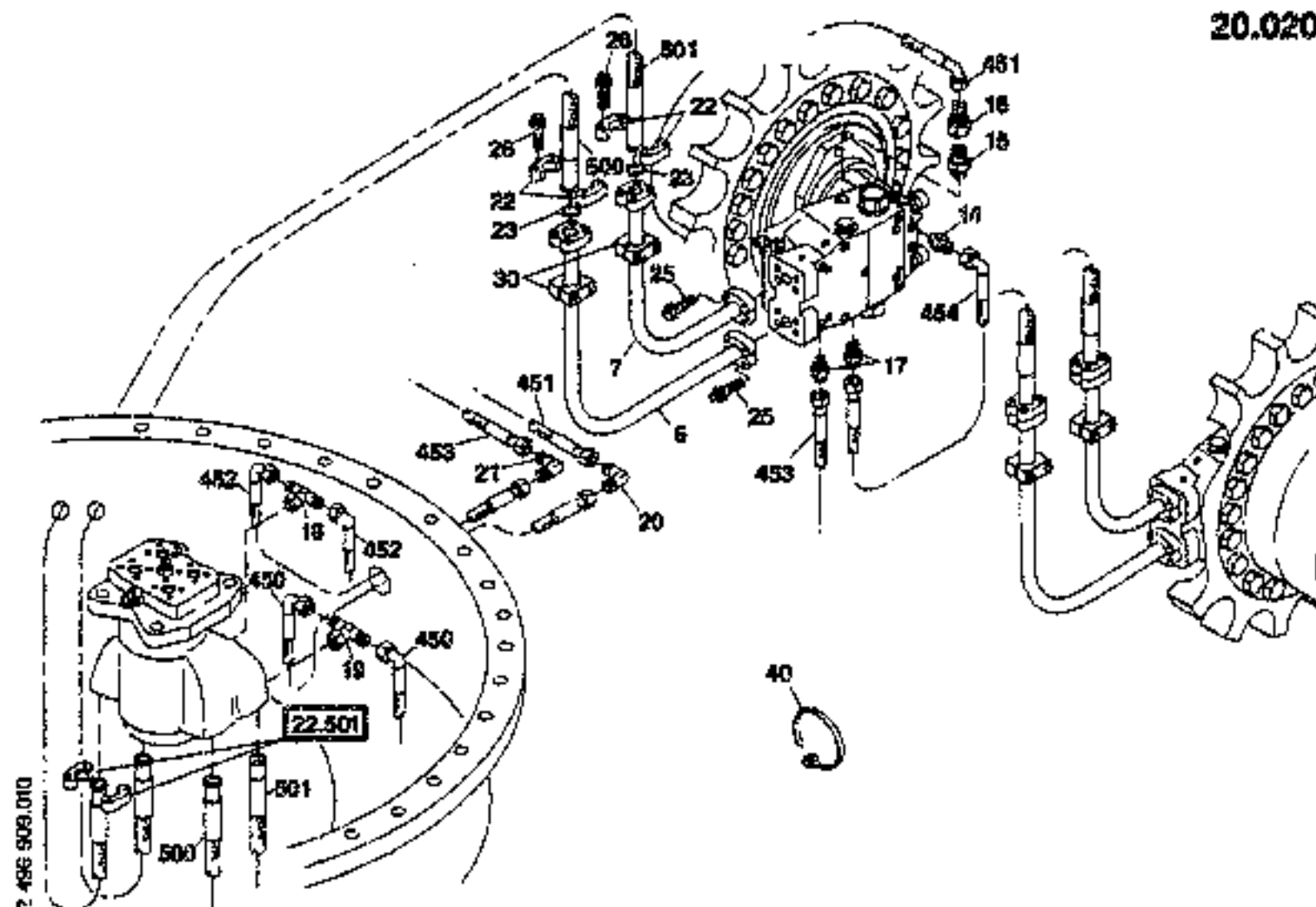
ME: 00 = Stück/piece 13 = m 25 = m<sup>2</sup> 39 = m<sup>3</sup> 43 = kg 50 = l (litre)


1098-09-10



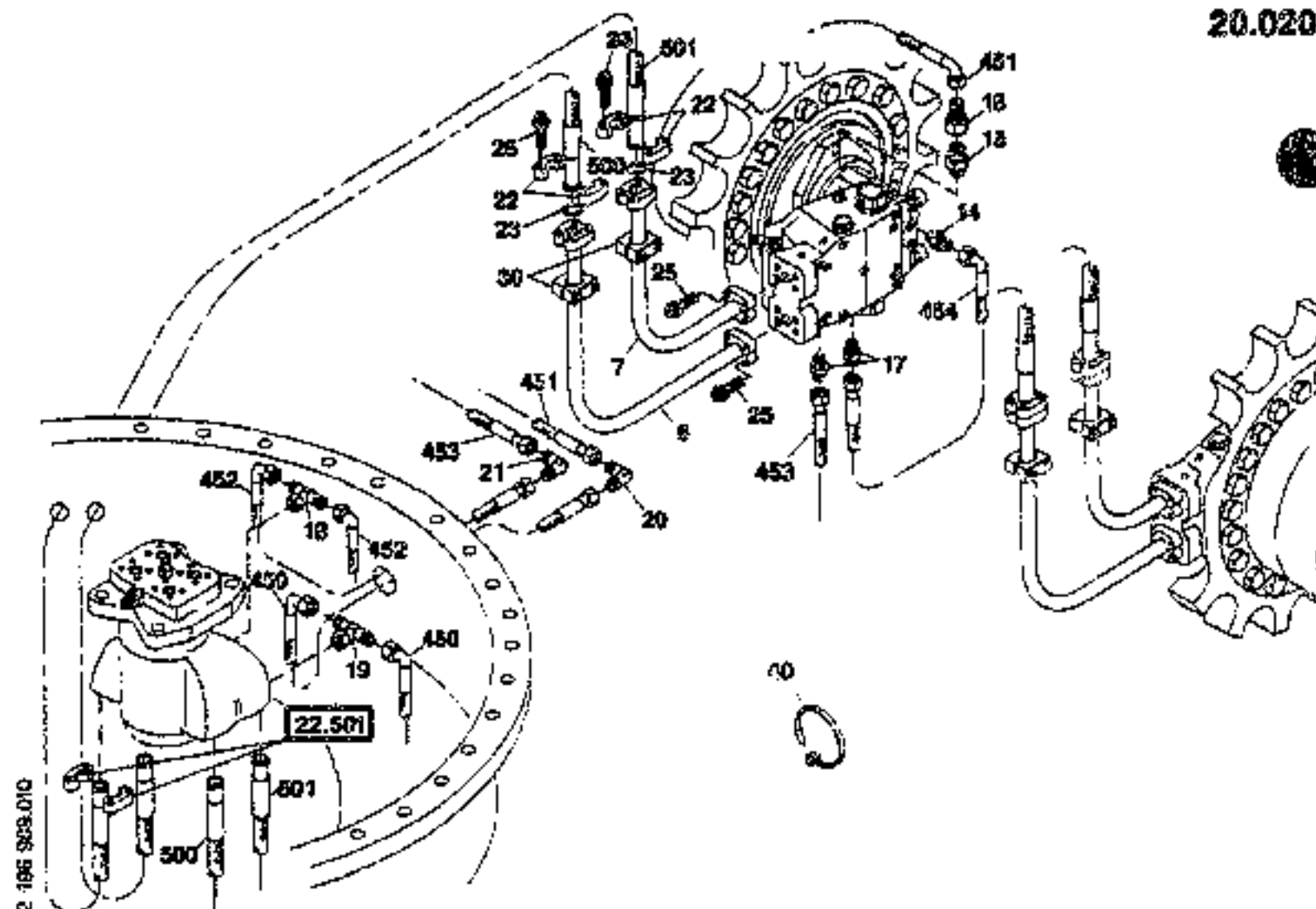
2 496 521 010


				19.502	
		<b>TRACK BRAKE</b>			
		FX800 / 106101 - .....		T 2496321 - 001 B 2496321 - 010	
Item	Quan.	ME	Part No.	Description	
001	1	00	73170037	BRAKE	
003	1	00	73172242	PISTON	
004	1	00	73172243	CYLINDER/COVER	
005	10	00	73172245	EXTERNAL DISK	
006	9	00	73172246	INTERNAL DISK	
008	14	00	73172248	SPRING	
009	14	00	73172249	SPRING	
010	1	00	73170062	CIRCLIP	
011	1	00	73172250	CIRCLIP	
012	1	00	73172251	GASKET	
013	1	00	73172252	GASKET	
014	1	00	73172253	GROOVE BALL BEAR.	
015	2	00	73172254	SUPPORTING RING	



				20.020	
				HYDRAULIC SYSTEM LOWER CARRIAGE	
				T 2496909 - 000 B 2496909 - 010	
				FX600 / 106101 - .....	
Item	Quan.	ME	Part No.	Description	
006	2	00	73175305	LINE	
007	2	00	73175306	LINE	
014	2	00	73170298	SOCKET	
015	2	00	73171857	SOCKET	
016	2	00	73172466	SCREWING	
017	4	00	73170360	SOCKET	
018	1	00	73170383	SOCKET	
019	1	00	73176307	SOCKET	
020	2	00	73175308	TUBE FITTING	
021	2	00	73176310	TUBE FITTING	
022	8	00	73170344	SAE-FLANGE HALF	
023	4	00	73170346	SEALING RING	
025	16	00	73170347	12-POINT SCREW	
026	16	00	73171502	12-POINT SCREW	
030	4	00	73175312	CLIP	
040	20	00	73170885	RIBBON	
450	2	00	73175313	HOSE	
451	2	00	73175314	HOSE	

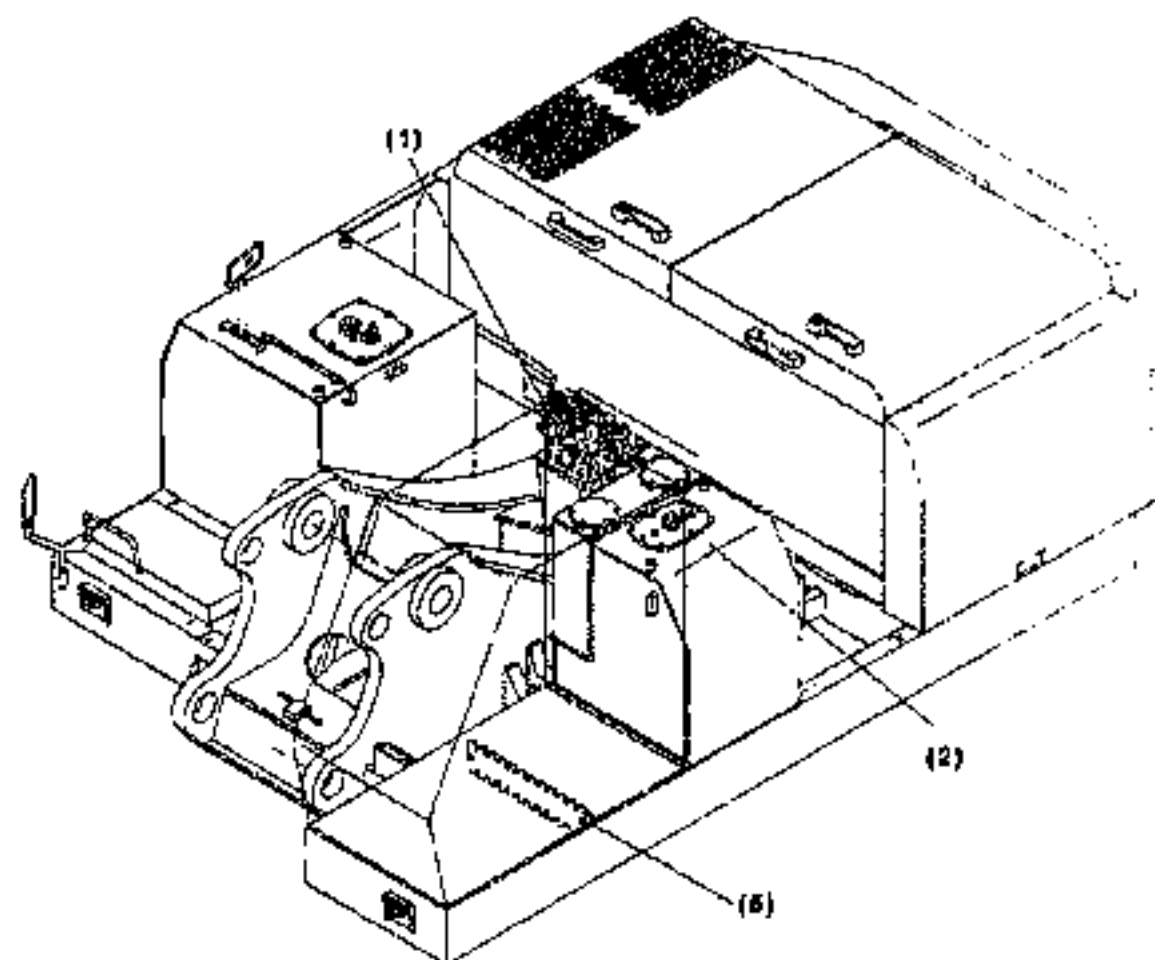
20.020



				20.020
				
FX500 / 106101 - .....				T 2496908 - 000 B 2496909 - 010
Item	Quan.	ME	Part No.	Description
452	2	00	73175315	HOSE
453	2	00	73175316	HOSE
454	2	00	73175317	HOSE
500	2	00	73175318	HOSE
501	2	00	73175319	HOSE

ME: 00 = Stück/Stück 13 = m 26 = m<sup>2</sup> 39 = m<sup>3</sup> 43 = kg 60 = l (litre)

1998-09-10



2 782 183 010



## HYDRAULIC SYSTEM UPPER CARRIAGE

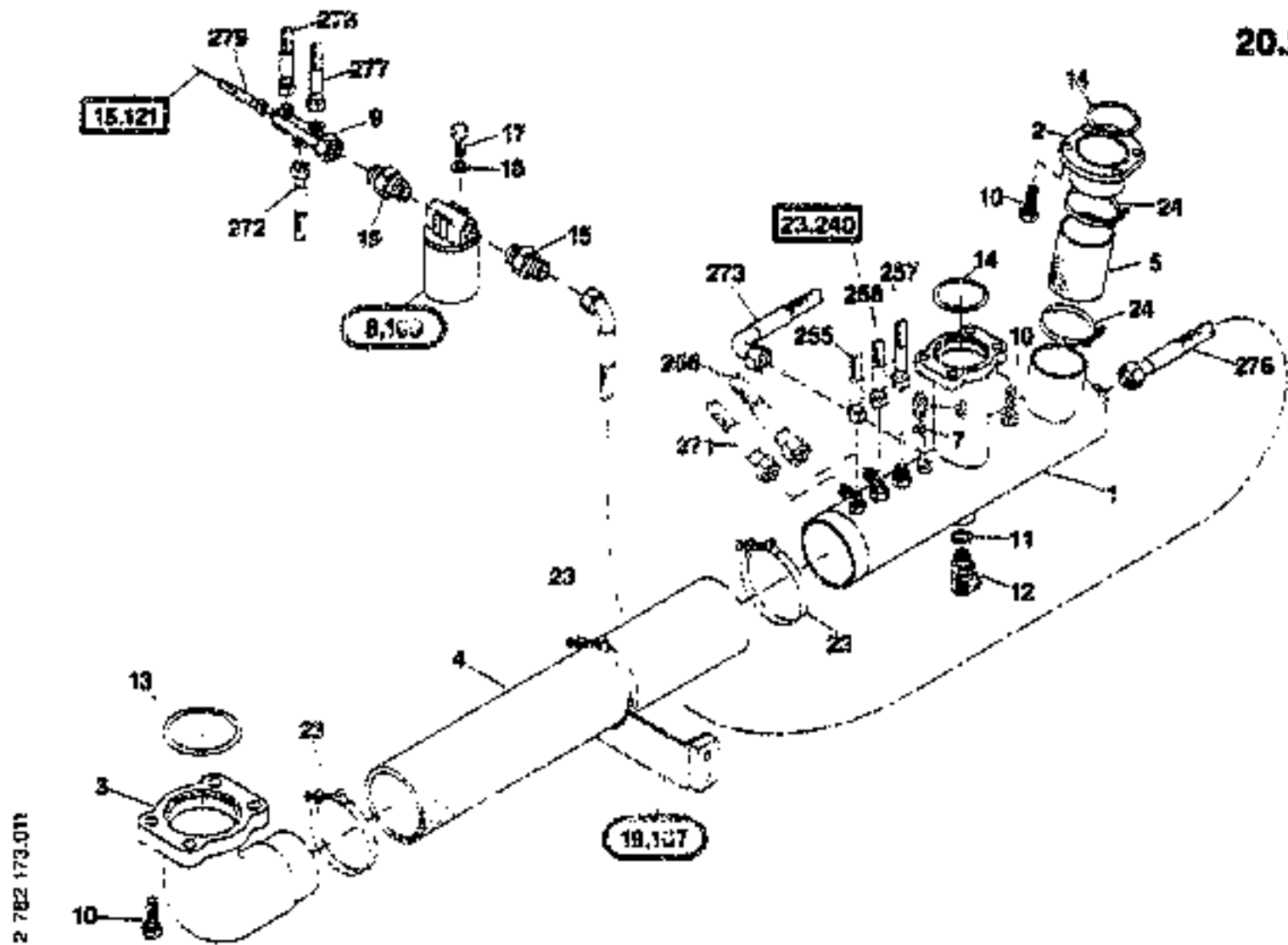
20.030


FX600 / 106101 - .....

T 2782183 - 000

B 2782183 - 010

Item	Quan.	ME	Part No.	Description
001	1	00		20.310 2486823 HYDRAULIC SYSTEM HIGH PRESSURE
002	1	00		20.320 2486832 HYDRAULIC SYSTEM LOW PRESSURE
005	1	00		20.640 2782182 HYDRAULIC SYSTEM CASCADE INSTALL.MATERIAL



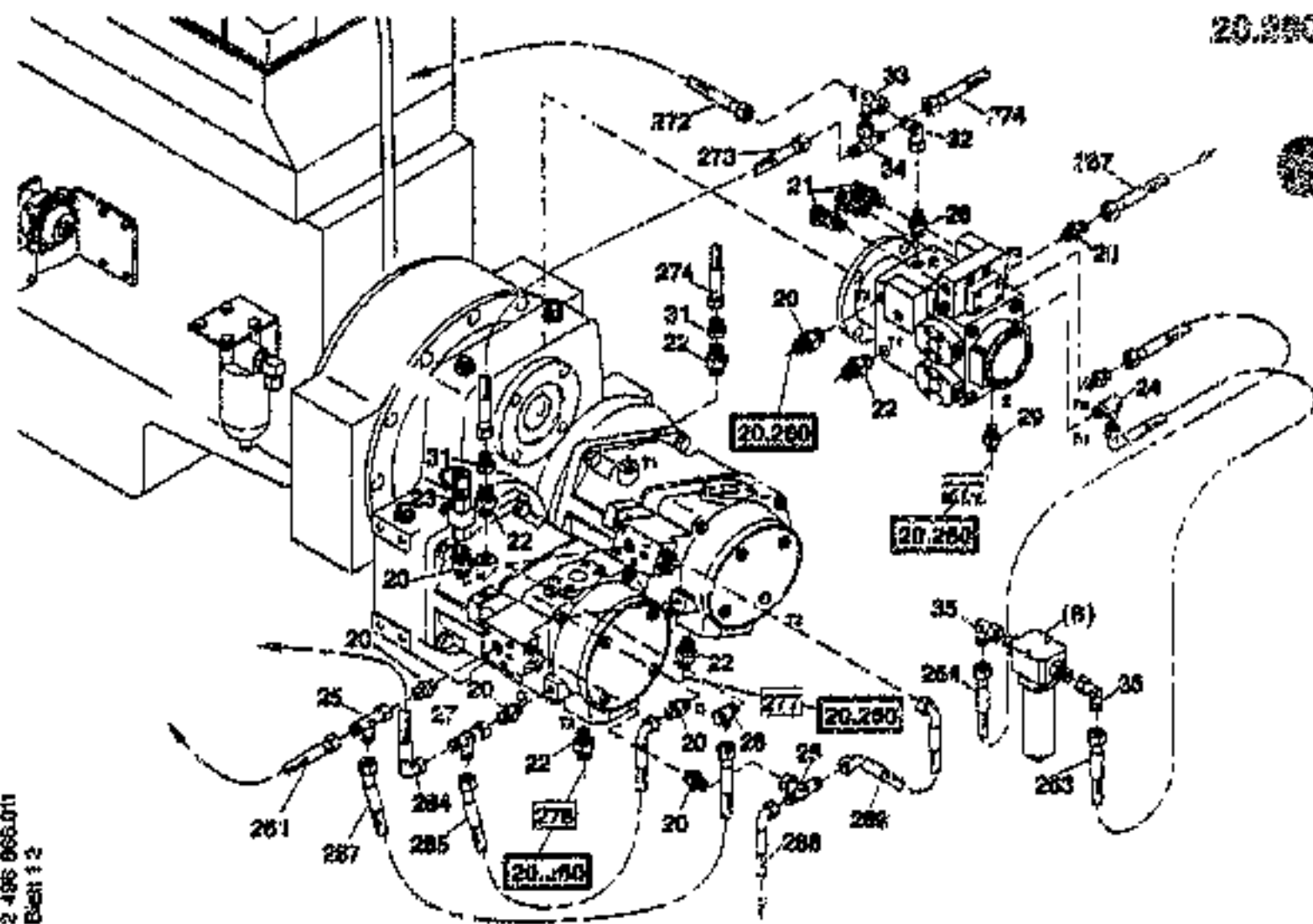
				20.260
 <b>OIL SUCTION SYSTEM</b>				T 2782173 - 002
FX500 : 106101 - .....				B 2782173 - 011
Item	Quant.	ME	Part No.	Description
001	1	00	73170240	LINE
002	1	00	73170241	FLANGE
003	1	00	73172308	ELBOW
004	0,90	13	73170243	SUCTION HOSE
005	0,16	00	73170244	SUCTION HOSE
006	1	00	73170245	TEMP. TRANSMITTER
007	1	00	73170246	SEALING RING
008	1	00	73170247	FILTER
009	1	00	73170248	MANIFOLD
010	12	00	73170014	HEXAGON BOLT
011	1	00	73170248	SEALING RING
012	1	00	73170250	SCREW
013	1	00	73170252	O-RING
014	2	00	73170253	O-RING
015	2	00	73170254	SOCKET
017	4	00	73170178	HEXAGON BOLT
018	8	00	73170160	DISK/WASHER
019	1	00	73170258	MOUNTING





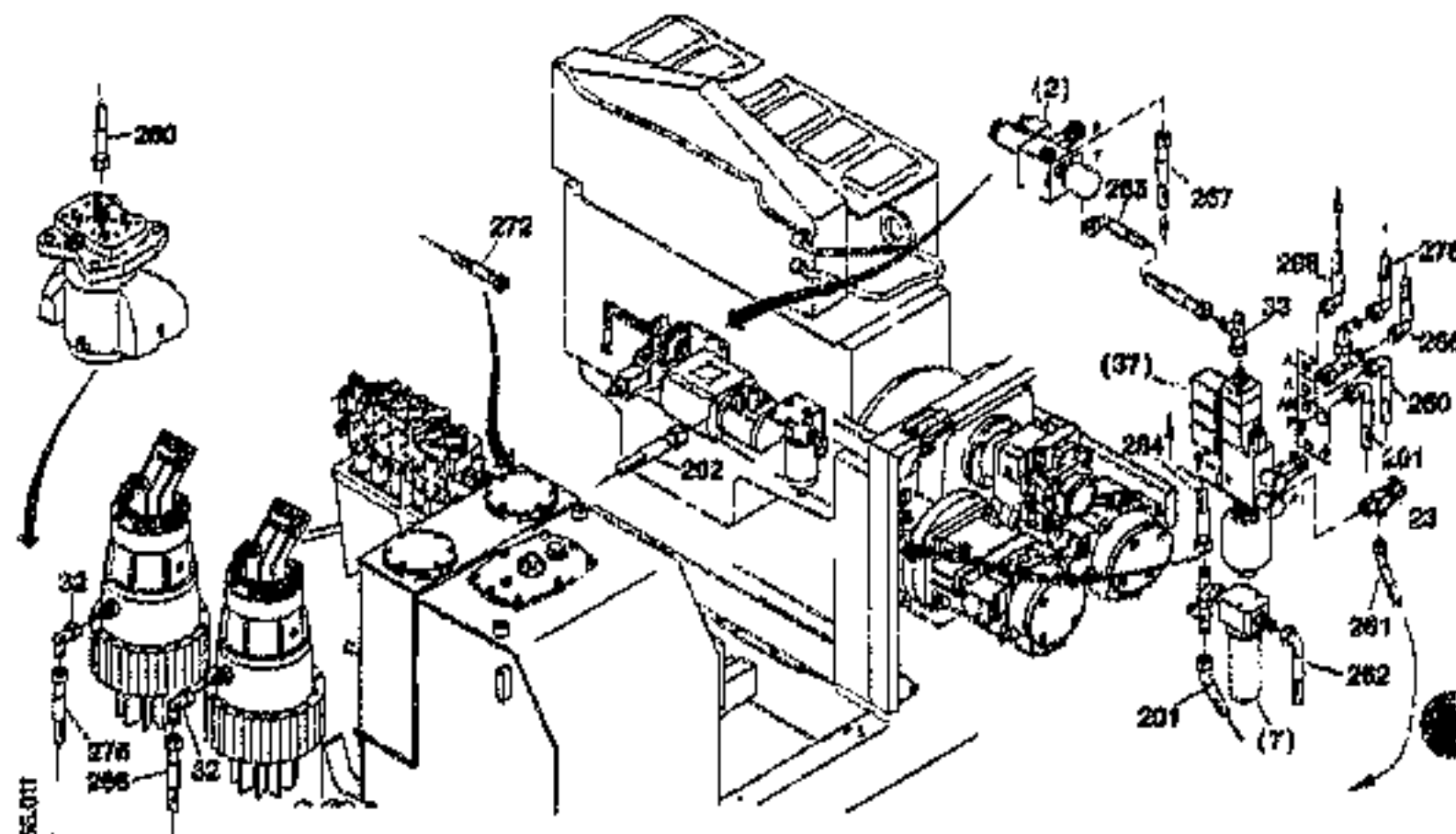
20.280

2 496 066.011  
Blatt 12



20.280

2 496 066.011  
Blatt 22





# HYDRAULIC SYSTEM PUMP GOVERNING

20.249

FX600 / 198701 - .....

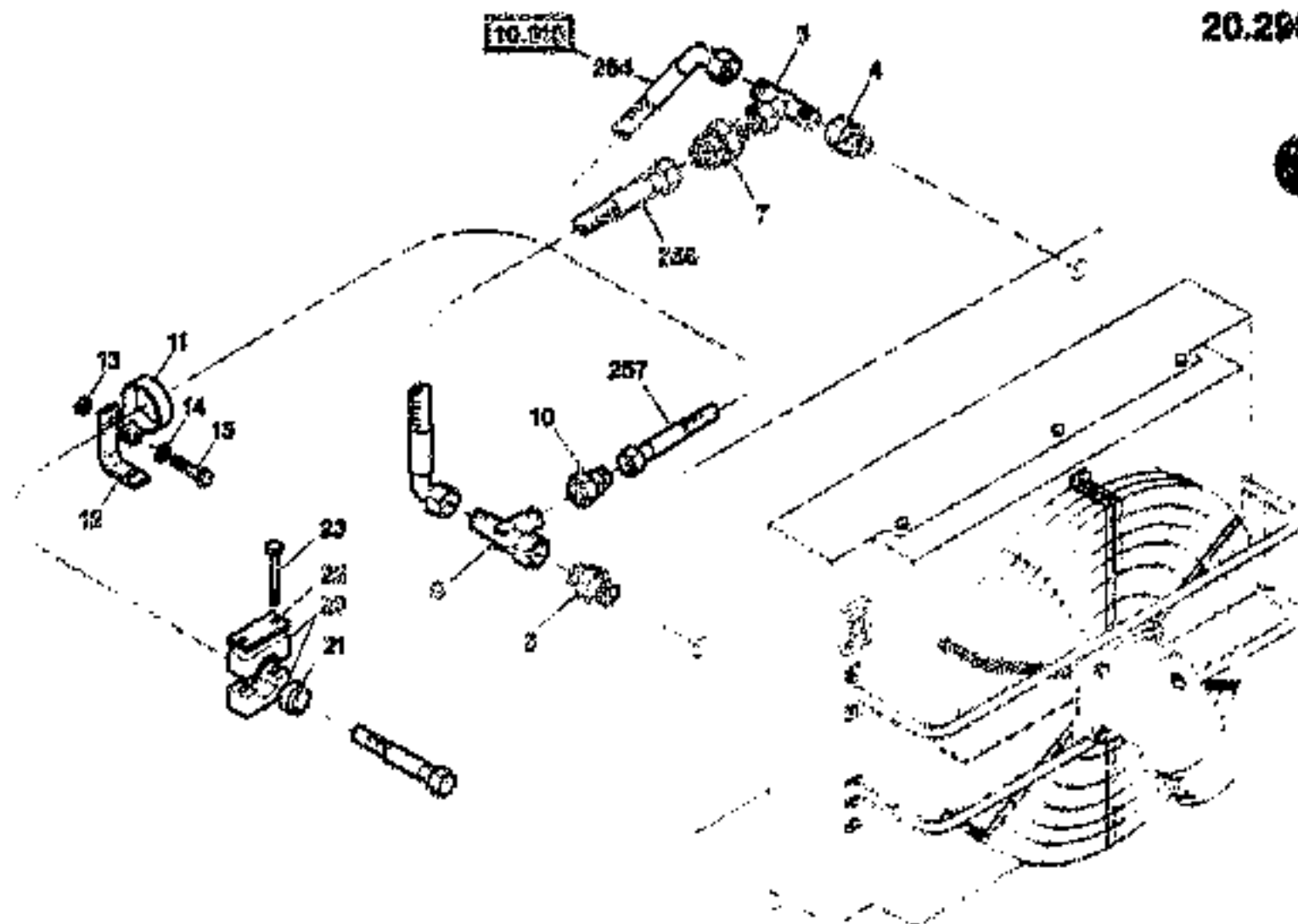
T 2498966 - 003

B 2498966 - 011

Item	Qty.	RE	Part No.	Description
002	1	00		23.060 2495629 ADDING VALVE
007	1	00		22.200 2444371 FILTER INSTALL MATERIAL
008	1	00		22.200 2444372 FILTER INSTALL MATERIAL
020	6	00	73170385	SOCKET
021	2	00	73170382	TUBE FITTING
022	4	00	73170302	SOCKET
023	3	00	73170383	DISTRIBUTOR
024	1	00	73175323	SWING FIXTURE
025	2	00	73170384	SOCKET
026	2	00	73170385	TUBE FITTING
027	1	00	73170387	SOCKET
028	1	00	73170388	NIPPLE
029	1	00	73170300	SOCKET
031	2	00	73170389	SCREWING
032	3	00	73170391	SOCKET
033	3	00	73170392	SOCKET
034	1	00	73170393	SOCKET
035	2	00	73170394	SOCKET
037	1	00		23.240 2783334 VALVE INTERCONH. INSTALL MATERIAL
201	1	00	73170396	HOSE
280	1	00	73170406	HOSE
281	1	00	73170395	HOSE
282	1	00	73175321	HOSE
283	1	00	73170399	HOSE
284	1	00	73170389	HOSE
285	1	00	73170400	HOSE
286	1	00	73175325	HOSE
287	1	00	73170402	HOSE
272	1	00	73170403	HOSE
273	1	00	73175326	HOSE
274	1	00	73175326	HOSE
276	1	00	73175326	HOSE
284	1	00	73170407	HOSE
286	1	00	73170408	HOSE
287	1	00	73170409	HOSE
288	1	00	73170410	HOSE
289	1	00	73170411	HOSE

20.290

2 246 788 010

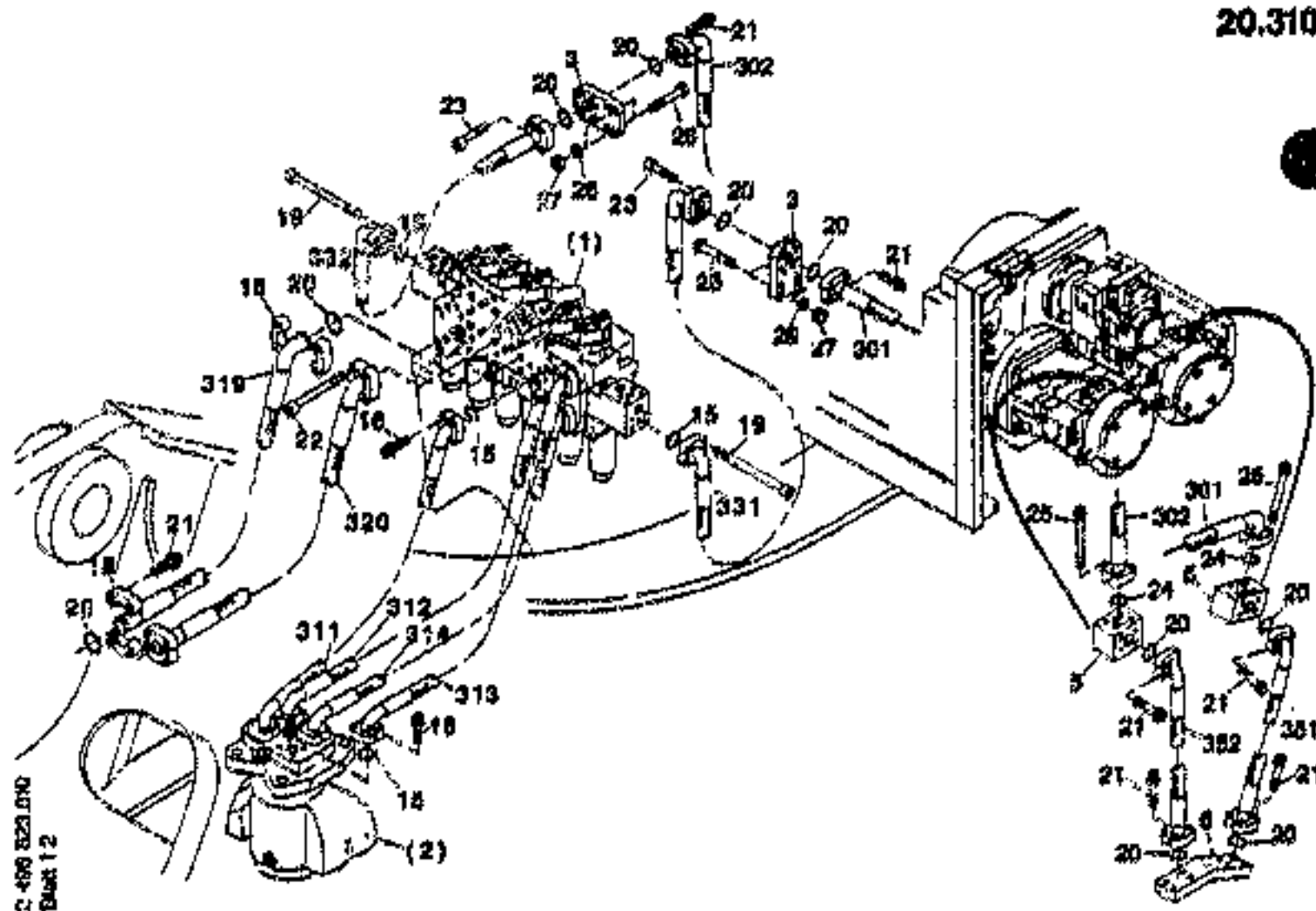


				20.290
				T 2495789 - 001 B 2495789 - 010
				FX800 / 106101 - .....
Item	Quan.	ME	Part No.	Description
003	1	00	73170300	SOCKET
004	1	00	73171560	SOCKET/ADAPTER
006	1	00	73171561	SOCKET
008	1	00	73171562	SOCKET
007	1	00	73171563	VALVE
010	1	00	73175211	SCREWING
011	1	00	73175212	HOSE CLIP
012	1	00	73175213	BRACKET
013	2	00	73170215	HEXAGON NUT
014	2	00	73170213	DISKWASHER
015	1	00	73170175	HEXAGON BOLT
020	2	00	73170363	CLIP HALF
021	1	00	73170364	INSERT
022	1	00	73170208	COVER PLATE
023	2	00	73175214	HEXAGON BOLT
254	1	00	73175216	HOSE
256	1	00	73175216	HOSE
267	1	00	73175217	HOSE

ME: 00 = Backpiece 13 \* m 25 \* m<sup>2</sup> 30 \* m<sup>2</sup> 43 \* kg 80 = l (litr)

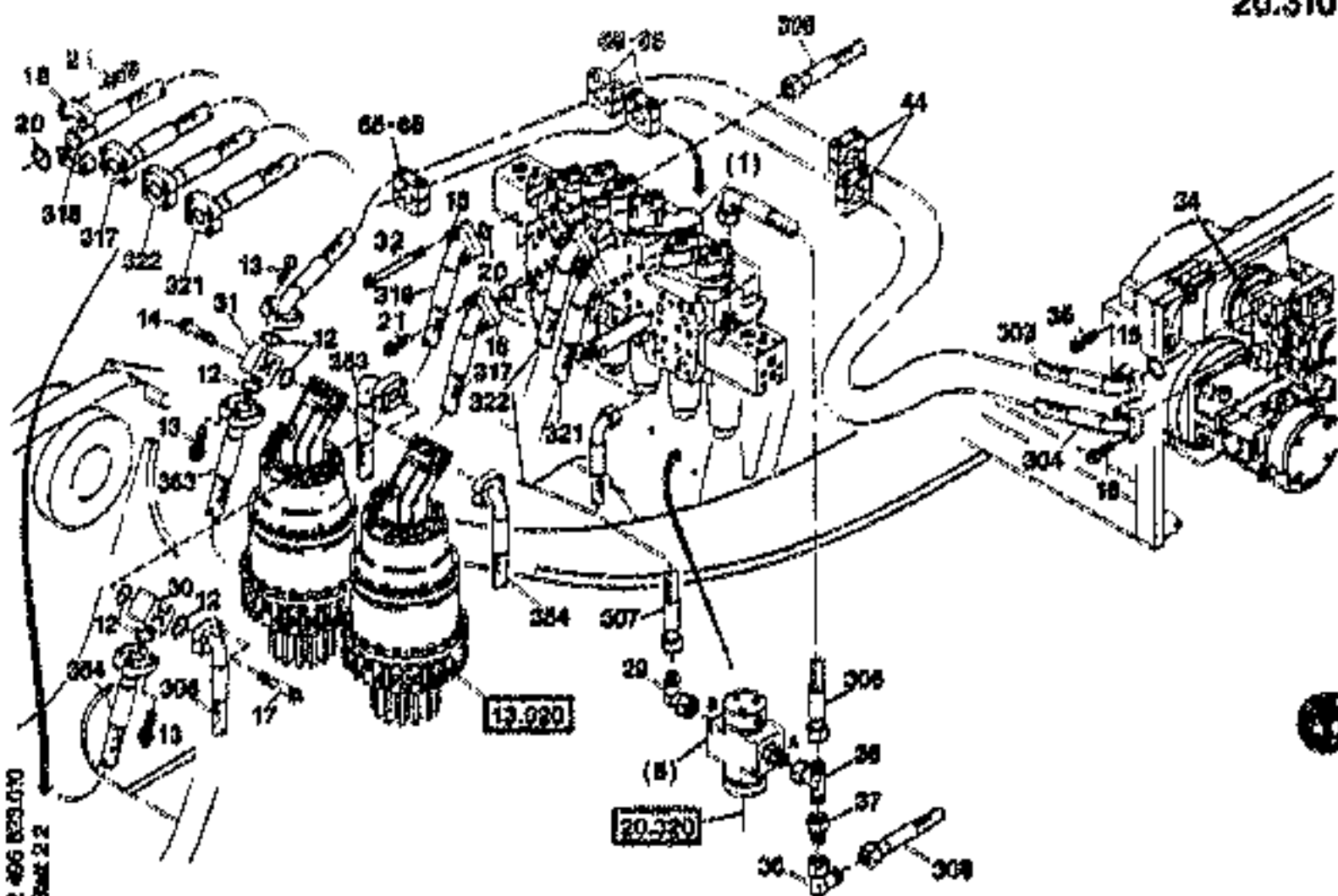
1995-09-10

20.310



2-496 823.010  
Sheet 12

20.310



2-496 823.010  
Sheet 22

13.920

20.320



# HYDRAULIC SYSTEM HIGH PRESSURE

20.210

FX800 / 108101

T 248823 - 000  
B 248823 - 010

Item	Quant.	ME	Part No.	Description
001	1	00		23.810 248814 CONTYROL BLOCK INSTALL MATERIAL
002	1	00		02.000 248823 ROTOR INSTALL MATERIAL
003	2	00	73170338	PLATE
005	2	00	73170338	FLANGE
006	1	00	73170340	BRACKET
008	1	00		03.100 248800 CONTROL VALVE INSTALL MATERIAL
012	8	00	73170341	SEALING RING
013	36	00	73170342	12-POINT SCREW
014	4	00	73170327	HEXAGON BOLT
016	14	00	73170327	SEALING RING
018	40	00	73170328	12-POINT SCREW
017	4	00	73170343	12-POINT SCREW
018	24	00	73170344	SAF-FLANGE HALF
019	8	00	73170345	CYL HEAD SCREW
020	20	00	73170346	SEALING RING
021	28	00	73170347	12-POINT SCREW
022	4	00	73170348	CYL HEAD SCREW
023	8	00	73170348	CYL HEAD SCREW
024	4	00	73170349	SEALING RING
025	8	00	73170351	12-POINT SCREW
026	4	00	73170352	HEXAGON BOLT
027	4	00	73170162	HEXAGON NUT
028	4	00	73170178	LOCK WASHER
029	1	00	73170353	BUCKET
030	1	00	73170328	FLANGE
031	1	00	73170328	FLANGE
032	8	00	73170358	12-POINT SCREW
034	2	00	73170357	FLANGE
035	8	00	73170360	HEXAGON BOLT
038	1	00	73170361	SOCKET
037	1	00	73170202	SCREWING
038	1	00	73170203	SOCKET
055	6	00	73172322	CLIP
056	6	00	73173828	INSERT
057	6	00	73172324	COVER PLATE
058	10	00	73171348	HEXAGON BOLT
301	1	00	73170367	HOSE
302	1	00	73170368	HOSE
303	1	00	73170330	HOSE
304	1	00	73170331	HOSE
305	1	00	73170370	HOSE
307	1	00	73170371	HOSE
308	1	00	73170204	HOSE
311	1	00	73170372	HOSE



# HYDRAULIC SYSTEM HIGH PRESSURE

20.310

FX800 / 105101 - 0000

T 2495823 - 000

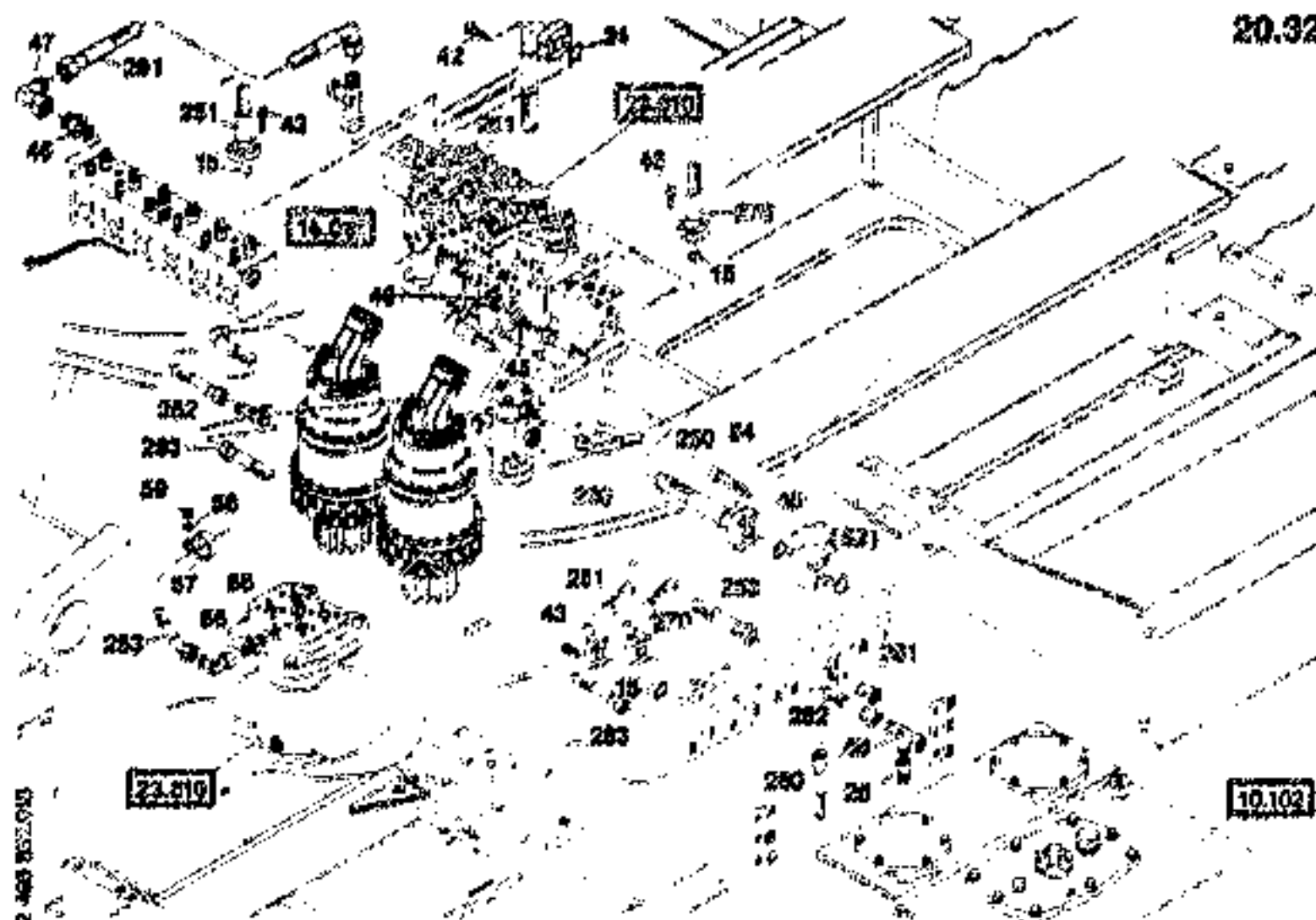
B 2495823 - 010

Item	Quan.	ME	Part No.	Description
312	1	00	73170373	HOSE
313	1	00	73170372	HOSE
314	1	00	73170373	HOSE
317	1	00	73170374	HOSE
318	1	00	73170376	HOSE
319	1	00	73170374	HOSE
326	1	00	73170374	HOSE
327	1	00	73170374	HOSE
328	1	00	73170376	HOSE
331	1	00	73170376	HOSE
332	1	00	73170377	HOSE
331	1	00	73170376	HOSE
352	1	00	73170376	HOSE
353	1	00	73170379	HOSE
354	1	00	73170379	HOSE

ME: 00 = Stockpiece 19 = m 20 = m<sup>2</sup> 30 = m<sup>3</sup> 40 = kg 00 = l (lbs)

1996-09-10

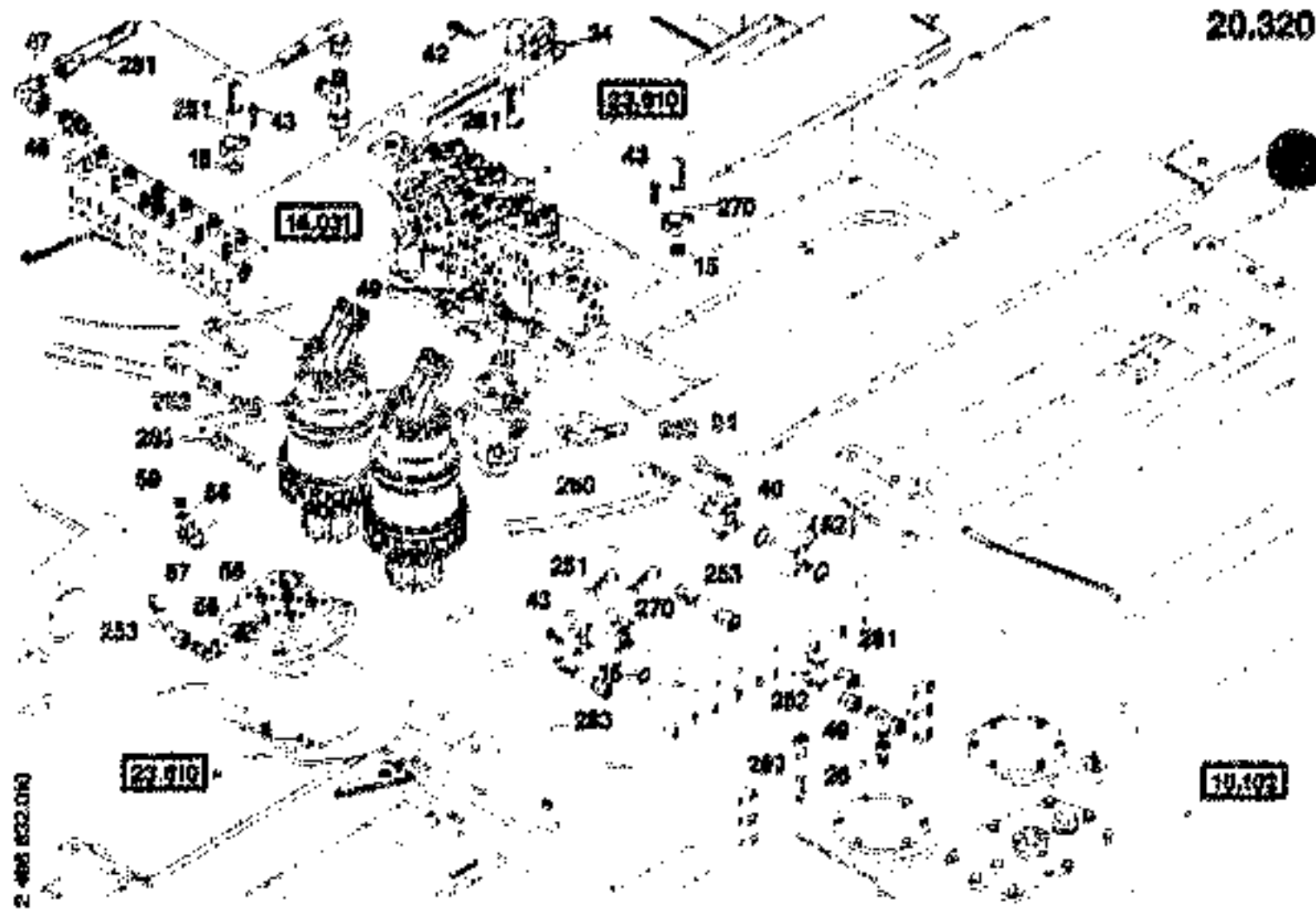
20.320



Item	Quant.	ME	Part No.	Description
015	4	00	73170327	SEALING RING
024	1	00	73170380	SEALING RING
040	1	00	73170455	SEALING RING
042	4	00	73170469	12-POINT SCREW
043	16	00	73170470	12-POINT SCREW
045	1	00	73170487	SCREWING
046	1	00	73170302	SOCKET
047	1	00	73170471	SOCKET
048	1	00	73170473	SOCKET
049	1	00	73170474	SOCKET
052	1	00		23.141 2444878 STOP VALVE MOUNTING PARTS
054	4	00	73170475	CYL.HEAD SCREW
055	1	00	73175332	REDUCTION
056	1	00	73172334	SOCKET
057	1	00	73172335	HOSE CLIP
058	1	00	73175333	DISKWASHER
059	1	00	73170215	HEXAGON NUT

ME: 00=8100/piece 10=mm 20=mm<sup>2</sup> 30=mm<sup>2</sup> 43=kg 50=l (lvs)

1998-09-10

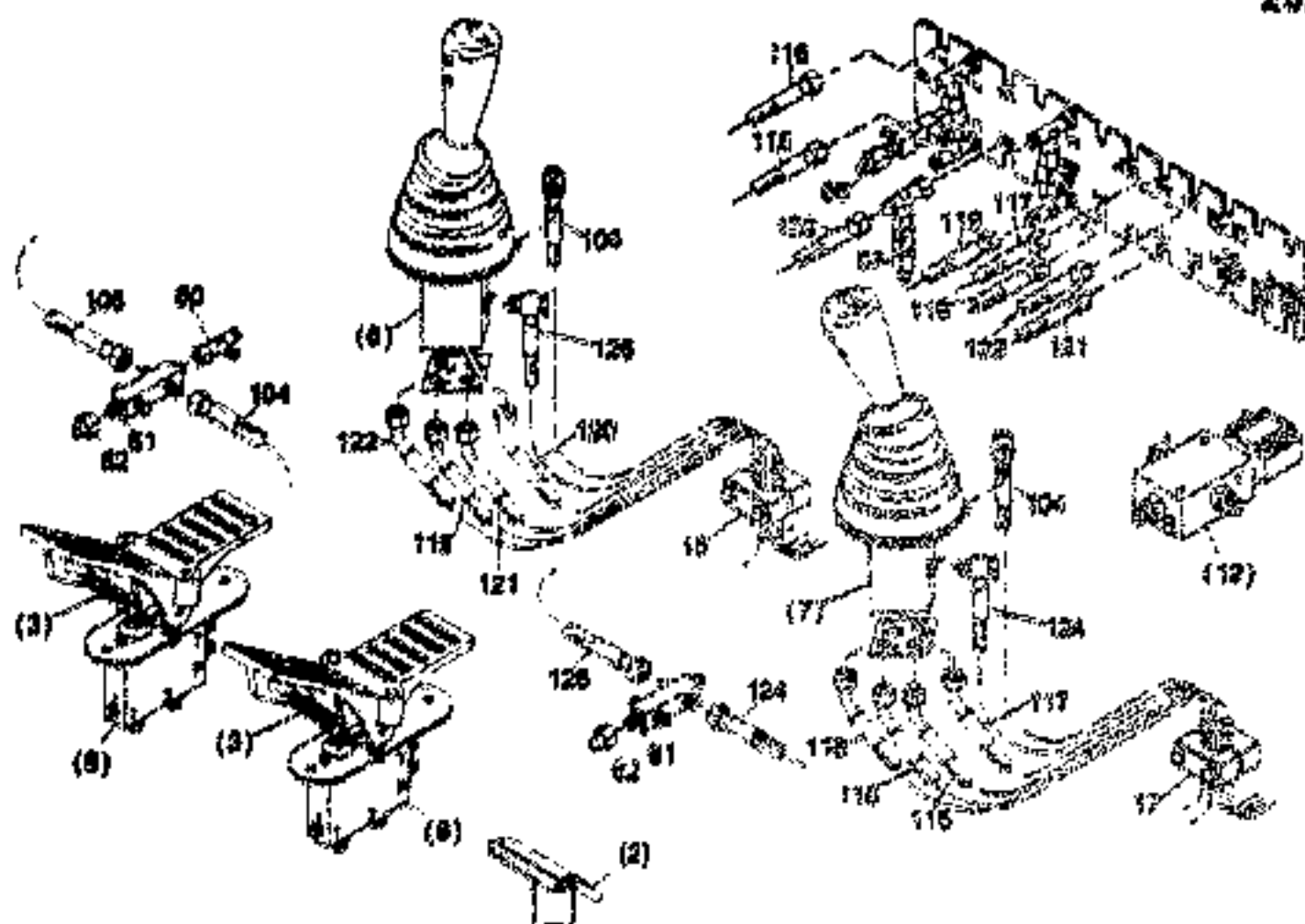


		HYDRAULIC SYSTEM LOW PRESSURE			20.320
		FX600 / 108101 - .....			T 2498832 - 000 B 2498832 - 010
Item	Quan.	ME	Part No.	Description	
260	1	00	73170476	HOSE	
261	1	00	73170477	HOSE	
262	1	00	73170478	HOSE	
263	1	00	73170479	HOSE	
270	1	00	73170480	HOSE	
280	1	00	73170481	HOSE	
281	1	00	73170482	HOSE	
282	1	00	73170483	HOSE	
283	1	00	73170484	HOSE	
281	1	00	73170486	HOSE	

ME: 00=16ck/piece 13=m 25=m<sup>2</sup> 39=m<sup>3</sup> 45=kg 60=l (lbr)

1998-09-10



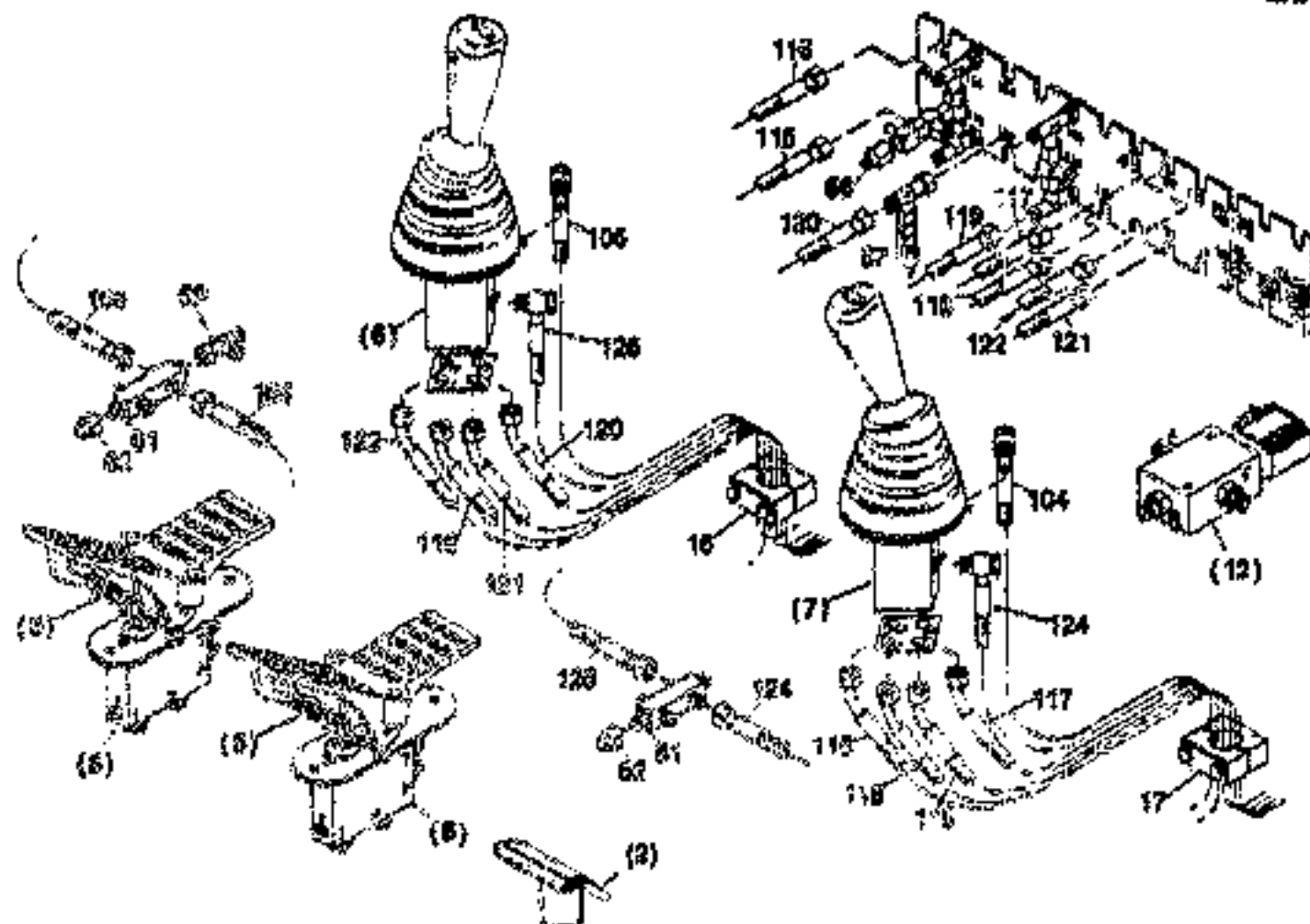


2-406 7387-010

Item	Quant.	ME	Part No.	Description
002	2	00	34.106 2495303	FOOT REST PLATFORM
003	2	00	23.291 2444789	TREADLE VALVE MOUNTING PARTS
006	1	00	23.270 2495571	SERVO VALVE INSTALL.MATERIAL
007	1	00	23.270 2495585	SERVO VALVE INSTALL.MATERIAL
008	2	00	23.280 2495573	TREADLE VALVE INSTALL.MATERIAL
012	1	00	23.230 2495367	SOLENOID VALVE INSTALL.MATERIAL
016	1	00	73171262	CLIP
017	1	00	73171262	CLIP
060	1	00	73170392	SOCKET

ME: 00=Blank/piece 13=mm 28=cm 88=mm 43=kg 80=1 (lbs)

1098-00-10



2-466 787 010

## HYDRAULIC SYSTEM SERVO CONTROL

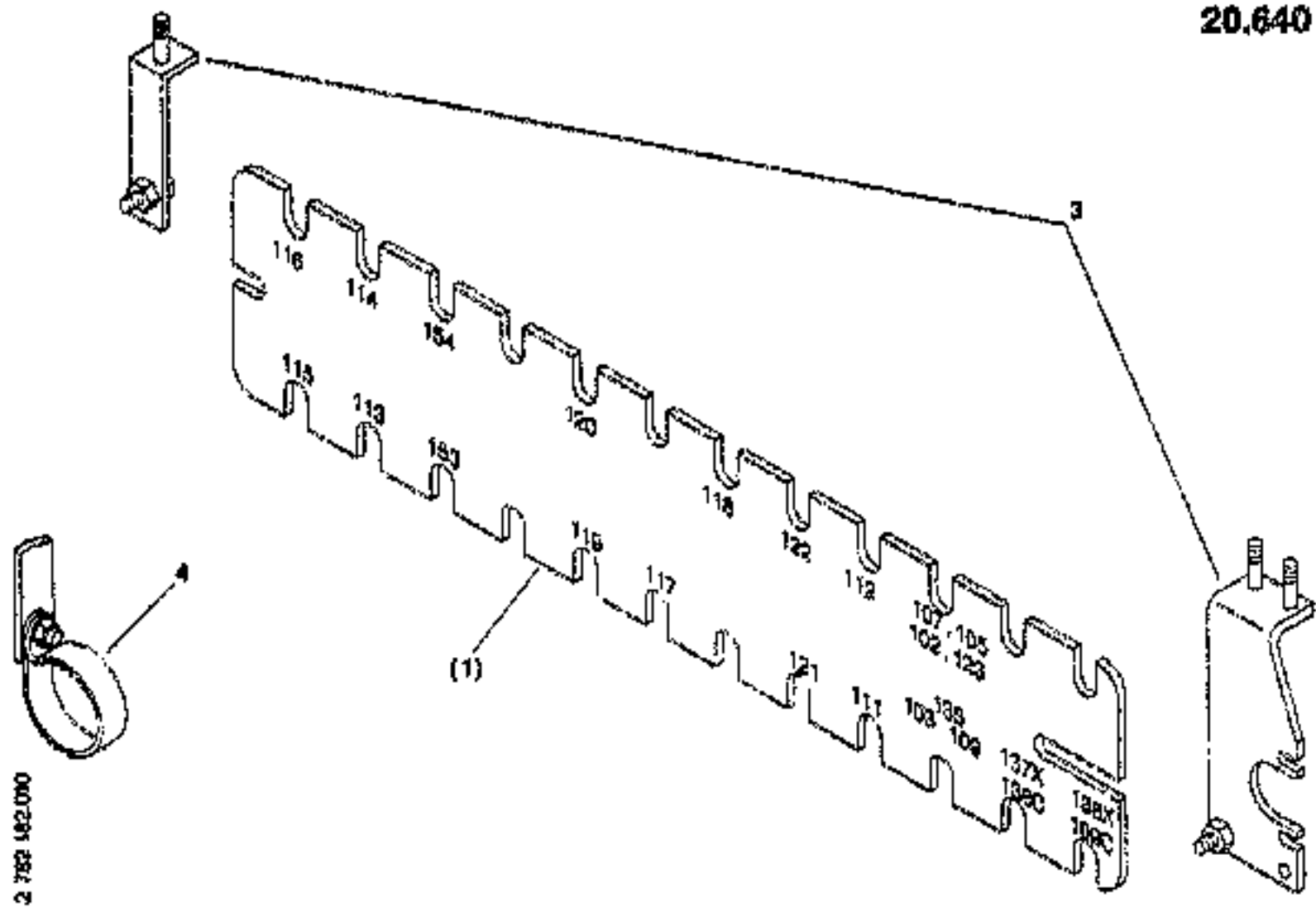
20.810

FX800 / 108101 - .....

T 2468787 - 000

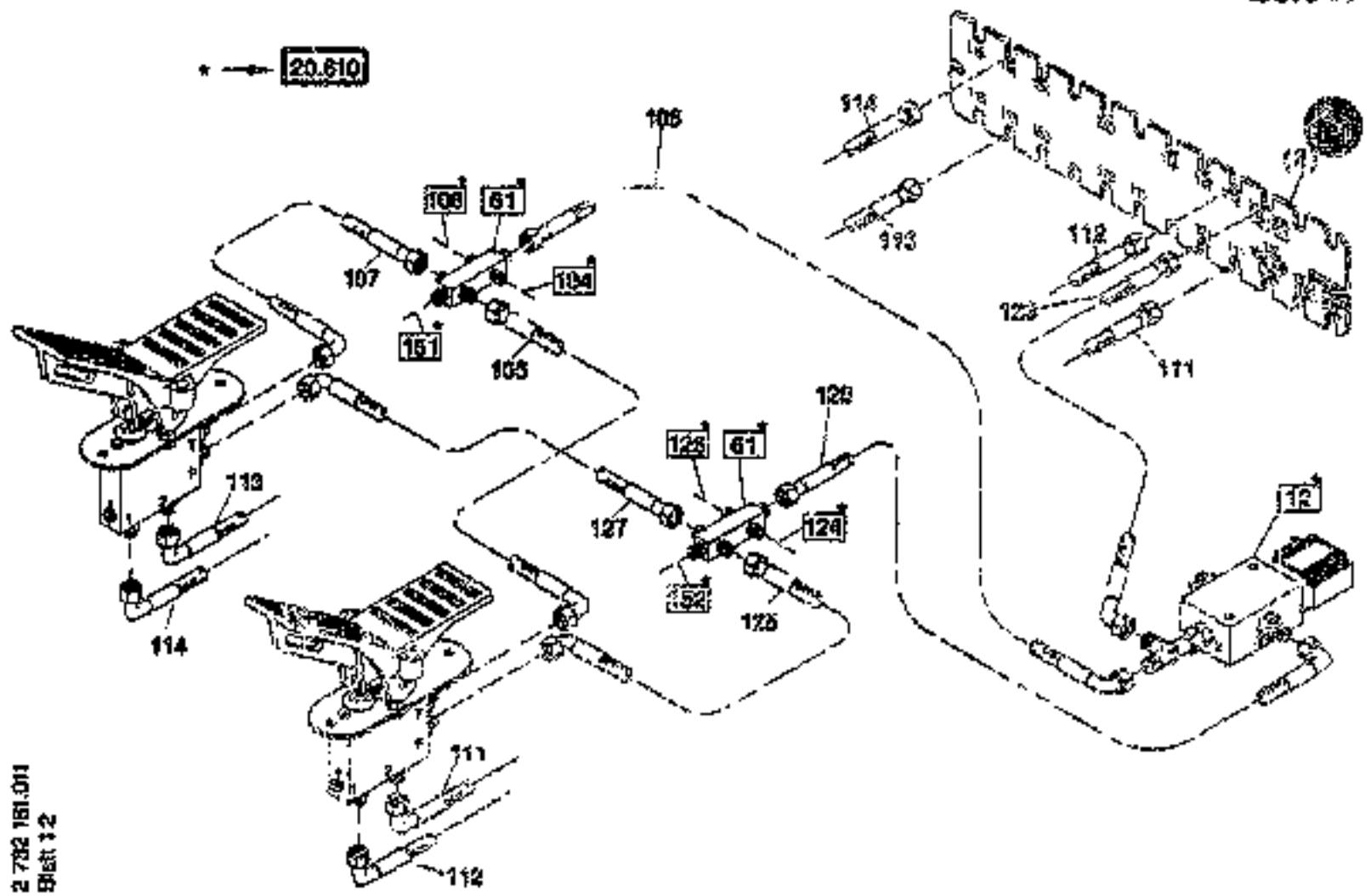
B 2468797 - 010

Item	Quan.	ME	Part No.	Description
061	2	00	73171264	DISTRIBUTOR
062	2	00	73170255	NIPPLE
066	1	00	73171266	PRESSUR.SWITCH
067	1	00	73171266	SWITCH
104	1	00	73171267	HOSE
106	1	00	73171267	HOSE
115	1	00	73171268	HOSE
116	1	00	73171268	HOSE
117	1	00	73171269	HOSE
118	1	00	73171269	HOSE
119	1	00	73171270	HOSE
120	1	00	73171271	HOSE
121	1	00	73171272	HOSE
122	1	00	73171270	HOSE
124	1	00	73176233	HOSE
126	1	00	73176233	HOSE

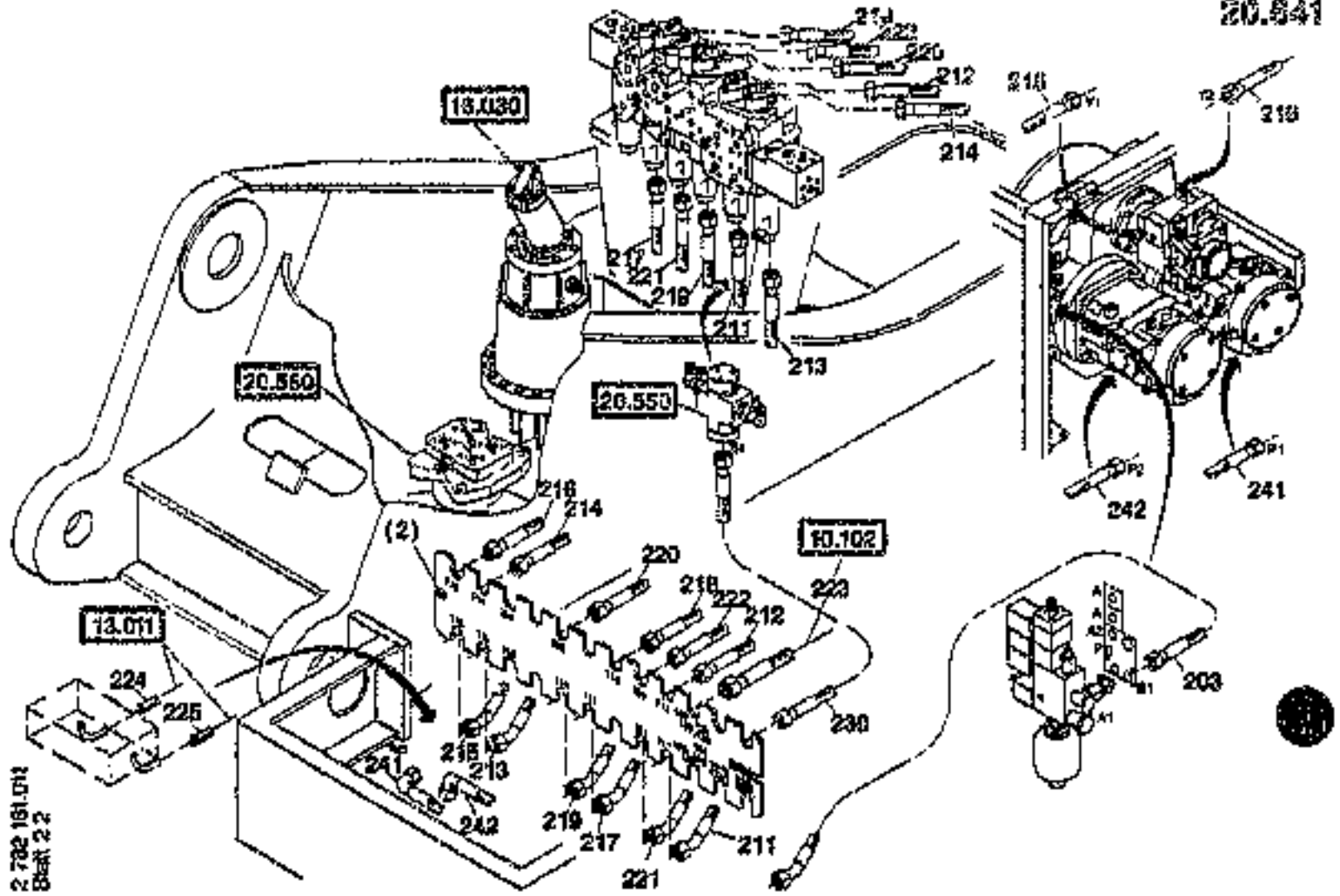


2 782 182 010

				20.640	
				T 2782182 - 000	
				B 2782182 - 010	
				FX800 / 108101 - .....	
				HYDRAULIC SYSTEM CASCADE INSTALL.MATERIAL	
				PIATONAR	
Item	Quan.	ME	Part No.	Description	
001	1	00		20.641	2782181
				HYDRAULIC SYSTEM CASCADE MOUNTING PARTS	
003	1	00	73171273	FASTENING	
004	1	00	73171274	FASTENING	



2 732 181.011  
Blatt 12



2 732 181.011  
Blatt 22



# HYDRAULIC SYSTEM CASCADE MOUNTING PARTS

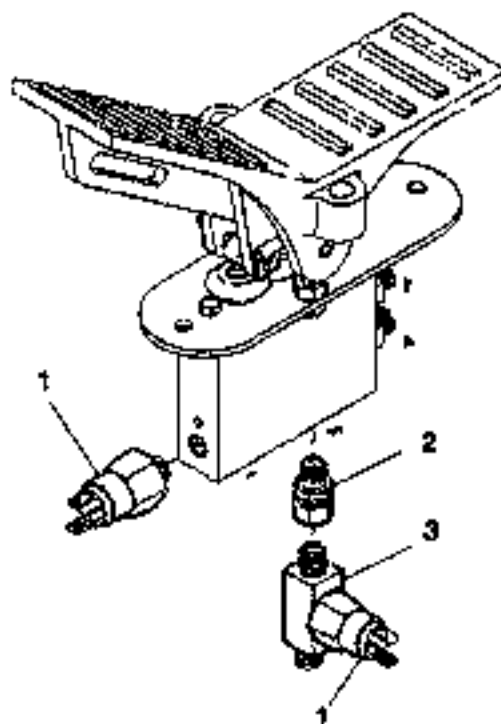
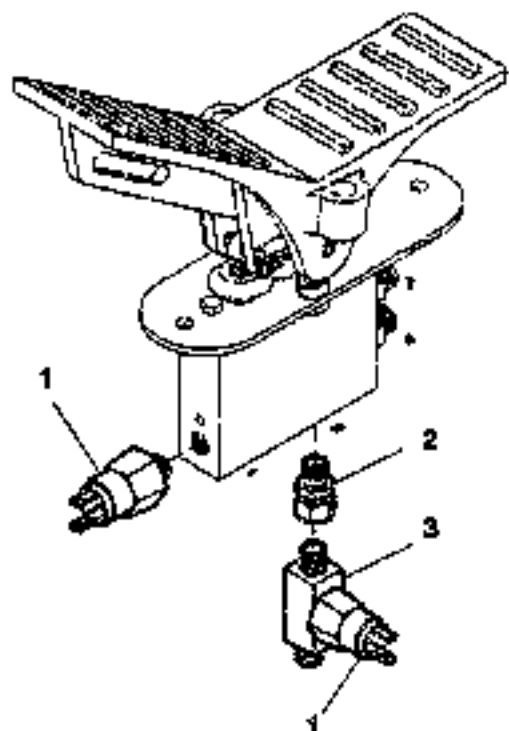
20.841

FX600 / 106101 - .....

T 2782181 - 001

B 2782181 - 011

Item	Quan.	ME	Part No.	Description
002	1	00		20.842 2490484 HYDRAULIC SYSTEM CASCADE
106	1	30	73171805	HOSE
107	4	00	73171805	HOSE
108	1	00	73171808	HOSE
111	1	00	73171298	HOSE
112	1	00	73171298	HOSE
113	1	00	73171298	HOSE
114	1	00	73171298	HOSE
123	2	00	73171806	HOSE
125	1	00	73171809	HOSE
127	1	00	73171805	HOSE
128	1	00	73171287	HOSE
203	1	00	73171301	HOSE
211	1	00	73171303	HOSE
212	1	00	73171302	HOSE
213	1	00	73171302	HOSE
214	1	00	73171304	HOSE
215	1	00	73171306	HOSE
216	1	00	73171307	HOSE
217	1	00	73171309	HOSE
218	1	00	73171309	HOSE
219	1	00	73171310	HOSE
220	1	00	73171311	HOSE
221	1	00	73171312	HOSE
222	1	00	73171313	HOSE
223	1	00	73171314	HOSE
224	1	00	73175334	HOSE
225	1	00	73175335	HOSE
230	1	00	73171317	HOSE
241	1	00	73171318	HOSE
242	1	00	73171318	HOSE



2 782 747 010



## HYDRAULIC SYSTEM CASCADE MOUNTING PARTS

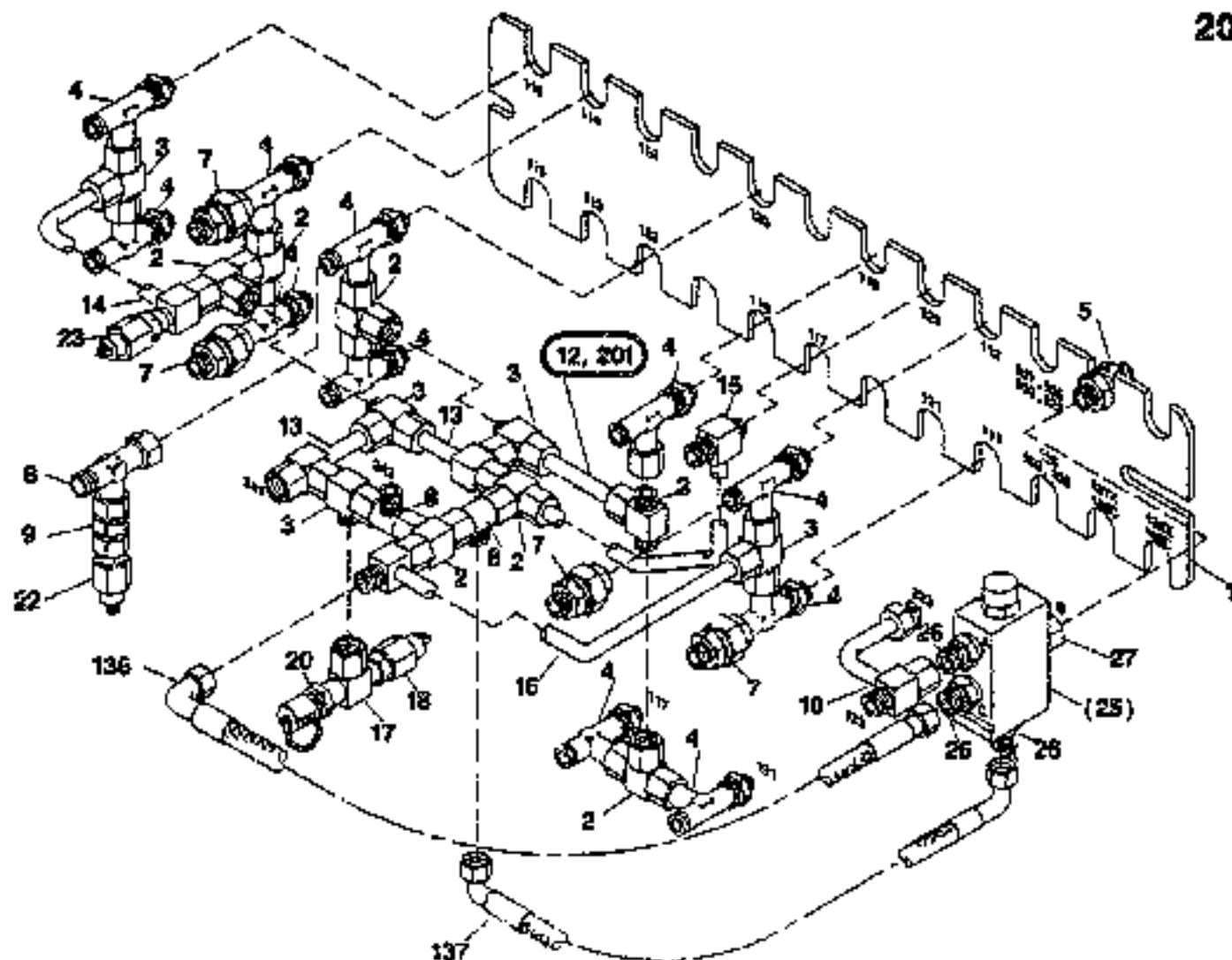
20.641

FX600 / 106101 - .....

T 2782747 - 000

B 2782747 - 010

Item	Quan.	ME	Part No.	Description
001	4	00	73171266	SWITCH
002	2	00	73176010	SOCKET/ADAPTER
003	2	00	73176011	DISTRIBUTOR



2 4396 454-010

20.542

## HYDRAULIC SYSTEM CASCADE



FX600 / 106101 - .....

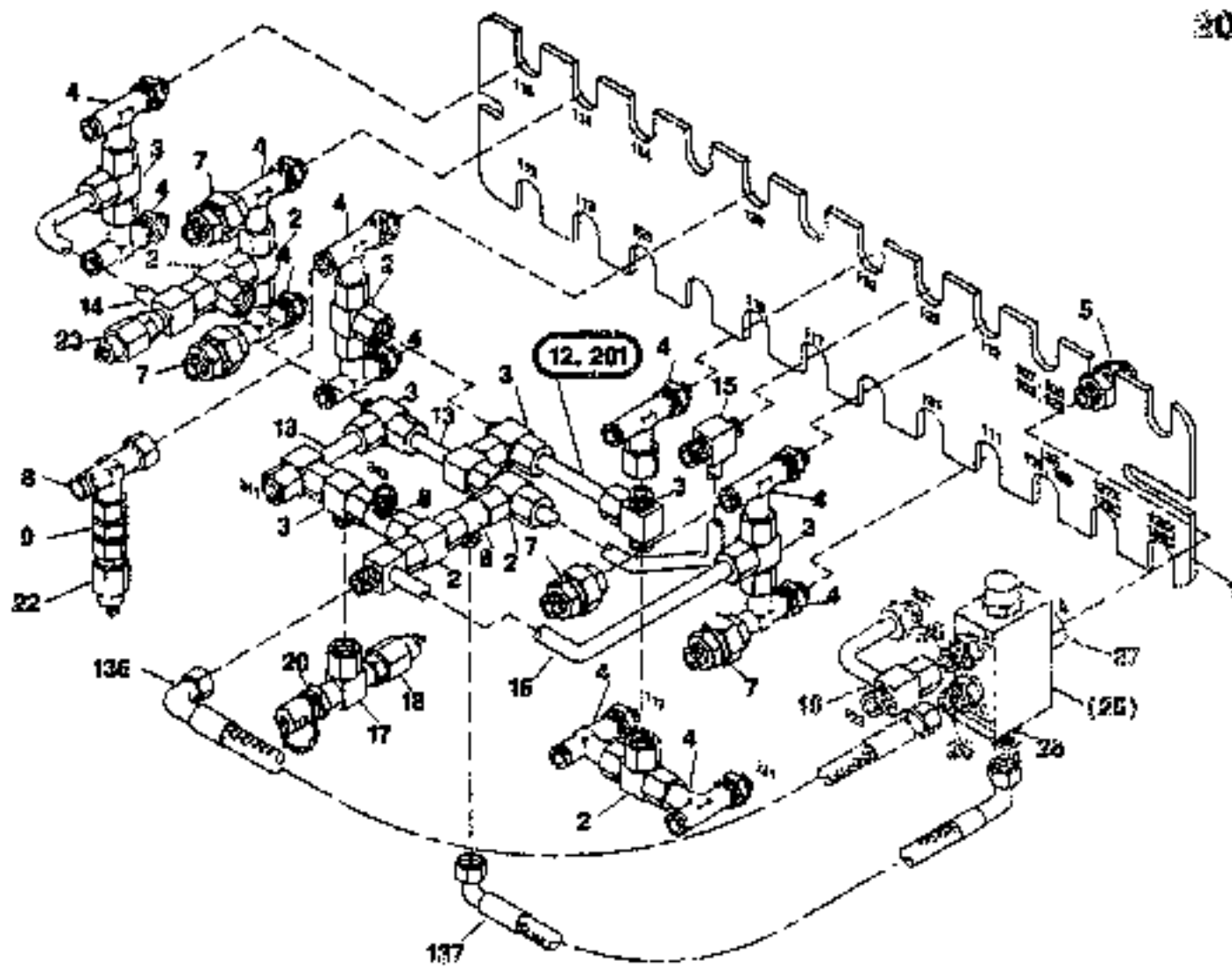
T 2496484 - 000

B 2496484 - 010


Item	Quan.	ME	Part No.	Description
001	1	00	73171275	BRACKET
002	6	00	73171276	VALVE
003	6	00	73171277	VALVE
004	11	00	73171278	TUBE FITTING
005	1	00	73171279	SCREWING
007	4	00	73171280	ONE-WAY RESTRICTOR
008	3	00	73170352	SOCKET
009	1	00	73171281	SOCKET
010	1	00	73171282	PIPE SOCKET
012	1	00	73171283	LINE
013	2	00	73171284	DISTRIBUTOR
014	1	00	73171285	DISTRIBUTOR
015	1	00	73171286	DISTRIBUTOR
016	1	00	73171287	PIPE SOCKET
017	1	00	73171288	SOCKET
018	0	00	73171266	SWITCH
020	1	00	73171289	TUBE FITTING
022	0	00	73171286	SWITCH

ME: 00 = Stück/piece 13 = m 26 = m<sup>2</sup> 39 = m<sup>3</sup> 43 = kg 50 = l (litre)

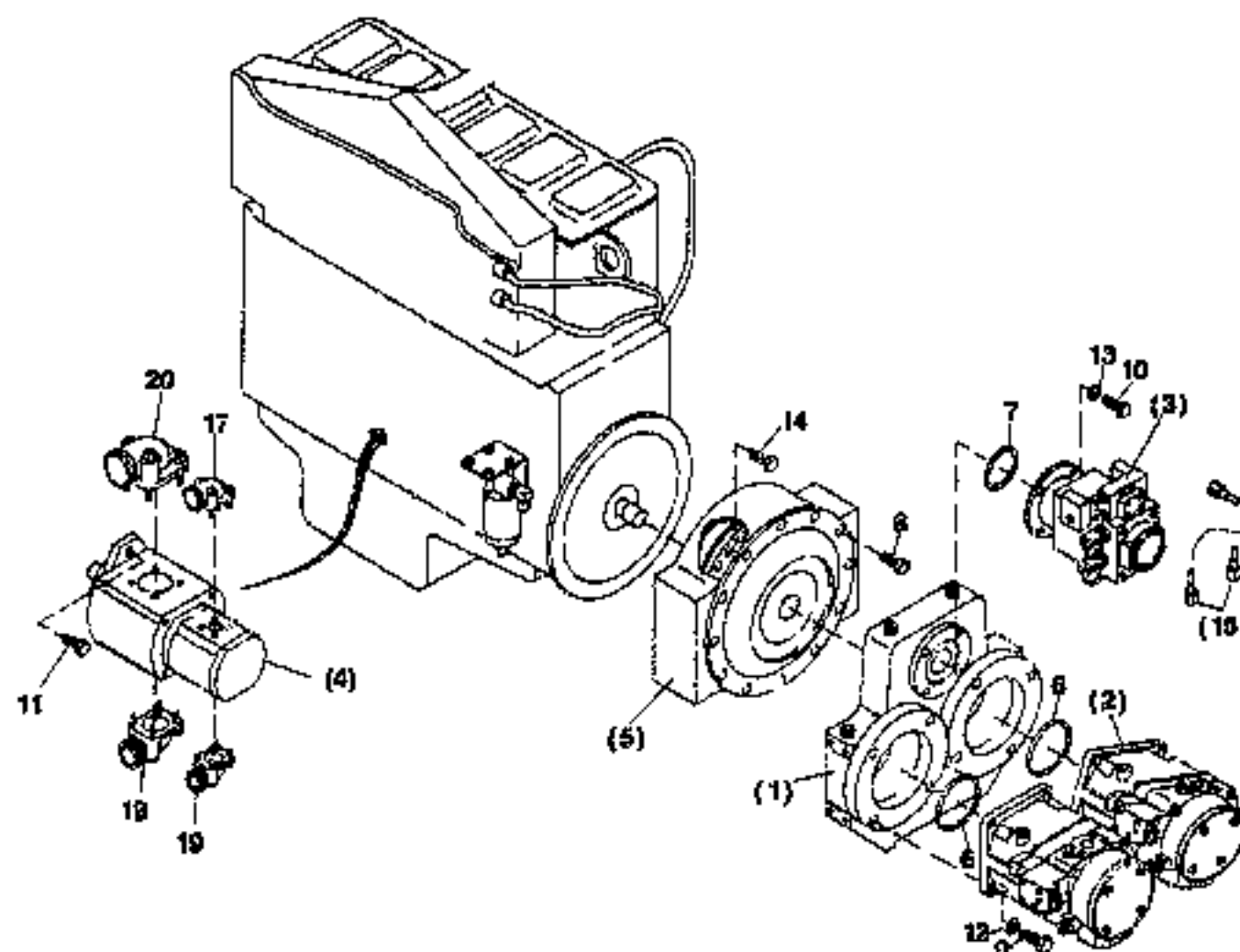
1998-09-10



2 486 464 010

				20.642
				7 2436464 - 000
				B 2436484 - 010
 <b>HYDRAULIC SYSTEM CASCADE</b> FX600 / 106101 - .....				
Item	Quan.	ME	Part No.	Description
023	0	00	73171285	PRESSUR.SWITCH
025	1	00	23.182 2141186	CONTROL VALVE
026	3	00	73170288	SOCKET
027	1	00	73171280	SOCKET/ADAPTER
136	1	00	73171281	HOSE
137	1	00	73171282	HOSE
201	2	00	73171283	ROUND SEALING RING





2 486 848 010



## PUMP INSTALL.MATERIAL

22.010

FX600 / 106101 - .....

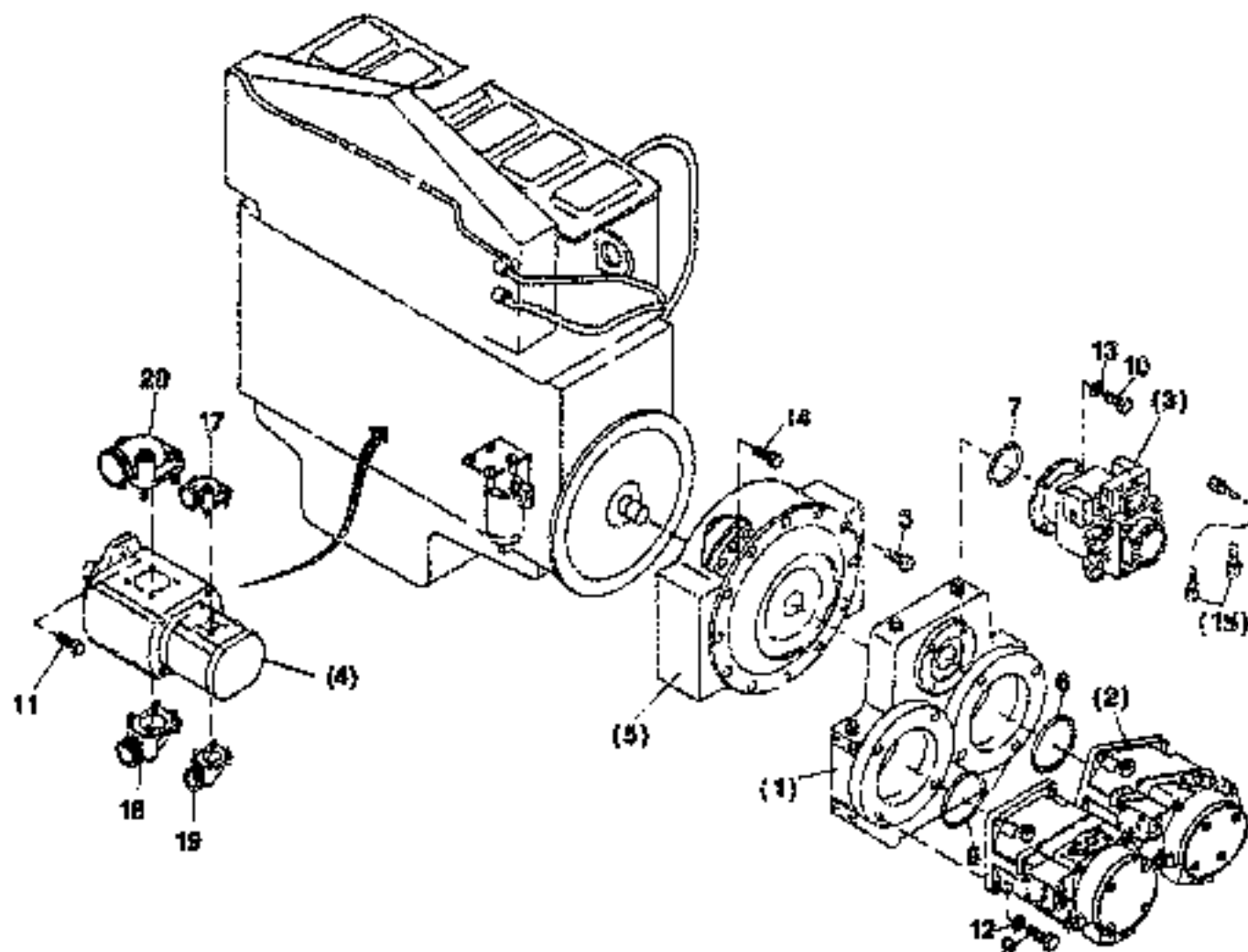
T 2498849 - 000

B 2498849 - 010

Item	Quan.	ME	Part No.	Description
001	1	00		16.042 2443585 PUMP DRIVE
002	2	00		22.020 2498846 DOUBLEPUMP
003	1	00		22.030 2498847 SWING PUMP
004	1	00		22.052 2498848 GEARED PUMP
005	1	00		17.102 2444158 COUPLING/CLUTCH
006	2	00	73170711	O-RING
007	1	00	73170579	RDR
008	12	00	73170712	HEXAGON BOLT
009	8	00	73170018	HEXAGON BOLT
010	4	00	73170579	HEXAGON BOLT
011	2	00	73170713	HEXAGON BOLT

ME: 00 = Stück/piece 13 = m 26 = m<sup>2</sup> 33 = m<sup>3</sup> 43 = kg 60 = l (litre)

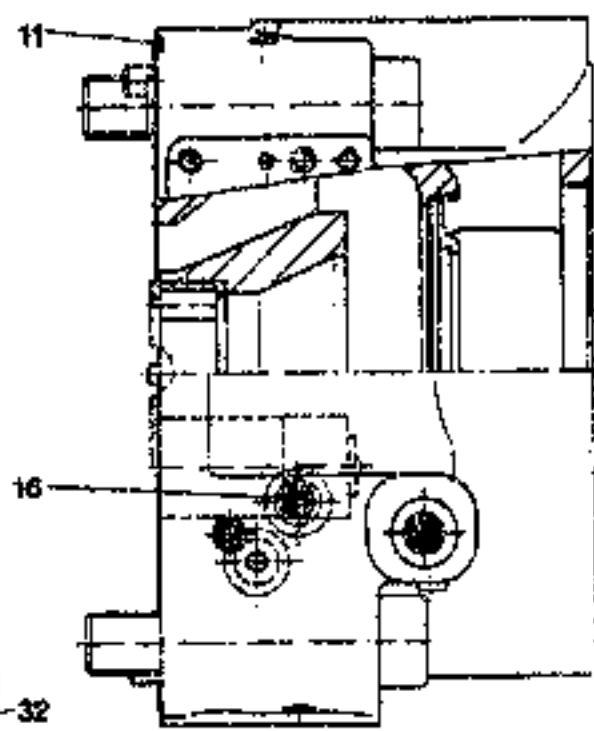
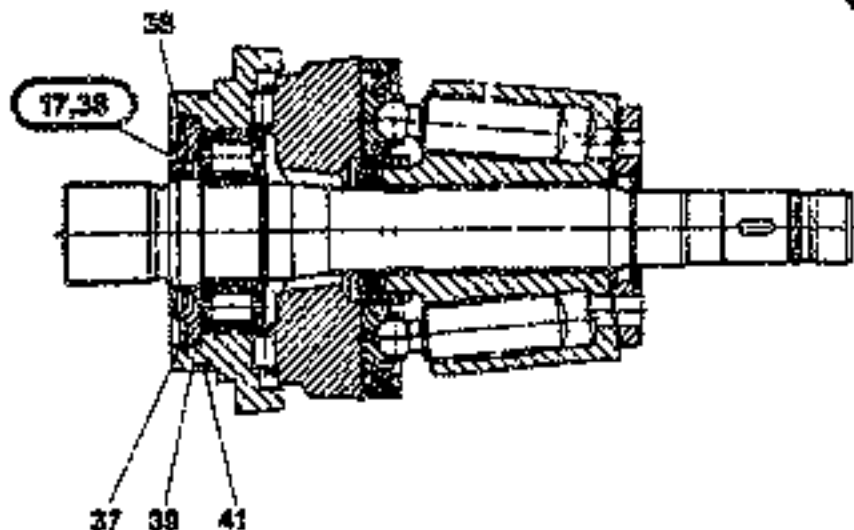
1998-09-10



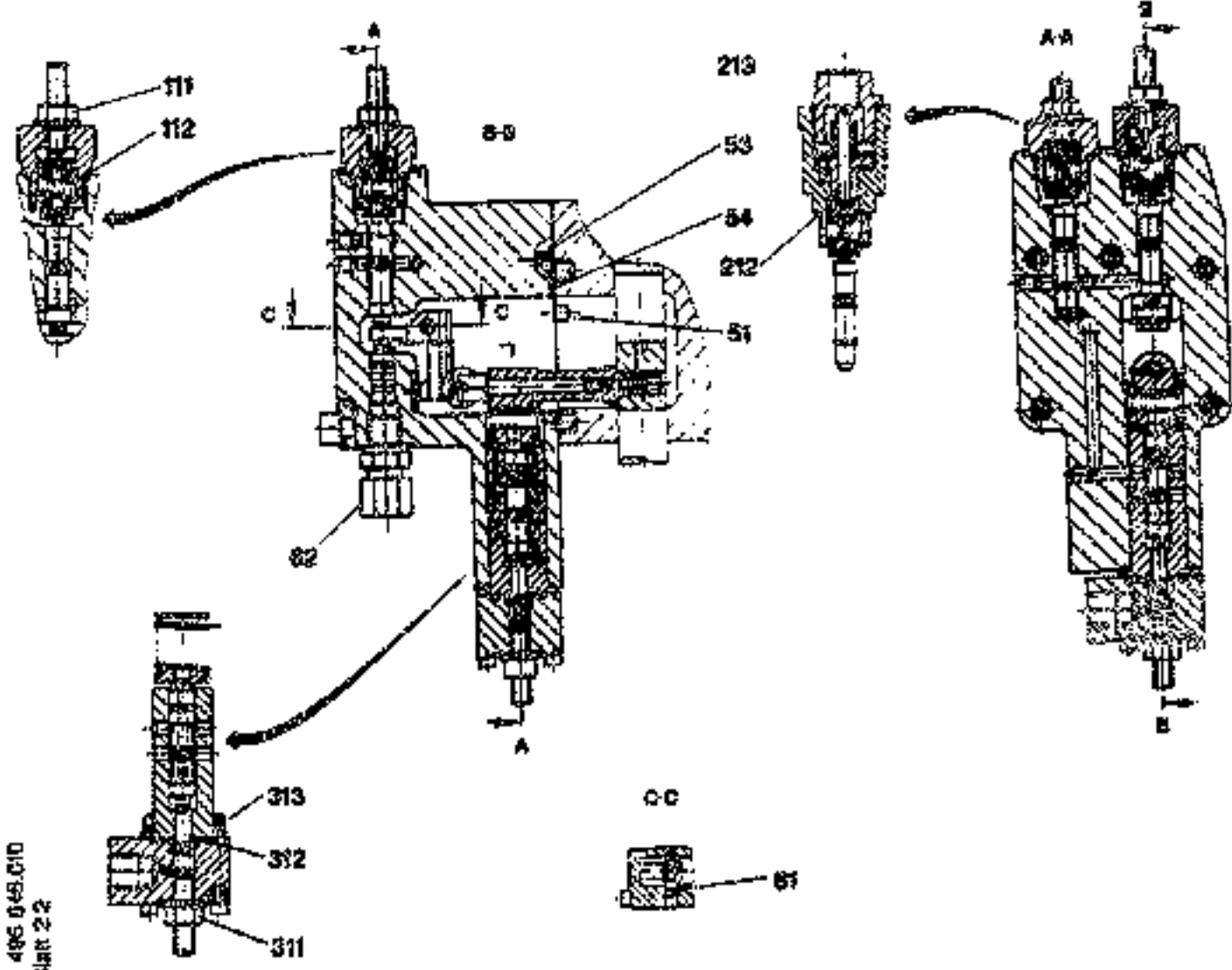
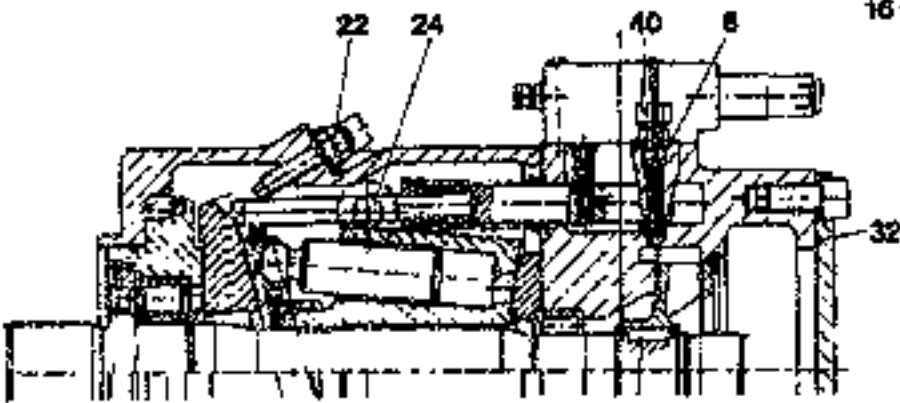
2 496 849 010

				22.010	
				T 2496849 - 000	
				B 2496849 - 010	
				FX600 / 106101 + .....	
Item	Quan.	ME	Part No.	Description	
012	8	00	73170714	DISKWASHER	
013	4	00	73170715	DISKWASHER	
014	24	00	73170717	HEXAGON BOLT	
017	1	00	73170720	SCREWING	
018	1	00	73170722	SCREWING	
019	1	00	73170724	SCREWING	
020	1	00	73170726	SCREWING	

1



2 488 846.010  
Blatt 1 R



2 496 048.010  
Blatt 2 R



# DOUBLEPUMP

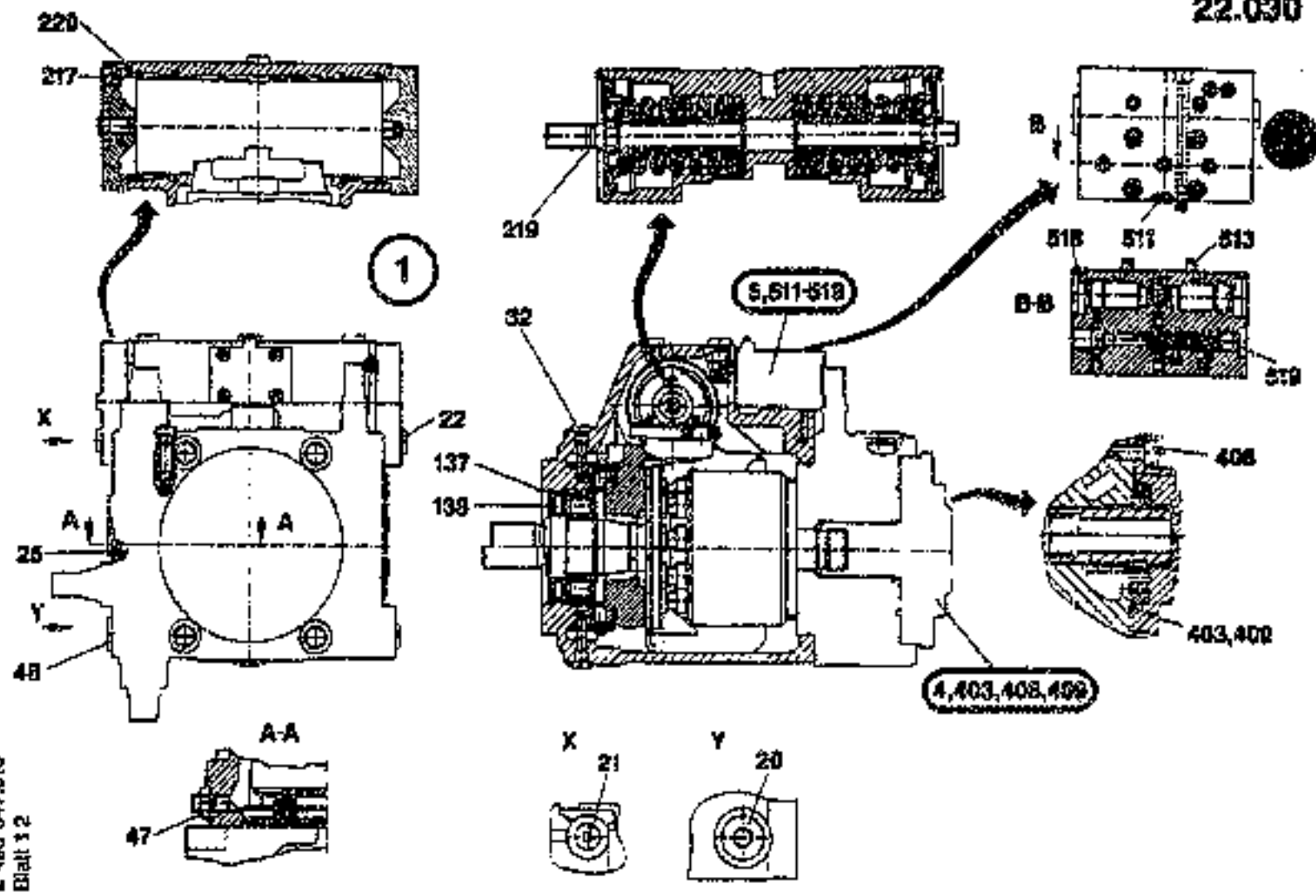
22.020

FX500 / 105101 - .....

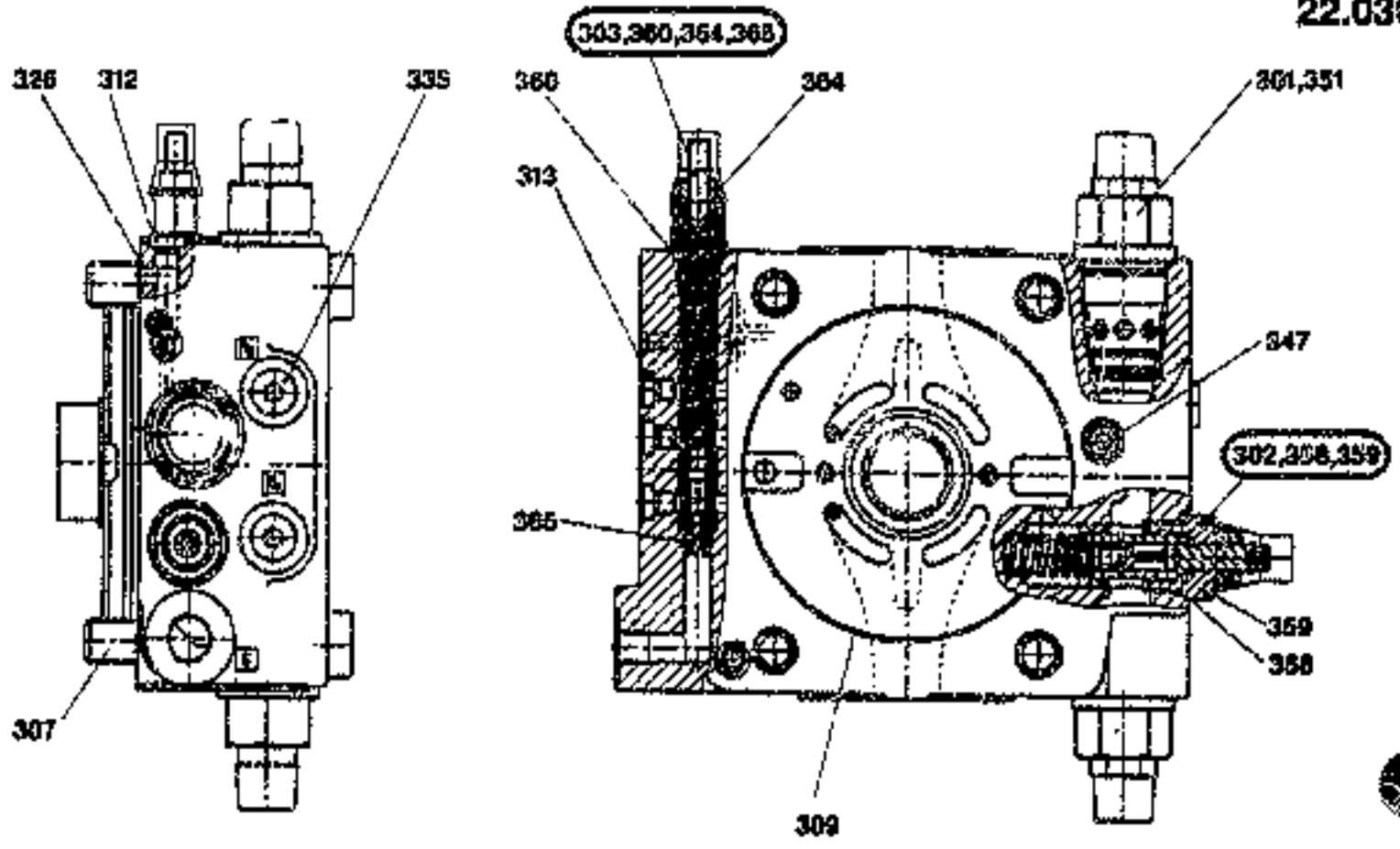
T 2496846 - 000

B 2496846 - 010

Item	Quan.	ME	Part No.	Description
001	1	00	73170732	VARIABLE PUMP
006	1	00	73170733	SHUTTLE VALVE
011	1	00	73170734	O-RING
016	1	00	73170359	SCREW PLUG
017	1	00	73170735	RING
022	2	00	73170736	COLLAR NUT
024	1	00	73170737	SCREW PLUG
032	1	00	73170738	ROUND SEALING RING
037	1	00	73170739	CIRCLIP
038	1	00	73170740	ROT.SHAFT LIP SEAL
039	1	00	73170742	O-RING
040	1	00	73170744	SCREWING
041	1	00	73170748	ROUND SEALING RING
063	3	00	73170749	O-RING
054	1	00	73170750	O-RING
081	1	00	73170751	O-RING
062	1	00	73170359	SCREW PLUG
111	1	00	73170494	HEXAGON NUT
112	1	00	73170753	O-RING
212	1	00	73170753	O-RING
213	1	00	73170755	O-RING
311	1	00	73170494	HEXAGON NUT
312	1	00	73170757	O-RING
313	1	00	73170758	ROUND SEALING RING



2 486 847,010  
Blatt 1 2



2 488 847,010  
Blatt 2 2



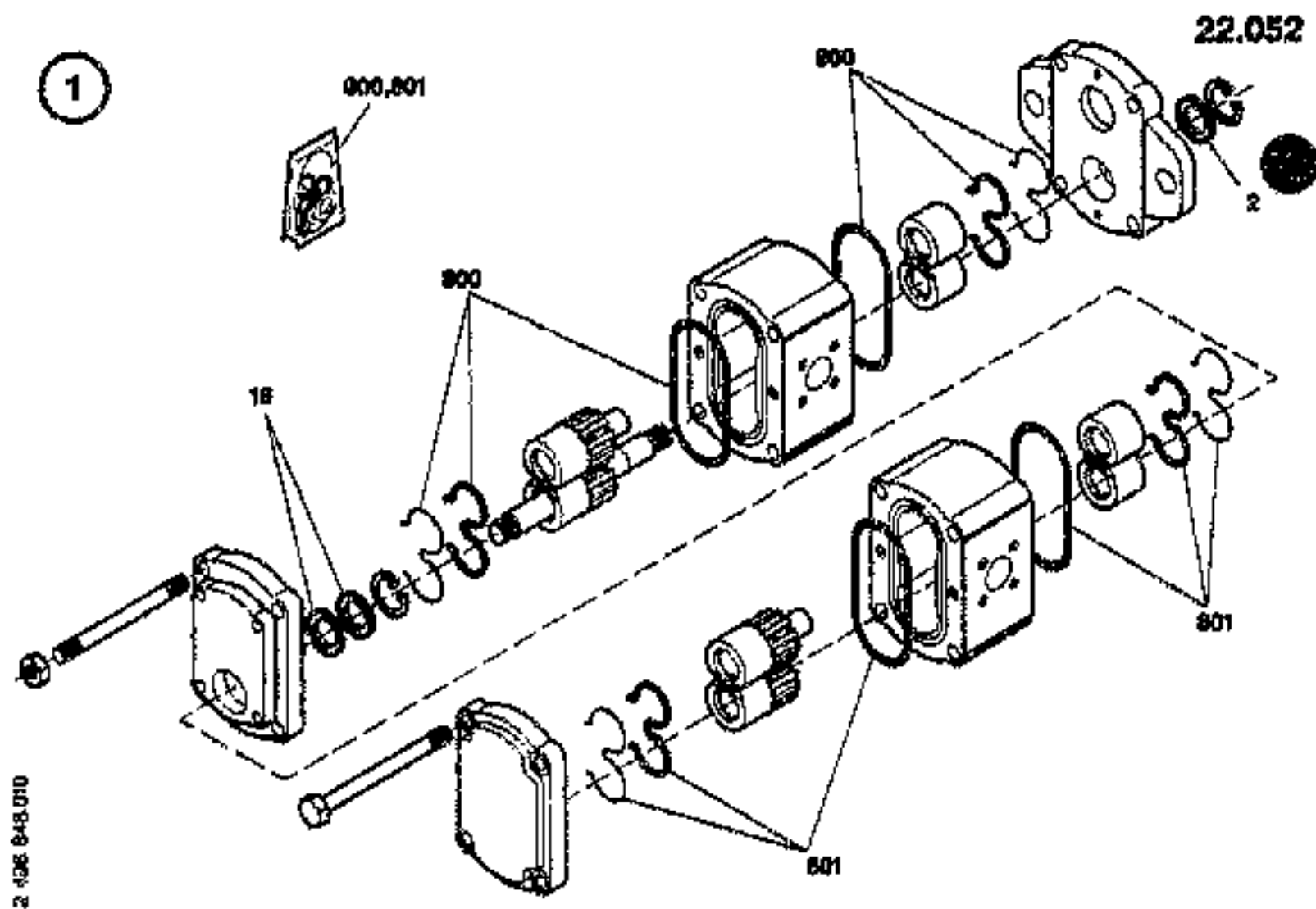
# SWING PUMP

22.030

FX800 / 108101 - .....

T 2498847 - 001  
B 2498847 - 010

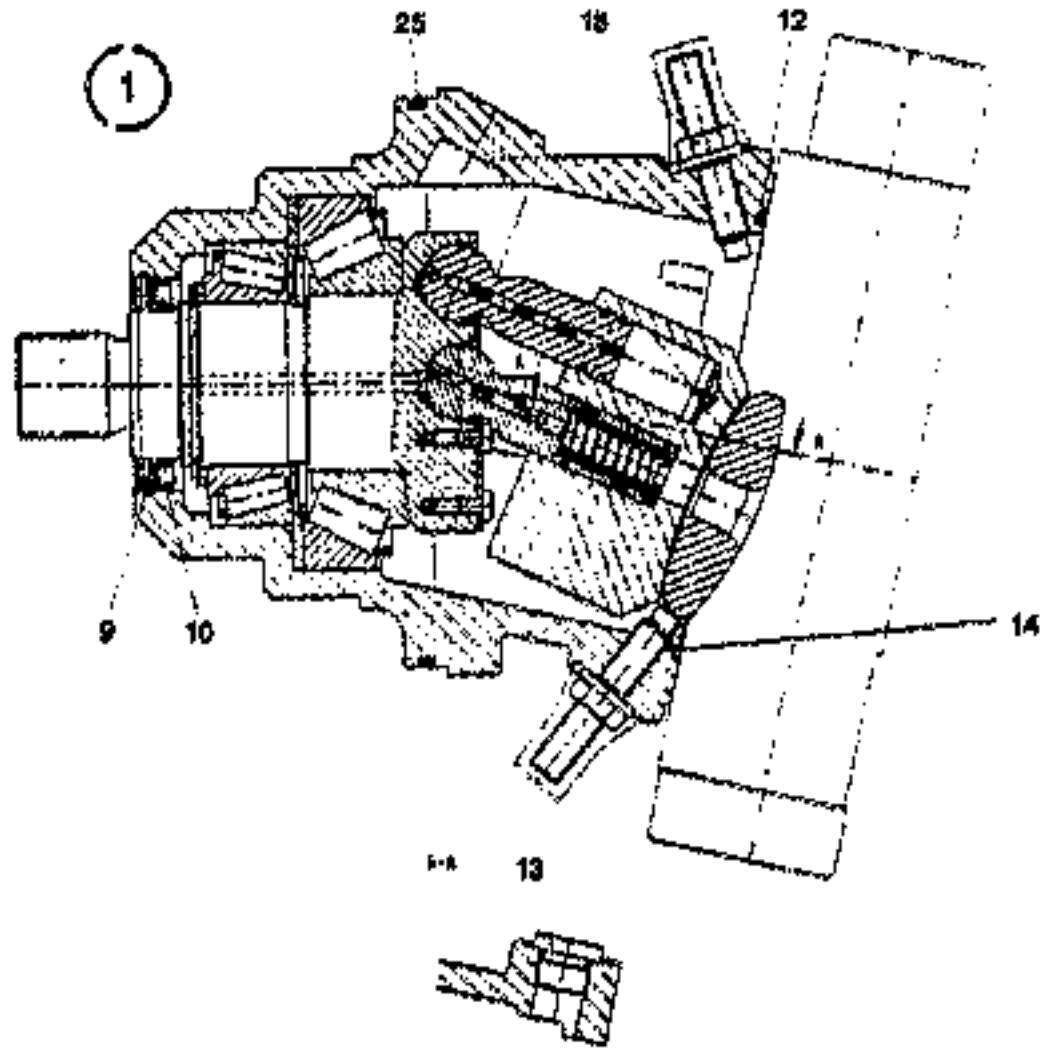
Item	Quan.	ME	Part No.	Description
001	1	00	73171550	VARIABLE PUMP
004	1	00	73175824	INTERNAL GEAR PUMP
006	1	00	73175828	DRIVING UNIT
020	1	00	73170295	SCREW PLUG
021	1	00	73170359	SCREW PLUG
022	4	00	73171685	SCREW PLUG
025	1	00	73172459	O-RING
032	2	00	73170460	SCREW PLUG
047	1	00	73170543	COLLAR NUT
048	1	00	73172457	SCREW PLUG
137	2	00	73171751	CIRCLIP
138	1	00	73175831	ROT.SHAFT LIP SEAL
217	6	00	73175832	CYL.HEAD SCREW
219	1	00	73174352	O-RING
220	2	00	73175834	O-RING
301	2	00	73175835	PRESS.REL.VALVE
302	1	00	73172587	PRESS.REL.VALVE
303	1	00	73175838	SHUT-OFF VALVE
307	4	00	73172456	CYL.HEAD SCREW
309	1	00	73175837	O-RING
312	1	00	73170459	SCREW PLUG
313	3	00	73171833	SCREW PLUG
326	2	00	73170455	O-RING
335	2	00	73171686	SCREW PLUG
347	2	00	73170458	O-RING
351	1	00	73173802	GASKET SET
358	1	00	73170755	O-RING
359	1	00	73172598	NUT
360	1	00	73172470	O-RING
364	1	00	73170454	HEXAGON NUT
366	1	00	73172471	O-RING
403	1	00	73175827	O-RING
406	4	00	73170756	CYL.HEAD SCREW
409	1	00	73175827	O-RING
511	1	00	73170742	O-RING
513	4	00	73170298	CYL.HEAD SCREW
519	4	00	73172457	SCREW PLUG
519	1	00	73171585	SCREW PLUG



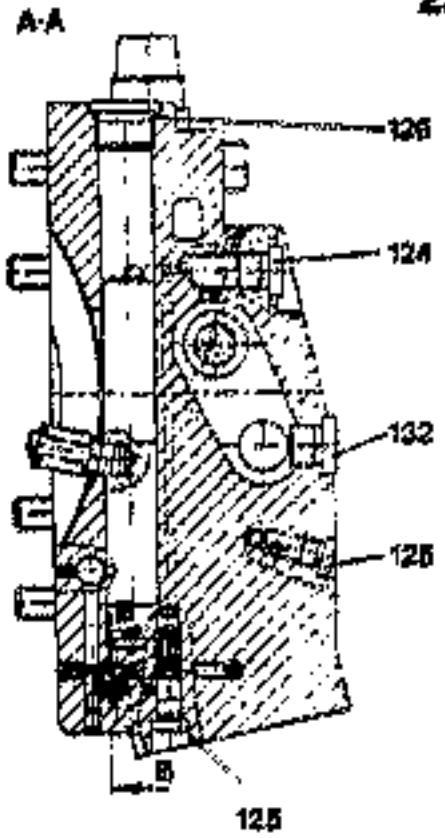
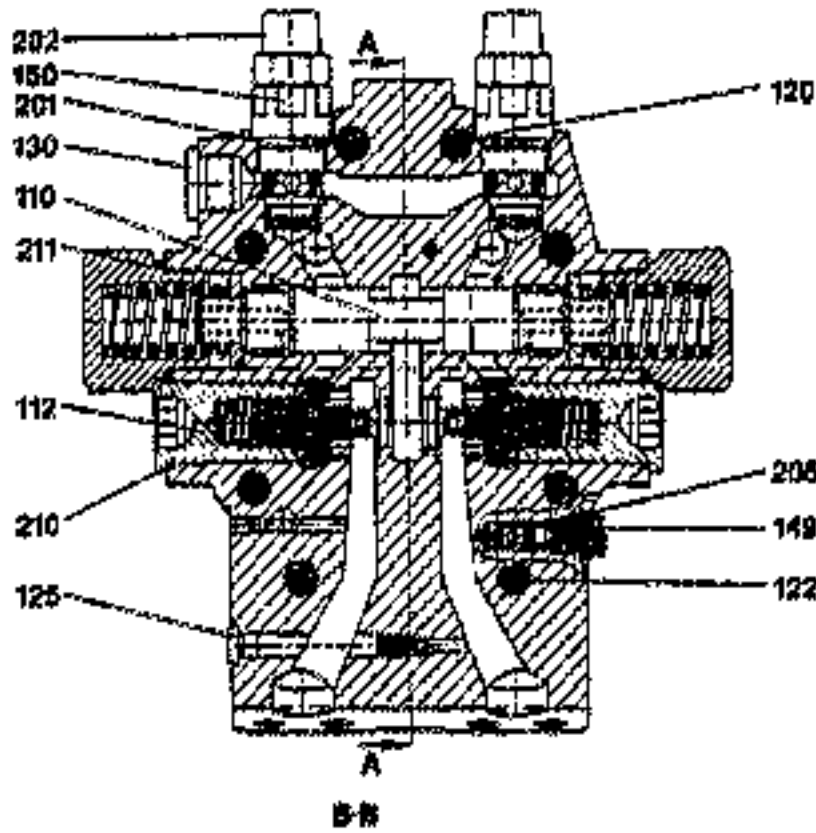
GEARED PUMP				
				22.052
FX600 / 108101 - .....				T 2492848 - 005 B 2492848 - 010
Item	Quant.	ME	Part No.	Description
001	1	00	73171534	GEARED PUMP
002	1	00	73175808	ROT.SHAFT LIP SEAL
016	2	00	73175240	ROTARY SHAFT SEAL
800	1	00	73175841	SET OF PIST. RINGS
801	1	00	73175306	SET OF PIST. RINGS

ME: 00 = Stück/proce 13 = m 25 = m<sup>2</sup> 35 = m<sup>3</sup> 43 = kg 50 = l (litr)

1994-09-10



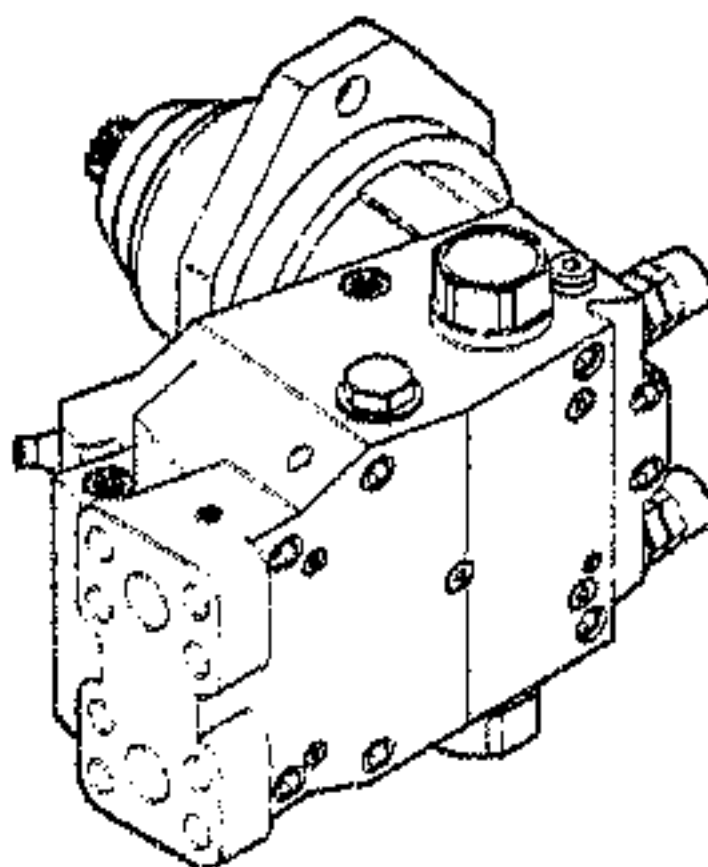
2-456 888.D1D  
Rev 1.2



2-456 888.D1D  
Rev 2.2



①

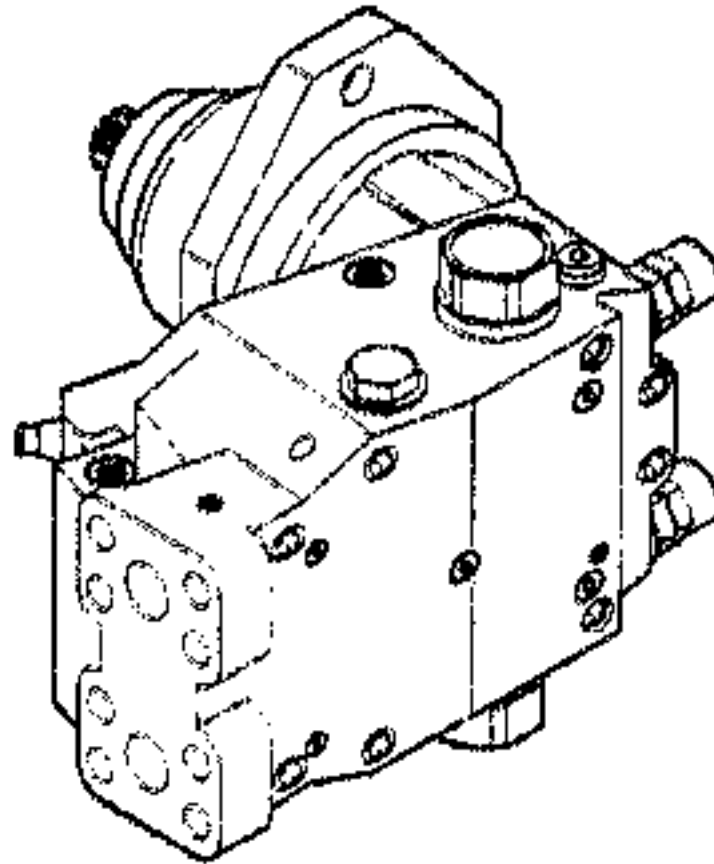


2-406 808.010

22.100				
<b>MOTOR INSTALL.MATERIAL</b>				
FX000 / 108101 - .....				
T 2488000 - 001				
B 2488000 - 010				
Item	Quan.	ME	Part No.	Description
001	1	00	73170127	VAR.DISPL.MOTOR
008	1	00	73173664	CIRCLIP
010	1	00	73175810	ROT.SHAFT LIP SEAL
012	1	00	73175811	O-RING
013	1	00	73175812	SCREW PLUG
014	1	00	73175813	O-RING
018	2	00	73179798	COLLAR NUT
025	1	00	73173874	O RING
110	1	00	73175816	BRAKE VALVE
112	2	00	73175168	VALVE
120	2	00	73172448	CYL.HEAD SCREW
122	4	00	73175810	CYL.HEAD SCREW
124	3	00	73175172	SCREW PLUG
125	4	00	73175174	SCREW PLUG
126	1	00	73175175	O-RING
127	1	00	73175176	O-RING
130	1	00	73175817	SCREW PLUG
132	1	00	73175199	SCREW PLUG

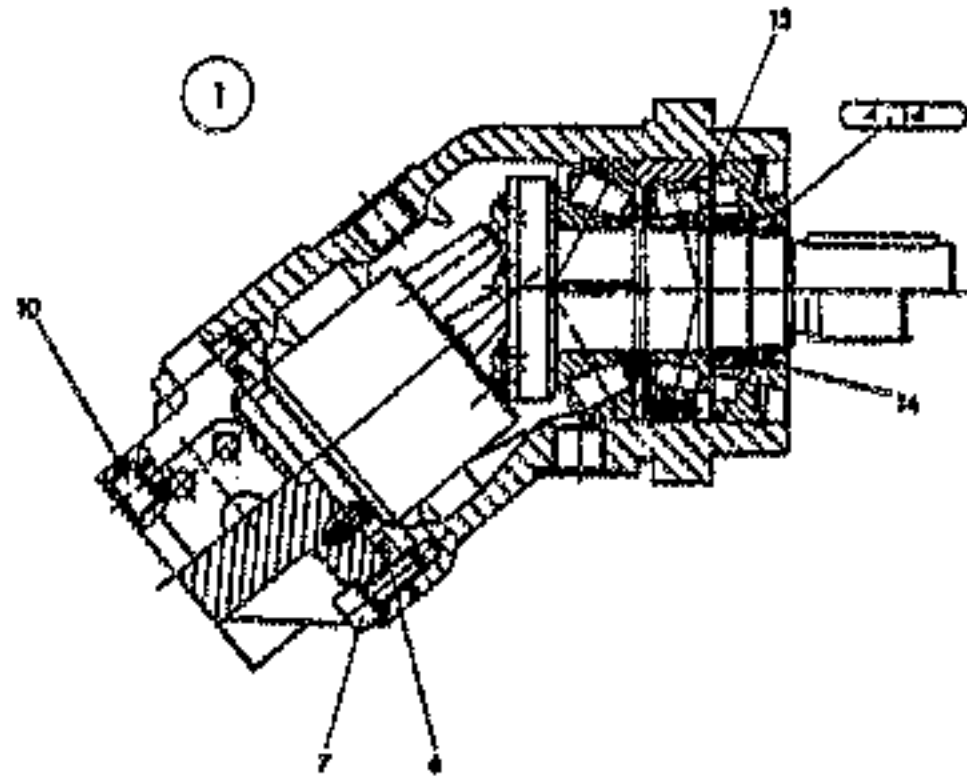
ME: 00 = Stockpiece 10 = m 20 = m<sup>2</sup> 30 = m<sup>3</sup> 40 = kg 50 = l (litre)

①



2-496 808.010

				22.100	
				T 2493000 - 001 B 2496500 - 010	
				FX600 / 108101 - .....	
Item	Quan.	ME	Part No.	Description	
140	1	00	73175170	PRESS. REG. VALVE	
160	2	00	73175010	PRESS. REL. VALVE	
201	1	00	73175010	GASKET SET	
202	1	00	73175020	CAP	
205	1	00	73175102	O-RING	
210	1	00	73175101	O-RING	
211	2	00	73175022	O-RING	

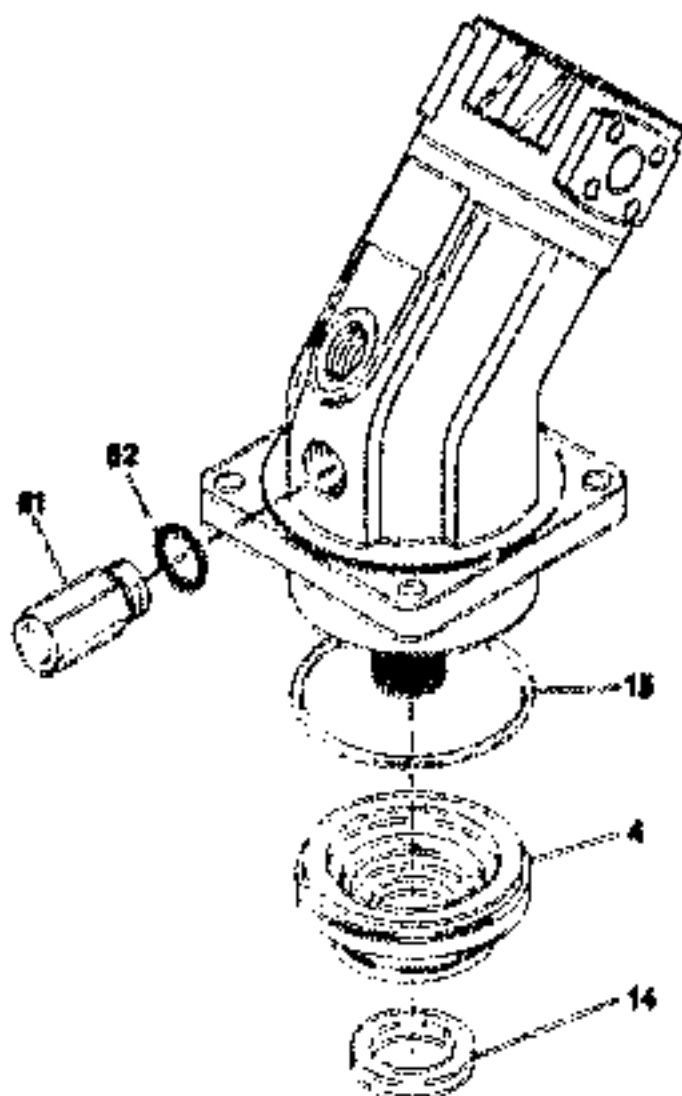


2 485 217 010

				22.110	
				T 2485217 - 000	
				B 2485217 - 010	
				FX600 / 108101 - 10000	
Item	Quan.	MS	Part No.	Description	
001	1	00	73170794	HYDRAULIC MOTOR	
004	1	00	73170795	RING	
006	1	00	73170796	O-RING	
007	2	00	73170797	CYL.HEAD SCREW	
010	4	00	73170799	CYL.HEAD SCREW	
014	1	00	73170800	ROT.SHAFT LIP SEAL	
015	1	00	73170802	ROUND SEALING RING	

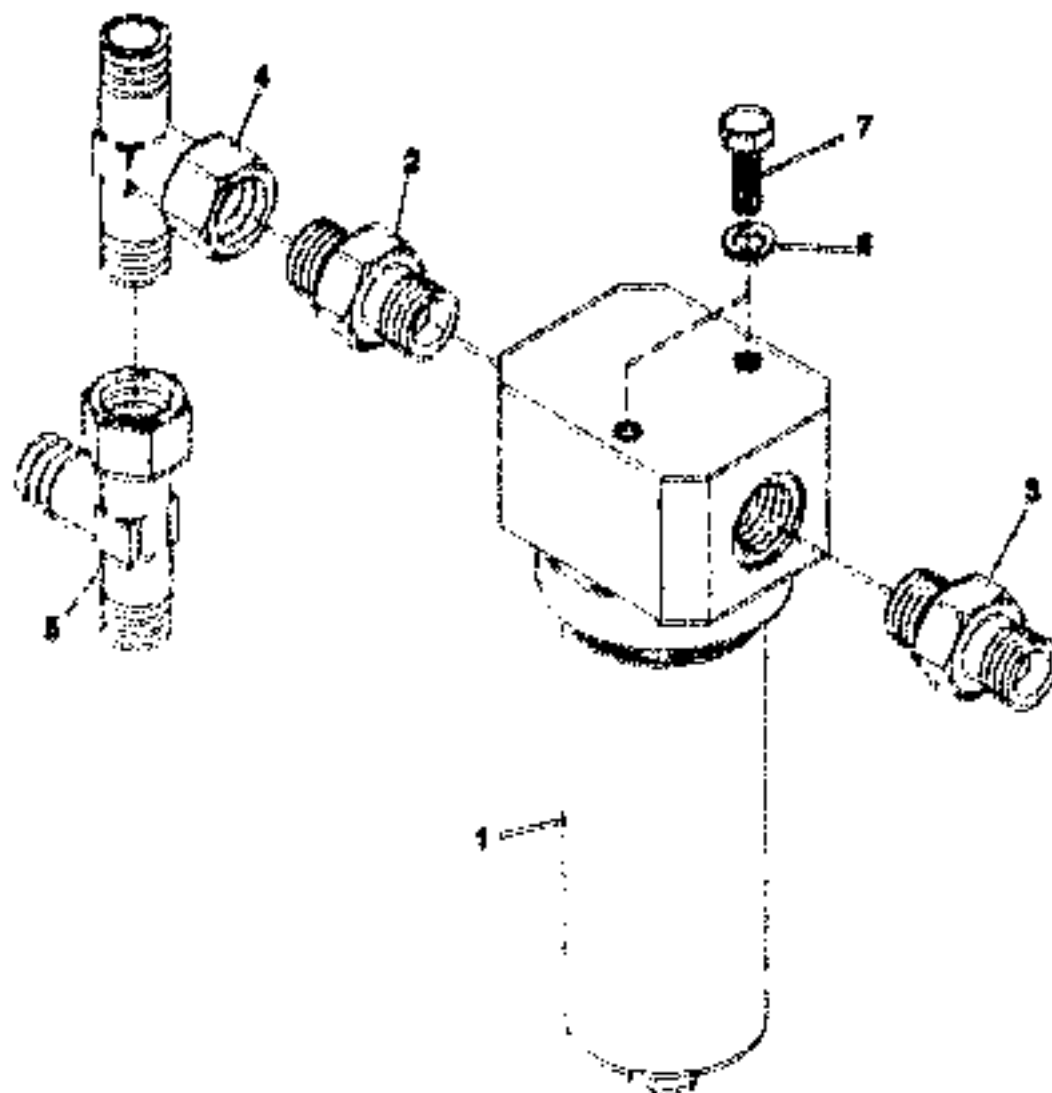
MS: 00 = 8400piece 10 = m 20 = m<sup>2</sup> 30 = m<sup>3</sup> 43 = kg 50 = l (litre)

①



2-488 812 010

AXIAL PISTON MOTOR SLEWING GEAR					22.110
FX800 / 105101 - .....					T 249812 - 001 B 249812 - 010
Item	Quan.	UOE	Part No.	Description	
001	1	00	73170682	HYDRAULIC MOTOR	
004	1	00	73176448	RING	
014	1	00	73176447	ROT.SHAFT LIP SEAL	
018	1	00	73172368	G-RING	
051	1	00	73176448	CONNECTOR	
062	1	00	73170142	SEALING RING	



2 444 371 000



### FILTER INSTALL.MATERIAL

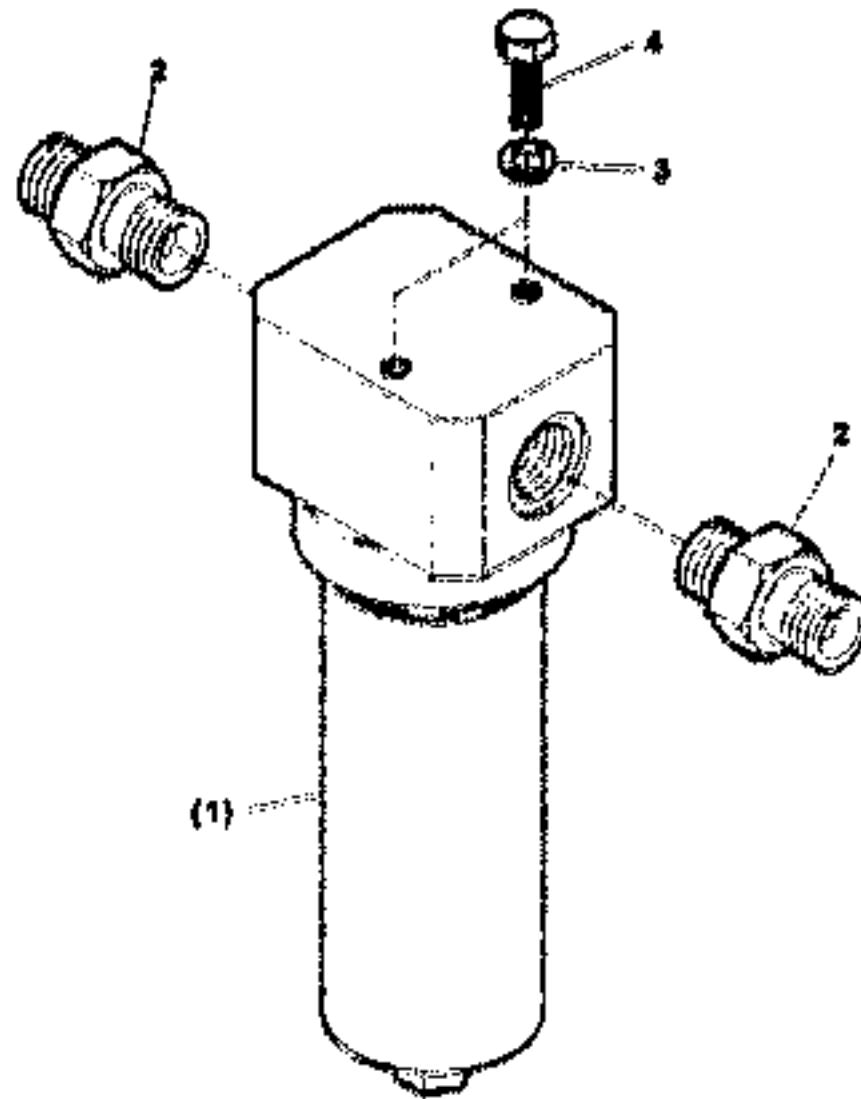
22.200

FX500 / 108101 + .....


T 2444371 - 000  
B 2444371 - 010

Item	Qty	ME	Part No.	Description
001	1	00		22.202 2248184 FILTER
002	1	00	73170872	SOCKET
003	1	00	73170863	SOCKET
004	1	00	73170388	SOCKET
005	1	00	73170382	SOCKET
006	2	00	73170180	LOCK WASHER
007	2	00	73170210	HEXAGON BOLT

22.200

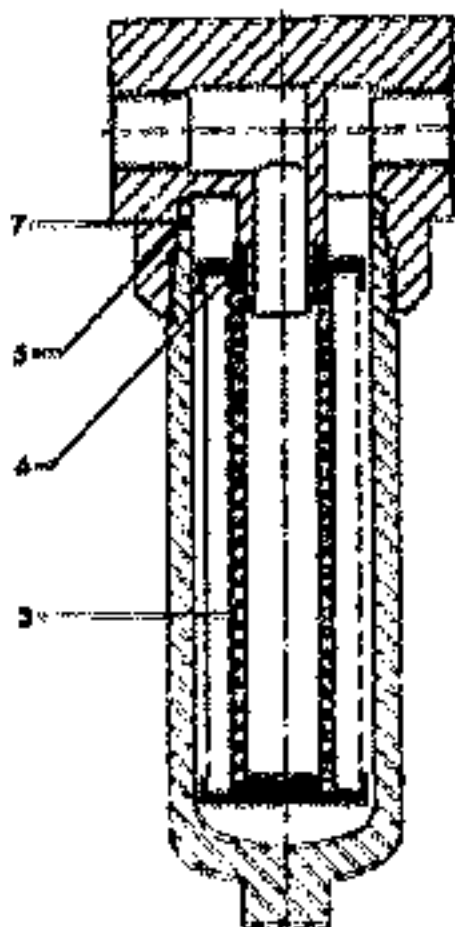


2-444 572.010

				22.200	
				T 2444772 - 000	
				B 2444072 - 010	
 <b>FILTER INSTALL.MATERIAL</b> EX600 / 106101 - 111111					
Item	Quan.	MC	Part No.	Description	
001	1	00		22.202	2248104
				FILTER	
002	2	00	73170074	SOCKET	
003	2	00	73170180	LOCK WASHER	
004	2	00	73170210	HEXAGON BOLT	

ME: 00=80000000 13mm 96mm<sup>2</sup> 00mm<sup>3</sup> 43kg 60ml(ltr)

1892-09-10



2 246 85-000



**FILTER**

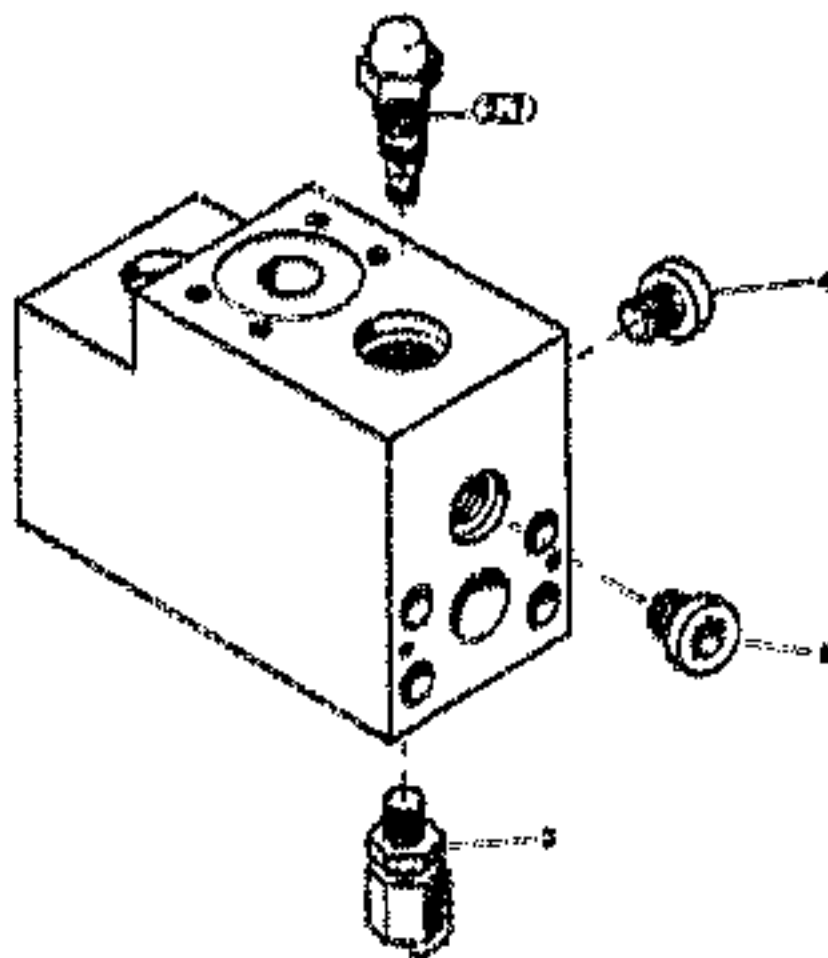
22-202

FX800 / 108101 P 00000

F 2247756 - 001  
G 5246184 - 010

Qty	Unit	ME	Part No	Description
001	1	00	73170007	FILTER
003	1	00	73170008	FILTER ARRAY
005	1	00	73170009	O-RING
006	1	00	73170070	O-RING
007	1	00	73170071	SUPPORT RING

1



T 1708496-000

DISTRIBUTOR INSTALL MATERIAL

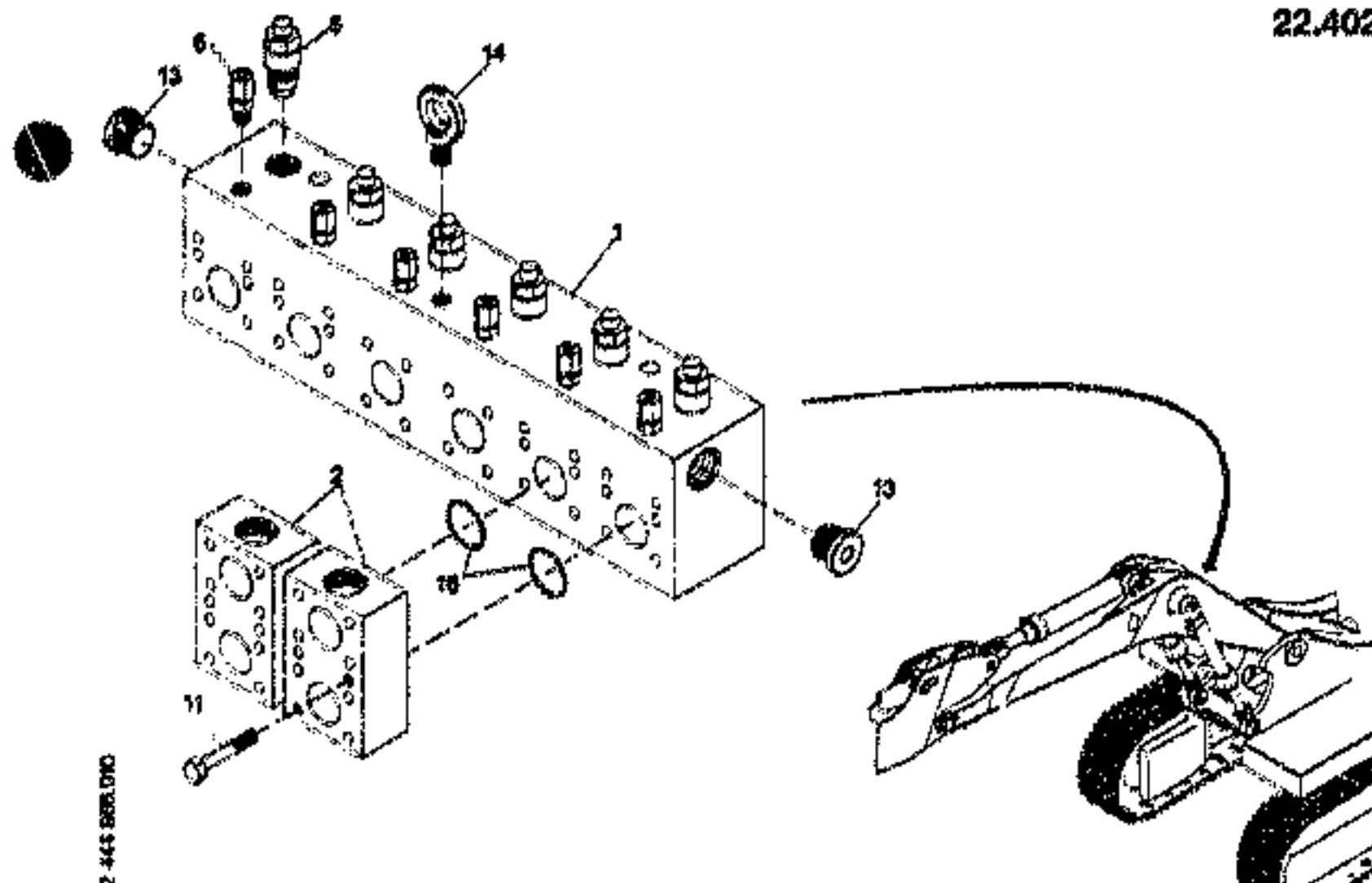
22.400

T 1708496 - 001  
B 1708496 - 010

93000 / 100101 - ...

Num	Quant	ME	Part No.	Description
001	1	00	73170402	VALVE
002	1	00	73170012	VALVE
003	1	00	73170020	TUBE FITTING
006	1	00	73170001	SCREW PLUG
007	2	00	73170400	BASKET SET

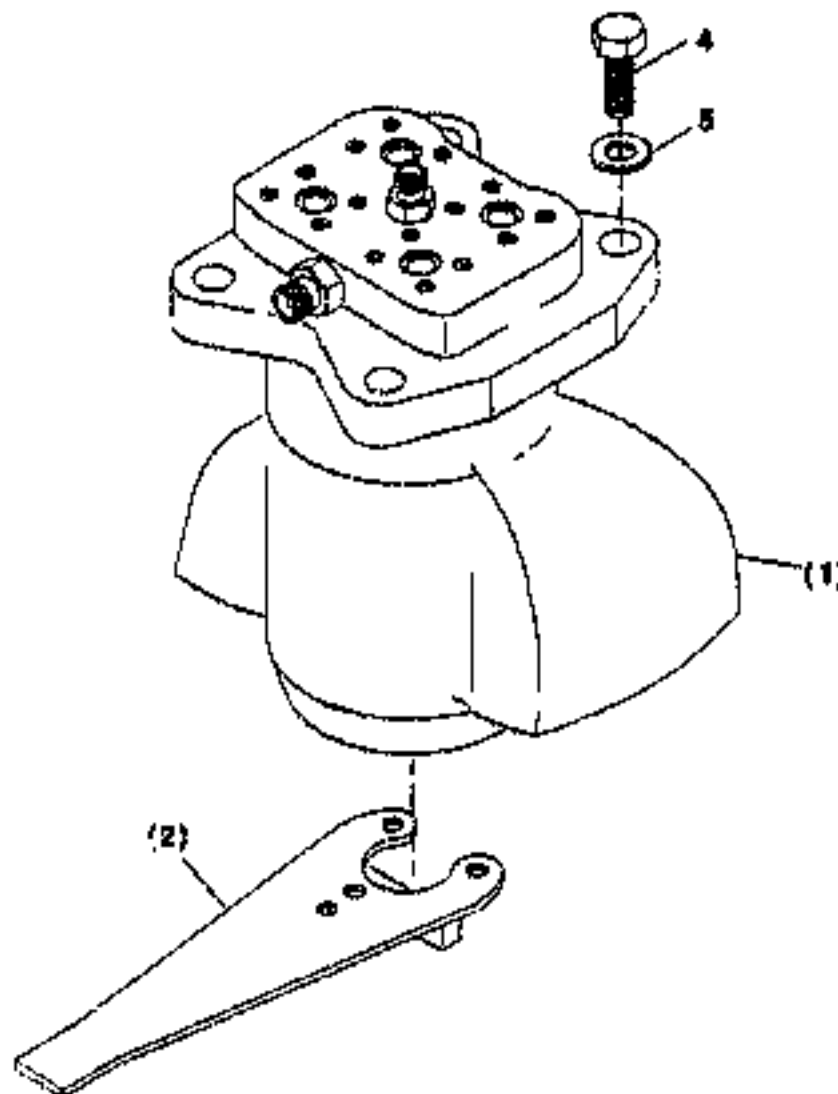




2-445 888.010

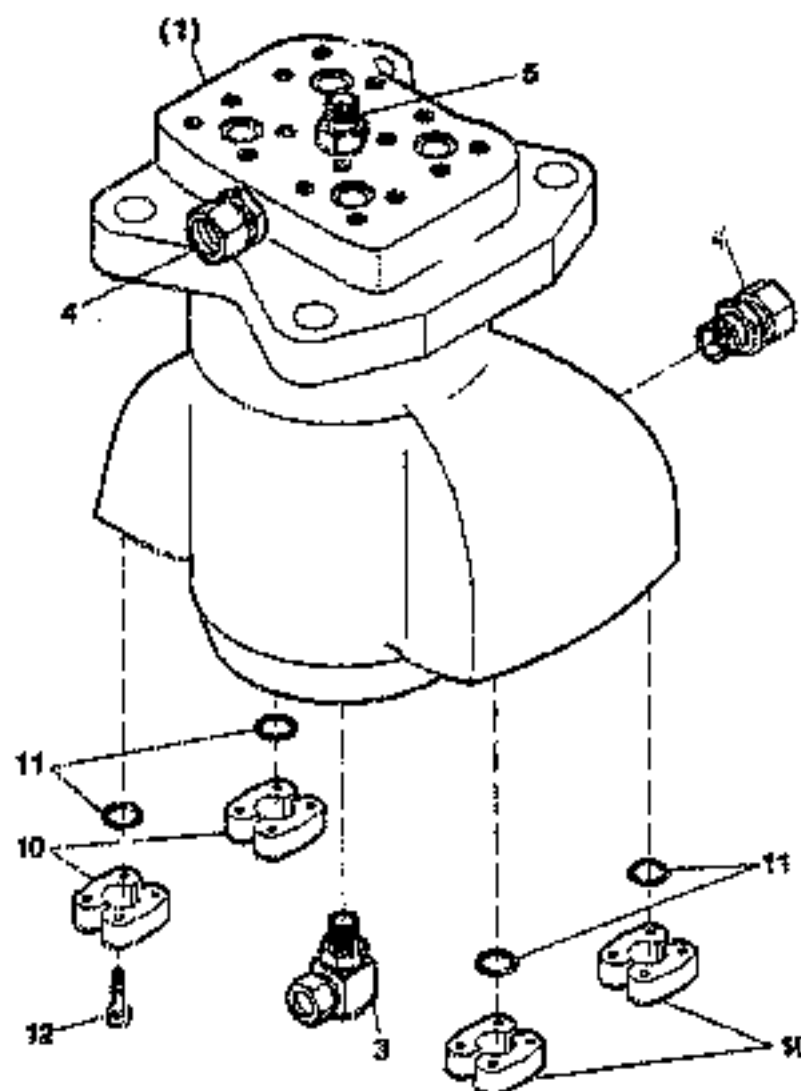
				22.402
				T 2444968 - 000
				B 2444988 - 010
DISTRIBUTOR				
FX800 / 108101 - .....				
Item	Quan.	ME	Part No.	Description
001	1	00	73171308	STRIP
002	2	00	73171370	
006	6	00	73171371	VALVE
006	8	00	73170488	COUPLING/CLUTCH
007	6	00	73171372	COVER
008	8	00	73171374	PLATE
009	2	00	73171376	PLUG
010	18	00	73171378	PROTECTIVE PLUG
011	6	00	73170208	HEXAGON BOLT
013	2	00	73170491	BREW PLUG
014	1	00	73171377	EYE BOLT
016	2	00	73170348	SEALING RING

22.500



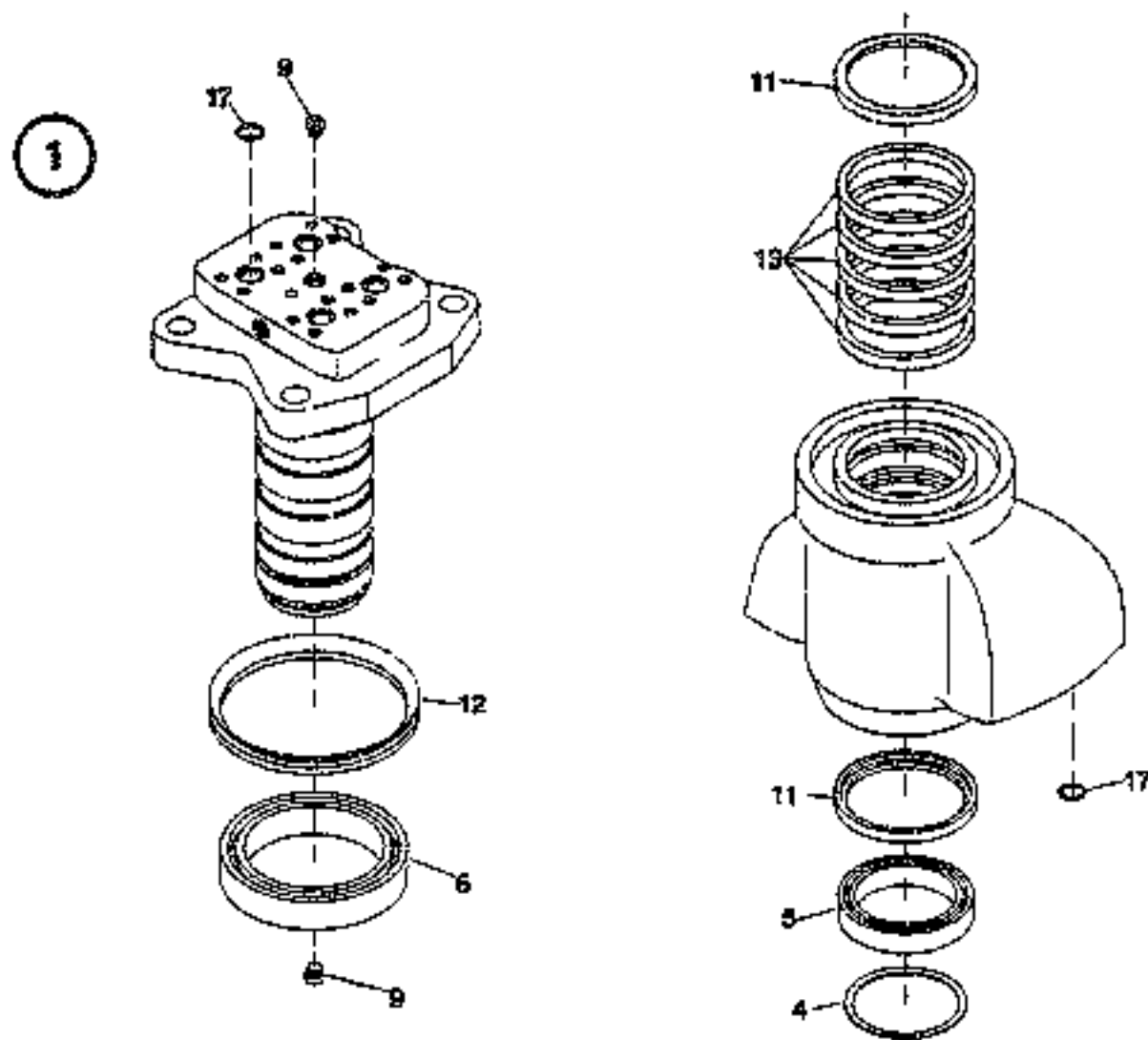
2 496 923 010

				22.500
ROTOR INSTALL.MATERIAL.				
#X600 / 106101				T 2486820 - 000 B 2486820 - 010
Item	Q'ty	UOE	Part No.	Description
001	1	00		22.501 2486818 ROTOR MOUNTING PARTS
002	1	00		22.510 2486819 ARRESTOR ROTOR
004	4	00	73170914	HEXAGON BOLT
005	4	00	73170130	LOCK WASHER




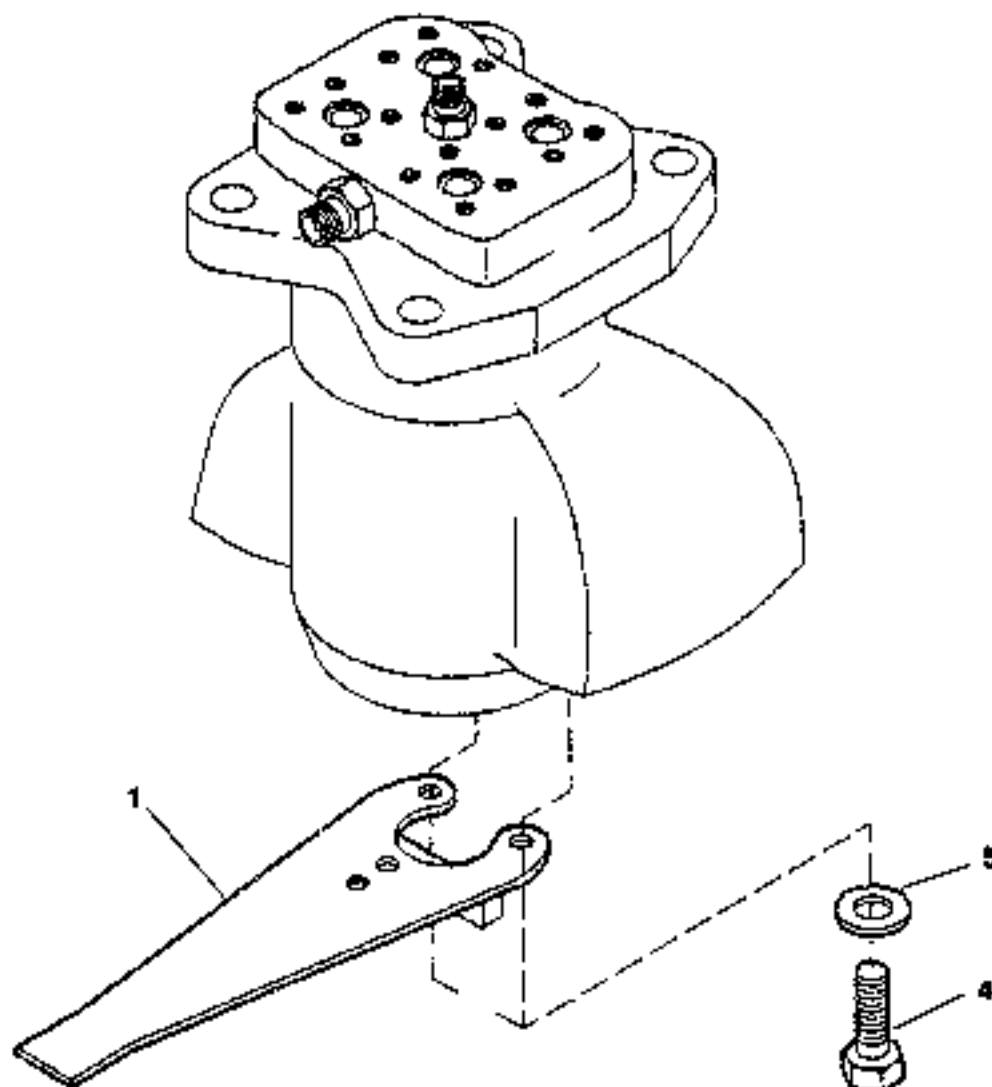
2 496 618.010

				22.501	
				T 2496618 - 000 B 2496618 - 010	
				FX600 / 10W101 - .....	
Item	Quan.	ME	Part No.	Description	
001	1	00		22.502 2443610	ROTOR
003	1	00	73170324		TUBE FITTING
004	2	00	73170325		SOCKET/ADAPTER
006	1	00	73170326		SOCKET
010	8	00	73170326		SAE-FLANGE HALF
011	4	00	73170327		SEALING RING
012	16	00	73170328		12-POINT SCREW



2 443 610 010

				22.502
 <b>ROTOR</b>				T 2443610 - 000
FX600 / 106101 - .....				B 2443610 - 010
Item	Quan.	ME	Part No.	Description
001	1	00	73170330	ROTOR
004	1	00	73170331	CIRCLIP
005	1	00	73170332	GROOVE BALL BEAR.
006	1	00	73170333	GROOVE BALL BEAR.
009	2	00	73170051	SCREW PLUG
011	2	00	73170334	GASKET
012	1	00	73170335	ROT SHAFT LIP SEAL
013	5	00	73170336	GASKET
017	8	00	73170337	GASKET



2 496 819 010



## ARRESTOR ROTOR

22.510

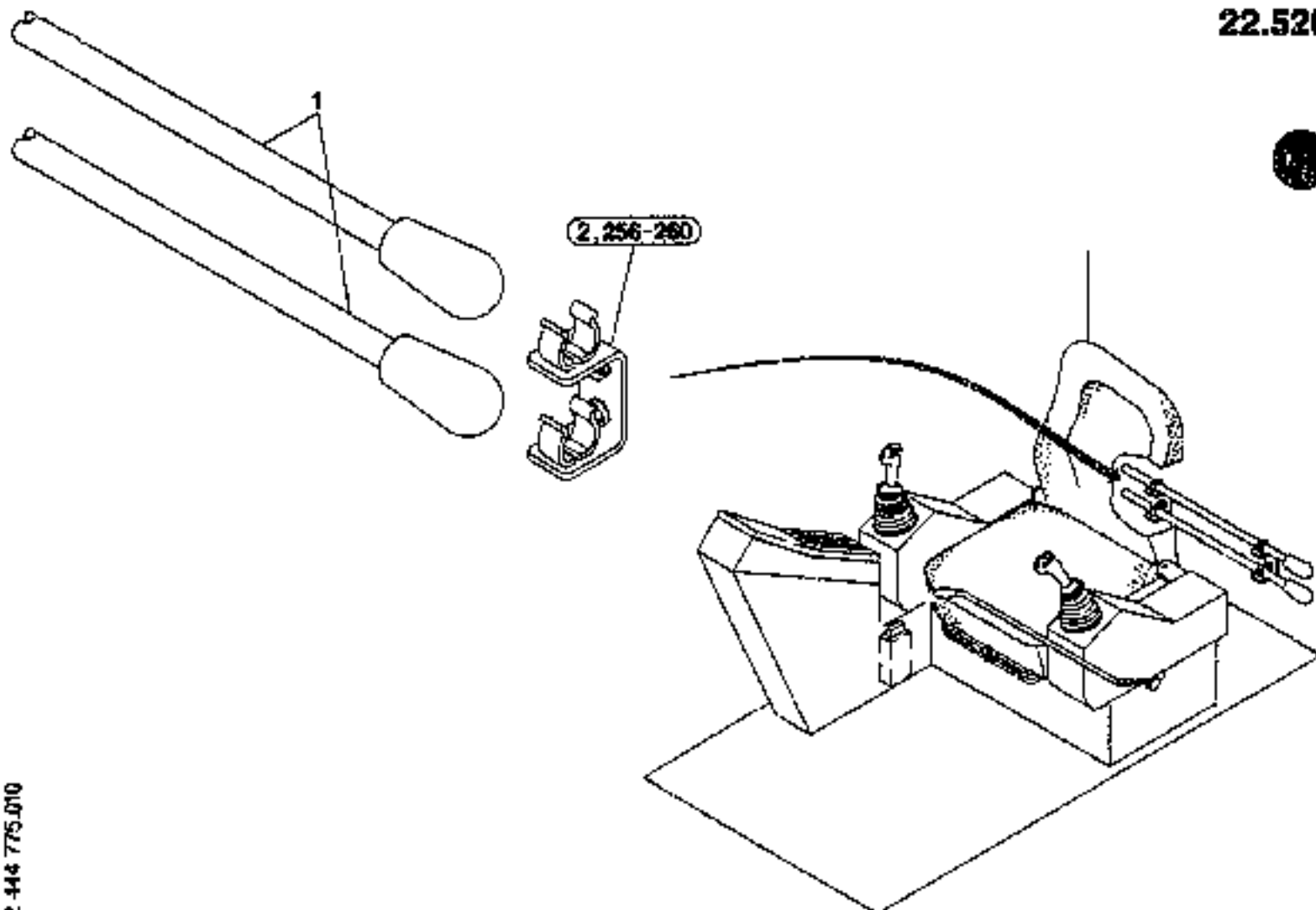
FX600 / 108101 - .....

T 2496818 - 000

B 2496819 - 010

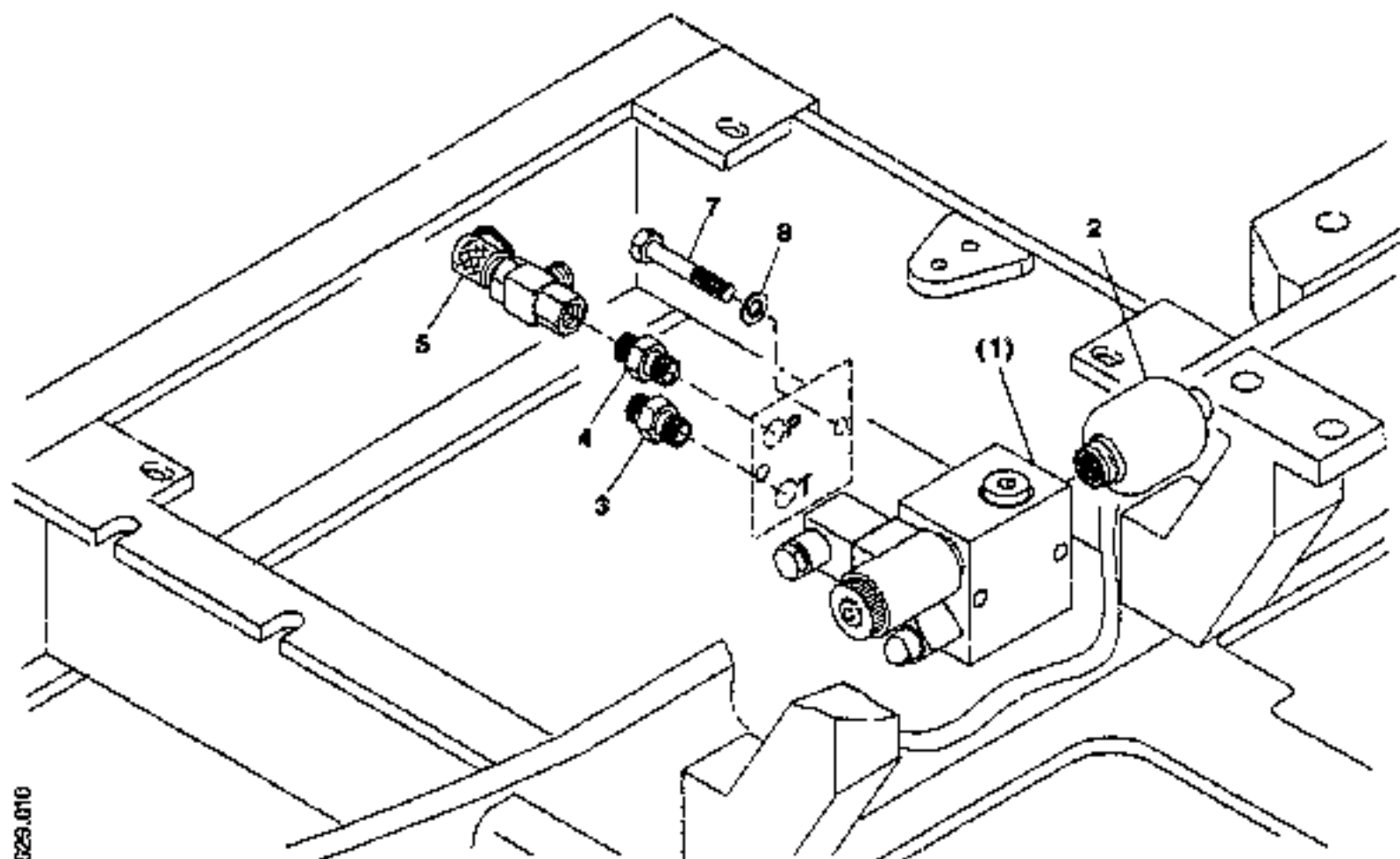
Item	Quan.	ME	Part No.	Description
001	1	00	73170815	BRACKET
004	3	00	73170183	HEXAGON BOLT
005	3	00	73170189	DISKWASHER

22.520




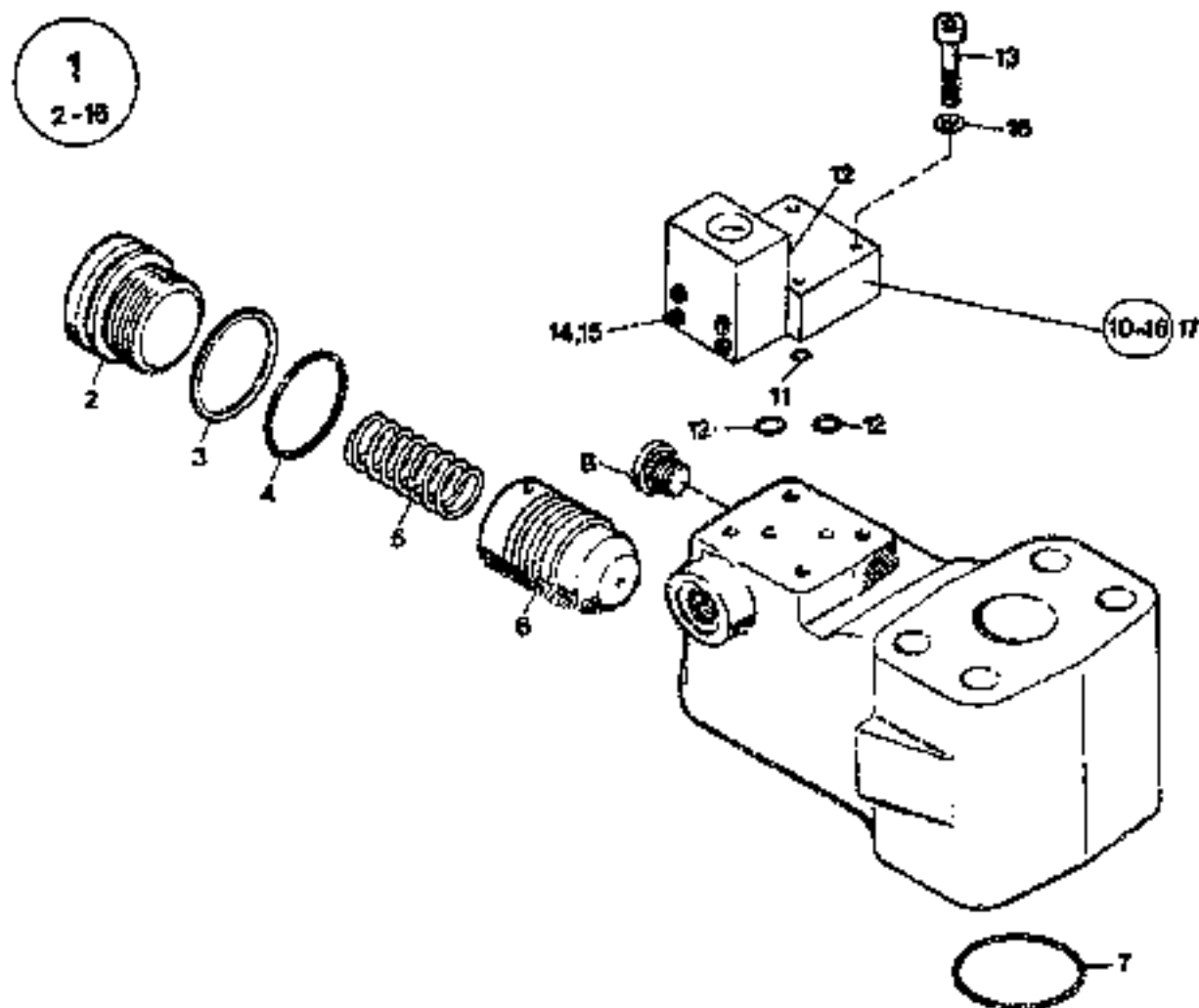
2 444 775 010

				22.520	
				T 2444775 - 000	
				B 2444775 - 010	
				FX600 / 106101 - .....	
Item	Quan.	ME	Part No.	Description	
001	2	00	73170957	ROD	
002	1	00	73170960	MOUNTING	
256	2	00	73170961	BRACKET	
257	4	00	73170962	CLAMPING SCREW	
258	4	00	73170963	HEXAGON NUT	
259	4	00	73170834	DISK/WASHER	
260	4	00	73170864	CLIP	



2 495 629 010

				23.050
				T 2495629 - 000 B 2495629 - 010
 <b>ADDING VALVE</b> FX600 / 106101 - .....				
Item	Quan.	ME	Part No.	Description
001	1	00		23.212 2444920 SHIFT VALVE
002	1	00	73171320	MEMBRANE RESERVOIR
003	1	00	73170296	SOCKET
004	1	00	73171321	SOCKET
005	1	00	73170393	DISTRIBUTOR
007	2	00	73171322	HEXAGON BOLT
008	2	00	73170160	DISK/WASHER

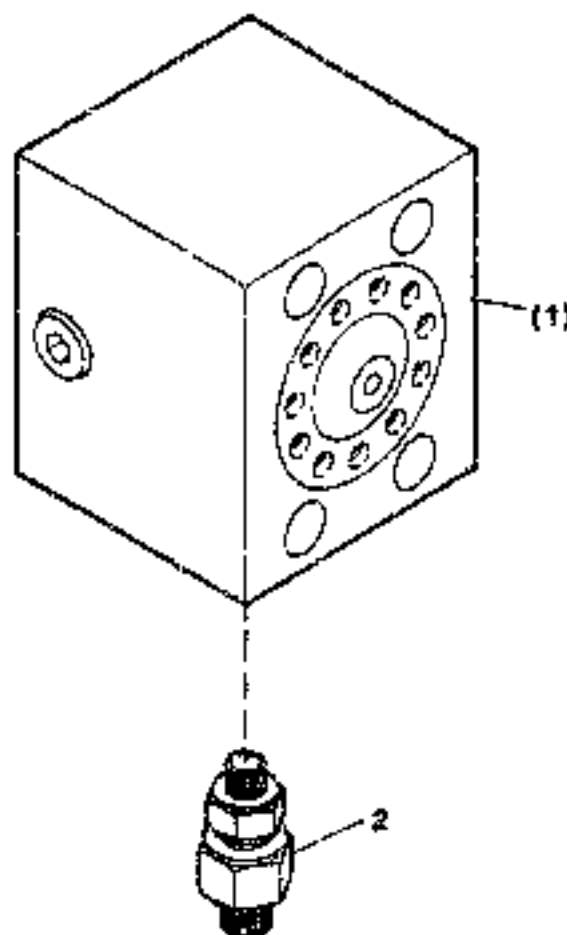


1 593 293 010


				23.122
				T 1693293 - 003
				E 1593293 - 010
<b>BLOCKING VALVE</b>				
FX600 / 106101 - .....				
Item	Quan.	ME	Part No.	Description
001	1	00	73170417	VALVE
002	1	00	73170418	SCREW PLUG
003	1	00	73170419	SUPPORT RING
004	1	00	73170420	O-RING
005	1	00	73170421	SPRING
006	1	00	73170422	VALVE
007	1	00	73170346	SEALING RING
008	1	00	73170359	SCREW PLUG
010	1	00	73170423	VALVE
011	1	00	73170424	ROUND SEALING RING
012	3	00	73170425	O-RING
013	4	00	73170426	CYL.HEAD SCREW
014	4	00	73170428	CYL.HEAD SCREW
016	4	00	73170429	LOCK WASHER
018	4	00	73170431	DISK/WASHER
017	1	00	73170433	GASKET SET

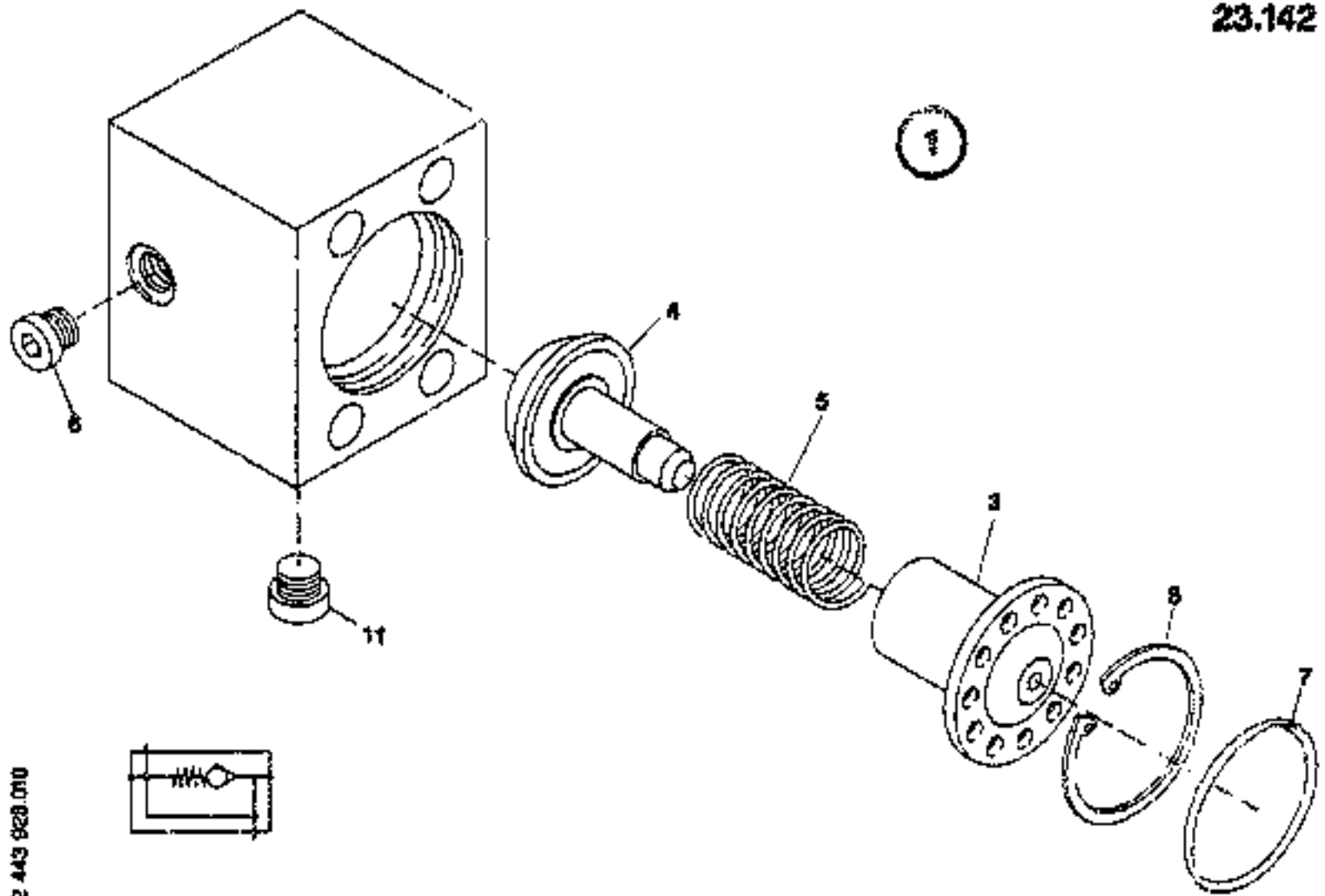






2 444 879 090

					23.141
STOP VALVE MOUNTING PARTS					T 2444879 - 000
FX600 / 105101 - .....					B 2444879 - 010
Item	Quan.	ME	Part No.	Description	
001	1	00		23.142 2443928 STOP VALVE	
002	1	00	73170553	CHECK VALVE	



2 443 928 010



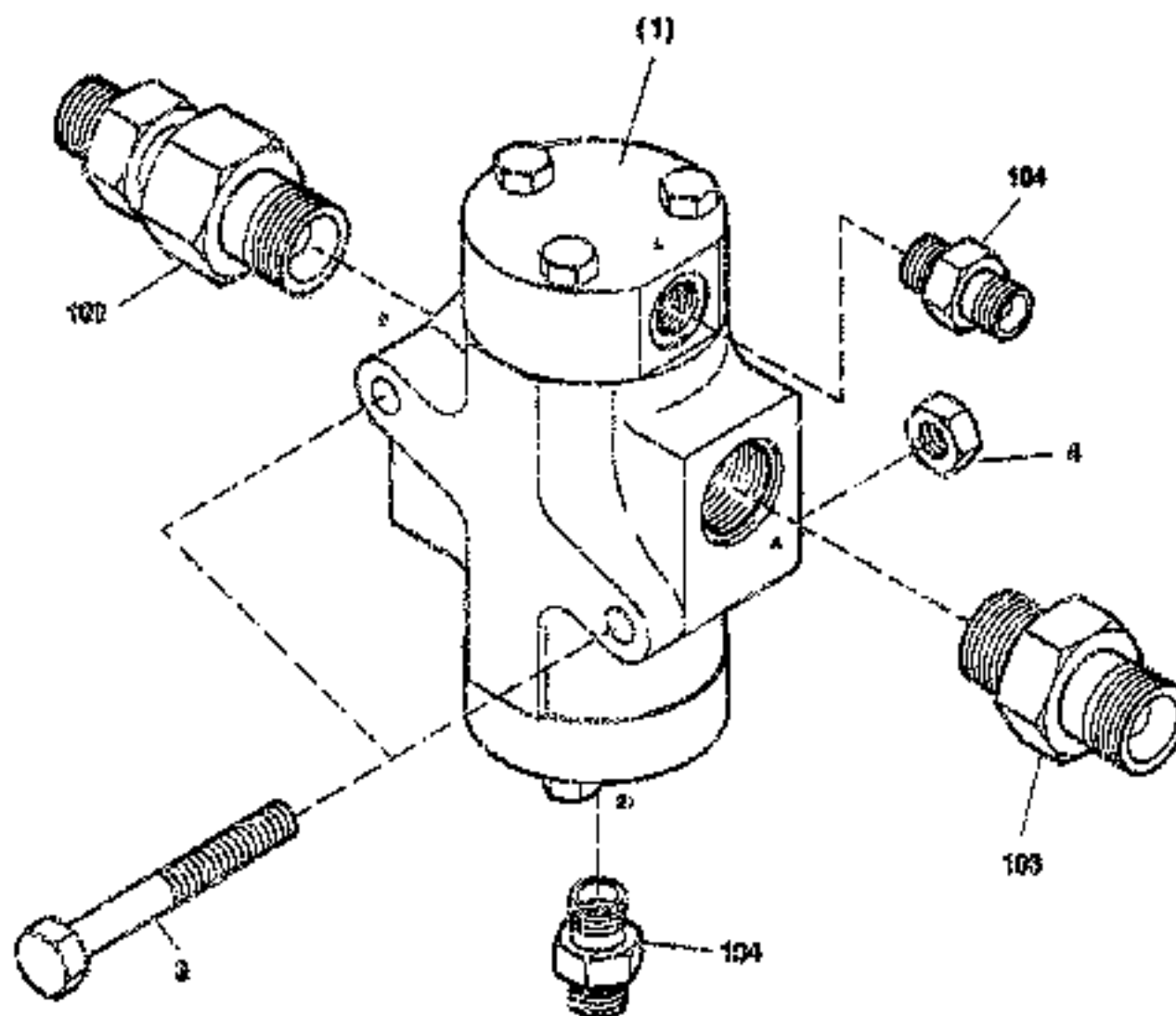
## STOP VALVE

23.142

FXB00 / 106101 - .....

T 2443228 - 001  
B 2443928 - 010

Item	Qty.	ME	Part No.	Description
001	1	00	73170533	VALVE
003	1	00	73170534	GUIDE
004	1	00	73170535	TAPPET
005	1	00	73170536	SPRING
006	1	00	73170539	SCREW PLUG
007	1	00	73170637	O-RING
008	1	00	73170538	CIRCLIP
011	1	00	73170539	SCREW PLUG



7 263 090.010



## CONTROL VALVE INSTALL.MATERIAL

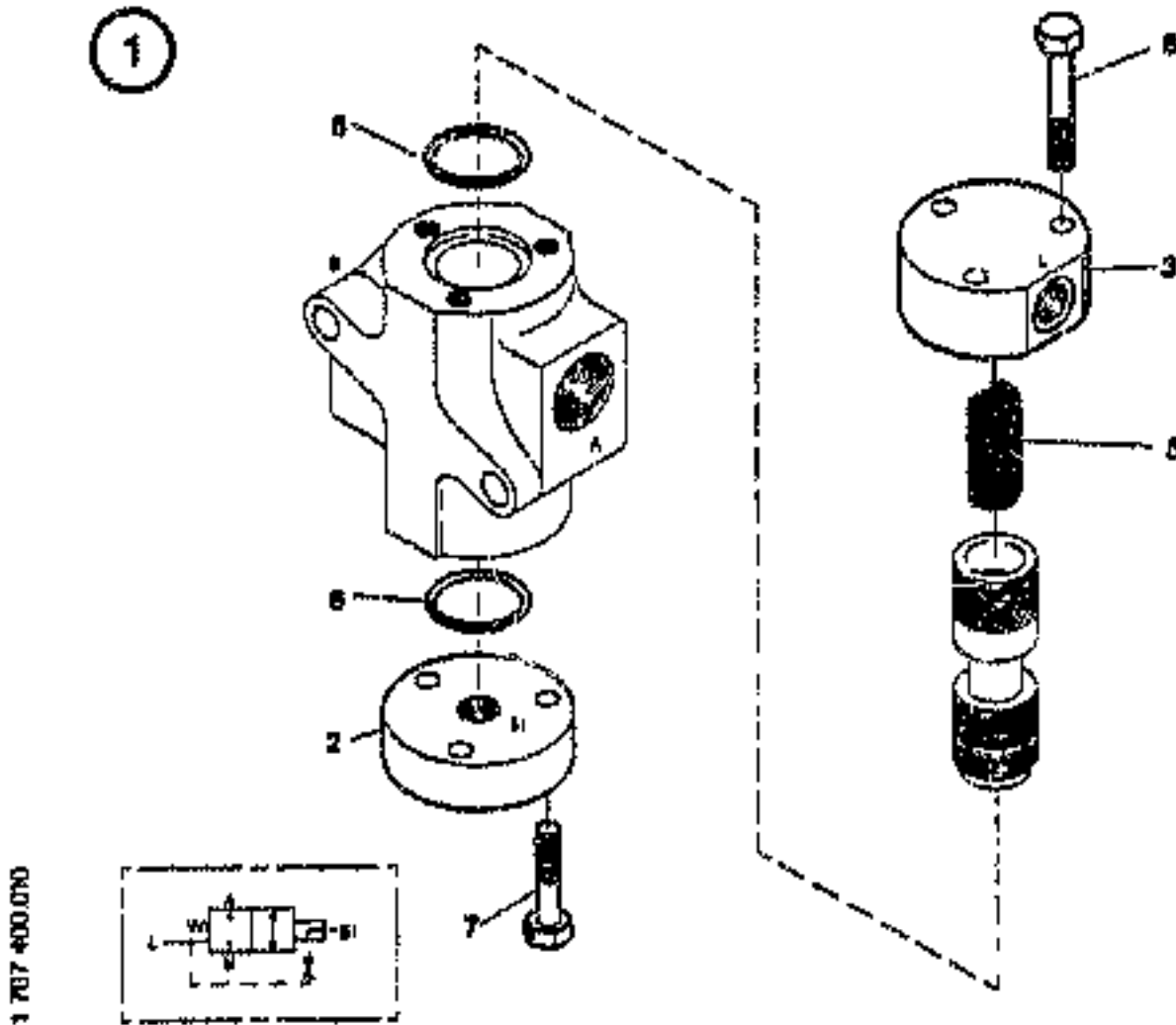
23.180

FX800 / 108101 - \*\*\*\*\*

1 2263080 - 002

B 2263080 - 010

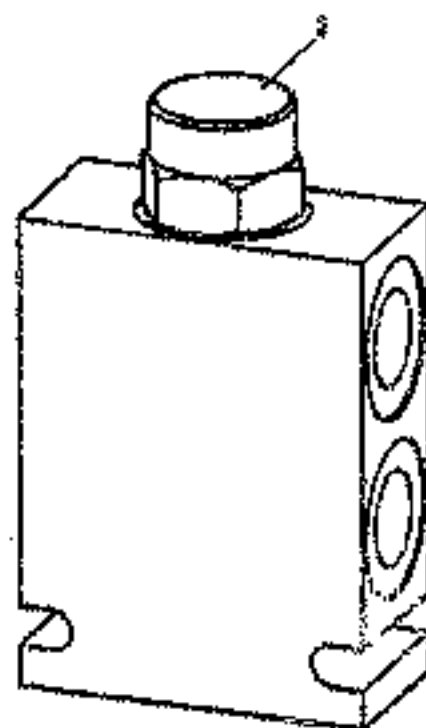
Item	Quan.	ME	Part No.	Description
001	1	00		23.182 1707400 CONTROL VALVE
002	2	00	73170412	HEXAGON BOLT
004	2	00	73170216	HEXAGON NUT
102	1	00	73170413	VALVE
103	1	00	73170414	SOCKET
104	2	00	73170225	SOCKET



1 707 400 010

				23.182
<b>CONTROL VALVE</b>				
FX600 / 108101 - <small>xxxx</small>				T 1707400 - 002 B 1707400 - 010
Item	Quan.	ME	Part No.	Description
001	1	00	73170514	VALVE
002	1	00	73170515	LID
003	1	00	73170516	LID
005	1	00	73170517	SPRING
006	2	00	73170518	ROUND SEALING RING
007	3	00	73170519	HEXAGON BOLT
008	3	00	73170521	HEXAGON BOLT

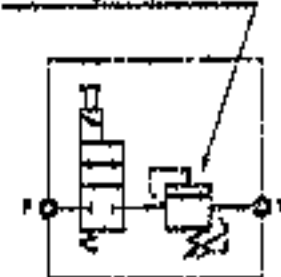
1



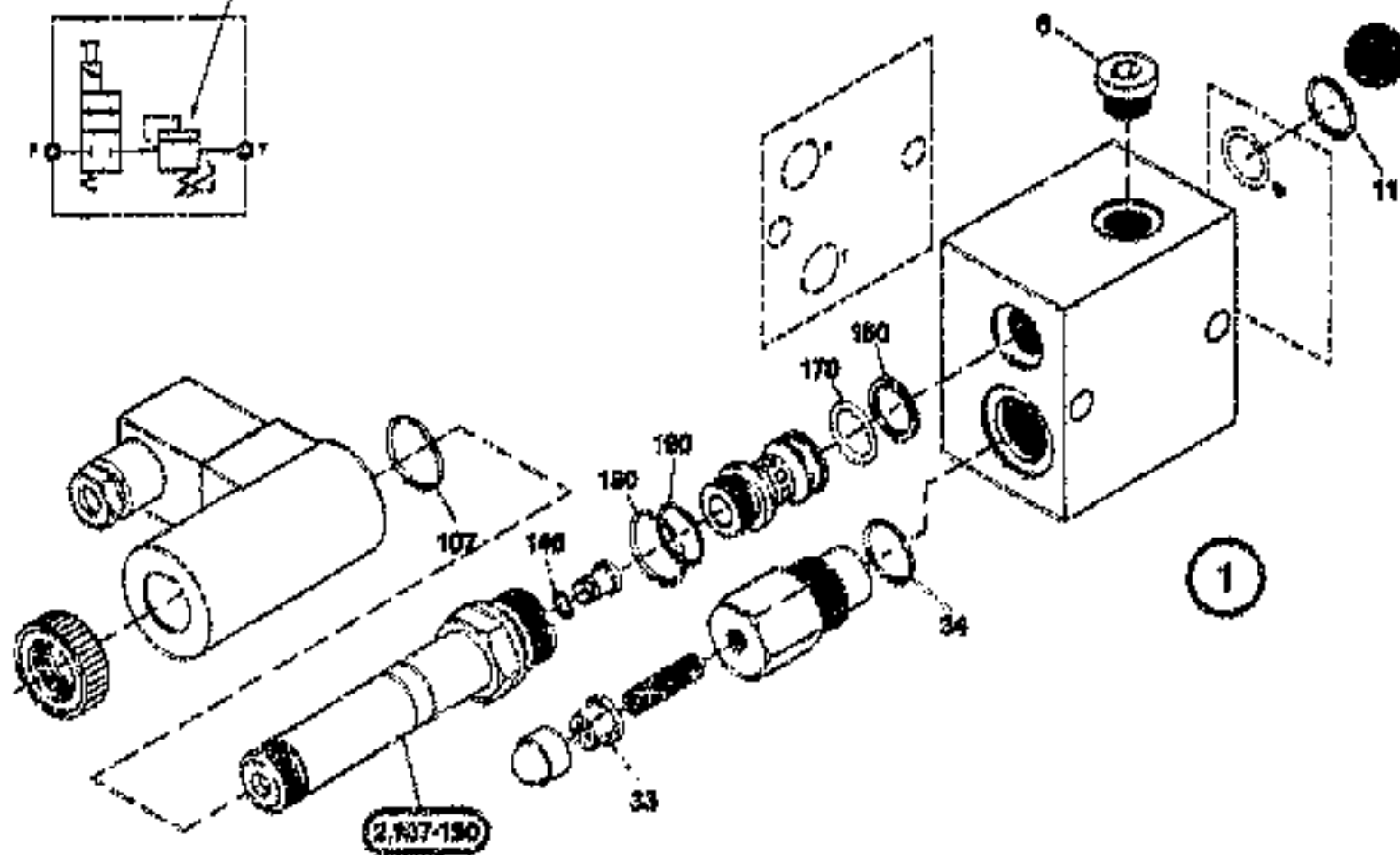
2 141 195 010

23.182				
<b>CONTROL VALVE</b>				
FX800 / 108101 - .....				
T 2141195 - 001 B 2141195 - 010				
Item	Quan.	ME	Part No.	Description
001	1	00	73170523	VALVE BLOCK
002	1	00	73170524	VALVE
003	1	00	73170525	SET OF PIST. RINGS

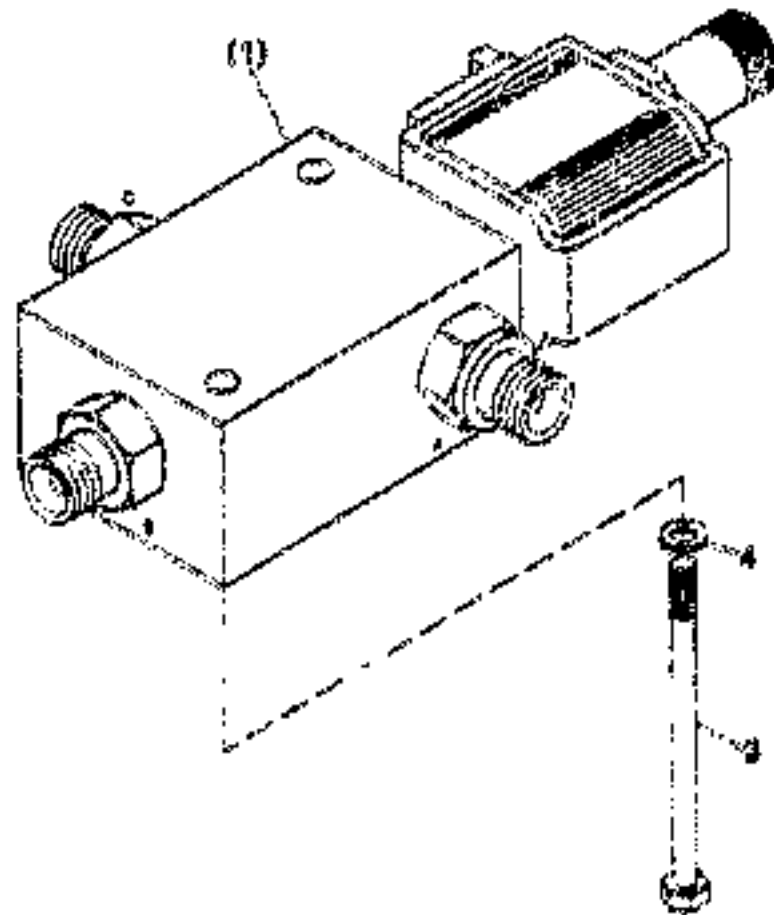
Eingestellt auf 20 (bar)  
bei 0,2 (l/min)



2 444 920 010



Item	Quan.	ME	Part No.	Description
001	1	00	73171326	PRESSU.CONTRLVALVE
002	1	00	73171327	CARTRIDGE
008	1	00	73170061	SCREW PLUG
011	1	60	73170764	O-RING
033	1	00	73170494	HEXAGON NUT
034	1	00	73171328	O-RING
107	2	00	73171257	O-RING
148	1	00	73171329	O-RING
150	1	00	73171330	SUPPORT RING
170	1	00	73170438	O-RING
180	1	00	73171331	O-RING
190	1	00	73171333	O-RING
200	1	00	73171334	VALVE



2 485 357 210



## SOLENOID VALVE INSTALL. MATERIAL

23.230

FX500 / 106101 - .....

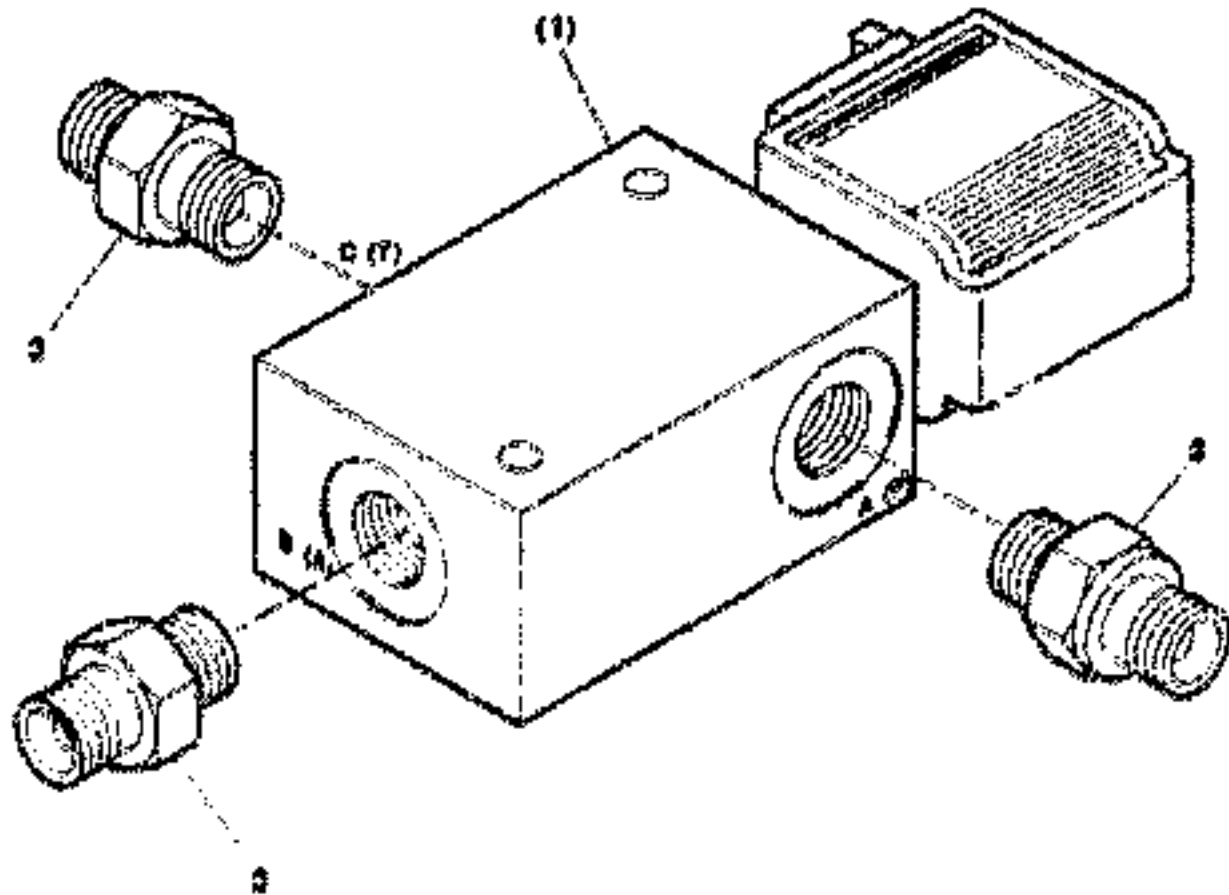
T 2486357 - 000  
B 2486357 - 010

Item	Quan.	ME	Part No.	Description
001	1	00		23.231 2486357 SOLENOID VALVE MOUNTING PARTS
003	2	00	73171335	HEXAGON BOLT
004	4	00	73170186	DISK/WASHER

ME: 00 = Stück/pcs 13 = m 24 = m<sup>2</sup> 33 = m<sup>3</sup> 43 = kg 80 = l (lit)

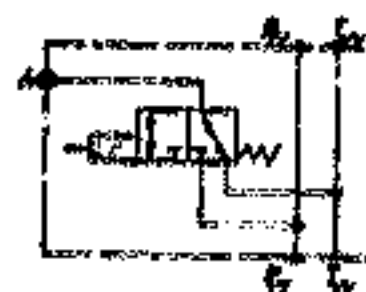
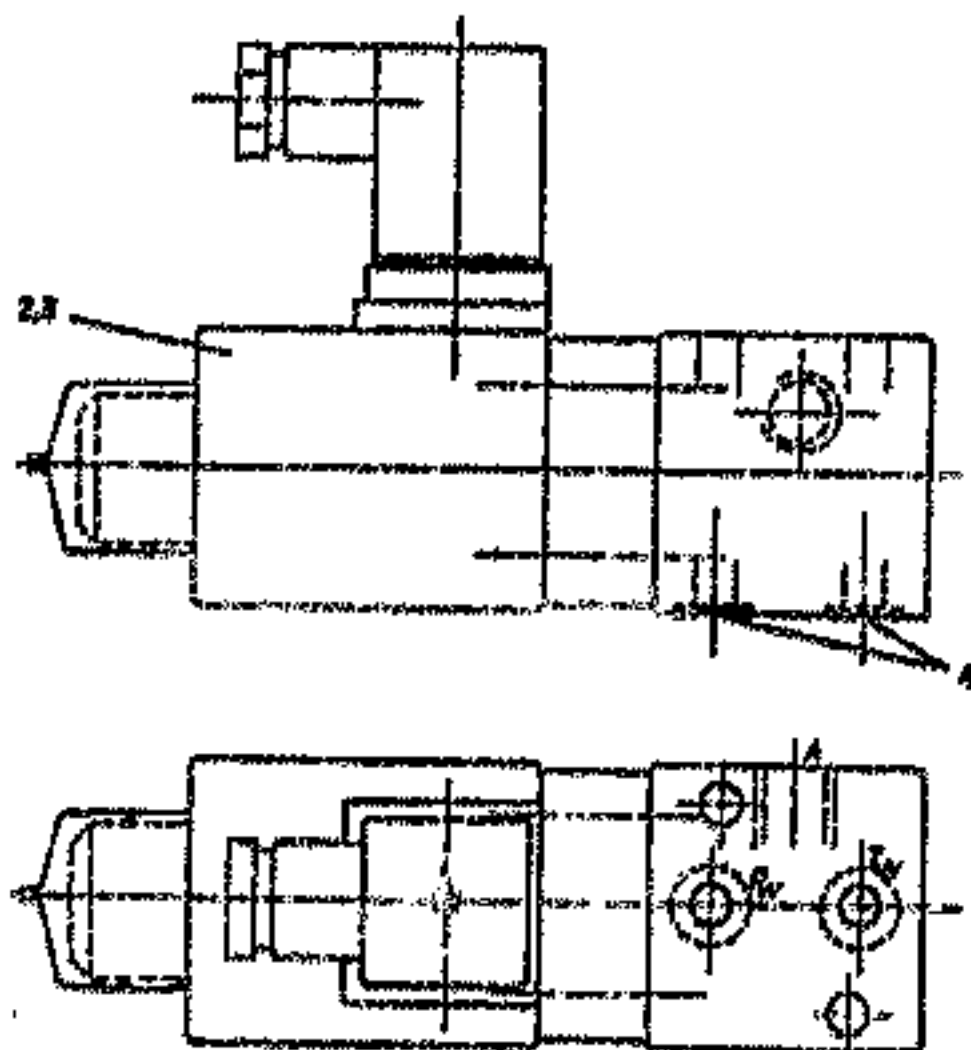
1999-09-10





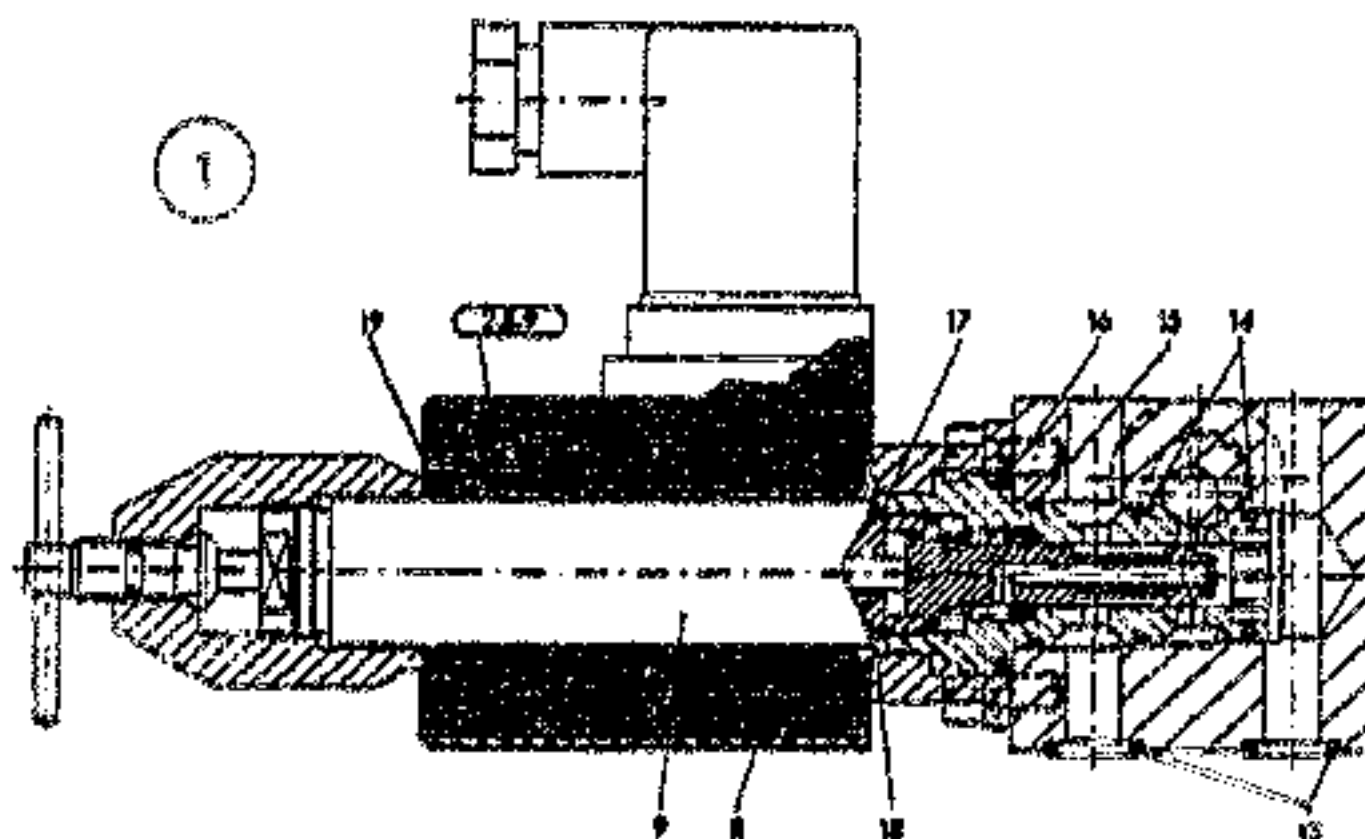
2 465 358.010

Item	Q'ty	ME	Part No.	Description
001	1	00		23.232 2466293 SOLENOID VALVE
003	3	00	73170290	SOCKET



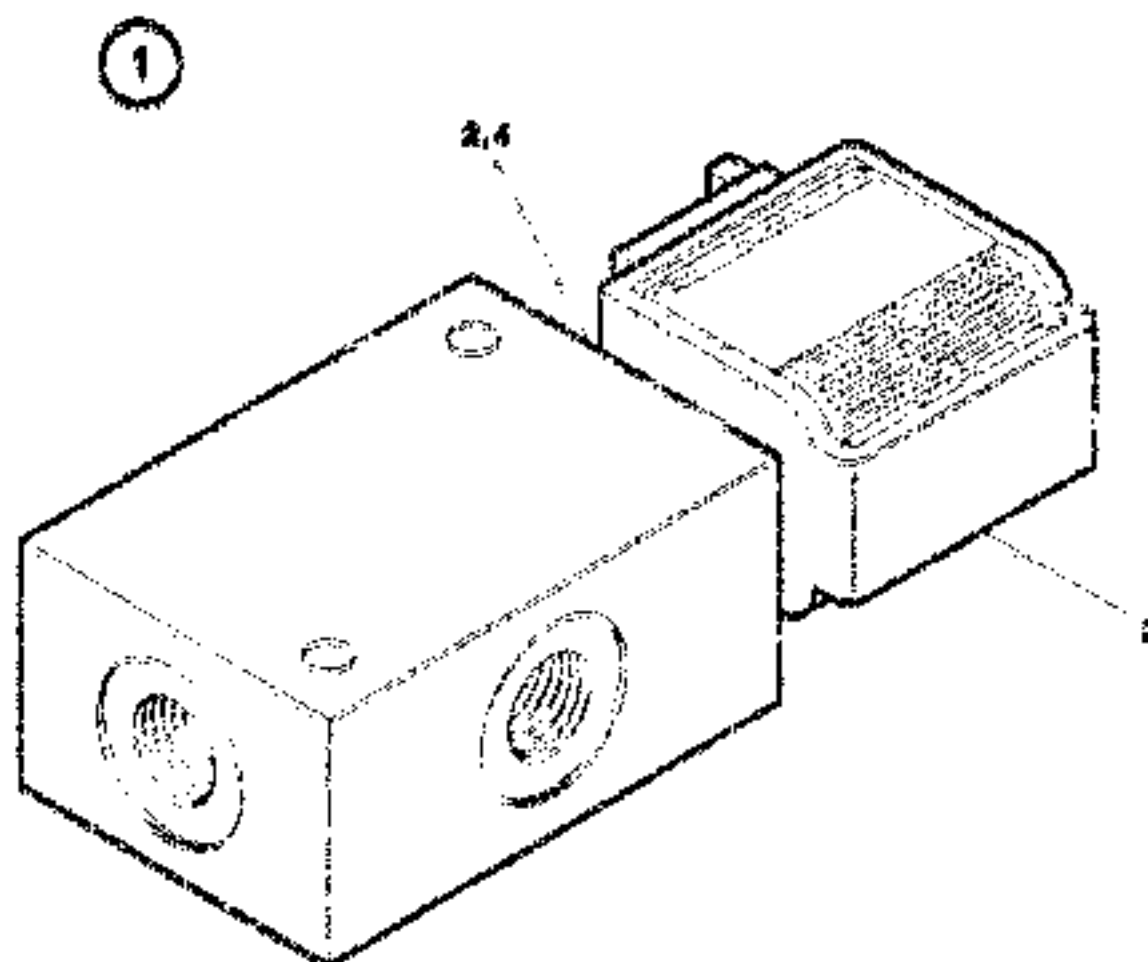
DWG EST. 8984.1

				23.232	
				T 1898158 - 002	
				B 1898158 - 010	
				FX800 / 106101 - 00000	
Item	Quan.	MR	Part No.	Description	
001	1	00	73171261	VALVE	
002	1	00	73170884	SOLENOID VALVE	
003	1	00	73171282	SET OF PIST. RINGS	
004	2	00	73170488	O-RING	




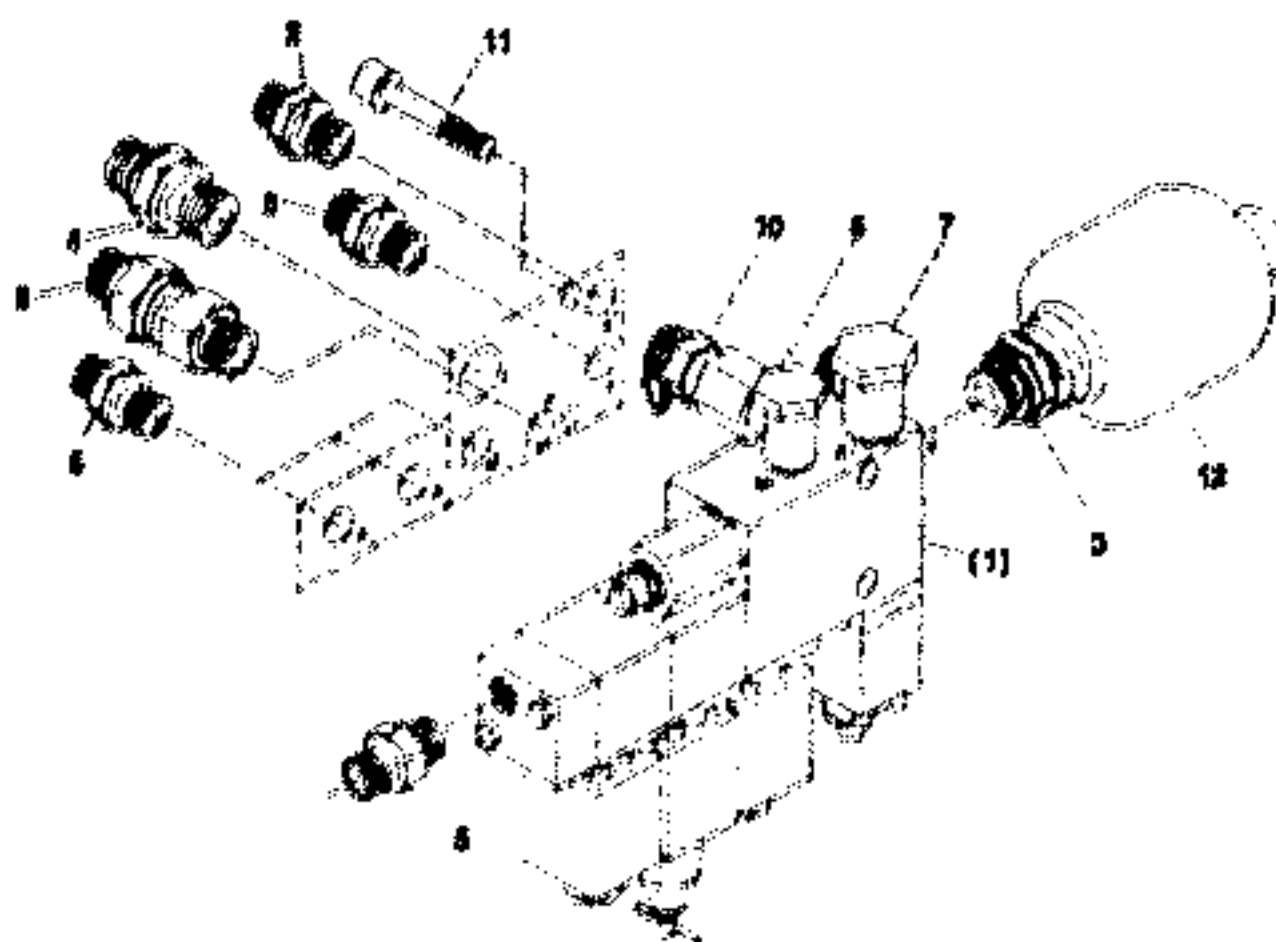
23.232.012

Item	Quan.	ME	Part No	Description
001	1	00	73171263	VALVE
002	1	00	73170664	SOLENOID VALVE
008	1	00	73171264	SOLENOID COIL
009	1	00	73171265	PIPE
013	2	00	73170499	O-RING
014	2	00	73171266	O-RING
016	1	00	73171267	O-RING
018	1	00	73171268	O-RING
017	1	00	73171269	ROUND SEALING RING
018	1	00	73171260	O-RING
019	1	00	73171261	O-RING



2-465 230-000

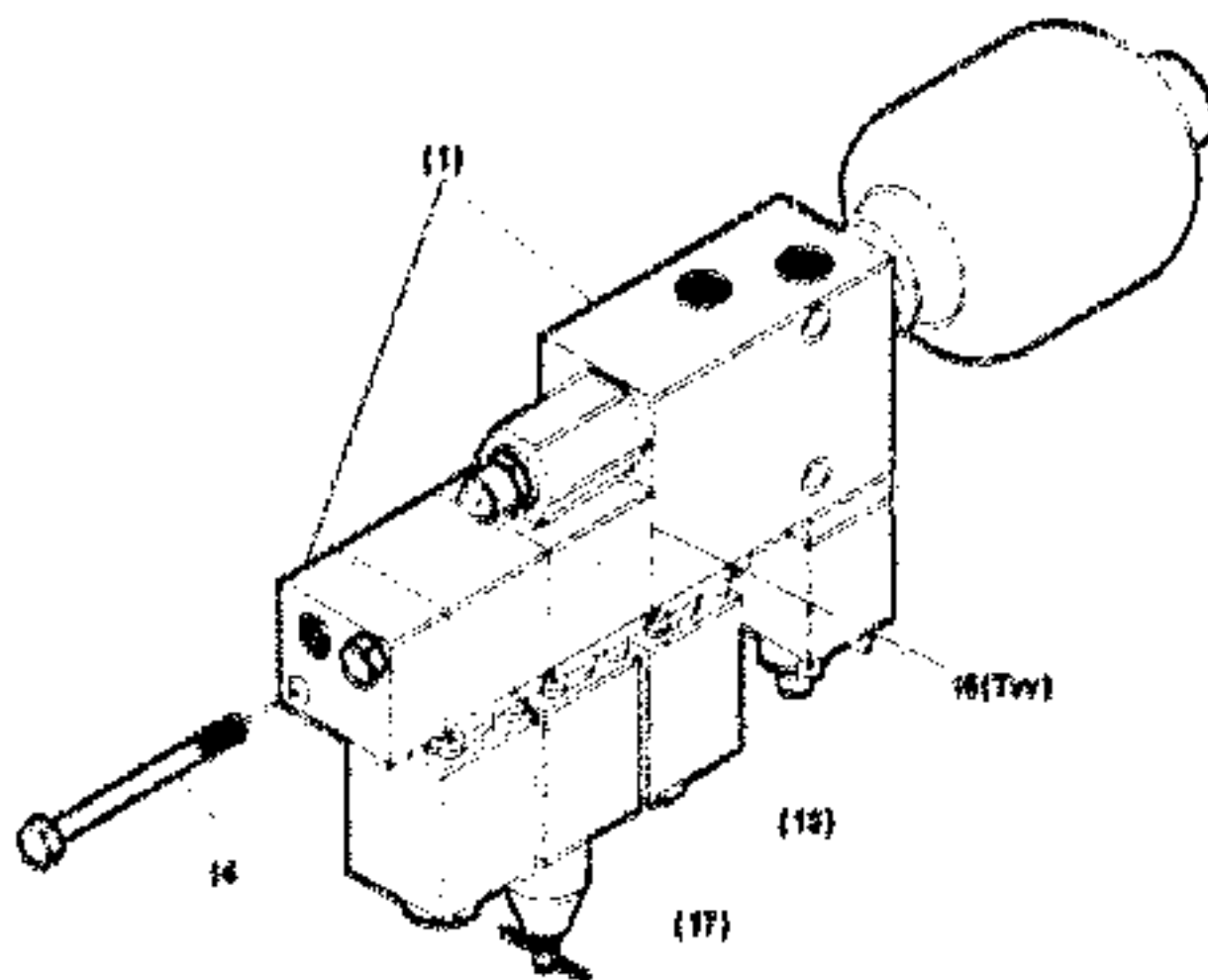
				23.232
				
<b>SOLENOID VALVE</b>				
FD500 / 105101				T 2495293 - 000 B 2495293 - 010
Item	Quan.	MC	Part No.	Description
001	1	00	73170850	CONTROL BLOCK
002	1	00	73170851	SOLENOID VALVE
003	1	00	73170802	MAGNET
004	1	00	73170803	SET OF PIST. RINGS



DRAWING SCALE: 1:1

				23.240
				T 2783334 - 000
				B 2783334 - 010
				170502 - 1081/01
Item	Quant.	MR	Part No.	Description
001	1	00		23.240 2783333 VALVE INTERCONN. MOUNTING PARTS
002	1	00	73170286	SOCKET
003	1	00	73170462	SOCKET
004	1	00	73170463	SOCKET
006	5	00	73170610	SOCKET
006	1	00	73171893	TUBE FITTING
007	1	00	73171897	WING FIXTURE
008	1	00	73170816	CHECK VALVE
010	1	00	73170466	TUBE FITTING
011	2	00	73170467	GYL-HEAD SCREW
012	1	00	73170468	RESERVOIR

OWNER'S COPY



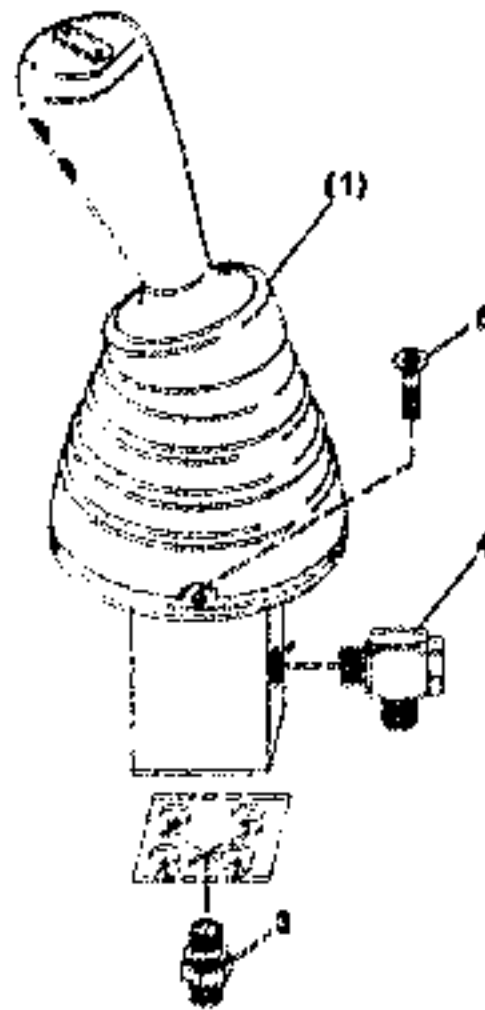
**VALVE INTERCONN. MOUNTING PARTS**

23.241

EX800 / 108101 / ...

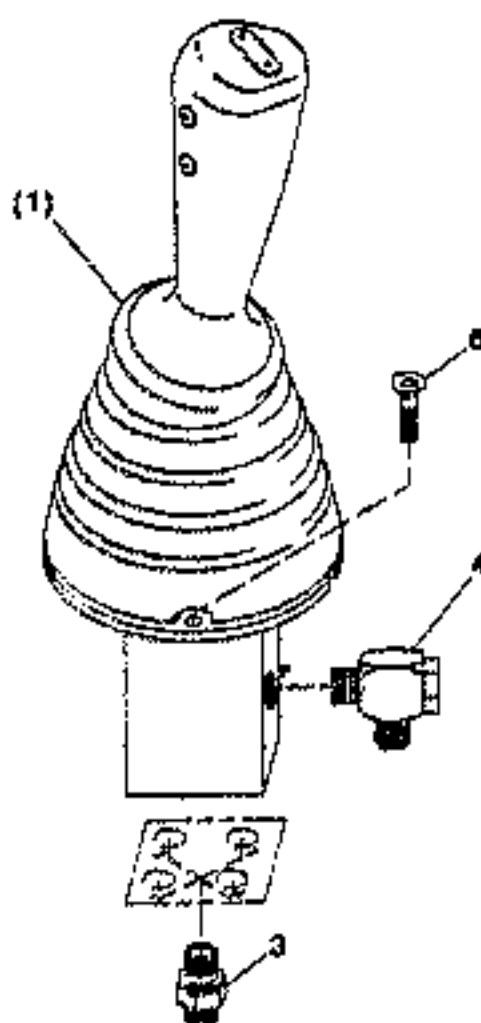
 Y 2782433 - 001  
 B 2783333 - 010

AMP	Quan.	MR	Part No.	Description
001	1	00		23.242 2783078 VALVE INTERCONN.
013	1	00		23.238 2245996 SOLENOID VALVE
014	2	00	73170416	HEXAGON BOLT
016	1	00	73170416	NUT
017	1	00		23.232 1996100 EXTENSION VALVE



2-488 5-88 DWD

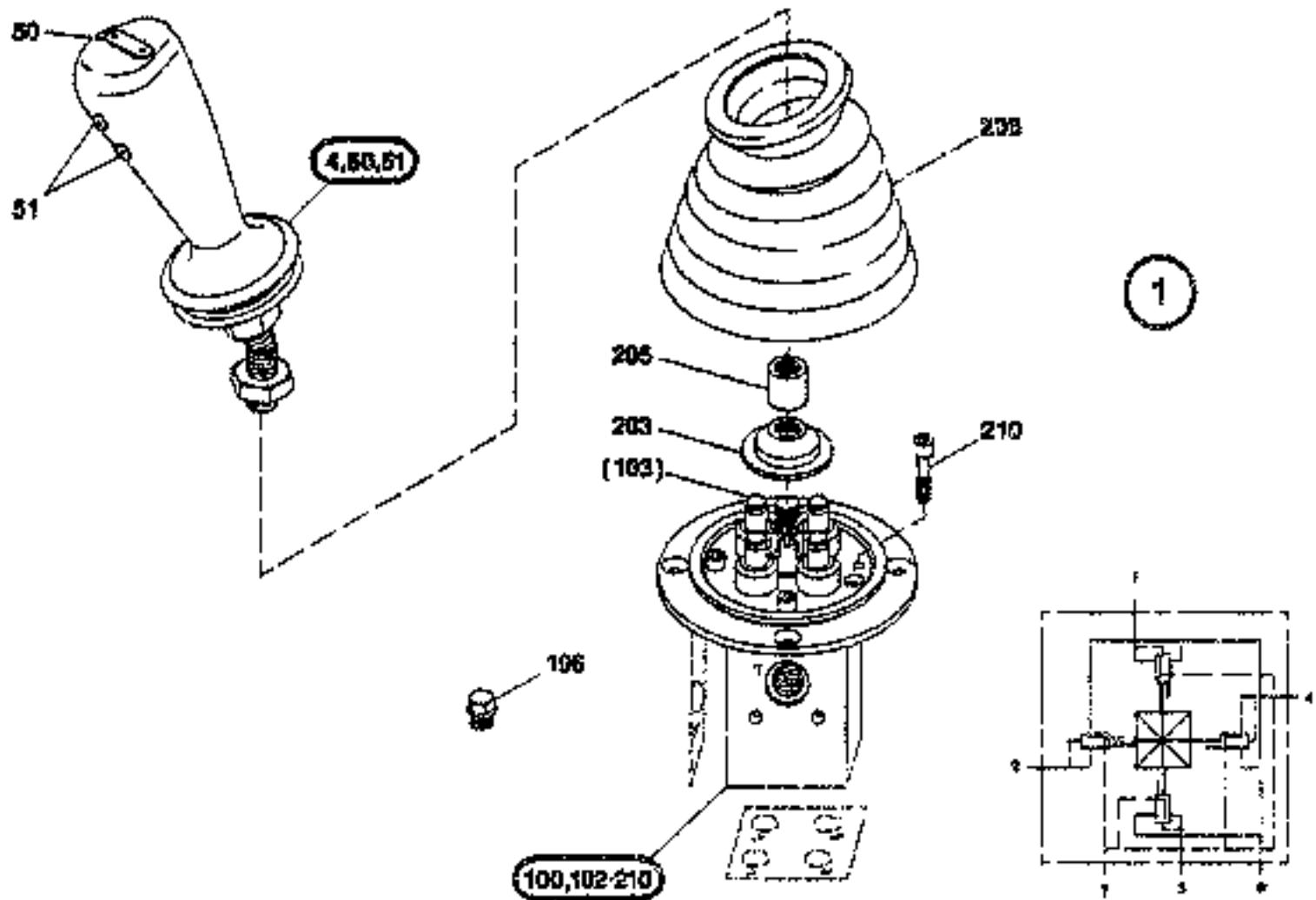
				23.270
				T 2496589 - 002 B 2496589 - 010
SERVO VALVE INSTALL.MATERIAL				
FX800 / 105101 - .....				
Item	Quan.	ME	Part No.	Description
001	1	00		23.271 2496589 SERVO VALVE MOUNTING PARTS
003	4	00	73170380	SOCKET
004	2	00	73170868	SWING FIXTURE
006	4	00	73171233	COUNTER-SUNK SCREW



2 496 571 010

SERVO VALVE INSTALL.MATERIAL					23.270
FX600 / 108101 - .....					Y 2496571 - 002 B 2496571 - 010
Item	Quan.	ME	Part No.	Description	
001	1	00		23.271 2782654 SERVO VALVE MOUNTING PARTS	
003	4	00	73170380	SOCKET	
004	2	00	73170658	SWING FIXTURE	
006	4	00	73171233	CONTER-SUNK SCREW	





2 496 568 011



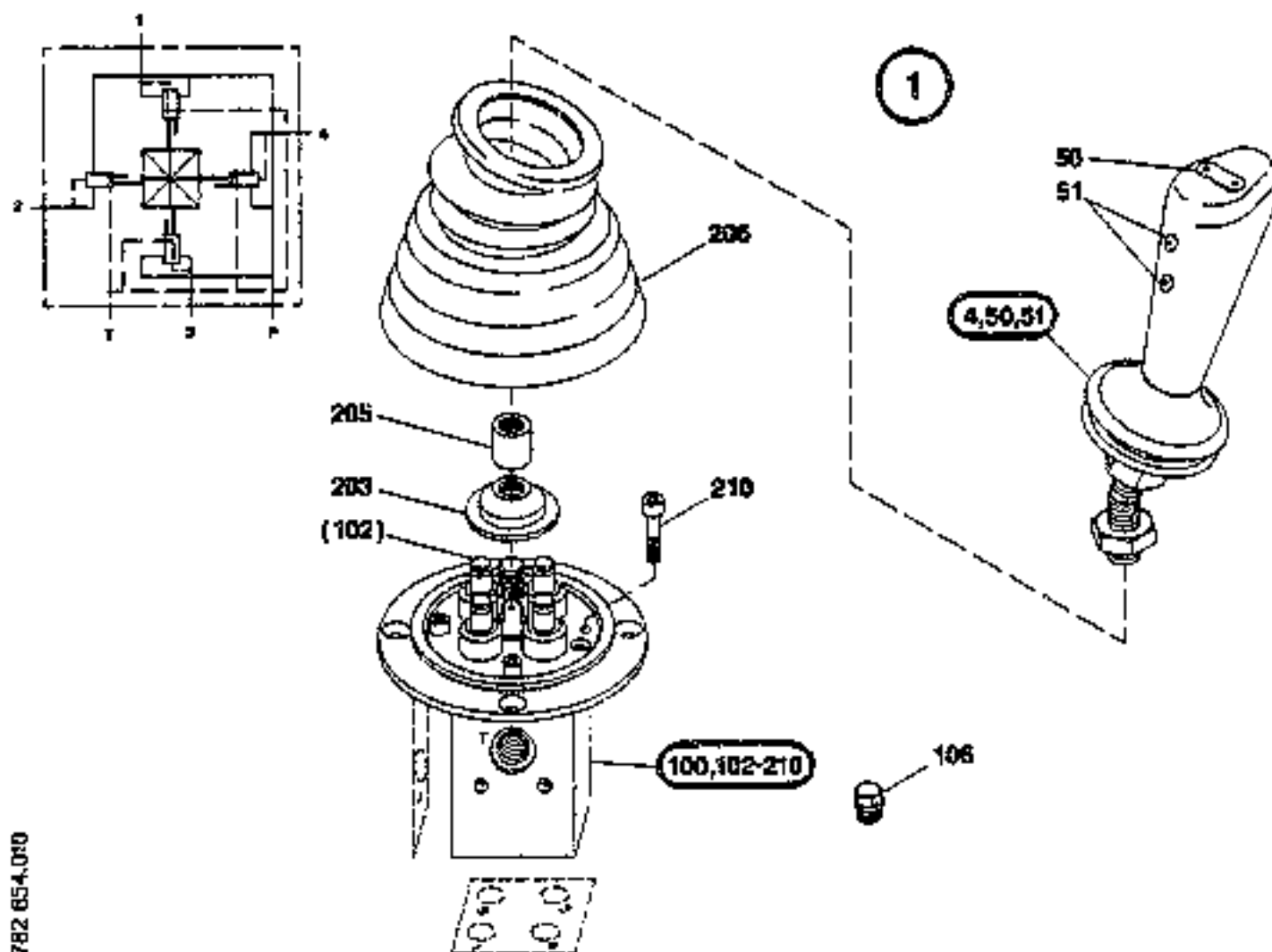
## SERVO VALVE MOUNTING PARTS

23.271


FX600 / 106101 - .....

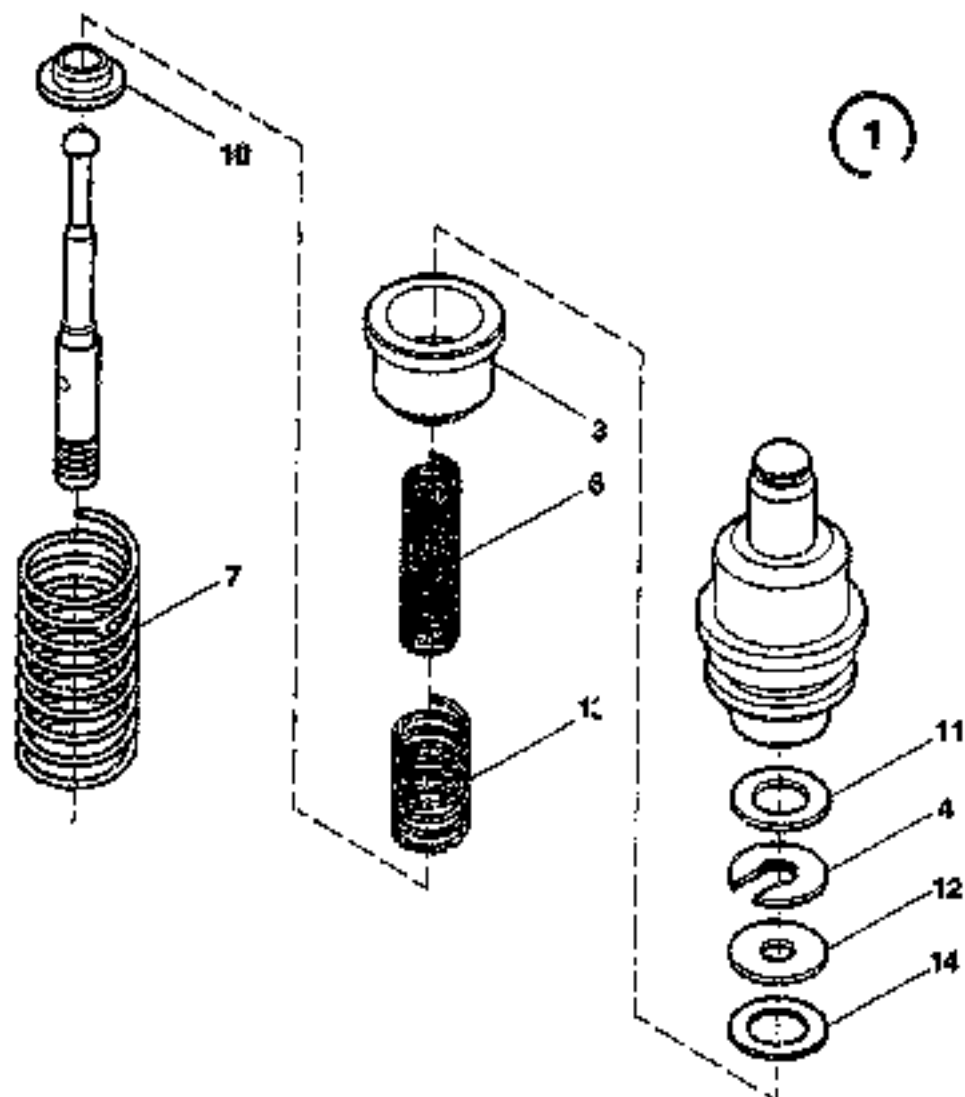
T 2496568 - 002  
E 2496568 - 011

Item	Quan.	ME	Part No.	Description
001	1	00	73171336	SERVO VALVE
004	1	00	73176032	HANDLE
050	1	00	73176033	RUBBER CAP
051	1	00	73176034	RUBBER CAP
100	1	00	73176178	VALVE BODY
103	4	00		23.272 2496570 SERVO VALVE
106	1	00	73176035	SCREW PLUG
203	1	00	73176036	SWITCH
205	1	00	73176037	EXTENSION
206	1	00	73176038	BELLOWS
210	1	00	73176039	CYL.HEAD SCREW



2 782 654 010

				23.271
				T 2782654 - 001
				B 2782654 - 010
 <b>SERVO VALVE MOUNTING PARTS</b>				
FX500 / 106101 - .....				
Item	Quan.	ME	Part No.	Description
001	1	00	73171337	SERVO VALVE
004	1	00	73176040	HANDLE
050	1	00	73176033	RUBBER CAP
051	2	00	73176034	RUBBER CAP
100	1	00	73176176	VALVE BODY
102	4	00	23.272 2486670	SERVO VALVE
106	1	00	73176036	SCREW PLUG
203	1	00	73176038	SWITCH
205	1	00	73176037	EXTENSION
206	1	00	73176038	BELLOWS
210	1	00	73176039	CYL.HEAD SCREW



2 485 570 010



## SERVO VALVE

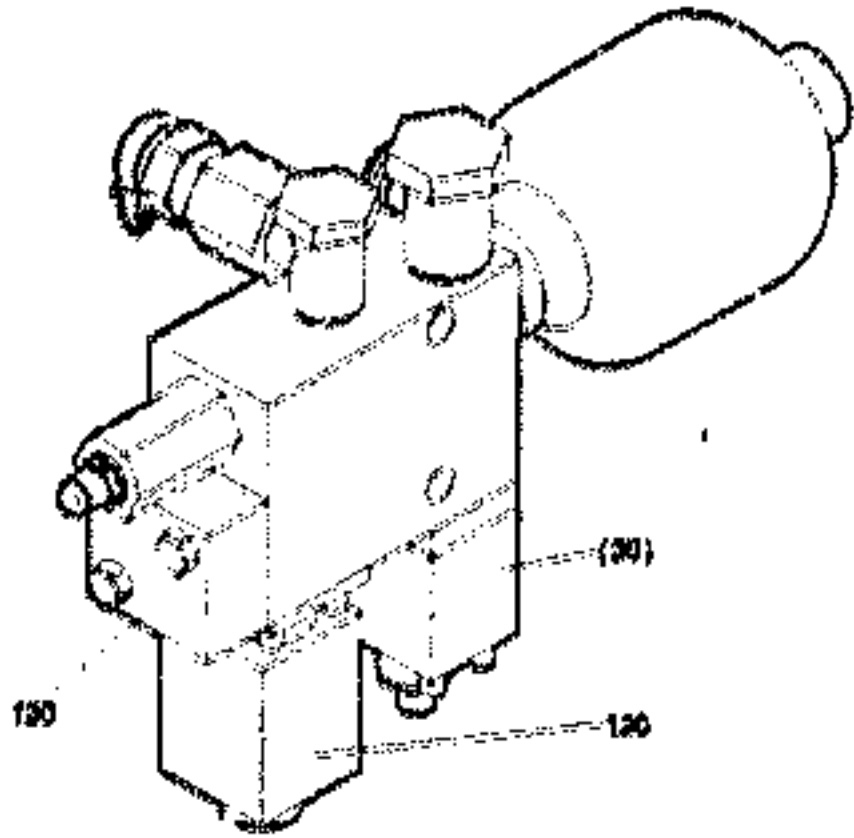
23.272

FX600 / 106101 - .....

T 2498570 - 001  
B 2498570 - 010

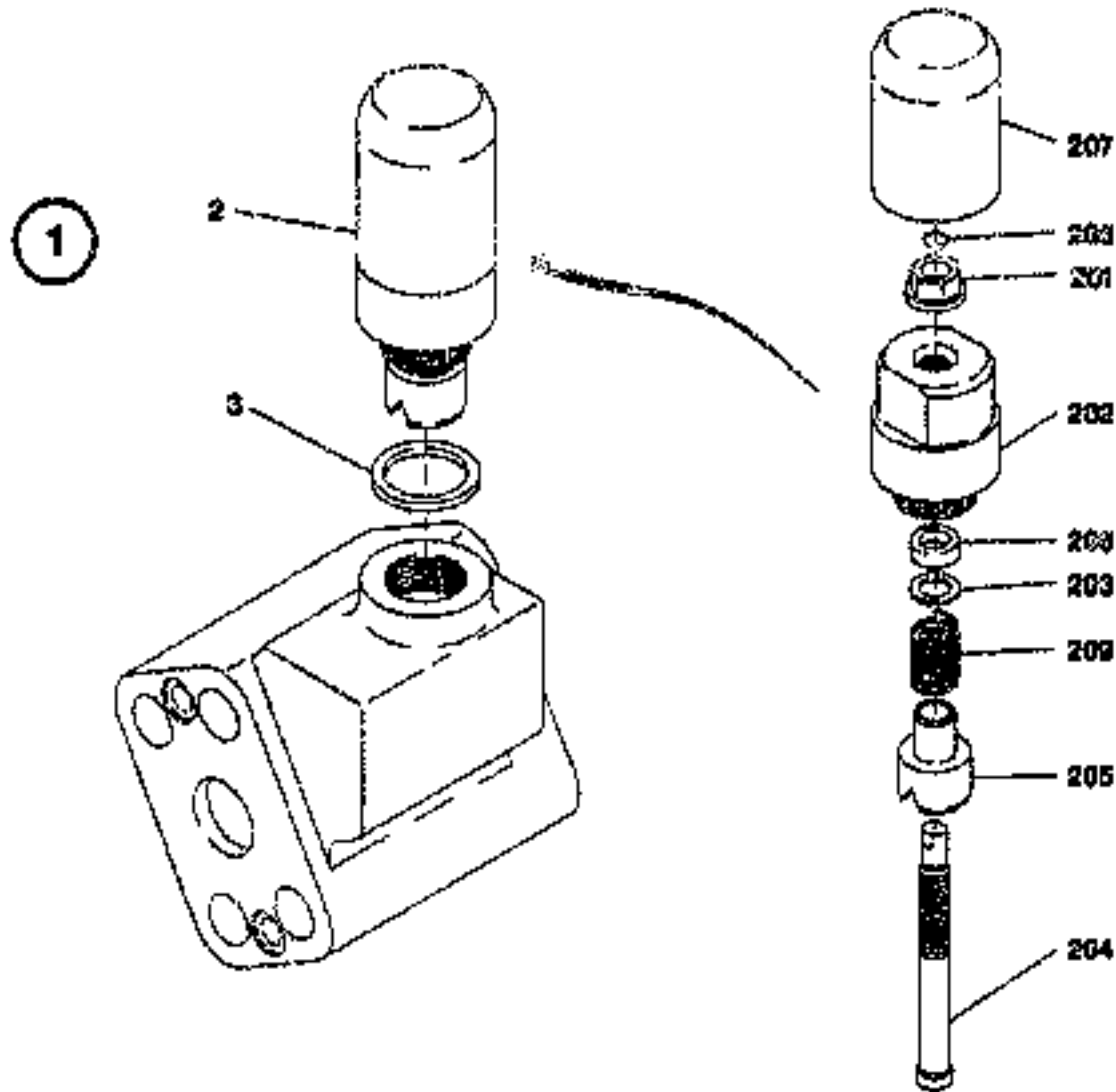
Item	Quan.	ME	Part No.	Description
001	1	00	73176041	VALVE INSERT
003	1	00	73176042	STOP BUSH
004	1	00	73176043	DISK/WASHER
006	1	00	73176044	SPRING
007	1	00	73176045	SPRING
010	1	00	73176046	SPRING SEAT
011	1	00	73176047	DISK/WASHER
012	1	00	73176048	DISK/WASHER
013	1	00	73176049	SPRING
014	1	00	73176050	SHIM RING

ME: 00 = Stück/piece 13 = m 25 = m<sup>2</sup> 38 = m<sup>2</sup> 43 = kg 50 = l (litre)



27401525 2007

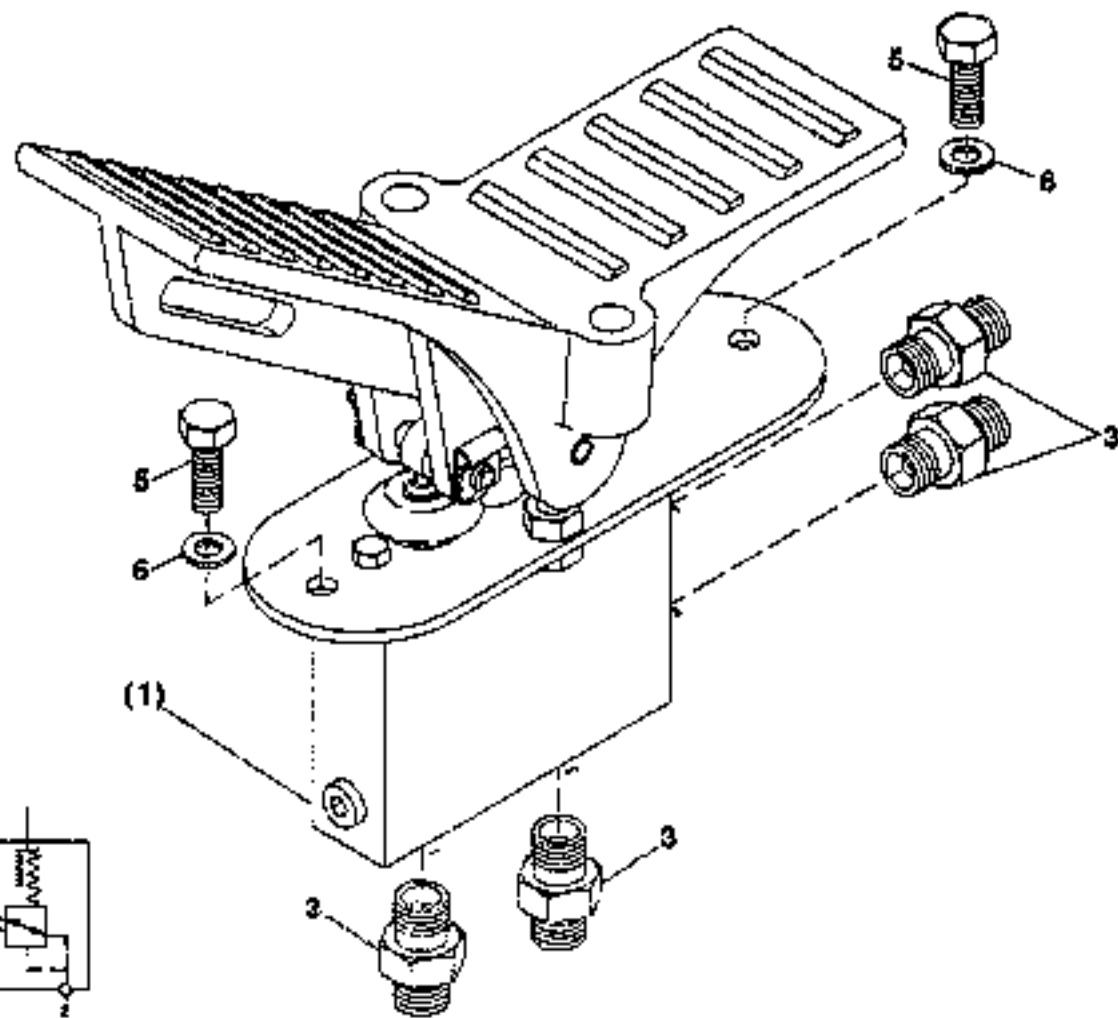
				23.242
VALVE INTERCONN.				
FX400 - 108101 - 0000				T 2783876 - 000 B 2783876 - 000
Item	Quan.	MS	Part No.	Description
001	1	00	7317633	CONTROL SYSTEM
030	1	00		23.512 2210023 PROPORTIONAL VALVE
120	1	00	7317084	SOLENOID VALVE
130	1	00	7317086	PLATE



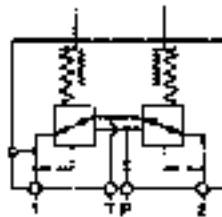
2 495 870 010

				23.152
				T 2495870 - 000
				E 2495870 - 010
<b>CHECK VALVE</b>				
FX600 / 106101 - .....				
Item	Quan.	ME	Part No.	Description
001	1	00	73170540	ONE-WAY RESTRICTOR
002	1	00	73170541	VALVE
003	1	00	73170327	SEALING RING
201	1	00	73170542	SEALING NUT
202	1	00	73170544	VALVE BODY
203	1	00	73170545	DISK/WASHER
204	1	00	73170546	SCREW
205	1	00	73170547	INSERT
206	1	00	73170548	SNAP RING
207	1	00	73170549	CAP
208	1	00	73170550	GROOVED RING
209	1	00	73170551	SPRING

23.290



2 496 573 010



23.290

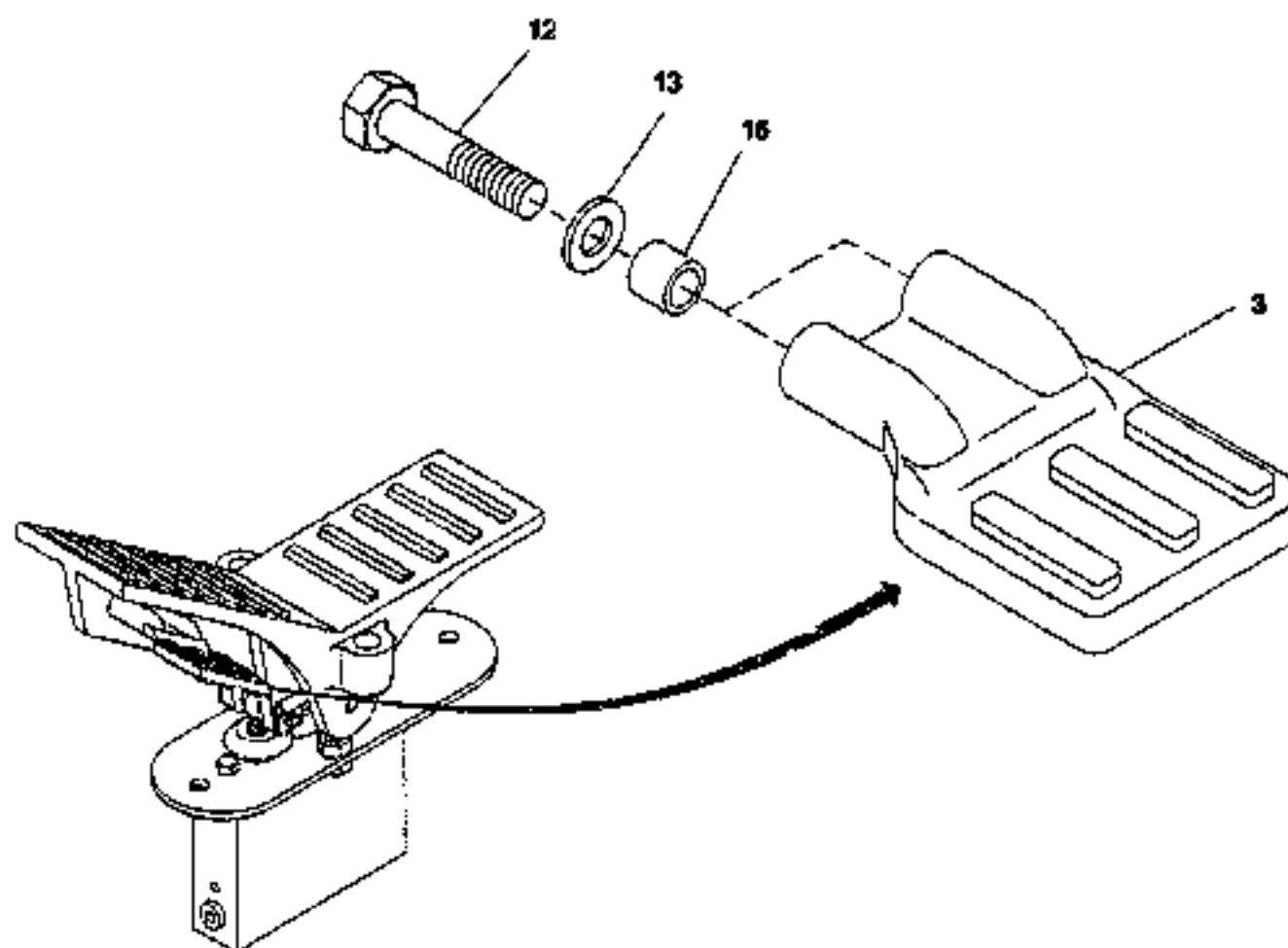


TREADLE VALVE INSTALL.MATERIAL

FX500 / 106101 - .....

T 2496573 - 000  
B 2496573 - 010

Item	Quan.	ME	Part No.	Description
001	1	00		23.282 2496572 TREADLE VALVE
003	4	00	73170380	SOCKET
005	2	00	73170205	HEXAGON BOLT
006	2	00	73170160	DISK/WASHER



2 444 789 010



## TREADLE VALVE MOUNTING PARTS

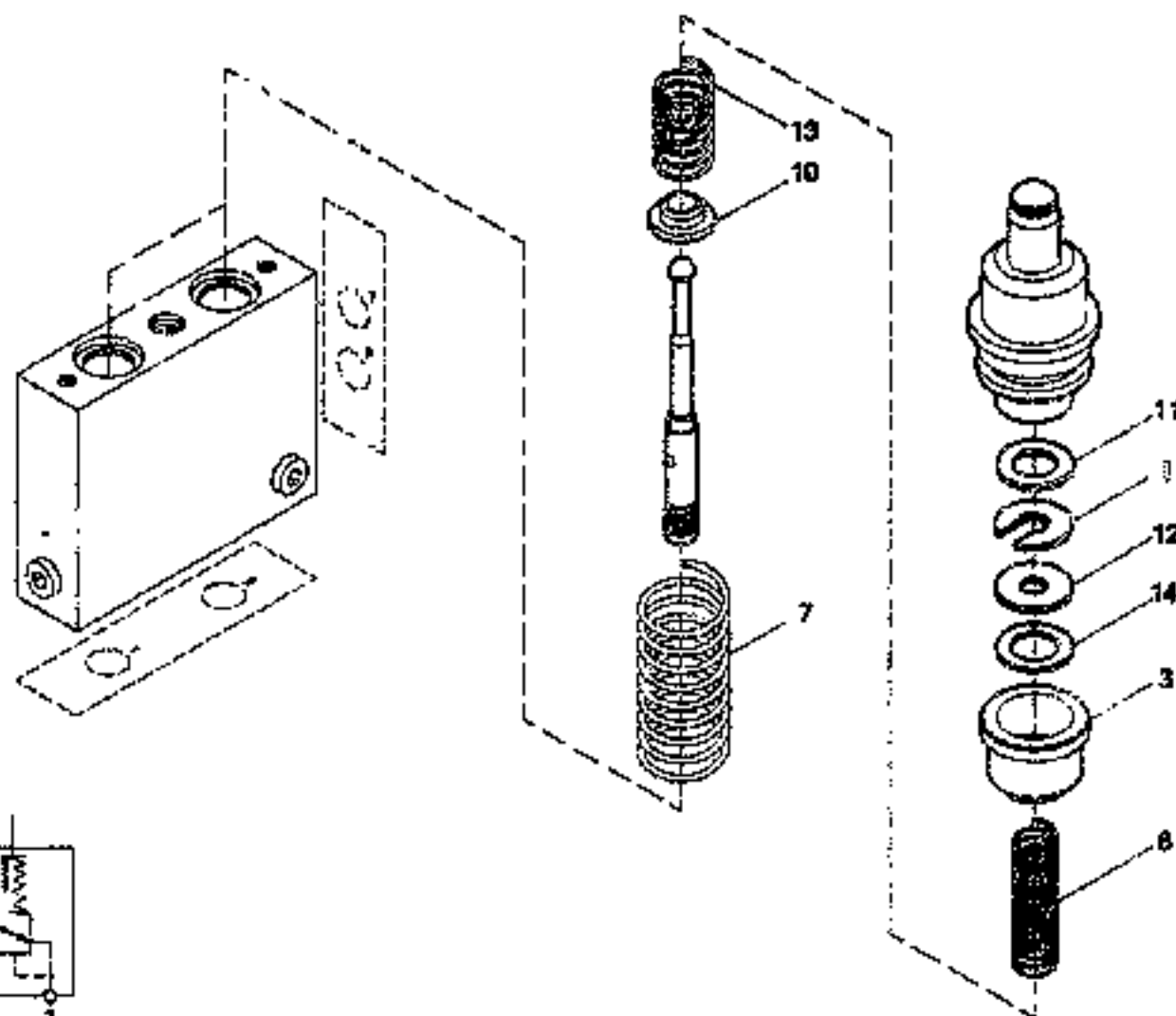
23.291

FX600 / 106101 - .....

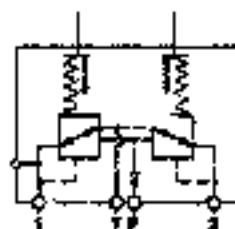
T 2444789 - 000  
B 2444789 - 010

Item	Quan.	ME	Part No.	Description
003	1	00	73171324	PEDAL
012	2	00	73170176	HEXAGON BOLT
013	2	00	73170212	DISKWASHER
016	2	00	73171326	BUSHING

1



2 712 655.011



## TREADLE VALVE

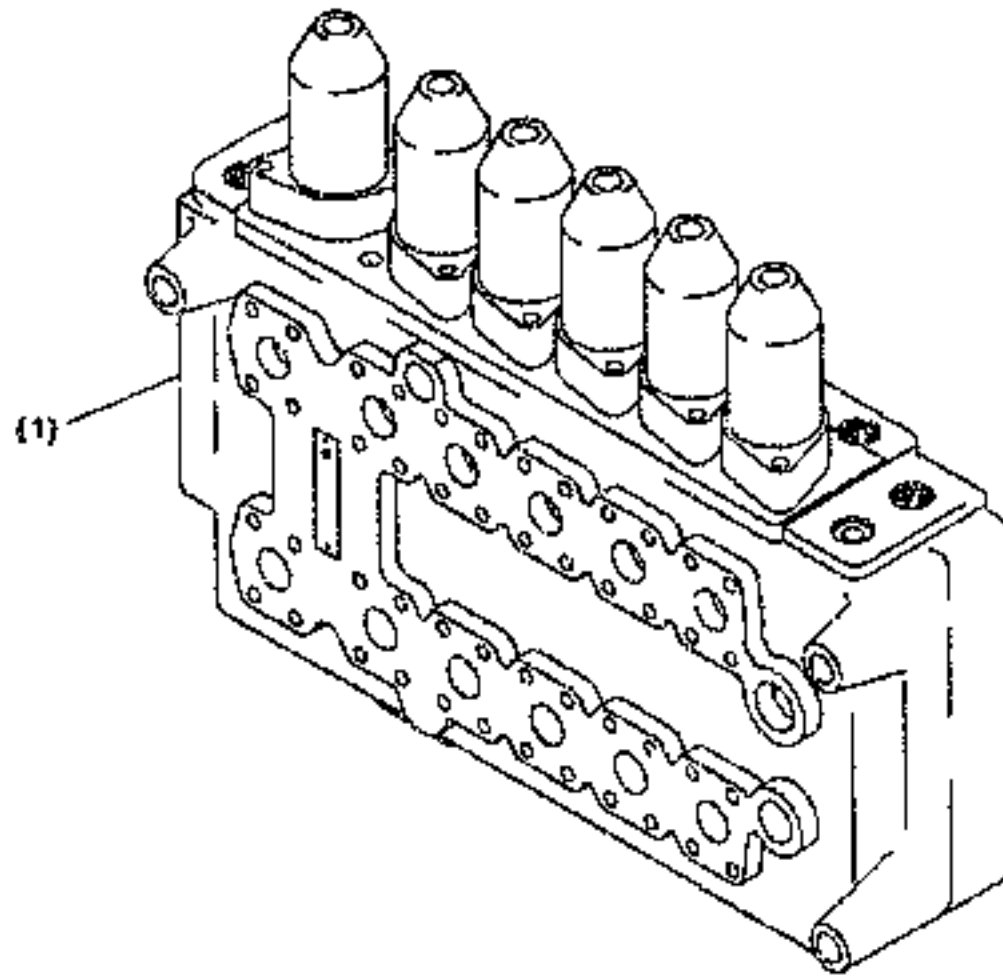
23.292

FX500 / 105101 - .....

T 2782055 - 001  
B 2782655 - 011

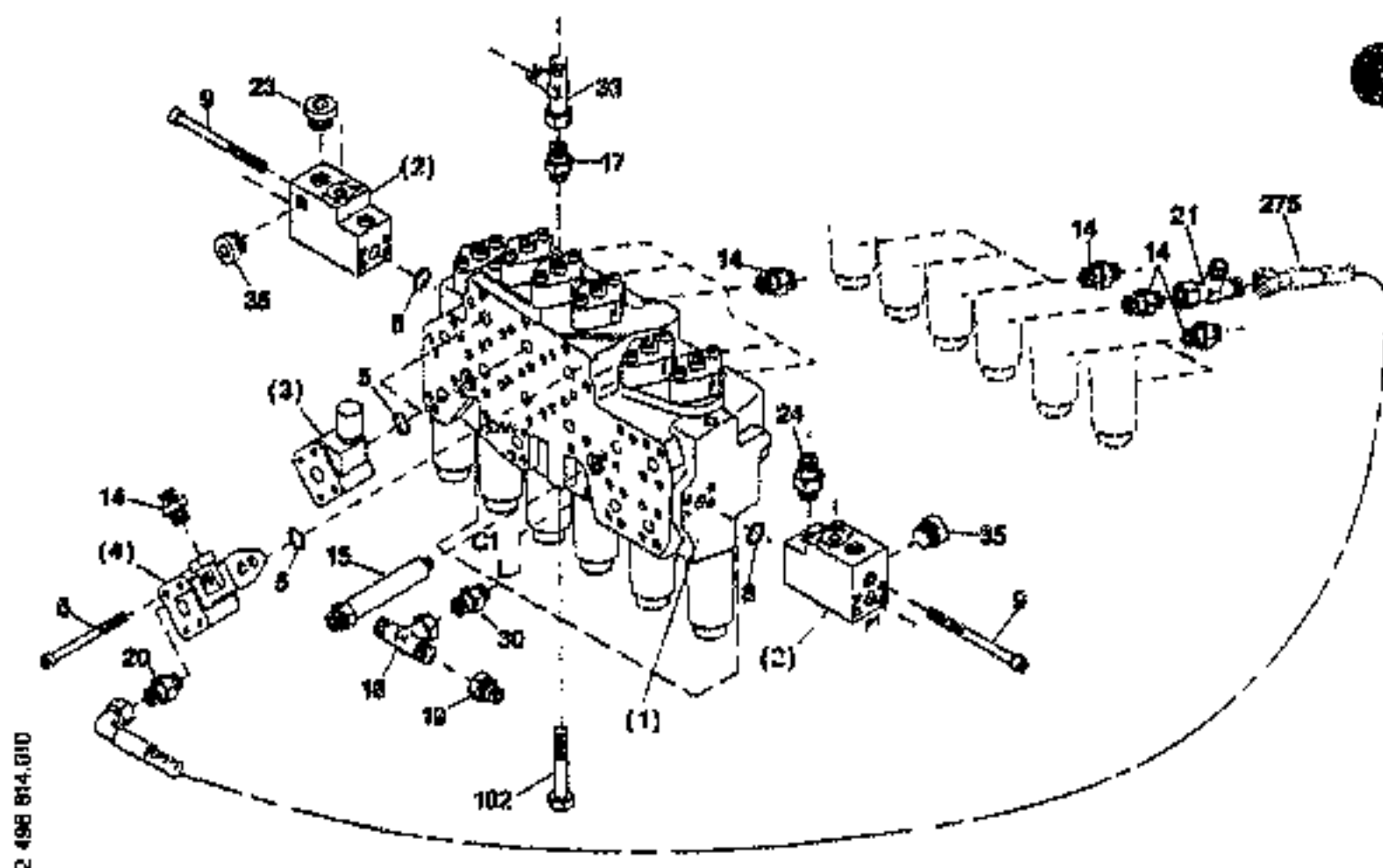
Item	Quant.	ME	Part No.	Description
001	1	00	73176039	VALVE INSERT
004	1	00	73176042	STOP BUSH
004	1	00	73176043	DISK/WASHER
005	1	00	73176044	SPRING
007	1	00	73176050	SPRING
010	1	00	73176046	SPRING SEAT
011	1	00	73176047	DISK/WASHER
012	1	00	73176048	DISK/WASHER
013	1	00	73176049	SPRING
014	1	00	73176050	SHIM RING





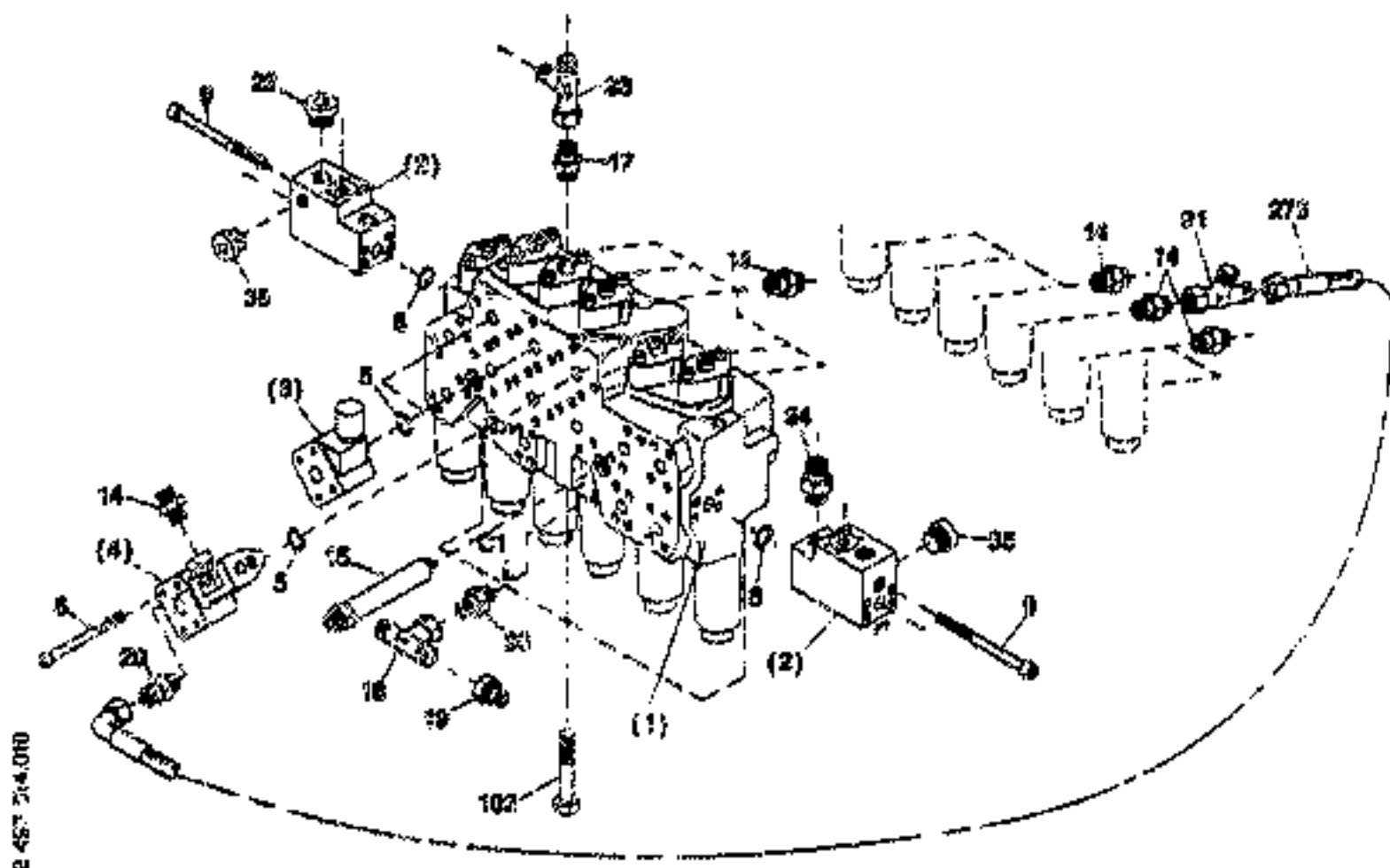
2 444 673 010

				23.610
				T 2444573 - 000 B 2444573 - 010
				FX800 / 108101 - .....
Item	Quan.	ME	Part No.	Description
001	1	00		23.611 2248584 CONTROL BLOCK MOUNTING PARTS



2 498 814.010

			<b>CONTROL BLOCK INSTALL.MATERIAL</b>		23.810
			FX600 / 108101 - .....		T 2498814 - 000 B 2498814 - 010
Item	Quan.	ME	Part No.	Description	
001	1	00		23.811 2203063 CONTROL BLOCK MOUNTING PARTS	
002	2	00		22.400 1706498 DISTRIBUTOR INSTALL.MATERIAL	
003	2	00		23.152 2498070 CHECK VALVE	
004	1	00		23.122 1592256 BLOCKING VALVE	
005	2	00	73170348	SEALING RING	
006	2	00	73170504	CYL.HEAD SCREW	
008	2	00	73170327	SEALING RING	
009	4	00	73170506	CYL.HEAD SCREW	
014	13	00	73170208	SOCKET	
016	1	00	73170508	NIPPLE	
017	1	00	73170609	SOCKET	
018	1	00	73170473	SOCKET	



## CONTROL BLOCK INSTALL MATERIAL

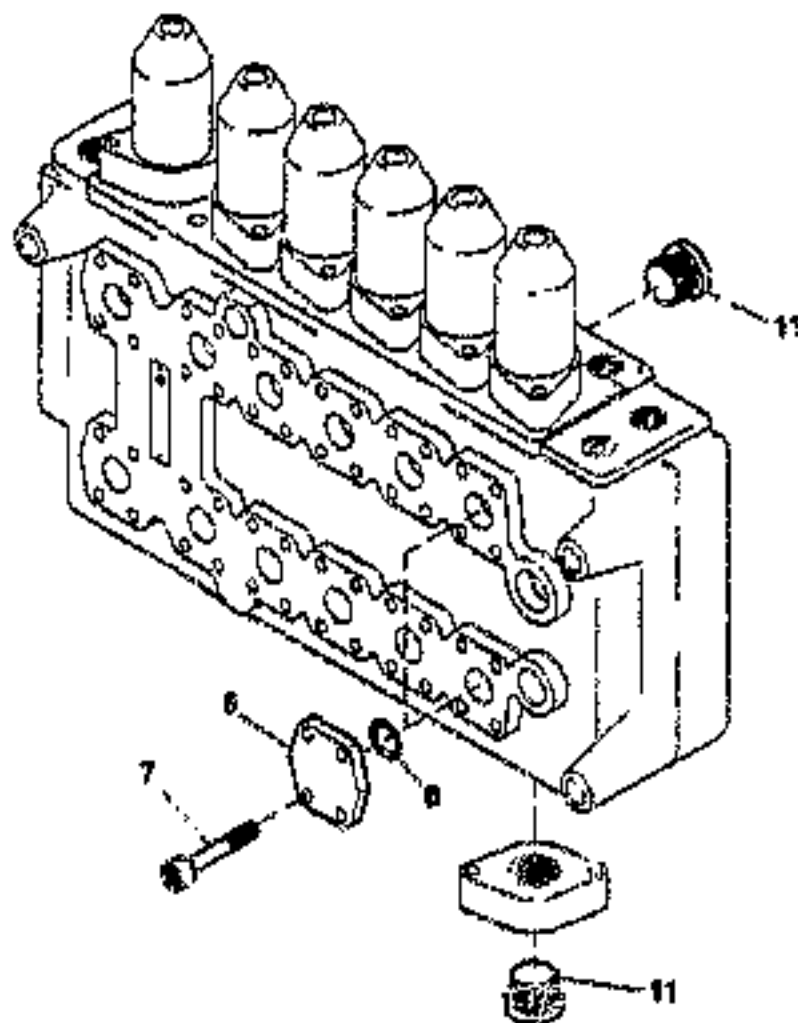
23.610

FX800 / 108101 - .....


T 2498614 - 000

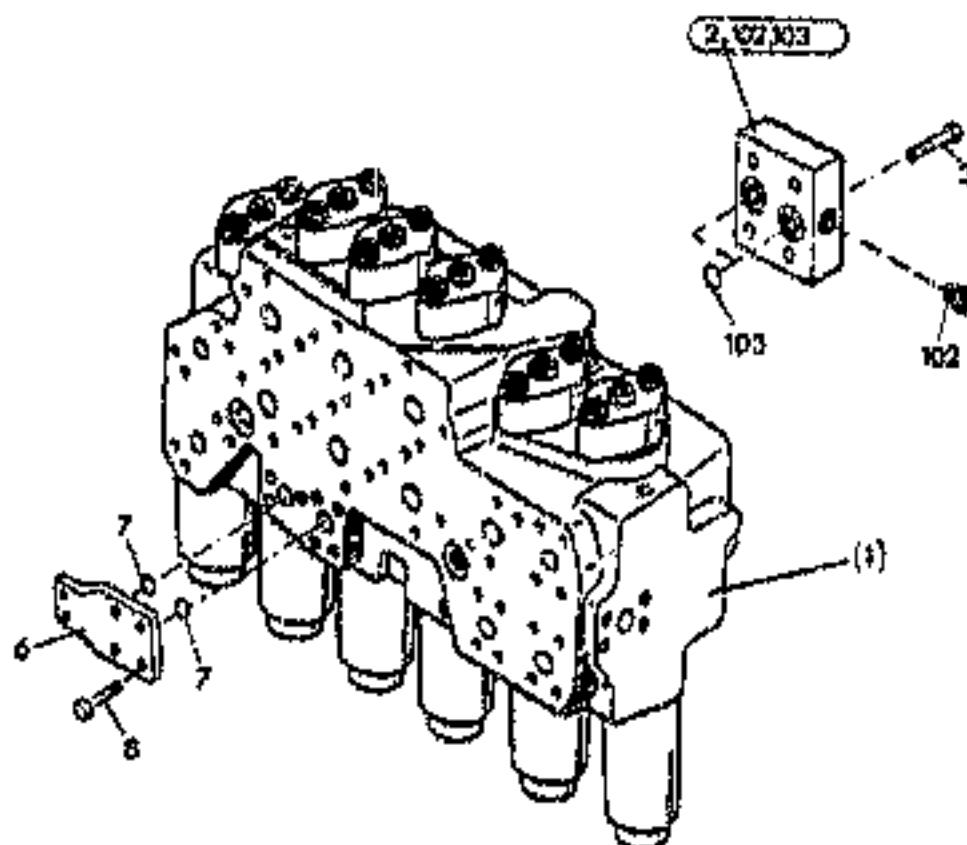
B 2498614 - 010

Item	Quant.	ME	Part No.	Description
019	1	00	73170467	SCREWING
020	1	00	73170510	SOCKET
021	1	00	73170382	SOCKET
023	1	00	73170481	SCREW PLUG
024	1	00	73170414	SOCKET
030	1	00	73170200	SOCKET
033	1	00	73170511	SOCKET
035	2	00	73170301	SCREW PLUG
102	3	00	73170512	HEXAGON BOLT
276	1	00	73170512	HOSE

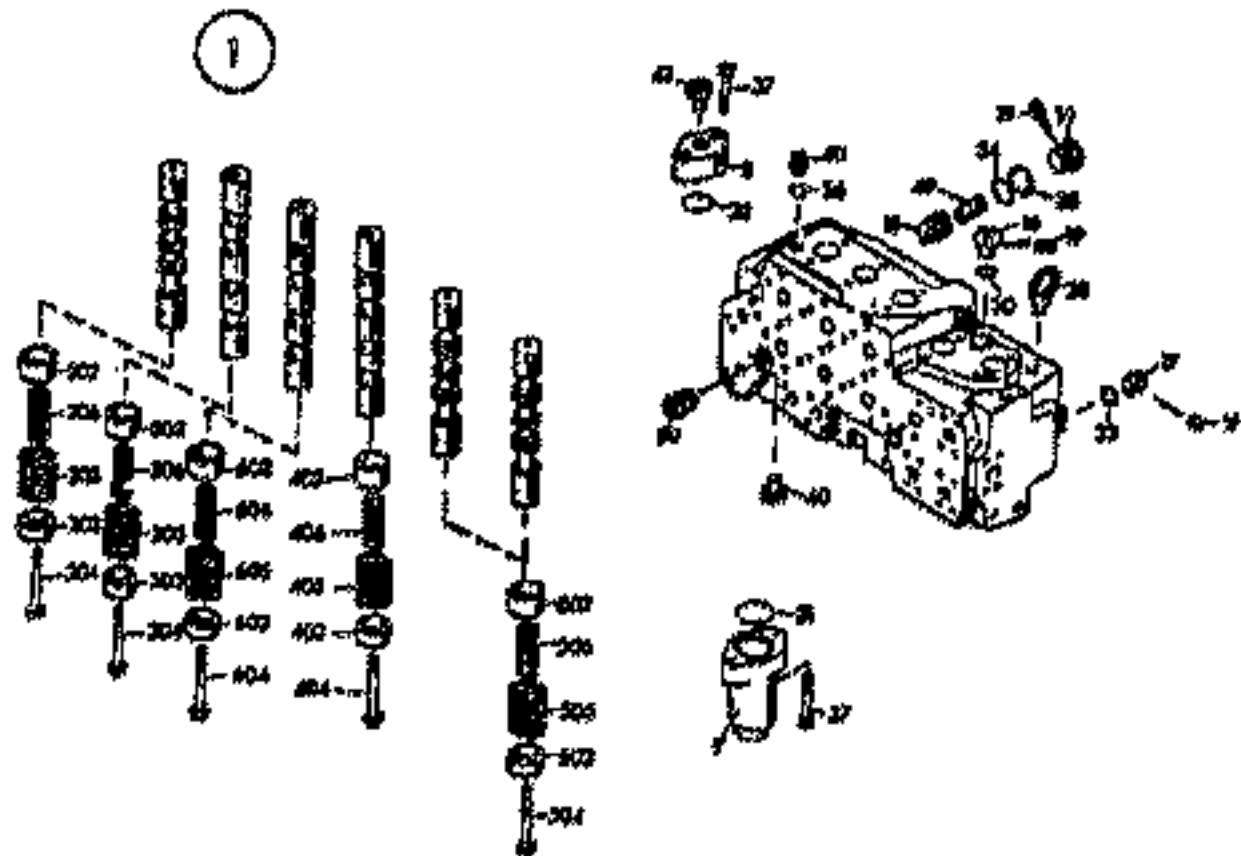


2 249 534 010

				23.811
 <b>CONTROL BLOCK MOUNTING PARTS</b>				T 2248584 - 001 B 2248584 - 010
FX800 / 106101 - .....				
Item	Quan.	ME	Part No.	Description
006	2	00	73170526	OVAL FLANGE
007	8	00	73170328	12-POINT SCREW
008	2	00	73170327	SEALING RING
011	2	00	73170255	NIPPLE

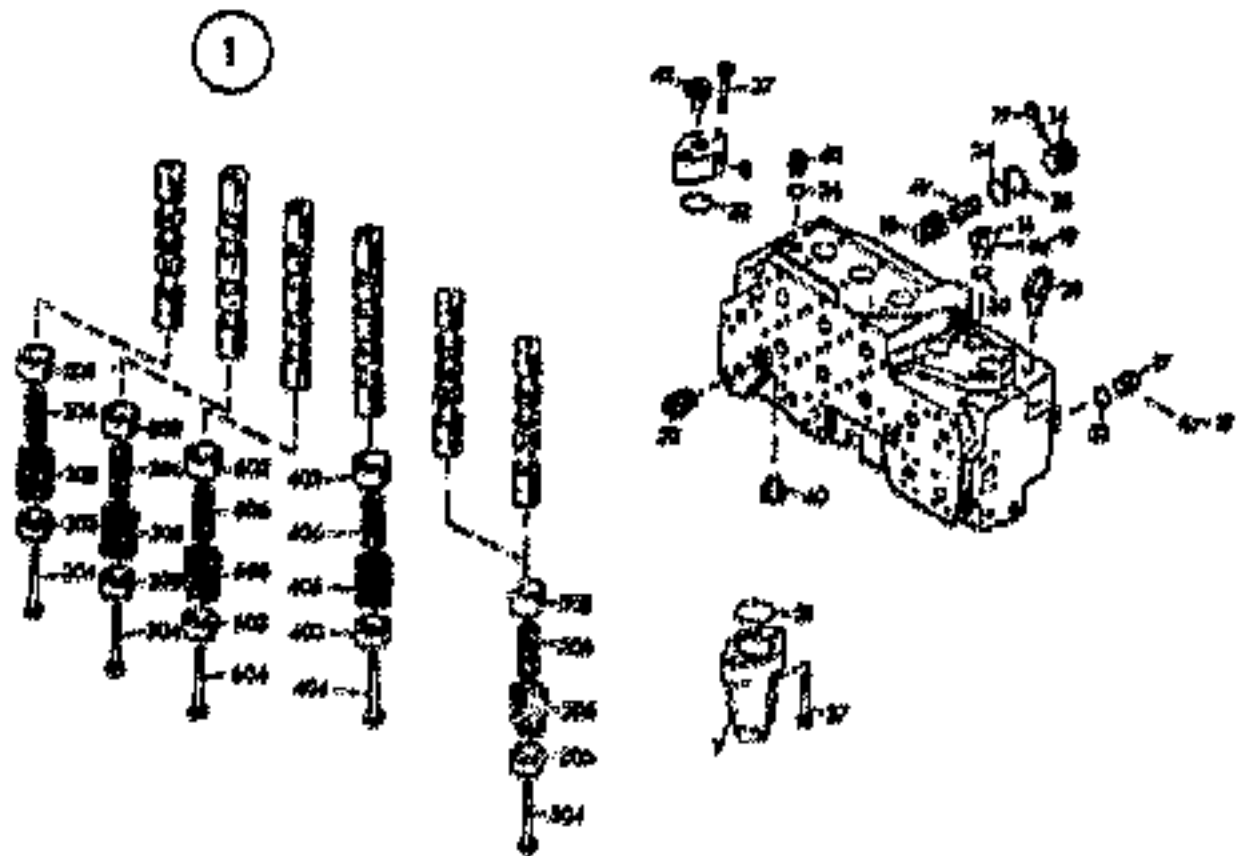


				23.611	
				T 2283013 - 001	
				B 2283013 - 010	
CONTROL BLOCK MOUNTING PARTS					
FX600 / 108101 - .....					
Item	Quan.	ME	Part No.	Description	
001	1	00		23.612	2283004 CONTROL BLOCK
002	1	00	73170527		PLATE
003	4	00	73170528		HEXAGON BOLT
006	1	00	73170529		PLATE
007	2	00	73170327		SEALING RING
008	6	00	73170530		HEXAGON BOLT
102	1	00	73170532		SCREW PLUG
103	2	00	73170348		SEALING RING



2 283 051 010

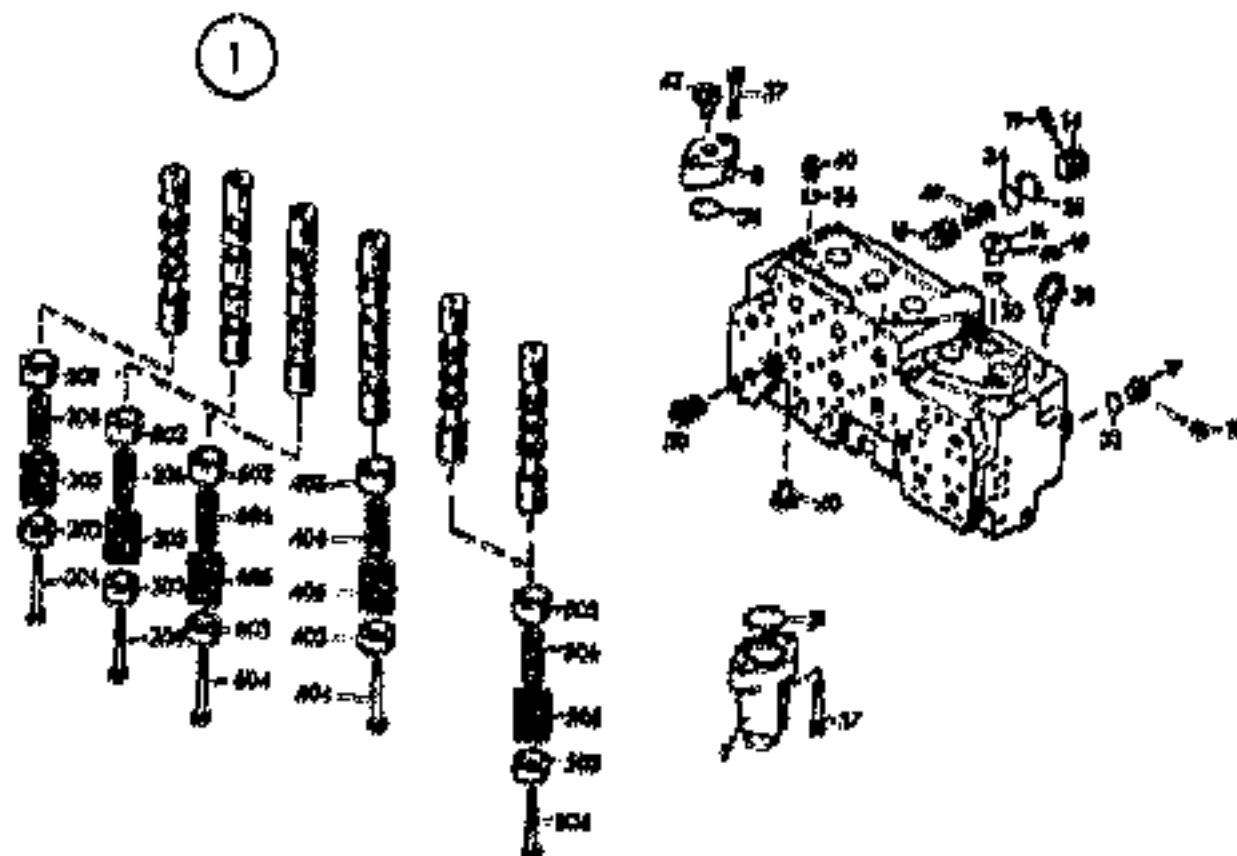
				23.612	
				T 2283064 - 001 B 2283064 - 010	
				FX500 / 108101 - .....	
Item	Quan.	ME	Part No.	Description	
001	1	00	73170441	VALVE	
007	8	00	73170443	BONNET	
008	8	00	73170444	BONNET	
014	8	00	73170445	SCREW PLUG	
015	8	00	73170446	CONE	
018	1	00	73170447	SCREW PLUG	
017	8	00	73170448	SCREW PLUG	
019	18	00	73170449	SAFETY PIN	
030	1	00	73170450	O-RING	
031	8	00	73170451	O-RING	
032	8	00	73170453	O-RING	
033	8	00	73170454	SEALING RING	
034	8	00	73170455	O-RING	
035	8	00	73170456	BACK RING	
037	24	00	73170457	CYL. HEAD SCREW	
038	2	00	73170458	EYE BOLT	
040	2	00	73170459	SCREW PLUG	
042	8	00	73170051	SCREW PLUG	



2 283 084 030

				23.612
<b>CONTROL BLOCK</b>				
FX500 / 106101				T 2283084 - 001 B 2283084 - 010
Item	Quan.	MS	Part No.	Description
049	6	00	73170460	SPRING
050	1	00	73170461	SCREW PLUG
202	1	00	73170462	SPRING SEAT
203	1	00	73170463	SPRING SEAT
204	1	00	73170464	SCREW
205	1	00	73170465	SPRING
206	1	00	73170466	SPRING
302	1	00	73170462	SPRING SEAT
303	1	00	73170463	SPRING SEAT
304	1	00	73170464	SCREW
305	1	00	73170465	SPRING
306	1	00	73170466	SPRING
402	1	00	73170462	SPRING SEAT
403	1	00	73170463	SPRING SEAT
404	1	00	73170464	SCREW
405	1	00	73170465	SPRING
406	1	00	73170466	SPRING
602	2	00	73170462	SPRING SEAT

2 255 064 090

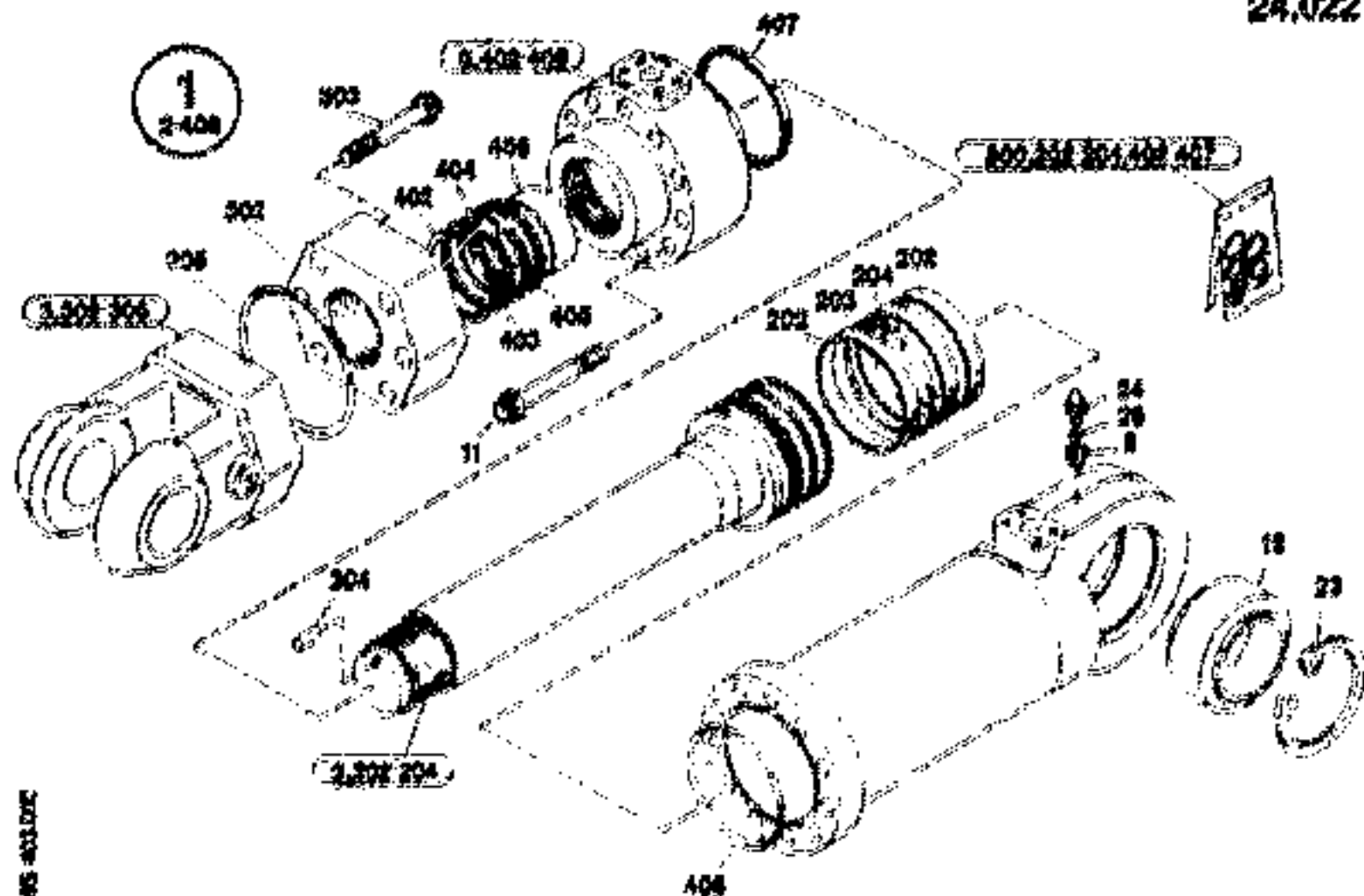


				23.012
<b>CONTROL BLOCK</b>				
FX500 / 106101 - 00000				T 2263064 - 001 B 2263064 - 010
Item	Quan.	ME	Part No.	Description
500	2	00	73170483	SPRING SEAT
504	2	00	73170484	SCREW
505	2	00	73170485	SPRING
508	2	00	73170486	SPRING
602	1	00	73170482	SPRING SEAT
603	1	00	73170483	SPRING SEAT
614	1	00	73170484	SCREW
606	1	00	73170485	SPRING
609	1	00	73170486	SPRING




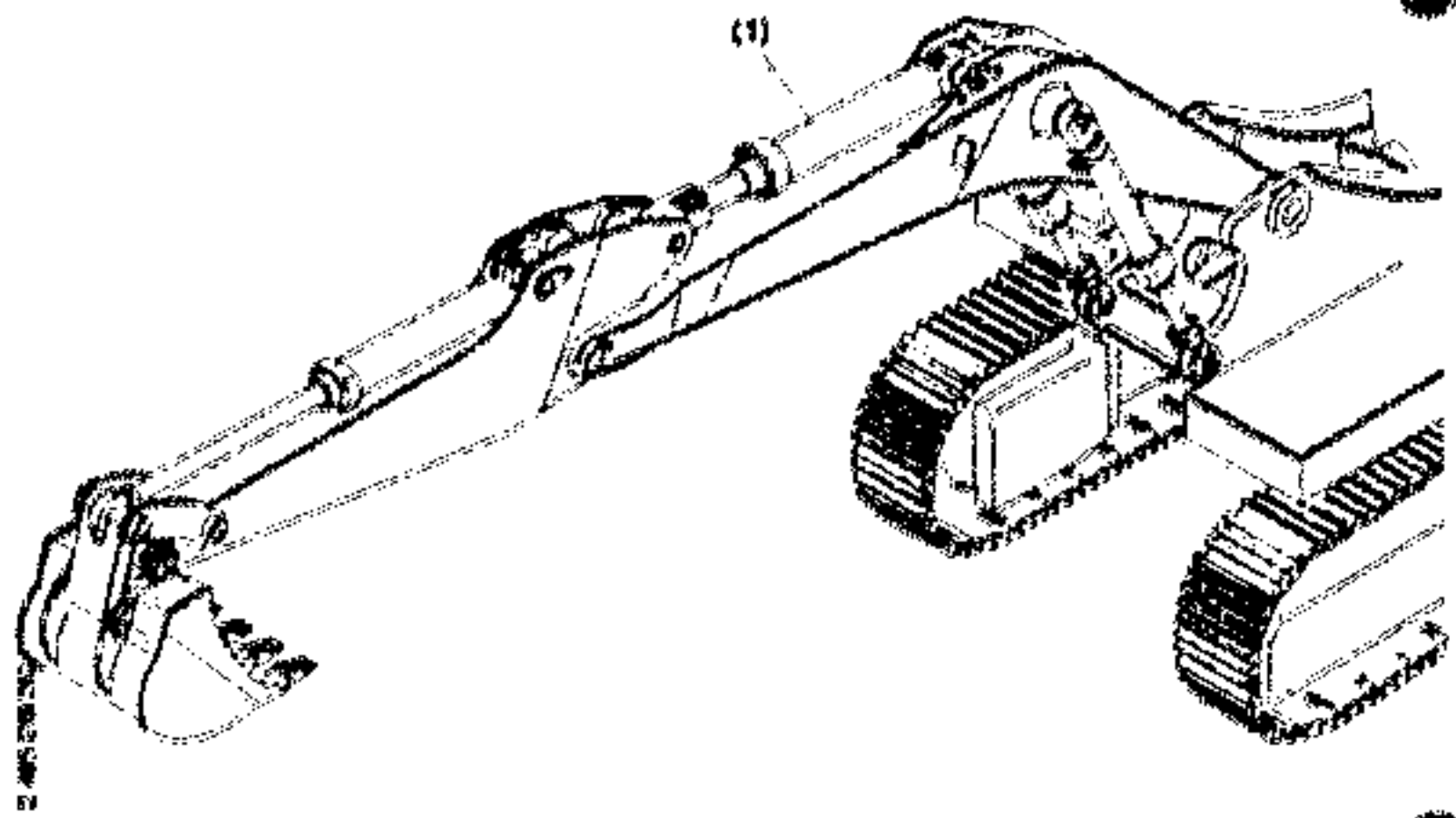







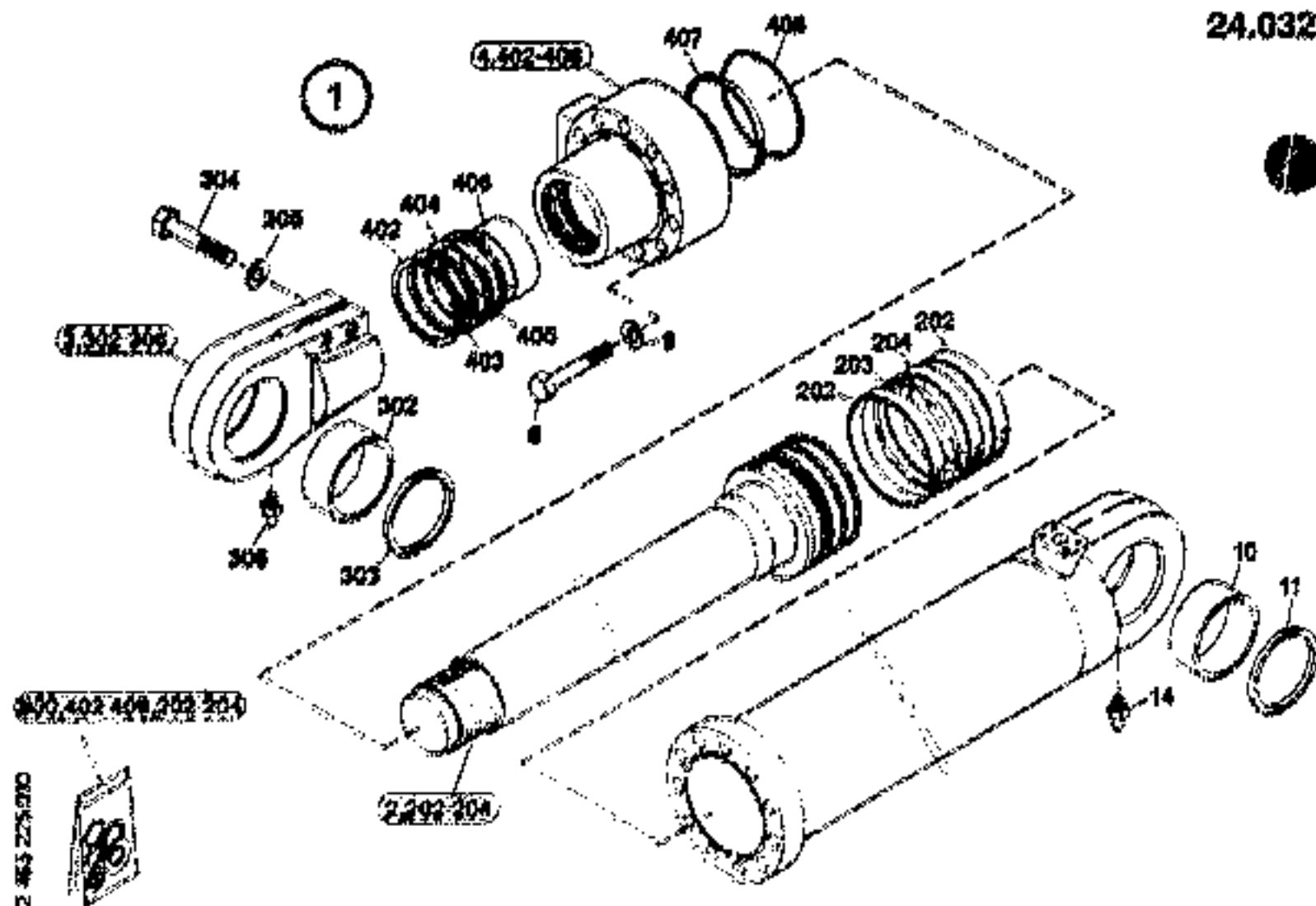
2-408 202 2

				<b>ZOOM CYLINDERS</b>		24,022
				FX400 / 105101		T 2408400 - 000 B 2408400 - 010
Item	Quan.	MS	Part No.	Description		
403	1	00	73170836	SCRAPER		
404	1	00	73170838	SEALING RING		
405	1	00	73170837	SEALING RING		
406	1	00	73170880	PISTON GUIDE RING		
407	1	10	73170830	SUPPORT RING		
408	1	00	73170843	O-RINGS		
800	0	00	73170861	GASKET SET		

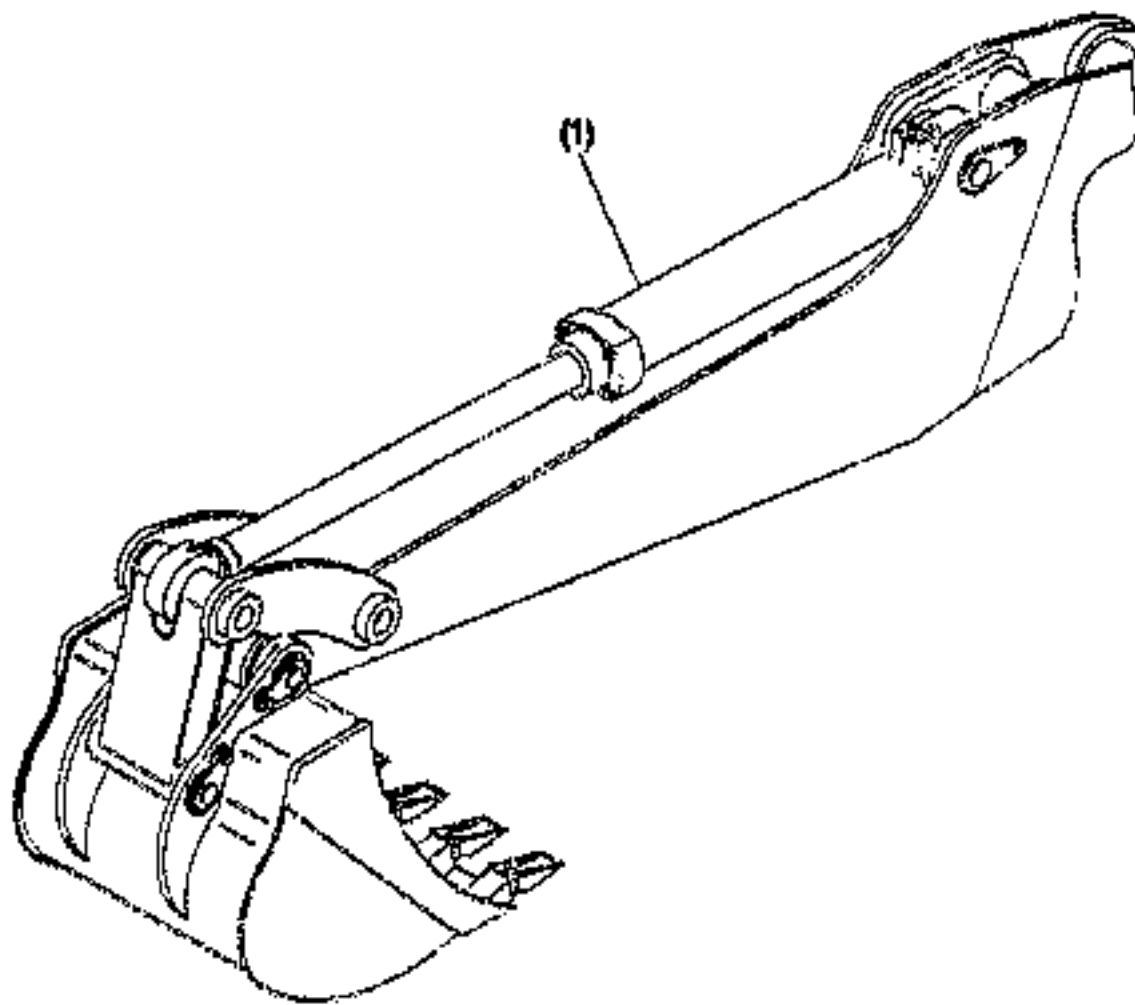


 <b>STICK CYLINDER INSTALL MATERIAL</b>				24.030
EX800 / 108101				T 240218 - 000 S 240219 - 010
Item	Quan.	ME	Part No.	EMERSON
001	1	00	24.030 240226	STICK CYLINDER





				24.032	
				T 2495225 - 000	
				B 2495225 - 010	
				FX800 / 108101 - .....	
Item	Quant.	ME	Part No.	Description	
403	1	00	73171421	SCRAPER	
404	1	00	73171422	SEALING RING	
405	1	00	73171423	SEALING RING	
406	1	00	73171424	PISTON GUIDE RING	
407	1	00	73171425	SUPPORT RING	
408	1	00	73171427	O-RING	
800	0	00	73171428	SET OF PIST. RINGS	



2 495 222 010



**BACKHOE CYLINDER INSTALL.MATERIAL.**

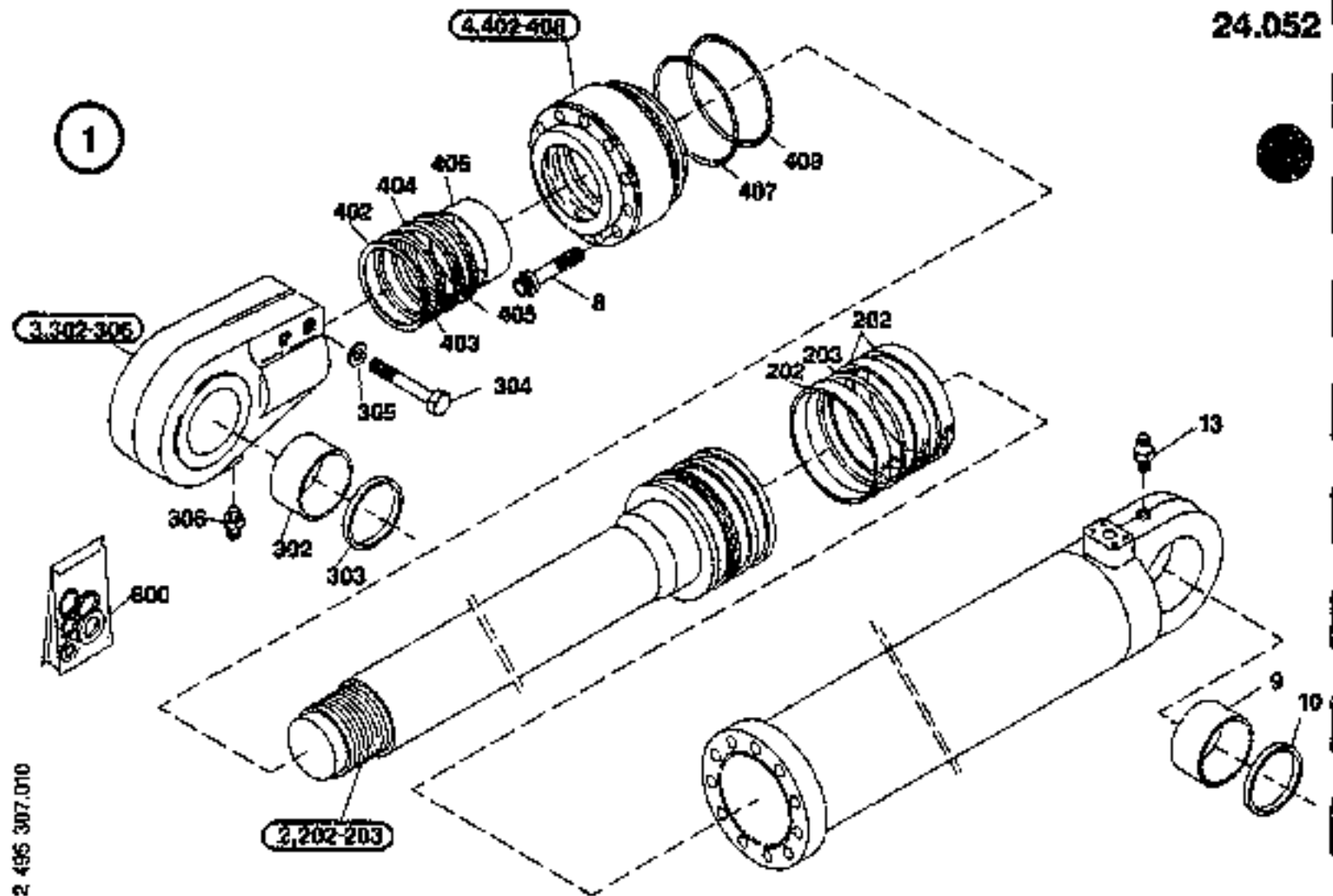
24.050

FX800 / 106101 - .....

Y 2495222 - 000

B 2495222 - 010

Item	Quan.	ME	Part No.	Description
001	1	00		24.062 2495307 BACKHOE CYLINDER



2 495 307 010



## BACKHOE CYLINDER

24.052

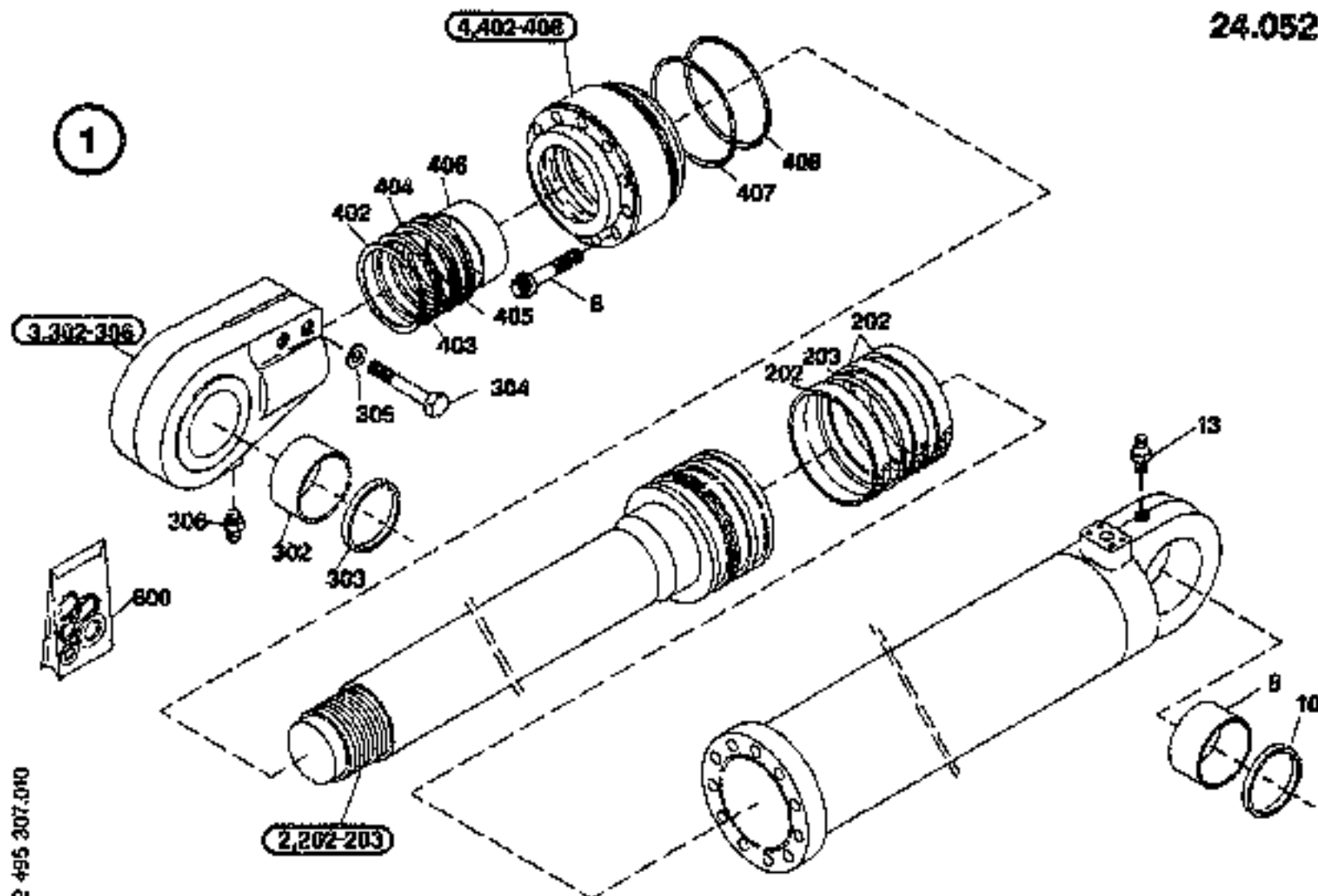
FX600 / 106101 - .....

T 2495307 - 001


B 2495307 - 010

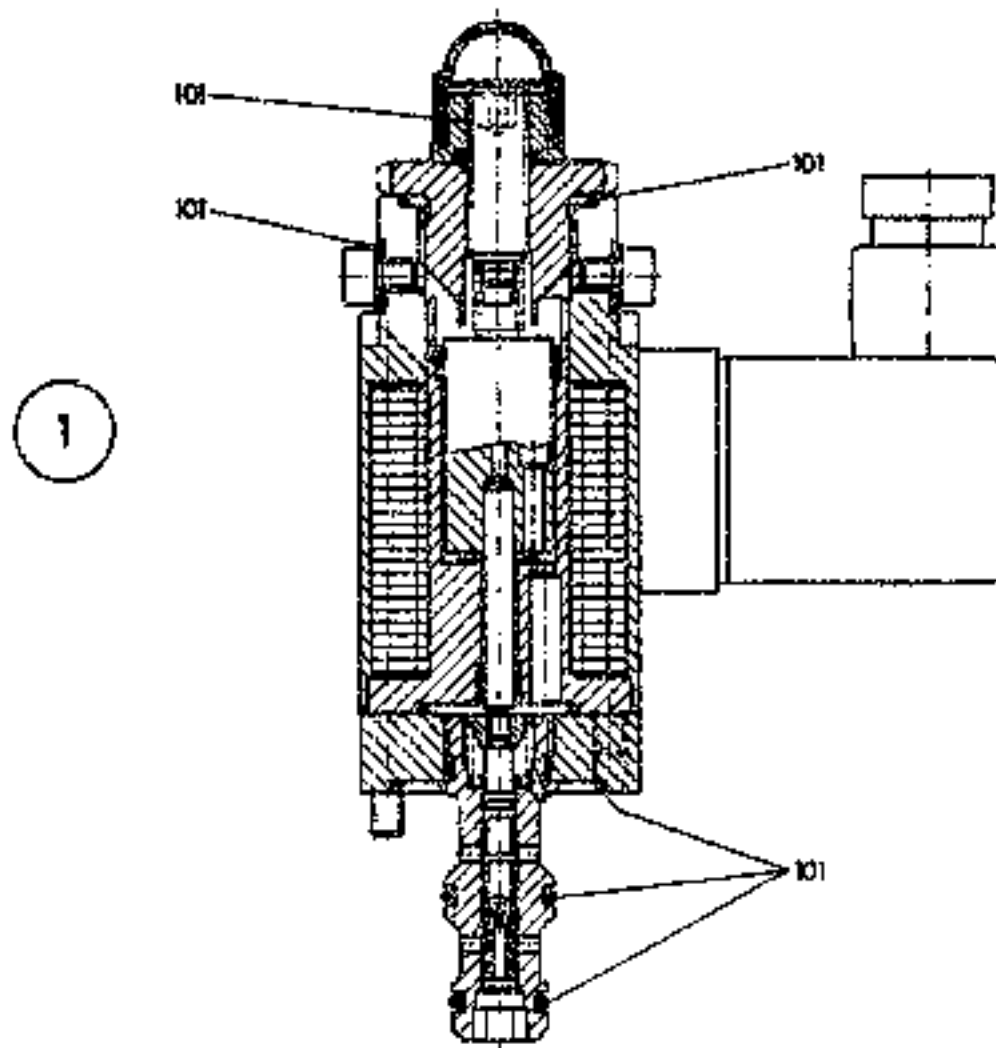
Item	Quan.	ME	Part No.	Description
001	1	00	73171434	CYLINDER
002	1	00	73171435	PISTON ROD
003	1	00	73171436	EYE
004	1	00	73171437	GUIDE
008	11	00	73170843	SCREW
009	1	00	73171446	BUSHING
010	2	00	73171410	SCRAPER
013	1	00	73170138	GREASE NIPPLE
202	3	00	73171447	PISTON GUIDE RING
203	1	00	73171448	GASKET SET
302	1	00	73171446	BUSHING
303	2	00	73171410	SCRAPER
304	2	00	73171449	HEXAGON BOLT
305	2	00	73171419	DISKWASHER
306	1	00	73170138	GREASE NIPPLE
402	1	00	73171439	SCRAPER
403	1	00	73171440	SCRAPER
404	1	00	73171441	SEALING RING





2 495 307 010

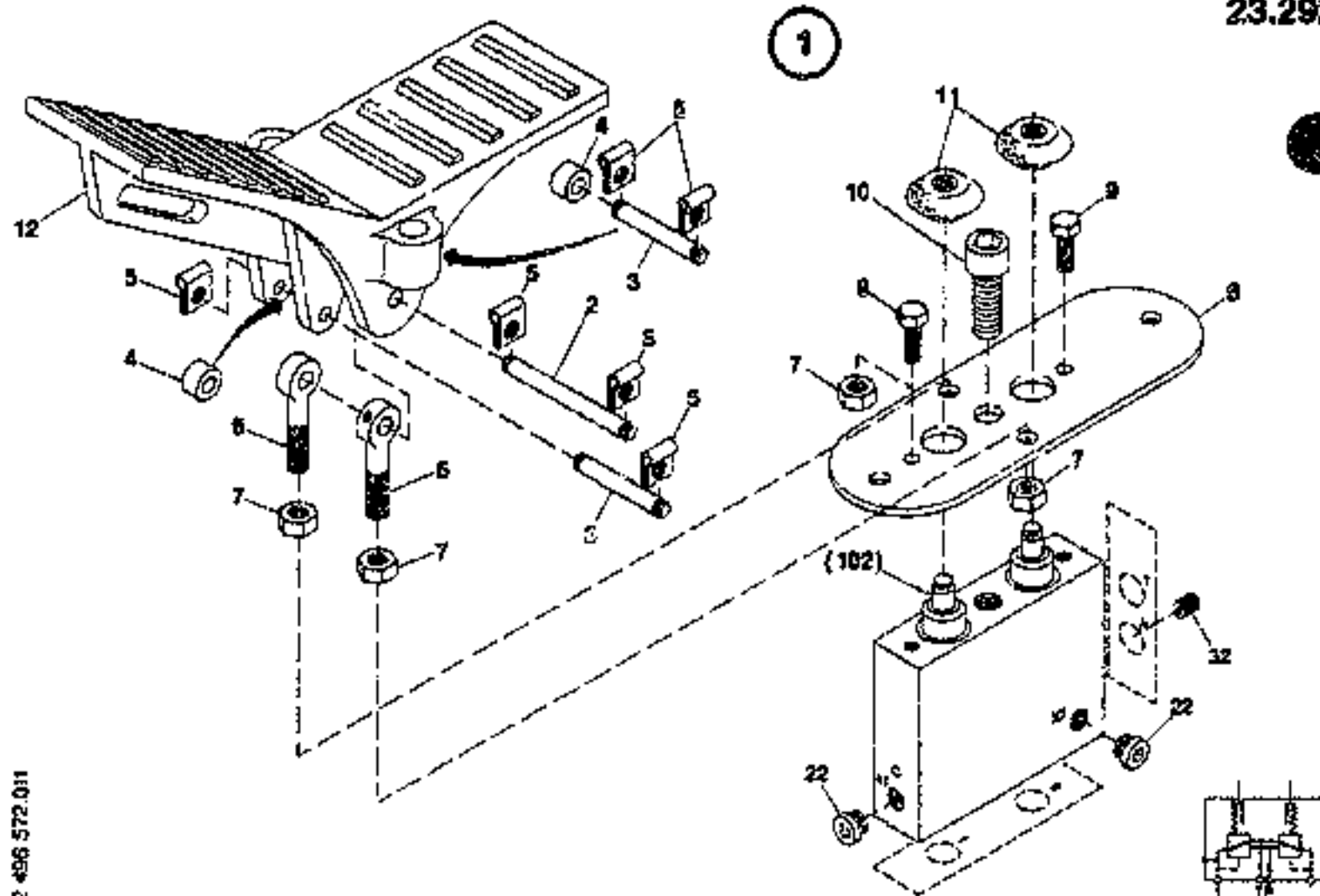
				24.052	
				T 2495307 - 001	
				B 2495307 - 010	
 <b>BACKHOE CYLINDER</b>					
FX60D / 106101 - .....					
Item	Quan.	ME	Part No.	Description	
405	1	00	73171442	SEALING RING	
406	1	00	73171443	PISTON GUIDE RING	
407	1	00	73171444	SUPPORT RING	
408	1	00	73171445	O-RING	
800	0	00	73171450	SET OF PIST. RINGS (INCLUDES ITEMS 202-203, 402-408)	



2 216 823 019

				23.312	
				T 2216323 - 000	
				B 2216823 - 010	
				FX600 / 106101 - .....	
Item	Quan.	ME	Part No.	Description	
001	1	00	73170432	VALVE	
101	1	00	73170433	GASKET SET	

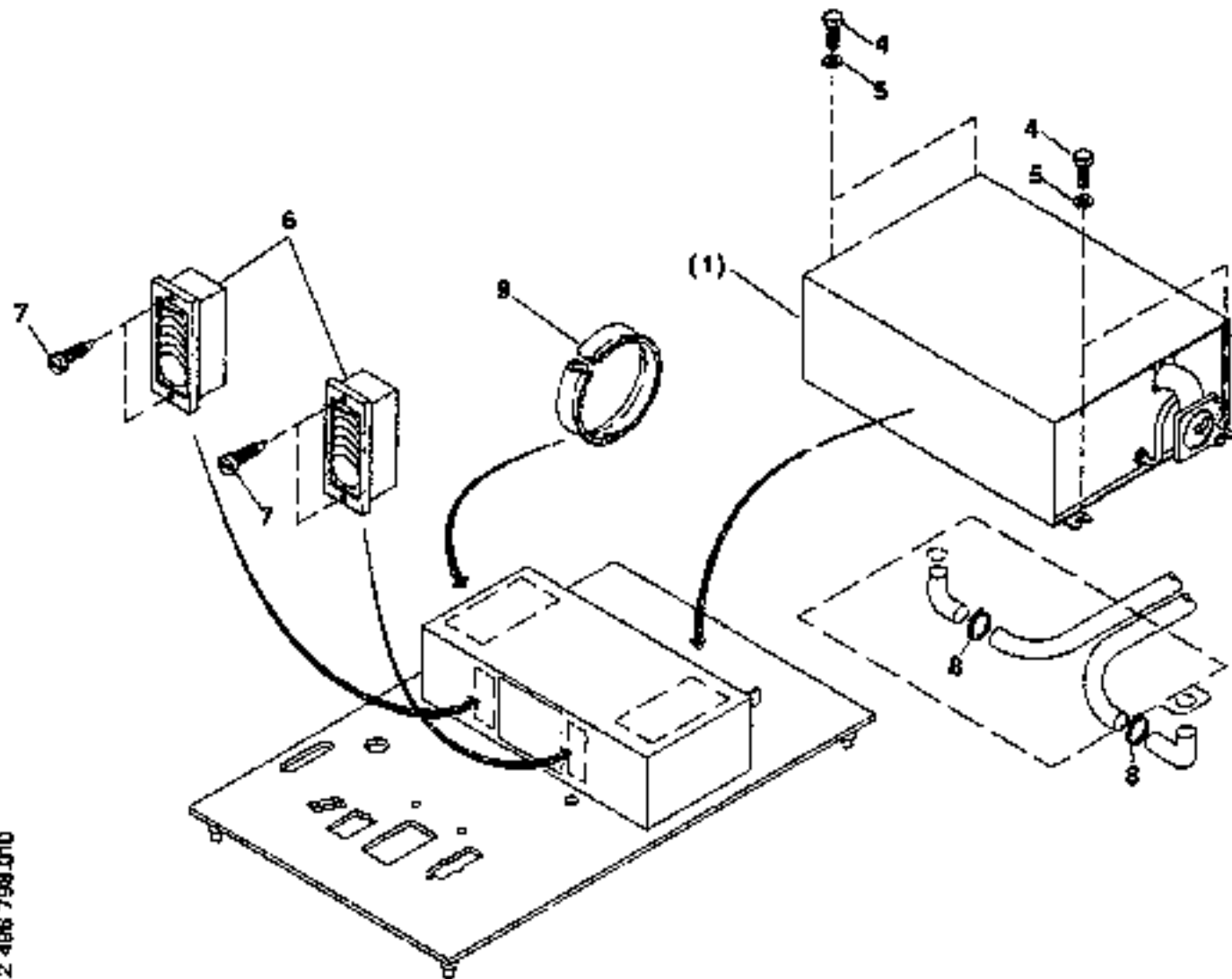
23.292



2 496 572 011

				23.292
				T 2486572 - 001 B 2486672 - 011
				23.292
<b>TREADLE VALVE</b>				
FX600 / 106101 - .....				
Item	Quan.	ME	Part No.	Description
001	1	00	73171323	SERVO VALVE
002	1	00	73178051	PIN
003	2	00	73178052	PIN
004	2	00	73178053	BUSHING
005	6	00	73178054	FUSE
006	2	00	73178055	EYE BOLT
007	4	00	73170181	HEXAGON NUT
008	1	00	73178058	PLATE
009	2	00	73178886	HEXAGON BOLT
010	1	00	73172380	CYL.HEAD SCREW
011	2	00	73178057	BELLOWS
012	1	00	73178058	PEDAL
022	2	00	73170469	SCREW PLUG
032	1	00	73177377	INJECTOR
102	2	00	23.292 2782655	TREADLE VALVE

27.010



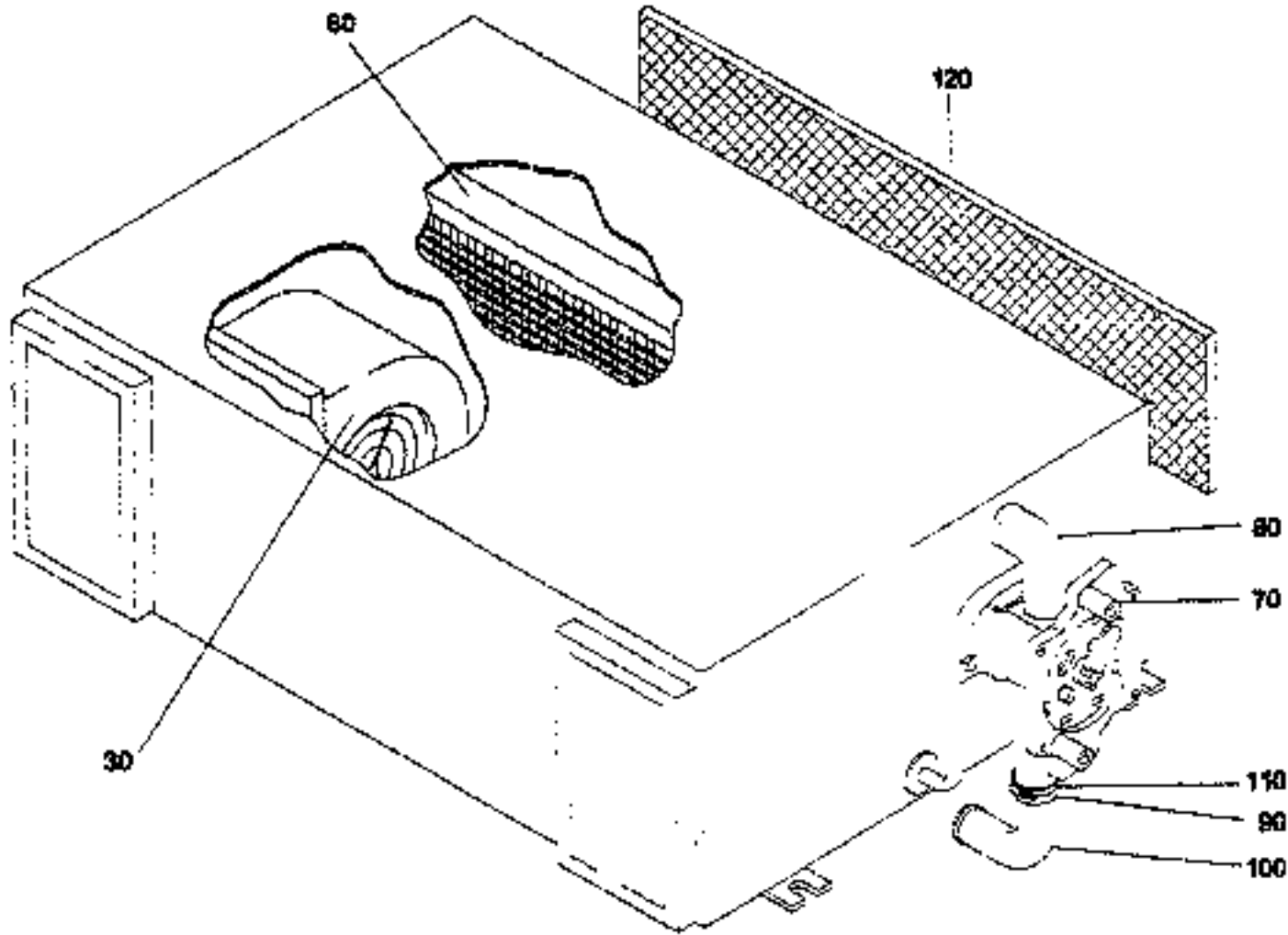
2 486 798 010

				27.010	
				T 2496799 - 000 B 2496798 - 010	
				FX500 / 106101 - .....	
Item	Quan.	ME	Part No.	Description	
001	1	00		27.012	2496799 HEATING
004	4	00	73170205	HEXAGON BOLT	
005	4	00	73170212	DISKWASHER	
006	2	00	73171033	INJECTOR	
007	4	00	73171034	SELF-TAPPING SCREW	
008	2	00	73170936	CLIP	
009	0,35	13	73171036	EDGE PROTECTION	

ME: 00 = Stück/pece 13 = m 25 = m<sup>2</sup> 39 = m<sup>3</sup> 43 = kg 60 = l (litr)

1888-09-10

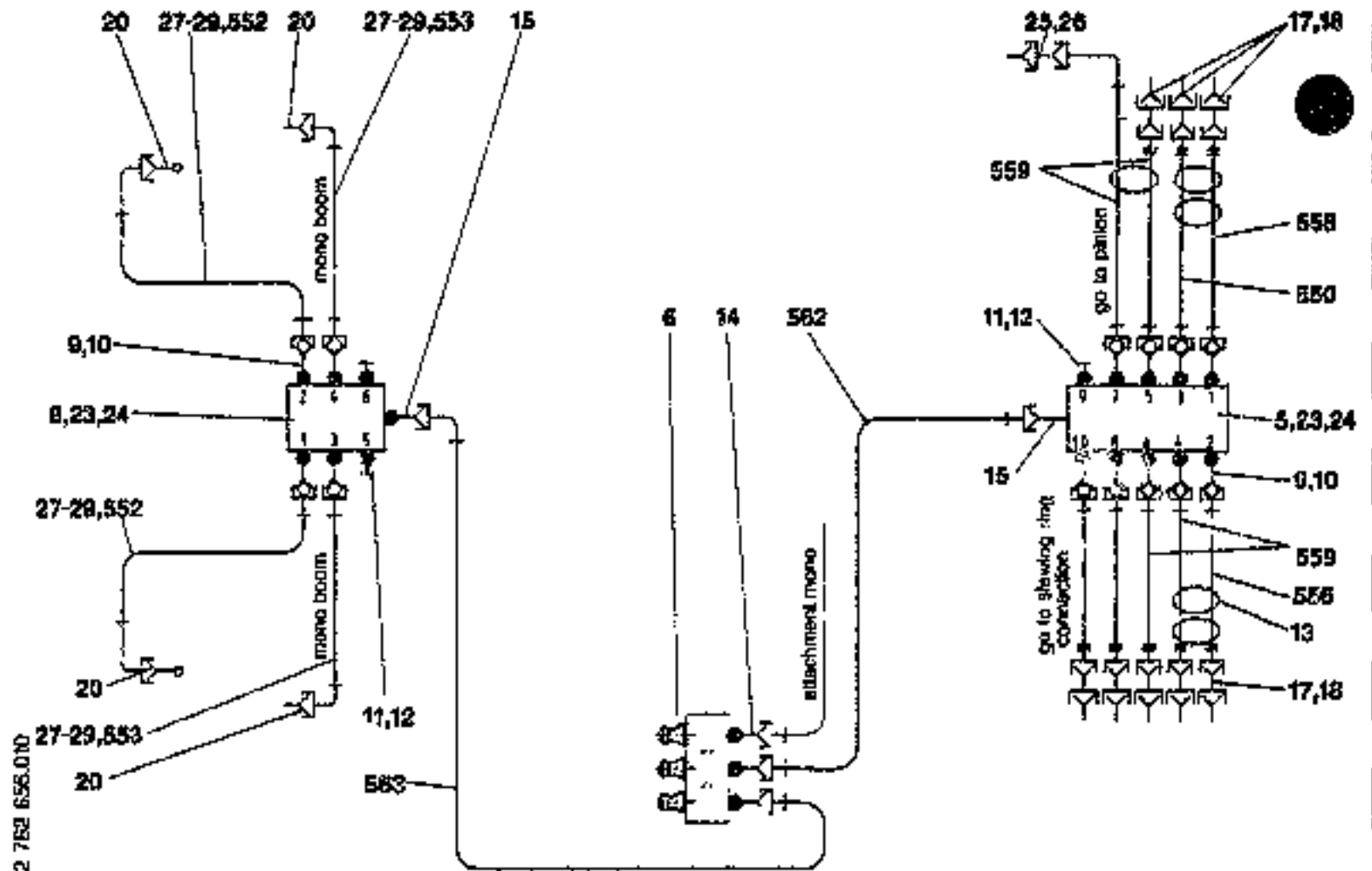
2 496 799 010



				27.012	
				T 2496799 - 000	
				B 2496799 - 010	
				HEATING	
				FX600 / 105101 - .....	
Item	Quan.	ME	Part No.	Description	
001	1	00	73171464	HEATER	
030	1	00	73175249	FAN MOTOR	
060	1	00	73175249	HEAT EXCHANGER	
070	1	00	73175250	VALVE	
080	1	00	73175251	MANIFOLD	
090	1	13	73172527	RUBBER HOSE	
100	1	00	73175253	PIPE BEND	
110	1	00	73175254	HOSE CLIP	
120	1	00	73175255	FILTER	

ME: 00 = Stück/piece 13 = m 26 = m<sup>2</sup> 39 = m<sup>3</sup> 43 = kg 50 = l (litre)

30.040



30.040

## CENTRAL LUBE SYST.



FX600 / 106101 - .....

T 2762656 - 000

E 2762656 - 010

Item	Quan.	ME	Part No.	Description
005	1	00	73170818	DISTRIBUTOR
008	3	00	73175904	GREASE NIPPLE
008	1	00	73175905	DISTRIBUTOR
009	13	00	73170819	HOUSING
010	13	00	73170820	SEALING RING
011	3	00	73170822	SCREW PLUG
012	3	00	73170823	SEALING RING
013	6	00	73170825	HOSE BRACKET
014	3	00	73175908	SOCKET
015	2	00	73170828	SOCKET
017	6	00	73170827	SOCKET
018	6	00	73170829	SCREWING
020	4	00	73170831	SOCKET
023	4	00	73170833	CYL.HEAD SCREW
024	4	00	73170834	DISK/WASHER
025	1	00	73170835	SCREWING
026	1	00	73170296	SOCKET
027	6	00	73170215	HEXAGON NUT

ME: 00 = Stock/piece 13 = m 28 = m<sup>2</sup> 39 = m<sup>3</sup> 43 = kg 50 = l (litr)

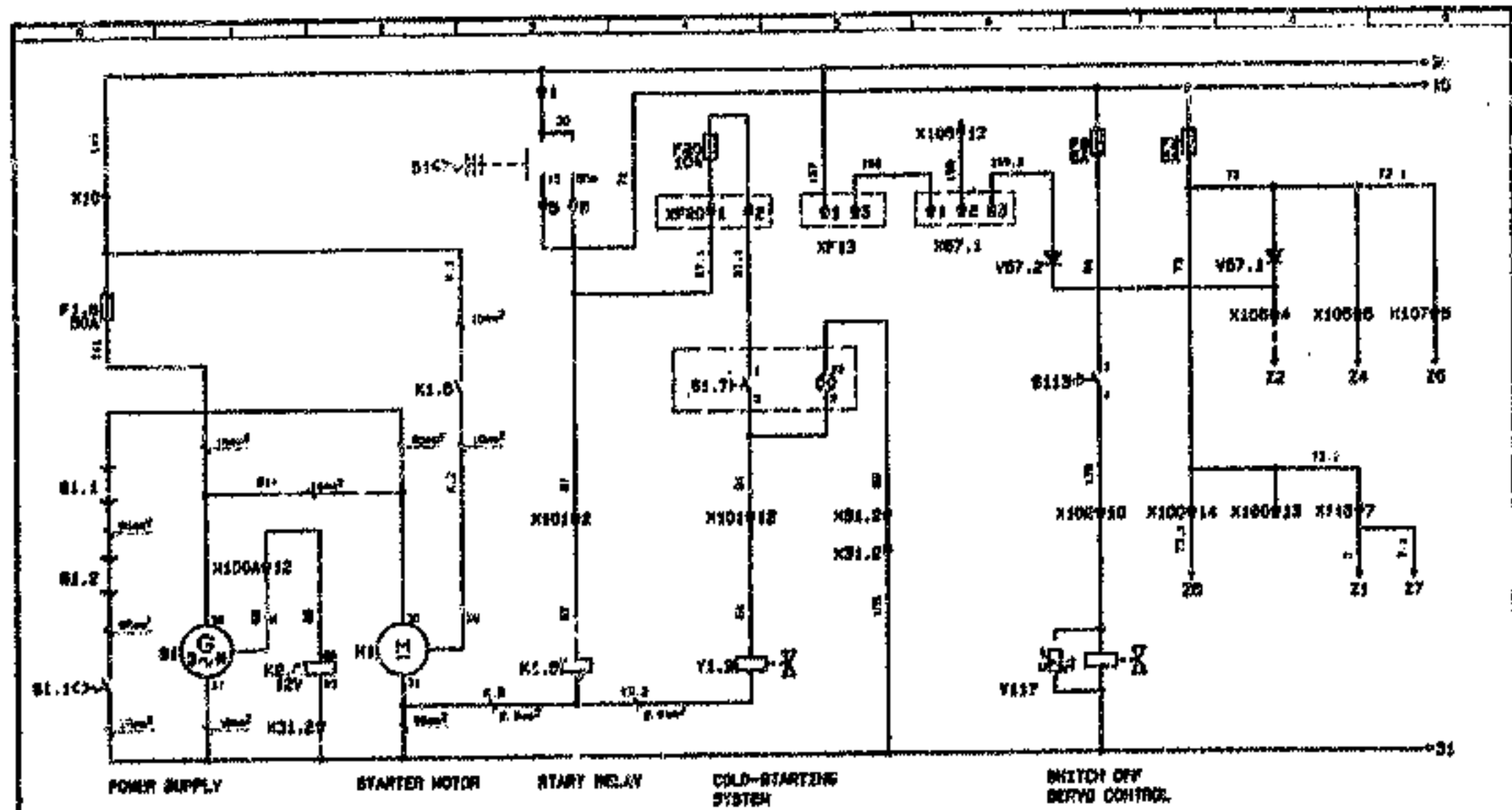
1998-09-10











S1.1 - BATTERY WASH SWITCH

REV	NO	DATE	BY	CHKD	DESCRIPTION	REVISION	DATE	BY	CHKD	DESCRIPTION	REVISION	DATE	BY	CHKD	DESCRIPTION	REVISION	DATE	BY	CHKD	DESCRIPTION	
1																					
WIRING DIAGRAM ENGINE - SWITCH OFF SERVO CONTROL											PART NO. 1207202-12		4								





























END POINT	CABLE NO.	C		B		CABLE NO.	END POINT
		NO.	NO.	NO.	NO.		
ADD: 3 (R25)	35	1	1	1		350	CENTRY CR: D
ADD: 3 (R27)	54	1	2	1		331	CENTRY CR: E
WR10: 5	322	1	2	1		332	CENTRY CR: D
SR07: 10	370	1	4	1		328	CENTRY CR: F
K4: 87	324	2.5	5	2.5		324	CENTRY CR: B
			6				
			7				
GROUND (-)	308	2.5	6	2.5		308	CENTRY CR: H
			9				
			10				
K44: 87	328	1.5	11	1.5		326	CENTRY CR: H
K2: 80	58	1.5	12	1.5		60	81.R
X123: 8	327	0.75	13	1		327	CENTRY CR: H
X102: A	326	0.75	14	1		328	CENTRY CR: J
			15				

CONNECTION TABLE  
PLUG/BOCKET X100A CABLE NET MOTOR

END POINT	CABLE NO.	C		B		CABLE NO.	END POINT
		NO.	NO.	NO.	NO.		
A10X1: 14	87	0.75	1	1		80	810.2
X117: 3	86	0.75					
A10X1: 13	107	0.5	2	1		107	810.1
X117: 1	107.1	0.5					
X107: 6	72.2	0.75	3				H. P.
			4				
			5				
A100X2: 14	29	0.5	6	1		29	835.1
K7: 80	335	0.8	7	1		335	87.1
			8				
A100X2: 8	24	0.5	8	1		24	808
8112: 4	170	0.5	10	0.75			Y112
A10X1: 8	50	0.5	11				H. G.
A100X3: 14	54	0.5	12	1		54	H7
X110: 4	54.1	0.5					
			13				DISCONNECT PDI
X117: 2	301	0.75	14				H. G.
X117: 4	307	0.75	15				H. G.

CONNECTION TABLE  
PLUG/BOCKET X102 CABLE NET PLATFORM

REV	BY	DATE	NO.	DESCRIPTION		TECH. NO.	REV.
01	01	01	01	WIRING DIAGRAM		1267252-12	1
X100A - K102						REV. NO. 1	





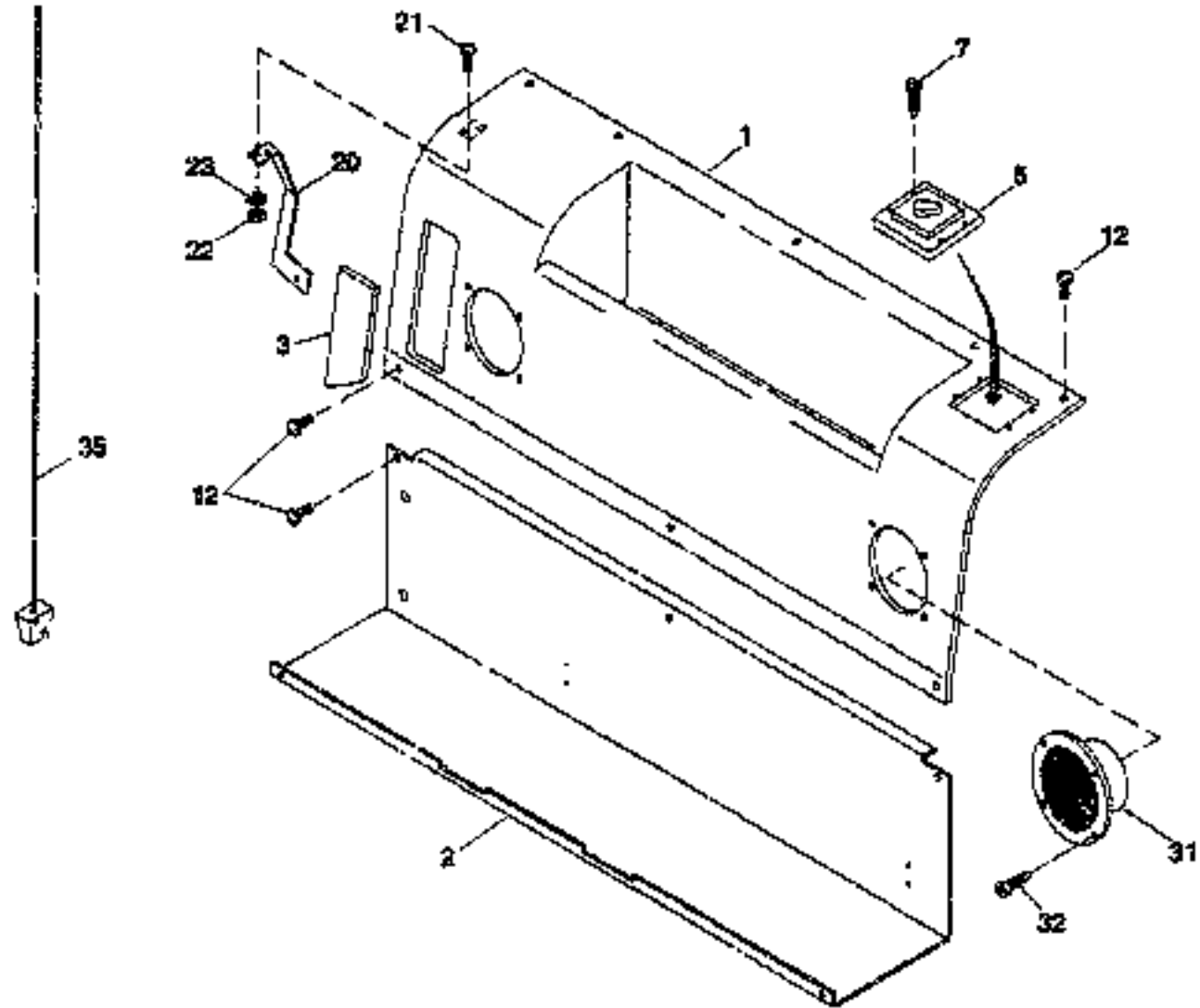








31.510



2 495 871 010

## RADIO INSTALL MATERIAL

31.510

T 2496871 - 000  
B 2496871 - 010

FX000 / 106101 - .....

Item	Quan.	ME	Part No.	Description
001	1	00	73171169	COMPUTER HOLDER
002	1	00	73171170	COVER
003	1	00	73171171	BLIND
005	1	00	73171172	CONTROL ELEMENT
007	4	00	73171173	SELF-TAPPING SCREW
012	10	00	73171030	CLAMPING SCREW
020	1	00	73171174	BRACKET
J21	2	00	73171030	CLAMPING SCREW
022	3	00	73170983	HEXAGON NUT
023	3	00	73170834	DISKWASHER
031	2	00	73171175	BLIND
032	8	00	73171173	SELF-TAPPING SCREW
036	1	00	73171176	ANTENNA
100	1	00	73176567	OPTIONAL RADIO
101	1	00	73176568	LOUDSPEAKERS (2 PCS)
102	2	00	73176570	CABLE NOT ILLUSTRATED

ME: 00 = 310g/0.68lb 13 = m 25 = m<sup>2</sup> 39 = m<sup>2</sup> 43 = kg 50 = l (lb)

1988-09-10



## Electrical components in circuit diagram

31.050 -

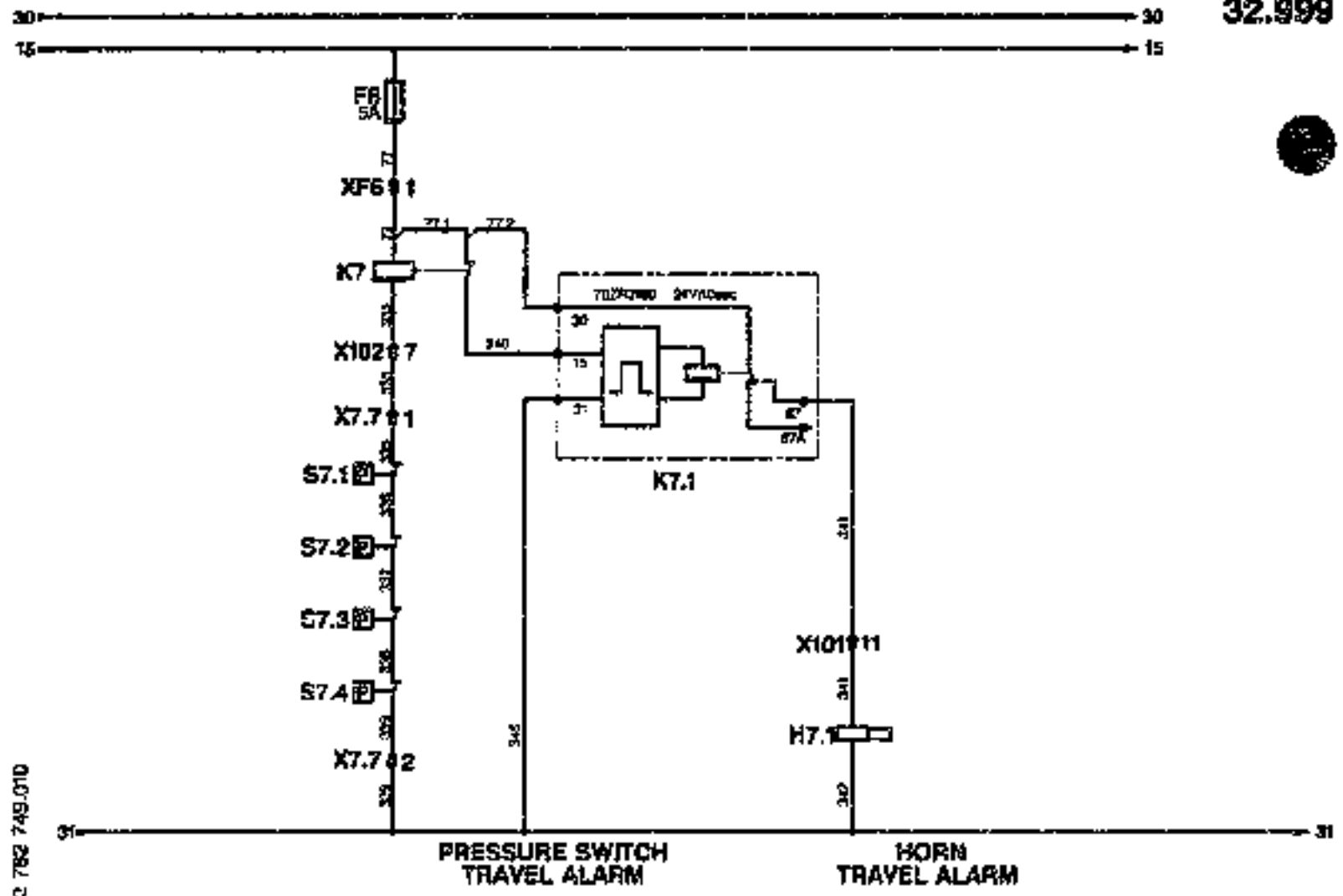
FX(00)

Circuit diagram No.


T 1287283 - 001

B 1287282 - 010

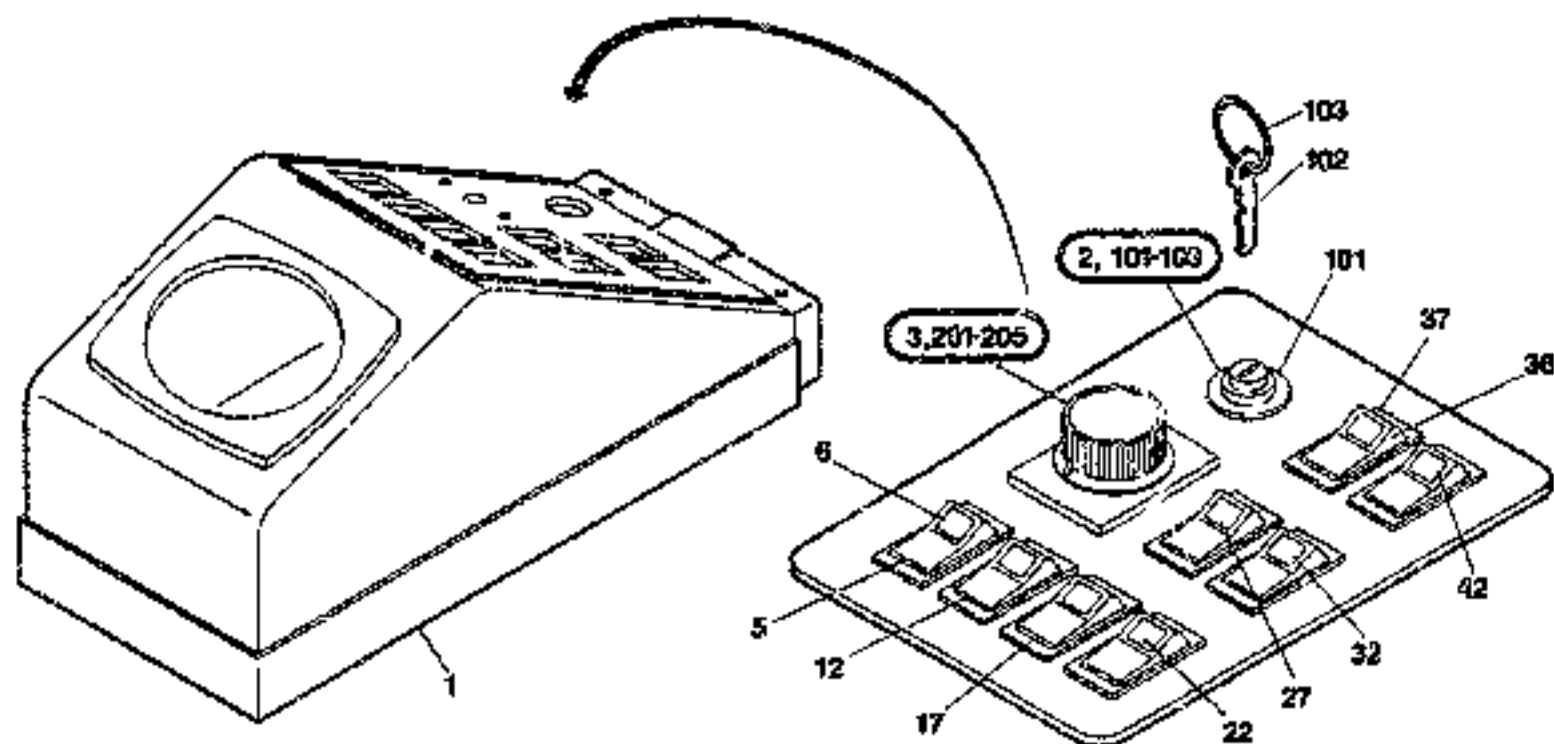
Part	Quantity	Description and function	Curr. Path	Location	Part no.
R2	1,000	IMMERSED TUBE SENSOR	8 - 8/81 -	FUEL TANK	
R2	6,000	HEXAGON BOLT	8 - 8/81 -	FUEL TANK	73171664
R2	6,000	DISKWASHER	8 - 8/81 -	FUEL TANK	73170894
R2	1,000	SLEEVE	8 - 8/81 -	FUEL TANK	73172512
R2	1,000	PLUG-IN SLEEVE	8 - 8/81 -	FUEL TANK	73175221
R25	1,000	BASE-LOAD RESISTOR FOR PMS OUTPUT	3 - 3/91 -	SEAT CONSOLE,RH	73175140
R26	1,000	PROTECTIVE RESISTOR - SPEED VARIATION	5 - 5/79 -	SEAT CONSOLE,RH	73175141
R27	1,000	PROTECTIVE RESISTOR - SPEED VARIATION	5 - 7/79 -	SEAT CONSOLE,RH	73175142
S1	1,000	START BUTTON	2 - 2/18 -	SEAT CONSOLE,RH	
S1.1	1,000	BATTERY ISOLATOR	2 - 0/86 -	SUPERSTRUCTURE	73175263
S1.7	1,000	PUSHBUTTON COLD STARTING	2 - 4/47 -	SEAT CONSOLE,RH	73175267
S1.7	1,000	SNAP-ON PANEL	2 - 4/47 -	SEAT CONSOLE,RH	73172516
S10.1	1,000	PRESSURE SWITCH - SERVO	3 - 4/91 -	PLATFORM PLATE	
S113	1,000	LIMIT SWITCH PILOT PRESSURE CUT-OFF	2 - 7/47 -	SEAT CONSOLE,LH	73171211
S12	1,000	OIL PRESSURE SWITCH	6 - 0/86 -	ENGINE	
S13.2	1,000	LEVEL SWITCH - WATER MIN	6 - 7/84 -	ENGINE COMPARTMENT	
S15	1,000	FILTER SWITCH	6 - 3/86 -	HYD.OIL TANK	
S15.1	1,000	SWITCH - AIR FILTER CONTAMINATED	5 - 2/86 -	ENGINE AIR FILTER	
S207	1,000	PUSHBUTTON - FAULT STORAGE ACTIVATION	9 - 8/52 -	SEAT CONSOLE,RH	73175268
S207	1,000	SNAP-ON PANEL	9 - 8/52 -	SEAT CONSOLE,RH	73175269
S35.1	1,000	PUSHBUTTON SWITCH - SLEWING-GEAR BRAKE	6 - 5/86 -	PLATFORM PLATE	
S35.2	1,000	SPEED SENSOR - SLEWING-GEAR BRAKE	6 - 6/84 -	SUPERSTRUCTURE	
S35.2	1,000	SOCKET	6 - 6/84 -	SUPERSTRUCTURE	73172524
S35.2	1,000	HOUSING	6 - 6/84 -	SUPERSTRUCTURE	73172625
S35.2	1,000	PIN	6 - 6/84 -	SUPERSTRUCTURE	73172626
S35.2	2,000	BUSHING	6 - 6/84 -	SUPERSTRUCTURE	73172527
S35.2	1,000	CLAMP	6 - 6/84 -	SUPERSTRUCTURE	73172528
S37.1	1,000	BUTTON - ROTATE GRAB LEFT	12 - 8/48 -	JOYSTICK, TOP RH	73172618
S37.2	1,000	BUTTON - ROTATE GRAB RIGHT	12 - 7/48 -	JOYSTICK, TOP RH	73172618
S38.1	1,000	BUTTON HYDRAULIC CONTROL, DOUBLE FRONT	10 - 3/72 -	JOYSTICK, BOTTOM LH	73172618




2 782 749 010

				32.999
 ELECTRICAL SYSTEM ADDITION OTHER				
FX600 / 106101 - .....				T 2782749 - 001 B 2782749 - 010
Item	Quan.	ME	Part No.	Description
004	1	00	73172606	FUSE INSERT
005	1	00	73174128	RELAY
006	2	00	73170202	HEXAGON BOLT
007	2	00	73170185	DISK/WASHER
008	1	00	73177354	RELAY
010	1	00	73177318	CABLE SET
011	2	00	73177319	CABLE SET

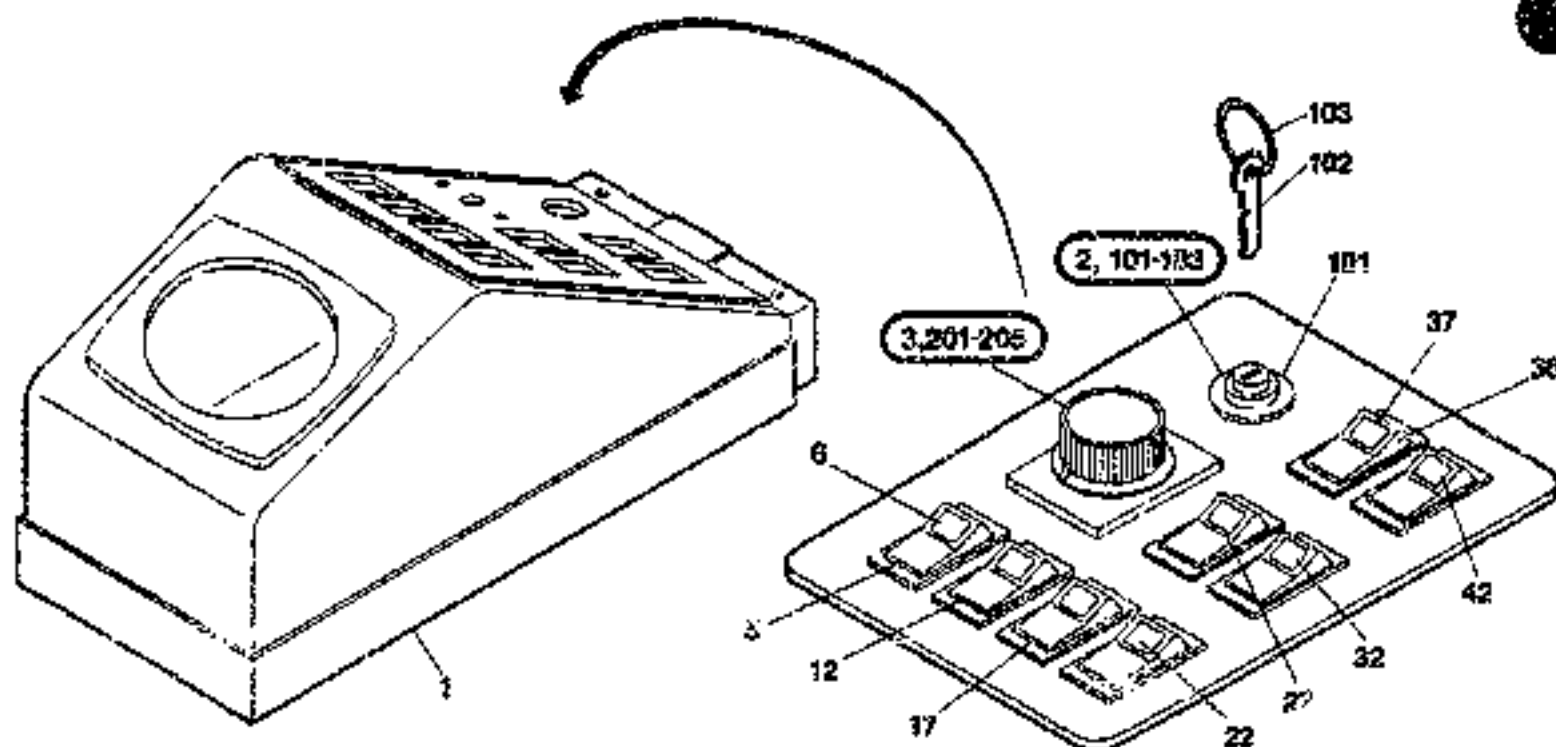




2 782 775.011

				31.500
DASHBOARD INSTALL MATERIAL				
FX600				
T 2782775 - 002 B 2782775 - 011				
Item	Quan.	ME	Part No.	Description
205	2	00	73177877	CONTER-SUNK SCREW

31.600



2 782 775,011



## DASHBOARD INSTALL.MATERIAL

31.600

FX600

T 2782775 - 002

B 2782775 - 011

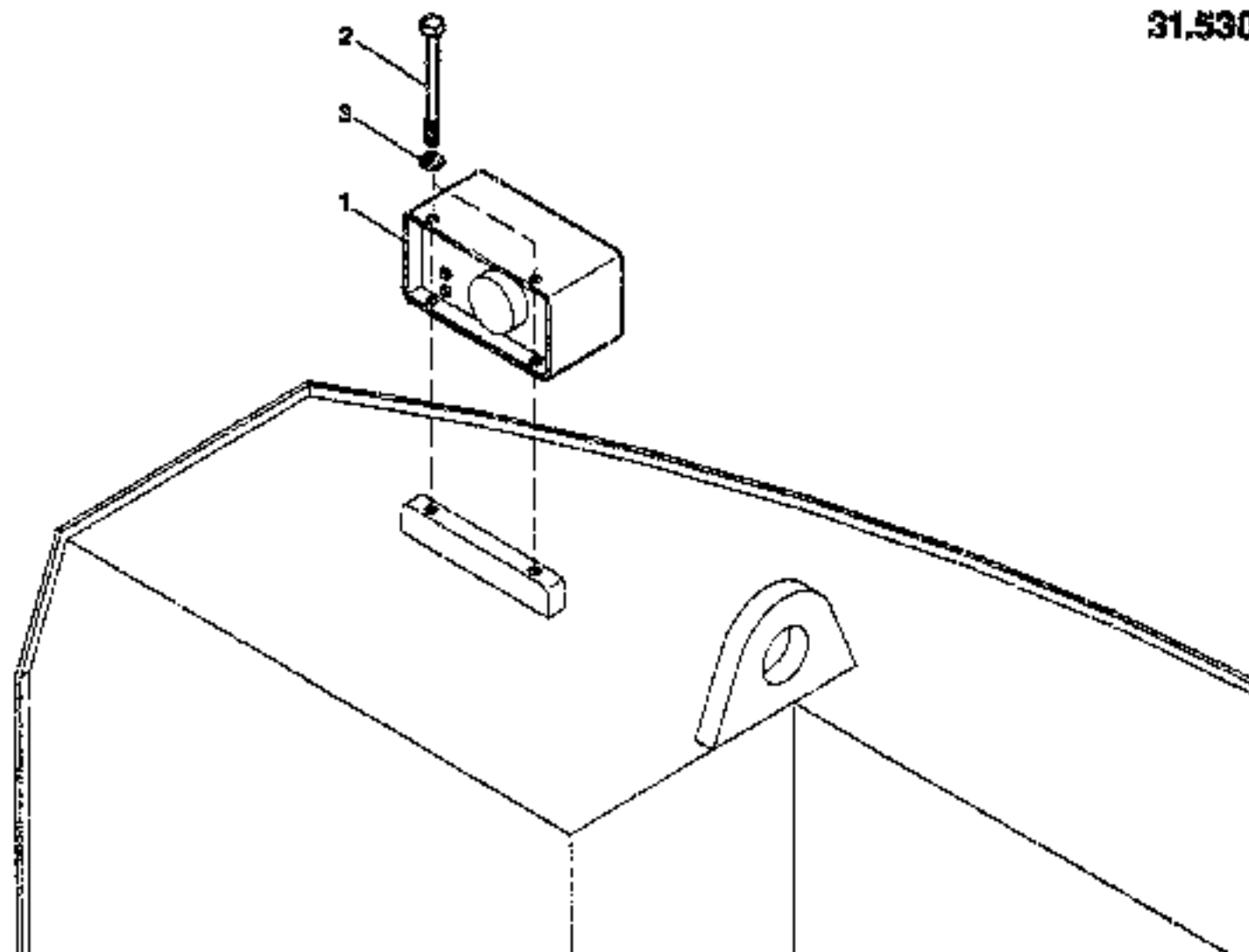
Code	Quant.	ME	Part No.	Description
001	1	00	73171239	TOP
002	1	00	73171240	SWITCH
003	1	00	73176014	POTENTIOMETER
005	1	00	73175288	ROCKER SWITCH
006	1	00	73175209	SNAP-ON PANEL
012	1	00	73171245	BLIND
017	1	00	73171245	BLIND
022	1	00	73171245	BLIND
027	1	00	73171245	BLIND
032	1	00	73171245	BLIND
036	1	00	73175267	SWITCH
037	1	00	73172516	SNAP-ON PANEL
042	1	00	73171245	BLIND
101	1	00	73171246	SWITCH
102	2	00	73171247	KEY
103	1	00	73170235	RING
201	1	00	73177200	POTENTIOMETER
202	1	00	73171243	PLATE

ME: 00 = Stück/piece 13 = m 26 = m<sup>2</sup> 33 = m<sup>3</sup> 43 = kg 50 = l (litre)

1998-09-10

31.530

2 782 748.010

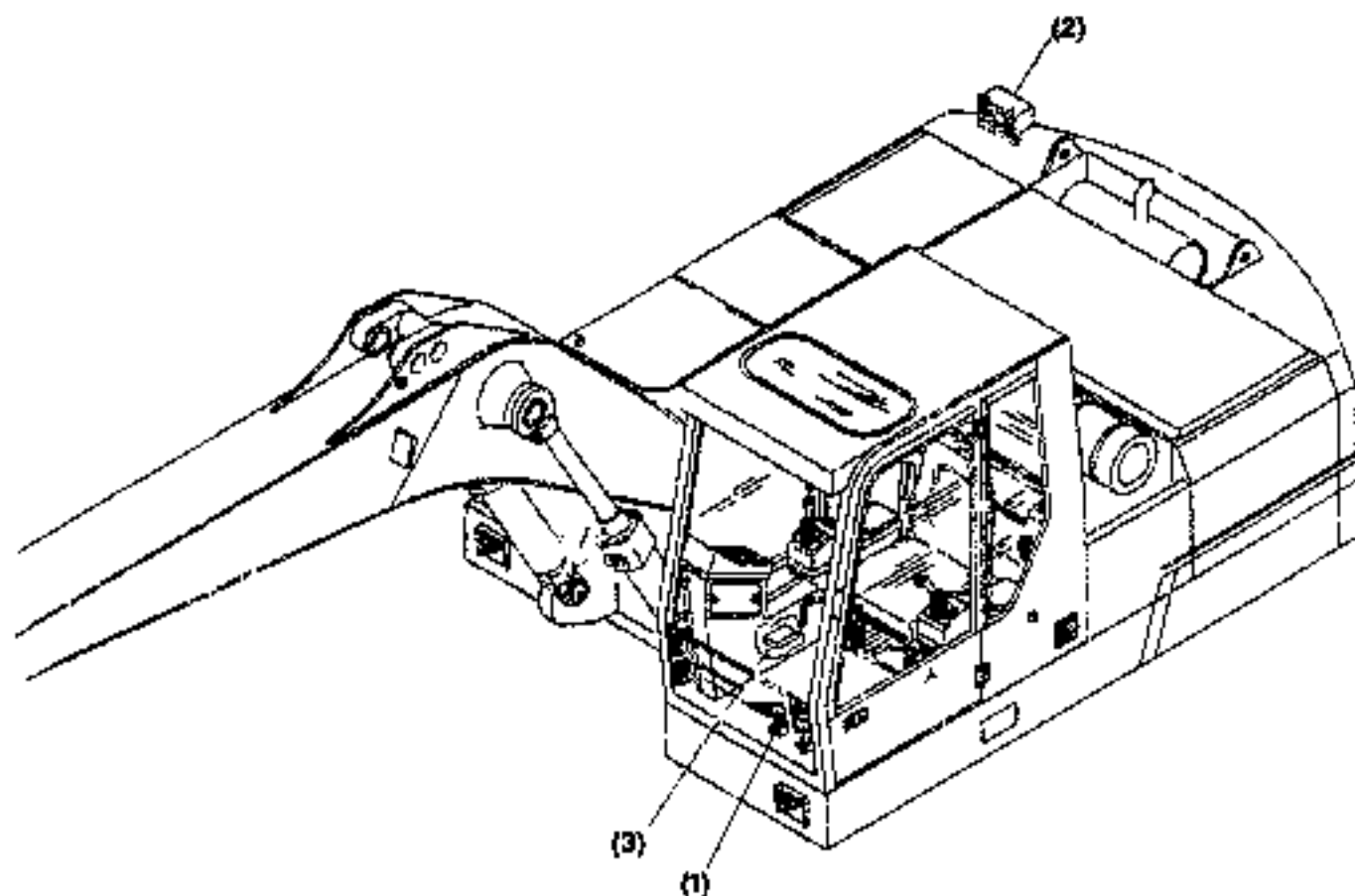


				31.530	
				T 2782748 - 000	
				B 2782748 - 010	
				FX600 / 106101 - .....	
Item	Quan.	ME	Part No.	Description	
001	1	00	73175786	HORN	
002	2	00	73176012	HEXAGON BOLT	
003	2	00	73170160	DISK/WASHER	

ME: 00 = 81020/piece 13 = m 28 = m<sup>2</sup> 39 = m<sup>3</sup> 43 = kg 50 = l (litre)

1998-09-10

31.530



2 782 746 010

31.530


**SIGNAL GENERAL**

FX600 / 106101 - .....

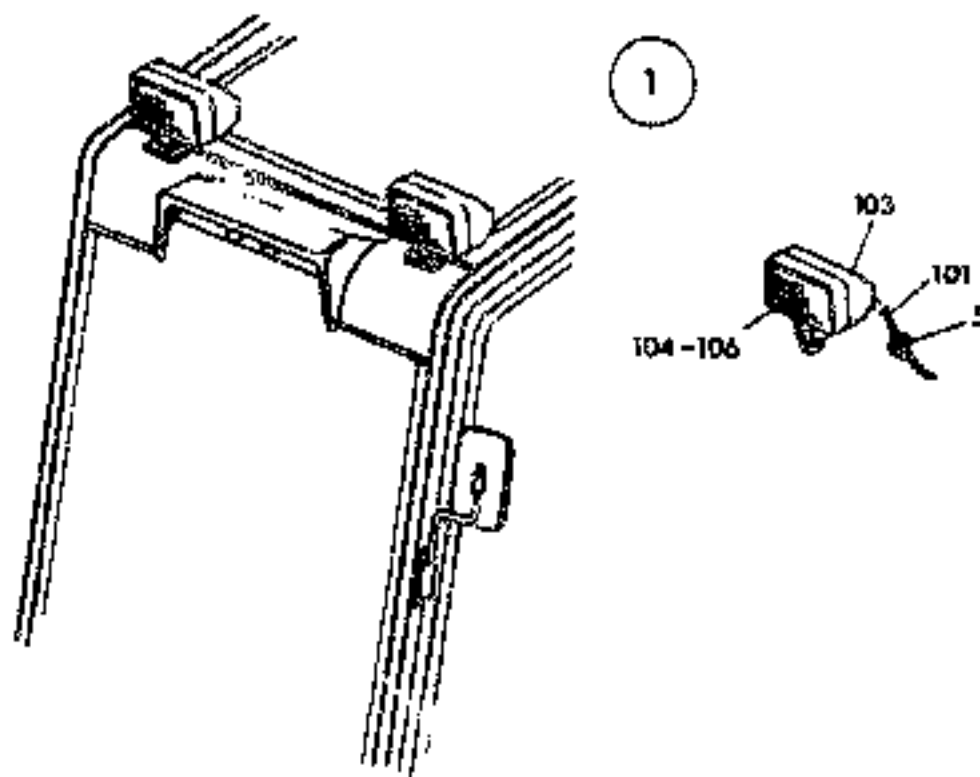
T 2782748 - 000

B 2782746 - 010

Item	Quan.	ME	Part No.	Description
001	1	00		20.841 2782747 HYDRAULIC SYSTEM CASCADE MOUNTING PARTS
002	1	00		31.530 2782748 SIGNAL GENERAL
003	1	00		32.999 2782749 ELECTRICAL SYSTEM ADDITION OTHER

ME: 00 = Stück/piece 13 = m 25 = m<sup>2</sup> 30 = m<sup>3</sup> 43 = kg 50 = l (litre)

1985-09-10



2 444 808 010



## WORKING HEADLIGHT INSTALL.MATERIAL

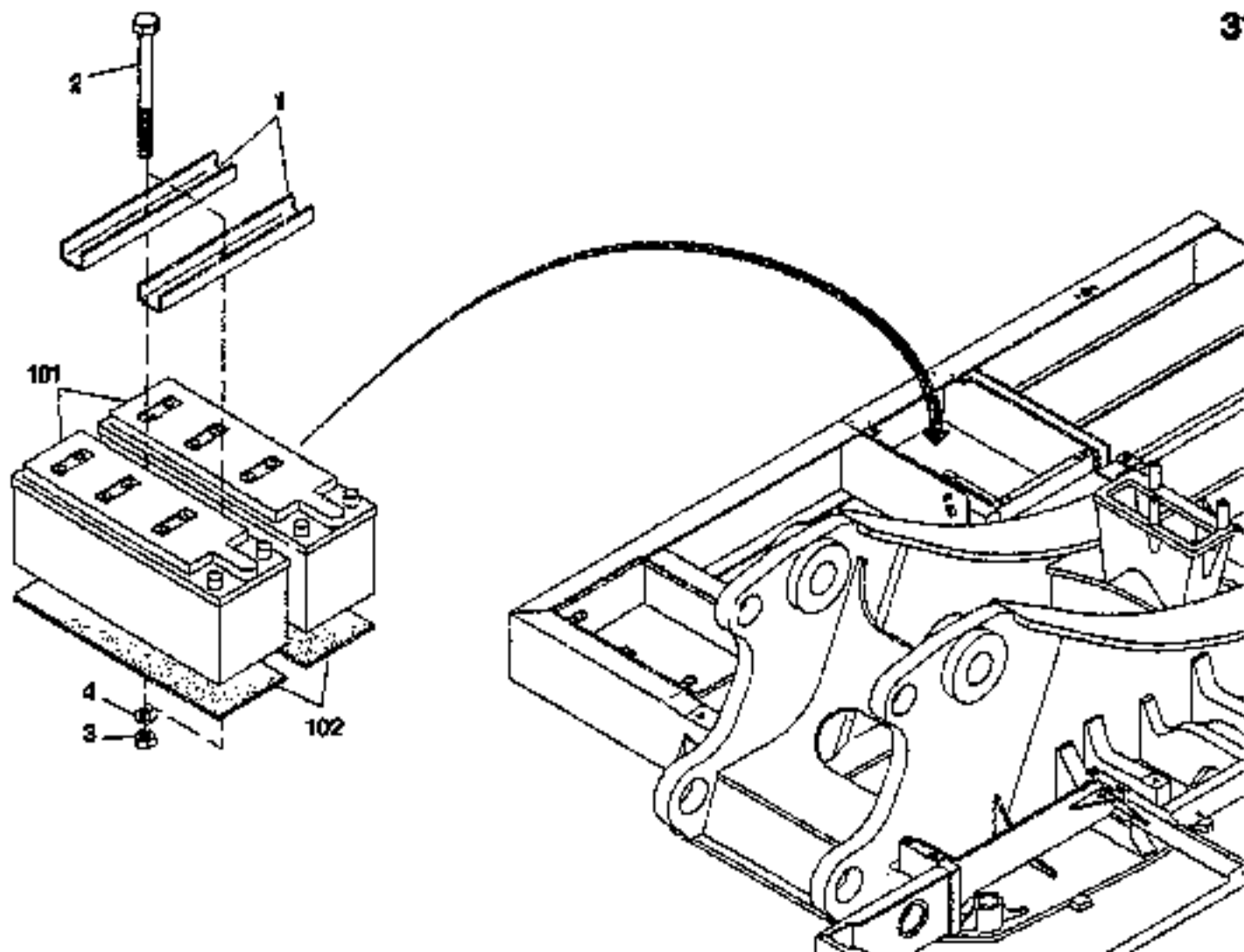
31.410

FX600 / 106101 - .....

T 2444808 - 000

B 2444808 - 010

Item	Quan.	ME	Part No.	Description
001	2	00	73172506	ELECTRICAL SYSTEM
005	2	00	73172507	NOZZLE/GROMMET
101	2	00	73172508	CABLE
103	2	00	73172509	WORKING HEADLIGHT
104	2	00	73172510	BULB
105	4	00	73172511	PLUG-IN SLEEVE
106	4	00	73172512	SLEEVE



2 443 932 010



## BATTERY INSTALL.MATERIAL

31.300

FX600 / 105101 - .....

T 2443932 - 000

B 2443932 - 010

Item	Quant.	ME	Part No.	Description
001	2	00	73170988	BRACKET
002	2	00	73170989	HEXAGON BOLT
003	2	00	73170215	HEXAGON NUT
004	2	00	73170182	DISK/WASHER
101	2	00	73170090	BATTERY
102	2	00	73170891	MAT



### Electrical components in circuit diagram

31.050 -

FX600

Circuit diagram No.

T 1287283 - 001

B 1287262 - 010

Part	Quantity	Description and function	Curr. Path	Location	Part no.
Y39.1	1,000	SOLENOID VALVE - HAMMER	10 - 3/94	SUPERSTRUCTURE	
Y63	1,000	POWER BOOSTER	10 - 4/94	VALVE BLOCK	
Y37.1	1,000	SOLENOID VALVE - GRAB ROTATOR	12 - 5/85	SUPERSTRUCTURE	
Y37.2	1,000	SOLENOID VALVE - GRAB ROTATOR	12 - 8/85	SUPERSTRUCTURE	
Y39	1,000	SOLENOID VALVE - SWITCHING ONE TASK CYLINDER / HAMMER	10 - 1/94	VALVE BLOCK	
Y39.1	1,000	SOLENOID VALVE - HAMMER	10 - 3/94	VALVE BLOCK	
Y63	1,000	POWER BOOSTER	10 - 4/94	VALVE BLOCK	

**Electrical components in circuit diagram**

31.050 -

FX800

Circuit diagram No.

T 1287263 - 001

B 1287262 - 010

Part	Quantity	Description and function	Curr. Path	Location	Part no.
W81	1,000	CABLE - BATTERY MAIN SWITCH/EARTH	23 - 7/15	SUPERSTRUCTURE	73175264
W82	1,000	CABLE - BATTERY MINUS/BATTERY MAIN SWITCH	23 - 7/20	SUPERSTRUCTURE	73177355
W90	1,000	CABLE SET FUSE COLD STARTING	23 - 7/25	CONTROL PANEL	73177291
W93	1,000	CABLE SET SIDE CONSOLE RIGHT	23 - 7/30	SEAT CONSOLE,RH	73177875
X10	2,000	B + DISTRIBUTOR	- 0/ 0 -		73170164
X10	1,000	CLIP	- 0/ 0 -		73172640
X123	1,000	DIAGNOSTIC PLUG CENTRY	4 - 5/79 -	CONTROL PANEL	73177282
X123	2,000	PLUG-IN SLEEVE	4 - 5/79 -	CONTROL PANEL	73177293
X123	2,000	GASKET	4 - 5/79 -	CONTROL PANEL	73177294
X20	1,000	CONNECTOR SCREEN WIPER MOTOR	- 0/ 0 -		73172641
X20	3,000	PLUG-IN SLEEVE	- 0/ 0 -		73172642
X31.2	2,000	GROUND TERMINAL SIDE CONSOLE	- 0/ 0 -		73175271
XF20	1,000	PLUG/SOCKET COLD START	- 0/ 0 -		73175272
XF20	1,000	HOUSING	- 0/ 0 -		73175273
XF20	2,000	BUSHING	- 0/ 0 -		73175274
XF20	2,000	MALE CONNECTOR	- 0/ 0 -		73175276
XF6	1,000	PLUG/SOCKET TRAVEL ALARM	- 0/ 0 -		73176061
XF6	1,000	PLUG-IN SLEEVE	- 0/ 0 -		73176063
XF6	1,000	RECEPTACLE HOUSING	- 0/ 0 -		73176064
XF6	1,000	HOUSING	- 0/ 0 -		73176065
XR10	0,300	PLUG/SOCKET SPEED CONTROL	- 0/ 0 -		73174171
XR10	6,000	PLUG-IN SLEEVE	- 0/ 0 -		73172611
Y1.3	1,000	SOLENOID VALVE COLD START	2 - 4/84 -	ENGINE COMPARTMENT	
Y1.4	1,000	LIFTING MAGNET MOTOR STOP	4 - 2/59 -	ENGINE	
Y10	1,000	PROPOTIONAL VALVE	3 - 0/91 -	VALVE BLOCK	
Y113	1,000	SOLENOID FOR PILOT CONTROL PRESSURE	2 - 8/84 -	PLATFORM PLATE	
Y21.3	1,000	SOLENOID VALVE - 2ND GEAR	10 - 8/94	VALVE BLOCK	
Y35	1,000	SOLENOID - SLEWING-GEAR BRAKE	6 - 4/86 -	VALVE BLOCK	
Y35.1	1,000	SOLENOID VALVE - BLEWING	10 - 5/94	SUPERSTRUCTURE	
Y37.1	1,000	SOLENOID VALVE - GRAB ROTATOR	12 - 6/85	SUPERSTRUCTURE	
Y37.2	1,000	SOLENOID VALVE - GRAB ROTATOR	12 - 6/85	SUPERSTRUCTURE	
Y39	1,000	SOLENOID VALVE - SWITCHING ONE TASK CYLINDER / HAMMER	10 - 1/94	SUPERSTRUCTURE	



DRESSER  
 EQUIPMENT  
 PARTS  
 DIVISION  
 PLATEAU

Electrical components in circuit diagram

31.050 -

FX500

Circuit diagram No.

T 1287263 - 001

B 1287262 - 010

Part	Quantity	Description and function	Curr. Path	Location	Part no.
S41.1	1,000	HYDRAULIC OIL LEVEL SWITCH	6 - 8/84	SUPERSTRUCTURE	
S41.1	1,000	RIGHT ANGLE PLUG	8 - 8/84	SUPERSTRUCTURE	73172620
S46.2	1,000	PRESSURE SWITCH - HYDRAULICS	11 - 4/85	SUPERSTRUCTURE	
S46.3	1,000	PRESSURE SWITCH - HYDRAULICS	11 - 5/85	SUPERSTRUCTURE	
S66	1,000	PRESSURE SWITCH - BOOM	11 - 6/86	PLATFORM PLATE	
S7	1,000	HORN BUTTON	8 - 6/81	JOYSTICK, TOP RH	73172518
S7.1	1,000	TRAVEL ALARM	12 - 2/56	PLATFORM PLATE	
S7.2	1,000	TRAVEL ALARM	12 - 2/64	PLATFORM PLATE	
S7.3	1,000	TRAVEL ALARM	12 - 2/72	PLATFORM PLATE	
S7.4	1,000	TRAVEL ALARM	12 - 2/80	PLATFORM PLATE	
S8.3	1,000	BUTTON BOOSTER	7 - 7/79	JOYSTICK, TOP RH	73172518
S9	1,000	SWITCH - INTERIOR LIGHT	7 - 2/84	CAB	
V153	1,000	RELEASING DIODE	9 - 7/52	SEAT CONSOLE, RH	73175270
V154	1,000	RELEASING DIODE	9 - 7/62	SEAT CONSOLE, RH	73175270
V155	1,000	RELEASING DIODE	9 - 6/89	SEAT CONSOLE, RH	73175270
V156	1,000	RELEASING DIODE	9 - 6/52	SEAT CONSOLE, RH	73175270
W01	1,000	CABLE HARNESS, CONTROL PANEL	23 - 1/10	CONTROL PANEL	73175158
W03	1,000	CABLE HARNESS, ENGINE	23 - 1/15	ENGINE	73175158
W04	1,000	CABLE HARNESS, VALVES	23 - 1/20	SUPERSTRUCTURE	73175160
W05	1,000	MAIN CABLE SET	23 - 1/25	SUPERSTRUCTURE	73177874
W06	1,000	CABLE HARNESS, PLATFORM	23 - 1/30	PLATFORM PLATE	73173027
W08	1,000	CABLE BATTERY PLUS	23 - 1/35	SUPERSTRUCTURE	73175162
W09	1,000	CABLE HARNESS, STANDARD CAB	23 - 1/40	CAB	73172631
W09	1,000	PIPE CLAMP	23 - 1/40	CAB	73172632
W09	1,000	SELF-TAPPING SCREW	23 - 1/40	CAB	73172633
W15	1,000	CABLE FOR JOYSTICK	23 - 4/10	JOYSTICK	73172634
W15	1,000	RECEPTACLE HOUSING	23 - 4/10	JOYSTICK	73172635
W15	10,000	MALE CONNECTOR	23 - 4/10	JOYSTICK	73172636
W16	1,000	CABLE BATTERY	23 - 4/15	BATTERY BOX	73175147
W17	1,000	PLATFORM EARTH CABLE	23 - 4/20	PLATFORM	73172000
W18	8,000	HEADLIGHT EARTH CABLE	23 - 4/25	SUPERSTRUCTURE	73172508
W29	1,000	ENGINE EARTH	23 - 4/30	ENGINE	73173031
W80	1,000	CABLE - STARTER/EARTH	23 - 7/10	ENGINE COMPARTMENT	73175148



## Electrical components in circuit diagram

31.050 -

FK000

Circuit diagram No.

T 1287263 - 001

B 1287262 - 010

Part	Quantity	Description and function	Curr. Path	Location	Part no.
F2	1,000	FUSE	2 - 7/16 -	CONTROL PANEL	73172606
F20	1,000	FUSE: COLD STARTING SYSTEM	2 - 4/16 -	CONTROL PANEL	73172607
F20	1,000	FUSE HOLDER	2 - 4/16 -	CONTROL PANEL	73175261
F20	2,000	CONTACT SLEEVE	2 - 4/16 -	CONTROL PANEL	73175262
F3	1,000	FUSE	3 - 0/16 -	CONTROL PANEL	73172606
F4	1,000	FUSE	8 - 1/16 -	CONTROL PANEL	73172607
F5	1,000	FUSE	8 - 5/16 -	CONTROL PANEL	73172608
F6	1,000	FUSE	12 - 2/16 -	CONTROL PANEL	73172609
F7	1,000	FUSE	4 - 0/18 -	CONTROL PANEL	73175156
F8	1,000	FUSE	7 - 0/16 -	CONTROL PANEL	73172609
F9	1,000	FUSE	2 - 7/16 -	CONTROL PANEL	73172608
G1	1,000	ALTERNATOR	2 - 1/30 -	ENGINE	
G1.1	1,000	BATTERY	2 - 0/55 -	BATTERY BOX	
G1.2	1,000	BATTERY	2 - 0/70 -	BATTERY BOX	
H7	1,000	HORN	8 - 6/31 -	PLATFORM PLATE	73172611
H7.1	1,000	HORN	12 - 4/85 -	MOTOR MODULE	73175766
K1.5	1,000	POWER RELAY	2 - 3/84 -	ENGINE	
K2.6	1,000	CHARGE-CONTROL RELAY	2 - 2/84 -	SEAT CONSOLE,RH	73175157
K207	1,000	FAULT-MESSAGE OFF RELAY	9 - 7/82 -	SEAT CONSOLE,RH	73174128
K4	1,000	RELAY-ENGINE SHUT-DOWN	7 - 5/82 -	SEAT CONSOLE,RH	73174128
K45	1,000	RELAY REV.ADJUSTMENT	3 - 2/91 -	SEAT CONSOLE,RH	73174128
K7	1,000	RELAY HORN	12 - 2/74 -	CONTROL PANEL	73174128
K7	1,000	PLUG BASE	12 - 2/34 -	CONTROL PANEL	73174166
K7.1	1,000	RELAY HORN	12 - 2/36 -	CONTROL PANEL	73177354
K7.1	1,000	PLUG BASE	12 - 2/36 -	CONTROL PANEL	73174165
M1	1,000	STARTER	2 - 2/80 -	ENGINE	
M2	1,000	FAN	8 - 5/29 -	CAB	
M3	1,000	WINDSCREEN WIPER MOTOR	8 - 2/60 -	CAB	
M4	1,000	W/S WASHER PUMP	8 - 4/81 -	CAB	73171455
M42	1,000	LUBE PUMP MOTOR	10 - 6/92 -	SUPERSTRUCTURE	
R10	1,000	SPEED CONTROL	5 - 5/95 -	CONTROL PANEL	73177280
R10.2	1,000	WATER TEMPERATURE SENSOR	3 - 1/91 -	ENGINE	
R14	1,000	TEMPERATURE PROBE - HYDRAULIC OIL	3 - 7/91 -	SUPERSTRUCTURE	



## Electrical components in circuit diagram

31.050 -

FX800

Circuit diagram No.

T 1287263 - 001

B 1287262 - 010

Part	Quantity	Description and function	Curr. Path	Location	Part no.
A10	1,000	LOAD LIMIT GOVERNOR	3 - 0/58 -	CONTROL PANEL	
A10X4	1,000	DIAGNOSTIC UNIT CONNECTOR	7 - 3/18 -	CONTROL PANEL	73172588
A10X4	1,000	FLANGE	7 - 3/18 -	CONTROL PANEL	73172589
A100	1,000	CENTRAL ELECTRONIC UNIT	3 - 1/16 -	CONTROL PANEL	73172003
A158	1,000	ELECTRONIC SPEED CONTROL	4 - 1/21 -	ENGINE	
A88	1,000	RESISTANCE MODULE	3 - 2/86 -	SEAT CONSOLE,RH	73175260
B10	1,000	PRESSURE SENSOR - TRAVEL	11 - 0/84 -	SUPERSTRUCTURE	
B10.1	1,000	SPEED SENSOR	3 - 9/89 -	ENGINE	
E3.2	1,000	WORKING LIGHT, TANK MODULE LEFT	9 - 3/87 -	FUEL TANK	73172509
E3.2	1,000	BULB	9 - 3/87 -	FUEL TANK	73172510
E3.3	1,000	WORKING LIGHT, COUNTERWEIGHT LEFT	9 - 4/87 -	COUNTERWEIGHT	73172509
E3.3	1,000	BULB	9 - 4/87 -	COUNTERWEIGHT	73172510
E3.4	1,000	WORKING LIGHT CAB L.H.(UP-AND DOWN)	9 - 1/87 -	CAB ROOF	73172509
E3.4	1,000	BULB	9 - 1/87 -	CAB ROOF	73172510
E4.2	1,000	WORKING LIGHT, TANK MODULE RIGHT	9 - 2/87 -	FUEL TANK	73172509
E4.2	1,000	BULB	9 - 2/87 -	FUEL TANK	73172510
E4.3	1,000	WORKING LIGHT, COUNTERWEIGHT RIGHT	9 - 5/87 -	COUNTERWEIGHT	73172509
E4.3	1,000	BULB	9 - 5/87 -	COUNTERWEIGHT	73172510
E4.4	1,000	WORKING LIGHT CAB R.H.(UP-AND-DOWN)	9 - 1/87 -	CAB ROOF	73172509
E4.4	1,000	BULB	9 - 1/87 -	CAB ROOF	73172510
E9	1,000	INTERIOR LIGHT	7 - 3/74 -	CAB	73172604
E9	2,000	BULB	7 - 3/74 -	CAB	73172605
F	1,000	FUSE	4 - 1/37 -	ENGINE	73175137
F	1,000	FUSE INSERT	4 - 2/37 -	ENGINE	73175137
F	1,000	FUSE INSERT	5 - 6/30 -	ENGINE	73175137
F1	1,000	FUSE	7 - 8/16 -	CONTROL PANEL	73172606
F1.8	1,000	MAIN FUSE	2 - 0/36 -	CONTROL PANEL	73175153
F1.8	1,000	FUSE HOLDER	2 - 0/36 -	CONTROL PANEL	73175154
F1.8	1,000	LID	2 - 0/36 -	CONTROL PANEL	73175155
F1.8	1,000	BRACKET PLATE	2 - 0/26 -	CONTROL PANEL	73172001
F10	1,000	FUSE	12 - 6/17 -	CONTROL PANEL	73172606
F11	1,000	FUSE	7 - 1/16 -	CONTROL PANEL	73172606
F12	1,000	FUSE	7 - 2/16 -	CONTROL PANEL	73172606



## OVERVIEW-CABLE HARNESSSES

W01 → CABLE HARNESS CONTROL PANEL

W10 → CABLE FOR JOYSTICK

W00 → CABLE STARTER - GROUND

W03 → CABLE SET MOTOR

W16 → BATTERY CABLE

W01 → CABLE  
BATTERY MAIN SWITCH - GROUND

W04 → CABLE SET VALVES

W17 → PLATFORM EARTH

W02 → CABLE  
BATTERY MAIN SWITCH - BATTERY

W05 → SUPERSTRUCTURE CABLE SET

W18 → WORKING LIGHT EARTH

W00 → CABLE  
SET  
FUSE COLD-STARTING

W06 → CABLE SET PLATFORM

W23 → ENGINE EARTH

W03 → CABLE  
SET  
SIDE CONSOLE RIGHT

W08 → CABLE STARTER

W09 → CABLE SET CAB

No	Rev	Date	By	Description	Drawing/Description	Part-No	Sheet	Total
167	31	08.02	00		<b>WIRING DIAGRAM</b> <b>OVERVIEW-CABLE HARNESSSES</b>	<b>2267252-12</b>	<b>4</b>	<b>27</b>
Typ	NO	MR	DT	02 AP 618 22.10.68 01 AP 491 28.04.68				
F0000								


END POINT	CABLE NO.	C		P		CABLE NO.	END POINT
		NO.	NO.	NO.	NO.		
R10	br	1	1	0.75	4A		ASS: 4 (R25)
R10	wh	1	2	0.75	8A		ADR: 8 (R27)
R10	b1	1	3	0.75	832		X100A: 3
CONNECTION TABLE PLUG/SOCKET							
XR10				SPEED CONTROL			

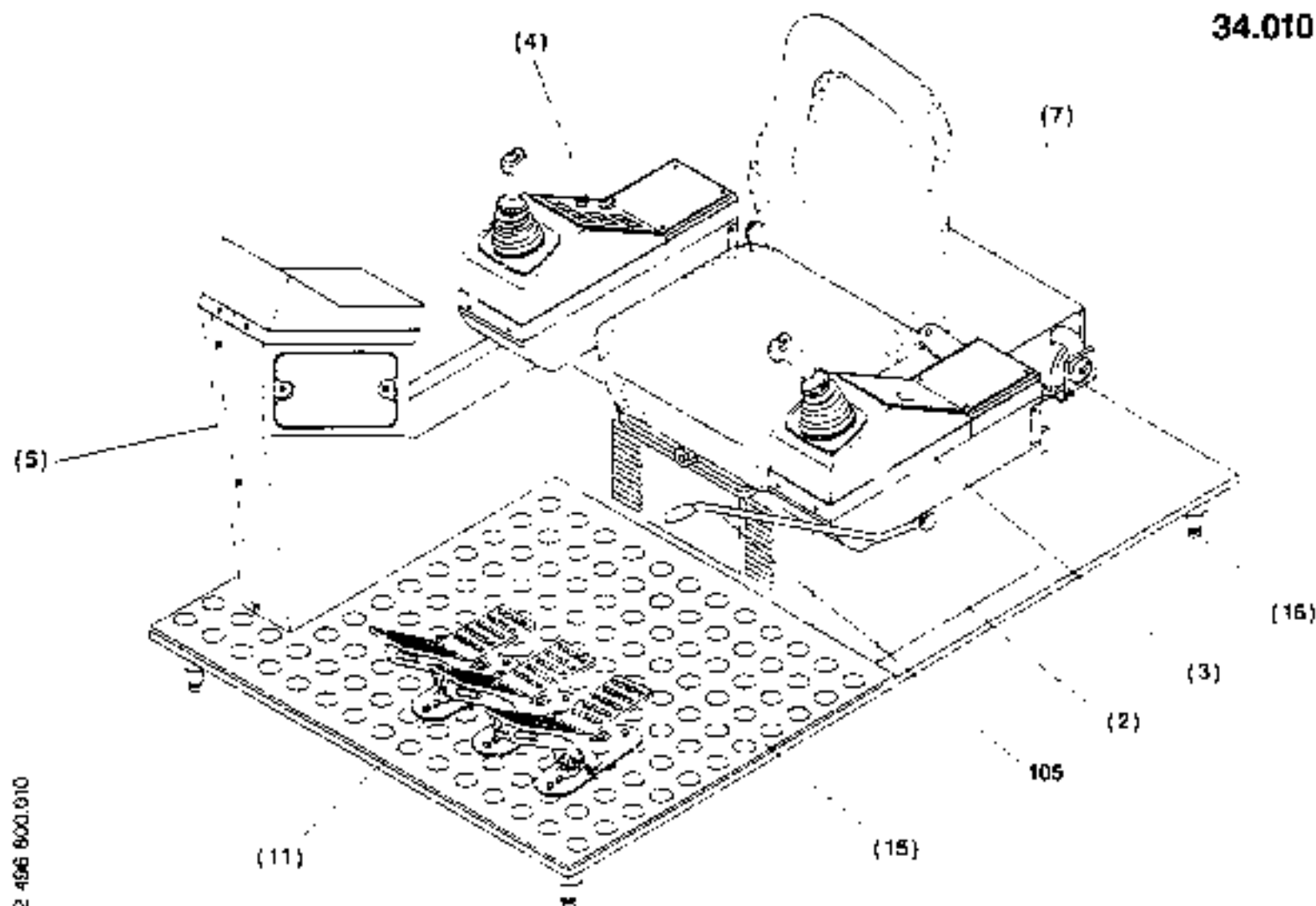
END POINT	CABLE NO.	C		P		CABLE NO.	END POINT
		NO.	NO.	NO.	NO.		
#8	77	0.5	1	0.0	77		K7: 06
CONNECTION TABLE PLUG/SOCKET							
XF8				TRAVEL-ALARM			

END POINT	CABLE NO.	C		P		CABLE NO.	END POINT
		NO.	NO.	NO.	NO.		
X10 (30)	137	2.5	1				N. C.
			2				
X87.1: 1	198	2.5	3				N. C.
CONNECTION TABLE PLUG/SOCKET							
XF13				ADDITIONAL PULSE			

END POINT	CABLE NO.	C		P		CABLE NO.	END POINT
		NO.	NO.	NO.	NO.		
X101: 2	87.1	1.0	1	1.5			F20
S1.7: 1	82.1	1.5	2	1.5			F20
CONNECTION TABLE PLUG/SOCKET							
XF20				COLD-STARTING			

END POINT	CABLE NO.	C		P		CABLE NO.	END POINT
		NO.	NO.	NO.	NO.		
XF13: 3	198	2.5	1				N. C.
X100: 13	190	2.5	2				N. C.
X100: 4	190.2	2.5	3				N. C.
CONNECTION TABLE PLUG/SOCKET							
X87.1				FUELLING SYSTEM			

317	75	083	90					Drawn/Date	12.11.87	Scale		BENENNUNG/Description <b>WIRING DIAGRAM</b> XR10 - XF8 - XF13 - XF20 - X87.1	Tech-44 Part-No 1287262-12	 Rev. No. 1 Date 12.11.87
100	89	092	01	02	AP 543	23.08.85	See	See/Notes						
FY8000												Rev. No. 1	Date 12.11.87	



2 456 600.010



## CAB MODULE INSTALL.MATERIAL

34.010

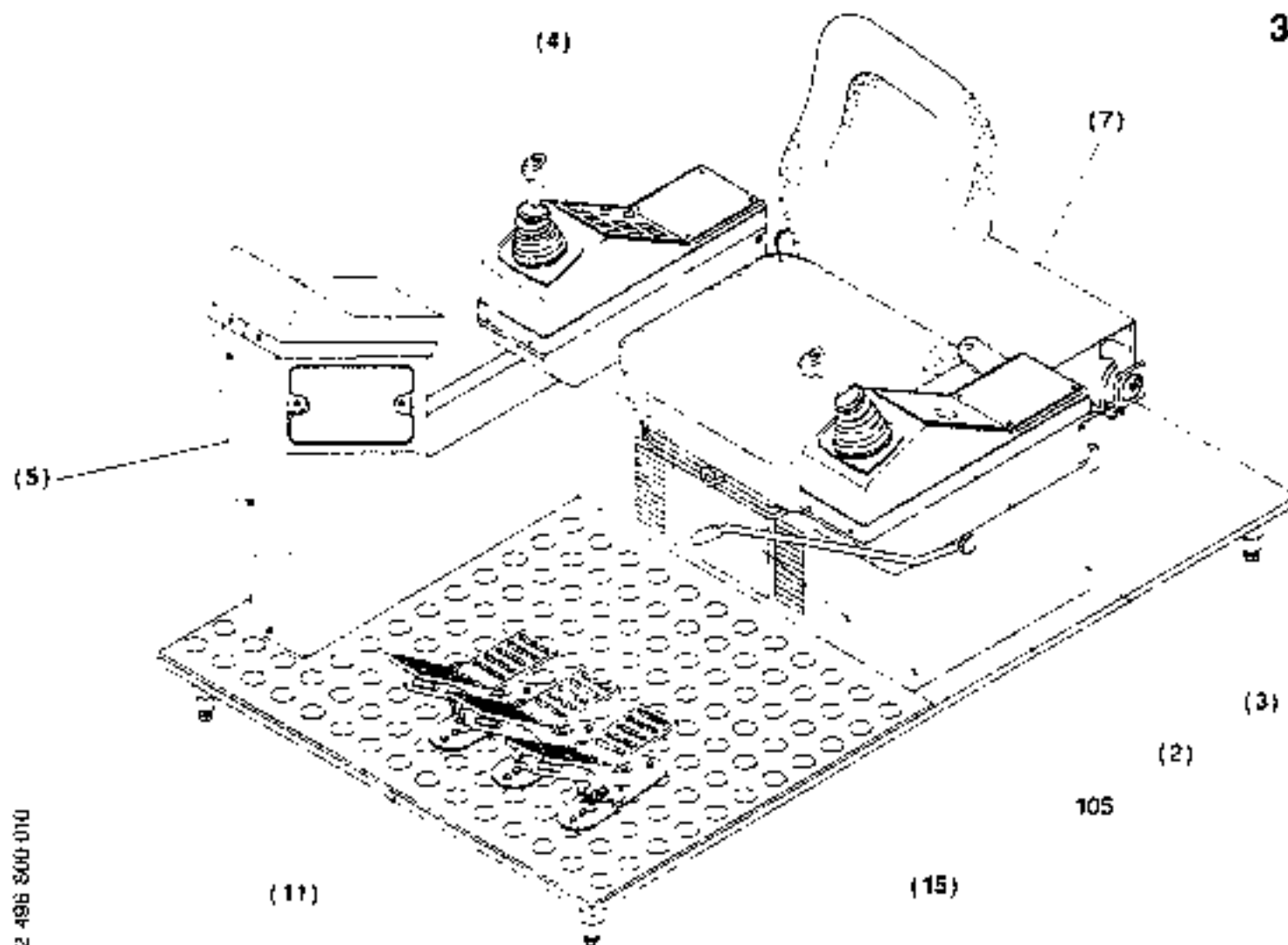
FX500 106101 - .....

T 2496800 - 002


B 2496800 - 010

Item	Quan.	ME	Part No.	Description
002	1	00	34.101 2444880	PLATFORM PLATE MOUNTING PARTS
003	1	00	34.140 2444887	BRACKET INSTALL.MATERIAL
004	1	00	34.140 2782774	BRACKET INSTALL.MATERIAL
005	1	00	34.130 2496286	CONTROL COLUMN INSTALL.MATERIAL
007	1	00	27.010 2496798	HEATING INSTALL.MATERIAL
011	1	00	20.610 2496797	HYDRAULIC SYSTEM SERVO CONTROL

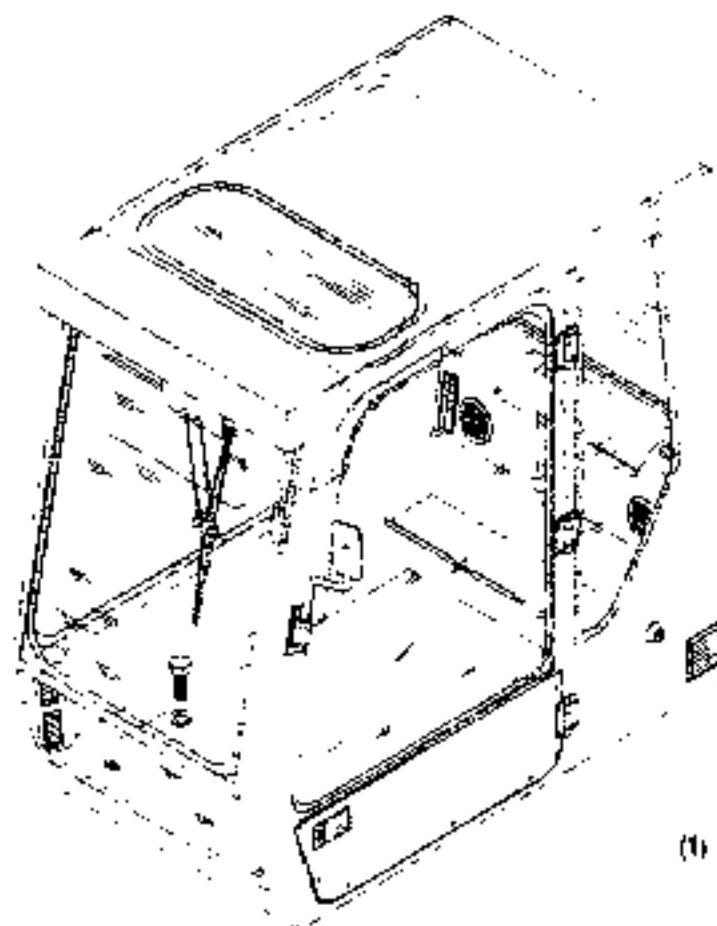
34.010



2 496 800 010

Item	Quan.	ME	Part No	Descr part
 <b>CAB MODULE INSTALL.MATERIAL</b> <span style="float: right;">34.010</span>				
FX600 106101 - ..... <span style="float: right;">T 2496800 - 002 B 2496800 - 010</span>				
015	1	00		90.100 2496594 LINING ARRANGEMENT
016	1	00		34.100 1908540 PLATFORM PLATE INSTALL.MATERIAL
105	1	00		34.640 2444852 WINDSCREEN WASHER INSTALL.MATERIAL





2 782 257 010



**OPERATOR'S CAB INSTALL MATERIAL**

34.020

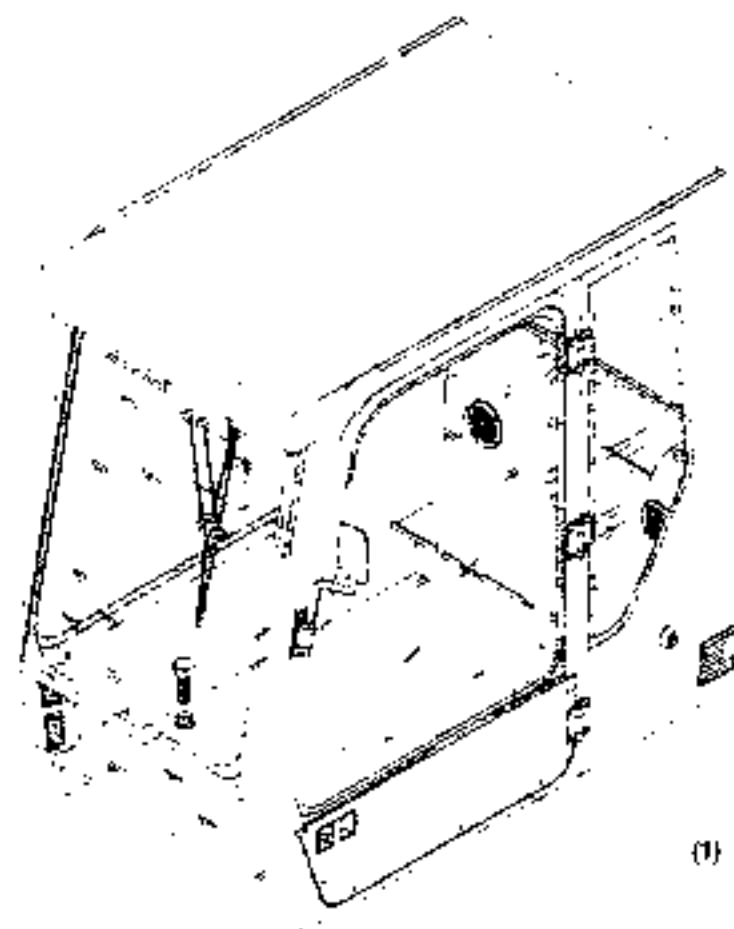
FX600 106102 - .....

T 2782257 - 000  
B 2782257 - 010

Item	Q'ty	ME	Part No	Description
001	1	00		34.022 2782256 OPERATOR'S CAB
002	1	30		34.300 2444897 BEARING OPERATOR'S CAB

2 782 262 010

(2)



(1)



## OPERATOR'S CAB INSTALL.MATERIAL

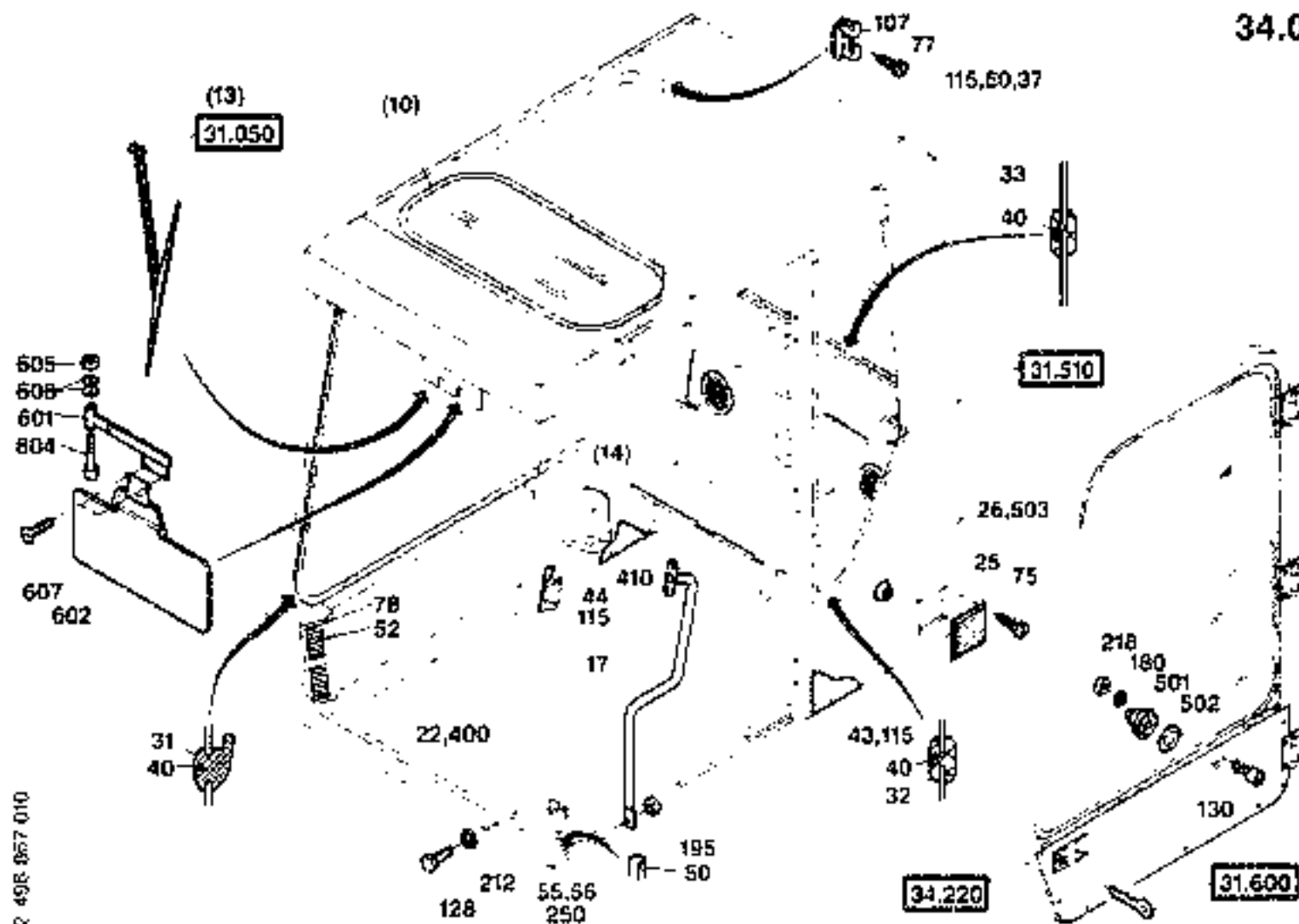
34.020

FX600 106101 - 106101


T 2782262 - 000

B 2782262 - 010

Item	Quan	ME	Part No	Description
001	1	00	34.021 2782263	OPERATOR'S CAB MOUNTING PARTS
002	1	00	34.300 2444897	BEARING OPERATOR'S CAB

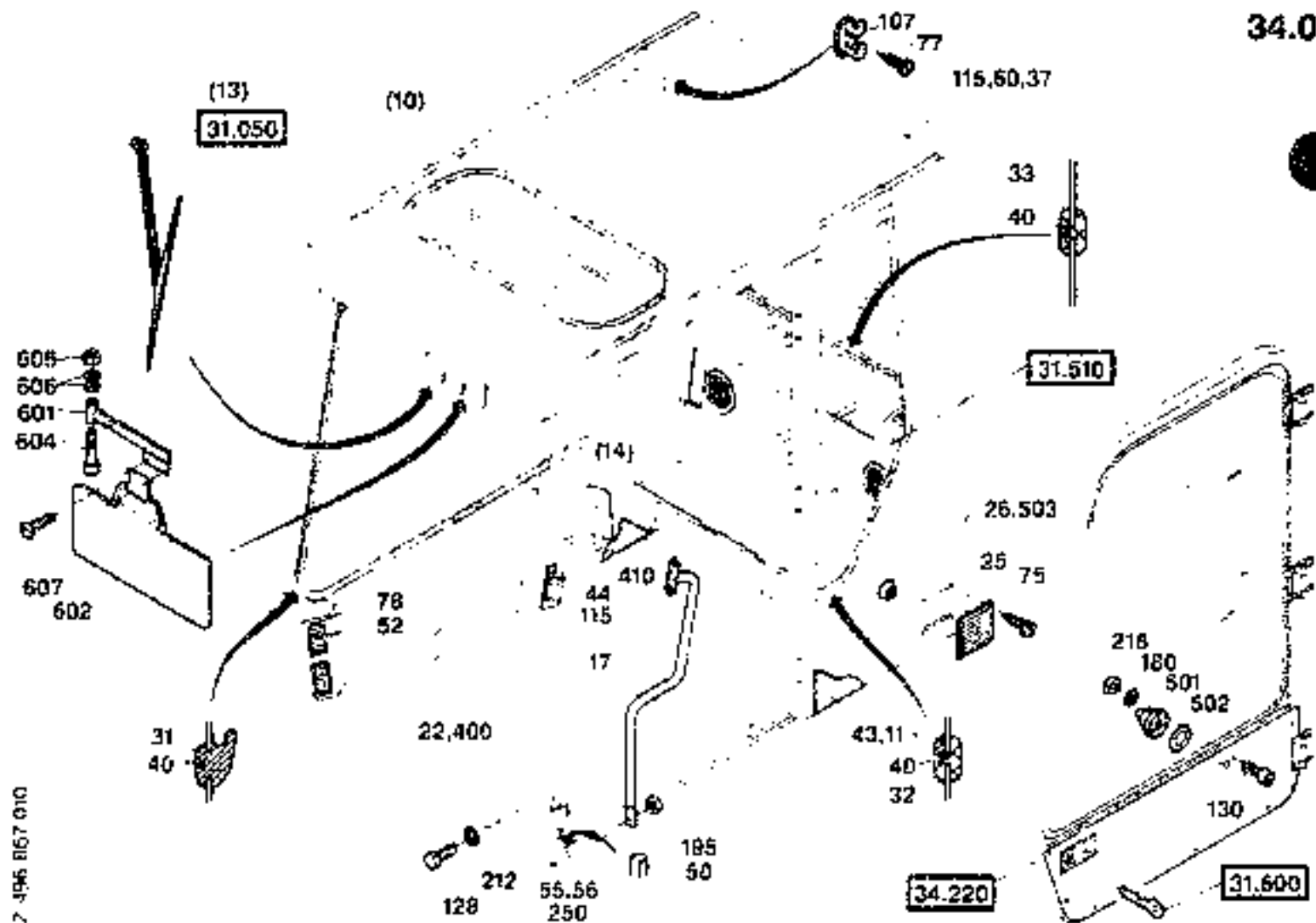


2 496 867 010

				34.021	
				OPERATOR'S CAB MOUNTING PARTS	
		FX600 106102 - ...		T 2496867 - 000 B 2496867 - 010	
Item	Quan	ME	Part No	Description	
010	1	00		34.210 2443232	CAB ROOF
013	1	00		34.630 2444916	WINDSCREEN WIPER INSTALL.MATERIAL
014	1	00		35.060 1907741	MIRROR SUPPORT INSTALL.MATERIAL
017	1	00	73171039		HANDLE
022	1	00	73171040		AIR DUCT
025	1	00	73171041		GRID
026	1	00	73171042		BUMPER
031	1	00	73171043		WINDOW STRIP
032	1	00	73171044		WINDOW STRIP
033	1	00	73171045		WINDOW STRIP
037	1	00	73171046		PANELING
040	10,5	13	73171047		PROFILE
043	1	00	73171048		PANELING
044	1	00	73171049		PANELING

ME 00=Stück/piece 13=m 26=m<sup>2</sup> 39=m<sup>3</sup> 43=kg 50=1 (litre)

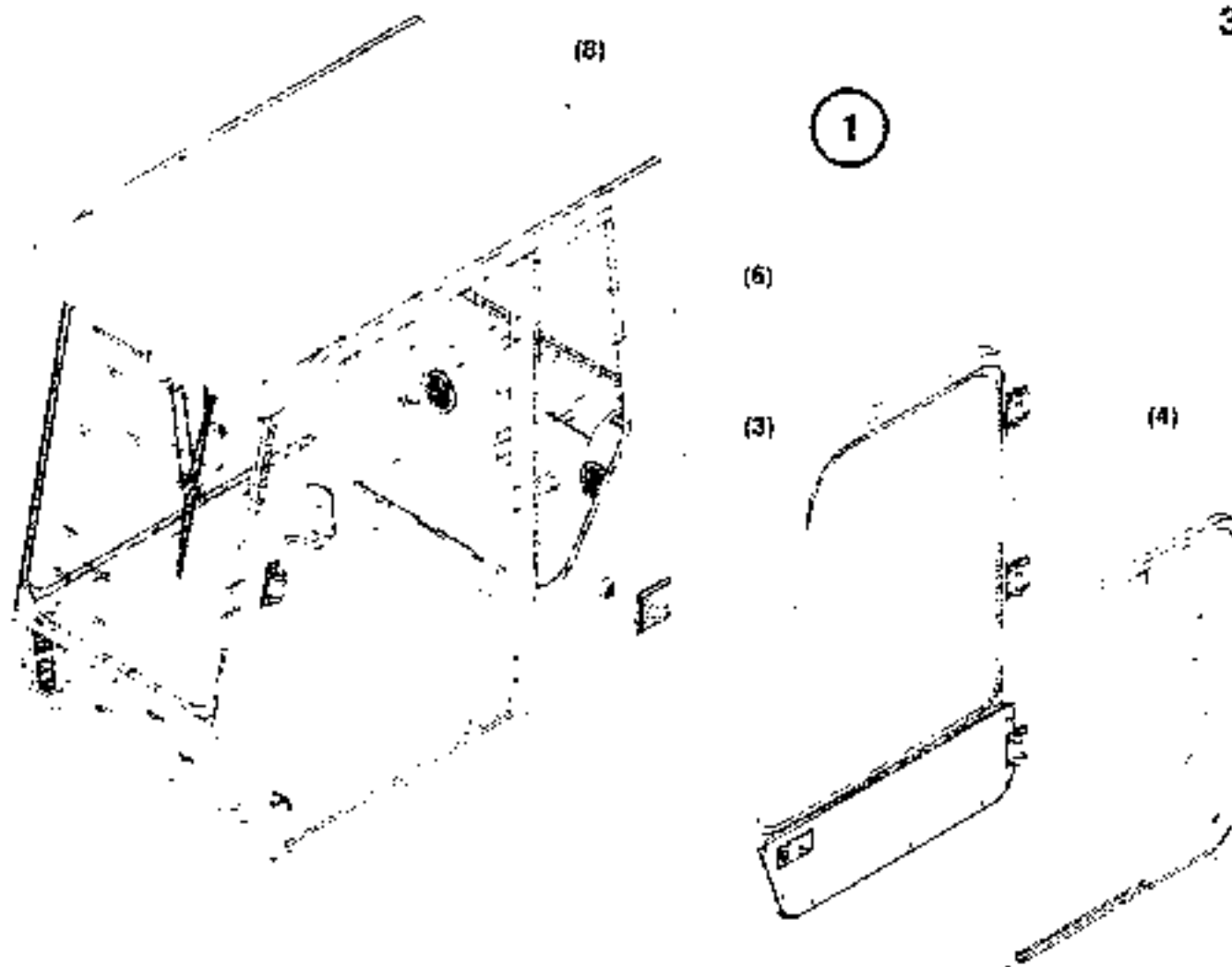
1999-09-10



				34.021	
				T 2496867 - 000	
				B 2496867 - 010	
				1998-09 10	
OPERATOR'S CAB MOUNTING PARTS					
FX600 106102					
Item	Qty	MF	Part No.	Descriptor	
050	5	13	73171050	SEAL	
052	2	00	73171033	INJECTOR	
055	1	00	73171051	PIN	
056	1	00	73171052	STRAP	
075	4	00	73171053	SELF-TAPPING SCREW	
077	2	00	73171054	SELF-TAPPING SCREW	
078	4	00	73171034	SELF-TAPPING SCREW	
107	1	00	73171055	HOOK	
115	5	13	73171056	RIBBON	
128	7	00	73171058	HEXAGON BOLT	
130	3	00	73171059	CYL.HEAD SCREW	
180	6	00	73170185	DISK WASHER	
194	1	00	73170161	HEXAGON NUT	
195	1	00	73171060	HEXAGON NUT	
212	9	00	73170167	LOCK WASHER	
218	3	00	73171061	HEXAGON NUT	
250	2	00	73171062	CUP SPRING	
400	0,50	13	73171064	ADHESIVE TAPE	



2 782 263 (RU)



## OPERATOR'S CAB MOUNTING PARTS

34.021

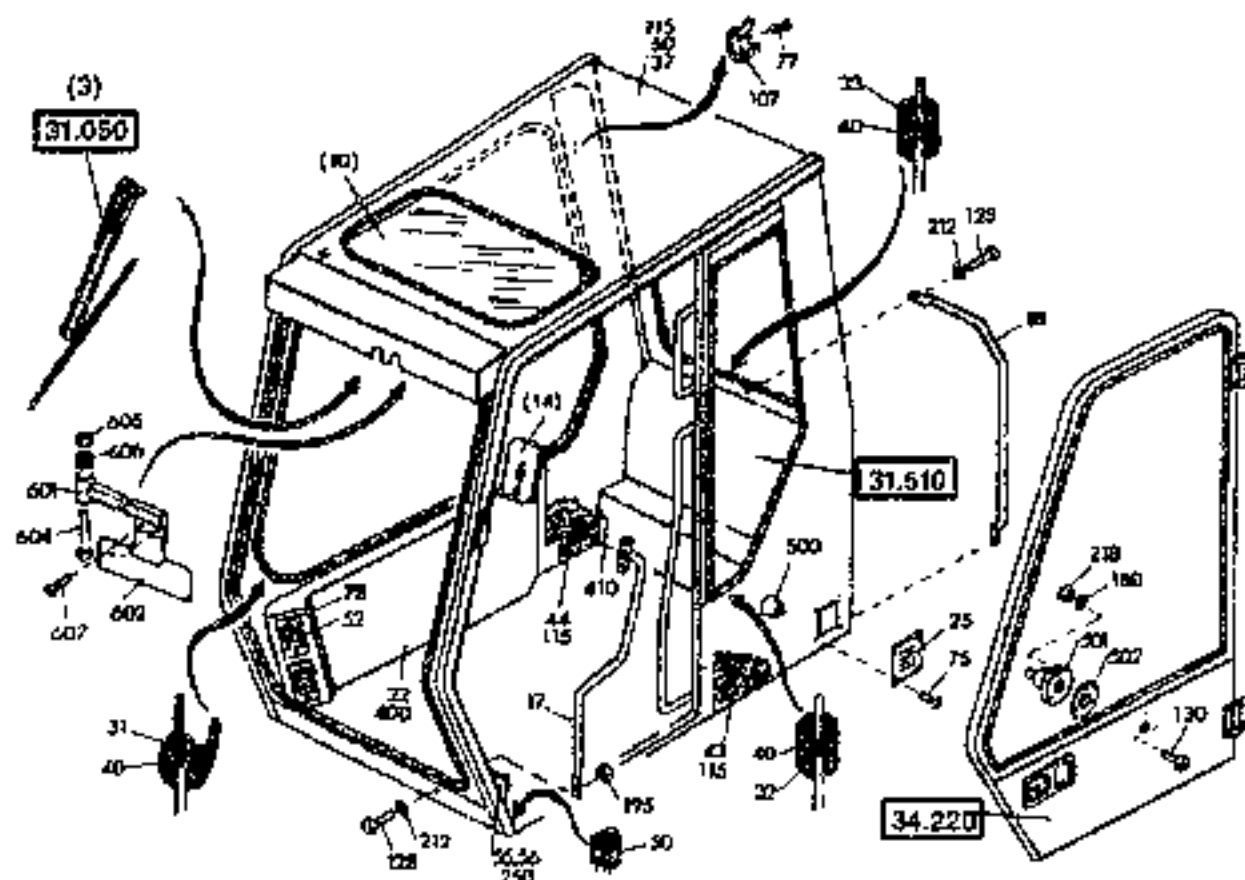
FX600 \*06101 - 106701

T 2782263 - 000


B 2782263 - 010

Item	Quan	ME	Part No	Descriptor
001	1	00	73175388	OPERATOR'S CAB
003	1	00		34.022 2444904 OPERATOR'S CAB
004	1	00		34.220 2444896 CAB DOOR
006	1	00		34.230 2495011 GLAZING OPERATOR'S CAB
008	1	00		31.510 2496871 RADIO INSTALL MATERIAL

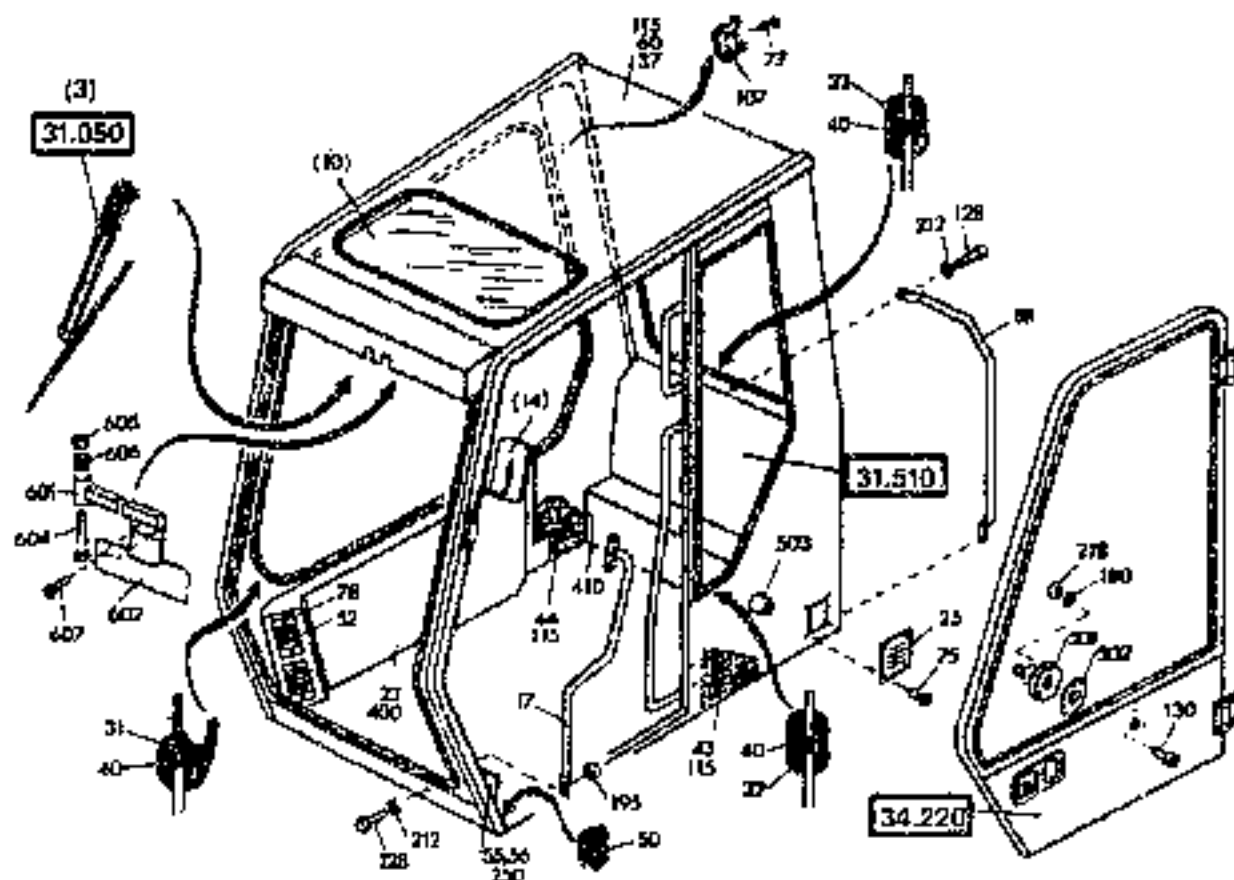




2 444 904 010

				34.022	
				OPERATOR'S CAB	
FX600 106101 - 106101				T 2444904 - 000 B 2444904 - 010	
Item	Quant	ME	Part No	Description	
050	5	13	73171050	SEAL	
052	2	00	73171033	INJECTOR	
055	1	00	73171051	PIN	
056	1	00	73171052	STRAP	
060	8	00	73172006	CLIP	
075	4	00	73171053	SELF-TAPPING SCREW	
077	2	00	73171054	SELF-TAPPING SCREW	
078	4	00	73171034	SELF-TAPPING SCREW	
107	1	00	73171055	HOOK	
115	6	13	73171056	RIBBON	
122	2	00	73170440	CYL.HEAD SCREW	
128	9	00	73171058	HEXAGON BOLT	
130	3	00	73171059	CYL.HEAD SCREW	
180	6	00	73170185	DISK WASHER	
194	1	00	73170161	HEXAGON NUT	
195	1	00	73171080	HEXAGON NUT	
212	11	00	73170187	LOCK WASHER	
218	3	00	73171051	HEXAGON NUT	





2 444 904 010



## OPERATOR'S CAB

34.022

FX600 106101 - 106101

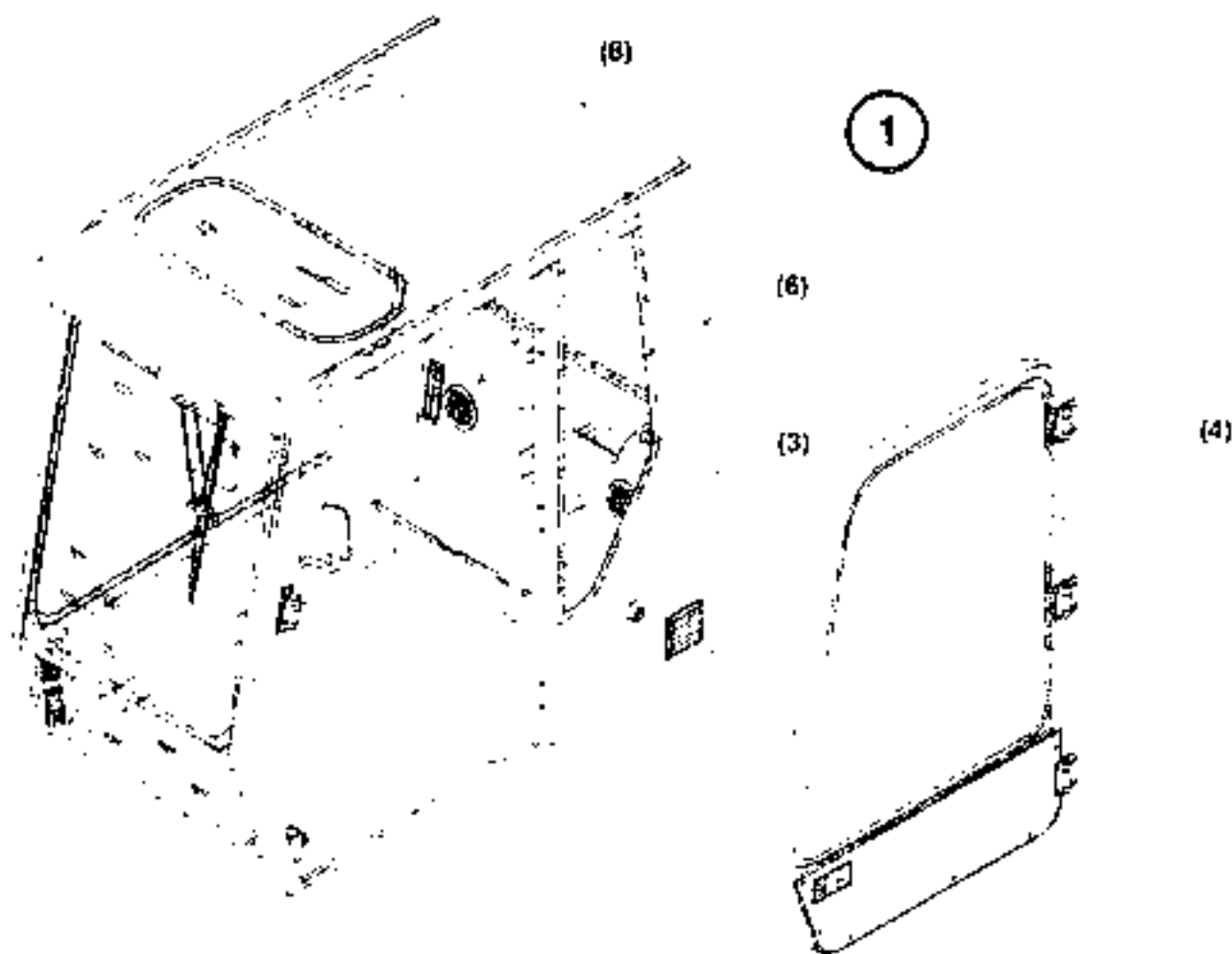
T 2444904 - 000

B 2444904 - 010

Item	Quan	ME	Part No	Description
250	2	00	73171062	CUP SPRING
400	0,50	13	73172007	RIBBON
410	0,50	13	73171065	SECTIONAL RUBBER
501	1	00	73172008	ARRESTOR
502	1	00	73172009	SUPPORT PLATE PAD
503	1	00	73172010	PIN
601	1	00	73172011	MOUNTING
602	1	00	73172012	SUN SHADE
604	1	00	73172013	CYL.HEAD SCREW
605	1	00	73170215	HEXAGON NUT
606	3	00	73172014	CUP SPRING
607	2	00	73171236	CONTER-SUNK SCREW

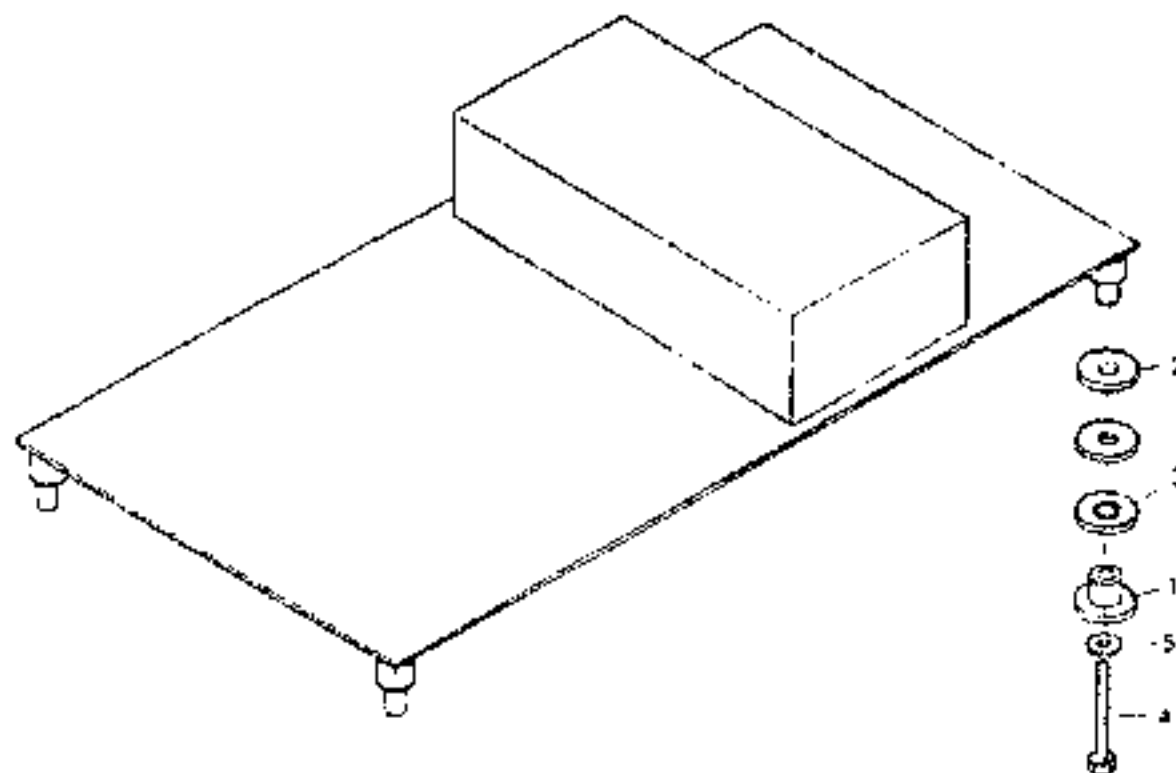
ME 00 = Stockpiece 13 = m 20 = m<sup>2</sup> 39 = m<sup>2</sup> 43 = kg 50 = l (lbs)

1998-09-10




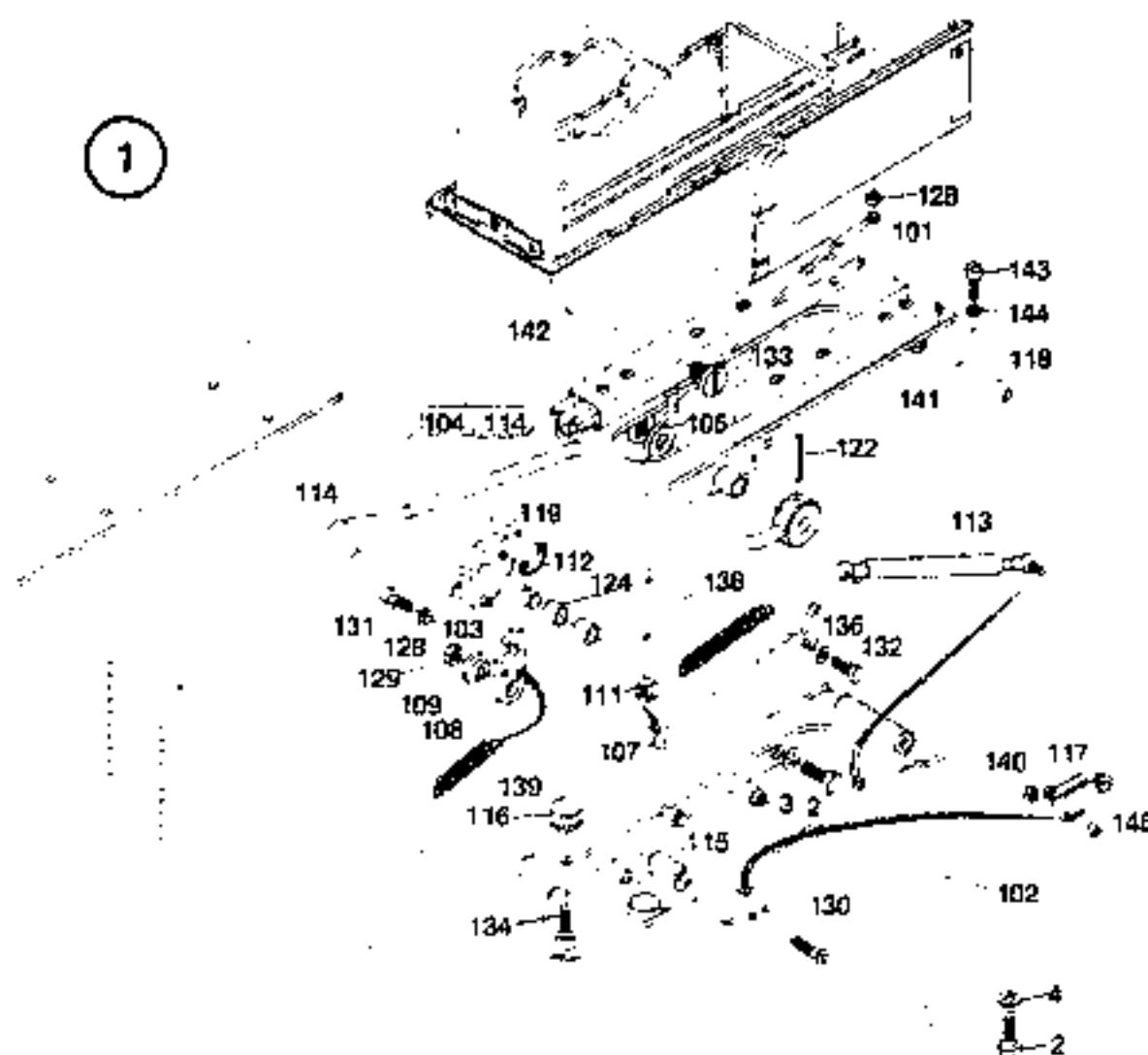
P 782 256 010

				34.022	
				T 2782256 - 000 B 2782256 - 010	
				FX800 106102 - ...	
Item	Quan.	ME	Part No.	Description	
001	1	00	73175223	OPERATOR'S CAB	
003	1	00		34.021 2496867 OPERATOR'S CAB MOUNTING PARTS	
004	1	00		34.220 2496873 CAB DOOR	
006	1	00		34.230 2782255 GLAZING OPERATOR'S CAB	
008	1	00		31.510 2496871 RADIO INSTALL.MATERIAL	




1908540 010

					34.100
		PLATFORM PLATE INSTALL.MATERIAL			
		FX600 106101 - ...			T 1908540 - 000 B 1908540 - 010
Item	Quant	ME	Part No	Description	
001	4	00	73171183	SLEEVE	
002	4	00	73171184	DISK WASHER	
003	6	00	73171186	BUMPER	
004	4	00	73171187	HEXAGON BOLT	
005	4	00	73170169	DISK WASHER	



1 444 8451 (31)


**PLATFORM PLATE MOUNTING PARTS**

34.101

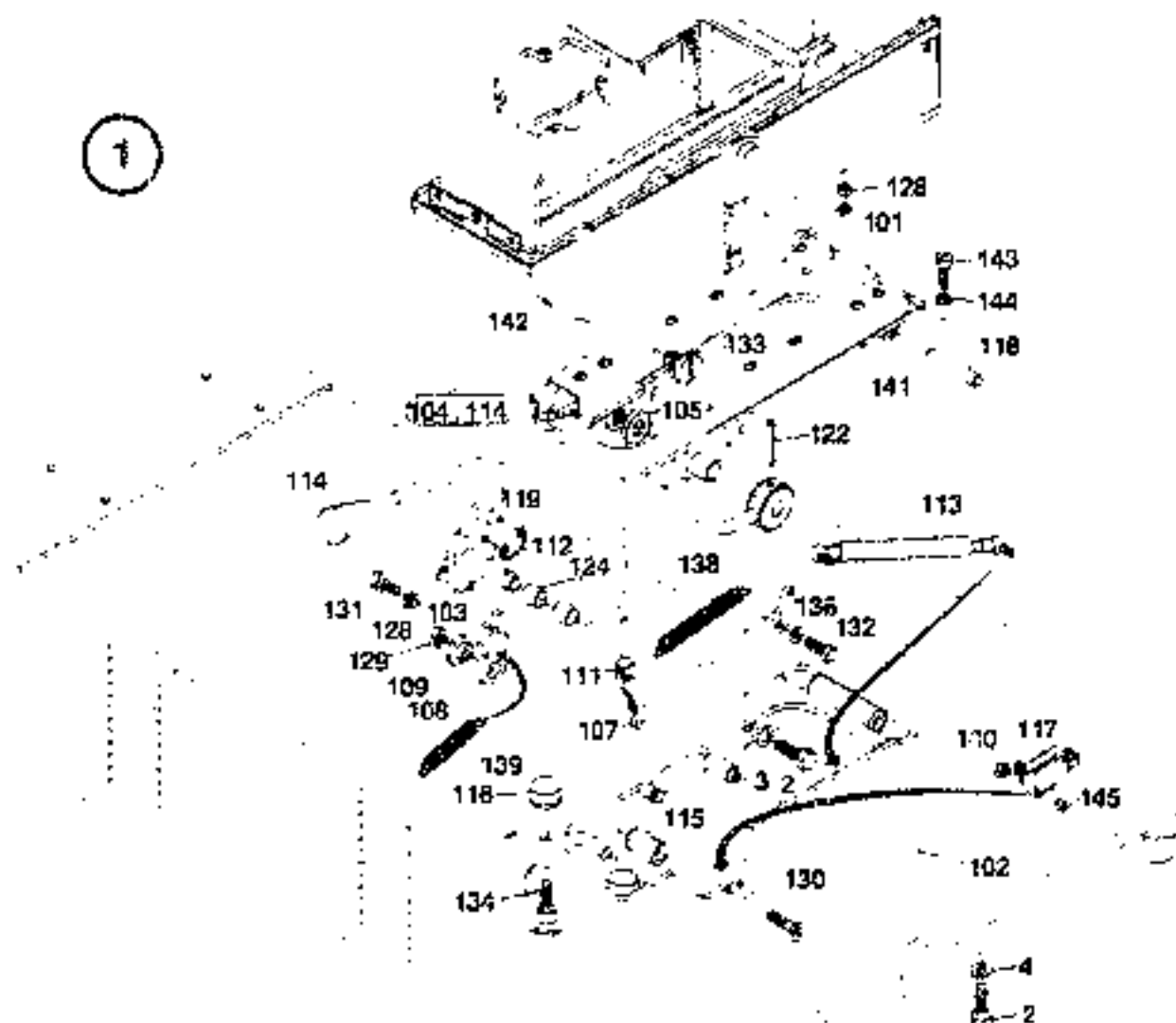
FX600 106101

T 2444880 - 002

B 2444880 010

Item	Qty	ME	Part No	Description
001	1	00	73171195	BRACKET
002	4	00	73170176	HEXAGON BOLT
003	2	00	73170160	DISK WASHER
004	2	00	73170212	DISK WASHER
101	1	00	73171198	LID
102	1	00	73171197	WALL
103	1	00	73171198	PAWL
104	1	00	73171199	LEVER
105	1	00	73171200	ROLLER
107	1	00	73171201	LEVER
108	1	00	73171202	LOCKING BAR
109	1	00	73171203	ECCENTRIC
111	1	00	73171204	ROPE
112	1	00	73171205	CLIP
113	1	00	73171206	DAMPER
114	1	00	73171207	HANDLE
115	0.04	00	73171208	RUBBER HOSE
116	2	00	73171209	BUMPER

2 448 8881 010



## PLATFORM PLATE MOUNTING PARTS

34.101

FX600 106101 - .....

T 2444880 - 002

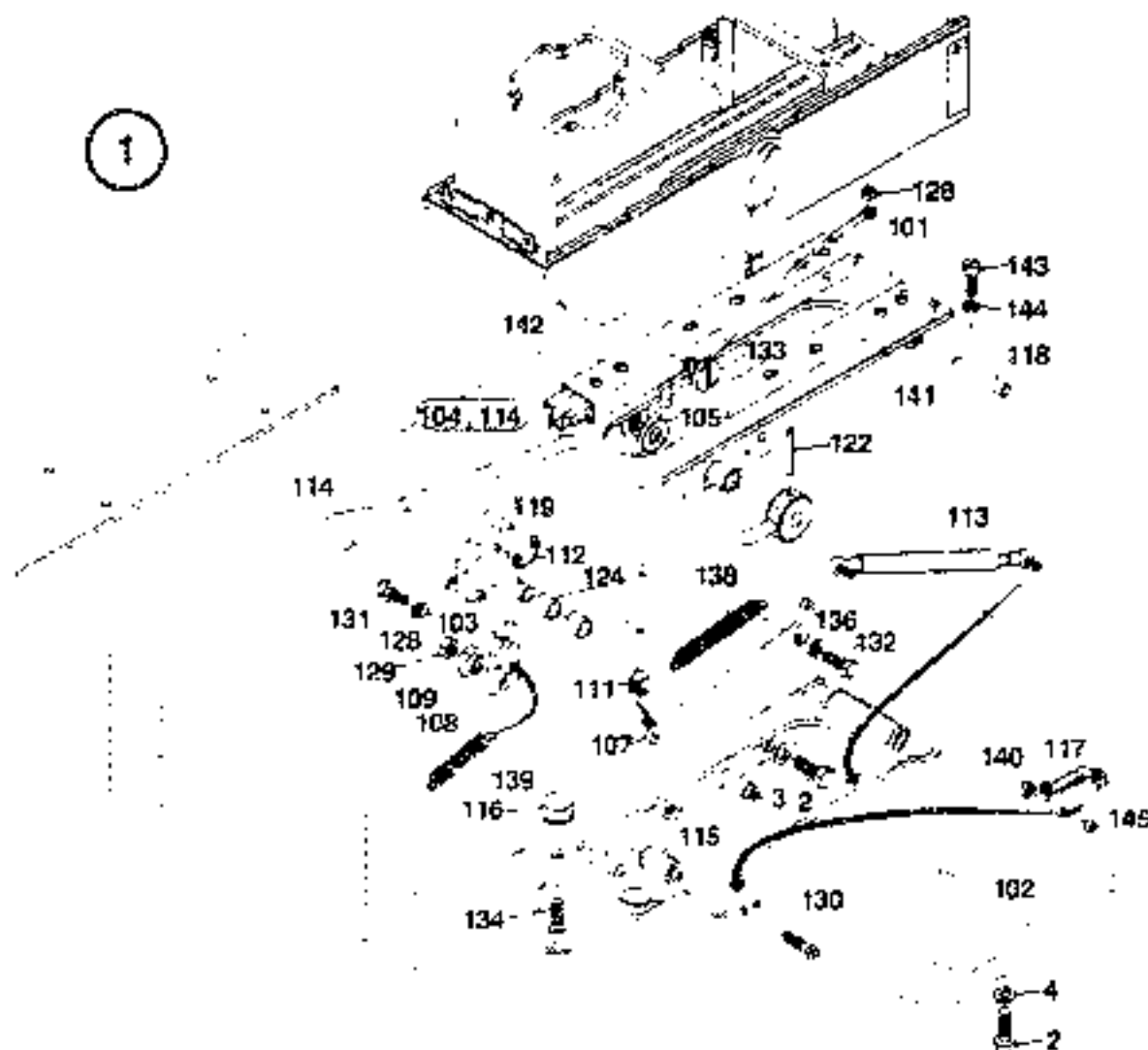
B 2444880 - 010

Item	Quan	ME	Part No	Description
117	1	00	73171210	SWITCH
118	1	00	73171212	PIN
119	1	00	73171213	STRAIGHT PIN
122	1	00	73171214	LOCKING PIN
124	2	00	73171215	BUSHING
128	1	00	73170184	HEXAGON NUT
129	1	00	73170161	HEXAGON NUT
130	2	00	73171216	CONTER-SUNK SCREW
131	1	00	73171217	HEXAGON BOLT
132	1	00	73170621	HEXAGON BOLT
133	1	00	73171218	SHOULDER BOLT
134	2	00	73171219	CYL.HEAD SCREW
136	1	00	73171220	DISK/WASHER
138	1	00	73171221	CONTROL SPRING
139	1	00	73171222	SPRING
140	2	00	73171223	HEXAGON NUT
141	1	00	73171224	RAIL
142	1	00	73171225	RAIL

ME 00 = Stockpiece 13 = m 28 = m<sup>2</sup> 38 = m<sup>3</sup> 43 = kg 50 = l (litre)

1998-09-10

2 444 BHD 030



**PLATFORM PLATE MOUNTING PARTS**

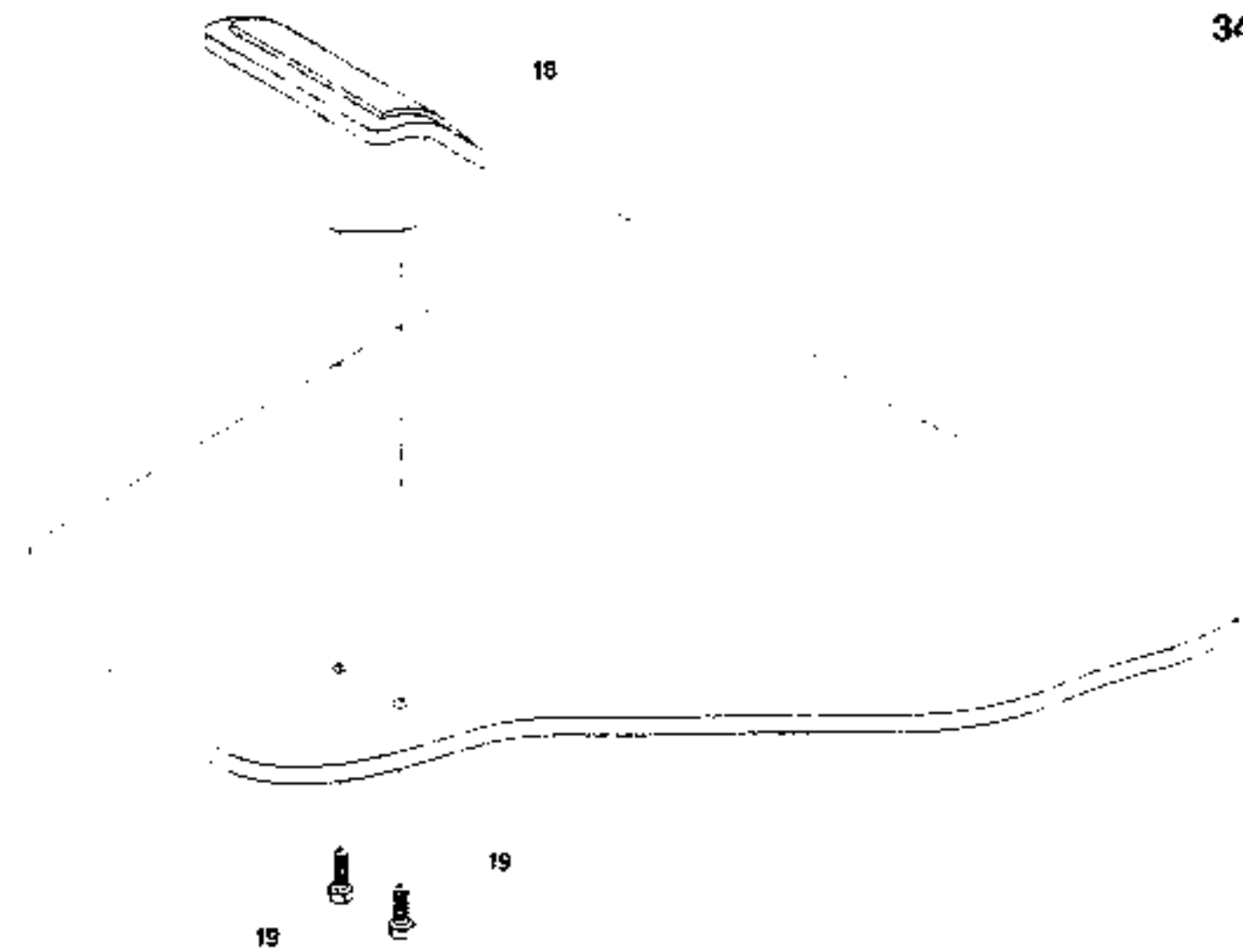
34.101

FX600 106101 - . . . .


T 2444880 - 002

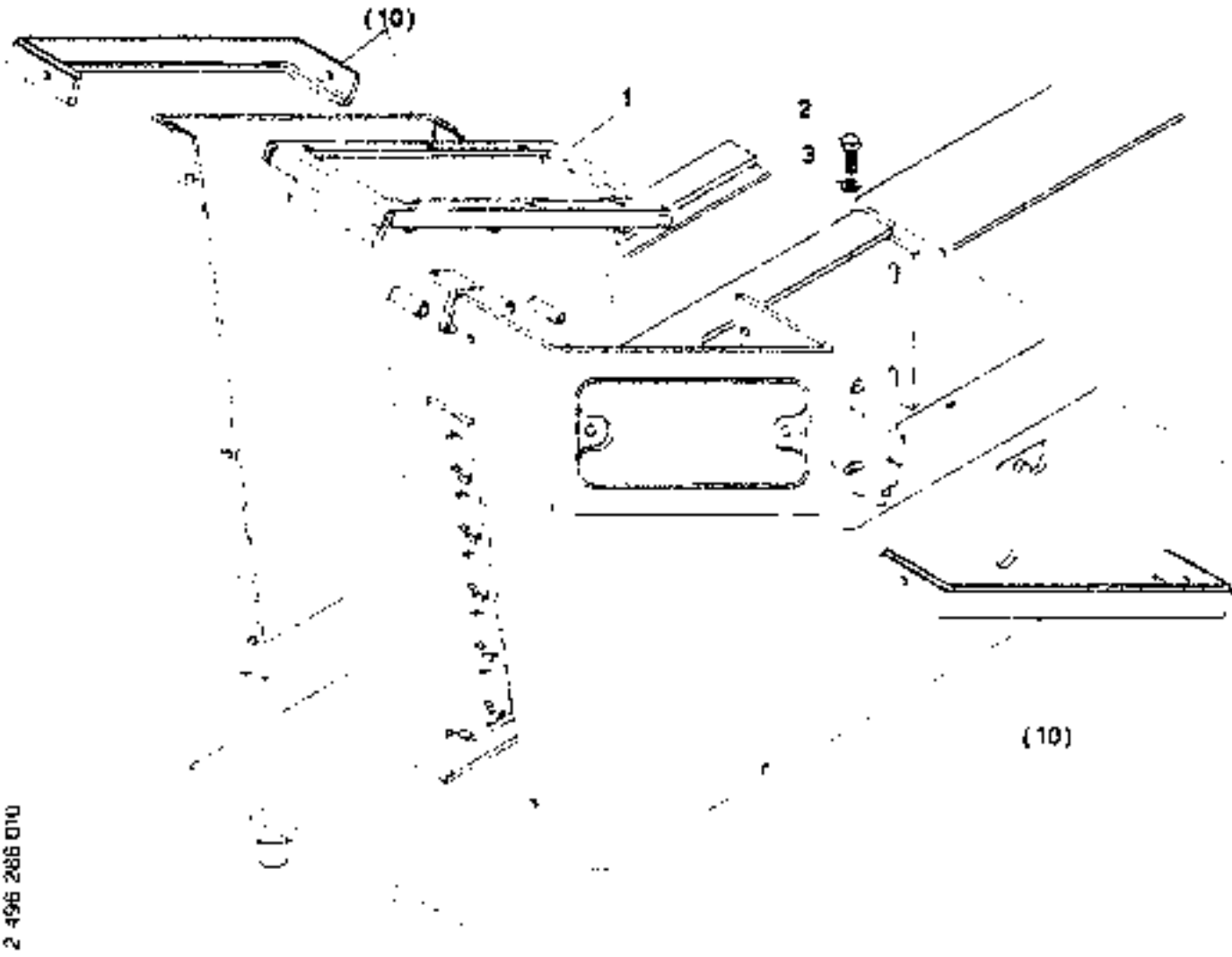
S 2444880 - 010

Item	Quan	ME	Part No	Description
143	4	00	73171226	CYL. HEAD SCREW
144	4	00	73170188	LOCK WASHER
145	2	00	73171227	BUSHING



2 495 303 010

34.105				
 <b>FOOT REST PLATFORM</b>				
FX600 106101 - .....				
T 2495303 - 000 B 2495303 - 010				
Item	Quan.	ME	Part No.	Description
018	1	00	73171189	BRACKET
019	2	00	73170178	HEXAGON BOLT

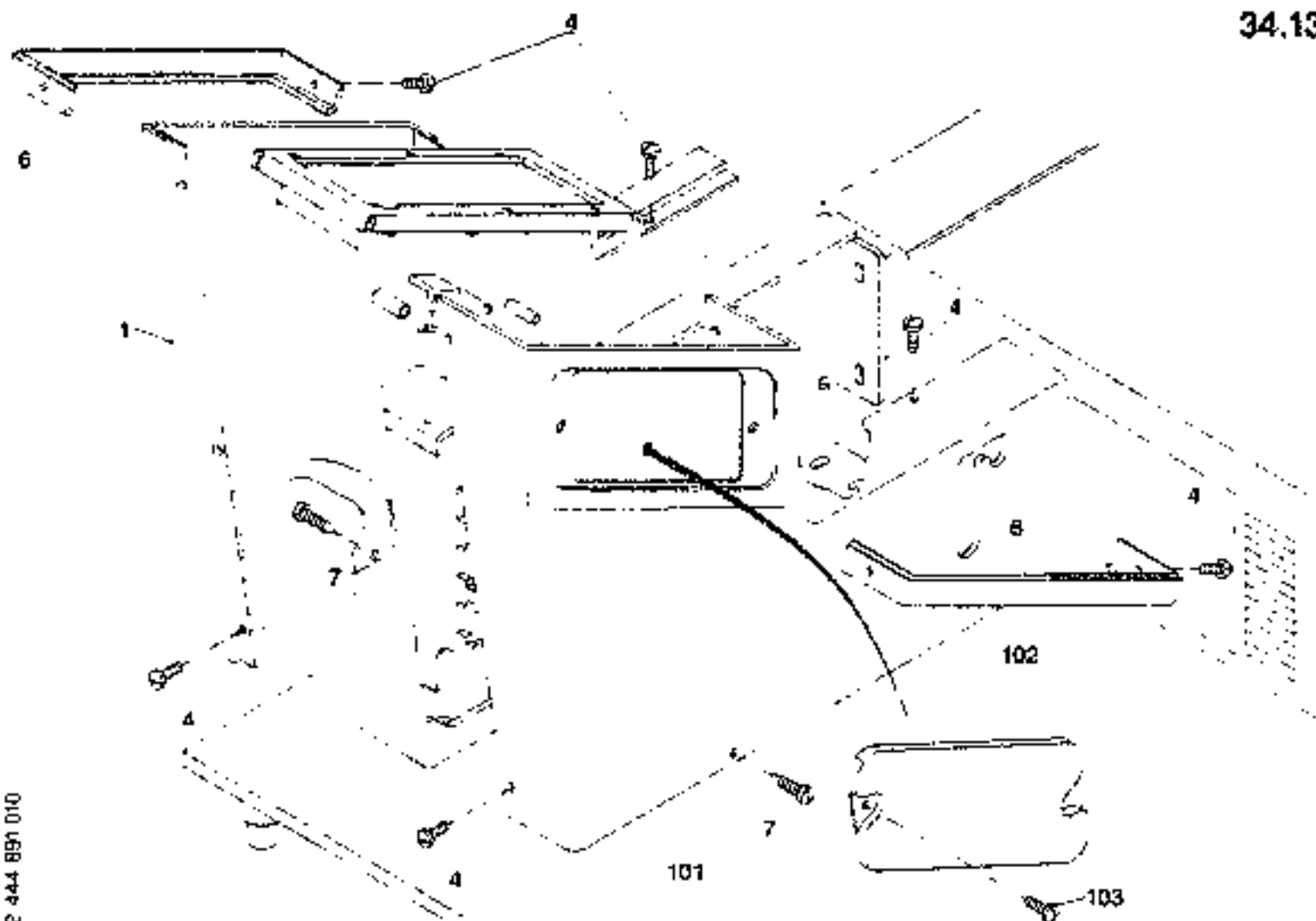


2 496 286 010

				34.130	
				T 2496286 - 000 B 2496286 - 010	
				FX60D 106101 - .....	
Item	Qunt.	ME	Part No	Description	
001	1	00	73171190	STAND	
002	6	00	73170205	HEXAGON BOLT	
003	6	00	73170212	DISK WASHER	
010	1	00		34.131 2444891 CONTROL COLUMN MOUNTING PARTS	



2 444 891 010



## CONTROL COLUMN MOUNTING PARTS

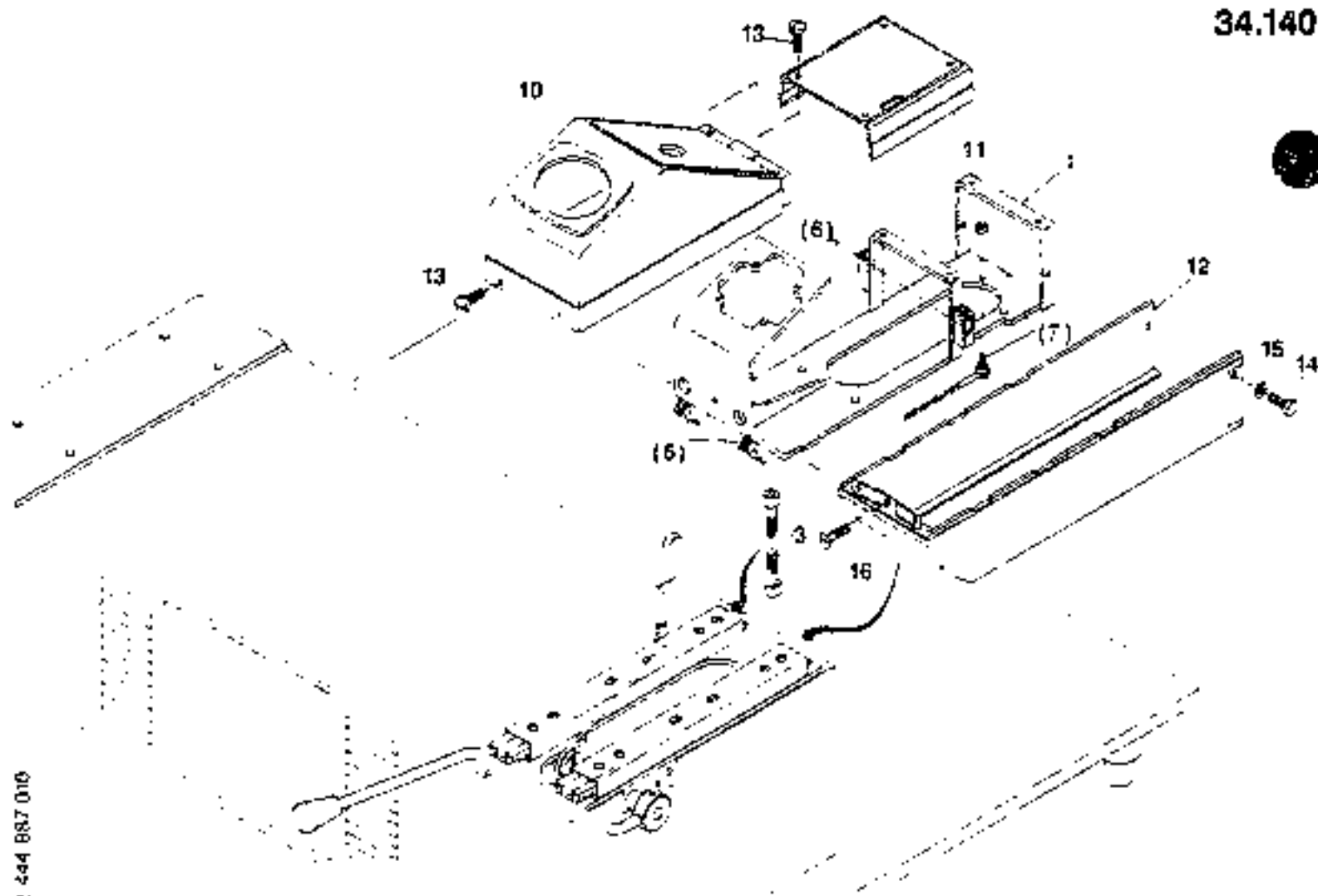
34.131

FX600 106101 - .....

T 2444891 - 000

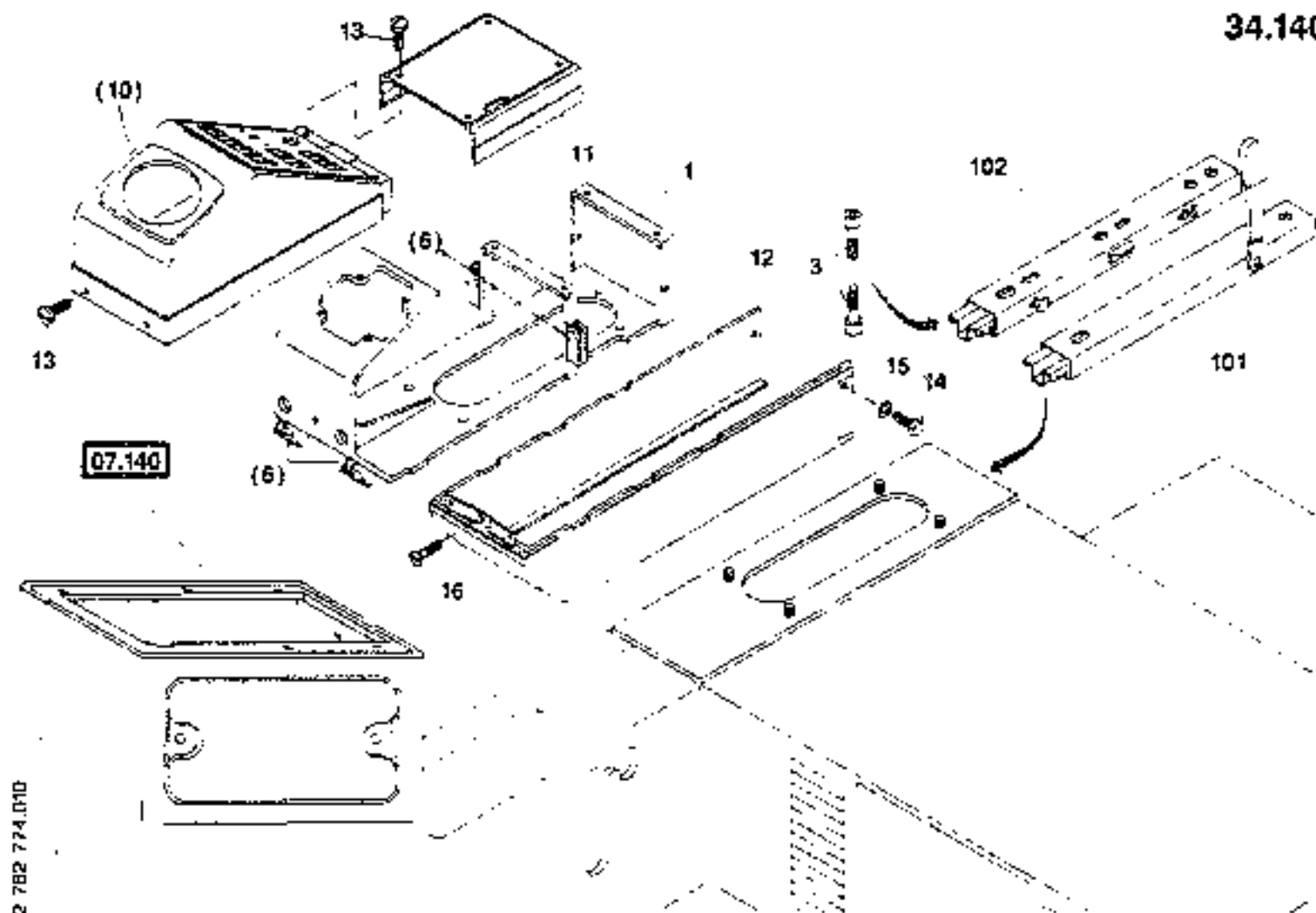
B 2444891 - 010

Item	Quan	ME	Part No	Description
001	1	00	73171191	PANELING
004	10	00	73171030	CLAMPING SCREW
006	2	00	73171192	BLIND
007	4	00	73171093	SELF-TAPPING SCREW
101	1	00	73171193	PANELING
102	1	00	73171194	LID
103	2	00	73170962	CLAMPING SCREW



2 444 887 010

				34.140	
				T 2444887 - 001 B 2444887 - 010	
				FX500 106101 - .....	
Item	Quan	ME	Part No.	Description	
001	1	00	73171228	BRACKET	
003	4	00	73171188	CYL.HEAD SCREW	
006	1	00		34.141 2444874 BRACKET MOUNTING PARTS	
007	1	00		34.141 2444877 BRACKET MOUNTING PARTS	
010	1	00	73171229	TOP	
011	1	00	73171230	TOP	
012	1	00	73171231	BRACKET	
013	6	00	73171030	CLAMPING SCREW	
014	2	00	73171232	HEXAGON BOLT	
015	2	00	73170834	DISK/WASHER	
016	1	00	73171233	CONTER-SUNK SCREW	

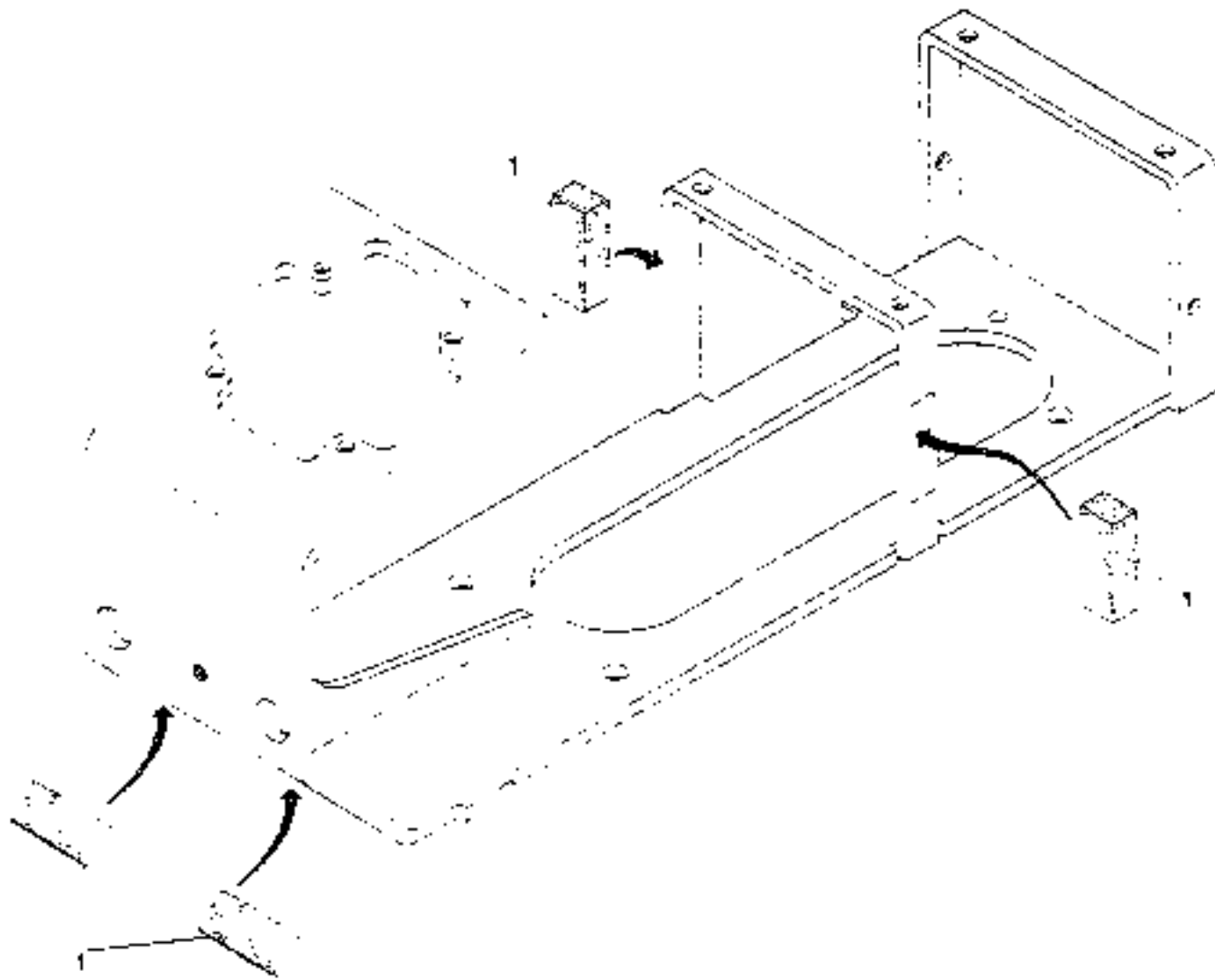


2 782 774 010

Item	Quan.	ME	Part No.	Description
001	1	00	73171234	BRACKET
003	8	00	73171188	CYL. HEAD SCREW
006	1	00	34.141 2444874	BRACKET MOUNTING PARTS
010	1	00	31.600 2782775	DASHBOARD INSTALL.MATERIAL
011	1	00	73171235	TOP
012	1	00	73171231	BRACKET
013	6	00	73171030	CLAMPING SCREW
014	2	00	73171232	HEXAGON BOLT
015	2	00	73170834	DISK/WASHER
016	1	00	73171233	CENTER-SUNK SCREW
101	1	00	73172513	REWORK
102	1	00	73172514	GUIDE

34.141

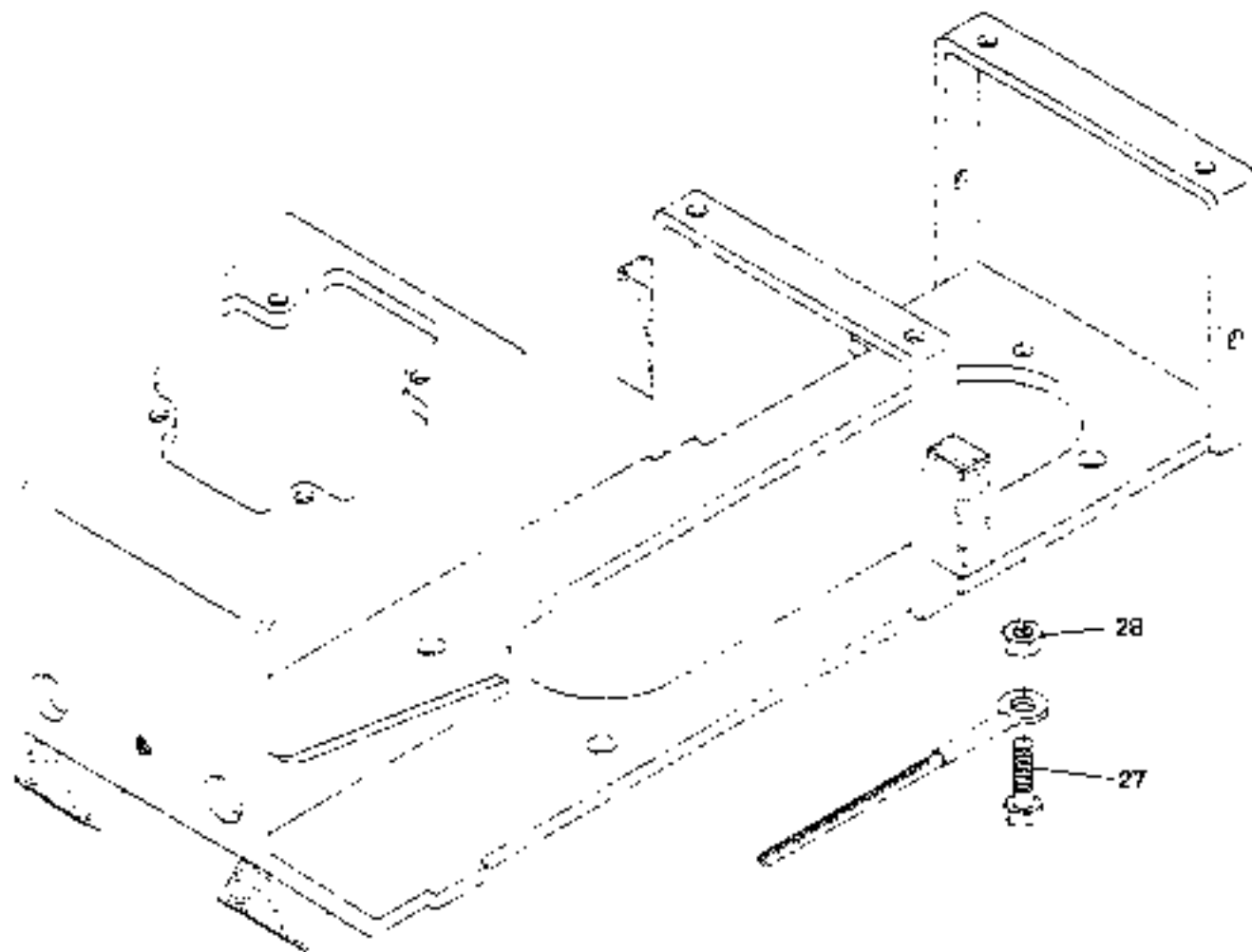
2 444 874 010



				34.141	
				T 2444874 - 000	
				B 2444874 - 010	
				FX600 106101 - .....	
Item	Quant.	ME	Part No.	Description	
001	0,05	13	73171249	SEALING BAND	

ME: 60 = Stück/pece 13 = m 26 = m<sup>2</sup> 30 = m<sup>3</sup> 43 = kg 50 = l (litre)

1998-09-16



2 444 877 010



## BRACKET MOUNTING PARTS

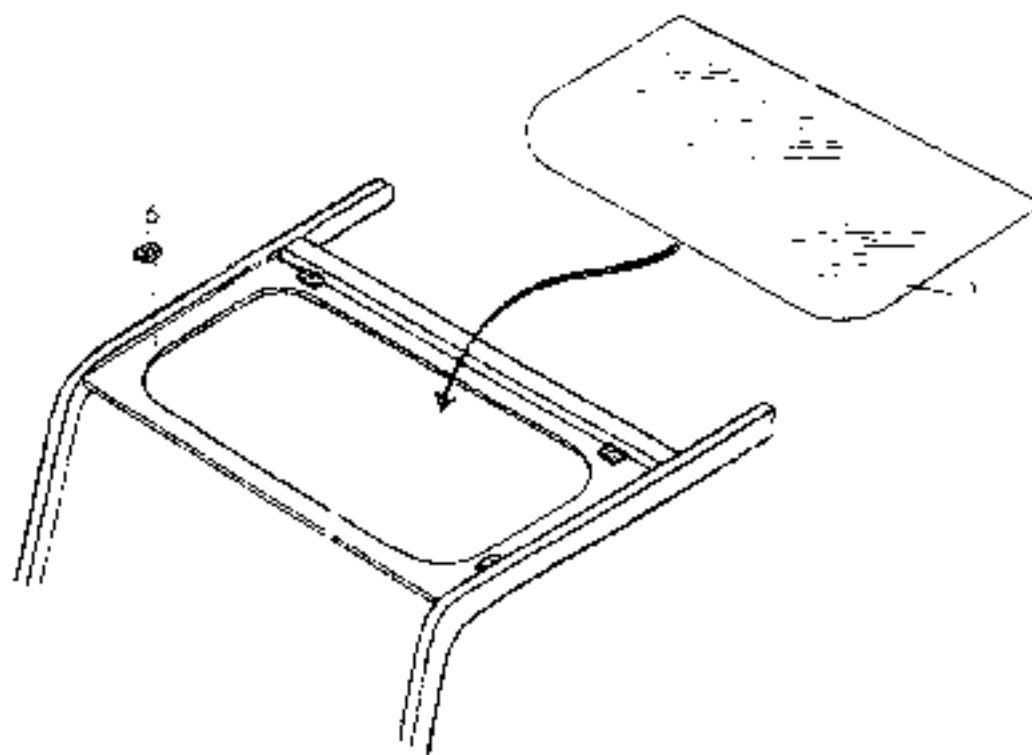
34.141

FX600 105101 - .....

T 2444877 - 001

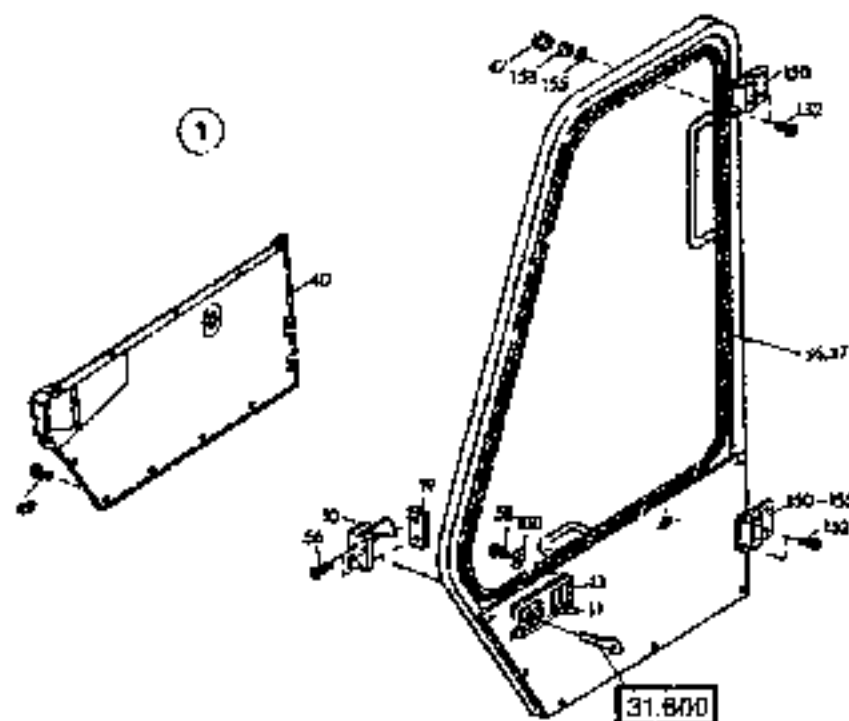
B 2444877 - 010

Item	Quan	ME	Part No.	Description
027	1	00	73171250	HEXAGON BOLT
028	1	00	73170184	HEXAGON NUT



2 443 232.010

				34.210	
				T 2443232 - 000	
				B 2443232 - 010	
				FX600 106101 - .....	
				34.210	
				T 2443232 - 000	
				B 2443232 - 010	
				FX600 106101 - .....	
Item	Quan	ME	Part No	Description	
001	1	00	73171181	PANE	
006	0.01	13	73171182	RIBBON	



2 444 896 010



## CAB DOOR

34.220

FX600 106101 - 106101

T 2444896 - 001

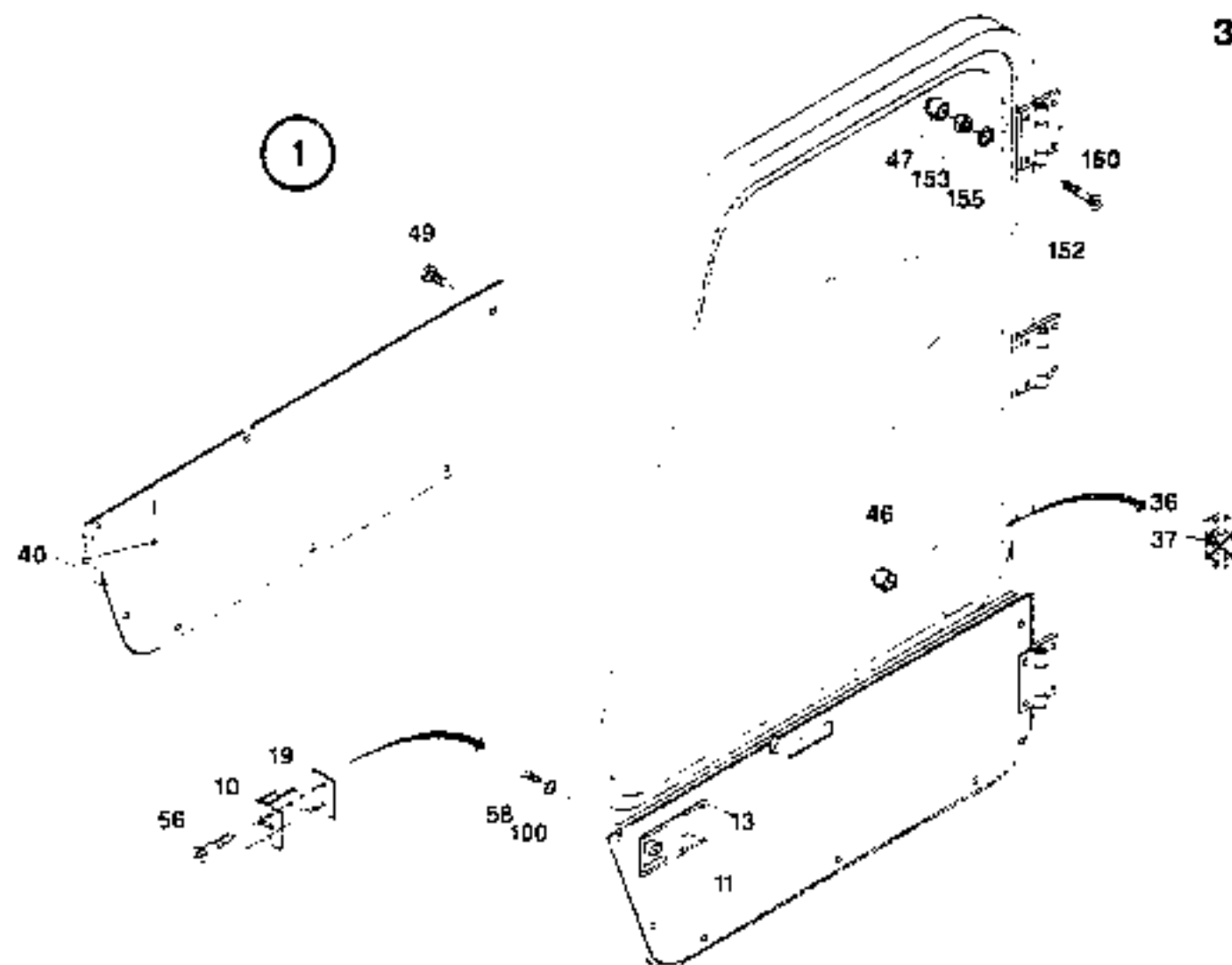
B 2444896 - 010

Item	Quan	ME	Part No.	Description
001	1	00	73172015	DOOR
010	1	00	73171086	LOCK
011	1	00	73171087	HANDLE
013	1	00	73171088	SUPPORT PLATE/PAD
019	1	00	73171089	BRACKET
036	1	00	73172017	WINDOW STRIP
037	3,70	13	73171047	PROFILE
040	1	00	73172018	PANELING
047	4	00	73171082	CAP
049	12	00	73171093	SELF-TAPPING SCREW
066	2	00	73171095	CONTER-SUNK SCREW
068	3	00	73171096	CONTER-SUNK SCREW
100	3	00	73171087	TOOTHED WASHER
150	2	00	73171098	HINGE
152	4	00	73171099	CONTER-SUNK SCREW
153	4	00	73170283	LOCKING NUT
155	4	00	73170160	DISK/WASHER

ME: 00=Stück/piece 13=m 26=m<sup>2</sup> 39=m<sup>3</sup> 43=kg 50=l (litre)

1988-09-10

34.220



2 496 873 010

## CAB DOOR

34.220



FX600 108102 - .....

T 2496873 - 000

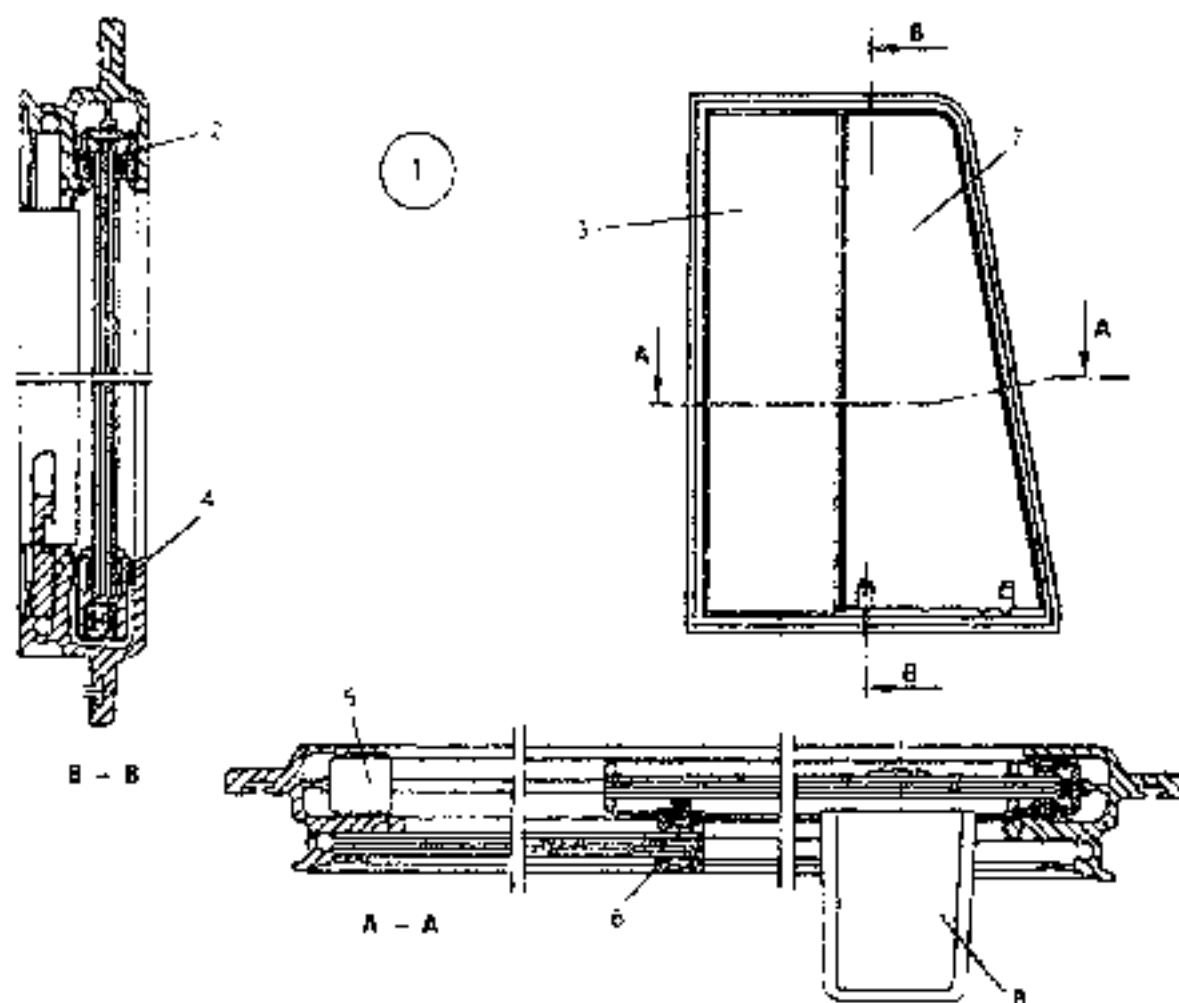
B 2496873 - 010

Item	Quan.	ME	Part No	Description
001	1	00	73171085	DOOR
010	1	00	73171086	LOCK
011	1	00	73171087	HANDLE
013	1	00	73171088	SUPPORT PLATE PAD
019	1	00	73171089	BRACKET
036	1	00	73171090	WINDOW STRIP
037	3,70	13	73171047	PROFILE
040	1	00	73171091	PANELING
047	6	00	73171092	CAP
049	13	00	73171093	SELF-TAPPING SCREW
056	2	00	73171095	CONTER-SUNK SCREW
058	3	00	73171096	CONTER-SUNK SCREW
100	3	00	73171097	TOOTHED WASHER
150	3	00	73171098	HINGE
152	6	00	73171099	CONTER-SUNK SCREW
153	6	00	73170283	LOCKING NUT
155	6	00	73170160	DISK/WASHER

ME: 00 = Stuckpiece 13 = m 28 = m<sup>2</sup> 38 = m<sup>3</sup> 43 = <g> 50 = l (litre)

1995-09-10





Z 444 012 010



## GLAZING OPERATOR'S CAB SLIDING WINDOW

34.230

FX600 106101 - 106101

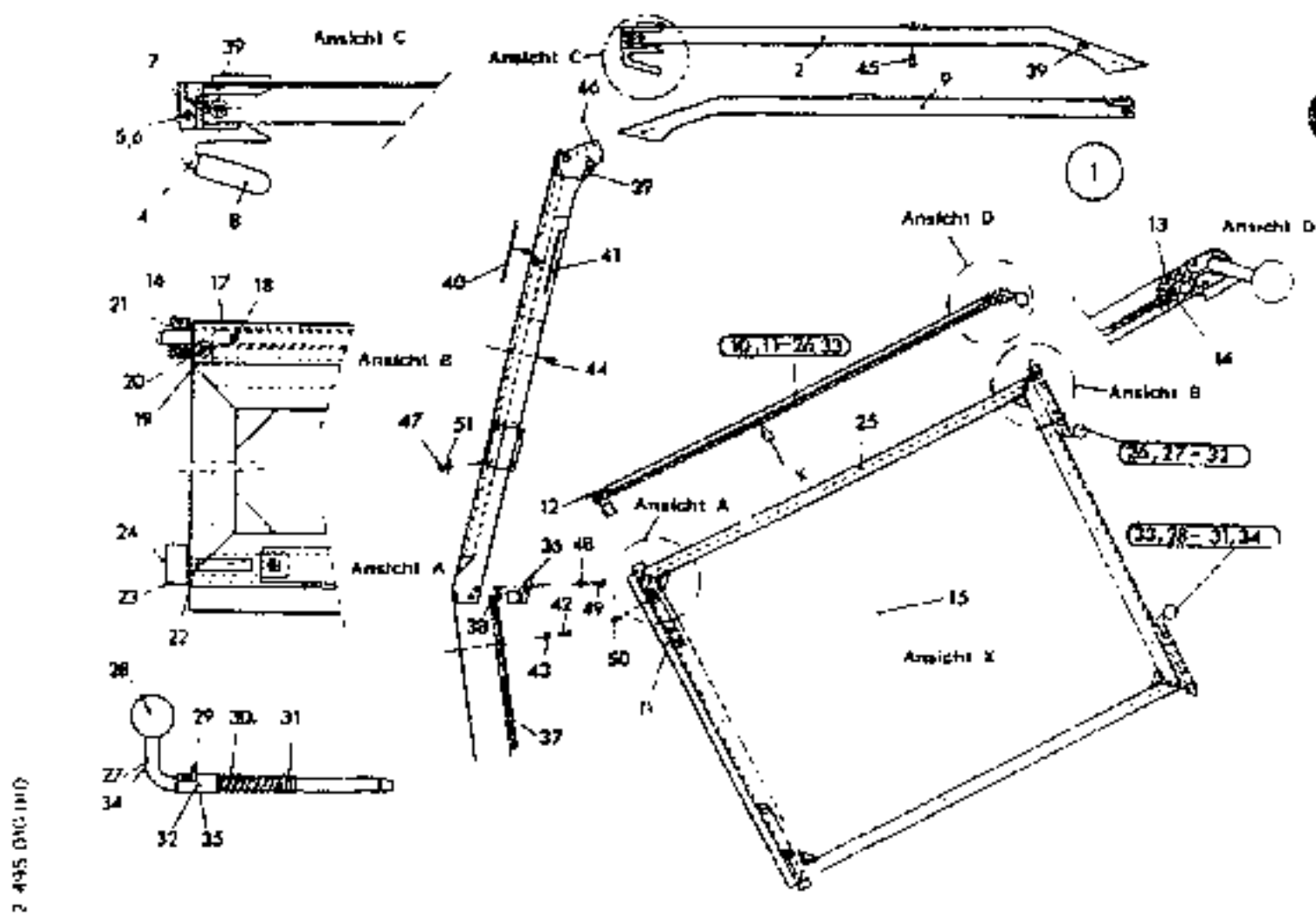
T 2444012 - 000


B 2444012 - 010

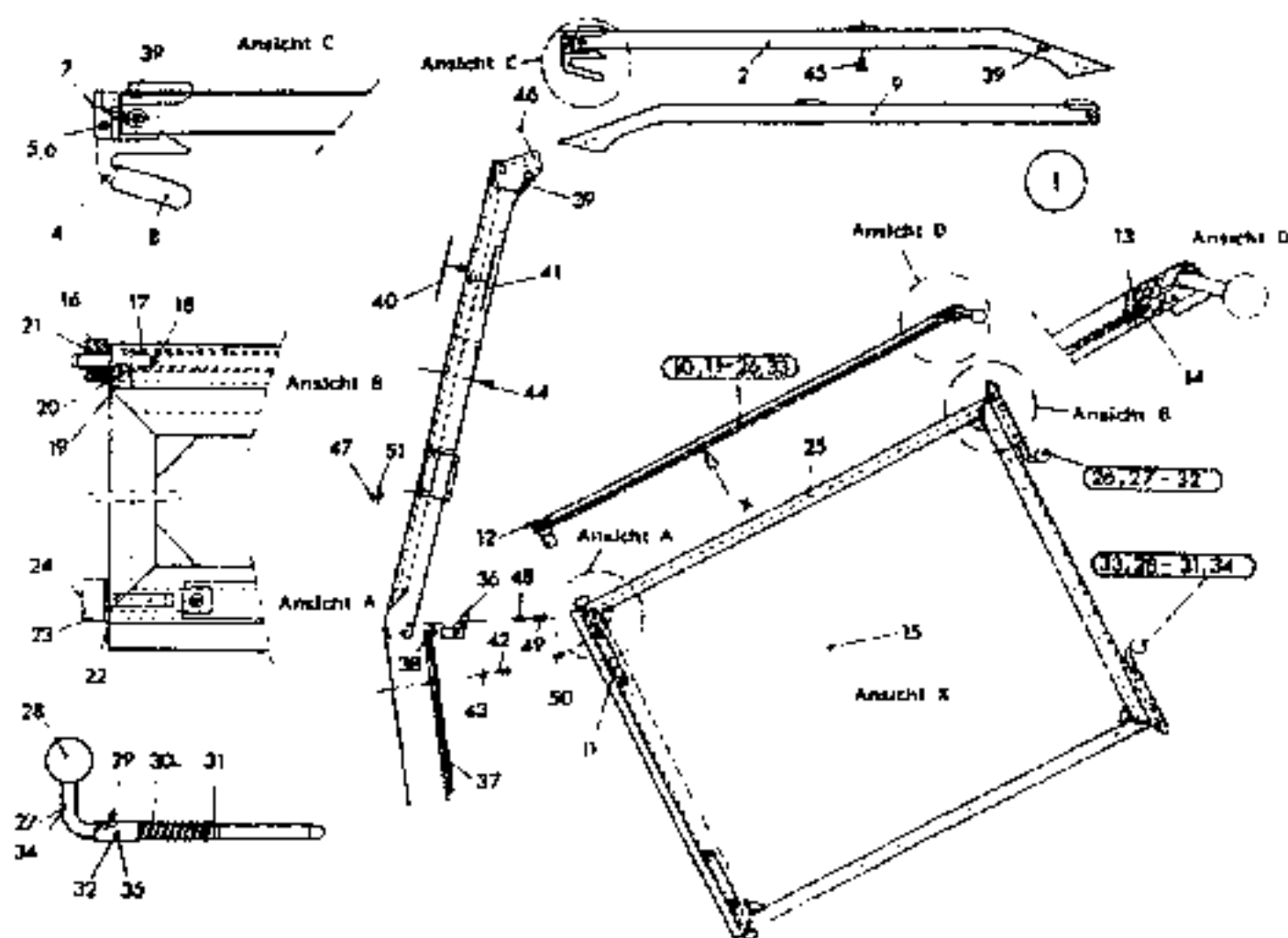
Item	Quan	ME	Part No	Descriptor
001	1	00	73175399	SLIDING WINDOW
002	1	00	73175400	PROFILE
003	1	00	73175401	PANE
004	1	00	73175402	SLIDING PIECE
005	1	00	73175403	RUBBER STOP
006	1	00	73175404	WEB
007	1	00	73175405	PANE
008	1	00	73175406	HANDLE

ME: 00 = Stück/Piece 13 = m 26 = m<sup>2</sup> 39 = m<sup>3</sup> 43 = kg 50 = l (litr)

1998-09-10



				34.230	
				GLAZING OPERATOR'S CAB ESG-GRÜN	
				T 2495010 - 000 B 2495010 - 010	
		FX600 106101 .....			
Item	Quan	ME	Part No	Descriptor	
001	1	00	73175228	WINDOW	
002	1	00	73171124	BRACKET	
004	1	00	73171125	HANDLE	
005	1	00	73171126	PIN	
006	2	00	73175229	CIRCLIP	
007	1	00	73171127	SPRING	
008	1	00	73171128	HANDLE	
009	1	00	73171129	BRACKET	
010	1	00	73175230	WINDOW	
011	2	00	73171131	HANDLE	
012	0.82	13	73171132	SEAL	
013	3.60	13	73171133	SEAL	
014	3.60	13	73171134	SEAL	
015	1	00	73175231	PANE	
016	2	00	73171136	ROLLER	
017	2	00	73171137	PIPE	
018	4	00	73171138	GRUB SCREW	
019	1	00	73171139	PAWL	



2 495 010 010



## GLAZING OPERATOR'S CAB ESG-GR0N

34.230

FX600 106101 - ..

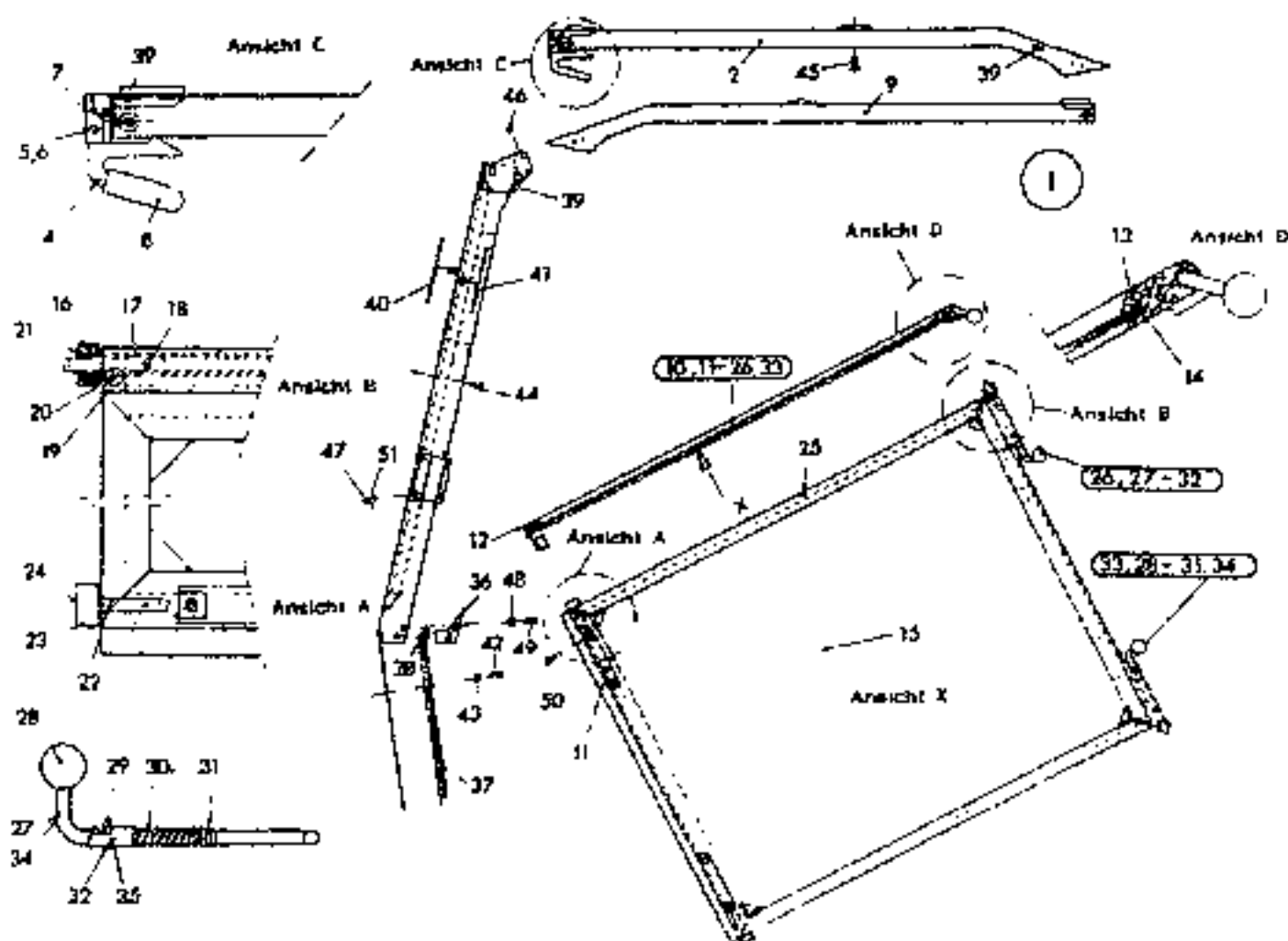
T 2495010 - 000

B 2495010 - 010


Item	Quan	ME	Part No	Descriptor
020	1	00	73170999	CONTER-SUNK SCREW
021	4	00	73171140	CIRCLIP
022	1	00	73171141	PIN
023	1	00	73171142	ROLLER
024	4	00	73171143	CIRCLIP
025	1	00	73171144	FRAME
026	1	00	73171145	LOCKING BAR
027	1	00	73171146	ROD
028	2	00	73171147	BUTTON
029	2	00	73171148	LOCKING PIN
030	2	00	73171149	SPRING
031	2	00	73171150	CUTTING RING
032	1	00	73171151	PIPE
033	1	00	73171152	LOCKING BAR
034	1	00	73171153	ROD
035	1	00	73171151	PIPE
036	2	00	73171154	WEDGE
037	1	00	73175232	WINDOW

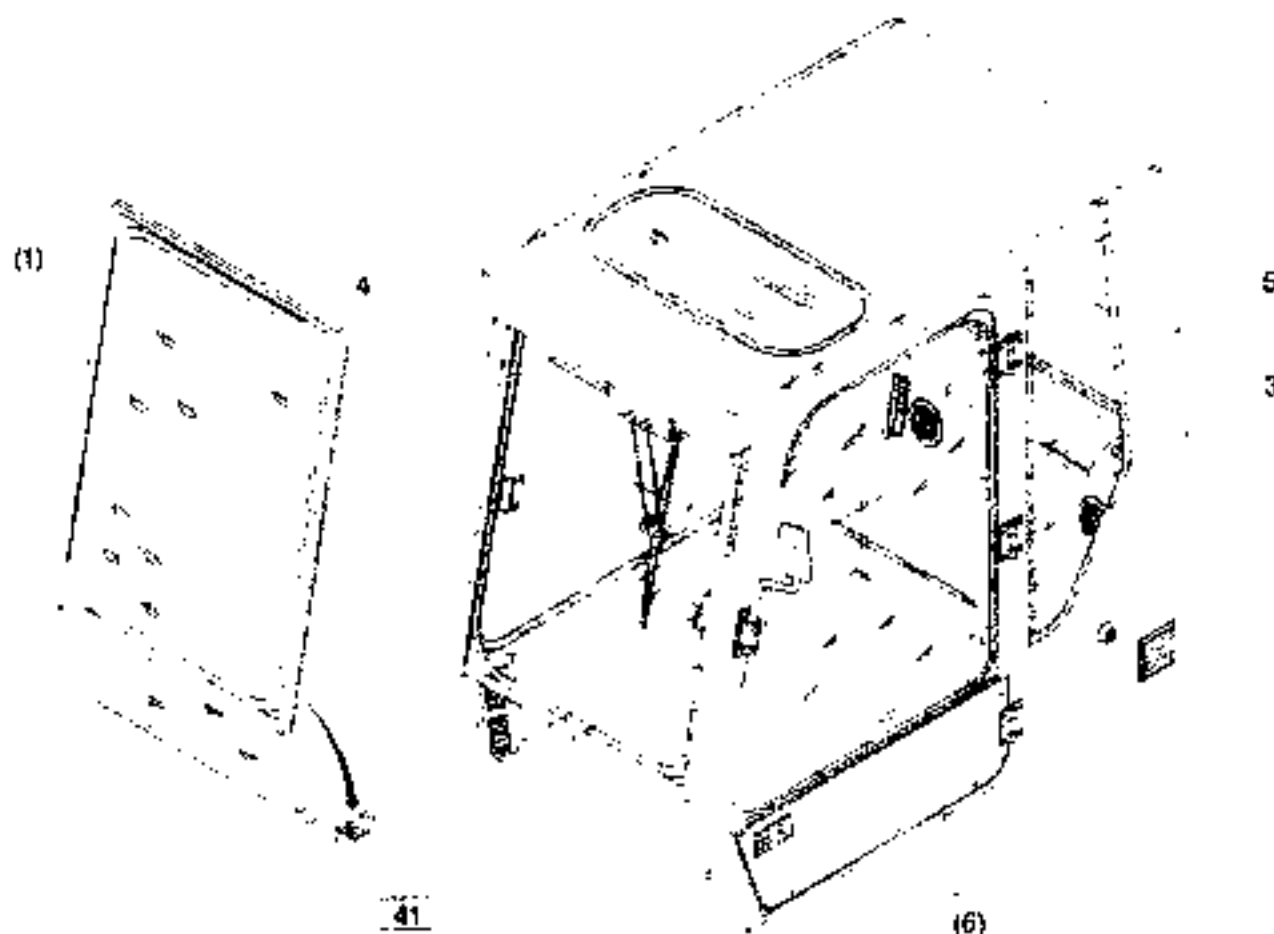
ME 00 = Stück/stiece 13 = m 26 = m<sup>2</sup> 39 = m<sup>3</sup> 43 = kg 50 = liter

1996-09-10



2 495 010 010

				34.230
				T 2495010 - 000 B 2495010 - 010
 <b>GLAZING OPERATOR'S CAB ESG-GRÜN</b>				
FX60C 106101 - ...				
Item	Quan	ME	Part No	Description
038	1	00	73171156	PROFILE
039	8	00	73171157	NIPPLE
040	10	13	73171158	SEALING BAND
041	4,20	13	73171159	SEALING BAND
042	4	00	73171160	CYL HEAD SCREW
043	9	00	73171161	DISK WASHER
044	13	00	73171162	CYL HEAD SCREW
045	4	00	73171163	CYL HEAD SCREW
046	4	00	73171165	CONTER-SUNK SCREW
047	2	00	73171166	CYL HEAD SCREW
048	4	00	73170185	DISK WASHER
049	4	00	73171188	CYL HEAD SCREW
050	4	00	73171096	CONTER-SUNK SCREW
051	2	00	73170160	DISK WASHER

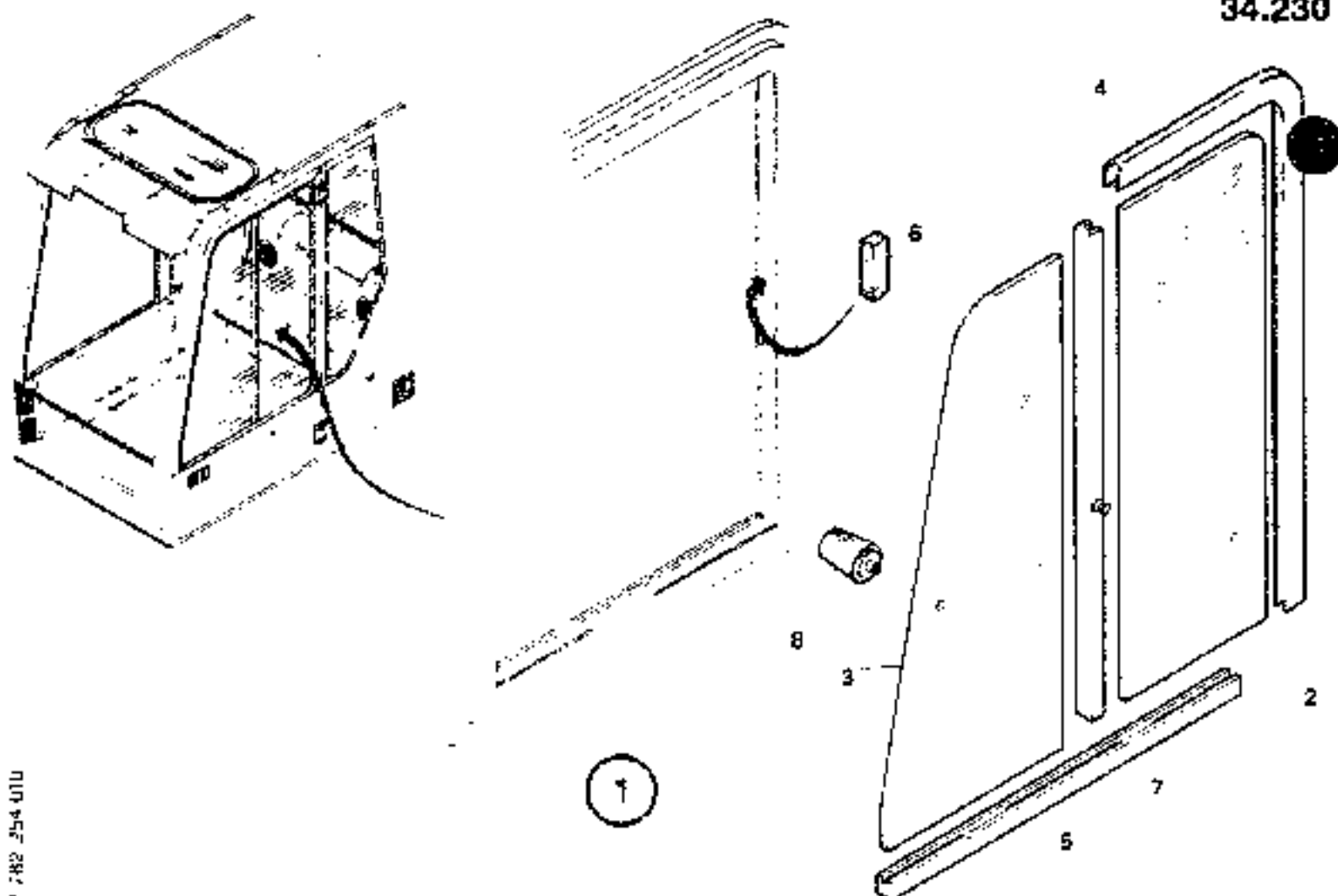


2 495 013 010

34.230

				34.230	
				T 2495011 - 000 B 2495011 - 010	
				FX500 106101 - 106101	
Item	Quan	ME	Part No	Description	
001	1	00		34.230 2495010	GLAZING OPERATOR'S CAB ESG-GRUN
003	1	00	73175224		PANE
004	1	00	73175225		PANE
005	1	00	73175226		PANE
006	1	00		34.230 2444012	GLAZING OPERATOR'S CAB SLIDING WINDOW

34.230

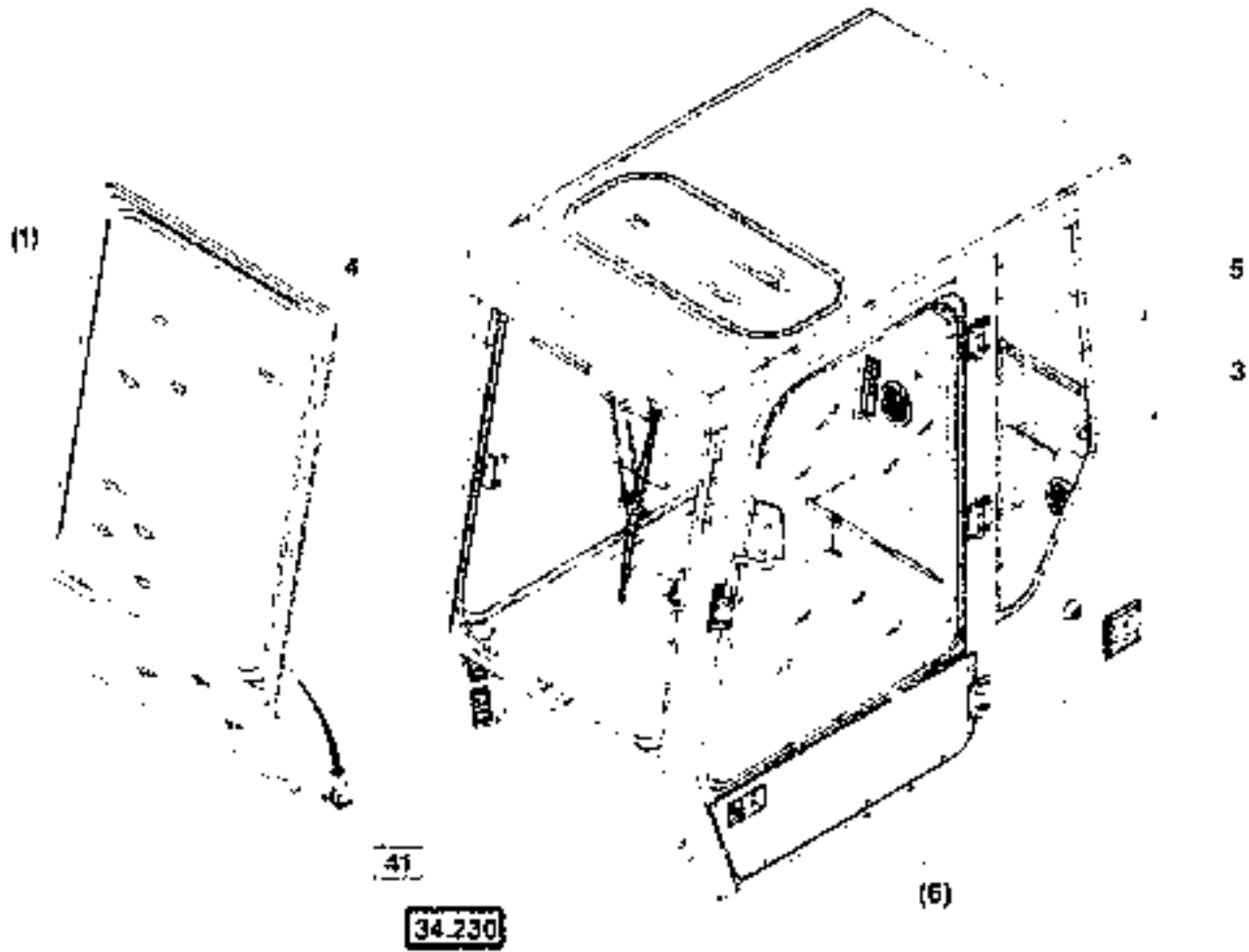


2 782 254 010

				34.230	
				GLAZING OPERATOR'S CAB	
				T 2782254 - 001	
				B 2782254 - 010	
				FX600 106102 - ...	
Item	Quan.	ME	Part No.	Description	
001	1	00	73175227	SLIDING WINDOW	
002	1	00	73177384	PANE	
003	1	00	73177385	PANE	
004	1,80	00	73175400	PROFILE	
005	1	00	73175402	SLIDING PIECE	
006	1,50	00	73175403	RUBBER STOP	
007	1	00	73175404	WEB	
008	1	00	73175406	HANDLE	

ME 00 = Stockpiece 13 = m 26 = m<sup>2</sup> 39 = m<sup>3</sup> 43 = kg 50 = l (litre)

1006 09 10



2 7812 255 010



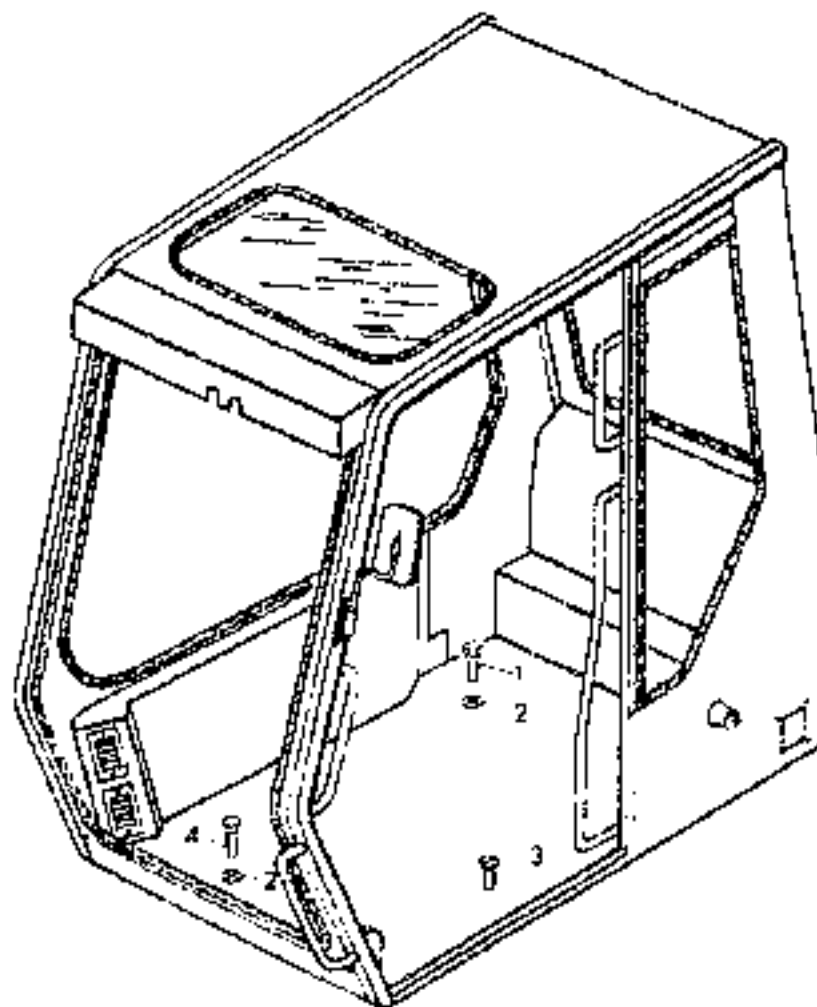
**GLAZING OPERATOR'S CAB**

34.230

FX600 106102 - ...

T 2782265 - 000  
B 2782255 - 010

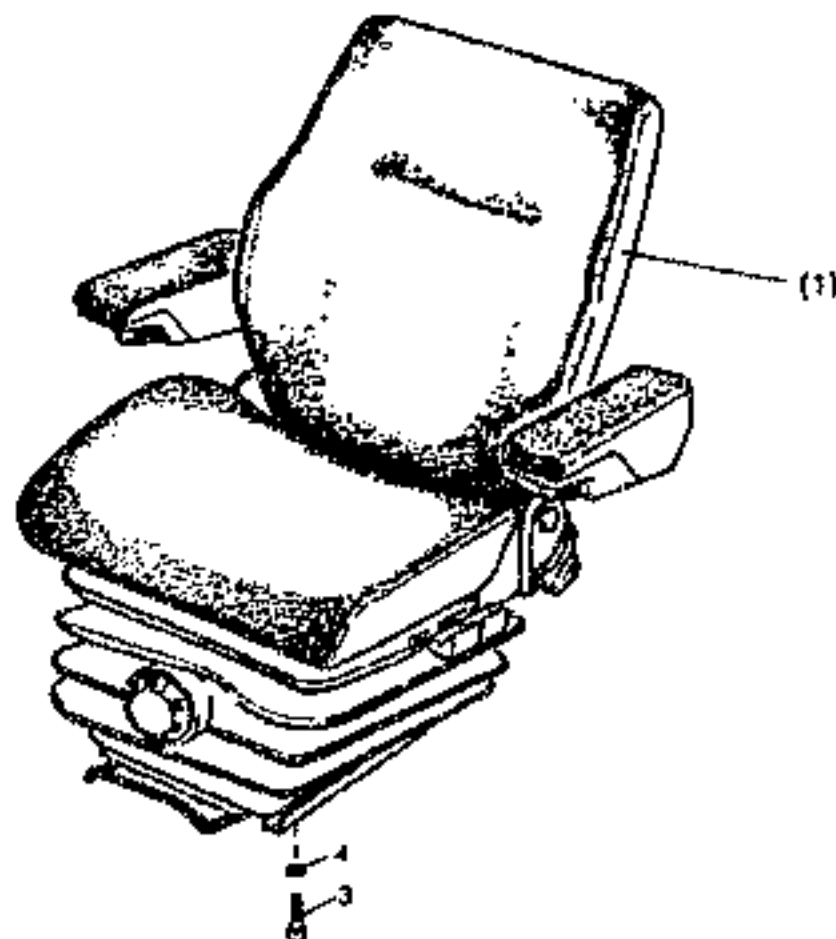
Item	Quan	ME	Part No	Description
001	1	00		<b>34.230 2495010</b> GLAZING OPERATOR'S CAB ESG-GRuN
003	1	00	<b>73175224</b>	PANE
004	1	00	<b>73175225</b>	PANE
005	1	00	<b>73175226</b>	PANE
006	1	00		<b>34.230 2782264</b> GLAZING OPERATOR'S CAB



2 444 897 010

				34.300	
				T 2444897 - 000	
				B 2444897 - 010	
				FX600 108101 - .....	
Item	Quan	ME	Part No	Description	
001	8	00	73170990	HEXAGON BOLT	
002	11	00	73170213	DISK WASHER	
003	1	00	73170988	CONTER-SUNK SCREW	
004	3	00	73170175	HEXAGON BOLT	





2 444 944 010

				34.500	
				T 2444944 - 000 B 2444944 - 010	
				FX000 75027 - 78027	
Item	Quan	ME	Part No	Description	
001	1	00		34.602	2444945
				SEAT	
003	4	00	73171188	CYL HEAD SCREW	
004	4	00	73170212	DISK-WASHER	

34.500



2 782 534 010



**SEAT INSTALL MATERIAL**

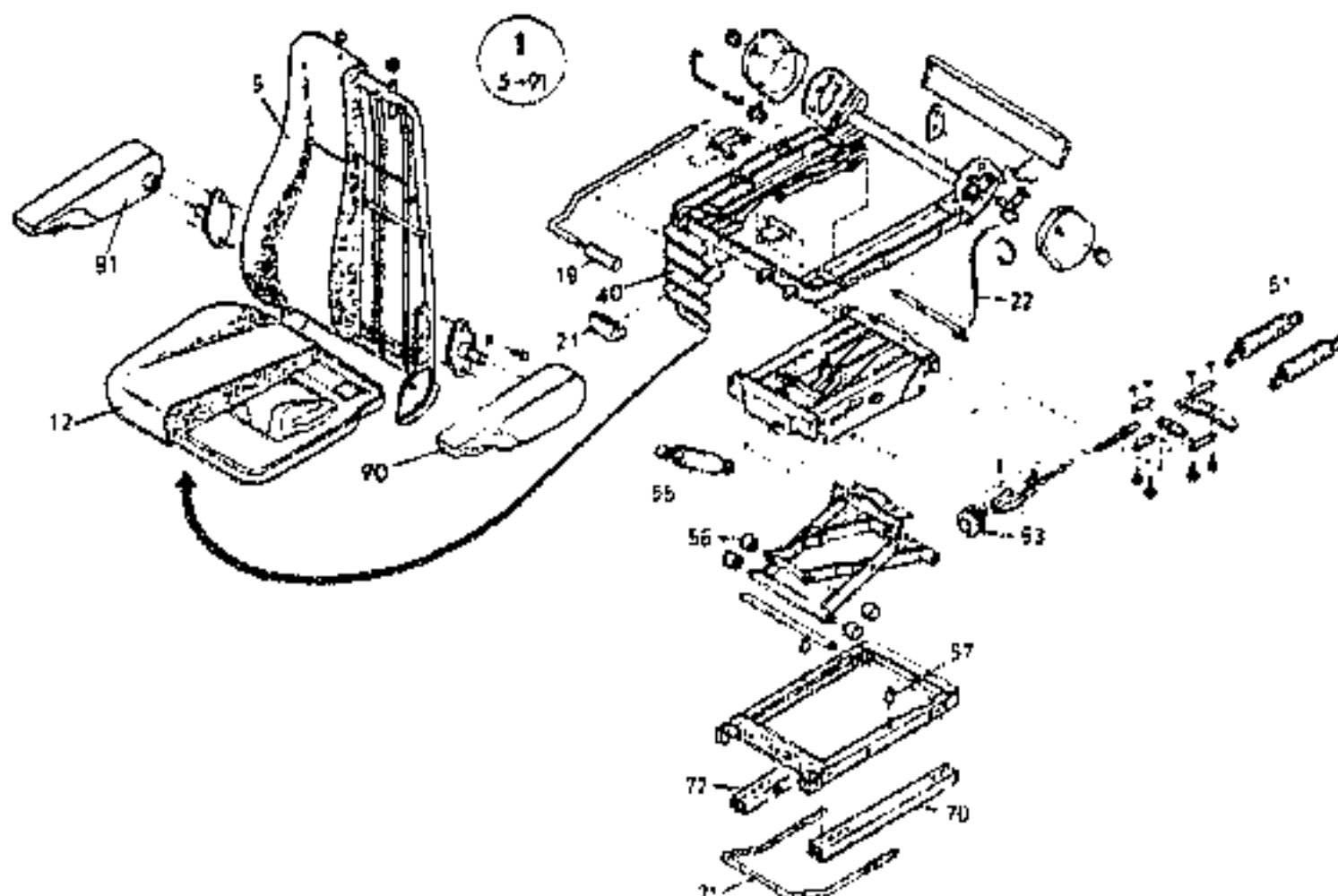
34.500

FX6D0 106101

T 2782534 - 000

B 2782534 - 010

Item	Quan	ME	Part No	Description
001	1	00		34.502 2782535 SEAT
101	4	00	73171188	CYL HEAD SCREW
102	4	00	73170212	DISK WASHER



945.010

34.502

## SEAT



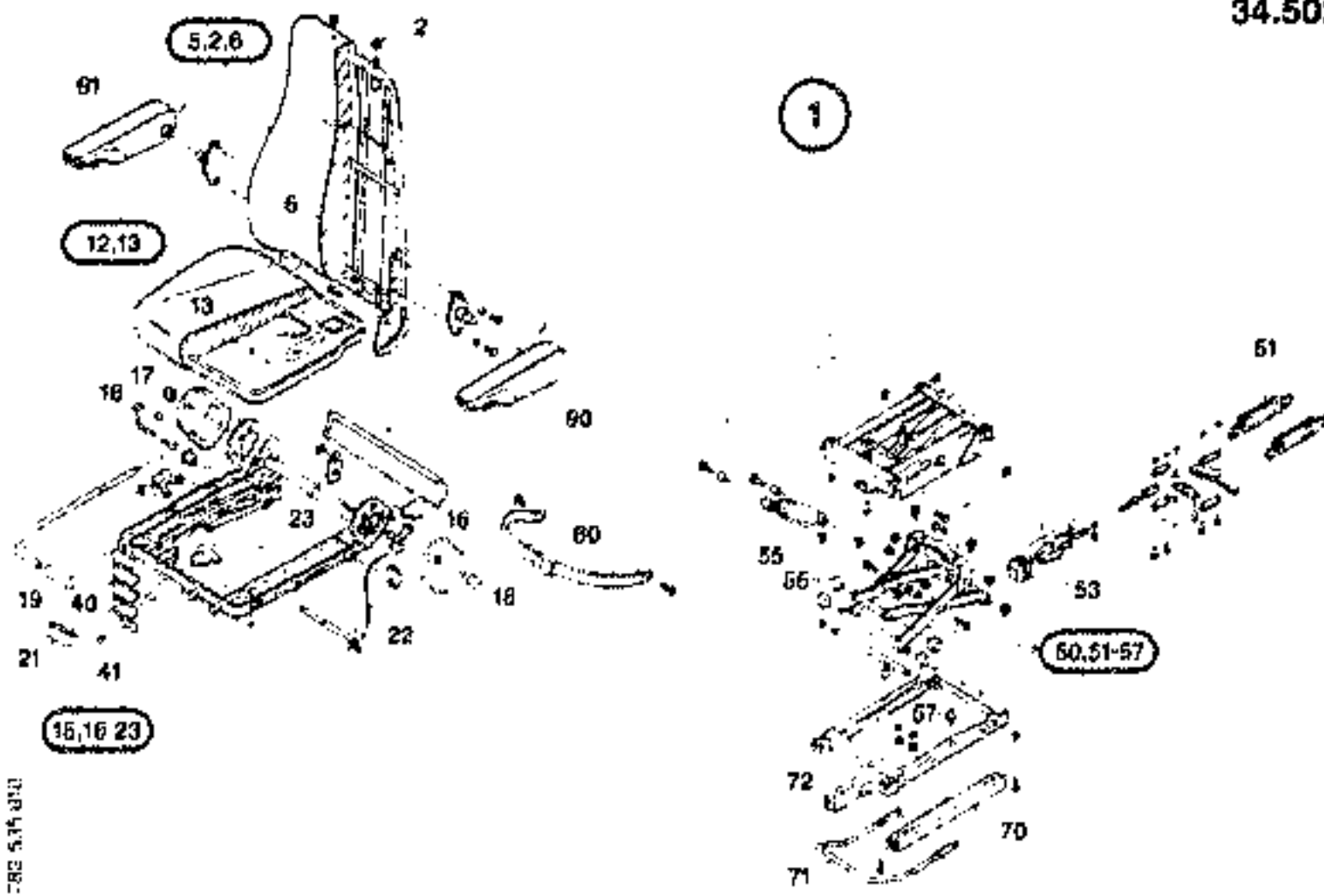
FX600 76027 - 76027

T 2444945 - 000

B 2444945 - 010

Qsm	Quan	ME	Part No	Description
001	1	00	73171066	OPERATOR'S SEAT
005	1	00	73171067	BACKREST CUSHION
012	1	00	73171068	SEAT CUSHION
019	1	00	73171069	BUTTON
021	1	00	73171070	HANDLE
023	1	00	73171071	CONTROL CABLE
040	1	00	73171072	BELLOWS
051	2	00	73171073	CONTROL SPRING
053	1	00	73171074	HAND WHEEL
055	1	00	73171075	SHOCK ABSORBER
056	4	00	73171076	IDLER ROLLER
057	2	00	73171077	BUMPER
070	1	00	73171078	RAIL
071	1	00	73171080	STRAP
072	1	00	73171081	RAIL
090	1	00	73171083	ARM REST LEFT
091	1	00	73171084	ARM REST RIGHT



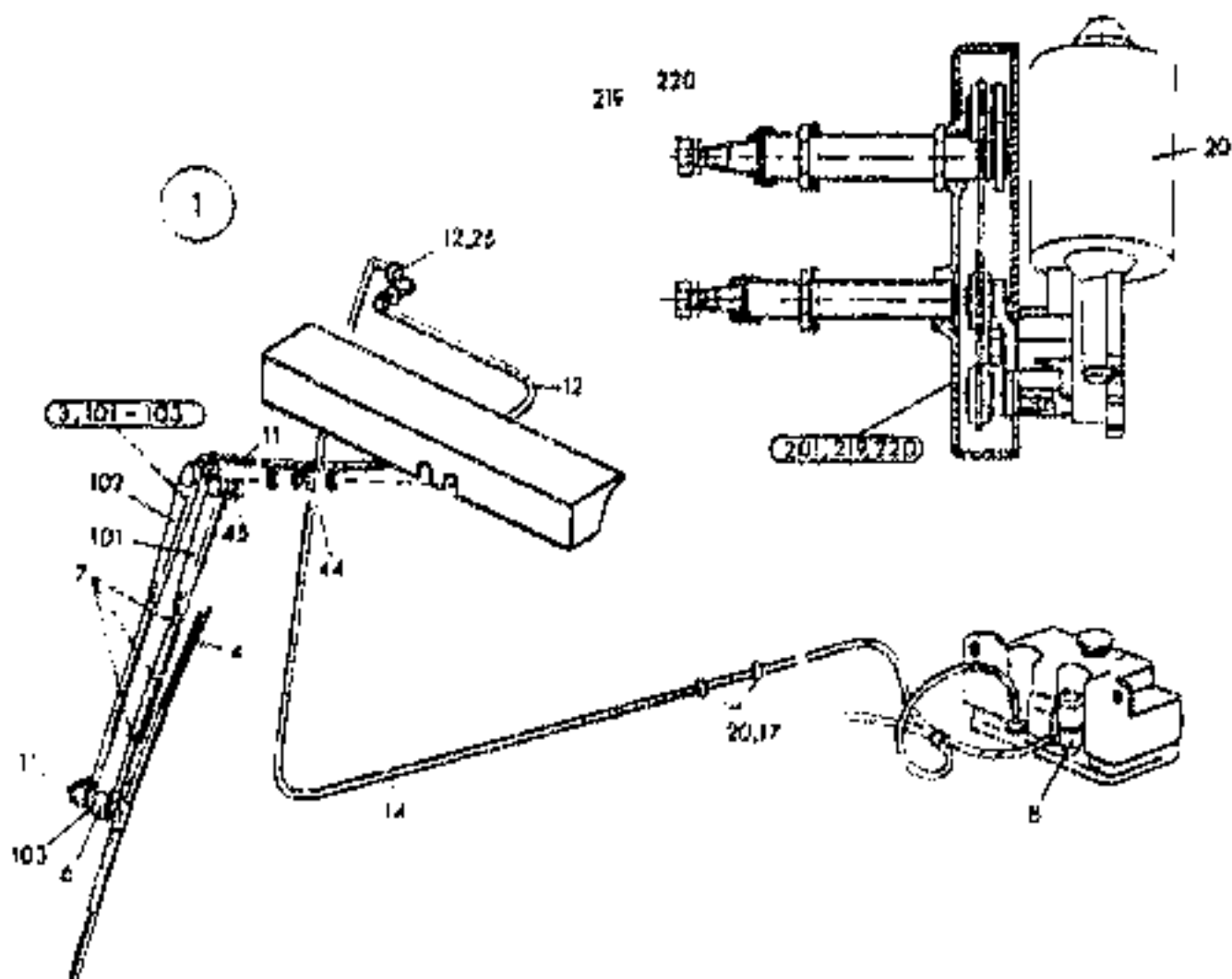


D 2782 5.75.000

		<b>SEAT</b>		34.502
				T 2782535 - 000 B 2782535 - 010
		FX600 106101 - .....		
Item	Quan	ME	Part No	Description
053	1	00	73178132	HAND WHEEL
055	1	00	73171075	SHOCK ABSORBER
056	4	00	73171076	IDLER ROLLER
067	2	00	73171077	BUMPER
070	1	00	73171078	RAIL
071	1	00	73171080	STRAP
072	1	00	73171081	RAIL
080	1	00	73178133	SAFETY BELT
090	1	00	73171083	ARM REST, LEFT
091	1	00	73171084	ARM REST, RIGHT

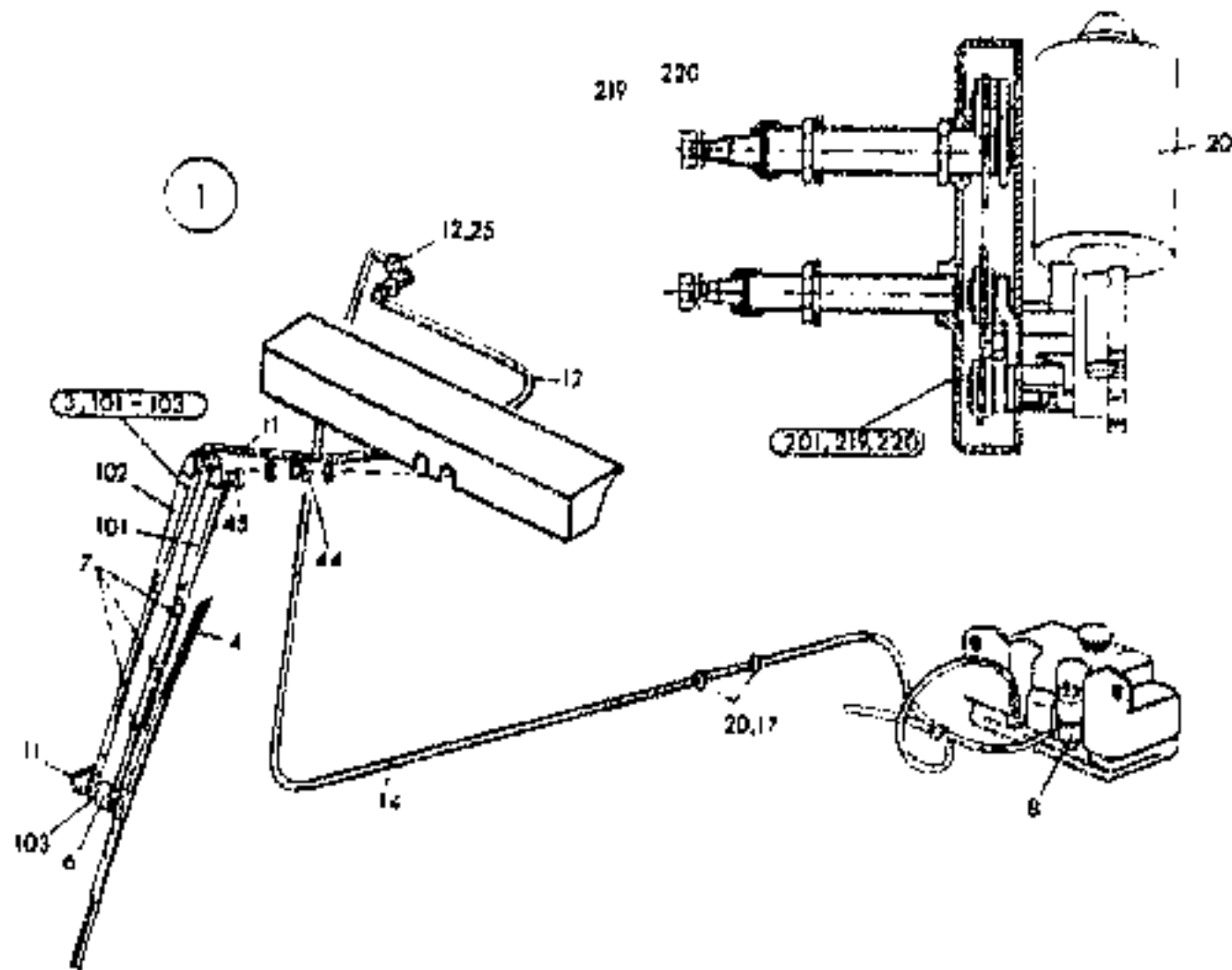
ME 00 = 5.75.000 13 = m 20 = m<sup>2</sup> 33 = m<sup>3</sup> 43 = kg 90 = 1 (R10)

2 444 916 010



				34.630
<b>WINDSCREEN WIPER INSTALL.MATERIAL</b>				
FX600 10010*				T 2444916 - 001 E 2444916 - 010
Item	Quant.	ME	Part No.	Description
001	1	00	73171101	WINDSCREEN WIPER
003	1	00	73171102	LEVER
004	1	00	73171106	WIPER BLADE
006	1	00	73171108	INJECTOR
007	3	00	73171109	CLAMP
008	1	00	73171110	CHECK VALVE
011	1	00	73171111	RUBBER HOSE
012	3	00	73171112	SOCKET
014	5.50	13	73171025	HOSE
017	8	00	73171113	PLATE
020	7	00	73171114	NOZZLE GROMMET
025	1	00	73171115	SCREWING
043	2	00	73170130	DISK WASHER
044	2	00	73171116	DISK WASHER
045	1	00	73171117	LOCKING PIN
100	1	00	73171118	WIPER SYSTEM
101	1	00	73171103	WIPER ARM
102	1	00	73171104	LEVER

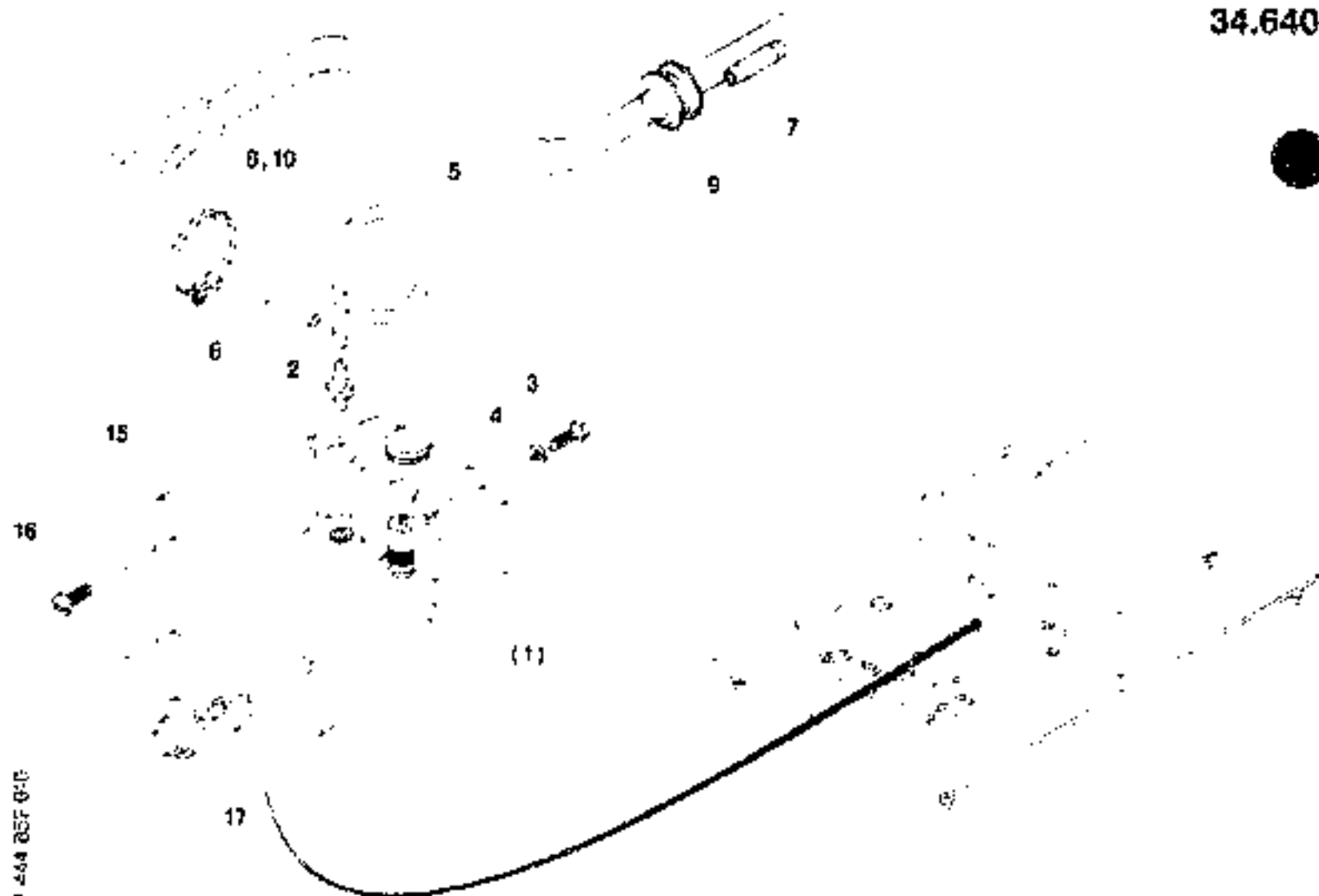
2 444 916 D10



PIATALLI		WINDSCREEN WIPER INSTALL MATERIAL		34.630
		FX600 106101 - ...		T 2444915 - 001 B 2444916 - 010
Item	Quan	ME	Part No	Description
103	1	00	73171105	BEARING
201	1	00	73171120	WIPER MOTOR
219	2	00	73170151	HEXAGON NUT
220	2	00	73171121	SPRING WASHER

34.640

2-444 85F 010



**WINDSCREEN WASHER INSTALL.MATERIAL**

34.640

FX800 105101 - ...

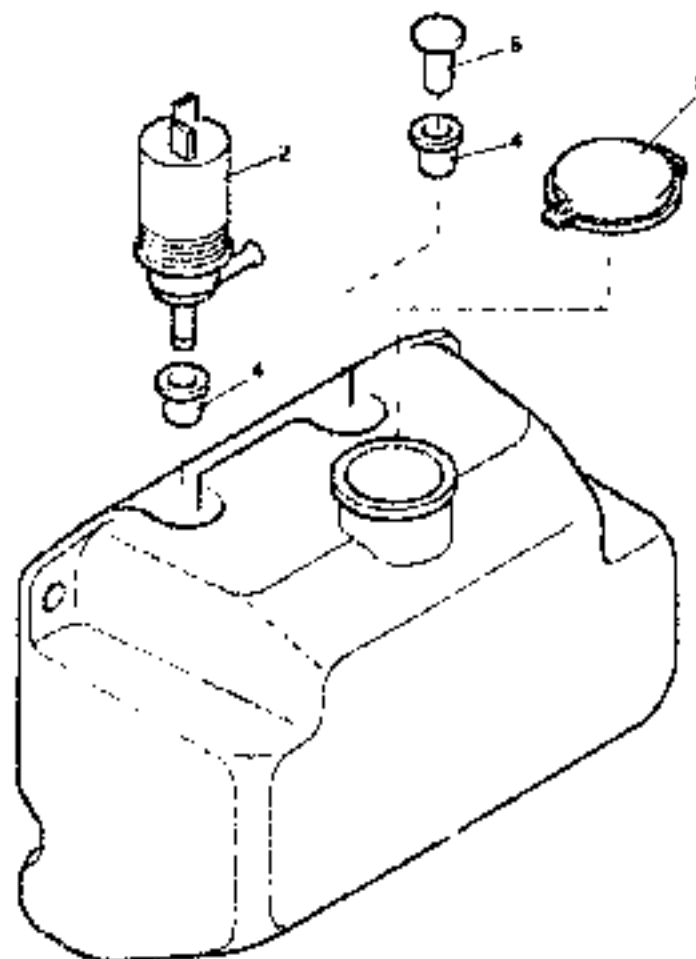
T 2444852 - 000

B 2444852 - 010

Item	Qty	ME	Part No.	Description
001	1	00		34.642 2463302 WATER RESERVOIR WINDSCREEN WASHER
002	1	00	73171024	SOCKET
003	2	00	73170205	HEXAGON BOLT
004	2	00	73170160	DISK WASHER
005	1.80	13	73171025	HOSE
006	1.70	13	73171025	HOSE
007	1	00	73171026	CONNECTION
008	3	00	73170685	RIBBON
009	1	00	73171027	BULKH. CABLE GLAND
010	2	00	73171028	FASTENING PARTS
016	1	00	73171029	COVER
016	2	00	73171030	CLAMPING SCREW
017	1	00	73171032	FASTENING



1

2 463 392 001  
Blatt 11

## WATER RESERVOIR WINDSCREEN WASHER

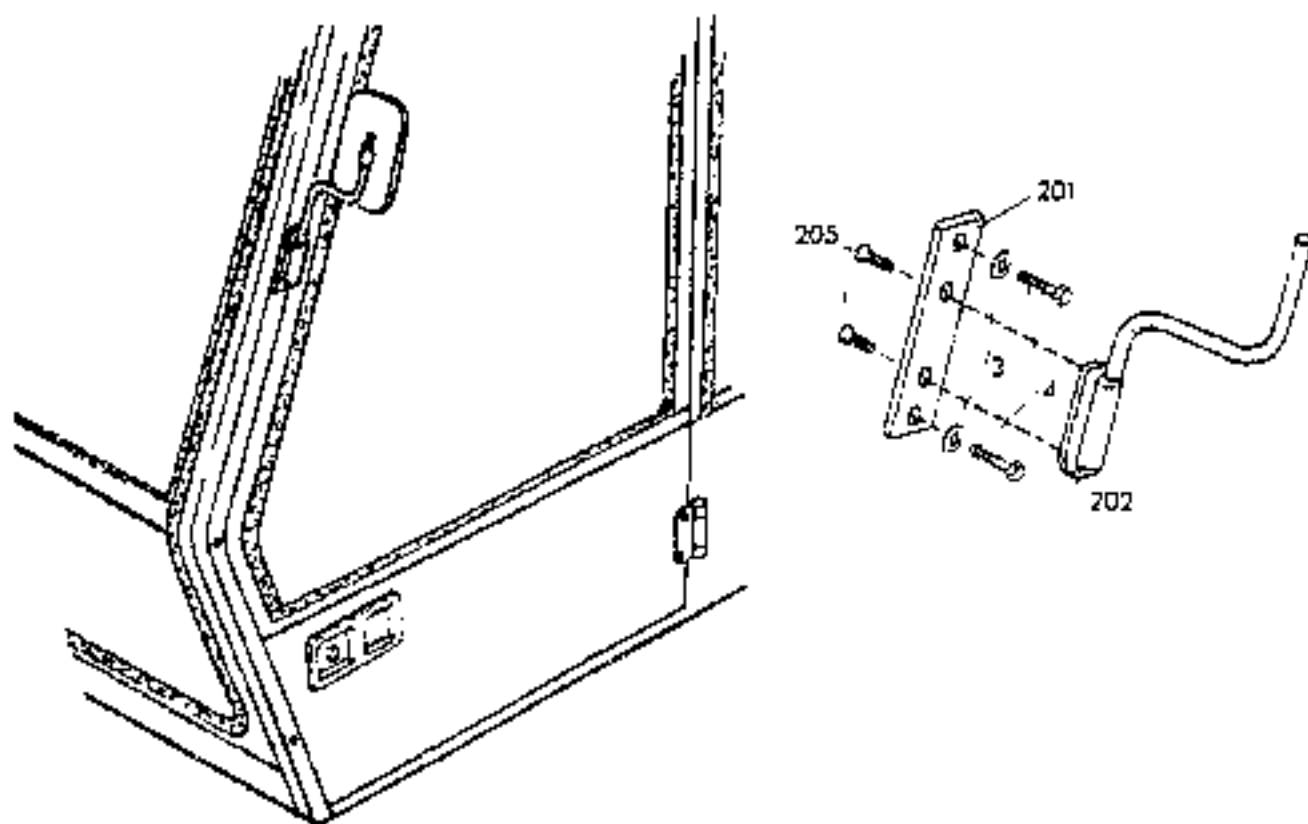
34.642

FX600 106101 - ....

T 2463302 - 000

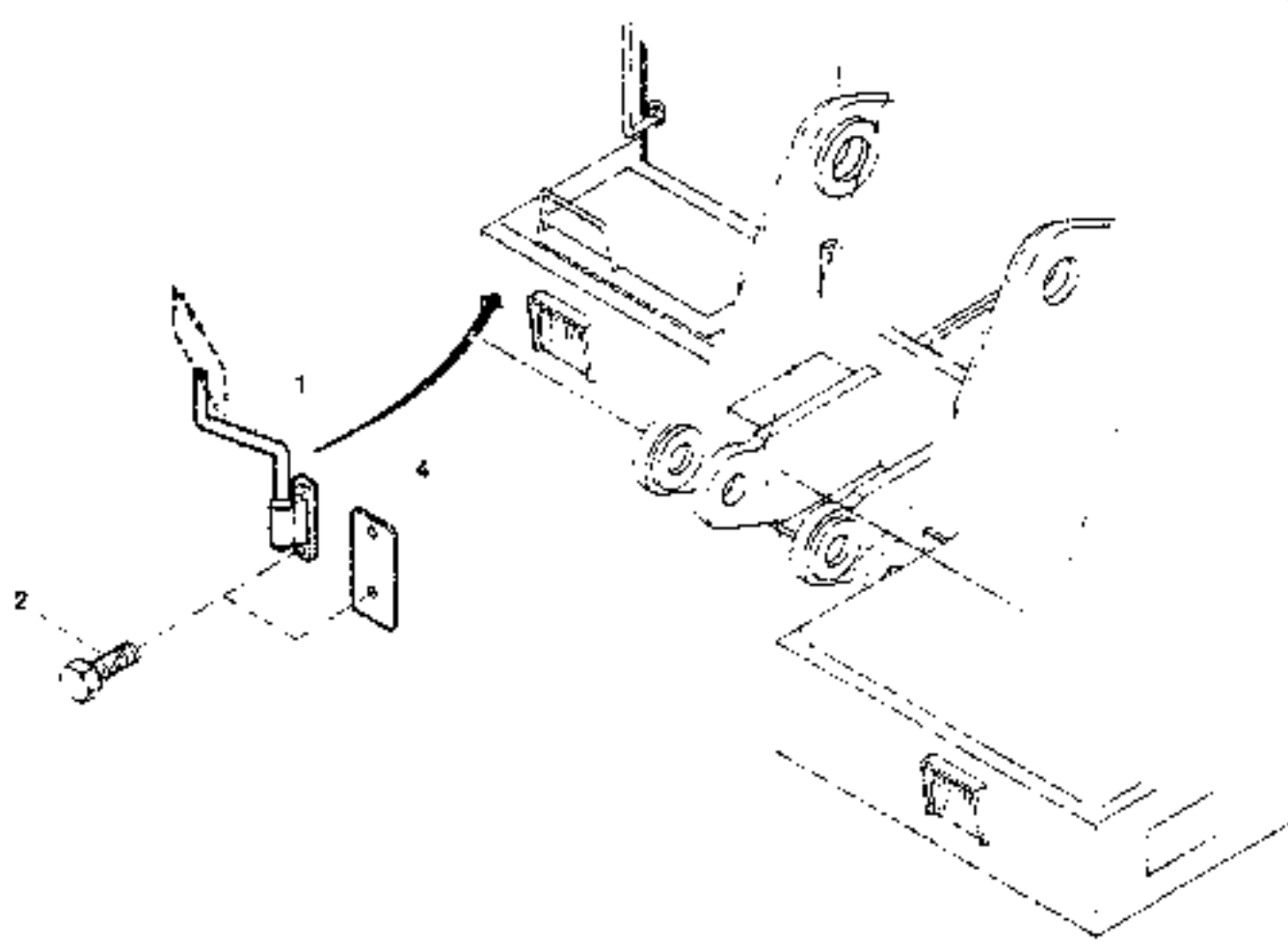
B 2463302 - 001

Item	Quant.	ME	Part No	Description
001	1	00	73171455	WATER RESERVOIR
002	1	00	73171456	PUMP
003	1	00	73171457	LID
004	2	00	73171458	NOZZLE GROMMET
005	1	00	73171459	PLUG



1 807 741 010

		<b>MIRROR SUPPORT INSTALL.MATERIAL</b>			35.060
		FX800 106101 - .....			T 1907741 - 003 B 1907741 - 010
Item	Quan	ME	Part No	Description	
003	2	00	73170167	LOCK WASHER	
004	2	00	73170205	HEXAGON BOLT	
201	1	00	73170992	PLATE	
202	1	00	73170893	BRACKET	
205	2	00	73170994	CONTER-SUNK SCREW	



2 284 173 011

				35.060	
				T 2284173 - 001 B 2284173 - 011	
				FX600 106101 - .....	
Item	Quan.	ME	Part No	Description	
J1	1	00	73170993	BRACKET	
002	4	00	73170205	HEXAGON BOLT	
004	1	00	73170998	COVER PLATE	

2 443 940 010

2  
100K Q

1

4

3



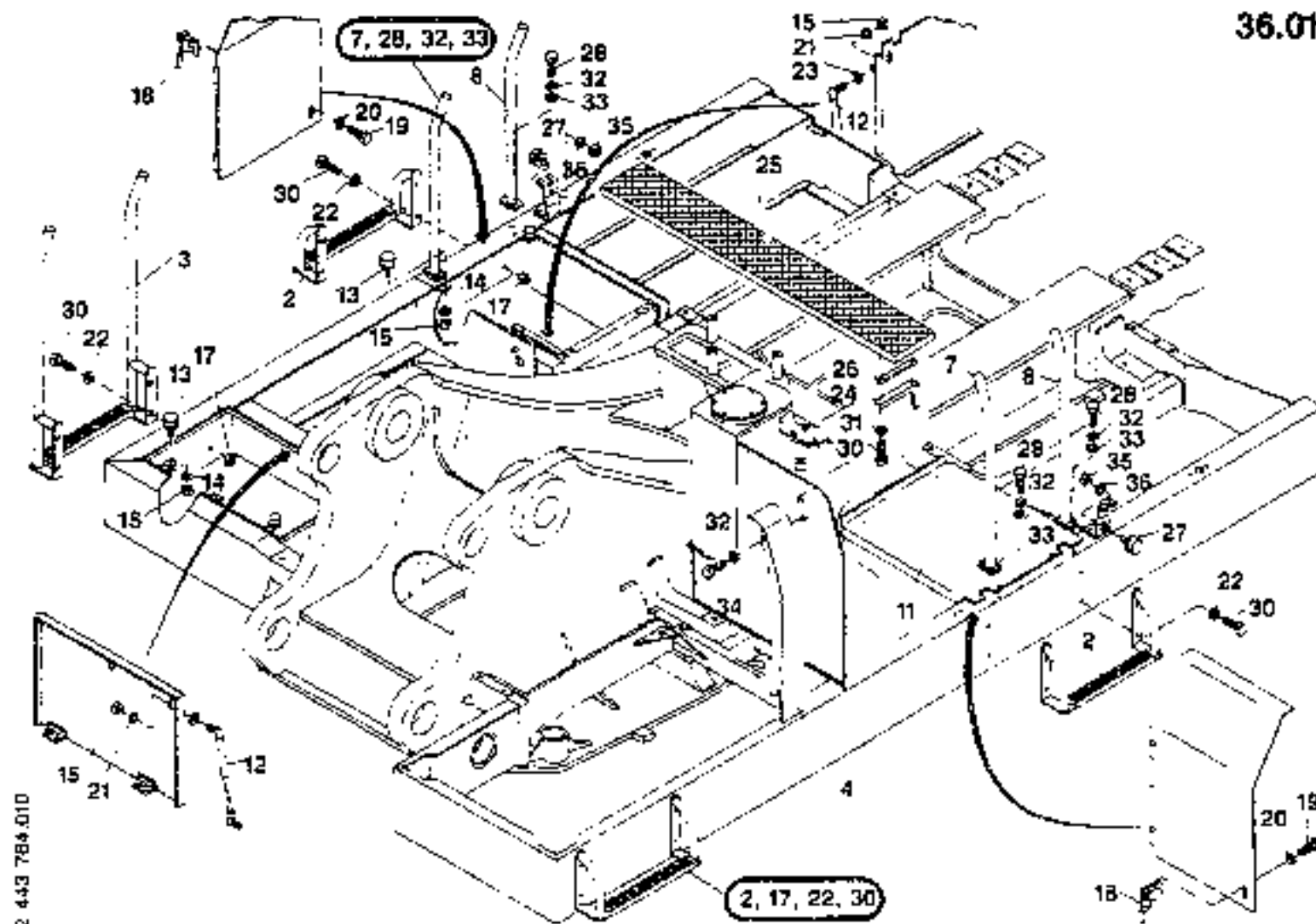
MIRROR SUPPORT INSTALL.MATERIAL

35.060

FX600 106101 - ...

T 2443940 - 000  
B 2443940 - 010

Item	Quan	ME	Part No	Description
001	1	00	73170997	MIRROR SUPPORT
002	2	00	73170210	HEXAGON BOLT
003	2	00	73170215	HEXAGON NUT
004	2	00	73170180	LOCK WASHER



2 443 784 010



## PANELING INSTALL.MATERIAL

36.010

FX600 106101 - .....

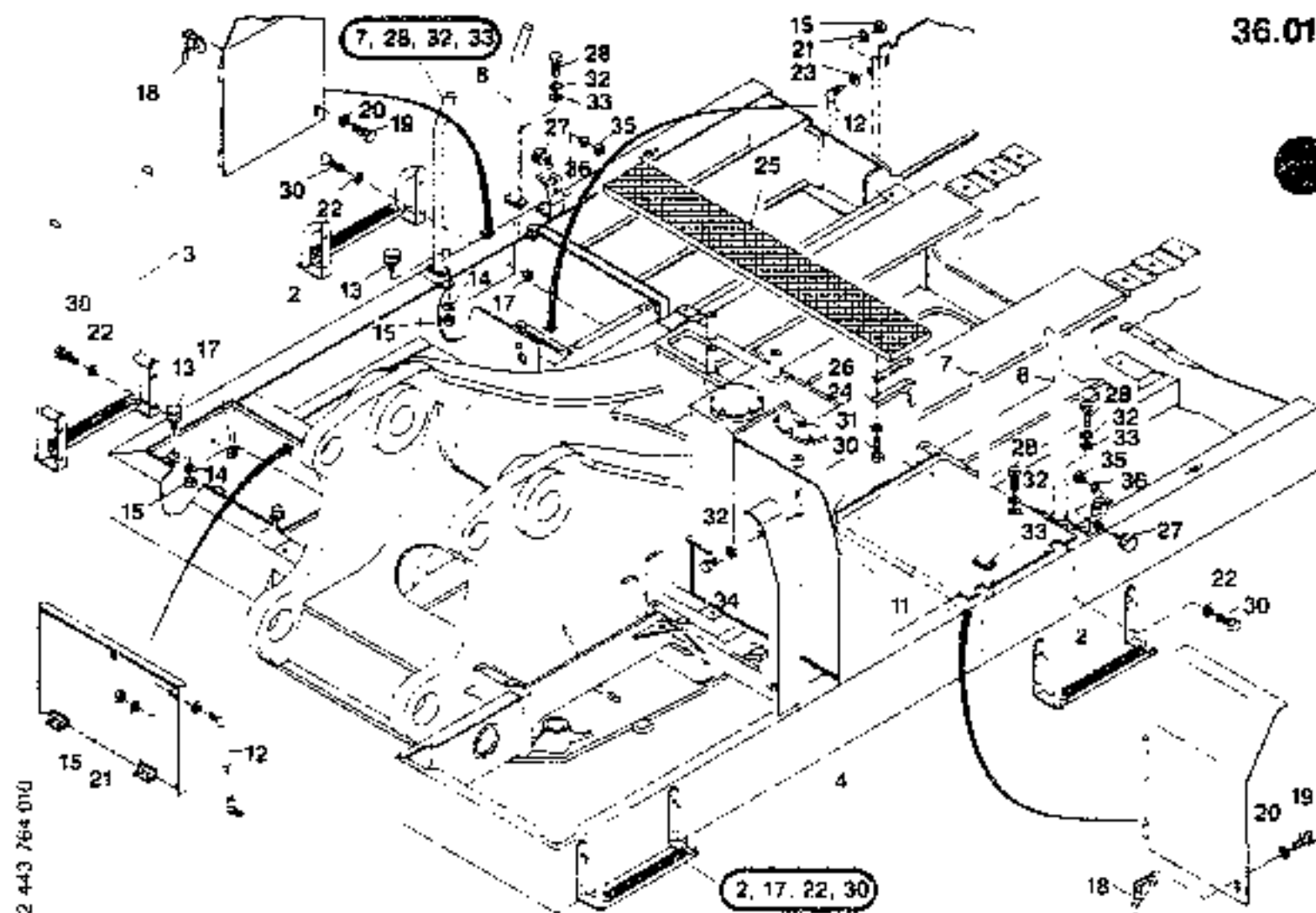
T 2443764 - 001

B 2443764 - 010

Item	Quan.	ME	Par. No.	Description
002	3	00	73170151	STEPS
003	1	00	73170152	STEPS
004	1	00	73170153	PANELING
007	2	00	73170154	HANDLE
008	2	00	73171565	HANDLE
011	1	00	73170157	COVER
012	2	00	73170158	GAS SPRING
013	4	00	73170159	BUMPER
014	4	00	73170160	DISK/WASHER
015	8	00	73170161	HEXAGON NUT
017	16	00	73170162	HEXAGON NUT
016	4	00	73170163	FASTENING
019	12	00	73170164	HEXAGON BOLT
020	12	00	73170165	LOCK WASHER
021	4	00	73170167	LOCK WASHER
022	16	00	73170169	DISK/WASHER
023	4	00	73170170	DISK/WASHER
024	2	00	73170171	BRACKET

ME: 00 = Stück/iece 13 = m 26 = m² 39 = m³ 43 = kg 50 = l (litre)

1998-09-10



### PANELING INSTALL.MATERIAL

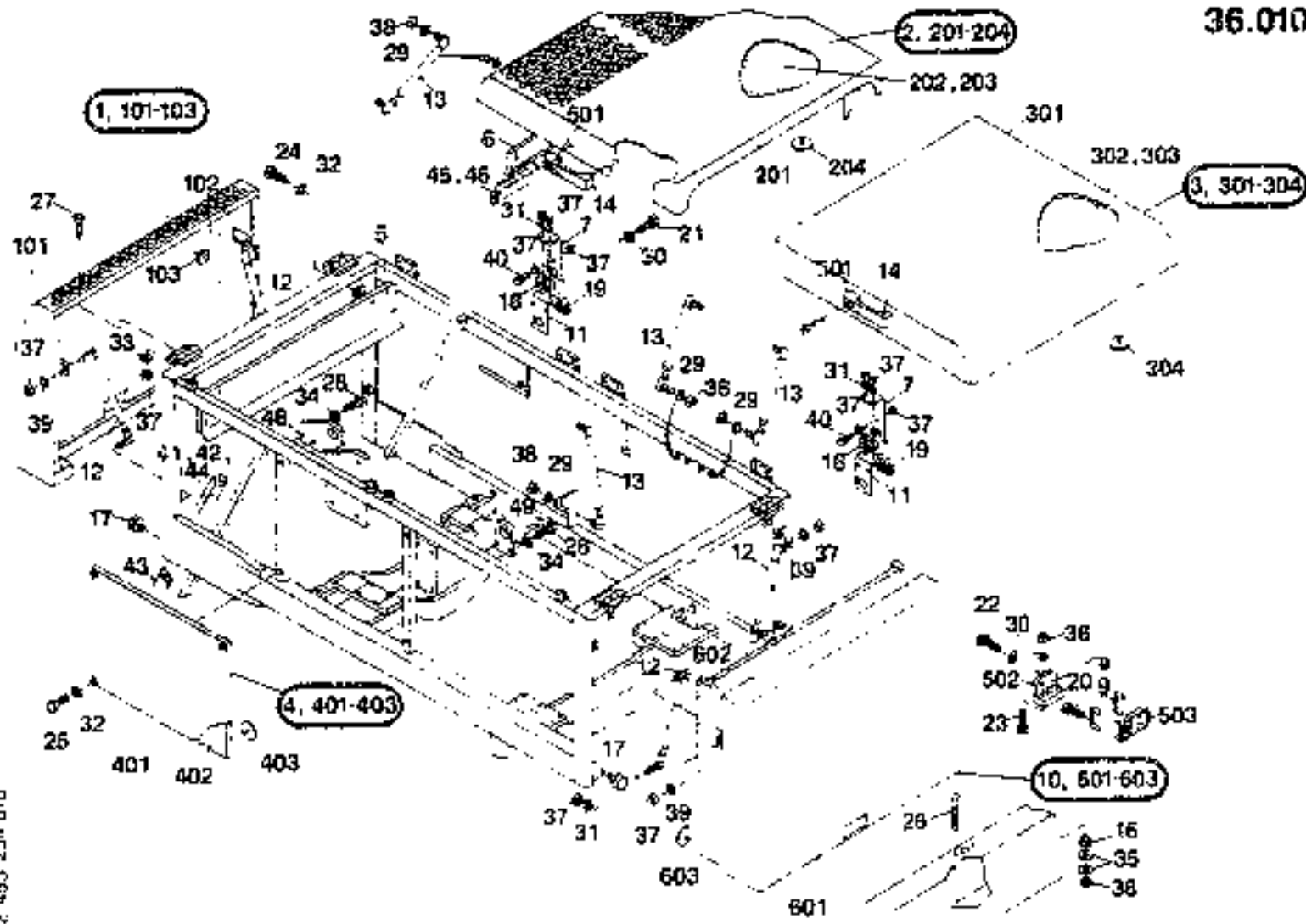
36.010

FX600 106101 - .....

T 2443764 - 001

B 2443764 - 010

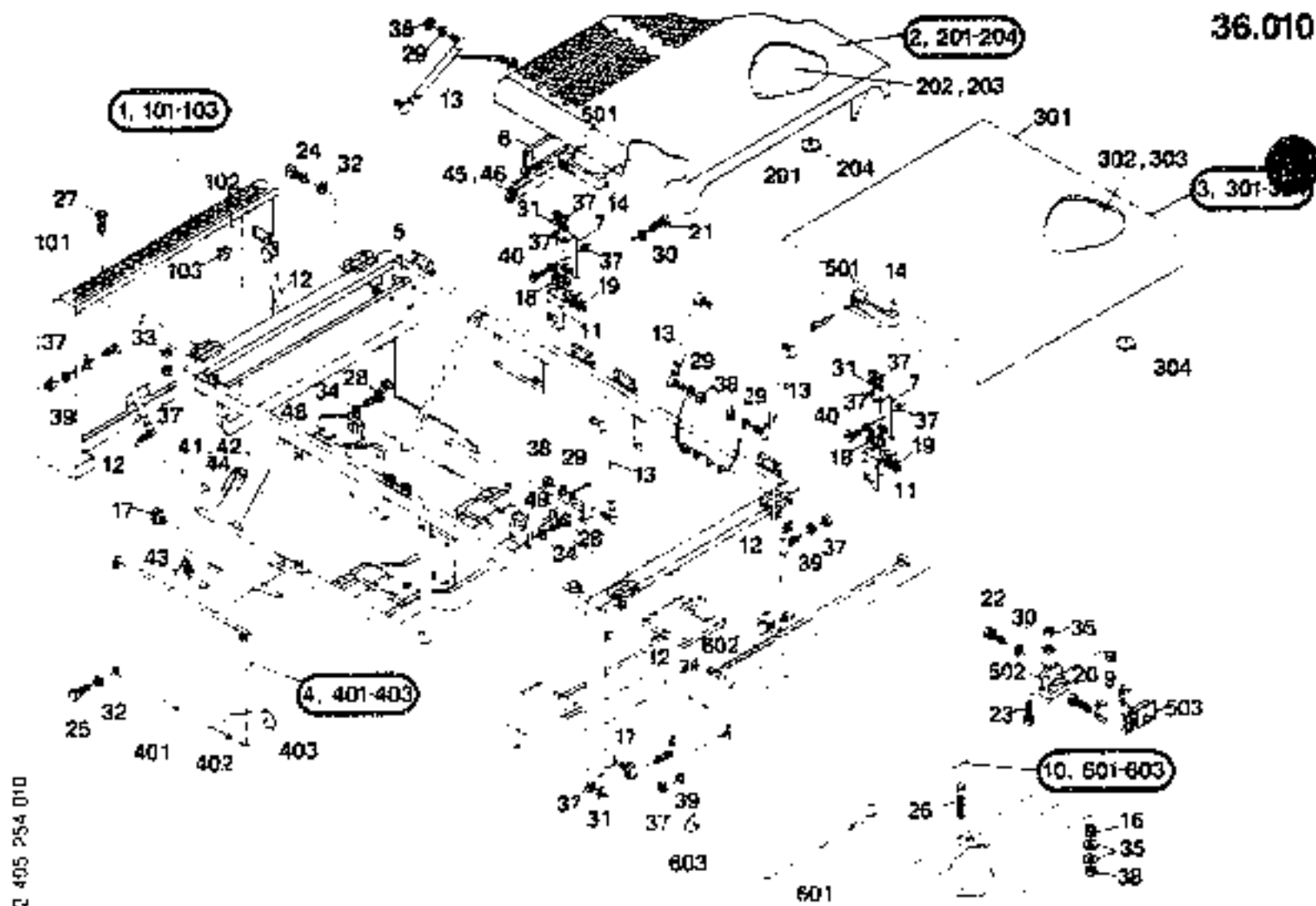
Item	Quan.	ME	Part No	Description
025	1	00	73170172	SAFETY GRILL
026	2	00	73170173	BRACKET
027	4	00	73170174	BUMPER
028	8	00	73170175	HEXAGON BOLT
029	4	00	73170176	HEXAGON BOLT
030	24	00	73170177	HEXAGON BOLT
031	27	00	73170178	LOCK WASHER
032	8	00	73170180	LOCK WASHER
033	8	00	73170182	DISK/WASHER
034	3	00	73170183	HEXAGON BOLT
035	4	00	73170184	HEXAGON NUT
036	12	00	73170185	DISK/WASHER




2 455 254 010

36.010				
PANELING INSTALL.MATERIAL				
FX600 · 106101 · .....				
T 2 195254 - 000 B 2 455254 · D10				
Item	Quan.	ME	Part No.	Description
001	1	00	73170186	BONNET
002	1	00	73170187	LID
003	3	00	73170188	LID
004	1	00	73170189	WALL
005	1	00	73170190	WALL
006	1	00	73170191	WALL
007	2	00	73170192	STRAP
009	4	00	73170193	STRAP
010	1	00	73170194	BONNET
011	2	00	73170195	HOOK
012	4	00	73170196	GAS SPRING
013	4	00	73170197	SPRING
014	2	03	73170198	HANDLE
016	2	00	73172288	BUMPER
017	8	00	73170159	BUMPER
018	4	00	73170200	BUMPER
019	4	00	73170201	HEXAGON BOLT
020	6	00	73170184	HEXAGON BOLT

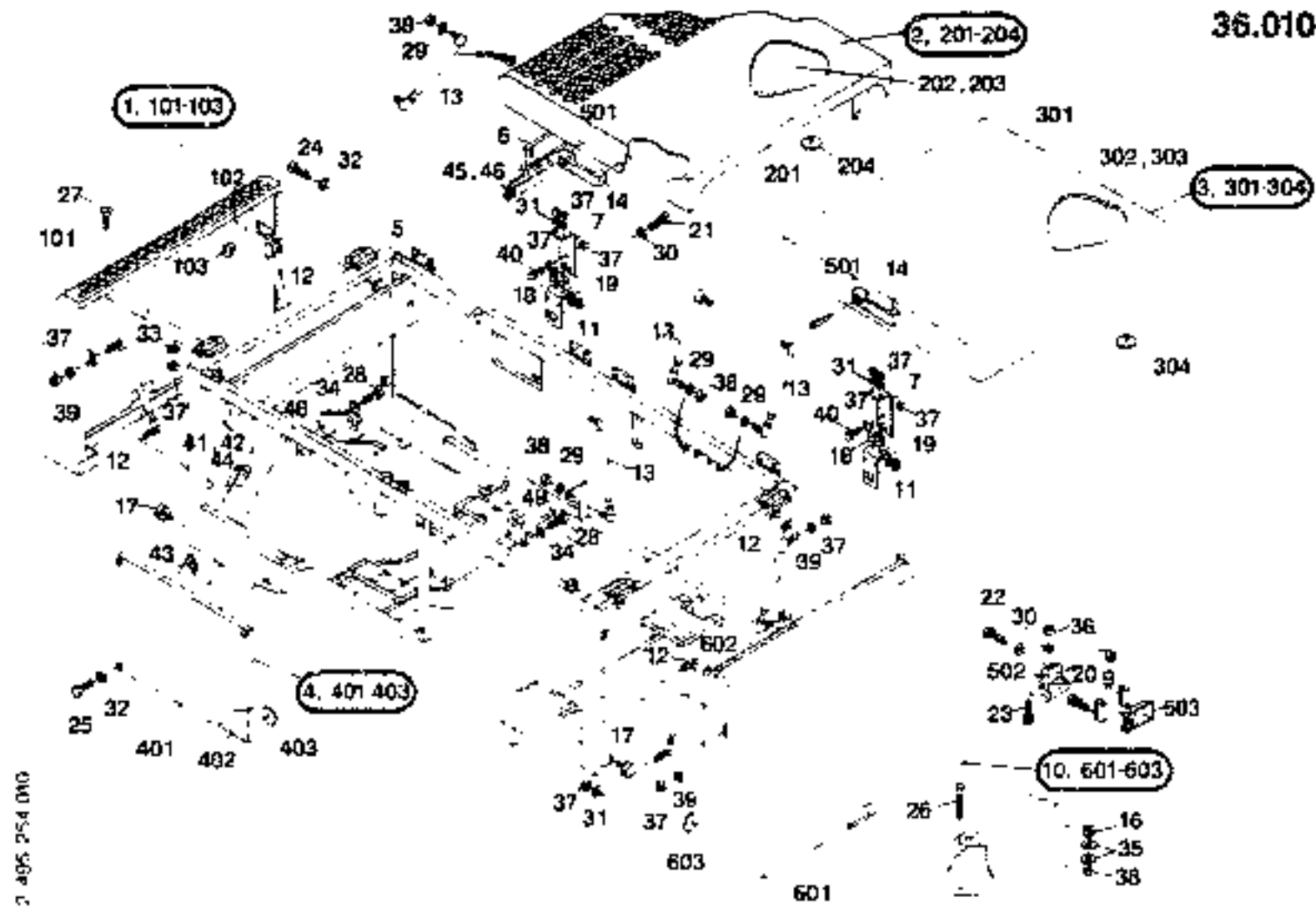
ME. 00 = Stück/piece 13 = m 25 = m<sup>2</sup> 39 = m<sup>3</sup> 43 = kg 50 = l (litre)




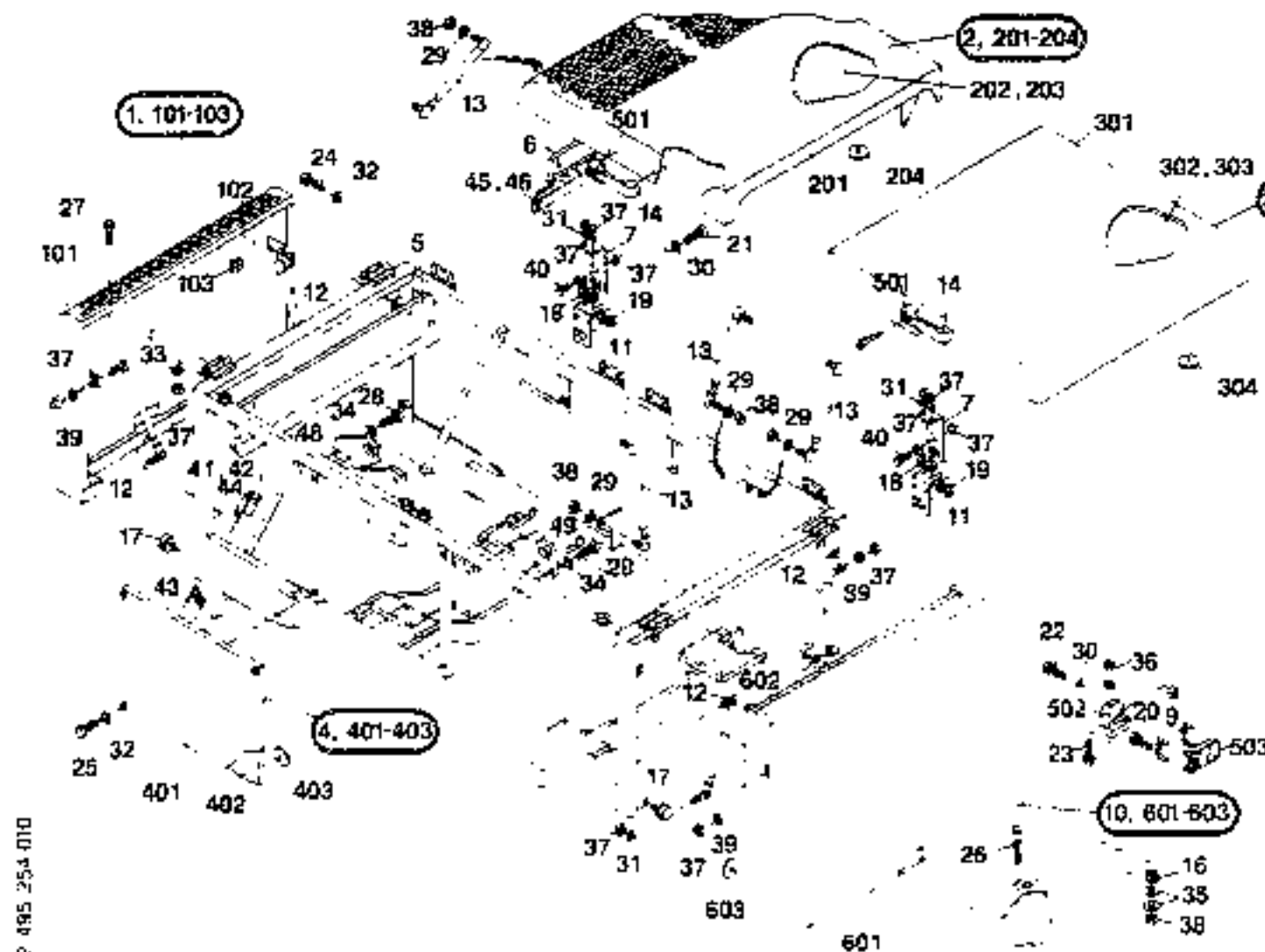
2 495 254 010

				36.010
				T 2495254 - 000
				B 2495254 - 010
 <b>PANELING INSTALL.MATERIAL</b>				
FX600 106101 - .....				
Item	Quan.	ME	Part No	Description
021	6	00	73170202	HEXAGON BOLT
022	8	00	73170203	HEXAGON BOLT
023	8	00	73170204	HEXAGON BOLT
024	9	00	73170205	HEXAGON BOLT
025	4	00	73170206	HEXAGON BOLT
026	2	00	73172287	PIN
027	16	00	73170208	CONTER-SUNK SCREW
028	4	00	73170210	HEXAGON BOLT
029	8	00	73170180	LOCK WASHER
030	22	00	73170185	DISK WASHER
031	28	00	73170160	DISK WASHER
032	13	00	73170211	DISK WASHER
033	16	00	73170212	DISK WASHER
034	6	00	73170213	DISK WASHER
035	2	00	73170214	DISK WASHER
036	12	00	73170184	HEXAGON NUT
037	32	00	73170161	HEXAGON NUT
038	12	00	73170215	HEXAGON NUT






				36.010
 <b>PANELING INSTALL MATERIAL</b>				T 2495254 - 000
FX600 106101 - .....				B 2495254 - 010
Item	Quan	ME	Part No	Description
039	4	00	73170167	LOCK WASHER
040	2	00	73170216	HEXAGON BOLT
041	1.36	13	73170217	PROFILE
042	1.17	13	73170217	PROFILE
043	1.25	13	73170217	PROFILE
044	0.19	13	73170218	PROFILE
045	0.07	13	73170218	PROFILE
046	1.31	13	73170218	PROFILE
048	1	00	73170219	PLATE
049	1	00	73170220	PLATE
101	1	00	73170221	BONNET
102	1	00	73170222	INSULATION
103	14	00	73170223	CLAMP
201	1	00	73170224	LID
202	1	00	73170225	INSULATION KIT
203	1	00	73170226	INSULATION
204	9	00	73170223	CLAMP
301	1	00	73170227	BONNET



2 495 254 010

				36.010
				T 2495254 - 000
				B 2495254 - 010
 <b>PANELING INSTALL.MATERIAL</b>				
FX600 106101				
Item	Quan	ME	Part No	Descriptor
302	1	00	73170228	INSULATION KIT
303	1	00	73170229	INSULATION KIT
304	22	00	73170223	CLAMP
401	1	00	73170230	WALL
402	1	00	73170231	INSULATION
403	5	00	73170223	CLAMP
501	2	00	73170232	HANDLE
502	4	00	73170233	LOCK
503	2	00	73170234	HANDLE
601	1	00	73170236	BONNET
602	1	00	73170237	INSULATION
603	17	00	73170223	CLAMP

ME 00 = BLOCK, DADO 13 = π 26 = m<sup>2</sup> 39 = m<sup>3</sup> 43 = kg 50 = l (litra)



# COVER UPPER CARRIAGE

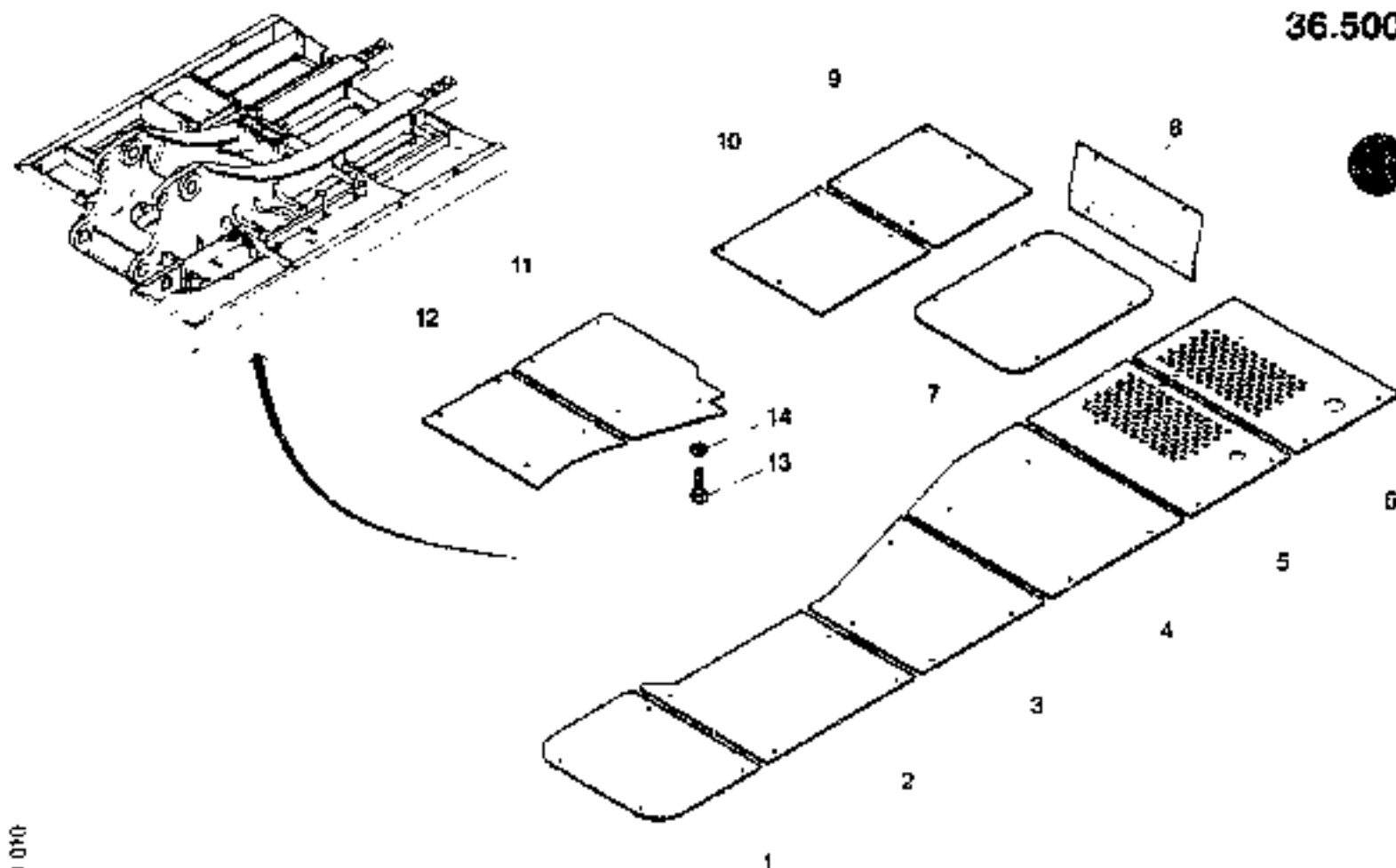
36.500

FX600 76027 - 76027

T 2782702 - 000  
B 2782702 - 010

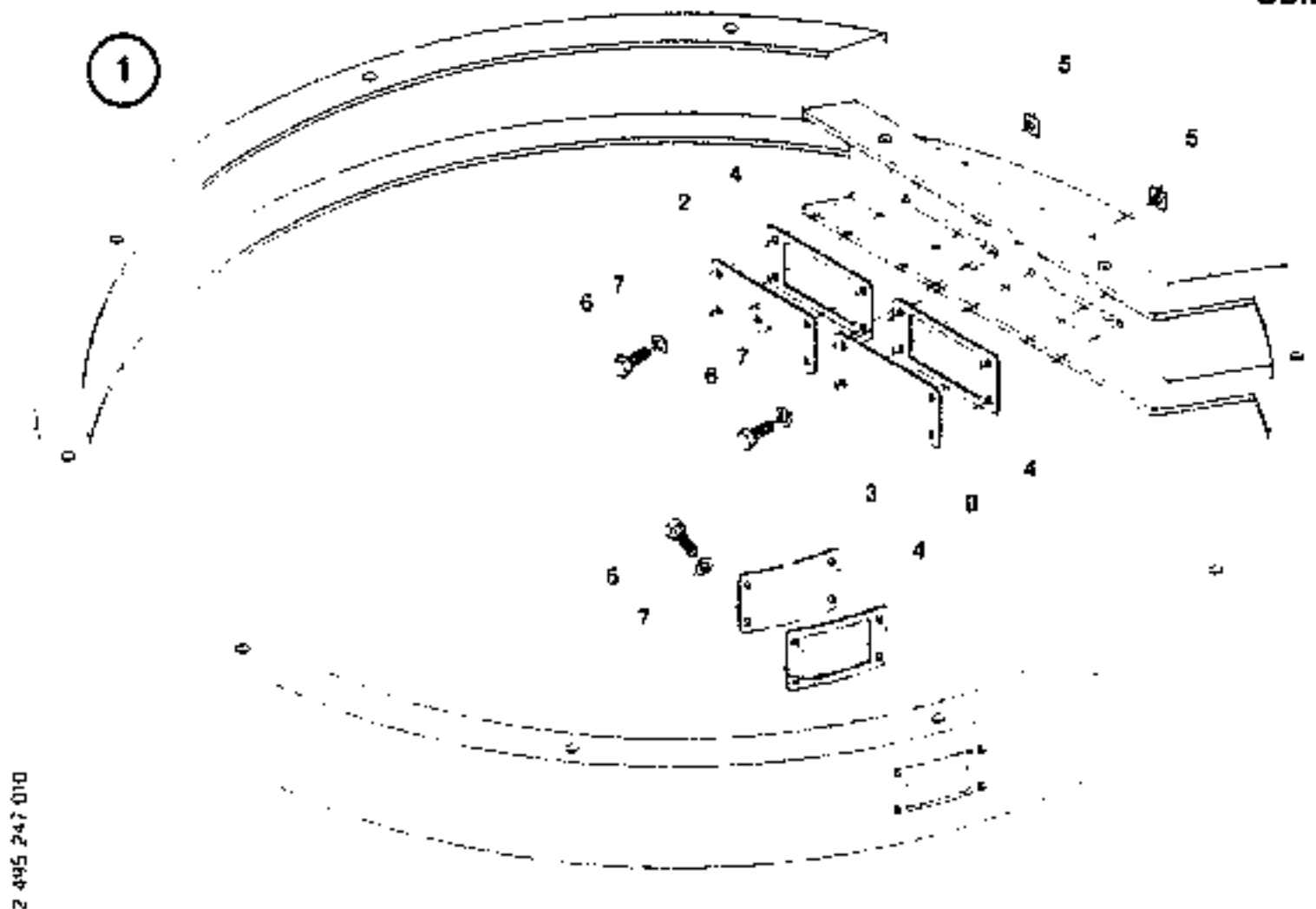
Item	Quan.	ME	Part No.	Description
001	0	00	73175811	COVER

36.500



2 782 741 010

				36.500
				T 2782741 - 000
				B 2782741 - 010
				FX600 106101 - ...
Item	Quan	ME	Part No	Descriptor
001	1	00	73176180	PLATE
002	1	00	73176181	PLATE
003	1	00	73176182	PLATE
004	1	00	73176183	PLATE
005	1	00	73176184	PLATE
006	1	00	73176185	PLATE
007	1	00	73176186	PLATE
008	1	00	73176187	PLATE
009	1	00	73176188	PLATE
010	1	00	73176189	PLATE
011	1	00	73176190	PLATE
012	1	00	73176191	PLATE
013	48	00	73170998	HEXAGON BOLT
014	48	00	73176024	DISK WASHER



2 495 247 010



## COVER SWING BEARING

36.512

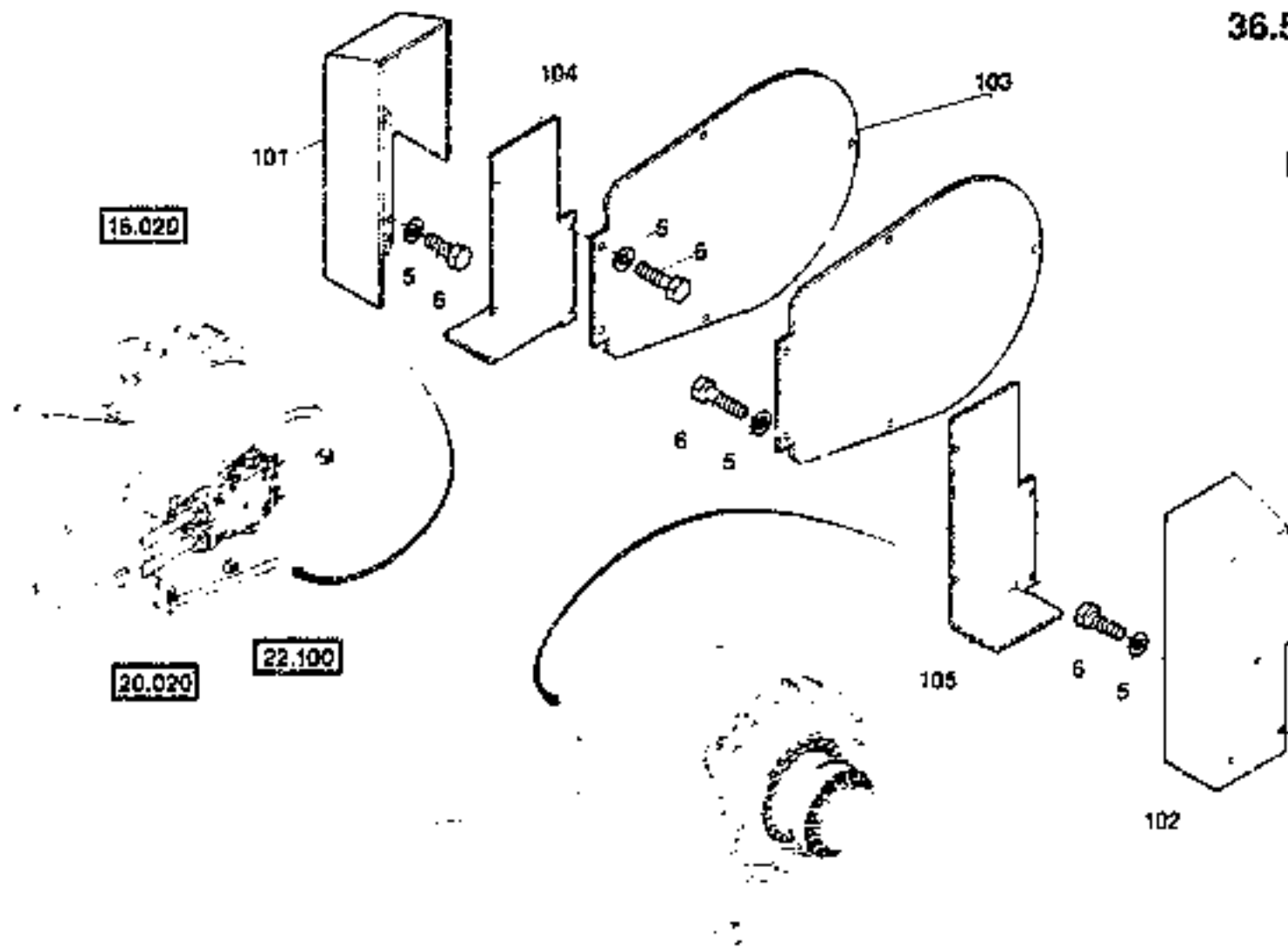
FX600 108101 - ...

T 2495247 - 000

B 2495247 - 010

Item	Quan	ME	Part No	Description
001	1	00	73170616	COVER
002	1	00	73170617	LID
003	1	00	73170618	LID
004	3	00	73170619	GASKET
005	12	00	73170620	DUMMY NUT
006	12	00	73170621	HEXAGON BOLT
007	12	00	73170185	DISK WASHER
008	1	00	73170622	LID

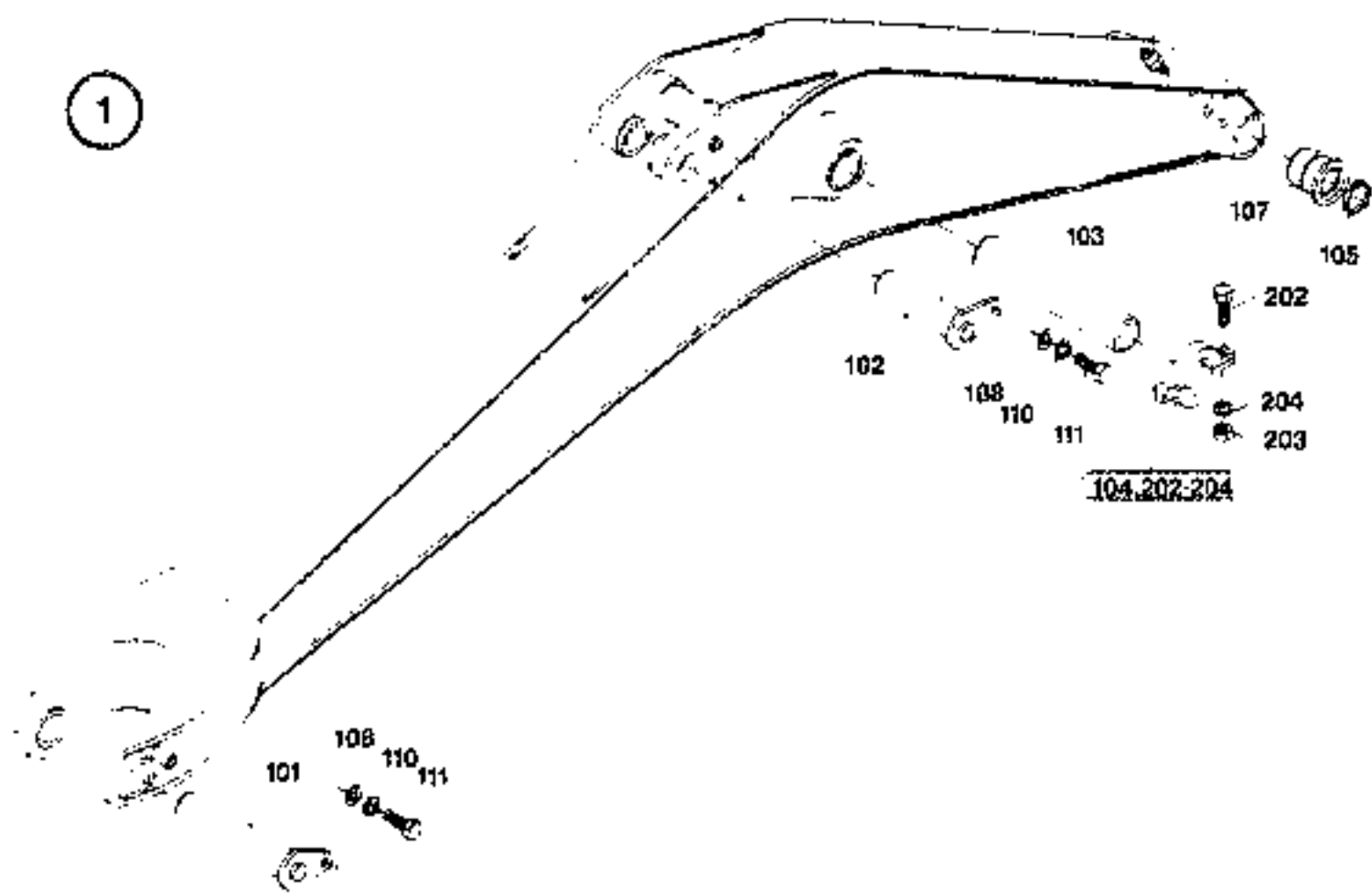
36.540




2 496 907 010

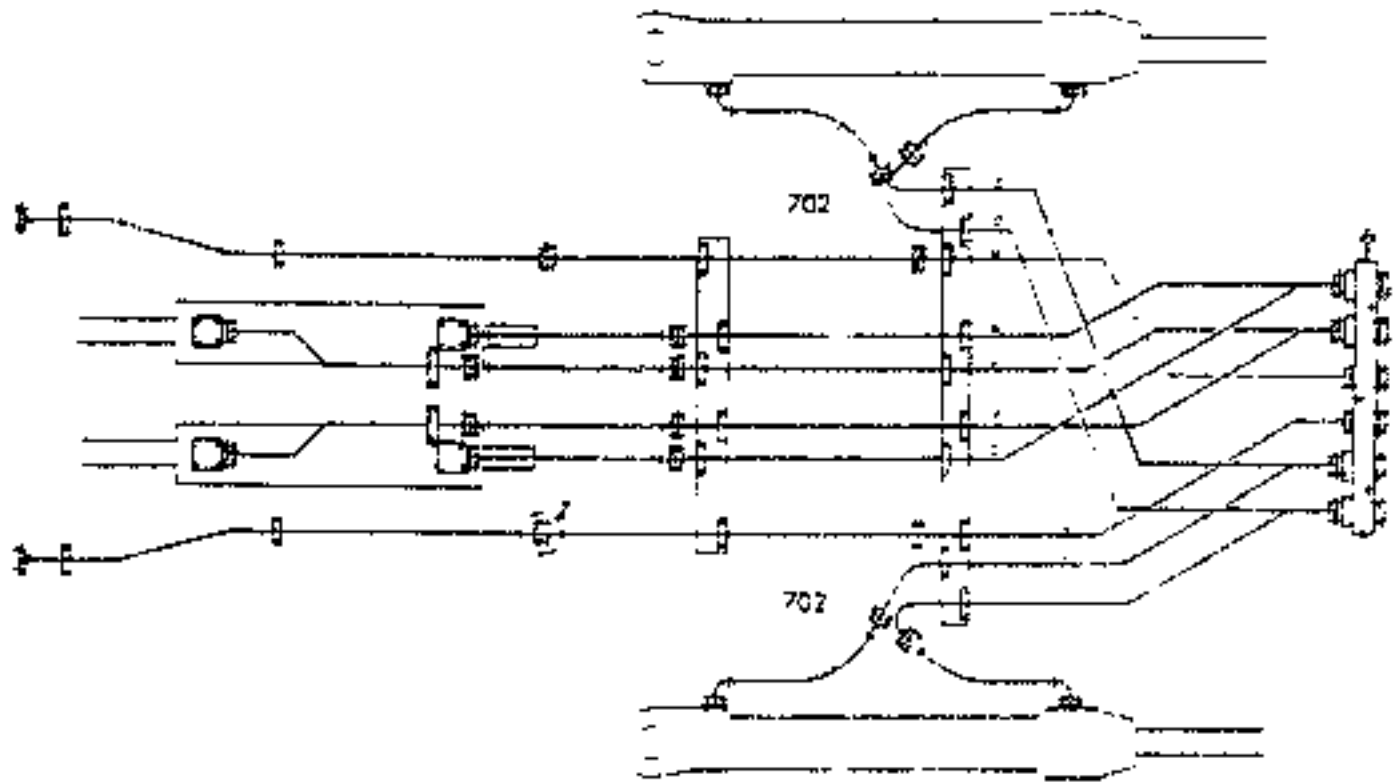
				36.540	
				T 2496907 - 000	
				B 2496907 - 010	
				FX600 106101 -	
Item	Quan	ME	Part No	Description	
005	20	00	73170130	DISK WASHER	
006	20	00	73170131	HEXAGON BOLT	
101	1	00	73170132	FRAME	
102	1	00	73170133	FRAME	
103	2	00	73170134	LID	
104	1	00	73170135	LID	
105	1	00	73170136	LID	

1




2 444 419 010

				60.151
 <b>MONOBLOC BOOM MOUNTING PARTS</b>				
FX600 105101 - .....				T 2444419 - 000 B 2444419 - 010
Item	Quan	ME	Part No	Description
001	1	00	73171338	MONOBLOC BOOM
101	1	00	73171339	PIN
102	1	00	73171340	PIN
103	1	00	73171341	PIN
104	2	00	73171342	RING
105	2	00	73171343	SCRAPER
106	2	00	73170138	GREASE NIPPLE
107	2	00	73171344	BUSHING
108	2	00	73170979	DISK WASHER
110	2	00	73170981	LOCK WASHER
111	2	00	73171345	HEXAGON BOLT
202	2	00	73171346	HEXAGON BOLT
203	2	00	73170162	HEXAGON NUT
204	2	00	73170178	LOCK WASHER

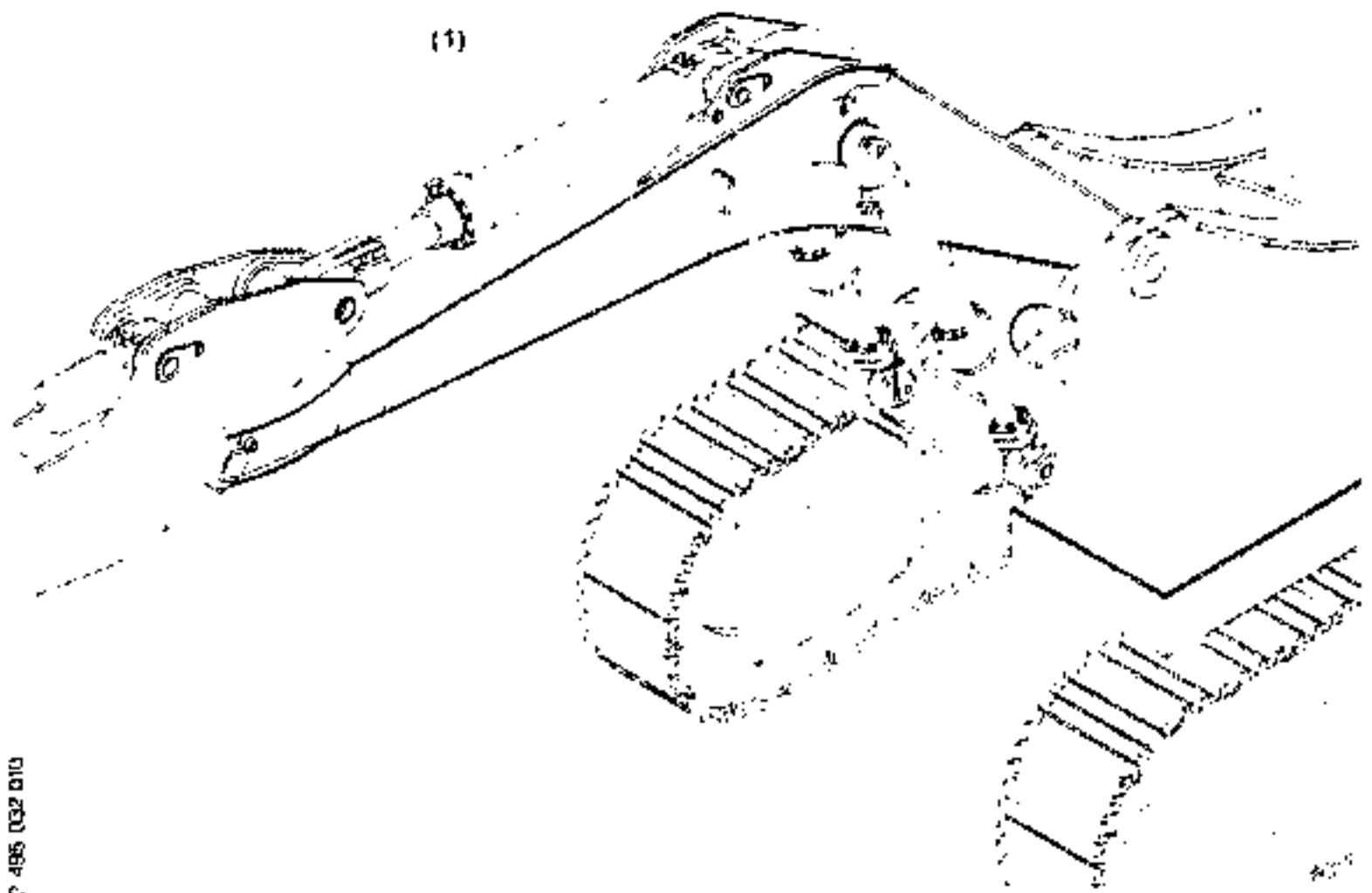


2 443 421 010

 HYDRAULIC SYSTEM MONOBLOC BOOM O.RBS				60.160
FX600 106101 . . . . .				T 2443421 - 000 B 2443421 - 010
Matr	Quan	ME	Part No	Description
702	2	00	73171347	HOSE



(1)



2495032-010



### HYDRAULIC SYSTEM MONOBLOC BOOM 6,7M

60.160


FX600 106101 - ....

T 2495032 - 000  
B 2495032 - 010

Item	Quant	ME	Part No	Description
001	1	00		60.160 2495031 HYDRAULIC SYSTEM MONOBLOC BOOM
002	1	00		30.200 2444234 GREASING SYSTEM MONO 6,7M

2 496 850 010



 HYDRAULIC SYSTEM MONOBLOC BOOM 6.7M					60.160
FX600 106101 - ...					T 2498850 - 000 B 2498850 - 010
Item	Quan	ME	Part No	Description	
004	1	00	73171386	FLANGE	
024	1	00	73170348	SEALING RING	
029	4	00	73171387	HEXAGON BOLT	
703	1	00	73171388	HOSE	



2 495 031 050



## HYDRAULIC SYSTEM MONOBLOC BOOM

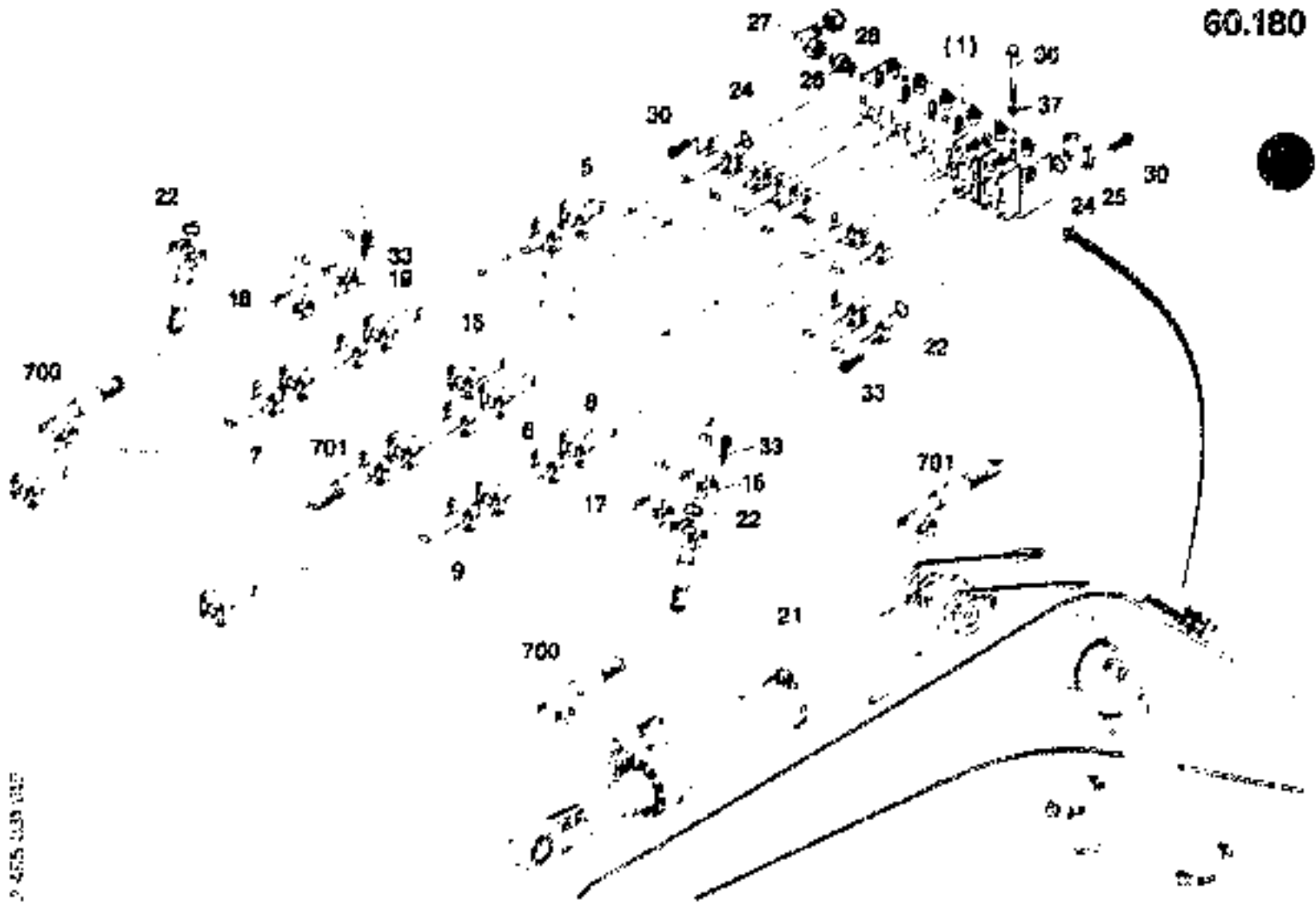
60.180

FX500 100101


T 2495031 - 001

E 2495031 - 010

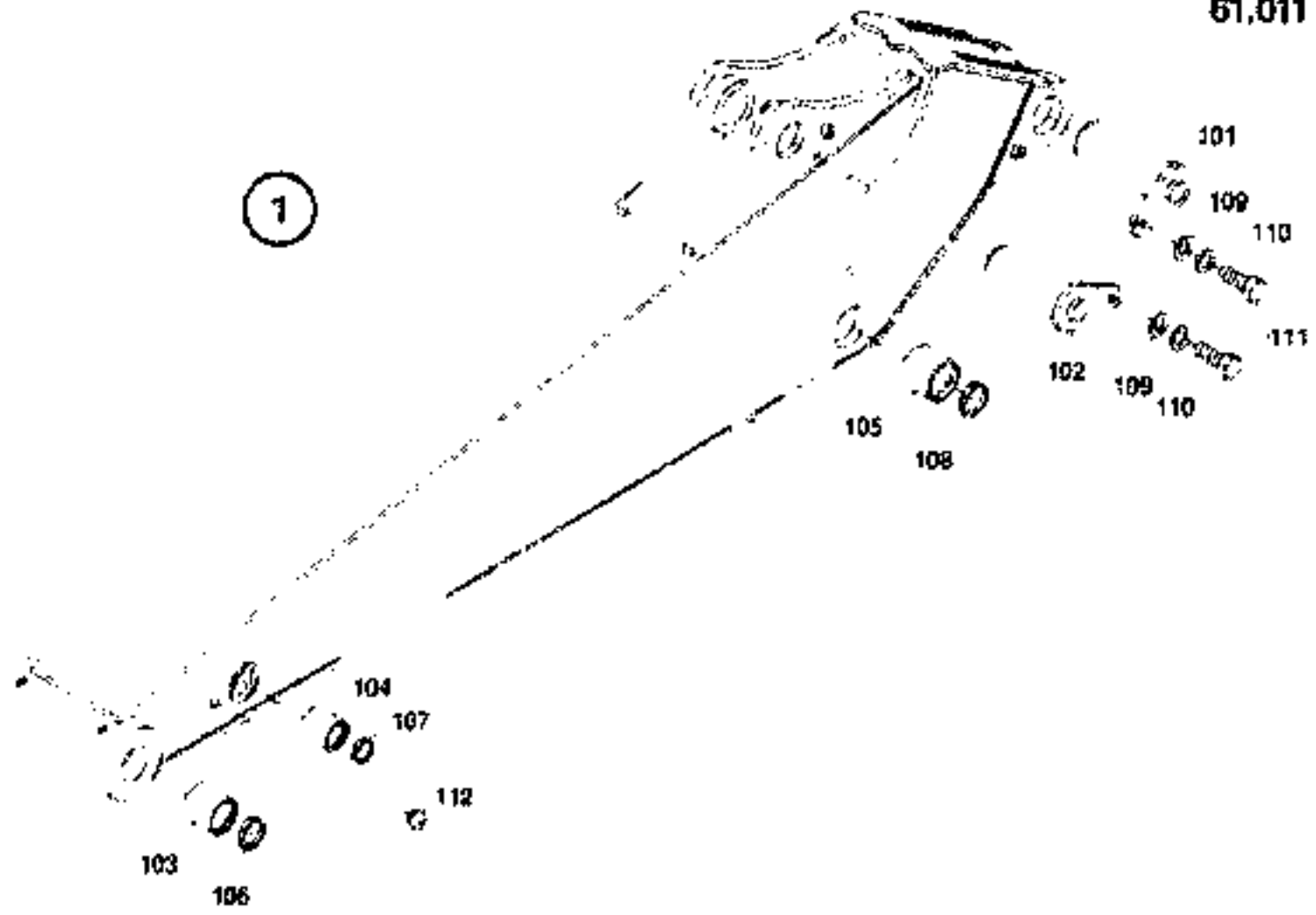
QTY	Unit	ME	Part No	Description
001	1	00		22.402 2444088 DISTRIBUTOR
005	1	00	73171348	LINE
006	1	00	73171349	LINE
007	1	00	73171350	LINE
008	1	00	73171351	LINE
009	1	00	73171352	LINE
015	1	00	73171353	LINE
016	1	00	73171354	LINE
017	1	00	73171355	LINE
018	1	00	73171356	LINE
019	1	00	73171357	LINE
021	1	00	73171358	CLIP
022	8	00	73170327	SEALING RING
024	20	00	73170346	SEALING RING
026	1	00	73170302	SOCKET
027	1	00	73170471	SOCKET
028	1	00	73171362	PLUG



P. 455 033 037

				60.180	
(HYDRAULIC SYSTEM MONOBLOC BOOM				T 2495031 - 001	
FX600 106101 - ...				B 2495031 - 019	
Fig.	Quant	ME	Part No	Description	
030	80	00	73170347	12-POINT SCREW	
033	32	00	73170328	12-POINT SCREW	
036	3	00	73171363	HEXAGON BOLT	
037	3	00	73170180	DISK WASHER	
700	2	00	73171364	HOSE	
701	1	00	73171365	HOSE	

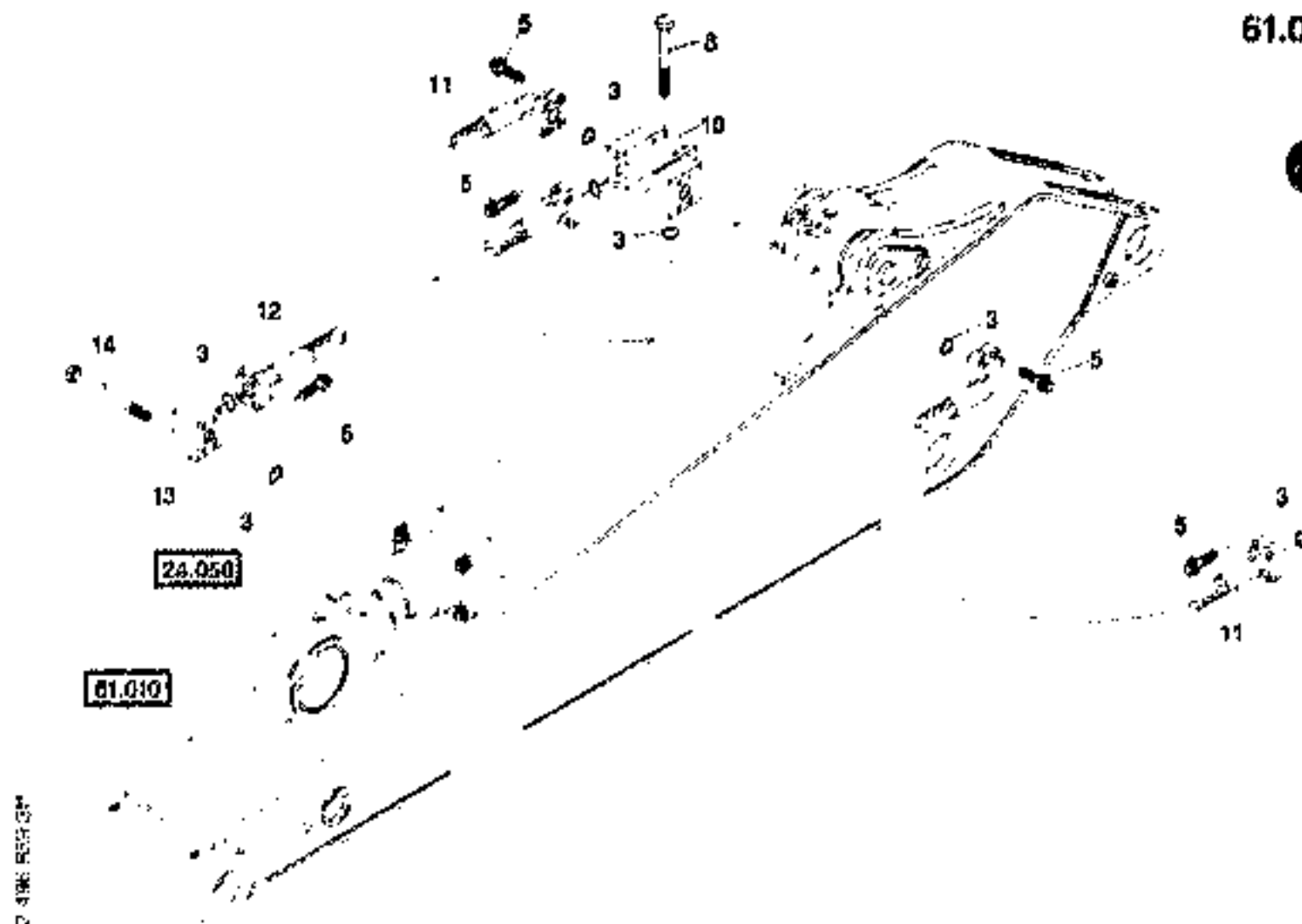
61.011



P 455 203 350

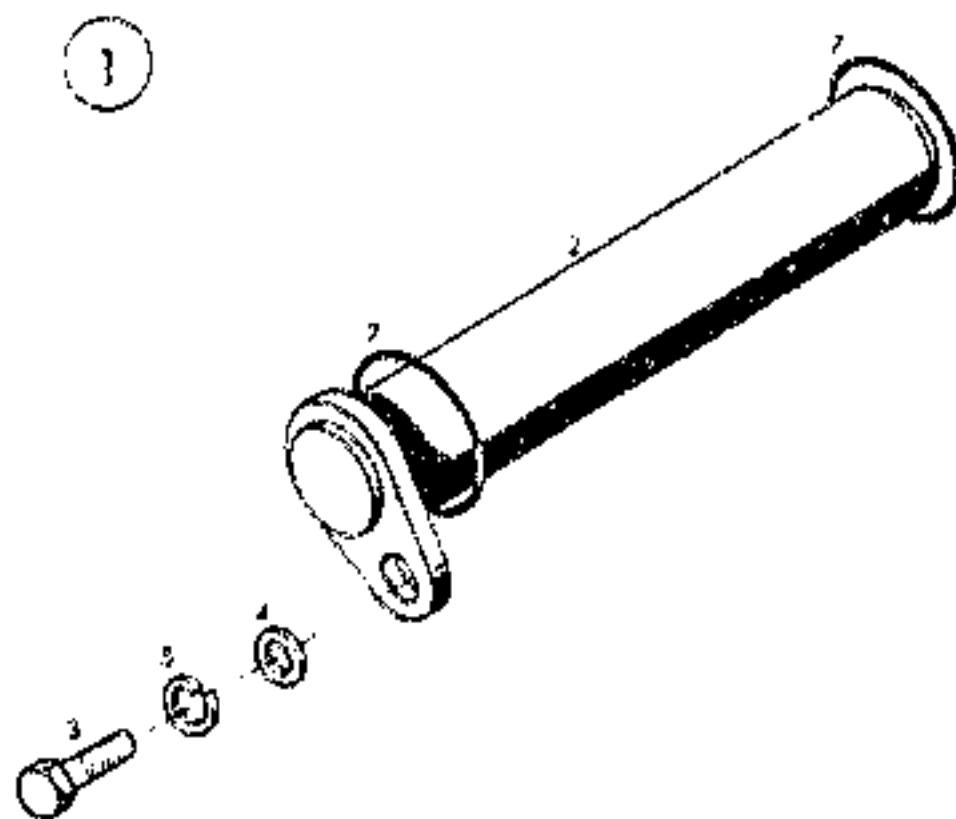
				61.011	
				T 2495220 - 001	
				B 2495220 - 010	
				FXE00 106101 - .....	
				STICK MOUNTING PARTS	
				61.011	
Item	Quan	ME	Part No	Description	
001	1	00	73171386	STICK	
101	1	00	73171387	PIN	
102	1	00	73171388	PIN	
103	2	00	73171389	BUSHING	
104	2	00	73171390	BUSHING	
105	2	00	73171391	BUSHING	
106	2	00	73171392	SCRAPER	
107	2	00	73171393	SCRAPER	
108	2	00	73171394	SCRAPER	
109	2	00	73170979	DISKWASHER	
110	2	00	73170981	LOCK WASHER	
111	2	00	73171345	HEXAGON BOLT	
112	0	00	73170136	GREASE NIPPLE	

61.032



				HYDRAULIC SYSTEM STICK 3,4M		61.032
						T 2498859 - 001
						B 2498863 - 011
Item	Quant.	ME	Part No	Description		
003	7	00	73170346	SEALING RING		
009	24	00	73170347	12-POINT SCREW		
008	4	00	73171385	HEXAGON BOLT		
010	1	00	73171386	DISTRIBUTOR		
011	2	00	73177613	HOSE		
012	1	00	73177614	HOSE		
013	1	00	73171368	FLANGE		
014	4	00	73171387	HEXAGON BOLT		

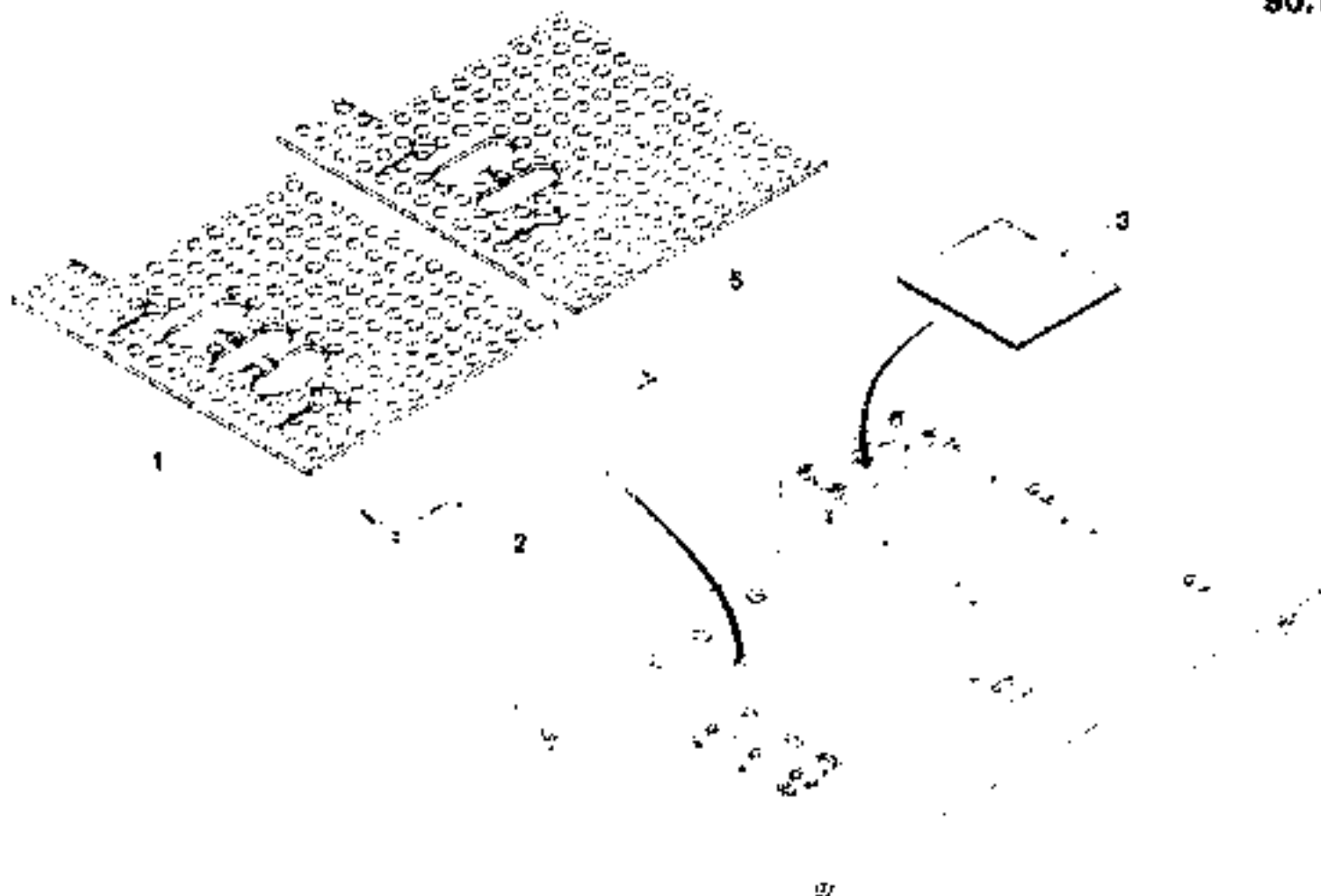





2 249 912 010

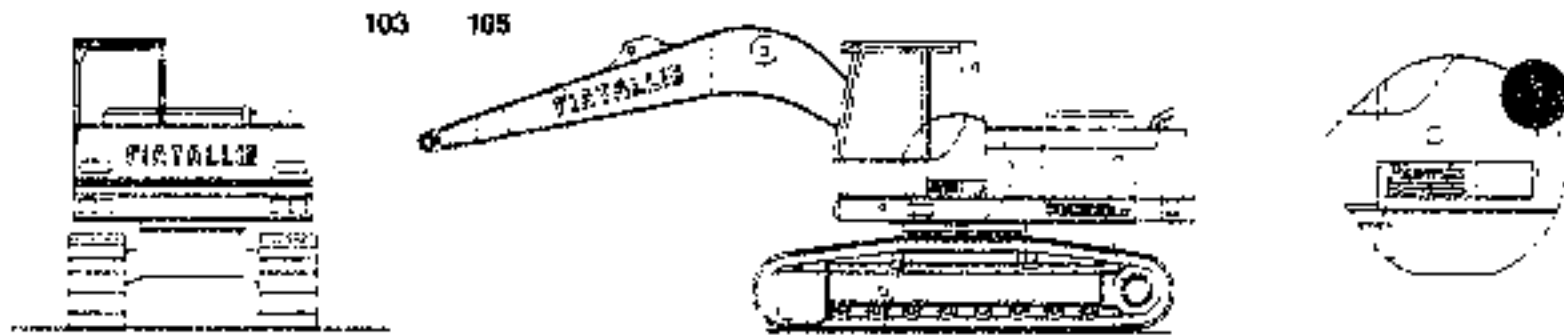
NEW IN FOR AGRIC. BY JAMES ELECTRIC MOTOR		PIN NO.1		62.210
		FX090 100101		T 2249912 - 000 B 2249912 - 019
Item	Quan	MF	Part No	Description
001	1	00	73171451	BEARING
002	1	00	73171452	PIN
003	1	00	73171345	HEXAGON BOLT
004	1	00	73170970	DISK WASHER
005	1	00	73170901	LOCK WASHER
007	2	00	73171453	O-RING





C 436 S94 GTT

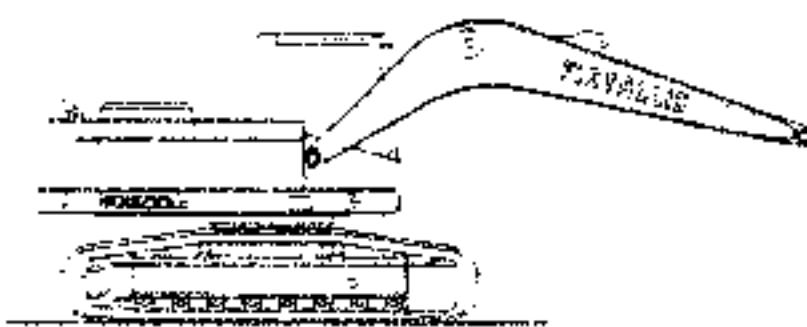
 <b>LINING ARRANGEMENT</b> <span style="float: right;">90.100</span>				
FX600 106101 - .....				
T 2495594 - 000 B 2496594 - 010				
Item	Ques	Mt	Part No	Description
001	1	00	73171177	MAT
002	1	00	73171178	WEDGE
003	1	00	73171179	MAT
005	1	00	73171180	MAT



(1)

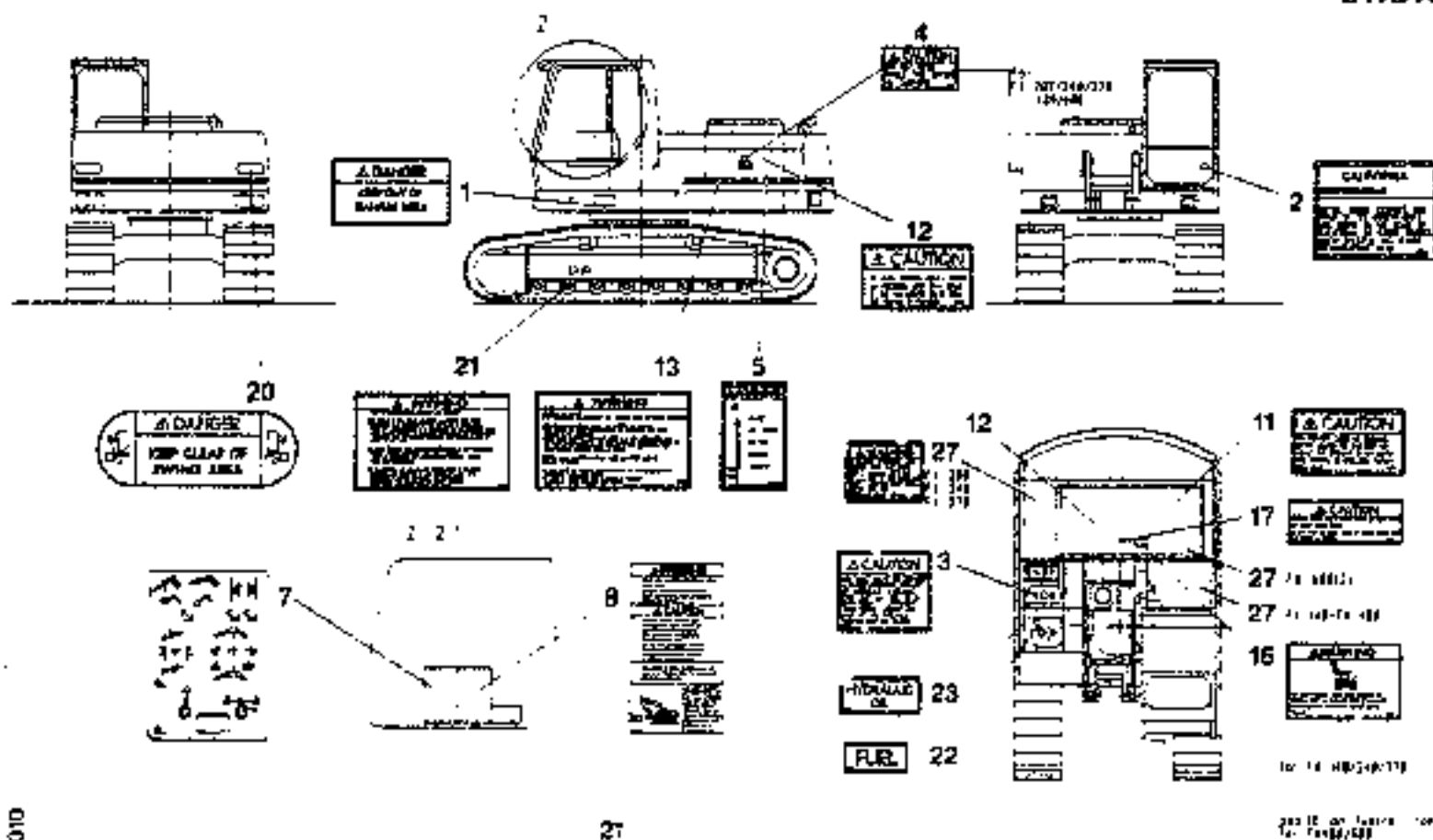
101

104




2 782 250 010

				91.010	
				T 2782250 - 001 B 2782250 - 010	
				FX600 106101 - .....	
Item	Quan	ME	Part No	Description	
001	0	00		91.010 2782884 DECAL KIT SAME PARTS	
101	2	00	73177433	PLATE FOR "N" LW CUT THE PLATE (LC N A)	
103	1	00	73177434	PLATE	
104	1	00	73176429	PLATE	
106	2	00	73176428	PLATE	

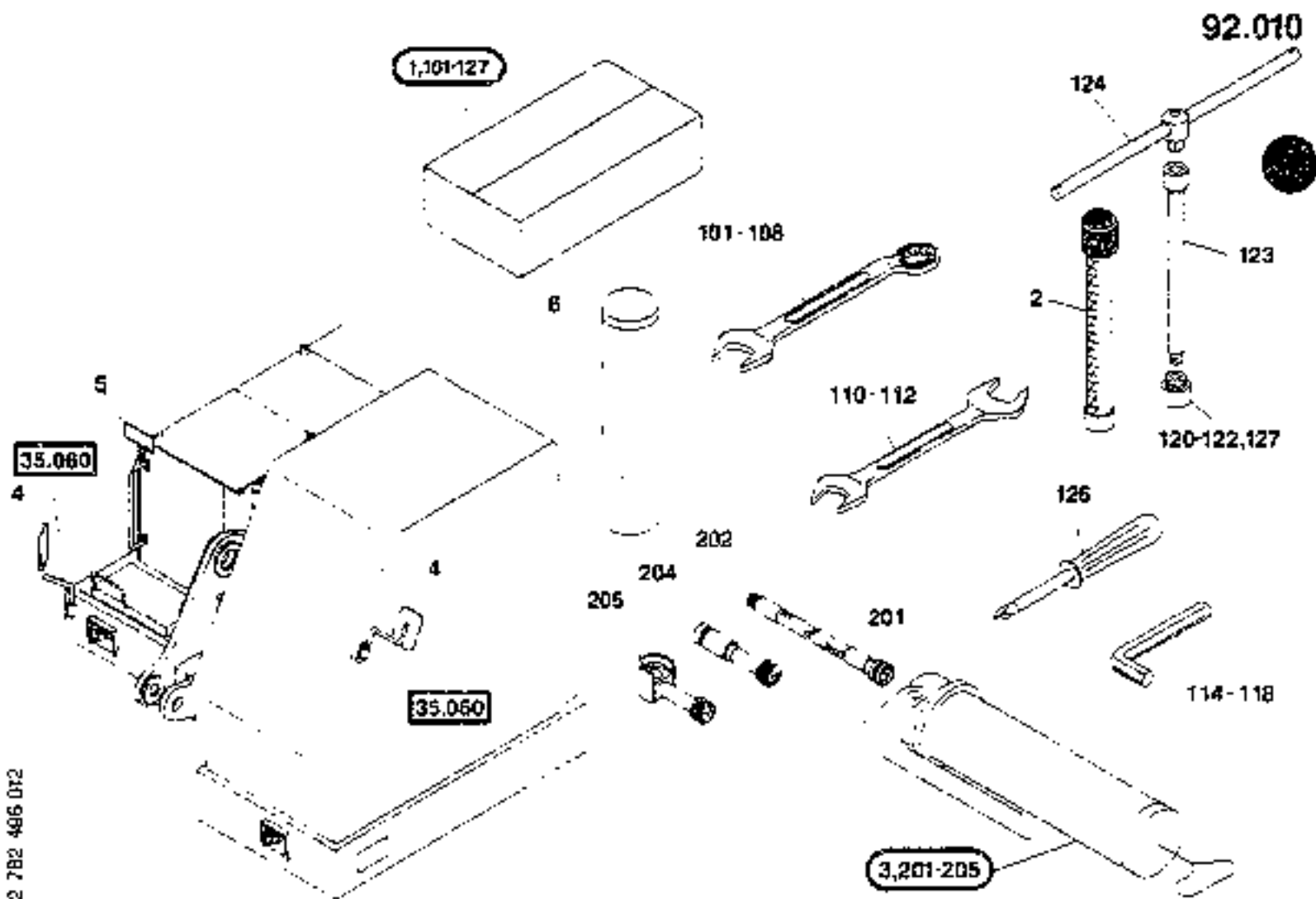


2 782 884-010

Page 100 (10/2010) (10/14/2010) (10/14/2010)

				DECAL KIT SAME PARTS		91.010
				FX600 108Y01 - .....	T 2782884 - 000	B 2782884 - 010
Item	Quan.	ME	Part No	Description		
001	2	00	73176430	DANGER SIGN		
002	1	00	73176431	DANGER SIGN		
003	1	00	73176432	INDICATOR PLATE		
004	2	00	73176433	INDICATOR PLATE		
005	1	00	73176434	DANGER SIGN		
007	1	00	73176435	PLATE		
008	1	00	73176436	INSTRUCTION LABEL		
011	1	00	73176437	INDICATOR PLATE		
012	2	00	73176438	INDICATOR PLATE		
013	1	00	73176439	DANGER SIGN		
016	1	00	73176440	DANGER SIGN		
017	1	00	73176441	INDICATOR PLATE		
020	2	00	73176442	DANGER SIGN		
021	3	00	73176443	DANGER SIGN		
022	1	00	73176444	PLATE		
023	1	00	73176445	PLATE		
027	2	00	73176448	DANGER SIGN		

2 782 496 012

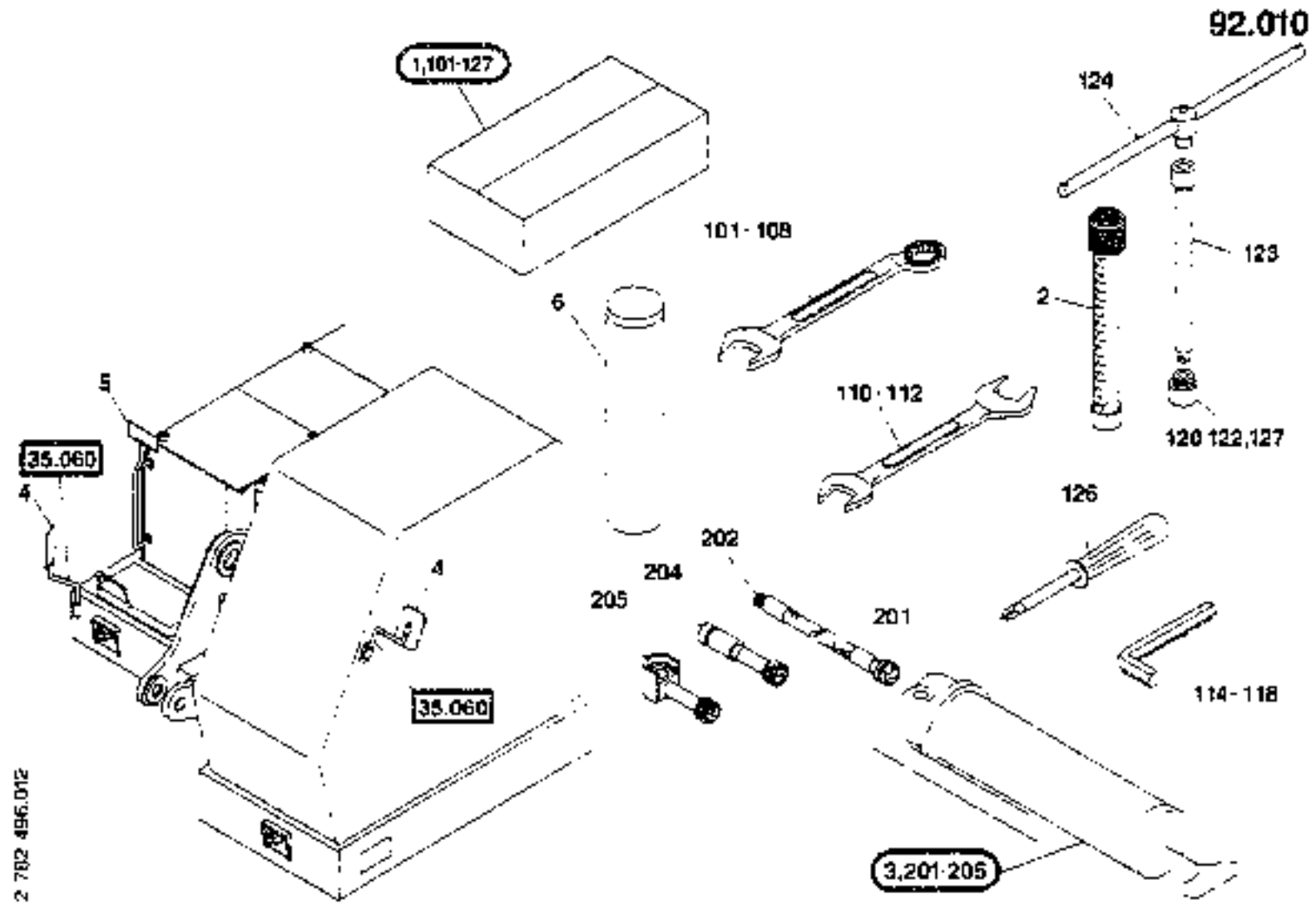


				92.010
				T 2782496 - 001
				B 2782496 - 012
TOOL SET				
FX600 106101 - .....				
Item	Quan.	ME	Part No.	Description
001	1	00	73178153	TOOL SET
002	1	00	73171014	CONNECTION
003	1	00	73171015	GREASE GUN
004	2	00	73171016	MIRROR
005	1	00	73171017	MIRROR
006	1	00	73171021	GREASE CARTRIDGE
101	1	00	73176154	KEY 10
102	1	00	73176155	KEY 11
103	1	00	73176156	KEY 13
104	1	00	73176157	KEY 15

ME: 00 = Stück/piece 13 = m 26 = m<sup>2</sup> 39 = m<sup>3</sup> 43 = kg 50 = l (litre)

1988-09-10

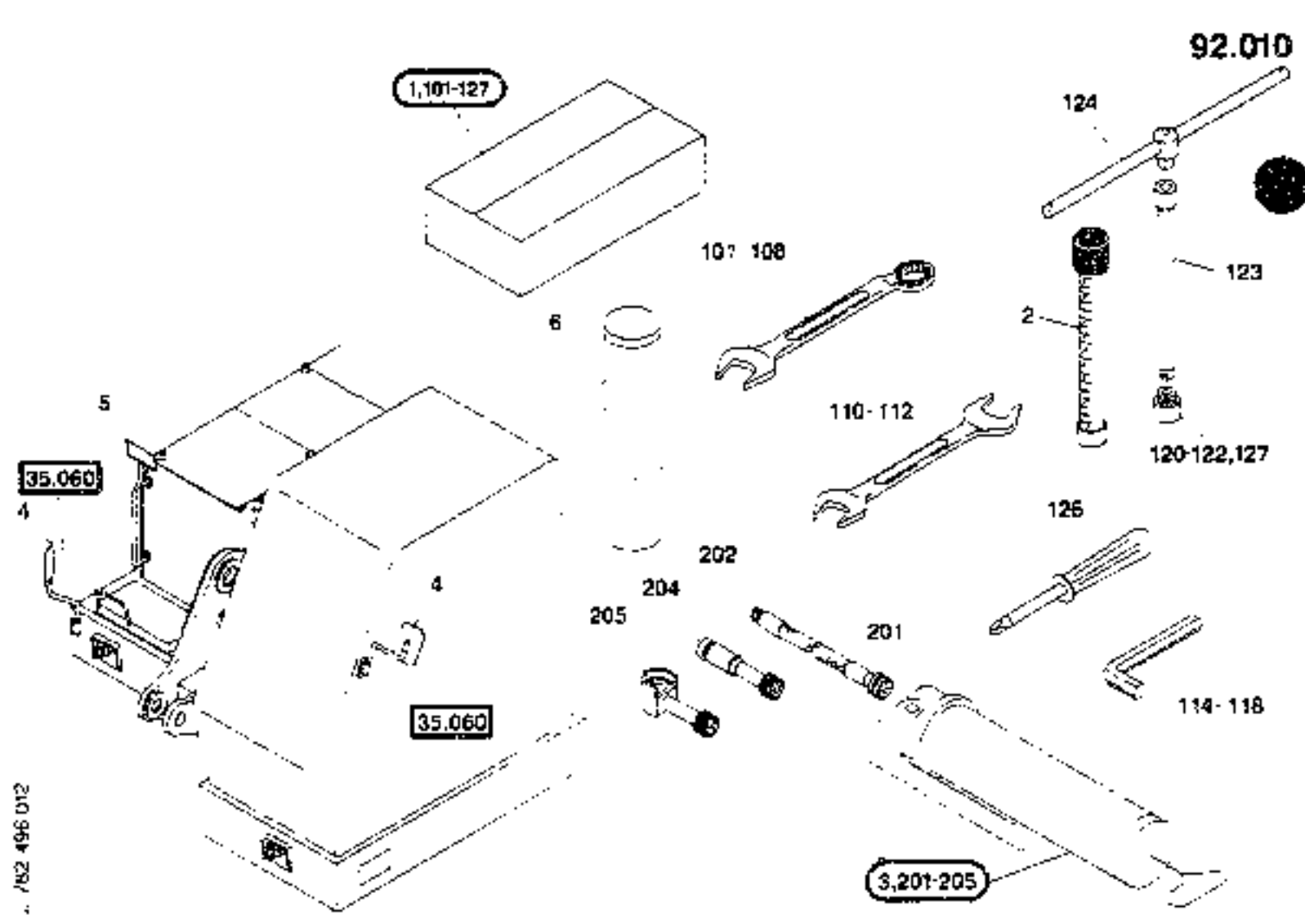
2 782 496 012



				92.010	
				TOOL SET	
				T 2782496 - 001	
				B 2782496 - 012	
				FX6DD - 106101 - .....	
Item	Quan.	ME	Part No.	Description	
105	1	00	73176158	KEY 16	
106	1	00	73176159	KEY 17	
107	1	00	73176160	KEY 18	
108	1	00	73176161	KEY 19	
110	1	00	73176162	KEY 22X24	
111	1	00	73176163	KEY 27X30	

ME: 00 = Stück/pcs 13 = m 26 = m<sup>2</sup> 39 = m<sup>3</sup> 43 = kg 50 = l (litr)

1998-08-10



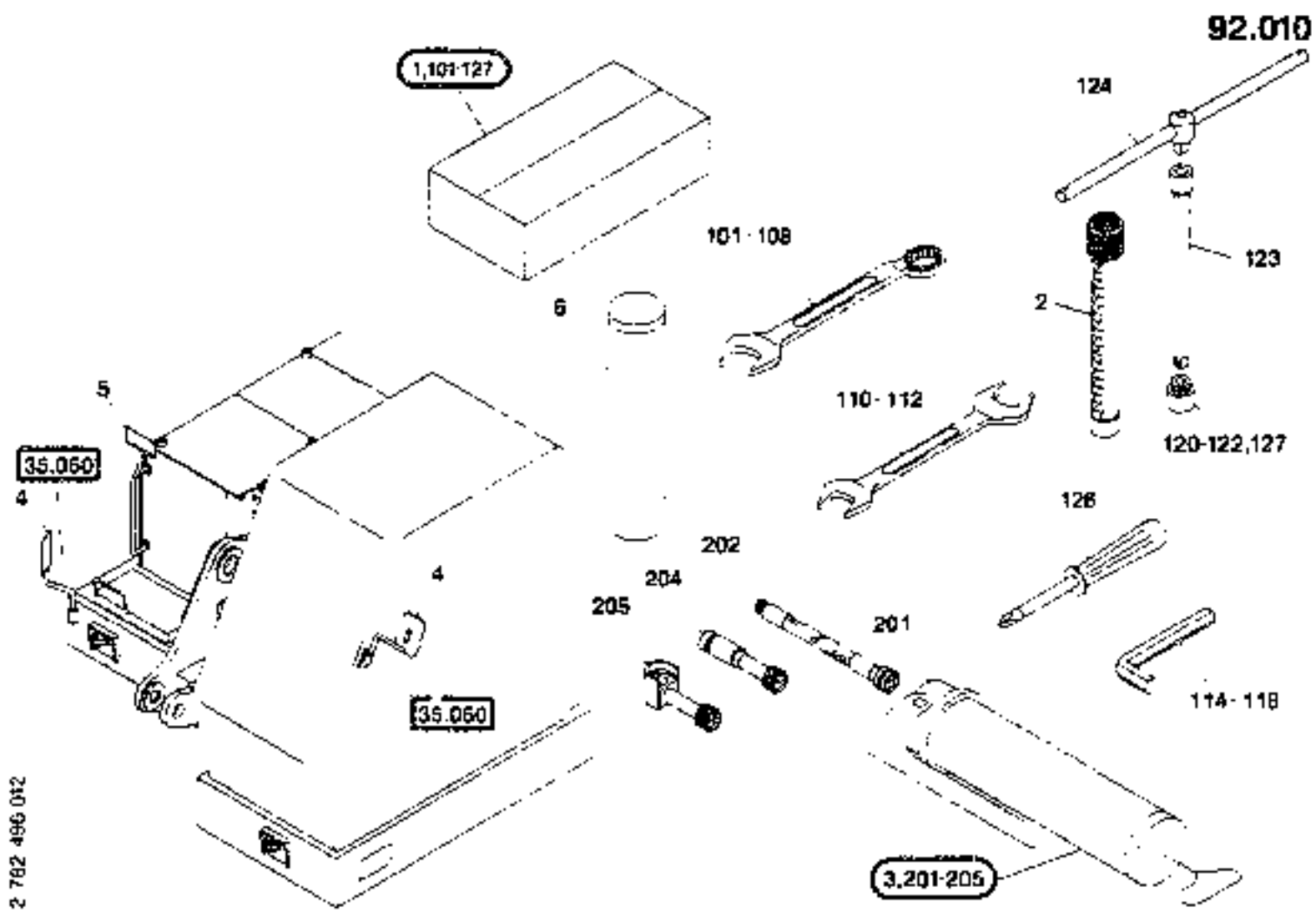
782 496 012

				92.010	
				TOOL SET	
				T 2782496 - 001	
				E 2782496 - 012	
				FX600 106101 - .....	
Item	Quan.	ME	Part No.	Description	
112	1	00	73176164	KEY 32X36	
114	1	00	73171012	SCREW DRIVER 4	
115	1	00	73176165	SCREW DRIVER 5	
116	1	00	73176166	SCREW DRIVER 6	
117	1	00	73176167	SCREW DRIVER 8	
118	1	00	73176168	SCREW DRIVER 10	

ME: 00 = Stück/pece 13 = m 26 = m<sup>2</sup> 39 = m<sup>3</sup> 43 = kg 50 = liter

1988-09-10

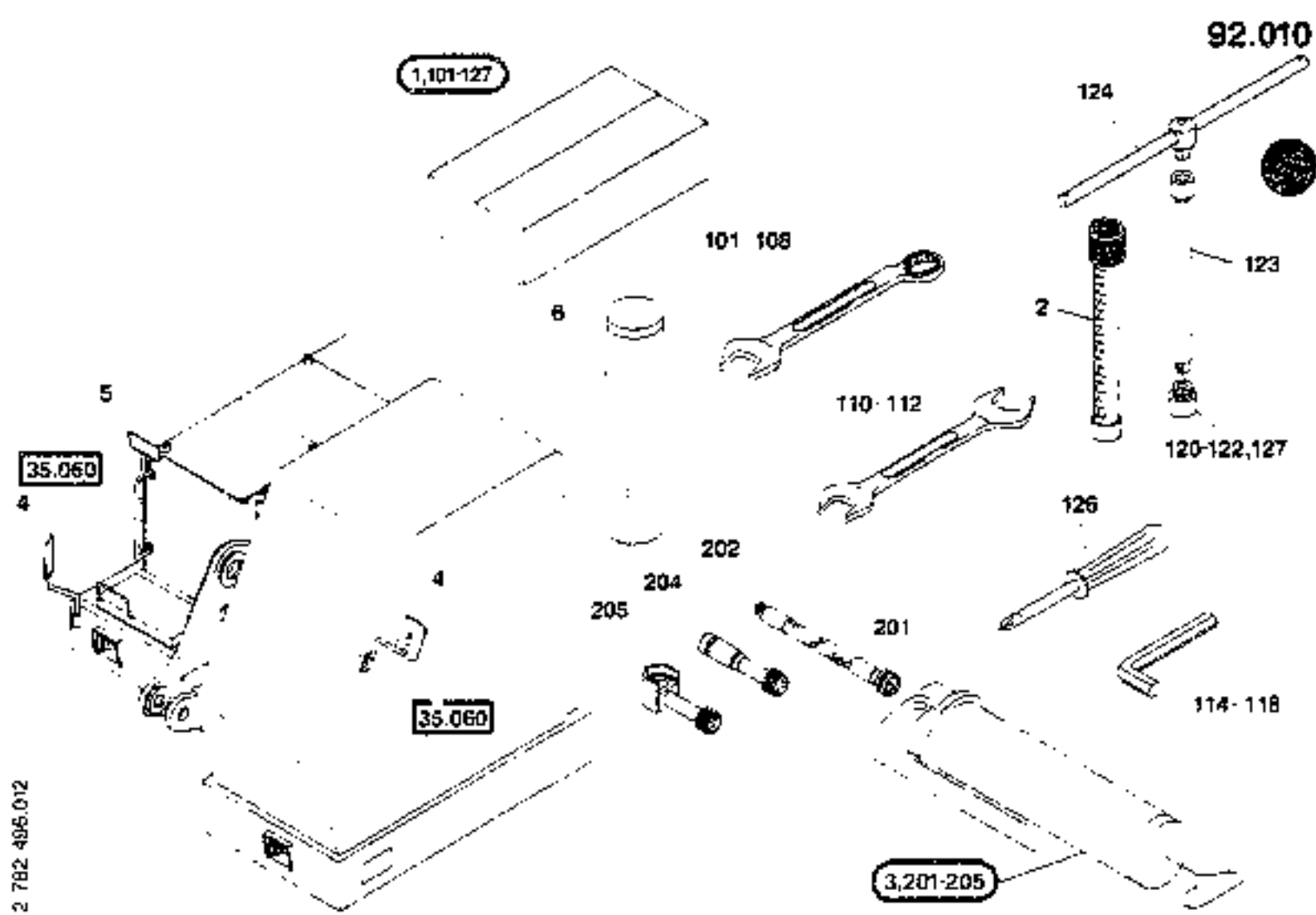
2 782 496 012



				92.010	
				<b>TOOL SET</b>	
				T 2782496 - 001	
				B 2782496 - 012	
				FX600 106101 - .....	
Item	Quan.	ME	Part No	Description	
120	1	00	73174524	INSERT 11X12,5	
121	1	00	73176169	INSERT 13X12,5	
122	1	00	73176170	INSERT 16X12,5	
123	1	00	73176171	EXTENSION 12,5X250	
124	1	00	73174521	HANDLE	
125	1	00	73171013	SCREW DRIVER B2	

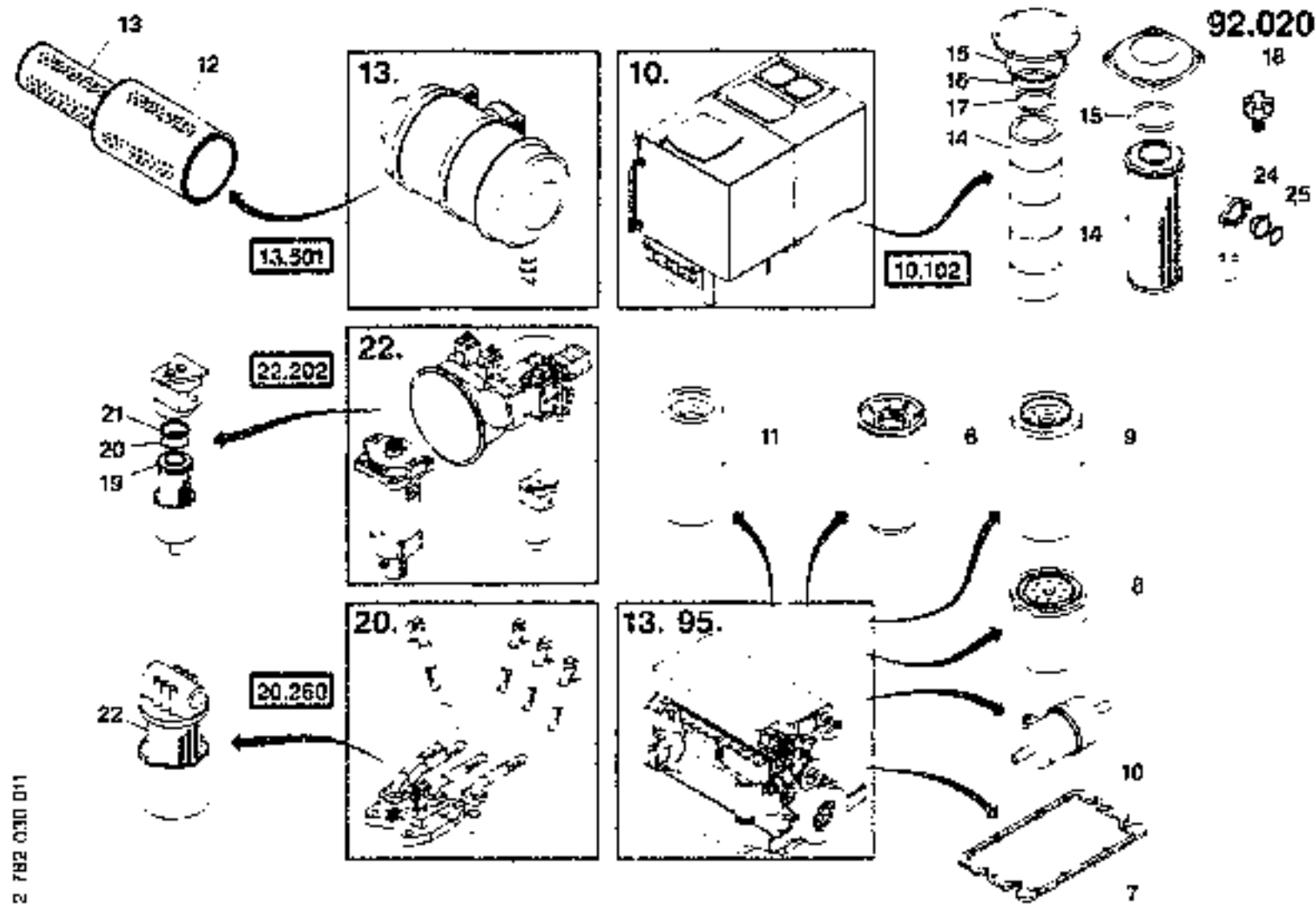
ME. 00 = Stück/piece 13 = m, 26 = m<sup>2</sup> 39 = m<sup>3</sup> 43 = kg 50 = l (litre)

1998-09-10




		FIATALLIE		TOOL SET		92.010	
				FX800 106101 - .....		T 2782496 - 001 B 2782496 - 012	
Item	Quan	ME	Part No	Description			
127	1	00	73177266	INSERT 27X12.5			
201	1	00	73171019	GRAESE GUN			
202	1	00	73171020	HOSE			
204	1	00	73171022	ORIFICE			
205	1	00	73171023	ORIFICE			





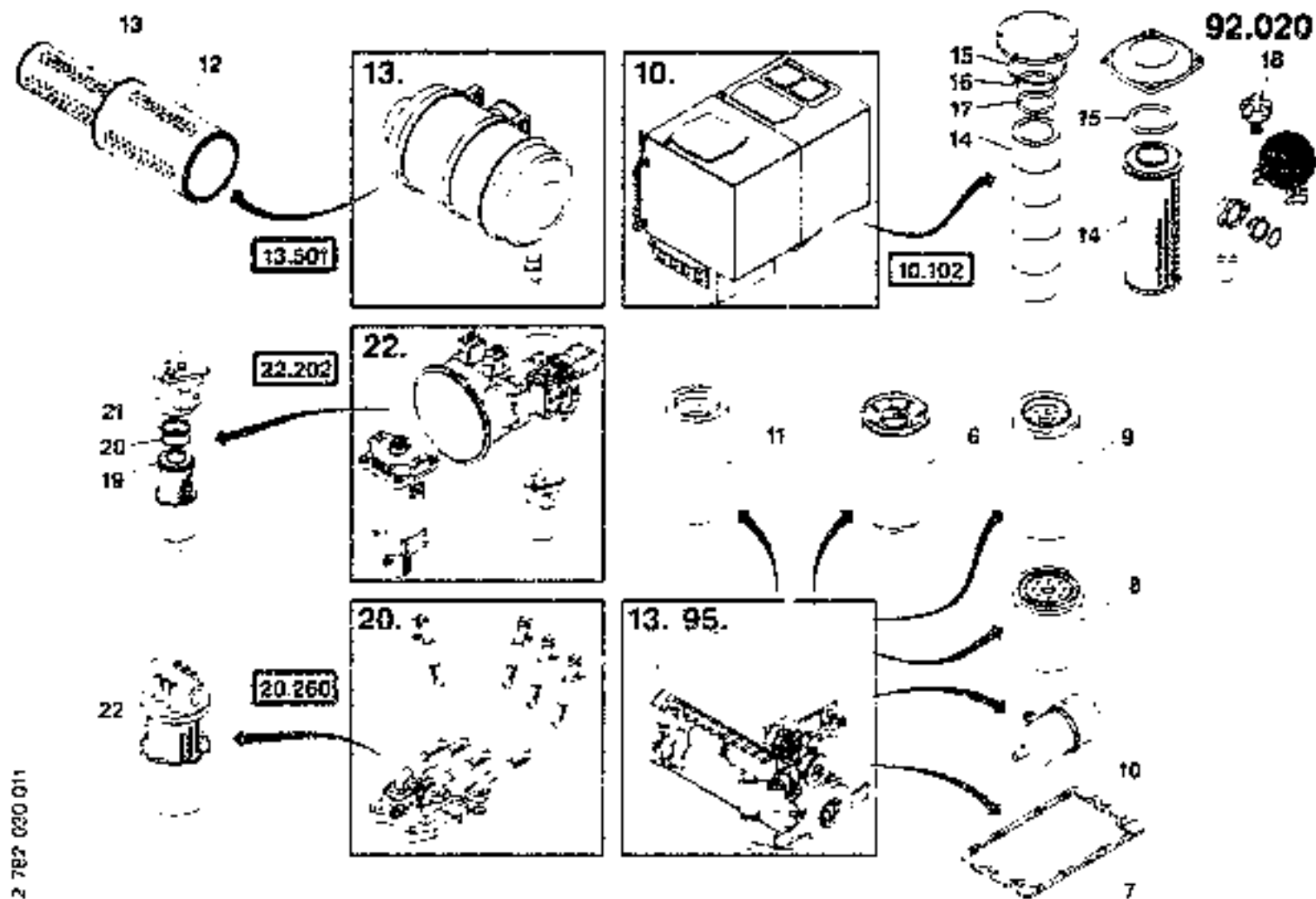
2 782 030 011


				92.020
 <b>MAINTENANCE MATER. FX600</b>				T 2782033 - 001
FX600 106101 - .....				B 2782030 - 011
Item	Quan	ME	Part No	Description
001	1	00	73175336	MAINTENANCE MATER. 30-50 BH POS. ITM: 14-17
002	1	00	73177832	MAINTENANCE MATER. 250 BH POS. ITM: 6.8
003	1	00	73175337	MAINTENANCE MATER. 500 BH POS. ITM: 6.8, 9, 12, 14-18, 20, 21
004	1	00	73175338	MAINTENANCE MATER. 1000 BH POS. ITM: 6-9, 12-18, 20, 21

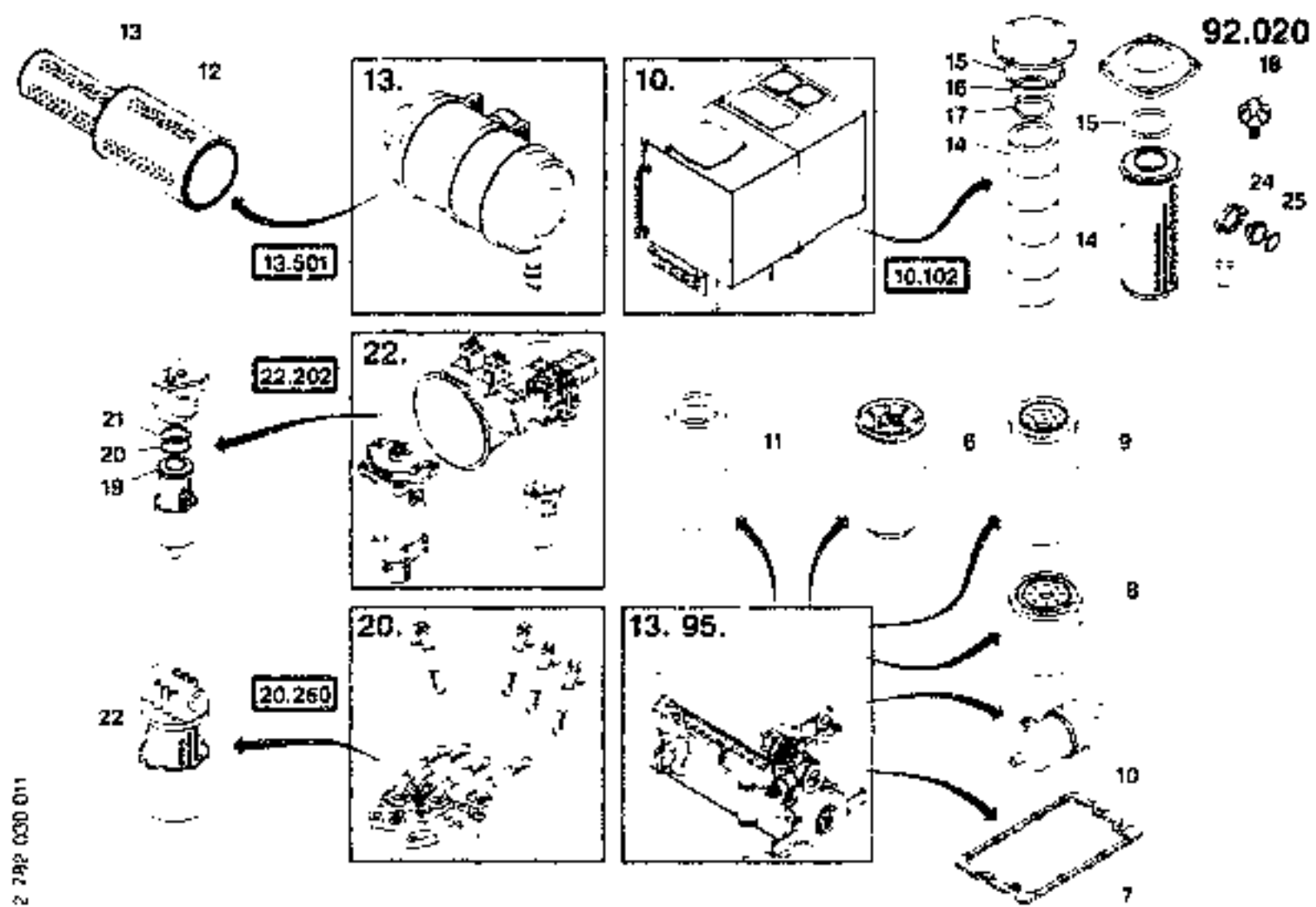
ME 00 = Stück/piece 13 = m 28 = m<sup>2</sup> 39 = m<sup>3</sup> 43 = kg 50 = 1 (liter)


1998-09-10

2 782 030 011



				92.020	
				MAINTENANCE MATER. FX600	
				T 2782033 - 001	
				S 2782030 - 011	
		FX600 106101 - ..			
Qty	Unit	ME	Part No	Description	
005	1	00	73175339	MAINTENANCE MATER 3000 BH POS ITM 6.9.12-25	
006	1	00	73175970	ENGINE OIL FILTER	
007	1	00	73176173	VALVE COVER SEAL	
008	1	00	73175973	THROW-AWAY FILTER	
009	1	00	73175971	FUEL-FILTER ELE	
012	1	00	73170678	FILTER INSERT	
013	1	00	73170676	FILTER INSERT	
014	2	00	73170309	ELEMENT	
015	2	00	73170280	O-RING	
016	2	00	73170307	ROUND SEALING RING	
017	2	00	73170308	O-RING	
018	1	00	73170288	FILTER	
019	2	00	73170668	FILTER INSERT	
020	2	00	73170669	O-RING	
021	2	00	73170671	SUPPORT RING	



				<b>MAINTENANCE MATER. FX600</b>		<b>92.020</b>
				FX600 106101 . . . . .		T 2782033 - 001 B 2782030 - 011
Item	Quan	ME	Part No	Description		
022	1	00	73170268	FILTER INSERT		
024	3	00	73170277	VALVE		
025	3	00	73170290	O-RING		

ME. 00 = Stück/proce 13 = m 26 = m<sup>2</sup> 99 = m<sup>3</sup> 43 = kg 50 = l (litra)

1999-09-10



Dictionary / Dictionario / Wörterbuch / Dictionnaire / Dizionario

SURVEY

Machine type

FX600

Machine no.

English	German	Italian	French	Spanish
ADAPTER	ADAPTER	ADATTATORE	ADAPTEUR	ADAPTADOR
ADDING VALVE	ZUSCHALTVENTIL	VALV. ALLACCIAMENTO	SOUPAPE CIRCUIT	VALV. DE EMERGENCIA
ADDITION	ZUSATZ	SUPPLEMENTO	SUPPLEMENT	ADICIONAL
ADHESIVE TAPE	KLEBEBAND	NASTRO ADESIVO	RUBAN ADHESIF	CINTA ADHESIVA
ADJUSTMENT RING	EINSTELLRING	ANELLO	ANNEAU	ANILLO
AIR DUCT	LUFTFUEHRUNG	CONDUZIONE ARIA	CONDUITE D'AIR	CONDUCCION DE AIRE
AIR FILTER	LUFTFILTER	FILTRO ARIA	FILTRE A AIR	FILTRO DE AIRE
ANTENNA	ANTENNE	ANTENNA	ANTENNE	ANTENA
ARM REST, LEFT	ARMLEHNE, LINKS	BRACCIOLO SINISTRA	APPU-COUDE GAUCHE	BRAZO, IZQUIERDO
ARM REST, RIGHT	ARMLEHNE, RECHTS	BRACCIOLO DESTRA	APPU-COUDE DROITE	BRAZO, DERECHO
ARRANGEMENT	ANORDNUNG	ANORDNUNG	ANORDNUNG	ANORDNUNG
ARRESTOR	ARRETIERUNG	ARRESTO	ARRETOIR	FIJADOR
ARRESTOP	FESTSTELLER	ARRESTO	BLOCAGE	FIJADOR
AXIAL PISTON MOTOR	AXIALKOLBENMOTOR	MOTORE STANTUF ASS	MOTEUR DE PIST. AX	MOT. PIST. AXIALES
AXLE	ACHSE	ASSE	ESSIEU	EJE
BACK RING	BACKRING	ANELLO	BAGUE DE SUPPORT	ANILLO DESLIZAMIE
BACKHOE CYLINDER	LOEFFELZYLINDER	CIL. RIBALT. CUCCH	VERIN BASC. GOÛET	CILVUELCO CUCHARA
BACKREST CUSHION	RUECKENPOLSTER	IMBOTT SPIENALE	COUSSIN DE DOSSIER	ACOLCH. RESPALDO
BALL SOCKET	PFANNE	SCODELLINO	CUVE	CUCHARA
BALLAST	BALLAST	ZAVORRA	CONTRE-POIDS	LASTRE
BASE	BASIS	BASE	BASE	BASE
BASEPLATE	BODENPLATTE	PIASTRA DI BASE	PATIN DE CHENILLE	PLACA BASE
BATTERY	BATTERIE	BATTERIA	BATTERIE	BATERIA
BEAM	TRAEGER	TRAVE	SUPPORT	VIGA
BEARING	LAGER	CUSCINETTO	PALIER	COJINETE
BEARING	LAGERUNG	SUPPORTO	PALIER	SUSPENSION
BELLOWS	BALG	MANTICE	SOUFFLET	FUELE
BELLOWS	FALTENBALG	SOPFIETTO	SOUFFLET	ACORDEON
BLIND	BLENDE	DIAPRAMMA	ECRAN	PANTALLA
BLOCKING VALVE	SPERRVENTIL	VALV. DI RITEGNO	CLAPET DE BLODAGE	VALVULA DE BLOQUEO
BONNET	HAUBE	COFANO	CAPOT	CAPOT
BOOM	AUSLEGER	BRACCIO	FLECHE	PLUMA
BOOM CYLINDERS	AUSLEGERZYLINDER	CILINDRO BRACCIO	VERINS DE FLECHE	CILINDROS PLUMA
BOTTLE	FLASCHE	BOMBOLA	BOUTEILLE	BOTELLA
BRACKET	HALTER	SUPPORTO	SUPPORT	SOPORTE
BRACKET	KONSOLE	MENSOLA	SUPPORT	CONSOLA
BRACKET	STUETZE	SUPPORTO	SUPPORT	APOYO
BRAKE	BREMSE	FRENO	FREIN	FRENO
BRAKE VALVE	BREMSVENTIL	VALVOLA FRENAGGIO	CLAPET DE FREIN	VALVULA DE FRENO
BREATHER FILTER	ENTLUEFTUNGSFILTER	FILTRO DI SPURGO	FILTRE VENTILATION	FILTRO PURGA AIRE
BREATHER VALVE	ENTLUEFTUNGSVENTIL	VALVOLA DI SPURGO	RENFILARD	VALVULA PURGA AIRE
BULB	GLUEHLAMPE	LAMP. ACINA	AMPOULE	BOMBILLA
BULKH. CABLE GLAND	KABELDURCHFUEHRUNG	PASSACAVO	PASA CABLES	TRASPASO CABLE
BUMPER	PUFFER	RESPINGENTE	TAMPON	TOPE
BUSHING	BUECKSE	BOSSOLO	BAGUE	CASQUILLO
BUTTON	KNOPF	BOTTONE	BOUTON	BOTON
CAB. DOOR	FAHRERHAUSTUER	PORTA CABINA	PORTE DE CABINE	PUERTA DE LA CAB.
CAB. MODULE	FAHRERHAUSMODUL	MODULO CABIN GUIDA	MODULE CAB. COND.	MODULO DE CABINA
CAB. ROOF	FAHRERHAUSDACH	TETTO CABINA	PLAFOND CAB. COND.	TECHO CABINA
CABLE	KABEL	CAVO	CABLE	CABLE
CABLE SET	KABELSATZ	SERIE CAVI	JEU DE CABLES	JUEGO DE CABLES
CABLE TIE	KABELBINDER	OPMMESSOPME CAVO	CONNEX. CABLES	ELEM. UNION CABLES
CAP	KAPPE	CALOTTA	CAPUCHON	CAPERUZA
CAP	SCHUTZKAPPE	CAPPUCCIO	COIFFE	CAPERUZA PROTECT
CAP NUT	HUTMUTTER	DADO A CAPPELLO	ECROU A CHAPEAU	TUERCA CAPERUZA
CARRIER	TRAGROHR	MOZZO	TUBE SUPPORT	TUBO DE SOPORTE
CARTRIDGE	PATRONE	CARTUCCIA	CARTOUCHÉ	CARTUCHO
CASCADE	KASKADE	CASCATA	CASCADE	CASCADE
CENTRAL LUBE SYST	ZENTRALSCHMIERUNG	LUBRIFICAZ. CENTR.	GRAISSAGE CENTRAL	LUBR. CENTRAL
CHAIN LINK	KETTENGLIED	MAGLIA CATENA	MAILLON DE CHAINE	ESLABON DE CADENA
CHAIN TENSIONER	KETTENSPIANNUNG	TENDITORE CATENA	TENDEUR DE CHAINE	TENSION DE CADENAS
CHECK VALVE	RUECKSCHLAGVENTIL	VALV. DI RITEGNO	CLAPET ANTI-RETOUR	VALVULA RETENCION
CIRCLIP	SICHERUNGSRING	ANELLO SICUREZZA	ANNEAU DE SECURITE	ANILLO SEGURIDAD



Dictionary / Diccionario / Wörterbuch / Dictionnaire / Dizionario

SURVEY

Machine type

FX600

Machine no.

English	German	Italian	French	Spanish
CLAMP	KLAMMER	MORSETTO	ATTACHE	ABRAZADERA
CLAMPING CYLINDER	SPANNZYLINDER	CILINDRO TENDITORE	VERIN TENDEUR	CILIN DRG TENSOR
CLAMPING RING	KLEMMRING	ANELLO SERRAGGIO	BAGUE DE SERRAGE	ANILLO OPRESOR
CLAMPING SCREW	LINSENSCHRAE	VITE TESTA BOMBATA	VIS DE SERRAGE	TORNILLO D.APRIETE
CLIP	KLEMME	MORSETTO	ATTACHE	BORNE
CLIP	SHELLE	FASCETTA	COLLIER	ABRAZADERA
CLIP	SPANNSHELLE	FASCETTA SERRAGGIO	COLLIER SERRAGE	ABRAZADERA FUJAC
CLIP HALF	SHELLENHAELFTE	SEMI-FASCETTA	MOITIE DE COLLIER	MITAD ABRAZADERA
CLUTCH HUB	KUPLUNGSNABE	MOZZO DIACCOPP.	MOYEU D'ACCOUPL.	CUBO ACOPLAMIENTO
COLD-START SYSTEM	KALTSTARTANLAGE	DISP.AVVIAM.FREDDO	DEMAR.A FROID	INST.AHR.FRIDO
COLLAR NUT	BUNDMUTTER	DADO A COLLETTA	ECROU A BRIDE	TUERCA CON COLLAR
COMB COOL. SYST	KOMBIKUEHLANLAGE	IMP RAFFR.COMBIN	SYST REFR.COMBINE	INST.REFR.COMBIN.
COMBINED COOLER	KOMBIKUEHLER	RADIATORE COMBIN	RADIATEUR COMBINE	RADIADOR COMB.
COMPLETE	KOMPLETT	COMPLETA	COMPLET	COMPLETO
COMPUTER HOLDER	ABLAGE	SUPPORTO COMPUTER	PORTE ORDINATEUR	PORTAORDINADOR
CONE	KEGEL	CONO	CONE	CONO
CONN NUT	UESERWURFMUTTER	TUERCA DE RACOR	ECROU CHAPEAU	TUERCA DE REDOR
CONNECTION	ANSCHLUSS	RACCORDO	RACCORDEMENT	EMPALME
CONNECTION	VERBINDUNG	COLLEGAMENTO	CONNEXION	EMPALME
CONNECTOR	ANSCHLUSSSTUECK	RACCORDO	PIECE RACCORDEMENT	PZA. ACOPLAMIENTO
CONTAINER	BEHAELTER	SERBATOIO	RESERVOIR	DEPOSITO
CONTAINER	VORRATSBEHAELTER	SERBATOIO	RESERVOIR	DEPOSITO
CONTER-SUNK SCREW	SENKSCHRAE	VITE A TESTA PIANA	VIS NOYEE	TORNILLO AVELLANAD
CONTRCL BLOCK	STUEBERBLOCK	DISTRIBUTORE	BLOC DISTRIBUTEUR	BLOQUE DE MANDO
CONTRCL CABLE	BOWDENZUG	CAVO BOWDEN	TRANSMISS BOWDEN	CABLE DE BOWDEN
CONTRCL COLUMN	BEDIENSAEULE	COLANNA DI COMANDI	COLONNE COMMANDE	COLUMNA DE MANDO
CONTRCL ELEMENT	BEDIENELEMENT	COMANDO	ELEM. DE COMMANDE	ELEMENTO DE MANDO
CONTRCL SPRING	ZUGFEDER	MOLLA DI TRAZIONE	RESSORT DE REGULAT	RESORTE REGULADOR
CONTROL SYSTEM	STEUERUNG	COMANDO	DIRECTION	MANDO
CONTROL VALVE	WEGEVENTIL	VALVOLA A PIU VIE	DISTRIBUTEUR	VALVULA DE PASO
COOLANT TUBE	KUEHLWASSERROHR	TUBO ACQUA RAFFRED	COND EAU REFRROID	TUBO AGUA REFRIGER
COUPLING/CLUTCH	KUPLUNG	FRIZIONE	ACCOUPLE/EMBRAYAGE	EMBRAGUE
COVER	ABDECKUNG	COPERCHIO	REVTMENT	PROTECCION
COVER PLATE	ABDECKBLECH	LAM DI COPERTURA	TOLE RECOUVREM	CHAPA COBERTERA
COVER PLATE	DECKPLATTE	PIASTRA	PLAQUE	PLACA
CRAWLER CHASSIS	RAUPENFAHRWERK	AUTOTELAIO CINGOL	TRAIN CHENILLE	CH SOBRE DRUGAS
CROSS MEMBER	TRAVERSE	TRAVERSA	TRAVERSE	TRAVESANO
CUP SPRING	TELLERFEDER	MOLLA A DISCO	RESSORT BELLEVILLE	RESORTE D.PLATILLO
CUTTING RING	SCHNEIDRING	ANELLO	BAGUE D.CISAILLEM.	ANILLO CORTANTE
CYL HEAD SCREW	ZYL.SCHRAE	VITE TESTA CILIND	VIS TETE CYLINDR	TORN.CABEZA CIL
CYLINDER	ZYLINDER	CILINDRI	VERIN	CILINDRO
CYLINDER/COVER	ZYLINDERDECKEL	COPERCHIO CILINDRI	COUVERCLE DE CYL	TAPA DE CILINDRO
DAMPER	DAEMPFER	AMMORTIZZATORE	AMORTISSEUR	AMORTIGUADOR
DANGER SIGN	WARNSCHILD	TARGA AVVERTIMENTO	PANNEAU D.AVERTISS	LETRE AVIS PELIGRO
DASHBOARD	INSTRUMENTENTAFEL	CRUSCOTTO STRUMENT	TABEAU DE BORD	CAJA INSTRUMENTOS
DECAL KIT	SCHILDERSATZ	SERIE TARGHE	JEU DE PLAQUES	JUEGO DE PLACAS
DIESEL ENGINE	DIESELMOTOR	MOTORE DIESEL	MOTEUR DIESEL	MOTOR DIESEL
DIPSTICK	OELMESSTAB	ASTA LIVELLO OLIO	JAUGE D PROFONDEUR	SONDA DE ACEITE
DISK WASHER	SCHIBE	DISCO	RONDELLE	DISCO
DISTRIBUTOR	VERTEILER	DISTRIBUTORE	DISTRIBUTEUR	DISTRIBUIDOR
DOOR	TUER	PORTA	PORTE	PUERTA
DOUBLEPUMP	DOPPELPUMPE	POMPA DOPPIA	POMPE DOUBLE	BOMBA DOBLE
DRAIN VALVE	ABLASSVENTIL	VALVOLA DI SCARICO	VALVE DE VIDANGE	VALVULA DE SALIDA
DRIVING CHAIN	FAHRKETTE	CATENARIA	CHAINE D ROULEMENT	CADENA PROPULSORA
DRIVING UNIT	ANSTEUERGERAET	DISP. DI COMANDO	APPAREIL D'AMORC	APARATO DE MANDO
DRUCKBEGR. VENTIL	DRUCKBEGR. VENTIL	DRUCKBEGR. VENTIL	DRUCKBEGR. VENTIL	DRUCKBEGR. VENTIL
DUMMY NUT	BUNDMUTTER	DADO	ECROU	TUERCA
DUO-CONE SEAL	GLEITRINGDICHTUNG	GRUNTO ANELLO SCOR	JOINT DUO-CONE	RETEN FRONTAL
ECCENTRIC	EXZENTER	ECCENTRICO	EXENTRIQUE	EXCENTRICA
EDGE PROTECTION	KANTENSCHUTZ	PROTEZIONE SPIGOLI	PROTECTION DE COIN	CANTOMERA
ELBOW	KRUEMMER	RACCORDO A GOMITO	COUDE	COUDO
ELECTRICAL COMPON	ELEKTROTEILE	COMPON.ELEKTRICI	COMPOS LECTRIQUES	PIEZAS EL CTRICAS
ELECTRICAL SYSTEM	ELEKTROANLAGE	SISTEMA ELETTRICO	EQUIP.ELECTRIQUE	INSTALELECTRICA



Dictionary / Diccionario / Wörterbuch / Dictionnaire / Dizionario

SURVEY

Machine type

FX800

Machine no.

English	German	Italian	French	Spanish
ELEMENT	ELEMENT	ELEMENTO	ELEMENT	ELEMENTO
END PLATE	ENDSCHNITTE	DISCO	RONDELLE	DISCO
ENDBUSHING	ENDBUCHSE	BUSSOLA FINALE	OUILLE EXTREME	CASQUILLO FINAL
ENGINE OIL FILTER	MOTOROELFILTER	FILTRO OLIO MOT	FILTRE HUILE MOTEU	FILTRO ACEITE MOT
EXCAVATOR	BAUGER	ESCAVATORE	PELLE	EXCAVADORA
EXHAUST SYSTEM	ABGASANLAGE	IMPIANTO SCARICO	BYST ECHAPPEMENT	INST GASES ESCAPE
EXTENSION	VERLAENGERUNG	PROLUNGAMENTO	EXTENSION	ALARGAMIENTO
EXTERNAL DISK	AUSSENLAMELLE	DISCO ESTERNO	DISQUE EXTERIEUR	DISCO EXTERIOR
EYE	LAGERAUGE	ANELLO CUSCINETTO	OEILLET	OJO DE COJINETE
EYE BOLT	AUGENSCHRAUBE	OCCHIO A VITE	BOULON A OEILLET	ARMELLA
EYE BOLT	RINGSCHRAE	VITE ANULAREM	VIS A OEILLET	TORNILLO DE ANILLO
FAN MOTOR	LUEFTERMOTOR	MOT VENTILATORE	MOTEUR VENTILATEUR	MOTOR VENTILADOR
FANSHAPED WASHER	FAECHERSCHIEBE	DISCO A VENTAGLIO	RONDELLE EVENTAIL	ARANDELA DENTADA
FASTENING	BEFESTIGUNG	FISSAGGIO	FIXATION	SUJECION
FASTENING	VERSCHLUSS	CHIUSURA	FERMETURE	CIERRE
FASTENING PARTS	BEFESTIGUNGSTEILE	PARTI FISSAGGIO	PIECES DE FIXATION	PARTES DE FIJACION
FEATHER KEY	PASSFEDER	LINGUETTA	CLAVETTE	CHAVETA DE AJUSTE
FILTER	BELUEFTUNGSFILTER	FILTRO VENTILAZ	FILTRE D VENTILANT	FILTRO VENTILACION
FILTER	FILTER	FILTRO	FILTRE	FILTRO
FILTER INSERT	FILTEREINSATZ	CARTUCCIA FILTRO	CARTOUCHE D FILTRE	ELEMENTO DE FILTRO
FLANGE	FLANSCH	FLANGIA	FLASQUE	BRIDA
FLANGED BUSH	BUNDBUCHSE	BUSSOLA FLANGIATA	DOUILLE A COLLET	CASQUILLO C VALONA
FOOT REST	FUSSSTUETZE	SUPPORTO	REPOSE-PIEDS	REPOSAPIES
FORK	GABEL	FORCELLA	FOURCHETTE	HORQUILLA
FRAME	GESTELL	GULLA	CHASSIS	BASTIDOR
FRAME	RAHMEN	TELAIO	CADRE	BASTIDOR
FUEL LEVEL SENDER	VORRATSGEBER	INDICATORE RISERVA	PUITS DE JAUGE	TRANSN NIVEL ALIME
FUEL SYSTEM	KRAFTSTOFFANLAGE	IMPIA ALIMENT COMB	SYST ALIMENT CARBU	INSTALA COMBUSTIBL
FUEL TANK	KRAFTSTOFFTANK	SERBATOIO CARB	RESERV CARBURANT	DEPOSITO COMBUST
FUEL-FILTER ELE	KRAFTST FILT ELEM	ELEM FILTRO CARBUR	ELE FILTRE A CARB	ELM FLTR COMBAST
FUSE	SICHERUNG	DISPOS SICUREZZA	SECURITE	FUSIBLE
FUSE INSERT	SICHERUNGSEINSATZ	FUSIBILE	CARTOUCHE FUSIBLE	CARTUCHO FUSIBLE
GAS SPRING	GASFEDER	MOLLA A GAS	RESSORT A GAZ	MUELLE A PR GAS
GASKET	DICHTUNG	GIUNTO	JOINT	JUNTA
GASKET SET	DICHTUNG SATZ	GRUPPO DI GIUNTO	JEU DE JOINTS	JUEGO JUNTAS
GASKET SET	DICHTUNGSSATZ	GRUPPO DI GIUNTO	JEU DE JOINTS	JUEGO JUNTAS
GEAR PINION	RITZEL	PIGNONE	PIGNON	PINON
GEARED PUMP	ZAHNRADPUMPE	POMPA A INGRANAGGI	POMPE A ENGRENAGES	BOMBA D ENGRANAJES
GEARSHIFT LEVER	SCHALTHEBEL	LEVA DI COMANDI	LEVIER COMMANDE	PALANCA DE MANDO
GENERAL	ALLGEMEIN	GENERALE	GENERAL	GENERAL
GLAZING	VERGLASUNG	VETRAGGIO	VITRAGE	ACRISTALDO
GREASE GUN	SCHMIERPRESSE	PRESSA PER GRASSO	PRESSE D.GRAISSAGE	BOMBA DE ENGRASE
GREASE CARTRIDGE	FETTPATRONE	BUSSOLA INGRASS	CARTOUCHE GRAISSE	CARTUCHO DE GRASA
GREASE FILLING	FETTFUELLUNG	RIFORM GRASSO	REPLISS GRAISSE	CONT GRASA
GREASE GUN	FETTPRESSE	POMPA LUBRIFICANTE	POMPE A GRAISSE	BOMBA DE ENGRASE
GREASE NIPPLE	SCHMIERNIPPEL	NIPPLO INGRASS	GRASSEUR	ENGRASADOR
GREASING SYSTEM	SCHMIERANLAGE	DISP.INGRASSAGIO	INST DE GRAISSAGE	INST.LUBRIFICACION
GRID	GITTER	GRIGLIA	GRILLE	REGILLA
GROOVE BALL BEAR	RILLENKUGELLAGER	CUSC.SFERE GOLA PR	ROUL BILLES RAIN	ROD RANURADO BOLAS
GROOVED RING	NUTRING	ANELLO SCANALATO	JOINT A GORGE	ANILLO RANURADO
GRUB SCREW	GEWINDESTIFT	VITE DI ARRESTO	TIGE FILETEE	ESPARRAGO
GRUPPE-FOLGT	GRUPPE-FOLGT	GRUPPE-FOLGT	GRUPPE-FOLGT	GRUPPE-FOLGT
GUIDE	FUEHRUNG	GUIDA	GUIDE	GUIDA
GUIDE WHEEL	LEITRAD	RUOTA DI GUIDA	ROUE PELLE	RUEDA GUIA
HAND WHEEL	HANDRAD	VOLANTINO A MAND	VOLANT	RUEDA DE MANIOBRA
HANDLE	GRIFF	MANIGLIA	POIGNEE	MANGO
HANDLE	HANDGRIFF	MANIGLIA	POIGNEE	MANGO
HEAD	KOPF	TESTA	TETE	CABEZA
HEAT EXCHANGER	WAERMETAUSCHER	SCAMBIATORE CALORE	ECHANGEUR DE CHALE	INTERCAMBI TERMICO
HEATER	HEIZGERAET	RISCALDAMENTO	RADIATEUR	APARATO DE CALEF
HEATING	HEIZUNG	RISCALDAMENTO	CHAUFFAGE	CALEFACCION
HEX HD SCREW	SECHSKANTSCHRAUBE	VITE ESAGONALE	VIS A 6 PANS	TORNILLO EXAGONAL
HEXAGON BOLT	SEXTSCHRAE	VITE TESTA ESAGON	VIS TETE HEXAGONAL	TORN. DE CABE. EXAG.



## Dictionary / Diccionario / Wörterbuch / Dictionnaire / Dizzionario

SURVEY

Machine type

FX600

Machine no.

English	German	Italian	French	Spanish
HEXAGON NUT	SEK-MUTTER	DADO ESAGONALE	ECROU HEXAGONAL	TUERCA EXAGONAL
HIGH PRESSURE	HOCHDRUCK	ALTA PRESSIONE	HAUTE PRESSION	ALTA PRESION
HINGE	SCHARNIER	CERNIERA	CHARNIERE	BISABRA
HITCH PIN	STECKBOLZEN	PERNO	AXE DEBROCHABLE	BULON DUITA Y PON
HOLLOW SCREW	HOHLSCHRAUBE	VITE CAVA	VIS CREUSE	TORNILLO HUECO
HOLLOW SHAFT	HOHLWELLE	ALBERO CAVO	ARBRE CREUX	EJE HUECO
HOLLOW WHEEL	HOHLRAD	RUOTA CAVA	PIGNON A DENT INTE	RUEDA DENTADA INT
HOOK	HAKEN	GANCIO	CROCHET	GANCHO
HORN	HORN	TROMBA	KLAXON	BOCINA
HOSE	SCHLAUCH	TUBO FLESSIBILE	QURITE	MANGUERA
HOSE	SCHLAUCHLEITUNG	FLESSIBILE	FLEXIBLE	TUBO FLEXIBLE
HOSE BRACKET	SCHLAUCHHALTER	SUPPORTO TUBI	PORTE-FLEXIBLE	SOPORTE TUBOS FLEX
HOSE CLIP	SCHLAUCHSCHELLE	FASCETTA PER TUBI	COLIER DE SERRAGE	ABRAZADER MANGUERA
HOUSING	BEHAELDER	CARTER	BOITIER	CARACA
HUB	NABE	MOZZO	MOYEU	CUBO
HYD OIL TANK	HYDRAULIKTANK	SERBATOILIO IDRAUL	RESERVOIR HYDR	DEPOSITO HIDR
HYDRAULIC MOTOR	HYDRAULIKMOTOR	MOTORE IDRAULICO	MOTEUR HYDRAULIQUE	MOTOR HIDRAULICO
HYDRAULIC SYSTEM	HYDRAULIKANLAGE	SISTEMA IDRAULICO	SYSTEM HYDRAULIQUE	SISTEMA HIDRAULICO
CIRCUIT DIAGRAMM	ZUM STROMLAUFPLAN	NEL SCHE ELETTRICO	D.L SCH D CONNEX	E E PLANO CIRCUITO
IDLER ROLLER	LAUFROLLE	ROTELLA PORTANTE	GALET DE ROULEMENT	RODILLO
INDICATOR	ANZEIGER	INDICADORE	INDICATEUR	INDICADOR
INDICATOR PLATE	HI-SCHILD	TARGA INDICAT	PLAQUE INDICATRICE	ROTULO INDICADOR
INJECTOR	DUESE	UGELLO	INJECTEUR	INYECTOR
INLET PIPE	ANSAUGLEITUNG	TUBO ASPIRAZIONE	TUBUL D ADMISSION	TUBERIA ASPIRATION
INSERT	EINSATZ	ATTACCO	INSERTION	SUPLEMENTO
INSTALL MATERIAL	EINBAU	MONTAGGIO	MATERIEL MONTAGE	MONTALE
INSTRUCTION LABEL	BE-SCHILD	CARTELLO	PLAQUE DE SERVICE	ROTULO DE MANEJO
INSULATION	ISOLIERUNG	ISOLAZIONE	ISOLANT	ISOLAMIENTO
INSULATION KIT	ISOLIERUNGSSATZ	JUEGO DE AISLANTES	JEU ISOLATION	GIOCO ISOLAZIONE
INTAKE SYSTEM	ANSAUGANLAGE	SIST DI ASPIR	SYST ASPIRATION	INST ASPIRATION
INTERNAL CASING	INNENKORPER	CORPO INTERNO	CARTER INTERIEUR	CUERPO INTERIOR
INTERNAL DISK	INNENLAMELLE	DISCO INTERNO	DISQUE INTERIEUR	DISCO INTERIOR
INTERNAL GEAR PUMP	INNENZAHNRADPUMPE	POMPA INGRAN INTER	POMPE ROUE DEN INT	BOMBA R DENT INT
JOINT	GELENK	SNODO	ARTICULATION	ARTICULACION
JOINT BEARING	GELENKLAGER	SUPPORTO SNODATO	ROTULE	COJINETE ARTICULA
KEY	SCHLUESSEL	CHIAVE	CLE	LLAVE
LEVEL SWITCH	NIVEAUSCHALTER	INTERR A LIVELLO	INTERR NIVEAU	CONMUTADOR NIVEL
LEVER	HEBEL	LEVA	LEVIER	PALANCA
LEVER	UMLENKHEBEL	LEVA DI RINVIO	LEVIER DE RENVOI	PALANCA INVERSION
LID	DECKEL	COPERCHIO	COUVERCLE	TAPA
LINE	LEITUNG	TUBAZIONE	TUYAU	TUBERIA
LINING	BELAG	QUARNIZIONE	GARNITURE	REVESTIMIENTO
LINKAGE	SCHWINGE	BRACCIO OSCILLANTE	BIELLETTE	BALANCI
LOCK	SCHLOSS	SERRATURA	SERRURE	CERRADURA
LOCK WASHER	FEDERING	ANELLO A MOLLA	ANNEAU RESSORT	ANILLO ELASTICO
LOCKING BAR	SICHERUNGSCHEIBE	DISCO	RONDELLE	DISCO
LOCKING NUT	RIEDEL	ARRESTO	VERROU	CERROLLO
LOCKING PIN	SICHERUNGSMUTTER	DADO FUSIBILE	ECROU DE SECURITE	TUERCA SEGURIDAD
LOW PRESSURE	SPANNSTIFT	PERNO TENDITORE	GOUILLE D.SERRAGE	PASADOR ELASTICO
LOWER CARRIAGE	NIEDERDRUCK	BASSA PRESSIONE	BASSE PRESSION	BAJA PRESION
MAGNET	UNTERWADEN	SOTTODARRO	CHASSIS INFERIEUR	CHASIS INFERIOR
MAINTENANCE MATER	MAGNET	MAGNETE	AIMANT	IMAN
MANIFOLD	WARTUNGSMATERIAL	MATERIALE DI MANT	MATERIEL DE MAINT	MATERIAL DE MANT
MANIFOLD	SAMMELLEITUNG	LINEA CONVOLIATR	CONDUITE COLLECTR	TUBERIA COLECTORA
MAT	SCHLAUCHBOGEN	CURVA TUBO FLESS	COUDE	CODO
MEMBRANE RESERVOIR	MATTE	TAPETTO	NATTE	ESTERA
METAL HOSE	MEMBRANSPEICHER	ACCUMULAT DIAFRAM	RESERVOIR MEMBRANE	ACUMULADOR MEMBRAN
MIRROR	METALLSCHLAUCH	TUBO METALLICO	FLEXIBLE METALLIO	TUBO PL METALICO
MIRROR SUPPORT	SPIEGEL	ESPEJO	RETROVISEUR	ESPEJO
MONO	SPIEGELHALTER	SUPPORTO SPECCHIO	SUPPORT MIROIR	PORTAFESPEJO
MONOBLOC BOOM	MONO	MONO	MONO	MONO
MOTOR	MONO AUSLEGER	BRACCIO MONO	FLECHE MONOBLOC	MONOPLUMA
	MOTOR	MOTORE	MOTEUR	MOTOR



Dictionary / Diccionario / Wörterbuch / Dictionnaire / Dizionario

SURVEY

Machine type

FX600

Machine no.

English	German	Italian	French	Spanish
MOUNT	LAGERBOCK	SUPPORTO CUSCINET	SUPPORT DE PALIER	SOPORTE COJINETE
MOUNTING	HALTERUNG	FISSAGGIO	FIXATION	SUJETADOR
MOUNTING FOOT	ELAST	ELAST	PIED DE FIXATION	PIE DE FIJACION
MOUNTING PARTS	ANBAUTEILE	SERIE DI MONTAGGIO	JEU DE MONTAGE	ELEMENTOS ACOPL
MUFFLER	SCHALLDAMPFER	SILENZIATORE	SILENCIFUX	SILENCIADOR
NIPPLE	NIPPEL	RACCORDO	RACCORD	ENGRASADOR
NIPPLE	VERSCHLUSSTOPFEN	TAPPO	BOUCHON	TAPON
NOZZLE-BROMMET	TWELLE	BECUCCIO	PASSE-CABLE	BOQUILLA
NUT	MUTTER	DAPO	ECROU	TUERCA
O-RING	O-RING	ANELLO OR	JOINT TORIQUE	ANILLO REDOND
O-RING	RUNDSC-HNURRING	GUARNIZIONE OR	JOINT TORQUE	ANILLO OBTURADOR
Oil COOLER	ÖL-KUEHLER	RADIATORE OIL	REFROID HUILE	REFRIG.ACETE
Oil SUCTION SYSTEM	ÖLANSAUGANLAGE	IMP ASPIRAZ OIL	ASPIRATION HUILE	INST ASP ACEITE
ONE-WAY RESTRICTOR	DROSSELSTUECK VENT	VALV NON RET FARE	CLAP A-RETR	VALV LIM PRES ESTR
OPERATOR'S CAB	FAHRERHAUS	CABINA	CABINE	CABINA DE MANO
OPERATOR'S SEAT	FAHRERSITZ	SEDILE DI GUIDA	SEGE DU CONDUCT	ASIENTO CONDUCTOR
ORIFICE	MUNDSTUECK	BOCCHELLO	EMBOUT	BOQUILLA
OTHER	SONSTIGE	ALTRO	AUTRE	OTROS
OUTER RACE	ZYL.ROLLENLAGER	CUSCIN RULLI CIL	BAGUE EXTERIEURE	ARO EXTERIOR
OVAL FLANGE	BLINDFLANSCH	FLANGIA CIECA	BRIDE OBTUR OVALE	BRIDA OVALAD CIEGA
PANE	GLASSSCHEIBE	LASTRA DI VETRO	VITRE	LUNA DE VIDRIO
PANELING	VERKLEIDUNG	RIVESTIMENTO	COUVERTURE	REVESTIMIENTO
PAWL	RASTE	CREMAGGERA	CLIQUET	MUESCA
PEDAL	PEDAL	PEDALE	PEDALE	PEDAL
PIN	BOLZEN	BULLONE	BOULON	PERNO
PIN	STIFT	SPINA	CHEVILLE	PASADOR
PIN NO 1	LAGERUNG NR 1	PERNO N 1	AXE FIXATION NO1	BUTON FIJACION NO1
PIPE	RO	TUBO	TUYAU	TUBO
PIPE	ROHR	TUBO	TUYAU	TUBO
PIPE BEND	ROHRBOGEN	CURVA	ARC DE TUYAU	CODD
PIPE SOCKET	ROHRSTUTZEN	TRONCHETTO DI TUBO	TUBULURE	ACOPLAM TUBULAR
PISTON	KOLBEN	PISTONE	PISTON	PISTON
PISTON GUIDE RING	FUEHRUNGSRING	ANELLO DI GUIDA	BAGUE DE GUIDAGE	ANILLO GUIA
PISTON ROD	KOLBENSTANGE	BIELLA	TIGE DE PISTON	VASTAGO DEL PISTON
PLANETARY CARRIER	PLANETENTRAEGER	PORTASATELLITI	PORTE SATELLITE	PORTAPLANETARIO
PLATE	PLATTE	PIASTRA	PLAQUE	PLACA
PLATE	SCHILD	TARGA	PLAQUE	PLACA
PLATE	TELLER	SCODELLINO	PLATEAU	PLATO
PLATFORM	PODEST	PIEDESTALLO	PLATE-FORME	PEDESTAL
PLATFORM PLATE	PODESTPLATTE	LASTRA D PAVIMENTO	PLATE-FORME	PLANCHA PEDESTAL
PLUG	STOPFEN	TAPPO	BOUCHON	TAPON
PLUG	VERSCHLUSSBUTZEN	TAPPO	OBTURATEUR	OBTURADOR
PLUG-IN SLEEVE	STÖCKHUELSE	BUSSOLA A INNESTO	DOUILE ENFICHABLE	CASQUILLO ENCHUFE
POTENTIOMETER	POTENTIOMETER	POTENZIOMETRO	POTENTIOMETRE	POTENCIOMETRO
PRESS PART	ANPRESSTUECK	ELEMENTO CONTATTO	PIECE DE SERRAGE	PZA DE APRIETE
PRESS REG VALVE	DRUCKREGELVENTIL	VALV REGUL PRESS	CLAPET REGL PRESS	VALV REG PRESION
PRESS REL VALVE	DRUCKBEGR VENTIL	VALV LIMIT PRESS	CLLIMIT PRES	VALV LIMIT PRES
PRESSU CONTR VALVE	DRUCKVENTIL	VALVOLA PRESSIONE	SOUPAPE REFOULEM	VALVULA DE PRESION
PRESSUR SWITCH	DRUCKSCHALTER	INTERRUTTORE	MANDO CONTACTEUR	INTERR PRES ACEITE
PRESSURE RING	DRUCKRING	ANELLO DI COMP	ANNEAU DE PRESSION	ANILLO DE PRESION
PROFILE	PROFIL	PROFILO	PROFIL	PERFIL
PROPORTIONAL VALVE	PROPORTIONALVENTIL	VALVOLA PROPORZ	CLAPET PROPORT	VALVULA PROPORC
PROTECTIVE PLUG	SCHUTZSTOPFEN	TAPPO	BOUCHON	TAPON
PUMP	PUMPE	POMPA	POMPE	BOMBA
PUMP DRIVE	PUMPENANTRIEB	AZIONAMENTO POMPE	COMMANDE DE POMPE	ACCION DE LA BOMBA
PUMP GOVERNING	PUMPENSTEUERUNG	COMANDO POMPE	COMMANDE POMPES	MANDO BOMBAS
RADIATOR	KUEHLER	RADIATORE	REFROIDISSEUR	RADIADOR
RADIO	RADIO	RADIO	AUTO-RADIO	RADJO
RAIL	ECHIENE	ROTAIA	RAIL	CARRIL
RDR	RDR	ANELLO TENUTA	B D-ETANCH.RONDE	JUNTA TORICA
REDUCING NIPPLE	REDUZIERNIPPEL	NIPPLIO RIDUTTORE	RACCORD REDUCTEUR	NIPLE DE REDUCCION
REDUCTION	REDUZIERUNG	RIDUZIONE	REDUCTION	REDUCCION
REGULATOR	REGLER	REGOLATORE	REGULATEUR	REGULADOR





Dictionary / Diccionario / Wörterbuch / Dictionnaire / Dizionario

SURVEY

Machine type

FX800

Machine no.

English	German	Italian	French	Spanish
RELAY	RELAIS	RELAIS	RELAIS	RELE
RESERVOIR	SPEICHER	MAGGAZINO	RESERVOIR	ACUMULADOR
RETAINING WASHER	SICHERUNGSSCHEIBE	ROSETTA DI SICUREZ	BAQUE DE FREIN	ARANDELA SEGURIDAD
REWORK	NACHARBEIT	STRACORDINARIO	RETOUTCHE	MECANIZADO POSTER
RIBBON	BAND	FASCIA	RUBAN	CINTA
RING	RING	ANELLO	ANNEAU	ANILLO
ROCKER SWITCH	WIPPSCHALTER	INTERR A BRICO	INTERR A BASCULE	INTERR BASCULANTE
ROD	STANGE	ASTA	TIGE	VASTAGO
RODS	STANGEN	BARRE	TIGES	BARRAS
ROLLER	ROLLE	RULLO	ROULEAU	RODILLO
ROPE	SEIL	FUNE	CABILE	CUERDA
ROT SHAFT LIP SEAL	V-RING	GUARNIZ AD ANELLO	JOINT A LEVRE	RETEN
ROT SHAFT LIP SEAL	WDR	GUARNIZ AD ANELLO	JOINT A LEVRE	RETEN
ROT SHAFT LIP SEAL	WELLENDICHTRING	GUARNIZ AD ANELLO	JOINT A LEVRE	RETEN
ROTARY SHAFT SEAL	RADIALDICHTRING	GUARNIZIONE RADIAL	BAQUE JOINT RADIAL	ANIL JUNTA RADIAL
ROTOR	ROTOR	ROTORE	ROTOR	ROTOR
ROUND SEALING RING	RUNDDICHTRING	ANELLO TENUTA	B D ETANCH RONDE	JUNTA BORICA
ROUND STEEL	RD	TONDO	ACIER ROND	REDONDO
RUBBER CAP	GUMMIKAPPE	CAPPUCCIO IN GOMMA	CAPUCH EN CAOUTCH	CAPERUZA DE GOMA
RUBBER HOSE	GUMMISCHLAUCH	TUBE DI GOMMA	TUYAU CAOUTCHOUC	MANQUERA DE CAUCHO
RUBBER PIPING	DICHTSCHNUR	CORDONE DI TENUTA	CORD D'ETANCHEITE	CORDON DE JUNTA
RUBBER STOP	GUMMIPUFFER	TAMPONE IN GOMMA	TAMPON CAOUTCHOUC	TOPE DE GOMA
SAE FLANGE HALF	SAE-FLANSCHHAELFTE	FLANGIA	FLASQUE	BRIDA
SAFETY BELT	SICHERHEITSGURT	CINTURA DI SICUREZ	CEINTURE SECURITE	CINTURON DE SEGURD
SAFETY GRILL	SICHERHEITSDST	GRIGLIA SICUREZZA	GRILLAGE SECURITE	REJILLON SEGURIDAD
SAFETY PIN	SICHERUNGSSTIFT	SPINA SICUREZZA	AXE DE SECURITE	CLAVIJA DE SEG
SAME PARTS	GLEICHTEILE	INGRANAGGIO	TRANSMISSION	PIEZAS IGUALES
SCRAPER	ABSTREIFER	PARAPOLVERE	RACLEUR	RECOJECOR
SCREW	SCHRAUBE	VITE	VIS	TORNILLO
SCREW DRIVER	SCHRAUBENDREHER	CACCIAVITE	TOURNEVIS	ATORNILLADOR
SCREW PLUG	SCHRAUBSTOPFEN	TAPPO A VITE	BOUCHON FILETE	TAPON TOSCAO
SCREW PLUG	VERSCHLUSSSCHRAUBE	TAPPO A VITE	VIS DE FERMETURE	TORNILLO DE CIERRE
SCREW PLUG	VERSCHLUSSSCHRAUBE	TAPPO A VITE	VIS DE FERMETURE	TORNILLO DE CIERRE
SCREWING	VERSCHRIB	AVVITATURA	ASSEMBLAGE VISSE	UNION ROSCADA
SEAL	DICHTPROFIL	PROFILO DI TENUTA	PROFILE ETANCHEITE	PERFIL ESTANQUEIZ
SEAL BASKET	ABDICHTUNG	GUARNIZIONE TENUTA	JOINT ETANCHEITE	JUNTA HERMETIZANTE
SEALING BAND	DICHTBAND	PASTRO DI TENUTA	BANDE D'ETANCHEITE	CINTA ESTANCA
SEALING BAND	DICHTUNGSBAND	FASCIA	RUBAN	CINTA
SEALING NUT	DICHTMUTTER	DADO DI TENUTA	ECROU ETANCHEITE	TUERCA HERMETIZ
SEALING RING	DICHTRING	ANELLO DI TENUTA	BAQUE D'ETANCHEITE	ANILLO JUNTA
SEALING RING	NILOSRING	ANELLO DI TENUTA	BAGUE D'ETANCHEITE	ANILLO JUNTA
SEAT	SITZ	SEDI	SIEGE	ASIENTO
SEAT BOTTOM	SITZUNTERTEIL	PORTE INF SEDE	PARTIE INF SIEGE	PAPTE INF ASIENTO
SEAT COVER	BEZUG	RIVESTIMENTO	REVEITEMENT	FUNDA
SEAT CUSHION	SITZKISSEN	CUSCINO SEDE	COUSSIN	COJIN ASIENTO
SECTIONAL RUBBER	RECHTECKPROFIL	PROFILO RETTANGOL	PROFILE CAOUTCHOUC	PERFIL DE GOMA
SEGMENT	SEGMENT	SEGMENTO	SEGMENT	SEGMENTO
SELF-TAPPING SCREW	BLECHSCHRIB	VITE DI LAMIERA	VIS	TORNILLO CHAPA
SERRATED SHAFT	ZAHNWELLE	ALBERO DENTATO	ARBRE CANNELE	EJE DENTADO
SERVO CONTROL	VORSTEUERUNG	PILOTAGGIO	PILOTAGE	SERVOMANDO
SERVO VALVE	SERVOVENTIL	VALV SERVOCOMANDO	CLAPET SERVO	SERVOVALVULA
SERVO VALVE	VORSTEUERVENTIL	VALV DI PILOTAGGIO	CLAPET PILOTAGE	SERVOVALVULA
SET OF PIST RINGS	DICHTSATZ	SERIE GUARNIZIONI	JEU DES SEGMENTS	JUEGO AROS PISTON
SET OF SPUR GEARS	STIRNRADSATZ	G D RUOTE CILINDRI	JEU ROUES DENTEES	J D RUENA DENTE RE
SHIFT VALVE	SCHALTVENTIL	VALVOLA CAMBIO	CLAPET DE COMMANDE	VALVULA MANOBRA
SHIM RING	PASS-SCHEIBE	SPESSORE RASAMENTO	RONDELLE AJUSTEE	ARANDELA DE AJUSTE
SHOCK ABSORBER	STOSSDAEMPFER	AMMORTIZZATORE	AMORTISSEUR	AMORTIGUADOR
SHOULDER BOLT	BUNDSCHRAUBE	VITE A CALLETTA	VIS A COLLETTTE	TORNILLO D/COLLAR
SHUT-OFF VALVE	ABSCHALTVENTIL	VALVOLA INTERRUZ	CLAPET D'ARRET	VALV DESCONEXION
SHUTTLE VALVE	WECHSELVENTIL	VALVOLA	CLAPET	VALVULA
SIEVE	SIEB	SETACCIO	TAMIS	CRIBA
SIGNAL	SIGNAL	SEGNALE	SIGNAL	SEÑAL
SLEEVE	HUELSE	BUSSOLA	DOUILLE	CAPSULA



Dictionary / Diccionario / Wörterbuch / Dictionnaire / Dizionario

SURVEY

Machine type

FX800

Machine no.

English	German	Italian	French	Spanish
SLEWING GEAR	SCHWENKGETRIEBE	RIOT DI ROTAZIONE	REDUC D'ORIENTAT	REDUCTOR ROTACION
SLIDING PIECE	GLEITSTUECK	PEZZO SCORREVOLE	PIECE COULISSANTE	PIEZA DESLIZANTE
SLIDING WINDOW	SCHWEBEFENSTER	FINESTRA SCORREVOL	FENETRE COULISS	VENTANILLA CORREDI
SNAP RING	SPRENGRING	ANELLO ELASTICO	CROCHUP	ANILLO DE SUJECION
SNAP-ON PANEL	STECKLENDE	MASCHERA A INNESTO	PANNEAU EMBOTABLE	CUBIERTA ENCLUFAB
SOCKET	STUTZEN	BUSSOLA	MANCHON	PITON
SOCKET ADAPTER	EINSCHEIBSTUTZEN	MANICOTTO A VITE	TUBULURE/RACCORD	RACOR
SOLENOID COIL	MAGNETSPULE	BOBINA MAGNETICA	BOBINE EXCITATRICE	BOBINA DE DISPARO
SOLENOID VALVE	MAGNETVENTIL	VALVOLA MAGNETICA	ELECTRO-VALVE	VALVULA ACC. MAGNET
SPACER	DISTANZSTUECK	DISTANZIATORE	ENTRETOISE	PIEZA DISTANC
SPACER PIECE	ZWISCHENSTUECK	PEZZO INTERMEDIO	ENTRETOISE	PIEZA INTERMEDIA
SPACER RING	DISTANZRING	ANELLO DISTANZIALE	BAQUE ENTRETOISE	ANILLO DISTANCIADO
SPACER SLEEVE	DISTANZBUCHSE	BOSSOLO DISTANZIAT	BAQUE ENTRETOISE	CASQUILLO DISTANC
SPEED SENSOR	DREHZAHLSSENSOR	SENSORE	PALPEUR	SENSOR
SPRING	DRUCKFEDER	MOLLA A PRESSIONE	RESSORT PRESSION	MUELLE A COMPRES
SPRING	FEDER	MOLLA	RESSORT	RESORTE
SPRING SEAT	FEDERTELLER	SIODELLINO MOLLA	ASSIETTE D RESSORT	PLATILLO RESORTE
SPRING WASHER	FEDERSCHEIBE	DISCO ELASTICO	RONDELLE ELASTIQUE	ARANDELA ELASTICA
SPROCKET	KETTENRAD	RUOTA PER CATENA	BARBOTIN	RUEDA DE CADENA
SPUR GEAR	STERNRAD	RUOTA CLINORICA	PIGNON	RUEDA RECTA
SCREW PLUG	VERSCHLUSSSCHRAE	TAPPO A VITE	VIS DE FERMETURE	TORNILLO DE CIERRE
STAND	STANDER	CAVALETTO	SUPPORT	SOPORTE
STEP	TRITT	PREDELLINO	MARCHE	ESTRIBO
STEPS	AUFSTIEG	SCALETTA	ECHELLE	ASCENSO (SUBIDA)
STICK	STIEL	MONTANTE	BRAS	MANGO
STICK CYLINDER	STIELZYLINDER	CIL AVAMBRACCIO	VERIN DE BRAS	CILINDRO DEL MANGO
STOP BUSH	FEDERHUELSE	BUSSOLA A MOLLA	DOUILLE DE BUTEE	CASQUILLO TOPE
STOP RING	ANLAUFRING	ANELLO AVVIAMENTO	BAQUE DE BUTEE	ANILLO DE ATAQUE
STOP VALVE	HALTEVENTIL	VALVOLA DI RITEGNO	SOUPAPE RETENUE	VALV RETENCION
STRAIGHT PIN	ZYLINDERSTIFT	PERNO CIL	GOUPILLE CYL	PASADOR CILINDRICO
STRAP	BUEGEL	STAFFA	ETRIER	SOPORTE
STRIP	LEISTE	LISTELLO	LISTEL	REGLETA
STUD	STIFTSCHRAE	PRIGIONERO	GOUJON	ESPARRAGO
SUCTION HOSE	ANSAUGSCHLAUCH	TUBO ASPIRAZIONE	FLEXIBLE ASPIRAT	TUBO ASPIRACION
SUCTION HOSE	SAUGSCHLAUCH	TUBO ASPIRAZIONE	FLEXIBLE D'ASPIR	MANGUERA ASPIRAC
SUN SHADE	SONNENBLLENDE	PARASOLE	PARÉ SOLEIL	VISERA
SUPPORT PLATE/PAD	UNTERLAQE	SUPERFICIE	BASE	BASE DE ASIENIO
SUPPORT RING	STUETZRING	ANELLO D'APPOGGIO	BAQUE DE SUPPORT	ANILLO DE APOYO
SUPPORT ROLLER	STUETZROLLE	RULLO DI SOSTEGNO	GALET DE GUIDAGE	RODILLO DE APOYO
SUPPORT ROLLER	TRAGROLLE	RULLI DI SOSTEGNO	GALET DE ROULEMENT	RODILLO PORTADOR
SUPPORTING RING	STUETZSCHEIBE	ROSETTA D'APPOGGIO	RONDELLE D'APPUI	ARANDELA DE APOYO
SWING BEARING	DREHKRANZ	RALLA	COURONNE DRIENT	CORONA GIRATORIA
SWING BRAKE	SCHWENKBREMSE	FRENO DI ROTAZ	FREIN ORIENTATION	FRENO DE GIRO
SWING FIXTURE	SCHWENKVERSCHR	RACCORD GIREVOLE	RACCORD PIVOTANT	ATORNILLAD GIRO
SWING PUMP	SCHWENKPUMPE	POMPA DI ROTAZ	POMPE MEC	BOMBA MECAN GIRO
SWITCH	SCHALTELEMENT	ELEMENTO COMMUTAZ	ELEMENT COMMUTAT	ELEMENTO COMMUTAC
SWITCH	SCHALTER	INTERRUTTORE	INTERRUPTEUR	INTERRUPTOR
SWIVEL CONNECTION	DREHVERBINDUNG	GIUNTO ROTATIVO	CONNEX. ORIENTABLE	ENLACE GIRATORIO
TAP ROLLER BEARING	KEGELROLLENLAGER	CUSC RULLI CONICI	ROULEM. ROL CONIO	RODAM RODILL CONIC
TAPPET	STOESSEL	ASTA DI SPINTA	POUSSOIR	TAQUE
TEMP TRANSMITTER	TEMPERATURGEBER	TRASMETT TEMPER	TRANSMETTEUR TEMP	TRANSMISOR TEMPER
TENSIONING DEVICE	SPANNVORRICHTUNG	DISP DI TENSIONE	DISP DE SERRAGE	DISPOSITIVO TENSOR
TENSIONING SCREW	SPANNSCHRAUBE	TIRANTE A VITE	VIS TENDÉUSE	TORNILLO TENSOR
THROW-AWAY FILTER	WECHSELFILTER	FILTRO DI SCAMBIO	FILTRE A JETER	FILTRO DE CAMBIO
TOGGLE & LINKAGE	KOPPEL U SCHWINGE	PANTOGRAFO	BIELLE/BALANCIER	BIELA Y BALANCIEN
TOGGLE ARM	KOPPEL	ASA PANTOGRAFO	BARRE D'ACCOUPLM	BIELA
TOGGLE/LINKAGE	KOPPEL - SCHWINGE	PANTOGRAFO	BIELLE/BALANCIER	BIELABALANCIEN
TOOL SET	WERKZEUGSATZ	GIOCO DI UTENSILI	JEU D'OUTILLAGE	JUEGO HERRAMIENTAS
TOOTHED WASHER	ZAHNSCHEIBE	DISCO DENTATO	DISQUE DENTE	ARANDELA DENTADO
TOP	OBERTEIL	PORTE SUPERIORE	BATI SUPERIEUR	PORTE SUPERIOR
TRACK BRAKE	FAHRWERKSREMSE	FRENO TRASLAZIONE	FREIN TRAIN ROLL	FRENO MEC TRASL
TRANSMISSION GEAR	GETRIEBE	INGRANAGGIO	TRANSMISSION	EMGRANAJE
TRAVEL GEAR	FAHRGETRIEBE	TRABMISSIONE	REDUCT TRANSLAT	REDUCT DE TRANSL



Dictionary / Diccionario / Wörterbuch / Dictionnaire / Dizionario

SURVEY

Machine type

FX600

Machine no.

English	German	Italian	French	Spanish
TREADLE VALVE	TRITTPLATTENVENTIL	VALVOLA A PEDALE	CLAPET A PEDALE	VALVULA DE PEDAL
TUBE FITTING	VERSCHRAUBUNG	RACCORDO	RACCORD	RACOR
UPPER CARRIAGE	OBERWAGEN	PARTE SUP	CHASSIS TOURELLE	CHASIS SUPERIOR
VALVE	VENTIL	VALVOLA	CLAPET	VALVULA
VALVE	VENTILKEGEL	CONO VALVOLA	SOUPAPE/ROBINET	VALVULA
VALVE BLOCK	VENTILBLOCK	BLOCCO VALVOLA	BLOC DE CLAPETS	BLOQUE DE VALVULAS
VALVE BODY	VENTILKÖRPER	CORPO VALVOLA	CORPS DE SOUPAPE	JUNTA SAMBRE VALV
VALVE COVER SEAL	VENTILDECKELDICHT	GUARNIZ COPER VAL	JOINT COUVERC CLAP	CUNTA SAMBRE VALV
VALVE INSERT	VENTILENSATZ	INSERTO VALVOLA	INSERTION DE VALVE	OBUS DE VALVULA
VALVE INTERCONN	VENTILVERKETTUNG	CONCATENAM VALVOLE	ENCHAIN SOUPAPES	ENCADENACION VALV
VAR.DISPL.MOTOR	VERSTELLMOTOR	SERVOMOTORE	MOT D'AJUSTAGE	MOTOR DE DESPL
VARIABLE PUMP	VERSTELLPUMPE	POMPA PORT VARIAB	POMPE CYL VARIABLE	BOMBA DESPL VARIA
VERSCHLUSSCHRB	VERSCHLUSSCHRB	VERSCHLUSSCHRB	VERSCHLUSSCHRB	VERSCHLUSSCHRB
VERTEILERKLOTZ	VERTEILERKLOTZ	VERTEILERKLOTZ	VERTEILERKLOTZ	VERTEILERKLOTZ
WALL	WAND	MURO	PARI	PARED
WATER RESERVOIR	WASSERBEHAELTER	SERBATOIO ACQUA	RESERVOIR D'EAU	DEPOSITO DE AGUA
WATER/OIL	WASSERÖEL	ACQUA OLIO	EAU/HUILE	ACUA/ACEITE
WEB	STEG	STELO	REGLETTE	NERVA DURA
WEDGE	KEIL	CUNEO	CLAVETTE	CUNA
WINDOW	FENSTER	FINESTRA	FENETRE	VENTANILLA
WINDOW STRIP	KLEMMPROFIL	MORSETTIERA	JOINT DE SERRAGE	PERF. DE FIJACION
WINDSCREEN WASHER	SCHIEBENWASCHANLAG	LAVO CRISTALLI	LAVE-GLACE	DISP LAVA LUNAS
WINDSCREEN WIPER	SCHIEBENWISCHER	TERGICRISTALLO	ESSUIE GLACE	LIMPIAPARABRISAS
WING NUT	FLÜGELMUTTER	DADO AD ACETTE	ECROU PAPILLON	TUERCA MARIPOSA
WIPER ARM	WISCHARM	BRACCIO TERGITORE	BRAS D'ESSUITE GL	BRAZO LIMPIAPARABR
WIPER BLADE	WISCHBLATT	SPAZZ TERGICRIST	RACLETTE ESSUIE	EXCOBILLAS
WIPER MOTOR	WISCHERMOTOR	MOTORE TERGICRIST	MOTEUR ES GLACE	MOTOR LIMPIAPARABR
WIPER SYSTEM	WISCHERANLAGE	IMP TERGICRISTALLI	DISP ESSUI GL	INSTALAC PARABRIS
WIRE MESH	DRAHTGEWEBE	RETE METALLICA	TREILLIS DE FIL	TRENZA DE ALAMBRE
WITH MOUNT PARTS	MIT ANBAUTEILEN	SERIE MONTAGGIO	AV PIECES MONT	C PIEZAS DE MONT
WORKING HEADLIGHT	ARBEITSSCHEINWERF	FARO DI LAVORO	PROJECT DE TRAVAIL	FARO DE TRABAJO
12-POINT SCREW	12KT SCHRB	VITE POLIGONALE	VIS BIHEXAGONALE	TORN BIHEXAGONAL

**OPTIONAL EQUIPMENT  
SECTION**



## Table of contents

SURVEY

Machine type

FX600

Machine no.

No. of assembly	Description
22.402 - 2444988	DISTRIBUTOR
30.200 - 2444411	GREASING SYSTEM MONO
60.160 - 2444409	HYDRAULIC SYSTEM MONOBLOC BOOM
60.160 - 2444410	HYDRAULIC SYSTEM MONOBLOC BOOM
60.160 - 2783776	HYDRAULIC SYSTEM MONOBLOC BOOM
61.032 - 2496882	HYDRAULIC SYSTEM STICK
60.150 - 2496218	MONOBLOC BOOM INSTALL MATERIAL
61.010 - 2444197	STICK INSTALL MATERIAL



### Table of contents

SURVEY

Machine type

FX500

Machine no.

No of assembly

Description

22.402 -	2444988	DISTRIBUTOR
30.200 -	2444411	GREASING SYSTEM MONO
60.150 -	2495218	MONOBLOC BOOM INSTALL MATERIAL
60.160 -	2444409	HYDRAULIC SYSTEM MONOBLOC BOOM
60.160 -	2783776	HYDRAULIC SYSTEM MONOBLOC BOOM
60.160 -	2444410	HYDRAULIC SYSTEM MONOBLOC BOOM
61.010 -	2444197	STICK INSTALL MATERIAL
61.032 -	2496982	HYDRAULIC SYSTEM STICK



### List of assemblies

SURVEY

Machine type

FX800

Machine no.

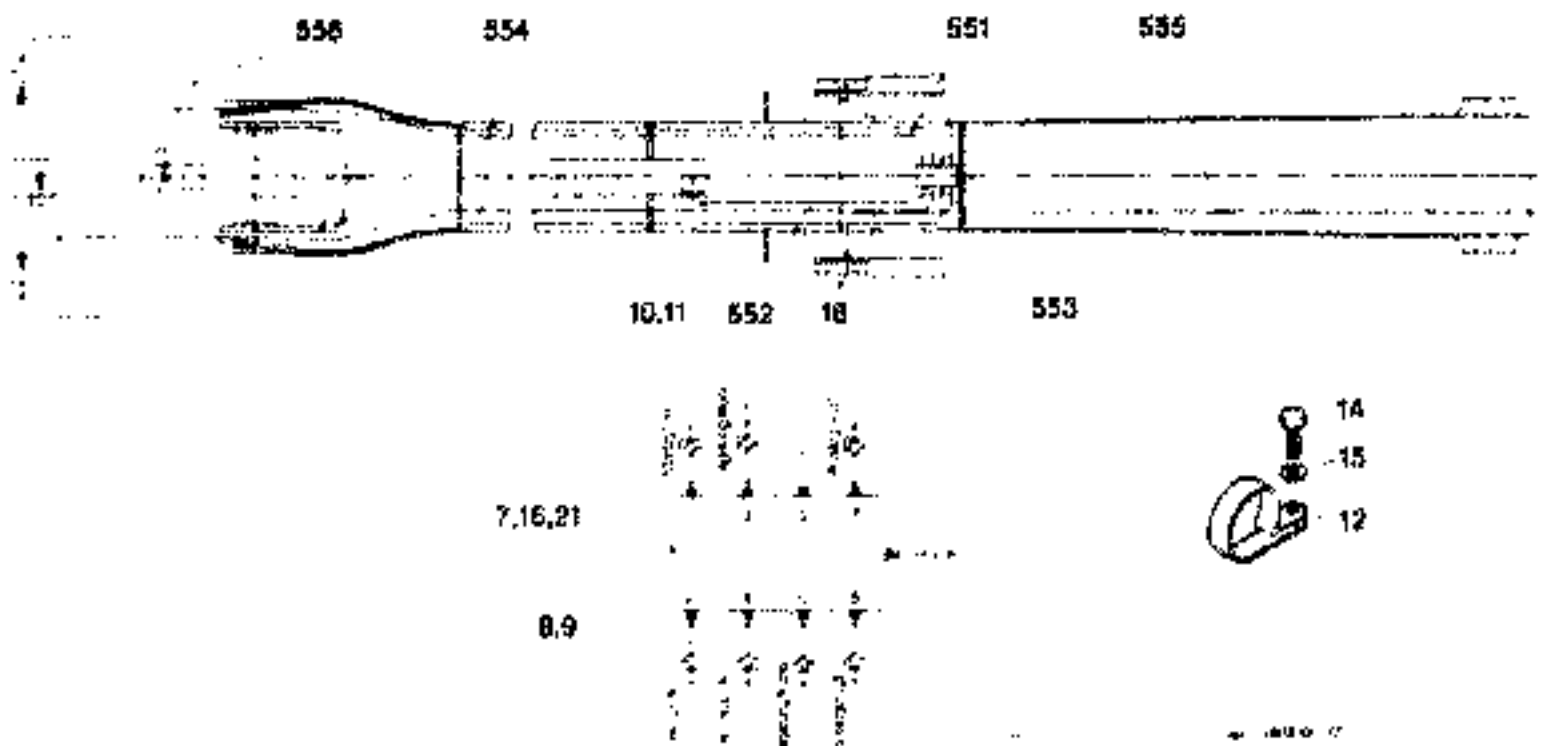
No. of assembly	No. of assembly	Item	No. of assembly	No. of assembly	Item	No. of assembly	No. of assembly	Item
22.402	60 160	0010						
30.200	60 160	0020						
60.160	2782236	5001						
60.160	2782236	6011						
60.180	2782236	6021						
60.160	60 160	0010						
61.010	2782236	6101						
61.032	2782236	6111						

E 444 961187




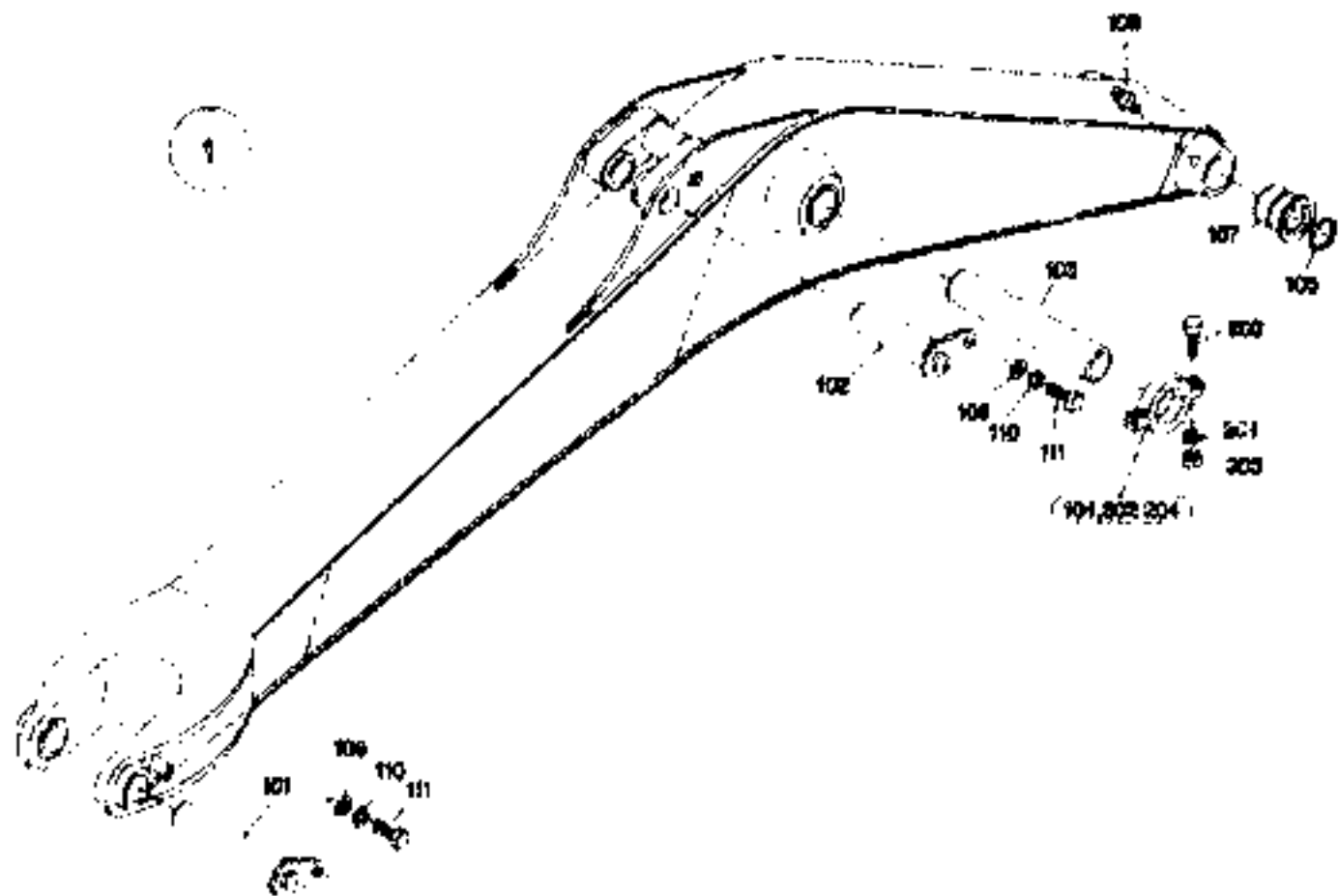
				22.402	
				DISTRIBUTOR	
				T 2444958 - 000 B 2444968 - 010	
				FX600 106101	
REF.	QTY.	ME.	Part No.	DESCRIZIONE	
001	1	00	73171369	STRIP	
002	2	00	73171370		
005	6	00	73171371	VALVE	
006	6	00	73170488	COUPLING CLUTCH	
007	6	00	73171372	COVER	
008	8	00	73171374	PLATE	
009	2	06	73171375	PLUG	
010	16	00	73171376	PROTECTIVE PLUG	
011	4	00	73170206	HEXAGON BOLT	
013	2	00	73170481	SCREW PLUG	
014	1	00	73171377	EYE BOLT	
016	2	00	73170346	SEALING RING	





2 438 411 002

				30.200
GREASING SYSTEM MONO 7.7M				
FXC00 106101				T 2444411 - 002 B 2444411 - 010
Item	QTY	MG	Part No.	Description
007	1	00	73171370	DISTRIBUTOR
009	7	00	73170810	HOUSING
009	7	00	73170820	SEALING RING
010	7	00	73170822	SCREW PLUG
011	1	00	73170823	SEALING RING
012	28	00	73172150	CLIP
014	18	00	73170205	HEXAGON BOLT
015	18	00	73170160	DISK WASHER
016	2	00	73170833	CYL HEAD SCREW
018	7	00	73170831	SOCKET
021	1	00	73170826	SOCKET
551	1	00	73177419	HOSE
552	2	00	73171381	HOSE
553	2	00	73171382	HOSE
554	1	00	73177420	HOSE
555	1	00	73171384	HOSE
556	2	00	73177421	HOSE



## MONOBLOC BOOM INSTALL.MATERIAL 7,7M

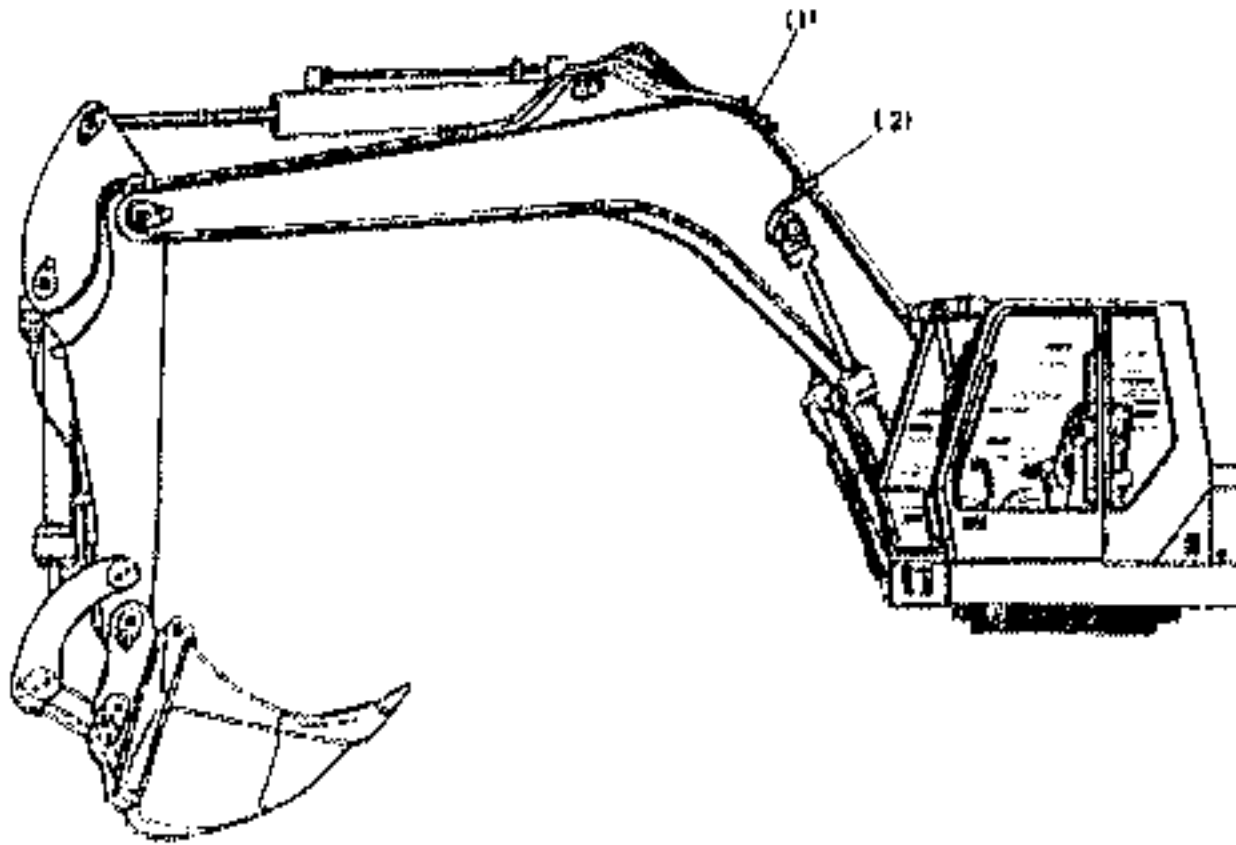
60.150

FXGDD 106101

T 2495218 - 000

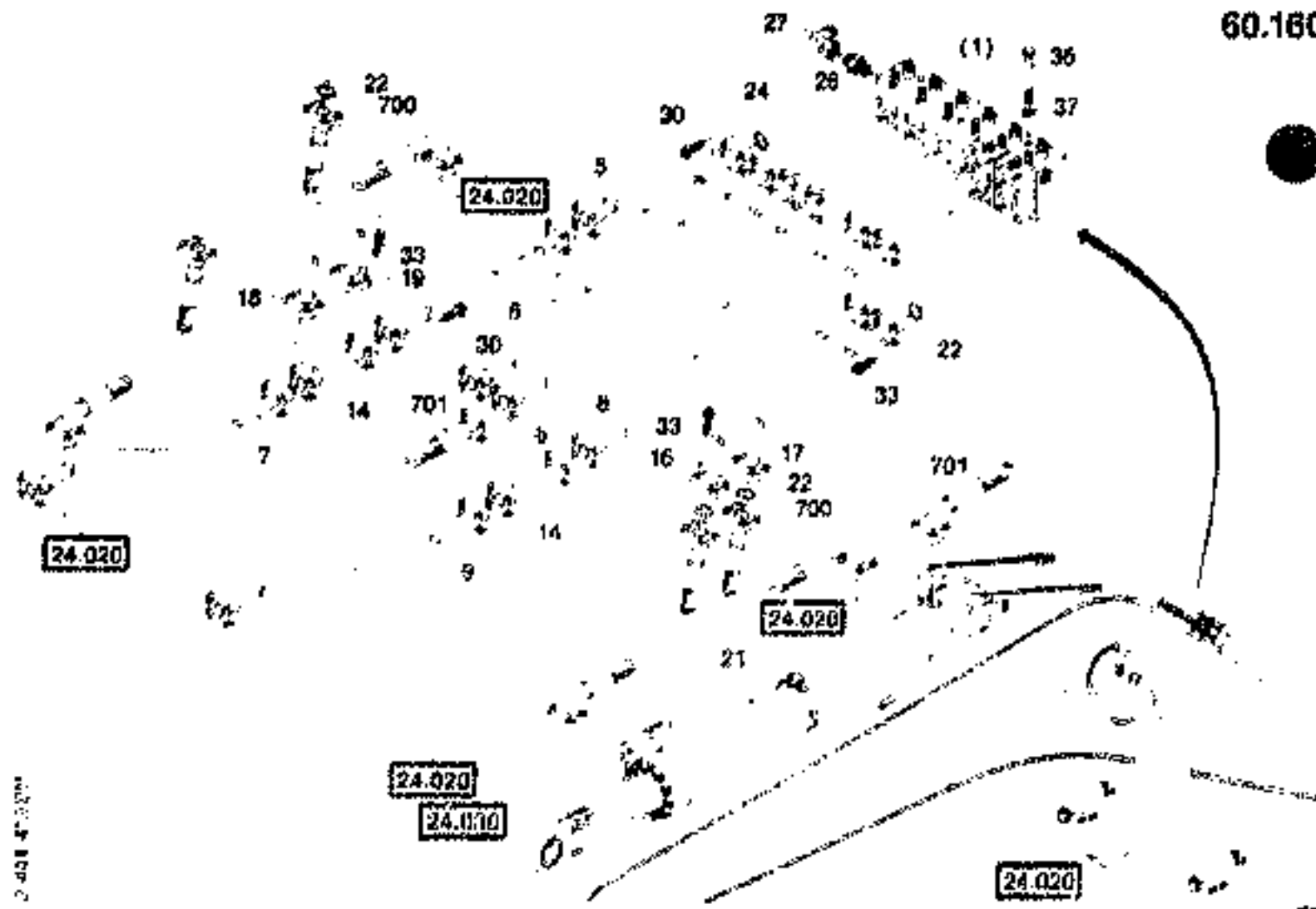
B 2495218 - 010

Item	Qty	ME	Part No.	Description
001	1	00	73177422	MONOBLOC BOOM
101	1	00	73171339	PIN
102	1	00	73171340	PIN
103	1	00	73171341	PIN
104	2	00	73171342	RING
105	2	00	73171343	SCRAPER
106	2	00	73170136	GREASE NIPPLE
107	2	00	73171344	BUSHING
108	2	00	73170879	DISK WASHER
110	2	00	73170981	LOCK WASHER
111	2	00	73171345	HEXAGON BOLT
202	2	00	73171346	HEXAGON BOLT
203	2	00	73170182	HEXAGON NUT
204	2	00	73170178	LOCK WASHER



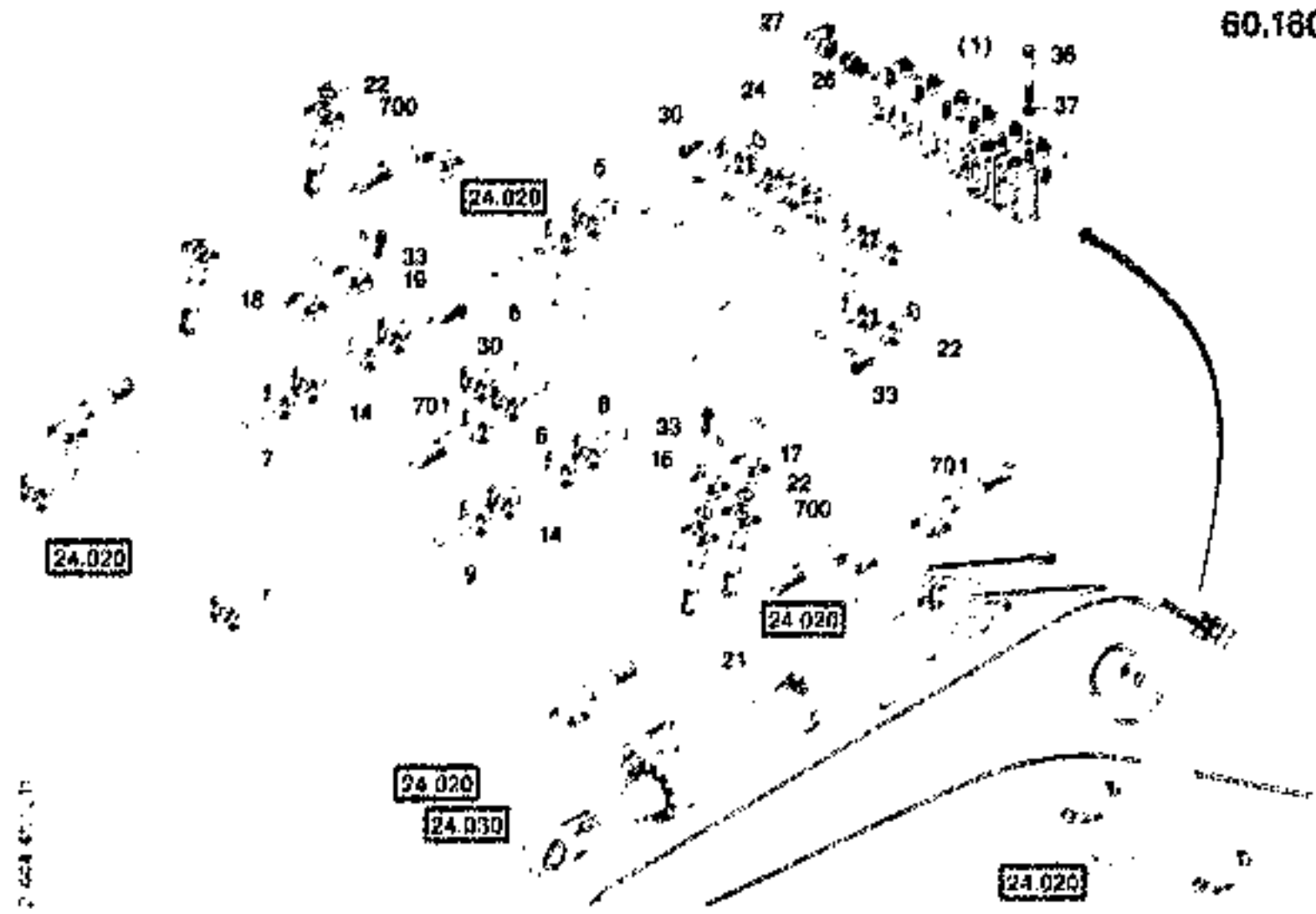
C 438 4.15.072


				60.160
		<b>HYDRAULIC SYSTEM MONOBLOC BOOM 7,7M</b>		
		FX650 106101		T 2444409 - 000 G 2444409 010
Item	Qty	MF	Part No.	Description
001	1	00		60.160 2444410 HYDRAULIC SYSTEM MONOBLOC BOOM 7,7 M
002	1	00		30.200 2444411 GREASING SYSTEM MONO 7,7M



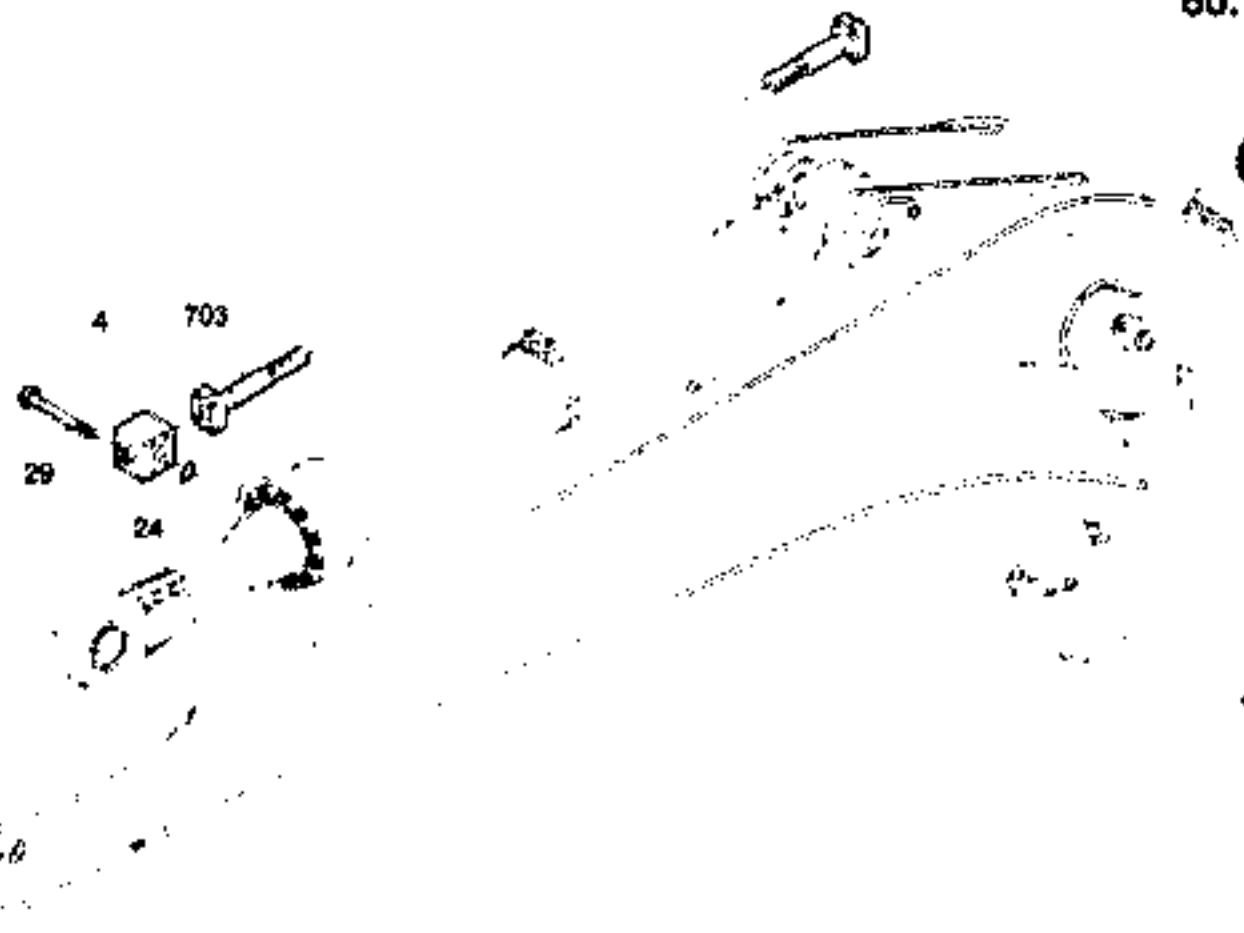
24.020

				60.160	
		HYDRAULIC SYSTEM MONOBLOC BOOM 7,7 M			
		T 2444410 - 002 B 2444410 - 011			
		EXECCO 100101			
ITEM	QTY	MP	Part No.	Description	
001	1	00		22.402	2444950
				DISTRIBUTOR	
005	1	00	73177423	LINE	
006	2	00	73177424	LINE	
007	1	00	73177425	LINE	
008	1	00	73177426	LINE	
009	1	00	73177427	LINE	
010	2	00	73177428	LINE	
016	1	00	73171354	LINE	
017	1	00	73171355	LINE	
018	1	00	73171356	LINE	
019	1	00	73171357	LINE	
021	1	00	73177429	CLIP	
022	8	00	73170327	SEALING RING	
023	1	00	73177430	CLIP	
024	22	00	73170348	SEALING RING	
025	1	00	73170302	SOCKET	
027	1	00	73170471	SOCKET	



					60.160
HYDRAULIC SYSTEM MONOBLOC BOOM 7.7 M					
EXC00 100101					
T 2444410 - 002					
B 2444410 001					
QTY	UNIT	REF	Part No.	Description	
036	00	00	73170347	12-POINT SCREW	
039	32	00	73170328	12-POINT SCREW	
036	3	00	73171383	HEXAGON BOLT	
017	3	00	73170189	DISK WASHER	
709	7	00	73171364	HOSE	
701	1	00	73177431	HOSE	

C. 253 716 0001



**HYDRAULIC SYSTEM MONOBLOC BOOM 7,7M**

50.160

**MADE IN  
FRANCE  
FIATALLIX  
SPECIALIST**

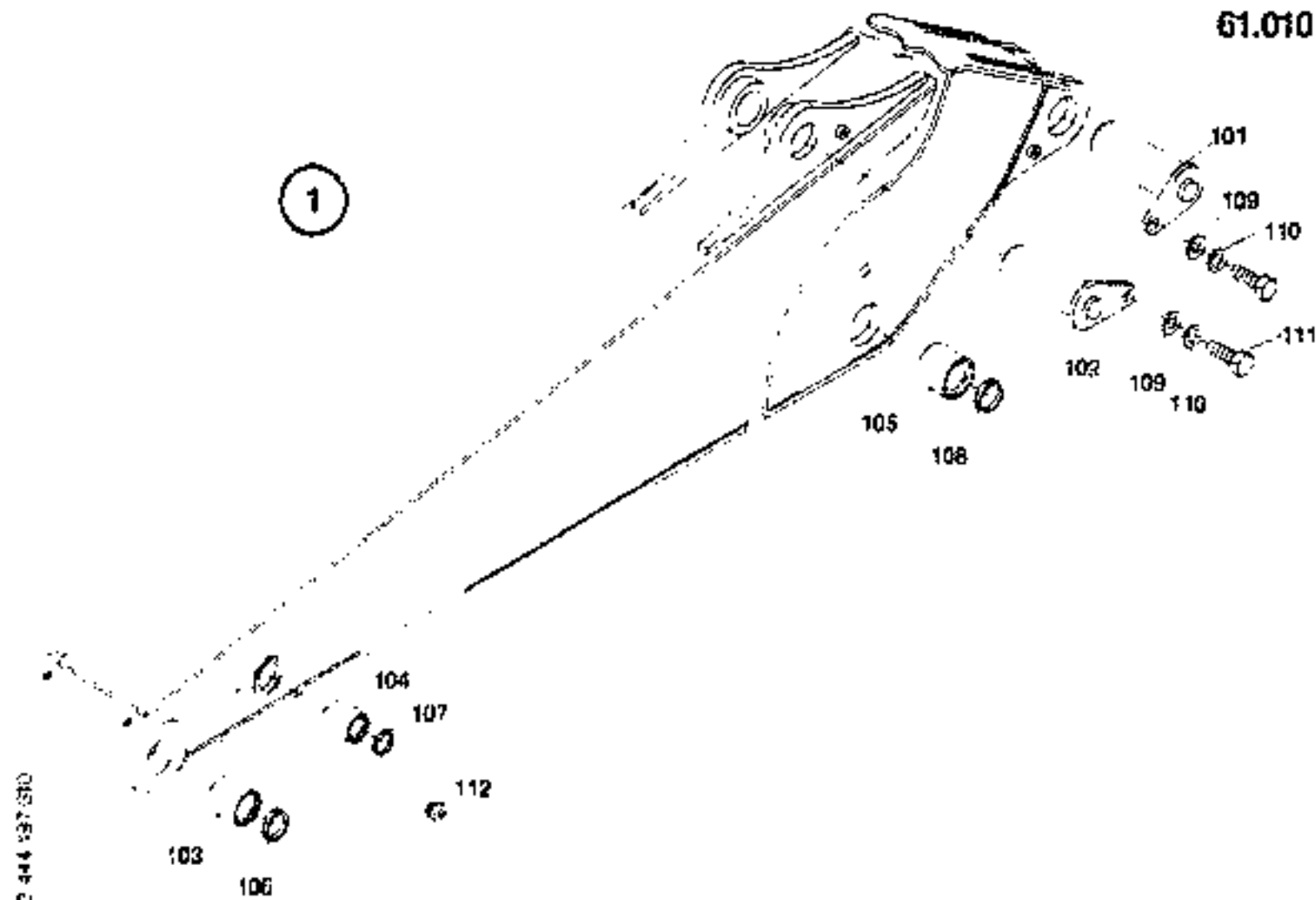
FXE00 100101

T 2783776 - 000

B 2783776 - 000

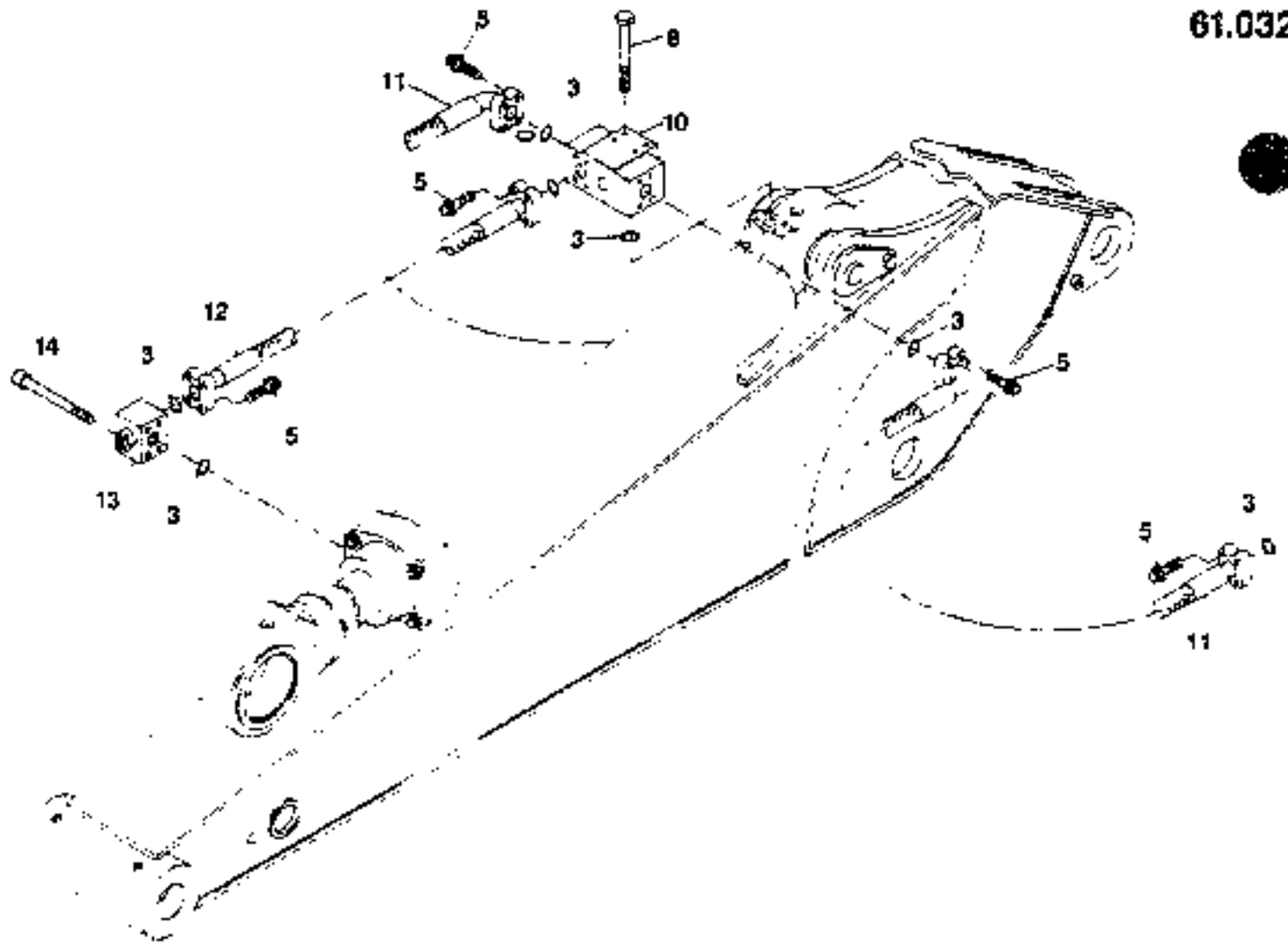
Ref	Quant	ME	Part No	Description
024	1	00	73171356	FLANGE
024	1	00	73170346	SEALING RING
029	4	00	73171367	HEXAGON BOLT
702	1	00	73177432	NOSE

61.010



				61.010
				T 2444187 - 001 B 2444197 - 010
				FY.600 106101 - .....
NOB	QUNT	ME	Part no.	DESCR CADA
001	1	00	73177876	STICK
101	1	00	73171387	PIN
102	1	00	73171388	PIN
103	2	00	73171389	BUSHING
104	2	00	73171390	BUSHING
105	2	00	73171391	BUSHING
106	2	00	73171392	SCRAPER
107	2	00	73171393	SCRAPER
108	2	00	73171394	SCRAPER
109	2	00	73170879	DISK WASHER
110	2	00	73170881	LOCK WASHER
111	2	00	73171345	HEXAGON BOLT
112	6	00	73170138	GREASE NIPPLE

61.032



2 496 882 010



## HYDRAULIC SYSTEM STICK 2.6M

61.032

FX600 106101 - .....

T 2496882 - 000

B 2496882 - 010

Item	Quan	ME	Part No	Description
003	7	00	73170346	SEALING RING
005	24	00	73170347	12-POINT SCREW
008	4	00	73171395	HEXAGON BOLT
010	1	00	73171386	DISTRIBUTOR
011	2	00	73177502	HOSE
012	1	00	73171387	HOSE
013	1	00	73171368	FLANGE
014	4	00	73171387	HEXAGON BOLT

ME 00 = Stück/piece 13 = m 26 = m<sup>2</sup> 33 = m<sup>3</sup> 43 = kg 50 = l (litro)

1999-09-10





## Dictionary / Dictionario / Wörterbuch / Dictionnaire / Dizionario

SURVEY

Machine type

FX800

Machine no.

English	German	Italian	French	Spanish
BUSHING	BUCHSE	BOSSOLO	BAGUE	CASQUILLO
CLIP	SCHELLE	FASCETTA	COLLIER	ABRAZADERA
COUPLING/CLUTCH	KUPPLUNG	FRIZIONE	ACCOUPLE/EMBAYAGE	EMBRAGUE
COVER	ABDECKUNG	COPERCHIO	REVETMENT	PROTECCION
CYL HEAD SCREW	ZYL-SCHRIB	VITE TESTA CIUNO.	VIS TETE CYLINDR.	TORN.CABEZA CIL.
DISK WASHER	SCHLEIBE	DISCO	RONDELLE	DISCO
DISTRIBUTOR	VERTEILER	DISTRIBUTORE	DISTRIBUTEUR	DISTRIBUIDOR
EYE BOLT	RINGSCHRIB	VITE ANULAREM	VIS A OEILLET	TORNILLO DE ANILLO
FLANGE	FLANSCH	FLANGIA	FLASQUE	BRICA
GREASE NIPPLE	SCHMIERNIPPEL	NIPPLO INGRASS.	GRAISSEUR	ENGRASADOR
GREASING SYSTEM	SCHMIERANLAGE	DISP.INGRASSAGIO	INST.DE GRAISSAGE	INST...LUBRIFICACION
HEXAGON BOLT	6KT-SCHRIB	VITE TESTA ESAGON	VIS TETE HEXAGONAL	TORN.DE CABE.EXAG.
HEXAGON NUT	6KT-MUTTER	DADO ESAGONALE	ECROU HEXAGONAL	TUERCA EXAGONAL
HOSE	SCHLAUCHLEITUNG	FLESSIBILE	FLEXIBLE	TUBO FLEXIBLE
HOUSING	GEHAUSE	CARTER	BOITIER	CARCAZA
HYDRAULIC SYSTEM	HYDRAULIKANLAGE	SISTEMA IDRAULICO	SYSTEM HYDRAULIQUE	SISTEMA HIDRAULICO
INSTALL MATERIAL	EINBAU	MONTAGGIO	MATERIEL MONTAGE	MONTAJE
LINE	LEITUNG	TUBAZIONE	TUYAU	TUBERIA
LOCK WASHER	FEDERING	ANELLO A MOLLA	ANNEAU RESSORT	ANILLO ELASTICO
MONO	MONO	MONO	MONO	MONO
MONOBLOC BOOM	MONOAUSLEGER	BRACCIO MONO	FLECHE MONOBLOC	MONOPLUMA
PIN	BOLZEN	BULLONE	BOULON	PERNO
PLATE	PLATTE	PIASTRA	PLAQUE	PLACA
PLUG	STOPFEN	TAPPO	BOUCHON	TAPON
PROTECTIVE PLUG	SCHUTZSTOPFEN	TAPPO	BOUCHON	TAPON
RING	RING	ANELLO	ANNEAU	ANILLO
SCRAPER	ABSTREIFER	PARAPOLVERE	RACLEUR	RECOJEDOR
SCREW PLUG	VERSCHLUSSSCHRAUBE	TAPPO A VITE	VIS DE FERMETURE	TORNILLO DE CIERRE
SEALING RING	DICHRING	ANELLO DI TENUTA	BAGUE D'ETANCHEITE	ANILLO JUNTA
SOCKET	STUTZEN	BUSSOLA	MANCHON	PITON
SREW PLUG	VERSCHLUSSSCHRIB	TAPPO A VITE	VIS DE FERMETURE	TORNILLO DE CIERRE
STICK	STIEL	MONTANTE	BRAS	MANGO
STRIP	LEISTE	LISTELLO	LISTEL	REGLETA
VALVE	VENTIL	VALVOLA	CLAPET	VALVULA
VERTEILERKLOTZ	VERTEILERKLOTZ	VERTEILERKLOTZ	VERTEILERKLOTZ	VERTEILERKLOTZ
12-POINT SCREW	12KT-SCHRIB	VITE POLIGONALE	VIS BHEXAGONALE	TORN BHEXAGONAL
12-POINT SCREW	12KT-SCHRIB	VITE POLIGONALE	VIS BHEXAGONALE	TORN BHEXAGONAL