



DX225LCA

Engine Power : SAE J1995, gross 116kW(155HP)@1,900rpm
SAE J1349, net 110kW(148HP)@1,900rpm

Operational Weight : 21,500kg(47,399 lb) - STD.

Bucket capacity(SAE) : 0.81 ~ 1.17m³(1.06 ~ 1.53 cu.yd)



Doosan DX225LCA Hydraulic Excavator : A New Model with Novel Features



DX225LCA

The new DX225LCA hydraulic excavator has all the advantages of the previous model, the Solar 225LC and now offers additional added value to the operator.

The key phrase used during the development of the DX225LCA was “giving optimum value to the end user.” This translates, in concrete terms, into :



Increased production and improved fuel economy thanks to electronic optimization of the hydraulic system and the improved DOOSAN engine.

Improved ergonomics, increased comfort and excellent all round visibility ensuring a safe and pleasant working environment.

Improved reliability through the use of high performance materials combined with new methods of structural stress analysis have lead to increased component life expectancy, thus reducing running costs.

Reduced maintenance increased the availability of the excavator and reduces running costs.

HANDLING

The hydraulic excavator's power, durability, ease of servicing and its precise control increase its effectiveness and life expectancy. With the DX225LCA, DOOSAN offers an excellent return on investment.



Multi-function Color LCD Monitor Panel

Choice of operating modes

- Power mode
- Standard: uses 85% engine power for all work
 - Power: uses 100% engine power for heavy work



Control lever

Very precise control of the equipment increases versatility, safety and facilitates tricky operations requiring great precision. Levelling operations and the movement of lifted loads in particular are made easier and safer. The control levers have additional electrical buttons for controlling other additional equipment (for example, grabs, crushers, grippers, etc.)

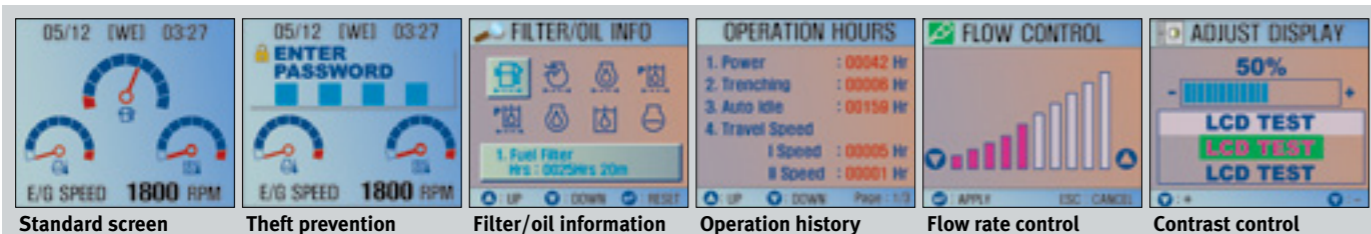
Warning lights

Operation modes

- Mode selection
- Flow rate control
- Auto deceleration
- Display selection

Control panel

With color LCD display



Standard screen Theft prevention function Filter/oil information Operation history Flow rate control Contrast control



Cellular phone box



12V Power socket



Cigarette lighter



Glass antenna

COMFORT

DX225LCA

The work rate of the hydraulic excavator is directly linked to the performance of its operator. DOOSAN designed the DX225LCA by putting the operator at the center of the development goals. The result is significant ergonomic value that improves the efficiency and safety of the operator.

More space, better visibility, air conditioning, a very comfortable seat... These are all elements that ensure that the operator can work for hours and hours in excellent conditions.

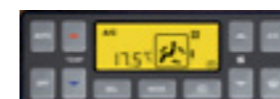


Control panel

Correct positioning with clear controls makes the operator's task easier.



Visibility has been improved in all directions and the size of the cab has been increased.



Rear Camera



MP3/CD Player (Optional)



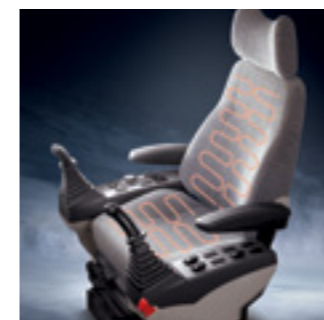
Audio Button

Audio Button has been positioned in a way that the driver can turn on/off the radio, control the volume, and select a channel conveniently.

The high performance air conditioning provides an air flow which is adjusted and electronically controlled for the conditions. Five operating modes enable even the most demanding operator to be satisfied.



Appropriate storage spaces show the attention given to the operator.



Air suspension seat (Opt.)

Equipped with various functions of adjustment forth and back and, and lumbar support, it reduces the vibration of equipment transmitted during work in an effective way. Also for considering winter working environment, Seat warmer functions equipped.



Comfortable 2-stage sliding seat

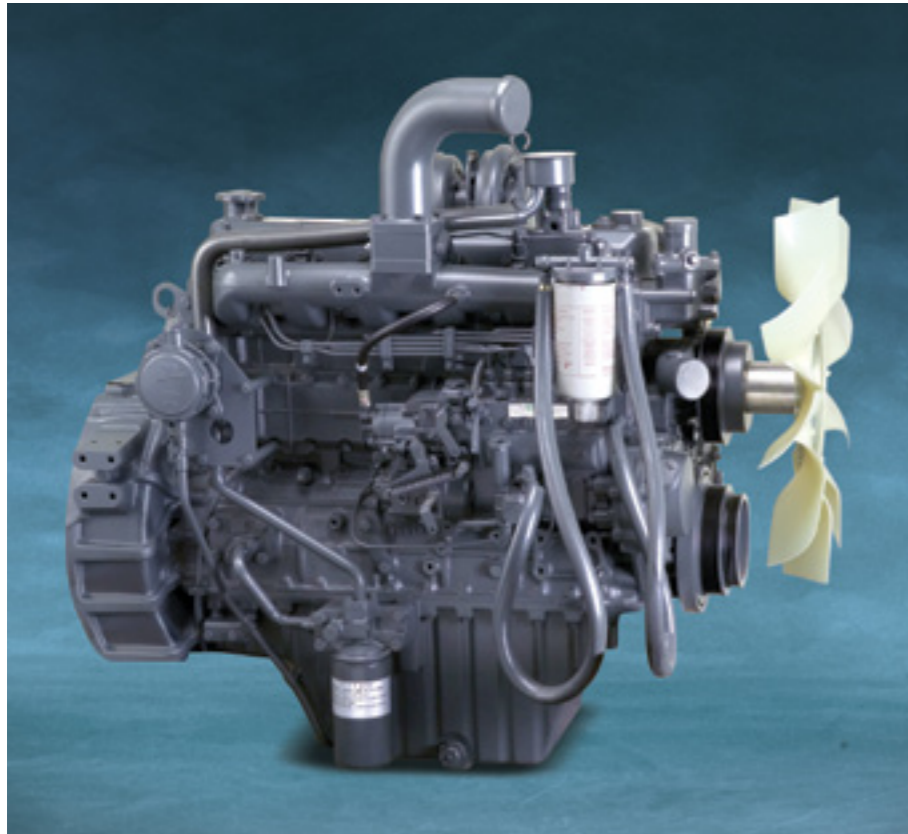


Control stand (Telescopic Function)

PERFORMANCE

DX225LCA

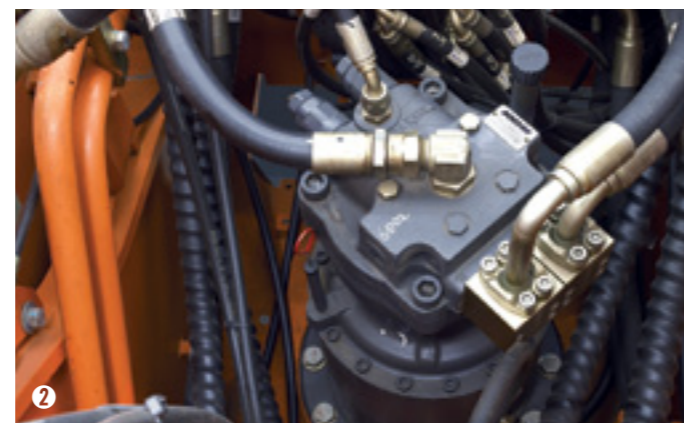
The performance of the DX225LCA has a direct effect on its productivity. Its new improved engine and new e-EPOS controlled hydraulic system have combined to create an unbeatable hydraulic excavator, with a cost/performance ratio that makes the DX225LCA even more appealing.



DOOSAN DB58TIS ENGINE

At the heart of the hydraulic excavator is the improved DOOSAN DB58TIS engine. It is combined with the new e-EPOS electronic control system, for optimum power and fuel saving.

- Better performance by improved engine
- Energy efficiency reduces fuel consumption



1 Hydraulic Pump

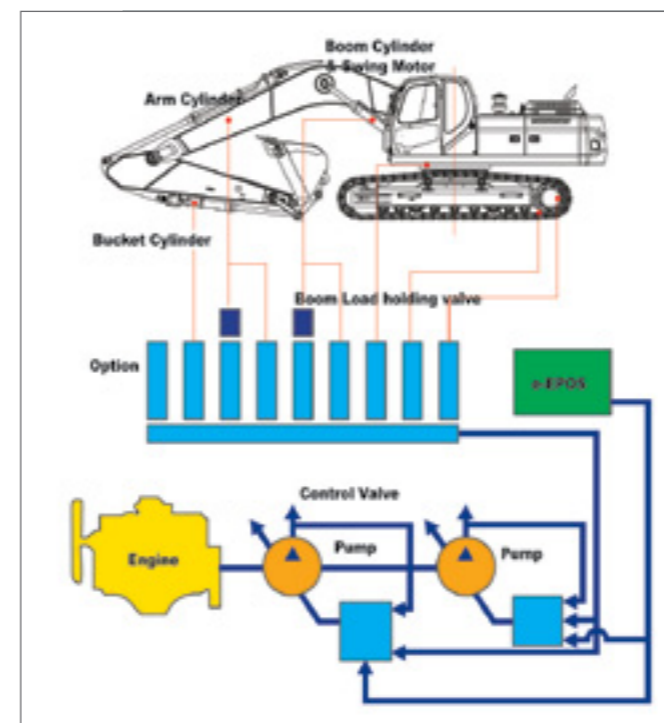
The Main pump has a capacity of 2x206.5 l/min reducing cycle time while a high capacity gear pump improves pilot line efficiency.

2 Swing drive

Shocks during rotation are minimized, while increased torque is available to ensure rapid cycles.

3 Travel device

New design travel device gets more performance by improving efficiency and simplification of the internal structure.



EXCAVATOR CONTROL

New e-EPOS system (Electronic Power Optimizing System)

The brains of the hydraulic excavator, the e-EPOS, have been improved, through a CAN (Controller Area Network) communication link, enabling a continuous exchange of information between the engine and the hydraulic system. These units are now perfectly synchronised.

The advantages of the new e-EPOS impacts at several levels, Ease of operation and user-friendliness:

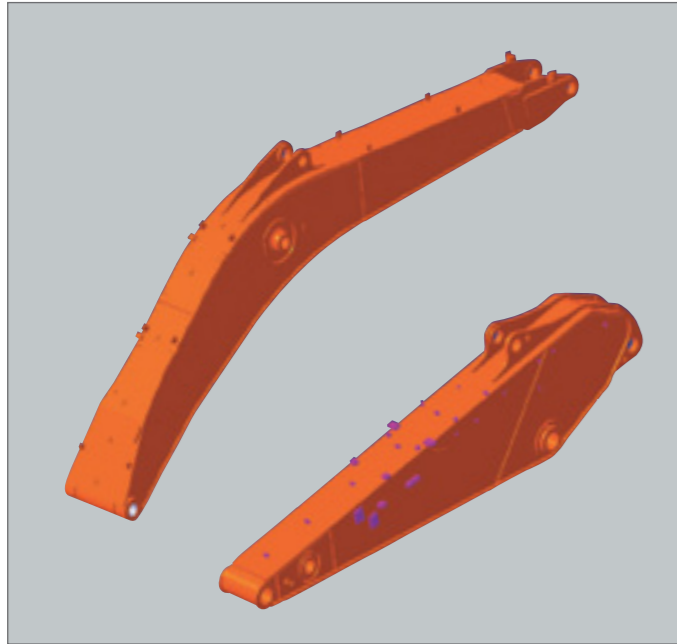
- The availability of a power mode and standard mode guarantee maximum efficiency under all conditions.
- The automatic deceleration mode enables fuel saving.
- Regulation and precise control of the flow rate required by the equipment are available as standard.
- A self-diagnosis function enables technical problems to be resolved quickly and efficiently.
- An operational memory provides a graphic display of the status of the machine.
- Maintenance and oil change intervals can be displayed.

RELIABILITY

DX225LCA

The reliability of an item of plant contributes to its overall lifetime operating costs. DOOSAN uses computer-assisted design techniques, highly durable materials and structures then test these under extreme conditions.

Durability of materials and longevity of structures are our first priorities.



Strengthened Boom

The Shape of the boom has been optimized by finite elements design, allowing the loads to be better distributed throughout the structure. This combined with increased material thickness means improved durability and reliability by limiting element fatigue.

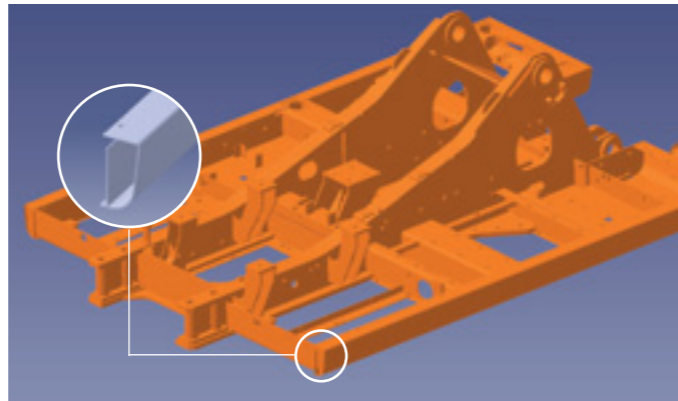
Arm Assembly

In the arm assembly greater strength has been gained by using cast elements and reinforcement around the bosses to give it an increased lifetime.



X-chassis

The X-chassis frame section has been designed using finite element and 3-dimensional computer simulation, to ensure greater durability and optimum structural integrity. The swing gear is solid and stable.



D-type Frame

The D-type frame and chassis frame add strength and minimize distortion due to shocks.



Sintered Bushing

A highly lubricated metal sintered bushing is used for all front pivot points in order to increase the lifetime and durability. Extend the greasing intervals to 250 hours.(except buck)



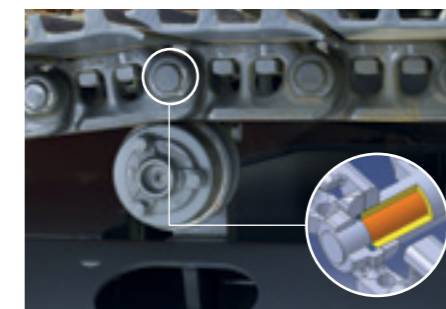
Ultra-hard wear-resistant disc

New materials have been used in order to increase the wear resistance and to increase the service intervals. The longevity is greatly increased by the addition of wear plates on the inside and outside of the bucket lugs.



Integrated Track Spring and Idler

The track spring and the idler have been joined directly to achieve high durability and improved maintenance convenience.



Tracks

The chain is composed of self-lubricating sealed links isolated from all external contamination. The tracks are locked by mechanically bolted pins.



Polymer shim

A polymer shim is added to the bucket pivot to maintain precise control over the equipment.

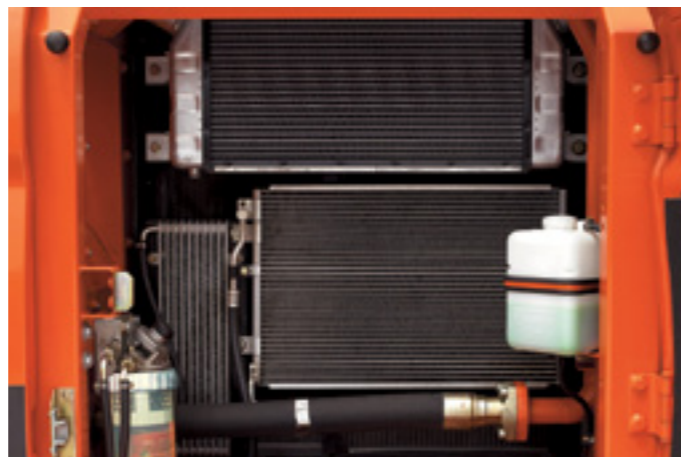
MAINTENANCE

DX225LCA

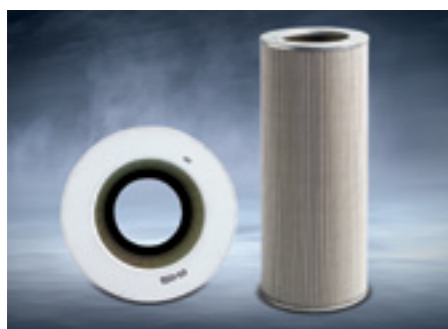
Short maintenance operations at long intervals increase the availability of the equipment on site. DOOSAN has developed the DX225LCA with a view to high profitability for the user.



Engine oil filter
The engine oil filter offers a high level of filtration allowing the oil change interval to be increased to 500 hours. It is easy to access and is positioned to avoid contaminating the surrounding environment.



Easy maintenance
Access to the various radiators is very easy, making cleaning easier. Access to the various parts of the engine is from the top and via side panels.



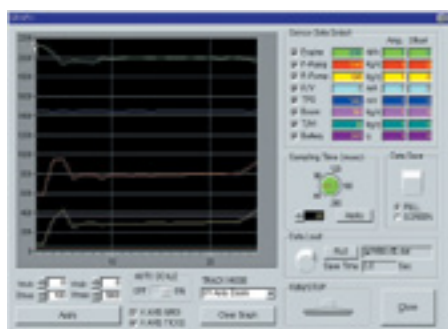
Hydraulic oil return filter
The protection of the hydraulic system is made more effective by the use of glass fiber filter technology in the main oil return filter. This means that with more than 99.5% of foreign particles filtered out, the oil change interval is increased.



Air cleaner
The large capacity forced air cleaner removes over 99% of airborne particles, reducing the risk of engine contamination and making the cleaning and cartridge change intervals greater.



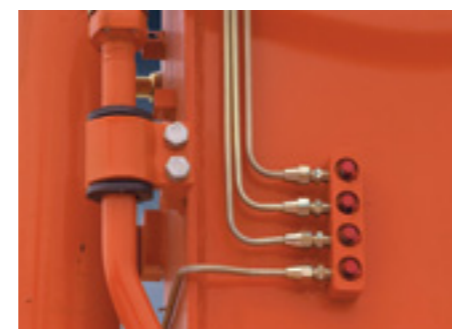
Water separator
High efficiency and large capacity water separator protect the engine by removing most moisture from the fuel.



PC Monitoring (DMS)
A PC monitoring function enables connection to the e-EPOS system, allowing various parameters to be checked during maintenance, such as pump pressures, engine rotation speed, etc. and these can be stored and printed for subsequent analysis.



Convenient Fuse Box
The fuse box is conveniently located in a section of the storage compartment behind the operator's seat providing a clean environment and easy access.



Centralized grease inlets for easy maintenance
The arm grease inlets are grouped for easy access.



TECHNICAL SPECIFICATIONS

DX225LCA

* ENGINE

• Model	Doosan DB58TIS 4 valves per cylinder, vertical injectors, water cooled, turbo charged with air to air intercooler. The emission levels are well below the values required for phase II.
• Number of cylinders	6
• Nominal flywheel power	116 kW(155 HP) @ 1,900 rpm (SAE J1995, gross) 110 kW(148 HP) @ 1,900 rpm (SAE J1349, net)
• Max torque	61.5 kgf.m(603 Nm) at 1,400 rpm
• Piston displacement	5,785 cc (353 cu.in)
• Bore & stroke	102 mm x 118 mm (4.0" X 4.6")
• Starter	24 V / 4.5 kW
• Batteries	2 x 12 V / 100 Ah
• Air cleaner	Double element with auto dust evacuation.

* WEIGHT

Boom 5,700 mm (18'8") • Arm 2,900 mm (9'6") • Bucket SAE 0.92 m³ (1.20 yd³)

	Shoe width	Operating weight	Ground pressure (kgf/cm ²)
Triple Grouser	(Std)600 mm (2')	21,500 kg (47,399 lb)	0.45 kgf/cm ² (44 kpa, 6.40 psi)
	700 mm (2'4")	21,800 kg (48,060 lb)	0.40 kgf/cm ² (39 kpa, 5.69 psi)
	800 mm (2'8")	22,100 kg (48,721 lb)	0.35 kgf/cm ² (34 kpa, 4.78 psi)
	900 mm (2'11")	22,400 kg (49,383 lb)	0.31 kgf/cm ² (30 kpa, 4.41 psi)

* HYDRAULIC SYSTEM

The heart of the system is the e-EPOS (Electronic Power Optimizing System). It allows the efficiency of the system to be optimized for all working conditions and minimizes fuel consumption.

- The hydraulic system enables independent or combined operations.
- Two travel speeds offer either increased torque or high speed tracking.
- Cross-sensing pump system for fuel savings.
- Auto deceleration system.
- Two operating modes, two power modes.
- Button control of flow in auxiliary equipment circuits.
- Computer-aided pump power control.

• Main pumps	2 variable displacement axial piston pumps Max flow: 2 x 206.5 l /min (2 X 55 US gpm, 2 X 45 Imp gpm)
• Pilot pump	Gear pump - max flow: 28.5 l /min (7.5 US gpm, 6.3 Imp gpm)
• Maximum system pressure	Boom/arm/Bucket: Normal mode: 330 kgf/cm ² (324 bar) Power mode: 350 kgf/cm ² (343 bar) Travel: 330 kgf/cm ² (324 bar) Swing: 270 kgf/cm ² (264 bar)

* HYDRAULIC CYLINDERS

The piston rods and cylinder bodies are made of high-strength steel. A shock absorbing mechanism is fitted in all cylinders to ensure shock-free operation and extend piston life.

Cylinders	Quantity	Bore x Rod diameter x stroke
Boom	2	125 X 85 X 1,260mm(4.9" X 3.3" X 4'2")
Arm	1	140 X 100 X 1,450mm(5.5" X 3.9" X 4'9")
Bucket	1	120 X 80 X 1,630mm(4.7" X 3.1" X 5'4")

* UNDERCARRIAGE

Chassis are of very robust construction, all welded structures are designed to limit stresses.

High-quality material used for durability.

Lateral chassis welded and rigidly attached to the undercarriage.

Track rollers lubricated for life, idlers and sprockets fitted with floating seals.

Tracks shoes made of induction-hardened alloy with double grouser.

Heat-treated connecting pins.

Hydraulic track adjuster with shock-absorbing tension mechanism.

• Number of rollers and track shoes per side	Upper rollers: 2 (standard shoes) Lower rollers: 9 Shoes: 49 Total length of track: 4,445mm (14'7")
---	--

* ENVIRONMENT

Noise levels comply with environmental regulations (dynamic values).

• Sound level guarantee	103 dB(A) (2000/14/EC)
• Cab sound level	73 dB(A) (ISO 6396)

* BUCKET

Bucket Type	Capacity (m ³)	Width (mm)	Bucket Weight (kg)	Recommendation				
				4.1ton C/W				5.3ton C/W
				5.2m Boom	5.7m Boom		8.5m Boom	
SAE/PCSA, heaped	W/O Cutter	2.4m Arm	2.4m Arm	2.9m Arm	3.5m Arm	6.2m Arm		
GP	0.39	736	330		X	X	X	A
	0.51	722	529	A	A	A	A	X
	0.81	1,064	654	A	A	A	A	X
	0.92	1,172	697	A	A	A	A	X
	1.05	1,308	751	A	A	A	B	X
	1.17	1,428	809	A	A	B	C	X
	1.28	1,542	848	A	B	C	D	X
H-CLASS	0.60	750	651	A	A	A	A	X
	0.76	900	722	A	A	A	A	X
	0.92	1,050	813	A	A	A	B	X
	1.08	1,200	884	A	A	B	C	X
	1.24	1,350	955	A	B	C	D	X
	1.35	1,450	1,023	B	C	D	D	X
	1.40	1,500	1,046	B	C	D	X	X
1.51	1,600	1,114	C	C	D	X	X	

Based on ISO 10567 and SAE J296, Arm length without quick change clamp
A : Suitable for materials with density of 2,100kg/m³ (3,500lb/yd³) or less
B : Suitable for materials with density of 1,800kg/m³ (3,000lb/yd³) or less
C : Suitable for materials with density of 1,500kg/m³ (2,500lb/yd³) or less
D : Suitable for materials with density of 1,200kg/m³ (2,000lb/yd³) or less
X : Not Recommended

* SWING MECHANISM

- An axial piston motor with two-stage planetary reduction gear is used for the swing.
- Increased swing torque reduces swing time.
- Internal induction-hardened gear.
- Internal gear and pinion immersed in lubricant bath.
- The swing brake for parking is activated by spring and released hydraulically.

Swing speed: 0 to 11.0 rpm

* DRIVE

Each track is driven by an independent axial piston motor through a planetary reduction gearbox.

Two levers with control pedals guarantee smooth travel with counter-rotation on demand.

• Travel speed (fast/slow)	5.5/3.0km/h (3.4/1.9mph)
• Maximum traction force	11,700 / 22,200 kgf (25,794 / 48,942 lbf)
• Maximum grade	35° / 70%

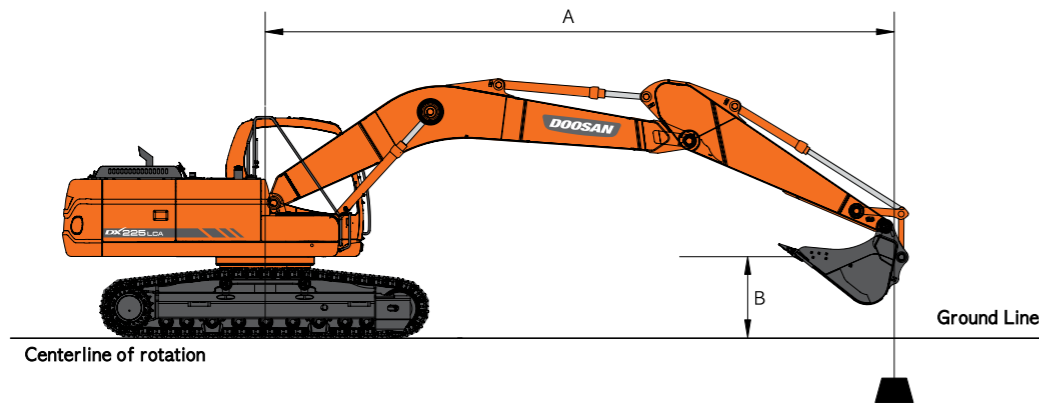
* REFILL CAPACITIES

• Fuel tank	400 l (105.7 US gal, 88 Imp gal)
• Cooling system (Radiator capacity)	24 l (6.3 US gal, 5.3 Imp gal)
• Engine oil	27 l (7.1 US gal, 5.9 Imp gal)
• Swing drive	5 l (1.32 US gal, 1.1 Imp gal)
• Final drive (each)	3.3 l (0.87 US gal, 0.73 Imp gal)
• Hydraulic system	330 l (87 US gal, 73 Imp gal)
• Hydraulic tank	240 l (63.4 US gal, 52.8 Imp gal)

This bucket recommendation is based on machine stability considering the tipping load with certain density of handling material, and should be strictly followed. It's more recommendable to use a smaller size of bucket than recommendation under the severe working condition and application to avoid the durability risks.

LIFTING CAPACITY

DX225LCA



STANDARD CONFIGURATION

Metric Boom : 5,700mm(18'8") Arm : 2,900mm(9'6") Bucket : SAE 0.92m³(1.2yd³) CECE 0.8m³(1.1yd³) Shoe : 600mm(2') Unit : 1,000kg

A(m)	2		3		4		5		6		7		8		Max. Reach		A(m)	
	⬇️	⬅️	⬇️	⬅️	⬇️	⬅️	⬇️	⬅️	⬇️	⬅️	⬇️	⬅️	⬇️	⬅️	⬇️	⬅️		
B(m)																		
8																*3.42	*3.42	5.94
7																*3.31	*3.31	6.85
6																*4.53	*4.53	7.51
5																*4.87	*4.87	7.99
4																*5.95	*5.95	8.32
3																*6.92	*6.92	8.52
2																*7.08	*7.08	8.60
1																*7.08	*7.08	8.56
O (Ground)	*3.08	*3.08	*6.66	*6.66	*11.94	*11.94	*8.57	*8.57	*6.92	*6.92	*5.97	*5.97	*4.64	*4.64	*5.36	*5.36	8.40	
-1	*5.53	*5.53	*8.59	*8.59	*12.03	7.77	9.40	5.51	6.98	4.19	5.49	3.33	4.48	2.73	4.39	2.67	8.11	
-2	*7.92	*7.92	*11.11	*11.11	*11.71	7.77	*9.28	5.48	6.96	4.17	5.48	3.32			4.76	2.90	7.69	
-3	*10.58	*10.58	*14.12	*12.89	*10.99	7.82	*8.81	5.51	6.98	4.19	5.51	3.35			5.41	3.29	7.09	
-4	*13.78	*13.78	*12.36	*12.36	*9.77	7.94	*7.86	5.59	*6.29	4.26					*5.86	4.00	6.28	
-5			*9.77	*9.77	*7.80	*7.80	*6.10	5.75							*5.85	5.50	5.35	

Feet

Unit : 1,000lb

A(ft)	10'		15'		20'		25'		Max. Reach		A(ft)		
	⬇️	⬅️	⬇️	⬅️	⬇️	⬅️	⬇️	⬅️	⬇️	⬅️			
B(ft)													
25											*7.41	*7.41	20.73
20											*9.94	*9.94	24.45
15											*11.10	10.46	26.73
10											*12.94	10.00	27.93
5											*13.83	*13.83	28.20
O (Ground)	*15.25	*15.25	*22.52	14.09	15.16	9.16	10.71	6.53	9.21	5.61	27.56		
-5	*22.18	*22.18	*22.80	13.87	14.97	9.00	10.63	6.46	10.05	6.12	25.95		
-10	*30.58	27.61	*21.20	13.95	15.02	9.03			12.02	7.31	23.15		
-15	*23.99	*23.99	*17.02	14.32					*12.97	10.35	18.64		
-20									*7.41	*7.41	20.73		

- Ratings are based on SAE J1097
- The load point is a hook located on the back of the bucket.
- * Rated loads are based on hydraulic capacity.
- Rated loads do not exceed 87% of hydraulic capacity or 75% of tipping capacity.

⬇️ : Rating Over Front

⬅️ : Rating Over Side or 360 degree

Option 1

Metric Boom : 5,700mm(18'8") Arm : 2,400mm(7'7") Bucket : SAE 1.05m³(1.4yd³) CECE 0.9m³(1.2yd³) Shoe : 600mm(2') Unit : 1,000kg

A(m)	2		3		4		5		6		7		8		Max. Reach		A(m)		
	⬇️	⬅️	⬇️	⬅️	⬇️	⬅️	⬇️	⬅️	⬇️	⬅️	⬇️	⬅️	⬇️	⬅️	⬇️	⬅️			
B(m)																			
7																	*4.47	*4.47	6.29
6																	*4.46	3.80	7.00
5																	*5.06	4.98	7.52
4																	*5.37	4.88	7.87
3																	*5.13	3.77	8.08
2																	*5.84	4.76	8.17
1																	*5.77	4.88	8.12
O (Ground)																	*10.28	*10.28	7.96
-1	*5.52	*5.52	*8.70	*8.70	*11.96	7.84	9.45	5.56	7.03	4.24	5.54	3.39				*9.51	8.64	7.65	
-2	*8.80	*8.80	*12.21	*12.21	*11.41	7.87	*9.16	5.56	7.03	4.24	5.56	3.40				*7.52	6.12	7.20	
-3	*12.33	*12.33	*13.09	*13.09	*10.45	7.95	*8.47	5.61	*6.88	4.29						*8.41	5.89	6.56	
-4	*13.90	*13.90	*11.03	*11.03	*8.93	8.10	*7.19	5.72								*6.95	4.48	5.67	
-5																	*11.86	7.99	4.38

Feet

Unit : 1,000lb

A(ft)	10'		15'		20'		25'		Max. Reach		A(ft)			
	⬇️	⬅️	⬇️	⬅️	⬇️	⬅️	⬇️	⬅️	⬇️	⬅️				
B(ft)														
25												*10.05	*10.05	18.74
20												*9.78	8.49	22.79
15												*11.11	10.66	25.22
10												*12.15	10.38	26.49
5												*13.87	9.95	26.78
O (Ground)	*13.18	*13.18	*23.02	14.13	15.22	9.23	10.80	6.62	10.11	6.21	26.10			
-5	*23.57	*23.57	*22.63	14.03	15.11	9.13			11.18	6.85	24.39			
-10	*28.35	28.06	*20.29	14.20	*14.76	9.24			*13.35	8.41	21.39			
-15	*20.56	*20.56	*14.76	14.69					*13.15	12.87	16.39			

Option 2

Metric Boom : 5,700mm(18'8") Arm : 3,500mm(11'6") Bucket : SAE 0.81m³(1.1yd³) CECE 0.7m³(0.9yd³) Shoe : 600mm(2') Unit : 1,000kg

A(m)	2		3		4		5		6		7		8		9		Max. Reach		A(m)		
	⬇️	⬅️	⬇️	⬅️	⬇️	⬅️	⬇️	⬅️	⬇️	⬅️	⬇️	⬅️	⬇️	⬅️	⬇️	⬅️	⬇️	⬅️			
B(m)																					
8																			*2.97	*2.97	6.61
7																			*3.54	*3.54	7.43
6																			*4.04	3.92	8.04
5																			*4.24	3.86	8.49
4																			*4.57	3.77	8.81
3																			*4.39	2.99	9.00
2																			*9.80	*9.80	9.00
1																			*13.13	*13.13	9.07
O (Ground)	*3.76	*3.76	*7.64	*7.64	*11.54	7.85	*8.87	5.59	7.05	4.25	5.53	3.36	4.49	2.73	3.77	2.29	3.82	3.82	2.31	8.88	
-1	*5.45	*5.45	*8.73	*8.73	*11.93	7.71	*9.25	5.47	6.95	4.16	5.46	3.30	4.45	2.69			3.98	2.41	8.61		
-2	*7.33	*7.33	*10.55	*10.55	*11.87	7.66	9.30	5.41	6.90	4.12	5.43	3.27	4.44	2.68			4.27	2.58	8.21		
-3	*9.47	*9.47	*13.01	12.64	*11.41	7.68	*9.06	5.41	6.90	4.11	5.43	3.28					4.75	2.88	7.66		
-4	*12.02	*12.02	*13.59	12.79	*10.51	7.76	*8.40	5.46	*6.83	4.15							5.59	3.39	6.91		
-5	*15.24	*15.24	*11.49	*11.49	*9.01	7.91	*7.19	5.57									*5.77	4.36	5.91		
-6			*8.30	*8.30	*6.51	*6.51											*5.75	*5.75	4.46		

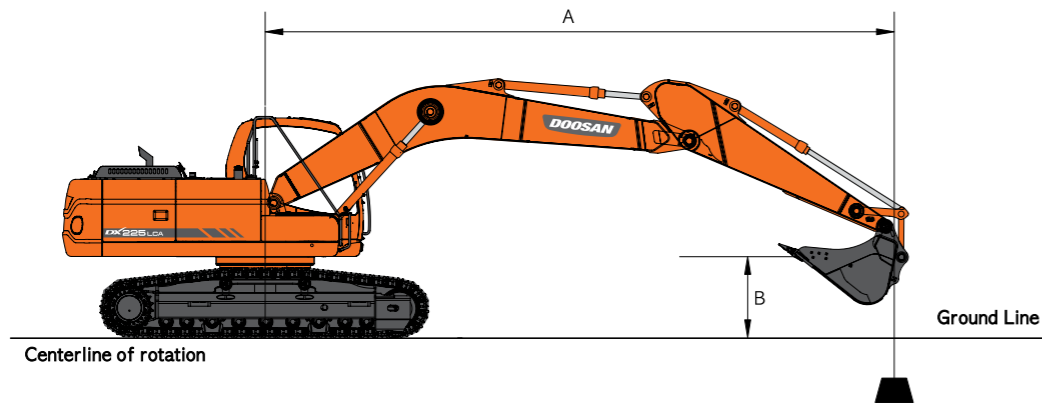
Feet

Unit : 1,000lb

A(ft)	10'		15'		20'		25'		Max. Reach		A(ft)			
	⬇️	⬅️	⬇️	⬅️	⬇️	⬅️	⬇️	⬅️	⬇️	⬅️				
B(ft)														
25												*6.45	*6.45	22.80
20												*7.80	7.43	26.22
15												*9.93	*9.93	28.35
10												*11.86	10.14	29.49
5												*14.55	*14.55	29.75
O (Ground)	*17.48	*17.48	*21.70	14.10	15.16	9.15	10.68	6.50	8.42	5.09	29.14			
-5	*21.68	*21.68	*22.73	13.73	14.88	8.90	10.54	6.37	9.07	5.48	27.62			
-10	*29.55	27.07	*21.90	13.70	14.83	8.86	10.56	6.39	10.55	6.38	25.02			
-15	*27.18	*27.18	*18.87	13.96	*13.48	9.06			*12.58	8.49	20.92			
-20									*12.60	*12.60	14.05			

LIFTING CAPACITY

DX225LCA



Option 3

Metric Boom : 5,200mm(17'1") Arm : 2,000mm(6'7") Bucket : SAE 1.28m³ (1.7yd³) CECE 1.1m³ (1.4yd³) Shoe : 600mm(2') Unit : 1,000kg

B(m)	2		3		4		5		6		7		Max. Reach		A(m)	
	⬇️	⬇️	⬇️	⬇️	⬇️	⬇️	⬇️	⬇️	⬇️	⬇️	⬇️	⬇️	⬇️			
7														*5.89	*5.89	4.99
6							*5.82	*5.82						*5.80	5.04	5.87
5							*6.21	*6.21	*5.89	4.82				*5.83	4.23	6.48
4			*10.34	*10.34	*8.08	*8.08	*6.92	6.35	*6.25	4.73				*5.91	3.77	6.88
3					*9.68	8.71	*7.79	6.14	*6.73	4.62	5.79	3.61		5.62	3.50	7.12
2					*11.12	8.35	*8.63	5.94	*7.23	4.51	5.72	3.55		5.45	3.38	7.22
1					*12.00	8.12	*9.26	5.79	7.22	4.41	5.66	3.49		5.45	3.37	7.17
O (Ground)			*9.19	*9.19	*12.26	8.01	*9.57	5.70	7.15	4.35				5.65	3.48	6.98
-1	*8.39	*8.39	*13.56	13.10	*12.00	7.99	*9.50	5.66	7.12	4.33				6.10	3.74	6.63
-2	*13.15	*13.15	*14.30	13.21	*11.25	8.04	*8.99	5.69	7.15	4.35				6.98	4.25	6.10
-3	*15.73	*15.73	*12.39	*12.39	*9.88	8.16	*7.83	5.78						*7.19	5.27	5.33
-4			*9.39	*9.39	*7.41	*7.41								*7.06	*7.06	4.17

Feet

Unit : 1,000lb

B(ft)	10'		15'		20'		Max. Reach		A(ft)
	⬇️	⬇️	⬇️	⬇️	⬇️	⬇️	⬇️	⬇️	
20							*12.80	11.35	19.03
15			*14.93	*14.93	*13.21	10.28	*12.92	8.82	21.89
10			*18.52	15.60	*14.62	9.95	12.43	7.75	23.35
5			*21.85	14.79	15.63	9.59	11.96	7.40	23.67
O (Ground)	*21.17	*21.17	*23.31	14.37	15.37	9.36	12.46	7.66	22.90
-5	*32.59	28.15	*22.52	14.32	15.34	9.34	14.31	8.75	20.93
-10	*26.76	*26.76	*18.94	14.59			*15.86	11.77	17.32
-15	*22.52	*22.52					*15.76	14.73	13.68
-20	*26.50	*26.50	*19.23	*19.23					

Option 4

Metric Boom : 5,200mm(17'1") Arm : 2,400mm(7'10") Bucket : SAE 1.28m³ (1.7yd³) CECE 1.1m³ (1.4yd³) Shoe : 600mm(2') Unit : 1,000kg

B(m)	2		3		4		5		6		7		Max. Reach		A(m)		
	⬇️	⬇️	⬇️	⬇️	⬇️	⬇️	⬇️	⬇️	⬇️	⬇️	⬇️	⬇️	⬇️				
7														*4.38	*4.38	5.56	
6									*5.31	4.93				*4.31	*4.31	6.36	
5								*5.72	*5.72	*5.49	4.88			*4.37	3.82	6.92	
4							*7.37	*7.37	*6.46	6.44	*5.90	4.79	*5.57	3.71	*4.53	3.44	7.30
3				*12.40	*12.40	*9.02	8.89	*7.38	6.23	*6.43	4.67	*5.83	3.64	*4.78	3.22	7.53	
2				*9.97	*9.97	*10.61	8.51	*8.31	6.03	*6.99	4.55	5.75	3.58	5.01	3.11	7.62	
1				*7.93	*7.93	*11.73	8.24	*9.06	5.86	7.26	4.45	5.68	3.51	5.02	3.10	7.58	
O (Ground)	*4.31	*4.31	*9.47	*9.47	*12.25	8.09	*9.50	5.74	7.17	4.37	5.63	3.47		5.17	3.19	7.40	
-1	*7.70	*7.70	*12.35	*12.35	*12.22	8.03	*9.59	5.69	7.13	4.33	5.62	3.45		5.53	3.40	7.07	
-2	*11.15	*11.15	*15.20	13.21	*11.69	8.05	*9.27	5.69	7.13	4.34				6.20	3.80	6.57	
-3	*15.22	*15.22	*13.54	13.36	*10.59	8.13	*8.42	5.74						*6.83	4.55	5.86	
-4	*14.19	*14.19	*10.97	*10.97	*8.64	8.29								*6.90	6.16	4.84	

Feet

Unit : 1,000lb

B(ft)	10'		15'		20'		Max. Reach		A(ft)
	⬇️	⬇️	⬇️	⬇️	⬇️	⬇️	⬇️	⬇️	
20							*10.85	10.57	20.66
15					*13.70	*13.70	*12.39	10.41	23.31
10	*26.46	*26.46	*17.42	15.85	*13.98	10.06	*10.50	7.12	24.69
5	*19.51	*19.51	*21.15	15.00	*15.72	9.68	11.02	6.83	24.99
O (Ground)	*21.71	*21.71	*23.19	14.50	15.42	9.41	11.41	7.04	24.27
-5	*32.31	28.18	*23.02	14.36	15.32	9.32	12.86	7.90	22.42
-10	*29.26	28.61	*20.32	14.52			*15.06	10.13	19.10
-15	*19.26	*19.26					*14.84	*14.84	13.24
-20	*26.50	*26.50	*19.23	*19.23					

Option 5

Metric Boom : 5,700mm(18'8") Arm : 2,900mm(9'6") Bucket : SAE 0.93m³ (1.2yd³) CECE 0.8m³ (1.0yd³) Shoe : 800mm(2'8") Unit : 1,000kg

B(m)	2		3		4		5		6		7		8		9		Max. Reach		A(m)		
	⬇️	⬇️	⬇️	⬇️	⬇️	⬇️	⬇️	⬇️	⬇️	⬇️	⬇️	⬇️	⬇️	⬇️	⬇️	⬇️	⬇️				
8																		*3.42	*3.42	5.94	
7																		*3.31	*3.31	6.85	
6									*4.53	*4.53	*4.39	3.94			*4.53			*3.30	*3.30	7.51	
5									*4.87	*4.87	*4.69	3.89			*4.87			*3.36	3.08	7.99	
4								*5.95	*5.95	*5.37	4.92	*4.99	3.82	*4.50	30.4			*5.37	*3.48	2.83	8.32
3				*11.94	*11.94	*8.57	*8.57	*6.92	6.34	*5.97	4.76	*5.36	3.72	4.81	2.98	*5.97		*3.65	2.67	8.52	
2				*7.08	*7.08	*10.19	8.57	*7.89	6.09	*6.58	4.61	*5.75	3.63	4.75	2.93	*6.58		*3.89	2.59	8.60	
1				*5.62	*5.62	*11.36	8.24	*8.69	5.88	*7.11	4.48	5.78	3.54	4.69	2.87	*7.11		4.22	2.58	8.56	
O (Ground)	*3.08	*3.08	*6.66	*6.66	*11.94	8.06	*9.21	5.74	7.26	4.38	5.70	3.47	4.64	2.83	7.26			4.31	2.63	8.40	
-1	*5.53	*5.53	*8.59	*8.59	*12.03	7.98	*9.41	5.66	7.19	4.32	5.66	3.43	4.62	2.81	7.19			4.53	2.75	8.11	
-2	*7.92	*7.92	*11.11	*11.11	*11.71	7.98	*9.28	5.64	7.16	4.29	5.65	3.42			7.16			4.91	2.99	7.69	
-3	*10.58	*10.58	*14.12	13.22	*10.99	8.04	*8.81	5.66	7.19	4.31	5.68	3.45			7.19			5.57	3.39	7.09	
-4	*13.78	*13.78	*12.36	*12.36	*9.77	8.15	*7.86	5.74	*6.29	4.39					*6.29			*5.86	4.11	6.28	
-5			*9.77	*9.77	*7.80	*7.80	*6.10	5.90										*5.85	5.65	5.15	

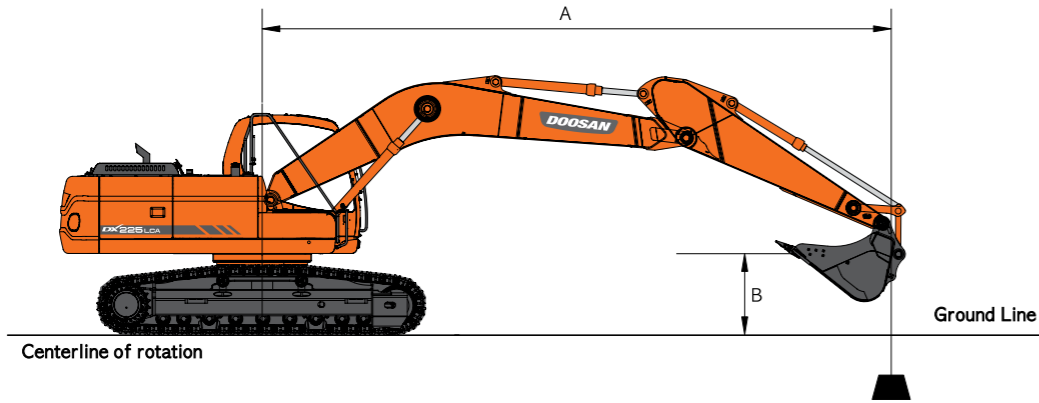
Feet

Unit : 1,000lb

B(ft)	10'		15'		20'		25'		Max. Reach		A(ft)
	⬇️	⬇️	⬇️	⬇️	⬇️	⬇️	⬇️	⬇️	⬇️		
25							*8.41	*8.41			20.73
20							*9.94	*9.94			24.45
15							*11.10	10.72	*10.37	7.36	26.73
10	*25.44	*25.44	*16.42	16.11	*12.94	10.26	*11.19	7.15	*8.03	5.91	27.93
5	*13.83	*13.83	*20.28	15.10	*14.86	9.78	11.23	6.91	*8.91	5.68	28.20
O (Ground)	*15.25	*15.25	*22.52	14.47	15.61	9.43	11.03	6.73	9.50	5.79	27.56
-5	*22.18	*22.18	*22.80	14.26	15.42	9.26	10.95	6.66	10.37	6.31	25.95
-10	*30.58	28.32	*21.20	14.34	15.46	9.29			12.38	7.53	23.15
-15	*23.99	*23.99	*17.02	14.70					*12.97	10.63	18.64

LIFTING CAPACITY

DX225LCA



Option 6

Metric Boom : 5,700mm(18'8") Arm : 2,400mm(7'11") Bucket : SAE 1.05m³ (1.4yd³) CECE 0.9m³ (1.2yd³) Shoe : 800mm(2'8") Unit : 1,000kg

B(m)	2		3		4		5		6		7		8		Max. Reach		A(m)
	⬇️	⬇️	⬇️	⬇️	⬇️	⬇️	⬇️	⬇️	⬇️	⬇️	⬇️	⬇️	⬇️	⬇️	⬇️		
7									*5.03	*5.03					*4.47	*4.47	6.29
6									*5.06	*5.06	*4.46	3.90			*4.44	3.89	7.00
5								*5.77	*5.77	*5.37	5.00	*5.13	3.87		*4.51	3.42	7.52
4			*10.28	*10.28	*7.83	*7.83	*6.58	6.51	*5.84	4.88	*5.37	3.80			*4.66	3.12	7.87
3					*9.51	8.85	*7.52	6.27	*6.40	4.74	*5.70	3.72	4.81	2.99	4.73	2.94	8.08
2					*10.98	8.45	*8.41	6.04	*6.95	4.60	5.88	3.64	4.76	2.95	4.61	2.85	8.17
1					*11.86	8.20	*9.07	5.87	7.37	4.49	5.80	3.56	4.72	2.90	4.61	2.84	8.12
O (Ground)			*5.72	*5.72	*12.14	8.08	*9.43	5.76	7.28	4.41	5.74	3.51			4.73	2.90	7.96
-1	*5.52	*5.52	*8.70	*8.70	*11.96	8.05	*9.46	5.71	7.24	4.36	5.71	3.49			5.00	3.07	7.65
-2	*8.80	*8.80	*12.21	*12.21	*11.41	8.08	*9.16	5.71	7.24	4.36	5.72	3.50			5.49	3.36	7.20
-3	*12.33	*12.33	*13.09	*13.09	*10.45	8.16	*8.47	5.77	*6.88	4.41					*6.05	3.89	6.56
-4	*13.90	*13.90	*11.03	*11.03	*8.93	8.31	*7.19	5.88							*6.08	4.90	5.67
-5					*6.36	*6.36									*5.73	*5.73	4.38

Feet

B(ft)	10'		15'		20'		25'		Max. Reach		A(ft)
	⬇️	⬇️	⬇️	⬇️	⬇️	⬇️	⬇️	⬇️	⬇️		
25									*10.05	*10.05	18.74
20					*11.11	10.92			*9.78	8.72	22.79
15			*14.13	*14.13	*12.15	10.64	*10.73	7.33	*10.06	7.21	25.22
10	*21.27	*21.27	*17.99	*15.89	*13.87	10.21	11.49	7.16	10.45	6.50	26.49
5			*21.44	14.98	*15.59	9.78	11.27	6.96	10.13	6.25	26.78
O (Ground)	*13.18	*13.18	*23.02	14.51	15.66	9.49	11.12	6.82	10.42	6.40	26.10
-5	*23.57	*23.57	*22.63	14.41	15.55	9.39			11.52	7.06	24.39
-10	*28.35	*28.35	*20.29	14.58	*14.76	9.51			*13.35	8.65	21.39
-15	*20.56	*20.56	*14.76	*14.76					*13.15	*13.15	16.39

Option 7

Metric Boom : 5,700mm(18'8") Arm : 3,500mm(11'6") Bucket : SAE 1.05m³ (1.4yd³) CECE 0.9m³ (1.2yd³) Shoe : 800mm(2'8") Unit : 1,000kg

B(m)	2		3		4		5		6		7		8		9		Max. Reach		A(m)
	⬇️	⬇️	⬇️	⬇️	⬇️	⬇️	⬇️	⬇️	⬇️	⬇️	⬇️	⬇️	⬇️	⬇️	⬇️	⬇️			
8																	*2.97	*2.97	6.61
7											*3.54	*3.54					*2.89	*2.89	7.43
6									*4.04	4.02	*2.98	*2.98					*2.89	*2.89	8.04
5									*4.24	3.96	*3.87	3.13					*2.94	2.80	8.49
4									*4.83	*4.83	*4.57	3.87	*4.39	3.08			*3.03	2.59	8.81
3			*9.80	*9.80	*7.45	*7.45	*6.21	*6.21	*5.46	4.83	*4.97	3.77	*4.64	3.01			*3.18	2.45	9.00
2			*13.13	*13.13	*9.20	8.74	*7.26	6.17	*6.13	4.66	*5.41	3.66	4.77	2.94	*3.62	2.41	*3.38	2.37	9.07
1			*8.04	*8.04	*10.63	8.33	*8.19	5.93	*6.74	4.50	5.79	3.55	4.69	2.87	*3.78	2.37	*3.65	2.35	9.03
O (Ground)	*3.76	*3.76	*7.64	*7.64	*11.54	8.06	*8.87	5.74	*7.23	4.37	5.70	3.46	4.63	2.82			3.94	2.39	8.88
-1	*5.45	*5.45	*8.73	*8.73	*11.93	7.92	*9.25	5.62	7.16	4.28	5.63	3.40	4.59	2.78			4.11	2.48	8.61
-2	*7.33	*7.33	*10.55	*10.55	*11.87	7.87	*9.32	5.57	7.11	4.24	5.60	3.37	4.58	2.77			4.40	2.66	8.21
-3	*9.47	*9.47	*13.01	12.97	*11.41	7.89	*9.06	5.57	7.10	4.23	5.60	3.38					4.90	2.97	7.66
-4	*12.02	*12.02	*13.59	13.12	*10.51	7.97	*8.40	5.62	*6.83	4.28							*5.60	3.49	6.91
-5	*15.24	*15.24	*11.49	*11.49	*9.01	8.12	*7.19	5.73									*5.77	4.48	5.91
-6			*8.30	*8.30	*6.51	*6.51											*5.75	*5.75	4.46

Feet

B(ft)	10'		15'		20'		25'		Max. Reach		A(ft)
	⬇️	⬇️	⬇️	⬇️	⬇️	⬇️	⬇️	⬇️	⬇️		
25											22.80
20											26.22
15							*9.93	*9.93	*7.80	7.63	28.35
10					*14.55	*14.55	*11.86	10.40	*10.43	7.22	29.49
5	*23.19	*23.19	*18.77	15.29	*13.97	9.85	11.27	6.94	*7.71	5.20	29.75
O (Ground)	*17.48	*17.48	*21.70	14.48	15.60	9.41	11.01	6.70	8.69	5.26	29.14
-5	*21.68	*21.68	*22.73	14.11	15.32	9.16	10.86	6.57	9.36	5.66	27.62
-10	*29.55	27.78	*21.90	14.08	15.27	9.12	10.89	6.59	10.88	6.58	25.02
-15	*27.18	*27.18	*18.87	14.34	*13.48	9.32			*12.58	8.74	20.92
-20									*12.60	*12.60	14.05

Unit : 1,000lb

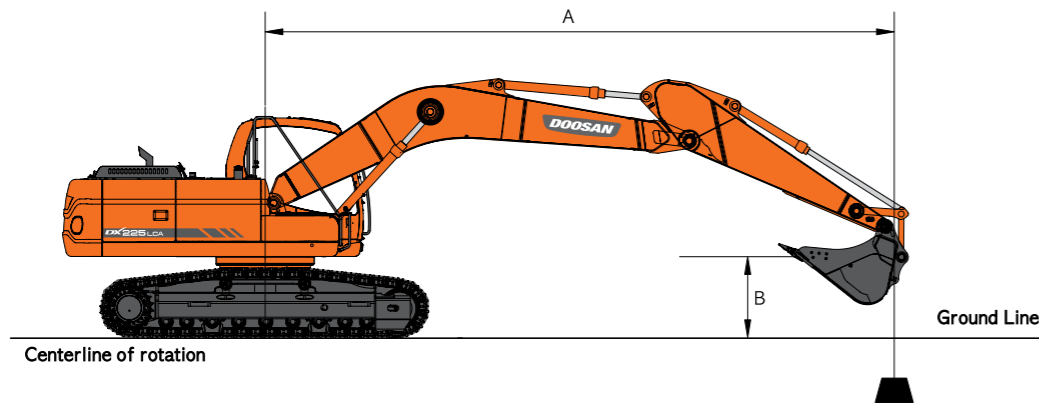
Option 8

Metric Boom : 8500mm(27'8") Arm : 6200mm(20'3") Bucket : SAE 0.39m³ (0.51yd³) CECE 0.35m³ (0.46yd³) Shoe : 600mm(2') Unit : 1,000kg

B(m)	2		3		4		5		6		7		8		9		10		11		12		13		14		Max. Reach		A(m)															
	⬇️	⬇️	⬇️	⬇️	⬇️	⬇️	⬇️	⬇️	⬇️	⬇️	⬇️	⬇️	⬇️	⬇️	⬇️	⬇️	⬇️	⬇️	⬇️	⬇️	⬇️	⬇️	⬇️	⬇️	⬇️	⬇️	⬇️																	
12																												*1.02	*1.02	@9.70														
11																		*1.66	*1.66									*0.98	*0.98	@10.66														
10																		*2.10	*2.10	*1.50	*1.50							*0.95	*0.95	@11.46														
9																		*2.28	*2.28	*2.00	*2.00	*1.12	*1.12					*0.94	*0.94	@12.11														
8																		*2.33	*2.33	*2.31	2.24	*1.74	*1.74					*0.94	*0.94	@12.66														
7																		*2.42	*2.42	*2.39	2.21	*2.13	1.85	*1.12	*1.12			*0.94	*0.94	@13.10														
6																		*2.63	*2.63	*2.55	*2.48	2.18	*2.44	1.83	*1.64	1.53		*0.96	*0.96	@13.46														
5																		*3.02	*3.02	*2.85	*2.85	*2.60	2.13	*2.51	1.8	*2.01	1.52		*0.98	*0.98	@13.73													
4																		*3.69	*3.69	*3.35	*3.35	*3.09	2.96	*2.89	2.47	*2.73	2.08	*2.61	1.76	*2.30	1.5	*1.00	*1.00	@13.92										
3																		*4.16	*4.16	*3.69	3.44	*3.35	2.85	*3.08	2.4	*2.88	2.03	*2.72	1.72	2.43	1.47	*1.13	*1.13	@14.04										
2																		*5.32	*5.32	*6.86	6.52	*5.50	5.03	*4.64	4.03	*4.04	3.3	*3.60	2.75	*3.28	2.32	*3.02	1.97	2.75	1.68	2.4	1.44	*1.29	1.23	*1.08	*1.08	@14.09		
1																		*7.66	*7.66	*5.88	5.88	*4.84	4.84	*4.16	*4.16	*3.69	3.44	*3.35	2.85	*3.08	2.4	*2.88	2.03	*2.72	1.72	2.43	1.47	*1.13	*1.13	@14.07				
O (Ground)																		*3.48	*3.48	*6.66	6.15	*6.08	4.78	*5.06	3.85	*4.36	3.17	*3.85	2.65	*3.46	2.25	3.11	1.91	2.7	1.64	2.37	1.41	*1.29	1.21	*1.13	*1.13	@14.07		
1																		*3.21	*3.21	*6.46	5.89	*6.54	4.58	*5.42	3.7	*4.63	3.06	*4.06	2.57	3.54	2.18	3.06	1.86	2.67	1.6	2.34	1.39			*1.20	*1.20	@13.97		
O (Ground)																		*2.08	*2.08	*3.48	*3.48	*6.02	5.73	*6.85	4.44	*5.69	3.58	4.83	2.97	4.07	2.49	3.48	2.12	3.01	1.82	2.63	1.57	2.32	1.36			*1.27	1.22	@13.80
2	*2.14	*2.14	*2.77	*2.77	*4.00	*4.00	*6.20	5.64	*7.03	4.35	5.79	3.5	4.76	2.9	4.01	2.44	3.43	2.08	2.98	1.79	2.61	1.55	2.31	1.35					*1.36	1.26	@13.56													
3	*2.88	*2.88	*3.51	*3.51	*4.69	*4.69	*6.74	5.6	*7.09	4.3	5.73	3.45	4.71	2.85	3.96	2.4	3.4	2.05	2.95	1.77	2.59	1.54	*2.14	1.35					*1.48	1.31	@13.23													
4	*3.65	*3.65	*4.32	*4.32	*5.51	*5.51	*7.54	5.6	*7.03	4.28	5.7	3.43	4.68	2																														

LIFTING CAPACITY

DX225LCA



Option 9

Metric Boom : 8500mm(27'8") Arm : 6200mm(20'3") Bucket : SAE : 0.39m³ (0.51yd³) CECE : 0.35m³ (0.46yd³) Shoe : 800mm(2'8") Unit : 1,000kg

A(m)	2	3	4	5	6	7	8	9	10	11	12	13	14	Max. Reach	A(m)														
12														*1.02	*1.02	@9.70													
11									*1.67	*1.67				*0.98	*0.98	@10.66													
10									*2.10	*2.10	*1.51	*1.51		*0.95	*0.95	@11.46													
9									*2.28	*2.28	*2.00	*2.00	*1.12	*1.12		@12.11													
8									*2.33	*2.33	*2.32	2.3	*1.75	*1.75		@12.66													
7									*2.42	*2.42	*2.40	2.28	*2.14	1.91	*1.12	*1.12	@13.10												
6									*2.63	*2.63	*2.55	*2.49	2.24	*2.44	1.89	*1.65	1.59	@13.46											
5									*3.02	*3.02	*2.85	*2.85	*2.71	2.61	*2.60	2.2	*2.52	1.86	*2.01	1.57	@13.73								
4									*3.35	*3.35	*3.09	3.03	*2.89	2.54	*2.74	2.14	*2.61	1.82	*2.30	1.55		@13.92							
3									*3.69	*3.69	*3.35	*3.35	*3.09	3.03	*2.89	2.54	*2.74	2.14	*2.61	1.82	*2.30	1.55	@14.04						
2									*4.04	*4.04	*3.61	2.83	*3.28	2.39	*3.03	2.03	*2.83	1.74	2.48	1.49	*1.29	1.28	*1.08	*1.08	@14.09				
1									*4.36	*4.36	*3.85	2.73	*3.47	2.31	*3.17	1.98	2.79	1.7	2.45	1.46	*1.30	1.26	*1.14	*1.14	@14.07				
O(Ground)									*4.64	*4.64	*4.14	3.14	*4.07	2.64	*3.63	2.25	3.15	1.93	2.75	1.66	2.42	1.44			*1.20	*1.20	@13.97		
1									*4.86	*4.86	*4.36	3.05	*4.19	2.57	*3.59	2.19	3.11	1.88	2.72	1.63	2.4	1.42				*1.27	1.27	@13.80	
2									*5.21	*5.21	*4.71	3.6	4.9	2.98	4.13	2.51	3.54	2.15	3.07	1.85	2.7	1.61	2.39	1.4			*1.37	1.31	@13.56
3									*5.55	*5.55	*5.05	4.09	5.24	3.51	2.12	3.05	1.83	2.68	1.59	*2.14	1.4						*1.48	1.36	@13.23
4									*5.89	*5.89	*5.39	4.42	5.57	3.81	2.12	3.05	1.83	2.68	1.59	*2.14	1.4						*1.62	1.44	@12.82
5									*6.23	*6.23	*5.73	4.75	5.89	4.13	2.12	3.05	1.83	2.68	1.59	*2.14	1.4						*1.80	1.55	@12.31
6									*6.57	*6.57	*6.07	5.09	6.23	4.42	2.12	3.05	1.83	2.68	1.59	*2.14	1.4						*2.04	1.7	@11.69
7									*6.91	*6.91	*6.41	5.43	6.57	4.75	2.12	3.05	1.83	2.68	1.59	*2.14	1.4						*2.38	1.91	@10.95
8									*7.25	*7.25	*6.75	5.75	6.91	5.09	2.12	3.05	1.83	2.68	1.59	*2.14	1.4						*2.76	2.22	@10.05
9									*7.59	*7.59	*7.09	6.09	7.25	5.43	2.12	3.05	1.83	2.68	1.59	*2.14	1.4						*2.67	*2.67	@8.95
10									*7.93	*7.93	*7.43	6.43	7.59	5.75	2.12	3.05	1.83	2.68	1.59	*2.14	1.4						*2.46	*2.46	@7.53

Feet

Unit : 1,000lb

A(m)	10	15	20	25	30	35	40	45	Max. Reach	A(m)	
40									*2.28	*2.28	@31.16
35									*2.14	*2.14	@35.91
30									*2.08	*2.08	@39.46
25									*2.07	*2.07	@42.12
20									*2.11	*2.11	@44.05
15									*2.18	*2.18	@45.34
10									*2.29	*2.29	@46.06
5									*2.44	*2.44	@46.22
O(Ground)									*2.64	*2.64	@45.84
-5									*2.91	*2.91	@44.89
-10									*3.27	*3.27	@43.35
-15									*3.79	*3.79	@41.14
-20									*4.56	*4.56	@38.14
-25									*5.88	*5.88	@34.16
-30									*5.84	*5.84	@28.77

STANDARD AND OPTIONAL EQUIPMENT

* STANDARD EQUIPMENT

• Hydraulic system

- Boom and arm flow regeneration
- Boom and arm holding valves
- Swing anti-rebound valves
- Spare ports(Control valve)
- One-touch power boost

• Cabin & Interior

- Viscous cab mounts
- All weather sound suppressed type cab
- Air conditioner & Heater
- Adjustable suspension seat with head rest and adjustable arm rest
- Pull-up type front window and removable lower front window
- Room light
- Intermittent windshield wiper
- Cigarette lighter and ashtray
- Cup holder
- Hot & Cool box
- LCD color monitor panel
- E/G RPM control dial
- AM/FM radio
- Remote radio ON/OFF switch
- 12V spare powers socket
- Serial communication port for laptop PC interface
- Joystick lever with 3 switches
- Sunvisor
- Sun roof

• Safety

- Large handrails and step
- Convex metal anti-slip plates
- Seat belt
- Hydraulic safety lock lever
- Safety glass
- Hammer for emergency escape
- Right and left rearview mirrors
- Travel alarm
- Battery protector cover

• Others

- Double element air cleaner
- Water separator
- fuel filter
- Dust screen for radiator/oil cooler
- Engine overheat prevention system
- Engine restart prevention system
- Self-diagnostic system
- Alternator(24V, 50 amps)
- Electric horn
- Halogen working lights(frame mounted 1, boom mounted 2)
- Hydraulic track adjuster
- Track guards
- Greased and sealed track link
- Hydraulic oil tank air breather filter

* OPTIONAL EQUIPMENT

Some of these optional equipments may be standard in some markets. Some of this optional equipment is not available in some markets. You must check with the local DOOSAN dealer to know about the availability or to release the adaptation following the needs of the applications.

• Safety

- Boom and arm hose rupture protection valve
- Overload warning device
- Cabin Top/Front guard(ISO 10262, FOGS standard)
- Travel & swing alarm
- Rotation beacon
- Lock Valve

• Others

- Piping for crusher
- Piping for quick clamp
- Piping Option
 - Breaker with flow control valve - Crusher
 - Crusher with tilting - Rotating
 - Clamshell - Quick Clamp
- 700mm/800mm/900mm shoe
- Lower wiper
- Fuel heater
- 80A alternator
- Fuel Filler Pump
- Working Lights
 - 4-front/2-rear on cabin
 - 2-front on cabin
 - 1 on counterweight
- Counterweight

• Cabin & Interior

- Air suspension seat
- MP3/CD player
- Cassette player
- Rain Shield



Doosan worldwide factories

- Heavy Equipment Factory
- Compact Equipment Factory
- Attachment Factory

Market Expansion Services by www.dksh.co.th

DKSH (Thailand) Limited
 2106 Fantree 4 Building, Sukhumvit Rd., Bangchak Phrakhanong, Bangkok 10260, Thailand
 Phone +66 2 301 7200, Fax +66 2 333 1014



Doosan Infracore Korea Office (HQ)
 27/F, 275, Jangchungdan-ro, Jung-gu, Seoul, Korea
 Tel : 82 2 3398 8114

www.doosaninfracore.com/ce/