

**Deutz Engines
F3M 1011F
BF3M 1011F
F4M 1011F
BF4M 1011F**

Used In:

**SL4635, SL4835,
SL5635, SL6635
Skid-Steer Loaders**



Engine Service Parts Manual

Form No.
917115

Rev. B
11/05

GEHL®

Introduction

This manual covers F3M 1011F and BF3M 1011F engines used in SL4635 and SL4835 skid-steer loaders and F4M 1011F and BF4M 1011F engines used in SL5635 and SL6635 skid-steer loaders. When ordering service parts, specify the correct part number, full description, quantity required, and the engine model number and serial number (located on a plate on the valve mechanical cover).

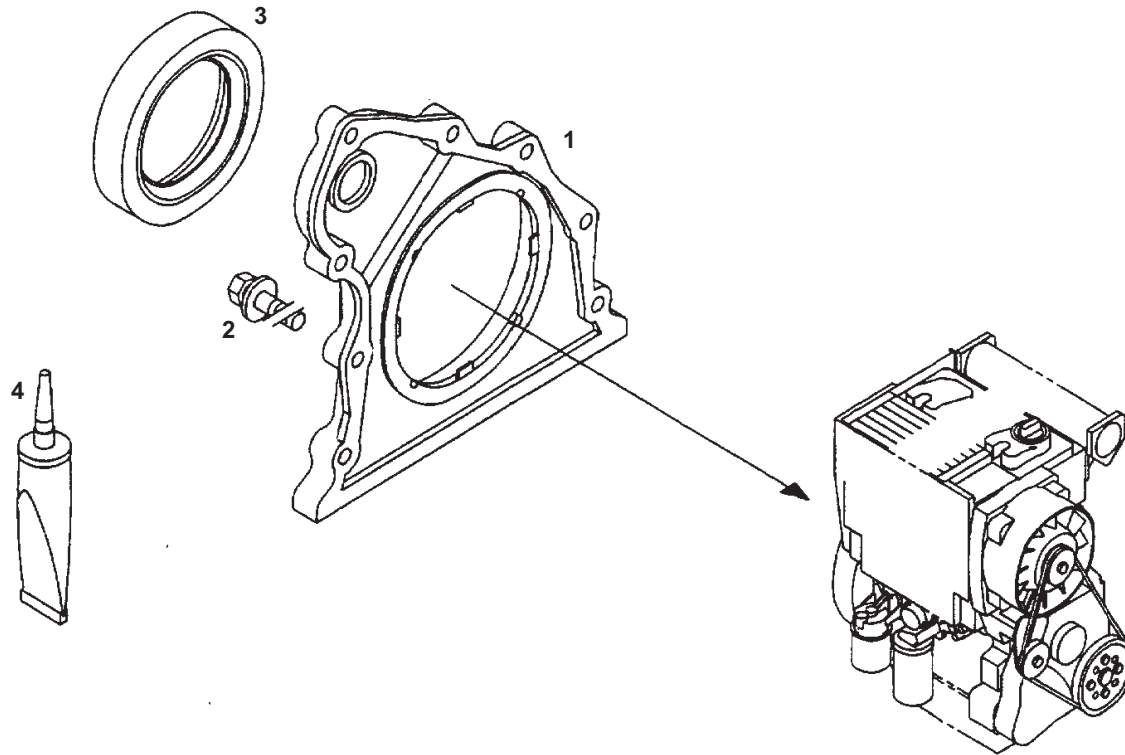
Items shown that do not have a part number are shown for reference purposes only and are not available for purchase separately.

Use only genuine original equipment manufacturer service parts. All service parts should be obtained from or ordered through your Gehl® dealer.

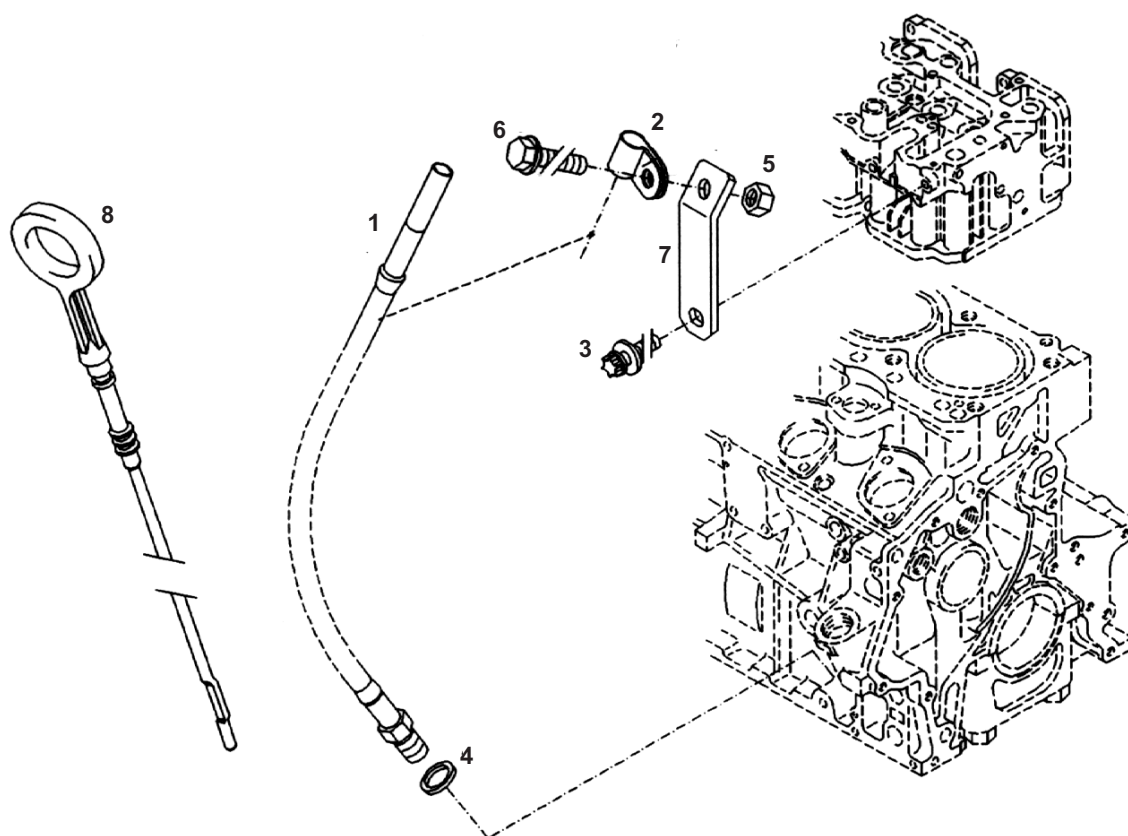
Gehl® Company reserves the right to make changes or improvements in the design or construction of any part of the unit without incurring the obligation to install such changes on any previously delivered units.

Table of Contents

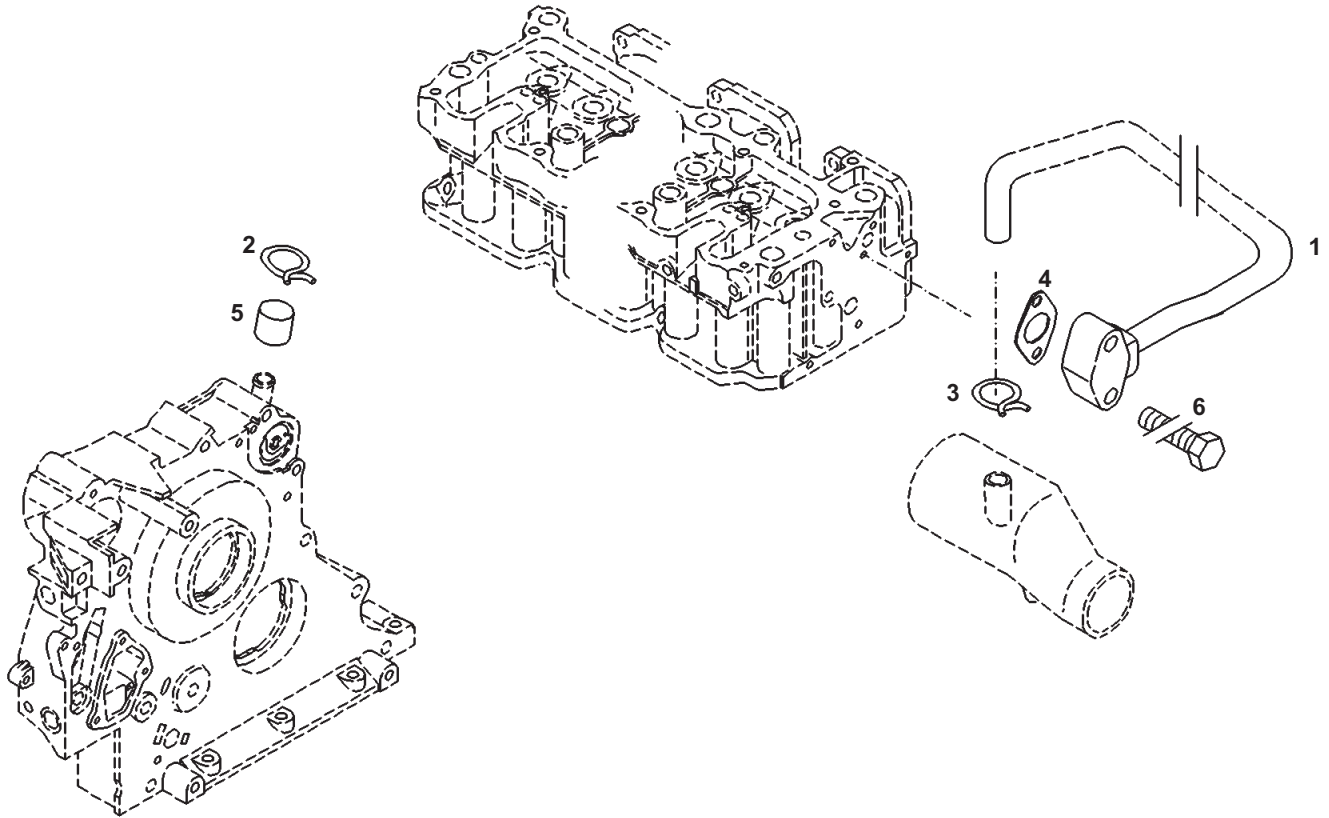
Introduction	i	FUEL LINE	36
REAR END COVER	1	FUEL FILTER	37
DIPSTICK & DIPSTICK GUIDE	2	HIGH PRESSURE PIPE	38
CRANKCASE BREATHER	3	OVERFLOW LINE	39
CAP	4	SUCTION PIPE FLANGE	40
ENGINE BLOCK	5	SUCTION PIPE	41
OIL PAN	6	INTAKE MANIFOLD	42
CRANKSHAFT ACCESSORIES	7	TURBOCHARGER	43
CRANKSHAFT	8	CHARGE AIR PIPE	44
POWER TAKE-OFF	9	CHARGE AIR ELBOW	45
COVER PLATE	10	TRANSFER PIPE	46
FLYWHEEL	11	AIR FILTER FITMENT	47
CONNECTING ROD	12	GLOW PLUG	48
PISTON	13	BUFFER SPRING	49
FILLER CAP	14	TORQUE CAPSULE	50
CYLINDER HEAD FASTENINGS	15	FRONT COVER/GOVERNOR	51
CYLINDER HEAD	16	CONTROL ROD	53
VALVE MECHANICAL COVER	17	NARROW V-BELT	54
CAMSHAFT DRIVE	18	FAN SUPPORT	55
CAMSHAFT	19	ADAPTER HOUSING	56
PROTECTION HOOD & FASTENINGS	20	AIR COMPRESSOR	57
ROCKER ARM BRACKET	21	STARTER	58
VALVE DRIVE	22	ALTERNATOR	59
LUBRICATION OIL PUMP	23	ALTERNATOR BRACKET	60
OIL FILTER & FASTENINGS	24	ALTERNATOR FASTENINGS	61
LUBRICATION OIL LINE	25	COOLING AIR BAFFLE	62
OIL SUCTION LINE	26	OIL PRESSURE SWITCH	63
OIL RETURN LINE	27	TEMPERATURE TRANSMITTER	64
HEATER CONNECTION	28	EXHAUST MANIFOLD	65
RADIATOR CONNECTION	29	CONNECTING PIPE	67
SCREW PLUG	30	CONTROL UNIT	68
FUEL INJECTOR PUMP	31	SHUTDOWN DEVICE	69
FUEL INJECTOR	32	GASKET SET	70
FUEL SUPPLY PUMP	35	INDEX	71



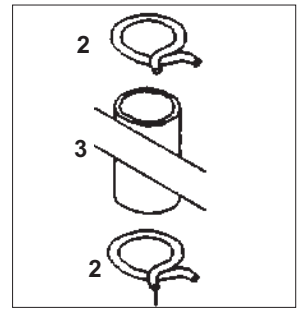
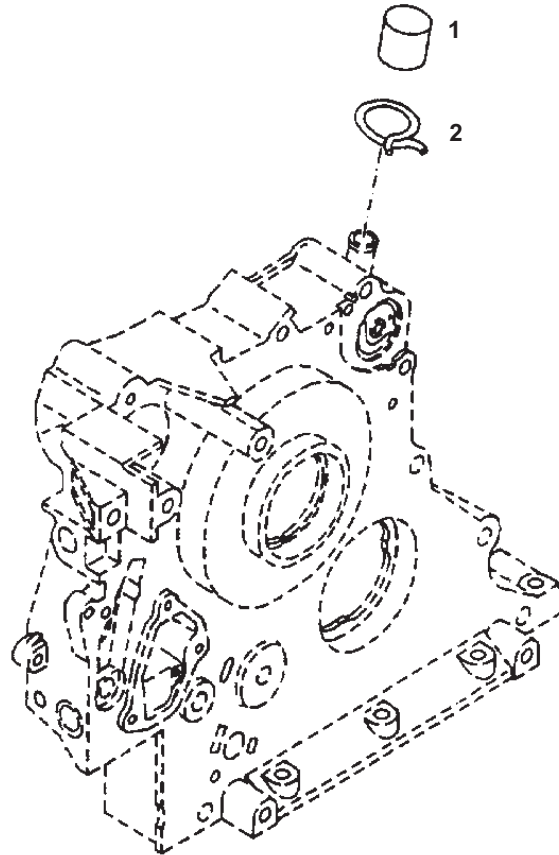
Ref No.	Part No.	Description	Quantity
1	133390	COVER/REAR END	1
2	133204	BOLT/HEX 8X 30MM CLASS 8.8	8
3	133387	SEAL/ROTATION SHAFT LIP	1
4	133100	COMPOUND/PACKING 250 ML	1



Ref No.	Part No.	Description	Quantity	
			F3M/BF3M	F4M/BF4M
1	133555	TUBE/GUIDE	1	-
	187192	TUBE/GUIDE	-	1
2	133556	CLAMP/PIPE	1	1
3	187233	BOLT/TORX HEAD	1	1
4	133134	RING/SEALING	1	1
5	187267	NUT/HEX	1	1
6	187227	BOLT/HEX	1	1
7	133561	BRACKET	1	1
8	135503	DIPSTICK	1	-
	133562	DIPSTICK	-	1

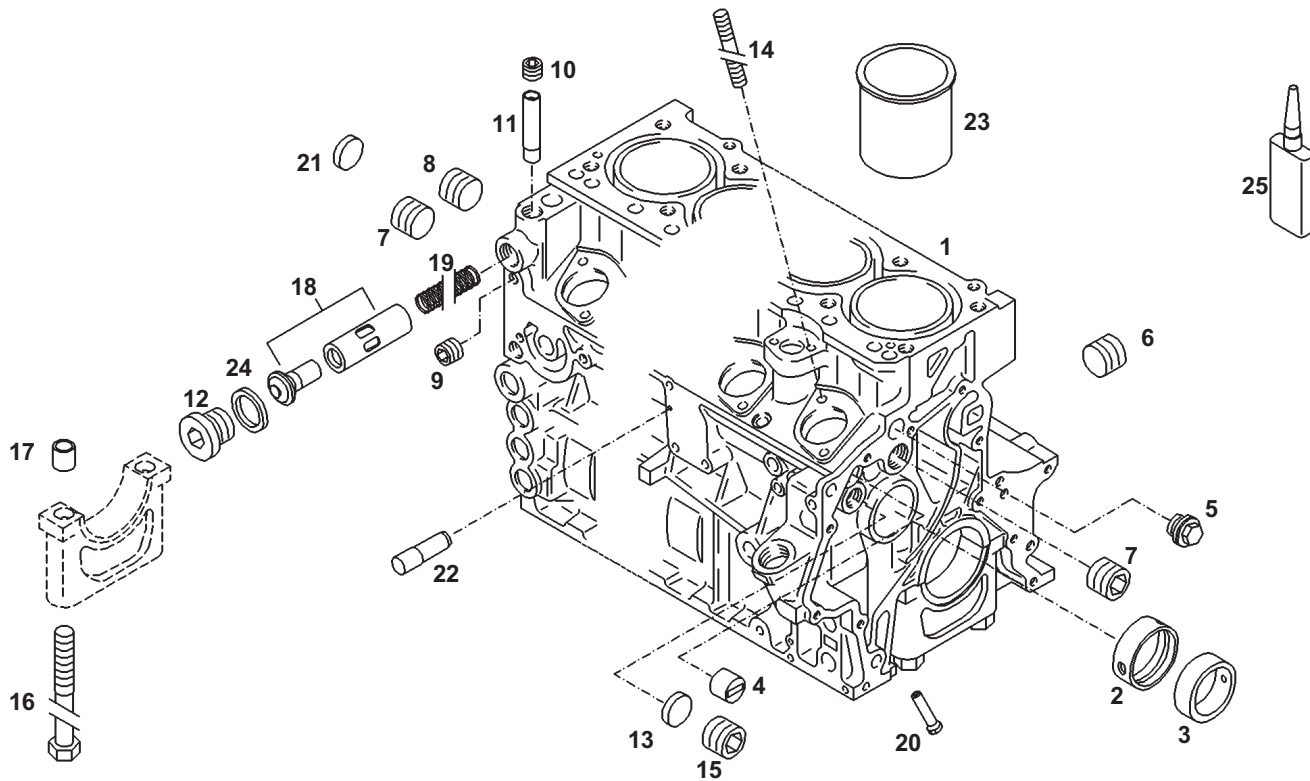


Ref No.	Part No.	Description	Quantity BF4M
1	133552	PIPE/BREATHER	1
2	133202	CLIP/HOSE	1
3	133212	CLIP/HOSE	1
4	133553	GASKET	1
5	133482	CAP	1
6	187221	BOLT/HEX	2

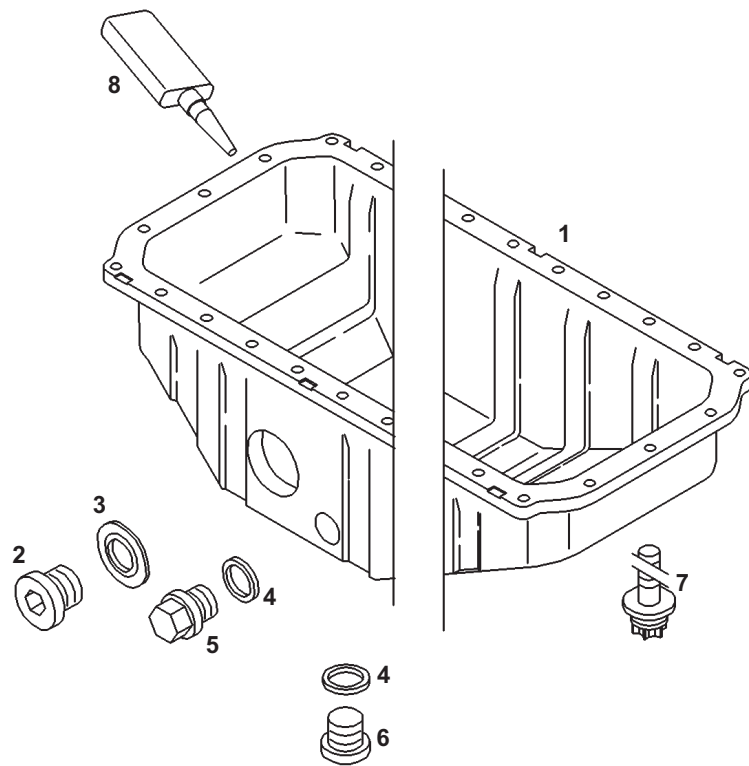


Turbo Engines Only

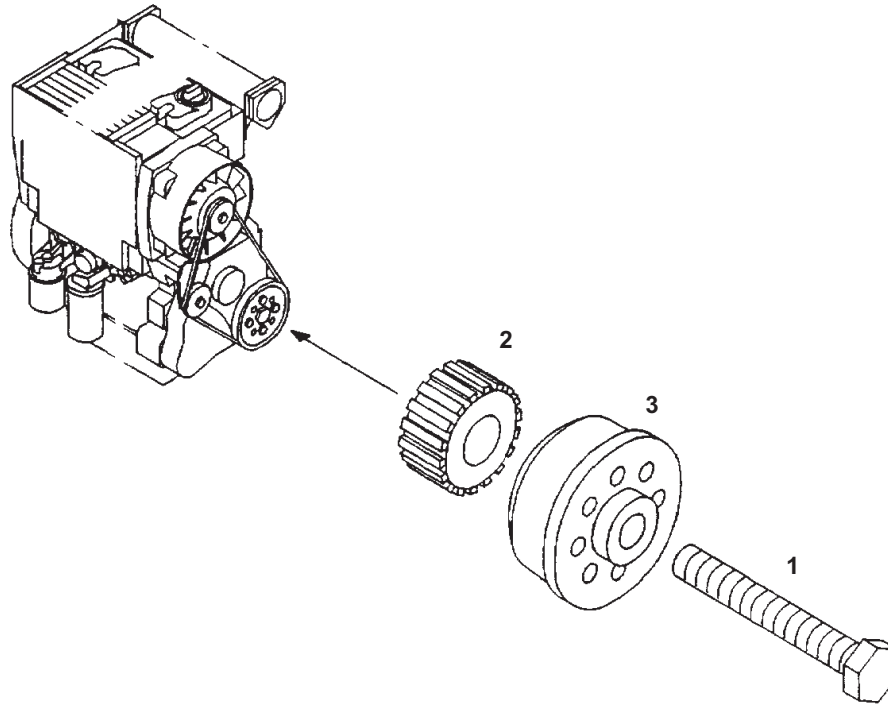
Ref No.	Part No.	Description	Quantity	
			F3M/F4M	BF3M
1	135520	CAP	1	-
	133518	PLUG	-	1
2	133202	CLIP/HOSE	1	2
3	133481	HOSE 50MM	-	1



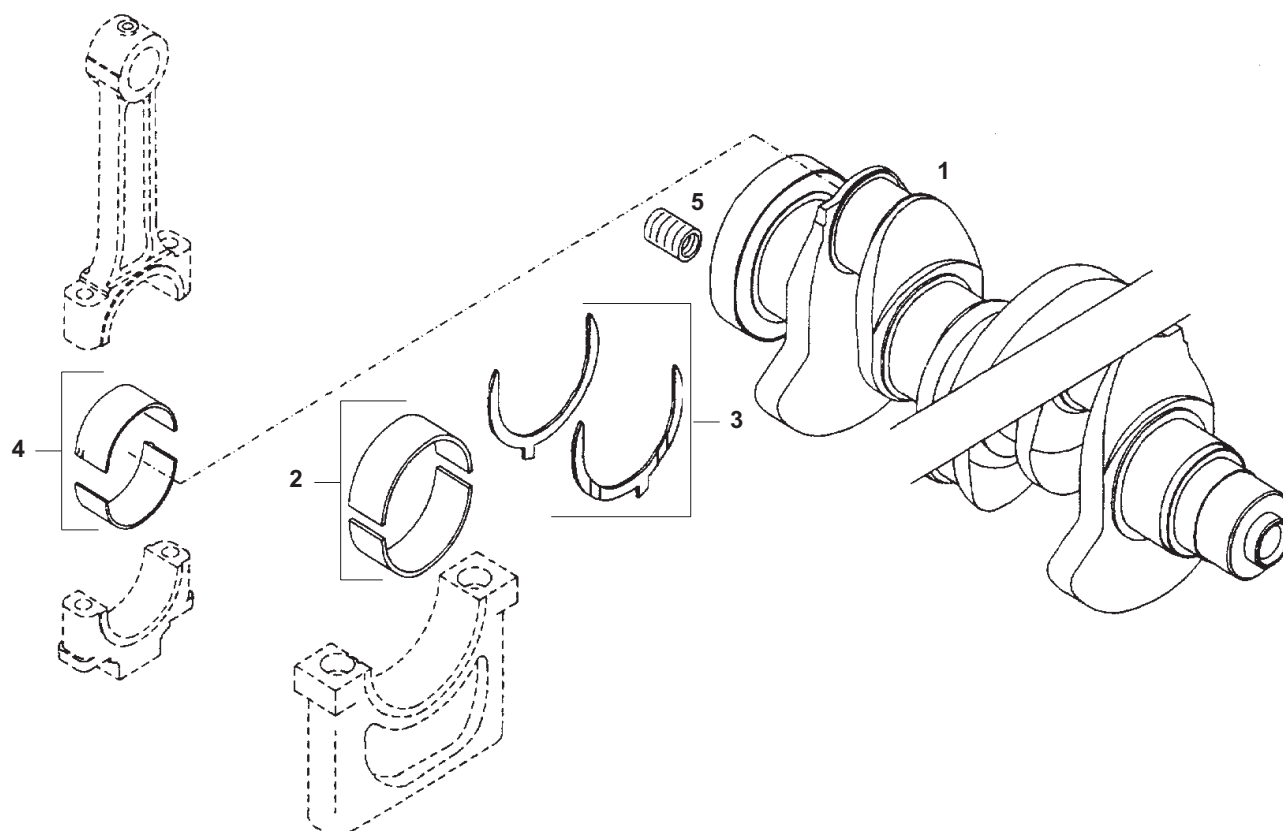
Ref No.	Part No.	Description	Quantity			
			F3M	F4M	BF3M	BF4M
1	135518	BLOCK/ENGINE (INCLUDES ITEMS 2-18)	1	-	-	-
	133436	BLOCK/ENGINE (INCLUDES ITEMS 2-18)	-	1	-	-
	133519	BLOCK/ENGINE (INCLUDES ITEMS 2-18)	-	-	1	-
	133437	BLOCK/ENGINE (INCLUDES ITEMS 2-18)	-	-	-	1
2	133405	BUSHING/WRAPPED BEARING	2	2	2	2
3	133404	BUSHING/WRAPPED BEARING	2	3	2	3
4	133316	SLEEVE/GUIDE	2	2	2	2
5	133430	PLUG/SCREW	1	1	1	1
6	133536	PLUG/SCREW 12 X 1.5MM	1	1	-	1
	133520	PLUG/SCREW	-	-	2	-
7	133537	PLUG/SCREW	2	2	-	2
8	133538	PLUG/SCREW 14 X 1.5MM	1	1	1	1
9	133539	PLUG/SCREW 10 X 1MM	1	1	1	1
10	133540	PLUG/SCREW 20 X 1.5MM	1	1	1	1
11	133408	TUBE	1	1	1	1
12	133541	PLUG/SCREW	1	1	1	1
13	133166	COVER	1	1	1	1
14	133240	STUD	6	8	6	8
15	133542	PLUG/SCREW 18 X 1.5MM	1	2	2	2
16	133323	BOLT/HEX	8	10	8	10
17	133350	BUSHING	8	10	8	10
18	133473	THERMOSTAT (INCLUDES ITEM 19)	1	1	1	1
19	133411	SPRING/COMPRESSION	1	1	1	1
20	133417	NOZZLE/PISTON COOLING	6	6	6	6
21	187508	COVER	1	1	-	1
	133249	COVER	-	-	1	-
22	133476	PIN	-	1	-	1
23	133543	LINER/CYLINDER	AR	AR	-	AR
24	187243	O-SEAL	1	1	1	1
25	133107	SAFETY/LOCK AGENT 50 ML	AR	AR	AR	AR



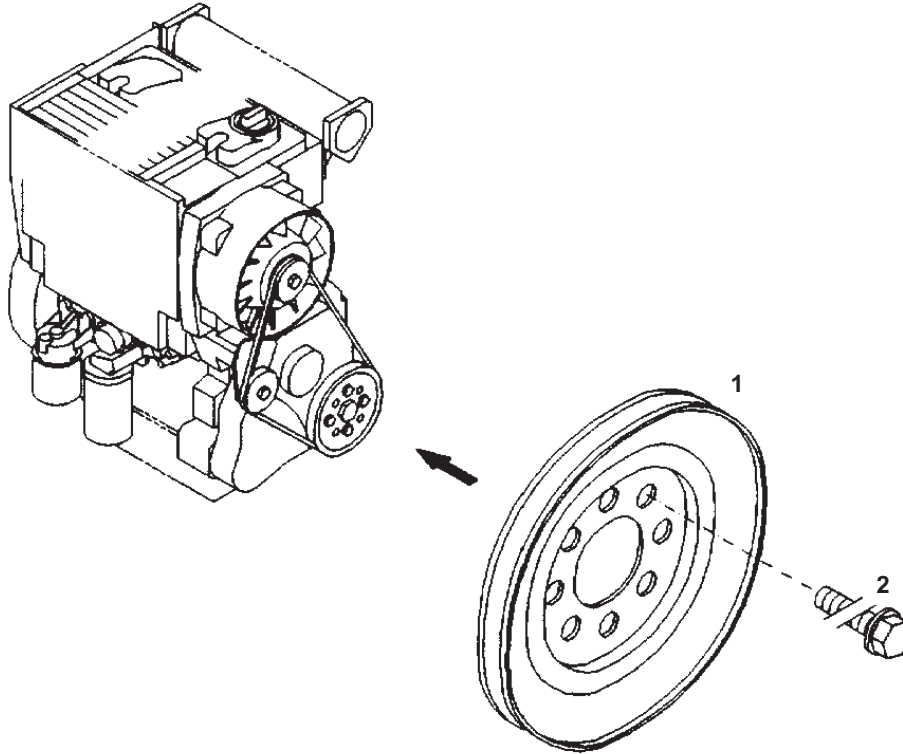
Ref No.	Part No.	Description	Quantity	
			F3M/BF3M	F4M/BF4M
1	187145	PAN/OIL	1	-
	187100	PAN/OIL	-	1
2	187276	PLUG/SCREW	1	1
3	133138	RING/SEALING	1	1
4	133137	RING/SEALING	3	2
5	133149	PLUG/SCREW	2	1
6	187271	PLUG/SCREW	1	1
7	187234	BOLT/TORX HEAD	22	26
8	133104	COMPOUND/PACKING	AR	AR



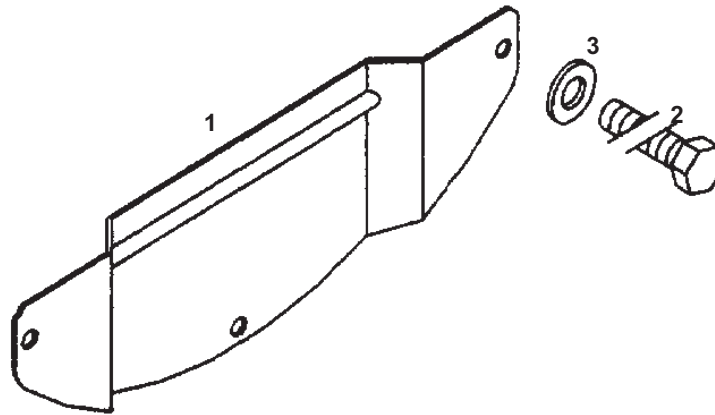
Ref No.	Part No.	Description	Quantity
1	133325	BOLT/HEX	1
2	133370	PULLEY/SYNCHRONOUS BELT	1
3	133381	FLANGE/OUTPUT	1



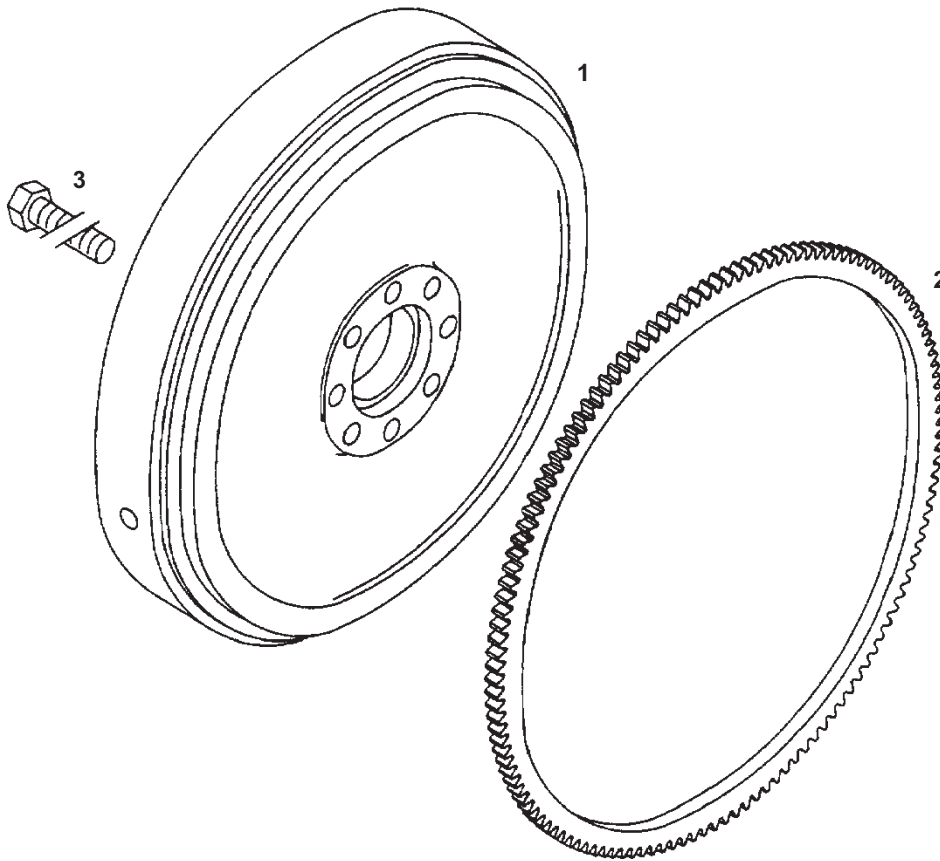
Ref No.	Part No.	Description	Quantity	
			F3M/BF3M	F4M/BF4M
1	133522	CRANKSHAFT (INCLUDES ITEMS 2-4)	1	-
	133486	CRANKSHAFT (INCLUDES ITEMS 2-4)	-	1
2	133487	BEARING/MAIN STANDARD 70MM	4	4
2A	133488	BEARING/MAIN 1ST UNDERSIZE 69.75MM	4	4
2B	133489	BEARING/MAIN 2ND UNDERSIZE 69.50MM	4	4
3	133338	WASHER/THRUST STANDARD 2.4MM	1	1
3A	133339	WASHER/THRUST 1ST OVERSIZE 2.6MM	1	1
4	135531	BEARING/BIG END STANDARD 55MM	3	-
	133490	BEARING/BIG END STANDARD 55MM	-	4
4A	135532	BEARING/BIG END 1ST UNDERSIZE 54.75MM	3	-
	187520	BEARING/BIG END 1ST UNDERSIZE 54.75MM	-	3
4B	135533	BEARING/BIG END 2ND UNDERSIZE 54.50MM	3	-
	187521	BEARING/BIG END 2ND UNDERSIZE 54.50MM	-	3
5	133515	INSERT/THREADED 10 X 1 X 15MM	1	1



Ref No.	Part No.	Description	Quantity			
			F3M	F4M	BF3M	BF4M
1	133508	PULLEY/V-GROOVED	1	-	-	-
	133521	PULLEY/V-GROOVED	-	1	1	1
2	187240	BOLT/HEX	4	4	4	4

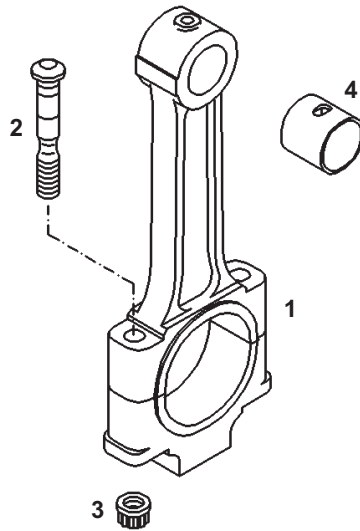


Ref No.	Part No.	Description	Quantity
1	187126	PLATE/COVER	1
2	187127	BOLT/HEX 6 X 10MM CLASS 8.8	3
3	187128	WASHER/PLAIN	3

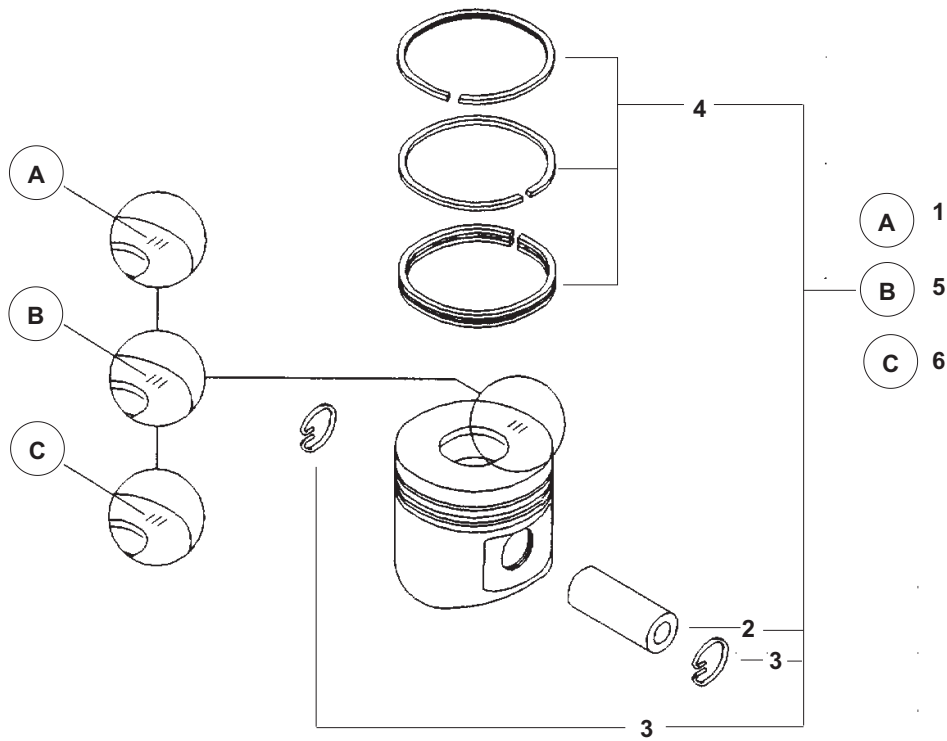


Ref No.	Part No.	Description	Quantity
1	138861a	FLYWHEEL (INCLUDES ITEM 2)	1
	133446b	FLYWHEEL (INCLUDES ITEM 2)	1
2	138860a	RIM/GEAR	1
	133445b	RIM/GEAR	1
3	133335	BOLT/SCREW	8

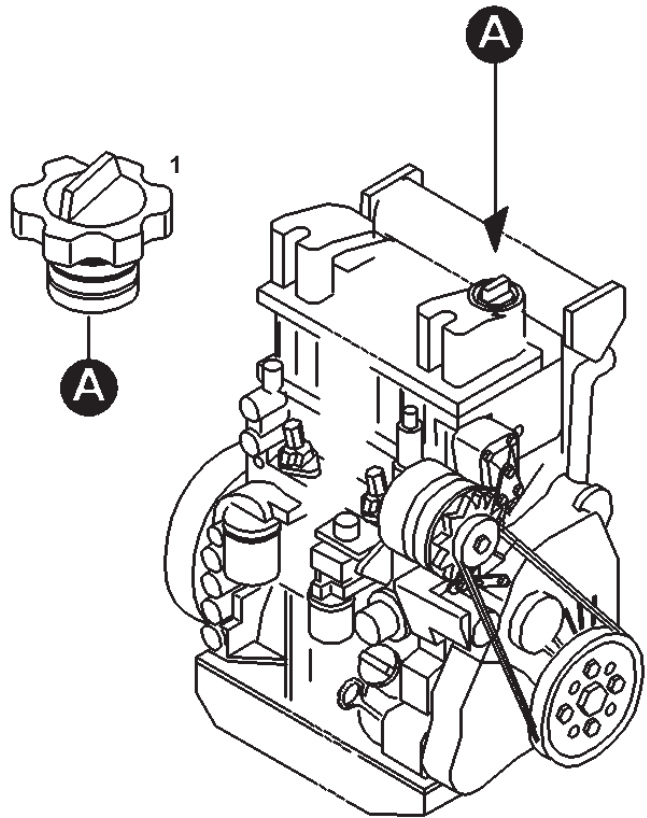
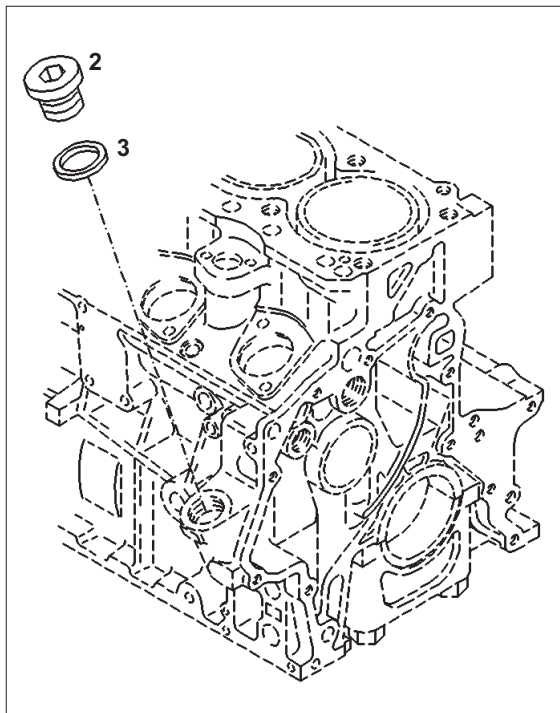
a) Used in engines with serial number 618098 and later.
 b) Used in engines with serial number 618097 and earlier.



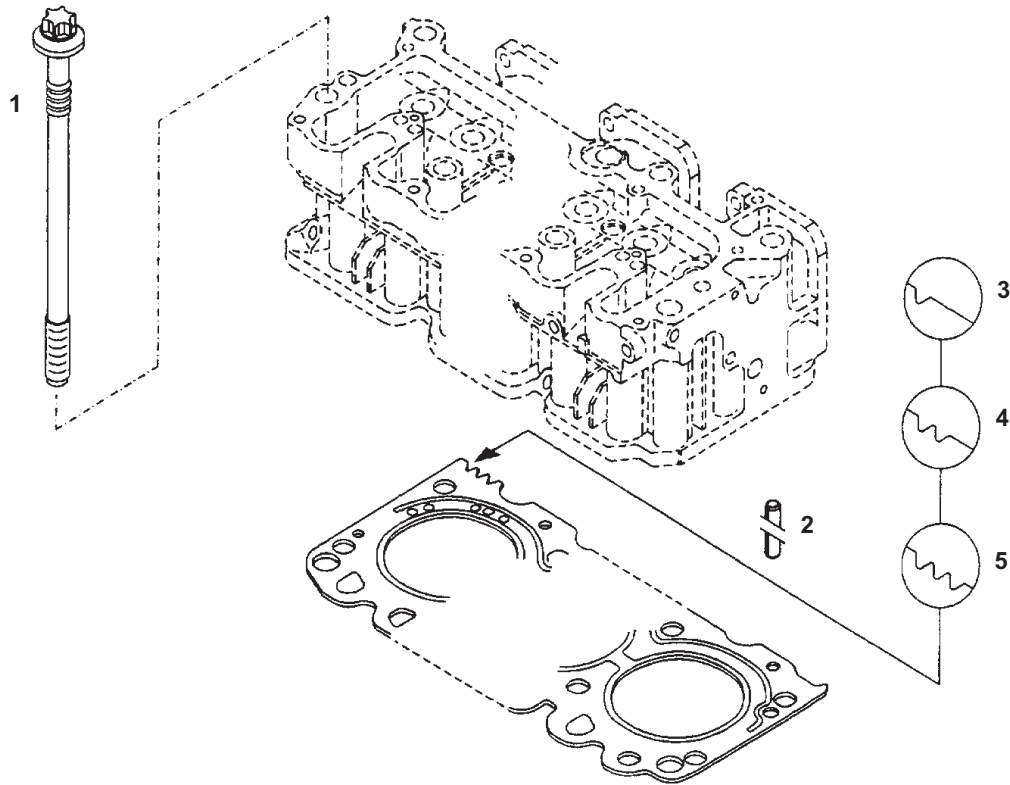
Ref No.	Part No.	Description	Quantity	
			F3M/F4M	BF3M/BF4M
1	133442	ROD/CONNECTING (INCLUDES ITEMS 2-4)	1	-
	133586	ROD/CONNECTING (INCLUDES ITEMS 2-4)	-	1
2	133441	BOLT/BIG END	2	2
3	133318	NUT	2	2
4	133319	BUSHING/BIG END 29.06-29.10MM	1	-
	133357	BUSHING/BIG END 33.07-33.11MM	-	1
4A	133320	BUSHING/BIG END OVERSIZE 29.31-29.35MM	1	-
	133358	BUSHING/BIG END OVERSIZE 33.32-33.36MM	-	1



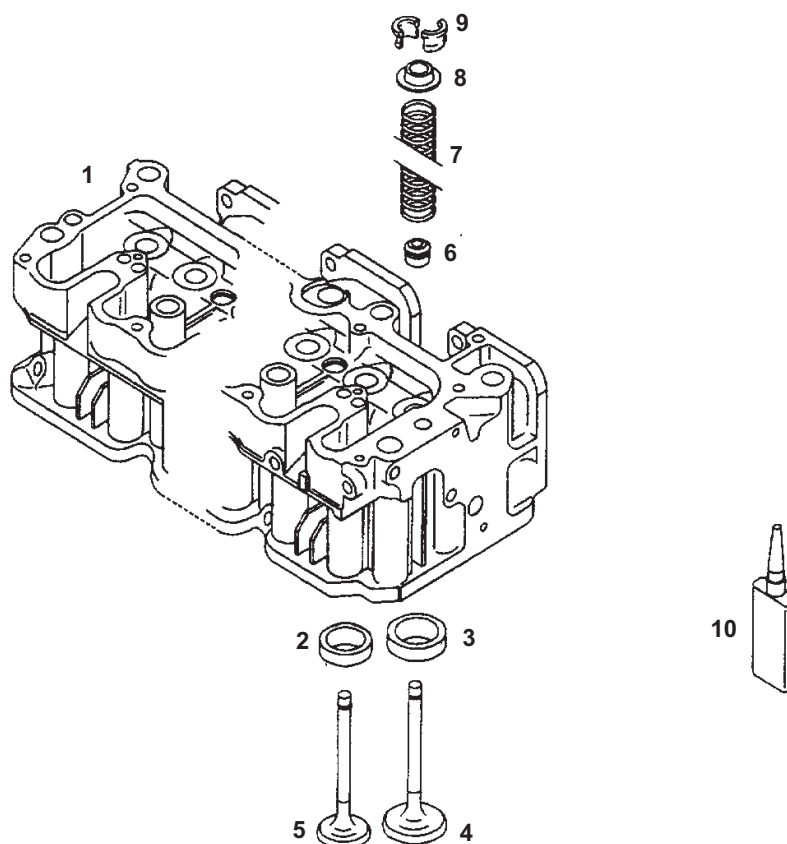
Ref No.	Part No.	Description	Quantity	
			F3M/F4M	BF3M/BF4M
1	135539	PISTON "A"	1	-
	187525	PISTON "A"	-	1
2	133317	PIN/PISTON	1	-
	133369	PIN/PISTON	-	1
3	133157	RING/SNAP	2	-
	133159	RING/SNAP	-	2
4	133455	RINGS/SET OF PISTON	1	-
	133503	RINGS/SET OF PISTON	-	1
5	135540	PISTON "B"	1	-
6	135541	PISTON "C"	1	-



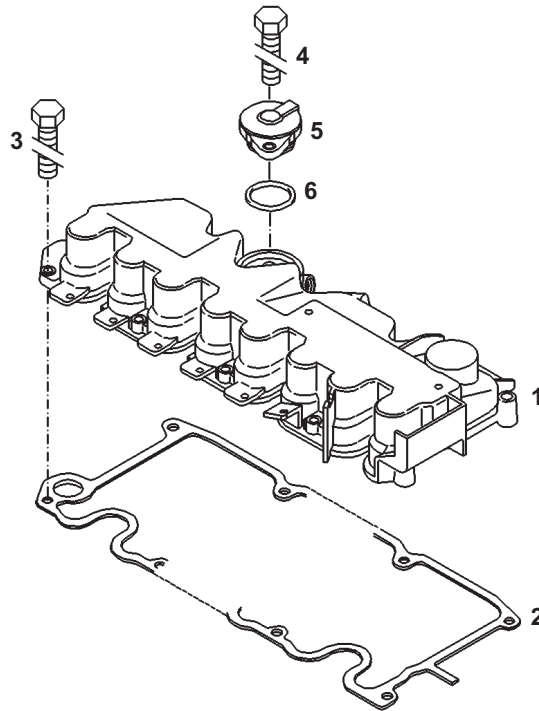
Ref No.	Part No.	Description	Quantity
1	133444	CAP/FILLER	1
2	187132	PLUG/SCREW	1
3	187133	RING/SEALING	1



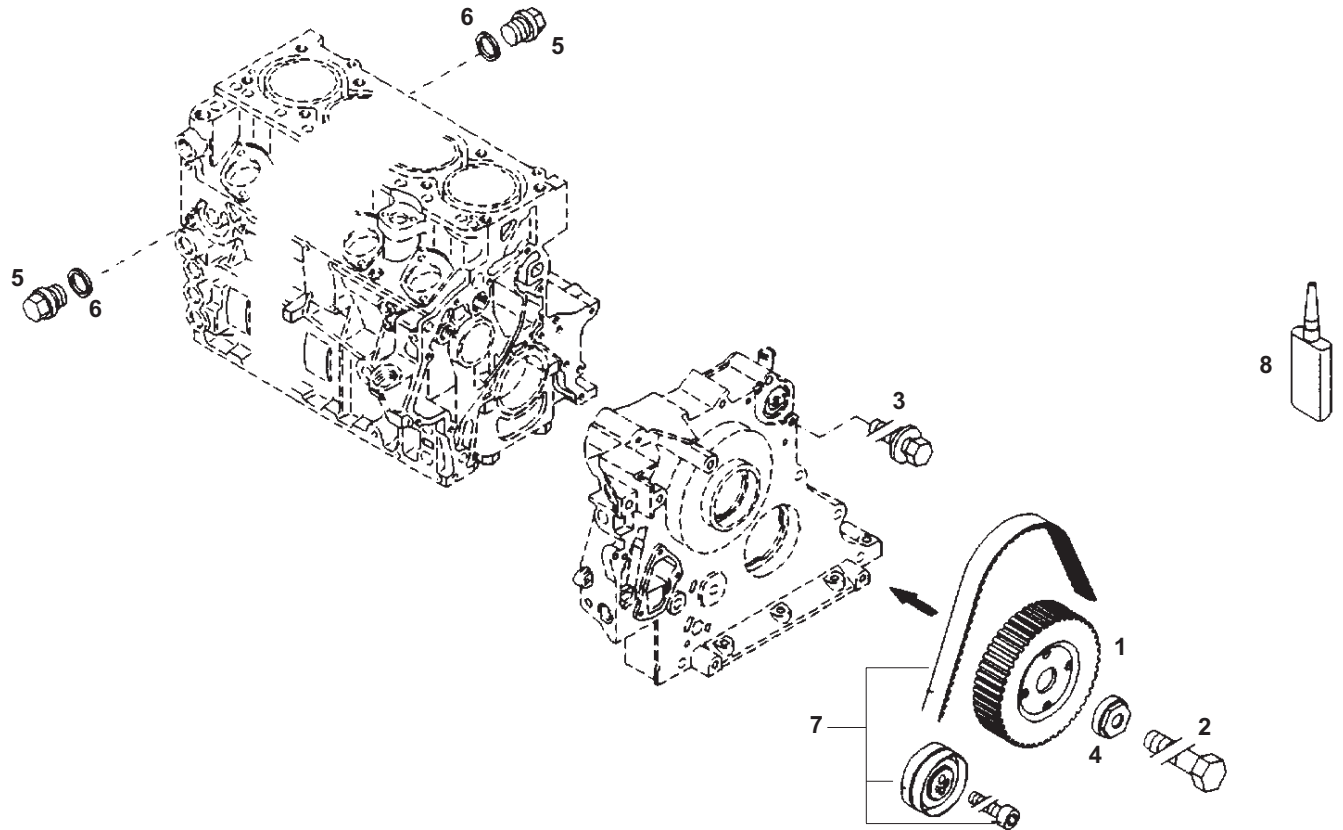
Ref No.	Part No.	Description	Quantity			
			F3M	F4M	BF3M	BF4M
1	135535	BOLT/CYLINDER HEAD	8	10	8	10
2	133427	PIN/SPIRAL	2	2	2	2
3	135544	GASKET/CYLINDER HEAD 1.48MM	1	-	1	-
	133574	GASKET/CYLINDER HEAD 1.48MM	-	1	-	1
4	135543	GASKET/CYLINDER HEAD 1.55MM	1	-	1	-
	133575	GASKET/CYLINDER HEAD 1.55MM	-	1	-	1
5	135542	GASKET/CYLINDER HEAD 1.60MM	1	-	1	-
	133576	GASKET/CYLINDER HEAD 1.60MM	-	1	-	1



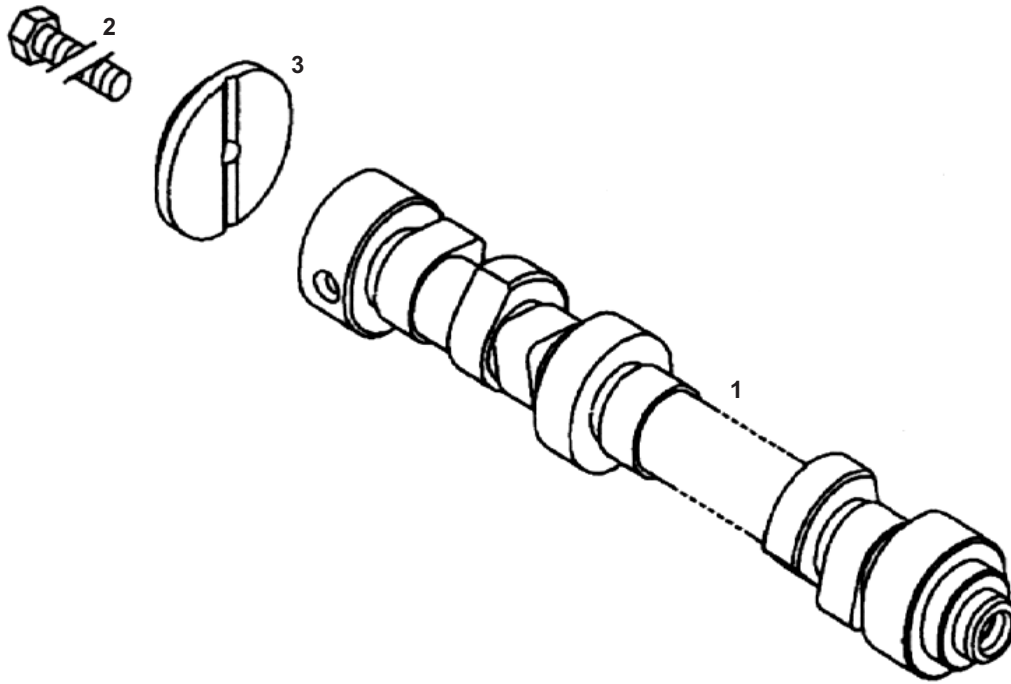
Ref No.	Part No.	Description	Quantity			
			F3M	F4M	BF3M	BF4M
1	187529	HEAD/CYLINDER (INCLUDES ITEMS 2, 3, 4-9)	1	-	-	-
	187530	HEAD/CYLINDER (INCLUDES ITEMS 2, 3, 4-9)	-	1	-	-
	187531	HEAD/CYLINDER (INCLUDES ITEMS 2, 3, 4-9)	-	-	1	-
	187547	HEAD/CYLINDER (INCLUDES ITEMS 2, 3, 4-9)	-	-	-	1
2	133403	INSERT/VALVE SEAT EXHAUST	3	4	3	-
	187147	INSERT/VALVE SEAT EXHAUST	-	-	-	4
2A	133327	INSERT/VALVE SEAT EXHAUST 1ST OVERSIZE 37.27MM	3	4	3	4
3	187528	INSERT/VALVE SEAT INTAKE	3	4	3	-
	187149	INSERT/VALVE SEAT INTAKE	-	-	-	4
3A	133356	INSERT/VALVE SEAT INTAKE 1ST OVERSIZE 42.87MM	3	4	-	-
	187169	INSERT/VALVE SEAT INTAKE 1ST OVERSIZE 42.87MM	-	-	3	4
4	187130	VALVE/INLET	3	4	-	-
	187125	VALVE/INLET	-	-	3	4
5	187146	VALVE/EXHAUST	3	4	3	4
6	133352	SEAL/VALVE STEM	6	8	6	8
7	133456	SPRING/COMPRESSION	6	8	6	8
8	187148	CAP/SPRING	6	8	6	8
9	133322	COLLET/VALVE	12	16	12	16
10	133106	SAFETY/LOCK AGENT 250ML	AR	AR	AR	AR
11	187170	GUIDE/VALVE (NOT SHOWN)	6	8	6	8



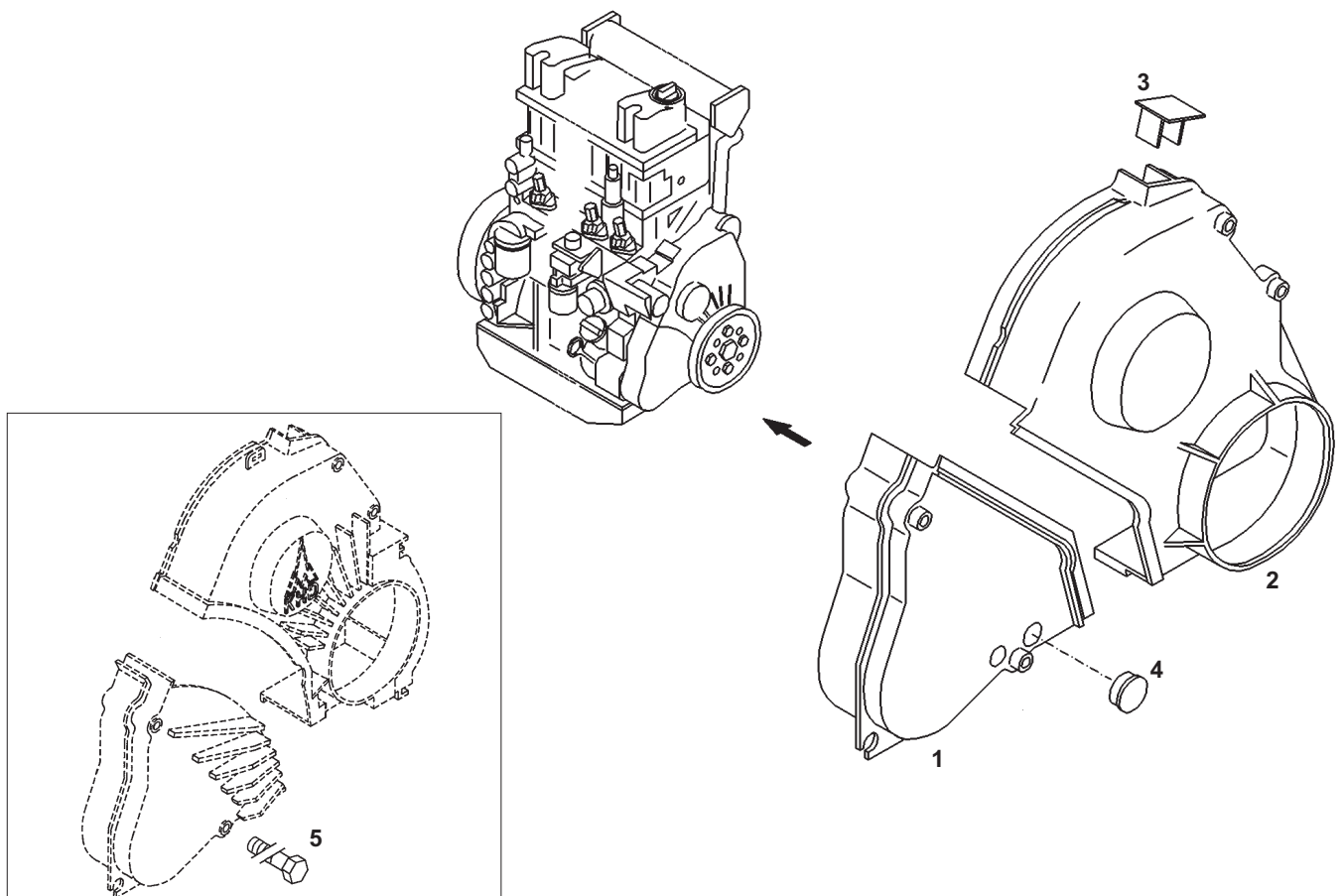
Ref No.	Part No.	Description	Quantity	
			F3M/BF3M	F4M/BF4M
1	135529	COVER/CYLINDER HEAD HARD	1	-
	133565	COVER/CYLINDER HEAD HARD	-	1
2	135528	GASKET	1	-
	133566	GASKET	-	1
3	187264	BOLT/HEX	8	10
4	133163	BOLT/HEX	-	1
5	133426	VALVE/BREATHER	-	1
6	133250	O-SEAL	-	1



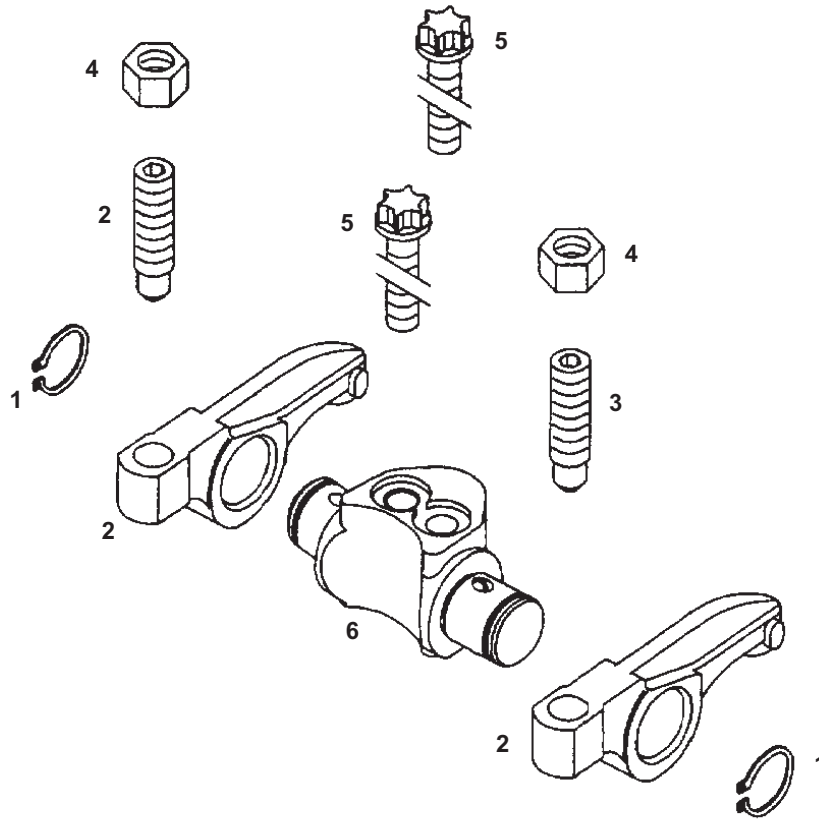
Ref No.	Part No.	Description	Quantity
1	133378	PULLEY/SYNCHRONOUS BELT	1
2	133242	BOLT/HEX 14 X 1.5 X 110MM CLASS 12.9	1
3	187509	BOLT/HEX	11
4	133324	WASHER/PLAIN	1
5	133144	PLUG/SCREW	2
6	133132	RING/SEALING	2
7	135506	KIT/REPAIR	1
8	133103	COMPOUND/PACKING	AR



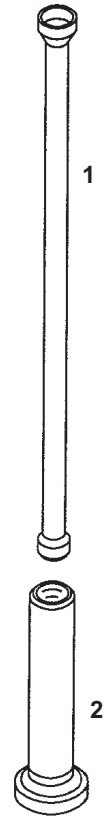
Ref No.	Part No.	Description	Quantity			
			F3M	F4M	BF3M	BF4M
1	187523	CAMSHAFT	1	-	-	-
	187548	CAMSHAFT	-	1	-	-
	133526	CAMSHAFT	-	-	1	-
	133568	CAMSHAFT	-	-	-	1
2	187209	BOLT/HEX	1	1	1	1
3	133367	WASHER/THRUST	1	1	1	1



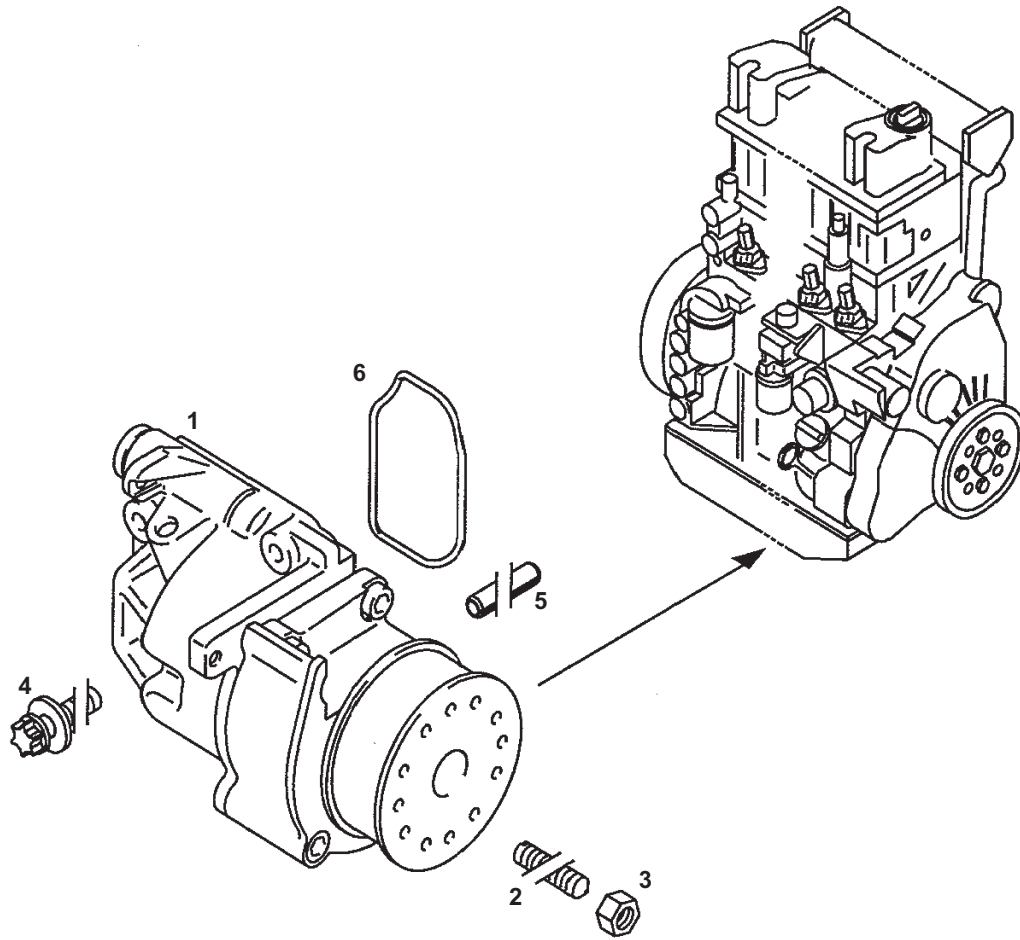
Ref No.	Part No.	Description	Quantity
1	135545	HOOD/PROTECTION (INCLUDES ITEM 4)	1
2	133467	HOOD/PROTECTION	1
3	135534	PLUG	1
4	133216	PLUG	1
5	133145	BOLT/HEX 6 X 70MM CLASS 8.8	4



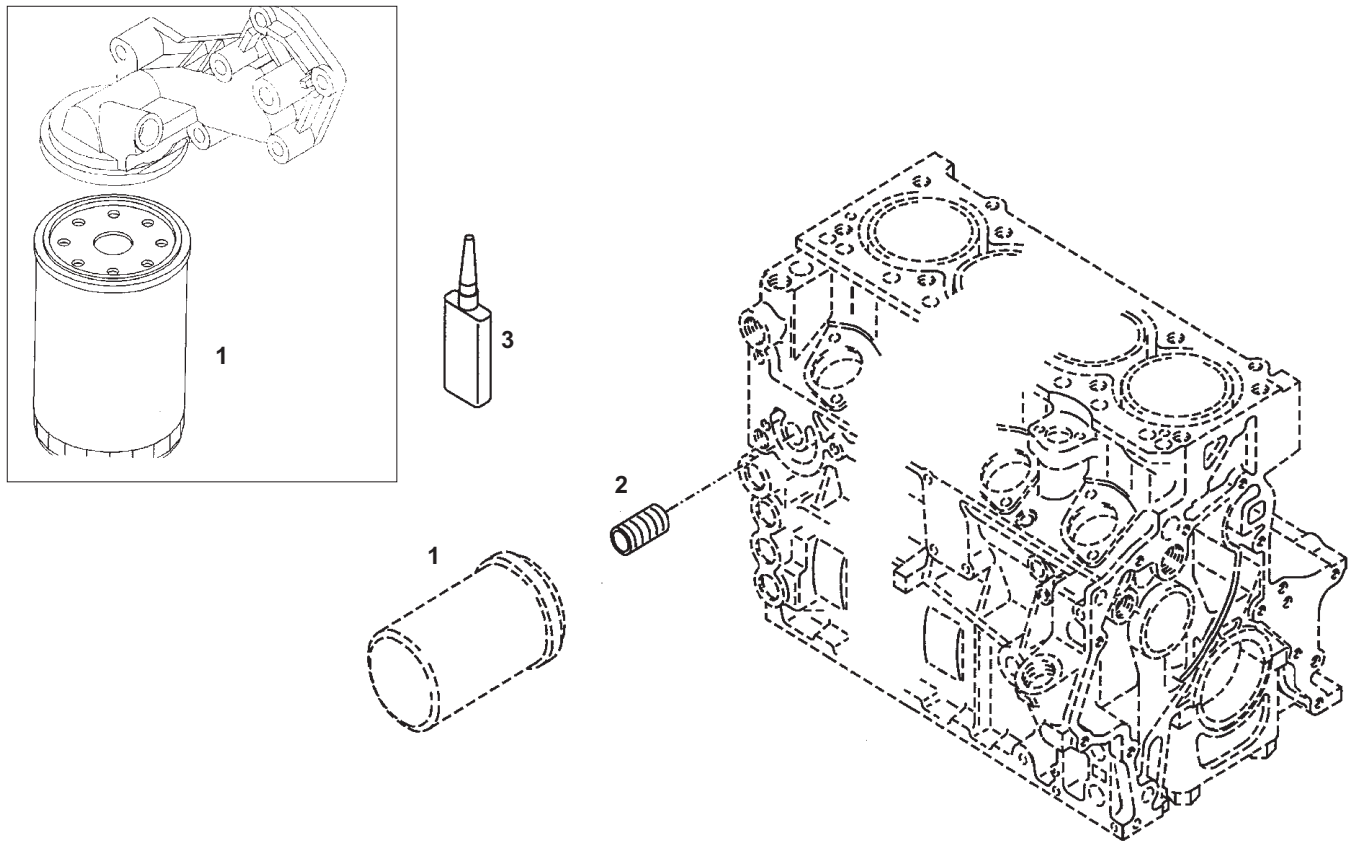
Ref No.	Part No.	Description	Quantity
1	133113	CIRCLIP	2
2	133332	ARM/ROCKER	2
3	133333	SCREW/ADJUSTING	2
4	133334	NUT/HEX	2
5	187237	BOLT/TORX HEAD	2
6	133375	BRACKET/ROCKER ARM (INCLUDES ITEMS 1-4)	1



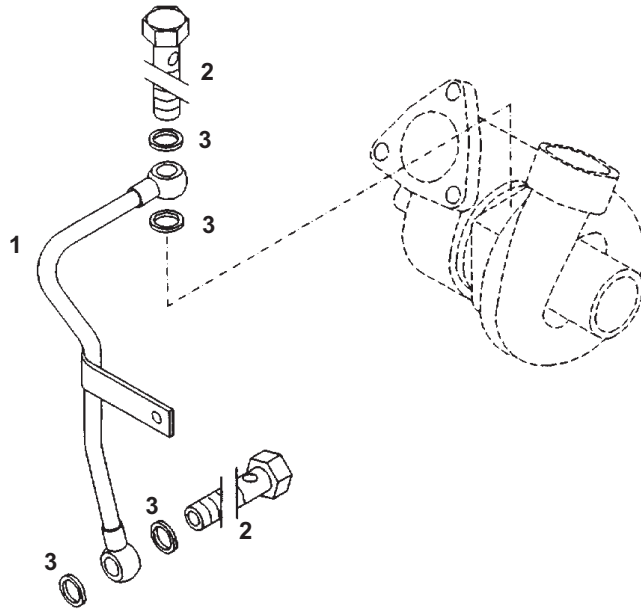
Ref No.	Part No.	Description	Quantity
1	133330	ROD/PUSH	2
2	133402	TAPPET/VALVE	2



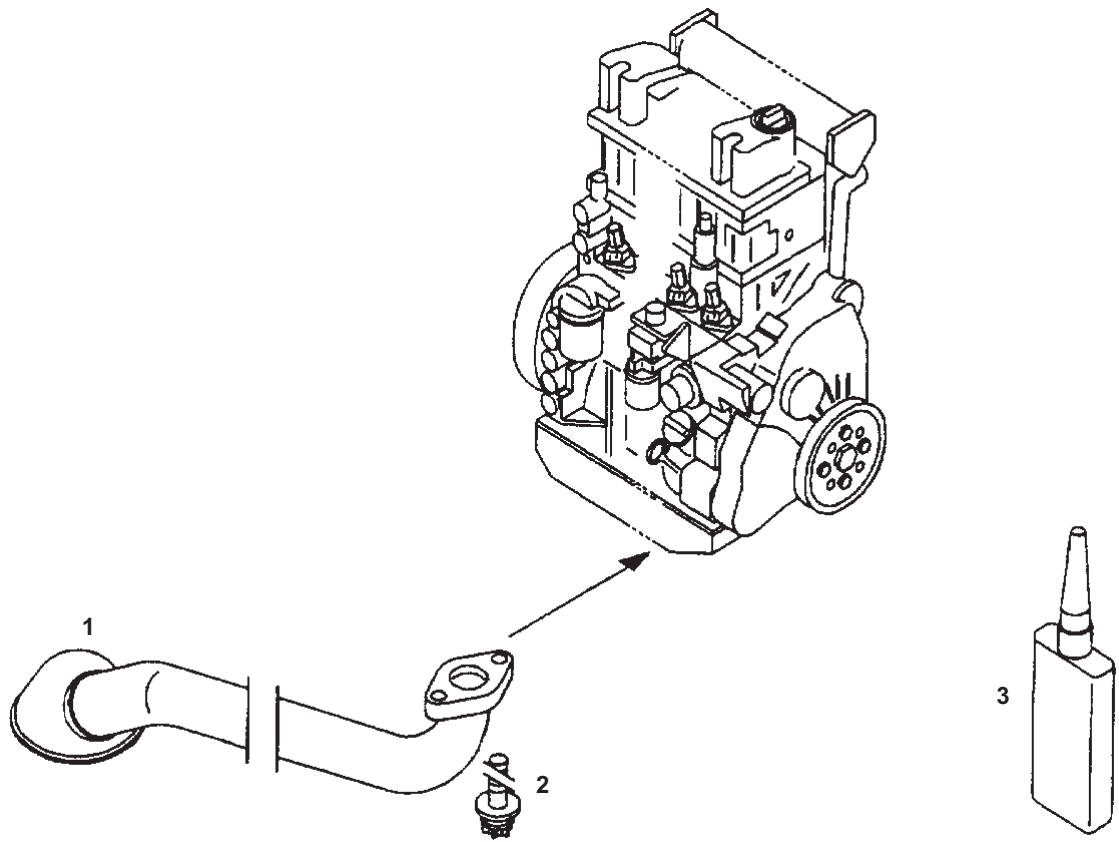
Ref No.	Part No.	Description	Quantity	
			F3M/BF3M	F4M/BF4M
1	135519	PUMP/LUBRICATION OIL (INCLUDES ITEMS 2,3)	1	-
	133439	PUMP/LUBRICATION OIL (INCLUDES ITEMS 2,3)	-	1
2	187266	SCREW/SET	1	1
3	187267	NUT/HEX	1	1
4	187230	BOLT/TORX	4	4
5	133428	PIN/SPIRAL	2	2
6	133440	RING/SEALING	1	1



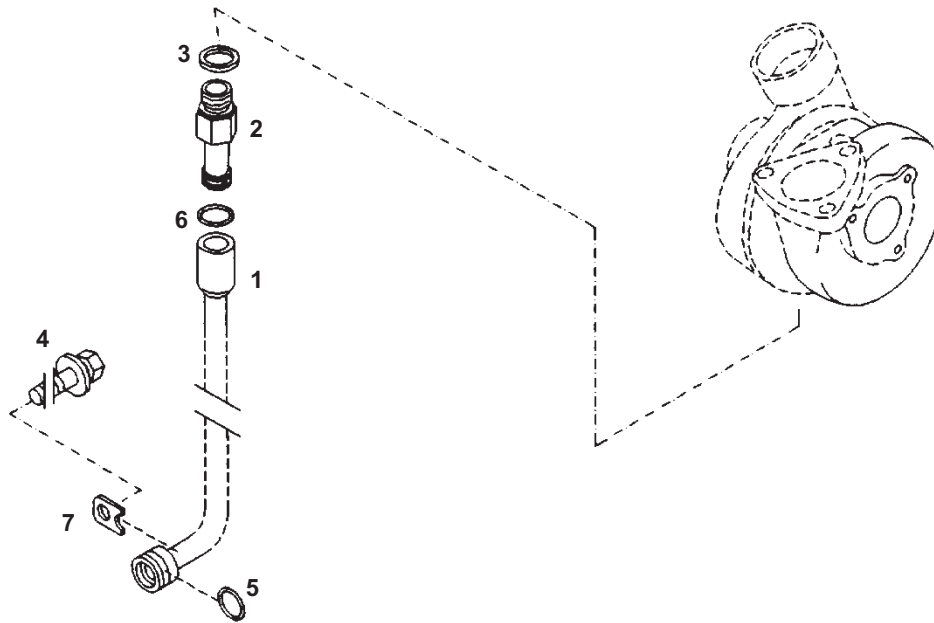
Ref No.	Part No.	Description	Quantity
1	132023	FILTER/SPIN-ON	1
2	133326	BUSHING/SCREWED	1
3	133105	SAFETY/LOCK AGENT 50ML	AR



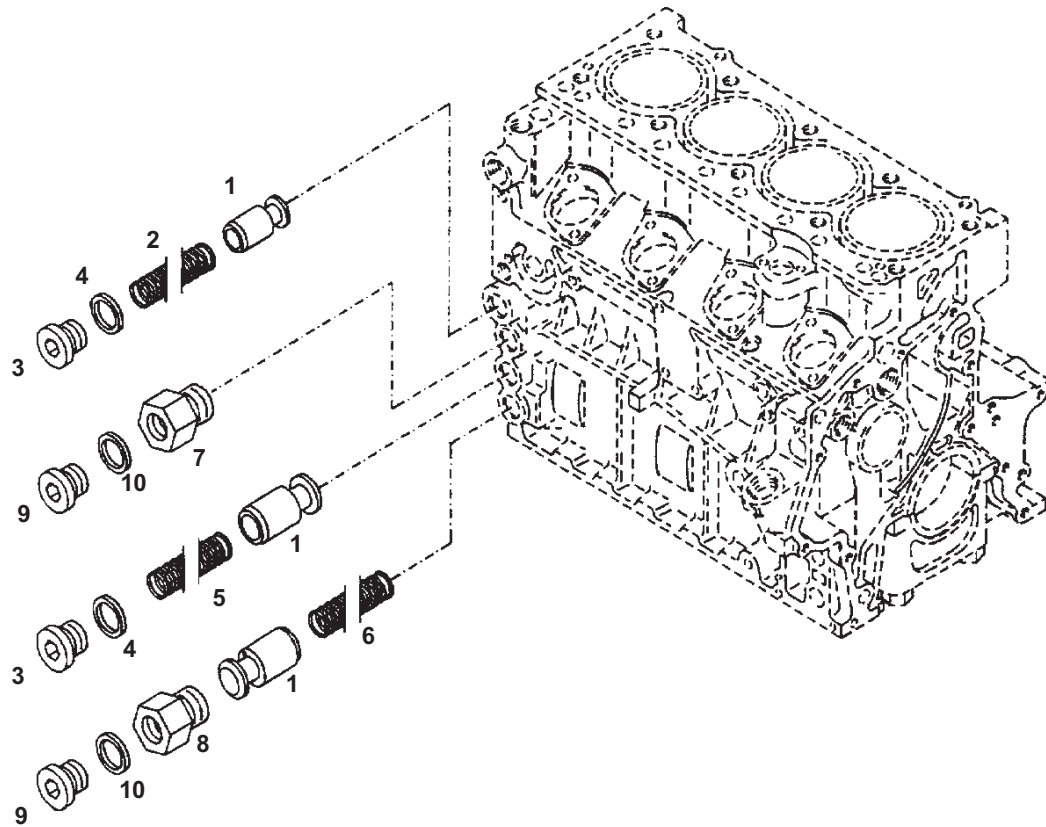
Ref No.	Part No.	Description	Quantity BF3M/BF4M
1	133498	LINE/LUBRICATION OIL	1
2	133141	SCREW/HOLLOW	2
3	133133	RING/SEALING	4



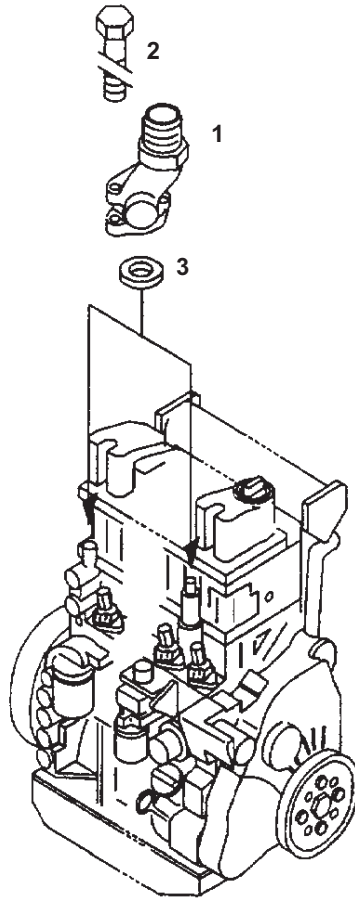
Ref No.	Part No.	Description	Quantity	
			F3M/BF3M	F4M/BF4M
1	135517	PIPE/OIL SUCTION	1	-
	187189	PIPE/OIL SUCTION	-	1
2	187232	BOLT/TORX HEAD 8 X 25MM CLASS 8.8	2	2
3	133103	COMPOUND/PACKING	AR	AR



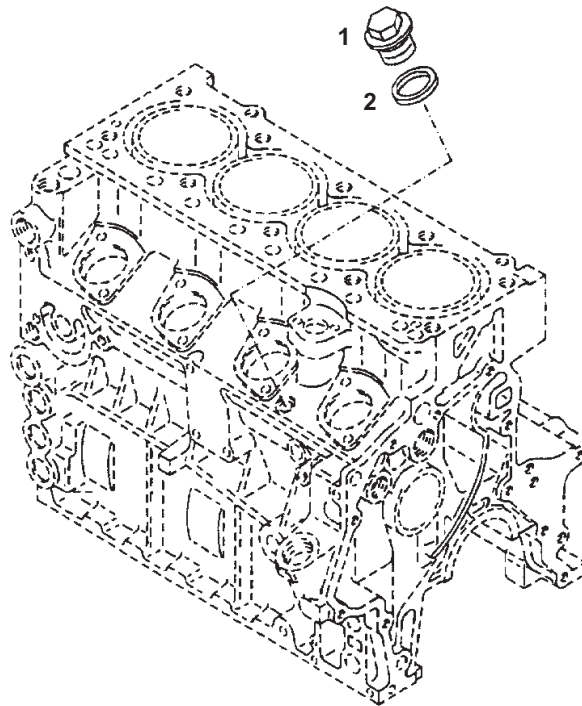
Ref No.	Part No.	Description	Quantity	
			BF3M	BF4M
1	133550	LINE/OIL RETURN	1	-
	133549	LINE/OIL RETURN	-	1
2	133478	NIPPLE/SCREW-IN	1	1
3	133135	RING/SEALING	1	1
4	187235	BOLT/HEX	1	1
5	187222	O-SEAL	1	1
6	133259	O-SEAL	1	1
7	133551	PLATE/RETAINING	1	1



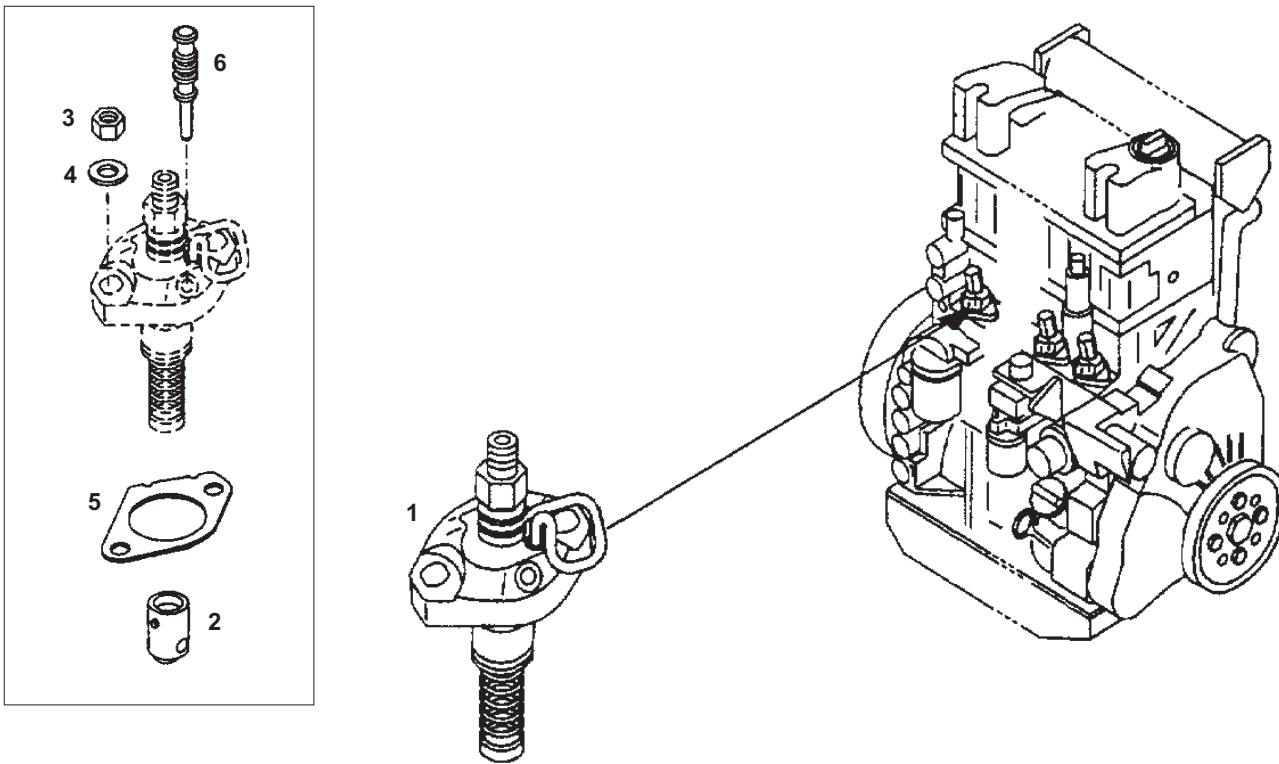
Ref No.	Part No.	Description	Quantity
1	133414	VALVE	3
2	133415	SPRING/COMPRESSION	1
3	133109	PLUG/SCREW 24 X 1.5MM	2
4	133139	RING/SEALING	2
5	133451	SPRING/COMPRESSION	1
6	133416	SPRING/COMPRESSION	1
7	133409	NIPPLE/ADAPTER	1
8	133410	NIPPLE/ADAPTER	1
9	133176	PLUG/SCREW 18 X 1.5MM	2
10	133136	RING/SEALING	2



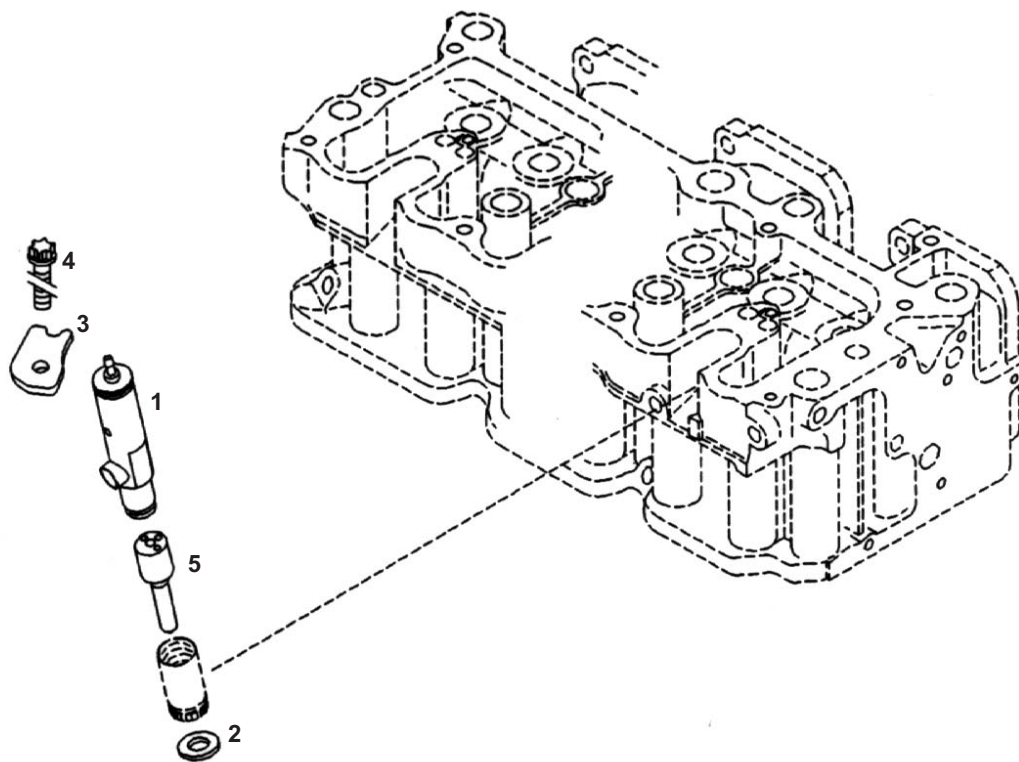
Ref No.	Part No.	Description	Quantity
1	187181	CONNECTION/RADIATOR	2
2	133165	BOLT/HEX 6 X 60MM CLASS 10.9	4
3	133245	RING/SEALING	2



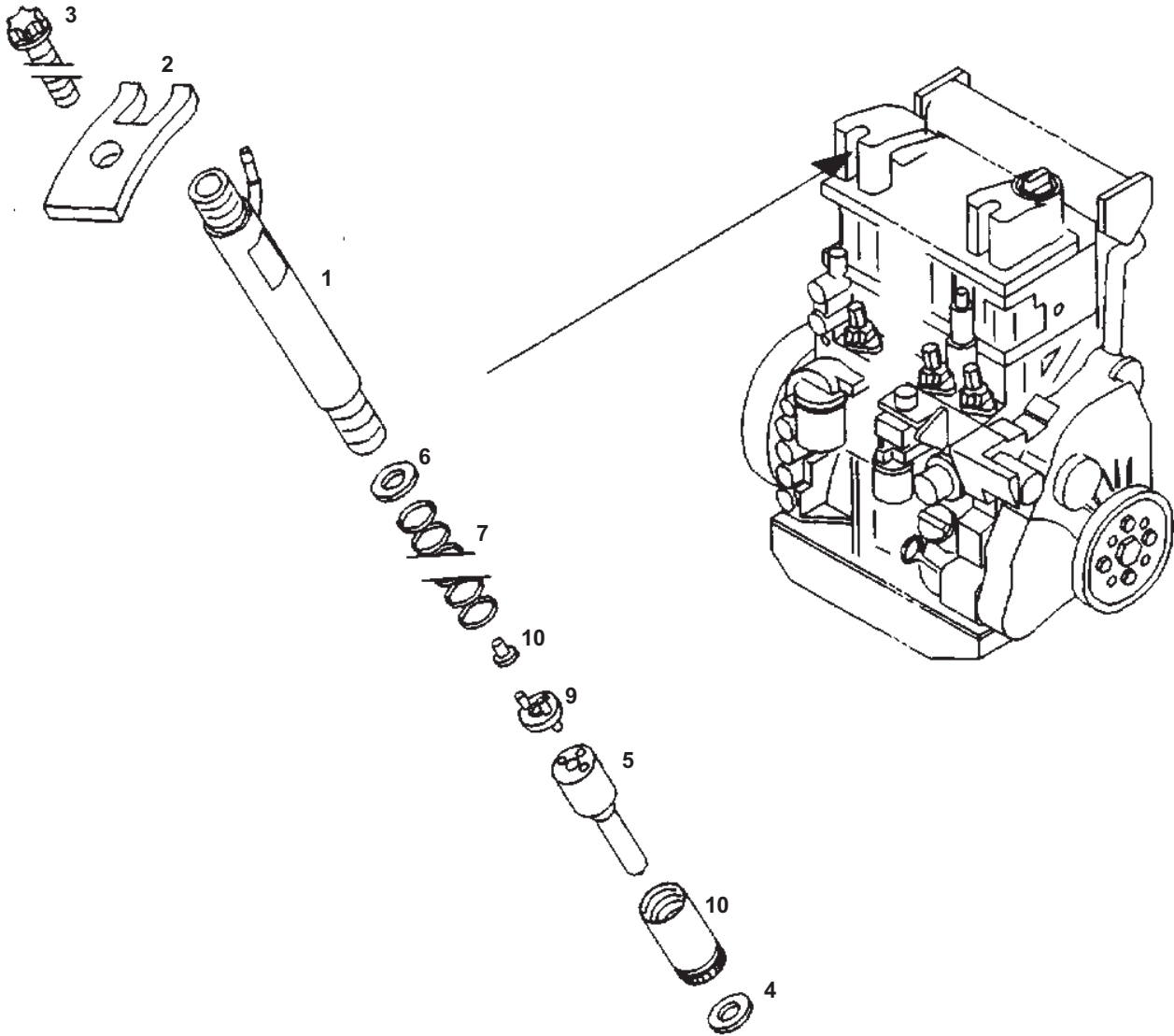
Ref No.	Part No.	Description	Quantity
1	133116	PLUG/SCREW 10 X 1MM	1
2	133132	RING/SEALING	1



Ref No.	Part No.	Description	Quantity	
			F3M/F4M	BF3M/BF4M
1	133589	PUMP/FUEL INJECTION	1	-
	135523	PUMP/FUEL INJECTION	-	1
2	133392	TAPPET/ROLLER	1	1
3	133150	NUT/HEX 8-8MM	2	-
	133126	NUT/HEX	-	2
4	133337	WASHER/PLAIN	2	2
5	133418	GASKET/COMPENSATION 0.4MM	AR	AR
5A	133419	GASKET/COMPENSATION 0.5MM	AR	AR
5B	133420	GASKET/COMPENSATION 0.6MM	AR	AR
5C	133421	GASKET/COMPENSATION 0.7MM	AR	AR
5D	133422	GASKET/COMPENSATION 0.8MM	AR	AR
5E	133423	GASKET/COMPENSATION 0.9MM	AR	AR
5F	133424	GASKET/COMPENSATION 1.0MM	AR	AR
5G	187152	GASKET/COMPENSATION 1.1MM	AR	AR
5H	187151	GASKET/COMPENSATION 1.2MM	AR	AR
6	133438	PLUG	1	1



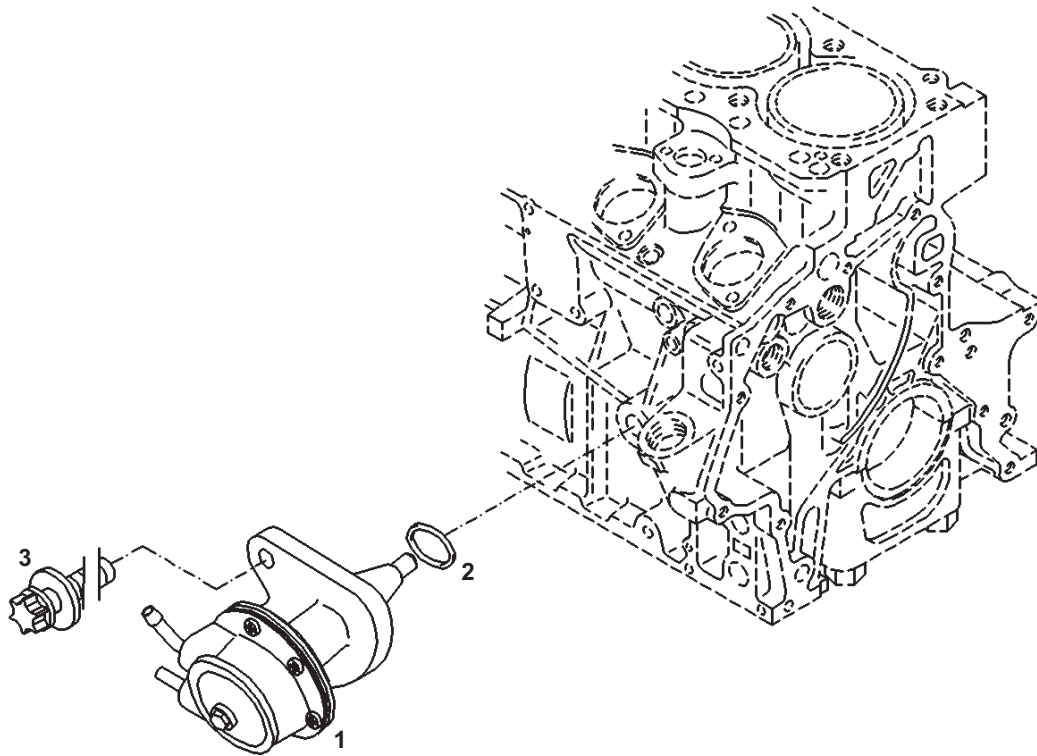
Ref No.	Part No.	Description	Quantity F3M/F4M
1	133590	INJECTOR/FUEL (INCLUDES ITEM 5)	1
2	133391	RING/SEALING	1
3	133591	CLAW	1
4	187226	BOLT/TORX HEAD	1
5	133592	ELEMENT/NOZZLE	1



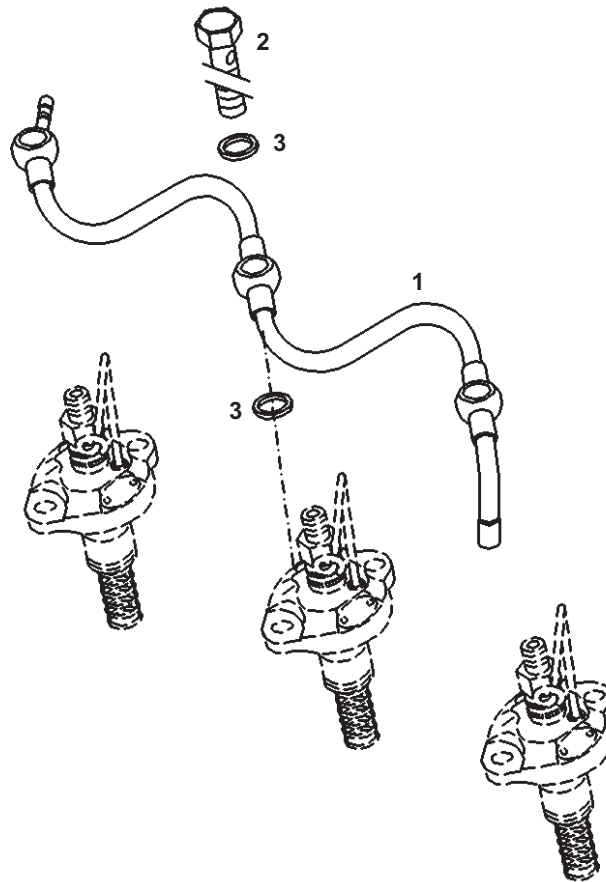
Parts Listing On Next Page

1011F DEUTZ ENGINE

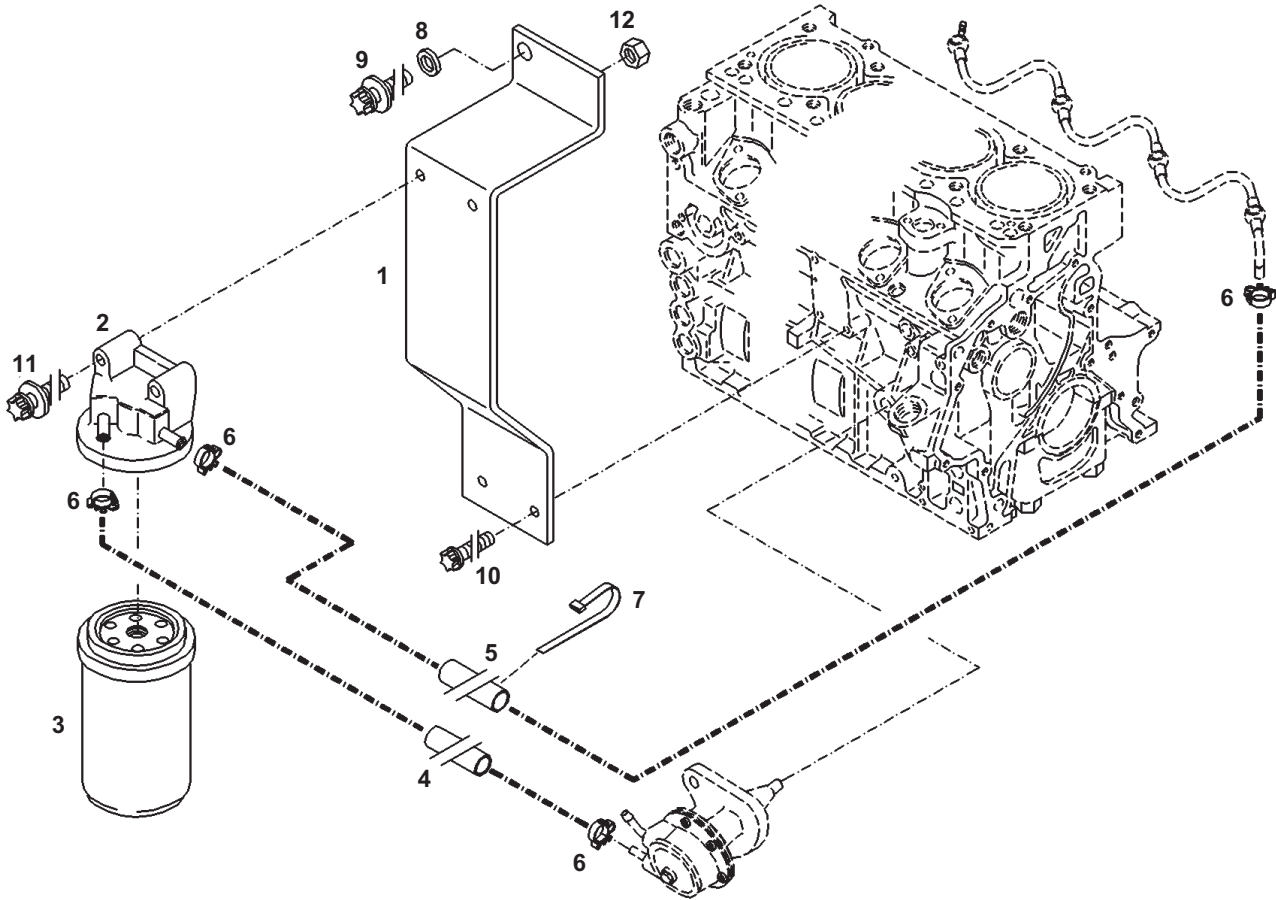
Ref No.	Part No.	Description	Quantity	
			BF3M	BF4M
1	135522	INJECTOR/FUEL (INCLUDES ITEMS 5-10)	1	-
	133398	INJECTOR/FUEL (INCLUDES ITEMS 5-10)	-	1
2	133399	CLAW	1	1
3	187226	BOLT/TORX HEAD	1	1
4	133391	RING/SEALING	1	1
5	133544	ELEMENT/NOZZLE	1	-
	133397	ELEMENT/NOZZLE	-	1
6	133263	SHIM STANDARD 1.00MM	AR	AR
6A	133269	SHIM OVERSIZE 1.04MM	AR	AR
6B	133370	SHIM OVERSIZE 1.08MM	AR	AR
6C	133264	SHIM OVERSIZE 1.10MM	AR	AR
6D	133271	SHIM OVERSIZE 1.14MM	AR	AR
6E	133272	SHIM OVERSIZE 1.18MM	AR	AR
6F	133273	SHIM OVERSIZE 1.20MM	AR	AR
6G	133297	SHIM OVERSIZE 1.22MM	AR	AR
6H	133265	SHIM OVERSIZE 1.24MM	AR	AR
6I	133274	SHIM OVERSIZE 1.28MM	AR	AR
6J	133275	SHIM OVERSIZE 1.30MM	AR	AR
6K	133276	SHIM OVERSIZE 1.34MM	AR	AR
6L	133277	SHIM OVERSIZE 1.38MM	AR	AR
6M	133278	SHIM OVERSIZE 1.40MM	AR	AR
6N	133279	SHIM OVERSIZE 1.44MM	AR	AR
6O	133280	SHIM OVERSIZE 1.48MM	AR	AR
6P	133266	SHIM OVERSIZE 1.50MM	AR	AR
6Q	133281	SHIM OVERSIZE 1.54MM	AR	AR
6R	133282	SHIM OVERSIZE 1.58MM	AR	AR
6S	133283	SHIM OVERSIZE 1.60MM	AR	AR
6T	133284	SHIM OVERSIZE 1.64MM	AR	AR
6U	133285	SHIM OVERSIZE 1.68MM	AR	AR
6V	133286	SHIM OVERSIZE 1.70MM	AR	AR
6W	133267	SHIM OVERSIZE 1.74MM	AR	AR
6X	133287	SHIM OVERSIZE 1.78MM	AR	AR
6Y	133288	SHIM OVERSIZE 1.80MM	AR	AR
6Z	133289	SHIM OVERSIZE 1.84MM	AR	AR
6AA	133290	SHIM OVERSIZE 1.88MM	AR	AR
6AB	133291	SHIM OVERSIZE 1.90MM	AR	AR
6AC	133292	SHIM OVERSIZE 1.94MM	AR	AR
6AD	133268	SHIM OVERSIZE 1.98MM	AR	AR
7	133293	SPRING/COMPRESSION	1	1
8	133294	BOLT/THRUST	1	1
9	133295	SPACER	1	1
10	133296	NUT/NOZZLE CAP	1	1



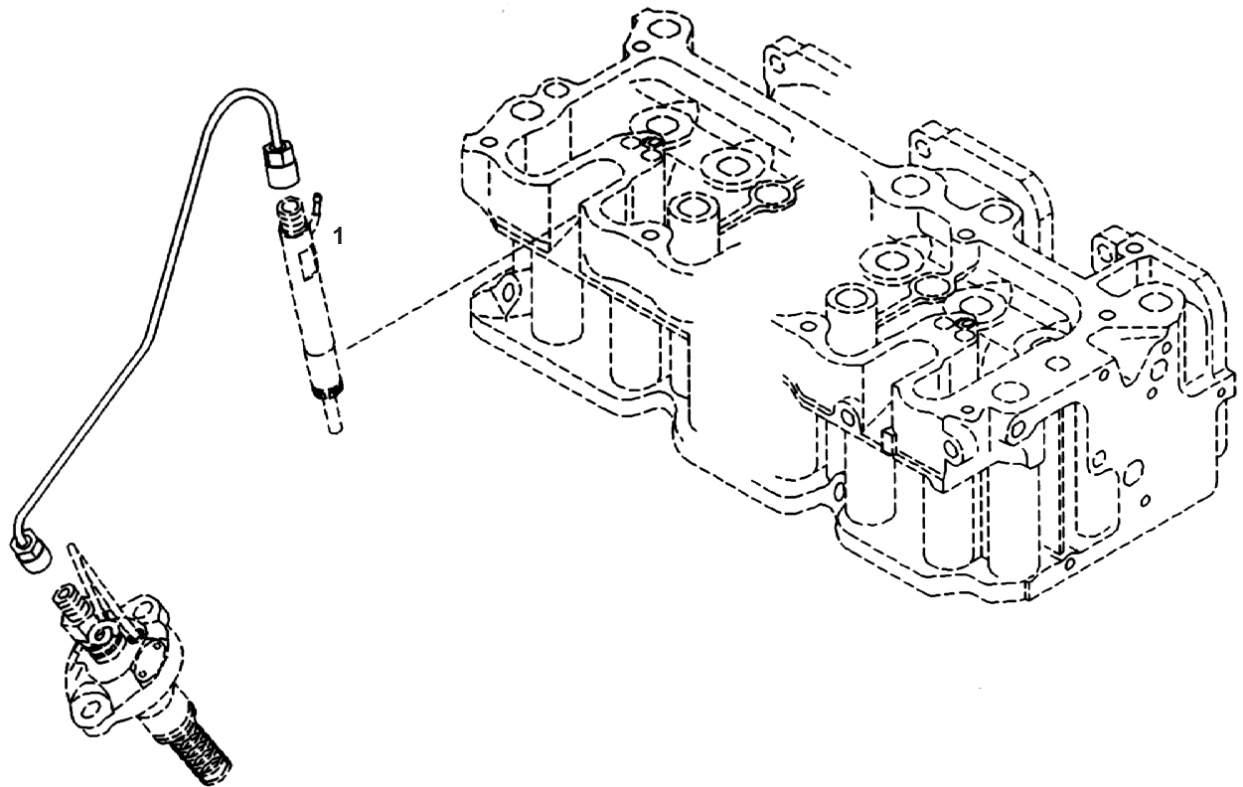
Ref No.	Part No.	Description	Quantity
1	187546	PUMP/FUEL SUPPLY	1
2	133218	O-SEAL	1
3	187233	BOLT/TORX HEAD	2



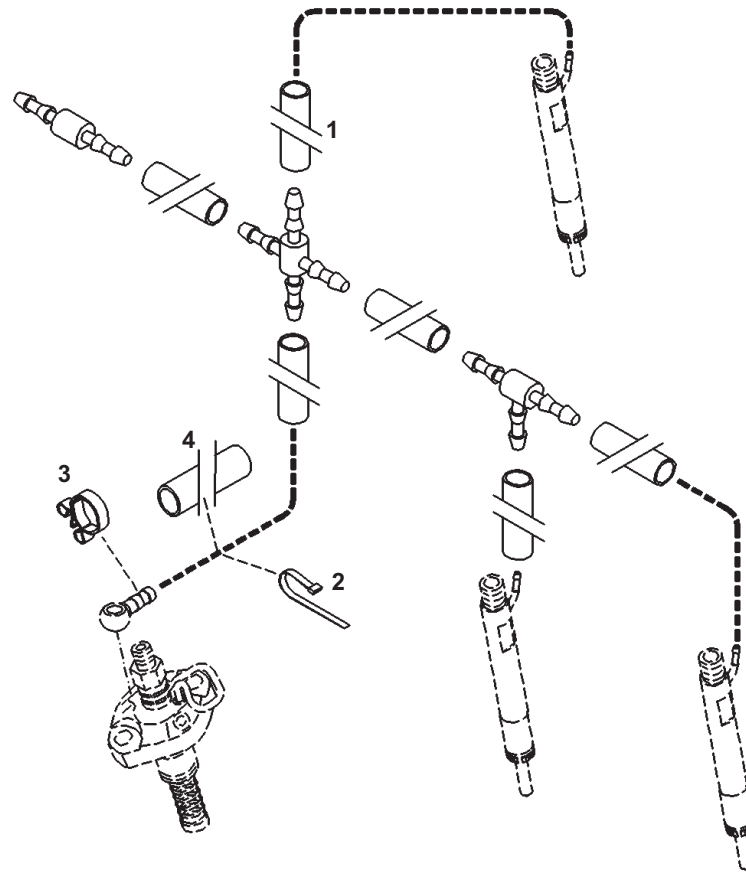
Ref No.	Part No.	Description	Quantity	
			F3M/BF3M	F4M/BF4M
1	187543	LINE/FUEL	1	-
	187544	LINE/FUEL	-	1
2	133141	SCREW/HOLLOW	3	4
3	187511	RING/SEALING	6	8



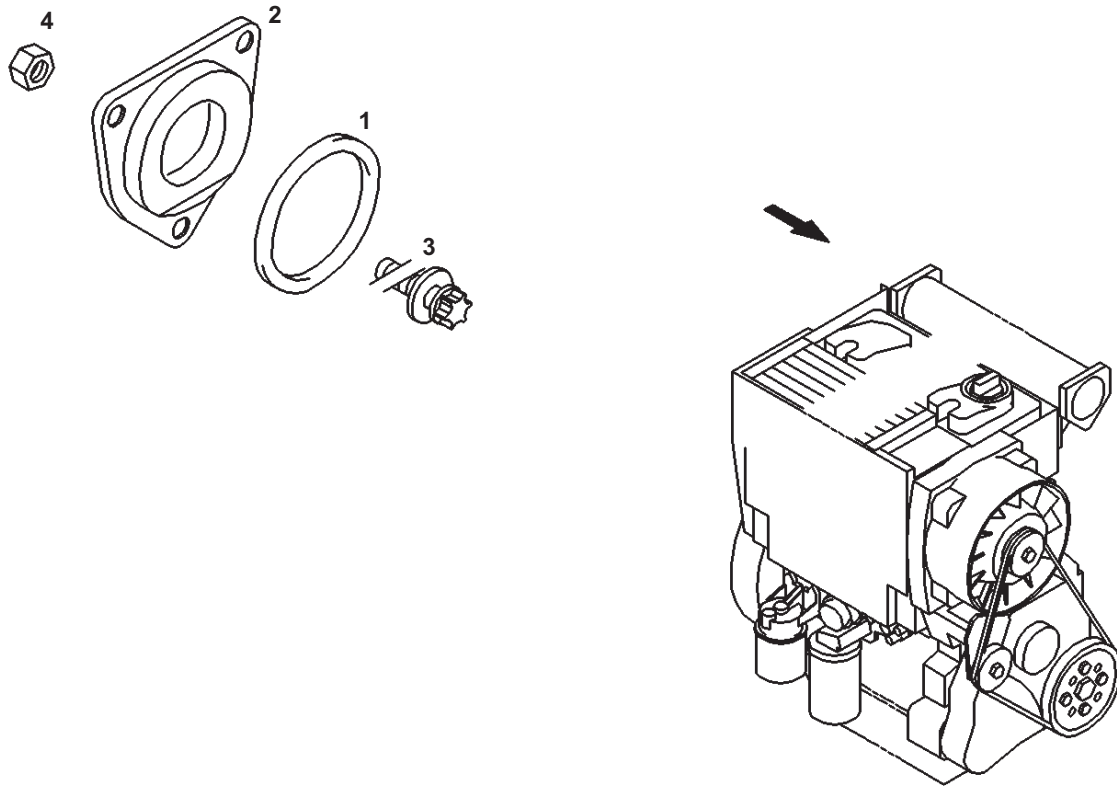
Ref No.	Part No.	Description	Quantity
1	187191	BRACKET	1
2	133429	BRACKET	1
3	132024	FILTER/SPIN-ON FUEL	1
4	133308	RUBBER/HOSE 390MM	1
5	133308	RUBBER/HOSE 460MM	1
6	133243	CLIP/HOSE	4
7	187173	BAND/CLAMPING	1
8	187174	WASHER/PLAIN	1
9	187233	BOLT/TORX-HEAD	1
10	187506	BOLT/TORX-HEAD	1
11	187229	BOLT/TORX-HEAD	2
12	187177	NUT/HEX	2



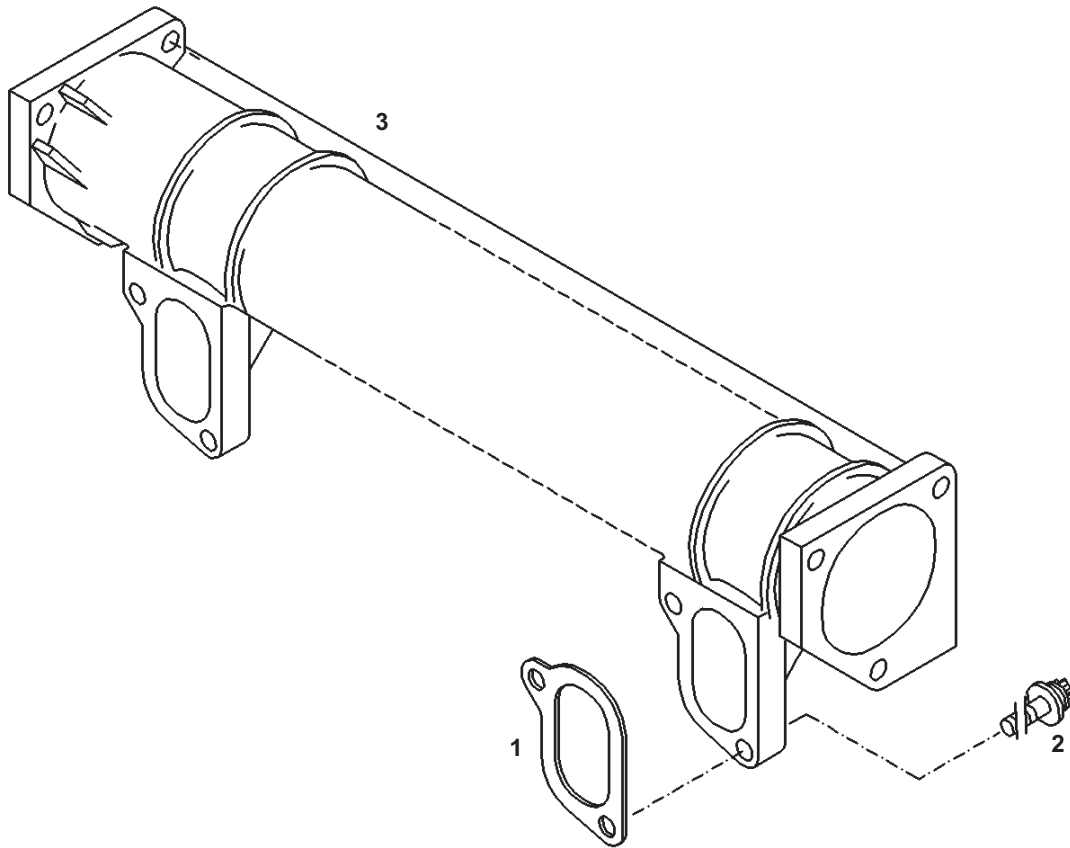
Ref No.	Part No.	Description	Quantity
1	133585	PIPE/HIGH PRESSURE	1



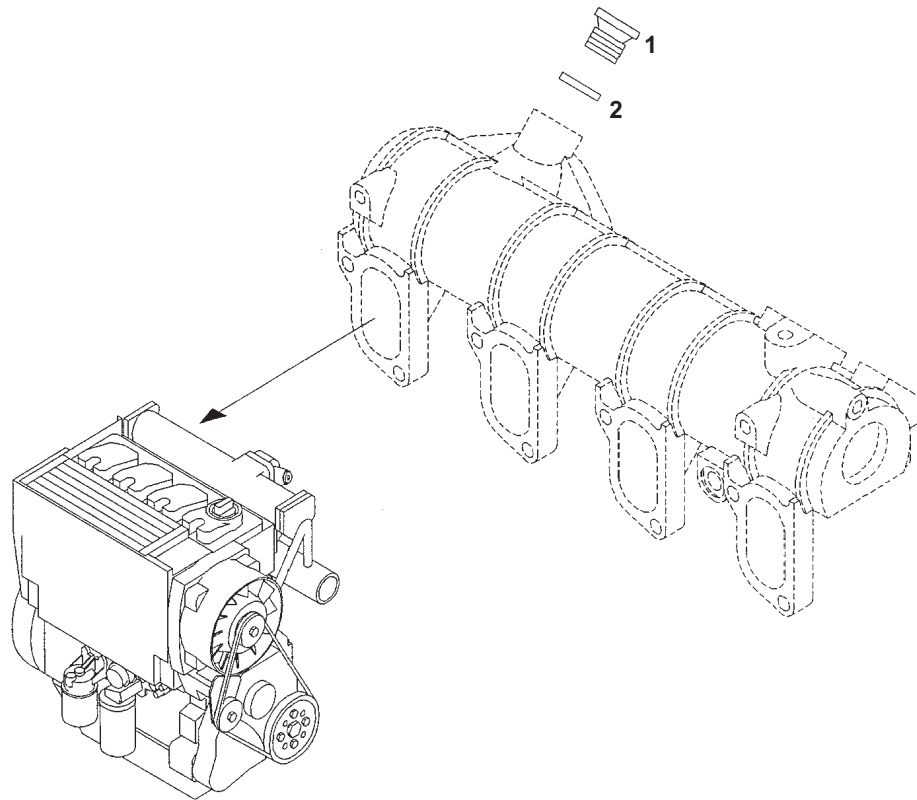
Ref No.	Part No.	Description	Quantity	
			F3M/BF3M	F4M/BF4M
1	133596	ASSEMBLY/OVERFLOW LINE (INCLUDES ITEMS 2-4)	1	-
	133580	ASSEMBLY/OVERFLOW LINE (INCLUDES ITEMS 2-4)	-	1
2	133244	BAND/CLAMPING	1	1
3	133583	CLIP/HOSE	1	1
4	187514	HOSE	1	1



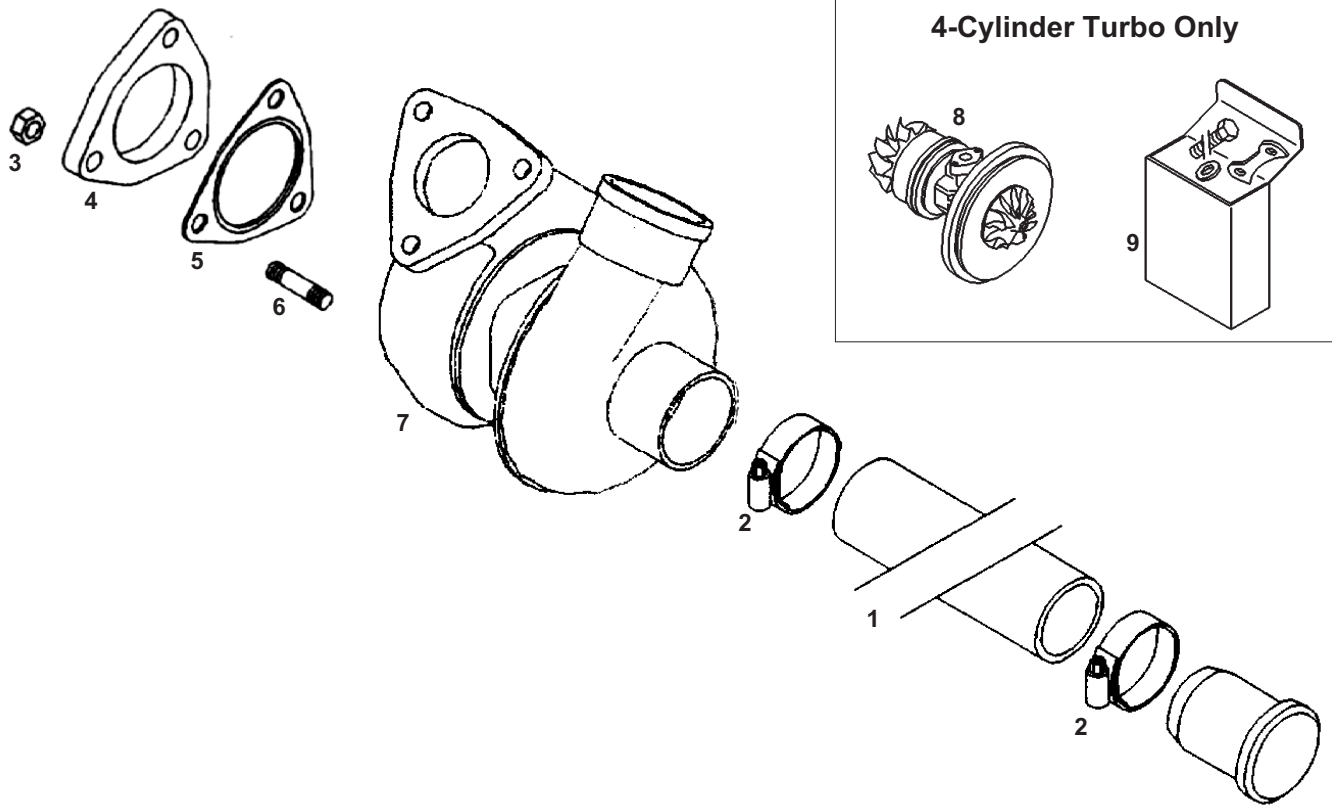
Ref No.	Part No.	Description	Quantity
1	187250	O-SEAL	1
2	187199	FLANGE	1
3	187248	NUT/TORX-HEAD	1
4	133126	NUT/HEX	1



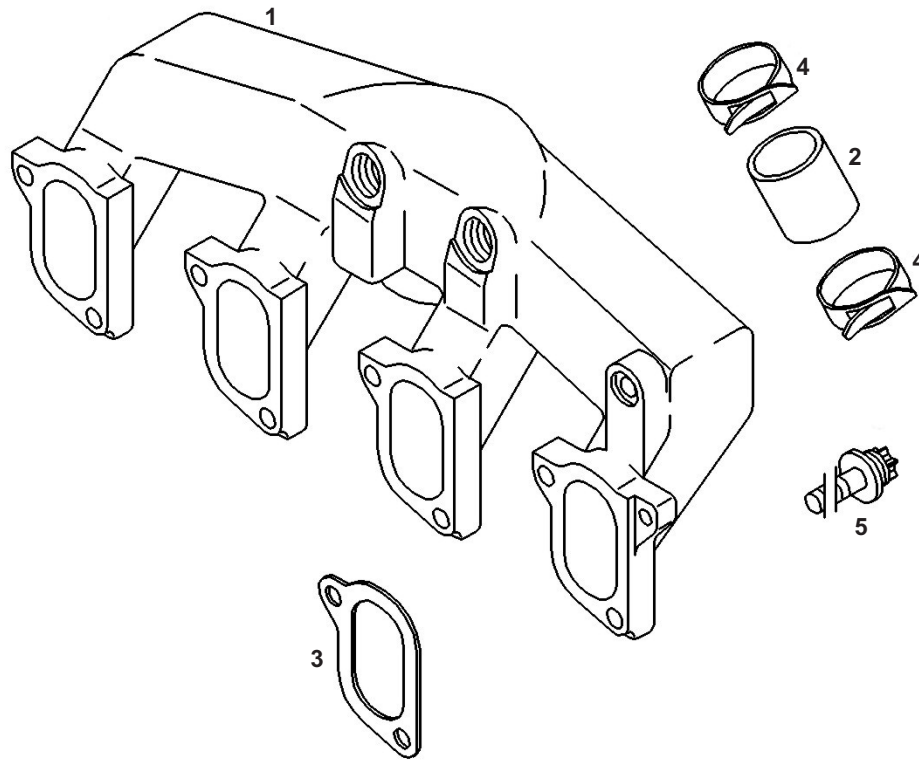
Ref No.	Part No.	Description	Quantity	
			F3M	F4M
1	133463	GASKET	3	4
2	135500	BOLT/TORX-HEAD	6	8
3	187166	MANIFOLD/INTAKE	1	-
4	187167	MANIFOLD/INTAKE	-	1



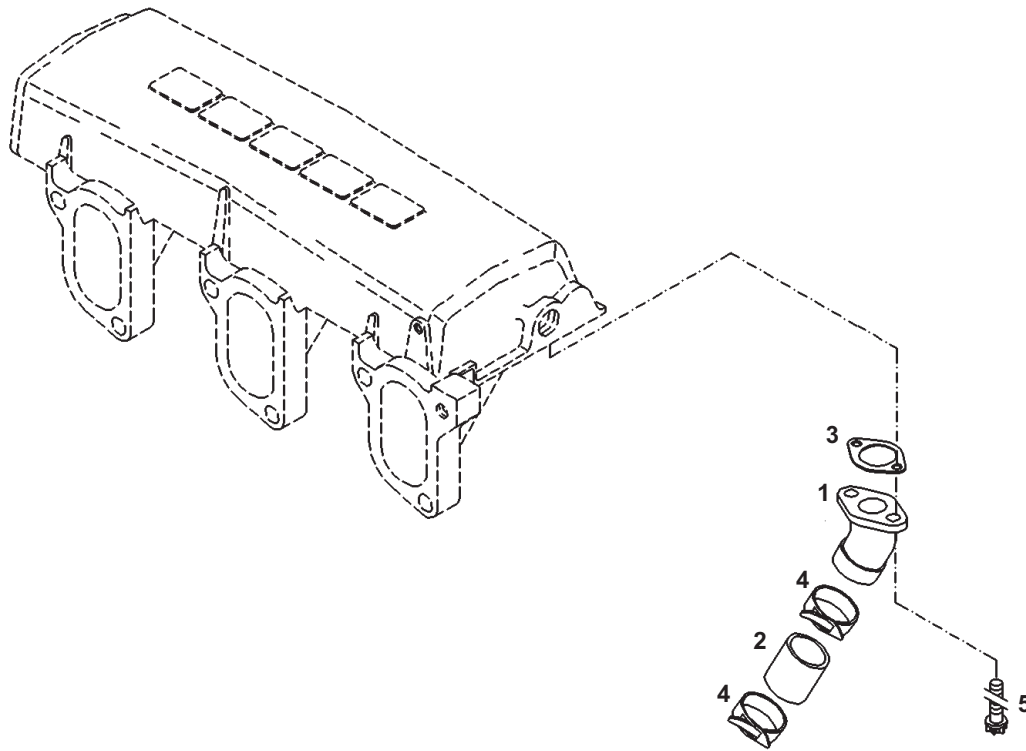
Ref No.	Part No.	Description	Quantity
1	133168	PLUG/SCREW	1
2	133138	RING/SEALING	1



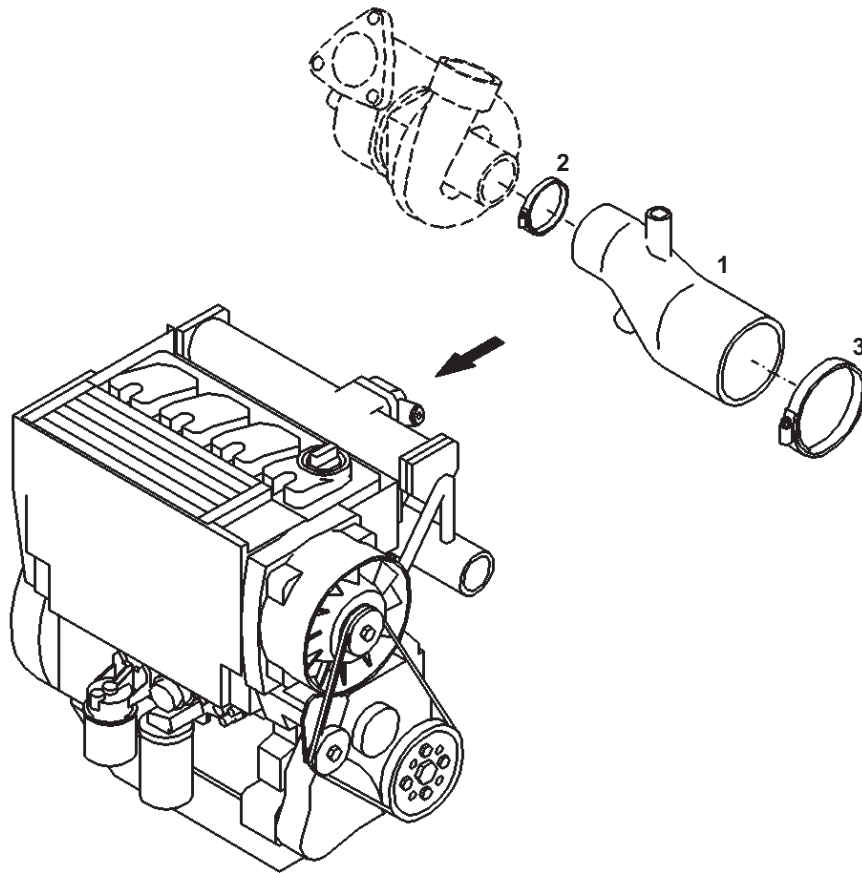
Ref No.	Part No.	Description	Quantity	
			BF3M	BF4M
1	133529	SLEEVE/RUBBER	1	1
2	133200	CLIP/HOSE	2	2
3	187278	NUT/HEX	3	3
4	133532	FLANGE	1	1
5	133364	GASKET	1	1
6	133180	STUD	3	3
7	187541	TURBOCHARGER	1	-
	187540	TURBOCHARGER	-	1
8	133229	ASSEMBLY/CORE	-	1
9	187513	KIT/REPAIR	-	1



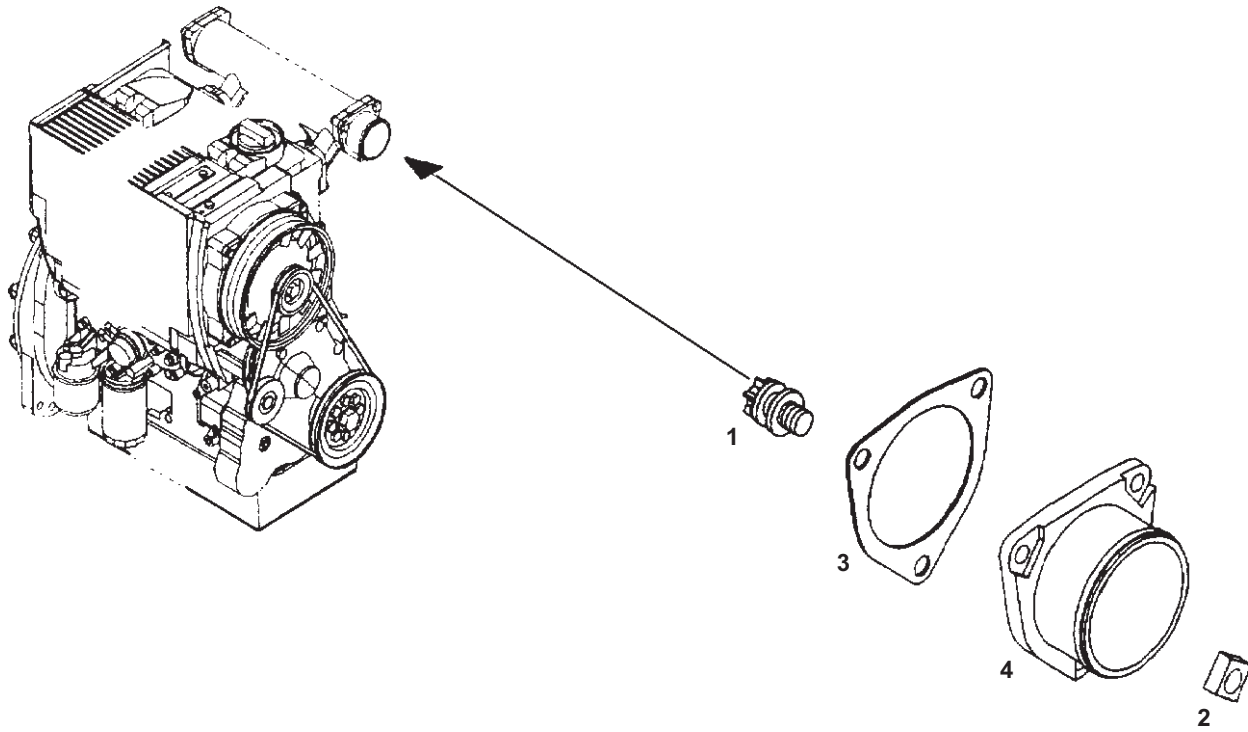
Ref No.	Part No.	Description	Quantity	
			BF3M	BF4M
1	187532	PIPE/CHARGE AIR	1	-
	133485	PIPE/SUCTION	-	1
2	133201	SLEEVE/RUBBER	-	1
3	133463	GASKET	3	4
4	133214	CLAMP/SPRING BAND	-	2
5	187231	BOLT/TORX-HEAD	6	8



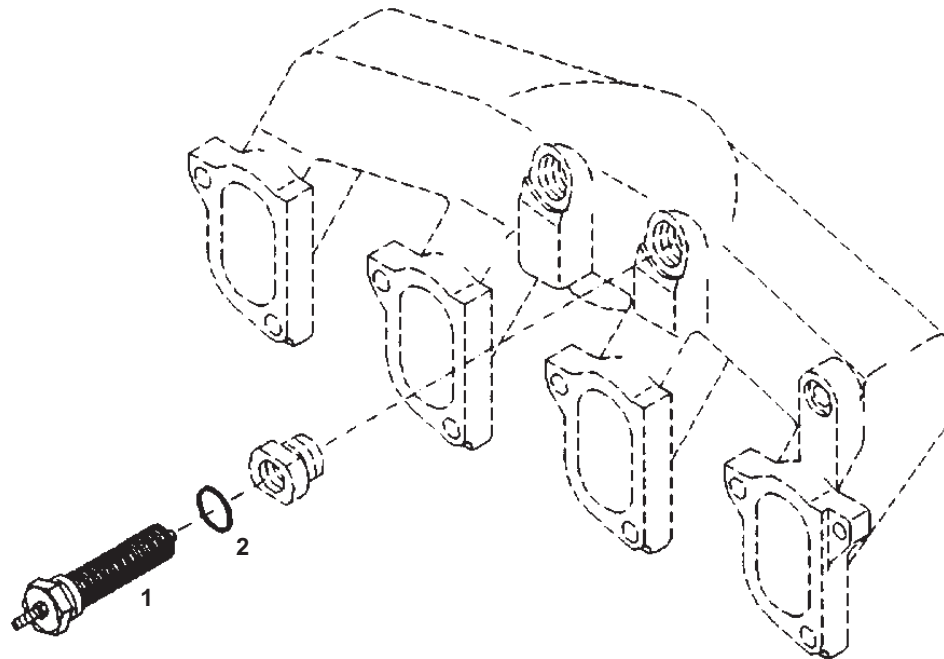
Ref No.	Part No.	Description	Quantity BF3M
1	187163	ELBOW/CHARGE AIR	1
2	187254	SLEEVE/RUBBER	1
3	187162	GASKET	1
4	133214	CLAMP/SPRING BAND	2
5	187226	BOLT/TORX HEAD	2



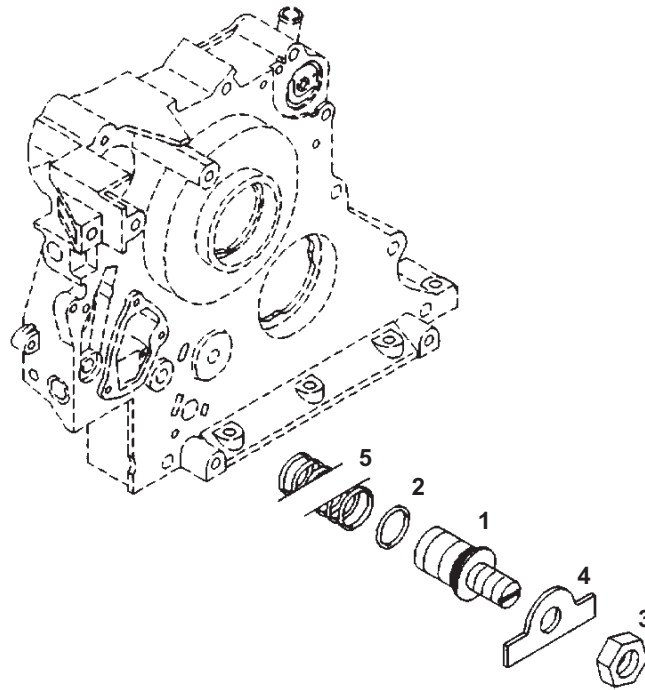
Ref No.	Part No.	Description	Quantity BF4M
1	133577	REDUCER	1
2	133200	CLIP/HOSE	1
3	133190	CLIP/HOSE	1



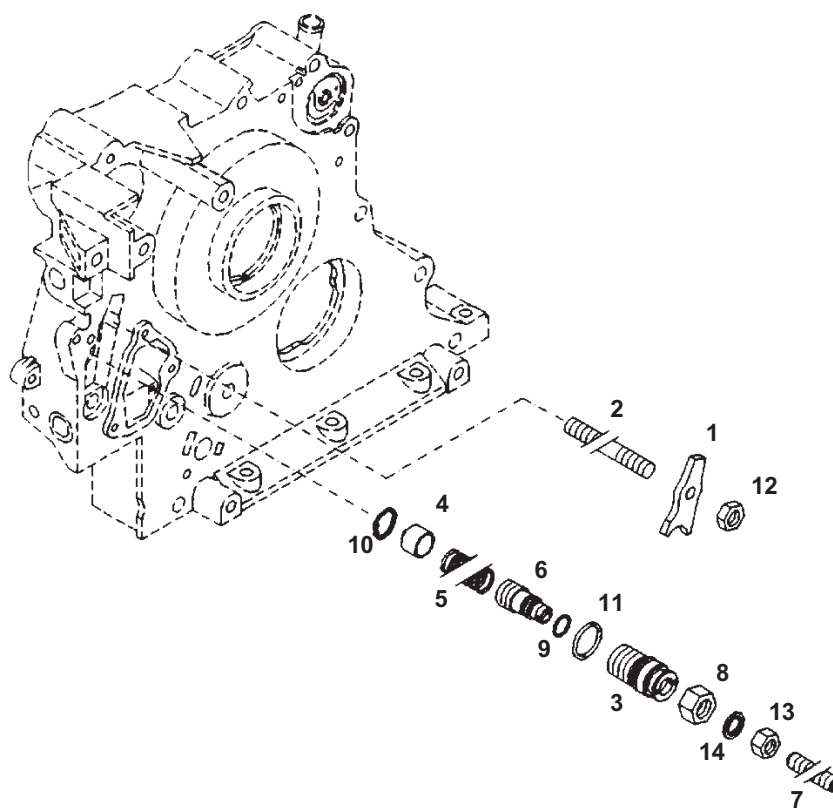
Ref No.	Part No.	Description	Quantity
1	133229	BOLT/TORX HEAD 8 X 30MM CLASS 8.8	3
2	133115	NUT/SQUARE	3
3	133331	GASKET	1
4	133593	NIPPLE/HOSE	1



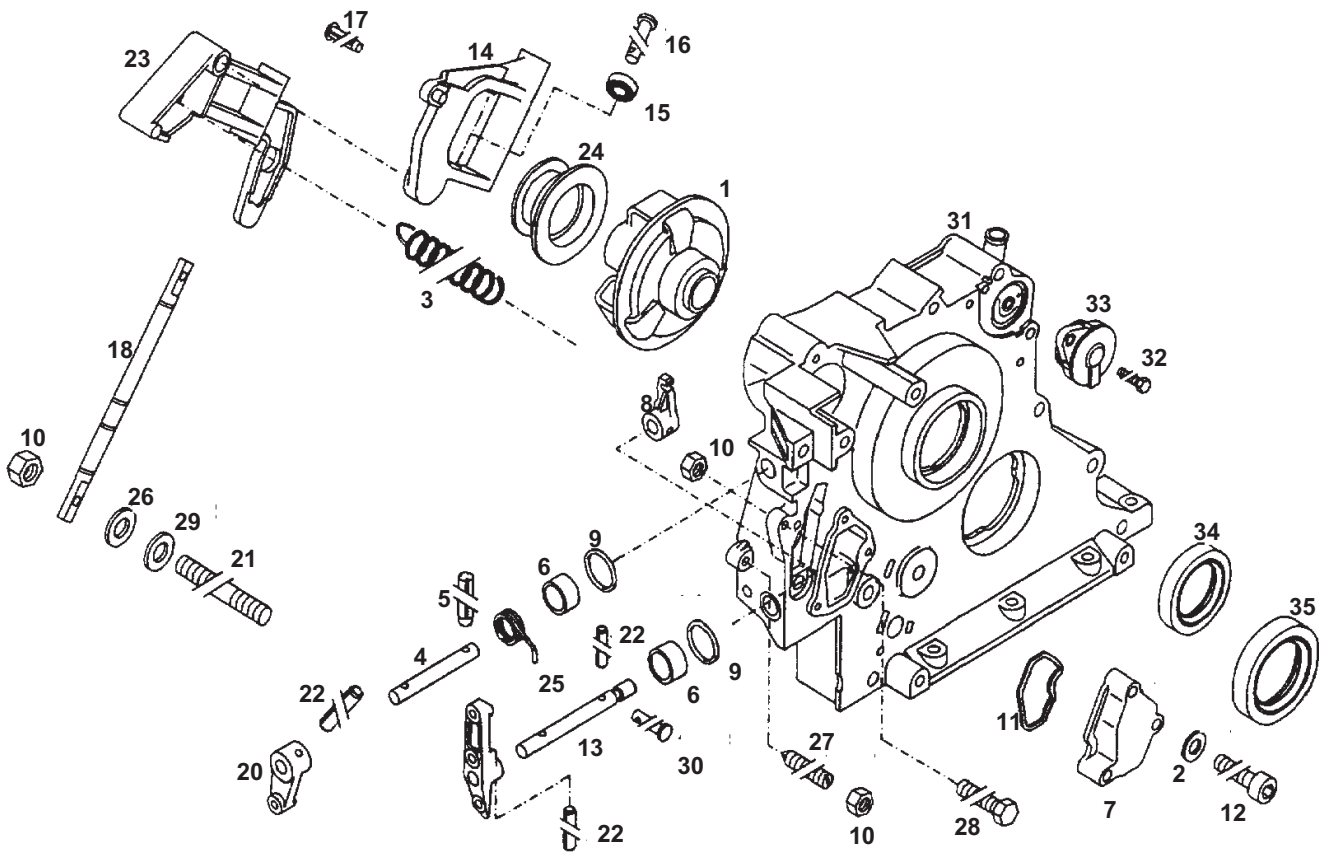
Ref No.	Part No.	Description	Quantity
1	133215	PLUG/GLOW	1
2	133138	RING/SEALING	1



Ref No.	Part No.	Description	Quantity
1	135510	CAPSULE	1
2	135499	O-SEAL	1
3	133127	NUT/HEX 6-8MM	1
4	135512	WASHER/PLAIN	1
5	135514	SPRING/COMPRESSION	1

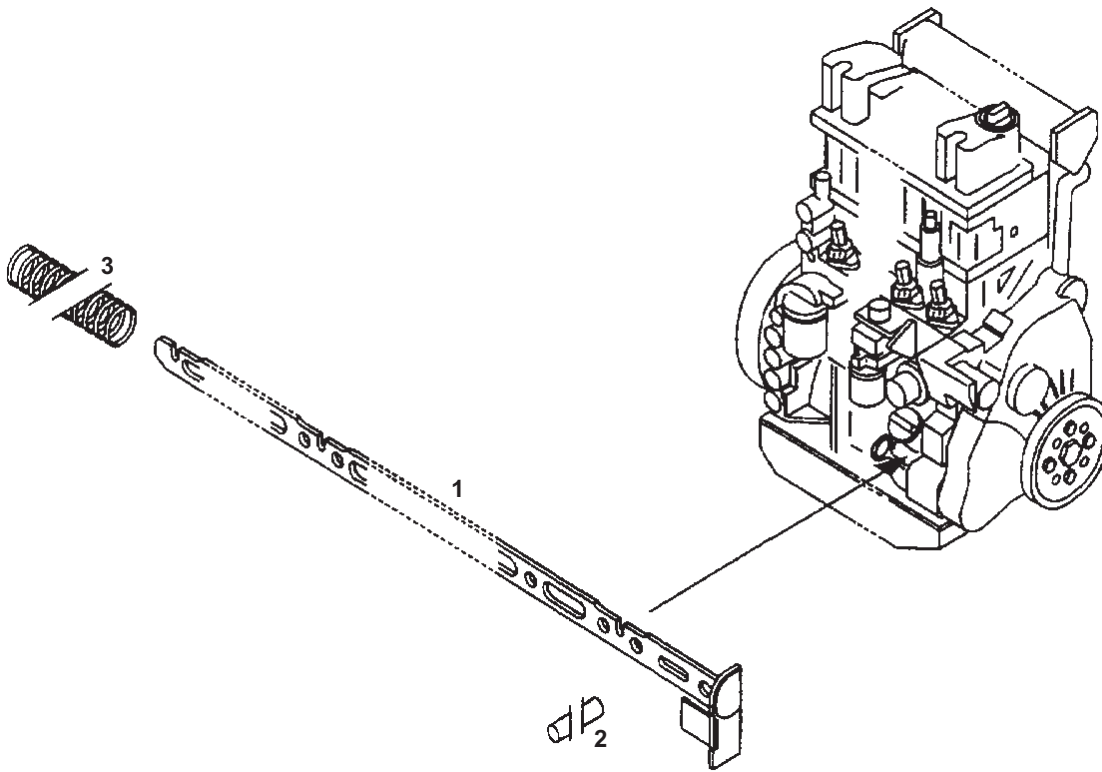


Ref No.	Part No.	Description	Quantity
1	133377	CLAW	1
2	133175	STUD 6 X 20MM CLASS 8.8	1
3	133507	SCREW/ADJUSTING	1
4	133506	STOP/LIMIT	1
5	133384	SPRING/COMPRESSION	1
6	133386	SCREW/SETTING	1
7	133171	SCREW/SET 5 X 55MM	1
8	133334	NUT/HEX	1
9	133188	O-SEAL	1
10	133114	CIRCLIP	1
11	133182	O-SEAL	1
12	133127	NUT/HEX 6-8MM	1
13	135495	NUT/HEX 5-8MM	1
14	133226	RING/SEALING	1

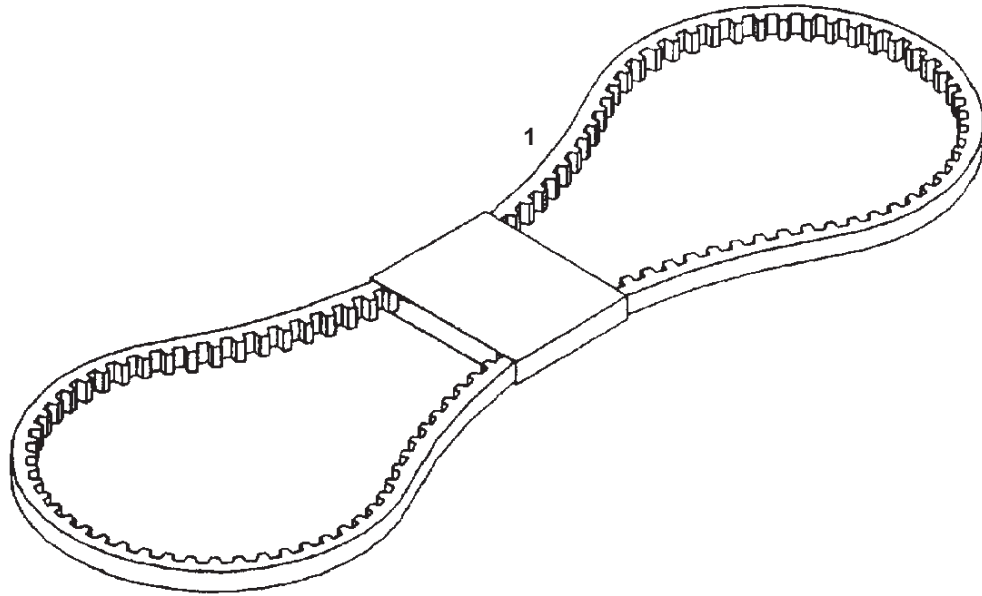


Parts Listing On Next Page

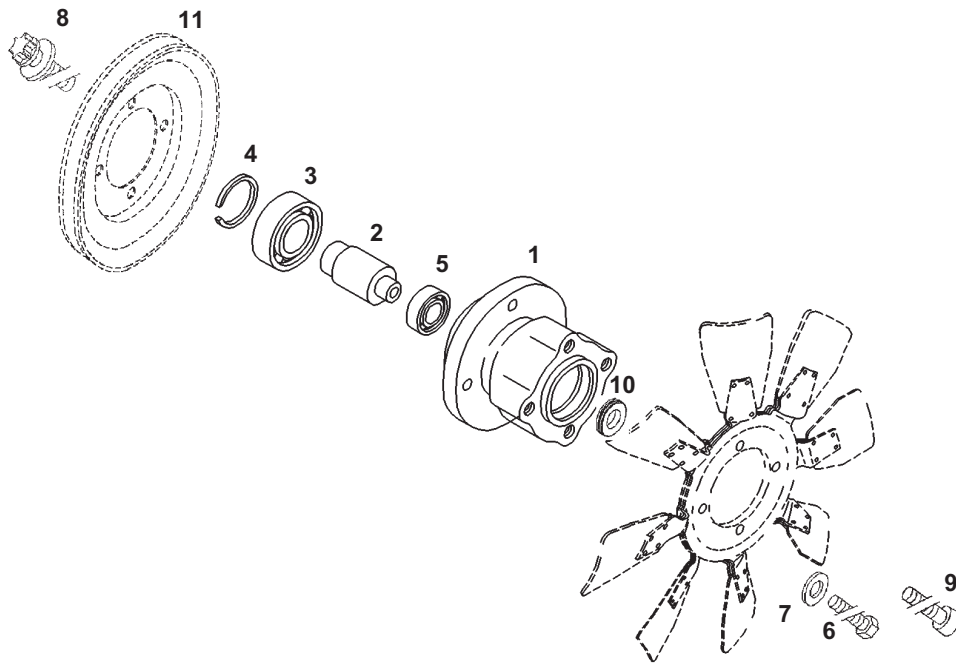
Ref No.	Part No.	Description	Quantity			
			F3M	F4M	BF3M	BF4M
1	135515	UNIT/METERING	1	1	-	1
	187542	UNIT/METERING	-	-	1	-
2	135491	WASHER/PLAIN	3	3	3	3
3	135513	SPRING/TENSION	1	-	-	-
	133570	SPRING/TENSION	-	1	-	1
	133570	SPRING/TENSION	-	-	1	-
4	133382	SHAFT/LEVER	1	1	1	1
5	133128	PIN/NOTCHED	1	1	-	1
	187549	PIN/STRAIGHT	-	-	1	-
6	133393	SLEEVE	1	1	3	3
7	133435	COVER	1	1	1	1
8	133395	LEVER/ARM	1	1	1	1
9	133247	O-SEAL	2	2	2	2
10	135496	NUT/HEX 6-8MM	4	4	-	4
	187267	NUT/HEX 6-8MM	-	-	4	-
11	133431	WASHER/PROFILE	1	1	1	1
12	133241	SCREW/SOCKET HEAD 6 X 35MM CLASS 8.8	3	3	3	3
13	133385	SHAFT/LEVER	1	1	1	1
14	133412	LEVER/ROLLER (INCLUDES ITEMS 15-17)	1	1	1	1
15	133152	BEARING/BALL	2	2	2	2
16	133246	PIN/CLEVIS	2	2	2	2
17	133129	NAIL/NOTCHED	1	1	1	1
18	133406	AXLE	1	1	1	1
19	135511	LEVER/ARM	1	-	-	-
	133464	LEVER/ARM	-	1	1	1
20	133328	LEVER/SHUT-OFF	1	1	1	1
21	133179	STUD 6 X 12MM CLASS 8.8	2	2	2	2
22	133130	PIN/STRAIGHT	3	3	3	3
23	133594	LEVER/ARM	1	-	-	-
	133484	LEVER/ARM	-	1	-	1
	187533	LEVER/ARM	-	-	1	-
24	135516	SLEEVE	1	-	-	-
	133497	SLEEVE	-	1	1	1
25	133383	SPRING/TORSION	1	1	1	1
26	133351	WASHER/PLAIN	3	3	3	1
27	133174	SCREW/SET	1	1	1	1
28	133121	BOLT/HEX	1	1	1	1
29	133262	WASHER/PLAIN	2	2	2	1
30	133160	PIN/CLEVIS	1	1	1	1
31	133425	COVER/FRONT	1	1	-	1
	187522	COVER/FRONT	-	-	1	-
32	133163	BOLT/HEX 6 X 25MM CLASS 8.8	1	1	1	1
33	187187	VALVE/BREATHER (INCLUDES ITEM 36)	1	1	1	1
34	133389	SEAL/ROTATOR SHAFT LIP	1	1	1	1
35	133388	SEAL/ROTATOR SHAFT LIP	1	1	1	1
36	133250	O-SEAL	1	1	-	1
	187223	O-SEAL	-	-	1	-



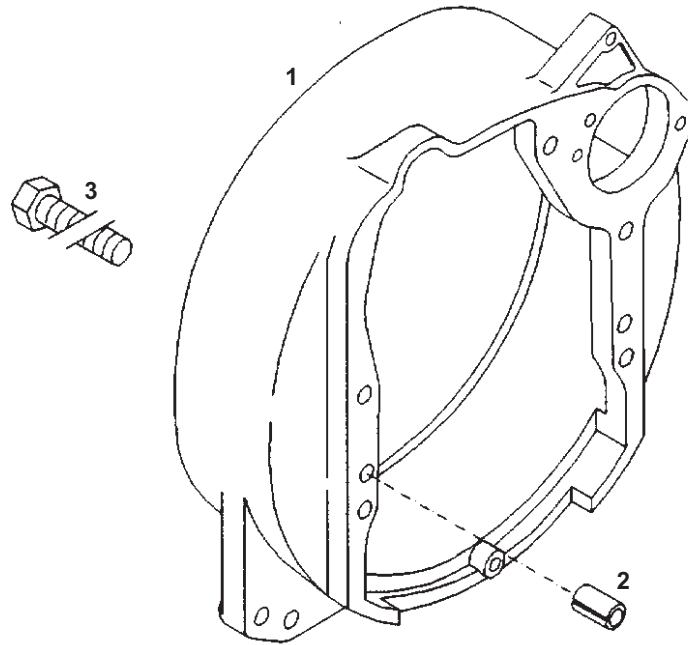
Ref No.	Part No.	Description	Quantity	
			F3M/BF3M	F4M/BF4M
1	135527	ROD/CONTROL	1	-
	135528	ROD/CONTROL	-	1
2	133396	PIN/LOCATING	1	1
3	133360	SPRING/COMPRESSION	1	1



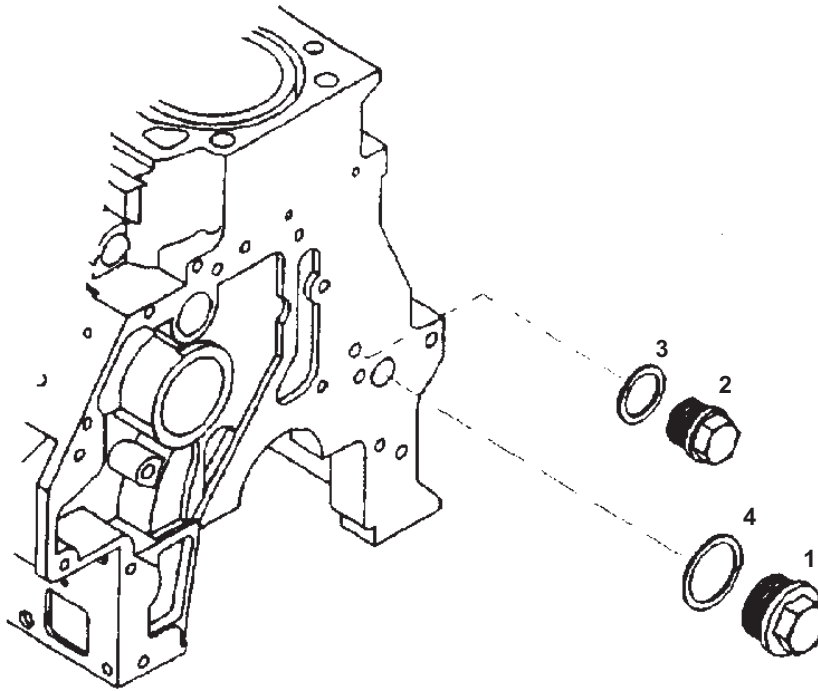
Ref No.	Part No.	Description	Quantity
1	132989	V-BELT/NARROW	1



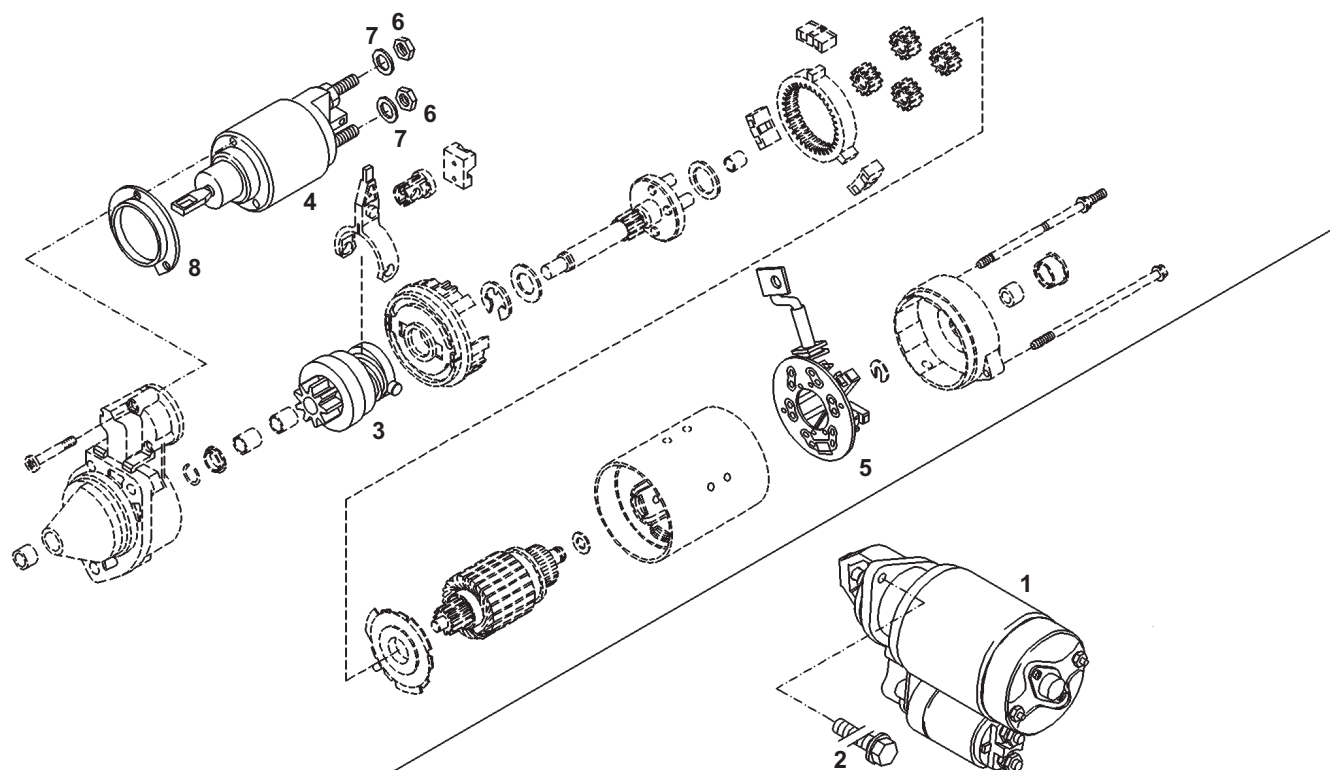
Ref No.	Part No.	Description	Quantity
1	135538	SUPPORT/FAN (INCLUDES ITEMS 2-5)	1
2	133502	SHAFT	1
3	133156	BEARING/BALL	1
4	133187	CIRCLIP	1
5	133255	BEARING/BALL	1
6	135493	BOLT/HEX 8 X 20MM CLASS 10.9	4
7	133173	WASHER/PLAIN	4
8	187234	BOLT/TORX HEAD	4
9	133177	SCREW/SOCKET HEAD 10 X 110MM CLASS 12.9	1
10	187256	WASHER/PLAIN	1
11	133365	PULLEY/V-GROOVED	1



Ref No.	Part No.	Description	Quantity
1	135537	HOUSING/ADAPTER	1
2	133329	BUSHING/CLAMPING	2
3	133110	BOLT/HEX	4



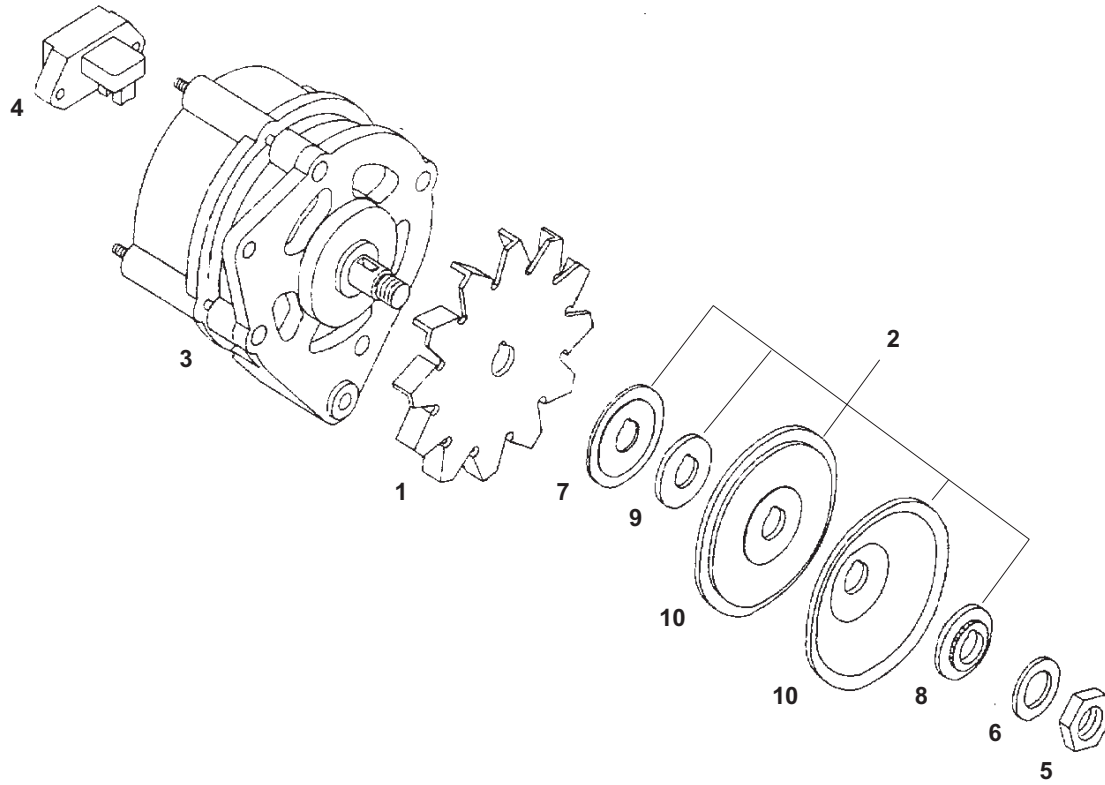
Ref No.	Part No.	Description	Quantity
1	133149	PLUG/SCREW 18 X 1.5MM	1
2	133144	PLUG/SCREW 10 X 1MM	1
3	133132	RING/SEALING	1
4	133137	RING/SEALING	1



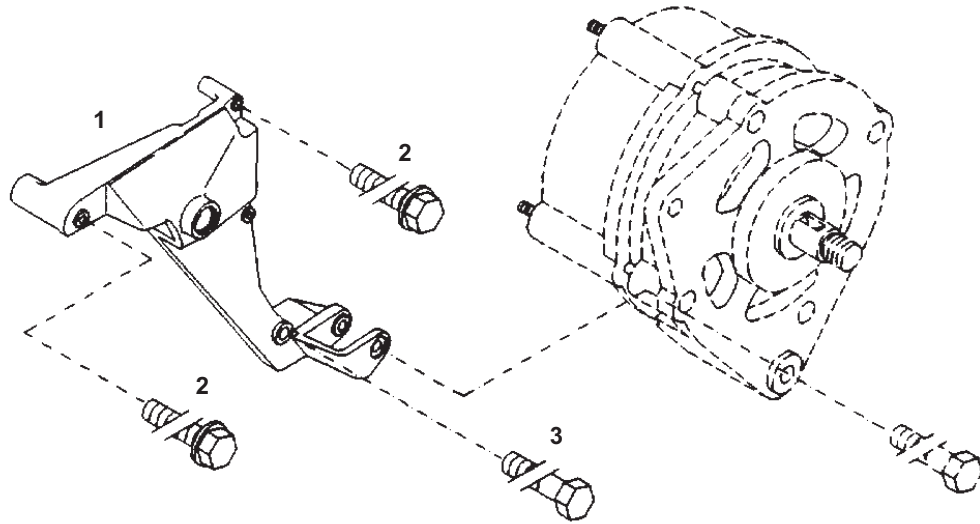
Ref No.	Part No.	Description	Quantity
1	138859a	STARTER	1
	133557b	STARTER	1
2	187239a	BOLT/HEX	2
	133239b	BOLT/HEX M10 X 25 MM CLASS 10.9	2
3	187213a	PINION/STARTER	1
	133603b	PINION/STARTER	1
4	133301	RELAY	1
5	187216a	HOLDER/BRUSH	1
	133604b	HOLDER/BRUSH	1
6	187218a	NUT/HEX	2
	133605b	NUT/HEX	2
7	187214a	WASHER/SPRING	2
	133607b	WASHER/SPRING	2
8	187217a	PLATE/COVERING	1
	133608b	PLATE/COVERING	1

a) Used in engines with serial number 618098 and later.

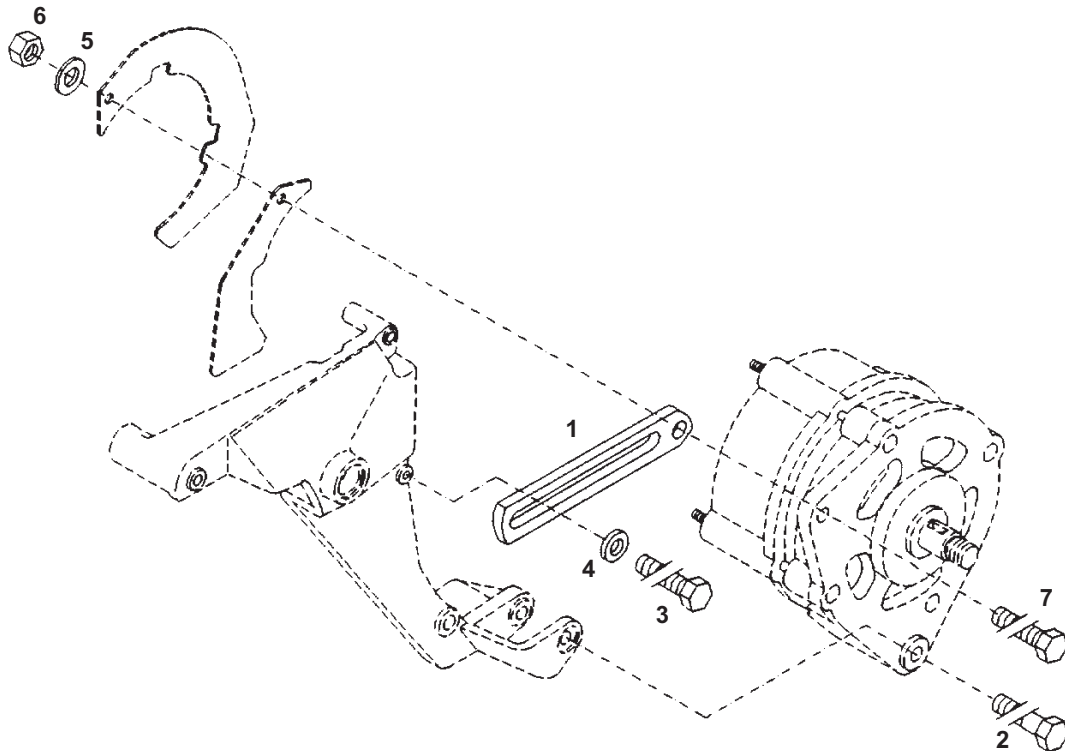
b) Used in engines with serial number 618097 and earlier.



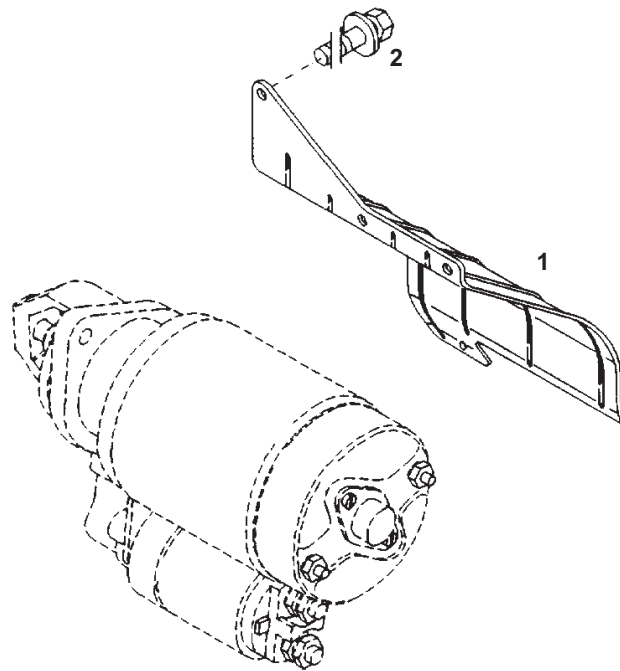
Ref No.	Part No.	Description	Quantity
1	133184	FAN	1
2	133208	PULLEY/V-GROOVED (INCLUDES ITEMS 7-10)	1
3	132300	GENERATOR (INCLUDES ITEMS 4 -6)	1
4	133206	REGULATOR/VOLTAGE	1
5	133148	NUT/HEX 16 X 1.5MM	1
6	133111	WASHER/SPRING	1
7	133207	RING/SUPPORTING	1
8	133210	WASHER	1
9	133209	WASHER	1
10	133211	PULLEY/BELT	2



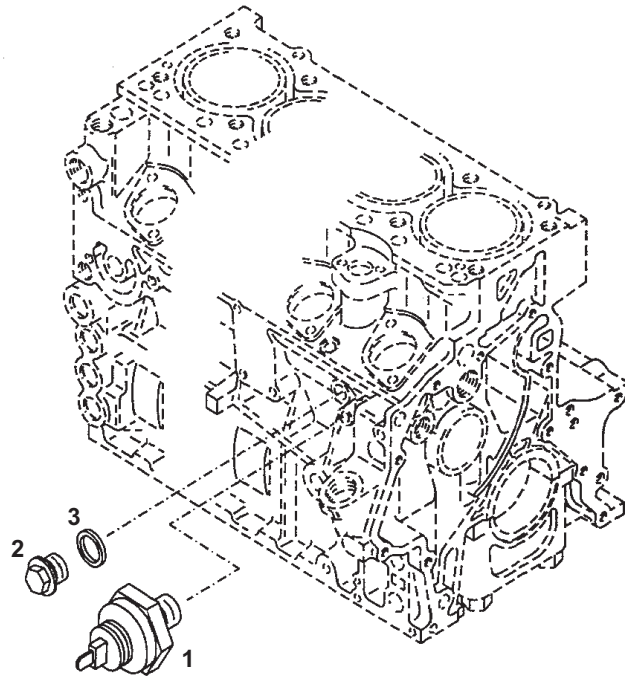
Ref No.	Part No.	Description	Quantity
1	187545	BRACKET	1
2	187510	BOLT/HEX	2
3	187502	BOLT/HEX	1



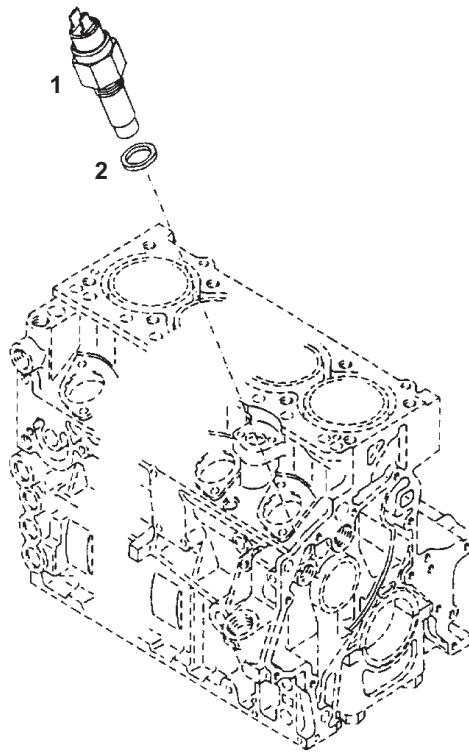
Ref No.	Part No.	Description	Quantity
1	133336	STRAP/CLAMPING	1
2	187503	BOLT/HEX	1
3	187504	BOLT/HEX	1
4	133260	WASHER/PLAIN	1
5	133173	WASHER/PLAIN	1
6	133126	NUT/HEX 8-8MM	1
7	187505	BOLT/HEX	1



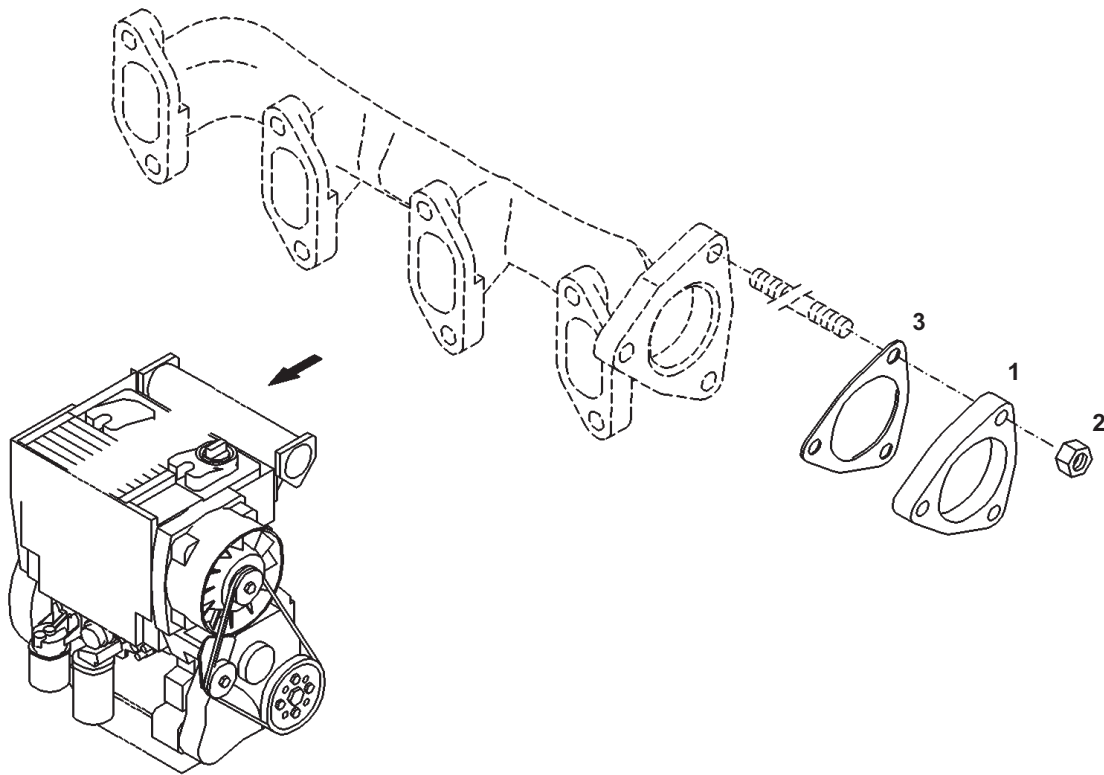
Ref No.	Part No.	Description	Quantity
1	135546	BAFFLE/COOLING AIR	1
2	187235	BOLT/HEX 6 X 14MM CLASS 8.8	3



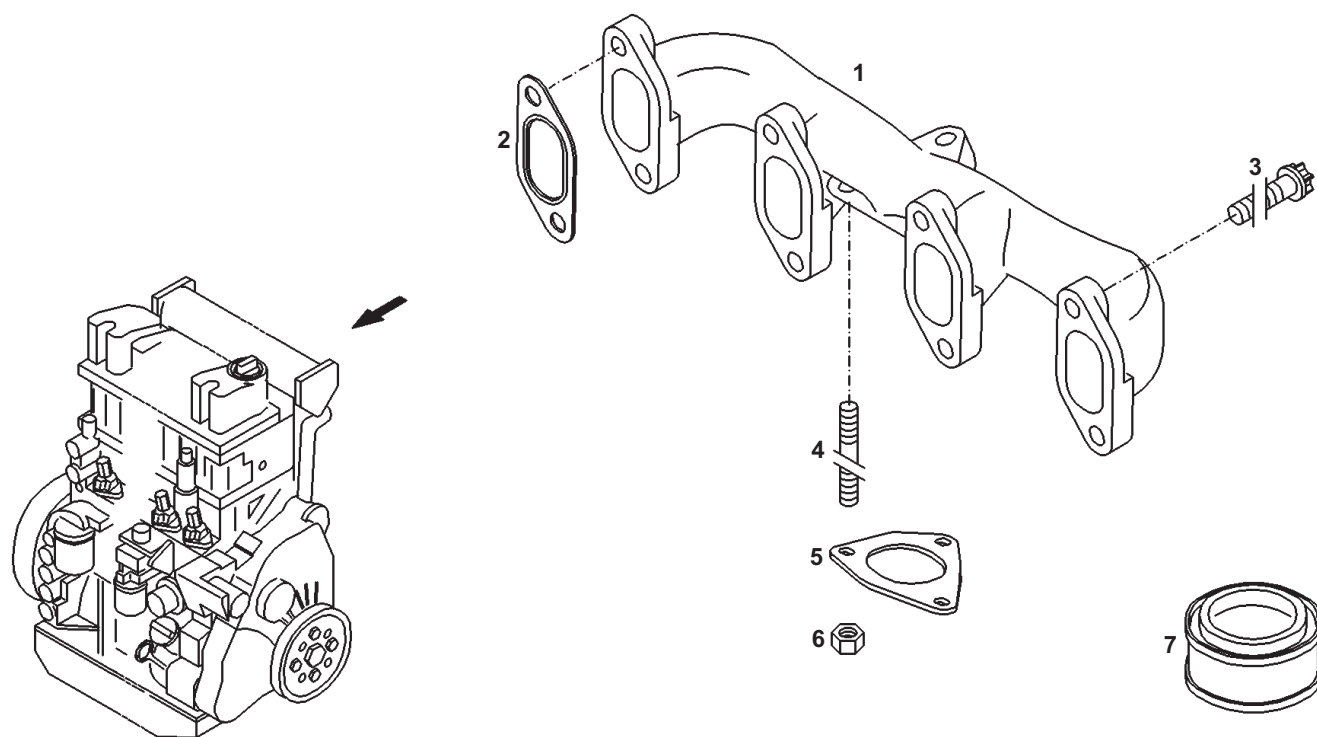
Ref No.	Part No.	Description	Quantity
1	133256	SWITCH/OIL PRESSURE	1
2	133140	PLUG/SCREW	1
3	133137	RING/SEALING	1



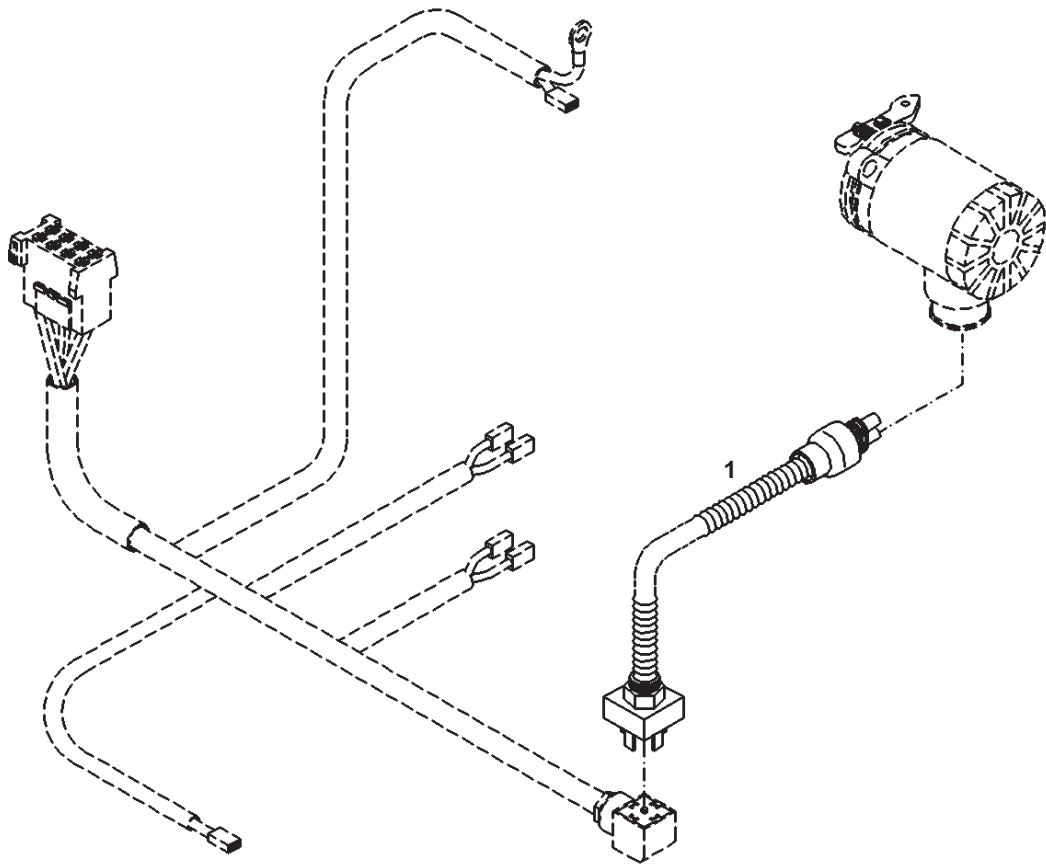
Ref No.	Part No.	Description	Quantity
1	133225	TRANSMITTER/TEMPERATURE (INCLUDES ITEM 2)	1
2	133161	RING/SEALING	1



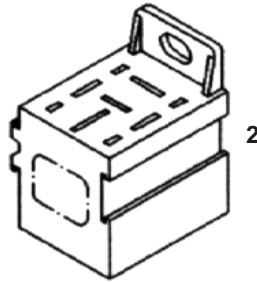
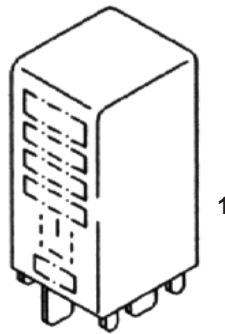
Ref No.	Part No.	Description	F3M
1	187516	FLANGE	1
2	187278	NUT/HEX	3
3	133374	GASKET	1



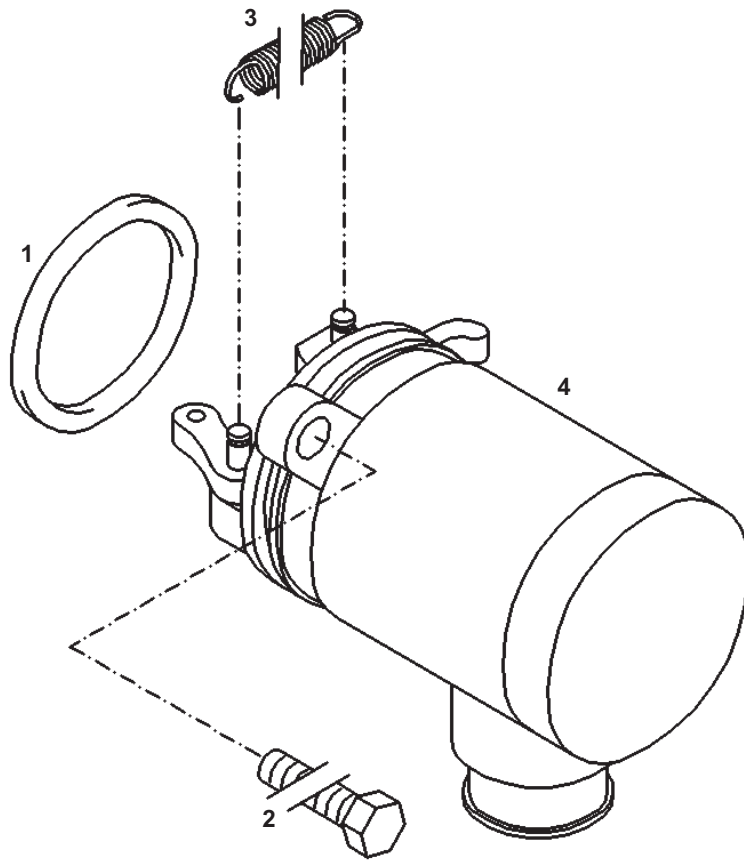
Ref No.	Part No.	Description	Quantity			
			F3M	F4M	BF3M	BF4M
1	133595	MANIFOLD/EXHAUST	1	1	-	-
	133533	MANIFOLD/EXHAUST	-	-	1	-
	133572	MANIFOLD/EXHAUST	-	-	-	1
2	133372	GASKET	3	4	3	4
3	133534	BOLT/TORX-HEAD	6	8	6	8
4	133180	STUD	3	3	-	-
	133181	STUD	-	-	3	3
5	133374	GASKET	-	1	1	1
6	133154	NUT/HEX	-	3	3	3
7	133558	COMPOUND/FITTING	AR	AR	AR	AR



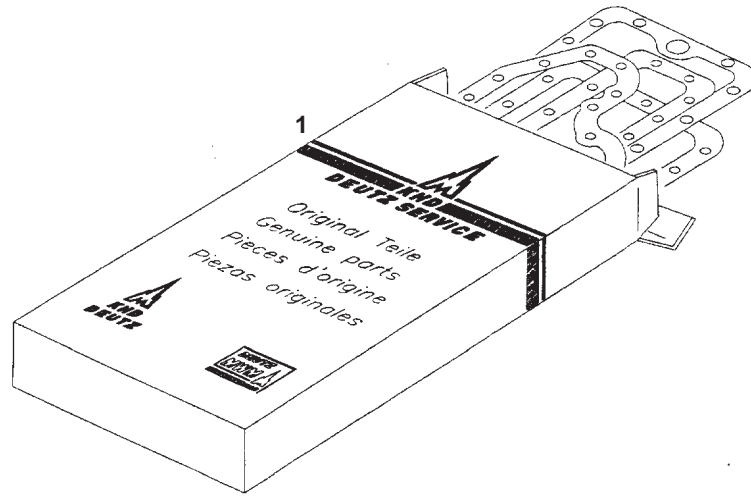
Ref No.	Part No.	Description	Quantity
1	187519	ELECTRICAL JUMPER/CONNECTING	1



Ref No.	Part No.	Description	Quantity
1	187524	UNIT/GLOW TIME CONTROL	1
2	187526	BASE/PEDESTAL	1



Ref No.	Part No.	Description	Quantity
1	133185	O-SEAL	1
2	187179	BOLT/HEX	2
3	133394	SPRING/TENSION	1
4	187180	DEVICE/SHUTDOWN (INCLUDES ITEM 3)	1



Ref No.	Part No.	Description	Quantity			
			F3M	F4M	BF3M	BF4M
1	133346	SET/GASKET	1	1	1	1
	135505	SET/SUPPLEMENTARY GASKET	1	-	-	-
	133344	SET/SUPPLEMENTARY GASKET	-	1	-	-
	187207	SET/SUPPLEMENTARY GASKET	-	1	-	1
	187515	SET/SUPPLEMENTARY GASKET	-	-	1	-

Part No.	Page No.	Ref. No.	Part No.	Page No.	Ref. No.	Part No.	Page No.	Ref. No.	Part No.	Page No.	Ref. No.
132023	24	1	133152	52	15	133239	58	2	133297	34	6G
132024	37	3	133154	66	6	133240	5	14	133301	58	4
132300	59	3	133156	55	3	133241	52	12	133308	37	4
132989	54	1	133157	13	3	133242	18	2	133308	37	5
133100	1	4	133159	13	3	133243	37	6	133316	5	4
133103	18	8	133160	52	30	133244	39	2	133317	13	2
133103	26	3	133161	64	2	133245	29	3	133318	12	3
133104	6	8	133163	17	4	133246	52	16	133319	12	4
133105	24	3	133163	52	32	133247	52	9	133320	12	4
133106	16	10	133165	29	2	133249	5	21	133322	16	9
133107	5	25	133166	5	13	133250	17	6	133323	5	16
133109	28	3	133168	42	1	133250	52	36	133324	18	4
133110	56	3	133171	50	7	133255	55	5	133325	7	1
133111	59	6	133173	55	7	133256	63	1	133326	24	2
133113	21	1	133173	61	5	133259	27	6	133327	16	2
133114	50	10	133174	52	27	133260	61	4	133328	52	20
133115	47	2	133175	50	2	133262	52	29	133329	56	2
133116	30	1	133176	28	9	133263	34	6	133330	22	1
133126	31	3	133177	55	9	133264	34	6	133331	47	3
133126	40	4	133179	52	21	133265	34	6H	133332	21	2
133126	61	6	133180	43	6	133266	34	6P	133333	21	3
133127	49	3	133180	66	4	133267	34	6W	133334	21	4
133127	50	12	133181	66	4	133268	34	6	133334	50	8
133128	52	5	133182	50	11	133269	34	6	133335	11	3
133129	52	17	133184	59	1	133271	34	6	133336	61	1
133130	52	22	133185	69	1	133272	34	6	133337	31	4
133132	18	6	133187	55	4	133273	34	6	133338	8	3
133132	30	2	133188	50	9	133274	34	6I	133339	8	3
133132	57	3	133190	46	3	133275	34	6J	133344	70	1
133133	25	3	133200	43	2	133276	34	6K	133346	70	1
133134	2	4	133200	46	2	133277	34	6L	133350	5	17
133135	27	3	133201	44	2	133278	34	6M	133351	52	26
133136	28	10	133202	3	2	133279	34	6N	133352	16	6
133137	6	4	133202	4	2	133280	34	6O	133356	16	3
133137	57	4	133204	1	2	133281	34	6Q	133357	12	4
133137	63	3	133206	59	4	133282	34	6R	133358	12	4
133138	6	3	133207	59	7	133283	34	6S	133360	53	3
133138	42	2	133208	59	2	133284	34	6T	133364	43	5
133138	48	2	133209	59	9	133285	34	6U	133365	55	11
133139	28	4	133210	59	8	133286	34	6V	133367	19	3
133140	63	2	133211	59	10	133287	34	6X	133369	13	2
133141	25	2	133212	3	3	133288	34	6Y	133370	7	2
133141	36	2	133214	44	4	133289	34	6Z	133370	34	6
133144	18	5	133214	45	4	133290	34	6	133372	66	2
133144	57	2	133215	48	1	133291	34	6	133374	65	3
133145	20	5	133216	20	4	133292	34	6	133374	66	5
133148	59	5	133218	35	2	133293	34	7	133375	21	6
133149	6	5	133225	64	1	133294	34	8	133377	50	1
133149	57	1	133226	50	14	133295	34	9	133378	18	1
133150	31	3	133229	47	1	133296	34	10	133381	7	3

Part No.	Page No.	Ref. No.	Part No.	Page No.	Ref. No.	Part No.	Page No.	Ref. No.	Part No.	Page No.	Ref. No.
133382	52	4	133438	31	6	133542	5	15	135511	52	19
133383	52	25	133440	23	6	133543	5	23	135512	49	4
133384	50	5	133441	12	2	133544	34	5	135513	52	3
133385	52	13	133442	12	1	133549	27	1	135514	49	5
133386	50	6	133444	14	1	133550	27	1	135515	52	1
133387	1	3	133445	11	2	133551	27	7	135516	52	24
133388	52	35	133446	11	1	133552	3	1	135517	26	1
133389	52	34	133451	28	5	133553	3	4	135518	5	1
133390	1	1	133455	13	4	133555	2	1	135519	23	1
133391	32	2	133456	16	7	133556	2	2	135520	4	1
133391	34	4	133463	41	1	133557	58	1	135522	34	1
133392	31	2	133463	44	3	133558	66	7	135523	31	1
133393	52	6	133464	52	19	133561	2	7	135527	53	1
133394	69	3	133467	20	2	133562	2	8	135528	17	2
133395	52	8	133473	5	18	133565	17	1	135528	53	1
133396	53	2	133476	5	22	133566	17	2	135529	17	1
133397	34	5	133478	27	2	133568	19	1	135531	8	4
133398	34	1	133481	4	3	133570	52	3	135532	8	4
133399	34	2	133482	3	5	133572	66	1	135533	8	4
133402	22	2	133484	52	23	133574	15	3	135534	20	3
133403	16	2	133485	44	1	133575	15	4	135535	15	1
133404	5	3	133486	8	1	133576	15	5	135537	56	1
133405	5	2	133487	8	2	133577	46	1	135538	55	1
133406	52	18	133488	8	2	133580	39	1	135539	13	1
133408	5	11	133489	8	2	133583	39	3	135540	13	5
133409	28	7	133490	8	4	133585	38	1	135541	13	6
133410	28	8	133497	52	24	133586	12	1	135542	15	5
133411	5	19	133498	25	1	133589	31	1	135543	15	4
133412	52	14	133502	55	2	133590	32	1	135544	15	3
133414	28	1	133503	13	4	133591	32	3	135545	20	1
133415	28	2	133506	50	4	133592	32	5	135546	62	1
133416	28	6	133507	50	3	133593	47	4	138859	58	1
133417	5	20	133508	9	1	133594	52	23	138860	11	2
133418	31	5	133515	8	5	133595	66	1	138861	11	1
133419	31	5	133518	4	1	133596	39	1	187100	6	1
133420	31	5	133519	5	1	133603	58	3	187125	16	4
133421	31	5	133520	5	6	133604	58	5	187126	10	1
133422	31	5	133521	9	1	133605	58	6	187127	10	2
133423	31	5	133522	8	1	133607	58	7	187128	10	3
133424	31	5	133526	19	1	133608	58	8	187130	16	4
133425	52	31	133529	43	1	135491	52	2	187132	14	2
133426	17	5	133532	43	4	135493	55	6	187133	14	3
133427	15	2	133533	66	1	135495	50	13	187145	6	1
133428	23	5	133534	66	3	135496	52	10	187146	16	5
133429	37	2	133536	5	6	135499	49	2	187147	16	2
133430	5	5	133537	5	7	135500	41	2	187148	16	8
133431	52	11	133538	5	8	135503	2	8	187149	16	3
133435	52	7	133539	5	9	135505	70	1	187151	31	5H
133436	5	1	133540	5	10	135506	18	7	187152	31	5G
133437	5	1	133541	5	12	135510	49	1	187162	45	3

NUMERICAL INDEX

Part No.	Page No.	Ref. No.	Part No.	Page No.	Ref. No.	Part No.	Page No.	Ref. No.	Part No.	Page No.	Ref. No.
187163	45	1	187267	2	5						
187166	41	3	187267	23	3						
187167	41	4	187267	52	10						
187169	16	3	187271	6	6						
187170	16	11	187276	6	2						
187173	37	7	187278	43	3						
187174	37	8	187278	65	2						
187177	37	12	187500	19	2						
187179	69	2	187501	52	28						
187180	69	4	187502	60	3						
187181	29	1	187503	61	2						
187187	52	33	187504	61	3						
187189	26	1	187505	61	7						
187191	37	1	187506	37	10						
187192	2	1	187508	5	21						
187199	40	2	187509	18	3						
187207	70	1	187510	60	2						
187213	58	3	187511	36	3						
187214	58	7	187512	43	8						
187216	58	5	187513	43	9						
187217	58	8	187514	39	4						
187218	58	6	187515	70	1						
187221	3	6	187516	65	1						
187222	27	5	187518	23	1						
187223	52	36	187519	67	1						
187226	32	4	187520	8	4						
187226	34	3	187521	8	4						
187226	45	5	187522	52	31						
187227	2	6	187523	19	1						
187229	37	11	187524	68	1						
187230	23	4	187525	13	1						
187231	44	5	187526	68	2						
187232	26	2	187528	16	3						
187233	2	3	187529	16	1						
187233	35	3	187530	16	1						
187233	37	9	187531	16	1						
187234	6	7	187532	44	1						
187234	55	8	187533	52	23						
187235	27	4	187540	43	7						
187235	62	2	187541	43	7						
187237	21	5	187542	52	1						
187239	58	2	187543	36	1						
187240	9	2	187544	36	1						
187243	5	24	187545	60	1						
187248	40	3	187546	35	1						
187250	40	1	187547	16	1						
187254	45	2	187548	19	1						
187256	55	10	187549	52	5						
187264	17	3									
187266	23	2									

GEHL®

Gehl Company 143 Water Street, P.O. Box 179, West Bend, WI 53095-0179 U.S.A.
www.gehl.com