

*Challenger*<sup>®</sup>

# Parts Manual

---

DHW  
Draper Header

---

---



#### ALPHABETICAL INDEX

The complete alphabetical index appears at the beginning of this publication. It is used to locate major groups, assemblies and components.

#### NUMERICAL INDEX

The numerical index of this publication follows the Alphabetical Index at the beginning of the publication and indicates at which grid location and page number a part number appears.

#### ILLUSTRATIONS

All illustrations are located on the left hand page with the text on the right. Except for some common hardware, all parts are identified with an item number which corresponds to the item column on the text page. This is followed by the parts number, quantity and description.

#### HARDWARE

Common hardware not identified such as bolts, nuts, cotter pins and lube fittings, are listed indented in the text beneath the item to which they attach or fit. Common hardware listed indented beneath an item is NOT included unless specified. Example: (Incl. BOLT, LOCKWASHER AND NUT).

#### ORDERING PARTS

Be sure to refer to both the text and the illustration to assure ordering the correct part.

#### RECOMMENDED DEALER STOCK

A recommended dealer stock listing appears at the end of this publication.



DHW DRAPER HEADER

**AUGER AND REEL**

DECK ASSEMBLY-LEFT (18 FOOT) .....	47
DECK ASSEMBLY-LEFT (22 FOOT) .....	51
DECK ASSEMBLY-LEFT (25 FOOT) .....	55
DECK ASSEMBLY-LEFT (30 FOOT) .....	59
DECK ASSEMBLY-LEFT (36 FOOT) .....	63
DECK ASSEMBLY-RIGHT (18 FOOT) .....	49
DECK ASSEMBLY-RIGHT (22 FOOT) .....	53
DECK ASSEMBLY-RIGHT (25 FOOT) .....	57
DECK ASSEMBLY-RIGHT (30 FOOT) .....	61
DECK ASSEMBLY-RIGHT (36 FOOT) .....	65
DRAPERS .....	67
ROLLER MOUNTING-LEFT .....	43
ROLLER MOUNTING-RIGHT .....	45

**DECALS AND KITS**

DECALS AND LOCATION DIAGRAM-LEFT .....	153
DECALS AND LOCATION DIAGRAM-RIGHT .....	155
FORE AND AFT REEL KIT-ELECTRIC (BK61127 FORE AND AFT REEL KIT) .....	217
FORE AND AFT REEL KIT-ELECTRIC-CONT. ....	219
GAUGE WHEEL ASSEMBLY (700717028 GAUGE WHEEL ASSEMBLY) .....	223
GAUGE WHEEL KIT (FIXED) (BK61058 GAUGE WHEEL KIT) .....	201
GAUGE WHEEL KIT (SWIVEL) (71530397 GAUGE WHEEL KIT) .....	221
HEADER COUPLER KIT (BK61098 HEADER COUPLER KIT) .....	225
HEADER STAND KIT (BK61059 HEADER STAND KIT) .....	203
INSERT-NARROW OPENING KIT (BK61078 INSERT-NARROW OPENING KIT) .....	205
PICKUP REEL CAM-18 FOOT (HARTCARTER) (LEFT SIDE) .....	175
PICKUP REEL CAM-18 FOOT (HARTCARTER) (RIGHT SIDE) .....	177
PICKUP REEL CAM-22 FOOT (HARTCARTER) (LEFT SIDE) .....	183
PICKUP REEL CAM-22 FOOT (HARTCARTER) (RIGHT SIDE) .....	185
PICKUP REEL CAM-25 FOOT (HARTCARTER) .....	191
PICKUP REEL CAM-30 FOOT (HARTCARTER) .....	197
PICKUP REEL KIT-18 FOOT (HARTCARTER) .....	179
PICKUP REEL KIT-18 FOOT (HARTCARTER) (BK61119 PICKUP REEL KIT) .....	173
PICKUP REEL KIT-18 FOOT (UNIVERSAL) (BK61047 PICKUP REEL KIT) .....	157
PICKUP REEL KIT-22 FOOT (HARTCARTER) .....	187
PICKUP REEL KIT-22 FOOT (HARTCARTER) (BK61120 PICKUP REEL KIT) .....	181
PICKUP REEL KIT-22 FOOT (UNIVERSAL) (BK61048 PICKUP REEL KIT) .....	161
PICKUP REEL KIT-25 FOOT (HARTCARTER) .....	193
PICKUP REEL KIT-25 FOOT (HARTCARTER) (BK61121 PICKUP REEL KIT) .....	189
PICKUP REEL KIT-25 FOOT (UNIVERSAL) (BK61049 PICKUP REEL KIT) .....	165
PICKUP REEL KIT-30 FOOT (HARTCARTER) .....	199
PICKUP REEL KIT-30 FOOT (HARTCARTER) (BK61122 PICKUP REEL KIT) .....	195
PICKUP REEL KIT-30 FOOT (UNIVERSAL) (BK61050 PICKUP REEL KIT) .....	169
PICKUP REEL MOUNTING AND CAM-18 FOOT (UNIVERSAL) .....	159
PICKUP REEL MOUNTING AND CAM-22 FOOT (UNIVERSAL) .....	163
PICKUP REEL MOUNTING AND CAM-25 FOOT (UNIVERSAL) .....	167
PICKUP REEL MOUNTING AND CAM-30 FOOT (UNIVERSAL) .....	171
SKID SHOE KIT (BK61060 SKID SHOE KIT) .....	207
WEARPLATE KIT (18 FOOT) (BK61123 WEARPLATE KIT) .....	209
WEARPLATE KIT (22 FOOT) (BK61124 WEARPLATE KIT) .....	211
WEARPLATE KIT (25 FOOT) (BK61125 WEARPLATE KIT) .....	213
WEARPLATE KIT (30 FOOT) (BK61126 WEARPLATE KIT) .....	215

**DRIVES**

GEARBOX ASSEMBLY (700721728 GEARBOX ASSEMBLY) .....	17
REEL DRIVE .....	13
SICKLE DRIVE MOUNTING .....	15

**ELECTRICAL**

ELECTRICAL ..... 19  
ELECTRICAL HARNESS SERVICE PARTS ..... 21

**FRAME AND SHIELDS**

DIVIDER, STAND AND MAINFRAME (LEFT) (18 FOOT HEADER) ..... 73  
DIVIDER, STAND AND MAINFRAME (LEFT) (22, 25, 30 AND 36 FOOT HEADERS) ..... 75  
DIVIDER, STAND AND MAINFRAME (RIGHT) ..... 77  
DOUBLE SWATH MOUNTING (LEFT) ..... 81  
DOUBLE SWATH MOUNTING (RIGHT) ..... 83  
HYDRAULIC SHIELDS (18 FOOT) ..... 85  
HYDRAULIC SHIELDS (22 FOOT) ..... 87  
HYDRAULIC SHIELDS (25 FOOT) ..... 89  
HYDRAULIC SHIELDS (30 FOOT) ..... 91  
HYDRAULIC SHIELDS (36 FOOT) ..... 93  
REEL ARM-LEFT ..... 69  
REEL ARM-RIGHT ..... 71  
SHIELD-LEFT ..... 79  
TORQUE SHAFT ..... 95

**HAY CONDITIONER**

SICKLE ASSEMBLY (18 FOOT) (700721819 KNIFE ASSEMBLY) ..... 23  
SICKLE ASSEMBLY (22 FOOT) (700721821 KNIFE ASSEMBLY) ..... 25  
SICKLE ASSEMBLY (25 FOOT) (700721823 KNIFE ASSEMBLY) ..... 27  
SICKLE ASSEMBLY (30 FOOT) (700721825 KNIFE ASSEMBLY) ..... 29  
SICKLE ASSEMBLY (36 FOOT) (700721827 KNIFE ASSEMBLY) ..... 31  
SICKLE GUARD MOUNTING (18 FOOT) ..... 33  
SICKLE GUARD MOUNTING (22 FOOT) ..... 35  
SICKLE GUARD MOUNTING (25 FOOT) ..... 37  
SICKLE GUARD MOUNTING (30 FOOT) ..... 39  
SICKLE GUARD MOUNTING (36 FOOT) ..... 41

**HYDRAULICS**

CONVEYOR DRIVE HYDRAULIC-CENTER (DOUBLE SWATH) ..... 137  
CONVEYOR DRIVE HYDRAULIC-LEFT (DOUBLE SWATH) ..... 141  
CONVEYOR DRIVE HYDRAULIC-LEFT (18 FOOT) ..... 115  
CONVEYOR DRIVE HYDRAULIC-LEFT (22 AND 25 FOOT) ..... 119  
CONVEYOR DRIVE HYDRAULIC-LEFT (30 FOOT) ..... 123  
CONVEYOR DRIVE HYDRAULIC-LEFT (36 FOOT) ..... 127  
CONVEYOR DRIVE HYDRAULIC-RIGHT (DOUBLE SWATH) (22 AND 25 FOOT) ..... 143  
CONVEYOR DRIVE HYDRAULIC-RIGHT (DOUBLE SWATH) (30 FOOT) ..... 145  
CONVEYOR DRIVE HYDRAULIC-RIGHT (18 FOOT) ..... 117  
CONVEYOR DRIVE HYDRAULIC-RIGHT (22 AND 25 FOOT) ..... 121  
CONVEYOR DRIVE HYDRAULIC-RIGHT (30 FOOT) ..... 125  
CONVEYOR DRIVE HYDRAULIC-RIGHT (36 FOOT) ..... 129  
HYDRAULIC CONTROL VALVE ASSEMBLY  
(66411 CONTROL VALVE ASSEMBLY) ..... 151  
HYDRAULIC CYLINDER ASSEMBLY (MASTER)  
(700718834 HYDRAULIC CYLINDER ASSEMBLY) ..... 113  
HYDRAULIC CYLINDER ASSEMBLY (SLAVE)  
(700718835 HYDRAULIC CYLINDER ASSEMBLY) ..... 111  
HYDRAULIC CYLINDER ASSEMBLY-(DECK SHIFT)  
(700718836 HYDRAULIC CYLINDER ASSEMBLY) ..... 139  
HYDRAULIC MOTOR ASSEMBLY-SICKLE DRIVE  
(700719893 HYDRAULIC MOTOR ASSEMBLY) ..... 135  
MAINFOLD RELIEF VALVE ASSEMBLY (700725552 RELIEF VALVE ASSEMBLY) ..... 133  
REEL AND SICKLE DRIVE-CENTER ..... 97  
REEL AND SICKLE DRIVE-LEFT (18 FOOT) ..... 99  
REEL AND SICKLE DRIVE-LEFT (22 FOOT) ..... 101  
REEL AND SICKLE DRIVE-LEFT (25 FOOT) ..... 103  
REEL AND SICKLE DRIVE-LEFT (30 FOOT) ..... 105  
REEL AND SICKLE DRIVE-LEFT (36 FOOT) ..... 107  
REEL AND SICKLE DRIVE-RIGHT (18, 22, 25, 30 AND 36 FOOT) ..... 109  
VALVE ASSEMBLY-LEFT ..... 147  
VALVE ASSEMBLY-RIGHT ..... 149  
VALVE-DUAL FLOW CONTROL ASSEMBLY  
(700721404 VALVE-DUAL CONTROL ASSEMBLY) ..... 131

**RECOMMENDED DEALER STOCK**

RECOMMENDED DEALER STOCK..... 227

DHW DRAPER HEADER

5  
INDEX

Part No.	Page	Grid	Part No.	Page	Grid	Part No.	Page	Grid	Part No.	Page	Grid
BK61047	157	1-B 20	Y704734	71	1-B 12	113232M1	49	1-B 9	113636M1	167	1-B 21
BK61048	161	1-B 21	Y704734	73	1-B 12	113259M1	137	1-B 18	113637M1	165	1-B 21
BK61049	165	1-B 21	Y704734	75	1-B 12	113261M1	141	1-B 19	113648M1	69	1-B 11
BK61050	169	1-B 21	Y704734	77	1-B 12	113261M1	151	1-B 20	113648M1	71	1-B 12
BK61058	201	1-C 1	Y704734	81	1-B 13	113285M1	83	1-B 13	113653M1	13	1-B 6
BK61059	203	1-C 1	Y704734	83	1-B 13	113290M1	121	1-B 17	113653M1	71	1-B 12
BK61060	207	1-C 1	Y704734	99	1-B 14	113290M1	125	1-B 17	113669M1	205	1-C 1
BK61078	205	1-C 1	Y704734	101	1-B 15	113290M1	145	1-B 19	113670M1	205	1-C 1
BK61098	225	1-C 3	Y704734	103	1-B 15	113293M1	129	1-B 17	113671M1	205	1-C 1
BK61119	173	1-B 22	Y704734	105	1-B 15	113303M1	73	1-B 12	113672M1	205	1-C 1
BK61120	181	1-B 23	Y704734	107	1-B 15	113303M1	75	1-B 12	113730M1	43	1-B 9
BK61121	189	1-B 23	Y704734	147	1-B 19	113303M1	77	1-B 12	113730M1	145	1-B 9
BK61122	195	1-B 24	Y704734	149	1-B 19	113306M1	43	1-B 9	113731M1	47	1-B 9
BK61123	209	1-C 1	Y704734	205	1-C 1	113306M1	45	1-B 9	113731M1	49	1-B 9
BK61124	211	1-C 2	Y704734	209	1-C 1	113309M1	43	1-B 9	113731M1	51	1-B 10
BK61125	213	1-C 2	Y704734	211	1-C 2	113309M1	45	1-B 9	113731M1	53	1-B 10
BK61126	215	1-C 2	Y704734	213	1-C 2	113314M1	47	1-B 9	113731M1	55	1-B 10
BK61127	217	1-C 2	Y704734	215	1-C 2	113314M1	49	1-B 9	113731M1	57	1-B 10
PZND2084V	173	1-B 22	Y704734	221	1-C 3	113314M1	51	1-B 10	113731M1	59	1-B 10
PZND2084V	181	1-B 23	Y704734	227	1-C 3	113314M1	53	1-B 10	113731M1	61	1-B 11
PZND2084V	189	1-B 23	Y704742	13	1-B 6	113314M1	55	1-B 10	113731M1	63	1-B 11
PZND2084V	195	1-B 24	Y704742	15	1-B 6	113314M1	57	1-B 10	113731M1	65	1-B 11
Y47530	13	1-B 6	Y704742	69	1-B 11	113314M1	59	1-B 10	113732M1	43	1-B 9
Y704015	73	1-B 12	Y704742	71	1-B 12	113314M1	61	1-B 11	113732M1	45	1-B 9
Y704015	75	1-B 12	Y704742	73	1-B 12	113314M1	63	1-B 11	113732M1	47	1-B 9
Y704114	15	1-B 6	Y704742	75	1-B 12	113314M1	65	1-B 11	113732M1	49	1-B 9
Y704395	157	1-B 20	Y704742	77	1-B 12	113315M1	43	1-B 9	113732M1	51	1-B 10
Y704395	161	1-B 21	Y704742	217	1-C 2	113315M1	45	1-B 9	113732M1	53	1-B 10
Y704395	165	1-B 21	Y704783	159	1-B 20	113319M1	43	1-B 9	113732M1	55	1-B 10
Y704395	169	1-B 21	Y704783	163	1-B 21	113319M1	45	1-B 9	113732M1	57	1-B 10
Y704445	219	1-C 2	Y704783	167	1-B 21	113369M1	203	1-C 1	113732M1	59	1-B 10
Y704635	159	1-B 20	Y704783	171	1-B 22	113370M1	85	1-B 13	113732M1	61	1-B 11
Y704635	163	1-B 21	Y705525	73	1-B 12	113370M1	87	1-B 13	113732M1	63	1-B 11
Y704635	167	1-B 21	Y705525	75	1-B 12	113370M1	89	1-B 13	113732M1	65	1-B 11
Y704635	171	1-B 22	Y705525	83	1-B 13	113370M1	91	1-B 14	113732M1	227	1-C 3
Y704726	47	1-B 9	Y705533	43	1-B 9	113370M1	93	1-B 14	113733M1	47	1-B 9
Y704726	49	1-B 9	Y705533	45	1-B 9	113372M1	81	1-B 13	113733M1	49	1-B 9
Y704726	51	1-B 10	Y705533	47	1-B 9	113373M1	81	1-B 13	113733M1	51	1-B 10
Y704726	53	1-B 10	Y705533	49	1-B 9	113376M1	81	1-B 13	113733M1	53	1-B 10
Y704726	55	1-B 10	Y705533	51	1-B 10	113388M1	81	1-B 13	113733M1	55	1-B 10
Y704726	57	1-B 10	Y705533	53	1-B 10	113388M1	83	1-B 13	113733M1	57	1-B 10
Y704726	59	1-B 10	Y705533	55	1-B 10	113388M1	205	1-C 1	113733M1	59	1-B 10
Y704726	61	1-B 11	Y705533	57	1-B 10	113390M1	31	1-B 8	113733M1	61	1-B 11
Y704726	63	1-B 11	Y705533	59	1-B 10	113392M1	31	1-B 8	113733M1	63	1-B 11
Y704726	65	1-B 11	Y705533	61	1-B 11	113400M1	33	1-B 8	113733M1	65	1-B 11
Y704726	69	1-B 11	Y705533	63	1-B 11	113400M1	35	1-B 8	113752M1	47	1-B 9
Y704726	71	1-B 12	Y705533	65	1-B 11	113400M1	37	1-B 8	113752M1	49	1-B 9
Y704726	77	1-B 12	Y705533	69	1-B 11	113400M1	39	1-B 8	113752M1	51	1-B 10
Y704726	79	1-B 12	Y705533	71	1-B 12	113400M1	41	1-B 9	113752M1	53	1-B 10
Y704726	83	1-B 13	Y705533	99	1-B 14	113400M1	227	1-C 3	113752M1	55	1-B 10
Y704726	147	1-B 19	Y705533	101	1-B 15	113406M1	115	1-B 16	113752M1	57	1-B 10
Y704726	149	1-B 19	Y705533	103	1-B 15	113406M1	117	1-B 16	113752M1	59	1-B 10
Y704726	157	1-B 20	Y705533	105	1-B 15	113406M1	119	1-B 16	113752M1	61	1-B 11
Y704726	161	1-B 21	Y705533	107	1-B 15	113406M1	121	1-B 17	113752M1	63	1-B 11
Y704726	165	1-B 21	Y705533	147	1-B 19	113406M1	123	1-B 17	113752M1	65	1-B 11
Y704726	169	1-B 21	Y705533	149	1-B 19	113406M1	125	1-B 17	113811M1	43	1-B 9
Y704734	13	1-B 6	Y705533	159	1-B 20	113406M1	127	1-B 17	113811M1	45	1-B 9
Y704734	33	1-B 8	Y705533	163	1-B 21	113406M1	129	1-B 17	113811M1	47	1-B 9
Y704734	35	1-B 8	Y705533	167	1-B 21	113406M1	141	1-B 19	113811M1	49	1-B 9
Y704734	37	1-B 8	Y705533	171	1-B 22	113406M1	143	1-B 19	113811M1	51	1-B 10
Y704734	39	1-B 8	Y705558	99	1-B 14	113406M1	145	1-B 19	113811M1	53	1-B 10
Y704734	41	1-B 9	Y705558	101	1-B 15	113421M1	33	1-B 8	113811M1	55	1-B 10
Y704734	43	1-B 9	Y705558	103	1-B 15	113421M1	35	1-B 8	113811M1	57	1-B 10
Y704734	45	1-B 9	Y705558	105	1-B 15	113421M1	37	1-B 8	113811M1	59	1-B 10
Y704734	47	1-B 9	Y705558	107	1-B 15	113421M1	39	1-B 8	113811M1	61	1-B 11
Y704734	49	1-B 9	Y705582	43	1-B 9	113421M1	41	1-B 9	113811M1	63	1-B 11
Y704734	51	1-B 10	Y705582	45	1-B 9	113421M1	73	1-B 12	113811M1	65	1-B 11
Y704734	53	1-B 10	Y705731	81	1-B 13	113421M1	75	1-B 12	113941M1	201	1-C 1
Y704734	55	1-B 10	1052942M1	135	1-B 18	113421M1	227	1-C 3	113942M1	201	1-C 1
Y704734	57	1-B 10	107492M1	19	1-B 6	113422M1	33	1-B 8	114053M1	171	1-B 22
Y704734	59	1-B 10	1079723M1	151	1-B 20	113422M1	35	1-B 8	114065M1	23	1-B 7
Y704734	61	1-B 11	111095W1	153	1-B 20	113422M1	37	1-B 8	114065M1	25	1-B 7
Y704734	63	1-B 11	113219M1	43	1-B 9	113422M1	39	1-B 8	114065M1	27	1-B 7
Y704734	65	1-B 11	113219M1	45	1-B 9	113422M1	41	1-B 9	114065M1	29	1-B 7
Y704734	69	1-B 11	113232M1	47	1-B 9	113422M1	227	1-C 3	114065M1	31	1-B 8

## INDEX

Part No.	Page	Grid	Part No.	Page	Grid	Part No.	Page	Grid	Part No.	Page	Grid
114089M1	43	1-B 9	3725614M1	207	1-C 1	3786198M1	47	1-B 9	700152771	31	1-B 8
114089M1	45	1-B 9	3725855M1	85	1-B 13	3786198M1	49	1-B 9	700152787B	79	1-B 12
114396M1	83	1-B 13	3725855M1	87	1-B 13	3786198M1	51	1-B 10	700152790B	79	1-B 12
114401M1	27	1-B 7	3725855M1	89	1-B 13	3786198M1	53	1-B 10	700152791B	73	1-B 12
114404M1	23	1-B 7	3725855M1	91	1-B 14	3786198M1	55	1-B 10	700152791B	75	1-B 12
114428M1	25	1-B 7	3725855M1	93	1-B 14	3786198M1	57	1-B 10	700152791B	77	1-B 12
114433M1	29	1-B 7	3726179M1	153	1-B 20	3786198M1	59	1-B 10	700152798B	79	1-B 12
1177981	175	1-B 22	3726179M1	155	1-B 20	3786198M1	61	1-B 11	700152800B	79	1-B 12
1177981	183	1-B 23	3726209M1	43	1-B 9	3786198M1	63	1-B 11	700152808B	13	1-B 6
1177981	191	1-B 24	3726209M1	45	1-B 9	3786198M1	65	1-B 11	700152839	209	1-C 1
1177981	197	1-B 24	3727564M1	69	1-B 11	39801B	69	1-B 11	700152839	211	1-C 2
1702893	175	1-B 22	3727564M1	71	1-B 12	39801B	71	1-B 12	700152839	213	1-C 2
1702893	183	1-B 23	3727570M1	13	1-B 6	39857	207	1-C 1	700152839	215	1-C 2
1702893	191	1-B 24	3727576M1	13	1-B 6	39972B	207	1-C 1	700152841B	77	1-B 12
1702893	197	1-B 24	3727580M1	207	1-C 1	45736P	45	1-B 9	700152842B	79	1-B 12
1703354	13	1-B 6	3727595M1	207	1-C 1	45737P	43	1-B 9	700152860B	43	1-B 9
1703354	85	1-B 13	3727614M1	201	1-C 1	47217	43	1-B 9	700152860B	45	1-B 9
1703354	87	1-B 13	3728191M1	45	1-B 9	47217	45	1-B 9	700152860B	47	1-B 9
1703354	89	1-B 13	3728192M1	43	1-B 9	504738M1	217	1-C 2	700152860B	49	1-B 9
1703354	91	1-B 14	3728209M1	43	1-B 9	52175	147	1-B 19	700152860B	51	1-B 10
1703354	93	1-B 14	3728209M1	45	1-B 9	52175	149	1-B 19	700152860B	53	1-B 10
1703354	219	1-C 2	3728212M1	43	1-B 9	59983133	201	1-C 1	700152860B	55	1-B 10
2514740W1	73	1-B 12	3728212M1	45	1-B 9	61770	13	1-B 6	700152860B	57	1-B 10
2514740W1	75	1-B 12	3728219M1	83	1-B 13	62117	43	1-B 9	700152860B	59	1-B 10
2514740W1	77	1-B 12	3728274M1	43	1-B 9	62117	45	1-B 9	700152860B	61	1-B 11
2514740W1	207	1-C 1	3728274M1	45	1-B 9	62232	201	1-C 1	700152860B	63	1-B 11
3009695X1	175	1-B 22	3728288M1	83	1-B 13	6514772	79	1-B 12	700152860B	65	1-B 11
3009695X1	183	1-B 23	3728288M1	227	1-C 3	66319P	47	1-B 9	700152893B	15	1-B 6
3009695X1	191	1-B 24	3728289M1	83	1-B 13	66329P	49	1-B 9	700152894B	15	1-B 6
3009695X1	197	1-B 24	3728291M1	83	1-B 13	66384B	81	1-B 13	700152932B	59	1-B 10
31752	23	1-B 7	3728399M1	97	1-B 14	66384B	83	1-B 13	700152933B	61	1-B 11
31752	25	1-B 7	3728399M1	201	1-C 1	66435	119	1-B 16	700152935B	55	1-B 10
31752	27	1-B 7	3728401M1	201	1-C 1	66435	123	1-B 17	700152936B	57	1-B 10
31752	29	1-B 7	3728402M1	201	1-C 1	66435	127	1-B 17	700152937B	51	1-B 10
31752	31	1-B 8	3728403M1	201	1-C 1	66435	145	1-B 19	700152938B	53	1-B 10
31752	227	1-C 3	3728431M1	135	1-B 18	66602	43	1-B 9	700152943	31	1-B 8
353426X1	81	1-B 13	3728433M1	135	1-B 18	66602	45	1-B 9	700152972	83	1-B 13
353436X1	15	1-B 6	3728435M1	135	1-B 18	66675B	69	1-B 11	700152974B	81	1-B 13
353436X1	69	1-B 11	3728435M1	227	1-C 3	66675B	71	1-B 12	700152976	81	1-B 13
353436X1	71	1-B 12	3728438M1	135	1-B 18	66686	43	1-B 9	700152976	83	1-B 13
353769X1	85	1-B 13	3728439M1	135	1-B 18	66686	45	1-B 9	700153819B	69	1-B 11
353769X1	87	1-B 13	3728440M1	135	1-B 18	66704	69	1-B 11	700153831	51	1-B 10
353769X1	89	1-B 13	3728441M1	135	1-B 18	66704	71	1-B 12	700153831	53	1-B 10
353769X1	91	1-B 14	3728442M1	135	1-B 18	6849178	155	1-B 20	700153831	55	1-B 10
353769X1	93	1-B 14	3728443M1	135	1-B 18	68619	15	1-B 6	700153831	57	1-B 10
353769X1	159	1-B 20	3728445M1	135	1-B 18	68759	73	1-B 12	700153831	59	1-B 10
353769X1	163	1-B 21	3728448M1	135	1-B 18	68759	75	1-B 12	700153831	61	1-B 11
353769X1	167	1-B 21	3728608M1	159	1-B 20	68759	77	1-B 12	700153831	63	1-B 11
353769X1	171	1-B 22	3728609M1	163	1-B 21	700051701	115	1-B 16	700153831	65	1-B 11
357194X1	99	1-B 14	3728614M1	157	1-B 20	700101221	15	1-B 6	700153854B	79	1-B 12
357194X1	103	1-B 15	3728615M1	161	1-B 21	700117735	19	1-B 6	700153859B	59	1-B 10
357194X1	105	1-B 15	3728617M1	169	1-B 21	700122122B	69	1-B 11	700153860B	61	1-B 11
357194X1	107	1-B 15	373106X1	157	1-B 20	700122122B	71	1-B 12	700153861B	55	1-B 10
357194X1	115	1-B 16	373106X1	161	1-B 21	700134081B	95	1-B 14	700153862B	57	1-B 10
357194X1	119	1-B 16	373106X1	165	1-B 21	700137280	147	1-B 19	700153863B	51	1-B 10
357194X1	123	1-B 17	373106X1	169	1-B 21	700137280	149	1-B 19	700153864B	53	1-B 10
357194X1	127	1-B 17	3736136M1	13	1-B 6	700137283	147	1-B 19	700153881B	47	1-B 9
360202X91	97	1-B 14	3736136M1	43	1-B 9	700137283	149	1-B 19	700153883B	49	1-B 9
364941X1	85	1-B 13	3736136M1	45	1-B 9	700137284	147	1-B 19	700153921B	217	1-C 2
364941X1	87	1-B 13	3736136M1	47	1-B 9	700137284	149	1-B 19	700153922B	217	1-C 2
364941X1	89	1-B 13	3736136M1	49	1-B 9	700137286	13	1-B 6	700153929B	69	1-B 11
364941X1	91	1-B 14	3736136M1	51	1-B 10	700137286	227	1-C 3	700153930	201	1-C 1
364941X1	93	1-B 14	3736136M1	53	1-B 10	700137287	13	1-B 6	700153930	221	1-C 3
364980X1	69	1-B 11	3736136M1	55	1-B 10	700147887	73	1-B 12	700154050	147	1-B 19
364980X1	71	1-B 12	3736136M1	57	1-B 10	700147887	75	1-B 12	700154050	149	1-B 19
3722052M1	23	1-B 7	3736136M1	59	1-B 10	700148921	221	1-C 3	700154232B	73	1-B 12
3722052M1	25	1-B 7	3736136M1	61	1-B 11	700149940	73	1-B 12	700154232B	75	1-B 12
3722052M1	27	1-B 7	3736136M1	63	1-B 11	700149940	75	1-B 12	700154232B	77	1-B 12
3722052M1	29	1-B 7	3736136M1	65	1-B 11	700152738B	73	1-B 12	700154569B	73	1-B 12
3722052M1	31	1-B 8	3736136M1	71	1-B 12	700152738B	75	1-B 12	700154569B	75	1-B 12
3722052M1	227	1-C 3	3736136M1	81	1-B 13	700152745B	77	1-B 12	700154574B	69	1-B 11
3725612M1	201	1-C 1	3736136M1	83	1-B 13	700152771	23	1-B 7	700154576	51	1-B 10
3725614M1	73	1-B 12	3736136M1	205	1-C 1	700152771	25	1-B 7	700154576	53	1-B 10
3725614M1	75	1-B 12	3736136M1	227	1-C 3	700152771	27	1-B 7	700154576	55	1-B 10
3725614M1	77	1-B 12	3736136M1	227	1-C 3	700152771	29	1-B 7	700154576	57	1-B 10



DHW DRAPER HEADER

Part No.	Page	Grid	Part No.	Page	Grid	Part No.	Page	Grid	Part No.	Page	Grid
700154576	59	1-B 10	700161719B	85	1-B 13	700706999	21	1-B 7	700709705	217	1-C 2
700154576	61	1-B 11	700161720B	85	1-B 13	700707063	217	1-C 2	700709706	217	1-C 2
700154576	63	1-B 11	700161721B	73	1-B 12	700707619	219	1-C 2	700709708	21	1-B 7
700154576	65	1-B 11	700161849B	221	1-C 3	700707758	21	1-B 7	700709767	219	1-C 2
700154577	51	1-B 10	700161857B	221	1-C 3	700707867	175	1-B 22	700709989	73	1-B 12
700154577	53	1-B 10	700162043	63	1-B 11	700707867	183	1-B 23	700709989	75	1-B 12
700154577	55	1-B 10	700162044	65	1-B 11	700707867	191	1-B 24	700710414	15	1-B 6
700154577	57	1-B 10	700162046	63	1-B 11	700707867	197	1-B 24	700710811	97	1-B 14
700154577	59	1-B 10	700162047	65	1-B 11	700708349	173	1-B 22	700710984	47	1-B 9
700154577	61	1-B 11	700162054B	221	1-C 3	700708349	181	1-B 23	700710984	49	1-B 9
700154577	63	1-B 11	700162055B	221	1-C 3	700708349	189	1-B 23	700711084	47	1-B 9
700154577	65	1-B 11	700162059	221	1-C 3	700708349	195	1-B 24	700711084	49	1-B 9
700155129B	73	1-B 12	700162060	93	1-B 14	700708359	175	1-B 22	700711084	51	1-B 10
700155129B	75	1-B 12	700162061	93	1-B 14	700708359	183	1-B 23	700711084	53	1-B 10
700155771B	69	1-B 11	700162334	85	1-B 13	700708359	191	1-B 24	700711084	55	1-B 10
700155771B	71	1-B 12	700162334	87	1-B 13	700708359	197	1-B 24	700711084	57	1-B 10
700155774	79	1-B 12	700162334	89	1-B 13	700708367	173	1-B 22	700711084	59	1-B 10
700155775	79	1-B 12	700162334	91	1-B 14	700708367	181	1-B 23	700711084	61	1-B 11
700156685B	205	1-C 1	700162334	93	1-B 14	700708367	189	1-B 23	700711084	63	1-B 11
700156807B	95	1-B 14	700162335	79	1-B 12	700708367	195	1-B 24	700711084	65	1-B 11
700156837B	91	1-B 14	700701356	97	1-B 14	700708679	117	1-B 16	700711084	73	1-B 12
700156837B	93	1-B 14	700701356	99	1-B 14	700708708	221	1-C 3	700711084	75	1-B 12
700156838B	75	1-B 12	700701356	101	1-B 15	700708753	21	1-B 7	700711084	77	1-B 12
700156845B	73	1-B 12	700701356	103	1-B 15	700708756	217	1-C 2	700711084	81	1-B 13
700156845B	75	1-B 12	700701356	105	1-B 15	700708756	219	1-C 2	700711084	83	1-B 13
700156852B	73	1-B 12	700701356	107	1-B 15	700708757	21	1-B 7	700711084	209	1-C 1
700156852B	75	1-B 12	700701553	115	1-B 16	700708758	21	1-B 7	700711084	211	1-C 2
700156856B	77	1-B 12	700701553	117	1-B 16	700708760	21	1-B 7	700711084	213	1-C 2
700156857B	77	1-B 12	700701553	119	1-B 16	700708761	21	1-B 7	700711084	215	1-C 2
700156859B	85	1-B 13	700701553	121	1-B 17	700708863	157	1-B 20	700711134	159	1-B 20
700156859B	87	1-B 13	700701553	123	1-B 17	700708863	161	1-B 21	700711134	163	1-B 21
700156859B	89	1-B 13	700701553	125	1-B 17	700708863	165	1-B 21	700711134	167	1-B 21
700156859B	91	1-B 14	700701553	127	1-B 17	700708863	169	1-B 21	700711134	171	1-B 22
700156859B	93	1-B 14	700701553	129	1-B 17	700708864	159	1-B 20	700711166	73	1-B 12
700156860B	69	1-B 11	700701553	141	1-B 19	700708864	163	1-B 21	700711166	75	1-B 12
700156860B	71	1-B 12	700701553	143	1-B 19	700708864	167	1-B 21	700711166	95	1-B 14
700156862B	13	1-B 6	700701553	145	1-B 19	700708864	171	1-B 22	700711183	97	1-B 14
700156870B	71	1-B 12	700701790	115	1-B 16	700708865	157	1-B 20	700711238	73	1-B 12
700156875B	85	1-B 13	700701790	117	1-B 16	700708865	161	1-B 21	700711238	75	1-B 12
700156875B	87	1-B 13	700701790	119	1-B 16	700708865	165	1-B 21	700711238	79	1-B 12
700156875B	89	1-B 13	700701790	121	1-B 17	700708869	159	1-B 20	700711557	13	1-B 6
700156875B	91	1-B 14	700701790	123	1-B 17	700708869	163	1-B 21	700711557	15	1-B 6
700156875B	93	1-B 14	700701790	125	1-B 17	700708869	167	1-B 21	700711557	47	1-B 9
700156876B	91	1-B 14	700701790	127	1-B 17	700708869	171	1-B 22	700711557	49	1-B 9
700157163B	91	1-B 14	700701790	129	1-B 17	700708870	157	1-B 20	700711557	69	1-B 11
700157168B	91	1-B 14	700701790	147	1-B 19	700708870	161	1-B 21	700711557	71	1-B 12
700157168B	93	1-B 14	700701799	127	1-B 17	700708870	165	1-B 21	700711771	97	1-B 14
700157175B	85	1-B 13	700701814	141	1-B 19	700708871	157	1-B 20	700711876	175	1-B 22
700157175B	87	1-B 13	700702916	13	1-B 6	700708871	161	1-B 21	700711876	183	1-B 23
700157175B	89	1-B 13	700702916	71	1-B 12	700708871	165	1-B 21	700711876	191	1-B 24
700157175B	91	1-B 14	700702916	205	1-C 1	700708872	159	1-B 20	700711876	197	1-B 24
700157175B	93	1-B 14	700703922	69	1-B 11	700708872	163	1-B 21	700712427	157	1-B 20
700157178B	15	1-B 6	700703922	71	1-B 12	700708872	167	1-B 21	700712427	161	1-B 21
700157179B	15	1-B 6	700703923	73	1-B 12	700708872	171	1-B 22	700712427	165	1-B 21
700157217	73	1-B 12	700703923	75	1-B 12	700708873	159	1-B 20	700712427	169	1-B 21
700157217	75	1-B 12	700703923	95	1-B 14	700708873	163	1-B 21	700712428	157	1-B 20
700158746	51	1-B 10	700706398	15	1-B 6	700708873	167	1-B 21	700712428	161	1-B 21
700158746	53	1-B 10	700706398	227	1-C 3	700708873	171	1-B 22	700712428	165	1-B 21
700161385	15	1-B 6	700706399	21	1-B 7	700708886	159	1-B 20	700712428	169	1-B 21
700161386	15	1-B 6	700706400	21	1-B 7	700708886	163	1-B 21	700712467	21	1-B 7
700161387	85	1-B 13	700706401	21	1-B 7	700708886	167	1-B 21	700712678	151	1-B 20
700161387	87	1-B 13	700706463	43	1-B 9	700708886	171	1-B 22	700712678	227	1-C 3
700161387	89	1-B 13	700706463	45	1-B 9	700708888	159	1-B 20	700713276	157	1-B 20
700161387	91	1-B 14	700706463	47	1-B 9	700708888	163	1-B 21	700713276	159	1-B 20
700161387	93	1-B 14	700706463	49	1-B 9	700708888	167	1-B 21	700713276	161	1-B 21
700161399	73	1-B 12	700706463	51	1-B 10	700708888	171	1-B 22	700713276	163	1-B 21
700161399	75	1-B 12	700706463	53	1-B 10	700708889	159	1-B 20	700713276	165	1-B 21
700161405	209	1-C 1	700706463	55	1-B 10	700708889	163	1-B 21	700713276	167	1-B 21
700161405	211	1-C 2	700706463	57	1-B 10	700708889	167	1-B 21	700713276	169	1-B 21
700161405	213	1-C 2	700706463	59	1-B 10	700708889	171	1-B 22	700713276	171	1-B 22
700161405	215	1-C 2	700706463	61	1-B 11	700708893	157	1-B 20	700713276	227	1-C 3
700161715B	89	1-B 13	700706463	63	1-B 11	700708893	161	1-B 21	700714195	157	1-B 20
700161716B	89	1-B 13	700706463	65	1-B 11	700708893	165	1-B 21	700714195	161	1-B 21
700161717B	87	1-B 13	700706600	221	1-C 3	700708893	169	1-B 21	700714195	165	1-B 21
700161718B	87	1-B 13	700706603	131	1-B 18	700709704	21	1-B 7	700714195	169	1-B 21

INDEX

Part No.	Page	Grid	Part No.	Page	Grid	Part No.	Page	Grid	Part No.	Page	Grid
700714195	227	1-C 3	700718612	21	1-B 7	700719913	121	1-B 17	700721728	17	1-B 6
700714201	113	1-B 16	700718618	21	1-B 7	700719913	143	1-B 19	700721747	97	1-B 14
700714201	227	1-C 3	700718683	21	1-B 7	700719916	121	1-B 17	700721819	23	1-B 7
700714202	113	1-B 16	700718834	99	1-B 14	700719916	143	1-B 19	700721821	25	1-B 7
700714203	113	1-B 16	700718834	101	1-B 15	700719917	129	1-B 17	700721823	27	1-B 7
700714206	113	1-B 16	700718834	103	1-B 15	700719918	115	1-B 16	700721825	29	1-B 7
700714207	111	1-B 16	700718834	105	1-B 15	700719918	117	1-B 16	700721827	31	1-B 8
700714207	227	1-C 3	700718834	107	1-B 15	700719918	119	1-B 16	700721828	23	1-B 7
700714528	79	1-B 12	700718834	113	1-B 16	700719918	121	1-B 17	700721828	25	1-B 7
700714528	227	1-C 3	700718835	109	1-B 15	700719918	123	1-B 17	700721828	27	1-B 7
700714529	79	1-B 12	700718835	111	1-B 16	700719918	125	1-B 17	700721828	29	1-B 7
700714529	227	1-C 3	700718836	137	1-B 18	700719918	127	1-B 17	700721828	31	1-B 8
700714983	99	1-B 14	700718836	139	1-B 18	700719918	129	1-B 17	700721939	15	1-B 6
700714983	101	1-B 15	700718837	97	1-B 14	700719918	141	1-B 19	700721939	23	1-B 7
700714983	103	1-B 15	700718877	139	1-B 18	700719918	143	1-B 19	700721939	25	1-B 7
700714983	105	1-B 15	700718877	227	1-C 3	700719918	145	1-B 19	700721939	27	1-B 7
700714983	107	1-B 15	700718878	139	1-B 18	700719933	13	1-B 6	700721939	31	1-B 8
700715685	219	1-C 2	700718879	113	1-B 16	700719933	99	1-B 14	700721958	23	1-B 7
700715929	131	1-B 18	700718880	139	1-B 18	700719933	101	1-B 15	700721958	25	1-B 7
700715929	133	1-B 18	700718881	139	1-B 18	700719933	103	1-B 15	700721958	27	1-B 7
700716054	169	1-B 21	700718995	223	1-C 3	700719933	105	1-B 15	700721958	29	1-B 7
700716055	169	1-B 21	700719151	131	1-B 18	700719933	107	1-B 15	700721958	31	1-B 8
700716056	169	1-B 21	700719151	227	1-C 3	700719933	115	1-B 16	700721958	227	1-C 3
700716362	135	1-B 18	700719198	131	1-B 18	700719933	117	1-B 16	700721959	23	1-B 7
700716553	97	1-B 14	700719199	131	1-B 18	700719933	119	1-B 16	700721959	25	1-B 7
700716697	79	1-B 12	700719201	131	1-B 18	700719933	121	1-B 17	700721959	27	1-B 7
700716861	157	1-B 20	700719220	131	1-B 18	700719933	123	1-B 17	700721959	29	1-B 7
700716861	161	1-B 21	700719220	227	1-C 3	700719933	125	1-B 17	700721959	31	1-B 8
700716861	165	1-B 21	700719259	223	1-C 3	700719933	127	1-B 17	700721960	23	1-B 7
700716861	169	1-B 21	700719261	223	1-C 3	700719933	129	1-B 17	700721960	25	1-B 7
700716861	227	1-C 3	700719586	157	1-B 20	700719933	141	1-B 19	700721960	27	1-B 7
700716867	157	1-B 20	700719586	161	1-B 21	700719933	143	1-B 19	700721960	29	1-B 7
700716867	161	1-B 21	700719586	165	1-B 21	700719933	145	1-B 19	700721960	31	1-B 8
700716867	165	1-B 21	700719586	169	1-B 21	700719933	227	1-C 3	700721961	23	1-B 7
700716867	169	1-B 21	700719594	15	1-B 6	700719961	23	1-B 7	700721961	25	1-B 7
700716874	115	1-B 16	700719594	17	1-B 6	700719961	25	1-B 7	700721961	27	1-B 7
700716874	119	1-B 16	700719594	23	1-B 7	700719961	27	1-B 7	700721961	29	1-B 7
700716874	123	1-B 17	700719594	25	1-B 7	700719961	29	1-B 7	700721961	31	1-B 8
700716874	127	1-B 17	700719594	27	1-B 7	700719961	31	1-B 8	700721972	19	1-B 6
700716874	141	1-B 19	700719594	29	1-B 7	700719962	31	1-B 8	700721974	19	1-B 6
700716876	159	1-B 20	700719594	31	1-B 8	700719964	25	1-B 7	700722014	17	1-B 6
700716876	163	1-B 21	700719594	227	1-C 3	700719965	27	1-B 7	700722015	17	1-B 6
700716876	167	1-B 21	700719614	219	1-C 2	700719966	29	1-B 7	700722016	17	1-B 6
700716876	171	1-B 22	700719623	159	1-B 20	700719969	99	1-B 14	700722051	173	1-B 22
700716880	43	1-B 9	700719623	163	1-B 21	700719969	101	1-B 15	700722051	181	1-B 23
700716880	45	1-B 9	700719623	167	1-B 21	700719969	103	1-B 15	700722051	189	1-B 23
700717028	221	1-C 3	700719623	171	1-B 22	700719969	105	1-B 15	700722051	195	1-B 24
700717028	223	1-C 3	700719677	23	1-B 7	700719969	107	1-B 15	700722054	199	1-B 24
700717036	79	1-B 12	700719677	25	1-B 7	700719982	67	1-B 11	700722056	175	1-B 22
700717324	97	1-B 14	700719677	27	1-B 7	700719983	67	1-B 11	700722056	183	1-B 23
700717324	99	1-B 14	700719677	29	1-B 7	700719984	135	1-B 18	700722056	191	1-B 24
700717324	101	1-B 15	700719677	31	1-B 8	700719987	135	1-B 18	700722056	197	1-B 24
700717324	103	1-B 15	700719678	23	1-B 7	700720186	13	1-B 6	700722087	219	1-C 2
700717324	105	1-B 15	700719678	25	1-B 7	700720217	67	1-B 11	700722088	217	1-C 2
700717324	107	1-B 15	700719678	27	1-B 7	700721239	29	1-B 7	700722103	103	1-B 15
700717402	153	1-B 20	700719678	29	1-B 7	700721288	125	1-B 17	700722104	101	1-B 15
700717402	155	1-B 20	700719678	31	1-B 8	700721288	145	1-B 19	700722105	99	1-B 14
700717403	153	1-B 20	700719717	17	1-B 6	700721404	99	1-B 14	700722107	19	1-B 6
700717403	155	1-B 20	700719718	17	1-B 6	700721404	101	1-B 15	700722109	19	1-B 6
700717404	153	1-B 20	700719719	17	1-B 6	700721404	103	1-B 15	700722110	19	1-B 6
700717404	155	1-B 20	700719720	17	1-B 6	700721404	105	1-B 15	700722111	19	1-B 6
700718459	135	1-B 18	700719721	17	1-B 6	700721404	107	1-B 15	700722145	17	1-B 6
700718461	135	1-B 18	700719722	17	1-B 6	700721404	131	1-B 18	700722146	17	1-B 6
700718462	135	1-B 18	700719725	17	1-B 6	700721445	119	1-B 16	700722147	99	1-B 14
700718530	21	1-B 7	700719726	17	1-B 6	700721445	123	1-B 17	700722148	17	1-B 6
700718584	219	1-C 2	700719728	17	1-B 6	700721445	127	1-B 17	700722149	17	1-B 6
700718586	111	1-B 16	700719768	137	1-B 18	700721445	141	1-B 19	700722150	109	1-B 15
700718588	21	1-B 7	700719869	21	1-B 7	700721447	225	1-C 3	700722151	115	1-B 16
700718595	175	1-B 22	700719870	21	1-B 7	700721556	131	1-B 18	700722167	173	1-B 22
700718595	177	1-B 22	700719893	99	1-B 14	700721666	159	1-B 20	700722168	181	1-B 23
700718595	183	1-B 23	700719893	101	1-B 15	700721666	163	1-B 21	700722169	189	1-B 23
700718595	185	1-B 23	700719893	103	1-B 15	700721666	167	1-B 21	700722169	195	1-B 24
700718595	191	1-B 24	700719893	105	1-B 15	700721666	171	1-B 22	700722170	179	1-B 22
700718595	197	1-B 24	700719893	107	1-B 15	700721727	17	1-B 6	700722171	187	1-B 23
700718610	219	1-C 2	700719893	135	1-B 18	700721728	15	1-B 6	700722172	193	1-B 24

## DHW DRAPER HEADER

9

## INDEX

Part No.	Page	Grid	Part No.	Page	Grid	Part No.	Page	Grid	Part No.	Page	Grid
700722175	215	1-C 2	700724954	147	1-B 19	700725799	129	1-B 17	70919624	147	1-B 19
700722176	209	1-C 1	700724954	149	1-B 19	700725799	141	1-B 19	70920990	71	1-B 12
700722176	211	1-C 2	700725125	171	1-B 22	700725799	143	1-B 19	70921024	15	1-B 6
700722176	213	1-C 2	700725126	159	1-B 20	700725799	145	1-B 19	70921049	13	1-B 6
700722176	215	1-C 2	700725126	163	1-B 21	700725832	69	1-B 11	70921203	99	1-B 14
700722177	215	1-C 2	700725126	167	1-B 21	700725880	17	1-B 6	70921205	99	1-B 14
700722178	213	1-C 2	700725546	99	1-B 14	700725966	205	1-C 1	70921206	97	1-B 14
700722179	213	1-C 2	700725546	101	1-B 15	700726003	121	1-B 17	70921214	97	1-B 14
700722180	211	1-C 2	700725546	103	1-B 15	700726009	67	1-B 11	70921217	97	1-B 14
700722182	211	1-C 2	700725546	105	1-B 15	700726014	67	1-B 11	70921228	225	1-C 3
700722183	209	1-C 1	700725546	107	1-B 15	700726020	23	1-B 7	70921297	115	1-B 16
700722184	209	1-C 1	700725547	99	1-B 14	700726065	19	1-B 6	70921324	99	1-B 14
700722420	107	1-B 15	700725547	101	1-B 15	700726233	177	1-B 22	70921326	225	1-C 3
700722422	107	1-B 15	700725547	103	1-B 15	700726233	185	1-B 23	70921349	97	1-B 14
700722423	109	1-B 15	700725547	105	1-B 15	700726373	67	1-B 11	70921691	115	1-B 16
700722424	127	1-B 17	700725547	107	1-B 15	700726417	133	1-B 18	70921719	147	1-B 19
700722425	19	1-B 6	700725551	99	1-B 14	700726801	219	1-C 2	70921728	99	1-B 14
700722486	99	1-B 14	700725551	101	1-B 15	700726972	147	1-B 19	70921962	147	1-B 19
700722486	101	1-B 15	700725551	103	1-B 15	700726972	149	1-B 19	70921973	147	1-B 19
700722486	103	1-B 15	700725551	105	1-B 15	700726972	227	1-C 3	70922127	157	1-B 20
700722486	105	1-B 15	700725551	107	1-B 15	700728047	97	1-B 14	70922523	141	1-B 19
700722486	107	1-B 15	700725552	97	1-B 14	700728180	141	1-B 19	70922571	99	1-B 14
700722498	153	1-B 20	700725552	133	1-B 18	700763755	69	1-B 11	70922645	217	1-C 2
700722514	153	1-B 20	700725582	119	1-B 16	700763755	71	1-B 12	70922784	13	1-B 6
700722655	115	1-B 16	700725582	141	1-B 19	70227666	223	1-C 3	70922786	47	1-B 9
700722655	117	1-B 16	700725583	119	1-B 16	70341230	201	1-C 1	70922837	157	1-B 20
700722655	119	1-B 16	700725583	141	1-B 19	704031	13	1-B 6	70922935	147	1-B 19
700722655	121	1-B 17	700725584	123	1-B 17	7040397	97	1-B 14	70922981	99	1-B 14
700722655	123	1-B 17	700725584	141	1-B 19	7040397	99	1-B 14	70923114	69	1-B 11
700722655	125	1-B 17	700725586	103	1-B 15	7040397	101	1-B 15	70923141	157	1-B 20
700722655	127	1-B 17	700725587	115	1-B 16	7040397	103	1-B 15	70923161	69	1-B 11
700722655	129	1-B 17	700725587	119	1-B 16	7040397	105	1-B 15	70923174	97	1-B 14
700722655	141	1-B 19	700725587	123	1-B 17	7040397	107	1-B 15	70923219	73	1-B 12
700722655	143	1-B 19	700725587	127	1-B 17	7040397	109	1-B 15	70923220	205	1-C 1
700722655	145	1-B 19	700725587	141	1-B 19	7040397	115	1-B 16	70923282	159	1-B 20
700722656	141	1-B 19	700725588	105	1-B 15	7040397	117	1-B 16	70923320	217	1-C 2
700722656	143	1-B 19	700725589	109	1-B 15	7040397	119	1-B 16	70923938	83	1-B 13
700722656	145	1-B 19	700725590	109	1-B 15	7040397	123	1-B 17	70924290	97	1-B 14
700722682	175	1-B 22	700725591	105	1-B 15	7040397	127	1-B 17	70924403	137	1-B 18
700722682	183	1-B 23	700725592	109	1-B 15	7040397	141	1-B 19	70925094	19	1-B 6
700722682	191	1-B 24	700725593	101	1-B 15	7040397	143	1-B 19	70925149	95	1-B 14
700722682	197	1-B 24	700725594	99	1-B 14	7040397	145	1-B 19	70925617	81	1-B 13
700722683	191	1-B 24	700725594	101	1-B 15	7040397	227	1-C 3	70925656	97	1-B 14
700722683	197	1-B 24	700725594	103	1-B 15	704056	13	1-B 6	70926155	15	1-B 6
700722685	189	1-B 23	700725594	105	1-B 15	704056	71	1-B 12	70926702	221	1-C 3
700722685	195	1-B 24	700725594	107	1-B 15	704247	79	1-B 12	70926919	85	1-B 13
700722687	175	1-B 22	700725595	99	1-B 14	704247	81	1-B 13	70927401	157	1-B 20
700722687	183	1-B 23	700725595	101	1-B 15	704247	83	1-B 13	70928372	157	1-B 20
700722687	191	1-B 24	700725595	103	1-B 15	704551	219	1-C 2	70928917	99	1-B 14
700722687	197	1-B 24	700725595	105	1-B 15	7046956	115	1-B 16	70929644	99	1-B 14
700722752	99	1-B 14	700725595	107	1-B 15	7046956	117	1-B 16	70930510	99	1-B 14
700722752	101	1-B 15	700725596	99	1-B 14	7046956	119	1-B 16	70930594	13	1-B 6
700722752	103	1-B 15	700725596	101	1-B 15	7046956	121	1-B 17	70931209	81	1-B 13
700722752	105	1-B 15	700725596	103	1-B 15	7046956	123	1-B 17	70931277	73	1-B 12
700722752	107	1-B 15	700725596	105	1-B 15	7046956	125	1-B 17	70931317	85	1-B 13
700722814	175	1-B 22	700725596	107	1-B 15	7046956	127	1-B 17	70931333	73	1-B 12
700722814	183	1-B 23	700725600	97	1-B 14	7046956	129	1-B 17	70931813	13	1-B 6
700722814	191	1-B 24	700725707	159	1-B 20	704858	13	1-B 6	70932863	73	1-B 12
700722814	197	1-B 24	700725707	163	1-B 21	705012	15	1-B 6	70936348	69	1-B 11
700722962	133	1-B 18	700725707	167	1-B 21	705541	73	1-B 12	70937133	97	1-B 14
700722963	97	1-B 14	700725707	171	1-B 22	705541	75	1-B 12	70951293	179	1-B 22
700723228	225	1-C 3	700725794	13	1-B 6	705541	77	1-B 12	71129543	175	1-B 22
700723229	225	1-C 3	700725794	99	1-B 14	705541	83	1-B 13	71129543	183	1-B 23
700723397	225	1-C 3	700725794	101	1-B 15	707448	77	1-B 12	71129543	191	1-B 24
700724655	99	1-B 14	700725794	103	1-B 15	70902870	13	1-B 6	71129543	197	1-B 24
700724655	101	1-B 15	700725794	105	1-B 15	70905126	99	1-B 14	71141303	175	1-B 22
700724655	103	1-B 15	700725794	107	1-B 15	70914465	159	1-B 20	71141303	183	1-B 23
700724655	105	1-B 15	700725798	97	1-B 14	70917467	79	1-B 12	71141303	191	1-B 24
700724655	107	1-B 15	700725799	115	1-B 16	70917642	73	1-B 12	71141303	197	1-B 24
700724657	119	1-B 16	700725799	117	1-B 16	70918452	207	1-C 1	71141320	175	1-B 22
700724657	141	1-B 19	700725799	119	1-B 16	70919087	115	1-B 16	71141320	177	1-B 22
700724659	121	1-B 17	700725799	121	1-B 17	70919131	117	1-B 16	71141320	183	1-B 23
700724659	143	1-B 19	700725799	123	1-B 17	70919187	13	1-B 6	71141320	185	1-B 23
700724660	119	1-B 16	700725799	125	1-B 17	70919214	99	1-B 14	71141320	191	1-B 24
700724660	141	1-B 19	700725799	127	1-B 17	70919267	119	1-B 16	71141320	197	1-B 24

## INDEX

Part No.	Page	Grid	Part No.	Page	Grid	Part No.	Page	Grid	Part No.	Page	Grid
71141320	227	1-C 3	71376019	103	1-B 15	7703242	29	1-B 7	7883374	51	1-B 10
71148214	33	1-B 8	71376019	105	1-B 15	7703242	31	1-B 8	7883374	53	1-B 10
71148214	35	1-B 8	71376019	107	1-B 15	7703424	81	1-B 13	7883374	55	1-B 10
71148214	37	1-B 8	71385146	217	1-C 2	7703424	83	1-B 13	7883374	57	1-B 10
71148214	39	1-B 8	71389102	173	1-B 22	7703432	81	1-B 13	7883374	59	1-B 10
71148214	41	1-B 9	71389102	181	1-B 23	7703432	83	1-B 13	7883374	61	1-B 11
71148214	227	1-C 3	71389103	173	1-B 22	7703432	205	1-C 1	7883374	63	1-B 11
71193862	19	1-B 6	71389103	181	1-B 23	7703440	43	1-B 9	7883374	65	1-B 11
71339968	217	1-C 2	71389103	189	1-B 23	7703440	45	1-B 9	7883374	79	1-B 12
71339969	217	1-C 2	71389103	195	1-B 24	7703457	15	1-B 6	7883382	13	1-B 6
71346158	33	1-B 8	71389106	179	1-B 22	7704075	157	1-B 20	7883382	51	1-B 10
71346158	35	1-B 8	71389106	187	1-B 23	7704075	159	1-B 20	7883382	53	1-B 10
71346158	37	1-B 8	71389106	193	1-B 24	7704075	161	1-B 21	7883382	55	1-B 10
71346158	39	1-B 8	71389106	199	1-B 24	7704075	163	1-B 21	7883382	57	1-B 10
71346158	41	1-B 9	71389106	227	1-C 3	7704075	165	1-B 21	7883382	59	1-B 10
71346158	227	1-C 3	71389107	179	1-B 22	7704075	167	1-B 21	7883382	61	1-B 11
71351484	175	1-B 22	71389107	187	1-B 23	7704075	169	1-B 21	7883382	63	1-B 11
71351484	183	1-B 23	71389107	193	1-B 24	7704075	171	1-B 22	7883382	65	1-B 11
71351484	191	1-B 24	71389107	199	1-B 24	7704208	201	1-C 1	7883382	69	1-B 11
71351484	197	1-B 24	71389107	227	1-C 3	772426	79	1-B 12	7883382	71	1-B 12
71352506	175	1-B 22	71389108	179	1-B 22	77339	223	1-C 3	7883408	51	1-B 10
71352506	183	1-B 23	71389108	187	1-B 23	773820	147	1-B 19	7883408	53	1-B 10
71352506	191	1-B 24	71389108	193	1-B 24	773820	149	1-B 19	7883408	55	1-B 10
71352506	197	1-B 24	71389108	199	1-B 24	7746456	101	1-B 15	7883408	57	1-B 10
71352507	175	1-B 22	71389108	227	1-C 3	77602	17	1-B 6	7883408	59	1-B 10
71352507	183	1-B 23	71389109	179	1-B 22	7770076	77	1-B 12	7883408	61	1-B 11
71352507	191	1-B 24	71389109	187	1-B 23	7770456	79	1-B 12	7883408	63	1-B 11
71352507	197	1-B 24	71389109	193	1-B 24	7771462	81	1-B 13	7883408	65	1-B 11
71367255	173	1-B 22	71389109	199	1-B 24	7772049	69	1-B 11	7883408	69	1-B 11
71367255	181	1-B 23	71389109	227	1-C 3	7772049	71	1-B 12	7883408	71	1-B 12
71367255	189	1-B 23	71390809	21	1-B 7	7774839	147	1-B 19	7883424	73	1-B 12
71367255	195	1-B 24	71396793	141	1-B 19	7774839	149	1-B 19	7883424	75	1-B 12
71367256	173	1-B 22	71399368	21	1-B 7	7791361	141	1-B 19	7883432	13	1-B 6
71367256	181	1-B 23	71399371	21	1-B 7	7870223	69	1-B 11	7883432	71	1-B 12
71367256	189	1-B 23	71404251	141	1-B 19	7870223	71	1-B 12	8022758	13	1-B 6
71367256	195	1-B 24	71406215	175	1-B 22	7870587	175	1-B 22	8046146	97	1-B 14
71367257	173	1-B 22	71406215	183	1-B 23	7870587	183	1-B 23	8046146	99	1-B 14
71367257	181	1-B 23	71406215	191	1-B 24	7870587	191	1-B 24	8046146	101	1-B 15
71367257	189	1-B 23	71406215	197	1-B 24	7870587	197	1-B 24	8046146	103	1-B 15
71367257	195	1-B 24	71406217	97	1-B 14	7872617	97	1-B 14	8046146	105	1-B 15
71368511	173	1-B 22	71406229	217	1-C 2	7872864	115	1-B 16	8046146	107	1-B 15
71368511	181	1-B 23	71407261	69	1-B 11	7872864	119	1-B 16	832035M1	157	1-B 20
71368521	175	1-B 22	71407261	71	1-B 12	7872864	123	1-B 17	832035M1	159	1-B 20
71368521	177	1-B 22	71409099	129	1-B 17	7872864	127	1-B 17	832035M1	161	1-B 21
71368521	183	1-B 23	71409107	79	1-B 12	7872864	141	1-B 19	832035M1	163	1-B 21
71368521	185	1-B 23	71530397	221	1-C 3	7883275	85	1-B 13	832035M1	165	1-B 21
71368521	191	1-B 24	72514685	21	1-B 7	7883275	87	1-B 13	832035M1	167	1-B 21
71368521	197	1-B 24	734244	131	1-B 18	7883275	89	1-B 13	832035M1	169	1-B 21
71368522	175	1-B 22	734244	227	1-C 3	7883275	91	1-B 14	832035M1	171	1-B 22
71368522	183	1-B 23	738468	97	1-B 14	7883275	93	1-B 14	832190M1	201	1-C 1
71368522	191	1-B 24	738468	99	1-B 14	7883275	219	1-C 2	846337	137	1-B 18
71368522	197	1-B 24	738468	101	1-B 15	7883291	85	1-B 13	846634	97	1-B 14
71368702	175	1-B 22	738468	103	1-B 15	7883291	87	1-B 13	851335	123	1-B 17
71368702	183	1-B 23	738468	105	1-B 15	7883291	89	1-B 13	851335	141	1-B 19
71368702	191	1-B 24	738468	107	1-B 15	7883291	91	1-B 14	855301	151	1-B 20
71368702	197	1-B 24	738468	115	1-B 16	7883291	93	1-B 14	855637	121	1-B 17
71368702	227	1-C 3	738468	119	1-B 16	7883325	47	1-B 9	855637	143	1-B 19
71368703	175	1-B 22	738468	123	1-B 17	7883325	49	1-B 9	863423	217	1-C 2
71368703	183	1-B 23	738468	127	1-B 17	7883325	51	1-B 10	8701625	219	1-C 2
71368703	191	1-B 24	738468	137	1-B 18	7883325	53	1-B 10	873455	13	1-B 6
71368703	197	1-B 24	738468	227	1-C 3	7883325	55	1-B 10			
71368703	227	1-C 3	746776	97	1-B 14	7883325	57	1-B 10			
71368704	175	1-B 22	768036	73	1-B 12	7883325	59	1-B 10			
71368704	183	1-B 23	768036	75	1-B 12	7883325	61	1-B 11			
71368704	191	1-B 24	768036	159	1-B 20	7883325	63	1-B 11			
71368704	197	1-B 24	768036	163	1-B 21	7883325	65	1-B 11			
71368704	227	1-C 3	768036	167	1-B 21	7883325	73	1-B 12			
71369199	99	1-B 14	768036	171	1-B 22	7883325	75	1-B 12			
71369199	101	1-B 15	7701865	13	1-B 6	7883325	77	1-B 12			
71369199	103	1-B 15	7701865	71	1-B 12	7883325	79	1-B 12			
71369199	105	1-B 15	7702079	221	1-C 3	7883333	83	1-B 13			
71369199	107	1-B 15	7703242	15	1-B 6	7883374	43	1-B 9			
71369199	109	1-B 15	7703242	23	1-B 7	7883374	45	1-B 9			
71376019	99	1-B 14	7703242	25	1-B 7	7883374	47	1-B 9			
71376019	101	1-B 15	7703242	27	1-B 7	7883374	49	1-B 9			

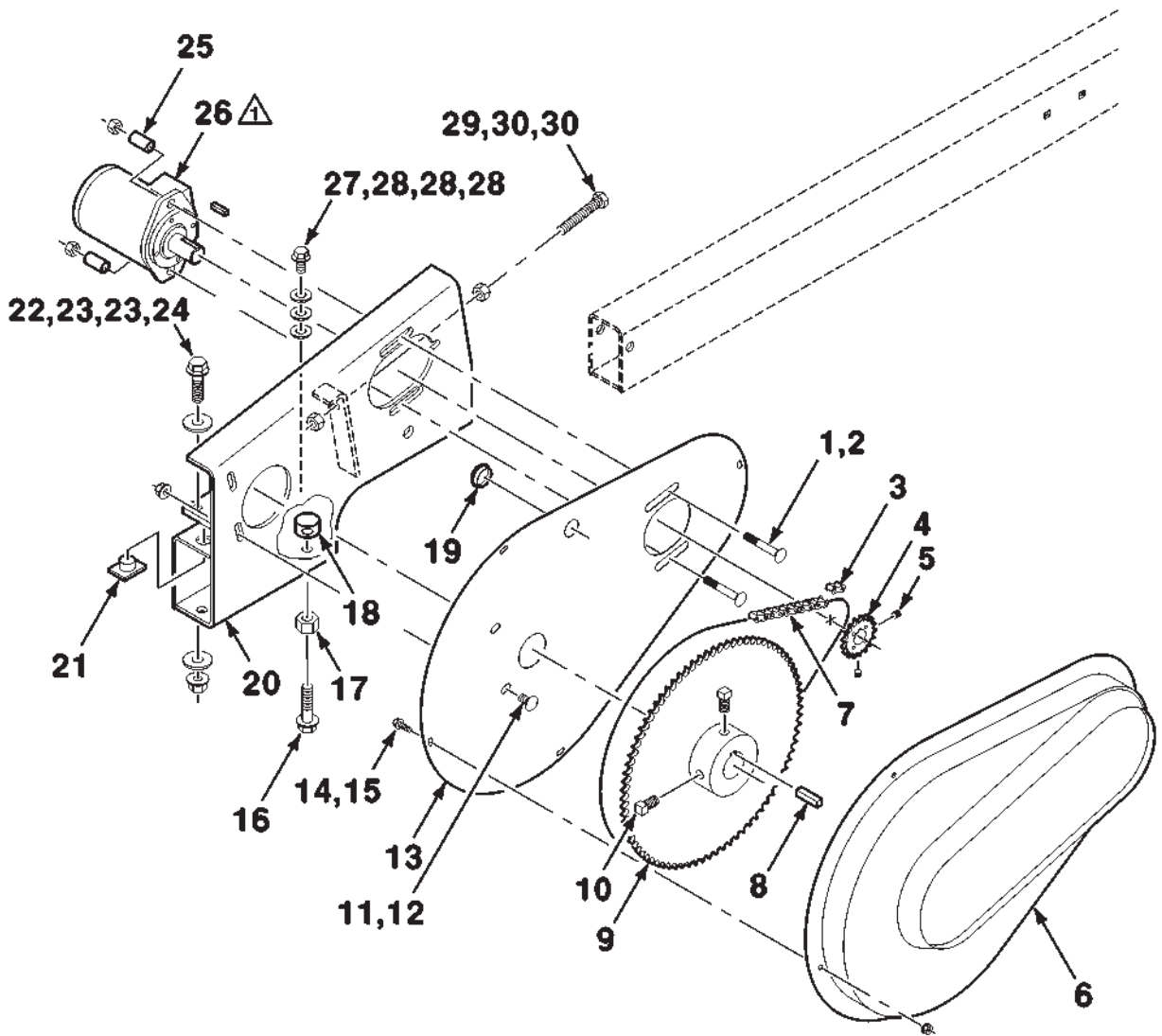
**DHW DRAPER HEADER**

**11  
INDEX**

Part No.	Page	Grid	Part No.	Page	Grid	Part No.	Page	Grid	Part No.	Page	Grid
----------	------	------	----------	------	------	----------	------	------	----------	------	------

REEL DRIVE

**⚠ 31 SEAL KIT**



**DHW DRAPER HEADER  
DRIVES**

13

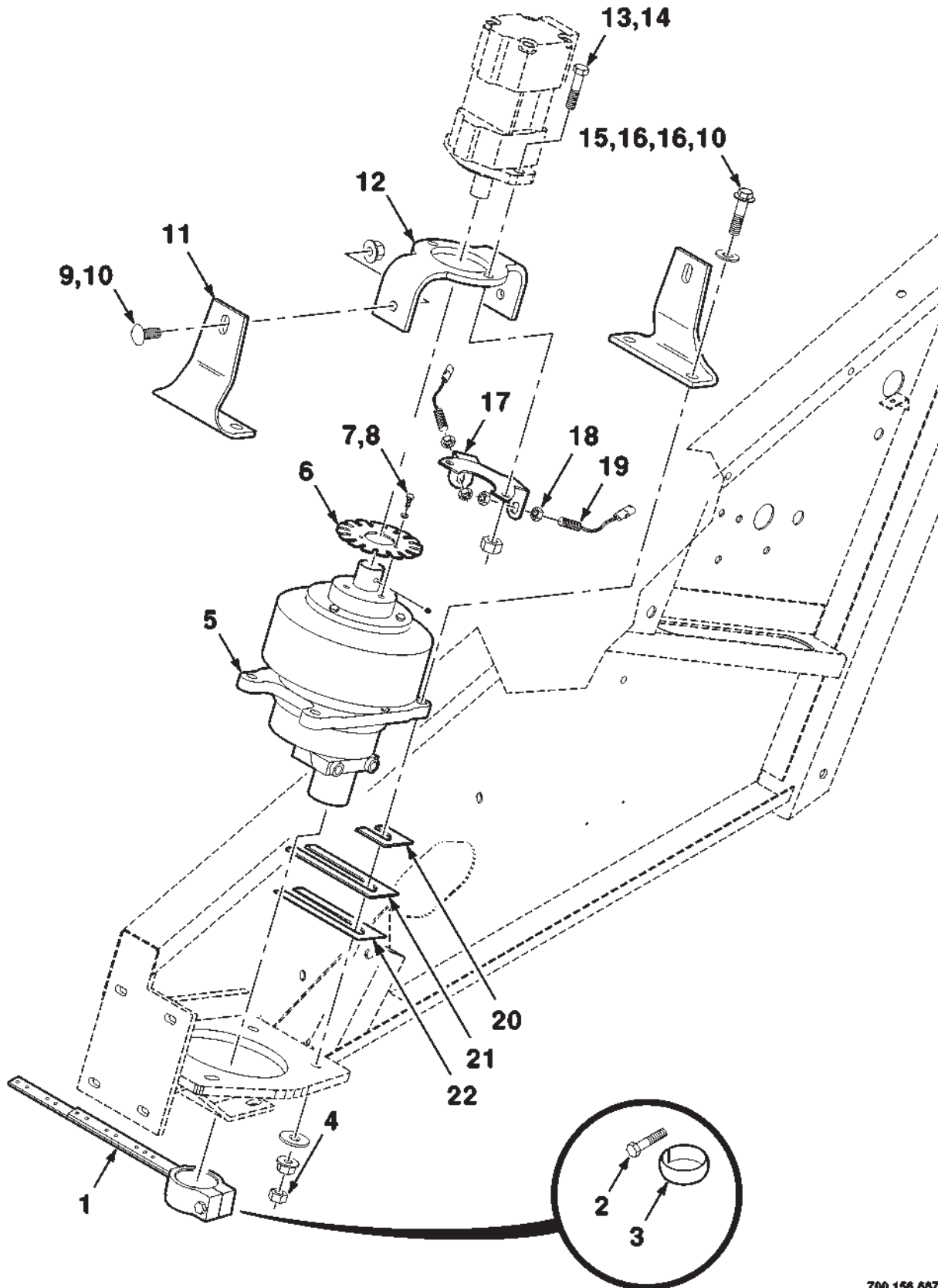
**REEL DRIVE**

ITEM	NUMBER	QTY	DESCRIPTION
1	70931813	2	1/2-13 X 3-1/2 BOLT-CARRIAGE
2	704858	2	1/2-13 NUT-LOCK GR8
3	Y47530	1	LINK-CONNECTOR, No. 50 R/C
4	700137286	1	SPROCKET WA-50B14 TOOTH
5	70902870	2	3/8-16 X 3/8 SETSCREW-SOCKET NON PLATED
6	3727576M1	1	COVER-REEL DRIVE
7	700720186	1	CHAIN-ROLLER, No. 50 (75 Pitches)
7	70921049	1	CHAIN-ROLLER, No. 50 (10 FOOT BULK)
8	61770	1	3/8 X 1-1/2 KEY
9	700137287	1	SPROCKET WA-50B65 TOOTH
10	70919187	1	1/2-13 X 2 SETSCREW-SQUARE HEAD
11	70922784	2	3/8-16 X 3/4 BOLT-CARRIAGE
12	Y704734	2	3/8-16 NUT-LOCK, FLANGE GR/G
13	700152808B	1	PLATE-REEL DRIVE COVER
14	70930594	4	1/4-20 X 3/4 SCREW-FLANGE
15	1703354	4	1/4-20 NUT-LOCK, FLANGE GR/G
16	7701865	2	1/2-13 X 2 SCREW-FLANGE
17	704056	2	1/2-13 NUT-HALF GR2
18	113653M1	2	CLAMP-REEL SLIDE
19	8022758	1	PLUG-ROOF AERIAL
20	700156862B	1	MOUNTING WA-REEL DRIVE, LEFT
21	3736136M1	2	SLIDER-PLASTIC
22	7883432	2	1/2-13 X 1-3/4 SCREW-FLANGE GR8
23	700711557	4	1/2 HARDENED WIDE PLAIN WASHER
24	Y704742	2	1/2-13 NUT-LOCK, FLANGE GR/G
25	3727570M1	2	TUBE-SPACER
26	700725794	1	MOTOR ASSEMBLY-REEL DRIVE (Includes Item 31)
27	7883382	2	3/8-16 X 1 SCREW-FLANGE
28	700702916	6	3/8 HARDENED WIDE PLAIN WASHER
29	873455	1	1/2-13 X 4 CAPSCREW-FULL THREAD
30	704031	2	1/2-13 NUT
31	700719933	1	SEAL KIT

700156630-1

DHW DRAPER HEADER  
DRIVES

SICKLE DRIVE MOUNTING





DHW DRAPER HEADER  
DRIVES

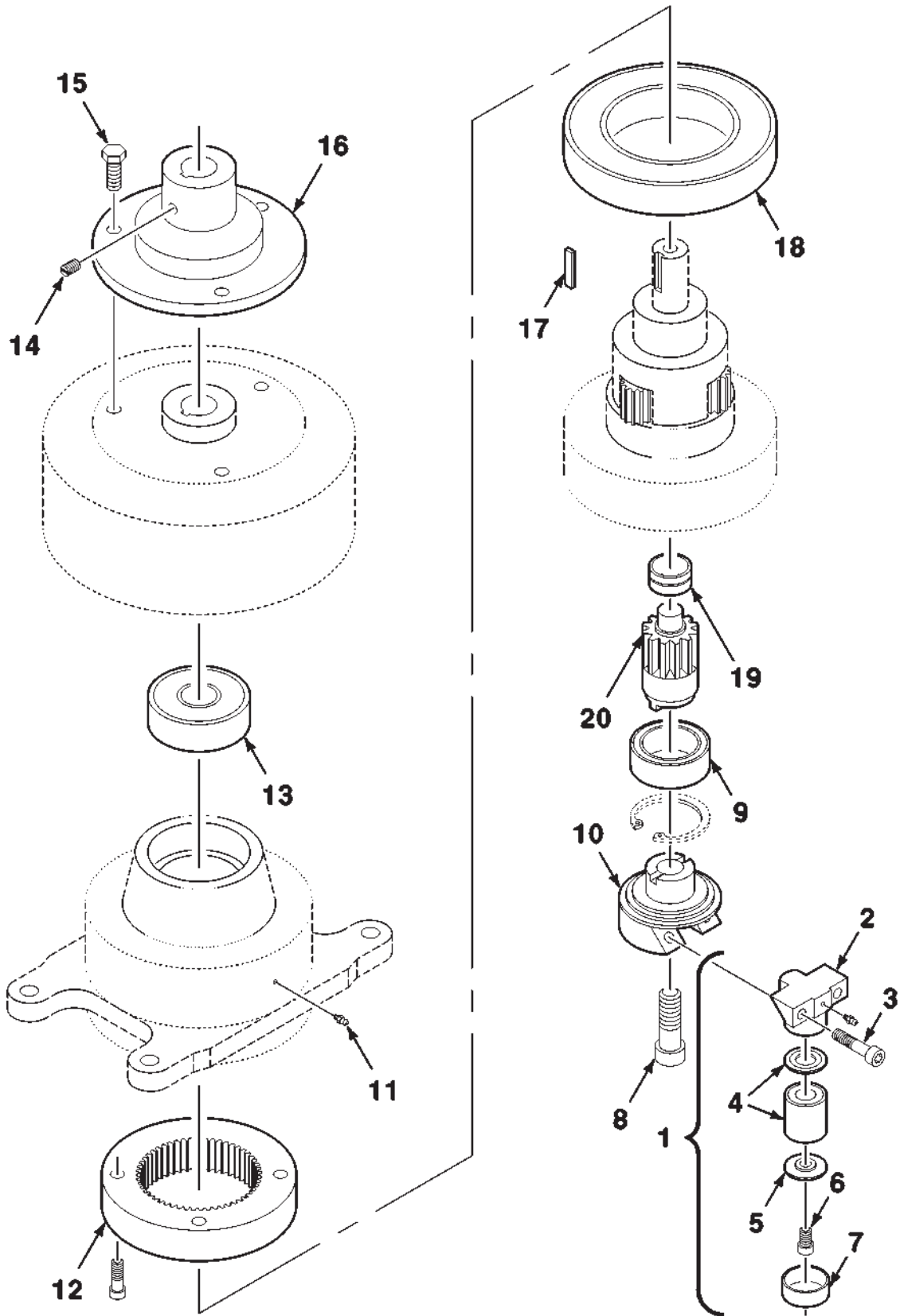
15

SICKLE DRIVE MOUNTING

ITEM	NUMBER	QTY	DESCRIPTION
1	700721939	1	HEAD ASSEMBLY-KNIFE (Includes Items 2 and 3)
2	7703242	1	M10-1.50 X 45 CAPSCREW 8.8
3	700719594	1	BUSHING-NYLON
4	700710414	4	1/2-13 NUT-HALF GR8
5	700721728	1	GEARBOX ASSEMBLY
6	700157178B	1	DISC-SENSOR
7	7703457	3	1/4-20 X 3/4 CAPSCREW
8	705012	3	1/4 WASHER-SPRING
9	68619	2	1/2-13 X 1-1/4 BOLT-CARRIAGE
10	Y704742	6	1/2-13 NUT-LOCK, FLANGE GR/G
11	700152893B	2	MOUNT-MOTOR, BOTTOM
12	700152894B	1	MOUNT-MOTOR, TOP
13	70921024	2	1/2-13 X 2 CAPSCREW
14	Y704114	2	1/2-13 NUT-SPECIAL
15	70926155	4	1/2-13 X 3 CAPSCREW GR8
16	700711557	8	1/2 HARDENED WIDE PLAIN WASHER
17	700157179B	1	MOUNT-SENSOR
18	353436X1	4	3/4-16 NUT-HALF GR2
19	700706398	2	SENSOR-INDUCTIVE
20	700101221	4	.112 SHIM
21	700161385	4	.112 SHIM
22	700161386	4	.057 SHIM

700156667-0

GEARBOX ASSEMBLY  
(700721728 GEARBOX ASSEMBLY)



**DHW DRAPER HEADER  
DRIVES**

17

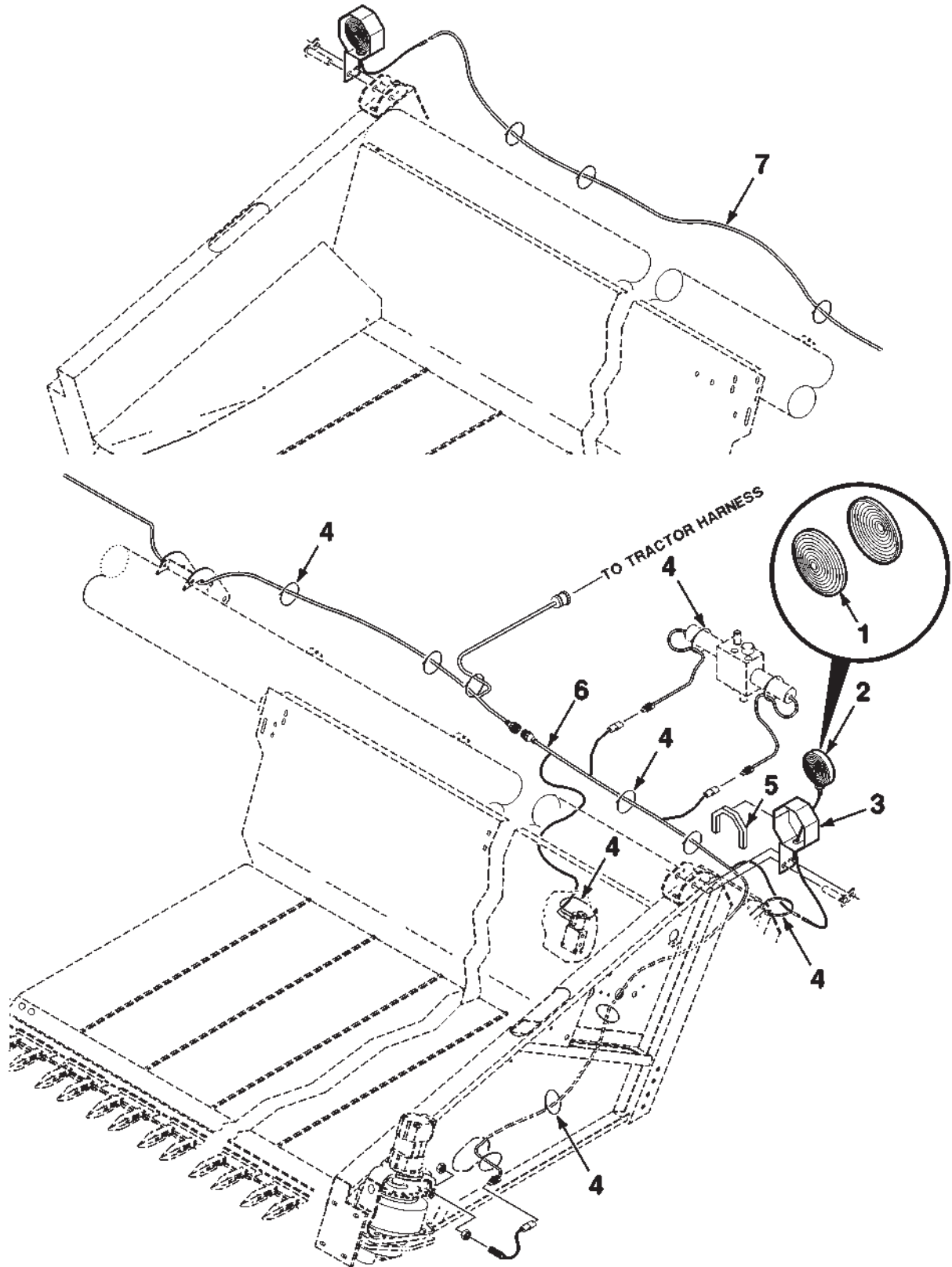
**GEARBOX ASSEMBLY  
(700721728 GEARBOX ASSEMBLY)**

ITEM	NUMBER	QTY	DESCRIPTION
-	700721728	1	GEARBOX ASSEMBLY
1	700719725	1	SUPPORT ASSEMBLY (Includes Items 2, 4, 5, 6 and 7)
2	700722146	1	SUPPORT-KNIFE HEAD BEARING
3	700719722	2	M10-1.5 X 35 SCREW-SOCKET
4	700722149	1	BEARING ASSEMBLY
5	700722148	1	COVER
6	700722145	1	M10-1.5 X 20 BOLT
7	700719594	1	NYLON SLEEVE
8	700722016	1	M16 X 1.5 X 45 CAPSCREW
9	700719721	1	BEARING-CYLINDRICAL
10	700725880	1	SUPPORT
11	77602	2	ZERK
12	700722014	1	GEARPAIR
13	700719717	1	BEARING-CYLINDRICAL
14	700719728	1	M10-1.5 X 12 SET SCREW
15	700719726	3	M10-1.5 X 25 CAPSCREW
16	700721727	1	ADAPTER
17	700719719	1	KEY
18	700719718	1	BEARING-CYLINDRICAL
19	700719720	1	SLEEVE-NEEDLE
20	700722015	1	CRANKSHAFT

700721728-0

DHW DRAPER HEADER  
ELECTRICAL

ELECTRICAL



**DHW DRAPER HEADER  
ELECTRICAL**

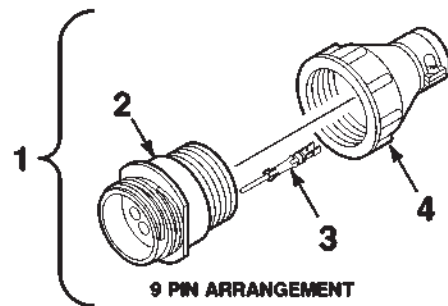
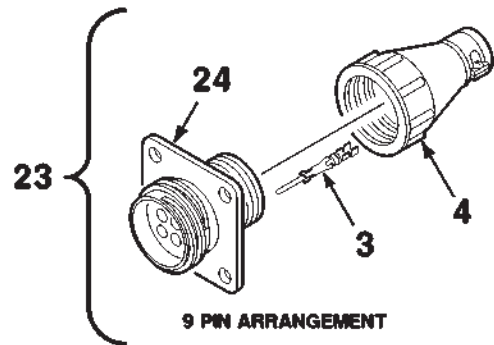
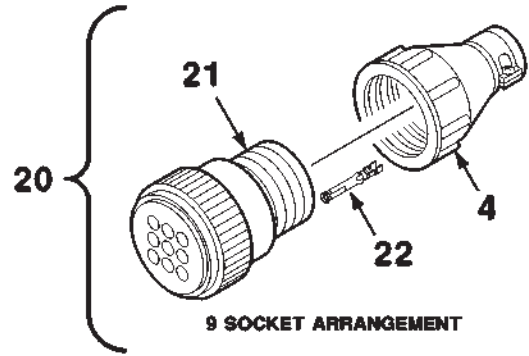
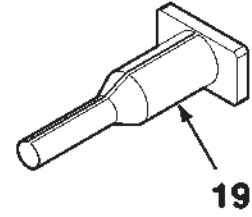
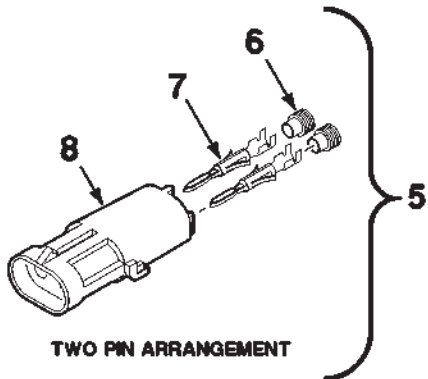
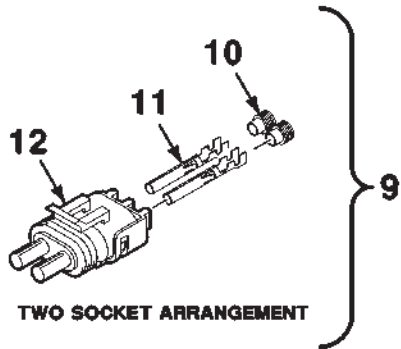
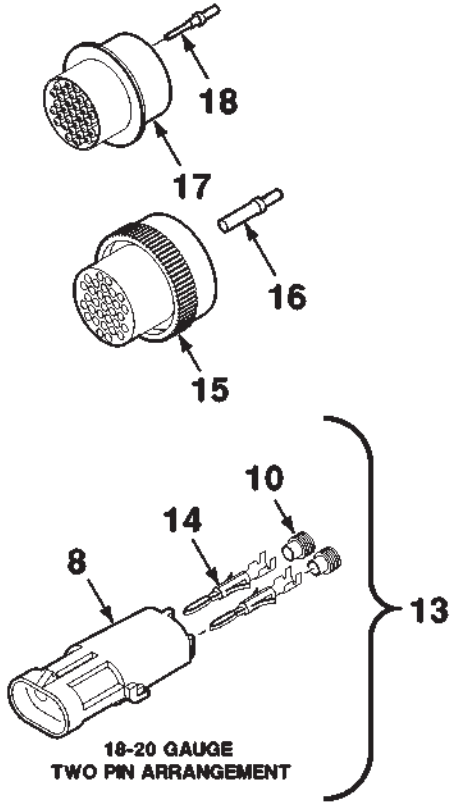
**19**

**ELECTRICAL**

ITEM	NUMBER	QTY	DESCRIPTION
1	71193862	2	LENS-FLASHER
2	700726065	2	LAMP ASSEMBLY-AMBER (Includes Item 1)
3	107492M1	2	MOUNT WA-LAMP
4	70925094	19	TIE-NYLON
5	700117735	1	TRIM
6	700722111	1	HARNESS-HEADER, LEFT (18 FOOT)
6	700721972	1	HARNESS-HEADER, LEFT (22, 25, 30 AND 36 FOOT)
7	700722110	1	HARNESS-HEADER, MAIN (18 FOOT)
7	700722109		HARNESS-HEADER, MAIN (22 FOOT)
7	700722107		HARNESS-HEADER, MAIN (25 FOOT)
7	700721974		HARNESS-HEADER, MAIN (30 FOOT)
7	700722425	1	HARNESS-HEADER, MAIN (36 FOOT)

700156624-0

ELECTRICAL HARNESS SERVICE PARTS

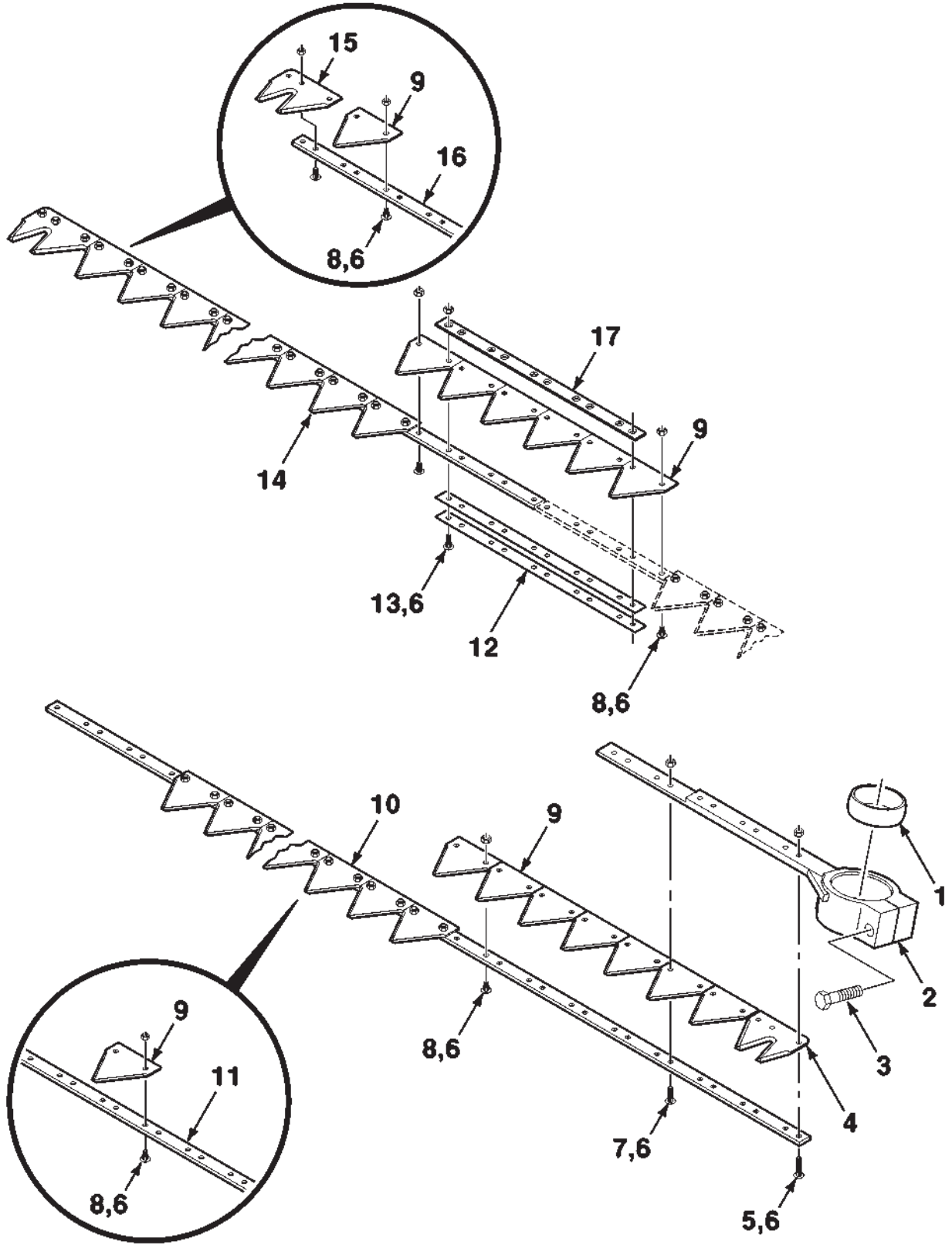


ITEM	NUMBER	QTY	DESCRIPTION
1	700718618	1	KIT-HARNESS REPAIR, MALE (9 PIN) (Includes Items 2, 3 and 4)
2	72514685	AR	RECEPTACLE-PIN, MALE (9 PIN ARRANGEMENT)
3	700708757	AR	PIN-TYPE 3, MALE (16-18 GAUGE)
4	700709708	AR	CLAMP-CABLE, SHELL SIZE 13
5	700718588	1	KIT-HARNESS REPAIR, 2-PIN, MALE (Includes Items 6, 7 and 8)
6	700712467	AR	SEAL
7	700718530	AR	TERMINAL-MALE
8	700706399	AR	CONNECTOR-SHROUD, 2 PIN, MALE
9	700706999	1	KIT-HARNESS REPAIR (Includes Items 10, 11 and 12)
10	700706400	AR	SEAL
11	700708760	AR	TERMINAL SLEEVE
12	700708761	AR	CONNECTOR-FEMALE, 2-WIRE
13	700708753	1	KIT-HARNESS REPAIR, 2 PIN, MALE (Includes Items 8, 10 and 14)
14	700706401	AR	PIN-MALE (18-20 GAUGE)
15	71399368	AR	CONNECTOR-PLUG, 31 PIN
16	700719870	AR	CONTACT-SOCKET, FEMALE (16-18)
17	71399371	AR	CONNECTOR-RECEPTACLE
18	700719869	AR	PIN-CONTACT-DEUTSCH
19	71390809	1	TOOL-CONNECTOR REPAIR (DEUTSCH)
20	700718683	1	KIT-HARNESS REPAIR, FEMALE (9 SOCKET) (Includes Items 4, 21 and 22)
21	700709704	AR	CONNECTOR-PLUG, FEMALE (9 Socket Arrangement)
22	700708758	AR	SOCKET-TYPE 3, FEMALE (16-18 GAUGE)
23	700718612	1	KIT-HARNESS REPAIR, MALE (9 PIN) (Includes Items 3, 4 and 24)
24	700707758	AR	RECEPTACLE-SQUARE FLANGE, MALE

700718087-0

DHW DRAPER HEADER  
HAY CONDITIONER

SICKLE ASSEMBLY (18 FOOT)  
(700721819 KNIFE ASSEMBLY)





DHW DRAPER HEADER  
HAY CONDITIONER

23

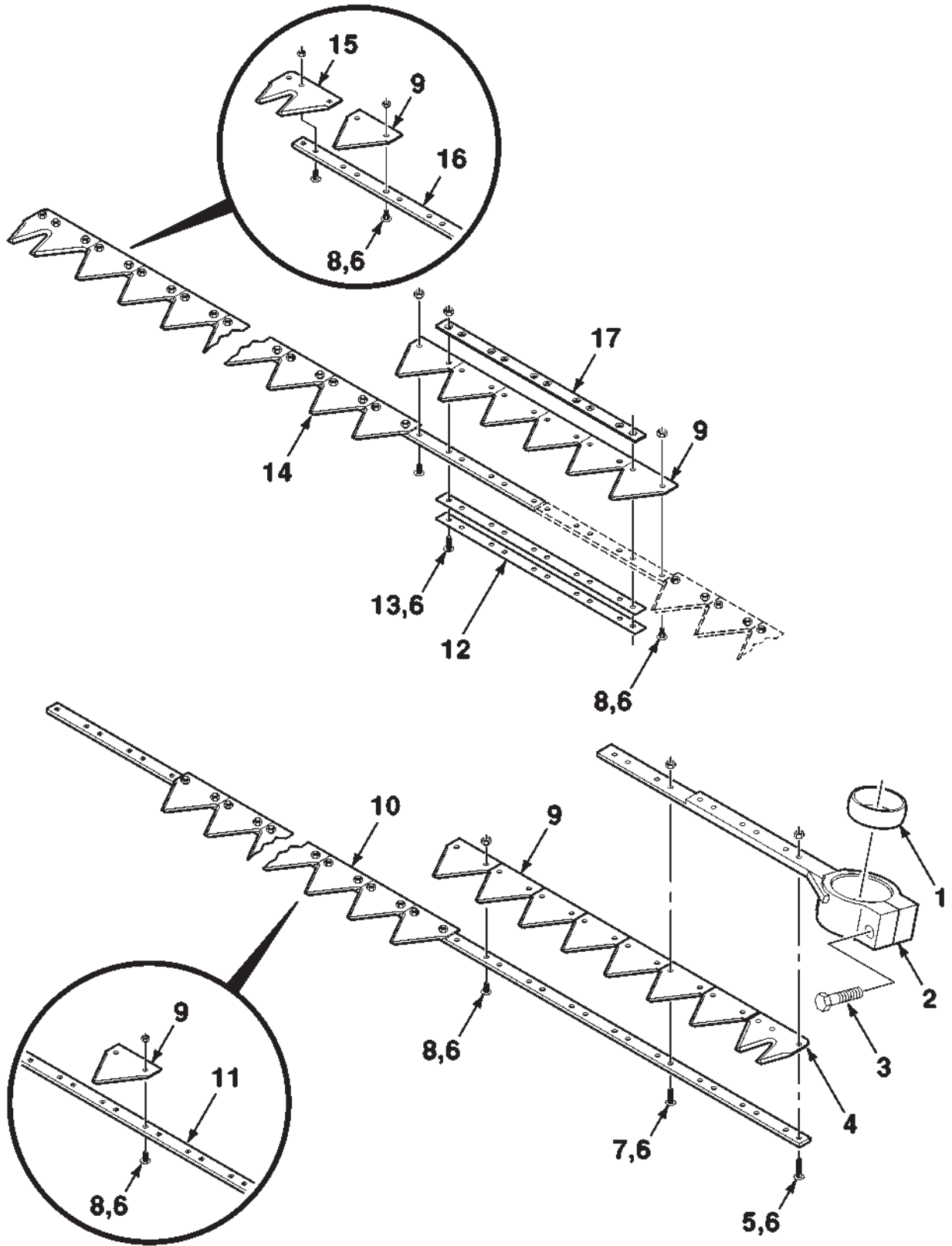
SICKLE ASSEMBLY (18 FOOT)  
(700721819 KNIFE ASSEMBLY)

ITEM	NUMBER	QTY	DESCRIPTION
-	700721819	1	KNIFE ASSEMBLY
1	700719594	1	BUSHING-NYLON
2	700721939	1	KNIFEHEAD ASSEMBLY (Includes Items 1 and 3)
3	7703242	1	M10 X 1-1/2 CAPSCREW
4	700719677	1	SECTION-END, SICKLE LEFT
5	700721961	6	1/4-20 X 1-1/4 BOLT-RIBBED NECK
6	31752	148	1/4-20 NUT-LOCK
7	700721960	4	1/4-20 X 1 BOLT-RIBBED NECK
8	700721958	128	1/4-20 X 5/8 BOLT-RIBBED NECK
9	3722052M1	71	SECTION-SICKLE
10	700719961	1	KNIFE ASSEMBLY-LEFT (Includes Items 6, 8, 9 and 11)
11	700152771	1	BAR-KNIFE BACKING, 36 FOOT
12	700721828	2	BOTTOM-SPLICE
13	700721959	10	1/4-20 X 3/4 BOLT-RIBBED NECK GR8
14	700726020	1	KNIFE ASSEMBLY-RIGHT (Includes Items 6, 8, 9, 15 and 16)
15	700719678	1	SECTION-END, RIGHT
16	114404M1	1	BAR-KNIFE BACKING
17	114065M1	1	JOINER-TOP

700721819-0

DHW DRAPER HEADER  
HAY CONDITIONER

SICKLE ASSEMBLY (22 FOOT)  
(700721821 KNIFE ASSEMBLY)



DHW DRAPER HEADER  
HAY CONDITIONER

25

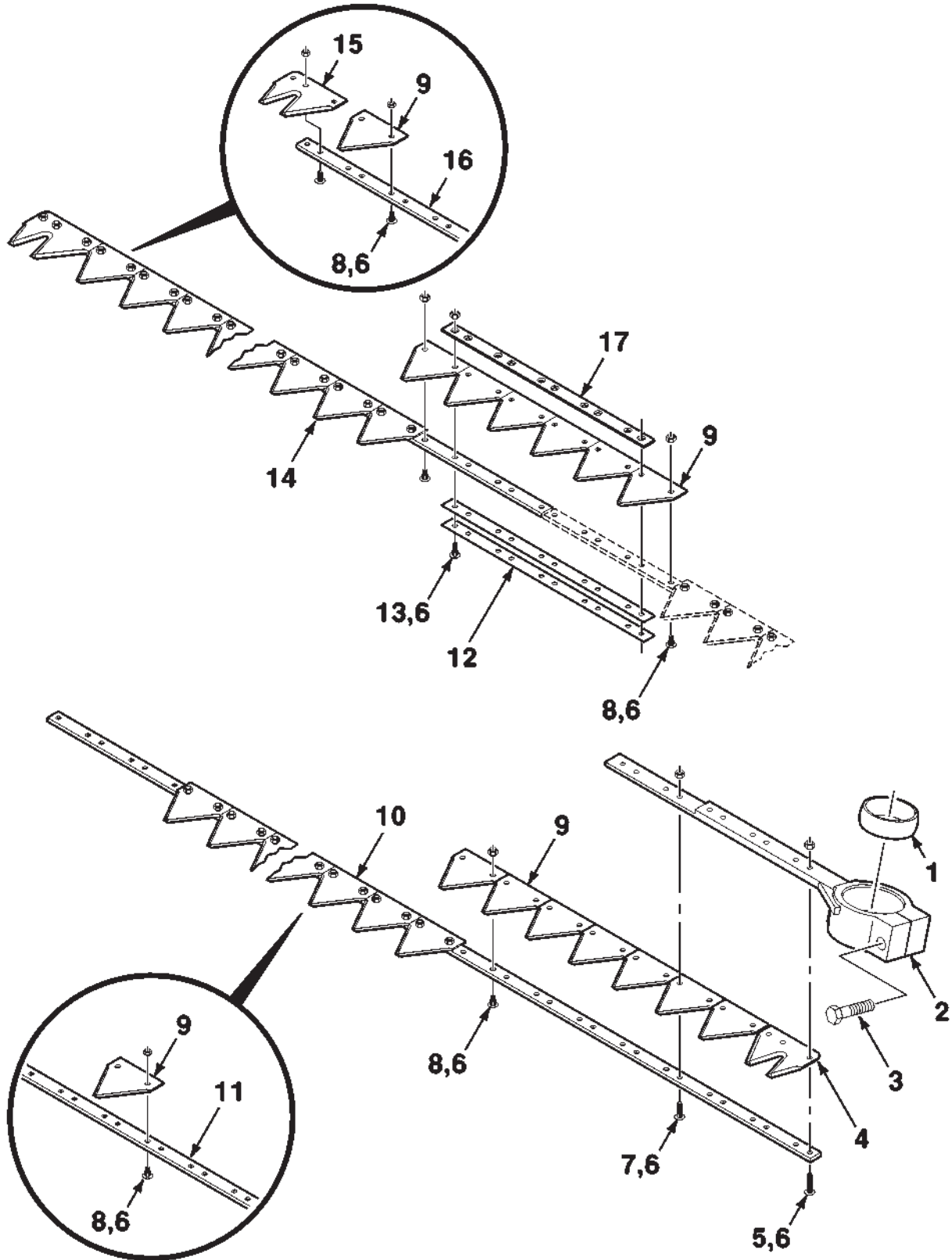
SICKLE ASSEMBLY (22 FOOT)  
(700721821 KNIFE ASSEMBLY)

ITEM	NUMBER	QTY	DESCRIPTION
-	700721821	1	KNIFE ASSEMBLY
1	700719594	1	BUSHING-NYLON
2	700721939	1	KNIFEHEAD ASSEMBLY (Includes Items 1 and 3)
3	7703242	1	M10 X 1-1/2 CAPSCREW
4	700719677	1	SECTION-END, SICKLE LEFT
5	700721961	6	1/4-20 X 1-1/4 BOLT-RIBBED NECK
6	31752	180	1/4-20 NUT-LOCK
7	700721960	4	1/4-20 X 1 BOLT-RIBBED NECK
8	700721958	160	1/4-20 X 5/8 BOLT-RIBBED NECK
9	3722052M1	87	SECTION-SICKLE
10	700719961	1	KNIFE ASSEMBLY-LEFT (Includes Items 6, 8, 9 and 11)
11	700152771	1	BAR-KNIFE BACKING, 36 FOOT
12	700721828	2	BOTTOM-SPLICE
13	700721959	10	1/4-20 X 3/4 BOLT-RIBBED NECK GR8
14	700719964	1	KNIFE ASSEMBLY-RIGHT (Includes Items 6, 8, 9, 15 and 16)
15	700719678	1	SECTION-END, RIGHT
16	114428M1	1	BAR-KNIFE BACKING, 22 FOOT
17	114065M1	1	JOINER-TOP

700721821-0

DHW DRAPER HEADER  
HAY CONDITIONER

SICKLE ASSEMBLY (25 FOOT)  
(700721823 KNIFE ASSEMBLY)



**DHW DRAPER HEADER  
HAY CONDITIONER**

**27**

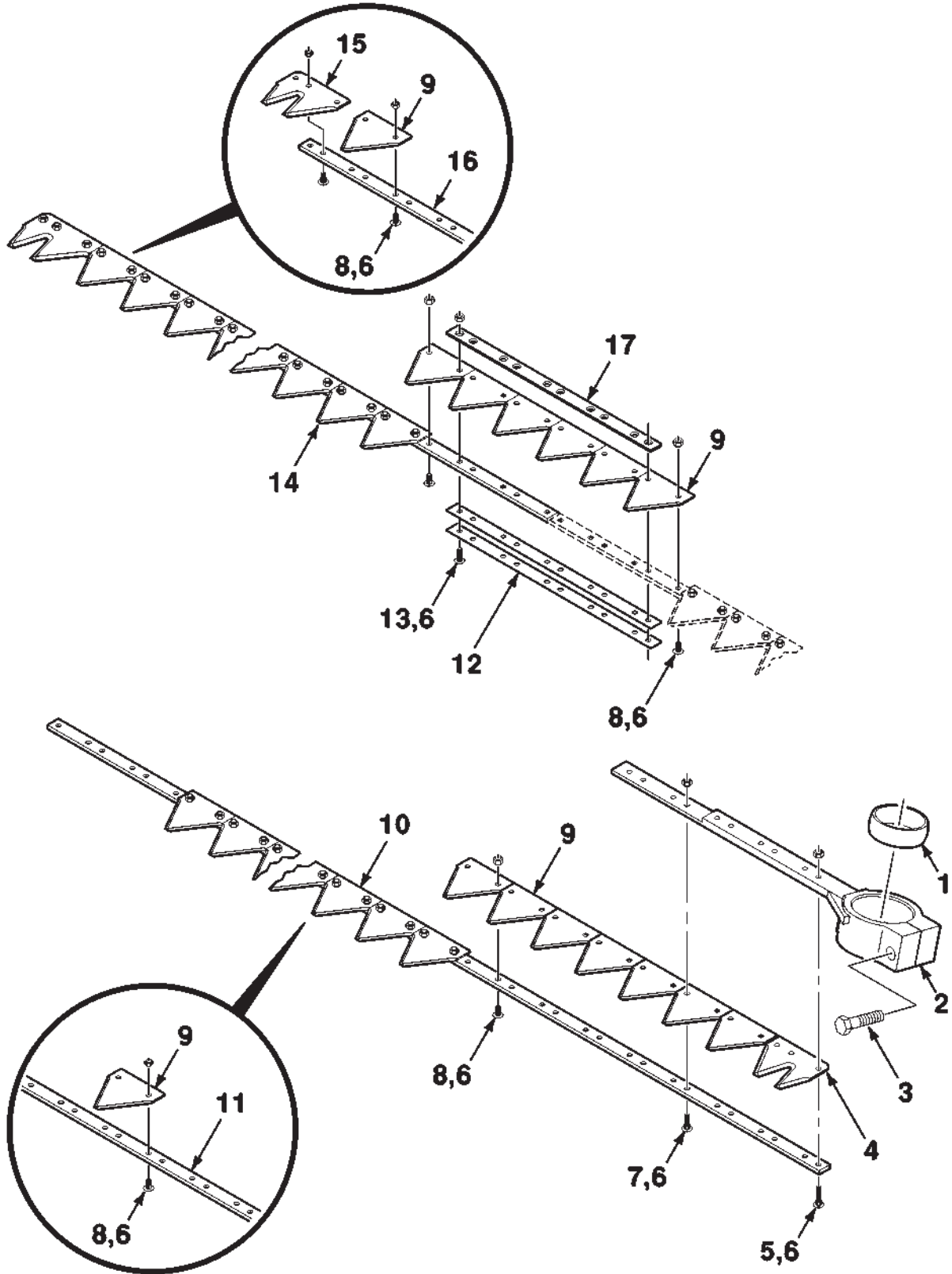
**SICKLE ASSEMBLY (25 FOOT)  
(700721823 KNIFE ASSEMBLY)**

ITEM	NUMBER	QTY	DESCRIPTION
-	700721823	1	KNIFE ASSEMBLY
1	700719594	1	NYLON-BUSHING
2	700721939	1	KNIFEHEAD ASSEMBLY (Includes Items 1 and 3)
3	7703242	1	M10 X 1-1/2 CAPSCREW
4	700719677	1	SECTION-END, SICKLE LEFT
5	700721961	6	1/4-20 X 1-1/4 BOLT-RIBBED NECK
6	31752	204	1/4-20 NUT-LOCK
7	700721960	4	1/4-20 X 1 BOLT-RIBBED NECK
8	700721958	184	1/4-20 X 5/8 BOLT-RIBBED NECK
9	3722052M1	99	SECTION-SICKLE
10	700719961	1	KNIFE ASSEMBLY-LEFT (Includes Items 6, 8, 9 and 11)
11	700152771	1	BAR-KNIFE BACKING, 36 FOOT
12	700721828	2	BOTTOM-SPLICE
13	700721959	10	1/4-20 X 3/4 BOLT-RIBBED NECK GR8
14	700719965	1	KNIFE ASSEMBLY-RIGHT (Includes Items 6, 8, 9, 15 and 16)
15	700719678	1	SECTION-END, RIGHT
16	114401M1	1	BAR-KNIFE BACKING, 25 FOOT
17	114065M1	1	JOINER-TOP

700721823-0

DHW DRAPER HEADER  
HAY CONDITIONER

SICKLE ASSEMBLY (30 FOOT)  
(700721825 KNIFE ASSEMBLY)



DHW DRAPER HEADER  
HAY CONDITIONER

29

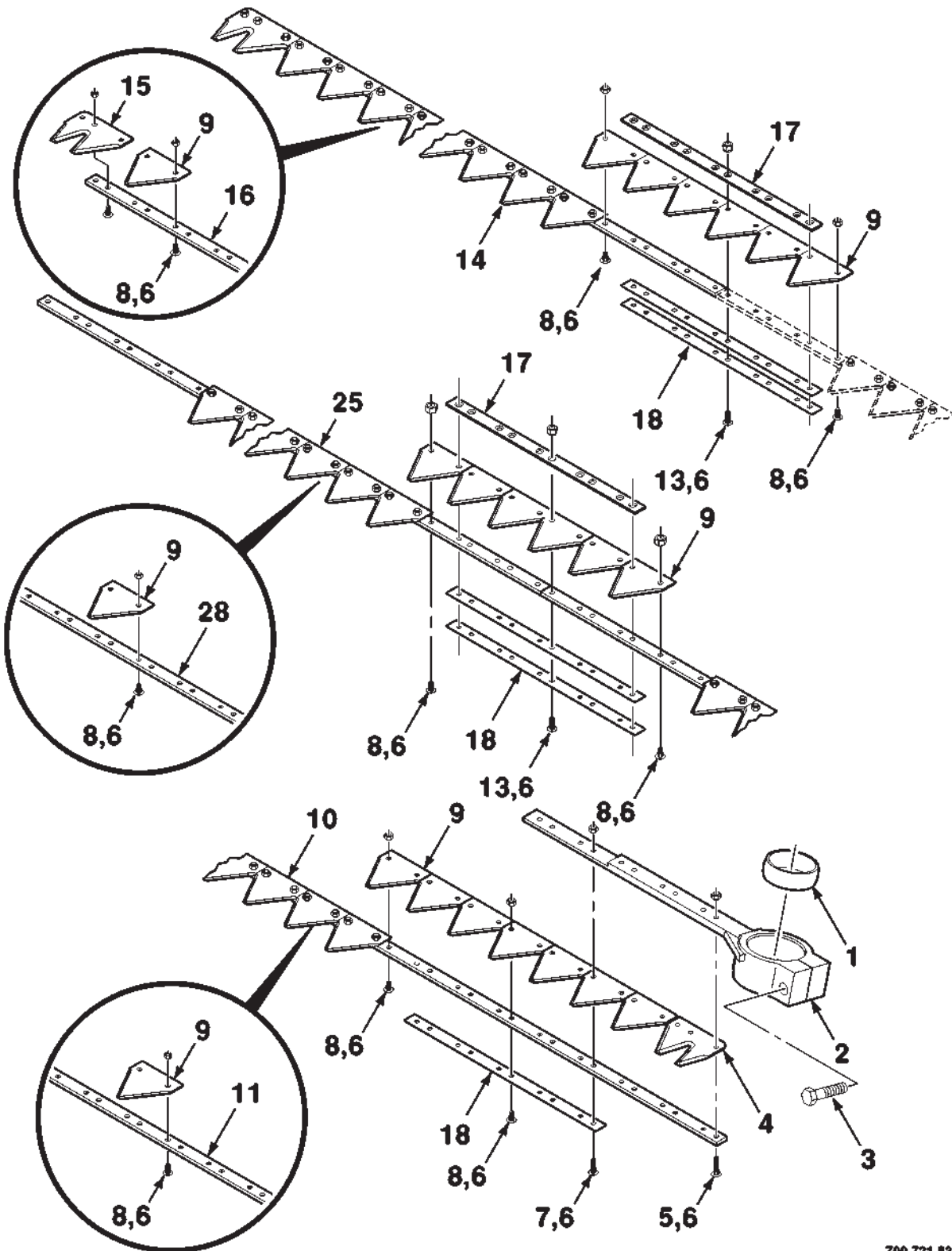
SICKLE ASSEMBLY (30 FOOT)  
(700721825 KNIFE ASSEMBLY)

ITEM	NUMBER	QTY	DESCRIPTION
-	700721825	1	KNIFE ASSEMBLY
1	700719594	1	NYLON-BUSHING
2	700721239	1	KNIFEHEAD ASSEMBLY (Includes Items 1 and 3)
3	7703242	1	M10 X 1-1/2 CAPSCREW
4	700719677	1	SECTION-END, SICKLE LEFT
5	700721961	6	1/4-20 X 1-1/4 BOLT-RIBBED NECK
6	31752	244	1/4-20 NUT-LOCK
7	700721960	4	1/4-20 X 1 BOLT-RIBBED NECK
8	700721958	224	1/4-20 X 5/8 BOLT-RIBBED NECK
9	3722052M1	119	SECTION-SICKLE
10	700719961	1	KNIFE ASSEMBLY-LEFT (Includes Items 6, 8, 9 and 11)
11	700152771	1	BAR-KNIFE BACKING, 36 FOOT
12	700721828	2	BOTTOM-SPLICE
13	700721959	10	1/4-20 X 3/4 BOLT-RIBBED NECK GR8
14	700719966	1	KNIFE ASSEMBLY-RIGHT (Includes Items 6, 8, 9, 15 and 16)
15	700719678	1	SECTION-END, RIGHT
16	114433M1	1	BAR-KNIFE BACKING
17	114065M1	1	JOINER-TOP

700721825-0

DHW DRAPER HEADER  
HAY CONDITIONER

SICKLE ASSEMBLY (36 FOOT)  
(700721827 KNIFE ASSEMBLY)





**DHW DRAPER HEADER  
HAY CONDITIONER**

31

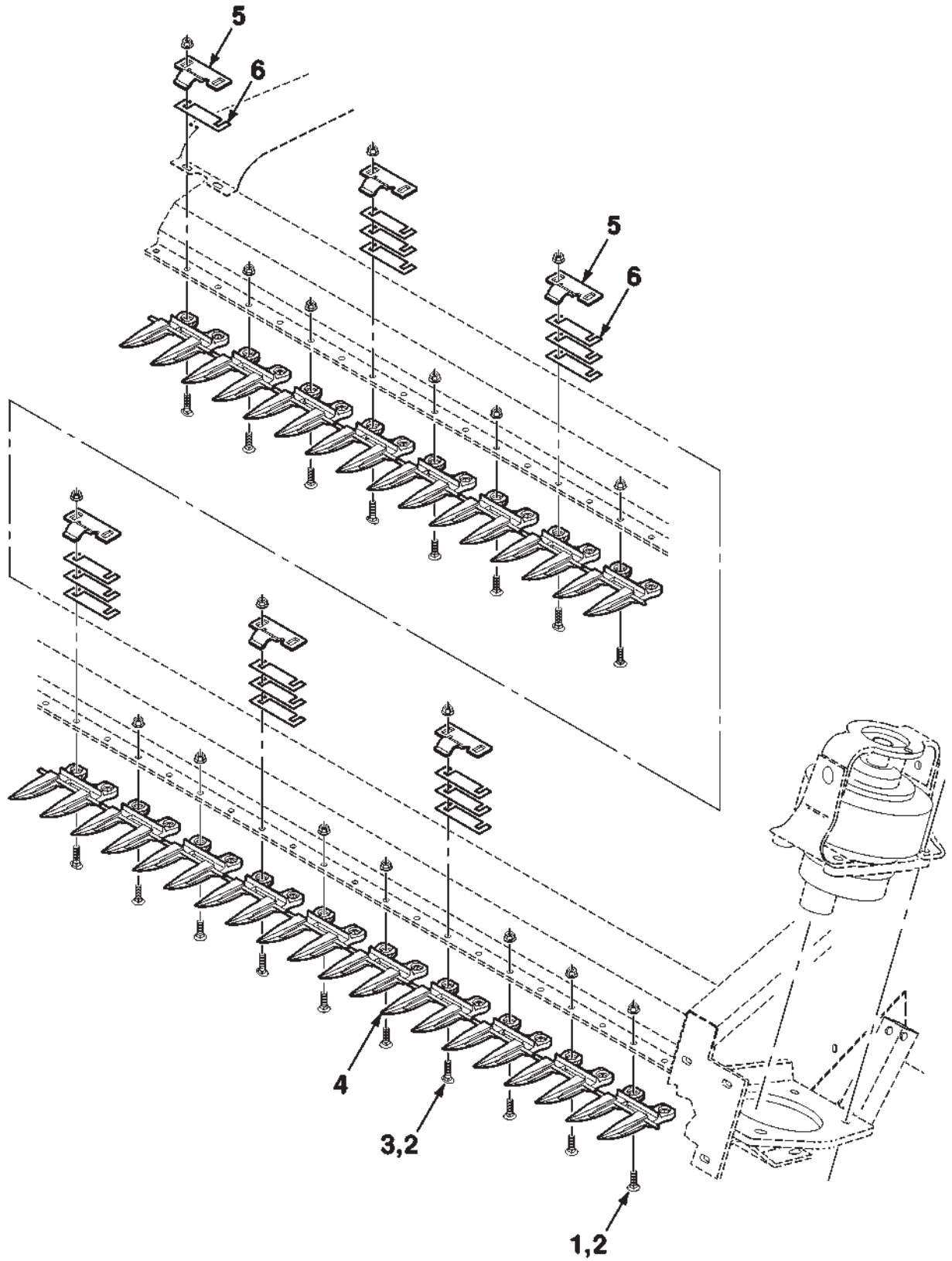
**SICKLE ASSEMBLY (36 FOOT)  
(700721827 KNIFE ASSEMBLY)**

ITEM	NUMBER	QTY	DESCRIPTION
-	700721827	1	KNIFE ASSEMBLY
1	700719594	1	BUSHING-NYLON
2	700721939	1	KNIFEHEAD ASSEMBLY (Includes Items 1 and 3)
3	7703242	1	M10 X 1-1/2 CAPSCREW
4	700719677	1	SECTION-END, SICKLE LEFT
5	700721961	6	1/4-20 X 1-1/4 BOLT-RIBBED NECK
6	31752	296	1/4-20 NUT-LOCK
7	700721960	4	1/4-20 X 1 BOLT-RIBBED NECK
8	700721958	266	1/4-20 X 5/8 BOLT-RIBBED NECK
9	3722052M1	145	SECTION-SICKLE
10	700719961	1	KNIFE ASSEMBLY-LEFT (Includes Items 6, 8, 9 and 11)
11	700152771	1	BAR-KNIFE BACKING, 36 FOOT
13	700721959	20	1/4-20 X 3/4 BOLT-RIBBED NECK GR8
14	700719962	1	KNIFE ASSEMBLY-RIGHT (Includes Items 6, 8, 9, 15 and 16)
15	700719678	1	SECTION-END, RIGHT
16	700152943	1	BAR-KNIFE BACKING
17	114065M1	2	JOINER-TOP
18	700721828	5	JOINER-BOTTOM
25	113390M1	1	KNIFE ASSEMBLY-CENTER (Includes Items 6, 8, 9 and 28)
28	113392M1	1	BAR-KNIFE BACKING

700721827-0

DHW DRAPER HEADER  
HAY CONDITIONER

SICKLE GUARD MOUNTING (18 FOOT)



**DHW DRAPER HEADER  
HAY CONDITIONER**

**33**

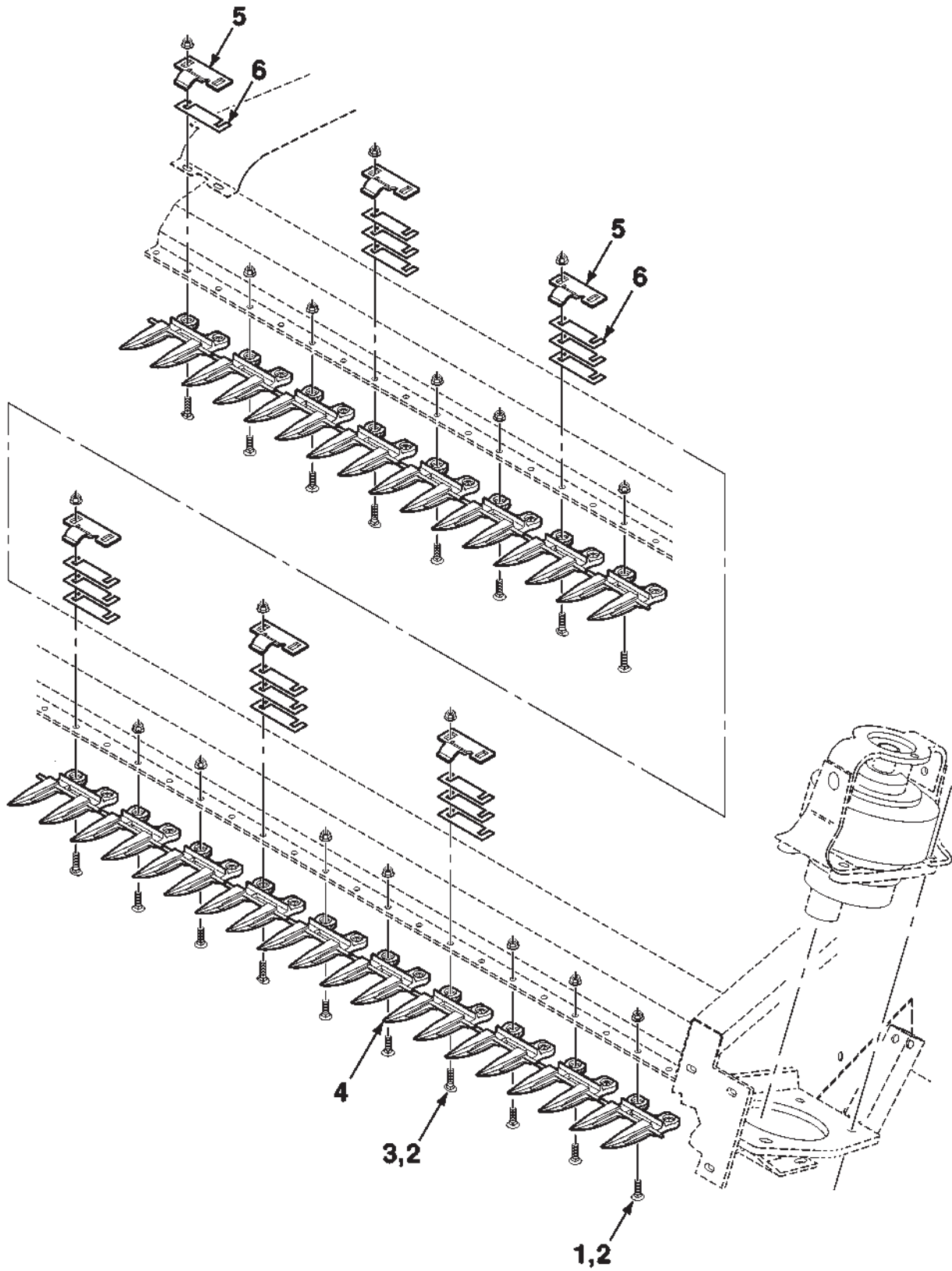
**SICKLE GUARD MOUNTING (18 FOOT)**

ITEM	NUMBER	QTY	DESCRIPTION
1	113421M1	50	3/8-16 X 1-1/4 PLOW BOLT GR8
2	Y704734	74	3/8-16 NUT-LOCK, FLANGE GR/G
3	113422M1	24	3/8-16 X 1-1/2 PLOW BOLT (No. 3 SPECIAL)
4	113400M1	37	GUARD-DOUBLE
5	71346158	12	CLIP-HOLD DOWN
6	71148214	34	SHIM

700156639-0

DHW DRAPER HEADER  
HAY CONDITIONER

SICKLE GUARD MOUNTING (22 FOOT)



**DHW DRAPER HEADER  
HAY CONDITIONER**

**35**

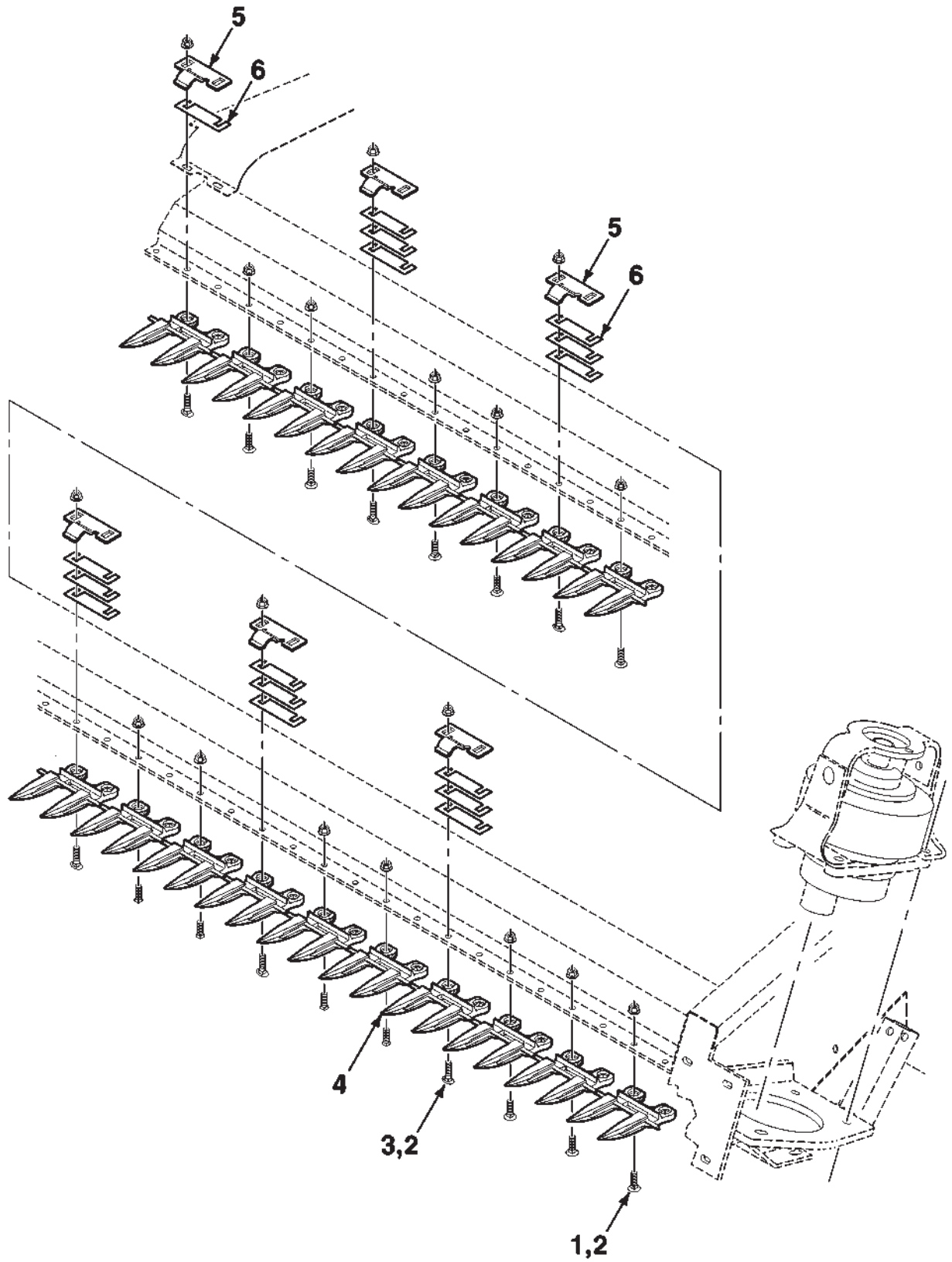
**SICKLE GUARD MOUNTING (22 FOOT)**

ITEM	NUMBER	QTY	DESCRIPTION
1	113421M1	60	3/8-16 X 1-1/4 PLOW BOLT GR8
2	Y704734	90	3/8-16 NUT-LOCK, FLANGE GR/G
3	113422M1	30	3/8-16 X 1-1/2 PLOW BOLT (No. 3 SPECIAL)
4	113400M1	45	GUARD-DOUBLE
5	71346158	15	CLIP-HOLD DOWN
6	71148214	43	SHIM

700156640-0

DHW DRAPER HEADER  
HAY CONDITIONER

SICKLE GUARD MOUNTING (25 FOOT)



**DHW DRAPER HEADER  
HAY CONDITIONER**

**37**

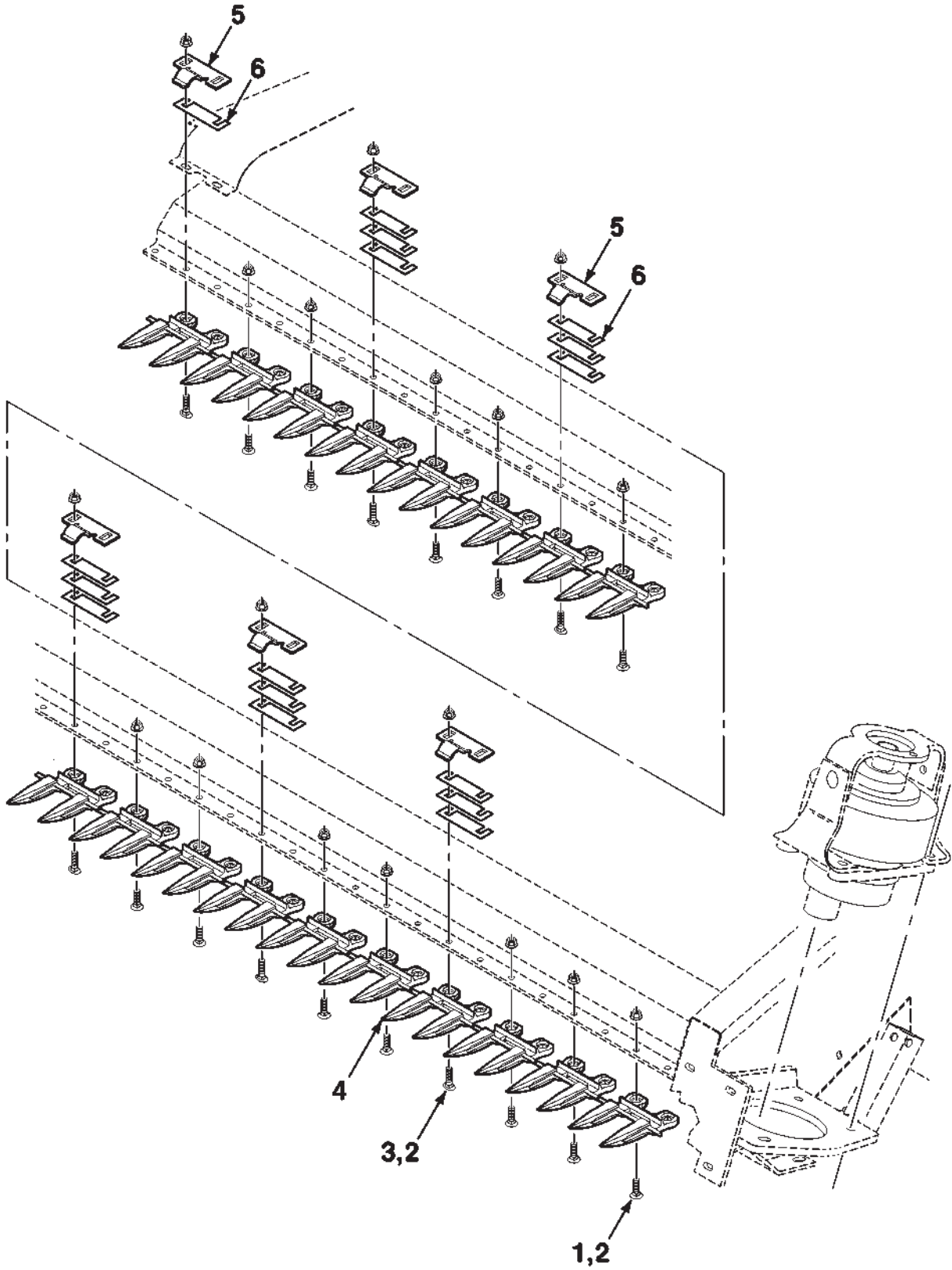
**SICKLE GUARD MOUNTING (25 FOOT)**

ITEM	NUMBER	QTY	DESCRIPTION
1	113421M1	68	3/8-16 X 1-1/4 PLOW BOLT GR8
2	Y704734	102	3/8-16 NUT-LOCK, FLANGE GR/G
3	113422M1	34	3/8-16 X 1-1/2 PLOW BOLT (No. 3 SPECIAL)
4	113400M1	51	GUARD-DOUBLE
5	71346158	17	CLIP-HOLD DOWN
6	71148214	49	SHIM

700156641-0

DHW DRAPER HEADER  
HAY CONDITIONER

SICKLE GUARD MOUNTING (30 FOOT)





**DHW DRAPER HEADER  
HAY CONDITIONER**

**39**

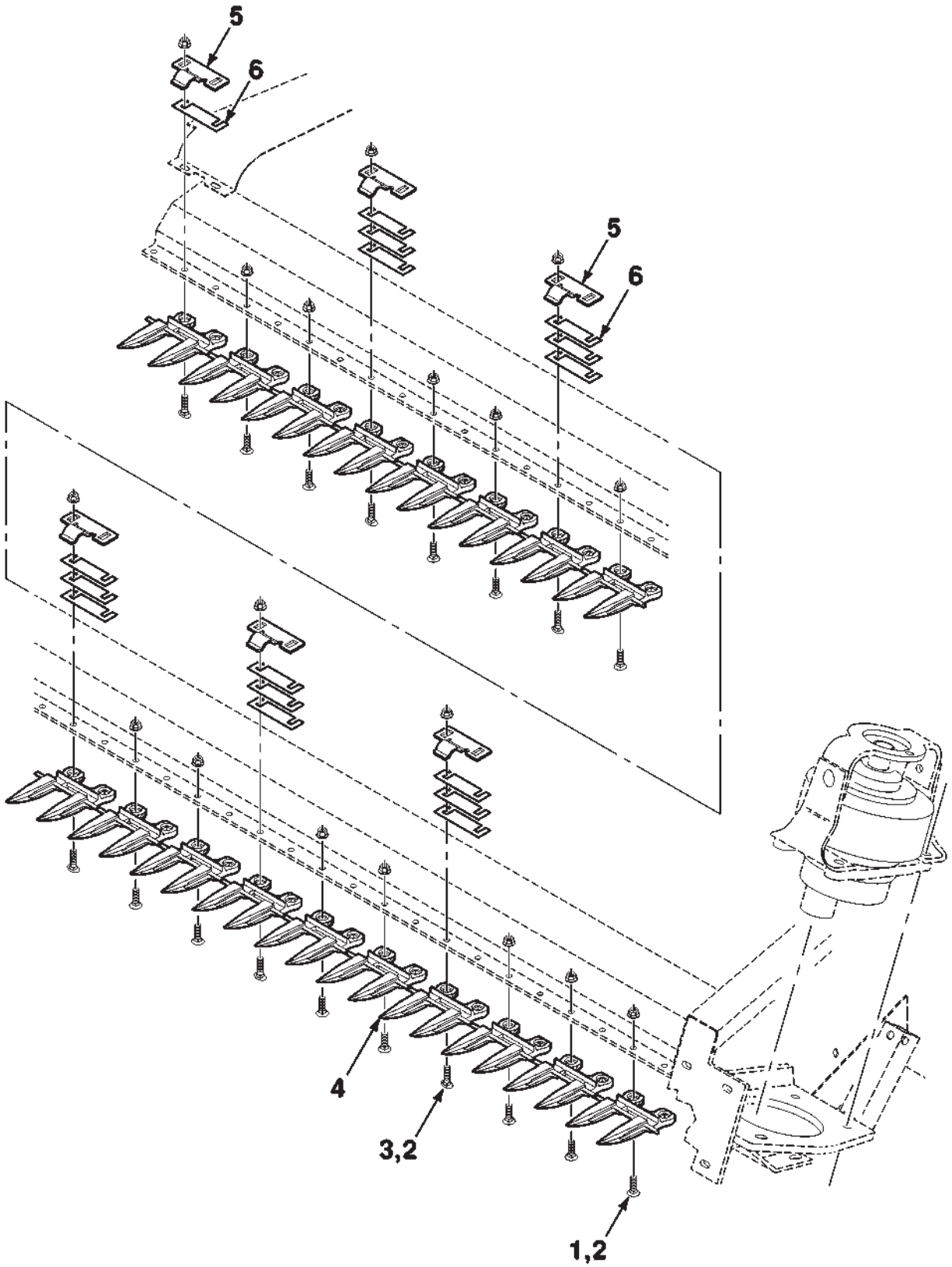
**SICKLE GUARD MOUNTING (30 FOOT)**

ITEM	NUMBER	QTY	DESCRIPTION
1	113421M1	82	3/8-16 X 1-1/4 PLOW BOLT GR8
2	Y704734	122	3/8-16 NUT-LOCK, FLANGE GR/G
3	113422M1	40	3/8-16 X 1-1/2 PLOW BOLT (No. 3 SPECIAL)
4	113400M1	61	GUARD-DOUBLE
5	71346158	20	CLIP-HOLD DOWN
6	71148214	58	SHIM

700156642-0

DHW DRAPER HEADER  
HAY CONDITIONER

SICKLE GUARD MOUNTING (36 FOOT)



**DHW DRAPER HEADER  
HAY CONDITIONER**

**41**

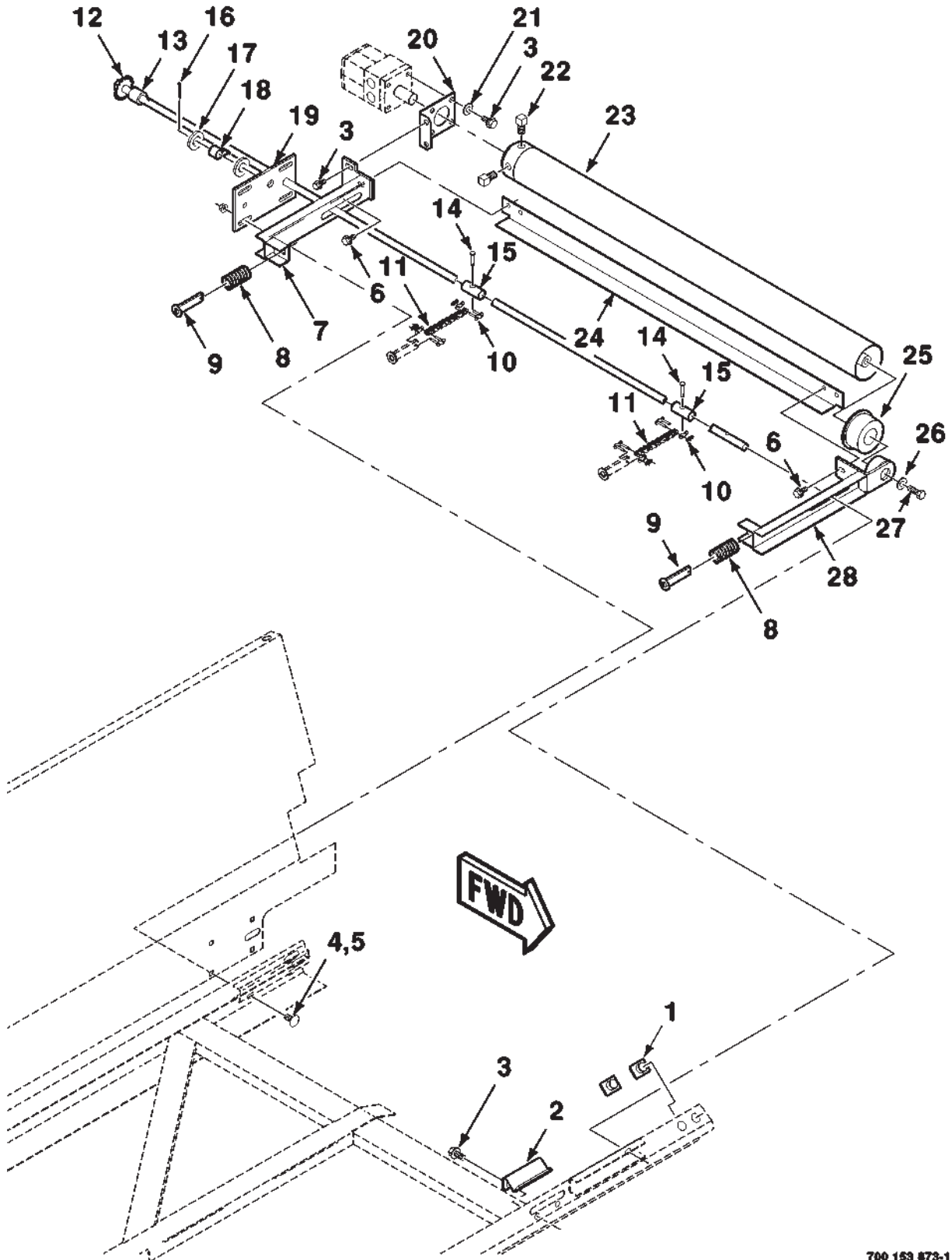
**SICKLE GUARD MOUNTING (36 FOOT)**

ITEM	NUMBER	QTY	DESCRIPTION
1	113421M1	100	3/8-16 X 1-1/4 PLOW BOLT GR8
2	Y704734	148	3/8-16 NUT-LOCK, FLANGE GR/G
3	113422M1	48	3/8-16 X 1-1/2 PLOW BOLT (No. 3 SPECIAL)
4	113400M1	74	GUARD-DOUBLE
5	71346158	24	CLIP-HOLD DOWN
6	71148214	70	SHIM

700156643-0

DHW DRAPER HEADER  
AUGER AND REEL

ROLLER MOUNTING-LEFT



**DHW DRAPER HEADER  
AUGER AND REEL**

43

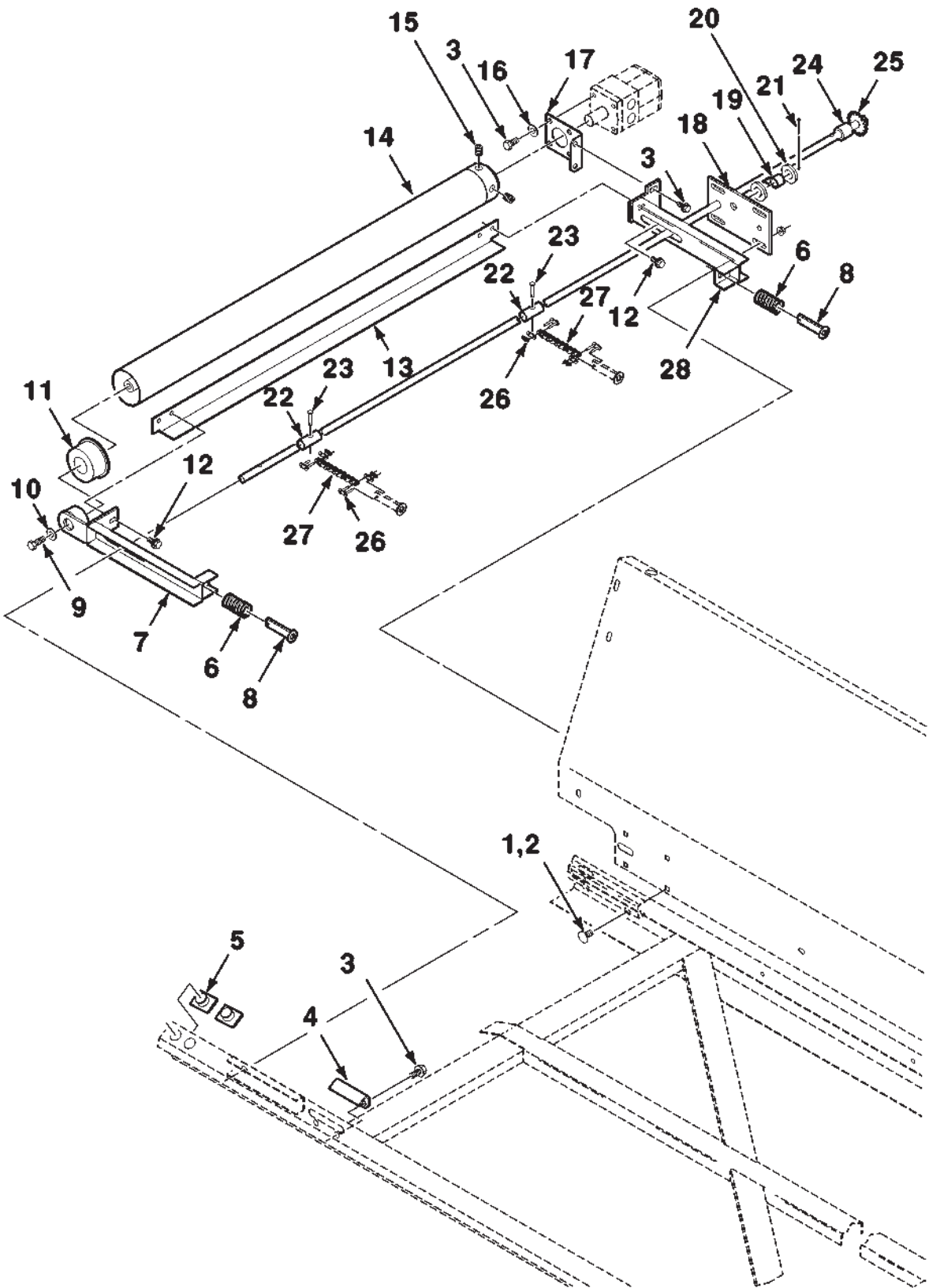
**ROLLER MOUNTING-LEFT**

ITEM	NUMBER	QTY	DESCRIPTION
1	3736136M1	2	SLIDER
2	700152860B	1	HOLD DOWN-OUTER
3	7883374	8	3/8-16 X 3/4 SCREW-FLANGE
4	70922784	4	3/8-16 X 3/4 BOLT-CARRIAGE
5	Y704734	4	3/8-16 NUT-LOCK, FLANGE GR/G
6	7703440	3	5/16-18 X 5/8 SCREW-FLANGE
7	113306M1	1	CANVAS TIGHTENER WA
8	66602	2	SPRING-CANVAS TIGHTENER
9	113309M1	2	CONNECTOR WA-CHAIN
10	47217	4	LINK-CONNECTOR, No. 40
11	113319M1	2	CHAIN-TIGHTENER, No. 40 X 15 PITCH
12	45737P	1	ROD-CANVAS TIGHTENER
13	3728212M1	1	SPACER-CANVAS TIGHTENER
14	700716880	2	5/16 X 1-1/8 CLEVIS PIN
15	3728209M1	2	COLLAR-CLEVIS TIGHTENER
16	62117	1	1/8 X 1-1/4 COTTER PIN
17	Y705582	2	5/8 HARDENED PLAIN WASHER
18	3726209M1	1	LATCH-CANVAS TIGHTENER
19	3728192M1	1	PLATE-CANVAS TIGHTENER
20	113315M1	1	MOUNT WA
21	Y705533	4	3/8 HARDENED PLAIN WASHER
22	3728274M1	2	1/2-20 X 3/4 SETSCREW-SQUARE HEAD
23	114089M1	1	TUBE WA-CANVAS, DRIVER
23	66686	1	TUBE WA-CANVAS, DRIVER (RUBBER COVERED-OPTIONAL)
24	113219M1	1	BRACE WA
25	113732M1	1	BEARING ASSEMBLY-CANVAS ROLLER
26	113811M1	1	WASHER-SPRING, CONICAL 3/8
27	700706463	1	3/8-16 X 1 CAPSCREW GR8 NON PLATED
28	113730M1	1	TIGHTENER WA-FRONT CANVAS

700153873-1

DHW DRAPER HEADER  
AUGER AND REEL

ROLLER MOUNTING-RIGHT



**DHW DRAPER HEADER  
AUGER AND REEL**

45

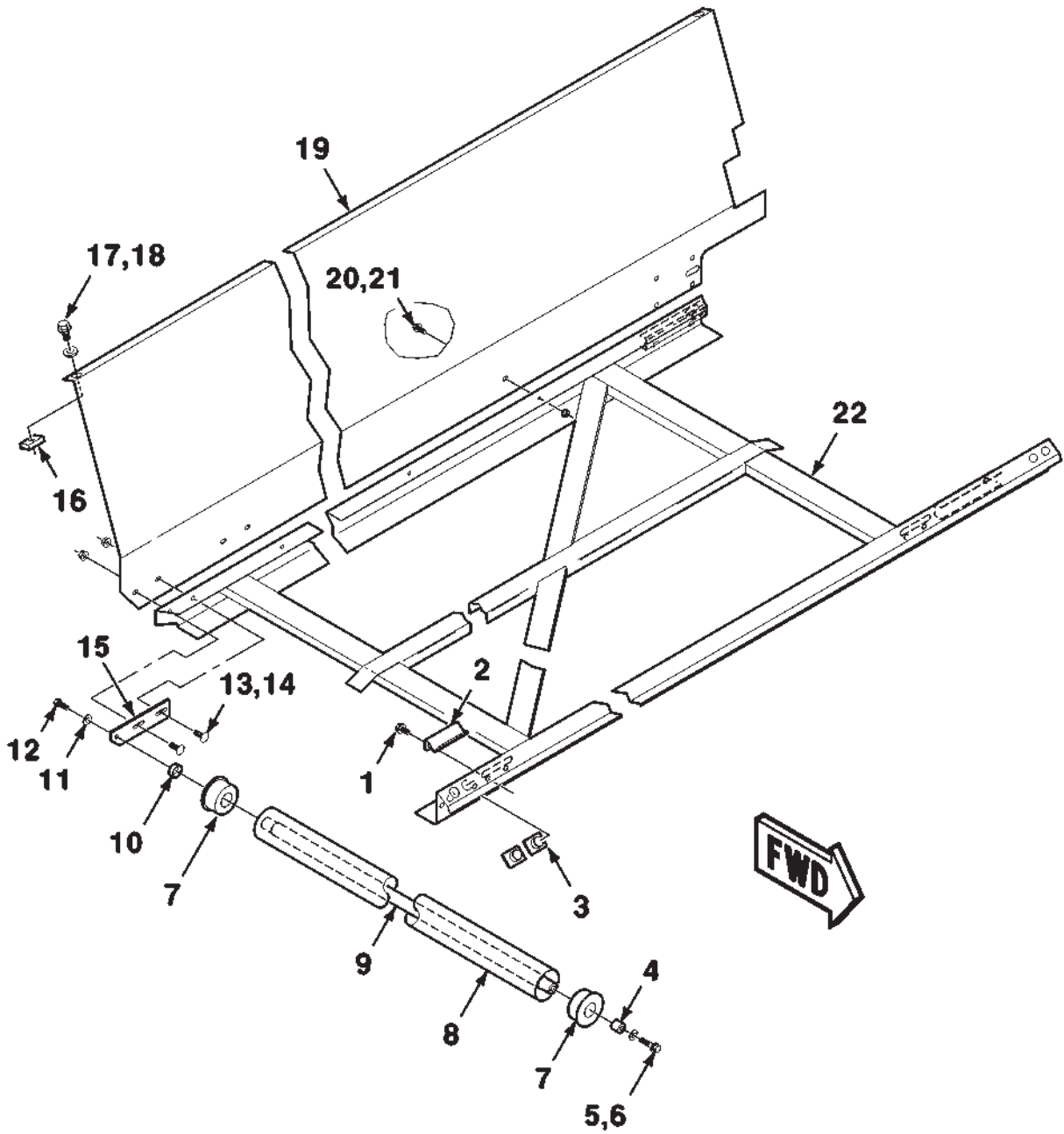
**ROLLER MOUNTING-RIGHT**

ITEM	NUMBER	QTY	DESCRIPTION
1	70922784	4	3/8-16 X 3/4 BOLT-CARRIAGE
2	Y704734	4	3/8-16 NUT-LOCK, FLANGE GR/G
3	7883374	8	3/8-16 X 3/4 SCREW-FLANGE
4	700152860B	1	HOLD DOWN-OUTER
5	3736136M1	2	SLIDER
6	66602	2	SPRING-CANVAS TIGHTENER
7	113730M1	1	TIGHTENER WA-FRONT CANVAS
8	113309M1	2	CONNECTOR WA-CHAIN
9	700706463	1	3/8-16 X 1 CAPSCREW GR8 NON PLATED
10	113811M1	1	WASHER-SPRING, CONICAL 3/8
11	113732M1	1	BEARING ASSEMBLY-CANVAS ROLLER
12	7703440	3	5/16-18 X 5/8 SCREW-FLANGE
13	113219M1	1	BRACE WA
14	114089M1	1	TUBE WA-CANVAS, DRIVER
14	66686	1	TUBE WA-CANVAS, DRIVER (RUBBER COVERED-OPTIONAL)
15	3728274M1	2	1/2-20 X 3/4 SETSCREW-SQUARE HEAD
16	Y705533	4	3/8 HARDENED PLAIN WASHER
17	113315M1	1	MOUNT WA
18	3728191M1	1	PLATE-CANVAS TIGHTENER
19	3726209M1	1	LATCH-CANVAS TIGHTENER
20	Y705582	2	5/8 HARDENED PLAIN WASHER
21	62117	1	1/8 X 1-1/4 COTTER PIN
22	3728209M1	2	COLLAR-CLEVIS TIGHTENER
23	700716880	2	5/16 X 1-1/8 CLEVIS PIN
24	3728212M1	1	SPACER-CANVAS TIGHTENER
25	45736P	1	ROD-CANVAS TIGHTENER
26	47217	4	LINK-CONNECTOR, No. 40
27	113319M1	2	CHAIN-TIGHTENER, No. 40 X 15 PITCH
28	113306M1	1	CANVAS TIGHTENER WA

700152921-2

DHW DRAPER HEADER  
AUGER AND REEL

DECK ASSEMBLY-LEFT (18 FOOT)





DHW DRAPER HEADER  
AUGER AND REEL

47

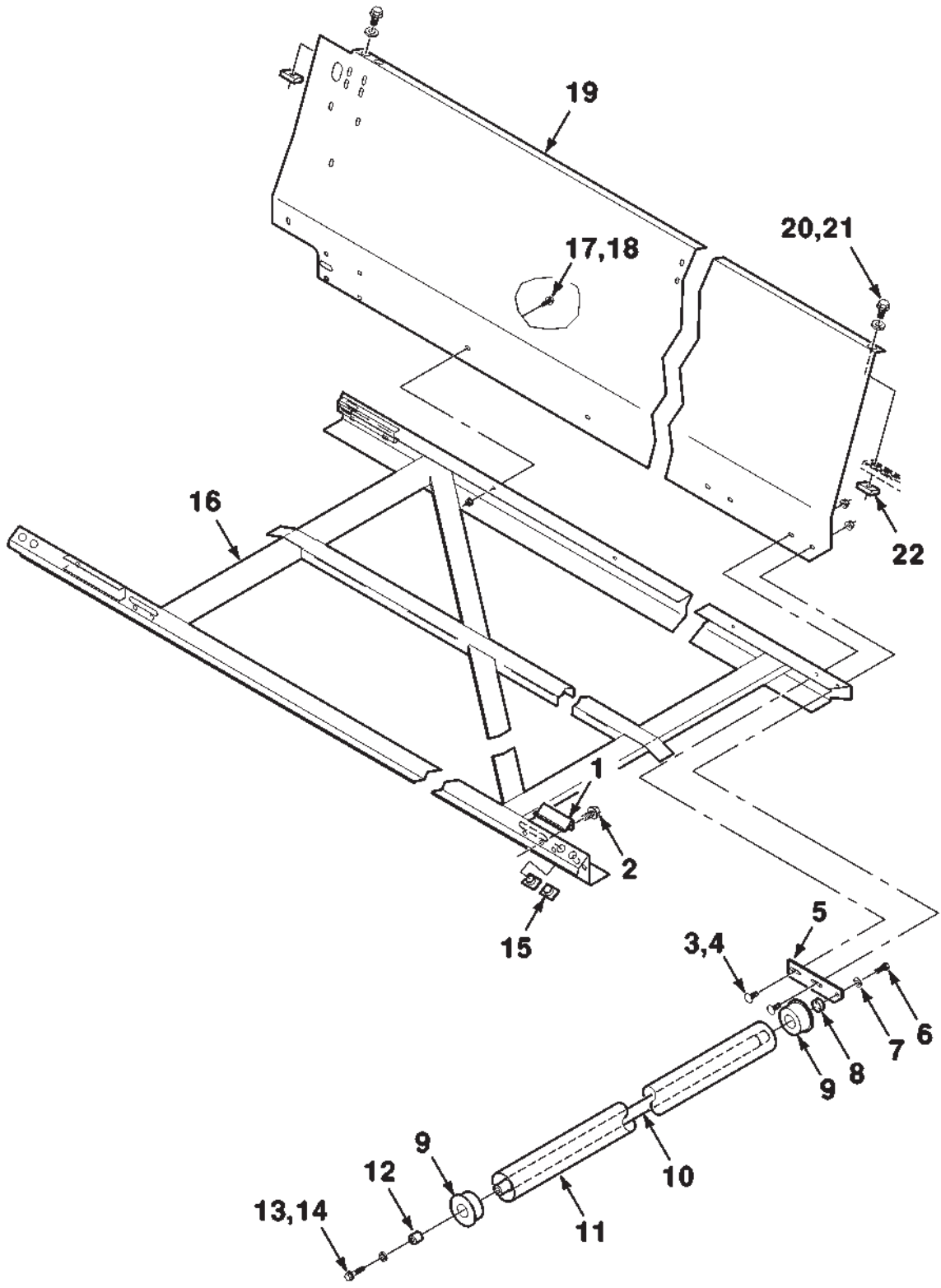
DECK ASSEMBLY-LEFT (18 FOOT)

ITEM	NUMBER	QTY	DESCRIPTION
1	7883374	2	3/8-16 X 3/4 SCREW-FLANGE
2	700152860B	1	HOLD DOWN-OUTER
3	3736136M1	2	SLIDER
4	113752M1	1	SPACER
5	700711084	1	3/8-16 X 1-1/2 SCREW-FLANGE GR8
6	Y705533	1	3/8 HARDENED PLAIN WASHER
7	113732M1	2	BEARING ASSEMBLY-CANVAS ROLLER
8	113731M1	1	TUBE-IDLER
9	113733M1	1	SHAFT-IDLER ROLLER
10	3786198M1	1	SPACER-CANVAS TIGHTENER
11	113811M1	1	WASHER-SPRING, CONICAL 3/8
12	700706463	1	3/8-16 X 1 CAPSCREW GR8 NON PLATED
13	70922786	2	3/8-16 X 1 BOLT-CARRIAGE
14	Y704734	2	3/8-16 NUT-LOCK, FLANGE GR/G
15	113314M1	1	PLATE
16	113232M1	1	BLOCK
17	700710984	1	1/2-13 X 1-1/4 SCREW-FLANGE GR8
18	700711557	1	1/2 HARDENED WIDE PLAIN WASHER
19	66319P	1	WINDBOARD WA
20	7883325	6	5/16-18 X 3/4 SCREW-FLANGE
21	Y704726	6	5/16-18 NUT-LOCK, FLANGE GR/G
22	700153881B	1	DECK WA

700153873-2

DHW DRAPER HEADER  
AUGER AND REEL

DECK ASSEMBLY-RIGHT (18 FOOT)



DHW DRAPER HEADER  
AUGER AND REEL

49

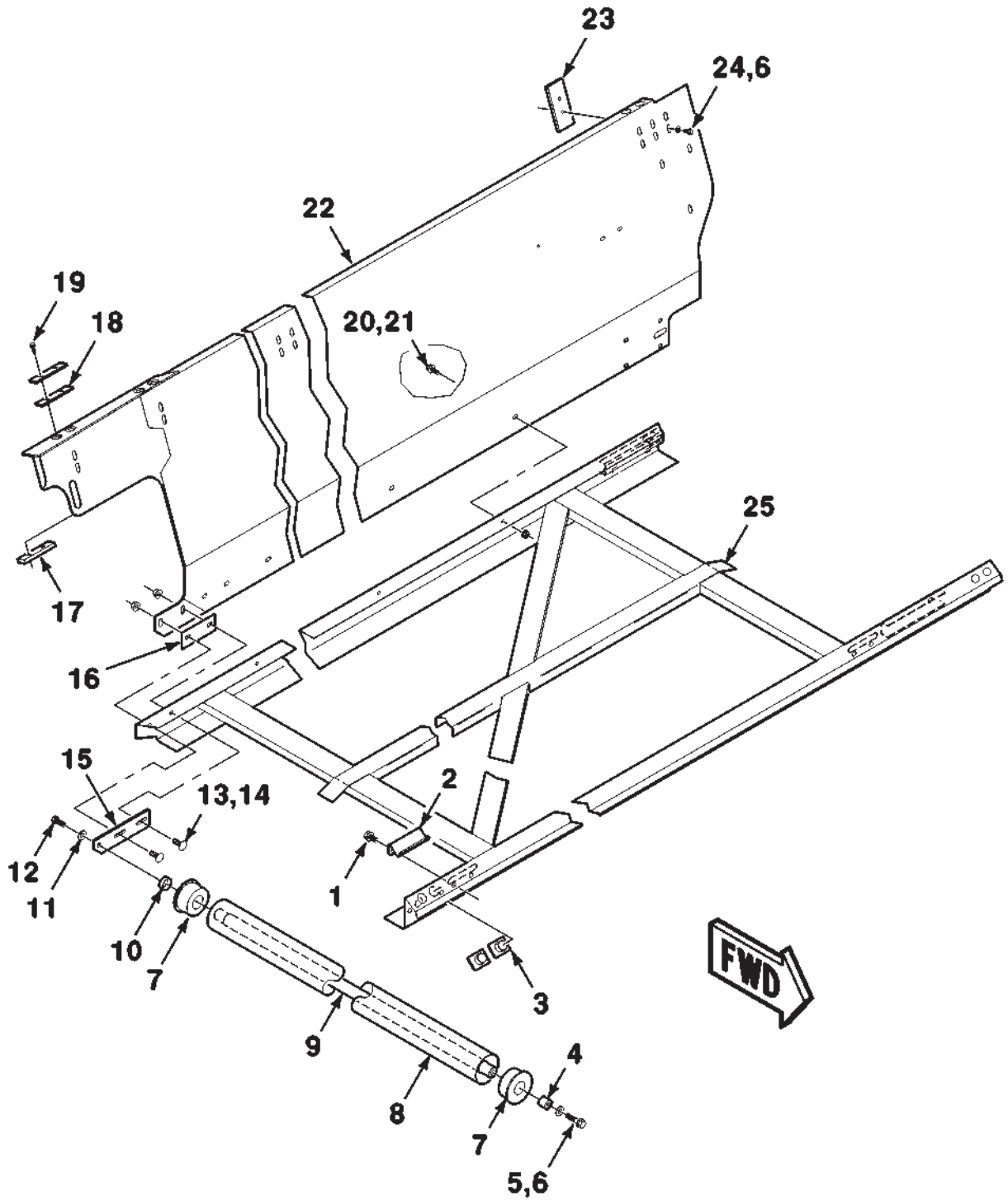
DECK ASSEMBLY-RIGHT (18 FOOT)

ITEM	NUMBER	QTY	DESCRIPTION
1	700152860B	1	HOLD DOWN-OUTER
2	7883374	2	3/8-16 X 3/4 SCREW-FLANGE
3	Y704734	2	3/8-16 NUT-LOCK, FLANGE GR/G
4	70922786	2	3/8-16 X 1 BOLT-CARRIAGE
5	113314M1	1	PLATE
6	700706463	1	3/8-16 X 1 CAPSCREW GR8 NON PLATED
7	113811M1	1	WASHER-SPRING, CONICAL 3/8
8	3786198M1	1	SPACER-CANVAS TIGHTENER
9	113732M1	2	BEARING ASSEMBLY-CANVAS ROLLER
10	113733M1	1	SHAFT-IDLER ROLLER
11	113731M1	1	TUBE-IDLER
12	113752M1	1	SPACER
13	700711084	1	3/8-16 X 1-1/2 SCREW-FLANGE GR8
14	Y705533	1	3/8 HARDENED PLAIN WASHER
15	3736136M1	2	SLIDER
16	700153883B	1	DECK WA
17	7883325	5	5/16-18 X 3/4 SCREW-FLANGE
18	Y704726	5	5/16-18 NUT-LOCK, FLANGE GR/G
19	66329P	1	WINDBOARD WA
20	700710984	2	1/2-13 X 1-1/4 SCREW-FLANGE GR8
21	700711557	2	1/2 HARDENED WIDE PLAIN WASHER
22	113232M1	2	BLOCK

700153875-0

DHW DRAPER HEADER  
AUGER AND REEL

DECK ASSEMBLY-LEFT (22 FOOT)



DHW DRAPER HEADER  
AUGER AND REEL

51

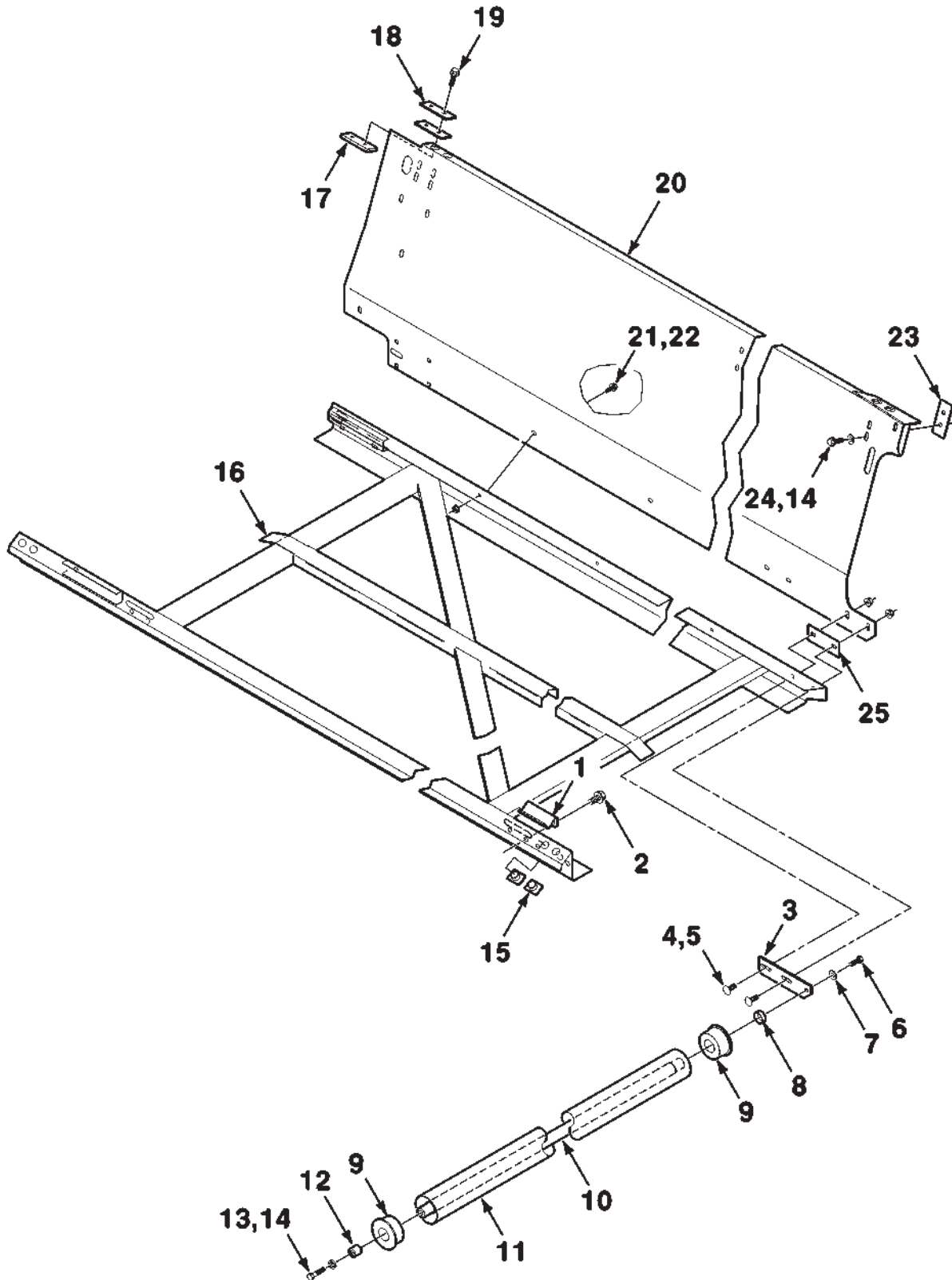
DECK ASSEMBLY-LEFT (22 FOOT)

ITEM	NUMBER	QTY	DESCRIPTION
1	7883374	2	3/8-16 X 3/4 SCREW-FLANGE
2	700152860B	1	HOLD DOWN-OUTER
3	3736136M1	4	SLIDER
4	113752M1	1	SPACER
5	700711084	1	3/8-16 X 1-1/2 SCREW-FLANGE GR8
6	Y705533	3	3/8 HARDENED PLAIN WASHER
7	113732M1	2	BEARING ASSEMBLY-CANVAS ROLLER
8	113731M1	1	TUBE-IDLER
9	113733M1	1	SHAFT-IDLER ROLLER
10	3786198M1	1	SPACER-CANVAS TIGHTENER
11	113811M1	1	WASHER-SPRING, CONICAL 3/8
12	700706463	1	3/8-16 X 1 CAPSCREW GR8 NON PLATED
13	70922786	2	3/8-16 X 1 BOLT-CARRIAGE
14	Y704734	2	3/8-16 NUT-LOCK, FLANGE GR/G
15	113314M1	1	PLATE
16	700158746	1	PLATE-SPACER
17	700154577	1	PLATE-CLAMP
18	700154576	2	SPACER
19	7883408	2	3/8-16 X 1-1/4 SCREW-FLANGE GR8
20	7883325	5	5/16-18 X 3/4 SCREW-FLANGE
21	Y704726	5	5/16-18 NUT-LOCK, FLANGE GR/G
22	700153863B	1	WINDBOARD WA
23	700153831	1	RETAINER-LONG
24	7883382	2	3/8-16 X 1 SCREW-FLANGE
25	700152937B	1	DECK WA

700153896-0

DHW DRAPER HEADER  
AUGER AND REEL

DECK ASSEMBLY-RIGHT (22 FOOT)



DHW DRAPER HEADER  
AUGER AND REEL

53

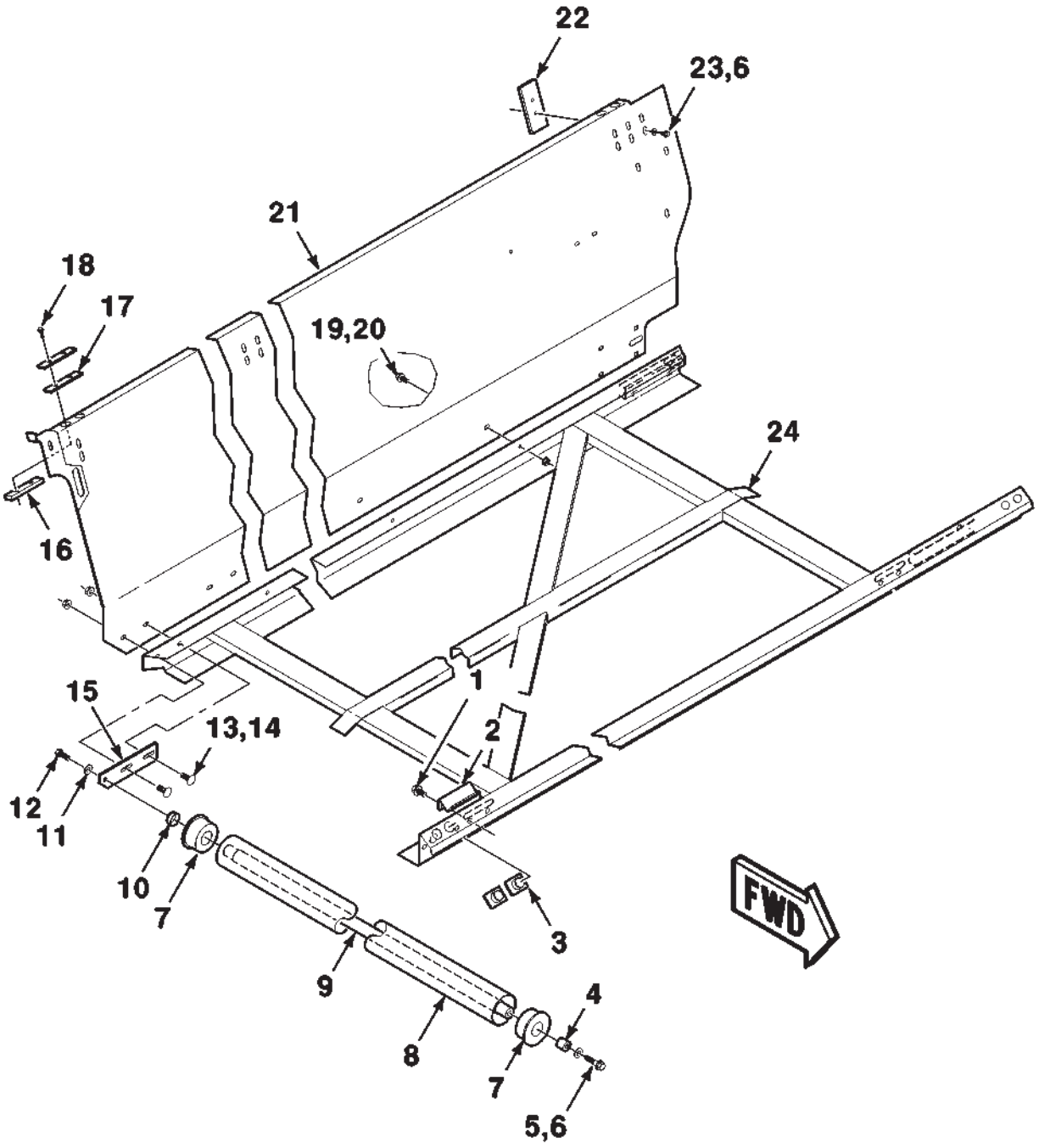
DECK ASSEMBLY-RIGHT (22 FOOT)

ITEM	NUMBER	QTY	DESCRIPTION
1	700152860B	1	HOLD DOWN-OUTER
2	7883374	2	3/8-16 X 3/4 SCREW-FLANGE
3	113314M1	1	PLATE
4	Y704734	2	3/8-16 NUT-LOCK, FLANGE GR/G
5	70922786	2	3/8-16 X 1 BOLT-CARRIAGE
6	700706463	1	3/8-16 X 1 CAPSCREW GR8 NON PLATED
7	113811M1	1	WASHER-SPRING, CONICAL 3/8
8	3786198M1	1	SPACER-CANVAS TIGHTENER
9	113732M1	2	BEARING ASSEMBLY-CANVAS ROLLER
10	113733M1	1	SHAFT-IDLER ROLLER
11	113731M1	1	TUBE-IDLER
12	113752M1	1	SPACER
13	700711084	1	3/8-16 X 1-1/2 SCREW-FLANGE GR8
14	Y705533	3	3/8 HARDENED PLAIN WASHER
15	3736136M1	6	SLIDER
16	700152938B	1	DECK WA
17	700154577	1	PLATE-CLAMP
18	700154576	2	SPACER
19	7883408	2	3/8-16 X 1-1/4 SCREW-FLANGE GR8
20	700153864B	1	WINDBOARD WA
21	7883325	5	5/16-18 X 3/4 SCREW-FLANGE
22	Y704726	5	5/16-18 NUT-LOCK, FLANGE GR/G
23	700153831	2	RETAINER-LONG
24	7883382	2	3/8-16 X 1 SCREW-FLANGE
25	700158746	1	PLATE-SPACER

700153897-0

DHW DRAPER HEADER  
AUGER AND REEL

DECK ASSEMBLY-LEFT (25 FOOT)





DHW DRAPER HEADER  
AUGER AND REEL

55

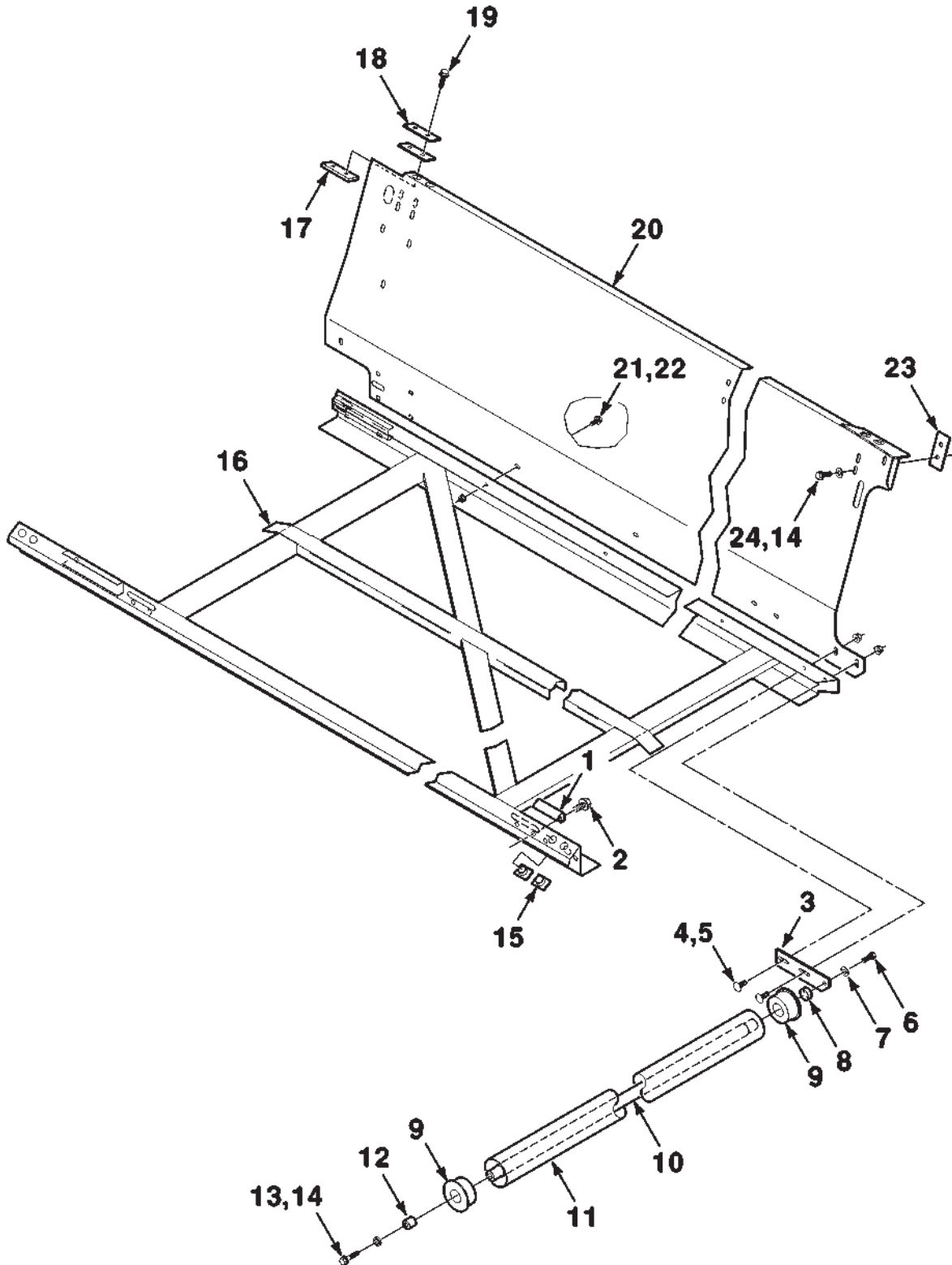
DECK ASSEMBLY-LEFT (25 FOOT)

ITEM	NUMBER	QTY	DESCRIPTION
1	7883374	2	3/8-16 X 3/4 SCREW-FLANGE
2	700152860B	1	HOLD DOWN-OUTER
3	3736136M1	4	SLIDER
4	113752M1	1	SPACER
5	700711084	1	3/8-16 X 1-1/2 SCREW-FLANGE GR8
6	Y705533	3	3/8 HARDENED PLAIN WASHER
7	113732M1	2	BEARING ASSEMBLY-CANVAS ROLLER
8	113731M1	1	TUBE-IDLER
9	113733M1	1	SHAFT-IDLER ROLLER
10	3786198M1	1	SPACER-CANVAS TIGHTENER
11	113811M1	1	WASHER-SPRING, CONICAL 3/8
12	700706463	1	3/8-16 X 1 CAPSCREW GR8 NON PLATED
13	70922786	2	3/8-16 X 1 BOLT-CARRIAGE
14	Y704734	2	3/8-16 NUT-LOCK, FLANGE GR/G
15	113314M1	1	PLATE
16	700154577	1	PLATE-CLAMP
17	700154576	2	SPACER
18	7883408	2	3/8-16 X 1-1/4 SCREW-FLANGE GR8
19	7883325	5	5/16-18 X 3/4 SCREW-FLANGE
20	Y704726	5	5/16-18 NUT-LOCK, FLANGE GR/G
21	700153861B	1	WINDBOARD WA
22	700153831	1	RETAINER-LONG
23	7883382	2	3/8-16 X 1 SCREW-FLANGE
24	700152935B	1	DECK WA

700152928-1

DHW DRAPER HEADER  
AUGER AND REEL

DECK ASSEMBLY-RIGHT (25 FOOT)



DHW DRAPER HEADER  
AUGER AND REEL

57

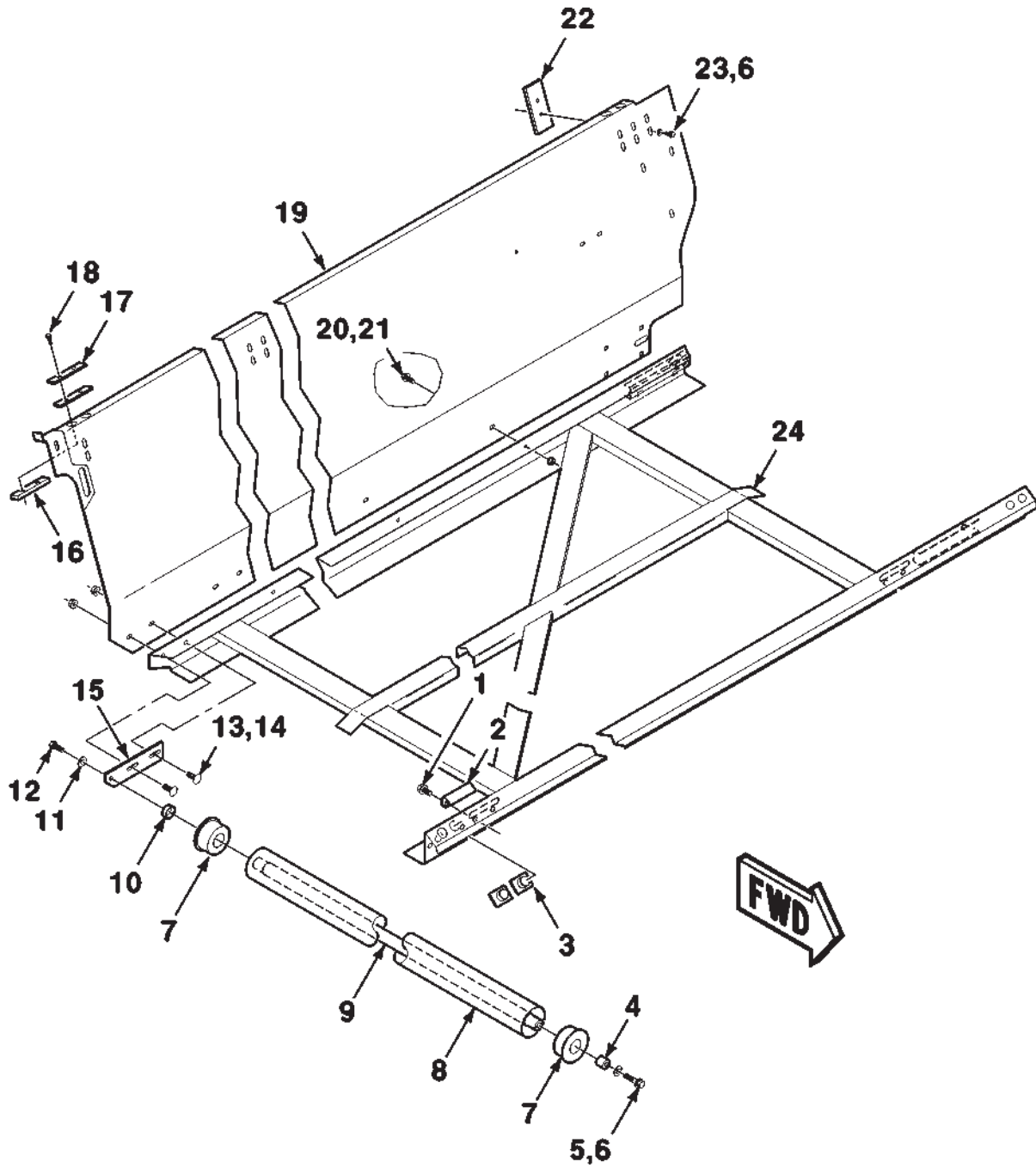
DECK ASSEMBLY-RIGHT (25 FOOT)

ITEM	NUMBER	QTY	DESCRIPTION
1	700152860B	1	HOLD DOWN-OUTER
2	7883374	2	3/8-16 X 3/4 SCREW-FLANGE
3	113314M1	1	PLATE
4	Y704734	2	3/8-16 NUT-LOCK, FLANGE GR/G
5	70922786	2	3/8-16 X 1 BOLT-CARRIAGE
6	700706463	1	3/8-16 X 1 CAPSCREW GR8 NON PLATED
7	113811M1	1	WASHER-SPRING, CONICAL 3/8
8	3786198M1	1	SPACER-CANVAS TIGHTENER
9	113732M1	2	BEARING ASSEMBLY-CANVAS ROLLER
10	113733M1	1	SHAFT-IDLER ROLLER
11	113731M1	1	TUBE-IDLER
12	113752M1	1	SPACER
13	700711084	1	3/8-16 X 1-1/2 SCREW-FLANGE GR8
14	Y705533	3	3/8 HARDENED PLAIN WASHER
15	3736136M1	6	SLIDER
16	700152936B	1	DECK WA
17	700154577	1	PLATE-CLAMP
18	700154576	2	SPACER
19	7883408	2	3/8-16 X 1-1/4 SCREW-FLANGE GR8
20	700153862B	1	WINDBOARD WA
21	7883325	5	5/16-18 X 3/4 SCREW-FLANGE
22	Y704726	5	5/16-18 NUT-LOCK, FLANGE GR/G
23	700153831	2	RETAINER-LONG
24	7883382	2	3/8-16 X 1 SCREW-FLANGE

700152921-1

DHW DRAPER HEADER  
AUGER AND REEL

DECK ASSEMBLY-LEFT (30 FOOT)



DHW DRAPER HEADER  
AUGER AND REEL

59

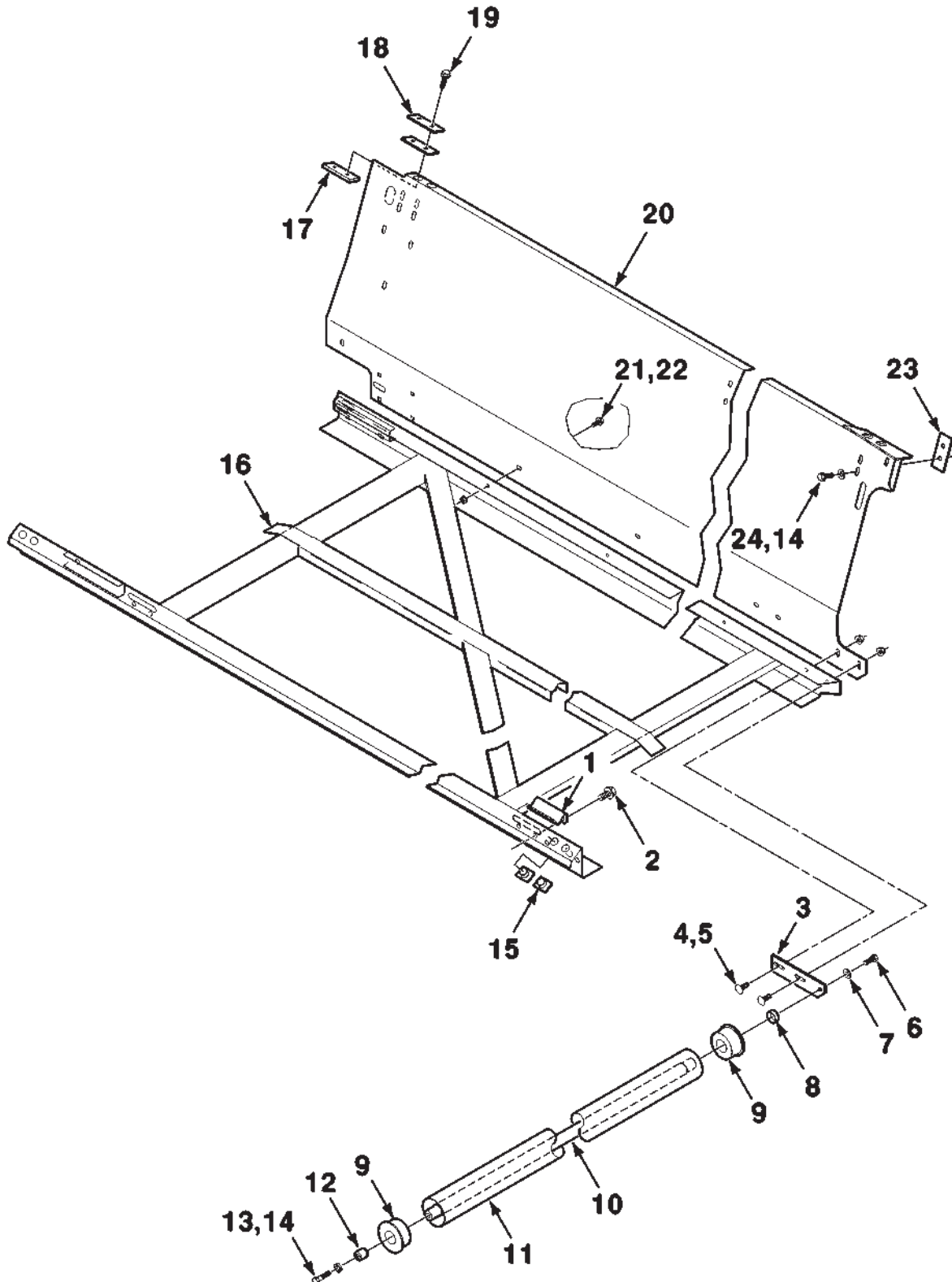
DECK ASSEMBLY-LEFT (30 FOOT)

ITEM	NUMBER	QTY	DESCRIPTION
1	7883374	2	3/8-16 X 3/4 SCREW-FLANGE
2	700152860B	1	HOLD DOWN-OUTER
3	3736136M1	4	SLIDER
4	113752M1	1	SPACER
5	700711084	1	3/8-16 X 1-1/2 SCREW-FLANGE GR8
6	Y705533	3	3/8 HARDENED PLAIN WASHER
7	113732M1	2	BEARING ASSEMBLY-CANVAS ROLLER
8	113731M1	1	TUBE-IDLER
9	113733M1	1	SHAFT-IDLER ROLLER
10	3786198M1	1	SPACER-CANVAS TIGHTENER
11	113811M1	1	WASHER-SPRING, CONICAL 3/8
12	700706463	1	3/8-16 X 1 CAPSCREW GR8 NON PLATED
13	70922786	2	3/8-16 X 1 BOLT-CARRIAGE
14	Y704734	2	3/8-16 NUT-LOCK, FLANGE GR/G
15	113314M1	1	PLATE
16	700154577	1	PLATE-CLAMP
17	700154576	2	SPACER
18	7883408	2	3/8-16 X 1-1/4 SCREW-FLANGE GR8
19	700153859B	1	WINDBOARD WA
20	7883325	6	5/16-18 X 3/4 SCREW-FLANGE
21	Y704726	6	5/16-18 NUT-LOCK, FLANGE GR/G
22	700153831	1	RETAINER-LONG
23	7883382	2	3/8-16 X 1 SCREW-FLANGE
24	700152932B	1	DECK WA

700152912-0

DHW DRAPER HEADER  
AUGER AND REEL

DECK ASSEMBLY-RIGHT (30 FOOT)



DHW DRAPER HEADER  
AUGER AND REEL

61

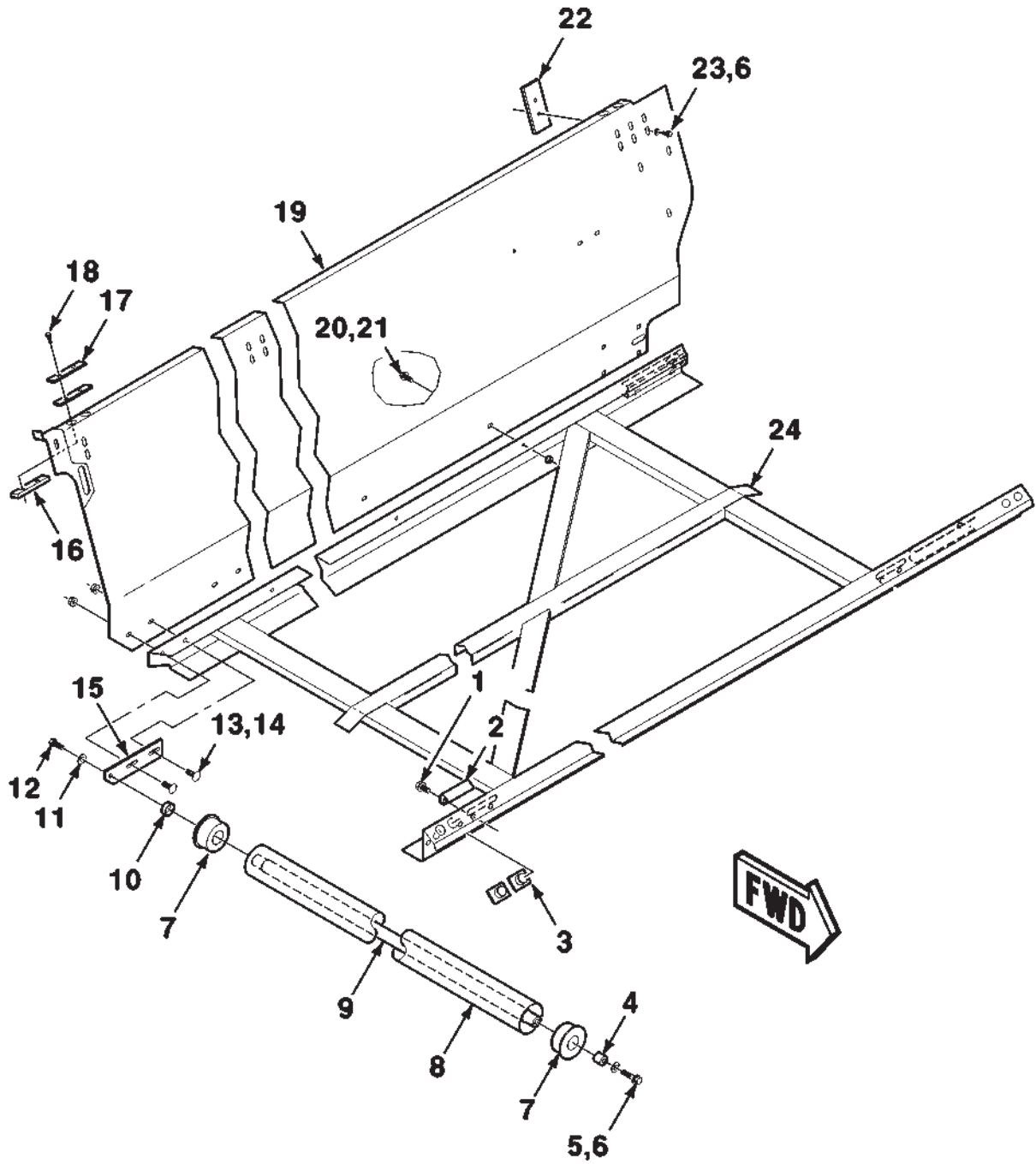
DECK ASSEMBLY-RIGHT (30 FOOT)

ITEM	NUMBER	QTY	DESCRIPTION
1	700152860B	1	HOLD DOWN-OUTER
2	7883374	2	3/8-16 X 3/4 SCREW-FLANGE
3	113314M1	1	PLATE
4	Y704734	2	3/8-16 NUT-LOCK, FLANGE GR/G
5	70922786	2	3/8-16 X 1 BOLT-CARRIAGE
6	700706463	1	3/8-16 X 1 CAPSCREW GR8 NON PLATED
7	113811M1	1	WASHER-SPRING, CONICAL 3/8
8	3786198M1	1	SPACER-CANVAS TIGHTENER
9	113732M1	2	BEARING ASSEMBLY-CANVAS ROLLER
10	113733M1	1	SHAFT-IDLER ROLLER
11	113731M1	1	TUBE-IDLER
12	113752M1	1	SPACER
13	700711084	1	3/8-16 X 1-1/2 SCREW-FLANGE GR8
14	Y705533	3	3/8 HARDENED PLAIN WASHER
15	3736136M1	6	SLIDER
16	700152933B	1	DECK WA
17	700154577	1	PLATE-CLAMP
18	700154576	2	SPACER
19	7883408	2	3/8-16 X 1-1/4 SCREW-FLANGE GR8
20	700153860B	1	WINDBOARD WA
21	7883325	5	5/16-18 X 3/4 SCREW-FLANGE
22	Y704726	5	5/16-18 NUT-LOCK, FLANGE GR/G
23	700153831	2	RETAINER-LONG
24	7883382	2	3/8-16 X 1 SCREW-FLANGE

700152905-0

DHW DRAPER HEADER  
AUGER AND REEL

DECK ASSEMBLY-LEFT (36 FOOT)





DHW DRAPER HEADER  
AUGER AND REEL

63

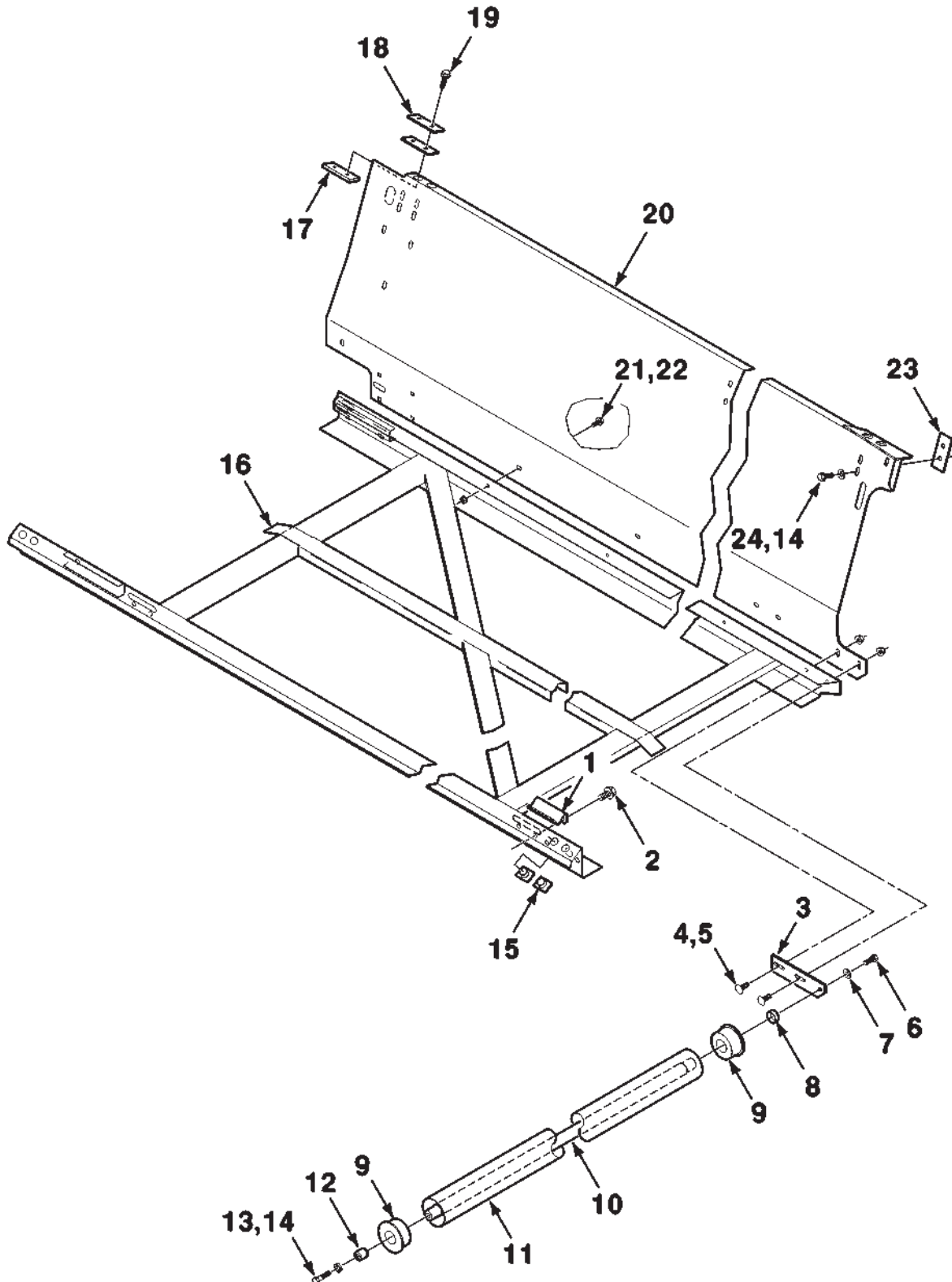
DECK ASSEMBLY-LEFT (36 FOOT)

ITEM	NUMBER	QTY	DESCRIPTION
1	7883374	2	3/8-16 X 3/4 SCREW-FLANGE
2	700152860B	1	HOLD DOWN-OUTER
3	3736136M1	4	SLIDER
4	113752M1	1	SPACER
5	700711084	1	3/8-16 X 1-1/2 SCREW-FLANGE GR8
6	Y705533	3	3/8 HARDENED PLAIN WASHER
7	113732M1	2	BEARING ASSEMBLY-CANVAS ROLLER
8	113731M1	1	TUBE-IDLER
9	113733M1	1	SHAFT-IDLER ROLLER
10	3786198M1	1	SPACER-CANVAS TIGHTENER
11	113811M1	1	WASHER-SPRING, CONICAL 3/8
12	700706463	1	3/8-16 X 1 CAPSCREW GR8 NON PLATED
13	70922786	2	3/8-16 X 1 BOLT-CARRIAGE
14	Y704734	2	3/8-16 NUT-LOCK, FLANGE GR/G
15	113314M1	1	PLATE
16	700154577	1	PLATE-CLAMP
17	700154576	2	SPACER
18	7883408	2	3/8-16 X 1-1/4 SCREW-FLANGE GR8
19	700162046	1	WINDBOARD WA
20	7883325	6	5/16-18 X 3/4 SCREW-FLANGE
21	Y704726	6	5/16-18 NUT-LOCK, FLANGE GR/G
22	700153831	1	RETAINER-LONG
23	7883382	2	3/8-16 X 1 SCREW-FLANGE
24	700162043	1	DECK WA

700156621-0

DHW DRAPER HEADER  
AUGER AND REEL

DECK ASSEMBLY-RIGHT (36 FOOT)



DHW DRAPER HEADER  
AUGER AND REEL

65

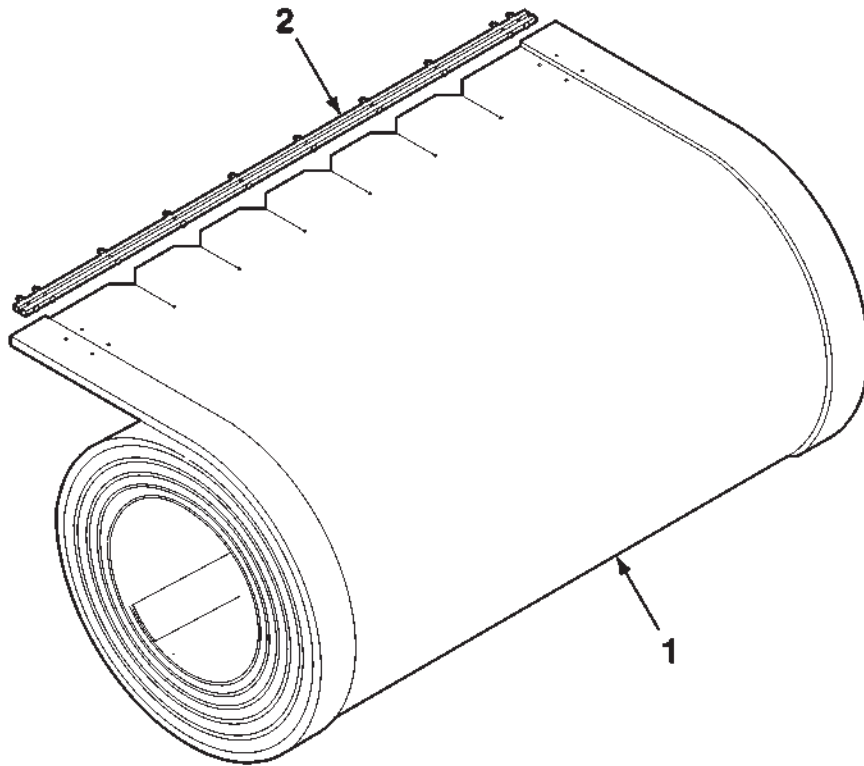
DECK ASSEMBLY-RIGHT (36 FOOT)

ITEM	NUMBER	QTY	DESCRIPTION
1	700152860B	1	HOLD DOWN-OUTER
2	7883374	2	3/8-16 X 3/4 SCREW-FLANGE
3	113314M1	1	PLATE
4	Y704734	2	3/8-16 NUT-LOCK, FLANGE GR/G
5	70922786	2	3/8-16 X 1 BOLT-CARRIAGE
6	700706463	1	3/8-16 X 1 CAPSCREW GR8 NON PLATED
7	113811M1	1	WASHER-SPRING, CONICAL 3/8
8	3786198M1	1	SPACER-CANVAS TIGHTENER
9	113732M1	2	BEARING ASSEMBLY-CANVAS ROLLER
10	113733M1	1	SHAFT-IDLER ROLLER
11	113731M1	1	TUBE-IDLER
12	113752M1	1	SPACER
13	700711084	1	3/8-16 X 1-1/2 SCREW-FLANGE GR8
14	Y705533	3	3/8 HARDENED PLAIN WASHER
15	3736136M1	6	SLIDER
16	700162044	1	DECK WA
17	700154577	1	PLATE-CLAMP
18	700154576	2	SPACER
19	7883408	2	3/8-16 X 1-1/4 SCREW-FLANGE GR8
20	700162047	1	WINDBOARD WA
21	7883325	5	5/16-18 X 3/4 SCREW-FLANGE
22	Y704726	5	5/16-18 NUT-LOCK, FLANGE GR/G
23	700153831	2	RETAINER-LONG
24	7883382	2	3/8-16 X 1 SCREW-FLANGE

700156622-0

DHW DRAPER HEADER  
AUGER AND REEL

DRAPERS



**DHW DRAPER HEADER  
AUGER AND REEL**

**67**

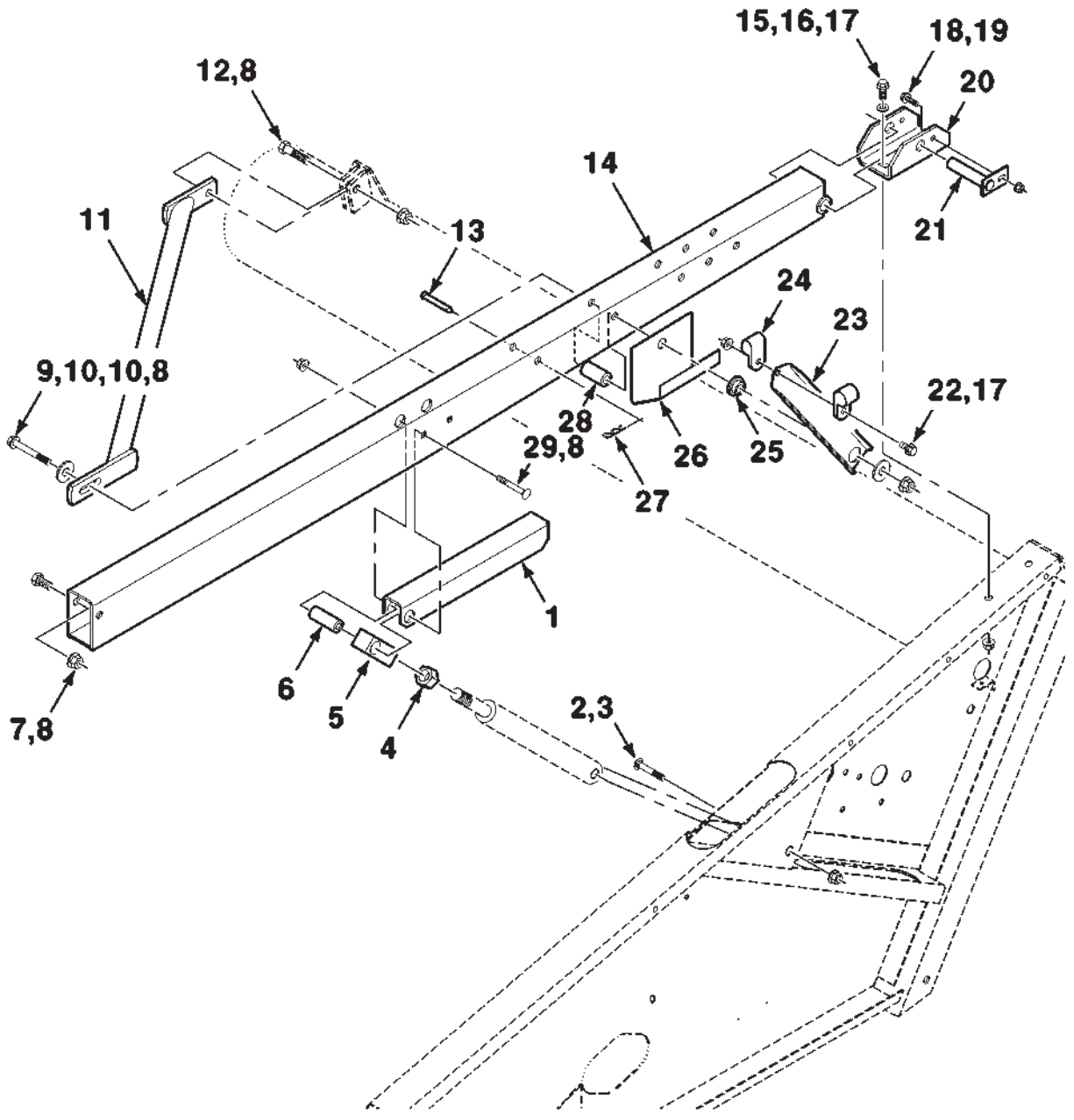
**DRAPERS**

ITEM	NUMBER	QTY	DESCRIPTION
1	700726373	1	DRAPER-RUBBER, 18 FOOT (Includes Item 2)
1	700719982	1	DRAPER-RUBBER, 22 FOOT (Includes Item 2)
1	700726014	1	DRAPER-RUBBER, 25 FOOT (Includes Item 2)
1	700719983	1	DRAPER-RUBBER, 30 FOOT (Includes Item 2)
1	700720217	1	DRAPER-RUBBER, 36 FOOT (Includes Item 2)
2	700726009	1	CANVAS CONNECTOR ASSEMBLY

700726373-0

DHW DRAPER HEADER  
FRAME AND SHIELDS

REEL ARM-LEFT



**DHW DRAPER HEADER  
FRAME AND SHIELDS**

69

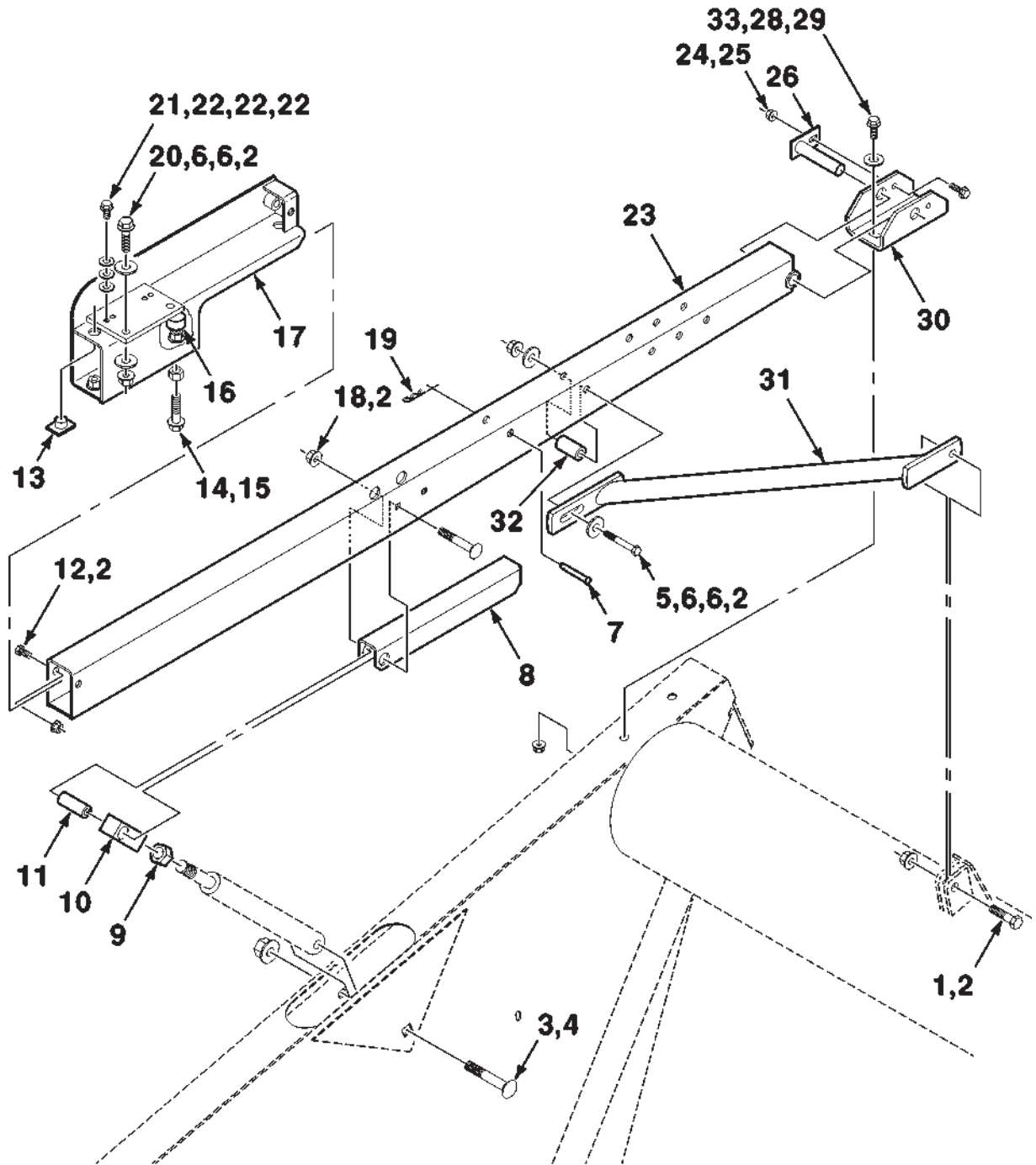
**REEL ARM-LEFT**

ITEM	NUMBER	QTY	DESCRIPTION
1	66704	1	REEL SUPPORT WA-LEFT
2	7870223	1	5/8-11 X 4 BOLT-CARRIAGE
3	700703922	1	5/8-11 NUT-LOCK, FLANGE GR/G
4	353436X1	1	3/4-16 NUT-HALF GR2
5	113648M1	1	BLOCK-THREADED, CYLINDER
6	700155771B	1	SPACER-TOP CYLINDER
7	70923114	1	1/2-13 X 1 CAPSCREW
8	Y704742	4	1/2-13 NUT-LOCK, FLANGE GR/G
9	70923161	1	1/2-13 X 4 1/2 SCREW-FLANGE
10	700711557	2	1/2 HARDENED WIDE PLAIN WASHER
11	66675B	1	BRACE WA-REEL ARM
12	70921024	1	1/2-13 X 2 CAPSCREW
13	700763755	1	PIN-CLEVIS, 1/2 X 2-3/4
14	700156860B	1	REEL ARM WA (18, 22, 25 and 30 FOOT)
14	71407261	1	REEL ARM WA (36 FOOT)
15	7883408	2	SCREW-FLANGE GR8, 3/8-16 X 1-1/4
16	Y705533	2	3/8 HARDENED PLAIN WASHER
17	Y704734	3	3/8-16 NUT-LOCK, FLANGE GR/G
18	7772049	1	5/16-18 X 1 SCREW-FLANGE
19	Y704726	1	5/16-18 NUT-LOCK, FLANGE GR/G
20	39801B	1	CHANNEL-REEL PIVOT
21	3727564M1	1	PIN WA-REEL PIVOT
22	7883382	1	3/8-16 X 1 SCREW-FLANGE
23	700153819B	1	CHANNEL-REEL HOSE MOUNT
24	700725832	2	CLAMP-LINE
25	700153929B	1	SPACER-HOSE ARM
26	700154574B	1	GUIDE-SHIELD
27	70936348	1	.120 WIRE HAIR PIN
28	700122122B	1	SPACER
29	364980X1	1	3/8-16 X 3-1/4 BOLT-CARRIAGE

700156630-2

DHW DRAPER HEADER  
FRAME AND SHIELDS

REEL ARM-RIGHT





**DHW DRAPER HEADER  
FRAME AND SHIELDS**

71

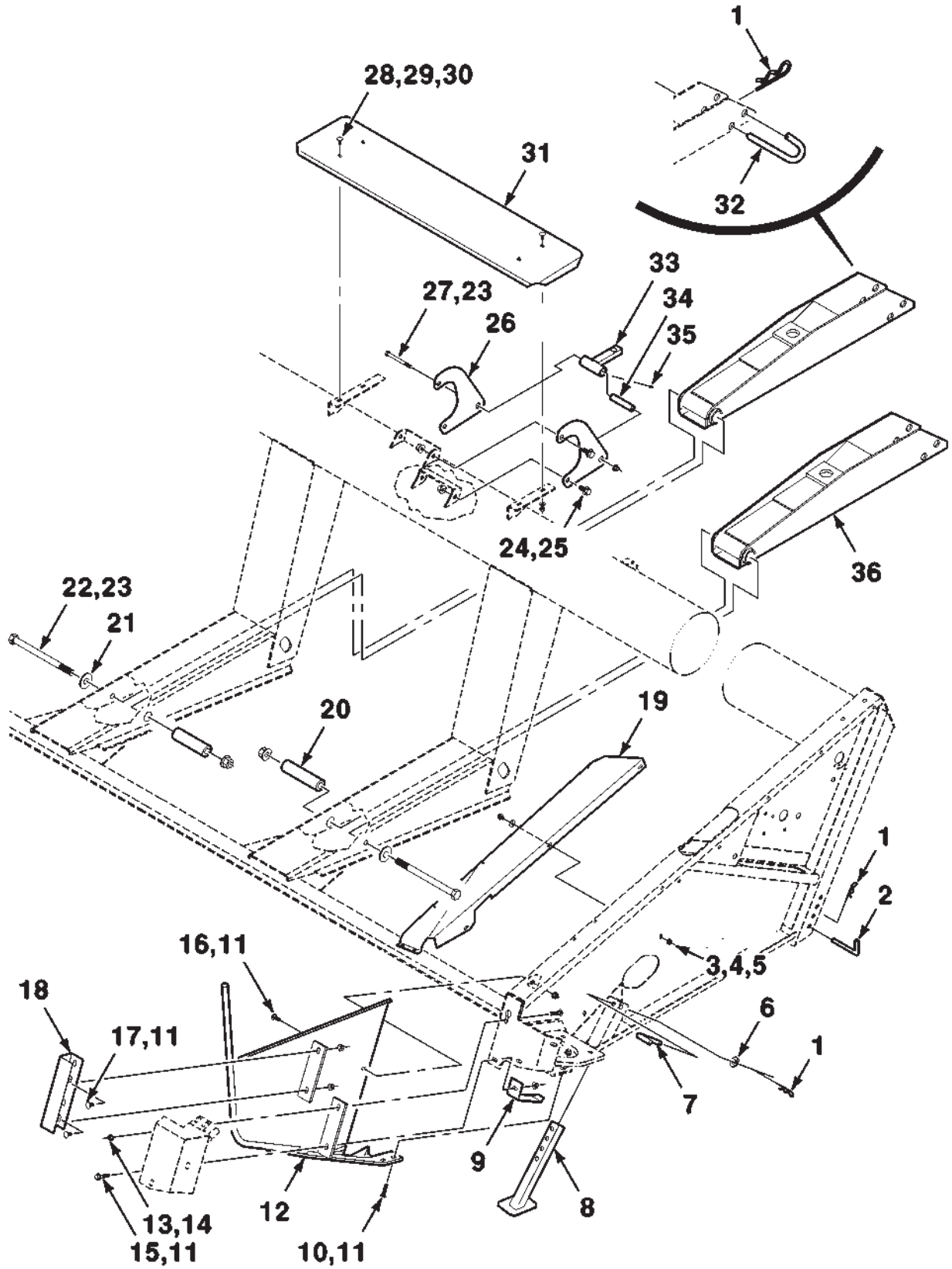
**REEL ARM-RIGHT**

ITEM	NUMBER	QTY	DESCRIPTION
1	70921024	1	1/2-13 X 2 CAPSCREW
2	Y704742	6	1/2-13 NUT-LOCK, FLANGE GR/G
3	7870223	1	5/8-11 X 4 BOLT-CARRIAGE
4	700703922	1	5/8-11 NUT-LOCK, FLANGE GR/G
5	70920990	1	1/2-13 X 3-1/2 CAPSCREW
6	700711557	6	1/2 HARDENED WIDE PLAIN WASHER
7	700763755	1	PIN-CLEVIS 1/2 X 2-3/4
8	66704	1	REEL SUPPORT WA-RIGHT
9	353436X1	1	3/4-16 NUT-HALF GR2
10	113648M1	1	BLOCK-THREADED, CYLINDER
11	700155771B	1	SPACER-TOP CYLINDER
12	70923114	1	1/2-13 X 1 CAPSCREW
13	3736136M1	2	SLIDER-PLASTIC
14	7701865	2	1/2-13 X 2 SCREW-FLANGE
15	704056	2	1/2-13 NUT-HALF GR2
16	113653M1	2	CLAMP-REEL SLIDE
17	700156870B	1	MOUNTING WA-REEL DRIVE, RIGHT
18	364980X1	1	1/2-13 X 3-1/4 BOLT-CARRIAGE
19	70936348	1	.120 WIRE HAIR PIN
20	7883432	2	1/2-13 X 1-3/4 SCREW-FLANGE GR8
21	7883382	2	3/8-16 X 1 SCREW-FLANGE
22	700702916	6	3/8 HARDENED WIDE PLAIN WASHER
23	700156860B	1	REEL ARM WA (18, 22, 25 and 30 FOOT)
23	71407261	1	REAL ARM WA (36 FOOT)
24	7772049	1	5/16-18 X 1 SCREW-FLANGE
25	Y704726	1	5/16-18 NUT-LOCK, FLANGE GR/G
26	3727564M1	1	PIN WA-REEL PIVOT
28	Y705533	2	3/8 HARDENED PLAIN WASHER
29	Y704734	2	3/8-16 NUT-LOCK, FLANGE GR/G
30	39801B	1	CHANNEL-REEL PIVOT
31	66675B	1	BRACE WA-REEL ARM
32	700122122B	1	SPACER
33	7883408	2	SCREW-FLANGE GR8, 3/8-16 X 1-1/4

700156631-0

DHW DRAPER HEADER  
FRAME AND SHIELDS

DIVIDER, STAND AND MAINFRAME (LEFT)  
(18 FOOT HEADER)



**DHW DRAPER HEADER  
FRAME AND SHIELDS**

73

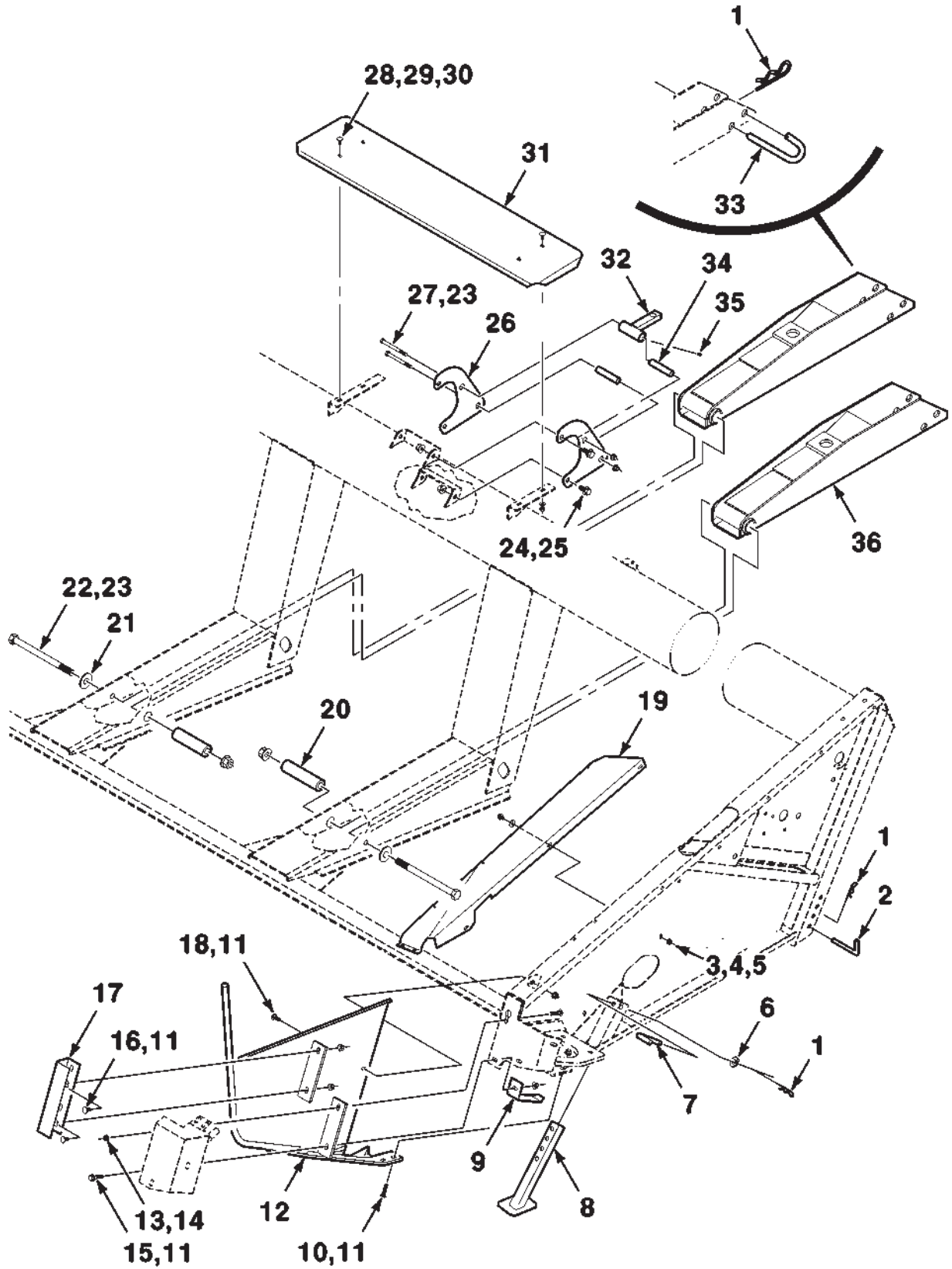
**DIVIDER, STAND AND MAINFRAME (LEFT)  
(18 FOOT HEADER)**

ITEM	NUMBER	QTY	DESCRIPTION
1	2514740W1	4	.178 WIRE HAIRPIN COTTER
2	113303M1	1	L-PIN
3	7883325	3	5/16-18 X 3/4 SCREW-FLANGE
4	70917642	3	5/16 WIDE PLAIN WASHER
5	70931277	3	5/16-18 NUT-LOCK, FLANGE
6	705541	1	1/2 WIDE PLAIN WASHER
7	3725614M1	1	1/2 X 3-1/2 PIN
8	700154232B	1	TUBE WA-STAND
9	700154569B	1	GUARD
10	113421M1	2	3/8-16 X 1-1/4 BOLT-PLow GR/8
11	Y704734	7	3/8-16 NUT-LOCK, FLANGE GR/G
12	700152738B	1	SHOE WA-DIVIDER
13	768036	1	3/8-16 X 1-1/2 BOLT-CARRIAGE
14	700711238	1	3/8-16 NUT-FLANGE GR8
15	700711084	1	3/8-16 X 1-1/2 SCREW-FLANGE GR8
16	68759	2	3/8-16 X 1 BOLT-CARRIAGE
17	70922784	2	3/8-16 X 3/4 BOLT-CARRIAGE
18	700152791B	1	CHANNEL-REFLECTOR, MOUNTING
19	700155129B	1	DEFLECTOR-END
20	700157217	2	BUSHING-INNER
21	700711166	2	3/4 HARDENED WIDE PLAIN WASHER
22	700709989	2	3/4-10 X 10 BOLT GR8 NON PLATED
23	700703923	3	3/4-10 NUT-LOCK, FLANGE GR/G
24	7883424	4	1/2-13 X 1 SCREW-FLANGE GR8
25	Y704742	4	1/2-13 NUT-LOCK, FLANGE GR/G
26	700161721B	2	PLATE
27	70932863	1	3/4-10 X 8 CAPSCREW
28	70931333	4	5/16-18 X 3/4 BOLT-CARRIAGE
29	Y705525	4	5/16 HARDENED PLAIN WASHER
30	Y704015	4	5/16-18 NUT
31	700149940	1	PANEL, DECK
32	700161399	2	PIN
33	700156852B	1	ARM WA
34	700147887	1	BUSHING
35	70923219	1	1/4-28 ZERK
36	700156845B	2	CHANNEL WA

700156616-0

DHW DRAPER HEADER  
FRAME AND SHIELDS

DIVIDER, STAND AND MAINFRAME (LEFT)  
(22, 25, 30 AND 36 FOOT HEADERS)



**DHW DRAPER HEADER  
FRAME AND SHIELDS**

75

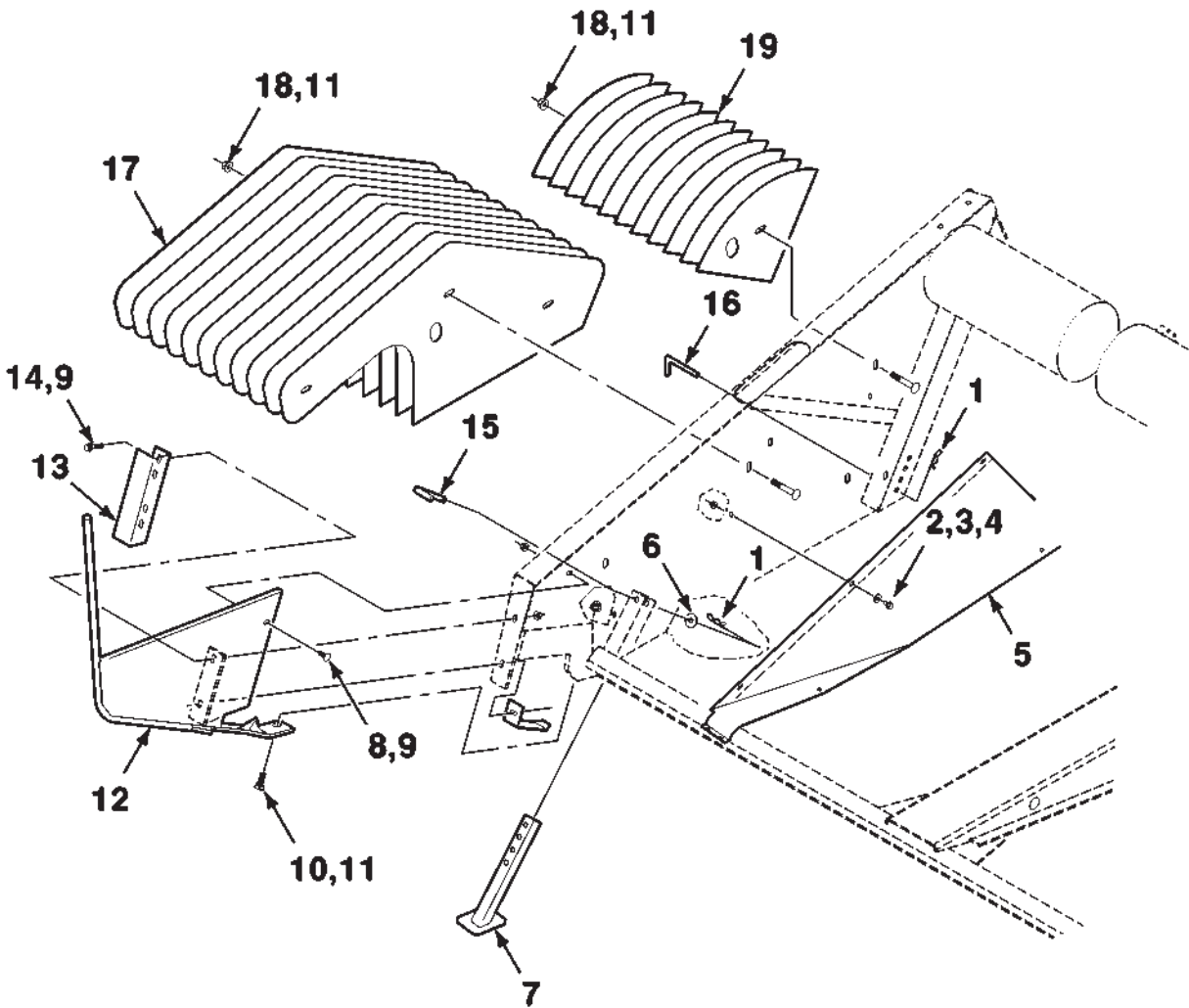
**DIVIDER, STAND AND MAINFRAME (LEFT)  
(22, 25, 30 AND 36 FOOT HEADERS)**

ITEM	NUMBER	QTY	DESCRIPTION
1	2514740W1	4	.178 WIRE HAIRPIN COTTER
2	113303M1	1	L-PIN
3	7883325	3	5/16-18 X 3/4 SCREW-FLANGE
4	70917642	3	5/16 WIDE PLAIN WASHER
5	70931277	3	5/16-18 NUT-LOCK, FLANGE
6	705541	1	1/2 WIDE PLAIN WASHER
7	3725614M1	1	1/2 X 3-1/2 PIN
8	700154232B	1	TUBE WA-STAND
9	700154569B	1	GUARD
10	113421M1	2	3/8-16 X 1-1/4 BOLT-PLOW GR/8
11	Y704734	7	3/8-16 NUT-LOCK, FLANGE GR/G
12	700152738B	1	SHOE WA-DIVIDER
13	768036	1	3/8-16 X 1-1/2 BOLT-CARRIAGE
14	700711238	1	3/8-16 NUT-FLANGE GR8
15	700711084	1	3/8-16 X 1-1/2 SCREW-FLANGE GR8
16	70922784	2	3/8-16 X 3/4 BOLT-CARRIAGE
17	700152791B	1	CHANNEL-REFLECTOR, MOUNTING
18	68759	2	3/8-16 X 1 BOLT-CARRIAGE
19	700155129B	1	DEFLECTOR-END
20	700157217	2	BUSHING-INNER
21	700711166	2	3/4 HARDENED WIDE PLAIN WASHER
22	700709989	2	3/4-10 X 10 BOLT GR8 NON PLATED
23	700703923	4	3/4-10 NUT-LOCK, FLANGE GR/G
24	7883424	4	1/2-13 X 1 SCREW-FLANGE GR8
25	Y704742	4	1/2-13 NUT-LOCK, FLANGE GR/G
26	700156838B	2	PLATE
27	70932863	2	3/4-10 X 8 CAPSCREW
28	70931333	4	5/16-18 X 3/4 BOLT-CARRIAGE
29	Y705525	4	5/16 HARDENED PLAIN WASHER
30	Y704015	4	5/16-18 NUT
31	700149940	1	PANEL, DECK
32	700156852B	1	ARM WA
33	700161399	2	PIN
34	700147887	2	BUSHING
35	70923219	1	1/4-28 ZERK
36	700156845B	2	CHANNEL WA

700156614-1

DHW DRAPER HEADER  
FRAME AND SHIELDS

DIVIDER, STAND AND MAINFRAME (RIGHT)



DHW DRAPER HEADER  
FRAME AND SHIELDS

77

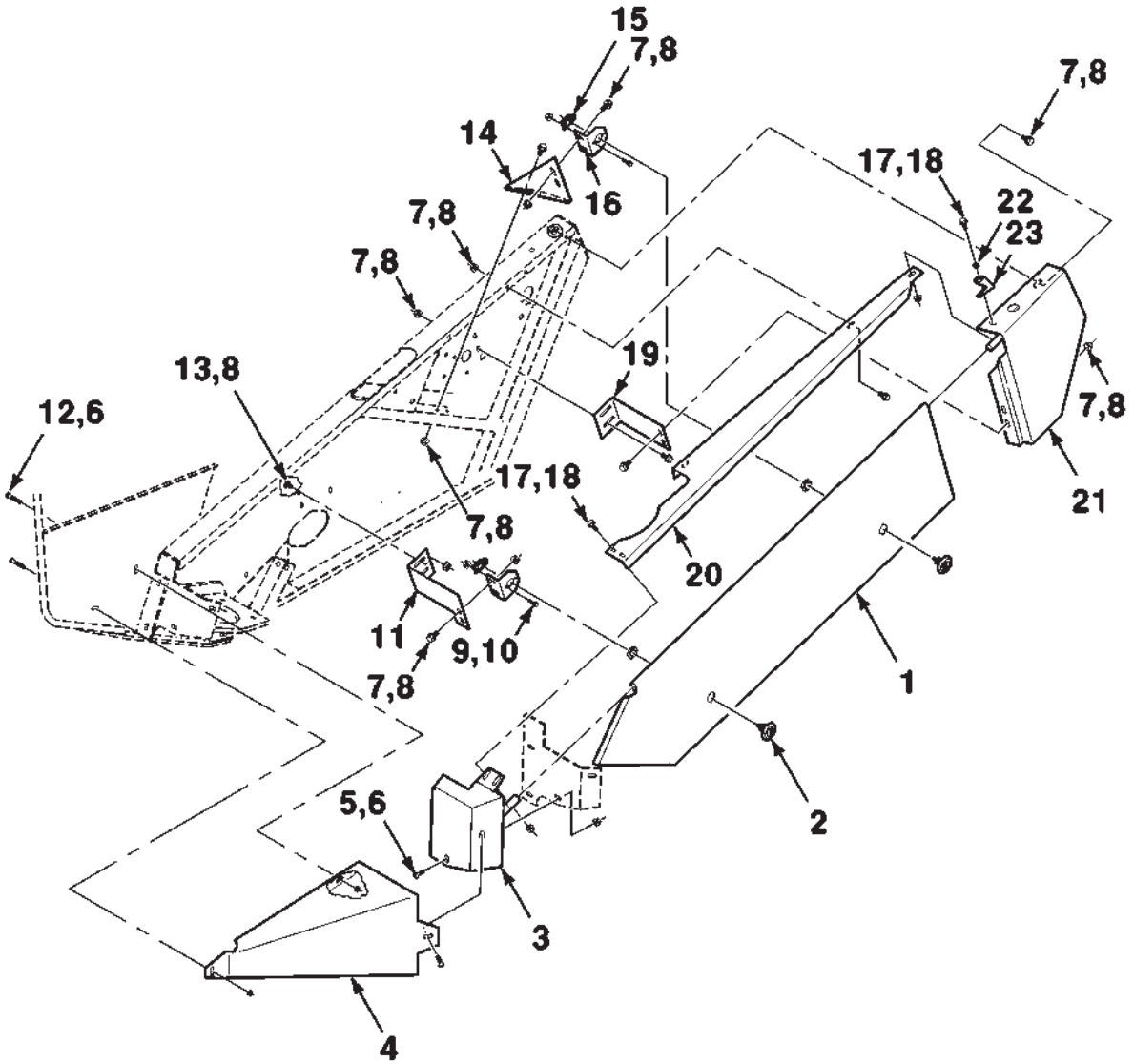
DIVIDER, STAND AND MAINFRAME (RIGHT)

ITEM	NUMBER	QTY	DESCRIPTION
1	2514740W1	2	.178 WIRE HAIRPIN COTTER
2	7883325	3	5/16-18 X 3/4 SCREW-FLANGE
3	70917642	3	5/16 WIDE PLAIN WASHER
4	Y704726	3	5/16-18 NUT-LOCK, FLANGE GR/G
5	700152841B	1	DEFLECTOR-END
6	705541	1	1/2 WIDE PLAIN WASHER
7	700154232B	1	TUBE WA-STAND
8	68759	1	3/8-16 X 1 BOLT-CARRIAGE
9	Y704734	3	3/8-16 NUT-LOCK, FLANGE GR/G
10	707448	1	1/2-13 X 1-1/2 BOLT-PLOW GR/5
11	Y704742	5	1/2-13 NUT-LOCK, FLANGE GR/G
12	700152745B	1	SHOE WA-DIVIDER
13	700152791B	1	CHANNEL-REFLECTOR, MOUNTING
14	700711084	2	3/8-16 X 1-1/2 SCREW-FLANGE GR8
15	3725614M1	1	1/2 X 3 1/2 PIN
16	113303M1	1	L-PIN
17	700156856B	11	PLATE
18	7770076	4	1/2-13 X 3 BOLT-CARRIAGE
19	700156857B	11	PLATE

700156614-2

DHW DRAPER HEADER  
FRAME AND SHIELDS

SHIELD-LEFT





DHW DRAPER HEADER  
FRAME AND SHIELDS

79

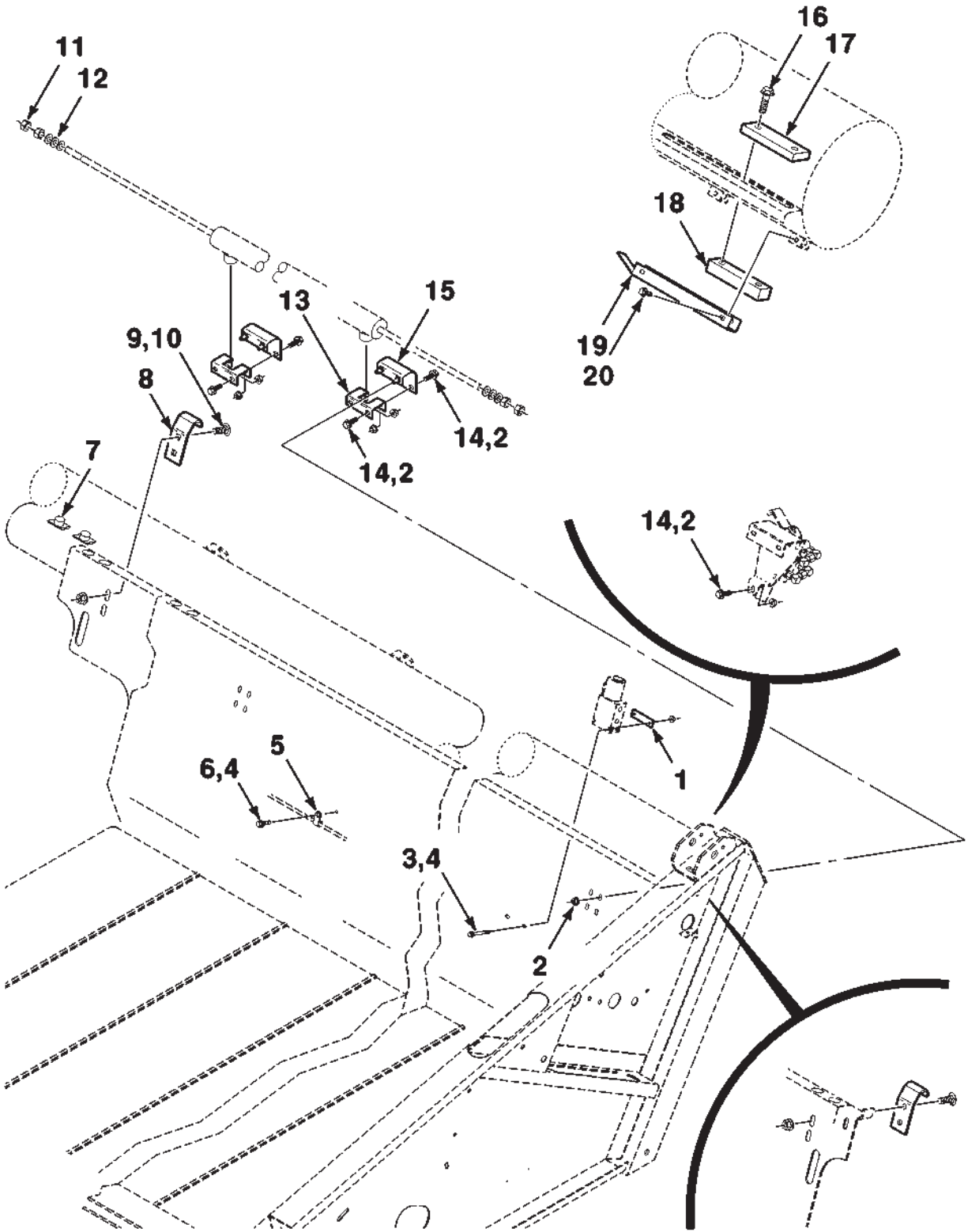
SHIELD-LEFT

ITEM	NUMBER	QTY	DESCRIPTION
1	700155775	1	SHIELD-SIDE
2	700714528	2	LATCH-1/4 TURN (Includes Nut)
3	700152800B	1	SHIELD WA-FRONT
4	700162335	1	SHIELD-DEFLECTOR
5	700717036	2	3/8-16 X 1-1/4 CAPSCREW-SOCKET BUTTON HEAD GR/8
6	704247	4	3/8-16 NUT-LOCK, FLANGE
7	7883374	14	3/8-16 X 3/4 SCREW-FLANGE
8	700711238	16	3/8-16 NUT-FLANGE GR8
9	772426	4	10-24 X 5/8 SCREW-FLANGE
10	700716697	4	10-24 NUT-LOCK, FLANGE GR/F
11	700152790B	1	ANGLE-SUPPORT
12	70917467	2	3/8-16 X 3/4 SCREW-FULL THREAD
13	7770456	2	3/8-16 X 3/4 BOLT-CARRIAGE
14	700152842B	1	ANGLE-SUPPORT, CENTER
15	700714529	3	RECEPTACLE
16	700155774	2	SUPPORT
17	7883325	3	5/16-18 X 3/4 SCREW-FLANGE
18	Y704726	3	5/16-18 NUT-LOCK, FLANGE GR/G
19	700152787B	1	ANGLE-SUPPORT
20	700152798B	1	SHIELD-TOP
21	700153854B	1	SHIELD WA-REAR
22	6514772	1	SPACER
23	71409107	1	PLATE-RETAINER

700152920-0

DHW DRAPER HEADER  
FRAME AND SHIELDS

DOUBLE SWATH MOUNTING (LEFT)



DHW DRAPER HEADER  
FRAME AND SHIELDS

81

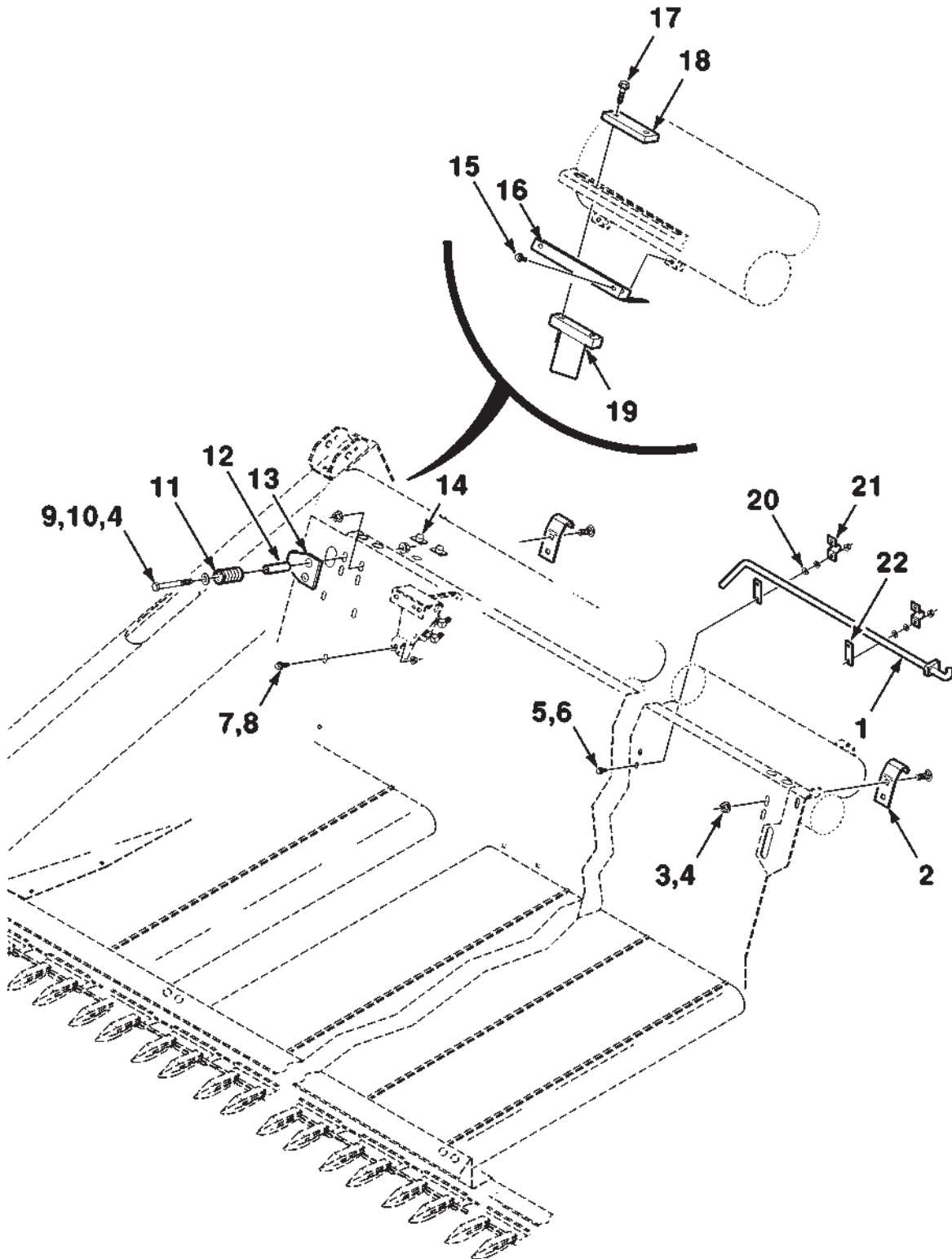
DOUBLE SWATH MOUNTING (LEFT)

ITEM	NUMBER	QTY	DESCRIPTION
1	113376M1	1	TIE BAR-VALVE
2	704247	15	3/8-16 NUT-LOCK, FLANGE
3	7771462	2	1/4-20 X 2 SCREW-FLANGE
4	70931209	4	1/4-20 NUT-LOCK, FLANGE
5	70925617	2	CLAMP
6	70930594	2	1/4-20 X 3/4 SCREW-FLANGE
7	3736136M1	6	SLIDER
8	113388M1	2	RETAINER-SHORT
9	70922786	4	3/8-16 X 1 BOLT-CARRIAGE
10	Y704734	4	3/8-16 NUT-LOCK, FLANGE GR/G
11	353426X1	4	7/16-20 NUT
12	Y705731	6	7/16 NARROW PLAIN WASHER
13	113372M1	2	CLAMP WA
14	7703424	11	3/8-16 X 1 SCREW-FLANGE
15	113373M1	2	SUPPORT WA
16	700711084	2	3/8-16 X 1-1/2 SCREW-FLANGE GR8
17	700152976	1	BLOCK-ANCHOR
18	700152974B	1	BLOCK-ANCHOR
19	66384B	1	RAMP
20	7703432	4	3/8-16 X 3/4 SCREW-FLANGE

700152911-1

DHW DRAPER HEADER  
FRAME AND SHIELDS

DOUBLE SWATH MOUNTING (RIGHT)



DHW DRAPER HEADER  
FRAME AND SHIELDS

83

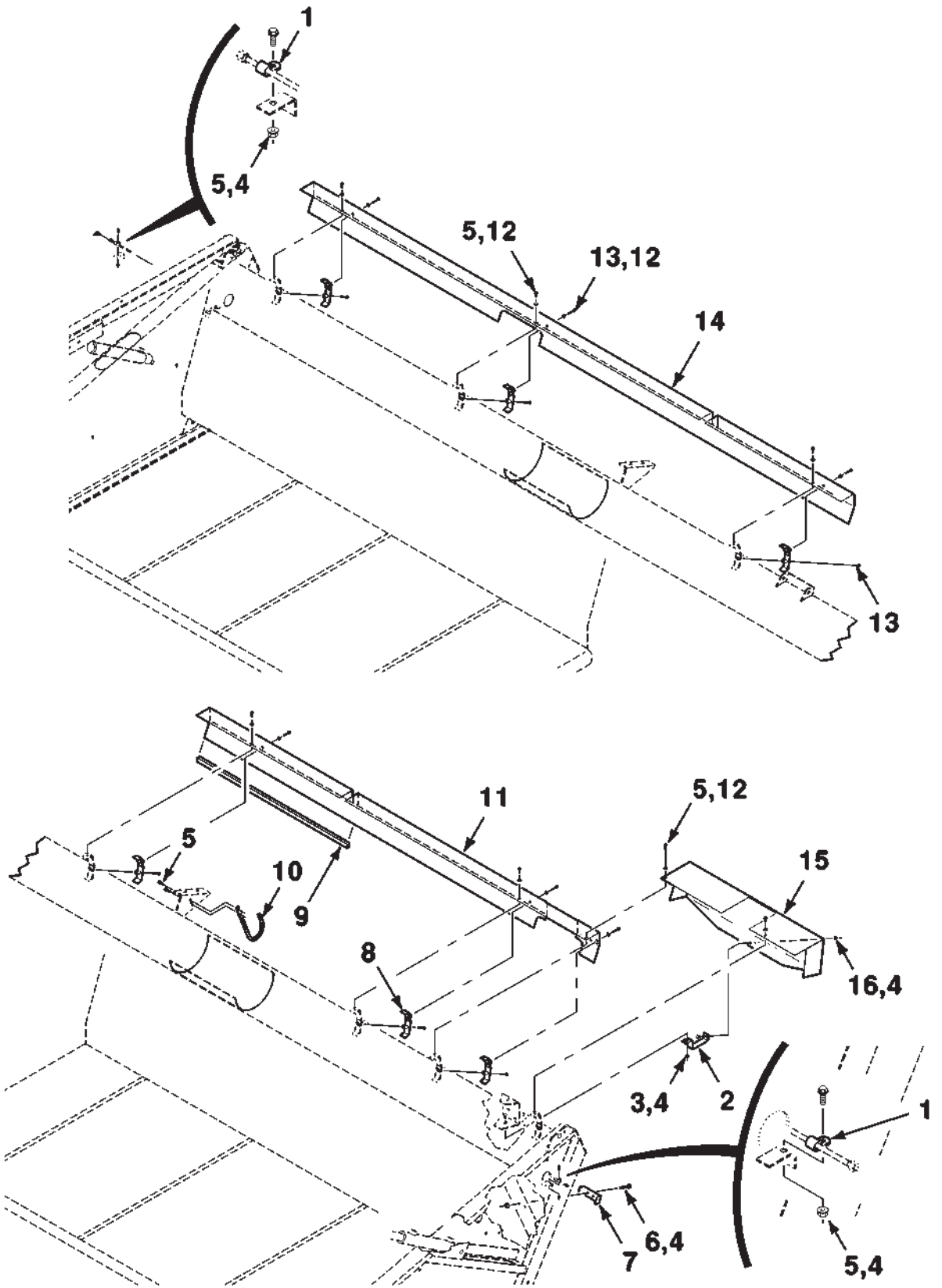
DOUBLE SWATH MOUNTING (RIGHT)

ITEM	NUMBER	QTY	DESCRIPTION
1	114396M1	1	LOCK ROD WA
2	113388M1	3	RETAINER-SHORT
3	70922786	6	3/8-16 X 1 BOLT-CARRIAGE
4	Y704734	8	3/8-16 NUT-LOCK, FLANGE GR/G
5	7883333	4	5/16-18 X 1 SCREW-FLANGE
6	Y704726	4	5/16-18 NUT-LOCK, FLANGE GR/G
7	7703424	3	3/8-16 X 1 SCREW-FLANGE
8	704247	3	3/8-16 NUT-LOCK, FLANGE
9	70923938	2	3/8-16 X 3-1/2 CAPSCREW
10	705541	2	1/2 HARDENED PLAIN WASHER
11	3728288M1	2	SPRING-COMPRESSION
12	3728291M1	2	SPACER-SPRING, DECK LOCK
13	3728289M1	1	ANGLE-DECK LOCKING
14	3736136M1	4	SLIDER
15	7703432	4	3/8-16 X 3/4 SCREW-FLANGE
16	66384B	1	RAMP
17	700711084	2	3/8-16 X 1-1/2 SCREW-FLANGE GR8
18	700152976	1	BLOCK-ANCHOR
19	700152972	1	ANCHOR WA
20	Y705525	4	5/16 HARDENED PLAIN WASHER
21	3728219M1	2	CLAMP-DECK LOCKING ROD
22	113285M1	2	GASKET

700152911-2

DHW DRAPER HEADER  
FRAME AND SHIELDS

HYDRAULIC SHIELDS (18 FOOT)



**DHW DRAPER HEADER  
FRAME AND SHIELDS**

**85**

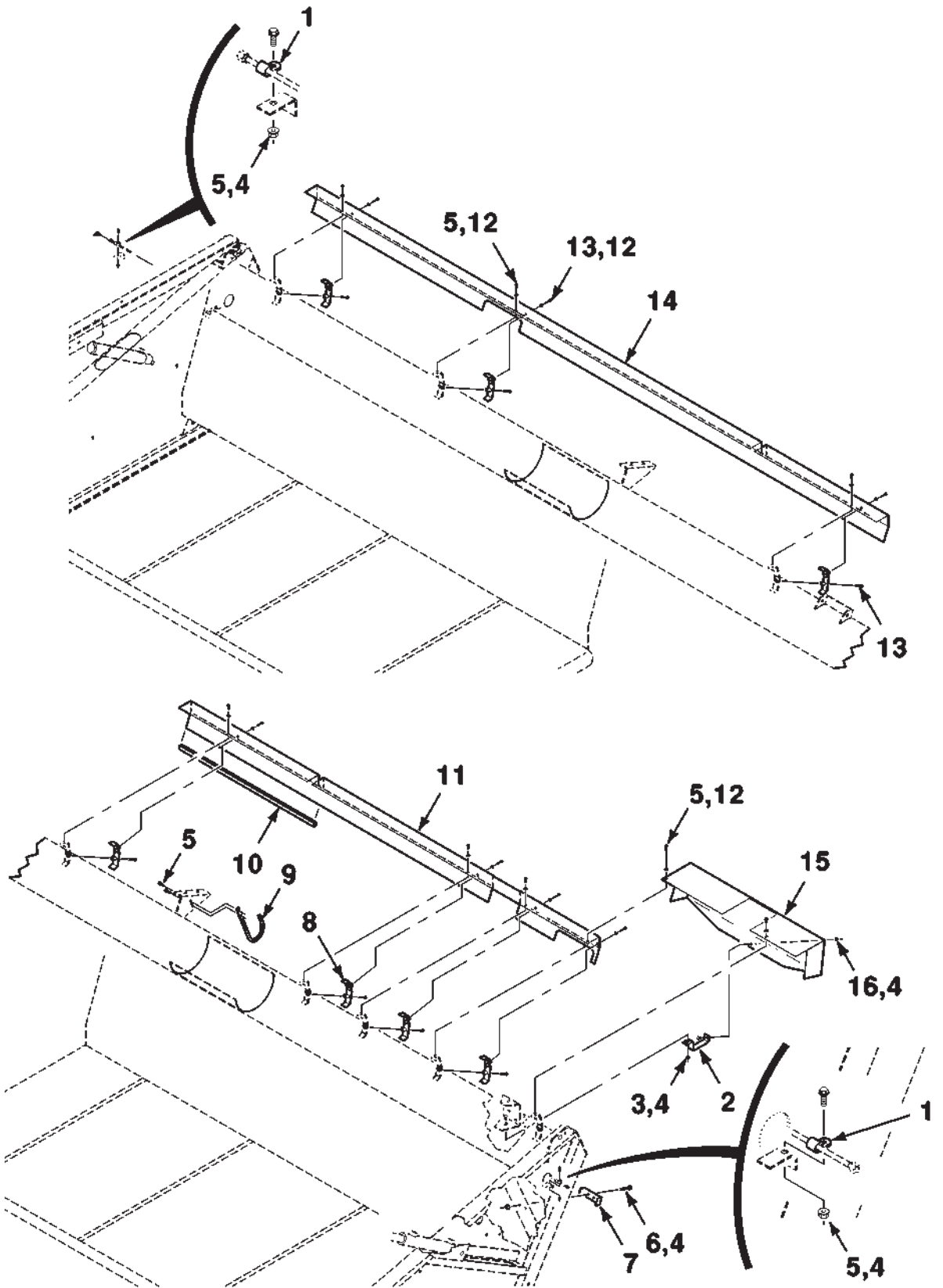
**HYDRAULIC SHIELDS (18 FOOT)**

ITEM	NUMBER	QTY	DESCRIPTION
1	70926919	2	CLAMP-LINE
2	700156859B	1	PLATE-MOUNTING
3	70931317	1	1/4-20 X 3/4 BOLT-CARRIAGE
4	1703354	6	1/4-20 NUT-LOCK, FLANGE GR/G
5	7883275	13	1/4-20 X 3/4 SCREW-FLANGE
6	3725855M1	2	1/4-20 X 1-3/4 SCREW-FLANGE
7	113370M1	1	CLAMP
8	700157175B	6	CLAMP WA
9	700162334	1	TRIM
10	700161387	1	RETAINER-HOSE
11	700161719B	1	SHIELD-LEFT
12	353769X1	15	1/4 HARDENED PLAIN WASHER
13	7883291	12	1/4-20 X 1-1/4 SCREW-FLANGE
14	700161720B	1	SHIELD-RIGHT
15	700156875B	1	SHIELD-FLOW CONTROL
16	364941X1	1	1/4-20 X 1/2 BOLT-CARRIAGE

700156651-0

DHW DRAPER HEADER  
FRAME AND SHIELDS

HYDRAULIC SHIELDS (22 FOOT)





**DHW DRAPER HEADER  
FRAME AND SHIELDS**

**87**

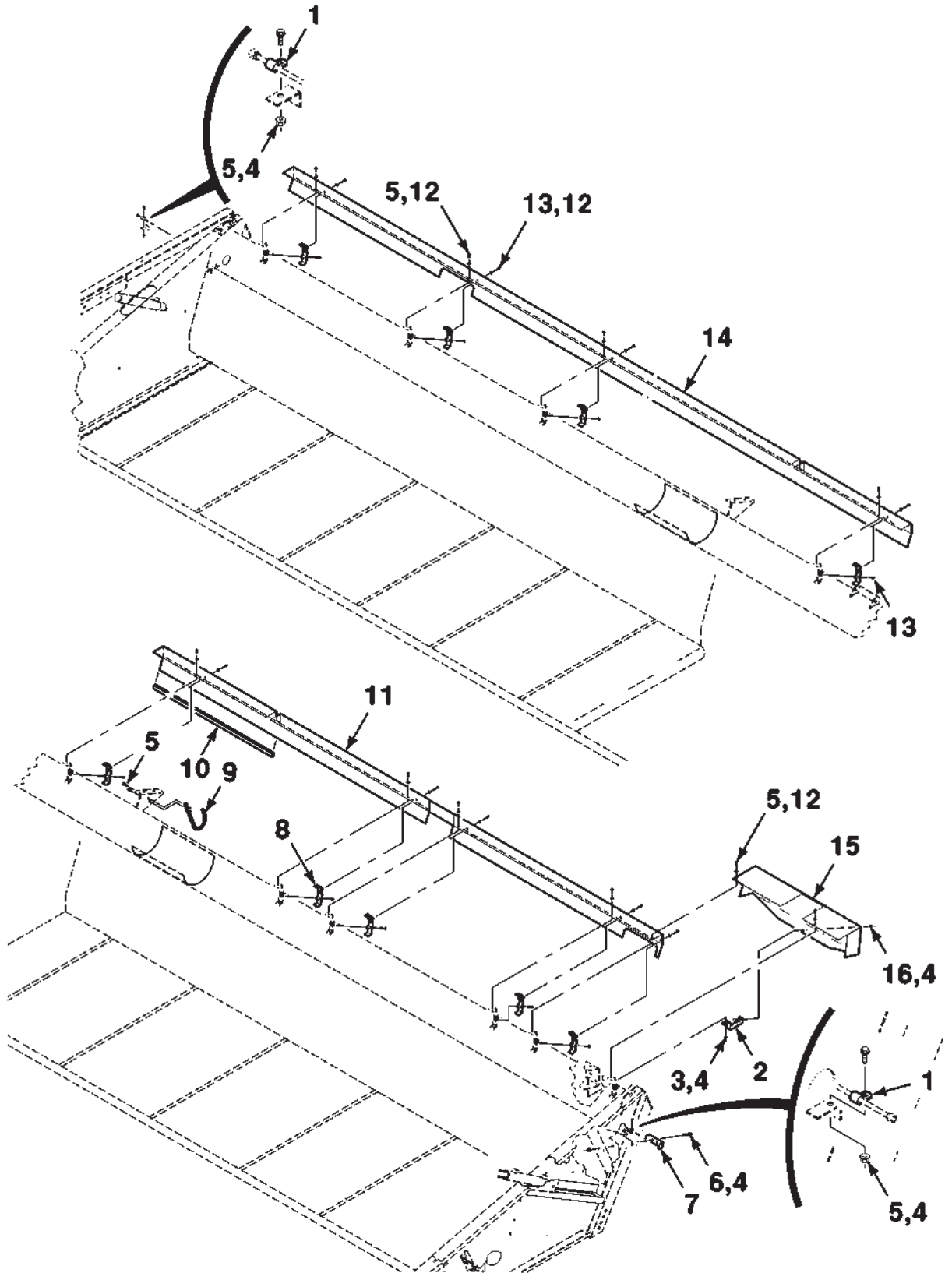
**HYDRAULIC SHIELDS (22 FOOT)**

ITEM	NUMBER	QTY	DESCRIPTION
1	70926919	2	CLAMP-LINE
2	700156859B	1	PLATE-MOUNTING
3	70931317	1	1/4-20 X 3/4 BOLT-CARRIAGE
4	1703354	6	1/4-20 NUT-LOCK, FLANGE GR/G
5	7883275	14	1/4-20 X 3/4 SCREW-FLANGE
6	3725855M1	2	1/4-20 X 1-3/4 SCREW-FLANGE
7	113370M1	1	CLAMP
8	700157175B	6	CLAMP WA
9	700161387	1	RETAINER-HOSE
10	700162334	1	TRIM
11	700161717B	1	SHIELD-LEFT
12	353769X1	17	1/4 HARDENED PLAIN WASHER
13	7883291	13	1/4-20 X 1-1/4 SCREW-FLANGE
14	700161718B	1	SHIELD-RIGHT
15	700156875B	1	SHIELD-FLOW CONTROL
16	364941X1	1	1/4-20 X 1/2 BOLT-CARRIAGE

700156650-0

DHW DRAPER HEADER  
FRAME AND SHIELDS

HYDRAULIC SHIELDS (25 FOOT)



**DHW DRAPER HEADER  
FRAME AND SHIELDS**

**89**

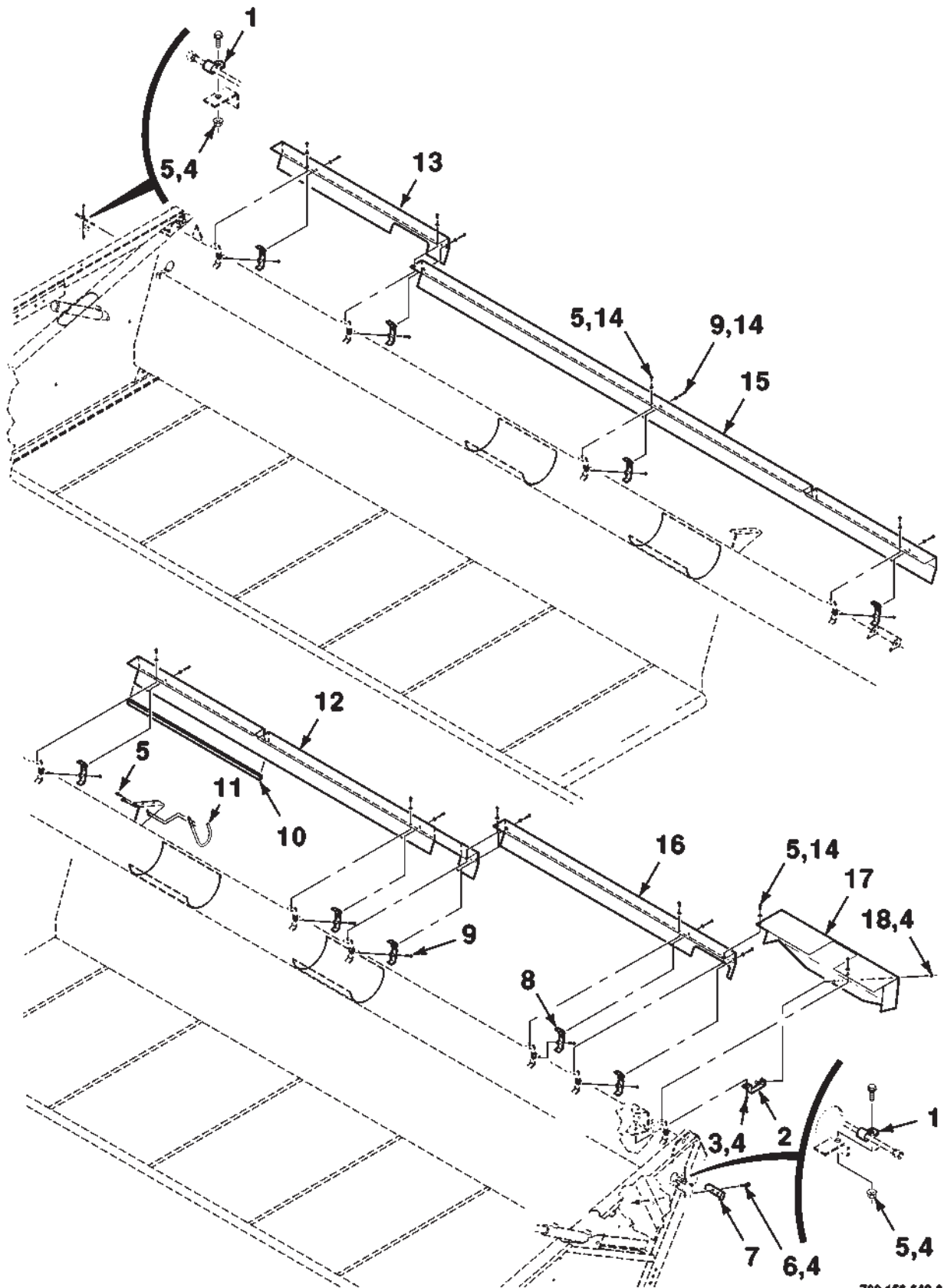
**HYDRAULIC SHIELDS (25 FOOT)**

ITEM	NUMBER	QTY	DESCRIPTION
1	70926919	2	CLAMP-LINE
2	700156859B	1	PLATE-MOUNTING
3	70931317	1	1/4-20 X 3/4 BOLT-CARRIAGE
4	1703354	6	1/4-20 NUT-LOCK, FLANGE GR/G
5	7883275	16	1/4-20 X 3/4 SCREW-FLANGE
6	3725855M1	2	1/4-20 X 1-3/4 SCREW-FLANGE
7	113370M1	1	CLAMP
8	700157175B	9	CLAMP WA
9	700161387	1	RETAINER-HOSE
10	700162334	1	TRIM
11	700161715B	1	SHIELD-LEFT
12	353769X1	21	1/4 HARDENED PLAIN WASHER
13	7883291	18	1/4-20 X 1-1/4 SCREW-FLANGE
14	700161716B	1	SHIELD-RIGHT
15	700156875B	1	SHIELD-FLOW CONTROL
16	364941X1	1	1/4-20 X 1/2 BOLT-CARRIAGE

700156649-0

DHW DRAPER HEADER  
FRAME AND SHIELDS

HYDRAULIC SHIELDS (30 FOOT)



DHW DRAPER HEADER  
FRAME AND SHIELDS

91

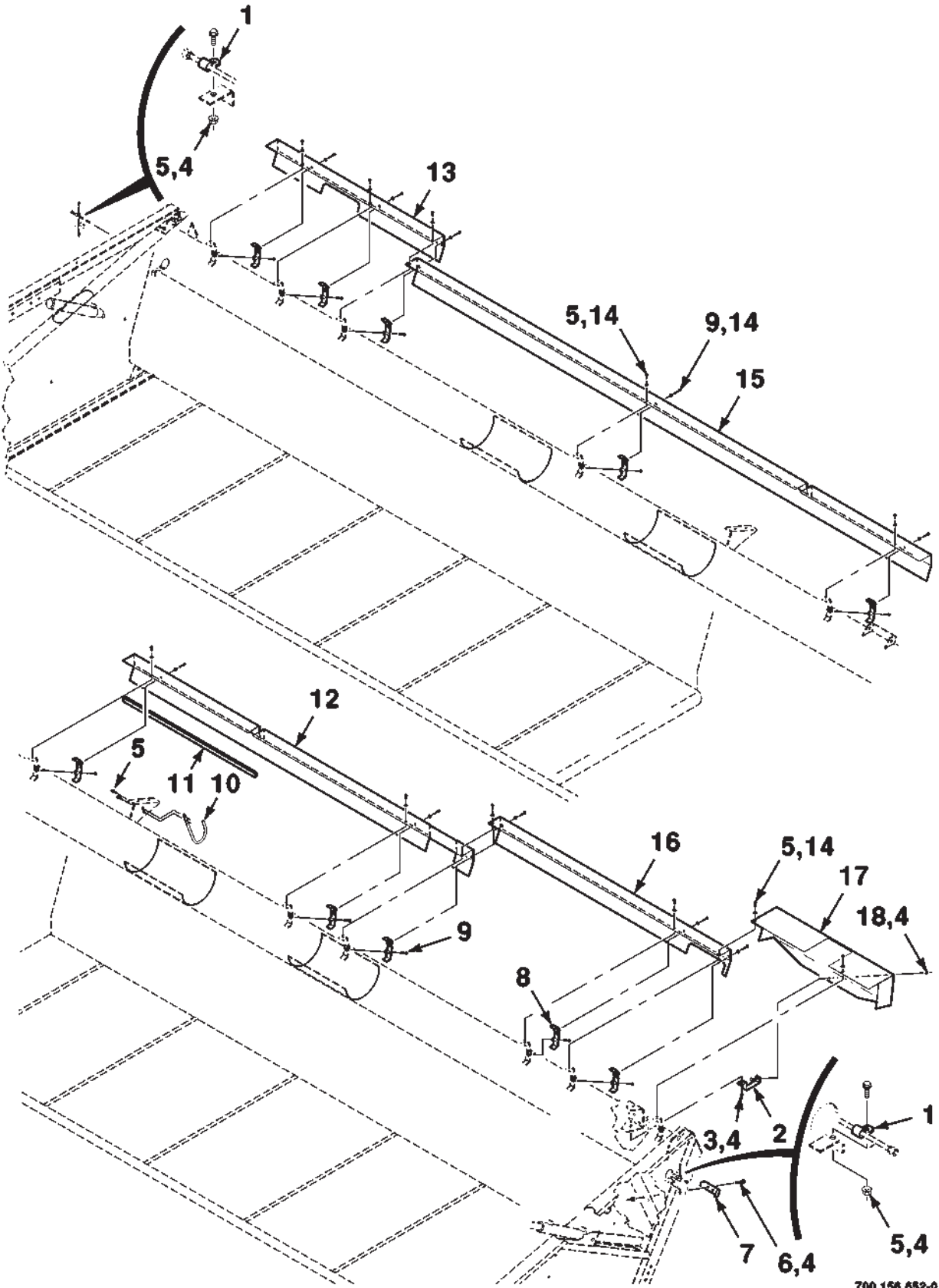
HYDRAULIC SHIELDS (30 FOOT)

ITEM	NUMBER	QTY	DESCRIPTION
1	70926919	2	CLAMP-LINE
2	700156859B	1	PLATE-MOUNTING
3	70931317	1	1/4-20 X 3/4 BOLT-CARRIAGE
4	1703354	6	1/4-20 NUT-LOCK, FLANGE GR/G
5	7883275	16	1/4-20 X 3/4 SCREW-FLANGE
6	3725855M1	2	1/4-20 X 1-3/4 SCREW-FLANGE
7	113370M1	1	CLAMP
8	700157175B	9	CLAMP WA
9	7883291	18	1/4-20 X 1-1/4 SCREW-FLANGE
10	700162334	1	TRIM
11	700161387	1	RETAINER-HOSE
12	700157168B	1	SHIELD-LEFT, CENTER
13	700157163B	1	SHIELD-RIGHT, END
14	353769X1	21	1/4 HARDENED PLAIN WASHER
15	700156837B	1	SHIELD-RIGHT, CENTER
16	700156876B	1	SHIELD-LEFT, END
17	700156875B	1	SHIELD-FLOW CONTROL
18	364941X1	1	1/4-20 X 1/2 BOLT-CARRIAGE

700156648-0

DHW DRAPER HEADER  
FRAME AND SHIELDS

HYDRAULIC SHIELDS (36 FOOT)



**DHW DRAPER HEADER  
FRAME AND SHIELDS**

**93**

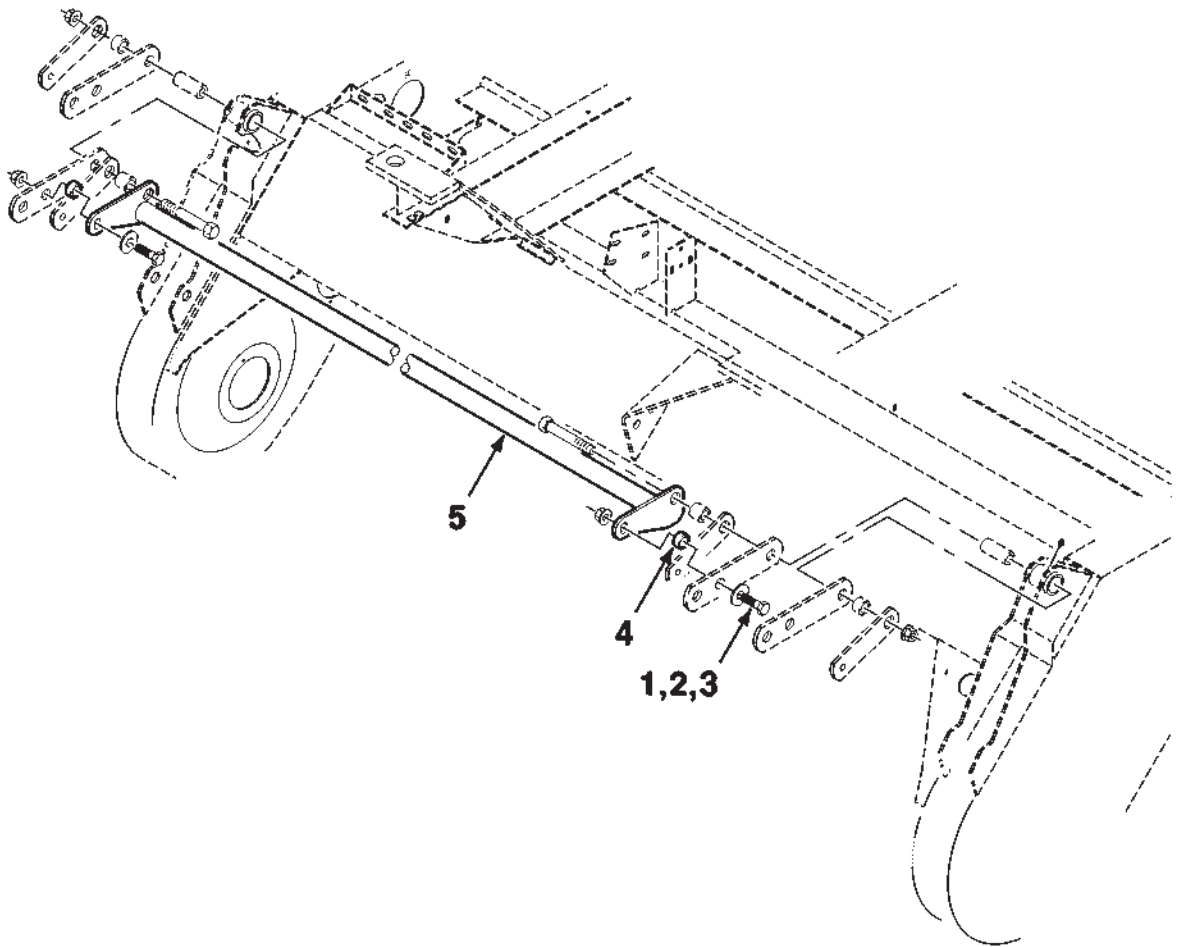
**HYDRAULIC SHIELDS (36 FOOT)**

ITEM	NUMBER	QTY	DESCRIPTION
1	70926919	2	CLAMP-LINE
2	700156859B	1	PLATE-MOUNTING
3	70931317	1	1/4-20 X 3/4 BOLT-CARRIAGE
4	1703354	6	1/4-20 NUT-LOCK, FLANGE GR/G
5	7883275	16	1/4-20 X 3/4 SCREW-FLANGE
6	3725855M1	2	1/4-20 X 1-3/4 SCREW-FLANGE
7	113370M1	1	CLAMP
8	700157175B	10	CLAMP WA
9	7883291	19	1/4-20 X 1-1/4 SCREW-FLANGE
10	700161387	1	RETAINER-HOSE
11	700162334	1	TRIM
12	700157168B	1	SHIELD-LEFT, CENTER
13	700162061	1	SHIELD-RIGHT, END
14	353769X1	21	1/4 HARDENED PLAIN WASHER
15	700156837B	1	SHIELD-RIGHT, CENTER
16	700162060	1	SHIELD-LEFT, END
17	700156875B	1	SHIELD-FLOW CONTROL
18	364941X1	1	1/4-20 X 1/2 BOLT-CARRIAGE

700156652-0

DHW DRAPER HEADER  
FRAME AND SHIELDS

TORQUE SHAFT





**DHW DRAPER HEADER  
FRAME AND SHIELDS**

**95**

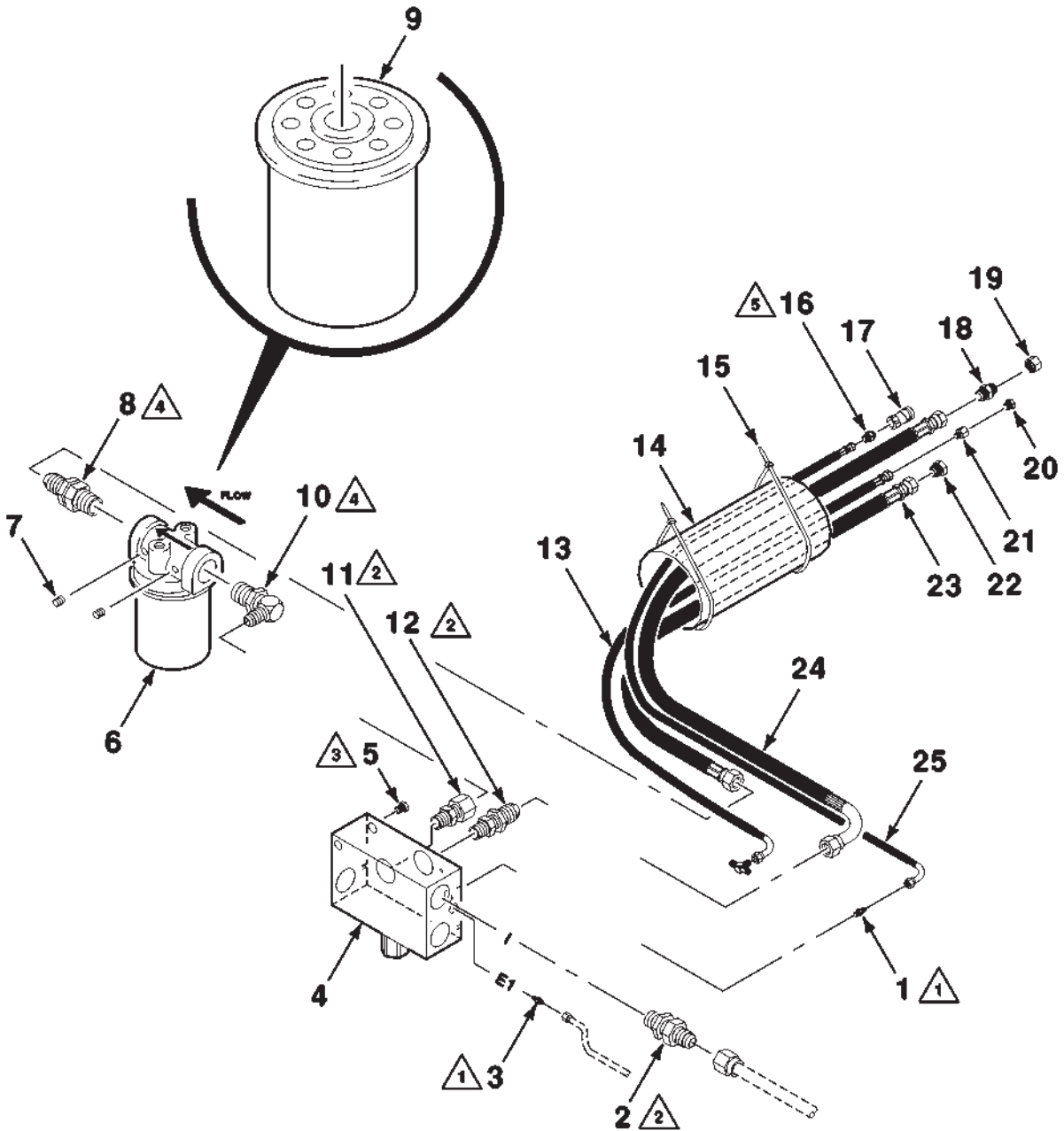
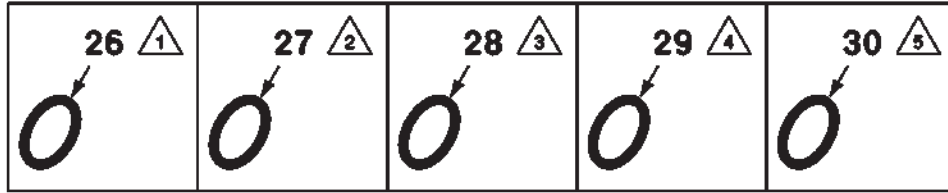
**TORQUE SHAFT**

ITEM	NUMBER	QTY	DESCRIPTION
1	70925149	2	3/4-10 X 2-1/2 CAPSCREW
2	700711166	2	3/4 HARDENED WIDE PLAIN WASHER
3	700703923	2	3/4-10 NUT-LOCK, FLANGE GR/G
4	700134081B	2	SPACER
5	700156807B	1	SHAFT WA-TORQUE

700156665-0

DHW DRAPER HEADER  
HYDRAULICS

REEL AND SICKLE DRIVE-CENTER



**DHW DRAPER HEADER  
HYDRAULICS**

97

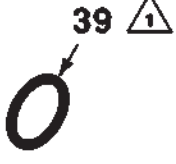



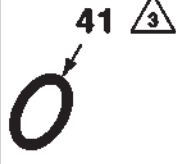

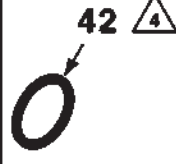



**REEL AND SICKLE DRIVE-CENTER**

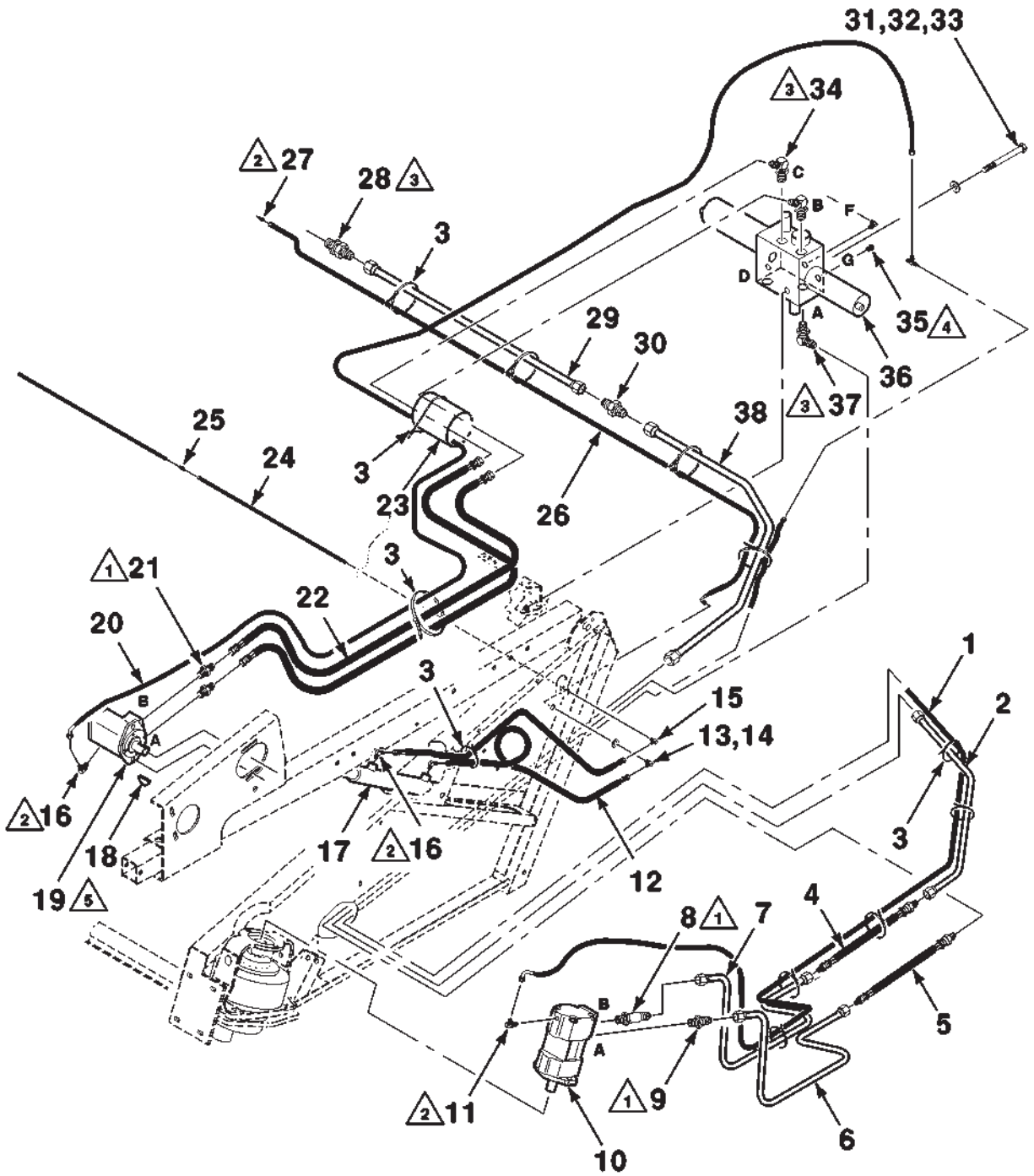
ITEM	NUMBER	QTY	DESCRIPTION
1	70925656	1	9/16-18 X 7/16-20 CONNECTOR (Includes Item 26)
2	70923174	1	1-5/16 X 1-1/16 CONNECTOR (Includes Item 27)
3	700701356	1	7/16-20 CONNECTOR (Includes Item 26)
4	700725552	1	MANIFOLD ASSEMBLY-RELIEF VALVE
5	846634	1	9/16-18 PLUG-ORB (Includes Item 28)
6	700728047	1	FILTER ASSEMBLY (Includes Item 9)
7	3728399M1	2	PLUG-PIPE 1/8-27 PIPE THREAD
8	700722963	1	1-5/16 - 12 CONNECTOR-CHECK VALVE (Includes Item 29)
9	700721747	1	ELEMENT-FILTER
10	746776	1	1-1/16 - 12 X 1-5/16 - 12 X 90 Degree ELBOW (Includes Item 29)
11	700718837	1	1-1/16 - 12 CONNECTOR (Includes Item 27)
12	70921217	1	1-1/16 - 12 CONNECTOR (Includes Item 27)
13	71406217	1	HOSE-HYDRAULIC
14	700717324	2	SLEEVE-NYLON
15	70937133	3	TIE-NYLON
16	360202X91	1	9/16-18 X 3/4-16 CONNECTOR (Includes Item 30)
17	700716553	1	COUPLER-QUICK
18	8046146	1	1-5/16 - 12 CONNECTOR
19	700711183	1	1-5/16-12 CAP
20	70924290	1	7/8-14 PLUG
21	700711771	1	REDUCER
22	700710811	1	1-5/16 PLUG
23	700725798	1	HOSE-HYDRAULIC
24	700725600	1	HOSE-HYDRAULIC
25	7872617	1	HOSE-HYDRAULIC
26	7040397	AR	.351 I.D. O-RING
27	70921206	AR	.942 I.D. O-RING
28	738468	AR	.468 I.D. O-RING
29	70921214	AR	1.171 I.D. O-RING
30	70921349	AR	.644 I.D. O-RING

700156635-2

DHW DRAPER HEADER  
HYDRAULICS

REEL AND SICKLE DRIVE-LEFT  
(18 FOOT)

 39 	 40 	 41 	 42 	 43 SEAL KIT 
--	--	--	---	---



**DHW DRAPER HEADER  
HYDRAULICS**

99

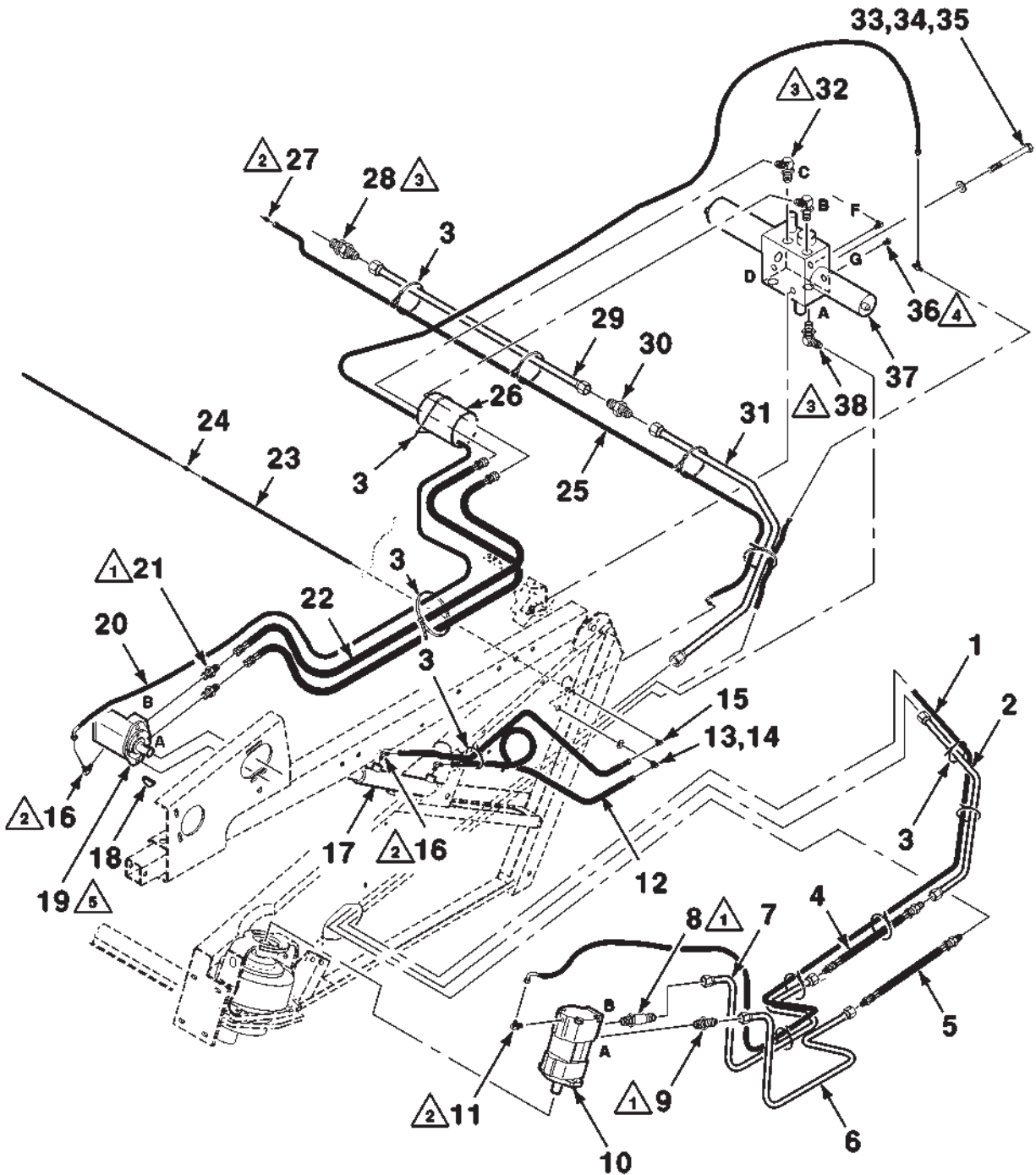
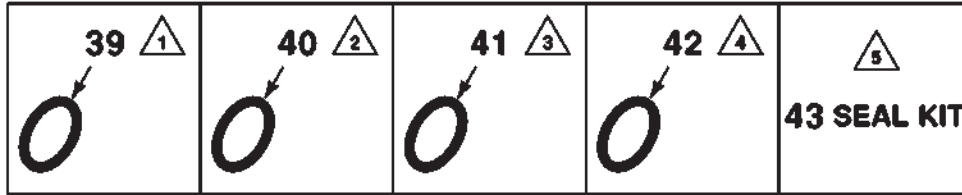
**REEL AND SICKLE DRIVE-LEFT  
(18 FOOT)**

ITEM	NUMBER	QTY	DESCRIPTION
1	700714983	1	HOSE-HYDRAULIC
2	700725546	1	TUBE-HYDRAULIC
3	70925094	20	TIE-CABLE
4	700719969	1	HOSE-HYDRAULIC
5	700725547	1	HOSE-HYDRAULIC
6	700725595	1	TUBE-HYDRAULIC
7	700725596	1	TUBE-HYDRAULIC
8	700722752	1	1-5/16 - 12 X 7/8-14 CONNECTOR (Includes Item 39)
9	700725551	1	1-5/16 - 12 X 7/8-14 CONNECTOR (Includes Item 39)
10	700719893	1	MOTOR ASSEMBLY-KNIFE, DRIVE
11	70930510	1	9/16-18 X 7/16-20 X 90 Degree ELBOW (Includes Item 40)
12	71369199	2	HOSE-HYDRAULIC
13	70928917	1	7/16-20 X 90 Degree ELBOW, BULKHEAD
14	Y705558	1	7/16 HARDENED PLAIN WASHER
15	70929644	1	7/16-20 X 90 Degree ELBOW
16	70922571	3	7/16-20 X 90 Degree ELBOW (Includes Item 40)
17	700718834	1	CYLINDER ASSEMBLY-HYDRAULIC
18	70905126	1	KEY-WOODDRUFF
19	700725794	1	MOTOR ASSEMBLY-REEL DRIVE (Includes Item 43)
20	700724655	1	HOSE-HYDRAULIC
21	70922981	2	1-1/16 - 12 X 7/8-14 CONNECTOR (Includes Item 39)
22	700722486	2	HOSE-HYDRAULIC
23	700717324	1	SLEEVE-NYLON
24	71376019	2	TUBE-HYDRAULIC
25	70919214	1	7/16-20 UNION
26	700722105	1	HOSE-HYDRAULIC, REEL LIFT
27	700701356	1	7/16-20 CONNECTOR (Includes Item 40)
28	70923174	1	1-5/16 - 12 X 1-1/16 - 12 CONNECTOR (Includes Item 41)
29	700722147	1	TUBE-HYDRAULIC
30	8046146	1	1-5/16 - 12 UNION
31	70921324	2	3/8-16 X 3-3/4 CAPSCREW
32	Y705533	2	3/8 HARDENED PLAIN WASHER
33	Y704734	2	3/8-16 NUT-LOCK, FLANGE GR/G
34	70921728	2	1-1/16 - 12 X 45 Degree ELBOW (Includes Item 41)
35	357194X1	1	9/16-18 PLUG-ORB (Includes Item 42)
36	700721404	1	VALVE ASSEMBLY-FLOW CONTROL
37	70921203	1	1-1/16 - 12 X 90 Degree ELBOW (Includes Item 41)
38	700725594	1	TUBE-HYDRAULIC
39	70921205	AR	.755 I.D. O-RING
40	7040397	AR	.351 I.D. O-RING
41	70921206	AR	.942 I.D. O-RING
42	738468	AR	.468 I.D. O-RING
43	700719933	1	SEAL KIT

700156635-1

DHW DRAPER HEADER  
HYDRAULICS

REEL AND SICKLE DRIVE-LEFT  
(22 FOOT)



**DHW DRAPER HEADER  
HYDRAULICS**

101









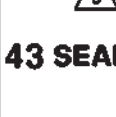

**REEL AND SICKLE DRIVE-LEFT  
(22 FOOT)**

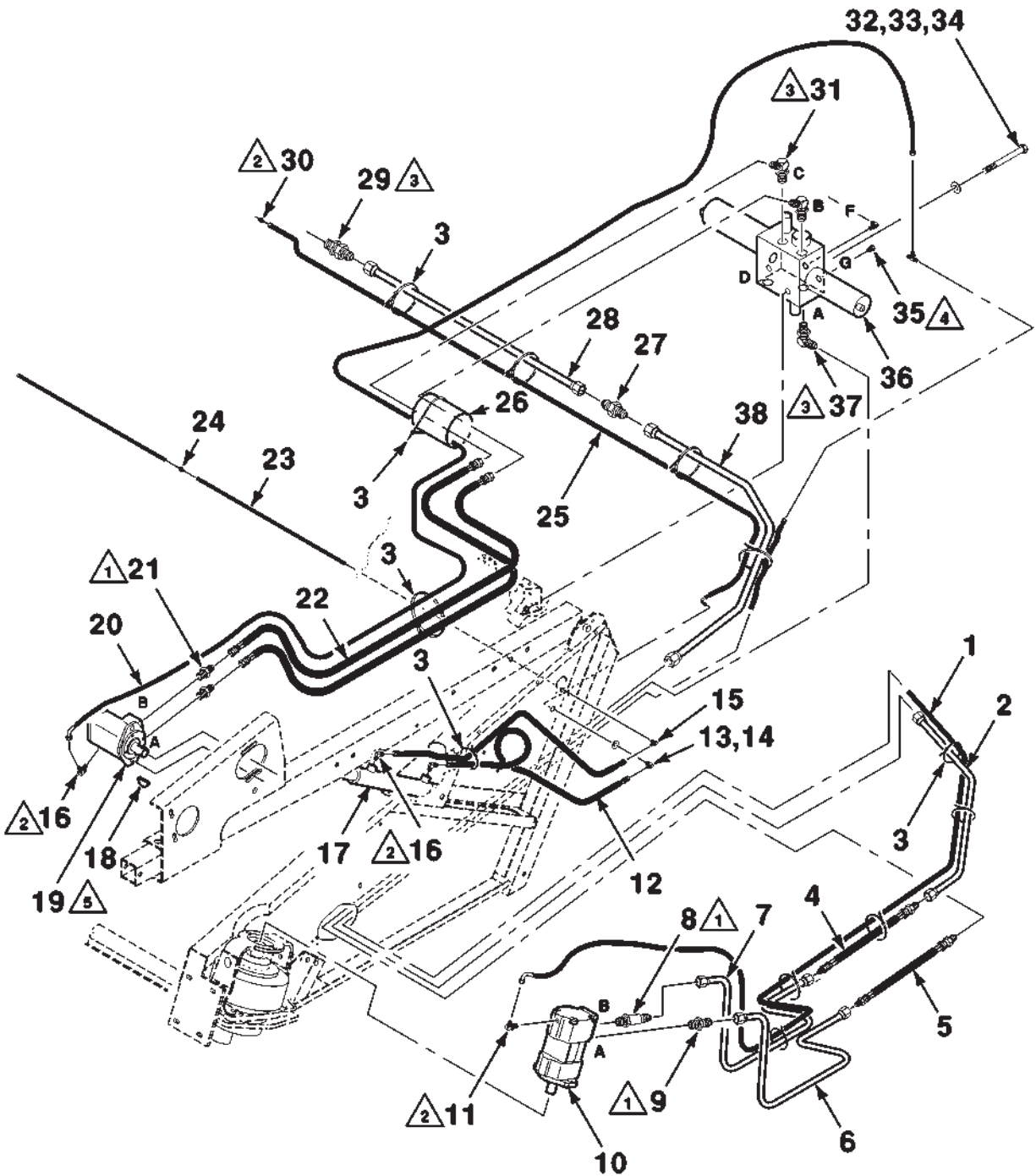
ITEM	NUMBER	QTY	DESCRIPTION
1	700714983	1	HOSE-HYDRAULIC
2	700725546	1	TUBE-HYDRAULIC
3	70925094	20	TIE-CABLE
4	700719969	1	HOSE-HYDRAULIC
5	700725547	1	HOSE-HYDRAULIC
6	700725595	1	TUBE-HYDRAULIC
7	700725596	1	TUBE-HYDRAULIC
8	700722752	1	1-5/16 - 12 X 7/8-14 CONNECTOR (Includes Item 39)
9	700725551	1	1-5/16 - 12 X 7/8-14 CONNECTOR (Includes Item 39)
10	700719893	1	MOTOR ASSEMBLY-KNIFE, DRIVE
11	70930510	1	9/16-18 X 7/16-20 X 90 Degree ELBOW (Includes Item 40)
12	71369199	2	HOSE-HYDRAULIC
13	70928917	1	7/16-20 X 90 Degree ELBOW, BULKHEAD
14	Y705558	1	7/16 HARDENED PLAIN WASHER
15	70929644	1	7/16-20 X 90 Degree ELBOW
16	70922571	3	7/16-20 X 90 Degree ELBOW (Includes Item 40)
17	700718834	1	CYLINDER ASSEMBLY-HYDRAULIC
18	70905126	1	KEY-WOODDRUFF
19	700725794	1	MOTOR ASSEMBLY-REEL DRIVE (Includes Item 43)
20	700724655	1	HOSE-HYDRAULIC
21	70922981	2	1-1/16 - 12 X 7/8-14 CONNECTOR (Includes Item 39)
22	700722486	2	HOSE-HYDRAULIC
23	71376019	2	TUBE-HYDRAULIC
24	70919214	1	7/16-20 UNION
25	700722104	1	HOSE-HYDRAULIC, REEL LIFT
26	700717324	1	SLEEVE-NYLON
27	700701356	1	7/16-20 CONNECTOR (Includes Item 40)
28	70923174	1	1-5/16 - 12 X 1-1/16 - 12 CONNECTOR (Includes Item 41)
29	700725593	1	TUBE-HYDRAULIC
30	8046146	1	1-5/16 - 12 UNION
31	700725594	1	TUBE-HYDRAULIC
32	70921728	2	1-1/16 - 12 X 45 Degree ELBOW (Includes Item 41)
33	70921324	2	3/8-16 X 3-3/4 CAPSCREW
34	Y705533	2	3/8 HARDENED PLAIN WASHER
35	Y704734	2	3/8-16 NUT-LOCK, FLANGE GR/G
36	7746456	1	9/16-18 PLUG-ORB (Includes Item 42)
37	700721404	1	VALVE ASSEMBLY-FLOW CONTROL
38	70921203	1	1-1/16 - 12 X 90 Degree ELBOW (Includes Item 41)
39	70921205	AR	.755 I.D. O-RING
40	7040397	AR	.351 I.D. O-RING
41	70921206	AR	.942 I.D. O-RING
42	738468	AR	.468 I.D. O-RING
43	700719933	1	SEAL KIT

700156634-0

DHW DRAPER HEADER  
HYDRAULICS

REEL AND SICKLE DRIVE-LEFT  
(25 FOOT)

 39 	 40 	 41 	 42 	 43 SEAL KIT 
--	--	--	---	---





**DHW DRAPER HEADER  
HYDRAULICS**

**103**











**REEL AND SICKLE DRIVE-LEFT  
(25 FOOT)**

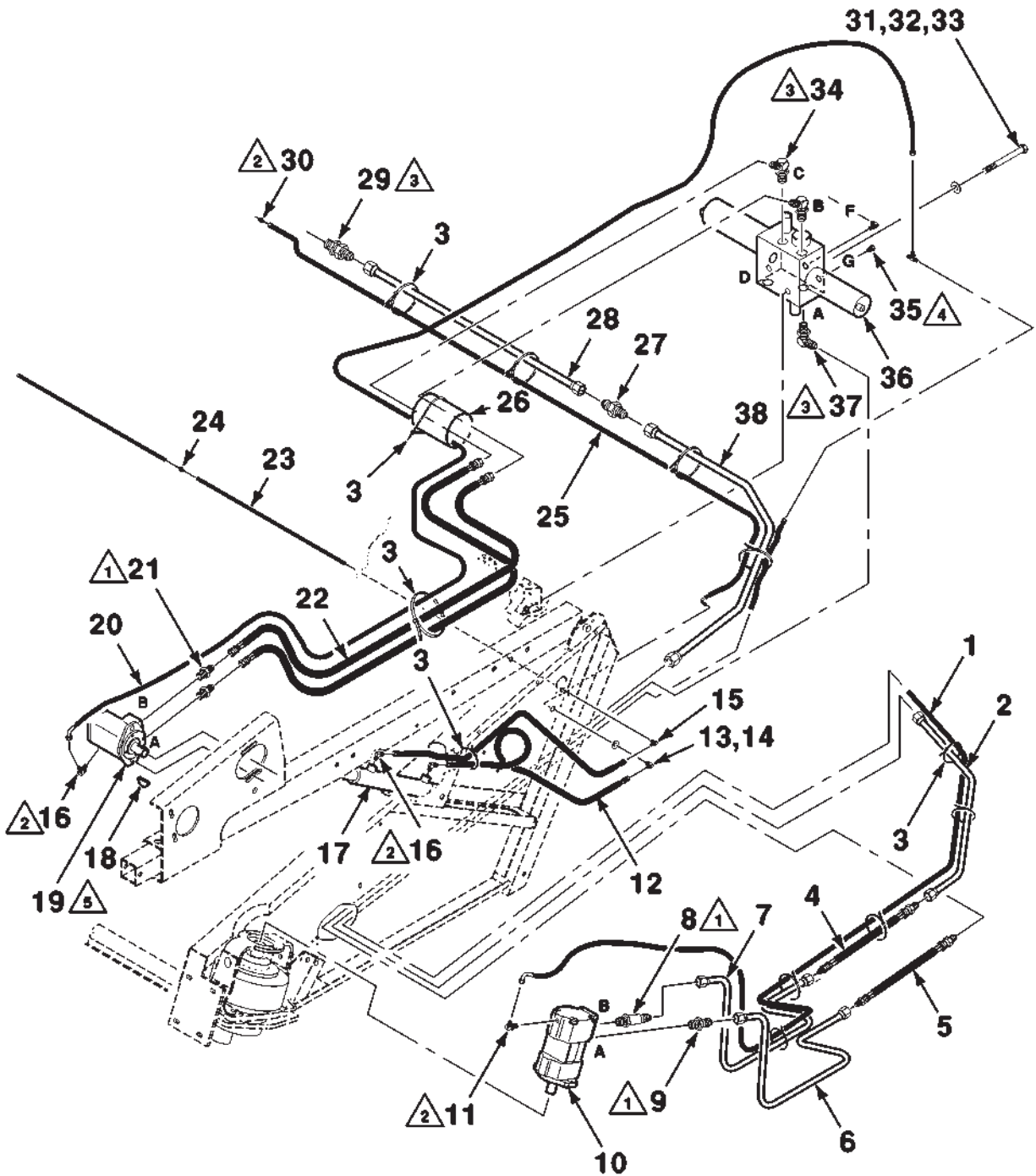
ITEM	NUMBER	QTY	DESCRIPTION
1	700714983	1	HOSE-HYDRAULIC
2	700725546	1	TUBE-HYDRAULIC
3	70925094	20	TIE-CABLE
4	700719969	1	HOSE-HYDRAULIC
5	700725547	1	HOSE-HYDRAULIC
6	700725595	1	TUBE-HYDRAULIC
7	700725596	1	TUBE-HYDRAULIC
8	700722752	1	1-5/16 - 12 X 7/8-14 CONNECTOR (Includes Item 39)
9	700725551	1	1-5/16 - 12 X 7/8-14 CONNECTOR (Includes Item 39)
10	700719893	1	MOTOR ASSEMBLY-KNIFE, DRIVE
11	70930510	1	9/16-18 X 7/16-20 X 90 Degree ELBOW (Includes Item 40)
12	71369199	2	HOSE-HYDRAULIC
13	70928917	1	7/16-20 X 90 Degree ELBOW, BULKHEAD
14	Y705558	1	7/16 HARDENED PLAIN WASHER
15	70929644	1	7/16-20 X 90 Degree ELBOW
16	70922571	3	7/16-20 X 90 Degree ELBOW (Includes Item 40)
17	700718834	1	CYLINDER ASSEMBLY-HYDRAULIC
18	70905126	1	KEY-WOODDRUFF
19	700725794	1	MOTOR ASSEMBLY-REEL DRIVE (Includes Item 43)
20	700724655	1	HOSE-HYDRAULIC
21	70922981	2	1-1/16 - 12 X 7/8-14 CONNECTOR (Includes Item 39)
22	700722486	2	HOSE-HYDRAULIC
23	71376019	2	TUBE-HYDRAULIC
24	70919214	1	7/16-20 UNION
25	700722103	1	HOSE-HYDRAULIC, REEL LIFT
26	700717324	1	SLEEVE-NYLON
27	8046146	1	1-5/16 - 12 UNION
28	700725586	1	TUBE-HYDRAULIC
29	70923174	1	1-5/16 - 12 X 1-1/16 - 12 CONNECTOR (Includes Item 41)
30	700701356	1	7/16-20 CONNECTOR (Includes Item 40)
31	70921728	2	1-1/16 - 12 X 45 Degree ELBOW (Includes Item 41)
32	70921324	2	3/8-16 X 3-3/4 CAPSCREW
33	Y705533	2	3/8 HARDENED PLAIN WASHER
34	Y704734	2	3/8-16 NUT-LOCK, FLANGE GR/G
35	357194X1	1	9/16-18 PLUG-ORB (Includes Item 42)
36	700721404	1	VALVE ASSEMBLY-FLOW CONTROL
37	70921203	1	1-1/16 - 12 X 90 Degree ELBOW (Includes Item 41)
38	700725594	1	TUBE-HYDRAULIC
39	70921205	AR	.755 I.D. O-RING
40	7040397	AR	.351 I.D. O-RING
41	70921206	AR	.942 I.D. O-RING
42	738468	AR	.468 I.D. O-RING
43	700719933	1	SEAL KIT

700156633-0

DHW DRAPER HEADER  
HYDRAULICS

REEL AND SICKLE DRIVE-LEFT  
(30 FOOT)

 39 	 40 	 41 	 42 	 43 SEAL KIT 
--	--	--	---	---



**DHW DRAPER HEADER  
HYDRAULICS**

105











**REEL AND SICKLE DRIVE-LEFT  
(30 FOOT)**

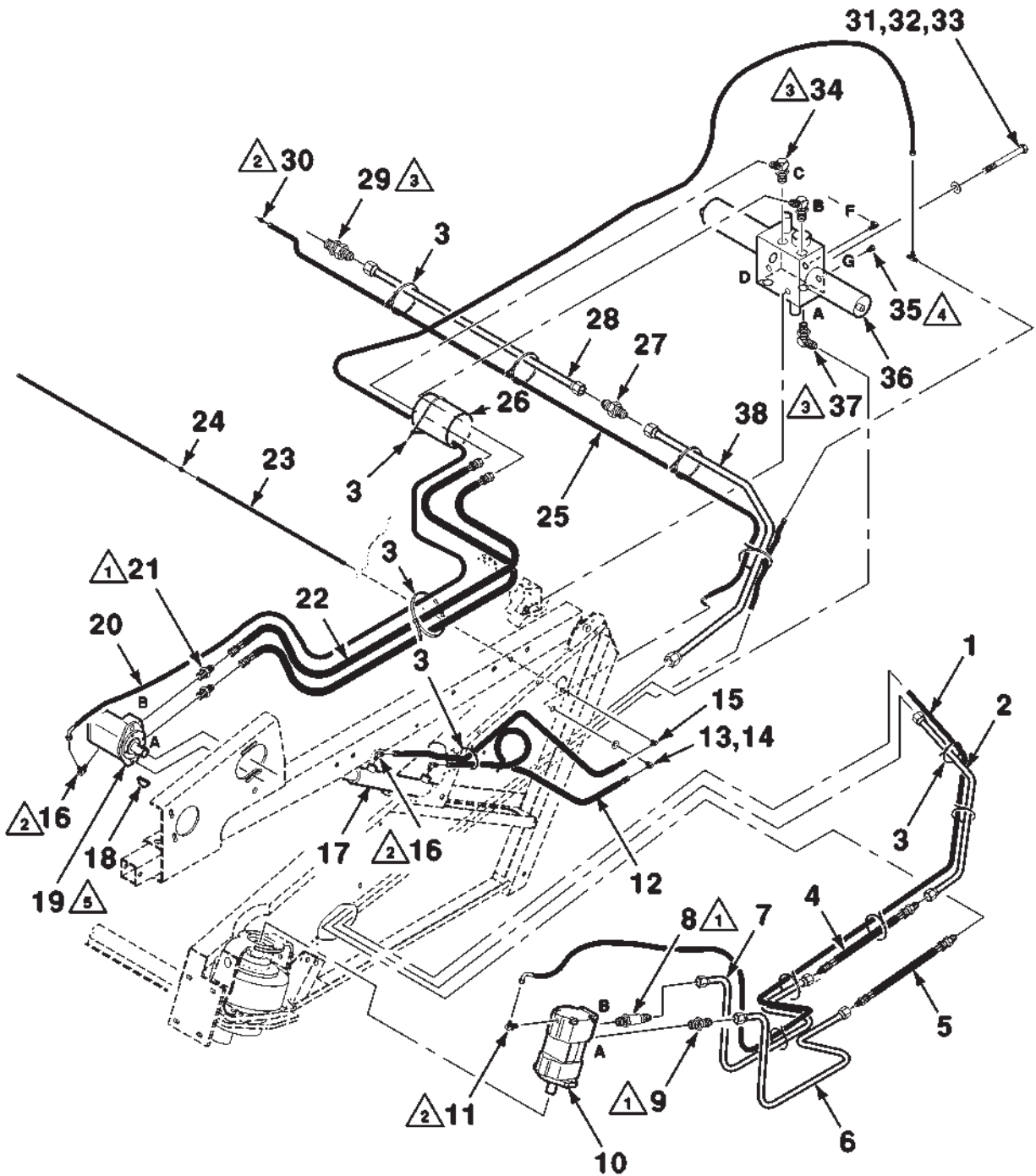
ITEM	NUMBER	QTY	DESCRIPTION
1	700714983	1	HOSE-HYDRAULIC
2	700725546	1	TUBE-HYDRAULIC
3	70925094	20	TIE-CABLE
4	700719969	1	HOSE-HYDRAULIC
5	700725547	1	HOSE-HYDRAULIC
6	700725595	1	TUBE-HYDRAULIC
7	700725596	1	TUBE-HYDRAULIC
8	700722752	1	1-5/16 - 12 X 7/8-14 CONNECTOR (Includes Item 39)
9	700725551	1	1-5/16 - 12 X 7/8-14 CONNECTOR (Includes Item 39)
10	700719893	1	MOTOR ASSEMBLY-KNIFE, DRIVE
11	70930510	1	9/16-18 X 7/16-20 X 90 Degree ELBOW (Includes Item 40)
12	71369199	2	HOSE-HYDRAULIC
13	70928917	1	7/16-20 X 90 Degree ELBOW, BULKHEAD
14	Y705558	1	7/16 HARDENED PLAIN WASHER
15	70929644	1	7/16-20 X 90 Degree ELBOW
16	70922571	3	7/16-20 X 90 Degree ELBOW (Includes Item 40)
17	700718834	1	CYLINDER ASSEMBLY-HYDRAULIC
18	70905126	1	KEY-WOODDRUFF
19	700725794	1	MOTOR ASSEMBLY-REEL DRIVE (Includes Item 43)
20	700724655	1	HOSE-HYDRAULIC
21	70922981	2	1-1/16 - 12 X 7/8-14 CONNECTOR (Includes Item 39)
22	700722486	2	HOSE-HYDRAULIC
23	71376019	2	TUBE-HYDRAULIC
24	70919214	1	7/16-20 UNION
25	700725591	1	HOSE-HYDRAULIC, REEL LIFT
26	700717324	1	SLEEVE-NYLON
27	8046146	1	1-5/16 - 12 UNION
28	700725588	1	TUBE-HYDRAULIC
29	70923174	1	1-5/16 - 12 X 1-1/16 - 12 CONNECTOR (Includes Item 41)
30	700701356	1	7/16-20 CONNECTOR (Includes Item 40)
31	70921324	2	3/8-16 X 3-3/4 CAPSCREW
32	Y705533	2	3/8 HARDENED PLAIN WASHER
33	Y704734	2	3/8-16 NUT-LOCK, FLANGE GR/G
34	70921728	2	1-1/16 - 12 X 45 Degree ELBOW (Includes Item 41)
35	357194X1	1	9/16-18 PLUG-ORB (Includes Item 42)
36	700721404	1	VALVE ASSEMBLY-FLOW CONTROL
37	70921203	1	1-1/16 - 12 X 90 Degree ELBOW (Includes Item 41)
38	700725594	1	TUBE-HYDRAULIC
39	70921205	AR	.755 I.D. O-RING
40	7040397	AR	.351 I.D. O-RING
41	70921206	AR	.942 I.D. O-RING
42	738468	AR	.468 I.D. O-RING
43	700719933	1	SEAL KIT

700156632-0

DHW DRAPER HEADER  
HYDRAULICS

REEL AND SICKLE DRIVE-LEFT  
(36 FOOT)

 39 	 40 	 41 	 42 	 43 SEAL KIT 
--	--	--	--	--



**DHW DRAPER HEADER  
HYDRAULICS**

107

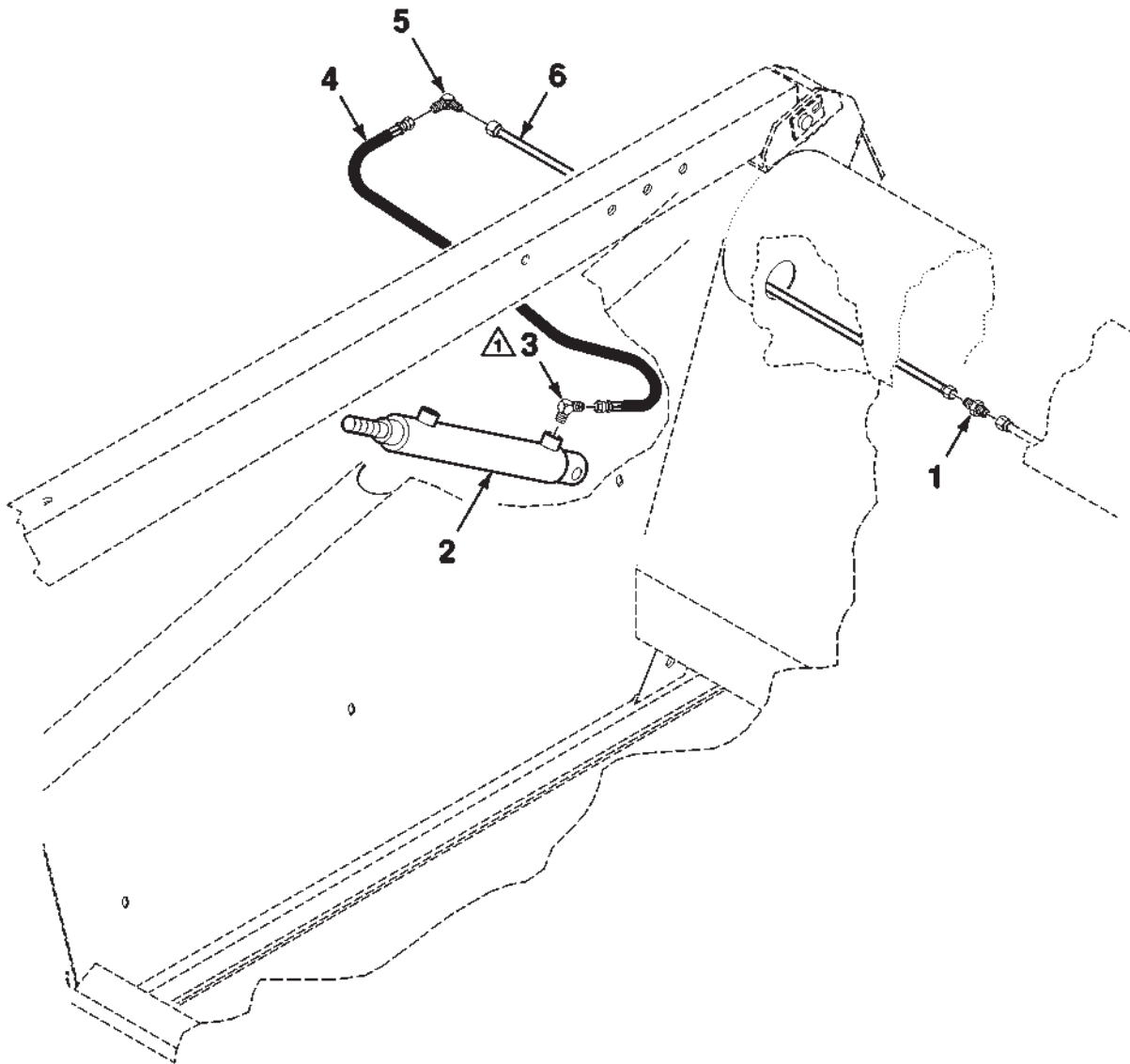
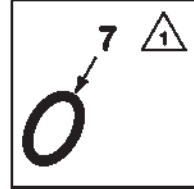
**REEL AND SICKLE DRIVE-LEFT  
(36 FOOT)**

ITEM	NUMBER	QTY	DESCRIPTION
1	700714983	1	HOSE-HYDRAULIC
2	700725546	1	TUBE-HYDRAULIC
3	70925094	20	TIE-CABLE
4	700719969	1	HOSE-HYDRAULIC
5	700725547	1	HOSE-HYDRAULIC
6	700725595	1	TUBE-HYDRAULIC
7	700725596	1	TUBE-HYDRAULIC
8	700722752	1	1-5/16 - 12 X 7/8-14 CONNECTOR (Includes Item 39)
9	700725551	1	1-5/16 - 12 X 7/8-14 CONNECTOR (Includes Item 39)
10	700719893	1	MOTOR ASSEMBLY-KNIFE, DRIVE
11	70930510	1	9/16-18 X 7/16-20 X 90 Degree ELBOW (Includes Item 40)
12	71369199	2	HOSE-HYDRAULIC
13	70928917	1	7/16-20 X 90 Degree ELBOW, BULKHEAD
14	Y705558	1	7/16 HARDENED PLAIN WASHER
15	70929644	1	7/16-20 X 90 Degree ELBOW
16	70922571	3	7/16-20 X 90 Degree ELBOW (Includes Item 40)
17	700718834	1	CYLINDER ASSEMBLY-HYDRAULIC
18	70905126	1	KEY-WOODDRUFF
19	700725794	1	MOTOR ASSEMBLY-REEL DRIVE (Includes Item 43)
20	700724655	1	HOSE-HYDRAULIC
21	70922981	2	1-1/16 - 12 X 7/8-14 CONNECTOR (Includes Item 39)
22	700722486	2	HOSE-HYDRAULIC
23	71376019	2	TUBE-HYDRAULIC
24	70919214	1	7/16-20 UNION
25	700722420	1	HOSE-HYDRAULIC, REEL LIFT
26	700717324	1	SLEEVE-NYLON
27	8046146	1	1-5/16 - 12 UNION
28	700722422	1	TUBE-HYDRAULIC
29	70923174	1	1-5/16 - 12 X 1-1/16 - 12 CONNECTOR (Includes Item 41)
30	700701356	1	7/16-20 CONNECTOR (Includes Item 40)
31	70921324	2	3/8-16 X 3-3/4 CAPSCREW
32	Y705533	2	3/8 HARDENED PLAIN WASHER
33	Y704734	2	3/8-16 NUT-LOCK, FLANGE GR/G
34	70921728	2	1-1/16 - 12 X 45 Degree ELBOW (Includes Item 41)
35	357194X1	1	9/16-18 PLUG-ORB (Includes Item 42)
36	700721404	1	VALVE ASSEMBLY-FLOW CONTROL
37	70921203	1	1-1/16 - 12 X 90 Degree ELBOW (Includes Item 41)
38	700725594	1	TUBE-HYDRAULIC
39	70921205	AR	.755 I.D. O-RING
40	7040397	AR	.351 I.D. O-RING
41	70921206	AR	.942 I.D. O-RING
42	738468	AR	.468 I.D. O-RING
43	700719933	1	SEAL KIT

700156636-0

DHW DRAPER HEADER  
HYDRAULICS

REEL AND SICKLE DRIVE-RIGHT  
(18, 22, 25, 30 AND 36 FOOT)



**DHW DRAPER HEADER  
HYDRAULICS**

**109**

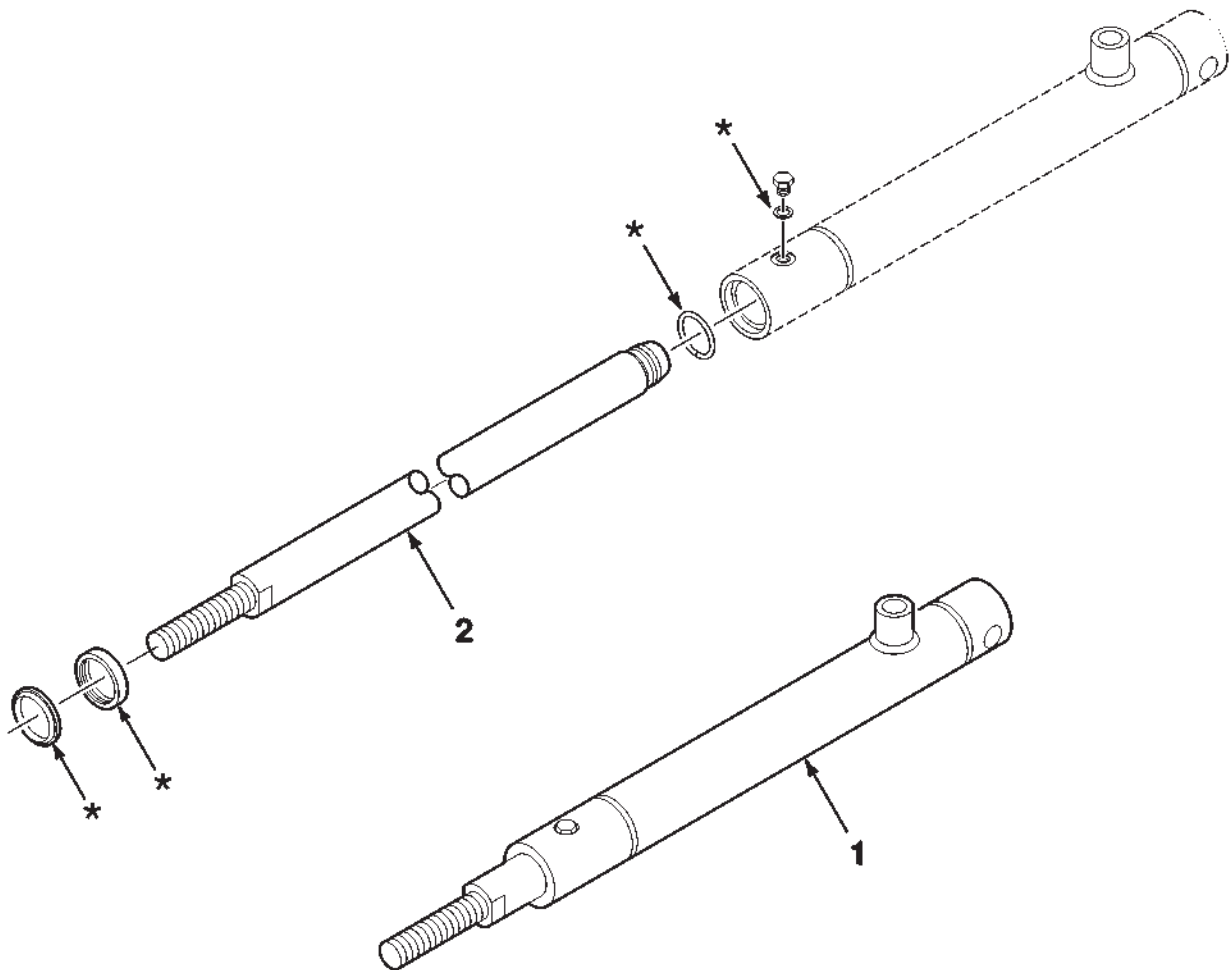
**REEL AND SICKLE DRIVE-RIGHT  
(18, 22, 25, 30 AND 36 FOOT)**

ITEM	NUMBER	QTY	DESCRIPTION
1	70919214	1	7/16-20 UNION
2	700718835	1	CYLINDER ASSEMBLY-HYDRAULIC
3	70922571	1	7/16-20 X 90 Degree ELBOW (Includes Item 7)
4	71369199	1	HOSE-HYDRAULIC
5	70929644	1	7/16-20 X 90 Degree ELBOW
6	700722150	1	TUBE-HYDRAULIC (18 FOOT)
6	700725592		TUBE-HYDRAULIC (22 FOOT)
6	700725590		TUBE-HYDRAULIC (25 FOOT)
6	700725589		TUBE-HYDRAULIC (30 FOOT)
6	700722423	1	TUBE-HYDRAULIC (36 FOOT)
7	7040397	AR	.351 I.D. O-RING

700156635-3

HYDRAULIC CYLINDER ASSEMBLY (SLAVE)  
(700718835 HYDRAULIC CYLINDER ASSEMBLY)

**3 SEAL REPAIR KIT**





**DHW DRAPER HEADER**  
**HYDRAULICS**

111

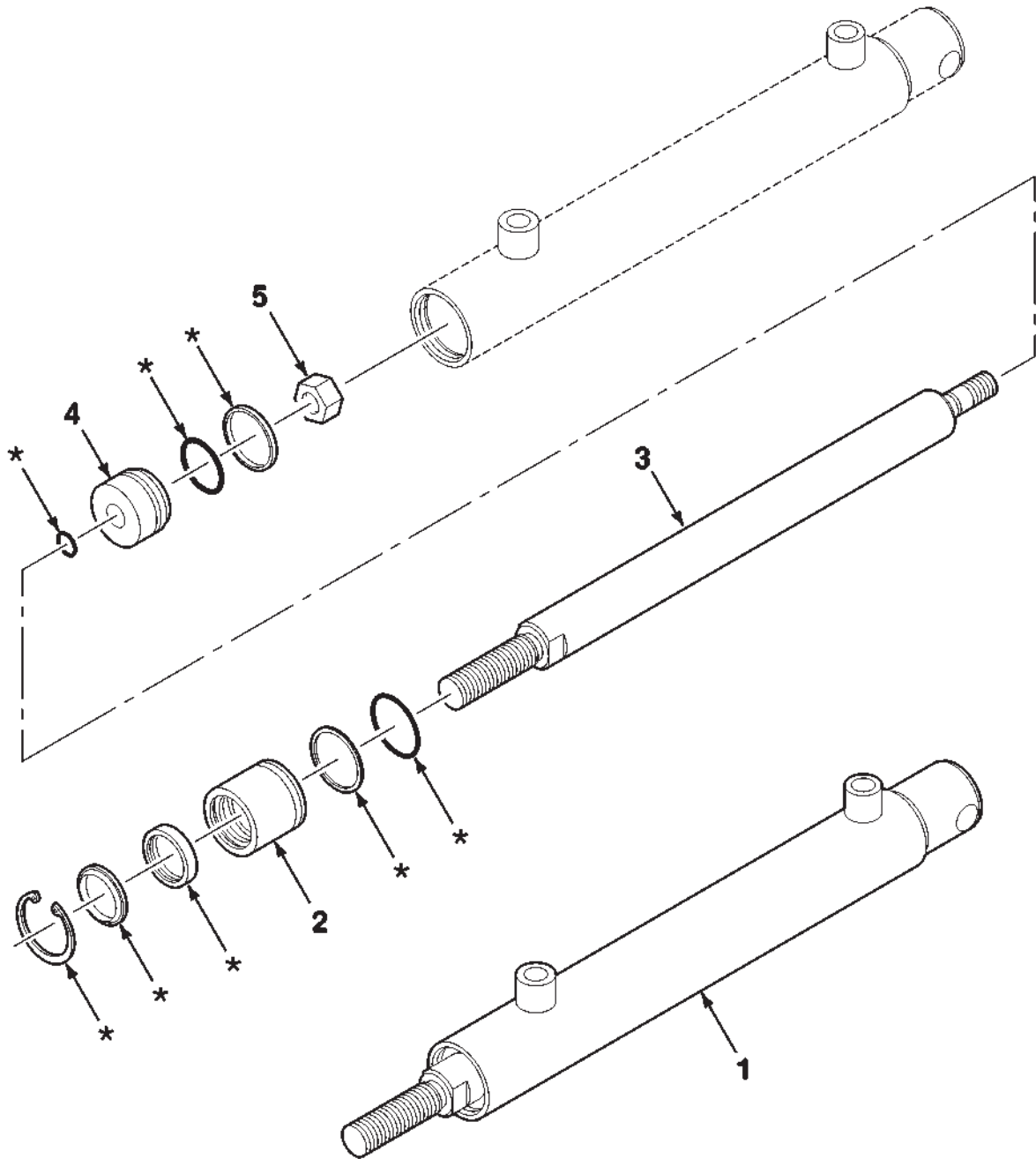
**HYDRAULIC CYLINDER ASSEMBLY (SLAVE)**  
**(700718835 HYDRAULIC CYLINDER ASSEMBLY)**

ITEM	NUMBER	QTY	DESCRIPTION
1	700718835	1	HYDRAULIC CYLINDER ASSEMBLY (1-1/4 INCH BORE X 10 INCH STROKE)
2	700718586	1	ROD-PISTON
3	700714207	1	SEAL AND O-RING REPAIR KIT (Includes Items Marked with Asterisk *)

700718835-0

HYDRAULIC CYLINDER ASSEMBLY (MASTER)  
(700718834 HYDRAULIC CYLINDER ASSEMBLY)

6 SEAL REPAIR KIT



**DHW DRAPER HEADER  
HYDRAULICS**

**113**

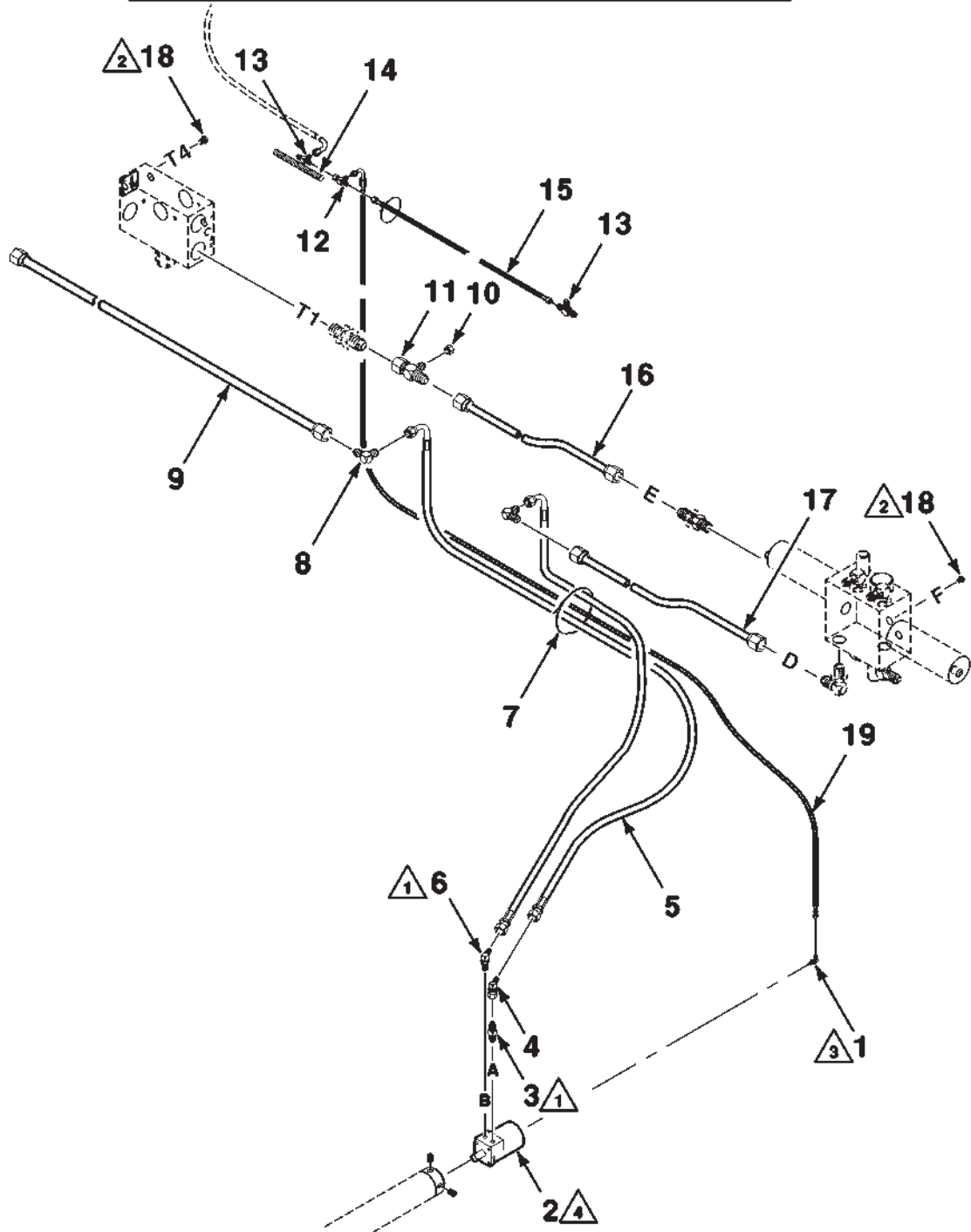
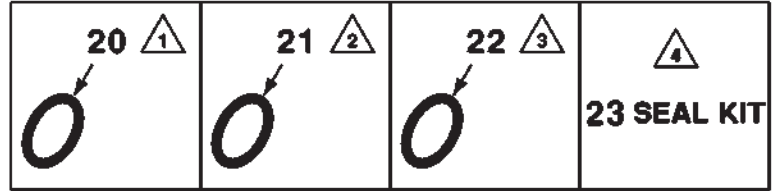
**HYDRAULIC CYLINDER ASSEMBLY (MASTER)  
(700718834 HYDRAULIC CYLINDER ASSEMBLY)**

ITEM	NUMBER	QTY	DESCRIPTION
1	700718834	1	HYDRAULIC CYLINDER ASSEMBLY (1-1/2 INCH BORE X 10 INCH STROKE)
2	700714206	1	GUIDE
3	700718879	1	ROD-PISTON
4	700714203	1	PISTON
5	700714202	1	9/16-18 NUT-LOCK
6	700714201	1	SEAL AND O-RING REPAIR KIT (Includes Items Marked with Asterisk *)

700718834-0

DHW DRAPER HEADER  
HYDRAULICS

CONVEYOR DRIVE HYDRAULIC-LEFT  
(18 FOOT)



DHW DRAPER HEADER  
HYDRAULICS

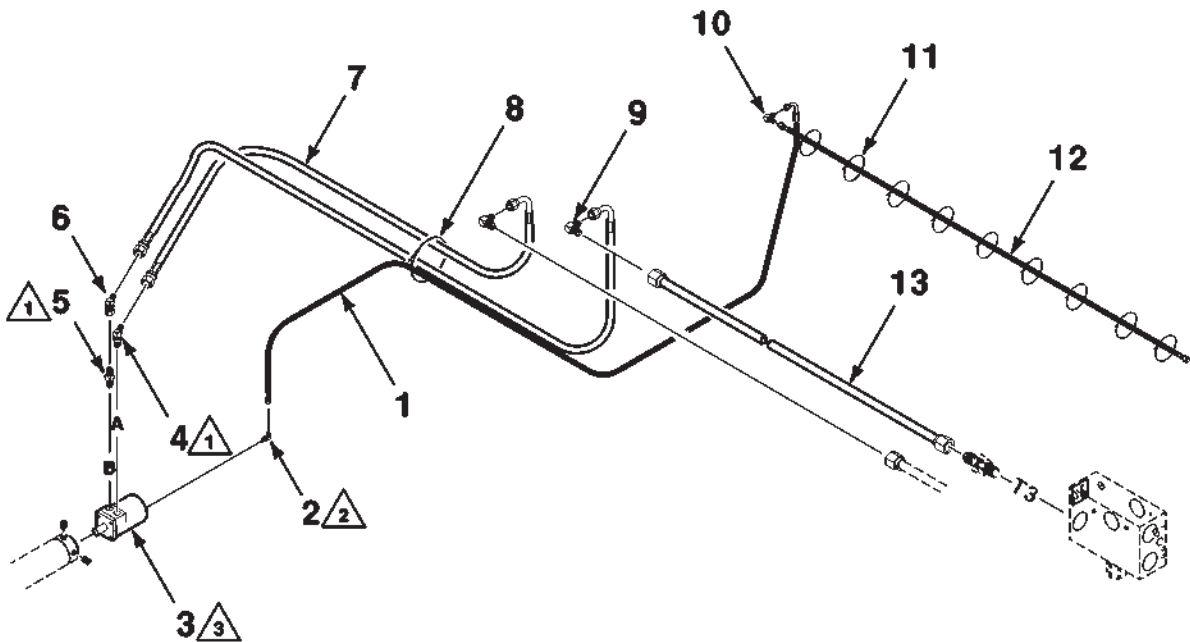
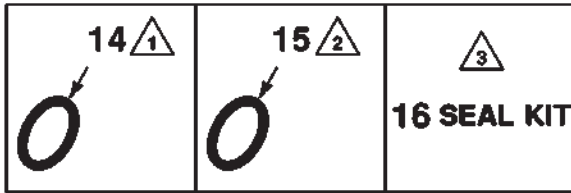
115

CONVEYOR DRIVE HYDRAULIC-LEFT  
(18 FOOT)

ITEM	NUMBER	QTY	DESCRIPTION
1	70922571	1	ELBOW 90 Degree (Includes Item 22)
2	700725799	1	MOTOR ASSEMBLY-CANVAS DRIVE (Includes Item 23)
3	70922981	1	CONNECTOR (Includes Item 20)
4	700701790	1	ELBOW 45 Degree
5	700722655	2	HOSE-HYDRAULIC
6	7046956	1	ELBOW 45 Degree
7	70925094	3	TIE-CABLE
8	113406M1	2	ELBOW 90 Degree
9	700719918	1	TUBE-HYDRAULIC
10	700051701	1	CAP
11	70921691	1	CONNECTOR-TEE
12	70921297	1	TEE-ADAPTER
13	70919087	2	TEE-9/16 MALE
14	700716874	1	TUBE-CORRIGATED, LOOM
15	7872864	1	HOSE-HYDRAULIC
16	700722151	1	TUBE-HYDRAULIC
17	700725587	1	TUBE-HYDRAULIC
18	357194X1	2	PLUG-ORB (Includes Item 21)
19	700701553	1	HOSE-HYDRAULIC
20	70921205	AR	.755 I.D. O-RING
21	738468	AR	.468 I.D. O-RING
22	7040397	AR	.351 I.D. O-RING
23	700719933	1	SEAL KIT

700156660-1

CONVEYOR DRIVE HYDRAULIC-RIGHT  
(18 FOOT)



**DHW DRAPER HEADER  
HYDRAULICS**

**117**

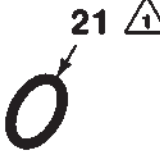

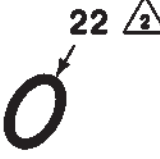

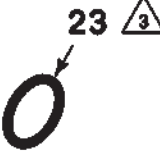


**CONVEYOR DRIVE HYDRAULIC-RIGHT  
(18 FOOT)**

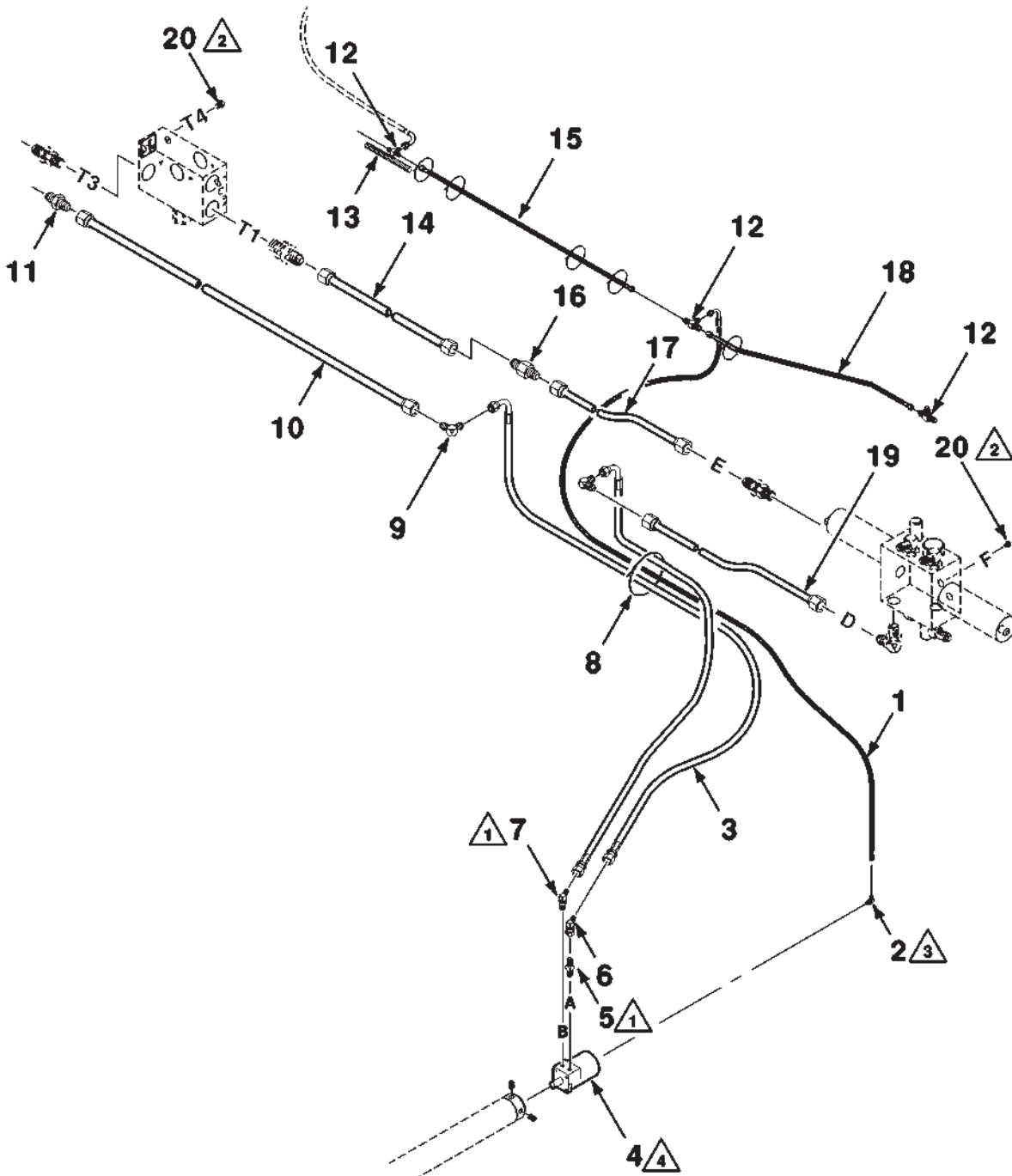
ITEM	NUMBER	QTY	DESCRIPTION
1	700701553	1	HOSE-HYDRAULIC
2	70922571	1	ELBOW 90 Degree (Includes Item 15)
3	700725799	1	MOTOR ASSEMBLY-CONVEYOR DRIVE (Includes Item 16)
4	7046956	1	ELBOW-45 Degree (Includes Item 14)
5	70922981	1	CONNECTOR (Includes Item 14)
6	700701790	1	ELBOW 45 Degree
7	700722655	2	HOSE-HYDRAULIC
8	70925094	3	TIE-CABLE
9	113406M1	2	ELBOW 90 Degree
10	70919131	1	ELBOW 90 Degree
11	70937133	10	TIE-PLASTIC
12	700708679	1	HOSE-HYDRAULIC
13	700719918	1	TUBE-HYDRAULIC
14	70921205	AR	.755 I.D. O-RING
15	7040397	AR	.351 I.D. O-RING
16	700719933	1	SEAL KIT

700156660-2

DHW DRAPER HEADER  
HYDRAULICS

CONVEYOR DRIVE HYDRAULIC-LEFT  
(22 AND 25 FOOT)

 21 	 22 	 23 	 24 SEAL KIT
--	--	--	--





**DHW DRAPER HEADER  
HYDRAULICS**

119

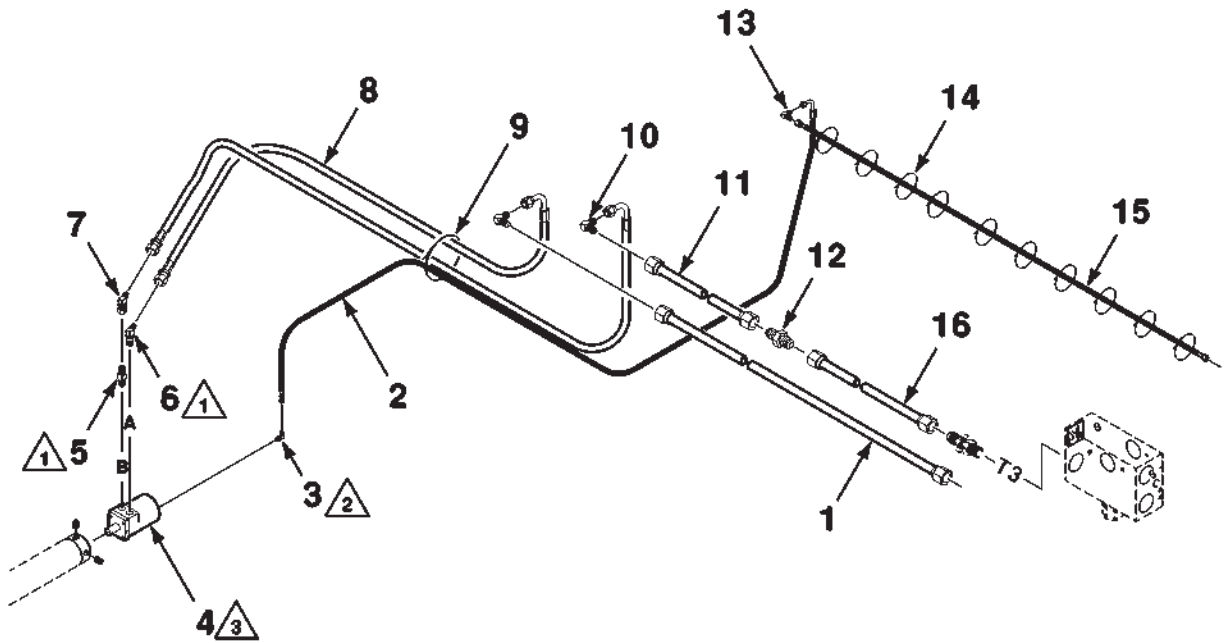
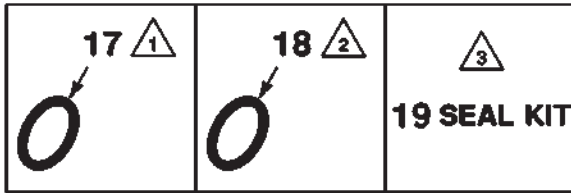
**CONVEYOR DRIVE HYDRAULIC-LEFT  
(22 AND 25 FOOT)**

ITEM	NUMBER	QTY	DESCRIPTION
1	700701553	1	HOSE-HYDRAULIC
2	70922571	1	ELBOW-90 Degree (Includes Item 23)
3	700722655	2	HOSE-HYDRAULIC
4	700725799	1	MOTOR ASSEMBLY-CONVEYOR DRIVE (Includes Item 24)
5	70922981	1	CONNECTOR (Includes Item 21)
6	700701790	1	ELBOW 45 Degree
7	7046956	1	ELBOW 45 Degree (Includes Item 21)
8	70925094	3	TIE-CABLE
9	113406M1	2	ELBOW 90 Degree
10	700719918	1	TUBE-HYDRAULIC
11	70919267	1	UNION
12	70919087	3	TEE-9/16 MALE
13	700716874	1	TUBE-CORRIGATED, LOOM
14	700725582	1	TUBE-HYDRAULIC (22 FOOT)
14	700725583	1	TUBE-HYDRAULIC (25 FOOT)
15	700724657	1	HOSE-HYDRAULIC (22 FOOT)
15	700724660	1	HOSE-HYDRAULIC (25 FOOT)
16	66435	1	UNION-SPECIAL
17	700721445	1	TUBE-HYDRAULIC
18	7872864	1	HOSE-HYDRAULIC
19	700725587	1	TUBE-HYDRAULIC
20	357194X1	2	PLUG-ORB (Includes Item 22)
21	70921205	AR	.755 I.D. O-RING
22	738468	AR	.468 I.D. O-RING
23	7040397	AR	.351 I.D. O-RING
24	700719933	1	SEAL KIT

700156658-1

DHW DRAPER HEADER  
HYDRAULICS

CONVEYOR DRIVE HYDRAULIC-RIGHT  
(22 AND 25 FOOT)



**DHW DRAPER HEADER  
HYDRAULICS**

121


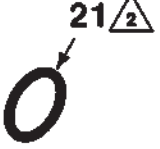


**CONVEYOR DRIVE HYDRAULIC-RIGHT  
(22 AND 25 FOOT)**

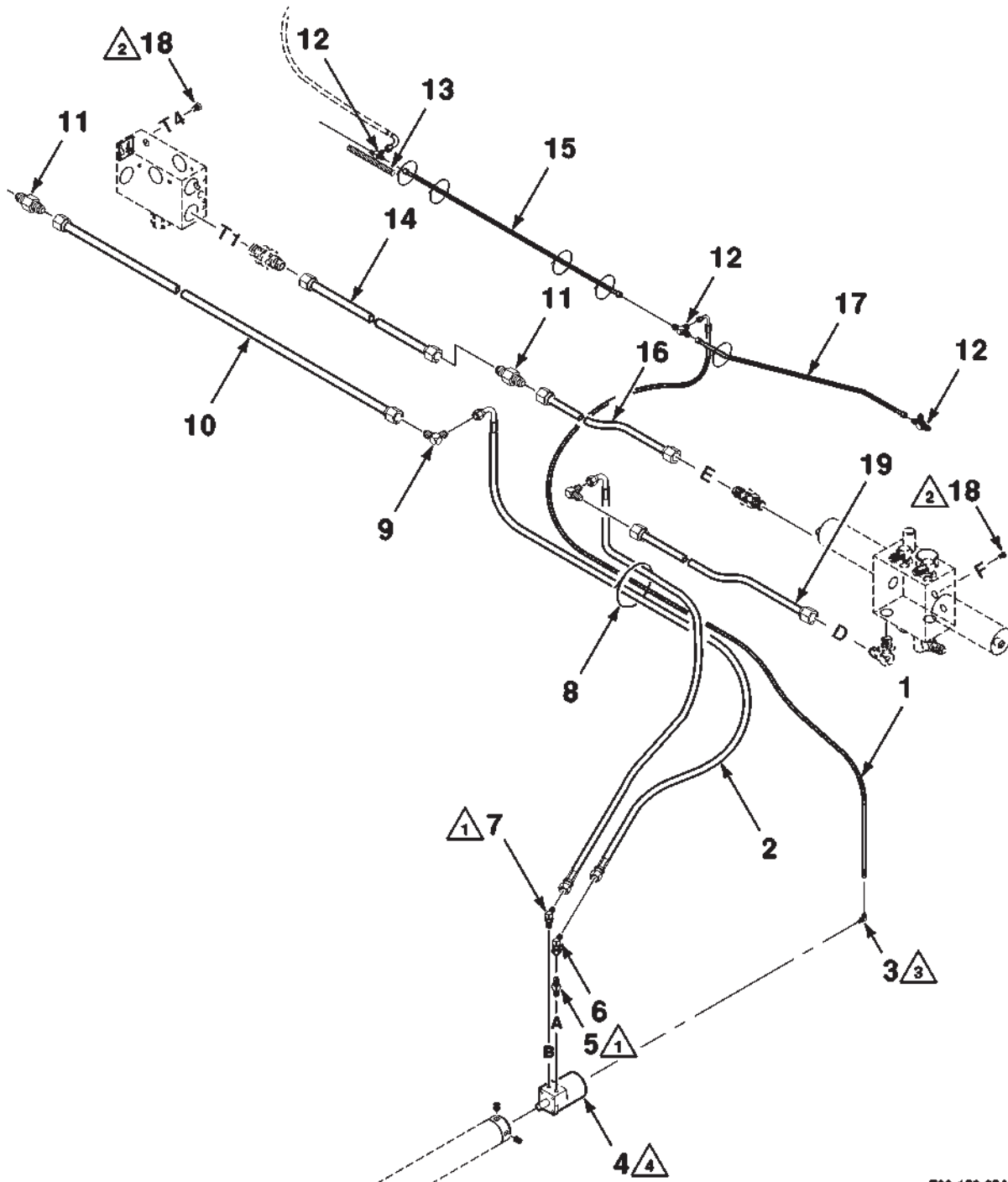
ITEM	NUMBER	QTY	DESCRIPTION
1	700726003	1	TUBE-HYDRAULIC (22 FOOT)
1	113290M1	1	TUBE-HYDRAULIC (25 FOOT)
2	700701553	1	HOSE-HYDRAULIC
3	70922571	1	ELBOW 90 Degree (Includes Item 18)
4	700725799	1	MOTOR ASSEMBLY-CONVEYOR DRIVE (Includes Item 19)
5	70922981	1	CONNECTOR (Includes Item 17)
6	7046956	1	ELBOW 45 Degree (Includes Item 17)
7	700701790	1	ELBOW 45 Degree
8	700722655	2	HOSE-HYDRAULIC
9	70925094	3	TIE-CABLE
10	113406M1	2	ELBOW 90 Degree
11	700719913	1	TUBE-HYDRAULIC (22 FOOT)
11	700719916	1	TUBE-HYDRAULIC (25 FOOT)
12	70919267	1	UNION
13	70919131	1	ELBOW 90 Degree
14	70937133	15	TIE-PLASTIC
15	700724659	1	HOSE-HYDRAULIC (22 FOOT)
15	855637	1	HOSE-HYDRAULIC (25 FOOT)
16	700719918	1	TUBE-HYDRAULIC
17	70921205	AR	.755 I.D. O-RING
18	70921206	AR	.942 I.D. O-RING
19	700719933	1	SEAL KIT

700156658-2

DHW DRAPER HEADER  
HYDRAULICS

CONVEYOR DRIVE HYDRAULIC-LEFT  
(30 FOOT)

 20 <sup>1</sup>	 21 <sup>2</sup>	 22 <sup>3</sup>	 23 SEAL KIT
---	---	--	--



DHW DRAPER HEADER  
HYDRAULICS

123

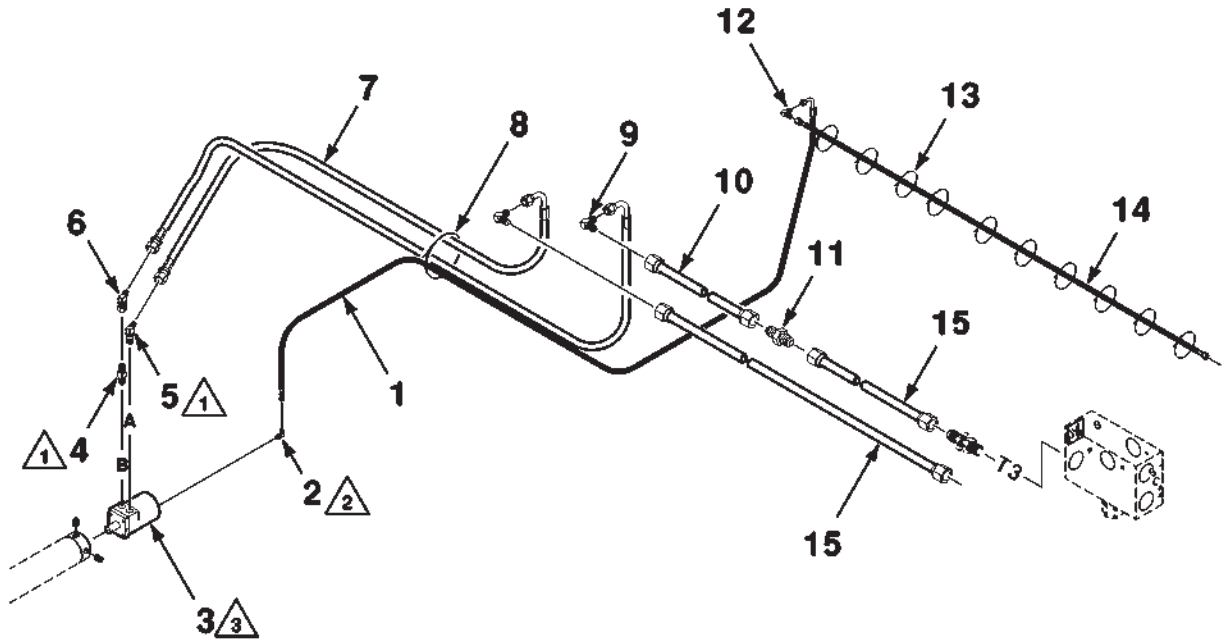
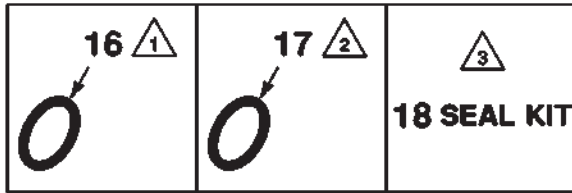
CONVEYOR DRIVE HYDRAULIC-LEFT  
(30 FOOT)

ITEM	NUMBER	QTY	DESCRIPTION
1	700701553	1	HOSE-HYDRAULIC
2	700722655	2	HOSE-HYDRAULIC
3	70922571	1	ELBOW 90 Degree (Includes Item 22)
4	700725799	1	MOTOR ASSEMBLY-CONVEYOR DRIVE (Includes Item 23)
5	70922981	1	CONNECTOR (Includes Item 20)
6	700701790	1	ELBOW 45 Degree
7	7046956	1	ELBOW 45 Degree (Includes Item 20)
8	70925094	3	TIE-CABLE
9	113406M1	2	ELBOW 90 Degree
10	700719918	1	TUBE-HYDRAULIC
11	66435	2	UNION-JIC, SPECIAL
12	70919087	3	TEE-9/16 MALE
13	700716874	1	TUBE-CORRIGATED, LOOM
14	700725584	1	TUBE-HYDRAULIC
15	851335	1	HOSE-HYDRAULIC
16	700721445	1	TUBE-HYDRAULIC
17	7872864	1	HOSE-HYDRAULIC
18	357194X1	2	PLUG-ORB (Includes Item 21)
19	700725587	1	TUBE-HYDRAULIC
20	70921205	AR	.755 I.D. O-RING
21	738468	AR	.468 I.D. O-RING
22	7040397	AR	.351 I.D. O-RING
23	700719933	1	SEAL KIT

700156654-1

DHW DRAPER HEADER  
HYDRAULICS

CONVEYOR DRIVE HYDRAULIC-RIGHT  
(30 FOOT)



DHW DRAPER HEADER  
HYDRAULICS

125

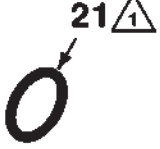






CONVEYOR DRIVE HYDRAULIC-RIGHT  
(30 FOOT)

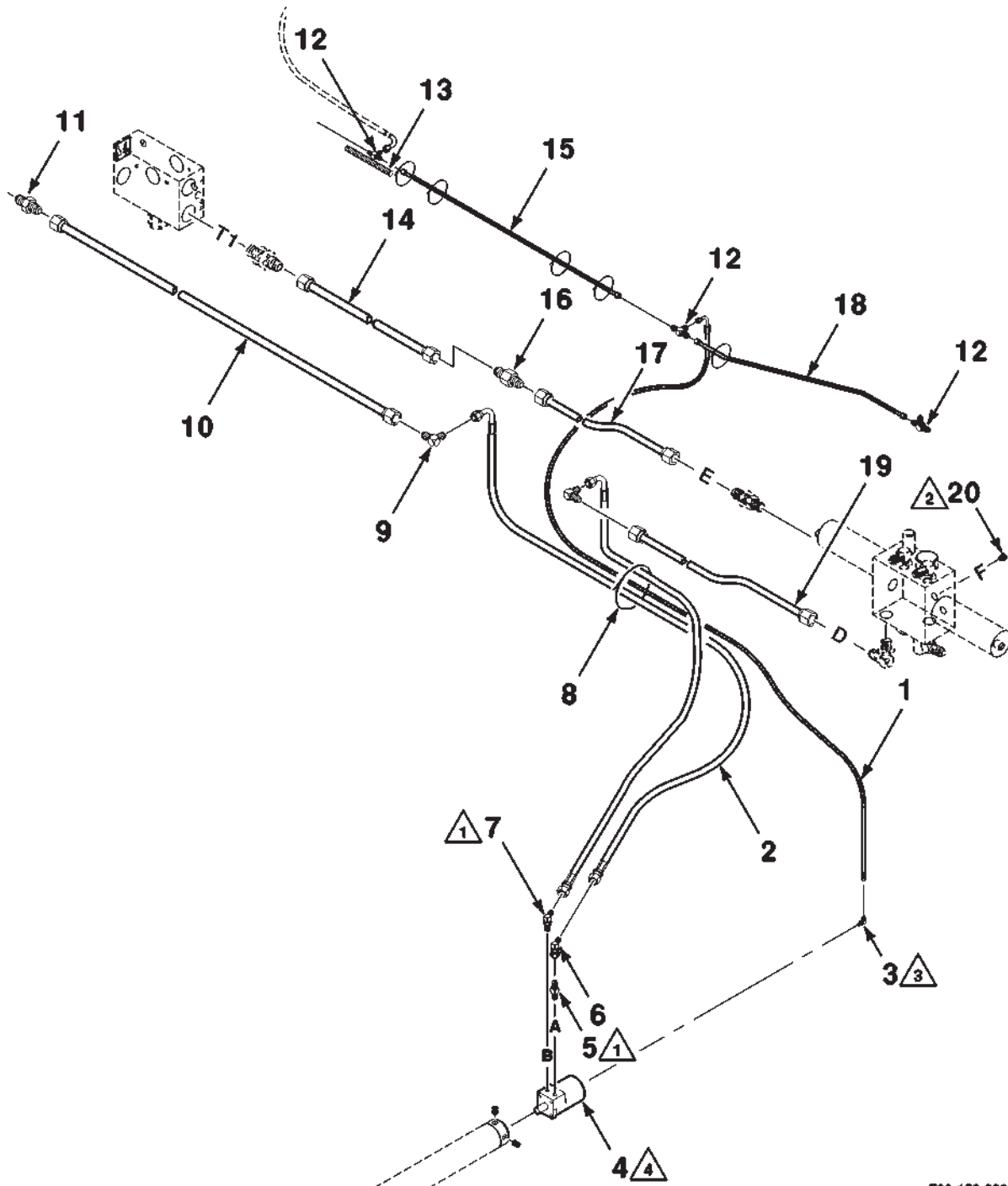
ITEM	NUMBER	QTY	DESCRIPTION
1	700701553	1	HOSE-HYDRAULIC
2	70922571	1	ELBOW 90 Degree (Includes Item 17)
3	700725799	1	MOTOR ASSEMBLY-CONVEYOR DRIVE (Includes Item 18)
4	70922981	1	CONNECTOR (Includes Item 16)
5	7046956	1	ELBOW 45 Degree (Includes Item 16)
6	700701790	1	ELBOW 45 Degree
7	700722655	2	HOSE-HYDRAULIC
8	70925094	3	TIE-CABLE
9	113406M1	2	ELBOW 90 Degree
10	113290M1	1	TUBE-HYDRAULIC
11	70919267	1	UNION
12	70919131	1	ELBOW 90 Degree
13	70937133	15	TIE-PLASTIC
14	700721288	1	HOSE-HYDRAULIC
15	700719918	2	TUBE-HYDRAULIC
16	70921205	AR	.755 I.D. O-RING
17	70921206	AR	.942 I.D. O-RING
18	700719933	1	SEAL KIT

700156654-2

DHW DRAPER HEADER  
HYDRAULICS

CONVEYOR DRIVE HYDRAULIC-LEFT  
(36 FOOT)

 21 	 22 	 23 	 24 SEAL KIT
--	--	--	--





DHW DRAPER HEADER  
HYDRAULICS

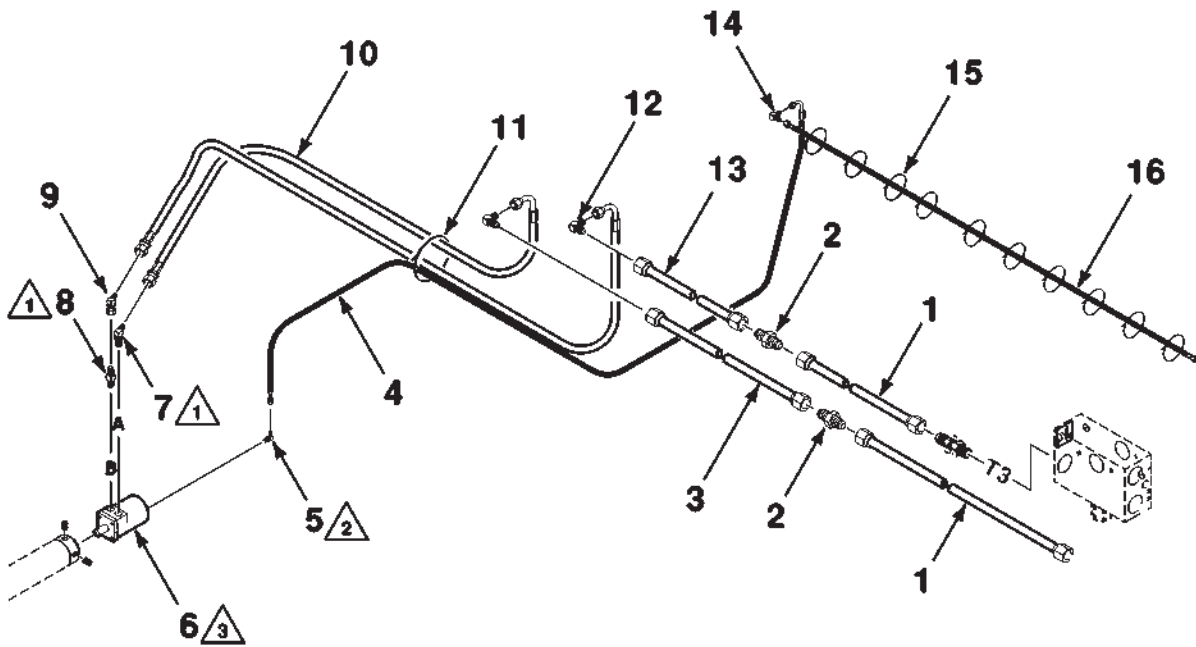
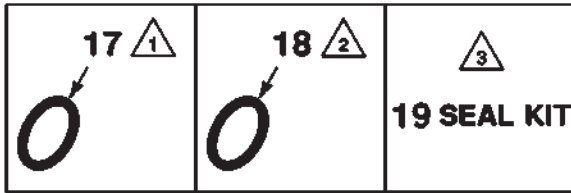
127

CONVEYOR DRIVE HYDRAULIC-LEFT  
(36 FOOT)

ITEM	NUMBER	QTY	DESCRIPTION
1	700701553	1	HOSE-HYDraulic
2	700722655	2	HOSE-HYDRAULIC
3	70922571	1	ELBOW 90 Degree (Includes Item 23)
4	700725799	1	MOTOR ASSEMBLY-CONVEYOR DRIVE (Includes Item 24)
5	70922981	1	CONNECTOR (Includes Item 21)
6	700701790	1	ELBOW 45 Degree
7	7046956	1	ELBOW 45 Degree (Includes Item 21)
8	70925094	3	TIE-CABLE
9	113406M1	2	ELBOW 90 Degree
10	700719918	1	TUBE-HYDRAULIC
11	70919267	1	UNION
12	70919087	3	TEE-9/16 MALE
13	700716874	1	TUBE-CORRIGATED, LOOM
14	700722424	1	TUBE-HYDRAULIC
15	700701799	1	HOSE-HYDRAULIC
16	66435	1	UNION-JIC, SPECIAL
17	700721445	1	TUBE-HYDRAULIC
18	7872864	1	HOSE-HYDRAULIC
19	700725587	1	TUBE-HYDRAULIC
20	357194X1	1	PLUG-ORB (Includes Item 22)
21	70921205	AR	.755 I.D. O-RING
22	738468	AR	.468 I.D. O-RING
23	7040397	AR	.351 I.D. O-RING
24	700719933	1	SEAL KIT

700156662-1

CONVEYOR DRIVE HYDRAULIC-RIGHT  
(36 FOOT)



DHW DRAPER HEADER  
HYDRAULICS

129

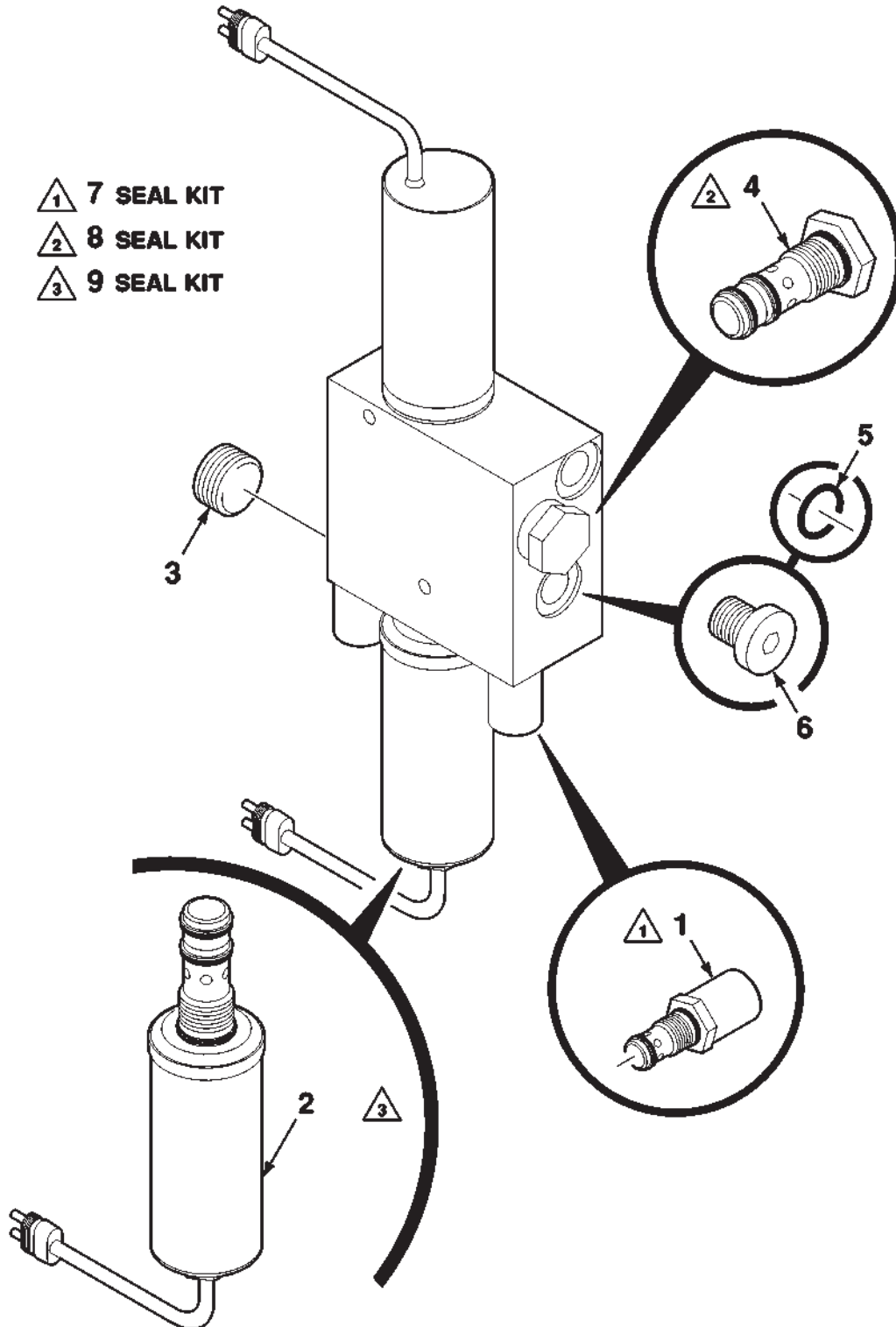
CONVEYOR DRIVE HYDRAULIC-RIGHT  
(36 FOOT)

ITEM	NUMBER	QTY	DESCRIPTION
1	700719918	2	TUBE-HYDRAULIC
2	70919267	2	UNION
3	700719917	1	TUBE-HYDRAULIC
4	700701553	1	HOSE-HYDRAULIC
5	70922571	1	ELBOW 90 Degree (Includes Item 18)
6	700725799	1	MOTOR ASSEMBLY-CONVEYOR DRIVE (Includes Item 19)
7	7046956	1	ELBOW 45 Degree (Includes Item 17)
8	70922981	1	CONNECTOR (Includes Item 17)
9	700701790	1	ELBOW 45 Degree
10	700722655	2	HOSE-HYDRAULIC
11	70925094	3	TIE-CABLE
12	113406M1	2	ELBOW 90 Degree
13	113293M1	1	TUBE-HYDRAULIC
14	70919131	1	ELBOW 90 Degree
15	70937133	15	TIE-PLASTIC
16	71409099	1	HOSE-HYDRAULIC
17	70921205	AR	.755 I.D. O-RING
18	70921206	AR	.942 I.D. O-RING
19	700719933	1	SEAL KIT

700156662-2

DHW DRAPER HEADER  
HYDRAULICS

VALVE-DUAL FLOW CONTROL ASSEMBLY  
(700721404 VALVE-DUAL CONTROL ASSEMBLY)



DHW DRAPER HEADER  
HYDRAULICS

131

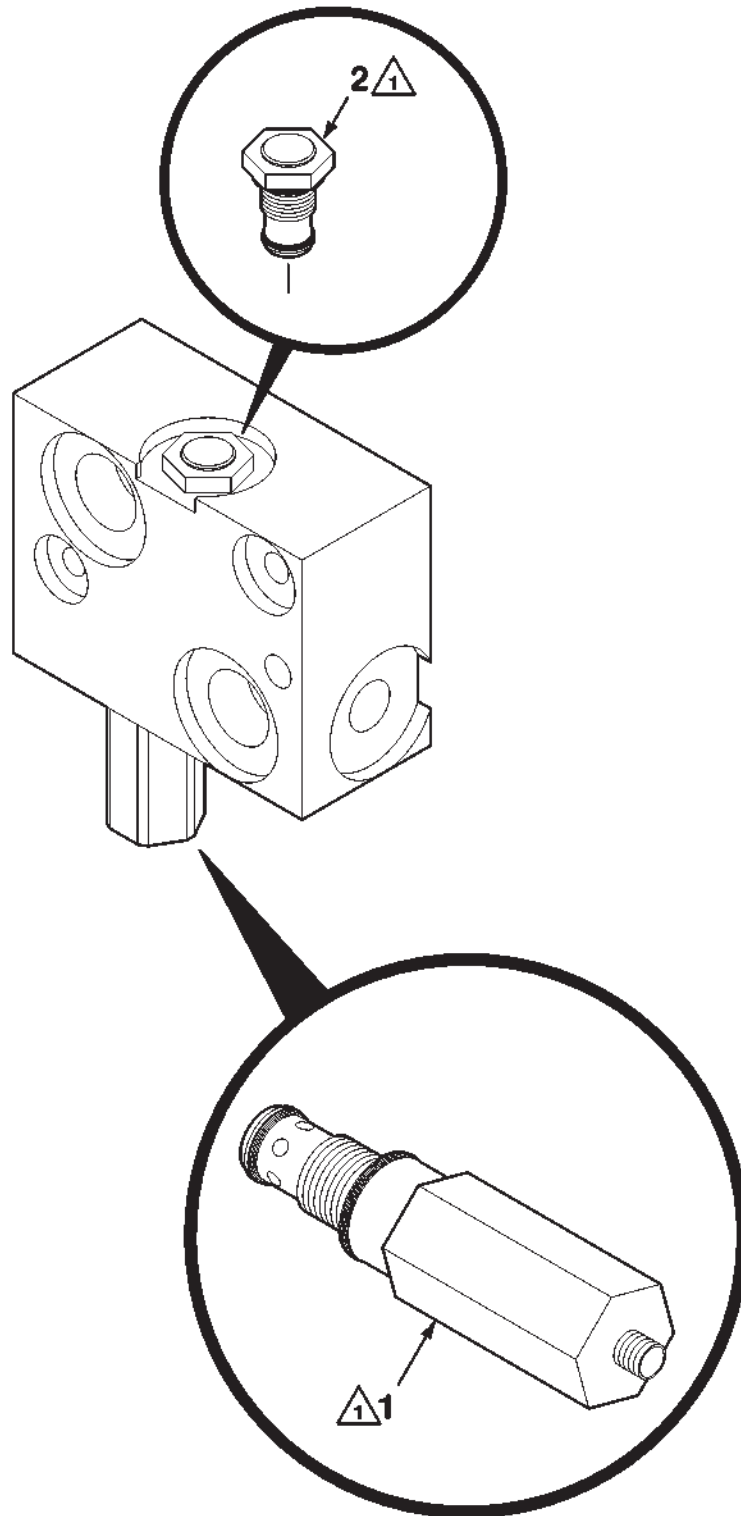
VALVE-DUAL FLOW CONTROL ASSEMBLY  
(700721404 VALVE-DUAL CONTROL ASSEMBLY)

ITEM	NUMBER	QTY	DESCRIPTION
-	700721404	1	VALVE-DUAL CONTROL ASSEMBLY
1	700721556	2	VALVE-RELIEF (Includes Item 7)
2	700719198	2	VALVE-NEEDLE,MOTORIZED
3	700719201	2	ORIFICE PLUG
4	700719199	1	COMPENSATOR-PRESSURE (Includes Item 8)
5	734244	AR	O-RING
6	700706603	2	PLUG-ORB (Includes Item 5)
7	700719220	AR	SEAL KIT
8	700719151	AR	SEAL KIT
9	700715929	AR	SEAL KIT

700721404-0

MAINIFOLD RELIEF VALVE ASSEMBLY  
(700725552 RELIEF VALVE ASSEMBLY)

 3 SEAL KIT



**DHW DRAPER HEADER  
HYDRAULICS**

**133**

**MAINIFOLD RELIEF VALVE ASSEMBLY  
(700725552 RELIEF VALVE ASSEMBLY)**

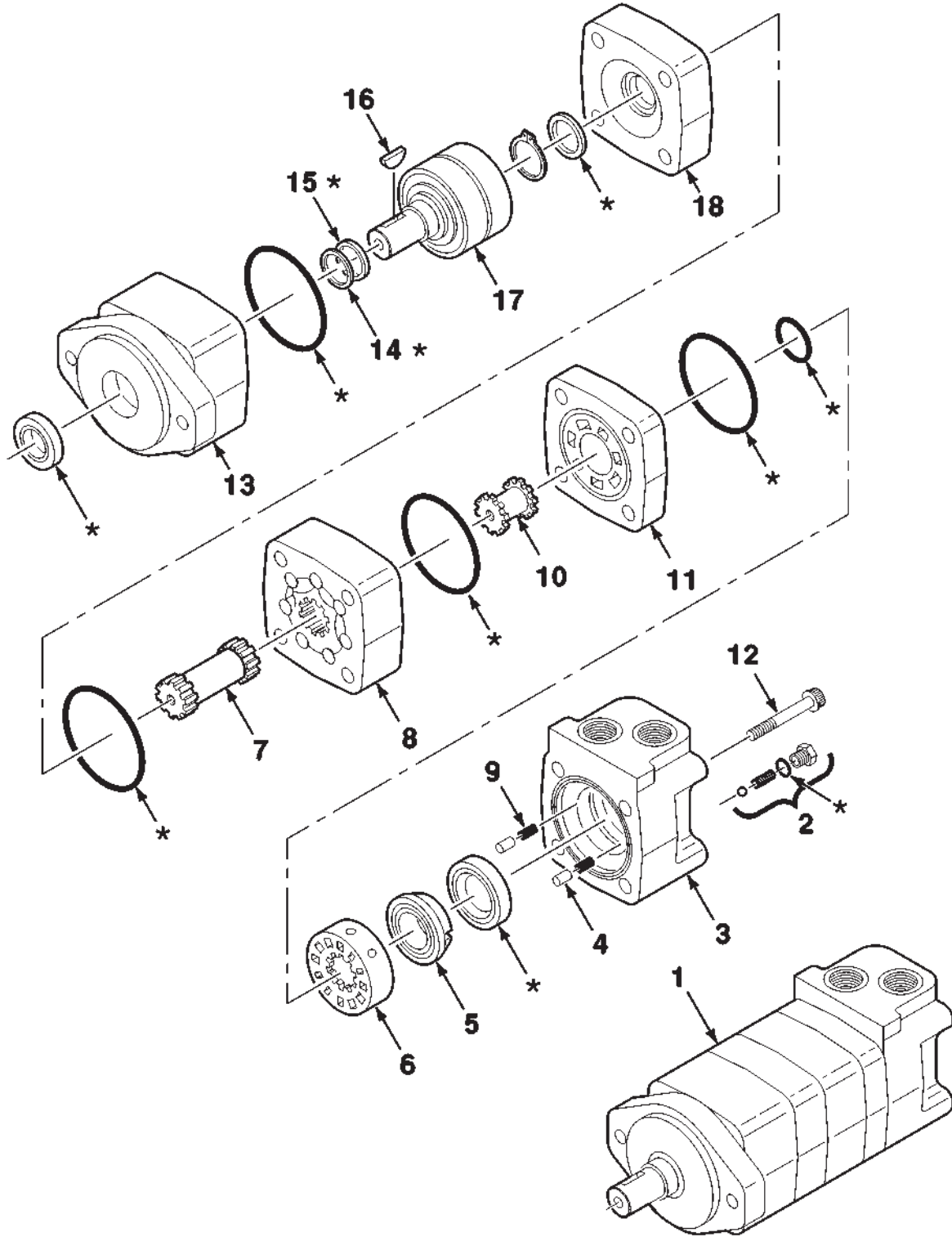
ITEM	NUMBER	QTY	DESCRIPTION
-	700725552	1	RELIEF VALVE ASSEMBLY
1	700726417	1	VALVE-RELIEF (Includes Item 3)
2	700722962	1	VALVE-CHECK, 2 PSI (Includes Item 3)
3	700715929	AR	SEAL KIT

700725552-0

DHW DRAPER HEADER  
HYDRAULICS

HYDRAULIC MOTOR ASSEMBLY-SICKLE DRIVE  
(700719893 HYDRAULIC MOTOR ASSEMBLY)

19 SEAL REPAIR KIT





DHW DRAPER HEADER  
HYDRAULICS

135

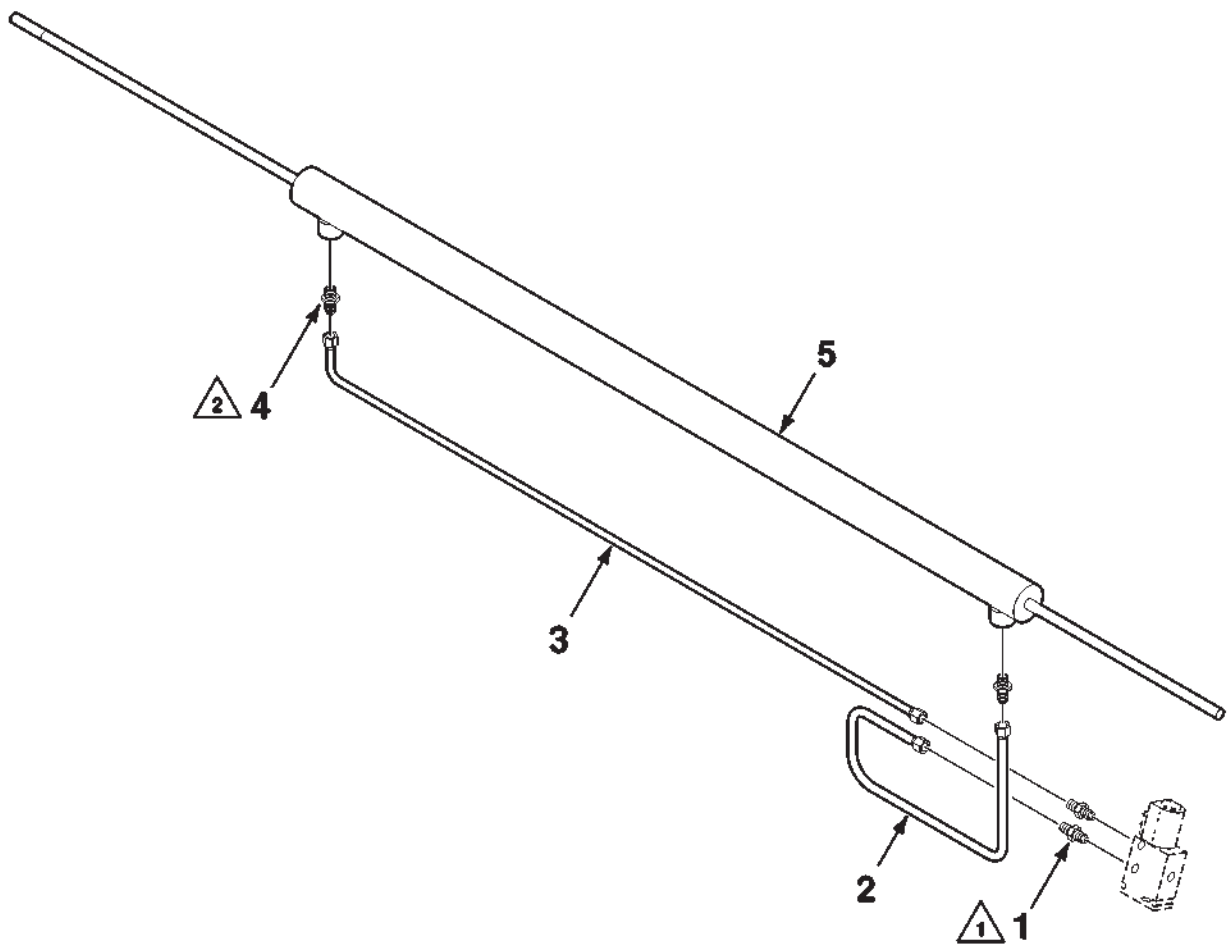
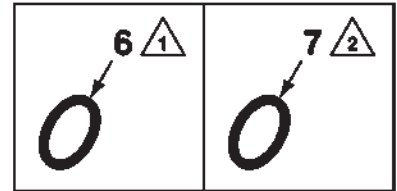
HYDRAULIC MOTOR ASSEMBLY-SICKLE DRIVE  
(700719893 HYDRAULIC MOTOR ASSEMBLY)

ITEM	NUMBER	QTY	DESCRIPTION
1	700719893	1	HYDRAULIC MOTOR ASSEMBLY
2	700716362	1	PLUG ASSEMBLY
3	3728448M1	1	HOUSING ASSEMBLY-VALVE
4	3728442M1	2	PIN
5	3728440M1	1	PLATE-BALANCING
6	3728439M1	1	VALVE
7	700718459	1	DRIVE
8	700718461	1	GEROLER ASSEMBLY
9	3728441M1	2	SPRING-COMPRESSION
10	1052942M1	1	VALVE DRIVE
11	3728438M1	1	PLATE-VALVE
12	700718462	4	BOLT
13	3728443M1	1	HOUSING-BEARING
14	3728433M1	1	WASHER-BACKUP
15	3728431M1	1	SEAL-SHAFT
16	700719987	1	WOODRUFF KEY
17	700719984	1	BEARING AND SHAFT ASSEMBLY
18	3728445M1	1	PLATE-WEAR
19	3728435M1	1	SEAL AND O-RING REPAIR KIT (Includes Items Marked with Asterisk *)

700719893-0

DHW DRAPER HEADER  
HYDRAULICS

CONVEYOR DRIVE HYDRAULIC-CENTER  
(DOUBLE SWATH)



**DHW DRAPER HEADER  
HYDRAULICS**

**137**

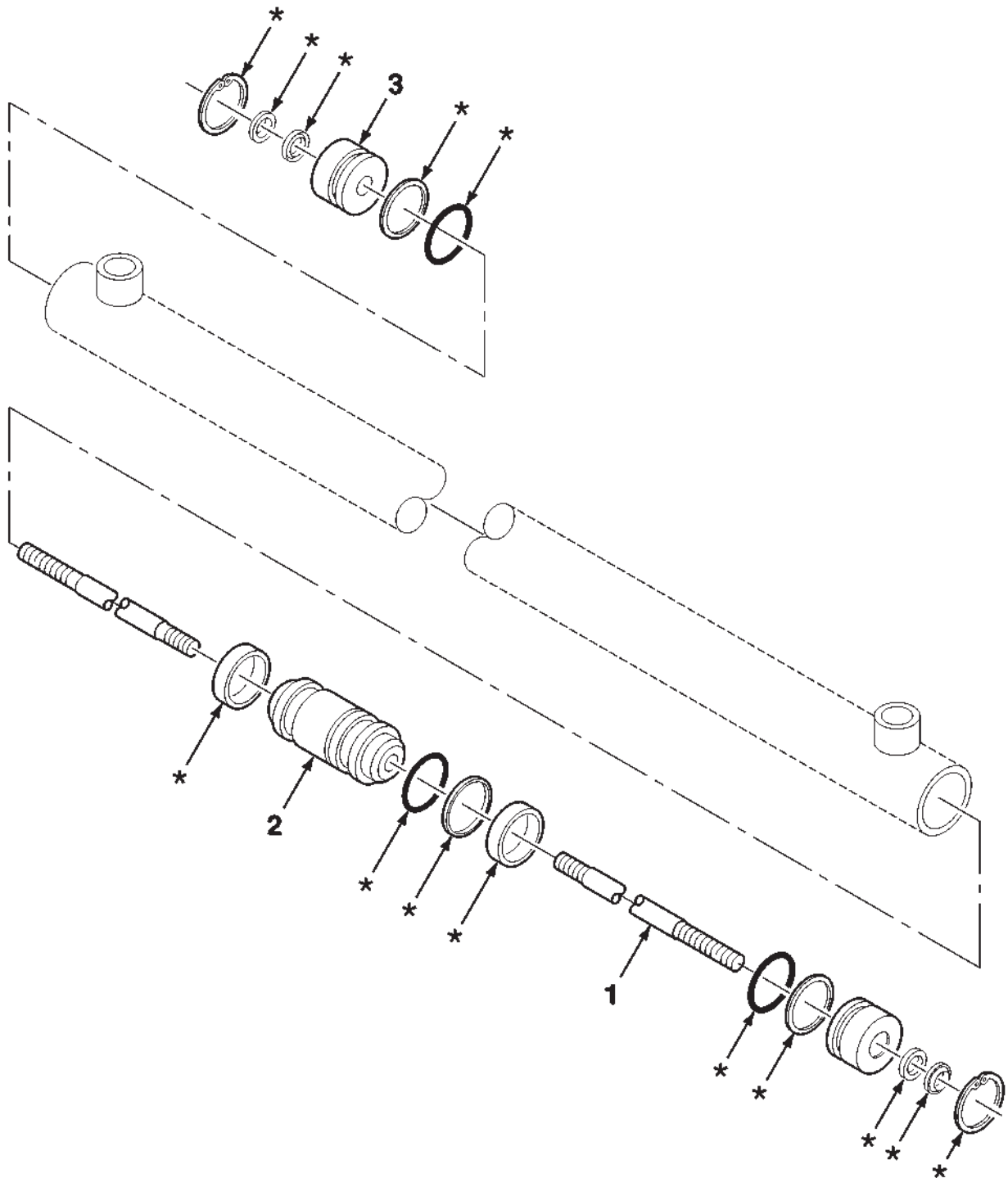
**CONVEYOR DRIVE HYDRAULIC-CENTER  
(DOUBLE SWATH)**

ITEM	NUMBER	QTY	DESCRIPTION
1	70924403	2	3/4-16 X 9/16-18 CONNECTOR (Includes Item 6)
2	113259M1	1	TUBE-HYDRAULIC
3	700719768	1	TUBE-HYDRAULIC
4	846337	2	3/4-16 CONNECTOR (Includes Item 7)
5	700718836	1	CYLINDER ASSEMBLY-DECK SHIFT
6	738468	AR	.468 I.D. O-RING
7	70921349	AR	.644 I.D. O-RING

700156659-3

HYDRAULIC CYLINDER ASSEMBLY-(DECK SHIFT)  
(700718836 HYDRAULIC CYLINDER ASSEMBLY)

4 SEAL REPAIR KIT



**DHW DRAPER HEADER**  
**HYDRAULICS**

**139**

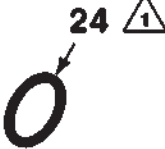

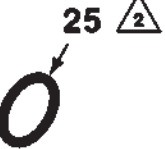





**HYDRAULIC CYLINDER ASSEMBLY-(DECK SHIFT)**  
**(700718836 HYDRAULIC CYLINDER ASSEMBLY)**

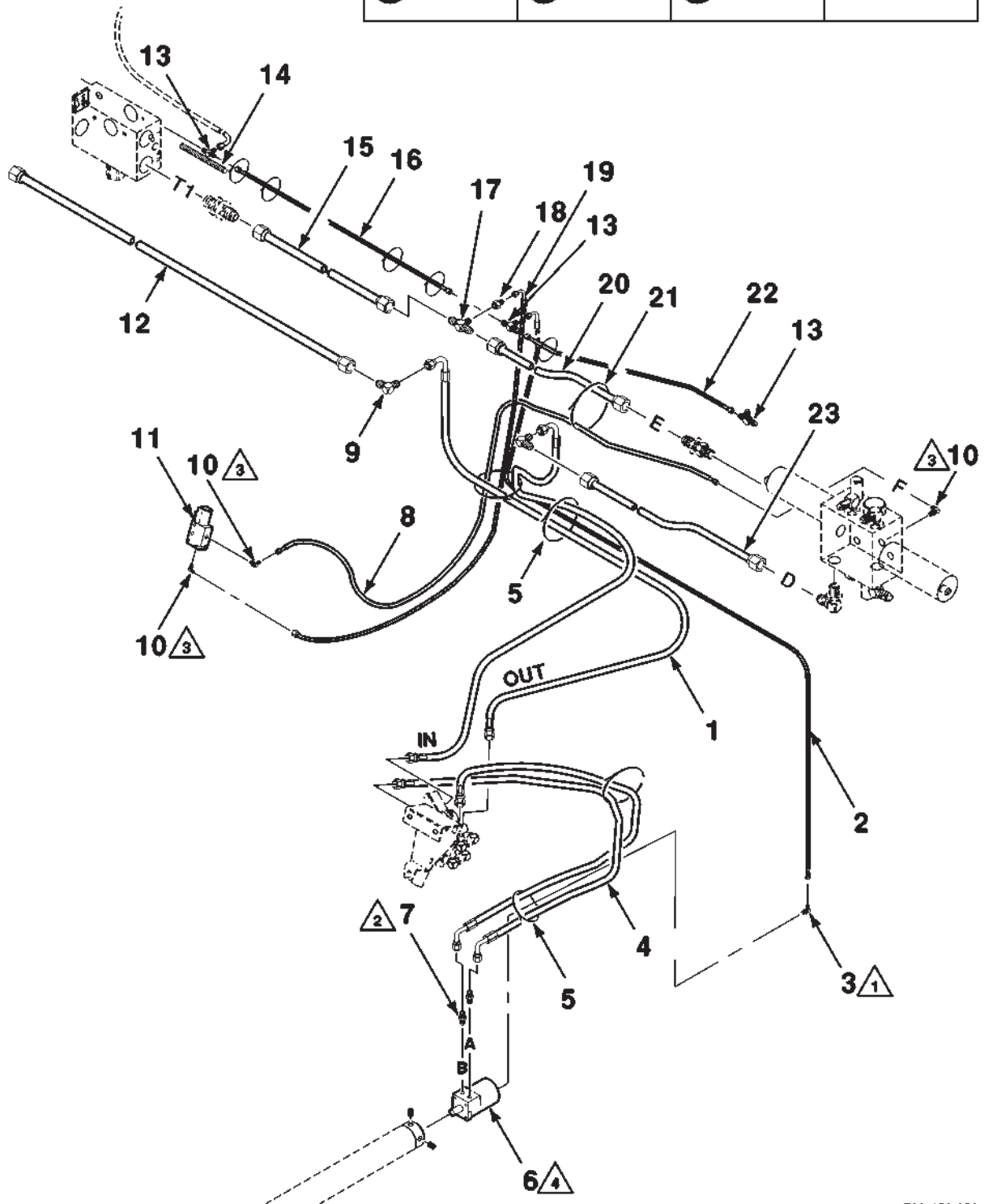
ITEM	NUMBER	QTY	DESCRIPTION
-	700718836	1	HYDRAULIC CYLINDER ASSEMBLY (1-1/2 INCH BORE X 67-1/16 INCH STROKE)
1	700718878	2	ROD
2	700718880	1	PISTON
3	700718881	2	GUIDE
4	700718877	1	SEAL AND O-RING REPAIR KIT (Includes Items Marked with Asterisk *)

700718836-0

DHW DRAPER HEADER  
HYDRAULICS

CONVEYOR DRIVE HYDRAULIC-LEFT  
(DOUBLE SWATH)

 <p>24 </p>	 <p>25 </p>	 <p>26 </p>	 <p> 27 SEAL KIT</p>
---	--	---	--



**DHW DRAPER HEADER  
HYDRAULICS**

141

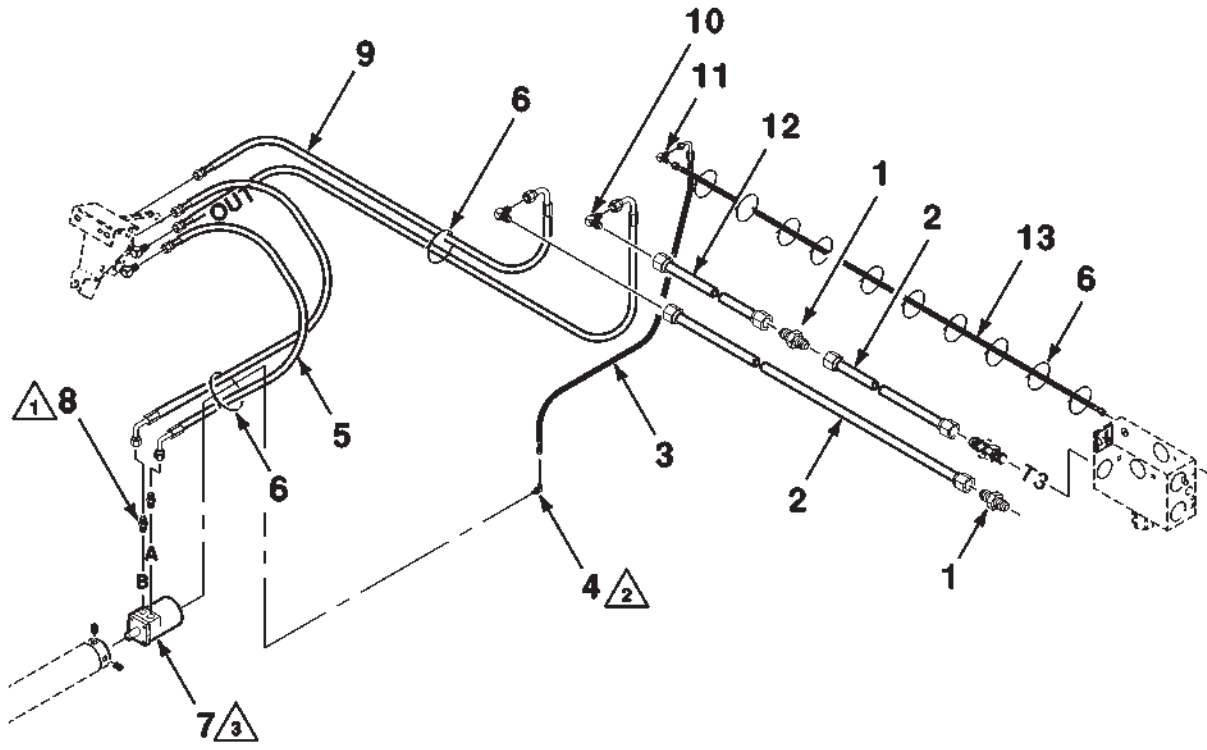
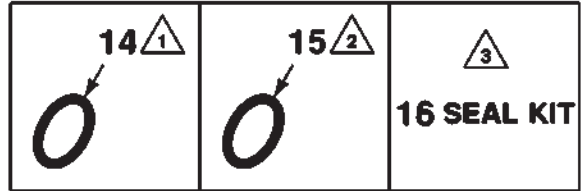
**CONVEYOR DRIVE HYDRAULIC-LEFT  
(DOUBLE SWATH)**

ITEM	NUMBER	QTY	DESCRIPTION
1	700722655	2	HOSE-HYDRAULIC
2	700701553	1	HOSE-HYDRAULIC
3	70922571	1	ELBOW 90 Degree (Includes Item 24)
4	700722656	2	HOSE-HYDRAULIC
5	70937133	7	TIE-PLASTIC
6	700725799	1	MOTOR ASSEMBLY-CONVEYOR DRIVE (Includes Item 27)
7	70922981	2	CONNECTOR-SHORT THREAD (Includes Item 25)
8	71404251	1	HOSE-HYDRAULIC (22 AND 25 FOOT)
8	71396793	1	HOSE-HYDRAULIC (30 FOOT)
9	113406M1	2	ELBOW 90 Degree
10	70922523	3	ELBOW 90 Degree (Includes Item 26)
11	113261M1	1	VALVE ASSEMBLY-4 WAY
12	700719918	1	TUBE-HYDRAULIC
13	70919087	3	TEE-9/16 MALE
14	700716874	1	TUBE-CORRIGATED, LOOM
15	700725582	1	TUBE-HYDRAULIC (22 FOOT)
15	700725583	1	TUBE-HYDRAULIC (25 FOOT)
15	700725584	1	TUBE-HYDRAULIC (30 FOOT)
16	700724657	1	HOSE-HYDRAULIC (22 FOOT)
16	700724660	1	HOSE-HYDRAULIC (25 FOOT)
16	851335	1	HOSE-HYDRAULIC (30 FOOT)
17	700701814	1	TEE
18	7791361	1	ADAPTER
19	700728180	1	HOSE-HYDRAULIC
20	700721445	1	TUBE-HYDRAULIC
21	70925094	2	TIE-PLASTIC
22	7872864	1	HOSE-HYDRAULIC
23	700725587	1	TUBE-HYDRAULIC
24	7040397	AR	.351 I.D. O-RING
25	70921205	AR	.755 I.D. O-RING
26	70921206	AR	.942 I.D. O-RING
27	700719933	1	SEAL KIT

700156659-1

DHW DRAPER HEADER  
HYDRAULICS

CONVEYOR DRIVE HYDRAULIC-RIGHT  
(DOUBLE SWATH)  
(22 AND 25 FOOT)





DHW DRAPER HEADER  
HYDRAULICS

143

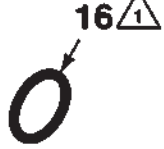




CONVEYOR DRIVE HYDRAULIC-RIGHT  
(DOUBLE SWATH)  
(22 AND 25 FOOT)

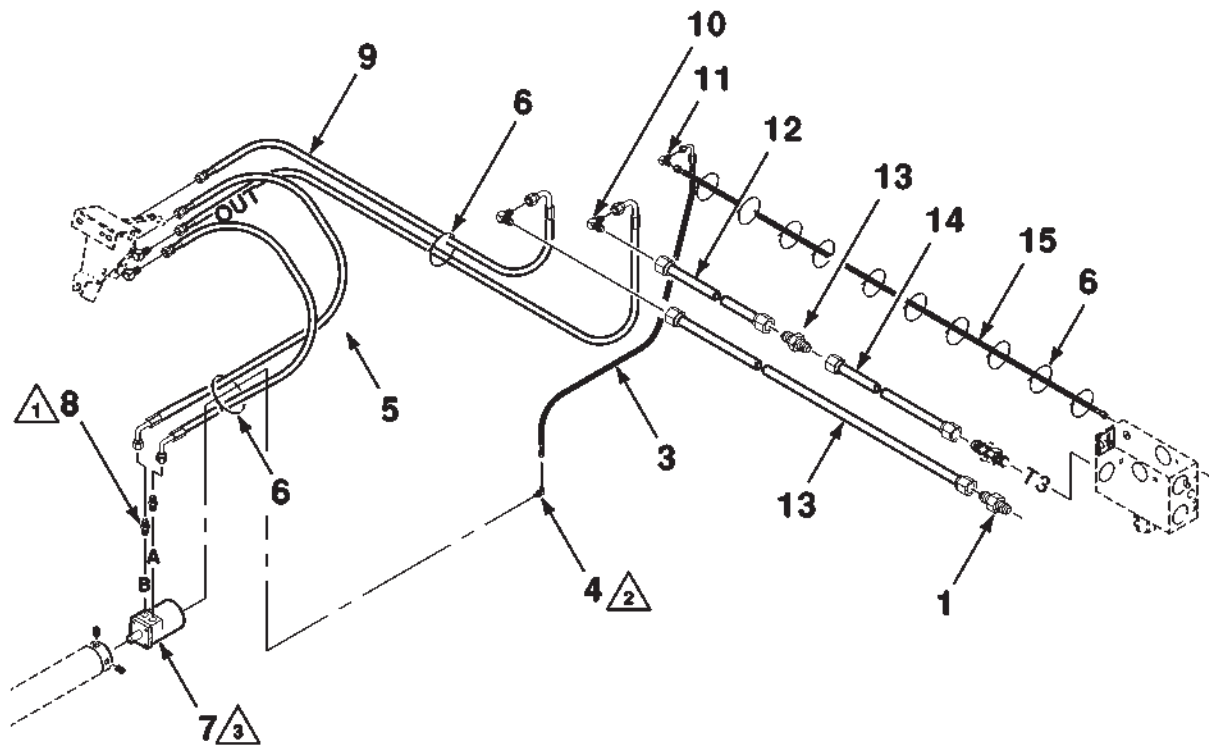
ITEM	NUMBER	QTY	DESCRIPTION
1	70919267	2	UNION
2	700719918	2	TUBE-HYDRAULIC
3	700701553	1	HOSE-HYDRAULIC
4	70922571	1	ELBOW 90 Degree (Includes Item 15)
5	700722656	2	HOSE-HYDRAULIC
6	70937133	22	TIE-PLASTIC
7	700725799	1	MOTOR ASSEMBLY-CONVEYOR DRIVE (Includes Item 16)
8	70922981	2	CONNECTOR-SHORT THREAD (Includes Item 14)
9	700722655	2	HOSE-HYDRAULIC
10	113406M1	2	ELBOW 90 Degree
11	70919131	1	ELBOW 90 Degree
12	700719913	1	TUBE-HYDRAULIC (22 FOOT)
12	700719916	1	TUBE-HYDRAULIC (25 FOOT)
13	700724659	1	HOSE-HYDRAULIC (22 FOOT)
13	855637	1	HOSE-HYDRAULIC (25 FOOT)
14	70921205	AR	.755 I.D. O-RING
15	7040397	AR	.351 I.D. O-RING
16	700719933	1	SEAL KIT

700156659-2

DHW DRAPER HEADER  
HYDRAULICS

CONVEYOR DRIVE HYDRAULIC-RIGHT  
(DOUBLE SWATH)  
(30 FOOT)

 <p>16 </p>	 <p>17 </p>	 <p><b>18 SEAL KIT</b></p>
---	---	---



DHW DRAPER HEADER  
HYDRAULICS

145

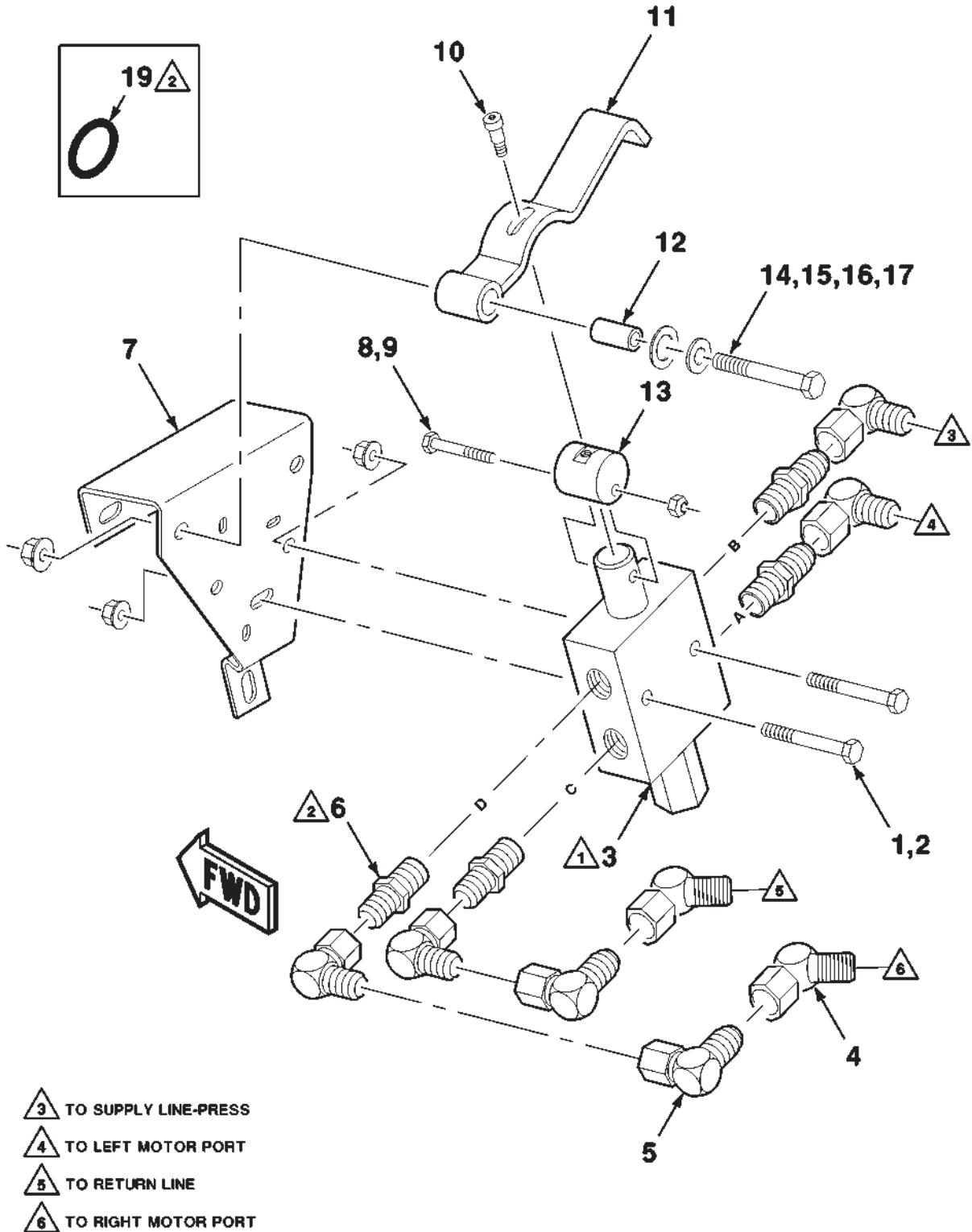
CONVEYOR DRIVE HYDRAULIC-RIGHT  
(DOUBLE SWATH)  
(30 FOOT)

ITEM	NUMBER	QTY	DESCRIPTION
1	66435	1	UNION-JIC, SPECIAL
3	700701553	1	HOSE-HYDRAULIC
4	70922571	1	ELBOW-90 Degree (Includes Item 17)
5	700722656	2	HOSE-HYDRAULIC
6	70937133	22	TIE-PLASTIC
7	700725799	1	MOTOR-CANVAS DRIVE (Includes Item 18)
8	70922981	2	CONNECTOR-SHORT STD THD (Includes Item 16)
9	700722655	2	HOSE-HYDRAULIC
10	113406M1	2	ELBOW 90 Degree
11	70919131	1	ELBOW
12	113290M1	1	TUBE-HYDRAULIC
13	70919267	2	UNION
14	700719918	1	TUBE-HYDRAULIC
15	700721288	1	HOSE-HYDRAULIC
16	70921205	AR	.755 I.D. O-RING
17	7040397	AR	.351 I.D. O-RING
18	700719933	1	SEAL KIT

700156655-0

VALVE ASSEMBLY-LEFT

**△ 1 18 SEAL KIT-VALVE**



DHW DRAPER HEADER  
HYDRAULICS

147

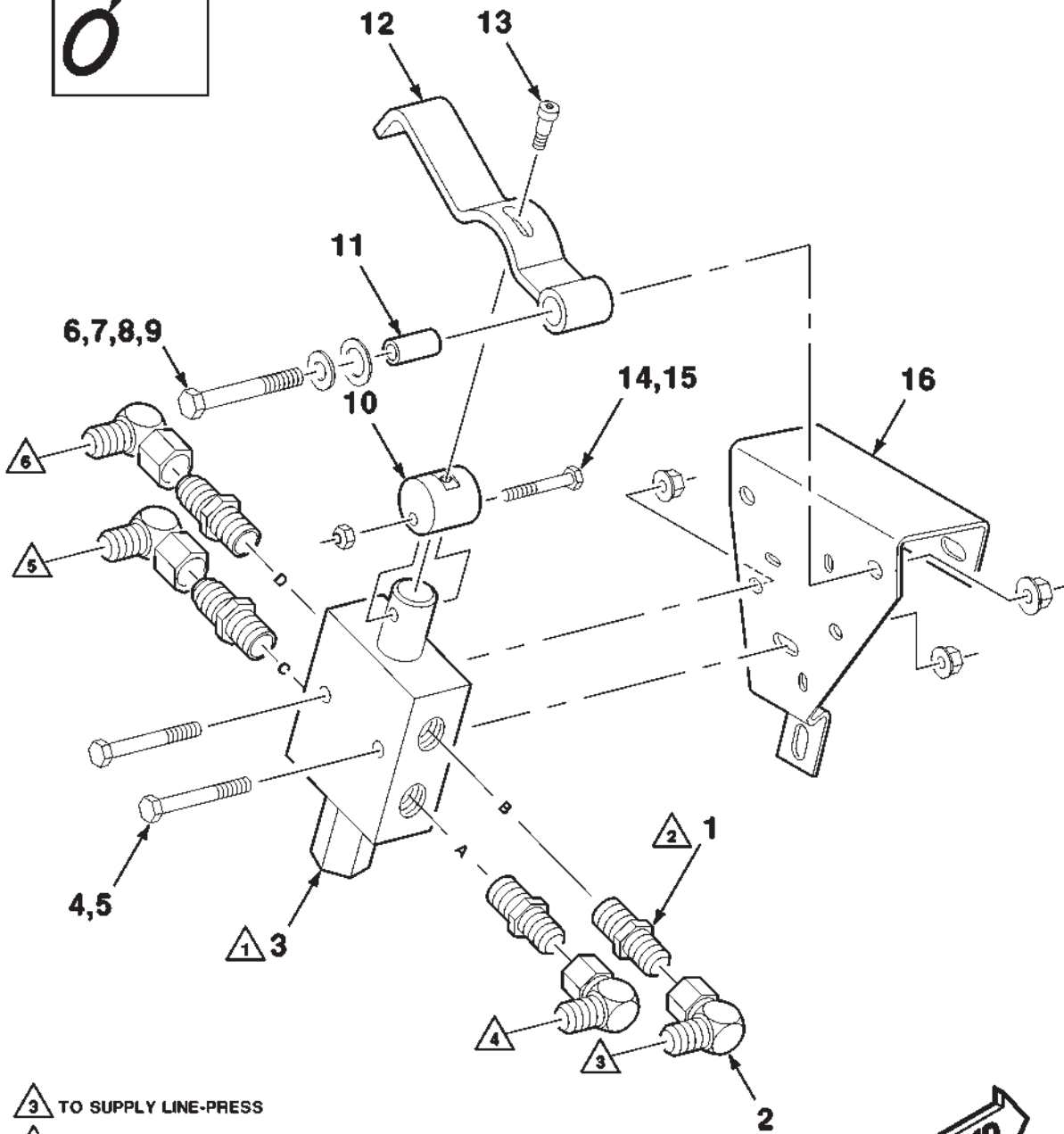
VALVE ASSEMBLY-LEFT

ITEM	NUMBER	QTY	DESCRIPTION
1	70921719	2	5/16-18 X 2-1/2 CAPSCREW
2	Y704726	2	5/16-18 NUT-LOCK, FLANGE GR/G
3	700724954	1	VALVE ASSEMBLY-SELECTOR, 4 WAY (Includes Item 18)
4	700701790	2	FITTING-45 Degree
5	70919624	6	ELBOW-90 Degree
6	70922935	4	FITTING-STRAIGHT (Includes Item 19)
7	700137284	1	BRACKET-SELECTOR VALVE
8	70921962	1	1/4-20 X 1-3/4 CAPSCREW
9	7774839	1	1/4-20 NUT-LOCK GR/B
10	773820	1	BOLT-SHOULDER
11	700137280	1	LEVER WA-SHIFT
12	700154050	1	SPACER
13	700137283	1	HUB-PIVOT
14	70921973	1	3/8-16 X 2-3/4 CAPSCREW
15	Y705533	1	3/8 HARDENED PLAIN WASHER
16	52175	1	5/8 X 18 GAUGE BUSHING-NARROW
17	Y704734	1	3/8-16 NUT-LOCK, FLANGE GR/G
18	700726972	1	SEAL KIT-VALVE
19	70921349	AR	.644 I.D. O-RING

700137288-0

VALVE ASSEMBLY-RIGHT

**1** 17 SEAL KIT-VALVE



- 3** TO SUPPLY LINE-PRESS
- 4** TO RIGHT MOTOR PORT
- 5** TO RETURN LINE
- 6** TO LEFT MOTOR PORT



DHW DRAPER HEADER  
HYDRAULICS

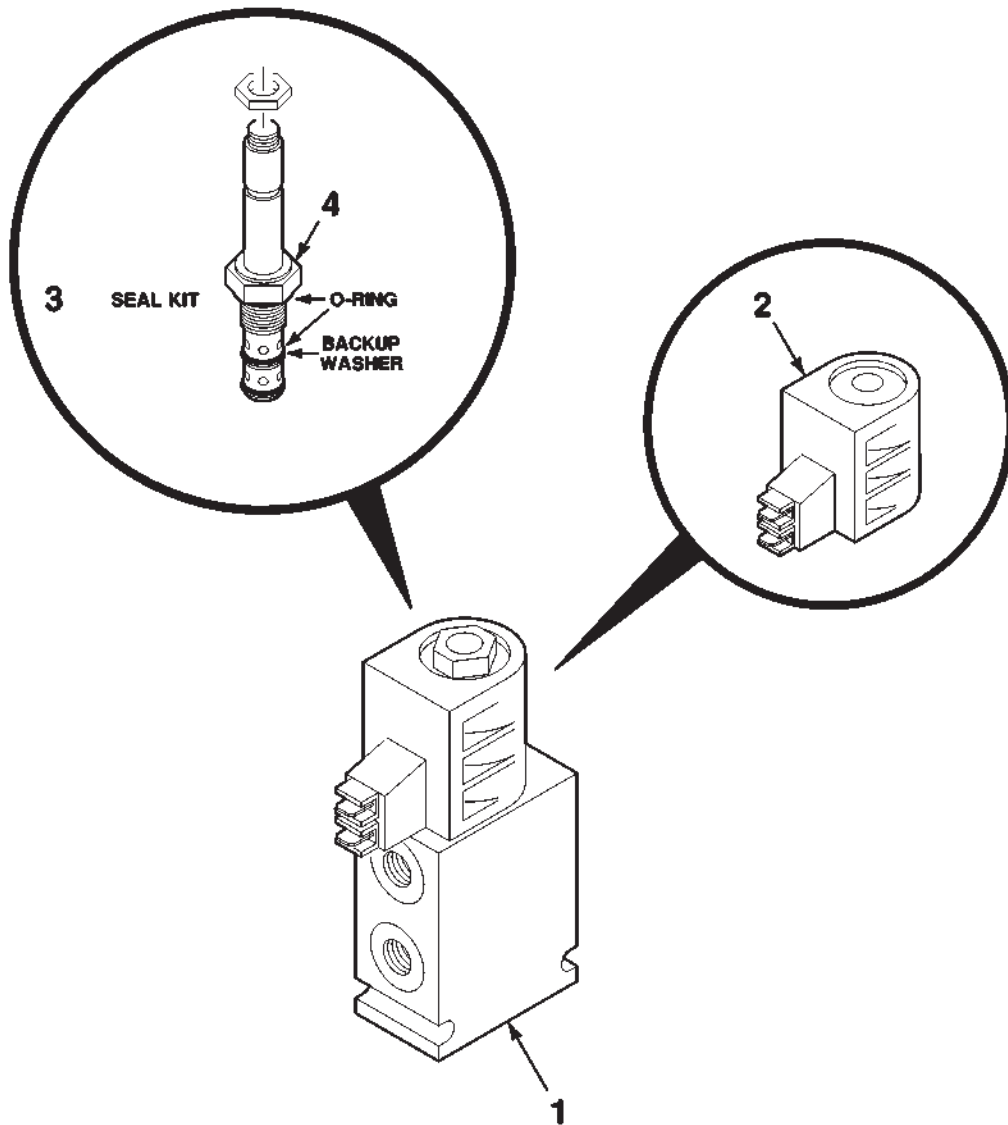
149

VALVE ASSEMBLY-RIGHT

ITEM	NUMBER	QTY	DESCRIPTION
1	70922935	4	FITTING-STRAIGHT (Includes Item 18)
2	70919624	4	ELBOW-90 Degree
3	700724954	1	VALVE ASSEMBLY-SELECTOR, 4 WAY (Includes Item 17)
4	70921719	2	5/16-18 X 2-1/2 CAPSCREW
5	Y704726	2	5/16-18 NUT-LOCK, FLANGE GR/G
6	70921973	1	3/8-16 X 2-3/4 CAPSCREW
7	Y705533	1	3/8 HARDENED PLAIN WASHER
8	52175	1	5/8 X 18 GAUGE BUSHING-NARROW
9	Y704734	1	3/8-16 NUT-LOCK, FLANGE GR/G
10	700137283	1	HUB-PIVOT
11	700154050	1	SPACER
12	700137280	1	LEVER WA-SHIFT
13	773820	1	BOLT-SHOULDER
14	70921962	1	1/4-20 X 1-3/4 CAPSCREW
15	7774839	1	1/4-20 NUT-LOCK GR/B
16	700137284	1	BRACKET-SELECTOR VALVE
17	700726972	1	SEAL KIT-VALVE
18	70921349	AR	.644 I.D. O-RING

700137289-0

HYDRAULIC CONTROL VALVE ASSEMBLY  
(66411 CONTROL VALVE ASSEMBLY)





**DHW DRAPER HEADER  
HYDRAULICS**

**151**

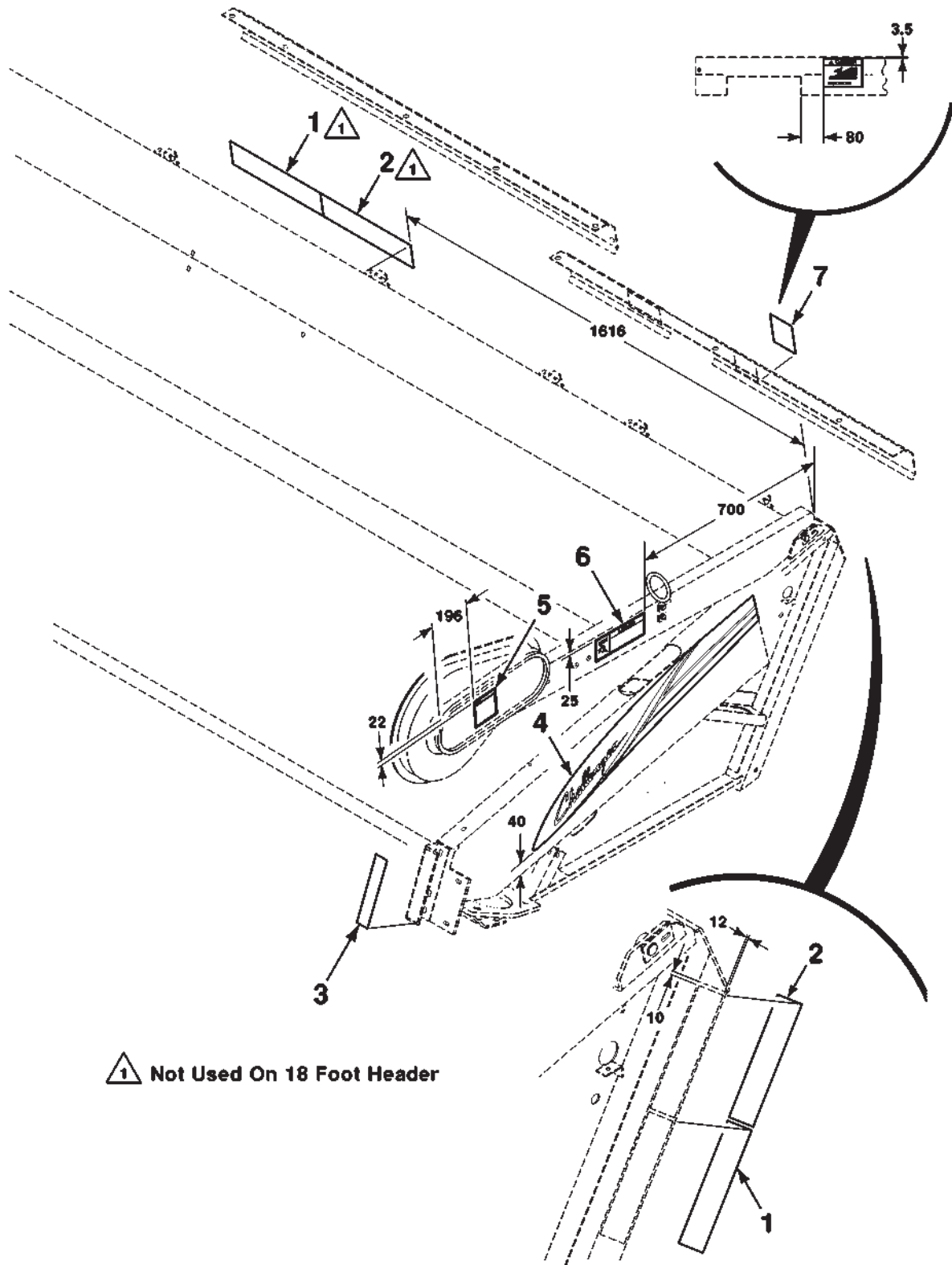
**HYDRAULIC CONTROL VALVE ASSEMBLY  
(66411 CONTROL VALVE ASSEMBLY)**

ITEM	NUMBER	QTY	DESCRIPTION
1	113261M1	1	HYDRAULIC CONTROL VALVE ASSEMBLY
2	855301	1	COIL 12VDC DS
3	700712678	3	KIT-SEAL
4	1079723M1	1	VALVE 4WAY 2 POSITION

66411-0

DHW DRAPER HEADER  
DECALS AND KITS

DECALS AND LOCATION DIAGRAM-LEFT



**1** Not Used On 18 Foot Header

**DHW DRAPER HEADER  
DECALS AND KITS**

**153**

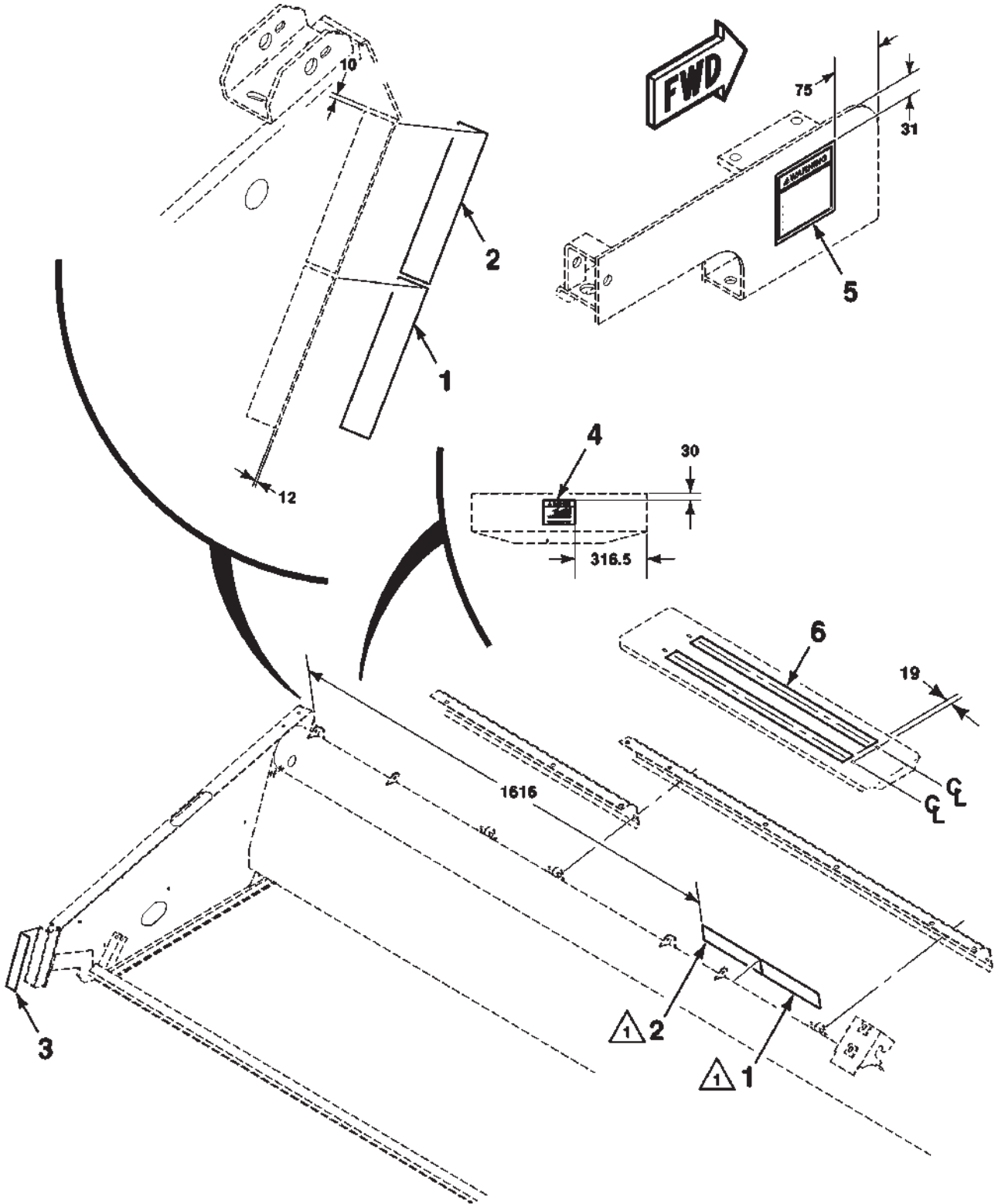
**DECALS AND LOCATION DIAGRAM-LEFT**

ITEM	NUMBER	QTY	DESCRIPTION
1	700717404	2	REFLECTOR-RED-ORANGE
2	700717402	2	REFLECTIVE TAPE-RED
3	700717403	1	DECAL-AMBER
4	700722514	1	DECAL-CHALLENGER
5	3726179M1	1	DECAL-CAUTION, SAFETY SHIELDS
6	700722498	1	DECAL-DANGER, REEL
7	111095W1	1	DECAL-DANGER

700156645-1

DHW DRAPER HEADER  
DECALS AND KITS

DECALS AND LOCATION DIAGRAM-RIGHT



 Not Used On 18 Foot Header

**DHW DRAPER HEADER  
DECALS AND KITS**

**155**

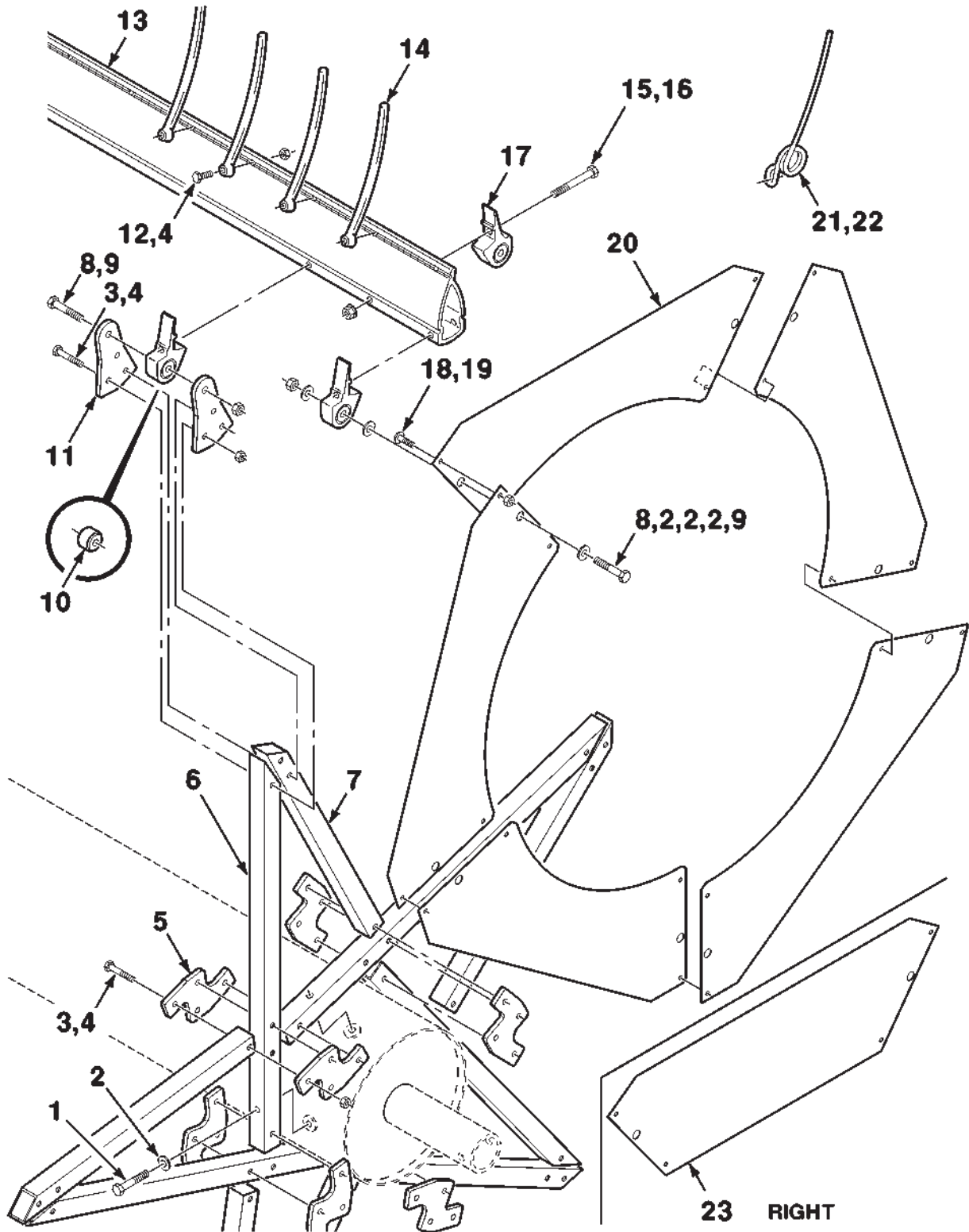
**DECALS AND LOCATION DIAGRAM-RIGHT**

ITEM	NUMBER	QTY	DESCRIPTION
1	700717404	2	REFLECTOR-RED-ORANGE
2	700717402	2	REFLECTOR-RED
3	700717403	1	DECAL-AMBER
4	111095W1	1	DECAL-DANGER, HEADER LOCKUP
5	3726179M1	1	DECAL-CAUTION, SAFETY SHIELDS
6	6849178	AR	TREAD-SAFETY (10 FOOT BULK) (CUT TO REQUIRED LENGTH)

700156645-2

DHW DRAPER HEADER  
DECALS AND KITS

PICKUP REEL KIT-18 FOOT (UNIVERSAL)  
(BK61047 PICKUP REEL KIT)



DHW DRAPER HEADER  
DECALS AND KITS

157

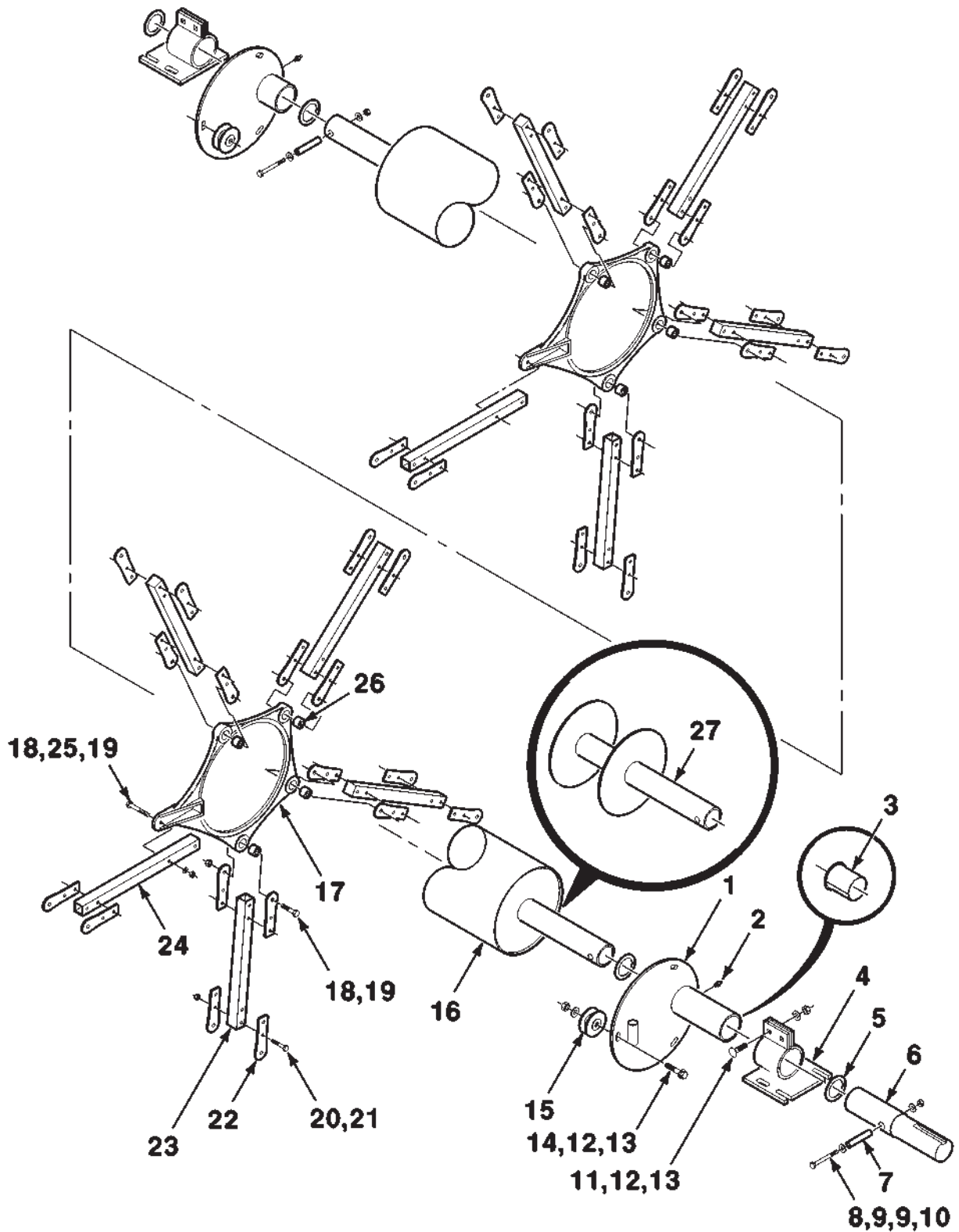
PICKUP REEL KIT-18 FOOT (UNIVERSAL)  
(BK61047 PICKUP REEL KIT)

ITEM	NUMBER	QTY	DESCRIPTION
-	BK61047	1	PICKUP REEL KIT (WHOLEGOODS ONLY)
1	700708893	20	5/16-18 X 1-3/4 BOLT-LOCK
2	832035M1	50	5/16 WASHER-SPECIAL
3	70922837	160	1/4-20 X 1-1/2 CAPSCREW
4	Y704395	435	1/4-20 NUT
5	700708865	40	PLATE-INNER
6	700708870	20	ARM-BAT
7	700708871	20	BRACE-ARM, BAT
8	70922127	52	5/16-18 X 1-3/4 CAPSCREW
9	7704075	52	5/16-18 NUT-SPECIAL
10	700713276	1	BEARING
11	700708863	40	PLATE-TIP
12	70927401	275	1/4-20 X 1 CAPSCREW
13	3728614M1	5	BAT (18 FOOT)
14	700714195	275	TINE-PLASTIC
15	70923141	40	5/16-18 X 2 3/4 CAPSCREW
16	Y704726	40	5/16-18 NUT-LOCK, FLANGE GR/G
17	700716861	40	HOLDER-BEARING (Includes Item 10)
18	373106X1	20	1/4-20 X 3/8 SCREW
19	70928372	20	1/4-20 NUT-KEPS
20	700719586	5	SHIELD-END
21	700712427	1	TINE-WIRE (OPTIONAL-SINGLE)
22	700712428	1	TINE-WIRE (OPTIONAL-BOX OF 300)
23	700716867	5	SHIELD-END

700904450-1

DHW DRAPER HEADER  
DECALS AND KITS

PICKUP REEL MOUNTING AND CAM-18 FOOT  
(UNIVERSAL)





DHW DRAPER HEADER  
DECALS AND KITS

159

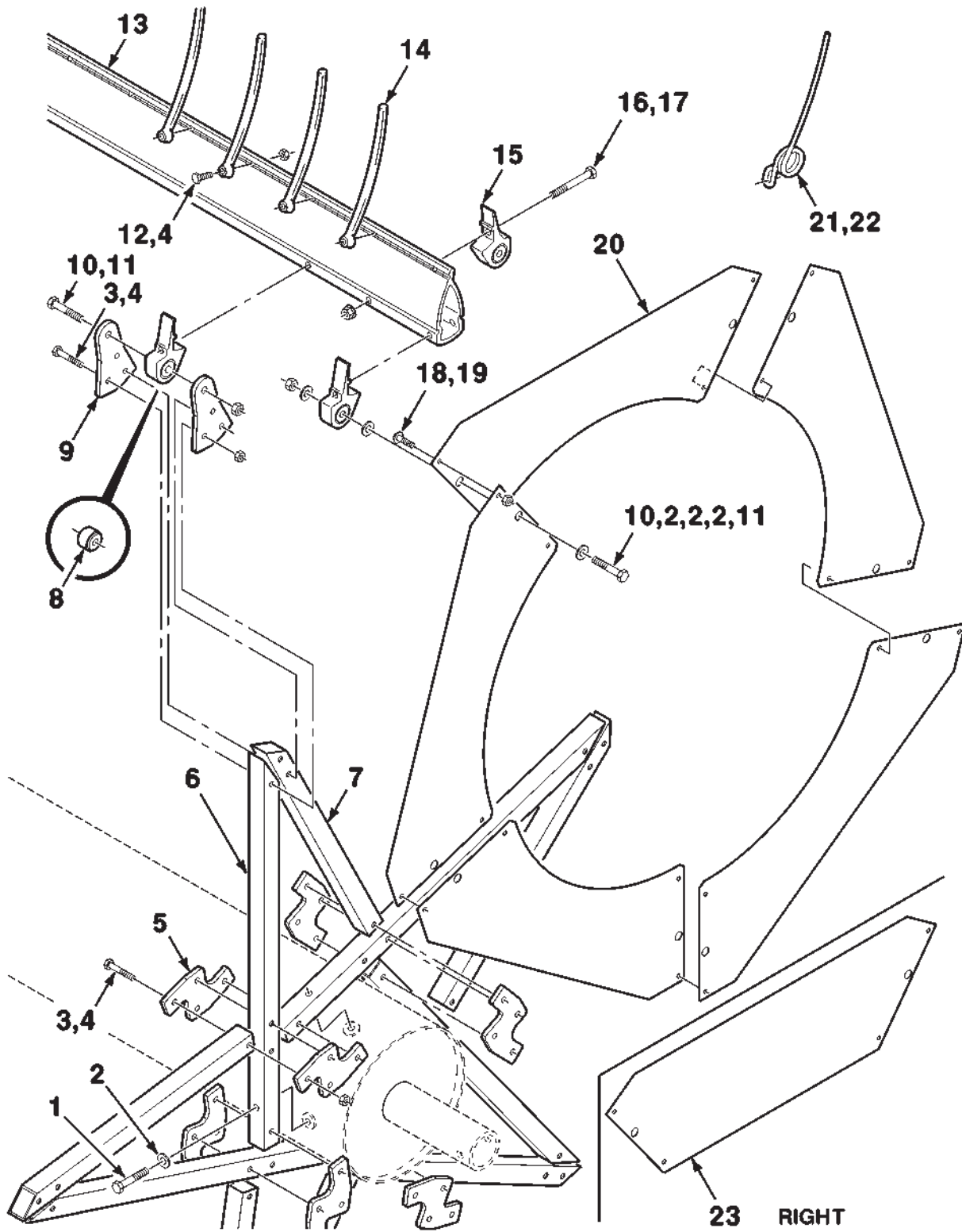
PICKUP REEL MOUNTING AND CAM-18 FOOT  
(UNIVERSAL)

ITEM	NUMBER	QTY	DESCRIPTION
1	700708886	2	PLATE-CONTROL (Includes Item 3)
2	70914465	2	1/8-27 ZERK
3	700721666	2	BUSHING-CONTROL PLATE
4	700719623	2	CLAMP-MOUNT, REEL
5	700708889	4	WASHER-SHAFT
6	700725707	1	SHAFT-STUB
7	700716876	2	1/2 X 2 SPRING PIN
8	70923282	1	1/4-20 X 2-1/2 CAPSCREW
9	353769X1	2	1/4 HARDENED PLAIN WASHER
10	Y704783	1	1/4-20 NUT-LOCK GR/B
11	768036	4	3/8-16 X 1-1/2 BOLT-CARRIAGE
12	Y705533	10	3/8 HARDENED PLAIN WASHER
13	Y704635	10	3/8-16 NUT-LOCK
14	700711134	6	3/8-16 X 1-3/4 SCREW-FLANGE GR8
15	700708888	6	ROLLER-CONTROL PLATE
16	3728608M1	1	TUBE-REEL, 18 FOOT (Includes Item 27)
17	700708869	2	RING-TRACK
18	70922127	12	5/16-18 X 1-3/4 CAPSCREW
19	7704075	12	5/16-18 ELASTIC LOCK NUT
20	70922837	36	1/4-20 X 1-1/2 CAPSCREW
21	70928372	36	1/4-20 NUT-KEPS
22	700708864	36	PLATE-END
23	700708873	8	ARM-CONTROL, REGULAR
24	700708872	2	ARM-CONTROL, FIXED
25	832035M1	4	5/16 WASHER-SPECIAL
26	700713276	8	BEARING-BALL
27	700725126	2	TUBE WA-BULKHEAD, 8 INCH

700904450-2

DHW DRAPER HEADER  
DECALS AND KITS

PICKUP REEL KIT-22 FOOT (UNIVERSAL)  
(BK61048 PICKUP REEL KIT)



DHW DRAPER HEADER  
DECALS AND KITS

161

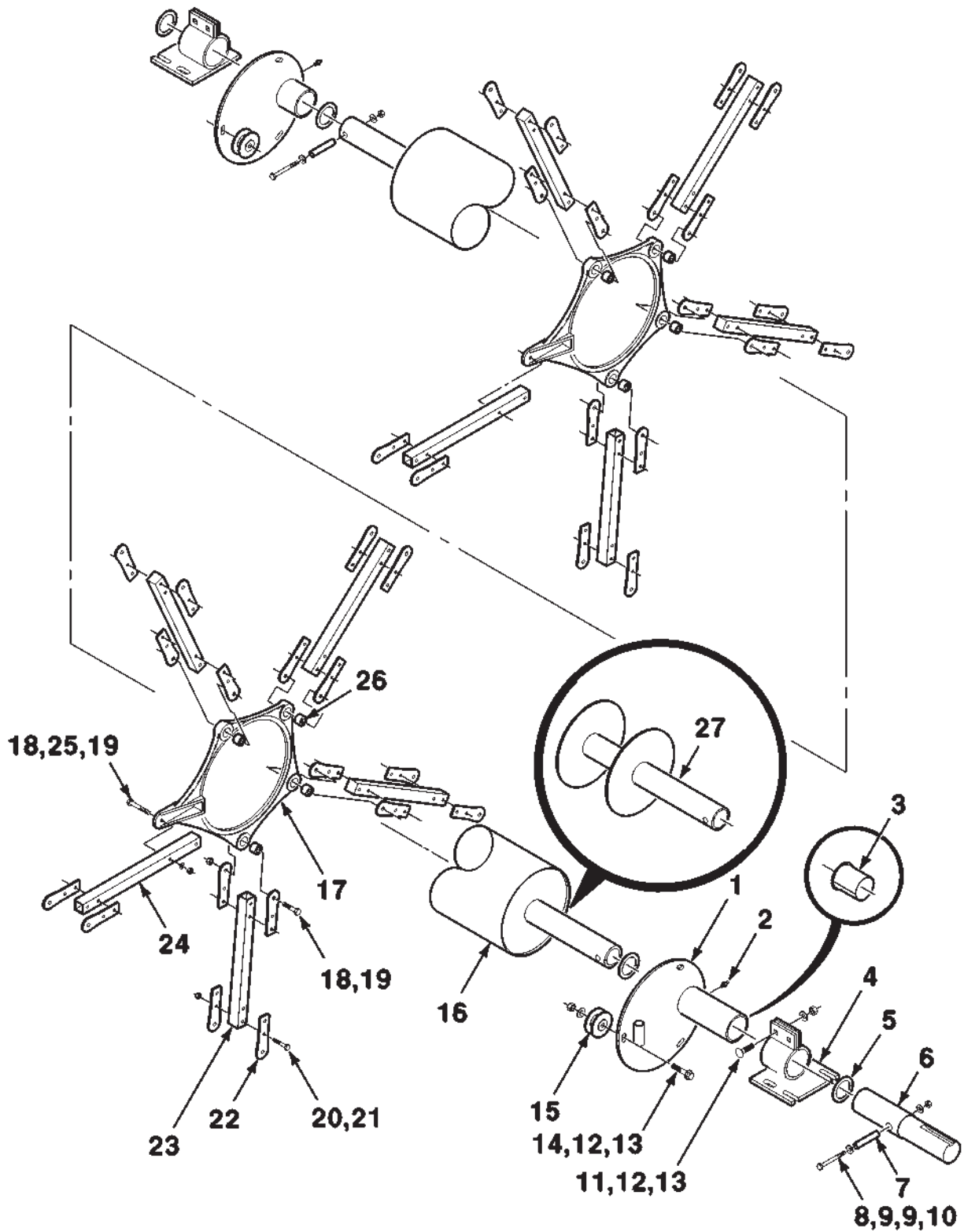
PICKUP REEL KIT-22 FOOT (UNIVERSAL)  
(BK61048 PICKUP REEL KIT)

ITEM	NUMBER	QTY	DESCRIPTION
-	BK61048	1	PICKUP REEL KIT (WHOLEGOODS ONLY)
1	700708893	25	5/16-18 X 1-3/4 BOLT-LOCK
2	832035M1	55	5/16 WASHER-SPECIAL
3	70922837	200	1/4-20 X 1-1/2 CAPSCREW
4	Y704395	535	1/4-20 NUT
5	700708865	50	PLATE-INNER
6	700708870	25	ARM-BAT
7	700708871	25	BRACE-ARM, BAT
8	700713276	1	BEARING
9	700708863	50	PLATE-TIP
10	70922127	57	5/16-18 X 1-3/4 CAPSCREW
11	7704075	57	5/16-18 NUT-SPECIAL
12	70927401	335	1/4-20 X 1 CAPSCREW
13	3728615M1	5	BAT (22 FOOT)
14	700714195	335	TINE-PLASTIC
15	700716861	45	HOLDER-BEARING (Includes Item 8)
16	70923141	45	5/16-18 X 2-3/4 CAPSCREW
17	Y704726	45	5/16-18 NUT-LOCK, FLANGE GR/G
18	373106X1	20	1/4-20 X 3/8 SCREW
19	70928372	20	1/4-20 NUT-KEPS
20	700719586	5	SHIELD-END
21	700712427	1	TINE-WIRE (OPTIONAL-SINGLE)
22	700712428	1	TINE-WIRE (OPTIONAL-BOX OF 300)
23	700716867	5	SHIELD-END

700904451-1

DHW DRAPER HEADER  
DECALS AND KITS

PICKUP REEL MOUNTING AND CAM-22 FOOT  
(UNIVERSAL)



DHW DRAPER HEADER  
DECALS AND KITS

163

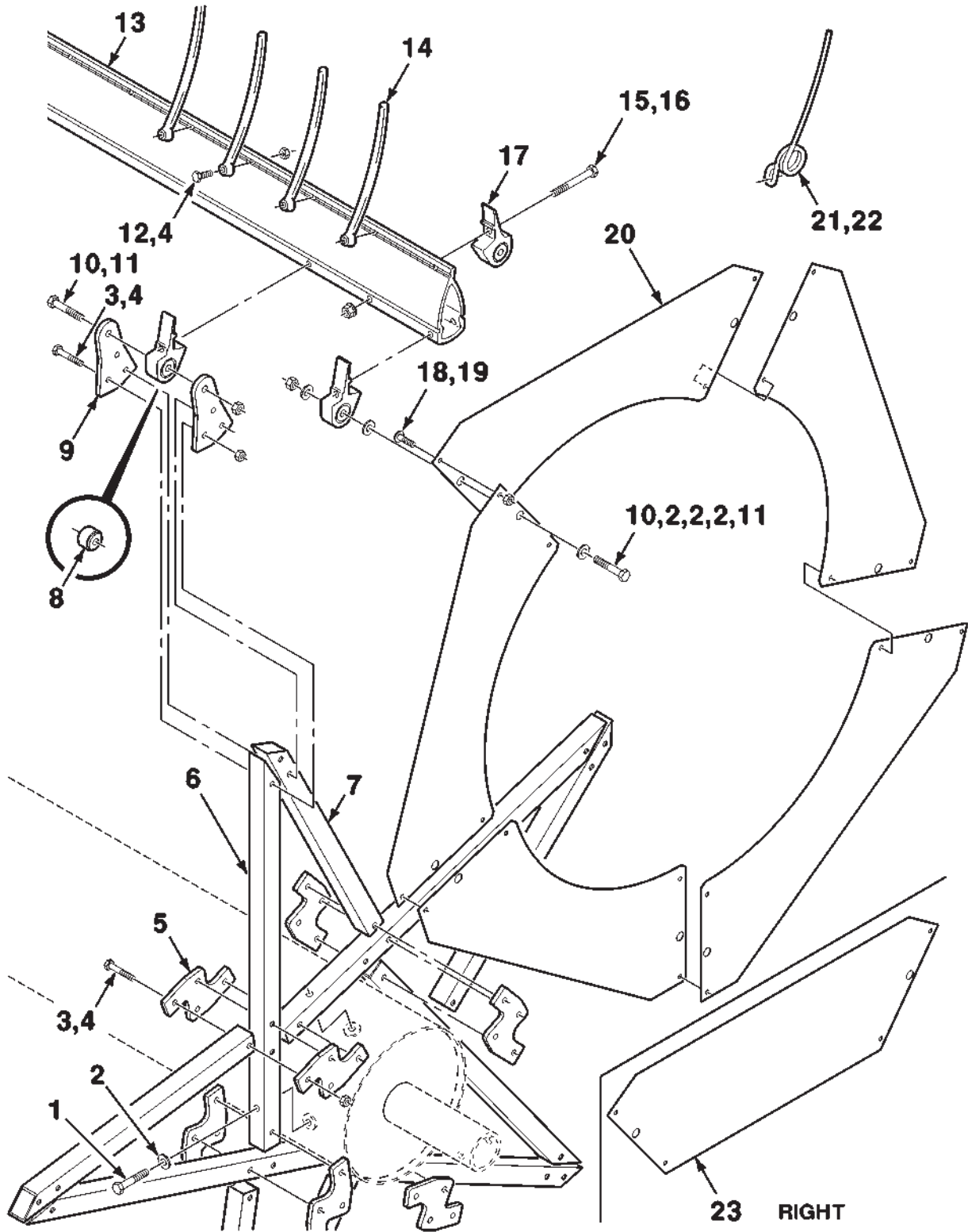
PICKUP REEL MOUNTING AND CAM-22 FOOT  
(UNIVERSAL)

ITEM	NUMBER	QTY	DESCRIPTION
1	700708886	2	PLATE-CONTROL (Includes Item 3)
2	70914465	2	1/8-27 ZERK
3	700721666	2	BUSHING-CONTROL PLATE
4	700719623	2	CLAMP-MOUNT, REEL
5	700708889	4	WASHER-SHAFT
6	700725707	1	SHAFT-STUB
7	700716876	4	1/2 X 2 SPRING PIN
8	70923282	1	1/4-20 X 2-1/2 CAPSCREW
9	353769X1	2	1/4 HARDENED PLAIN WASHER
10	Y704783	1	1/4-20 NUT-LOCK GR/B
11	768036	4	3/8-16 X 1-1/2 BOLT-CARRIAGE
12	Y705533	10	3/8 HARDENED PLAIN WASHER
13	Y704635	10	3/8-16 NUT-LOCK
14	700711134	6	3/8-16 X 1-3/4 SCREW-FLANGE GR8
15	700708888	6	ROLLER-CONTROL PLATE
16	3728609M1	1	TUBE-REEL, 22 FOOT (Includes Item 27)
17	700708869	2	RING-TRACK
18	70922127	12	5/16-18 X 1-3/4 CAPSCREW
19	7704075	12	5/16-18 ELASTIC LOCK NUT
20	70922837	36	1/4-20 X 1-1/2 CAPSCREW
21	70928372	36	1/4-20 HUT-KEPS
22	700708864	36	PLATE-END
23	700708873	8	ARM-CONTROL, REGULAR
24	700708872	2	ARM-CONTROL, FIXED
25	832035M1	4	5/16 WASHER-SPECIAL
26	700713276	8	BEARING-BALL
27	700725126	2	TUBE WA-BULKHEAD, 8 INCH

700904451-2

DHW DRAPER HEADER  
DECALS AND KITS

PICKUP REEL KIT-25 FOOT (UNIVERSAL)  
(BK61049 PICKUP REEL KIT)



DHW DRAPER HEADER  
DECALS AND KITS

165

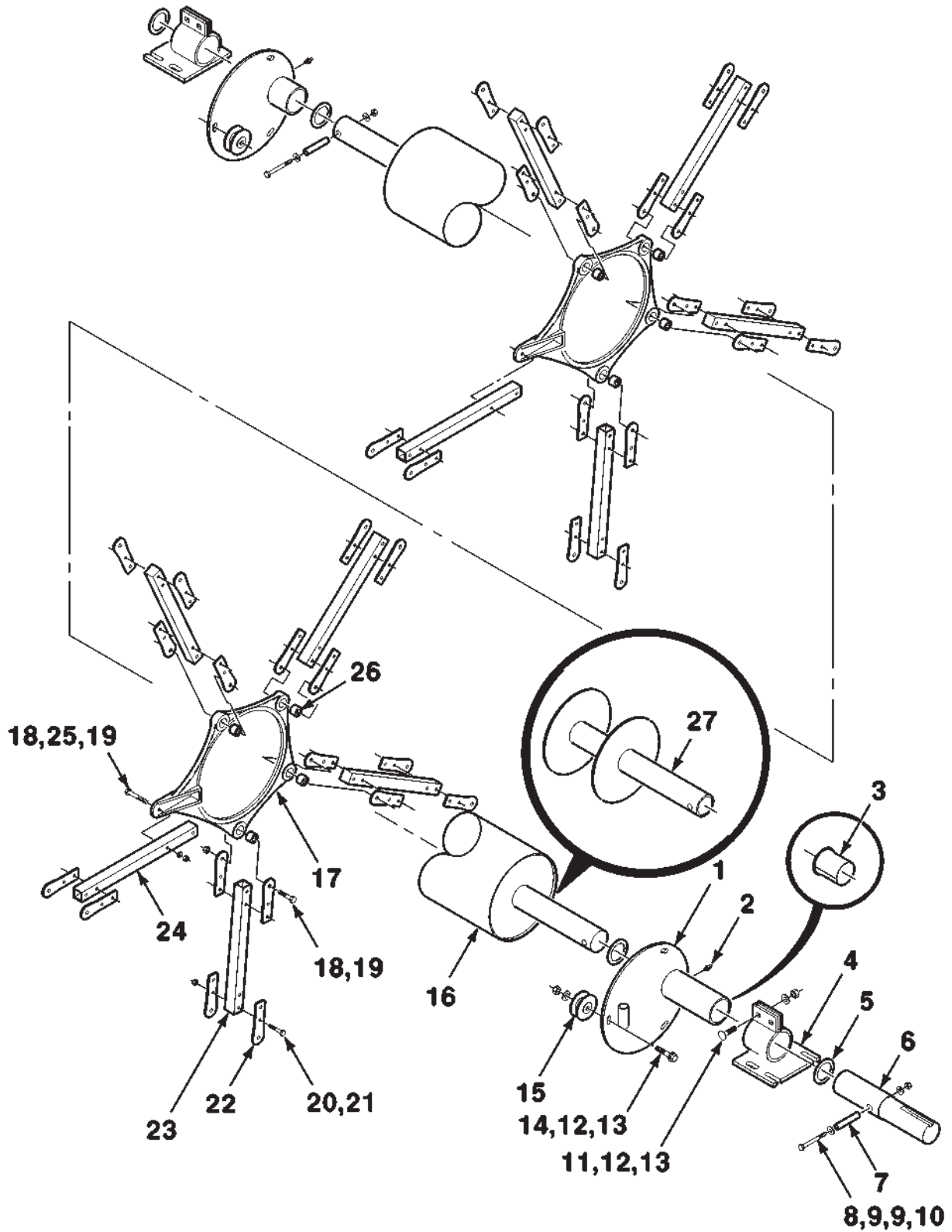
PICKUP REEL KIT-25 FOOT (UNIVERSAL)  
(BK61049 PICKUP REEL KIT)

ITEM	NUMBER	QTY	DESCRIPTION
-	BK61049	1	PICKUP REEL KIT (WHOLEGOODS ONLY)
1	700708893	25	5/16-18 X 1-3/4 BOLT-LOCK
2	832035M1	55	5/16 WASHER-SPECIAL
3	70922837	200	1/4-20 X 1-1/2 CAPSCREW
4	Y704395	580	1/4-20 NUT
5	700708865	50	PLATE-INNER
6	700708870	25	ARM-BAT
7	700708871	25	BRACE-ARM, BAT
8	700713276	1	BEARING
9	700708863	50	PLATE-TIP
10	70922127	57	5/16-18 X 1-3/4 CAPSCREW
11	7704075	57	5/16-18 NUT-SPECIAL
12	70927401	380	1/4-20 X 1 CAPSCREW
13	113637M1	5	BAT (25 FOOT)
14	700714195	380	TINE-PLASTIC
15	70923141	45	5/16-18 X 2-3/4 CAPSCREW
16	Y704726	45	5/16-18 NUT-LOCK, FLANGE GR/G
17	700716861	45	HOLDER-BEARING (Includes Item 8)
18	373106X1	20	1/4-20 X 3/8 SCREW
19	70928372	20	1/4-20 NUT-KEPS
20	700719586	5	SHIELD-END
21	700712427	1	TINE-WIRE (OPTIONAL-SINGLE)
22	700712428	1	TINE-WIRE (OPTIONAL-BOX OF 300)
23	700716867	5	SHIELD-END

700904452-1

DHW DRAPER HEADER  
DECALS AND KITS

PICKUP REEL MOUNTING AND CAM-25 FOOT  
(UNIVERSAL)





DHW DRAPER HEADER  
DECALS AND KITS

167

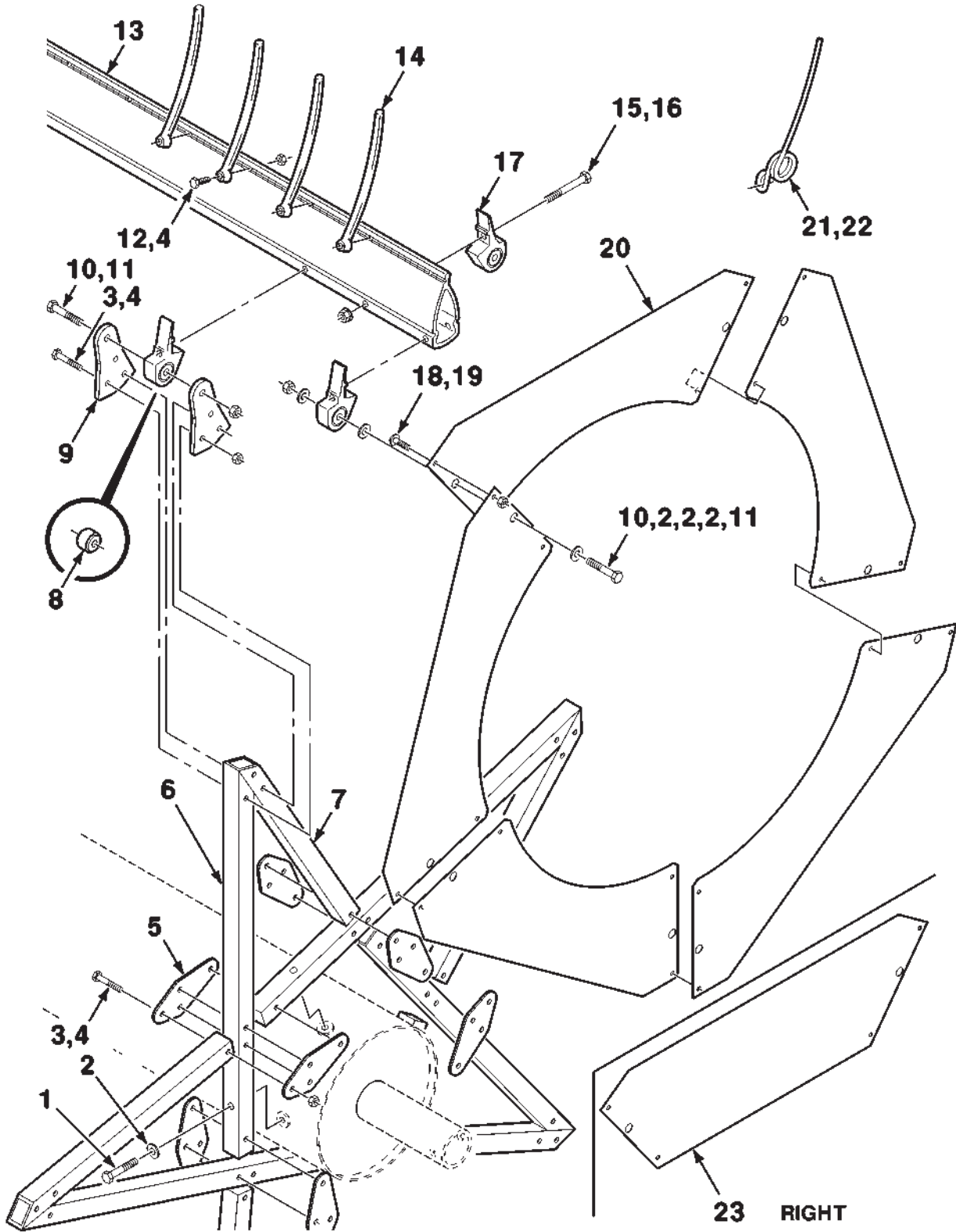
PICKUP REEL MOUNTING AND CAM-25 FOOT  
(UNIVERSAL)

ITEM	NUMBER	QTY	DESCRIPTION
1	700708886	2	PLATE-CONTROL (Includes Item 3)
2	70914465	2	1/8-27 ZERK
3	700721666	2	BUSHING-CONTROL PLATE
4	700719623	2	CLAMP-MOUNT, REEL
5	700708889	4	WASHER-SHAFT
6	700725707	1	SHAFT-STUB
7	700716876	4	1/2 X 2 SPRING PIN
8	70923282	1	1/4-20 X 2-1/2 CAPSCREW
9	353769X1	2	1/4 HARDENED PLAIN WASHER
10	Y704783	1	1/4-20 NUT-LOCK GR/B
11	768036	4	3/8-16 X 1-1/2 BOLT-CARRIAGE
12	Y705533	10	3/8 HARDENED PLAIN WASHER
13	Y704635	10	3/8-16 NUT-LOCK
14	700711134	6	3/8-16 X 1-3/4 SCREW-FLANGE GR8
15	700708888	6	ROLLER-CONTROL PLATE
16	113636M1	1	TUBE-REEL, 25 FOOT (Includes Item 27)
17	700708869	2	RING-TRACK
18	70922127	12	5/16-18 X 1-3/4 CAPSCREW
19	7704075	12	5/16-18 ELASTIC LOCK NUT
20	70922837	36	1/4-20 X 1-1/2 CAPSCREW
21	70928372	36	1/4-20 NUT-KEPS
22	700708864	36	PLATE-END
23	700708873	8	ARM-CONTROL, REGULAR
24	700708872	2	ARM-CONTROL, FIXED
25	832035M1	4	5/16 WASHER-SPECIAL
26	700713276	8	BEARING-BALL
27	700725126	2	TUBE WA-BULKHEAD, 8 INCH

700904452-2

DHW DRAPER HEADER  
DECALS AND KITS

PICKUP REEL KIT-30 FOOT (UNIVERSAL)  
(BK61050 PICKUP REEL KIT)



DHW DRAPER HEADER  
DECALS AND KITS

169

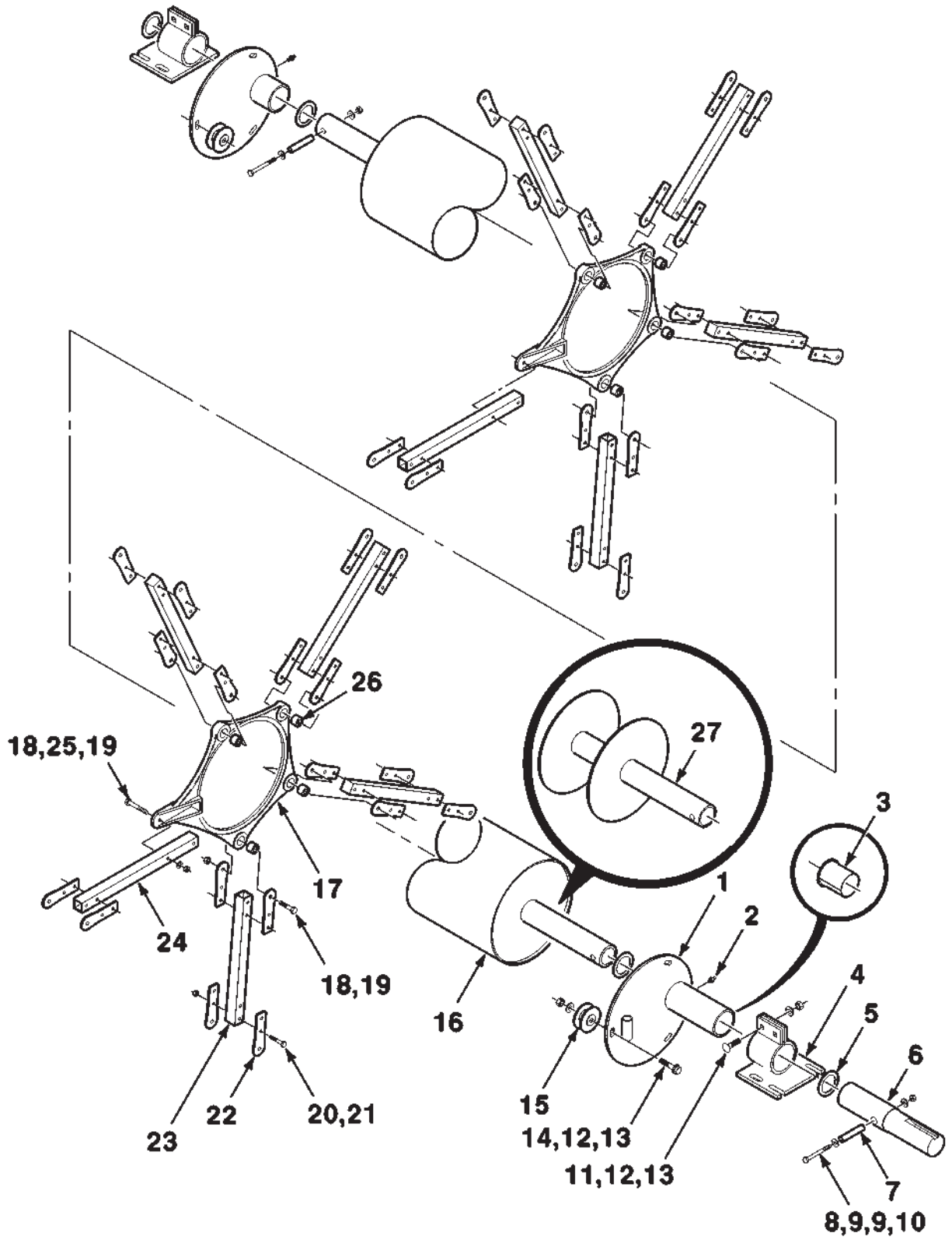
PICKUP REEL KIT-30 FOOT (UNIVERSAL)  
(BK61050 PICKUP REEL KIT)

ITEM	NUMBER	QTY	DESCRIPTION
-	BK61050	1	PICKUP REEL KIT (WHOLEGOODS ONLY)
1	700708893	30	5/16-18 X 1-3/4 BOLT-LOCK
2	832035M1	60	5/16 WASHER-SPECIAL
3	70922837	205	1/4-20 X 1-1/2 CAPSCREW
4	Y704395	660	1/4-20 NUT
5	700716054	60	PLATE-INNER
6	700716055	30	ARM-BAT
7	700716056	30	BRACE-ARM, BAT
8	700713276	1	BEARING
9	700708863	60	PLATE-TIP
10	70922127	62	5/16-18 X 1-3/4 CAPSCREW
11	7704075	62	5/16-18 NUT-SPECIAL
12	70927401	455	1/4-20 X 1 CAPSCREW
13	3728617M1	5	BAT (30 FOOT)
14	700714195	455	TINE-PLASTIC
15	70923141	50	5/16-18 X 2-3/4 CAPSCREW
16	Y704726	50	5/16-18 NUT-LOCK, FLANGE GR/G
17	700716861	50	HOLDER-BEARING (Includes Item 8)
18	373106X1	20	1/4-20 X 3/8 SCREW
19	70928372	20	1/4-20 NUT-KEPS
20	700719586	5	SHIELD-END
21	700712427	1	TINE-WIRE (OPTIONAL-SINGLE)
22	700712428	1	TINE-WIRE (OPTIONAL-BOX OF 300)
23	700716867	5	SHIELD-END

700904454-1

DHW DRAPER HEADER  
DECALS AND KITS

PICKUP REEL MOUNTING AND CAM-30 FOOT  
(UNIVERSAL)



DHW DRAPER HEADER  
DECALS AND KITS

171

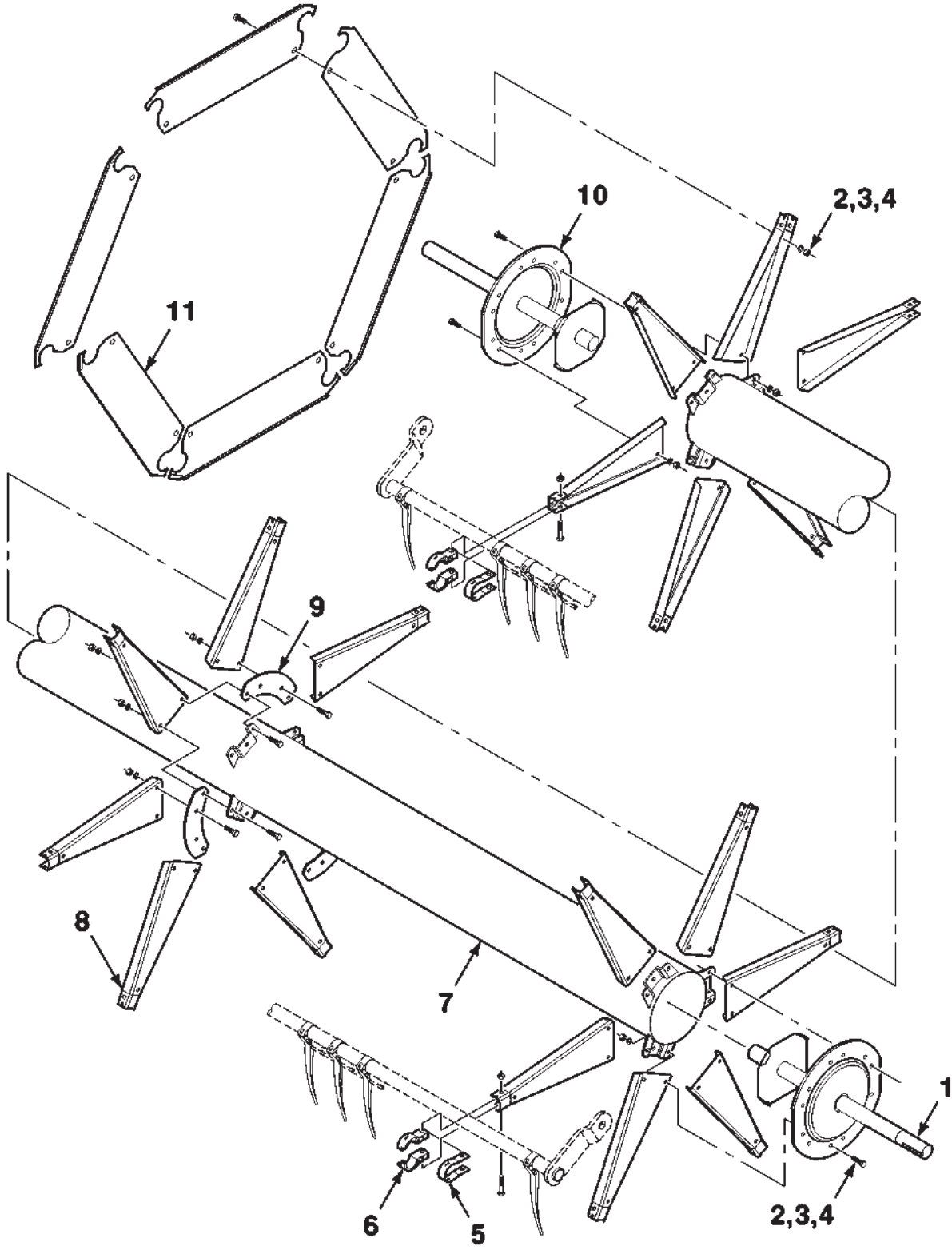
PICKUP REEL MOUNTING AND CAM-30 FOOT  
(UNIVERSAL)

ITEM	NUMBER	QTY	DESCRIPTION
1	700708886	2	PLATE-CONTROL (Includes Item 3)
2	70914465	2	1/8-27 ZERK
3	700721666	2	BUSHING-CONTROL PLATE
4	700719623	2	CLAMP-MOUNT, REEL
5	700708889	4	WASHER-SHAFT
6	700725707	1	SHAFT-STUB
7	700716876	2	1/2 X 2 SPRING PIN
8	70923282	2	1/4-20 X 2-1/2 CAPSCREW
9	353769X1	4	1/4 HARDENED PLAIN WASHER
10	Y704783	2	1/4-20 HTCN GR/B
11	768036	4	3/8-16 X 1-1/2 BOLT-CARRIAGE
12	Y705533	10	3/8 HARDENED PLAIN WASHER
13	Y704635	10	3/8-16 NUT-LOCK
14	700711134	6	3/8-16 X 1-3/4 SCREW-FLANGE GR8
15	700708888	6	ROLLER-CONTROL PLATE
16	114053M1	1	TUBE-REEL, 30 FOOT (Includes Item 29)
17	700708869	2	RING-TRACK
18	70922127	12	5/16-18 X 1-3/4 CAPSCREW
19	7704075	12	5/16-18 ELASTIC LOCK NUT
20	70922837	36	1/4-20 X 1-1/2 CAPSCREW
21	70928372	36	1/4-20 NUT-KEPS
22	700708864	36	PLATE-END
23	700708873	8	ARM-CONTROL, REGULAR
24	700708872	2	ARM-CONTROL, FIXED
25	832035M1	4	5/16 WASHER-SPECIAL
26	700713276	8	BEARING-BALL
27	700725125	2	TUBE WA-BULKHEAD, 10 INCH

700904454-2

DHW DRAPER HEADER  
DECALS AND KITS

PICKUP REEL KIT-18 FOOT (HARTCARTER)  
(BK61119 PICKUP REEL KIT)



**DHW DRAPER HEADER  
DECALS AND KITS**

**173**

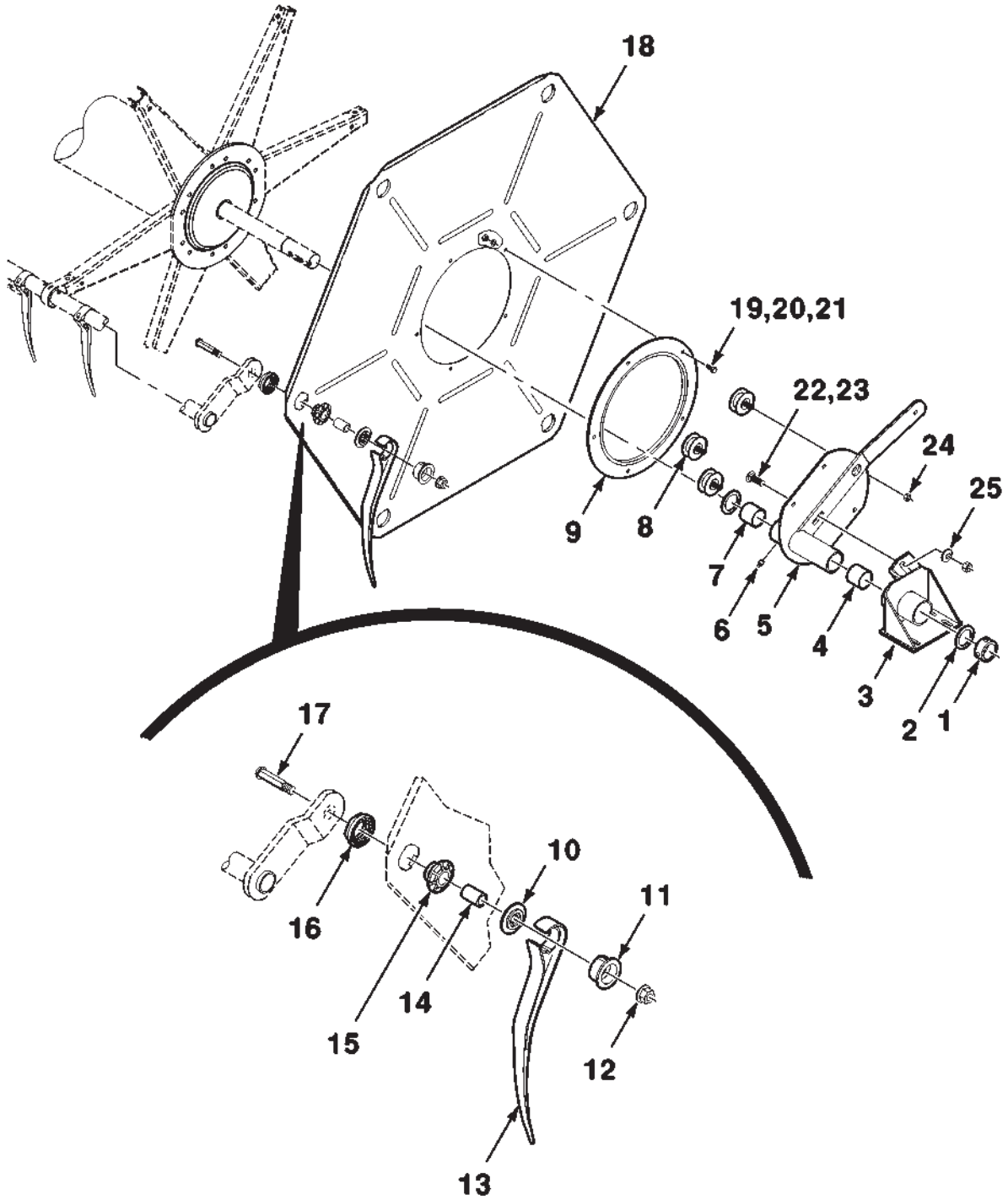
**PICKUP REEL KIT-18 FOOT (HARTCARTER)  
(BK61119 PICKUP REEL KIT)**

ITEM	NUMBER	QTY	DESCRIPTION
-	BK61119	1	PICKUP REEL KIT (WHOLEGOODS ONLY)
1	700722051	1	SHAFT-DRIVING
2	700708349	42	M10 X 1.5 X 25 CAPSCREW
3	700708367	42	M10 WASHER-SPRING
4	PZND2084V	42	M10 X 1.5 NUT-LOCK
5	71367255	36	STRAP-BEARING
6	71367256	72	BEARING-HALF, REEL ARM
7	700722167	1	SHAFT-CENTER
8	71367257	36	REEL ARM
9	71389103	12	PLATES-ANCHOR
10	71389102	1	SHAFT-DRIVEN
11	71368511	6	SHIELD-END

700951964-1

DHW DRAPER HEADER  
DECALS AND KITS

PICKUP REEL CAM-18 FOOT (HARTCARTER)  
(LEFT SIDE)





DHW DRAPER HEADER  
DECALS AND KITS

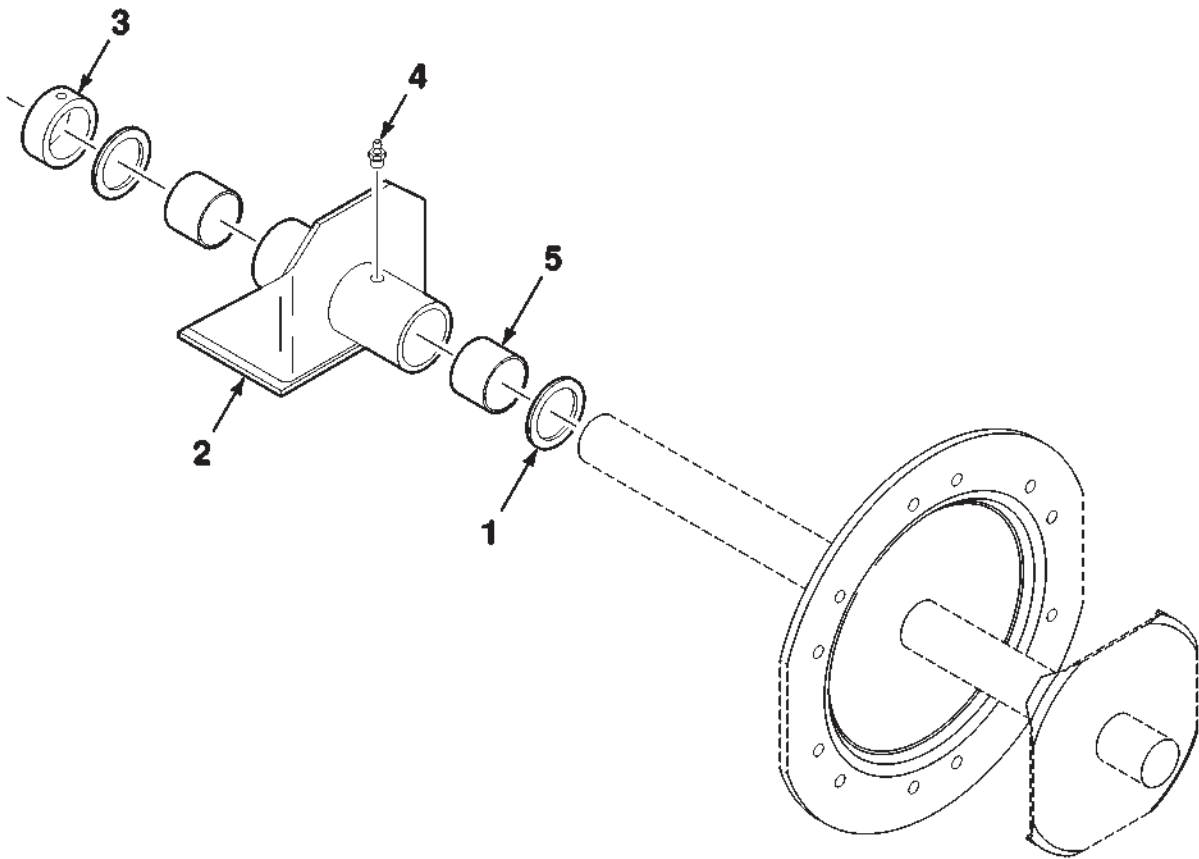
175

PICKUP REEL CAM-18 FOOT (HARTCARTER)  
(LEFT SIDE)

ITEM	NUMBER	QTY	DESCRIPTION
1	71368521	1	COLLAR-LOCK
2	700718595	1	WASHER-FLAT, SPECIAL
3	700722682	1	BRACKET-END, LEFT
4	71141320	1	BEARING-OILITE
5	700722687	1	FRAME-ROLLER (Includes Items 4, 6 and 7) (Includes Items 8 and 24 Qty. 2)
6	70914465	1	1/8-27 ZERK
7	71406215	1	BEARING-WITH HOLE
8	71368702	3	ROLLER-BALL BEARING
9	71351484	1	RING-CONTROL, ECCENTRIC
10	71352507	6	WASHER-RETAINER
11	71352506	6	BRACKET-FINGER
12	700707867	6	1/2-20 NUT-LOCK, FLANGE GR/G
13	700722056	6	FINGER-AUXILIARY
14	71141303	6	SPACER-TUBE
15	71368704	6	BEARING-MALE, ECCENTRIC
16	71368703	6	BEARING-FEMALE, ECCENTRIC
17	71129543	6	1/2-20 BOLT-SPECIAL
18	700722814	1	SHIELD-END, ECCENTRIC
19	700708359	5	M8 X 1.25 X 20 CAPSCREW
20	1177981	5	M8 WASHER-SPRING
21	1702893	5	M8 X 1.25 NUT
22	7870587	1	M12 X 1.75 X 40 BOLT-CARRIAGE
23	3009695X1	1	M12 X 1.75 NUT
24	700711876	3	M10 X 1.5 NUT-LOCK GR/B
25	71368522	1	M12 WASHER-BELLEVILLE

700951964-2

PICKUP REEL CAM-18 FOOT (HARTCARTER)  
(RIGHT SIDE)



**DHW DRAPER HEADER**  
DECALS AND KITS

177

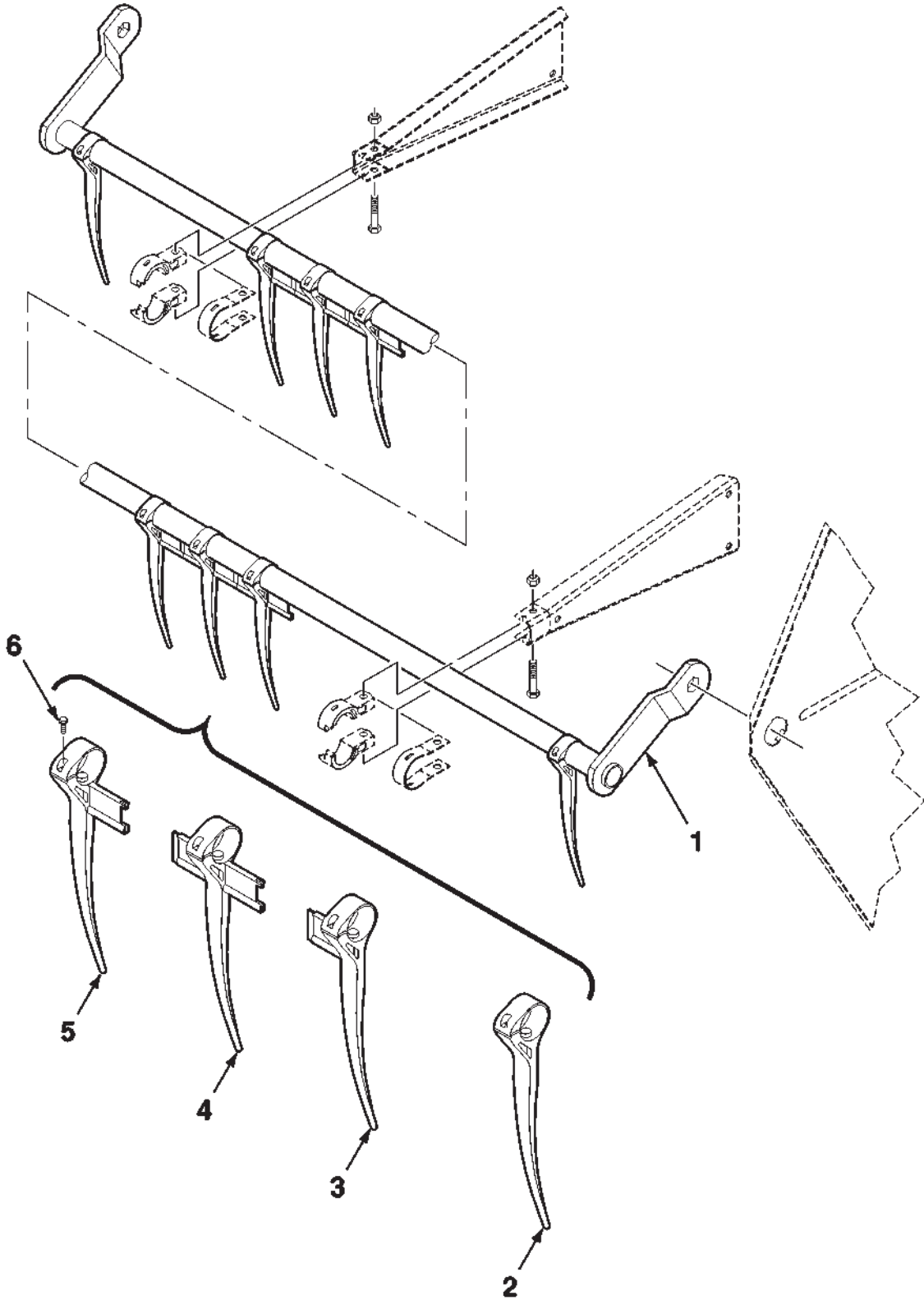
**PICKUP REEL CAM-18 FOOT (HARTCARTER)**  
(RIGHT SIDE)

ITEM	NUMBER	QTY	DESCRIPTION
1	700718595	2	WASHER-SPECIAL
2	700726233	1	BRACKET-RIGHT END
3	71368521	1	COLLAR-LOCK
4	70914465	1	1/8-27 ZERK
5	71141320	2	BEARING-OILITE

700951964-3

DHW DRAPER HEADER  
DECALS AND KITS

PICKUP REEL KIT-18 FOOT (HARTCARTER)



**DHW DRAPER HEADER  
DECALS AND KITS**

**179**

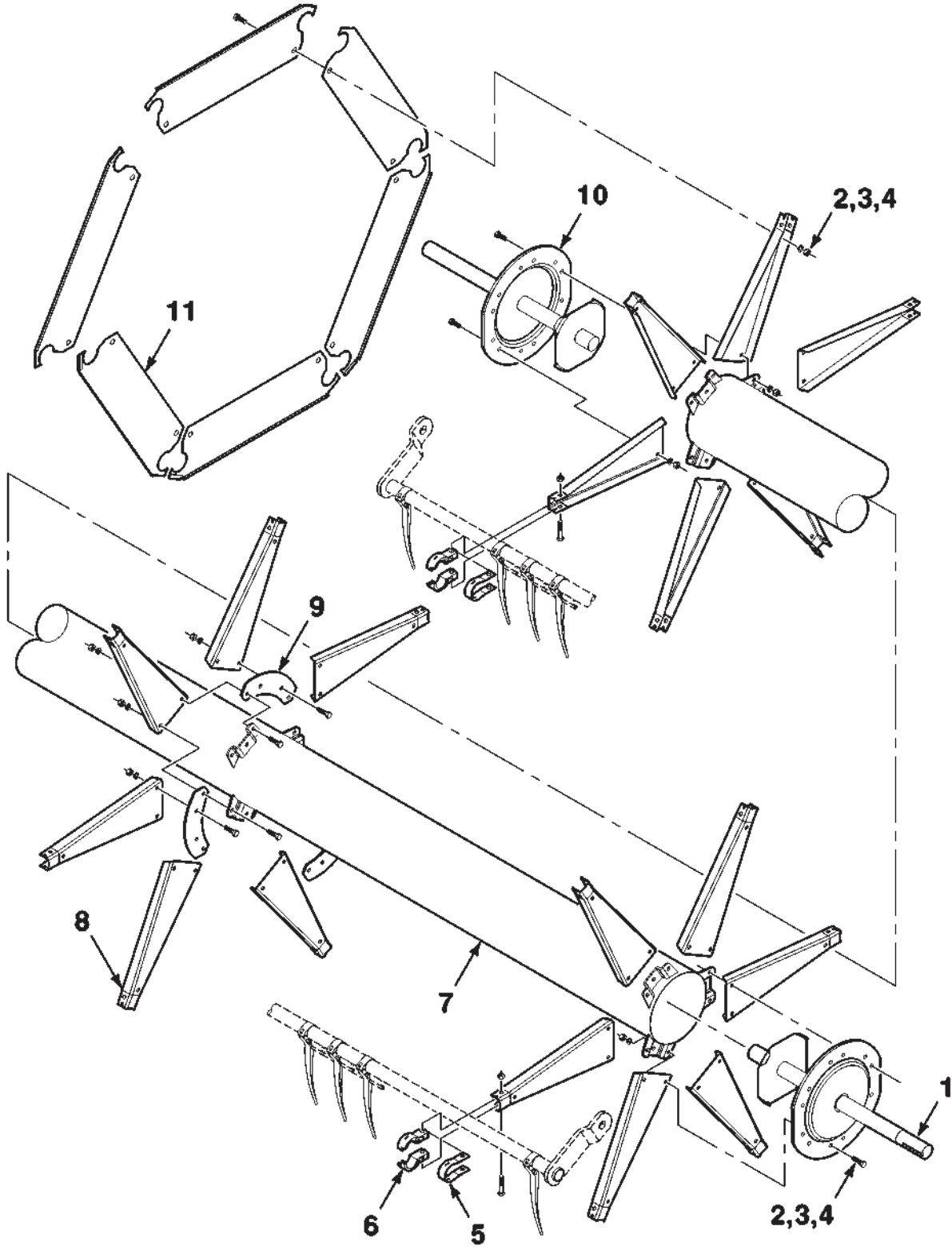
**PICKUP REEL KIT-18 FOOT (HARTCARTER)**

ITEM	NUMBER	QTY	DESCRIPTION
1	700722170	6	TUBE-BAT WA
2	71389109	21	FINGER
3	71389107	12	FINGER-BAT, LEFT
4	71389106	174	FINGER-BAT, FULL
5	71389108	15	FINGER-BAT, RIGHT
6	70951293	222	M3.5 X 1.3 X 16 SHWHMS

700951964-4

DHW DRAPER HEADER  
DECALS AND KITS

PICKUP REEL KIT-22 FOOT (HARTCARTER)  
(BK61120 PICKUP REEL KIT)



**DHW DRAPER HEADER  
DECALS AND KITS**

**181**

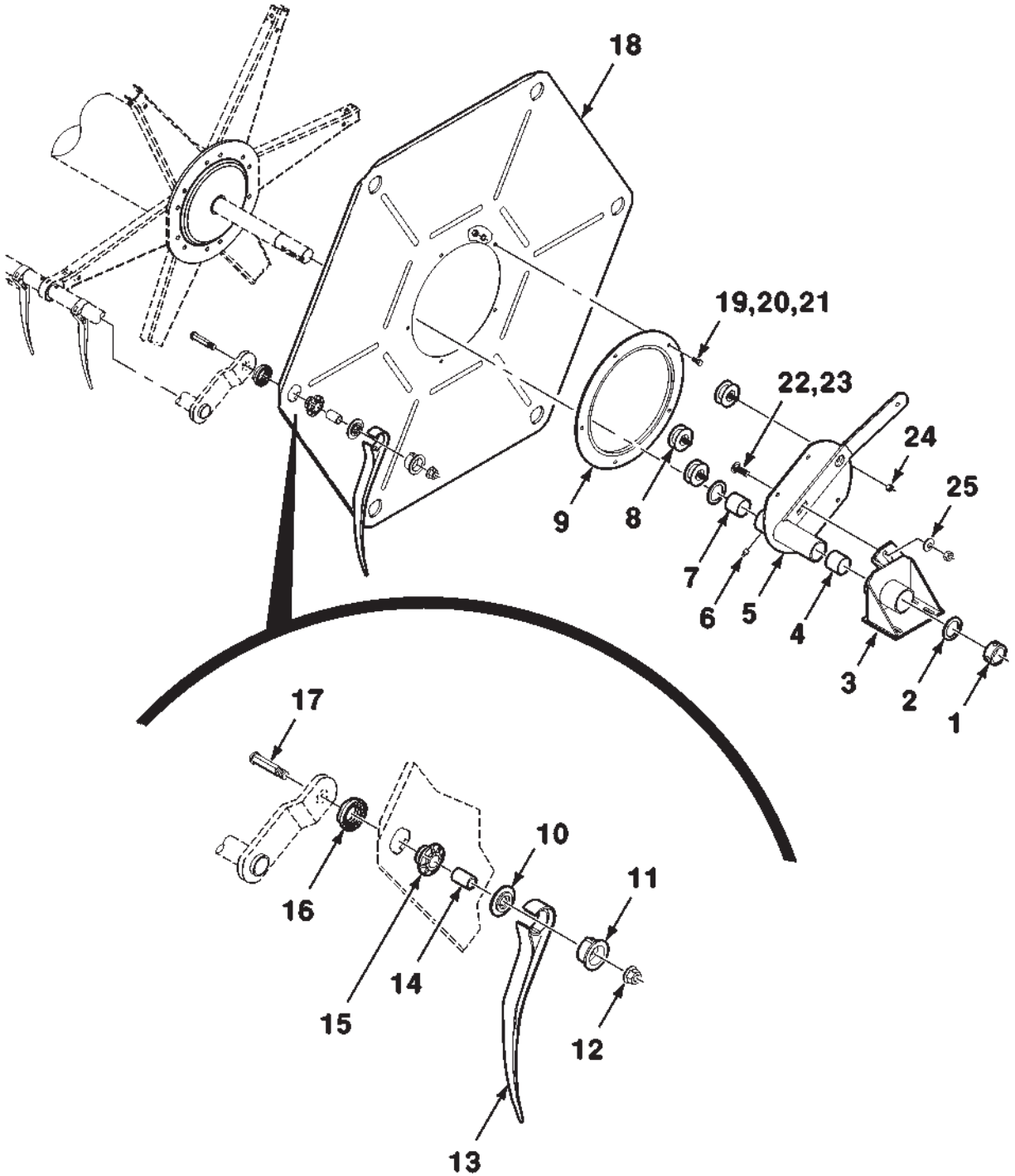
**PICKUP REEL KIT-22 FOOT (HARTCARTER)  
(BK61120 PICKUP REEL KIT)**

ITEM	NUMBER	QTY	DESCRIPTION
-	BK61120	1	PICKUP REEL KIT (WHOLEGOODS ONLY)
1	700722051	1	SHAFT-DRIVING
2	700708349	42	M10 X 1.5 X 25 CAPSCREW
3	700708367	42	M10 WASHER-SPRING
4	PZND2084V	42	M10 X 1.5 NUT-LOCK
5	71367255	36	STRAP-BEARING
6	71367256	72	BEARING-HALF, REEL ARM
7	700722168	1	SHAFT-CENTER
8	71367257	36	REEL ARM
9	71389103	12	PLATES-ANCHOR
10	71389102	1	SHAFT-DRIVEN
11	71368511	6	SHIELD-END

700951965-1

DHW DRAPER HEADER  
DECALS AND KITS

PICKUP REEL CAM-22 FOOT (HARTCARTER)  
(LEFT SIDE)





DHW DRAPER HEADER  
DECALS AND KITS

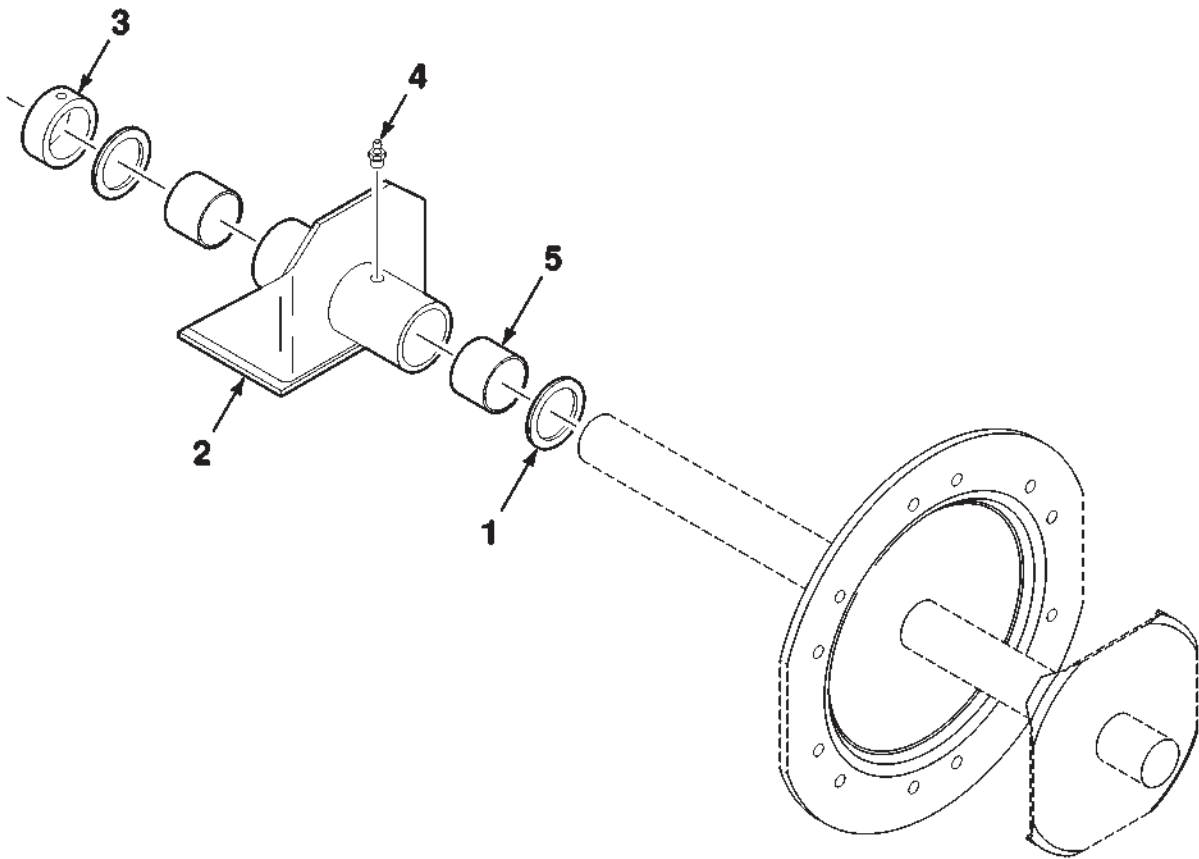
183

PICKUP REEL CAM-22 FOOT (HARTCARTER)  
(LEFT SIDE)

ITEM	NUMBER	QTY	DESCRIPTION
1	71368521	1	COLLAR-LOCK
2	700718595	1	WASHER-FLAT, SPECIAL
3	700722682	1	BRACKET-END, LEFT
4	71141320	1	BEARING-OILITE
5	700722687	1	FRAME-ROLLER (Includes Items 4, 6 and 7) (Includes Items 8 and 24 Qty. 2)
6	70914465	1	1/8-27 ZERK
7	71406215	1	
8	71368702	3	ROLLER-BALL BEARING
9	71351484	1	RING-CONTROL, ECCENTRIC
10	71352507	6	WASHER-RETAINER
11	71352506	6	BRACKET-FINGER
12	700707867	6	1/2-20 NUT-LOCK, FLANGE GR/G
13	700722056	6	FINGER-AUXILIARY
14	71141303	6	SPACER-TUBE
15	71368704	6	BEARING-MALE, ECCENTRIC
16	71368703	6	BEARING-FEMALE, ECCENTRIC
17	71129543	6	1/2-20 BOLT-SPECIAL
18	700722814	1	SHIELD-END, ECCENTRIC
19	700708359	5	M8 X 1.25 X 20 CAPSCREW
20	1177981	5	M8 WASHER-SPRING
21	1702893	5	M8 X 1.25 NUT
22	7870587	1	M12 X 1.75 X 40 BOLT-CARRIAGE
23	3009695X1	1	M12 X 1.75 NUT
24	700711876	3	M10 X 1.5 NUT-LOCK GR/B
25	71368522	1	M12 WASHER-BELLEVILLE

700951965-2

PICKUP REEL CAM-22 FOOT (HARTCARTER)  
(RIGHT SIDE)



**DHW DRAPER HEADER  
DECALS AND KITS**

**185**

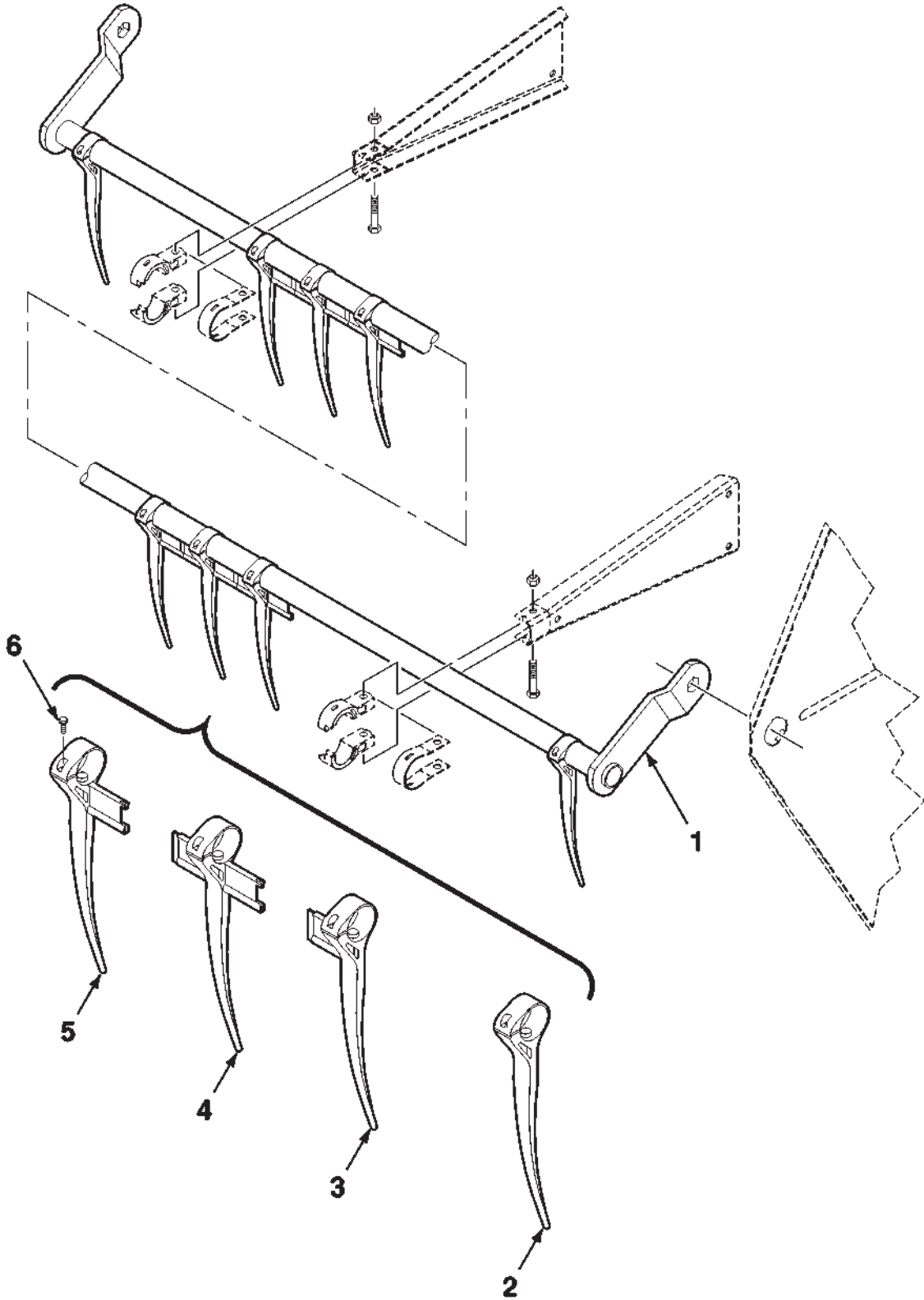
**PICKUP REEL CAM-22 FOOT (HARTCARTER)  
(RIGHT SIDE)**

ITEM	NUMBER	QTY	DESCRIPTION
1	700718595	2	WASHER-SPECIAL
2	700726233	1	BRACKET-RIGHT END
3	71368521	1	COLLAR-LOCK
4	70914465	1	1/8-27 ZERK
5	71141320	2	BEARING-OILITE

700951965-3

DHW DRAPER HEADER  
DECALS AND KITS

PICKUP REEL KIT-22 FOOT (HARTCARTER)



**DHW DRAPER HEADER  
DECALS AND KITS**

**187**

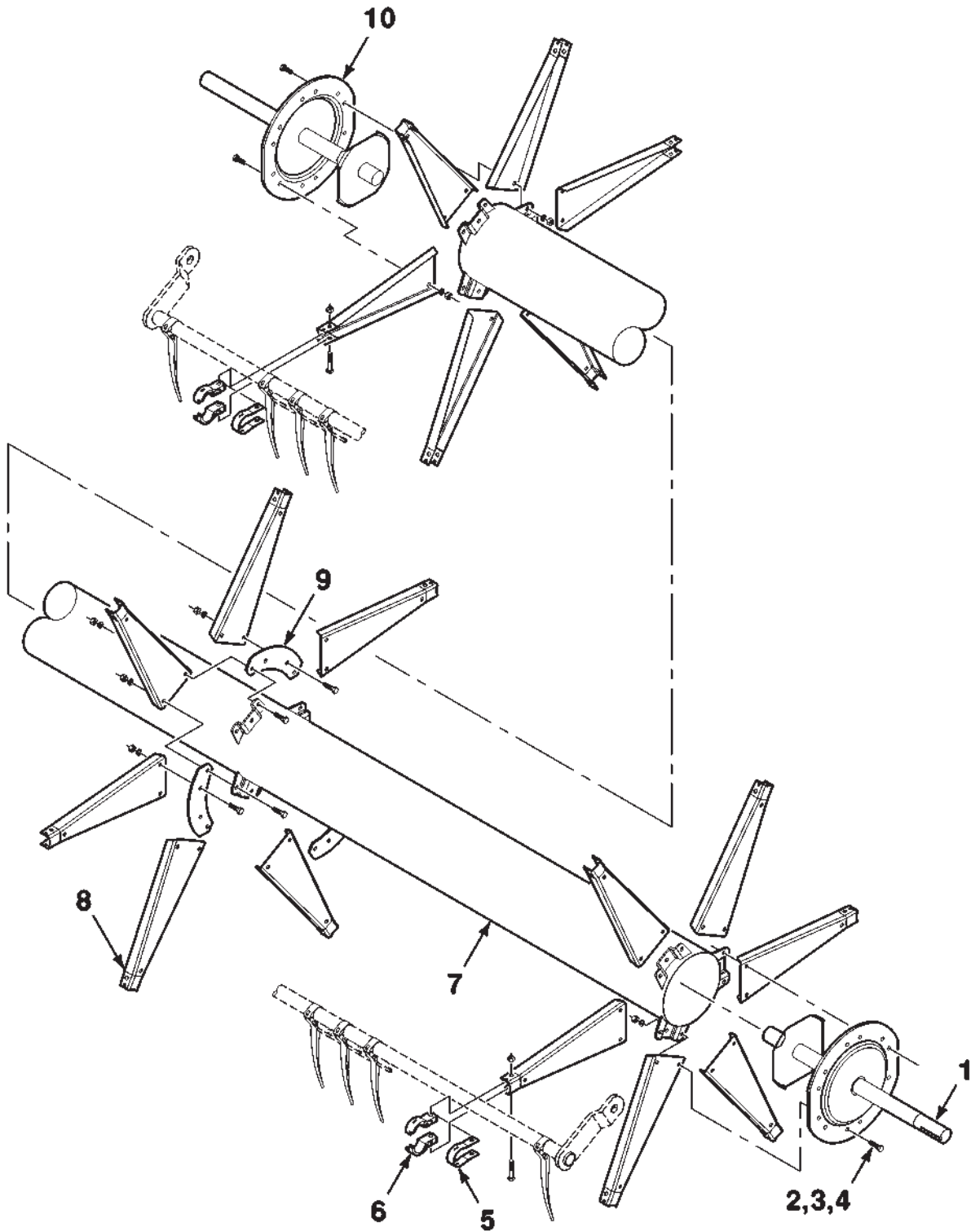
**PICKUP REEL KIT-22 FOOT (HARTCARTER)**

ITEM	NUMBER	QTY	DESCRIPTION
1	700722171	6	TUBE-BAT WA
2	71389109	21	FINGER
3	71389107	15	FINGER-BAT, LEFT
4	71389106	216	FINGER-BAT, FULL
5	71389108	18	FINGER-BAT, RIGHT
6	70951293	270	M3.5 X 1.3 X 16 SHWHMS

700951965-4

DHW DRAPER HEADER  
DECALS AND KITS

PICKUP REEL KIT-25 FOOT (HARTCARTER)  
(BK61121 PICKUP REEL KIT)



**DHW DRAPER HEADER  
DECALS AND KITS**

**189**

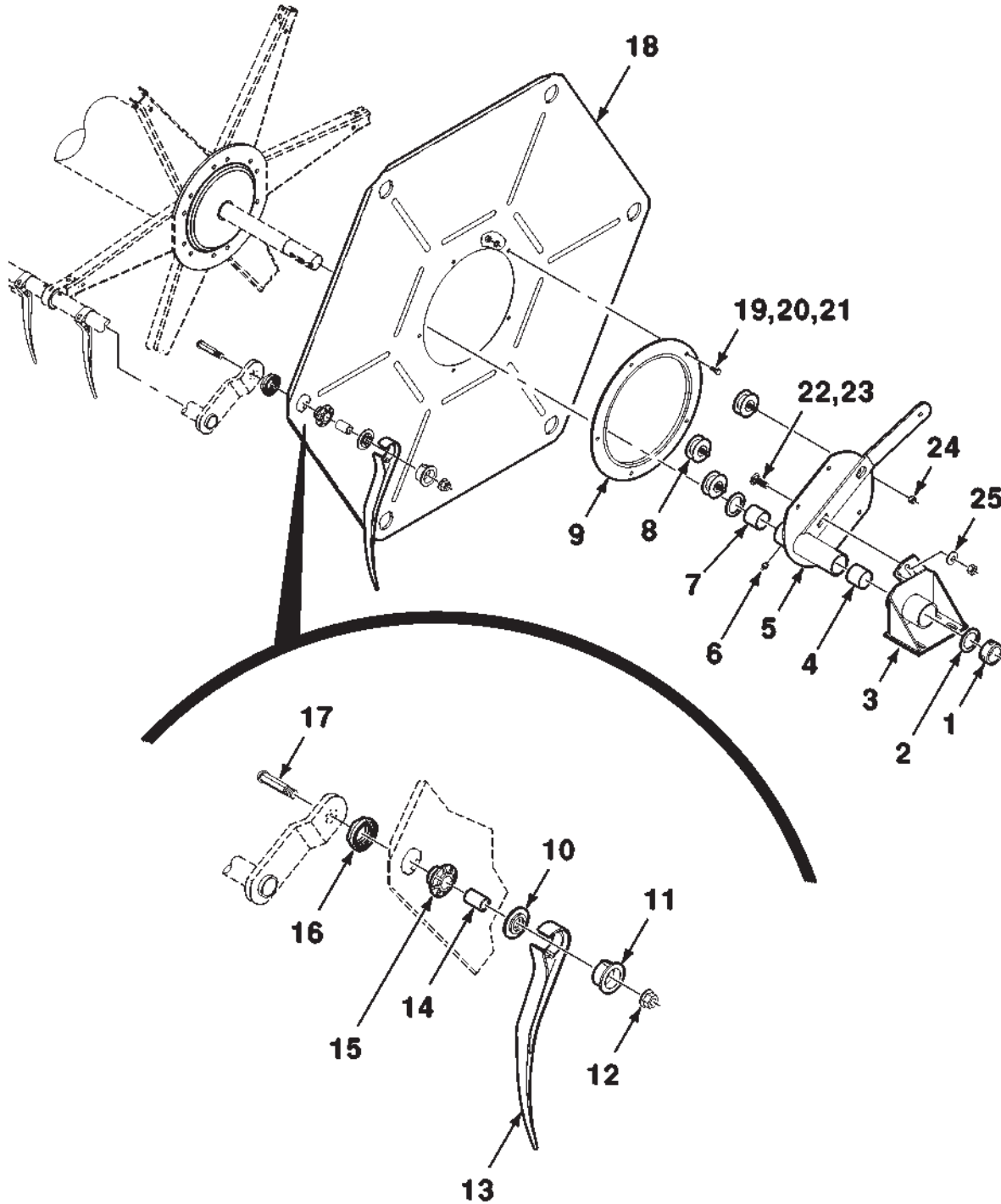
**PICKUP REEL KIT-25 FOOT (HARTCARTER)  
(BK61121 PICKUP REEL KIT)**

ITEM	NUMBER	QTY	DESCRIPTION
-	BK61121	1	PICKUP REEL KIT (WHOLEGOODS ONLY)
1	700722051	1	SHAFT-DRIVING
2	700708349	84	M10 X 1.5 X 25 CAPSCREW
3	700708367	84	M10 WASHER-SPRING
4	PZND2084V	84	M10 X 1.5 NUT-LOCK
5	71367255	42	STRAP-BEARING
6	71367256	84	BEARING-HALF, REEL ARM
7	700722169	1	SHAFT-CENTER
8	71367257	42	REEL ARM
9	71389103	15	PLATES-ANCHOR
10	700722685	1	SHAFT-DRIVEN

700951966-1

DHW DRAPER HEADER  
DECALS AND KITS

PICKUP REEL CAM-25 FOOT (HARTCARTER)



LEFT ASSEMBLY SHOWN, RIGHT SIDE OPPOSITE



DHW DRAPER HEADER  
DECALS AND KITS

191

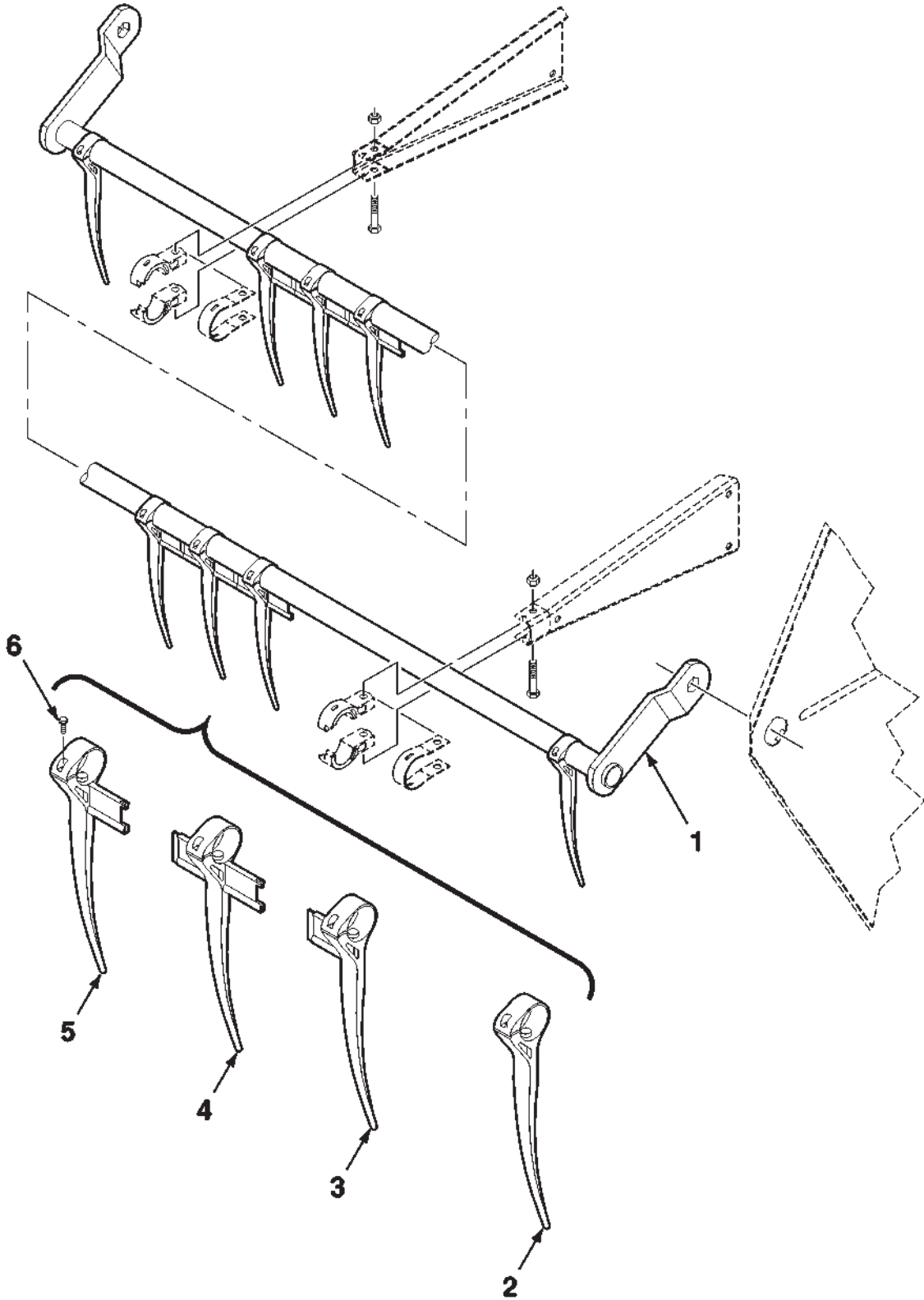
PICKUP REEL CAM-25 FOOT (HARTCARTER)

ITEM	NUMBER	QTY	DESCRIPTION
1	71368521	2	COLLAR-LOCK
2	700718595	2	WASHER-FLAT, SPECIAL
3	700722682	1	BRACKET-END, LEFT
3	700722683		BRACKET-RIGHT END
4	71141320	2	BEARING-OILITE
5	700722687	2	FRAME-ROLLER (Includes Items 4, 6 and 7) (Includes Item 8 and 24 Qty. 2)
6	70914465	2	1/8-27 ZERK
7	71406215	2	BEARING-WITH HOLE
8	71368702	6	ROLLER-BALL BEARING
9	71351484	2	RING-CONTROL, ECCENTRIC
10	71352507	12	WASHER-RETAINER
11	71352506	12	BRACKET-FINGER
12	700707867	12	1/2-20 NUT-LOCK, FLANGE GR/G
13	700722056	12	FINGER-AUXILIARY
14	71141303	12	SPACER-TUBE
15	71368704	12	BEARING-MALE, ECCENTRIC
16	71368703	12	BEARING-FEMALE, ECCENTRIC
17	71129543	12	1/2-20 BOLT-SPECIAL
18	700722814	2	SHIELD-END, ECCENTRIC
19	700708359	10	M8 X 1.25 X 20 CAPSCREW
20	1177981	10	M8 WASHER-SPRING
21	1702893	10	M8 X 1.25 NUT
22	7870587	1	M12 X 1.75 X 40 BOLT-CARRIAGE
23	3009695X1	1	M12 X 1.75 NUT
24	700711876	6	M10 X 1.5 NUT-LOCK GR/B
25	71368522	1	M12 WASHER-BELLEVILLE

700951966-2

DHW DRAPER HEADER  
DECALS AND KITS

PICKUP REEL KIT-25 FOOT (HARTCARTER)



**DHW DRAPER HEADER  
DECALS AND KITS**

**193**

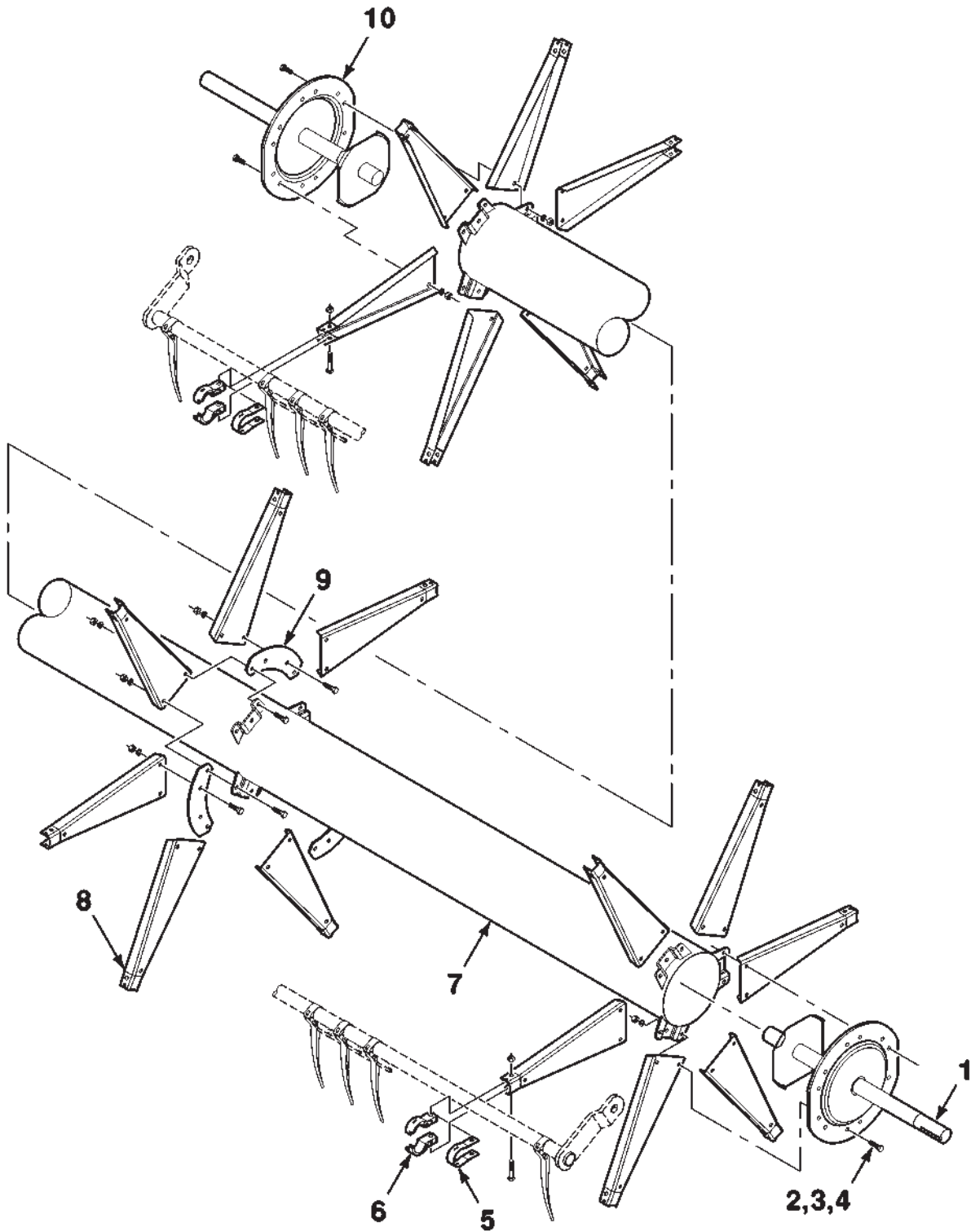
**PICKUP REEL KIT-25 FOOT (HARTCARTER)**

ITEM	NUMBER	QTY	DESCRIPTION
1	700722172	6	TUBE-BAT WA
2	71389109	24	FINGER
3	71389107	15	FINGER-BAT, LEFT
4	71389106	252	FINGER-BAT, FULL
5	71389108	15	FINGER-BAT, RIGHT
6	70951293	306	M3.5 X 1.3 X 16 SHWHMS

700951966-3

DHW DRAPER HEADER  
DECALS AND KITS

PICKUP REEL KIT-30 FOOT (HARTCARTER)  
(BK61122 PICKUP REEL KIT)



**DHW DRAPER HEADER  
DECALS AND KITS**

**195**

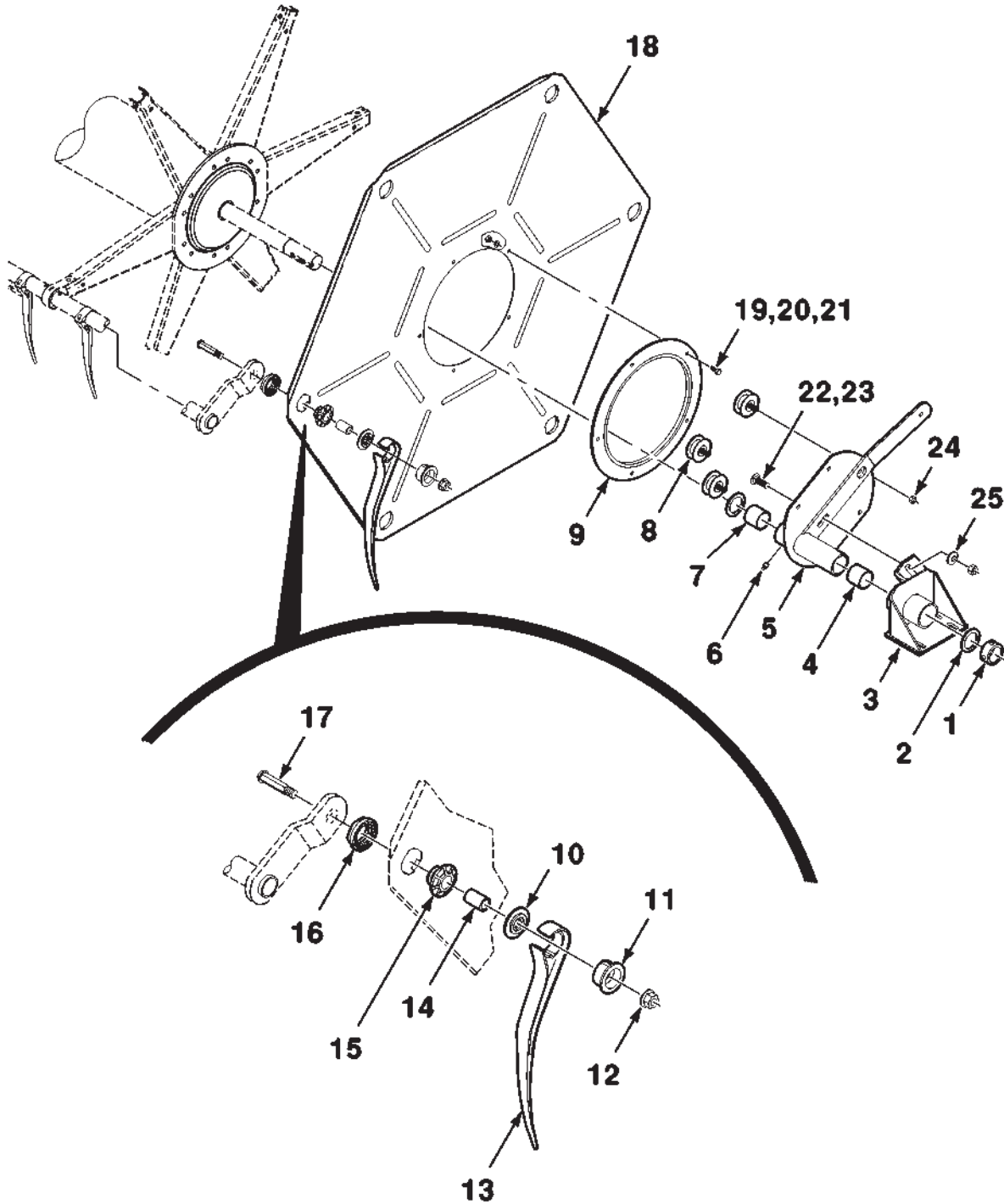
**PICKUP REEL KIT-30 FOOT (HARTCARTER)  
(BK61122 PICKUP REEL KIT)**

ITEM	NUMBER	QTY	DESCRIPTION
-	BK61122	1	PICKUP REEL KIT (WHOLEGOODS ONLY)
1	700722051	1	SHAFT-DRIVING
2	700708349	84	M10 X 1.5 X 25 CAPSCREW
3	700708367	84	M10 WASHER-SPRING
4	PZND2084V	84	M10 X 1.5 NUT-LOCK
5	71367255	42	STRAP-BEARING
6	71367256	84	BEARING-HALF, REEL ARM
7	700722169	1	SHAFT-CENTER
8	71367257	42	REEL ARM
9	71389103	15	PLATES-ANCHOR
10	700722685	1	SHAFT-DRIVEN

700951967-1

DHW DRAPER HEADER  
DECALS AND KITS

PICKUP REEL CAM-30 FOOT (HARTCARTER)



LEFT ASSEMBLY SHOWN, RIGHT SIDE OPPOSITE

DHW DRAPER HEADER  
DECALS AND KITS

197

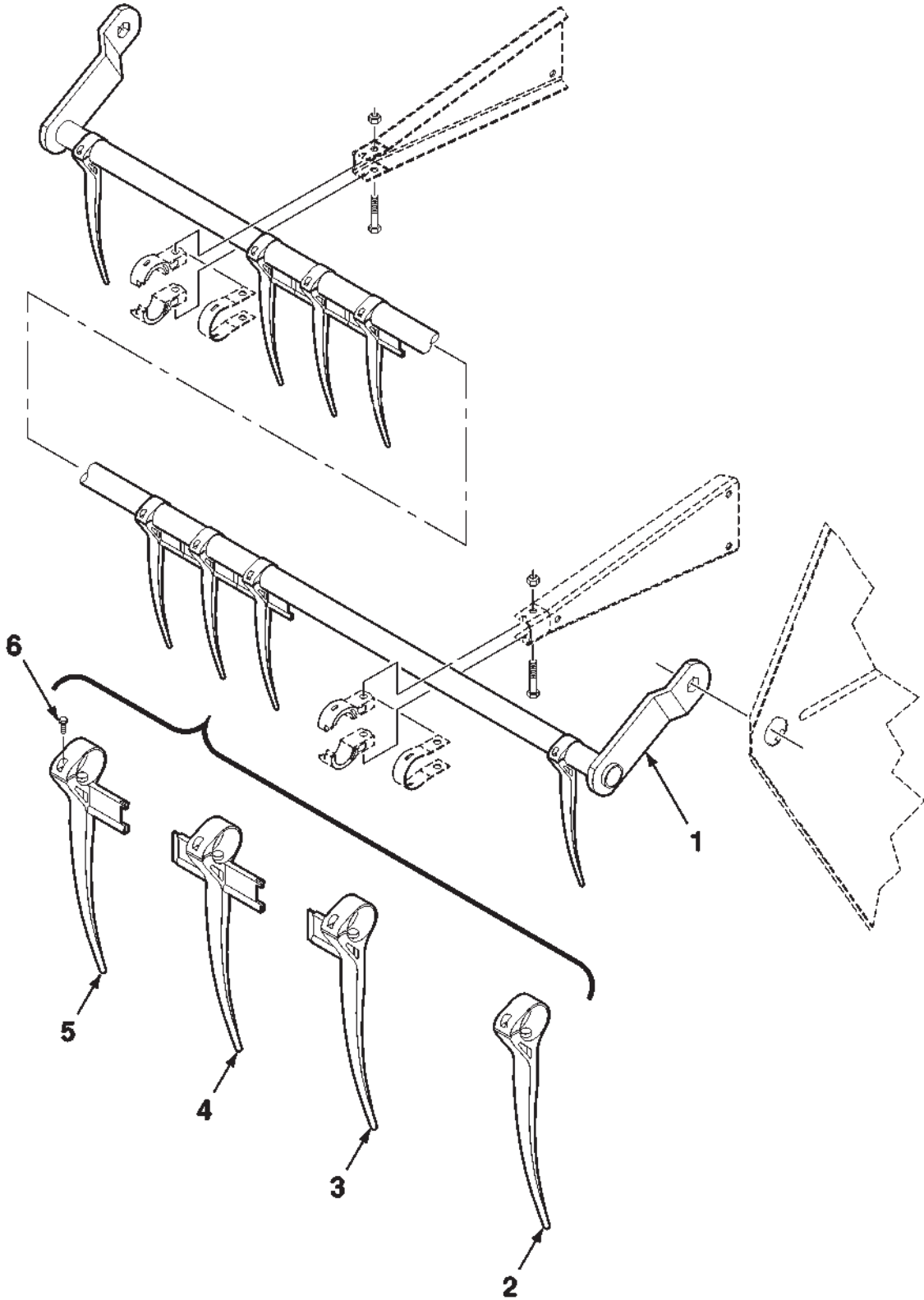
PICKUP REEL CAM-30 FOOT (HARTCARTER)

ITEM	NUMBER	QTY	DESCRIPTION
1	71368521	2	COLLAR-LOCK
2	700718595	2	WASHER-FLAT, SPECIAL
3	700722682	1	BRACKET-END, LEFT
3	700722683		BRACKET-RIGHT END
4	71141320	2	BEARING-OILITE
5	700722687	2	FRAME-ROLLER (Includes Items 4, 6 and 7) (Includes Items 8 and 24 Qty. 2)
6	70914465	2	1/8-27 ZERK
7	71406215	2	BEARING-WITH HOLE
8	71368702	6	ROLLER-BALL BEARING
9	71351484	2	RING-CONTROL, ECCENTRIC
10	71352507	12	WASHER-RETAINER
11	71352506	12	BRACKET-FINGER
12	700707867	12	1/2-20 NUT-LOCK, FLANGE GR/G
13	700722056	12	FINGER-AUXILIARY
14	71141303	12	SPACER-TUBE
15	71368704	12	BEARING-MALE, ECCENTRIC
16	71368703	12	BEARING-FEMALE, ECCENTRIC
17	71129543	12	1/2-20 BOLT-SPECIAL
18	700722814	2	SHIELD-END, ECCENTRIC
19	700708359	10	M8 X 1.25 X 20 CAPSCREW
20	1177981	10	M8 WASHER-SPRING
21	1702893	10	M8 X 1.25 NUT
22	7870587	1	M12 X 1.75 X 40 BOLT-CARRIAGE
23	3009695X1	1	M12 X 1.75 NUT
24	700711876	6	M10 X 1.5 NUT-LOCK GR/B
25	71368522	1	M12 WASHER-BELLEVILLE

700951967-2

DHW DRAPER HEADER  
DECALS AND KITS

PICKUP REEL KIT-30 FOOT (HARTCARTER)





**DHW DRAPER HEADER  
DECALS AND KITS**

**199**

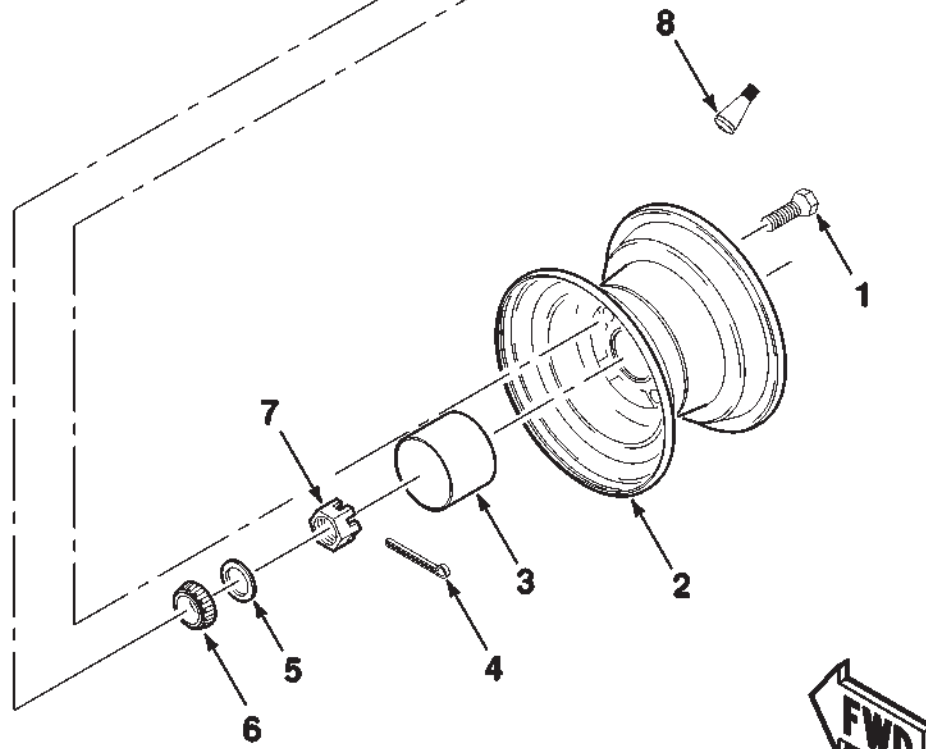
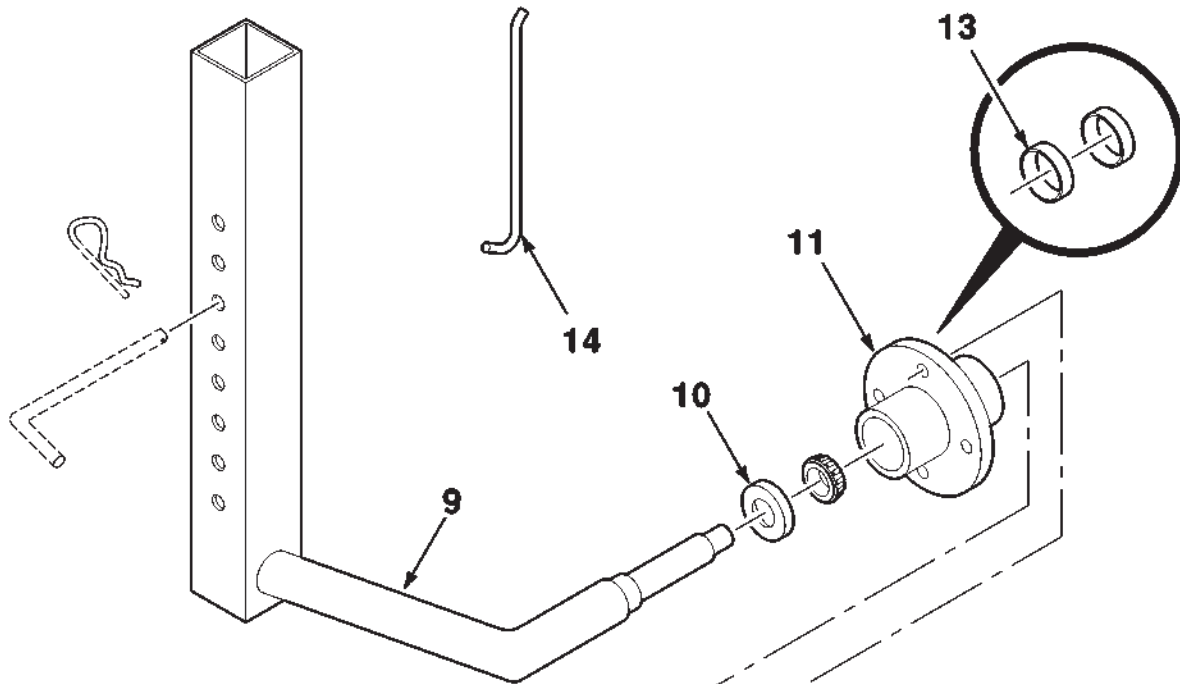
**PICKUP REEL KIT-30 FOOT (HARTCARTER)**

ITEM	NUMBER	QTY	DESCRIPTION
1	700722054	6	TUBE-BAT WA
2	71389109	24	FINGER
3	71389107	18	FINGER-BAT, LEFT
4	71389106	306	FINGER-BAT, FULL
5	71389108	18	FINGER-BAT, RIGHT
6	70951293	366	M3.5 X 1.3 X 16 SHWHMS

700951967-3

DHW DRAPER HEADER  
DECALS AND KITS

GAUGE WHEEL KIT (FIXED)  
(BK61058 GAUGE WHEEL KIT)



LEFT SIDE SHOWN, RIGHT SIDE OPPOSITE



**DHW DRAPER HEADER  
DECALS AND KITS**

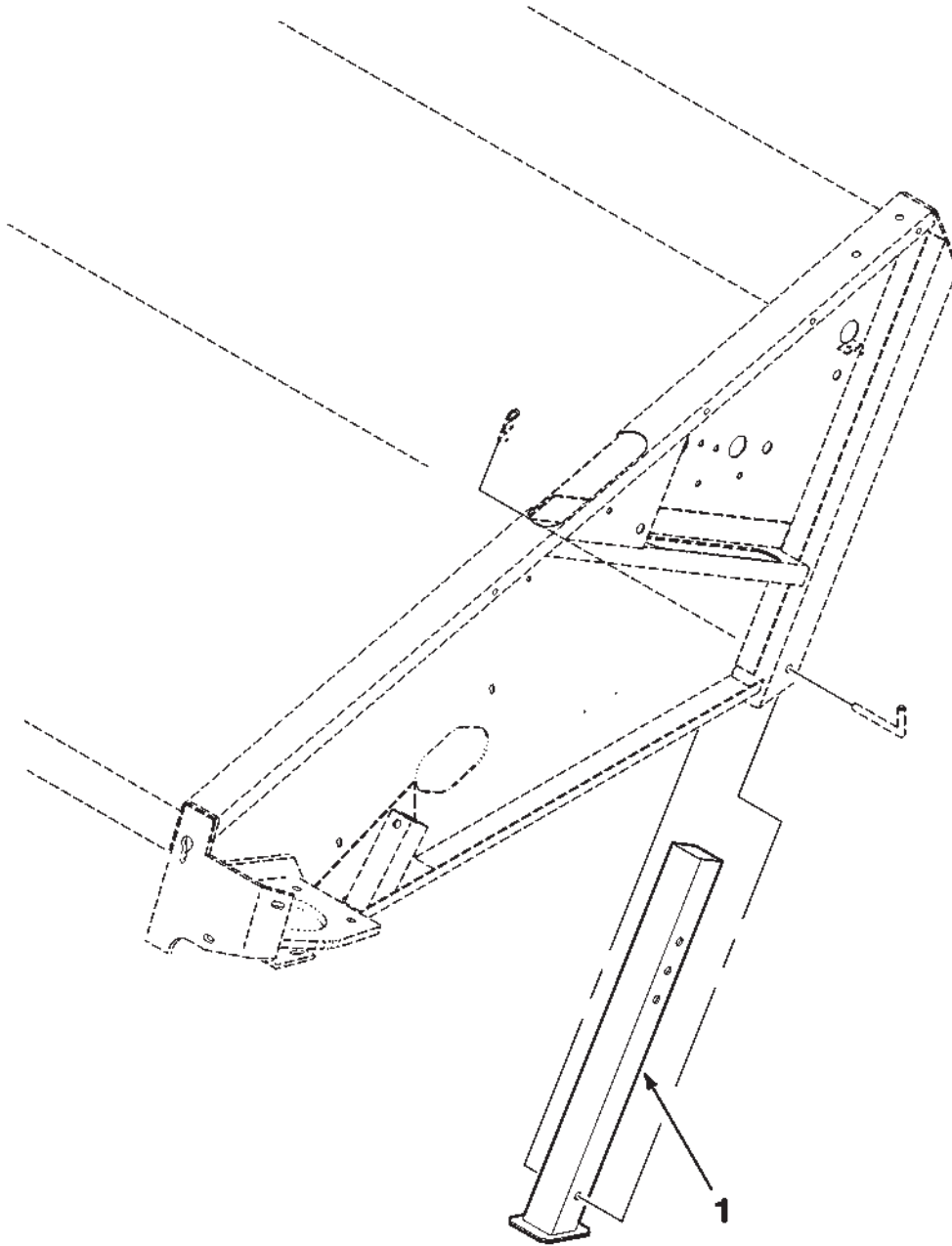
**201**

**GAUGE WHEEL KIT (FIXED)  
(BK61058 GAUGE WHEEL KIT)**

ITEM	NUMBER	QTY	DESCRIPTION
-	BK61058	1	GAUGE WHEEL KIT (WHOLEGOODS ONLY)
1	3725612M1	8	1/2-20 X 1-1/4 LUG BOLT
2	59983133	2	RIM
3	3728402M1	2	CAP-DUST
4	62232	2	3/16 X 1-1/4 COTTER PIN
5	3728401M1	2	WASHER
6	70341230	4	BEARING-CONE
7	7704208	2	3/4-16 NUT-SLOTTED HEX GR 2
8	3727614M1	2	STEM-VALVE
9	113941M1	1	SUPPORT-LEFT
9	113942M1	1	SUPPORT-RIGHT
10	3728403M1	2	SEAL
11	3728399M1	2	HUB ASSEMBLY
13	832190M1	2	CUP-BEARING
14	700153930	2	LEVER-JACK

700904481-0

HEADER STAND KIT  
(BK61059 HEADER STAND KIT)



LEFT SIDE SHOWN, RIGHT SIDE OPPOSITE

**DHW DRAPER HEADER  
DECALS AND KITS**

**203**

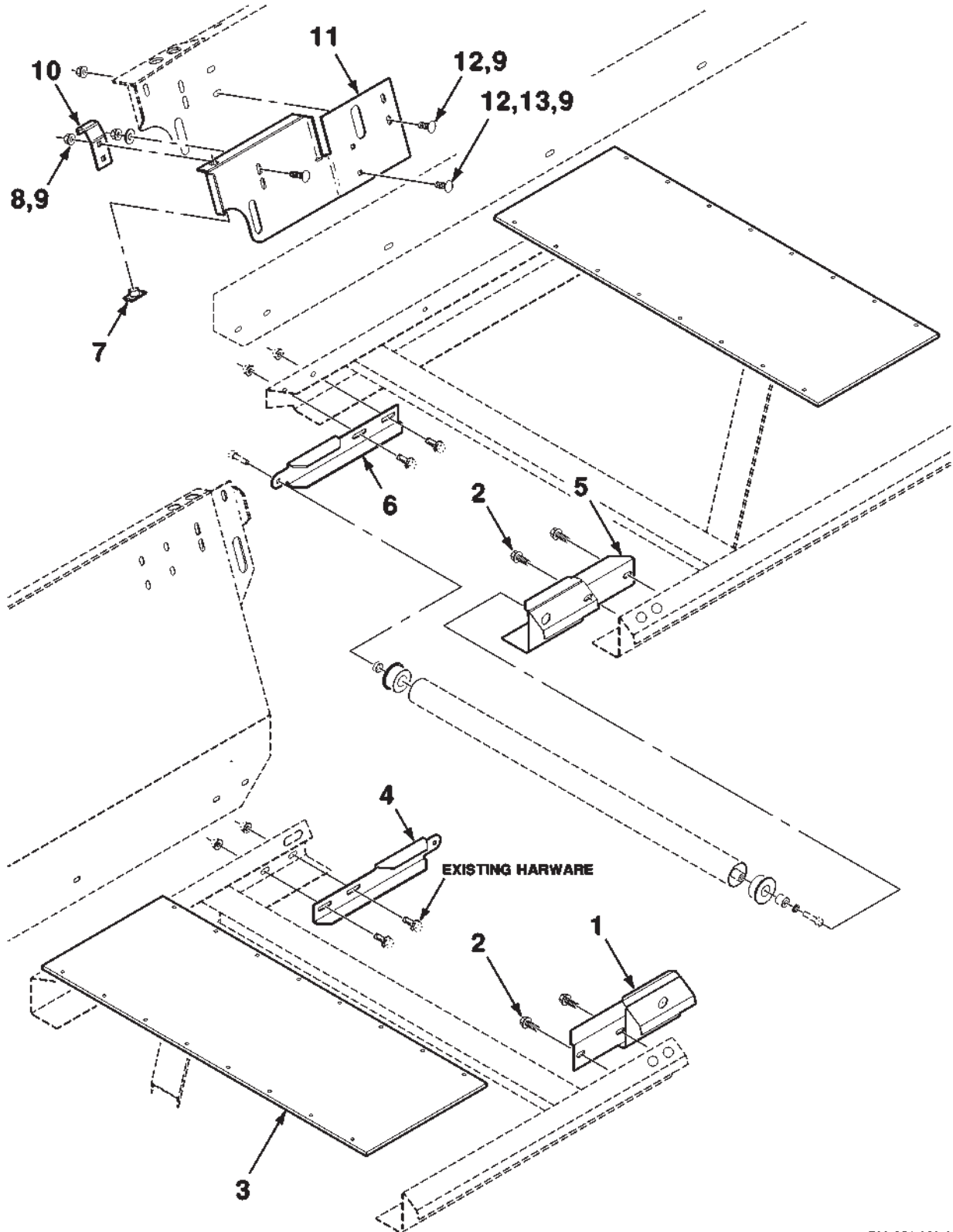
**HEADER STAND KIT  
(BK61059 HEADER STAND KIT)**

ITEM	NUMBER	QTY	DESCRIPTION
-	BK61059	1	HEADER STAND KIT (WHOLEGOODS ONLY)
1	113369M1	2	STAND WA-REAR

700909204-0

DHW DRAPER HEADER  
DECALS AND KITS

INSERT-NARROW OPENING KIT  
(BK61078 INSERT-NARROW OPENING KIT)



**DHW DRAPER HEADER  
DECALS AND KITS**

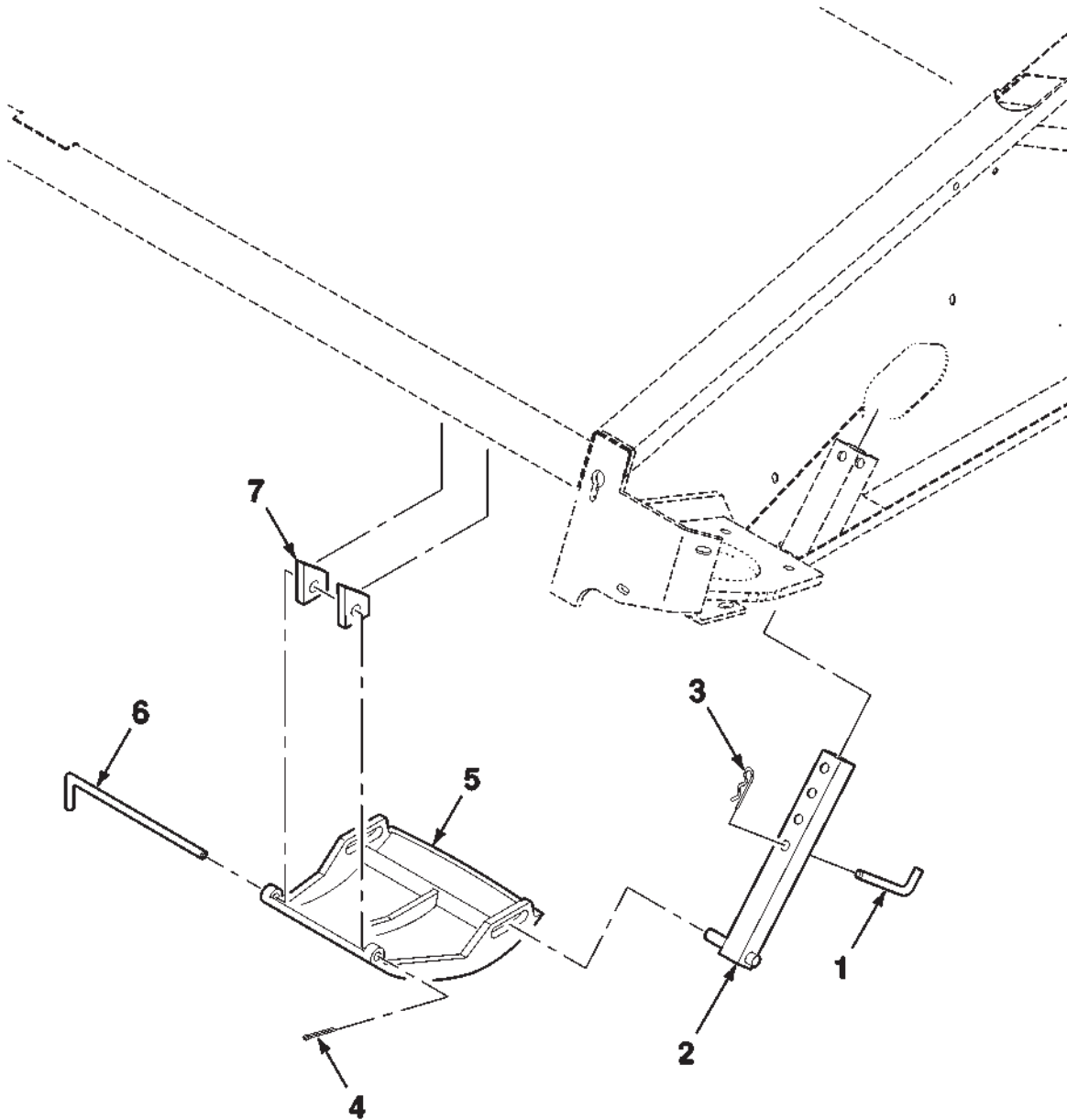
**205**

**INSERT-NARROW OPENING KIT  
(BK61078 INSERT-NARROW OPENING KIT)**

ITEM	NUMBER	QTY	DESCRIPTION
-	BK61078	1	INSERT-NARROW OPENING KIT (WHOLEGOODS ONLY)
1	113672M1	1	DECK EXTENSION WA RIGHT
2	7703432	4	3/8-16 X 3/4 SCREW-FLANGE
3	700725966	2	CANVAS INSERT
4	113670M1	1	SUPPORT-IDLER, REAR RIGHT
5	113671M1	1	DECK EXTENSION WA LEFT
6	113669M1	1	SUPPORT-IDLER, REAR LEFT
7	3736136M1	1	SLIDER
8	70923220	2	3/8-16 X 1-1/4 BOLT-CARRIAGE
9	Y704734	6	3/8-16 NUT-LOCK, FLANGE GR/G
10	113388M1	1	RETAINER-SHORT
11	700156685B	1	PLATE
12	70922786	4	3/8-16 X 1 BOLT-CARRIAGE
13	700702916	2	3/8 HARDENED WIDE PLAIN WASHER

700951080-0

SKID SHOE KIT  
(BK61060 SKID SHOE KIT)



LEFT SIDE SHOWN, RIGHT SIDE OPPOSITE



**DHW DRAPER HEADER  
DECALS AND KITS**

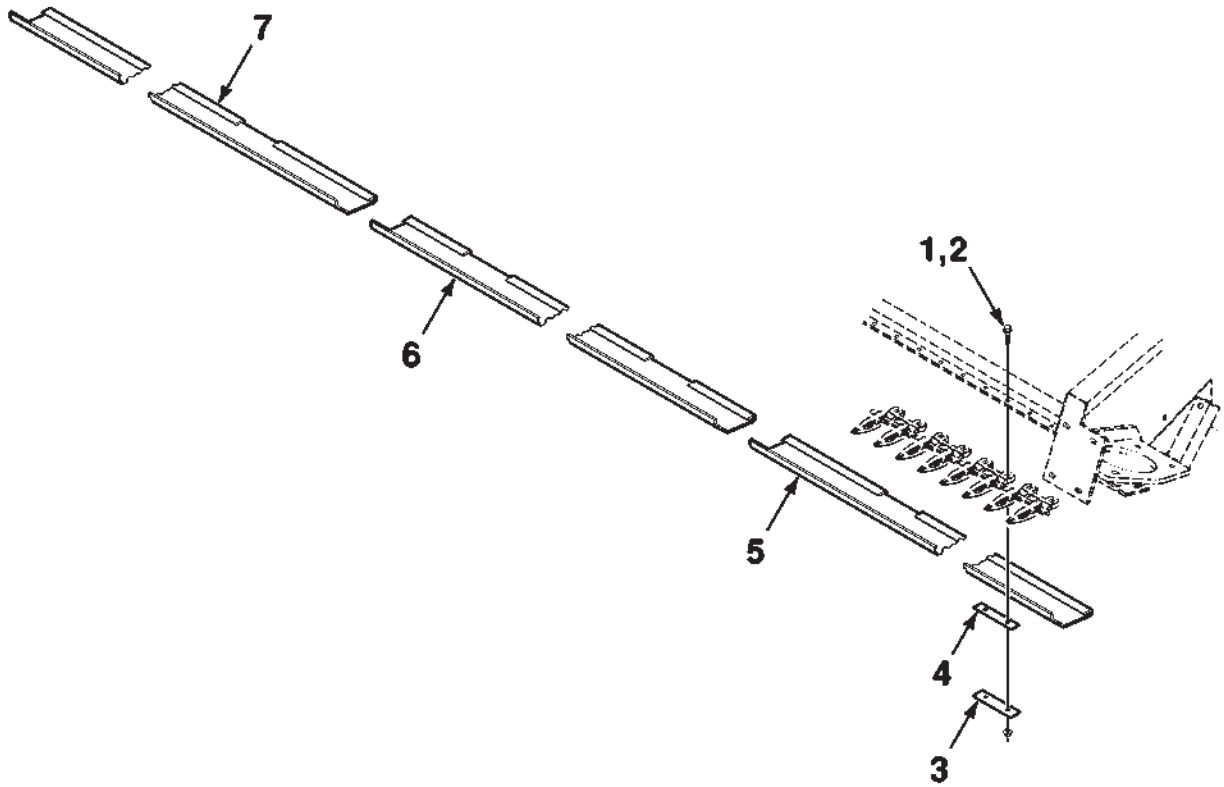
**207**

**SKID SHOE KIT  
(BK61060 SKID SHOE KIT)**

ITEM	NUMBER	QTY	DESCRIPTION
-	BK61060	1	SKID SHOE KIT (WHOLEGOODS ONLY)
1	3725614M1	2	1/2 X 3-1/2 PIN
2	3727580M1	2	TUBE WA-GUIDE
3	2514740W1	2	.178 WIRE HAIRPIN COTTER
4	70918452	2	1/8 X 1 COTTER PIN
5	39972B	2	SKID-SHOE
6	3727595M1	2	PIN
7	39857	4	PLATE-SKID PIVOT

700951085-0

WEARPLATE KIT (18 FOOT)  
(BK61123 WEARPLATE KIT)



**DHW DRAPER HEADER  
DECALS AND KITS**

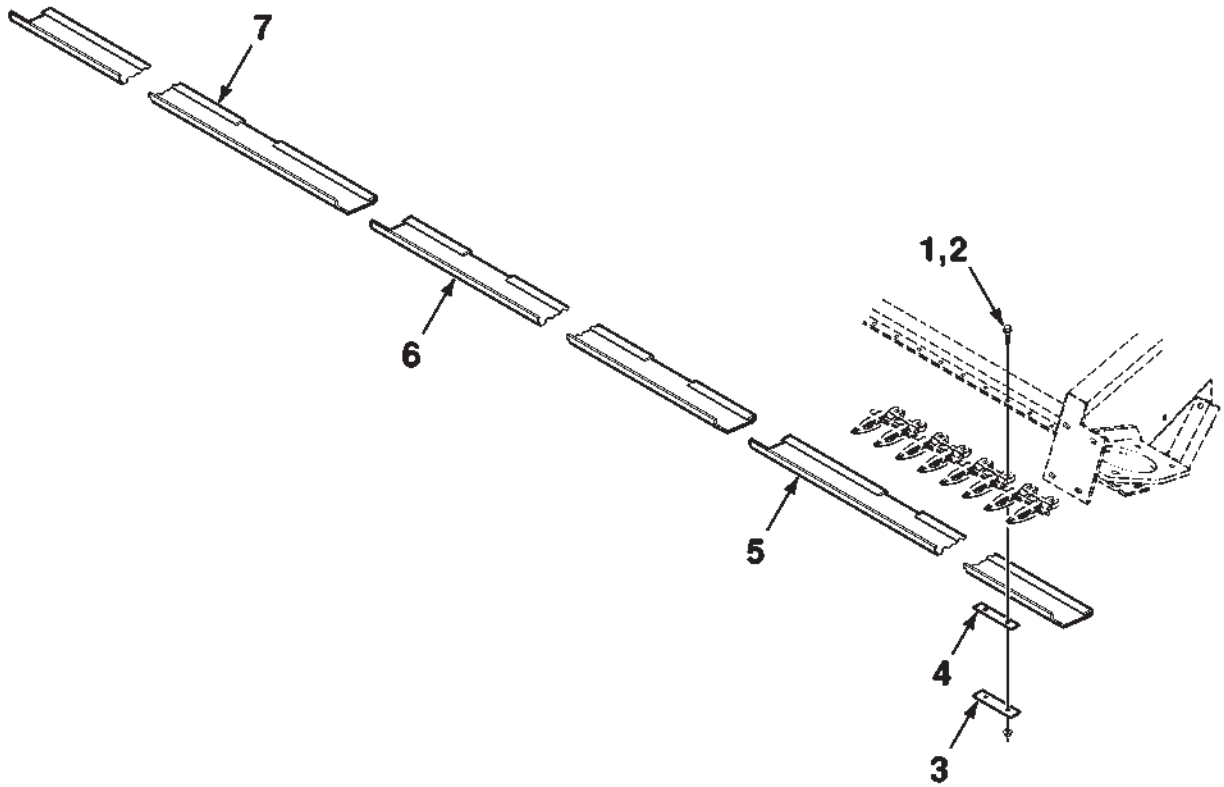
**209**

**WEARPLATE KIT (18 FOOT)  
(BK61123 WEARPLATE KIT)**

ITEM	NUMBER	QTY	DESCRIPTION
-	BK61123	1	WEARPLATE KIT (WHOLEGOODS ONLY)
1	700711084	32	3/8-16 X 1-1/2 SCREW-FLANGE GR8
2	Y704734	32	3/8-16 NUT-LOCK, FLANGE GR/G
3	700161405	16	RETAINER
4	700152839	16	SPACER-HOLDDOWN
5	700722183	1	WEARPLATE-LEFT, 18 FOOT
6	700722176	1	WEARPLATE-CENTER
7	700722184	1	WEARPLATE-RIGHT, 18 FOOT

700951958-0

**WEARPLATE KIT (22 FOOT)**  
(BK61124 WEARPLATE KIT)



**DHW DRAPER HEADER  
DECALS AND KITS**

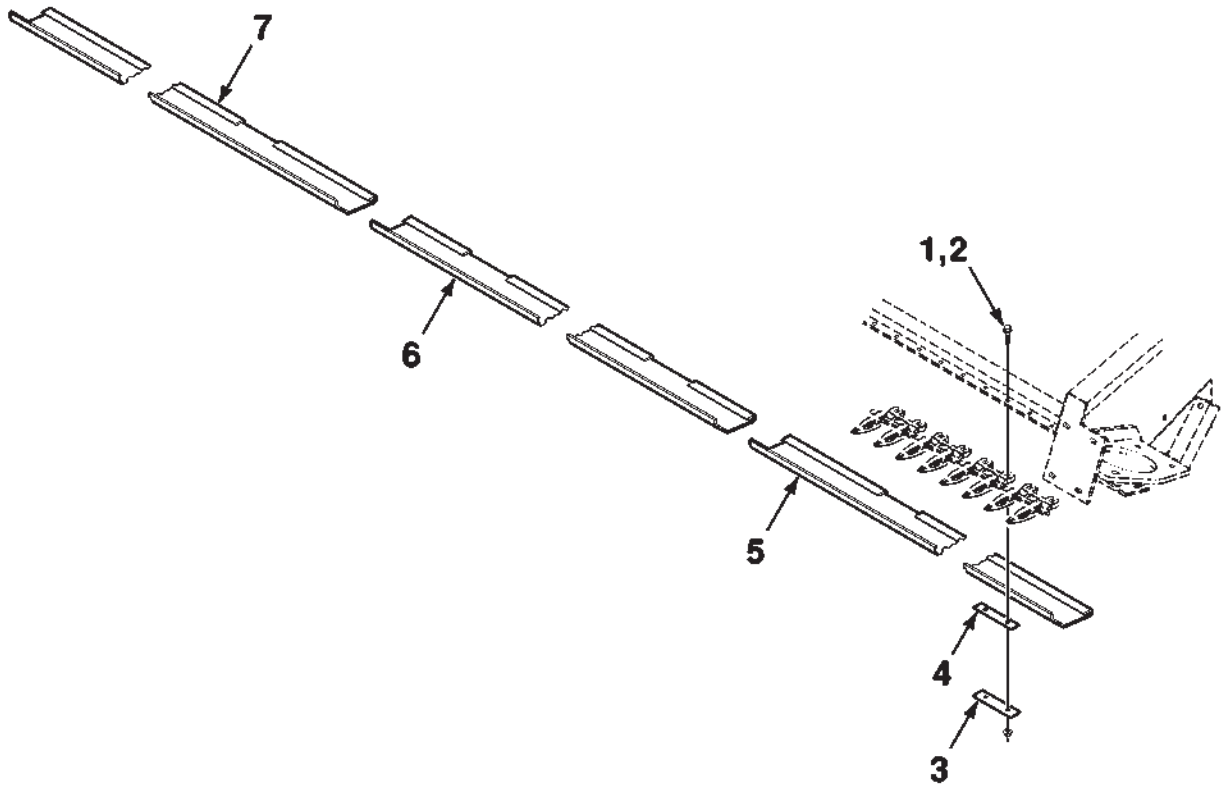
**211**

**WEARPLATE KIT (22 FOOT)  
(BK61124 WEARPLATE KIT)**

ITEM	NUMBER	QTY	DESCRIPTION
-	BK61124	1	WEARPLATE KIT (WHOLEGOODS ONLY)
1	700711084	32	3/8-16 X 1-1/2 SCREW-FLANGE GR8
2	Y704734	32	3/8-16 NUT-LOCK, FLANGE GR/G
3	700161405	16	RETAINER
4	700152839	16	SPACER-HOLDDOWN
5	700722180	1	WEARPLATE-LEFT, 22 FOOT
6	700722176	1	WEARPLATE-CENTER
7	700722182	1	WEARPLATE-RIGHT, 18 FOOT

700951959-0

WEARPLATE KIT (25 FOOT)  
(BK61125 WEARPLATE KIT)



**DHW DRAPER HEADER  
DECALS AND KITS**

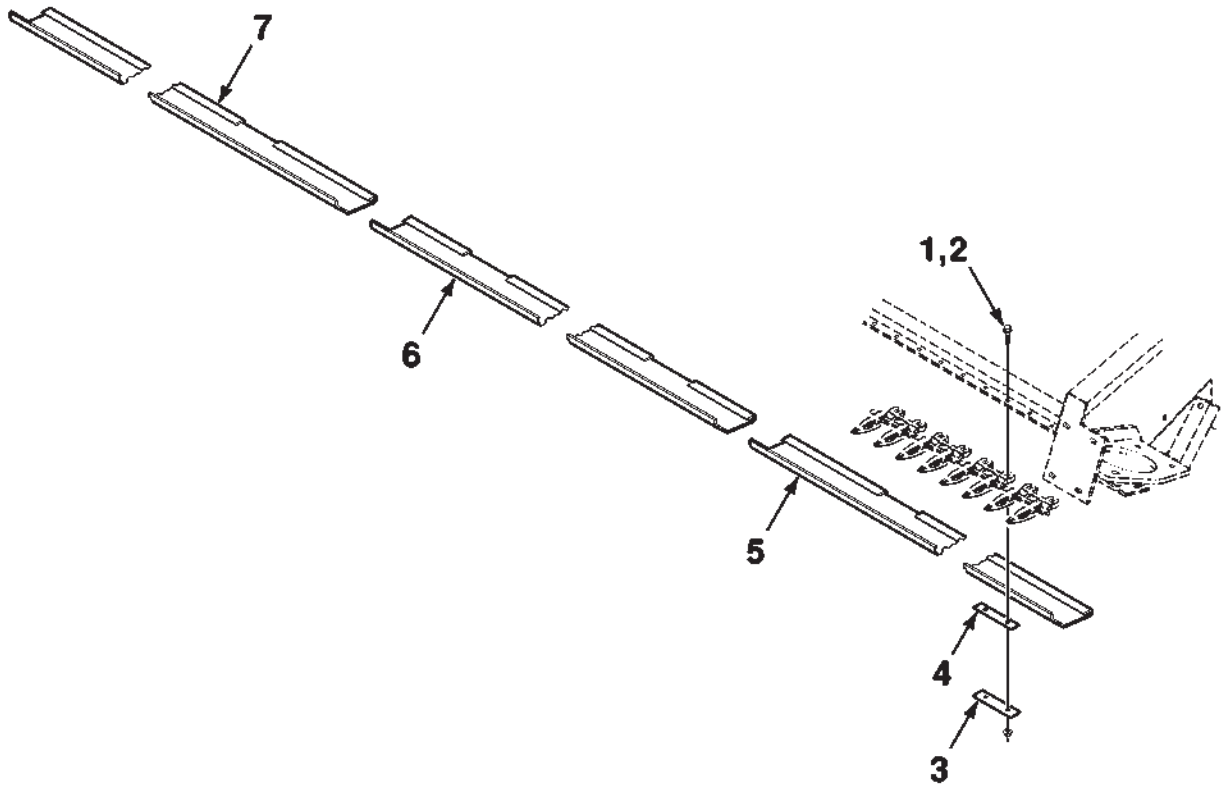
**213**

**WEARPLATE KIT (25 FOOT)  
(BK61125 WEARPLATE KIT)**

ITEM	NUMBER	QTY	DESCRIPTION
-	BK61125	1	WEARPLATE KIT (WHOLEGOODS ONLY)
1	700711084	36	3/8-16 X 1-1/2 SCREW-FLANGE GR8
2	Y704734	36	3/8-16 NUT-LOCK, FLANGE GR/G
3	700161405	18	RETAINER
4	700152839	18	SPACER-HOLDDOWN
5	700722178	1	WEARPLATE-LEFT, 25 FOOT
6	700722176	1	WEARPLATE-CENTER
7	700722179	1	WEARPLATE-RIGHT, 25 FOOT

700951960-0

**WEARPLATE KIT (30 FOOT)**  
(BK61126 WEARPLATE KIT)





**DHW DRAPER HEADER  
DECALS AND KITS**

**215**

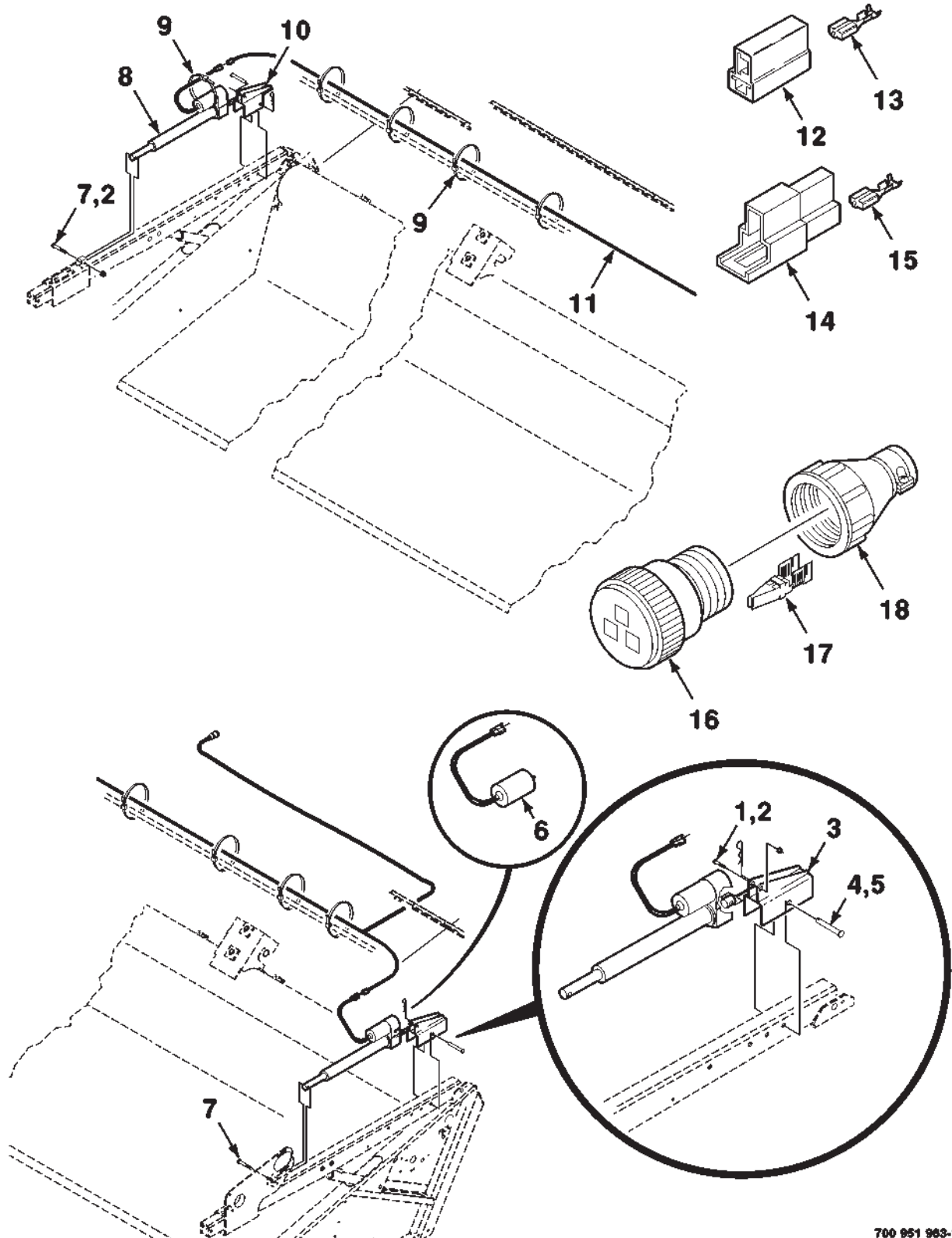
**WEARPLATE KIT (30 FOOT)  
(BK61126 WEARPLATE KIT)**

ITEM	NUMBER	QTY	DESCRIPTION
-	BK61126	1	WEARPLATE KIT (WHOLEGOODS ONLY)
1	700711084	40	3/8-16 X 1-1/2 SCREW-FLANGE GR8
2	Y704734	40	3/8-16 NUT-LOCK, FLANGE GR/G
3	700161405	20	RETAINER
4	700152839	20	SPACER-HOLDDOWN
5	700722175	1	WEARPLATE-LEFT, 30 FOOT
6	700722176	1	WEARPLATE-CENTER
7	700722177	1	WEARPLATE-RIGHT, 30 FOOT

700951961-0

DHW DRAPER HEADER  
DECALS AND KITS

FORE AND AFT REEL KIT-ELECTRIC  
(BK61127 FORE AND AFT REEL KIT)



DHW DRAPER HEADER  
DECALS AND KITS

217

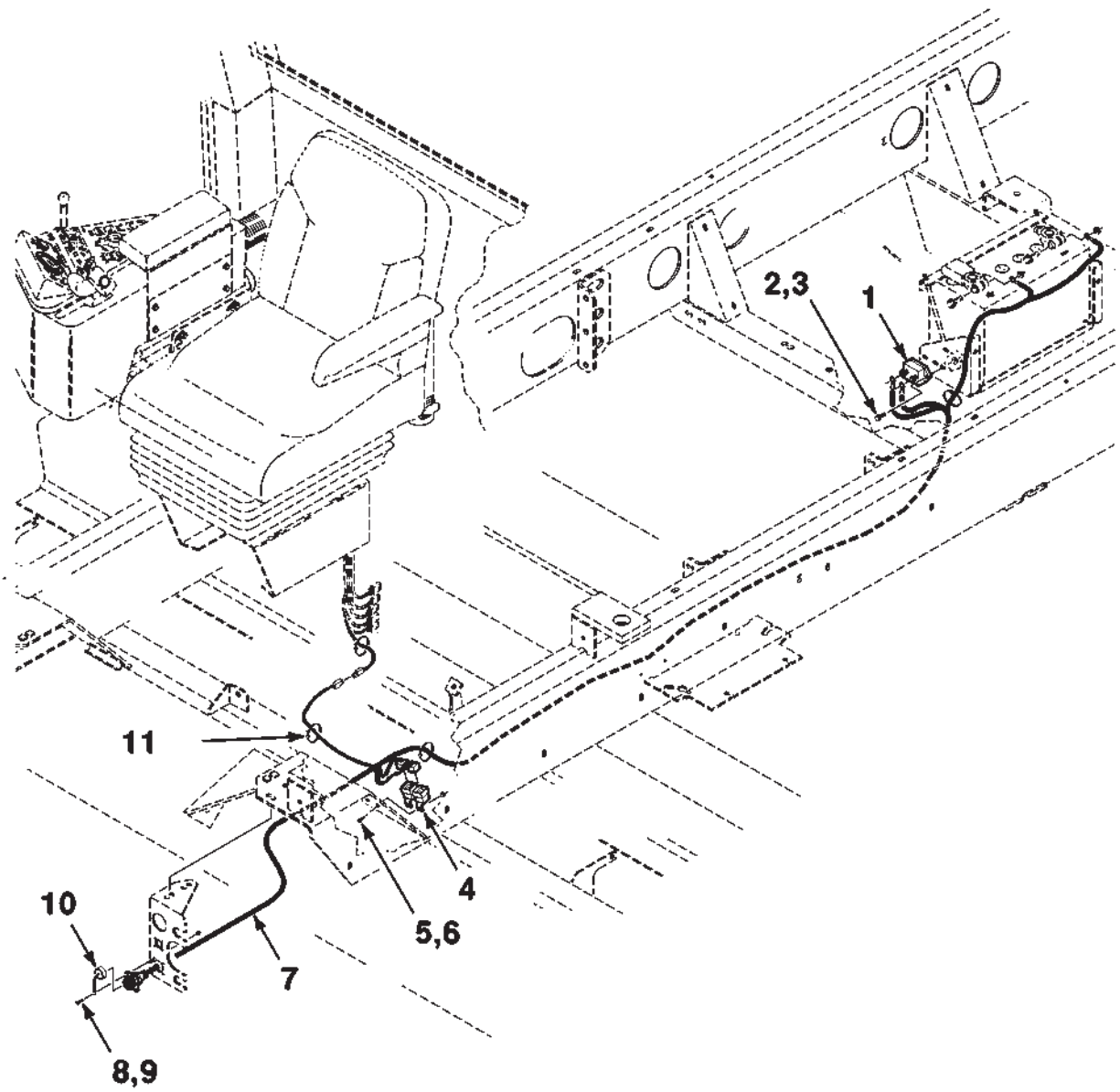
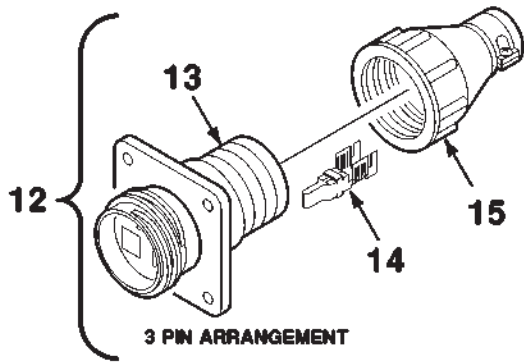
FORE AND AFT REEL KIT-ELECTRIC  
(BK61127 FORE AND AFT REEL KIT)

ITEM	NUMBER	QTY	DESCRIPTION
-	BK61127	1	FORE AND AFT REEL KIT (WHOLEGOODS ONLY)
1	70922645	2	1/2-13 X 2-1/4 CAPSCREW
2	Y704742	3	1/2-13 NUT-LOCK, FLANGE GR/G
3	700153921B	1	BRACKET-MOUNT, LEFT
4	863423	2	1/2 X 3-1/2 PIN-CLEVIS
5	70936348	2	.120 WIRE HAIR PIN COTTER
6	71406229	1	MOTOR ASSEMBLY-ACTUATOR
7	70923320	2	1/2-13 X 3 CAPSCREW
8	71385146	2	ACTUATOR ASSEMBLY-ELECTRIC (Includes Item 6)
9	70937133	10	TIE-CABLE
10	700153922B	1	BRACKET-MOUNT, RIGHT
11	700722088	1	HARNESS-FORE/AFT
12	504738M1	AR	CONNECTOR-TWO CONTACT, 56 SERIES
13	71339969	AR	TERMINAL-SOCKET (Package of 10)
14	700707063	AR	CONNECTOR-ELECTRICAL
15	71339968	AR	TERMINAL-SOCKET (Package of 10)
16	700709705	AR	CONNECTOR-3 SOCKET, FEMALE
17	700709706	AR	SOCKET-FEMALE
18	700708756	AR	CLAMP-CABLE, SHELL SIZE 17

700951963-1

DHW DRAPER HEADER  
DECALS AND KITS

FORE AND AFT REEL KIT-ELECTRIC-CONT.



DHW DRAPER HEADER  
DECALS AND KITS

219

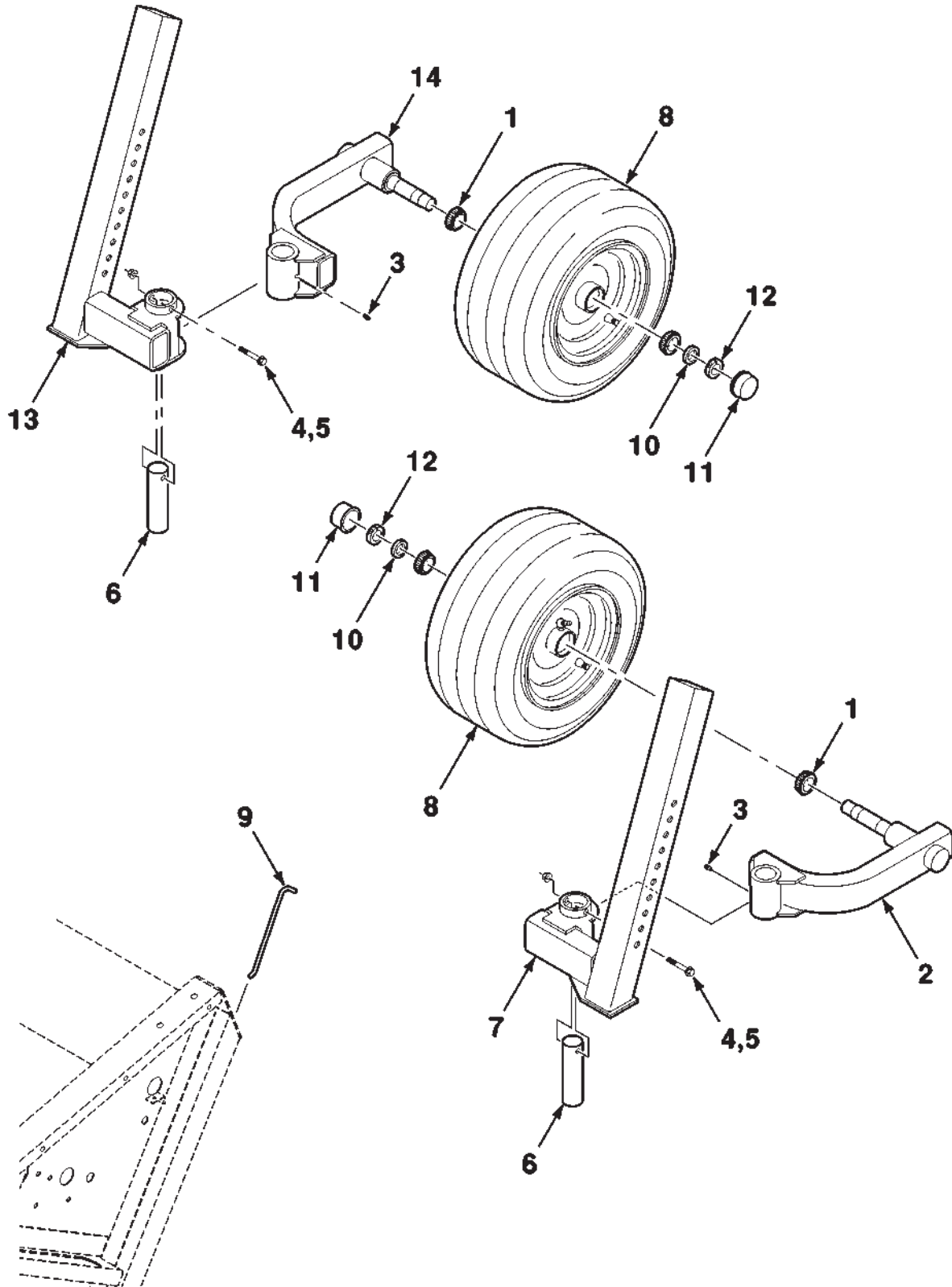
FORE AND AFT REEL KIT-ELECTRIC-CONT.

ITEM	NUMBER	QTY	DESCRIPTION
1	700726801	1	BREAKER-CIRCUIT, 80A
2	7883275	2	1/4-20 X 3/4 SCREW-FLANGE
3	1703354	2	1/4-20 NUT-LOCK, FLANGE
4	700715685	2	RELAY
5	8701625	2	No. 10-32 X 1/2 SCREW-FLANGE
6	Y704445	2	No. 10-32 NUT GR2
7	700722087	1	HARNESS-TRACTOR FORE/AFT
8	700707619	4	No. 6-32 X 1/2 PAN HEAD SCREW
9	704551	4	No. 6-32 NUT GR2
10	700719614	1	CAP-ELEC. 17-3 AMP
11	70937133	8	TIE-CABLE
12	700718610	AR	KIT-HARNESS REPAIR, MALE (3 PIN) (Includes Items 13, 14 and 15)
13	700718584	AR	RECEPTACLE-SQUARE FLANGE, MALE, (3 PIN ARRANGEMENT)
14	700709767	AR	CONTACT-MALE, TYPE XII
15	700708756	AR	CLAMP-CABLE, SHELL SIZE 17

700951963-2

DHW DRAPER HEADER  
DECALS AND KITS

GAUGE WHEEL KIT (SWIVEL)  
(71530397 GAUGE WHEEL KIT)



**DHW DRAPER HEADER  
DECALS AND KITS**

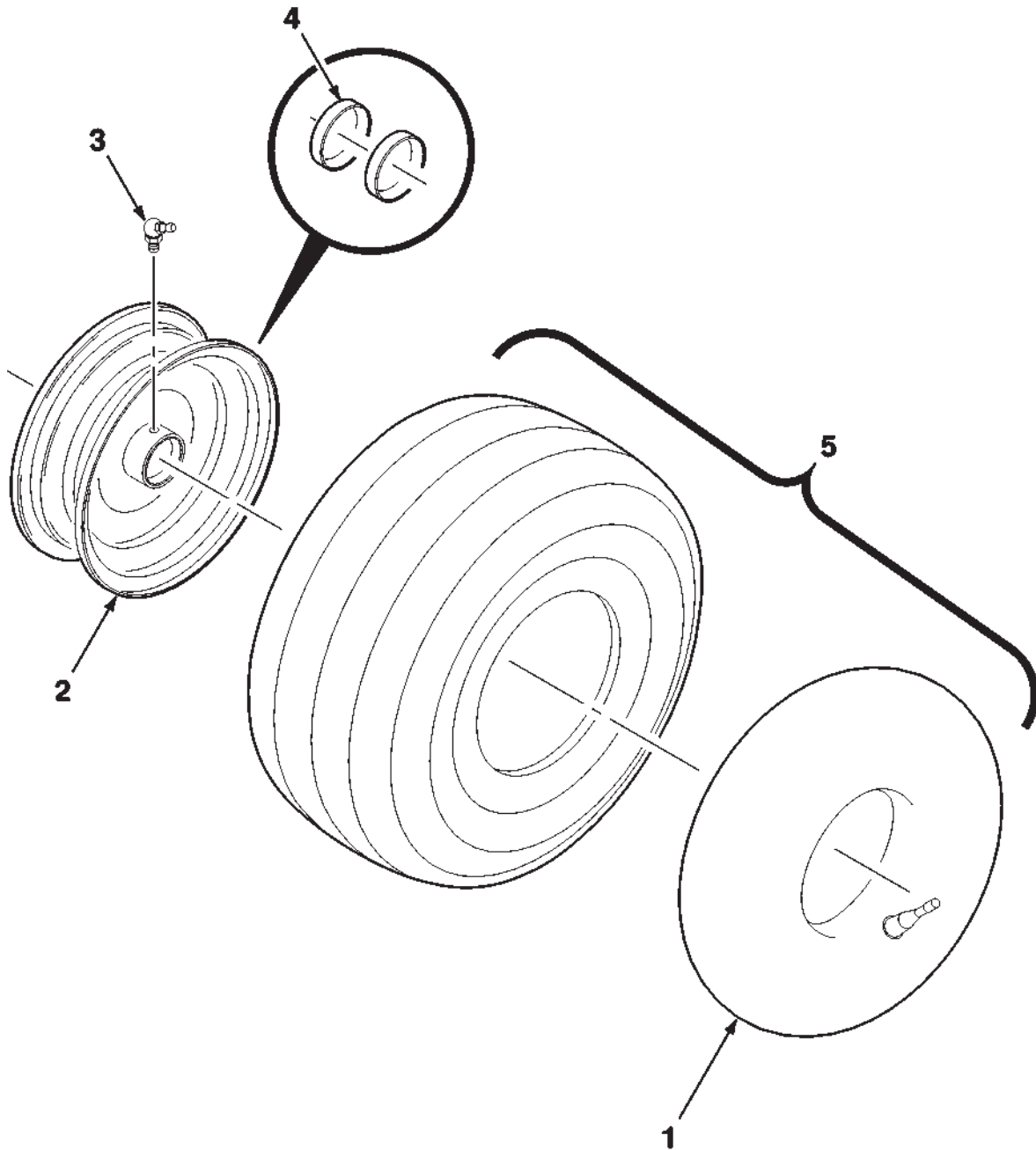
**221**

**GAUGE WHEEL KIT (SWIVEL)  
(71530397 GAUGE WHEEL KIT)**

ITEM	NUMBER	QTY	DESCRIPTION
-	71530397	1	GAUGE WHEEL KIT (WHOLEGOODS ONLY)
1	70926702	4	CONE
2	700162055B	1	ARM WA-LEFT
3	70923219	2	1/4-28 ZERK
4	7702079	2	3/8-16 X 2-1/2 SCREW-FLANGE GR8
5	Y704734	2	3/8-16 NUT-LOCK, FLANGE GR/G
6	700162059	2	PIN
7	700161849B	1	STRUT WA-LEFT
8	700717028	2	TIRE AND WHEEL ASSEMBLY
9	700153930	2	LEVER-JACK
10	700148921	2	SPACER
11	700708708	2	CAP-GREASE
12	700706600	2	COLLAR-CLAMP,THREADED
13	700162054B	1	STRUT WA-RIGHT
14	700161857B	1	ARM WA-RIGHT

700952669-0

GAUGE WHEEL ASSEMBLY  
(700717028 GAUGE WHEEL ASSEMBLY)





**DHW DRAPER HEADER  
DECALS AND KITS**

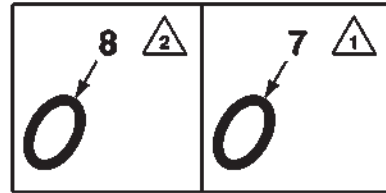
**223**

**GAUGE WHEEL ASSEMBLY  
(700717028 GAUGE WHEEL ASSEMBLY)**

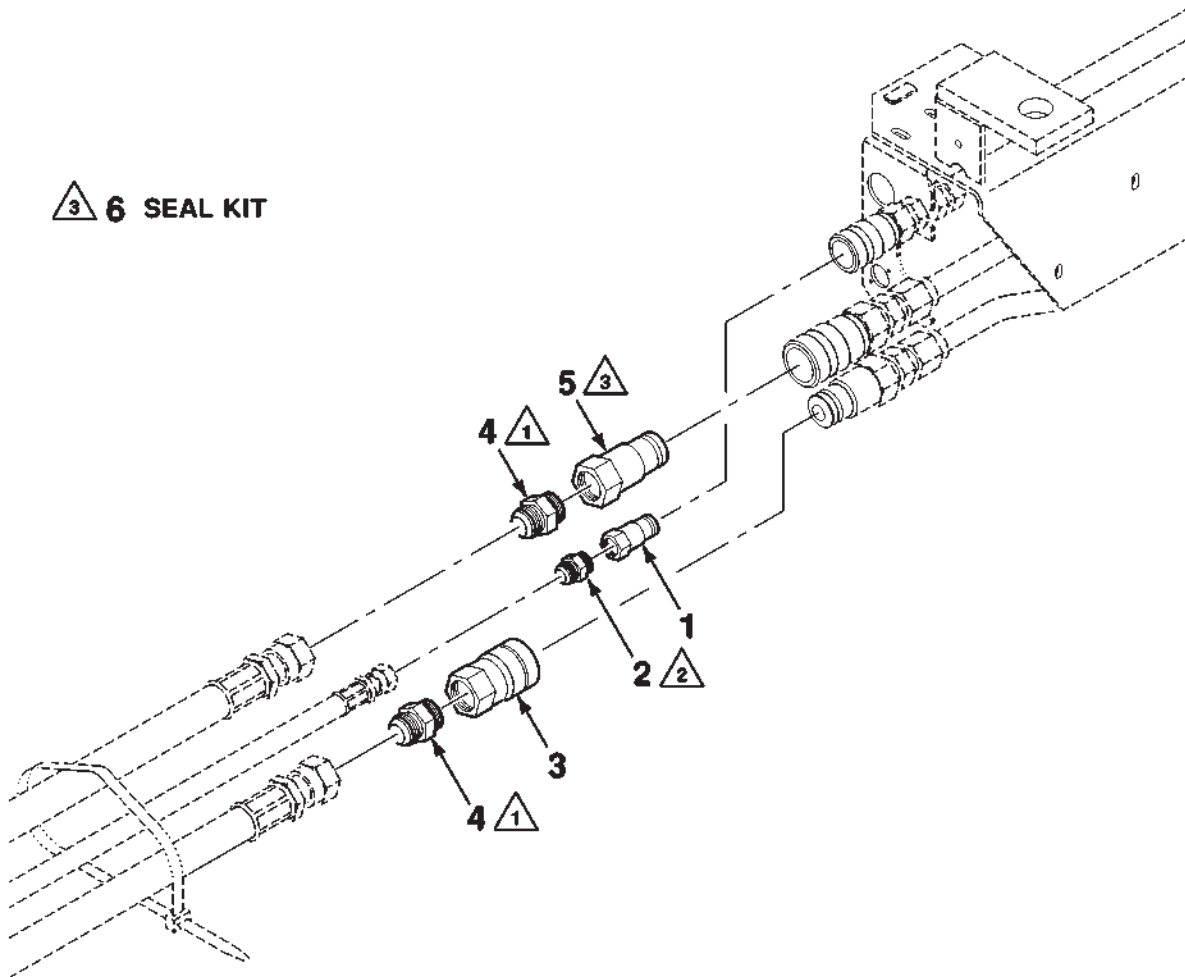
ITEM	NUMBER	QTY	DESCRIPTION
-	700717028	1	GAUGE WHEEL ASSEMBLY
1	700719261	1	TUBE-TIRE
2	700719259	1	WHEEL ASSEMBLY (Includes Item 4)
3	77339	1	1/4-28 ZERK
4	70227666	2	CUP-BEARING
5	700718995	1	TIRE AND TUBE ASSEMBLY (Includes Item 1)

700717028-0

HEADER COUPLER KIT  
(BK61098 HEADER COUPLER KIT)



3 6 SEAL KIT



**DHW DRAPER HEADER  
DECALS AND KITS**

**225**

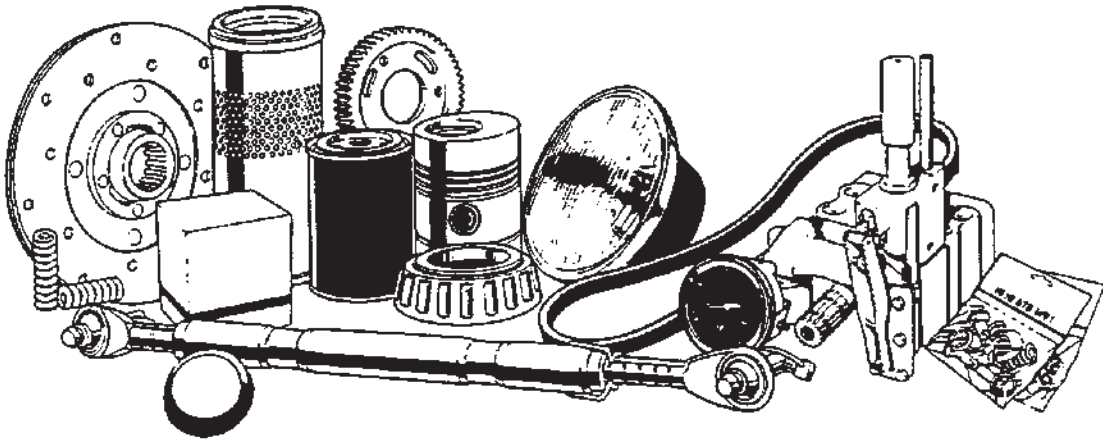
**HEADER COUPLER KIT  
(BK61098 HEADER COUPLER KIT)**

ITEM	NUMBER	QTY	DESCRIPTION
-	BK61098	1	HEADER COUPLER KIT (WHOLEGOODS ONLY)
1	700721447	1	COUPLER-QUICK, MALE
2	70921326	1	FITTING-STR
3	700723229	1	COUPLER-QUICK, FEMALE
4	70921228	2	FITTING-ADAPTER
5	700723228	1	COUPLER-QUICK, MALE
6	700723397	AR	KIT-SEAL
7	70921214	AR	1.171 I.D. O-RING
8	70921205	AR	.755 I.D. O-RING

700951685-0

RECOMMENDED DEALER STOCK

# RECOMMENDED DEALER'S STOCK



**DHW DRAPER HEADER  
RECOMMENDED DEALER STOCK**

227

**RECOMMENDED DEALER STOCK**

ITEM	NUMBER	QTY	DESCRIPTION
	31752	50	1/4-20 NUT-LOCK
3728288M1		2	SPRING-COMPRESSION
3728435M1		1	SEAL AND O-RING REPAIR KIT
113400M1		25	GUARD-DOUBLE
113732M1		2	BEARING ASSEMBLY-CANVAS ROLLER
71141320		2	BEARING-OILITE
71368702		3	ROLLER-BALL BEARING
71368703		3	BEARING-FEMALE, ECCENTRIC
71368704		3	BEARING-MALE, ECCENTRIC
113421M1		100	3/8-16 X 1-1/4 PLOW BOLT GR8
113422M1		25	3/8-16 X 1-1/2 PLOW BOLT
Y704734		100	3/8-16 NUT-LOCK, FLANGE GR/G
734244		10	O-RING
738468		10	.468 I.D. O-RING
70921214		10	1.171 I.D. O-RING
70921206		10	.942 I.D. O-RING
70921349		10	.644 I.D. O-RING
7040397		10	.351 I.D. O-RING
71148214		20	SHIM
71346158		10	CLIP-HOLD DOWN
71389106		150	FINGER-BAT, FULL
71389107		10	FINGER-BAT, LEFT
71389108		10	FINGER-BAT, RIGHT
71389109		20	FINGER
3736136M1		5	SLIDER-PLASTIC
700137286		1	SPROCKET WA-50B14 TOOTH
700706398		2	SENSOR-INDUCTIVE
700712678		2	KIT-SEAL
700713276		4	BEARING
700714195		200	TINE-PLASTIC
700714201		1	SEAL AND O-RING REPAIR KIT
700714207		1	SEAL AND O-RING REPAIR KIT
700714528		3	LATCH-1/4 TURN
700714529		5	RECEPTACLE
700716861		10	HOLDER-BEARING
70951293		100	M3.5 X 1.3 X 16 SHWHMS
700718877		1	SEAL AND O-RING REPAIR KIT
700719151		1	SEAL KIT
700719220		1	SEAL KIT
700719594		2	BUSHING-NYLON
700719933		1	SEAL KIT
700721958		50	1/4-20 X 5/8 BOLT-RIBBED NECK
700726972		1	SEAL KIT-VALVE
3722052M1		100	SECTION-SICKLE

RDL