

LIQUID SPRAYERS

PARTS CATALOG

**CHALLENGER
4450 MT SPRA-COUCPE 2006**

503987D1

Thursday, August 11, 2005

How to use this Parts Book

Parts Ordering Guide:

1. Give the Serial Number of your Chassis or System when ordering.
2. Use the part number and description when ordering parts.
3. Give the Assembly Title if needed.
4. Give the P/N number and date for the Parts Book if needed.

Parts List Abbreviations

NSS Not Sold Separately
 AR As Required, usually for a lubricant or adhesive
 REF Reference - Part called out on a different page.
 NS Not shown in illustration
 R/B Replaced by another number
 ASM assembly page

Notice:

Every effort has been made to ensure the accuracy of the information in this book. However, because of design changes that can occur since this book was published, it is possible that some illustrations and part numbers can be different than on your machine. The technical information in this book was correct at the time this book was approved for publication.

FUEL TANK AND TOOL BOX INSTL

ITEM	PART #	QTY	DESCRIPTION	COMMENTS
1	AG109742	4	MATTING-RUBBER,2.00X44.50X.12	
2	AG109754	4	MATTING-RUBBER,2.00X46.00X.12	
3	AG120558	1	TUBE WLDMT-FUEL LINE	
4	AG122229	1	BRKT,STIFFNER,HAT SECTION	
5	AG122302	1	BRKT-AUX BAT POST	
6	AG125208	1	SHIELD-EXHAUST	
7	AG125210	4	STRAP WLDMT-FUEL TANK	
8	AG126403	4	BOLT-.31-18X2.75 G5 CRG ZN/Y	
9	AG130411	1	PLATE,MTG-FUEL TUBE	
10	AG130414	4	TUBE-RD,.750DX.12WALL X 2.00LG	
11	AG262729	2	PLATE-SLOT SEALING	
12	AG325049	1	CABINET ASM-TOOL BOX,LH	
13	AG325050	1	CABINET ASM-TOOL BOX,RH	
14	AG504815	1	TANK-FUEL,65GL,POLY,RH	
15	AG504816	1	TANK-FUEL,65GL,POLY,LH	
16	AG510939	-	HOSE HYD 0.37 BULK 250PSI WP (BULK: 5 FT)	
17	AG512346	-	3M 1900 YELLOW ADHESIVE (GAL) (BULK: 0.001 GL)	
18	AG512865	AR	LOCTITE ADHESIVE SEALANT BLUE	
19	AG518292	2	BOLT-UJ .51-18X2.00X 2.69 RD SS	
20	AG519556	1	SENDING UNIT FUEL LEVEL	
21	AG522183	-	HOSE-FUEL,2.00 ID (BULK: 2.5 FT)	
22	AG522439	8	BOLT-.38-18X1.5,G5,ZN,CRG	
23	AG522453	2	VENT-FUEL,90D,.50MNPTX.38HOSEB	
24	AG523919	8	CLAMP-HIGH TORQUE,3.00	
25	AG550124	2	NUT 0.50-13NC HEX ZN REG	
26	AG550205	4	WASHER LK 0.31 ZN REG	
27	AG550213	4	NUT 0.31-18NC HEX ZN REG	
28	AG550256	2	BOLT.50-13NCX1.25 G5 ZN HHD	
29	AG550264	2	WASHER 0.50 LK ZN REG	
30	AG550353	10	WASHER 0.50 FL ZN REG TYPE-B	
31	AG551007	8	WASHER FL 0.37 ZN REG TYPE-B	
32	AG551015	4	WASHER 0.31 FL ZN REG TYPE-B	
33	AG551201	1	ADAP STR .37MNPT X .37M/JIC (N)	
34	AG552461	1	ADAP STR 0.50MNPT X 0.50M/JIC	
35	AG561025	2	CLAMP HOSE .218 TO .625 U5S	
36	AG561867	2	PLUG PIPE 0.25-18 EXT HEX HD	
37	AG801152	8	NUT 0.50-13NC HEX ZN REG NY	
38	AG801411	8	NUT 0.37-18NC HEX ZN REG LK NY	
39	AG801888	4	NUT 0.31-18NC HEX ZN REG NY	
	FOOTNOTE [A]		FOR REPLACEMENT CAP USE AG055178	
	FOOTNOTE [B]		FOR REPLACEMENT CAP USE AG055178	

Assembly Title, refer to Table of Contents

Assembly Reference, see referenced page

SEE PAGE 4-2
SEE PAGE 4-3

Footnote Reference, see notes below.

Footnote Reference

Footnote description

Assembly Page #, refer to Table of Contents

Part Book Section, refer to Table of Contents

Part Book Title, refer to Part Book Cover

4450 MT SPRA-COUCPE 2006

SECTION 1 - ENGINE GROUP

WR121027	ENGINE SUPPORT GROUP	1-1
6703507	ARM ASSY-PULLEY	1-2
WR121163	EXHAUST GROUP	1-3
WR123096	COOLING GRP	1-4
WR123097	AIR CLEANER GRP	1-5
WR121510	FILTER-AIR	1-6
WR123098	FUEL GRP - 4000 SERIES	1-7
WR123104	INSTALL THROTTLE	1-8
WR125783	ENGINE-PERKINS 122 HP	1-9
6668788	PACKAGE-PARTS,FORD	1-10
503978D1	ENGINE INSTL-CAT 122HP	1-11
6665654	MOTOR-STARTER	1-12

SECTION 2 - DRIVELINE GROUP

WR123102	DRIVE TRAIN INSTL - 4000 MT	2-1
WR123127	STEERING GRP - WF,80 IN	2-2
WR127275	BRAKE INSTL-4450	2-3
WR55922	BRAKE ASSY,LH	2-4
WR55923	BRAKE ASSY,RH	2-5
6800721	CYLINDER ASSY-BRAKE	2-6
WR123141	CHAINCASE GRP-4450	2-7
WR121641	CASE-CHAIN,FNL DRIVE,LH,ASM	2-8
WR121651	CASE-CHAIN,FNL DRIVE,RH,ASM	2-9
7001735	DRIVESHAFT INSTL-4000,80	2-10
WR55933	SHAFT-DRIVE 80-108 HD	2-11
7001734	OPT-72 IN DRIVESHAFT	2-12
6661411	TRANSMISSION ASSY	2-13
WR36176	SHAFT DRIVE T-S,MANUAL	2-14
6673306	SHAFT-DRIVE,72IN	2-15
6672337	DIFFERENTIAL ASSY	2-16
6673303	SHAFT-DRIVE,72IN	2-17
6626530	CLUTCH ASSY	2-18

SECTION 3 - FRAME AND SUSPENSION GROUP

WR135239	FRAME GROUP - 4000M7	3-1
WR135240	FRAME GRP - 4000M8	3-2
WR123124	FRAME-ADJ REAR	3-3
WR123125	FRAME-ADJ REAR	3-4
6595456	FRAME ASSY	3-5
WR126434	CHANNEL ASSY	3-6
6595398	FRAME ASSY	3-7
WR126433	CHANNEL ASSY	3-8
6626949	F/A-FRONT EXTENSION,SC	3-9
WR121025	FOOTBOARD GROUP	3-10
WR132676	FTBOARD GRP-W/O BM REST,4450MT	3-11
6669692	HITCH-INSTL	3-12

4450 MT SPRA-COUPÉ 2006

WR126866

BELLY PAN INSTL-WF

3-13

SECTION 4 - AXLE AND STEERING GROUP

WR131685	EXTENSION INSTL-FRONT	4-1
6803935	WIDE FRONT GROUP-72 IN ,SC	4-2
6803944	OPT-WIDE FRONT,SC	4-3
6803541	HUB ASSY-WHEEL	4-4
WR39080	TIE ROD ASM-3440-80	4-5
WR39079	TIE ROD ASM-3440-72	4-6
6626719	STEERING GRP-WF,72 IN	4-7
6597223	STEERING ASSY-ARM	4-8

SECTION 5 - HYDRAULIC GROUP

WR123122	TUBE ASSY	5-1
WR26528	VALVE-CHECK,CV08200N25	5-2
WR36507	CYLINDER-HYD,	5-3
WR122643	VALVE-HYD,BM LFT/TRK ADJ,3BANK	5-4
6597879	GRIP ASSY-HANDLE	5-5
6801744	TANK ASSY-HYD	5-6
WR123630	HYD INSTL-WF STEERING	5-7
WR123631	HYD INSTL-80 AXLE ADJ, 4000	5-8
WR123632	HYD INSTL-72 AXLE ADJ, 4000	5-9
WR134265	HYD INSTL-H FRM	5-10
WR134272	ASM-VALVE,RELIEF BOOM TIP	5-11
WR123635	HYD INSTL-BOOM FOLD	5-12
WR122415	CYLINDER-HYD,2.00X4.00X1.00	5-13
WR129450	CYLINDER-HYD,2.00X8.44X1.00	5-14
WR122424	CYLINDER-HYD,1.75X16.84X1.00	5-15
WR122422	CYLINDER-HYD,1.75X5.00X1.00	5-16
WR122423	CYLINDER-HYD,1.75X6.19X1.00	5-17
WR122414	CYLINDER-HYD,2.00X20.00X1.00	5-18
WR122407	CYLINDER-HYD,2.00X15.25X1.00	5-19
WR122408	CYLINDER-HYD,2.00X14.25X1.00	5-20
WR122409	CYLINDER-HYD,1.50X8.38X.75	5-21
WR128010	CYLINDER-HYD,2.25 X 1.00 X 6.5	5-22
WR235991	CYLINDER ASM- BOOM TIP FOLD	5-23
WR129756	HOSE INSTL-BM TILT,SC6080,7X50	5-24
WR129757	HOSE INSTL-BM TIP,SC6080,7X50	5-25
WR133193	HYD INSTL-4X50MT CHAS,SC6080	5-26
6664973	VALVE-FLOAT,2 POSITION	5-27
WR128811	CYL ASM-HYD,BM SWING, SC6080	5-28
WR128929	TUBE INSTL-HYD,H FRAME	5-29
WR133622	VALVE ASM-HYD,BOOM,6 BANK,4X50	5-30
WR122642	VALVE-HYD,BOOM,6 BANK	5-31
WR133623	HOSE INSTL-HYD,H FRAME,4X50	5-32
WR133625	HOSE INSTL-HYD,BM LFT,4X50	5-33
WR133621	VALVE INSTL-HYD,BM,6 BANK,4X50	5-34
WR134266	ASM VALVE-HYD, H FRAME	5-35
WR134515	HYD INSTL-CHASSIS,4000M	5-36
WR134293	ASM VALVE-2 POSITION, FLOAT	5-37

4450 MT SPRA-COUPE 2006

WR134516	ASM PUMP-HYD 4000,CHASSIS	5-38
WR134517	ASM-VALVE CHARGE	5-39
WR134518	ASM FILTER-HYD,4000,CHASSIS	5-40
WR134519	ASM-SWITCH PRESSURE	5-41
WR134520	ASM VALVE-HYD,4000,CHASSIS	5-42
WR134282	HYD INSTL-H FRAME	5-43
WR134283	ASM VALVE-HYD, H FRAME	5-44
WR134289	HYD INSTL-NO H FRM	5-45
WR37386	VALVE ASSY-CONTROL	5-46
WR123121	PUMP HYDRAULIC	5-47
WR122403	CYLINDER-HYD,2.00X20.00X1.00	5-48
6801835	TANK ASSY	5-49

SECTION 6 - CAB GROUP

6801637	PEDAL ASSY-BRAKE	6-1
6669627	VALVE-MODULATING	6-2
503977D1	CAB INSTL CHAL	6-3
504177D1	CAB TOP ASM-CHAL	6-4
WR134145	KIT-RADIO,SC	6-5
WR127683	SEAT INSTL	6-6
6653399	SEAT-SUSPENSION	6-7
6672201	THROTTLE ASSY-HAND	6-8
WR125695	CLUTCH PEDAL INSTL	6-9
WR127307	SHIFT INSTL-MT	6-10
505457D1	KIT-RADIO,SC	6-11
505432D1	HYD INSTL-CHAS,4000M,SC6080	6-50

SECTION 7 - AIR CONDITIONING AND HEATING GROUP

6669015	HEATER-KIT	7-1
6668716	AIR CONDITIONER-KIT	7-2
6661067	BLOWER-KIT	7-3
6662674	FAN ASSEMBLY	7-4

SECTION 8 - ELECTRICAL GROUP

6624973	KIT-OVERSPRAY	8-1
WR123114	ELECTRICAL INSTL-3 VALVE	8-2
WR123116	ELECTRICAL INSTL-5 VALVE	8-3
WR128001	BATTERY INSTALL	8-4
WR134429	ELECTRICAL INSTL-CHASSIS,4000M	8-5
WR128124	ELECTRICAL INSTL-CAB	8-6
WR128557	F/A-FLOODLIGHT KIT	8-7
WR126509	ALTERNATOR,140 AMP-2 GROOVE	8-8
6617401	LIGHT ASSY	8-9
6663952	LIGHT-FLOOD,MED	8-10

SECTION 9 - APPEARANCE GROUP

503981D1	HOOD INSTL-CHAL	9-1
----------	-----------------	-----

4450 MT SPRA-COUPÉ 2006

504172D1

HOOD ASM-CHAL

9-2

SECTION 10 - TIRE AND WHEEL GROUP

503979D1	TIRE INSTL-320/9,GRAY	10-1
504433D1	TIRE ASM-320/85R24,LH,GRAY	10-2
504434D1	TIRE ASM-320/85R24,RH,GRAY	10-3
504435D1	TIRE ASM-9.00X24,GRAY	10-4

SECTION 11 - DECAL GROUP

503984D1	DECAL INSTL-CHAL,4450	11-1
----------	-----------------------	------

SECTION 12 - TANK AND SADDLE GROUP

6801836	TANK ASSY-SPRAY	12-1
6672457	COVER-HINGED	12-2

SECTION 13 - PRODUCT PUMP AND PRESSURE PLUMBING GROUP

WR123351	SPRAY INSTL-60 FT MANIFOLD	13-1
WR123567	SPRAY INSTL-4000 CHASSIS	13-2
WR128592	SPRAY SYSTEM INSTAL-H FRM	13-3
WR55864	VALVE ASSY-BOOM SHUT OFF,	13-4
WR55858	VALVE ASSY-KZ, 3 SECTION,	13-5
WR425565	SPRAY INSTL-CTR MANIFOLD	13-6
WR123352	SPRAY INSTL-80 FT MANIFOLD	13-7
WR123568	SPRAY INSTL - H FRM	13-8
WR55861	VALVE ASSY-BOOM SHUT OFF,	13-9
WR425567	SPRAY INSTL-LOOSE PARTS KIT	13-10
6596508	NOZZLE ASSY-SINGLE	13-11
6596509	NOZZLE ASSY-DOUBLE	13-12
6668810	PUMP-SPRAY	13-13
6802436	VALVE ASSY-INLET	13-14
6665873	FILTER ASSY-BOOM	13-15
WR55856	VALVE ASSY-KZ, 5 SECTION,	13-16
WR132508	NOZZLE ASM-SINGLE	13-17
WR132509	NOZZLE ASM DOUBLE	13-18
WR133819	MANF INSTL-CTR,SC6080,4X50	13-19
WR133905	VALVE ASM-SHUTOFF,BM SECT,5	13-20
6632184	VALVE-PRESSURE,CONTROL	13-21
WR133820	OPT-PP PLMB,SC6080X5X20,ON	13-22
WR127095	PIPE ASM-90D W/1.00HB,6X20,PP	13-23
WR127097	PIPE ASM-T W/2 1.00HB,5X20,PP	13-24
WR133893	PIPE ASM-X W/3 1.00HB,5X20,PP	13-25
WR133896	PIPE ASM-T W/2 1.00HB,2X20,PP	13-26
WR133897	PIPE ASM-90D W/1.00HB,3X20,PP	13-27
WR133898	BRKT ASM-STR,LG,2IPS,REV P CLP	13-28
WR133980	NOZZLE ASM-OPT,80X20 ON,TPL	13-29

4450 MT SPRA-COUCPE 2006

6596121	STRAINER-MANIFOLD	13-30
6512905	INSERT ASSY-SQ END	13-31
WR50914	VALVE-BALL,2IN FP,W/CAM	13-32
6670750	FILTER-INLINE	13-33
504212D1	FLWMTR KIT-2.00SP FLG,RFM60P	13-34
WR128771	FLWMTR-2.00SP FLG,RFM60P,12V	13-35

SECTION 14 - BOOM GROUP

WR37476	TILT RACK ASSEMBLY	14-1
WR37776	TUBE ASSY-RACK TILT	14-2
WR37564	BOOM LIFT GROUP	14-3
WR37810	REAR H FRAME GROUP	14-4
WR121622	SPRING, ASSY	14-5
WR123366	BOOM GRP-RH,60 FT	14-6
WR38719	LINK ASSY-WING FOLD,INNER	14-7
WR38720	LINK ASSY-WING FOLD,OUTER	14-8
WR123367	BOOM GRP-LH,60 FT	14-9
WR123368	BOOM GRP-RH,80 FT	14-10
WR123369	BOOM GRP-LH,80 FT	14-11
WR425564	KIT-LOOSE PARTS,BOOM HINGE	14-12
WR128736	OPT-BOOM 60/80	14-13
WR125308	BOOM ASM-60/80,LH	14-14
WR125307	BOOM ASM-60/80	14-15
WR125309	BOOM ASM-60/80,RH	14-16
WR128733	RACK INSTL-TILT,BOOM,60/80	14-17
WR125244	RACK ASM-TILT,BOOM,60/80	14-18
WR128734	FRAME INSTL-H,REAR,BM,60/80	14-19
WR128732	FRAME ASM-H,REAR,BM,60/80	14-20
WR133801	BAR INSTL-MTG,PLMB,CTR,SC6080	14-21
WR133805	LIFT INSTL-BOOM,PAR LINK,4X50	14-22
WR133821	BOOMREST INSTL-SC6080,4X50	14-23
6804644	BAG-PARTS	14-24
WR122500	BRKT ASM-STR,LG,3IPS CLP	14-25
WR122516	BRKT ASM-STR,SH,IPS CLP,P CLP	14-26
WR122517	BRKT ASM-STR,LG,IPS CLP,2P	14-27
WR122519	BRKT ASM-STR,LG,2IPS CLP	14-28
WR122520	BRKT ASM-L,PP STAUFF	14-29
WR122571	BRKT ASM-L,PP STAUFF,REV P CLP	14-30
WR122610	BRKT ASM-L,PP STAUFF,CTR P CLP	14-31
WR129084	BRKT ASM-STR,LG,2IPS CLP,1.00U	14-32
WR129085	BRKT ASM-L,PP STAUFF,1.00U	14-33
WR129086	BRKT ASM-STR,SH,IPS CLP,1.00U	14-34
WR132555	BRKT ASM-STR,LG,2IPS,P CLP	14-35
WR519562	NOZ HLDR-TPL 1.00 IPS	14-36

SECTION 15 - CONTROLLER GROUP

505464D1	CONTROLLER INSTL-RAVEN 460,WF	15-1
----------	-------------------------------	------

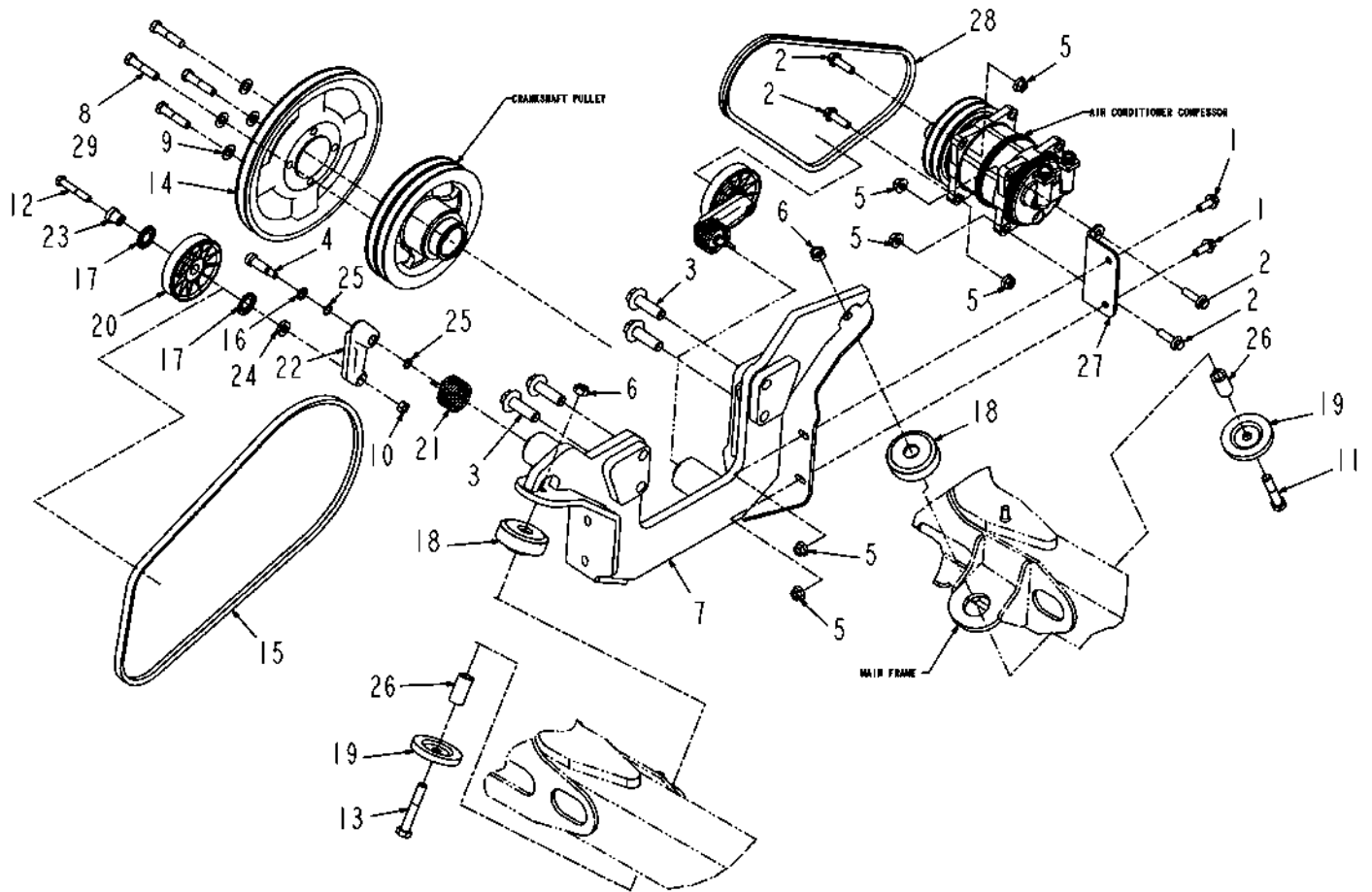
SECTION 16 - FOAM MARKER GROUP

4450 MT SPRA-COUPE 2006

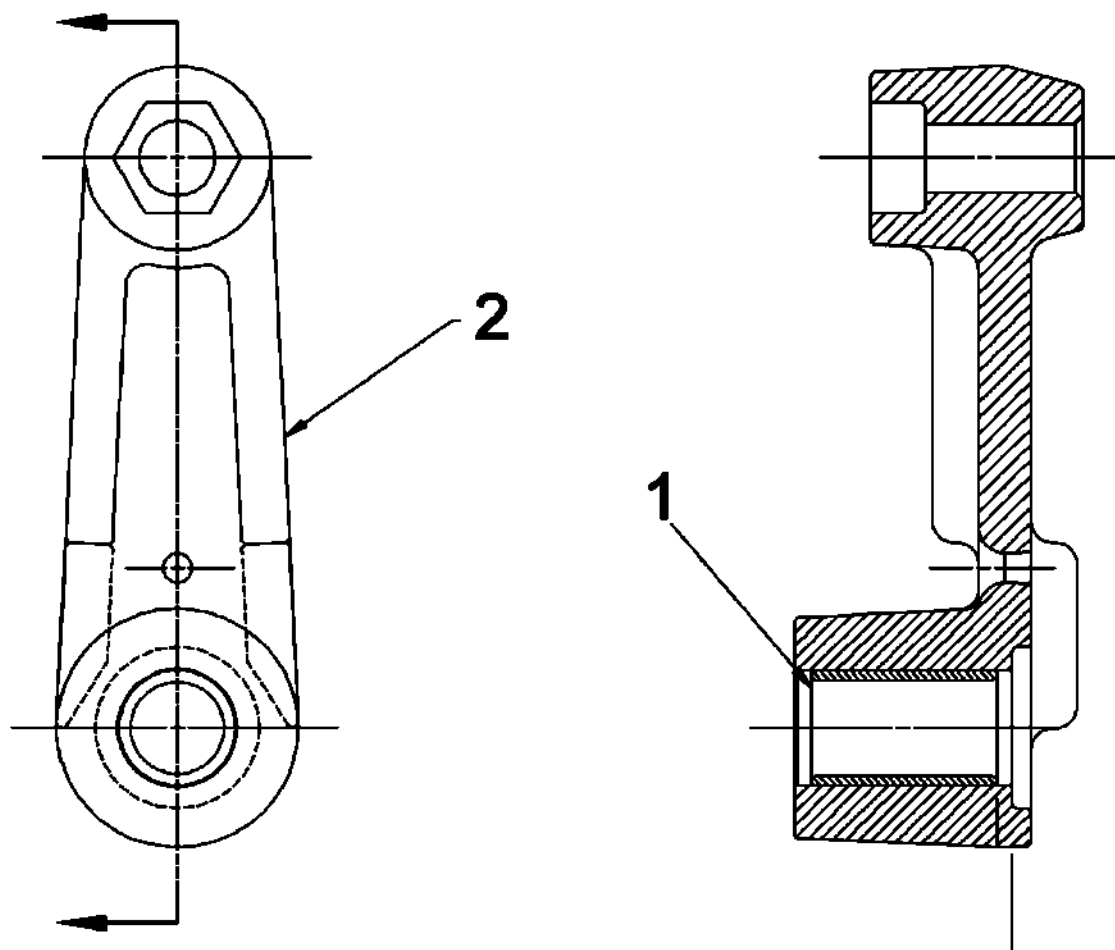
WR55875	F/A-MARKER,RSC 2130	16-1
6631680	COMPRESSOR-FOAM MARKER	16-2
WR55879	FILTER ASSY-CARBON	16-3
WR55904	DEFLECTOR-COLLECTOR, 2 IN	16-4
WR55888	RSC FOAMHEAD/VALVE ASSY	16-5
WR55908	TANK ASSY,13 GAL RSC2130	16-6
WR55910	CAP-ASSY, 2 1/4 IN	16-7
6660391	FILTER ASSY, INCLINE	16-8
WR132886	CONTROL MODULE ASSEMBLY	16-9

SECTION 17 - OPTIONS GROUP

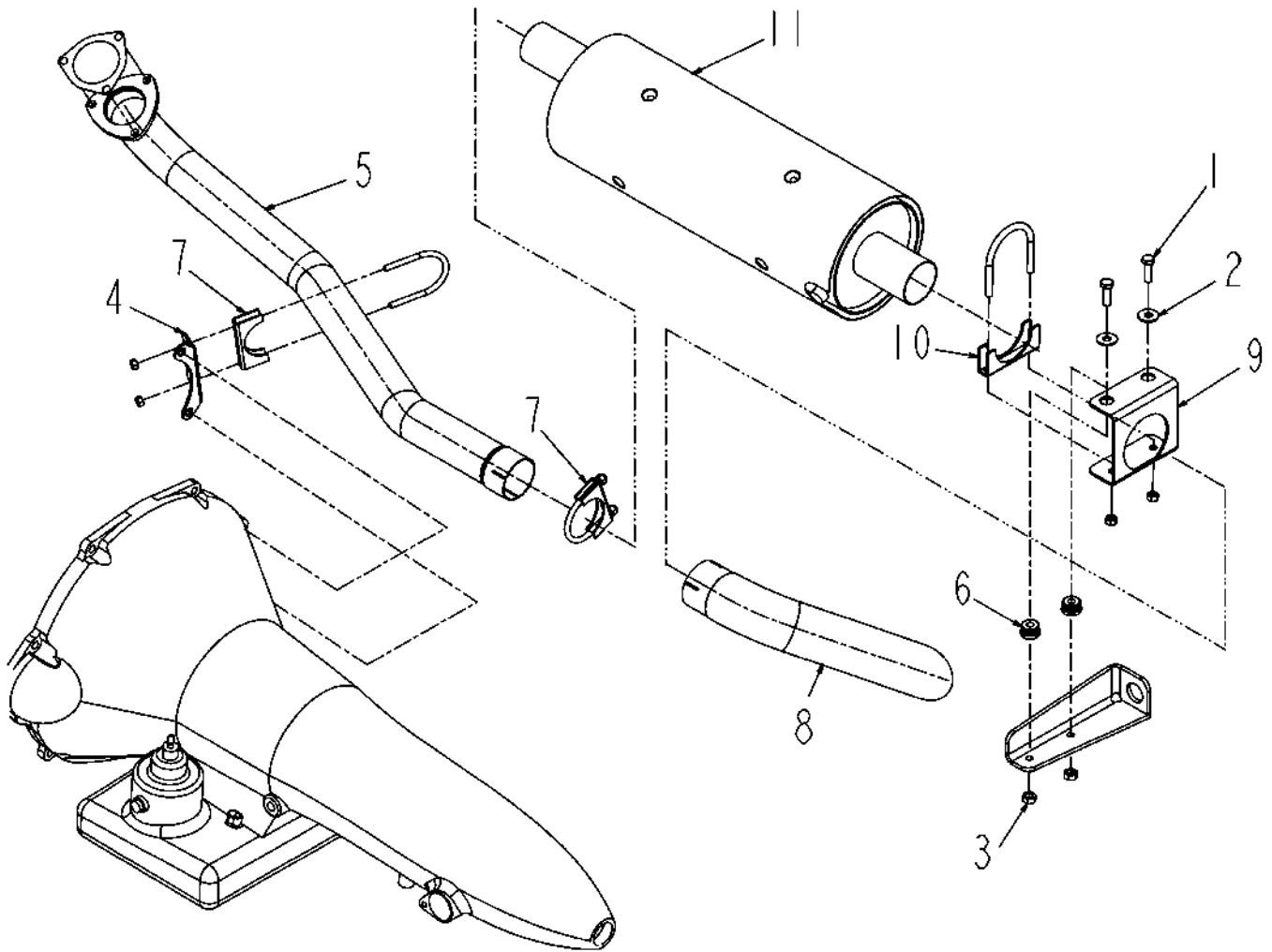
WR125685	FRESH WATER INSTL	17-1
WR130579	F/A-50HR FILTER KIT	17-2
WR130580	F/A-500HR FILTER KIT	17-3
WR131686	OVERSPRAY INSTL	17-4
WR126863	F/A CROP DEFLECTOR,3400,4400	17-5



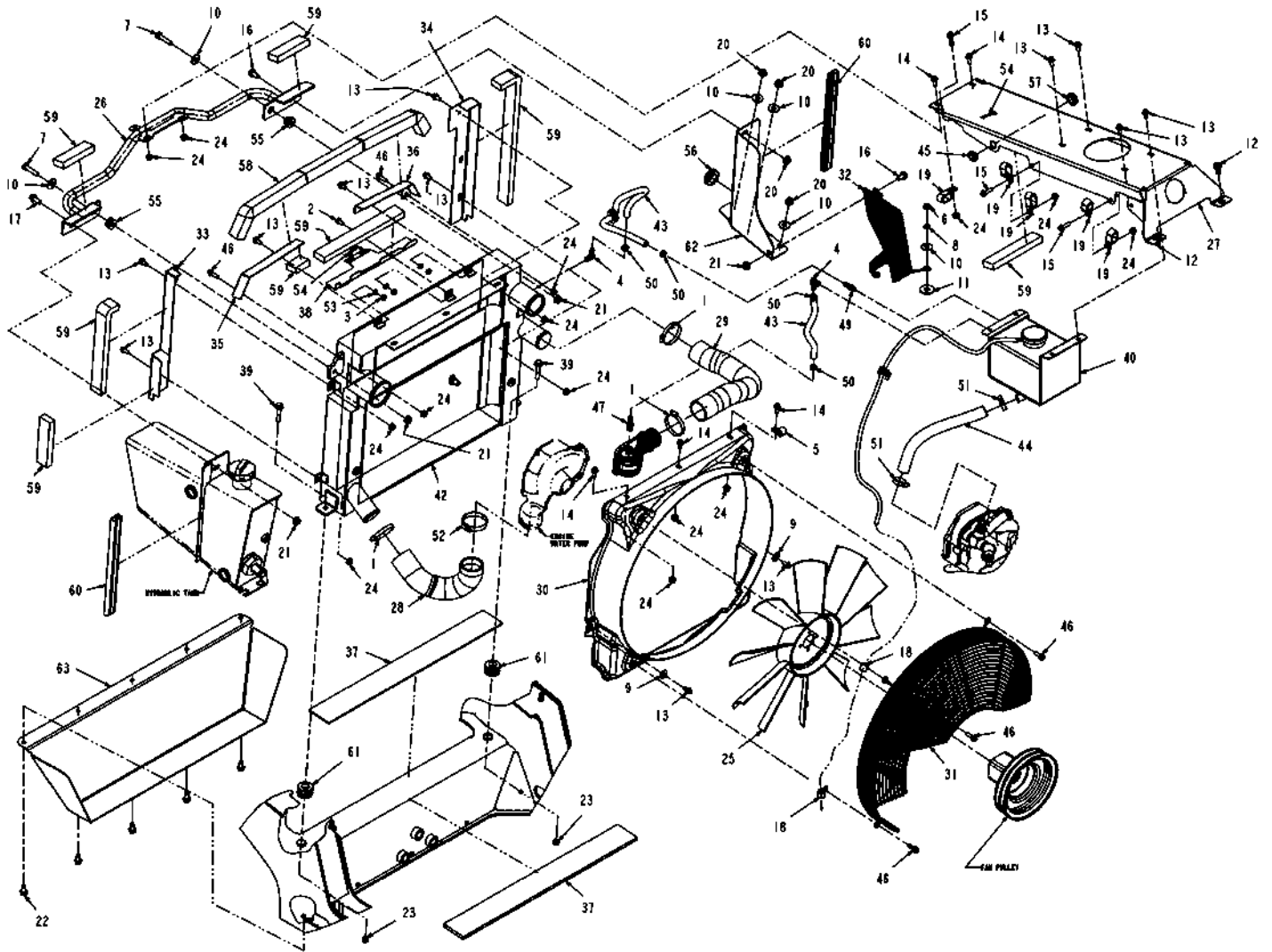
ITEM	PART #	QTY	DESCRIPTION	COMMENT
1	WR55215	2	SCREW-HEX FLG.M10X1.5X25 CL8.8	
2	WR55217	4	SCREW-HEX FLG.M10X1.5Z35 CL8.8	
3	WR55222	4	SCREW-HEX FLG.M16X2X50 CL8.8	
4	WR55268	2	SCREW-SH HEX 3/8 NC X	
5	WR55301	6	NUT-FLANGE,M10 X 1.5.PREV	
6	WR55354	2	NUT-TOPLOCK, 1/2-13UNC G8	
7	WR120882	1	MOUNT-W/A	
8	WR512885	AR	LOCTITE ADHESIVE SEALANT BLUE	
9	WR515782	4	WASHER 0.43 FL ZN REG G8	
10	WR550825	2	NUT 0.37-16NC HEX ZN REG	
11	WR551392	1	BOLT 0.50-13NCX 2.75 G5 ZN HHD	
12	WR552127	2	BOLT 0.37-16NCX 2.25 G5 ZN HHD	
13	WR556103	1	BOLT 0.50-13NCX 3.00 G5 ZN HHD	
14	6597481	1	PULLEY-MACH	
15	6627918	1	BELT-PUMP,SPRAY	
16	6655781	2	BEARING-THRUST	
17	6660995	4	RING-GREASE	
18	6661785	2	MOUNT-ENGINE	
19	6661787	2	WASHER-SNUBBING	
20	6662997	2	PULLEY-IDLER	
21	6700722	2	SPRING-TORSION	
22	6703507	2	ARM ASSY-PULLEY	SEE PAGE 1-2
23	6704443	2	BUSHING-SPACER	
24	6704444	2	WASHER-COUNTRBORED	
25	6704820	4	O RING-METRIC	
26	6706043	2	TUBE-SPACER	
27	6800795	1	BRACE, A/C MOUNT	
28	6801631	1	BELT-COMPRESSOR,A/C	
29	377561X1	4	BOLT-7/16-20X2.00 GR8 PH&O HHD	
	FOOTNOTE [A]		FOR REPLACEMENT FAN PULLEY USE 6670934	



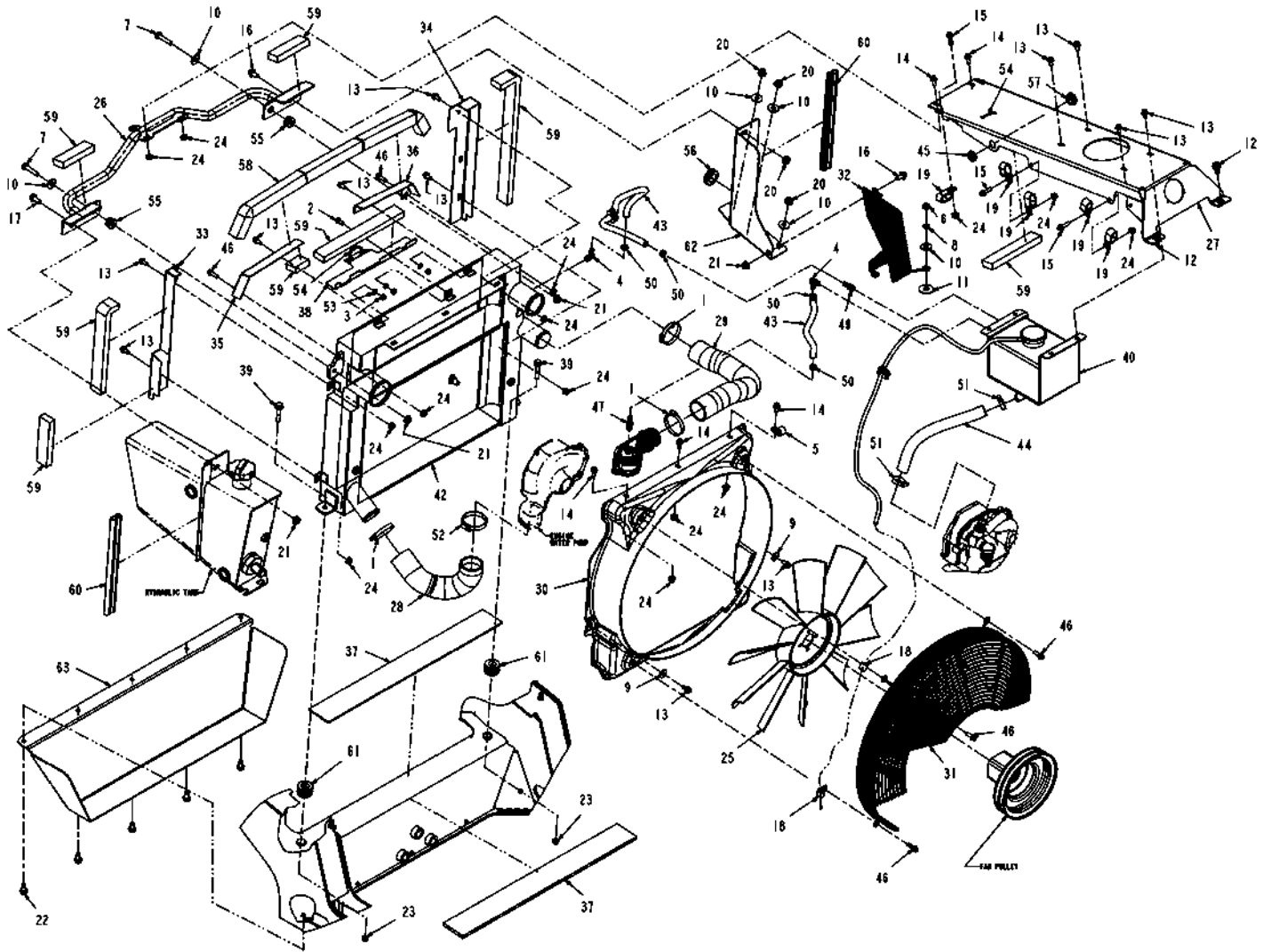
ITEM	PART #	QTY	DESCRIPTION	COMMENT
1	6670682	1	SLEEVE-BEARING	
2	6703506	1	ARM-PULLEY	



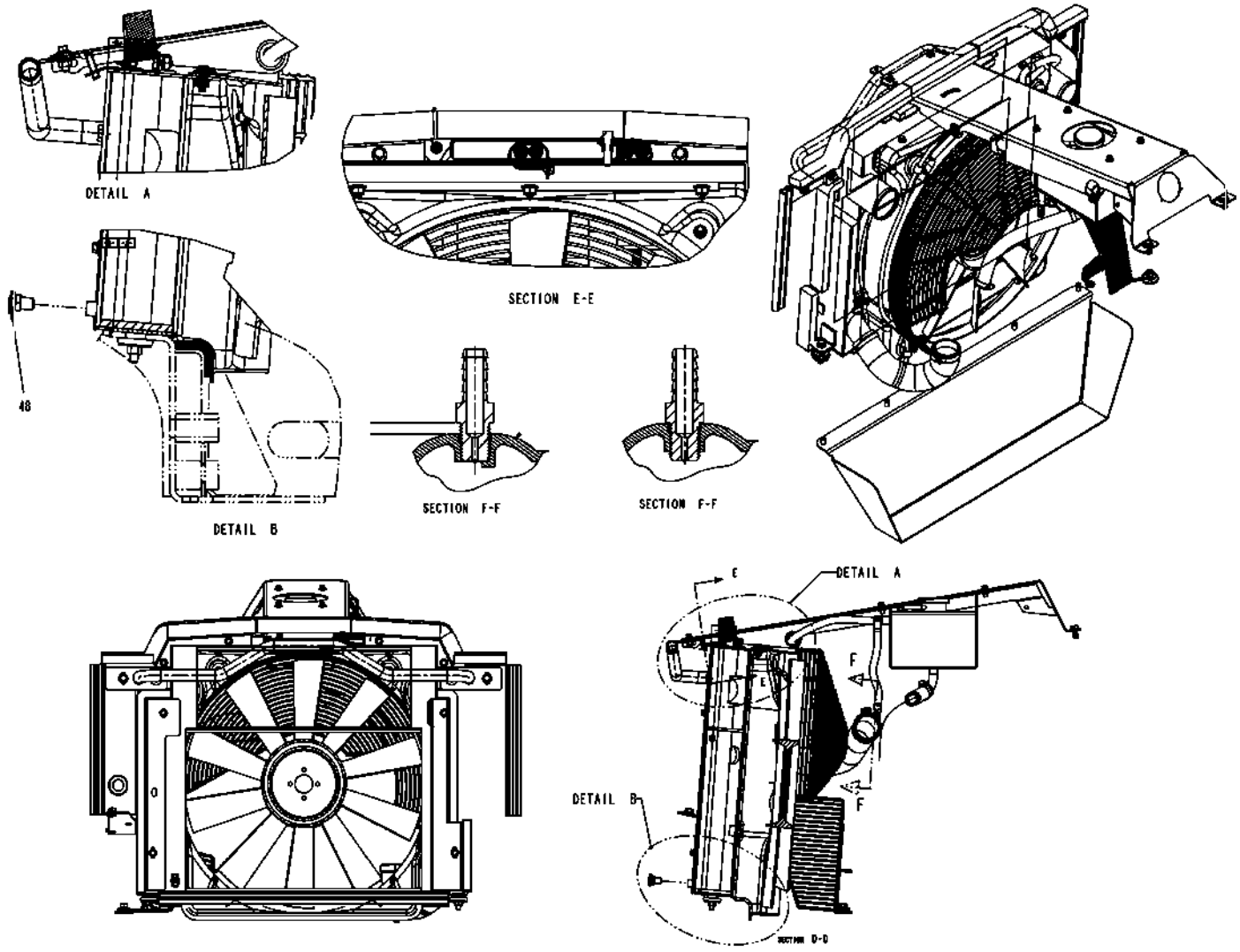
ITEM	PART #	QTY	DESCRIPTION	COMMENT
1	WR029298	2	BOLT M10-1.50X 35MM G8.8 ZN HH	
2	WR55158	2	WASHER-FLAT,10MM ID.	
3	WR55312	2	NUT-LOCK HEX,M10 X 1.5,	
4	WR55535	1	BRACKET EXHAUST	
5	WR121164	1	PIPE-EXHAUST	
6	WR568276	2	MOUNT-VIBRATION	
7	6595786	2	CLAMP-FULL CIRCLE	
8	6626146	1	PIPE-TAIL	
9	6627230	1	BRACKET-EXHAUST	
10	6660863	1	CLAMP ASSY-EXHAUST	
11	6671620	1	MUFFLER-SPARK ARRESTOR	



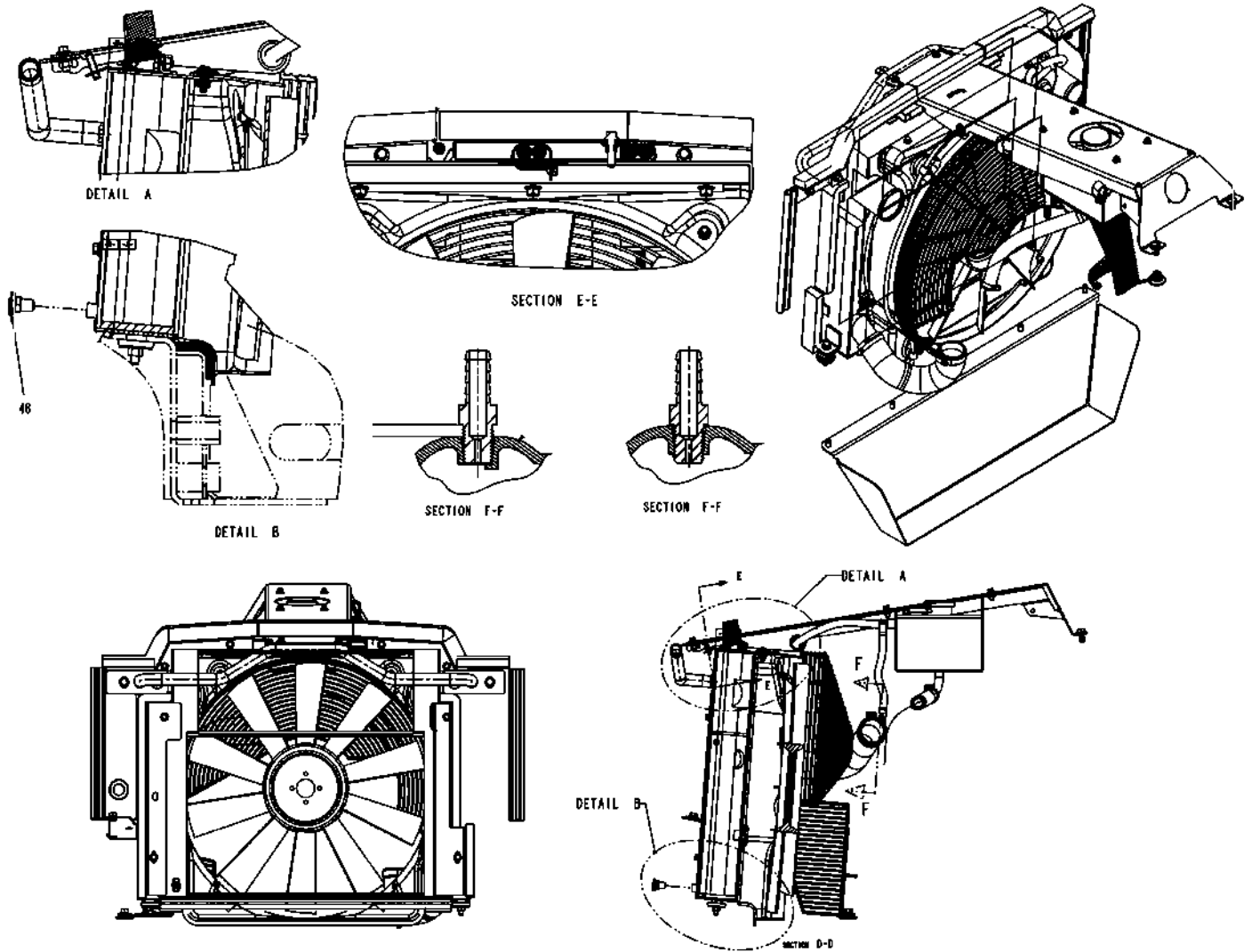
ITEM	PART #	QTY	DESCRIPTION	COMMENT
1	WR10857	3	CLAMP-HOSE,2 1/2 SST,	
2	WR25752	1	SCREW-CAP HEX M8 X 16,	
3	WR33851	3	NUT-HEX,METRIC,M8 X 1.25	
4	WR35119	2	ELBOW-BRASS 90,-06HB/	
5	WR50830	1	CLAMP-SUPPORT,CUSHION,	
6	WR50838	1	NUT-HEX,METRIC M10-1.5	
7	WR55048	2	SCREW-CAP HEX M10 X 45	
8	WR55106	1	WASHER-LOCK SPRING,10 MM	
9	WR55157	2	WASHER-FLAT,8MM ID,	
10	WR55158	6	WASHER-FLAT,10MM ID,	
11	WR55159	1	WASHER-FLAT,12MM ID,	
12	WR55191	2	HEX HEAD,THREAD ROLLING SCREW	
13	WR55205	12	SCREW-HEX FLG,M8X1.25X16 CL8.8	
14	WR55206	5	SCREW-HEX FLG,M8X1.25X20 CL8.8	
15	WR55208	3	SCREW-HEX FLG,M8X1.25X30 CL8.8	
16	WR55214	2	SCREW-HEX FLG,M10X1.5X20 CL8.8	
17	WR55215	1	SCREW-HEX FLG,M10X1.5X25 CL8.8	
18	WR55229	2	CLAMP-SUPPORT CUSHION,	
19	WR55247	5	CLAMP-SUPPORT CUSHION DBL	
20	WR55281	4	NUT-FLANGE,M10 X 1.5	
21	WR55301	4	NUT-FLANGE,M10 X 1.5,PREV	
22	WR55349	5	SCREW-HEX,3/8 X 3/4,	
23	WR55353	2	NUT-TOPLOCK, 3/8-16UNC G8	
24	WR55410	14	NUT-FLANGE,M8 X 1.25 CL8,	
25	WR121502	1	FAN-COOLING	
26	WR121506	1	MOUNT-WA,RADIATOR	
27	WR124049	1	SUPPORT-ENGINE COVER	
28	WR124563	1	HOSE-RADIATOR OUT	
29	WR124564	1	HOSE-RADIATOR INLET	
30	WR124934	1	SHROUD, FAN	
31	WR124935	1	SHIELD-FAN	
32	WR124986	1	SHIELD-FAN, SIDE	
33	WR125351	1	MOUNT-CONDENSOR,LH	
34	WR125352	1	MOUNT-CONDENSOR,RH	
35	WR125353	1	BRACKET-RADIATOR LH	
36	WR125354	1	BRACKET-RADIATOR, RH	
37	WR125404	2	INSULATION	
38	WR125408	1	MOUNT-INSULATION	
39	WR128547	2	SCREW-FLG HD .375X16X2	
40	WR128841	1	TANK-DEARATING	
41	WR129187	AR	PIPE SEALANT-POLY SEAL	
42	WR134922	1	RADIATOR ASM-SC TIER 2	
43	WR510939	-	HOSE HYD 0.37 BULK 250PSI WP [BULK: 3.000 FT]	
44	WR513385	-	HOSE,MED.PRESS 0.75 2BRD EPDM [BULK: 1.000 FT]	
45	WR514385	1	GROMMET .63 ID .88 GROOVE DIA	
46	WR520967	5	BOLT-M8-1.25X25,CL8.8,ZN FLG	
47	WR521351	1	HOSE BARB 0.25NPTX.38HOSEW/ORF	
48	WR553158	1	VALVE DRAIN COCK BR .25 18NPTF	
49	WR559415	1	ADAPTER -4FP X -6HB	
50	WR561025	4	CLAMP HOSE .218 TO .625 U5S	
51	WR561229	2	CLAMP 0.68-1.25 HOSE 12HS	
52	WR561233	1	CLAMP-HOSE,1.81X2.75,36HS	
53	WR561679	3	WASHER LOCK M8 ZN	
54	WR562496	AR	TIE CABLE 15.0 .18-4.00 BLACK	
55	WR568276	2	MOUNT-VIBRATION	
56	WR731972	1	GROMMET	
57	WR742876	1	GROMMET	
58	6554274	-	STRIP-FOAM [BULK: 2.800 FT]	
59	6565114	-	STRIP-FOAM,BULK [BULK: 6.000 FT]	
60	6597894	2	EDGE	



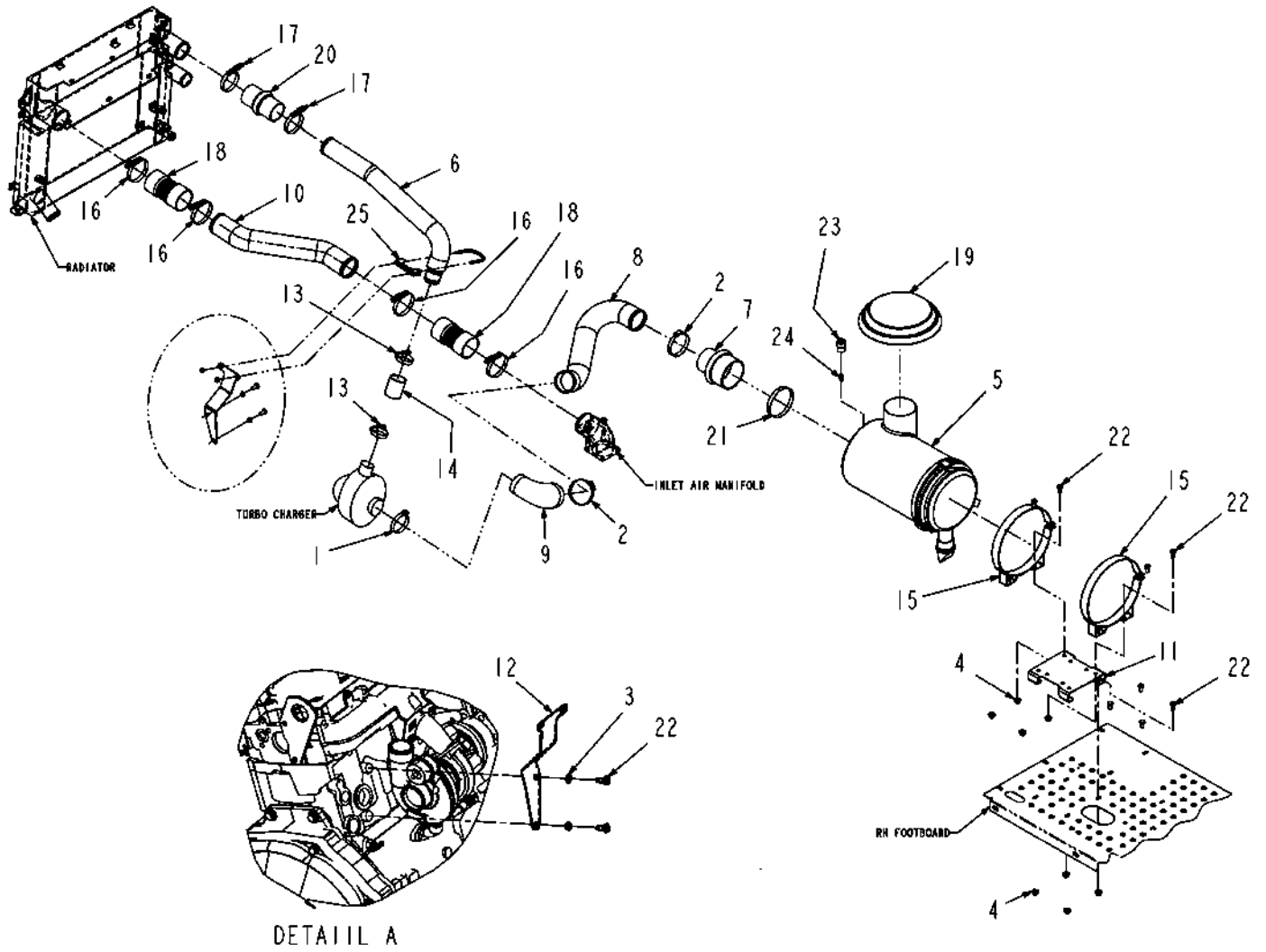
ITEM	PART #	QTY	DESCRIPTION	COMMENT
61	6653763	2	MOUNT ASSY	
62	6800304	1	BRACE	
63	6801632	1	SHIELD-BELT	



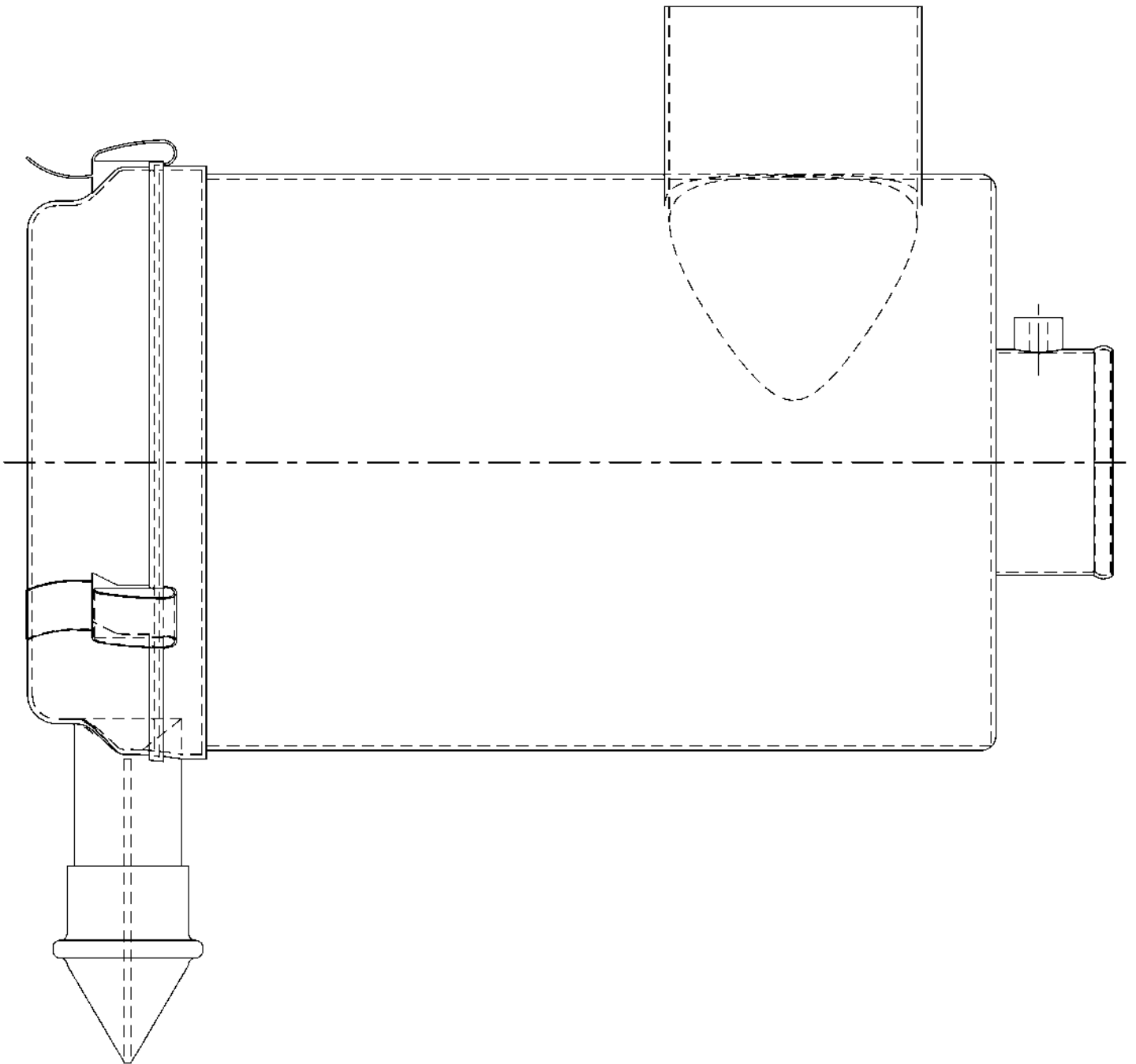
ITEM	PART #	QTY	DESCRIPTION	COMMENT
1	WR10857	3	CLAMP-HOSE,2 1/2 SST,	
2	WR25752	1	SCREW-CAP HEX M8 X 16,	
3	WR33851	3	NUT-HEX,METRIC,M8 X 1.25	
4	WR35119	2	ELBOW-BRASS 90,-06HB/	
5	WR50830	1	CLAMP-SUPPORT,CUSHION,	
6	WR50838	1	NUT-HEX,METRIC M10-1.5	
7	WR55048	2	SCREW-CAP HEX M10 X 45	
8	WR55106	1	WASHER-LOCK SPRING,10 MM	
9	WR55157	2	WASHER-FLAT,8MM ID,	
10	WR55158	6	WASHER-FLAT,10MM ID,	
11	WR55159	1	WASHER-FLAT,12MM ID,	
12	WR55191	2	HEX HEAD,THREAD ROLLING SCREW	
13	WR55205	12	SCREW-HEX FLG,M8X1.25X16 CL8.8	
14	WR55206	5	SCREW-HEX FLG,M8X1.25X20 CL8.8	
15	WR55208	3	SCREW-HEX FLG,M8X1.25X30 CL8.8	
16	WR55214	2	SCREW-HEX FLG,M10X1.5X20 CL8.8	
17	WR55215	1	SCREW-HEX FLG,M10X1.5X25 CL8.8	
18	WR55229	2	CLAMP-SUPPORT CUSHION,	
19	WR55247	5	CLAMP-SUPPORT CUSHION DBL	
20	WR55281	4	NUT-FLANGE,M10 X 1.5	
21	WR55301	4	NUT-FLANGE,M10 X 1.5.PREV	
22	WR55349	5	SCREW-HEX,3/8 X 3/4,	
23	WR55353	2	NUT-TOPLOCK, 3/8-16UNC G8	
24	WR55410	14	NUT-FLANGE,M8 X 1.25 CL8,	
25	WR121502	1	FAN-COOLING	
26	WR121506	1	MOUNT-WA,RADIATOR	
27	WR124049	1	SUPPORT-ENGINE COVER	
28	WR124563	1	HOSE-RADIATOR OUT	
29	WR124564	1	HOSE-RADIATOR INLET	
30	WR124934	1	SHROUD, FAN	
31	WR124935	1	SHIELD-FAN	
32	WR124986	1	SHIELD-FAN, SIDE	
33	WR125351	1	MOUNT-CONDENSOR,LH	
34	WR125352	1	MOUNT-CONDENSOR,RH	
35	WR125353	1	BRACKET-RADIATOR LH	
36	WR125354	1	BRACKET-RADIATOR, RH	
37	WR125404	2	INSULATION	
38	WR125408	1	MOUNT-INSULATION	
39	WR128547	2	SCREW-FLG HD .375X16X2	
40	WR128841	1	TANK-DEARATING	
41	WR129187	AR	PIPE SEALANT-POLY SEAL	
42	WR134922	1	RADIATOR ASM-SC TIER 2	
43	WR510939	-	HOSE HYD 0.37 BULK 250PSI WP [BULK: 3.000 FT]	
44	WR513385	-	HOSE,MED.PRESS 0.75 2BRD EPDM [BULK: 1.000 FT]	
45	WR514385	1	GROMMET .63 ID .88 GROOVE DIA	
46	WR520967	5	BOLT-M8-1.25X25,CL8.8,ZN FLG	
47	WR521351	1	HOSE BARB 0.25NPTX.38HOSEW/ORF	
48	WR553158	1	VALVE DRAIN COCK BR .25 18NPTF	
49	WR559415	1	ADAPTER -4FP X -6HB	
50	WR561025	4	CLAMP HOSE .218 TO .625 U5S	
51	WR561229	2	CLAMP 0.68-1.25 HOSE 12HS	
52	WR561233	1	CLAMP-HOSE,1.81X2.75,36HS	
53	WR561679	3	WASHER LOCK M8 ZN	
54	WR562496	AR	TIE CABLE 15.0 .18-4.00 BLACK	
55	WR568276	2	MOUNT-VIBRATION	
56	WR731972	1	GROMMET	
57	WR742876	1	GROMMET	
58	6554274	-	STRIP-FOAM [BULK: 2.800 FT]	
59	6565114	-	STRIP-FOAM,BULK [BULK: 6.000 FT]	
60	6597894	2	EDGE	



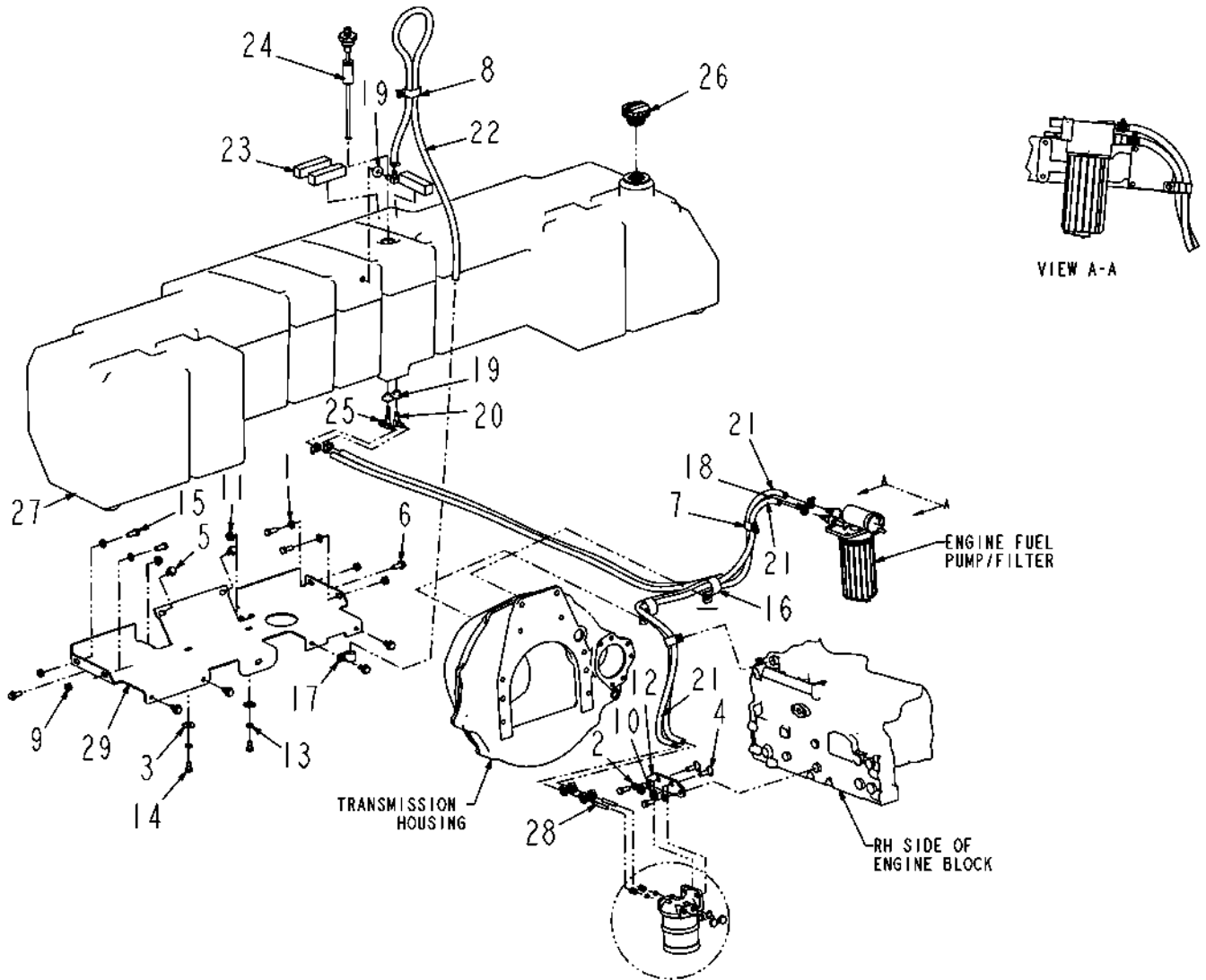
ITEM	PART #	QTY	DESCRIPTION	COMMENT
61	6653763	2	MOUNT ASSY	
62	6800304	1	BRACE	
63	6801632	1	SHIELD-BELT	



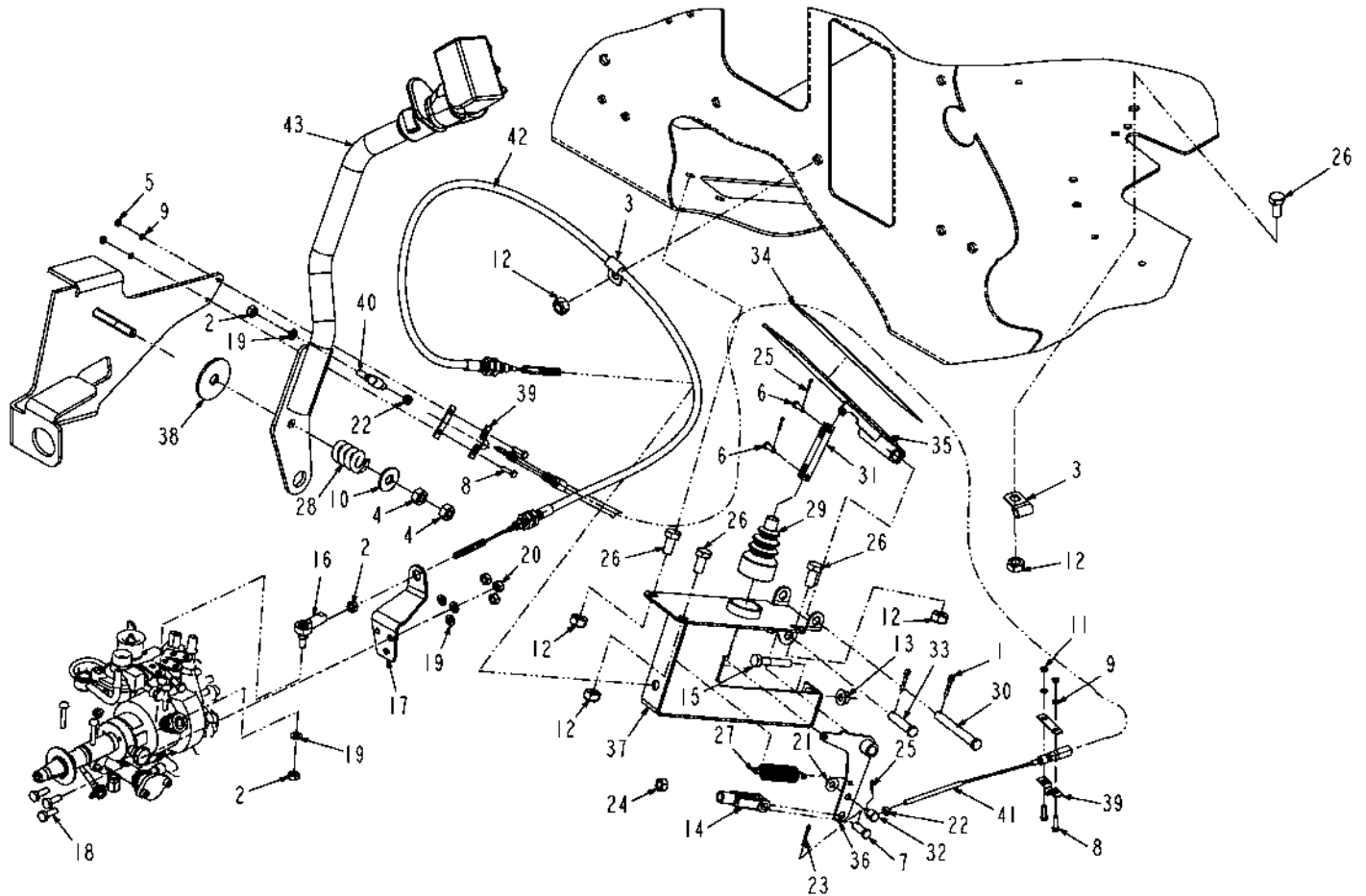
ITEM	PART #	QTY	DESCRIPTION	COMMENT
1	WR10859	1	CLAMP-HOSE,3 SST,	
2	WR10861	2	CLAMP-HOSE,3 1/2 SST,	
3	WR55106	2	WASHER-LOCK SPRING,10 MM	
4	WR55301	8	NUT-FLANGE,M10 X 1.5,PREV	
5	WR121510	1	FILTER-AIR	[A]
6	WR121514	1	TUBE-CAC,OUT	
7	WR121880	1	HOSE,HUMP 4 X 3	
8	WR124126	1	TUBE-AIR CLEANER	
9	WR124127	1	HOSE, AIR CLEANER	
10	WR124170	1	TUBE-CAC, OUTLET	
11	WR124224	1	MOUNT-AIR CLEANER	
12	WR124314	1	BRACE-CAC TUBE	
13	WR124315	2	CLAMP-HOSE CT250L	
14	WR124381	1	HOSE-CAC,2 IN	
15	WR516795	2	BAND ASM-AIR CLEANER 10 IN DIA	
16	WR519741	4	CLAMP HOSE 2.75 DIA	
17	WR519871	2	CLAMP-HOSE 2.25 DIA	
18	WR520209	2	HOSE-3.00 ID,AIR COOLER	
19	WR520679	1	HOOD-INLET,4.50 DIA	
20	WR523809	1	HOSE-HUMP,2.50X5.50	
21	WR561237	1	CLAMP 3.56-4.50 HOSE 64HS	
22	WR562463	10	BOLT M10-1.50X 20MM G8.8 ZN HH	
23	WR600857	1	INDICATOR SERVICE (25 H20) (P)	
24	WR602523	1	FITTING-SAFETY	
25	6595786	1	CLAMP-FULL CIRCLE	
	FOOTNOTE [A]		FOR REPLACEMENT PRIMARY AIR FILTER USE WR127271	
	FOOTNOTE [A]		FOR REPLACEMENT SAFETY AIR FILTER USE WR127272	



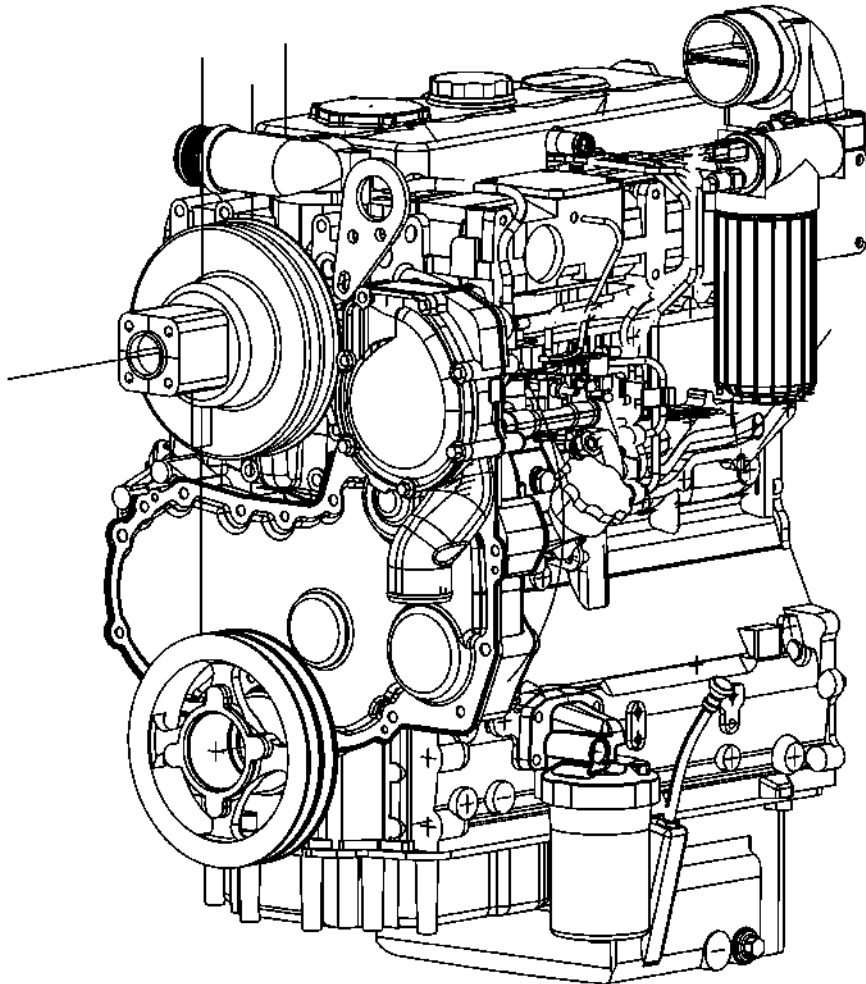
ITEM	PART #	QTY	DESCRIPTION	COMMENT
REF	WR127271	1	FILTER,PRIMARY,AIR	
REF	WR127272	1	FILTER,SAFETY,AIR	
REF	WR610420	1	VALVE-VACUATOR	(522580)



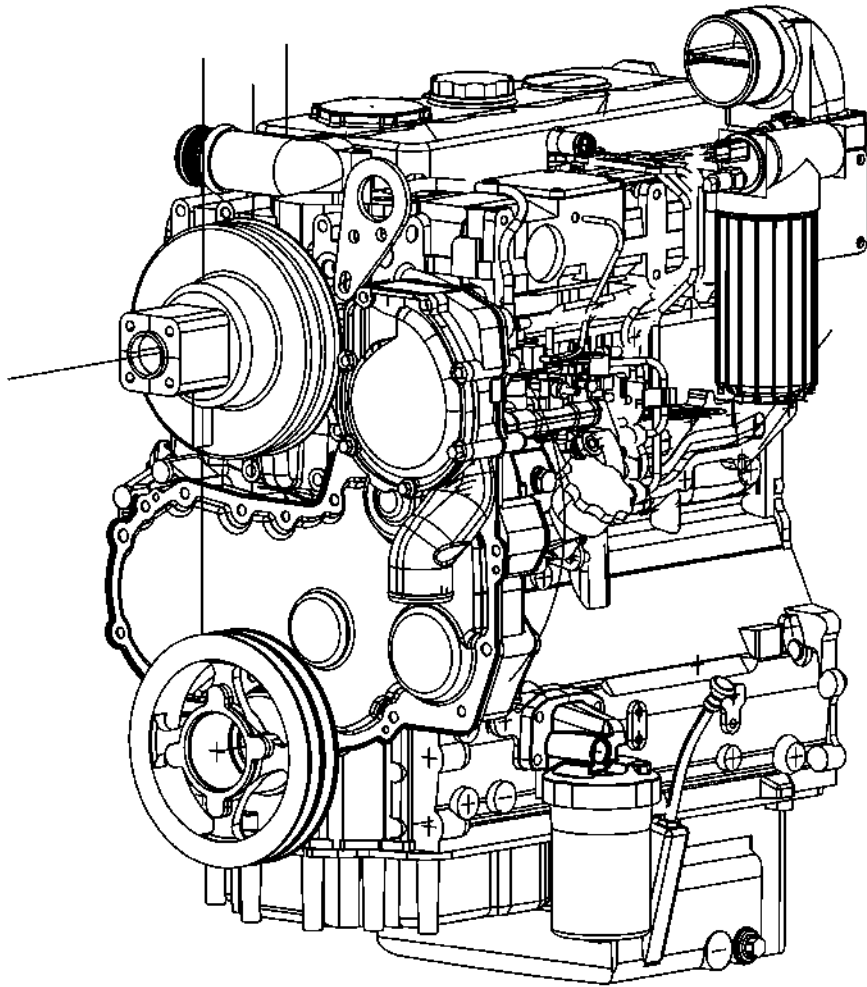
ITEM	PART #	QTY	DESCRIPTION	COMMENT
1	WR55075	4	WASHER-PLAIN,10MM ID,LC.	
2	WR55106	2	WASHER-LOCK SPRING,10 MM	
3	WR55158	2	WASHER-FLAT,10MM ID,	
4	WR55174	2	BOLT-CARRIAGE,M10 X 30,	
5	WR55191	6	HEX HEAD,THREAD ROLLING SCREW	
6	WR55215	2	SCREW-HEX FLG.M10X1.5X25 CL8.8	
7	WR55246	2	CLAMP-SUPPORT CUSHION DBL	
8	WR55247	1	CLAMP-SUPPORT CUSHION DBL	
9	WR55272	4	NUT-LOCK,M10 X 1.5,PREV	
10	WR55281	2	NUT-FLANGE,M10 X 1.5	
11	WR55301	2	NUT-FLANGE,M10 X 1.5,PREV	
12	WR125448	1	MOUNT-FUEL FILTER	
13	WR550191	2	WASHER LK 0.37 ZN REG	
14	WR551503	2	BOLT 0.37-16NCX 0.75 G5 ZN HHD	
15	WR561025	9	CLAMP HOSE .218 TO .625 U5S	
16	WR561683	6	BOLT M10-1.5 X 25MM G8.8 ZN HH	
17	WR561895	2	CLAMP 1.50 HOSE COATED	
18	WR562237	1	CLAMP CTD 0.75IDX0.75WIDE	
19	6553411	2	BUSHING	
20	6553412	2	ELBOW-90,INV FLARE	
21	6577822	17.750	HOSE BULK, 5/16 IN	
22	6586251	-	HOSE-FUEL,BULK [BULK: 4.500 FT]	
23	6626654	3	FOAM-STRIP	
24	6658958	1	SENSOR-FUEL	
25	6661206	1	VALVE-SHUTOFF	
26	6672325	1	CAP-FUEL	
27	6801236	1	TANK-FUEL	
28	6801240	2	TUBE-STRAIGHT	
29	6801830	1	SUPPORT-FUEL	



ITEM	PART #	QTY	DESCRIPTION	COMMENT
1	WR10337	2	PIN-COTTER,1/8 X 3/4	
2	WR11497	3	NUT-HEX, 1/4 - 28 UNF	
3	WR50831	2	CLAMP-SUPPORT,CUSHION,	
4	WR50838	2	NUT-HEX,METRIC M10-1.5	
5	WR55070	2	NUT-HEX,M4 CL10	
6	WR55088	2	PIN-CLEVIS,3/16 X .60,	
7	WR55089	1	PIN-CLEVIS,5/16 X .96,	
8	WR55091	4	SCREW-CAP HEX M4 X 16	
9	WR55102	4	WASHER-LOCK SPRING,4MM ID	
10	WR55158	1	WASHER-FLAT,10MM ID.	
11	WR55249	2	NUT-LOCK,M4 G4D	
12	WR55272	5	NUT-LOCK,M10 X 1.5.PREV	
13	WR55280	1	NUT-FLANGE,M8 X 1.25	
14	WR55498	1	CLEVIS-ROD END,5/16-24NF,	
15	WR55531	1	SCREW-CAP HEX M8 X 45MM	
16	WR122639	1	JOINT-BALL SWIVEL.25-28UNF	
17	WR126237	1	BRACKET-THROTTLE	
18	WR550485	3	BOLT .25-20NCX.75 G5 ZN HDD	
19	WR550493	5	WASHER LK 0.25 ZN REG	
20	WR550612	3	NUT 0.25-20NC HEX ZN REG	
21	WR550671	1	WASHER-.25.FL.ZN,TYPE-A(N	
22	WR551317	2	NUT 10-32NF HEX ZN REG	
23	WR552089	1	PIN COTTER 0.09X0.75 ZN	
24	WR552135	1	NUT 0.31-24NF HEX ZN REG	
25	WR552143	3	PIN COTTER 0.06X0.50 ZN (D)	
26	WR562463	4	BOLT M10-1.50X 20MM G8.8 ZN HH	
27	6559219	1	SPRING-EXTENSION	
28	6562126	1	SPRING-COMPRESSION	
29	6564713	1	BOOT-LINKAGE,BRAKE	
30	6618394	1	PIN-CLEVIS	
31	6618682	1	LINK-PEDAL	
32	6624492	1	PIVOT	
33	6626019	1	PIN-CLEVIS	
34	6626020	1	TREAD-SAFETY	
35	6626023	1	PEDAL-THROTTLE,W/A	
36	6626465	1	BELLCRANK-W/A	
37	6626467	1	BASE-PEDAL,W/A	
38	6627596	1	WASHER-FRICTION	
39	6630399	2	CLAMP AND SHIM	
40	6630575	1	JOINT-BALL	
41	6665099	1	CABLE-THROTTLE.HAND	
42	6668121	1	CABLE-THROTTLE	
43	6672201	1	THROTTLE ASSY-HAND	SEE PAGE 6-8

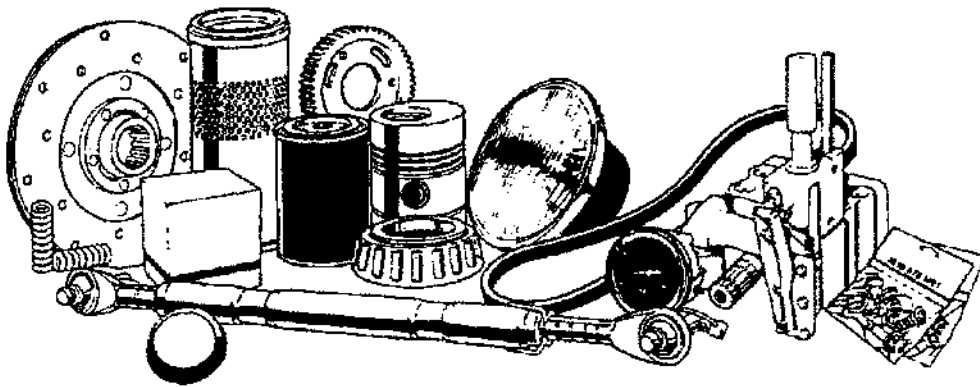


ITEM	PART #	QTY	DESCRIPTION	COMMENT
REF	WR127350	1	CYLINDER BLOCK & LINERS	
REF	WR127351	1	CRANK, MAIN & BIG END BEARINGS	
REF	WR127352	1	PISTONS AND RINGS	
REF	WR127353	1	CONNECTING RODS	
REF	WR127354	1	REAR END OIL SEAL	
REF	WR127355	1	CYLINDER HEAD ASSEMBLY	
REF	WR127356	1	ROCKER SHAFT ASSEMBLY	
REF	WR127357	1	TIMING GEAR & CAMSHAFT	
REF	WR127358	1	FUEL INJECTION PUMP	
REF	WR127359	1	FUEL INJECTION PUMP	
REF	WR127361	1	HIGH PRESSURE FUEL PIPES	
REF	WR127363	1	ATOMIZERS	
REF	WR127364	1	THROTTLE & STOP CONTROLS	
REF	WR127365	1	PICK-UP SENSORS	
REF	WR127366	1	BOOST CONTROL PIPE	
REF	WR127367	1	CORE PLUG	
REF	WR127368	1	FUEL LEAK-OFF PIPE	
REF	WR127369	1	FAN DRIVE	
REF	WR127370	1	SUMP	
REF	WR127371	1	DIPSTICK & FILLER TUBE	
REF	WR127372	1	OIL STRAINER	
REF	WR127373	1	CYLINDER HEAD COVER	
REF	WR127374	1	CYLINDER HEAD COVER	
REF	WR127375	1	BREATHER	
REF	WR127376	1	FILLER	
REF	WR127377	1	OIL COOLER	
REF	WR127378	1	OIL FILTER	
REF	WR127379	1	BLANKING PLATES	
REF	WR127380	1	FRONT END DRIVE INPUT	
REF	WR127381	1	FRONT END DRIVE INPUT	
REF	WR127382	1	WATER PUMP	
REF	WR127383	1	WATER PUMP	
REF	WR127384	1	PIPES	
REF	WR127385	1	WATER OUTLET HOUSING	
REF	WR127387	1	FAN	
REF	WR127388	1	TIMING CASE	
REF	WR127389	1	TIMING CASE	
REF	WR127390	1	TIMING COVER	
REF	WR127391	1	BLANKING PLATES	
REF	WR127392	1	BLANKING PLUG	
REF	WR127393	1	OIL PUMP & DELIVERY HOUSING	
REF	WR127395	1	FEED PIPES	
REF	WR127396	1	LEAK-OFF PIPES	
REF	WR127397	1	PIPEWORK & CONNECTIONS	
REF	WR127398	1	EXHAUST MANIFOLD	
REF	WR127399	1	INDUCTION MANIFOLD	
REF	WR127400	1	PIPEWORK & CONNECTIONS	
REF	WR127401	1	LIFT PUMP	
REF	WR127402	1	INJECTION PUMP TO FILTER PIPE	
REF	WR127403	1	HEATER PLUGS	
REF	WR127404	1	ENGINE LIFTING EYES	
REF	WR127405	1	FILTER TO INJECTION PUMP PIPE	
REF	WR127406	1	ENGINE MOUNTS	
REF	WR127407	1	LUBE OIL PRESSURE SWITCH-GAUGE	
REF	WR127408	1	TEMPERATURE GAUGE & SENDER	
REF	WR127409	1	MISCELLANEOUS & AUXILIARIES	
REF	WR127410	1	FUEL PRE-LIFT PUMP	
REF	WR127411	1	FUEL PRE-LIFT PUMP	
REF	WR127412	1	TOP SERVICE KIT	
REF	WR128715	1	TURBOCHARGER INSTL	

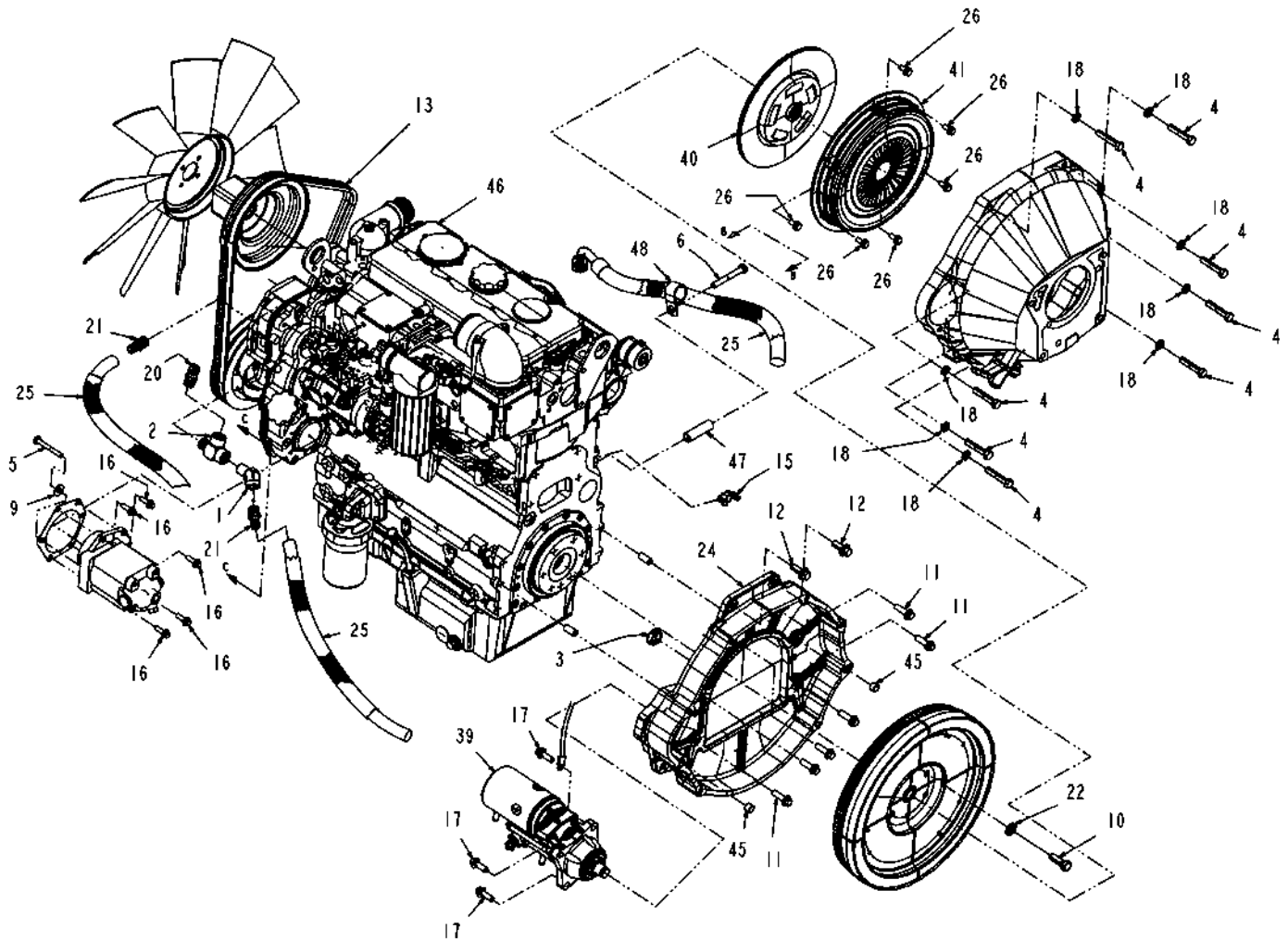


ITEM	PART #	QTY	DESCRIPTION	COMMENT
REF	6665654	1	MOTOR-STARTER	SEE PAGE 1-12

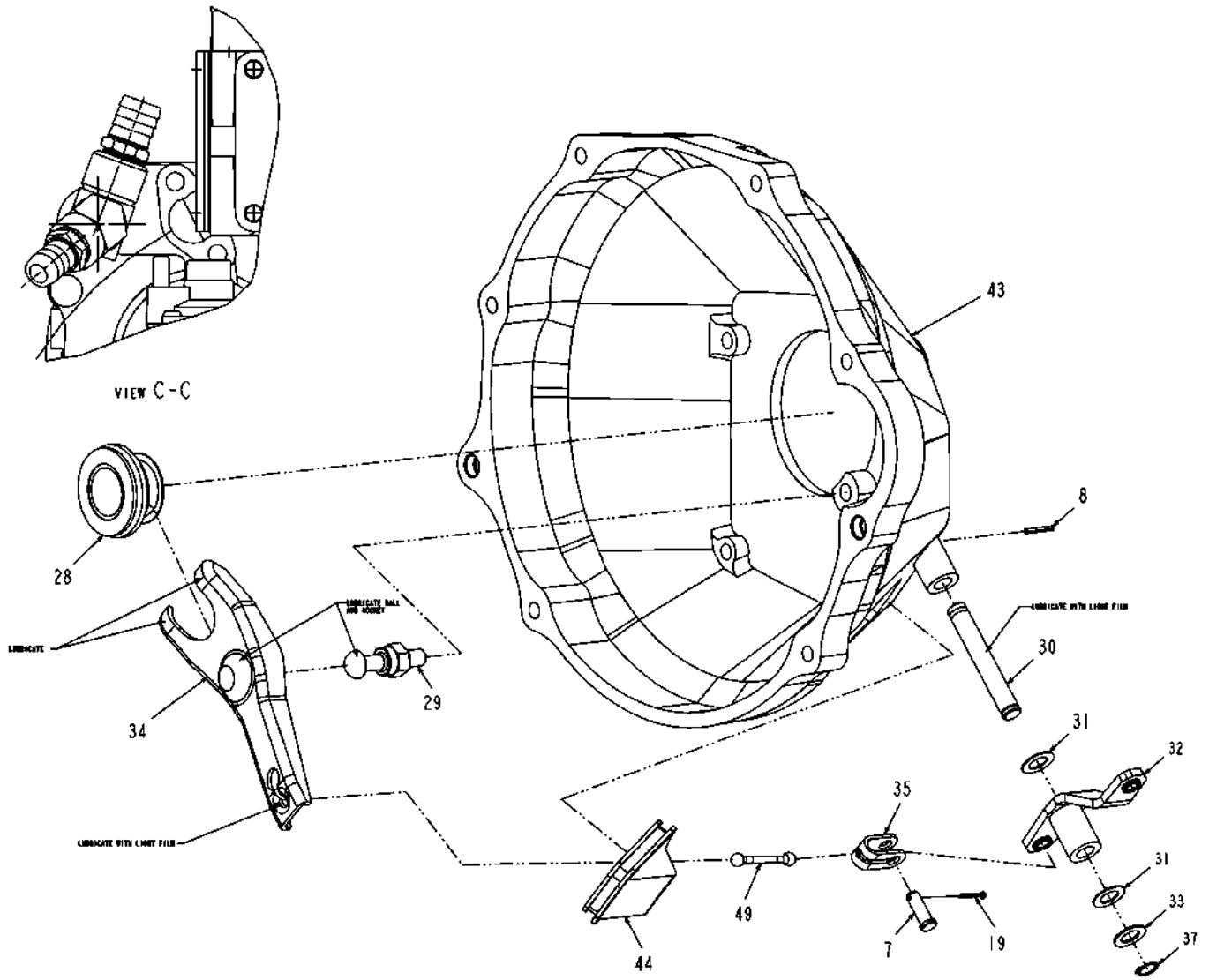
**Please refer to the
Bill Of Material
on the opposite page
for related Installations,
Assemblies, or Parts**



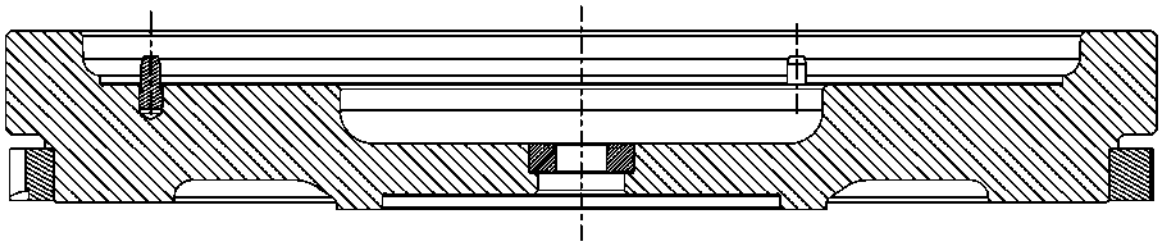
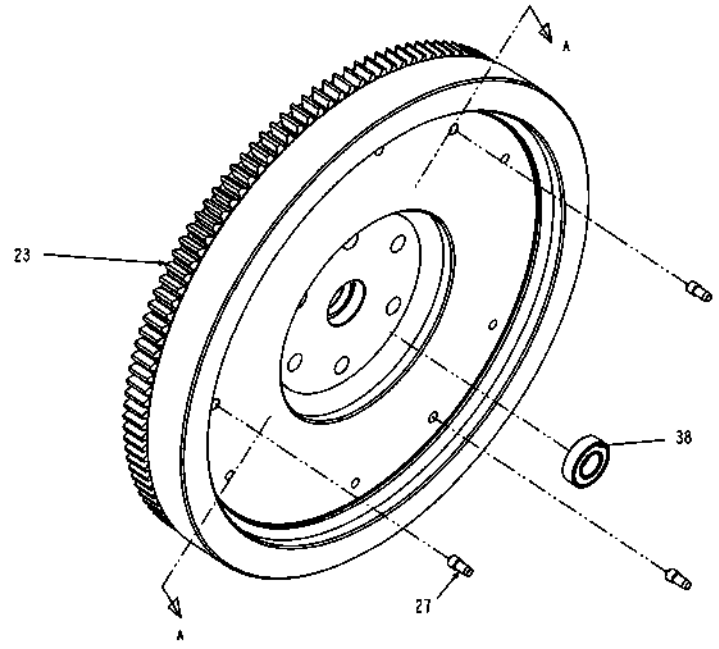
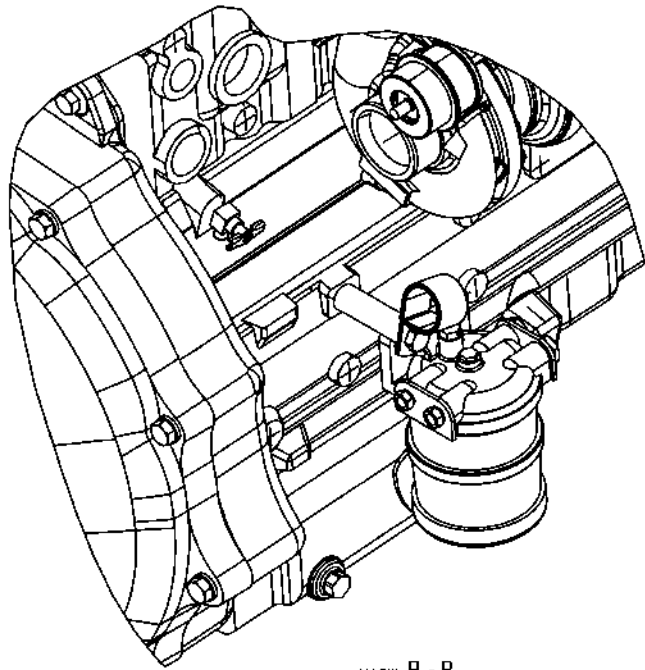
ITEM	PART #	QTY	DESCRIPTION	COMMENT
REF	6656217	6	SCREW/WASHER	
REF	6656234	3	PIN-DOWEL	
REF	6656237	1	BEARING-THROWOUT	
REF	6660422	1	STUD-PIVOT	
REF	6660423	1	PIN-PIVOT	
REF	6660425	2	WASHER-NYLON	
REF	6660426	1	ARM ASSY-CLUTCH,PIVOT	
REF	6660427	1	WASHER-FLAT	
REF	6660430	1	ARM-CLUTCH,THROWOUT	
REF	6660432	1	YOKE	
REF	6668102	1	DISC-CLUTCH	
REF	6668103	1	PLATE-PRESSURE	



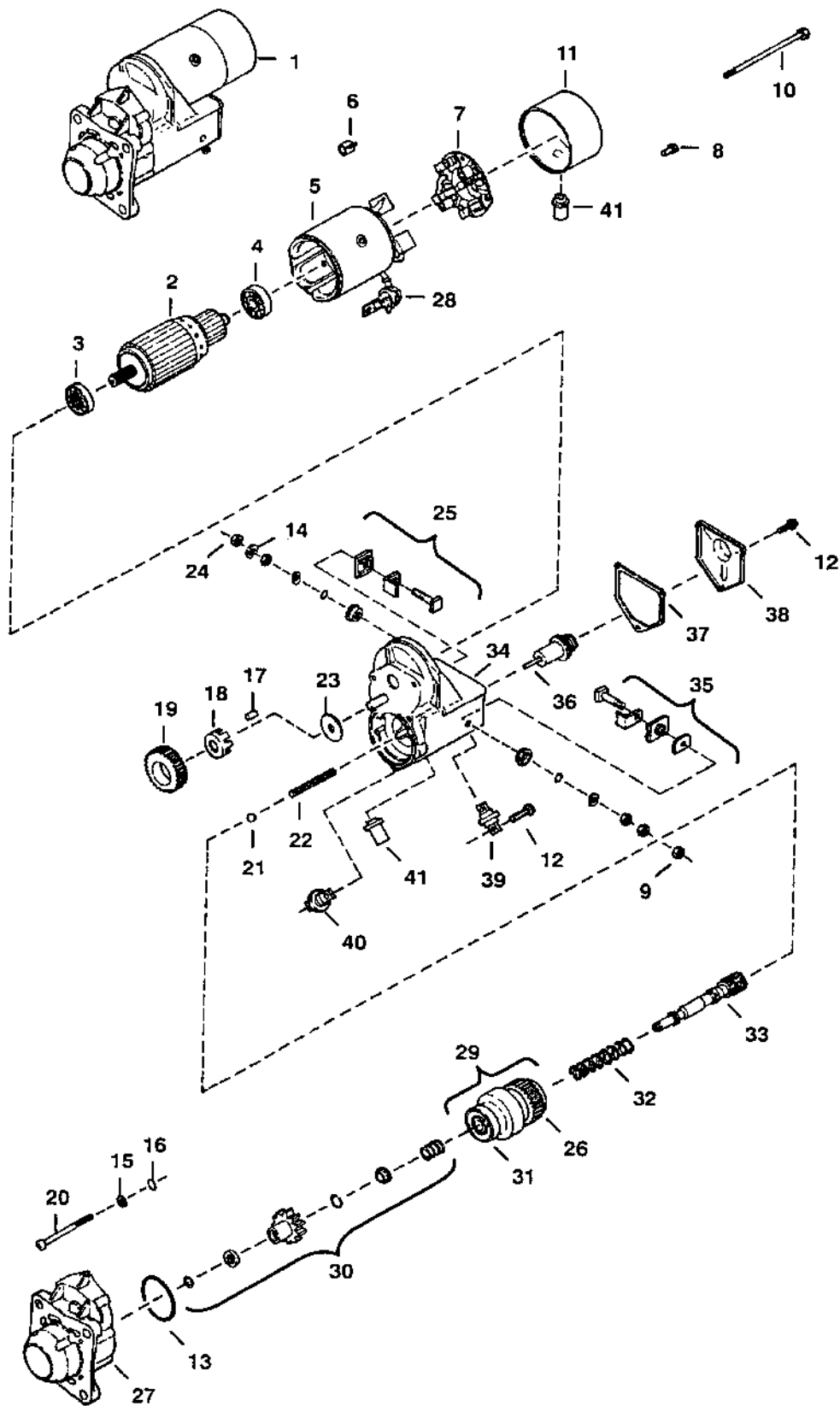
ITEM	PART #	QTY	DESCRIPTION	COMMENT
1	WR12952	1	ELBOW-45,-08FP/-08MP	
2	WR22303	1	TEE-08FP/-08MP/-08FP	
3	WR29673	1	PLUG-HOLE, PLASTIC	
4	WR55014	8	SCREW-CAP HEX 7/16 NC X	
5	WR55041	1	SCREW-CAP HEX M8 X 65	
6	WR55052	1	SCREW-CAP HEX M10 X 80	
7	WR55098	1	PIN-CLEVIS,3/8 X 1.08 HRD	
8	WR55133	1	PIN-STR,COILED,7/32 X 1	
9	WR55157	1	WASHER-FLAT,8MM ID,	
10	WR55160	6	SCREW-CAP HEX 1/2 NF X	
11	WR55224	6	SCREW-WZLK FLG,M10 X 35	
12	WR55405	2	SCREW-WZLK FLG,M12 X 30	
13	WR124984	1	BELT SET-57.5 IN MATCHED	
14	WR512885	AR	LOCTITE ADHESIVE SEALANT BLUE	
15	WR515983	1	PETCOCK DRAIN 0.25NPT BR	
16	WR520967	5	BOLT-M8-1.25X25,CL8.8,ZN FLG	
17	WR523069	3	BOLT-M10-1.5X30,C8.8,ZN,FLG	
18	WR550558	8	WASHER 0.43 LK ZN REG	
19	WR552089	1	PIN COTTER 0.09X0.75 ZN	
20	WR553867	1	HOSE BARB 0.50NPTX0.75 STL	
21	WR558648	2	HOSE BARB 0.50NPTX0.62HOSE STL	
22	6557929	6	WASHER - HARDENED	
23	6627799	1	FLYWHEEL-MACH MANUAL	
24	6628203	1	ADAPTER-MACH	
25	6656155	-	HOSE-BULK,NYLON [BULK: 7.350 FT]	
26	6656217	-	SCREW/WASHER	
27	6656234	-	PIN-DOWEL	
28	6656237	-	BEARING-THROWOUT	
29	6660422	-	STUD-PIVOT	
30	6660423	-	PIN-PIVOT	
31	6660425	-	WASHER-NYLON	
32	6660426	-	ARM ASSY-CLUTCH,PIVOT	
33	6660427	-	WASHER-FLAT	
34	6660430	-	ARM-CLUTCH,THROWOUT	
35	6660432	-	YOKE	
36	6660768	AR	LUBRICANT	
37	6660823	1	RING-SNAP,EXTERNAL	
38	6664999	1	BEARING-PILOT	
39	6665654	1	MOTOR-STARTER	SEE PAGE 1-12
40	6668102	-	DISC-CLUTCH	
41	6668103	-	PLATE-PRESSURE	
42	6668788	1	PACKAGE-PARTS,FORD	SEE PAGE 1-10
43	6800141	1	HOUSING-MACH	
44	6800215	1	COVER-CLUTCH ARM	
45	6801143	2	BUSHING-PIN	
46	503886D1	1	ENGINE - CAT, 122HP	
47	WR55649	1	SPACER	
48	WR55652	1	CLAMP CUSHION 1.188IDX.53	
49	WR55934	1	ROD-LINKAGE,CLUCH	



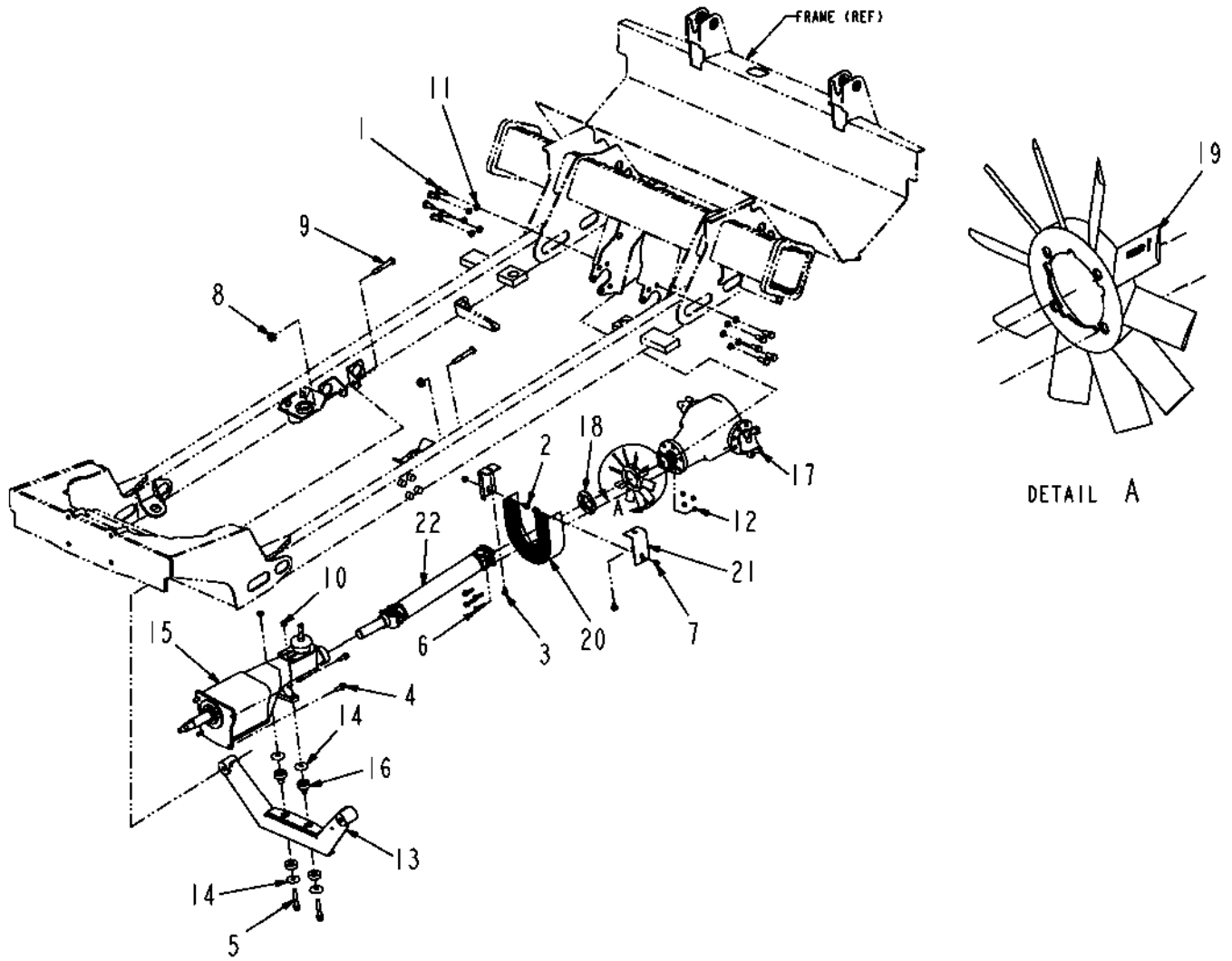
ITEM	PART #	QTY	DESCRIPTION	COMMENT
1	WR12952	1	ELBOW-45,-08FP/-08MP	
2	WR22303	1	TEE-08FP/-08MP/-08FP	
3	WR29673	1	PLUG-HOLE, PLASTIC	
4	WR55014	8	SCREW-CAP HEX 7/16 NC X	
5	WR55041	1	SCREW-CAP HEX M8 X 65	
6	WR55052	1	SCREW-CAP HEX M10 X 80	
7	WR55098	1	PIN-CLEVIS,3/8 X 1.08 HRD	
8	WR55133	1	PIN-STR,COILED,7/32 X 1	
9	WR55157	1	WASHER-FLAT,8MM ID,	
10	WR55160	6	SCREW-CAP HEX 1/2 NF X	
11	WR55224	6	SCREW-WZLK FLG,M10 X 35	
12	WR55405	2	SCREW-WZLK FLG,M12 X 30	
13	WR124984	1	BELT SET-57.5 IN MATCHED	
14	WR512885	AR	LOCTITE ADHESIVE SEALANT BLUE	
15	WR515983	1	PETCOCK DRAIN 0.25NPT BR	
16	WR520967	5	BOLT-M8-1.25X25,CL8.8,ZN FLG	
17	WR523069	3	BOLT-M10-1.5X30,C8.8,ZN,FLG	
18	WR550558	8	WASHER 0.43 LK ZN REG	
19	WR552089	1	PIN COTTER 0.09X0.75 ZN	
20	WR553867	1	HOSE BARB 0.50NPTX0.75 STL	
21	WR558648	2	HOSE BARB 0.50NPTX0.62HOSE STL	
22	6557929	6	WASHER - HARDENED	
23	6627799	1	FLYWHEEL-MACH MANUAL	
24	6628203	1	ADAPTER-MACH	
25	6656155	-	HOSE-BULK,NYLON [BULK: 7.350 FT]	
26	6656217	-	SCREW/WASHER	
27	6656234	-	PIN-DOWEL	
28	6656237	-	BEARING-THROWOUT	
29	6660422	-	STUD-PIVOT	
30	6660423	-	PIN-PIVOT	
31	6660425	-	WASHER-NYLON	
32	6660426	-	ARM ASSY-CLUTCH,PIVOT	
33	6660427	-	WASHER-FLAT	
34	6660430	-	ARM-CLUTCH,THROWOUT	
35	6660432	-	YOKE	
36	6660768	AR	LUBRICANT	
37	6660823	1	RING-SNAP,EXTERNAL	
38	6664999	1	BEARING-PILOT	
39	6665654	1	MOTOR-STARTER	SEE PAGE 1-12
40	6668102	-	DISC-CLUTCH	
41	6668103	-	PLATE-PRESSURE	
42	6668788	1	PACKAGE-PARTS,FORD	SEE PAGE 1-10
43	6800141	1	HOUSING-MACH	
44	6800215	1	COVER-CLUTCH ARM	
45	6801143	2	BUSHING-PIN	
46	503886D1	1	ENGINE - CAT, 122HP	
47	WR55649	1	SPACER	
48	WR55652	1	CLAMP CUSHION 1.188IDX.53	
49	WR55934	1	ROD-LINKAGE,CLUCH	



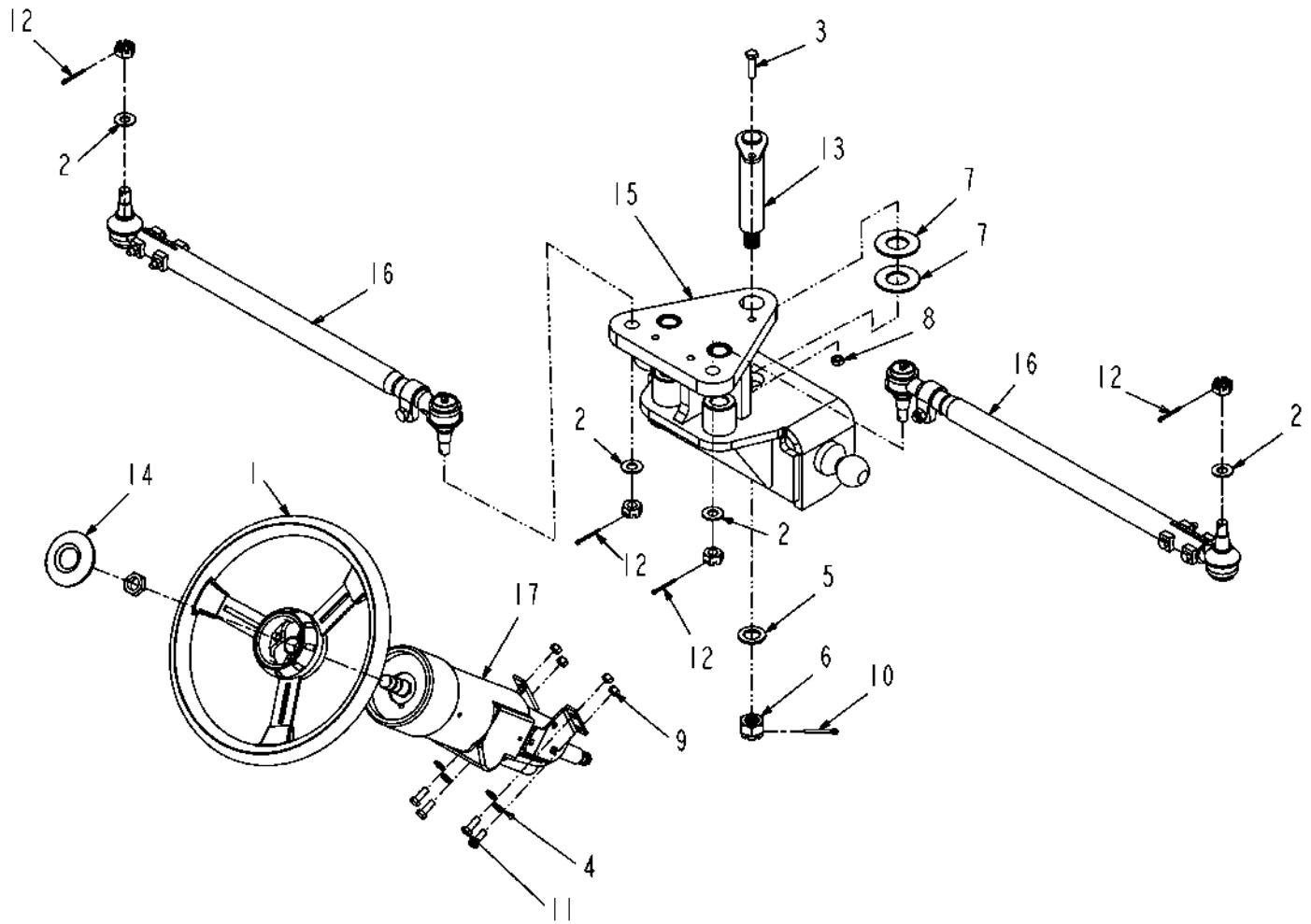
ITEM	PART #	QTY	DESCRIPTION	COMMENT
1	WR12952	1	ELBOW-45,-08FP/-08MP	
2	WR22303	1	TEE-08FP/-08MP/-08FP	
3	WR29673	1	PLUG-HOLE, PLASTIC	
4	WR55014	8	SCREW-CAP HEX 7/16 NC X	
5	WR55041	1	SCREW-CAP HEX M8 X 65	
6	WR55052	1	SCREW-CAP HEX M10 X 80	
7	WR55098	1	PIN-CLEVIS,3/8 X 1.08 HRD	
8	WR55133	1	PIN-STR,COILED,7/32 X 1	
9	WR55157	1	WASHER-FLAT,8MM ID,	
10	WR55160	6	SCREW-CAP HEX 1/2 NF X	
11	WR55224	6	SCREW-WZLK FLG,M10 X 35	
12	WR55405	2	SCREW-WZLK FLG,M12 X 30	
13	WR124984	1	BELT SET-57.5 IN MATCHED	
14	WR512885	AR	LOCTITE ADHESIVE SEALANT BLUE	
15	WR515983	1	PETCOCK DRAIN 0.25NPT BR	
16	WR520967	5	BOLT-M8-1.25X25,CL8.8,ZN FLG	
17	WR523069	3	BOLT-M10-1.5X30,C8.8,ZN,FLG	
18	WR550558	8	WASHER 0.43 LK ZN REG	
19	WR552089	1	PIN COTTER 0.09X0.75 ZN	
20	WR553867	1	HOSE BARB 0.50NPTX0.75 STL	
21	WR558648	2	HOSE BARB 0.50NPTX0.62HOSE STL	
22	6557929	6	WASHER - HARDENED	
23	6627799	1	FLYWHEEL-MACH MANUAL	
24	6628203	1	ADAPTER-MACH	
25	6656155	-	HOSE-BULK,NYLON [BULK: 7.350 FT]	
26	6656217	-	SCREW/WASHER	
27	6656234	-	PIN-DOWEL	
28	6656237	-	BEARING-THROWOUT	
29	6660422	-	STUD-PIVOT	
30	6660423	-	PIN-PIVOT	
31	6660425	-	WASHER-NYLON	
32	6660426	-	ARM ASSY-CLUTCH,PIVOT	
33	6660427	-	WASHER-FLAT	
34	6660430	-	ARM-CLUTCH,THROWOUT	
35	6660432	-	YOKE	
36	6660768	AR	LUBRICANT	
37	6660823	1	RING-SNAP,EXTERNAL	
38	6664999	1	BEARING-PILOT	
39	6665654	1	MOTOR-STARTER	SEE PAGE 1-12
40	6668102	-	DISC-CLUTCH	
41	6668103	-	PLATE-PRESSURE	
42	6668788	1	PACKAGE-PARTS,FORD	SEE PAGE 1-10
43	6800141	1	HOUSING-MACH	
44	6800215	1	COVER-CLUTCH ARM	
45	6801143	2	BUSHING-PIN	
46	503886D1	1	ENGINE - CAT, 122HP	
47	WR55649	1	SPACER	
48	WR55652	1	CLAMP CUSHION 1.188IDX.53	
49	WR55934	1	ROD-LINKAGE,CLUCH	



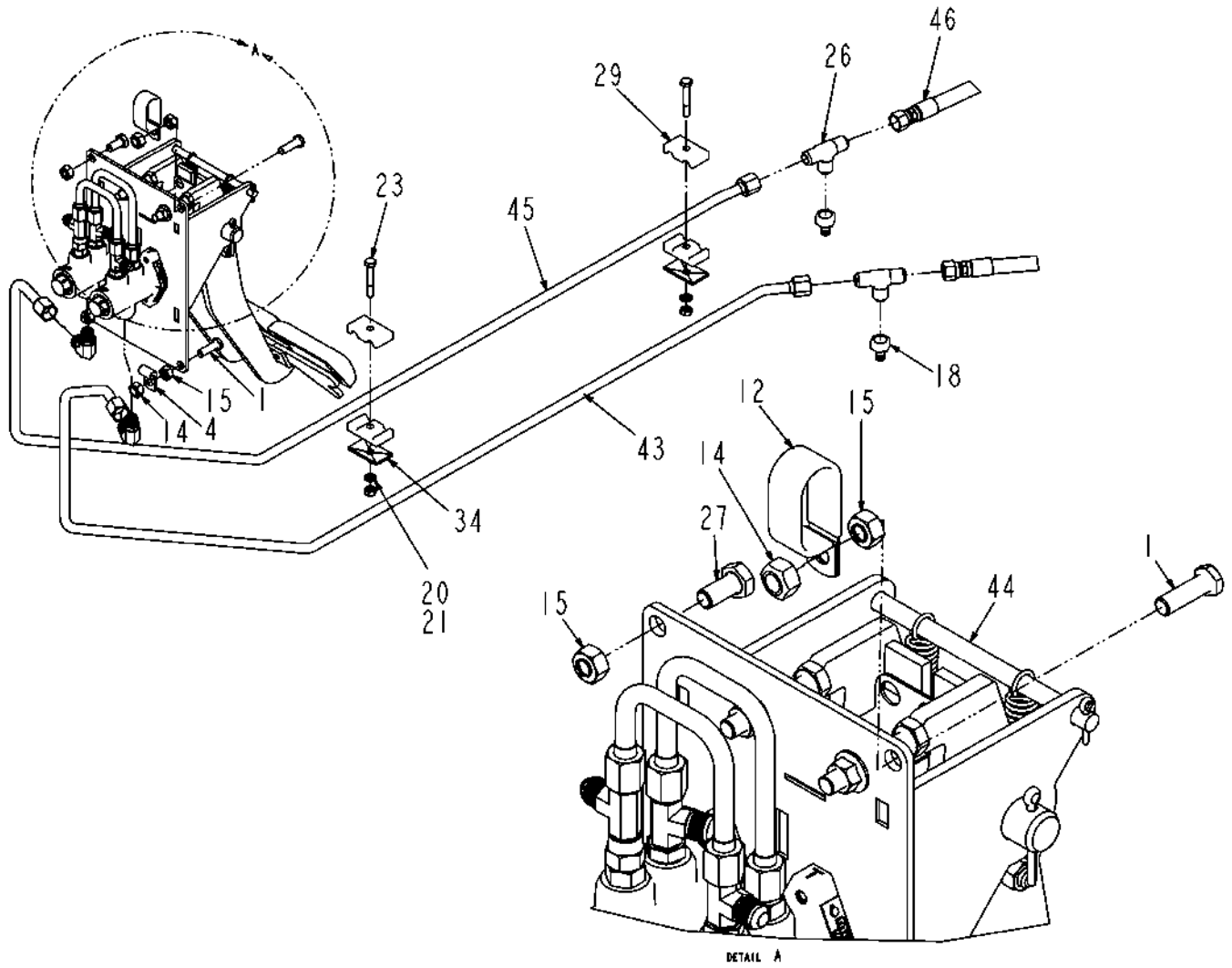
ITEM	PART #	QTY	DESCRIPTION	COMMENT
2	6666621	1	ARMATURE	
3	6632417	1	BEARING	
4	6632418	1	BEARING	
4	6671128	1	BEARING	
4	6671129	1	BEARING	
5	6632419	1	HOUSING ASSEMBLY	
6	6632421	4	SPRING	
7	6632420	1	BRUSH HOLDER	
8	6666634	2	BOLT	
9	6666637	1	NUT	
10	6666636	2	BOLT	
11	6671121	1	COVER	
12	6666635	1	BOLT	
13	6666632	1	O-RING	
14	6666630	1	WASHER	
15	6666629	3	WASHER	
16	6666631	3	O-RING	
17	6632430	5	ROLLER	
18	6632429	1	RETAINER	
19	6632428	1	PINION	
20	6666633	3	BOLT	
21	6671122	3	BALL	
22	6632436	1	SPRING	
23	6662437	1	WASHER	
24	6666628	1	NUT	
25	6671117	1	TERMINALS	
26	6666622	1	DRIVE	
27	6671124	1	HOUSING	
28	6669365	1	BOOT	
30	6669350	1	PINION	
32	6632441	1	SPRING	
33	6669354	1	SHAFT	
34	6671973	1	HOUSING	
35	6671116	1	TERMINALS	
36	6632432	1	PLUNGER	
37	6632433	1	GASKET	
38	6632434	1	COVER	
39	6669359	1	TERMINAL	
40	6669360	1	BUSHING	
41	6669372	1	COVER	
	FOOTNOTE [A]		ITEM 1: MOTOR-STARTER COMPLETE	
	FOOTNOTE [A]		ITEM 31 CANNOT BE PURCHASED INDIVIDUALLY BUT IS INCLUDED IN HOUSING.	
	FOOTNOTE [A]		ITEM 31: BEARING	



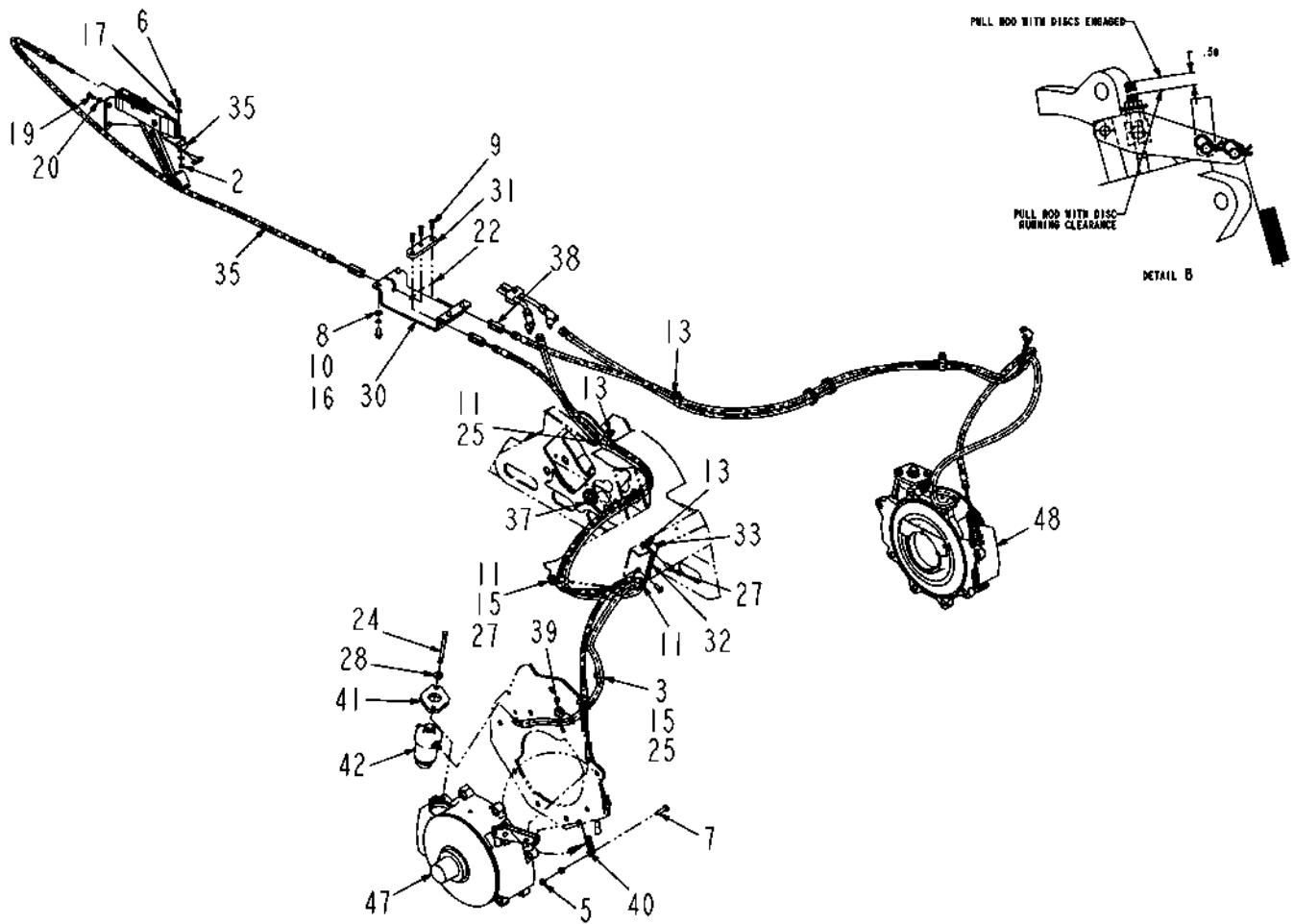
ITEM	PART #	QTY	DESCRIPTION	COMMENT
1	WR10193	10	SCREW-CAP HEX 5/8 NC X	
2	WR55046	2	SCREW-CAP HEX M10 X R/B 562463	
3	WR55191	2	HEX HEAD,THREAD ROLLING SCREW	
4	WR55221	4	SCREW-HEX FLG,M12X1.75X35 C8.8	
5	WR55243	2	SCREW-WZLK FLG,1/2 NC X	
6	WR55261	4	SCREW-HEX FLG.,375NCX1.50 GR5	
7	WR55301	2	NUT-FLANGE,M10 X 1.5,PREV	
8	WR55303	2	NUT-FLANGE,M16 X 2.0,PREV	
9	WR517438	2	BOLT HHD M16-2X100MM 10.9 ZN	
10	WR550124	2	NUT 0.50-13NC HEX ZN REG	
11	WR550450	10	WASHER 0.62 LK ZN REG	
12	WR601411	4	NUT 0.37-16NC HEX ZN REG LK NY	
13	6597569	1	MOUNT-TRANS,W/A	
14	6620310	4	WASHER-FLAT	
15	6661411	1	TRANSMISSION ASSY	SEE PAGE 2-13
16	6668132	2	MOUNT-TRANS	
17	6672337	1	DIFFERENTIAL ASSY	SEE PAGE 2-16
18	6801064	1	HUB-FAN	
19	6801065	1	FAN-COOLING	
20	6802750	1	SHIELD-FAN	
21	6802806	2	BRACKET,FAN SHIELD	
22	WR36176	1	SHAFT DRIVE T-S,MANUAL	SEE PAGE 2-14



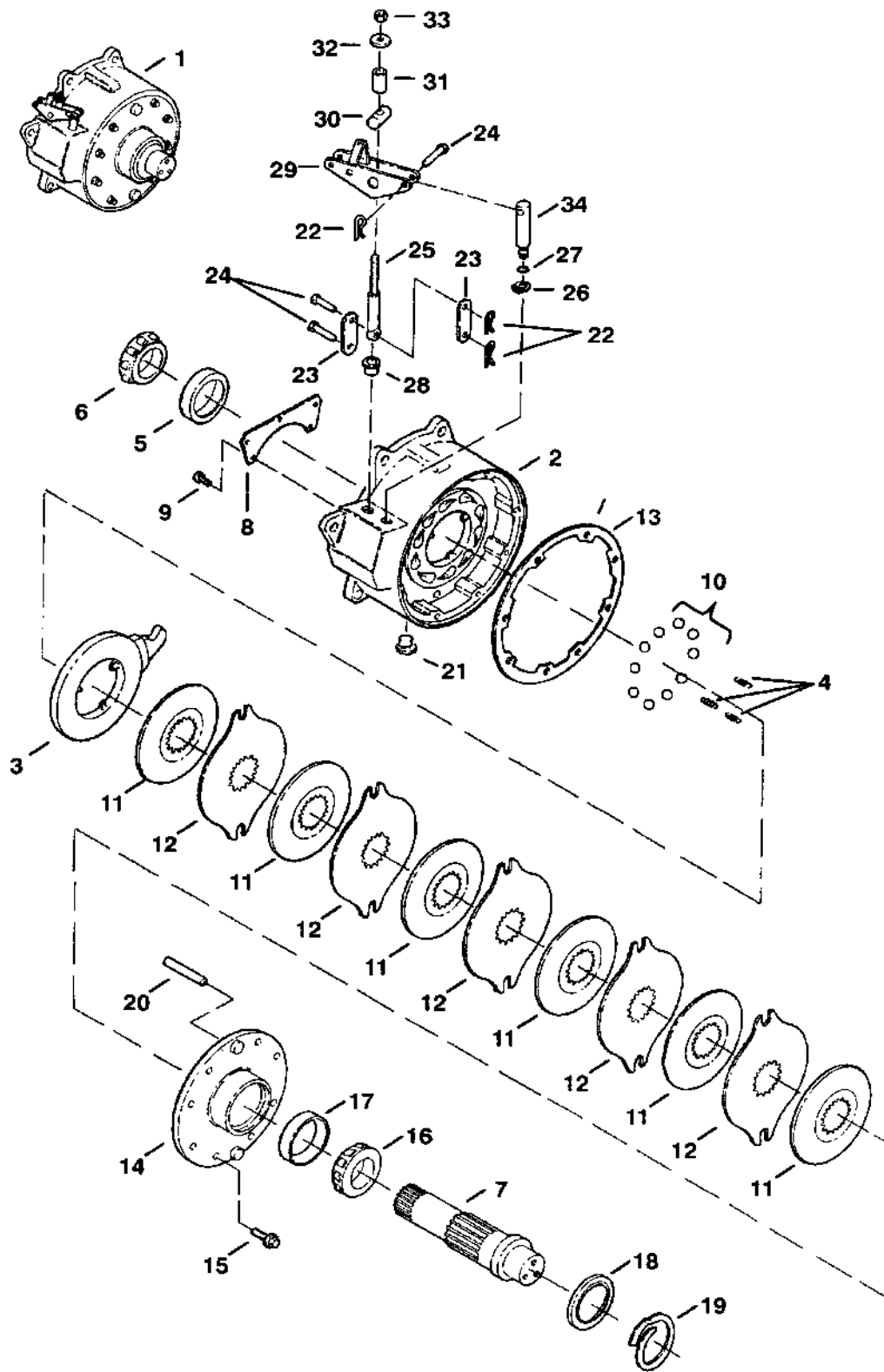
ITEM	PART #	QTY	DESCRIPTION	COMMENT
1	WR28944	1	STEERING WHEEL-#1634D3P	
2	WR50857	4	WASHER-FLAT,HRD 5/8	
3	WR55047	1	SCREW-CAP HEX M10 X 40	
4	WR55075	4	WASHER-PLAIN,10MM ID,LC,	
5	WR55079	1	WASHER-PLAIN,24MM ID,LC,	
6	WR55168	1	NUT-CASTLE,24MM X 3.00	
7	WR55198	2	WASHER-PLAIN HRD,1 3/8 ID	
8	WR55272	5	NUT-LOCK,M10 X 1.5,PREV	
9	WR55366	4	NUT-TOPLOCK, 3/8-16UNC,	
10	WR55400	1	PIN-COTTER,5MM X 40MM	
11	WR550175	4	BOLT 0.37-16NCX 1.00 G5 ZN HHD	
12	WR553972	4	PIN COTTER 0.15X1.50 ZN	
13	6597793	1	SHAFT W/A	
14	6660827	1	BUTTON-HORN	
15	WR39074	1	PLATE-W/A,STEERING	
16	WR39080	2	TIE ROD ASM-3440-80	SEE PAGE 4-5
17	WR55654	1	STEERING COLUMN#9203218-C	



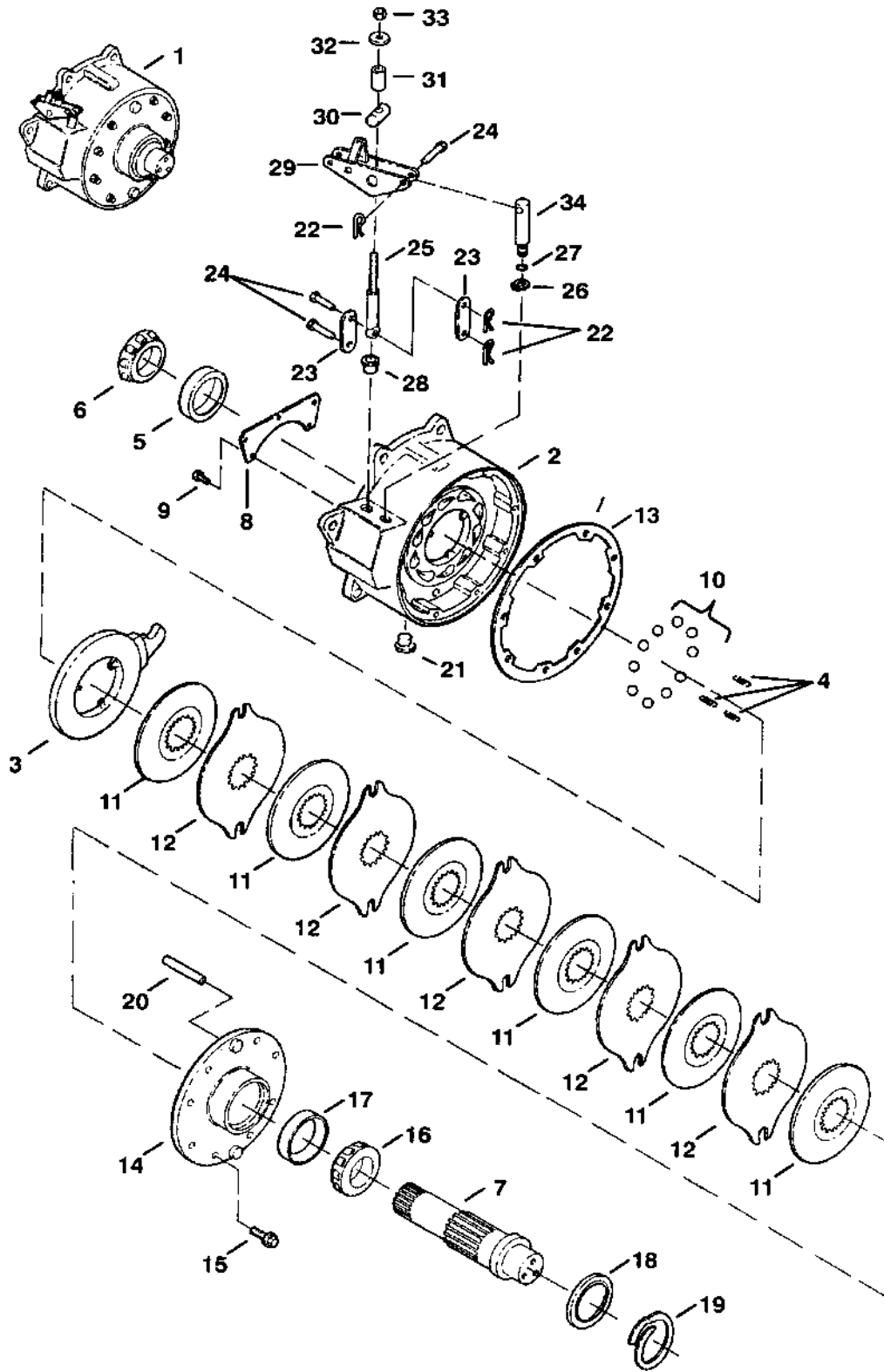
ITEM	PART #	QTY	DESCRIPTION	COMMENT
1	WR29125	2	SCREW-CAP HEX M10 X 30	
2	WR33851	1	NUT-HEX,METRIC,M8 X 1.25	
3	WR50830	2	CLAMP-SUPPORT,CUSHION,	
4	WR50831	1	CLAMP-SUPPORT,CUSHION,	
5	WR50838	4	NUT-HEX,METRIC M10-1.5	
6	WR55035	1	SCREW-CAP HEX M8 X 20	
7	WR55047	2	SCREW-CAP HEX M10 X 40	
8	WR55075	4	WASHER-PLAIN,10MM ID,LC,	
9	WR55098	3	PIN-CLEVIS,3/8 X 1.08 HRD	
10	WR55106	4	WASHER-LOCK SPRING,10 MM	
11	WR55247	6	CLAMP-SUPPORT CUSHION DBL	
12	WR55248	1	CLAMP-SUPPORT CUSHION DBL	
13	WR55301	3	NUT-FLANGE,M10 X 1.5,PREV	
14	WR55312	2	NUT-LOCK HEX,M10 X 1.5,	
15	WR55316	11	NUT-HEX,M10 X 1.5 W/THREADLOCK	
16	WR55350	4	SCREW-HEX,3/8 X 1,	
17	WR55388	2	WASHER-PLAIN ST,8MM	
18	WR519115	2	TUBE END NIPPLE -8	
19	WR550183	2	BOLT 0.31-18NCX 0.75 G5 ZN HHD	
20	WR550205	4	WASHER LK 0.31 ZN REG	
21	WR550213	2	NUT 0.31-18NC HEX ZN REG	
22	WR552089	3	PIN COTTER 0.09X0.75 ZN	
23	WR552275	2	BOLT 0.31-18NCX 2.00 G5 ZN HHD	
24	WR553662	4	BOLT 0.37-16NCX 5.00 G5 ZN HHD	
25	WR561683	4	BOLT M10-1.5 X 25MM G8.8 ZN HH	
26	WR562346	2	TEE -8MJ	
27	WR562463	8	BOLT M10-1.50X 20MM G8.8 ZN HH	
28	6565433	4	WASHER-ENGINE	
29	6577696	4	CLAMP-TUBELINE	
30	6626414	1	BRACKET-BRAKE	
31	6626527	1	BAR-EQUALIZER	
32	6627405	2	SPRING-EXTENSION	
33	6627406	2	BRACKET	
34	6652521	2	COVER-PLATE	
35	6661111	1	LEVER ASSY-BRAKE	
36	6661803	1	CABLE-BRAKE,PARKING	
37	6670119	4	GROMMET	
38	6670628	2	CABLE-BRAKE,PARKING	
39	6670751	2	GROMMET	
40	6800216	2	TIGHTENER-SPRING	
41	6800718	2	MOUNT	
42	6800721	2	CYLINDER ASSY-BRAKE	SEE PAGE 2-6
43	6801011	1	TUBELINE	
44	6801637	1	PEDAL ASSY-BRAKE	SEE PAGE 6-1
45	6801728	1	TUBELINE	
46	6802302	2	HOSE-8FJX-06FJX45-06R1	
47	WR55922	1	BRAKE ASSY,LH	SEE PAGE 2-4
48	WR55923	1	BRAKE ASSY,RH	SEE PAGE 2-5



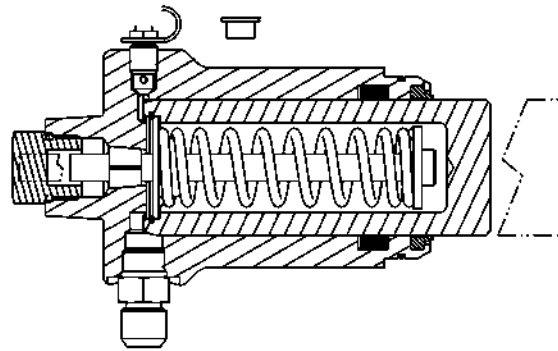
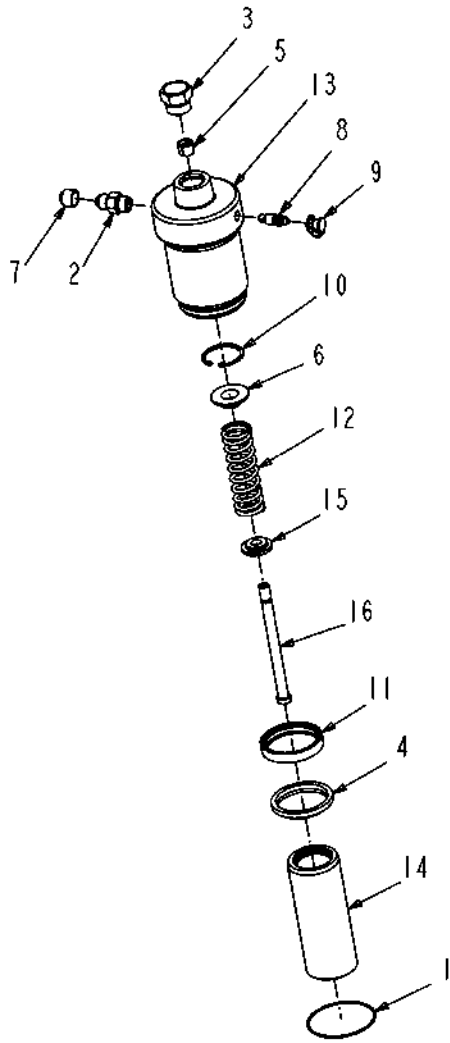
ITEM	PART #	QTY	DESCRIPTION	COMMENT
1	WR29125	2	SCREW-CAP HEX M10 X 30	
2	WR33851	1	NUT-HEX,METRIC,M8 X 1.25	
3	WR50830	2	CLAMP-SUPPORT,CUSHION,	
4	WR50831	1	CLAMP-SUPPORT,CUSHION,	
5	WR50838	4	NUT-HEX,METRIC M10-1.5	
6	WR55035	1	SCREW-CAP HEX M8 X 20	
7	WR55047	2	SCREW-CAP HEX M10 X 40	
8	WR55075	4	WASHER-PLAIN,10MM ID,LC,	
9	WR55098	3	PIN-CLEVIS,3/8 X 1.08 HRD	
10	WR55106	4	WASHER-LOCK SPRING,10 MM	
11	WR55247	6	CLAMP-SUPPORT CUSHION DBL	
12	WR55248	1	CLAMP-SUPPORT CUSHION DBL	
13	WR55301	3	NUT-FLANGE,M10 X 1.5,PREV	
14	WR55312	2	NUT-LOCK HEX,M10 X 1.5,	
15	WR55316	11	NUT-HEX,M10 X 1.5 W/THREADLOCK	
16	WR55350	4	SCREW-HEX,3/8 X 1,	
17	WR55388	2	WASHER-PLAIN ST,8MM	
18	WR519115	2	TUBE END NIPPLE -8	
19	WR550183	2	BOLT 0.31-18NCX 0.75 G5 ZN HHD	
20	WR550205	4	WASHER LK 0.31 ZN REG	
21	WR550213	2	NUT 0.31-18NC HEX ZN REG	
22	WR552089	3	PIN COTTER 0.09X0.75 ZN	
23	WR552275	2	BOLT 0.31-18NCX 2.00 G5 ZN HHD	
24	WR553662	4	BOLT 0.37-16NCX 5.00 G5 ZN HHD	
25	WR561683	4	BOLT M10-1.5 X 25MM G8.8 ZN HH	
26	WR562346	2	TEE -8MJ	
27	WR562463	8	BOLT M10-1.50X 20MM G8.8 ZN HH	
28	6565433	4	WASHER-ENGINE	
29	6577696	4	CLAMP-TUBELINE	
30	6626414	1	BRACKET-BRAKE	
31	6626527	1	BAR-EQUALIZER	
32	6627405	2	SPRING-EXTENSION	
33	6627406	2	BRACKET	
34	6652521	2	COVER-PLATE	
35	6661111	1	LEVER ASSY-BRAKE	
36	6661803	1	CABLE-BRAKE,PARKING	
37	6670119	4	GROMMET	
38	6670628	2	CABLE-BRAKE,PARKING	
39	6670751	2	GROMMET	
40	6800216	2	TIGHTENER-SPRING	
41	6800718	2	MOUNT	
42	6800721	2	CYLINDER ASSY-BRAKE	SEE PAGE 2-6
43	6801011	1	TUBELINE	
44	6801637	1	PEDAL ASSY-BRAKE	SEE PAGE 6-1
45	6801728	1	TUBELINE	
46	6802302	2	HOSE-8FJX-06FJX45-06R1	
47	WR55922	1	BRAKE ASSY,LH	SEE PAGE 2-4
48	WR55923	1	BRAKE ASSY,RH	SEE PAGE 2-5



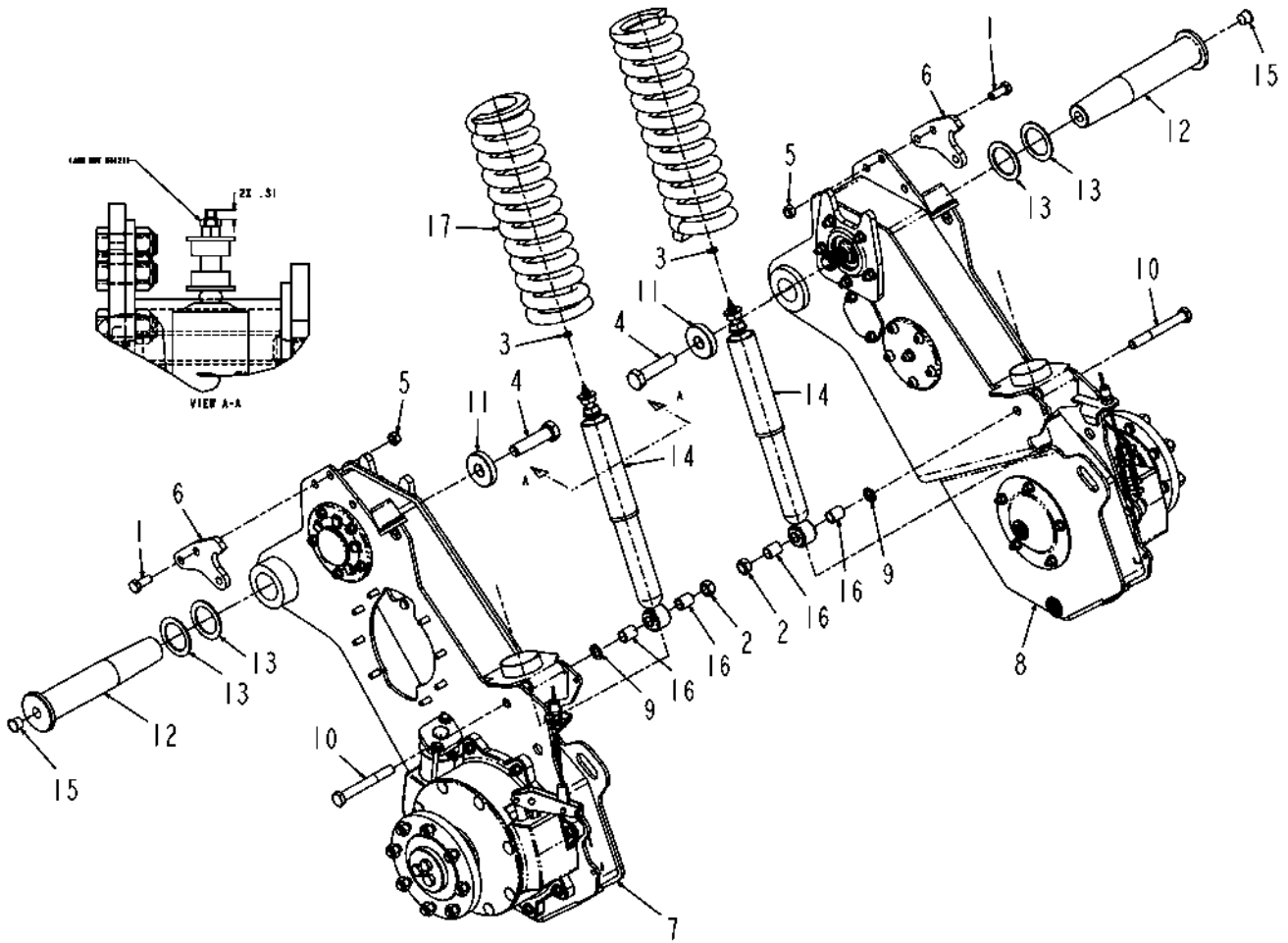
ITEM	PART #	QTY	DESCRIPTION	COMMENT
2	WR55924	1	HOUSING,LH	
3	6672641	1	ACTUATOR LH	
4	6672643	3	SPRING	
5	6672644	1	CUP	
6	6672645	1	BEARING	
7	6672646	1	SHAFT	
8	6672647	1	PLATE	
9	6672648	5	SCREW-BUTTON HEAD SOCKET	
10	6672649	9	BALL	
11	6672650	5	ROTATING DISC	
12	6672651	6	STATIONARY DISC	
13	WR55927	1	GASKET	
14	WR55926	1	PLATE COVER	
15	6672654	8	HEX FLANGE BOLT	
16	6672655	1	CONE BEARING	
17	6672656	1	TAPER CUP	
18	6672657	1	SEAL	
19	6672658	1	RETAINING RING	
20	6672659	2	PIN	
21	6672660	1	PLUG	
22	6665632	5	CLIP PIN	
23	6672661	2	LINK	
24	6672662	5	CLEVIS PIN	
25	6672663	1	BOLT EYE	
26	6672664	1	RETAINING RING	
27	6672665	1	O-RING	
28	6672666	1	SEAL	
29	6672667	2	LEVER	
30	6672668	1	PIVOT	
31	6672669	1	SPACER	
32	6672670	1	WASHER	
33	6672671	1	LOCKNUT	
34	6672672	1	LEVER POST	
	FOOTNOTE [A]		ITEM 1: BRAKE ASSY,LH - WR55922	



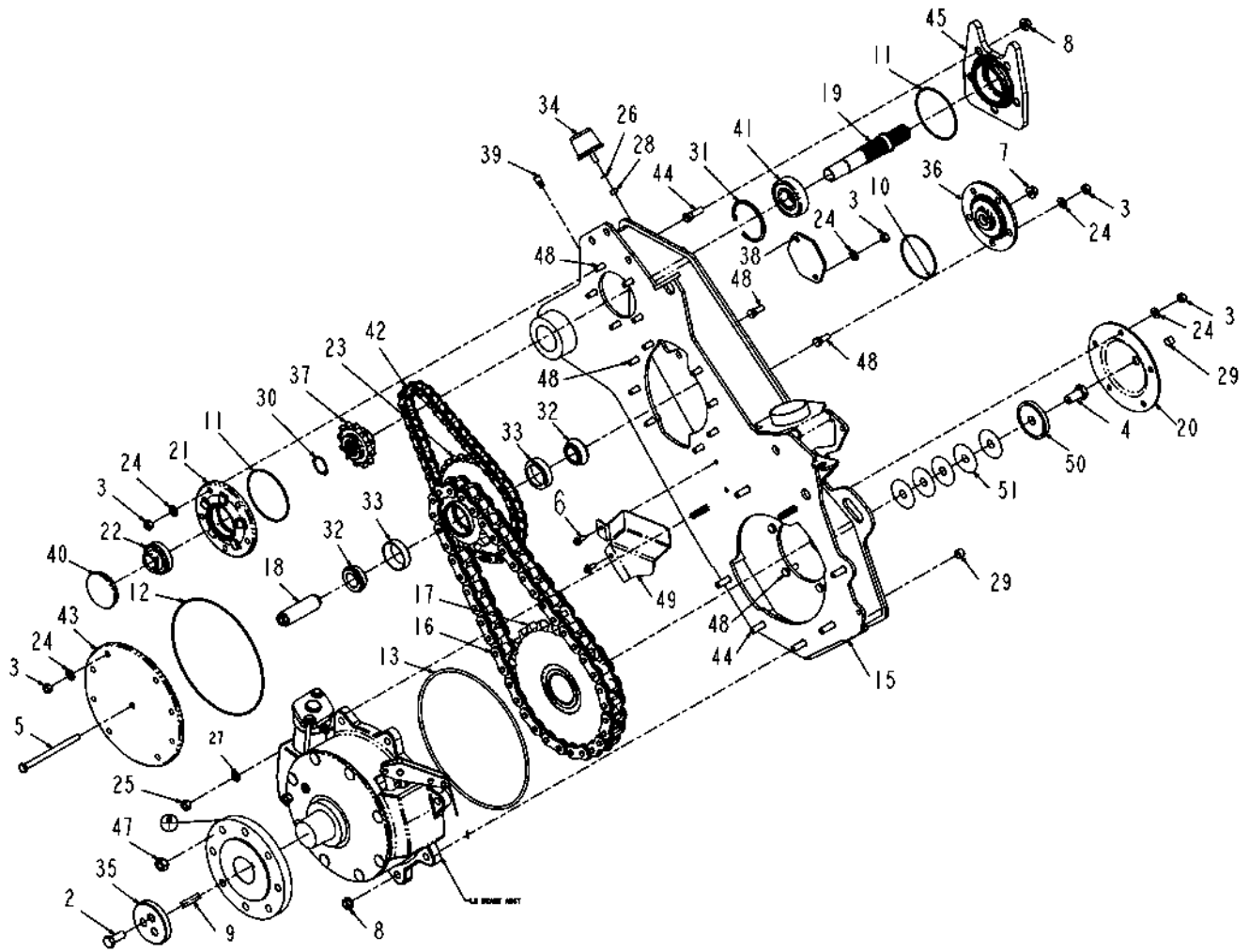
ITEM	PART #	QTY	DESCRIPTION	COMMENT
2	WR55925	1	HOUSING,RH	
3	6672642	1	ACTUATOR RH	
4	6672643	3	SPRING	
5	6672644	1	CUP	
6	6672645	1	BEARING	
7	6672646	1	SHAFT	
8	6672647	1	PLATE	
9	6672648	5	SCREW-BUTTON HEAD SOCKET	
10	6672649	9	BALL	
11	6672650	5	ROTATING DISC	
12	6672651	6	STATIONARY DISC	
13	WR55927	1	GASKET	
14	WR55926	1	PLATE COVER	
15	6672654	8	HEX FLANGE BOLT	
16	6672655	1	CONE BEARING	
17	6672656	1	TAPER CUP	
18	6672657	1	SEAL	
19	6672658	1	RETAINING RING	
20	6672659	2	PIN	
21	6672660	1	PLUG	
22	6665632	5	CLIP PIN	
23	6672661	2	LINK	
24	6672662	5	CLEVIS PIN	
25	6672663	1	BOLT EYE	
26	6672664	1	RETAINING RING	
27	6672665	1	O-RING	
28	6672666	1	SEAL	
29	6672667	2	LEVER	
30	6672668	1	PIVOT	
31	6672669	1	SPACER	
32	6672670	1	WASHER	
33	6672671	1	LOCKNUT	
34	6672672	1	LEVER POST	
	FOOTNOTE [A]		ITEM 1: BRAKE ASSY, RH - WR55923	



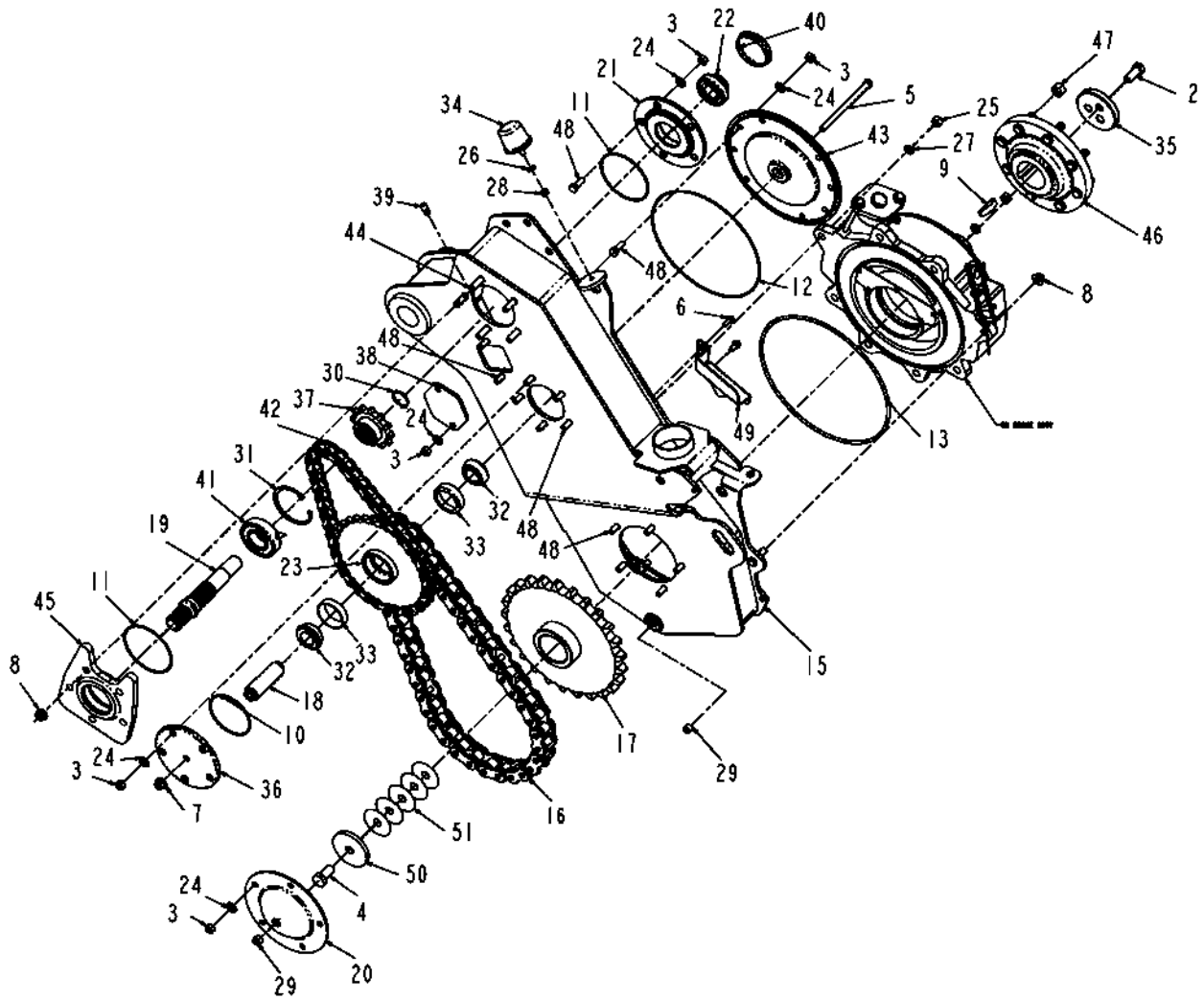
ITEM	PART #	QTY	DESCRIPTION	COMMENT
1	WR55424	1	O RING-2.375 ID	
2	WR560693	1	ADAP STR 0.37MO-R X 0.37MJIC	
3	WR561310	1	PLUG 0.62MO-R HEX	
4	1657089	1	ROD-SCRAPER,WIPER	
5	3739149	1	COLLETS(33173108)	
6	6593359	1	BUSHING-BACKUP,O-RING	
7	6598937	1	PLUG-FITTING	
8	6645812	1	SCREW-BLEEDER	
9	6652943	1	COVER-GREASE	
10	6669713	1	RING-SNAP	
11	6669744	1	SEAL-ROD	
12	6800713	1	SRING-CYL,BRAKE	
13	6800714	1	HOUSING-CYL,BRAKE	
14	6800715	1	PISTON-CYL,BRAKE	
15	6800716	1	WASHER-SPRING	
16	6800717	1	PIN-CLEVIS	



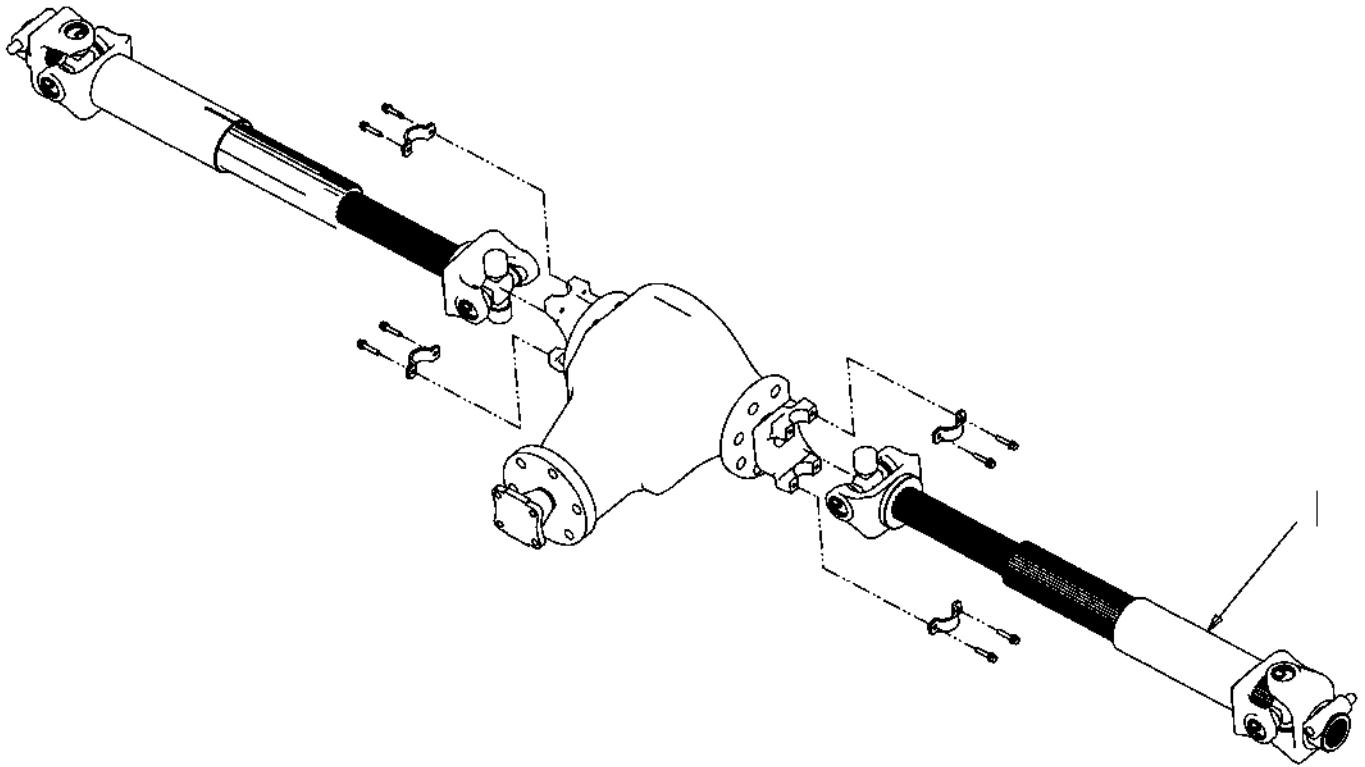
ITEM	PART #	QTY	DESCRIPTION	COMMENT
1	WR10193	6	SCREW-CAP HEX 5/8 NC X	
2	WR35152	2	NUT-TOPLOCK3/4-10UNC G8 "ADAM"	
3	WR55121	2	NUT-JAM, 3/8-24UNF G2	
4	WR55163	2	SCREW-CAP HEX 1-14UNS X 4 LG	
5	WR55355	6	NUT-TOPLOCK,5/8-11UNC G8	
6	WR121637	2	PLATE-STOP	
7	WR121641	1	CASE-CHAIN,FNL DRIVE,LH,ASM	SEE PAGE 2-8
8	WR121651	1	CASE-CHAIN,FNL DRIVE,RH,ASM	SEE PAGE 2-9
9	WR122800	2	WASHER-FLAT .75 NR,PL ZN/Y	
10	WR522823	2	BOLT-.75-10NCX6.00,G5,PL,HHD	
11	6569461	2	WASHER-AXLE	
12	6618620	2	SHAFT	
13	6626218	4	WASHER	
14	6665007	2	SHOCK-DAMPENER	
15	6666641	2	PLUG-CAP	
16	6802006	4	SPACER	
17	6802016	2	SPRING	



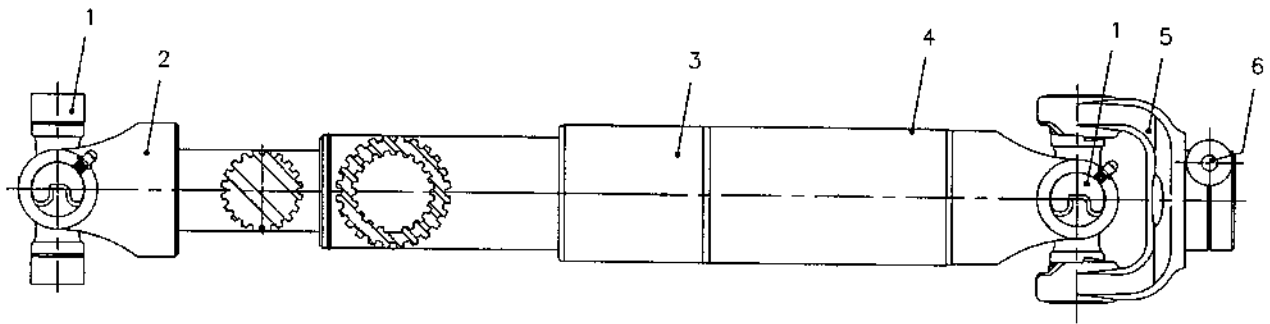
ITEM	PART #	QTY	DESCRIPTION	COMMENT
1	WR9017	AR	SILICONE-LOCTITE 16 OZ TUBE	
2	WR10193	3	SCREW-CAP HEX 5/8 NC X	
3	WR11522	27	NUT-HEX, 7/16 - 20 UNF	
4	WR26541	1	SCREW-CAP HEX 3/4 NF X	
5	WR55065	1	SCREW-CAP HEX M12 X 170	
6	WR55206	2	SCREW-HEX FLG.M8X1.25X20 CL8.8	
7	WR55302	1	NUT-FLANGE,M12 X 1.5.PREV	
8	WR55317	11	NUT-FLANGE HEX, G8	
9	WR55394	1	KEY-WOODRUFF,2.75 X .594	
10	WR55426	1	O RING-3.875 ID	
11	WR55427	2	O RING-4.75 ID X .139 CS.	
12	WR55428	1	O RING-11.00 ID,	
13	WR55429	1	O RING-13.00 ID X .275 CS	
14	WR120657	AR	LOCTITE-680 HIGH STRENGTH RC	
15	WR121642	1	CASE-CHAIN.WLDMT,LH	
16	WR121658	1	CHAIN-ENDLESS,120-42	
17	WR121659	1	SPROCKET-CHAIN,120-25T	
18	WR121660	1	SHAFT-JACK	
19	WR121664	1	SHAFT-INPUT	
20	WR121665	1	COVER-WLDMT	
21	WR121667	1	SUPPORT-BEARING	
22	WR121668	1	BEARING-BALL,SEALED.AR207-104	
23	WR122572	1	SPROCKET-ASM-MACH	
24	WR515782	25	WASHER 0.43 FL ZN REG G8	
25	WR550124	2	NUT 0.50-13NC HEX ZN REG	
26	WR550191	1	WASHER LK 0.37 ZN REG	
27	WR550264	2	WASHER 0.50 LK ZN REG	
28	WR550825	1	NUT 0.37-16NC HEX ZN REG	
29	WR561081	2	PLUG PIPE .37 HEX S0C NPT STL	
30	WR659764	1	RING-SNAP	
31	WR711022	1	RING-SNAP	
32	WR743773	2	BEARING-CONE	
33	WR743774	2	BEARING-CUP	
34	6530360	1	BUMPER-RUBBER	
35	6565947	1	CAP-SPROCKET,END AXLE	
36	6617472	1	SUPPORT-JACKSHAFT	
37	6618845	1	SPROCKET-12 TOOTH	
38	6626924	1	COVER-UPPER	
39	6634761	1	VENT-AIR	
40	6656492	1	CAP-CHAINCASE	
41	6658752	1	BEARING	
42	6662691	1	CHAIN-ENDLESS	
43	6800398	1	SUPPORT-OUT JACKSHAFT	
44	6801208	11	BOLT-WHEEL	
45	6802726	1	HOUSING-MACH	
46	6803541	1	HUB ASSY-WHEEL	SEE PAGE 4-4
47	6803542	8	NUT-WHEEL	
48	6803572	25	BOLT-WHEEL	
49	6805178	1	BRACKET-W/A,LH	
50	WR55783	1	WASHER-AXLE SPROCKET	
51	WR55784	5	SHIM	



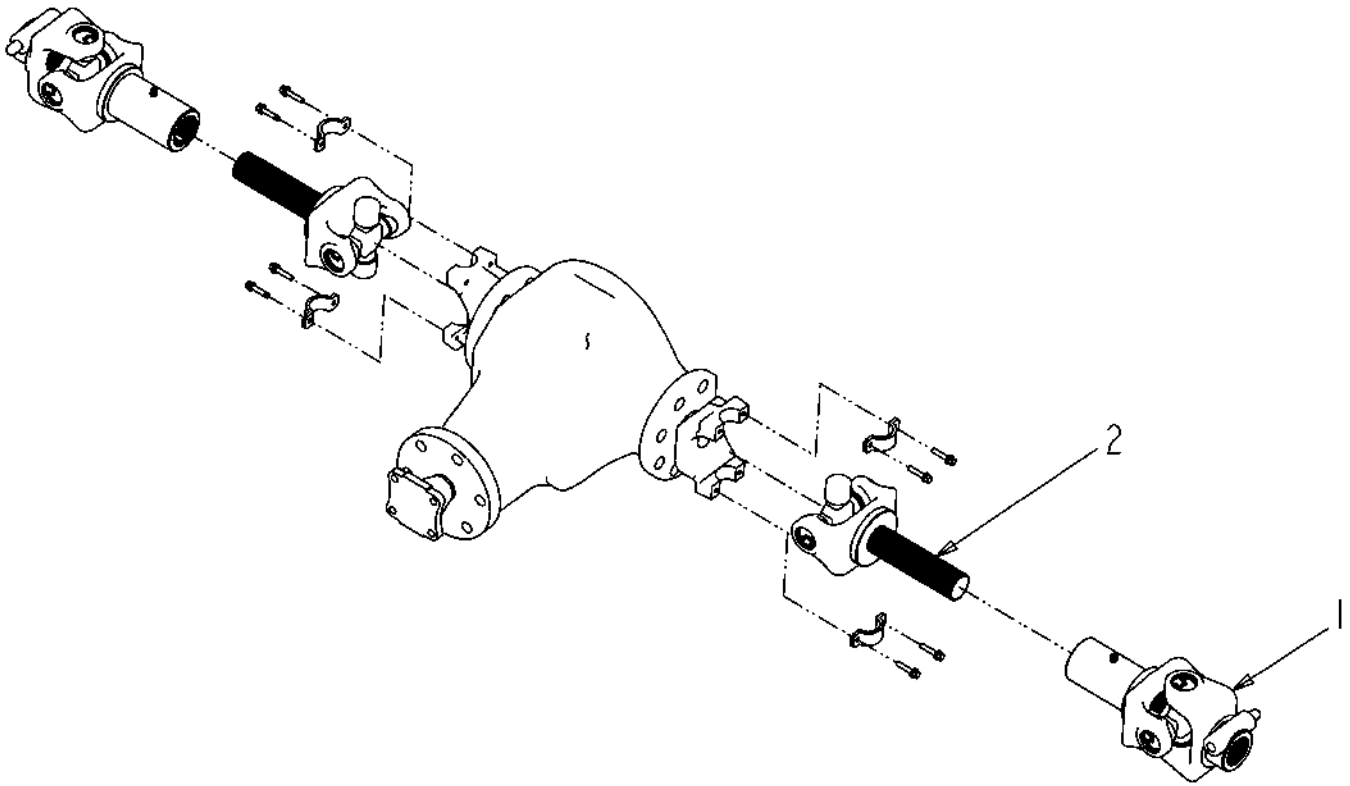
ITEM	PART #	QTY	DESCRIPTION	COMMENT
1	WR9017	AR	SILICONE-LOCTITE 16 OZ TUBE	
2	WR10193	3	SCREW-CAP HEX 5/8 NC X	
3	WR11522	25	NUT-HEX, 7/16 - 20 UNF	
4	WR26541	1	SCREW-CAP HEX 3/4 NF X	
5	WR55065	1	SCREW-CAP HEX M12 X 170	
6	WR55206	2	SCREW-HEX FLG.M8X1.25X20 CL8.8	
7	WR55302	1	NUT-FLANGE,M12 X 1.5.PREV	
8	WR55317	11	NUT-FLANGE HEX, G8	
9	WR55394	1	KEY-WOODRUFF,2.75 X .594	
10	WR55426	1	O RING-3.875 ID	
11	WR55427	2	O RING-4.75 ID X .139 CS.	
12	WR55428	1	O RING-11.00 ID.	
13	WR55429	1	O RING-13.00 ID X .275 CS	
14	WR120657	AR	LOCTITE-680 HIGH STRENGTH RC	
15	WR121652	1	CASE-CHAIN.WLDMT,RH	
16	WR121658	1	CHAIN-ENDLESS,120-42	
17	WR121659	1	SPROCKET-CHAIN,120-25T	
18	WR121660	1	SHAFT-JACK	
19	WR121664	1	SHAFT-INPUT	
20	WR121665	1	COVER-WLDMT	
21	WR121667	1	SUPPORT-BEARING	
22	WR121668	1	BEARING-BALL,SEALED.AR207-104	
23	WR122572	1	SPROCKET-ASM-MACH	
24	WR515782	25	WASHER 0.43 FL ZN REG G8	
25	WR550124	2	NUT 0.50-13NC HEX ZN REG	
26	WR550191	1	WASHER LK 0.37 ZN REG	
27	WR550264	2	WASHER 0.50 LK ZN REG	
28	WR550825	1	NUT 0.37-16NC HEX ZN REG	
29	WR561081	2	PLUG PIPE .37 HEX S0C NPT STL	
30	WR659764	1	RING-SNAP	
31	WR711022	1	RING-SNAP	
32	WR743773	2	BEARING-CONE	
33	WR743774	2	BEARING-CUP	
34	6530360	1	BUMPER-RUBBER	
35	6565947	1	CAP-SPROCKET,END AXLE	
36	6617472	1	SUPPORT-JACKSHAFT	
37	6618845	1	SPROCKET-12 TOOTH	
38	6626924	1	COVER-UPPER	
39	6634761	1	VENT-AIR	
40	6656492	1	CAP-CHAINCASE	
41	6656752	1	BEARING	
42	6662691	1	CHAIN-ENDLESS	
43	6800398	1	SUPPORT-OUT JACKSHAFT	
44	6801208	11	BOLT-WHEEL	
45	6802726	1	HOUSING-MACH	
46	6803541	1	HUB ASSY-WHEEL	SEE PAGE 4-4
47	6803542	8	NUT-WHEEL	
48	6803572	25	BOLT-WHEEL	
49	6805214	1	BRACKET-W/A,RH	
50	WR55783	1	WASHER-AXLE SPROCKET	
51	WR55784	5	SHIM	



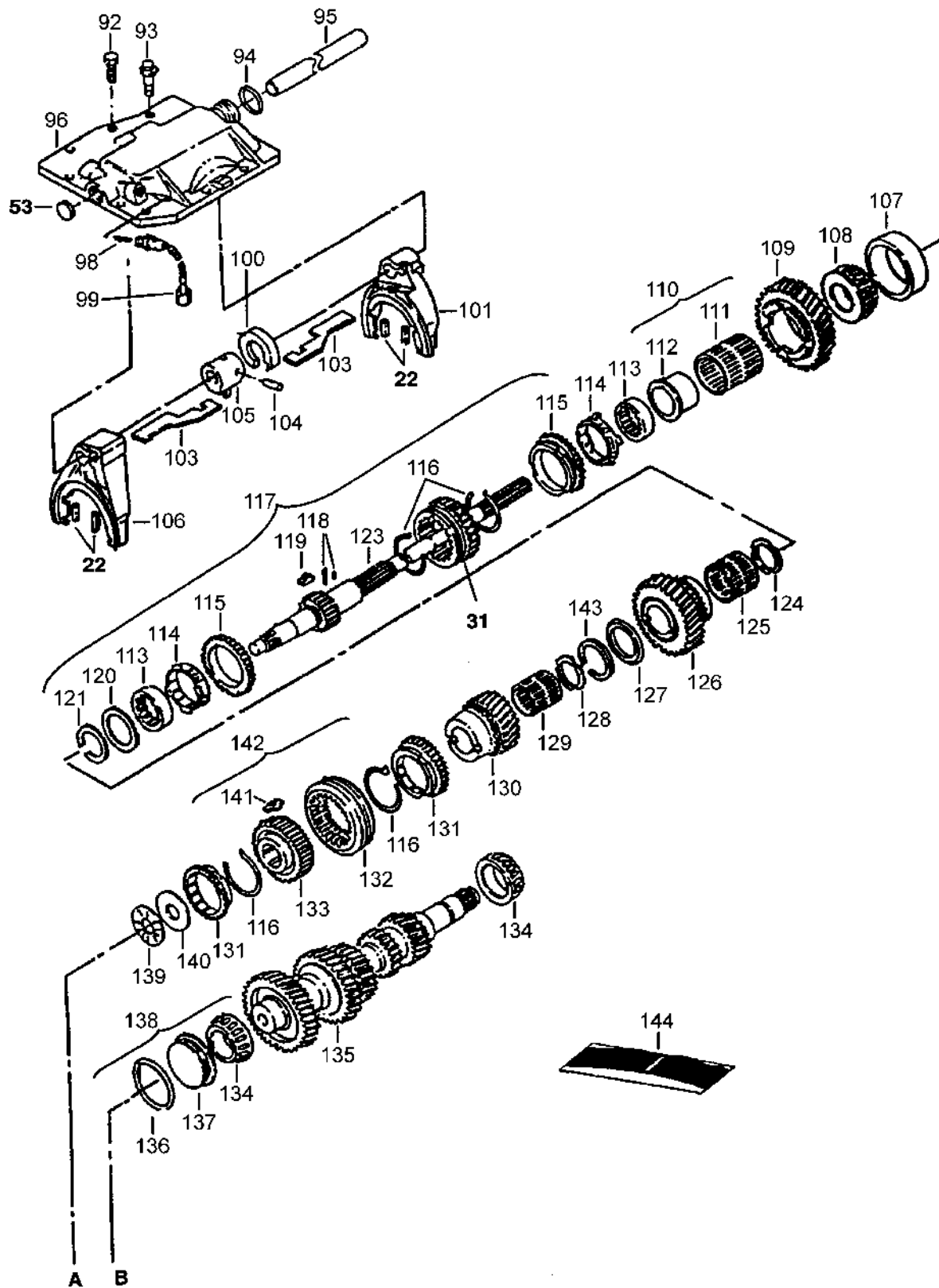
ITEM	PART #	QTY	DESCRIPTION	COMMENT
1	WR55933	2	SHAFT-DRIVE 80-108 HD	SEE PAGE 2-11



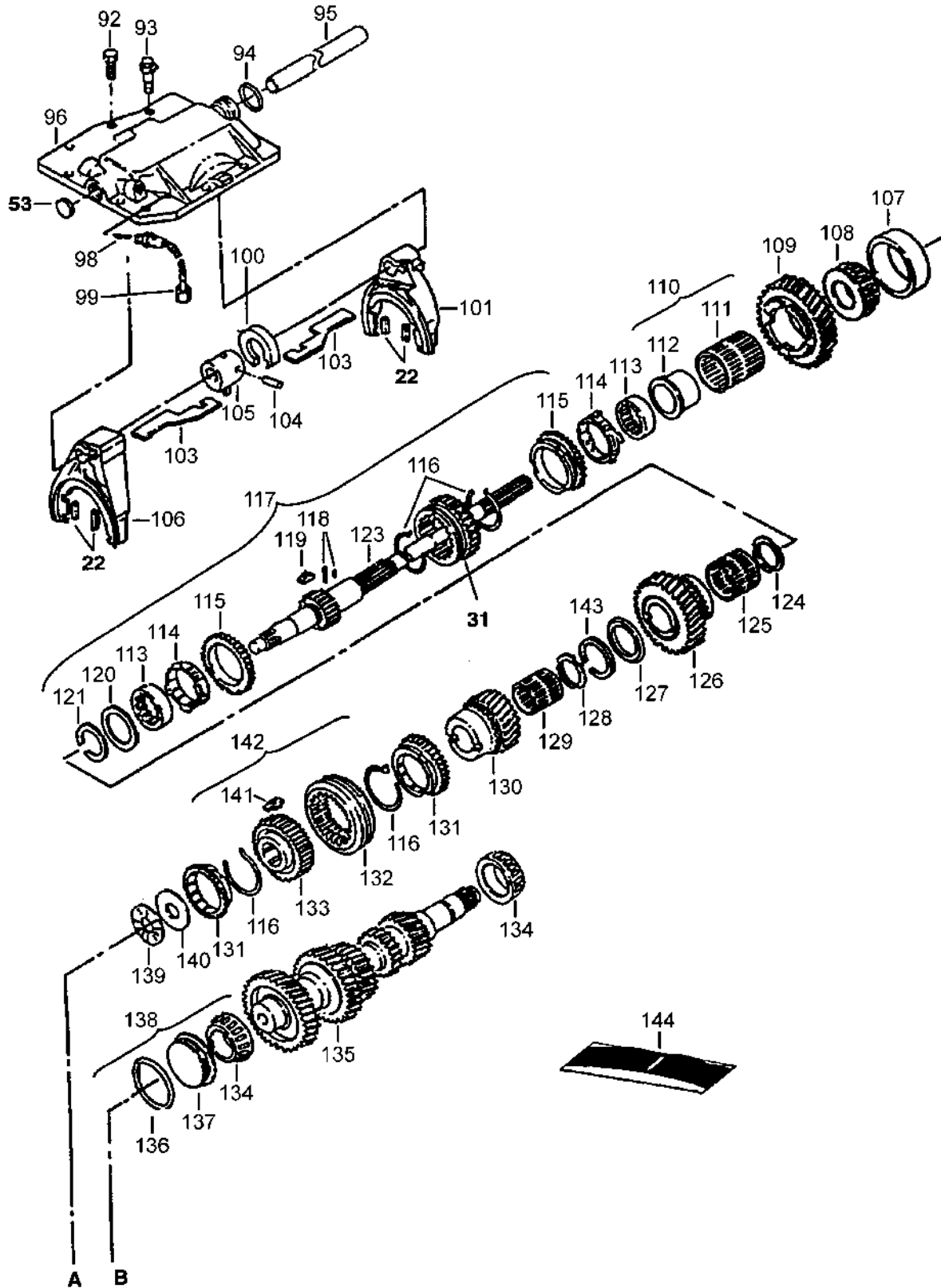
ITEM	PART #	QTY	DESCRIPTION	COMMENT
REF	WR55939	1	SHAFT ASSY-MALE	
REF	WR131457	1	SHAFT, DRIVE HALF ASM	
1	6664353	2	CROSS BEARING	
2	WR55937	1	SHAFT-YOKE FEMALE	
3	WR55940	1	RING-RETAINER	
4	WR55936	1	SHAFT YOKE FEMALE	
5	6672512	1	YOKE	
6	6662097	1	PIN W/SPRING	
			WR55939 IS THE MALE HALF SHAFT.	
			WR131457 IS THE FEMALE HALF SHAFT.	



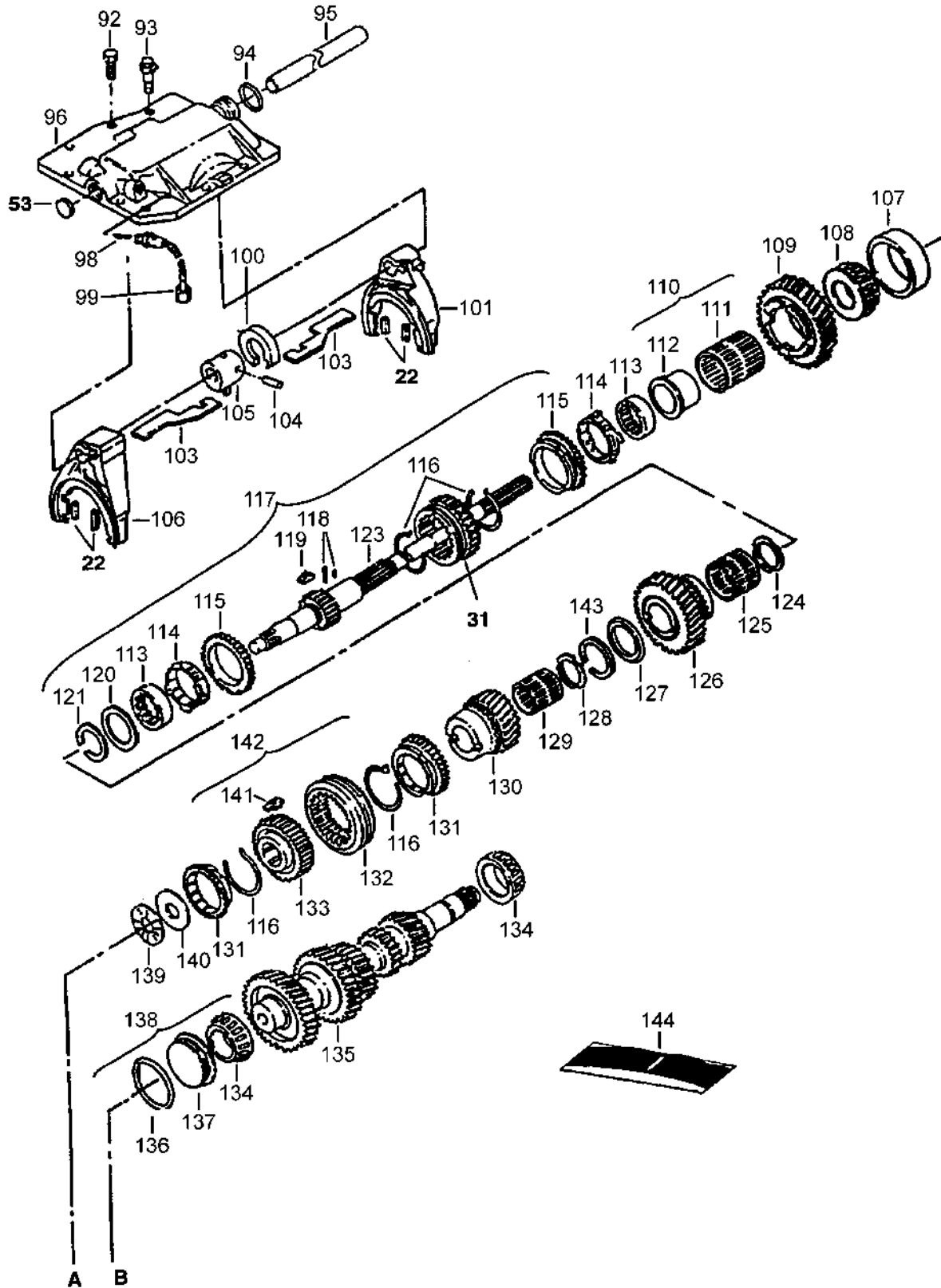
ITEM	PART #	QTY	DESCRIPTION	COMMENT
1	6673303	2	SHAFT-DRIVE,72 IN	SEE PAGE 2-17
2	6673306	2	SHAFT-DRIVE,72 IN	SEE PAGE 2-15



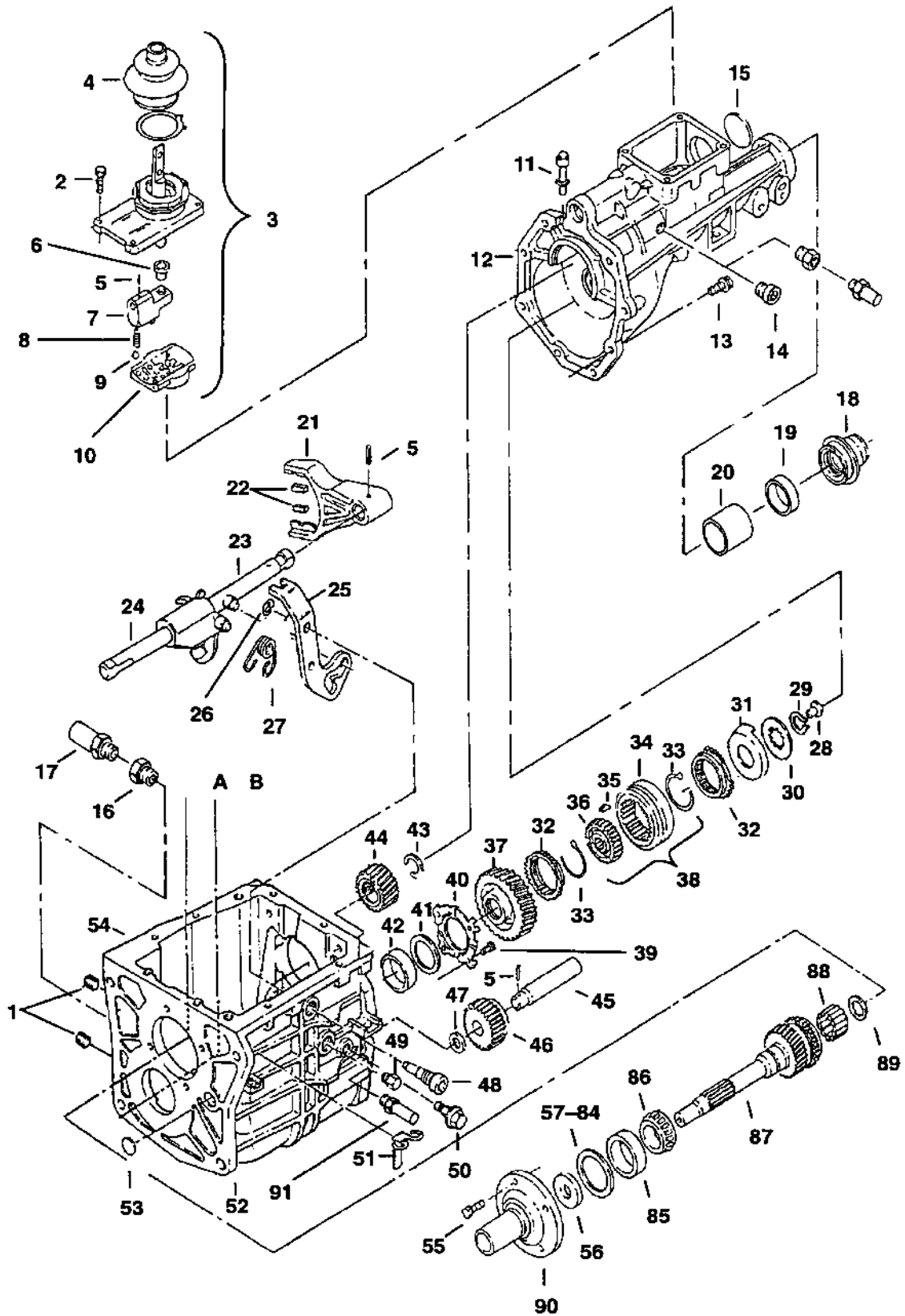
ITEM	PART #	QTY	DESCRIPTION	COMMENT
1	6661840	2	PLUG	
2	6661841	4	BOLT	
3	6661842	1	LEVER	
4	6661843	1	BOOT	
5	6661845	3	ROLL PIN	
6	6661851	1	SLEEVE	
7	6661850	1	LEVER	
8	6661853	1	SPRING	
9	6661852	1	BALL	
10	6661848	1	PLATE	
11	6661844	1	BREATHER	
12	6661847	1	EXTENSION	
13	6661846	8	BOLT	
14	6661963	1	PLUG	
15	6661849	1	PLUG	
16	WR55169	1	ADAPTER-08MP/-02FP	
17	6664210	1	SWITCH TEMP	
18	6661854	1	SEAL	
21	6661877	1	FORK	
22	6661862	12	INSERT	
23	6661878	1	RAIL	
24	6661947	1	FORK	
25	6661872	1	LEVER	
26	6661869	1	RING	
27	6661946	1	SPRING	
28	6661855	1	FUNNEL	
29	6661873	1	SNAP RING	
30	6661976	1	WASHER	
31	6661975	1	CONE BLOCKING	
32	6661879	1	RING BLOCKING	
33	6661875	2	SPRING	
35	6661876	3	INSERT	
37	6661880	1	GEAR	
38	6661874	1	SYNCHRONIZER	
39	6661948	4	BOLT	
40	6661949	1	RETINER	
41	6661950	1	SHIM KIT .1005-.1515 35PCS	
41	6661951	1	SHIM KIT .1215-.1305 7PCS	
41	6661952	1	SHIM KIT .132-.141 7 PCS	
41	6661953	1	SHIM KIT .1425-.1530 7PCS	
41	6661954	1	SHIM KIT .111-.120 7PCS	
42	6661958	1	CUP	
43	6661881	1	SNAP RING	
44	6661919	1	GEAR	
45	6661955	1	SHAFT	
46	6661956	1	GEAR	
47	6661957	1	O-RING	
48	6661870	1	PIN	
50	6661967	1	BOLT	
51	6661966	1	WIRE CLIP	
52	6661972	1	MAGNET	
53	6661867	4	PLUG	
54	6661961	1	CASE	
55	WR128555	5	RETAINER BOLT M8 X 20	
56	6661884	1	SEAL	
57	6661885	-	SHIM .014	
58	6661886	-	SHIM .016	
59	6661887	-	SHIM .018	
60	6661888	-	SHIM .012	
61	6661889	-	SHIM .020	



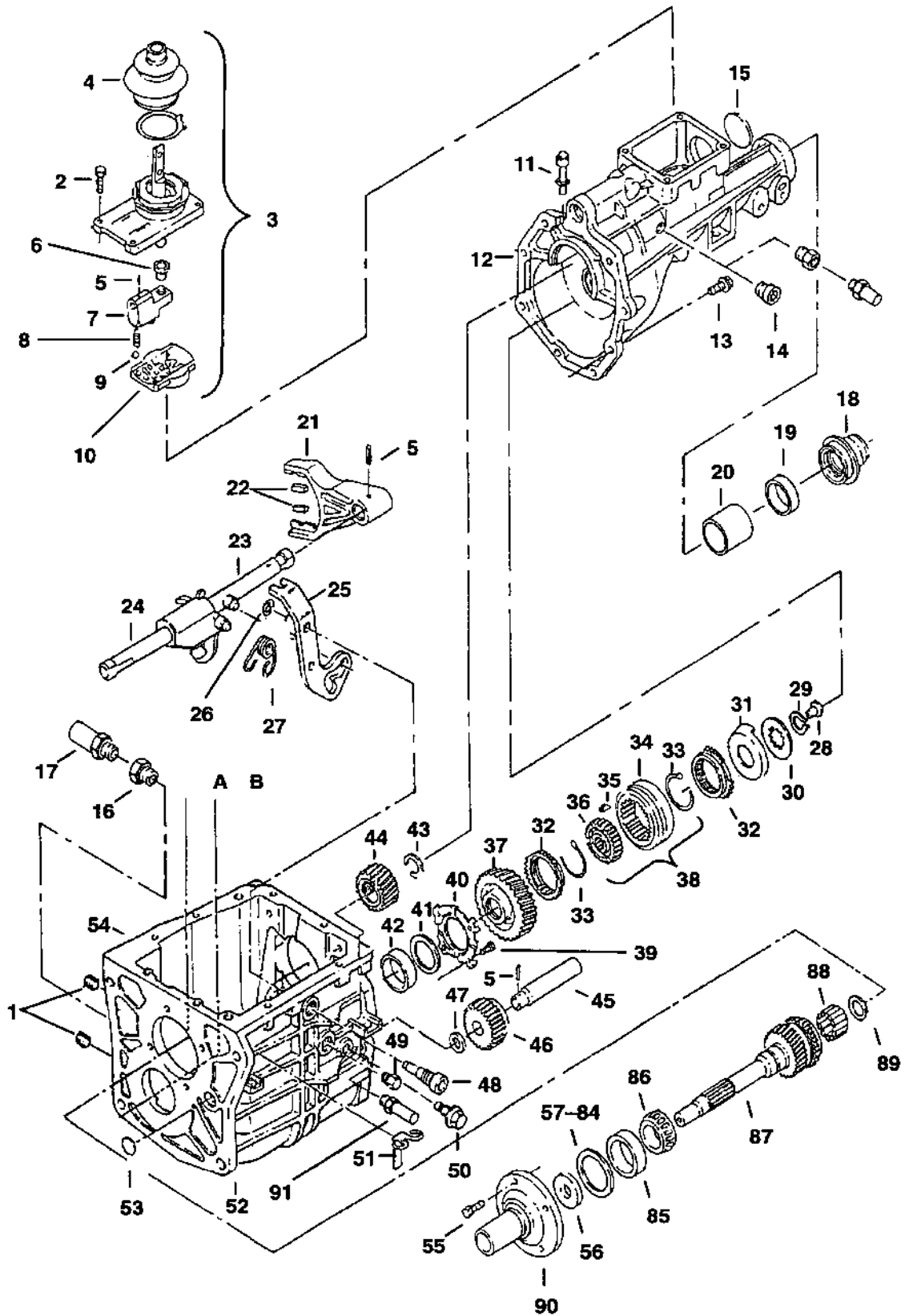
ITEM	PART #	QTY	DESCRIPTION	COMMENT
62	6661890	-	SHIM .036	
63	6661891	-	SHIM .022	
64	6661892	-	SHIM .023	
65	6661893	-	SHIM .024	
66	6661894	-	SHIM .025	
67	6661895	-	SHIM .026	
68	6661896	-	SHIM .027	
69	6661897	-	SHIM .028	
70	6661898	-	SHIM .029	
71	6661899	-	SHIM .030	
72	6661900	-	SHIM .031	
73	6661901	-	SHIM .032	
74	6661902	-	SHIM .033	
75	6661903	-	SHIM .034	
76	6661904	-	SHIM .035	
77	6661905	-	SHIM .037	
78	6661906	-	SHIM .038	
79	6661907	-	SHIM .039	
80	6661908	-	SHIM .040	
81	6661909	-	SHIM .041	
82	6661910	-	SHIM .042	
83	6661911	-	SHIM .043	
84	6661912	-	SHIM .044	
85	6661913	1	CUP	
86	6661914	1	BEARING	
87	6661915	1	SHAFT-INPUT	
88	6661916	15	BEARING	
89	6661924	1	SPACER	
90	6665908	1	RETAINER	
91	7000014	1	SWITCH-BACKUP	
92	6661856	8	BOLT	
93	6661857	2	BOLT	
94	6661866	1	O-RING	
95	6661859	1	SHAFT	
96	6661868	1	COVER	
98	6661964	1	PIN	
99	6661965	1	SWITCH	
100	6661864	1	PLATE	
101	6661861	1	FORK	
103	6661865	1	PLATE	
104	6661858	1	PIN	
105	505024D1	1	ARM - SLECTOR	
106	6661860	1	FORK	
107	6661920	1	CUP	
108	6661921	1	BEARING	
109	6661922	1	GEAR	
110	6661923	1	SLEEVE	
113	6661940	2	CONE	
114	6661941	2	RACE	
115	6661942	2	RING BLOCKING	
116	6661927	4	SPRING	
117	6661937	1	SHAFT ASSEMBLY	
119	6661944	3	INSERT	
120	6661939	1	WASHER	
121	6661938	1	RING	
124	6661936	1	SPACER	
125	6661935	1	BEARING	
126	6661934	1	GEAR	
127	6661933	1	WASHER	
128	6661931	1	SPACER	



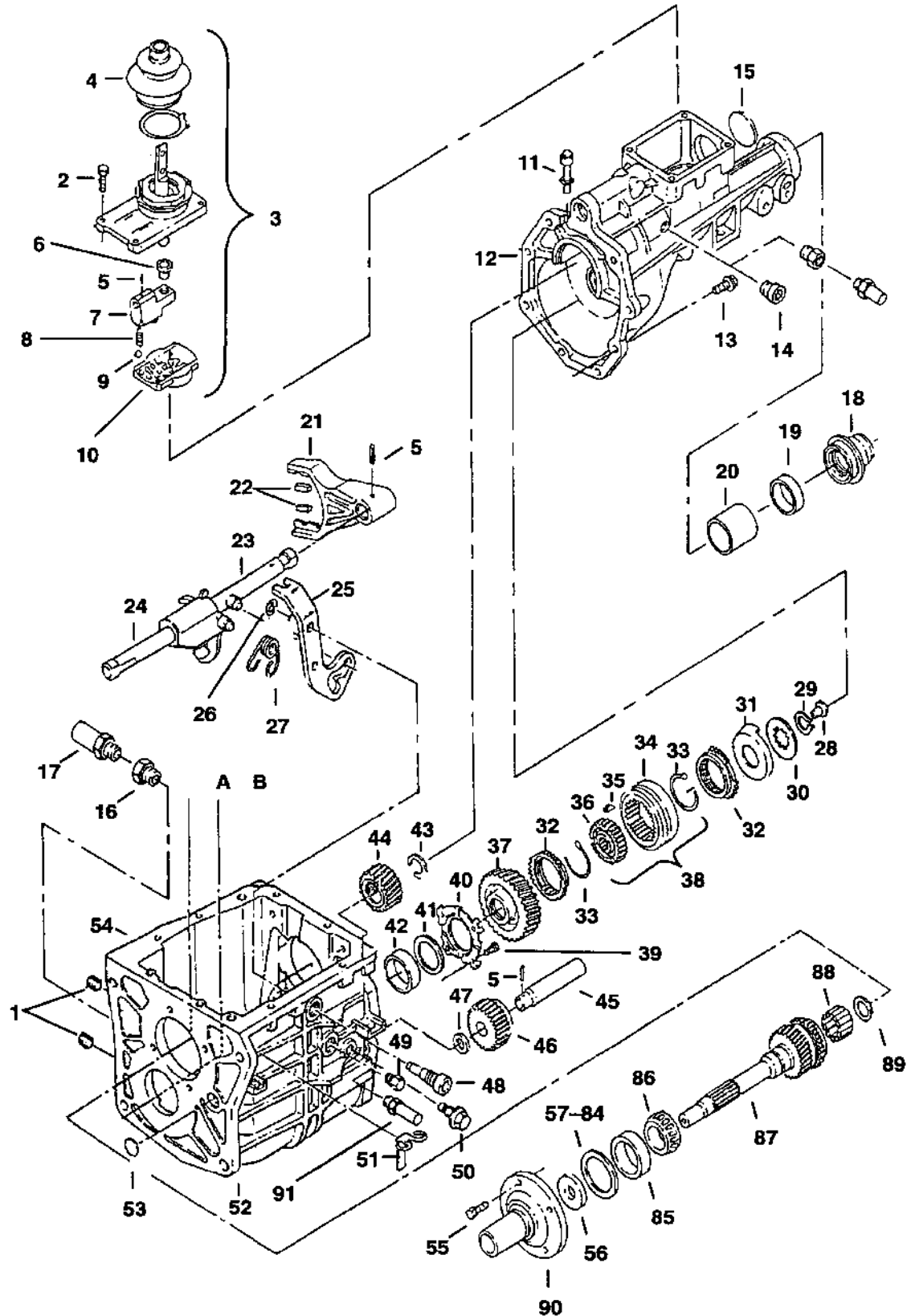
ITEM	PART #	QTY	DESCRIPTION	COMMENT
129	6661930	1	BEARING	
130	6661929	1	GEAR	
131	6661925	2	RING	
134	6661959	2	BEARING	
135	6661960	1	GEAR	
138	6661982	1	CUP	
139	6661917	1	BEARING	
140	6661918	1	BRACE	
141	6661928	3	INSERT	
142	6661926	1	SYNCHRONIZER	
143	6661932	1	SNAP RING	
144	6665340	1	KIT	



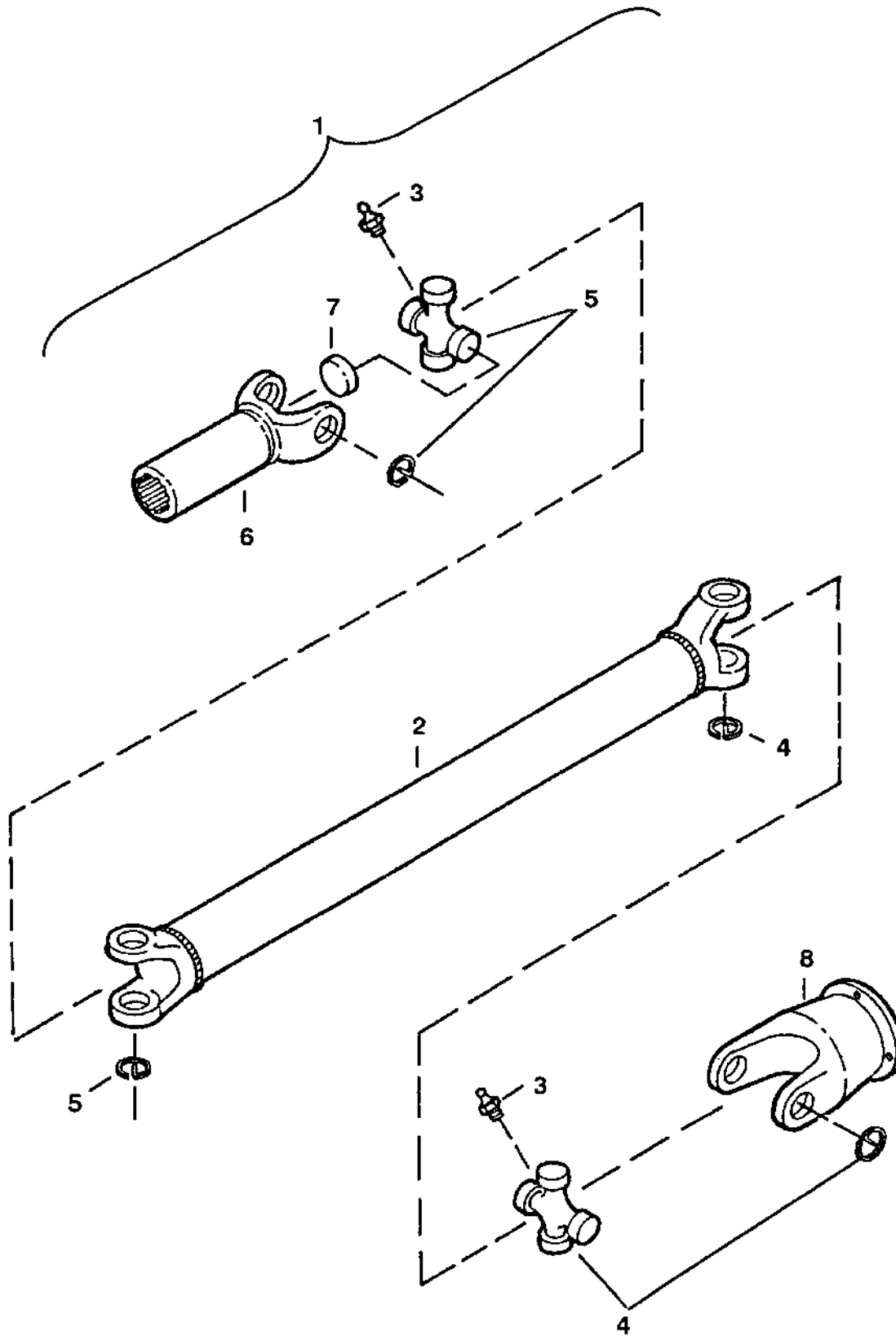
ITEM	PART #	QTY	DESCRIPTION	COMMENT
1	6661840	2	PLUG	
2	6661841	4	BOLT	
3	6661842	1	LEVER	
4	6661843	1	BOOT	
5	6661845	3	ROLL PIN	
6	6661851	1	SLEEVE	
7	6661850	1	LEVER	
8	6661853	1	SPRING	
9	6661852	1	BALL	
10	6661848	1	PLATE	
11	6661844	1	BREATHER	
12	6661847	1	EXTENSION	
13	6661846	8	BOLT	
14	6661963	1	PLUG	
15	6661849	1	PLUG	
16	WR55169	1	ADAPTER-08MP/-02FP	
17	6664210	1	SWITCH TEMP	
18	6661854	1	SEAL	
21	6661877	1	FORK	
22	6661862	12	INSERT	
23	6661878	1	RAIL	
24	6661947	1	FORK	
25	6661872	1	LEVER	
26	6661869	1	RING	
27	6661946	1	SPRING	
28	6661855	1	FUNNEL	
29	6661873	1	SNAP RING	
30	6661976	1	WASHER	
31	6661975	1	CONE BLOCKING	
32	6661879	1	RING BLOCKING	
33	6661875	2	SPRING	
35	6661876	3	INSERT	
37	6661880	1	GEAR	
38	6661874	1	SYNCHRONIZER	
39	6661948	4	BOLT	
40	6661949	1	RETINER	
41	6661950	1	SHIM KIT .1005-.1515 35PCS	
41	6661951	1	SHIM KIT .1215-.1305 7PCS	
41	6661952	1	SHIM KIT .132-.141 7 PCS	
41	6661953	1	SHIM KIT .1425-.1530 7PCS	
41	6661954	1	SHIM KIT .111-.120 7PCS	
42	6661958	1	CUP	
43	6661881	1	SNAP RING	
44	6661919	1	GEAR	
45	6661955	1	SHAFT	
46	6661956	1	GEAR	
47	6661957	1	O-RING	
48	6661870	1	PIN	
50	6661967	1	BOLT	
51	6661966	1	WIRE CLIP	
52	6661972	1	MAGNET	
53	6661867	4	PLUG	
54	6661961	1	CASE	
55	WR128555	5	RETAINER BOLT M8 X 20	
56	6661884	1	SEAL	
57	6661885	-	SHIM .014	
58	6661886	-	SHIM .016	
59	6661887	-	SHIM .018	
60	6661888	-	SHIM .012	
61	6661889	-	SHIM .020	



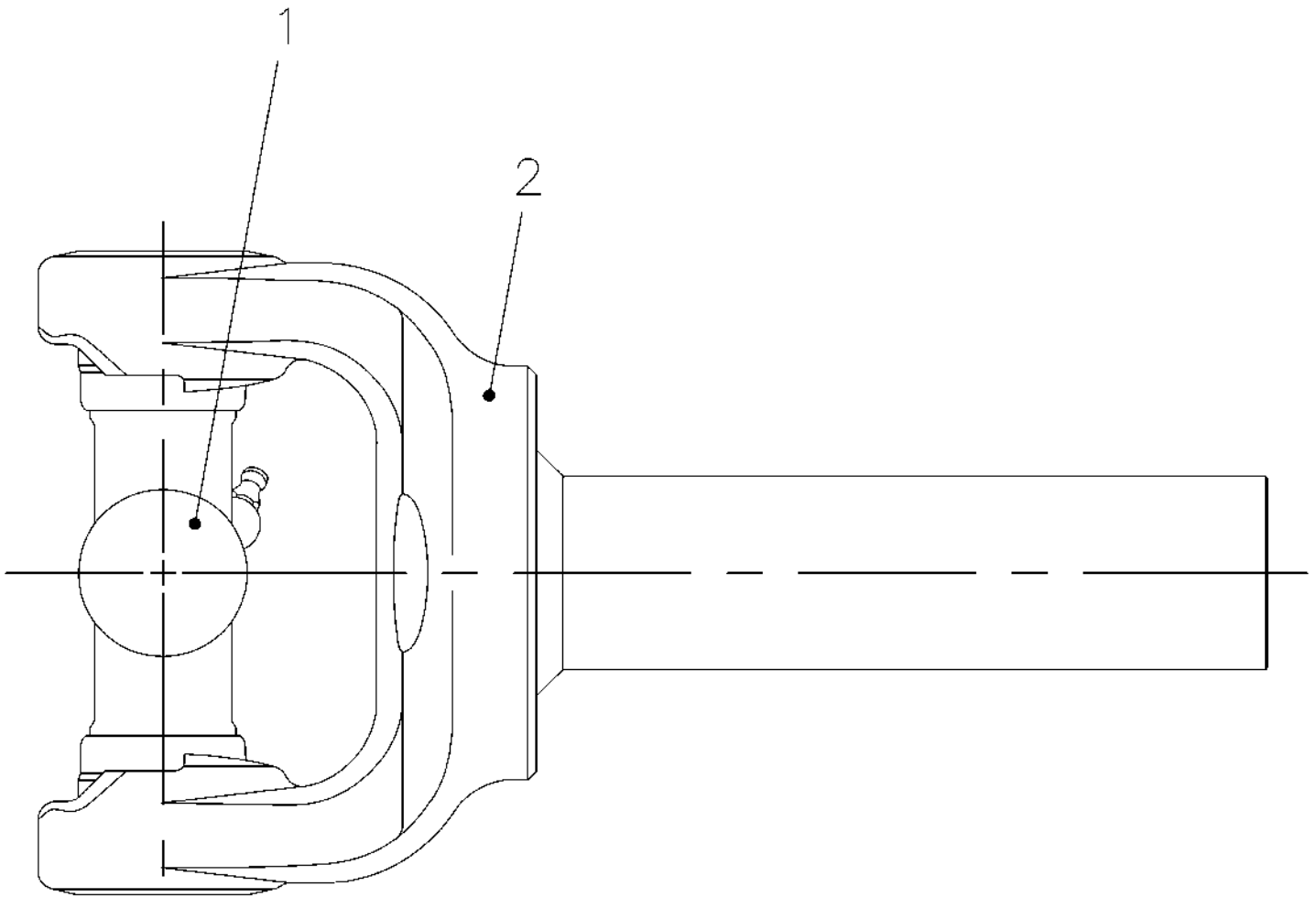
ITEM	PART #	QTY	DESCRIPTION	COMMENT
62	6661890	-	SHIM .036	
63	6661891	-	SHIM .022	
64	6661892	-	SHIM .023	
65	6661893	-	SHIM .024	
66	6661894	-	SHIM .025	
67	6661895	-	SHIM .026	
68	6661896	-	SHIM .027	
69	6661897	-	SHIM .028	
70	6661898	-	SHIM .029	
71	6661899	-	SHIM .030	
72	6661900	-	SHIM .031	
73	6661901	-	SHIM .032	
74	6661902	-	SHIM .033	
75	6661903	-	SHIM .034	
76	6661904	-	SHIM .035	
77	6661905	-	SHIM .037	
78	6661906	-	SHIM .038	
79	6661907	-	SHIM .039	
80	6661908	-	SHIM .040	
81	6661909	-	SHIM .041	
82	6661910	-	SHIM .042	
83	6661911	-	SHIM .043	
84	6661912	-	SHIM .044	
85	6661913	1	CUP	
86	6661914	1	BEARING	
87	6661915	1	SHAFT-INPUT	
88	6661916	15	BEARING	
89	6661924	1	SPACER	
90	6665908	1	RETAINER	
91	7000014	1	SWITCH-BACKUP	
92	6661856	8	BOLT	
93	6661857	2	BOLT	
94	6661866	1	O-RING	
95	6661859	1	SHAFT	
96	6661868	1	COVER	
98	6661964	1	PIN	
99	6661965	1	SWITCH	
100	6661864	1	PLATE	
101	6661861	1	FORK	
103	6661865	1	PLATE	
104	6661858	1	PIN	
105	505024D1	1	ARM - SLECTOR	
106	6661860	1	FORK	
107	6661920	1	CUP	
108	6661921	1	BEARING	
109	6661922	1	GEAR	
110	6661923	1	SLEEVE	
113	6661940	2	CONE	
114	6661941	2	RACE	
115	6661942	2	RING BLOCKING	
116	6661927	4	SPRING	
117	6661937	1	SHAFT ASSEMBLY	
119	6661944	3	INSERT	
120	6661939	1	WASHER	
121	6661938	1	RING	
124	6661936	1	SPACER	
125	6661935	1	BEARING	
126	6661934	1	GEAR	
127	6661933	1	WASHER	



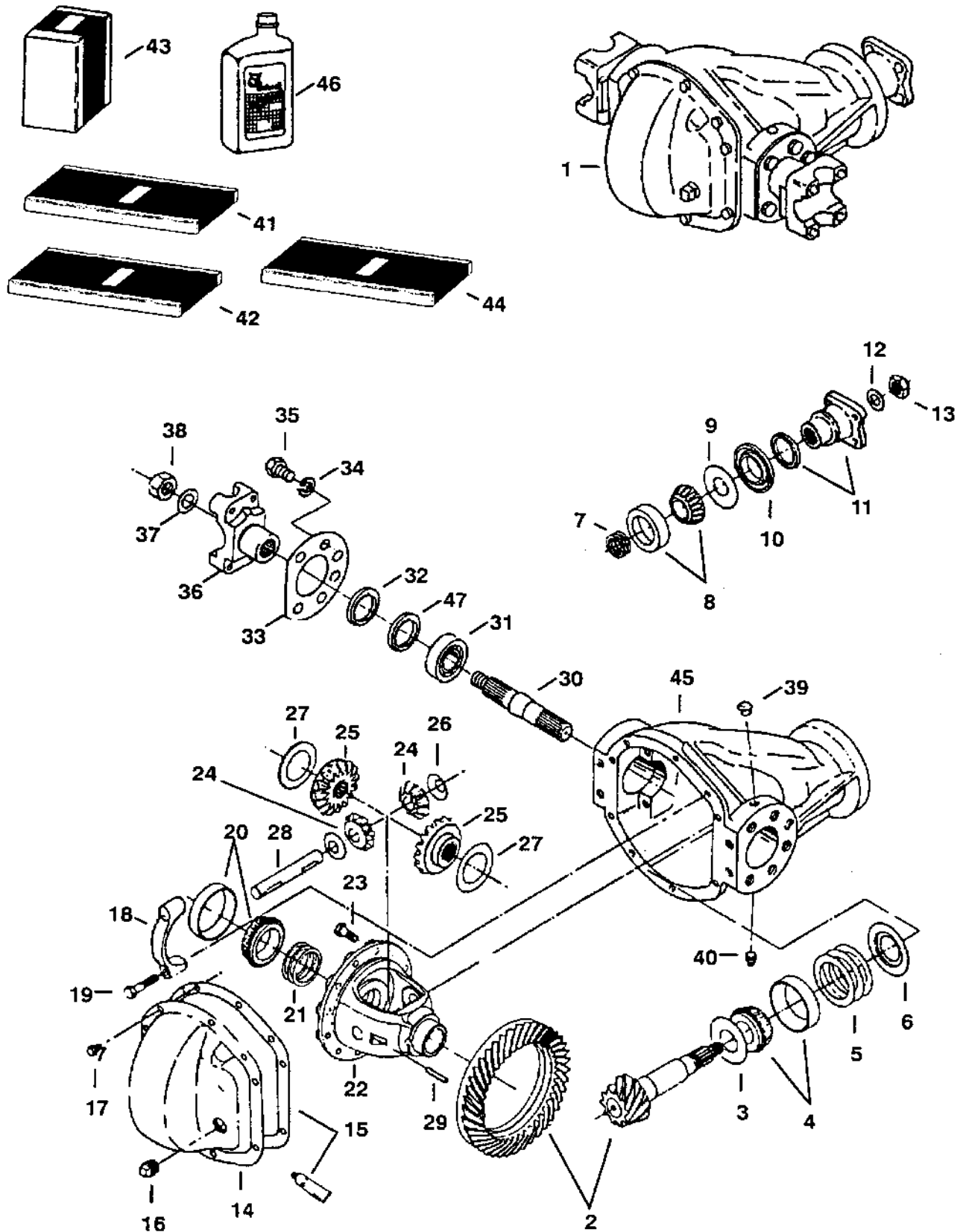
ITEM	PART #	QTY	DESCRIPTION	COMMENT
129	6661930	1	BEARING	
130	6661929	1	GEAR	
131	6661925	2	RING	
134	6661959	2	BEARING	
135	6661960	1	GEAR	
138	6661982	1	CUP	
139	6661917	1	BEARING	
140	6661918	1	BRACE	
141	6661928	3	INSERT	
142	6661926	1	SYNCHRONIZER	
143	6661932	1	SNAP RING	
144	6665340	1	KIT	



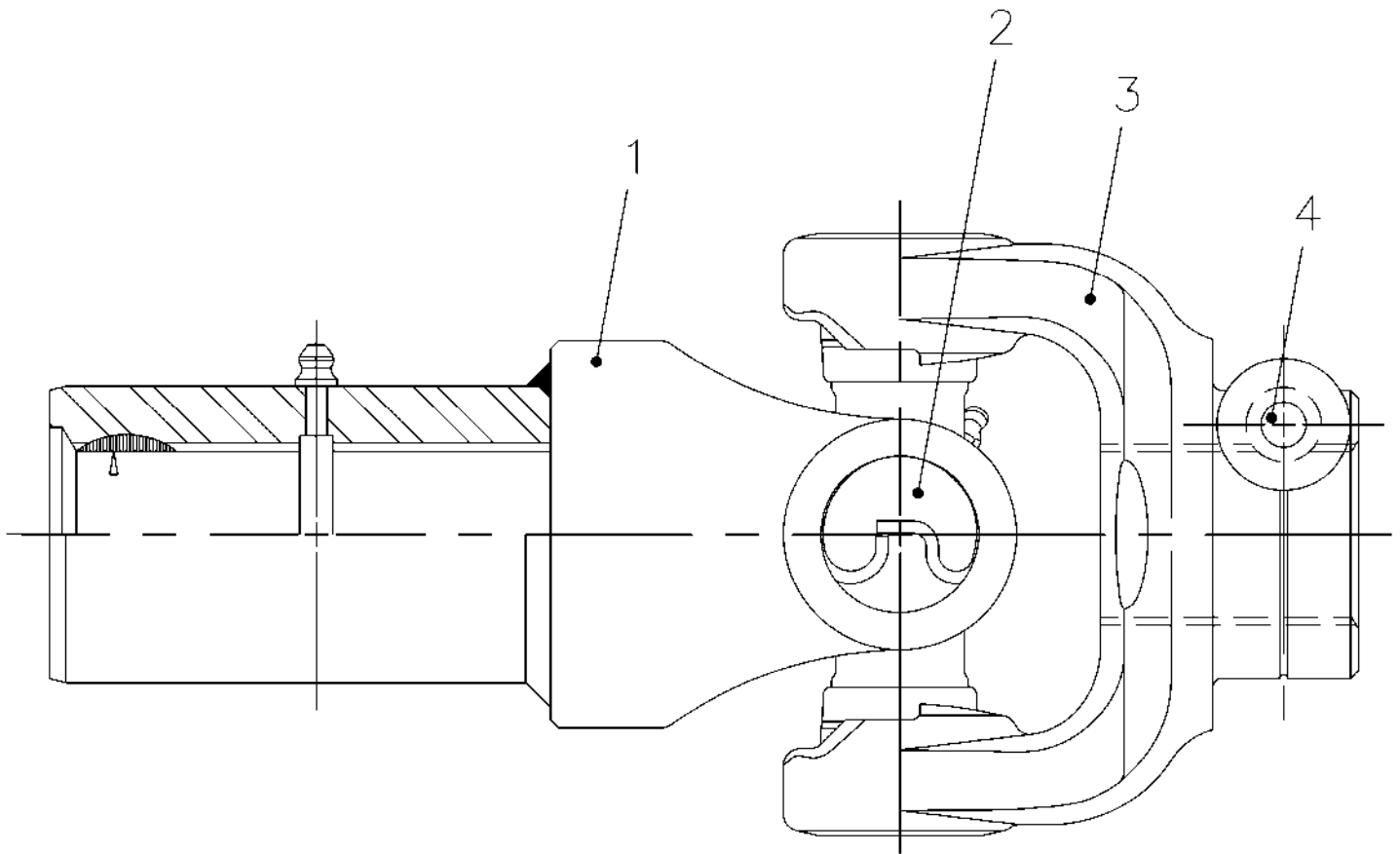
ITEM	PART #	QTY	DESCRIPTION	COMMENT
3	6666907	2	ZERK	
4	6666908	1	BEARING CROSS	
5	6666909	1	BEARING CROSS	
	FOOTNOTE [A]		ITEM 7: PLUG	
	FOOTNOTE [A]		ITEMS 2,6,7 & 8 CANNOT BE PURCHASED INDIVIDUALLY BUT ARE INCLUDED IN THE DRIVESHAFT.	
	FOOTNOTE [A]		ITEM 2: CENTER SECTION	
	FOOTNOTE [A]		ITEM 6: SLIP YOKE	
	FOOTNOTE [A]		ITEM 8: YOKE	



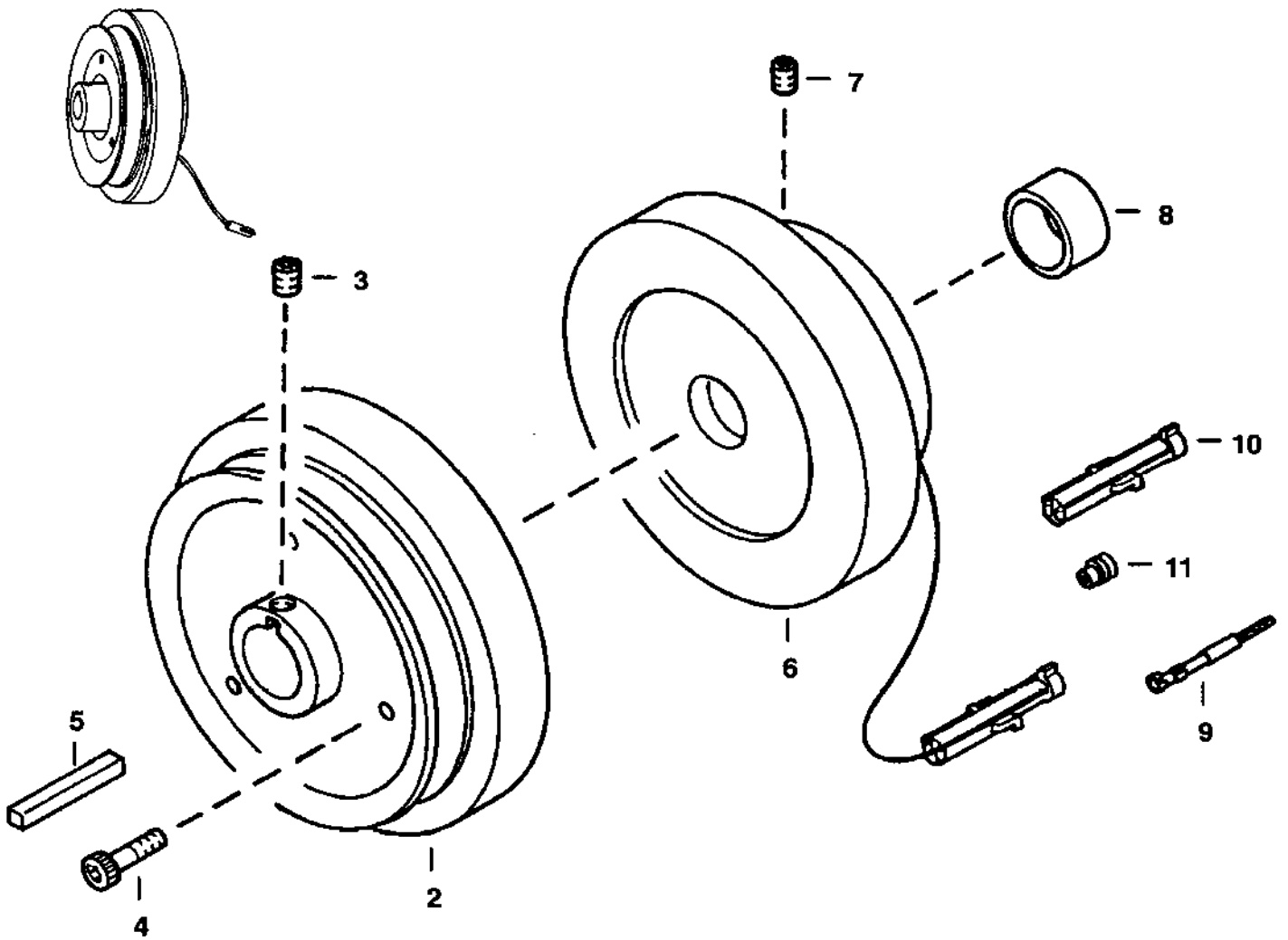
ITEM	PART #	QTY	DESCRIPTION	COMMENT
1	6664353	1	CROSS BEARING	
2	WR132394	1	YOKE, AND SHAFT	



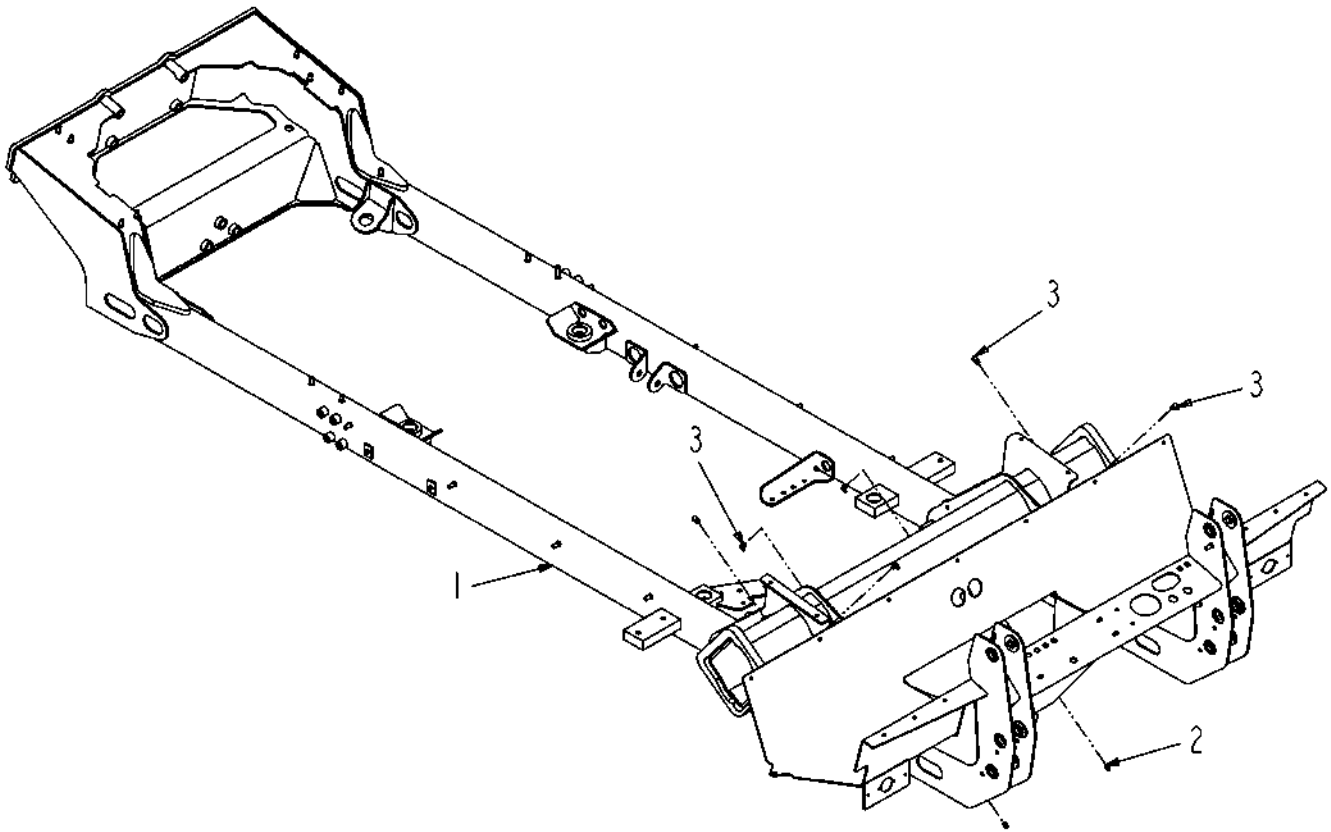
ITEM	PART #	QTY	DESCRIPTION	COMMENT
REF	WR121071	1	STRAP KIT-1350/1410	
2	6672169	1	DRIVE GEAR KIT	
3	6658265	1	SLINGER	
4	6634581	1	BEARING	
6	6658264	1	BAFFLE	
8	6634583	1	BEARING	
9	6662807	1	SLINGER	
10	6662808	1	SEAL	
11	6633096	1	YOKE	
12	6634586	1	WASHER	
13	6634143	1	NUT	
14	6662811	1	COVER	
15	6662810	1	SEALANT	
16	6598452	1	PLUG	
17	6634145	12	SCREW	
19	6598849	2	BOLT	
20	6634589	1	BEARING	
23	6662814	10	BOLT	
29	6662815	1	LOCK	
30	6662816	2	SHAFT	
31	6662817	2	BEARING	
32	6662818	2	SEAL	
33	6662819	2	RETAINER	
34	WR550450	12	WASHER 0.62 LK ZN REG	
35	WR10193	2	SCREW-CAP HEX 5/8 NC X	
36	6672998	2	YOKE	
37	6598455	2	WASHER	
38	6598445	2	NUT	
39	6662821	1	VENT	
40	5208547B	1	PLUG	
41	6662813	1	SHIM KIT	
42	6672170	1	SHIM KIT	
43	6648975	1	KIT	
44	6648976	1	KIT	
45	6662804	1	HOUSING	
46	6665754	1.500	OIL-GEAR	
	FOOTNOTE [A]		ITEM 21: SHIM	
	FOOTNOTE [A]		ITEM 22 CANNOT BE PURCHASED INDIVIDUALLY BUT IS INCLUDED IN THE DIFFERENTIAL KIT.	
	FOOTNOTE [A]		ITEM 22: CARRIER	
	FOOTNOTE [A]		ITEM 24: GEAR	
	FOOTNOTE [A]		ITEMS 24-28 CANNOT BE PURCHASED INDIVIDUALLY BUT ARE INCLUDED IN THE HOUSING.	
	FOOTNOTE [A]		ITEM 25: GEAR	
	FOOTNOTE [A]		ITEM 5: SHIM	
	FOOTNOTE [A]		ITEM 7: SHIM	
	FOOTNOTE [A]		ITEM 18 CANNOT BE PURCHASED INDIVIDUALLY BUT IS INCLUDED IN THE DIFFERENTIAL.	
	FOOTNOTE [A]		ITEM 18: CAP	
	FOOTNOTE [A]		ITEM 21 CANNOT BE PURCHASED INDIVIDUALLY BUT IS INCLUDED IN THE DIFFERENTIAL KIT.	
	FOOTNOTE [A]		ITEMS 5 & 7 CANNOT BE PURCHASED INDIVIDUALLY BUT ARE INCLUDED IN SHIM KIT 42.	
	FOOTNOTE [A]		ITEM 26: THRUSTWASHER	
	FOOTNOTE [A]		ITEM 27: THRUSTWASHER	
	FOOTNOTE [A]		ITEM 28: SHAFT	



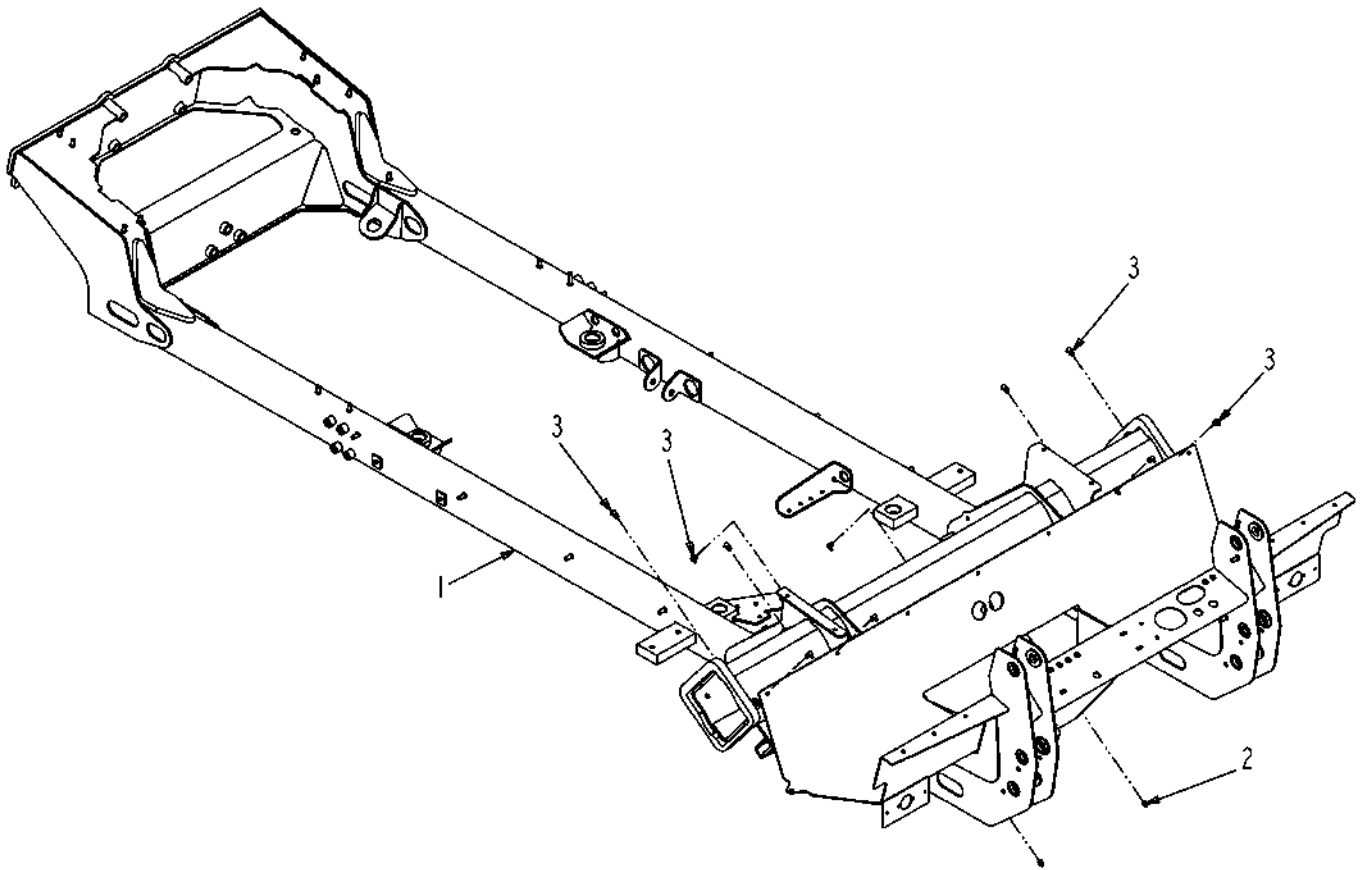
ITEM	PART #	QTY	DESCRIPTION	COMMENT
1	WR132393	1	YOKE, AND HUB	
2	6664353	1	CROSS BEARING	
3	6672512	1	YOKE	
4	6662097	1	PIN W/SPRING	



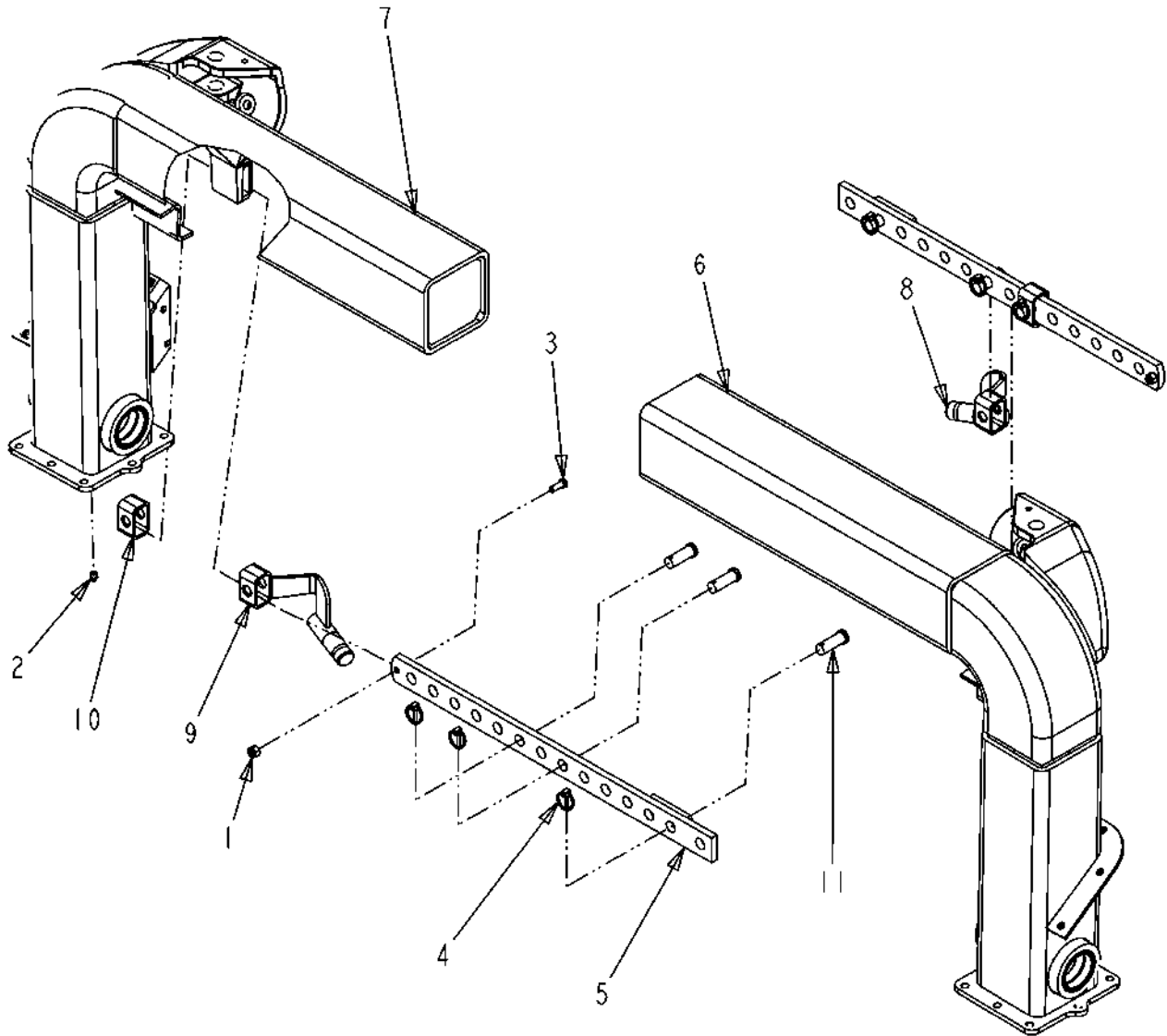
ITEM	PART #	QTY	DESCRIPTION	COMMENT
REF	6661223	1	CLUTCH-ELECTRIC,CW	
2	6662016	1	PULLEY	
3	6662017	2	SET SCREW	
4	6649534	3	SCREW	
5	7J002104B	1	KEY	
6	6617523	1	COIL RING	
7	6662018	3	SET SCREW	
8	6649533	1	SPACER	
9	WR515762	1	TERM MA 16-14 GA W/PACK	
10	WR515853	1	CONNECTOR ELEC SHROUD 1-CONT F	
11	WR515765	1	SEAL CABLE GREY REEL 14 GA	



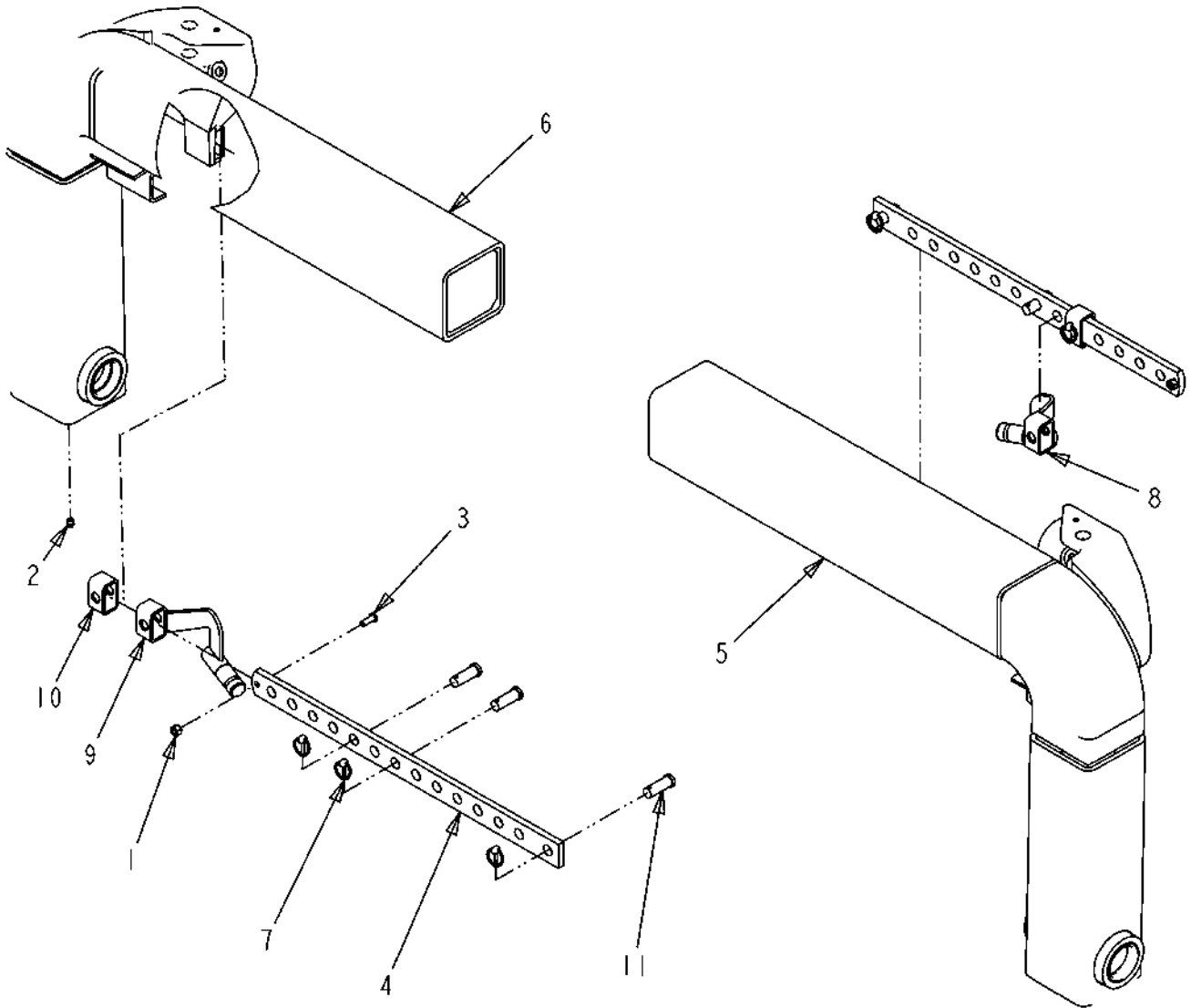
ITEM	PART #	QTY	DESCRIPTION	COMMENT
1	WR135789	1	FRAME-72 IN MT	
2	WR550280	2	FITTING LUB.12-27NPTFX0.68	
3	WR559083	6	FITTING LUB 90D 0.125 NPTF	



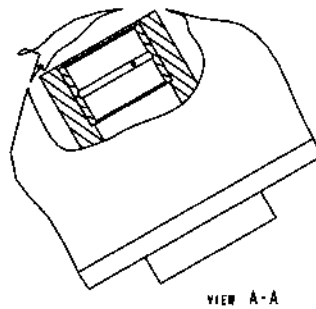
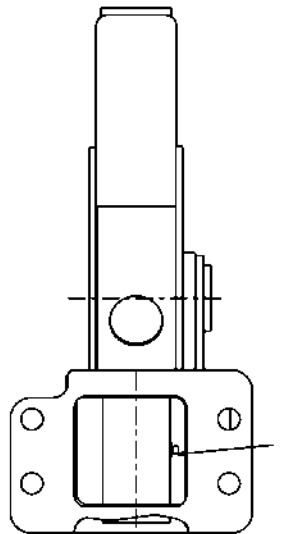
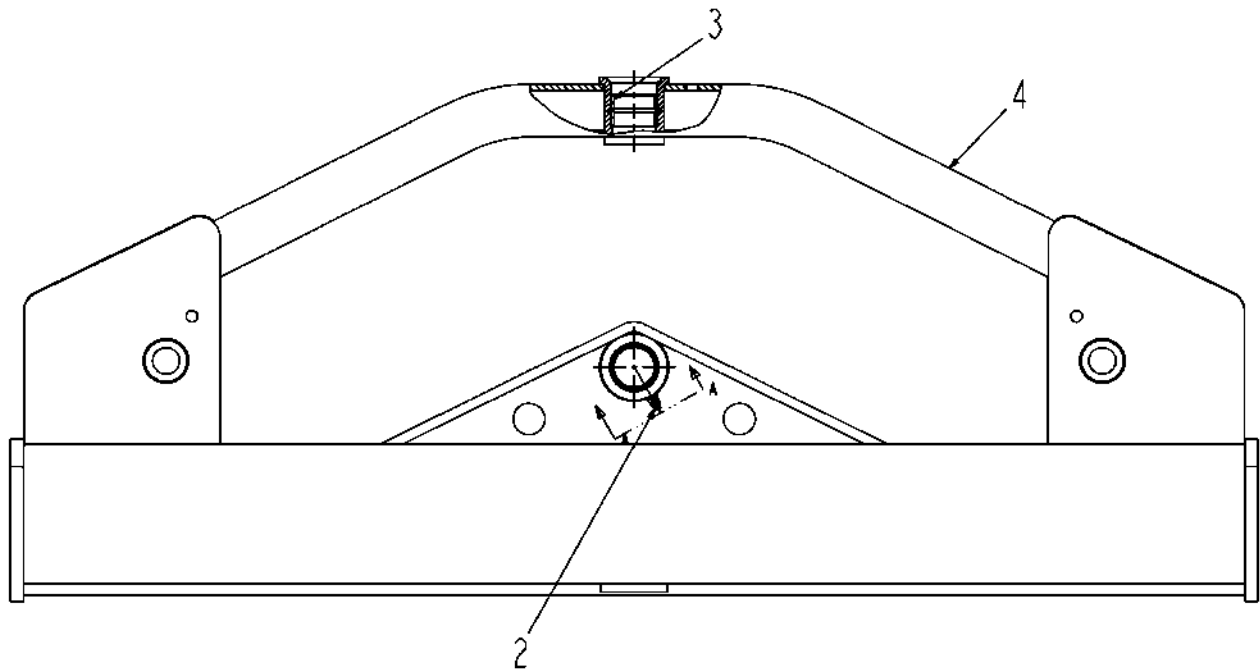
ITEM	PART #	QTY	DESCRIPTION	COMMENT
1	WR135788	1	FRAME-80 IN MT	
2	WR550280	2	FITTING LUB.12-27NPTFX0.68	
3	WR559083	10	FITTING LUB 90D 0.125 NPTF	



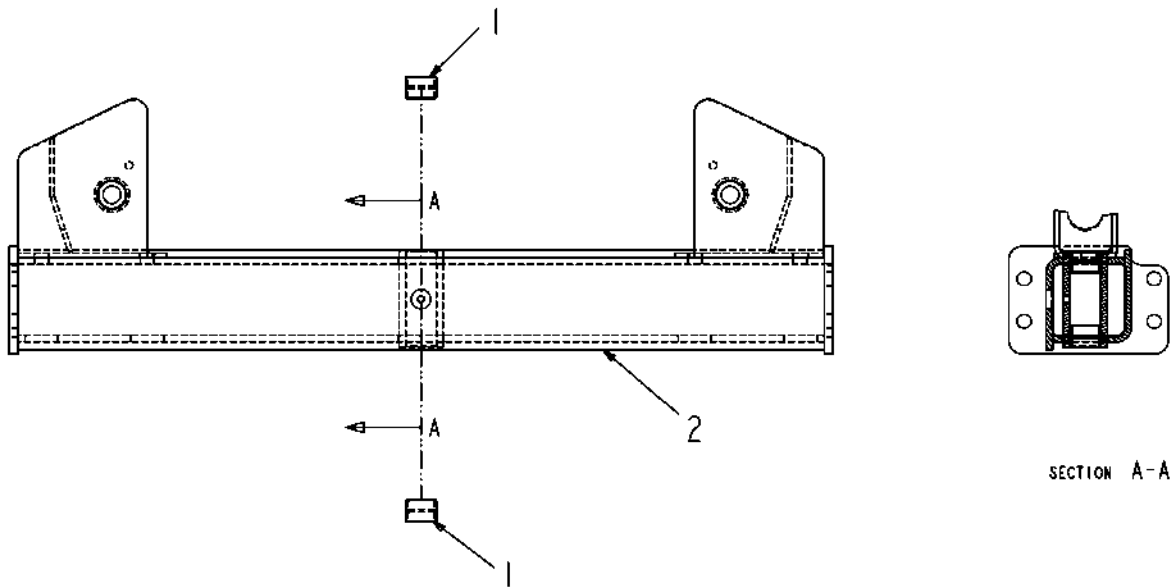
ITEM	PART #	QTY	DESCRIPTION	COMMENT
1	WR55272	2	NUT-LOCK,M10 X 1.5,PREV	
2	WR550280	2	FITTING LUB.12-27NPTFX0.68	
3	WR561683	2	BOLT M10-1.5 X 25MM G8.8 ZN HH	
4	6649706	6	PIN-LYNCH,3/16	
5	WR39098	2	LINK W/A, AXLE ADJUST	
6	WR55671	1	YDJ FRAME LH WLDMT	
7	WR55672	1	ADJ FRAME RH WLDMT	
8	WR55969	1	STOP W/A LH	
9	WR55970	1	STOP W/A RH	
10	WR55971	2	STOP	
11	WR55974	6	PIN-CLEVIS	



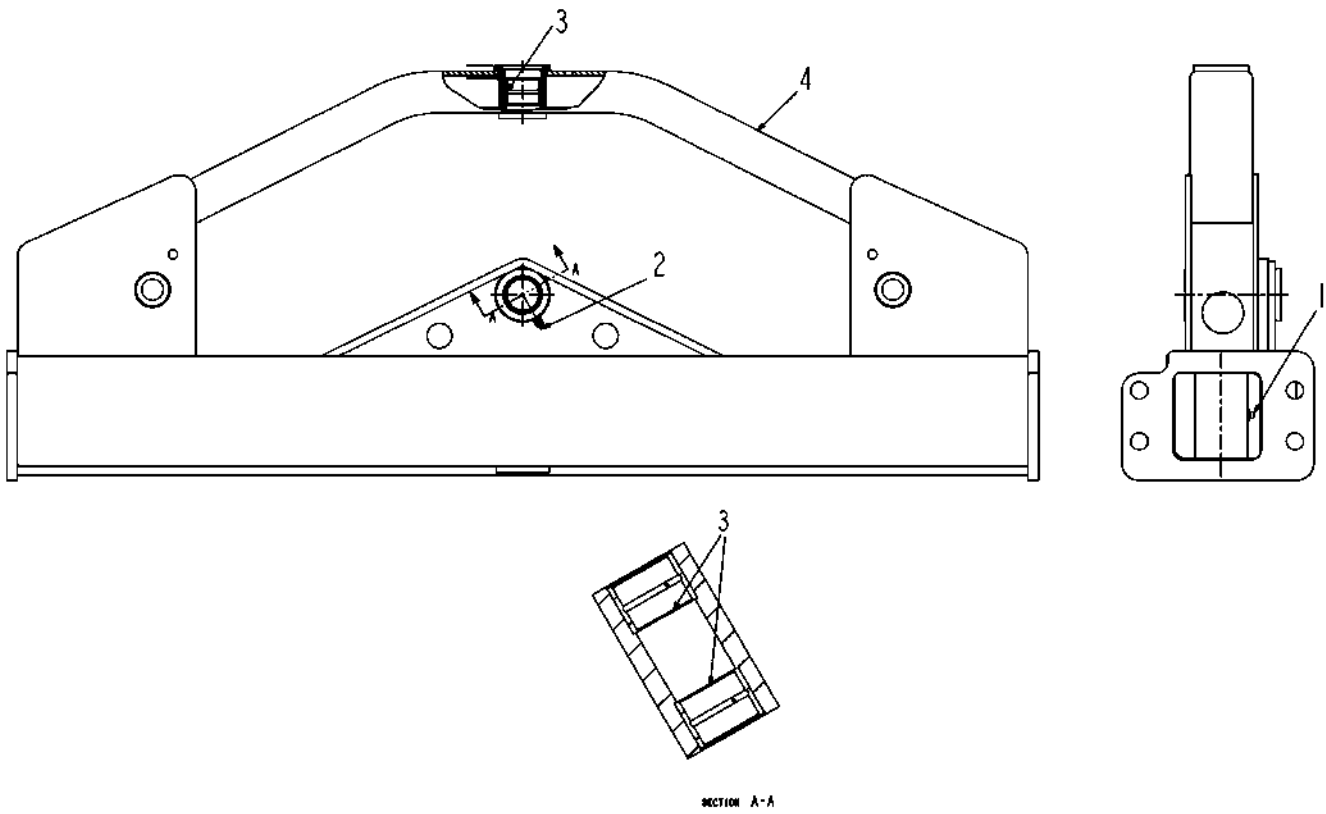
ITEM	PART #	QTY	DESCRIPTION	COMMENT
1	WR55272	2	NUT-LOCK,M10 X 1.5,PREV	
2	WR550280	2	FITTING LUB.12-27NPTFX0.68	
3	WR561683	2	BOLT M10-1.5 X 25MM G8.8 ZN HH	
4	6627540	2	LINK-AXLE,ADJ	
5	6627679	1	ADJ FRAME LH WLDMT	
6	6627680	1	ADJ FRAME RH WLDMT	
7	6649706	6	PIN-LYNCH,3/16	
8	WR55969	1	STOP W/A LH	
9	WR55970	1	STOP W/A RH	
10	WR55971	2	STOP	
11	WR55974	6	PIN-CLEVIS	



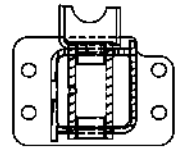
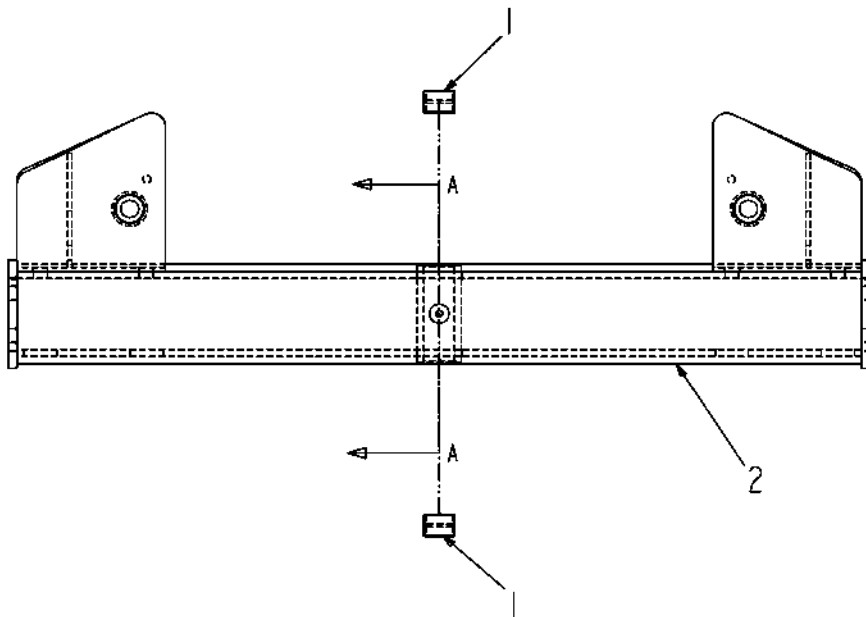
ITEM	PART #	QTY	DESCRIPTION	COMMENT
1	WR550280	2	FITTING LUB. 12-27NPTFX0.68	
2	WR562551	1	ZERK 45D 0.125 NPT	
3	WR711273	3	PORRINGTON NEEDLE BEARING	
4	6595455	1	FRAME-W/A 72 IN	



ITEM	PART #	QTY	DESCRIPTION	COMMENT
1	WR711273	2	PORRINGTON NEEDLE BEARING	
2	6595454	1	CHANNEL-W/A	

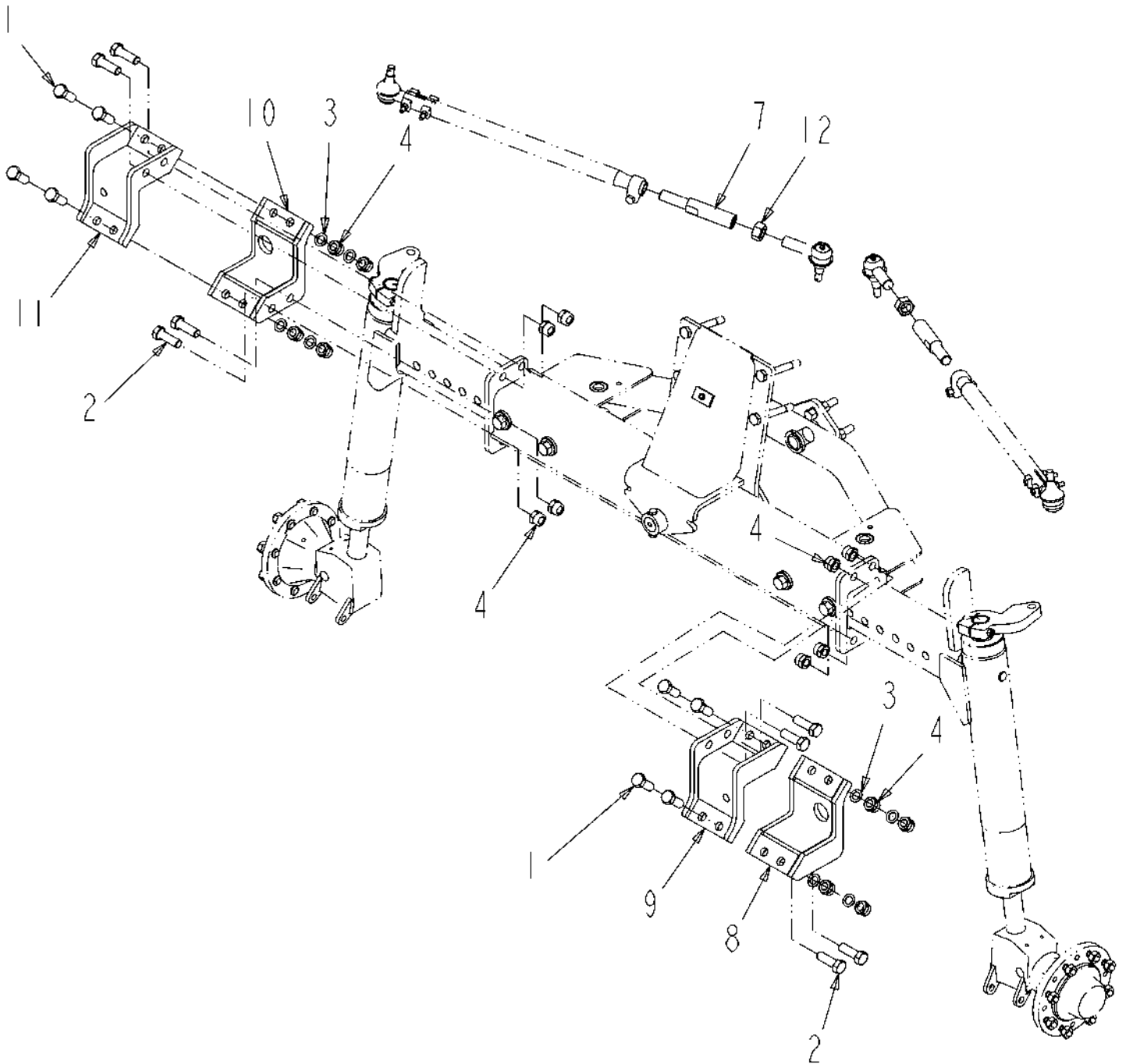


ITEM	PART #	QTY	DESCRIPTION	COMMENT
1	WR550280	2	FITTING LUB. 12-27NPTFX0.68	
2	WR562551	1	ZERK 45D 0.125 NPT	
3	WR711273	3	PORRINGTON NEEDLE BEARING	
4	6595399	1	FRAME-W/A	

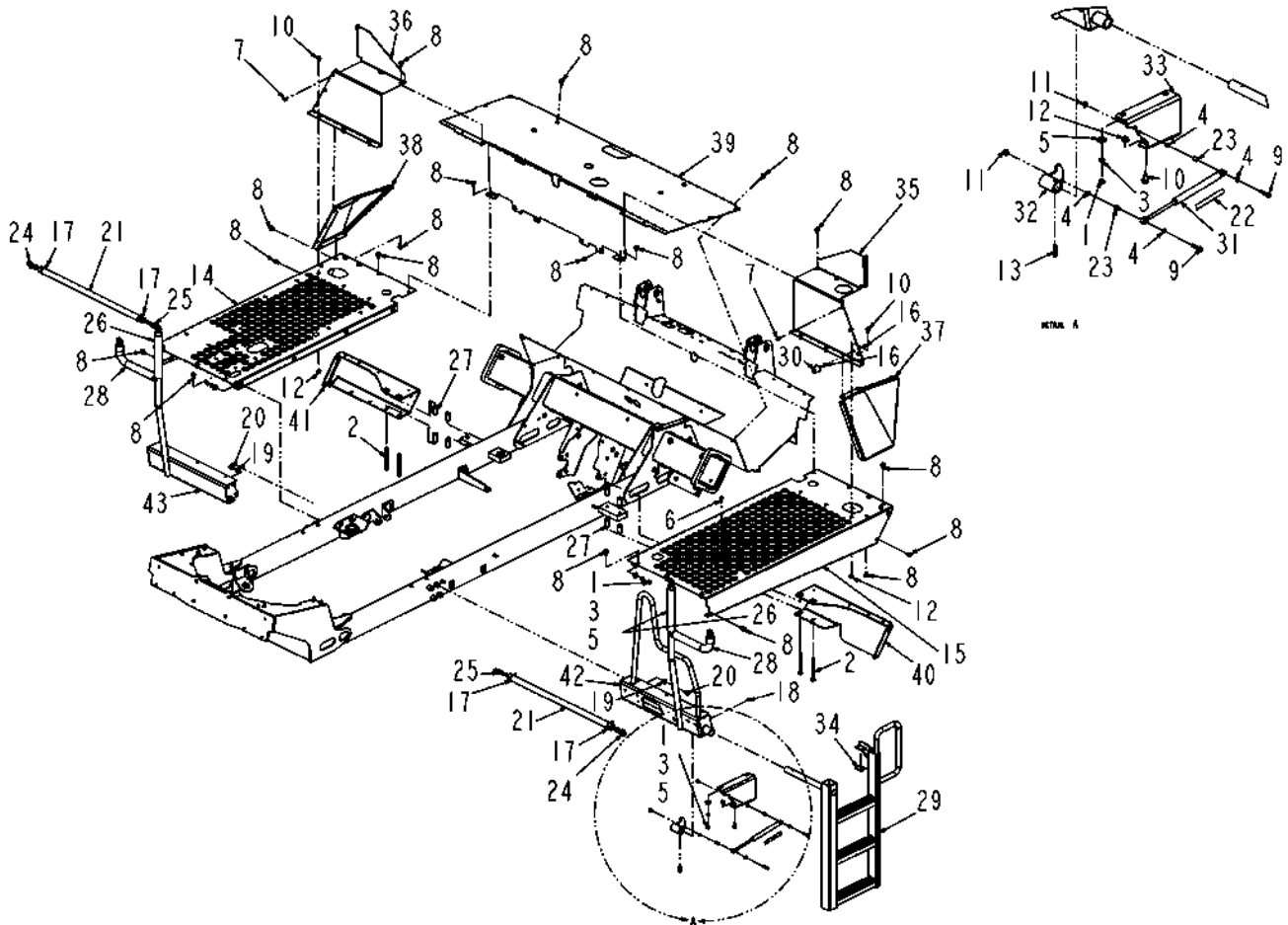


SECTION A-A

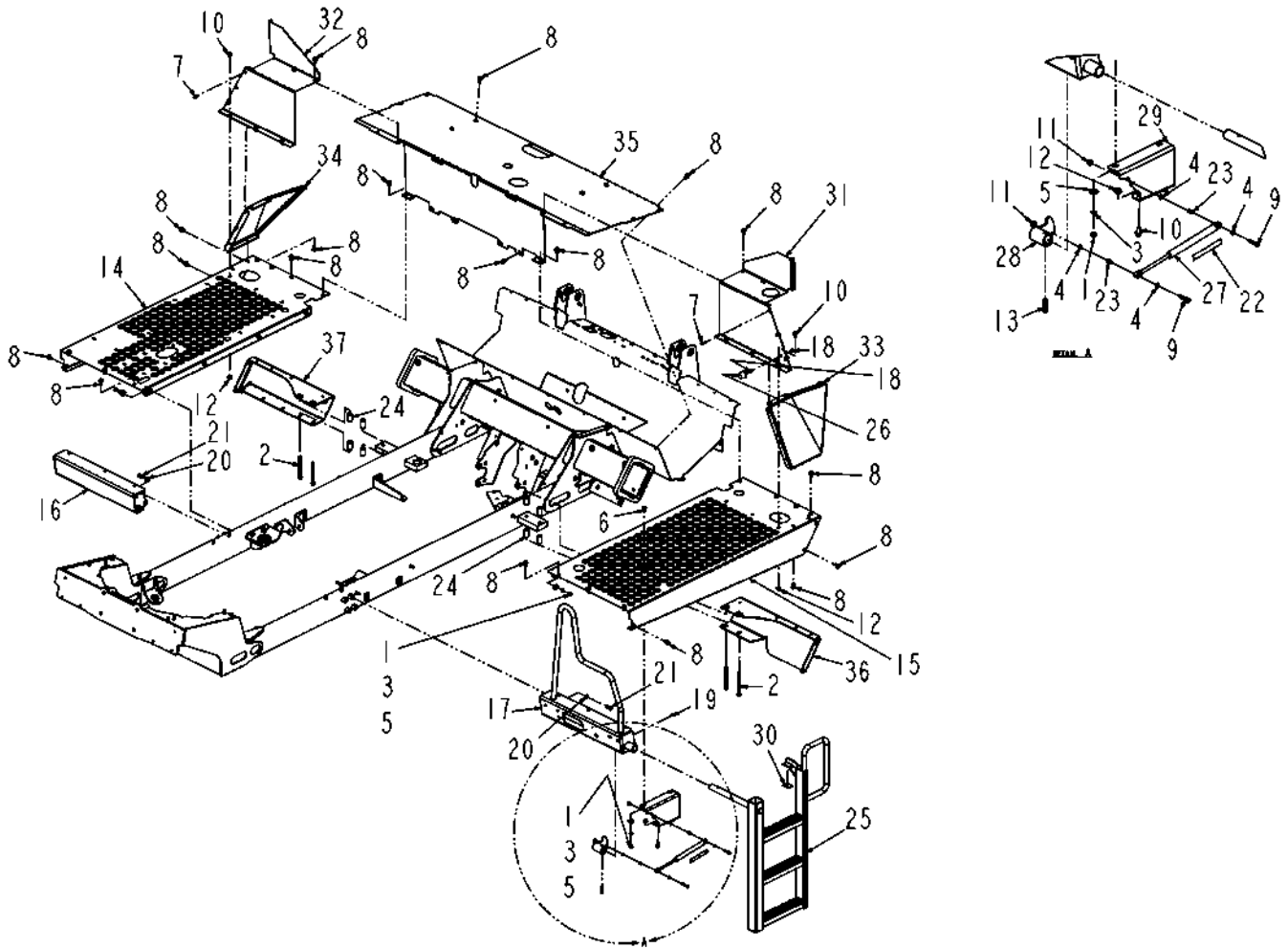
ITEM	PART #	QTY	DESCRIPTION	COMMENT
1	WR711273	2	PORRINGTON NEEDLE BEARING	
2	6595400	1	CHANNEL-W/A	



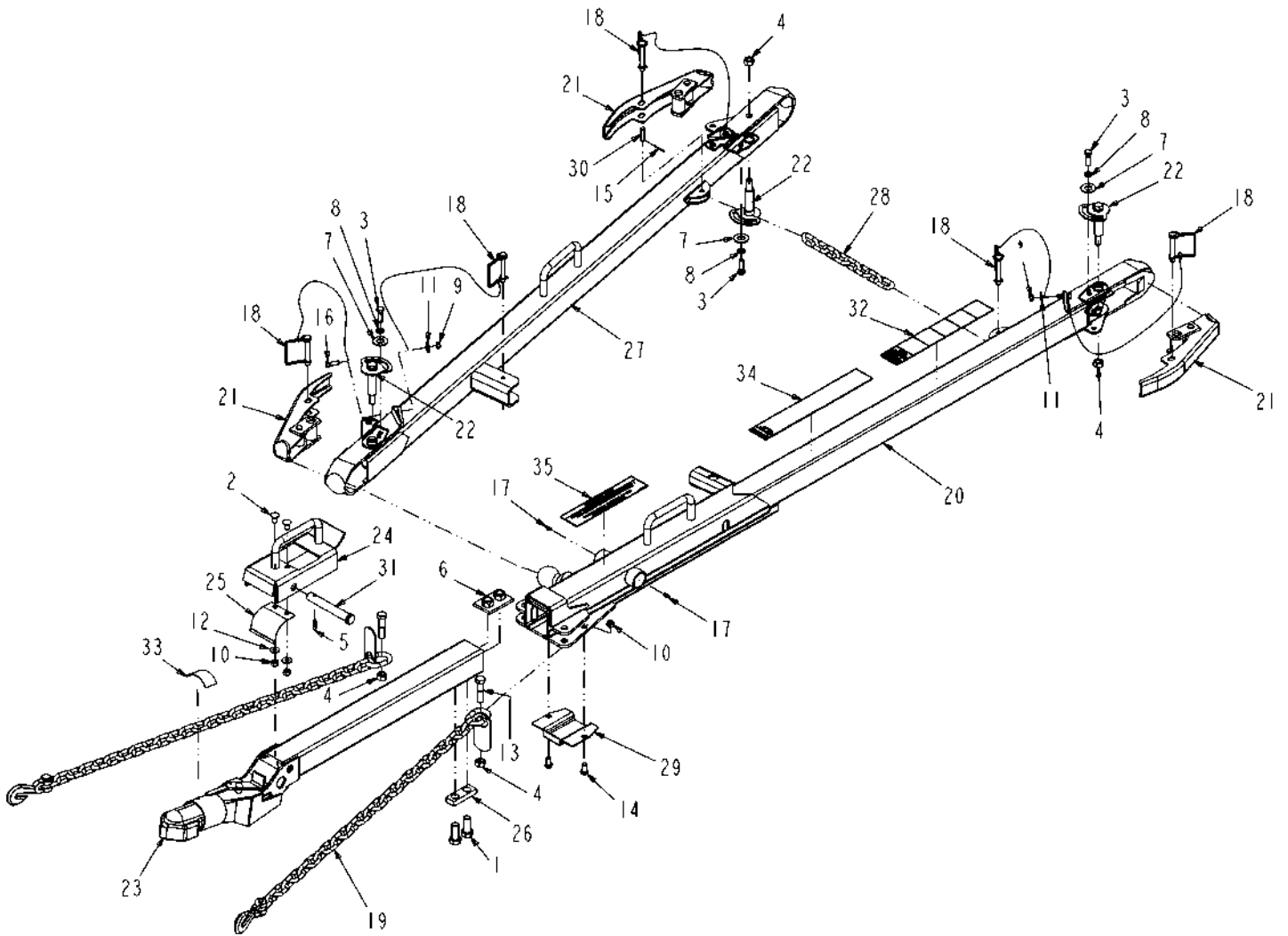
ITEM	PART #	QTY	DESCRIPTION	COMMENT
1	WR55059	8	SCREW-CAP HEX M20 X 50	
2	WR55060	8	SCREW-CAP HEX M20 X 60	
3	WR55078	8	WASHER-PLAIN,20MM ID,LC,	
4	WR55275	16	NUT-LOCK,M20 X 2.0,PREV	
5	6504880	1	SACK-BURLAP	
6	6610264	1	BOX-CARDBOARD	
7	6626941	2	ADAPTER	
8	6626942	1	EXTENSION-FRONT,MACH,LH	
9	6626943	1	EXTENSION-FRONT,MACH,LH	
10	6626948	1	EXTENSION-FRONT,MACH,RH	
11	6626950	1	EXTENSION-FRONT,MACH,RH	
12	6627290	2	NUT-HEX	
13	6629550	1	INSTR-MTG,FRONT EXTENSION	



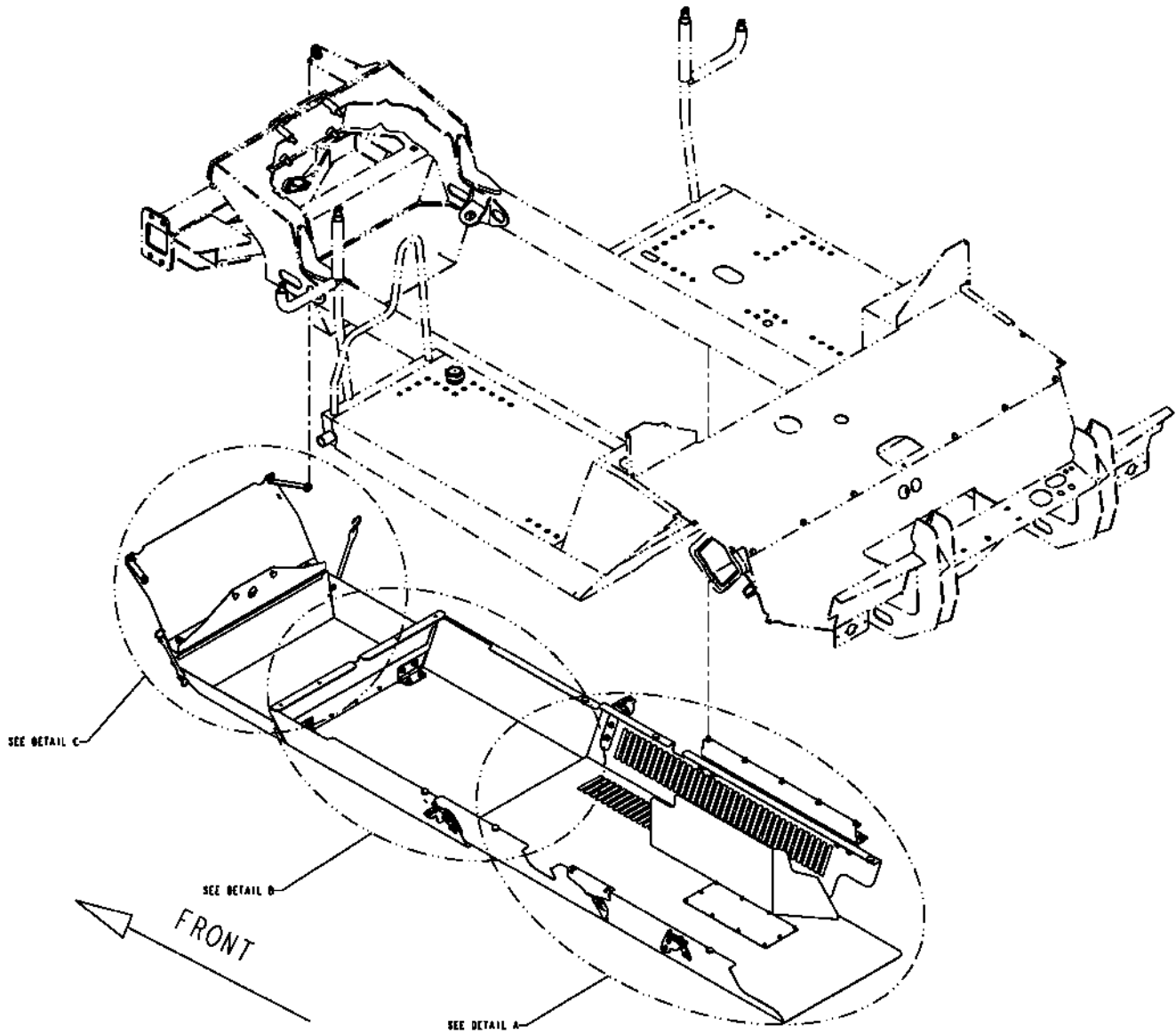
ITEM	PART #	QTY	DESCRIPTION	COMMENT
1	WR50838	10	NUT-HEX,METRIC M10-1.5	
2	WR55063	4	SCREW-CAP HEX M12 X 130	
3	WR55106	10	WASHER-LOCK SPRING,10 MM	
4	WR55141	4	WASHER-STL,8MM ID	
5	WR55158	10	WASHER-FLAT,10MM ID,	
6	WR55173	2	BOLT-CARRIAGE,M10 X 25,	
7	WR55190	6	SCREW-CAP HEX M8 X 20,	
8	WR55191	42	HEX HEAD,THREAD ROLLING SCREW	
9	WR55209	2	SCREW-HEX FLG,M8X1.25X35 CL8.8	
10	WR55214	8	SCREW-HEX FLG.M10X1.5X20 CL8.8	
11	WR55280	2	NUT-FLANGE,M8 X 1.25	
12	WR55281	8	NUT-FLANGE,M10 X 1.5	
13	WR55402	1	PIN-STR COILED,3/8 X	
14	WR121026	1	FOOTBOARD-RH	
15	WR129520	1	FOOTBOARD-LH	
16	WR550213	2	NUT 0.31-18NC HEX ZN REG	
17	WR553557	AR	TIE CABLE 7.37 .06-1.37 BLACK	
18	WR561892	1	FITTING LUBE STR 0.25UNF	
19	WR562272	8	WASHER M12 LK ZN REG	
20	WR562375	8	BOLT M12-1.75X 25MM G8.8 ZN HH	
21	6537416	2	COVER-HOSE	
22	6577754	1	DECAL-WARNING	
23	6586293	2	BUSHING	
24	6617897	2	CHAIN	
25	6626327	2	LINK-CONNECTOR	
26	6626353	2	HOSE-LH	
27	6626498	8	SPACER	
28	6626623	2	HOSE	
29	6627860	1	STEP,W/A	
30	6649040	1	BUMPER-RUBBER	
31	6669323	1	SPRING-GAS	
32	6800749	1	BUSHING-W/A	
33	6801521	1	MOUNT	
34	6801571	1	PAD-RUBBER	
35	6801823	1	COVER-TANK	
36	6801824	1	COVER-TANK	
37	6801825	1	PLATE-SIDE LH	
38	6801826	1	PLATE-SIDE RH	
39	6801829	1	SUPPORT-TOP	
40	6801849	1	BRACKET-W/A,LH	
41	6801850	1	BRACKET-W/A,RH	
42	6803702	1	SUPPORT-W/A,LH	
43	6803703	1	SUPPORT-W/A,RH	



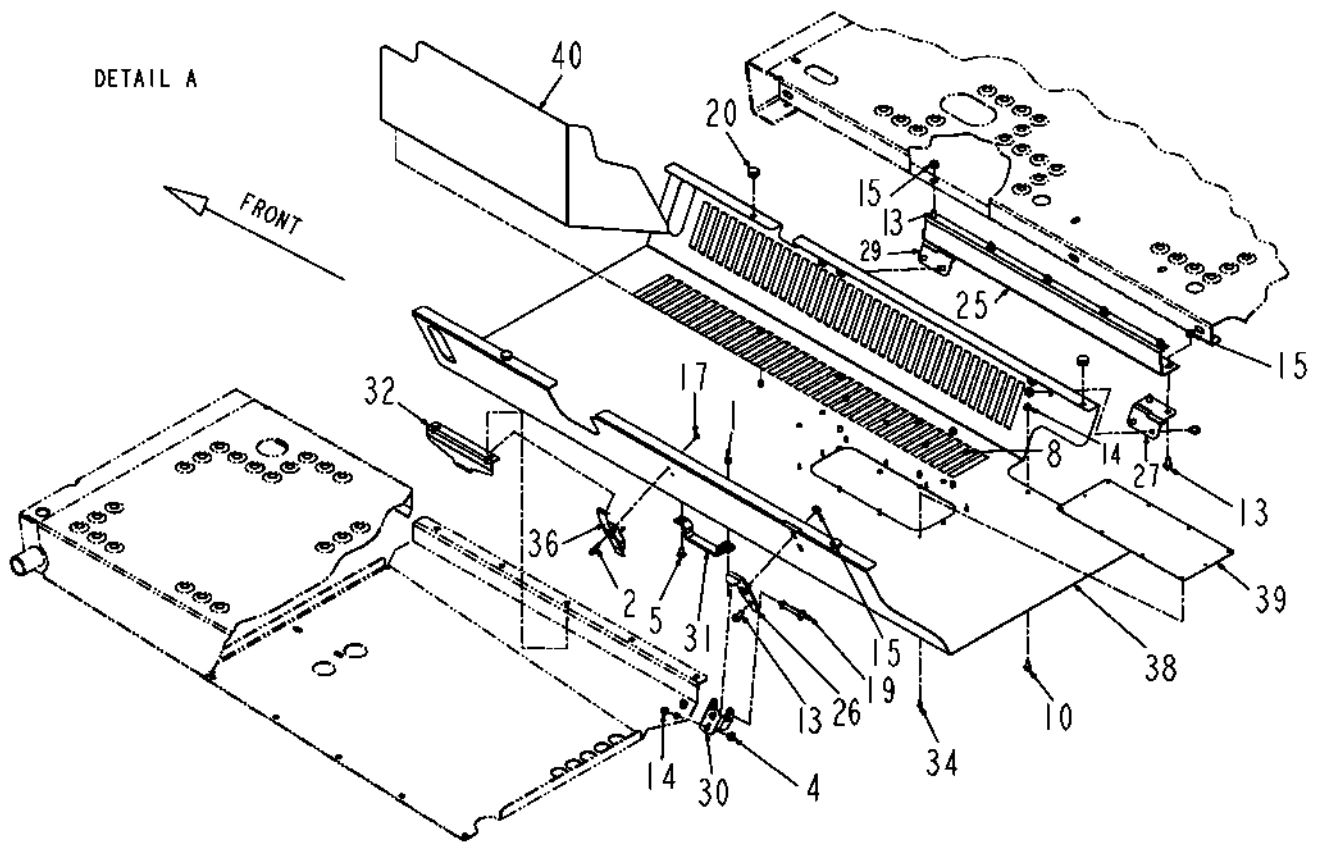
ITEM	PART #	QTY	DESCRIPTION	COMMENT
1	WR50838	10	NUT-HEX,METRIC M10-1.5	
2	WR55063	4	SCREW-CAP HEX M12 X 130	
3	WR55106	10	WASHER-LOCK SPRING,10 MM	
4	WR55141	4	WASHER-STL,8MM ID	
5	WR55158	10	WASHER-FLAT,10MM ID,	
6	WR55173	2	BOLT-CARRIAGE.M10 X 25.	
7	WR55190	6	SCREW-CAP HEX M8 X 20,	
8	WR55191	42	HEX HEAD,THREAD ROLLING SCREW	
9	WR55209	2	SCREW-HEX FLG.M8X1.25X35 CL8.8	
10	WR55214	8	SCREW-HEX FLG.M10X1.5X20 CL8.8	
11	WR55280	2	NUT-FLANGE,M8 X 1.25	
12	WR55281	8	NUT-FLANGE,M10 X 1.5	
13	WR55402	1	PIN-STR COILED,3/8 X	
14	WR121026	1	FOOTBOARD-RH	
15	WR129520	1	FOOTBOARD-LH	
16	WR132678	1	SUPPORT WLDMT-FOOTBOARD,RH	
17	WR132679	1	SUPPORT WLDMT-FOOTBOARD,LH	
18	WR550213	2	NUT 0.31-18NC HEX ZN REG	
19	WR561892	1	FITTING LUBE STR 0.25UNF	
20	WR562272	8	WASHER M12 LK ZN REG	
21	WR562375	8	BOLT M12-1.75X 25MM G8.8 ZN HH	
22	6577754	1	DECAL-WARNING	
23	6586293	2	BUSHING	
24	6626498	8	SPACER	
25	6627860	1	STEP,W/A	
26	6649040	1	BUMPER-RUBBER	
27	6669323	1	SPRING-GAS	
28	6800749	1	BUSHING-W/A	
29	6801521	1	MOUNT	
30	6801571	1	PAD-RUBBER	
31	6801823	1	COVER-TANK	
32	6801824	1	COVER-TANK	
33	6801825	1	PLATE-SIDE LH	
34	6801826	1	PLATE-SIDE RH	
35	6801829	1	SUPPORT-TOP	
36	6801849	1	BRACKET-W/A,LH	
37	6801850	1	BRACKET-W/A,RH	



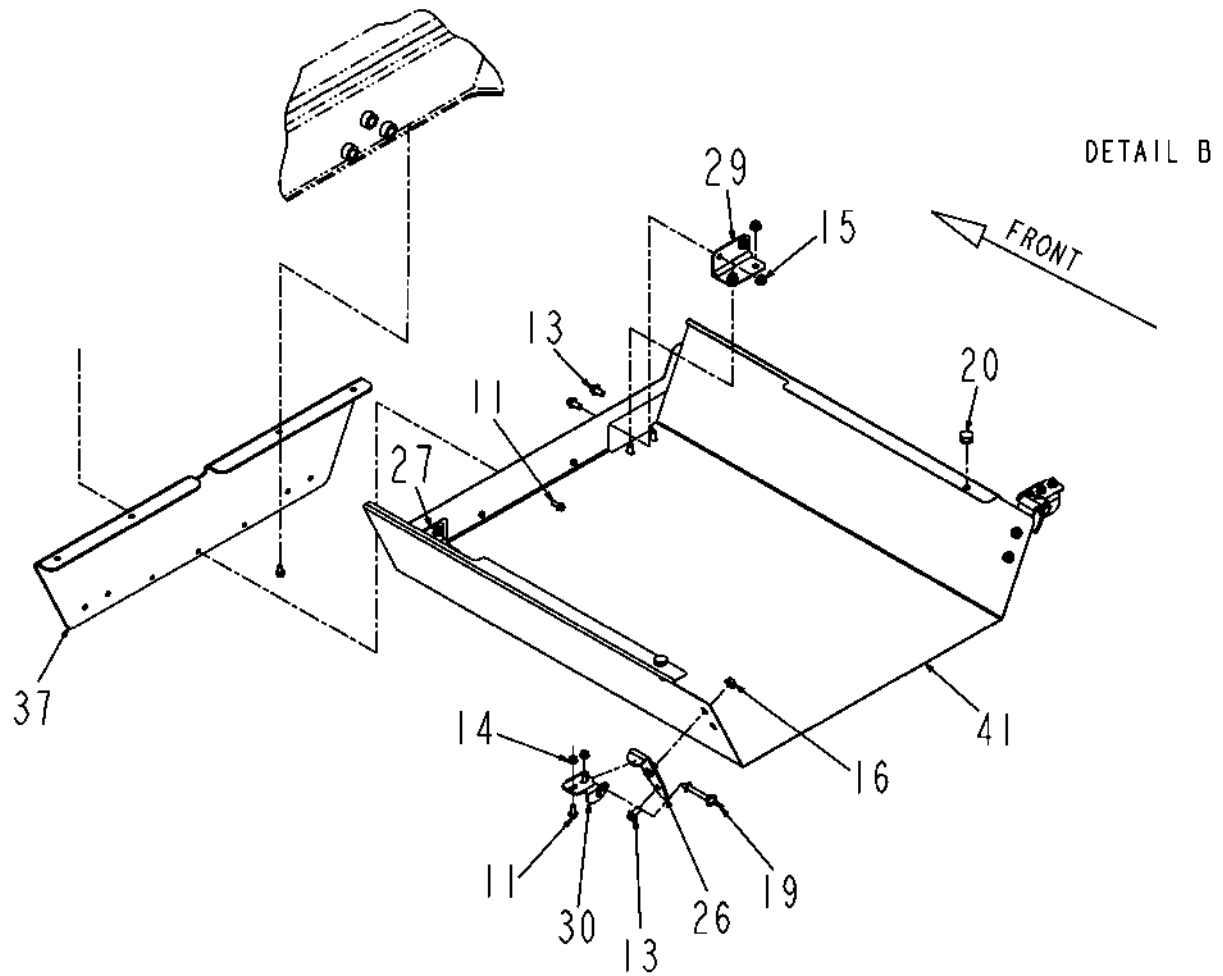
ITEM	PART #	QTY	DESCRIPTION	COMMENT
1	WR10193	2	SCREW-CAP HEX 5/8 NC X	
2	WR55111	2	BOLT-SQR, HD, 3/8 NC X 3/4 G2	
3	WR55147	3	SCREW-CAP HEX 3/8 NC X	
4	WR55367	5	NUT-TOPLOCK, 1/2-13UNC G5	
5	WR55489	1	PIN-STR COILED, 1/4 X	
6	WR132466	1	COUPLER-PLATE,TOW HITCH	
7	WR515180	3	WASHER 0.62 FL ZN REG G8	
8	WR550191	3	WASHER LK 0.37 ZN REG	
9	WR550213	3	NUT 0.31-18NC HEX ZN REG	
10	WR550825	4	NUT 0.37-16NC HEX ZN REG	
11	WR551007	3	WASHER FL 0.37 ZN REG TYPE-B	
12	WR551015	2	WASHER 0.31 FL ZN REG TYPE-B	
13	WR551224	2	BOLT-.50-20X2.25,G5,ZN,HHD	
14	WR551457	2	BOLT.37-16NCX.75 G5 PL HHD (D)	
15	WR552321	1	PIN COTTER 0.09X1.00 ZN (D)	
16	WR559202	3	BOLT 0.31-18NCX 1.00 G8 ZN HHD	
17	WR561892	2	FITTING LUBE STR 0.25UNF	
18	6661838	5	PIN ASSY-HITCH	
19	6665477	2	CHAIN ASSY-SAFETY	
20	6669695	1	HITCH-W/A,LH	
21	6669696	3	HANDLE-W/A	
22	6669697	3	TUBE-CAM,W/A	
23	6669698	1	COUPLER-W/A	
24	6669699	1	LATCH-W/A	
25	6669700	1	SPRING	
26	6669702	1	PLATE-STOP	
27	6669703	1	HITCH-W/A,RH	
28	6669707	1	CHAIN	
29	6670718	1	COVER-BOTTOM	
30	6670719	1	PIN	
31	6670720	1	PIN	
32	6801473	1	DECAL-HITCH	
33	6803316	1	DECAL-COUPLER	
34	6803317	1	DECAL-WARNING	
35	WR55935	1	DECAL-TOWING	



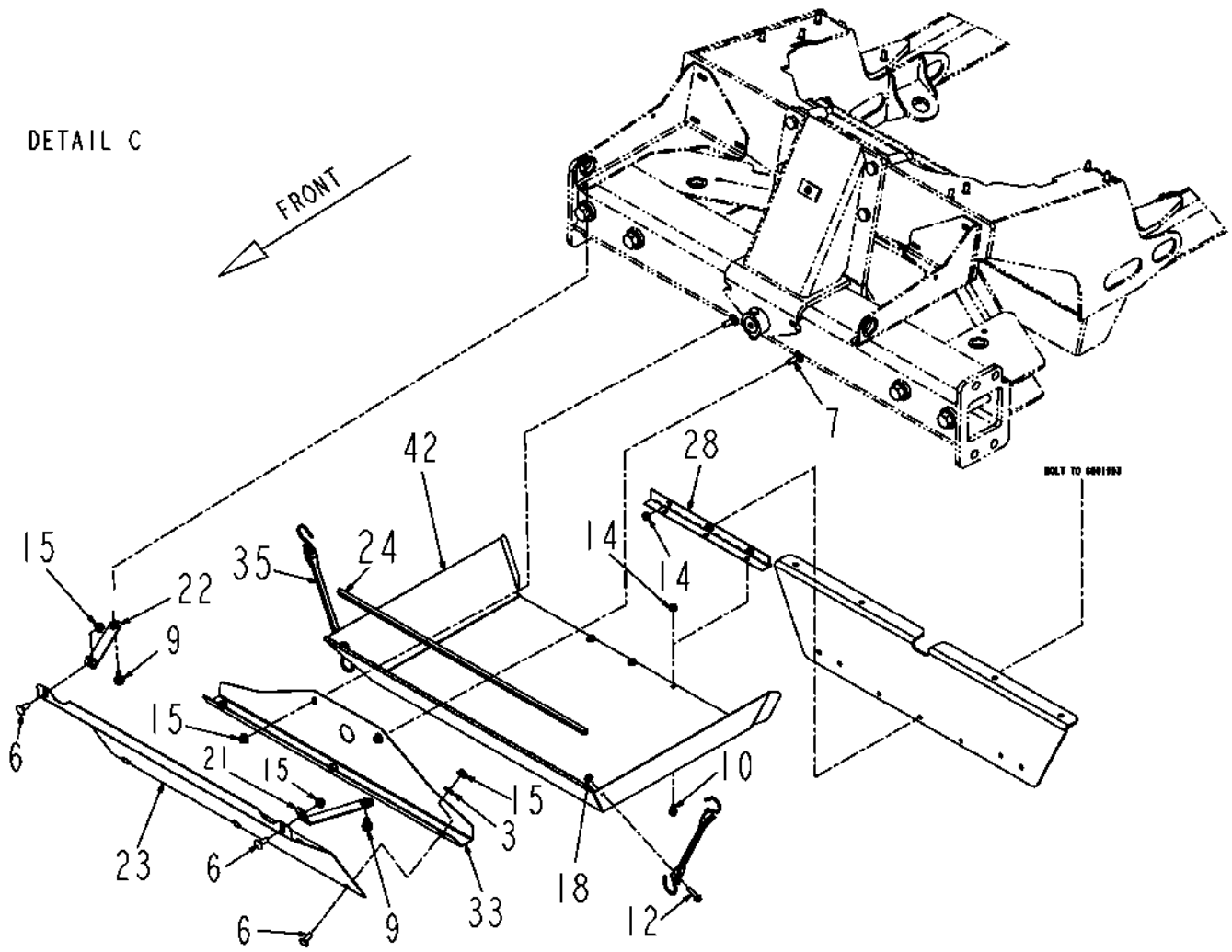
ITEM	PART #	QTY	DESCRIPTION	COMMENT
1	WR32254	2	NUT-TOPLOCK,M8-1.25	
2	WR34508	2	SCREW-CAP HEX M6 X 1.0 X	
3	WR55076	3	WASHER-PLAIN,12MM ID,LC,	
4	WR55171	2	BOLT-CARRIAGE,M8 X 16,	
5	WR55172	2	BOLT-CARRIAGE,M8 X 20,	
6	WR55173	5	BOLT-CARRIAGE,M10 X 25,	
7	WR55174	2	BOLT-CARRIAGE,M10 X 30,	
8	WR55178	10	WASHER-FLAT STD,#8	
9	WR55191	2	HEX HEAD,THREAD ROLLING SCREW	
10	WR55205	8	SCREW-HEX FLG,M8X1.25X16 CL8.8	
11	WR55206	7	SCREW-HEX FLG,M8X1.25X20 CL8.8	
12	WR55208	2	SCREW-HEX FLG,M8X1.25X30 CL8.8	
13	WR55214	27	SCREW-HEX FLG,M10X1.5X20 CL8.8	
14	WR55280	17	NUT-FLANGE,M8 X 1.25	
15	WR55281	30	NUT-FLANGE,M10 X 1.5	
16	WR55301	4	NUT-FLANGE,M10 X 1.5,PREV	
17	WR55310	2	NUT-LOCK HEX,M6 X 1.0,	
18	WR55410	2	NUT-FLANGE,M8 X 1.25 CL8,	
19	6510020	3	PIN-SNAPPER	
20	6519178	6	BUMPER	
21	6597860	1	BRACE-LH	
22	6597861	1	BRACE-RH	
23	6597868	1	SHIELD-FRONT	
24	6620417	-	RUBBER-STRIP [BULK: 4.270 FT]	
25	6626826	1	CHANNEL	
26	6626860	3	ANGLE	
27	6626861	2	HINGE-RH	
28	6626862	1	HINGE	
29	6626869	2	HINGE	
30	6626921	3	EAR-LATCH	
31	6627414	1	HANDLE	
32	6627458	1	BRACKET-LATCH	
33	6627470	1	SUPPORT-SHIELD	
34	6630207	10	RIVET-POP	
35	6660569	2	STRAP-RUBBER	
36	6664825	1	LATCH-DRAW,OVER CNTR	
37	6800103	1	PLATE-BELLY PAN	
38	6801063	1	SHIELD-CROP	
39	6801069	1	SCREEN-FAN	
40	6801085	1	SHIELD-MUFFLER	
41	6801993	1	SHIELD-CENTER	
42	6801994	1	SHIELD-FRONT	



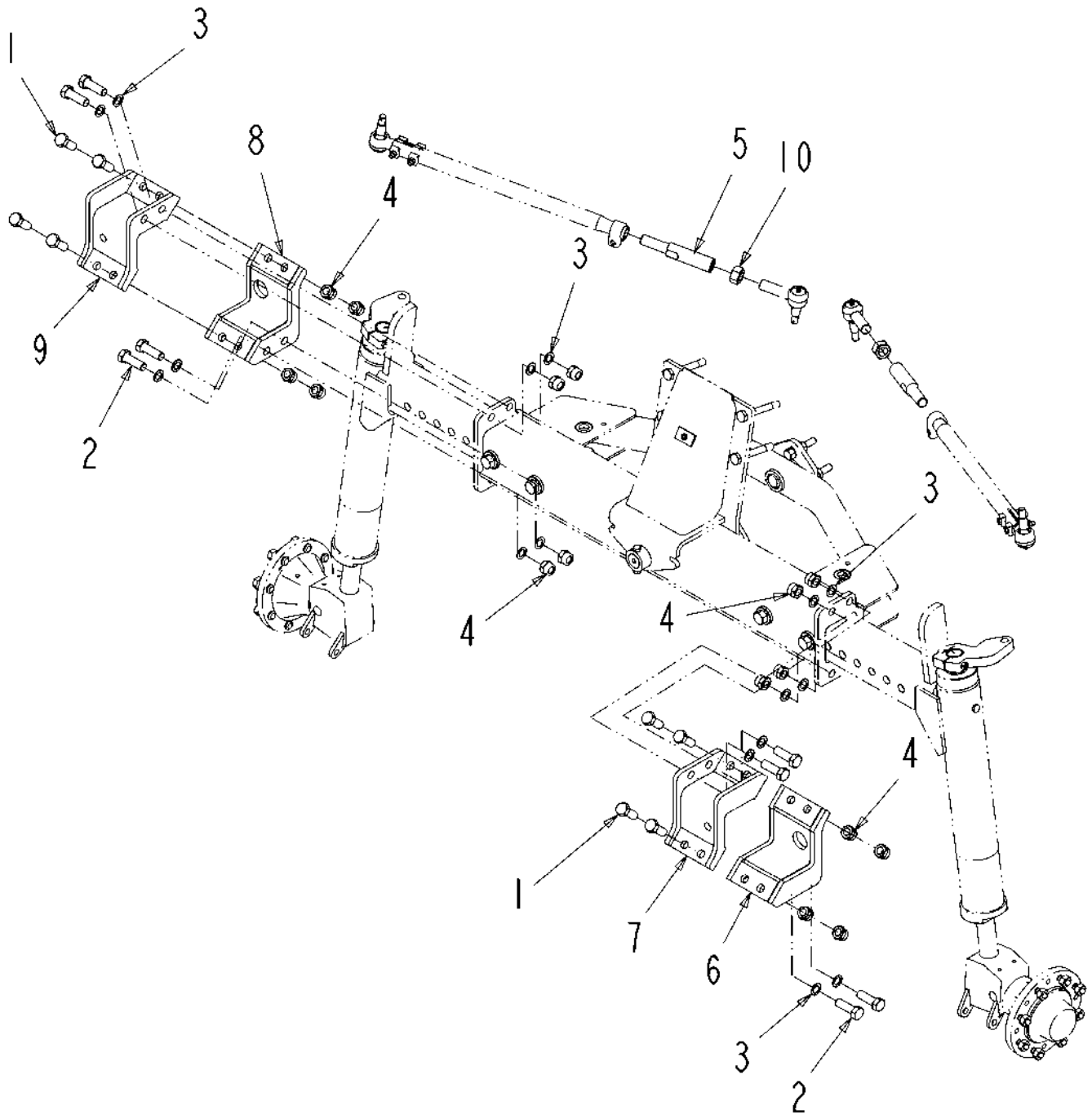
ITEM	PART #	QTY	DESCRIPTION	COMMENT
1	WR32254	2	NUT-TOPLOCK,M8-1.25	
2	WR34508	2	SCREW-CAP HEX M6 X 1.0 X	
3	WR55076	3	WASHER-PLAIN,12MM ID,LC,	
4	WR55171	2	BOLT-CARRIAGE,M8 X 16,	
5	WR55172	2	BOLT-CARRIAGE,M8 X 20,	
6	WR55173	5	BOLT-CARRIAGE,M10 X 25,	
7	WR55174	2	BOLT-CARRIAGE,M10 X 30,	
8	WR55178	10	WASHER-FLAT STD,#8	
9	WR55191	2	HEX HEAD,THREAD ROLLING SCREW	
10	WR55205	8	SCREW-HEX FLG,M8X1.25X16 CL8.8	
11	WR55206	7	SCREW-HEX FLG,M8X1.25X20 CL8.8	
12	WR55208	2	SCREW-HEX FLG,M8X1.25X30 CL8.8	
13	WR55214	27	SCREW-HEX FLG,M10X1.5X20 CL8.8	
14	WR55280	17	NUT-FLANGE,M8 X 1.25	
15	WR55281	30	NUT-FLANGE,M10 X 1.5	
16	WR55301	4	NUT-FLANGE,M10 X 1.5,PREV	
17	WR55310	2	NUT-LOCK HEX,M6 X 1.0,	
18	WR55410	2	NUT-FLANGE,M8 X 1.25 CL8,	
19	6510020	3	PIN-SNAPPER	
20	6519178	6	BUMPER	
21	6597860	1	BRACE-LH	
22	6597861	1	BRACE-RH	
23	6597868	1	SHIELD-FRONT	
24	6620417	-	RUBBER-STRIP [BULK: 4.270 FT]	
25	6626826	1	CHANNEL	
26	6626860	3	ANGLE	
27	6626861	2	HINGE-RH	
28	6626862	1	HINGE	
29	6626869	2	HINGE	
30	6626921	3	EAR-LATCH	
31	6627414	1	HANDLE	
32	6627458	1	BRACKET-LATCH	
33	6627470	1	SUPPORT-SHIELD	
34	6630207	10	RIVET-POP	
35	6660569	2	STRAP-RUBBER	
36	6664825	1	LATCH-DRAW,OVER CNTR	
37	6800103	1	PLATE-BELLY PAN	
38	6801063	1	SHIELD-CROP	
39	6801069	1	SCREEN-FAN	
40	6801085	1	SHIELD-MUFFLER	
41	6801993	1	SHIELD-CENTER	
42	6801994	1	SHIELD-FRONT	



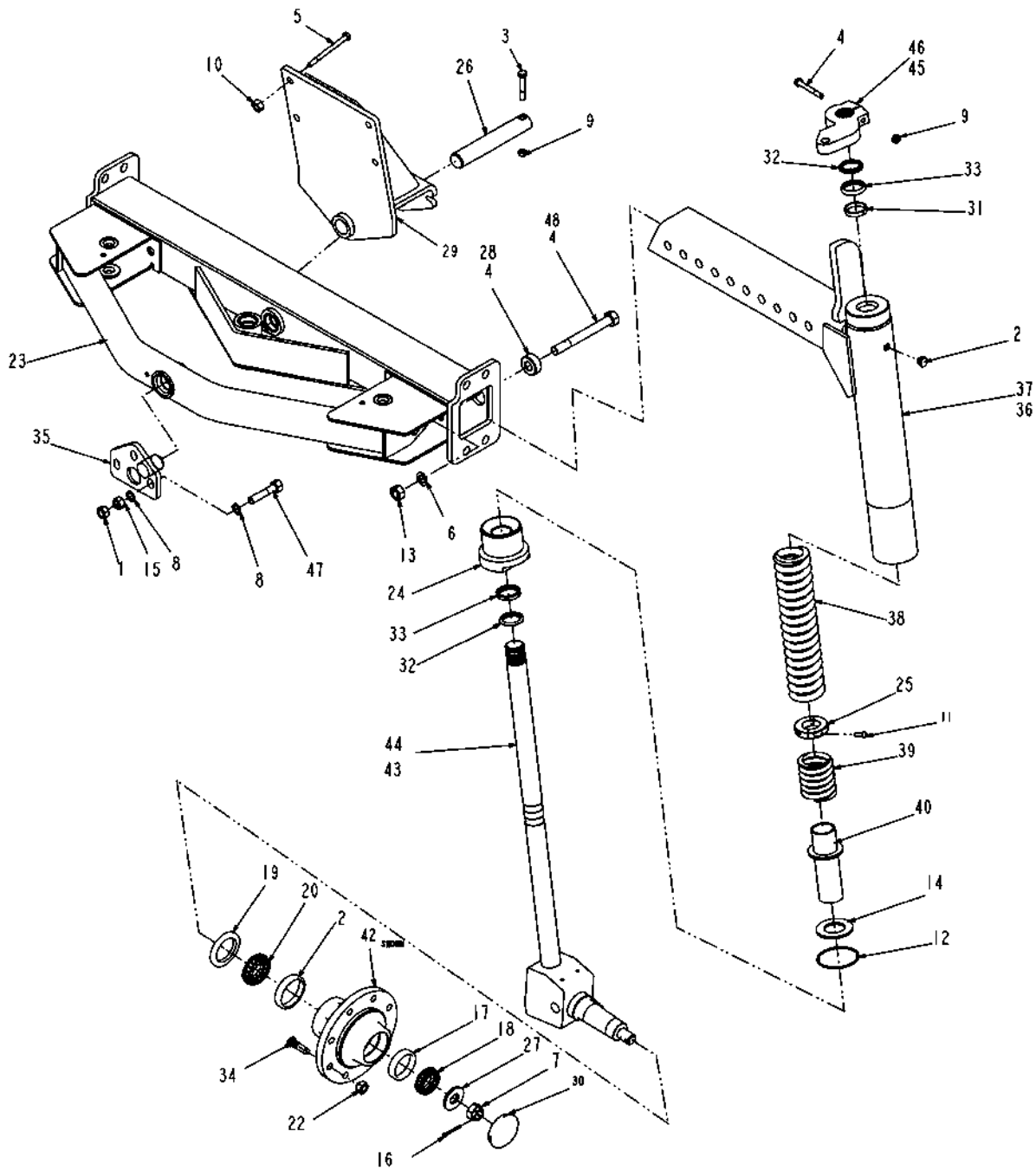
ITEM	PART #	QTY	DESCRIPTION	COMMENT
1	WR32254	2	NUT-TOPLOCK,M8-1.25	
2	WR34508	2	SCREW-CAP HEX M6 X 1.0 X	
3	WR55076	3	WASHER-PLAIN,12MM ID,LC,	
4	WR55171	2	BOLT-CARRIAGE,M8 X 16,	
5	WR55172	2	BOLT-CARRIAGE,M8 X 20,	
6	WR55173	5	BOLT-CARRIAGE,M10 X 25,	
7	WR55174	2	BOLT-CARRIAGE,M10 X 30,	
8	WR55178	10	WASHER-FLAT STD,#8	
9	WR55191	2	HEX HEAD,THREAD ROLLING SCREW	
10	WR55205	8	SCREW-HEX FLG,M8X1.25X16 CL8.8	
11	WR55206	7	SCREW-HEX FLG,M8X1.25X20 CL8.8	
12	WR55208	2	SCREW-HEX FLG,M8X1.25X30 CL8.8	
13	WR55214	27	SCREW-HEX FLG,M10X1.5X20 CL8.8	
14	WR55280	17	NUT-FLANGE,M8 X 1.25	
15	WR55281	30	NUT-FLANGE,M10 X 1.5	
16	WR55301	4	NUT-FLANGE,M10 X 1.5,PREV	
17	WR55310	2	NUT-LOCK HEX,M6 X 1.0,	
18	WR55410	2	NUT-FLANGE,M8 X 1.25 CL8,	
19	6510020	3	PIN-SNAPPER	
20	6519178	6	BUMPER	
21	6597860	1	BRACE-LH	
22	6597861	1	BRACE-RH	
23	6597868	1	SHIELD-FRONT	
24	6620417	-	RUBBER-STRIP [BULK: 4.270 FT]	
25	6626826	1	CHANNEL	
26	6626860	3	ANGLE	
27	6626861	2	HINGE-RH	
28	6626862	1	HINGE	
29	6626869	2	HINGE	
30	6626921	3	EAR-LATCH	
31	6627414	1	HANDLE	
32	6627458	1	BRACKET-LATCH	
33	6627470	1	SUPPORT-SHIELD	
34	6630207	10	RIVET-POP	
35	6660569	2	STRAP-RUBBER	
36	6664825	1	LATCH-DRAW,OVER CNTR	
37	6800103	1	PLATE-BELLY PAN	
38	6801063	1	SHIELD-CROP	
39	6801069	1	SCREEN-FAN	
40	6801085	1	SHIELD-MUFFLER	
41	6801993	1	SHIELD-CENTER	
42	6801994	1	SHIELD-FRONT	



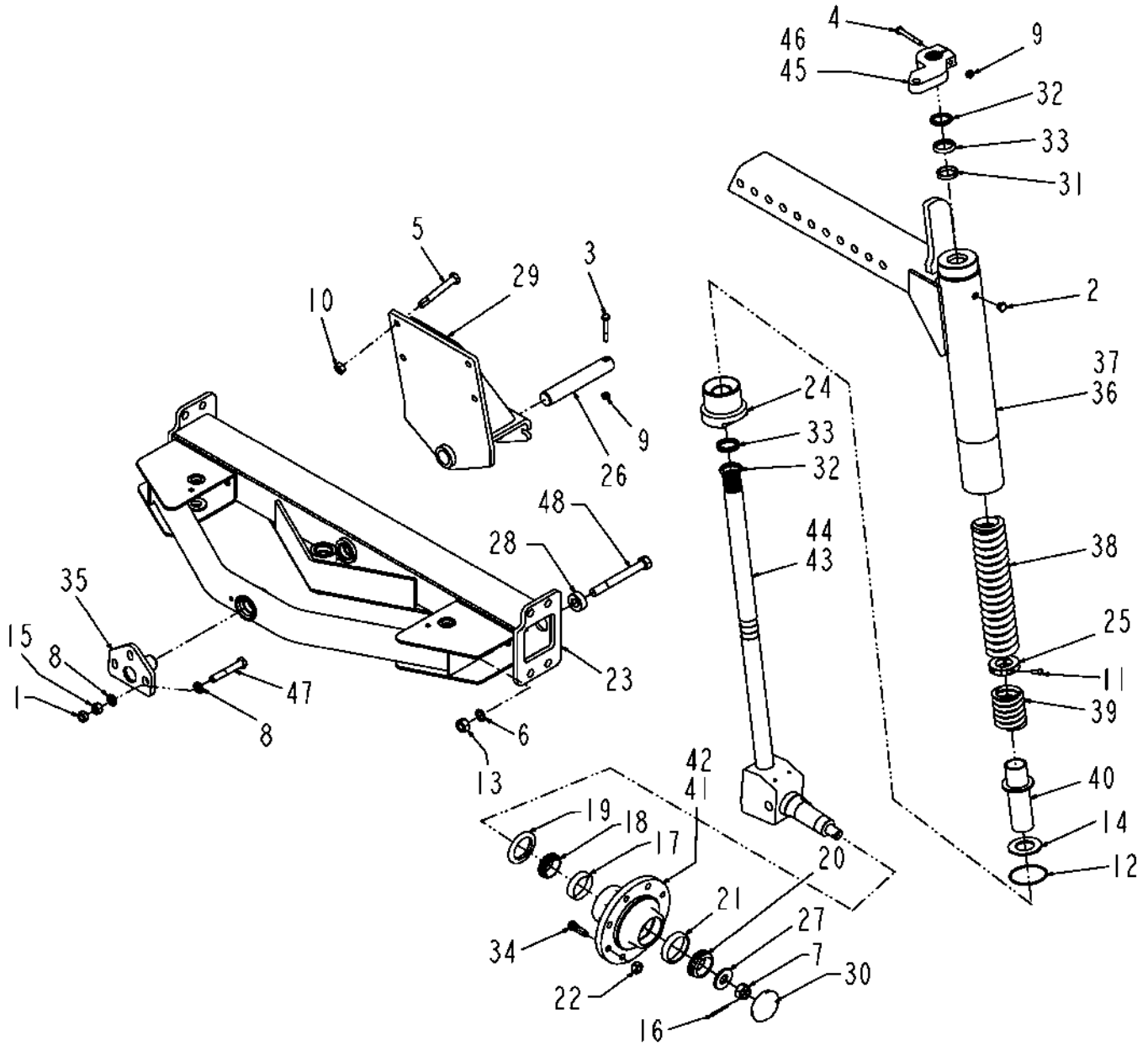
ITEM	PART #	QTY	DESCRIPTION	COMMENT
1	WR32254	2	NUT-TOPLOCK,M8-1.25	
2	WR34508	2	SCREW-CAP HEX M6 X 1.0 X	
3	WR55076	3	WASHER-PLAIN,12MM ID,LC,	
4	WR55171	2	BOLT-CARRIAGE,M8 X 16,	
5	WR55172	2	BOLT-CARRIAGE,M8 X 20,	
6	WR55173	5	BOLT-CARRIAGE,M10 X 25,	
7	WR55174	2	BOLT-CARRIAGE,M10 X 30,	
8	WR55178	10	WASHER-FLAT STD,#8	
9	WR55191	2	HEX HEAD,THREAD ROLLING SCREW	
10	WR55205	8	SCREW-HEX FLG,M8X1.25X16 CL8.8	
11	WR55206	7	SCREW-HEX FLG,M8X1.25X20 CL8.8	
12	WR55208	2	SCREW-HEX FLG,M8X1.25X30 CL8.8	
13	WR55214	27	SCREW-HEX FLG,M10X1.5X20 CL8.8	
14	WR55280	17	NUT-FLANGE,M8 X 1.25	
15	WR55281	30	NUT-FLANGE,M10 X 1.5	
16	WR55301	4	NUT-FLANGE,M10 X 1.5,PREV	
17	WR55310	2	NUT-LOCK HEX,M6 X 1.0,	
18	WR55410	2	NUT-FLANGE,M8 X 1.25 CL8,	
19	6510020	3	PIN-SNAPPER	
20	6519178	6	BUMPER	
21	6597860	1	BRACE-LH	
22	6597861	1	BRACE-RH	
23	6597868	1	SHIELD-FRONT	
24	6620417	-	RUBBER-STRIP [BULK: 4.270 FT]	
25	6626826	1	CHANNEL	
26	6626860	3	ANGLE	
27	6626861	2	HINGE-RH	
28	6626862	1	HINGE	
29	6626869	2	HINGE	
30	6626921	3	EAR-LATCH	
31	6627414	1	HANDLE	
32	6627458	1	BRACKET-LATCH	
33	6627470	1	SUPPORT-SHIELD	
34	6630207	10	RIVET-POP	
35	6660569	2	STRAP-RUBBER	
36	6664825	1	LATCH-DRAW,OVER CNTR	
37	6800103	1	PLATE-BELLY PAN	
38	6801063	1	SHIELD-CROP	
39	6801069	1	SCREEN-FAN	
40	6801085	1	SHIELD-MUFFLER	
41	6801993	1	SHIELD-CENTER	
42	6801994	1	SHIELD-FRONT	



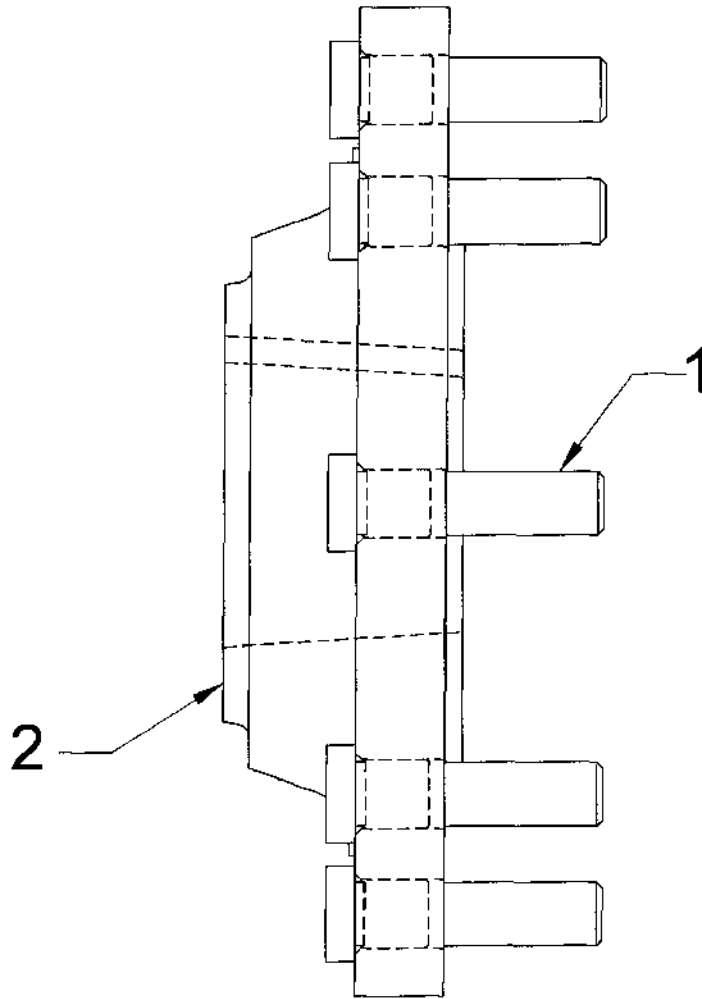
ITEM	PART #	QTY	DESCRIPTION	COMMENT
1	WR55059	8	SCREW-CAP HEX M20 X 50	
2	WR55060	8	SCREW-CAP HEX M20 X 60	
3	WR55078	16	WASHER-PLAIN,20MM ID,LC,	
4	WR55275	16	NUT-LOCK,M20 X 2.0,PREV	
5	6626941	2	ADAPTER	
6	6626942	1	EXTENSION-FRONT,MACH,LH	
7	6626943	1	EXTENSION-FRONT,MACH,LH	
8	6626948	1	EXTENSION-FRONT,MACH,RH	
9	6626950	1	EXTENSION-FRONT,MACH,RH	
10	6627290	2	NUT-HEX	



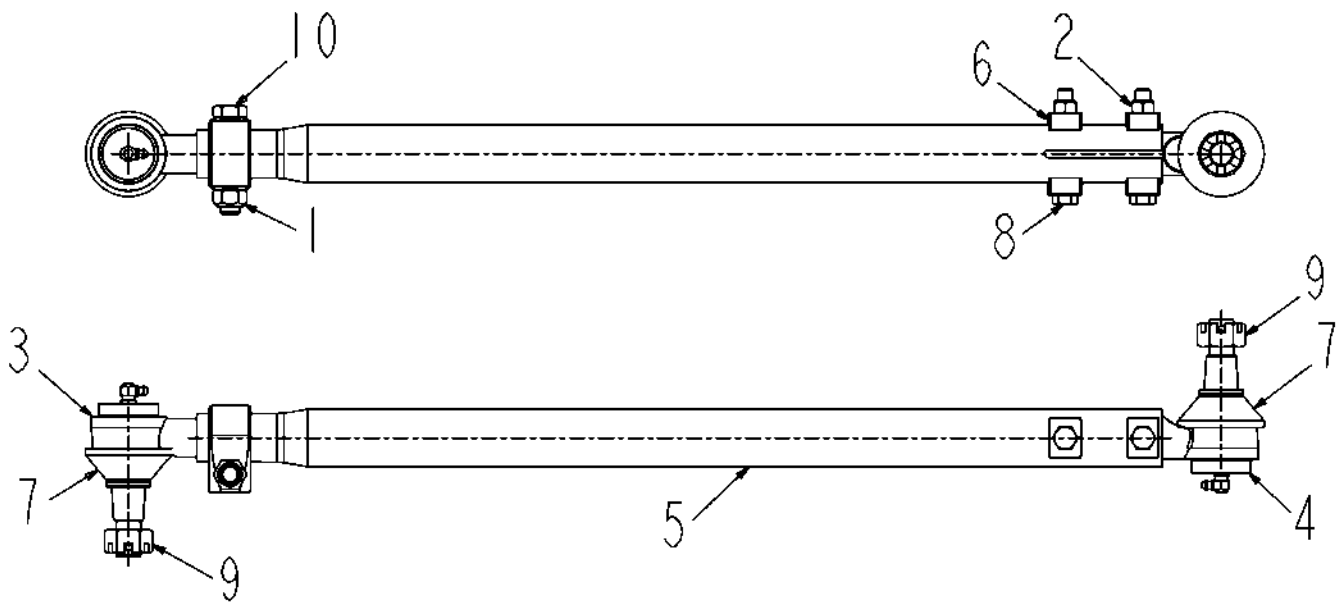
ITEM	PART #	QTY	DESCRIPTION	COMMENT
1	WR11536	3	NUT-JAM, 5/8-18UNF G5 MIN	
2	WR13089	2	PLUG-HEX HEAD,.38 NPT SS	
3	WR55051	1	SCREW-CAP HEX M10 X 70	
4	WR55067	4	SCREW-CAP HEX M16 X 120	
5	WR55078	4	WASHER-PLAIN,20MM ID,LC.	
6	WR55099	2	NUT-CASTLE,1-14UNF	
7	WR55164	6	WASHER-FLAT HRD,16 MM ID	
8	WR55272	1	NUT-LOCK,M10 X 1.5,PREV	
9	WR55274	4	NUT-LOCK,M16 X 1.5,PREV	
10	WR55340	4	SCREW-CAP SOCK 5/16 NF X	
11	WR55447	2	O RING-3.500 ID X .139 CS	
13	WR120510	4	NUT,M20X2.5,HEX LKNYC8 YZN	
14	WR125694	2	BUSHING-SPINDLE,FRONT	
14	WR551937	3	NUT 0.62-18NF HEX ZN REG (D)	
15	WR559768	2	PIN COTTER 0.18X1.75 ZN	
16	6511330	2	BEARING-CUP	
17	6511331	2	BEARING-CONE	
18	6513441	2	SEAL	
19	6519925	2	BEARING-CONE	
20	6519926	2	BEARING-CUP	
21	6564669	16	NUT-WHEEL	
22	6595456	1	FRAME ASSY	SEE PAGE 3-5
23	6618540	2	HEAD	
24	6618542	2	COLLAR-CLAMPING	
25	6618562	1	PIN	
26	6626165	2	WASHER	
27	6626213	4	SPACER	
28	6627316	1	BRACKET-W/A	
29	6656492	2	CAP-CHAINCASE	
30	6658256	2	RING-WEAR	
31	6666544	4	ROD-WIPER	
32	6667327	4	ROD-SEAL	
33	6709170	16	BOLT-WHEEL	
34	6800710	1	BRACKET-W/A	
35	6801189	1	AXLE WLDMT-WF 72 IN ,LH	
36	6801190	1	AXLE WLDMT-WF 72 IN ,RH	
37	6802195	2	SPRING	
38	6802196	2	SPRING	
39	6802201	2	SPACER-W/A	
40	6803787	1	HUB-MACH,LH	
41	6803788	1	HUB-MACH,RH	
42	6803938	1	SHAFT-W/A,LH	
43	6803939	1	SHAFT-W/A,RH	
44	401022X1	2	BOLT-9/16-12X3.75 GR8 HH ZY	
45	401023X1	2	NUT-9/16-12 GR8 HH ZY	
46	505401D1	1	ARM,STEERING LH	
47	505402D1	1	ARM,STEERING RH	
48	WR55647	3	SCREW-HEX 5/8X18UNFX4 GR8	
49	WR55968	4	SCREW HEX 20 X 170 GR8.8	



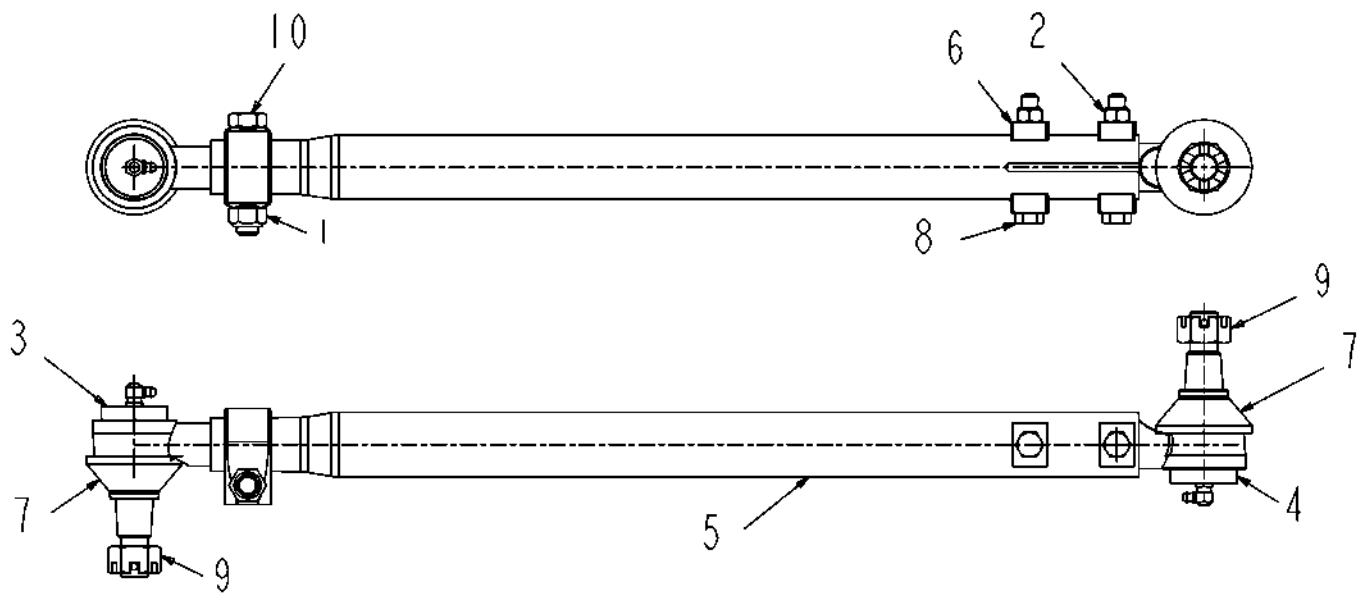
ITEM	PART #	QTY	DESCRIPTION	COMMENT
1	WR11536	3	NUT-JAM, 5/8-18UNF G5 MIN	
2	WR13089	2	PLUG-HEX HEAD,.38 NPT SS	
3	WR55051	1	SCREW-CAP HEX M10 X 70	
4	WR55067	4	SCREW-CAP HEX M16 X 120	
5	WR55078	4	WASHER-PLAIN,20MM ID,LC.	
6	WR55099	2	NUT-CASTLE,1-14UNF	
7	WR55164	6	WASHER-FLAT HRD,16 MM ID	
8	WR55272	1	NUT-LOCK,M10 X 1.5,PREV	
9	WR55274	4	NUT-LOCK,M16 X 1.5,PREV	
10	WR55340	4	SCREW-CAP SOCK 5/16 NF X	
11	WR55447	2	O RING-3.500 ID X .139 CS	
12	WR120510	4	NUT,M20X2.5,HEX LKNYC8 YZN	
13	WR125694	2	BUSHING-SPINDLE,FRONT	
14	WR551937	3	NUT 0.62-18NF HEX ZN REG (D)	
15	WR559768	2	PIN COTTER 0.18X1.75 ZN	
16	6511330	2	BEARING-CUP	
17	6511331	2	BEARING-CONE	
18	6513441	2	SEAL	
19	6519925	2	BEARING-CONE	
20	6519926	2	BEARING-CUP	
21	6564669	16	NUT-WHEEL	
22	6595398	1	FRAME ASSY	SEE PAGE 3-7
23	6618540	2	HEAD	
24	6618542	2	COLLAR-CLAMPING	
25	6618562	1	PIN	
26	6626165	2	WASHER	
27	6626213	4	SPACER	
28	6627316	1	BRACKET-W/A	
29	6656492	2	CAP-CHAINCASE	
30	6658256	2	RING-WEAR	
31	6666544	4	ROD-WIPER	
32	6667327	4	ROD-SEAL	
33	6709170	16	BOLT-WHEEL	
34	6800710	1	BRACKET-W/A	
35	6801192	1	AXLE WLDMT-80 IN -108 IN ,LH	
36	6801193	1	AXLE WLDMT-80 IN -108 IN ,RH	
37	6802195	2	SPRING	
38	6802196	2	SPRING	
39	6802201	2	SPACER-W/A	
40	6803787	1	HUB-MACH,LH	
41	6803788	1	HUB-MACH,RH	
42	6803938	1	SHAFT-W/A,LH	
43	6803939	1	SHAFT-W/A,RH	
44	401022X1	2	BOLT-9/16-12X3.75 GR8 HH ZY	
45	401023X1	2	NUT-9/16-12 GR8 HH ZY	
46	505401D1	1	ARM,STEERING LH	
48	WR55647	3	SCREW-HEX 5/8X18UNFX4 GR8	
49	WR55968	4	SCREW HEX 20 X 170 GR8.8	



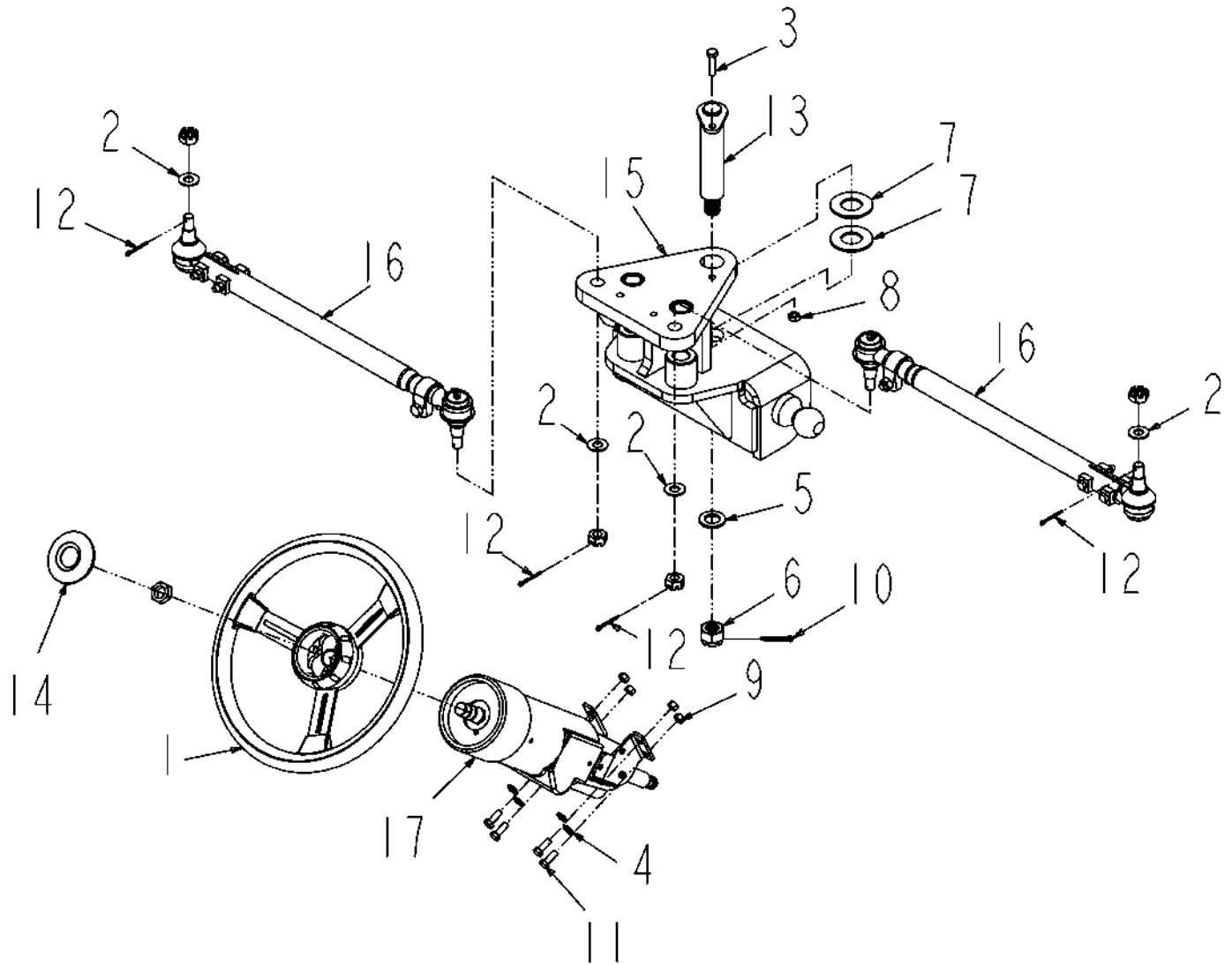
ITEM	PART #	QTY	DESCRIPTION	COMMENT
1	WR55627	8	BOLT-WHEEL 5/8X18 UNF X 2	
2	6803540	1	HUB-WHEEL	



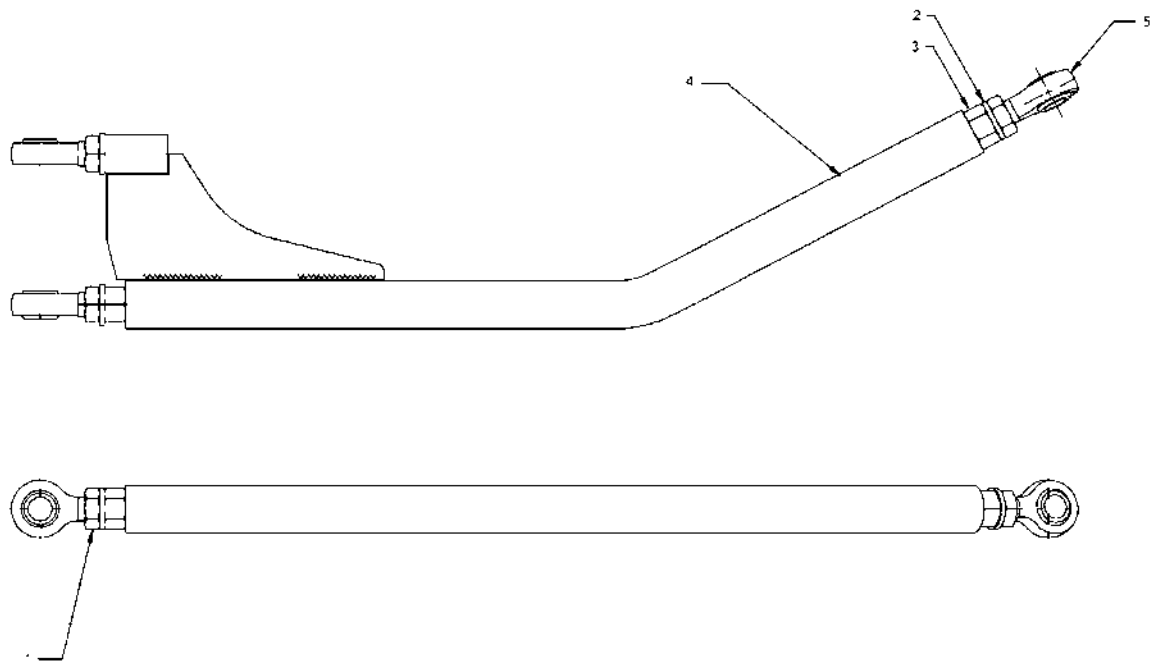
ITEM	PART #	QTY	DESCRIPTION	COMMENT
1	WR55354	1	NUT-TOPLOCK, 1/2-13UNC G8	
2	WR55362	2	NUT-TOPLOCK, 3/8-24UNF G8	
3	WR124890	1	ROD END-THREADED	
4	WR124891	1	ROD SLIDING	
5	WR124892	1	TUBE & CLAMP 24.75 IN	
6	WR124898	4	CLAMP-TIE ROD	
7	WR129279	2	BOOT-GREASE	
8	WR129280	2	BOLT-HEX 3/8-24UNFX2.75 GR8YZ	
9	WR129281	2	NUT-SLOTTED,5/8-18UNF	
10	WR553166	1	BOLT 0.50-13NCX 2.50 G5 ZN HHD	



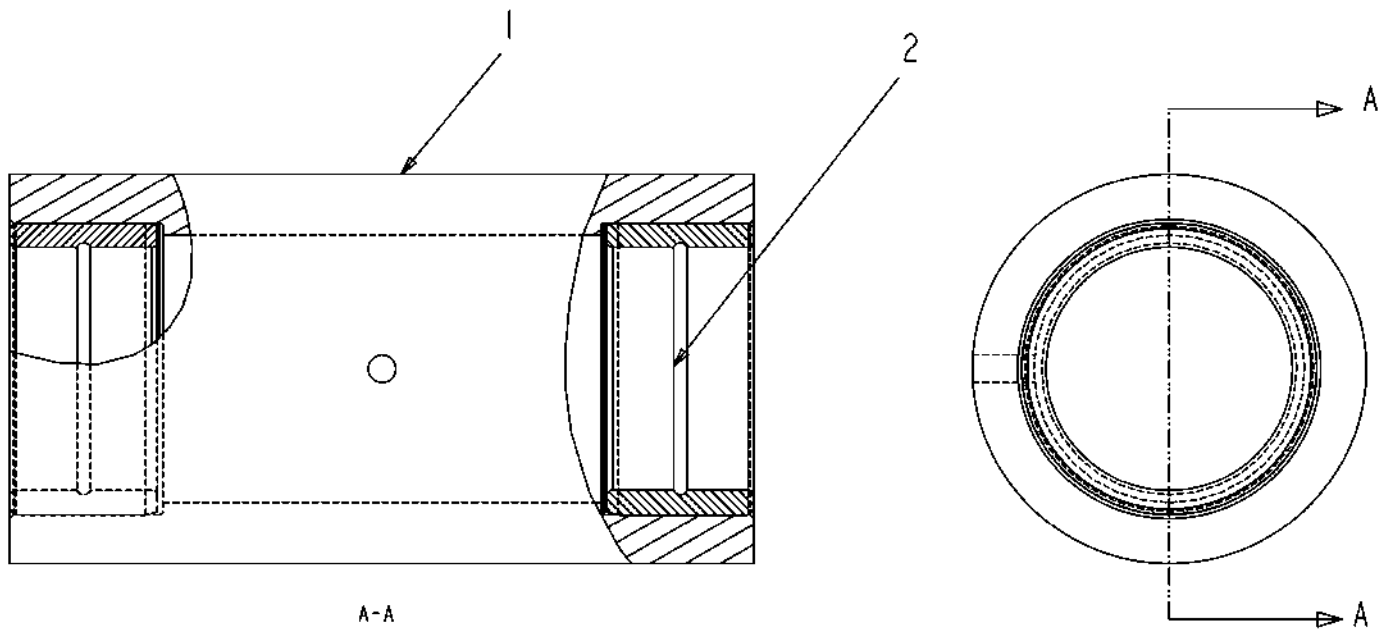
ITEM	PART #	QTY	DESCRIPTION	COMMENT
1	WR55354	1	NUT-TOPLOCK, 1/2-13UNC G8	
2	WR55362	2	NUT-TOPLOCK, 3/8-24UNF G8	
3	WR124890	1	ROD END-THREADED	
4	WR124891	1	ROD SLIDING	
5	WR124893	1	TUBE & CLAMP 21.31 IN	
6	WR124898	4	CLAMP-TIE ROD	
7	WR129279	2	BOOT-GREASE	
8	WR129280	2	BOLT-HEX 3/8-24UNFX2.75 GR8YZ	
9	WR129281	2	NUT-SLOTTED,5/8-18UNF	
10	WR553166	1	BOLT 0.50-13NCX 2.50 G5 ZN HHD	



ITEM	PART #	QTY	DESCRIPTION	COMMENT
1	WR28944	1	STEERING WHEEL-#1634D3P	
2	WR50857	4	WASHER-FLAT,HRD 5/8	
3	WR55047	1	SCREW-CAP HEX M10 X 40	
4	WR55075	4	WASHER-PLAIN,10MM ID,LC,	
5	WR55079	1	WASHER-PLAIN,24MM ID,LC,	
6	WR55168	1	NUT-CASTLE,24MM X 3.00	
7	WR55198	2	WASHER-PLAIN HRD,1 3/8 ID	
8	WR55272	1	NUT-LOCK,M10 X 1.5,PREV	
9	WR55366	4	NUT-TOPLOCK, 3/8-16UNC,	
10	WR55400	1	PIN-COTTER,5MM X 40MM	
11	WR550175	4	BOLT 0.37-16NCX 1.00 G5 ZN HHD	
12	WR553972	4	PIN COTTER 0.15X1.50 ZN	
13	6597793	4	SHAFT W/A	
14	6660827	1	BUTTON-HORN	
15	WR39074	1	PLATE-W/A,STEERING	
16	WR39079	2	TIE ROD ASM-3440-72	SEE PAGE 4-6
17	WR55654	1	STEERING COLUMN#9203218-C	

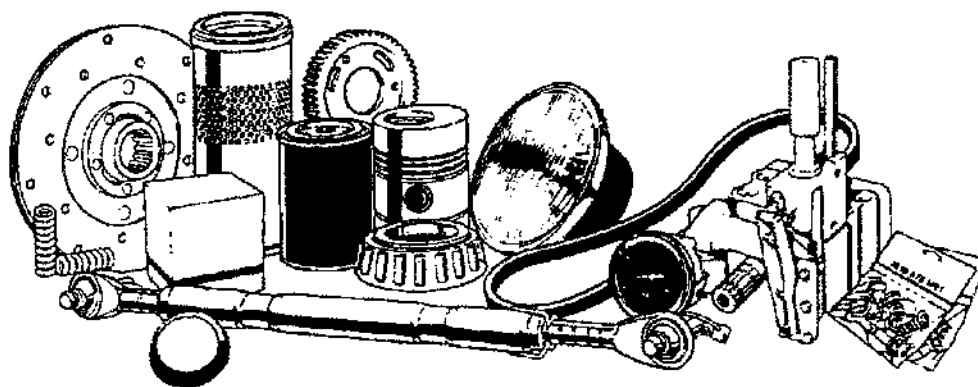


ITEM	PART #	QTY	DESCRIPTION	COMMENT
1	WR11536	3	NUT-JAM, 5/8-18UNF G5 MIN	
2	WR550450	3	WASHER 0.62 LK ZN REG	
3	WR551937	2	NUT 0.62-18NF HEX ZN REG (D)	
4	6627345	1	ARM-STEERING,W/A	
5	6669712	3	JOINT-BALL	

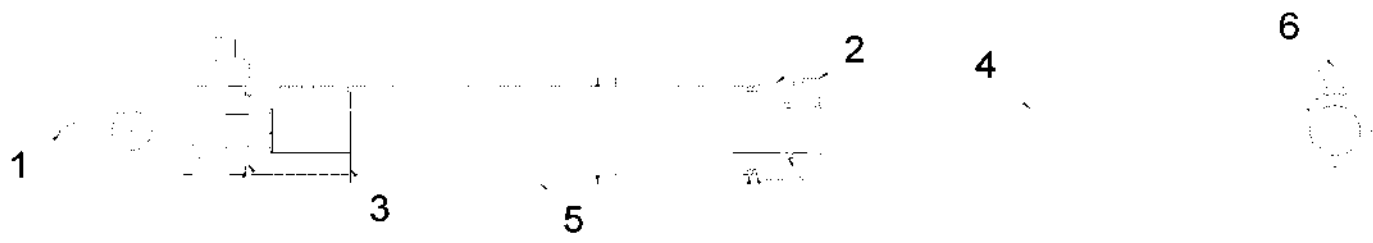


ITEM	PART #	QTY	DESCRIPTION	COMMENT
1	6618629	1	TUBE	
2	6660459	2	BUSHING	

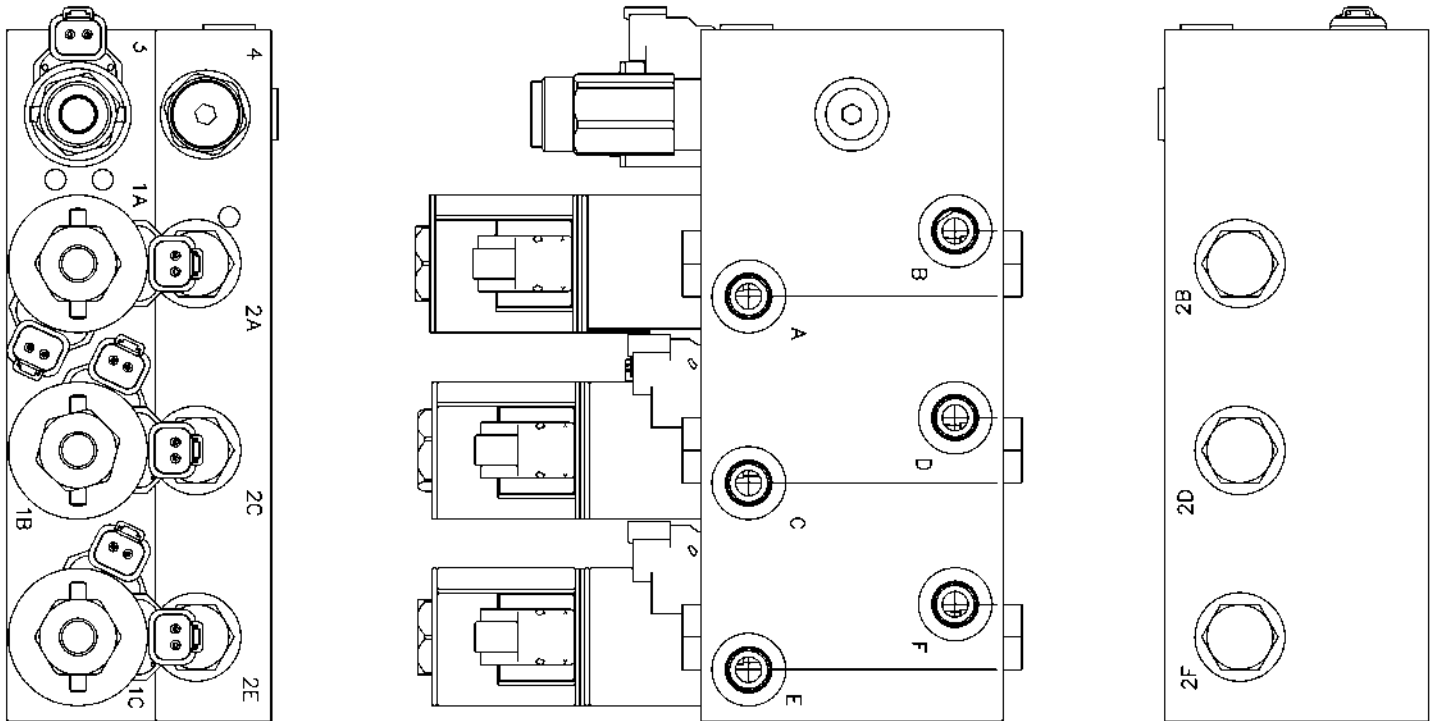
**Please refer to the
Bill Of Material
on the opposite page
for related Installations,
Assemblies, or Parts**



ITEM	PART #	QTY	DESCRIPTION	COMMENT
REF	WR27671	1	SEAL KIT-HYDRA FRC,	



ITEM	PART #	QTY	DESCRIPTION	COMMENT
REF	WR36615	1	SEAL KIT-HYD CYL2.00 X	
1	WR550280	1	FITTING LUB.12-27NPTFX0.68	
2	WR36529	1	HEAD-HYD CLY,2.00 X 1.00	
3	WR36548	1	PISTON-HYD CYL, 2.00 NOM	
4	WR36553	1	ROD-HYD CYL,1.00 X 25.42	
5	WR36589	1	BARREL-HYD CYL, 2.00 ID X	
6	WR559083	1	FITTING LUB 90D 0.125 NPTF	

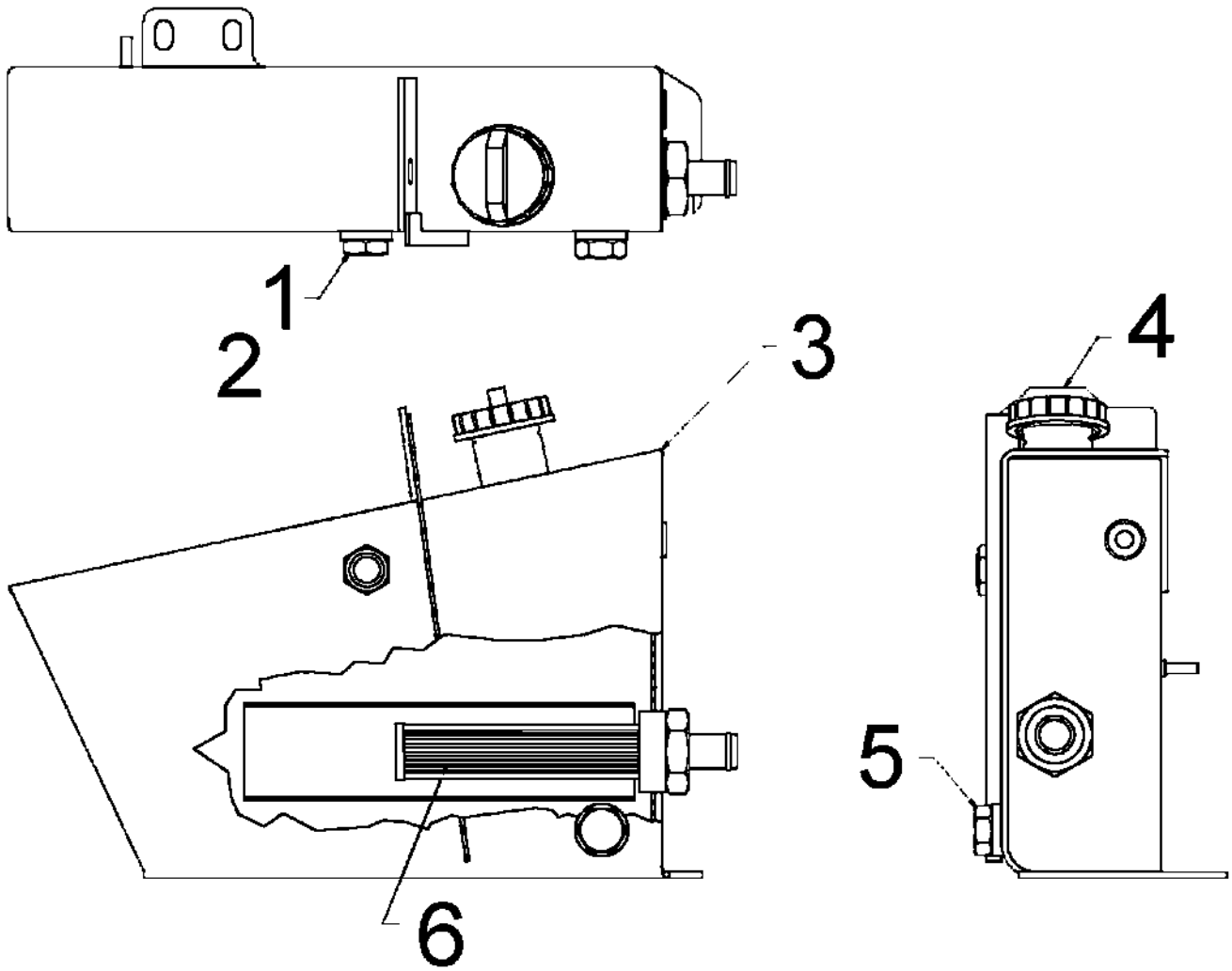


PORT A	6662881	ORIFICE-BOOM LIFT
4	WR38762	VALVE-CARTRIDGE,RELIEF-08
3	128405	NUT-PUSH,E-SERIES,#8
3	121483	COIL-E,12VDC DEUTCH W/DIODE,08
3	609465	HYDRAFORCE N D VALVE
2B,2D,2F	WR41967	PISTON-DBL PILOT, 4:1,
2A-2F, 3, 4	716811	KIT-ORING,ND VALVE(609465)
2A-2F	26528	VALVE-CHECK,CV08200N25
1A-1C	726854	NUT/PULL COIL E-SERIES
1A-1C	121485	SPACE-E COIL, 10
1A-1C	121484	COIL-E,12VDC DEUTCH W/DIODE,10
1A-1C	715207	SEAL KIT
1A-1C	712150	VALVE CARTRIDGE 4WAY
CAVITY	PART NO	DESCRIPTION

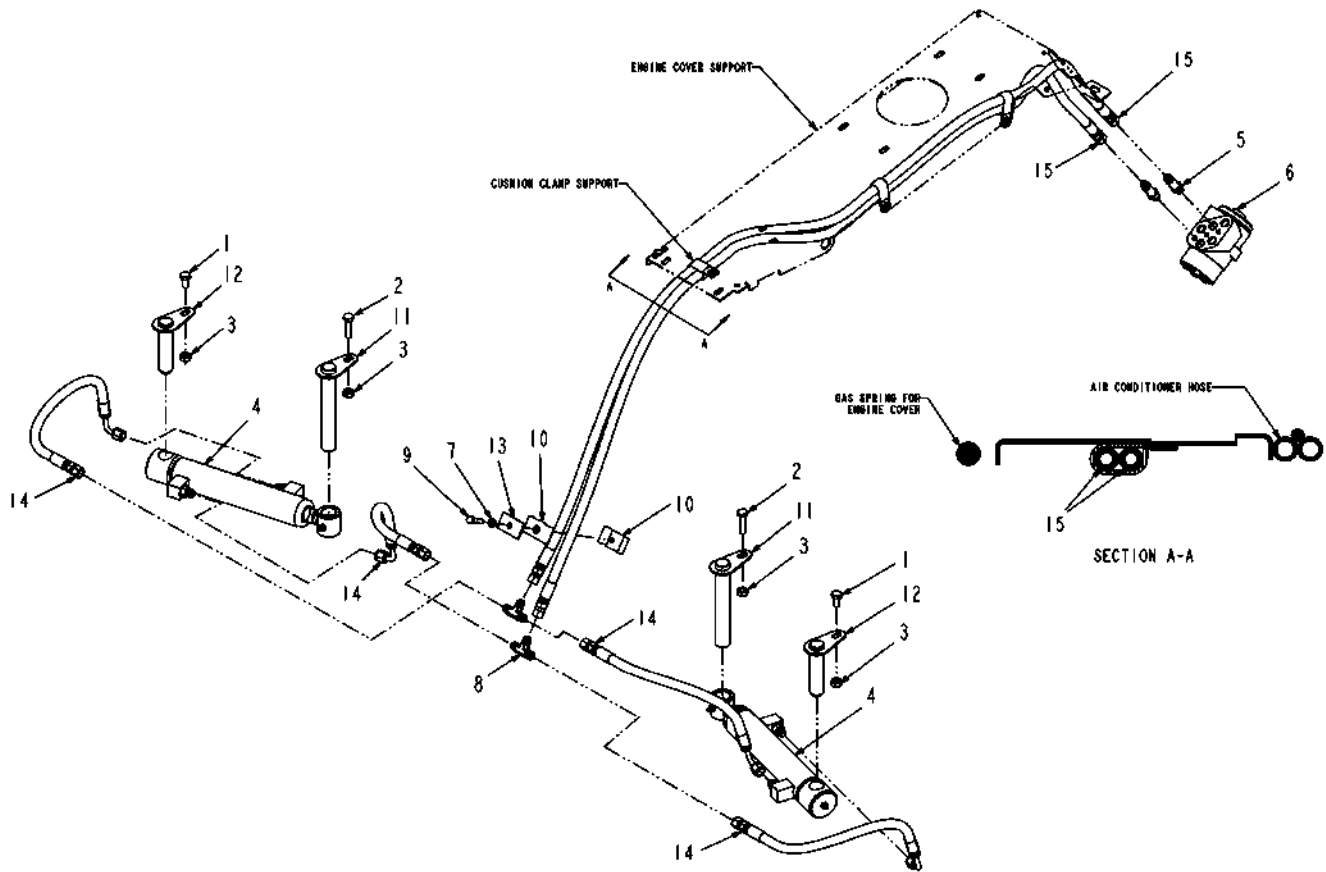
ITEM	PART #	QTY	DESCRIPTION	COMMENT
REF	WR38762	-	VALVE-CARTRIDGE,RELIEF-08	
REF	WR41967	-	PISTON-DBL PILOT, 4:1,	
REF	WR121483	-	COIL-E,12VDC DEUTCH W/DIODE,08	
REF	WR121484	-	COIL-E,12VDC DEUTCH W/DIODE,10	
REF	WR121485	-	SPACER-E COIL,10	
REF	WR128405	-	NUT-PUSH,E-SERIES,#8	
REF	WR26528	-	VALVE-CHECK,CV08200N25	SEE PAGE 5-2
REF	WR609465	-	HYDRAFORCE N D VALVE	
REF	6662881	-	ORIFICE-BOOM LIFT	
REF	WR712150	-	VALVE CARTRIDGE 4WAY	
REF	WR715207	-	SEAL KIT	
REF	WR716811	-	KIT-ORING,ND VALVE(609465)	
REF	WR726854	-	NUT/PULL COIL E-SERIES	



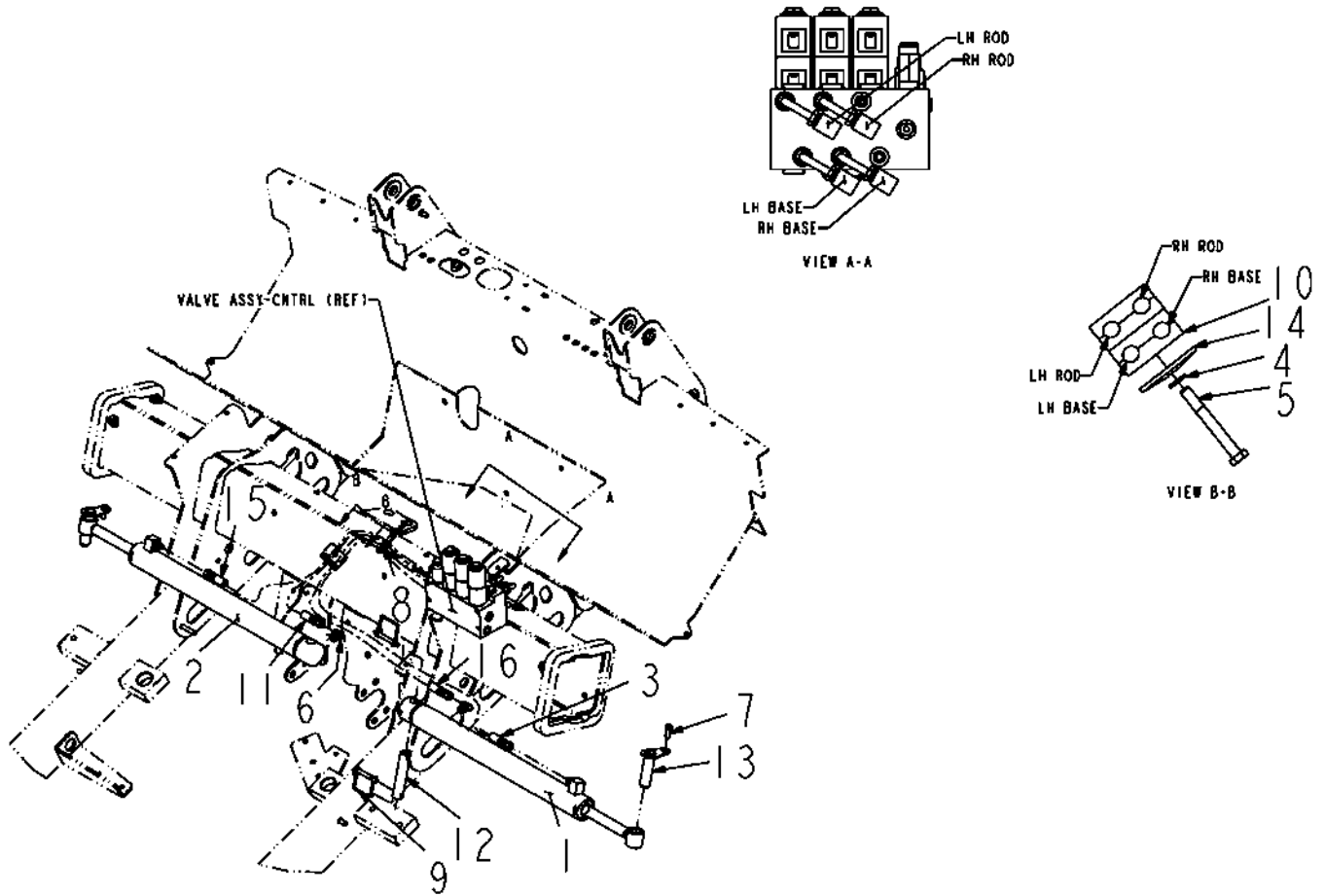
ITEM	PART #	QTY	DESCRIPTION	COMMENT
1	6597025	1	HANDLE-VALVE	
2	6597026	1	HANDLE-GRIP	



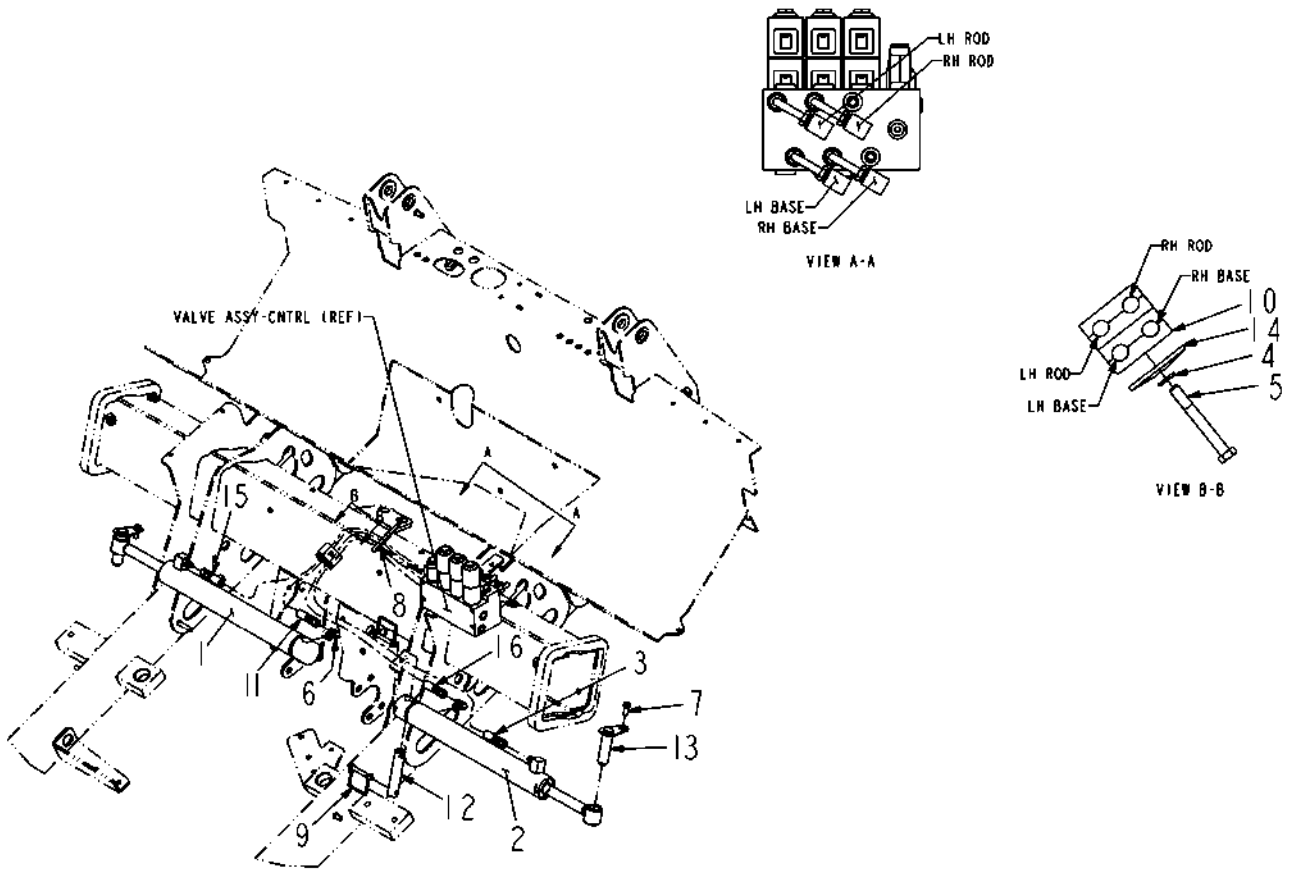
ITEM	PART #	QTY	DESCRIPTION	COMMENT
1	7000001	1	GAUGE-SIGHT LEVEL	
2	WR55456	1	O RING-12MB,90 DUR	
3	6801636	1	TANK-HYD- (4000)	
4	6632468	1	CAP-STD	
5	WR561879	1	PLUG 0.75MO-R HEX	
6	6618698	1	STRAINER-SUCTION	



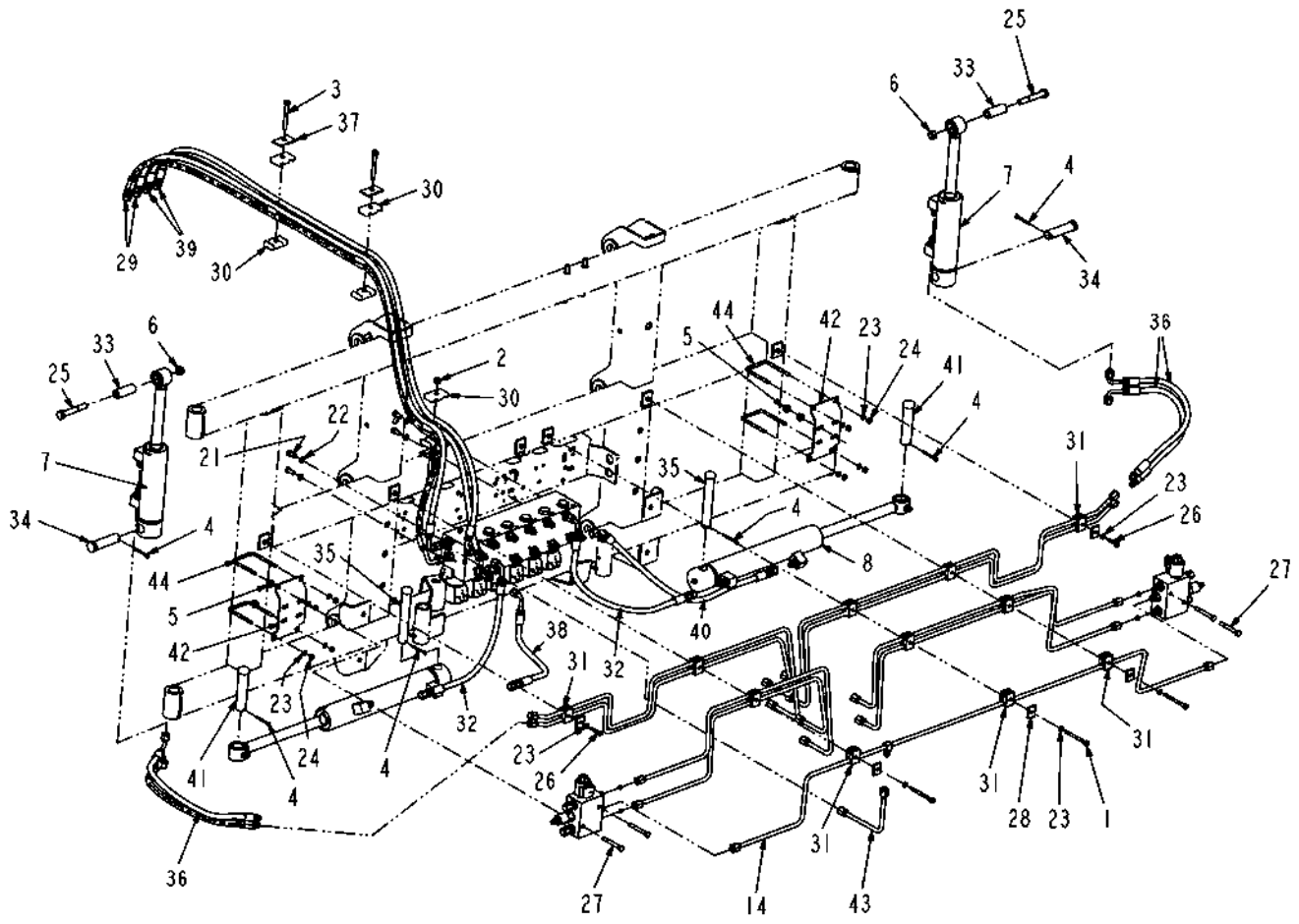
ITEM	PART #	QTY	DESCRIPTION	COMMENT
1	WR55046	2	SCREW-CAP HEX M10 X R/B 562463	
2	WR55047	2	SCREW-CAP HEX M10 X 40	
3	WR55272	4	NUT-LOCK,M10 X 1.5,PREV	
4	WR122423	2	CYLINDER-HYD,1.75X6.19X1.00	SEE PAGE 5-17
5	WR122830	2	ADAP STR .37MORX.37MJIC LONG	
6	WR122985	1	VALVE. STEERING CONTROL	
7	WR550205	1	WASHER LK 0.31 ZN REG	
8	WR553514	2	TEE 0.37 MJIC (3)	
9	WR559105	1	BOLT 0.31-18NCX 1.25 G5 ZN HHD	
10	6577697	2	CLAMP-TUBLINE IN RECEIVE AS 1/2 IN	
11	6597791	2	PIN-W/A	
12	6618836	2	PIN-W/A	
13	6652521	1	COVER-PLATE	
14	6702079	4	HOSE-06FJX-06FJX90-06R1	
15	6802800	2	HOSE-06FJX(2)-06R1 X073	



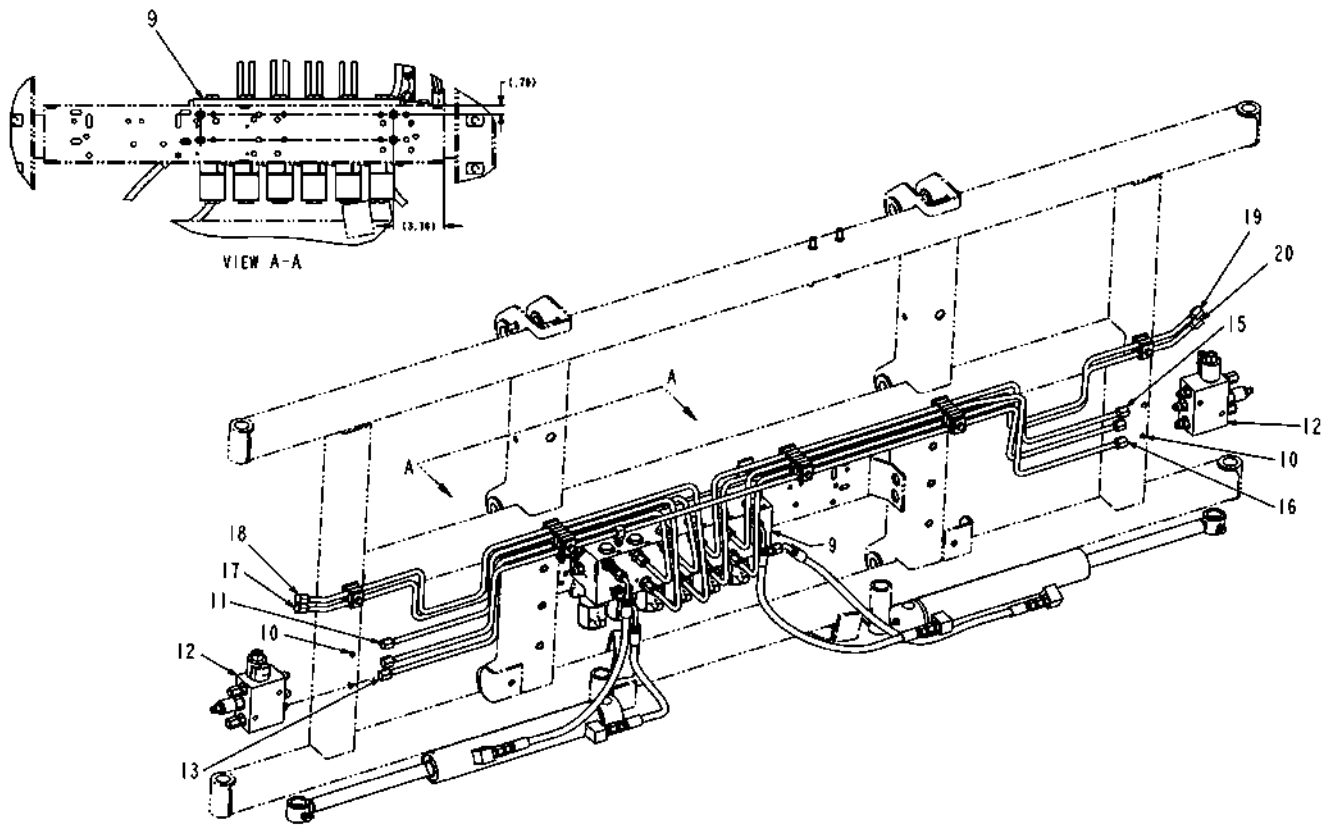
ITEM	PART #	QTY	DESCRIPTION	COMMENT
1	WR122403	1	CYLINDER-HYD,2.00X20.00X1.00	SEE PAGE 5-48
2	WR122414	1	CYLINDER-HYD,2.00X20.00X1.00	SEE PAGE 5-18
3	WR125372	1	HOSE ASM-4X63.00 FJS/FJS90	
4	WR550205	1	WASHER LK 0.31 ZN REG	
5	WR561384	1	BOLT 0.31-18NCX 2.50 G5 ZN HHD	
6	WR561629	2	ELBOW -6FJS90X -6MJ	
7	WR561683	2	BOLT M10-1.5 X 25MM G8.8 ZN HH	
8	WR562496	3	TIE CABLE 15.0 .18-4.00 BLACK	
9	6510020	4	PIN-SNAPPER	
10	6577696	4	CLAMP-TUBELINE	
11	6618196	1	HOSE-06FJX-06FJX90-04R1	
12	6627461	2	PIN	
13	6627548	2	PIN-W/A	
14	6652521	1	COVER-PLATE	
15	6801931	1	HOSE-06FJX-06FJX90-04R1	
16	6801933	1	HOSE-06FJX-06FJX90-04R1	



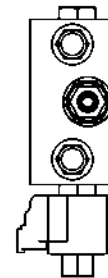
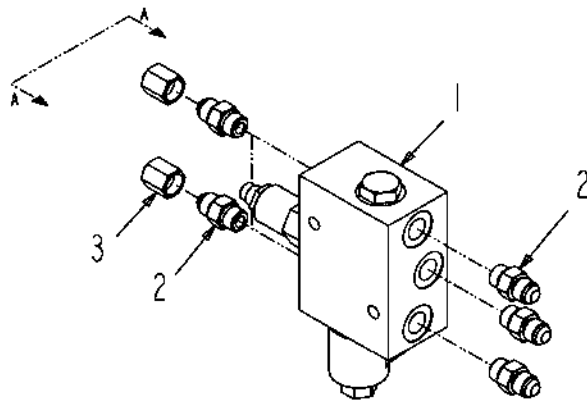
ITEM	PART #	QTY	DESCRIPTION	COMMENT
1	WR122407	1	CYLINDER-HYD,2.00X15.25X1.00	SEE PAGE 5-19
2	WR122408	1	CYLINDER-HYD,2.00X14.25X1.00	SEE PAGE 5-20
3	WR125372	1	HOSE ASM-4X63.00 FJS/FJS90	
4	WR550205	1	WASHER LK 0.31 ZN REG	
5	WR561384	1	BOLT 0.31-18NCX 2.50 G5 ZN HHD	
6	WR561629	2	ELBOW -6FJS90X -6MJ	
7	WR561683	2	BOLT M10-1.5 X 25MM G8.8 ZN HH	
8	WR562496	3	TIE CABLE 15.0 .18-4.00 BLACK	
9	6510020	4	PIN-SNAPPER	
10	6577696	4	CLAMP-TUBELINE	
11	6618196	1	HOSE-06FJX-06FJX90-04R1	
12	6627461	2	PIN	
13	6627548	2	PIN-W/A	
14	6652521	1	COVER-PLATE	
15	6801931	1	HOSE-06FJX-06FJX90-04R1	
16	6801933	1	HOSE-06FJX-06FJX90-04R1	



ITEM	PART #	QTY	DESCRIPTION	COMMENT
1	WR32254	1	NUT-TOPLOCK,M8-1.25	
2	WR55043	3	SCREW-CAP HEX M8 X 75	
3	WR55083	2	PIN-COTTER,3/16 X 1 1/2	
4	WR55352	4	NUT-TOPLOCK,5/16-18UNC G8	
5	WR55354	-	NUT-TOPLOCK, 1/2-13UNC G8	
6	WR122415	2	CYLINDER-HYD,2.00X4.00X1.00	SEE PAGE 5-13
7	WR129450	2	CYLINDER-HYD,2.00X8.44X1.00	SEE PAGE 5-14
8	WR134266	1	ASM VLAVE-HYD, H FRAME	SEE PAGE 5-35
9	WR134267	4	ORIFICE-SEAL BONNET	
10	WR134268	1	TUBE ASM-HYD,CENTER	
11	WR134272	2	ASM-VALVE,RELIEF,BOOM TIP	SEE PAGE 5-11
12	WR134273	1	TUBE ASM-CENTER HYD	
13	WR134274	1	TUBE ASM-RELIEF VALVE,RETURN	
14	WR134275	1	TUBE ASM-CENTER HYD	
15	WR134277	1	TUBE ASM-CENTER HYD	
16	WR134278	1	TUBE ASM-CENTER HYD	
17	WR134279	1	TUBE ASM-CENTER HYD	
18	WR134280	1	TUBE ASM-CENTER HYD	
19	WR134281	1	TUBE ASM-CENTER HYD	
20	WR550183	4	BOLT 0.31-18NCX 0.75 G5 ZN HHD	
21	WR550205	4	WASHER LK 0.31 ZN REG	
22	WR550493	14	WASHER LK 0.25 ZN REG	
23	WR550612	8	NUT 0.25-20NC HEX ZN REG	
24	WR553212	-	BOLT 0.50-13NCX 3.25 G5 ZN HHD	
25	WR558788	2	BOLT 0.25-20NCX 1.25 G5 ZN HHD	
26	WR561384	4	BOLT 0.31-18NCX 2.50 G5 ZN HHD	
27	WR561770	3	BOLT 0.25-20NCX 2.75 G5 ZN HHD	
28	6535422	5	WASHER-CLAMP	
29	6537283	2	HOSE-06FJX-06FJX90-04R1	
30	6577696	12	CLAMP-TUBELINE	
31	6578870	22	TUBELINE-CLAMP "RECEIVE AS 1/2	
32	6587032	2	HOSE-06FJX-06FJX90-04R1	
33	6618175	-	BUSHING-STL, .875 OD	
34	6618187	-	PIN-CLEVIS	
35	6618227	2	PIN-CLEVIS	
36	6626580	4	HOSE-06FJX90-06MJ-04R1	
37	6652521	3	COVER-PLATE	
38	6700024	1	HOSE-06FJX-06FX90-04R1	
39	6801494	2	HOSE-06FJX-06FJX45-04R1	
40	6801495	1	HOSE-06FJX-06FJX45-04R1	
41	6802711	-	PIN-CLEVIS	
42	WR37774	2	MOUNT-RELIEF VALVE	
43	WR37821	1	TUBE ASSY-VALVE RETURN	
44	WR55582	4	U-BOLT,DRAWBAR	

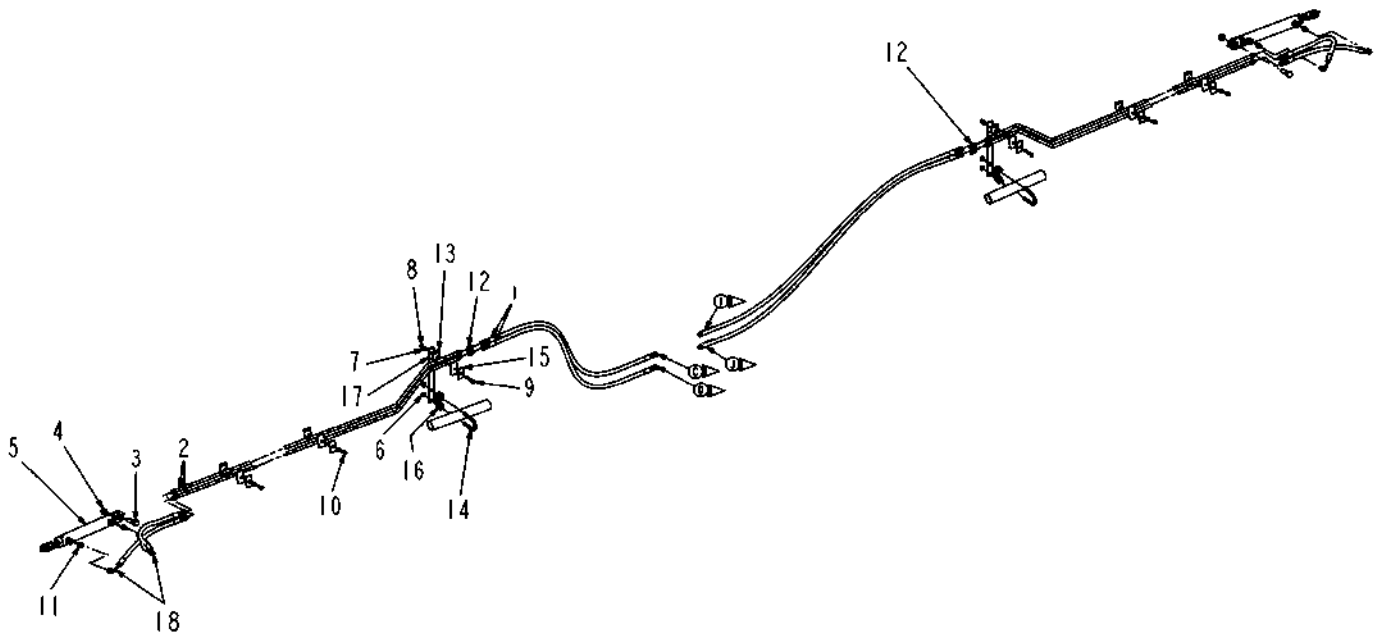


ITEM	PART #	QTY	DESCRIPTION	COMMENT
1	WR32254	1	NUT-TOPLOCK,M8-1.25	
2	WR55043	3	SCREW-CAP HEX M8 X 75	
3	WR55083	2	PIN-COTTER,3/16 X 1 1/2	
4	WR55352	4	NUT-TOPLOCK,5/16-18UNC G8	
5	WR55354	-	NUT-TOPLOCK, 1/2-13UNC G8	
6	WR122415	2	CYLINDER-HYD,2.00X4.00X1.00	SEE PAGE 5-13
7	WR129450	2	CYLINDER-HYD,2.00X8.44X1.00	SEE PAGE 5-14
8	WR134266	1	ASM VLAVE-HYD, H FRAME	SEE PAGE 5-35
9	WR134267	4	ORIFICE-SEAL BONNET	
10	WR134268	1	TUBE ASM-HYD,CENTER	
11	WR134272	2	ASM-VALVE,RELIEF,BOOM TIP	SEE PAGE 5-11
12	WR134273	1	TUBE ASM-CENTER HYD	
13	WR134274	1	TUBE ASM-RELIEF VALVE,RETURN	
14	WR134275	1	TUBE ASM-CENTER HYD	
15	WR134277	1	TUBE ASM-CENTER HYD	
16	WR134278	1	TUBE ASM-CENTER HYD	
17	WR134279	1	TUBE ASM-CENTER HYD	
18	WR134280	1	TUBE ASM-CENTER HYD	
19	WR134281	1	TUBE ASM-CENTER HYD	
20	WR550183	4	BOLT 0.31-18NCX 0.75 G5 ZN HHD	
21	WR550205	4	WASHER LK 0.31 ZN REG	
22	WR550493	14	WASHER LK 0.25 ZN REG	
23	WR550612	8	NUT 0.25-20NC HEX ZN REG	
24	WR553212	-	BOLT 0.50-13NCX 3.25 G5 ZN HHD	
25	WR558788	2	BOLT 0.25-20NCX 1.25 G5 ZN HHD	
26	WR561384	4	BOLT 0.31-18NCX 2.50 G5 ZN HHD	
27	WR561770	3	BOLT 0.25-20NCX 2.75 G5 ZN HHD	
28	6535422	5	WASHER-CLAMP	
29	6537283	2	HOSE-06FJX-06FJX90-04R1	
30	6577696	12	CLAMP-TUBELINE	
31	6578870	22	TUBELINE-CLAMP "RECEIVE AS 1/2	
32	6587032	2	HOSE-06FJX-06FJX90-04R1	
33	6618175	-	BUSHING-STL, .875 OD	
34	6618187	-	PIN-CLEVIS	
35	6618227	2	PIN-CLEVIS	
36	6626580	4	HOSE-06FJX90-06MJ-04R1	
37	6652521	3	COVER-PLATE	
38	6700024	1	HOSE-06FJX-06FX90-04R1	
39	6801494	2	HOSE-06FJX-06FJX45-04R1	
40	6801495	1	HOSE-06FJX-06FJX45-04R1	
41	6802711	-	PIN-CLEVIS	
42	WR37774	2	MOUNT-RELIEF VALVE	
43	WR37821	1	TUBE ASSY-VALVE RETURN	
44	WR55582	4	U-BOLT,DRAWBAR	

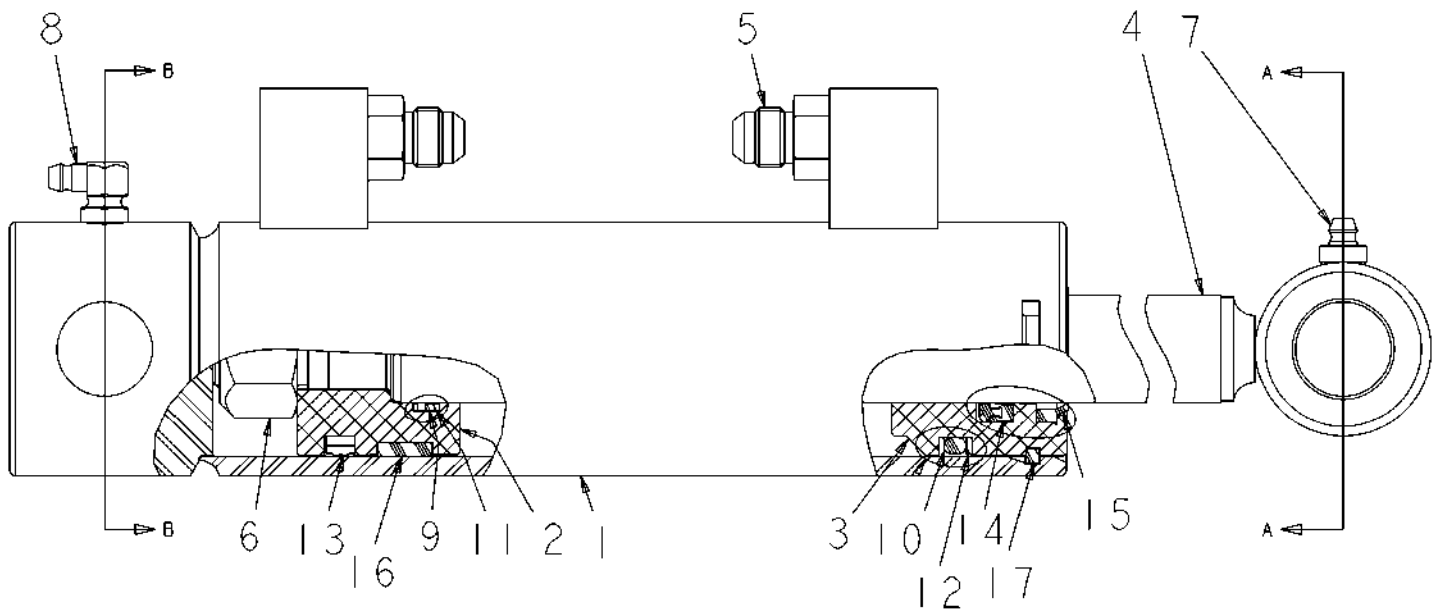


VIEW A-A

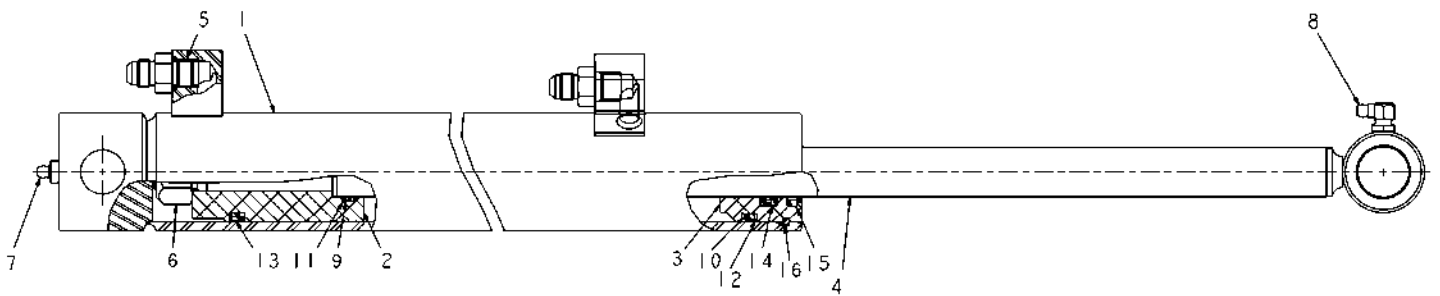
ITEM	PART #	QTY	DESCRIPTION	COMMENT
1	WR134271	1	VALVE RELIEF-BOOM TIP	
2	WR560693	5	ADAP STR 0.37MO-R X 0.37MJIC	
3	WR708307	2	NUT CAP 0.37 FJIC	



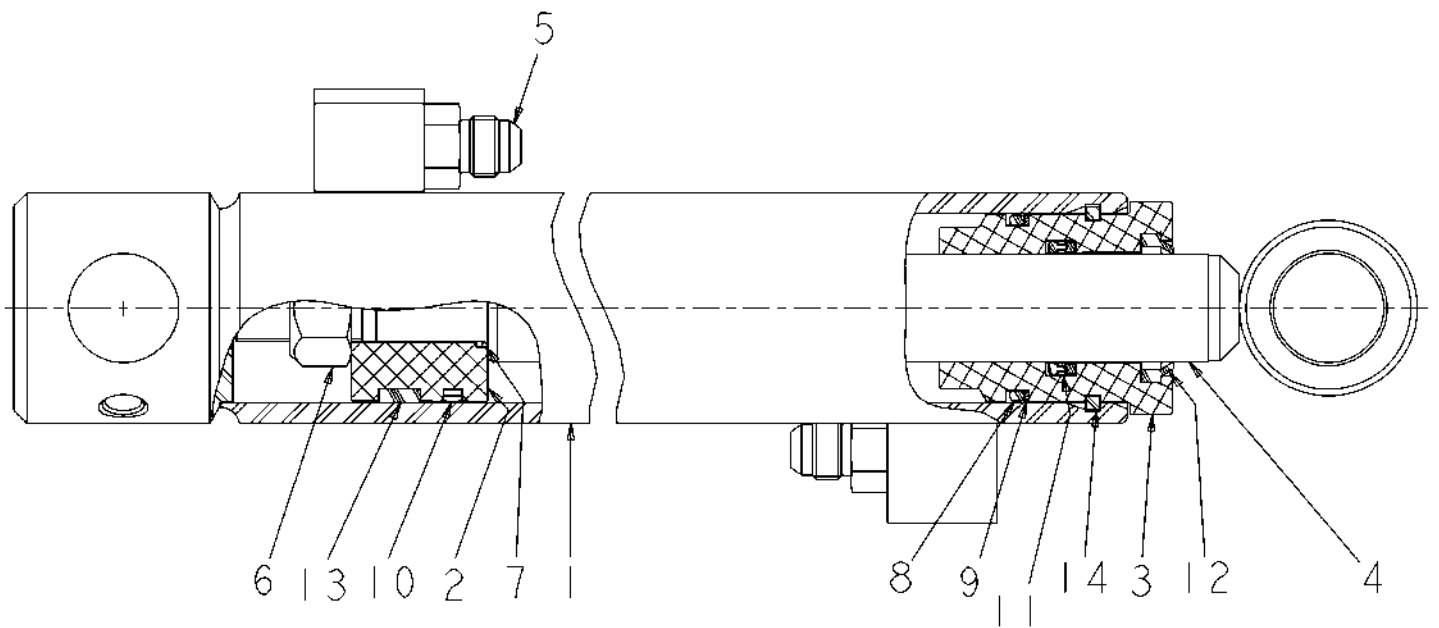
ITEM	PART #	QTY	DESCRIPTION	COMMENT
1	WR25441	4	HOSE-06FJX(2)-06R1X032	
2	WR27966	4	TUBE ASSY-BOOM FOLD.90'	
3	WR35195	2	SCREW-CAP HEX 5/8 NC X	
4	WR55355	2	NUT-TOPLOCK,5/8-11UNC G8	
5	WR122409	2	CYLINDER-HYD,1.50X8.38X.75	SEE PAGE 5-21
6	WR520885	4	NUT-.38-16,G5,ZN,FLG,H	
7	WR550205	10	WASHER LK 0.31 ZN REG	
8	WR550213	2	NUT 0.31-18NC HEX ZN REG	
9	WR552275	2	BOLT 0.31-18NCX 2.00 G5 ZN HHD	
10	WR559105	8	BOLT 0.31-18NCX 1.25 G5 ZN HHD	
11	WR560693	4	ADAP STR 0.37MO-R X 0.37MJIC	
12	WR708307	4	NUT CAP 0.37 FJIC	
13	6577696	20	CLAMP-TUBELINE	
14	6626119	2	U-BOLT	
15	6652521	10	COVER-PLATE	
16	6660351	2	CLAMP-SADDLE	
17	WR37855	2	BRACE-TUBE SUPPORT	
18	WR40884	4	HOSE-06FJX-06FJX90-06R17X	



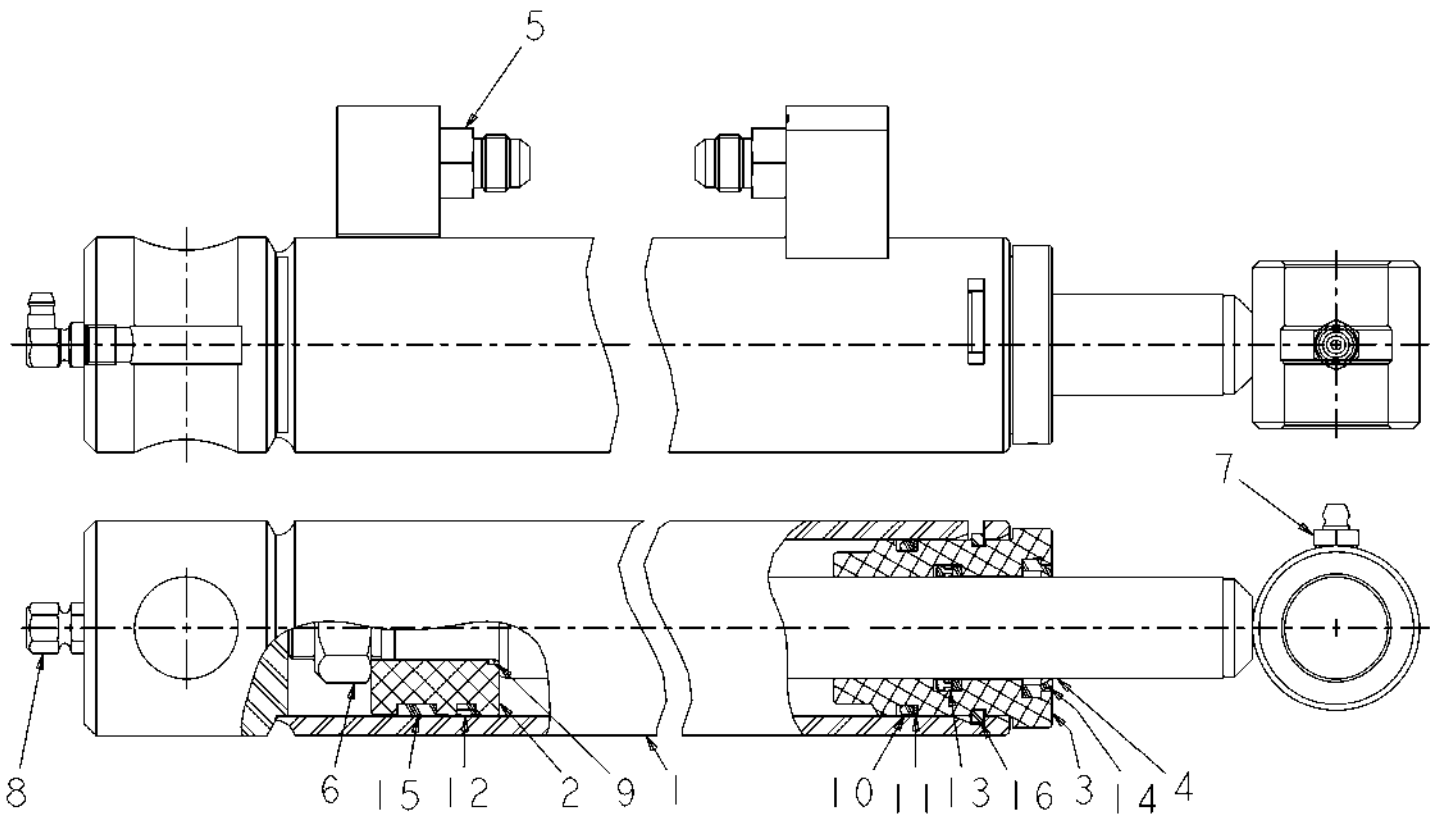
ITEM	PART #	QTY	DESCRIPTION	COMMENT
REF	WR122433	-	SEAL KIT-092EM0134	
2	WR131617	1	PISTON	
3	72162717	1	A GLAND	
4	WR131580	1	ROD, CYLINDER	
5	WR131555	2	CONNECTOR	
6	WR061235	1	NUT/LOCK UNF .75-16	
7	WR550280	-	FITTING LUB. 12-27NPTFX0.68	
8	WR559083	-	FITTING LUB 90D 0.125 NPTF	
			ITEM 1 CANNOT BE PURCHASED INDIVIDUALLY BUT IS INCLUDED WITH THE CYLINDER.	
			ITEM 1: TUBE WELDMENT	
			ITEM 9 - 17 CANNOT BE PURCHASED INDIVIDUALLY BUT ARE INCLUDED IN THE SEAL KIT.	
			ITEM 9: O-RING	
			ITEM 10: O-RING	
			ITEM 11: BACKUP RING, DYNAMIC	
			ITEM 12: BACKUP RING	
			ITEM 13: DISO-PAC	
			ITEM 14: DEEP Z-SEAL	
			ITEM 15: HD ROD WIPE, SEALED OD	
			ITEM 16: PRECISION WEARBAND	
			ITEM 17: SQUARE WRAP-IN WIRE	



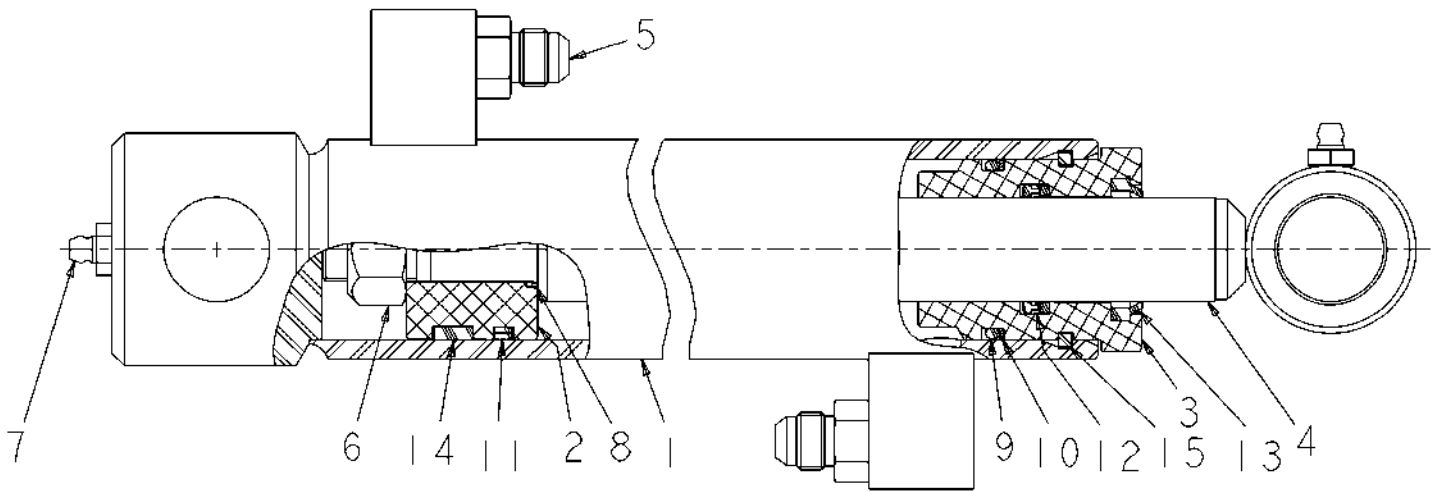
ITEM	PART #	QTY	DESCRIPTION	COMMENT
REF	WR122433	-	SEAL KIT-092EM0134	
2	WR131620	1	PISTON	
3	72162717	1	A GLAND	
4	WR131576	1	ROD, CYLINDER	
5	WR131558	2	ASSEMBLY FITTING	
6	WR061235	1	NUT/LOCK UNF .75-16	
7	WR550280	-	FITTING LUB. 12-27NPTFX0.68	
8	WR559083	-	FITTING LUB 90D 0.125 NPTF	
			ITEM 1 CANNOT BE PURCHASED INDIVIDUALLY BUT IS INCLUDED WITH THE CYLINDER.	
			ITEM 1: TUBE WELDMENT	
			ITEM 9 - 16 CANNOT BE PURCHASED INDIVIDUALLY BUT ARE INCLUDED IN THE SEAL KIT.	
			ITEM 9: O-RING	
			ITEM 10: O-RING	
			ITEM 11: BACKUP RING, DYNAMIC	
			ITEM 12: BACKUP RING	
			ITEM 13: DISO-PAC	
			ITEM 14: DEEP Z-SEAL	
			ITEM 15: HD ROD WIPER, SEALED OD	
			ITEM 16: SQUARE WRAP-IN WIRE	



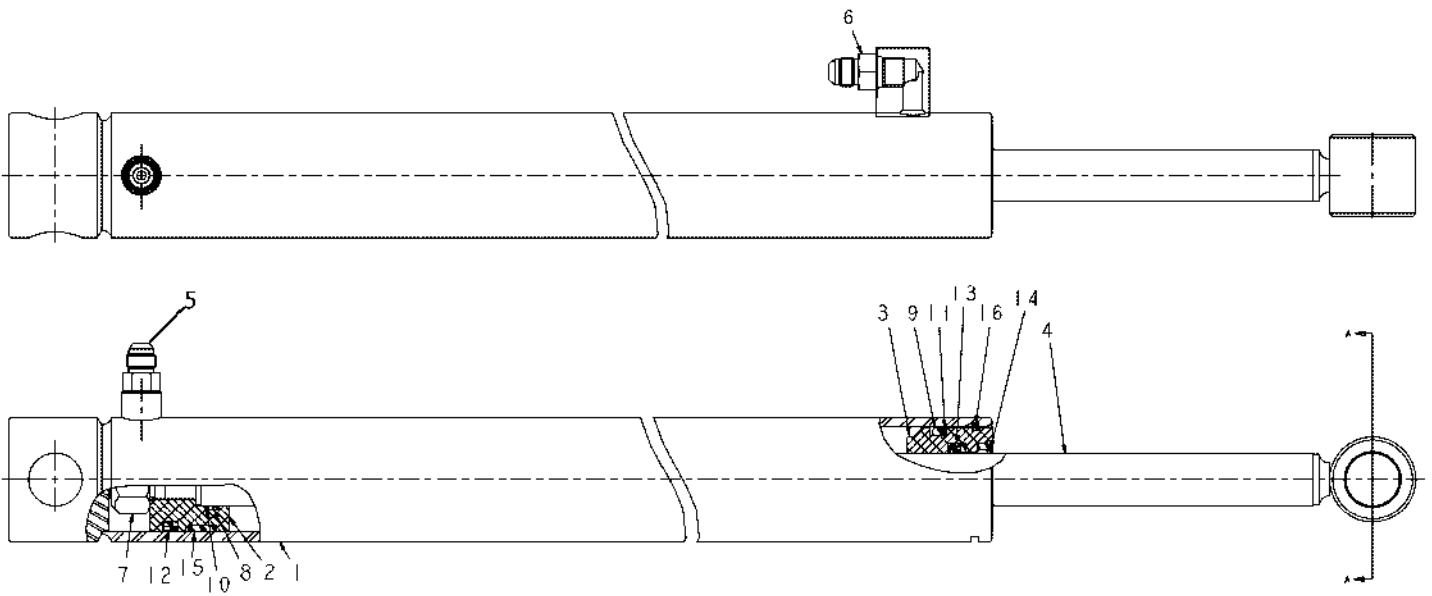
ITEM	PART #	QTY	DESCRIPTION	COMMENT
REF	WR122432	-	SEAL KIT-09DM0023	
2	WR131625	1	PISTON	
3	WR131604	1	HEAD, GLAND	
4	WR131588	1	ROD, CYLINDER	
5	WR131555	2	CONNECTOR	
6	WR704757	1	NUT 0.62-18NF ZN LK	
			ITEM 1 CANNOT BE PURCHASED INDIVIDUALLY BUT IS INCLUDED WITH THE CYLINDER.	
			ITEM 1: TUBE WELDMENT	
			ITEMS 7 - 14 CANNOT BE PURCHASED INDIVIDUALLY BUT ARE INCLUDED IN THE SEAL KIT.	
			ITEM 7: O-RING	
			ITEM 8: O-RING	
			ITEM 9: BACKUP RING	
			ITEM 10: DISO-PAC	
			ITEM 11: DEEP Z-SEAL	
			ITEM 12: HD ROD WIPER, SEALED OD	
			ITEM 13: PRECISION WEARBAND	
			ITEM 14: SQUARE WRAP-IN WIRE	



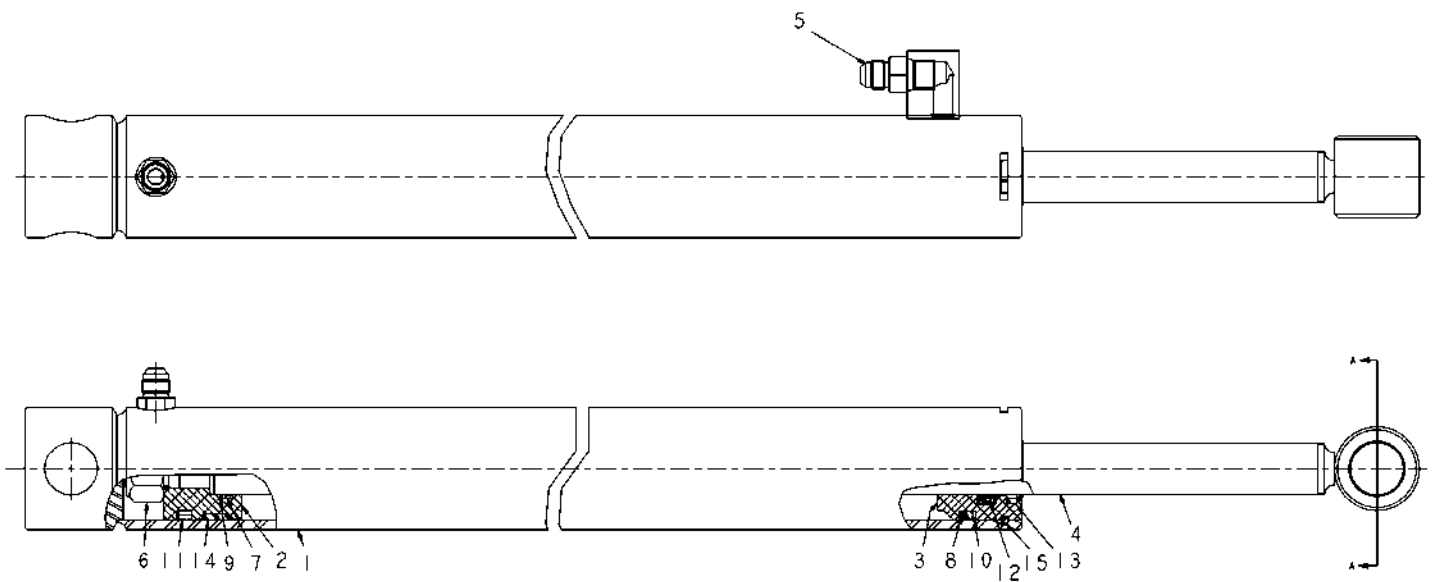
ITEM	PART #	QTY	DESCRIPTION	COMMENT
REF	WR122432	-	SEAL KIT-09DM0023	
2	WR131625	1	PISTON	
3	WR131604	1	HEAD, GLAND	
4	WR131586	1	ROD, CYLINDER	
5	WR131555	2	CONNECTOR	
6	WR704757	1	NUT 0.62-18NF ZN LK	
7	WR550280	-	FITTING LUB. 12-27NPTFX0.68	
8	WR559083	-	FITTING LUB 90D 0.125 NPTF	
			ITEM 1 CANNOT BE PURCHASED INDIVIDUALLY BUT IS INCLUDED WITH THE CYLINDER.	
			ITEM 1: TUBE WELDMENT	
			ITEMS 9 - 16 CANNOT BE PURCHASED INDIVIDUALLY BUT ARE INCLUDED IN THE SEAL KIT.	
			ITEM 9: O-RING	
			ITEM 10: O-RING	
			ITEM 11: BACKUP RING	
			ITEM 12: DISO-PAC	
			ITEM 13: DEEP Z-SEAL	
			ITEM 14: HD ROD WIPER, SEALED OD	
			ITEM 15: PRECISION WEARBAND	
			ITEM 16: SQUARE WRAP-IN WIRE	



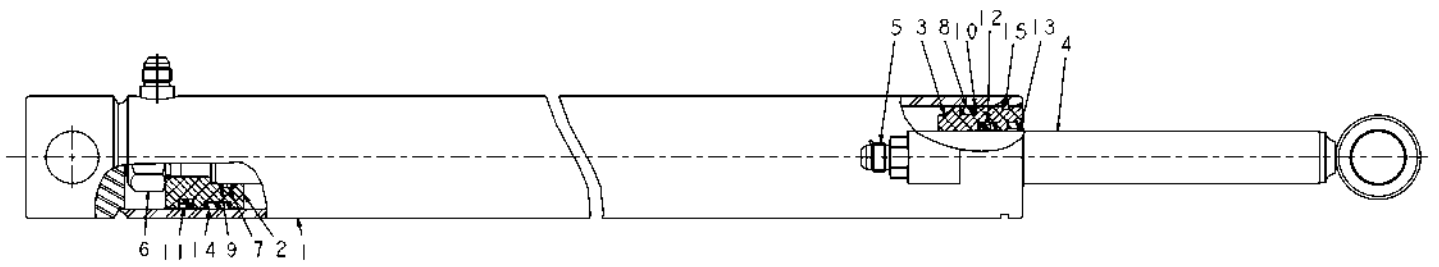
ITEM	PART #	QTY	DESCRIPTION	COMMENT
REF	WR122432	-	SEAL KIT-09DM0023	
2	WR131625	1	PISTON	
3	WR131604	1	HEAD, GLAND	
4	WR131587	1	ROD, CYLINDER	
5	WR131555	2	CONNECTOR	
6	WR704757	1	NUT 0.62-18NF ZN LK	
7	WR550280	-	FITTING LUB. 12-27NPTFX0.68	
			ITEM 1 CANNOT BE PURCHASED INDIVIDUALLY BUT IS INCLUDED WITH THE CYLINDER.	
			ITEM 1: TUBE WELDMENT	
			ITEMS 8 - 15 CANNOT BE PURCHASED INDIVIDUALLY BUT ARE INCLUDED IN THE SEAL KIT.	
			ITEM 10: BACKUP RING	
			ITEM 11: DISO-PAC	
			ITEM 12: DEEP Z-SEAL	
			ITEM 13: HD ROD WIPER, SEALED OD	
			ITEM 14: PRECISION WEARBAND	
			ITEM 15: SQUARE WRAP-IN WIRE	
			ITEM 8: O-RING	
			ITEM 9: O-RING	



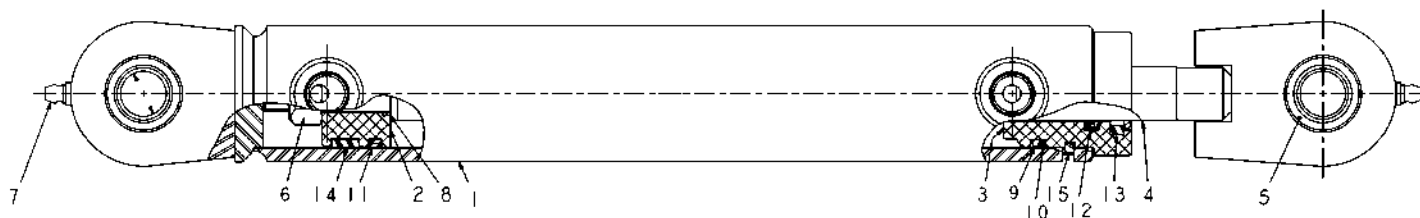
ITEM	PART #	QTY	DESCRIPTION	COMMENT
REF	WR122433	-	SEAL KIT-092EM0134	
2	WR131617	1	PISTON	
3	72162717	1	A GLAND	
4	WR131571	1	ROD, CYLINDER	
5	WR131556	1	CONNECTOR	
6	WR131555	1	CONNECTOR	
7	WR061235	1	NUT/LOCK UNF .75-16	
			ITEM 1 CANNOT BE PURCHASED INDIVIDUALLY BUT IS INCLUDED WITH THE CYLINDER.	
			ITEM 1: TUBE WELDMENT	
			ITEMS 8 - 16 CANNOT BE PURCHASED INDIVIDUALLY BUT ARE INCLUDED IN THE SEAL KIT.	
			ITEM 8: O-RING	
			ITEM 9: O-RING	
			ITEM 10: BACKUP RING, DYNAMIC	
			ITEM 11: BACKUP RING	
			ITEM 12: DISO-PAC	
			ITEM 13: DEEP Z-SEAL	
			ITEM 14: HD ROD WIPER, SEALED OD	
			ITEM 15: PRECISION WEARBAND	
			ITEM 16: SQUARE WRAP-IN WIRE	



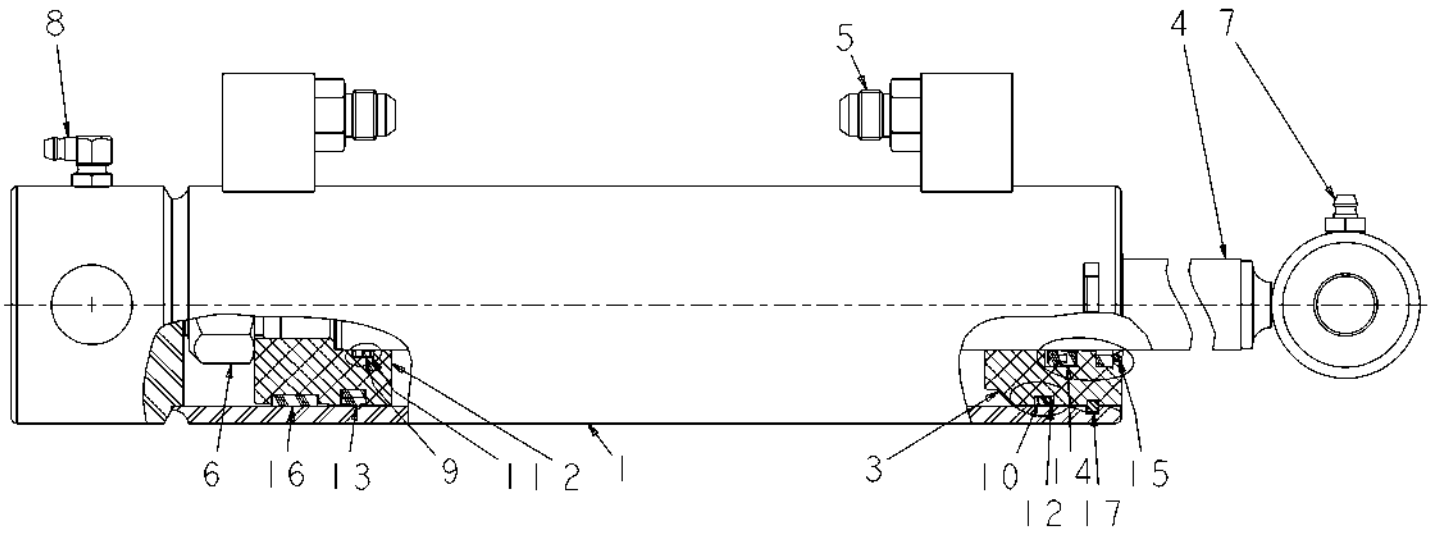
ITEM	PART #	QTY	DESCRIPTION	COMMENT
REF	WR122433	-	SEAL KIT-092EM0134	
2	WR131617	1	PISTON	
3	72162717	1	A GLAND	
4	WR131573	1	ROD, CYLINDER	
5	WR131555	1	CONNECTOR	
6	WR061235	1	NUT/LOCK UNF .75-16	
			ITEM 1 CANNOT BE PURCHASED INDIVIDUALLY BUT IS INCLUDED WITH THE CYLINDER.	
			ITEM 1: TUBE WELDMENT	
			ITEMS 7 - 15 CANNOT BE PURCHASED INDIVIDUALLY BUT ARE INCLUDED IN THE SEAL KIT.	
			ITEM 7: O-RING	
			ITEM 8: O-RING	
			ITEM 9: BACKUP RING, DYNAMIC	
			ITEM 10: BACKUP RING	
			ITEM 11: DISO-PAC	
			ITEM 12: DEEP Z-SEAL	
			ITEM 13: HD ROD WIPER, SEALED OD	
			ITEM 14: PRECISION WEARBAND	
			ITEM 15: SQUARE WRAP-IN WIRE	



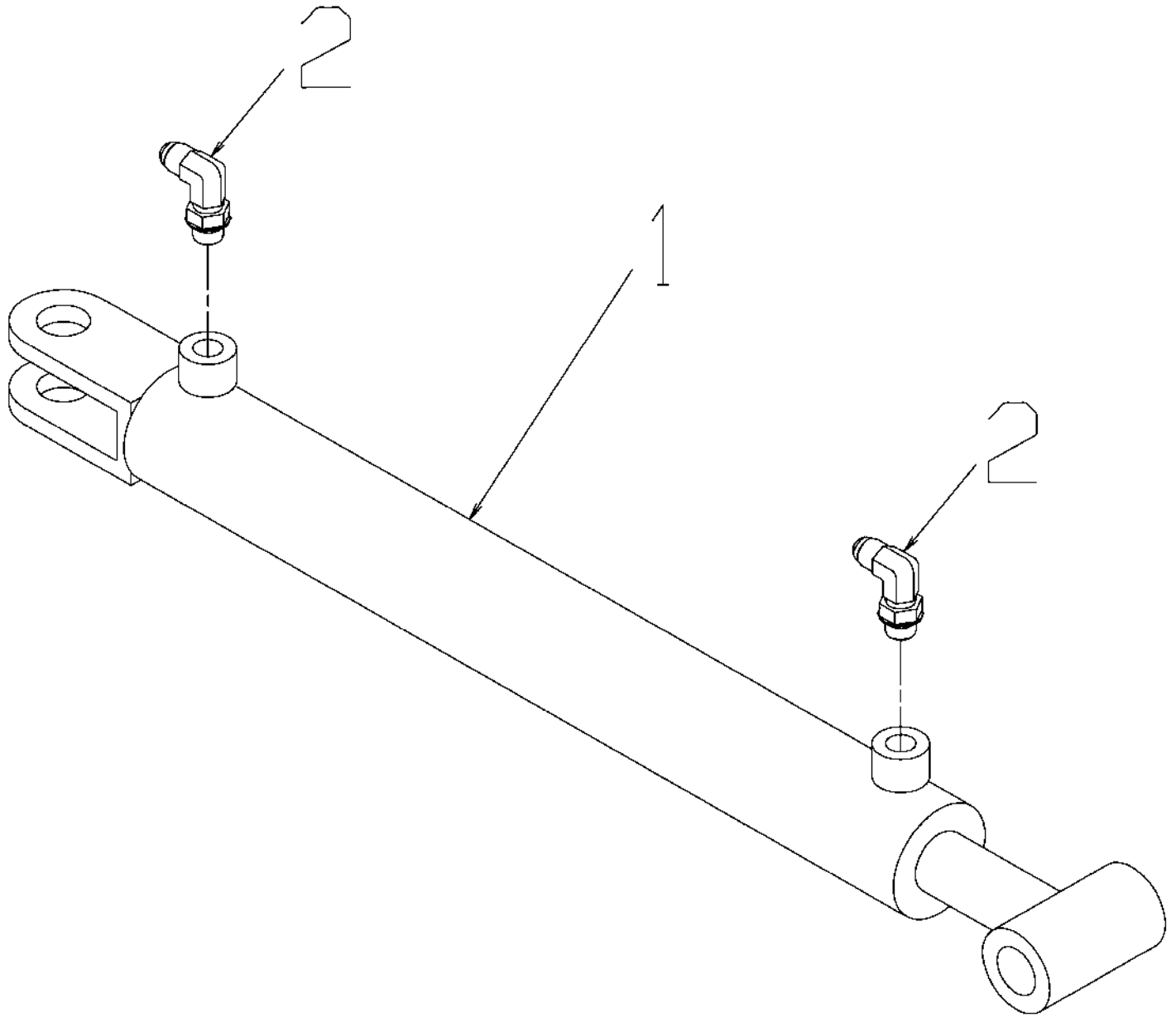
ITEM	PART #	QTY	DESCRIPTION	COMMENT
REF	WR122433	-	SEAL KIT-092EM0134	
2	WR131617	1	PISTON	
3	72162717	1	A GLAND	
4	WR131573	1	ROD, CYLINDER	
5	WR131555	1	CONNECTOR	
6	WR061235	1	NUT/LOCK UNF .75-16	
			ITEM 1 CANNOT BE PURCHASED INDIVIDUALLY BUT IS INCLUDED WITH THE CYLINDER.	
			ITEM 1: TUBE WELDMENT	
			ITEMS 7 - 15 CANNOT BE PURCHASED INDIVIDUALLY BUT ARE INCLUDED IN THE SEA KIT.	
			ITEM 7: O-RING	
			ITEM 8: O-RING	
			ITEM 9: BACKUP RING, DYNAMIC	
			ITEM 10: BACKUP RING	
			ITEM 11: DISO-PAC	
			ITEM 12: DEEP Z-SEAL	
			ITEM 13: HD ROD WIPER, SEALED OD	
			ITEM 14: PRECISION WEARBAND	
			ITEM 15: SQUARE WRAP-IN WIRE	



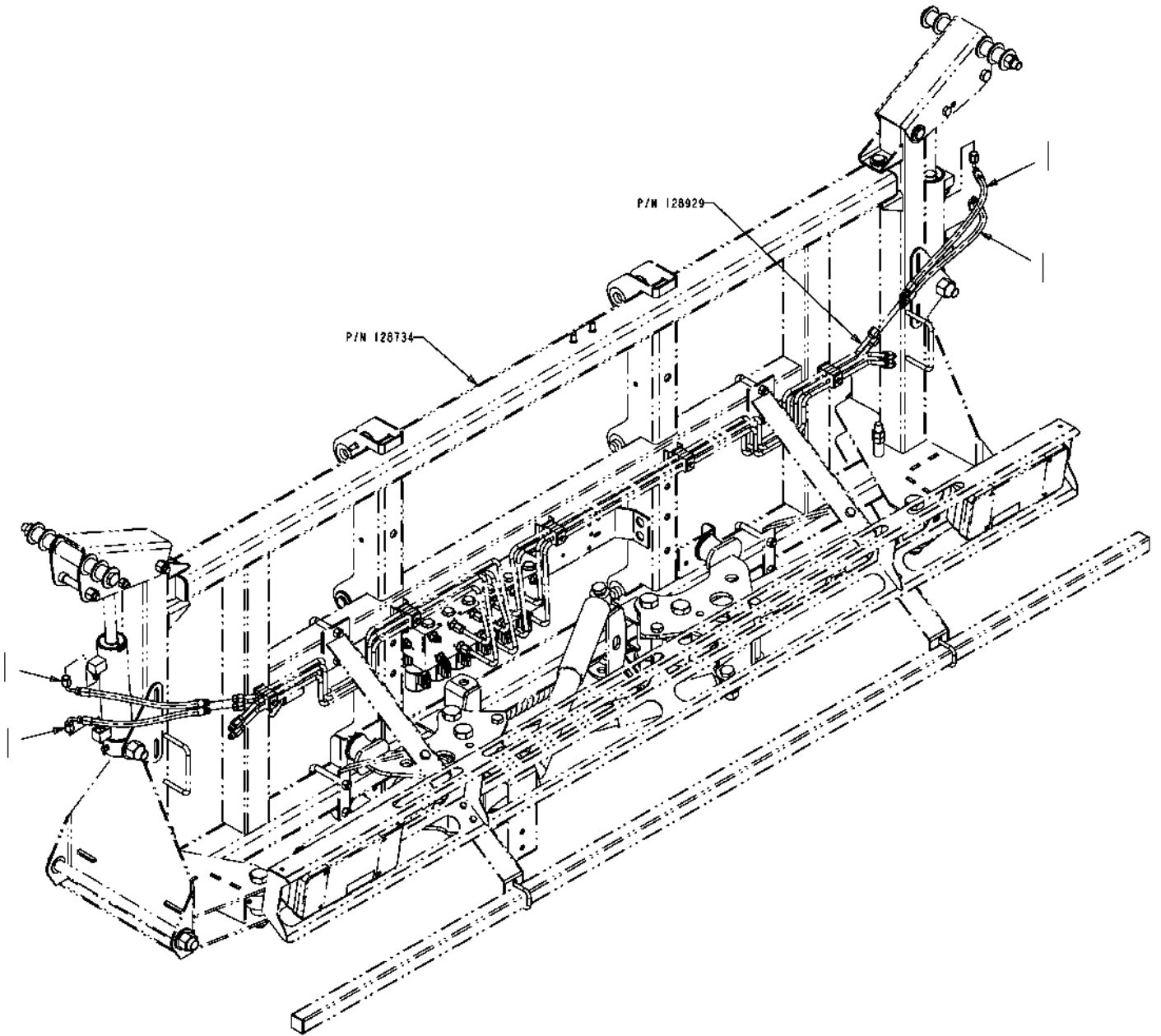
ITEM	PART #	QTY	DESCRIPTION	COMMENT
REF	WR122431	-	SEAL KIT-092DK0036	
REF	WR550280	-	FITTING LUB.12-27NPTFX0.68	
2	WR131618	1	PISTON	
3	WR131597	1	HEAD, GLAND	
4	WR131574	1	ROD, CYLINDER	
5	WR131553	2	BEARING	
6	WR562578	1	NUT 0.50NF HEX LK NY ZN	
7	WR561892	2	FITTING LUBE STR 0.25UNF	
			ITEM 1 CANNOT BE PURCHASED INDIVIDUALLY BUT IS INCLUDED WITH THE CYLINDER.	
			ITEM 1: TUBE WELDMENT	
			ITEMS 8 - 15 CANNOT BE PURCHASED INDIVIDUALLY BUT ARE INCLUDED IN THE SEAL KIT.	
			ITEM 8: O-RING	
			ITEM 9: O-RING	
			ITEM 10: BACKUP RING	
			ITEM 11: DISO-PAC PISTON SEAL	
			ITEM 12: DZ SEAL	
			ITEM 13: HD ROD WIPER, SEALED OD	
			ITEM 14: WEARBAND	
			ITEM 15: SQUARE WRAP-IN WIRE	



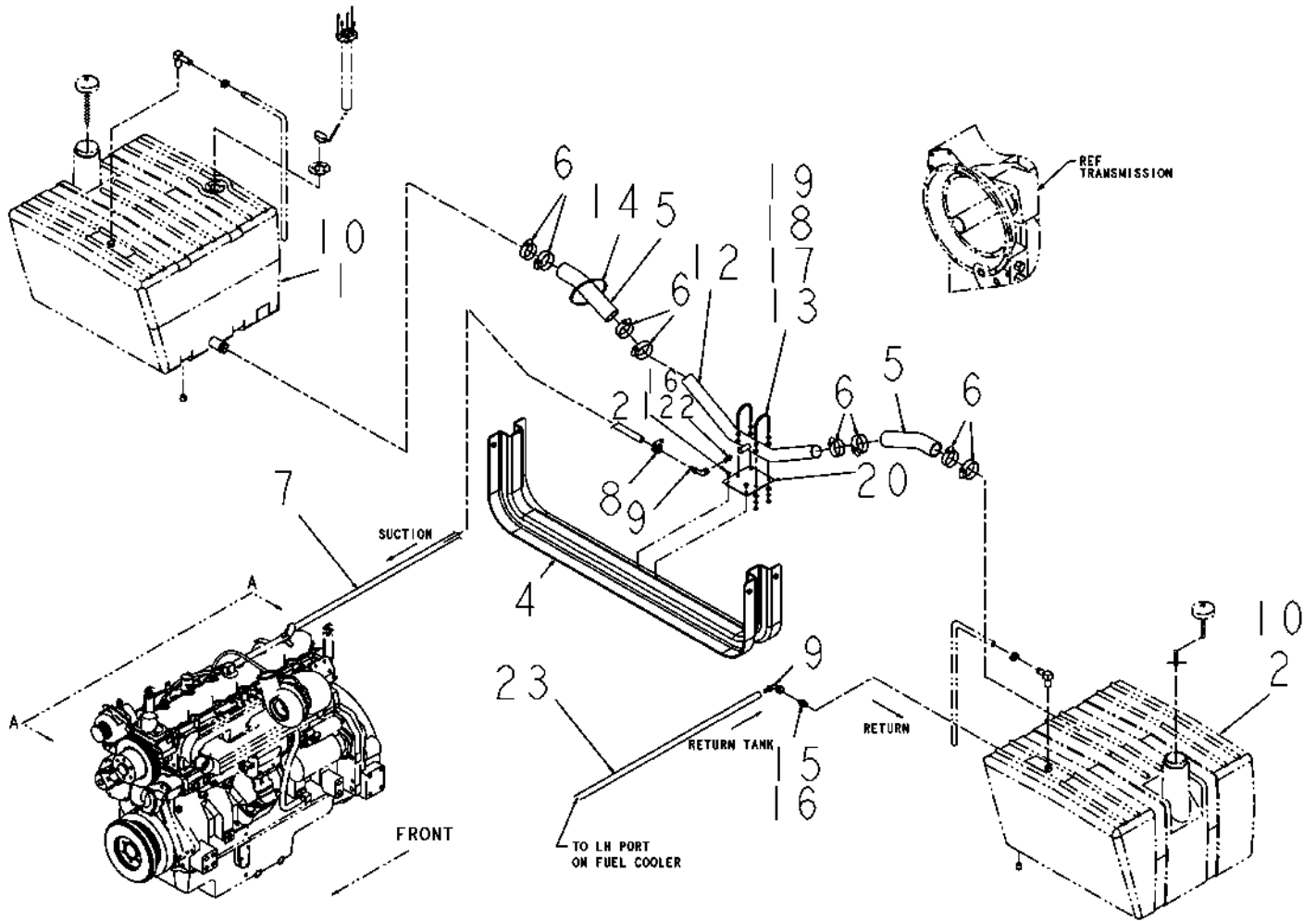
ITEM	PART #	QTY	DESCRIPTION	COMMENT
REF	WR124932	-	KIT, SEAL	
2	WR131647	2	PISTON	
3	WR131646	1	HEAD, GLAND	
4	WR131645	1	ROD, CYLINDER	
5	WR131555	1	CONNECTOR	
6	WR606610	1	NUT 0.75-16NF HEX ZN LK	
7	WR550280	1	FITTING LUB. 12-27NPTFX0.68	
8	WR559083	1	FITTING LUB 90D 0.125 NPTF	
			ITEM 1 CANNOT BE PURCHASED INDIVIDUALLY BUT IS INCLUDED WITH THE CYLINDER.	
			ITEM 1: TUBE WELDMENT	
			ITEMS 9 - 17 CANNOT BE PURCHASED INDIVIDUALLY BIT ARE INCLUDED IN THE SEAL KIT.	
			ITEM 9: O-RING	
			ITEM 10: O-RING	
			ITEM 11: BACKUP RING, DYNAMIC	
			ITEM 12: BACKUP RING	
			ITEM 13: DISO-PAC	
			ITEM 14: DEEP Z-SEAL	
			ITEM 15: HD ROD WIPER, SEALED OD	
			ITEM 16: WEARBAND	
			ITEM 17: SQAURE WRAP-IN WIRE	



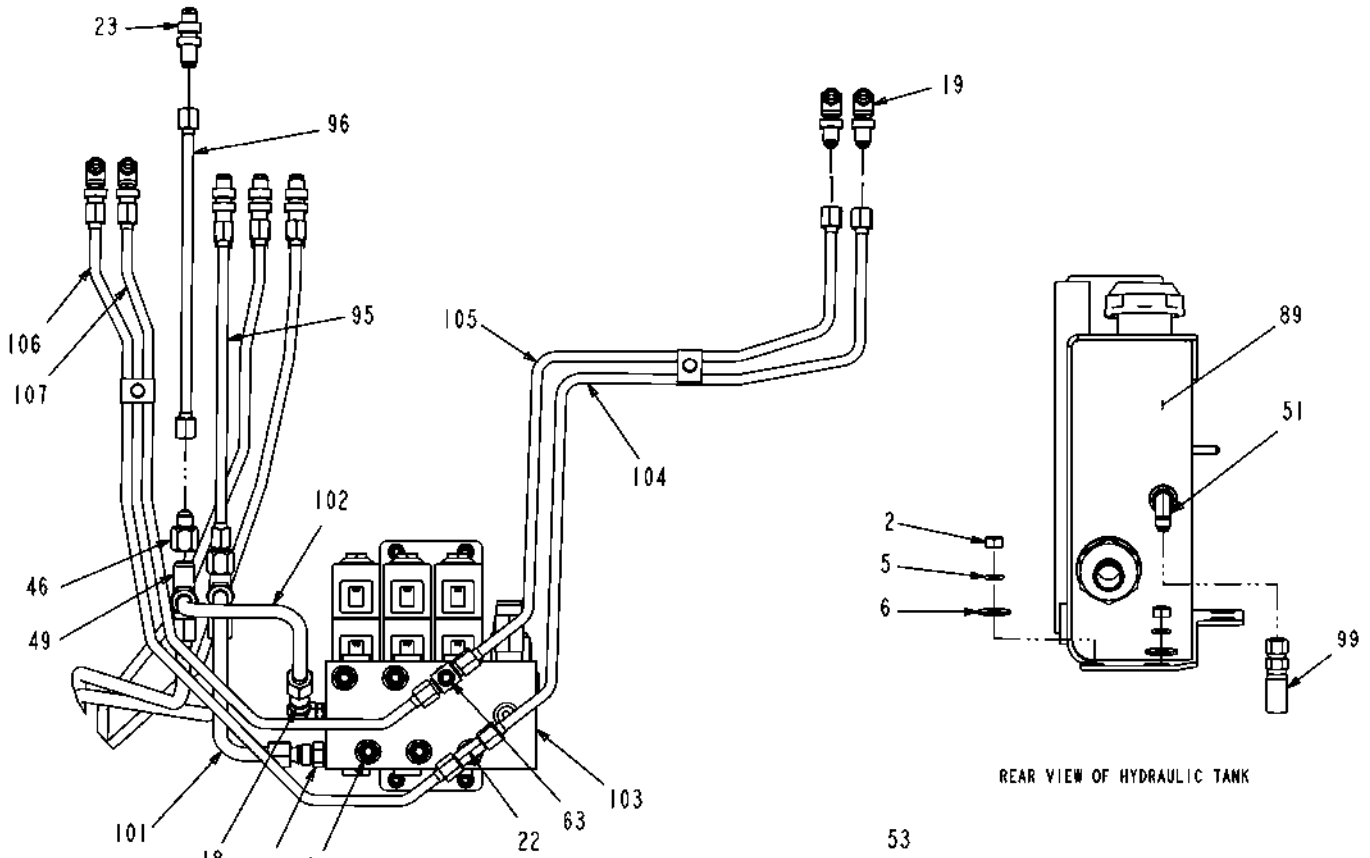
ITEM	PART #	QTY	DESCRIPTION	COMMENT
1	WR424374	1	CYLINDER-HYD,2.00X16.00X1.25	
2	WR562354	2	ELBOW 90D 0.37MO-R X 0.25MJIC	



ITEM	PART #	QTY	DESCRIPTION	COMMENT
1	WR129754	4	HOSE ASM-4X23.00 6MJ/6FLS90	

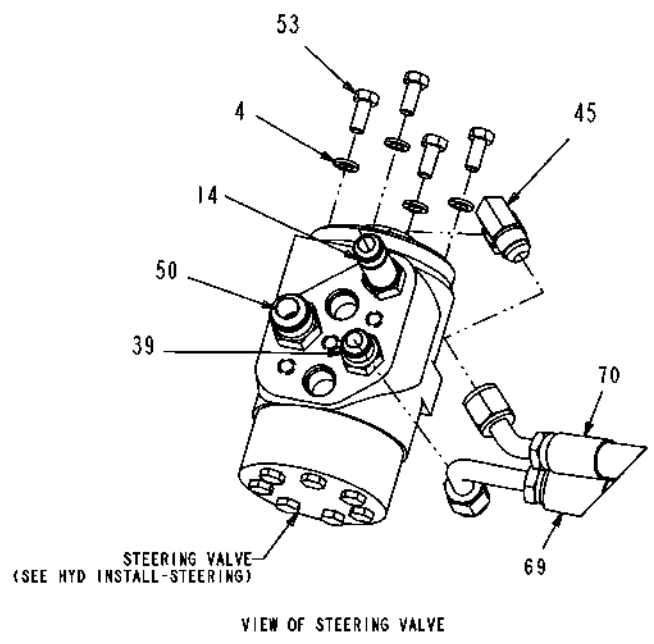


ITEM	PART #	QTY	DESCRIPTION	COMMENT
1	WR129893	2	HOSE ASM -4X330.00 6FJS/FJS	
2	WR129894	2	HOSE ASM -4X314.00 6FJS/FJS	



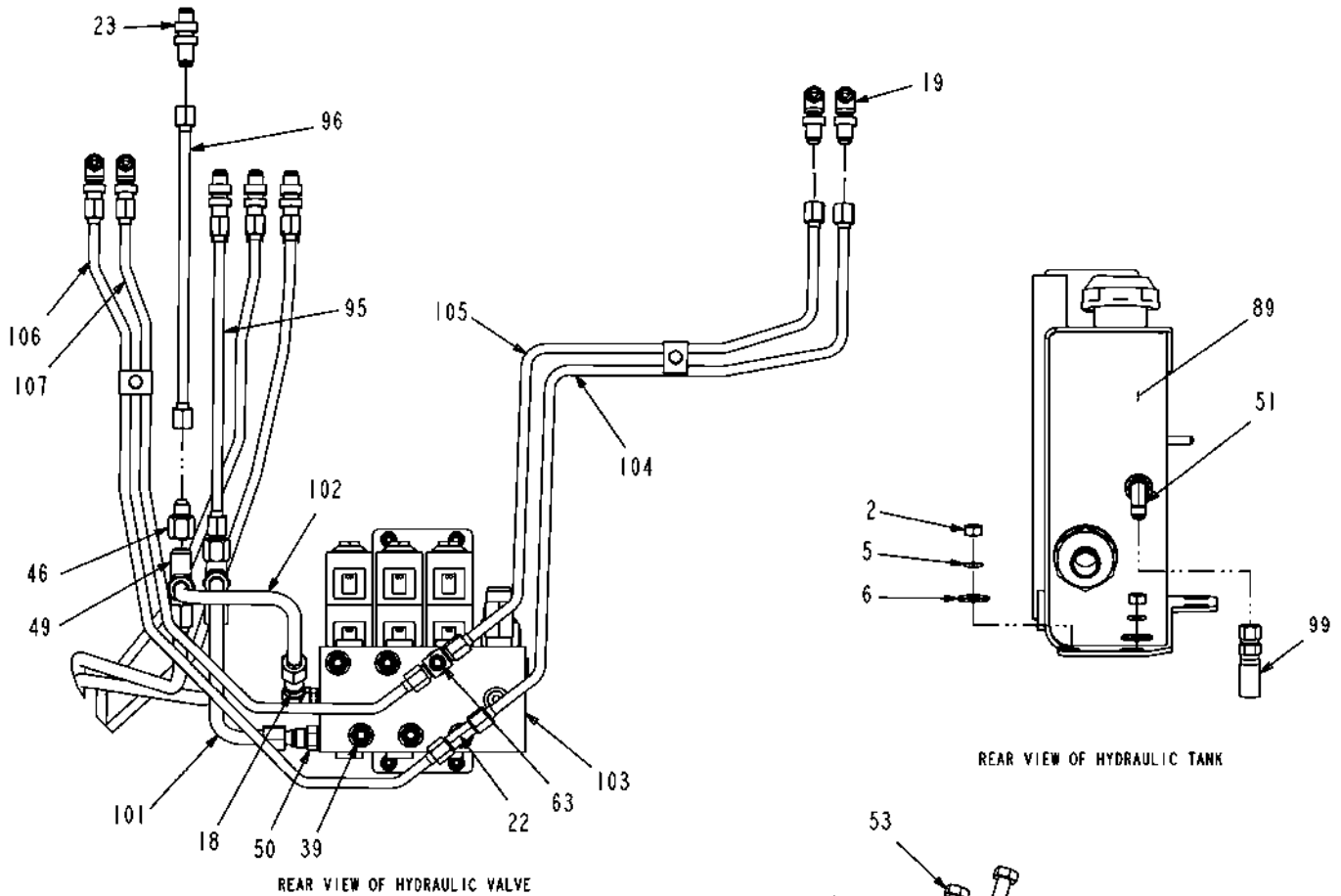
REAR VIEW OF HYDRAULIC VALVE

REAR VIEW OF HYDRAULIC TANK



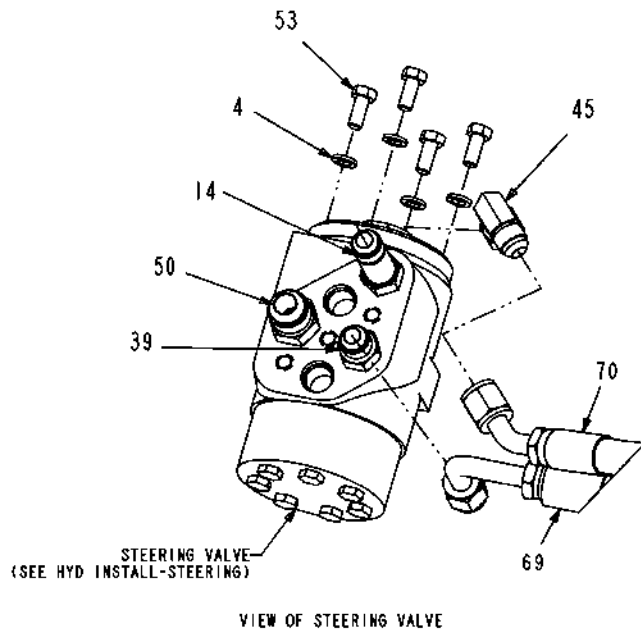
VIEW OF STEERING VALVE

ITEM	PART #	QTY	DESCRIPTION	COMMENT
1	WR10254	1	SCREW-WZLK FLG 3/8 NC X 1	
2	WR50838	4	NUT-HEX,METRIC MIO-1.5	
3	WR55075	2	WASHER-PLAIN,10MM ID,LC,	
4	WR55104	4	WASHER-LOCK SPRING,6MM ID	
5	WR55106	4	WASHER-LOCK SPRING,10 MM	
6	WR55158	4	WASHER-FLAT,10MM ID.	
7	WR55214	1	SCREW-HEX FLG,M10X1.5X20 CL8.8	
8	WR55215	1	SCREW-HEX FLG,M10X1.5X25 CL8.8	
9	WR55226	2	CLAMP-SUPPORT CUSHION,	
10	WR55351	2	NUT-TOPLOCK, 1/4-20UNC G8	
11	WR55353	2	NUT-TOPLOCK, 3/8-16UNC G8	
12	WR55365	1	NUT-TOPLOCK, 1/4-20UNC,	
13	WR55366	1	NUT-TOPLOCK, 3/8-16UNC,	
14	WR122830	1	ADAP STR .37MORX.37MJIC LONG	
15	WR123121	1	PUMP HYDRAULIC	SEE PAGE 5-47
16	WR124390	1	TUBELINE	
17	WR128112	1	ELBOW-8MJIC 45 X -6MB	
18	WR514800	1	ELBOW-90D,-6MORX-8 MJIC	
19	WR514803	4	ELBOW 90D 0.37JICX0.37JIC BHD	
20	WR519114	2	TUBE END NIPPLE -6	
21	WR519123	1	TEE-RUN,STR THD -6	
22	WR520285	1	TEE-6MOR X -6MJIC	
23	WR521798	4	UNION-BHD,.38MJIC	
24	WR523227	1	ADAPTER-45D,-6FJIC SWX-6MJIC	
25	WR550183	10	BOLT 0.31-18NCX 0.75 G5 ZN HHD	
26	WR550191	3	WASHER LK 0.37 ZN REG	
27	WR550205	13	WASHER LK 0.31 ZN REG	
28	WR550493	4	WASHER LK 0.25 ZN REG	
29	WR550698	1	BOLT 0.25-20NCX 1.00 G5 ZN HHD	
30	WR550906	1	BOLT 0.31-18NCX 3.00 G5 ZN HHD	
31	WR551112	1	ELBOW 90D 0.50MO-R X 0.50MJIC	
32	WR551279	2	BOLT.25-20NCX 2G5 ZN HHD	
33	WR551503	3	BOLT 0.37-16NCX 0.75 G5 ZN HHD	
34	WR552194	2	ADAP STR 0.75MO-R X 0.50MJIC	
35	WR553891	1	ELBOW 45D 0.50MO-R X 0.50MJIC	
36	WR557668	5	NUT 0.31-18NC HEX ZN C-LK	
37	WR558788	4	BOLT 0.25-20NCX 1.25 G5 ZN HHD	
38	WR559148	1	ADAP STR 0.25MNPT X 0.37MJIC	
39	WR560693	5	ADAP STR 0.37MO-R X 0.37MJIC	
40	WR561213	4	CLAMP 0.81-1.50 HOSE 16HS	
41	WR561230	2	CLAMP 0.81-1.75 HOSE 20HS	
42	WR561251	3	BOLT 0.31-18NCX 2.25 G5 ZN HHD	
43	WR561308	1	ADAP STR 0.50MO-R X 0.37MJIC	
44	WR561391	1	TEE 0.37FJIC SW X 0.37MJIC(2)	
45	WR561629	3	ELBOW -6FJS90X -6MJ	
46	WR561834	3	ADAP STR-8FJX-6MJ	
47	WR562204	4	ELBOW-8MB90X-6MJ	
48	WR562229	1	ADAP STR-8MJBHX-8MJ	
49	WR562346	3	TEE -8MJ	
50	WR562372	2	ADAP STR 0.37MO-R X 0.50MJIC	
51	WR562401	1	ELBOW -6MB90X-6MJ	
52	WR562496	18	TIE CABLE 15.0 .18-4.00 BLACK	
53	WR562639	4	BOLT M6 1.00X12MM G8.8 ZN HHD	
54	WR562709	2	TEE 0.37MJIC(2)X0.37FJIC SW	
55	1312337	1	ADAPTER	
56	6515541	1	FILTER-HYD	
57	6533975	1	GROMMET	
58	6535422	4	WASHER-CLAMP	
59	6536129	1	HOSE-06FJX-06FJX90-06R1	
60	6562619	1	BUSHING-THROTTLE	



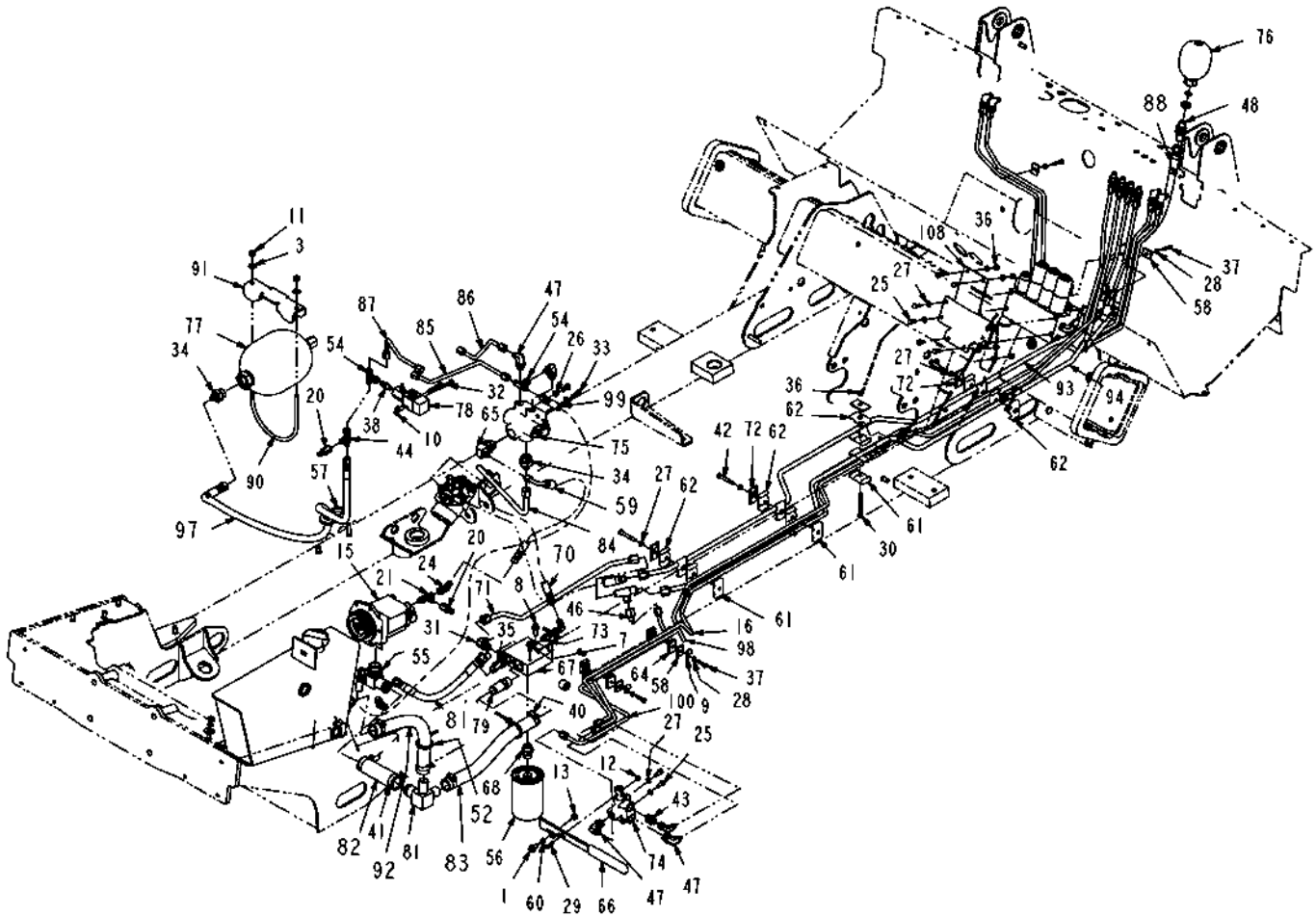
REAR VIEW OF HYDRAULIC VALVE

REAR VIEW OF HYDRAULIC TANK

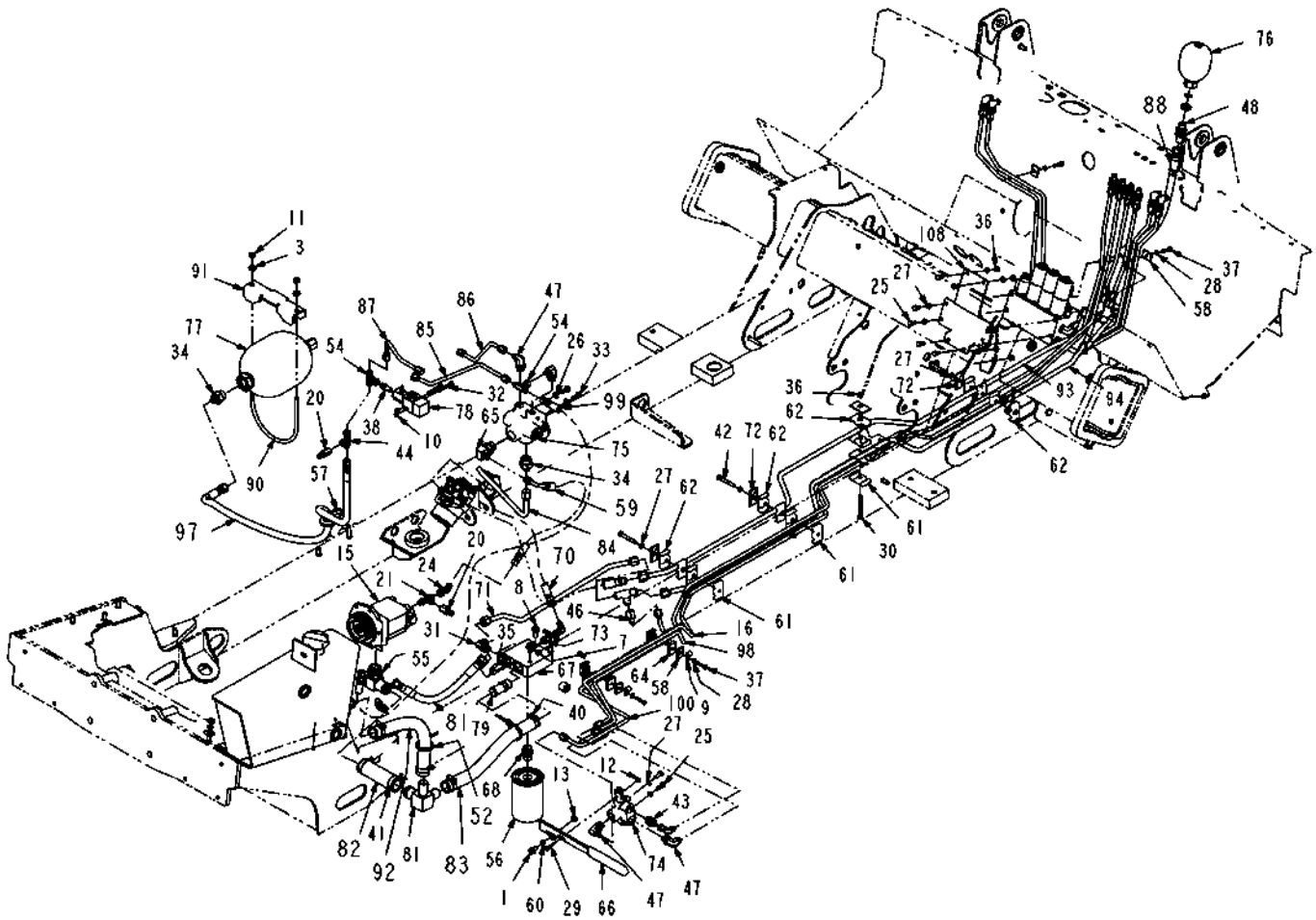


VIEW OF STEERING VALVE

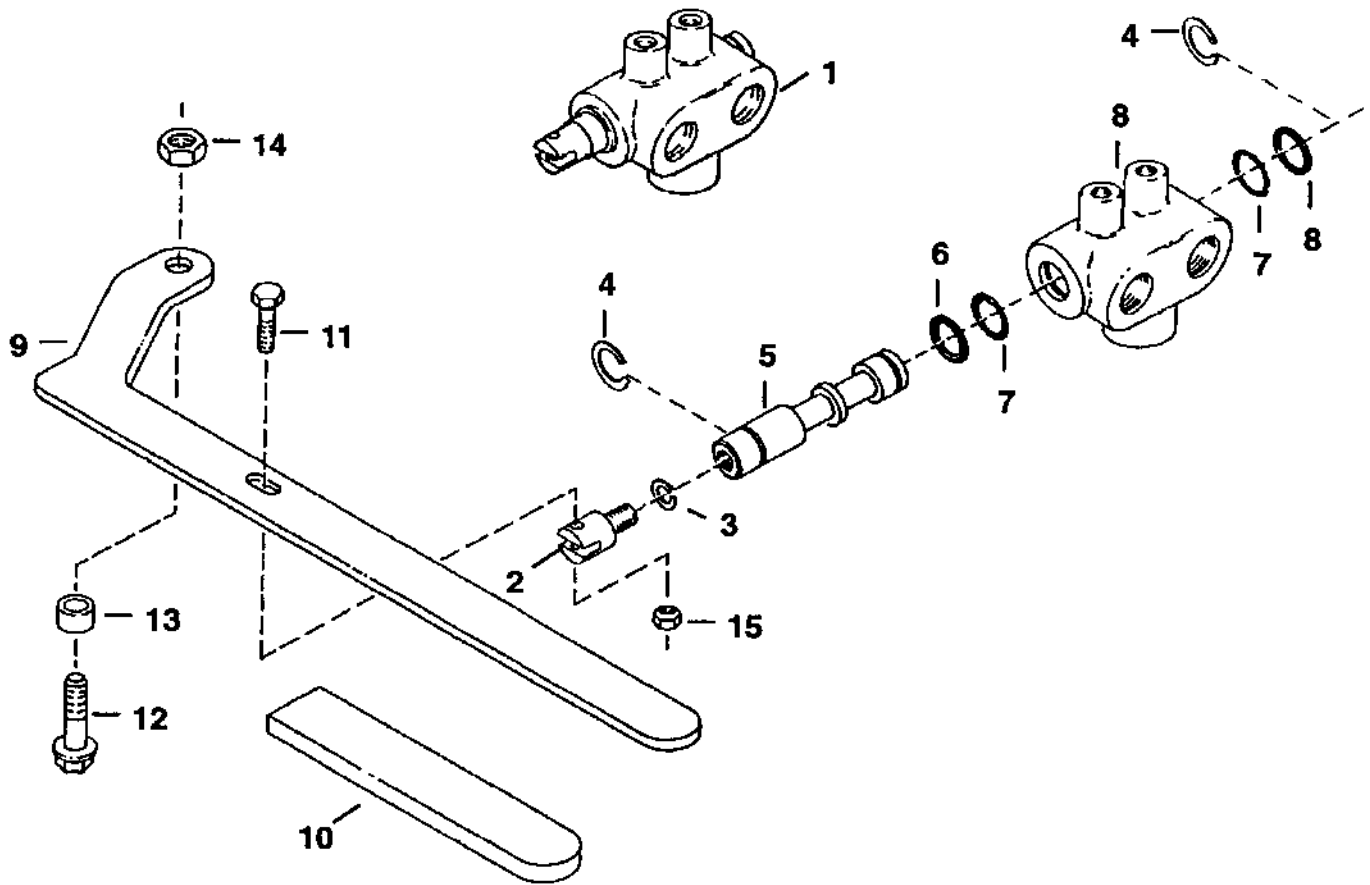
ITEM	PART #	QTY	DESCRIPTION	COMMENT
61	6577696	8	CLAMP-TUBELINE	
62	6577697	8	CLAMP-TUBELINE IN RECEIVE AS 1/2 IN	
63	6578209	1	CONNECTOR-CROSS	
64	6578870	4	TUBELINE-CLAMP "RECEIVE AS 1/2	
65	6589193	1	ELBOW	
66	6597879	1	GRIP ASSY-HANDLE	SEE PAGE 5-5
67	6597894	1	EDGE	
68	6626606	1	BLOCK-FILTER PORT	
69	6626650	1	ADAPTER-FILTER	
70	6626697	1	HOSE-08MJ-06FJX90-06R1	
71	6627634	1	HOSE-06FJX-06FJX45-06R1	
72	6628163	1	TUBELINE	
73	6652521	4	COVER-PLATE	
74	6664332	1	VALVE-CHECK,INLINE	
75	6664973	1	VALVE-FLOAT,2 POSITION	SEE PAGE 5-27
76	6669628	1	VALVE-CHARGE	
77	6669671	1	ACCUMULATOR	
78	6670147	1	ACCUMULATOR	
79	6670210	1	SWITCH-PRESSURE	
80	6715715	1	FITTING-STR BEADED	
81	6800357	1	HOSE-08FJX(2)-08R1 X017.7	
82	6800927	1	TEE-FITTING,OFFET	
83	6800928	1	HOSE	
84	6800930	1	HOSE	
85	6801007	1	TUBELINE	
86	6801008	1	TUBELINE	
87	6801009	1	TUBELINE	
88	6801010	1	TUBELINE	
89	6801342	1	HOSE-08FJX-06FJX90-06R1	
90	6801744	1	TANK ASSY-HYD	SEE PAGE 5-6
91	6801751	1	U BOLT	
92	6801752	1	BRACKET-CLAMP	
93	6801786	1	HOSE	
94	6801843	1	TUBELINE	
95	6801844	1	TUBELINE	
96	6801935	1	TUBELINE	
97	6801936	1	TUBELINE	
98	6802465	1	HOSE-08FJX-06FJX-06R1	
99	6802537	1	TUBELINE	
100	6802800	1	HOSE-06FJX(2)-06R1 X073	
101	6803582	1	TUBELINE ASSY	
102	WR37374	1	TUBE ASSY-TANK,4000	
103	WR37375	1	TUBE ASSY-PUMP,4000	
104	WR37386	1	VALVE ASSY-CONTROL	SEE PAGE 5-46
105	WR37397	1	TUBE ASSY-LOWER,RH 4000	
106	WR37398	1	TUBE ASSY-RAISE,RH 4000	
107	WR37399	1	TUBE ASSY-LOWER,RH 4000	
108	WR37400	1	TUBE ASSY-RAISE,LH 4000	
109	WR37401	1	BRACKET-MTG,VALVE ASSY	



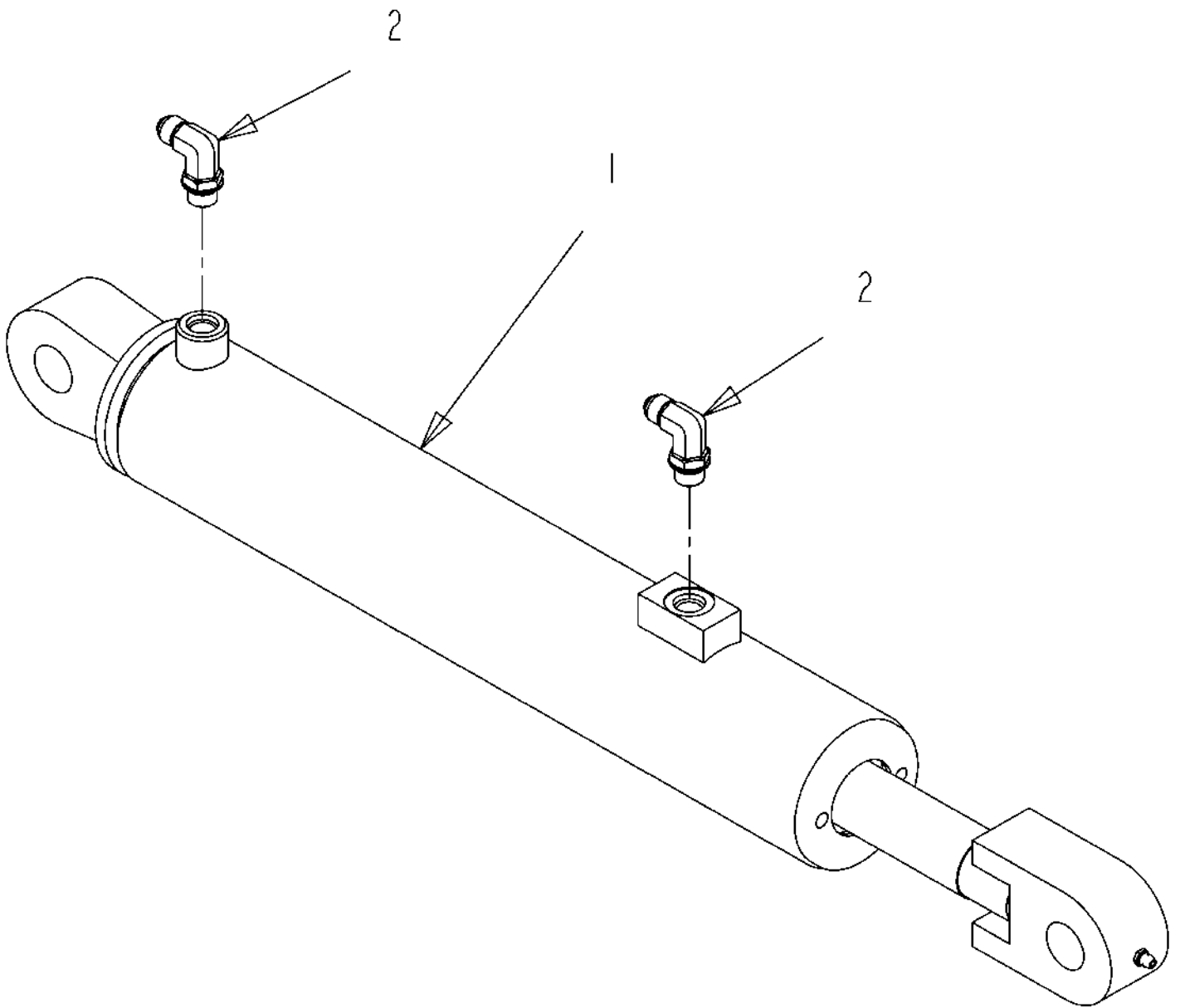
ITEM	PART #	QTY	DESCRIPTION	COMMENT
1	WR10254	1	SCREW-WZLK FLG 3/8 NC X 1	
2	WR50838	4	NUT-HEX,METRIC M10-1.5	
3	WR55075	2	WASHER-PLAIN,10MM ID,LC,	
4	WR55104	4	WASHER-LOCK SPRING,6MM ID	
5	WR55106	4	WASHER-LOCK SPRING,10 MM	
6	WR55158	4	WASHER-FLAT,10MM ID.	
7	WR55214	1	SCREW-HEX FLG,M10X1.5X20 CL8.8	
8	WR55215	1	SCREW-HEX FLG,M10X1.5X25 CL8.8	
9	WR55226	2	CLAMP-SUPPORT CUSHION,	
10	WR55351	2	NUT-TOPLOCK, 1/4-20UNC G8	
11	WR55353	2	NUT-TOPLOCK, 3/8-16UNC G8	
12	WR55365	1	NUT-TOPLOCK, 1/4-20UNC,	
13	WR55366	1	NUT-TOPLOCK, 3/8-16UNC,	
14	WR122830	1	ADAP STR .37MORX.37MJIC LONG	
15	WR123121	1	PUMP HYDRAULIC	SEE PAGE 5-47
16	WR124390	1	TUBELINE	
17	WR128112	1	ELBOW-8MJIC 45 X -6MB	
18	WR514800	1	ELBOW-90D,-6MORX-8 MJIC	
19	WR514803	4	ELBOW 90D 0.37JICX0.37JIC BHD	
20	WR519114	2	TUBE END NIPPLE -6	
21	WR519123	1	TEE-RUN,STR THD -6	
22	WR520285	1	TEE-6MOR X -6MJIC	
23	WR521798	4	UNION-BHD,.38MJIC	
24	WR523227	1	ADAPTER-45D,-6FJIC SWX-6MJIC	
25	WR550183	10	BOLT 0.31-18NCX 0.75 G5 ZN HHD	
26	WR550191	3	WASHER LK 0.37 ZN REG	
27	WR550205	13	WASHER LK 0.31 ZN REG	
28	WR550493	4	WASHER LK 0.25 ZN REG	
29	WR550698	1	BOLT 0.25-20NCX 1.00 G5 ZN HHD	
30	WR550906	1	BOLT 0.31-18NCX 3.00 G5 ZN HHD	
31	WR551112	1	ELBOW 90D 0.50MO-R X 0.50MJIC	
32	WR551279	2	BOLT.25-20NCX 2G5 ZN HHD	
33	WR551503	3	BOLT 0.37-16NCX 0.75 G5 ZN HHD	
34	WR552194	2	ADAP STR 0.75MO-R X 0.50MJIC	
35	WR553891	1	ELBOW 45D 0.50MO-R X 0.50MJIC	
36	WR557668	5	NUT 0.31-18NC HEX ZN C-LK	
37	WR558788	4	BOLT 0.25-20NCX 1.25 G5 ZN HHD	
38	WR559148	1	ADAP STR 0.25MNPT X 0.37MJIC	
39	WR560693	5	ADAP STR 0.37MO-R X 0.37MJIC	
40	WR561213	4	CLAMP 0.81-1.50 HOSE 16HS	
41	WR561230	2	CLAMP 0.81-1.75 HOSE 20HS	
42	WR561251	3	BOLT 0.31-18NCX 2.25 G5 ZN HHD	
43	WR561308	1	ADAP STR 0.50MO-R X 0.37MJIC	
44	WR561391	1	TEE 0.37FJIC SW X 0.37MJIC(2)	
45	WR561629	3	ELBOW -6FJS90X -6MJ	
46	WR561834	3	ADAP STR-8FJX-6MJ	
47	WR562204	4	ELBOW-8MB90X-6MJ	
48	WR562229	1	ADAP STR-8MJBHX-8MJ	
49	WR562346	3	TEE -8MJ	
50	WR562372	2	ADAP STR 0.37MO-R X 0.50MJIC	
51	WR562401	1	ELBOW -6MB90X-6MJ	
52	WR562496	18	TIE CABLE 15.0 .18-4.00 BLACK	
53	WR562639	4	BOLT M6 1.00X12MM G8.8 ZN HHD	
54	WR562709	2	TEE 0.37MJIC(2)X0.37FJIC SW	
55	1312337	1	ADAPTER	
56	6515541	1	FILTER-HYD	
57	6533975	1	GROMMET	
58	6535422	4	WASHER-CLAMP	
59	6536129	1	HOSE-06FJX-06FJX90-06R1	
60	6562619	1	BUSHING-THROTTLE	



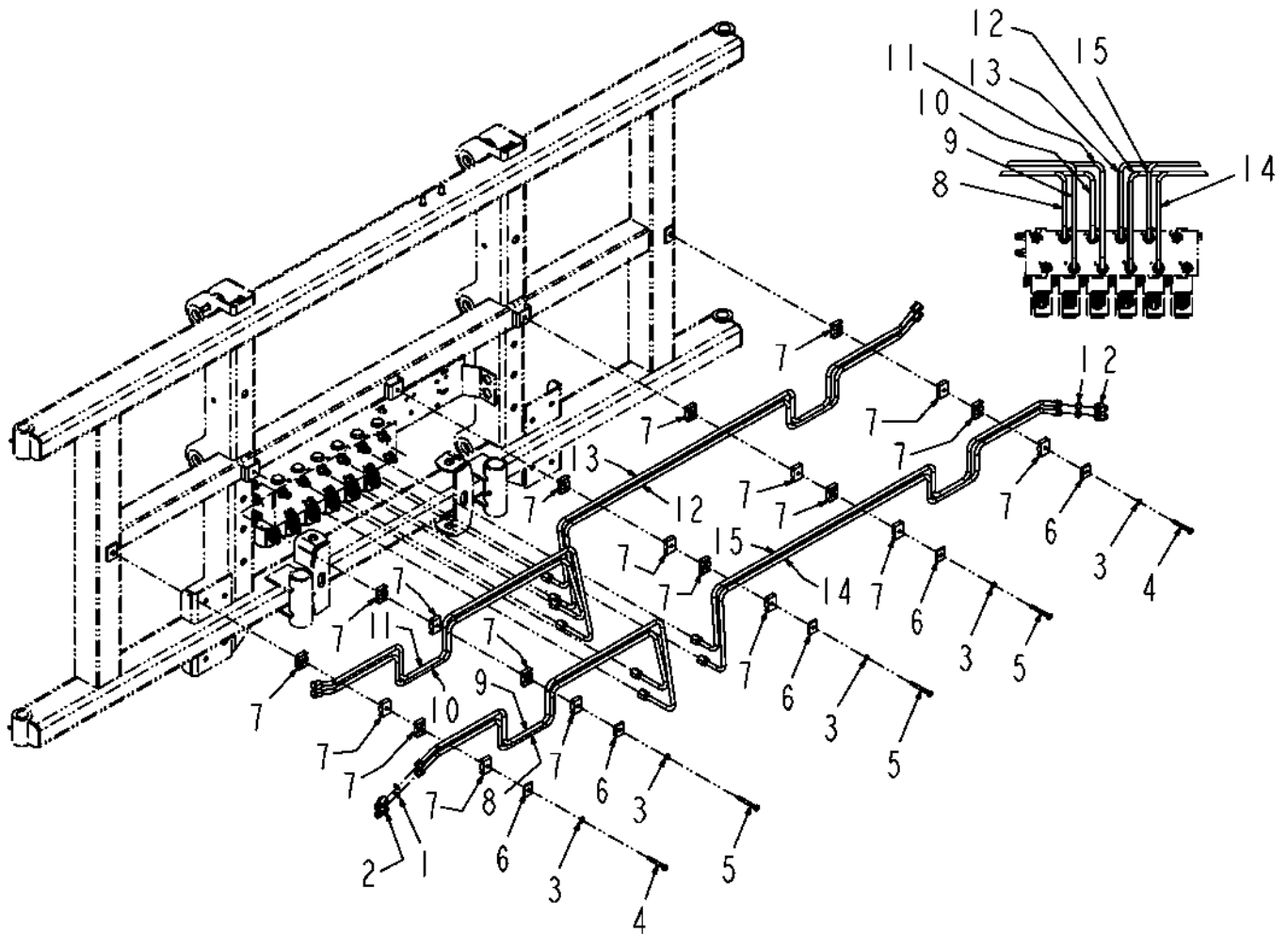
ITEM	PART #	QTY	DESCRIPTION	COMMENT
61	6577696	8	CLAMP-TUBELINE	
62	6577697	8	CLAMP-TUBLINE IN RECEIVE AS 1/2 IN	
63	6578209	1	CONNECTOR-CROSS	
64	6578870	4	TUBELINE-CLAMP "RECEIVE AS 1/2	
65	6589193	1	ELBOW	
66	6597879	1	GRIP ASSY-HANDLE	SEE PAGE 5-5
67	6597894	1	EDGE	
68	6626606	1	BLOCK-FILTER PORT	
69	6626650	1	ADAPTER-FILTER	
70	6626697	1	HOSE-08MJ-06FJX90-06R1	
71	6627634	1	HOSE-06FJX-06FJX45-06R1	
72	6628163	1	TUBELINE	
73	6652521	4	COVER-PLATE	
74	6664332	1	VALVE-CHECK,INLINE	
75	6664973	1	VALVE-FLOAT,2 POSITION	SEE PAGE 5-27
76	6669628	1	VALVE-CHARGE	
77	6669671	1	ACCUMULATOR	
78	6670147	1	ACCUMULATOR	
79	6670210	1	SWITCH-PRESSURE	
80	6715715	1	FITTING-STR BEADED	
81	6800357	1	HOSE-08FJX(2)-08R1 X017.7	
82	6800927	1	TEE-FITTING,OFFET	
83	6800928	1	HOSE	
84	6800930	1	HOSE	
85	6801007	1	TUBELINE	
86	6801008	1	TUBELINE	
87	6801009	1	TUBELINE	
88	6801010	1	TUBELINE	
89	6801342	1	HOSE-08FJX-06FJX90-06R1	
90	6801744	1	TANK ASSY-HYD	SEE PAGE 5-6
91	6801751	1	U BOLT	
92	6801752	1	BRACKET-CLAMP	
93	6801786	1	HOSE	
94	6801843	1	TUBELINE	
95	6801844	1	TUBELINE	
96	6801935	1	TUBELINE	
97	6801936	1	TUBELINE	
98	6802465	1	HOSE-08FJX-06FJX-06R1	
99	6802537	1	TUBELINE	
100	6802800	1	HOSE-06FJX(2)-06R1 X073	
101	6803582	1	TUBELINE ASSY	
102	WR37374	1	TUBE ASSY-TANK,4000	
103	WR37375	1	TUBE ASSY-PUMP,4000	
104	WR37386	1	VALVE ASSY-CONTROL	SEE PAGE 5-46
105	WR37397	1	TUBE ASSY-LOWER,RH 4000	
106	WR37398	1	TUBE ASSY-RAISE,RH 4000	
107	WR37399	1	TUBE ASSY-LOWER,RH 4000	
108	WR37400	1	TUBE ASSY-RAISE,LH 4000	
109	WR37401	1	BRACKET-MTG,VALVE ASSY	



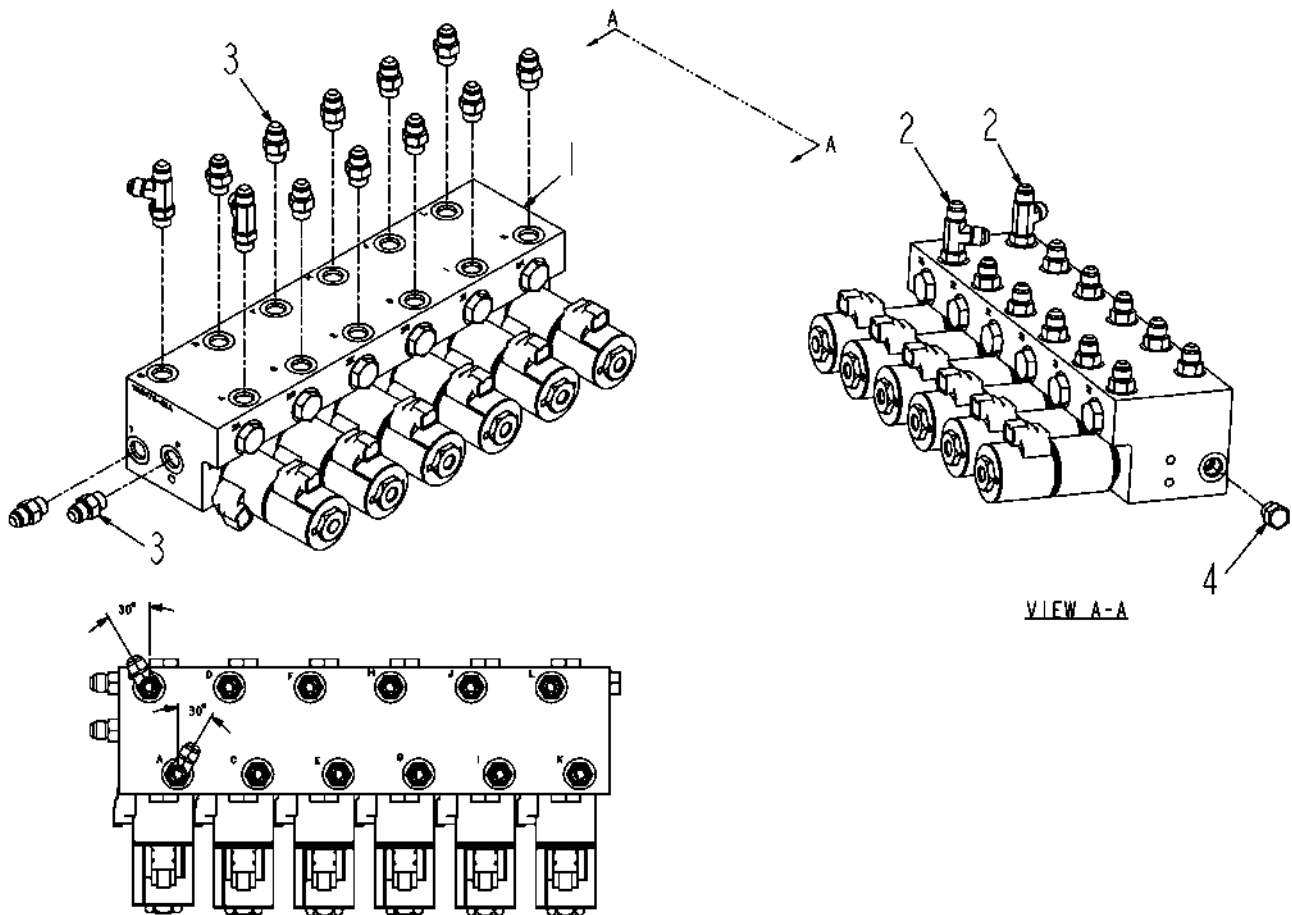
ITEM	PART #	QTY	DESCRIPTION	COMMENT
2	6656070	1	CLEVIS	
3	6656069	1	WASHER	
4	6656067	2	RING	
9	6597025	1	HANDLE-VALVE	
10	6597026	1	HANDLE-GRIP	
13	6562619	1	BUSHING-THROTTLE	
14	WR55353	1	NUT-TOPLOCK, 3/8-16UNC G8	
15	WR55365	1	NUT-TOPLOCK, 1/4-20UNC,	
	FOOTNOTE [A]		ITEM 8: HOUSING	
	FOOTNOTE [A]		ITEM 5 & 8 CANNOT BE PURCHASED INDIVIDUALLY BUT ARE INCLUDED IN THE VALVE.	
	FOOTNOTE [A]		ITEM 5: SPOOL	



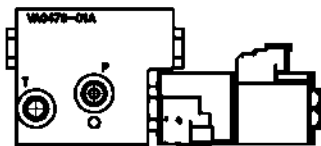
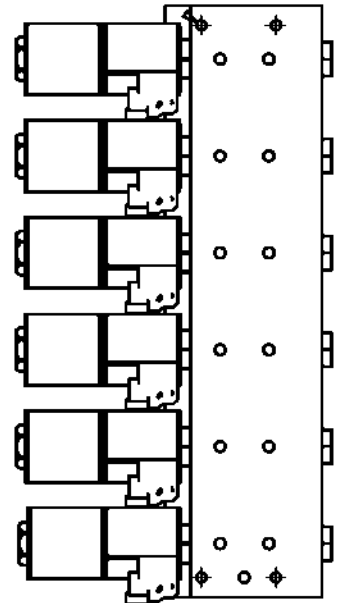
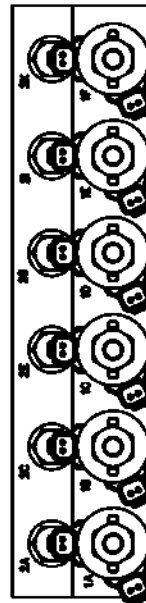
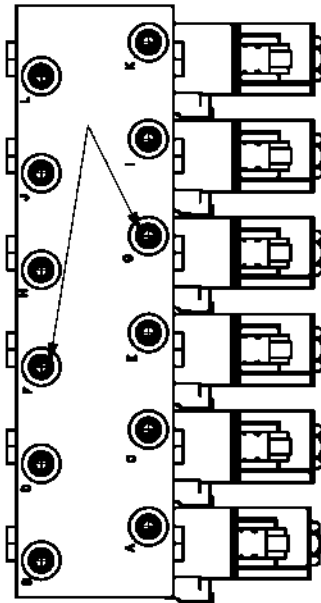
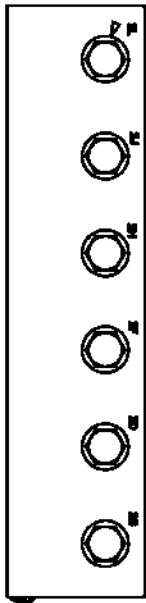
ITEM	PART #	QTY	DESCRIPTION	COMMENT
1	WR127886	1	CYLINDER-HYD,2.75X11X1.38	
2	WR562401	2	ELBOW -6MB90X-6MJ	



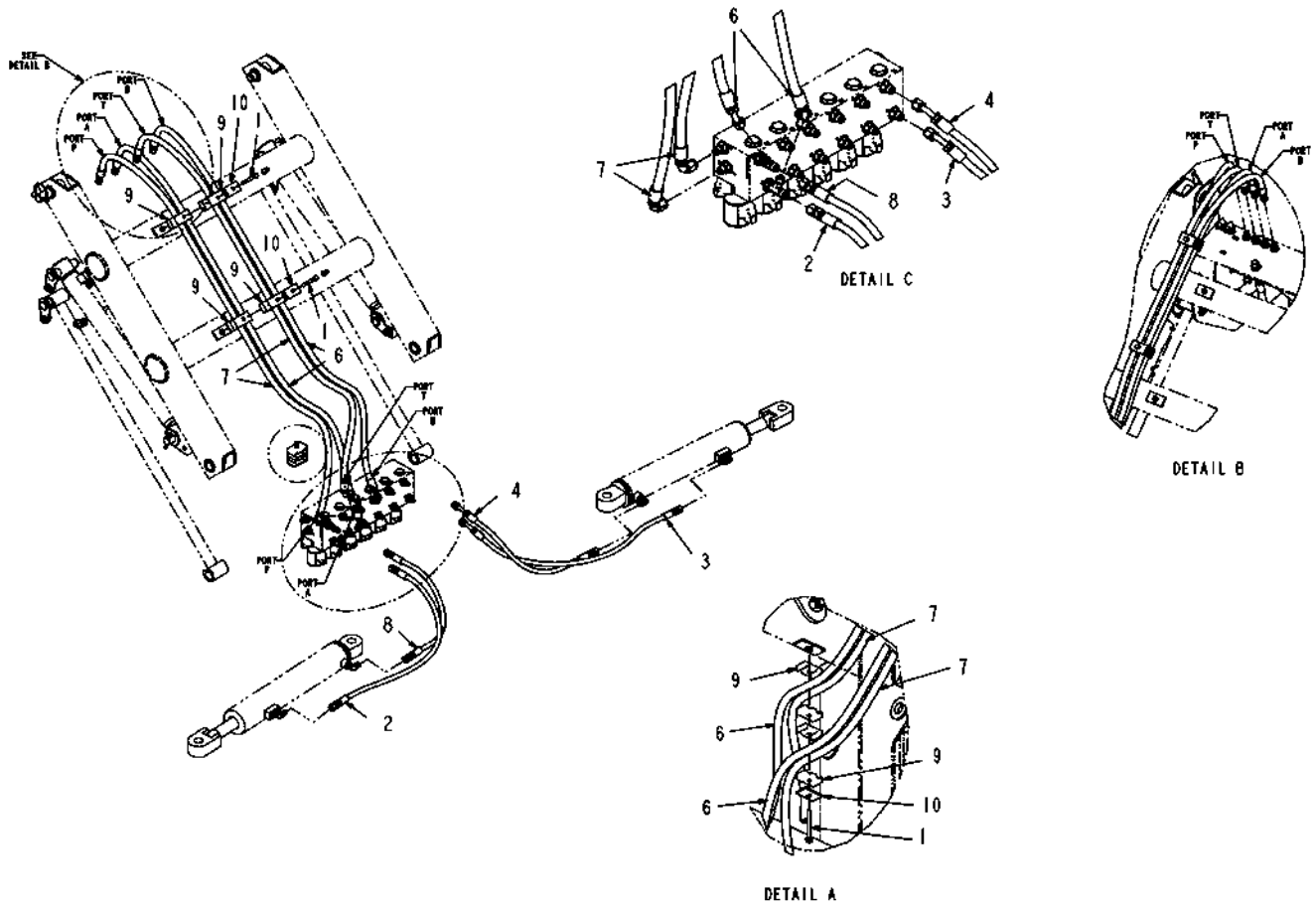
ITEM	PART #	QTY	DESCRIPTION	COMMENT
1	WR28265	4	O-RING FOR -06 MB	
2	WR129367	4	ADAPTER-STR,.37FB X .37MJIC	
3	WR550493	5	WASHER LK 0.25 ZN REG	
4	WR551279	2	BOLT .25-20NCX 2G5 ZN HHD	
5	WR562015	3	BOLT 0.25-20NCX 2.25 G5 ZN HHD	
6	6535422	5	WASHER-CLAMP	
7	6578870	20	TUBELINE-CLAMP "RECEIVE AS 1/2	
8	WR37389	1	TUBE ASSY-CENTER HYD,ESP	
9	WR37390	1	TUBE ASSY-CENTER HYD,ESP	
10	WR37391	1	TUBE ASSY-CENTER HYD	
11	WR37392	1	TUBE ASSY-CENTER HYD	
12	WR37393	1	TUBE ASSY-CENTER HYD	
13	WR37394	1	TUBE ASSY-CENTER HYD	
14	WR37395	1	TUBE ASSY-CENTER HYD, ESP	
15	WR37396	1	TUBE ASSY-CENTER HYD, ESP	



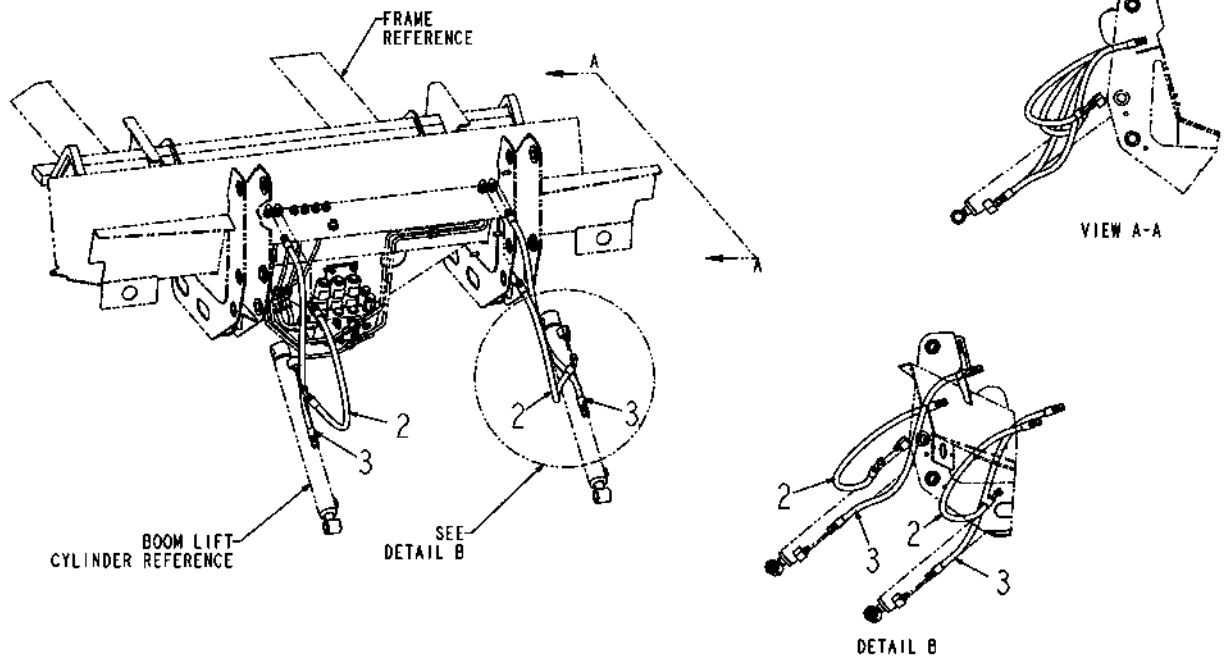
ITEM	PART #	QTY	DESCRIPTION	COMMENT
1	WR122642	1	VALVE-HYD,BOOM,6 BANK	SEE PAGE 5-31
2	WR519123	2	TEE-RUN,STR THD -6	
3	WR560693	12	ADAP STR 0.37MO-R X 0.37MJIC	
4	WR561797	1	PLUG 0.37MO-R HEX	



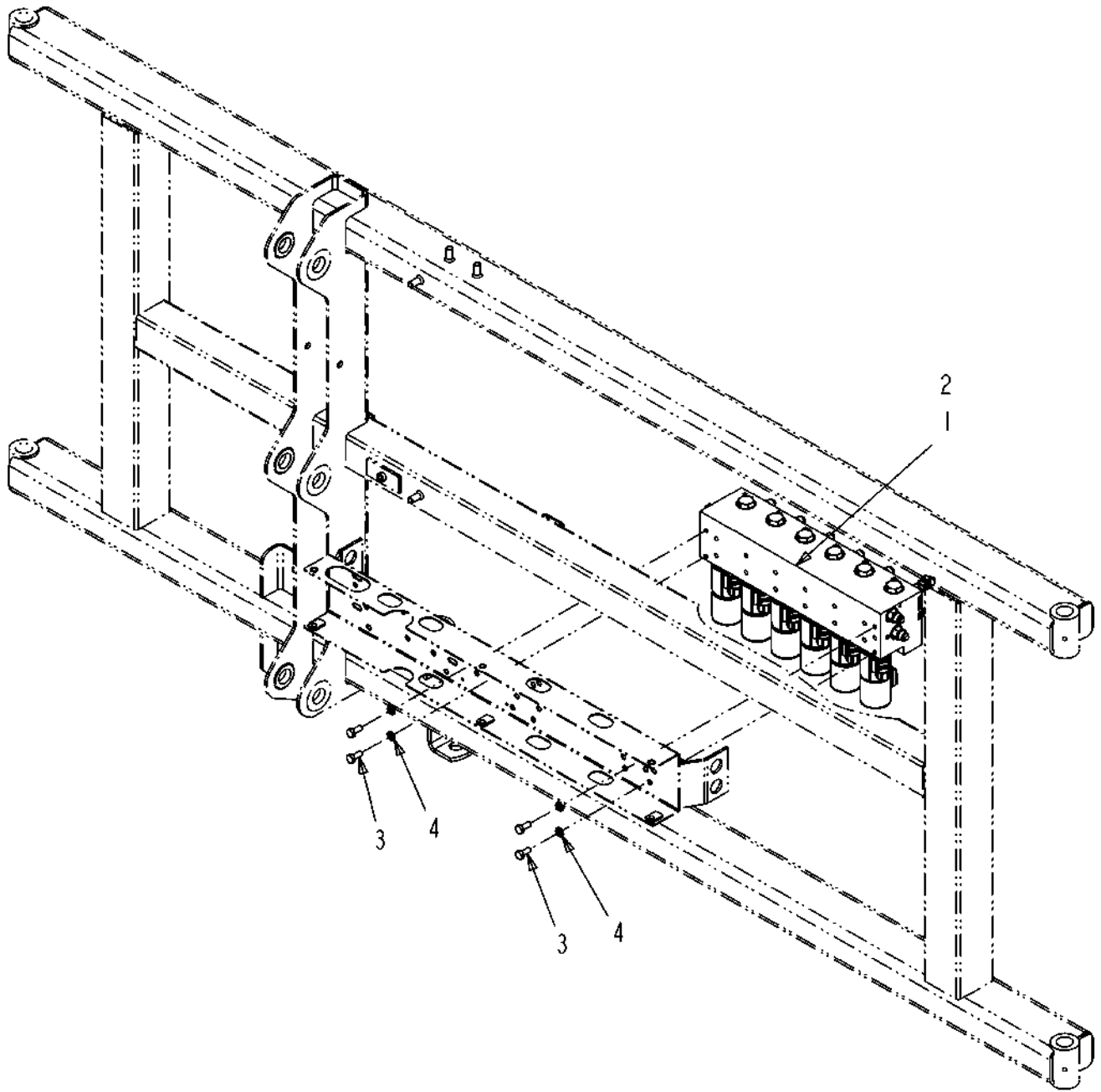
ITEM	PART #	QTY	DESCRIPTION	COMMENT
REF	WR41967	-	PISTON-DBL PILOT, 4:1,	
REF	WR121484	-	COIL-E, 12VDC DEUTCH W/DIODE, 10	
REF	WR121485	-	SPACER-E COIL, 10	
REF	WR26528	-	VALVE-CHECK, CV08200N25	SEE PAGE 5-2
REF	WR520434	-	PLATE-ORIFICE, 2 WAY, THREADED	
REF	WR522023	-	PLATE-ORFICE, 2 WAY, .040 DIA	
REF	6662924	-	ORIFICE-TIP LIFT	
REF	WR712150	-	VALVE CARTRIDGE 4WAY	
REF	WR715207	-	SEAL KIT	
REF	WR716811	-	KIT-ORING, ND VALVE(609465)	
REF	WR726854	-	NUT/PULL COIL E-SERIES	



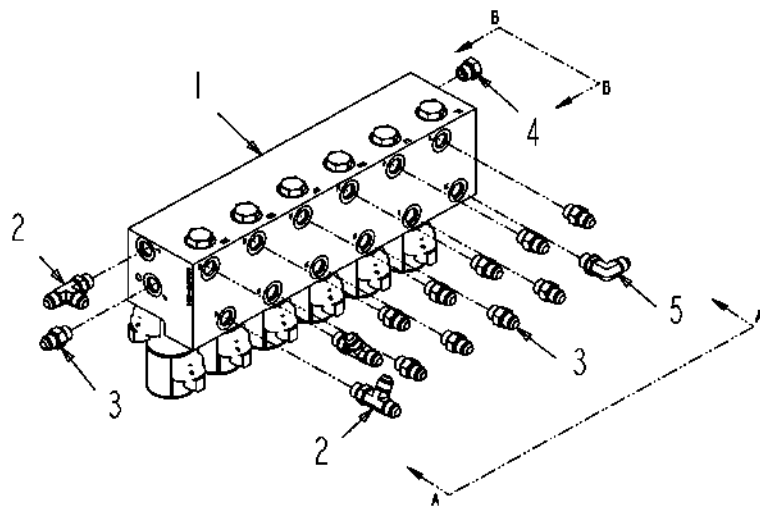
ITEM	PART #	QTY	DESCRIPTION	COMMENT
1	WR55043	3	SCREW-CAP HEX M8 X 75	
2	WR124776	-	HOSE ASM-6X31.00 FJS/FJS	
3	WR128871	-	HOSE ASM-6X32.00 FJS/FJS45	
4	WR129177	-	HOSE ASM-6X23.00 FJS/FJS45	
5	WR133624	1	KIT-HOSE,HYD,H FRAME,4X50	
6	WR234213	-	HOSE ASM -6 75.00 R1	
7	WR235784	-	HOSE ASM -6 X 75.00 FJS/FJS90	
8	WR239152	-	HOSE ASM -6X19.00 FJS/FJS	
9	6577696	12	CLAMP-TUBELINE	
10	6652521	3	COVER-PLATE	



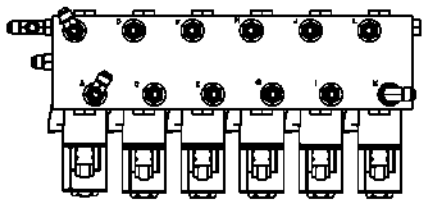
ITEM	PART #	QTY	DESCRIPTION	COMMENT
1	WR133626	1	KIT-HOSE,HYD,BM LFT,4X50	
2	WR220601	-	HOSE ASM -6 28.00 R1AT	
3	WR260029	-	HOSE ASM -6X25.00 FJS/FJS45	



ITEM	PART #	QTY	DESCRIPTION	COMMENT
1	WR133622	1	VALVE ASM-HYD,BOOM,6 BANK,4X50	SEE PAGE 5-30
2	WR133892	12	HARN-ADPT,2WP FE/2DEUTSCH PLUG	
3	WR550183	4	BOLT 0.31-18NCX 0.75 G5 ZN HHD	
4	WR550205	4	WASHER LK 0.31 ZN REG	

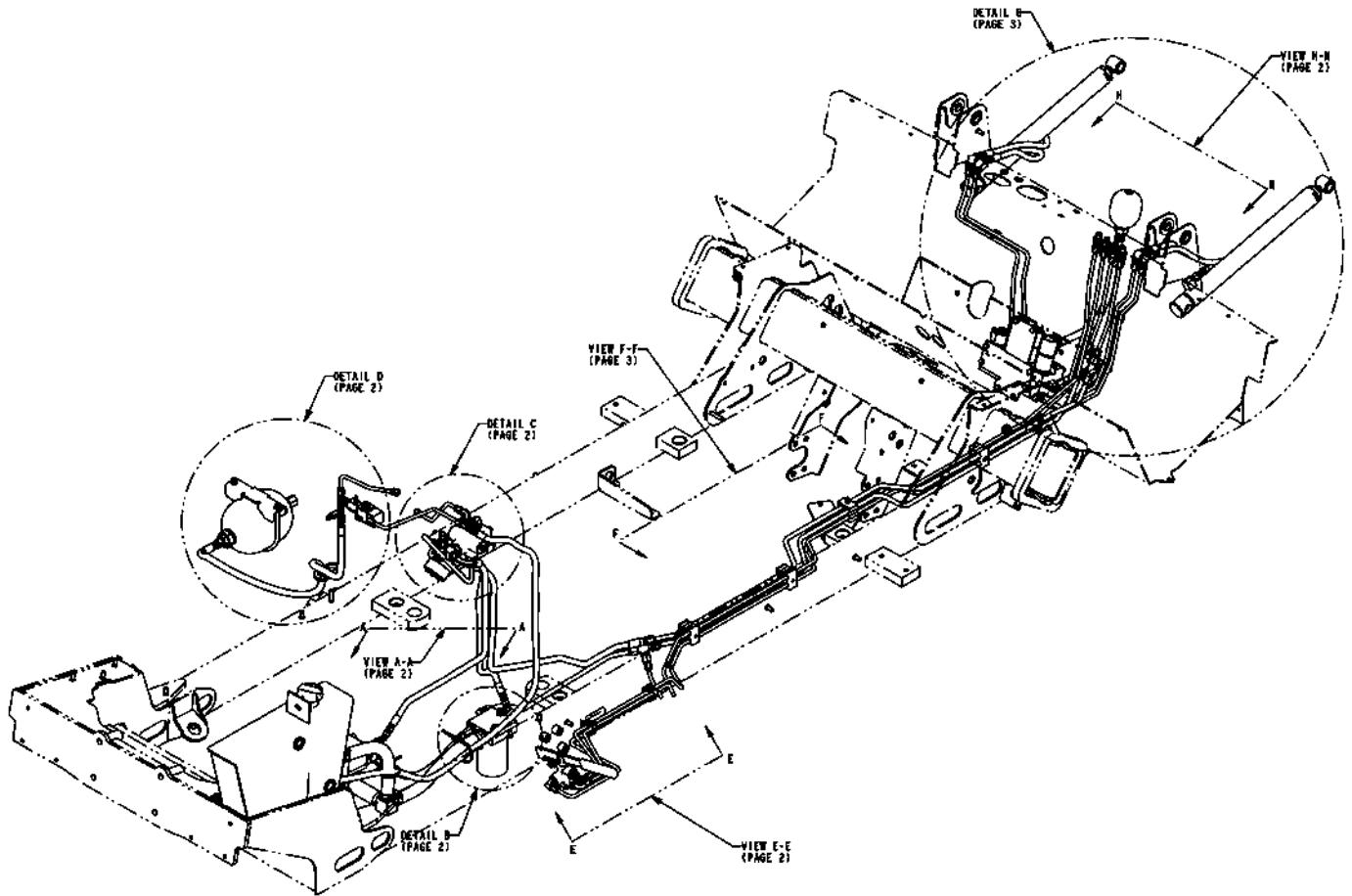


VIEW B-B

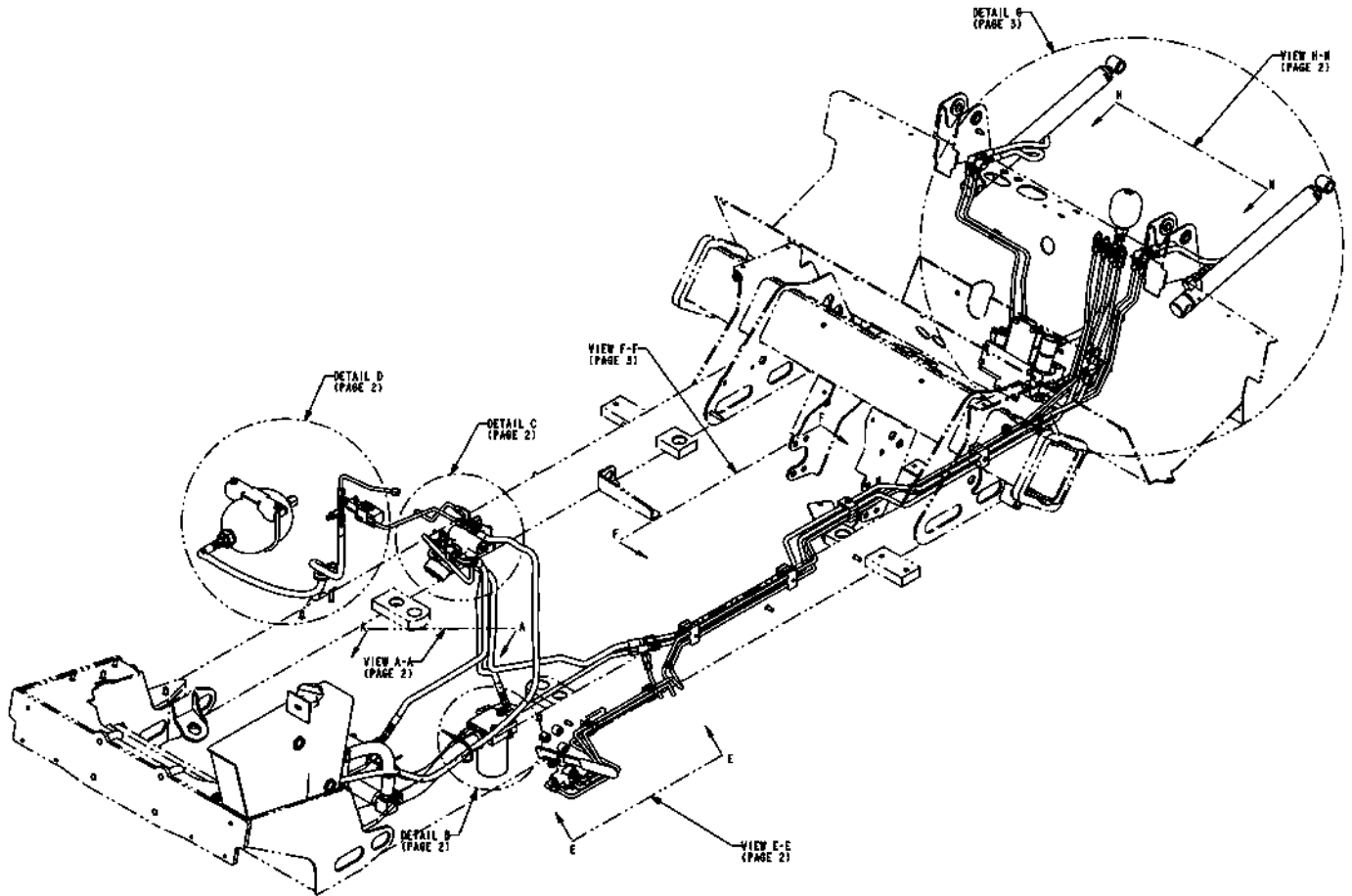


VIEW A-A

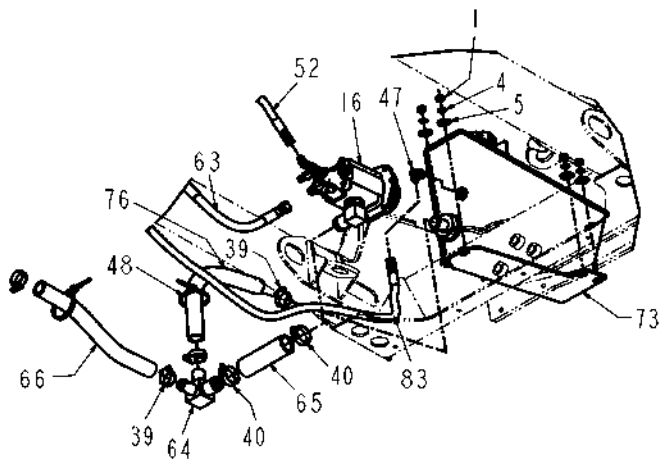
ITEM	PART #	QTY	DESCRIPTION	COMMENT
1	WR122642	1	VALVE-HYD,BOOM,6 BANK	SEE PAGE 5-31
2	WR519123	3	TEE-RUN,STR THD -6	
3	WR560693	11	ADAP STR 0.37MO-R X 0.37MJIC	
4	WR561797	1	PLUG 0.37MO-R HEX	



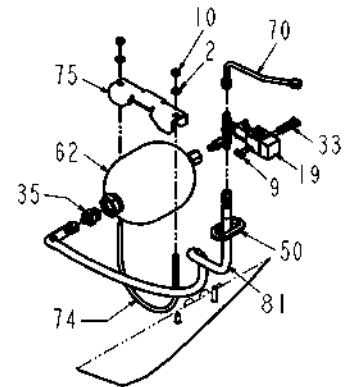
ITEM	PART #	QTY	DESCRIPTION	COMMENT
1	WR50838	4	NUT-HEX,METRIC M10-1.5	
2	WR55076	2	WASHER-PLAIN,10MM ID,LC,	
3	WR55104	4	WASHER-LOCK SPRING,6MM ID	
4	WR55106	4	WASHER-LOCK SPRING,10 MM	
5	WR55158	4	WASHER-FLAT,10MM ID,	
6	WR55214	1	SCREW-HEX FLG.M10X1.5X20 CL8.8	
7	WR55215	1	SCREW-HEX FLG.M10X1.5X25 CL8.8	
8	WR55226	1	CLAMP-SUPPORT CUSHION,	
9	WR55351	2	NUT-TOPLOCK, 1/4-20UNC G8	
10	WR55353	2	NUT-TOPLOCK, 3/8-16UNC G8	
11	WR55454	1	O RING-08MB,90 DUR	
12	WR122424	2	CYLINDER-HYD,1.75X16.84X1.00	SEE PAGE 5-15
13	WR122830	1	ADAP STR .37MORX.37MJIC LONG	
14	WR124390	1	TUBELINE	
15	WR134293	1	ASM VALVE-2 POSTION, FLOAT	SEE PAGE 5-37
16	WR134516	1	ASM PUMP-HYD 4000,CHASSIS	SEE PAGE 5-38
17	WR134517	1	ASM-VALVE CHARGE	SEE PAGE 5-39
18	WR134518	1	ASM FILTER-HYD.4000,CHASSIS	SEE PAGE 5-40
19	WR134519	1	ASM-SWITCH PRESSURE	SEE PAGE 5-41
20	WR134520	1	ASM VALVE-HYD.4000,CHASSIS	SEE PAGE 5-42
21	WR134521	1	TUBE ASM-LOWER,RH,4000	
22	WR134522	1	TUBE ASM-RAISE,RH,4000	
23	WR134523	1	TUBE ASM-LOWER,LH,4000	
24	WR134524	1	TUBE ASM-RAISE,LH,4000	
25	WR514803	4	ELBOW 90D 0.37JICX0.37JIC BHD	
26	WR521798	4	UNION-BHD,.38MJIC	
27	WR550183	6	BOLT 0.31-18NCX 0.75 G5 ZN HHD	
28	WR550191	3	WASHER LK 0.37 ZN REG	
29	WR550205	5	WASHER LK 0.31 ZN REG	
30	WR550493	3	WASHER LK 0.25 ZN REG	
31	WR550906	1	BOLT 0.31-18NCX 3.00 G5 ZN HHD	
32	WR551015	4	WASHER 0.31 FL ZN REG TYPE-B	
33	WR551279	2	BOLT.25-20NCX 2G5 ZN HHD	
34	WR551503	3	BOLT 0.37-16NCX 0.75 G5 ZN HHD	
35	WR552194	1	ADAP STR 0.75MO-R X 0.50MJIC	
36	WR557668	5	NUT 0.31-18NC HEX ZN C-LK	
37	WR558788	3	BOLT 0.25-20NCX 1.25 G5 ZN HHD	
38	WR560693	1	ADAP STR 0.37MO-R X 0.37MJIC	
39	WR561213	4	CLAMP 0.81-1.50 HOSE 16HS	
40	WR561230	2	CLAMP 0.81-1.75 HOSE 20HS	
41	WR561251	3	BOLT 0.31-18NCX 2.25 G5 ZN HHD	
42	WR561629	1	ELBOW -6FJS90X -6MJ	
43	WR561834	3	ADAP STR-8FJX-6MJ	
44	WR562229	1	ADAP STR-8MJBHX-8MJ	
45	WR562346	3	TEE -8MJ	
46	WR562372	1	ADAP STR 0.37MO-R X 0.50MJIC	
47	WR562401	1	ELBOW -6MB90X-6MJ	
48	WR562496	AR	TIE CABLE 15.0 .18-4.00 BLACK	
49	WR562639	4	BOLT M6 1.00X12MM G8.8 ZN HHD	
50	6533975	1	GROMMET	
51	6535422	3	WASHER-CLAMP	
52	6536129	1	HOSE-06FJX-06FJX90-06R1	
53	6577696	8	CLAMP-TUBELINE	
54	6577697	8	CLAMP-TUBELINE IN RECEIVE AS 1/2 IN	
55	6578870	2	TUBELINE-CLAMP "RECEIVE AS 1/2	
56	6618197	2	HOSE-06FJX(20-04R2 X028.4	
57	6626697	1	HOSE-08MJ-06FJX90-06R1	
58	6627634	1	HOSE-06FJX-06FJX45-06R1	
59	6628163	1	TUBELINE	
60	6652521	4	COVER-PLATE	



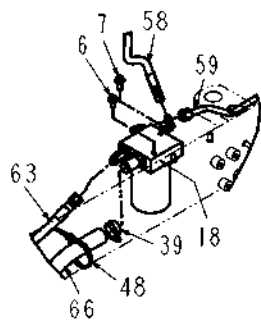
ITEM	PART #	QTY	DESCRIPTION	COMMENT
61	6669671	1	ACCUMULATOR	
62	6670147	1	ACCUMULATOR	
63	6800357	1	HOSE-08FJX(2)-08R1 X017.7	
64	6800927	1	TEE-FITTING,OFFET	
65	6800928	1	HOSE	
66	6800930	1	HOSE	
67	6801007	1	TUBELINE	
68	6801008	1	TUBELINE	
69	6801009	1	TUBELINE	
70	6801010	1	TUBELINE	
71	6801342	1	HOSE-08FJX-06FJX90-06R1	
72	6801683	2	HOSE-06FJX-06FX90-04R2	
73	6801744	1	TANK ASSY-HYD	SEE PAGE 5-6
74	6801751	1	U BOLT	
75	6801752	1	BRACKET-CLAMP	
76	6801786	1	HOSE	
77	6801843	1	TUBELINE	
78	6801844	1	TUBELINE	
79	6801935	1	TUBELINE	
80	6801936	1	TUBELINE	
81	6802465	1	HOSE-08FJX-06FJX-06R1	
82	6802537	1	TUBELINE	
83	6802800	1	HOSE-06FJX(2)-06R1 X073	
84	6803582	1	TUBELINE ASSY	
85	WR37374	1	TUBE ASSY-TANK,4000	
86	WR37375	1	TUBE ASSY-PUMP,4000	



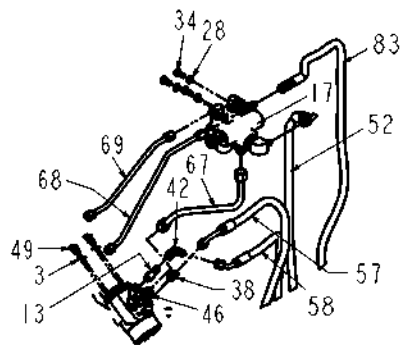
VIEW A-A



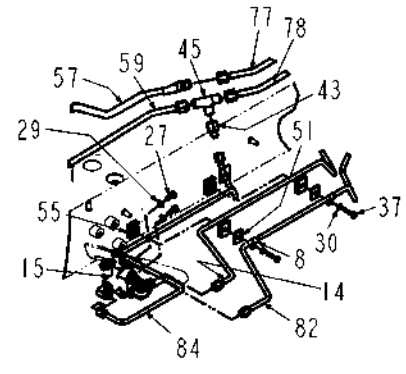
DETAIL D



DETAIL B

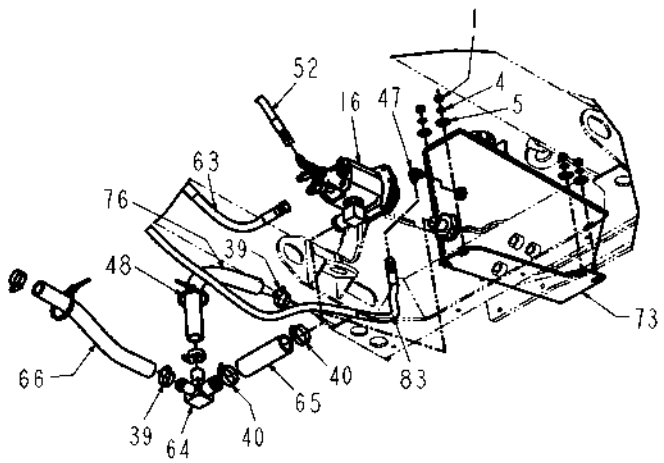


DETAIL C

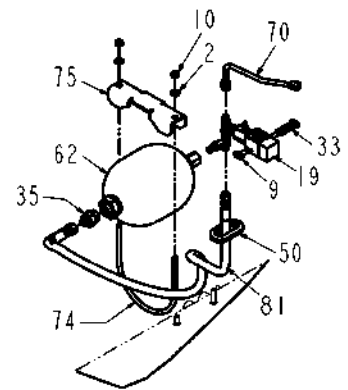


VIEW E-E

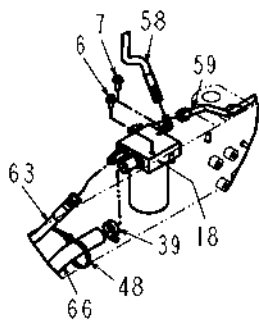
ITEM	PART #	QTY	DESCRIPTION	COMMENT
1	WR50838	4	NUT-HEX,METRIC M10-1.5	
2	WR55076	2	WASHER-PLAIN,10MM ID,LC,	
3	WR55104	4	WASHER-LOCK SPRING,6MM ID	
4	WR55106	4	WASHER-LOCK SPRING,10 MM	
5	WR55158	4	WASHER-FLAT,10MM ID,	
6	WR55214	1	SCREW-HEX FLG.M10X1.5X20 CL8.8	
7	WR55215	1	SCREW-HEX FLG.M10X1.5X25 CL8.8	
8	WR55226	1	CLAMP-SUPPORT CUSHION,	
9	WR55351	2	NUT-TOPLOCK, 1/4-20UNC G8	
10	WR55353	2	NUT-TOPLOCK, 3/8-16UNC G8	
11	WR55454	1	O RING-08MB,90 DUR	
12	WR122424	2	CYLINDER-HYD,1.75X16.84X1.00	SEE PAGE 5-15
13	WR122830	1	ADAP STR .37MORX.37MJIC LONG	
14	WR124390	1	TUBELINE	
15	WR134293	1	ASM VALVE-2 POSTION, FLOAT	SEE PAGE 5-37
16	WR134516	1	ASM PUMP-HYD 4000,CHASSIS	SEE PAGE 5-38
17	WR134517	1	ASM-VALVE CHARGE	SEE PAGE 5-39
18	WR134518	1	ASM FILTER-HYD.4000,CHASSIS	SEE PAGE 5-40
19	WR134519	1	ASM-SWITCH PRESSURE	SEE PAGE 5-41
20	WR134520	1	ASM VALVE-HYD.4000,CHASSIS	SEE PAGE 5-42
21	WR134521	1	TUBE ASM-LOWER,RH,4000	
22	WR134522	1	TUBE ASM-RAISE,RH,4000	
23	WR134523	1	TUBE ASM-LOWER,LH,4000	
24	WR134524	1	TUBE ASM-RAISE,LH,4000	
25	WR514803	4	ELBOW 90D 0.37JICX0.37JIC BHD	
26	WR521798	4	UNION-BHD,.38MJIC	
27	WR550183	6	BOLT 0.31-18NCX 0.75 G5 ZN HHD	
28	WR550191	3	WASHER LK 0.37 ZN REG	
29	WR550205	5	WASHER LK 0.31 ZN REG	
30	WR550493	3	WASHER LK 0.25 ZN REG	
31	WR550906	1	BOLT 0.31-18NCX 3.00 G5 ZN HHD	
32	WR551015	4	WASHER 0.31 FL ZN REG TYPE-B	
33	WR551279	2	BOLT.25-20NCX 2G5 ZN HHD	
34	WR551503	3	BOLT 0.37-16NCX 0.75 G5 ZN HHD	
35	WR552194	1	ADAP STR 0.75MO-R X 0.50MJIC	
36	WR557668	5	NUT 0.31-18NC HEX ZN C-LK	
37	WR558788	3	BOLT 0.25-20NCX 1.25 G5 ZN HHD	
38	WR560693	1	ADAP STR 0.37MO-R X 0.37MJIC	
39	WR561213	4	CLAMP 0.81-1.50 HOSE 16HS	
40	WR561230	2	CLAMP 0.81-1.75 HOSE 20HS	
41	WR561251	3	BOLT 0.31-18NCX 2.25 G5 ZN HHD	
42	WR561629	1	ELBOW -6FJS90X -6MJ	
43	WR561834	3	ADAP STR-8FJX-6MJ	
44	WR562229	1	ADAP STR-8MJBHX-8MJ	
45	WR562346	3	TEE -8MJ	
46	WR562372	1	ADAP STR 0.37MO-R X 0.50MJIC	
47	WR562401	1	ELBOW -6MB90X-6MJ	
48	WR562496	AR	TIE CABLE 15 0 .18-4.00 BLACK	
49	WR562639	4	BOLT M6 1.00X12MM G8.8 ZN HHD	
50	6533975	1	GROMMET	
51	6535422	3	WASHER-CLAMP	
52	6536129	1	HOSE-06FJX-06FJX90-06R1	
53	6577696	8	CLAMP-TUBELINE	
54	6577697	8	CLAMP-TUBELINE IN RECEIVE AS 1/2 IN	
55	6578870	2	TUBELINE-CLAMP "RECEIVE AS 1/2	
56	6618197	2	HOSE-06FJX(20-04R2 X028.4	
57	6626697	1	HOSE-08MJ-06FJX90-06R1	
58	6627634	1	HOSE-06FJX-06FJX45-06R1	
59	6628163	1	TUBELINE	
60	6652521	4	COVER-PLATE	



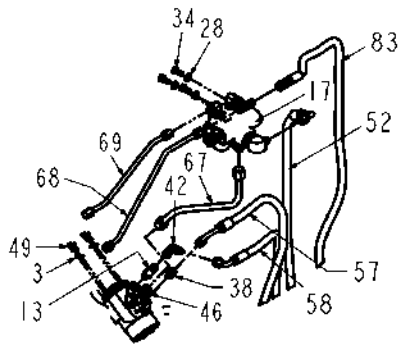
VIEW A-A



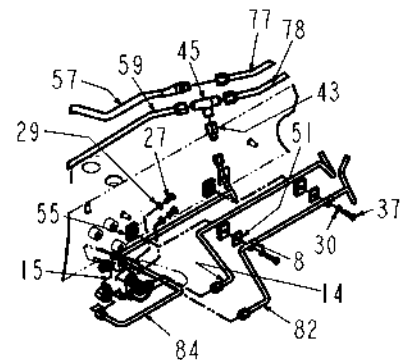
DETAIL D



DETAIL B

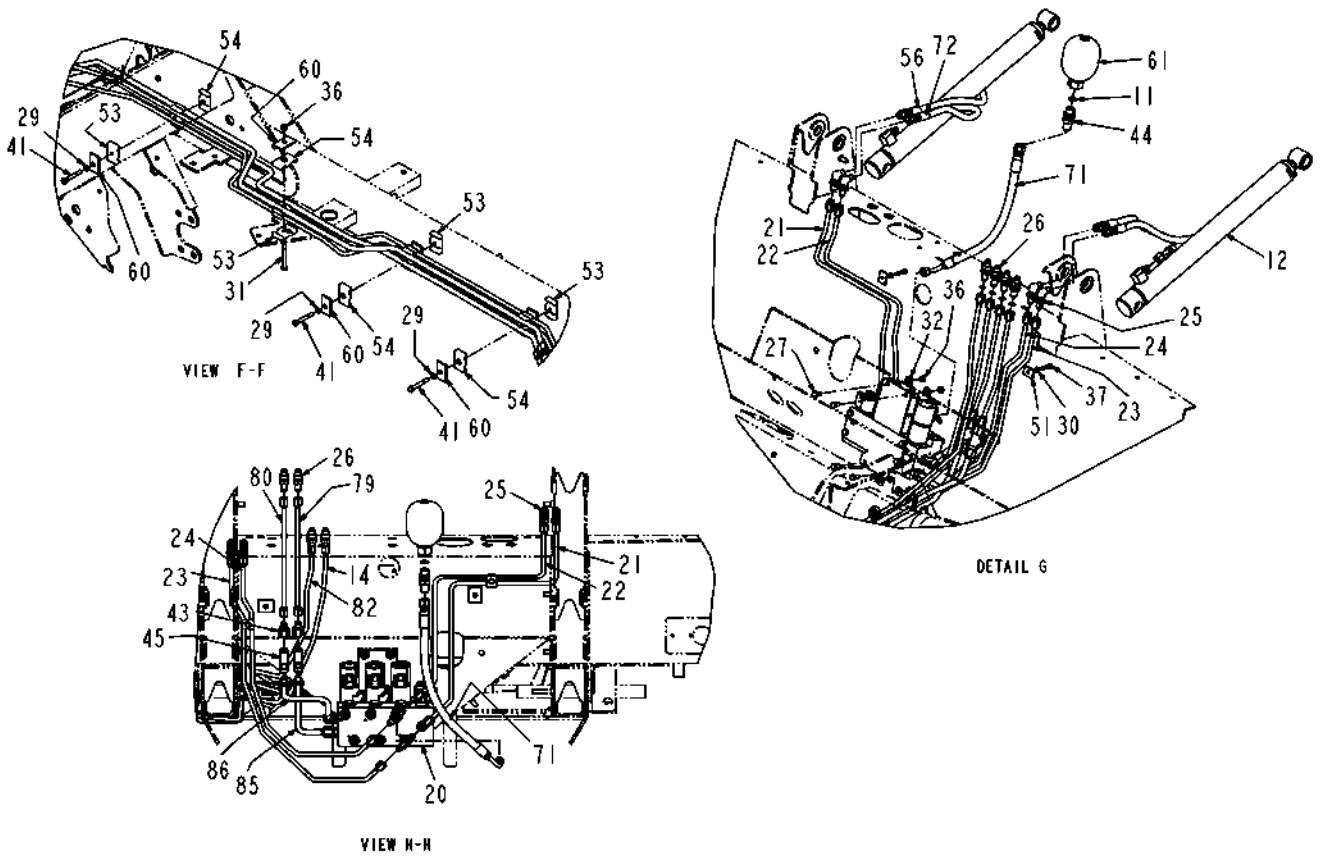


DETAIL C

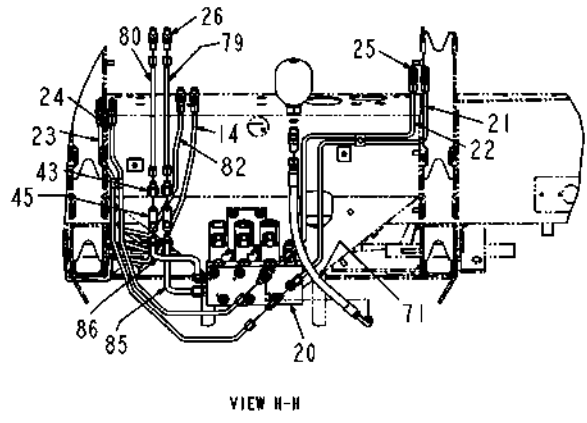
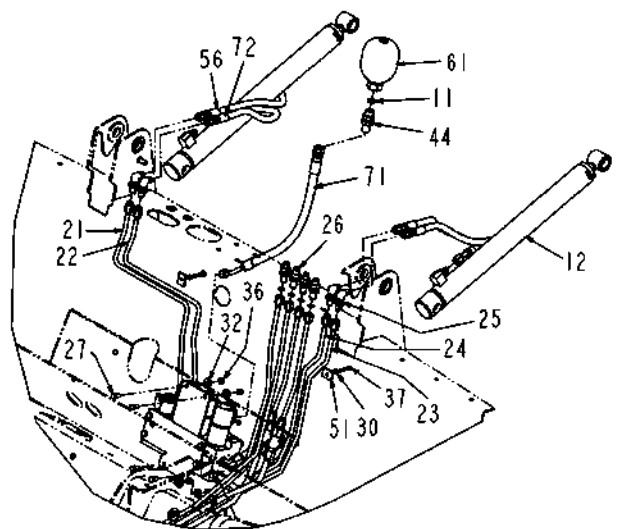
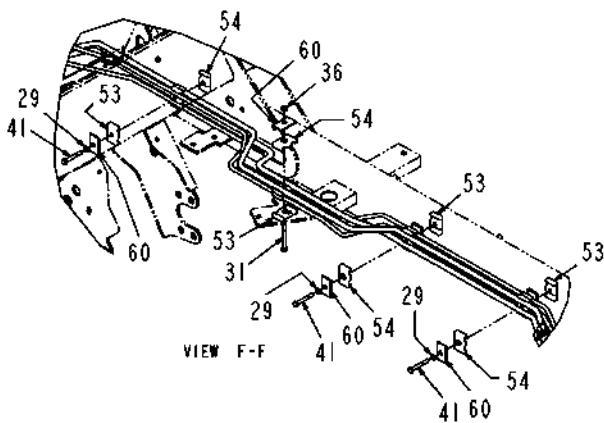


VIEW E-E

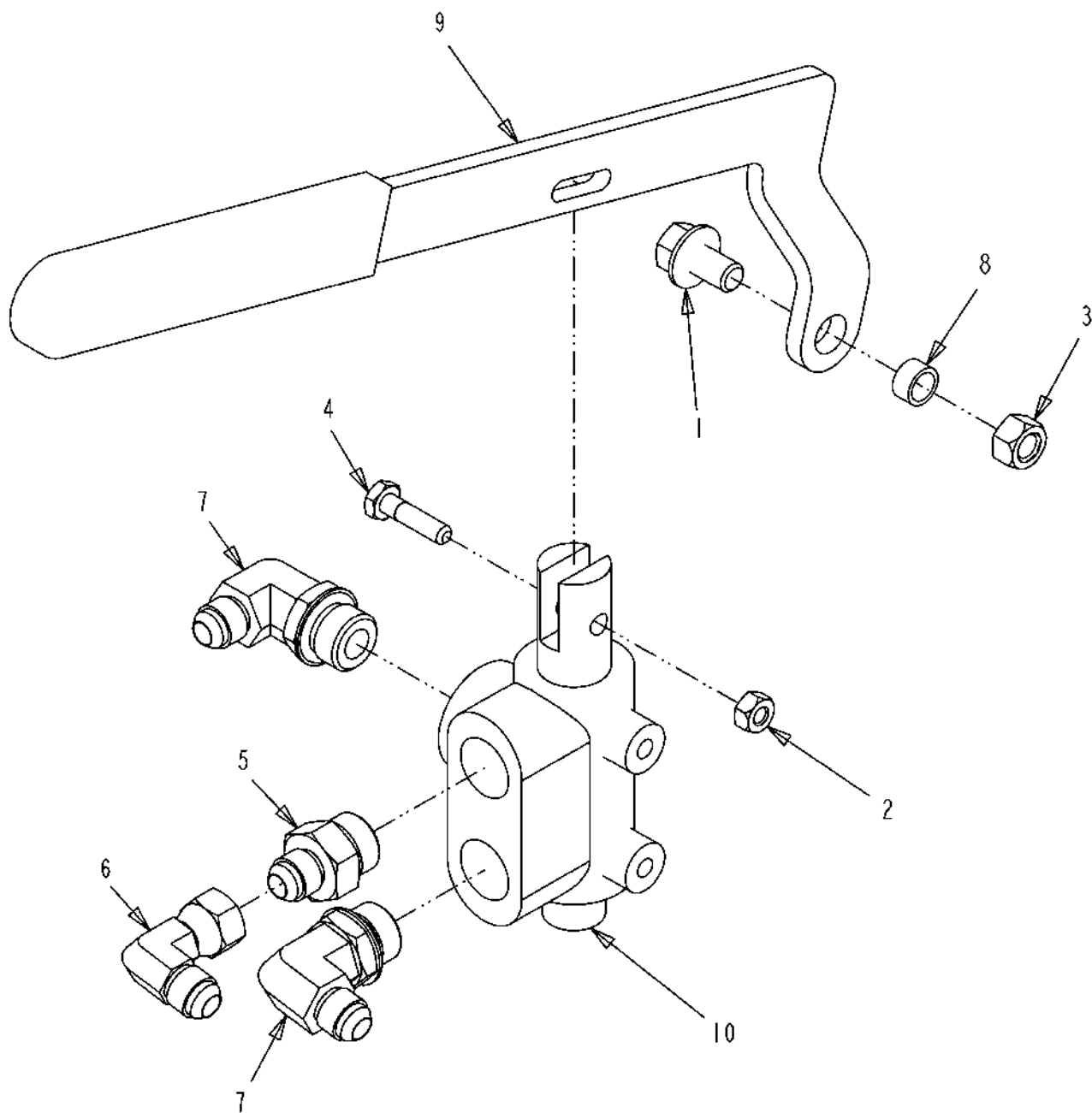
ITEM	PART #	QTY	DESCRIPTION	COMMENT
61	6669671	1	ACCUMULATOR	
62	6670147	1	ACCUMULATOR	
63	6800357	1	HOSE-08FJX(2)-08R1 X017.7	
64	6800927	1	TEE-FITTING,OFFET	
65	6800928	1	HOSE	
66	6800930	1	HOSE	
67	6801007	1	TUBELINE	
68	6801008	1	TUBELINE	
69	6801009	1	TUBELINE	
70	6801010	1	TUBELINE	
71	6801342	1	HOSE-08FJX-06FJX90-06R1	
72	6801683	2	HOSE-06FJX-06FX90-04R2	
73	6801744	1	TANK ASSY-HYD	SEE PAGE 5-6
74	6801751	1	U BOLT	
75	6801752	1	BRACKET-CLAMP	
76	6801786	1	HOSE	
77	6801843	1	TUBELINE	
78	6801844	1	TUBELINE	
79	6801935	1	TUBELINE	
80	6801936	1	TUBELINE	
81	6802465	1	HOSE-08FJX-06FJX-06R1	
82	6802537	1	TUBELINE	
83	6802800	1	HOSE-06FJX(2)-06R1 X073	
84	6803582	1	TUBELINE ASSY	
85	WR37374	1	TUBE ASSY-TANK,4000	
86	WR37375	1	TUBE ASSY-PUMP,4000	



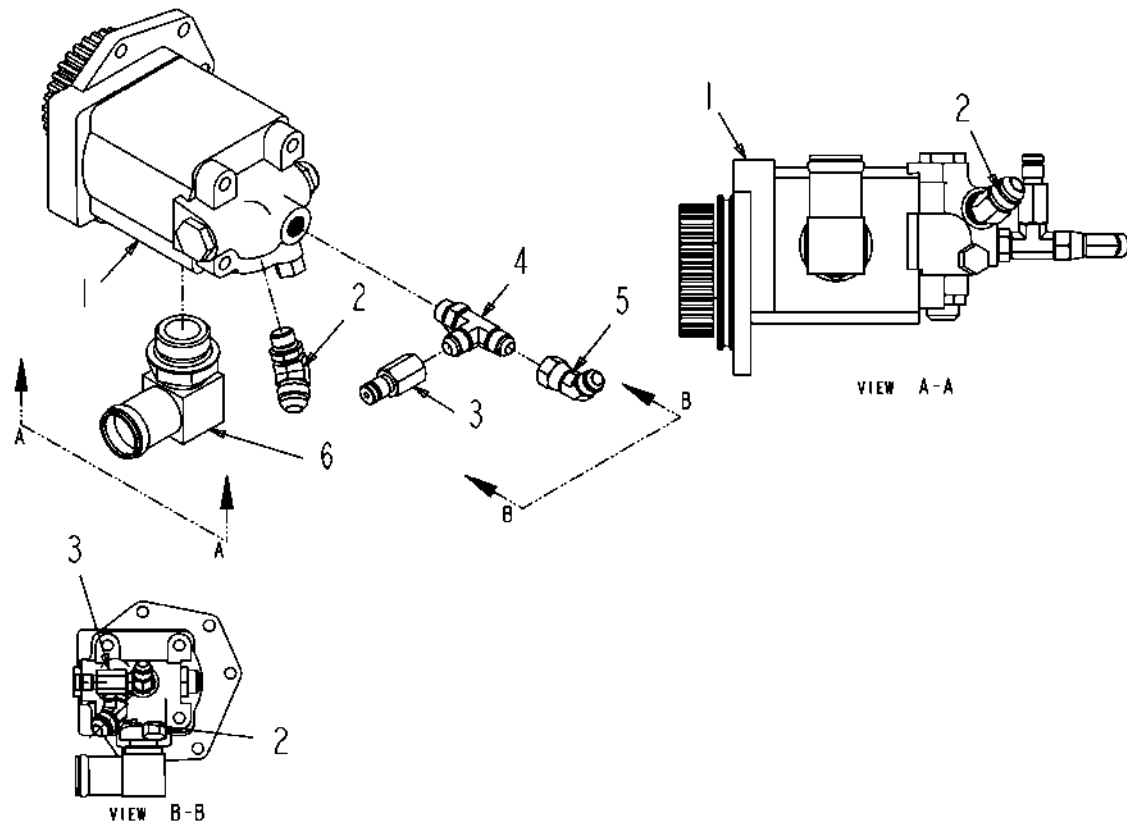
ITEM	PART #	QTY	DESCRIPTION	COMMENT
1	WR50838	4	NUT-HEX,METRIC M10-1.5	
2	WR55076	2	WASHER-PLAIN,10MM ID,LC,	
3	WR55104	4	WASHER-LOCK SPRING,6MM ID	
4	WR55106	4	WASHER-LOCK SPRING,10 MM	
5	WR55158	4	WASHER-FLAT,10MM ID,	
6	WR55214	1	SCREW-HEX FLG.M10X1.5X20 CL8.8	
7	WR55215	1	SCREW-HEX FLG.M10X1.5X25 CL8.8	
8	WR55226	1	CLAMP-SUPPORT CUSHION,	
9	WR55351	2	NUT-TOPLOCK, 1/4-20UNC G8	
10	WR55353	2	NUT-TOPLOCK, 3/8-16UNC G8	
11	WR55454	1	O RING-08MB,90 DUR	
12	WR122424	2	CYLINDER-HYD,1.75X16.84X1.00	SEE PAGE 5-15
13	WR122630	1	ADAP STR .37MORX.37MJIC LONG	
14	WR124390	1	TUBELINE	
15	WR134293	1	ASM VALVE-2 POSTION, FLOAT	SEE PAGE 5-37
16	WR134516	1	ASM PUMP-HYD 4000,CHASSIS	SEE PAGE 5-38
17	WR134517	1	ASM-VALVE CHARGE	SEE PAGE 5-39
18	WR134518	1	ASM FILTER-HYD.4000,CHASSIS	SEE PAGE 5-40
19	WR134519	1	ASM-SWITCH PRESSURE	SEE PAGE 5-41
20	WR134520	1	ASM VALVE-HYD.4000,CHASSIS	SEE PAGE 5-42
21	WR134521	1	TUBE ASM-LOWER,RH,4000	
22	WR134522	1	TUBE ASM-RAISE,RH,4000	
23	WR134523	1	TUBE ASM-LOWER,LH,4000	
24	WR134524	1	TUBE ASM-RAISE,LH,4000	
25	WR514803	4	ELBOW 90D 0.37JICX0.37JIC BHD	
26	WR521798	4	UNION-BHD,.38MJIC	
27	WR550183	6	BOLT 0.31-18NCX 0.75 G5 ZN HHD	
28	WR550191	3	WASHER LK 0.37 ZN REG	
29	WR550205	5	WASHER LK 0.31 ZN REG	
30	WR550493	3	WASHER LK 0.25 ZN REG	
31	WR550906	1	BOLT 0.31-18NCX 3.00 G5 ZN HHD	
32	WR551015	4	WASHER 0.31 FL ZN REG TYPE-B	
33	WR551279	2	BOLT.25-20NCX 2G5 ZN HHD	
34	WR551503	3	BOLT 0.37-16NCX 0.75 G5 ZN HHD	
35	WR552194	1	ADAP STR 0.75MO-R X 0.50MJIC	
36	WR557668	5	NUT 0.31-18NC HEX ZN C-LK	
37	WR558788	3	BOLT 0.25-20NCX 1.25 G5 ZN HHD	
38	WR560693	1	ADAP STR 0.37MO-R X 0.37MJIC	
39	WR561213	4	CLAMP 0.81-1.50 HOSE 16HS	
40	WR561230	2	CLAMP 0.81-1.75 HOSE 20HS	
41	WR561251	3	BOLT 0.31-18NCX 2.25 G5 ZN HHD	
42	WR561629	1	ELBOW -6FJS90X -6MJ	
43	WR561834	3	ADAP STR-8FJX-6MJ	
44	WR562229	1	ADAP STR-8MJBHX-8MJ	
45	WR562346	3	TEE -8MJ	
46	WR562372	1	ADAP STR 0.37MO-R X 0.50MJIC	
47	WR562401	1	ELBOW -6MB90X-6MJ	
48	WR562496	AR	TIE CABLE 15.0 .18-4.00 BLACK	
49	WR562639	4	BOLT M6 1.00X12MM G8.8 ZN HHD	
50	6533975	1	GROMMET	
51	6535422	3	WASHER-CLAMP	
52	6536129	1	HOSE-06FJX-06FJX90-06R1	
53	6577696	8	CLAMP-TUBELINE	
54	6577697	8	CLAMP-TUBELINE IN RECEIVE AS 1/2 IN	
55	6578870	2	TUBELINE-CLAMP "RECEIVE AS 1/2	
56	6618197	2	HOSE-06FJX(20-04R2 X028.4	
57	6626697	1	HOSE-08MJ-06FJX90-06R1	
58	6627634	1	HOSE-06FJX-06FJX45-06R1	
59	6628163	1	TUBELINE	
60	6652521	4	COVER-PLATE	



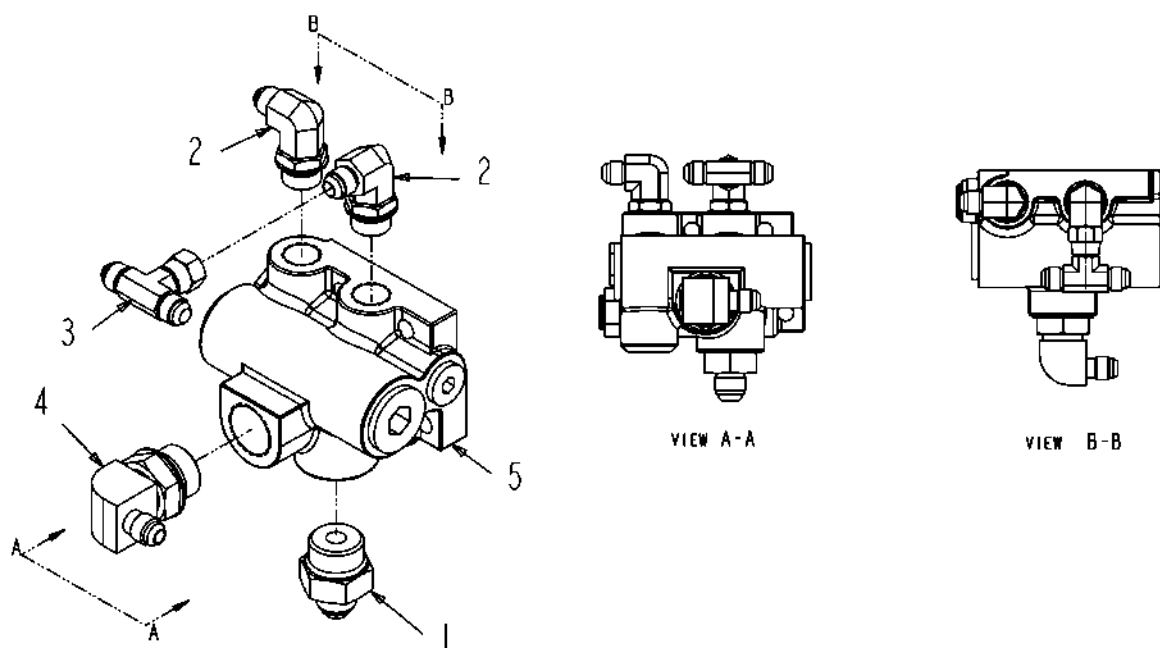
ITEM	PART #	QTY	DESCRIPTION	COMMENT
61	6669671	1	ACCUMULATOR	
62	6670147	1	ACCUMULATOR	
63	6800357	1	HOSE-08FJX(2)-08R1 X017.7	
64	6800927	1	TEE-FITTING,OFFET	
65	6800928	1	HOSE	
66	6800930	1	HOSE	
67	6801007	1	TUBELINE	
68	6801008	1	TUBELINE	
69	6801009	1	TUBELINE	
70	6801010	1	TUBELINE	
71	6801342	1	HOSE-08FJX-06FJX90-06R1	
72	6801683	2	HOSE-06FJX-06FX90-04R2	
73	6801744	1	TANK ASSY-HYD	SEE PAGE 5-6
74	6801751	1	U BOLT	
75	6801752	1	BRACKET-CLAMP	
76	6801786	1	HOSE	
77	6801843	1	TUBELINE	
78	6801844	1	TUBELINE	
79	6801935	1	TUBELINE	
80	6801936	1	TUBELINE	
81	6802465	1	HOSE-08FJX-06FJX-06R1	
82	6802537	1	TUBELINE	
83	6802800	1	HOSE-06FJX(2)-06R1 X073	
84	6803582	1	TUBELINE ASSY	
85	WR37374	1	TUBE ASSY-TANK,4000	
86	WR37375	1	TUBE ASSY-PUMP,4000	



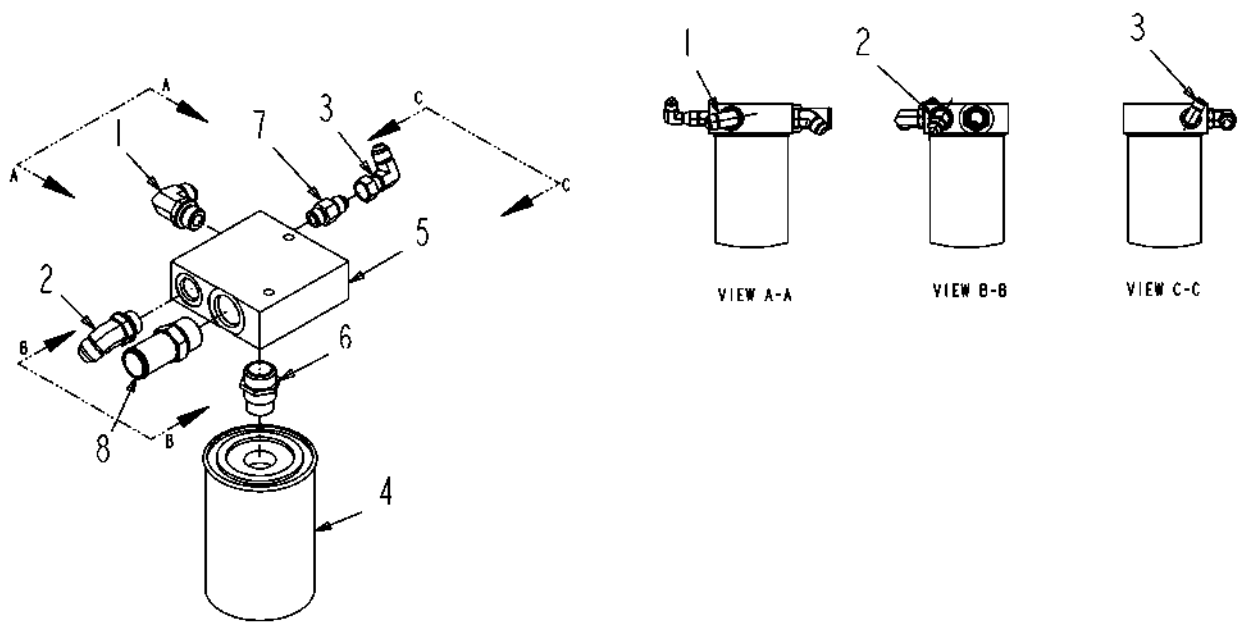
ITEM	PART #	QTY	DESCRIPTION	COMMENT
1	WR10254	1	SCREW-WZLK FLG 3/8 NC X 1	
2	WR55365	1	NUT-TOPLOCK, 1/4-20UNC,	
3	WR55366	1	NUT-TOPLOCK, 3/8-16UNC,	
4	WR550698	1	BOLT 0.25-20NCX 1.00 G5 ZN HHD	
5	WR561308	1	ADAP STR 0.50MO-R X 0.37MJIC	
6	WR561629	1	ELBOW -6FJS90X -6MJ	
7	WR562204	2	ELBOW-8MB90X-6MJ	
8	6562619	1	BUSHING-THROTTLE	
9	6597879	1	GRIP ASSY-HANDLE	SEE PAGE 5-5
10	6664973	1	VALVE-FLOAT,2 POSITION	SEE PAGE 5-27



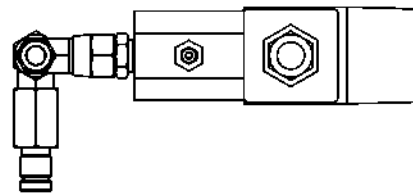
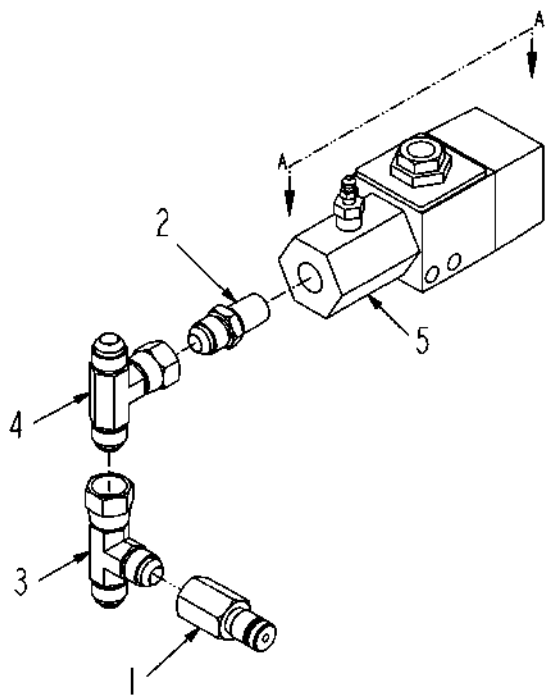
ITEM	PART #	QTY	DESCRIPTION	COMMENT
1	WR123121	1	PUMP HYDRAULIC	SEE PAGE 5-47
2	WR128112	1	ELBOW-8MJIC 45 X -6MB	
3	WR519114	1	TUBE END NIPPLE -6	
4	WR519123	1	TEE-RUN,STR THD -6	
5	WR523227	1	ADAPTER-45D,-6FJIC SWX-6MJIC	
6	1312337	1	ADAPTER	



ITEM	PART #	QTY	DESCRIPTION	COMMENT
1	WR552194	1	ADAP STR 0.75MO-R X 0.50MJIC	
2	WR562204	2	ELBOW-8MB90X-6MJ	
3	WR562709	1	TEE 0.37MJIC(2)X0.37FJIC SW	
4	6589193	1	ELBOW	
5	6669628	1	VALVE-CHARGE	

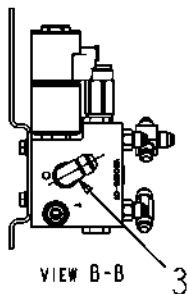
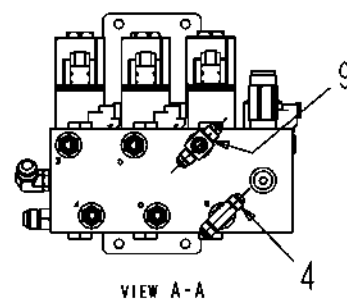
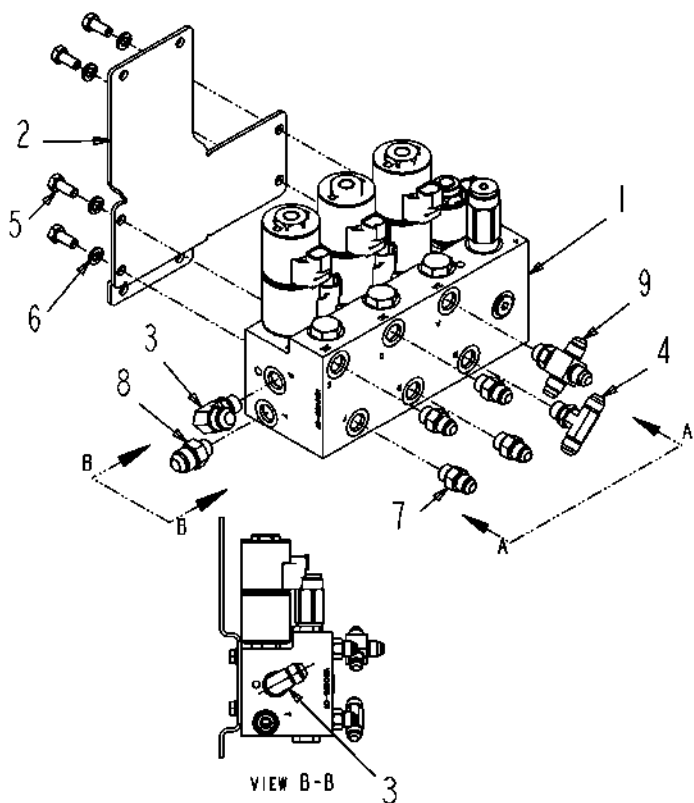


ITEM	PART #	QTY	DESCRIPTION	COMMENT
1	WR551112	1	ELBOW 90D 0.50MO-R X 0.50MJIC	
2	WR553891	1	ELBOW 45D 0.50MO-R X 0.50MJIC	
3	WR561629	1	ELBOW -6FJS90X -6MJ	
4	6515541	1	FILTER-HYD	
5	6626606	1	BLOCK-FILTER PORT	
6	6626650	1	ADAPTER-FILTER	
7	6664332	1	VALVE-CHECK,INLINE	
8	6715715	1	FITTING-STR BEADED	

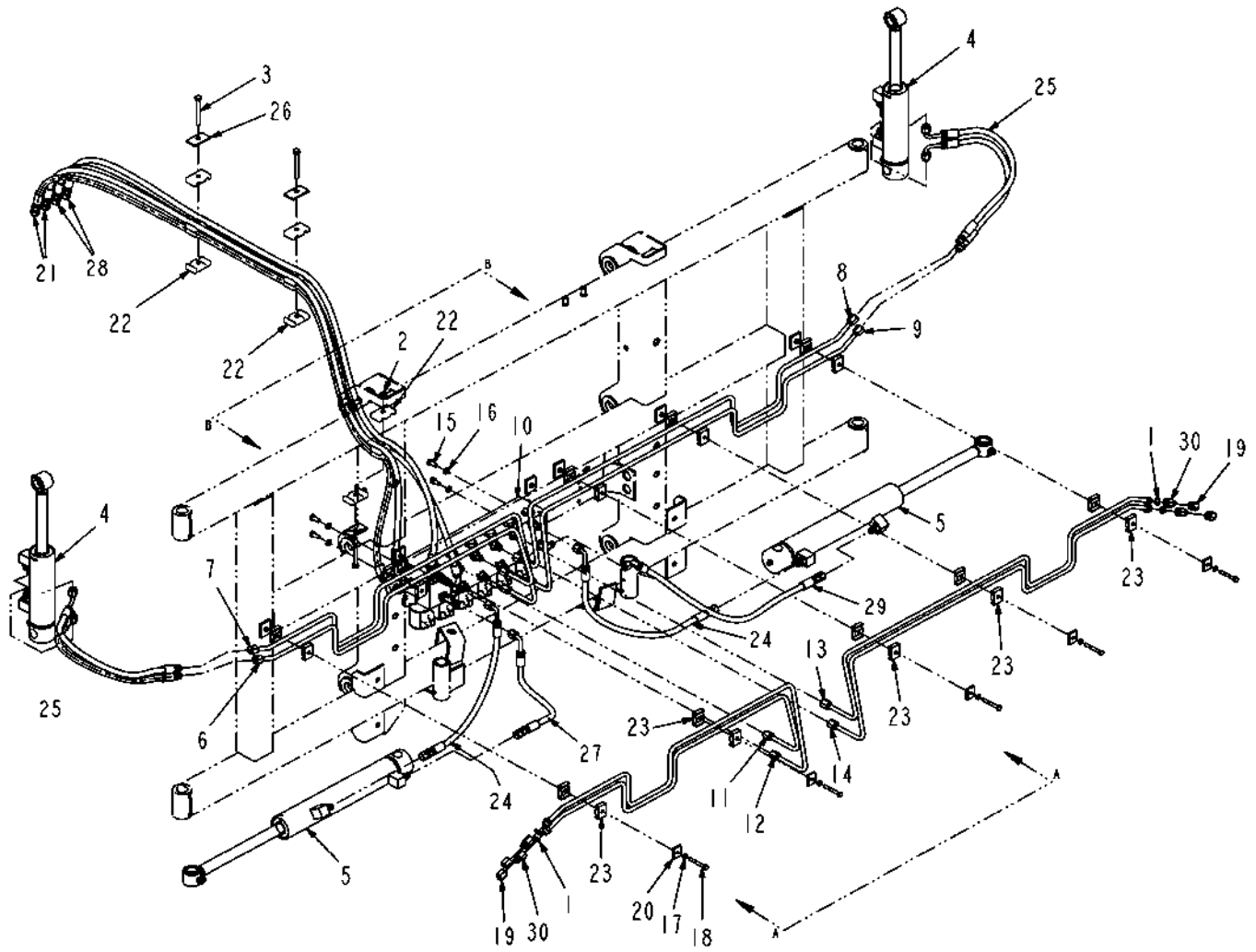


VIEW A-A

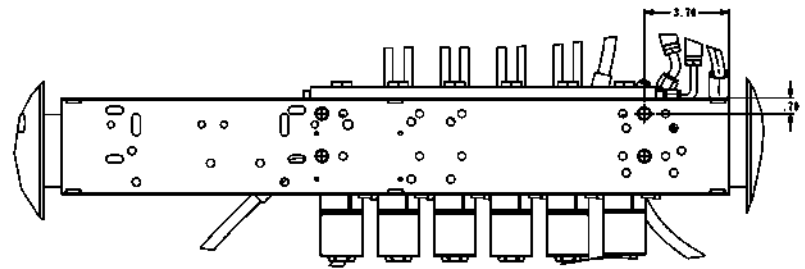
ITEM	PART #	QTY	DESCRIPTION	COMMENT
1	WR519114	1	TUBE END NIPPLE -6	
2	WR559148	1	ADAP STR 0.25MNPT X 0.37MJIC	
3	WR561391	1	TEE 0.37FJIC SW X 0.37MJIC(2)	
4	WR562709	1	TEE 0.37MJIC(2)X0.37FJIC SW	
4	6670210	1	SWITCH-PRESSURE	



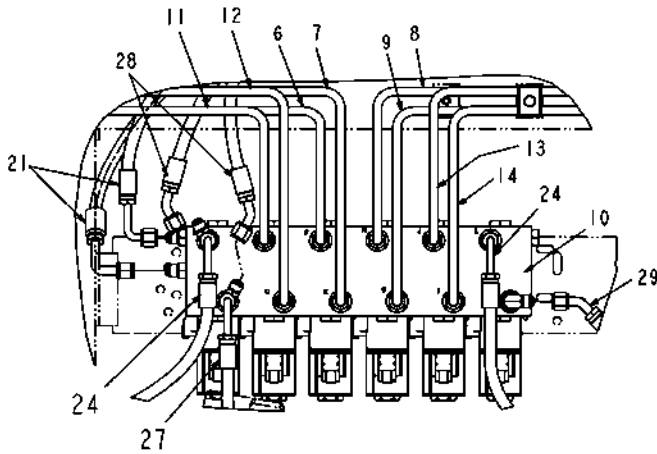
ITEM	PART #	QTY	DESCRIPTION	COMMENT
1	WR122643	1	VALVE-HYD,BM LFT/TRK ADJ,3BANK	SEE PAGE 5-4
2	WR134510	1	BRACKET-MTG, VALVE ASM	
3	WR514800	1	ELBOW-90D,-6MORX-8 MJIC	
4	WR520285	1	TEE-6MOR X -6MJIC	
5	WR550183	4	BOLT 0.31-18NCX 0.75 G5 ZN HHD	
6	WR550205	4	WASHER LK 0.31 ZN REG	
7	WR560693	4	ADAP STR 0.37MO-R X 0.37MJIC	
8	WR562372	1	ADAP STR 0.37MO-R X 0.50MJIC	
9	6578209	1	CONNECTOR-CROSS	



ITEM	PART #	QTY	DESCRIPTION	COMMENT
1	WR28265	4	O-RING FOR -06 MB	
2	WR32254	1	NUT-TOPLOCK,M8-1.25	
3	WR55043	3	SCREW-CAP HEX M8 X 75	
4	WR122415	2	CYLINDER-HYD,2.00X4.00X1.00	SEE PAGE 5-13
5	WR129450	2	CYLINDER-HYD,2.00X8.44X1.00	SEE PAGE 5-14
6	WR134278	1	TUBE ASM-CENTER HYD	
7	WR134279	1	TUBE ASM-CENTER HYD	
8	WR134280	1	TUBE ASM-CENTER HYD	
9	WR134281	1	TUBE ASM-CENTER HYD	
10	WR134283	1	ASM VALVE-HYD, H FRAME	SEE PAGE 5-44
11	WR134284	1	TUBE ASM-CENTER HYD	
12	WR134286	1	TUBE ASM-CENTER HYD	
13	WR134287	1	TUBE ASM-CENTER HYD	
14	WR134288	1	TUBE ASM-CENTER HYD	
15	WR550183	4	BOLT 0.31-18NCX 0.75 G5 ZN HHD	
16	WR550205	4	WASHER LK 0.31 ZN REG	
17	WR550493	5	WASHER LK 0.25 ZN REG	
18	WR551279	5	BOLT .25-20NCX 2G5 ZN HHD	
19	WR708307	4	NUT CAP 0.37 FJIC	
20	6535422	5	WASHER-CLAMP	
21	6537283	2	HOSE-06FJX-06FJX90-04R1	
22	6577696	12	CLAMP-TUBELINE	
23	6578870	20	TUBELINE-CLAMP "RECEIVE AS 1/2	
24	6587032	2	HOSE-06FJX-06FJX90-04R1	
25	6626580	4	HOSE-06FJX90-06MJ-04R1	
26	6652521	3	COVER-PLATE	
27	6700024	1	HOSE-06FJX-06FX90-04R1	
28	6801494	2	HOSE-06FJX-06FJX45-04R1	
29	6801495	1	HOSE-06FJX-06FJX45-04R1	
30	WR37846	4	ORIFICE-06FB-06MJ W/ .20	

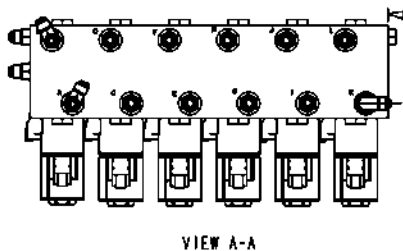
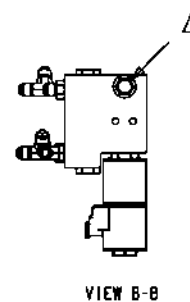
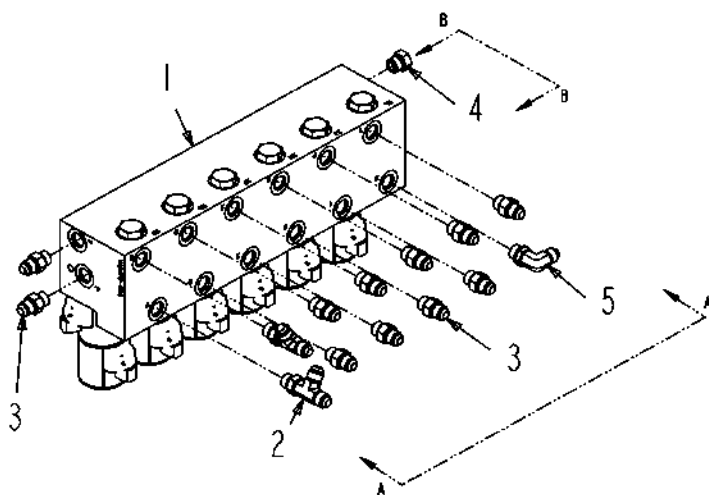


VIEW B-B

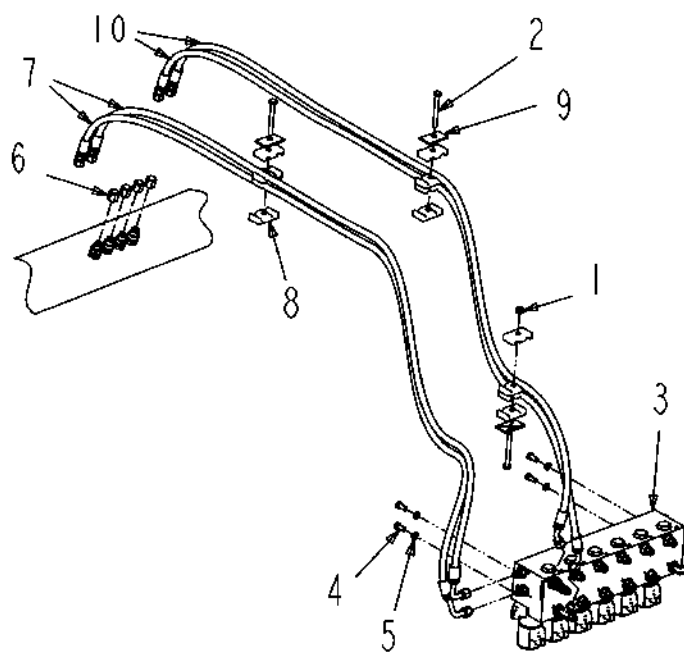


VIEW A-A

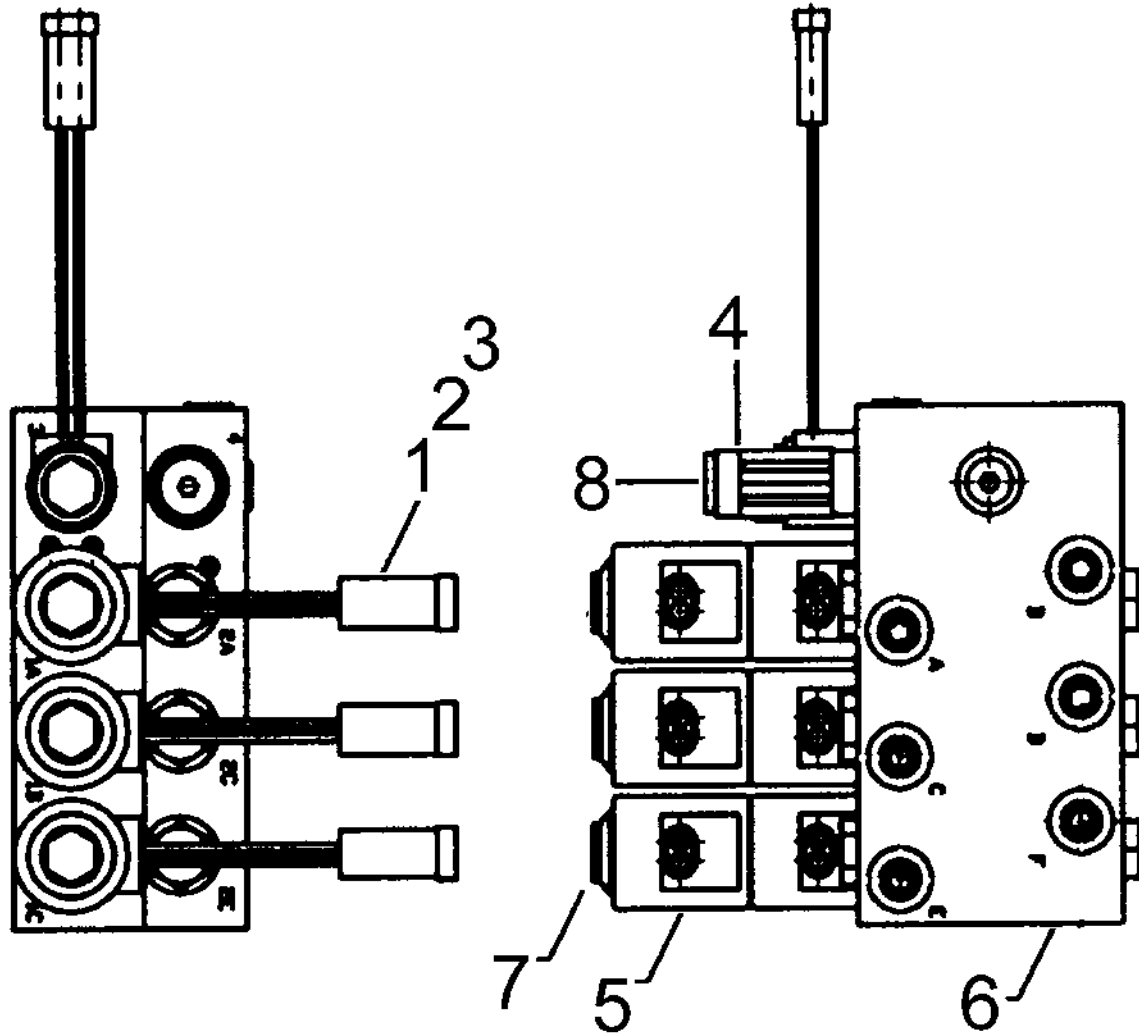
ITEM	PART #	QTY	DESCRIPTION	COMMENT
1	WR28265	4	O-RING FOR -06 MB	
2	WR32254	1	NUT-TOPLOCK,M8-1.25	
3	WR55043	3	SCREW-CAP HEX M8 X 75	
4	WR122415	2	CYLINDER-HYD,2.00X4.00X1.00	SEE PAGE 5-13
5	WR129450	2	CYLINDER-HYD,2.00X8.44X1.00	SEE PAGE 5-14
6	WR134278	1	TUBE ASM-CENTER HYD	
7	WR134279	1	TUBE ASM-CENTER HYD	
8	WR134280	1	TUBE ASM-CENTER HYD	
9	WR134281	1	TUBE ASM-CENTER HYD	
10	WR134283	1	ASM VALVE-HYD, H FRAME	SEE PAGE 5-44
11	WR134284	1	TUBE ASM-CENTER HYD	
12	WR134286	1	TUBE ASM-CENTER HYD	
13	WR134287	1	TUBE ASM-CENTER HYD	
14	WR134288	1	TUBE ASM-CENTER HYD	
15	WR550183	4	BOLT 0.31-18NCX 0.75 G5 ZN HHD	
16	WR550205	4	WASHER LK 0.31 ZN REG	
17	WR550493	5	WASHER LK 0.25 ZN REG	
18	WR551279	5	BOLT .25-20NCX 2G5 ZN HHD	
19	WR708307	4	NUT CAP 0.37 FJIC	
20	6535422	5	WASHER-CLAMP	
21	6537283	2	HOSE-06FJX-06FJX90-04R1	
22	6577696	12	CLAMP-TUBELINE	
23	6578870	20	TUBELINE-CLAMP "RECEIVE AS 1/2	
24	6587032	2	HOSE-06FJX-06FJX90-04R1	
25	6626580	4	HOSE-06FJX90-06MJ-04R1	
26	6652521	3	COVER-PLATE	
27	6700024	1	HOSE-06FJX-06FX90-04R1	
28	6801494	2	HOSE-06FJX-06FJX45-04R1	
29	6801495	1	HOSE-06FJX-06FJX45-04R1	
30	WR37846	4	ORIFICE-06FB-06MJ W/.20	



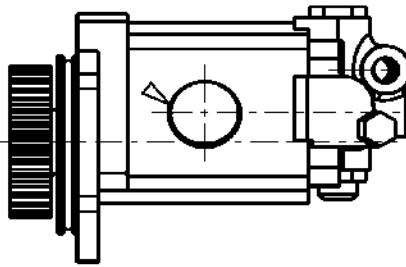
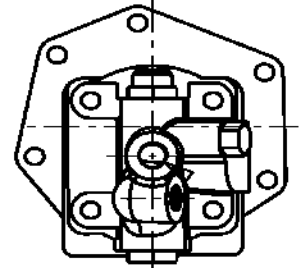
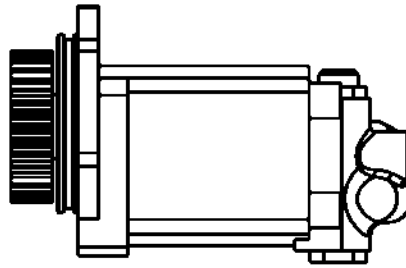
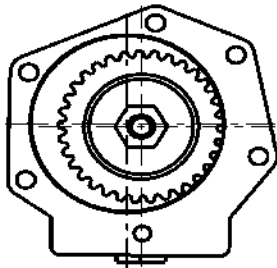
ITEM	PART #	QTY	DESCRIPTION	COMMENT
1	WR122642	1	VALVE-HYD,BOOM,6 BANK	SEE PAGE 5-31
2	WR519123	2	TEE-RUN,STR THD -6	
3	WR560693	11	ADAP STR 0.37MO-R X 0.37MJIC	
4	WR561797	1	PLUG 0.37MO-R HEX	
5	WR562401	1	ELBOW -6MB90X-6MJ	



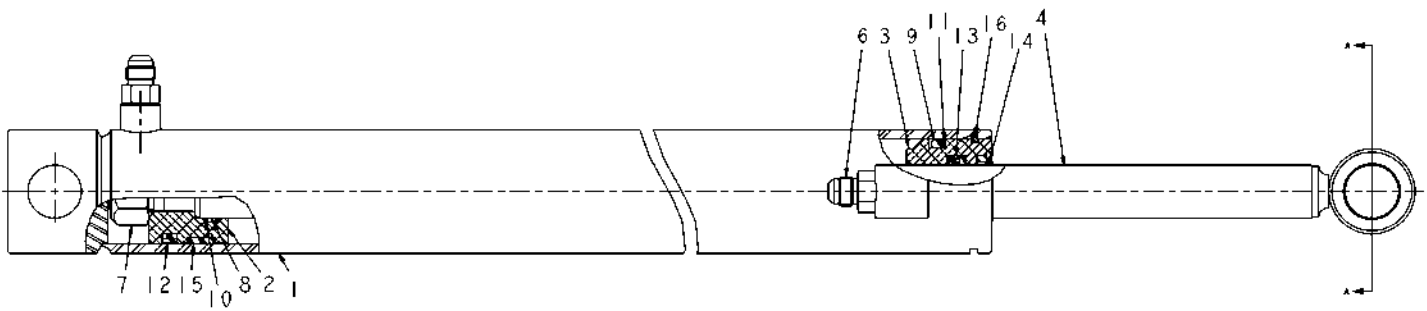
ITEM	PART #	QTY	DESCRIPTION	COMMENT
1	WR32254	1	NUT-TOPLOCK,M8-1.25	
2	WR55043	3	SCREW-CAP HEX M8 X 75	
3	WR134283	1	ASM VALVE-HYD, H FRAME	SEE PAGE 5-44
4	WR550183	4	BOLT 0.31-18NCX 0.75 G5 ZN HHD	
5	WR550205	4	WASHER LK 0.31 ZN REG	
6	WR708307	4	NUT CAP 0.37 FJIC	
7	6537283	2	HOSE-06FJX-06FJX90-04R1	
8	6577696	12	CLAMP-TUBELINE	
9	6652521	3	COVER-PLATE	
10	6801494	2	HOSE-06FJX-06FJX45-04R1	



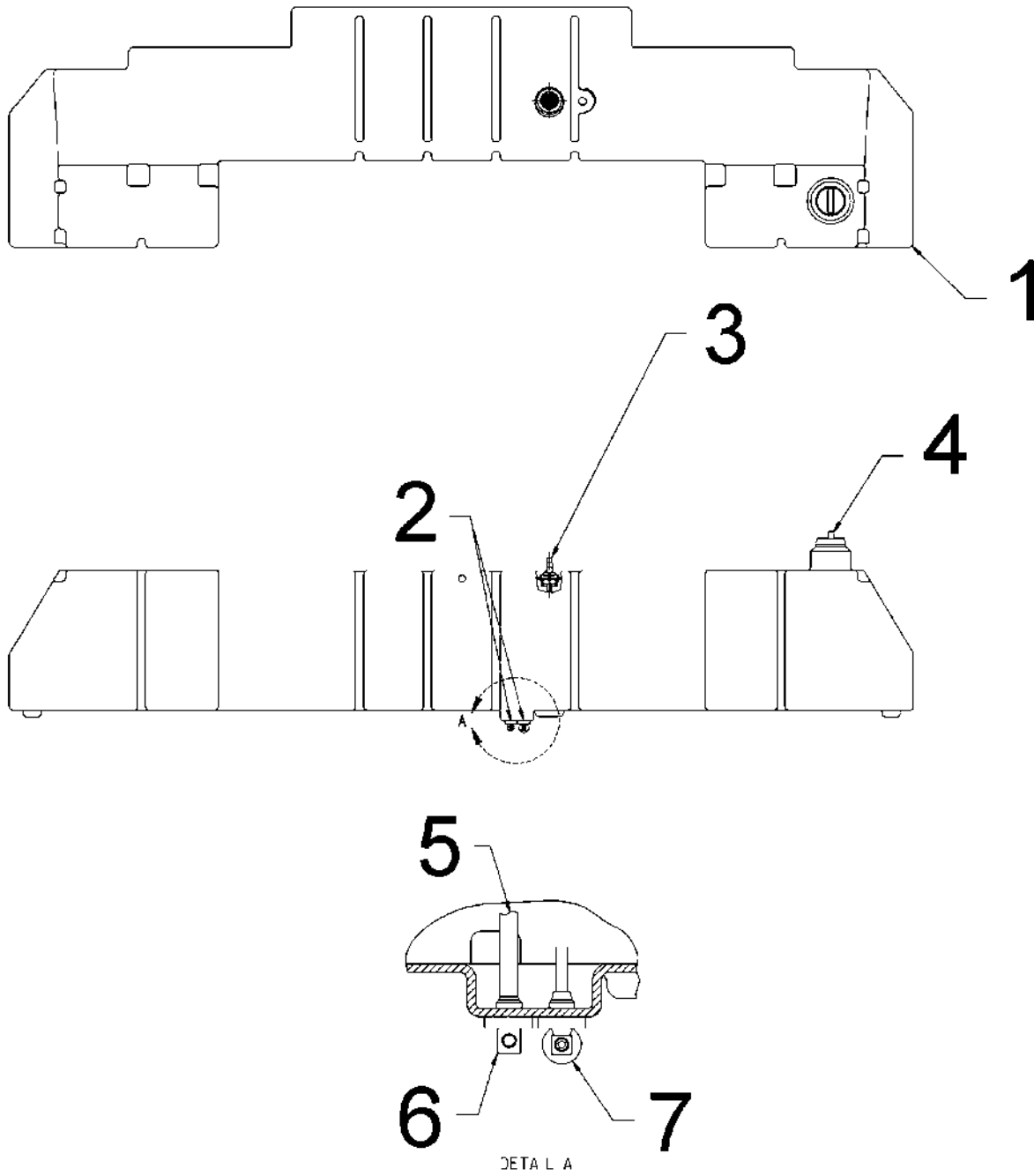
ITEM	PART #	QTY	DESCRIPTION	COMMENT
REF	WR38762	1	VALVE-CARTRIDGE,RELIEF-08	
REF	WR38763	3	SEAL KIT-CARTRIDGE,-10	
REF	WR38766	1	SEAL KIT-COIL #8	
REF	WR38767	6	SEAL KIT-COIL #10	
REF	WR26528	6	VALVE-CHECK,CV08200N25	SEE PAGE 5-2
REF	WR27671	8	SEAL KIT-HYDRA FRC.	
1	WR515850	7	CONNECTOR ELEC SHROUD 2-CONT F	
2	WR515762	14	TERM MA 16-14 GA W/PACK	
3	WR515765	14	SEAL CABLE GREY REEL 14 GA	
4	WR26404	1	COIL-12VDC,HF6302012	
5	WR26408	6	COIL-12V HF 6352012	
6	WR38761	3	PISTON-DBL PILOT,-08,4:1	
7	WR38765	3	VALVE-CARTRIDGE,-10	
8	WR38764	1	VALVE-CARTRIDGE,-08	



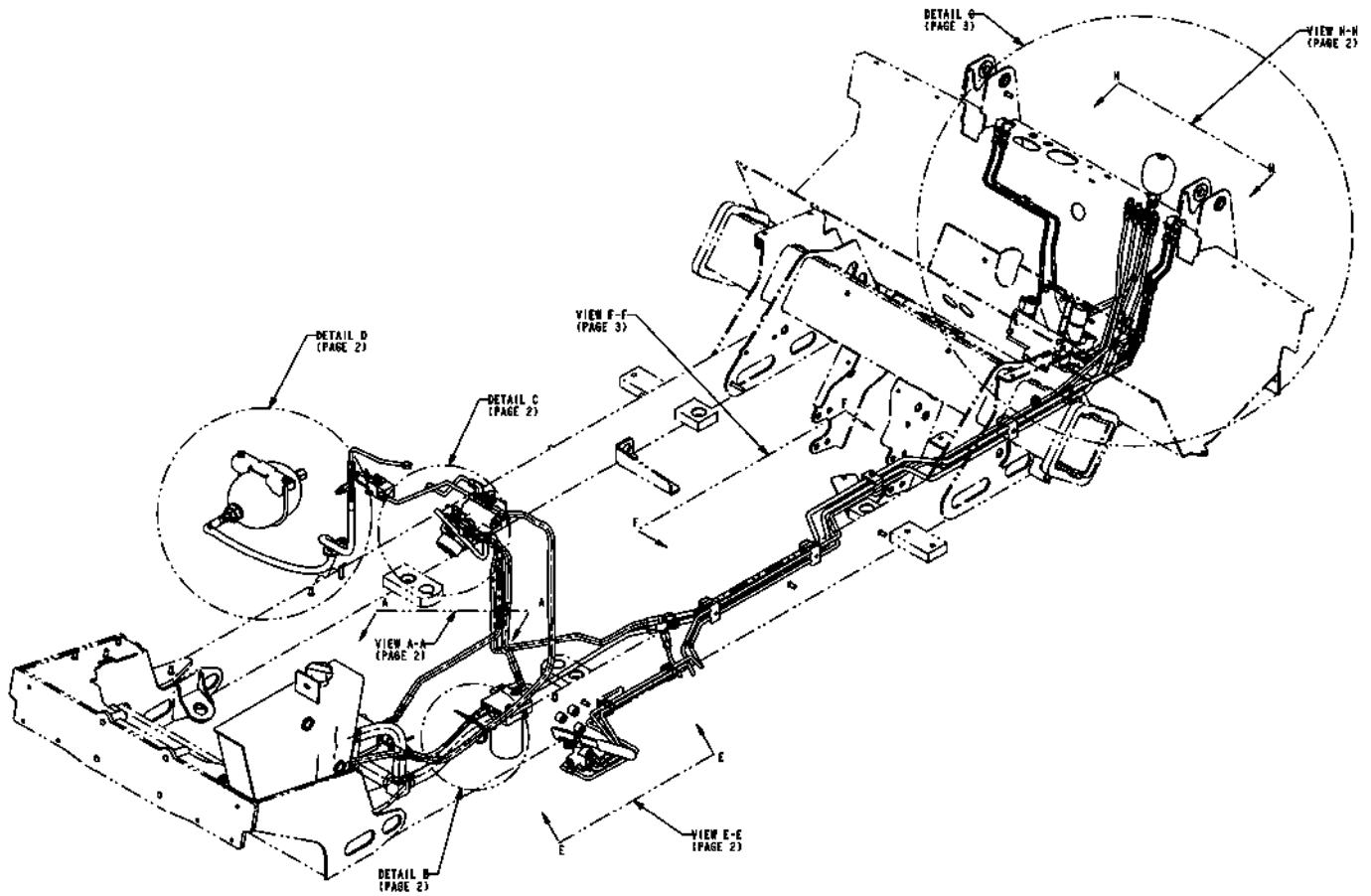
ITEM	PART #	QTY	DESCRIPTION	COMMENT
REF	WR138335	1	KIT/REPAIR	



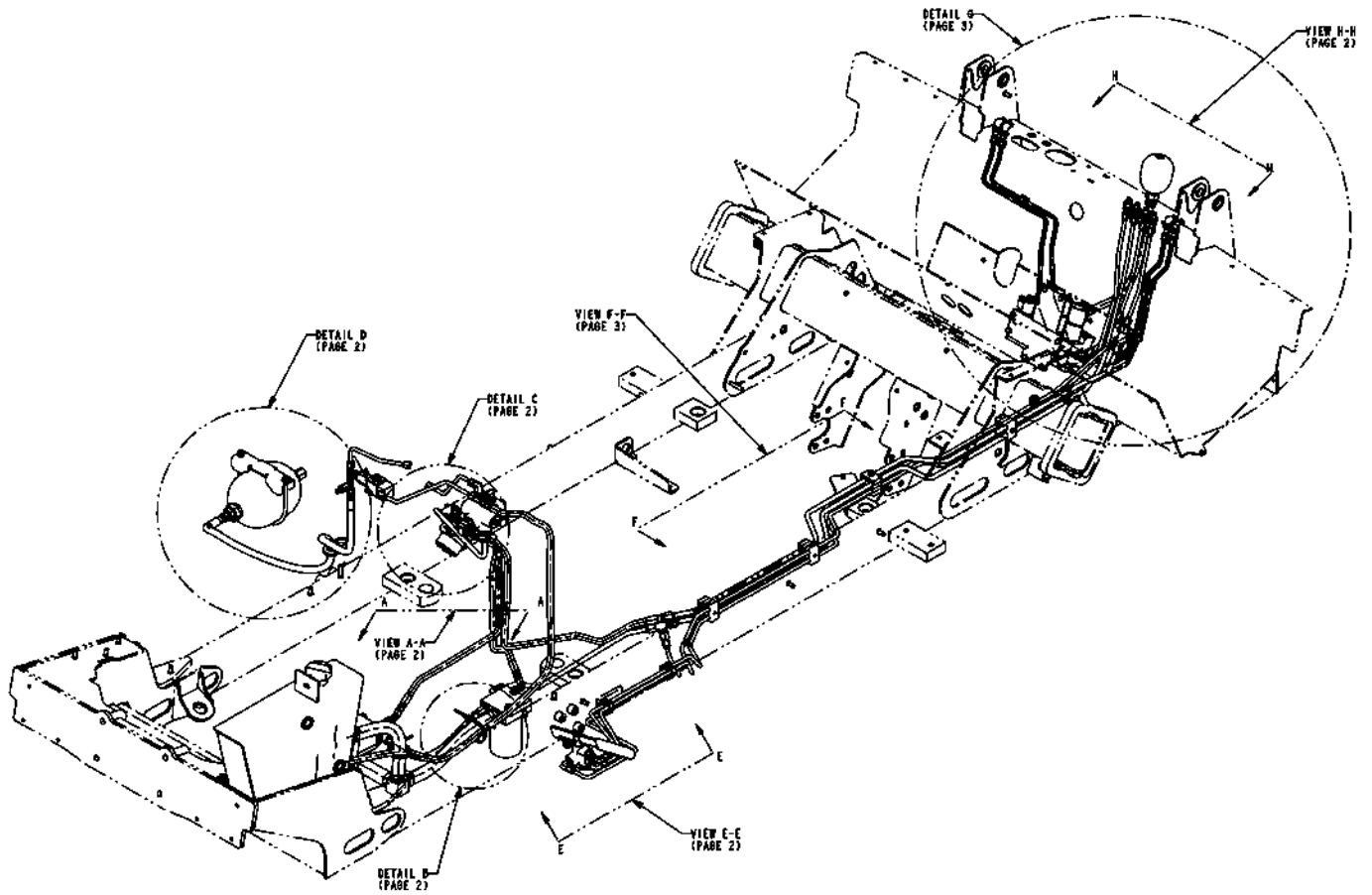
ITEM	PART #	QTY	DESCRIPTION	COMMENT
REF	WR122433	-	SEAL KIT-092EM0134	
2	WR131617	1	PISTON	
3	72162717	1	A GLAND	
4	WR131571	1	ROD, CYLINDER	
5	WR131556	1	CONNECTOR	
6	WR131555	1	CONNECTOR	
7	WR061235	1	NUT/LOCK UNF .75-16	
			ITEM 1 CANNOT BE PURCHASED INDIVIDUALLY BUT IS INCLUDED IN THE CYLINDER.	
			ITEM 1: TUBE WELDMENT	
			ITEMS 8 - 16 CANNOT BE PURCHASED INDIVIDUALLY BUT ARE INCLUDED IN THE SEAL KIT.	
			ITEM 8: O-RING	
			ITEM 9: O-RING	
			ITEM 10: BACKUP RING, DYNAMIC	
			ITEM 11: BACKUP RING	
			ITEM 12: DISO-PAC	
			ITEM 13: DEEP Z-SEAL	
			ITEM 14: HD ROD SEAL	
			ITEM 15: PRECISION WEARBAND	
			ITEM 16: SQUARE WRAP-IN WIRE	



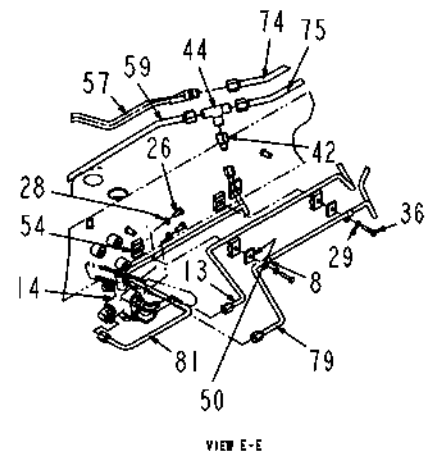
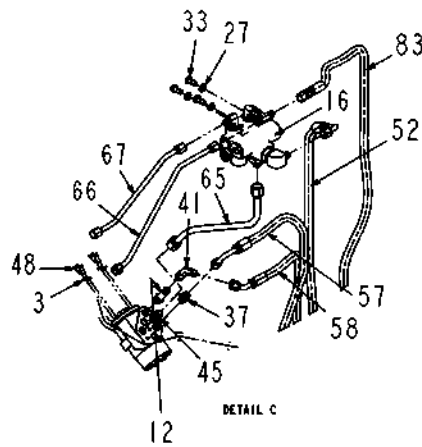
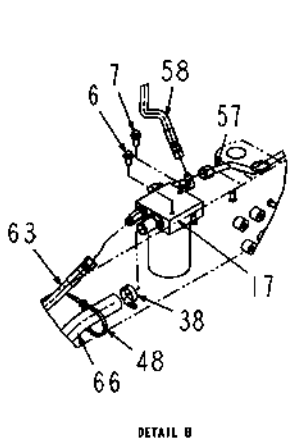
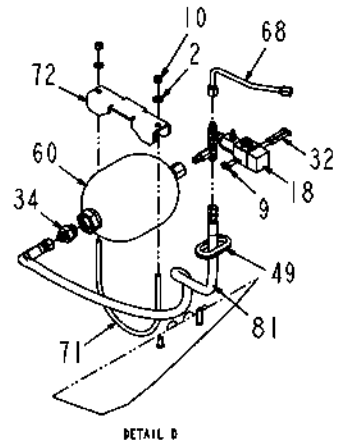
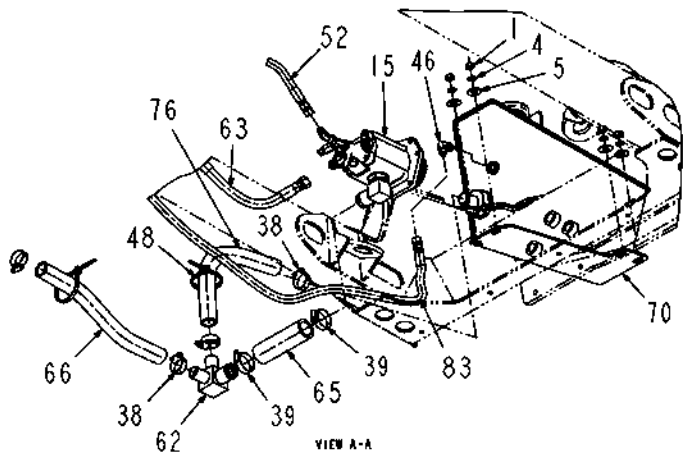
ITEM	PART #	QTY	DESCRIPTION	COMMENT
1	6801236	1	TANK-FUEL	
2	6553411	2	BUSHING	
3	6658958	1	SENSOR-FUEL	
4	6672325	1	CAP-FUEL	
5	6804905	1	HOSE-FUEL	
6	6598908	1	ELBOW-BARBED	
7	6661206	1	VALVE-SHUTOFF	



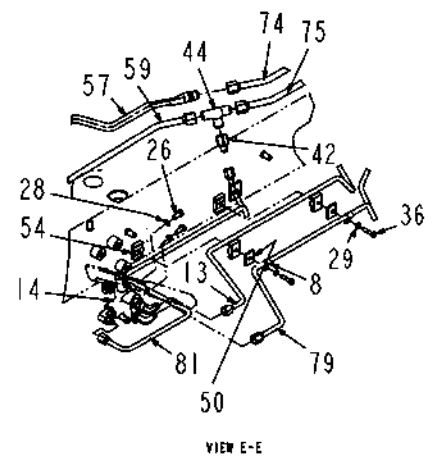
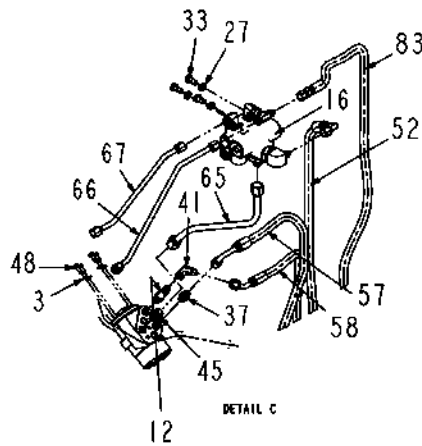
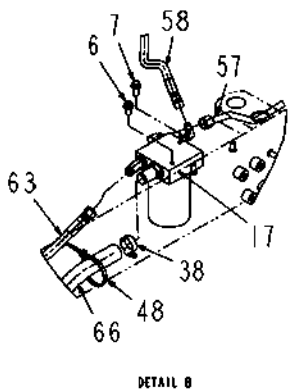
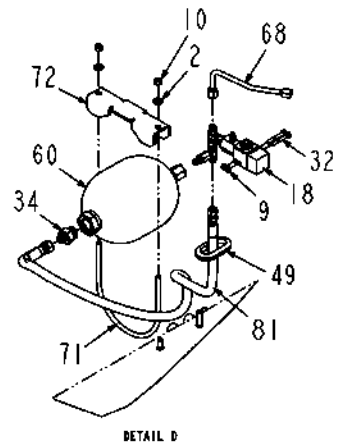
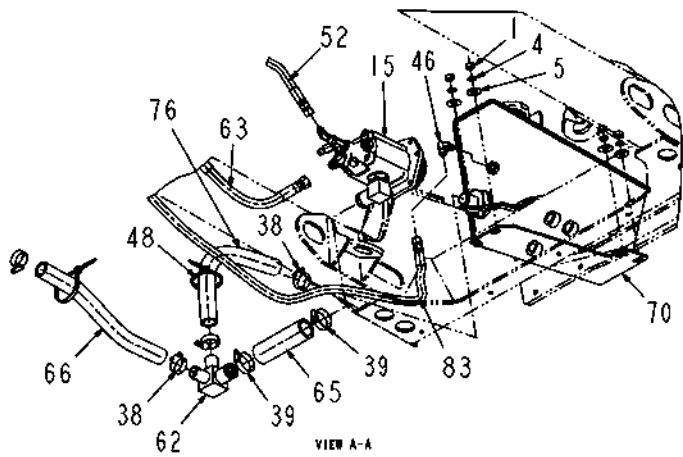
ITEM	PART #	QTY	DESCRIPTION	COMMENT
1	WR50838	1	NUT-HEX,METRIC M10-1.5	
2	WR55076	2	WASHER-PLAIN,10MM ID,LC,	
3	WR55104	4	WASHER-LOCK SPRING,6MM ID	
4	WR55106	4	WASHER-LOCK SPRING,10 MM	
5	WR55158	4	WASHER-FLAT,10MM ID,	
6	WR55214	1	SCREW-HEX FLG,M10X1.5X20 CL8.8	
7	WR55215	1	SCREW-HEX FLG,M10X1.5X25 CL8.8	
8	WR55226	1	CLAMP-SUPPORT CUSHION,	
9	WR55351	2	NUT-TOPLOCK, 1/4-20UNC G8	
10	WR55353	2	NUT-TOPLOCK, 3/8-16UNC G8	
11	WR55454	1	O RING-08MB,90 DUR	
12	WR122830	1	ADAP STR .37MORX.37MJIC LONG	
13	WR124390	1	TUBELINE	
14	WR134293	1	ASM VALVE-2 POSTION, FLOAT	SEE PAGE 5-37
15	WR134516	1	ASM PUMP-HYD 4000,CHASSIS	SEE PAGE 5-38
16	WR134517	1	ASM-VALVE CHARGE	SEE PAGE 5-39
17	WR134518	1	ASM FILTER-HYD,4000,CHASSIS	SEE PAGE 5-40
18	WR134519	1	ASM-SWITCH PRESSURE	SEE PAGE 5-41
19	WR134520	1	ASM VALVE-HYD,4000,CHASSIS	SEE PAGE 5-42
20	WR134521	1	TUBE ASM-LOWER,RH,4000	
21	WR134522	1	TUBE ASM-RAISE,RH,4000	
22	WR134523	1	TUBE ASM-LOWER,LH,4000	
23	WR134524	1	TUBE ASM-RAISE,LH,4000	
24	WR514803	4	ELBOW 90D 0.37JICX0.37JIC BHD	
25	WR521798	4	UNION-BHD,.38MJIC	
26	WR550183	6	BOLT 0.31-18NCX 0.75 G5 ZN HHD	
27	WR550191	3	WASHER LK 0.37 ZN REG	
28	WR550205	5	WASHER LK 0.31 ZN REG	
29	WR550493	3	WASHER LK 0.25 ZN REG	
30	WR550906	1	BOLT 0.31-18NCX 3.00 G5 ZN HHD	
31	WR551015	4	WASHER 0.31 FL ZN REG TYPE-B	
32	WR551279	2	BOLT .25-20NCX 2G5 ZN HHD	
33	WR551503	3	BOLT 0.37-16NCX 0.75 G5 ZN HHD	
34	WR552194	1	ADAP STR 0.75MO-R X 0.50MJIC	
35	WR557668	5	NUT 0.31-18NC HEX ZN C-LK	
36	WR558788	3	BOLT 0.25-20NCX 1.25 G5 ZN HHD	
37	WR560693	1	ADAP STR 0.37MO-R X 0.37MJIC	
38	WR561213	4	CLAMP 0.81-1.50 HOSE 16HS	
39	WR561230	2	CLAMP 0.81-1.75 HOSE 20HS	
40	WR561251	3	BOLT 0.31-18NCX 2.25 G5 ZN HHD	
41	WR561629	1	ELBOW -6FJS90X -6MJ	
42	WR561834	3	ADAP STR-8FJX-6MJ	
43	WR562229	1	ADAP STR-8MJBHX-8MJ	
44	WR562346	3	TEE -8MJ	
45	WR562372	1	ADAP STR 0.37MO-R X 0.50MJIC	
46	WR562401	1	ELBOW -6MB90X-6MJ	
47	WR562496	AR	TIE CABLE 15.0 .18-4.00 BLACK	
48	WR562639	4	BOLT M6 1.00X12MM G8.8 ZN HHD	
49	6533975	1	GROMMET	
50	6535422	3	WASHER-CLAMP	
51	6536129	1	HOSE-06FJX-06FJX90-06R1	
52	6577696	8	CLAMP-TUBELINE	
53	6577697	8	CLAMP-TUBLINE IN RECEIVE AS 1/2 IN	
54	6578870	2	TUBELINE-CLAMP "RECEIVE AS 1/2	
55	6626697	1	HOSE-08MJ-06FJX90-06R1	
56	6627634	1	HOSE-06FJX-06FJX45-06R1	
57	6628163	1	TUBELINE	
58	6652521	4	COVER-PLATE	
59	6669671	1	ACCUMULATOR	
60	6670147	1	ACCUMULATOR	



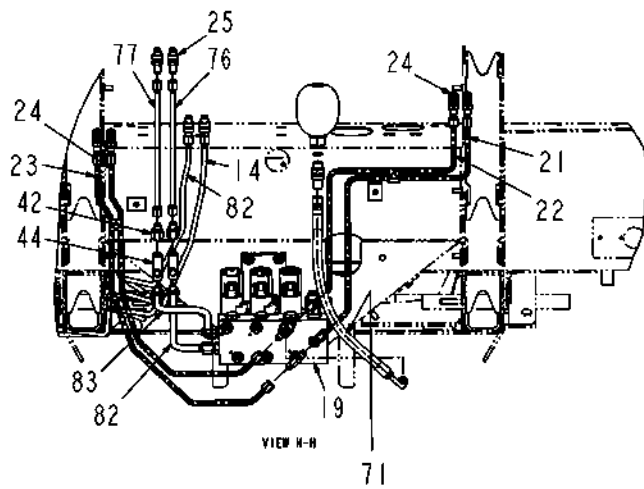
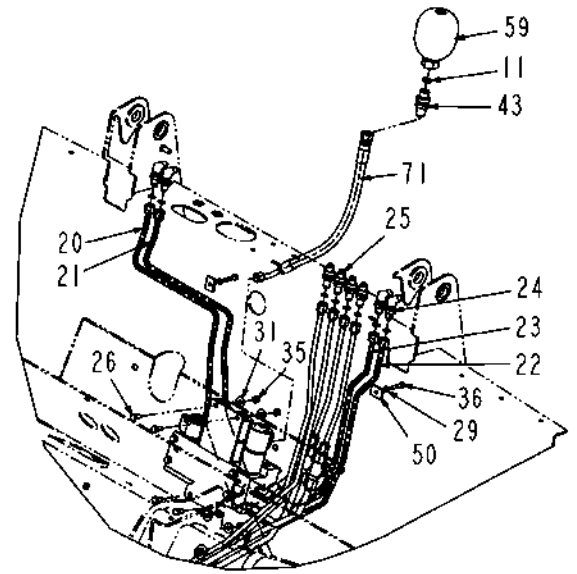
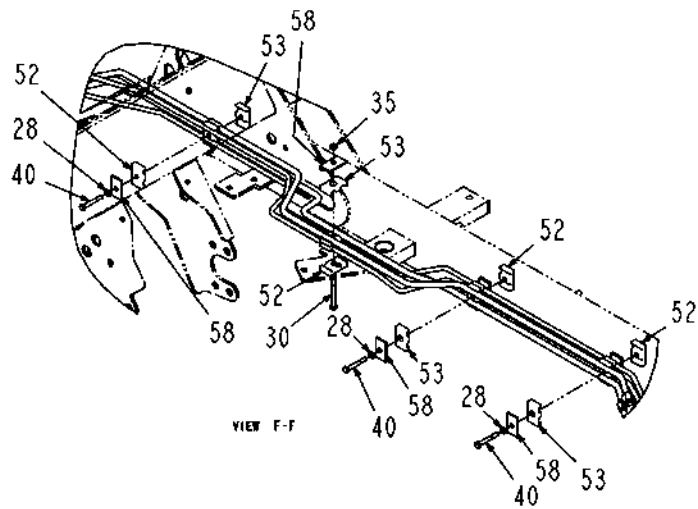
ITEM	PART #	QTY	DESCRIPTION	COMMENT
61	6800357	1	HOSE-08FJX(2)-08R1 X017.7	
62	6800927	1	TEE-FITTING,OFFET	
63	6800928	1	HOSE	
64	6800930	1	HOSE	
65	6801007	1	TUBELINE	
66	6801008	1	TUBELINE	
67	6801009	1	TUBELINE	
68	6801010	1	TUBELINE	
69	6801342	1	HOSE-08FJX-06FJX90-06R1	
70	6801744	1	TANK ASSY-HYD	SEE PAGE 5-6
71	6801751	1	U BOLT	
72	6801752	1	BRACKET-CLAMP	
73	6801786	1	HOSE	
74	6801843	1	TUBELINE	
75	6801844	1	TUBELINE	
76	6801935	1	TUBELINE	
77	6801936	1	TUBELINE	
78	6802465	1	HOSE-08FJX-06FJX-06R1	
79	6802537	1	TUBELINE	
80	6802800	1	HOSE-06FJX(2)-06R1 X073	
81	6803582	1	TUBELINE ASSY	
82	WR37374	1	TUBE ASSY-TANK,4000	
83	WR37375	1	TUBE ASSY-PUMP,4000	



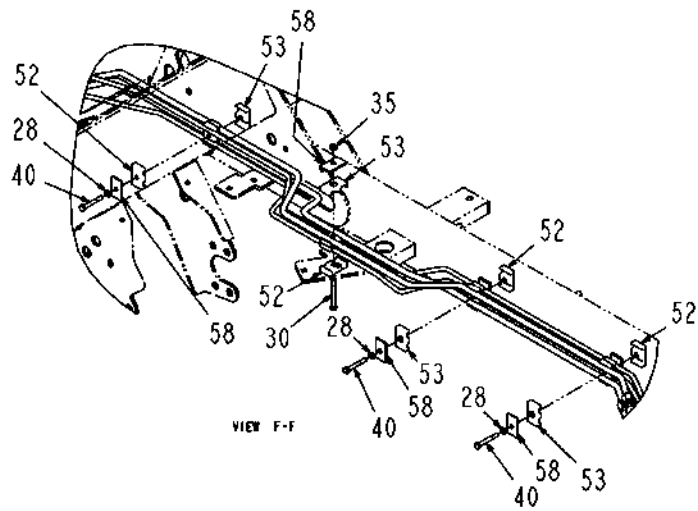
ITEM	PART #	QTY	DESCRIPTION	COMMENT
1	WR50838	1	NUT-HEX,METRIC M10-1.5	
2	WR55076	2	WASHER-PLAIN,10MM ID,LC,	
3	WR55104	4	WASHER-LOCK SPRING,6MM ID	
4	WR55106	4	WASHER-LOCK SPRING,10 MM	
5	WR55158	4	WASHER-FLAT,10MM ID,	
6	WR55214	1	SCREW-HEX FLG,M10X1.5X20 CL8.8	
7	WR55215	1	SCREW-HEX FLG,M10X1.5X25 CL8.8	
8	WR55226	1	CLAMP-SUPPORT CUSHION,	
9	WR55351	2	NUT-TOPLOCK, 1/4-20UNC G8	
10	WR55353	2	NUT-TOPLOCK, 3/8-16UNC G8	
11	WR55454	1	O RING-08MB,90 DUR	
12	WR122830	1	ADAP STR .37MORX.37MJIC LONG	
13	WR124390	1	TUBELINE	
14	WR134293	1	ASM VALVE-2 POSTION, FLOAT	SEE PAGE 5-37
15	WR134516	1	ASM PUMP-HYD 4000,CHASSIS	SEE PAGE 5-38
16	WR134517	1	ASM-VALVE CHARGE	SEE PAGE 5-39
17	WR134518	1	ASM FILTER-HYD,4000,CHASSIS	SEE PAGE 5-40
18	WR134519	1	ASM-SWITCH PRESSURE	SEE PAGE 5-41
19	WR134520	1	ASM VALVE-HYD,4000,CHASSIS	SEE PAGE 5-42
20	WR134521	1	TUBE ASM-LOWER,RH,4000	
21	WR134522	1	TUBE ASM-RAISE,RH,4000	
22	WR134523	1	TUBE ASM-LOWER,LH,4000	
23	WR134524	1	TUBE ASM-RAISE,LH,4000	
24	WR514803	4	ELBOW 90D 0.37JICX0.37JIC BHD	
25	WR521798	4	UNION-BHD,.38MJIC	
26	WR550183	6	BOLT 0.31-18NCX 0.75 G5 ZN HHD	
27	WR550191	3	WASHER LK 0.37 ZN REG	
28	WR550205	5	WASHER LK 0.31 ZN REG	
29	WR550493	3	WASHER LK 0.25 ZN REG	
30	WR550906	1	BOLT 0.31-18NCX 3.00 G5 ZN HHD	
31	WR551015	4	WASHER 0.31 FL ZN REG TYPE-B	
32	WR551279	2	BOLT .25-20NCX 2G5 ZN HHD	
33	WR551503	3	BOLT 0.37-16NCX 0.75 G5 ZN HHD	
34	WR552194	1	ADAP STR 0.75MO-R X 0.50MJIC	
35	WR557668	5	NUT 0.31-18NC HEX ZN C-LK	
36	WR558788	3	BOLT 0.25-20NCX 1.25 G5 ZN HHD	
37	WR560693	1	ADAP STR 0.37MO-R X 0.37MJIC	
38	WR561213	4	CLAMP 0.81-1.50 HOSE 16HS	
39	WR561230	2	CLAMP 0.81-1.75 HOSE 20HS	
40	WR561251	3	BOLT 0.31-18NCX 2.25 G5 ZN HHD	
41	WR561629	1	ELBOW -6FJS90X -6MJ	
42	WR561834	3	ADAP STR-8FJX-6MJ	
43	WR562229	1	ADAP STR-8MJBHX-8MJ	
44	WR562346	3	TEE -8MJ	
45	WR562372	1	ADAP STR 0.37MO-R X 0.50MJIC	
46	WR562401	1	ELBOW -6MB90X-6MJ	
47	WR562496	AR	TIE CABLE 15.0 .18-4.00 BLACK	
48	WR562639	4	BOLT M6 1.00X12MM G8.8 ZN HHD	
49	6533975	1	GROMMET	
50	6535422	3	WASHER-CLAMP	
51	6536129	1	HOSE-06FJX-06FJX90-06R1	
52	6577696	8	CLAMP-TUBELINE	
53	6577697	8	CLAMP-TUBLINE IN RECEIVE AS 1/2 IN	
54	6578870	2	TUBELINE-CLAMP "RECEIVE AS 1/2	
55	6626697	1	HOSE-08MJ-06FJX90-06R1	
56	6627634	1	HOSE-06FJX-06FJX45-06R1	
57	6628163	1	TUBELINE	
58	6652521	4	COVER-PLATE	
59	6669671	1	ACCUMULATOR	
60	6670147	1	ACCUMULATOR	



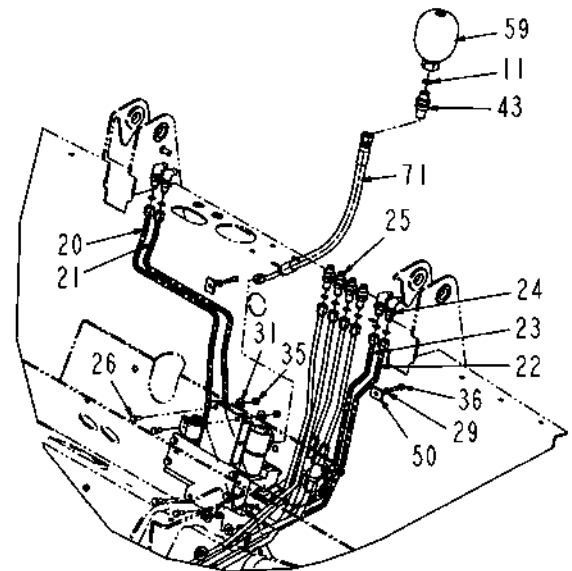
ITEM	PART #	QTY	DESCRIPTION	COMMENT
61	6800357	1	HOSE-08FJX(2)-08R1 X017.7	
62	6800927	1	TEE-FITTING,OFFET	
63	6800928	1	HOSE	
64	6800930	1	HOSE	
65	6801007	1	TUBELINE	
66	6801008	1	TUBELINE	
67	6801009	1	TUBELINE	
68	6801010	1	TUBELINE	
69	6801342	1	HOSE-08FJX-06FJX90-06R1	
70	6801744	1	TANK ASSY-HYD	SEE PAGE 5-6
71	6801751	1	U BOLT	
72	6801752	1	BRACKET-CLAMP	
73	6801786	1	HOSE	
74	6801843	1	TUBELINE	
75	6801844	1	TUBELINE	
76	6801935	1	TUBELINE	
77	6801936	1	TUBELINE	
78	6802465	1	HOSE-08FJX-06FJX-06R1	
79	6802537	1	TUBELINE	
80	6802800	1	HOSE-06FJX(2)-06R1 X073	
81	6803582	1	TUBELINE ASSY	
82	WR37374	1	TUBE ASSY-TANK,4000	
83	WR37375	1	TUBE ASSY-PUMP,4000	



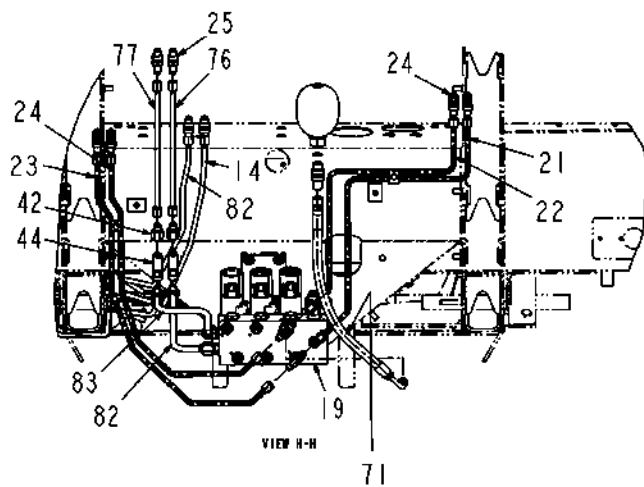
ITEM	PART #	QTY	DESCRIPTION	COMMENT
1	WR50838	1	NUT-HEX,METRIC MIO-1.5	
2	WR55075	2	WASHER-PLAIN,10MM ID,LC,	
3	WR55104	4	WASHER-LOCK SPRING,6MM ID	
4	WR55106	4	WASHER-LOCK SPRING,10 MM	
5	WR55158	4	WASHER-FLAT,10MM ID,	
6	WR55214	1	SCREW-HEX FLG,M10X1.5X20 CL8.8	
7	WR55215	1	SCREW-HEX FLG,M10X1.5X25 CL8.8	
8	WR55226	1	CLAMP-SUPPORT CUSHION,	
9	WR55351	2	NUT-TOPLOCK, 1/4-20UNC G8	
10	WR55353	2	NUT-TOPLOCK, 3/8-16UNC G8	
11	WR55454	1	O RING-08MB,90 DUR	
12	WR122830	1	ADAP STR .37MORX.37MJIC LONG	
13	WR124390	1	TUBELINE	
14	WR134293	1	ASM VALVE-2 POSTION, FLOAT	SEE PAGE 5-37
15	WR134516	1	ASM PUMP-HYD 4000,CHASSIS	SEE PAGE 5-38
16	WR134517	1	ASM-VALVE CHARGE	SEE PAGE 5-39
17	WR134518	1	ASM FILTER-HYD,4000,CHASSIS	SEE PAGE 5-40
18	WR134519	1	ASM-SWITCH PRESSURE	SEE PAGE 5-41
19	WR134520	1	ASM VALVE-HYD,4000,CHASSIS	SEE PAGE 5-42
20	WR134521	1	TUBE ASM-LOWER,RH,4000	
21	WR134522	1	TUBE ASM-RAISE,RH,4000	
22	WR134523	1	TUBE ASM-LOWER,LH,4000	
23	WR134524	1	TUBE ASM-RAISE,LH,4000	
24	WR514803	4	ELBOW 90D 0.37JICX0.37JIC BHD	
25	WR521798	4	UNION-BHD,.38MJIC	
26	WR550183	6	BOLT 0.31-18NCX 0.75 G5 ZN HHD	
27	WR550191	3	WASHER LK 0.37 ZN REG	
28	WR550205	5	WASHER LK 0.31 ZN REG	
29	WR550493	3	WASHER LK 0.25 ZN REG	
30	WR550906	1	BOLT 0.31-18NCX 3.00 G5 ZN HHD	
31	WR551015	4	WASHER 0.31 FL ZN REG TYPE-B	
32	WR551279	2	BOLT.25-20NCX 2G5 ZN HHD	
33	WR551503	3	BOLT 0.37-16NCX 0.75 G5 ZN HHD	
34	WR552194	1	ADAP STR 0.75MO-R X 0.50MJIC	
35	WR557668	5	NUT 0.31-18NC HEX ZN C-LK	
36	WR558788	3	BOLT 0.25-20NCX 1.25 G5 ZN HHD	
37	WR560693	1	ADAP STR 0.37MO-R X 0.37MJIC	
38	WR561213	4	CLAMP 0.81-1.50 HOSE 16HS	
39	WR561230	2	CLAMP 0.81-1.75 HOSE 20HS	
40	WR561251	3	BOLT 0.31-18NCX 2.25 G5 ZN HHD	
41	WR561629	1	ELBOW -6FJS90X -6MJ	
42	WR561834	3	ADAP STR-8FJX-6MJ	
43	WR562229	1	ADAP STR-8MJBHX-8MJ	
44	WR562346	3	TEE -8MJ	
45	WR562372	1	ADAP STR 0.37MO-R X 0.50MJIC	
46	WR562401	1	ELBOW -6MB90X-6MJ	
47	WR562496	AR	TIE CABLE 15.0 .18-4.00 BLACK	
48	WR562639	4	BOLT M6 1.00X12MM G8.8 ZN HHD	
49	6533975	1	GROMMET	
50	6535422	3	WASHER-CLAMP	
51	6536129	1	HOSE-06FJX-06FJX90-06R1	
52	6577696	8	CLAMP-TUBELINE	
53	6577697	8	CLAMP-TUBLINE IN RECEIVE AS 1/2 IN	
54	6578870	2	TUBELINE-CLAMP "RECEIVE AS 1/2	
55	6626697	1	HOSE-08MJ-06FJX90-06R1	
56	6627634	1	HOSE-06FJX-06FJX45-06R1	
57	6628163	1	TUBELINE	
58	6652521	4	COVER-PLATE	
59	6669671	1	ACCUMULATOR	
60	6670147	1	ACCUMULATOR	



VIEW F-F

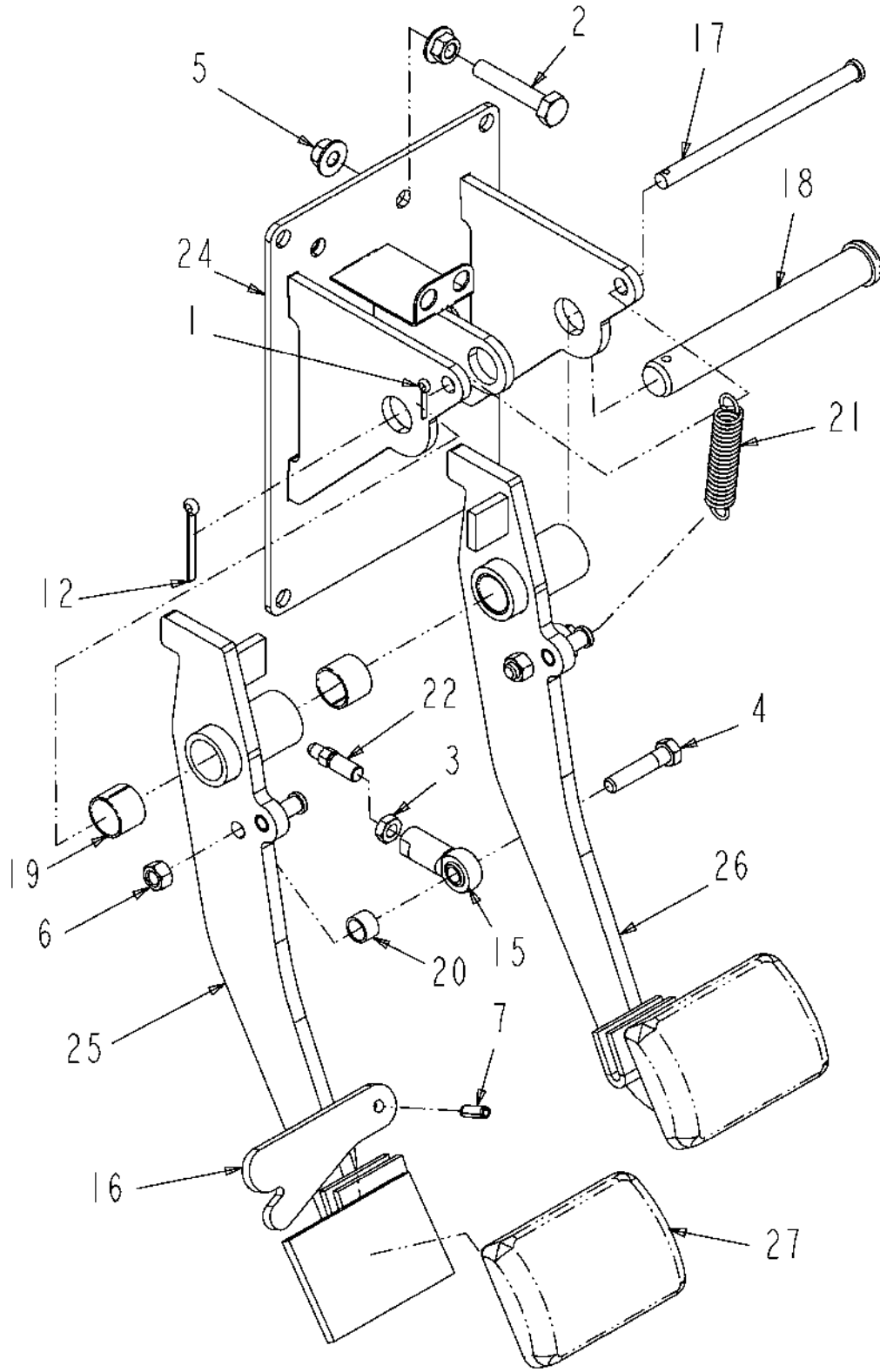


DETAIL G

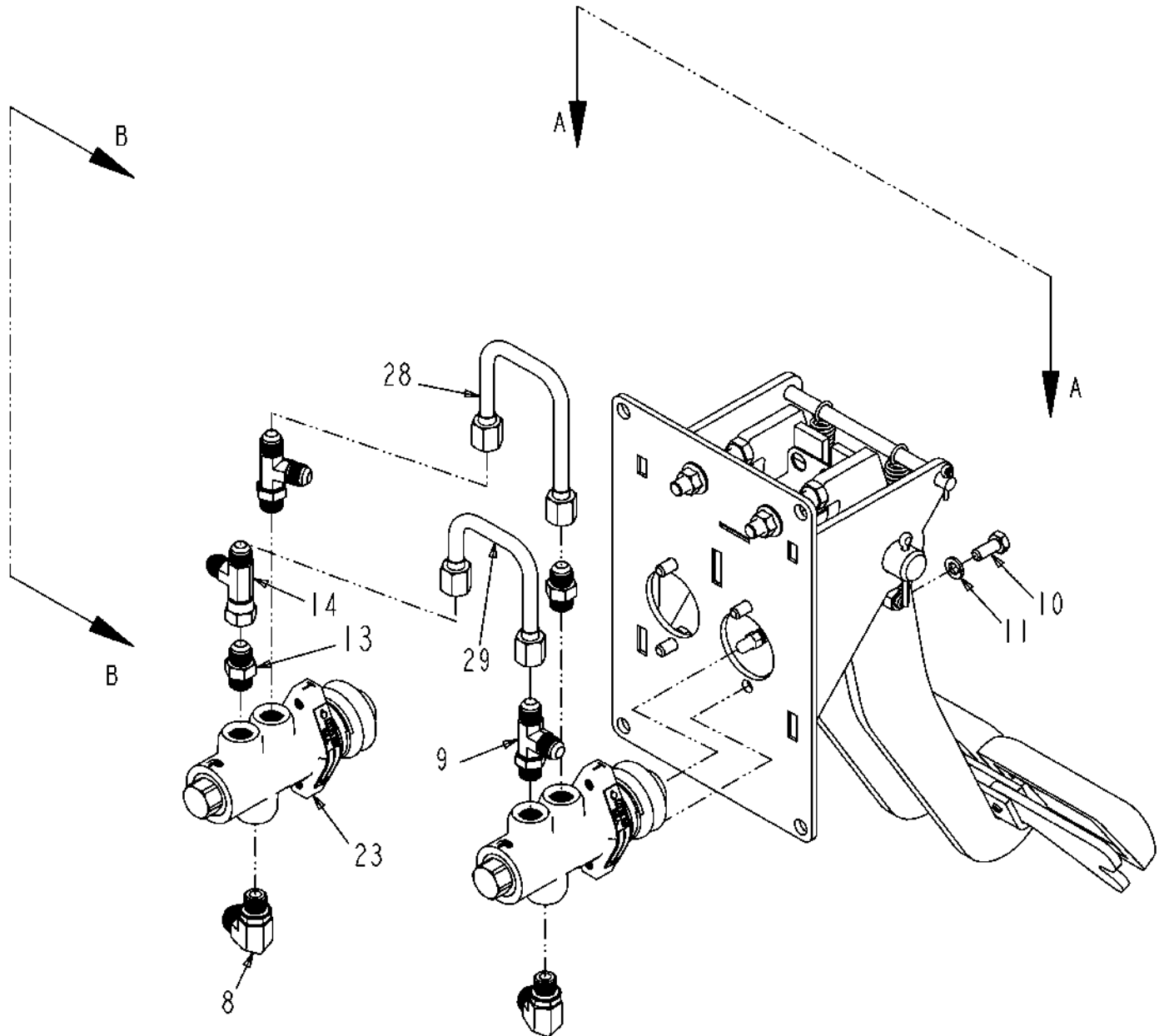


VIEW H-H

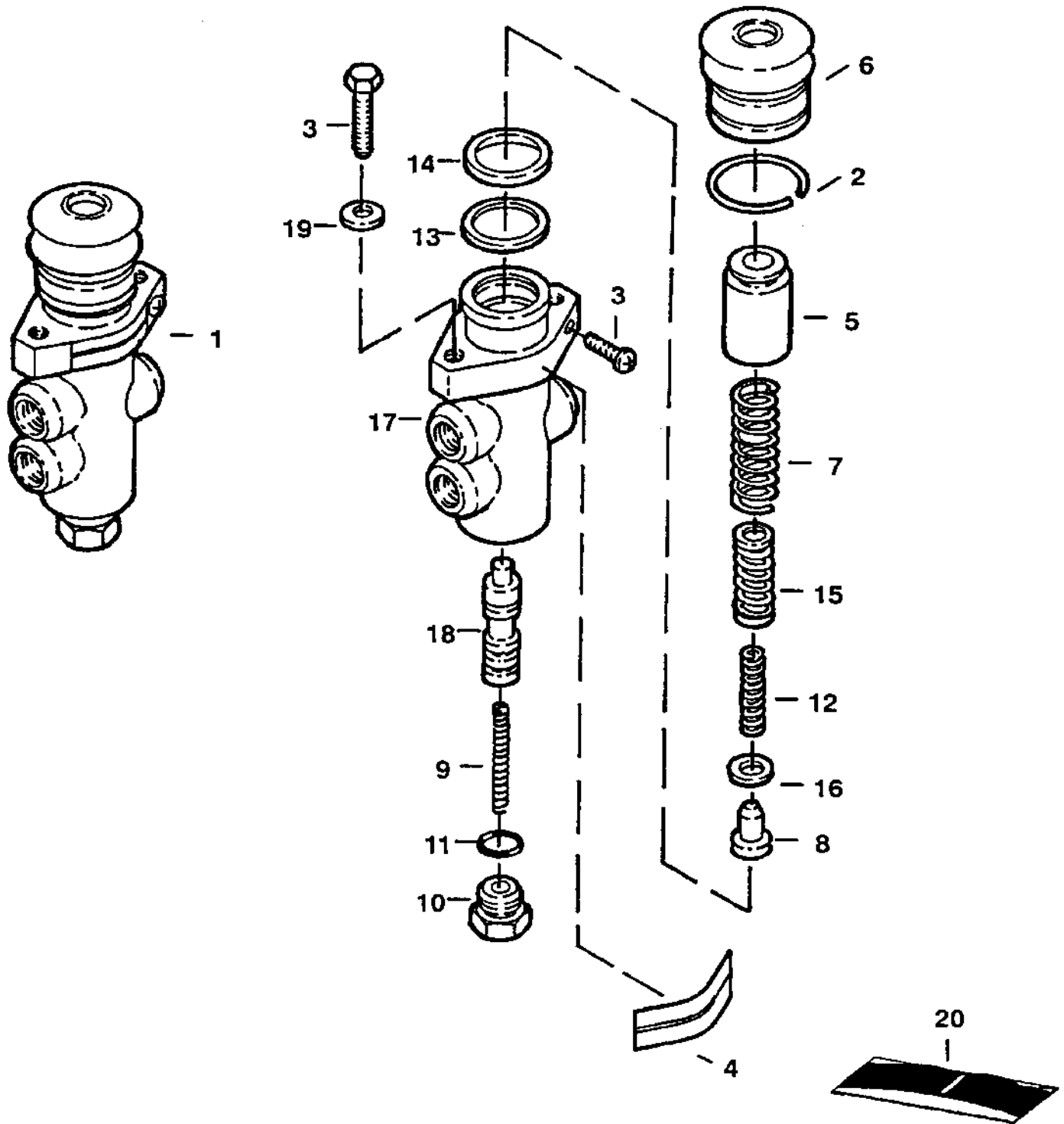
ITEM	PART #	QTY	DESCRIPTION	COMMENT
61	6800357	1	HOSE-08FJX(2)-08R1 X017.7	
62	6800927	1	TEE-FITTING,OFFET	
63	6800928	1	HOSE	
64	6800930	1	HOSE	
65	6801007	1	TUBELINE	
66	6801008	1	TUBELINE	
67	6801009	1	TUBELINE	
68	6801010	1	TUBELINE	
69	6801342	1	HOSE-08FJX-06FJX90-06R1	
70	6801744	1	TANK ASSY-HYD	SEE PAGE 5-6
71	6801751	1	U BOLT	
72	6801752	1	BRACKET-CLAMP	
73	6801786	1	HOSE	
74	6801843	1	TUBELINE	
75	6801844	1	TUBELINE	
76	6801935	1	TUBELINE	
77	6801936	1	TUBELINE	
78	6802465	1	HOSE-08FJX-06FJX-06R1	
79	6802537	1	TUBELINE	
80	6802800	1	HOSE-06FJX(2)-06R1 X073	
81	6803582	1	TUBELINE ASSY	
82	WR37374	1	TUBE ASSY-TANK,4000	
83	WR37375	1	TUBE ASSY-PUMP,4000	



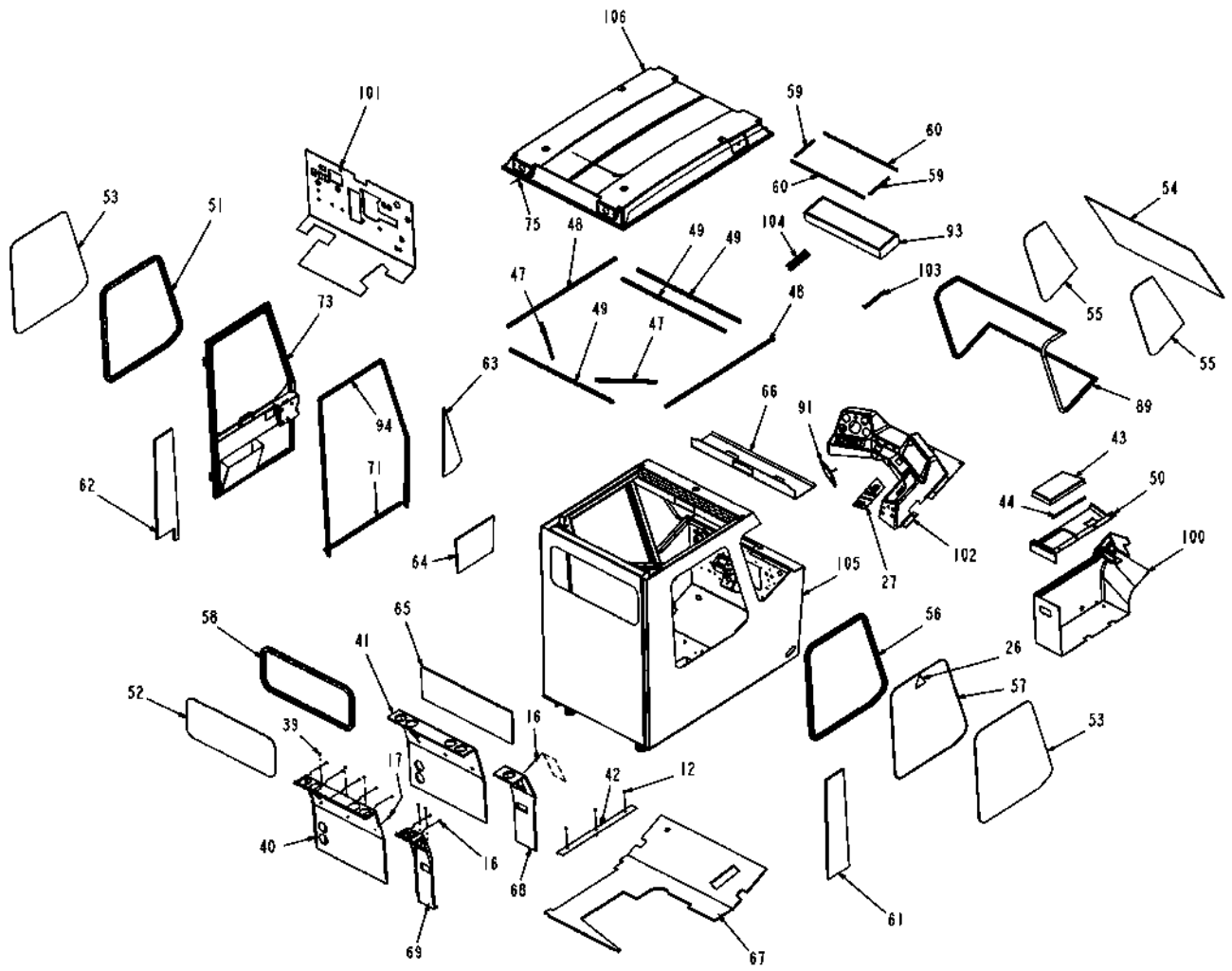
ITEM	PART #	QTY	DESCRIPTION	COMMENT
1	WR10337	1	PIN-COTTER,1/8 X 3/4	
2	WR55092	2	BOLT-M10-1.5X55,G8.8,FULL THRD	
3	WR55121	2	NUT-JAM, 3/8-24UNF G2	
4	WR55148	2	SCREW-CAP HEX 3/8 NC X	
5	WR55281	4	NUT-FLANGE,M10 X 1.5	
6	WR55353	2	NUT-TOPLOCK, 3/8-16UNC G8	
7	WR55401	1	PIN-STR COILED,1/4 X 3/4	
8	WR514800	2	ELBOW-90D,-6MORX-8 MJIC	
9	WR519123	2	TEE-RUN,STR THD -6	
10	WR550183	4	BOLT 0.31-18NCX 0.75 G5 ZN HHD	
11	WR550205	4	WASHER LK 0.31 ZN REG	
12	WR559768	1	PIN COTTER 0.18X1.75 ZN	
13	WR560693	2	ADAP STR 0.37MO-R X 0.37MJIC	
14	WR561391	1	TEE 0.37FJIC SW X 0.37MJIC(2)	
15	6512954	2	CONNECTOR-ROD,END	
16	6617524	1	ARM-LOCKING	
17	6618395	1	PIN-CLEVIS	
18	6620327	1	PIN-PEDAL	
19	6620331	4	BUSHING	
20	6625282	2	BUSHING	
21	6627054	2	SPRING-EXTENSION	
22	6628003	2	ROD-ACTUATOR,BRAKE	
23	6669627	2	VALVE-MODULATING	SEE PAGE 6-2
24	6800142	1	SUPPORT-PEDAL,W/A	
25	6800147	1	PEDAL-BRAKE,W/A,LH	
26	6800148	1	PEDAL-BRAKE,W/A,RH	
27	6800419	2	PAD-PEDAL,BRAKE	
28	6800726	1	TUBELINE	
29	6801006	1	TUBELINE	



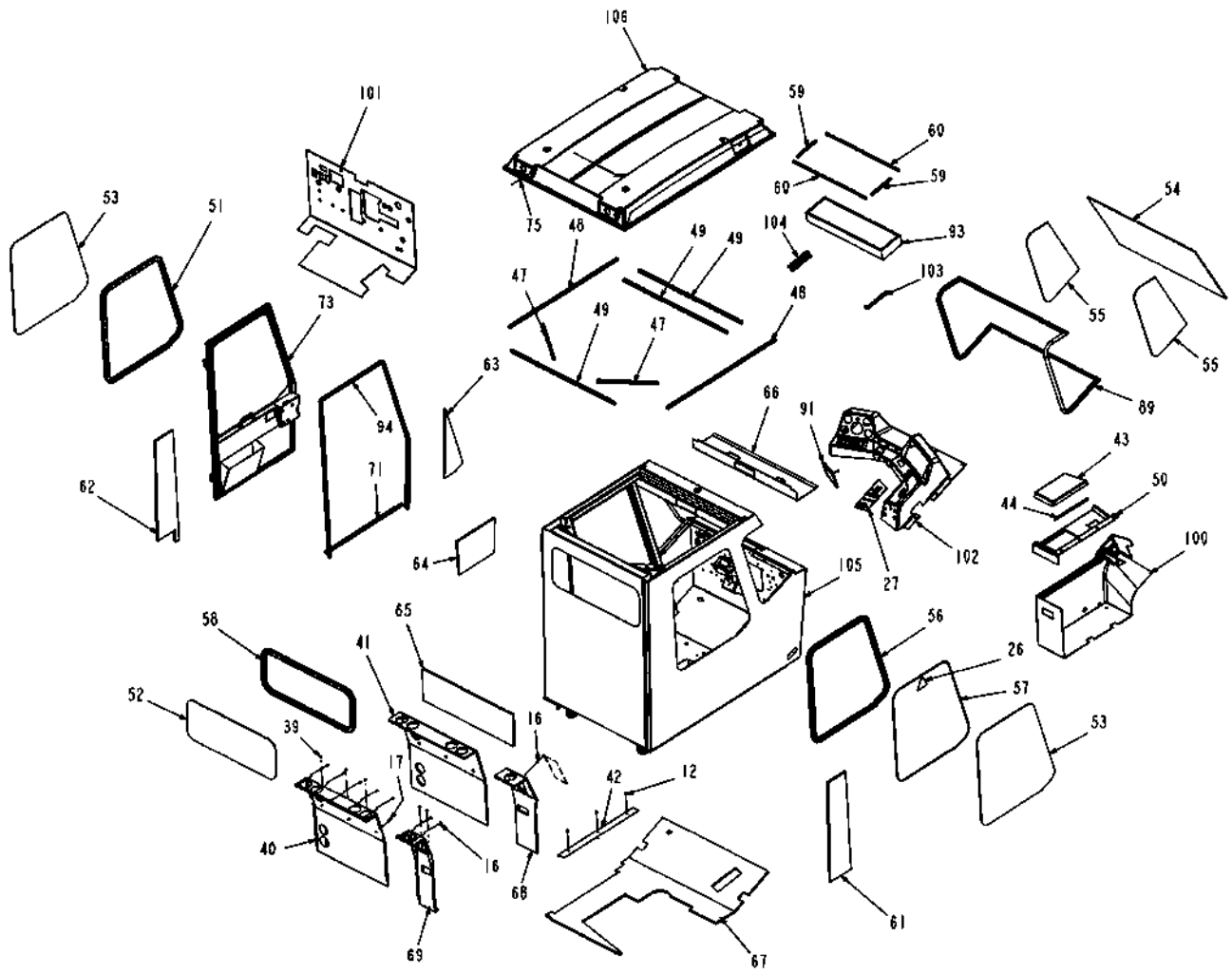
ITEM	PART #	QTY	DESCRIPTION	COMMENT
1	WR10337	1	PIN-COTTER,1/8 X 3/4	
2	WR55092	2	BOLT-M10-1.5X55,G8.8,FULL THRD	
3	WR55121	2	NUT-JAM, 3/8-24UNF G2	
4	WR55148	2	SCREW-CAP HEX 3/8 NC X	
5	WR55281	4	NUT-FLANGE,M10 X 1.5	
6	WR55353	2	NUT-TOPLOCK, 3/8-16UNC G8	
7	WR55401	1	PIN-STR COILED,1/4 X 3/4	
8	WR514800	2	ELBOW-90D,-6MORX-8 MJIC	
9	WR519123	2	TEE-RUN,STR THD -6	
10	WR550183	4	BOLT 0.31-18NCX 0.75 G5 ZN HHD	
11	WR550205	4	WASHER LK 0.31 ZN REG	
12	WR559768	1	PIN COTTER 0.18X1.75 ZN	
13	WR560693	2	ADAP STR 0.37MO-R X 0.37MJIC	
14	WR561391	1	TEE 0.37FJIC SW X 0.37MJIC(2)	
15	6512954	2	CONNECTOR-ROD,END	
16	6617524	1	ARM-LOCKING	
17	6618395	1	PIN-CLEVIS	
18	6620327	1	PIN-PEDAL	
19	6620331	4	BUSHING	
20	6625282	2	BUSHING	
21	6627054	2	SPRING-EXTENSION	
22	6628003	2	ROD-ACTUATOR,BRAKE	
23	6669627	2	VALVE-MODULATING	SEE PAGE 6-2
24	6800142	1	SUPPORT-PEDAL,W/A	
25	6800147	1	PEDAL-BRAKE,W/A,LH	
26	6800148	1	PEDAL-BRAKE,W/A,RH	
27	6800419	2	PAD-PEDAL,BRAKE	
28	6800726	1	TUBELINE	
29	6801006	1	TUBELINE	



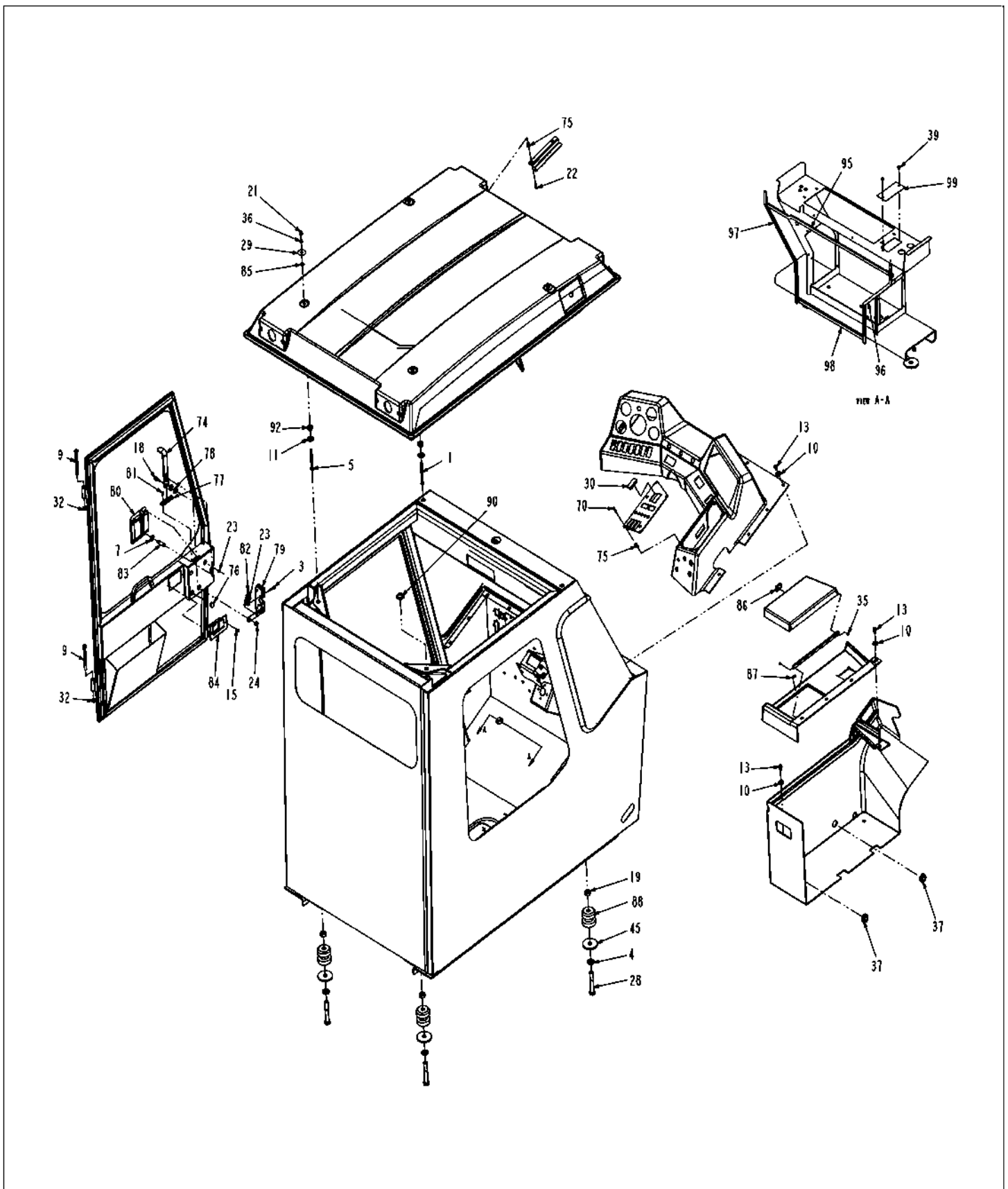
ITEM	PART #	QTY	DESCRIPTION	COMMENT
3	6671502	2	SCREW	
12	6671503	1	SPRING	
15	6671504	1	SPRING	
20	6671505	-	KIT	
	FOOTNOTE [A]		ITEM 1: VALVE-MODULATING - 6669627	
	FOOTNOTE [A]		ITEMS 6,12,14,15 CANNOT BE PURCHASED INDIVIDUALLY BUT ARE INCLUDED IN THE KIT.	
	FOOTNOTE [A]		ITEM 6: BOOT	
	FOOTNOTE [A]		ITEM 12: SPRING	
	FOOTNOTE [A]		ITEM 14: RING	
	FOOTNOTE [A]		ITEM 15: SPRING	
	FOOTNOTE [A]		ITEMS 2,4,5,7-11,13,16-19 CANNOT BE PURCHASED INDIVIDUALLY BUT ARE INCLUDED IN THE VALVE.	



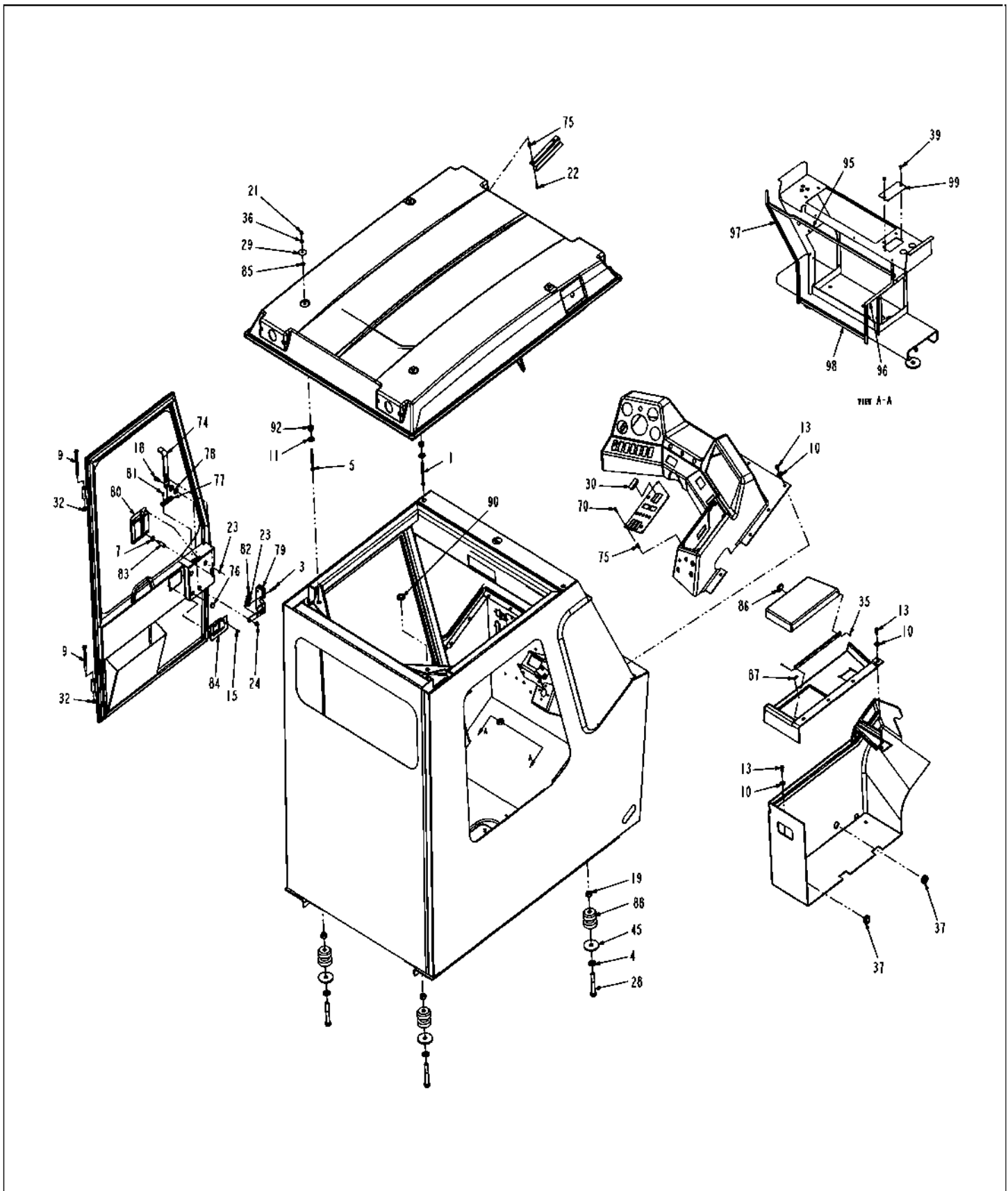
ITEM	PART #	QTY	DESCRIPTION	COMMENT
1	WR26371	2	SCREW-CAP HEX 5/16 NC X 4	
2	WR26513	1	STRIKER KNOB-LATCH	
3	WR35153	4	SCREW-MACH BTN SOCHD	
4	WR50857	4	WASHER-FLAT,HRD 5/8	
5	WR55007	2	SCREW-CAP HEX 5/16 NC X	
6	WR55091	4	SCREW-CAP HEX M4 X 16	
7	WR55101	1	WASHER-LOCK INT TOOTH,	
8	WR55102	4	WASHER-LOCK SPRING,4MM ID	
9	WR55149	2	BOLT 3/8-16X114 ZNDI HHD 10.9	
10	WR55157	17	WASHER-FLAT,8MM ID,	
11	WR55158	4	WASHER-FLAT,10MM ID,	
12	WR55187	3	SCREW-CAP SOCK 1/4 NF X	
13	WR55190	17	SCREW-CAP HEX M8 X 20,	
14	WR55249	4	NUT-LOCK,M4 G4D	
15	WR55251	2	SCREW-TAP,#6 X 3/4,OVAL	
16	WR55254	11	SCREW-HEX FLG.,25NCX.50 GR5	
17	WR55255	3	SCREW-HEX FLG.,25NCX.625 GR5	
18	WR55266	1	SCREW-SH HEX 3/8 NC X	
19	WR55274	4	NUT-LOCK,M16 X 1.5,PREV	
20	WR55301	3	NUT-FLANGE,M10 X 1.5,PREV	
21	WR55308	4	NUT-ACORN,5/16 NC	
22	WR55313	4	SCREW-MACH HEX,#10-32NF X	
23	WR55351	5	NUT-TOPLOCK, 1/4-20UNC G8	
24	WR55352	1	NUT-TOPLOCK,5/16-18UNC G8	
25	WR55546	3	SCREW-CAP HEX M10 X 110	
26	WR120749	1	TAG-EXIT	
27	WR129357	1	PLATE-SWITCH,SC	
28	WR517438	4	BOLT HHD M16-2X100MM 10.9 ZN	
29	WR518096	4	WASHER FENDER .31X1.50 OD ZN	
30	WR520907	2	PLUG-HOLE,SWITCH,EATON	
31	WR550566	1	NUT 0.43-14NC HEX ZN REG	
32	WR557676	2	NUT 0.37-16NC HEX ZN C-LK	
33	WR561617	1	WASHER 0.50 FL ZN SAE TYPE-A	
34	WR561679	2	WASHER LOCK M8 ZN	
35	WR561884	6	RIVET POP 0.12X0.25 DOME-HD ST	
36	WR562171	4	NUT 0.31-18NC HEX ZN JAM	
37	1023368	2	GROMMET	
38	6555350	-	ADHESIVE-RUBBER	
39	6589675	7	SCREW-TR HD,TAPPING	
40	6595112	1	PANEL-ACCESS,LH	
41	6595116	1	INSULATION-ACCESS,LH	
42	6597317	1	RETAINER-FLOORMAT	
43	6626216	1	COVER-FUSE	
44	6626256	1	HINGE	
45	6626510	4	WASHER	
46	6626535	1	BRACE-DASH	
47	6626596	2	FOAM-CAB TOP	
48	6626597	2	FOAM-CAB TOP	
49	6626598	3	FOAM-CAB TOP	
50	6626610	1	DASH-TOP,RH	
51	6626766	1	SEAL, DOOR WINDOW	
52	6626767	1	WINDOW-REAR	
53	6626768	2	WINDOW-SIDE	
54	6626769	1	WINDSHIELD-FRONT	
55	6626770	2	WINDSHIELD-SIDE	
56	6626771	1	SEAL-SIDE,WINDOW	
57	6626772	1	CORD-WINDOW	
58	6626773	1	SEAL-WINDOW,REAR	
59	6626774	2	FOAM-FILTER	
60	6626775	2	FOAM-FILTER	



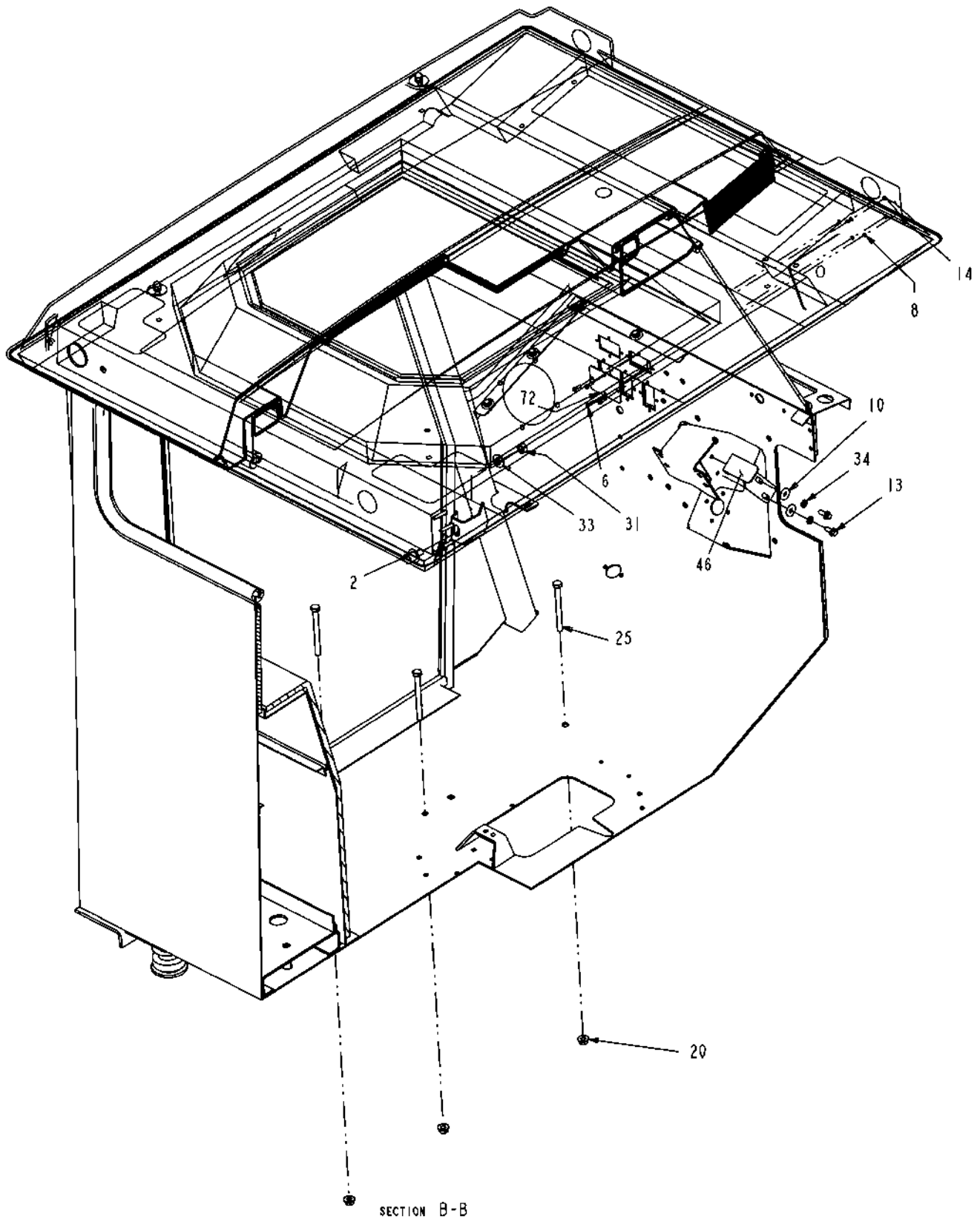
ITEM	PART #	QTY	DESCRIPTION	COMMENT
61	6626776	1	FOAM-REAR,RH	
62	6626777	1	FOAM-REAR,LH	
63	6626778	1	FOAM-FRONT,LH	
64	6626780	1	FOAM-DOOR	
65	6626781	1	FOAM-REAR	
66	6626782	1	HEADLINER	
67	6626783	1	FLOORMAT	
68	6626814	1	FOAM-HEATER,RH	
69	6626840	1	PANEL-ACCESS,W/A	
70	6627005	4	SCREW-NYLON	
71	6627528	1	SEAL-TRIM	
72	6627886	1	COVER	
73	6627988	1	DOOR-W/A	
74	6628352	1	ANGLE-LATCH	
75	6630140	16	NUT-JACK	
76	6648354	4	PLUG-HOLE	
77	6648413	1	BUSHING-DOOR	
78	6648414	2	WASHER-NYLON	
79	6648417	1	LATCH ASSY-RH	
80	6648421	1	LATCH-KEY # CH751	
81	6648422	2	SCREW-SELF TAPPING	
82	6654147	1	SPRING	
83	6654154	1	BOLT-STRIKER	
84	6654785	1	ASHTRAY	
85	6661567	4	WASHER-NEOPRENE	
86	6661746	1	CATCH-MAGNETIC	
87	6661747	1	STRIKER-STEEL	
88	6661801	4	MOUNT-CAB	
89	6661811	1	SEAL-WINDSHIELD	
90	6662831	2	PLUG-BUTTON	
91	6663955	1	MIRROR	
92	6669666	4	MOUNT-RUBBER	
93	6671706	1	FILTER-CARBON	
94	6800800	1	SEAL-BULK	
95	6800987	1	FOAM-STRIP	
96	6800988	1	FOAM-STRIP	
97	6800989	1	FOAM-STRIP	
98	6800991	1	FOAM-STRIP	
99	6801034	1	PLATE	
100	6801663	1	DASH-BOTTOM,RH	
101	6801779	1	INSULATION-FIREWALL	
102	6801910	1	PANEL-DASH	
103	6803756	1	BRACKET-FILTER,RH	
104	6803757	1	BRACKET-FILTER,LH	
105	504176D1	1	CAB WLDMT-CHAL	
106	504177D1	1	CAB TOP ASM-CHAL	SEE PAGE 6-4



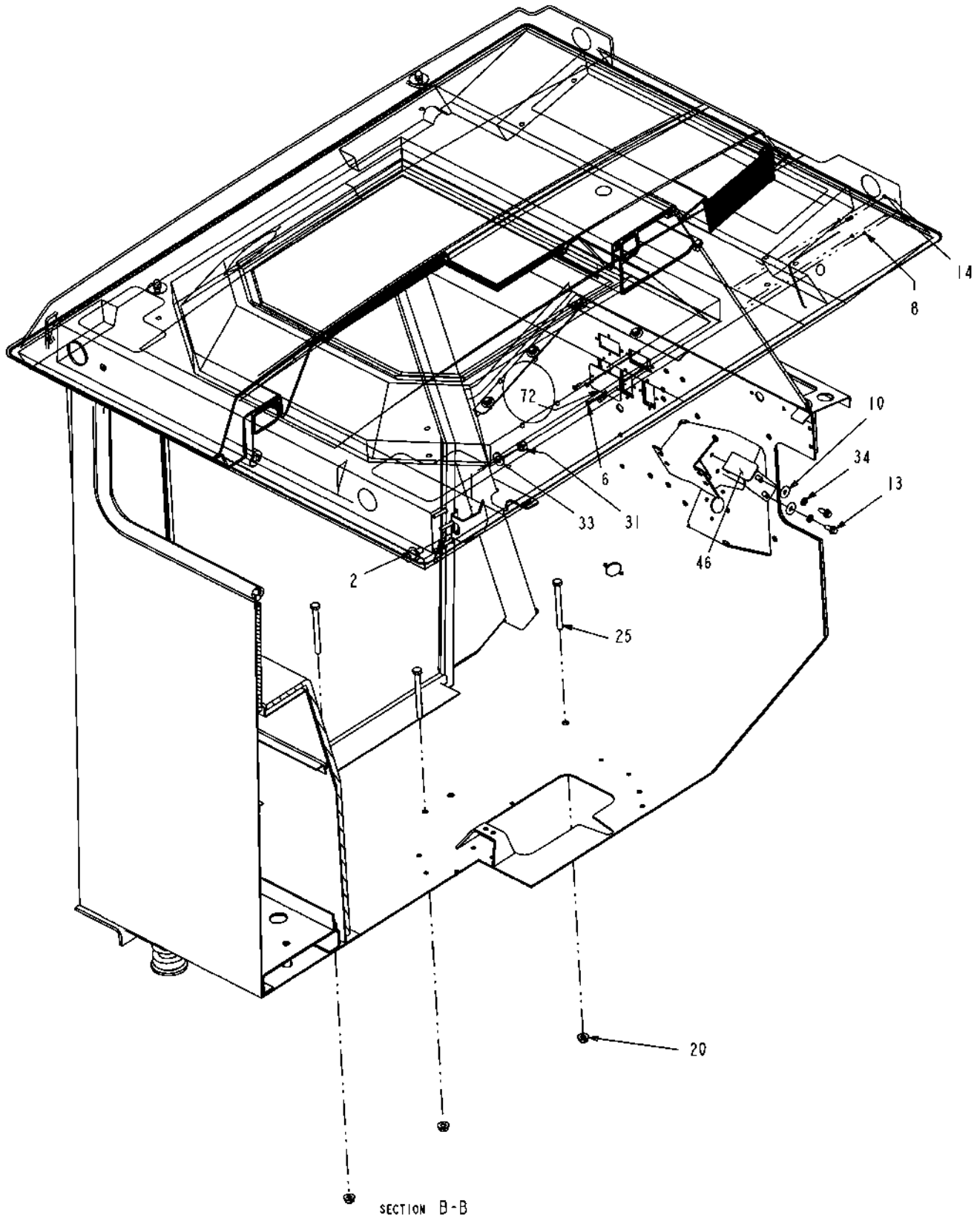
ITEM	PART #	QTY	DESCRIPTION	COMMENT
1	WR26371	2	SCREW-CAP HEX 5/16 NC X 4	
2	WR26513	1	STRIKER KNOB-LATCH	
3	WR35153	4	SCREW-MACH BTN SOCHD	
4	WR50857	4	WASHER-FLAT,HRD 5/8	
5	WR55007	2	SCREW-CAP HEX 5/16 NC X	
6	WR55091	4	SCREW-CAP HEX M4 X 16	
7	WR55101	1	WASHER-LOCK INT TOOTH,	
8	WR55102	4	WASHER-LOCK SPRING,4MM ID	
9	WR55149	2	BOLT 3/8-16X114 ZNDI HHD 10.9	
10	WR55157	17	WASHER-FLAT,8MM ID,	
11	WR55158	4	WASHER-FLAT,10MM ID,	
12	WR55187	3	SCREW-CAP SOCK 1/4 NF X	
13	WR55190	17	SCREW-CAP HEX M8 X 20,	
14	WR55249	4	NUT-LOCK,M4 G4D	
15	WR55251	2	SCREW-TAP,#6 X 3/4,OVAL	
16	WR55254	11	SCREW-HEX FLG.,25NCX.50 GR5	
17	WR55255	3	SCREW-HEX FLG.,25NCX.625 GR5	
18	WR55266	1	SCREW-SH HEX 3/8 NC X	
19	WR55274	4	NUT-LOCK,M16 X 1.5,PREV	
20	WR55301	3	NUT-FLANGE,M10 X 1.5,PREV	
21	WR55308	4	NUT-ACORN,5/16 NC	
22	WR55313	4	SCREW-MACH HEX,#10-32NF X	
23	WR55351	5	NUT-TOPLOCK, 1/4-20UNC G8	
24	WR55352	1	NUT-TOPLOCK,5/16-18UNC G8	
25	WR55546	3	SCREW-CAP HEX M10 X 110	
26	WR120749	1	TAG-EXIT	
27	WR129357	1	PLATE-SWITCH,SC	
28	WR517438	4	BOLT HHD M16-2X100MM 10.9 ZN	
29	WR518096	4	WASHER FENDER .31X1.50 OD ZN	
30	WR520907	2	PLUG-HOLE,SWITCH,EATON	
31	WR550566	1	NUT 0.43-14NC HEX ZN REG	
32	WR557676	2	NUT 0.37-16NC HEX ZN C-LK	
33	WR561617	1	WASHER 0.50 FL ZN SAE TYPE-A	
34	WR561679	2	WASHER LOCK M8 ZN	
35	WR561884	6	RIVET POP 0.12X0.25 DOME-HD ST	
36	WR562171	4	NUT 0.31-18NC HEX ZN JAM	
37	1023368	2	GROMMET	
38	6555350	-	ADHESIVE-RUBBER	
39	6589675	7	SCREW-TR HD,TAPPING	
40	6595112	1	PANEL-ACCESS,LH	
41	6595116	1	INSULATION-ACCESS,LH	
42	6597317	1	RETAINER-FLOORMAT	
43	6626216	1	COVER-FUSE	
44	6626256	1	HINGE	
45	6626510	4	WASHER	
46	6626535	1	BRACE-DASH	
47	6626596	2	FOAM-CAB TOP	
48	6626597	2	FOAM-CAB TOP	
49	6626598	3	FOAM-CAB TOP	
50	6626610	1	DASH-TOP,RH	
51	6626766	1	SEAL, DOOR WINDOW	
52	6626767	1	WINDOW-REAR	
53	6626768	2	WINDOW-SIDE	
54	6626769	1	WINDSHIELD-FRONT	
55	6626770	2	WINDSHIELD-SIDE	
56	6626771	1	SEAL-SIDE,WINDOW	
57	6626772	1	CORD-WINDOW	
58	6626773	1	SEAL-WINDOW,REAR	
59	6626774	2	FOAM-FILTER	
60	6626775	2	FOAM-FILTER	



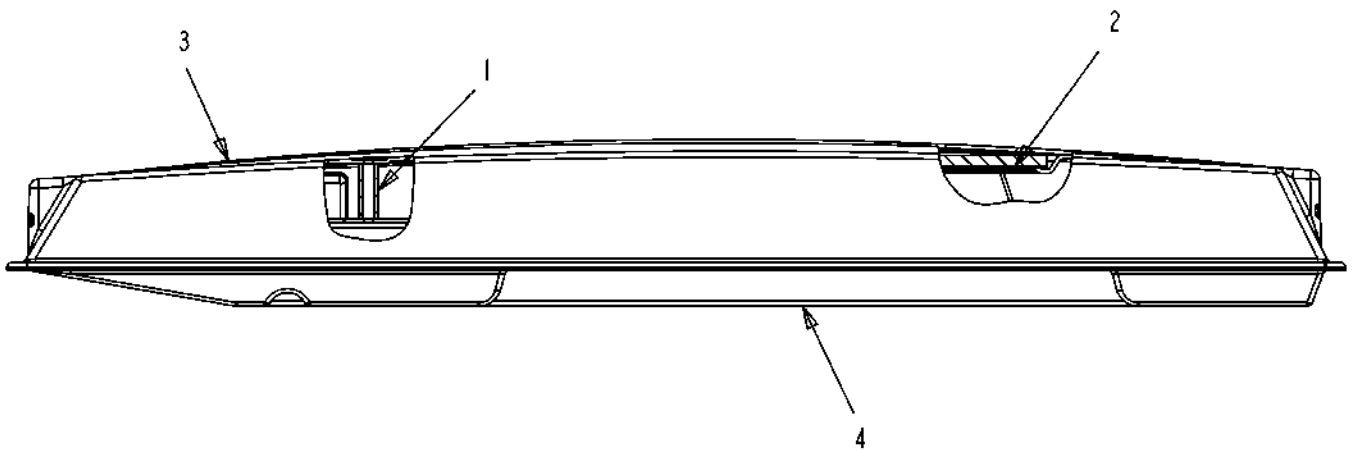
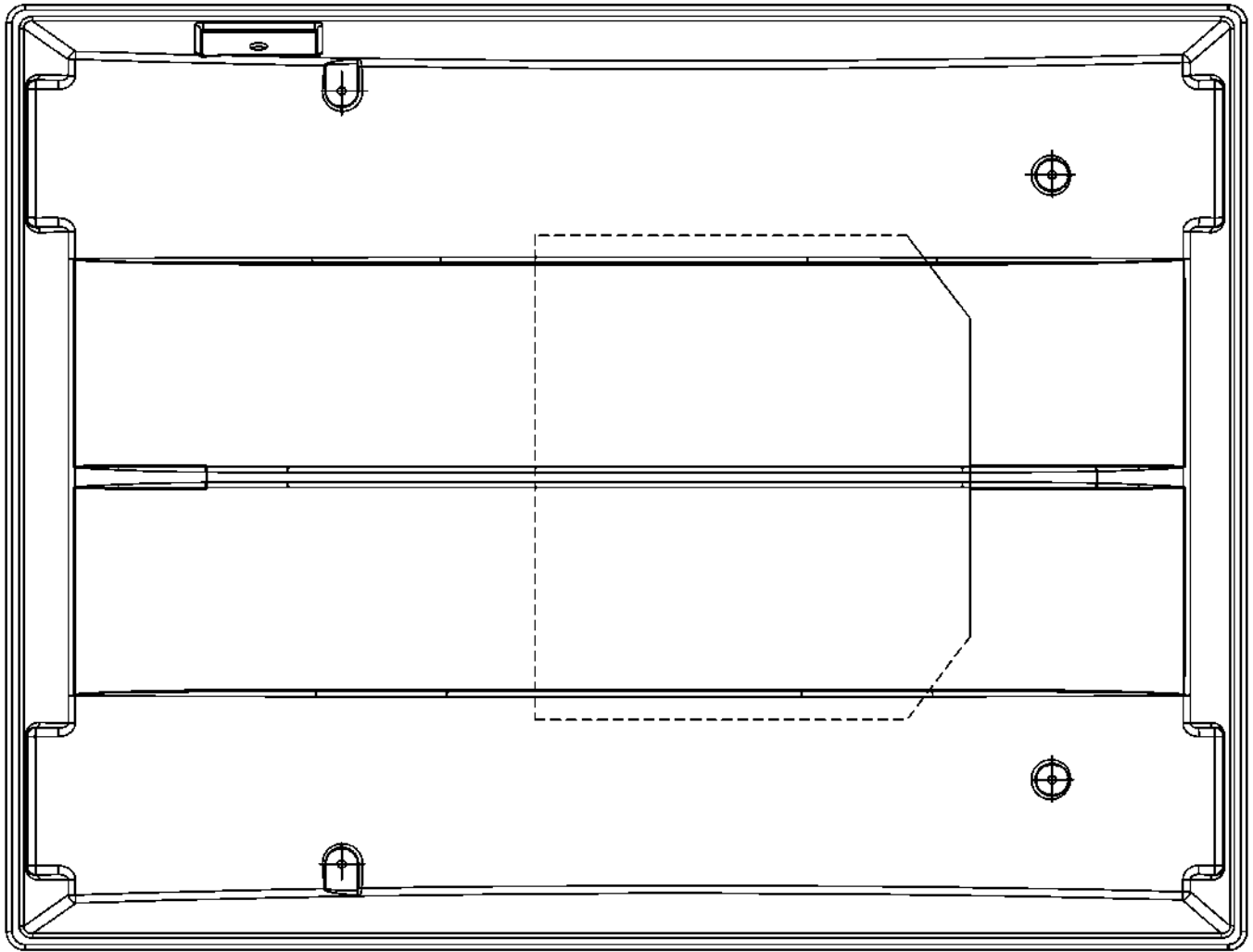
ITEM	PART #	QTY	DESCRIPTION	COMMENT
61	6626776	1	FOAM-REAR,RH	
62	6626777	1	FOAM-REAR,LH	
63	6626778	1	FOAM-FRONT,LH	
64	6626780	1	FOAM-DOOR	
65	6626781	1	FOAM-REAR	
66	6626782	1	HEADLINER	
67	6626783	1	FLOORMAT	
68	6626814	1	FOAM-HEATER,RH	
69	6626840	1	PANEL-ACCESS,W/A	
70	6627005	4	SCREW-NYLON	
71	6627528	1	SEAL-TRIM	
72	6627886	1	COVER	
73	6627988	1	DOOR-W/A	
74	6626352	1	ANGLE-LATCH	
75	6630140	16	NUT-JACK	
76	6648354	4	PLUG-HOLE	
77	6648413	1	BUSHING-DOOR	
78	6648414	2	WASHER-NYLON	
79	6648417	1	LATCH ASSY-RH	
80	6648421	1	LATCH-KEY # CH751	
81	6648422	2	SCREW-SELF TAPPING	
82	6654147	1	SPRING	
83	6654154	1	BOLT-STRIKER	
84	6654785	1	ASHTRAY	
85	6661567	4	WASHER-NEOPRENE	
86	6661746	1	CATCH-MAGNETIC	
87	6661747	1	STRIKER-STEEL	
88	6661801	4	MOUNT-CAB	
89	6661811	1	SEAL-WINDSHIELD	
90	6662831	2	PLUG-BUTTON	
91	6663955	1	MIRROR	
92	6669666	4	MOUNT-RUBBER	
93	6671706	1	FILTER-CARBON	
94	6800800	1	SEAL-BULK	
95	6800987	1	FOAM-STRIP	
96	6800988	1	FOAM-STRIP	
97	6800989	1	FOAM-STRIP	
98	6800991	1	FOAM-STRIP	
99	6801034	1	PLATE	
100	6801663	1	DASH-BOTTOM,RH	
101	6801779	1	INSULATION-FIREWALL	
102	6801910	1	PANEL-DASH	
103	6803756	1	BRACKET-FILTER,RH	
104	6803757	1	BRACKET-FILTER,LH	
105	504176D1	1	CAB WLDMT-CHAL	
106	504177D1	1	CAB TOP ASM-CHAL	SEE PAGE 6-4



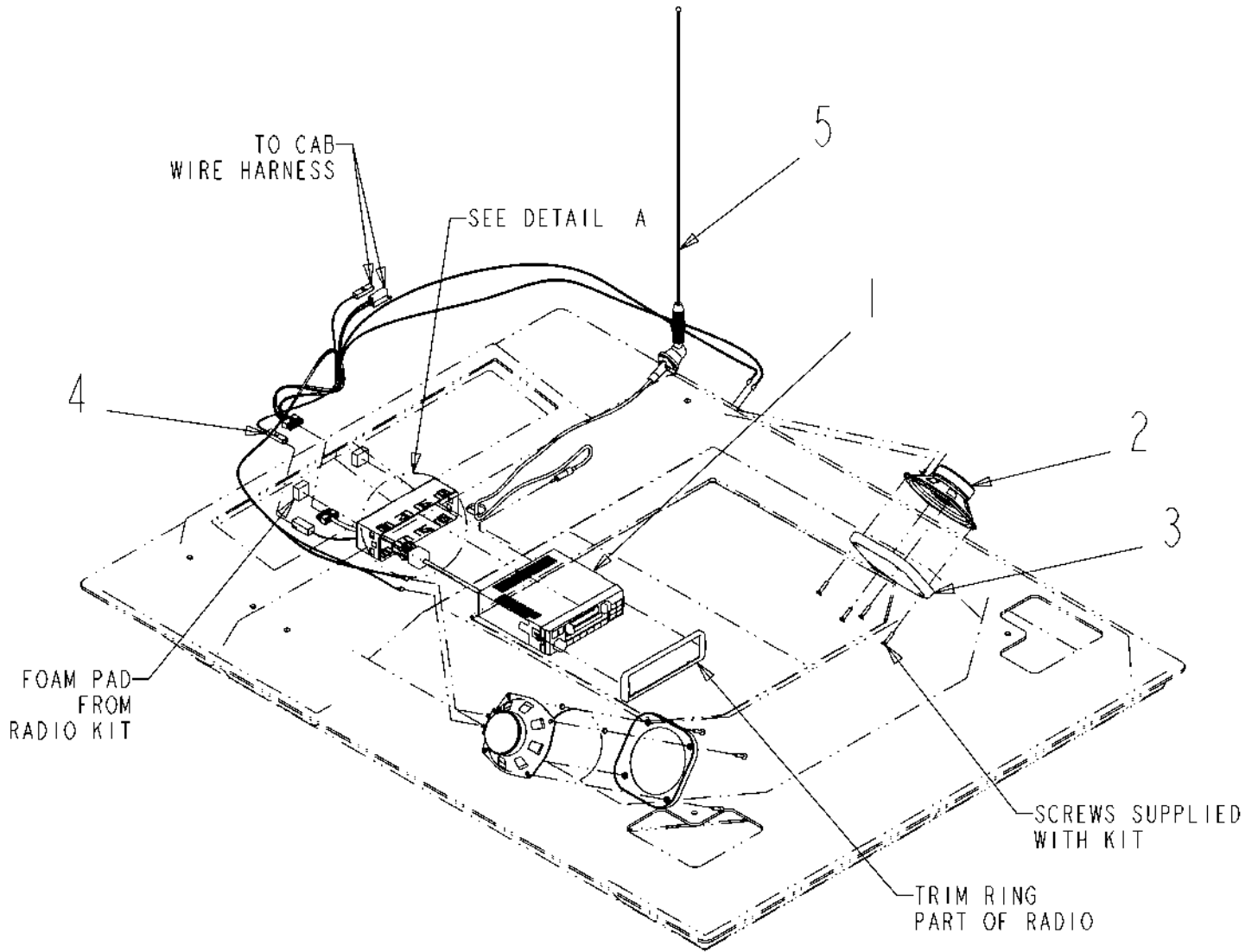
ITEM	PART #	QTY	DESCRIPTION	COMMENT
1	WR26371	2	SCREW-CAP HEX 5/16 NC X 4	
2	WR26513	1	STRIKER KNOB-LATCH	
3	WR35153	4	SCREW-MACH BTN SOCHD	
4	WR50857	4	WASHER-FLAT,HRD 5/8	
5	WR55007	2	SCREW-CAP HEX 5/16 NC X	
6	WR55091	4	SCREW-CAP HEX M4 X 16	
7	WR55101	1	WASHER-LOCK INT TOOTH,	
8	WR55102	4	WASHER-LOCK SPRING,4MM ID	
9	WR55149	2	BOLT 3/8-16X114 ZNDI HHD 10.9	
10	WR55157	17	WASHER-FLAT,8MM ID,	
11	WR55158	4	WASHER-FLAT,10MM ID,	
12	WR55187	3	SCREW-CAP SOCK 1/4 NF X	
13	WR55190	17	SCREW-CAP HEX M8 X 20,	
14	WR55249	4	NUT-LOCK,M4 G4D	
15	WR55251	2	SCREW-TAP,#6 X 3/4,OVAL	
16	WR55254	11	SCREW-HEX FLG.,25NCX.50 GR5	
17	WR55255	3	SCREW-HEX FLG.,25NCX.625 GR5	
18	WR55266	1	SCREW-SH HEX 3/8 NC X	
19	WR55274	4	NUT-LOCK,M16 X 1.5,PREV	
20	WR55301	3	NUT-FLANGE,M10 X 1.5,PREV	
21	WR55308	4	NUT-ACORN,5/16 NC	
22	WR55313	4	SCREW-MACH HEX,#10-32NF X	
23	WR55351	5	NUT-TOPLOCK, 1/4-20UNC G8	
24	WR55352	1	NUT-TOPLOCK,5/16-18UNC G8	
25	WR55546	3	SCREW-CAP HEX M10 X 110	
26	WR120749	1	TAG-EXIT	
27	WR129357	1	PLATE-SWITCH,SC	
28	WR517438	4	BOLT HHD M16-2X100MM 10.9 ZN	
29	WR518096	4	WASHER FENDER .31X1.50 OD ZN	
30	WR520907	2	PLUG-HOLE,SWITCH,EATON	
31	WR550566	1	NUT 0.43-14NC HEX ZN REG	
32	WR557676	2	NUT 0.37-16NC HEX ZN C-LK	
33	WR561617	1	WASHER 0.50 FL ZN SAE TYPE-A	
34	WR561679	2	WASHER LOCK M8 ZN	
35	WR561884	6	RIVET POP 0.12X0.25 DOME-HD ST	
36	WR562171	4	NUT 0.31-18NC HEX ZN JAM	
37	1023368	2	GROMMET	
38	6555350	-	ADHESIVE-RUBBER	
39	6589675	7	SCREW-TR HD,TAPPING	
40	6595112	1	PANEL-ACCESS,LH	
41	6595116	1	INSULATION-ACCESS,LH	
42	6597317	1	RETAINER-FLOORMAT	
43	6626216	1	COVER-FUSE	
44	6626256	1	HINGE	
45	6626510	4	WASHER	
46	6626535	1	BRACE-DASH	
47	6626596	2	FOAM-CAB TOP	
48	6626597	2	FOAM-CAB TOP	
49	6626598	3	FOAM-CAB TOP	
50	6626610	1	DASH-TOP,RH	
51	6626766	1	SEAL, DOOR WINDOW	
52	6626767	1	WINDOW-REAR	
53	6626768	2	WINDOW-SIDE	
54	6626769	1	WINDSHIELD-FRONT	
55	6626770	2	WINDSHIELD-SIDE	
56	6626771	1	SEAL-SIDE,WINDOW	
57	6626772	1	CORD-WINDOW	
58	6626773	1	SEAL-WINDOW,REAR	
59	6626774	2	FOAM-FILTER	
60	6626775	2	FOAM-FILTER	



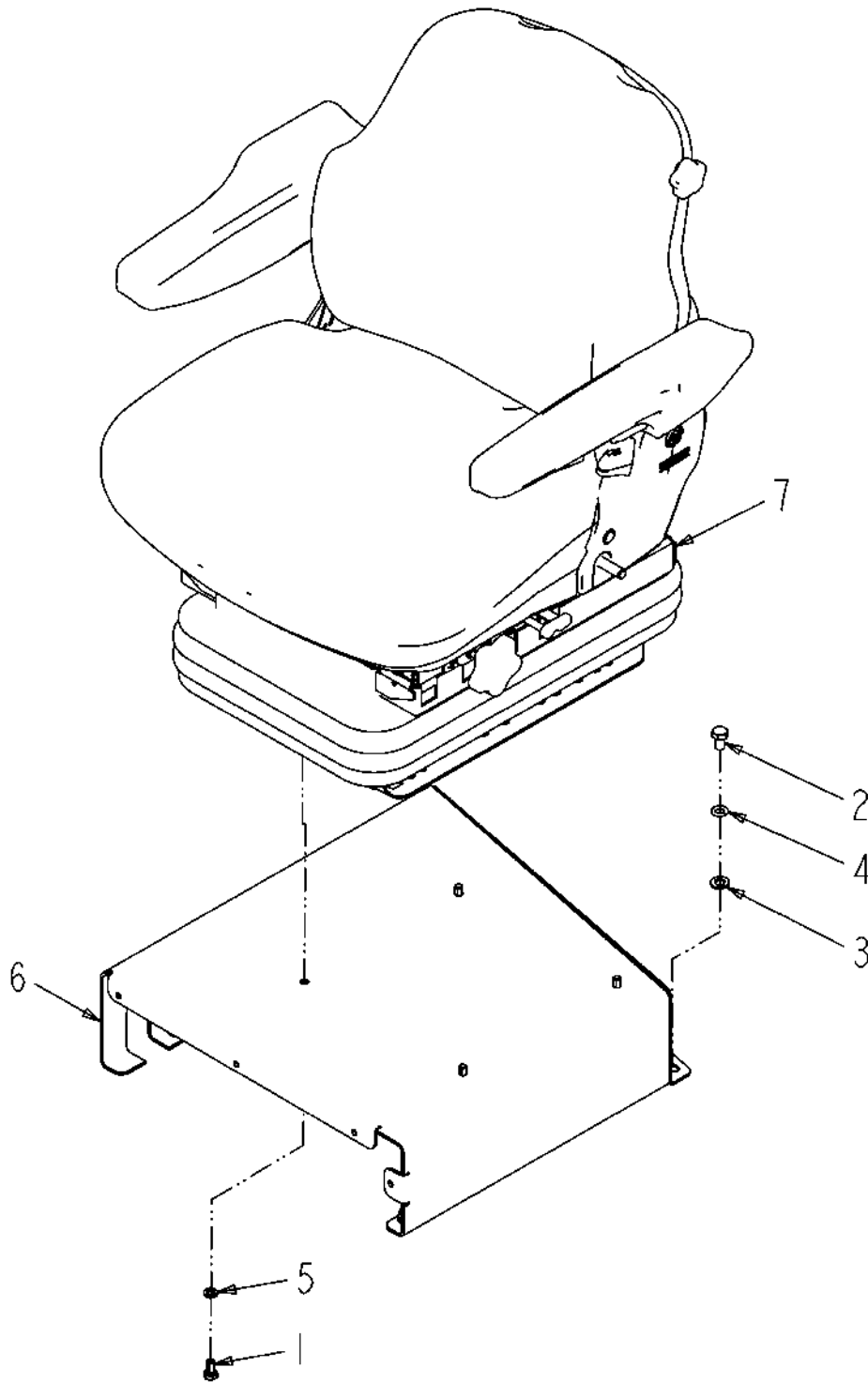
ITEM	PART #	QTY	DESCRIPTION	COMMENT
61	6626776	1	FOAM-REAR,RH	
62	6626777	1	FOAM-REAR,LH	
63	6626778	1	FOAM-FRONT,LH	
64	6626780	1	FOAM-DOOR	
65	6626781	1	FOAM-REAR	
66	6626782	1	HEADLINER	
67	6626783	1	FLOORMAT	
68	6626814	1	FOAM-HEATER,RH	
69	6626840	1	PANEL-ACCESS,W/A	
70	6627005	4	SCREW-NYLON	
71	6627528	1	SEAL-TRIM	
72	6627886	1	COVER	
73	6627988	1	DOOR-W/A	
74	6628352	1	ANGLE-LATCH	
75	6630140	16	NUT-JACK	
76	6648354	4	PLUG-HOLE	
77	6648413	1	BUSHING-DOOR	
78	6648414	2	WASHER-NYLON	
79	6648417	1	LATCH ASSY-RH	
80	6648421	1	LATCH-KEY # CH751	
81	6648422	2	SCREW-SELF TAPPING	
82	6654147	1	SPRING	
83	6654154	1	BOLT-STRIKER	
84	6654785	1	ASHTRAY	
85	6661567	4	WASHER-NEOPRENE	
86	6661746	1	CATCH-MAGNETIC	
87	6661747	1	STRIKER-STEEL	
88	6661801	4	MOUNT-CAB	
89	6661811	1	SEAL-WINDSHIELD	
90	6662831	2	PLUG-BUTTON	
91	6663955	1	MIRROR	
92	6669666	4	MOUNT-RUBBER	
93	6671706	1	FILTER-CARBON	
94	6800800	1	SEAL-BULK	
95	6800987	1	FOAM-STRIP	
96	6800988	1	FOAM-STRIP	
97	6800989	1	FOAM-STRIP	
98	6800991	1	FOAM-STRIP	
99	6801034	1	PLATE	
100	6801663	1	DASH-BOTTOM,RH	
101	6801779	1	INSULATION-FIREWALL	
102	6801910	1	PANEL-DASH	
103	6803756	1	BRACKET-FILTER,RH	
104	6803757	1	BRACKET-FILTER,LH	
105	504176D1	1	CAB WLDMT-CHAL	
106	504177D1	1	CAB TOP ASM-CHAL	SEE PAGE 6-4



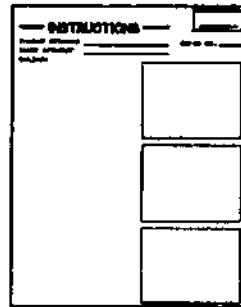
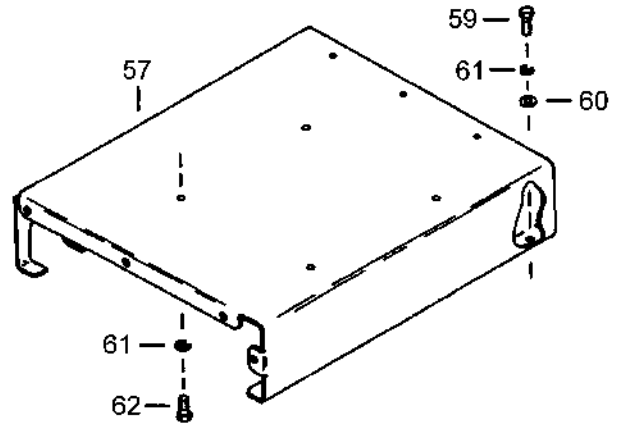
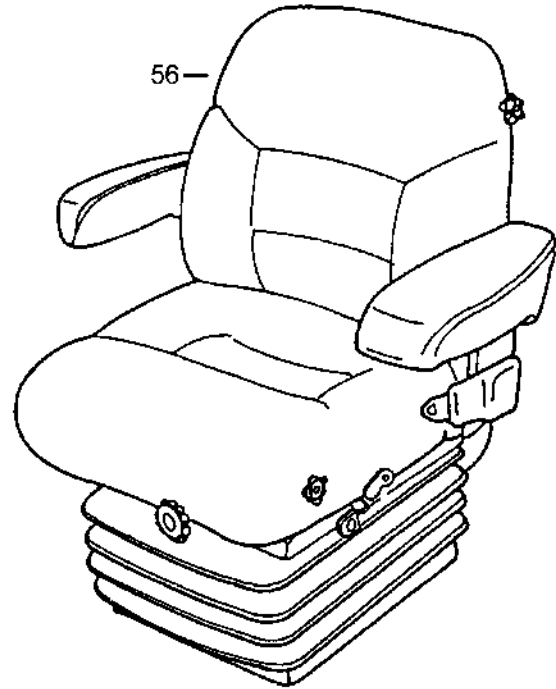
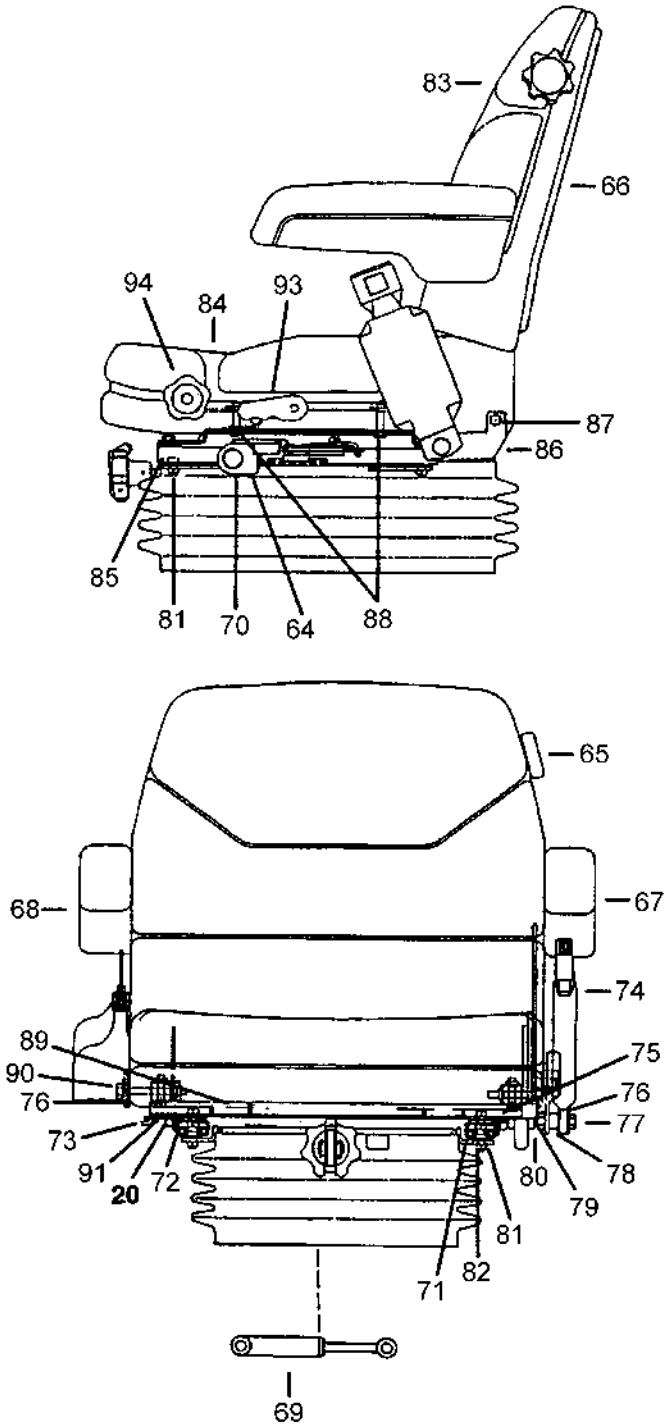
ITEM	PART #	QTY	DESCRIPTION	COMMENT
1	6626255	4	SPACER	
2	6626265	1	FOAM	
3	504178D1	1	CAB TOP-UPPER,CHAL	
4	504179D1	1	CAB TO-LOWER	



ITEM	PART #	QTY	DESCRIPTION	COMMENT
1	WR134140	1	RADIO-AM/FM STEREO W/CASSETTE	
2	WR134141	2	SPEAKER	
3	WR134142	2	GRILL-SPEAKER	
4	WR134143	1	HARNESS-RADIO,SC	
5	WR134144	1	ANTENNA-RADIO,SC	

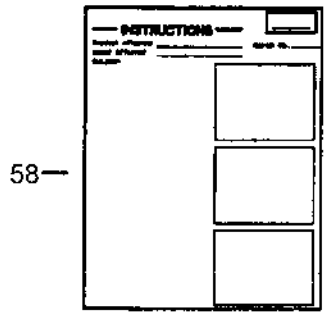
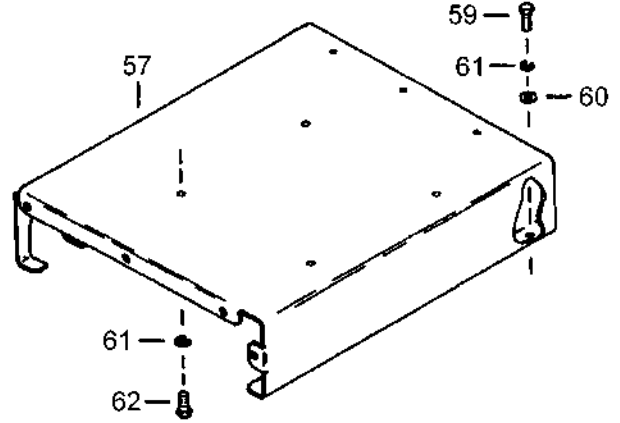
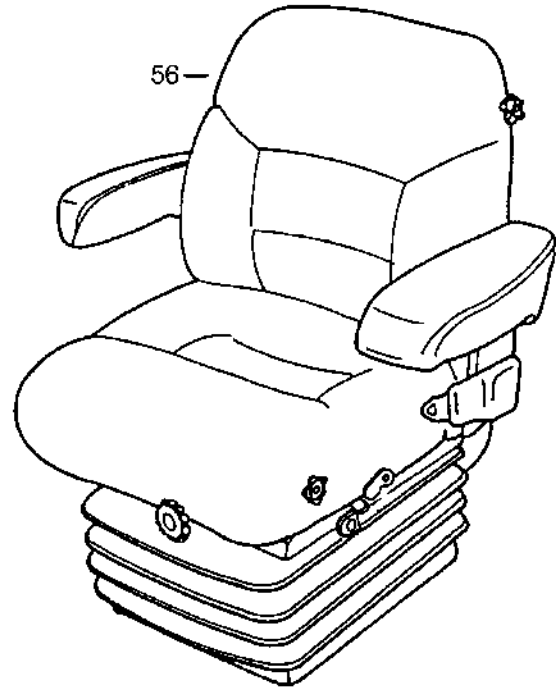
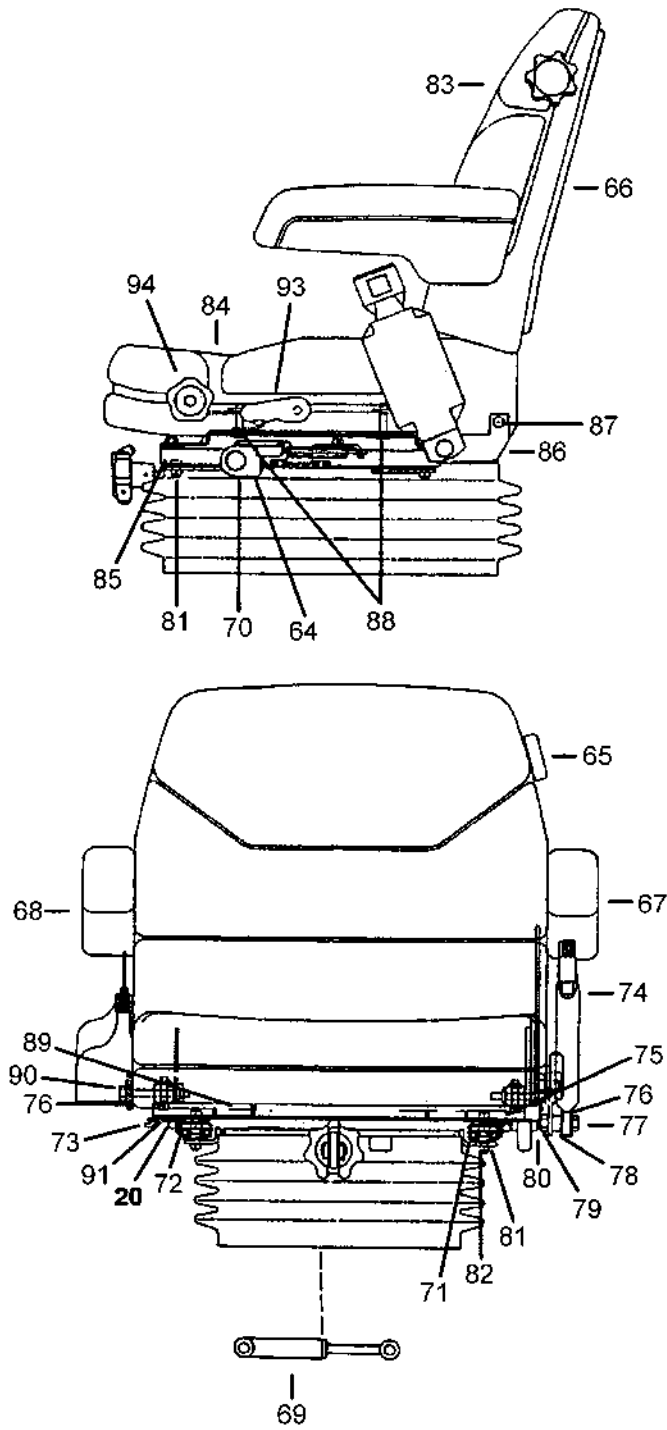


ITEM	PART #	QTY	DESCRIPTION	COMMENT
1	WR25752	4	SCREW-CAP HEX M8 X 16,	
2	WR55045	4	SCREW-CAP HEX M10 X 16	
3	WR55075	4	WASHER-PLAIN,10MM ID,LC,	
4	WR55106	4	WASHER-LOCK SPRING,10 MM	
5	WR561679	4	WASHER LOCK M8 ZN	
6	6618712	1	MOUNT W/A, SEAT	
7	6653399	1	SEAT-SUSPENSION	SEE PAGE 6-7

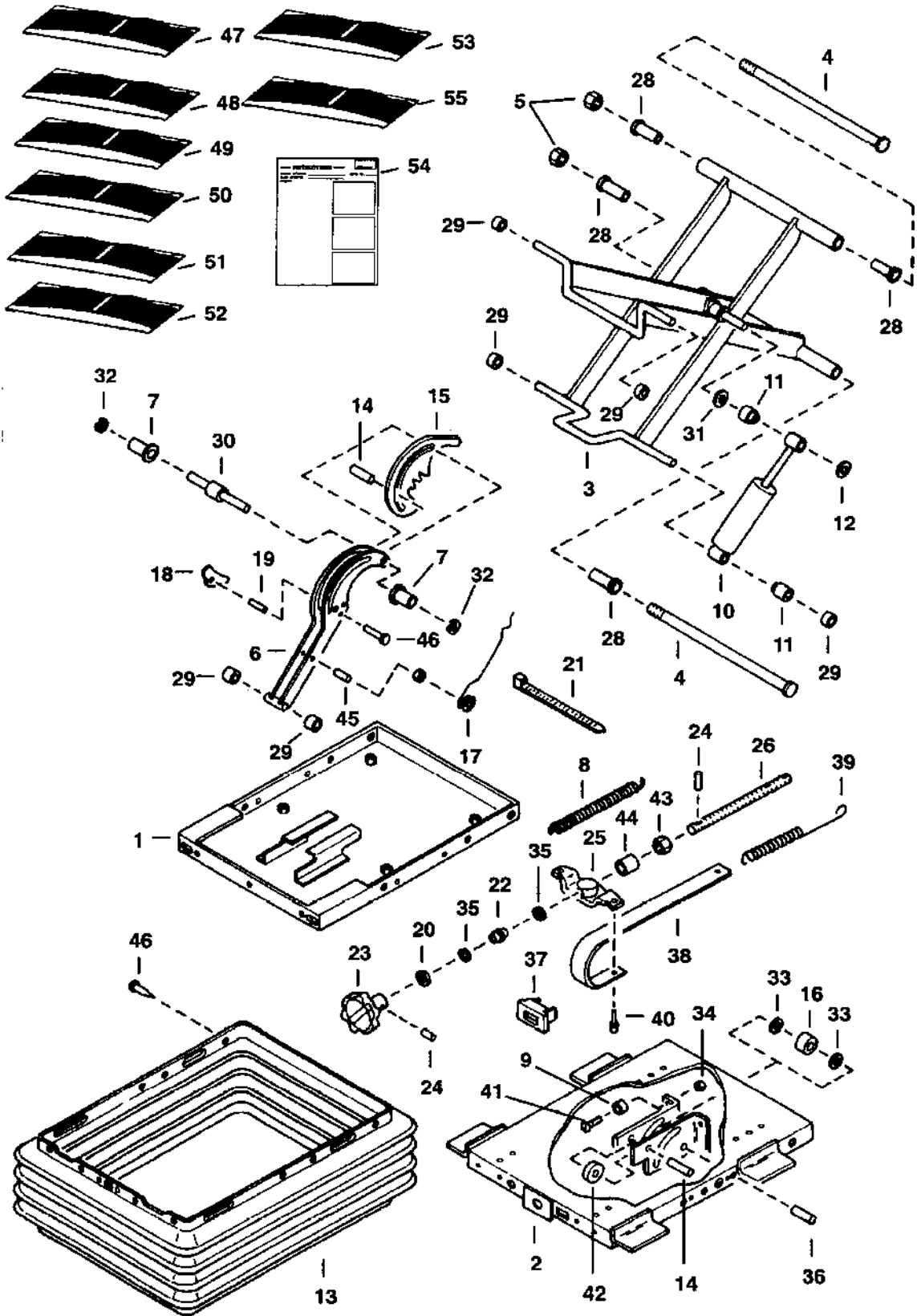


58—

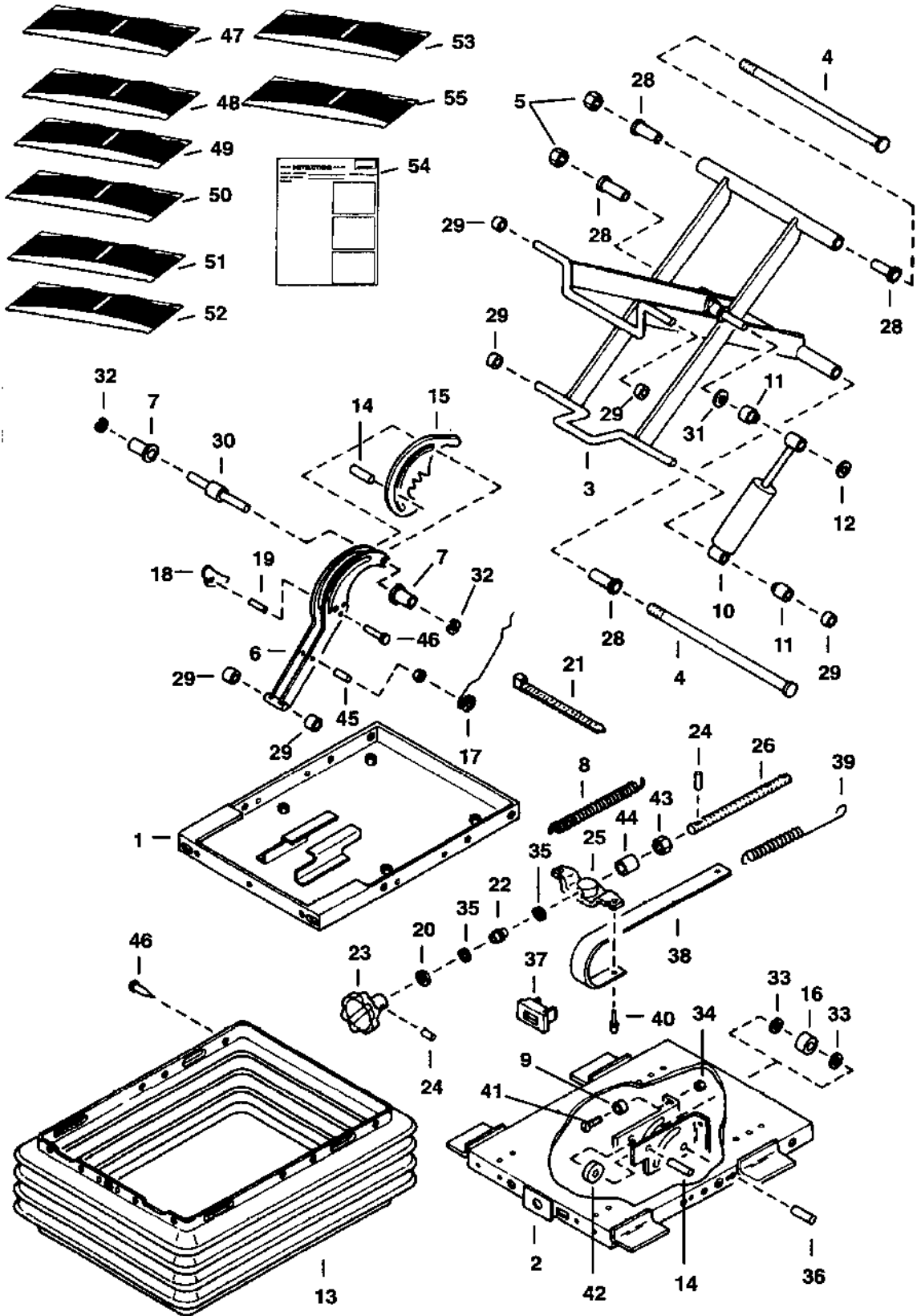
ITEM	PART #	QTY	DESCRIPTION	COMMENT
1	6661520	1	HOUSING	
2	6661521	1	HOUSING	
3	6672465	1	ARM	
4	6661523	2	SHAFT	
5	6661524	2	NUT	
6	6661525	1	ARM & SHAFT	
8	6661527	2	SPRING	
9	6661528	2	BUMPER	
13	6661532	1	BOOT	
14	6661533	2	ROLL PIN	
15	6661534	1	CAM	
16	6661535	1	CAM	
18	6661537	1	LATCH	
19	6661538	1	ROLL PIN	
20	6659833	5	WASHER	
21	6661539	1	TIE	
22	6661540	1	BEARING	
25	6661543	1	ADJUSTER	
30	6661548	1	SHAFT	
31	6661549	1	WASHER-PLASTIC	
33	6661551	2	WASHER	
34	6661552	2	NUT	
35	6661553	2	THRUST RACE	
36	6661554	1	ROLL PIN	
40	6661558	1	RIVET	
41	6661559	2	BOLT	
42	6661560	1	CAM	
45	6661563	1	RIVET	
47	6661564	1	BUTTONS	
48	6669228	1	KIT-WEIGHT ADJUST	
49	6661825	1	KIT-WEIGHT ADJUST	
51	6653404	1	KIT-SHOCK	
52	6652405	1	KIT-ROLLER TUBE	
53	6669227	1	KIT-WEIGHT ADJUST	
55	6669229	1	KIT-KNOB	
57	6618712	1	MOUNT W/A, SEAT	
58	6629513	1	INSTR-DELUXE AG SEAT	
59	WR55045	4	SCREW-CAP HEX M10 X 16	
60	WR55075	4	WASHER-PLAIN,10MM ID,LC,	
61	WR561679	8	WASHER LOCK M8 ZN	
64	6660342	1	HANDLE	
65	6659821	1	HANDLE	
66	6653401	1	BACK COVER	
67	6653402	1	ARMREST LH	
68	6653403	1	ARMREST RH	
70	6653407	1	SLIDE KIT	
74	6653414	1	SEAT BELT	
75	6653408	1	PLATE	
76	6659822	2	WASHER	
77	6659823	1	BOLT	
78	6653420	1	SPACER	
79	6653418	1	NUT	
80	6653419	2	SPACER	
81	6653416	8	NUT	
82	6659824	4	BOLT	
83	6653412	1	BACK CUSHION	
84	6653410	1	SEAT CUSHION	
85	6653415	4	BOLT	
86	6653417	1	BRACKET	
87	6659829	2	BOLT	



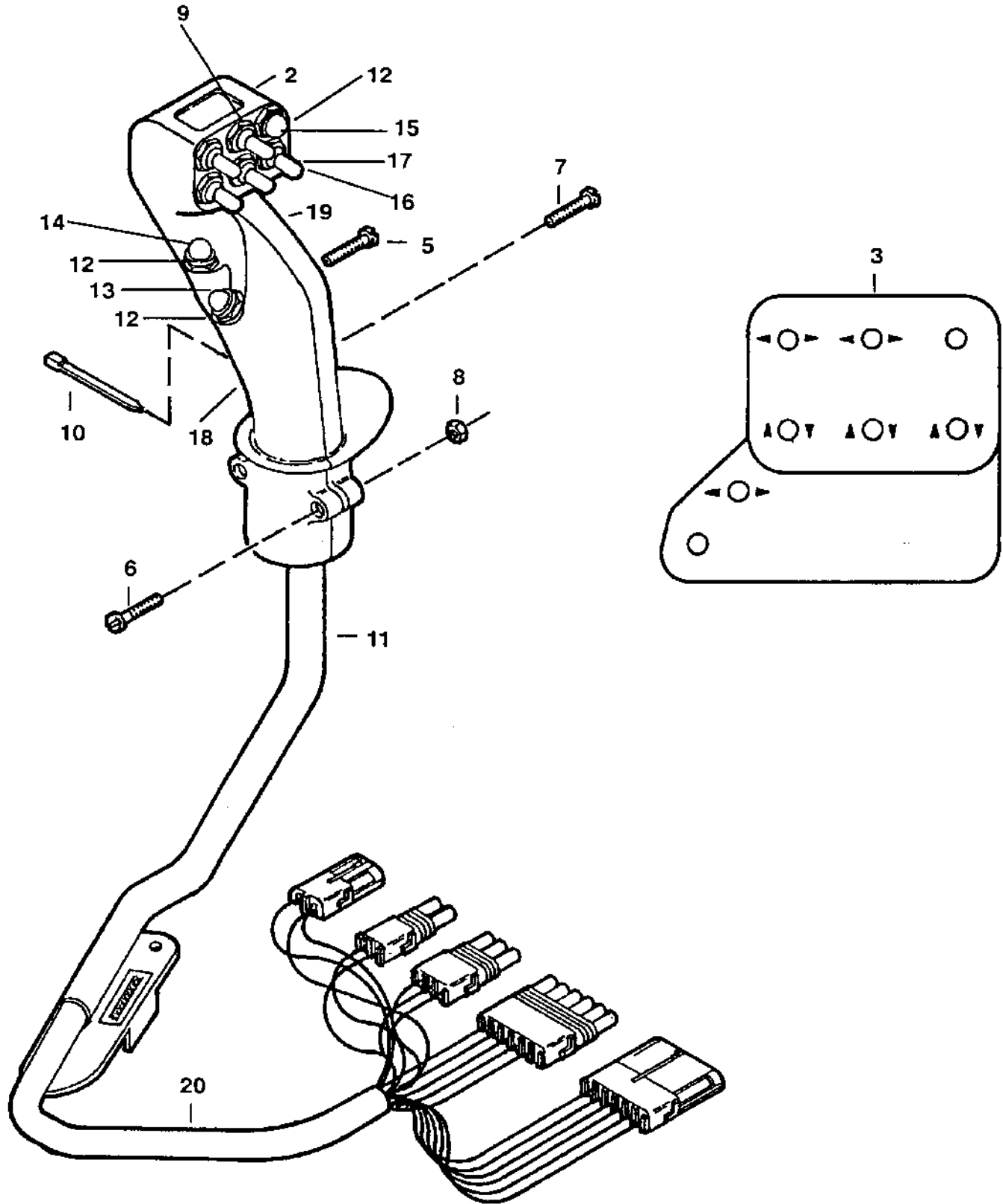
ITEM	PART #	QTY	DESCRIPTION	COMMENT
88	6659830	4	BOLT	
90	6659831	1	BOLT	
91	6659832	4	WASHER	
93	6659834	1	HANDLE	
94	6659835	1	HANDLE	



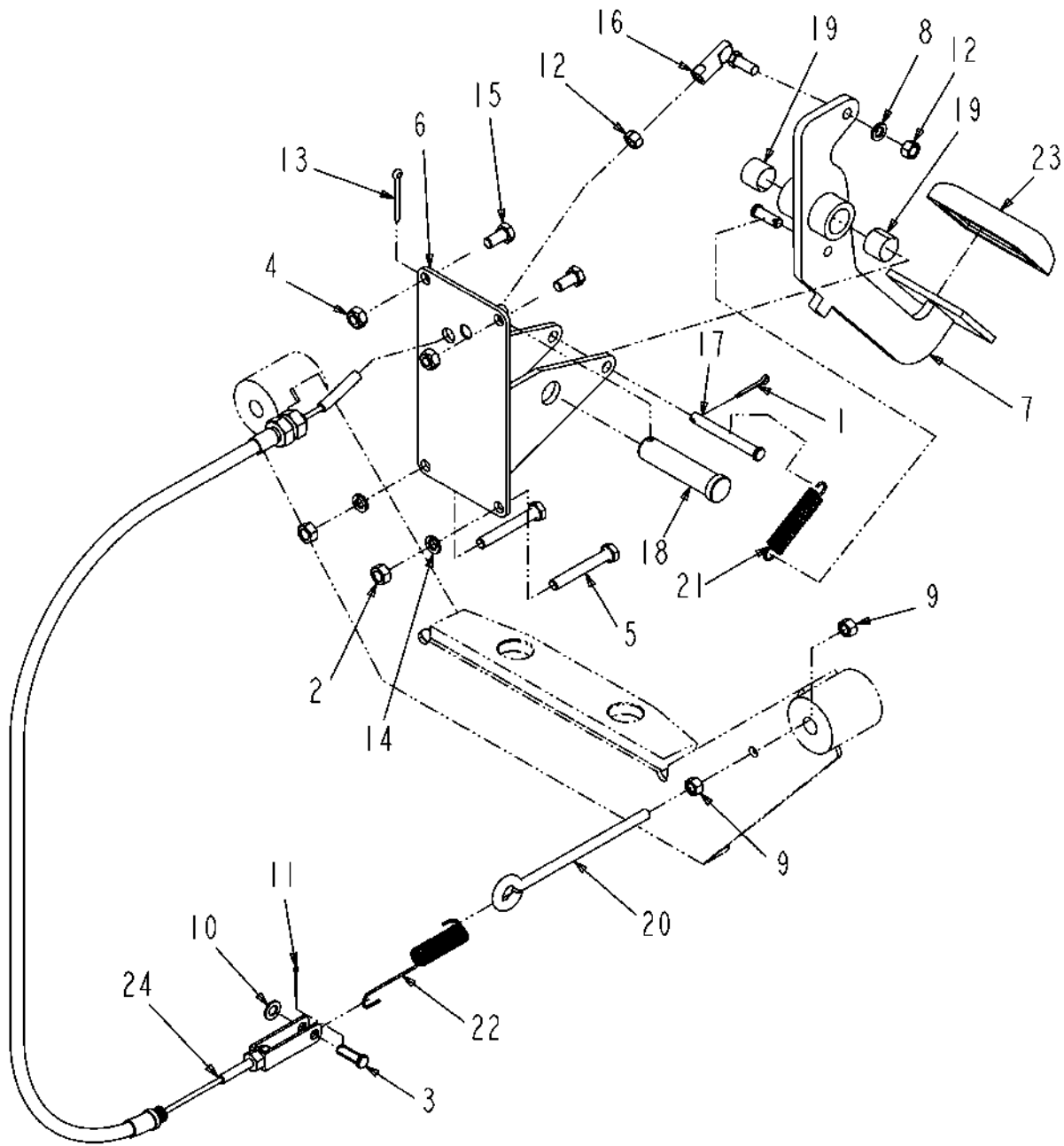
ITEM	PART #	QTY	DESCRIPTION	COMMENT
1	6661520	1	HOUSING	
2	6661521	1	HOUSING	
3	6672465	1	ARM	
4	6661523	2	SHAFT	
5	6661524	2	NUT	
6	6661525	1	ARM & SHAFT	
8	6661527	2	SPRING	
9	6661528	2	BUMPER	
13	6661532	1	BOOT	
14	6661533	2	ROLL PIN	
15	6661534	1	CAM	
16	6661535	1	CAM	
18	6661537	1	LATCH	
19	6661538	1	ROLL PIN	
20	6659833	5	WASHER	
21	6661539	1	TIE	
22	6661540	1	BEARING	
25	6661543	1	ADJUSTER	
30	6661548	1	SHAFT	
31	6661549	1	WASHER-PLASTIC	
33	6661551	2	WASHER	
34	6661552	2	NUT	
35	6661553	2	THRUST RACE	
36	6661554	1	ROLL PIN	
40	6661558	1	RIVET	
41	6661559	2	BOLT	
42	6661560	1	CAM	
45	6661563	1	RIVET	
47	6661564	1	BUTTONS	
48	6669228	1	KIT-WEIGHT ADJUST	
49	6661825	1	KIT-WEIGHT ADJUST	
51	6653404	1	KIT-SHOCK	
52	6652405	1	KIT-ROLLER TUBE	
53	6669227	1	KIT-WEIGHT ADJUST	
55	6669229	1	KIT-KNOB	
57	6618712	1	MOUNT W/A, SEAT	
58	6629513	1	INSTR-DELUXE AG SEAT	
59	WR55045	4	SCREW-CAP HEX M10 X 16	
60	WR55075	4	WASHER-PLAIN,10MM ID,LC,	
61	WR561679	8	WASHER LOCK M8 ZN	
64	6660342	1	HANDLE	
65	6659821	1	HANDLE	
66	6653401	1	BACK COVER	
67	6653402	1	ARMREST LH	
68	6653403	1	ARMREST RH	
70	6653407	1	SLIDE KIT	
74	6653414	1	SEAT BELT	
75	6653408	1	PLATE	
76	6659822	2	WASHER	
77	6659823	1	BOLT	
78	6653420	1	SPACER	
79	6653418	1	NUT	
80	6653419	2	SPACER	
81	6653416	8	NUT	
82	6659824	4	BOLT	
83	6653412	1	BACK CUSHION	
84	6653410	1	SEAT CUSHION	
85	6653415	4	BOLT	
86	6653417	1	BRACKET	
87	6659829	2	BOLT	



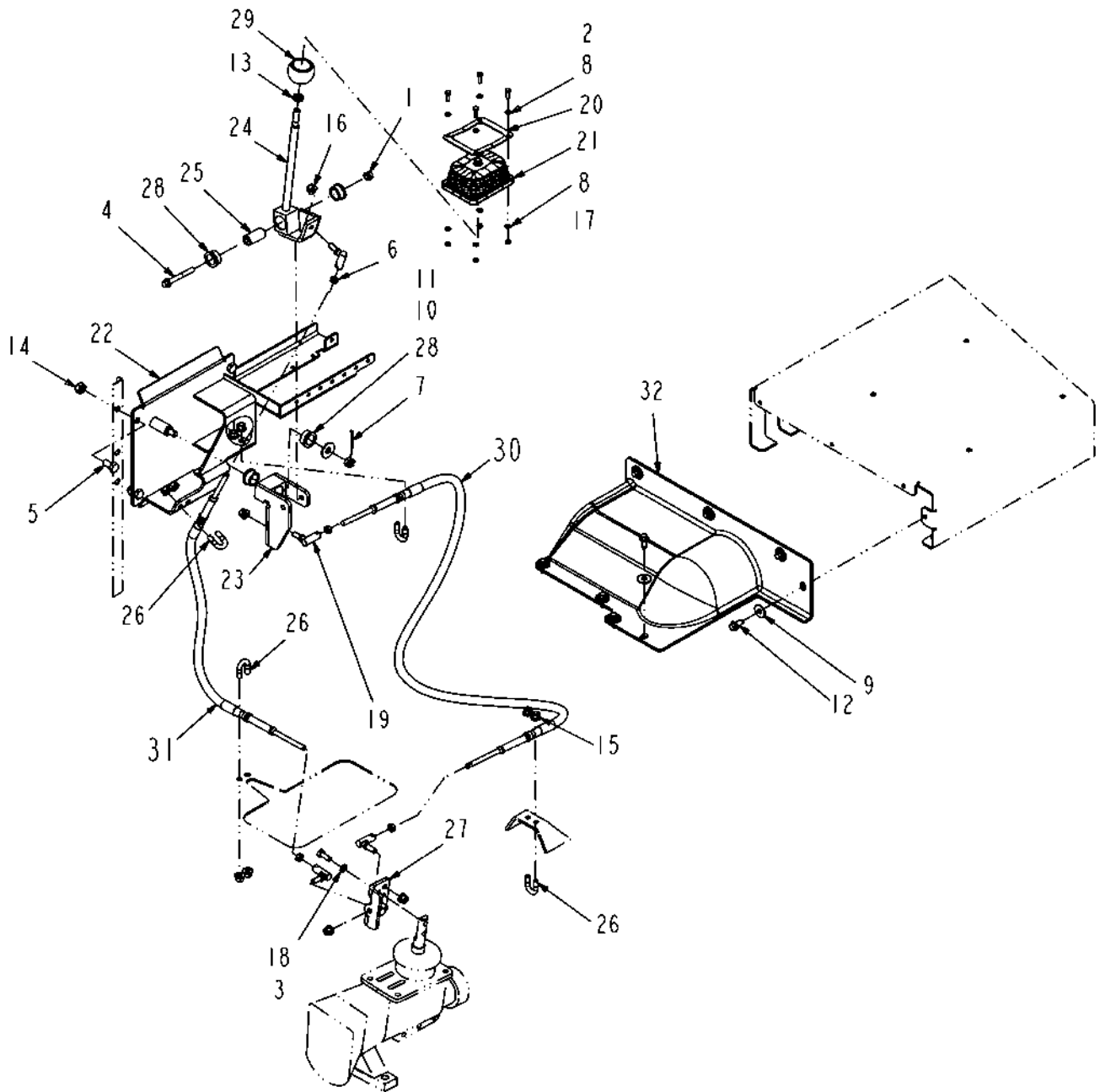
ITEM	PART #	QTY	DESCRIPTION	COMMENT
88	6659830	4	BOLT	
90	6659831	1	BOLT	
91	6659832	4	WASHER	
93	6659834	1	HANDLE	
94	6659835	1	HANDLE	



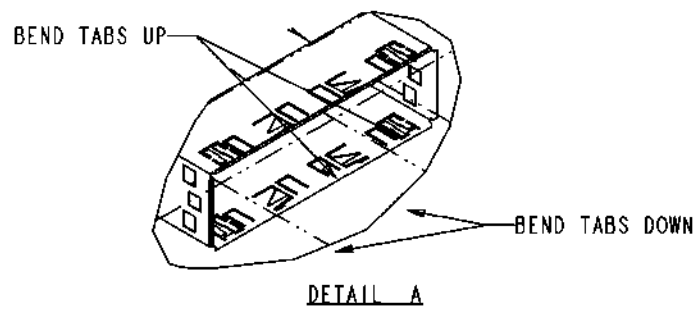
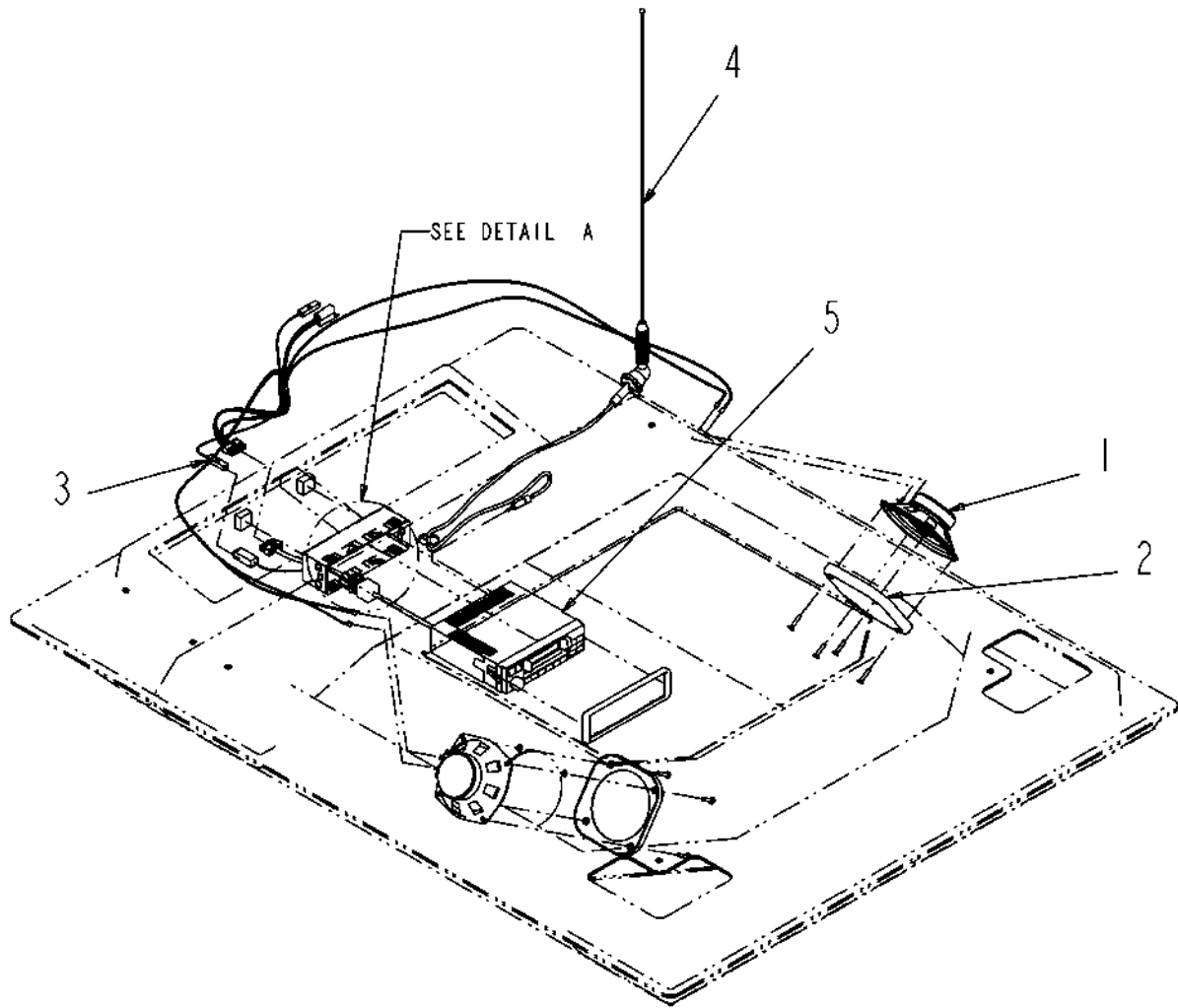
ITEM	PART #	QTY	DESCRIPTION	COMMENT
2	6669544	1	THROTTLE-HAND	
3	6801418	1	DECAL-HAND THROTTLE	
4	6629575	1	INSTR-MTG,JOYSTICK	
5	6670539	2	SCREW	
6	6670540	2	SCREW	
7	6670541	2	SCREW	
8	6670542	2	NUT	
9	6670543	8	NUT	
10	6670544	3	TIE	
11	6670545	1	LEVER	
12	6670546	3	SWITCH	
13	6670547	1	BOOT	
14	6670548	1	BOOT	
15	6670549	1	BOOT	
16	6670550	5	SWITCH	
17	6670551	5	BOOT	
18	6670552	1	SHIELD	
19	6670553	1	SHIELD	
	FOOTNOTE [A]		ITEM 20 CANNOT BE PURCHASED INDIVIDUALLY BUT IS INCLUDED IN THE HAND THROTTLE.	
	FOOTNOTE [A]		ITEM 20: HAND THROTTLE	



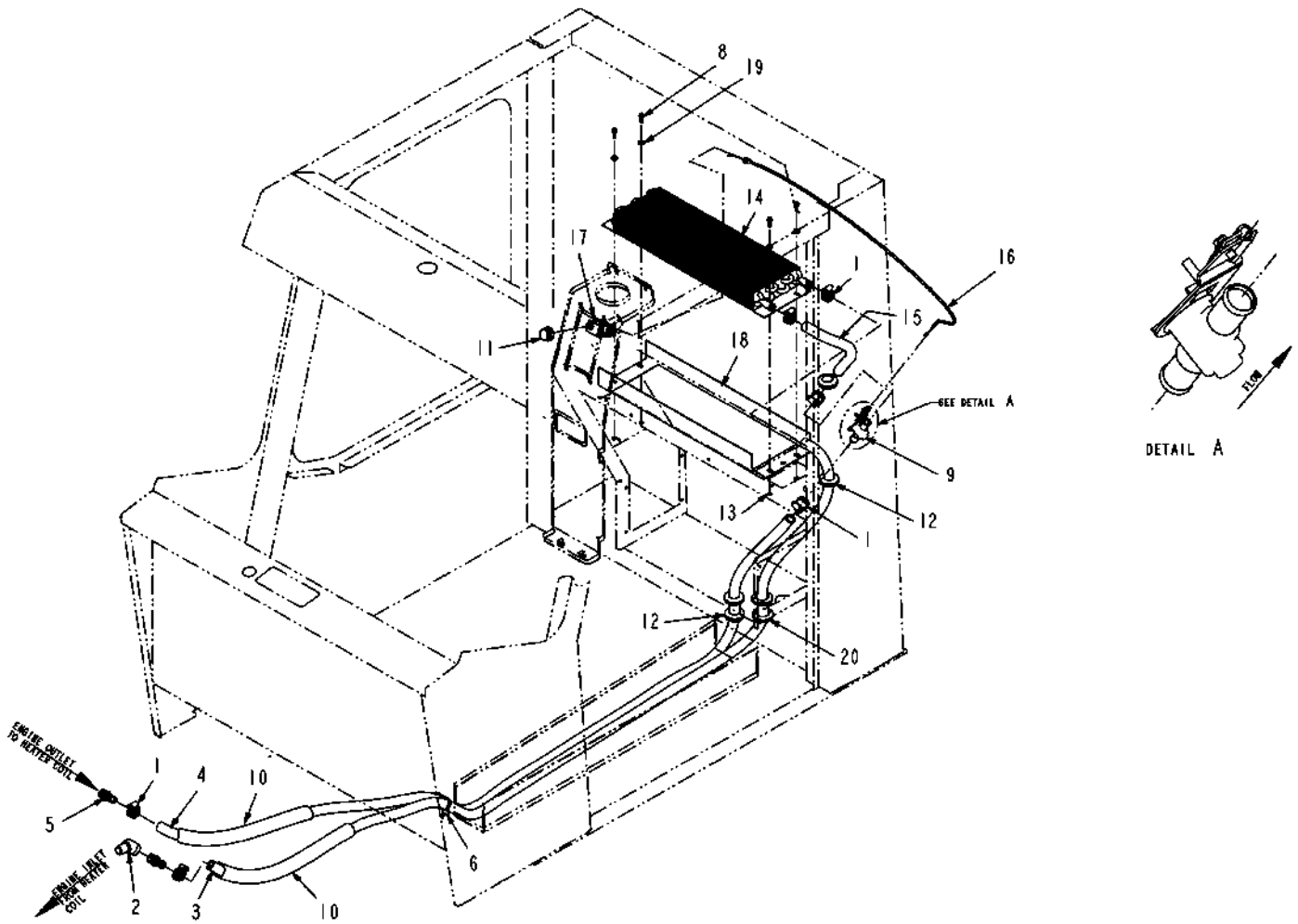
ITEM	PART #	QTY	DESCRIPTION	COMMENT
1	WR10339	1	PIN-COTTER,1/8 X 1 1/4	
2	WR029295	2	NUT M10X1.5 CL9 ZN PL CHRO DIP	
3	WR55098	1	PIN-CLEVIS,3/8 X 1.08 HRD	
4	WR55272	2	NUT-LOCK,M10 X 1.5,PREV	
5	WR55393	2	SCREW-CAP HEX M10 X 70	
6	WR123081	1	SUPPORT-CLUTCH, WA	
7	WR123083	1	PEDAL-CLUTCH, WA	
8	WR550191	1	WASHER LK 0.37 ZN REG	
9	WR550825	2	NUT 0.37-16NC HEX ZN REG	
10	WR550981	1	WASHER 0.37 FL ZN SAE TYPE-A	
11	WR552321	1	PIN COTTER 0.09X1.00 ZN (D)	
11	WR553921	2	NUT 0.37-24NF HEX ZN REG	
13	WR559768	1	PIN COTTER 0.18X1.75 ZN	
14	WR562271	2	WASHER M10 LK ZN REG	
15	WR562463	2	BOLT M10-1.50X 20MM G8.8 ZN HH	
16	6599744	1	JOINT-BALL	
17	6618394	1	PIN-CLEVIS	
18	6618733	1	PIN-CLEVIS	
19	6620331	2	BUSHING	
20	6620545	1	BOLT-EYE	
21	6627054	1	SPRING-EXTENSION	
22	6800216	1	TIGHTENER-SPRING	
23	6800419	1	PAD-PEDAL,BRAKE	
24	6802626	1	CABLE-CLUTCH	



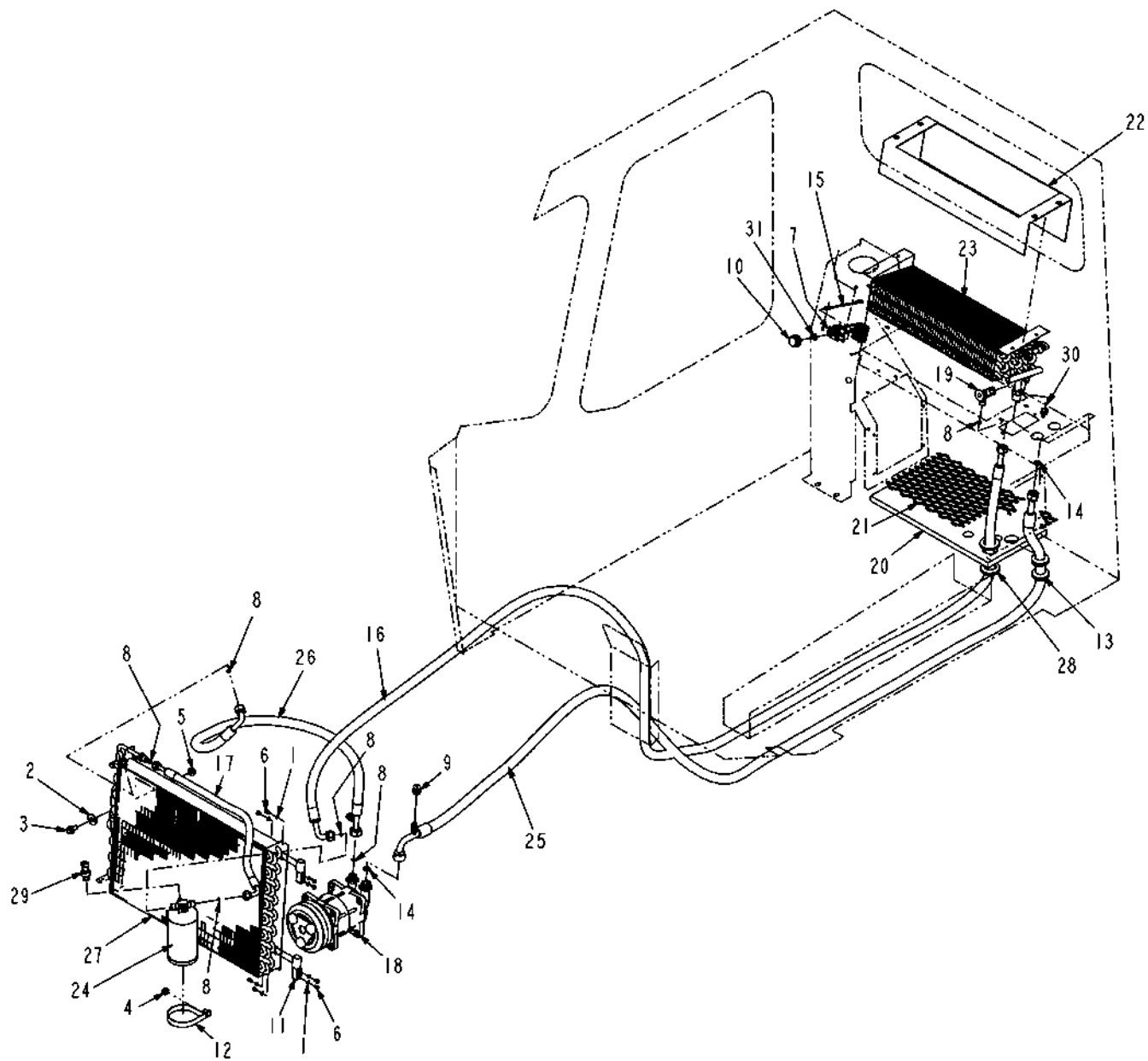
ITEM	PART #	QTY	DESCRIPTION	COMMENT
1	WR32254	1	NUT-TOPLOCK,M8-1.25	
2	WR55028	4	SCREW-CAP HEX M5 X 16	
3	WR55035	2	SCREW-CAP HEX M8 X 20	
4	WR55041	1	SCREW-CAP HEX M8 X 65	
5	WR55046	4	SCREW-CAP HEX M10 X R/B 562463	
6	WR55120	4	NUT-JAM, 5/16-24UNF G2	
7	WR55131	1	PIN-COTTER,2.5MM X 32MM	
8	WR55140	8	WASHER-STL,5MM ID	
9	WR55157	8	WASHER-FLAT,8MM ID,	
10	WR55158	1	WASHER-FLAT,10MM ID,	
11	WR55167	1	NUT-CASTLE,10MM X 1.50	
12	WR55190	8	SCREW-CAP HEX M8 X 20,	
13	WR55250	1	NUT-LOCK,M10 X 1.5 G4D	
14	WR55312	4	NUT-LOCK HEX,M10 X 1.5,	
15	WR55352	8	NUT-TOPLOCK,5/16-18UNC G8	
16	WR55361	4	NUT-TOPLOCK,5/16-24UNF,	
17	WR55412	4	NUT-LOCK,M5 X .8,PREV	
18	WR561679	2	WASHER LOCK M8 ZN	
19	6512356	4	JOINT-BALL	
20	6585301	1	RING-BOOT	
21	6585347	1	BOOT	
22	6618661	1	MOUNT W/A,SHIFT	
23	6618664	1	BLOCK,W/A	
24	6618668	1	LEVER-SHIFT,W/A	
25	6618669	1	TUBE	
26	6618961	4	U-BOLT	
27	6626132	1	BRACKET-SHIFT	
28	6643375	4	BEARING-FLANGE	
29	6646380	1	KNOB,SHIFT	
30	6661674	1	CABLE-SHIFT	
31	6666122	1	CABLE-SHIFT	
32	6801239	1	COVER	



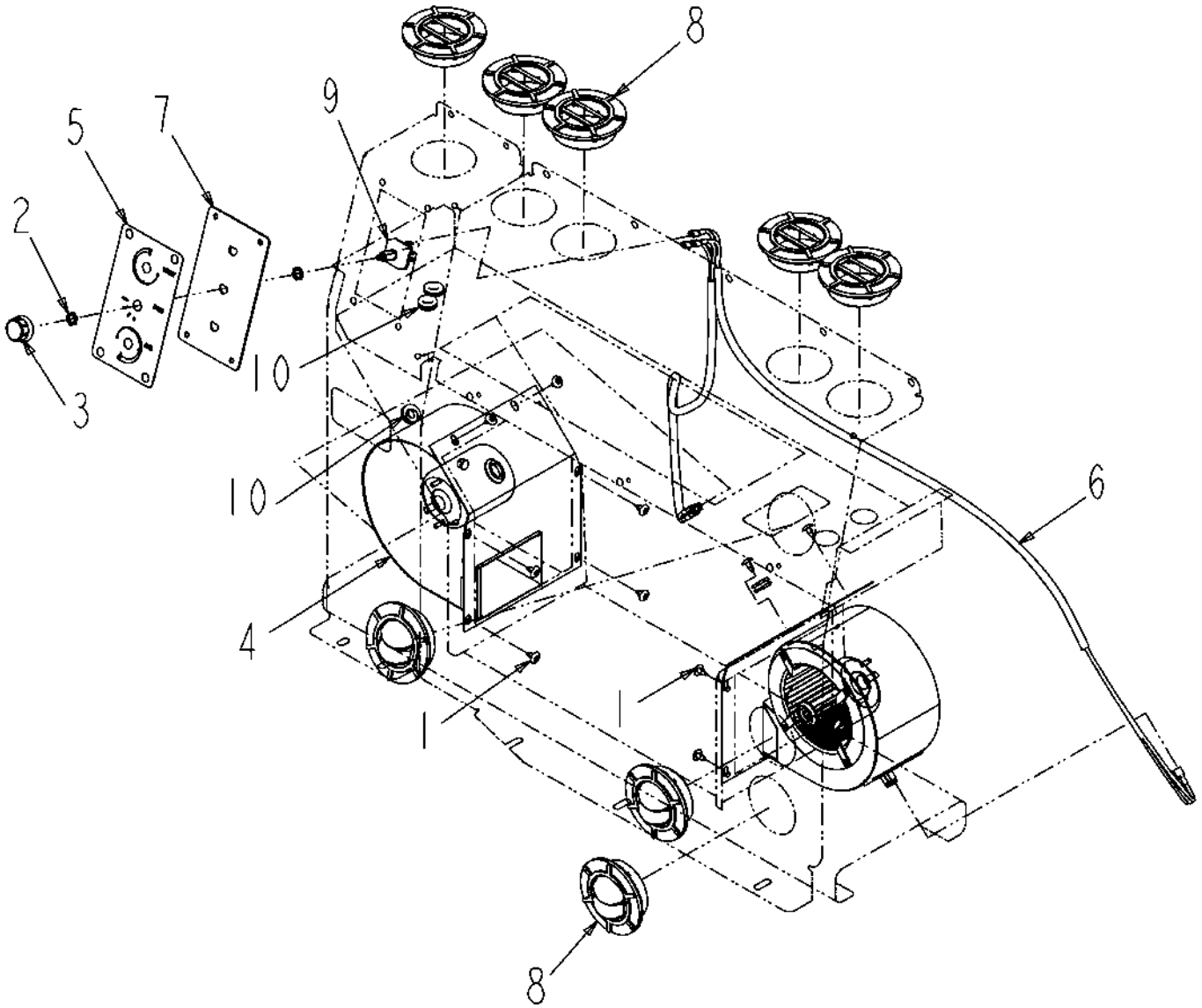
ITEM	PART #	QTY	DESCRIPTION	COMMENT
1	WR134141	2	SPEAKER	
2	WR134142	2	GRILL-SPEAKER	
3	WR134143	1	HARNESS-RADIO,SC	
4	WR134144	1	ANTENNA-RADIO,SC	
5	505456D1	1	RADIO-AM/FM STEREO W/CD	



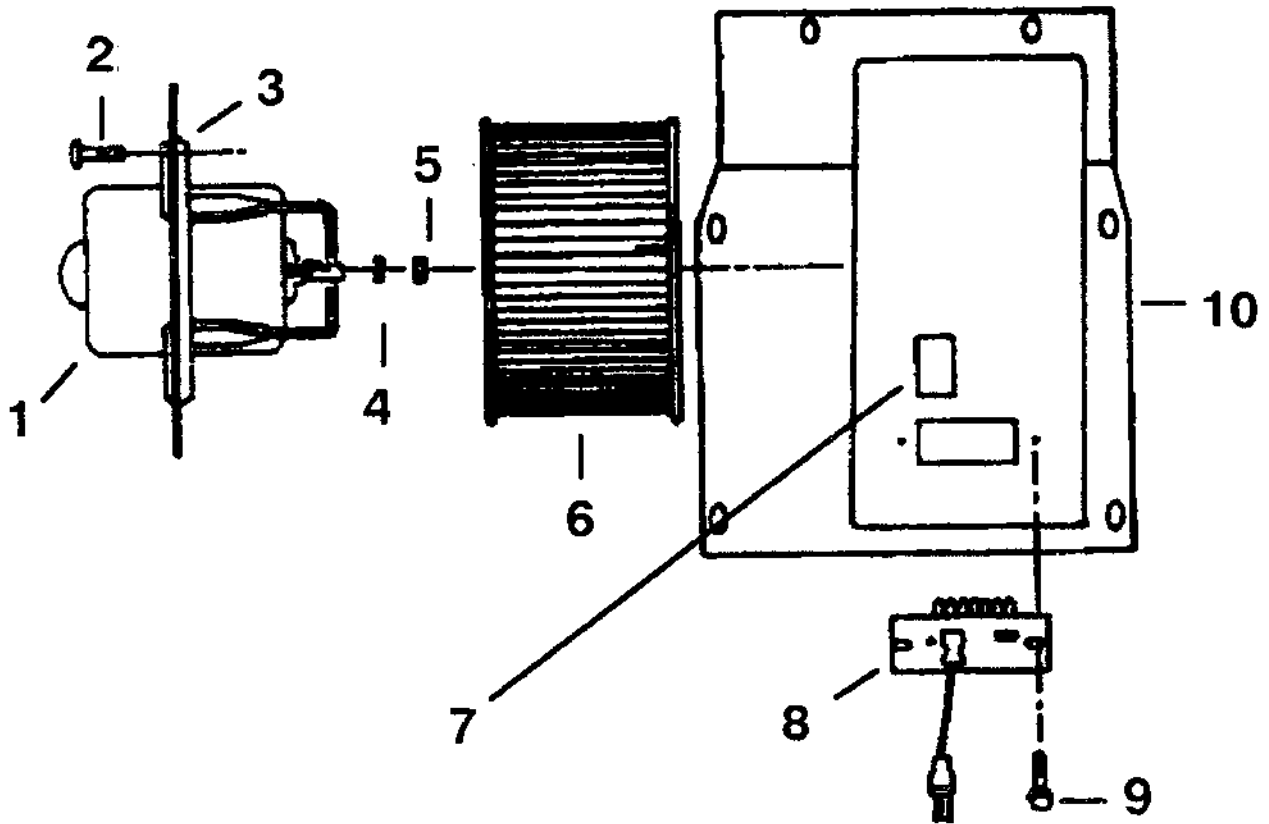
ITEM	PART #	QTY	DESCRIPTION	COMMENT
1	WR10853	6	CLAMP-HOSE,1 1/8 SST,	
2	WR12952	-	ELBOW-45,-08FP/-08MP	
3	WR128497	1	HOSE .625 SAE 20R3 FORMED	
4	WR128498	1	HOSE .625 SAE 20R3 FORMED	
5	WR558648	-	HOSE BARB 0.50NPTX0.62HOSE STL	
6	WR562496	AR	TIE CABLE 15.0 .18-4.00 BLACK	
7	6626433	1	CARRIER-HOSE	
8	6641062	4	WHIZLOCK SCREW	
9	6654792	1	VALVE	
10	6656155	-	HOSE-BULK,NYLON [BULK: 0.417 FT]	
11	6660822	1	KNOB	
12	6662655	4	GROMMET	
13	6662679	4	WASHER	
14	6662682	1	HEATER COIL	
15	6662686	1	HOSE	
16	6662687	1	CABLE	
17	6662688	1	ROTARY CABLE CONTROL	
18	6662689	1	PLATE	
19	6662690	4	WASHER-FLAT,3/16	
20	6668729	2	GROMMET	



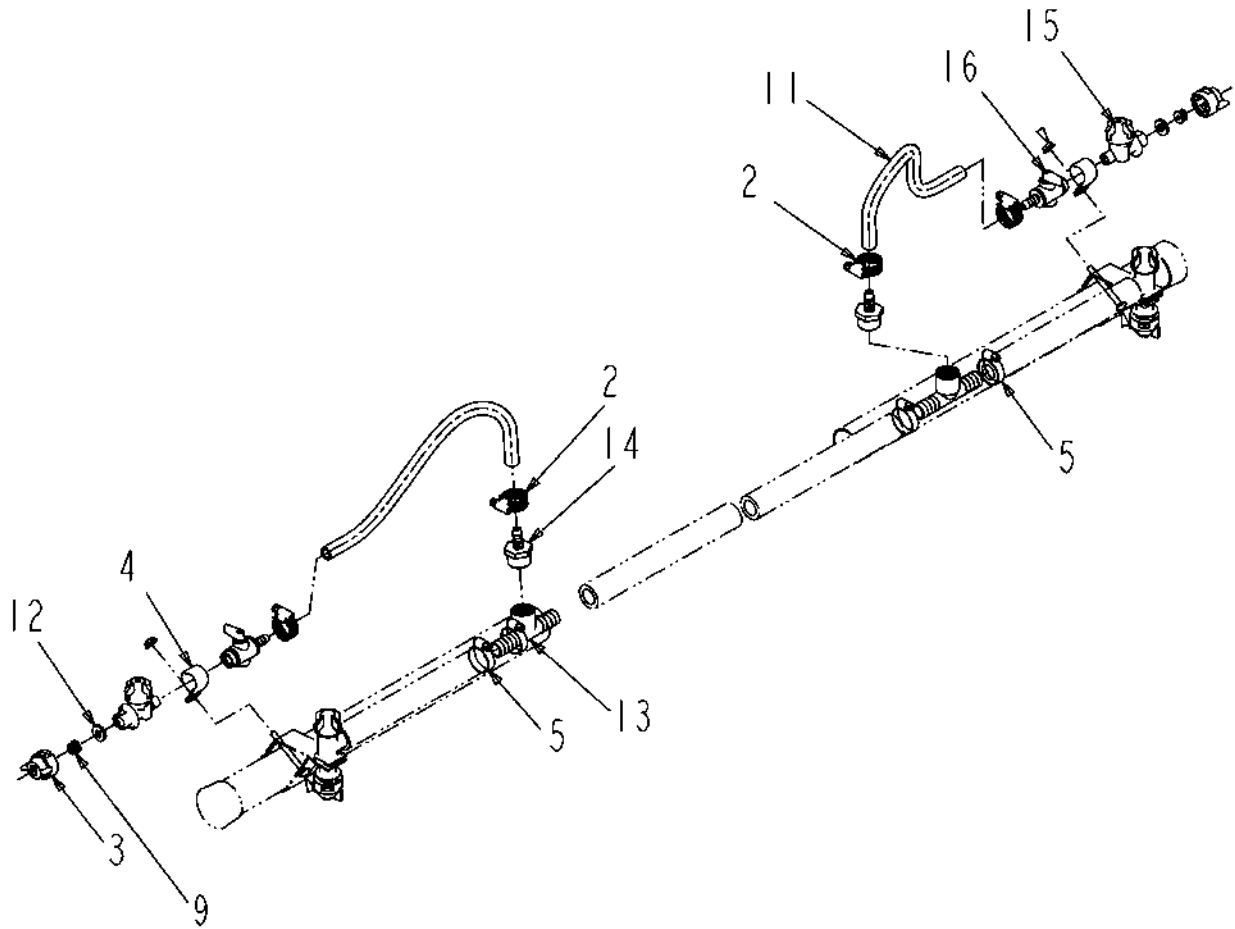
ITEM	PART #	QTY	DESCRIPTION	COMMENT
1	WR55103	8	WASHER-LOCK SPRING,5MM ID	
2	WR55158	1	WASHER-FLAT,10MM ID.	
3	WR55214	1	SCREW-HEX FLG.M10X1.5X20 CL8.8	
4	WR55280	1	NUT-FLANGE,M8 X 1.25	
5	WR55281	1	NUT-FLANGE,M10 X 1.5	
6	WR128367	8	SCREW-CAP.HEX.M5X.08X8MM	
7	6630820	1	COLD CONTROL	
8	6648475	5	O-RING #8	
9	6656967	1	CAP-ACCESS PORT	
10	6660822	1	KNOB	
11	6662646	2	HINGE KNUCKLE	
12	6662648	1	CLAMP	
13	6662655	2	GROMMET	
14	6662666	2	O-RING #10	
15	6662669	1	WIRE ASSEMBLY	
16	6665543	1	HOSE	
17	6665544	1	HOSE	
18	6665560	1	COMPRESSOR	
19	6666952	1	VALVE EVAPORATOR	
20	6668991	1	DRAIN FOAM	
21	6668992	1	DRAIN SCREEN	
22	6668997	1	BRACKET EVAPORATOR COIL PLATE	
23	6668998	1	EVAPORATOR	
24	6669344	1	DRYER,AC	
25	6669725	1	HOSE ASSY	
26	6669726	1	HOSE ASSY	
27	6671715	1	CONDENSOR COIL	
28	6705164	2	GROMMET	
29	7000003	1	SWITCH-BINARY	
30	WR26451	1	O-RING #004	
30	WR36330	2	NUT-PANEL.7/16-28UNEF HEX	



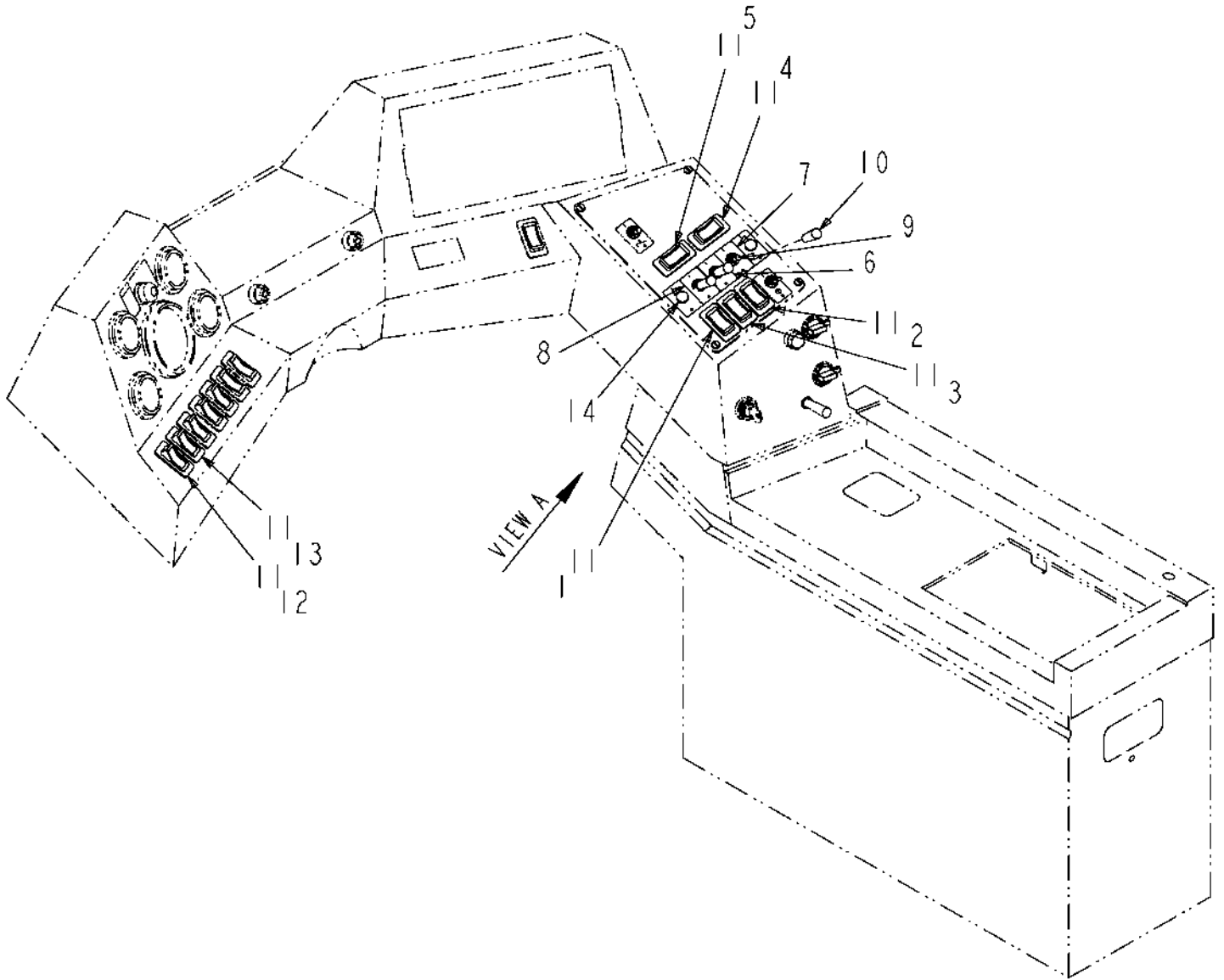
ITEM	PART #	QTY	DESCRIPTION	COMMENT
1	6589675	12	SCREW-TR HD,TAPPING	
2	WR36330	2	NUT-PANEL,7/16-28UNEF HEX	
3	6660822	1	KNOB	
4	6662674	2	FAN-ASSEMBLY	SEE PAGE 7-4
5	6662675	1	DECAL, SWITCH, FAN	
6	6662676	1	HARNESS-FAN	
7	6662680	1	PLATE,SWITCH	
8	WR36335	8	LOUVER	
9	WR36341	1	SWITCH-FAN	
10	WR36347	4	GROMMET-RUBBER,1.00ID X	



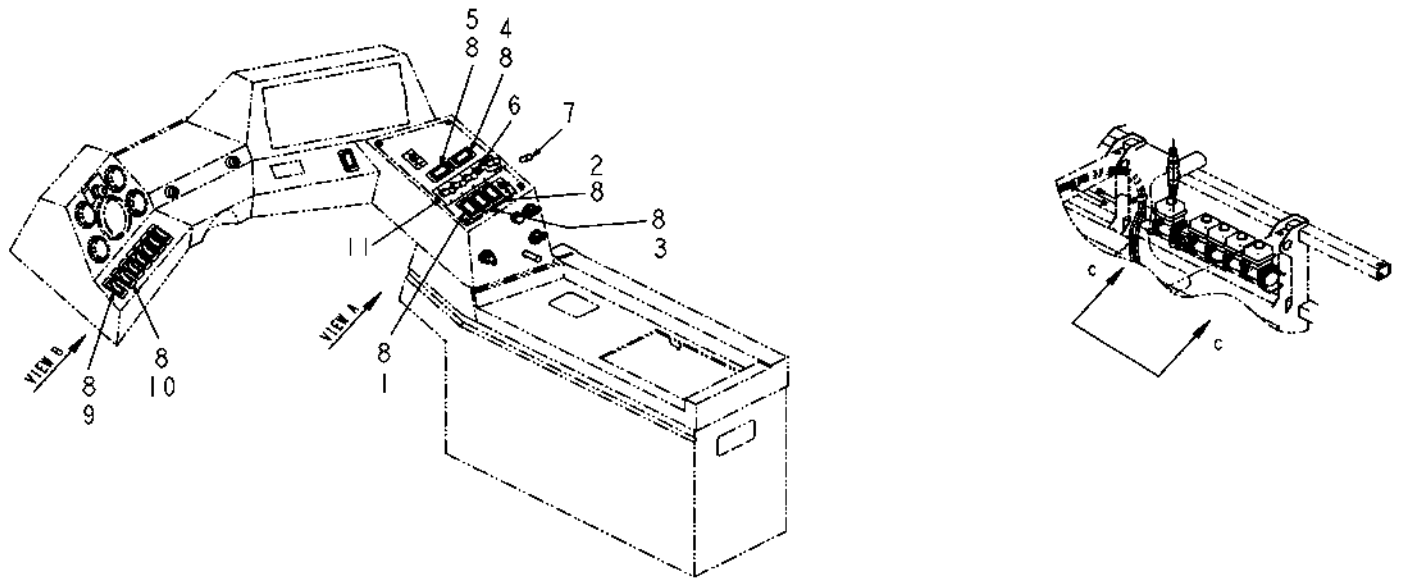
ITEM	PART #	QTY	DESCRIPTION	COMMENT
1	6660658	1	MOTOR	
2	6641062	4	WHIZLOCK SCREW	
3	6648467	1	MOUNT/MOTOR	
4	6641072	2	WASHER	
5	6641073	2	NUT	
6	6648468	1	WHEEL/BLOWER	
7	6660656	1	DECAL	
8	6632584	1	RESISTER	
9	6654195	2	SCREW	
10	6667559	1	HOUSING/FAN-MOTOR	



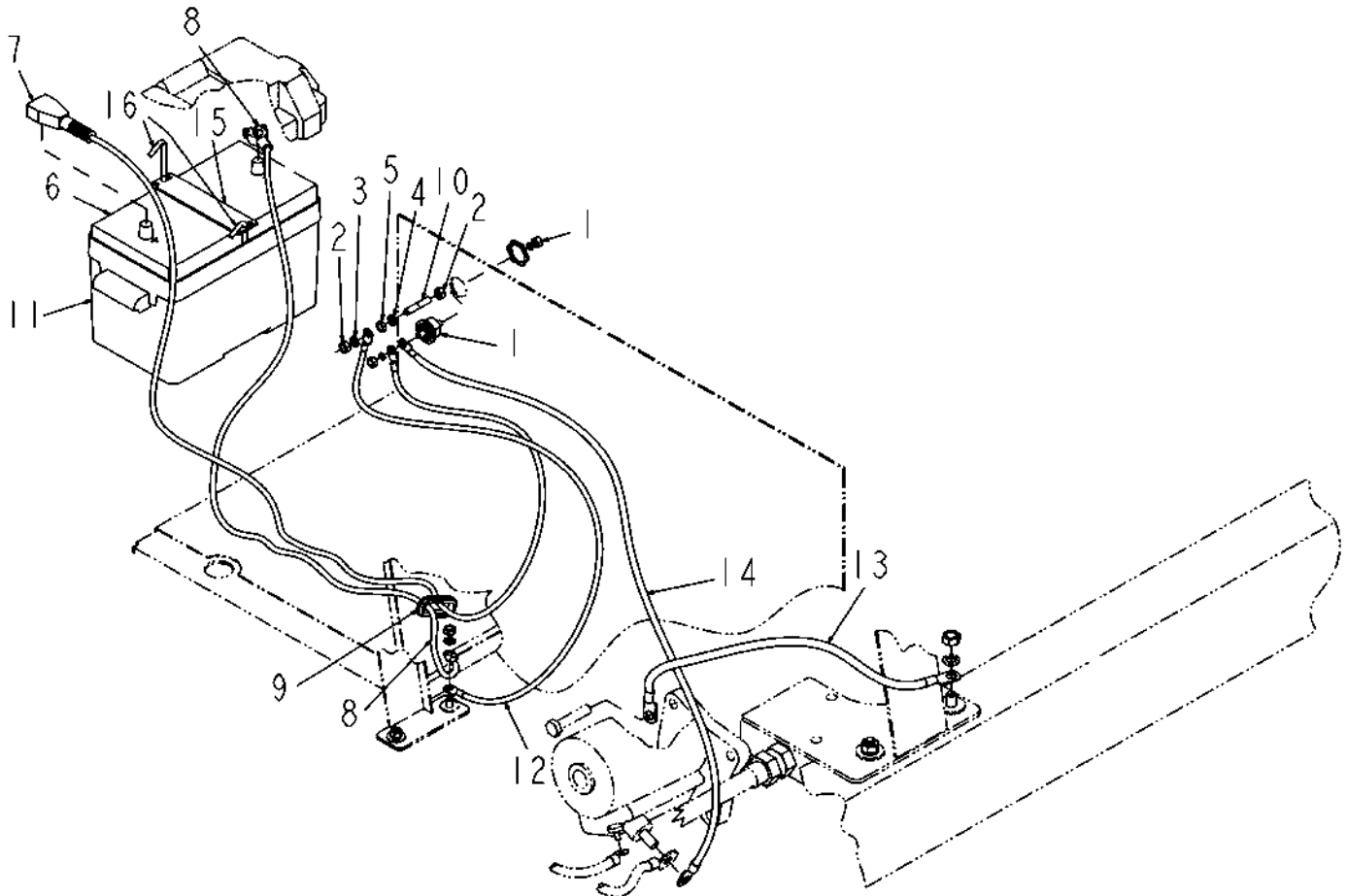
ITEM	PART #	QTY	DESCRIPTION	COMMENT
1	WR001344	2	TIP OC 12BR	
2	WR10852	4	CLAMP-HOSE,25/32 SST,	
3	WR055191	2	CAP,NOZZLE BLACK	
4	WR55235	2	CLAMP-SUPPORT CUSHION,	
5	WR561229	4	CLAMP 0.68-1.25 HOSE 12HS	
6	6610265	1	CARTON-14 X 10 X 3	
7	6610341	2	TIP-BRASS,200	
8	6610342	2	TIP-BRASS,800	
9	6610348	2	TIP-BRASS,600	
10	6619981	1	INSTR-MTG,OVERSPRAY	
11	6625385	2	HOSE	
12	6630910	2	GASKET-SEAT	
13	6630914	2	TEE	
14	6630915	2	FITTING-HB,NYLON	
15	6631481	2	VALVE-CHECK,DIAPHRAGM,	
16	6631491	2	VALVE-BALL	



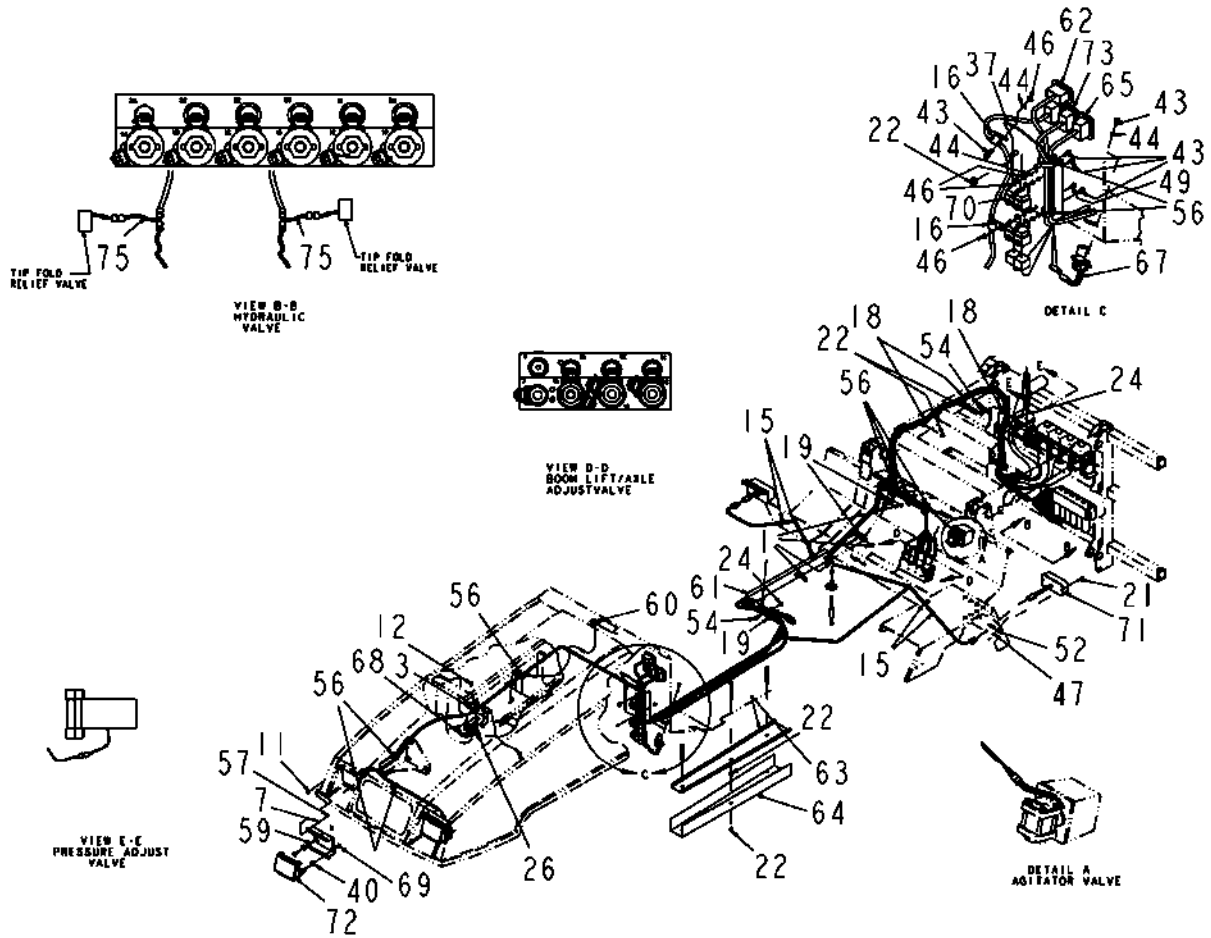
ITEM	PART #	QTY	DESCRIPTION	COMMENT
1	6597934	1	DECAL-BOOM LIFT (ENG)	
2	6597935	1	DECAL-TIP LIFT,RH	
3	6597936	1	DECAL-TIP LIFT,LH (ENG)	
4	6597939	1	DECAL-BOOM FOLD,RH (ENG)	
5	6597940	1	DECAL-BOOM FOLD,LH (ENG)	
6	6597948	1	DECAL-BOOM SPRAY,CNTR	
7	6597949	1	DECAL-BOOM SPRAY,RH (ENG)	
8	6597950	1	DECAL-BOOM SPRAY,LH (ENG)	
9	6647887	3	SWITCH-ELECTRIC	
10	6653332	3	EXTENSION-HANDLE	
11	6661253	7	SWITCH-ROCKER	
12	6802446	1	DECAL-LT,TIP FOLD	
13	6802447	1	DECAL-TIP FOLD,RH	
14	WR37581	2	PLUG-CAP,.50 BLK PLASTIC	



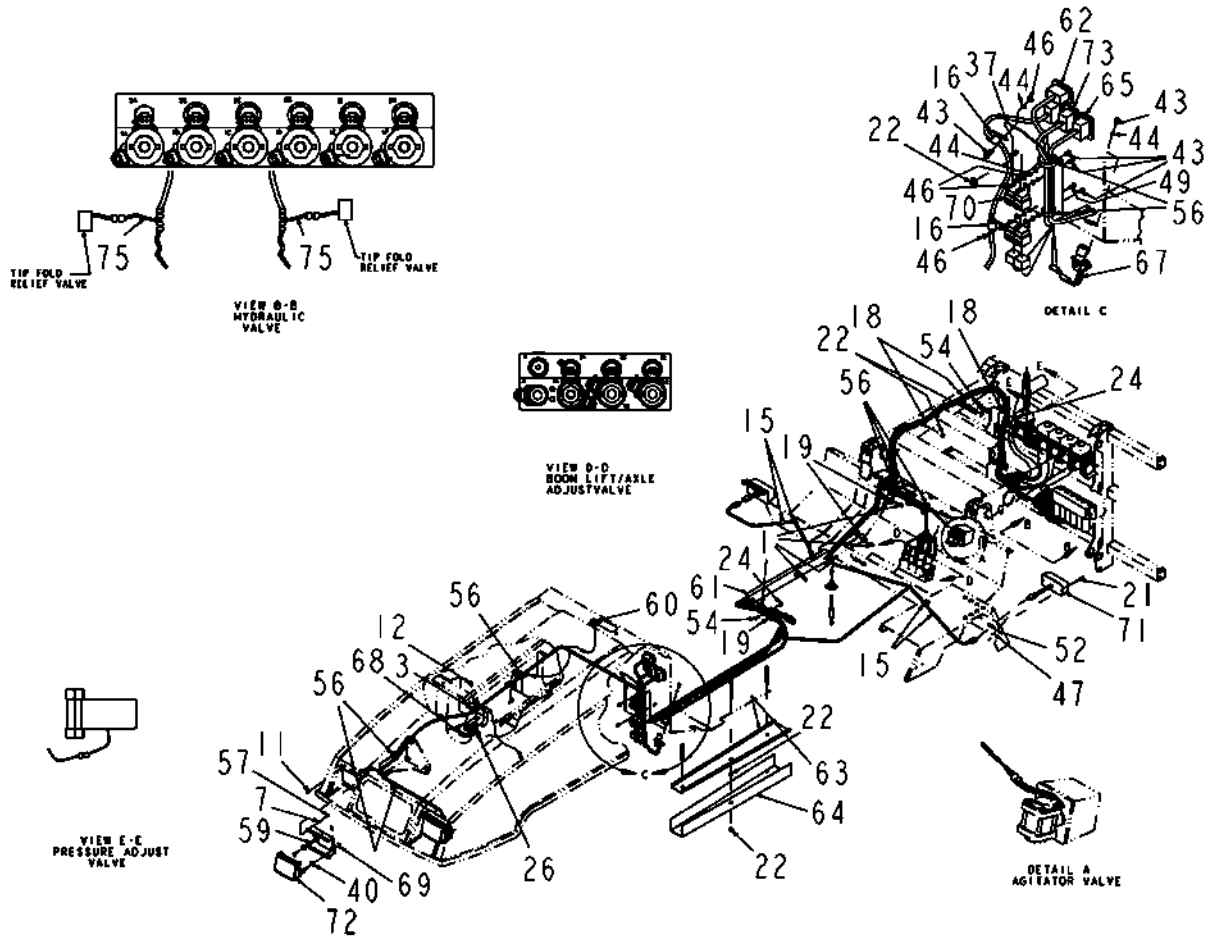
ITEM	PART #	QTY	DESCRIPTION	COMMENT
1	6597934	1	DECAL-BOOM LIFT (ENG)	
2	6597935	1	DECAL-TIP LIFT,RH	
3	6597936	1	DECAL-TIP LIFT,LH (ENG)	
4	6597939	1	DECAL-BOOM FOLD,RH (ENG)	
5	6597940	1	DECAL-BOOM FOLD,LH (ENG)	
6	6647887	5	SWITCH-ELECTRIC	
7	6653332	5	EXTENSION-HANDLE	
8	6661253	7	SWITCH-ROCKER	
9	6802446	1	DECAL-LT,TIP FOLD	
10	6802447	1	DECAL-TIP FOLD,RH	
11	WR55852	1	DECAL-BOOM SWITCHES	



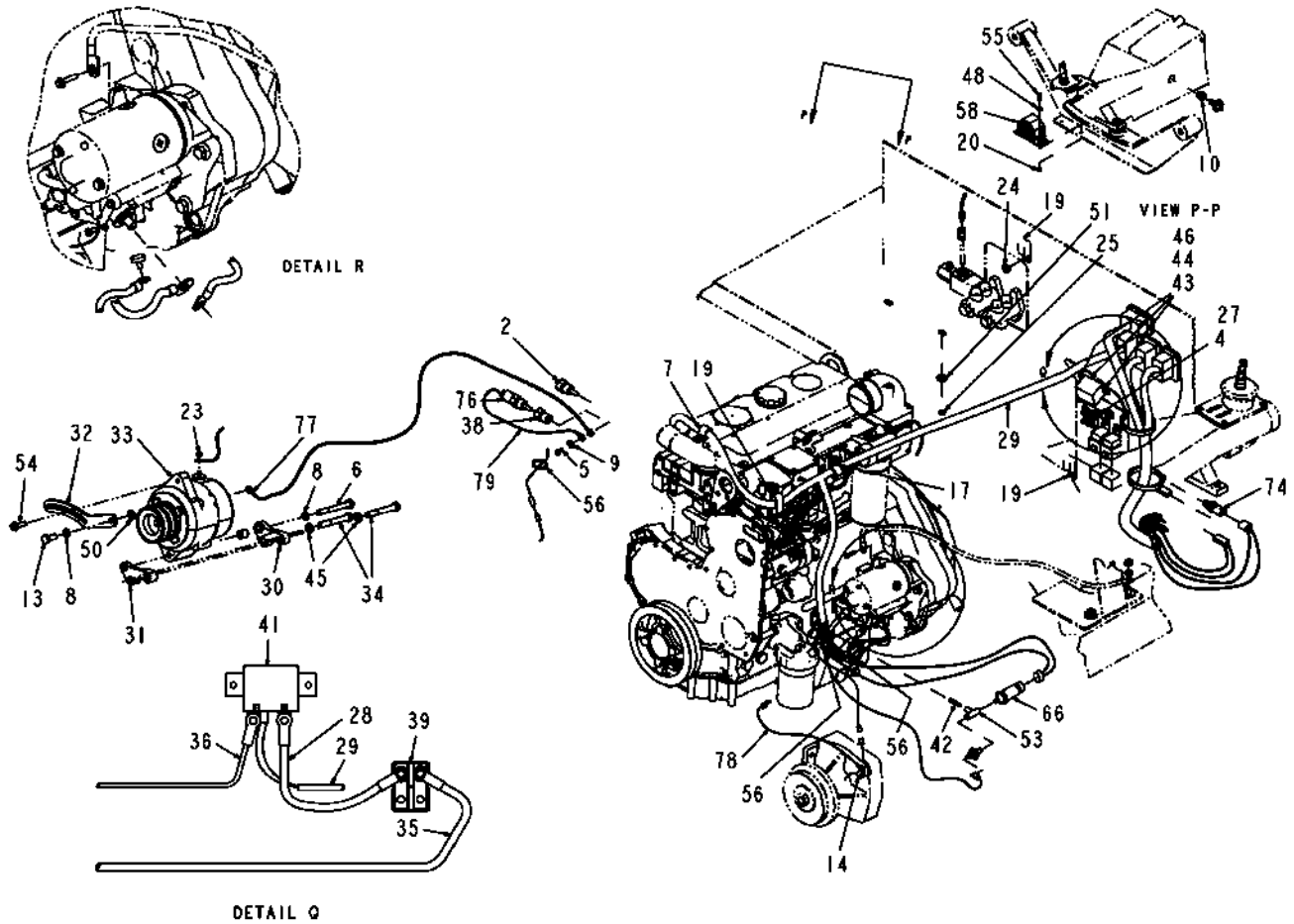
ITEM	PART #	QTY	DESCRIPTION	COMMENT
1	WR29201	1	TERMINAL-STUD, 3/8	
2	WR50838	2	NUT-HEX,METRIC M10-1.5	
3	WR55106	1	WASHER-LOCK SPRING,10 MM	
4	WR55128	1	WASHER-LOCK EXT TOOTH,	
5	WR55250	1	NUT-LOCK,M10 X 1.5 G4D	
6	WR123761	1	BATTERY-GROUP 31	
7	WR126478	1	CABLE-BATTERY,POSITIVE	
8	WR126479	1	CABLE-BATTERY,NEGATIVE	
9	6533975	1	GROMMET	
10	6539697	1	ROD	
11	6668692	1	HOUSING-BATTERY	
12	6800406	1	CABLE-NEGATIVE	
13	6800407	1	CABLE-NEGATIVE	
14	6800408	1	CABLE ASSY-POSITIVE	
15	6800429	1	PLATE-CLAMP,BATTERY	
16	6801732	2	BOLT-CLAMP,BATTERY	



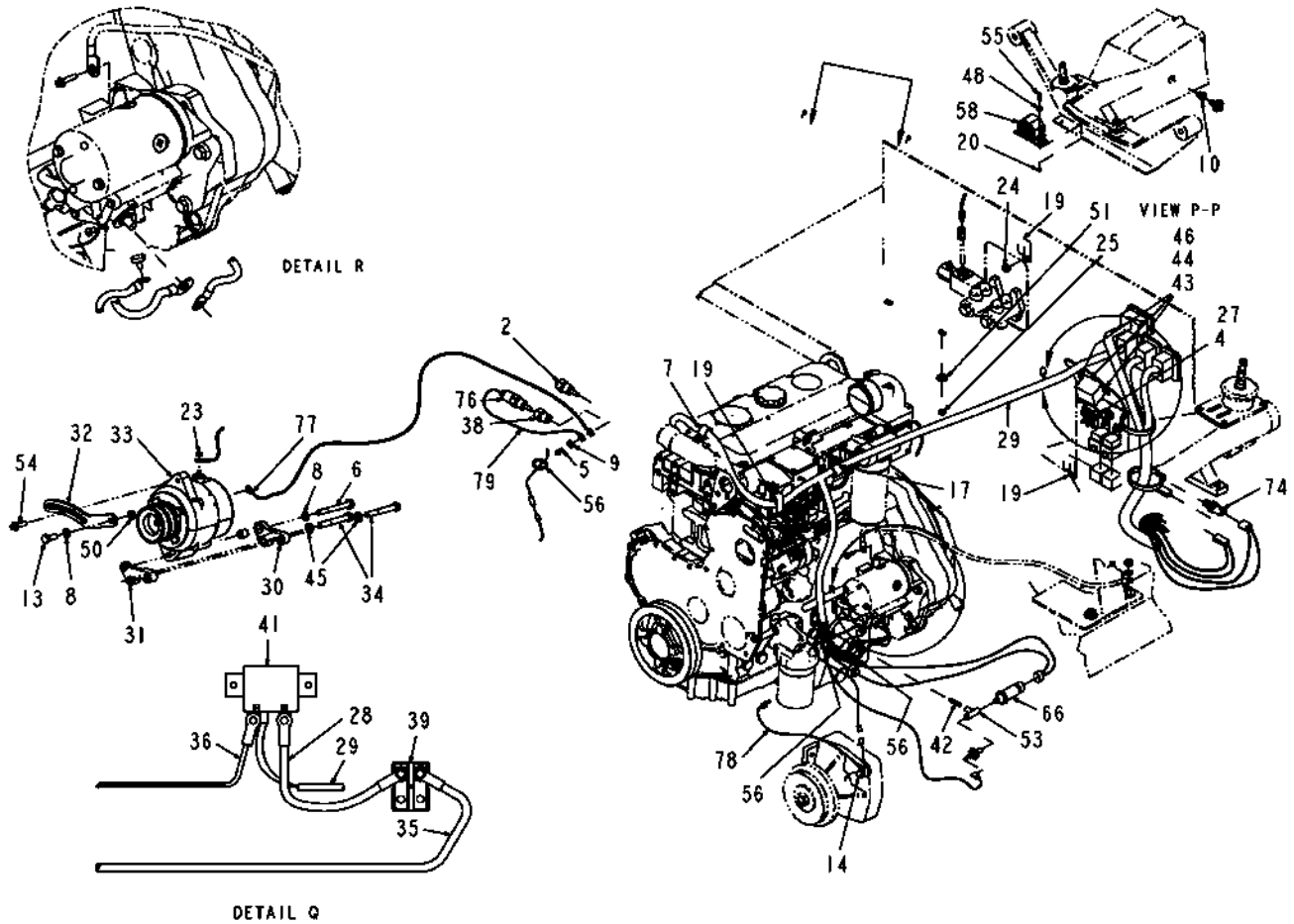
ITEM	PART #	QTY	DESCRIPTION	COMMENT
1	WR11514	5	NUT-FLANGE, 3/8	
2	WR18171	1	SENDER-TEMP,-8MP	
3	WR50830	1	CLAMP-SUPPORT,CUSHION,	
4	WR55026	2	SCREW-CAP HEX M5 X 12	
5	WR55045	1	SCREW-CAP HEX M10 X 16	
6	WR55053	1	SCREW-CAP HEX M10 X 90	
7	WR55104	8	WASHER-LOCK SPRING,6MM ID	
8	WR55106	2	WASHER-LOCK SPRING,10 MM	
9	WR55128	1	WASHER-LOCK EXT TOOTH,	
10	WR55169	1	ADAPTER-08MP/-02FP	
11	WR55202	8	SCREW-HEX FLG.M6X1X16 CL8.8	
12	WR55206	1	SCREW-HEX FLG.M8X1.25X20 CL8.8	
13	WR55208	1	SCREW-HEX FLG.M8X1.25X30 CL8.8	
14	WR27174	1	CLAMP-SUPPORT,CUSHION,	
15	WR55232	4	CLAMP-SUPPORT CUSHION,	
16	WR55233	2	CLAMP-SUPPORT CUSHION,	
17	WR55237	2	CLAMP-SUPPORT CUSHION,	
18	WR55247	3	CLAMP-SUPPORT CUSHION DBL	
19	WR55248	6	CLAMP-SUPPORT CUSHION DBL	
20	WR55271	2	NUT-LOCK,M6 X 1.0,PREV	
21	WR55278	4	SCREW-MACH FLAT SLT HD,	
22	WR55281	10	NUT-FLANGE,M10 X 1.5	
23	WR55288	1	NUT-FLANGE,M6 X 1.0 CL10	
24	WR55312	3	NUT-LOCK HEX,M10 X 1.5,	
25	WR55352	2	NUT-TOPLOCK,5/16-18UNC G8	
26	WR55410	1	NUT-FLANGE,M8 X 1.25 CL8,	
27	WR55412	2	NUT-LOCK,M5 X .8,PREV	
28	WR122305	1	CABLE-RELAY,CKT BKT.HVAC	
29	WR126319	1	HARNESS-ENG,COMP	
30	WR126431	1	MOUNT-ALTERNATOR,REAR	
31	WR126432	1	MOUNT-ALTERNATOR	
32	WR126463	1	BRACKET-ALTERNATOR	
33	WR126509	1	ALTERNATOR,140 AMP-2 GROOVE	SEE PAGE 8-8
34	WR126532	2	SCREW-HEX CAP .4375X14X3.25 YZ	
35	WR126546	1	CABLE-RED,6GA.,.375 X #10	
36	WR126547	1	CABLE-RED,8GA.DTHD X #10	
37	WR127156	1	COVER-ELECTRICAL,SC	
38	WR127297	1	ADAPTER-18M-1.5 X .50-14 NPT	
39	WR515263	1	CIRCUIT BREAKER 80 AMP	
40	WR515782	6	WASHER 0.43 FL ZN REG G8	
41	WR516864	1	RELAY-ELEC,12VDC,75AMP	
42	WR523545	1	NIPPLE-.12MNPT, LONG.SS	
43	WR550485	8	BOLT.25-20NCX.75 G5 ZN HDD	
44	WR550493	9	WASHER LK 0.25 ZN REG	
45	WR550558	2	WASHER 0.43 LK ZN REG	
46	WR550612	12	NUT 0.25-20NC HEX ZN REG	
47	WR550647	4	NUT 10-24NC HEX ZN REG	
48	WR550671	2	WASHER-.25,FL,ZN,TYPE-A(N	
49	WR550698	1	BOLT 0.25-20NCX 1.00 G5 ZN HDD	
50	WR550981	1	WASHER 0.37 FL ZN SAE TYPE-A	
51	WR551015	2	WASHER 0.31 FL ZN REG TYPE-B	
52	WR553182	4	WASHER #10 LK ZN REG	
53	WR559547	1	TEE 0.12X0.12X0.12NPT PIPE MAL	
54	WR561683	3	BOLT M10-1.5 X 25MM G8.8 ZN HH	
55	WR562327	2	BOLT M6-1.00X20MM G8.8 ZN HDD	
56	WR562496	11	TIE CABLE 15.0 .18-4.00 BLACK	
57	WR562793	8	NUT HEX M6 X 1.00	
58	6579858	1	ALARM-BACKUP	
59	6596494	2	MOUNT-HEAD LAMP	
60	6617401	1	LIGHT ASSY	SEE PAGE 8-9



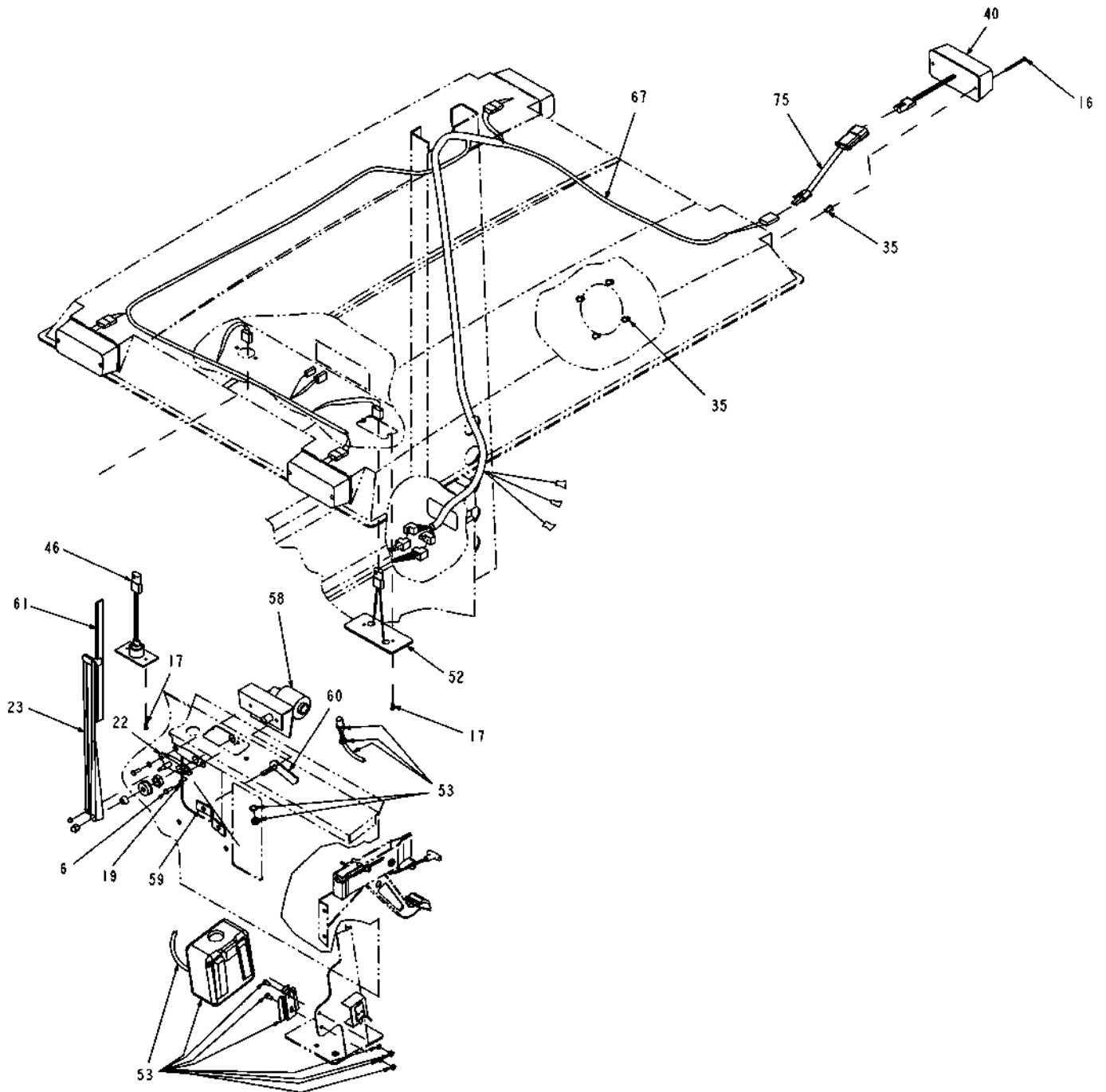
ITEM	PART #	QTY	DESCRIPTION	COMMENT
61	6618959	1	SHIELD-WIRE HARNESS	
62	WR134420	1	HARNESS - HYDRAULIC	
63	6626432	1	CARRIER-WIRE HARNESS	
64	6626433	1	CARRIER-HOSE	
65	6626372	1	HARNESS-SPRAY	
66	6660204	1	SENSOR-PRESSURE	
67	6664372	1	SWITCH-DIMMER	
68	501998D1	1	HORN	
69	6667718	6	CLIP-RETAINER	
70	6670312	4	SWITCH-MAGNETIC	
71	6671624	2	LAMP-TAIL/LAMP	
72	6672044	2	LIGHT-HEAD	
73	6803132	1	HARNESS-LIGHTS	
74	7000014	1	SWITCH-BACKUP	
75	WR134421	2	HARNESS - RELIEF VALVE	
76	WR55624	1	SWITCH-TEMPERATURE	
77	WR55648	1	HARNESS ALT GRD	
78	WR55650	1	HARNESS, GRD PUMP	
79	WR55653	1	HARNESS GRD TEMP SWITCH	



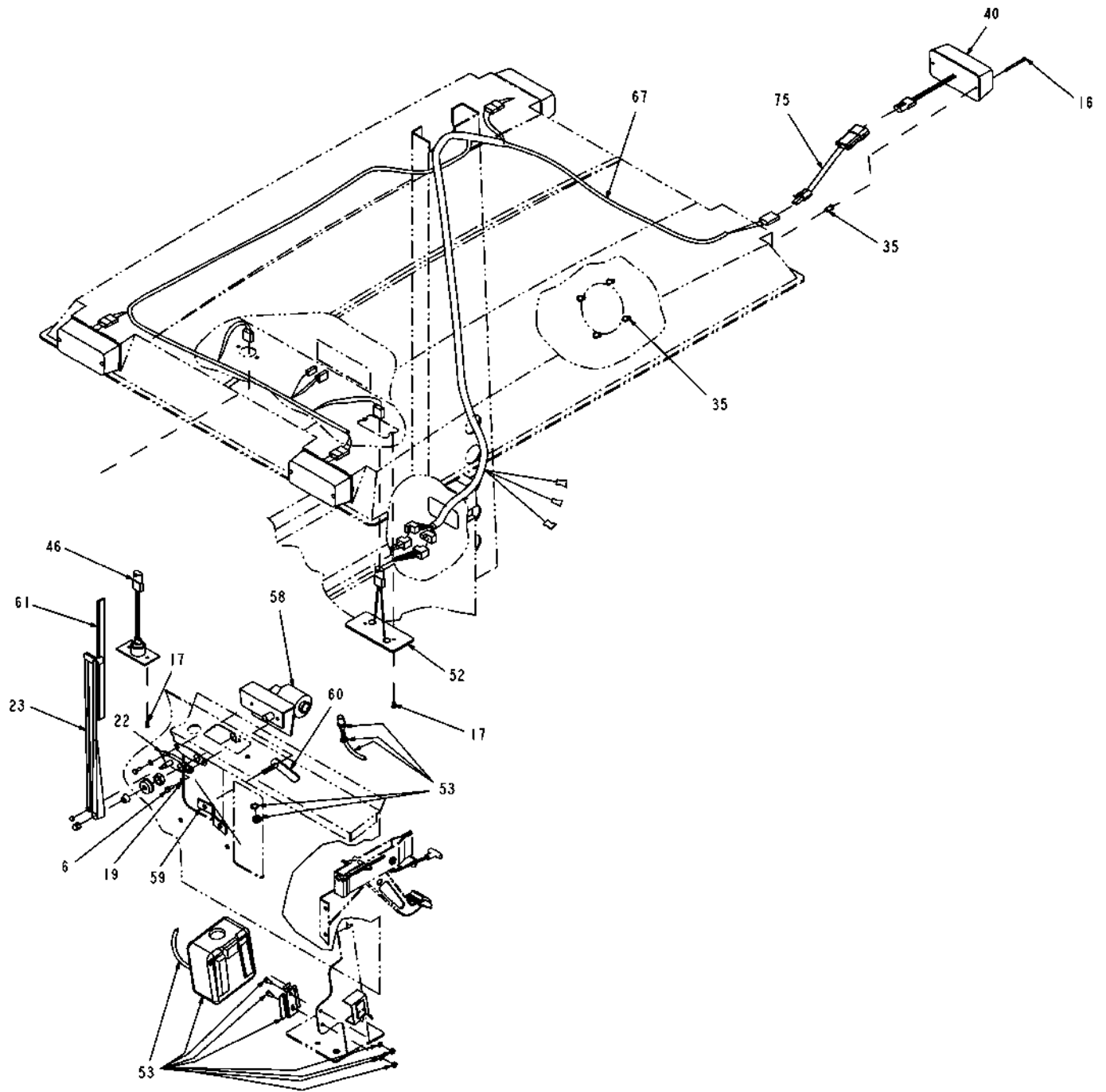
ITEM	PART #	QTY	DESCRIPTION	COMMENT
1	WR11514	5	NUT-FLANGE, 3/8	
2	WR18171	1	SENDER-TEMP,-8MP	
3	WR50830	1	CLAMP-SUPPORT,CUSHION,	
4	WR55026	2	SCREW-CAP HEX M5 X 12	
5	WR55045	1	SCREW-CAP HEX M10 X 16	
6	WR55053	1	SCREW-CAP HEX M10 X 90	
7	WR55104	8	WASHER-LOCK SPRING,6MM ID	
8	WR55106	2	WASHER-LOCK SPRING,10 MM	
9	WR55128	1	WASHER-LOCK EXT TOOTH,	
10	WR55169	1	ADAPTER-08MP/-02FP	
11	WR55202	8	SCREW-HEX FLG.M6X1X16 CL8.8	
12	WR55206	1	SCREW-HEX FLG.M8X1.25X20 CL8.8	
13	WR55208	1	SCREW-HEX FLG.M8X1.25X30 CL8.8	
14	WR27174	1	CLAMP-SUPPORT,CUSHION,	
15	WR55232	4	CLAMP-SUPPORT CUSHION,	
16	WR55233	2	CLAMP-SUPPORT CUSHION,	
17	WR55237	2	CLAMP-SUPPORT CUSHION,	
18	WR55247	3	CLAMP-SUPPORT CUSHION DBL	
19	WR55248	6	CLAMP-SUPPORT CUSHION DBL	
20	WR55271	2	NUT-LOCK,M6 X 1.0,PREV	
21	WR55278	4	SCREW-MACH FLAT SLT HD,	
22	WR55281	10	NUT-FLANGE,M10 X 1.5	
23	WR55288	1	NUT-FLANGE,M6 X 1.0 CL10	
24	WR55312	3	NUT-LOCK HEX,M10 X 1.5,	
25	WR55352	2	NUT-TOPLOCK,5/16-18UNC G8	
26	WR55410	1	NUT-FLANGE,M8 X 1.25 CL8,	
27	WR55412	2	NUT-LOCK,M5 X .8,PREV	
28	WR122305	1	CABLE-RELAY,CKT BKT.HVAC	
29	WR126319	1	HARNES-ENG,COMP	
30	WR126431	1	MOUNT-ALTERNATOR,REAR	
31	WR126432	1	MOUNT-ALTERNATOR	
32	WR126463	1	BRACKET-ALTERNATOR	
33	WR126509	1	ALTERNATOR,140 AMP-2 GROOVE	SEE PAGE 8-8
34	WR126532	2	SCREW-HEX CAP .4375X14X3.25 YZ	
35	WR126546	1	CABLE-RED,6GA.,.375 X #10	
36	WR126547	1	CABLE-RED,8GA.DTHD X #10	
37	WR127156	1	COVER-ELECTRICAL,SC	
38	WR127297	1	ADAPTER-18M-1.5 X .50-14 NPT	
39	WR515263	1	CIRCUIT BREAKER 80 AMP	
40	WR515782	6	WASHER 0.43 FL ZN REG G8	
41	WR516864	1	RELAY-ELEC,12VDC,75AMP	
42	WR523545	1	NIPPLE-.12MNPT, LONG.SS	
43	WR550485	8	BOLT.25-20NCX.75 G5 ZN HDD	
44	WR550493	9	WASHER LK 0.25 ZN REG	
45	WR550558	2	WASHER 0.43 LK ZN REG	
46	WR550612	12	NUT 0.25-20NC HEX ZN REG	
47	WR550647	4	NUT 10-24NC HEX ZN REG	
48	WR550671	2	WASHER-.25,FL,ZN,TYPE-A(N	
49	WR550698	1	BOLT 0.25-20NCX 1.00 G5 ZN HDD	
50	WR550981	1	WASHER 0.37 FL ZN SAE TYPE-A	
51	WR551015	2	WASHER 0.31 FL ZN REG TYPE-B	
52	WR553182	4	WASHER #10 LK ZN REG	
53	WR559547	1	TEE 0.12X0.12X0.12NPT PIPE MAL	
54	WR561683	3	BOLT M10-1.5 X 25MM G8.8 ZN HH	
55	WR562327	2	BOLT M6-1.00X20MM G8.8 ZN HDD	
56	WR562496	11	TIE CABLE 15.0 .18-4.00 BLACK	
57	WR562793	8	NUT HEX M6 X 1.00	
58	6579858	1	ALARM-BACKUP	
59	6596494	2	MOUNT-HEAD LAMP	
60	6617401	1	LIGHT ASSY	SEE PAGE 8-9



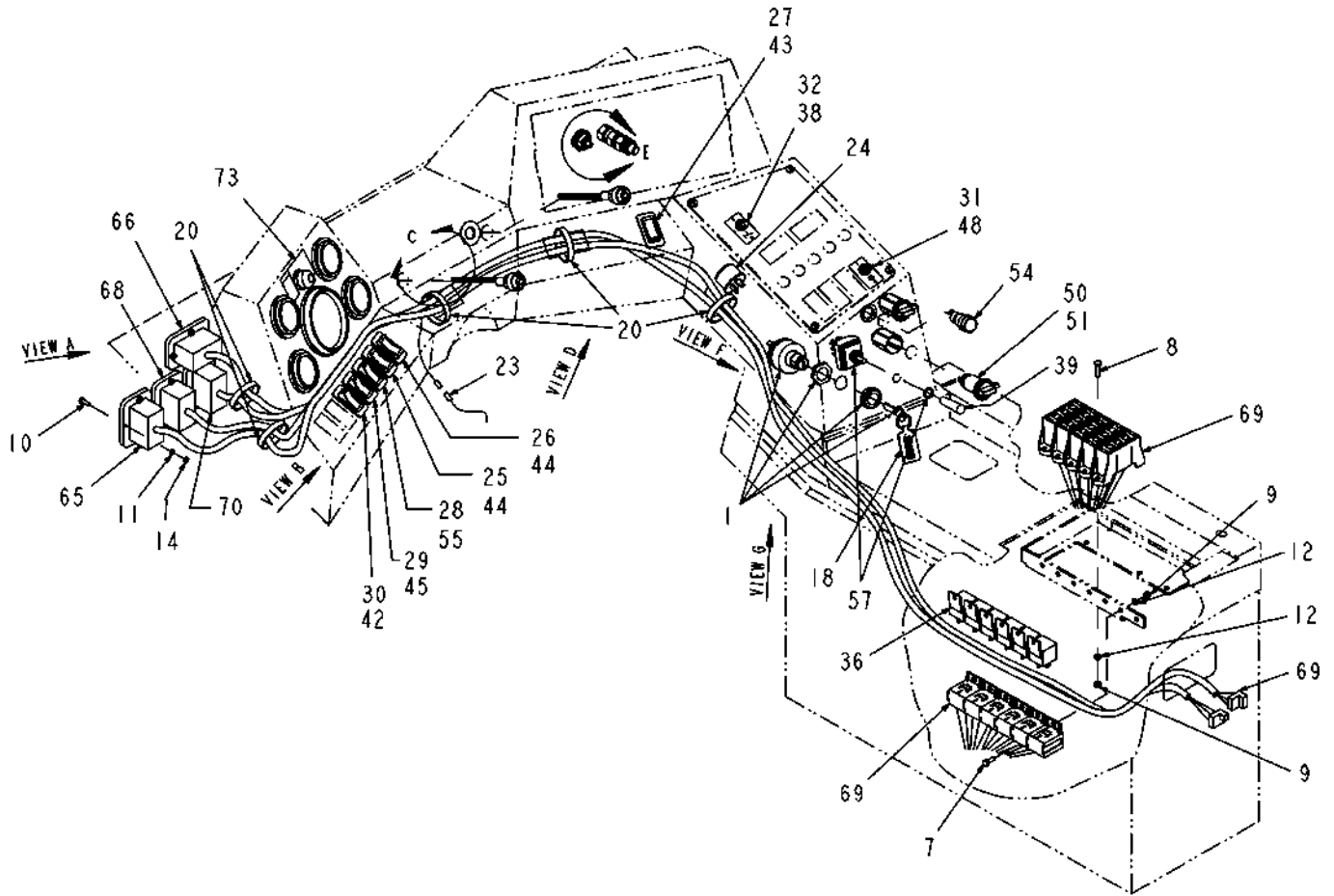
ITEM	PART #	QTY	DESCRIPTION	COMMENT
61	6618959	1	SHIELD-WIRE HARNESS	
62	WR134420	1	HARNESS - HYDRAULIC	
63	6626432	1	CARRIER-WIRE HARNESS	
64	6626433	1	CARRIER-HOSE	
65	6626372	1	HARNESS-SPRAY	
66	6660204	1	SENSOR-PRESSURE	
67	6664372	1	SWITCH-DIMMER	
68	501998D1	1	HORN	
69	6667718	6	CLIP-RETAINER	
70	6670312	4	SWITCH-MAGNETIC	
71	6671624	2	LAMP-TAIL/LAMP	
72	6672044	2	LIGHT-HEAD	
73	6803132	1	HARNESS-LIGHTS	
74	7000014	1	SWITCH-BACKUP	
75	WR134421	2	HARNESS - RELIEF VALVE	
76	WR55624	1	SWITCH-TEMPERATURE	
77	WR55648	1	HARNESS ALT GRD	
78	WR55650	1	HARNESS, GRD PUMP	
79	WR55653	1	HARNESS GRD TEMP SWITCH	



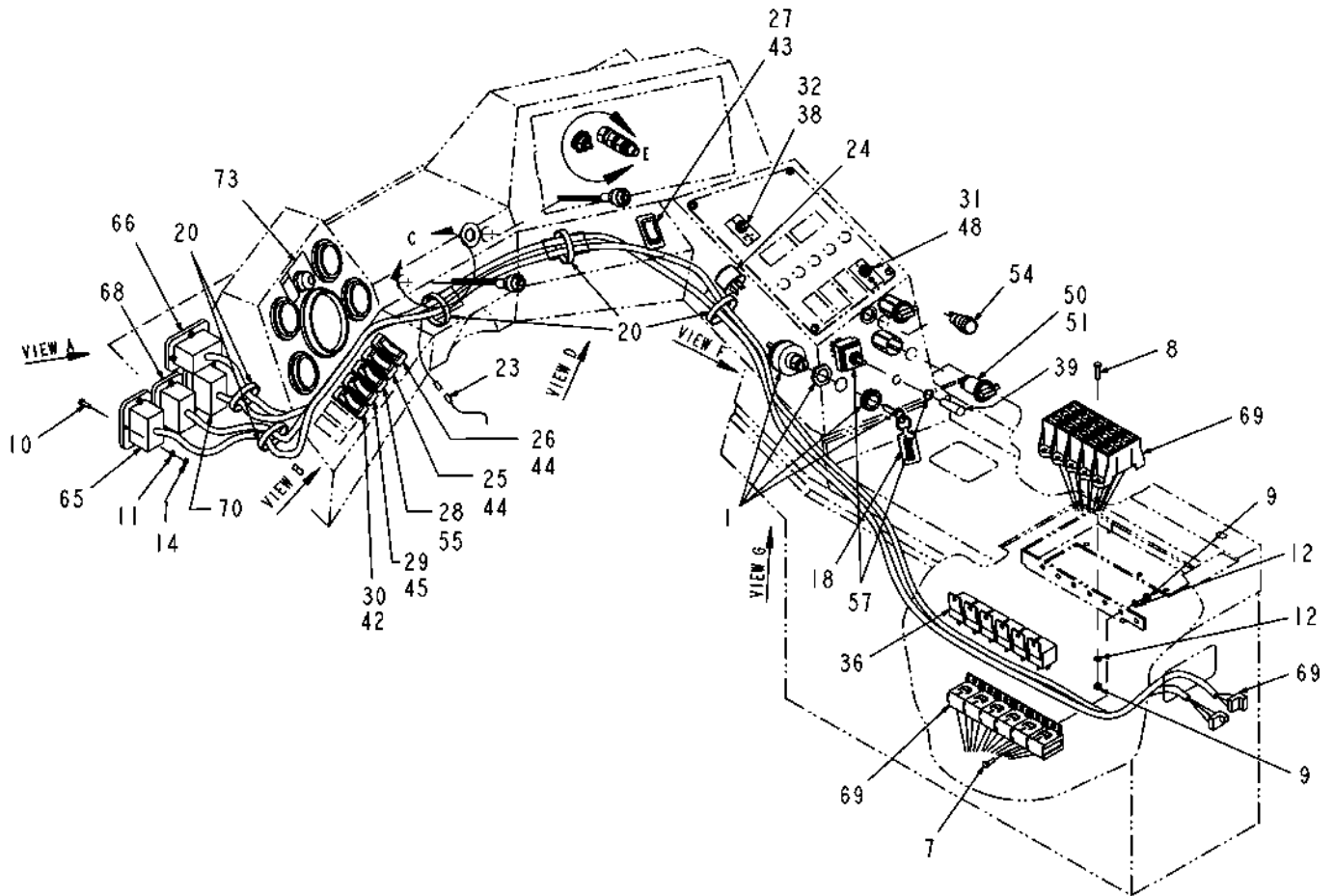
ITEM	PART #	QTY	DESCRIPTION	COMMENT
1	WR11853	1	IGNITION SWITCH LOADER	
2	WR13354	1	SWITCH-PUSH BUTTON	
3	WR24913	1	GAUGE-FUEL,12V	
4	WR25503	1	TACHOMETER W/HOUR METER	
5	WR25504	1	KIT-LIGHT,TACH/HOUR METER	
6	WR29574	2	SCREW-CAP HEX 1/4 NF X	
7	WR55026	7	SCREW-CAP HEX M5 X 12	
8	WR55029	4	SCREW-CAP HEX M5 X 20	
9	WR55071	11	NUT-HEX,M5 X .8 CL10	
10	WR55091	16	SCREW-CAP HEX M4 X 16	
11	WR55102	16	WASHER-LOCK SPRING,4MM ID	
12	WR55103	11	WASHER-LOCK SPRING,5MM ID	
13	WR55106	1	WASHER-LOCK SPRING,10 MM	
14	WR55249	16	NUT-LOCK,M4 G4D	
15	WR55250	1	NUT-LOCK,M10 X 1.5 G4D	
16	WR55283	8	SCREW-MACH FLAT SLT HD,	
17	WR55325	4	SCREW-TAP PAN,#8-18 X 3/4	
18	WR129807	1	KEYCHAIN-LEATHER,SC	
19	WR550493	2	WASHER LK 0.25 ZN REG	
20	WR562496	8	TIE CABLE 15.0 .18-4.00 BLACK	
21	WR609614	1	PANTOGRAPH ARM ADAP KIT	
22	WR609615	1	18 IN PANTOGRAPHIC ARM(B) 518120	
23	6517924	1	BODY-CONNECTOR	
24	6557904	1	FLASHER	
25	6597932	1	DECAL-AXLE,LH (ENG)	
26	6597933	1	DECAL-AXLE,RH (ENG)	
27	6597941	1	DECAL-PRESSURE,ADJ	
28	6597943	1	DECAL-WIPER/WASHER	
29	6597944	1	DECAL-HEADLIGHTS	
30	6597945	1	DECAL-WARNING,LT	
31	6597947	1	DECAL-SPRAY PUMP (ENG)	
32	6597990	1	DECAL-AGITATOR (ENG)	
33	6627024	1	HARNES-BRAKE	
34	6627025	1	HARNES-BRAKE	
35	6630140	16	NUT-JACK	
36	6632180	6	RELAY-40 AMP CONTINUOUS.DUTY	
37	6644960	1	BUZZER	
38	6647887	1	SWITCH-ELECTRIC	
39	6653332	1	EXTENSION-HANDLE	
40	WR327247	4	LAMP-WARNING,AMBER	
41	6659911	1	GAUGE-TEMPERATURE,WATER	
42	6661250	1	SWITCH-ROCKER	
43	6661252	1	SWITCH-ROCKER	
44	6661253	2	SWITCH-ROCKER	
45	6661254	1	SWITCH-ROCKER	
46	6661371	1	LAMP-COURTESY	
47	6661516	2	SWITCH	
48	6662055	1	SWITCH-TOGGLE	
49	6662802	1	GAUGE-OIL PRESSURE	
50	6664223	2	OUTLET-ELECTRICAL	
51	6664224	2	CAP-END,ELECTRICAL	
52	6664368	1	LIGHT ASSY-DOME,W/SW	
53	6664438	1	KIT-WINDSHIELD WASHER	
54	6666677	2	LIGHT-INDICATOR	
55	6667933	1	SWITCH-ROCKER	
56	6669380	1	CLUSTER-GAUGE	
57	6672267	1	SWITCH-TOGGLE	
58	503898D1	1	KIT-WIPER MOTOR	
59	503899D1	1	ARM-DRIVE,WIPER	
60	6672499	1	SHAFT-WIPER PIVOT	



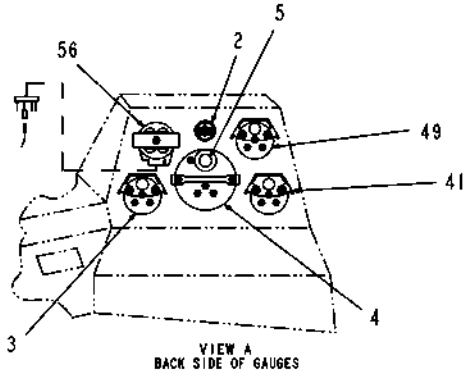
ITEM	PART #	QTY	DESCRIPTION	COMMENT
61	6672502	1	BLADE	
62	6673122	1	REGULATOR-TIMER	
63	6673315	2	SWITCH-BRAKE	
64	6800690	1	HARNESS-SWITCHES	
65	6800691	1	HARNESS-SPRAY	
66	6802445	1	HARNESS-HYD	
67	6803133	1	HARNESS-FLASHER	
68	6803586	1	HARNESS-LIGHTS	
69	6804850	1	HARNESS-POWER/CONTROL	
70	6804863	1	HARNESS-ENGINE	
71	6804874	1	HARNESS-BRAKE,4000	
72	WR55564	2	HARNESS-JUMPER	
73	WR55790	1	DECAL-ENGINE PREHEAT	
74	WR55849	1	PLUG-HOLE PLASTIC .3750	
75	WR134121	4	HARNESS-ADAPTER,AFWL	



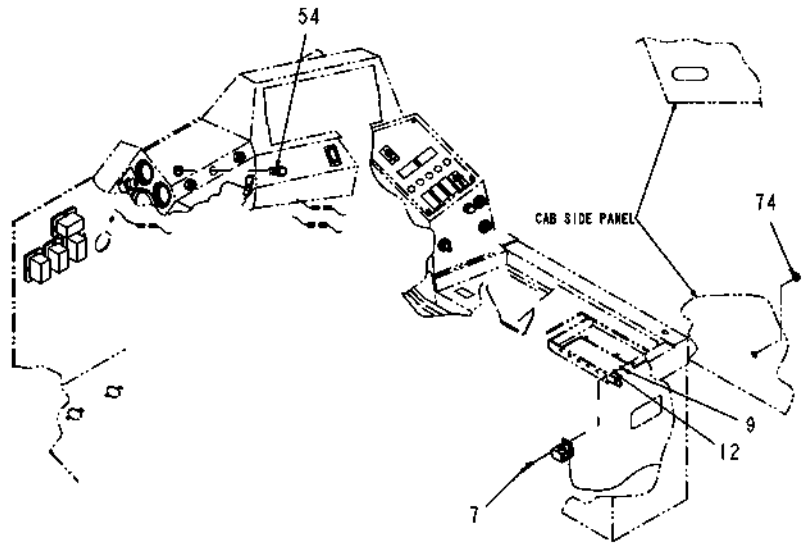
ITEM	PART #	QTY	DESCRIPTION	COMMENT
1	WR11853	1	IGNITION SWITCH LOADER	
2	WR13354	1	SWITCH-PUSH BUTTON	
3	WR24913	1	GAUGE-FUEL,12V	
4	WR25503	1	TACHOMETER W/HOUR METER	
5	WR25504	1	KIT-LIGHT,TACH/HOUR METER	
6	WR29574	2	SCREW-CAP HEX 1/4 NF X	
7	WR55026	7	SCREW-CAP HEX M5 X 12	
8	WR55029	4	SCREW-CAP HEX M5 X 20	
9	WR55071	11	NUT-HEX,M5 X .8 CL10	
10	WR55091	16	SCREW-CAP HEX M4 X 16	
11	WR55102	16	WASHER-LOCK SPRING,4MM ID	
12	WR55103	11	WASHER-LOCK SPRING,5MM ID	
13	WR55106	1	WASHER-LOCK SPRING,10 MM	
14	WR55249	16	NUT-LOCK,M4 G4D	
15	WR55250	1	NUT-LOCK,M10 X 1.5 G4D	
16	WR55283	8	SCREW-MACH FLAT SLT HD,	
17	WR55325	4	SCREW-TAP PAN,#8-18 X 3/4	
18	WR129807	1	KEYCHAIN-LEATHER,SC	
19	WR550493	2	WASHER LK 0.25 ZN REG	
20	WR562496	8	TIE CABLE 15.0 .18-4.00 BLACK	
21	WR609614	1	PANTOGRAPH ARM ADAP KIT	
22	WR609615	1	18 IN PANTOGRAPHIC ARM(B) 518120	
23	6517924	1	BODY-CONNECTOR	
24	6557904	1	FLASHER	
25	6597932	1	DECAL-AXLE,LH (ENG)	
26	6597933	1	DECAL-AXLE,RH (ENG)	
27	6597941	1	DECAL-PRESSURE,ADJ	
28	6597943	1	DECAL-WIPER/WASHER	
29	6597944	1	DECAL-HEADLIGHTS	
30	6597945	1	DECAL-WARNING,LT	
31	6597947	1	DECAL-SPRAY PUMP (ENG)	
32	6597990	1	DECAL-AGITATOR (ENG)	
33	6627024	1	HARNES-BRAKE	
34	6627025	1	HARNES-BRAKE	
35	6630140	16	NUT-JACK	
36	6632180	6	RELAY-40 AMP CONTINUOUS,DUTY	
37	6644960	1	BUZZER	
38	6647887	1	SWITCH-ELECTRIC	
39	6653332	1	EXTENSION-HANDLE	
40	WR327247	4	LAMP-WARNING,AMBER	
41	6659911	1	GAUGE-TEMPERATURE,WATER	
42	6661250	1	SWITCH-ROCKER	
43	6661252	1	SWITCH-ROCKER	
44	6661253	2	SWITCH-ROCKER	
45	6661254	1	SWITCH-ROCKER	
46	6661371	1	LAMP-COURTESY	
47	6661516	2	SWITCH	
48	6662055	1	SWITCH-TOGGLE	
49	6662802	1	GAUGE-OIL PRESSURE	
50	6664223	2	OUTLET-ELECTRICAL	
51	6664224	2	CAP-END,ELECTRICAL	
52	6664368	1	LIGHT ASSY-DOME,W/SW	
53	6664438	1	KIT-WINDSHIELD WASHER	
54	6666677	2	LIGHT-INDICATOR	
55	6667933	1	SWITCH-ROCKER	
56	6669380	1	CLUSTER-GAUGE	
57	6672267	1	SWITCH-TOGGLE	
58	503898D1	1	KIT-WIPER MOTOR	
59	503899D1	1	ARM-DRIVE,WIPER	
60	6672499	1	SHAFT-WIPER PIVOT	



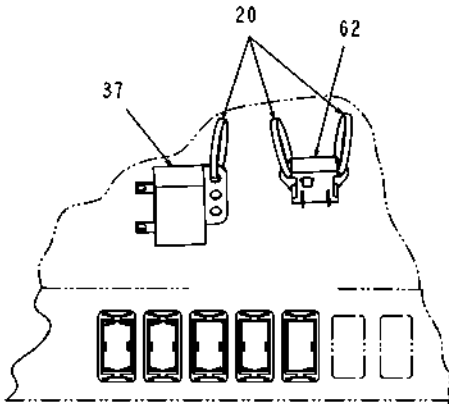
ITEM	PART #	QTY	DESCRIPTION	COMMENT
61	6672502	1	BLADE	
62	6673122	1	REGULATOR-TIMER	
63	6673315	2	SWITCH-BRAKE	
64	6800690	1	HARNESS-SWITCHES	
65	6800691	1	HARNESS-SPRAY	
66	6802445	1	HARNESS-HYD	
67	6803133	1	HARNESS-FLASHER	
68	6803586	1	HARNESS-LIGHTS	
69	6804850	1	HARNESS-POWER/CONTROL	
70	6804863	1	HARNESS-ENGINE	
71	6804874	1	HARNESS-BRAKE,4000	
72	WR55564	2	HARNESS-JUMPER	
73	WR55790	1	DECAL-ENGINE PREHEAT	
74	WR55849	1	PLUG-HOLE PLASTIC .3750	
75	WR134121	4	HARNESS-ADAPTER,AFWL	



VIEW A
BACK SIDE OF GAUGES

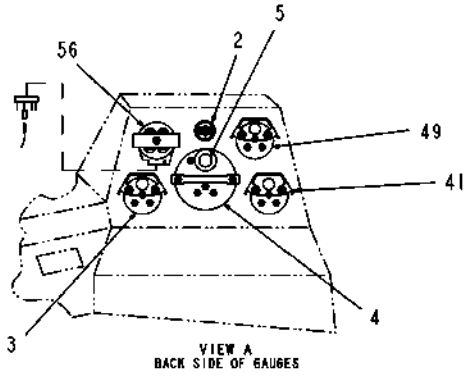


CAB SIDE PANEL

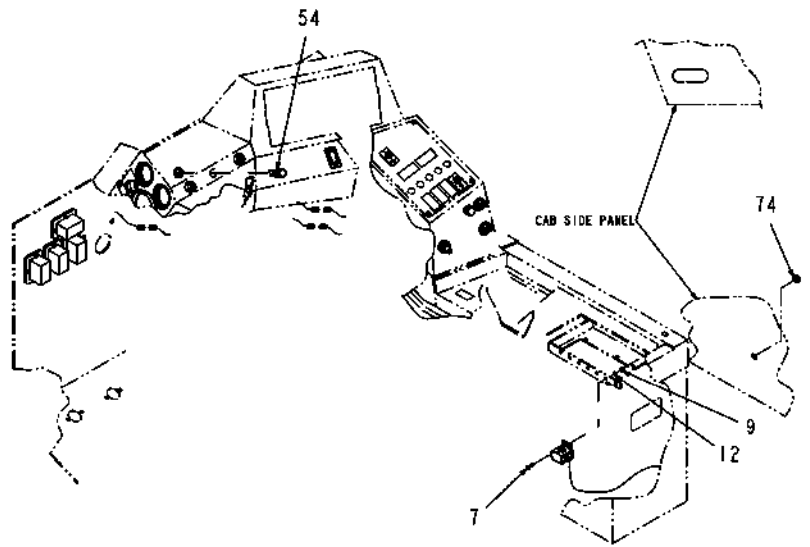


VIEW B
BACK SIDE OF SWITCHES

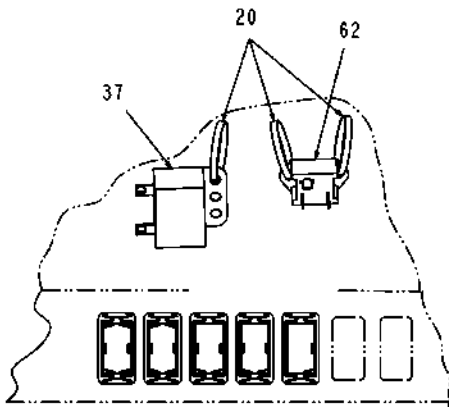
ITEM	PART #	QTY	DESCRIPTION	COMMENT
1	WR11853	1	IGNITION SWITCH LOADER	
2	WR13354	1	SWITCH-PUSH BUTTON	
3	WR24913	1	GAUGE-FUEL,12V	
4	WR25503	1	TACHOMETER W/HOUR METER	
5	WR25504	1	KIT-LIGHT,TACH/HOUR METER	
6	WR29574	2	SCREW-CAP HEX 1/4 NF X	
7	WR55026	7	SCREW-CAP HEX M5 X 12	
8	WR55029	4	SCREW-CAP HEX M5 X 20	
9	WR55071	11	NUT-HEX,M5 X .8 CL10	
10	WR55091	16	SCREW-CAP HEX M4 X 16	
11	WR55102	16	WASHER-LOCK SPRING,4MM ID	
12	WR55103	11	WASHER-LOCK SPRING,5MM ID	
13	WR55106	1	WASHER-LOCK SPRING,10 MM	
14	WR55249	16	NUT-LOCK,M4 G4D	
15	WR55250	1	NUT-LOCK,M10 X 1.5 G4D	
16	WR55283	8	SCREW-MACH FLAT SLT HD,	
17	WR55325	4	SCREW-TAP PAN,#8-18 X 3/4	
18	WR129807	1	KEYCHAIN-LEATHER,SC	
19	WR550493	2	WASHER LK 0.25 ZN REG	
20	WR562496	8	TIE CABLE 15.0 .18-4.00 BLACK	
21	WR609614	1	PANTOGRAPH ARM ADAP KIT	
22	WR609615	1	18 IN PANTOGRAPHIC ARM(B) 518120	
23	6517924	1	BODY-CONNECTOR	
24	6557904	1	FLASHER	
25	6597932	1	DECAL-AXLE,LH (ENG)	
26	6597933	1	DECAL-AXLE,RH (ENG)	
27	6597941	1	DECAL-PRESSURE,ADJ	
28	6597943	1	DECAL-WIPER/WASHER	
29	6597944	1	DECAL-HEADLIGHTS	
30	6597945	1	DECAL-WARNING,LT	
31	6597947	1	DECAL-SPRAY PUMP (ENG)	
32	6597990	1	DECAL-AGITATOR (ENG)	
33	6627024	1	HARNES-BRAKE	
34	6627025	1	HARNES-BRAKE	
35	6630140	16	NUT-JACK	
36	6632180	6	RELAY-40 AMP CONTINUOUS.DUTY	
37	6644960	1	BUZZER	
38	6647887	1	SWITCH-ELECTRIC	
39	6653332	1	EXTENSION-HANDLE	
40	WR327247	4	LAMP-WARNING,AMBER	
41	6659911	1	GAUGE-TEMPERATURE,WATER	
42	6661250	1	SWITCH-ROCKER	
43	6661252	1	SWITCH-ROCKER	
44	6661253	2	SWITCH-ROCKER	
45	6661254	1	SWITCH-ROCKER	
46	6661371	1	LAMP-COURTESY	
47	6661516	2	SWITCH	
48	6662055	1	SWITCH-TOGGLE	
49	6662802	1	GAUGE-OIL PRESSURE	
50	6664223	2	OUTLET-ELECTRICAL	
51	6664224	2	CAP-END,ELECTRICAL	
52	6664368	1	LIGHT ASSY-DOME,W/SW	
53	6664438	1	KIT-WINDSHIELD WASHER	
54	6666677	2	LIGHT-INDICATOR	
55	6667933	1	SWITCH-ROCKER	
56	6669380	1	CLUSTER-GAUGE	
57	6672267	1	SWITCH-TOGGLE	
58	503898D1	1	KIT-WIPER MOTOR	
59	503899D1	1	ARM-DRIVE,WIPER	
60	6672499	1	SHAFT-WIPER PIVOT	



VIEW A
BACK SIDE OF GAUGES

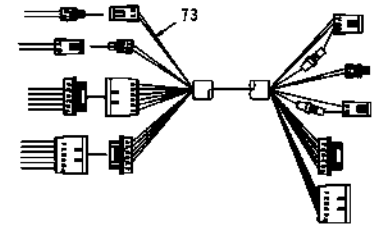
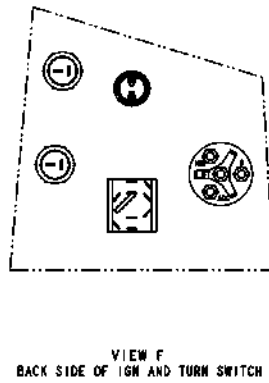
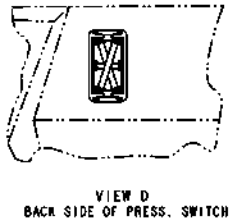
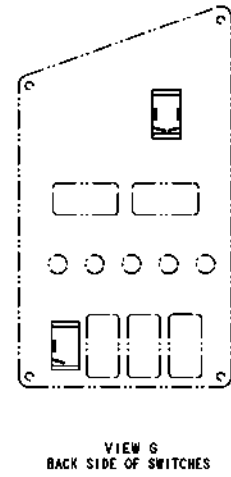
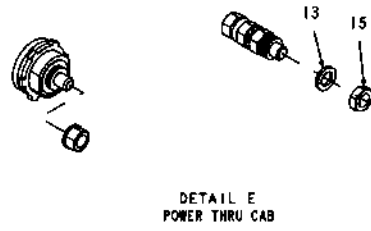
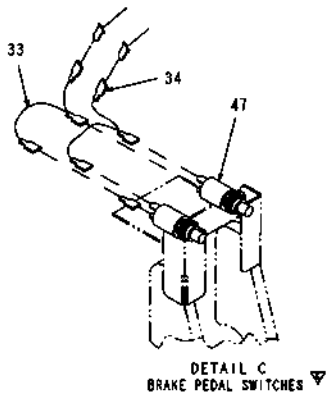


CAB SIDE PANEL

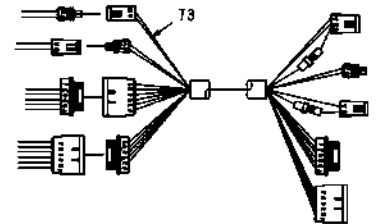
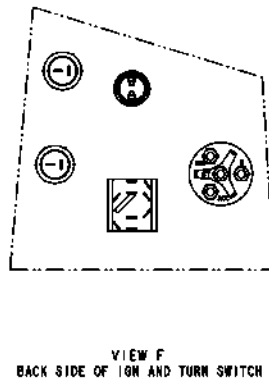
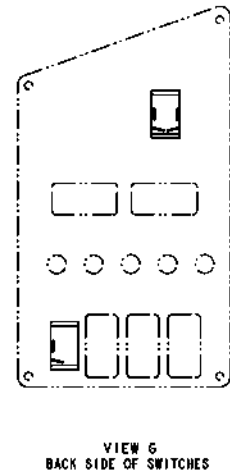
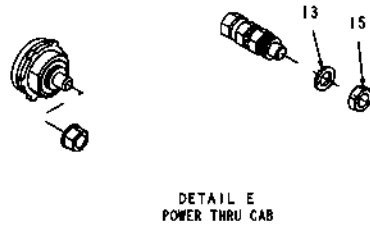
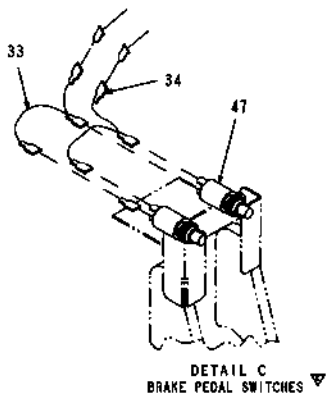


VIEW B
BACK SIDE OF SWITCHES

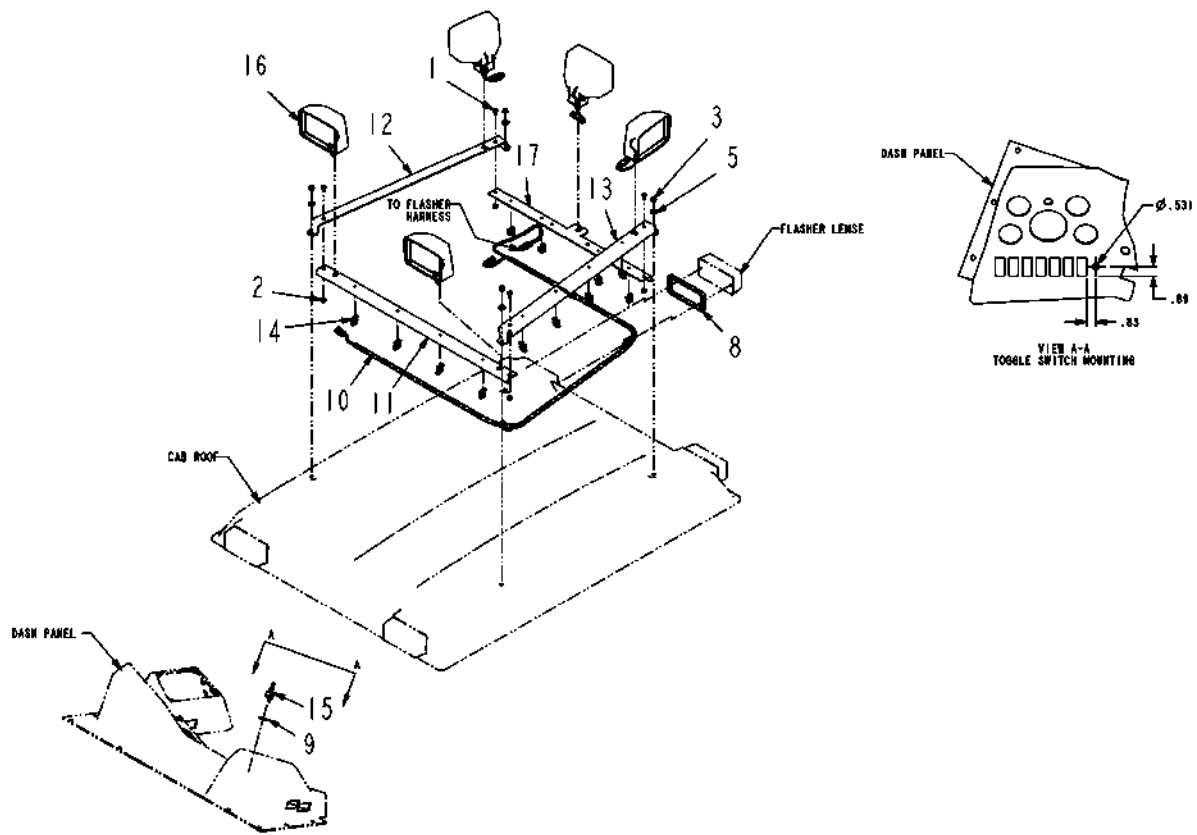
ITEM	PART #	QTY	DESCRIPTION	COMMENT
61	6672502	1	BLADE	
62	6673122	1	REGULATOR-TIMER	
63	6673315	2	SWITCH-BRAKE	
64	6800690	1	HARNESS-SWITCHES	
65	6800691	1	HARNESS-SPRAY	
66	6802445	1	HARNESS-HYD	
67	6803133	1	HARNESS-FLASHER	
68	6803586	1	HARNESS-LIGHTS	
69	6804850	1	HARNESS-POWER/CONTROL	
70	6804863	1	HARNESS-ENGINE	
71	6804874	1	HARNESS-BRAKE,4000	
72	WR55564	2	HARNESS-JUMPER	
73	WR55790	1	DECAL-ENGINE PREHEAT	
74	WR55849	1	PLUG-HOLE PLASTIC .3750	
75	WR134121	4	HARNESS-ADAPTER,AFWL	



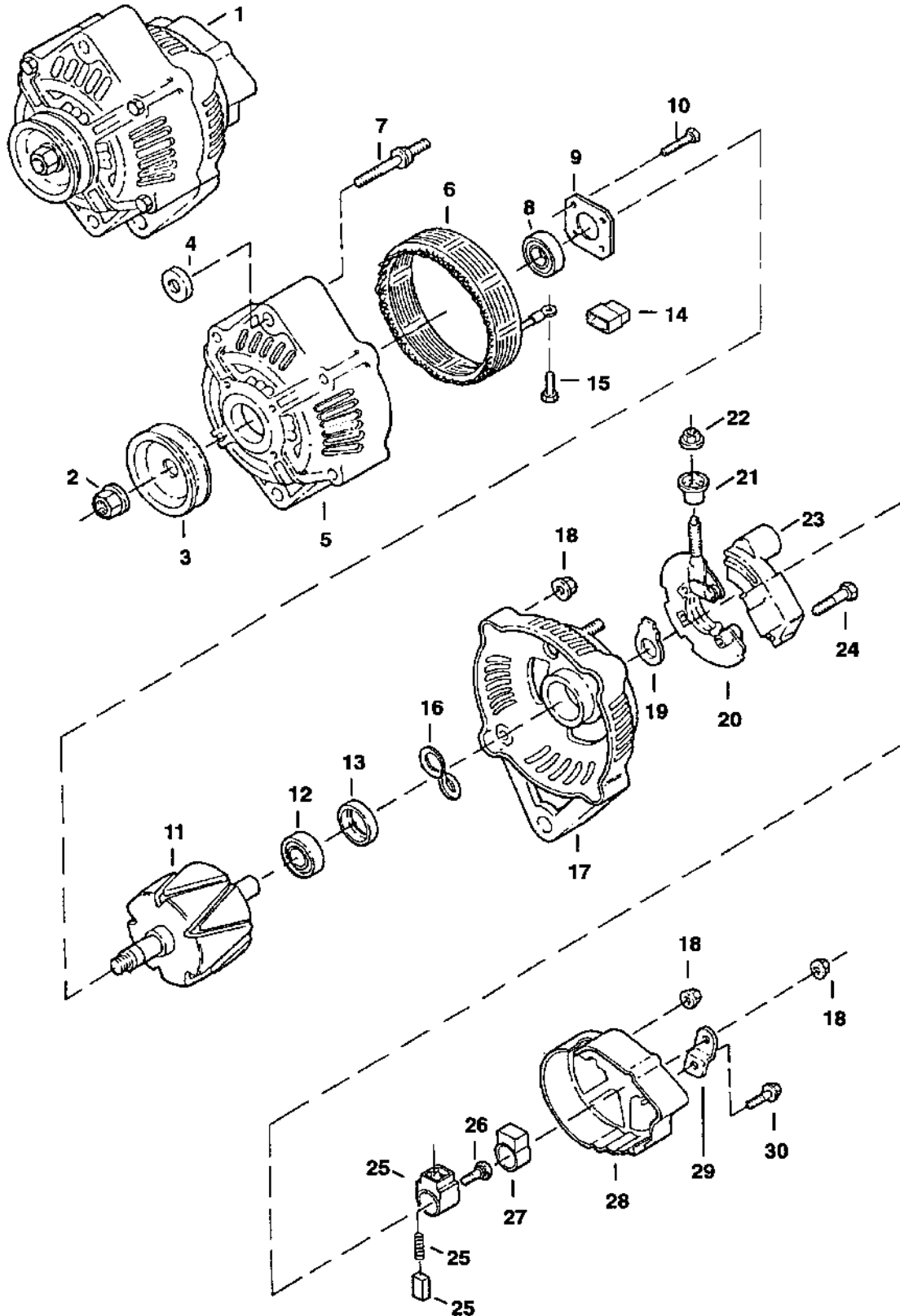
ITEM	PART #	QTY	DESCRIPTION	COMMENT
1	WR11853	1	IGNITION SWITCH LOADER	
2	WR13354	1	SWITCH-PUSH BUTTON	
3	WR24913	1	GAUGE-FUEL,12V	
4	WR25503	1	TACHOMETER W/HOUR METER	
5	WR25504	1	KIT-LIGHT,TACH/HOUR METER	
6	WR29574	2	SCREW-CAP HEX 1/4 NF X	
7	WR55026	7	SCREW-CAP HEX M5 X 12	
8	WR55029	4	SCREW-CAP HEX M5 X 20	
9	WR55071	11	NUT-HEX,M5 X .8 CL10	
10	WR55091	16	SCREW-CAP HEX M4 X 16	
11	WR55102	16	WASHER-LOCK SPRING,4MM ID	
12	WR55103	11	WASHER-LOCK SPRING,5MM ID	
13	WR55106	1	WASHER-LOCK SPRING,10 MM	
14	WR55249	16	NUT-LOCK,M4 G4D	
15	WR55250	1	NUT-LOCK,M10 X 1.5 G4D	
16	WR55283	8	SCREW-MACH FLAT SLT HD,	
17	WR55325	4	SCREW-TAP PAN,#8-18 X 3/4	
18	WR129807	1	KEYCHAIN-LEATHER,SC	
19	WR550493	2	WASHER LK 0.25 ZN REG	
20	WR562496	8	TIE CABLE 15.0 .18-4.00 BLACK	
21	WR609614	1	PANTOGRAPH ARM ADAP KIT	
22	WR609615	1	18 IN PANTOGRAPHIC ARM(B) 518120	
23	6517924	1	BODY-CONNECTOR	
24	6557904	1	FLASHER	
25	6597932	1	DECAL-AXLE,LH (ENG)	
26	6597933	1	DECAL-AXLE,RH (ENG)	
27	6597941	1	DECAL-PRESSURE,ADJ	
28	6597943	1	DECAL-WIPER/WASHER	
29	6597944	1	DECAL-HEADLIGHTS	
30	6597945	1	DECAL-WARNING,LT	
31	6597947	1	DECAL-SPRAY PUMP (ENG)	
32	6597990	1	DECAL-AGITATOR (ENG)	
33	6627024	1	HARNESS-BRAKE	
34	6627025	1	HARNESS-BRAKE	
35	6630140	16	NUT-JACK	
36	6632180	6	RELAY-40 AMP CONTINUOUS.DUTY	
37	6644960	1	BUZZER	
38	6647887	1	SWITCH-ELECTRIC	
39	6653332	1	EXTENSION-HANDLE	
40	WR327247	4	LAMP-WARNING,AMBER	
41	6659911	1	GAUGE-TEMPERATURE,WATER	
42	6661250	1	SWITCH-ROCKER	
43	6661252	1	SWITCH-ROCKER	
44	6661253	2	SWITCH-ROCKER	
45	6661254	1	SWITCH-ROCKER	
46	6661371	1	LAMP-COURTESY	
47	6661516	2	SWITCH	
48	6662055	1	SWITCH-TOGGLE	
49	6662802	1	GAUGE-OIL PRESSURE	
50	6664223	2	OUTLET-ELECTRICAL	
51	6664224	2	CAP-END,ELECTRICAL	
52	6664368	1	LIGHT ASSY-DOME,W/SW	
53	6664438	1	KIT-WINDSHIELD WASHER	
54	6666677	2	LIGHT-INDICATOR	
55	6667933	1	SWITCH-ROCKER	
56	6669380	1	CLUSTER-GAUGE	
57	6672267	1	SWITCH-TOGGLE	
58	503898D1	1	KIT-WIPER MOTOR	
59	503899D1	1	ARM-DRIVE,WIPER	
60	6672499	1	SHAFT-WIPER PIVOT	



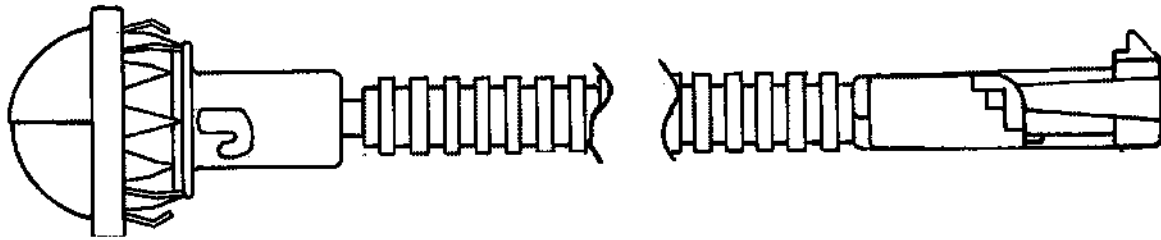
ITEM	PART #	QTY	DESCRIPTION	COMMENT
61	6672502	1	BLADE	
62	6673122	1	REGULATOR-TIMER	
63	6673315	2	SWITCH-BRAKE	
64	6800690	1	HARNESS-SWITCHES	
65	6800691	1	HARNESS-SPRAY	
66	6802445	1	HARNESS-HYD	
67	6803133	1	HARNESS-FLASHER	
68	6803586	1	HARNESS-LIGHTS	
69	6804850	1	HARNESS-POWER/CONTROL	
70	6804863	1	HARNESS-ENGINE	
71	6804874	1	HARNESS-BRAKE,4000	
72	WR55564	2	HARNESS-JUMPER	
73	WR55790	1	DECAL-ENGINE PREHEAT	
74	WR55849	1	PLUG-HOLE PLASTIC .3750	
75	WR134121	4	HARNESS-ADAPTER,AFWL	



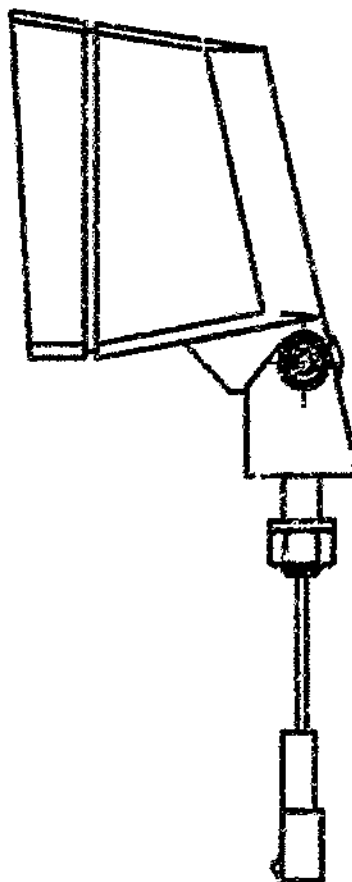
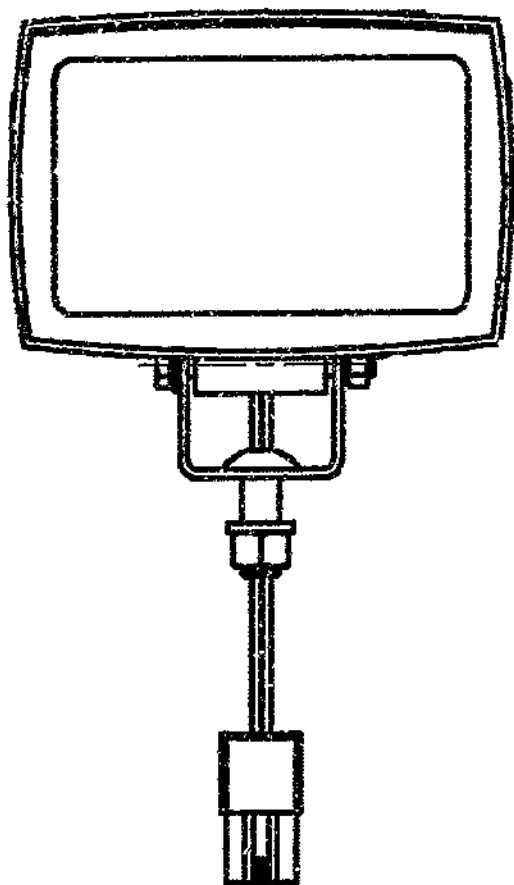
ITEM	PART #	QTY	DESCRIPTION	COMMENT
1	WR25752	4	SCREW-CAP HEX M8 X 16,	
2	WR32254	4	NUT-TOPLOCK,M8-1.25	
3	WR55352	4	NUT-TOPLOCK,5/16-18UNC G8	
4	WR134592	1	INSTRUCTION-MTG,FLOODLIGHT	
5	WR551015	4	WASHER 0.31 FL ZN REG TYPE-B	
6	6505013	1	BAG-CLOTH	
7	6562758	1	CONTAINER-BOX	
8	6585975	1	STRIP	
9	6597946	1	DECAL,FLOOD LIGHTS	
10	6627209	1	HARNES-FLOOD LIGHT	
11	6627211	1	BAR-FRONT	
12	6627212	1	BAR-RH	
13	6627213	1	BAR-LH	
14	6630585	12	CLIP-CONDUIT	
15	6662055	1	SWITCH-TOGGLE	
16	6663952	5	LIGHT-FLOOD,MED	SEE PAGE 8-10
17	6803920	1	BAR-REAR	



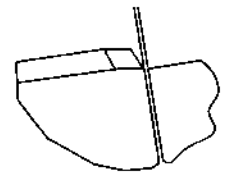
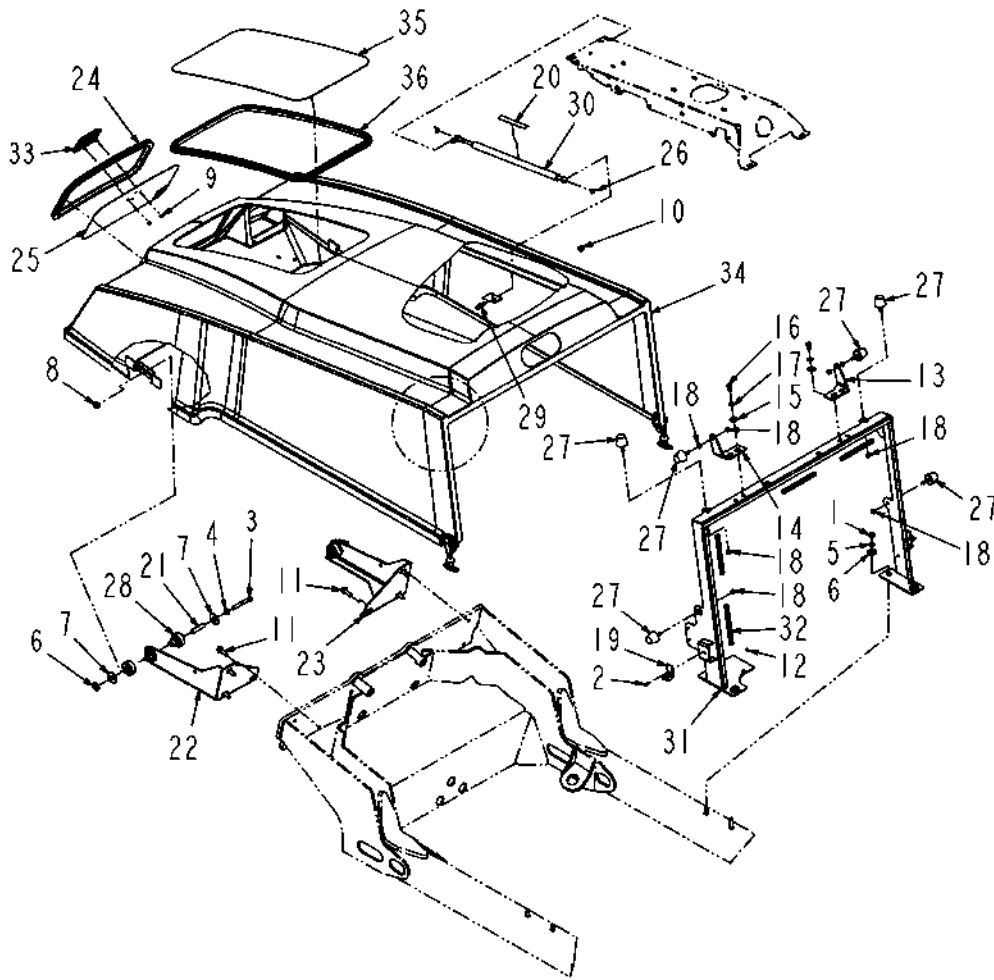
ITEM	PART #	QTY	DESCRIPTION	COMMENT
6	6672969	1	STATOR	
8	6672970	8	BEARING	
11	6672971	1	ROTOR	
12	6672972	1	BEARING	
20	6672973	1	HOLDER	
23	6672974	1	REGULATOR	
25	6672975	1	HOLDER	
	FOOTNOTE [A]		ITEMS 2,4,5,7,9,10,13-19,21,22,24,26-30 CANNOT BE PURCHASED INDIVIDUALLY BUT ARE INCLUDED IN THE ALTERNATOR.	
	FOOTNOTE [A]		ITEM 2: NUT ITEM 4: SPACE COLLAR ITEM 5: FRAME-DRIVE END ITEM 7: STUD ITEM 9: PLATE, RETAINER ITEM 10: SCREW ITEM 13: BEARING COVER ITEM 14: BUSH, TERMINAL- INSULATION ITEM 15: SCREW W/WASHER ITEM 16: WASHER ITEM 17: FRAME, END ITEM 18: NUT ITEM 19: SEAL RING ITEM 21: BUSH, TERMINAL- INSULATION ITEM 22: NUT ITEM 24: SCREW W/WASHERS ITEM 26: SCREW ITEM 27: SEAL RING ITEM 28: END COVER ITEM 29: TERMINAL PLATE ITEM 30: SCREW	



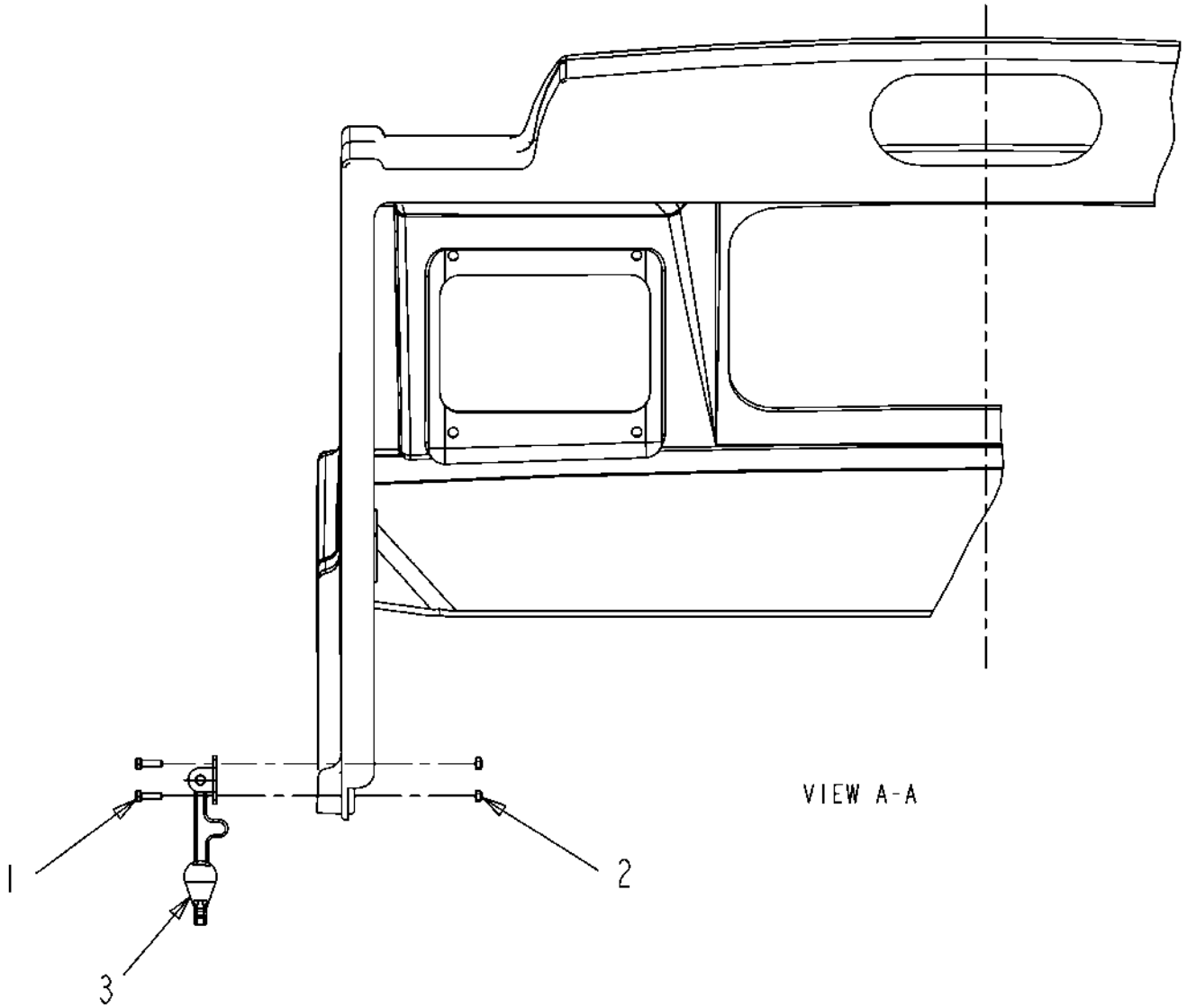
ITEM	PART #	QTY	DESCRIPTION	COMMENT
REF	WR25366	1	SEAL-WIRE 14GA WP R/B 515765	
REF	WR25369	1	TERMINAL-PIN,.118 R/B 515762	
REF	WR515853	1	CONNECTOR ELEC SHROUD 1-CONT F	
REF	6617537	1	CONDUIT	
REF	6647810	1	LIGHT-UTILITY	



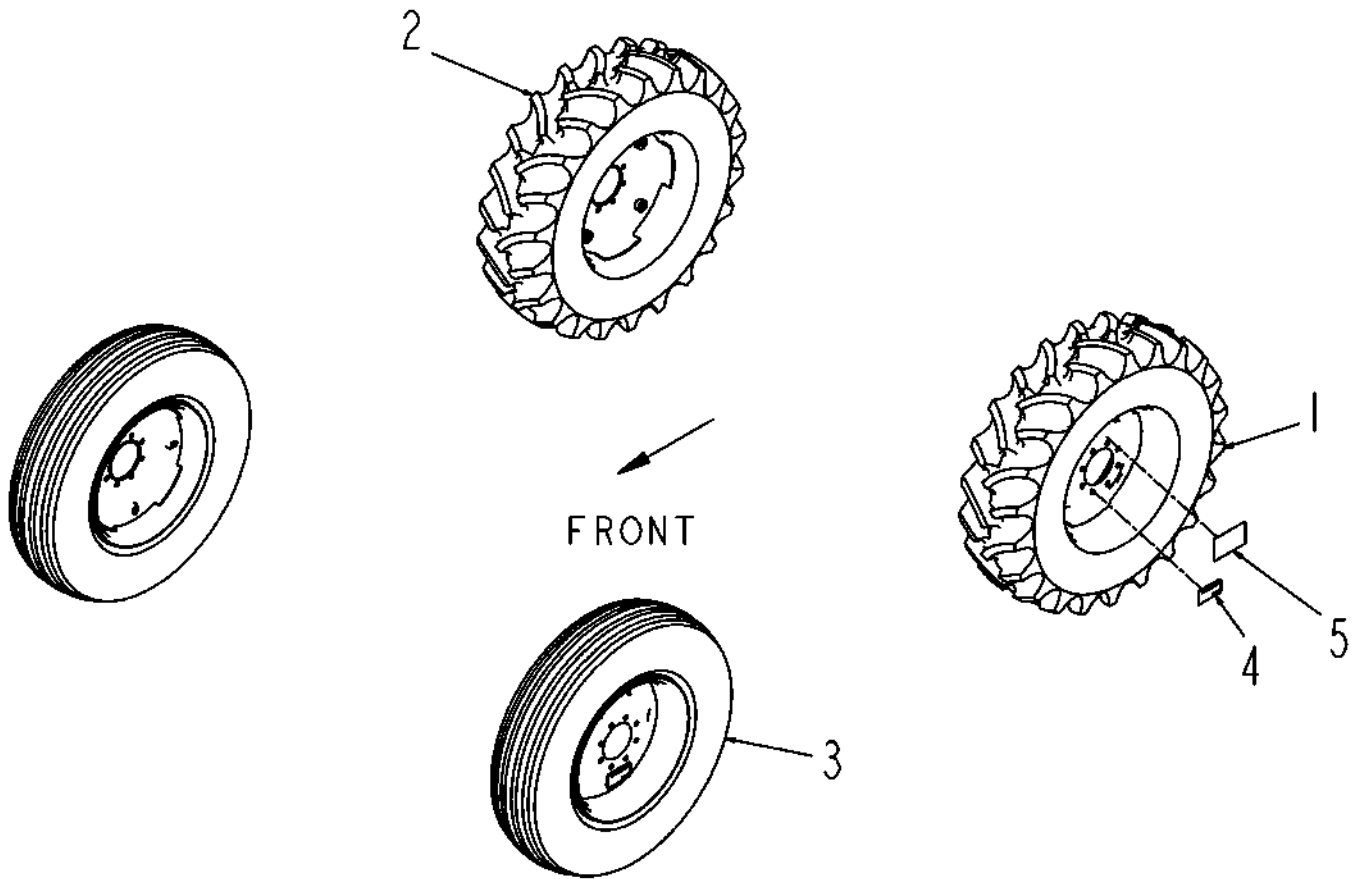
ITEM	PART #	QTY	DESCRIPTION	COMMENT
REF	6664266	1	BEAM	



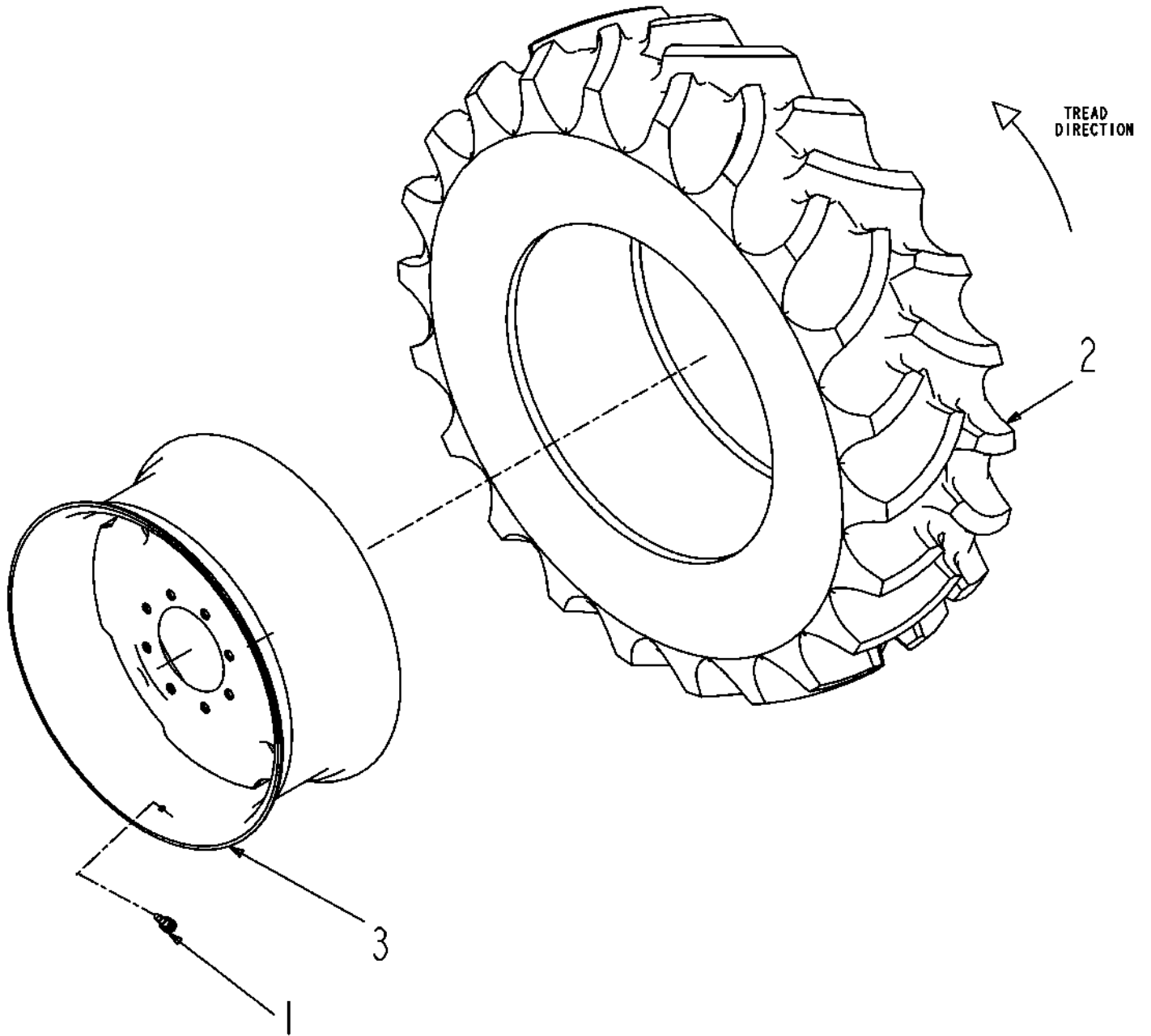
ITEM	PART #	QTY	DESCRIPTION	COMMENT
REF	WR55052	2	SCREW-CAP HEX M10 X 80	
1	WR50838	4	NUT-HEX,METRIC M10-1.5	
2	WR55026	4	SCREW-CAP HEX M5 X 12	
4	WR55075	2	WASHER-PLAIN,10MM ID,LC,	
5	WR55106	4	WASHER-LOCK SPRING,10 MM	
6	WR55158	6	WASHER-FLAT,10MM ID,	
7	WR55159	4	WASHER-FLAT,12MM ID,	
8	WR55301	2	NUT-FLANGE,M10 X 1.5,PREV	
9	WR55310	2	NUT-LOCK HEX,M6 X 1.0,	
10	WR55352	2	NUT-TOPLOCK,5/16-18UNC G8	
11	WR55404	6	SCREW-CAP HEX M10 X 30,	
12	WR55412	4	NUT-LOCK,M5 X .8,PREV	
13	WR125473	1	BUMPER BRACE HORIZONTAL,RIGHT	
14	WR125474	1	BUMPER BRACE HORIZONTAL,LEFT	
15	WR523061	4	WASHER-FL.,37,SS,REG TYPE B	
16	WR523689	4	BOLT-.38-16X.75,G8,PL,HHD	
17	WR550191	4	WASHER LK 0.37 ZN REG	
18	WR550213	8	NUT 0.31-18NC HEX ZN REG	
19	1545623	2	KEEPER	
20	6577754	1	DECAL-WARNING	
21	6596456	2	BUSHING-HINGE	
22	6596526	1	SUPPORT-HINGE,W/A,L	
23	6596527	1	SUPPORT-HINGE,W/A,R	
24	6597550	1	RUBBER-STRIP	
25	6597553	1	SCREEN-GRILL	
26	6646598	2	CLIP-STUD	
27	6649040	6	BUMPER-RUBBER	
28	6661194	2	MOUNT-RUBBER	
29	6661632	2	STUD	
30	6667296	1	SPRING-GAS	
31	6802808	1	SUPPORT W/A	
32	6803710	4	RUBBER-STRIP	
33	4274275M91	1	LOGO CHALLENGER	
34	504172D1	1	HOOD ASM-CHAL	SEE PAGE 9-2
35	WR55819	1	SCREEN-HOOD	
36	WR55874	1	MOLDING-UPPER GRILLE,78 IN	



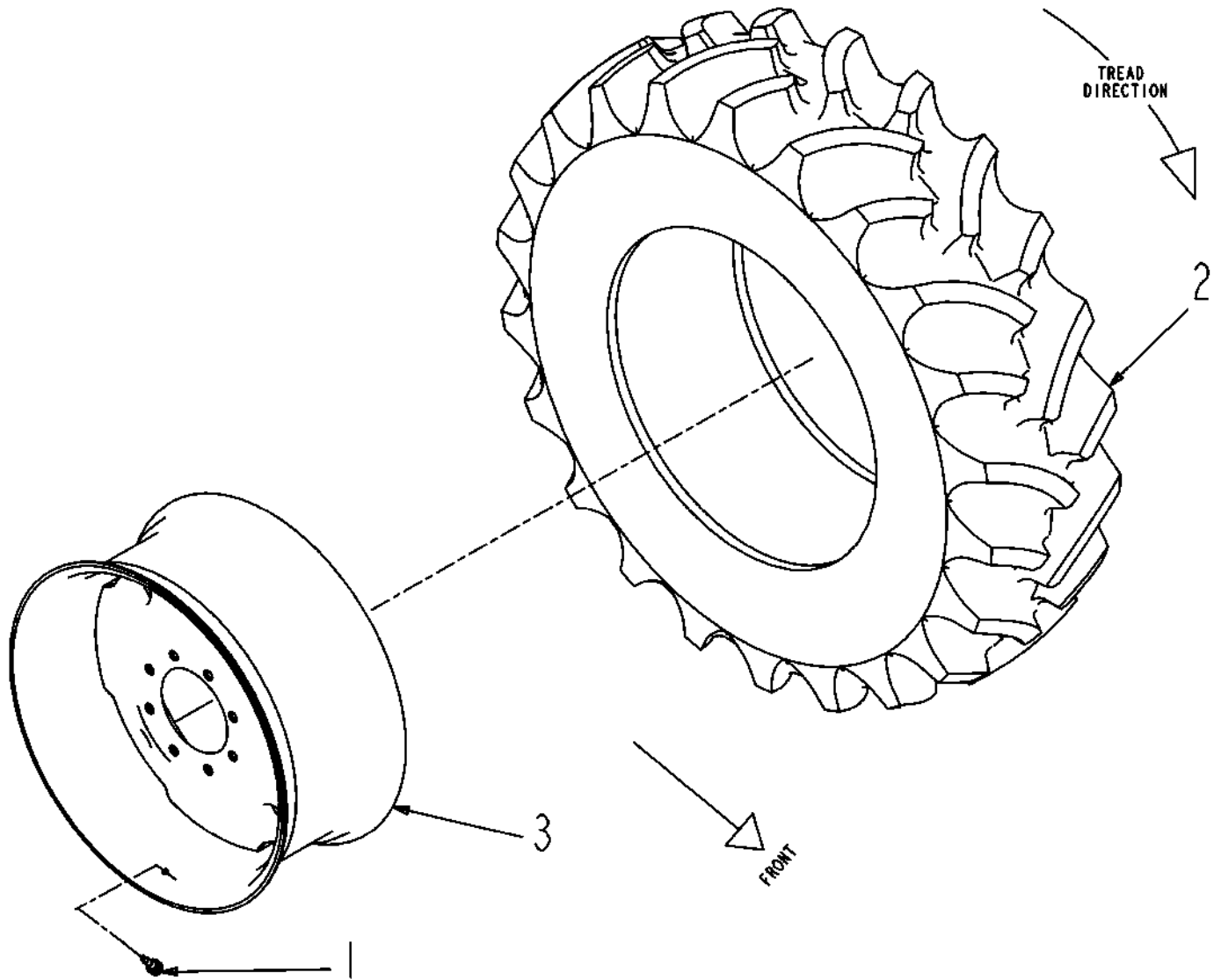
ITEM	PART #	QTY	DESCRIPTION	COMMENT
1	WR55028	4	SCREW-CAP HEX M5 X 16	
2	WR55412	4	NUT-LOCK,M5 X .8,PREV	
3	WR125427	1	SHIELD - WF HOOD	
4	1545622	2	LATCH-DRAW,FLEXABLE	
5	6596450	2	BRACKET-HINGE	
6	6596453	1	BRACKET-SPRING.GAS	
7	504173D1	1	HOOD - CHAL	



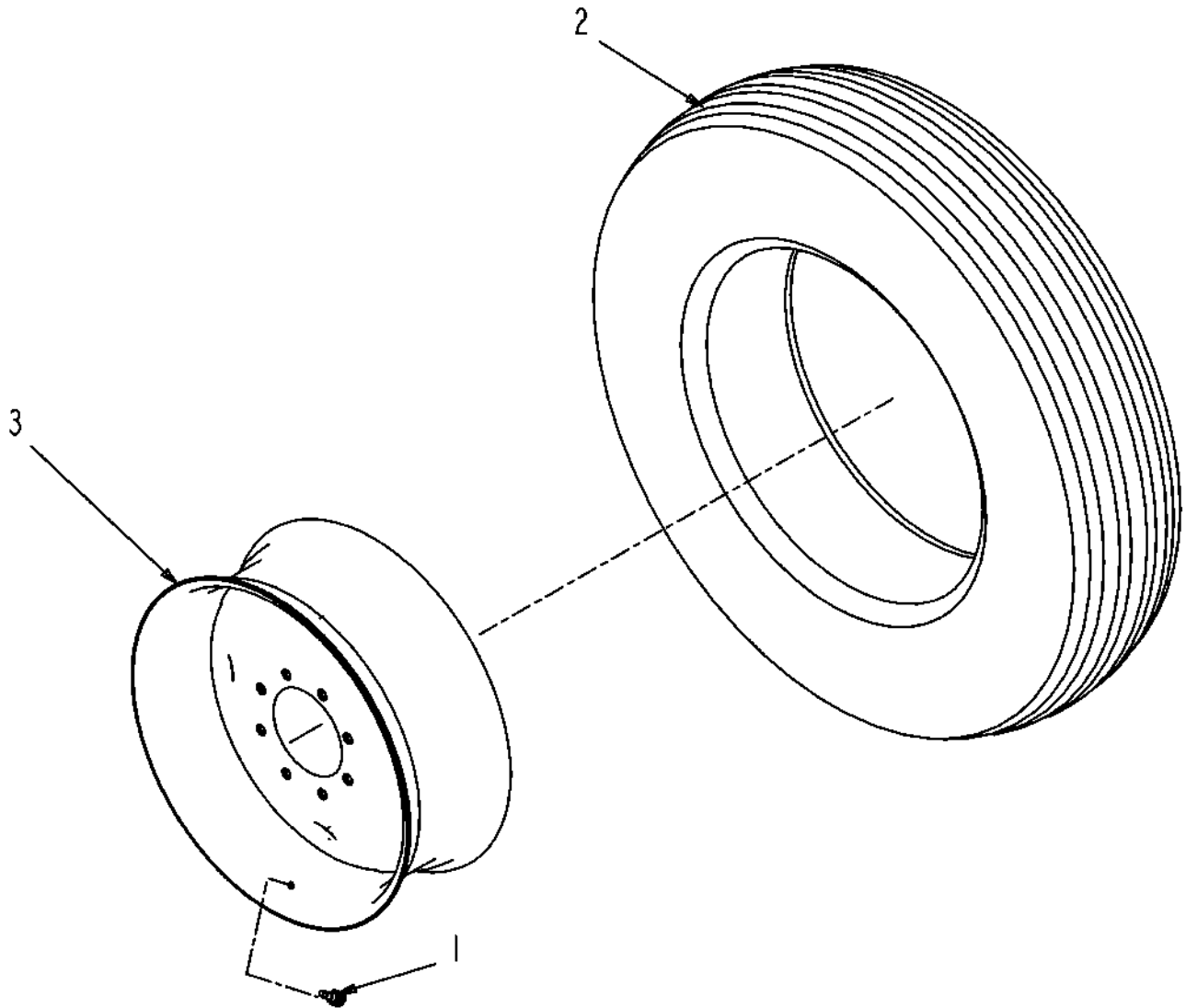
ITEM	PART #	QTY	DESCRIPTION	COMMENT
1	504433D1	1	TIRE ASM-320/85R24,LH,GRAY	SEE PAGE 10-2
2	504434D1	1	TIRE ASM-320/85R24,RH,GRAY	SEE PAGE 10-3
3	504435D1	2	TIRE ASM-9.00X24,GRAY	SEE PAGE 10-4
4	WR262948	4	DECAL-WARNING,REPL TIRE,ENG	
5	504431D1	4	DECAL-WARNING,TIRE INFL	



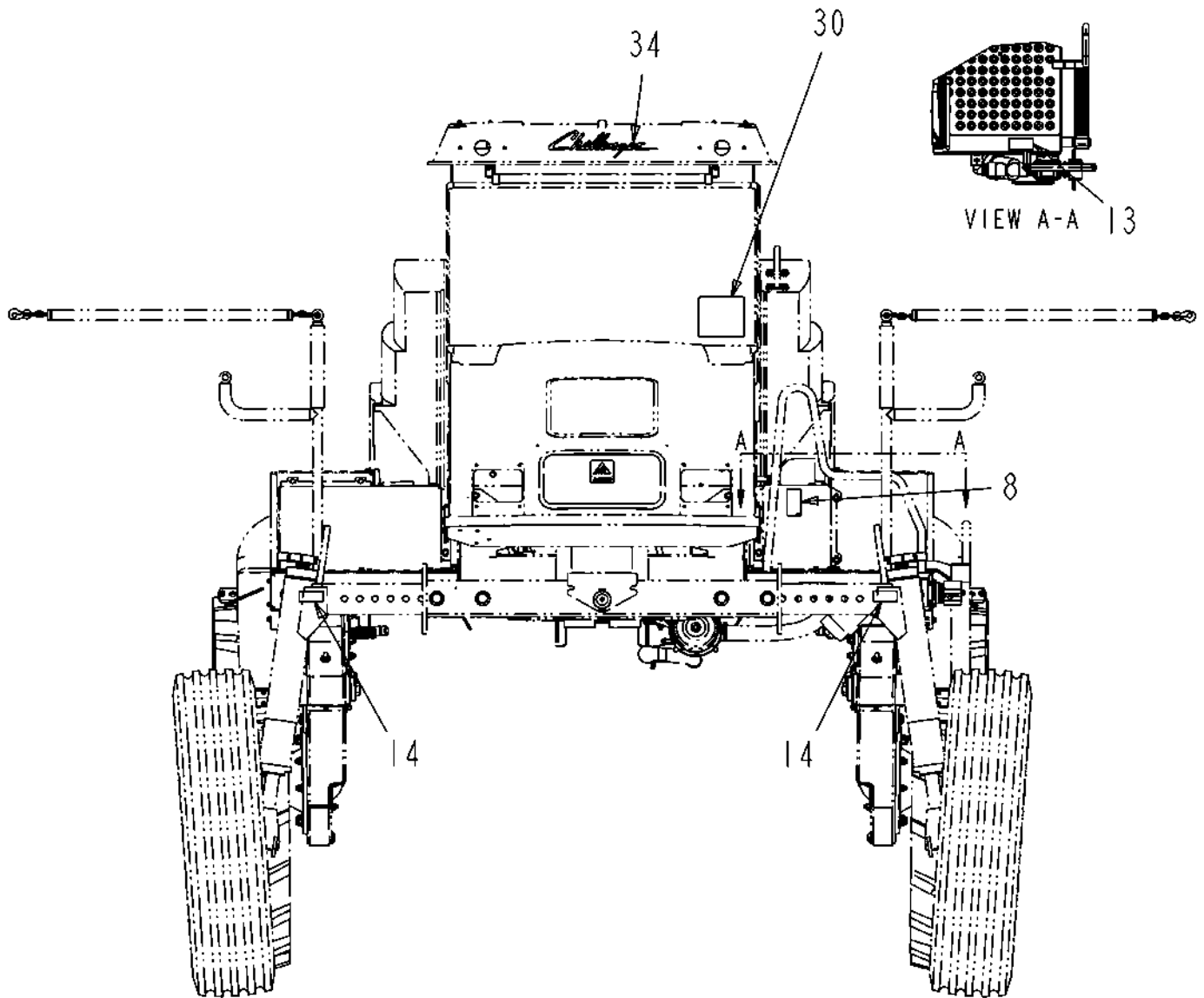
ITEM	PART #	QTY	DESCRIPTION	COMMENT
1	WR517766	1	VALVE TIRE	
2	503932D1	1	TIRE-320/85R24, LUG	
3	504440D1	1	RIM - 24 X 10,GRAY	



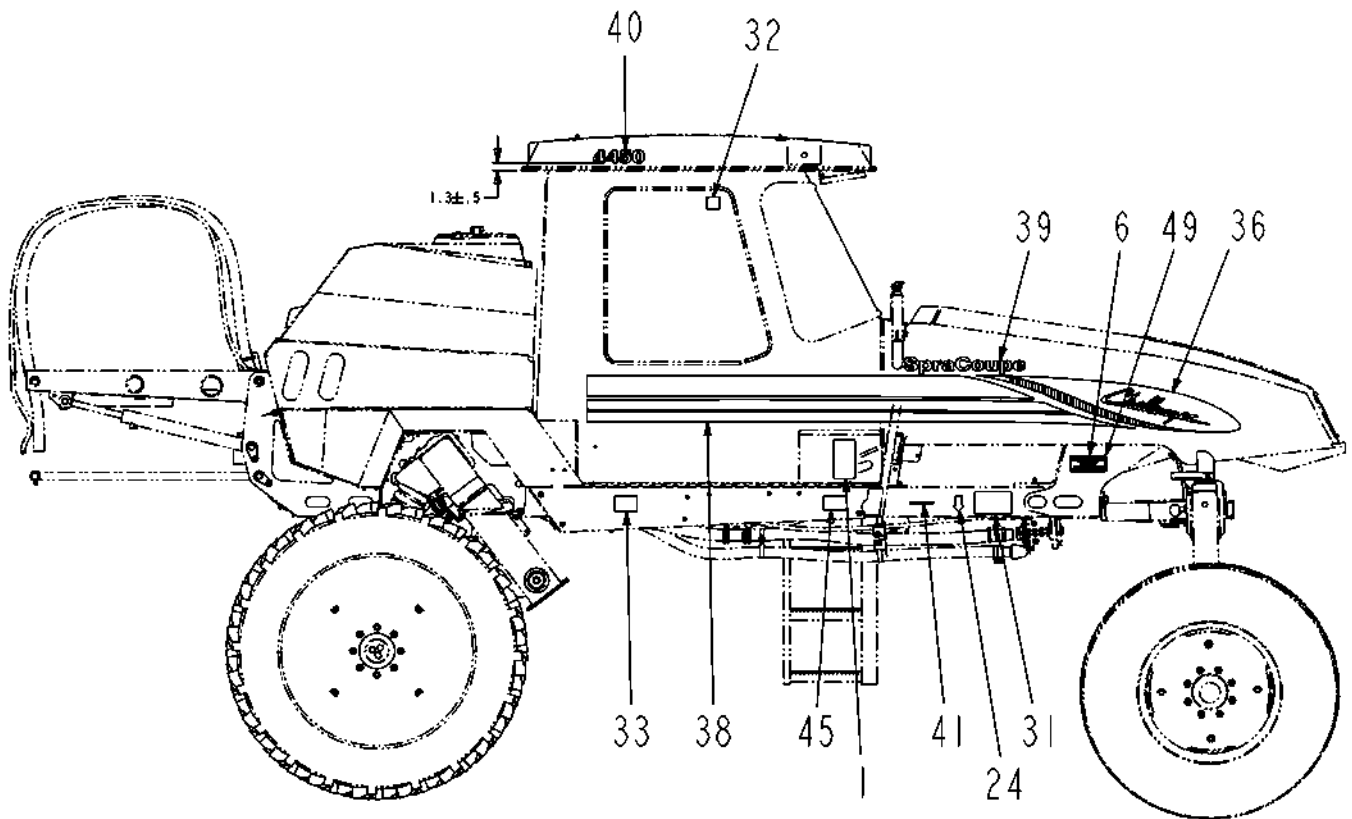
ITEM	PART #	QTY	DESCRIPTION	COMMENT
1	WR517766	1	VALVE TIRE	
2	503932D1	1	TIRE-320/85R24, LUG	
3	504440D1	1	RIM - 24 X 10,GRAY	



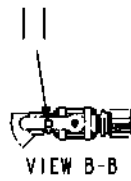
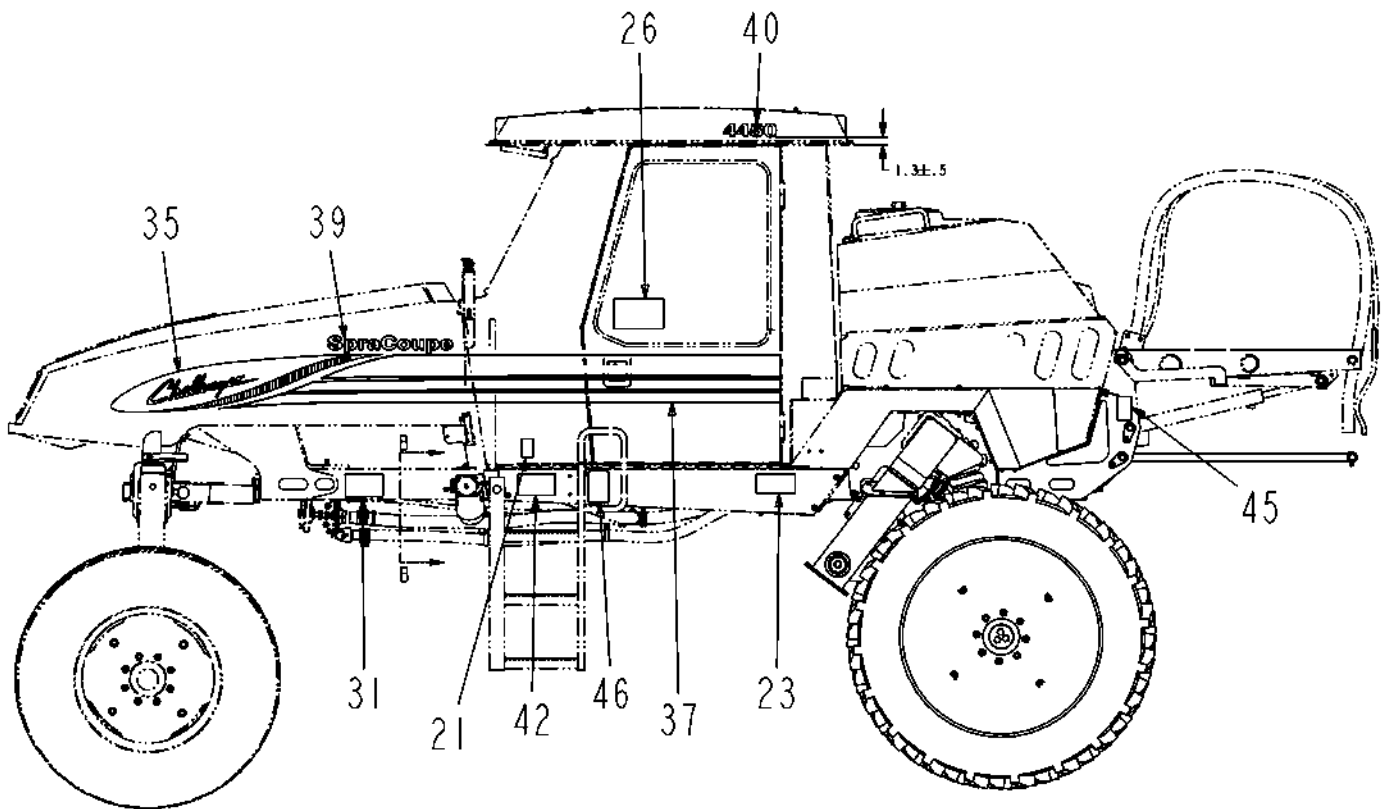
ITEM	PART #	QTY	DESCRIPTION	COMMENT
1	WR517766	1	VALVE TIRE	
2	6665649	1	TIRE-9.00-24,8 PLY	
3	504436D1	1	RIM - 24 X 8,GRAY	



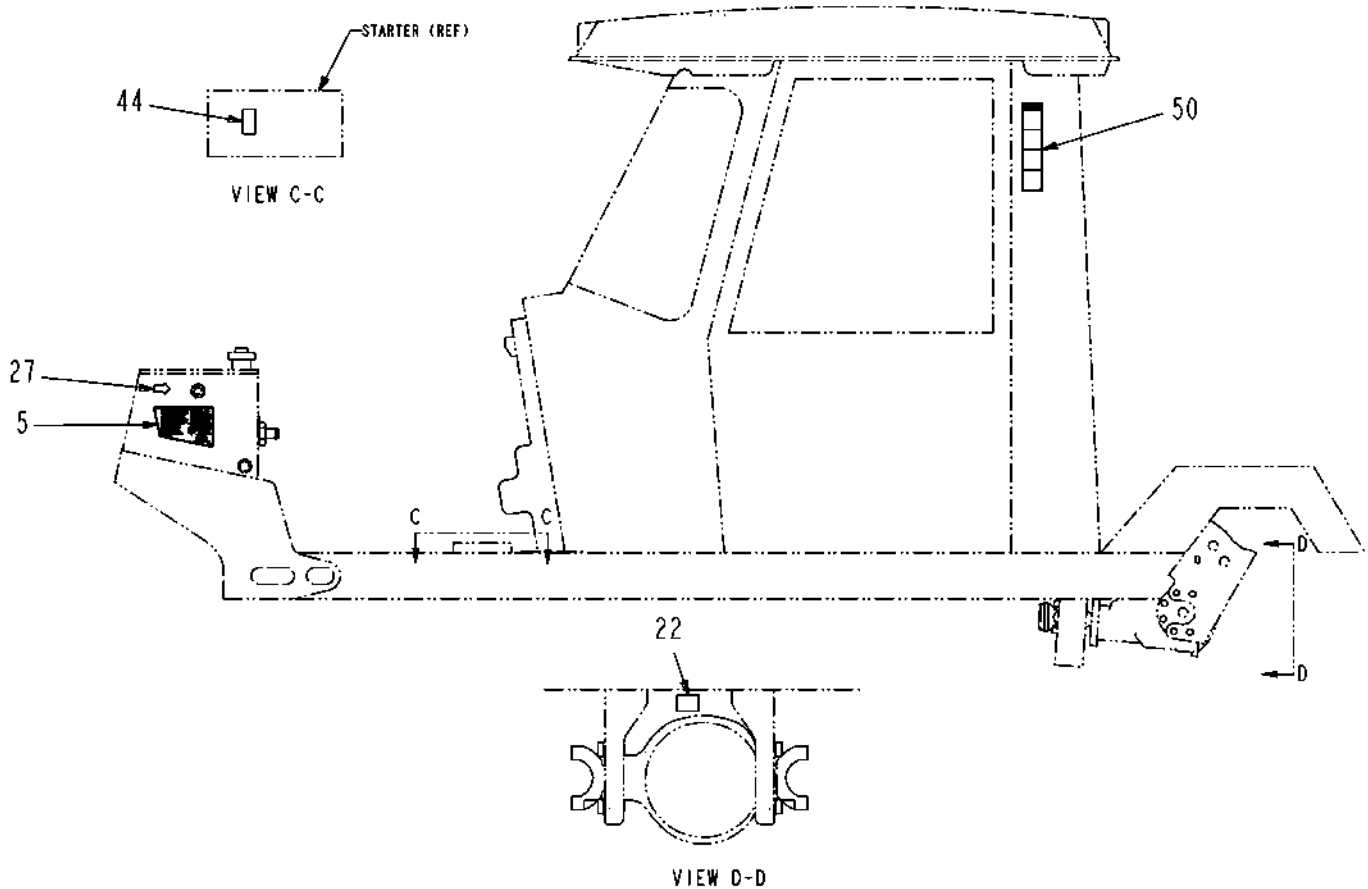
ITEM	PART #	QTY	DESCRIPTION	COMMENT
1	WR50955	1	DECAL-WARNING,BATTERY	
2	WR55537	1	DECAL-PATENT,SPRA COUPE	
3	WR55547	1	DECAL-WARNING,MULTI	
4	WR129978	1	DECAL-COOLANT ETHYLENE GLYCOL	
5	WR132523	1	DECAL-SERVICE	
6	222-2281	1	PLATE - SERIAL NO.	
7	6529638	1	DECAL-ENGINE,IDLE DOWN	
8	6589739	1	DECAL-DIESEL (ENG)	
9	6597954	1	DECAL-UP AGIT (ENG)	
10	6597955	1	DECAL-LOW AGIT	
11	6597956	1	DECAL-TANK FILL (ENG)	
12	6597957	1	DECAL-MAIN LINE (ENG)	
13	6597958	1	DECAL-BOOM,MANUAL (ENG)	
14	6612233	2	REFLECTOR-AMBER	
15	6612234	4	REFLECTOR-RED	
16	6620015	2	SHEETING,REFLECTIVE-AMBER	
17	6626483	1	DECAL-SHIFT	
18	6626686	1	DECAL-THROTTLE	
19	6626787	1	DECAL-LOCK,BOOM	
20	6626817	1	DECAL-TURN SIGNAL	
21	6626908	1	DECAL-WATER	
22	6627019	2	DECAL-SYNTHETIC OIL	
23	6627020	1	DECAL-SPIGOT	
24	6628550	1	DECAL-FUEL FILTER	
25	6801418	1	DECAL-HAND THROTTLE	
26	6802082	1	DECAL-WASHING	
27	6802470	1	DECAL-FILL,HYD OIL	
28	6802477	2	DECAL-CHAINCASE OIL	
29	6804059	1	DECAL-FUSE	
30	6804165	1	DECAL-STATIC	
31	71379132	2	DECAL-WARNING,BELT,FAN,	
32	71389158	1	DECAL-LABEL-EXIT	
33	72528122	1	DECAL-WARNING,HOT SURFACE	
34	500749D1	1	FILM-CHALLENGER	
35	504034D1	1	DECAL-HOOD,LH,CHAL	
36	504035D1	1	DECAL-HOOD,RH,CHAL	
37	504036D1	1	DECAL-CAB,LH,CHAL	
38	504037D1	1	DECAL-CAB,RH,CHAL	
39	504038D1	2	DECAL-SPRA COUPE, CHAL	
40	504039D1	2	DECAL-4450,CHAL	
41	504951D1	-	STAMPING-PRIMARY PIN MARKING	
42	WR37156	1	DECAL-WARNING,HAZARDOUS	
43	WR37158	2	DECAL-WARNING,CRUSHING,	
44	WR37159	1	DECAL-DANGER,BY-PASS,	
45	WR37164	3	DECAL-WARNING,HIGH	
46	WR37166	1	DECAL-WARNING,FALL OFF,	
47	WR37255	1	DECAL-BRAKE PRESSURE	
48	WR37257	1	DECAL-WARNING,CHEMICAL,	
49	WR37369	4	TACK-CARBON ST- 31 SERIES	
50	WR38198	1	DECAL-DANGER,CHEMICAL	
51	WR55673	2	DECAL TO DISCONNECT,	
52	WR55998	1	DECAL-WARNING,PARK BRAKE	



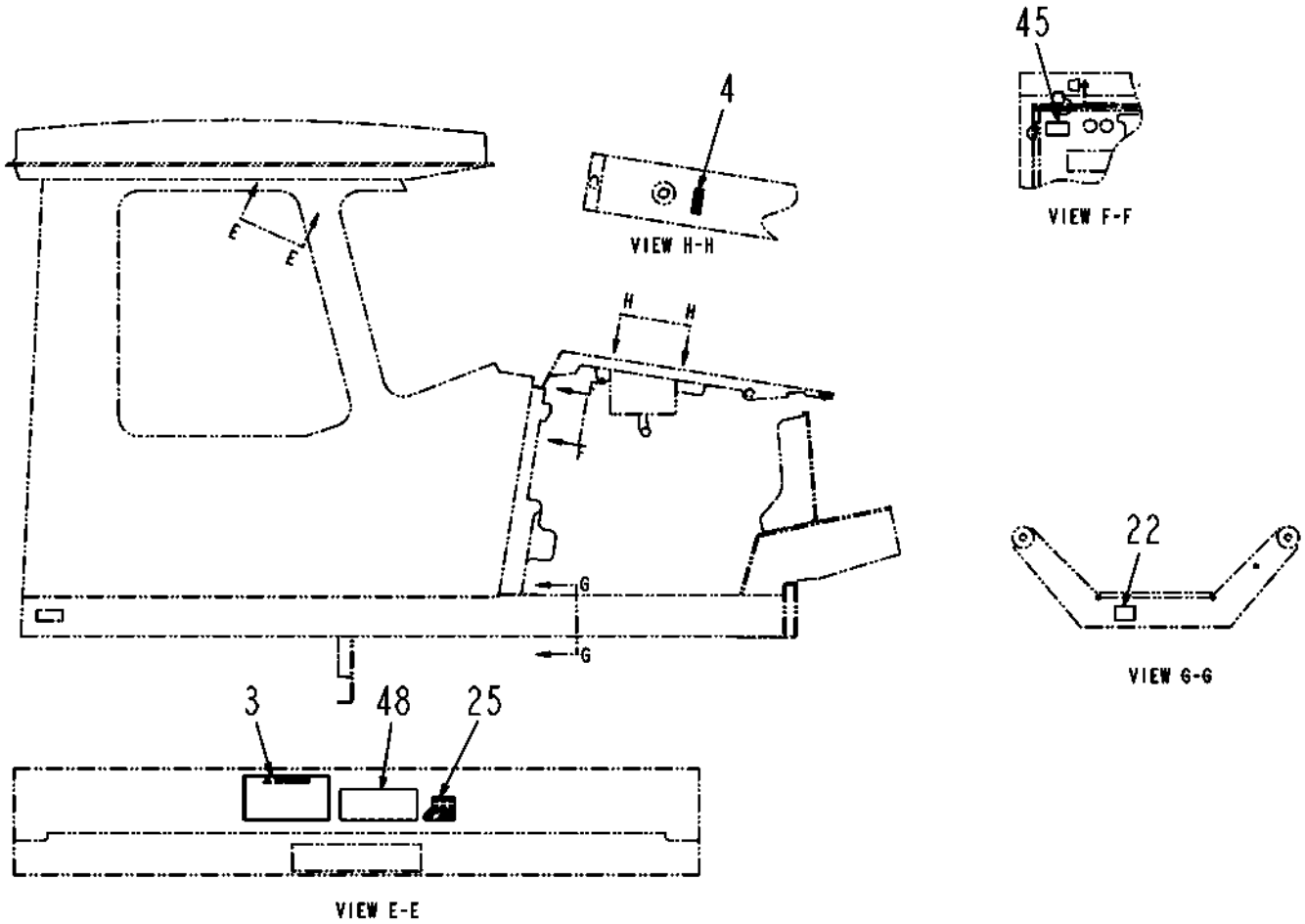
ITEM	PART #	QTY	DESCRIPTION	COMMENT
1	WR50955	1	DECAL-WARNING,BATTERY	
2	WR55537	1	DECAL-PATENT,SPRA COUPE	
3	WR55547	1	DECAL-WARNING,MULTI	
4	WR129978	1	DECAL-COOLANT ETHYLENE GLYCOL	
5	WR132523	1	DECAL-SERVICE	
6	222-2281	1	PLATE - SERIAL NO.	
7	6529638	1	DECAL-ENGINE, IDLE DOWN	
8	6589739	1	DECAL-DIESEL (ENG)	
9	6597954	1	DECAL-UP AGIT (ENG)	
10	6597955	1	DECAL-LOW AGIT	
11	6597956	1	DECAL-TANK FILL (ENG)	
12	6597957	1	DECAL-MAIN LINE (ENG)	
13	6597958	1	DECAL-BOOM,MANUAL (ENG)	
14	6612233	2	REFLECTOR-AMBER	
15	6612234	4	REFLECTOR-RED	
16	6620015	2	SHEETING,REFLECTIVE-AMBER	
17	6626483	1	DECAL-SHIFT	
18	6626686	1	DECAL-THROTTLE	
19	6626787	1	DECAL-LOCK,BOOM	
20	6626817	1	DECAL-TURN SIGNAL	
21	6626908	1	DECAL-WATER	
22	6627019	2	DECAL-SYNTHETIC OIL	
23	6627020	1	DECAL-SPIGOT	
24	6628550	1	DECAL-FUEL FILTER	
25	6801418	1	DECAL-HAND THROTTLE	
26	6802082	1	DECAL-WASHING	
27	6802470	1	DECAL-FILL,HYD OIL	
28	6802477	2	DECAL-CHAINCASE OIL	
29	6804059	1	DECAL-FUSE	
30	6804165	1	DECAL-STATIC	
31	71379132	2	DECAL-WARNING,BELT,FAN,	
32	71389158	1	DECAL-LABEL-EXIT	
33	72528122	1	DECAL-WARNING,HOT SURFACE	
34	500749D1	1	FILM-CHALLENGER	
35	504034D1	1	DECAL-HOOD,LH,CHAL	
36	504035D1	1	DECAL-HOOD,RH,CHAL	
37	504036D1	1	DECAL-CAB,LH,CHAL	
38	504037D1	1	DECAL-CAB,RH,CHAL	
39	504038D1	2	DECAL-SPRA COUPE, CHAL	
40	504039D1	2	DECAL-4450,CHAL	
41	504951D1	-	STAMPING-PRIMARY PIN MARKING	
42	WR37156	1	DECAL-WARNING,HAZARDOUS	
43	WR37158	2	DECAL-WARNING,CRUSHING,	
44	WR37159	1	DECAL-DANGER,BY-PASS,	
45	WR37164	3	DECAL-WARNING,HIGH	
46	WR37166	1	DECAL-WARNING,FALL OFF,	
47	WR37255	1	DECAL-BRAKE PRESSURE	
48	WR37257	1	DECAL-WARNING,CHEMICAL,	
49	WR37369	4	TACK-CARBON ST- 31 SERIES	
50	WR38198	1	DECAL-DANGER,CHEMICAL	
51	WR55673	2	DECAL TO DISCONNECT,	
52	WR55998	1	DECAL-WARNING,PARK BRAKE	



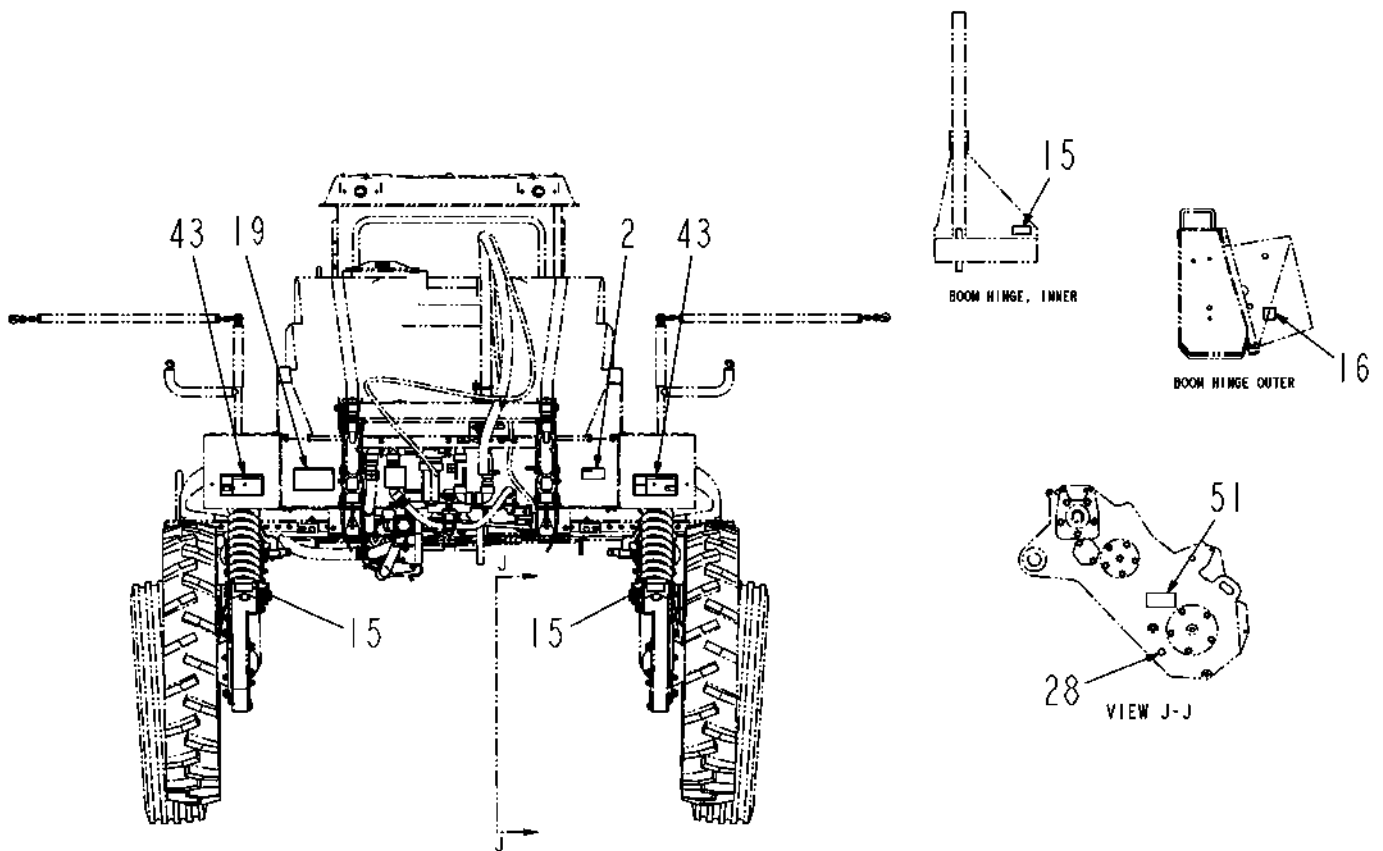
ITEM	PART #	QTY	DESCRIPTION	COMMENT
1	WR50955	1	DECAL-WARNING,BATTERY	
2	WR55537	1	DECAL-PATENT,SPRA COUPE	
3	WR55547	1	DECAL-WARNING,MULTI	
4	WR129978	1	DECAL-COOLANT ETHYLENE GLYCOL	
5	WR132523	1	DECAL-SERVICE	
6	222-2281	1	PLATE - SERIAL NO.	
7	6529638	1	DECAL-ENGINE,IDLE DOWN	
8	6589739	1	DECAL-DIESEL (ENG)	
9	6597954	1	DECAL-UP AGIT (ENG)	
10	6597955	1	DECAL-LOW AGIT	
11	6597956	1	DECAL-TANK FILL (ENG)	
12	6597957	1	DECAL-MAIN LINE (ENG)	
13	6597958	1	DECAL-BOOM,MANUAL (ENG)	
14	6612233	2	REFLECTOR-AMBER	
15	6612234	4	REFLECTOR-RED	
16	6620015	2	SHEETING,REFLECTIVE-AMBER	
17	6626483	1	DECAL-SHIFT	
18	6626686	1	DECAL-THROTTLE	
19	6626787	1	DECAL-LOCK,BOOM	
20	6626817	1	DECAL-TURN SIGNAL	
21	6626908	1	DECAL-WATER	
22	6627019	2	DECAL-SYNTHETIC OIL	
23	6627020	1	DECAL-SPIGOT	
24	6628550	1	DECAL-FUEL FILTER	
25	6801418	1	DECAL-HAND THROTTLE	
26	6802082	1	DECAL-WASHING	
27	6802470	1	DECAL-FILL,HYD OIL	
28	6802477	2	DECAL-CHAINCASE OIL	
29	6804059	1	DECAL-FUSE	
30	6804165	1	DECAL-STATIC	
31	71379132	2	DECAL-WARNING,BELT,FAN,	
32	71389158	1	DECAL-LABEL-EXIT	
33	72528122	1	DECAL-WARNING,HOT SURFACE	
34	500749D1	1	FILM-CHALLENGER	
35	504034D1	1	DECAL-HOOD,LH,CHAL	
36	504035D1	1	DECAL-HOOD,RH,CHAL	
37	504036D1	1	DECAL-CAB,LH,CHAL	
38	504037D1	1	DECAL-CAB,RH,CHAL	
39	504038D1	2	DECAL-SPRA COUPE, CHAL	
40	504039D1	2	DECAL-4450,CHAL	
41	504951D1	-	STAMPING-PRIMARY PIN MARKING	
42	WR37156	1	DECAL-WARNING,HAZARDOUS	
43	WR37158	2	DECAL-WARNING,CRUSHING,	
44	WR37159	1	DECAL-DANGER,BY-PASS,	
45	WR37164	3	DECAL-WARNING,HIGH	
46	WR37166	1	DECAL-WARNING,FALL OFF,	
47	WR37255	1	DECAL-BRAKE PRESSURE	
48	WR37257	1	DECAL-WARNING,CHEMICAL,	
49	WR37369	4	TACK-CARBON ST- 31 SERIES	
50	WR38198	1	DECAL-DANGER,CHEMICAL	
51	WR55673	2	DECAL TO DISCONNECT,	
52	WR55998	1	DECAL-WARNING,PARK BRAKE	



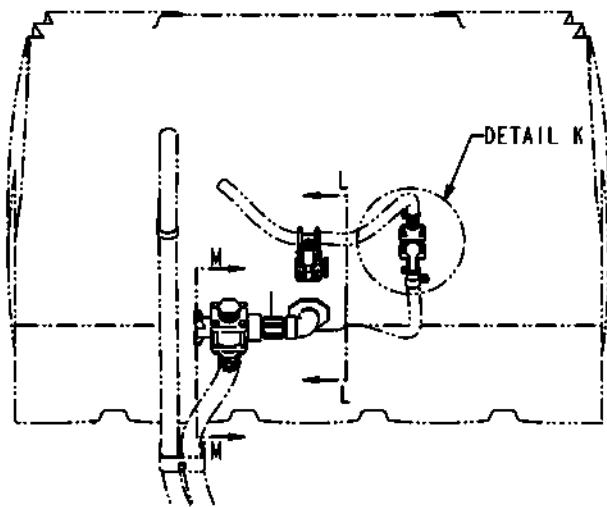
ITEM	PART #	QTY	DESCRIPTION	COMMENT
1	WR50955	1	DECAL-WARNING,BATTERY	
2	WR55537	1	DECAL-PATENT,SPRA COUPE	
3	WR55547	1	DECAL-WARNING,MULTI	
4	WR129978	1	DECAL-COOLANT ETHYLENE GLYCOL	
5	WR132523	1	DECAL-SERVICE	
6	222-2281	1	PLATE - SERIAL NO.	
7	6529638	1	DECAL-ENGINE, IDLE DOWN	
8	6589739	1	DECAL-DIESEL (ENG)	
9	6597954	1	DECAL-UP AGIT (ENG)	
10	6597955	1	DECAL-LOW AGIT	
11	6597956	1	DECAL-TANK FILL (ENG)	
12	6597957	1	DECAL-MAIN LINE (ENG)	
13	6597958	1	DECAL-BOOM,MANUAL (ENG)	
14	6612233	2	REFLECTOR-AMBER	
15	6612234	4	REFLECTOR-RED	
16	6620015	2	SHEETING, REFLECTIVE-AMBER	
17	6626483	1	DECAL-SHIFT	
18	6626686	1	DECAL-THROTTLE	
19	6626787	1	DECAL-LOCK,BOOM	
20	6626817	1	DECAL-TURN SIGNAL	
21	6626908	1	DECAL-WATER	
22	6627019	2	DECAL-SYNTHETIC OIL	
23	6627020	1	DECAL-SPIGOT	
24	6628550	1	DECAL-FUEL FILTER	
25	6801418	1	DECAL-HAND THROTTLE	
26	6802082	1	DECAL-WASHING	
27	6802470	1	DECAL-FILL,HYD OIL	
28	6802477	2	DECAL-CHAINCASE OIL	
29	6804059	1	DECAL-FUSE	
30	6804165	1	DECAL-STATIC	
31	71379132	2	DECAL-WARNING,BELT,FAN,	
32	71389158	1	DECAL-LABEL-EXIT	
33	72528122	1	DECAL-WARNING,HOT SURFACE	
34	500749D1	1	FILM-CHALLENGER	
35	504034D1	1	DECAL-HOOD,LH,CHAL	
36	504035D1	1	DECAL-HOOD,RH,CHAL	
37	504036D1	1	DECAL-CAB,LH,CHAL	
38	504037D1	1	DECAL-CAB,RH,CHAL	
39	504038D1	2	DECAL-SPRA COUPE, CHAL	
40	504039D1	2	DECAL-4450,CHAL	
41	504951D1	-	STAMPING-PRIMARY PIN MARKING	
42	WR37156	1	DECAL-WARNING,HAZARDOUS	
43	WR37158	2	DECAL-WARNING,CRUSHING,	
44	WR37159	1	DECAL-DANGER,BY-PASS,	
45	WR37164	3	DECAL-WARNING,HIGH	
46	WR37166	1	DECAL-WARNING,FALL OFF,	
47	WR37255	1	DECAL-BRAKE PRESSURE	
48	WR37257	1	DECAL-WARNING,CHEMICAL,	
49	WR37369	4	TACK-CARBON ST- 31 SERIES	
50	WR38198	1	DECAL-DANGER,CHEMICAL	
51	WR55673	2	DECAL TO DISCONNECT,	
52	WR55998	1	DECAL-WARNING,PARK BRAKE	



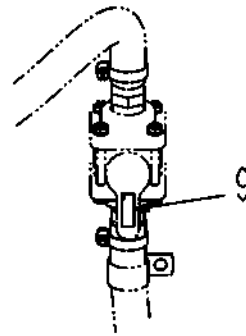
ITEM	PART #	QTY	DESCRIPTION	COMMENT
1	WR50955	1	DECAL-WARNING,BATTERY	
2	WR55537	1	DECAL-PATENT,SPRA COUPE	
3	WR55547	1	DECAL-WARNING,MULTI	
4	WR129978	1	DECAL-COOLANT ETHYLENE GLYCOL	
5	WR132523	1	DECAL-SERVICE	
6	222-2281	1	PLATE - SERIAL NO.	
7	6529638	1	DECAL-ENGINE,IDLE DOWN	
8	6589739	1	DECAL-DIESEL (ENG)	
9	6597954	1	DECAL-UP AGIT (ENG)	
10	6597955	1	DECAL-LOW AGIT	
11	6597956	1	DECAL-TANK FILL (ENG)	
12	6597957	1	DECAL-MAIN LINE (ENG)	
13	6597958	1	DECAL-BOOM,MANUAL (ENG)	
14	6612233	2	REFLECTOR-AMBER	
15	6612234	4	REFLECTOR-RED	
16	6620015	2	SHEETING,REFLECTIVE-AMBER	
17	6626483	1	DECAL-SHIFT	
18	6626686	1	DECAL-THROTTLE	
19	6626787	1	DECAL-LOCK,BOOM	
20	6626817	1	DECAL-TURN SIGNAL	
21	6626908	1	DECAL-WATER	
22	6627019	2	DECAL-SYNTHETIC OIL	
23	6627020	1	DECAL-SPIGOT	
24	6628550	1	DECAL-FUEL FILTER	
25	6801418	1	DECAL-HAND THROTTLE	
26	6802082	1	DECAL-WASHING	
27	6802470	1	DECAL-FILL,HYD OIL	
28	6802477	2	DECAL-CHAINCASE OIL	
29	6804059	1	DECAL-FUSE	
30	6804165	1	DECAL-STATIC	
31	71379132	2	DECAL-WARNING,BELT,FAN,	
32	71389158	1	DECAL-LABEL-EXIT	
33	72528122	1	DECAL-WARNING,HOT SURFACE	
34	500749D1	1	FILM-CHALLENGER	
35	504034D1	1	DECAL-HOOD,LH,CHAL	
36	504035D1	1	DECAL-HOOD,RH,CHAL	
37	504036D1	1	DECAL-CAB,LH,CHAL	
38	504037D1	1	DECAL-CAB,RH,CHAL	
39	504038D1	2	DECAL-SPRA COUPE, CHAL	
40	504039D1	2	DECAL-4450,CHAL	
41	504951D1	-	STAMPING-PRIMARY PIN MARKING	
42	WR37156	1	DECAL-WARNING,HAZARDOUS	
43	WR37158	2	DECAL-WARNING,CRUSHING,	
44	WR37159	1	DECAL-DANGER,BY-PASS,	
45	WR37164	3	DECAL-WARNING,HIGH	
46	WR37166	1	DECAL-WARNING,FALL OFF,	
47	WR37255	1	DECAL-BRAKE PRESSURE	
48	WR37257	1	DECAL-WARNING,CHEMICAL,	
49	WR37369	4	TACK-CARBON ST- 31 SERIES	
50	WR38198	1	DECAL-DANGER,CHEMICAL	
51	WR55673	2	DECAL TO DISCONNECT,	
52	WR55998	1	DECAL-WARNING,PARK BRAKE	



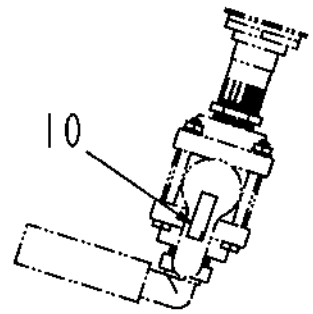
ITEM	PART #	QTY	DESCRIPTION	COMMENT
1	WR50955	1	DECAL-WARNING,BATTERY	
2	WR55537	1	DECAL-PATENT,SPRA COUPE	
3	WR55547	1	DECAL-WARNING,MULTI	
4	WR129978	1	DECAL-COOLANT ETHYLENE GLYCOL	
5	WR132523	1	DECAL-SERVICE	
6	222-2281	1	PLATE - SERIAL NO.	
7	6529638	1	DECAL-ENGINE, IDLE DOWN	
8	6589739	1	DECAL-DIESEL (ENG)	
9	6597954	1	DECAL-UP AGIT (ENG)	
10	6597955	1	DECAL-LOW AGIT	
11	6597956	1	DECAL-TANK FILL (ENG)	
12	6597957	1	DECAL-MAIN LINE (ENG)	
13	6597958	1	DECAL-BOOM,MANUAL (ENG)	
14	6612233	2	REFLECTOR-AMBER	
15	6612234	4	REFLECTOR-RED	
16	6620015	2	SHEETING,REFLECTIVE-AMBER	
17	6626483	1	DECAL-SHIFT	
18	6626686	1	DECAL-THROTTLE	
19	6626787	1	DECAL-LOCK,BOOM	
20	6626817	1	DECAL-TURN SIGNAL	
21	6626908	1	DECAL-WATER	
22	6627019	2	DECAL-SYNTHETIC OIL	
23	6627020	1	DECAL-SPIGOT	
24	6628550	1	DECAL-FUEL FILTER	
25	6801418	1	DECAL-HAND THROTTLE	
26	6802082	1	DECAL-WASHING	
27	6802470	1	DECAL-FILL,HYD OIL	
28	6802477	2	DECAL-CHAINCASE OIL	
29	6804059	1	DECAL-FUSE	
30	6804165	1	DECAL-STATIC	
31	71379132	2	DECAL-WARNING,BELT,FAN,	
32	71389158	1	DECAL-LABEL-EXIT	
33	72528122	1	DECAL-WARNING,HOT SURFACE	
34	500749D1	1	FILM-CHALLENGER	
35	504034D1	1	DECAL-HOOD,LH,CHAL	
36	504035D1	1	DECAL-HOOD,RH,CHAL	
37	504036D1	1	DECAL-CAB,LH,CHAL	
38	504037D1	1	DECAL-CAB,RH,CHAL	
39	504038D1	2	DECAL-SPRA COUPE, CHAL	
40	504039D1	2	DECAL-4450,CHAL	
41	504951D1	-	STAMPING-PRIMARY PIN MARKING	
42	WR37156	1	DECAL-WARNING,HAZARDOUS	
43	WR37158	2	DECAL-WARNING,CRUSHING,	
44	WR37159	1	DECAL-DANGER,BY-PASS,	
45	WR37164	3	DECAL-WARNING,HIGH	
46	WR37166	1	DECAL-WARNING,FALL OFF,	
47	WR37255	1	DECAL-BRAKE PRESSURE	
48	WR37257	1	DECAL-WARNING,CHEMICAL,	
49	WR37369	4	TACK-CARBON ST- 31 SERIES	
50	WR38198	1	DECAL-DANGER,CHEMICAL	
51	WR55673	2	DECAL TO DISCONNECT,	
52	WR55998	1	DECAL-WARNING,PARK BRAKE	



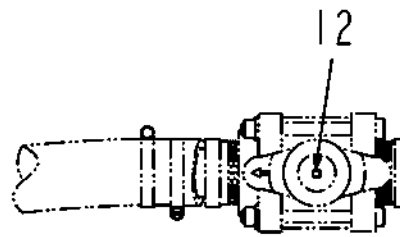
TANK VIEW



DETAIL K

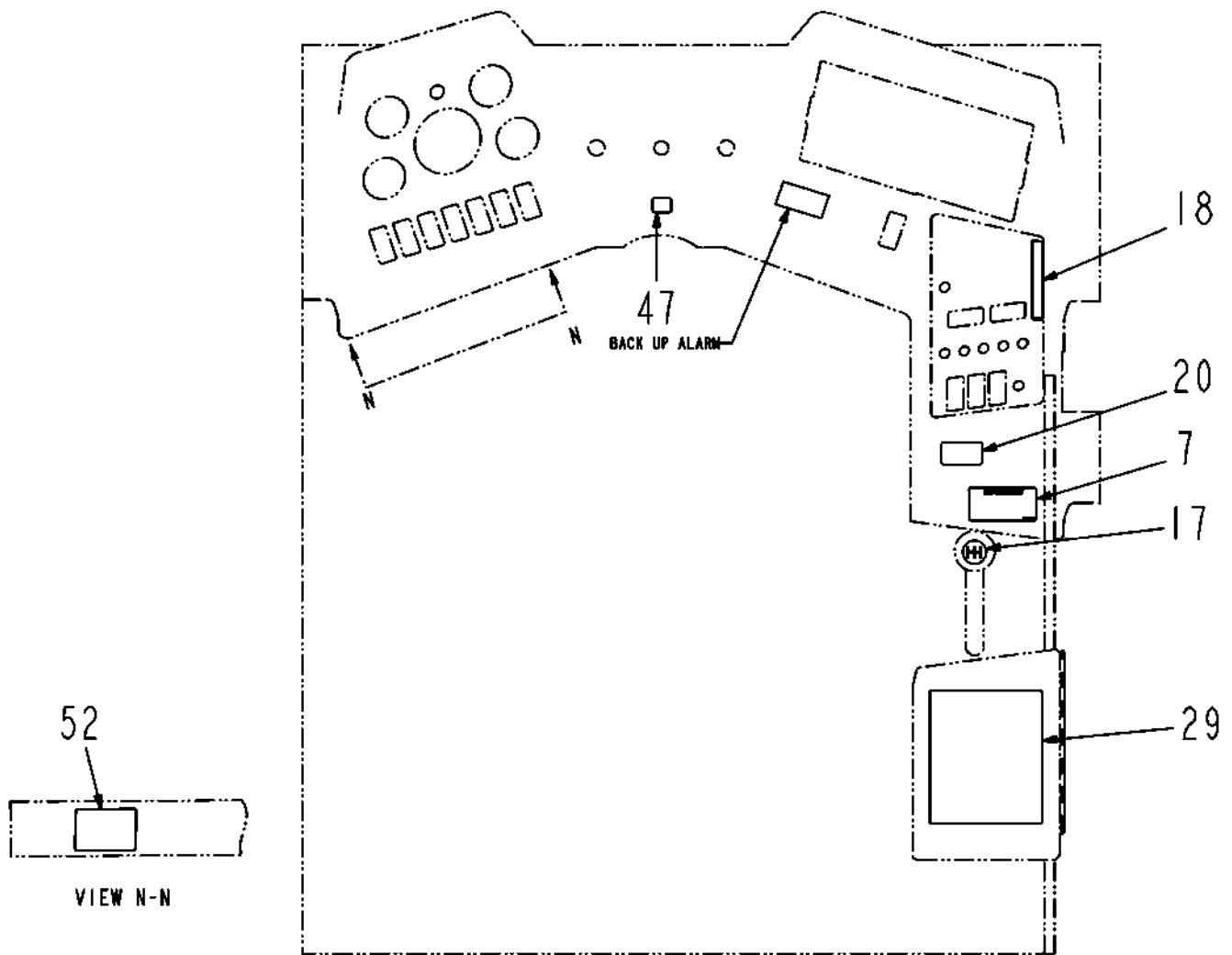


VIEW L-L

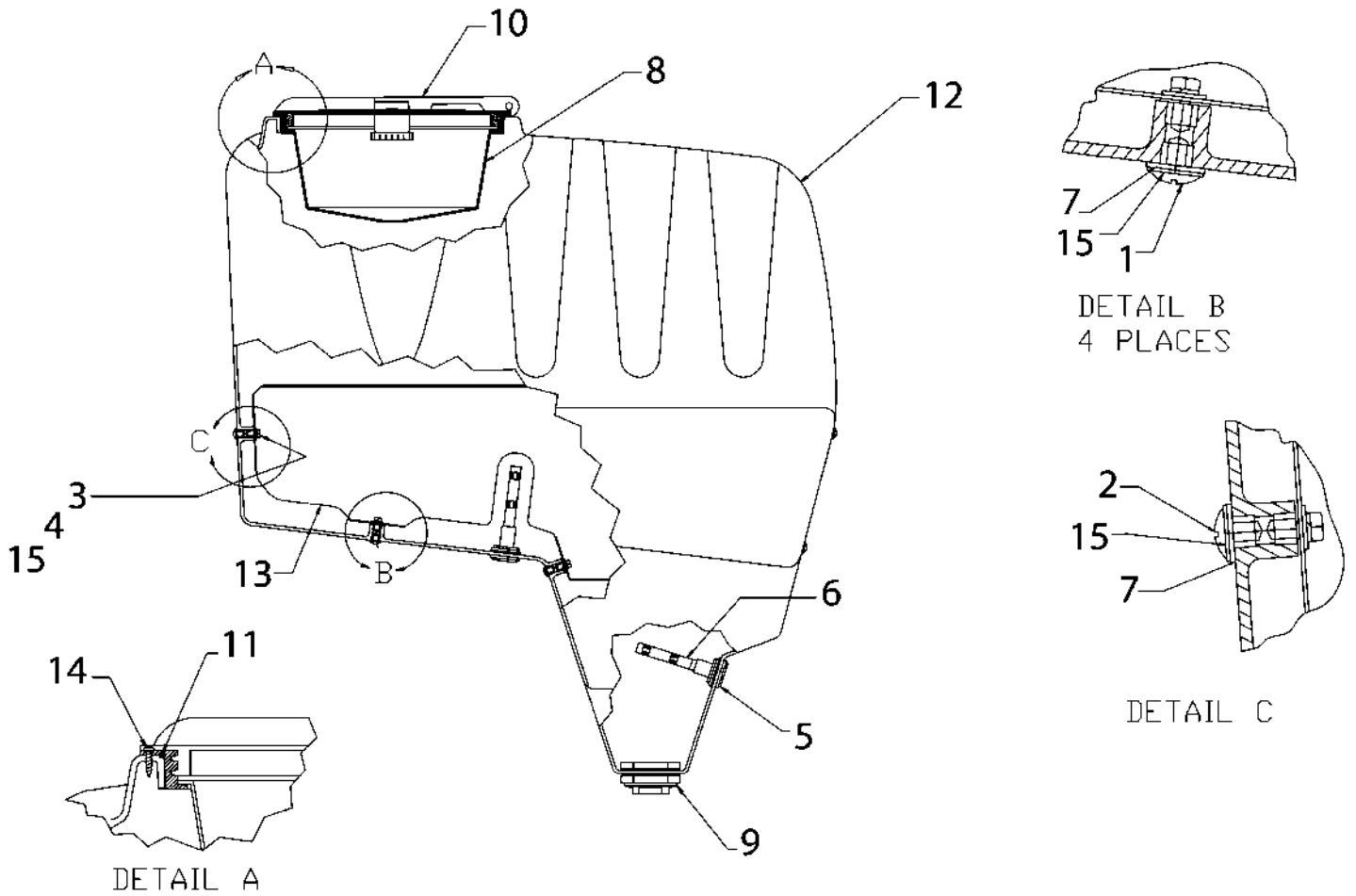


VIEW M-M

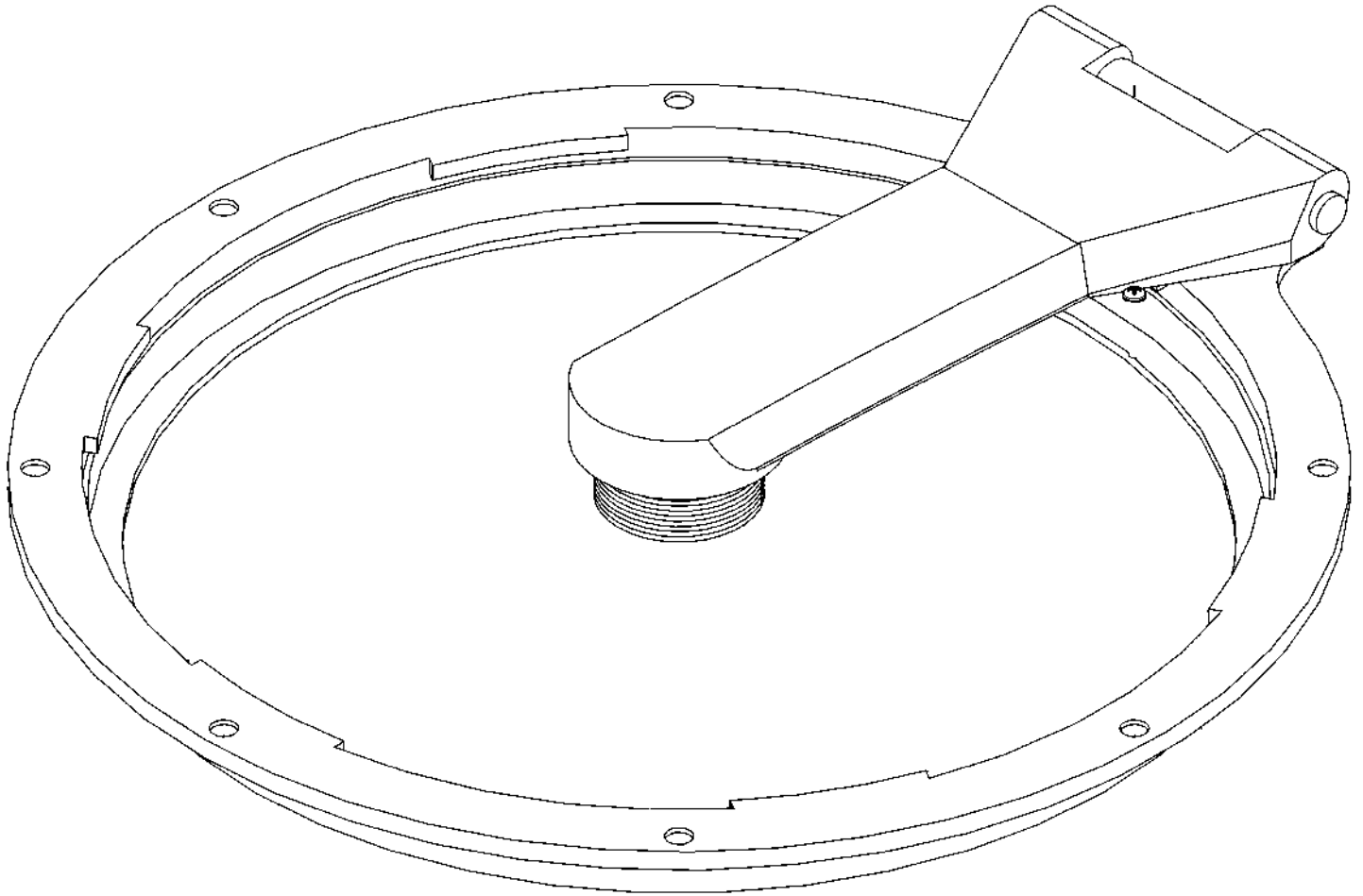
ITEM	PART #	QTY	DESCRIPTION	COMMENT
1	WR50955	1	DECAL-WARNING,BATTERY	
2	WR55537	1	DECAL-PATENT.SPRA COUPE	
3	WR55547	1	DECAL-WARNING,MULTI	
4	WR129978	1	DECAL-COOLANT ETHYLENE GLYCOL	
5	WR132523	1	DECAL-SERVICE	
6	222-2281	1	PLATE - SERIAL NO.	
7	6529638	1	DECAL-ENGINE,IDLE DOWN	
8	6589739	1	DECAL-DIESEL (ENG)	
9	6597954	1	DECAL-UP AGIT (ENG)	
10	6597955	1	DECAL-LOW AGIT	
11	6597956	1	DECAL-TANK FILL (ENG)	
12	6597957	1	DECAL-MAIN LINE (ENG)	
13	6597958	1	DECAL-BOOM,MANUAL (ENG)	
14	6612233	2	REFLECTOR-AMBER	
15	6612234	4	REFLECTOR-RED	
16	6620015	2	SHEETING,REFLECTIVE-AMBER	
17	6626483	1	DECAL-SHIFT	
18	6626686	1	DECAL-THROTTLE	
19	6626787	1	DECAL-LOCK,BOOM	
20	6626817	1	DECAL-TURN SIGNAL	
21	6626908	1	DECAL-WATER	
22	6627019	2	DECAL-SYNTHETIC OIL	
23	6627020	1	DECAL-SPIGOT	
24	6628550	1	DECAL-FUEL FILTER	
25	6801418	1	DECAL-HAND THROTTLE	
26	6802082	1	DECAL-WASHING	
27	6802470	1	DECAL-FILL,HYD OIL	
28	6802477	2	DECAL-CHAINCASE OIL	
29	6804059	1	DECAL-FUSE	
30	6804165	1	DECAL-STATIC	
31	71379132	2	DECAL-WARNING,BELT,FAN,	
32	71389158	1	DECAL-LABEL-EXIT	
33	72528122	1	DECAL-WARNING,HOT SURFACE	
34	500749D1	1	FILM-CHALLENGER	
35	504034D1	1	DECAL-HOOD,LH,CHAL	
36	504035D1	1	DECAL-HOOD,RH,CHAL	
37	504036D1	1	DECAL-CAB,LH,CHAL	
38	504037D1	1	DECAL-CAB,RH,CHAL	
39	504038D1	2	DECAL-SPRA COUPE, CHAL	
40	504039D1	2	DECAL-4450,CHAL	
41	504951D1	-	STAMPING-PRIMARY PIN MARKING	
42	WR37156	1	DECAL-WARNING,HAZARDOUS	
43	WR37158	2	DECAL-WARNING,CRUSHING,	
44	WR37159	1	DECAL-DANGER,BY-PASS,	
45	WR37164	3	DECAL-WARNING,HIGH	
46	WR37166	1	DECAL-WARNING,FALL OFF,	
47	WR37255	1	DECAL-BRAKE PRESSURE	
48	WR37257	1	DECAL-WARNING,CHEMICAL,	
49	WR37369	4	TACK-CARBON ST- 31 SERIES	
50	WR38198	1	DECAL-DANGER,CHEMICAL	
51	WR55673	2	DECAL TO DISCONNECT,	
52	WR55998	1	DECAL-WARNING,PARK BRAKE	



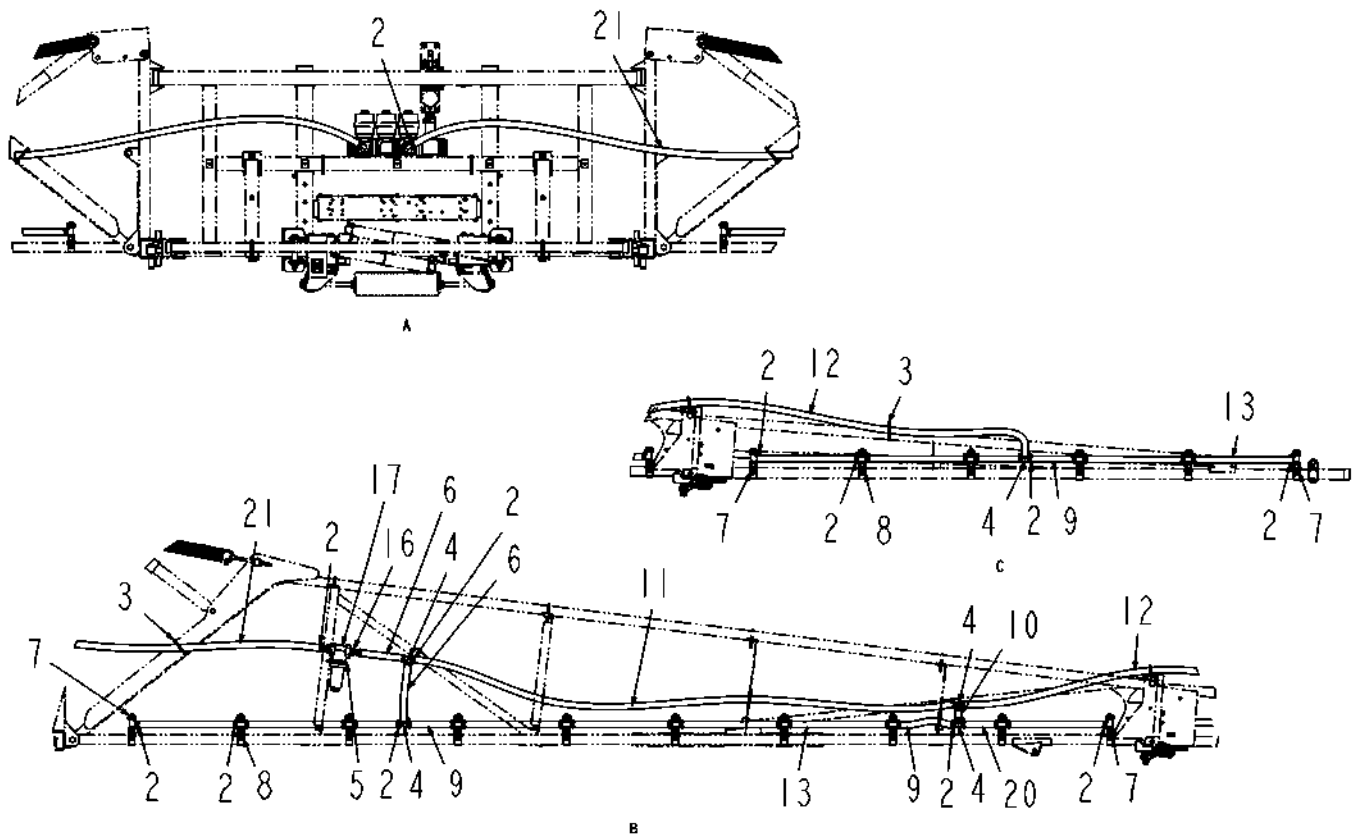
ITEM	PART #	QTY	DESCRIPTION	COMMENT
1	WR50955	1	DECAL-WARNING,BATTERY	
2	WR55537	1	DECAL-PATENT.SPRA COUPE	
3	WR55547	1	DECAL-WARNING,MULTI	
4	WR129978	1	DECAL-COOLANT ETHYLENE GLYCOL	
5	WR132523	1	DECAL-SERVICE	
6	222-2281	1	PLATE - SERIAL NO.	
7	6529638	1	DECAL-ENGINE,IDLE DOWN	
8	6589739	1	DECAL-DIESEL (ENG)	
9	6597954	1	DECAL-UP AGIT (ENG)	
10	6597955	1	DECAL-LOW AGIT	
11	6597956	1	DECAL-TANK FILL (ENG)	
12	6597957	1	DECAL-MAIN LINE (ENG)	
13	6597958	1	DECAL-BOOM.MANUAL (ENG)	
14	6612233	2	REFLECTOR-AMBER	
15	6612234	4	REFLECTOR-RED	
16	6620015	2	SHEETING,REFLECTIVE-AMBER	
17	6626483	1	DECAL-SHIFT	
18	6626686	1	DECAL-THROTTLE	
19	6626787	1	DECAL-LOCK,BOOM	
20	6626817	1	DECAL-TURN SIGNAL	
21	6626908	1	DECAL-WATER	
22	6627019	2	DECAL-SYNTHETIC OIL	
23	6627020	1	DECAL-SPIGOT	
24	6628550	1	DECAL-FUEL FILTER	
25	6801418	1	DECAL-HAND THROTTLE	
26	6802082	1	DECAL-WASHING	
27	6802470	1	DECAL-FILL,HYD OIL	
28	6802477	2	DECAL-CHAINCASE OIL	
29	6804059	1	DECAL-FUSE	
30	6804165	1	DECAL-STATIC	
31	71379132	2	DECAL-WARNING,BELT,FAN,	
32	71389158	1	DECAL-LABEL-EXIT	
33	72528122	1	DECAL-WARNING,HOT SURFACE	
34	500749D1	1	FILM-CHALLENGER	
35	504034D1	1	DECAL-HOOD,LH,CHAL	
36	504035D1	1	DECAL-HOOD,RH,CHAL	
37	504036D1	1	DECAL-CAB,LH,CHAL	
38	504037D1	1	DECAL-CAB,RH,CHAL	
39	504038D1	2	DECAL-SPRA COUPE, CHAL	
40	504039D1	2	DECAL-4450,CHAL	
41	504951D1	-	STAMPING-PRIMARY PIN MARKING	
42	WR37156	1	DECAL-WARNING,HAZARDOUS	
43	WR37158	2	DECAL-WARNING,CRUSHING,	
44	WR37159	1	DECAL-DANGER,BY-PASS,	
45	WR37164	3	DECAL-WARNING,HIGH	
46	WR37166	1	DECAL-WARNING,FALL OFF,	
47	WR37255	1	DECAL-BRAKE PRESSURE	
48	WR37257	1	DECAL-WARNING,CHEMICAL,	
49	WR37369	4	TACK-CARBON ST- 31 SERIES	
50	WR38198	1	DECAL-DANGER,CHEMICAL	
51	WR55673	2	DECAL TO DISCONNECT,	
52	WR55998	1	DECAL-WARNING,PARK BRAKE	



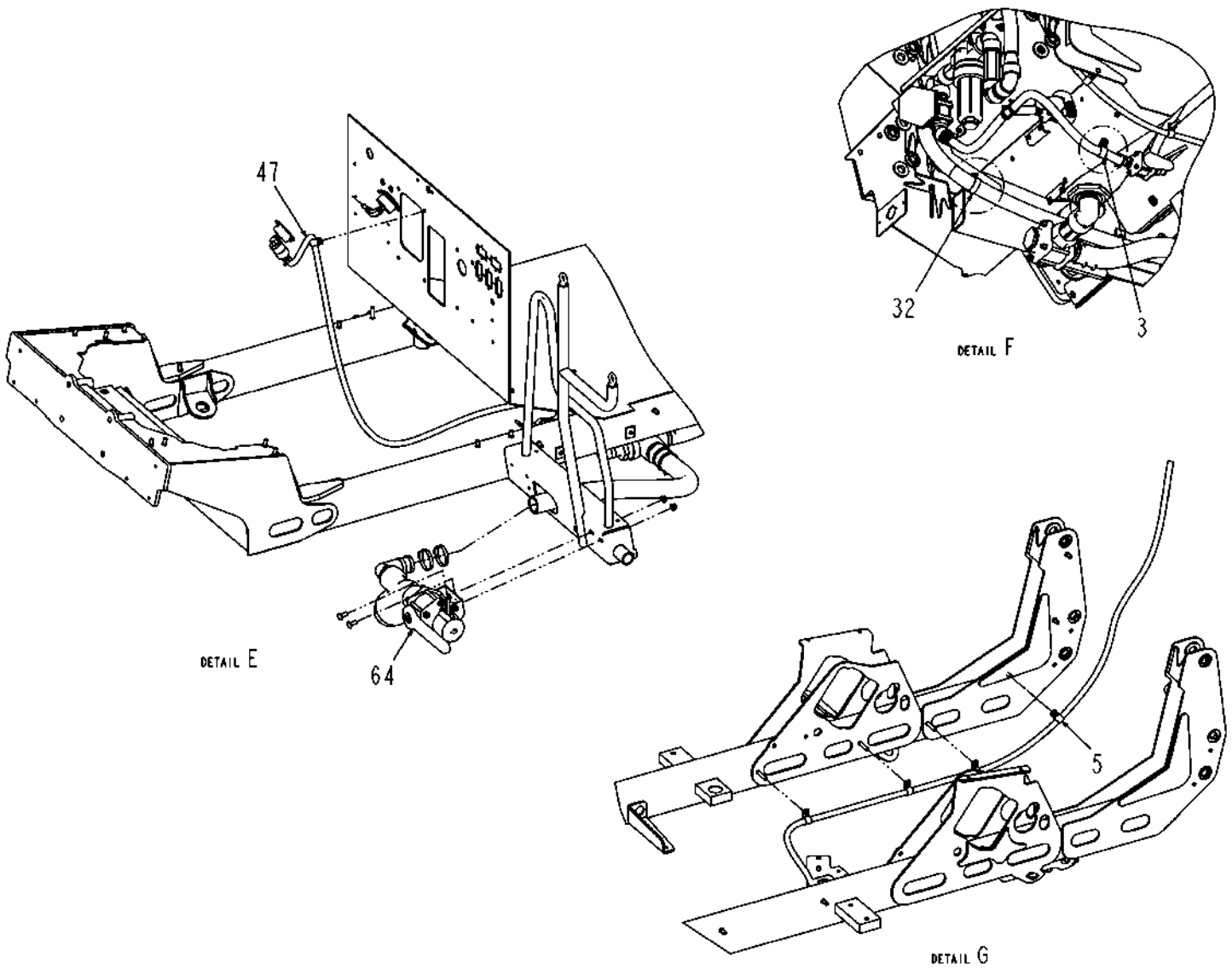
ITEM	PART #	QTY	DESCRIPTION	COMMENT
1	WR55570	4	SCREW-TRUSS HEAD.SS,	
2	WR55571	1	SCREW-TRUSS HEAD. SS,	
3	WR55625	5	WASHER LOCK 3/8 SS	
4	WR562120	5	BOLT 0.37-16NCX 0.75 S.S. HHD	
5	6512905	2	INSERT ASSY-SQ END	SEE PAGE 13-31
6	6620467	2	AGITATOR-A&M	
7	6630910	5	GASKET-SEAT	
8	6670277	1	SCREEN-TANK,SPRAY	
9	6670290	1	FITTING-TANK,2 IN	
10	6672457	1	COVER-HINGED	SEE PAGE 12-2
11	6672485	1	GASKET-RIM,400 GALLON	
12	6801235	1	TANK-SPRAY	
13	6804552	1	SHIELD-BAFFLE	
14	6804681	8	SCREW-STAINLESS	
15	WR10416	5	WASHER-FLAT, 3/8 ID SS	



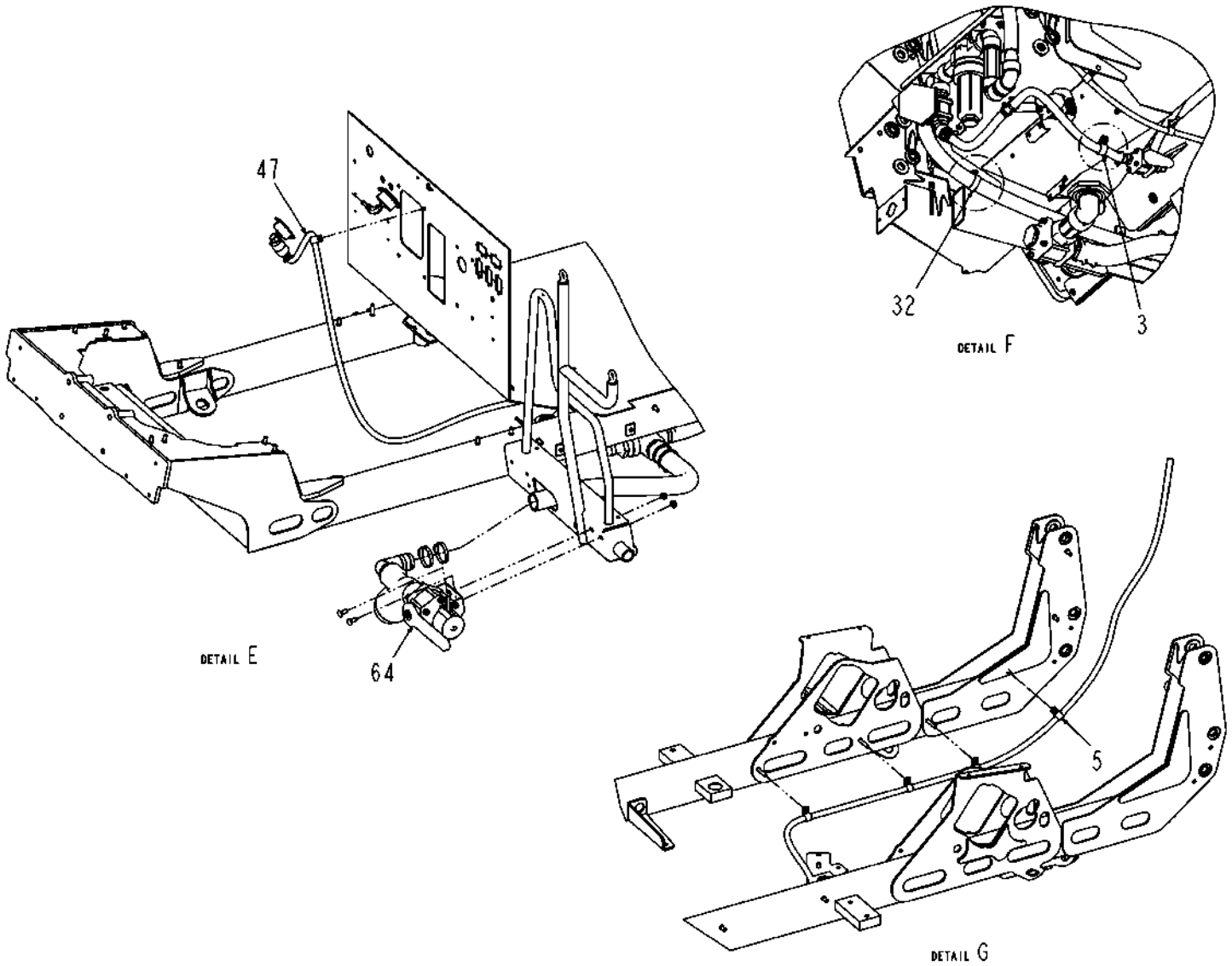
ITEM	PART #	QTY	DESCRIPTION	COMMENT
REF	WR55589	1	GASKET-LID,400 GALLON	
REF	WR55622	1	O RING-ARM SEAL,400 GAL	



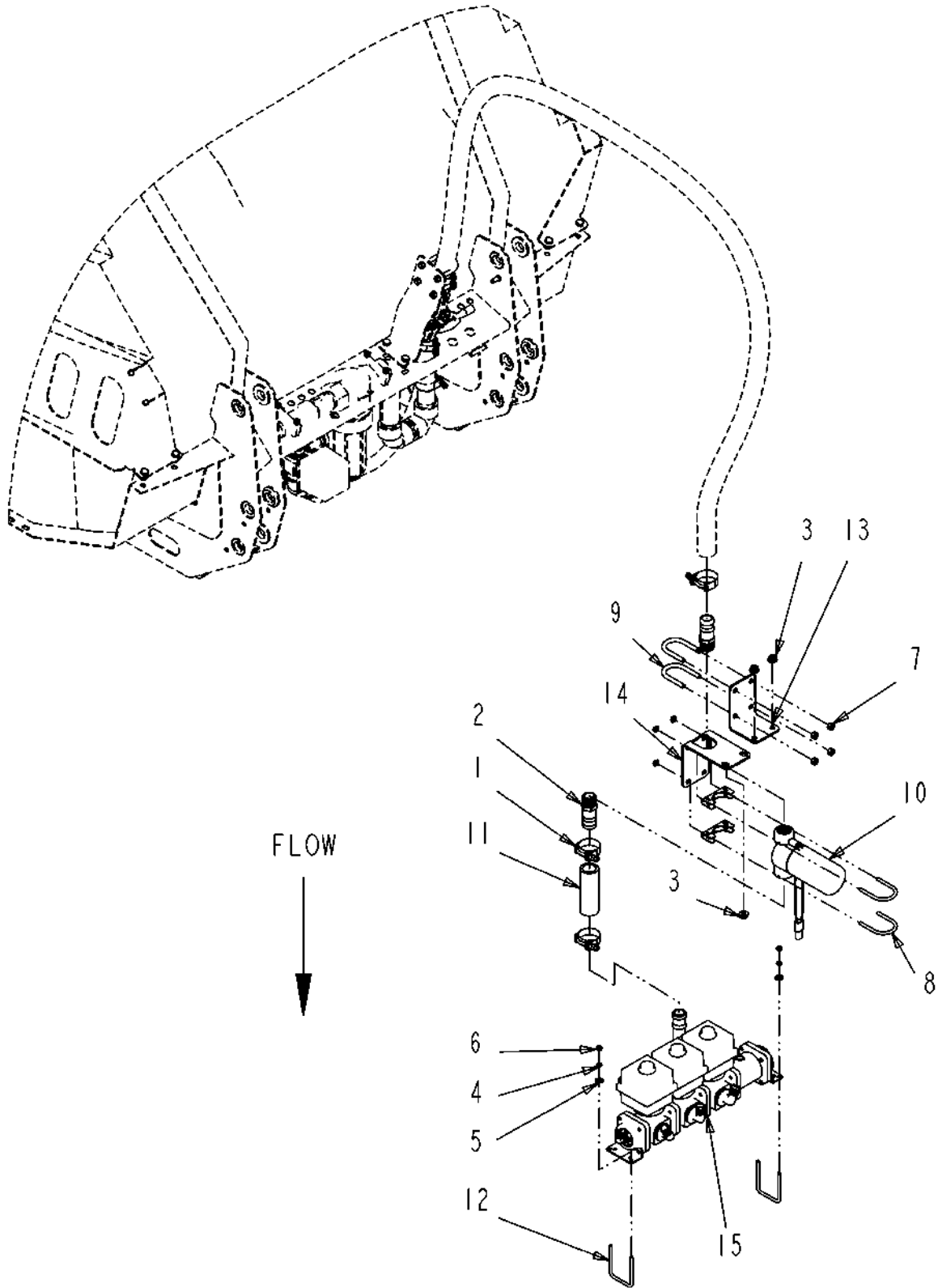
ITEM	PART #	QTY	DESCRIPTION	COMMENT
1	WR55170	32	BOLT-CARRIAGE,M6 X 60,1.0	
2	WR132508	8	NOZZLE ASM-SINGLE	SEE PAGE 13-17
3	WR132509	24	NOZZLE ASM-DOUBLE	SEE PAGE 13-18
4	WR561229	92	CLAMP 0.68-1.25 HOSE 12HS	
5	WR562496	AR	TIE CABLE 15.0 .18-4.00 BLACK	
6	6511103	10	TEE	
7	6595786	2	CLAMP-FULL CIRCLE	
8	6595825	4	HOSE	
9	6617492	8	HOSE	
10	6617494	2	HOSE	
11	6617495	2	HOSE	
12	6617496	2	HOSE	
13	6617498	22	HOSE	
14	6626121	32	BRACKET-UPPER	
15	6626122	32	BRACKET-LOWER	
16	6660899	4	ADAPTER-12HB/-12MP,PP	
17	6665873	2	FILTER ASSY-BOOM	SEE PAGE 13-15
18	6670124	32	NUT-FLANGE,SERRATED	
19	WR55592	2	HOSE MANIFOLD 11.0 IN	
20	WR55593	2	HOSE MANIFOLD 6.5 IN	
21	WR55866	2	HOSE-NONE(2)-12 X 95.50	



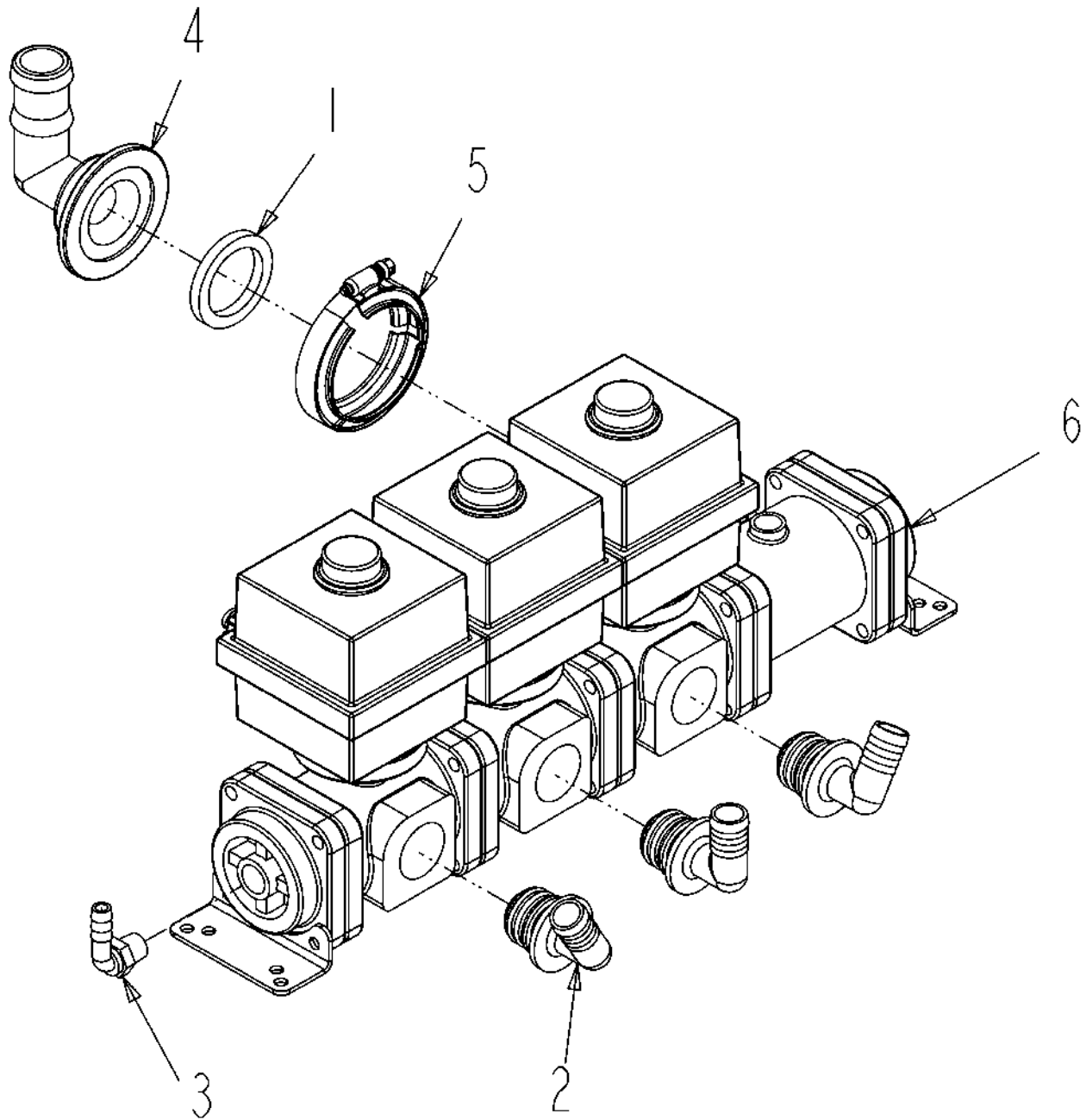
ITEM	PART #	QTY	DESCRIPTION	COMMENT
1	WR000767	3	BARB-HOSE,2.00MNPTX2.00BARB,PP	
2	WR000769	1	BARB-HOSE,2.00MNPTX1.50BARB,PP	
3	WR010359	1	CLAMP LOOM 1.25 PER DWG	
4	WR10857	8	CLAMP-HOSE,2 1/2 SST.	
5	WR32739	1	CLAMP-HOSE,T BOLT,1 3/4	
6	WR050255	1	NIPPLE-PIPE,2.00NPTX4.00,PP	
7	WR050268	1	PLUG-PIPE,HEX,2.00NPT,PP	
8	WR050274	1	TEE,PIPE,2.00FNPT,PP	
9	WR050689	1	ELBOW-PIPE,2.00STREET,90D,PP	
10	WR051142	2	ELBOW 90D 0.75NPTX0.75 BARB PP	
11	WR051151	1	NIPPLE-PIPE,0.75NPTXCLS,PP	
12	WR051174	1	BARB-HOSE,0.37MNPTX0.37BARB,PP	
13	WR051926	1	ELBOW STR 1.25 90D 304SS	
14	WR053041	1	VALVE 3-WAY 2.00 BOTTOM LOAD	
15	WR55052	2	SCREW-CAP HEX M10 X 80	
16	WR55158	2	WASHER-FLAT,10MM ID,	
17	WR55188	4	SCREW-CAP HEX M8 X 13,	
18	WR55191	16	HEX HEAD,THREAD ROLLING SCREW	
19	WR55272	6	NUT-LOCK,M10 X 1.5,PREV	
20	WR55301	8	NUT-FLANGE,M10 X 1.5,PREV	
21	WR55323	3	SCREW-TAP PAN,#6-20 X 1/2	
22	WR128882	1	GAUGE-SPRAY PRESSURE	
23	WR513724	2	VLV BALL 0.75 POLY FF	
24	WR523069	2	BOLT-M10-1.5X30,C8.8,ZN,FLG	
25	WR523259	4	NUT-.37-16,G8,ZN,H	
26	WR550825	4	NUT 0.37-16NC HEX ZN REG	
27	WR561215	2	CLAMP 0.50-0.91 HOSE 8HS	
28	WR561229	6	CLAMP 0.68-1.25 HOSE 12HS	
29	WR561231	4	CLAMP 1.06-2.00 HOSE 24HS	
30	WR561366	1	CLAMP 0.25-0.87 HOSE #6 NARROW	
31	WR561683	2	BOLT M10-1.5 X 25MM G8.8 ZN HH	
32	WR561793	1	HOSE CLAMP RUBBER COATED	
33	WR562237	8	CLAMP CTD 0.75IDX0.75WIDE	
34	WR562463	5	BOLT M10-1.50X 20MM G8.8 ZN HH	
35	WR603678	1	NIPPLE 1.25 X 1.25KING ST(P)	
36	6511103	1	TEE	
37	6553411	1	BUSHING	
38	6595684	1	BRACKET-FLOWMETER	
39	6596121	1	STRAINER-MANIFOLD	SEE PAGE 13-3C
40	6597735	11.250	HOSE	
41	6598908	1	ELBOW-BARBED	
42	6626119	2	U-BOLT	
43	6626530	1	CLUTCH ASSY	SEE PAGE 2-18
44	6626631	2	CLAMP-FULL CIRCLE	
45	6626634	3.442	HOSE	
46	6626638	0.459	HOSE-XLP,1-1/4 ID X 5.50,	
47	6626644	23.950	HOSE	
48	6648451	1	CLAMP-CUSHION, 3.0	
49	6660899	2	ADAPTER-12HB/-12MP,PP	
50	6661222	1	HOSE BARB 1.5MPT X 1.5 HB SS	
51	6667188	1	FITTING	
52	6668810	1	PUMP-SPRAY	SEE PAGE 13-13
53	6800965	1	HOSE	
54	6800968	2.021	HOSE	
55	6801821	1	BRACE-LH	
56	6801822	1	BRACE-RH	
57	6801836	1	TANK ASSY-SPRAY	SEE PAGE 12-1
58	6801992	2	STRAP ASSY-TANK	
59	6802428	1	TUBE	
60	6802429	2	CLAMP	



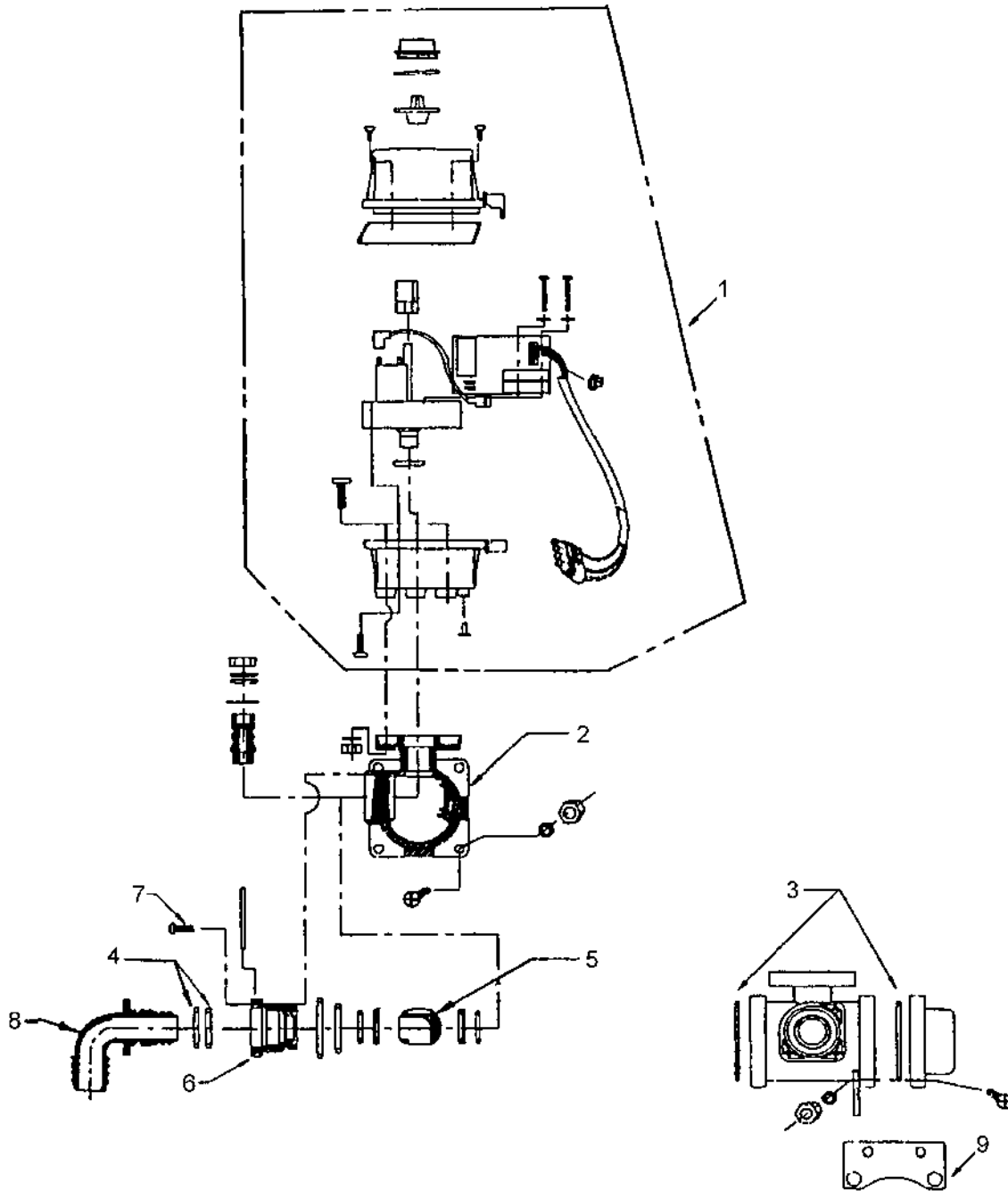
ITEM	PART #	QTY	DESCRIPTION	COMMENT
61	6802433	3.917	HOSE	
62	6802434	2.750	HOSE	
63	6802435	5.250	HOSE	
64	6802436	1	VALVE ASSY-INLET	SEE PAGE 13-14
65	6803243	1	BRACKET-HOSE	
66	6803761	8.334	HOSE	
67	504212D1	1	FLWMTR KIT-2.00SP FLG, RFM60P	SEE PAGE 13-34
68	WR55865	7.416	HOSE-NONE(2)-20XPLE X 089	



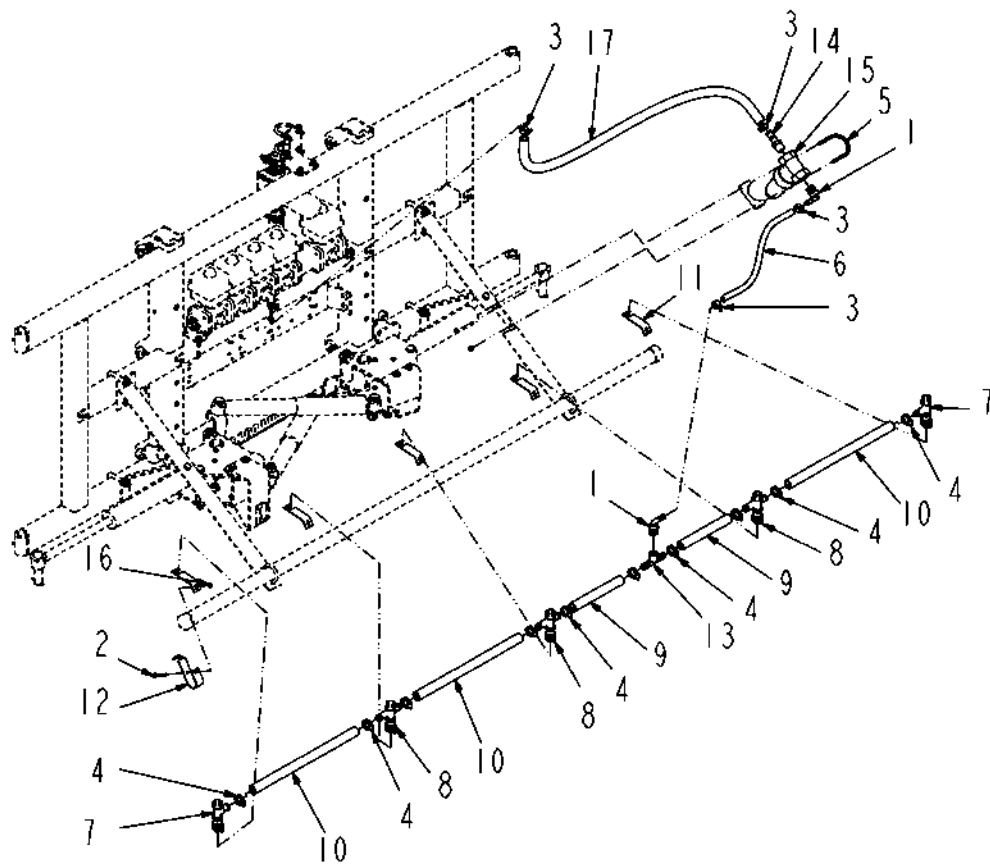
ITEM	PART #	QTY	DESCRIPTION	COMMENT
1	WR32739	3	CLAMP-HOSE,T BOLT,1 3/4	
2	WR051183	2	BARB-HOSE,1.00MNPTX1.25BARB,PP	
3	WR55301	4	NUT-FLANGE,M10 X 1.5,PREV	
4	WR550493	4	WASHER LK 0.25 ZN REG	
5	WR550507	4	WASHER FL 0.25 ZN REG TYPE-B	
6	WR550612	4	NUT 0.25-20NC HEX ZN REG	
7	WR601411	4	NUT 0.37-16NC HEX ZN REG LK NY	
8	WR657904	2	CLAMP-CIRCLE,FULL	
9	6626119	2	U-BOLT	
10	6632184	1	VALVE-PRESSURE,CONTROL	SEE PAGE 13-21
11	WR37782	1	HOSE-20(NONE)X1.25X 4.875	
12	WR55582	2	U-BOLT,DRAWBAR	
13	WR55859	1	MOUNT-HOSE	
14	WR55860	1	MOUNT-FLOW CONTROL VALVE	
15	WR55864	1	VALVE ASSY-BOOM SHUT OFF,	SEE PAGE 13-4



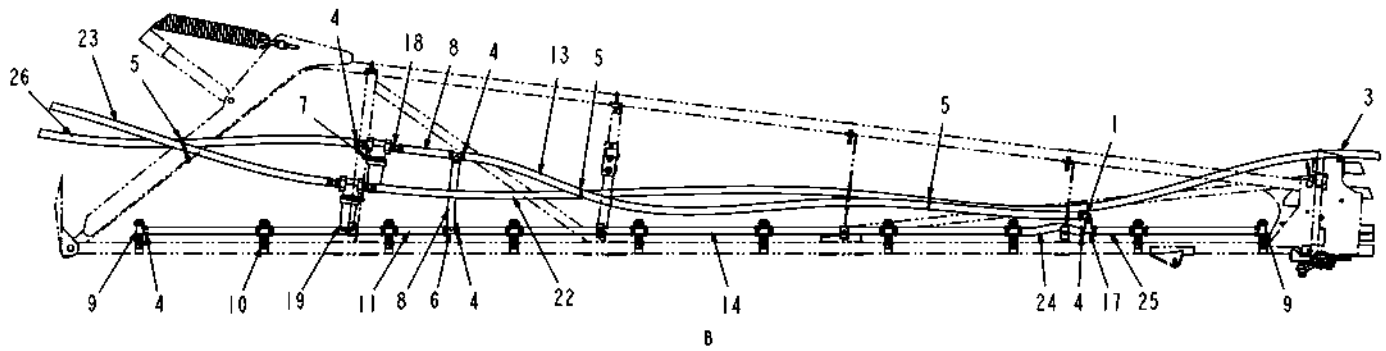
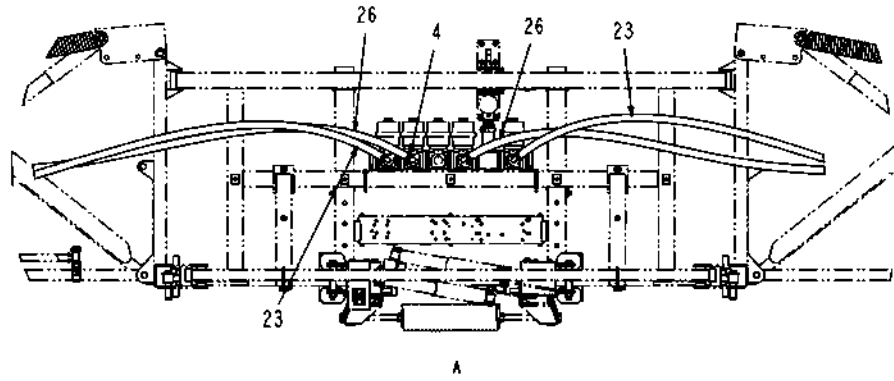
ITEM	PART #	QTY	DESCRIPTION	COMMENT
1	WR009979	1	GASKET VITON	
2	WR34501	3	ELBOW-90,-12HB	
3	WR051137	1	ELBOW 90D 0.38NPTX0.38BARB PP	
4	WR056290	1	CONNECTOR 2.00FLGX1.25HOSE 90D	
5	WR056785	1	CLAMP 2.00 FLANGE	
6	WR55858	1	VALVE ASSY-KZ, 3 SECTION.	SEE PAGE 13-5



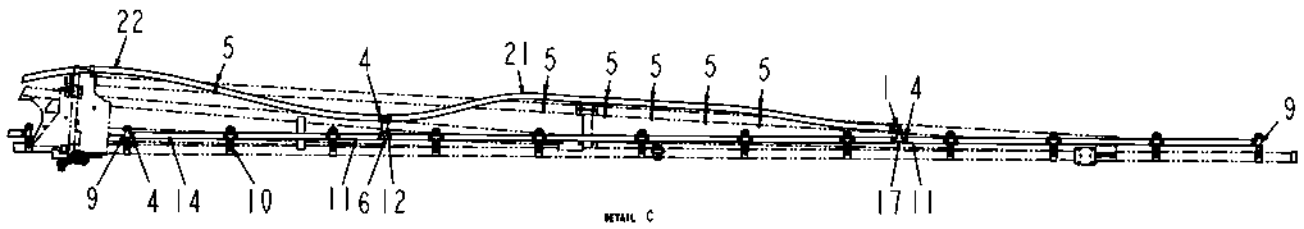
ITEM	PART #	QTY	DESCRIPTION	COMMENT
REF	WR36853	2	CAP-BLANK,POLYQC3 VALVE	
REF	WR56043	1	VALVE W/O POWER HEAD	
REF	WR56044	1	VALVE W/POWER HEAD	
REF	WR122617	1	SEAT INSERT,OUTLET	
REF	WR122619	1	SEAT INSERT SCREW SS	
REF	WR35024	1	SEAL KIT-VALVE,1 SECTION,	
REF	WR726175	1	MANIFOLD-SECTION, 1.5 IN	
1	WR55857	1	CONTROL-POWERHEAD,QC3,50J	
2	WR35019	1	VALVE BODY-QC3	
3	WR35020	2	ORING-SEAL,VALVE,QC3	
4	WR35021	2	ORING-SEAL,ADAPTER,QC3	
5	WR35023	1	BALL-SS,QC3	
6	WR35022	1	INSERT-SEAT,QC3	
7	WR122618	1	HAIR PIN 1/8 SS	
8	WR34500	1	ELBOW-90,-16HB	
8	WR34501	1	ELBOW-90,-12HB	
9	WR122620	2	MOUNTING BRACKET	



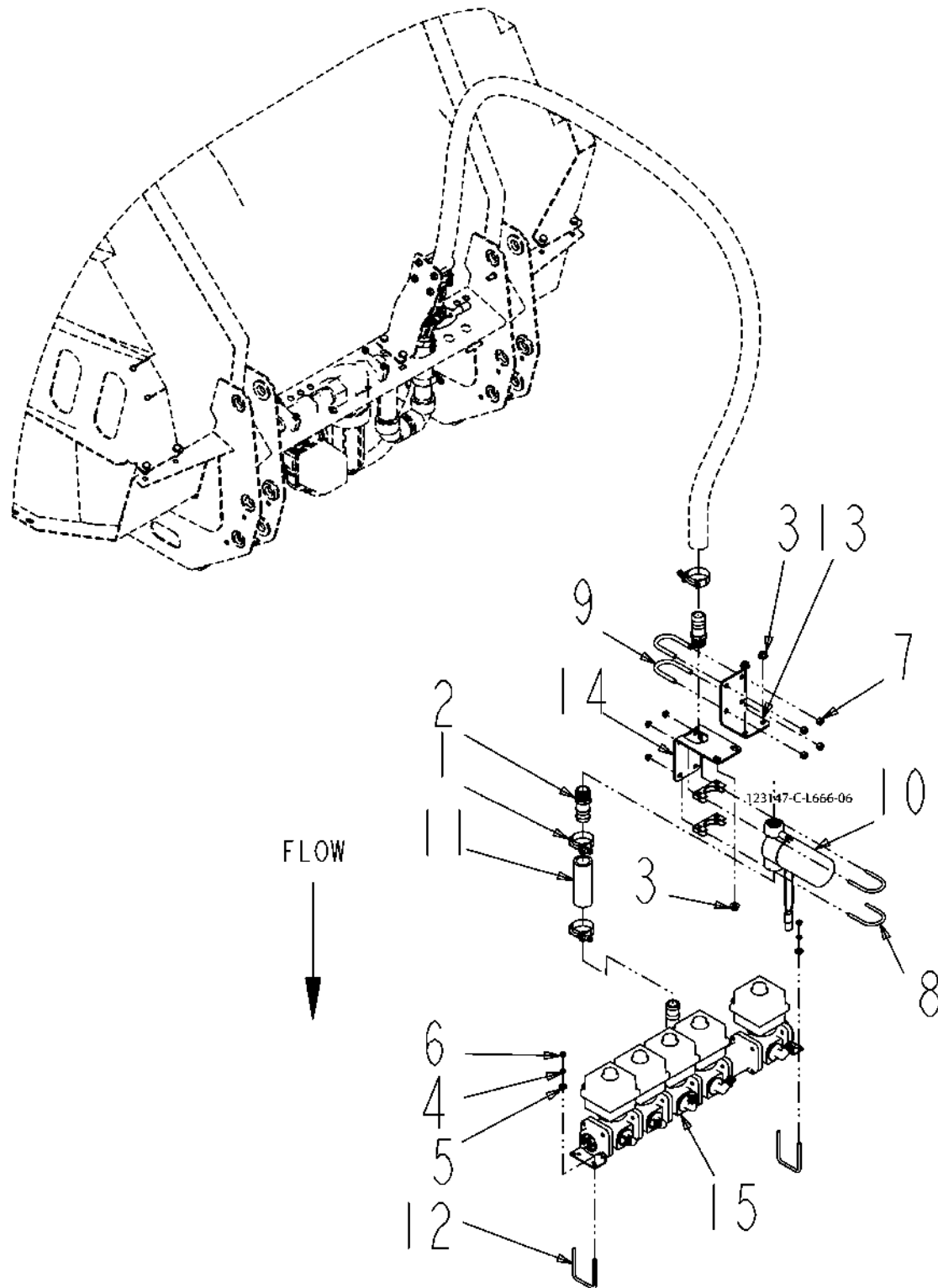
ITEM	PART #	QTY	DESCRIPTION	COMMENT
1	WR051141	2	ELBOW 90D 0.75NPTX0.50 BARB PP	
2	WR55170	5	BOLT-CARRIAGE.M6 X 60,1.0	
3	WR55293	4	CLAMP-HOSE,.91 SST	
4	WR132508	2	NOZZLE ASM-SINGLE	SEE PAGE 13-17
5	WR132509	3	NOZZLE ASM-DOUBLE	SEE PAGE 13-18
6	WR561229	10	CLAMP 0.68-1.25 HOSE 12HS	
7	6595786	1	CLAMP-FULL CIRCLE	
8	6595862	1	HOSE-.51 ID 250 PSI X	
9	6617492	2	HOSE	
10	6617498	3	HOSE	
11	6626121	5	BRACKET-UPPER	
12	6626122	5	BRACKET-LOWER	
13	6630914	1	TEE	
14	6660899	1	ADAPTER-12HB/-12MP,PP	
15	6665873	1	FILTER ASSY-BOOM	SEE PAGE 13-15
16	6670124	5	NUT-FLANGE,SERRATED	
17	WR37798	1	HOSE-0.75 X 43.00	



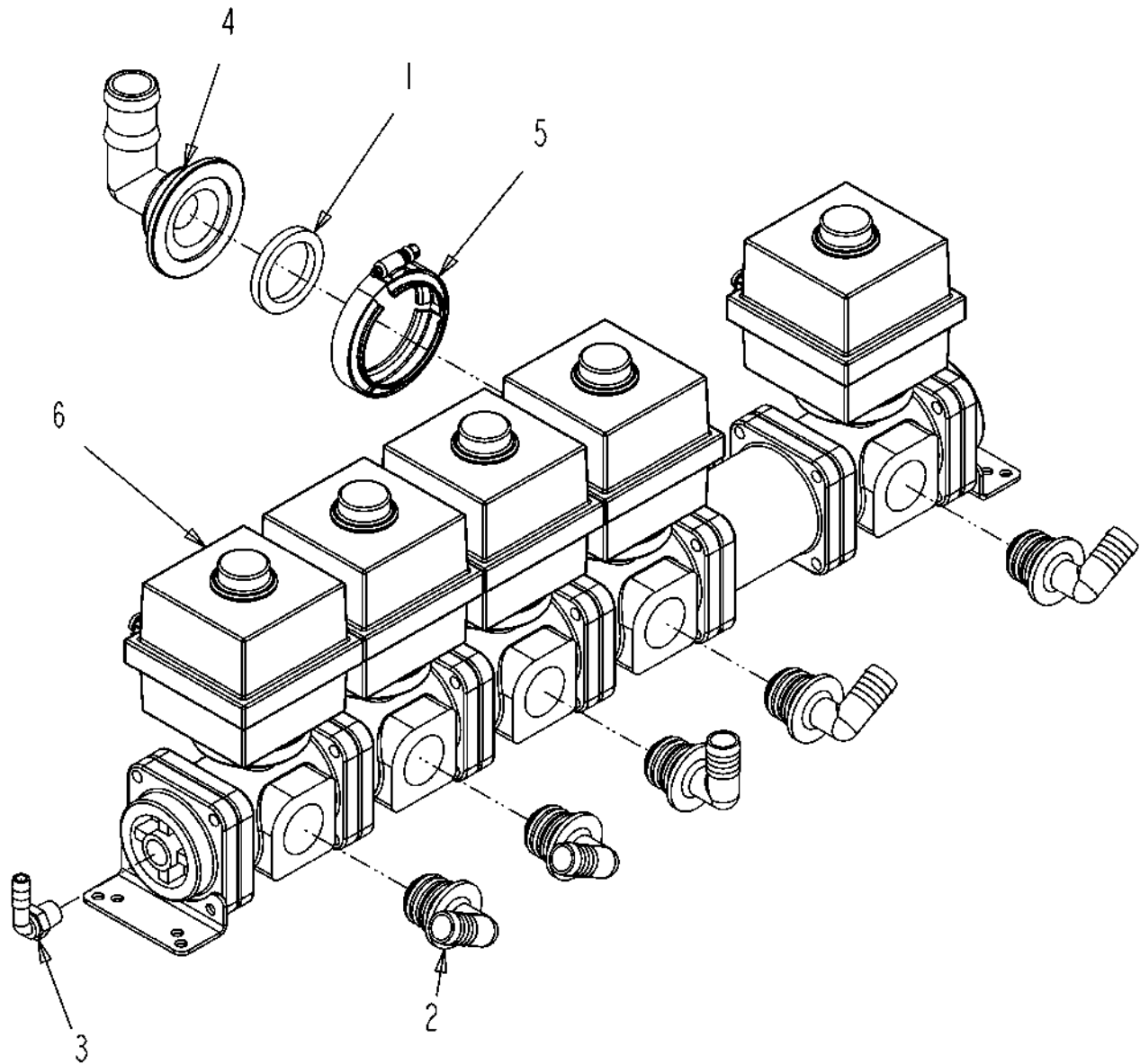
ITEM	PART #	QTY	DESCRIPTION	COMMENT
1	WR051142	4	ELBOW 90D 0.75NPTX0.75 BARB PP	
2	WR55170	44	BOLT-CARRIAGE,M6 X 60,1.0	
3	WR132508	8	NOZZLE ASM-SINGLE	SEE PAGE 13-17
4	WR132509	36	NOZZLE ASM-DOUBLE	SEE PAGE 13-18
5	WR560480	2	CLAMP 1.25-COATED HOSE CO	
6	WR561229	128	CLAMP 0.68-1.25 HOSE 12HS	
7	WR562496	AR	TIE CABLE 15.0 .18-4.00 BLACK	
8	6511103	8	TEE	
9	6595786	4	CLAMP-FULL CIRCLE	
10	6595825	4	HOSE	
11	6617492	12	HOSE	
12	6617494	2	HOSE	
13	6617495	2	HOSE	
14	6617498	32	HOSE	
15	6626121	44	BRACKET-UPPER	
16	6626122	44	BRACKET-LOWER	
17	6630914	4	TEE	
18	6660899	8	ADAPTER-12HB/-12MP,PP	
19	6665873	4	FILTER ASSY-BOOM	SEE PAGE 13-15
20	6670124	44	NUT-FLANGE,SERRATED	
21	WR37796	2	HOSE-0.75 2BRD EPDM	
22	WR37797	2	HOSE 0.75 X 219.00	
23	WR37799	2	HOSE-0.75 X 88.00	
24	WR55592	2	HOSE MANIFOLD 11.0 IN	
25	WR55593	2	HOSE MANIFOLD 6.5 IN	
26	WR55866	2	HOSE-NONE(2)-12 X 95.50	



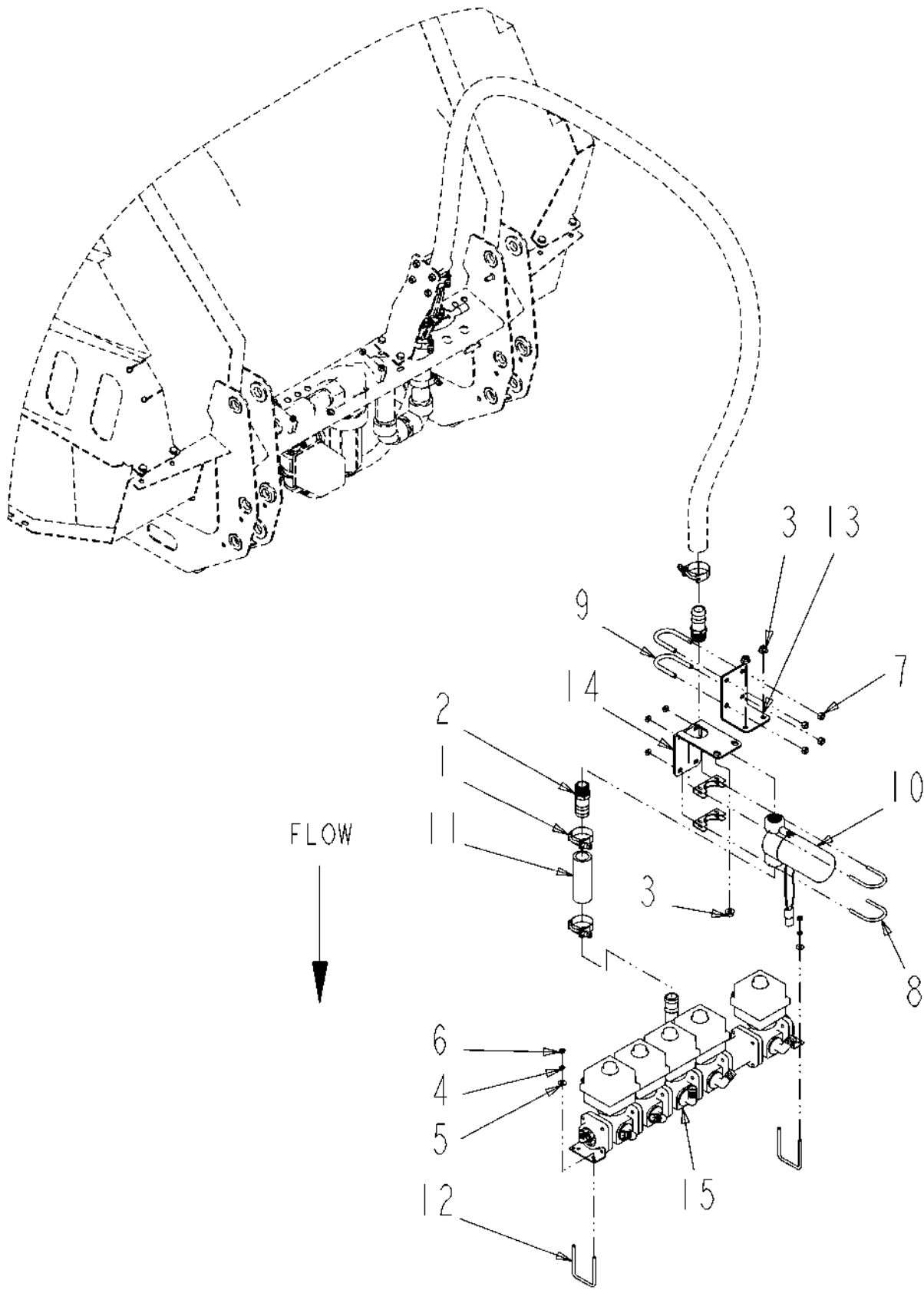
ITEM	PART #	QTY	DESCRIPTION	COMMENT
1	WR051142	4	ELBOW 90D 0.75NPTX0.75 BARB PP	
2	WR55170	44	BOLT-CARRIAGE.M6 X 60.1.0	
3	WR132508	8	NOZZLE ASM-SINGLE	SEE PAGE 13-17
4	WR132509	36	NOZZLE ASM-DOUBLE	SEE PAGE 13-18
5	WR560480	2	CLAMP 1.25-COATED HOSE CO	
6	WR561229	128	CLAMP 0.68-1.25 HOSE 12HS	
7	WR562496	AR	TIE CABLE 15.0 .18-4.00 BLACK	
8	6511103	8	TEE	
9	6595786	4	CLAMP-FULL CIRCLE	
10	6595825	4	HOSE	
11	6617492	12	HOSE	
12	6617494	2	HOSE	
13	6617495	2	HOSE	
14	6617498	32	HOSE	
15	6626121	44	BRACKET-UPPER	
16	6626122	44	BRACKET-LOWER	
17	6630914	4	TEE	
18	6660899	8	ADAPTER-12HB/-12MP,PP	
19	6665873	4	FILTER ASSY-BOOM	SEE PAGE 13-15
20	6670124	44	NUT-FLANGE,SERRATED	
21	WR37796	2	HOSE-0.75 2BRD EPDM	
22	WR37797	2	HOSE 0.75 X 219.00	
23	WR37799	2	HOSE-0.75 X 88.00	
24	WR55592	2	HOSE MANIFOLD 11.0 IN	
25	WR55593	2	HOSE MANIFOLD 6.5 IN	
26	WR55866	2	HOSE-NONE(2)-12 X 95.50	



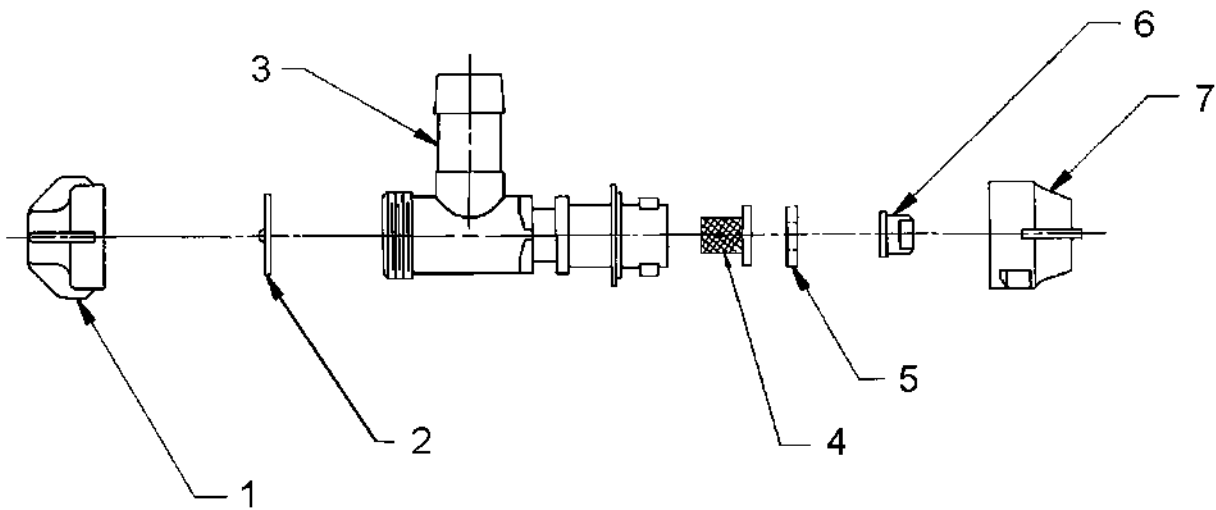
ITEM	PART #	QTY	DESCRIPTION	COMMENT
1	WR32739	3	CLAMP-HOSE,T BOLT,1 3/4	
2	WR051183	2	BARB-HOSE,1.00MNPTX1.25BARB,PP	
3	WR55301	4	NUT-FLANGE,M10 X 1.5,PREV	
4	WR550493	4	WASHER LK 0.25 ZN REG	
5	WR550507	4	WASHER FL 0.25 ZN REG TYPE-B	
6	WR550612	4	NUT 0.25-20NC HEX ZN REG	
7	WR601411	4	NUT 0.37-16NC HEX ZN REG LK NY	
8	WR657904	2	CLAMP-CIRCLE,FULL	
9	6626119	2	U-BOLT	
10	6632184	1	VALVE-PRESSURE,CONTROL	SEE PAGE 13-21
11	WR37782	1	HOSE-20(NONE)X1.25X 4.875	
12	WR55582	2	U-BOLT,DRAWBAR	
13	WR55859	1	MOUNT-HOSE	
14	WR55860	1	MOUNT-FLOW CONTROL VALVE	
15	WR55861	1	VALVE ASSY-BOOM SHUT OFF,	SEE PAGE 13-9



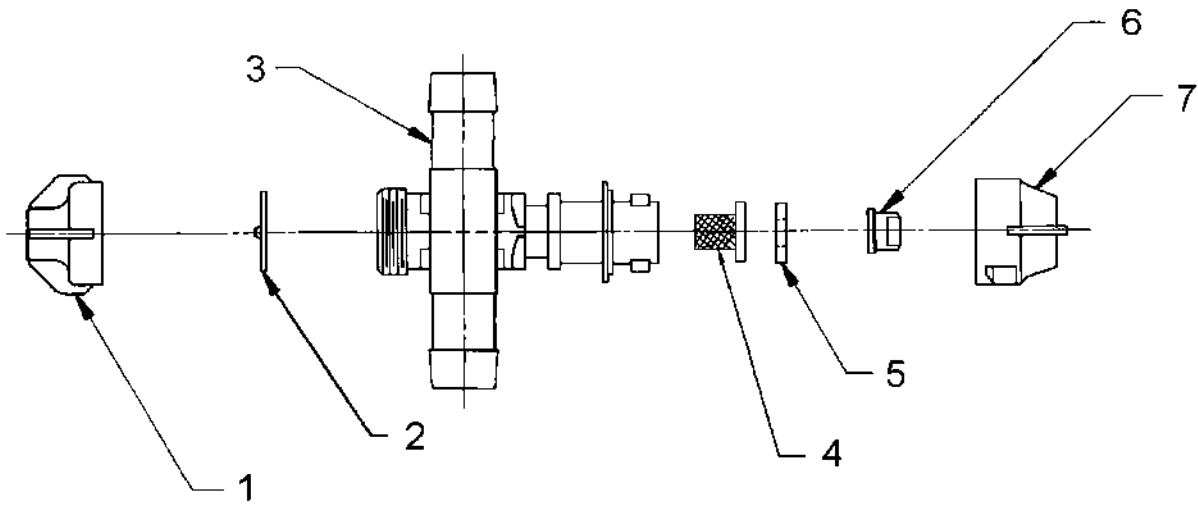
ITEM	PART #	QTY	DESCRIPTION	COMMENT
1	WR009979	1	GASKET VITON	
2	WR34501	5	ELBOW-90,-12HB	
3	WR051137	1	ELBOW 90D 0.38NPTX0.38BARB PP	
4	WR056290	1	CONNECTOR 2.00FLGX1.25HOSE 90D	
5	WR056785	1	CLAMP 2.00 FLANGE	
6	WR55856	1	VALVE ASSY-KZ, 5 SECTION.	SEE PAGE 13-16



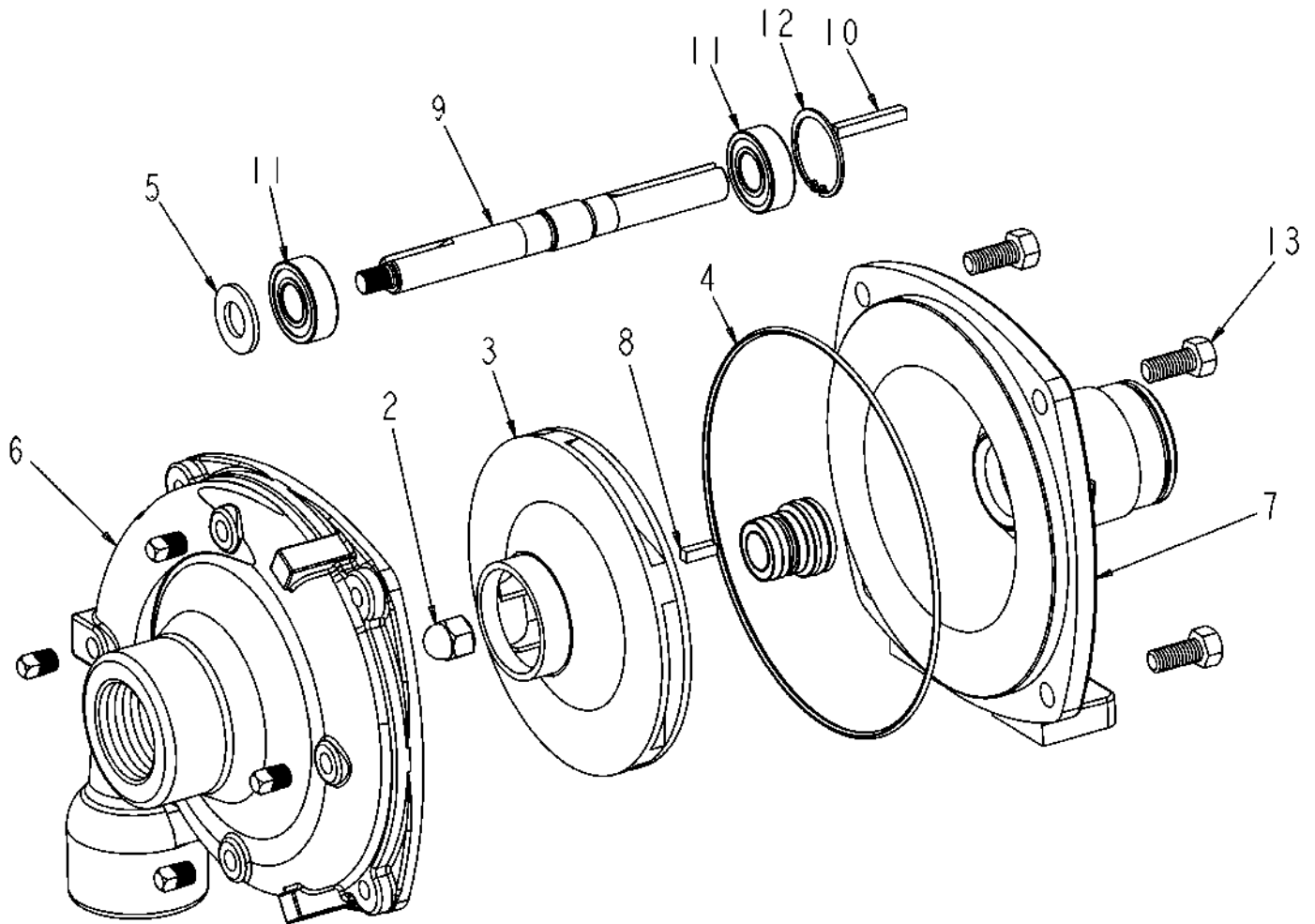
ITEM	PART #	QTY	DESCRIPTION	COMMENT
1	WR32739	3	CLAMP-HOSE,T BOLT,1 3/4	
2	WR051183	2	BARB-HOSE,1.00MNPTX1.25BARB,PP	
3	WR55301	4	NUT-FLANGE,M10 X 1.5,PREV	
4	WR550493	4	WASHER LK 0.25 ZN REG	
5	WR550507	4	WASHER FL 0.25 ZN REG TYPE-B	
6	WR550612	4	NUT 0.25-20NC HEX ZN REG	
7	WR601411	4	NUT 0.37-16NC HEX ZN REG LK NY	
8	WR657904	2	CLAMP-CIRCLE,FULL	
9	6626119	2	U-BOLT	
10	6632184	1	VALVE-PRESSURE,CONTROL	SEE PAGE 13-21
11	WR37782	1	HOSE-20(NONE)X1.25X 4.875	
12	WR55582	2	U-BOLT,DRAWBAR	
13	WR55859	1	MOUNT-HOSE	
14	WR55860	1	MOUNT-FLOW CONTROL VALVE	
15	WR55861	1	VALVE ASSY-BOOM SHUT OFF,	SEE PAGE 13-9



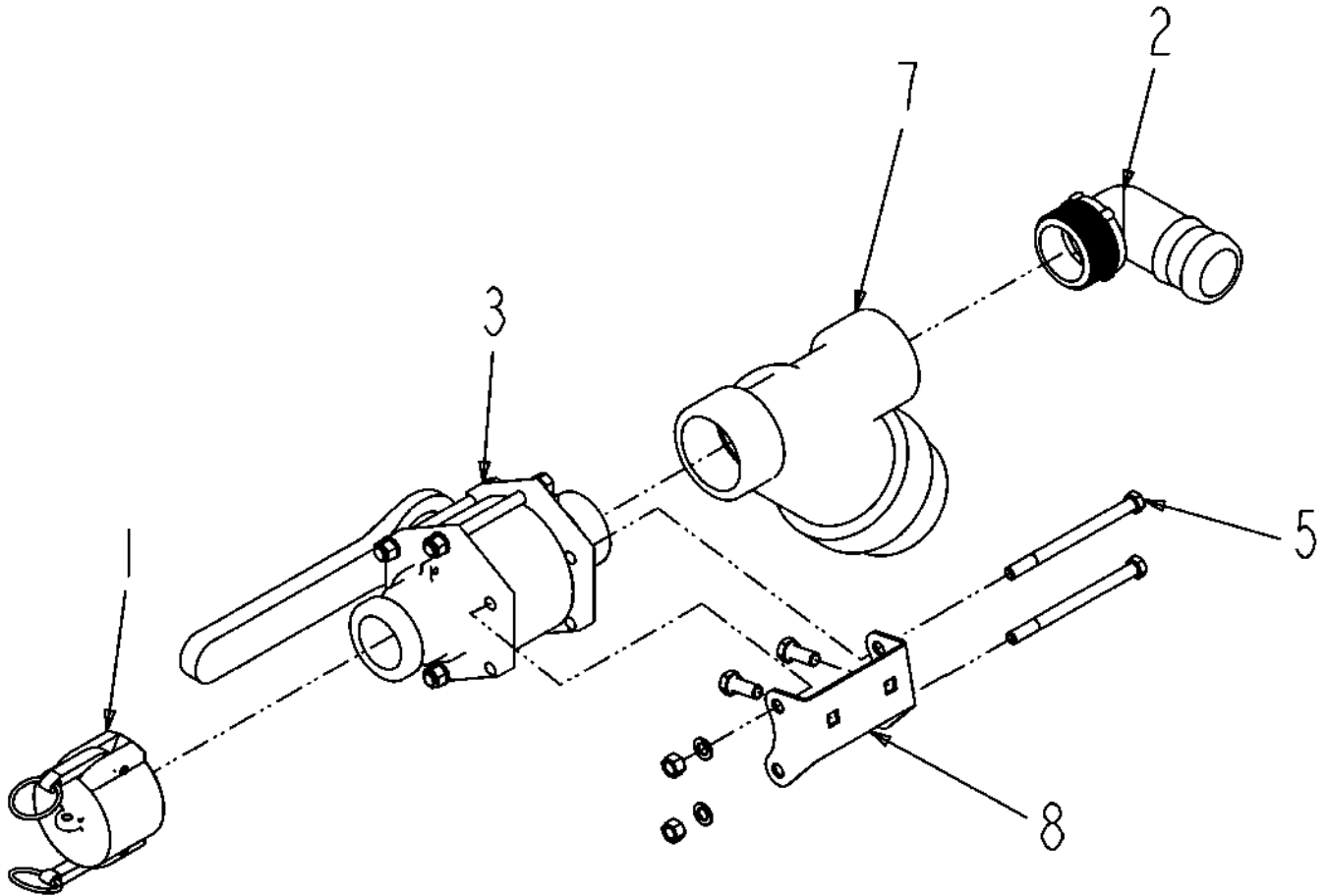
ITEM	PART #	QTY	DESCRIPTION	COMMENT
1	6633637	-	ENDCAP	
2	6649520	-	DIAPHRAGM-VITON	
3	6660072	-	NOZZLE-HSG,SINGLE	
4	6597781	-	SCREEN-50 MESH	
5	6649521	-	GASKET-VITRON	
6	6665919	-	TIP-POLYMER	
7	6659609	-	CAP	



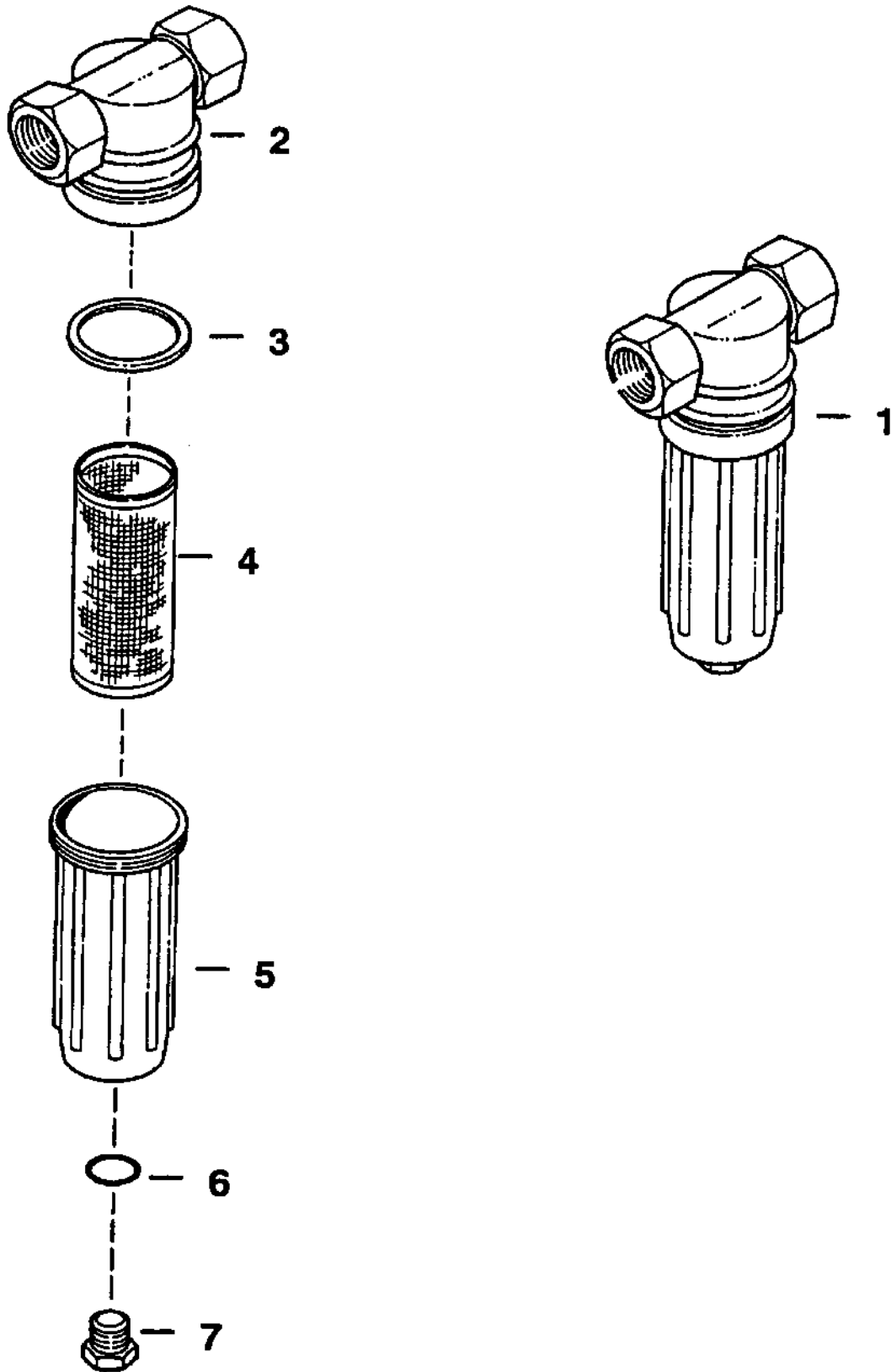
ITEM	PART #	QTY	DESCRIPTION	COMMENT
1	6633637	-	ENDCAP	
2	6649520	-	DIAPHRAGM-VITON	
3	6660071	-	NOZZLE-HSG,DOUBLE	
4	6597781	-	SCREEN-50 MESH	
5	6649521	-	GASKET-VITRON	
6	6665919	-	TIP-POLYMER	
7	6659609	-	CAP	



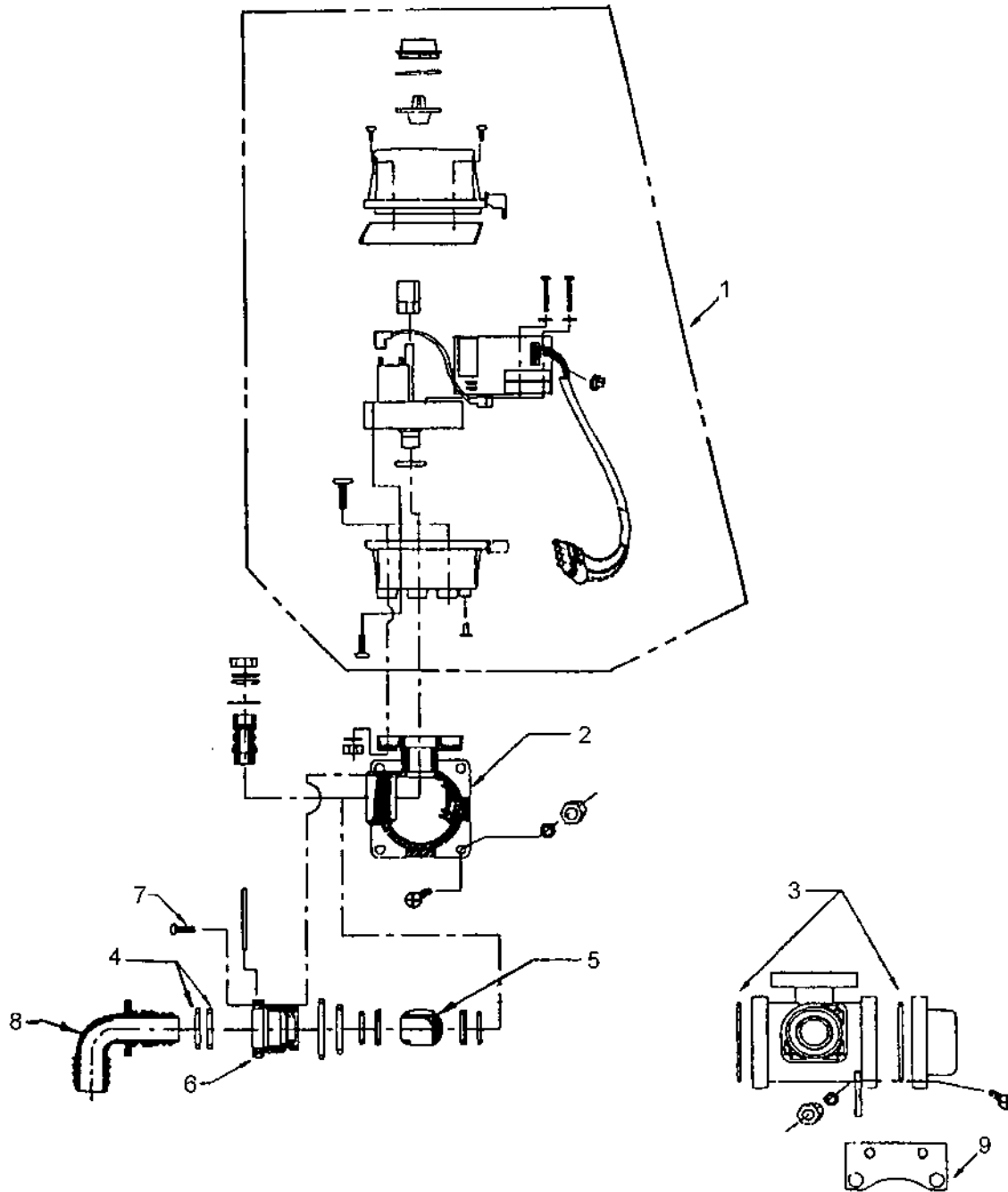
ITEM	PART #	QTY	DESCRIPTION	COMMENT
1	6670680	1	PUMP, SPRAY	
2	6661125	1	NUT	
3	6662772	1	IMPELLER	
4	6616209	1	O-RING	
5	WR122586	1	SLINGER RING	
6	6662773	1	INLET CASTING	
7	6662771	1	FLANGE	
8	6661126	1	KEY	
9	6620675	1	SHAFT	
10	WR122590	1	KEY 3/16X3/16X1.25	
11	6610653	2	BEARING	
12	6616767	1	RING	
13	WR551503	4	BOLT 0.37-16NCX 0.75 G5 ZN HHD	
14	6661127	4	PLUG	
15	WR122578	1	SEAL KIT	
	FOOTNOTE [A]		ITEMS 7 & 9 CANNOT BE PURCHASED INDIVIDUALLY BUT ARE INCLUDED IN THE SEAL KIT.	
	FOOTNOTE [A]		ITEM 7: SEAL	
	FOOTNOTE [A]		ITEM 9: RING	



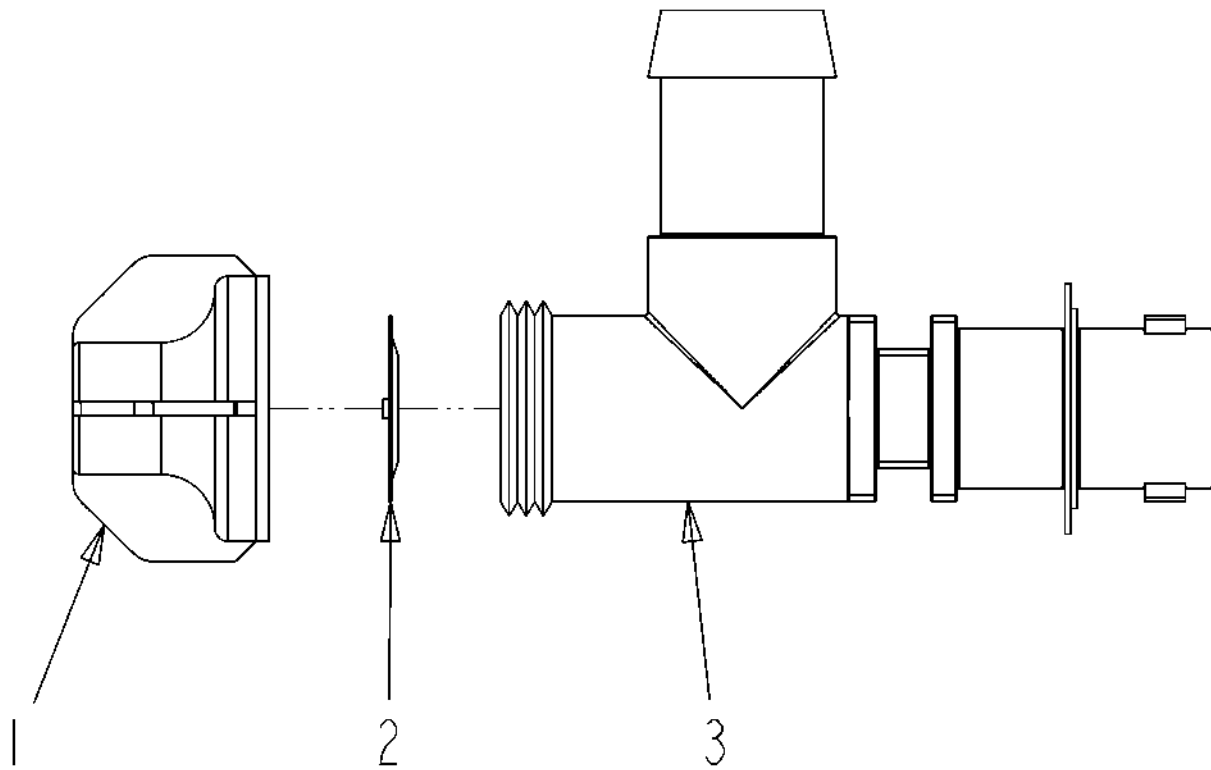
ITEM	PART #	QTY	DESCRIPTION	COMMENT
1	WR000829	1	CAP-LEVER,QC,2.00 PP	
2	WR050692	1	ELBOW 90D 2.00NPTX2.00 BARB PP	
3	WR50914	1	VALVE-BALL,2 IN FP,W/CAM	SEE PAGE 13-32
4	WR55173	2	BOLT-CARRIAGE,M10 X 25,	
5	WR553662	2	BOLT 0.37-16NCX 5.00 G5 ZN HHD	
6	WR129187	AR	PIPE SEALANT-POLY SEAL	
7	6670750	1	FILTER-INLINE	SEE PAGE 13-33
8	6801772	1	BRACKET	
	FOOTNOTE [A]		USE REPAIR KIT WR51213 TO SERVICE BALL VALVE	



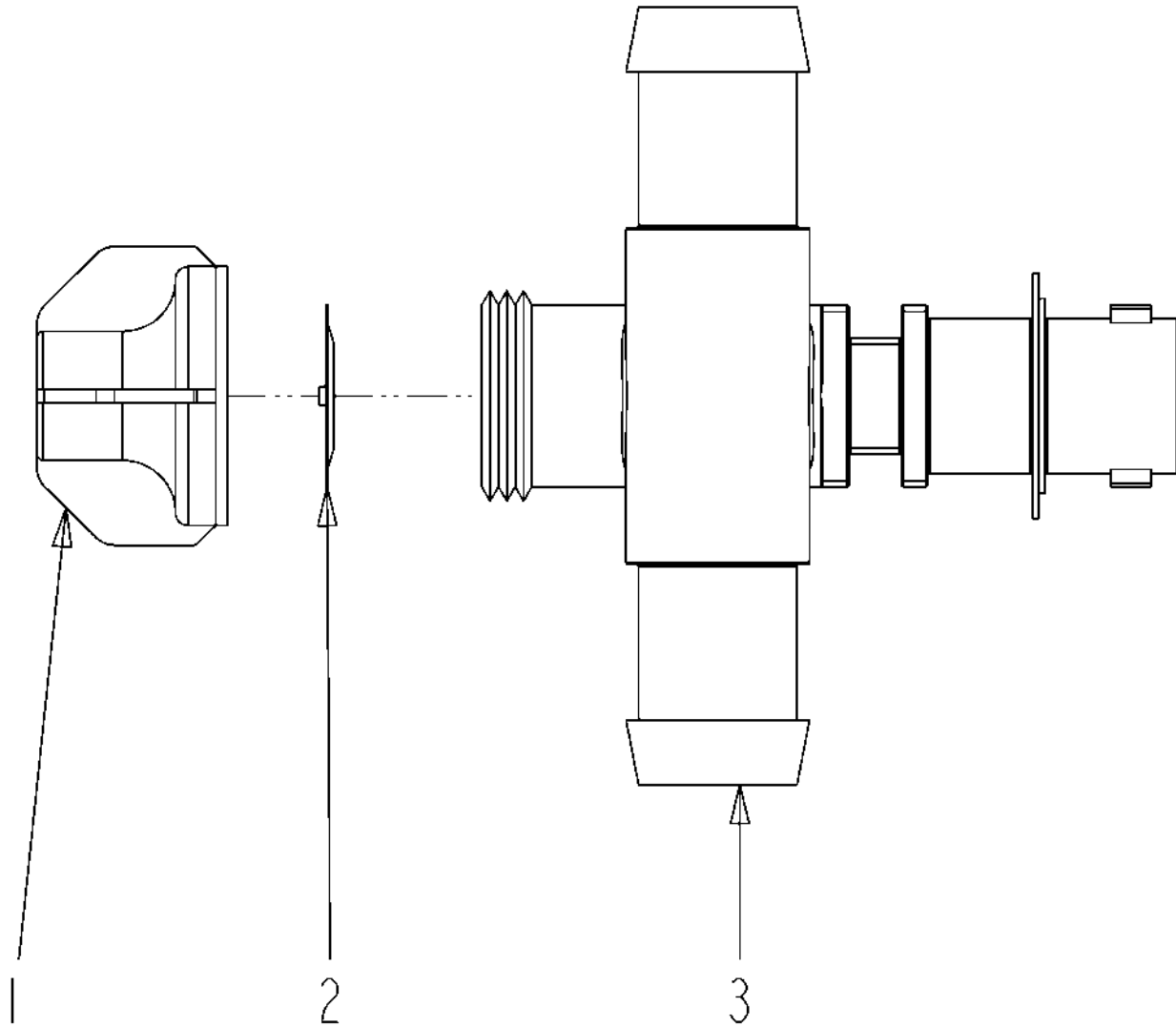
ITEM	PART #	QTY	DESCRIPTION	COMMENT
2	6666844	1	HEAD	
3	6666845	1	GASKET	
4	6666846	1	SCREEN 50 MESH	
4	6667717	1	SCREEN 80 MESH	
5	6666847	1	BOWL	
6	6666848	1	O-RING	
7	6666849	1	PLUG	



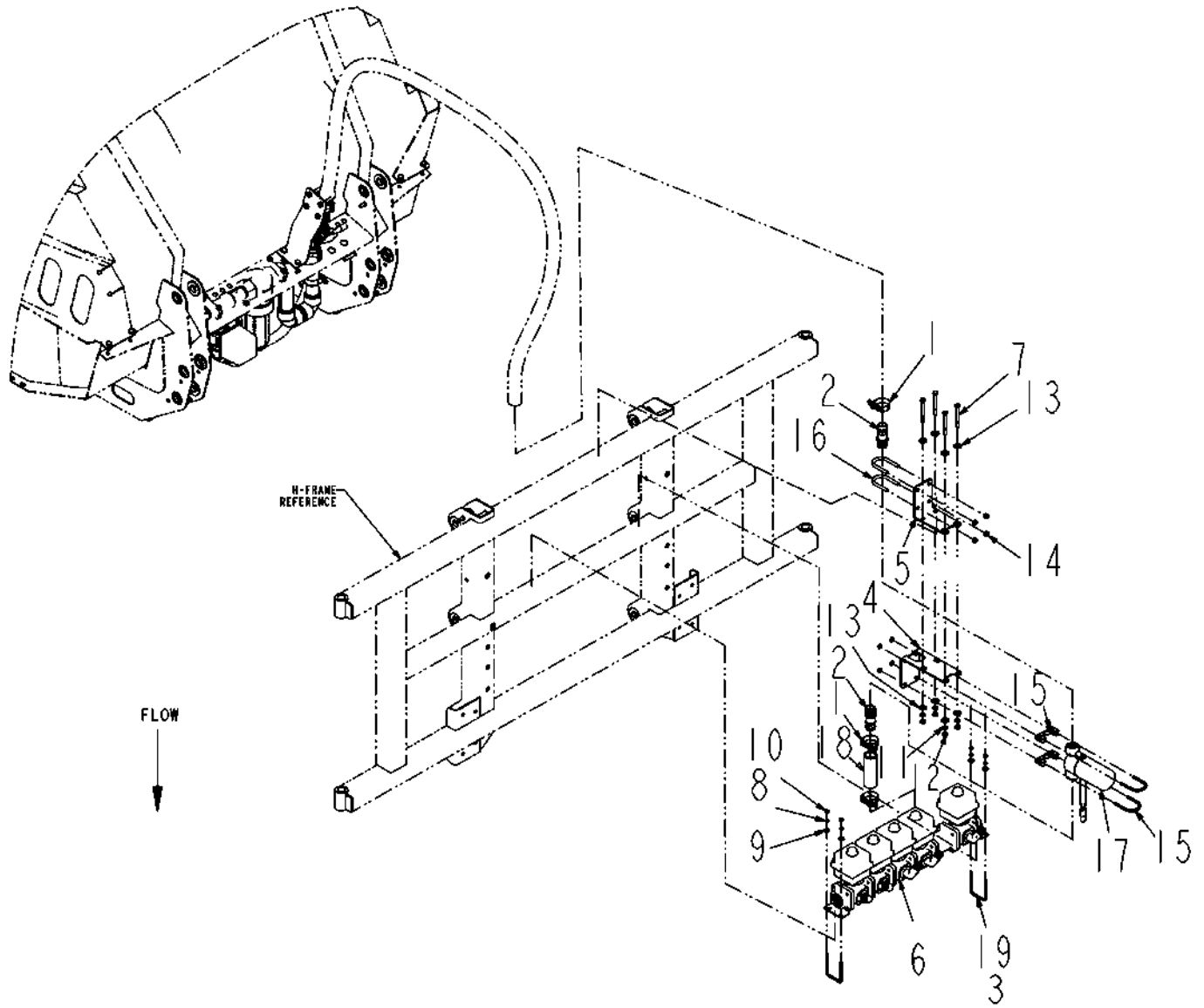
ITEM	PART #	QTY	DESCRIPTION	COMMENT
REF	WR36853	2	CAP-BLANK,POLYQC3 VALVE	
REF	WR56043	1	VALVE W/O POWER HEAD	
REF	WR56044	1	VALVE W/POWER HEAD	
REF	WR122617	1	SEAT INSERT,OUTLET	
REF	WR122619	1	SEAT INSERT SCREW SS	
REF	WR35024	1	SEAL KIT-VALVE,1 SECTION.	
REF	WR726175	1	MANIFOLD-SECTION, 1.5 IN	
1	WR55857	1	CONTROL-POWERHEAD,QC3,50J	
2	WR35019	1	VALVE BODY-QC3	
3	WR35020	2	ORING-SEAL,VALVE,QC3	
4	WR35021	2	ORING-SEAL,ADAPTER,QC3	
5	WR35023	1	BALL-SS,QC3	
7	WR122618	1	HAIR PIN 1/8 SS	
8	WR34500	1	ELBOW-90,-16HB	
8	WR34501	1	ELBOW-90,-12HB	
9	WR122620	2	MOUNTING BRACKET	



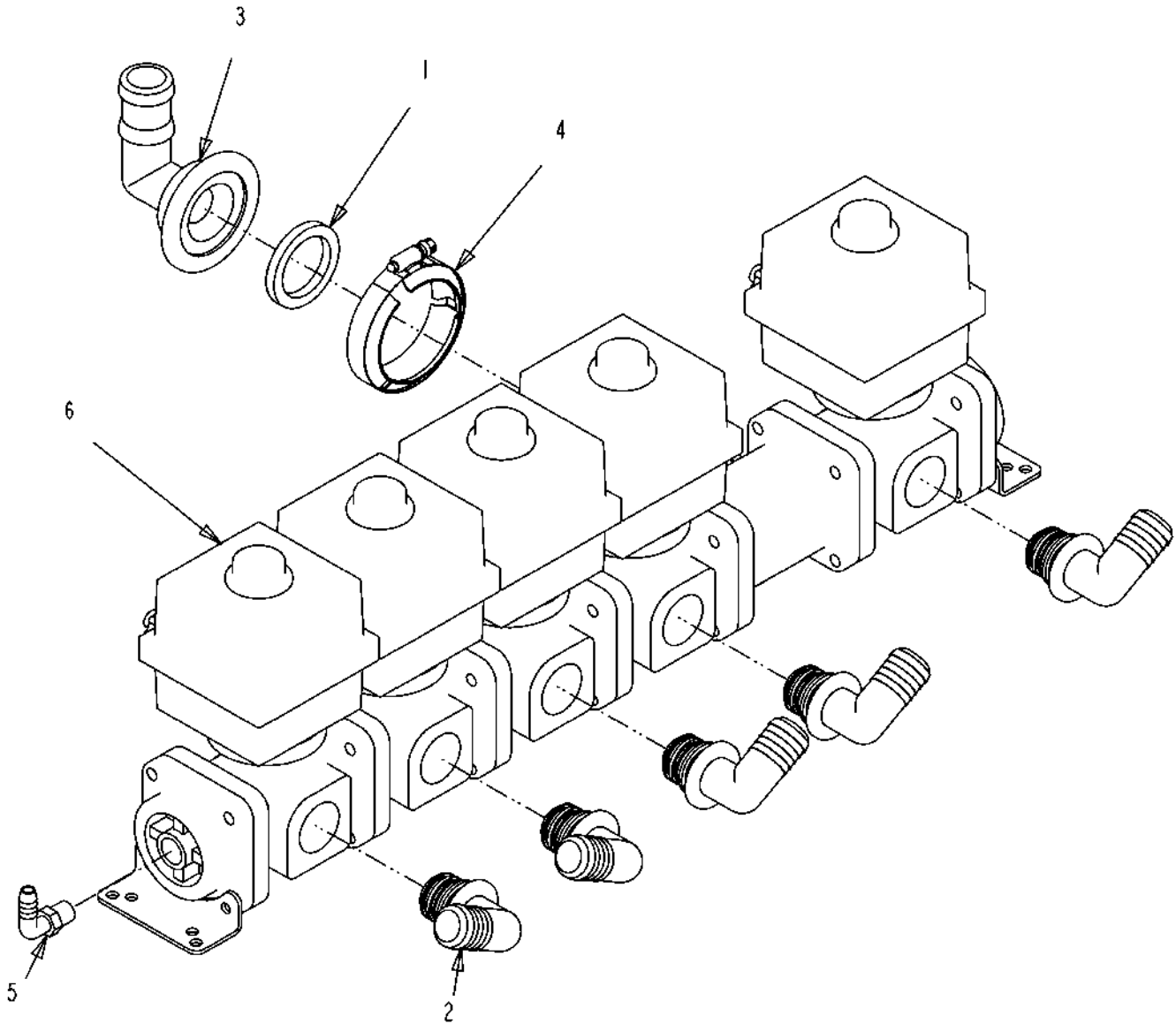
ITEM	PART #	QTY	DESCRIPTION	COMMENT
1	6633637	1	ENDCAP	
2	6649520	1	DIAPHRAGM-VITON	
3	6660072	1	NOZZLE-HSG,SINGLE	



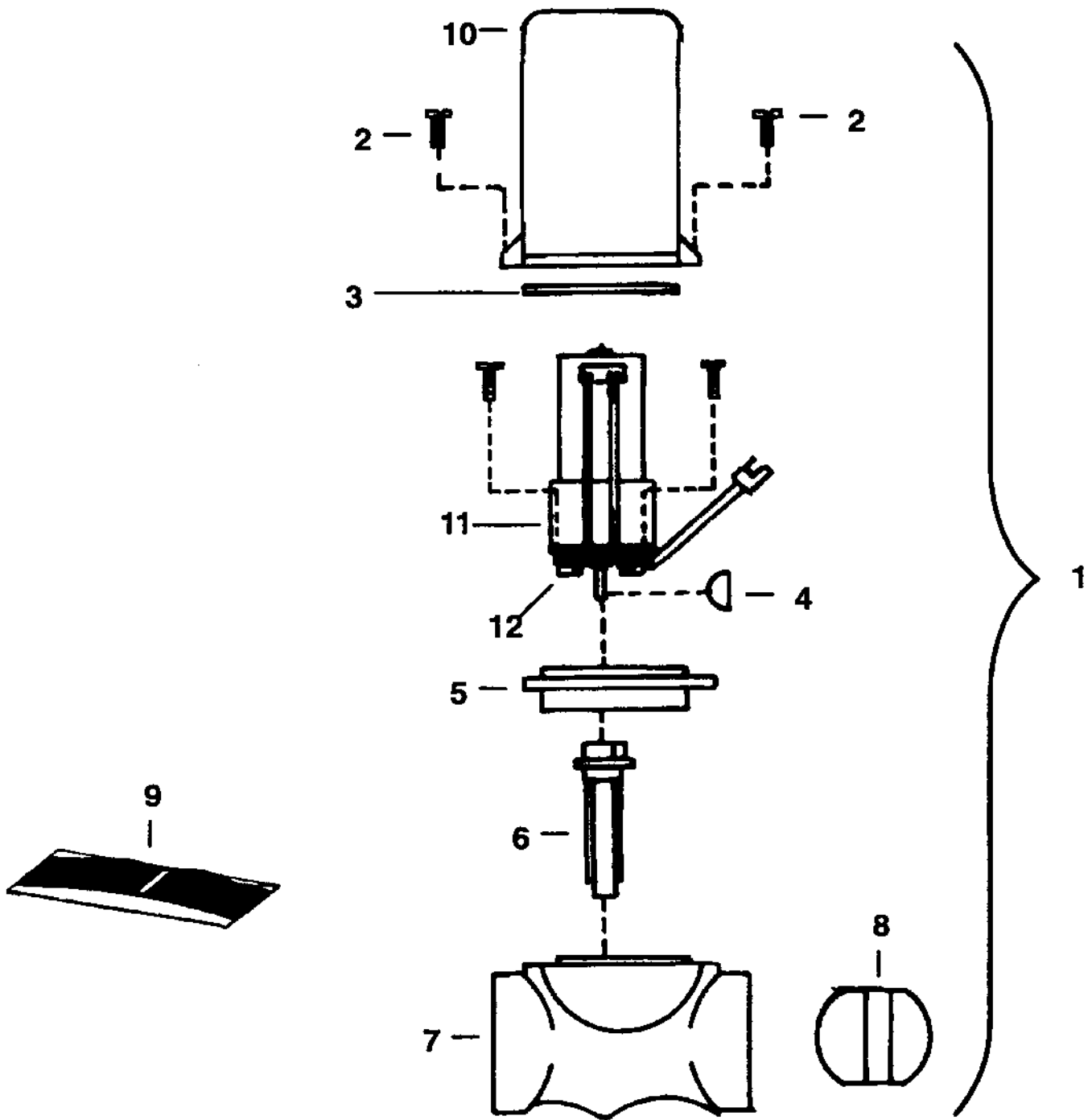
ITEM	PART #	QTY	DESCRIPTION	COMMENT
1	6633637	1	ENDCAP	
2	6649520	1	DIAPHRAGM-VITON	
3	6660071	1	NOZZLE-HSG,DOUBLE	



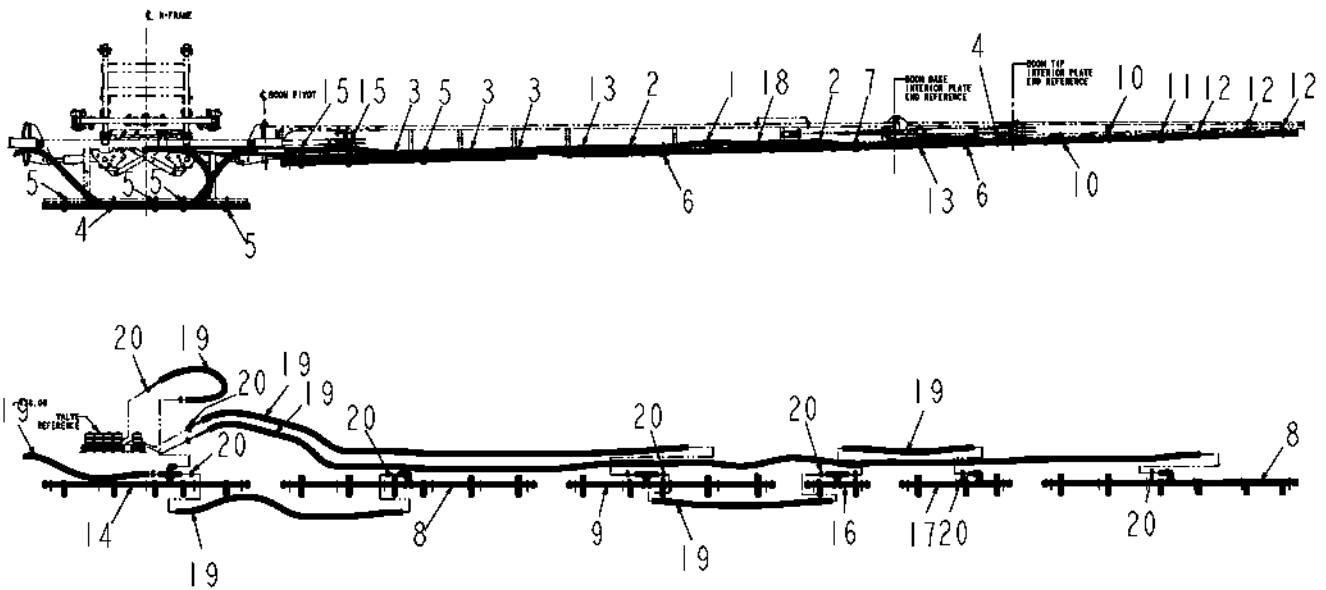
ITEM	PART #	QTY	DESCRIPTION	COMMENT
1	WR32739	3	CLAMP-HOSE,T BOLT,1 3/4	
2	WR051183	2	BARB-HOSE,1.00MNPTX1.25BARB,PP	
3	WR123116	1	ELECTRICAL INSTL-5 VALVE	SEE PAGE 8-3
4	WR133825	1	BRKT-MTG.VLV.FLOW CTRL,SC6080	
5	WR133826	1	BRKT-MTG.HOSE.FEED,MANF,SC6080	
6	WR133905	1	VALVE ASM-SHUTOFF,BM SECT,5	SEE PAGE 13-20
7	WR517292	4	BOLT 0.37-16NCX 3.50 SS HHD	
8	WR550493	4	WASHER LK 0.25 ZN REG	
9	WR550507	4	WASHER FL 0.25 ZN REG TYPE-B	
10	WR550612	4	NUT 0.25-20NC HEX ZN REG	
11	WR562050	4	WASHER LK 0.37 SS REG	
12	WR562065	4	NUT 0.37-16NC HEX SS REG	
13	WR562073	8	WASHER FL 0.37 SS REG	
14	WR601411	4	NUT 0.37-16NC HEX ZN REG LK NY	
15	WR657904	2	CLAMP-CIRCLE,FULL	
16	6626119	2	U-BOLT	
17	6632184	1	VALVE-PRESSURE,CONTROL	SEE PAGE 13-21
18	WR37782	1	HOSE-20(NONE)X 1.25X 4.875	
19	WR55582	2	U-BOLT,DRAWBAR	



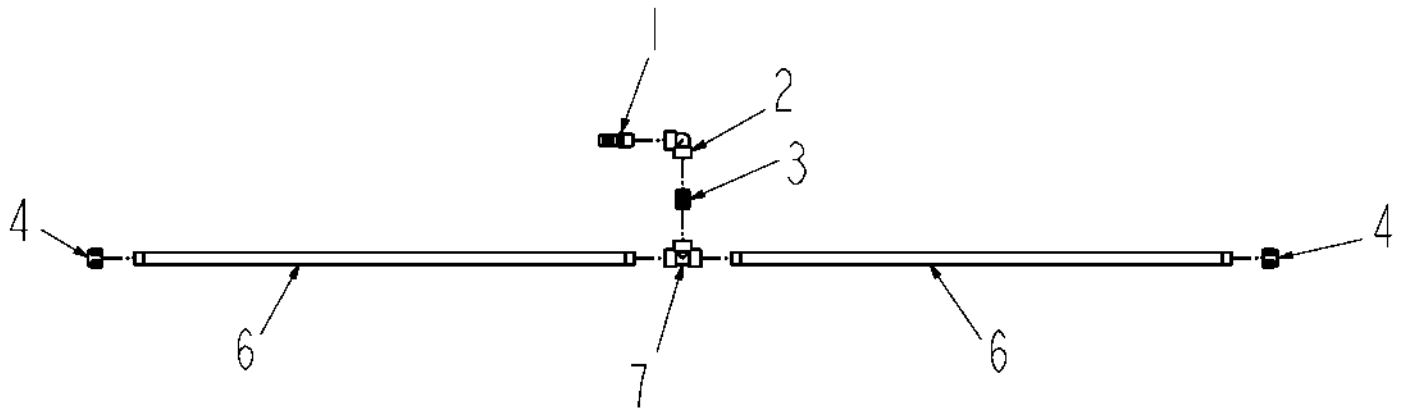
ITEM	PART #	QTY	DESCRIPTION	COMMENT
1	WR009979	1	GASKET VITON	
2	WR34500	5	ELBOW-90,-16HB	
3	WR056290	1	CONNECTOR 2.00FLGX1.25HOSE 90D	
4	WR056785	1	CLAMP 2.00 FLANGE	
5	WR38755	1	ELBOW-90,-04MP/-06HB,PP	
6	WR55856	1	VALVE ASSY-KZ, 5 SECTION.	SEE PAGE 13-16



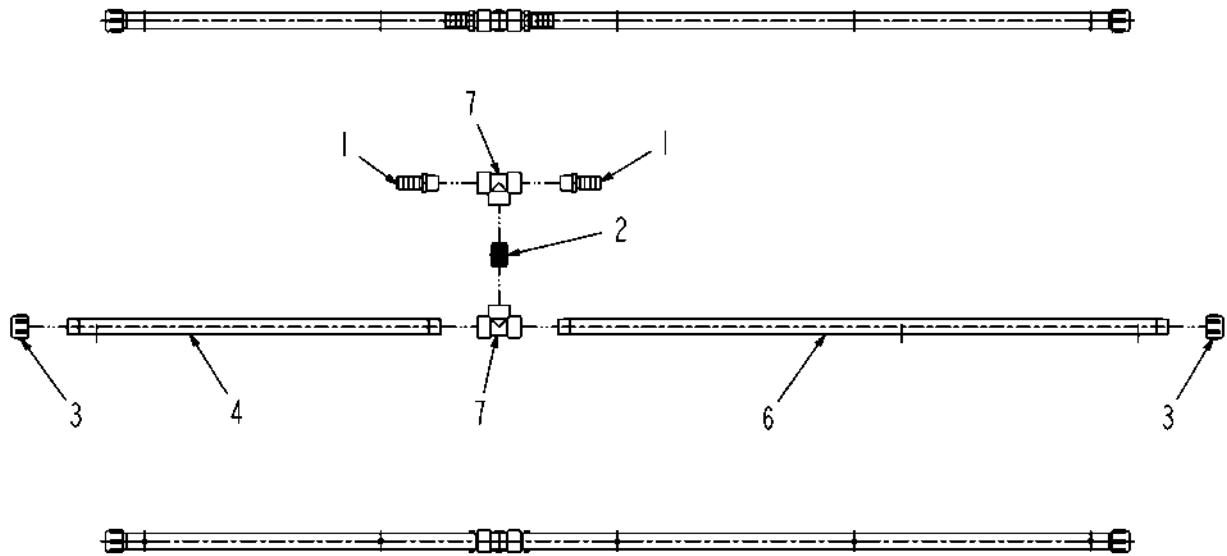
ITEM	PART #	QTY	DESCRIPTION	COMMENT
3	6649635	1	SEAL	
9	6631580	1	REPAIR KIT	
10	6649633	1	COVER	
11	6649634	1	MOTOR	
12	6651305	1	CIRCUIT BOARD	
	FOOTNOTE [A]		ITEMS 2,4,6,7 & 8 CANNOT BE PURCHASED INDIVIDUALLY BUT ARE INCLUDED IN THE REPAIR KIT.	
	FOOTNOTE [A]		ITEM 2: SCREW	
	FOOTNOTE [A]		ITEM 4: KEY	
	FOOTNOTE [A]		ITEM 6: COUPLER SHAFT	
	FOOTNOTE [A]		ITEM 7: VALVE BODY	
	FOOTNOTE [A]		ITEM 8: BUTTERFLY	



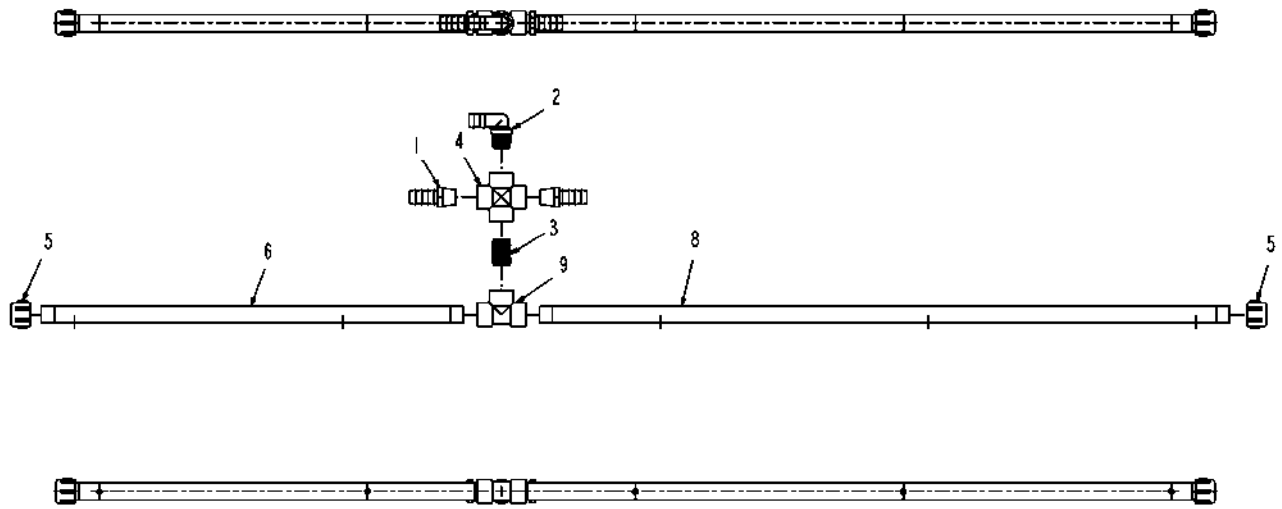
ITEM	PART #	QTY	DESCRIPTION	COMMENT
1	WR122500	2	BRKT ASM-STR,LG,3IPS CLP	SEE PAGE 14-25
2	WR122516	4	BRKT ASM-STR.SH,IPS CLP,P CLP	SEE PAGE 14-26
3	WR122517	6	BRKT ASM-STR,LG,IPS CLP,2P	SEE PAGE 14-27
4	WR122519	3	BRKT ASM-STR,LG,2IPS CLP	SEE PAGE 14-28
5	WR122520	6	BRKT ASM-L,PP STAUFF	SEE PAGE 14-29
6	WR122571	4	BRKT ASM-L,PP STAUFF,REV P CLP	SEE PAGE 14-30
7	WR122610	12	BRKT ASM-L,PP STAUFF,CTR P CLP	SEE PAGE 14-31
8	WR127095	4	PIPE ASM-90D W/1.00HB,6X20,PP	SEE PAGE 13-23
9	WR127097	2	PIPE ASM-T W/2 1.00HB,5X20,PP	SEE PAGE 13-24
10	WR129084	4	BRKT ASM-STR,LG,2IPS CLP,1.00U	SEE PAGE 14-32
11	WR129085	2	BRKT ASM-L,PP STAUFF,1.00U	SEE PAGE 14-33
12	WR129086	6	BRKT ASM-STR,SH,IPS CLP,1.00U	SEE PAGE 14-34
13	WR132555	4	BRKT ASM-STR,LG,2IPS,P CLP	SEE PAGE 14-35
14	WR133893	1	PIPE ASM-X W/3 1.00HB,5X20,PP	SEE PAGE 13-25
15	WR133895	4	BRKT ASM-L/LG STR,PP PIPE/3CLP	
16	WR133896	2	PIPE ASM-T W/2 1.00HB,2X20,PP	SEE PAGE 13-26
17	WR133897	2	PIPE ASM-90D W/1.00HB,3X20,PP	SEE PAGE 13-27
18	WR133898	2	BRKT ASM-STR,LG,2IPS,REV P CLP	SEE PAGE 13-28
19	WR511528	-	HOSE 1.00 2BRD EPDM [BULK: 157.167 FT]	
20	WR561213	22	CLAMP 0.81-1.50 HOSE 16HS	



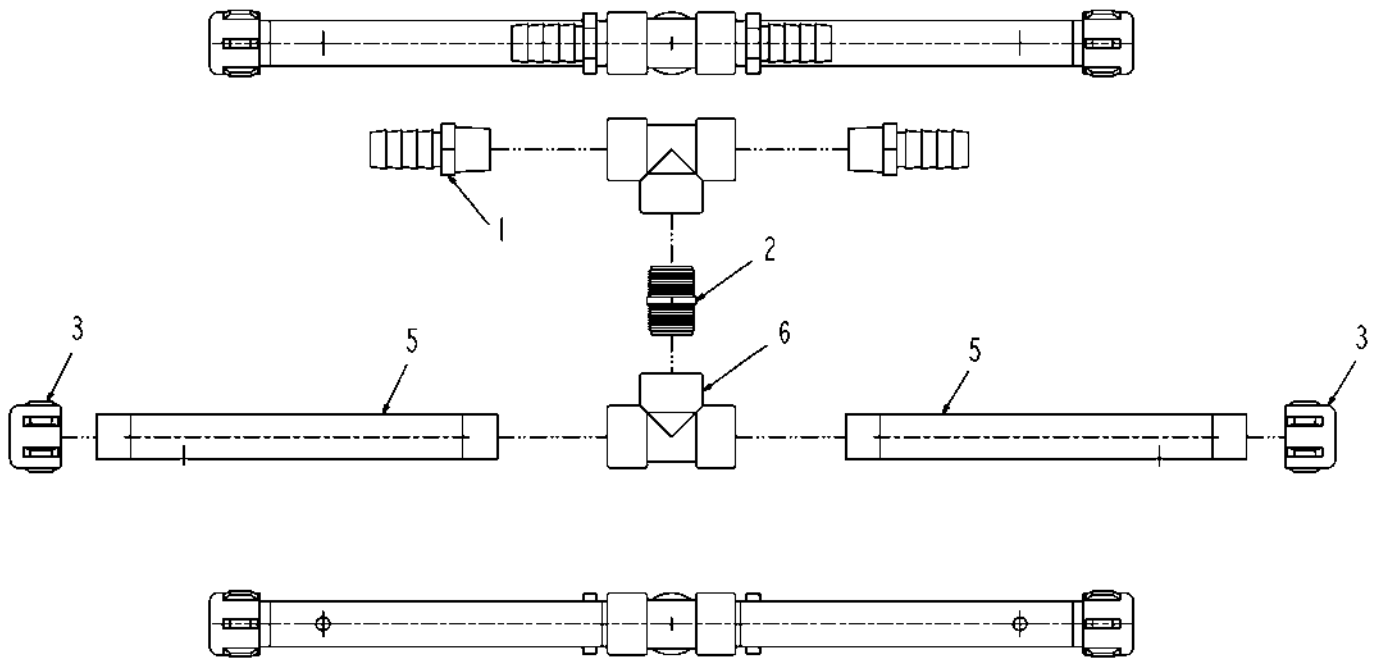
ITEM	PART #	QTY	DESCRIPTION	COMMENT
1	WR051059	1	BARB-HOSE,1.00MNPTX1.00BARB,PP	
2	WR051127	1	ELBOW-PIPE,1.00FNPT,90D,PP	
3	WR051153	1	NIPPLE-PIPE,1.00NPTXCLS,PP	
4	WR051536	2	CAP-PIPE,1.00NPT PP	
5	WR129187	AR	PIPE SEALANT-POLY SEAL	
6	WR239721	2	TUBE-51.50,POLY	
7	WR516405	1	TEE,PIPE,1.00FNPT,PP	



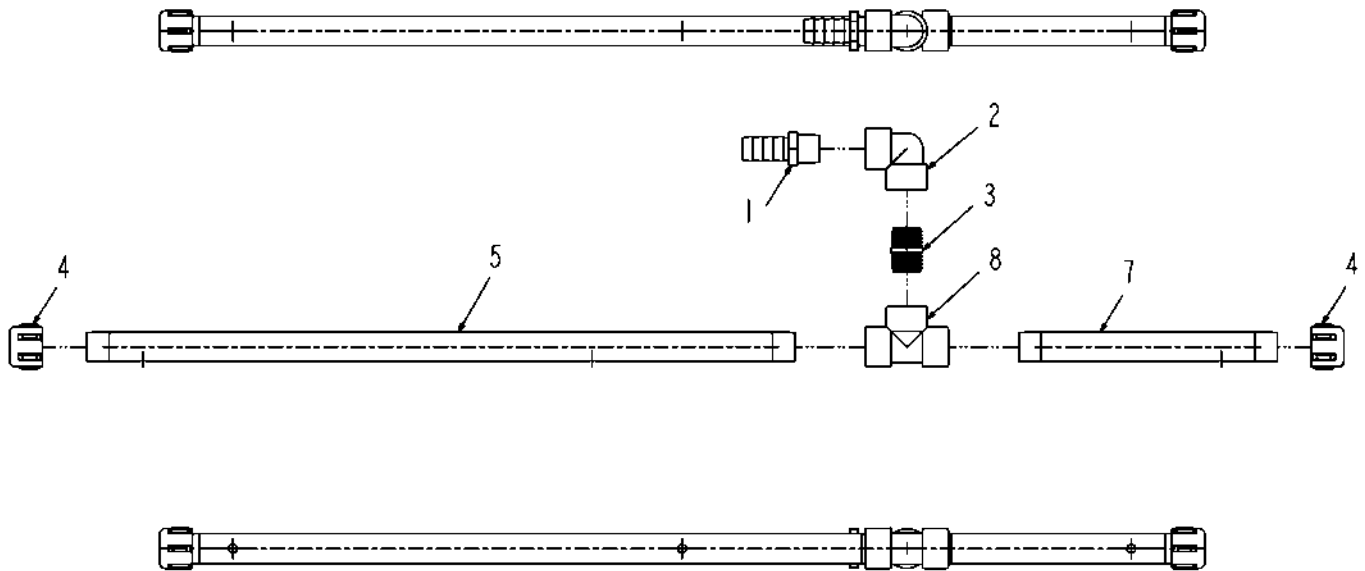
ITEM	PART #	QTY	DESCRIPTION	COMMENT
1	WR051059	2	BARB-HOSE,1.00MNPTX1.00BARB,PP	
2	WR051153	1	NIPPLE-PIPE,1.00NPTXCLS,PP	
3	WR051536	2	CAP-PIPE,1.00NPT PP	
4	WR127785	1	TUBE-BOOM,PP,20,31.50	
5	WR129187	AR	PIPE SEALANT-POLY SEAL	
6	WR239721	1	TUBE-51.50,POLY	
7	WR516405	2	TEE,PIPE,1.00FNPT,PP	



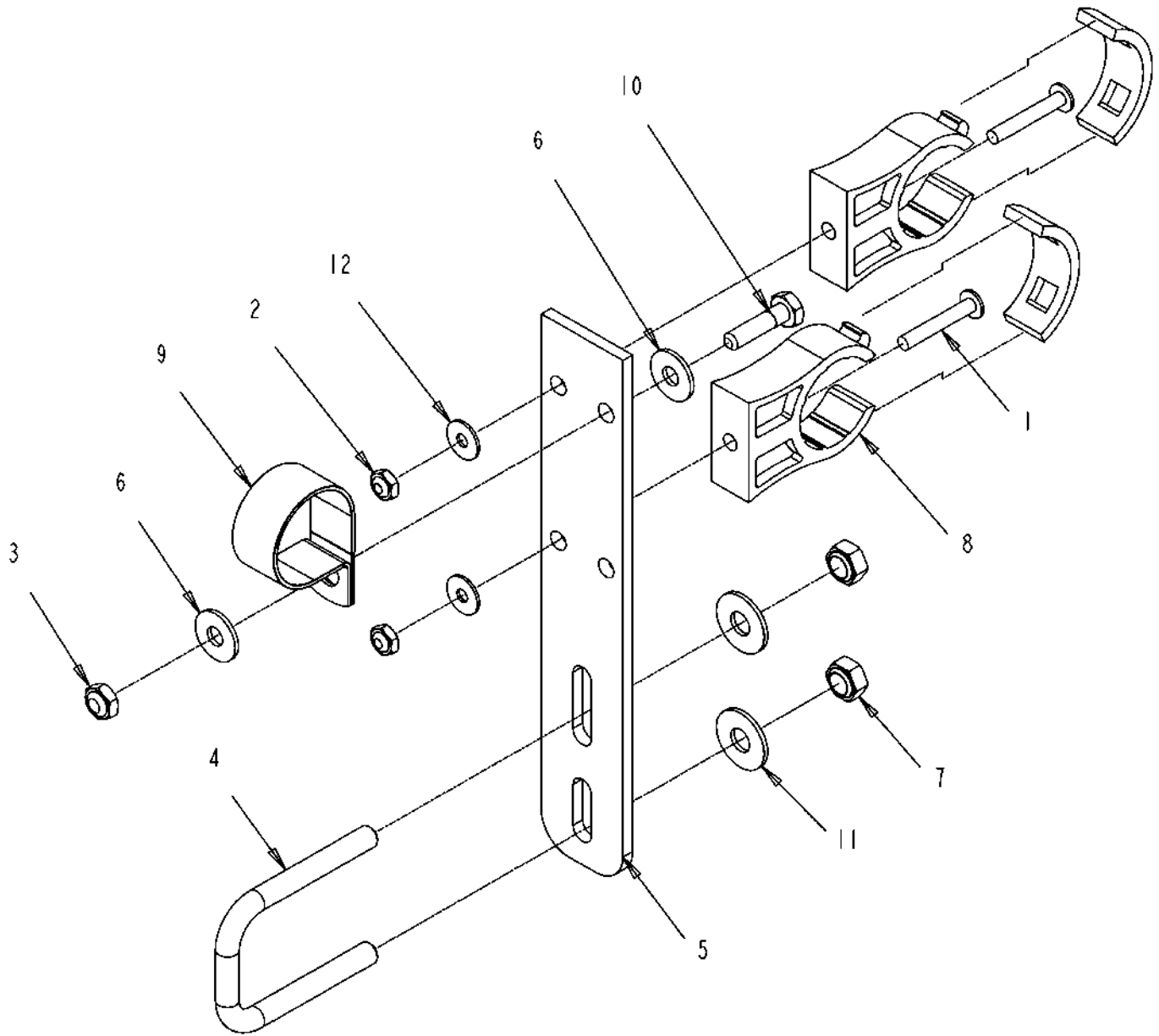
ITEM	PART #	QTY	DESCRIPTION	COMMENT
1	WR051059	2	BARB-HOSE,1.00MNPTX1.00BARB,PP	
2	WR051145	1	ELBOW 90D 1.00NPTX1.00 BARB PP	
3	WR051153	1	NIPPLE-PIPE,1.00NPTXCLS,PP	
4	WR051442	1	CROSS-PIPE,1.00FNPT,PP	
5	WR051536	2	CAP-PIPE,1.00NPT PP	
6	WR127785	1	TUBE-BOOM,PP,20,31.50	
7	WR129187	AR	PIPE SEALANT-POLY SEAL	
8	WR239721	1	TUBE-51.50,POLY	
9	WR516405	1	TEE,PIPE,1.00FNPT,PP	



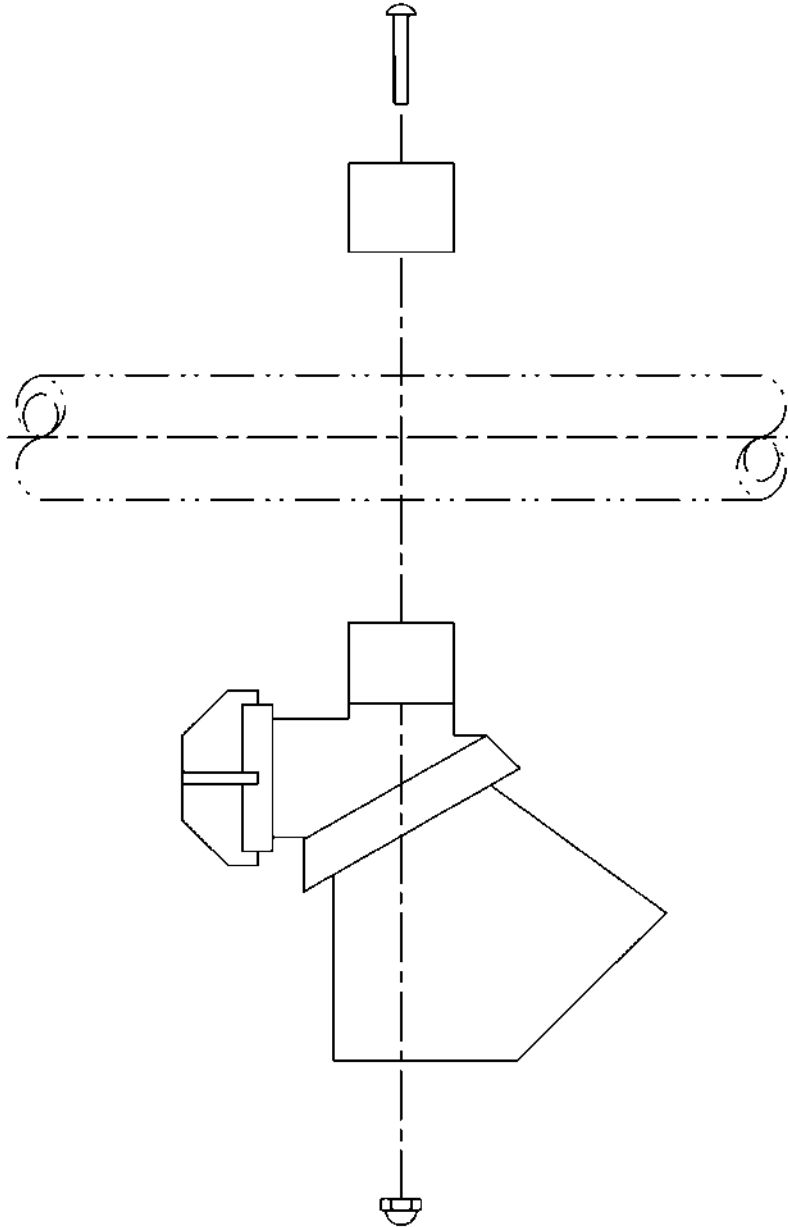
ITEM	PART #	QTY	DESCRIPTION	COMMENT
1	WR051059	2	BARB-HOSE,1.00MNPTX1.00BARB,PP	
2	WR051153	1	NIPPLE-PIPE,1.00NPTXCLS,PP	
3	WR051536	2	CAP-PIPE,1.00NPT PP	
4	WR129187	AR	PIPE SEALANT-POLY SEAL	
5	WR234467	2	TUBE 11.50 BOOM	
6	WR516405	2	TEE,PIPE,1.00FNPT,PP	



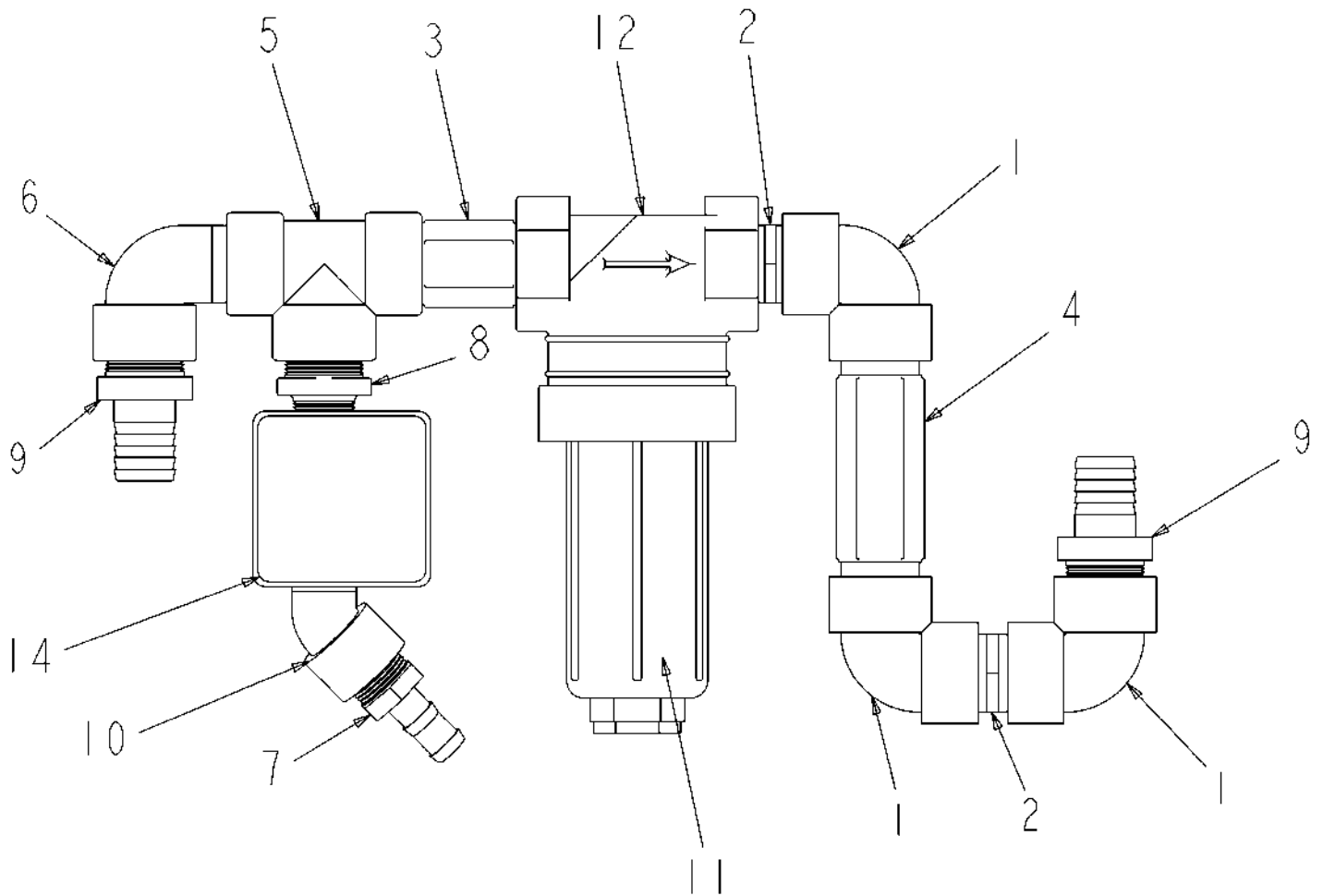
ITEM	PART #	QTY	DESCRIPTION	COMMENT
1	WR051059	1	BARB-HOSE,1.00MNPTX1.00BARB,PP	
2	WR051127	1	ELBOW-PIPE,1.00FNPT,90D,PP	
3	WR051153	1	NIPPLE-PIPE,1.00NPTXCLS,PP	
4	WR051536	2	CAP-PIPE,1.00NPT PP	
5	WR127785	1	TUBE-BOOM,PP,20,31.50	
6	WR129187	AR	PIPE SEALANT-POLY SEAL	
7	WR234467	1	TUBE 11.50 BOOM	
8	WR516405	1	TEE,PIPE,1.00FNPT,PP	



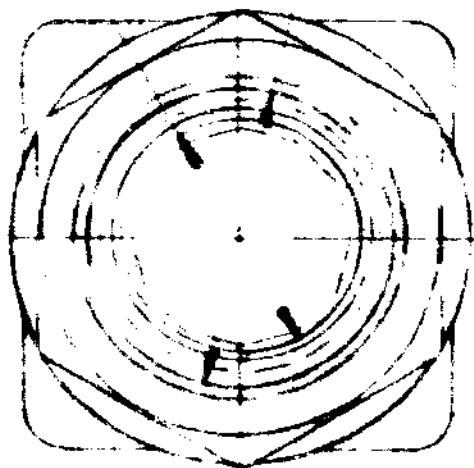
ITEM	PART #	QTY	DESCRIPTION	COMMENT
1	WR027273	2	SCREW 10-24X 1.25 PHD PHILSS(P	
2	WR027274	2	NUT 10-24NCSS LGT HX NY INS(P)	
3	WR027275	1	NUT,NY-LOCK 1/4-20 SS HX (P)	
4	WR231204	1	BOLT-U .31-18X1.88X2.63	
5	WR234375	1	BRACKET LONG STANDOFF	
6	WR515121	2	WASHER 0.25 FL SS REG	
7	WR516403	2	NUT 0.31-18NC HEX ESNA SS	
8	WR519749	3	CLAMP 1.00 IPS POLY	
9	WR519751	1	CLAMP 1.38 DIA COATED HOSE	
10	WR562064	1	BOLT 0.25-20NCX 1.00 S.S. HHD	
11	WR562074	2	WASHER FL 0.31 SS REG	
12	WR562082	2	WASHER #10 FL SS SAE	



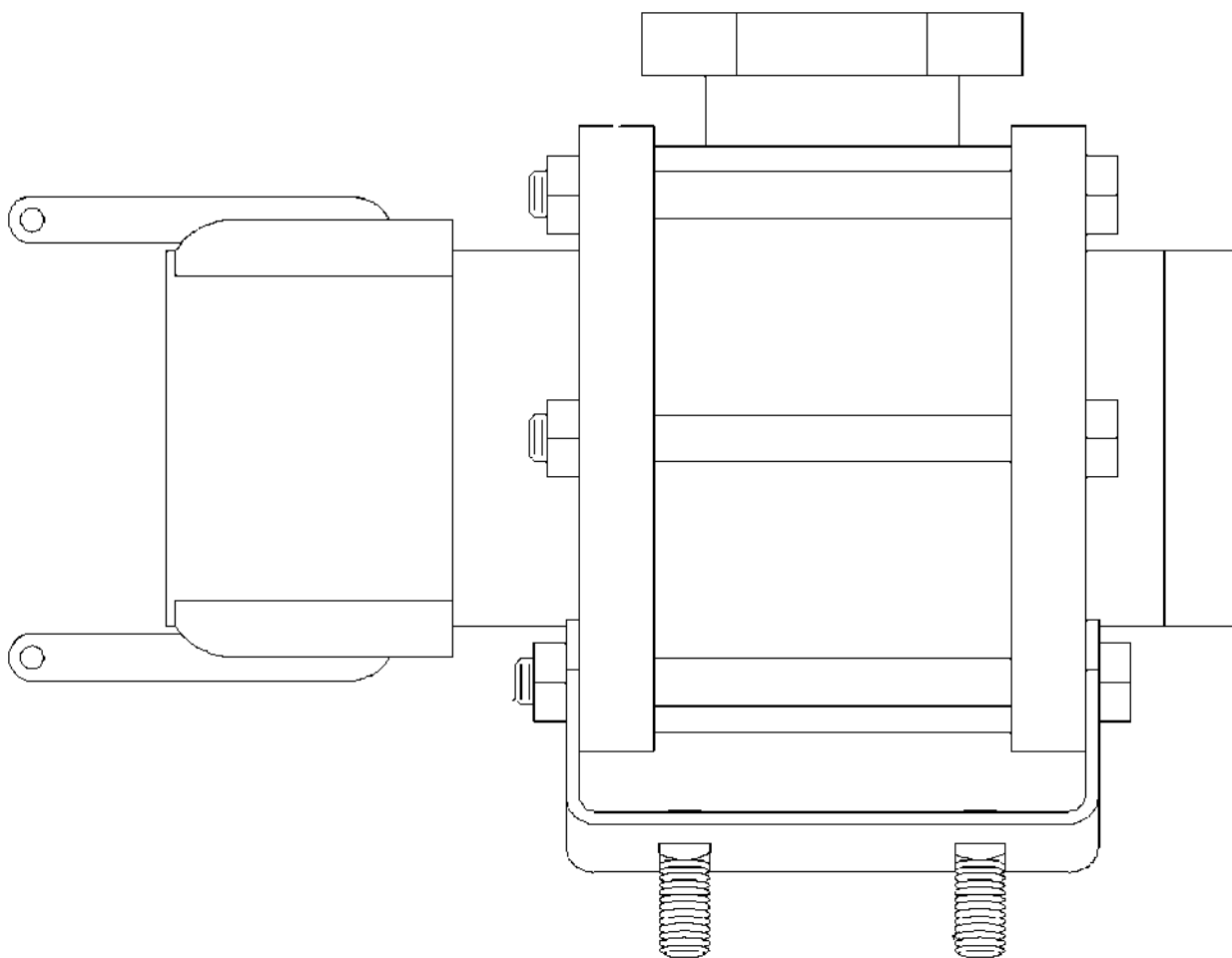
ITEM	PART #	QTY	DESCRIPTION	COMMENT
1	WR519562	49	NOZ HLDR-TPL 1.00 IPS	SEE PAGE 14-36



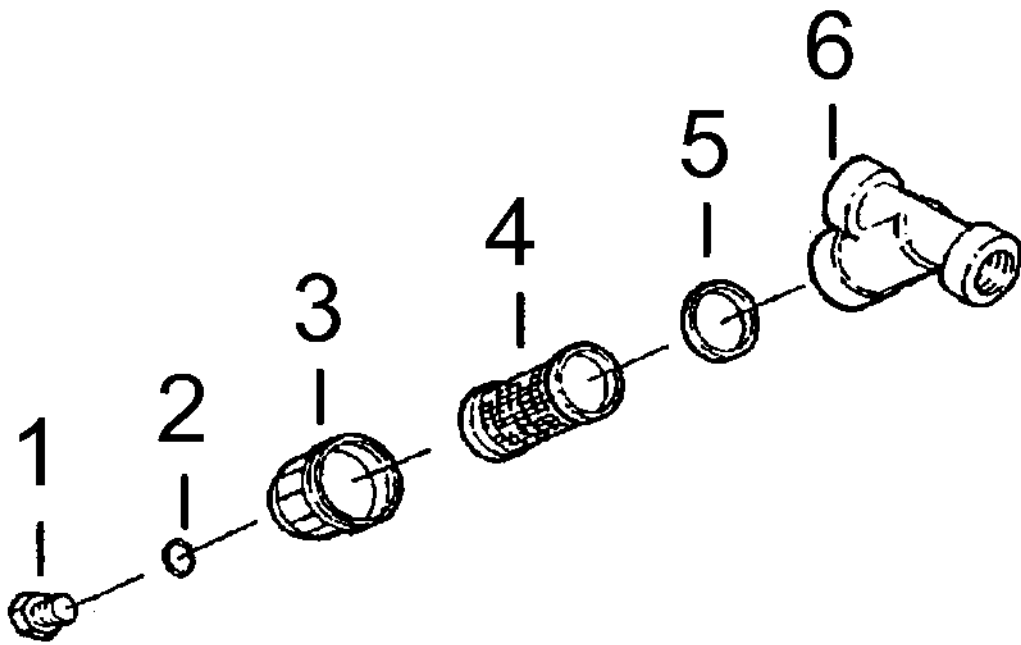
ITEM	PART #	QTY	DESCRIPTION	COMMENT
1	WR051128	3	ELBOW-PIPE,1.25FNPT,90D,PP	
2	WR051157	2	NIPPLE-PIPE,1.25NPTXCLS,PP	
3	WR051158	1	NIPPLE-PIPE,1.25NPTX4.00,PP	
4	WR051159	1	NIPPLE-PIPE,1.25NPTX6.00,PP	
5	WR051162	1	TEE,PIPE,1.25FNPT,PP	
6	WR051165	1	ELBOW-PIPE,1.25STREET,90D,PP	
7	WR051182	1	BARB-HOSE,1.00MNPTX0.75BARB,PP	
8	WR051437	-	NIPPLE RED 1.25NPTX1.00NPT PP	
9	WR052116	2	ADAPTER .20MP X -20HB SS	
10	WR052342	1	POLY ST ELBOW 45D 1 IN	
11	WR052373	1	SCREEN 50 MESH	
12	WR053056	1	STRAINER ASM LESS SCREEN 1.25	
13	WR129187	AR	PIPE SEALANT-POLY SEAL	
14	6618341	1	VALVE ASSY	



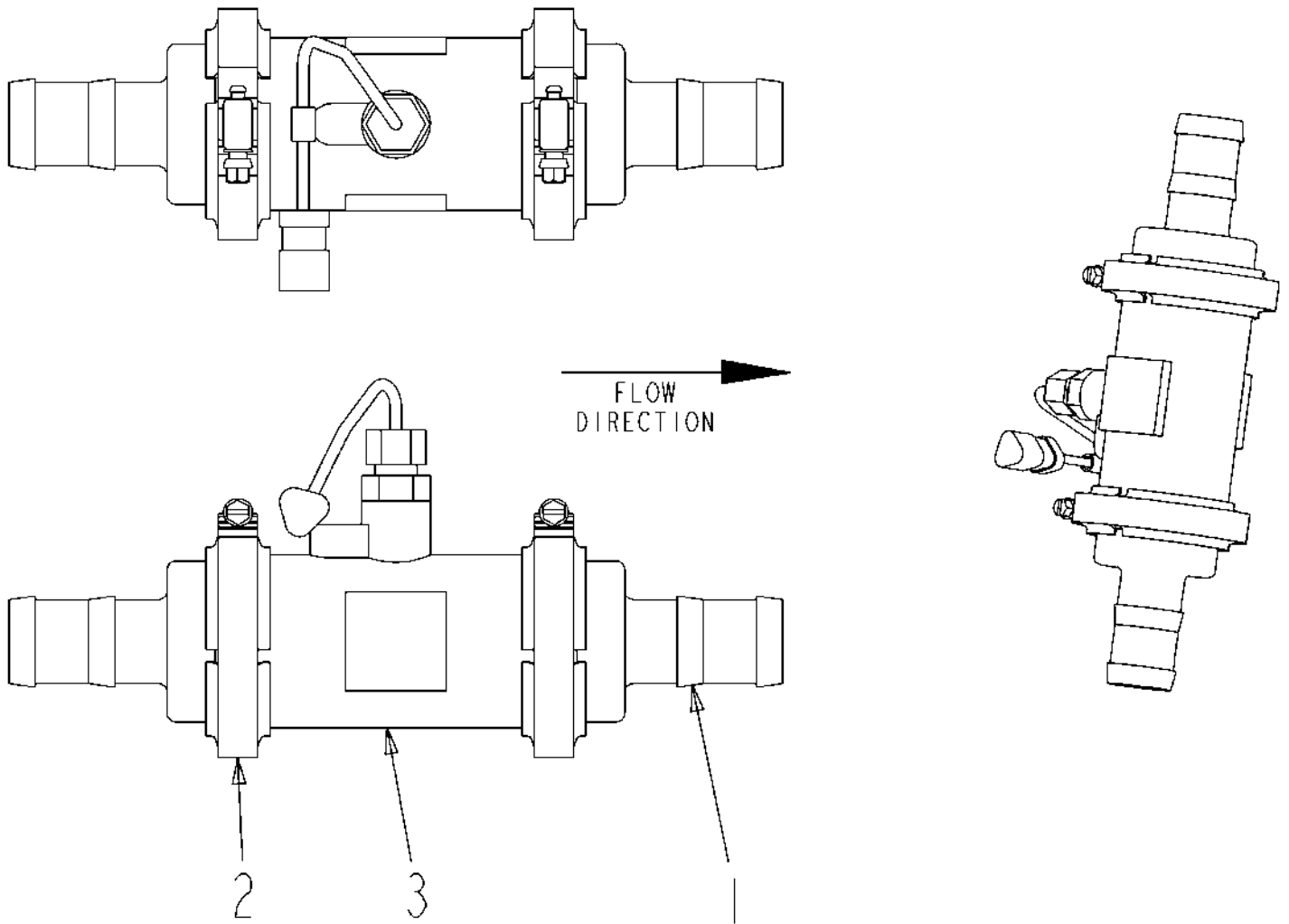
ITEM	PART #	QTY	DESCRIPTION	COMMENT
1	6611577	-	WASHER-NYLON-3/4 IN	
2	6611576	-	WASHER-RUBBER.3/4 IN BU	



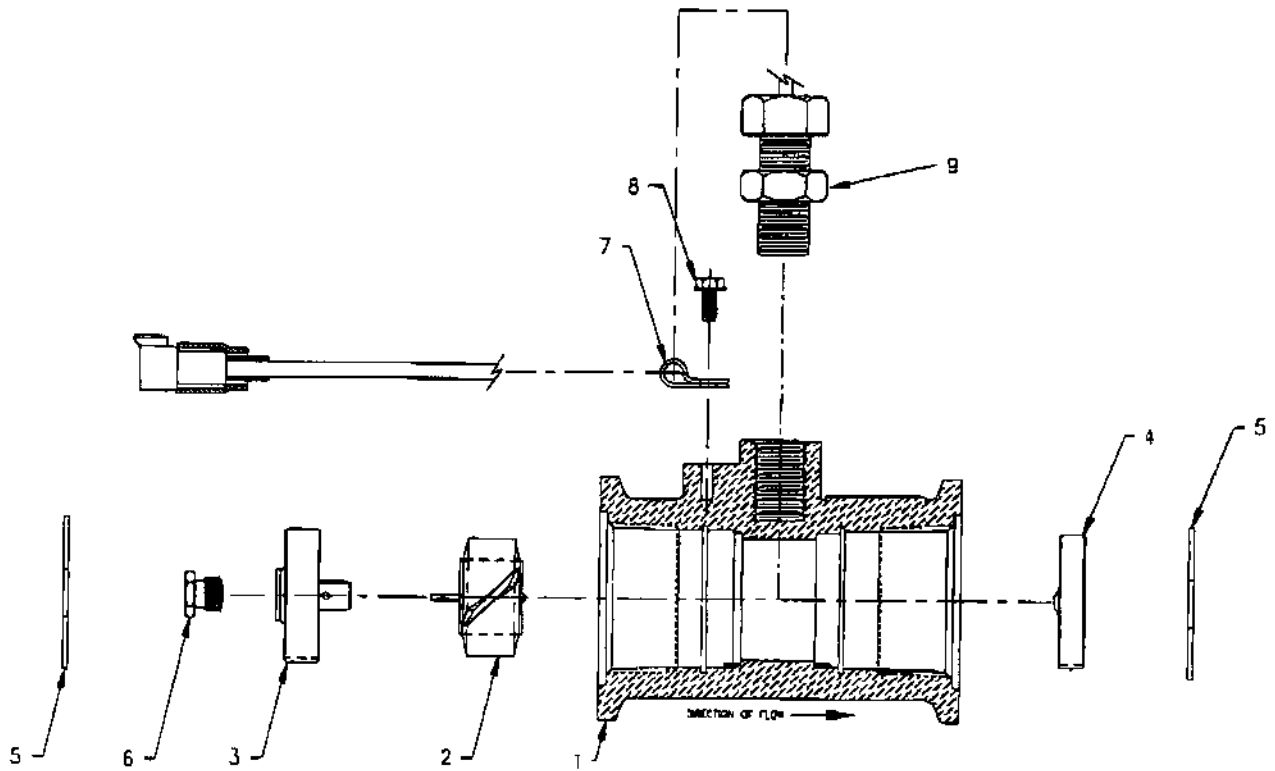
ITEM	PART #	QTY	DESCRIPTION	COMMENT
REF	WR51213	1	KIT-REPAIR,-32 PP VALVE	



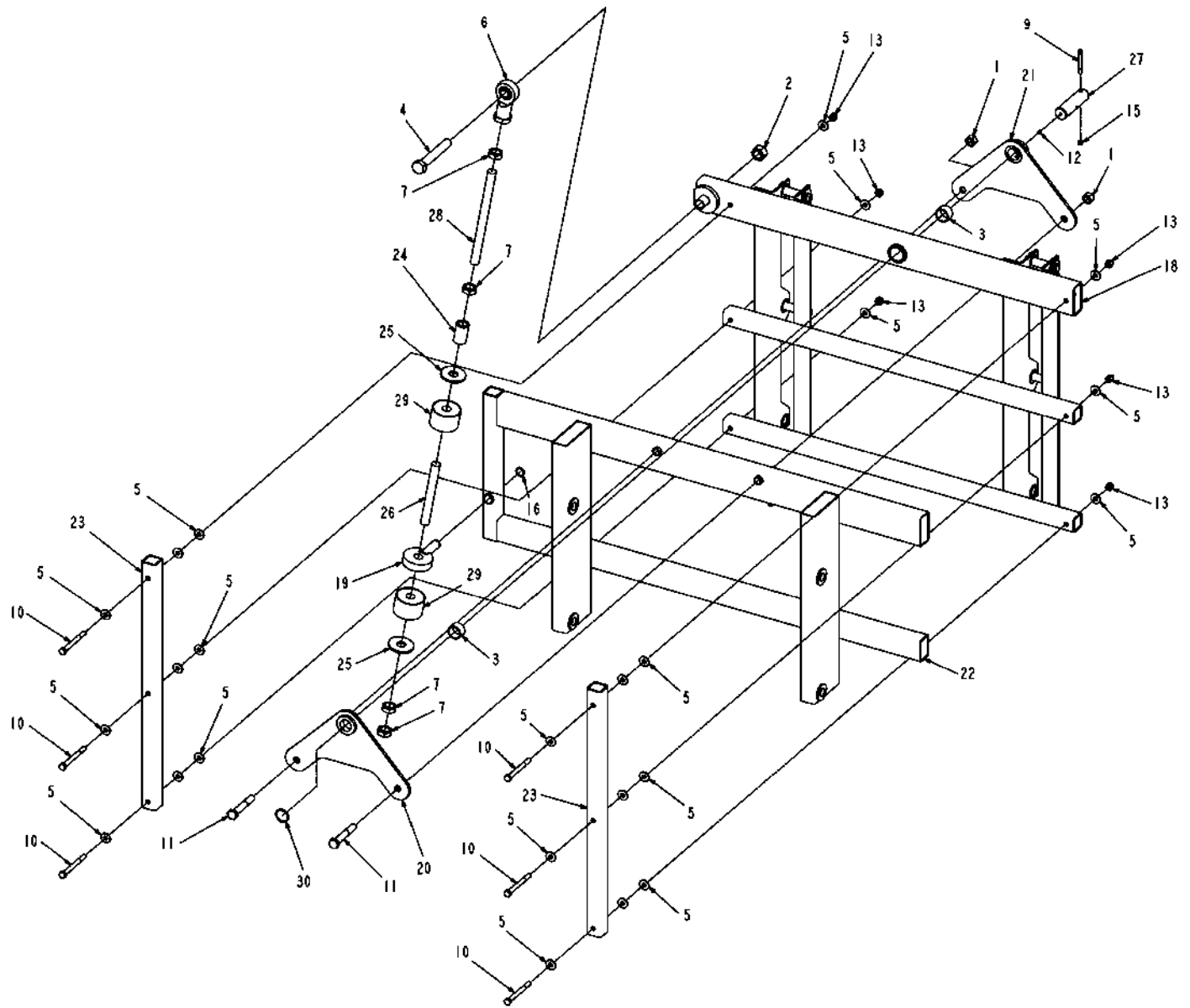
ITEM	PART #	QTY	DESCRIPTION	COMMENT
1	6666849	1	PLUG	
2	6671704	1	O-RING	
3	6667800	1	CAP	
4	6662001	1	SCREEN-20 MESH	
5	6671703	1	GASKET	
6	6671702	1	BODY	



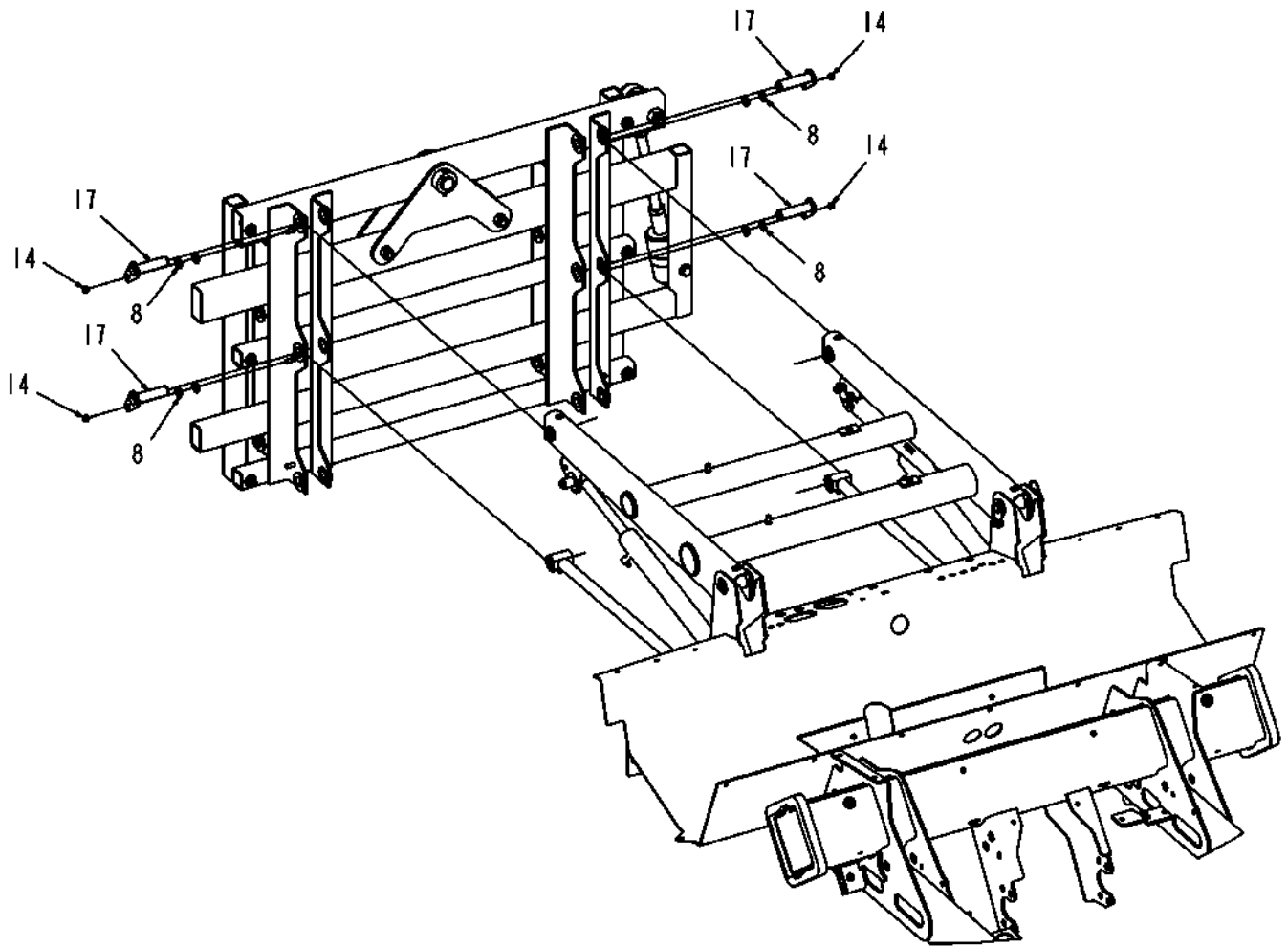
ITEM	PART #	QTY	DESCRIPTION	COMMENT
1	WR056289	2	CONNECTOR 2.00FLGX1.25HOSE	
2	WR056785	2	CLAMP 2.00 FLANGE	
3	WR128711	1	MANUAL-OPR,L2020/L3020G4,LORAL	



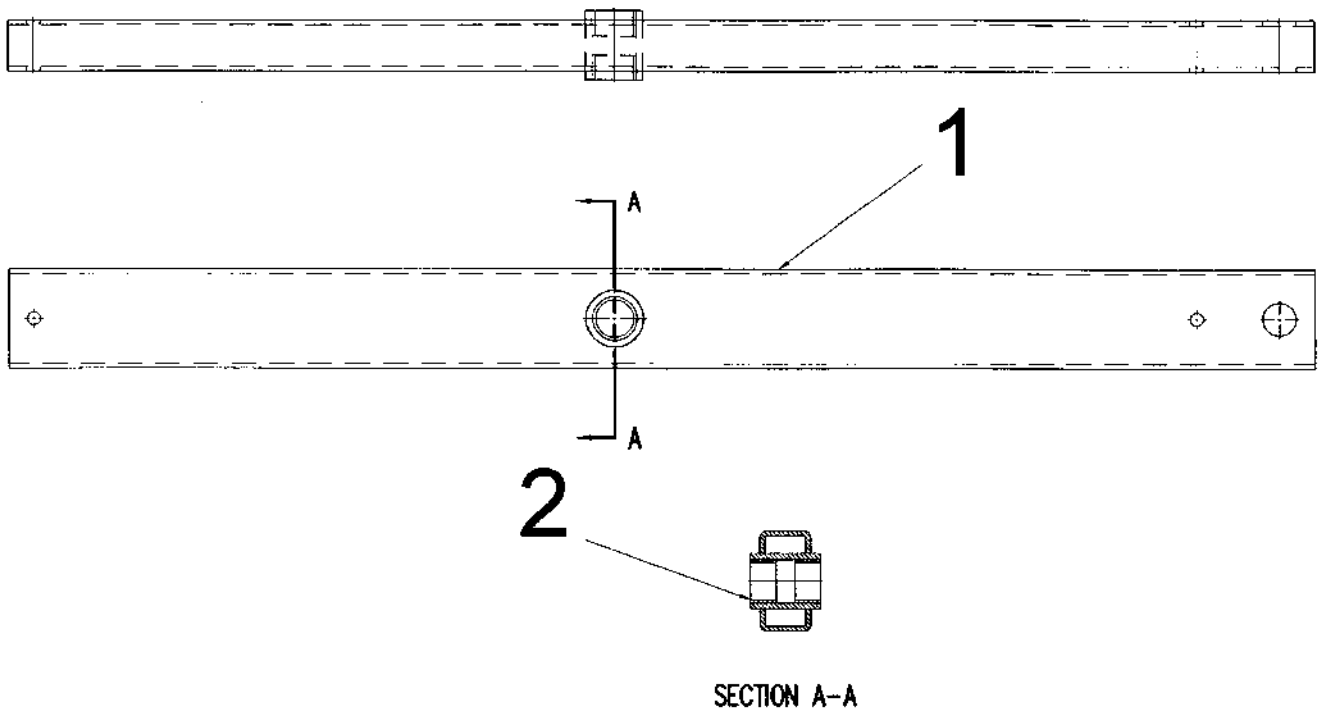
ITEM	PART #	QTY	DESCRIPTION	COMMENT
1	WR132375	1	BODY, RFM60P	
2	WR723606	1	ROTOR/MAGNET ASSEMBLY	
3	WR722268	1	HUB/BEARING ASM	
4	WR724335	1	HUB ASM RFM60	
5	WR722270	1	RING-RETAINING INTERNAL	
6	WR709339	1	TURBINE STUD W/BRG	
7	WR132376	1	CLAMP, CABLE	
8	WR132377	1	SCREW	
9	WR132378	1	SENSOR	



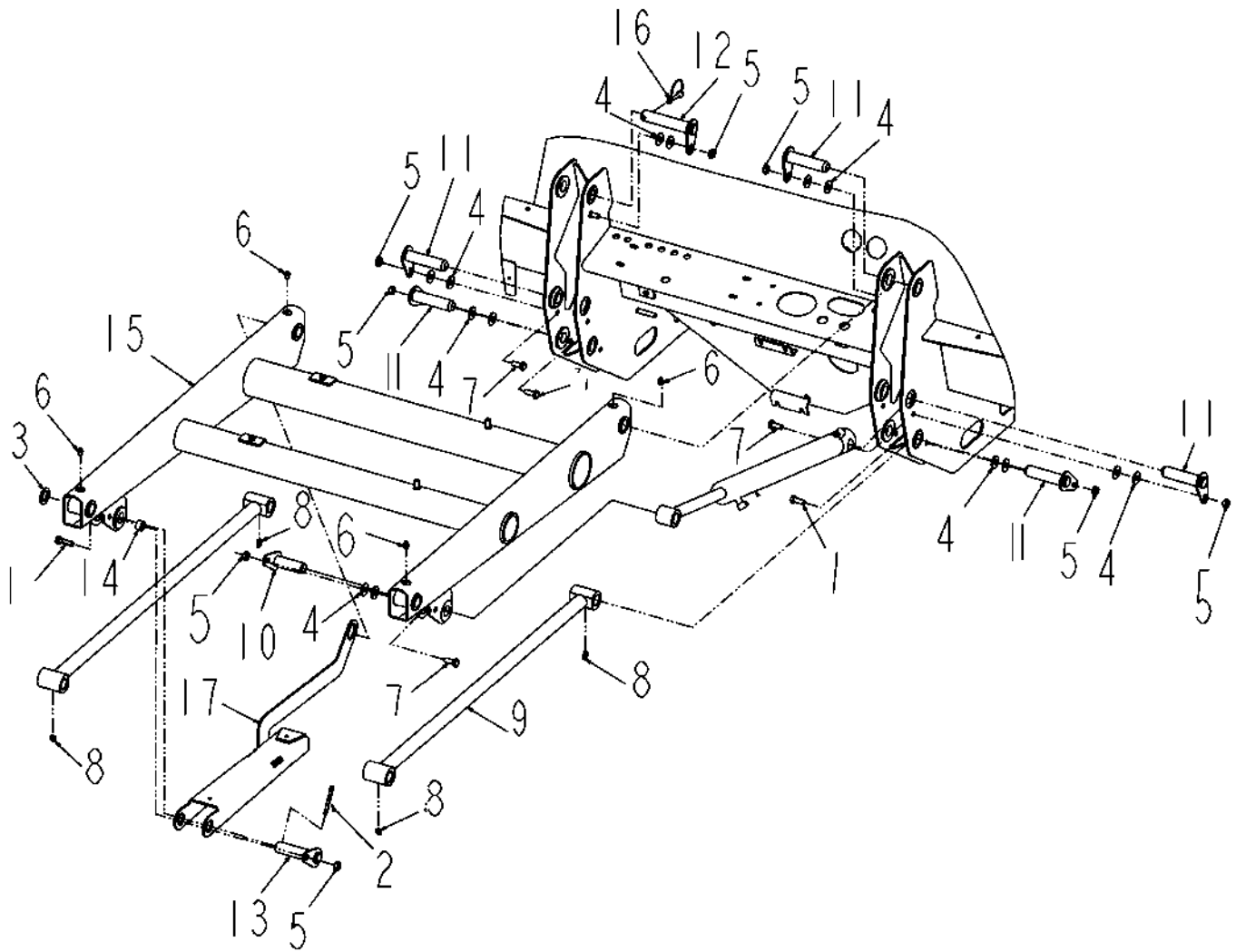
ITEM	PART #	QTY	DESCRIPTION	COMMENT
1	WR11543	2	NUT-TOPLOCK, 3/4-10UNC G5	
2	WR11557	1	NUT-TOPLOCK, 1-12UNF G8	
3	WR16058	-	BUSHING-BRZ,1.753X1.503ID	
4	WR30334	1	SCREW-CAP HEX 1NF X 6 1/2	
5	WR31555	24	WASHER-FLAT,STD, 1/2 ID.	
6	WR34606	1	ROD-END,1-14UNF.FEMALE	
7	WR34609	4	NUT-JAM, 1-14UNF	
8	WR55158	8	WASHER-FLAT,10MM ID,	
9	WR550906	1	BOLT 0.31-18NCX 3.00 G5 ZN HHD	
10	WR553964	6	BOLT 0.50-13NCX 5.00 G5 ZN HHD	
11	WR561808	2	BOLT 0.75-10NCX 4.50 G5 ZN HHD	
12	WR561892	1	FITTING LUBE STR 0.25UNF	
13	WR601152	6	NUT 0.50-13NC HEX ZN REG NY	
14	WR601411	4	NUT 0.37-16NC HEX ZN REG LK NY	
15	WR601888	1	NUT 0.31-18NC HEX ZN REG NY	
16	6538286	1	RING-SNAP	
17	6618836	4	PIN-W/A	
18	WR37432	1	RACK WLDMT-BOOM TILT	
19	WR37435	1	PIVOT WLDMT-TILT CYLINDER	
20	WR37439	1	PIVOT WLDMT-BACK SIDE	
21	WR37440	1	PIVOT WLDMT-FRONT SIDE	
22	WR37447	1	PIVOTING RACK WLDMT-BOOM	
23	WR37448	2	TUBE-SQ, 2.00 X .188W X	
24	WR37449	1	BUSHING-THREADED	
25	WR37450	2	WASHER-FAB, 3.00 OD X	
26	WR37451	1	PIN-THREADED	
27	WR37452	1	PIN-PIVOT BRACKET	
28	WR37453	1	PIN-THREADED	
29	WR37454	2	CUSHION-RUBBER MT,60 DURO	
30	WR37548	1	RING-SNAP,1.50 NOM	



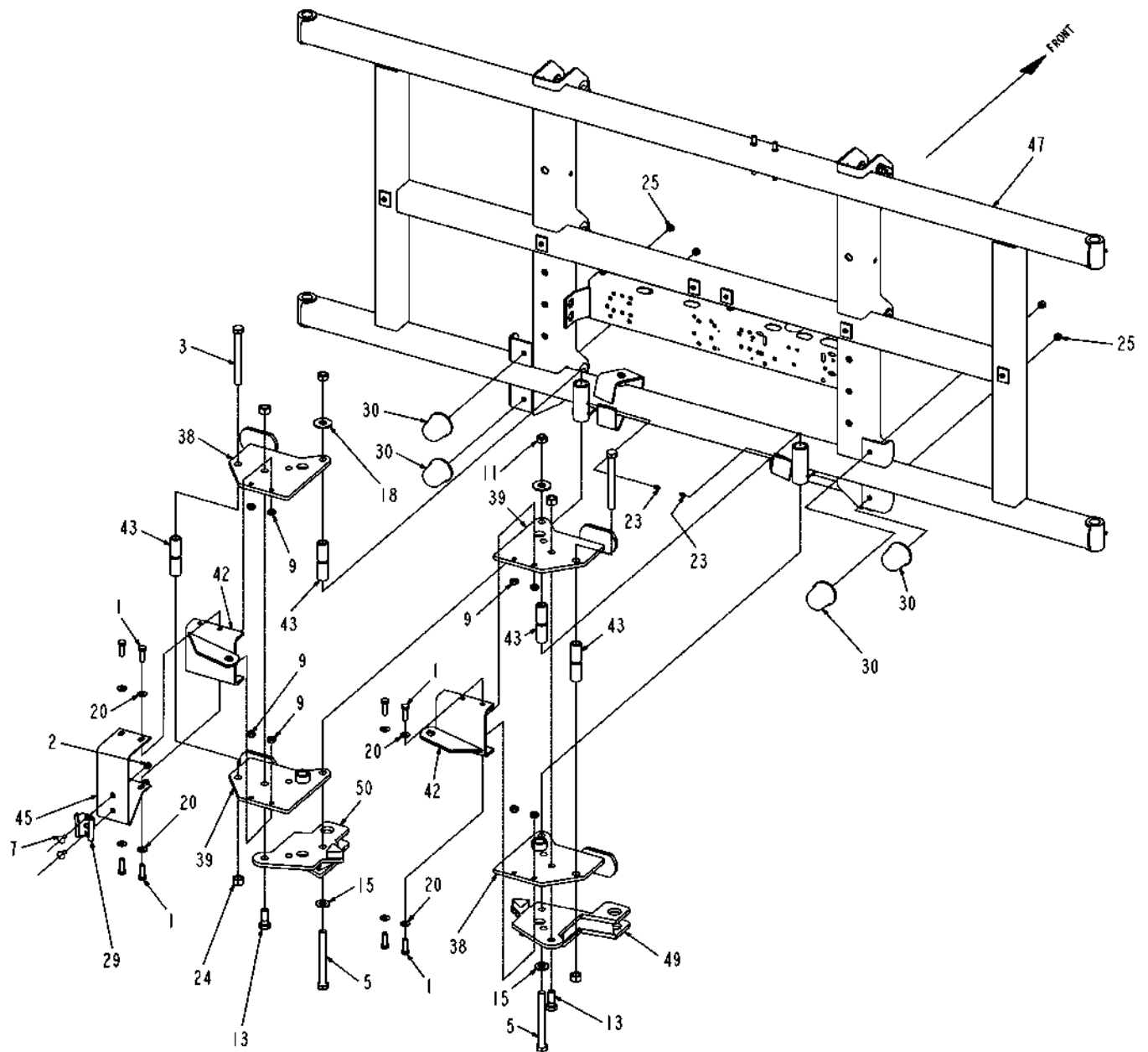
ITEM	PART #	QTY	DESCRIPTION	COMMENT
1	WR11543	2	NUT-TOPLOCK, 3/4-10UNC G5	
2	WR11557	1	NUT-TOPLOCK, 1-12UNF G8	
3	WR16058	-	BUSHING-BRZ,1.753X1.503ID	
4	WR30334	1	SCREW-CAP HEX 1NF X 6 1/2	
5	WR31555	24	WASHER-FLAT,STD, 1/2 ID,	
6	WR34606	1	ROD-END,1-14UNF,FEMALE	
7	WR34609	4	NUT-JAM, 1-14UNF	
8	WR55158	8	WASHER-FLAT,10MM ID.	
9	WR550906	1	BOLT 0.31-18NCX 3.00 G5 ZN HHD	
10	WR553964	6	BOLT 0.50-13NCX 5.00 G5 ZN HHD	
11	WR561808	2	BOLT 0.75-10NCX 4.50 G5 ZN HHD	
12	WR561892	1	FITTING LUBE STR 0.25UNF	
13	WR601152	6	NUT 0.50-13NC HEX ZN REG NY	
14	WR601411	4	NUT 0.37-16NC HEX ZN REG LK NY	
15	WR601888	1	NUT 0.31-18NC HEX ZN REG NY	
16	6538286	1	RING-SNAP	
17	6618836	4	PIN-W/A	
18	WR37432	1	RACK WLDMT-BOOM TILT	
19	WR37435	1	PIVOT WLDMT-TILT CYLINDER	
20	WR37439	1	PIVOT WLDMT-BACK SIDE	
21	WR37440	1	PIVOT WLDMT-FRONT SIDE	
22	WR37447	1	PIVOTING RACK WLDMT-BOOM	
23	WR37448	2	TUBE-SQ, 2.00 X .188W X	
24	WR37449	1	BUSHING-THREADED	
25	WR37450	2	WASHER-FAB, 3.00 OD X	
26	WR37451	1	PIN-THREADED	
27	WR37452	1	PIN-PIVOT BRACKET	
28	WR37453	1	PIN-THREADED	
29	WR37454	2	CUSHION-RUBBER MT,60 DURO	
30	WR37548	1	RING-SNAP,1.50 NOM	



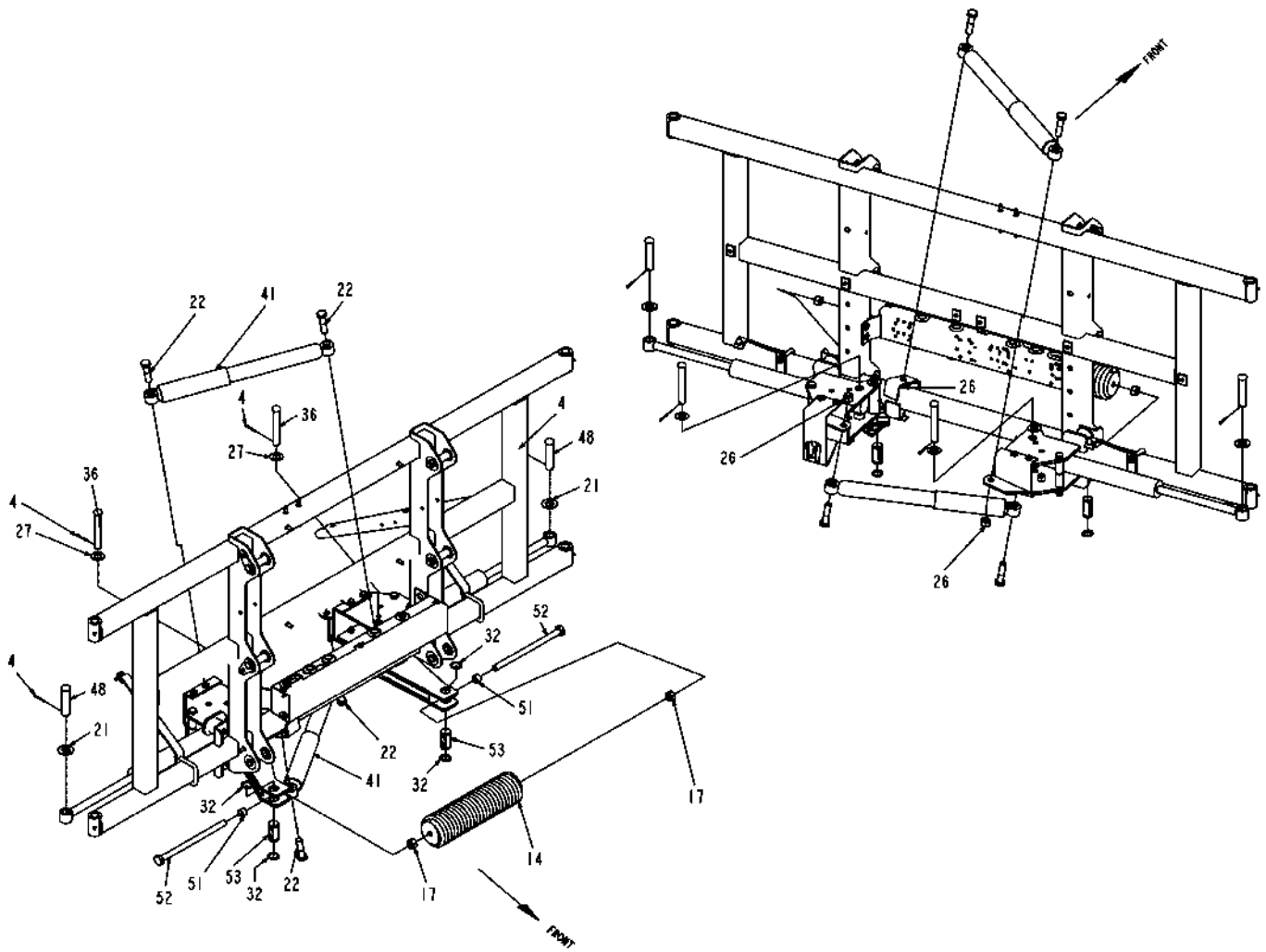
ITEM	PART #	QTY	DESCRIPTION	COMMENT
1	WR37775	1	TUBE WLDMT-RACK TILT	
2	WR16058	2	BUSHING-BRZ,1.753X1.503ID	



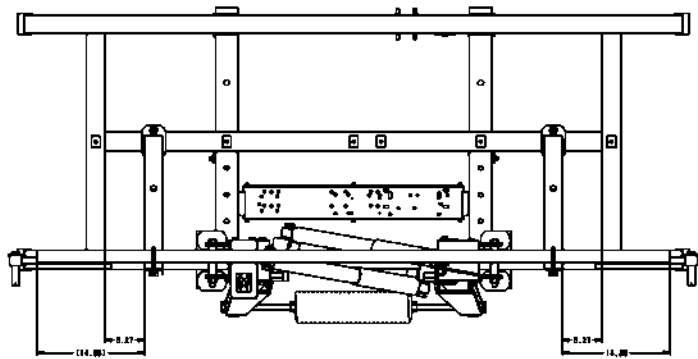
ITEM	PART #	QTY	DESCRIPTION	COMMENT
1	WR029298	1	BOLT M10-1.50X 35MM G8.8 ZN HH	
2	WR35925	1	PIN-COTTER,1/4 X 2.00	
3	WR55079	1	WASHER-PLAIN,24MM ID,LC,	
4	WR55158	14	WASHER-FLAT,10MM ID,	
5	WR55272	8	NUT-LOCK,M10 X 1.5,PREV	
6	WR550280	4	FITTING LUB.12-27NPTFX0.68	
7	WR561683	5	BOLT M10-1.5 X 25MM G8.8 ZN HH	
8	WR562551	4	ZERK 45D 0.125 NPT	
9	6618833	2	LINK-W/A	
10	6618835	1	PIN-W/A	
11	6618836	5	PIN-W/A	
12	6626661	1	PIN-W/A	
13	6626663	1	PIN-W/A	
14	6626810	1	BUSHING	
15	6626991	1	FRAME-BOOM LIFT,W/A	
16	6656009	1	PIN-SNAPPER	
17	6804303	1	CHANNEL-W/A	



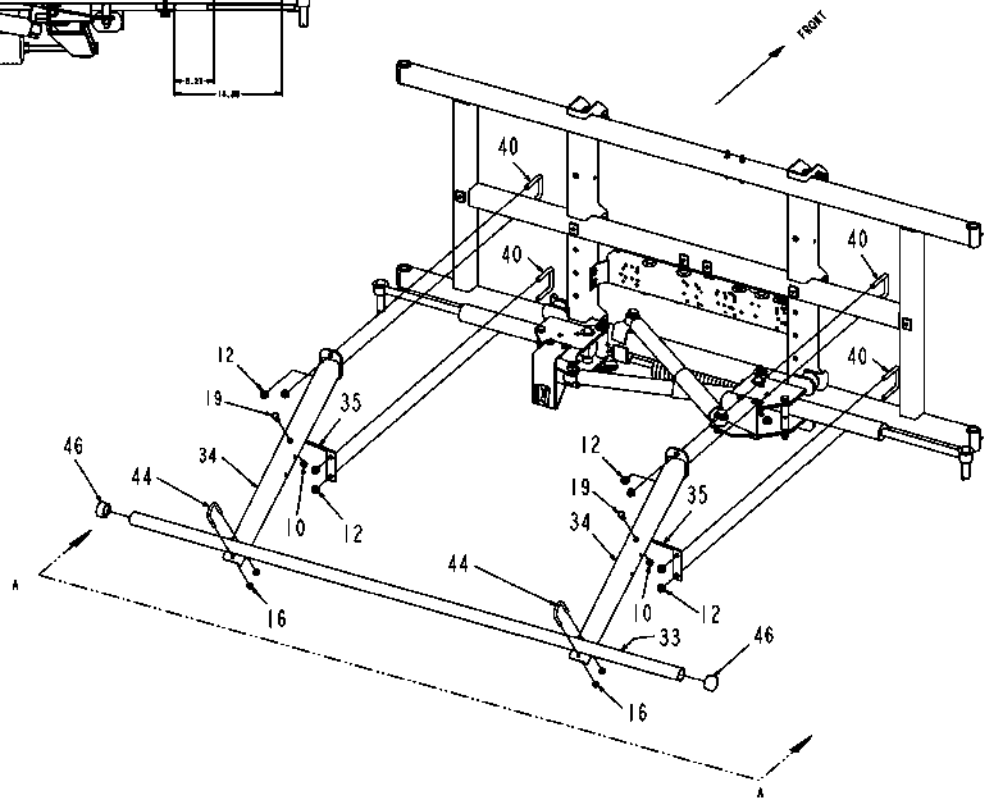
ITEM	PART #	QTY	DESCRIPTION	COMMENT
REF	WR50814	2	SCREW-CAP HEX 5/8 NC X	
1	WR029298	8	BOLT M10-1.50X 35MM G8.8 ZN HH	
2	WR32254	2	NUT-TOPLOCK,M8-1.25	
3	WR55068	2	SCREW-CAP HEX M16 X 150	
4	WR55083	4	PIN-COTTER,3/16 X 1 1/2	
5	WR55153	2	SCREW-CAP HEX 5/8 NC X	
6	WR55158	8	WASHER-FLAT,10MM ID,	
7	WR55172	2	BOLT-CARRIAGE,M8 X 20,	
8	WR55205	6	SCREW-HEX FLG.M8X1.25X16 CL8.8	
9	WR55272	12	NUT-LOCK,M10 X 1.5.PREV	
10	WR55354	2	NUT-TOPLOCK, 1/2-13UNC G8	
11	WR55355	2	NUT-TOPLOCK,5/8-11UNC G8	
12	WR55372	8	NUT-LOCK FLANGE, 1/2-13NC	
13	WR121581	2	BOLT HHD M16-2.0X40MM 10.9	
14	WR121622	1	SPRING, ASSY	SEE PAGE 14-5
15	WR515180	2	WASHER 0.62 FL ZN REG G8	
16	WR520885	4	NUT-.38-16,G5,ZN,FLG,H	
17	WR522718	2	NUT-.75-10,G8,ZN,H	
18	WR550310	2	WASHER 0.62 FL ZN REG TYPE-B	
19	WR550655	2	BOLT 0.50-13NCX 1.00 G5 ZN HHD	
20	WR551015	8	WASHER 0.31 FL ZN REG TYPE-B	
21	WR551856	2	WASHER 1.00FL ZN SAE TYPE-A	
22	WR553689	4	BOLT 0.75-10NCX 3.00 G5 ZN HHD	
23	WR561892	6	FITTING LUBE STR 0.25UNF	
24	WR562799	4	NUT HEX M16 X 2.00	
25	WR601411	4	NUT 0.37-16NC HEX ZN REG LK NY	
26	WR603864	4	NUT 0.75-10LGT G5 HX ZN ESNA	
27	WR606258	2	WASHER 1.75ODX0.93ID G8 ZN	
28	WR731972	6	GROMMET	
29	6519752	1	SOCKET	
30	6530360	4	BUMPER-RUBBER	
31	6533975	1	GROMMET	
32	6536287	4	RING-SNAP	
33	6617585	1	TUBE-BOOM.CNTR	
34	6617765	2	BRACKET-W/A	
35	6617780	2	SUPPORT	
36	6618227	2	PIN-CLEVIS	
37	6618836	4	PIN-W/A	
38	6618840	2	PIVOT-W/A	
39	6618841	2	PIVOT WLDMT-BOOM CUSHION	
40	6620133	4	U-BOLT SQUARE,1/2 NC	
41	6623263	2	SHOCK ABSORBER-BOOM	
42	6624680	2	MOUNT-WLDMT,SHOCK	
43	6624692	4	SLEEVE	
44	6626119	2	U-BOLT	
45	6626929	1	BRACKET	
46	6659910	2	CAP	
47	6802250	1	BOOM-CENTER FRAME,W/A	
48	6802711	2	PIN-CLEVIS	
49	6802789	1	LEVER-W/A,RH	
50	6802790	1	LEVER-W/A,LH	
51	6803869	2	SPACER	
52	6804076	2	BOLT-SUSPENSION	
53	WR37580	2	PIN-SPRING PIVOT	
54	WR37895	1	COVER-ELECTRICAL	



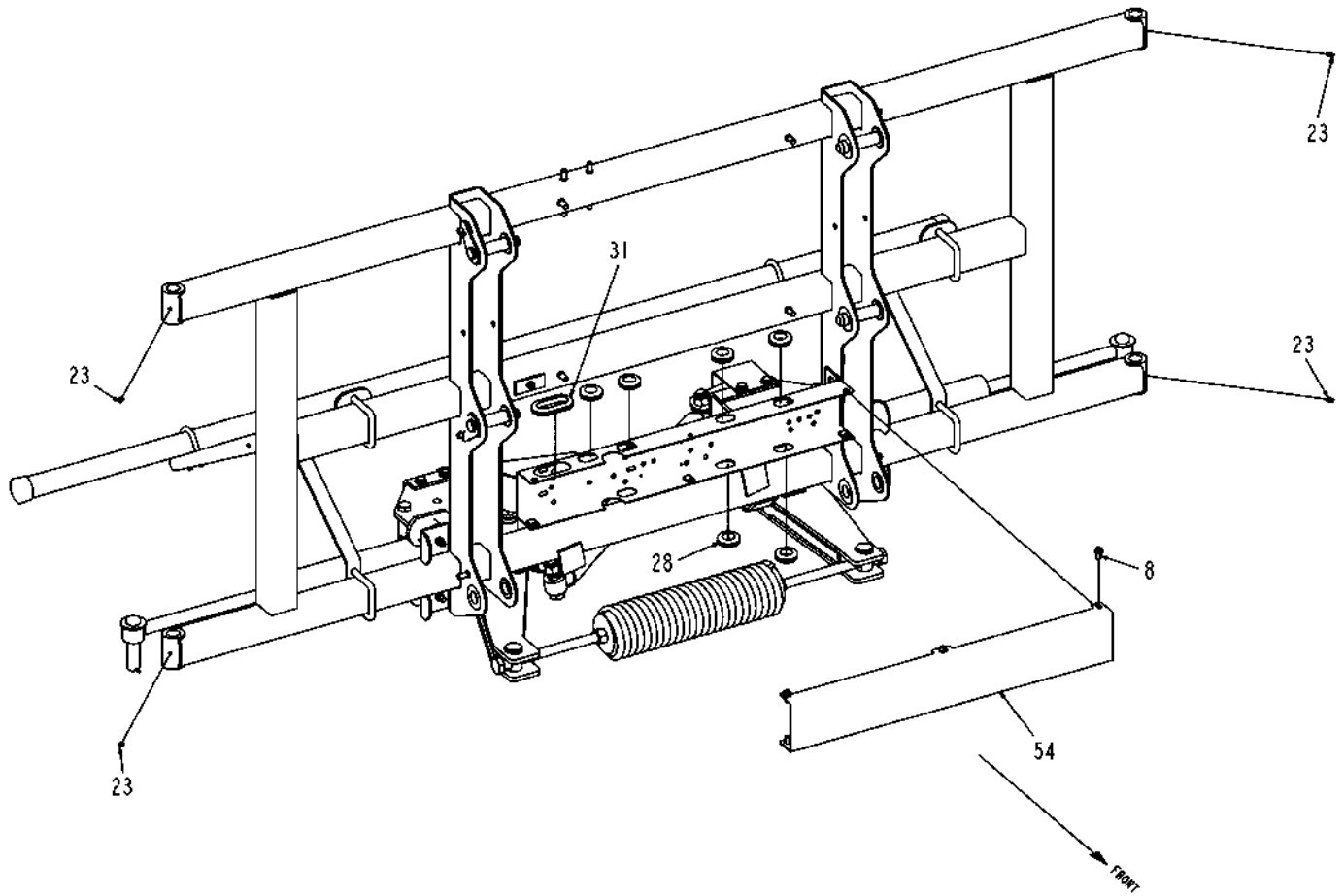
ITEM	PART #	QTY	DESCRIPTION	COMMENT
REF	WR50814	2	SCREW-CAP HEX 5/8 NC X	
1	WR029298	8	BOLT M10-1.50X 35MM G8.8 ZN HH	
2	WR32254	2	NUT-TOPLOCK,M8-1.25	
3	WR55068	2	SCREW-CAP HEX M16 X 150	
4	WR55083	4	PIN-COTTER,3/16 X 1 1/2	
5	WR55153	2	SCREW-CAP HEX 5/8 NC X	
6	WR55158	8	WASHER-FLAT,10MM ID,	
7	WR55172	2	BOLT-CARRIAGE,M8 X 20,	
8	WR55205	6	SCREW-HEX FLG.M8X1.25X16 CL8.8	
9	WR55272	12	NUT-LOCK,M10 X 1.5.PREV	
10	WR55354	2	NUT-TOPLOCK, 1/2-13UNC G8	
11	WR55355	2	NUT-TOPLOCK,5/8-11UNC G8	
12	WR55372	8	NUT-LOCK FLANGE, 1/2-13NC	
13	WR121581	2	BOLT HHD M16-2.0X40MM 10.9	
14	WR121622	1	SPRING, ASSY	SEE PAGE 14-5
15	WR515180	2	WASHER 0.62 FL ZN REG G8	
16	WR520885	4	NUT-.38-16,G5,ZN,FLG,H	
17	WR522718	2	NUT-.75-10,G8,ZN,H	
18	WR550310	2	WASHER 0.62 FL ZN REG TYPE-B	
19	WR550655	2	BOLT 0.50-13NCX 1.00 G5 ZN HHD	
20	WR551015	8	WASHER 0.31 FL ZN REG TYPE-B	
21	WR551866	2	WASHER 1.00FL ZN SAE TYPE-A	
22	WR553689	4	BOLT 0.75-10NCX 3.00 G5 ZN HHD	
23	WR561892	6	FITTING LUBE STR 0.25UNF	
24	WR562799	4	NUT HEX M16 X 2.00	
25	WR601411	4	NUT 0.37-16NC HEX ZN REG LK NY	
26	WR603864	4	NUT 0.75-10LGT G5 HX ZN ESNA	
27	WR606258	2	WASHER 1.75ODX0.93ID G8 ZN	
28	WR731972	6	GROMMET	
29	6519752	1	SOCKET	
30	6530360	4	BUMPER-RUBBER	
31	6533975	1	GROMMET	
32	6538287	4	RING-SNAP	
33	6617585	1	TUBE-BOOM,CNTR	
34	6617765	2	BRACKET-W/A	
35	6617780	2	SUPPORT	
36	6618227	2	PIN-CLEVIS	
37	6618836	4	PIN-W/A	
38	6618840	2	PIVOT-W/A	
39	6618841	2	PIVOT WLDMT-BOOM CUSHION	
40	6620133	4	U-BOLT SQUARE,1/2 NC	
41	6623263	2	SHOCK ABSORBER-BOOM	
42	6624680	2	MOUNT-WLDMT,SHOCK	
43	6624692	4	SLEEVE	
44	6626119	2	U-BOLT	
45	6626929	1	BRACKET	
46	6659910	2	CAP	
47	6802250	1	BOOM-CENTER FRAME,W/A	
48	6802711	2	PIN-CLEVIS	
49	6802789	1	LEVER-W/A,RH	
50	6802790	1	LEVER-W/A,LH	
51	6803869	2	SPACER	
52	6804076	2	BOLT-SUSPENSION	
53	WR37580	2	PIN-SPRING PIVOT	
54	WR37895	1	COVER-ELECTRICAL	



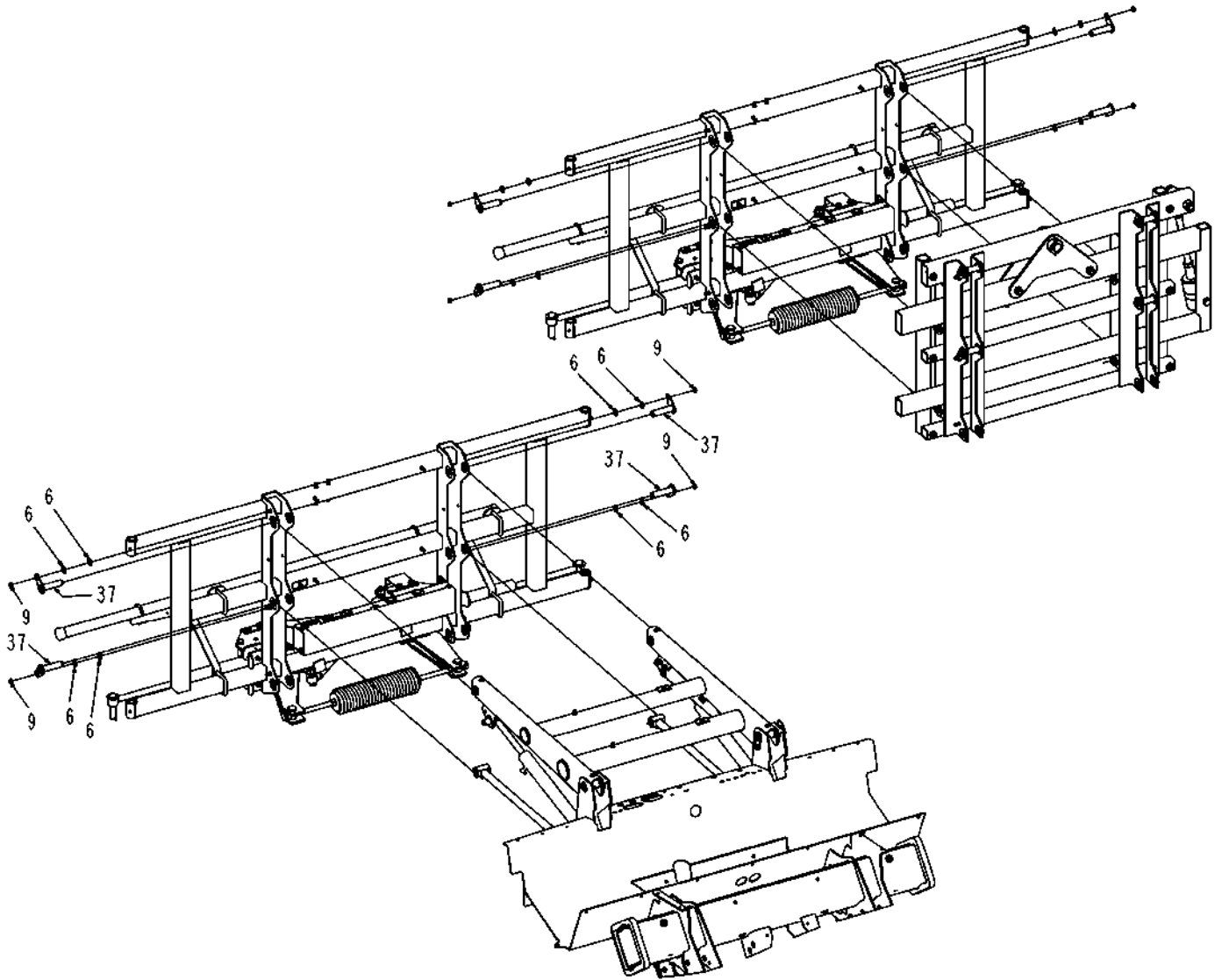
VIEW A-A



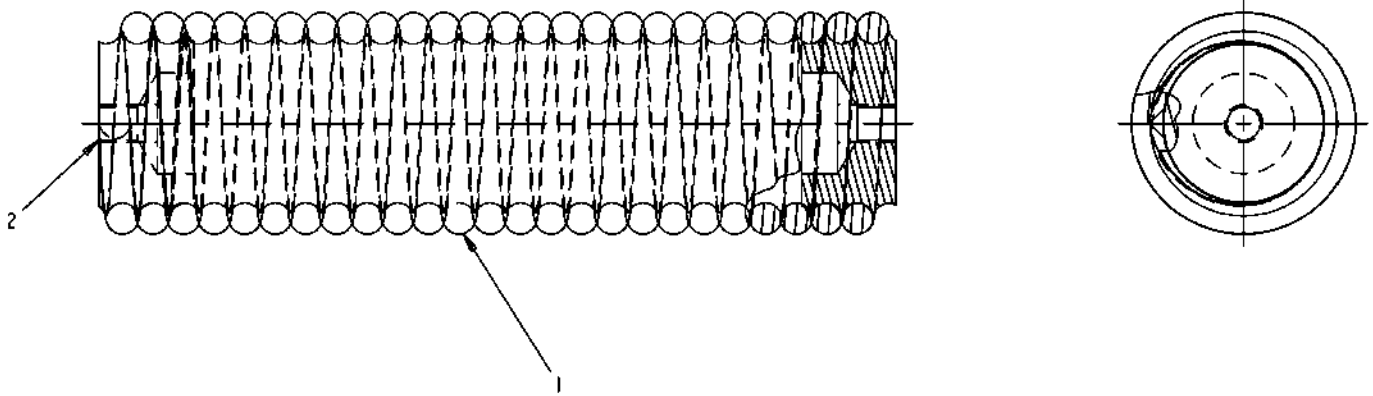
ITEM	PART #	QTY	DESCRIPTION	COMMENT
REF	WR50814	2	SCREW-CAP HEX 5/8 NC X	
1	WR029298	8	BOLT M10-1.50X 35MM G8.8 ZN HH	
2	WR32254	2	NUT-TOPLOCK,M8-1.25	
3	WR55068	2	SCREW-CAP HEX M16 X 150	
4	WR55083	4	PIN-COTTER,3/16 X 1 1/2	
5	WR55153	2	SCREW-CAP HEX 5/8 NC X	
6	WR55158	8	WASHER-FLAT,10MM ID,	
7	WR55172	2	BOLT-CARRIAGE,M8 X 20,	
8	WR55205	6	SCREW-HEX FLG.M8X1.25X16 CL8.8	
9	WR55272	12	NUT-LOCK,M10 X 1.5.PREV	
10	WR55354	2	NUT-TOPLOCK, 1/2-13UNC G8	
11	WR55355	2	NUT-TOPLOCK,5/8-11UNC G8	
12	WR55372	8	NUT-LOCK FLANGE, 1/2-13NC	
13	WR121581	2	BOLT HHD M16-2.0X40MM 10.9	
14	WR121622	1	SPRING, ASSY	SEE PAGE 14-5
15	WR515180	2	WASHER 0.62 FL ZN REG G8	
16	WR520885	4	NUT-.38-16,G5,ZN,FLG,H	
17	WR522718	2	NUT-.75-10,G8,ZN,H	
18	WR550310	2	WASHER 0.62 FL ZN REG TYPE-B	
19	WR550655	2	BOLT 0.50-13NCX 1.00 G5 ZN HHD	
20	WR551015	8	WASHER 0.31 FL ZN REG TYPE-B	
21	WR551856	2	WASHER 1.00FL ZN SAE TYPE-A	
22	WR553689	4	BOLT 0.75-10NCX 3.00 G5 ZN HHD	
23	WR561892	6	FITTING LUBE STR 0.25UNF	
24	WR562799	4	NUT HEX M16 X 2.00	
25	WR601411	4	NUT 0.37-16NC HEX ZN REG LK NY	
26	WR603864	4	NUT 0.75-10LGT G5 HX ZN ESNA	
27	WR606258	2	WASHER 1.75ODX0.93ID G8 ZN	
28	WR731972	6	GROMMET	
29	6519752	1	SOCKET	
30	6530360	4	BUMPER-RUBBER	
31	6533975	1	GROMMET	
32	6536287	4	RING-SNAP	
33	6617585	1	TUBE-BOOM.CNTR	
34	6617765	2	BRACKET-W/A	
35	6617780	2	SUPPORT	
36	6618227	2	PIN-CLEVIS	
37	6618836	4	PIN-W/A	
38	6618840	2	PIVOT-W/A	
39	6618841	2	PIVOT WLDMT-BOOM CUSHION	
40	6620133	4	U-BOLT SQUARE,1/2 NC	
41	6623263	2	SHOCK ABSORBER-BOOM	
42	6624680	2	MOUNT-WLDMT,SHOCK	
43	6624692	4	SLEEVE	
44	6626119	2	U-BOLT	
45	6626929	1	BRACKET	
46	6659910	2	CAP	
47	6802250	1	BOOM-CENTER FRAME,W/A	
48	6802711	2	PIN-CLEVIS	
49	6802789	1	LEVER-W/A,RH	
50	6802790	1	LEVER-W/A,LH	
51	6803869	2	SPACER	
52	6804076	2	BOLT-SUSPENSION	
53	WR37580	2	PIN-SPRING PIVOT	
54	WR37895	1	COVER-ELECTRICAL	



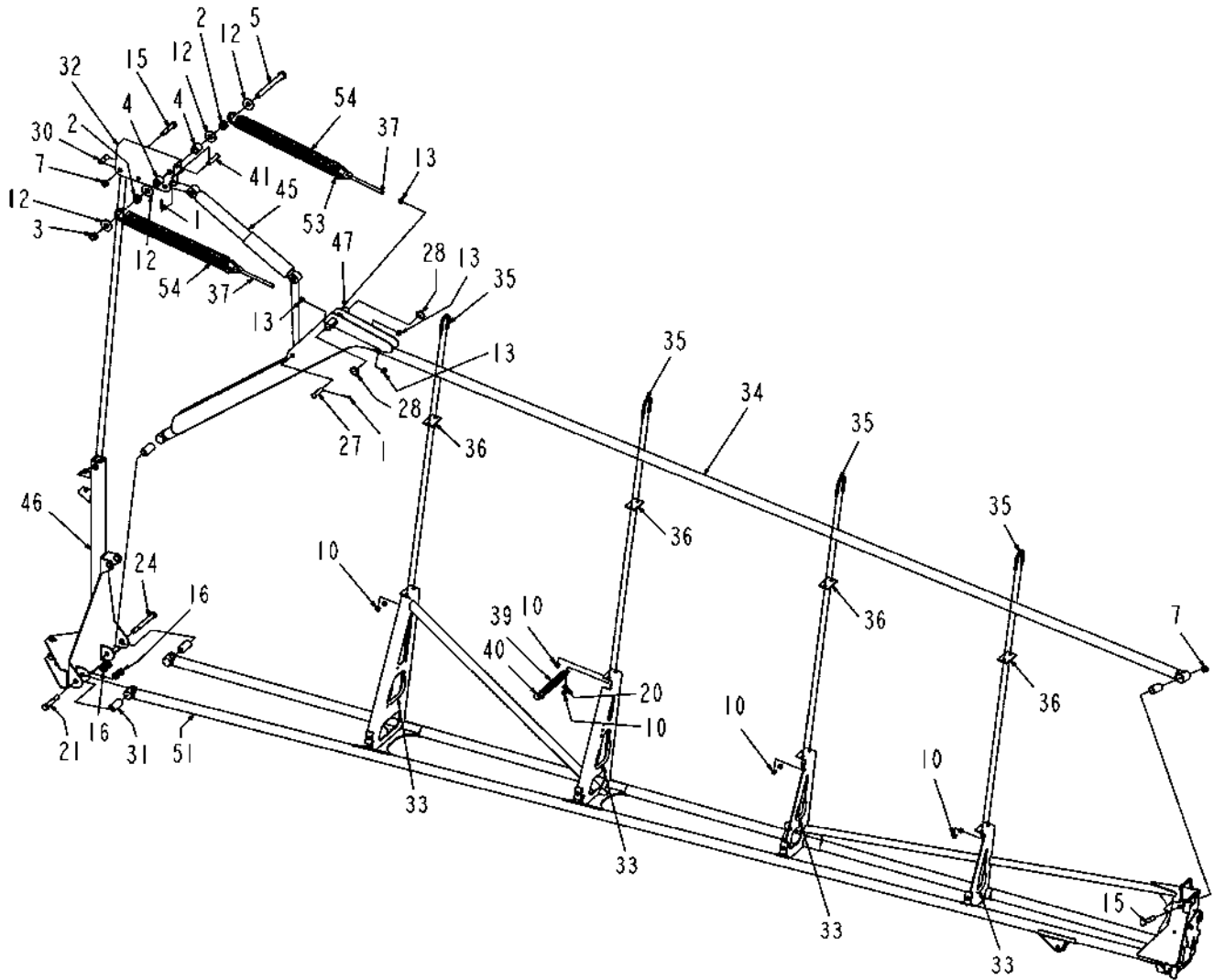
ITEM	PART #	QTY	DESCRIPTION	COMMENT
REF	WR50814	2	SCREW-CAP HEX 5/8 NC X	
1	WR029298	8	BOLT M10-1.50X 35MM G8.8 ZN HH	
2	WR32254	2	NUT-TOPLOCK,M8-1.25	
3	WR55068	2	SCREW-CAP HEX M16 X 150	
4	WR55083	4	PIN-COTTER,3/16 X 1 1/2	
5	WR55153	2	SCREW-CAP HEX 5/8 NC X	
6	WR55158	8	WASHER-FLAT,10MM ID,	
7	WR55172	2	BOLT-CARRIAGE.M8 X 20,	
8	WR55205	6	SCREW-HEX FLG,M8X1.25X16 CL8.8	
9	WR55272	12	NUT-LOCK,M10 X 1.5,PREV	
10	WR55354	2	NUT-TOPLOCK, 1/2-13UNC G8	
11	WR55355	2	NUT-TOPLOCK,5/8-11UNC G8	
12	WR55372	8	NUT-LOCK FLANGE, 1/2-13NC	
13	WR121581	2	BOLT HHD M16-2.0X40MM 10.9	
14	WR121622	1	SPRING, ASSY	SEE PAGE 14-5
15	WR515180	2	WASHER 0.62 FL ZN REG G8	
16	WR520885	4	NUT-.38-16,G5,ZN,FLG,H	
17	WR522718	2	NUT-.75-10,G8,ZN,H	
18	WR550310	2	WASHER 0.62 FL ZN REG TYPE-B	
19	WR550655	2	BOLT 0.50-13NCX 1.00 G5 ZN HHD	
20	WR551015	8	WASHER 0.31 FL ZN REG TYPE-B	
21	WR551856	2	WASHER 1.00FL ZN SAE TYPE-A	
22	WR553689	4	BOLT 0.75-10NCX 3.00 G5 ZN HHD	
23	WR561892	6	FITTING LUBE STR 0.25UNF	
24	WR562799	4	NUT HEX M16 X 2.00	
25	WR601411	4	NUT 0.37-16NC HEX ZN REG LK NY	
26	WR603864	4	NUT 0.75-10LGT G5 HX ZN ESNA	
27	WR606258	2	WASHER 1.75ODX0.93ID G8 ZN	
28	WR731972	6	GROMMET	
29	6519752	1	SOCKET	
30	6530360	4	BUMPER-RUBBER	
31	6533975	1	GROMMET	
32	6538287	4	RING-SNAP	
33	6617585	1	TUBE-BOOM,CNTR	
34	6617765	2	BRACKET-W/A	
35	6617780	2	SUPPORT	
36	6618227	2	PIN-CLEVIS	
37	6618836	4	PIN-W/A	
38	6618840	2	PIVOT-W/A	
39	6618841	2	PIVOT WLDMT-BOOM CUSHION	
40	6620133	4	U-BOLT SQUARE,1/2 NC	
41	6623263	2	SHOCK ABSORBER-BOOM	
42	6624680	2	MOUNT-WLDMT,SHOCK	
43	6624692	4	SLEEVE	
44	6626119	2	U-BOLT	
45	6626929	1	BRACKET	
46	6659910	2	CAP	
47	6802250	1	BOOM-CENTER FRAME,W/A	
48	6802711	2	PIN-CLEVIS	
49	6802789	1	LEVER-W/A,RH	
50	6802790	1	LEVER-W/A,LH	
51	6803869	2	SPACER	
52	6804076	2	BOLT-SUSPENSION	
53	WR37580	2	PIN-SPRING PIVOT	
54	WR37895	1	COVER-ELECTRICAL	



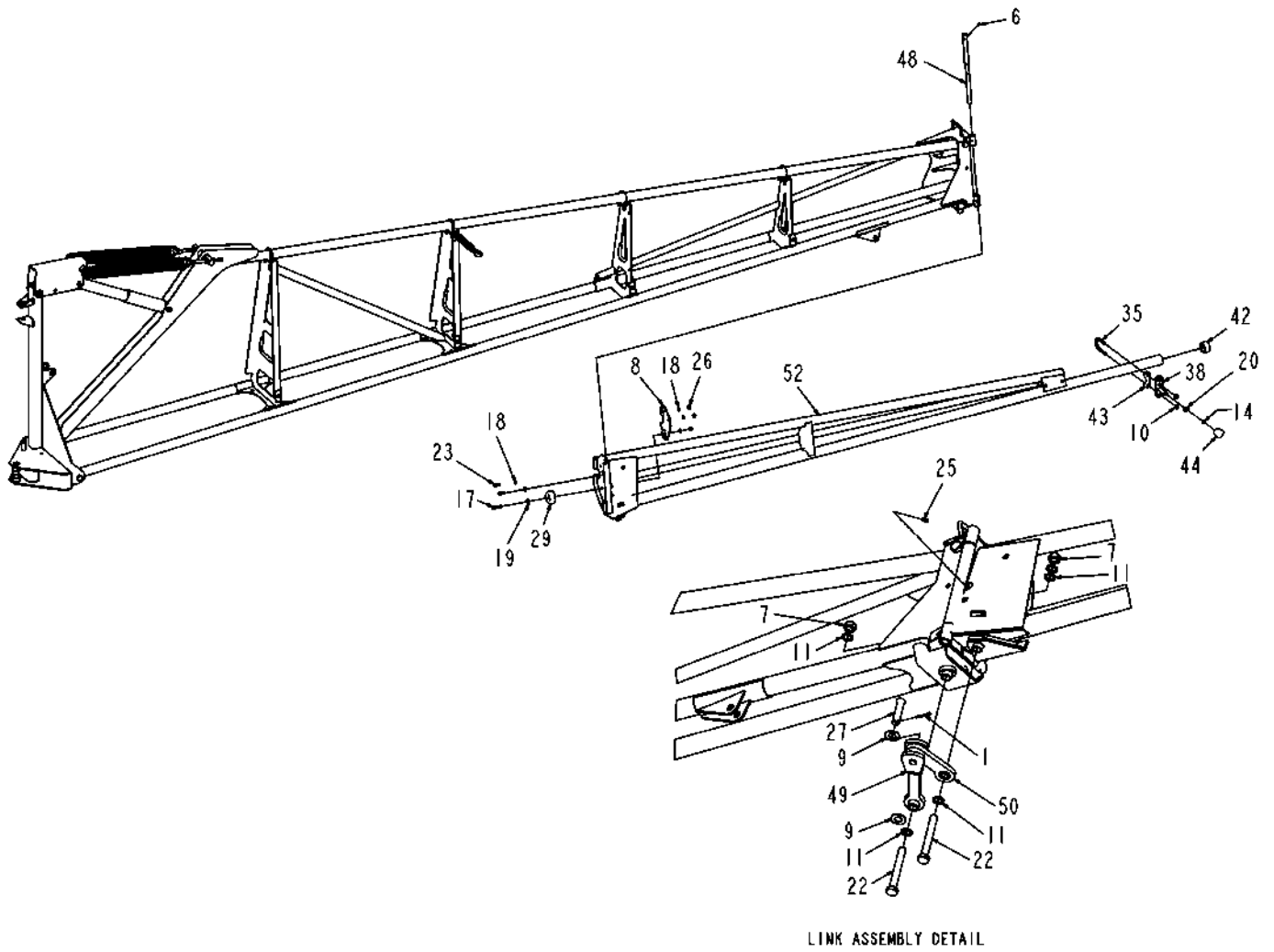
ITEM	PART #	QTY	DESCRIPTION	COMMENT
REF	WR50814	2	SCREW-CAP HEX 5/8 NC X	
1	WR029298	8	BOLT M10-1.50X 35MM G8.8 ZN HH	
2	WR32254	2	NUT-TOPLOCK,M8-1.25	
3	WR55068	2	SCREW-CAP HEX M16 X 150	
4	WR55083	4	PIN-COTTER,3/16 X 1 1/2	
5	WR55153	2	SCREW-CAP HEX 5/8 NC X	
6	WR55158	8	WASHER-FLAT,10MM ID,	
7	WR55172	2	BOLT-CARRIAGE,M8 X 20,	
8	WR55205	6	SCREW-HEX FLG.M8X1.25X16 CL8.8	
9	WR55272	12	NUT-LOCK,M10 X 1.5.PREV	
10	WR55354	2	NUT-TOPLOCK, 1/2-13UNC G8	
11	WR55355	2	NUT-TOPLOCK,5/8-11UNC G8	
12	WR55372	8	NUT-LOCK FLANGE, 1/2-13NC	
13	WR121581	2	BOLT HDD M16-2.0X40MM 10.9	
14	WR121622	1	SPRING, ASSY	SEE PAGE 14-5
15	WR515180	2	WASHER 0.62 FL ZN REG G8	
16	WR520885	4	NUT-.38-16,G5,ZN,FLG,H	
17	WR522718	2	NUT-.75-10,G8,ZN,H	
18	WR550310	2	WASHER 0.62 FL ZN REG TYPE-B	
19	WR550655	2	BOLT 0.50-13NCX 1.00 G5 ZN HDD	
20	WR551015	8	WASHER 0.31 FL ZN REG TYPE-B	
21	WR551856	2	WASHER 1.00FL ZN SAE TYPE-A	
22	WR553689	4	BOLT 0.75-10NCX 3.00 G5 ZN HDD	
23	WR561892	6	FITTING LUBE STR 0.25UNF	
24	WR562799	4	NUT HEX M16 X 2.00	
25	WR601411	4	NUT 0.37-16NC HEX ZN REG LK NY	
26	WR603864	4	NUT 0.75-10LGT G5 HX ZN ESNA	
27	WR606258	2	WASHER 1.75ODX0.93ID G8 ZN	
28	WR731972	6	GROMMET	
29	6519752	1	SOCKET	
30	6530360	4	BUMPER-RUBBER	
31	6533975	1	GROMMET	
32	6536287	4	RING-SNAP	
33	6617585	1	TUBE-BOOM.CNTR	
34	6617765	2	BRACKET-W/A	
35	6617780	2	SUPPORT	
36	6618227	2	PIN-CLEVIS	
37	6618836	4	PIN-W/A	
38	6618840	2	PIVOT-W/A	
39	6618841	2	PIVOT WLDMT-BOOM CUSHION	
40	6620133	4	U-BOLT SQUARE,1/2 NC	
41	6623263	2	SHOCK ABSORBER-BOOM	
42	6624680	2	MOUNT-WLDMT,SHOCK	
43	6624692	4	SLEEVE	
44	6626119	2	U-BOLT	
45	6626929	1	BRACKET	
46	6659910	2	CAP	
47	6802250	1	BOOM-CENTER FRAME,W/A	
48	6802711	2	PIN-CLEVIS	
49	6802789	1	LEVER-W/A,RH	
50	6802790	1	LEVER-W/A,LH	
51	6803869	2	SPACER	
52	6804076	2	BOLT-SUSPENSION	
53	WR37580	2	PIN-SPRING PIVOT	
54	WR37895	1	COVER-ELECTRICAL	



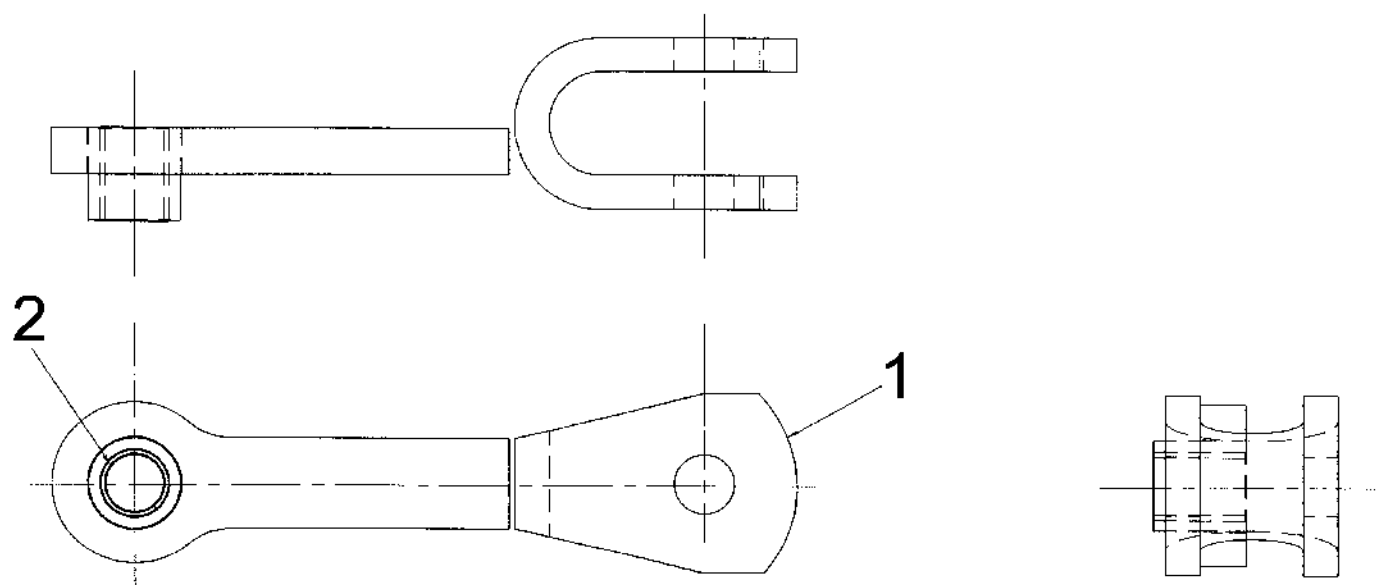
ITEM	PART #	QTY	DESCRIPTION	COMMENT
1	WR121621	1	SPRING-BOOM *USE ASSY 121622*	
2	6803701	2	PLUG-SPRING *USE ASSY 121622*	



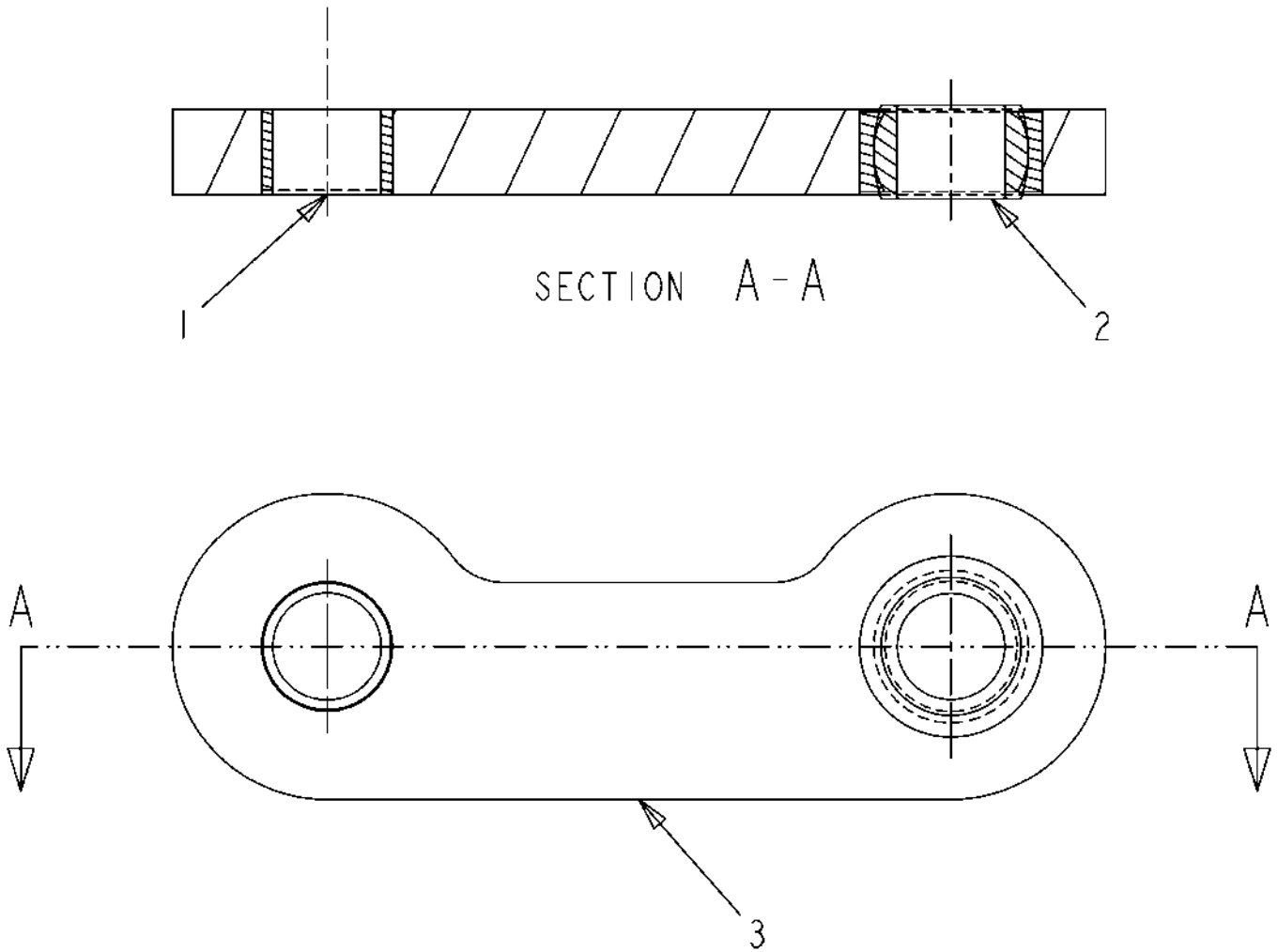
ITEM	PART #	QTY	DESCRIPTION	COMMENT
1	WR10339	3	PIN-COTTER,1/8 X 1 1/4	
2	WR10896	2	TUBE-RM. 1.31 OD X.250W X	
3	WR11543	1	NUT-TOPLOCK, 3/4-10UNC G5	
4	WR17220	2	TUBE-RM, 1.31 OD X.250W X	
5	WR21845	1	SCREW-CAP HEX 3/4 NC X 8	
6	WR55134	1	PIN-STR,COILED,3/16 X 1	
7	WR55355	4	NUT-TOPLOCK,5/8-11UNC G8	
8	WR122322	1	PLATE-BACKING,BOOM HINGE	
9	WR515180	2	WASHER 0.62 FL ZN REG G8	
10	WR520885	8	NUT-.38-16,G5,ZN,FLG,H	
11	WR524542	5	WASHER-.98ODX.64IDX.075RC42-50	
12	WR550116	4	WASHER 0.75 FL ZN REG TYPE-B	
13	WR550124	4	NUT 0.50-13NC HEX ZN REG	
14	WR550213	1	NUT 0.31-18NC HEX ZN REG	
15	WR550469	2	BOLT 0.62-11NCX 3.50 G5 ZN HHD	
16	WR550477	4	NUT 0.62-11NC HEX ZN REG	
17	WR550779	1	BOLT 0.37-16NCX 1.50 G5 ZN HHD	
18	WR550981	5	WASHER 0.37 FL ZN SAE TYPE-A	
19	WR551007	1	WASHER FL 0.37 ZN REG TYPE-B	
20	WR551015	2	WASHER 0.31 FL ZN REG TYPE-B	
21	WR551031	2	BOLT.62-11NCX 4.00G5 ZN HHD	
22	WR553069	2	BOLT 0.62-11NCX 5.00 G5 ZN HHD	
23	WR555819	2	BOLT .37-16NCX 1.00G5 PLAIN HD	
24	WR559199	1	BOLT 0.62-11NCX 6.50 G5 ZN HHD	
25	WR561892	24	FITTING LUBE STR 0.25UNF	
26	WR601411	3	NUT 0.37-16NC HEX ZN REG LK NY	
27	6507096	2	PIN-CLEVIS	
28	6538287	2	RING-SNAP	
29	6584225	1	BUMPER-RUBBER,RECESSED	
30	6613050	2	BUSHING-OILITE	
31	6617579	4	BUSHING-RUBBER	
32	6617582	1	BELLCRANK-W/A	
33	6620417	-	RUBBER-STRIP [BULK: 5.542 FT]	
34	6626010	1	TUBE-W/A SUPPORT,RH	
35	6626119	5	U-BOLT	
36	6626198	4	PAD	
37	6626401	2	BOLT-EYE	
38	6626690	1	SUPPORT-W/A	
39	6626691	1	CONDUIT	
40	6626692	1	CHAIN	
41	6633446	1	PIN-CLEVIS	
42	6659910	1	CAP	
43	6660351	1	CLAMP-SADDLE	
44	6661800	1	BUMPER-MOLDED	
45	6664598	1	SHOCK-DAMPER	
46	6802718	1	HINGE-W/A,RH	
47	WR37574	1	PIN-SPRING,MOUNT	
48	WR37777	1	ROUND -CR 1045, .750 DIA	
49	WR38719	1	LINK ASSY-WING FOLD,INNER	SEE PAGE 14-7
50	WR38720	1	LINK ASSY-WING FOLD.OUTER	SEE PAGE 14-8
51	WR39035	1	INNER BOOM WLDMT-60 FT & 80 FT ,RH	
52	WR39087	1	EXTENSION WLDMT-HYD,60 FT	
53	WR55688	2	COLLAR-SET,7/16 ID	
54	WR55921	2	SPRING-BOOM	



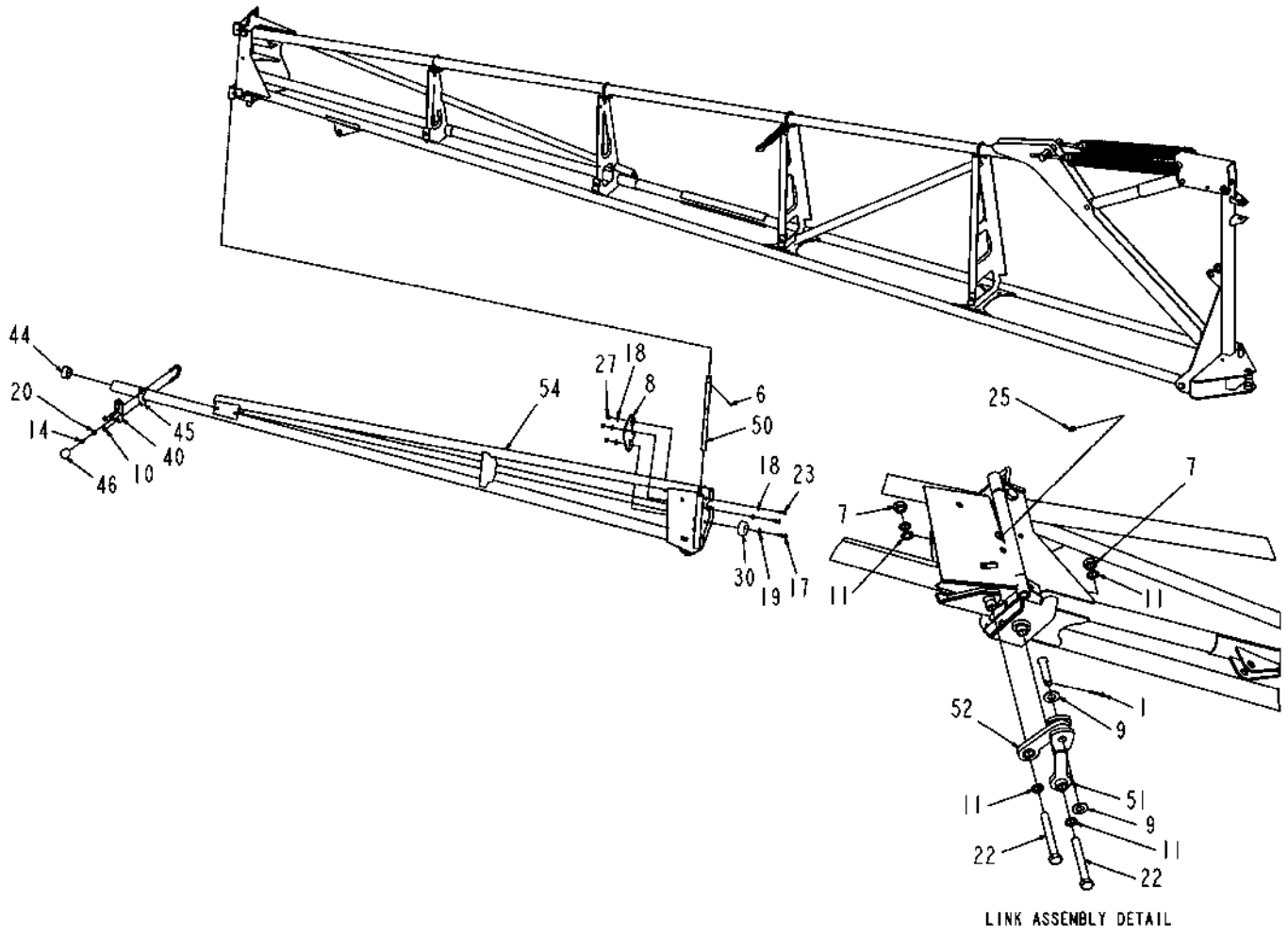
ITEM	PART #	QTY	DESCRIPTION	COMMENT
1	WR10339	3	PIN-COTTER,1/8 X 1 1/4	
2	WR10896	2	TUBE-RM, 1.31 OD X.250W X	
3	WR11543	1	NUT-TOPLOCK, 3/4-10UNC G5	
4	WR17220	2	TUBE-RM, 1.31 OD X.250W X	
5	WR21845	1	SCREW-CAP HEX 3/4 NC X 8	
6	WR55134	1	PIN-STR,COILED,3/16 X 1	
7	WR55355	4	NUT-TOPLOCK,5/8-11UNC G8	
8	WR122322	1	PLATE-BACKING,BOOM HINGE	
9	WR515180	2	WASHER 0.62 FL ZN REG G8	
10	WR520885	8	NUT-.38-16,G5,ZN,FLG,H	
11	WR524542	5	WASHER-.98ODX.64IDX.075RC42-50	
12	WR550116	4	WASHER 0.75 FL ZN REG TYPE-B	
13	WR550124	4	NUT 0.50-13NC HEX ZN REG	
14	WR550213	1	NUT 0.31-18NC HEX ZN REG	
15	WR550469	2	BOLT 0.62-11NCX 3.50 G5 ZN HDD	
16	WR550477	4	NUT 0.62-11NC HEX ZN REG	
17	WR550779	1	BOLT 0.37-16NCX 1.50 G5 ZN HDD	
18	WR550981	5	WASHER 0.37 FL ZN SAE TYPE-A	
19	WR551007	1	WASHER FL 0.37 ZN REG TYPE-B	
20	WR551015	2	WASHER 0.31 FL ZN REG TYPE-B	
21	WR551031	2	BOLT .62-11NCX 4.00G5 ZN HDD	
22	WR553069	2	BOLT 0.62-11NCX 5.00 G5 ZN HDD	
23	WR555819	2	BOLT .37-16NCX 1.00G5 PLAIN HD	
24	WR559199	1	BOLT 0.62-11NCX 6.50 G5 ZN HDD	
25	WR561892	24	FITTING LUBE STR 0.25UNF	
26	WR601411	3	NUT 0.37-16NC HEX ZN REG LK NY	
27	6507096	2	PIN-CLEVIS	
28	6538287	2	RING-SNAP	
29	6584225	1	BUMPER-RUBBER,RECESSED	
30	6613050	2	BUSHING-OILITE	
31	6617579	4	BUSHING-RUBBER	
32	6617582	1	BELLCRANK-W/A	
33	6620417	-	RUBBER-STRIP [BULK: 5.542 FT]	
34	6626010	1	TUBE-W/A SUPPORT,RH	
35	6626119	5	U-BOLT	
36	6626198	4	PAD	
37	6626401	2	BOLT-EYE	
38	6626690	1	SUPPORT-W/A	
39	6626691	1	CONDUIT	
40	6626692	1	CHAIN	
41	6633446	1	PIN-CLEVIS	
42	6659910	1	CAP	
43	6660351	1	CLAMP-SADDLE	
44	6661800	1	BUMPER-MOLDED	
45	6664598	1	SHOCK-DAMPER	
46	6802718	1	HINGE-W/A,RH	
47	WR37574	1	PIN-SPRING,MOUNT	
48	WR37777	1	ROUND -CR 1045, .750 DIA	
49	WR38719	1	LINK ASSY-WING FOLD,INNER	SEE PAGE 14-7
50	WR38720	1	LINK ASSY-WING FOLD,OUTER	SEE PAGE 14-8
51	WR39035	1	INNER BOOM WLDMT-60 FT & 80 FT ,RH	
52	WR39087	1	EXTENSION WLDMT-HYD,60 FT	
53	WR55688	2	COLLAR-SET,7/16 ID	
54	WR55921	2	SPRING-BOOM	



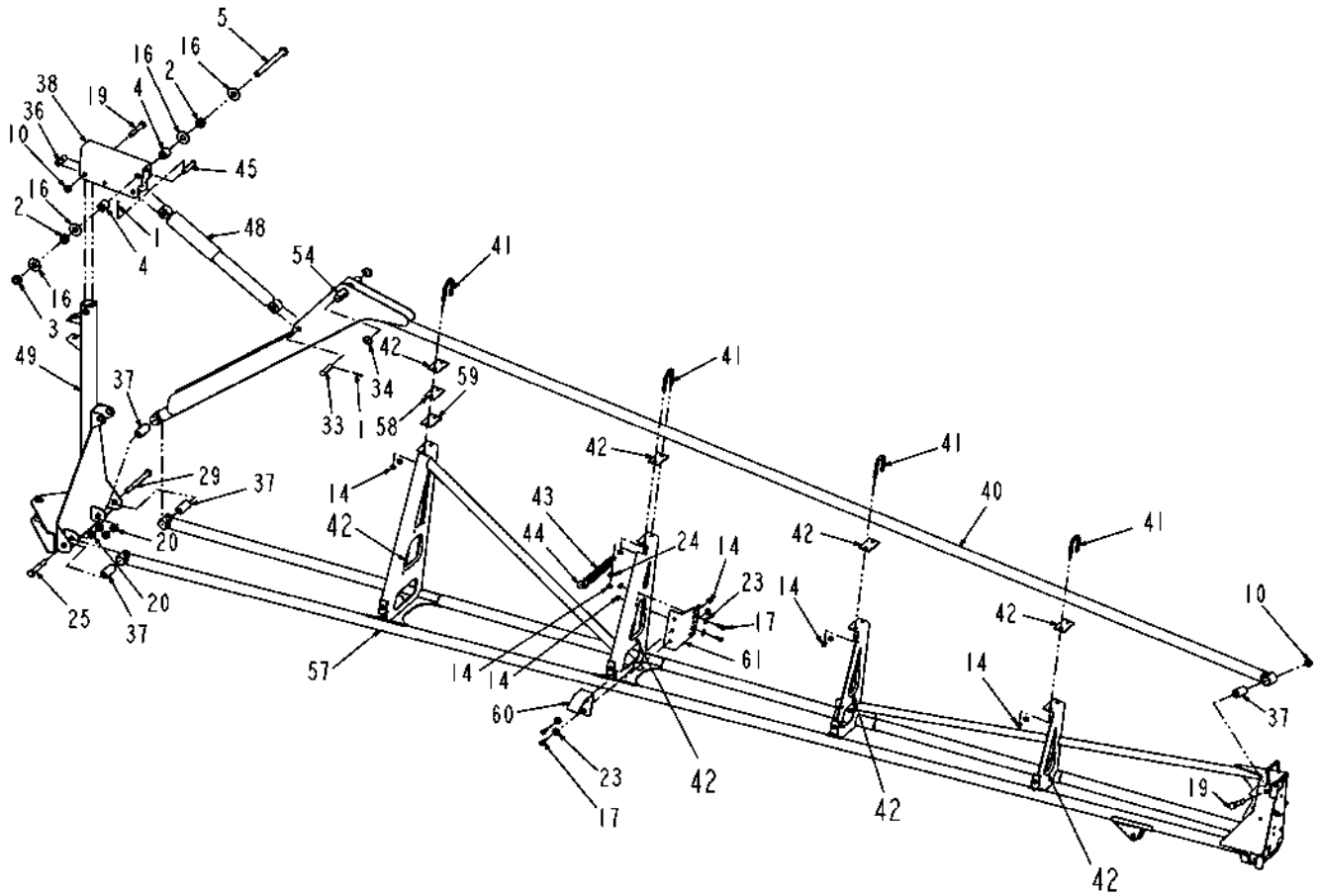
ITEM	PART #	QTY	DESCRIPTION	COMMENT
1	WR38718	1	PIVOT LINK-MACHINED	
2	6613050	1	BUSHING-OILITE	



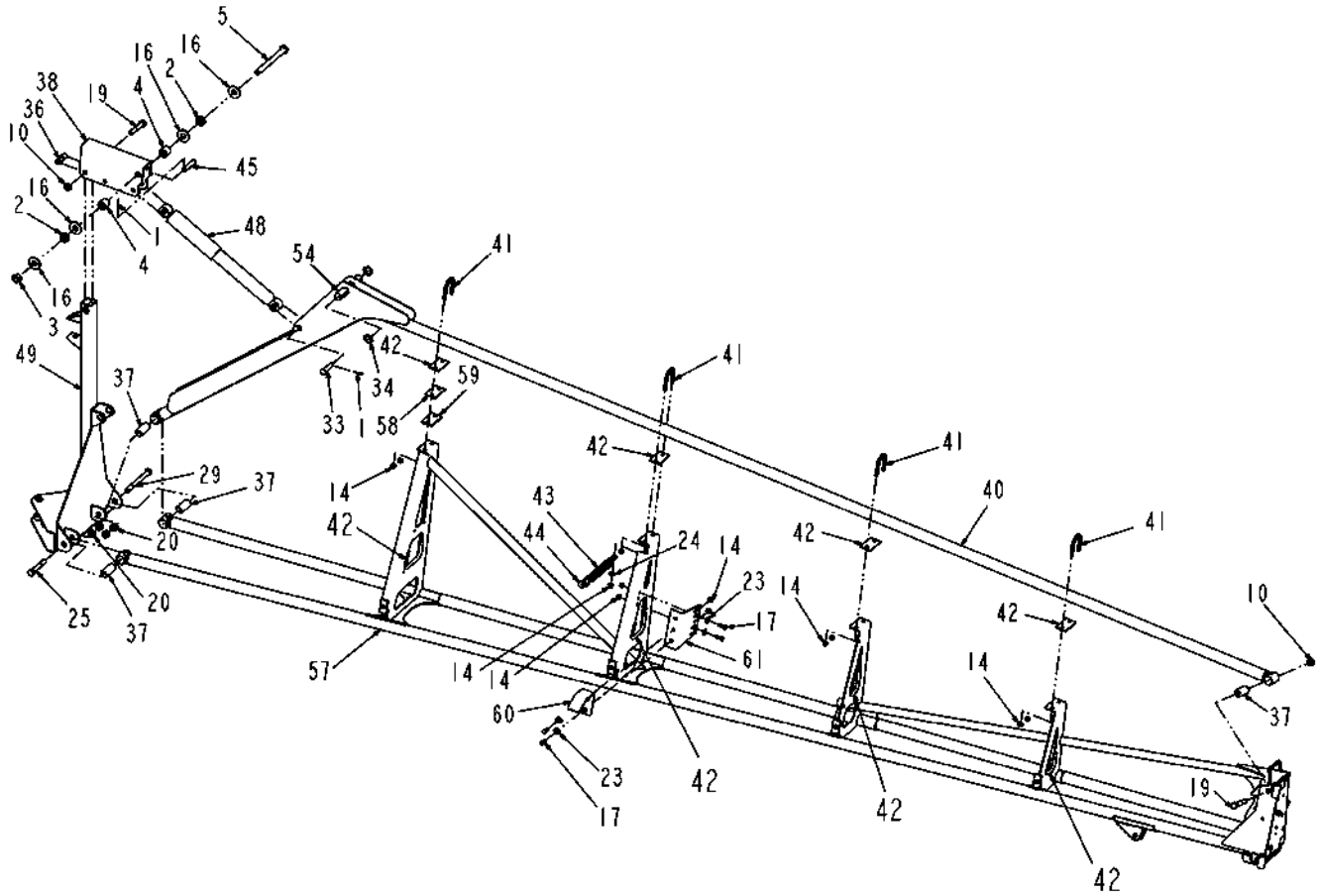
ITEM	PART #	QTY	DESCRIPTION	COMMENT
1	6613050	0.500	BUSHING-OILITE	
2	WR37567	1	BEARING-SPERICAL, 625ID	
3	WR38716	1	LINK-BOOM FOLD, MACH-"NOT USED"	



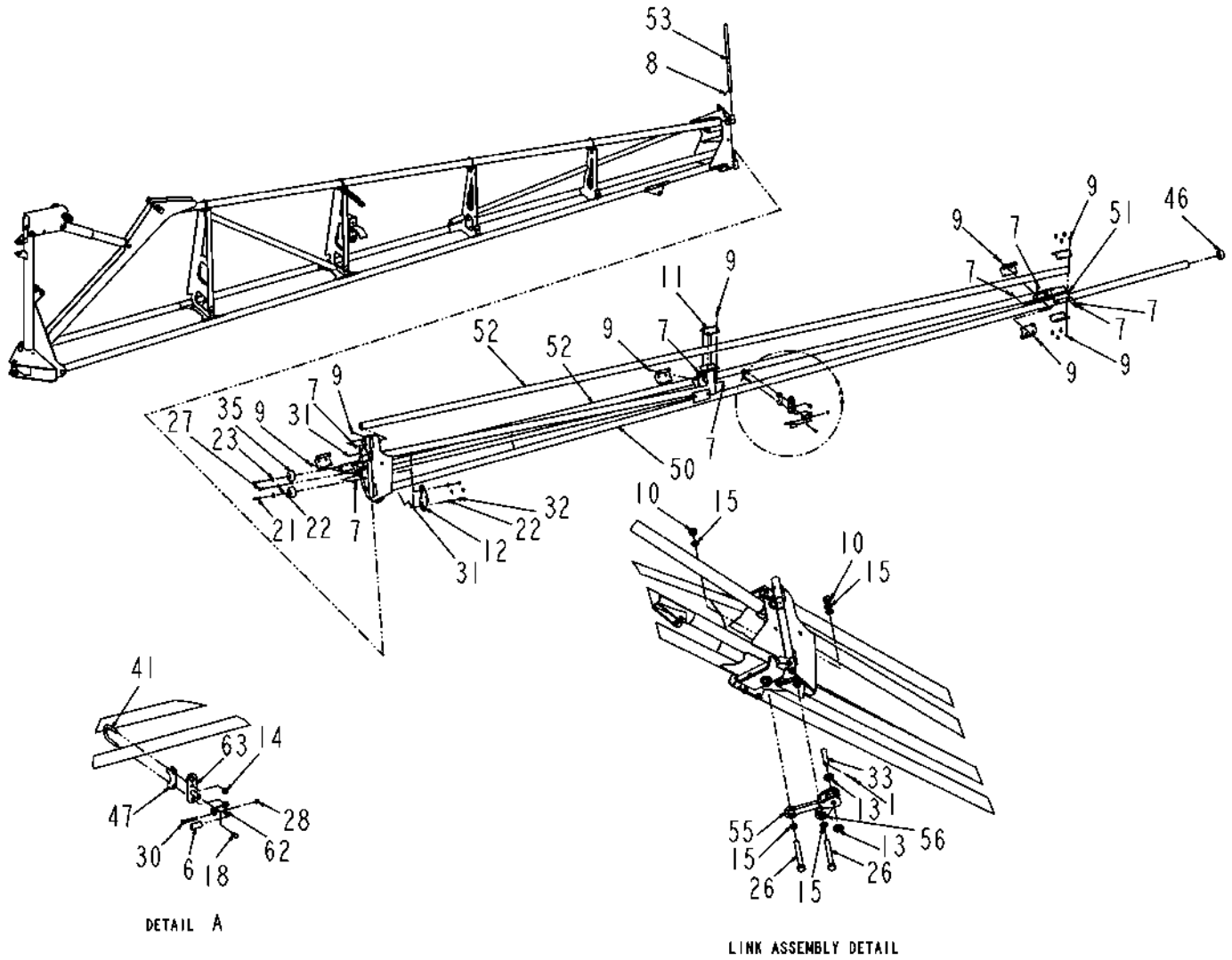
ITEM	PART #	QTY	DESCRIPTION	COMMENT
1	WR10339	3	PIN-COTTER,1/8 X 1 1/4	
2	WR10896	2	TUBE-RM, 1.31 OD X.250W X	
3	WR11543	1	NUT-TOPLOCK, 3/4-10UNC G5	
4	WR17220	2	TUBE-RM, 1.31 OD X.250W X	
5	WR21845	1	SCREW-CAP HEX 3/4 NC X 8	
6	WR55134	1	PIN-STR,COILED,3/16 X 1	
7	WR55355	4	NUT-TOPLOCK,5/8-11UNC G8	
8	WR122322	1	PLATE-BACKING,BOOM HINGE	
9	WR515180	2	WASHER 0.62 FL ZN REG G8	
10	WR520885	8	NUT-.38-16,G5,ZN,FLG,H	
11	WR524542	5	WASHER-.98ODX.64IDX.075RC42-50	
12	WR550116	4	WASHER 0.75 FL ZN REG TYPE-B	
13	WR550124	4	NUT 0.50-13NC HEX ZN REG	
14	WR550213	1	NUT 0.31-18NC HEX ZN REG	
15	WR550469	2	BOLT 0.62-11NCX 3.50 G5 ZN HHD	
16	WR550477	4	NUT 0.62-11NC HEX ZN REG	
17	WR550779	1	BOLT 0.37-16NCX 1.50 G5 ZN HHD	
18	WR550981	5	WASHER 0.37 FL ZN SAE TYPE-A	
19	WR551007	1	WASHER FL 0.37 ZN REG TYPE-B	
20	WR551015	2	WASHER 0.31 FL ZN REG TYPE-B	
21	WR551031	1	BOLT.62-11NCX 4.00G5 ZN HHD	
22	WR553069	2	BOLT 0.62-11NCX 5.00 G5 ZN HHD	
23	WR555819	2	BOLT .37-16NCX 1.00G5 PLAIN HD	
24	WR559199	1	BOLT 0.62-11NCX 6.50 G5 ZN HHD	
25	WR561892	1	FITTING LUBE STR 0.25UNF	
26	WR562496	2	TIE CABLE 15.0 .18-4.00 BLACK	
27	WR601411	3	NUT 0.37-16NC HEX ZN REG LK NY	
28	6507096	2	PIN-CLEVIS	
29	6538287	2	RING-SNAP	
30	6584225	1	BUMPER-RUBBER,RECESSED	
31	6597190	1	HOSE	
32	6613050	2	BUSHING-OILITE	
33	6617579	4	BUSHING-RUBBER	
34	6617582	1	BELLCRANK-W/A	
35	6620417	-	RUBBER-STRIP [BULK: 5.542 FT]	
36	6626011	1	TUBE-W/A SUPPORT,LH	
37	6626119	5	U-BOLT	
38	6626198	4	PAD	
39	6626401	2	BOLT-EYE	
40	6626690	1	SUPPORT-W/A	
41	6626691	1	CONDUIT	
42	6626692	1	CHAIN	
43	6633446	1	PIN-CLEVIS	
44	6659910	1	CAP	
45	6660351	1	CLAMP-SADDLE	
46	6661800	1	BUMPER-MOLDED	
47	6664598	1	SHOCK-DAMPER	
48	6802717	1	HINGE-W/A,LH	
49	WR37574	1	PIN-SPRING,MOUNT	
50	WR37777	1	ROUND -CR 1045, .750 DIA	
51	WR38719	1	LINK ASSY-WING FOLD,INNER	SEE PAGE 14-7
52	WR38720	1	LINK ASSY-WING FOLD,OUTER	SEE PAGE 14-8
53	WR39036	1	INNER BOOM WLDMT-60 FT & 80 FT ,LH	
54	WR39088	1	EXTENSION WLDMT-HYD,60 FT	
55	WR55668	2	COLLAR-SET,7/16 ID	
56	WR55921	2	SPRING-BOOM	



ITEM	PART #	QTY	DESCRIPTION	COMMENT
1	WR10339	3	PIN-COTTER,1/8 X 1 1/4	
2	WR10896	2	TUBE-RM. 1.31 OD X.250W X	
3	WR11543	1	NUT-TOPLOCK, 3/4-10UNC G5	
4	WR17220	2	TUBE-RM, 1.31 OD X.250W X	
5	WR18672	2	COLLAR-SET, 1/2 ID	
6	WR21845	1	SCREW-CAP HEX 3/4 NC X 8	
7	WR25293	1	TUBE-NYLON,LATCH STOP	
8	WR029161	32	NUT 0.25-20NC HX ZN WHIZ LK(D)	
9	WR55134	1	PIN-STR,COILED,3/16 X 1	
10	WR55255	32	SCREW-HEX FLG,.25NCX.625 GR5	
11	WR55355	4	NUT-TOPLOCK,5/8-11UNC G8	
12	WR120567	7	CLAMP-TUBE, 1.75 OD	
13	WR122322	1	PLATE-BACKING,BOOM HINGE	
14	WR122553	2	SPRING-BOOM (REPLACES WR55982)	
15	WR515180	2	WASHER 0.62 FL ZN REG G8	
16	WR520885	14	NUT-.38-16.G5,ZN,FLG,H	
17	WR524542	5	WASHER-.98ODX.64IDX.075RC42-50	
18	WR550116	4	WASHER 0.75 FL ZN REG TYPE-B	
19	WR550124	4	NUT 0.50-13NC HEX ZN REG	
20	WR550175	4	BOLT 0.37-16NCX 1.00 G5 ZN HHD	
21	WR550183	1	BOLT 0.31-18NCX 0.75 G5 ZN HHD	
22	WR550469	2	BOLT 0.62-11NCX 3.50 G5 ZN HHD	
23	WR550477	4	NUT 0.62-11NC HEX ZN REG	
24	WR550779	2	BOLT 0.37-16NCX 1.50 G5 ZN HHD	
25	WR550981	4	WASHER 0.37 FL ZN SAE TYPE-A	
26	WR551007	6	WASHER FL 0.37 ZN REG TYPE-B	
27	WR551015	1	WASHER 0.31 FL ZN REG TYPE-B	
28	WR551031	1	BOLT .62-11NCX 4.00G5 ZN HHD	
29	WR553069	2	BOLT 0.62-11NCX 5.00 G5 ZN HHD	
31	WR557668	1	NUT 0.31-18NC HEX ZN C-LK	
32	WR559199	1	BOLT 0.62-11NCX 6.50 G5 ZN HHD	
33	WR561251	1	BOLT 0.31-18NCX 2.25 G5 ZN HHD	
34	WR561892	2	FITTING LUBE STR 0.25UNF	
35	WR601411	3	NUT 0.37-16NC HEX ZN REG LK NY	
36	6507096	2	PIN-CLEVIS	
37	6538287	2	RING-SNAP	
38	6584225	2	BUMPER-RUBBER,RECESSED	
39	6613050	2	BUSHING-OILITE	
40	6617579	4	BUSHING-RUBBER	
41	6617582	1	BELLCRANK-W/A	
42	6620417	-	RUBBER-STRIP [BULK: 5.542 FT]	
43	6626010	1	TUBE-W/A SUPPORT,RH	
44	6626119	5	U-BOLT	
45	6626198	4	PAD	
46	6626401	2	BOLT-EYE	
47	6626691	1	CONDUIT	
48	6626692	1	CHAIN	
49	6633446	1	PIN-CLEVIS	
50	6659910	1	CAP	
51	6660351	1	CLAMP-SADDLE	
52	6664598	1	SHOCK-DAMPER	
53	6802718	1	HINGE-W/A,RH	
54	WR37461	1	EXTENSION WLDMT-80 FT , RH	
55	WR37463	2	CLAMP WLDMT	
56	WR37463	2	TUBE-BOOM,FIBERGLASS 1/8x	
57	WR37534	1	ROUND-CR 1045,.750 DIA. X	
58	WR37574	1	PIN-SPRING,MOUNT	
59	WR38719	1	LINK ASSY-WING FOLD,INNER	SEE PAGE 14-7
60	WR38720	1	LINK ASSY-WING FOLD,OUTER	SEE PAGE 14-8
61	WR39035	1	INNER BOOM WLDMT-60 FT & 80 FT .RH	

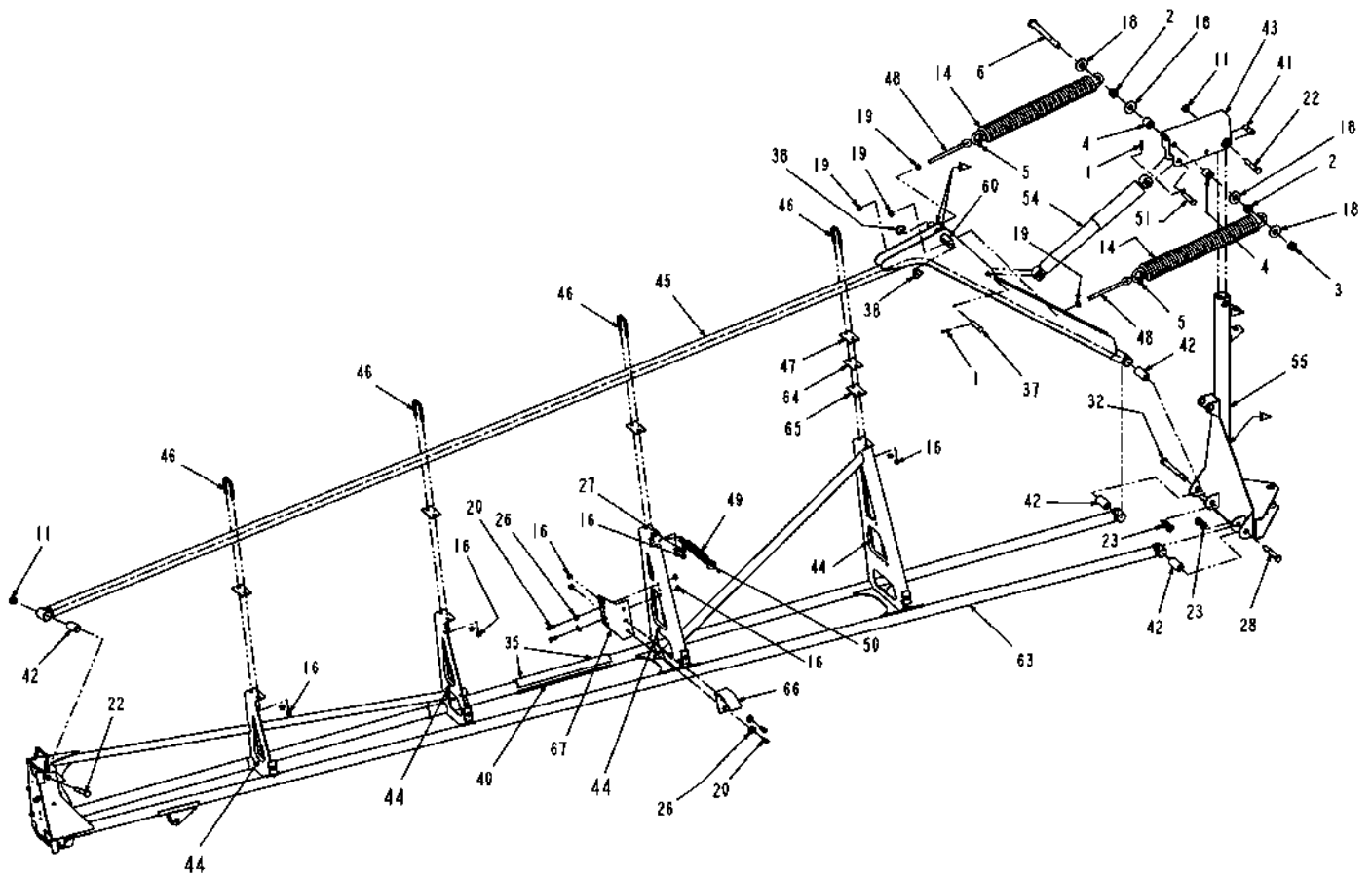


ITEM	PART #	QTY	DESCRIPTION	COMMENT
62	WR39039	1	RECT-HRS., 134 X 1.77 X 3.15	
63	WR39040	1	RECT-HRS., 250X1.77X3.15	
64	WR55988	1	RAMP-BOOM CATCH	
65	WR55990	1	BRACKET-RAMP	
66	WR55992	1	BRACKET-ROLLER	
67	WR55993	1	SUPPORT W/A-ROLLER	

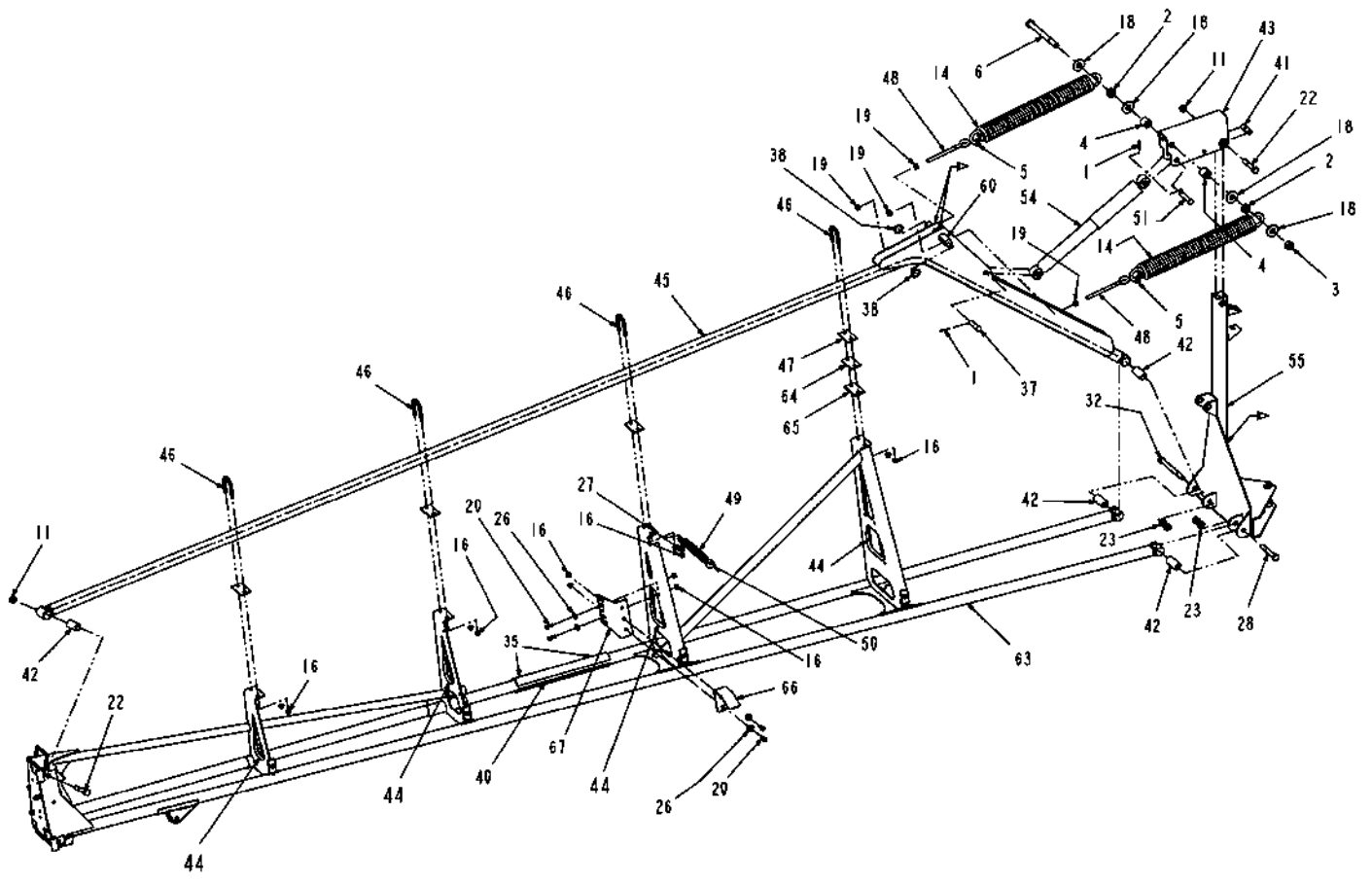


ITEM	PART #	QTY	DESCRIPTION	COMMENT
1	WR10339	3	PIN-COTTER,1/8 X 1 1/4	
2	WR10896	2	TUBE-RM. 1.31 OD X.250W X	
3	WR11543	1	NUT-TOPLOCK, 3/4-10UNC G5	
4	WR17220	2	TUBE-RM, 1.31 OD X.250W X	
5	WR18672	2	COLLAR-SET, 1/2 ID	
6	WR21845	1	SCREW-CAP HEX 3/4 NC X 8	
7	WR25293	1	TUBE-NYLON,LATCH STOP	
8	WR029161	32	NUT 0.25-20NC HX ZN WHIZ LK(D)	
9	WR55134	1	PIN-STR,COILED,3/16 X 1	
10	WR55255	32	SCREW-HEX FLG,.25NCX.625 GR5	
11	WR55355	4	NUT-TOPLOCK,5/8-11UNC G8	
12	WR120567	7	CLAMP-TUBE, 1.75 OD	
13	WR122322	1	PLATE-BACKING,BOOM HINGE	
14	WR122553	2	SPRING-BOOM (REPLACES WR55982)	
15	WR515180	2	WASHER 0.62 FL ZN REG G8	
16	WR520885	14	NUT-.38-16.G5,ZN,FLG,H	
17	WR524542	5	WASHER-.98ODX.64IDX.075RC42-50	
18	WR550116	4	WASHER 0.75 FL ZN REG TYPE-B	
19	WR550124	4	NUT 0.50-13NC HEX ZN REG	
20	WR550175	4	BOLT 0.37-16NCX 1.00 G5 ZN HHD	
21	WR550183	1	BOLT 0.31-18NCX 0.75 G5 ZN HHD	
22	WR550469	2	BOLT 0.62-11NCX 3.50 G5 ZN HHD	
23	WR550477	4	NUT 0.62-11NC HEX ZN REG	
24	WR550779	2	BOLT 0.37-16NCX 1.50 G5 ZN HHD	
25	WR550981	4	WASHER 0.37 FL ZN SAE TYPE-A	
26	WR551007	6	WASHER FL 0.37 ZN REG TYPE-B	
27	WR551015	1	WASHER 0.31 FL ZN REG TYPE-B	
28	WR551031	1	BOLT .62-11NCX 4.00G5 ZN HHD	
29	WR553069	2	BOLT 0.62-11NCX 5.00 G5 ZN HHD	
31	WR557668	1	NUT 0.31-18NC HEX ZN C-LK	
32	WR559199	1	BOLT 0.62-11NCX 6.50 G5 ZN HHD	
33	WR561251	1	BOLT 0.31-18NCX 2.25 G5 ZN HHD	
34	WR561892	2	FITTING LUBE STR 0.25UNF	
35	WR601411	3	NUT 0.37-16NC HEX ZN REG LK NY	
36	6507096	2	PIN-CLEVIS	
37	6538287	2	RING-SNAP	
38	6584225	2	BUMPER-RUBBER,RECESSED	
39	6613050	2	BUSHING-OILITE	
40	6617579	4	BUSHING-RUBBER	
41	6617582	1	BELLCRANK-W/A	
42	6620417	-	RUBBER-STRIP [BULK: 5.542 FT]	
43	6626010	1	TUBE-W/A SUPPORT,RH	
44	6626119	5	U-BOLT	
45	6626198	4	PAD	
46	6626401	2	BOLT-EYE	
47	6626691	1	CONDUIT	
48	6626692	1	CHAIN	
49	6633446	1	PIN-CLEVIS	
50	6659910	1	CAP	
51	6660351	1	CLAMP-SADDLE	
52	6664598	1	SHOCK-DAMPER	
53	6802718	1	HINGE-W/A,RH	
54	WR37461	1	EXTENSION WLDMT-80 FT , RH	
55	WR37463	2	CLAMP WLDMT	
56	WR37463	2	TUBE-BOOM,FIBERGLASS 1/8x	
57	WR37534	1	ROUND-CR 1045,.750 DIA. X	
58	WR37574	1	PIN-SPRING,MOUNT	
59	WR38719	1	LINK ASSY-WING FOLD,INNER	SEE PAGE 14-7
60	WR38720	1	LINK ASSY-WING FOLD,OUTER	SEE PAGE 14-8
61	WR39035	1	INNER BOOM WLDMT-60 FT & 80 FT .RH	

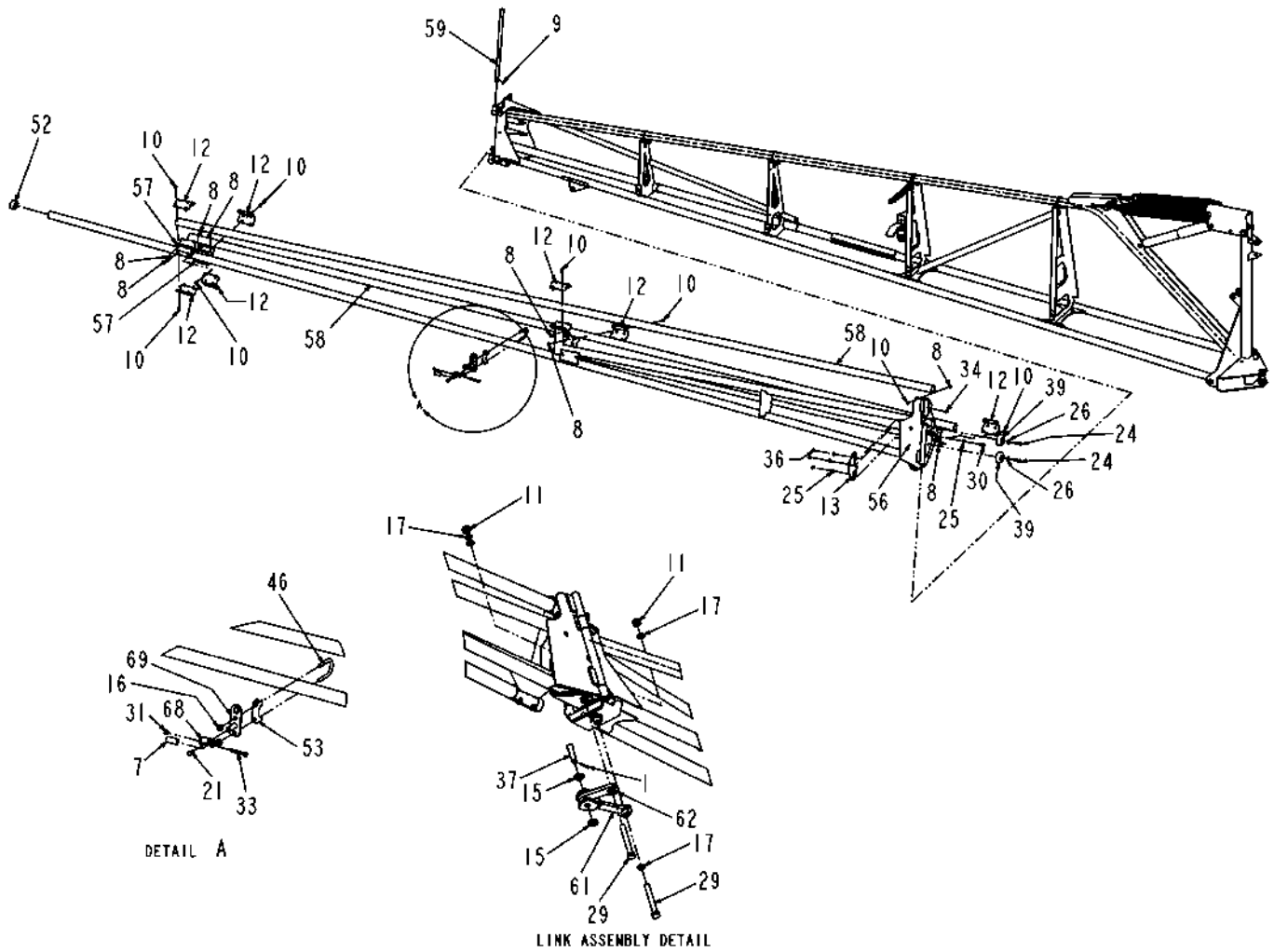
ITEM	PART #	QTY	DESCRIPTION	COMMENT
62	WR39039	1	RECT-HRS., 134 X 1.77 X 3.15	
63	WR39040	1	RECT-HRS., 250X1.77X3.15	
64	WR55988	1	RAMP-BOOM CATCH	
65	WR55990	1	BRACKET-RAMP	
66	WR55992	1	BRACKET-ROLLER	
67	WR55993	1	SUPPORT W/A-ROLLER	



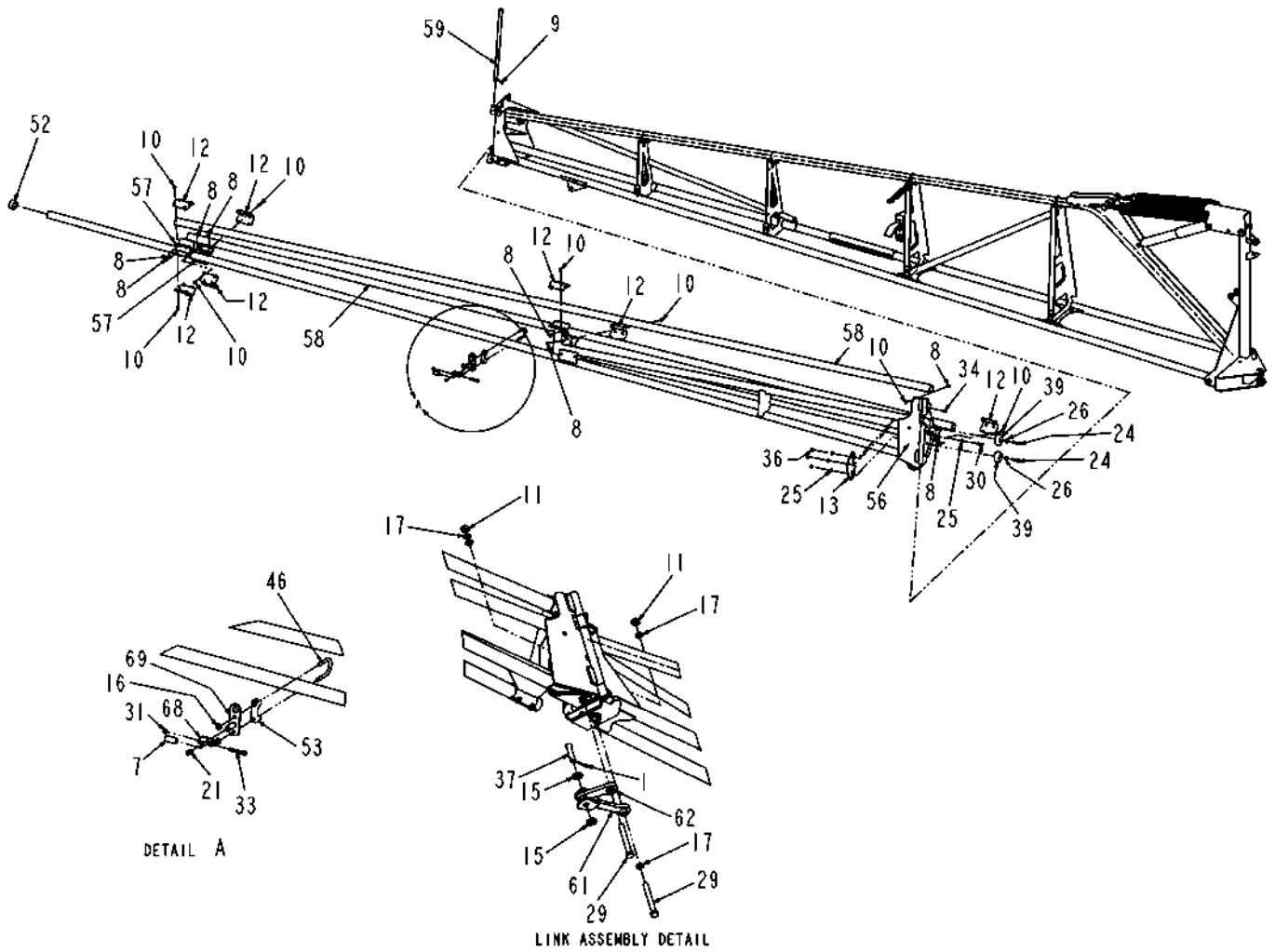
ITEM	PART #	QTY	DESCRIPTION	COMMENT
1	WR10339	3	PIN-COTTER,1/8 X 1 1/4	
2	WR10896	2	TUBE-RM. 1.31 OD X.250W X	
3	WR11543	1	NUT-TOPLOCK, 3/4-10UNC G5	
4	WR17220	2	TUBE-RM, 1.31 OD X.250W X	
5	WR18672	2	COLLAR-SET, 1/2 ID	
6	WR21845	1	SCREW-CAP HEX 3/4 NC X 8	
7	WR25293	1	TUBE-NYLON,LATCH STOP	
8	WR029161	32	NUT 0.25-20NC HX ZN WHIZ LK(D)	
9	WR55134	1	PIN-STR,COILED,3/16 X 1	
10	WR55255	32	SCREW-HEX FLG,.25NCX.625 GR5	
11	WR55355	4	NUT-TOPLOCK,5/8-11UNC G8	
12	WR120567	7	CLAMP-TUBE, 1.75 OD	
13	WR122322	1	PLATE-BACKING,BOOM HINGE	
14	WR122553	2	SPRING-BOOM (REPLACES WR55982)	
15	WR515180	2	WASHER 0.62 FL ZN REG G8	
16	WR520885	14	NUT-.38-16.G5,ZN,FLG,H	
17	WR524542	5	WASHER-.98ODX.64IDX.075RC42-50	
18	WR550116	4	WASHER 0.75 FL ZN REG TYPE-B	
19	WR550124	4	NUT 0.50-13NC HEX ZN REG	
20	WR550175	4	BOLT 0.37-16NCX 1.00 G5 ZN HHD	
21	WR550183	1	BOLT 0.31-18NCX 0.75 G5 ZN HHD	
22	WR550469	2	BOLT 0.62-11NCX 3.50 G5 ZN HHD	
23	WR550477	4	NUT 0.62-11NC HEX ZN REG	
24	WR550779	2	BOLT 0.37-16NCX 1.50 G5 ZN HHD	
25	WR550981	4	WASHER 0.37 FL ZN SAE TYPE-A	
26	WR551007	6	WASHER FL 0.37 ZN REG TYPE-B	
27	WR551015	1	WASHER 0.31 FL ZN REG TYPE-B	
28	WR551031	1	BOLT .62-11NCX 4.00G5 ZN HHD	
29	WR553069	2	BOLT 0.62-11NCX 5.00 G5 ZN HHD	
30	WR555819	1	BOLT .37-16NCX 1.00G5 PLAIN HD	
31	WR557668	1	NUT 0.31-18NC HEX ZN C-LK	
32	WR559199	1	BOLT 0.62-11NCX 6.50 G5 ZN HHD	
33	WR561251	1	BOLT 0.31-18NCX 2.25 G5 ZN HHD	
34	WR561892	2	FITTING LUBE STR 0.25UNF	
35	WR562496	2	TIE CABLE 15.0 .18-4.00 BLACK	
36	WR601411	3	NUT 0.37-16NC HEX ZN REG LK NY	
37	6507096	2	PIN-CLEVIS	
38	6538287	2	RING-SNAP	
39	6584225	2	BUMPER-RUBBER,RECESSED	
40	6597190	1	HOSE	
41	6613050	1	BUSHING-OILITE	
42	6617579	4	BUSHING-RUBBER	
43	6617582	1	BELLCRANK-W/A	
44	6620417	-	RUBBER-STRIP [BULK: 5.542 FT]	
45	6626011	1	TUBE-W/A SUPPORT,LH	
46	6626119	5	U-BOLT	
47	6626198	4	PAD	
48	6626401	2	BOLT-EYE	
49	6626691	1	CONDUIT	
50	6626692	1	CHAIN	
51	6633446	1	PIN-CLEVIS	
52	6659910	1	CAP	
53	6660351	1	CLAMP-SADDLE	
54	6664598	1	SHOCK-DAMPER	
55	6802717	1	HINGE-W/A,LH	
56	WR37462	1	EXTENSION WLDMT-80 FT , LH	
57	WR37463	2	CLAMP WLDMT	
58	WR37483	2	TUBE-BOOM,FIBERGLASS 1/8x	
59	WR37534	1	ROUND-CR 1045,.750 DIA. X	
60	WR37574	1	PIN-SPRING,MOUNT	



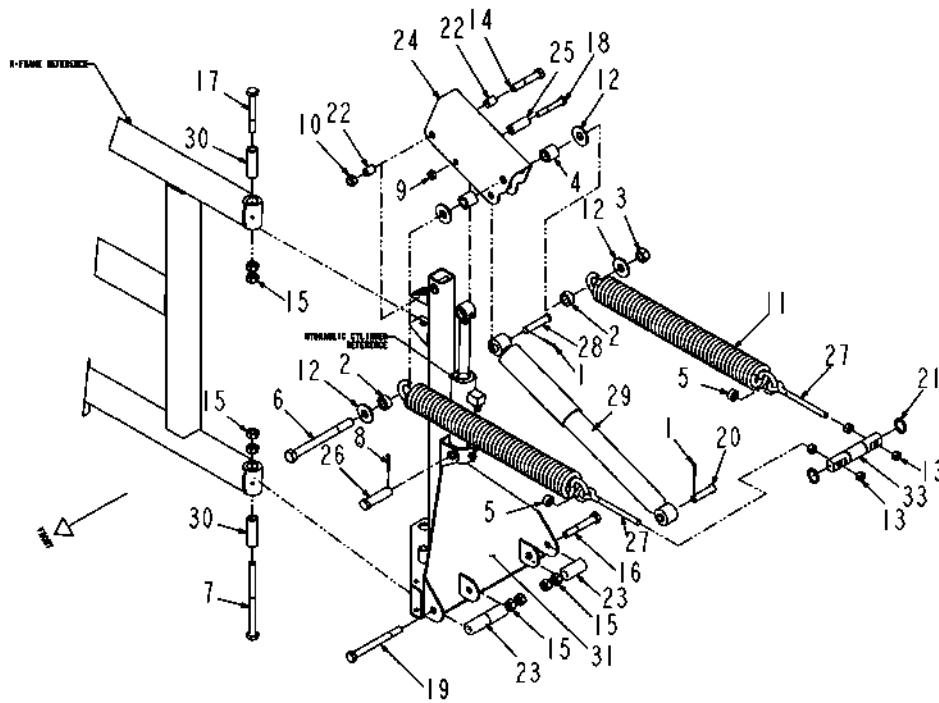
ITEM	PART #	QTY	DESCRIPTION	COMMENT
61	WR38719	1	LINK ASSY-WING FOLD,INNER	SEE PAGE 14-7
62	WR38720	1	LINK ASSY-WING FOLD.OUTER	SEE PAGE 14-8
63	WR39036	1	INNER BOOM WLDMT-60 FT & 80 FT ,LH	
64	WR39039	1	RECT-HRS., 134 X 1.77 X 3.15	
65	WR39040	1	RECT-HRS., 250X1.77X3.15	
66	WR55988	1	RAMP-BOOM CATCH	
67	WR55990	1	BRACKET-RAMP	
68	WR55992	1	BRACKET-ROLLER	
69	WR55993	1	SUPPORT W/A-ROLLER	



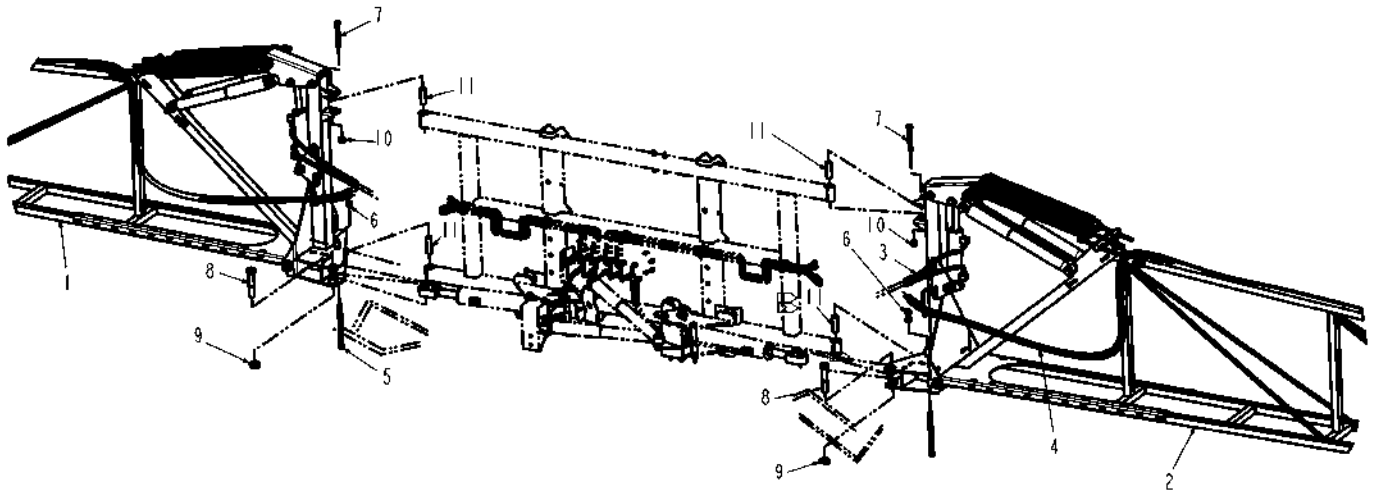
ITEM	PART #	QTY	DESCRIPTION	COMMENT
1	WR10339	3	PIN-COTTER,1/8 X 1 1/4	
2	WR10896	2	TUBE-RM. 1.31 OD X.250W X	
3	WR11543	1	NUT-TOPLOCK, 3/4-10UNC G5	
4	WR17220	2	TUBE-RM, 1.31 OD X.250W X	
5	WR18672	2	COLLAR-SET, 1/2 ID	
6	WR21845	1	SCREW-CAP HEX 3/4 NC X 8	
7	WR25293	1	TUBE-NYLON,LATCH STOP	
8	WR029161	32	NUT 0.25-20NC HX ZN WHIZ LK(D)	
9	WR55134	1	PIN-STR,COILED,3/16 X 1	
10	WR55255	32	SCREW-HEX FLG,.25NCX.625 GR5	
11	WR55355	4	NUT-TOPLOCK,5/8-11UNC G8	
12	WR120567	7	CLAMP-TUBE, 1.75 OD	
13	WR122322	1	PLATE-BACKING,BOOM HINGE	
14	WR122553	2	SPRING-BOOM (REPLACES WR55982)	
15	WR515180	2	WASHER 0.62 FL ZN REG G8	
16	WR520885	14	NUT-.38-16.G5,ZN,FLG,H	
17	WR524542	5	WASHER-.98ODX.64IDX.075RC42-50	
18	WR550116	4	WASHER 0.75 FL ZN REG TYPE-B	
19	WR550124	4	NUT 0.50-13NC HEX ZN REG	
20	WR550175	4	BOLT 0.37-16NCX 1.00 G5 ZN HHD	
21	WR550183	1	BOLT 0.31-18NCX 0.75 G5 ZN HHD	
22	WR550469	2	BOLT 0.62-11NCX 3.50 G5 ZN HHD	
23	WR550477	4	NUT 0.62-11NC HEX ZN REG	
24	WR550779	2	BOLT 0.37-16NCX 1.50 G5 ZN HHD	
25	WR550981	4	WASHER 0.37 FL ZN SAE TYPE-A	
26	WR551007	6	WASHER FL 0.37 ZN REG TYPE-B	
27	WR551015	1	WASHER 0.31 FL ZN REG TYPE-B	
28	WR551031	1	BOLT .62-11NCX 4.00G5 ZN HHD	
29	WR553069	2	BOLT 0.62-11NCX 5.00 G5 ZN HHD	
30	WR555819	1	BOLT .37-16NCX 1.00G5 PLAIN HD	
31	WR557668	1	NUT 0.31-18NC HEX ZN C-LK	
32	WR559199	1	BOLT 0.62-11NCX 6.50 G5 ZN HHD	
33	WR561251	1	BOLT 0.31-18NCX 2.25 G5 ZN HHD	
34	WR561892	2	FITTING LUBE STR 0.25UNF	
35	WR562496	2	TIE CABLE 15.0 .18-4.00 BLACK	
36	WR601411	3	NUT 0.37-16NC HEX ZN REG LK NY	
37	6507096	2	PIN-CLEVIS	
38	6538287	2	RING-SNAP	
39	6584225	2	BUMPER-RUBBER,RECESSED	
40	6597190	1	HOSE	
41	6613050	1	BUSHING-OILITE	
42	6617579	4	BUSHING-RUBBER	
43	6617582	1	BELLCRANK-W/A	
44	6620417	-	RUBBER-STRIP [BULK: 5.542 FT]	
45	6626011	1	TUBE-W/A SUPPORT,LH	
46	6626119	5	U-BOLT	
47	6626198	4	PAD	
48	6626401	2	BOLT-EYE	
49	6626691	1	CONDUIT	
50	6626692	1	CHAIN	
51	6633446	1	PIN-CLEVIS	
52	6659910	1	CAP	
53	6660351	1	CLAMP-SADDLE	
54	6664598	1	SHOCK-DAMPER	
55	6802717	1	HINGE-W/A,LH	
56	WR37462	1	EXTENSION WLDMT-80 FT , LH	
57	WR37463	2	CLAMP WLDMT	
58	WR37483	2	TUBE-BOOM,FIBERGLASS 1/8x	
59	WR37534	1	ROUND-CR 1045,.750 DIA. X	
60	WR37574	1	PIN-SPRING,MOUNT	



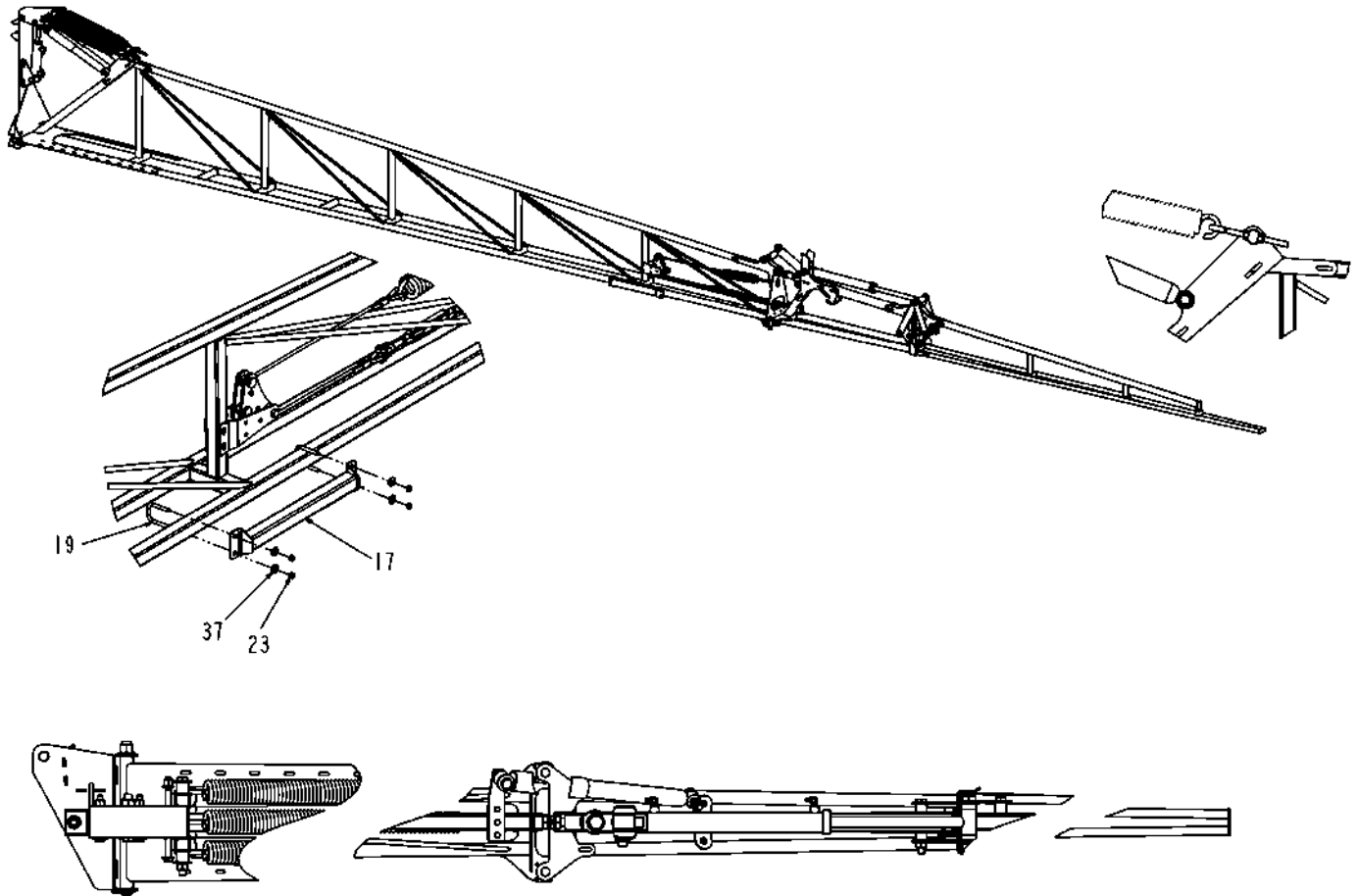
ITEM	PART #	QTY	DESCRIPTION	COMMENT
61	WR38719	1	LINK ASSY-WING FOLD,INNER	SEE PAGE 14-7
62	WR38720	1	LINK ASSY-WING FOLD.OUTER	SEE PAGE 14-8
63	WR39036	1	INNER BOOM WLDMT-60 FT & 80 FT ,LH	
64	WR39039	1	RECT-HRS., 134 X 1.77 X 3.15	
65	WR39040	1	RECT-HRS., 250X1.77X3.15	
66	WR55988	1	RAMP-BOOM CATCH	
67	WR55990	1	BRACKET-RAMP	
68	WR55992	1	BRACKET-ROLLER	
69	WR55993	1	SUPPORT W/A-ROLLER	



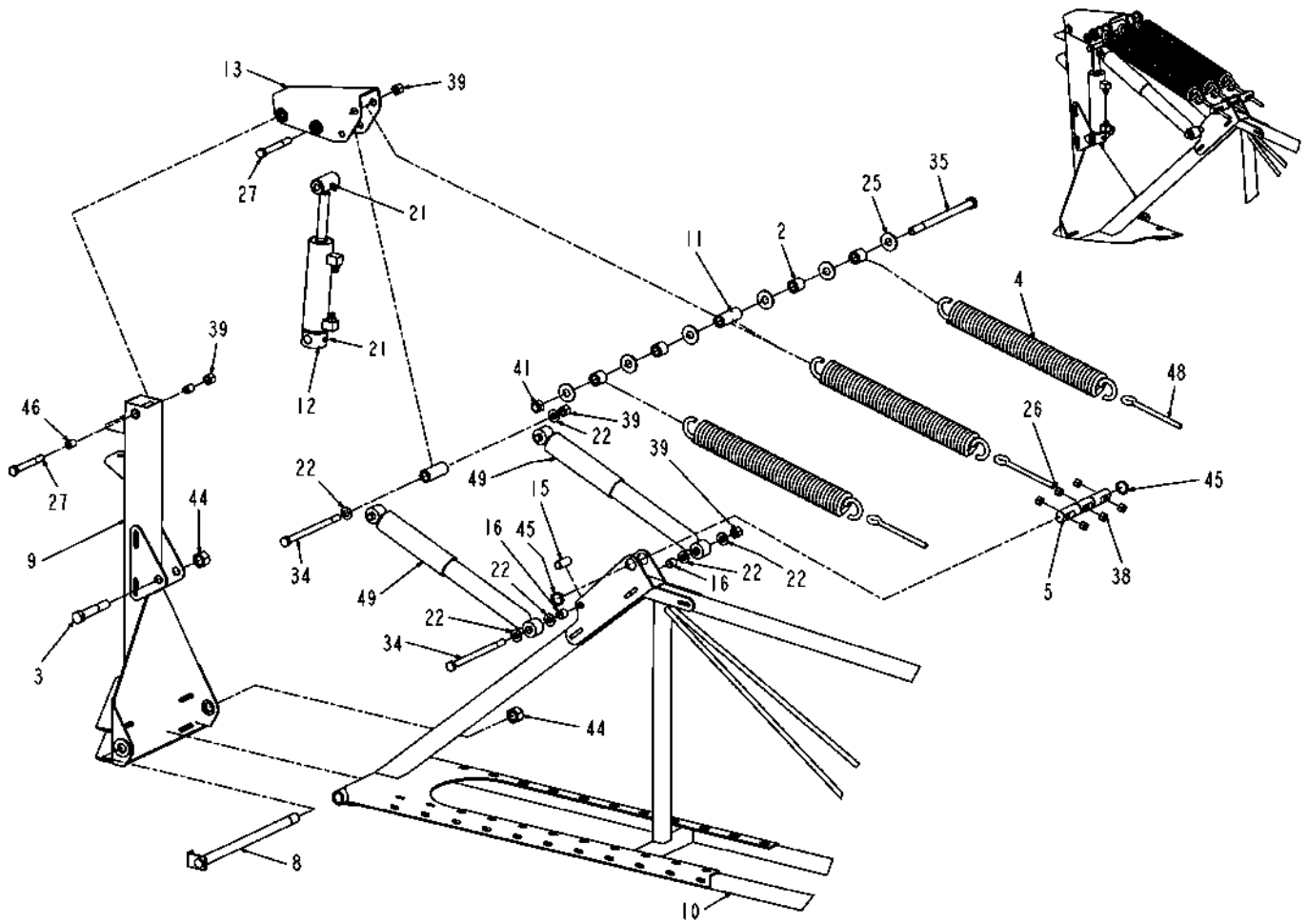
ITEM	PART #	QTY	DESCRIPTION	COMMENT
1	WR10339	4	PIN-COTTER,1/8 X 1 1/4	
2	WR10896	4	TUBE-RM. 1.31 OD X.250W X	
3	WR11546	2	NUT-TOPLOCK, 3/4-16UNF G5	
4	WR17220	4	TUBE-RM, 1.31 OD X.250W X	
5	WR18672	4	COLLAR-SET, 1/2 ID	
6	WR21845	2	SCREW-CAP HEX 3/4 NC X 8	
7	WR50814	2	SCREW-CAP HEX 5/8 NC X	
8	WR55083	2	PIN-COTTER,3/16 X 1 1/2	
9	WR55354	2	NUT-TOPLOCK, 1/2-13UNC G8	
10	WR55355	2	NUT-TOPLOCK,5/8-11UNC G8	
11	WR122553	4	SPRING-BOOM (REPLACES WR55982)	
12	WR550116	8	WASHER 0.75 FL ZN REG TYPE-B	
13	WR550124	8	NUT 0.50-13NC HEX ZN REG	
14	WR550469	2	BOLT 0.62-11NCX 3.50 G5 ZN HHD	
15	WR550477	16	NUT 0.62-11NC HEX ZN REG	
16	WR551031	2	BOLT.62-11NCX 4.00G5 ZN HHD	
17	WR552046	2	BOLT.62-11NCX4.50G5 ZN HHD	
18	WR553212	2	BOLT 0.50-13NCX 3.25 G5 ZN HHD	
19	WR559199	2	BOLT 0.62-11NCX 6.50 G5 ZN HHD	
20	6507096	2	PIN-CLEVIS	
21	6538287	4	RING-SNAP	
22	6613050	4	BUSHING-OILITE	
23	6617579	6	BUSHING-RUBBER	
24	6617582	2	BELLCRANK-W/A	
25	6618175	2	BUSHING-STL. .875 OD	
26	6618187	2	PIN-CLEVIS	
27	6626401	2	BOLT-EYE	
28	6633446	2	PIN-CLEVIS	
29	6664598	2	SHOCK-DAMPER	
30	6800367	4	SLEEVE	
31	6802717	1	HINGE-W/A,LH	
32	6802718	1	HINGE-W/A,RH	
33	WR37574	2	PIN-SPRING,MOUNT	



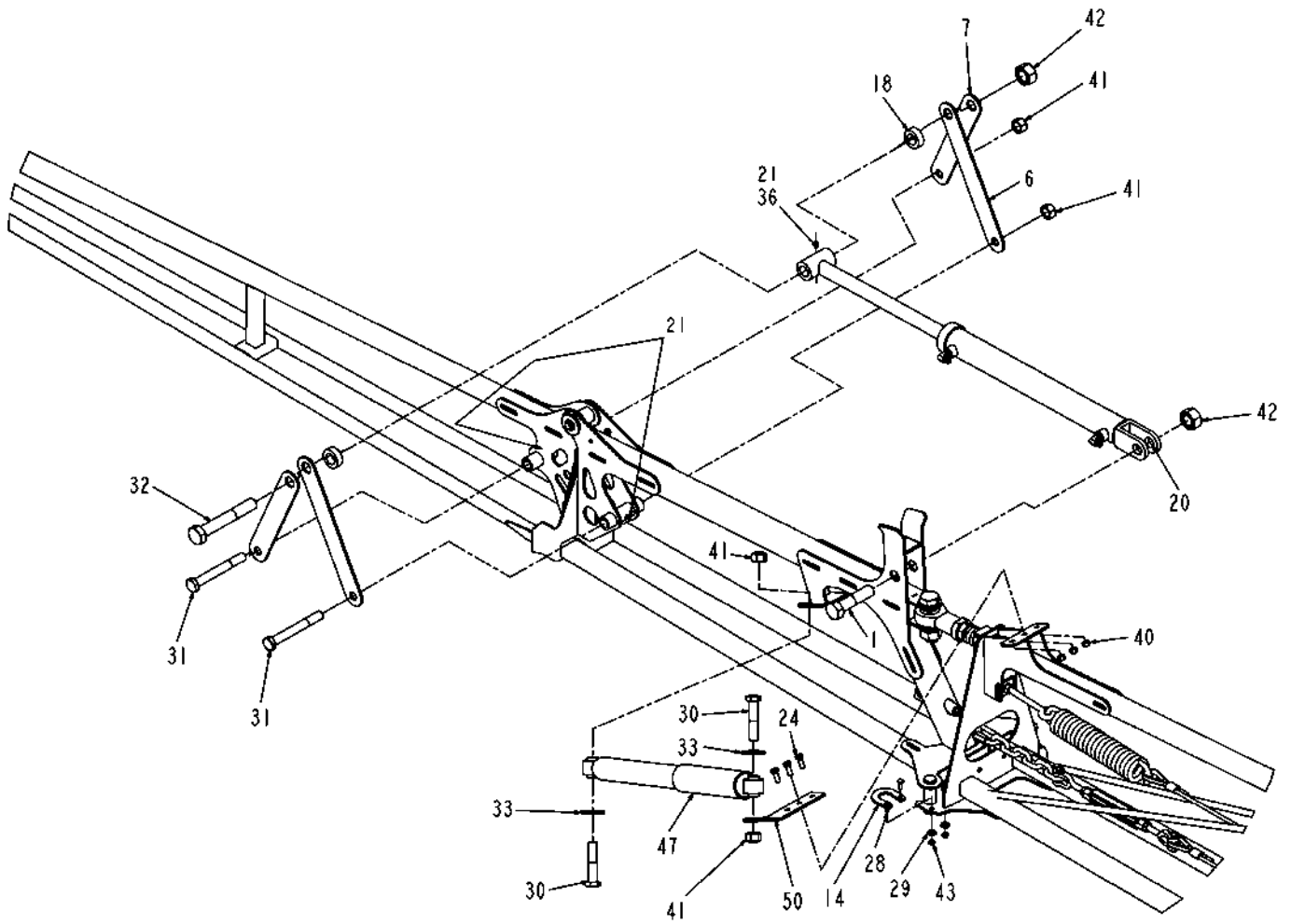
ITEM	PART #	QTY	DESCRIPTION	COMMENT
1	WR125308	1	BOOM ASM-60/80.LH	SEE PAGE 14-14
2	WR125309	1	BOOM ASM-60/80.RH	SEE PAGE 14-16
3	WR129756	1	HOSE INSTL-BM TILT,SC6080,7X50	SEE PAGE 5-24
4	WR129757	1	HOSE INSTL-BM TIP,SC6080,7X50	SEE PAGE 5-25
5	WR135300	-	SLEEVE	
6	WR555118	-	BOLT 0.62-11NCX 4.75 G5 ZN HHD	
7	WR560634	-	BOLT 0.75-10NCX 6.00 G5 ZN HHD	
8	WR561197	-	BOLT 1.00- 8NCX 5.00 G5 ZN HHD	
9	WR561838	-	NUT 1.00- 8NC HEX ZN C-LK	
10	WR601217	-	NUT 0.62-11NC HEX ZN HVY NY	
11	WR603864	-	NUT 0.75-10LGT G5 HX ZN ESNA	
12	6800367	-	SLEEVE	



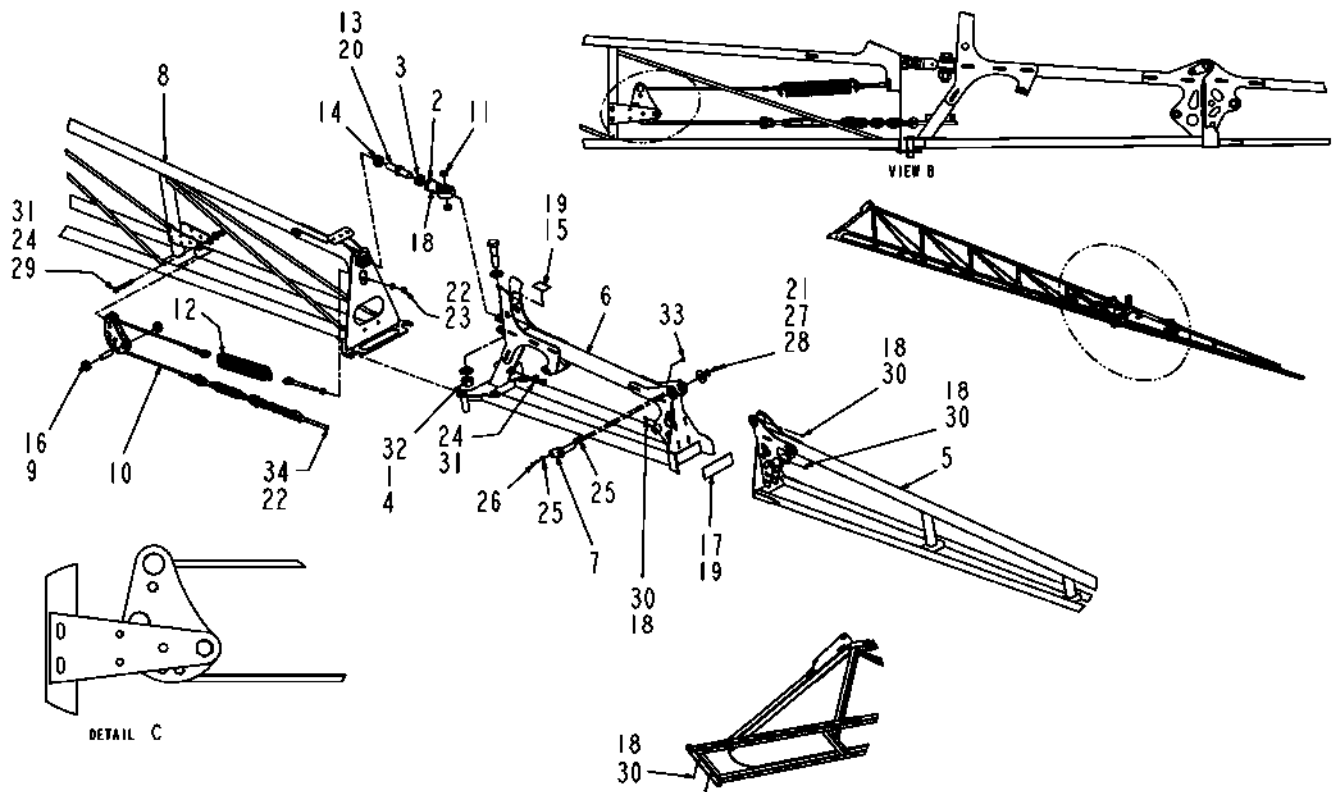
ITEM	PART #	QTY	DESCRIPTION	COMMENT
1	WR010220	1	BOLT 1.00- 8NCX 4.00 G5 PL HHD	
2	WR17220	4	TUBE-RM. 1.31 OD X.250W X	
3	WR029090	-	BOLT,7/8-9 X 5 GR5 ZN	
4	WR122553	3	SPRING-BOOM (REPLACES WR55982)	
5	WR124425	1	PIN-BOOM SUSPENSION,3 SPRING	
6	WR124426	2	LINK, LONG-BOOM TIP FOLD,60/80	
7	WR124427	2	LINK, SHORT-BOOM TIP FOLD,60/80	
8	WR125307	1	BOOM ASM-60/80	SEE PAGE 14-15
9	WR125311	2	BUSHING-1.31OD X.813ID X2.25	
10	WR128010	1	CYLINDER-HYD,2.25 X 1.00 X 6.5	SEE PAGE 5-22
11	WR128544	1	BRKT-WLDMT. BOOM LIFT	
12	WR128835	1	CLAMP-BOOM PIVOT	
13	WR129195	1	BUSHING-.87 ODX.109WLX.197 LG	
14	WR132455	2	BUSHING- .87 OD X .65 ID X.77LG	
15	WR134012	1	BLOCK WLDMT-BOOM REST	
16	WR135546	2	SPACER-UHMW, 1.75OD X 1.0ID	
17	WR136185	1	WLDMT-BOOM SWING,LH	
18	WR136192	1	WLDMT-PIN,BOOM SWING	
19	WR231204	2	BOLT-U .31-18X1.88X2.63	
20	WR235991	1	CYLINDER ASM- BOOM TIP FOLD	SEE PAGE 5-23
21	WR511099	-	GREASE-MULTI PURPOSE LITH. [BULK: 0.001 LB]	
22	WR515180	6	WASHER 0.62 FL ZN REG G8	
23	WR516403	4	NUT 0.31-18NC HEX ESNA SS	
24	WR518500	3	BOLT,HHD,ZN .38-16X1.00 GR 8	
25	WR550116	6	WASHER 0.75 FL ZN REG TYPE-B	
26	WR550124	6	NUT 0.50-13NC HEX ZN REG	
27	WR550248	1	BOLT 0.62-11NCX 5.00 G8 ZN HHD	
28	WR550485	2	BOLT .25-20NCX.75 G5 ZN HHD	
29	WR550507	2	WASHER FL 0.25 ZN REG TYPE-B	
30	WR550787	2	BOLT .75-10NCX3.50 G5 ZN HHD	
31	WR560634	2	BOLT 0.75-10NCX 6.00 G5 ZN HHD	
32	WR560897	1	BOLT 1.00- 8NCX 6.50 G8 ZN HHD	
33	WR561156	2	WASHER 0.75 FL ZN SAE TYPE A	
34	WR561822	2	BOLT 0.62-11NCX 9.50 G5 ZN HHD	
35	WR561825	1	BOLT 0.75-10NCX11.00 G5 ZN HHD	
37	WR562074	4	WASHER FL 0.31 SS REG	
38	WR601217	4	NUT 0.62-11NC HEX ZN HVY NY	
39	WR601411	3	NUT 0.37-16NC HEX ZN REG LK NY	
40	WR603864	5	NUT 0.75-10LGT G5 HX ZN ESNA	
41	WR604185	2	NUT 1.00-08NC HEX HVY ZN NY IN	
42	WR604216	2	NUT 0.25-20NC ZN LGT HEX NY IN	
43	WR606259	1	NUT 0.87-09NC HEX ZN HVY NY **	
44	6538287	2	RING-SNAP	
45	6613050	2	BUSHING-OILITE	
46	6623263	1	SHOCK ABSORBER-BOOM	
47	6626401	3	BOLT-EYE	
48	6664598	2	SHOCK-DAMPER	
49	503475D1	1	PLATE-SHOCK,MNT	



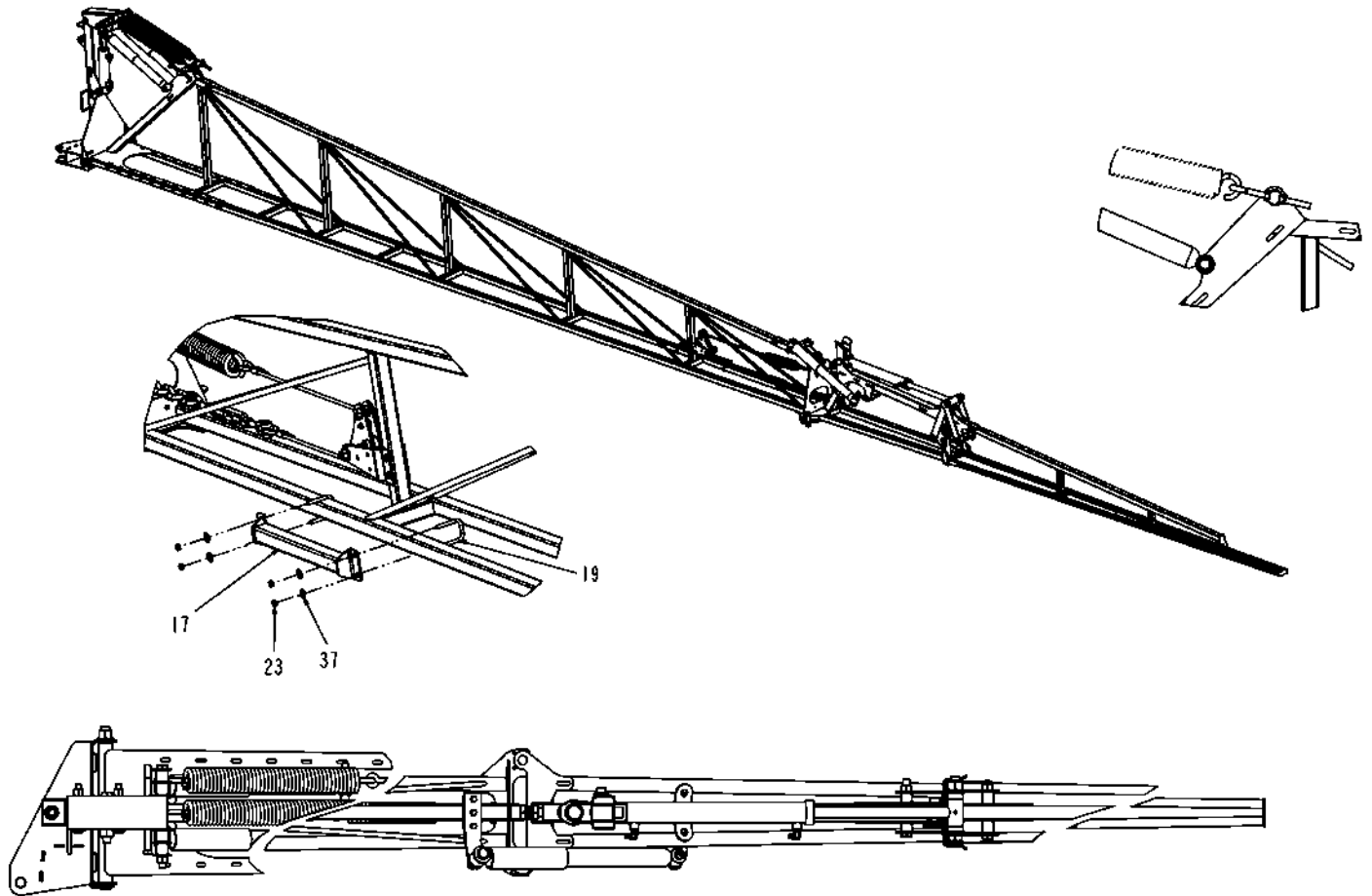
ITEM	PART #	QTY	DESCRIPTION	COMMENT
1	WR010220	1	BOLT 1.00- 8NCX 4.00 G5 PL HHD	
2	WR17220	4	TUBE-RM. 1.31 OD X.250W X	
3	WR029090	-	BOLT,7/8-9 X 5 GR5 ZN	
4	WR122553	3	SPRING-BOOM (REPLACES WR55982)	
5	WR124425	1	PIN-BOOM SUSPENSION,3 SPRING	
6	WR124426	2	LINK,LONG-BOOM TIP FOLD,60/80	
7	WR124427	2	LINK,SHORT-BOOM TIP FOLD,60/80	
8	WR125307	1	BOOM ASM-60/80	SEE PAGE 14-15
9	WR125311	2	BUSHING-1.31OD X.813ID X2.25	
10	WR128010	1	CYLINDER-HYD,2.25 X 1.00 X 6.5	SEE PAGE 5-22
11	WR128544	1	BRKT-WLDMT.BOOM LIFT	
12	WR128835	1	CLAMP-BOOM PIVOT	
13	WR129195	1	BUSHING,.87 ODX.109WLX.197 LG	
14	WR132455	2	BUSHING- .87 OD X .65 ID X.77LG	
15	WR134012	1	BLOCK WLDMT-BOOM REST	
16	WR135546	2	SPACER-UHMW, 1.75OD X 1.0ID	
17	WR136185	1	WLDMT-BOOM SWING,LH	
18	WR136192	1	WLDMT-PIN,BOOM SWING	
19	WR231204	2	BOLT-U .31-18X1.88X2.63	
20	WR235991	1	CYLINDER ASM- BOOM TIP FOLD	SEE PAGE 5-23
21	WR511099	-	GREASE-MULTI PURPOSE LITH. [BULK: 0.001 LB]	
22	WR515180	6	WASHER 0.62 FL ZN REG G8	
23	WR516403	4	NUT 0.31-18NC HEX ESNA SS	
24	WR518500	3	BOLT,HHD,ZN .38-16X1.00 GR 8	
25	WR550116	6	WASHER 0.75 FL ZN REG TYPE-B	
26	WR550124	6	NUT 0.50-13NC HEX ZN REG	
27	WR550248	1	BOLT 0.62-11NCX 5.00 G8 ZN HHD	
28	WR550485	2	BOLT.25-20NCX.75 G5 ZN HHD	
29	WR550507	2	WASHER FL 0.25 ZN REG TYPE-B	
30	WR550787	2	BOLT.75-10NCX3.50 G5 ZN HHD	
31	WR560634	2	BOLT 0.75-10NCX 6.00 G5 ZN HHD	
32	WR560897	1	BOLT 1.00- 8NCX 6.50 G8 ZN HHD	
33	WR561156	2	WASHER 0.75 FL ZN SAE TYPE A	
34	WR561822	2	BOLT 0.62-11NCX 9.50 G5 ZN HHD	
35	WR561825	1	BOLT 0.75-10NCX11.00 G5 ZN HHD	
37	WR562074	4	WASHER FL 0.31 SS REG	
38	WR601217	4	NUT 0.62-11NC HEX ZN HVY NY	
39	WR601411	3	NUT 0.37-16NC HEX ZN REG LK NY	
40	WR603864	5	NUT 0.75-10LGT G5 HX ZN ESNA	
41	WR604185	2	NUT 1.00-08NC HEX HVY ZN NY IN	
42	WR604216	2	NUT 0.25-20NC ZN LGT HEX NY IN	
43	WR606259	1	NUT 0.87-09NC HEX ZN HVY NY **	
44	6538287	2	RING-SNAP	
45	6613050	2	BUSHING-OILITE	
46	6623263	1	SHOCK ABSORBER-BOOM	
47	6626401	3	BOLT-EYE	
48	6664598	2	SHOCK-DAMPER	
49	503475D1	1	PLATE-SHOCK,MNT	



ITEM	PART #	QTY	DESCRIPTION	COMMENT
1	WR010220	1	BOLT 1.00- 8NCX 4.00 G5 PL HHD	
2	WR17220	4	TUBE-RM, 1.31 OD X.250W X	
3	WR029090	-	BOLT,7/8-9 X 5 GR5 ZN	
4	WR122553	3	SPRING-BOOM (REPLACES WR55982)	
5	WR124425	1	PIN-BOOM SUSPENSION,3 SPRING	
6	WR124426	2	LINK, LONG-BOOM TIP FOLD,60/80	
7	WR124427	2	LINK, SHORT-BOOM TIP FOLD,60/80	
8	WR125307	1	BOOM ASM-60/80	SEE PAGE 14-15
9	WR125311	2	BUSHING-1.31OD X.813ID X2.25	
10	WR128010	1	CYLINDER-HYD,2.25 X 1.00 X 6.5	SEE PAGE 5-22
11	WR128544	1	BRKT-WLDMT.BOOM LIFT	
12	WR128835	1	CLAMP-BOOM PIVOT	
13	WR129195	1	BUSHING,.87 ODX.109WLX.197 LG	
14	WR132455	2	BUSHING- .87 OD X .65 ID X.77LG	
15	WR134012	1	BLOCK WLDMT-BOOM REST	
16	WR135546	2	SPACER-UHMW. 1.75OD X 1.0ID	
17	WR136185	1	WLDMT-BOOM SWING,LH	
18	WR136192	1	WLDMT-PIN,BOOM SWING	
19	WR231204	2	BOLT-U .31-18X1.88X2.63	
20	WR235991	1	CYLINDER ASM- BOOM TIP FOLD	SEE PAGE 5-23
21	WR511099	-	GREASE-MULTI PURPOSE LITH. [BULK: 0.001 LB]	
22	WR515180	6	WASHER 0.62 FL ZN REG G8	
23	WR516403	4	NUT 0.31-18NC HEX ESNA SS	
24	WR518500	3	BOLT,HHD,ZN .38-16X1.00 GR 8	
25	WR550116	6	WASHER 0.75 FL ZN REG TYPE-B	
26	WR550124	6	NUT 0.50-13NC HEX ZN REG	
27	WR550248	1	BOLT 0.62-11NCX 5.00 G8 ZN HHD	
28	WR550485	2	BOLT.25-20NCX.75 G5 ZN HHD	
29	WR550507	2	WASHER FL 0.25 ZN REG TYPE-B	
30	WR550787	2	BOLT.75-10NCX3.50 G5 ZN HHD	
31	WR560634	2	BOLT 0.75-10NCX 6.00 G5 ZN HHD	
32	WR560897	1	BOLT 1.00- 8NCX 6.50 G8 ZN HHD	
33	WR561156	2	WASHER 0.75 FL ZN SAE TYPE A	
34	WR561822	2	BOLT 0.62-11NCX 9.50 G5 ZN HHD	
35	WR561825	1	BOLT 0.75-10NCX11.00 G5 ZN HHD	
37	WR562074	4	WASHER FL 0.31 SS REG	
38	WR601217	4	NUT 0.62-11NC HEX ZN HVY NY	
39	WR601411	3	NUT 0.37-16NC HEX ZN REG LK NY	
40	WR603864	5	NUT 0.75-10LGT G5 HX ZN ESNA	
41	WR604185	2	NUT 1.00-08NC HEX HVY ZN NY IN	
42	WR604216	2	NUT 0.25-20NC ZN LGT HEX NY IN	
43	WR606259	1	NUT 0.87-09NC HEX ZN HVY NY **	
44	6538287	2	RING-SNAP	
45	6613050	2	BUSHING-OILITE	
46	6623263	1	SHOCK ABSORBER-BOOM	
47	6626401	3	BOLT-EYE	
48	6664598	2	SHOCK-DAMPER	
49	503475D1	1	PLATE-SHOCK,MNT	

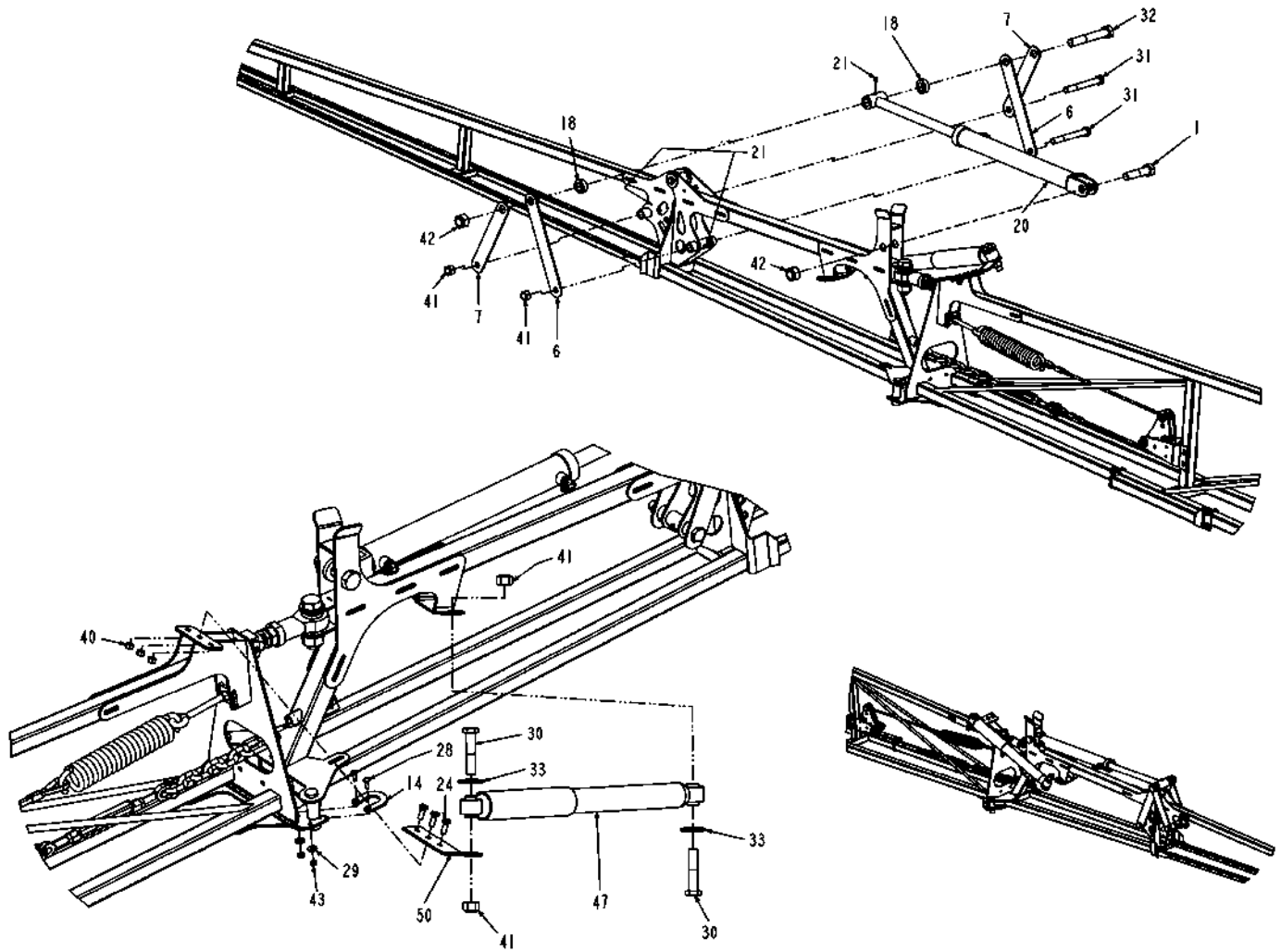


ITEM	PART #	QTY	DESCRIPTION	COMMENT
1	WR010220	1	BOLT 1.00- 8NCX 4.00 G5 PL HHD	
2	WR34606	1	ROD-END,1-14UNF,FEMALE	
3	WR34609	1	NUT-JAM, 1-14UNF	
4	WR55197	2	WASHER-PLAIN HRD,1 ID GRADE 8	
5	WR124362	1	BOOM WLDMT-TIP,60/80	
6	WR124408	1	BOOM WLDMT-BREAKAWAY,60/80	
7	WR124422	1	PIN WLDMT-PIVOT,BOOM TIP	
8	WR124500	1	BOOM WLDMT-BASE,60/80	
9	WR124539	1	BUSHING-1.5 LONGX.750DX.51D	
10	WR125306	1	CAM ASSY-BREAKAWAY,60/80	
11	WR125615	2	BUSHING-1.25OD X 1.00ID X.265	
12	WR126491	1	SPRING-EXTENSION	
13	WR129192	1	BOLT-ADJUST,1-14RH,1-14LH	
14	WR129193	1	NUT-JAM,1-14 UNF,LH	
15	WR130544	1	PAD RUBBER 1.75 X 2.50 X .12	
16	WR135545	2	SPACER-UHMW,1.5OD X .78ID	
17	WR260590	1	PAD-RUBBER,BM TIP,.12THK	
18	WR511099	-	GREASE-MULTI PURPOSE LITH. [BULK: 0.001 LB]	
19	WR512346	-	3M 1300 YELLOW ADHESIVE (GAL) [BULK: 0.001 GL]	
20	WR516064	AR	ANTI SEIZE	
21	WR550116	1	WASHER 0.75 FL ZN REG TYPE-B	
22	WR550124	2	NUT 0.50-13NC HEX ZN REG	
23	WR550264	1	WASHER 0.50 LK ZN REG	
24	WR550353	2	WASHER 0.50 FL ZN REG TYPE-B	
25	WR550507	3	WASHER FL 0.25 ZN REG TYPE-B	
26	WR550698	1	BOLT 0.25-20NCX 1.00 G5 ZN HHD	
27	WR551007	1	WASHER FL 0.37 ZN REG TYPE-B	
28	WR551503	1	BOLT 0.37-16NCX 0.75 G5 ZN HHD	
29	WR556149	1	BOLT 0.50-13NCX 3.50 G5 ZN HHD	
30	WR561892	5	FITTING LUBE STR 0.25UNF	
31	WR601152	2	NUT 0.50-13NC HEX ZN REG NY	
32	WR604185	1	NUT 1.00-08NC HEX HVY ZN NY IN	
33	WR604216	1	NUT 0.25-20NC ZN LGT HEX NY IN	
34	6626401	1	BOLT-EYE	

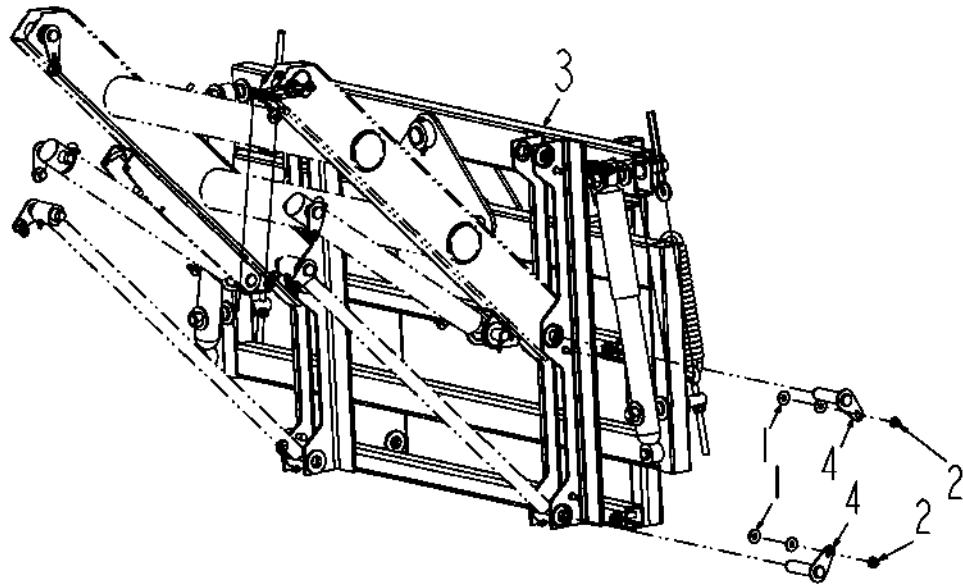
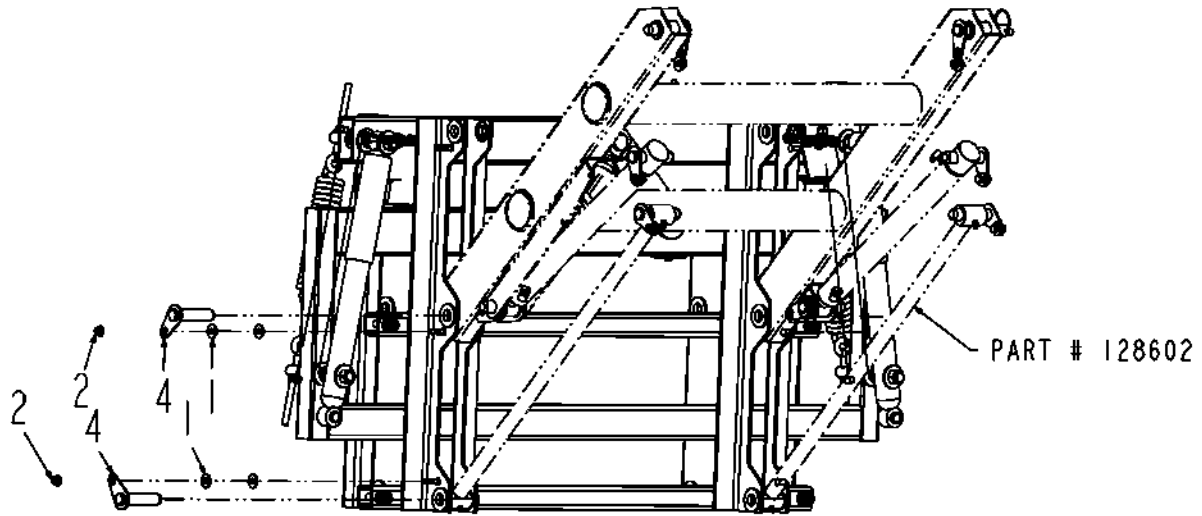


ITEM	PART #	QTY	DESCRIPTION	COMMENT
1	WR010220	1	BOLT 1.00- 8NCX 4.00 G5 PL HHD	
2	WR17220	4	TUBE-RM. 1.31 OD X.250W X	
3	WR029090	-	BOLT,7/8-9 X 5 GR5 ZN	
4	WR122553	3	SPRING-BOOM (REPLACES WR55982)	
5	WR124425	1	PIN-BOOM SUSPENSION,3 SPRING	
6	WR124426	2	LINK, LONG-BOOM TIP FOLD,60/80	
7	WR124427	2	LINK, SHORT-BOOM TIP FOLD,60/80	
8	WR125307	1	BOOM ASM-60/80	SEE PAGE 14-15
9	WR125311	2	BUSHING-1.31OD X.813ID X2.25	
10	WR128010	1	CYLINDER-HYD,2.25 X 1.00 X 6.5	SEE PAGE 5-22
11	WR128544	1	BRKT-WLDMT.BOOM LIFT	
12	WR128835	1	CLAMP-BOOM PIVOT	
13	WR129195	1	BUSHING-.87 ODX.109WLX.197 LG	
14	WR132455	2	BUSHING- .87 OD X .65 ID X.77LG	
15	WR134012	1	BLOCK WLDMT-BOOM REST	
16	WR135546	2	SPACER-UHMW, 1.75OD X 1.0ID	
18	WR136192	1	WLDMT-PIN,BOOM SWING	
19	WR231204	2	BOLT-U .31-18X1.88X2.63	
20	WR235991	1	CYLINDER ASM- BOOM TIP FOLD	SEE PAGE 5-23
21	WR511099	-	GREASE-MULTI PURPOSE LITH. [BULK: 0.001 LB]	
22	WR515180	6	WASHER 0.62 FL ZN REG G8	
23	WR516403	4	NUT 0.31-18NC HEX ESNA SS	
24	WR518500	3	BOLT,HHD,ZN .38-16X1.00 GR 8	
25	WR550116	6	WASHER 0.75 FL ZN REG TYPE-B	
26	WR550124	6	NUT 0.50-13NC HEX ZN REG	
27	WR550248	1	BOLT 0.62-11NCX 5.00 G8 ZN HHD	
28	WR550485	2	BOLT.25-20NCX.75 G5 ZN HHD	
29	WR550507	2	WASHER FL 0.25 ZN REG TYPE-B	
30	WR550797	2	BOLT.75-10NCX3.50 G5 ZN HHD	
31	WR560634	2	BOLT 0.75-10NCX 6.00 G5 ZN HHD	
32	WR560897	1	BOLT 1.00- 8NCX 6.50 G8 ZN HHD	
33	WR561156	2	WASHER 0.75 FL ZN SAE TYPE A	
34	WR561822	2	BOLT 0.62-11NCX 9.50 G5 ZN HHD	
35	WR561825	1	BOLT 0.75-10NCX11.00 G5 ZN HHD	
36	WR561892	1	FITTING LUBE STR 0.25UNF	
37	WR562074	4	WASHER FL 0.31 SS REG	
38	WR601217	4	NUT 0.62-11NC HEX ZN HVY NY	
39	WR601411	3	NUT 0.37-16NC HEX ZN REG LK NY	
40	WR603864	5	NUT 0.75-10LGT G5 HX ZN ESNA	
41	WR604185	2	NUT 1.00-08NC HEX HVY ZN NY IN	
42	WR604216	2	NUT 0.25-20NC ZN LGT HEX NY IN	
43	WR606259	1	NUT 0.87-09NC HEX ZN HVY NY **	
44	6538287	2	RING-SNAP	
45	6613050	2	BUSHING-OILITE	
46	6623263	1	SHOCK ABSORBER-BOOM	
47	6626401	3	BOLT-EYE	
48	6664598	1	SHOCK-DAMPER	
49	503475D1	1	PLATE-SHOCK,MNT	

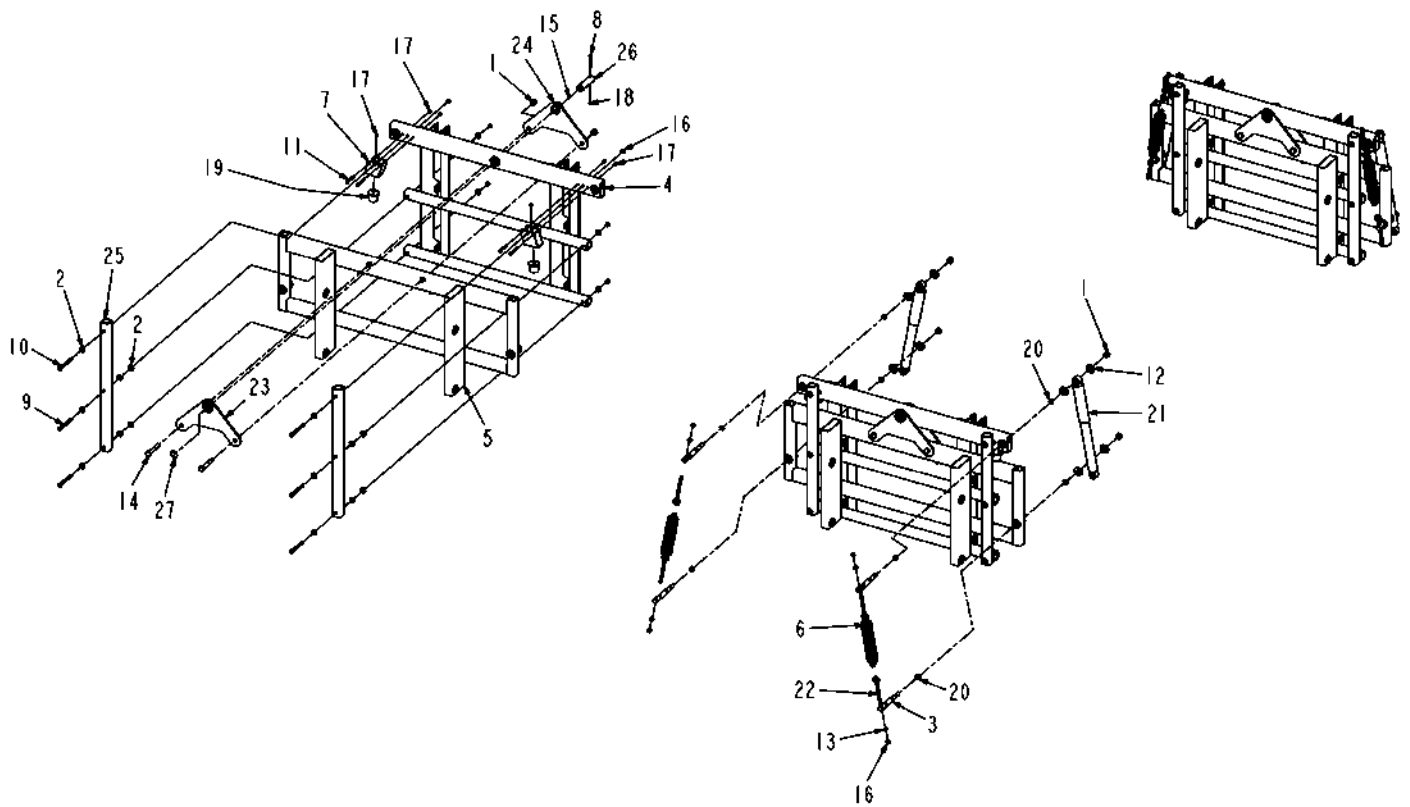
ITEM	PART #	QTY	DESCRIPTION	COMMENT
1	WR010220	1	BOLT 1.00- 8NCX 4.00 G5 PL HHD	
2	WR17220	4	TUBE-RM. 1.31 OD X.250W X	
3	WR029090	-	BOLT,7/8-9 X 5 GR5 ZN	
4	WR122553	3	SPRING-BOOM (REPLACES WR55982)	
5	WR124425	1	PIN-BOOM SUSPENSION,3 SPRING	
6	WR124426	2	LINK, LONG-BOOM TIP FOLD,60/80	
7	WR124427	2	LINK, SHORT-BOOM TIP FOLD,60/80	
8	WR125307	1	BOOM ASM-60/80	SEE PAGE 14-15
9	WR125311	2	BUSHING-1.31OD X.813ID X2.25	
10	WR128010	1	CYLINDER-HYD,2.25 X 1.00 X 6.5	SEE PAGE 5-22
11	WR128544	1	BRKT-WLDMT,BOOM LIFT	
12	WR128835	1	CLAMP-BOOM PIVOT	
13	WR129195	1	BUSHING-.87 ODX.109WLX.197 LG	
14	WR132455	2	BUSHING- .87 OD X .65 ID X.77LG	
15	WR134012	1	BLOCK WLDMT-BOOM REST	
16	WR135546	2	SPACER-UHMW, 1.75OD X 1.0ID	
18	WR136192	1	WLDMT-PIN,BOOM SWING	
19	WR231204	2	BOLT-U .31-18X1.88X2.63	
20	WR235991	1	CYLINDER ASM- BOOM TIP FOLD	SEE PAGE 5-23
21	WR511099	-	GREASE-MULTI PURPOSE LITH. [BULK: 0.001 LB]	
22	WR515180	6	WASHER 0.62 FL ZN REG G8	
23	WR516403	4	NUT 0.31-18NC HEX ESNA SS	
24	WR518500	3	BOLT,HHD,ZN .38-16X1.00 GR 8	
25	WR550116	6	WASHER 0.75 FL ZN REG TYPE-B	
26	WR550124	6	NUT 0.50-13NC HEX ZN REG	
27	WR550248	1	BOLT 0.62-11NCX 5.00 G8 ZN HHD	
28	WR550485	2	BOLT.25-20NCX.75 G5 ZN HHD	
29	WR550507	2	WASHER FL 0.25 ZN REG TYPE-B	
30	WR550797	2	BOLT.75-10NCX3.50 G5 ZN HHD	
31	WR560634	2	BOLT 0.75-10NCX 6.00 G5 ZN HHD	
32	WR560897	1	BOLT 1.00- 8NCX 6.50 G8 ZN HHD	
33	WR561156	2	WASHER 0.75 FL ZN SAE TYPE A	
34	WR561822	2	BOLT 0.62-11NCX 9.50 G5 ZN HHD	
35	WR561825	1	BOLT 0.75-10NCX11.00 G5 ZN HHD	
36	WR561892	1	FITTING LUBE STR 0.25UNF	
37	WR562074	4	WASHER FL 0.31 SS REG	
38	WR601217	4	NUT 0.62-11NC HEX ZN HVY NY	
39	WR601411	3	NUT 0.37-16NC HEX ZN REG LK NY	
40	WR603864	5	NUT 0.75-10LGT G5 HX ZN ESNA	
41	WR604185	2	NUT 1.00-08NC HEX HVY ZN NY IN	
42	WR604216	2	NUT 0.25-20NC ZN LGT HEX NY IN	
43	WR606259	1	NUT 0.87-09NC HEX ZN HVY NY **	
44	6538287	2	RING-SNAP	
45	6613050	2	BUSHING-OILITE	
46	6623263	1	SHOCK ABSORBER-BOOM	
47	6626401	3	BOLT-EYE	
48	6664598	1	SHOCK-DAMPER	
49	503475D1	1	PLATE-SHOCK,MNT	



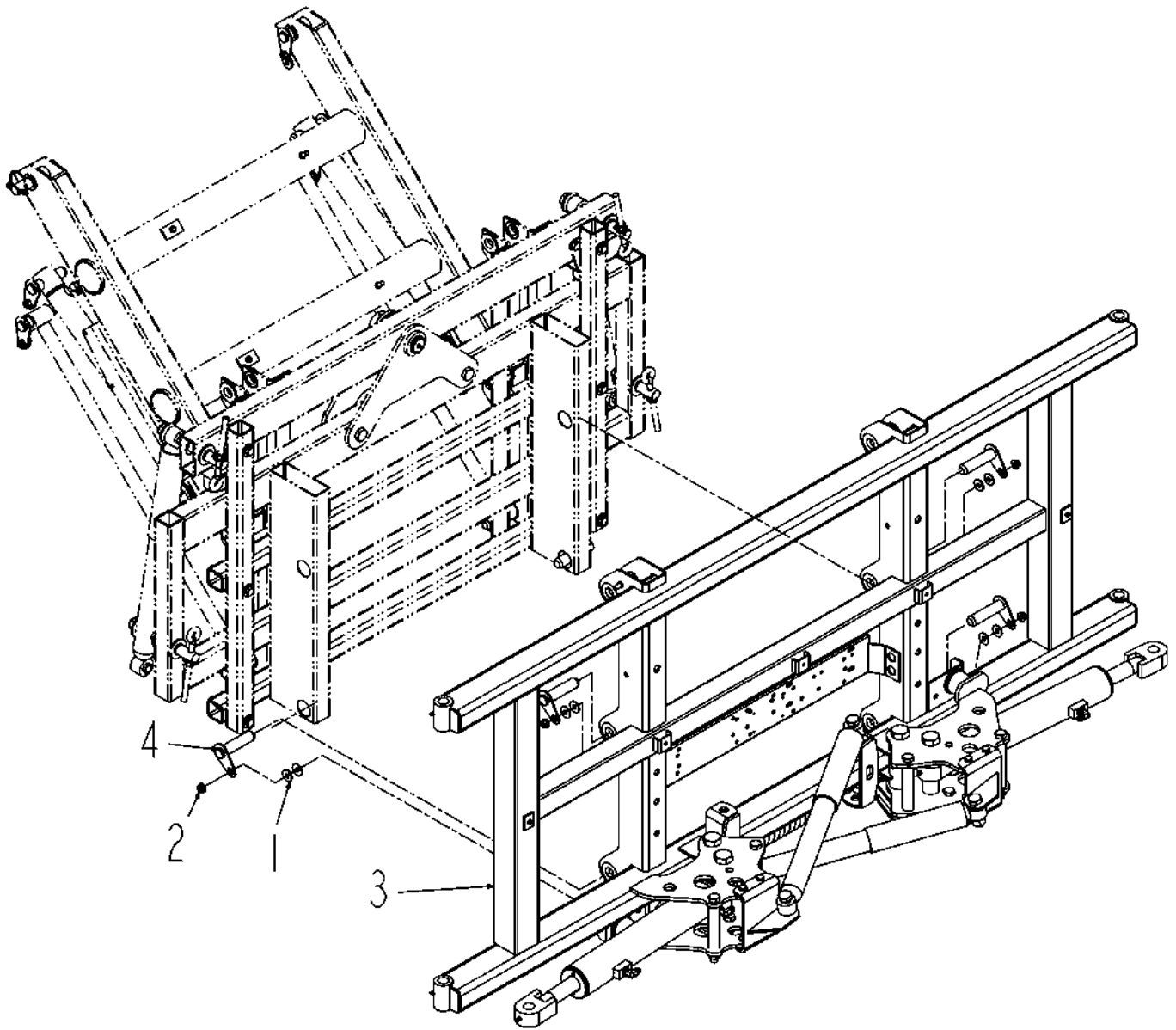
ITEM	PART #	QTY	DESCRIPTION	COMMENT
1	WR010220	1	BOLT 1.00- 8NCX 4.00 G5 PL HHD	
2	WR17220	4	TUBE-RM, 1.31 OD X.250W X	
3	WR029090	-	BOLT,7/8-9 X 5 GR5 ZN	
4	WR122553	3	SPRING-BOOM (REPLACES WR55982)	
5	WR124425	1	PIN-BOOM SUSPENSION,3 SPRING	
6	WR124426	2	LINK, LONG-BOOM TIP FOLD,60/80	
7	WR124427	2	LINK, SHORT-BOOM TIP FOLD,60/80	
8	WR125307	1	BOOM ASM-60/80	SEE PAGE 14-15
9	WR125311	2	BUSHING-1.31OD X.813ID X2.25	
10	WR128010	1	CYLINDER-HYD,2.25 X 1.00 X 6.5	SEE PAGE 5-22
11	WR128544	1	BRKT-WLDMT.BOOM LIFT	
12	WR128835	1	CLAMP-BOOM PIVOT	
13	WR129195	1	BUSHING, .87 ODX.109WLX.197 LG	
14	WR132455	2	BUSHING- .87 OD X .65 ID X.77LG	
15	WR134012	1	BLOCK WLDMT-BOOM REST	
16	WR135546	2	SPACER-UHMW, 1.75OD X 1.0ID	
18	WR136192	1	WLDMT-PIN,BOOM SWING	
19	WR231204	2	BOLT-U .31-18X1.88X2.63	
20	WR235991	1	CYLINDER ASM- BOOM TIP FOLD	SEE PAGE 5-23
21	WR511099	-	GREASE-MULTI PURPOSE LITH. [BULK: 0.001 LB]	
22	WR515180	6	WASHER 0.62 FL ZN REG G8	
23	WR516403	4	NUT 0.31-18NC HEX ESNA SS	
24	WR518500	3	BOLT,HHD,ZN .38-16X1.00 GR 8	
25	WR550116	6	WASHER 0.75 FL ZN REG TYPE-B	
26	WR550124	6	NUT 0.50-13NC HEX ZN REG	
27	WR550248	1	BOLT 0.62-11NCX 5.00 G8 ZN HHD	
28	WR550485	2	BOLT.25-20NCX.75 G5 ZN HHD	
29	WR550507	2	WASHER FL 0.25 ZN REG TYPE-B	
30	WR550787	2	BOLT.75-10NCX3.50 G5 ZN HHD	
31	WR560634	2	BOLT 0.75-10NCX 6.00 G5 ZN HHD	
32	WR560897	1	BOLT 1.00- 8NCX 6.50 G8 ZN HHD	
33	WR561156	2	WASHER 0.75 FL ZN SAE TYPE A	
34	WR561822	2	BOLT 0.62-11NCX 9.50 G5 ZN HHD	
35	WR561825	1	BOLT 0.75-10NCX11.00 G5 ZN HHD	
36	WR561892	1	FITTING LUBE STR 0.25UNF	
37	WR562074	4	WASHER FL 0.31 SS REG	
38	WR601217	4	NUT 0.62-11NC HEX ZN HVY NY	
39	WR601411	3	NUT 0.37-16NC HEX ZN REG LK NY	
40	WR603864	5	NUT 0.75-10LGT G5 HX ZN ESNA	
41	WR604185	2	NUT 1.00-08NC HEX HVY ZN NY IN	
42	WR604216	2	NUT 0.25-20NC ZN LGT HEX NY IN	
43	WR606259	1	NUT 0.87-09NC HEX ZN HVY NY **	
44	6538287	2	RING-SNAP	
45	6613050	2	BUSHING-OILITE	
46	6623263	1	SHOCK ABSORBER-BOOM	
47	6626401	3	BOLT-EYE	
48	6664598	1	SHOCK-DAMPER	
49	503475D1	1	PLATE-SHOCK,MNT	



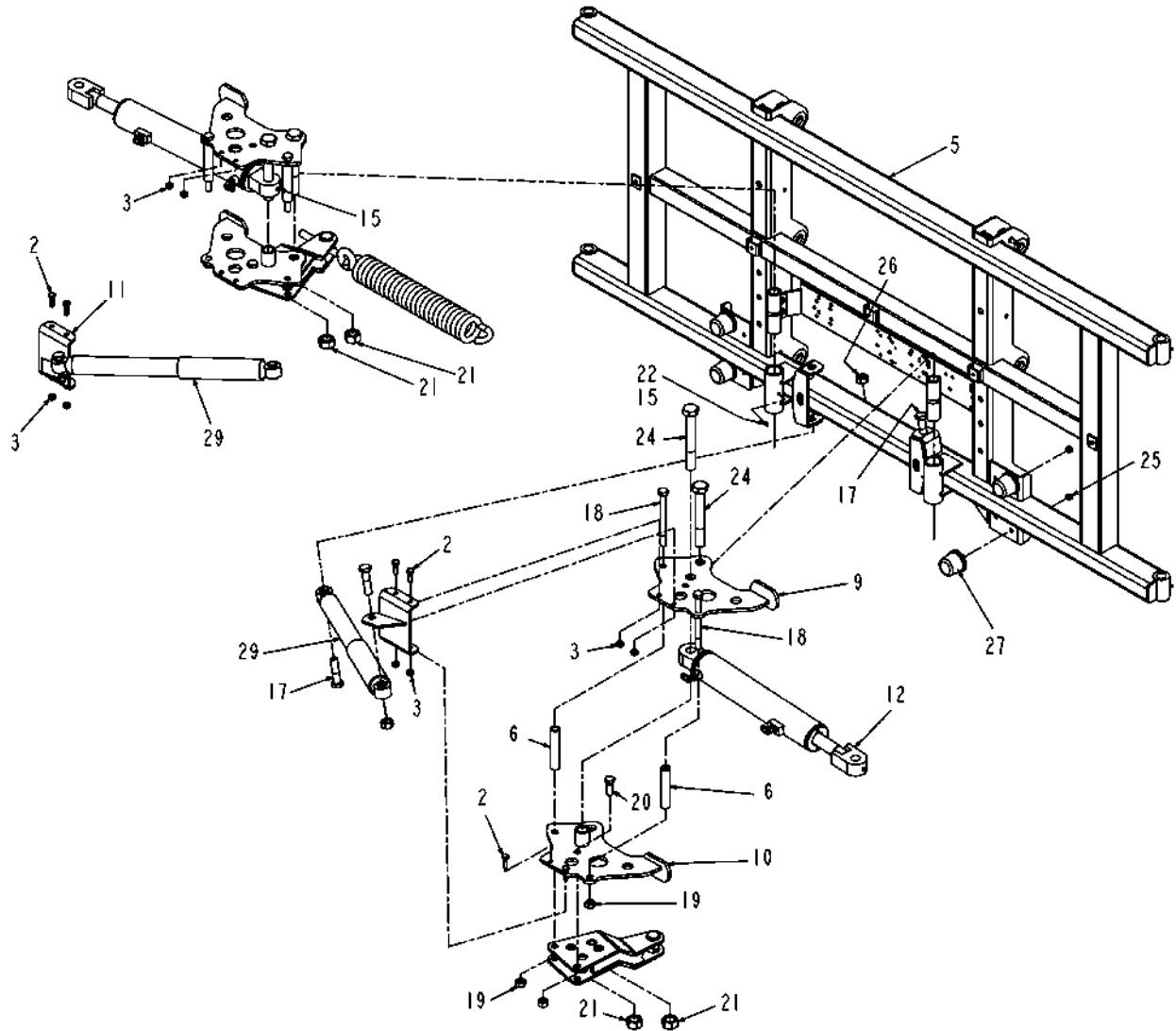
ITEM	PART #	QTY	DESCRIPTION	COMMENT
1	WR55158	8	WASHER-FLAT,10MM ID,	
2	WR55301	4	NUT-FLANGE,M10 X 1.5.PREV	
3	WR125244	1	RACK ASM-TILT,BOOM,60/80	SEE PAGE 14-18
4	6618836	4	PIN-W/A	



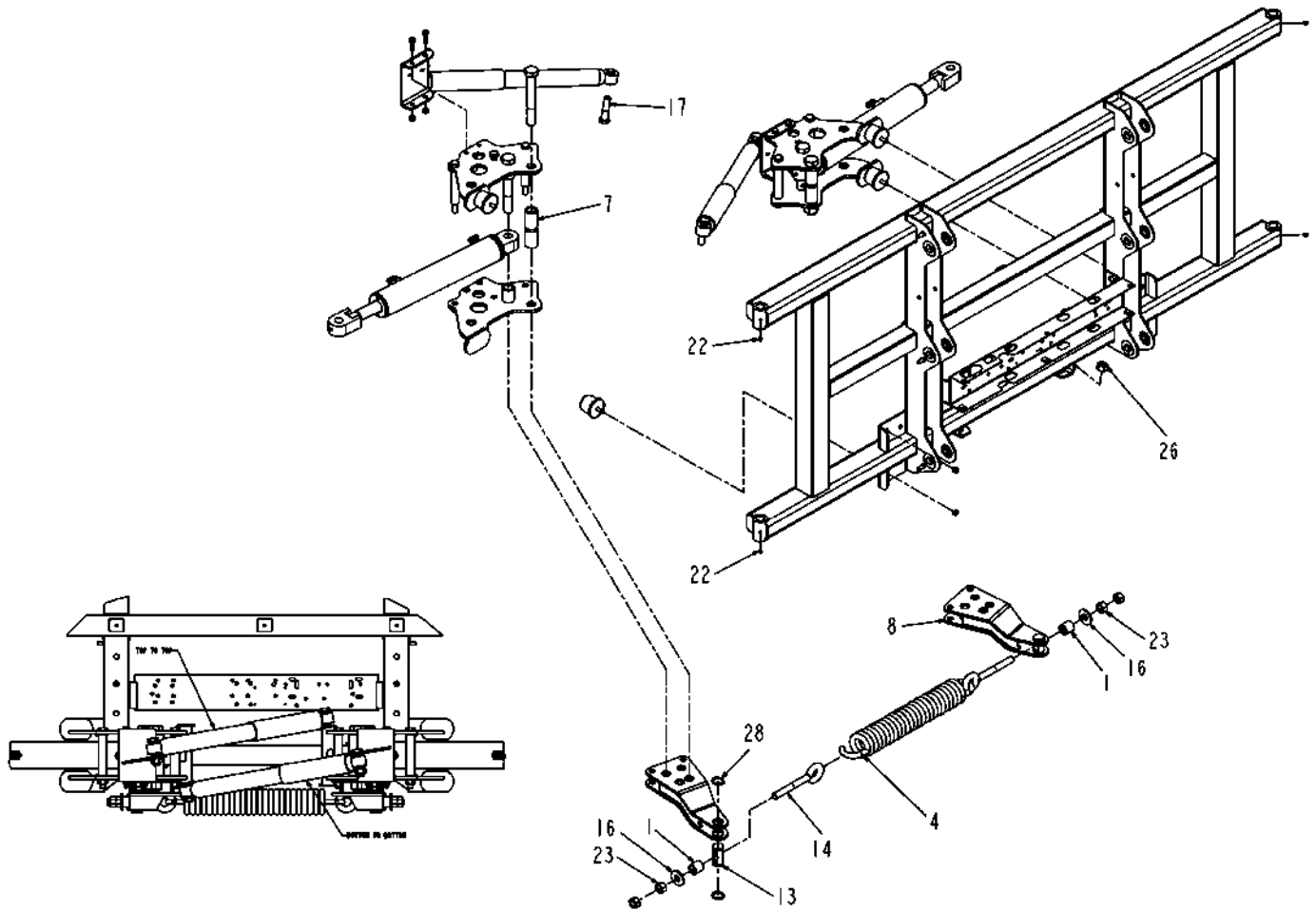
ITEM	PART #	QTY	DESCRIPTION	COMMENT
1	WR11543	2	NUT-TOPLOCK, 3/4-10UNC G5	
2	WR31555	18	WASHER-FLAT,STD, 1/2 ID.	
3	WR125095	1	WLDMT-BOOM RACK TILT	
4	WR125099	1	WLDMT-BOOM PIVOTING RACK	
5	WR126491	2	SPRING-EXTENSION	
6	WR128212	2	BRACKET-TILT STOP,60/80	
7	WR132313	2	SHOCK ABSORBER	
8	WR135546	4	SPACER-UHMW, 1.75OD X 1.0ID	
9	WR550906	1	BOLT 0.31-18NCX 3.00 G5 ZN HHD	
10	WR553964	4	BOLT 0.50-13NCX 5.00 G5 ZN HHD	
11	WR560502	2	BOLT 0.50-13NCX 5.25 G5 ZN HHD	
12	WR561072	4	BOLT 0.37-16NCX 3.00 G5 ZN HHD	
13	WR561617	4	WASHER 0.50 FL ZN SAE TYPE-A	
14	WR561808	2	BOLT 0.75-10NCX 4.50 G5 ZN HHD	
15	WR561892	1	FITTING LUBE STR 0.25UNF	
16	WR601152	10	NUT 0.50-13NC HEX ZN REG NY	
17	WR601411	6	NUT 0.37-16NC HEX ZN REG LK NY	
18	WR601888	1	NUT 0.31-18NC HEX ZN REG NY	
19	WR604184	8	WASHER-FL,1.00,ZN,HDN,A325	
20	WR604185	4	NUT 1.00-08NC HEX HVY ZN NY IN	
21	6530360	2	BUMPER-RUBBER	
22	6538286	4	RING-SNAP	
23	6626401	4	BOLT-EYE	
24	505295D1	4	PIN-SPRING,SHOCK,1.0 OD	
25	WR37439	1	PIVOT WLDMT-BACK SIDE	
26	WR37440	1	PIVOT WLDMT-FRONT SIDE	
27	WR37448	2	TUBE-SQ, 2.00 X .188W X	
28	WR37452	1	PIN-PIVOT BRACKET	
29	WR37548	1	RING-SNAP,1.50 NOM	



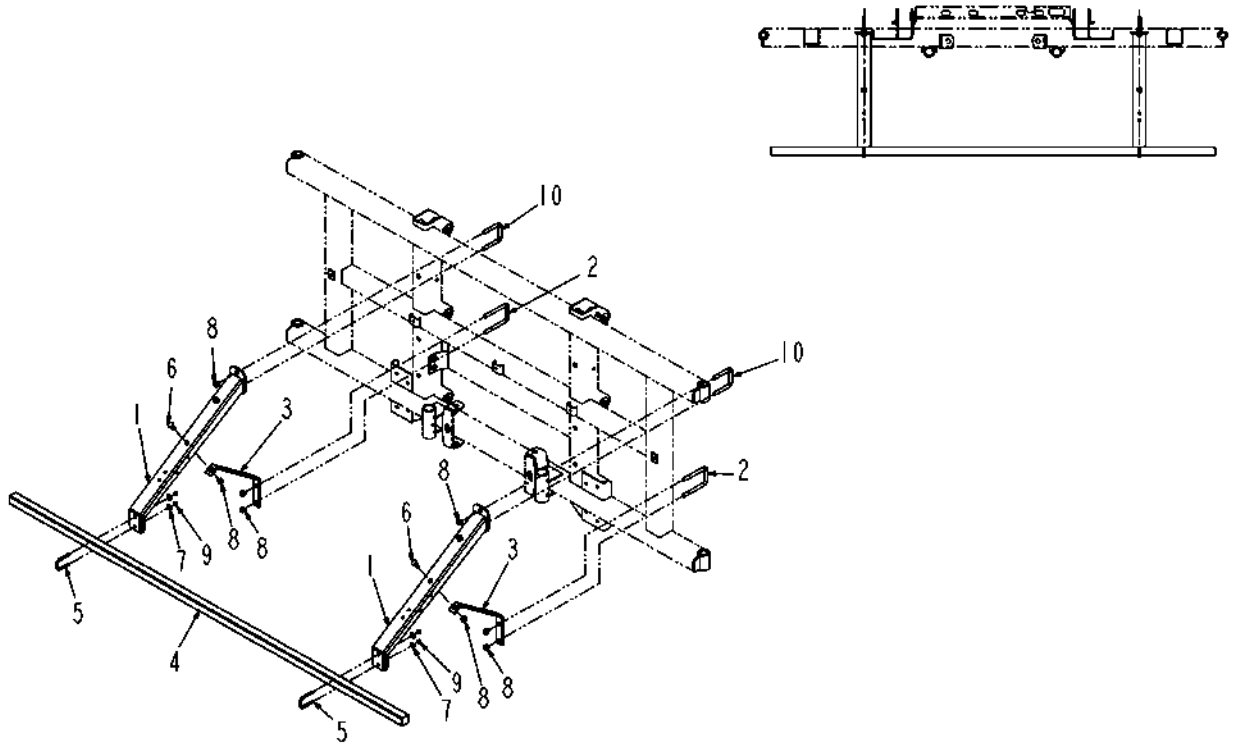
ITEM	PART #	QTY	DESCRIPTION	COMMENT
1	WR55158	8	WASHER-FLAT,10MM ID,	
2	WR55301	4	NUT-FLANGE,M10 X 1.5.PREV	
3	WR128732	1	FRAME ASM-H,REAR,BM,60/80	SEE PAGE 14-2C
4	6618836	4	PIN-W/A	



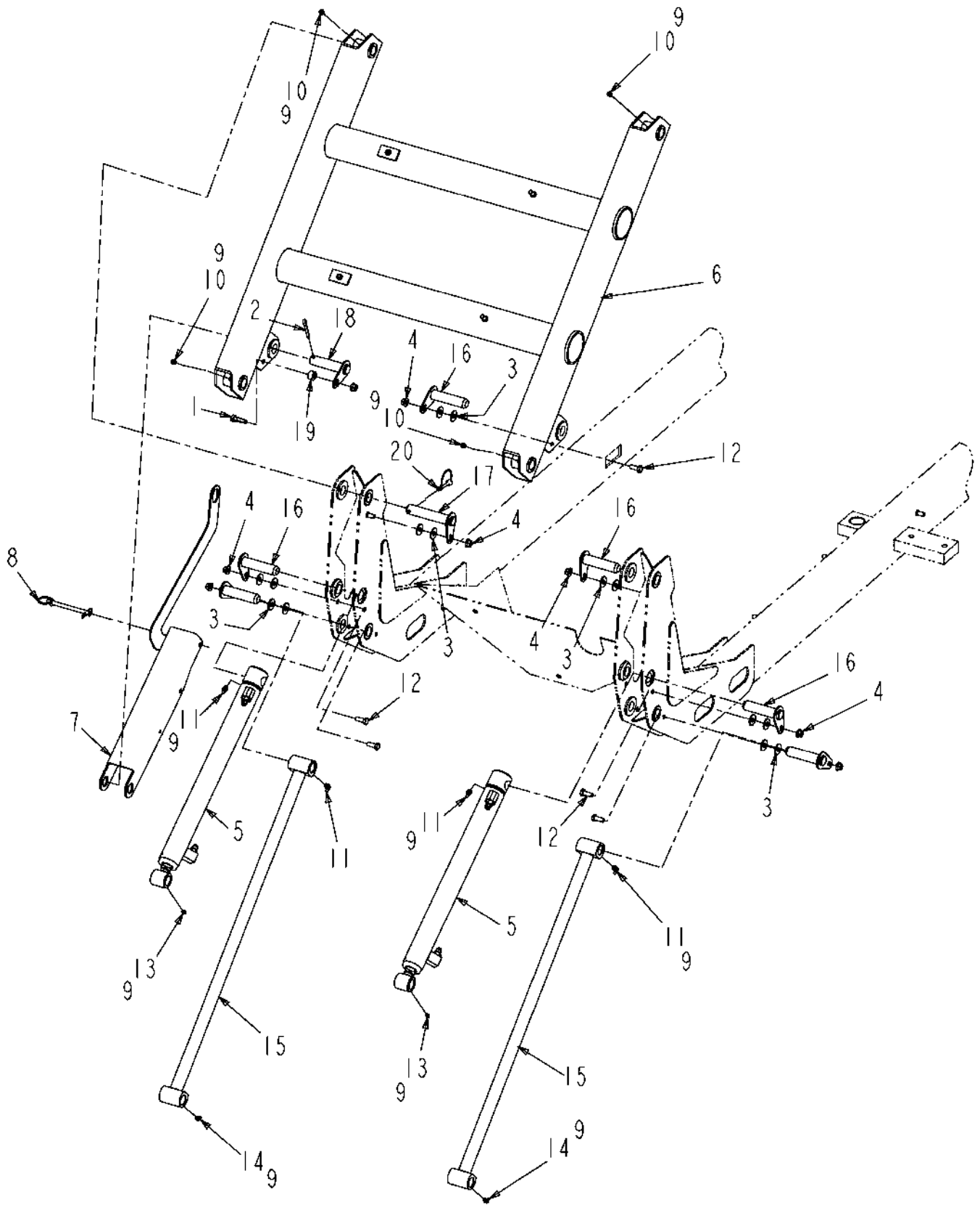
ITEM	PART #	QTY	DESCRIPTION	COMMENT
1	WR17220	2	TUBE-RM, 1.31 OD X.250W X	
2	WR029298	8	BOLT M10-1.50X 35MM G8.8 ZN HH	
3	WR55272	8	NUT-LOCK,M10 X 1.5,PREV	
4	WR127887	1	SPRING-EXTENSION	
5	WR127899	1	BOOM CENTER FRAME,W/A	
6	WR127961	4	BUSHING-1.00 X .18 WL	
7	WR127963	2	SLEEVE-1.50 OD X .25 WL	
8	WR127966	2	WLDMT-SPRING LEVER	
9	WR127997	2	PIVOT WLDMT-BOOM CUSHION	
10	WR127998	2	PIVOT WLDMT-BOOM CUSHION	
11	WR127999	2	BRACKET-SHOCK MOUNT	
12	WR128811	2	CYL ASM-HYD,BM SWING, SC6080	SEE PAGE 5-28
13	WR133604	2	PIN-EYE BOLT	
14	WR200573	2	BOLT EYE .75NCX6.0 SHK DF GALV	
15	WR511099	-	GREASE-MULTI PURPOSE LITH. [BULK: 0.001 LB]	
16	WR550116	2	WASHER 0.75 FL ZN REG TYPE-B	
17	WR553689	4	BOLT 0.75-10NCX 3.00 G5 ZN HHD	
18	WR553751	4	BOLT 0.62-11NCX 7.00 G5 ZN HHD	
19	WR557692	4	NUT 0.62-11NC HEX ZN C-LK	
20	WR561305	2	BOLT 0.62-11NCX 1.75 G5 ZN HHD	
21	WR561838	4	NUT 1.00- 8NC HEX ZN C-LK	
22	WR561892	2	FITTING LUBE STR 0.25UNF	
23	WR562537	4	NUT 0.75-10NC HEX GALV REG OSZ	
24	WR562584	4	BOLT 1.00- 8NCX 7.50 G8 ZN HHD	
25	WR601411	4	NUT 0.37-16NC HEX ZN REG LK NY	
26	WR603864	4	NUT 0.75-10LGT G5 HX ZN ESNA	
27	6530360	4	BUMPER-RUBBER	
28	6538287	4	RING-SNAP	
29	6623263	2	SHOCK ABSORBER-BOOM	



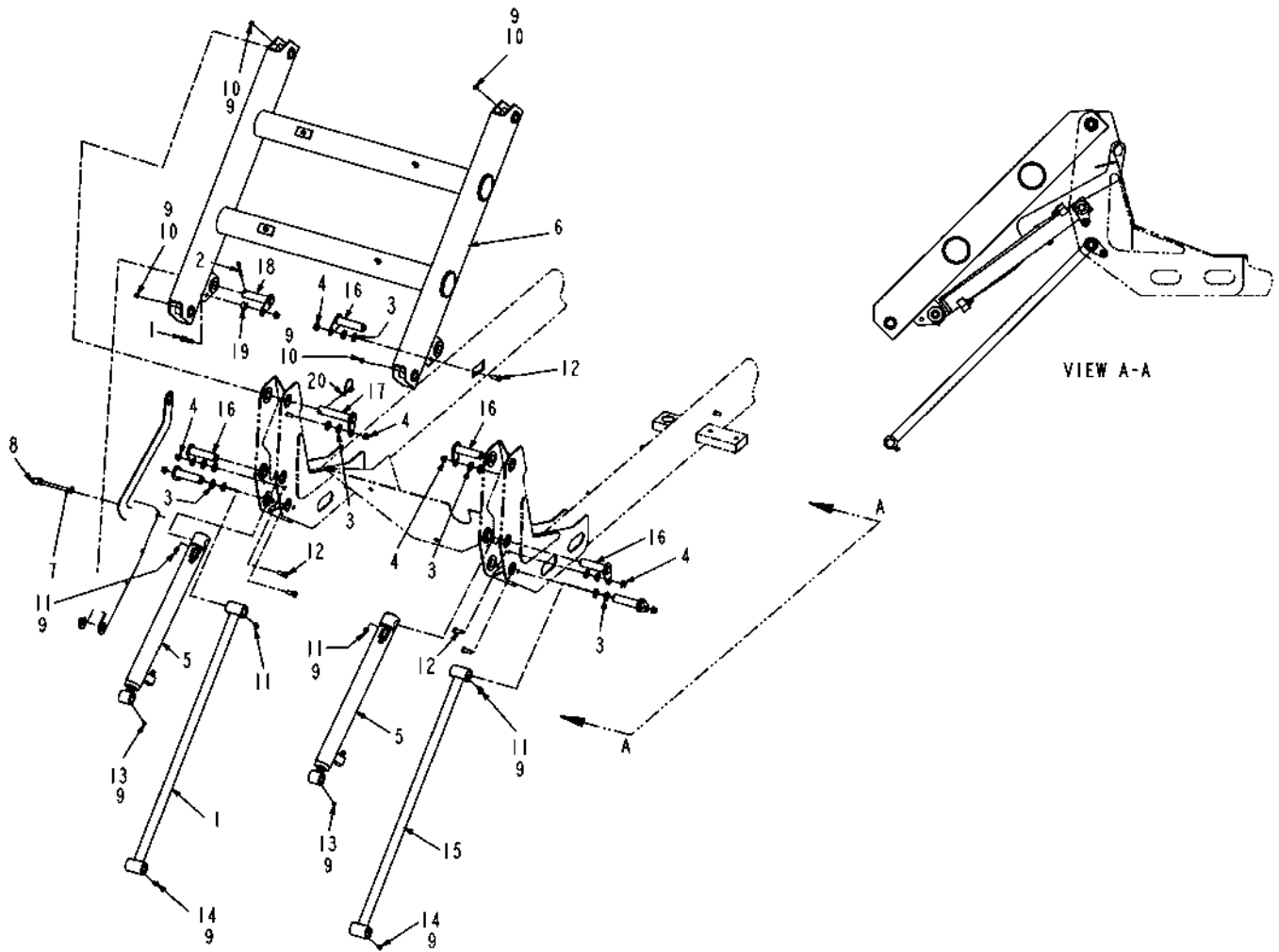
ITEM	PART #	QTY	DESCRIPTION	COMMENT
1	WR17220	2	TUBE-RM, 1.31 OD X.250W X	
2	WR029298	8	BOLT M10-1.50X 35MM G8.8 ZN HH	
3	WR55272	8	NUT-LOCK,M10 X 1.5,PREV	
4	WR127887	1	SPRING-EXTENSION	
5	WR127899	1	BOOM CENTER FRAME,W/A	
6	WR127961	4	BUSHING-1.00 X .18 WL	
7	WR127963	2	SLEEVE-1.50 OD X .25 WL	
8	WR127966	2	WLDMT-SPRING LEVER	
9	WR127997	2	PIVOT WLDMT-BOOM CUSHION	
10	WR127998	2	PIVOT WLDMT-BOOM CUSHION	
11	WR127999	2	BRACKET-SHOCK MOUNT	
12	WR128811	2	CYL ASM-HYD,BM SWING, SC6080	SEE PAGE 5-28
13	WR133604	2	PIN-EYE BOLT	
14	WR200573	2	BOLT EYE .75NCX6.0 SHK DF GALV	
15	WR511099	-	GREASE-MULTI PURPOSE LITH. [BULK: 0.001 LB]	
16	WR550116	2	WASHER 0.75 FL ZN REG TYPE-B	
17	WR553689	4	BOLT 0.75-10NCX 3.00 G5 ZN HHD	
18	WR553751	4	BOLT 0.62-11NCX 7.00 G5 ZN HHD	
19	WR557692	4	NUT 0.62-11NC HEX ZN C-LK	
20	WR561305	2	BOLT 0.62-11NCX 1.75 G5 ZN HHD	
21	WR561838	4	NUT 1.00- 8NC HEX ZN C-LK	
22	WR561892	2	FITTING LUBE STR 0.25UNF	
23	WR562537	4	NUT 0.75-10NC HEX GALV REG OSZ	
24	WR562584	4	BOLT 1.00- 8NCX 7.50 G8 ZN HHD	
25	WR601411	4	NUT 0.37-16NC HEX ZN REG LK NY	
26	WR603864	4	NUT 0.75-10LGT G5 HX ZN ESNA	
27	6530360	4	BUMPER-RUBBER	
28	6538287	4	RING-SNAP	
29	6623263	2	SHOCK ABSORBER-BOOM	



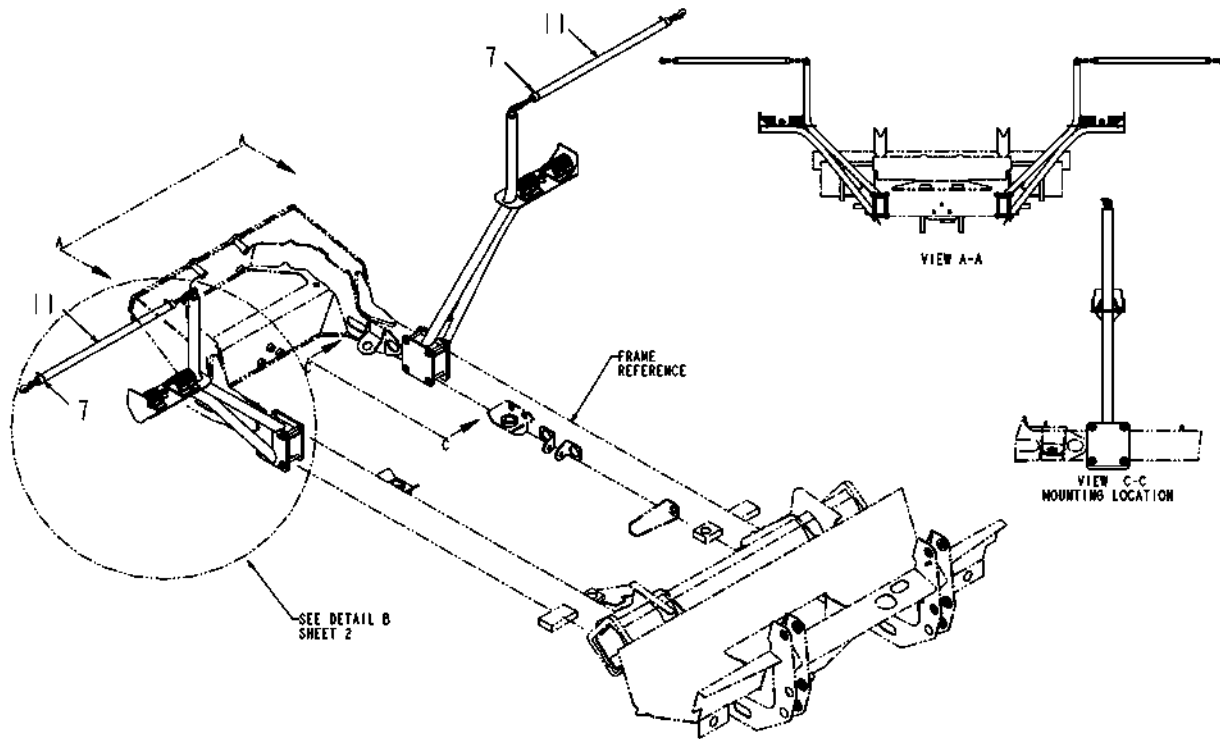
ITEM	PART #	QTY	DESCRIPTION	COMMENT
1	WR127270	2	BRKT WLDMT-MTG,RR CTR,BM PLMB	
2	WR129496	2	BOLT-U .50X2.56X4.25 SQ	
3	WR129501	2	SUPPORT	
4	WR133908	1	TUBE WLDMT-MTG,BM PLMB,REAR,85	
5	WR231204	2	BOLT-U .31-18X1.88X2.63	
6	WR550655	2	BOLT 0.50-13NCX 1.00 G5 ZN HHD	
7	WR551015	4	WASHER 0.31 FL ZN REG TYPE-B	
8	WR601152	10	NUT 0.50-13NC HEX ZN REG NY	
9	WR601888	4	NUT 0.31-18NC HEX ZN REG NY	
10	6620133	2	U-BOLT SQUARE, 1/2 NC	



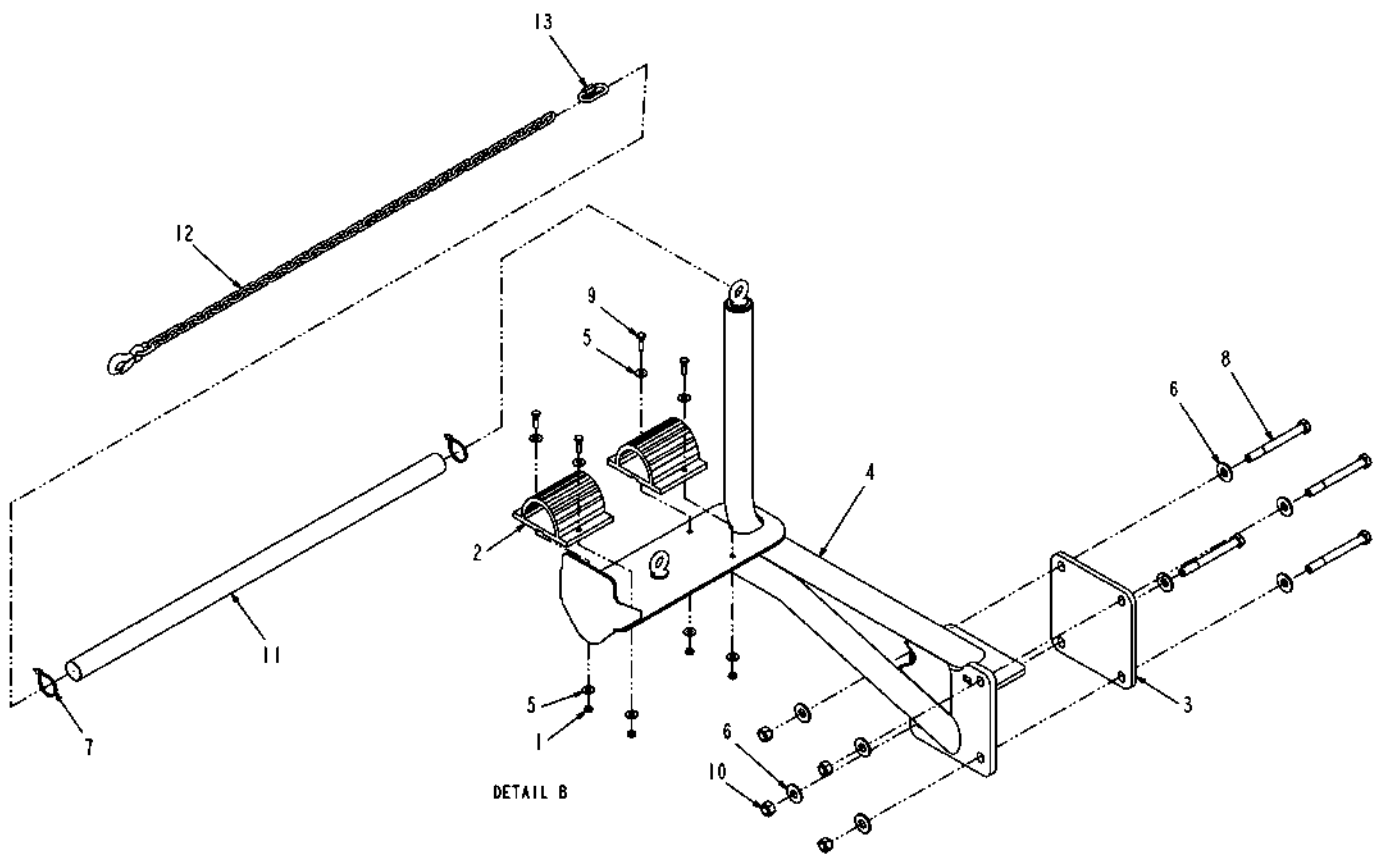
ITEM	PART #	QTY	DESCRIPTION	COMMENT
1	WR029298	1	BOLT M10-1.50X 35MM G8.8 ZN HH	
2	WR35925	1	PIN-COTTER.1/4 X 2.00	
3	WR55158	14	WASHER-FLAT,10MM ID,	
4	WR55301	8	NUT-FLANGE,M10 X 1.5,PREV	
5	WR122424	2	CYLINDER-HYD,1.75X16.84X1.00	SEE PAGE 5-15
6	WR126504	1	WLDMT-BOOM LIFT	
7	WR128845	1	STAND-SAFETY,7X50	
8	WR129502	1	PIN-HITCH..38 W/KEY	
9	WR511099	-	GREASE-MULTI PURPOSE LITH. [BULK: 0.001 LB]	
10	WR550280	4	FITTING LUB.12-27NPTFX0.68	
11	WR559083	4	FITTING LUB 90D 0.125 NPTF	
12	WR561683	5	BOLT M10-1.5 X 25MM G8.8 ZN HH	
13	WR561892	2	FITTING LUBE STR 0.25UNF	
14	WR562551	2	ZERK 45D 0.125 NPT	
15	6618833	2	LINK-W/A	
16	6618836	6	PIN-W/A	
17	6626661	1	PIN-W/A	
18	6626663	1	PIN-W/A	
19	6626810	1	BUSHING	
20	6656009	1	PIN-SNAPPER	



ITEM	PART #	QTY	DESCRIPTION	COMMENT
1	WR029298	1	BOLT M10-1.50X 35MM G8.8 ZN HH	
2	WR35925	1	PIN-COTTER.1/4 X 2.00	
3	WR55158	14	WASHER-FLAT,10MM ID,	
4	WR55301	8	NUT-FLANGE,M10 X 1.5,PREV	
5	WR122424	2	CYLINDER-HYD,1.75X16.84X1.00	SEE PAGE 5-15
6	WR126504	1	WLDMT-BOOM LIFT	
7	WR128845	1	STAND-SAFETY,7X50	
8	WR129502	1	PIN-HITCH..38 W/KEY	
9	WR511099	-	GREASE-MULTI PURPOSE LITH. [BULK: 0.001 LB]	
10	WR550280	4	FITTING LUB.12-27NPTFX0.68	
11	WR559083	4	FITTING LUB 90D 0.125 NPTF	
12	WR561683	5	BOLT M10-1.5 X 25MM G8.8 ZN HH	
13	WR561892	2	FITTING LUBE STR 0.25UNF	
14	WR562551	2	ZERK 45D 0.125 NPT	
15	6618833	2	LINK-W/A	
16	6618836	6	PIN-W/A	
17	6626661	1	PIN-W/A	
18	6626663	1	PIN-W/A	
19	6626810	1	BUSHING	
20	6656009	1	PIN-SNAPPER	

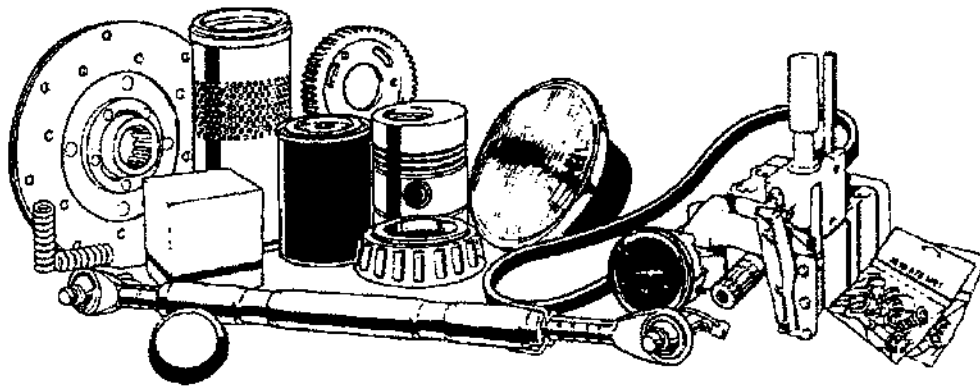


ITEM	PART #	QTY	DESCRIPTION	COMMENT
1	WR027275	8	NUT,NY-LOCK 1/4-20 SS HX (P)	
2	WR109953	4	BUMPER-BOOM RACK	
3	WR127063	2	PLATE-BOOMREST,CLAMP	
4	WR127069	2	BOOMREST WLDMT	
5	WR515121	16	WASHER 0.25 FL SS REG	
6	WR550353	16	WASHER 0.50 FL ZN REG TYPE-B	
7	WR553557	4	TIE CABLE 7.37 .06-1.37 BLACK	
8	WR561809	8	BOLT 0.50-13NCX 4.75 G5 ZN HHD	
9	WR562064	8	BOLT 0.25-20NCX 1.00 S.S. HHD	
10	WR601152	8	NUT 0.50-13NC HEX ZN REG NY	
11	6537416	2	COVER-HOSE	
12	6617897	2	CHAIN	
13	6626327	2	LINK-CONNECTOR	

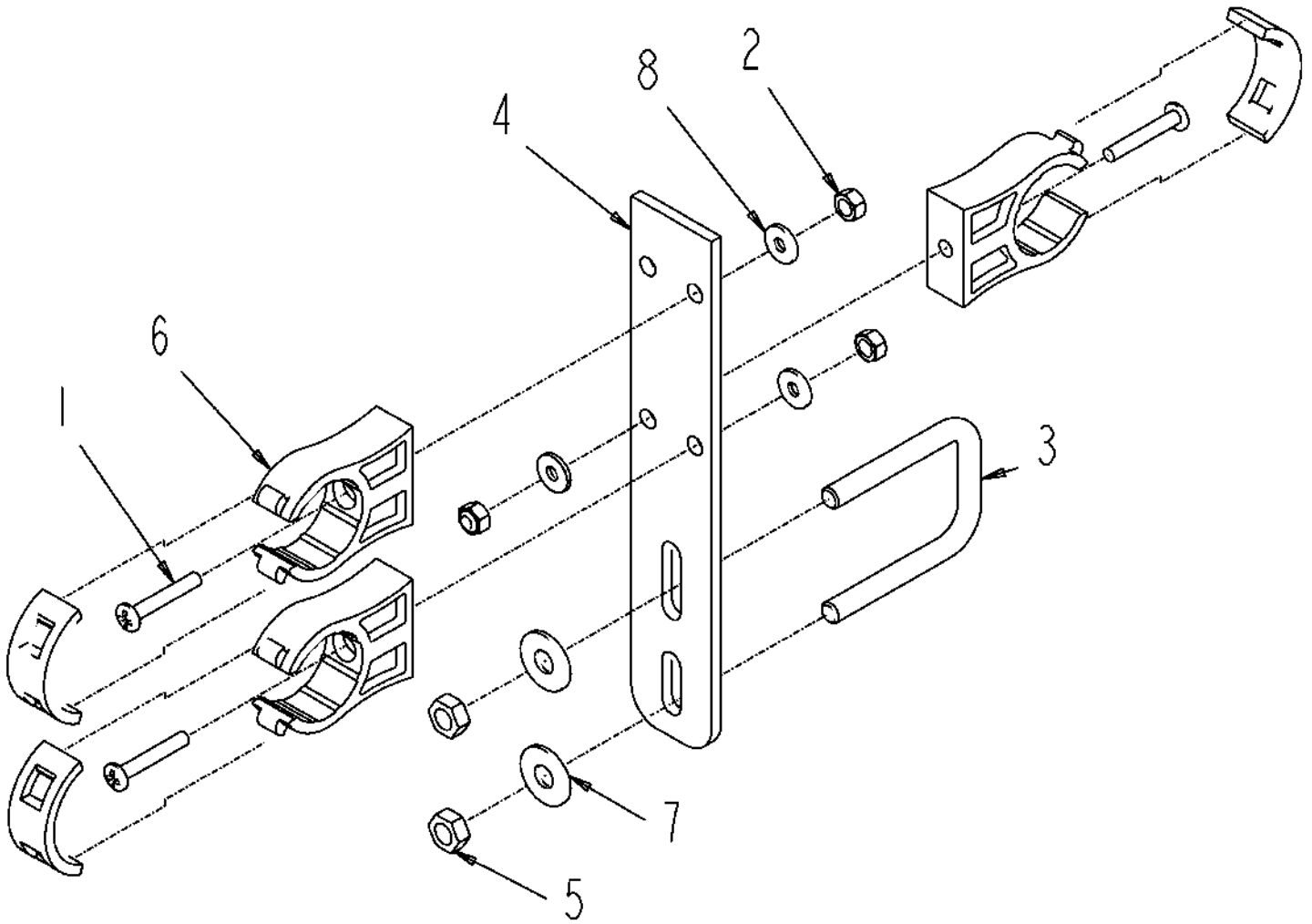


ITEM	PART #	QTY	DESCRIPTION	COMMENT
1	WR027275	8	NUT,NY-LOCK 1/4-20 SS HX (P)	
2	WR109953	4	BUMPER-BOOM RACK	
3	WR127063	2	PLATE-BOOMREST,CLAMP	
4	WR127069	2	BOOMREST WLDMT	
5	WR515121	16	WASHER 0.25 FL SS REG	
6	WR550353	16	WASHER 0.50 FL ZN REG TYPE-B	
7	WR553557	4	TIE CABLE 7.37 .06-1.37 BLACK	
8	WR561809	8	BOLT 0.50-13NCX 4.75 G5 ZN HHD	
9	WR562064	8	BOLT 0.25-20NCX 1.00 S.S. HHD	
10	WR601152	8	NUT 0.50-13NC HEX ZN REG NY	
11	6537416	2	COVER-HOSE	
12	6617897	2	CHAIN	
13	6626327	2	LINK-CONNECTOR	

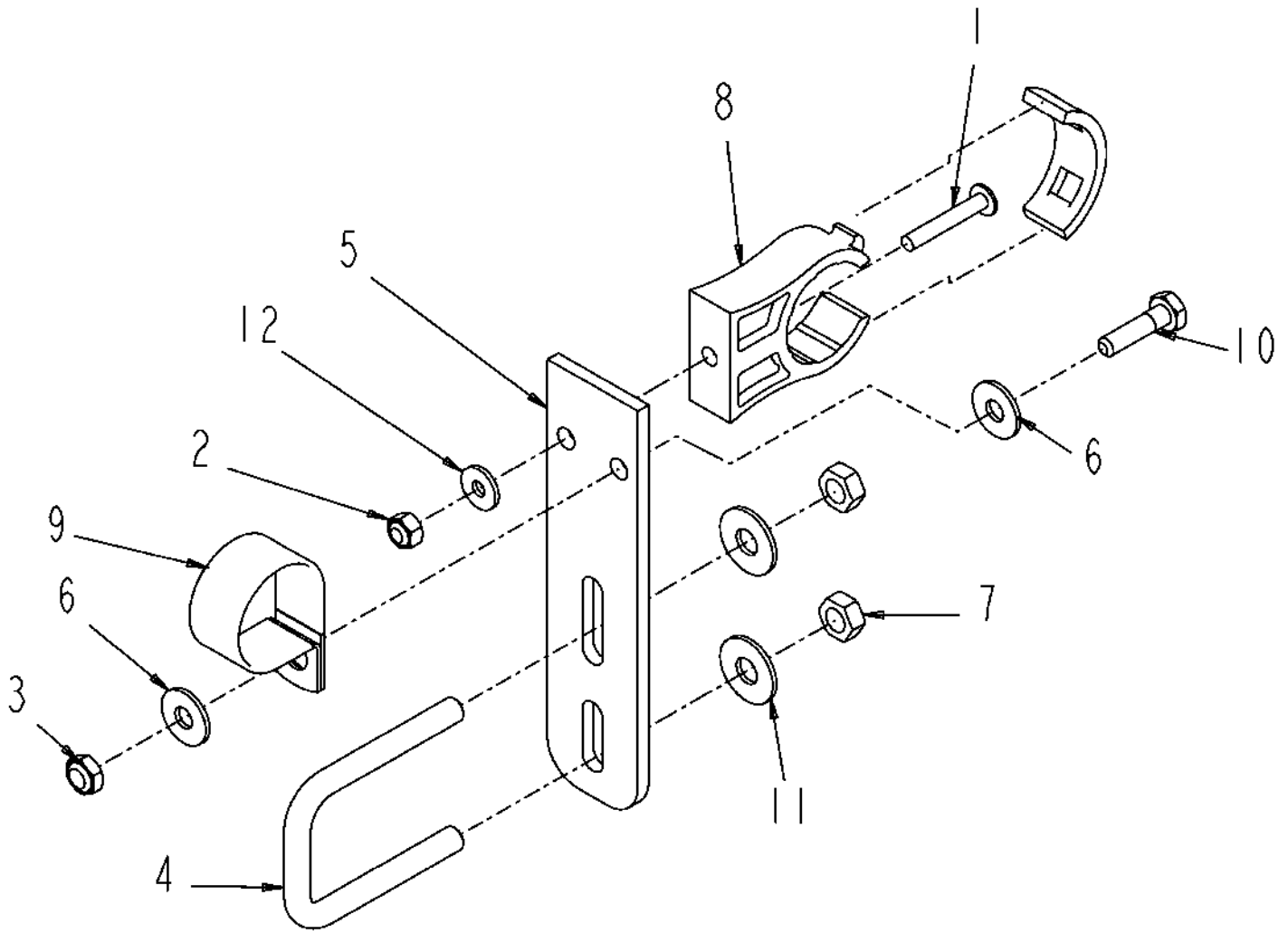
**Please refer to the
Bill Of Material
on the opposite page
for related Installations,
Assemblies, or Parts**



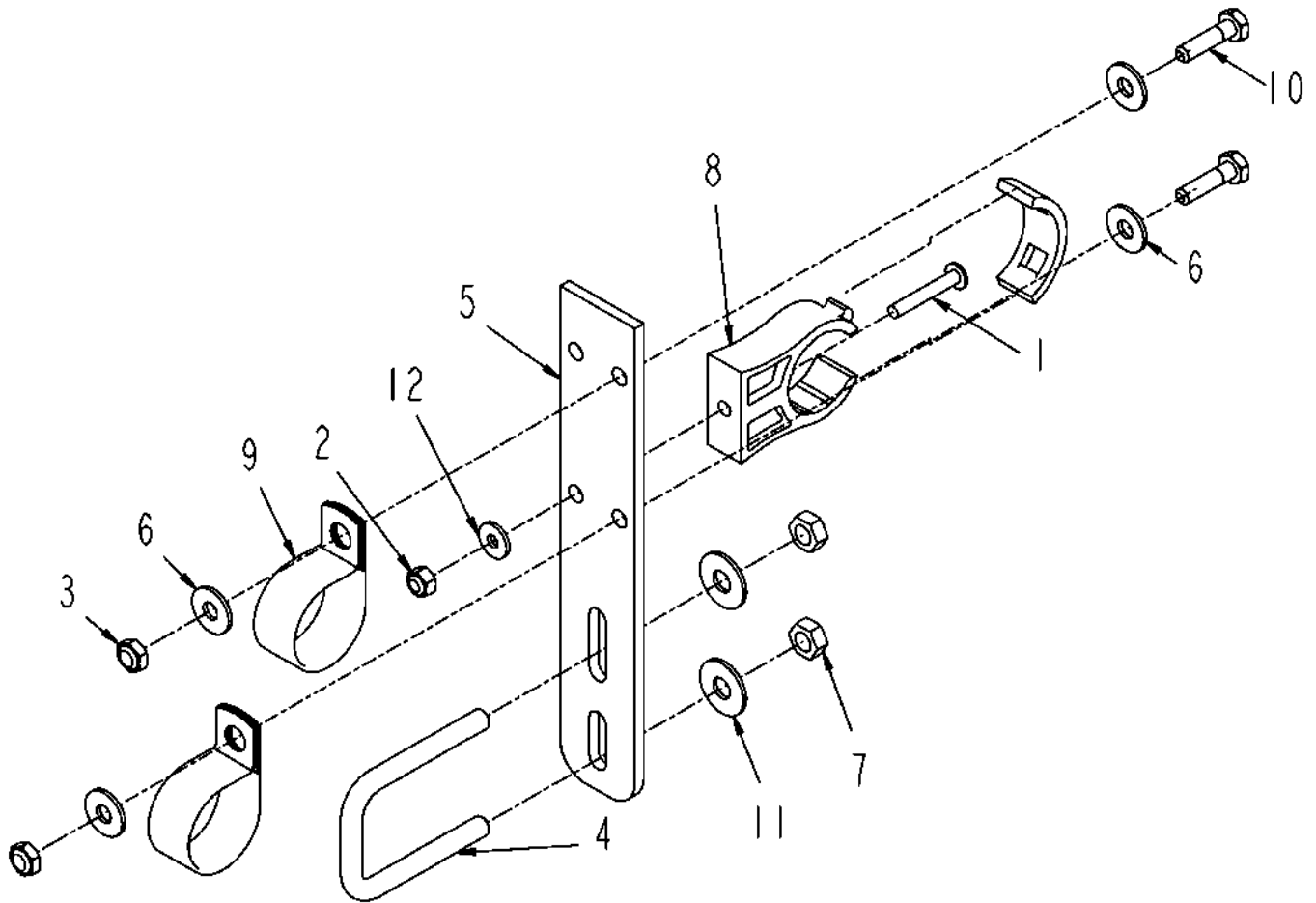
ITEM	PART #	QTY	DESCRIPTION	COMMENT
1	6802711	2	PIN-CLEVIS	
2	6800367	4	SLEEVE	
3	6618187	2	PIN-CLEVIS	
4	6618175	2	BUSHING-STL, .875 OD	
5	6505013	1	BAG-CLOTH	
6	WR562496	10	TIE CABLE 15.0 .18-4.00 BLACK	
7	WR553212	2	BOLT 0.50-13NCX 3.25 G5 ZN HHD	
8	WR552046	2	BOLT .62-11NCX4.50G5 ZN HHD	
9	WR551856	2	WASHER1.00FL ZN SAE TYPE-A	
10	WR550655	2	BOLT 0.50-13NCX 1.00 G5 ZN HHD	
11	WR550477	8	NUT 0.62-11NC HEX ZN REG	
12	WR55372	10	NUT-LOCK FLANGE, 1/2-13NC	
13	WR55354	4	NUT-TOPLOCK, 1/2-13UNC G8	
14	WR55083	4	PIN-COTTER.3/16 X 1 1/2	
15	WR50814	2	SCREW-CAP HEX 5/8 NC X	



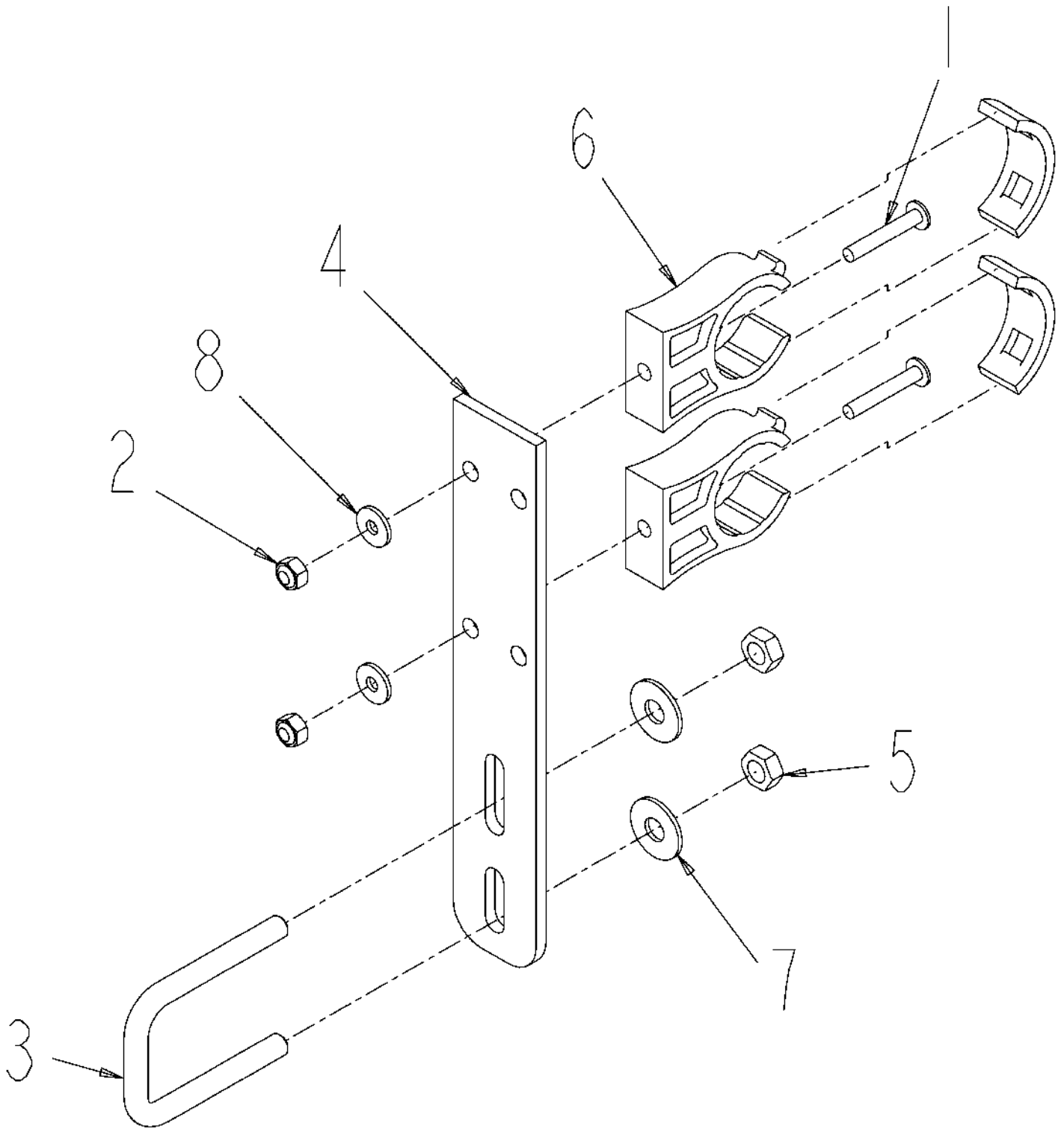
ITEM	PART #	QTY	DESCRIPTION	COMMENT
1	WR027273	3	SCREW 10-24X 1.25 PHD PHILSS(P	
2	WR027274	3	NUT 10-24NCSS LGT HX NY INS(P)	
3	WR231204	1	BOLT-U .31-18X1.88X2.63	
4	WR234375	1	BRACKET LONG STANDOFF	
5	WR516403	2	NUT 0.31-18NC HEX ESNA SS	
6	WR519749	2	CLAMP 1.00 IPS POLY	
7	WR562074	2	WASHER FL 0.31 SS REG	
8	WR562082	3	WASHER #10 FL SS SAE	



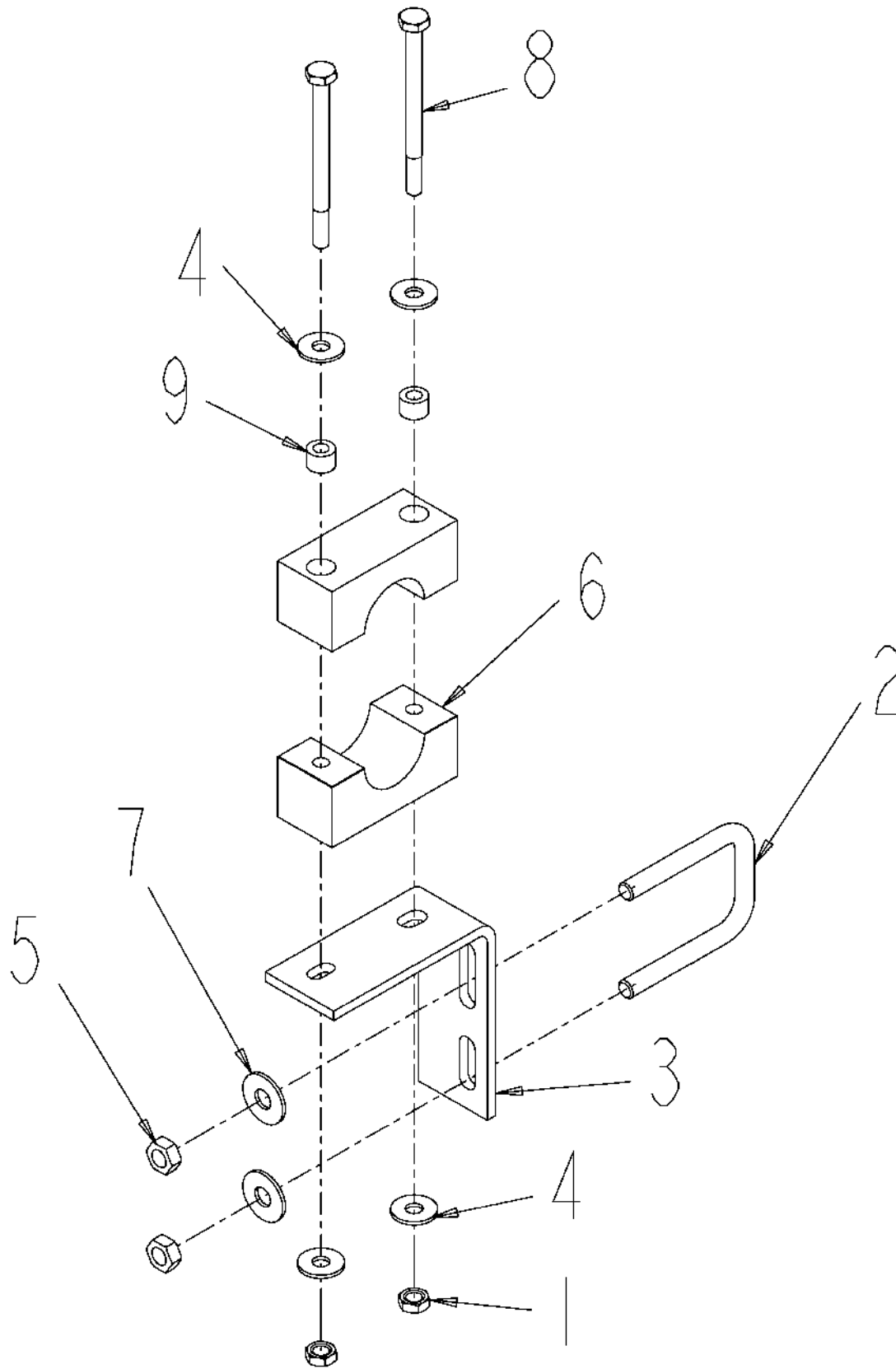
ITEM	PART #	QTY	DESCRIPTION	COMMENT
1	WR027273	1	SCREW 10-24X 1.25 PHD PHILSS(P	
2	WR027274	1	NUT 10-24NCSS LGT HX NY INS(P)	
3	WR027275	1	NUT,NY-LOCK 1/4-20 SS HX (P)	
4	WR231204	1	BOLT-U .31-18X1.88X2.63	
5	WR234373	1	BRACKET SHORT STANDOFF	
6	WR515121	2	WASHER 0.25 FL SS REG	
7	WR516403	2	NUT 0.31-18NC HEX ESNA SS	
8	WR519749	1	CLAMP 1.00 IPS POLY	
9	WR519751	1	CLAMP 1.38 DIA COATED HOSE	
10	WR562064	1	BOLT 0.25-20NCX 1.00 S.S. HHD	
11	WR562074	2	WASHER FL 0.31 SS REG	
12	WR562082	1	WASHER #10 FL SS SAE	



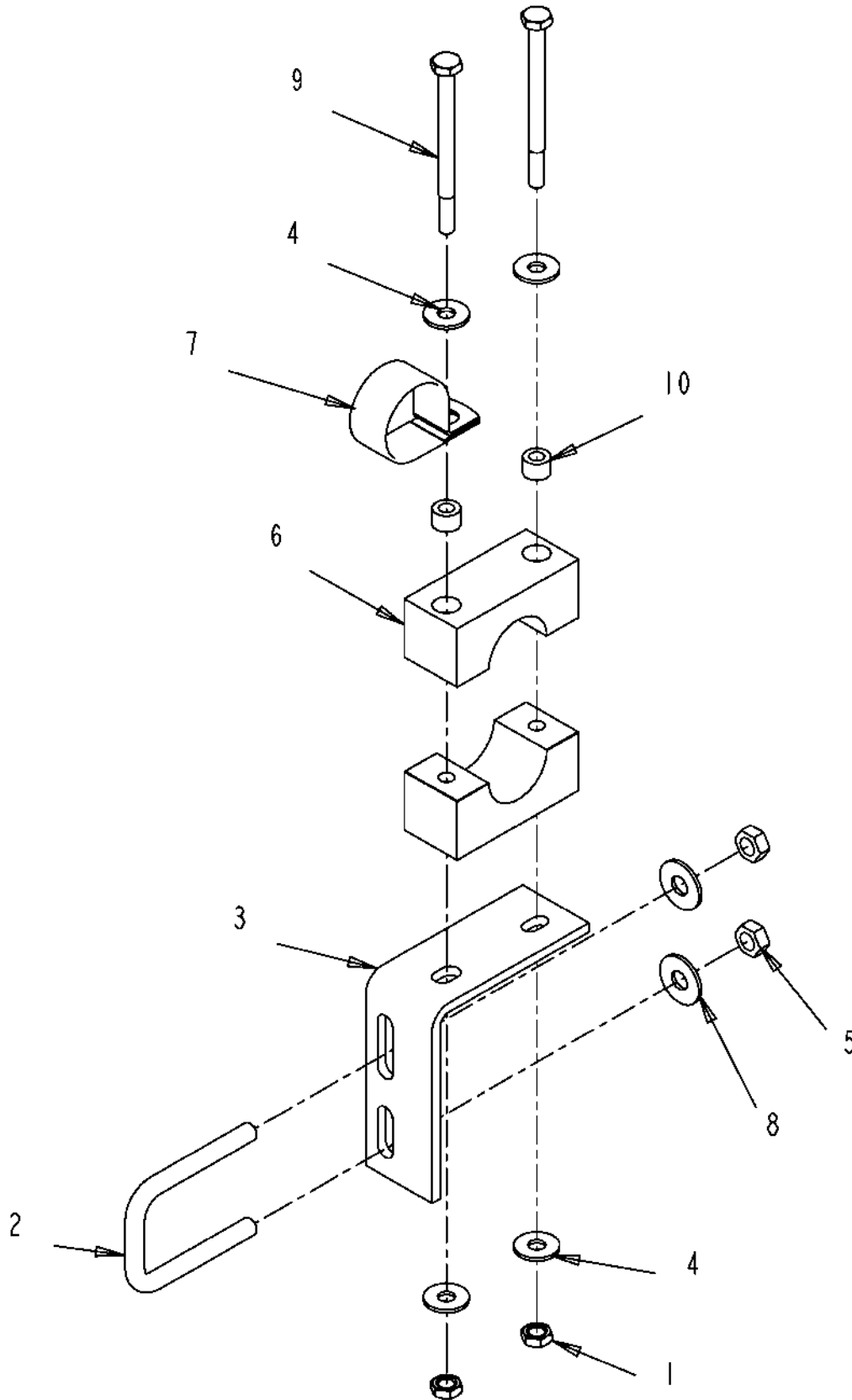
ITEM	PART #	QTY	DESCRIPTION	COMMENT
1	WR027273	1	SCREW 10-24X 1.25 PHD PHILSS(P	
2	WR027274	1	NUT 10-24NCSS LGT HX NY INS(P)	
3	WR027275	2	NUT,NY-LOCK 1/4-20 SS HX (P)	
4	WR231204	1	BOLT-U .31-18X1.88X2.63	
5	WR234375	1	BRACKET LONG STANDOFF	
6	WR515121	4	WASHER 0.25 FL SS REG	
7	WR516403	2	NUT 0.31-18NC HEX ESNA SS	
8	WR519749	1	CLAMP 1.00 IPS POLY	
9	WR519751	2	CLAMP 1.38 DIA COATED HOSE	
10	WR562064	2	BOLT 0.25-20NCX 1.00 S.S. HHD	
11	WR562074	2	WASHER FL 0.31 SS REG	
12	WR562082	1	WASHER #10 FL SS SAE	



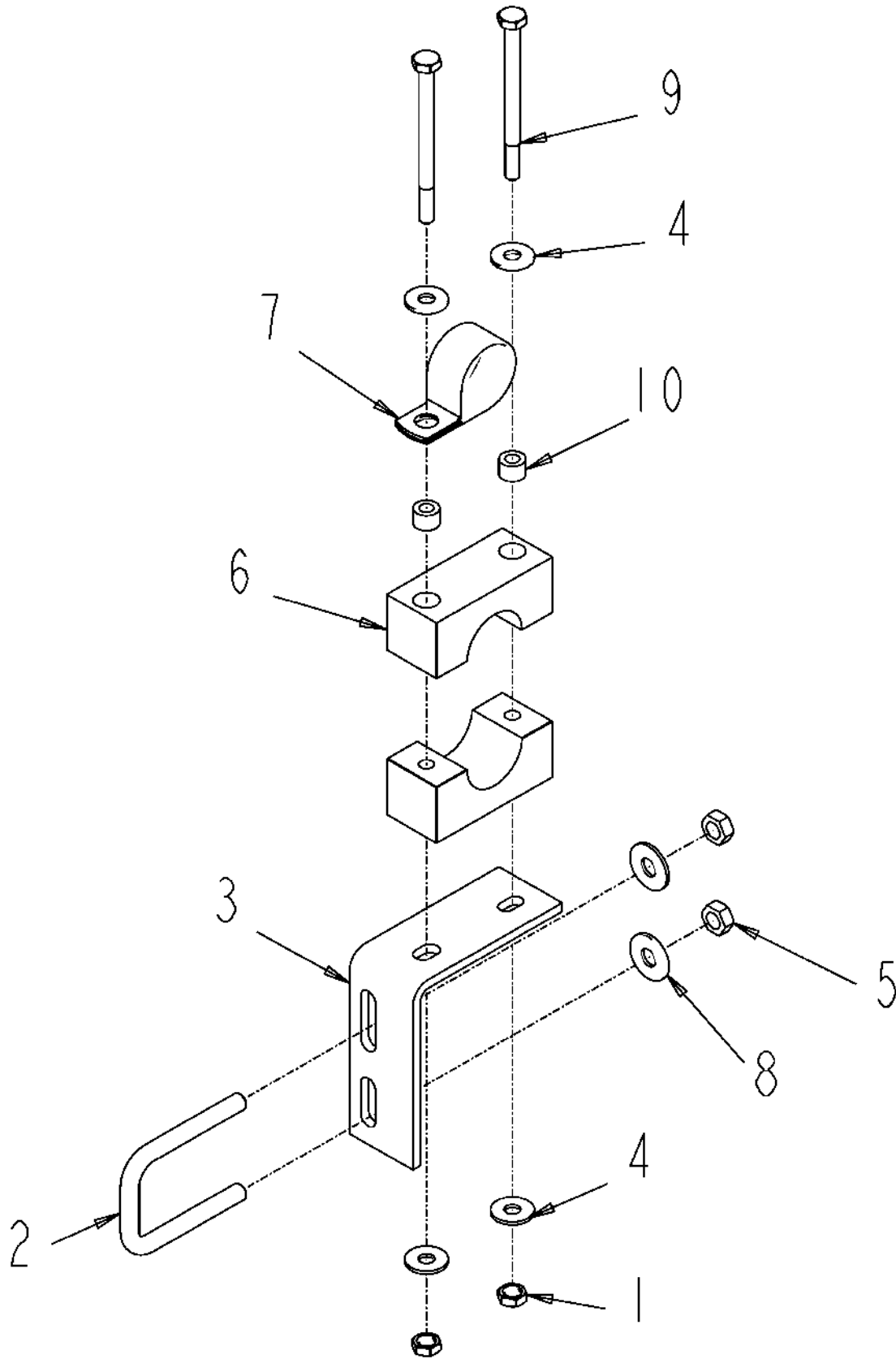
ITEM	PART #	QTY	DESCRIPTION	COMMENT
1	WR027273	2	SCREW 10-24X 1.25 PHD PHILSS(P	
2	WR027274	2	NUT 10-24NCSS LGT HX NY INS(P)	
3	WR231204	1	BOLT-U .31-18X1.88X2.63	
4	WR234375	1	BRACKET LONG STANDOFF	
5	WR516403	2	NUT 0.31-18NC HEX ESNA SS	
6	WR519749	2	CLAMP 1.00 IPS POLY	
7	WR562074	2	WASHER FL 0.31 SS REG	
8	WR562082	2	WASHER #10 FL SS SAE	



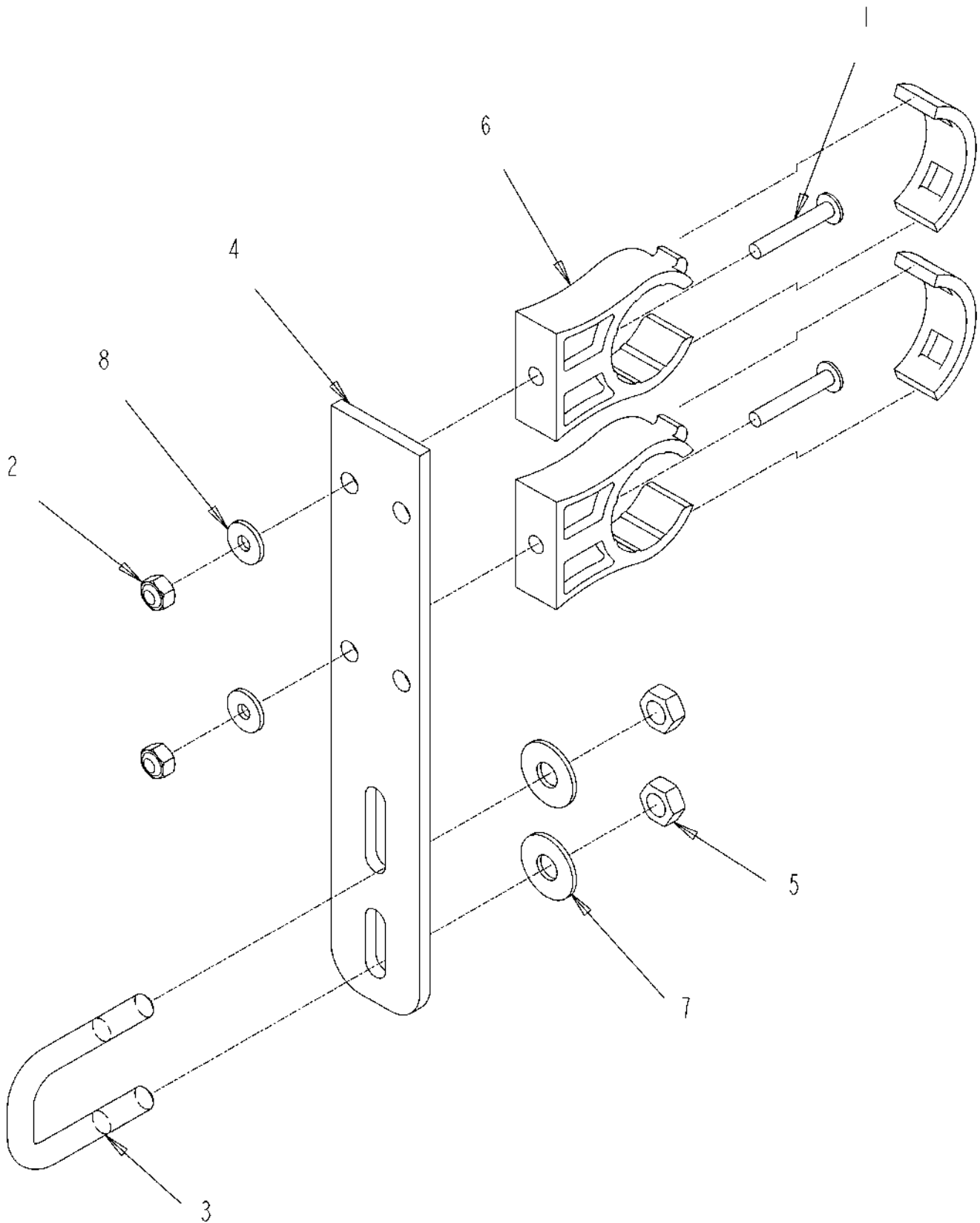
ITEM	PART #	QTY	DESCRIPTION	COMMENT
1	WR027275	2	NUT,NY-LOCK 1/4-20 SS HX (P)	
2	WR231204	1	BOLT-U .31-18X1.88X2.63	
3	WR232784	1	BRACKET STAND OFF WET BOOM	
4	WR515121	4	WASHER 0.25 FL SS REG	
5	WR516403	2	NUT 0.31-18NC HEX ESNA SS	
6	WR519748	1	CLAMP 1.00 PIPE	
7	WR562074	2	WASHER FL 0.31 SS REG	
8	WR563061	2	BOLT 0.25-20NCX 3.25 SS HHD	
9	WR609777	2	INSERT STAUFF SPACER	



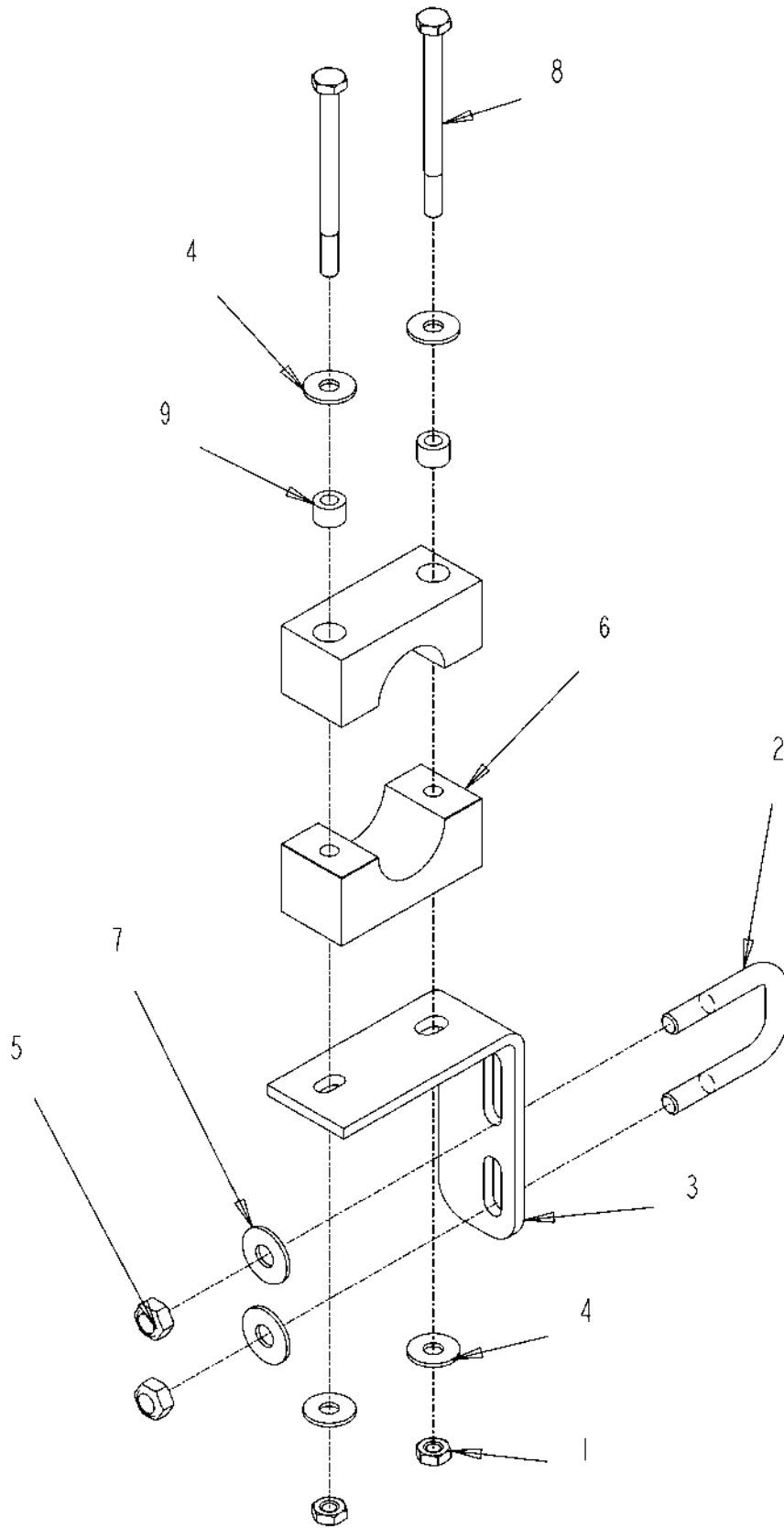
ITEM	PART #	QTY	DESCRIPTION	COMMENT
1	WR027275	2	NUT,NY-LOCK 1/4-20 SS HX (P)	
2	WR231204	1	BOLT-U .31-18X1.88X2.63	
3	WR232784	1	BRACKET STAND OFF WET BOOM	
4	WR515121	4	WASHER 0.25 FL SS REG	
5	WR516403	2	NUT 0.31-18NC HEX ESNA SS	
6	WR519748	1	CLAMP 1.00 PIPE	
7	WR560480	1	CLAMP 1.25-COATED HOSE CO	
8	WR562074	2	WASHER FL 0.31 SS REG	
9	WR563061	2	BOLT 0.25-20NCX 3.25 SS HHD	
10	WR609777	2	INSERT STAUFF SPACER	



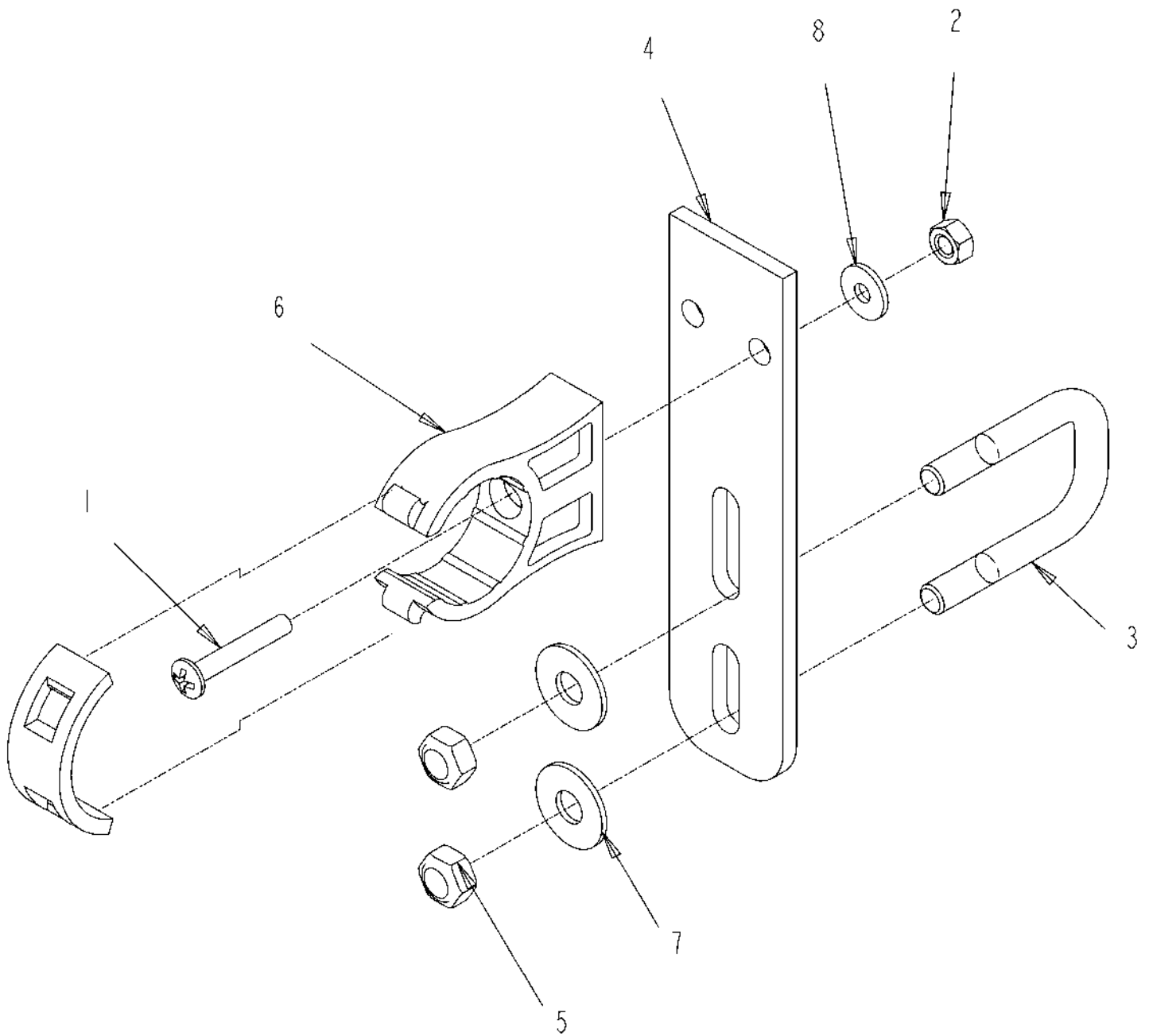
ITEM	PART #	QTY	DESCRIPTION	COMMENT
1	WR027275	2	NUT,NY-LOCK 1/4-20 SS HX (P)	
2	WR231204	1	BOLT-U .31-18X1.88X2.63	
3	WR232784	1	BRACKET STAND OFF WET BOOM	
4	WR515121	4	WASHER 0.25 FL SS REG	
5	WR516403	2	NUT 0.31-18NC HEX ESNA SS	
6	WR519748	1	CLAMP 1.00 PIPE	
7	WR560480	1	CLAMP 1.25-COATED HOSE CO	
8	WR562074	2	WASHER FL 0.31 SS REG	
9	WR563061	2	BOLT 0.25-20NCX 3.25 SS HHD	
10	WR609777	2	INSERT STAUFF SPACER	



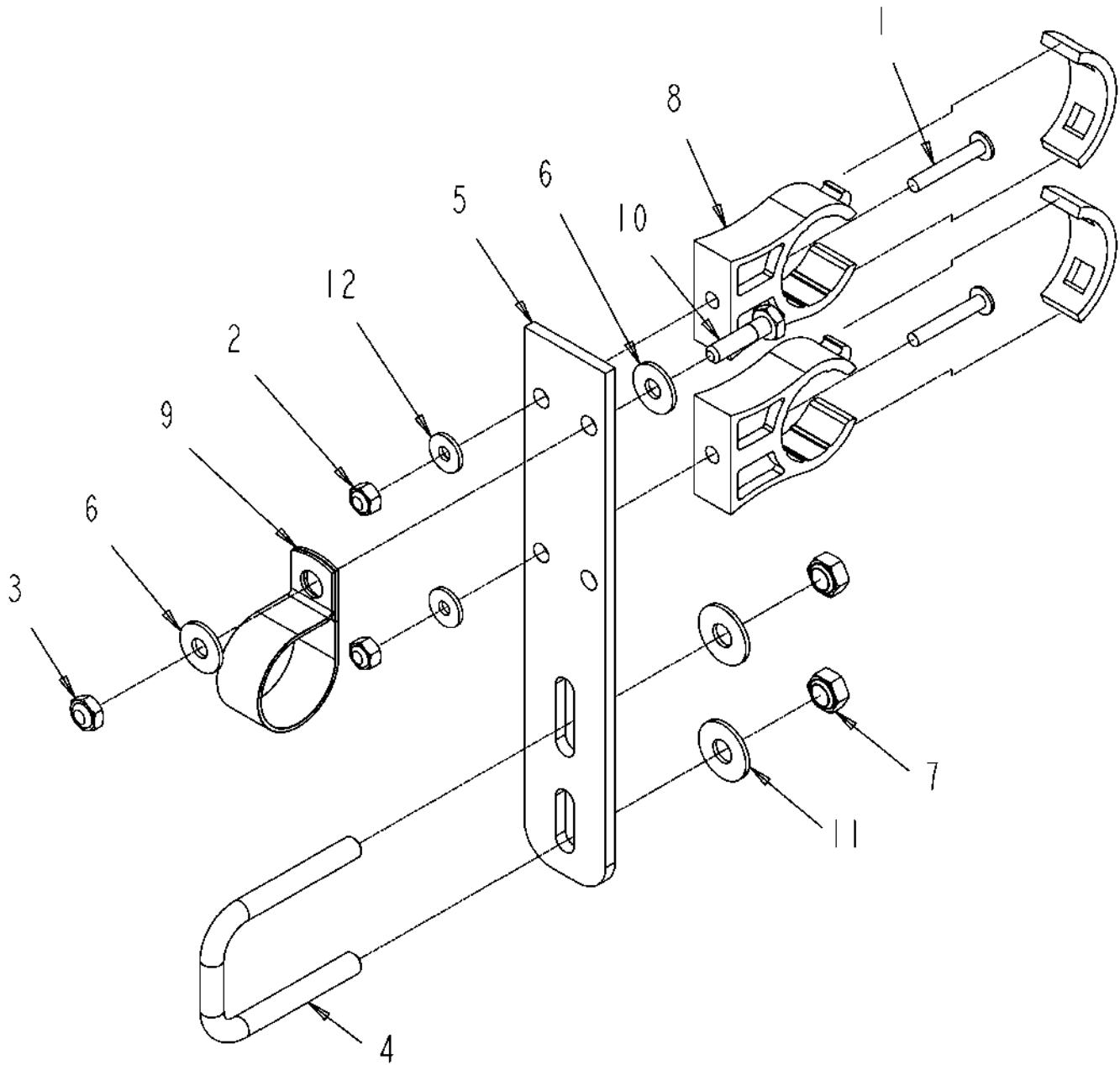
ITEM	PART #	QTY	DESCRIPTION	COMMENT
1	WR027273	2	SCREW 10-24X 1.25 PHD PHILSS(P	
2	WR027274	2	NUT 10-24NCSS LGT HX NY INS(P)	
3	WR129144	1	BOLT-U, 31-18X1.06X1.97,SQ,SS	
4	WR234375	1	BRACKET LONG STANDOFF	
5	WR516403	2	NUT 0.31-18NC HEX ESNA SS	
6	WR519749	2	CLAMP 1.00 IPS POLY	
7	WR562074	2	WASHER FL 0.31 SS REG	
8	WR562082	2	WASHER #10 FL SS SAE	



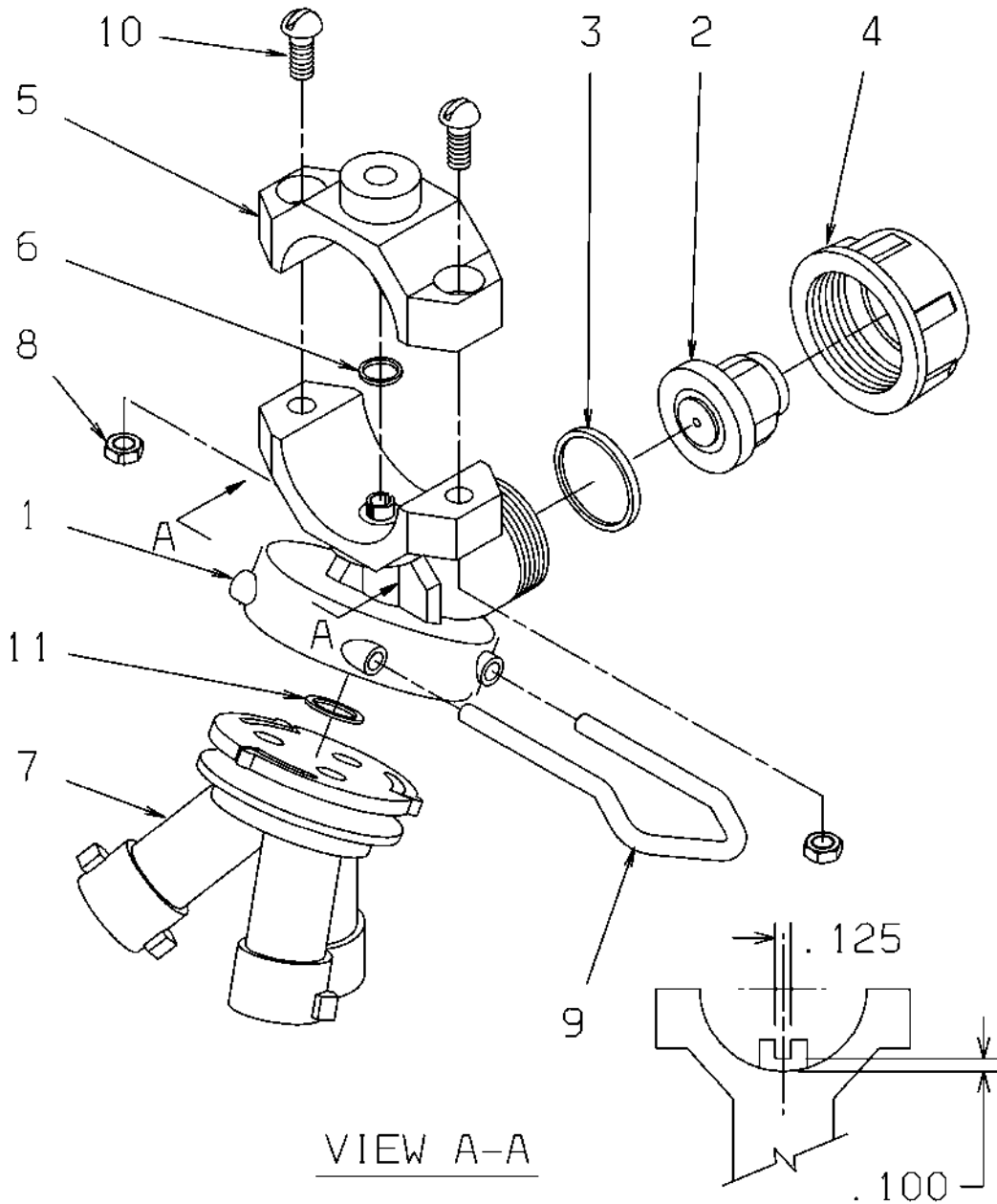
ITEM	PART #	QTY	DESCRIPTION	COMMENT
1	WR027275	2	NUT,NY-LOCK 1/4-20 SS HX (P)	
2	WR129144	1	BOLT-U,.31-18X1.06X1.97,SQ,SS	
3	WR232784	1	BRACKET STAND OFF WET BOOM	
4	WR515121	4	WASHER 0.25 FL SS REG	
5	WR516403	2	NUT 0.31-18NC HEX ESNA SS	
6	WR519748	1	CLAMP 1.00 PIPE	
7	WR562074	2	WASHER FL 0.31 SS REG	
8	WR563061	2	BOLT 0.25-20NCX 3.25 SS HHD	
9	WR609777	2	INSERT STAUFF SPACER	



ITEM	PART #	QTY	DESCRIPTION	COMMENT
1	WR027273	1	SCREW 10-24X 1.25 PHD PHILSS(P	
2	WR027274	1	NUT 10-24NCSS LGT HX NY INS(P)	
3	WR129144	1	BOLT-U, 31-18X1.06X1.97,SQ,SS	
4	WR234373	1	BRACKET SHORT STANDOFF	
5	WR516403	2	NUT 0.31-18NC HEX ESNA SS	
6	WR519749	1	CLAMP 1.00 IPS POLY	
7	WR562074	2	WASHER FL 0.31 SS REG	
8	WR562082	1	WASHER #10 FL SS SAE	

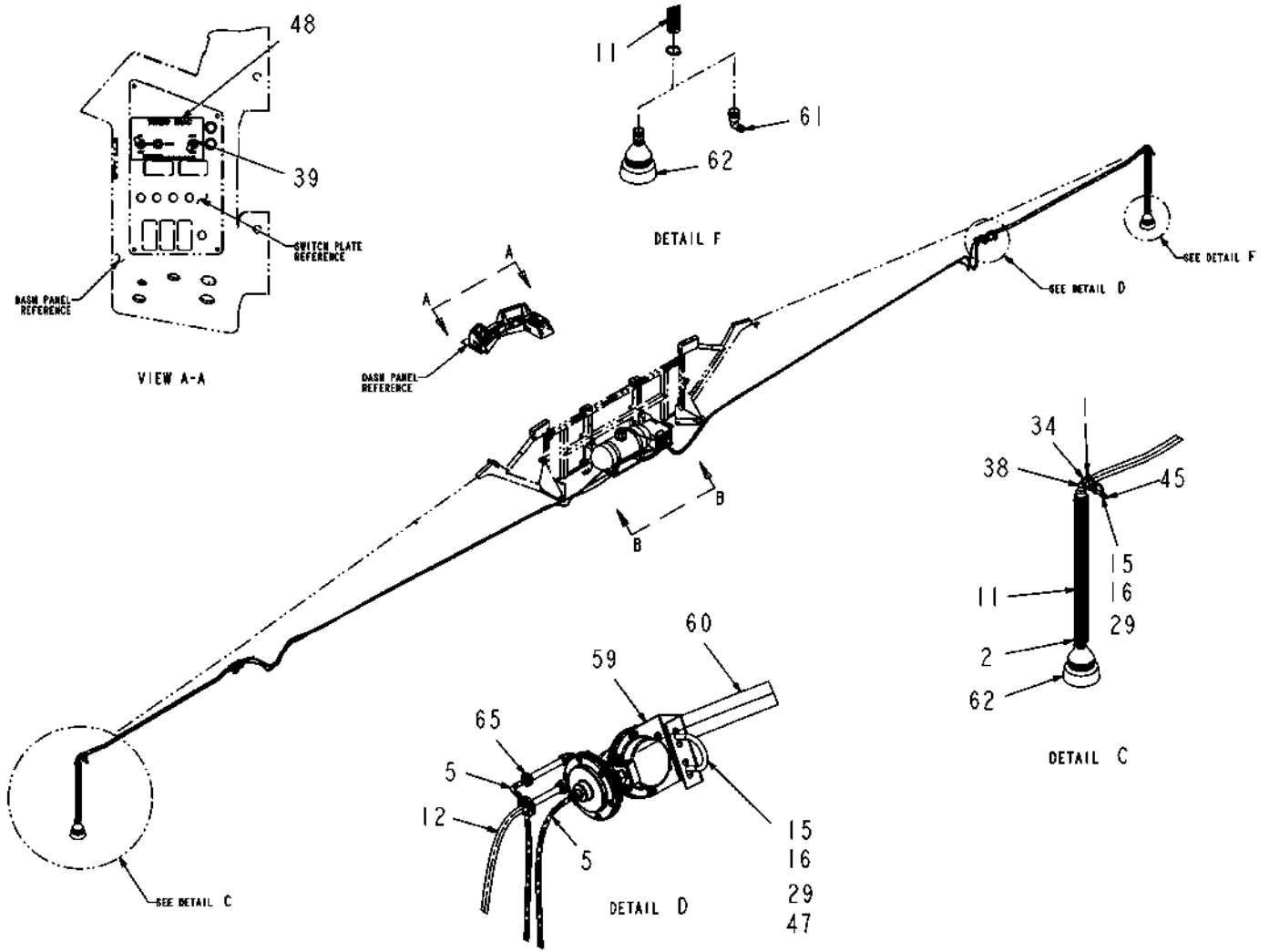


ITEM	PART #	QTY	DESCRIPTION	COMMENT
1	WR027273	2	SCREW 10-24X 1.25 PHD PHILSS(P	
2	WR027274	2	NUT 10-24NCSS LGT HX NY INS(P)	
3	WR027275	1	NUT,NY-LOCK 1/4-20 SS HX (P)	
4	WR231204	1	BOLT-U .31-18X1.88X2.63	
5	WR234375	1	BRACKET LONG STANDOFF	
6	WR515121	2	WASHER 0.25 FL SS REG	
7	WR516403	2	NUT 0.31-18NC HEX ESNA SS	
8	WR519749	2	CLAMP 1.00 IPS POLY	
9	WR519751	1	CLAMP 1.38 DIA COATED HOSE	
10	WR562064	1	BOLT 0.25-20NCX 1.00 S.S. HHD	
11	WR562074	2	WASHER FL 0.31 SS REG	
12	WR562082	2	WASHER #10 FL SS SAE	

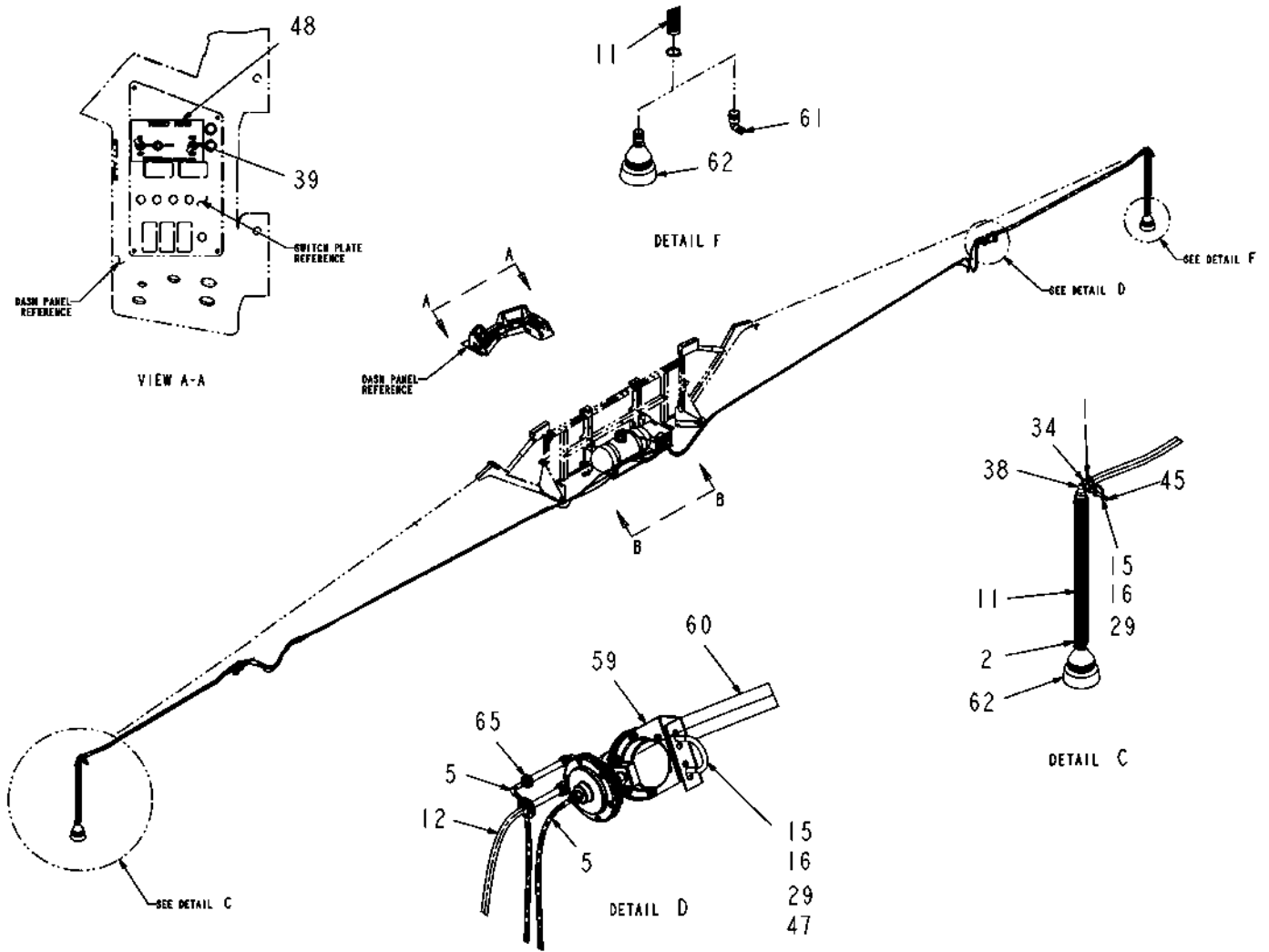


ITEM	PART #	QTY	DESCRIPTION	COMMENT
1	WR609922	1	TRIPLE BODY FOR 1.00 IN PIPE	
2	WR609737	1	ANTI DRIP ASM 7PSI (RED)	
3	WR609738	1	DIAPHRAGM EPDM	
4	WR609739	1	END CAP	
5	WR609921	1	CLAMP 1.00 INCH	
6	WR609741	1	O RING	
7	WR609743	1	TRIPLE BODY	
8	WR563095	2	NUT 10-24 SS W/STAR WASHER	
9	WR609745	1	PIN	
10	WR563096	2	SCR/NUT-10-24X.75,SS,RHS	
11	WR610517	1	ORING-EPDM (519524)	

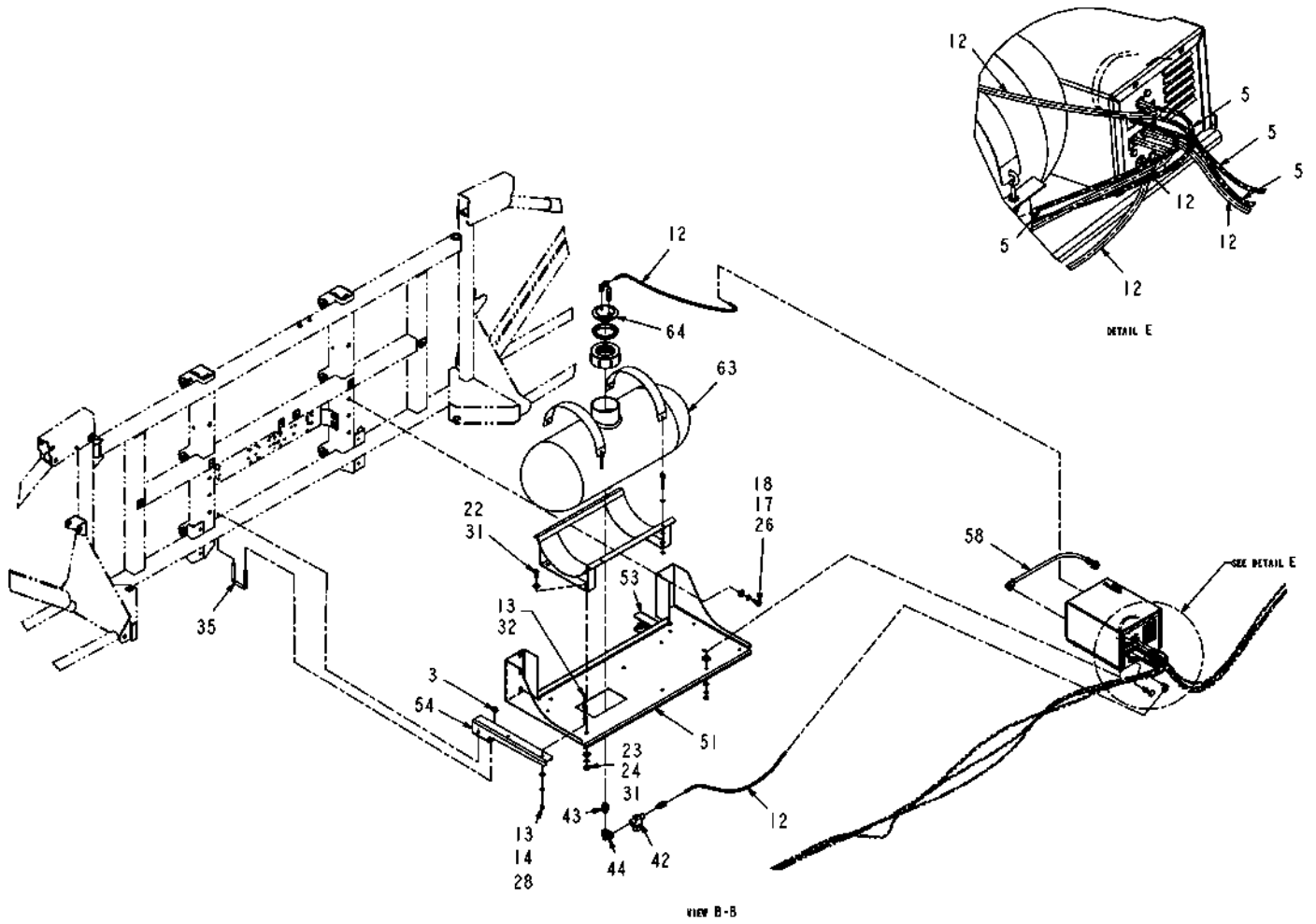
ITEM	PART #	QTY	DESCRIPTION	COMMENT
1	WR56031	1	CONTROLLER RAVEN	
2	6662701	2	STRAP RETAINER	
3	6662294	1	CABLE ASSY	
4	6662295	1	CABLE-SPEED,24 IN	
5	6666305	1	CABLE-FLOW,15'	
6	6662297	1	SENSOR-SPEED	
7	WR550493	2	WASHER LK 0.25 ZN REG	
8	WR550612	2	NUT 0.25-20NC HEX ZN REG	
9	WR553557	6	TIE CABLE 7.37 .06-1.37 BLACK	
10	6627046	1	BRACKET	
11	6627047	1	SHIELD-CABLE	
12	6662702	4	MAGNET ASSY-RED	
13	6662703	4	MAGNET ASSY-BLACK	
14	WR55036	2	SCREW-CAP HEX M8 X 25	
15	WR561679	2	WASHER LOCK M8 ZN	
16	WR550264	8	WASHER 0.50 LK ZN REG	
17	WR550124	8	NUT 0.50-13NC HEX ZN REG	
18	WR55408	1	CLAMP-SUPPORT CUSHION,	
19	WR55298	2	CLAMP-HOSE,4 1/2 SST	
20	WR562496	2	TIE CABLE 15.0 .18-4.00 BLACK	
21	6652922	2	SCREW PAN HD	
22	WR55000	1	SCREW-CAP HEX 1/4 NC X	
23	WR550671	1	WASHER-.25,FL,ZN,TYPE-A(N	
24	6618369	1	TIE-REMOVABLE	
25	6618368	1	TAG	
26	6618367	1	HOLDER-TAG	



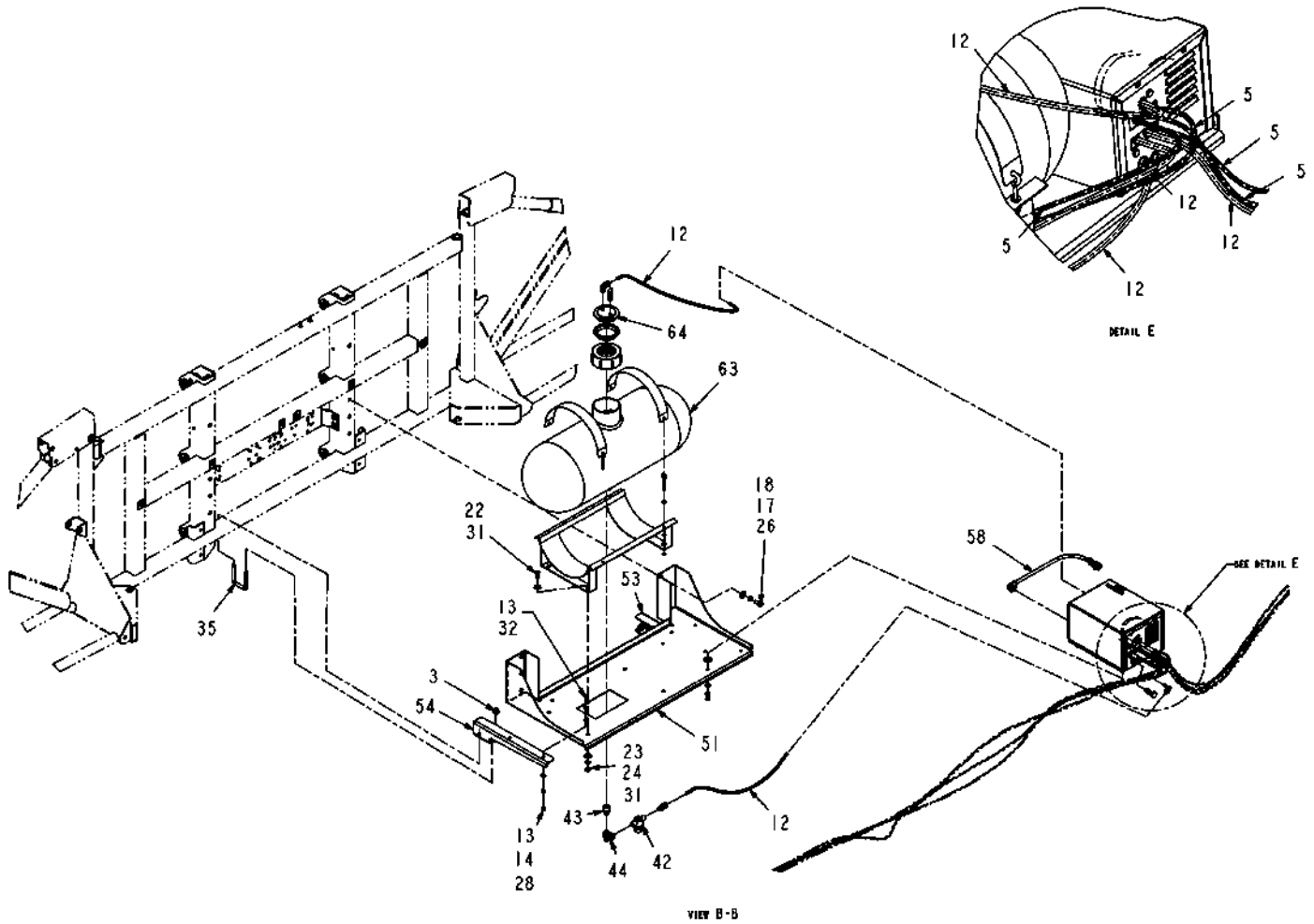
ITEM	PART #	QTY	DESCRIPTION	COMMENT
1	WR10854	4	CLAMP-HOSE,1 1/4 SST,	
2	WR10856	4	CLAMP-HOSE,2 SST, "ADAMS"	
3	WR55372	4	NUT-LOCK FLANGE, 1/2-13NC	
4	WR132419	2	ADAPTER-04MP/-06 TUBE	
5	WR133601	AR	TUBING, BLK .250	
6	WR135792	1	CONTROL MODULE-POWER UNIT	
7	WR135793	1	PLUG-.25 MNPT,NYLON	
8	WR135794	2	FITTING-PUSH LOK,STEM ELBOW,-6	
9	WR135807	1	FITTING-PUSH LOK,STEM ELBOW,-4	
10	WR135808	1	FITTING-PUSH LOK,90L,-2MP-4TUB	
11	WR135896	2	HOSE-DROP,3 ID X 36 LG	
12	WR514288	-	TUBING 0.37 OD NYLON(015669) [BULK: 0.001 FT]	
13	WR514559	16	WASHER 0.37 FL ZN SAE G8	
14	WR550191	8	WASHER LK 0.37 ZN REG	
15	WR550205	12	WASHER LK 0.31 ZN REG	
16	WR550213	12	NUT 0.31-18NC HEX ZN REG	
17	WR550264	6	WASHER 0.50 LK ZN REG	
18	WR550353	6	WASHER 0.50 FL ZN REG TYPE-B	
19	WR550485	2	BOLT .25-20NCX.75 G5 ZN HHD	
20	WR550493	4	WASHER LK 0.25 ZN REG	
21	WR550515	4	BOLT 0.37-16NCX 1.25 G5 ZN HHD	
22	WR550531	4	BOLT 0.43-14NCX 1.00 G5 ZN HHD	
23	WR550558	4	WASHER 0.43 LK ZN REG	
24	WR550566	4	NUT 0.43-14NC HEX ZN REG	
25	WR550612	4	NUT 0.25-20NC HEX ZN REG	
26	WR550655	6	BOLT 0.50-13NCX 1.00 G5 ZN HHD	
27	WR550671	6	WASHER-.25.FL.ZN,TYPE-A(N	
28	WR550825	8	NUT 0.37-16NC HEX ZN REG	
29	WR551015	12	WASHER 0.31 FL ZN REG TYPE-B	
30	WR551279	2	BOLT .25-20NCX 2G5 ZN HHD	
31	WR551406	8	WASHER 0.43 FL ZN REG TYPE-B	
32	WR555819	4	BOLT .37-16NCX 1.00G5 PLAIN HD	
33	WR562496	AR	TIE CABLE 15.0 .18-4.00 BLACK	
34	6612940	2	U-BOLT,BOOM END	
35	6620133	2	U-BOLT SQUARE,1/2 NC	
36	6631678	3	ELBOW,W/NUT	
37	6631680	1	COMPRESSOR-FOAM MARKER	SEE PAGE 16-2
38	6632492	2	ELBOW-2 IN ,BOOM END	
39	6632502	3	SWITCH	
40	6659288	2	SCREEN	
41	6660378	1	VALVE-FLOW CONTROL,BRASS	
42	6660391	1	FILTER ASSY, INCLINE	SEE PAGE 16-8
43	6660393	1	ADAPTER-08MP/-12MP PP	
44	6660394	1	ELBOW-90,-08FP/-08FP PP	
45	6660409	2	BRACKET-B00M END	
46	6660492	1	ELBOW	
47	6664194	4	U-BOLT, 5116-18 X 2 1/16	
48	6664195	1	DECAL, SWITCH	
49	6666294	3	VALVE-CHECK,3/8 DISK	
50	2504534B	1	FILTER	
51	WR38864	1	PLATFORM WLDMT-FOAM MARKER	
52	WR38865	4	RECT-1.00X1.00X.375,W/A HOL	
53	WR38878	1	BRACE-FOAM MARKER,RH	
54	WR38879	1	BRACE-FOAM MARKER,LH	
55	WR55879	1	FILTER ASSY-CARBON	SEE PAGE 16-3
56	WR55882	1	COVER-POWER UNIT	
57	WR55883	1	POWER UNIT,BOX ONLY-RSC	
58	WR55884	1	CABLE POWER,W/FEMALE PLUG	
59	WR55888	2	RSC FOAMHEAD/VALVE ASSY	SEE PAGE 16-5
60	WR55902	20	FOAM HOSE- 1 1/4	



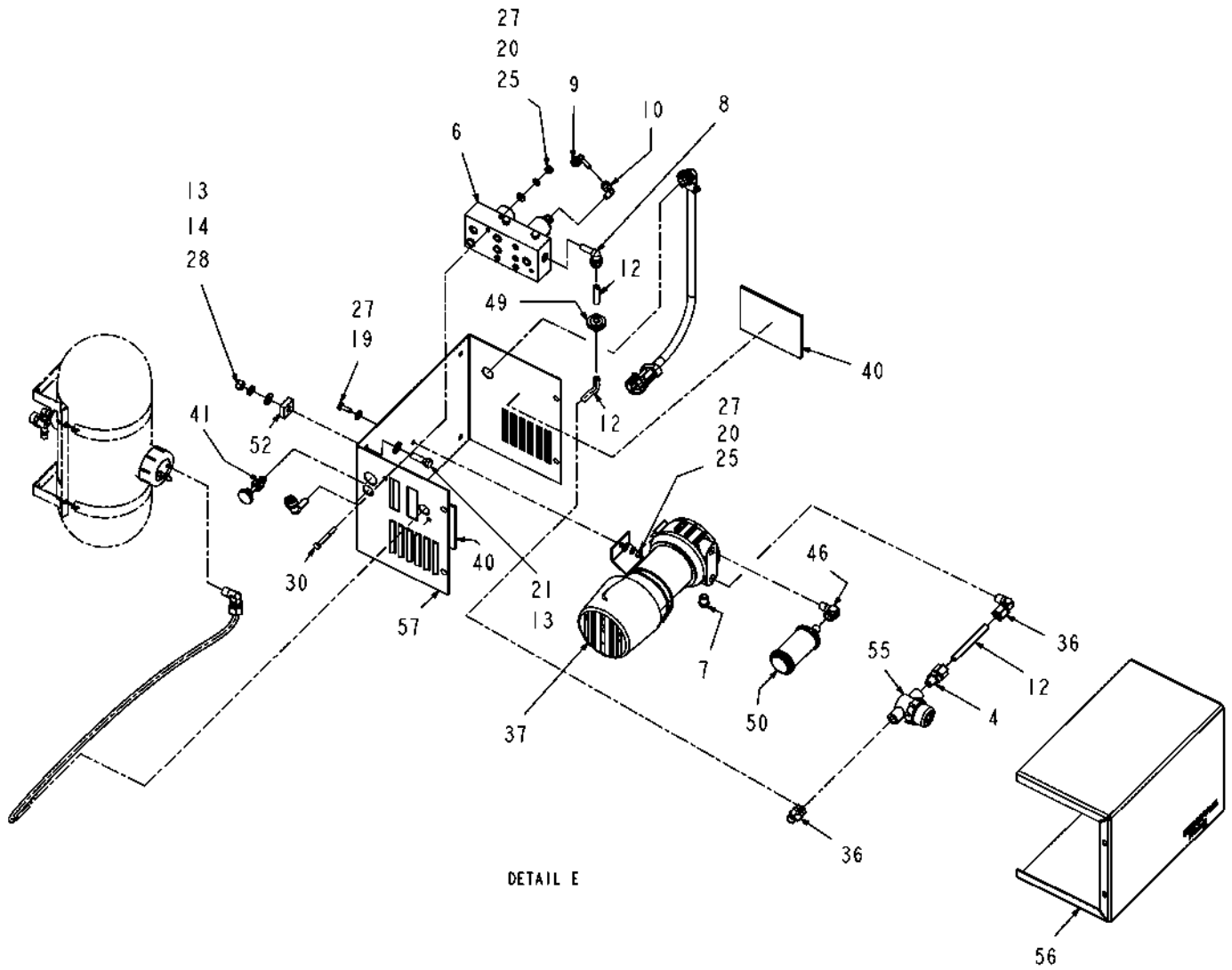
ITEM	PART #	QTY	DESCRIPTION	COMMENT
62	WR55904	2	DEFLECTOR-COLLECTOR, 2 IN	SEE PAGE 16-4
63	WR55908	1	TANK ASSY, 13 GAL RSC2130	SEE PAGE 16-6
64	WR55910	1	CAP-ASSY, 2 1/4 IN	SEE PAGE 16-7
65	WR55920	2	VALVE-CHECK, 1/4 DISK	



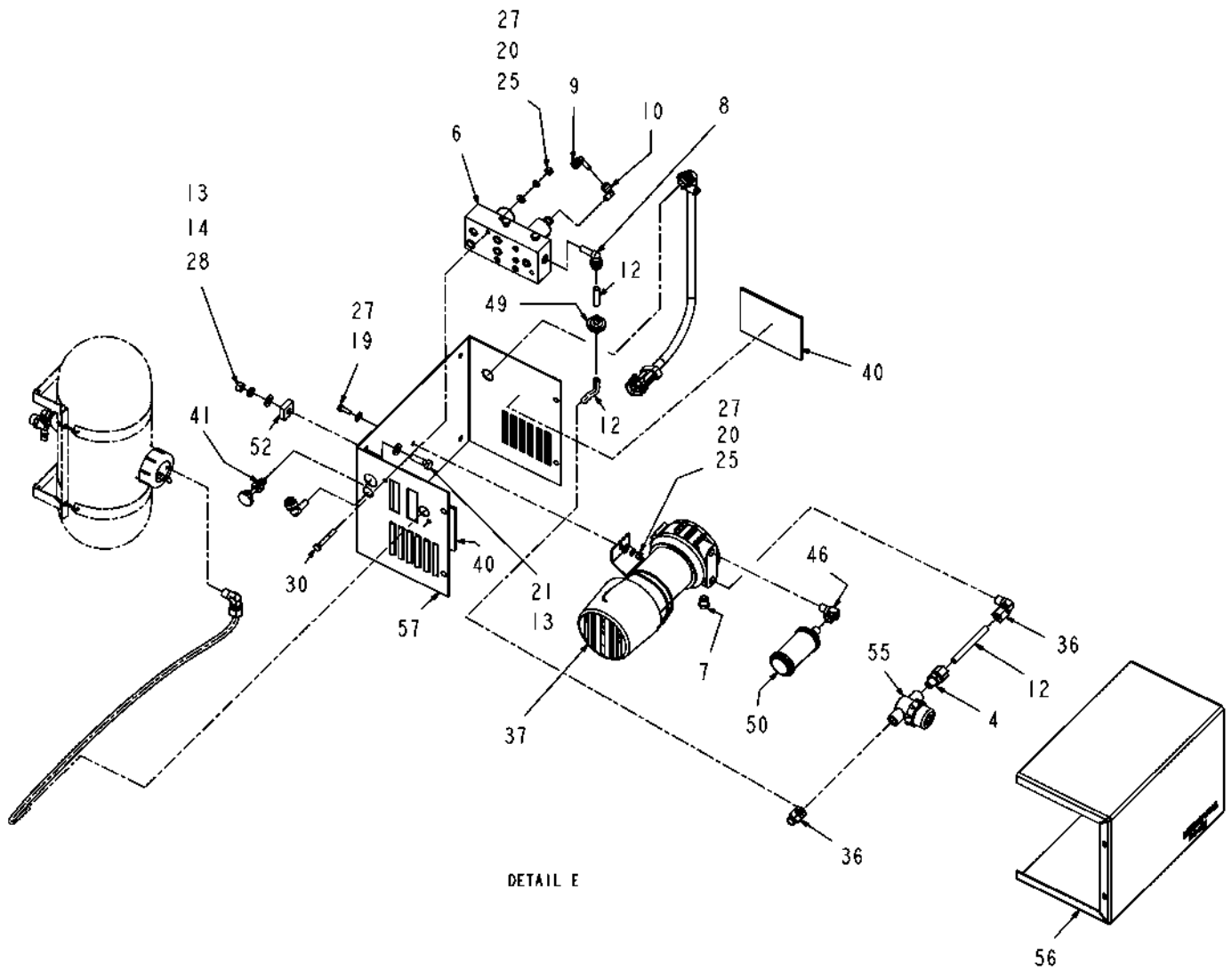
ITEM	PART #	QTY	DESCRIPTION	COMMENT
1	WR10854	4	CLAMP-HOSE,1 1/4 SST,	
2	WR10856	4	CLAMP-HOSE,2 SST, "ADAMS"	
3	WR55372	4	NUT-LOCK FLANGE, 1/2-13NC	
4	WR132419	2	ADAPTER-04MP/-06 TUBE	
5	WR133601	AR	TUBING, BLK .250	
6	WR135792	1	CONTROL MODULE-POWER UNIT	
7	WR135793	1	PLUG-.25 MNPT,NYLON	
8	WR135794	2	FITTING-PUSH LOK,STEM ELBOW,-6	
9	WR135807	1	FITTING-PUSH LOK,STEM ELBOW,-4	
10	WR135808	1	FITTING-PUSH LOK,90L,-2MP-4TUB	
11	WR135896	2	HOSE-DROP,3 ID X 36 LG	
12	WR514288	-	TUBING 0.37 OD NYLON(015669) [BULK: 0.001 FT]	
13	WR514559	16	WASHER 0.37 FL ZN SAE G8	
14	WR550191	8	WASHER LK 0.37 ZN REG	
15	WR550205	12	WASHER LK 0.31 ZN REG	
16	WR550213	12	NUT 0.31-18NC HEX ZN REG	
17	WR550264	6	WASHER 0.50 LK ZN REG	
18	WR550353	6	WASHER 0.50 FL ZN REG TYPE-B	
19	WR550485	2	BOLT .25-20NCX.75 G5 ZN HHD	
20	WR550493	4	WASHER LK 0.25 ZN REG	
21	WR550515	4	BOLT 0.37-16NCX 1.25 G5 ZN HHD	
22	WR550531	4	BOLT 0.43-14NCX 1.00 G5 ZN HHD	
23	WR550558	4	WASHER 0.43 LK ZN REG	
24	WR550566	4	NUT 0.43-14NC HEX ZN REG	
25	WR550612	4	NUT 0.25-20NC HEX ZN REG	
26	WR550655	6	BOLT 0.50-13NCX 1.00 G5 ZN HHD	
27	WR550671	6	WASHER-.25.FL.ZN,TYPE-A(N	
28	WR550825	8	NUT 0.37-16NC HEX ZN REG	
29	WR551015	12	WASHER 0.31 FL ZN REG TYPE-B	
30	WR551279	2	BOLT .25-20NCX 2G5 ZN HHD	
31	WR551406	8	WASHER 0.43 FL ZN REG TYPE-B	
32	WR555819	4	BOLT .37-16NCX 1.00G5 PLAIN HD	
33	WR562496	AR	TIE CABLE 15.0 .18-4.00 BLACK	
34	6612940	2	U-BOLT,BOOM END	
35	6620133	2	U-BOLT SQUARE,1/2 NC	
36	6631678	3	ELBOW,W/NUT	
37	6631680	1	COMPRESSOR-FOAM MARKER	SEE PAGE 16-2
38	6632492	2	ELBOW-2 IN ,BOOM END	
39	6632502	3	SWITCH	
40	6659288	2	SCREEN	
41	6660378	1	VALVE-FLOW CONTROL,BRASS	
42	6660391	1	FILTER ASSY, INCLINE	SEE PAGE 16-8
43	6660393	1	ADAPTER-08MP/-12MP PP	
44	6660394	1	ELBOW-90,-08FP/-08FP PP	
45	6660409	2	BRACKET-B00M END	
46	6660492	1	ELBOW	
47	6664194	4	U-BOLT, 5116-18 X 2 1/16	
48	6664195	1	DECAL, SWITCH	
49	6666294	3	VALVE-CHECK,3/8 DISK	
50	2504534B	1	FILTER	
51	WR38864	1	PLATFORM WLDMT-FOAM MARKER	
52	WR38865	4	RECT-1.00X1.00X.375,W/A HOL	
53	WR38878	1	BRACE-FOAM MARKER,RH	
54	WR38879	1	BRACE-FOAM MARKER,LH	
55	WR55879	1	FILTER ASSY-CARBON	SEE PAGE 16-3
56	WR55882	1	COVER-POWER UNIT	
57	WR55883	1	POWER UNIT,BOX ONLY-RSC	
58	WR55884	1	CABLE POWER,W/FEMALE PLUG	
59	WR55888	2	RSC FOAMHEAD/VALVE ASSY	SEE PAGE 16-5
60	WR55902	20	FOAM HOSE- 1 1/4	



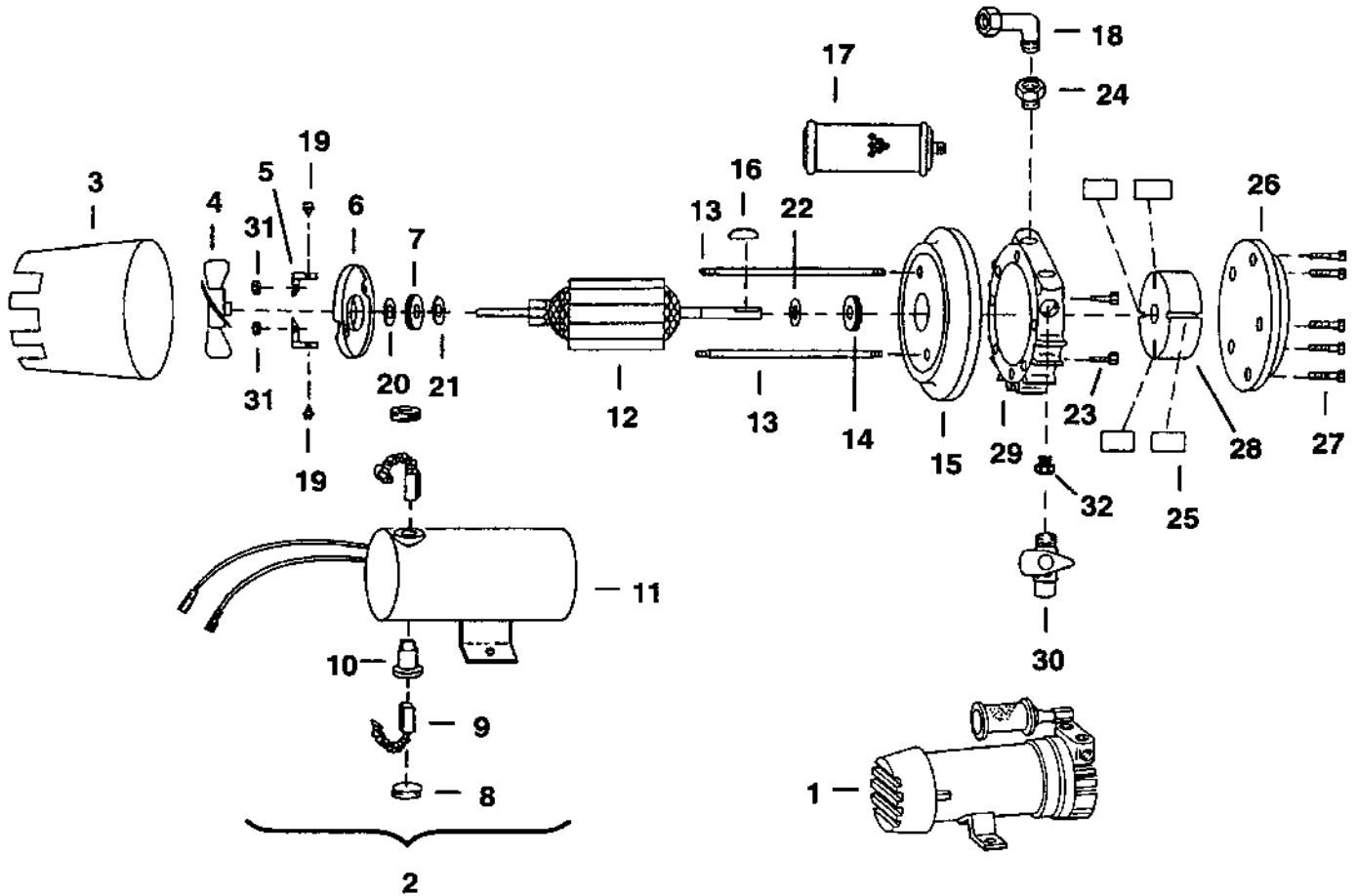
ITEM	PART #	QTY	DESCRIPTION	COMMENT
62	WR55904	2	DEFLECTOR-COLLECTOR, 2 IN	SEE PAGE 16-4
63	WR55908	1	TANK ASSY,13 GAL RSC2130	SEE PAGE 16-6
64	WR55910	1	CAP-ASSY, 2 1/4 IN	SEE PAGE 16-7
65	WR55920	2	VALVE-CHECK, 1/4 DISK	



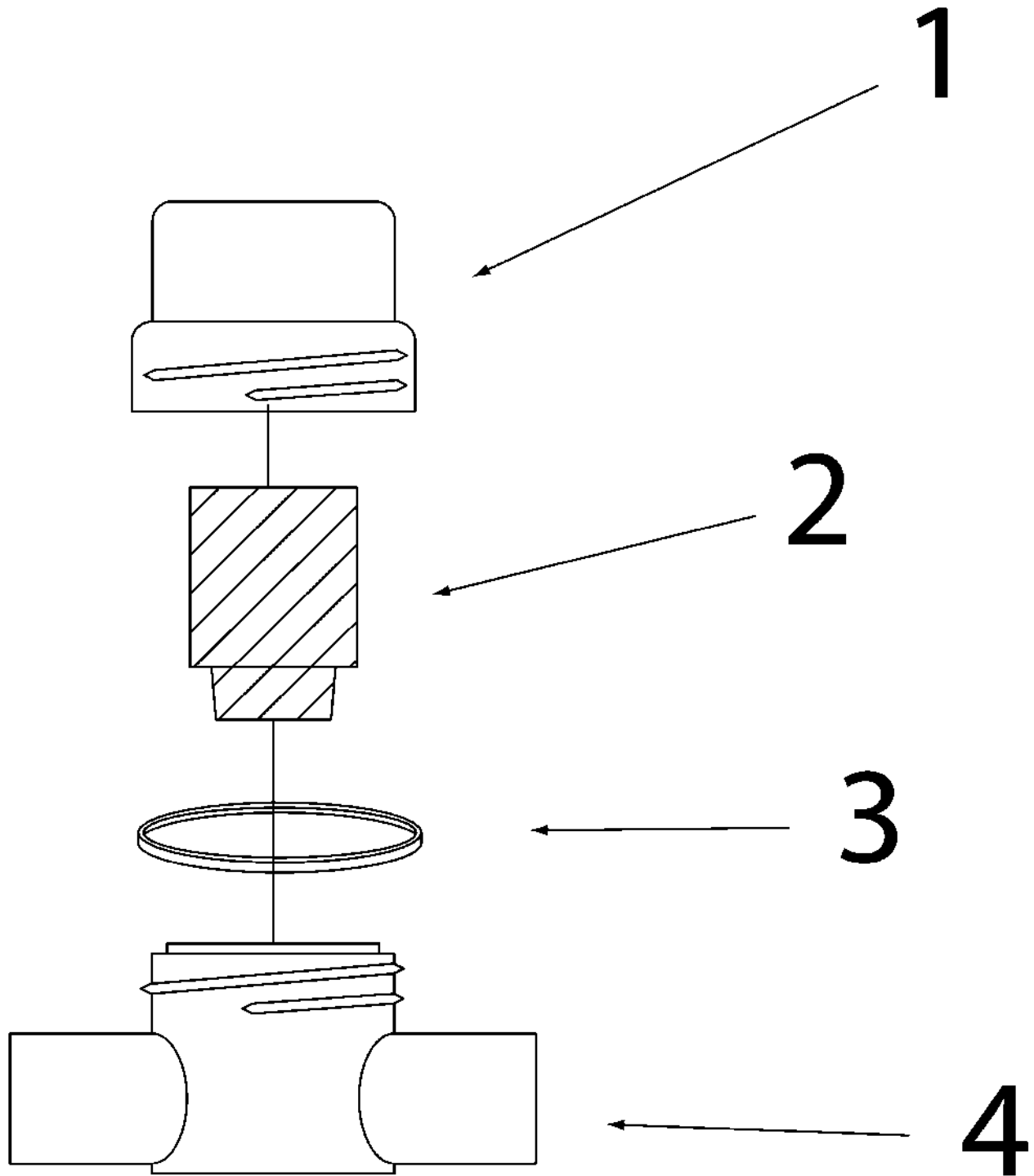
ITEM	PART #	QTY	DESCRIPTION	COMMENT
1	WR10854	4	CLAMP-HOSE,1 1/4 SST,	
2	WR10856	4	CLAMP-HOSE,2 SST, "ADAMS"	
3	WR55372	4	NUT-LOCK FLANGE, 1/2-13NC	
4	WR132419	2	ADAPTER-04MP/-06 TUBE	
5	WR133601	AR	TUBING, BLK .250	
6	WR135792	1	CONTROL MODULE-POWER UNIT	
7	WR135793	1	PLUG-.25 MNPT,NYLON	
8	WR135794	2	FITTING-PUSH LOK,STEM ELBOW,-6	
9	WR135807	1	FITTING-PUSH LOK,STEM ELBOW,-4	
10	WR135808	1	FITTING-PUSH LOK,90L,-2MP-4TUB	
11	WR135896	2	HOSE-DROP,3 ID X 36 LG	
12	WR514288	-	TUBING 0.37 OD NYLON(015669) [BULK: 0.001 FT]	
13	WR514559	16	WASHER 0.37 FL ZN SAE G8	
14	WR550191	8	WASHER LK 0.37 ZN REG	
15	WR550205	12	WASHER LK 0.31 ZN REG	
16	WR550213	12	NUT 0.31-18NC HEX ZN REG	
17	WR550264	6	WASHER 0.50 LK ZN REG	
18	WR550353	6	WASHER 0.50 FL ZN REG TYPE-B	
19	WR550485	2	BOLT .25-20NCX.75 G5 ZN HHD	
20	WR550493	4	WASHER LK 0.25 ZN REG	
21	WR550515	4	BOLT 0.37-16NCX 1.25 G5 ZN HHD	
22	WR550531	4	BOLT 0.43-14NCX 1.00 G5 ZN HHD	
23	WR550558	4	WASHER 0.43 LK ZN REG	
24	WR550566	4	NUT 0.43-14NC HEX ZN REG	
25	WR550612	4	NUT 0.25-20NC HEX ZN REG	
26	WR550655	6	BOLT 0.50-13NCX 1.00 G5 ZN HHD	
27	WR550671	6	WASHER-.25.FL.ZN,TYPE-A(N	
28	WR550825	8	NUT 0.37-16NC HEX ZN REG	
29	WR551015	12	WASHER 0.31 FL ZN REG TYPE-B	
30	WR551279	2	BOLT .25-20NCX 2G5 ZN HHD	
31	WR551406	8	WASHER 0.43 FL ZN REG TYPE-B	
32	WR555819	4	BOLT .37-16NCX 1.00G5 PLAIN HD	
33	WR562496	AR	TIE CABLE 15.0 .18-4.00 BLACK	
34	6612940	2	U-BOLT,BOOM END	
35	6620133	2	U-BOLT SQUARE,1/2 NC	
36	6631678	3	ELBOW,W/NUT	
37	6631680	1	COMPRESSOR-FOAM MARKER	SEE PAGE 16-2
38	6632492	2	ELBOW-2 IN ,BOOM END	
39	6632502	3	SWITCH	
40	6659288	2	SCREEN	
41	6660378	1	VALVE-FLOW CONTROL,BRASS	
42	6660391	1	FILTER ASSY, INCLINE	SEE PAGE 16-8
43	6660393	1	ADAPTER-08MP/-12MP PP	
44	6660394	1	ELBOW-90,-08FP/-08FP PP	
45	6660409	2	BRACKET-B00M END	
46	6660492	1	ELBOW	
47	6664194	4	U-BOLT, 5116-18 X 2 1/16	
48	6664195	1	DECAL, SWITCH	
49	6666294	3	VALVE-CHECK,3/8 DISK	
50	2504534B	1	FILTER	
51	WR38864	1	PLATFORM WLDMT-FOAM MARKER	
52	WR38865	4	RECT-1.00X1.00X.375,W/A HOL	
53	WR38878	1	BRACE-FOAM MARKER,RH	
54	WR38879	1	BRACE-FOAM MARKER,LH	
55	WR55879	1	FILTER ASSY-CARBON	SEE PAGE 16-3
56	WR55882	1	COVER-POWER UNIT	
57	WR55883	1	POWER UNIT,BOX ONLY-RSC	
58	WR55884	1	CABLE POWER,W/FEMALE PLUG	
59	WR55888	2	RSC FOAMHEAD/VALVE ASSY	SEE PAGE 16-5
60	WR55902	20	FOAM HOSE- 1 1/4	



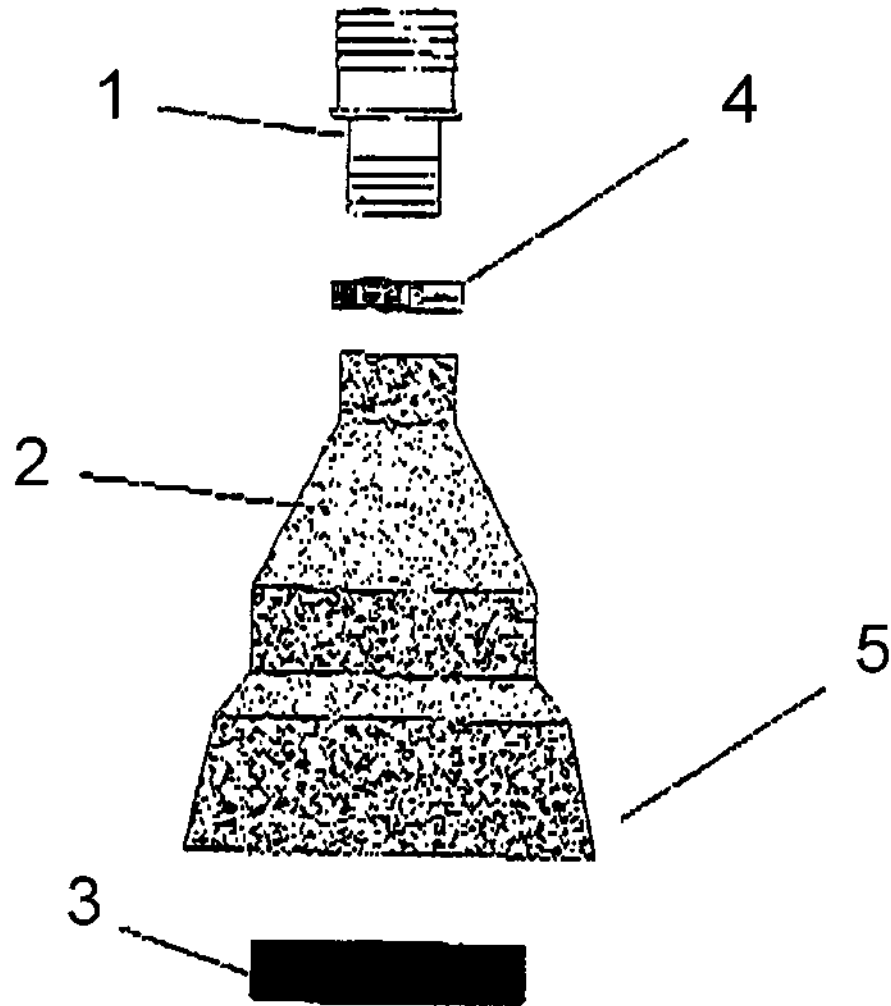
ITEM	PART #	QTY	DESCRIPTION	COMMENT
62	WR55904	2	DEFLECTOR-COLLECTOR, 2 IN	SEE PAGE 16-4
63	WR55908	1	TANK ASSY, 13 GAL RSC2130	SEE PAGE 16-6
64	WR55910	1	CAP-ASSY, 2 1/4 IN	SEE PAGE 16-7
65	WR55920	2	VALVE-CHECK, 1/4 DISK	



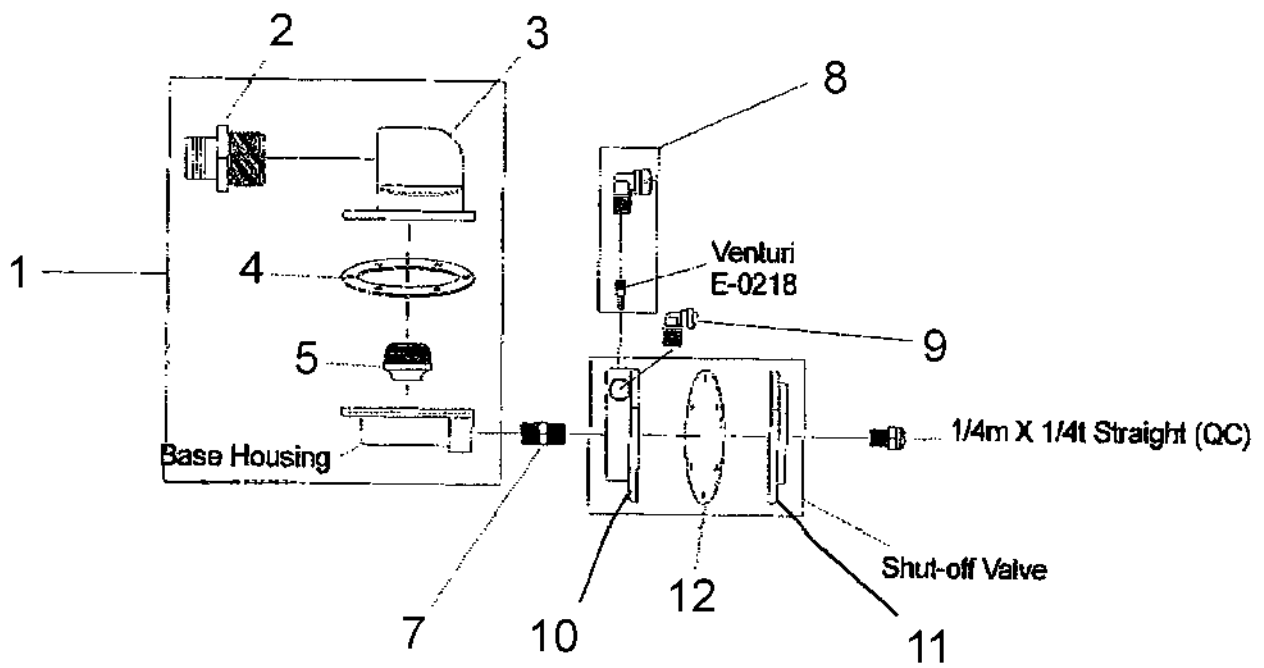
ITEM	PART #	QTY	DESCRIPTION	COMMENT
2	6655603	1	MOTOR	
3	6632486	1	SHROUD	
4	6631675	1	FAN	
5	6655596	2	CLIP	
6	6655599	1	CAP	
7	6633635	1	BEARING	
8	6632500	2	CAP	
9	6631684	1	BRUSH	
10	6655598	1	HOLDER	
11	6655594	1	MOTOR	
12	6655597	1	ARMATURE	
13	6655600	2	BOLTS	
14	6633636	1	BEARING	
15	6655593	1	END BELL	
16	6632478	1	KEY	
17	2504534B	1	FILTER	
18	6660492	1	ELBOW	
19	6659547	2	SCREW	
20	6659548	1	WASHER	
21	6659549	1	RING	
22	6659550	1	RING	
23	6659551	2	SCREW	
24	6660579	1	ADAPTER	
25	6631683	1	VANES-COMPRESSOR-SET OF 4	
26	6655601	1	CAP	
27	6655595	1	BOLTS	
28	6632477	1	ROTOR	
29	6655602	1	HOUSING	
30	6632476	1	VALVE	
31	6659546	2	NUT	
32	6666300	1	PLUG	



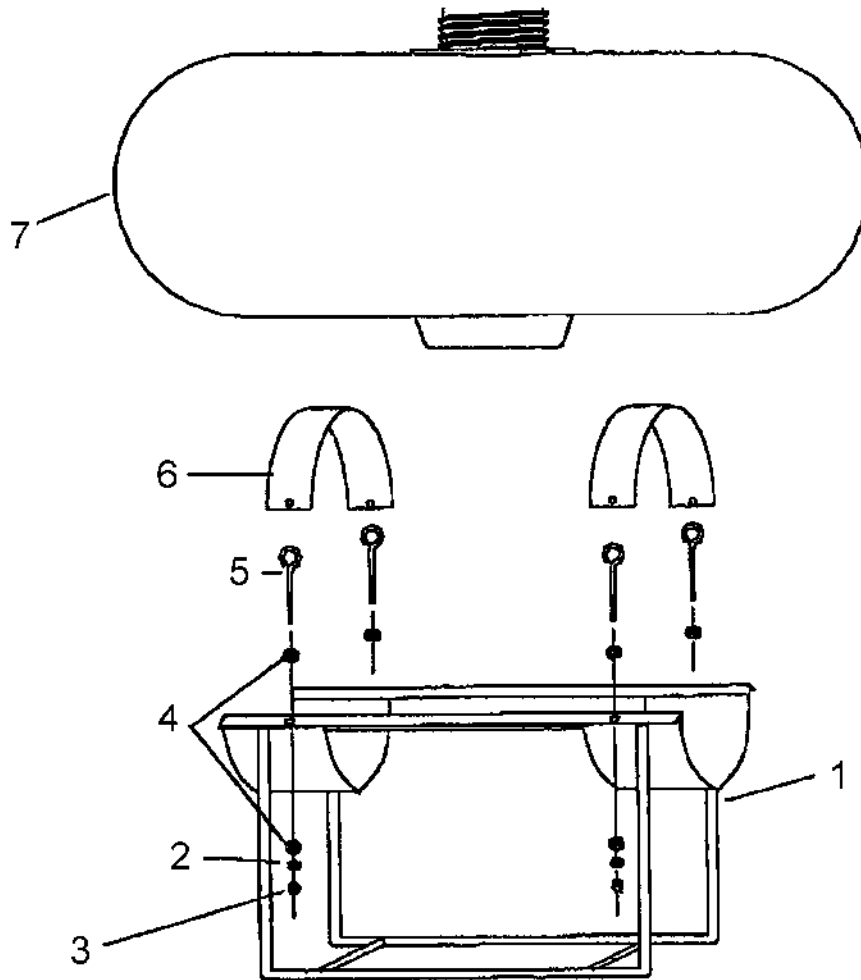
ITEM	PART #	QTY	DESCRIPTION	COMMENT
1	WR55929	1	BOWL-FILTER,CARBON	
2	6671142	1	ELEMENT-FILTER,CARBON	
3	WR55931	1	O-RING-FILTER,CARBON	
4	WR55930	1	BODY-FILTER,CARBON	



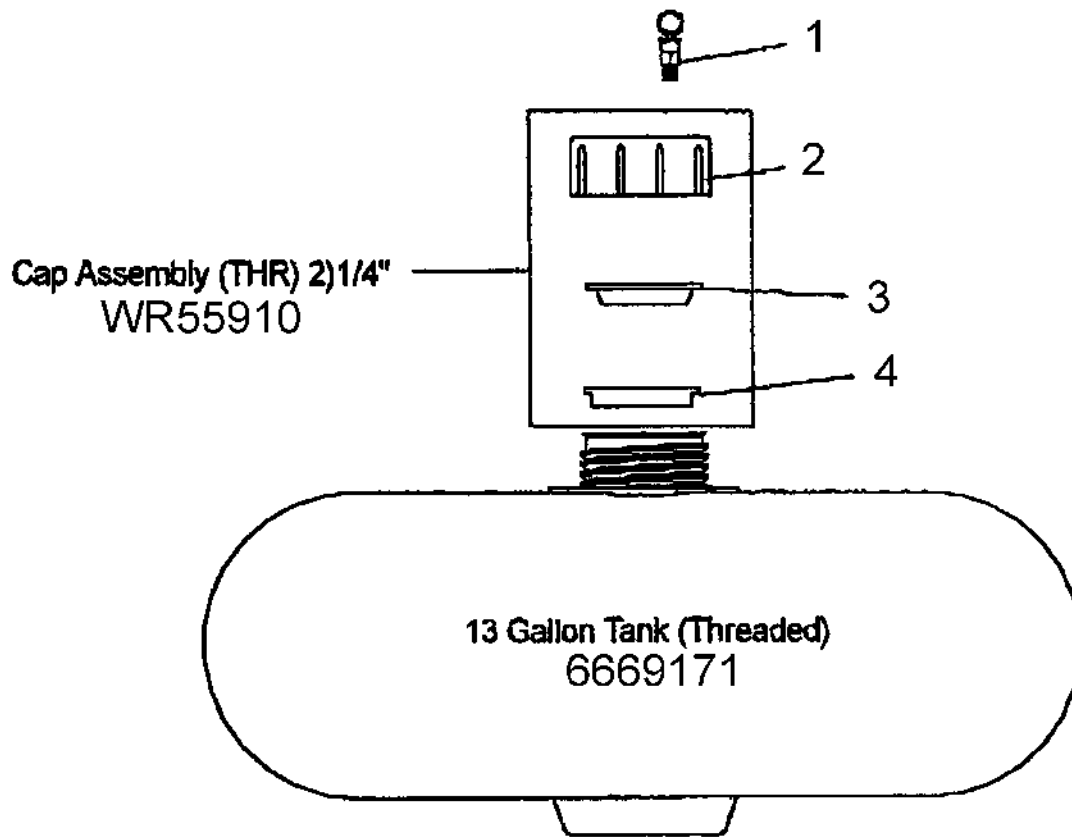
ITEM	PART #	QTY	DESCRIPTION	COMMENT
1	WR55905	1	INSERT-COLLECTOR	
2	WR55906	1	DEFLECTOR-COLLECTOR,	
3	WR55907	1	CARTRIDGE-COLLECTOR	
4	WR55284	1	CLAMP-HOSE,1 3/4 SST	
5	WR55299	1	CLAMP-HOSE,5 SST	



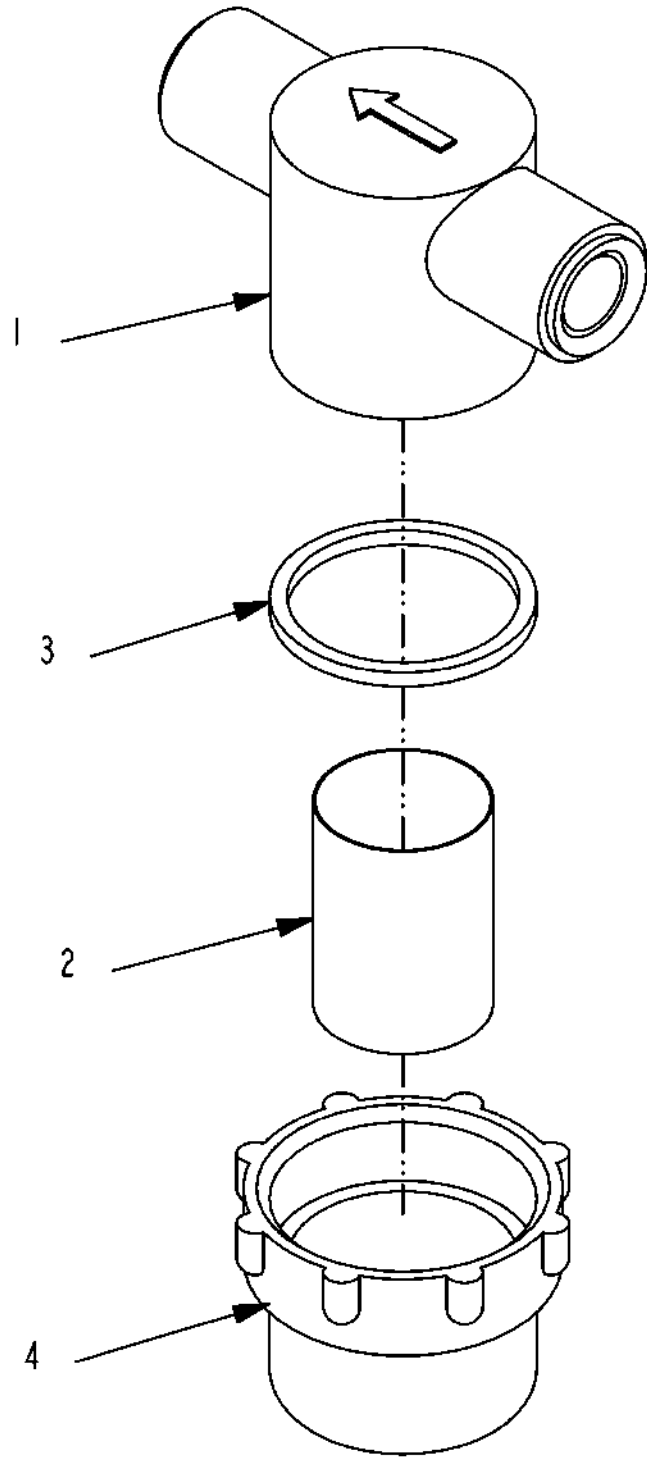
ITEM	PART #	QTY	DESCRIPTION	COMMENT
REF	WR55901	11	SCREW-MACH,10-24 X 7/8	
REF	WR55519	1	SCREW-MACH CR,#10 NF X 1.0	
REF	WR604172	11	NUT-HEX,10-24 UNB-2B GR5 NYLOC	
1	WR55889	1	RSC FOAM HEAD ONLY	
2	WR55890	1	HOMOGENIZER 1 1/4	
3	WR55891	1	HOUSING-FOAMHEAD, TOP	
4	WR55892	1	GASKET-FOAMHEAD	
5	WR55893	1	SCREEN-3/8F	
6	WR55894	1	BRACKET-MOUNTING	
7	WR55895	1	NIPPLE-06, BRASS	
8	WR55896	1	ELBOW-90-04MP/-06 TUBE W/	
9	WR55897	1	ELBOW-90-04MP/-04 TUBE	
10	WR55898	1	VALVE-SHUT OFF, BASE	
11	WR55899	1	VALVE-SHUT OFF,CAP	
12	WR55900	1	VALVE-SHUT OFF, DIAPHRAGM	



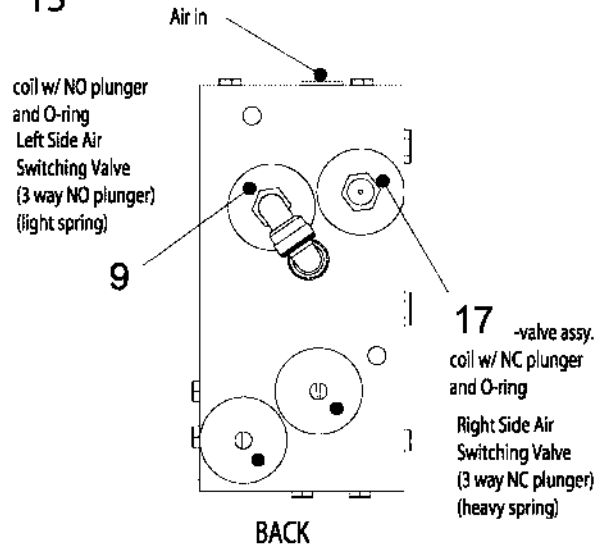
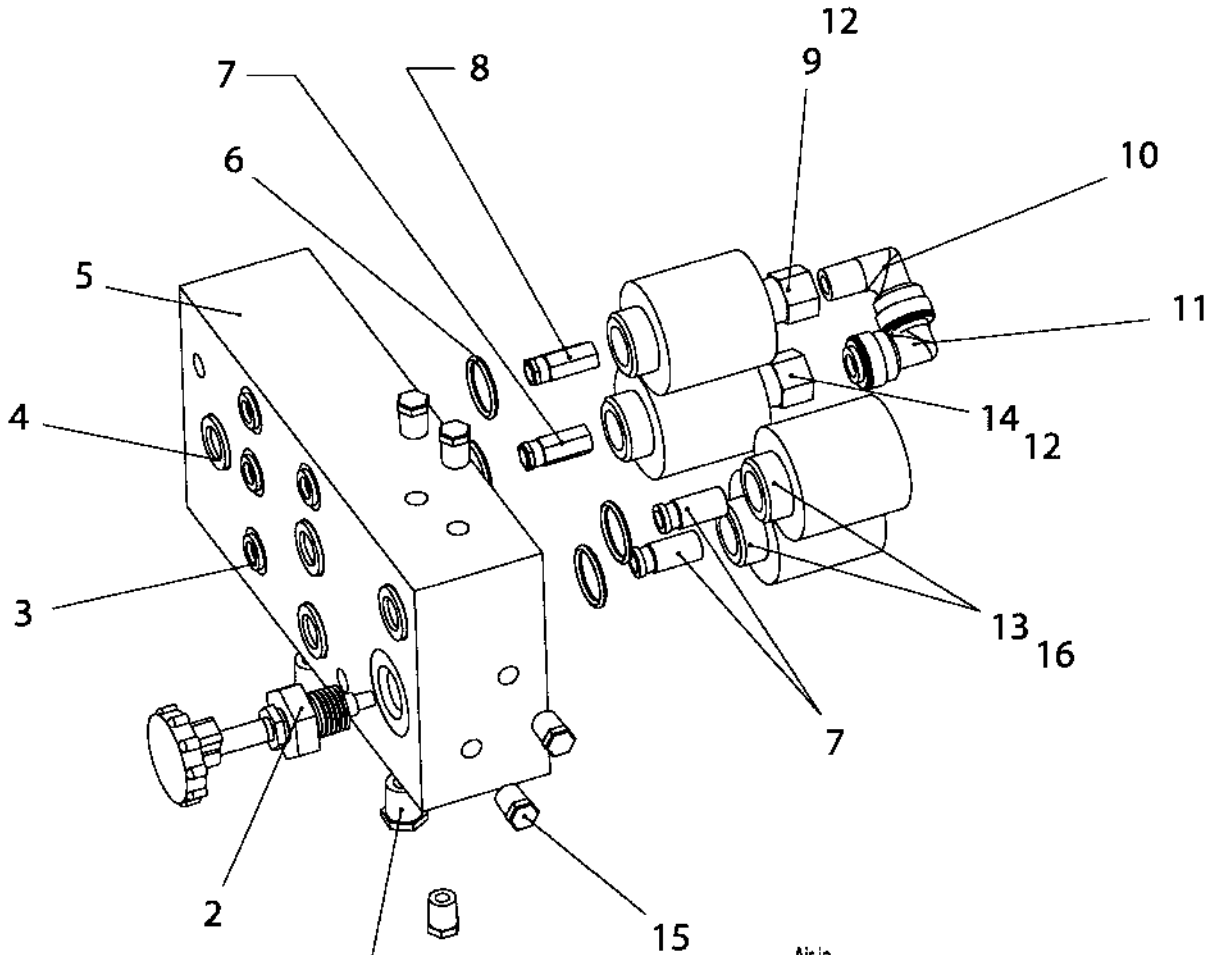
ITEM	PART #	QTY	DESCRIPTION	COMMENT
1	WR55909	1	STAND-TANK	
2	WR550493	4	WASHER LK 0.25 ZN REG	
3	WR550612	4	NUT 0.25-20NC HEX ZN REG	
4	WR550671	8	WASHER-.25.FL.ZN,TYPE-A(N	
5	6660396	4	BOLT-EYE, 1/4-20 X 2 1/2 IN	
6	6660397	2	STRAP-TANK	
7	6669171	1	TANK,13 GAL	



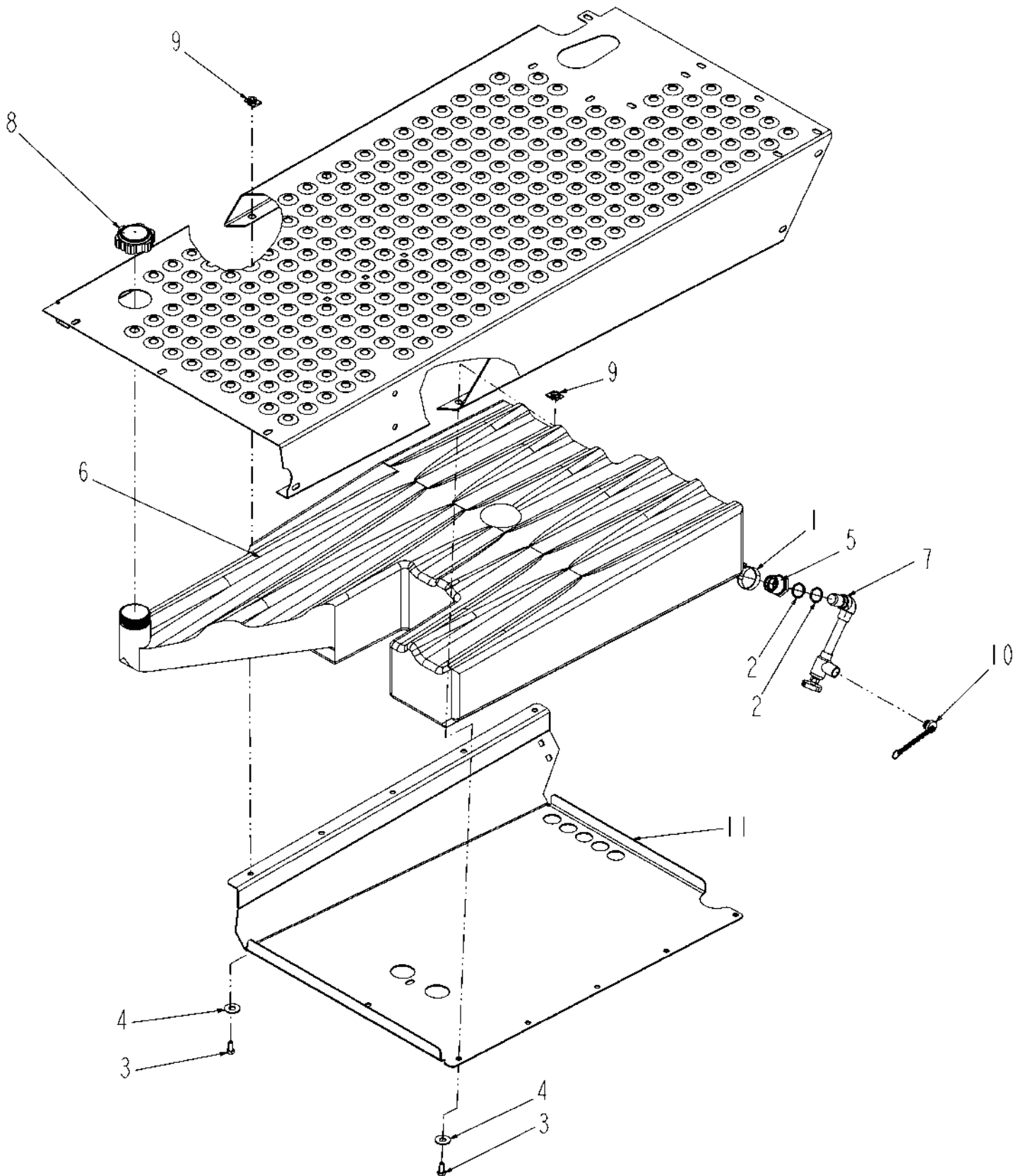
ITEM	PART #	QTY	DESCRIPTION	COMMENT
1	WR55914	1	VALVE-PRESSURE RELIEF,	
2	WR55912	1	RING-TANK CAP	
3	WR55911	1	DISK-TANK CAP, 2 1/4 IN	
4	WR55913	1	GASKET-TANK CAP	



ITEM	PART #	QTY	DESCRIPTION	COMMENT
1	6660573	1	BODY-FITER,CARBON	
2	6660574	1	SCREEN-FILTER,INLINE	
3	6660575	1	O-RING-FILTER,CARBON	
4	6660576	1	BOWL-FILTER,CARBON	

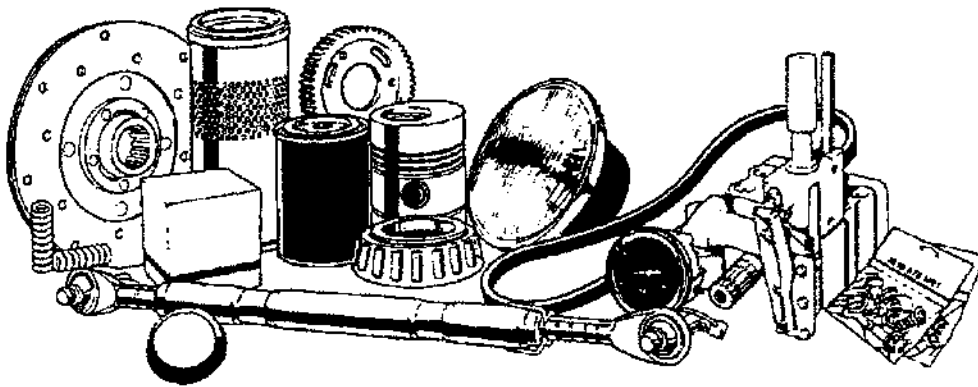


ITEM	PART #	QTY	DESCRIPTION	COMMENT
1	WR132892	2	PLUG	
2	WR132891	1	VALVE	
3	WR132890	1	COLLET, .25	
4	WR132889	1	COLLET, .375	
5	WR132887	1	BLOCK, ONLY MODULE	
6	WR132897	4	O-RING, VALVE	
7	WR132888	1	PLUNGER, VALVE 3-WAY	
8	WR132896	1	PLUNGER	
9	WR127281	1	VALVE-SOLENOID, SIDE SWITCH	
10	WR132884	1	FITTING, ELBOW	
11	WR132883	1	FITTING, .25 ELBOW	
12	WR132894	2	COIL	
13	WR132895	5	COIL	
14	WR132898	2	VALVE	
15	WR132893	7	PLUG	
16	WR132885	2	VALVE, SOLENOID	
17	WR132899	1	VALVE	



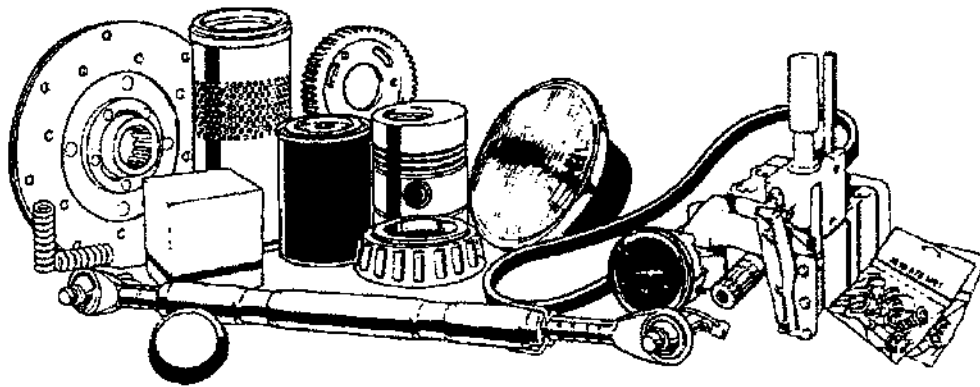
ITEM	PART #	QTY	DESCRIPTION	COMMENT
1	WR50847	1	CLAMP-HOSE,.75-1.75 SST	
2	WR55463	2	O RING-.812 ID,75 DURO	
3	WR550183	10	BOLT 0.31-18NCX 0.75 G5 ZN HHD	
4	WR551406	10	WASHER 0.43 FL ZN REG TYPE-B	
5	6626907	1	FITTING-DRAIN	
6	6626920	1	TANK-WATER	
7	6626922	1	VALVE ASSY	
8	6630034	1	CAP-FUEL TANK	
9	6662634	10	NUT-SELF RETAIN	
10	6662960	1	CAP-DUST	
11	6801522	1	SHIELD-TANK	

**Please refer to the
Bill Of Material
on the opposite page
for related Installations,
Assemblies, or Parts**

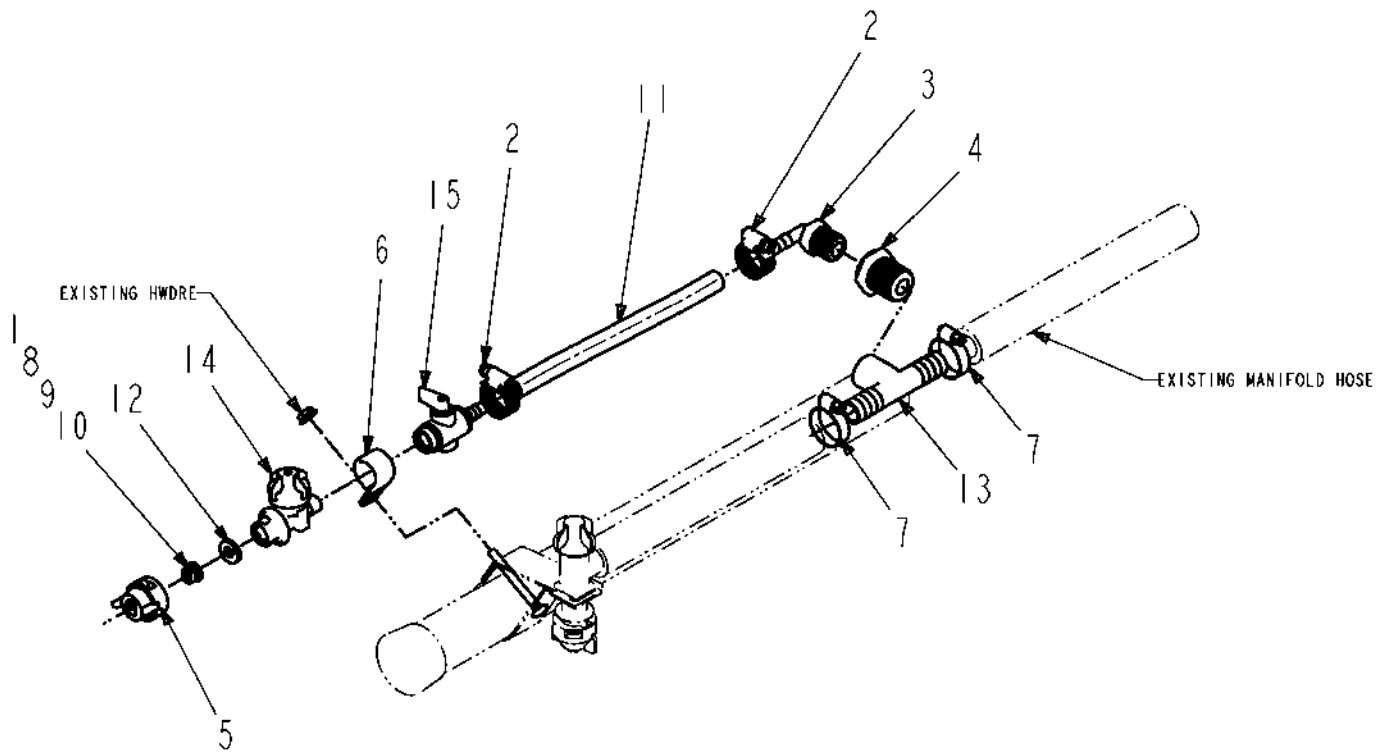


ITEM	PART #	QTY	DESCRIPTION	COMMENT
1	WR127572	1	FUEL FILTER ELEMENT KIT	
2	WR133782	1	FILTER-WATER SEPARATOR	
3	6515541	1	FILTER-HYD	
4	1447031M1	1	OIL FILTER	

**Please refer to the
Bill Of Material
on the opposite page
for related Installations,
Assemblies, or Parts**

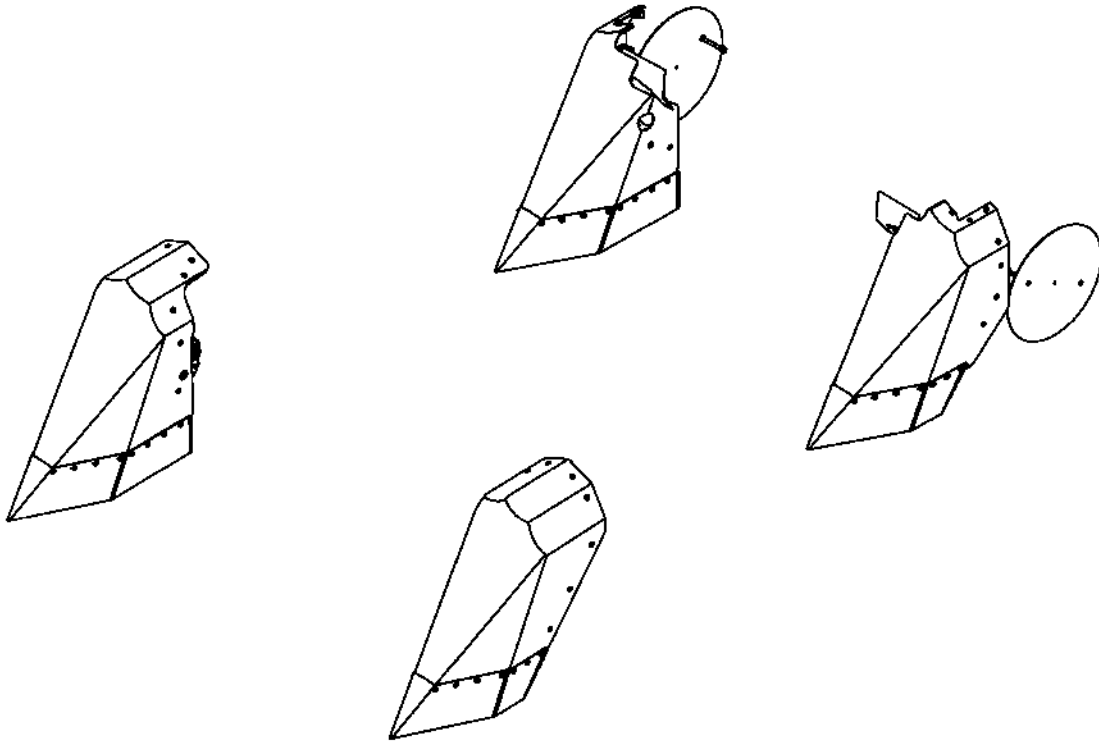


ITEM	PART #	QTY	DESCRIPTION	COMMENT
1	WR127271	1	FILTER,PRIMARY,AIR	
2	WR127272	1	FILTER,SAFETY,AIR	
3	WR127572	2	FUEL FILTER ELEMENT KIT	
4	WR129616	1	FILTER-OIL,TRANSMISSION	
5	WR133782	1	FILTER-WATER SEPARATOR	
6	6515541	2	FILTER-HYD	
7	6671706	1	FILTER-CARBON	
8	1447031M1	2	OIL FILTER	

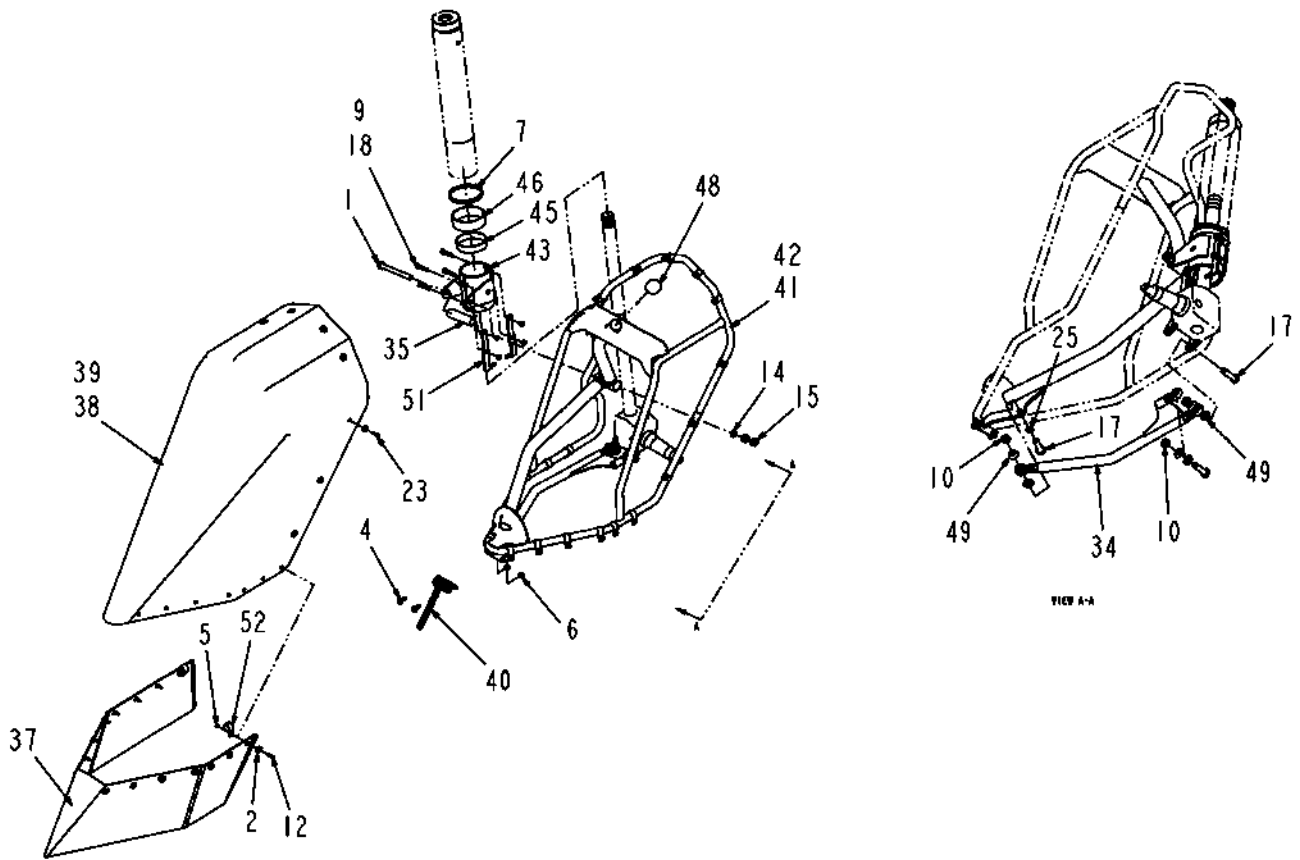


LEFT SIDE SHOWN-RIGHT SIDE OPPOSITE

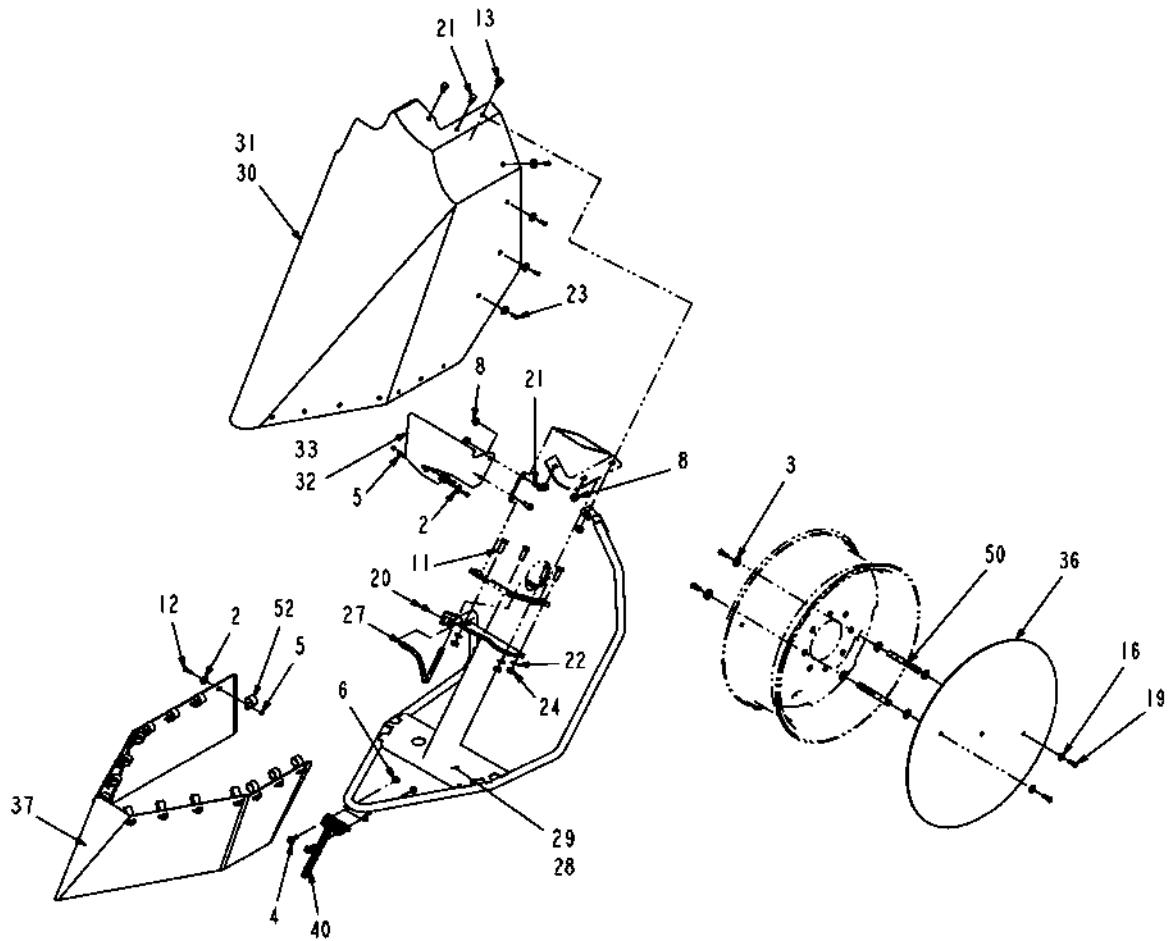
ITEM	PART #	QTY	DESCRIPTION	COMMENT
1	WR001344	2	TIP OC 12BR	
2	WR10852	4	CLAMP-HOSE,25/32 SST,	
3	WR051138	2	ELBOW 90D 0.50NPTX0.38BARB PP	
3	WR055191	2	CAP,NOZZLE BLACK	
4	WR051169	2	BSHG-RDCR,HEX,0.75X0.50NPT,PP	
4	WR55235	2	CLAMP-SUPPORT CUSHION,	
5	WR561229	4	CLAMP 0.68-1.25 HOSE 12HS	
6	6610341	2	TIP-BRASS,200	
7	6610342	2	TIP-BRASS,800	
8	6610348	2	TIP-BRASS,600	
10	6630910	2	GASKET-SEAT	
11	6625385	1.500	HOSE	
11	6630914	2	TEE	
13	6631481	2	VALVE-CHECK,DIAPHRAGM,	
14	6631491	2	VALVE-BALL	



ITEM	PART #	QTY	DESCRIPTION	COMMENT
1	WR55021	2	SCREW-CAP HEX 5/8 NC X	
2	WR55157	94	WASHER-FLAT,8MM ID,	
3	WR55158	12	WASHER-FLAT,10MM ID,	
4	WR55215	8	SCREW-HEX FLG,M10X1.5X25 CL8.8	
5	WR55271	94	NUT-LOCK,M6 X 1.0,PREV	
6	WR55272	8	NUT-LOCK,M10 X 1.5,PREV	
7	WR55299	2	CLAMP-HOSE,5 SST	
8	WR55301	10	NUT-FLANGE,M10 X 1.5,PREV	
9	WR55353	-	NUT-TOPLOCK, 3/8-16UNC G8	
10	WR55355	6	NUT-TOPLOCK,5/8-11UNC G8	
11	WR518304	8	BOLT M12-1.75X 35MM G8.8 ZN HH	
12	WR520866	60	BOLT-M6-1.0X25,CL8.8,ZN,HHD	
13	WR523069	2	BOLT-M10-1.5X30,C8.8,ZN,FLG	
14	WR550450	2	WASHER 0.62 LK ZN REG	
15	WR550477	4	NUT 0.62-11NC HEX ZN REG	
16	WR551015	4	WASHER 0.31 FL ZN REG TYPE-B	
17	WR552062	6	BOLT 0.62-11NCX 2.00 G5 ZN HHD	
18	WR552240	-	BOLT 0.37-16NCX 2.00 G5 ZN HHD	
19	WR555819	8	BOLT .37-16NCX 1.00G5 PLAIN HD	
20	WR559083	4	FITTING LUB 90D 0.125 NPTF	
21	WR561683	8	BOLT M10-1.5 X 25MM G8.8 ZN HH	
22	WR562272	8	WASHER M12 LK ZN REG	
23	WR562327	34	BOLT M6-1.00X20MM G8.8 ZN HHD	
24	WR562797	8	NUT HEX M12 X 1.75	
25	6503451	2	SPACER	
26	6504880	1	SACK-BURLAP	
27	6531180	2	HOSE-02MP-02MPX-03R1	
28	6596632	1	FRAME-W/A,LH	
29	6596633	1	FRAME-W/A,RH	
30	6596640	1	SHIELD-DEFLECTOR,REAR,LH	
31	6596641	1	SHIELD-DEF,REAR,RH	
32	6596643	1	SHIELD-BRAKE,LH	
33	6596645	1	SHIELD-BRAKE,RH	
34	6597223	2	STEERING ASSY-ARM	SEE PAGE 4-8
35	6617579	4	BUSHING-RUBBER	
36	6617676	2	SHIELD-WHEEL	
37	6626875	4	APRON	
38	6626876	1	SHIELD-CROP,LH	
39	6626877	1	SHIELD-CROP,RH	
40	6626900	4	SPRING-APRON	
41	6626901	1	FRAME-W/A,LH	
42	6626902	1	FRAME-W/A,RH	
43	6627378	2	PIVOT-MACH	
44	6627436	1	BOX-PLYWOOD	
45	6627498	2	SPACER-SEAL	
46	6627499	2	SEAL-PIVOT	
47	6629556	1	INSTR-MTG,CROP DEFLECTORS	
48	6659910	2	CAP	
49	6670252	12	SEAL-BALL JOINT	
50	6801026	4	SPACER	
51	6804083	4	STOP-PLATE	
52	WR55665	90	CLAMP-COATED 1.0 ID X .62W	



ITEM	PART #	QTY	DESCRIPTION	COMMENT
1	WR55021	2	SCREW-CAP HEX 5/8 NC X	
2	WR55157	94	WASHER-FLAT,8MM ID,	
3	WR55158	12	WASHER-FLAT,10MM ID,	
4	WR55215	8	SCREW-HEX FLG.M10X1.5X25 CL8.8	
5	WR55271	94	NUT-LOCK,M6 X 1.0,PREV	
6	WR55272	8	NUT-LOCK,M10 X 1.5,PREV	
7	WR55299	2	CLAMP-HOSE,5 SST	
8	WR55301	10	NUT-FLANGE,M10 X 1.5.PREV	
9	WR55353	-	NUT-TOPLOCK, 3/8-16UNC G8	
10	WR55355	6	NUT-TOPLOCK,5/8-11UNC G8	
11	WR518304	8	BOLT M12-1.75X 35MM G8.8 ZN HH	
12	WR520866	60	BOLT-M6-1.0X25,CL8 8,ZN,HHD	
13	WR523069	2	BOLT-M10-1.5X30,C8 8,ZN,FLG	
14	WR550450	2	WASHER 0.62 LK ZN REG	
15	WR550477	4	NUT 0.62-11NC HEX ZN REG	
16	WR551015	4	WASHER 0.31 FL ZN REG TYPE-B	
17	WR552062	6	BOLT 0.62-11NCX 2.00 G5 ZN HHD	
18	WR552240	-	BOLT 0.37-16NCX 2.00 G5 ZN HHD	
19	WR555819	8	BOLT .37-16NCX 1.00G5 PLAIN HD	
20	WR559083	4	FITTING LUB 90D 0.125 NPTF	
21	WR561683	8	BOLT M10-1.5 X 25MM G8.8 ZN HH	
22	WR562272	8	WASHER M12 LK ZN REG	
23	WR562327	34	BOLT M6-1.00X20MM G8.8 ZN HHD	
24	WR562797	8	NUT HEX M12 X 1.75	
25	6503451	2	SPACER	
26	6504880	1	SACK-BURLAP	
27	6531180	2	HOSE-02MP-02MPX-03R1	
28	6596632	1	FRAME-W/A,LH	
29	6596633	1	FRAME-W/A,RH	
30	6596640	1	SHIELD-DEFLECTOR,REAR,LH	
31	6596641	1	SHIELD-DEF,REAR,RH	
32	6596643	1	SHIELD-BRAKE,LH	
33	6596645	1	SHIELD-BRAKE,RH	
34	6597223	2	STEERING ASSY-ARM	SEE PAGE 4-8
35	6617579	4	BUSHING-RUBBER	
36	6617676	2	SHIELD-WHEEL	
37	6626875	4	APRON	
38	6626876	1	SHIELD-CROP,LH	
39	6626877	1	SHIELD-CROP,RH	
40	6626900	4	SPRING-APRON	
41	6626901	1	FRAME-W/A,LH	
42	6626902	1	FRAME-W/A,RH	
43	6627378	2	PIVOT-MACH	
44	6627436	1	BOX-PLYWOOD	
45	6627498	2	SPACER-SEAL	
46	6627499	2	SEAL-PIVOT	
47	6629556	1	INSTR-MTG,CROP DEFLECTORS	
48	6659910	2	CAP	
49	6670252	12	SEAL-BALL JOINT	
50	6801026	4	SPACER	
51	6804083	4	STOP-PLATE	
52	WR55665	90	CLAMP-COATED 1.0 ID X .62W	



ITEM	PART #	QTY	DESCRIPTION	COMMENT
1	WR55021	2	SCREW-CAP HEX 5/8 NC X	
2	WR55157	94	WASHER-FLAT,8MM ID,	
3	WR55158	12	WASHER-FLAT,10MM ID,	
4	WR55215	8	SCREW-HEX FLG,M10X1.5X25 CL8.8	
5	WR55271	94	NUT-LOCK,M6 X 1.0,PREV	
6	WR55272	8	NUT-LOCK,M10 X 1.5,PREV	
7	WR55299	2	CLAMP-HOSE,5 SST	
8	WR55301	10	NUT-FLANGE,M10 X 1.5,PREV	
9	WR55353	-	NUT-TOPLOCK, 3/8-16UNC G8	
10	WR55355	6	NUT-TOPLOCK,5/8-11UNC G8	
11	WR518304	8	BOLT M12-1.75X 35MM G8.8 ZN HH	
12	WR520866	60	BOLT-M6-1.0X25,CL8.8,ZN,HHD	
13	WR523069	2	BOLT-M10-1.5X30,C8.8,ZN,FLG	
14	WR550450	2	WASHER 0.62 LK ZN REG	
15	WR550477	4	NUT 0.62-11NC HEX ZN REG	
16	WR551015	4	WASHER 0.31 FL ZN REG TYPE-B	
17	WR552062	6	BOLT 0.62-11NCX 2.00 G5 ZN HHD	
18	WR552240	-	BOLT 0.37-16NCX 2.00 G5 ZN HHD	
19	WR555819	8	BOLT .37-16NCX 1.00G5 PLAIN HD	
20	WR559083	4	FITTING LUB 90D 0.125 NPTF	
21	WR561683	8	BOLT M10-1.5 X 25MM G8.8 ZN HH	
22	WR562272	8	WASHER M12 LK ZN REG	
23	WR562327	34	BOLT M6-1.00X20MM G8.8 ZN HHD	
24	WR562797	8	NUT HEX M12 X 1.75	
25	6503451	2	SPACER	
26	6504880	1	SACK-BURLAP	
27	6531180	2	HOSE-02MP-02MPX-03R1	
28	6596632	1	FRAME-W/A,LH	
29	6596633	1	FRAME-W/A,RH	
30	6596640	1	SHIELD-DEFLECTOR,REAR,LH	
31	6596641	1	SHIELD-DEF,REAR,RH	
32	6596643	1	SHIELD-BRAKE,LH	
33	6596645	1	SHIELD-BRAKE,RH	
34	6597223	2	STEERING ASSY-ARM	SEE PAGE 4-8
35	6617579	4	BUSHING-RUBBER	
36	6617676	2	SHIELD-WHEEL	
37	6626875	4	APRON	
38	6626876	1	SHIELD-CROP,LH	
39	6626877	1	SHIELD-CROP,RH	
40	6626900	4	SPRING-APRON	
41	6626901	1	FRAME-W/A,LH	
42	6626902	1	FRAME-W/A,RH	
43	6627378	2	PIVOT-MACH	
44	6627436	1	BOX-PLYWOOD	
45	6627498	2	SPACER-SEAL	
46	6627499	2	SEAL-PIVOT	
47	6629556	1	INSTR-MTG,CROP DEFLECTORS	
48	6659910	2	CAP	
49	6670252	12	SEAL-BALL JOINT	
50	6801026	4	SPACER	
51	6804083	4	STOP-PLATE	
52	WR55665	90	CLAMP-COATED 1.0 ID X .62W	

NUMERIC INDEX

	2-11	504440D1	10-3	6535422	5-29
	5-13	504951D1	11-1	6535422	5-36
	5-14	505024D1	2-13	6535422	5-43
	5-15	505295D1	14-18	6535422	6-50
	5-16	505401D1	4-2	6536129	5-26
	5-17	505401D1	4-3	6536129	5-36
	5-18	505402D1	4-2	6536129	6-50
	5-19	505456D1	6-11	6537283	5-10
	5-20	5208547B	2-16	6537283	5-43
	5-21	6503451	17-5	6537283	5-45
	5-22	6504880	17-5	6537416	14-23
	5-48	6504880	3-9	6537416	3-10
	8-8	6505013	14-24	6538286	14-1
1023368	6-3	6505013	8-7	6538286	14-18
1312337	5-26	6507096	14-10	6538287	14-10
1312337	5-38	6507096	14-11	6538287	14-11
1447031M1	17-2	6507096	14-12	6538287	14-12
1447031M1	17-3	6507096	14-6	6538287	14-14
1545622	9-2	6507096	14-9	6538287	14-16
1545623	9-1	6510020	3-13	6538287	14-20
1657089	2-6	6510020	5-8	6538287	14-4
222-2281	11-1	6510020	5-9	6538287	14-6
2504534B	16-1	6511103	13-1	6538287	14-9
2504534B	16-2	6511103	13-2	6539697	8-4
3739149	2-6	6511103	13-7	6553411	13-2
377561X1	1-1	6511330	4-2	6553411	1-7
401022X1	4-2	6511330	4-3	6553411	5-49
401022X1	4-3	6511331	4-2	6553412	1-7
401023X1	4-2	6511331	4-3	6554274	1-4
401023X1	4-3	6512356	6-10	6555350	6-3
4274275M91	9-1	6512905	12-1	6557904	8-6
500749D1	11-1	6512954	6-1	6557929	1-11
501998D1	8-5	6513441	4-2	6559219	1-8
503475D1	14-14	6513441	4-3	6562126	1-8
503475D1	14-16	6515541	17-2	6562619	5-26
503886D1	1-11	6515541	17-3	6562619	5-27
503898D1	8-6	6515541	5-26	6562619	5-37
503899D1	8-6	6515541	5-40	6562758	8-7
503932D1	10-2	6517924	8-6	6564669	4-2
503932D1	10-3	6519178	3-13	6564669	4-3
504034D1	11-1	6519752	14-4	6564713	1-8
504035D1	11-1	6519925	4-2	6565114	1-4
504036D1	11-1	6519925	4-3	6565433	2-3
504037D1	11-1	6519926	4-2	6565947	2-8
504038D1	11-1	6519926	4-3	6565947	2-9
504039D1	11-1	6529638	11-1	6569461	2-7
504172D1	9-1	6530360	14-18	6577696	2-3
504173D1	9-2	6530360	14-20	6577696	5-10
504176D1	6-3	6530360	14-4	6577696	5-12
504177D1	6-3	6530360	2-8	6577696	5-26
504178D1	6-4	6530360	2-9	6577696	5-32
504179D1	6-4	6531180	17-5	6577696	5-36
504212D1	13-2	6533975	14-4	6577696	5-43
504431D1	10-1	6533975	5-26	6577696	5-45
504433D1	10-1	6533975	5-36	6577696	5-8
504434D1	10-1	6533975	6-50	6577696	5-9
504435D1	10-1	6533975	8-4	6577696	6-50
504436D1	10-4	6535422	5-10	6577697	5-26
504440D1	10-2	6535422	5-26	6577697	5-36

NUMERIC INDEX

6577697	5-7	6596640	17-5	6598849	2-16
6577697	6-50	6596641	17-5	6598908	13-2
6577754	3-10	6596643	17-5	6598908	5-49
6577754	3-11	6596645	17-5	6598937	2-6
6577754	9-1	6597025	5-27	6599744	6-9
6577822	1-7	6597025	5-5	6610264	3-9
6578209	5-26	6597026	5-27	6610265	8-1
6578209	5-42	6597026	5-5	6610341	17-4
6578870	5-10	6597190	14-11	6610341	8-1
6578870	5-26	6597190	14-9	6610342	17-4
6578870	5-29	6597223	17-5	6610342	8-1
6578870	5-36	6597317	6-3	6610348	17-4
6578870	5-43	6597481	1-1	6610348	8-1
6578870	6-50	6597550	9-1	6610653	13-13
6579858	8-5	6597553	9-1	6611576	13-31
6584225	14-10	6597569	2-1	6611577	13-31
6584225	14-11	6597735	13-2	6612233	11-1
6584225	14-6	6597781	13-11	6612234	11-1
6584225	14-9	6597781	13-12	6612940	16-1
6585301	6-10	6597791	5-7	6613050	14-10
6585347	6-10	6597793	2-2	6613050	14-11
6585975	8-7	6597793	4-7	6613050	14-12
6586251	1-7	6597860	3-13	6613050	14-14
6587032	5-10	6597861	3-13	6613050	14-16
6587032	5-43	6597868	3-13	6613050	14-6
6588293	3-10	6597879	5-26	6613050	14-7
6588293	3-11	6597879	5-37	6613050	14-8
6589193	5-26	6597894	1-4	6613050	14-9
6589193	5-39	6597894	5-26	6616209	13-13
6589675	6-3	6597932	8-6	6616767	13-13
6589675	7-3	6597933	8-6	6617401	8-5
6589739	11-1	6597934	8-2	6617472	2-8
6593359	2-6	6597934	8-3	6617472	2-9
6595112	6-3	6597935	8-2	6617492	13-1
6595116	6-3	6597935	8-3	6617492	13-6
6595398	4-3	6597936	8-2	6617492	13-7
6595399	3-7	6597936	8-3	6617494	13-1
6595400	3-8	6597939	8-2	6617494	13-7
6595454	3-6	6597939	8-3	6617495	13-1
6595455	3-5	6597940	8-2	6617495	13-7
6595456	4-2	6597940	8-3	6617496	13-1
6595684	13-2	6597941	8-6	6617498	13-1
6595786	1-3	6597943	8-6	6617498	13-6
6595786	13-1	6597944	8-6	6617498	13-7
6595786	13-6	6597945	8-6	6617523	2-18
6595786	13-7	6597946	8-7	6617524	6-1
6595786	1-5	6597947	8-6	6617537	8-9
6595825	13-1	6597948	8-2	6617579	14-10
6595825	13-7	6597949	8-2	6617579	14-11
6595862	13-6	6597950	8-2	6617579	14-12
6596121	13-2	6597954	11-1	6617579	14-6
6596450	9-2	6597955	11-1	6617579	14-9
6596453	9-2	6597956	11-1	6617579	17-5
6596456	9-1	6597957	11-1	6617582	14-10
6596494	8-5	6597958	11-1	6617582	14-11
6596526	9-1	6597990	8-6	6617582	14-12
6596527	9-1	6598445	2-16	6617582	14-6
6596632	17-5	6598452	2-16	6617582	14-9
6596633	17-5	6598455	2-16	6617585	14-4

NUMERIC INDEX

6617676	17-5	6620133	14-4	6626255	6-4
6617765	14-4	6620133	16-1	6626256	6-3
6617780	14-4	6620310	2-1	6626265	6-4
6617897	14-23	6620327	6-1	6626327	14-23
6617897	3-10	6620331	6-1	6626327	3-10
6618175	14-12	6620331	6-9	6626353	3-10
6618175	14-24	6620417	14-10	6626401	14-10
6618175	5-10	6620417	14-11	6626401	14-11
6618187	14-12	6620417	14-6	6626401	14-12
6618187	14-24	6620417	14-9	6626401	14-14
6618187	5-10	6620417	3-13	6626401	14-15
6618196	5-8	6620467	12-1	6626401	14-16
6618196	5-9	6620545	6-9	6626401	14-18
6618197	5-36	6620675	13-13	6626401	14-6
6618227	14-4	6623263	14-14	6626401	14-9
6618227	5-10	6623263	14-16	6626414	2-3
6618341	13-30	6623263	14-20	6626432	8-5
6618367	15-1	6623263	14-4	6626433	7-1
6618368	15-1	6624492	1-8	6626433	8-5
6618369	15-1	6624680	14-4	6626465	1-8
6618394	1-8	6624692	14-4	6626467	1-8
6618394	6-9	6625282	6-1	6626483	11-1
6618395	6-1	6625385	17-4	6626498	3-10
6618540	4-2	6625385	8-1	6626498	3-11
6618540	4-3	6626010	14-10	6626510	6-3
6618542	4-2	6626010	14-6	6626527	2-3
6618542	4-3	6626011	14-11	6626530	13-2
6618562	4-2	6626011	14-9	6626535	6-3
6618562	4-3	6626019	1-8	6626580	5-10
6618620	2-7	6626020	1-8	6626580	5-43
6618629	5-1	6626023	1-8	6626596	6-3
6618661	6-10	6626119	13-10	6626597	6-3
6618664	6-10	6626119	13-19	6626598	6-3
6618668	6-10	6626119	13-2	6626606	5-26
6618669	6-10	6626119	13-3	6626606	5-40
6618682	1-8	6626119	13-8	6626610	6-3
6618698	5-6	6626119	14-10	6626623	3-10
6618712	6-6	6626119	14-11	6626631	13-2
6618712	6-7	6626119	14-4	6626634	13-2
6618733	6-9	6626119	14-6	6626638	13-2
6618833	14-22	6626119	14-9	6626644	13-2
6618833	14-3	6626119	5-12	6626650	5-26
6618835	14-3	6626121	13-1	6626650	5-40
6618836	14-1	6626121	13-6	6626654	1-7
6618836	14-17	6626121	13-7	6626661	14-22
6618836	14-19	6626122	13-1	6626661	14-3
6618836	14-22	6626122	13-6	6626663	14-22
6618836	14-3	6626122	13-7	6626663	14-3
6618836	14-4	6626146	1-3	6626686	11-1
6618836	5-7	6626165	4-2	6626690	14-6
6618840	14-4	6626165	4-3	6626690	14-9
6618841	14-4	6626198	14-10	6626691	14-10
6618845	2-8	6626198	14-11	6626691	14-11
6618845	2-9	6626198	14-6	6626691	14-6
6618959	8-5	6626198	14-9	6626691	14-9
6618961	6-10	6626213	4-2	6626692	14-10
6619981	8-1	6626213	4-3	6626692	14-11
6620015	11-1	6626216	6-3	6626692	14-6
6620133	14-21	6626218	2-7	6626692	14-9

NUMERIC INDEX

6626697	5-26	6627024	8-6	6630207	3-13
6626697	5-36	6627025	8-6	6630399	1-8
6626697	6-50	6627046	15-1	6630575	1-8
6626766	6-3	6627047	15-1	6630585	8-7
6626767	6-3	6627054	6-1	6630820	7-2
6626768	6-3	6627054	6-9	6630910	12-1
6626769	6-3	6627209	8-7	6630910	17-4
6626770	6-3	6627211	8-7	6630910	8-1
6626771	6-3	6627212	8-7	6630914	13-6
6626772	6-3	6627213	8-7	6630914	13-7
6626773	6-3	6627230	1-3	6630914	17-4
6626774	6-3	6627290	3-9	6630914	8-1
6626775	6-3	6627290	4-1	6630915	8-1
6626776	6-3	6627316	4-2	6631481	17-4
6626777	6-3	6627316	4-3	6631481	8-1
6626778	6-3	6627345	4-8	6631491	17-4
6626780	6-3	6627378	17-5	6631491	8-1
6626781	6-3	6627405	2-3	6631580	13-21
6626782	6-3	6627406	2-3	6631675	16-2
6626783	6-3	6627414	3-13	6631678	16-1
6626787	11-1	6627436	17-5	6631680	16-1
6626810	14-22	6627458	3-13	6631683	16-2
6626810	14-3	6627461	5-8	6631684	16-2
6626814	6-3	6627461	5-9	6632180	8-6
6626817	11-1	6627470	3-13	6632184	13-10
6626826	3-13	6627498	17-5	6632184	13-19
6626840	6-3	6627499	17-5	6632184	13-3
6626860	3-13	6627528	6-3	6632184	13-8
6626861	3-13	6627540	3-4	6632417	1-12
6626862	3-13	6627548	5-8	6632418	1-12
6626869	3-13	6627548	5-9	6632419	1-12
6626875	17-5	6627596	1-8	6632420	1-12
6626876	17-5	6627634	5-26	6632421	1-12
6626877	17-5	6627634	5-36	6632428	1-12
6626900	17-5	6627634	6-50	6632429	1-12
6626901	17-5	6627679	3-4	6632430	1-12
6626902	17-5	6627680	3-4	6632432	1-12
6626907	17-1	6627799	1-11	6632433	1-12
6626908	11-1	6627860	3-10	6632434	1-12
6626920	17-1	6627860	3-11	6632436	1-12
6626921	3-13	6627886	6-3	6632441	1-12
6626922	17-1	6627918	1-1	6632468	5-6
6626924	2-8	6627988	6-3	6632476	16-2
6626924	2-9	6628003	6-1	6632477	16-2
6626929	14-4	6628132	6-10	6632478	16-2
6626941	3-9	6628163	5-26	6632486	16-2
6626941	4-1	6628163	5-36	6632492	16-1
6626942	3-9	6628163	6-50	6632500	16-2
6626942	4-1	6628203	1-11	6632502	16-1
6626943	3-9	6628352	6-3	6632584	7-4
6626943	4-1	6628372	8-5	6633096	2-16
6626948	3-9	6628550	11-1	6633446	14-10
6626948	4-1	6629513	6-7	6633446	14-11
6626950	3-9	6629550	3-9	6633446	14-12
6626950	4-1	6629556	17-5	6633446	14-6
6626991	14-3	6629575	6-8	6633446	14-9
6627005	6-3	6630034	17-1	6633635	16-2
6627019	11-1	6630140	6-3	6633636	16-2
6627020	11-1	6630140	8-6	6633637	13-11

NUMERIC INDEX

6633637	13-12	6652521	5-36	6656492	2-8
6633637	13-17	6652521	5-43	6656492	2-9
6633637	13-18	6652521	5-45	6656492	4-2
6634143	2-16	6652521	5-7	6656492	4-3
6634145	2-16	6652521	5-8	6658256	4-2
6634581	2-16	6652521	5-9	6658256	4-3
6634583	2-16	6652521	6-50	6658264	2-16
6634586	2-16	6652922	15-1	6658265	2-16
6634589	2-16	6652943	2-6	6658752	2-8
6634761	2-8	6653332	8-2	6658752	2-9
6634761	2-9	6653332	8-3	6658958	1-7
6641062	7-1	6653332	8-6	6658958	5-49
6641062	7-4	6653399	6-6	6658967	7-2
6641072	7-4	6653401	6-7	6659288	16-1
6641073	7-4	6653402	6-7	6659546	16-2
6643375	6-10	6653403	6-7	6659547	16-2
6644960	8-6	6653404	6-7	6659548	16-2
6645812	2-6	6653407	6-7	6659549	16-2
6646380	6-10	6653408	6-7	6659550	16-2
6646598	9-1	6653410	6-7	6659551	16-2
6647810	8-9	6653412	6-7	6659609	13-11
6647887	8-2	6653414	6-7	6659609	13-12
6647887	8-3	6653415	6-7	6659821	6-7
6647887	8-6	6653416	6-7	6659822	6-7
6648354	6-3	6653417	6-7	6659823	6-7
6648413	6-3	6653418	6-7	6659824	6-7
6648414	6-3	6653419	6-7	6659829	6-7
6648417	6-3	6653420	6-7	6659830	6-7
6648421	6-3	6653763	1-4	6659831	6-7
6648422	6-3	6654147	6-3	6659832	6-7
6648451	13-2	6654154	6-3	6659833	6-7
6648467	7-4	6654195	7-4	6659834	6-7
6648468	7-4	6654785	6-3	6659835	6-7
6648475	7-2	6654792	7-1	6659910	14-10
6648975	2-16	6655593	16-2	6659910	14-11
6648976	2-16	6655594	16-2	6659910	14-4
6649040	3-10	6655595	16-2	6659910	14-6
6649040	3-11	6655596	16-2	6659910	14-9
6649040	9-1	6655597	16-2	6659910	17-5
6649520	13-11	6655598	16-2	6659911	8-6
6649520	13-12	6655599	16-2	6660071	13-12
6649520	13-17	6655600	16-2	6660071	13-18
6649520	13-18	6655601	16-2	6660072	13-11
6649521	13-11	6655602	16-2	6660072	13-17
6649521	13-12	6655603	16-2	6660204	8-5
6649533	2-18	6655781	1-1	6660342	6-7
6649534	2-18	6656009	14-22	6660351	14-10
6649633	13-21	6656009	14-3	6660351	14-11
6649634	13-21	6656067	5-27	6660351	14-6
6649635	13-21	6656069	5-27	6660351	14-9
6649706	3-3	6656070	5-27	6660351	5-12
6649706	3-4	6656155	1-11	6660378	16-1
6651305	13-21	6656155	7-1	6660391	16-1
6652405	6-7	6656217	1-10	6660393	16-1
6652521	2-3	6656217	1-11	6660394	16-1
6652521	5-10	6656234	1-10	6660396	16-6
6652521	5-12	6656234	1-11	6660397	16-6
6652521	5-26	6656237	1-10	6660409	16-1
6652521	5-32	6656237	1-11	6660422	1-10

NUMERIC INDEX

6660422	1-11	6661525	6-7	6661862	2-13
6660423	1-10	6661527	6-7	6661864	2-13
6660423	1-11	6661528	6-7	6661865	2-13
6660425	1-10	6661532	6-7	6661866	2-13
6660425	1-11	6661533	6-7	6661867	2-13
6660426	1-10	6661534	6-7	6661868	2-13
6660426	1-11	6661535	6-7	6661869	2-13
6660427	1-10	6661537	6-7	6661870	2-13
6660427	1-11	6661538	6-7	6661872	2-13
6660430	1-10	6661539	6-7	6661873	2-13
6660430	1-11	6661540	6-7	6661874	2-13
6660432	1-10	6661543	6-7	6661875	2-13
6660432	1-11	6661548	6-7	6661876	2-13
6660459	5-1	6661549	6-7	6661877	2-13
6660492	16-1	6661551	6-7	6661878	2-13
6660492	16-2	6661552	6-7	6661879	2-13
6660569	3-13	6661553	6-7	6661880	2-13
6660573	16-8	6661554	6-7	6661881	2-13
6660574	16-8	6661558	6-7	6661884	2-13
6660575	16-8	6661559	6-7	6661885	2-13
6660576	16-8	6661560	6-7	6661886	2-13
6660579	16-2	6661563	6-7	6661887	2-13
6660656	7-4	6661564	6-7	6661888	2-13
6660658	7-4	6661567	6-3	6661889	2-13
6660768	1-11	6661632	9-1	6661890	2-13
6660822	7-1	6661674	6-10	6661891	2-13
6660822	7-2	6661746	6-3	6661892	2-13
6660822	7-3	6661747	6-3	6661893	2-13
6660823	1-11	6661785	1-1	6661894	2-13
6660827	2-2	6661787	1-1	6661895	2-13
6660827	4-7	6661800	14-6	6661896	2-13
6660863	1-3	6661800	14-9	6661897	2-13
6660899	13-1	6661801	6-3	6661898	2-13
6660899	13-2	6661803	2-3	6661899	2-13
6660899	13-6	6661811	6-3	6661900	2-13
6660899	13-7	6661825	6-7	6661901	2-13
6660995	1-1	6661838	3-12	6661902	2-13
6661111	2-3	6661840	2-13	6661903	2-13
6661125	13-13	6661841	2-13	6661904	2-13
6661126	13-13	6661842	2-13	6661905	2-13
6661127	13-13	6661843	2-13	6661906	2-13
6661194	9-1	6661844	2-13	6661907	2-13
6661206	1-7	6661845	2-13	6661908	2-13
6661206	5-49	6661846	2-13	6661909	2-13
6661222	13-2	6661847	2-13	6661910	2-13
6661223	2-18	6661848	2-13	6661911	2-13
6661250	8-6	6661849	2-13	6661912	2-13
6661252	8-6	6661850	2-13	6661913	2-13
6661253	8-2	6661851	2-13	6661914	2-13
6661253	8-3	6661852	2-13	6661915	2-13
6661253	8-6	6661853	2-13	6661916	2-13
6661254	8-6	6661854	2-13	6661917	2-13
6661371	8-6	6661855	2-13	6661918	2-13
6661411	2-1	6661856	2-13	6661919	2-13
6661516	8-6	6661857	2-13	6661920	2-13
6661520	6-7	6661858	2-13	6661921	2-13
6661521	6-7	6661859	2-13	6661922	2-13
6661523	6-7	6661860	2-13	6661923	2-13
6661524	6-7	6661861	2-13	6661924	2-13

NUMERIC INDEX

6661925	2-13	6662655	7-1	6664598	14-11
6661926	2-13	6662655	7-2	6664598	14-12
6661927	2-13	6662666	7-2	6664598	14-14
6661928	2-13	6662669	7-2	6664598	14-16
6661929	2-13	6662674	7-3	6664598	14-6
6661930	2-13	6662675	7-3	6664598	14-9
6661931	2-13	6662676	7-3	6664825	3-13
6661932	2-13	6662679	7-1	6664973	5-26
6661933	2-13	6662680	7-3	6664973	5-37
6661934	2-13	6662682	7-1	6664999	1-11
6661935	2-13	6662686	7-1	6665007	2-7
6661936	2-13	6662687	7-1	6665099	1-8
6661937	2-13	6662688	7-1	6665340	2-13
6661938	2-13	6662689	7-1	6665477	3-12
6661939	2-13	6662690	7-1	6665543	7-2
6661940	2-13	6662691	2-8	6665544	7-2
6661941	2-13	6662691	2-9	6665560	7-2
6661942	2-13	6662701	15-1	6665632	2-4
6661944	2-13	6662702	15-1	6665632	2-5
6661946	2-13	6662703	15-1	6665649	10-4
6661947	2-13	6662771	13-13	6665654	1-11
6661948	2-13	6662772	13-13	6665654	1-9
6661949	2-13	6662773	13-13	6665754	2-16
6661950	2-13	6662802	8-6	6665873	13-1
6661951	2-13	6662804	2-16	6665873	13-6
6661952	2-13	6662807	2-16	6665873	13-7
6661953	2-13	6662808	2-16	6665908	2-13
6661954	2-13	6662810	2-16	6665919	13-11
6661955	2-13	6662811	2-16	6665919	13-12
6661956	2-13	6662813	2-16	6666294	16-1
6661957	2-13	6662814	2-16	6666300	16-2
6661958	2-13	6662815	2-16	6666305	15-1
6661959	2-13	6662816	2-16	6666544	4-2
6661960	2-13	6662817	2-16	6666544	4-3
6661961	2-13	6662818	2-16	6666621	1-12
6661963	2-13	6662819	2-16	6666622	1-12
6661964	2-13	6662821	2-16	6666628	1-12
6661965	2-13	6662831	6-3	6666629	1-12
6661966	2-13	6662881	5-4	6666630	1-12
6661967	2-13	6662924	5-31	6666631	1-12
6661972	2-13	6662960	17-1	6666632	1-12
6661975	2-13	6662997	1-1	6666633	1-12
6661976	2-13	6663952	8-7	6666634	1-12
6661982	2-13	6663955	6-3	6666635	1-12
6662001	13-33	6664194	16-1	6666636	1-12
6662016	2-18	6664195	16-1	6666637	1-12
6662017	2-18	6664210	2-13	6666641	2-7
6662018	2-18	6664223	8-6	6666677	8-6
6662055	8-6	6664224	8-6	6666844	13-15
6662055	8-7	6664266	8-10	6666845	13-15
6662097	2-11	6664332	5-26	6666846	13-15
6662097	2-17	6664332	5-40	6666847	13-15
6662294	15-1	6664353	2-11	6666848	13-15
6662295	15-1	6664353	2-15	6666849	13-15
6662297	15-1	6664353	2-17	6666849	13-33
6662437	1-12	6664368	8-6	6666907	2-14
6662634	17-1	6664372	8-5	6666908	2-14
6662646	7-2	6664438	8-6	6666909	2-14
6662648	7-2	6664598	14-10	6667188	13-2

NUMERIC INDEX

6667296	9-1	6669744	2-6	6672169	2-16
6667327	4-2	6670119	2-3	6672170	2-16
6667327	4-3	6670124	13-1	6672201	1-8
6667559	7-4	6670124	13-6	6672267	8-6
6667717	13-15	6670124	13-7	6672325	1-7
6667718	8-5	6670147	5-26	6672325	5-49
6667800	13-33	6670147	5-36	6672337	2-1
6667933	8-6	6670147	6-50	6672457	12-1
6668102	1-10	6670210	5-26	6672465	6-7
6668102	1-11	6670210	5-41	6672485	12-1
6668103	1-10	6670252	17-5	6672499	8-6
6668103	1-11	6670277	12-1	6672502	8-6
6668121	1-8	6670290	12-1	6672512	2-11
6668122	6-10	6670312	8-5	6672512	2-17
6668132	2-1	6670539	6-8	6672641	2-4
6668692	8-4	6670540	6-8	6672642	2-5
6668729	7-1	6670541	6-8	6672643	2-4
6668788	1-11	6670542	6-8	6672643	2-5
6668810	13-2	6670543	6-8	6672644	2-4
6668952	7-2	6670544	6-8	6672644	2-5
6668991	7-2	6670545	6-8	6672645	2-4
6668992	7-2	6670546	6-8	6672645	2-5
6668997	7-2	6670547	6-8	6672646	2-4
6668998	7-2	6670548	6-8	6672646	2-5
6669171	16-6	6670549	6-8	6672647	2-4
6669227	6-7	6670550	6-8	6672647	2-5
6669228	6-7	6670551	6-8	6672648	2-4
6669229	6-7	6670552	6-8	6672648	2-5
6669323	3-10	6670553	6-8	6672649	2-4
6669323	3-11	6670628	2-3	6672649	2-5
6669344	7-2	6670680	13-13	6672650	2-4
6669350	1-12	6670682	1-2	6672650	2-5
6669354	1-12	6670718	3-12	6672651	2-4
6669359	1-12	6670719	3-12	6672651	2-5
6669360	1-12	6670720	3-12	6672654	2-4
6669365	1-12	6670750	13-14	6672654	2-5
6669372	1-12	6670751	2-3	6672655	2-4
6669380	8-6	6671116	1-12	6672655	2-5
6669544	6-8	6671117	1-12	6672656	2-4
6669627	6-1	6671121	1-12	6672656	2-5
6669628	5-26	6671122	1-12	6672657	2-4
6669628	5-39	6671124	1-12	6672657	2-5
6669666	6-3	6671128	1-12	6672658	2-4
6669671	5-26	6671129	1-12	6672658	2-5
6669671	5-36	6671142	16-3	6672659	2-4
6669671	6-50	6671502	6-2	6672659	2-5
6669695	3-12	6671503	6-2	6672660	2-4
6669696	3-12	6671504	6-2	6672660	2-5
6669697	3-12	6671505	6-2	6672661	2-4
6669698	3-12	6671620	1-3	6672661	2-5
6669699	3-12	6671624	8-5	6672662	2-4
6669700	3-12	6671702	13-33	6672662	2-5
6669702	3-12	6671703	13-33	6672663	2-4
6669703	3-12	6671704	13-33	6672663	2-5
6669707	3-12	6671706	17-3	6672664	2-4
6669712	4-8	6671706	6-3	6672664	2-5
6669713	2-6	6671715	7-2	6672665	2-4
6669725	7-2	6671973	1-12	6672665	2-5
6669726	7-2	6672044	8-5	6672666	2-4

NUMERIC INDEX

6672666	2-5	6800408	8-4	6801192	4-3
6672667	2-4	6800419	6-1	6801193	4-3
6672667	2-5	6800419	6-9	6801208	2-8
6672668	2-4	6800429	8-4	6801208	2-9
6672668	2-5	6800690	8-6	6801235	12-1
6672669	2-4	6800691	8-6	6801236	1-7
6672669	2-5	6800710	4-2	6801236	5-49
6672670	2-4	6800710	4-3	6801239	6-10
6672670	2-5	6800713	2-6	6801240	1-7
6672671	2-4	6800714	2-6	6801342	5-26
6672671	2-5	6800715	2-6	6801342	5-36
6672672	2-4	6800716	2-6	6801342	6-50
6672672	2-5	6800717	2-6	6801418	11-1
6672969	8-8	6800718	2-3	6801418	6-8
6672970	8-8	6800721	2-3	6801473	3-12
6672971	8-8	6800726	6-1	6801494	5-10
6672972	8-8	6800749	3-10	6801494	5-43
6672973	8-8	6800749	3-11	6801494	5-45
6672974	8-8	6800795	1-1	6801495	5-10
6672975	8-8	6800800	6-3	6801495	5-43
6672998	2-16	6800927	5-26	6801521	3-10
6673122	8-6	6800927	5-36	6801521	3-11
6673303	2-12	6800927	6-50	6801522	17-1
6673306	2-12	6800928	5-26	6801571	3-10
6673315	8-6	6800928	5-36	6801571	3-11
6700024	5-10	6800928	6-50	6801631	1-1
6700024	5-43	6800930	5-26	6801632	1-4
6700722	1-1	6800930	5-36	6801636	5-6
6702079	5-7	6800930	6-50	6801637	2-3
6703506	1-2	6800965	13-2	6801663	6-3
6703507	1-1	6800968	13-2	6801683	5-36
6704443	1-1	6800987	6-3	6801728	2-3
6704444	1-1	6800988	6-3	6801732	8-4
6704820	1-1	6800989	6-3	6801744	5-26
6705164	7-2	6800991	6-3	6801744	5-36
6706043	1-1	6801006	6-1	6801744	6-50
6709170	4-2	6801007	5-26	6801751	5-26
6709170	4-3	6801007	5-36	6801751	5-36
6715715	5-26	6801007	6-50	6801751	6-50
6715715	5-40	6801008	5-26	6801752	5-26
6800103	3-13	6801008	5-36	6801752	5-36
6800141	1-11	6801008	6-50	6801752	6-50
6800142	6-1	6801009	5-26	6801772	13-14
6800147	6-1	6801009	5-36	6801779	6-3
6800148	6-1	6801009	6-50	6801786	5-26
6800215	1-11	6801010	5-26	6801786	5-36
6800216	2-3	6801010	5-36	6801786	6-50
6800216	6-9	6801010	6-50	6801821	13-2
6800304	1-4	6801011	2-3	6801822	13-2
6800357	5-26	6801026	17-5	6801823	3-10
6800357	5-36	6801034	6-3	6801823	3-11
6800357	6-50	6801063	3-13	6801824	3-10
6800367	14-12	6801064	2-1	6801824	3-11
6800367	14-13	6801065	2-1	6801825	3-10
6800367	14-24	6801069	3-13	6801825	3-11
6800398	2-8	6801085	3-13	6801826	3-10
6800398	2-9	6801143	1-11	6801826	3-11
6800406	8-4	6801189	4-2	6801829	3-10
6800407	8-4	6801190	4-2	6801829	3-11

NUMERIC INDEX

6801830	1-7	6802711	5-10	6804863	8-6
6801836	13-2	6802717	14-11	6804874	8-6
6801843	5-26	6802717	14-12	6804905	5-49
6801843	5-36	6802717	14-9	6805178	2-8
6801843	6-50	6802718	14-10	6805214	2-9
6801844	5-26	6802718	14-12	7000001	5-6
6801844	5-36	6802718	14-6	7000003	7-2
6801844	6-50	6802726	2-8	7000014	2-13
6801849	3-10	6802726	2-9	7000014	8-5
6801849	3-11	6802750	2-1	71379132	11-1
6801850	3-10	6802789	14-4	71389158	11-1
6801850	3-11	6802790	14-4	72162717	5-13
6801910	6-3	6802800	5-26	72162717	5-14
6801931	5-8	6802800	5-36	72162717	5-18
6801931	5-9	6802800	5-7	72162717	5-19
6801933	5-8	6802800	6-50	72162717	5-20
6801933	5-9	6802806	2-1	72162717	5-48
6801935	5-26	6802808	9-1	72528122	11-1
6801935	5-36	6803132	8-5	7J002104B	2-18
6801935	6-50	6803133	8-6	FOOTNOTE [A]	1-1
6801936	5-26	6803243	13-2	FOOTNOTE [A]	1-12
6801936	5-36	6803316	3-12	FOOTNOTE [A]	13-13
6801936	6-50	6803317	3-12	FOOTNOTE [A]	13-14
6801992	13-2	6803540	4-4	FOOTNOTE [A]	13-21
6801993	3-13	6803541	2-8	FOOTNOTE [A]	1-5
6801994	3-13	6803541	2-9	FOOTNOTE [A]	2-14
6802006	2-7	6803542	2-8	FOOTNOTE [A]	2-16
6802016	2-7	6803542	2-9	FOOTNOTE [A]	2-4
6802082	11-1	6803572	2-8	FOOTNOTE [A]	2-5
6802195	4-2	6803572	2-9	FOOTNOTE [A]	5-27
6802195	4-3	6803582	5-26	FOOTNOTE [A]	6-2
6802196	4-2	6803582	5-36	FOOTNOTE [A]	6-8
6802196	4-3	6803582	6-50	FOOTNOTE [A]	8-8
6802201	4-2	6803586	8-6	WR000767	13-2
6802201	4-3	6803701	14-5	WR000769	13-2
6802250	14-4	6803702	3-10	WR000829	13-14
6802302	2-3	6803703	3-10	WR001344	17-4
6802428	13-2	6803710	9-1	WR001344	8-1
6802429	13-2	6803756	6-3	WR009979	13-20
6802433	13-2	6803757	6-3	WR009979	13-4
6802434	13-2	6803761	13-2	WR009979	13-9
6802435	13-2	6803787	4-2	WR010220	14-14
6802436	13-2	6803787	4-3	WR010220	14-15
6802445	8-6	6803788	4-2	WR010220	14-16
6802446	8-2	6803788	4-3	WR010359	13-2
6802446	8-3	6803869	14-4	WR027273	13-28
6802447	8-2	6803920	8-7	WR027273	14-25
6802447	8-3	6803938	4-2	WR027273	14-26
6802465	5-26	6803938	4-3	WR027273	14-27
6802465	5-36	6803939	4-2	WR027273	14-28
6802465	6-50	6803939	4-3	WR027273	14-32
6802470	11-1	6804059	11-1	WR027273	14-34
6802477	11-1	6804076	14-4	WR027273	14-35
6802537	5-26	6804083	17-5	WR027274	13-28
6802537	5-36	6804165	11-1	WR027274	14-25
6802537	6-50	6804303	14-3	WR027274	14-26
6802626	6-9	6804552	12-1	WR027274	14-27
6802711	14-24	6804681	12-1	WR027274	14-28
6802711	14-4	6804850	8-6	WR027274	14-32

NUMERIC INDEX

WR027274	14-34	WR051437	13-30	WR10896	14-9
WR027274	14-35	WR051442	13-25	WR109953	14-23
WR027275	13-28	WR051536	13-23	WR11497	1-8
WR027275	14-23	WR051536	13-24	WR11514	8-5
WR027275	14-26	WR051536	13-25	WR11522	2-8
WR027275	14-27	WR051536	13-26	WR11522	2-9
WR027275	14-29	WR051536	13-27	WR11536	4-2
WR027275	14-30	WR051926	13-2	WR11536	4-3
WR027275	14-31	WR052116	13-30	WR11536	4-8
WR027275	14-33	WR052342	13-30	WR11543	14-1
WR027275	14-35	WR052373	13-30	WR11543	14-10
WR029090	14-14	WR053041	13-2	WR11543	14-11
WR029090	14-16	WR053056	13-30	WR11543	14-18
WR029161	14-10	WR055191	17-4	WR11543	14-6
WR029161	14-11	WR055191	8-1	WR11543	14-9
WR029295	6-9	WR056289	13-34	WR11546	14-12
WR029298	1-3	WR056290	13-20	WR11557	14-1
WR029298	14-20	WR056290	13-4	WR11853	8-6
WR029298	14-22	WR056290	13-9	WR120510	4-2
WR029298	14-3	WR056785	13-20	WR120510	4-3
WR029298	14-4	WR056785	13-34	WR120567	14-10
WR050255	13-2	WR056785	13-4	WR120567	14-11
WR050268	13-2	WR056785	13-9	WR120657	2-8
WR050274	13-2	WR061235	5-13	WR120657	2-9
WR050689	13-2	WR061235	5-14	WR120749	6-3
WR050692	13-14	WR061235	5-18	WR120882	1-1
WR051059	13-23	WR061235	5-19	WR121026	3-10
WR051059	13-24	WR061235	5-20	WR121026	3-11
WR051059	13-25	WR061235	5-48	WR121071	2-16
WR051059	13-26	WR10193	2-1	WR121164	1-3
WR051059	13-27	WR10193	2-16	WR121483	5-4
WR051127	13-23	WR10193	2-7	WR121484	5-31
WR051127	13-27	WR10193	2-8	WR121484	5-4
WR051128	13-30	WR10193	2-9	WR121485	5-31
WR051137	13-4	WR10193	3-12	WR121485	5-4
WR051137	13-9	WR10254	5-26	WR121502	1-4
WR051138	17-4	WR10254	5-37	WR121506	1-4
WR051141	13-6	WR10337	1-8	WR121510	1-5
WR051142	13-2	WR10337	6-1	WR121514	1-5
WR051142	13-7	WR10339	14-10	WR121581	14-4
WR051145	13-25	WR10339	14-11	WR121621	14-5
WR051151	13-2	WR10339	14-12	WR121622	14-4
WR051153	13-23	WR10339	14-6	WR121637	2-7
WR051153	13-24	WR10339	14-9	WR121641	2-7
WR051153	13-25	WR10339	6-9	WR121642	2-8
WR051153	13-26	WR10416	12-1	WR121651	2-7
WR051153	13-27	WR10852	17-4	WR121652	2-9
WR051157	13-30	WR10852	8-1	WR121658	2-8
WR051158	13-30	WR10853	7-1	WR121658	2-9
WR051159	13-30	WR10854	16-1	WR121659	2-8
WR051162	13-30	WR10856	16-1	WR121659	2-9
WR051165	13-30	WR10857	13-2	WR121660	2-8
WR051169	17-4	WR10857	1-4	WR121660	2-9
WR051174	13-2	WR10859	1-5	WR121664	2-8
WR051182	13-30	WR10861	1-5	WR121664	2-9
WR051183	13-10	WR10896	14-10	WR121665	2-8
WR051183	13-19	WR10896	14-11	WR121665	2-9
WR051183	13-3	WR10896	14-12	WR121667	2-8
WR051183	13-8	WR10896	14-6	WR121667	2-9

NUMERIC INDEX

WR121668	2-8	WR122830	5-26	WR125351	1-4
WR121668	2-9	WR122830	5-36	WR125352	1-4
WR121880	1-5	WR122830	5-7	WR125353	1-4
WR122305	8-5	WR122830	6-50	WR125354	1-4
WR122322	14-10	WR122985	5-7	WR125372	5-8
WR122322	14-11	WR123081	6-9	WR125372	5-9
WR122322	14-6	WR123083	6-9	WR125404	1-4
WR122322	14-9	WR123116	13-19	WR125408	1-4
WR122403	5-8	WR123121	5-26	WR125427	9-2
WR122407	5-9	WR123121	5-38	WR125448	1-7
WR122408	5-9	WR123761	8-4	WR125473	9-1
WR122409	5-12	WR124049	1-4	WR125474	9-1
WR122414	5-8	WR124126	1-5	WR125615	14-15
WR122415	5-10	WR124127	1-5	WR125694	4-2
WR122415	5-43	WR124170	1-5	WR125694	4-3
WR122423	5-7	WR124224	1-5	WR126237	1-8
WR122424	14-22	WR124314	1-5	WR126319	8-5
WR122424	5-36	WR124315	1-5	WR126431	8-5
WR122431	5-21	WR124362	14-15	WR126432	8-5
WR122432	5-15	WR124381	1-5	WR126463	8-5
WR122432	5-16	WR124390	5-26	WR126478	8-4
WR122432	5-17	WR124390	5-36	WR126479	8-4
WR122433	5-13	WR124390	6-50	WR126491	14-15
WR122433	5-14	WR124408	14-15	WR126491	14-18
WR122433	5-18	WR124422	14-15	WR126504	14-22
WR122433	5-19	WR124425	14-14	WR126509	8-5
WR122433	5-20	WR124425	14-16	WR126532	8-5
WR122433	5-48	WR124426	14-14	WR126546	8-5
WR122500	13-22	WR124426	14-16	WR126547	8-5
WR122516	13-22	WR124427	14-14	WR127063	14-23
WR122517	13-22	WR124427	14-16	WR127069	14-23
WR122519	13-22	WR124500	14-15	WR127095	13-22
WR122520	13-22	WR124539	14-15	WR127097	13-22
WR122553	14-10	WR124563	1-4	WR127156	8-5
WR122553	14-11	WR124564	1-4	WR127270	14-21
WR122553	14-12	WR124776	5-32	WR127271	1-6
WR122553	14-14	WR124890	4-5	WR127271	17-3
WR122553	14-16	WR124890	4-6	WR127272	1-6
WR122571	13-22	WR124891	4-5	WR127272	17-3
WR122572	2-8	WR124891	4-6	WR127281	16-9
WR122572	2-9	WR124892	4-5	WR127297	8-5
WR122578	13-13	WR124893	4-6	WR127350	1-9
WR122586	13-13	WR124898	4-5	WR127351	1-9
WR122590	13-13	WR124898	4-6	WR127352	1-9
WR122610	13-22	WR124932	5-22	WR127353	1-9
WR122617	13-16	WR124934	1-4	WR127354	1-9
WR122617	13-5	WR124935	1-4	WR127355	1-9
WR122618	13-16	WR124984	1-11	WR127356	1-9
WR122618	13-5	WR124986	1-4	WR127357	1-9
WR122619	13-16	WR125095	14-18	WR127358	1-9
WR122619	13-5	WR125099	14-18	WR127359	1-9
WR122620	13-16	WR125244	14-17	WR127361	1-9
WR122620	13-5	WR125306	14-15	WR127363	1-9
WR122639	1-8	WR125307	14-14	WR127364	1-9
WR122642	5-30	WR125307	14-16	WR127365	1-9
WR122642	5-35	WR125308	14-13	WR127366	1-9
WR122642	5-44	WR125309	14-13	WR127367	1-9
WR122643	5-42	WR125311	14-14	WR127368	1-9
WR122800	2-7	WR125311	14-16	WR127369	1-9

NUMERIC INDEX

WR127370	1-9	WR128212	14-18	WR129807	8-6
WR127371	1-9	WR128367	7-2	WR129893	5-25
WR127372	1-9	WR128405	5-4	WR129894	5-25
WR127373	1-9	WR128497	7-1	WR129978	11-1
WR127374	1-9	WR128498	7-1	WR130544	14-15
WR127375	1-9	WR128544	14-14	WR13089	4-2
WR127376	1-9	WR128544	14-16	WR13089	4-3
WR127377	1-9	WR128547	1-4	WR131457	2-11
WR127378	1-9	WR128555	2-13	WR131553	5-21
WR127379	1-9	WR128711	13-34	WR131555	5-13
WR127380	1-9	WR128715	1-9	WR131555	5-15
WR127381	1-9	WR128732	14-19	WR131555	5-16
WR127382	1-9	WR128811	14-20	WR131555	5-17
WR127383	1-9	WR128835	14-14	WR131555	5-18
WR127384	1-9	WR128835	14-16	WR131555	5-19
WR127385	1-9	WR128841	1-4	WR131555	5-20
WR127387	1-9	WR128845	14-22	WR131555	5-22
WR127388	1-9	WR128871	5-32	WR131555	5-48
WR127389	1-9	WR128882	13-2	WR131556	5-18
WR127390	1-9	WR129084	13-22	WR131556	5-48
WR127391	1-9	WR129085	13-22	WR131558	5-14
WR127392	1-9	WR129086	13-22	WR131571	5-18
WR127393	1-9	WR129144	14-32	WR131571	5-48
WR127395	1-9	WR129144	14-33	WR131573	5-19
WR127396	1-9	WR129144	14-34	WR131573	5-20
WR127397	1-9	WR129177	5-32	WR131574	5-21
WR127398	1-9	WR129187	13-14	WR131576	5-14
WR127399	1-9	WR129187	13-23	WR131580	5-13
WR127400	1-9	WR129187	13-24	WR131586	5-16
WR127401	1-9	WR129187	13-25	WR131587	5-17
WR127402	1-9	WR129187	13-26	WR131588	5-15
WR127403	1-9	WR129187	13-27	WR131597	5-21
WR127404	1-9	WR129187	13-30	WR131604	5-15
WR127405	1-9	WR129187	1-4	WR131604	5-16
WR127406	1-9	WR129192	14-15	WR131604	5-17
WR127407	1-9	WR129193	14-15	WR131617	5-13
WR127408	1-9	WR129195	14-14	WR131617	5-18
WR127409	1-9	WR129195	14-16	WR131617	5-19
WR127410	1-9	WR129279	4-5	WR131617	5-20
WR127411	1-9	WR129279	4-6	WR131617	5-48
WR127412	1-9	WR129280	4-5	WR131618	5-21
WR127572	17-2	WR129280	4-6	WR131620	5-14
WR127572	17-3	WR129281	4-5	WR131625	5-15
WR127785	13-24	WR129281	4-6	WR131625	5-16
WR127785	13-25	WR129357	6-3	WR131625	5-17
WR127785	13-27	WR129367	5-29	WR131645	5-22
WR127886	5-28	WR129450	5-10	WR131646	5-22
WR127887	14-20	WR129450	5-43	WR131647	5-22
WR127899	14-20	WR129496	14-21	WR132313	14-18
WR127961	14-20	WR129501	14-21	WR132375	13-35
WR127963	14-20	WR129502	14-22	WR132376	13-35
WR127966	14-20	WR12952	1-11	WR132377	13-35
WR127997	14-20	WR12952	7-1	WR132378	13-35
WR127998	14-20	WR129520	3-10	WR132393	2-17
WR127999	14-20	WR129520	3-11	WR132394	2-15
WR128010	14-14	WR129616	17-3	WR132419	16-1
WR128010	14-16	WR129754	5-24	WR132455	14-14
WR128112	5-26	WR129756	14-13	WR132455	14-16
WR128112	5-38	WR129757	14-13	WR132466	3-12

NUMERIC INDEX

WR132508	13-1	WR134271	5-11	WR136192	14-14
WR132508	13-6	WR134272	5-10	WR136192	14-16
WR132508	13-7	WR134273	5-10	WR138335	5-47
WR132509	13-1	WR134274	5-10	WR16058	14-1
WR132509	13-6	WR134275	5-10	WR16058	14-2
WR132509	13-7	WR134277	5-10	WR17220	14-10
WR132523	11-1	WR134278	5-10	WR17220	14-11
WR132555	13-22	WR134278	5-43	WR17220	14-12
WR132678	3-11	WR134279	5-10	WR17220	14-14
WR132679	3-11	WR134279	5-43	WR17220	14-16
WR132883	16-9	WR134280	5-10	WR17220	14-20
WR132884	16-9	WR134280	5-43	WR17220	14-6
WR132885	16-9	WR134281	5-10	WR17220	14-9
WR132887	16-9	WR134281	5-43	WR18171	8-5
WR132888	16-9	WR134283	5-43	WR18672	14-10
WR132889	16-9	WR134283	5-45	WR18672	14-11
WR132890	16-9	WR134284	5-43	WR18672	14-12
WR132891	16-9	WR134286	5-43	WR200573	14-20
WR132892	16-9	WR134287	5-43	WR21845	14-10
WR132893	16-9	WR134288	5-43	WR21845	14-11
WR132894	16-9	WR134293	5-36	WR21845	14-12
WR132895	16-9	WR134293	6-50	WR21845	14-6
WR132896	16-9	WR134420	8-5	WR21845	14-9
WR132897	16-9	WR134421	8-5	WR220601	5-33
WR132898	16-9	WR134510	5-42	WR22303	1-11
WR132899	16-9	WR134516	5-36	WR231204	13-28
WR13354	8-6	WR134516	6-50	WR231204	14-14
WR133601	16-1	WR134517	5-36	WR231204	14-16
WR133604	14-20	WR134517	6-50	WR231204	14-21
WR133622	5-34	WR134518	5-36	WR231204	14-25
WR133624	5-32	WR134518	6-50	WR231204	14-26
WR133626	5-33	WR134519	5-36	WR231204	14-27
WR133782	17-2	WR134519	6-50	WR231204	14-28
WR133782	17-3	WR134520	5-36	WR231204	14-29
WR133825	13-19	WR134520	6-50	WR231204	14-30
WR133826	13-19	WR134521	5-36	WR231204	14-31
WR133892	5-34	WR134521	6-50	WR231204	14-35
WR133893	13-22	WR134522	5-36	WR232784	14-29
WR133895	13-22	WR134522	6-50	WR232784	14-30
WR133896	13-22	WR134523	5-36	WR232784	14-31
WR133897	13-22	WR134523	6-50	WR232784	14-33
WR133898	13-22	WR134524	5-36	WR234213	5-32
WR133905	13-19	WR134524	6-50	WR234373	14-26
WR133908	14-21	WR134592	8-7	WR234373	14-34
WR134012	14-14	WR134922	1-4	WR234375	13-28
WR134012	14-16	WR135300	14-13	WR234375	14-25
WR134121	8-6	WR135545	14-15	WR234375	14-27
WR134140	6-5	WR135546	14-14	WR234375	14-28
WR134141	6-11	WR135546	14-16	WR234375	14-32
WR134141	6-5	WR135546	14-18	WR234375	14-35
WR134142	6-11	WR135788	3-2	WR234467	13-26
WR134142	6-5	WR135789	3-1	WR234467	13-27
WR134143	6-11	WR135792	16-1	WR235784	5-32
WR134143	6-5	WR135793	16-1	WR235991	14-14
WR134144	6-11	WR135794	16-1	WR235991	14-16
WR134144	6-5	WR135807	16-1	WR239152	5-32
WR134266	5-10	WR135808	16-1	WR239721	13-23
WR134267	5-10	WR135896	16-1	WR239721	13-24
WR134268	5-10	WR136185	14-14	WR239721	13-25

NUMERIC INDEX

WR24913	8-6	WR34501	13-5	WR37396	5-29
WR25293	14-10	WR34501	13-9	WR37397	5-26
WR25293	14-11	WR34508	3-13	WR37398	5-26
WR25366	8-9	WR34606	14-1	WR37399	5-26
WR25369	8-9	WR34606	14-15	WR37400	5-26
WR25441	5-12	WR34609	14-1	WR37401	5-26
WR25503	8-6	WR34609	14-15	WR37432	14-1
WR25504	8-6	WR35019	13-16	WR37435	14-1
WR25752	1-4	WR35019	13-5	WR37439	14-1
WR25752	6-6	WR35020	13-16	WR37439	14-18
WR25752	8-7	WR35020	13-5	WR37440	14-1
WR260029	5-33	WR35021	13-16	WR37440	14-18
WR260590	14-15	WR35021	13-5	WR37447	14-1
WR262948	10-1	WR35022	13-5	WR37448	14-1
WR26371	6-3	WR35023	13-16	WR37448	14-18
WR26404	5-46	WR35023	13-5	WR37449	14-1
WR26408	5-46	WR35024	13-16	WR37450	14-1
WR26451	7-2	WR35024	13-5	WR37451	14-1
WR26513	6-3	WR35119	1-4	WR37452	14-1
WR26528	5-31	WR35152	2-7	WR37452	14-18
WR26528	5-4	WR35153	6-3	WR37453	14-1
WR26528	5-46	WR35195	5-12	WR37454	14-1
WR26541	2-8	WR35925	14-22	WR37461	14-10
WR26541	2-9	WR35925	14-3	WR37462	14-11
WR27174	8-5	WR36176	2-1	WR37463	14-10
WR27671	5-2	WR36330	7-2	WR37463	14-11
WR27671	5-46	WR36330	7-3	WR37483	14-10
WR27966	5-12	WR36335	7-3	WR37483	14-11
WR28265	5-29	WR36341	7-3	WR37534	14-10
WR28265	5-43	WR36347	7-3	WR37534	14-11
WR28944	2-2	WR36529	5-3	WR37548	14-1
WR28944	4-7	WR36548	5-3	WR37548	14-18
WR29125	2-3	WR36553	5-3	WR37567	14-8
WR29201	8-4	WR36589	5-3	WR37574	14-10
WR29574	8-6	WR36615	5-3	WR37574	14-11
WR29673	1-11	WR36853	13-16	WR37574	14-12
WR30334	14-1	WR36853	13-5	WR37574	14-6
WR31555	14-1	WR37156	11-1	WR37574	14-9
WR31555	14-18	WR37158	11-1	WR37580	14-4
WR32254	14-4	WR37159	11-1	WR37581	8-2
WR32254	3-13	WR37164	11-1	WR37774	5-10
WR32254	5-10	WR37166	11-1	WR37775	14-2
WR32254	5-43	WR37255	11-1	WR37777	14-6
WR32254	5-45	WR37257	11-1	WR37777	14-9
WR32254	6-10	WR37369	11-1	WR37782	13-10
WR32254	8-7	WR37374	5-26	WR37782	13-19
WR327247	8-6	WR37374	5-36	WR37782	13-3
WR32739	13-10	WR37374	6-50	WR37782	13-8
WR32739	13-19	WR37375	5-26	WR37796	13-7
WR32739	13-2	WR37375	5-36	WR37797	13-7
WR32739	13-3	WR37375	6-50	WR37798	13-6
WR32739	13-8	WR37386	5-26	WR37799	13-7
WR33851	1-4	WR37389	5-29	WR37821	5-10
WR33851	2-3	WR37390	5-29	WR37846	5-43
WR34500	13-16	WR37391	5-29	WR37855	5-12
WR34500	13-20	WR37392	5-29	WR37895	14-4
WR34500	13-5	WR37393	5-29	WR38198	11-1
WR34501	13-16	WR37394	5-29	WR38716	14-8
WR34501	13-4	WR37395	5-29	WR38718	14-7

NUMERIC INDEX

WR38719	14-10	WR50857	2-2	WR516403	14-14
WR38719	14-11	WR50857	4-7	WR516403	14-16
WR38719	14-6	WR50857	6-3	WR516403	14-25
WR38719	14-9	WR50914	13-14	WR516403	14-26
WR38720	14-10	WR50955	11-1	WR516403	14-27
WR38720	14-11	WR510939	1-4	WR516403	14-28
WR38720	14-6	WR511099	14-14	WR516403	14-29
WR38720	14-9	WR511099	14-15	WR516403	14-30
WR38755	13-20	WR511099	14-16	WR516403	14-31
WR38761	5-46	WR511099	14-20	WR516403	14-32
WR38762	5-4	WR511099	14-22	WR516403	14-33
WR38762	5-46	WR511528	13-22	WR516403	14-34
WR38763	5-46	WR51213	13-32	WR516403	14-35
WR38764	5-46	WR512346	14-15	WR516405	13-23
WR38765	5-46	WR512885	1-1	WR516405	13-24
WR38766	5-46	WR512885	1-11	WR516405	13-25
WR38767	5-46	WR513385	1-4	WR516405	13-26
WR38864	16-1	WR513724	13-2	WR516405	13-27
WR38865	16-1	WR514288	16-1	WR516795	1-5
WR38878	16-1	WR514385	1-4	WR516864	8-5
WR38879	16-1	WR514559	16-1	WR517292	13-19
WR39035	14-10	WR514800	5-26	WR517438	2-1
WR39035	14-6	WR514800	5-42	WR517438	6-3
WR39036	14-11	WR514800	6-1	WR517766	10-2
WR39036	14-9	WR514803	5-26	WR517766	10-3
WR39039	14-10	WR514803	5-36	WR517766	10-4
WR39039	14-11	WR514803	6-50	WR518096	6-3
WR39040	14-10	WR515121	13-28	WR518304	17-5
WR39040	14-11	WR515121	14-23	WR518500	14-14
WR39074	2-2	WR515121	14-26	WR518500	14-16
WR39074	4-7	WR515121	14-27	WR519114	5-26
WR39079	4-7	WR515121	14-29	WR519114	5-38
WR39080	2-2	WR515121	14-30	WR519114	5-41
WR39087	14-6	WR515121	14-31	WR519115	2-3
WR39088	14-9	WR515121	14-33	WR519123	5-26
WR39098	3-3	WR515121	14-35	WR519123	5-30
WR40884	5-12	WR515180	14-10	WR519123	5-35
WR41967	5-31	WR515180	14-11	WR519123	5-38
WR41967	5-4	WR515180	14-14	WR519123	5-44
WR424374	5-23	WR515180	14-16	WR519123	6-1
WR50814	14-12	WR515180	14-4	WR519562	13-29
WR50814	14-24	WR515180	14-6	WR519741	1-5
WR50814	14-4	WR515180	14-9	WR519748	14-29
WR50830	1-4	WR515180	3-12	WR519748	14-30
WR50830	2-3	WR515263	8-5	WR519748	14-31
WR50830	8-5	WR515762	2-18	WR519748	14-33
WR50831	1-8	WR515762	5-46	WR519749	13-28
WR50831	2-3	WR515765	2-18	WR519749	14-25
WR50838	1-4	WR515765	5-46	WR519749	14-26
WR50838	1-8	WR515782	1-1	WR519749	14-27
WR50838	2-3	WR515782	2-8	WR519749	14-28
WR50838	3-10	WR515782	2-9	WR519749	14-32
WR50838	3-11	WR515782	8-5	WR519749	14-34
WR50838	5-26	WR515850	5-46	WR519749	14-35
WR50838	5-36	WR515853	2-18	WR519751	13-28
WR50838	6-50	WR515853	8-9	WR519751	14-26
WR50838	8-4	WR515983	1-11	WR519751	14-27
WR50838	9-1	WR516064	14-15	WR519751	14-35
WR50847	17-1	WR516403	13-28	WR519871	1-5

NUMERIC INDEX

WR520209	1-5	WR55014	1-11	WR550264	15-1
WR520285	5-26	WR550175	14-10	WR550264	16-1
WR520285	5-42	WR550175	14-11	WR550264	2-8
WR520434	5-31	WR550175	2-2	WR550264	2-9
WR520679	1-5	WR550175	4-7	WR55028	6-10
WR520866	17-5	WR550183	14-10	WR55028	9-2
WR520885	14-10	WR550183	14-11	WR550280	14-22
WR520885	14-11	WR550183	17-1	WR550280	14-3
WR520885	14-4	WR550183	2-3	WR550280	3-1
WR520885	14-6	WR550183	5-10	WR550280	3-2
WR520885	14-9	WR550183	5-26	WR550280	3-3
WR520885	5-12	WR550183	5-34	WR550280	3-4
WR520907	6-3	WR550183	5-36	WR550280	3-5
WR520967	1-11	WR550183	5-42	WR550280	3-7
WR520967	1-4	WR550183	5-43	WR550280	5-13
WR521351	1-4	WR550183	5-45	WR550280	5-14
WR521798	5-26	WR550183	6-1	WR550280	5-16
WR521798	5-36	WR550183	6-50	WR550280	5-17
WR521798	6-50	WR550191	16-1	WR550280	5-21
WR522023	5-31	WR550191	1-7	WR550280	5-22
WR522718	14-4	WR550191	2-8	WR550280	5-3
WR522823	2-7	WR550191	2-9	WR55029	8-6
WR523061	9-1	WR550191	3-12	WR550310	14-4
WR523069	1-11	WR550191	5-26	WR55035	2-3
WR523069	13-2	WR550191	5-36	WR55035	6-10
WR523069	17-5	WR550191	6-50	WR550353	14-15
WR523227	5-26	WR550191	6-9	WR550353	14-23
WR523227	5-38	WR550191	9-1	WR550353	16-1
WR523259	13-2	WR550205	16-1	WR55036	15-1
WR523545	8-5	WR550205	2-3	WR55041	1-11
WR523689	9-1	WR550205	5-10	WR55041	6-10
WR523809	1-5	WR550205	5-12	WR55043	5-10
WR524542	14-10	WR550205	5-26	WR55043	5-32
WR524542	14-11	WR550205	5-34	WR55043	5-43
WR524542	14-6	WR550205	5-36	WR55043	5-45
WR524542	14-9	WR550205	5-42	WR55045	6-6
WR55000	15-1	WR550205	5-43	WR55045	6-7
WR55007	6-3	WR550205	5-45	WR55045	8-5
WR550116	14-10	WR550205	5-7	WR550450	17-5
WR550116	14-11	WR550205	5-8	WR550450	2-1
WR550116	14-12	WR550205	5-9	WR550450	2-16
WR550116	14-14	WR550205	6-1	WR550450	4-8
WR550116	14-15	WR550205	6-50	WR55046	2-1
WR550116	14-16	WR55021	17-5	WR55046	5-7
WR550116	14-20	WR550213	14-6	WR55046	6-10
WR550116	14-6	WR550213	14-9	WR550469	14-10
WR550116	14-9	WR550213	16-1	WR550469	14-11
WR550124	14-10	WR550213	2-3	WR550469	14-12
WR550124	14-11	WR550213	3-10	WR550469	14-6
WR550124	14-12	WR550213	3-11	WR550469	14-9
WR550124	14-14	WR550213	3-12	WR55047	2-2
WR550124	14-15	WR550213	5-12	WR55047	2-3
WR550124	14-16	WR550213	9-1	WR55047	4-7
WR550124	14-6	WR550248	14-14	WR55047	5-7
WR550124	14-9	WR550248	14-16	WR550477	14-10
WR550124	15-1	WR55026	8-5	WR550477	14-11
WR550124	2-1	WR55026	8-6	WR550477	14-12
WR550124	2-8	WR55026	9-1	WR550477	14-24
WR550124	2-9	WR550264	14-15	WR550477	14-6

NUMERIC INDEX

WR550477	14-9	WR55063	3-11	WR550906	14-1
WR550477	17-5	WR550647	8-5	WR550906	14-18
WR55048	1-4	WR55065	2-8	WR550906	5-26
WR550485	14-14	WR55065	2-9	WR550906	5-36
WR550485	14-16	WR550655	14-21	WR550906	6-50
WR550485	16-1	WR550655	14-24	WR55091	1-8
WR550485	1-8	WR550655	14-4	WR55091	6-3
WR550485	8-5	WR550655	16-1	WR55091	8-6
WR550493	13-10	WR55067	4-2	WR55092	6-1
WR550493	13-19	WR55067	4-3	WR55098	1-11
WR550493	13-3	WR550671	15-1	WR55098	2-3
WR550493	13-8	WR550671	16-1	WR55098	6-9
WR550493	15-1	WR550671	16-6	WR550981	14-10
WR550493	16-1	WR550671	1-8	WR550981	14-11
WR550493	16-6	WR550671	8-5	WR550981	14-6
WR550493	1-8	WR55068	14-4	WR550981	14-9
WR550493	5-10	WR550698	14-15	WR550981	6-9
WR550493	5-26	WR550698	5-26	WR550981	8-5
WR550493	5-29	WR550698	5-37	WR55099	4-2
WR550493	5-36	WR550698	8-5	WR55099	4-3
WR550493	5-43	WR55070	1-8	WR551007	14-10
WR550493	6-50	WR55071	8-6	WR551007	14-11
WR550493	8-5	WR55075	1-7	WR551007	14-15
WR550493	8-6	WR55075	2-2	WR551007	14-6
WR550507	13-10	WR55075	2-3	WR551007	14-9
WR550507	13-19	WR55075	4-7	WR551007	3-12
WR550507	13-3	WR55075	5-26	WR55101	6-3
WR550507	13-8	WR55075	5-36	WR551015	14-10
WR550507	14-14	WR55075	6-50	WR551015	14-11
WR550507	14-15	WR55075	6-6	WR551015	14-21
WR550507	14-16	WR55075	6-7	WR551015	14-4
WR55051	4-2	WR55075	9-1	WR551015	14-6
WR55051	4-3	WR55076	3-13	WR551015	14-9
WR550515	16-1	WR550779	14-10	WR551015	16-1
WR55052	1-11	WR550779	14-11	WR551015	17-5
WR55052	13-2	WR550779	14-6	WR551015	3-12
WR55052	9-1	WR550779	14-9	WR551015	5-36
WR55053	8-5	WR55078	3-9	WR551015	6-50
WR550531	16-1	WR55078	4-1	WR551015	8-5
WR550558	1-11	WR55078	4-2	WR551015	8-7
WR550558	16-1	WR55078	4-3	WR55102	1-8
WR550558	8-5	WR550787	14-14	WR55102	6-3
WR550566	16-1	WR550787	14-16	WR55102	8-6
WR550566	6-3	WR55079	14-3	WR55103	7-2
WR55059	3-9	WR55079	2-2	WR55103	8-6
WR55059	4-1	WR55079	4-7	WR551031	14-10
WR55060	3-9	WR550825	1-1	WR551031	14-11
WR55060	4-1	WR550825	13-2	WR551031	14-12
WR550612	13-10	WR550825	16-1	WR551031	14-6
WR550612	13-19	WR550825	2-8	WR551031	14-9
WR550612	13-3	WR550825	2-9	WR55104	5-26
WR550612	13-8	WR550825	3-12	WR55104	5-36
WR550612	15-1	WR550825	6-9	WR55104	6-50
WR550612	16-1	WR55083	14-12	WR55104	8-5
WR550612	16-6	WR55083	14-24	WR55106	1-4
WR550612	1-8	WR55083	14-4	WR55106	1-5
WR550612	5-10	WR55083	5-10	WR55106	1-7
WR550612	8-5	WR55088	1-8	WR55106	2-3
WR55063	3-10	WR55089	1-8	WR55106	3-10

NUMERIC INDEX

WR55106	3-11	WR55158	14-22	WR55198	4-7
WR55106	5-26	WR55158	14-3	WR55202	8-5
WR55106	5-36	WR55158	14-4	WR552046	14-12
WR55106	6-50	WR55158	1-7	WR552046	14-24
WR55106	6-6	WR55158	17-5	WR55205	1-4
WR55106	8-4	WR55158	1-8	WR55205	14-4
WR55106	8-5	WR55158	3-10	WR55205	3-13
WR55106	8-6	WR55158	3-11	WR55206	1-4
WR55106	9-1	WR55158	5-26	WR55206	2-8
WR55111	3-12	WR55158	5-36	WR55206	2-9
WR551112	5-26	WR55158	6-10	WR55206	3-13
WR551112	5-40	WR55158	6-3	WR55206	8-5
WR55120	6-10	WR55158	6-50	WR552062	17-5
WR55121	2-7	WR55158	7-2	WR55208	1-4
WR55121	6-1	WR55158	9-1	WR55208	3-13
WR551224	3-12	WR55159	1-4	WR55208	8-5
WR551279	16-1	WR55159	9-1	WR552089	1-11
WR551279	5-26	WR55160	1-11	WR552089	1-8
WR551279	5-29	WR55163	2-7	WR552089	2-3
WR551279	5-36	WR55164	4-2	WR55209	3-10
WR551279	5-43	WR55164	4-3	WR55209	3-11
WR551279	6-50	WR55167	6-10	WR552127	1-1
WR55128	8-4	WR55168	2-2	WR552135	1-8
WR55128	8-5	WR55168	4-7	WR55214	1-4
WR55131	6-10	WR55169	2-13	WR55214	3-10
WR551317	1-8	WR55169	8-5	WR55214	3-11
WR55133	1-11	WR55170	13-1	WR55214	3-13
WR55134	14-10	WR55170	13-6	WR55214	5-26
WR55134	14-11	WR55170	13-7	WR55214	5-36
WR55134	14-6	WR55171	3-13	WR55214	6-50
WR55134	14-9	WR55172	14-4	WR55214	7-2
WR551392	1-1	WR55172	3-13	WR552143	1-8
WR55140	6-10	WR55173	13-14	WR55215	1-1
WR551406	16-1	WR55173	3-10	WR55215	1-4
WR551406	17-1	WR55173	3-11	WR55215	1-7
WR55141	3-10	WR55173	3-13	WR55215	17-5
WR55141	3-11	WR55174	1-7	WR55215	5-26
WR551457	3-12	WR55174	3-13	WR55215	5-36
WR55147	3-12	WR55178	3-13	WR55215	6-50
WR55148	6-1	WR551856	14-24	WR55217	1-1
WR55149	6-3	WR551856	14-4	WR552194	5-26
WR551503	13-13	WR55187	6-3	WR552194	5-36
WR551503	14-15	WR55188	13-2	WR552194	5-39
WR551503	1-7	WR55190	3-10	WR552194	6-50
WR551503	5-26	WR55190	3-11	WR55221	2-1
WR551503	5-36	WR55190	6-10	WR55222	1-1
WR551503	6-50	WR55190	6-3	WR55224	1-11
WR55153	14-4	WR55191	13-2	WR552240	17-5
WR55157	1-11	WR55191	1-4	WR55226	5-26
WR55157	1-4	WR55191	1-7	WR55226	5-36
WR55157	17-5	WR55191	2-1	WR55226	6-50
WR55157	6-10	WR55191	3-10	WR552275	2-3
WR55157	6-3	WR55191	3-11	WR552275	5-12
WR55158	1-3	WR55191	3-13	WR55229	1-4
WR55158	13-2	WR551937	4-2	WR55232	8-5
WR55158	1-4	WR551937	4-3	WR552321	3-12
WR55158	14-1	WR551937	4-8	WR552321	6-9
WR55158	14-17	WR55197	14-15	WR55233	8-5
WR55158	14-19	WR55198	2-2	WR55235	17-4

NUMERIC INDEX

WR55235	8-1	WR55281	8-5	WR55351	6-50
WR55237	8-5	WR55283	8-6	WR553514	5-7
WR55243	2-1	WR55284	16-4	WR55352	5-10
WR55246	1-7	WR55288	8-5	WR55352	6-10
WR55247	1-4	WR55293	13-6	WR55352	6-3
WR55247	1-7	WR55298	15-1	WR55352	8-5
WR55247	2-3	WR55299	16-4	WR55352	8-7
WR55247	8-5	WR55299	17-5	WR55352	9-1
WR55248	2-3	WR55301	1-1	WR55353	1-4
WR55248	8-5	WR55301	13-10	WR55353	17-5
WR55249	1-8	WR55301	13-2	WR55353	5-26
WR55249	6-3	WR55301	13-3	WR55353	5-27
WR55249	8-6	WR55301	13-8	WR55353	5-36
WR55250	6-10	WR55301	1-4	WR55353	6-1
WR55250	8-4	WR55301	14-17	WR55353	6-50
WR55250	8-6	WR55301	14-19	WR55354	1-1
WR55251	6-3	WR55301	14-22	WR55354	14-12
WR55254	6-3	WR55301	1-5	WR55354	14-24
WR55255	14-10	WR55301	1-7	WR55354	14-4
WR55255	14-11	WR55301	17-5	WR55354	4-5
WR55255	6-3	WR55301	2-1	WR55354	4-6
WR55261	2-1	WR55301	2-3	WR55354	5-10
WR55266	6-3	WR55301	3-13	WR55355	14-10
WR55268	1-1	WR55301	6-3	WR55355	14-11
WR55271	17-5	WR55301	9-1	WR55355	14-12
WR55271	8-5	WR55302	2-8	WR55355	14-4
WR55272	13-2	WR55302	2-9	WR55355	14-6
WR55272	14-20	WR55303	2-1	WR55355	14-9
WR55272	14-3	WR553069	14-10	WR55355	17-5
WR55272	14-4	WR553069	14-11	WR55355	2-7
WR55272	1-7	WR553069	14-6	WR55355	5-12
WR55272	17-5	WR553069	14-9	WR553557	14-23
WR55272	1-8	WR55308	6-3	WR553557	15-1
WR55272	2-2	WR55310	3-13	WR553557	3-10
WR55272	3-3	WR55310	9-1	WR55361	6-10
WR55272	3-4	WR55312	1-3	WR55362	4-5
WR55272	4-2	WR55312	2-3	WR55362	4-6
WR55272	4-3	WR55312	6-10	WR55365	5-26
WR55272	4-7	WR55312	8-5	WR55365	5-27
WR55272	5-7	WR55313	6-3	WR55365	5-37
WR55272	6-9	WR553158	1-4	WR55366	2-2
WR55274	4-2	WR55316	2-3	WR55366	4-7
WR55274	4-3	WR553166	4-5	WR55366	5-26
WR55274	6-3	WR553166	4-6	WR55366	5-37
WR55275	3-9	WR55317	2-8	WR553662	13-14
WR55275	4-1	WR55317	2-9	WR553662	2-3
WR55278	8-5	WR553182	8-5	WR55367	3-12
WR55280	1-8	WR553212	14-12	WR553689	14-20
WR55280	3-10	WR553212	14-24	WR553689	14-4
WR55280	3-11	WR553212	5-10	WR55372	14-24
WR55280	3-13	WR55323	13-2	WR55372	14-4
WR55280	7-2	WR55325	8-6	WR55372	16-1
WR55281	1-4	WR55340	4-2	WR553751	14-20
WR55281	1-7	WR55340	4-3	WR553867	1-11
WR55281	3-10	WR55349	1-4	WR55388	2-3
WR55281	3-11	WR55350	2-3	WR553891	5-26
WR55281	3-13	WR55351	5-26	WR553891	5-40
WR55281	6-1	WR55351	5-36	WR553921	6-9
WR55281	7-2	WR55351	6-3	WR55393	6-9

NUMERIC INDEX

WR55394	2-8	WR55592	13-1	WR55874	9-1
WR55394	2-9	WR55592	13-7	WR558788	5-10
WR553964	14-1	WR55593	13-1	WR558788	5-26
WR553964	14-18	WR55593	13-7	WR558788	5-36
WR553972	2-2	WR556103	1-1	WR558788	6-50
WR553972	4-7	WR556149	14-15	WR55879	16-1
WR55400	2-2	WR55622	12-2	WR55882	16-1
WR55400	4-7	WR55624	8-5	WR55883	16-1
WR55401	6-1	WR55625	12-1	WR55884	16-1
WR55402	3-10	WR55627	4-4	WR55888	16-1
WR55402	3-11	WR55647	4-2	WR55889	16-5
WR55404	9-1	WR55647	4-3	WR55890	16-5
WR55405	1-11	WR55648	8-5	WR55891	16-5
WR55408	15-1	WR55649	1-11	WR55892	16-5
WR55410	1-4	WR55650	8-5	WR55893	16-5
WR55410	3-13	WR55652	1-11	WR55894	16-5
WR55410	8-5	WR55653	8-5	WR55895	16-5
WR55412	6-10	WR55654	2-2	WR55896	16-5
WR55412	8-5	WR55654	4-7	WR55897	16-5
WR55412	9-1	WR55665	17-5	WR55898	16-5
WR55412	9-2	WR55671	3-3	WR55899	16-5
WR55424	2-6	WR55672	3-3	WR55900	16-5
WR55426	2-8	WR55673	11-1	WR55901	16-5
WR55426	2-9	WR55688	14-6	WR55902	16-1
WR55427	2-8	WR55688	14-9	WR55904	16-1
WR55427	2-9	WR557668	14-10	WR55905	16-4
WR55428	2-8	WR557668	14-11	WR55906	16-4
WR55428	2-9	WR557668	5-26	WR55907	16-4
WR55429	2-8	WR557668	5-36	WR55908	16-1
WR55429	2-9	WR557668	6-50	WR559083	14-22
WR55447	4-2	WR557676	6-3	WR559083	17-5
WR55447	4-3	WR557692	14-20	WR559083	3-1
WR55454	5-36	WR55783	2-8	WR559083	3-2
WR55454	6-50	WR55783	2-9	WR559083	5-13
WR55456	5-6	WR55784	2-8	WR559083	5-14
WR55463	17-1	WR55784	2-9	WR559083	5-16
WR55489	3-12	WR55790	8-6	WR559083	5-22
WR55498	1-8	WR55819	9-1	WR559083	5-3
WR555118	14-13	WR55849	8-6	WR55909	16-6
WR55519	16-5	WR55852	8-3	WR55910	16-1
WR55531	1-8	WR55856	13-20	WR559105	5-12
WR55535	1-3	WR55856	13-9	WR559105	5-7
WR55537	11-1	WR55857	13-16	WR55911	16-7
WR55546	6-3	WR55857	13-5	WR55912	16-7
WR55547	11-1	WR55858	13-4	WR55913	16-7
WR55564	8-6	WR55859	13-10	WR55914	16-7
WR55570	12-1	WR55859	13-3	WR559148	5-26
WR55571	12-1	WR55859	13-8	WR559148	5-41
WR555819	14-11	WR55860	13-10	WR559199	14-10
WR555819	14-6	WR55860	13-3	WR559199	14-11
WR555819	14-9	WR55860	13-8	WR559199	14-12
WR555819	16-1	WR55861	13-10	WR559199	14-6
WR555819	17-5	WR55861	13-8	WR559199	14-9
WR55582	13-10	WR55864	13-3	WR55920	16-1
WR55582	13-19	WR558648	1-11	WR559202	3-12
WR55582	13-3	WR558648	7-1	WR55921	14-6
WR55582	13-8	WR55865	13-2	WR55921	14-9
WR55582	5-10	WR55866	13-1	WR55922	2-3
WR55589	12-2	WR55866	13-7	WR55923	2-3

NUMERIC INDEX

WR55924	2-4	WR560693	5-36	WR561679	15-1
WR55925	2-5	WR560693	5-42	WR561679	6-10
WR55926	2-4	WR560693	5-44	WR561679	6-3
WR55926	2-5	WR560693	6-1	WR561679	6-6
WR55927	2-4	WR560693	6-50	WR561679	6-7
WR55927	2-5	WR560897	14-14	WR561683	13-2
WR55929	16-3	WR560897	14-16	WR561683	14-22
WR55930	16-3	WR561025	1-4	WR561683	14-3
WR55931	16-3	WR561025	1-7	WR561683	1-7
WR55933	2-10	WR561072	14-18	WR561683	17-5
WR55934	1-11	WR561081	2-8	WR561683	2-3
WR55935	3-12	WR561081	2-9	WR561683	3-3
WR55936	2-11	WR561156	14-14	WR561683	3-4
WR55937	2-11	WR561156	14-16	WR561683	5-8
WR55939	2-11	WR561197	14-13	WR561683	5-9
WR55940	2-11	WR561213	13-22	WR561683	8-5
WR559415	1-4	WR561213	5-26	WR561770	5-10
WR559547	8-5	WR561213	5-36	WR561793	13-2
WR55968	4-2	WR561213	6-50	WR561797	5-30
WR55968	4-3	WR561215	13-2	WR561797	5-35
WR55969	3-3	WR561229	13-1	WR561797	5-44
WR55969	3-4	WR561229	13-2	WR561808	14-1
WR55970	3-3	WR561229	13-6	WR561808	14-18
WR55970	3-4	WR561229	13-7	WR561809	14-23
WR55971	3-3	WR561229	1-4	WR561822	14-14
WR55971	3-4	WR561229	17-4	WR561822	14-16
WR55974	3-3	WR561229	8-1	WR561825	14-14
WR55974	3-4	WR561230	5-26	WR561825	14-16
WR559768	4-2	WR561230	5-36	WR561834	5-26
WR559768	4-3	WR561230	6-50	WR561834	5-36
WR559768	6-1	WR561231	13-2	WR561834	6-50
WR559768	6-9	WR561233	1-4	WR561838	14-13
WR55988	14-10	WR561237	1-5	WR561838	14-20
WR55988	14-11	WR561251	14-10	WR561879	5-6
WR55990	14-10	WR561251	14-11	WR561884	6-3
WR55990	14-11	WR561251	5-26	WR561892	14-1
WR55992	14-10	WR561251	5-36	WR561892	14-10
WR55992	14-11	WR561251	6-50	WR561892	14-11
WR55993	14-10	WR561305	14-20	WR561892	14-15
WR55993	14-11	WR561308	5-26	WR561892	14-16
WR55998	11-1	WR561308	5-37	WR561892	14-18
WR56031	15-1	WR561310	2-6	WR561892	14-20
WR56043	13-16	WR561366	13-2	WR561892	14-22
WR56043	13-5	WR561384	5-10	WR561892	14-4
WR56044	13-16	WR561384	5-8	WR561892	14-6
WR56044	13-5	WR561384	5-9	WR561892	14-9
WR560480	13-7	WR561391	5-26	WR561892	3-10
WR560480	14-30	WR561391	5-41	WR561892	3-11
WR560480	14-31	WR561391	6-1	WR561892	3-12
WR560502	14-18	WR561617	14-18	WR561892	5-21
WR560634	14-13	WR561617	6-3	WR561895	1-7
WR560634	14-14	WR561629	5-26	WR562015	5-29
WR560634	14-16	WR561629	5-36	WR562050	13-19
WR560693	2-6	WR561629	5-37	WR562064	13-28
WR560693	5-11	WR561629	5-40	WR562064	14-23
WR560693	5-12	WR561629	5-8	WR562064	14-26
WR560693	5-26	WR561629	5-9	WR562064	14-27
WR560693	5-30	WR561629	6-50	WR562064	14-35
WR560693	5-35	WR561679	1-4	WR562065	13-19

NUMERIC INDEX

WR562073	13-19	WR562463	6-9	WR601411	14-18
WR562074	13-28	WR562496	13-1	WR601411	14-20
WR562074	14-14	WR562496	13-7	WR601411	14-4
WR562074	14-16	WR562496	1-4	WR601411	14-6
WR562074	14-25	WR562496	14-11	WR601411	14-9
WR562074	14-26	WR562496	14-24	WR601411	2-1
WR562074	14-27	WR562496	14-9	WR601888	14-1
WR562074	14-28	WR562496	15-1	WR601888	14-18
WR562074	14-29	WR562496	16-1	WR601888	14-21
WR562074	14-30	WR562496	5-26	WR602523	1-5
WR562074	14-31	WR562496	5-36	WR603678	13-2
WR562074	14-32	WR562496	5-8	WR603864	14-13
WR562074	14-33	WR562496	5-9	WR603864	14-14
WR562074	14-34	WR562496	6-50	WR603864	14-16
WR562074	14-35	WR562496	7-1	WR603864	14-20
WR562082	13-28	WR562496	8-5	WR603864	14-4
WR562082	14-25	WR562496	8-6	WR604172	16-5
WR562082	14-26	WR562537	14-20	WR604184	14-18
WR562082	14-27	WR562551	14-22	WR604185	14-14
WR562082	14-28	WR562551	14-3	WR604185	14-15
WR562082	14-32	WR562551	3-5	WR604185	14-16
WR562082	14-34	WR562551	3-7	WR604185	14-18
WR562082	14-35	WR562578	5-21	WR604216	14-14
WR562120	12-1	WR562584	14-20	WR604216	14-15
WR562171	6-3	WR562639	5-26	WR604216	14-16
WR562204	5-26	WR562639	5-36	WR606258	14-4
WR562204	5-37	WR562639	6-50	WR606259	14-14
WR562204	5-39	WR562709	5-26	WR606259	14-16
WR562229	5-26	WR562709	5-39	WR606610	5-22
WR562229	5-36	WR562709	5-41	WR609465	5-4
WR562229	6-50	WR562793	8-5	WR609614	8-6
WR562237	13-2	WR562797	17-5	WR609615	8-6
WR562237	1-7	WR562799	14-4	WR609737	14-36
WR562271	6-9	WR563061	14-29	WR609738	14-36
WR562272	17-5	WR563061	14-30	WR609739	14-36
WR562272	3-10	WR563061	14-31	WR609741	14-36
WR562272	3-11	WR563061	14-33	WR609743	14-36
WR562327	17-5	WR563095	14-36	WR609745	14-36
WR562327	8-5	WR563096	14-36	WR609777	14-29
WR562346	2-3	WR568276	1-3	WR609777	14-30
WR562346	5-26	WR568276	1-4	WR609777	14-31
WR562346	5-36	WR600857	1-5	WR609777	14-33
WR562346	6-50	WR601152	14-1	WR609921	14-36
WR562354	5-23	WR601152	14-15	WR609922	14-36
WR562372	5-26	WR601152	14-18	WR610420	1-6
WR562372	5-36	WR601152	14-21	WR610517	14-36
WR562372	5-42	WR601152	14-23	WR657904	13-10
WR562372	6-50	WR601217	14-13	WR657904	13-19
WR562375	3-10	WR601217	14-14	WR657904	13-3
WR562375	3-11	WR601217	14-16	WR657904	13-8
WR562401	5-26	WR601411	13-10	WR659764	2-8
WR562401	5-28	WR601411	13-19	WR659764	2-9
WR562401	5-36	WR601411	13-3	WR704757	5-15
WR562401	5-44	WR601411	13-8	WR704757	5-16
WR562401	6-50	WR601411	14-1	WR704757	5-17
WR562463	13-2	WR601411	14-10	WR708307	5-11
WR562463	1-5	WR601411	14-11	WR708307	5-12
WR562463	1-8	WR601411	14-14	WR708307	5-43
WR562463	2-3	WR601411	14-16	WR708307	5-45

NUMERIC INDEX

WR709339	13-35
WR711022	2-8
WR711022	2-9
WR711273	3-5
WR711273	3-6
WR711273	3-7
WR711273	3-8
WR712150	5-31
WR712150	5-4
WR715207	5-31
WR715207	5-4
WR716811	5-31
WR716811	5-4
WR722268	13-35
WR722270	13-35
WR723606	13-35
WR724335	13-35
WR726175	13-16
WR726175	13-5
WR726854	5-31
WR726854	5-4
WR731972	1-4
WR731972	14-4
WR742876	1-4
WR743773	2-8
WR743773	2-9
WR743774	2-8
WR743774	2-9
WR9017	2-8
WR9017	2-9



AGCO Corporation
4205 River Green Parkway
Duluth, GA 30096-2568

©AGCO Corporation, 2004.
Printed in U.S.A.