

*Challenger*<sup>®</sup>

# Parts Manual

---

670  
COMBINE

---





**ALPHABETICAL INDEX**

The complete alphabetical index appears at the beginning of this publication. It is used to locate major groups, assemblies and components.

**NUMERICAL INDEX**

The numerical index of this publication follows the Alphabetical Index at the beginning of the publication and indicates at which grid location and page number a part number appears.

**ILLUSTRATIONS**

All illustrations are located on the left hand page with the text on the right. Except for some common hardware, all parts are identified with an item number which corresponds to the "item" column on the text page. This is followed by the parts number, quantity and description.

**HARDWARE**

Common hardware not identified such as bolts, nuts, cotter pins and lube fittings, are listed indented in the text beneath the item to which they attach or fit. Common hardware listed indented beneath an item is NOT included unless specified. Example: (Incl. BOLT, LOCKWASHER AND NUT).

**ORDERING PARTS**

Be sure to refer to both the text and the illustration to assure ordering the correct part.

**RECOMMENDED DEALER STOCK**

A recommended dealer stock listing appears at the end of this publication.



**ACCESSORIES**

BEACON LIGHT ..... 581

**CAB**

AIR CONDITIONER COMPRESSOR (SANDEN) ..... 139  
 AIR CONDITIONER LINES ..... 137  
 BRAKE MASTER CYLINDER ..... 107  
 CONSOLE - SEAT ..... 101  
 CONTROL GEARSHIFT ..... 111  
 CONTROL PARK BRAKE & HYDRO PROPEL CABLE ..... 109  
 CONTROL SERVICE BRAKES ..... 105  
 CONTROL STEERING COLUMN ..... 113  
 DECK EXTENSION 145" TREAD AND DUALS ..... 89  
 FRAME & MOUNTING ..... 75  
 HEATER LINES ..... 141  
 HVAC BLOWER ASY. EVANS TEMPCON ..... 135  
 HVAC CONTROL PANEL ..... 129  
 HVAC PRESSURIZER UNIT EVANS-TEMPCON ..... 131  
 HVAC PRESSURIZER UNIT & DUCTING ..... 127  
 INTERIOR COVERINGS & TRIM LOWER AND REAR ..... 83  
 INTERIOR COVERINGS & TRIM UPPER AND FRONT ..... 81  
 LH DOOR INTERIOR & EXTERIOR HANDLES ..... 79  
 MIRRORS & EXTREMITY LIGHTS MANUAL & ELECTRIC ADJUST ..... 95  
 PIVOTING LADDER LH ..... 87  
 PLATFORM LEFT & RIGHT ..... 85  
 ROOF & INTERIOR/EXTERIOR LIGHTS ..... 99  
 SEAT BASE & SUSPENSION ..... 119  
 SEAT CUSHION AND BACKREST ..... 123  
 SEAT OPERATOR & INSTRUCTOR ..... 117  
 STAIRCASE LADDER & PLATFORM ..... 91  
 STEERING COLUMN ..... 115  
 WINDOWS AND DOORS ..... 77  
 WINDSHIELD WIPER ..... 97

**CHOPPER & SPREADER**

CHAFF SPREADER HYDRAULIC DRIVE ..... 313  
 CHAFF SPREADER REKORD ..... 315  
 CHAFF SPREADER REKORD, HYDRAULICS ..... 317  
 JACKSHAFT DRIVE ..... 283  
 STRAW CHOPPER ROTOR ..... 297  
 STRAW CHOPPER DRIVE ..... 287  
 STRAW CHOPPER DRIVE KIT HEAVY DUTY ..... 291  
 STRAW CHOPPER HOOD & SUPPORTS ..... 301  
 STRAW CHOPPER HOUSING REDEKOP ..... 293  
 STRAW SPREADER COMPONENTS ..... 307  
 STRAW SPREADER DRIVE ..... 303

**DECALS & LABELS**

LABELS LEFT SIDE & FRONT ..... 31  
 LABELS RIGHT SIDE & REAR ..... 33

**DRIVES**

BELTS LEFT ..... 575  
 BELTS RIGHT ..... 577  
 CHAINS DRIVE ..... 579

**ELECTRICAL**

ALTERNATOR - 150 AMP ..... 155  
 BEACON LIGHTS FIELD KIT ..... 173  
 CAB COMPONENTS CONTROLS & SWITCHES ..... 157  
 CAB COMPONENTS FUSE PANEL & HYDRO HANDLE ..... 161  
 CAB COMPONENTS RADIO AND ANTENNA ..... 165  
 CAB COMPONENTS UPPER CONSOLE ..... 163  
 ELECTRICAL HARNESSES REAR ..... 171

**ELECTRICAL (CONTINUED)**

ELECTRICAL HARNESSSES & SWITCHES FRONT .....	145
ENGINE & BATTERY WIRING (EFF. S/N HR36101) .....	151
ENGINE & BATTERY WIRING (PRIOR S/N HR36101) .....	147
FEEDER ELECTRICAL .....	143
HARNESSES & LIGHTING GRAIN BIN .....	169
HIGH INTENSITY LIGHTING FIELD KIT .....	175
MONITORING SYSTEMS DIGITAL TACHOMETER .....	167
SERVICE CONNECTORS HARNESS REPAIR .....	177

**ENGINE**

AIR INTAKE & EXHAUST .....	47
COOLING FAN DRIVE (TIER 2 ENG. PRIOR S/N HP36176) .....	41
COOLING FAN DRIVE (TIER 3 ENGINE) (EFF. S/N HP36176 THRU PROD'N MID-RUN) .....	43
COOLING FAN DRIVE (TIER 3 ENGINE) (EFF. S/N HP36-- PROD'N MID-RUN) .....	45
COOLING SYSTEM .....	57
ENGINE & MOUNTS .....	35
FUEL LINES (EFF. S/N HP36101) .....	71
FUEL LINES (PRIOR S/N HP36101) .....	69
MAIN ENGINE DRIVES .....	51
RADIATOR SLINGER .....	63
ROTARY SCREEN DOOR & SCREEN .....	65
ROTARY SCREEN MOTOR & DRIVE .....	67

**FEEDER**

CONVEYOR (EFF. S/N HP36101) .....	219
CONVEYOR (PRIOR S/N HP36101) .....	217
COUNTERSHAFT HEADER DRIVE (PRIOR S/N HP36101) .....	211
COUNTERSHAFT VARIABLE & FIXED SPEED HEADER DRIVE (EFF. S/N HP36101) .....	213
FEED FLOOR .....	193
HEADER REVERSER DRIVE & HYDRAULICS (EFF. S/N HP36101) .....	223
HEADER REVERSER LINES & FITTINGS (PRIOR S/N HP36101) .....	221
HOUSING & SHIELDS (EFF. S/N HP36101) .....	185
HOUSING & SHIELDS (PRIOR S/N HP36101) .....	181
HYDRAULIC LINES V.S. HEADER DRIVE (EFF. S/N HP36101) .....	207
JACK .....	191
JACKSHAFT & C'SHAFT DRIVE IDLER FIXED SPEED HEADER DRIVE (EFF. S/N HP36101) .....	209
JACKSHAFT & V.S. IDLER V.S. HEADER DRIVE (EFF. S/N HP36101) .....	205
JACKSHAFT DRIVE R.H. FEEDERHOUSE (EFF. S/N HP36101) .....	203
LATCH HEADER .....	215
LH PIVOT DRIVE (EFF. S/N HP36101) .....	199
PIVOT SHAFT (EFF. S/N HP36101) .....	197
PIVOT SHAFT (PRIOR S/N HP36101) .....	195
REVERSER MOTOR CLUTCH HOUSING & SHAFT ASSEMBLY (EFF. S/N HP36101) .....	227
REVERSER MOTOR TORQUE MOTOR ASY. (EFF. S/N HP36101) .....	229
REVERSER MOTOR & CLUTCH COMPONENTS (PRIOR S/N HP36101) .....	225
RH DRIVE (PRIOR S/N HP36101) .....	201

**GRAIN BIN & ELEVATOR**

BIN EXTENSIONS .....	403
FUEL TANKS .....	405
GRAIN BIN LOWER STRUCTURE .....	389
GRAIN BIN UPPER STRUCTURE & MOUNTS .....	395
GRAIN ELEVATOR BIN FILL AUGER .....	349
GRAIN ELEVATOR HEAD ASSEMBLY .....	347
GRAIN ELEVATOR LOWER .....	343
RETURN ELEVATOR LOWER (PRIOR S/N HP36101) .....	353
RETURN ELEVATOR LOWER (EFF. S/N HP36101) .....	357
RETURN ELEVATOR UPPER .....	361
RETURN ELEVATOR DRIVE .....	367
STAINLESS STEEL ELEVATOR PACKAGE RICE .....	365
UNLOADER DRIVE .....	385
UNLOADING AUGER LOWER .....	369
UNLOADING AUGER UPPER .....	381

**GRAIN BIN & ELEVATOR (CONTINUED)**

UNLOADING AUGER VERTICAL PRIOR S/N HN36101 .....	373
UNLOADING AUGER VERTICAL EFFECTIVE S/N HN36101 .....	377

**HYDRAULICS**

ACCUMULATOR PARKER .....	459
CONTROL VALVE STACK .....	467
FEEDER REVERSER VALVE .....	473
GREASE LINES .....	505
HEADER LIFT CYLINDERS .....	461
HEADER LIFT VALVE .....	469
HYDRAULIC PUMP .....	489
HYDRAULIC PUMP & LINES .....	483
PRIORITY VALVE .....	465
PROPEL PUMP AND MOTOR LINES .....	503
REEL DRIVE VALVE .....	477
REEL LIFT VALVE .....	471
RESERVOIR & FILTER .....	497
ROTARY SCREEN MOTOR LINES .....	481
ROTARY SCREEN VALVE & MOTOR .....	479
ROTOR PUMP AND MOTOR LINES .....	501
STEERING & HEADER FUNCTIONS .....	447
STEERING CYLINDER RWA AXLE .....	457
STEERING CYLINDER STD. ADJUSTABLE AXLE (PRIOR S/N HP 36101) .....	453
STEERING CYLINDER STD. ADJUSTABLE AXLE (EFF. S/N HP36101) .....	455
UNLOADER ENGAGE LINES (EFF. S/N HP36101) .....	493
UNLOADER ENGAGE LINES (PRIOR S/N HP36101) .....	491
UNLOADER ENGAGE VALVE .....	495
UNLOADER SWING CYLINDER .....	463
UNLOADER SWING VALVE .....	475

**LATERAL TILT**

ANCHORS & SENSOR .....	235
HOUSING .....	231
HYDRAULIC CYLINDER .....	237
HYDRAULICS .....	239
VALVE & CONTROL .....	241

**PROCESSOR**

CONCAVE & CONTROLS .....	255
FRONT BEATER .....	243
FRONT BEATER DRIVE AND IDLER .....	249
INLET HOUSING AND STONE TRAP .....	251
MAIN COUNTERSHAFT .....	245
MAIN COUNTERSHAFT DRIVE AND IDLER .....	247
MOTOR, HYDROSTATIC ROTOR .....	281
POWER CONCAVE CONTROL .....	261
REAR ROTOR HOUSING .....	263
ROTOR .....	273
ROTOR DRIVE GEARBOX SHIFT LINKAGE .....	277
ROTOR DRIVE 2-SPEED GEARBOX .....	279
SEPARATOR GRATE SUPPORTS RICE .....	271
SEPARATOR GRATES .....	267

**RECOMMENDED DEALER STOCK**

RECOMMENDED DEALER STOCK .....	583
--------------------------------	-----

**SEPARATOR**

GRAIN ELEVATOR DRIVE (EFF. S/N HP36101) .....	341
GRAIN ELEVATOR DRIVE (PRIOR S/N HP36101) .....	339
LOWER AUGER HOUSING AND FANNING MILL .....	319
PITMAN DRIVE .....	337
SEPARATOR PAN .....	327
SHAKER SHOE AND SIEVES .....	329
VARIABLE SPEED FAN DRIVE .....	325

**SHIELDS**

ENGINE COVERS ..... 407  
 MUD SHIELDS LEFT SIDE (PRIOR S/N HP36101) ..... 437  
 MUD SHIELDS LEFT SIDE (EFF. S/N HP36101) ..... 443  
 MUD SHIELDS RIGHT SIDE ..... 433  
 REAR DECK AND LADDER ..... 411  
 SIDE SHIELDS LEFT FRONT AND MIDDLE ..... 415  
 SIDE SHIELDS LEFT SIDE ..... 419  
 SIDE SHIELDS RIGHT FRONT AND MIDDLE ..... 425  
 SIDE SHIELDS RIGHT SIDE ..... 429

**TRANSMISSION & AXLES**

DRUM BRAKES LINES & FITTINGS ..... 551  
 DRUM BRAKES SERVICE & PARKING ..... 549  
 FINAL DRIVE S39 ..... 535  
 FINAL DRIVE 4" AXLE RISERS ..... 539  
 MAIN FRAME AND AXLE SUPPORTS ..... 553  
 MOTOR, HYDRO PROPEL COMPONENTS ..... 515  
 PROPEL PUMP COMPONENTS, 1 OF 4 ..... 507  
 PROPEL PUMP COMPONENTS, 2 OF 4 ..... 509  
 PROPEL PUMP COMPONENTS, 3 OF 4 ..... 511  
 PROPEL PUMP COMPONENTS, 4 OF 4 ..... 513  
 REAR AXLE & WHEELS ADJUSTABLE TREAD (PRIOR S/N HP36101) ..... 555  
 REAR AXLE & WHEELS ADJUSTABLE TREAD (EFF. S/N HP36101) ..... 559  
 REAR AXLE & WHEELS REAR WHEEL ASSIST ..... 563  
 REAR WHEEL ASSIST SELECTOR VALVE & FLOW DIVIDER ..... 571  
 REAR WHEEL ASSIST WHEEL MOTOR UNIT ..... 569  
 ROTOR PUMP FRONT, 1 OF 4 ..... 519  
 ROTOR PUMP FRONT, 2 OF 4 ..... 521  
 ROTOR PUMP FRONT, 3 OF 4 ..... 523  
 ROTOR PUMP FRONT, 4 OF 4 ..... 525  
 ROTOR PUMP REAR, 1 OF 4 ..... 527  
 ROTOR PUMP REAR, 2 OF 4 ..... 529  
 ROTOR PUMP REAR, 3 OF 4 ..... 531  
 ROTOR PUMP REAR, 4 OF 4 ..... 533  
 ROTOR PUMPS TANDEM PUMP ..... 517  
 TRANSMISSION, GEAR DIFFERENTIAL ..... 547  
 TRANSMISSION, GEAR INPUT SHAFT & GEARS ..... 543  
 TRANSMISSION, GEAR INTERMEDIATE & MAIN SHAFT ..... 545  
 TRANSMISSION, GEAR PRESSURE LUBE & HYDRO MOTOR ..... 541  
 WHEELS DRIVE ..... 573

## INDEX

Part No.	Page	Grid	Part No.	Page	Grid	Part No.	Page	Grid	Part No.	Page	Grid
AG133717	281	1-C 7	Y704635	415	1-C 20	Y704734	209	1-B 23	Y704742	321	1-C 11
CH1R-0771	71	1-B 10	Y704635	425	1-C 21	Y704734	249	1-C 3	Y704742	325	1-C 11
CH1R-0771	585	1-D 13	Y704726	47	1-B 7	Y704734	251	1-C 4	Y704742	327	1-C 11
D49070008	315	1-C 10	Y704726	59	1-B 8	Y704734	253	1-C 4	Y704742	331	1-C 12
D49070025	317	1-C 10	Y704726	61	1-B 9	Y704734	255	1-C 4	Y704742	337	1-C 12
D49080047	315	1-C 10	Y704726	67	1-B 9	Y704734	267	1-C 5	Y704742	341	1-C 13
D49080090	293	1-C 8	Y704726	69	1-B 9	Y704734	277	1-C 6	Y704742	351	1-C 14
D49100159	315	1-C 10	Y704726	71	1-B 10	Y704734	283	1-C 7	Y704742	353	1-C 14
K3518	353	1-C 14	Y704726	73	1-B 10	Y704734	287	1-C 7	Y704742	359	1-C 14
K3518	359	1-C 14	Y704726	77	1-B 10	Y704734	289	1-C 7	Y704742	363	1-C 15
K3518	361	1-C 15	Y704726	85	1-B 11	Y704734	301	1-C 9	Y704742	369	1-C 15
K3999	211	1-B 24	Y704726	87	1-B 11	Y704734	303	1-C 9	Y704742	371	1-C 16
K3999	307	1-C 9	Y704726	89	1-B 11	Y704734	305	1-C 9	Y704742	373	1-C 16
K3999	587	1-D 13	Y704726	91	1-B 12	Y704734	309	1-C 9	Y704742	375	1-C 16
K4037	307	1-C 9	Y704726	99	1-B 12	Y704734	311	1-C 10	Y704742	377	1-C 16
K4037	583	1-D 13	Y704726	111	1-B 14	Y704734	319	1-C 10	Y704742	381	1-C 17
N12998	105	1-B 13	Y704726	137	1-B 16	Y704734	321	1-C 11	Y704742	385	1-C 17
PZND1041V	295	1-C 8	Y704726	141	1-B 17	Y704734	325	1-C 11	Y704742	391	1-C 18
RE210066	99	1-B 12	Y704726	251	1-C 4	Y704734	327	1-C 11	Y704742	393	1-C 18
RE210066	165	1-B 19	Y704726	257	1-C 4	Y704734	329	1-C 11	Y704742	429	1-C 21
RE210066	583	1-D 13	Y704726	267	1-C 5	Y704734	331	1-C 12	Y704742	445	1-C 23
RE530013	165	1-B 19	Y704726	273	1-C 6	Y704734	333	1-C 12	Y704742	561	1-D 11
RE701128D6	165	1-B 19	Y704726	277	1-C 6	Y704734	335	1-C 12	Y704742	565	1-D 11
RE701141D6	165	1-B 19	Y704726	289	1-C 7	Y704734	337	1-C 12	Y705020	47	1-B 7
RE701156D6	165	1-B 19	Y704726	301	1-C 9	Y704734	353	1-C 14	Y705020	65	1-B 9
WR519751	499	1-D 4	Y704726	303	1-C 9	Y704734	355	1-C 14	Y705020	95	1-B 12
WSP1344	91	1-B 12	Y704726	305	1-C 9	Y704734	359	1-C 14	Y705020	101	1-B 13
W1511670	579	1-D 12	Y704726	307	1-C 9	Y704734	361	1-C 15	Y705020	109	1-B 13
W1511670	585	1-D 13	Y704726	309	1-C 9	Y704734	363	1-C 15	Y705020	127	1-B 15
W500053E	105	1-B 13	Y704726	311	1-C 10	Y704734	373	1-C 16	Y705020	143	1-B 17
W915795-4	243	1-C 3	Y704726	319	1-C 10	Y704734	375	1-C 16	Y705020	147	1-B 17
W937119	375	1-C 16	Y704726	321	1-C 11	Y704734	377	1-C 16	Y705020	149	1-B 17
W937119	379	1-C 16	Y704726	327	1-C 11	Y704734	379	1-C 16	Y705020	151	1-B 18
W943003	141	1-B 17	Y704726	329	1-C 11	Y704734	381	1-C 17	Y705020	153	1-B 18
W9863030	353	1-C 14	Y704726	331	1-C 12	Y704734	383	1-C 17	Y705020	263	1-C 5
W9863030	359	1-C 14	Y704726	339	1-C 12	Y704734	385	1-C 17	Y705020	293	1-C 8
Y52209	111	1-B 14	Y704726	341	1-C 13	Y704734	387	1-C 17	Y705020	321	1-C 11
Y52894	537	1-D 8	Y704726	373	1-C 16	Y704734	389	1-C 17	Y705020	323	1-C 11
Y58040	415	1-C 20	Y704726	377	1-C 16	Y704734	391	1-C 18	Y705020	347	1-C 13
Y58040	425	1-C 21	Y704726	381	1-C 17	Y704734	393	1-C 18	Y705020	349	1-C 13
Y58040	427	1-C 21	Y704726	387	1-C 17	Y704734	399	1-C 18	Y705020	395	1-C 18
Y61879	243	1-C 3	Y704726	389	1-C 17	Y704734	401	1-C 19	Y705020	403	1-C 19
Y61879	285	1-C 7	Y704726	411	1-C 20	Y704734	403	1-C 19	Y705020	411	1-C 20
Y702951	149	1-B 17	Y704726	419	1-C 20	Y704734	429	1-C 21	Y705020	415	1-C 20
Y702951	153	1-B 18	Y704726	421	1-C 21	Y704734	431	1-C 22	Y705020	419	1-C 20
Y702951	207	1-B 23	Y704726	423	1-C 21	Y704734	433	1-C 22	Y705020	421	1-C 21
Y702951	389	1-C 17	Y704726	429	1-C 21	Y704734	435	1-C 22	Y705020	423	1-C 21
Y702951	391	1-C 18	Y704726	431	1-C 22	Y704734	441	1-C 23	Y705020	429	1-C 21
Y702951	481	1-D 3	Y704726	443	1-C 23	Y704734	443	1-C 23	Y705020	433	1-C 22
Y702951	485	1-D 3	Y704726	445	1-C 23	Y704734	445	1-C 23	Y705020	435	1-C 22
Y703132	75	1-B 10	Y704726	485	1-D 3	Y704734	497	1-D 4	Y705020	441	1-C 23
Y703132	99	1-B 12	Y704726	491	1-D 4	Y704734	505	1-D 5	Y705020	499	1-D 4
Y703132	109	1-B 13	Y704726	493	1-D 4	Y704734	553	1-D 10	Y705020	501	1-D 5
Y703140	289	1-C 7	Y704734	35	1-B 6	Y704734	563	1-D 11	Y705046	35	1-B 6
Y704072	61	1-B 9	Y704734	37	1-B 6	Y704742	51	1-B 8	Y705046	67	1-B 9
Y704072	75	1-B 10	Y704734	47	1-B 7	Y704742	53	1-B 8	Y705046	99	1-B 12
Y704072	103	1-B 13	Y704734	51	1-B 8	Y704742	67	1-B 9	Y705046	181	1-B 21
Y704072	415	1-C 20	Y704734	53	1-B 8	Y704742	75	1-B 10	Y705046	185	1-B 21
Y704072	425	1-C 21	Y704734	57	1-B 8	Y704742	91	1-B 12	Y705046	195	1-B 22
Y704288	231	1-C 2	Y704734	67	1-B 9	Y704742	93	1-B 12	Y705046	197	1-B 22
Y704361	147	1-B 17	Y704734	69	1-B 9	Y704742	111	1-B 14	Y705046	205	1-B 23
Y704361	153	1-B 18	Y704734	71	1-B 10	Y704742	221	1-C 1	Y705046	211	1-B 24
Y704395	579	1-D 12	Y704734	73	1-B 10	Y704742	223	1-C 1	Y705046	213	1-B 24
Y704445	53	1-B 8	Y704734	85	1-B 11	Y704742	247	1-C 3	Y705046	223	1-C 1
Y704445	109	1-B 13	Y704734	89	1-B 11	Y704742	249	1-C 3	Y705046	235	1-C 2
Y704445	113	1-B 14	Y704734	91	1-B 12	Y704742	251	1-C 4	Y705046	243	1-C 3
Y704445	147	1-B 17	Y704734	93	1-B 12	Y704742	253	1-C 4	Y705046	245	1-C 3
Y704445	151	1-B 18	Y704734	95	1-B 12	Y704742	255	1-C 4	Y705046	259	1-C 4
Y704445	163	1-B 19	Y704734	111	1-B 14	Y704742	257	1-C 4	Y705046	267	1-C 5
Y704445	167	1-B 19	Y704734	183	1-B 21	Y704742	261	1-C 5	Y705046	269	1-C 5
Y704445	171	1-B 20	Y704734	187	1-B 21	Y704742	267	1-C 5	Y705046	271	1-C 6
Y704445	261	1-C 5	Y704734	189	1-B 21	Y704742	269	1-C 5	Y705046	273	1-C 6
Y704445	415	1-C 20	Y704734	195	1-B 22	Y704742	301	1-C 9	Y705046	275	1-C 6
Y704445	425	1-C 21	Y704734	197	1-B 22	Y704742	311	1-C 10	Y705046	287	1-C 7
Y704452	429	1-C 21	Y704734	205	1-B 23	Y704742	319	1-C 10	Y705046	295	1-C 8



CHALLENGER 670 COMBINE

Part No.	Page	Grid	Part No.	Page	Grid	Part No.	Page	Grid	Part No.	Page	Grid
Y705046	297	1-C 8	Y707042	349	1-C 13	101783M1	195	1-B 22	104145W91	467	1-D 1
Y705046	303	1-C 9	Y707042	359	1-C 14	101785M1	195	1-B 22	104145W91	469	1-D 1
Y705046	319	1-C 10	Y710293	361	1-C 15	101832M1	449	1-C 23	104156W91	497	1-D 4
Y705046	321	1-C 11	Y730804	541	1-D 9	101832M1	491	1-D 4	104201W1	253	1-C 4
Y705046	345	1-C 13	Y761312	371	1-C 16	101832M1	493	1-D 4	104207W1	337	1-C 12
Y705046	349	1-C 13	Y763318	535	1-D 8	101841M1	59	1-B 8	1042752M1	225	1-C 1
Y705046	373	1-C 16	Y764126	333	1-C 12	101841M1	501	1-D 5	104307W91	221	1-C 1
Y705046	377	1-C 16	Y772129	79	1-B 10	101841M1	503	1-D 5	104307W91	225	1-C 1
Y705046	383	1-C 17	Y851774	579	1-D 12	101841M1	567	1-D 11	104308W1	497	1-D 4
Y705046	407	1-C 19	Y851774	585	1-D 13	101842M1	59	1-B 8	104309W91	497	1-D 4
Y705046	411	1-C 20	1P-0436	39	1-B 6	101842M1	501	1-D 5	104309W91	585	1-D 13
Y705046	433	1-C 22	1R-0716	39	1-B 6	101842M1	503	1-D 5	104456W1	489	1-D 3
Y705046	437	1-C 22	1R-0716	585	1-D 13	101842M1	567	1-D 11	104468W1	225	1-C 1
Y705046	447	1-C 23	1R-0751	69	1-B 9	101843M1	503	1-D 5	104468W1	227	1-C 1
Y705046	485	1-D 3	1R-0751	73	1-B 10	101843M1	565	1-D 11	104473W91	225	1-C 1
Y705046	553	1-D 10	1R-0751	585	1-D 13	101844M1	503	1-D 5	104475W1	225	1-C 1
Y705046	557	1-D 10	10033	361	1-C 15	1018729M1	171	1-B 20	104476W1	225	1-C 1
Y705046	559	1-D 10	10033	583	1-D 13	1018729M1	585	1-D 13	104476W1	229	1-C 1
Y705046	567	1-D 11	100801	563	1-D 11	101930M1	273	1-C 6	104477W1	225	1-C 1
Y705525	57	1-B 8	101065M1	289	1-C 7	102028M1	565	1-D 11	104478W91	225	1-C 1
Y705525	59	1-B 8	101065M1	305	1-C 9	102038M1	553	1-D 10	104479W1	225	1-C 1
Y705525	61	1-B 9	101066M1	289	1-C 7	102158M1	439	1-C 22	104479W1	229	1-C 1
Y705525	85	1-B 11	101066M1	305	1-C 9	102237M1	441	1-C 23	104480W91	225	1-C 1
Y705525	87	1-B 11	101069M1	289	1-C 7	102302M1	35	1-B 6	104482W1	225	1-C 1
Y705525	91	1-B 12	101069M1	303	1-C 9	102367M1	567	1-D 11	104483W1	225	1-C 1
Y705525	101	1-B 13	101074M2	285	1-C 7	1026105M1	541	1-D 9	104484W1	225	1-C 1
Y705525	111	1-B 14	101075M1	285	1-C 7	102764M91	255	1-C 4	104485W1	225	1-C 1
Y705525	423	1-C 21	101078M1	243	1-C 3	102835M91	273	1-C 6	104486W1	225	1-C 1
Y705525	429	1-C 21	101098M91	283	1-C 7	102903M91	399	1-C 18	104500W1	243	1-C 3
Y705525	431	1-C 22	101100M91	283	1-C 7	102934M1	285	1-C 7	104500W1	441	1-C 23
Y705533	57	1-B 8	101102M1	385	1-C 17	102981M91	273	1-C 6	104502W1	477	1-D 2
Y705533	63	1-B 9	101102M1	575	1-D 12	103001M91	259	1-C 4	104503W1	477	1-D 2
Y705533	67	1-B 9	101102M1	583	1-D 13	103004M91	259	1-C 4	104505W1	477	1-D 2
Y705533	85	1-B 11	101126M1	331	1-C 12	103284M1C	51	1-B 8	104508W1	477	1-D 2
Y705533	91	1-B 12	101158M1	363	1-C 15	103316M1	287	1-C 7	104509W1	477	1-D 2
Y705533	95	1-B 12	101218M91	437	1-C 22	103338W1	301	1-C 9	104510W1	477	1-D 2
Y705533	189	1-B 21	101218M91	445	1-C 23	103338W1	311	1-C 10	104512W1	477	1-D 2
Y705533	277	1-C 6	101221M92	441	1-C 23	103339W1	301	1-C 9	104715W1	245	1-C 3
Y705533	321	1-C 11	101221M92	445	1-C 23	103339W1	311	1-C 10	104740W1	375	1-C 16
Y705533	345	1-C 13	101231M1	441	1-C 23	103342W91	295	1-C 8	104740W1	379	1-C 16
Y705533	351	1-C 14	101231M1	445	1-C 23	103600W1	447	1-C 23	104741W1	375	1-C 16
Y705533	357	1-C 14	101232M1	441	1-C 23	103657W91	325	1-C 11	104741W1	379	1-C 16
Y705533	359	1-C 14	101232M1	445	1-C 23	103668W1	85	1-B 11	104742W1	375	1-C 16
Y705533	361	1-C 15	101276M2	283	1-C 7	103668W1	91	1-B 12	104742W1	379	1-C 16
Y705533	363	1-C 15	101276M2	287	1-C 7	103714W1	489	1-D 3	104751W1	243	1-C 3
Y705533	425	1-C 21	101276M2	385	1-C 17	103732W1	225	1-C 1	104751W1	245	1-C 3
Y705533	429	1-C 21	101276M2	589	1-D 13	103736W1	225	1-C 1	104751W1	285	1-C 7
Y705566	67	1-B 9	101411M91	287	1-C 7	103737W1	225	1-C 1	104904W91	257	1-C 4
Y705566	573	1-D 12	101411M91	303	1-C 9	103738W1	225	1-C 1	104916W91	439	1-C 22
Y705582	219	1-B 24	101575M1	385	1-C 17	103745W1	469	1-D 1	104916W91	443	1-C 23
Y705608	47	1-B 7	101588M1	483	1-D 3	103746W1	469	1-D 1	104928W1	263	1-C 5
Y705608	49	1-B 7	101589M91	447	1-C 23	103747W1	469	1-D 1	105068W1	475	1-D 2
Y705608	65	1-B 9	101590M1	313	1-C 10	103753W1	469	1-D 1	105076W1	475	1-D 2
Y705608	69	1-B 9	101590M1	487	1-D 3	103754W1	469	1-D 1	105077W1	475	1-D 2
Y705608	71	1-B 10	101596M92	447	1-C 23	103759W91	467	1-D 1	105078W1	475	1-D 2
Y705608	109	1-B 13	101598M1	487	1-D 3	103764W1	467	1-D 1	105084W1	475	1-D 2
Y705608	137	1-B 16	101618M1	487	1-D 3	103766W92	467	1-D 1	105085W1	475	1-D 2
Y705608	309	1-C 9	101618M1	501	1-D 5	103766W92	471	1-D 2	105086W91	249	1-C 3
Y705608	323	1-C 11	10163	305	1-C 9	103767W1	225	1-C 1	105177W1	295	1-C 8
Y705608	331	1-C 12	101643M91	487	1-D 3	103778W91	467	1-D 1	1052337M1	469	1-D 1
Y705608	355	1-C 14	101646M1	73	1-B 10	103789W1	469	1-D 1	1052341M1	469	1-D 1
Y705608	357	1-C 14	101646M1	137	1-B 16	103789W1	477	1-D 2	1052349M1	469	1-D 1
Y705608	485	1-D 3	101646M1	149	1-B 17	103796W1	469	1-D 1	1052351M1	469	1-D 1
Y705624	35	1-B 6	101646M1	153	1-B 18	103797W1	469	1-D 1	1052358M1	475	1-D 2
Y705624	205	1-B 23	101646M1	221	1-C 1	103834W1	195	1-B 22	1052359M91	471	1-D 2
Y705624	207	1-B 23	101646M1	449	1-C 23	103834W1	197	1-B 22	1052370M91	467	1-D 1
Y705624	215	1-B 24	101646M1	487	1-D 3	104021W1	373	1-C 16	1052370M91	469	1-D 1
Y705624	231	1-C 2	101646M1	491	1-D 4	104035W1	301	1-C 9	1052370M91	471	1-D 2
Y705624	247	1-C 3	101646M1	493	1-D 4	104128W1	469	1-D 1	1052370M91	475	1-D 2
Y705624	253	1-C 4	101650M1	483	1-D 3	104128W1	477	1-D 2	1052384M1	471	1-D 2
Y705624	295	1-C 8	101698M1	447	1-C 23	104130W91	469	1-D 1	1052390M1	475	1-D 2
Y705624	325	1-C 11	101705M1	447	1-C 23	104135W91	477	1-D 2	1052393M1	475	1-D 2
Y705624	363	1-C 15	10171	453	1-C 24	104135W91	485	1-D 3	1052394M1	469	1-D 1
Y705624	549	1-D 9	101751M1	487	1-D 3	104139W91	469	1-D 1	1052408M1	475	1-D 2
Y705624	565	1-D 11	101752M1	487	1-D 3	104139W91	473	1-D 2	105493W1	257	1-C 4

## INDEX

Part No.	Page	Grid	Part No.	Page	Grid	Part No.	Page	Grid	Part No.	Page	Grid
105495W1	257	1-C 4	1077695M1	515	1-D 6	111670W1	433	1-C 22	116146W1	463	1-D 1
105495W1	589	1-D 13	1077696M1	515	1-D 6	111670W1	439	1-C 22	116147W91	463	1-D 1
1055944M1	475	1-D 2	1077960M1	515	1-D 6	111711W1	109	1-B 13	116148W1	463	1-D 1
105733W1	225	1-C 1	108047W1	147	1-B 17	111736W2	33	1-B 6	116149W1	463	1-D 1
1068614M91	325	1-C 11	108047W1	151	1-B 18	111737W1	295	1-C 8	116246W91	293	1-C 8
1068617M1	325	1-C 11	108048W1	147	1-B 17	111737W1	313	1-C 10	116247W91	293	1-C 8
1068620M91	325	1-C 11	108048W1	151	1-B 18	111741W1	31	1-B 6	116248W91	295	1-C 8
107041	157	1-B 18	108076W1	147	1-B 17	111743W1	33	1-B 6	116249W1	295	1-C 8
1073032M1	469	1-D 1	108076W1	151	1-B 18	111743W1	365	1-C 15	116250W1	295	1-C 8
1073032M1	471	1-D 2	1081151M1	569	1-D 11	112016W1	497	1-D 4	116281W1	517	1-D 6
107320M1	159	1-B 18	1081158M91	569	1-D 11	112020W1	501	1-D 5	116282W1	517	1-D 6
107499M1	163	1-B 19	1081159M1	569	1-D 11	112022W1	501	1-D 5	116312W1	215	1-B 24
107500M1	163	1-B 19	1081670M1	531	1-D 8	112027W1	491	1-D 4	116328W1	183	1-B 21
1077183M91	565	1-D 11	1081671M1	531	1-D 8	112027W1	493	1-D 4	116328W1	185	1-B 21
1077238M91	571	1-D 12	1081673M1	531	1-D 8	112041W1	483	1-D 3	116339W1	215	1-B 24
1077239M91	571	1-D 12	1081684M1	531	1-D 8	112043W1	487	1-D 3	116343W1	185	1-B 21
1077240M91	571	1-D 12	1081699M1	513	1-D 6	112044W1	487	1-D 3	116343W1	215	1-B 24
1077602M1	523	1-D 7	1081699M1	525	1-D 7	112046W1	221	1-C 1	116346W1	215	1-B 24
1077604M1	519	1-D 6	1081706M1	509	1-D 5	112050W1	483	1-D 3	116348W1	215	1-B 24
1077604M1	521	1-D 7	1081706M1	521	1-D 7	112159W1	145	1-B 17	116349W1	215	1-B 24
1077604M1	527	1-D 7	1081706M1	529	1-D 7	112174W1	485	1-D 3	116354W1	193	1-B 22
1077604M1	529	1-D 7	1081707M91	519	1-D 6	112202W91	569	1-D 11	116362W1	193	1-B 22
1077605M1	507	1-D 5	1081707M91	527	1-D 7	112204W91	569	1-D 11	116363W1	193	1-B 22
1077605M1	513	1-D 6	1081711M1	533	1-D 8	112235W91	571	1-D 12	116465W91	467	1-D 1
1077605M1	515	1-D 6	1081720M91	521	1-D 7	112236W1	157	1-B 18	116465W91	475	1-D 2
1077605M1	519	1-D 6	1081721M1	521	1-D 7	112253W1	563	1-D 11	116482W1	447	1-C 23
1077605M1	525	1-D 7	1081723M1	521	1-D 7	112283W1	565	1-D 11	116518W1	183	1-B 21
1077605M1	527	1-D 7	1081724M1	521	1-D 7	112412W1	253	1-C 4	116519W1	183	1-B 21
1077605M1	533	1-D 8	1081725M1	521	1-D 7	112678W1	69	1-B 9	116626W1	461	1-D 1
1077611M1	511	1-D 6	1081726	521	1-D 7	112678W1	71	1-B 10	116627W1	461	1-D 1
1077611M1	515	1-D 6	1081727M1	517	1-D 6	112678W1	137	1-B 16	116640W1	483	1-D 3
1077611M1	523	1-D 7	1081727M1	521	1-D 7	112685W1	243	1-C 3	116644W1	485	1-D 3
1077627M1	513	1-D 6	1081728M1	521	1-D 7	112716W92	373	1-C 16	116757W1	461	1-D 1
1077627M1	525	1-D 7	1081729M1	521	1-D 7	112716W92	377	1-C 16	116759W1	461	1-D 1
1077627M1	533	1-D 8	1081731M1	513	1-D 6	112720W91	375	1-C 16	116953W91	297	1-C 8
1077628M1	513	1-D 6	1081731M1	525	1-D 7	112720W91	379	1-C 16	1177981	41	1-B 7
1077628M1	525	1-D 7	1081733M1	507	1-D 5	112734W1	105	1-B 13	1177981	43	1-B 7
1077631M91	507	1-D 5	1081733M1	519	1-D 6	112735W91	105	1-B 13	1177981	45	1-B 7
1077631M91	519	1-D 6	1081734M91	525	1-D 7	112752W1	275	1-C 6	124-0506	39	1-B 6
1077631M91	527	1-D 7	108202W1	323	1-C 11	112774W1	385	1-C 17	129-0838	43	1-B 7
1077635M2	511	1-D 6	108202W1	369	1-C 15	112785W92	463	1-D 1	129-5096	35	1-B 6
1077635M2	523	1-D 7	108275W91	385	1-C 17	112785W92	487	1-D 3	129-5096	149	1-B 17
1077637M1	513	1-D 6	108531W91	491	1-D 4	112811W1	159	1-B 18	129-5096	153	1-B 18
1077637M1	525	1-D 7	108531W91	493	1-D 4	112812W1	159	1-B 18	133-5673	69	1-B 9
1077638M1	513	1-D 6	108531W91	495	1-D 4	112814W1	159	1-B 18	133-5673	71	1-B 10
1077638M1	525	1-D 7	108541W1	497	1-D 4	112858W91	497	1-D 4	133-5673	585	1-D 13
1077638M1	533	1-D 8	108575W1	373	1-C 16	112887W1	497	1-D 4	133827M1	497	1-D 4
1077639M92	521	1-D 7	108575W1	377	1-C 16	112887W1	585	1-D 13	133828M91	497	1-D 4
1077651M1	507	1-D 5	108575W1	385	1-C 17	112890W91	497	1-D 4	135-9819	483	1-D 3
1077651M1	519	1-D 6	108586W91	385	1-C 17	112942W1	61	1-B 9	136-3608	39	1-B 6
1077651M1	527	1-D 7	108592W1	385	1-C 17	112942W1	287	1-C 7	13601	197	1-B 22
1077654M1	509	1-D 5	108593W91	385	1-C 17	112942W1	303	1-C 9	13601	255	1-C 4
1077654M1	521	1-D 7	108597W91	385	1-C 17	112942W1	439	1-C 22	13811X	199	1-B 22
1077656M1	509	1-D 5	108599W1	385	1-C 17	112942W1	443	1-C 23	13811X	201	1-B 23
1077656M1	521	1-D 7	108600W1	385	1-C 17	112972W1	447	1-C 23	13811X	203	1-B 23
1077658M1	509	1-D 5	108601W1	385	1-C 17	112972W1	487	1-D 3	13811X	209	1-B 23
1077658M1	521	1-D 7	108602W1	385	1-C 17	112977W92C	373	1-C 16	13811X	213	1-B 24
1077658M1	529	1-D 7	108610W1	397	1-C 18	1130100W1	327	1-C 11	13811X	231	1-C 2
1077661M1	509	1-D 5	108664W1	157	1-B 18	1138480	245	1-C 3	13811X	235	1-C 2
1077661M1	529	1-D 7	108664W1	241	1-C 3	1138480	586	1-D 13	13811X	337	1-C 12
1077664M1	513	1-D 6	108843W1	345	1-C 13	1139003	327	1-C 11	13811X	363	1-C 15
1077664M1	515	1-D 6	108910W91	485	1-D 3	1139003	583	1-D 13	13811X	535	1-D 8
1077664M1	525	1-D 7	108925W1	491	1-D 4	11538	335	1-C 12	13811X	555	1-D 10
1077666M1	281	1-C 7	108925W1	493	1-D 4	1157990W1	327	1-C 11	13811X	557	1-D 10
1077666M1	507	1-D 5	1109055	327	1-C 11	1157990W1	333	1-C 12	13811X	559	1-D 10
1077666M1	515	1-D 6	1109055	583	1-D 13	116047W1	103	1-B 13	13811X	587	1-D 13
1077666M1	519	1-D 6	1109070	547	1-D 9	116082W1	297	1-C 8	13887X	213	1-B 24
1077673M1	513	1-D 6	111089W1	469	1-D 1	116106W1	195	1-B 22	13887X	557	1-D 10
1077673M1	525	1-D 7	111091W1	31	1-B 6	116106W1	197	1-B 22	13887X	559	1-D 10
1077673M1	533	1-D 8	111095W1	31	1-B 6	116107W1	195	1-B 22	141-0284	69	1-B 9
1077675M1	525	1-D 7	1112299	119	1-B 14	116107W1	197	1-B 22	141-0284	71	1-B 10
1077678M1	525	1-D 7	1114720W1	327	1-C 11	116108W1	195	1-B 22	141-0284	585	1-D 13
1077684M1	509	1-D 5	1114720W1	589	1-D 13	116108W1	197	1-B 22	144-0367	47	1-B 7
1077684M1	521	1-D 7	111670W1	31	1-B 6	116143W1	463	1-D 1	1440921X1	315	1-C 10
1077684M1	529	1-D 7	111670W1	33	1-B 6	116145W1	463	1-D 1	1441000X1	125	1-B 15

CHALLENGER 670 COMBINE

INDEX

Part No.	Page	Grid	Part No.	Page	Grid	Part No.	Page	Grid	Part No.	Page	Grid
1441932X1	315	1-C 10	1703354	87	1-B 11	227455M1	575	1-D 12	2486150W1	373	1-C 16
148022M1	221	1-C 1	1703354	101	1-B 13	227455M1	577	1-D 12	2486150W1	377	1-C 16
148022M1	447	1-C 23	1703354	143	1-B 17	227455M1	583	1-D 13	2486160W1	373	1-C 16
148039M1	487	1-D 3	1703354	187	1-B 21	2400540W1	333	1-C 12	2486160W1	377	1-C 16
148203M1	73	1-B 10	1703354	289	1-C 7	2403570W1	331	1-C 12	2486170W2	373	1-C 16
148203M1	149	1-B 17	1703354	305	1-C 9	2403610W1	195	1-B 22	2486170W2	377	1-C 16
148203M1	153	1-B 18	1703354	309	1-C 9	2403610W1	197	1-B 22	2488980W1	251	1-C 4
148203M1	491	1-D 4	1703354	311	1-C 10	2407570W1	337	1-C 12	2489330W1	275	1-C 6
148203M1	493	1-D 4	1703354	397	1-C 18	2407570W1	379	1-C 16	2489920W1	275	1-C 6
14987	331	1-C 12	1703354	415	1-C 20	2412670W1	343	1-C 13	2489940W1	275	1-C 6
1500050W1	375	1-C 16	1703354	425	1-C 21	2412670W1	357	1-C 14	2492063W91	331	1-C 12
1500050W1	379	1-C 16	1703354	427	1-C 21	2412960W1	351	1-C 14	2493000W1	373	1-C 16
1500060W1	375	1-C 16	1703354	431	1-C 22	2414623W1	381	1-C 17	2493870W1	375	1-C 16
1500060W1	379	1-C 16	1703354	439	1-C 22	2414630W2	381	1-C 17	2493870W1	379	1-C 16
1500070W1	375	1-C 16	1703354	441	1-C 23	2414640W1	381	1-C 17	2495780W1	169	1-B 19
1500070W1	379	1-C 16	1703354	443	1-C 23	2438160W1	373	1-C 16	2497273W91	273	1-C 6
1500268M1	471	1-D 2	1703354	445	1-C 23	2440720W1	321	1-C 11	2497273W91	585	1-D 13
1501060W1	327	1-C 11	1705037	483	1-D 3	2440720W1	589	1-D 13	2498390W1	267	1-C 5
1501060W1	331	1-C 12	1706380W1	243	1-C 3	2441250W1	555	1-D 10	2498390W1	589	1-D 13
1501060W1	335	1-C 12	1706380W1	245	1-C 3	2441250W1	559	1-D 10	2503350W1	285	1-C 7
1508070W1	369	1-C 15	1706393W91	245	1-C 3	2441250W1	563	1-D 11	2513840W1	553	1-D 10
1510740W1	353	1-C 14	1712530W1	381	1-C 17	2441340W1	557	1-D 10	2522600W1	251	1-C 4
1510831W91	361	1-C 15	1714400W1	381	1-C 17	2441340W1	559	1-D 10	252502M1	259	1-C 4
151257M1	269	1-C 5	1714410W1	381	1-C 17	2441340W1	567	1-D 11	2526120W1	373	1-C 16
151257M1	339	1-C 12	1714430W1	381	1-C 17	2441490W1	283	1-C 7	2526120W1	377	1-C 16
151257M1	341	1-C 13	1716190W1	383	1-C 17	2441490W1	287	1-C 7	2530670W1	259	1-C 4
15379	41	1-B 7	1717640W1	195	1-B 22	2441490W1	303	1-C 9	2530670W1	269	1-C 5
15379	43	1-B 7	1717640W1	197	1-B 22	2441490W1	339	1-C 12	2531340W1	259	1-C 4
15379	45	1-B 7	1717650W1	195	1-B 22	2441490W1	341	1-C 13	2531671W91	251	1-C 4
155-2629	69	1-B 9	1717650W1	197	1-B 22	2441970W1	361	1-C 15	2531681W91	251	1-C 4
155-2629	71	1-B 10	1720176	345	1-C 13	2442480W2	321	1-C 11	2537720W1	325	1-C 11
1564540W1	327	1-C 11	1721491W2C	381	1-C 17	2442960W1	255	1-C 4	2538810W1	269	1-C 5
1564540W1	329	1-C 11	1736510W1	383	1-C 17	2442970W1	255	1-C 4	2544120W1	257	1-C 4
1564540W1	331	1-C 12	1736870W1	381	1-C 17	2443410W1	327	1-C 11	2545270W1	325	1-C 11
1565240W1	105	1-B 13	1737620W1	381	1-C 17	2443420W1	327	1-C 11	2545270W1	385	1-C 17
1579720W1	303	1-C 9	1737660W1	383	1-C 17	2445360W1	243	1-C 3	2545270W1	587	1-D 13
1579720W1	341	1-C 13	1742670W1	283	1-C 7	2446310W1	325	1-C 11	2545471W91	257	1-C 4
1579720W1	367	1-C 15	1742670W1	339	1-C 12	2446400W1	331	1-C 12	2545511W91	257	1-C 4
1588480W1	327	1-C 11	1742670W1	341	1-C 13	2446893W91	319	1-C 10	2547531W91	259	1-C 4
1599410W1	381	1-C 17	1742670W1	585	1-D 13	2446903W91	319	1-C 10	2547540W1	259	1-C 4
1605510W1	337	1-C 12	1774490W91	109	1-B 13	2446920W1	319	1-C 10	254763M1	259	1-C 4
1605510W1	361	1-C 15	1777403W91	195	1-B 22	2446930W1	319	1-C 10	2551250W1	327	1-C 11
1609121W91	191	1-B 22	1777403W91	197	1-B 22	2447080W1	367	1-C 15	2551250W1	333	1-C 12
1609200W1	191	1-B 22	17789	297	1-C 8	2449760W1	337	1-C 12	255301M2	51	1-B 8
1611180W1	191	1-B 22	17789	319	1-C 10	2450441W4	381	1-C 17	2553251W91	361	1-C 15
1651910W1	59	1-B 8	17789	321	1-C 11	2450500W1	381	1-C 17	2553271W92	363	1-C 15
1651910W1	353	1-C 14	17789	345	1-C 13	2451440W1	55	1-B 8	2553290W1	363	1-C 15
1656110W2	187	1-B 21	1786320W1	373	1-C 16	2451440W1	289	1-C 7	2553300W1	363	1-C 15
1656110W2	403	1-C 19	1787520W1	289	1-C 7	2451440W1	339	1-C 12	2553320W1	361	1-C 15
1656110W2	409	1-C 19	1787520W1	303	1-C 9	2451440W1	341	1-C 13	2553560W1	283	1-C 7
1656110W2	433	1-C 22	1787520W1	441	1-C 23	2452270W1	375	1-C 16	2553560W1	339	1-C 12
1656110W2	439	1-C 22	1787520W1	445	1-C 23	2452270W1	379	1-C 16	2553560W1	341	1-C 13
1656110W2	443	1-C 23	1791851W91	109	1-B 13	2460840W2	375	1-C 16	2553560W1	587	1-D 13
1659630W1	195	1-B 22	1797450W1	385	1-C 17	2460840W2	379	1-C 16	2554680W1	343	1-C 13
1659630W1	197	1-B 22	1799410W1	65	1-B 9	2464250W1	325	1-C 11	2554761W91	273	1-C 6
1659650W1	195	1-B 22	1799410W1	343	1-C 13	2466861W91	257	1-C 4	2554761W91	587	1-D 13
1659650W1	197	1-B 22	1799410W1	355	1-C 14	2466960W2	257	1-C 4	2555130W1	353	1-C 14
1659660W1	195	1-B 22	1799410W1	357	1-C 14	2467220W1	255	1-C 4	2555170W1	353	1-C 14
1680230W1	303	1-C 9	1799410W1	369	1-C 15	2467220W1	267	1-C 5	2555180W1	353	1-C 14
1680230W1	577	1-D 12	1817730W1	327	1-C 11	2467220W1	589	1-D 13	2555190W1	353	1-C 14
1680230W1	583	1-D 13	191-4457	39	1-B 6	2467230W1	255	1-C 4	2555190W1	439	1-C 22
1689170W1	249	1-C 3	195160M1	557	1-D 10	2467230W1	267	1-C 5	2555190W1	443	1-C 23
1689170W1	283	1-C 7	195160M1	559	1-D 10	2467230W1	589	1-D 13	2555200W1	353	1-C 14
1689170W1	287	1-C 7	195412M1	325	1-C 11	2469711W91	273	1-C 6	2555211W91	353	1-C 14
1689170W1	303	1-C 9	201-9915	147	1-B 17	2469760W1	273	1-C 6	2555231W91	353	1-C 14
1689170W1	339	1-C 12	201-9915	151	1-B 18	2472450W1	257	1-C 4	2555310W1	327	1-C 11
1689170W1	341	1-C 13	202-8687	39	1-B 6	2476070W1	337	1-C 12	2555401W91	343	1-C 13
1689170W1	385	1-C 17	212-9580	71	1-B 10	2476203W1C	369	1-C 15	2556880W1	505	1-D 5
1689170W1	585	1-D 13	22289X	327	1-C 11	2476230W1	369	1-C 15	2556880W1	551	1-D 10
1703321	41	1-B 7	22602X	275	1-C 6	2476240W1	343	1-C 13	2563800W1	195	1-B 22
1703321	43	1-B 7	22602X	331	1-C 12	2476240W1	357	1-C 14	2563800W1	197	1-B 22
1703321	45	1-B 7	22602X	583	1-D 13	2476240W1	369	1-C 15	2571510W1	345	1-C 13
1703354	59	1-B 8	227-1364	583	1-D 13	2485470W1	283	1-C 7	2571520W1	345	1-C 13
1703354	61	1-B 9	227455M1	283	1-C 7	2485470W1	373	1-C 16	2573180W1	195	1-B 22
1703354	79	1-B 10	227455M1	339	1-C 12	2486140W1	373	1-C 16	2573370W1	305	1-C 9

## INDEX

Part No.	Page	Grid	Part No.	Page	Grid	Part No.	Page	Grid	Part No.	Page	Grid
2573610W1	305	1-C 9	2635460W1	385	1-C 17	350392X1	245	1-C 3	365098X1	325	1-C 11
2580580W1	553	1-D 10	2635690W1	579	1-D 12	352976X1	373	1-C 16	365775X1	105	1-B 13
2580593W91	553	1-D 10	2636000W1	319	1-C 10	352976X1	377	1-C 16	365775X1	181	1-B 21
2588071W92	325	1-C 11	2636010W1	319	1-C 10	353062X1	205	1-B 23	365775X1	185	1-B 21
2588510W1	243	1-C 3	2636010W1	355	1-C 14	353426X1	105	1-B 13	367451X1	195	1-B 22
2590650W1	337	1-C 12	2636170W1	249	1-C 3	353436X1	67	1-B 9	367451X1	197	1-B 22
2591531W91	355	1-C 14	2636210W1	249	1-C 3	353436X1	235	1-C 2	368384X1	331	1-C 12
2597740W1	375	1-C 16	2636631W91	367	1-C 15	353438X1	471	1-D 2	368615X1	185	1-B 21
2601260W1	373	1-C 16	2636870W2	255	1-C 4	353438X1	477	1-D 2	368615X1	243	1-C 3
2601260W1	393	1-C 18	2636890W1	309	1-C 9	353446X1	315	1-C 10	368615X1	385	1-C 17
2605880W91	579	1-D 12	2637890W1	285	1-C 7	353505X1	53	1-B 8	368933X1	195	1-B 22
2609080W1	33	1-B 6	26674	555	1-D 7	353509X1	131	1-B 16	3714264M1	163	1-B 19
2612870W1	251	1-C 4	26674	559	1-D 10	353538X1	469	1-D 1	3715144M92	173	1-B 20
2612880W1	251	1-C 4	27342	61	1-B 9	353609X1	221	1-C 1	3715144M92	581	1-D 13
2612961W91	251	1-C 4	2813878M1	121	1-B 15	353609X1	223	1-C 1	372536X1	79	1-B 10
2613771W91	337	1-C 12	28280440	189	1-B 21	353613X1	561	1-D 11	3725830M1	287	1-C 7
2614090W1	337	1-C 12	286501M1	483	1-D 3	353724X1	225	1-C 1	3725830M1	305	1-C 9
2614090W1	341	1-C 13	286501M1	585	1-D 13	353769X1	59	1-B 8	3725885M1	427	1-C 21
2615101W92	327	1-C 11	293766M1	145	1-B 17	353769X1	65	1-B 9	3725885M1	431	1-C 22
2615120W1	327	1-C 11	293766M1	169	1-B 19	353769X1	87	1-B 11	3725988M1	405	1-C 19
2615140W2	327	1-C 11	293817M91	325	1-C 11	353769X1	167	1-B 19	372728X1	83	1-B 11
2615181W91	331	1-C 12	293888M1	501	1-D 5	353769X1	343	1-C 13	372729X1	89	1-B 11
2615233W92	355	1-C 14	293888M1	503	1-D 5	353769X1	357	1-C 14	372729X1	143	1-B 17
2615233W92	579	1-D 12	294148M91	383	1-C 17	353769X1	363	1-C 15	372729X1	231	1-C 2
2615233W92	585	1-D 13	29780X	327	1-C 11	353769X1	485	1-D 3	372729X1	369	1-C 15
2616131W91	553	1-D 10	29780X	351	1-C 14	353771X1	253	1-C 4	372729X1	449	1-C 23
2616141W91	553	1-D 10	29780X	361	1-C 15	353771X1	255	1-C 4	3728019M1	67	1-B 9
2618670W1	269	1-C 5	29780X	587	1-D 13	353771X1	267	1-C 5	3729528M1	169	1-B 19
2618680W1	269	1-C 5	3L-9656	47	1-B 7	353771X1	273	1-C 6	3729545M1	171	1-B 20
2619180W1	283	1-C 7	30-3076830	141	1-B 17	353771X1	275	1-C 6	373136X1	411	1-C 20
2619180W1	291	1-C 8	30-3076830	589	1-D 13	353771X1	287	1-C 7	373159X1	355	1-C 14
2619380W1	285	1-C 7	30-3076830	589	1-D 13	353771X1	303	1-C 9	373293X1	273	1-C 6
2619560W1	245	1-C 3	3001429X1	291	1-C 8	353773X1	51	1-B 8	373839X1	85	1-B 11
2619570W1	337	1-C 12	3001429X1	299	1-C 8	353773X1	53	1-B 8	373839X1	91	1-B 12
2619570W1	375	1-C 16	3008469	537	1-D 8	353773X1	243	1-C 3	375028X1	185	1-B 21
2620021W91	353	1-C 14	3009198X1	41	1-B 7	353773X1	273	1-C 6	375028X1	215	1-B 24
2620021W91	359	1-C 14	3009198X1	43	1-B 7	353773X1	381	1-C 17	375028X1	231	1-C 2
2620130W1	243	1-C 3	3009198X1	45	1-B 7	353919X1	477	1-D 2	375028X1	333	1-C 12
2620180W1	243	1-C 3	3009340X1	297	1-C 8	353924X1	63	1-B 9	375028X1	585	1-D 13
2620180W1	245	1-C 3	3009495X1	283	1-C 7	354068X1	413	1-C 20	375112X1	55	1-B 8
2620190W1	297	1-C 8	3009495X1	287	1-C 7	354273X1	347	1-C 13	375112X1	259	1-C 4
2620853W91	339	1-C 12	3009495X1	291	1-C 8	354920X1	283	1-C 7	375113X1	51	1-B 8
2620853W91	341	1-C 13	3009627X1	291	1-C 8	354920X1	291	1-C 8	375114X1	327	1-C 11
2620871W91	339	1-C 12	3009627X1	299	1-C 8	354920X1	375	1-C 16	375114X1	331	1-C 12
2620920W1	339	1-C 12	3009695X1	295	1-C 8	354920X1	379	1-C 16	377690X1	375	1-C 16
2624230W1	385	1-C 17	3009695X1	297	1-C 8	354920X1	381	1-C 17	377690X1	377	1-C 16
2625050W1	555	1-D 10	3009695X1	315	1-D 10	354920X1	583	1-D 13	377690X1	385	1-C 17
2625050W1	559	1-D 10	3009695X1	483	1-D 3	355485X1	373	1-C 16	3778093M91	173	1-B 20
2625050W1	567	1-D 11	3009920X1	315	1-C 10	355485X1	379	1-C 16	3778093M91	581	1-D 13
2625940W1	47	1-B 7	3010442X1	297	1-C 8	355547X1	225	1-C 1	385391X1	295	1-C 8
2626120W1	249	1-C 3	3010842X1	297	1-C 8	355602X1	489	1-D 3	385391X1	297	1-C 8
2627000W1	249	1-C 3	3019124X1	295	1-C 8	355736X1	181	1-B 21	3903044M1	119	1-B 14
2627000W1	589	1-D 13	3019124X1	315	1-C 10	355997X1	197	1-B 22	390809X1	295	1-C 8
2628221W91	283	1-C 7	3019125X1	295	1-C 8	356044X1	381	1-C 17	390912X1	253	1-C 4
2628310W1	283	1-C 7	31-1588410	337	1-C 12	356612X1	505	1-D 5	390972X1	119	1-B 14
2628321W92	303	1-C 9	31-1588410	583	1-D 13	357194X1	71	1-B 10	390972X1	123	1-B 15
2628340W1	287	1-C 7	31-2446490	339	1-C 12	357194X1	447	1-C 23	391038X1	315	1-C 10
2629073W91	497	1-D 4	31-2446490	587	1-D 13	360202X91	67	1-B 9	391039X1	123	1-B 15
2629080W1	497	1-D 4	31-2455700	287	1-C 7	360202X91	449	1-C 23	391148X1	125	1-B 15
2629511W93	385	1-C 17	31-2455700	303	1-C 9	360202X91	565	1-D 11	391212X1	295	1-C 8
2629570W1	333	1-C 12	31-2455700	587	1-D 13	360202X91	585	1-D 13	391290X1	315	1-C 10
2629720W1	485	1-D 3	31-2530050	49	1-B 7	360503X1	369	1-C 15	391925X1	41	1-B 7
2630100W2	285	1-C 7	31-2530050	171	1-B 20	360503X1	435	1-C 22	391925X1	45	1-B 7
2630100W2	287	1-C 7	31752	541	1-D 9	360555X1	339	1-C 12	393761X1	483	1-D 3
2630960W1	501	1-D 5	329951M91	579	1-D 12	3617859M1	173	1-B 20	4W-4794	39	1-B 6
2631400W1	305	1-C 9	3304008M1	503	1-D 5	3617859M1	581	1-D 13	4W-9160	47	1-B 7
2631433W91	553	1-D 10	339025X1	315	1-C 10	3617860M1	173	1-B 20	4272612M92	123	1-B 15
2631690W1	311	1-C 10	339375X1	315	1-C 10	3617860M1	581	1-D 13	487777	61	1-B 9
2631700W1	311	1-C 10	339376X1	283	1-C 7	363282X1	221	1-C 1	5000017X1	537	1-D 8
2632680W1	47	1-B 7	339376X1	287	1-C 7	363282X1	223	1-C 1	50021	337	1-C 12
2632690W1	413	1-C 20	339376X1	291	1-C 8	364076X1	475	1-D 2	50021	371	1-C 16
2633681W2	397	1-C 18	339376X1	299	1-C 8	364125X1	39	1-B 6	50021	583	1-D 13
2634840W1	367	1-C 15	339456X1	315	1-C 10	364377X1	563	1-D 11	50468	319	1-C 10
2635230W1	387	1-C 17	339666X1	79	1-B 10	364578X1	331	1-C 12	50468	345	1-C 13
2635250W1C	411	1-C 20	339768X1	299	1-C 8	364988X1	341	1-C 13	50468	583	1-D 13



CHALLENGER 670 COMBINE

11  
INDEX

Part No.	Page	Grid	Part No.	Page	Grid	Part No.	Page	Grid	Part No.	Page	Grid
510060W1	369	1-C 15	700701350	485	1-D 3	700706490	489	1-D 3	700711132	63	1-B 9
51871M1	277	1-C 6	700701354	501	1-D 5	700707139	211	1-B 24	700711134	37	1-B 6
52167	87	1-B 11	700701354	503	1-D 5	700707139	213	1-B 24	700711134	63	1-B 9
52175	111	1-B 14	700701355	239	1-C 2	700707203	85	1-B 11	700711230	427	1-C 21
52175	585	1-D 13	700701355	313	1-C 10	700707203	91	1-B 12	700711230	431	1-C 22
52233	331	1-C 12	700701355	481	1-D 3	700707391	493	1-D 4	700711238	423	1-C 21
530132M1	147	1-B 17	700701355	483	1-D 3	700707823	133	1-B 16	700711262	89	1-B 11
530132M1	151	1-B 18	700701356	481	1-D 3	700707823	383	1-C 17	700711357	325	1-C 11
539651M1	557	1-D 10	700701356	483	1-D 3	700708270	331	1-C 12	700711557	429	1-C 21
539651M1	561	1-D 11	700701744	483	1-D 3	700708270	335	1-C 12	700711557	431	1-C 22
539651M1	567	1-D 11	700701753	485	1-D 3	700708340	169	1-B 19	700711659	143	1-B 17
539651M1	573	1-D 12	700701772	157	1-B 18	700708343	275	1-C 6	700711659	159	1-B 18
590769M1	31	1-B 6	700701772	165	1-B 19	700708343	541	1-D 9	700712632	447	1-C 23
60049M1	327	1-C 11	700701814	485	1-D 3	700708349	105	1-B 13	700712632	459	1-C 24
61002	67	1-B 9	700701834	487	1-D 3	700708349	277	1-C 6	700712651	459	1-C 24
61085	363	1-C 15	700702119	507	1-D 5	700708349	299	1-C 8	700712652	459	1-C 24
61101	345	1-C 13	700702137	281	1-C 7	700708349	315	1-C 10	700712973	39	1-B 6
61234	299	1-C 8	700702137	511	1-D 6	700708349	543	1-D 9	700712973	497	1-D 4
6131916	75	1-B 10	700702137	531	1-D 8	700708349	545	1-D 9	700713516	241	1-C 3
6136964	367	1-C 15	700702141	255	1-C 4	700708351	277	1-C 6	700714064	67	1-B 9
61523	337	1-C 12	700702206	105	1-B 13	700708355	35	1-B 6	700714189	241	1-C 3
61770	195	1-B 22	700702358	61	1-B 9	700708359	279	1-C 6	700714528	75	1-B 10
61770	197	1-B 22	700702916	105	1-B 13	700708367	147	1-B 17	700714529	75	1-B 10
62026	415	1-C 20	700702916	429	1-C 21	700708367	151	1-B 18	700714529	409	1-C 19
62026	425	1-C 21	700702979	115	1-B 14	700708648	85	1-B 11	700714706	409	1-C 19
62075	65	1-B 9	700703267	427	1-C 21	700708648	91	1-B 12	700714706	587	1-D 13
62075	429	1-C 21	700703267	431	1-C 22	700708648	585	1-D 13	700715255	99	1-B 12
62075	431	1-C 22	700703830	165	1-B 19	700709503	225	1-C 1	700715255	175	1-B 20
62190	259	1-C 4	700703922	89	1-B 11	700709503	229	1-C 1	700715277	77	1-B 10
62232	115	1-B 14	700703922	195	1-B 22	700709601	59	1-B 8	700715278	77	1-B 10
63834	321	1-C 11	700703922	221	1-C 1	700709601	61	1-B 9	700715285	77	1-B 10
6389795	37	1-B 6	700703922	245	1-C 3	700709601	81	1-B 11	700715393	241	1-C 3
64642	333	1-C 12	700703922	249	1-C 3	700709601	99	1-B 12	700715662	241	1-C 3
6514772	87	1-B 11	700703922	253	1-C 4	700709601	167	1-B 19	700715848	483	1-D 3
6522940	351	1-C 14	700703922	263	1-C 5	700709601	293	1-C 8	700715848	497	1-D 4
6529705	53	1-B 8	700703922	269	1-C 5	700709601	295	1-C 8	700715848	501	1-D 5
6555346	321	1-C 11	700703922	275	1-C 6	700709601	347	1-C 13	700715848	503	1-D 5
6586259	149	1-B 17	700703922	283	1-C 7	700709601	417	1-C 20	700716462	239	1-C 2
6586259	153	1-B 18	700703922	287	1-C 7	700709601	451	1-C 24	700716510	223	1-C 1
6661624	555	1-D 10	700703922	303	1-C 9	700709601	487	1-D 3	700717212	351	1-C 14
6661624	561	1-D 11	700703922	325	1-C 11	700709601	501	1-D 5	700717212	361	1-C 15
68619	75	1-B 10	700703922	337	1-C 12	700709601	551	1-D 10	700717212	585	1-D 13
68619	211	1-B 24	700703922	339	1-C 12	700709601	579	1-D 12	700717365	537	1-D 8
68619	213	1-B 24	700703922	341	1-C 13	700709602	47	1-B 7	700717402	31	1-B 6
68619	223	1-C 1	700703922	369	1-C 15	700709602	99	1-B 12	700717402	33	1-B 6
68619	243	1-C 3	700703922	385	1-C 17	700709602	127	1-B 15	700717403	31	1-B 6
68619	295	1-C 8	700703922	399	1-C 18	700709602	145	1-B 17	700717404	31	1-B 6
68619	319	1-C 10	700703922	553	1-D 10	700709602	257	1-C 4	700717404	33	1-B 6
68619	321	1-C 11	700703923	277	1-C 6	700709602	293	1-C 8	700717509	371	1-C 16
68619	341	1-C 13	700703923	399	1-C 18	700709602	331	1-C 12	700717509	383	1-C 17
6875314	331	1-C 12	700703923	553	1-D 10	700709602	367	1-C 15	700717539	67	1-B 9
68759	307	1-C 9	700704010	61	1-B 9	700709602	375	1-C 16	700717621	99	1-B 12
68759	319	1-C 10	700704010	75	1-B 10	700709602	379	1-C 16	700717627	109	1-B 13
68759	321	1-C 11	700704010	253	1-C 4	700709602	397	1-C 18	700717627	111	1-B 14
68759	369	1-C 15	700704010	273	1-C 6	700709602	415	1-C 20	700717627	313	1-C 10
68759	371	1-C 16	700704010	345	1-C 13	700709602	419	1-C 20	700717635	181	1-B 21
68759	407	1-C 19	700704010	359	1-C 14	700709602	421	1-C 21	700717635	185	1-B 21
68759	409	1-C 19	700704010	405	1-C 19	700709602	423	1-C 21	700717635	347	1-C 13
68759	423	1-C 21	700704854	325	1-C 11	700709602	447	1-C 23	700717635	349	1-C 13
69476	37	1-B 6	700704856	325	1-C 11	700709602	497	1-D 4	700717635	363	1-C 15
7C-1289	483	1-D 3	700704927	325	1-C 11	700709602	499	1-D 4	700717635	389	1-C 17
700129058	397	1-C 18	700705088	287	1-C 7	700709602	501	1-D 5	700717635	391	1-C 18
700129071	403	1-C 19	700705088	305	1-C 9	700709607	255	1-C 4	700717635	393	1-C 18
700134393	403	1-C 19	700705088	415	1-C 20	700709608	341	1-C 13	700717635	395	1-C 18
700149006	201	1-B 23	700705088	425	1-C 21	700709866	61	1-B 9	700717635	397	1-C 18
700159550	431	1-C 22	700705119	447	1-C 23	700709919	179	1-B 20	700717635	403	1-C 19
700525379	335	1-C 12	700705135	103	1-B 13	700710188	83	1-B 11	700717635	409	1-C 19
700525382	265	1-C 5	700705185	99	1-B 12	700710188	159	1-B 18	700717635	415	1-C 20
700525396	41	1-B 7	700705185	157	1-B 18	700710788	111	1-B 14	700717635	417	1-C 20
700700057	91	1-B 12	700705614	343	1-C 13	700710957	459	1-C 24	700717635	423	1-C 21
700701160	167	1-B 19	700705676	91	1-B 12	700710959	459	1-C 24	700717635	425	1-C 21
700701265	99	1-B 12	700706151	241	1-C 3	700710960	459	1-C 24	700717635	427	1-C 21
700701287	113	1-B 14	700706356	105	1-B 13	700710961	459	1-C 24	700717635	431	1-C 22
700701331	69	1-B 9	700706419	553	1-D 10	700710984	93	1-B 12	700717644	109	1-B 13
700701331	71	1-B 10	700706463	273	1-C 6	700711132	37	1-B 6	700717644	111	1-B 14

## INDEX

Part No.	Page	Grid	Part No.	Page	Grid	Part No.	Page	Grid	Part No.	Page	Grid
700717644	127	1-B 15	700722408	71	1-B 10	70225441	541	1-D 9	704031	199	1-B 22
700717761	47	1-B 7	700722432	33	1-B 6	70226012	541	1-D 9	704031	201	1-B 23
700718010	113	1-B 14	700722435	33	1-B 6	70226012	587	1-D 13	704031	203	1-B 23
700718444	39	1-B 6	700723358	421	1-C 21	70228509	545	1-D 9	704031	209	1-B 23
700718515	75	1-B 10	700723358	429	1-C 21	70228509	585	1-D 13	704031	211	1-B 24
700718599	171	1-B 20	700723598	83	1-B 11	70232758	147	1-B 17	704031	213	1-B 24
700718792	179	1-B 20	700724394	573	1-D 12	70232758	149	1-B 17	704031	223	1-C 1
700718807	87	1-B 11	700724395	573	1-D 12	70232758	151	1-B 18	704031	243	1-C 3
700719105	481	1-D 3	700724622	119	1-B 14	70232758	153	1-B 18	704031	247	1-C 3
700719780	489	1-D 3	700724623	121	1-B 15	7025075	441	1-C 23	704031	249	1-C 3
700719782	489	1-D 3	700724693	313	1-C 10	7025075	445	1-C 23	704031	253	1-C 4
700719783	489	1-D 3	700724693	479	1-D 2	702514	331	1-C 12	704031	255	1-C 4
700719784	489	1-D 3	700725576	99	1-B 12	70257297	49	1-B 7	704031	257	1-C 4
700719785	489	1-D 3	700725576	585	1-D 13	70261383	489	1-D 3	704031	271	1-C 6
700719940	175	1-B 20	700725632	75	1-B 10	70263605	119	1-B 14	704031	295	1-C 8
700720004	51	1-B 8	700725632	109	1-B 13	702670	305	1-C 9	704031	297	1-C 8
700720189	195	1-B 22	700725633	75	1-B 10	70267132	489	1-D 3	704031	319	1-C 10
700720605	33	1-B 6	700725634	75	1-B 10	70267148	489	1-D 3	704031	321	1-C 11
700720621	495	1-D 4	700725634	85	1-B 11	70267150	489	1-D 3	704031	337	1-C 12
700720676	425	1-C 21	700725634	91	1-B 12	70267155	489	1-D 3	704031	345	1-C 13
700720676	427	1-C 21	700725670	33	1-B 6	70267167	489	1-D 3	704031	349	1-C 13
700720676	431	1-C 22	700725810	123	1-B 15	70269246	49	1-B 7	704031	383	1-C 17
700720727	33	1-B 6	700725833	125	1-B 15	70269722	489	1-D 3	704031	407	1-C 19
700720863	157	1-B 18	700725836	121	1-B 15	70269723	489	1-D 3	704031	411	1-C 20
700720909	113	1-B 14	700725837	121	1-B 15	70270210	489	1-D 3	704031	433	1-C 22
700720917	495	1-D 4	700725840	119	1-B 14	70272355	489	1-D 3	704031	437	1-C 22
700720958	251	1-C 4	700725843	119	1-B 14	70272357	489	1-D 3	704031	485	1-D 3
700720958	255	1-C 4	700725844	119	1-B 14	70272358	489	1-D 3	704031	553	1-D 10
700720958	267	1-C 5	700725845	119	1-B 14	70272360	489	1-D 3	704031	567	1-D 11
700721123	113	1-B 14	700725864	281	1-C 7	70272361	489	1-D 3	704056	55	1-B 8
700721124	31	1-B 6	700725864	507	1-D 5	70272365	489	1-D 3	704056	201	1-B 23
700721139	31	1-B 6	700725864	515	1-D 6	7027469	557	1-D 10	704056	249	1-C 3
700721197	407	1-C 19	700725871	125	1-B 15	7027469	561	1-D 11	704056	321	1-C 11
700721197	415	1-C 20	700725918	167	1-B 19	7027469	567	1-D 11	7041015	223	1-C 1
700721197	419	1-C 20	700725918	291	1-C 8	7027469	573	1-D 12	7041015	449	1-C 23
700721197	421	1-C 21	700725918	299	1-C 8	702928	195	1-B 22	7041015	451	1-C 24
700721197	425	1-C 21	700725958	85	1-B 11	70301781	201	1-B 23	704247	37	1-B 6
700721198	415	1-C 20	700725958	95	1-B 12	70301781	203	1-B 23	704247	91	1-B 12
700721198	421	1-C 21	700725958	99	1-B 12	70301781	209	1-B 23	704247	105	1-B 13
700721198	423	1-C 21	700726168	171	1-B 20	70301781	247	1-C 3	704247	147	1-B 17
700721204	409	1-C 19	700726172	171	1-B 20	70301781	249	1-C 3	704247	149	1-B 17
700721204	429	1-C 21	700726696	157	1-B 18	703082	243	1-C 3	704247	151	1-B 18
700721309	141	1-B 17	700726978	313	1-C 10	70327382	227	1-C 1	704247	153	1-B 18
700721323	37	1-B 6	700726979	313	1-C 10	70327997	227	1-C 1	704247	293	1-C 8
700721382	489	1-D 3	700726979	479	1-D 2	7035983	489	1-D 3	704247	295	1-C 8
700721383	489	1-D 3	700727621	485	1-D 3	703603	111	1-B 14	704247	399	1-C 18
700721405	113	1-B 14	700727622	485	1-D 3	703603	113	1-B 14	704254	91	1-B 12
700721405	587	1-D 13	700727993	31	1-B 6	703603	391	1-C 18	704254	95	1-B 12
700721586	143	1-B 17	700728301	121	1-B 15	703603	419	1-C 20	704262	257	1-C 4
700721620	161	1-B 19	700953657	291	1-C 8	703983	51	1-B 8	704494	143	1-B 17
700721620	587	1-D 13	701235	51	1-B 8	703983	53	1-B 8	704494	159	1-B 18
700721684	541	1-D 9	701235	205	1-B 23	703983	255	1-C 4	704551	157	1-B 18
700721776	179	1-B 20	701235	209	1-B 23	703983	271	1-C 6	704551	159	1-B 18
700721781	31	1-B 6	701235	221	1-C 1	704007	59	1-B 8	704551	165	1-B 19
700721854	415	1-C 20	701235	223	1-C 1	704007	169	1-B 19	704551	183	1-B 21
700721854	421	1-C 21	701235	247	1-C 3	704007	171	1-B 20	704551	187	1-B 21
700721854	425	1-C 21	701235	253	1-C 4	704007	233	1-C 2	704692	555	1-D 10
700721873	33	1-B 6	701235	271	1-C 6	704007	257	1-C 4	704692	559	1-D 10
700721874	33	1-B 6	701235	275	1-C 6	704007	261	1-C 5	704858	555	1-D 10
700721875	33	1-B 6	701235	319	1-C 10	704007	293	1-C 8	704858	559	1-D 10
700721876	33	1-B 6	701235	345	1-C 13	704007	347	1-C 13	704858	567	1-D 11
700721877	31	1-B 6	701235	369	1-C 15	704007	403	1-C 19	705004	61	1-B 9
700721879	31	1-B 6	701235	375	1-C 16	704007	405	1-C 19	705004	75	1-B 10
700721880	31	1-B 6	701235	393	1-C 18	704007	417	1-C 20	705004	103	1-B 13
700721915	403	1-C 19	701235	411	1-C 20	704007	449	1-C 23	705004	109	1-B 13
700721916	403	1-C 19	701235	433	1-C 22	704007	451	1-C 24	705004	113	1-B 14
700721916	421	1-C 21	701235	541	1-D 9	704007	487	1-D 3	705004	147	1-B 17
700721965	31	1-B 6	701565	57	1-B 8	704007	491	1-D 4	705004	151	1-B 18
700721986	31	1-B 6	701565	59	1-B 8	704007	501	1-D 5	705004	167	1-B 19
700721986	33	1-B 6	701953	105	1-B 13	704007	505	1-D 5	705004	169	1-B 19
700722188	31	1-B 6	701953	163	1-B 19	704007	551	1-D 10	705004	171	1-B 20
700722188	33	1-B 6	7020027	405	1-C 19	704031	55	1-B 8	705004	261	1-C 5
700722351	171	1-B 20	70210011	537	1-D 8	704031	99	1-B 12	705004	415	1-C 20
700722351	585	1-D 13	70210012	537	1-D 8	704031	195	1-B 22	705004	425	1-C 21
700722408	69	1-B 9	702217	501	1-D 5	704031	197	1-B 22	705004	441	1-C 23

CHALLENGER 670 COMBINE

13  
INDEX

Part No.	Page	Grid	Part No.	Page	Grid	Part No.	Page	Grid	Part No.	Page	Grid
705012	53	1-B 8	705038	491	1-D 4	70911255	195	1-B 22	70919089	181	1-B 21
705012	59	1-B 8	705038	499	1-D 4	70912094	539	1-D 8	70919128	449	1-C 23
705012	65	1-B 9	705038	501	1-D 5	70912278	329	1-C 11	70919135	207	1-B 23
705012	79	1-B 10	705038	503	1-D 5	70912299	243	1-C 3	70919140	207	1-B 23
705012	81	1-B 11	705038	505	1-D 5	70913160	37	1-B 6	70919171	207	1-B 23
705012	87	1-B 11	705038	549	1-D 9	70913680	579	1-D 12	70919173	505	1-D 5
705012	153	1-B 18	705038	551	1-D 10	70913682	579	1-D 12	70919195	69	1-B 9
705012	157	1-B 18	705038	553	1-D 10	70913719	465	1-D 1	70919197	483	1-D 3
705012	159	1-B 18	705038	563	1-D 11	70913744	195	1-B 22	70919214	105	1-B 13
705012	167	1-B 19	705038	565	1-D 11	70914192	53	1-B 8	70919310	181	1-B 21
705012	169	1-B 19	705038	567	1-D 11	70914465	111	1-B 14	70919332	37	1-B 6
705012	171	1-B 20	705129	157	1-B 18	70914584	223	1-C 1	70919378	441	1-C 23
705012	185	1-B 21	705129	161	1-B 19	70914687	67	1-B 9	70919381	101	1-B 13
705012	207	1-B 23	705129	165	1-B 19	70914767	277	1-C 6	70919387	231	1-C 2
705012	233	1-C 2	705160	143	1-B 17	70915019	367	1-C 15	70919391	231	1-C 2
705012	261	1-C 5	705160	145	1-B 17	70915276	505	1-D 5	70919393	215	1-B 24
705012	291	1-C 8	70522328	327	1-C 11	70915314	467	1-D 1	70919431	461	1-D 1
705012	293	1-C 8	70527219	371	1-C 16	70915500	355	1-C 14	70919434	201	1-B 23
705012	295	1-C 8	70529432	67	1-B 9	70915726	217	1-B 24	70919439	297	1-C 8
705012	297	1-C 8	70533638	327	1-C 11	70915794	215	1-B 24	70919472	73	1-B 10
705012	299	1-C 8	70533638	585	1-D 13	70915935	215	1-B 24	70919624	483	1-D 3
705012	321	1-C 11	70534931	211	1-B 24	70915955	49	1-B 7	70920037	269	1-C 5
705012	343	1-C 13	70534931	213	1-B 24	70915988	55	1-B 8	70920117	237	1-C 2
705012	345	1-C 13	70537291	61	1-B 9	70916079	441	1-C 23	70920161	85	1-B 11
705012	347	1-C 13	70537291	363	1-C 15	70916080	445	1-C 23	70920272	555	1-D 10
705012	351	1-C 14	70537291	553	1-D 10	70916602	469	1-D 1	70920328	195	1-B 22
705012	361	1-C 15	70547934	391	1-C 18	70916621	171	1-B 20	70920397	217	1-B 24
705012	393	1-C 18	705541	43	1-B 7	70916622	59	1-B 8	70920415	35	1-B 6
705012	397	1-C 18	705541	67	1-B 9	70916767	351	1-C 14	70920426	151	1-B 18
705012	403	1-C 19	705541	91	1-B 12	70916937	409	1-C 19	70920438	87	1-B 11
705012	405	1-C 19	705541	187	1-B 21	70916950	39	1-B 6	70920469	307	1-C 9
705012	409	1-C 19	705541	287	1-C 7	70916952	33	1-B 6	70920655	505	1-D 5
705012	417	1-C 20	705541	303	1-C 9	70916964	59	1-B 8	70920787	63	1-B 9
705012	439	1-C 22	705541	321	1-C 11	70916965	51	1-B 8	70920808	141	1-B 17
705012	449	1-C 23	705541	345	1-C 13	70917356	47	1-B 7	70920821	105	1-B 13
705012	451	1-C 24	705541	359	1-C 14	70917365	445	1-C 23	70920990	383	1-C 17
705012	487	1-D 3	705632	35	1-B 6	70917372	47	1-B 7	70921024	331	1-C 12
705012	491	1-D 4	705632	75	1-B 10	70917373	35	1-B 6	70921050	579	1-D 12
705012	493	1-D 4	705632	403	1-C 19	70917377	33	1-B 6	70921159	449	1-C 23
705012	501	1-D 5	705665	535	1-D 8	70917378	35	1-B 6	70921160	73	1-B 10
705012	505	1-D 5	705665	573	1-D 12	70917380	61	1-B 9	70921169	243	1-C 3
705012	551	1-D 10	705681	231	1-C 2	70917395	143	1-B 17	70921176	51	1-B 8
705038	39	1-B 6	705681	277	1-C 6	70917421	111	1-B 14	70921203	501	1-D 5
705038	75	1-B 10	70569880	163	1-B 19	70917458	183	1-B 21	70921205	67	1-B 9
705038	111	1-B 14	705707	59	1-B 8	70917459	159	1-B 18	70921206	141	1-B 17
705038	113	1-B 14	705707	75	1-B 10	70917579	543	1-D 9	70921210	39	1-B 6
705038	145	1-B 17	705707	79	1-B 10	70917580	377	1-C 16	70921211	327	1-C 11
705038	169	1-B 19	705707	261	1-C 5	70917642	61	1-B 9	70921214	281	1-C 7
705038	171	1-B 20	705707	397	1-C 18	70917861	205	1-B 23	70921217	501	1-D 5
705038	181	1-B 21	705723	37	1-B 6	70917919	61	1-B 9	70921235	483	1-D 3
705038	199	1-B 22	70590704	319	1-C 10	70917970	61	1-B 9	70921263	185	1-B 21
705038	217	1-B 24	70590704	353	1-C 14	70918111	101	1-B 13	70921278	251	1-C 4
705038	219	1-B 24	70590704	357	1-C 14	70918151	167	1-B 19	70921279	571	1-D 12
705038	239	1-C 2	70590704	361	1-C 15	70918168	337	1-C 12	70921291	77	1-B 10
705038	243	1-C 3	70590704	583	1-D 13	70918199	51	1-B 8	70921295	555	1-D 10
705038	251	1-C 4	70590709	327	1-C 11	70918222	85	1-B 11	70921297	485	1-D 3
705038	293	1-C 8	70590709	583	1-D 13	70918249	61	1-B 9	70921298	207	1-B 23
705038	379	1-C 16	706176	395	1-C 18	70918264	61	1-B 9	70921324	255	1-C 4
705038	389	1-C 17	706432	75	1-B 10	70918265	183	1-B 21	70921326	483	1-D 3
705038	391	1-C 18	7087398	351	1-C 14	70918266	61	1-B 9	70921327	485	1-D 3
705038	393	1-C 18	7087398	589	1-D 13	70918267	217	1-B 24	70921332	47	1-B 7
705038	395	1-C 18	70901480	539	1-D 8	70918268	195	1-B 22	70921333	101	1-B 13
705038	397	1-C 18	70901651	227	1-C 1	70918269	277	1-C 6	70921349	37	1-B 6
705038	399	1-C 18	70901763	553	1-D 10	70918431	51	1-B 8	70921360	245	1-C 3
705038	401	1-C 19	70901828	405	1-C 19	70918432	35	1-B 6	70921364	447	1-C 23
705038	403	1-C 19	70901840	539	1-D 8	70918433	325	1-C 11	70921419	539	1-D 8
705038	405	1-C 19	70903082	373	1-C 16	70918447	61	1-B 9	70921467	571	1-D 12
705038	419	1-C 20	70903835	185	1-B 21	70918452	55	1-B 8	70921472	447	1-C 23
705038	421	1-C 21	70905126	185	1-B 21	70918455	325	1-C 11	70921525	273	1-C 6
705038	423	1-C 21	70905127	307	1-C 9	70918458	231	1-C 2	70921573	69	1-B 9
705038	429	1-C 21	70905262	405	1-C 19	70918459	215	1-B 24	70921671	291	1-C 8
705038	443	1-C 23	70906852	297	1-C 8	70918461	255	1-C 4	70921691	497	1-D 4
705038	449	1-C 23	70910224	67	1-B 9	70918547	61	1-B 9	70921719	149	1-B 17
705038	451	1-C 24	70910815	461	1-D 1	70918830	381	1-C 17	70921865	103	1-B 13
705038	481	1-D 3	70911201	345	1-C 13	70919062	207	1-B 23	70921880	53	1-B 8

## INDEX

Part No.	Page	Grid	Part No.	Page	Grid	Part No.	Page	Grid	Part No.	Page	Grid
70921881	469	1-D 1	70923343	483	1-D 3	70925459	535	1-D 8	70927523	65	1-B 9
70921882	489	1-D 3	70923353	37	1-B 6	70925468	481	1-D 3	70927529	555	1-D 10
70921883	313	1-C 10	70923356	555	1-D 10	70925615	245	1-C 3	70927557	193	1-B 22
70921884	481	1-D 3	70923362	101	1-B 13	70925617	59	1-B 8	70927692	63	1-B 9
70921885	71	1-B 10	70923404	543	1-D 9	70925619	141	1-B 17	70927700	489	1-D 3
70921887	497	1-D 4	70923427	215	1-B 24	70925621	565	1-D 11	70927708	327	1-C 11
70921888	497	1-D 4	70923470	275	1-C 6	70925625	217	1-B 24	70927732	325	1-C 11
70921898	565	1-D 11	70923473	327	1-C 11	70925690	59	1-B 8	70927738	111	1-B 14
70921910	405	1-C 19	70923501	385	1-C 17	70925693	101	1-B 13	70927745	213	1-B 24
70921911	37	1-B 6	70923504	387	1-C 17	70925696	217	1-B 24	70927879	563	1-D 11
70921912	47	1-B 7	70923510	173	1-B 20	70925702	287	1-C 7	70927903	467	1-D 1
70921915	137	1-B 16	70923520	143	1-B 17	70925703	199	1-B 22	70927974	475	1-D 2
70921958	157	1-B 18	70923530	361	1-C 15	70925704	53	1-B 8	70927999	473	1-D 2
70921959	131	1-B 16	70923544	333	1-C 12	70925705	287	1-C 7	70928136	51	1-B 8
70921960	99	1-B 12	70923550	101	1-B 13	70925706	249	1-C 3	70928148	127	1-B 15
70921962	261	1-C 5	70923558	477	1-D 2	70925719	53	1-B 8	70928178	547	1-D 9
70921963	493	1-D 4	70923577	213	1-B 24	70925721	561	1-D 11	70928304	87	1-B 11
70921965	85	1-B 11	70923584	213	1-B 24	70925731	105	1-B 13	70928348	171	1-B 20
70921966	255	1-C 4	70923594	547	1-D 9	70925785	277	1-C 6	70928352	357	1-C 14
70921969	51	1-B 8	70923683	181	1-B 21	70925806	535	1-D 8	70928367	341	1-C 13
70921971	63	1-B 9	70923690	505	1-D 5	70925834	501	1-D 5	70928397	195	1-B 22
70921974	57	1-B 8	70923701	253	1-C 4	70925852	483	1-D 3	70928486	281	1-C 7
70921977	69	1-B 9	70923717	467	1-D 1	70925863	559	1-D 10	70928488	281	1-C 7
70921978	305	1-C 9	70923737	485	1-D 3	70925872	559	1-D 10	70928512	217	1-B 24
70922002	277	1-C 6	70923808	507	1-D 5	70925919	541	1-D 9	70928605	469	1-D 1
70922037	53	1-B 8	70923813	213	1-B 24	70925960	85	1-B 11	70928635	401	1-C 19
70922080	293	1-C 8	70923816	537	1-D 8	70925974	337	1-C 12	70928654	105	1-B 13
70922127	237	1-C 2	70923818	545	1-D 9	70925991	347	1-C 13	70928656	69	1-B 9
70922130	85	1-B 11	70923828	205	1-B 23	70925997	283	1-C 7	70928705	393	1-C 18
70922181	483	1-D 3	70923831	205	1-B 23	70926049	69	1-B 9	70929018	243	1-C 3
70922285	331	1-C 12	70923841	475	1-D 2	70926106	567	1-D 11	70929019	555	1-D 10
70922522	313	1-C 10	70923843	565	1-D 11	70926115	245	1-C 3	70929095	351	1-C 14
70922523	239	1-C 2	70923846	469	1-D 1	70926126	383	1-C 17	70929116	223	1-C 1
70922571	449	1-C 23	70923858	245	1-C 3	70926127	553	1-D 10	70929257	497	1-D 4
70922586	267	1-C 5	70923865	513	1-D 6	70926137	111	1-B 14	70929287	187	1-B 21
70922632	483	1-D 3	70923881	563	1-D 11	70926154	273	1-C 6	70929288	51	1-B 8
70922645	67	1-B 9	70923894	449	1-C 23	70926155	331	1-C 12	70929356	327	1-C 11
70922658	251	1-C 4	70923905	69	1-B 9	70926157	547	1-D 9	70929402	37	1-B 6
70922664	37	1-B 6	70923906	113	1-B 14	70926165	385	1-C 17	70929591	415	1-C 20
70922760	255	1-C 4	70923943	469	1-D 1	70926192	547	1-D 9	70929593	55	1-B 8
70922770	325	1-C 11	70923945	469	1-D 1	70926208	53	1-B 8	70929594	259	1-C 4
70922771	195	1-B 22	70924048	467	1-D 1	70926243	461	1-D 1	70929595	415	1-C 20
70922786	293	1-C 8	70924095	55	1-B 8	70926292	239	1-C 2	70929720	109	1-B 13
70922837	59	1-B 8	70924113	351	1-C 14	70926356	469	1-D 1	70929722	171	1-B 20
70922845	51	1-B 8	70924114	463	1-D 1	70926526	157	1-B 18	70929725	145	1-B 17
70922862	505	1-D 5	70924186	541	1-D 9	70926533	501	1-D 5	70929748	503	1-D 5
70922863	405	1-C 19	70924192	501	1-D 5	70926542	469	1-D 1	70929785	567	1-D 11
70922874	571	1-D 12	70924204	189	1-B 21	70926551	537	1-D 8	70929872	567	1-D 11
70922887	553	1-D 10	70924272	541	1-D 9	70926622	131	1-B 16	70929957	105	1-B 13
70922890	555	1-D 10	70924283	395	1-C 18	70926626	213	1-B 24	70930224	69	1-B 9
70922918	561	1-D 11	70924296	565	1-D 11	70926647	205	1-B 23	70930235	195	1-B 22
70922928	183	1-B 21	70924403	571	1-D 12	70926694	195	1-B 22	70930368	497	1-D 4
70923014	331	1-C 12	70924622	477	1-D 2	70926762	521	1-D 7	70930415	213	1-B 24
70923027	501	1-D 5	70924744	35	1-B 6	70926768	239	1-C 2	70930424	547	1-D 9
70923086	315	1-C 10	70924746	563	1-D 11	70926838	195	1-B 22	70930426	547	1-D 9
70923093	315	1-C 10	70924763	277	1-C 6	70926850	449	1-C 23	70930441	489	1-D 3
70923094	55	1-B 8	70924764	415	1-C 20	70926874	163	1-B 19	70930510	483	1-D 3
70923104	287	1-C 7	70924783	485	1-D 3	70926919	105	1-B 13	70930594	95	1-B 12
70923111	201	1-B 23	70924786	221	1-C 1	70926946	51	1-B 8	70930611	81	1-B 11
70923112	89	1-B 11	70924791	489	1-D 3	70926957	337	1-C 12	70930708	167	1-B 19
70923113	219	1-B 24	70924799	349	1-C 13	70926977	345	1-C 13	70930757	217	1-B 24
70923114	185	1-B 21	70924837	65	1-B 9	70927034	579	1-D 12	70930760	131	1-B 16
70923126	191	1-B 22	70924845	205	1-B 23	70927035	579	1-D 12	70930777	467	1-D 1
70923151	217	1-B 24	70924856	183	1-B 21	70927036	587	1-D 13	70930791	147	1-B 17
70923154	227	1-C 1	70924906	331	1-C 12	70927075	183	1-B 21	70930879	497	1-D 4
70923163	313	1-C 10	70924946	31	1-B 6	70927097	59	1-B 8	70930883	535	1-D 8
70923219	321	1-C 11	70924947	131	1-B 16	70927103	111	1-B 14	70930884	535	1-D 8
70923220	327	1-C 11	70925011	463	1-D 1	70927122	75	1-B 10	70930889	561	1-D 11
70923230	243	1-C 3	70925094	119	1-B 14	70927134	137	1-B 16	70930897	471	1-D 2
70923240	231	1-C 2	70925097	493	1-D 4	70927261	69	1-B 9	70930911	541	1-D 9
70923306	211	1-B 24	70925160	253	1-C 4	70927321	547	1-D 9	70930999	505	1-D 5
70923320	371	1-C 16	70925205	183	1-B 21	70927340	485	1-D 3	70931187	345	1-C 13
70923325	251	1-C 4	70925246	145	1-B 17	70927401	81	1-B 11	70931194	217	1-B 24
70923326	297	1-C 8	70925284	51	1-B 8	70927469	547	1-D 9	70931209	33	1-B 6
70923341	61	1-B 9	70925442	37	1-B 6	70927477	231	1-C 2	70931211	173	1-B 20



CHALLENGER 670 COMBINE

15  
INDEX

Part No.	Page	Grid	Part No.	Page	Grid	Part No.	Page	Grid	Part No.	Page	Grid
70931226	405	1-C 19	70936765	47	1-B 7	71149388	579	1-D 12	71176964	471	1-D 2
70931240	501	1-D 5	70936774	141	1-B 17	71149894	217	1-B 24	71176964	473	1-D 2
70931277	67	1-B 9	70936778	61	1-B 9	71149894	219	1-B 24	71176964	475	1-D 2
70931316	343	1-C 13	70936813	127	1-B 15	71149894	579	1-D 12	711770	111	1-B 14
70931317	167	1-B 19	70937005	243	1-C 3	71149894	587	1-D 13	711770	583	1-D 13
70931348	251	1-C 4	70937010	247	1-C 3	71149895	217	1-B 24	71177385	545	1-D 9
70931350	187	1-B 21	70937101	263	1-C 5	71149895	219	1-B 24	71177386	545	1-D 9
70931449	397	1-C 18	70937133	69	1-B 9	71149895	579	1-D 12	71178962	51	1-B 8
70931589	513	1-D 6	70937169	157	1-B 18	71149895	587	1-D 13	71179395	211	1-B 24
70931640	501	1-D 5	70937179	405	1-C 19	71149896	217	1-B 24	71179395	213	1-B 24
70931643	283	1-C 7	70937253	329	1-C 11	71149896	219	1-B 24	71181443	249	1-C 3
70931809	297	1-C 8	70937263	83	1-B 11	71149896	233	1-C 2	71182840	199	1-B 22
70931810	297	1-C 8	70937280	81	1-B 11	71149896	579	1-D 12	71182840	201	1-B 23
70931820	409	1-C 19	70937294	307	1-C 9	71149896	587	1-D 13	71182840	249	1-C 3
70931822	137	1-B 16	70937295	131	1-B 16	71149992	221	1-C 1	71182840	367	1-C 15
70931833	147	1-B 17	70937296	137	1-B 16	71149992	579	1-D 12	71183535	541	1-D 9
70931880	141	1-B 17	70937297	137	1-B 16	71149992	585	1-D 13	71183746	541	1-D 9
70931942	109	1-B 13	70937300	217	1-B 24	71149999	217	1-B 24	71183747	541	1-D 9
70932612	297	1-C 8	70937347	205	1-B 23	71149999	579	1-D 12	71183750	541	1-D 9
70932619	233	1-C 2	70937348	205	1-B 23	71149999	585	1-D 13	71183757	537	1-D 8
70932665	53	1-B 8	70937424	131	1-B 16	71154722	195	1-B 22	71183828	541	1-D 9
70932720	165	1-B 19	70937461	201	1-B 23	71154722	197	1-B 22	71183839	543	1-D 9
70932747	119	1-B 14	70937465	55	1-B 8	71154722	243	1-C 3	71184133	543	1-D 9
70932996	373	1-C 16	70937480	217	1-B 24	71154722	245	1-C 3	71184134	543	1-D 9
70932997	373	1-C 16	70937534	557	1-D 10	71154722	583	1-D 13	71184135	543	1-D 9
70933036	61	1-B 9	70937548	217	1-B 24	71157144	363	1-C 15	71184144	543	1-D 9
70933255	489	1-D 3	70937550	99	1-B 12	71157144	585	1-D 13	71184144	545	1-D 9
70933339	315	1-C 10	70937603	217	1-B 24	71160040	543	1-D 9	71184145	541	1-D 9
70933367	39	1-B 6	70937605	161	1-B 19	71160040	545	1-D 9	71184147	541	1-D 9
70933375	243	1-C 3	70937606	161	1-B 19	71160055	547	1-D 9	71184148	541	1-D 9
70933454	447	1-C 23	70937607	161	1-B 19	71160067	543	1-D 9	71184188	567	1-D 11
70933817	537	1-D 8	70937608	161	1-B 19	71160067	545	1-D 9	71184188	573	1-D 12
70933818	461	1-D 1	70937609	131	1-B 16	71160085	547	1-D 9	71184401	473	1-D 2
70933955	221	1-C 1	70937610	161	1-B 19	71160303	543	1-D 9	71184409	473	1-D 2
70933988	345	1-C 13	70937646	205	1-B 23	71160303	545	1-D 9	71184415	469	1-D 1
70934479	95	1-B 12	70937658	163	1-B 19	71161396	213	1-B 24	71184418	469	1-D 1
70934704	563	1-D 11	70937660	77	1-B 10	71162565	543	1-D 9	71184418	471	1-D 2
70934728	147	1-B 17	70937676	549	1-D 9	71162781	537	1-D 8	71184418	473	1-D 2
70934842	377	1-C 16	70937677	39	1-B 6	71162782	537	1-D 8	71184418	475	1-D 2
70934892	77	1-B 10	70937682	137	1-B 16	71166170	537	1-D 8	71186166	319	1-C 10
70934923	233	1-C 2	70937684	39	1-B 6	71166171	537	1-D 8	71186745	543	1-D 9
70935032	221	1-C 1	70937685	143	1-B 17	71166172	537	1-D 8	71186745	545	1-D 9
70935033	205	1-B 23	70937691	171	1-B 20	71169204	573	1-D 12	71186746	543	1-D 9
70935035	209	1-B 23	70937712	37	1-B 6	71170388	557	1-D 10	71186746	545	1-D 9
70935036	201	1-B 23	70937714	409	1-C 19	71170388	561	1-D 11	71186814	405	1-C 19
70935072	163	1-B 19	70937715	375	1-C 16	71170388	567	1-D 11	71188145	169	1-B 19
70935118	489	1-D 3	70937716	337	1-C 12	71170388	573	1-D 12	71188145	351	1-C 14
70935175	515	1-D 6	70937727	351	1-C 14	71170390	557	1-D 10	71188145	353	1-C 14
70935275	193	1-B 22	70937730	81	1-B 11	71170390	561	1-D 11	71188145	357	1-C 14
70935290	247	1-C 3	70950002	315	1-C 10	71170390	573	1-D 12	71188503	467	1-D 1
70935299	201	1-B 23	70950052	541	1-D 9	71173857	213	1-B 24	71188503	469	1-D 1
70935416	207	1-B 23	70950377	537	1-D 8	71174391	205	1-B 23	71188503	471	1-D 2
70935427	147	1-B 17	70950382	547	1-D 9	71174391	221	1-C 1	71188503	473	1-D 2
70935468	147	1-B 17	70950388	535	1-D 8	71174718	469	1-D 1	71188503	475	1-D 2
70935768	483	1-D 3	70950394	549	1-D 9	71174718	473	1-D 2	71188503	477	1-D 2
70935781	39	1-B 6	70950417	537	1-D 8	71175918	557	1-D 10	71188504	467	1-D 1
70935830	469	1-D 1	70950420	563	1-D 11	71175918	561	1-D 11	71188504	469	1-D 1
70935836	489	1-D 3	70950453	35	1-B 6	71175918	567	1-D 11	71188504	471	1-D 2
70935847	489	1-D 3	70950490	547	1-D 9	71175918	573	1-D 12	71188504	473	1-D 2
70935902	469	1-D 1	71012174	489	1-D 3	71175919	557	1-D 10	71188504	475	1-D 2
70936104	383	1-C 17	71122510	297	1-C 8	71175919	561	1-D 11	71188504	585	1-D 13
70936296	335	1-C 12	71122510	321	1-C 11	71175919	567	1-D 11	71188949	349	1-C 13
70936298	573	1-D 12	71122510	583	1-D 13	71175919	573	1-D 12	71190292	543	1-D 9
70936306	555	1-D 10	71124448	349	1-C 13	71175961	543	1-D 9	71190960	395	1-C 18
70936314	169	1-B 19	71127313	319	1-C 10	71175961	545	1-D 9	71191799	141	1-B 17
70936326	149	1-B 17	71127313	349	1-C 13	71175962	543	1-D 9	71192243	307	1-C 9
70936348	259	1-C 4	71127313	353	1-C 14	71175962	545	1-D 9	71192243	321	1-C 11
70936419	555	1-D 10	71127313	359	1-C 14	71175963	543	1-D 9	71192243	587	1-D 13
70936467	449	1-C 23	71127313	361	1-C 15	71175963	545	1-D 9	71193260	171	1-B 20
70936473	69	1-B 9	71127313	587	1-D 13	71176951	469	1-D 1	71194263	55	1-B 8
70936474	137	1-B 16	71130258	211	1-B 24	71176951	471	1-D 2	71194263	247	1-C 3
70936498	489	1-D 3	71130258	213	1-B 24	71176962	469	1-D 1	71194367	351	1-C 14
70936525	345	1-C 13	71130258	587	1-D 13	71176962	473	1-D 2	71195328	543	1-D 9
70936592	81	1-B 11	71133361	67	1-B 9	71176963	471	1-D 2	71195328	545	1-D 9
70936747	405	1-C 19	71133361	587	1-D 13	71176964	469	1-D 1	71195913	243	1-C 3

## INDEX

Part No.	Page	Grid	Part No.	Page	Grid	Part No.	Page	Grid	Part No.	Page	Grid
71195913	583	1-D 13	71312323	539	1-D 8	71339847	77	1-B 10	71355340	515	1-D 6
71197117	199	1-B 22	71312602	55	1-B 8	71339847	421	1-C 21	71355340	523	1-D 7
71197117	201	1-B 23	71312602	199	1-B 22	71339847	429	1-C 21	71355384	533	1-D 8
71197117	203	1-B 23	71312602	203	1-B 23	71340437	537	1-D 8	71355395	565	1-D 11
71197117	209	1-B 23	71312602	205	1-B 23	71341448	307	1-C 9	71355604	95	1-B 12
71197117	247	1-C 3	71312602	247	1-C 3	71341450	307	1-C 9	71356058	199	1-B 22
71197117	367	1-C 15	71312602	285	1-C 7	71341450	587	1-D 13	71356058	337	1-C 12
71197323	201	1-B 23	71312602	291	1-C 8	71342216	145	1-B 17	71356060	55	1-B 8
71197323	589	1-D 13	71312603	53	1-B 8	71342216	541	1-D 9	71356060	199	1-B 22
71197376	343	1-C 13	71312603	55	1-B 8	71342217	541	1-D 9	71356060	201	1-B 23
712208	545	1-D 9	71312603	205	1-B 23	71342768	75	1-B 10	71356060	203	1-B 23
712208	585	1-D 13	71312819	205	1-B 23	71343344	37	1-B 6	71356060	209	1-B 23
71300327	473	1-D 2	71312823	205	1-B 23	71343344	399	1-C 18	71356060	247	1-C 3
71300507	545	1-D 9	71313115	583	1-D 13	71344597	547	1-D 9	71356060	367	1-C 15
71300509	543	1-D 9	71314321	243	1-C 3	71344598	547	1-D 9	71356060	585	1-D 13
71302422	477	1-D 2	71314321	245	1-C 3	71344647	201	1-B 23	71356061	199	1-B 22
71302467	543	1-D 9	71314321	587	1-D 13	71344649	201	1-B 23	71356061	201	1-B 23
71302468	543	1-D 9	71314481	535	1-D 8	71344833	349	1-C 13	71356061	203	1-B 23
71302469	543	1-D 9	71314833	231	1-C 2	71345822	409	1-C 19	71356061	209	1-B 23
71302470	543	1-D 9	71314842	231	1-C 2	71345898	309	1-C 9	71356061	247	1-C 3
71302471	543	1-D 9	71314999	233	1-C 2	71346267	53	1-B 8	71356061	367	1-C 15
71304149	183	1-B 21	71315780	297	1-C 8	71346267	201	1-B 23	71356061	589	1-D 13
71304149	187	1-B 21	71315780	321	1-C 11	71346267	203	1-B 23	71356067	199	1-B 22
71304261	535	1-D 8	71315785	297	1-C 8	71346267	209	1-B 23	71356529	53	1-B 8
71304262	535	1-D 8	71315785	321	1-C 11	71346267	247	1-C 3	71356529	513	1-D 6
71304263	535	1-D 8	71315999	217	1-B 24	71346998	59	1-B 8	71356529	525	1-D 7
71304264	535	1-D 8	71315999	219	1-B 24	71347777	547	1-D 9	71356938	199	1-B 22
71304266	535	1-D 8	71315999	583	1-D 13	71347780	547	1-D 9	71358545	513	1-D 6
71304267	535	1-D 8	71317628	545	1-D 9	71347782	547	1-D 9	71358545	525	1-D 7
71304271	537	1-D 8	71317841	185	1-B 21	71348314	323	1-C 11	71358564	449	1-C 23
71304292	537	1-D 8	71317841	215	1-B 24	71348455	537	1-D 8	71359538	547	1-D 9
71304362	55	1-B 8	71317841	231	1-C 2	71348455	573	1-D 12	71359545	557	1-D 10
71304362	247	1-C 3	71318052	245	1-C 3	71348560	33	1-B 6	71359772	555	1-D 10
71305916	409	1-C 19	71323575	393	1-C 18	71349270	55	1-B 8	71359841	555	1-D 10
71305916	589	1-D 13	71325523	589	1-D 13	71349270	203	1-B 23	71359841	559	1-D 10
71306656	583	1-D 13	71325553	307	1-C 9	71349270	209	1-B 23	71359851	567	1-D 11
71306660	583	1-D 13	71326336	399	1-C 18	71349270	247	1-C 3	71359864	563	1-D 11
71306894	157	1-B 18	71327595	535	1-D 8	71349312	323	1-C 11	71359865	563	1-D 11
71306949	119	1-B 14	71327984	347	1-C 13	71349763	415	1-C 20	71359889	571	1-D 12
71306949	587	1-D 13	71328361	207	1-B 23	71349763	425	1-C 21	71359890	571	1-D 12
71307131	409	1-C 19	71328362	449	1-C 23	71349811	203	1-B 23	71359891	571	1-D 12
71307132	409	1-C 19	71328365	207	1-B 23	71349811	209	1-B 23	71359897	567	1-D 11
71307626	555	1-D 10	71328365	449	1-C 23	71349811	247	1-C 3	71359912	569	1-D 11
71308156	201	1-B 23	71328912	573	1-D 12	71349813	55	1-B 8	71359922	569	1-D 11
71308156	209	1-B 23	71332011	207	1-B 23	71349813	203	1-B 23	71359927	569	1-D 11
71308156	587	1-D 13	71332011	277	1-C 6	71349813	209	1-B 23	71359946	569	1-D 11
71308770	327	1-C 11	71334329	447	1-C 23	71349813	247	1-C 3	71361243	473	1-D 2
71308770	331	1-C 12	71334986	557	1-D 10	71351200	307	1-C 9	71361312	473	1-D 2
71308770	583	1-D 13	71334986	559	1-D 10	71351389	109	1-B 13	71361355	477	1-D 2
71308951	67	1-B 9	71334988	555	1-D 10	71352828	183	1-B 21	71361357	477	1-D 2
71308951	333	1-C 12	71334988	559	1-D 10	71352828	187	1-B 21	71361358	477	1-D 2
71308951	335	1-C 12	71334989	555	1-D 10	71353127	199	1-B 22	71361359	477	1-D 2
71308951	583	1-D 13	71334989	559	1-D 10	71353127	285	1-C 7	71361361	477	1-D 2
71308984	361	1-C 15	71335184	211	1-B 24	71353127	291	1-C 8	71361364	477	1-D 2
71308984	583	1-D 13	71335184	213	1-B 24	71354306	557	1-D 10	71361367	477	1-D 2
71308995	349	1-C 13	71335184	583	1-D 13	71354306	559	1-D 10	71361368	477	1-D 2
71309117	217	1-B 24	71335195	243	1-C 3	71354345	371	1-C 16	71361406	573	1-D 12
71309117	219	1-B 24	71335195	245	1-C 3	71354636	323	1-C 11	71361720	105	1-B 13
71309117	321	1-C 11	71335689	267	1-C 5	71354855	225	1-C 1	71361831	99	1-B 12
71309117	583	1-D 13	71335690	231	1-C 2	71354855	227	1-C 1	71361940	105	1-B 13
71309514	535	1-D 8	71335782	541	1-D 9	71354856	227	1-C 1	71361941	105	1-B 13
71309515	535	1-D 8	71335783	541	1-D 9	71354859	225	1-C 1	71361947	105	1-B 13
71309766	205	1-B 23	71335784	541	1-D 9	71354859	227	1-C 1	71362149	449	1-C 23
71309767	283	1-C 7	71336386	59	1-B 8	71354861	225	1-C 1	71362390	75	1-B 10
71309767	291	1-C 8	71337414	149	1-B 17	71354861	227	1-C 1	71362391	75	1-B 10
71309768	55	1-B 8	71337414	153	1-B 18	71354863	227	1-C 1	71362525	87	1-B 11
71309768	199	1-B 22	71338308	555	1-D 10	71354864	227	1-C 1	71362539	477	1-D 2
71309768	203	1-B 23	71338308	559	1-D 10	71354865	225	1-C 1	71362813	165	1-B 19
71309768	247	1-C 3	71338651	557	1-D 10	71354865	227	1-C 1	71362941	223	1-C 1
71309768	587	1-D 13	71338789	557	1-D 10	71355001	227	1-C 1	71362941	227	1-C 1
71310379	535	1-D 8	71338789	559	1-D 10	71355063	553	1-D 10	71362941	229	1-C 1
71310976	183	1-B 21	71338799	557	1-D 10	71355063	567	1-D 11	71362970	349	1-C 13
71310976	187	1-B 21	71338799	559	1-D 10	71355339	507	1-D 5	71363526	217	1-B 24
71311456	537	1-D 8	71339238	537	1-D 8	71355339	519	1-D 6	71363526	219	1-B 24
71311456	539	1-D 8	71339847	59	1-B 8	71355339	527	1-D 7	71363845	111	1-B 14

CHALLENGER 670 COMBINE

17  
INDEX

Part No.	Page	Grid	Part No.	Page	Grid	Part No.	Page	Grid	Part No.	Page	Grid
71364016	461	1-D 1	71370496	589	1-D 13	71374836	519	1-D 6	71374892	513	1-D 6
71364024	461	1-D 1	71370508	77	1-B 10	71374840	507	1-D 5	71374894	509	1-D 5
71364349	77	1-B 10	71370634	217	1-B 24	71374840	515	1-D 6	71374894	521	1-D 7
71364946	579	1-D 12	71370634	219	1-B 24	71374840	519	1-D 6	71374894	529	1-D 7
71364946	589	1-D 13	71370634	587	1-D 13	71374840	527	1-D 7	71374895	509	1-D 5
71365064	243	1-C 3	71370926	537	1-D 8	71374841	515	1-D 6	71374895	521	1-D 7
71365064	245	1-C 3	71370926	573	1-D 12	71374842	511	1-D 6	71374895	529	1-D 7
71365065	245	1-C 3	71370934	573	1-D 12	71374842	515	1-D 6	71374896	509	1-D 5
71365101	469	1-D 1	71371331	131	1-B 16	71374842	523	1-D 7	71374896	521	1-D 7
71365101	473	1-D 2	71371332	135	1-B 16	71374843	511	1-D 6	71374896	529	1-D 7
71365102	453	1-C 24	71371333	131	1-B 16	71374843	515	1-D 6	71374897	509	1-D 5
71365114	453	1-C 24	71371336	131	1-B 16	71374843	523	1-D 7	71374897	521	1-D 7
71365245	449	1-C 23	71371338	131	1-B 16	71374844	511	1-D 6	71374897	529	1-D 7
71365245	453	1-C 24	71371343	131	1-B 16	71374844	515	1-D 6	71374898	509	1-D 5
71365245	557	1-D 10	71371346	131	1-B 16	71374844	523	1-D 7	71374898	521	1-D 7
71365312	553	1-D 10	71371347	131	1-B 16	71374845	511	1-D 6	71374900	509	1-D 5
71365327	119	1-B 14	71371349	131	1-B 16	71374845	515	1-D 6	71374900	521	1-D 7
71365412	31	1-B 6	71371520	273	1-C 6	71374845	523	1-D 7	71374900	529	1-D 7
71365476	163	1-B 19	71371520	585	1-D 13	71374846	511	1-D 6	71374901	513	1-D 6
71365477	163	1-B 19	71371526	273	1-C 6	71374846	515	1-D 6	71374901	525	1-D 7
71365880	449	1-C 23	71371526	585	1-D 13	71374846	523	1-D 7	71374904	511	1-D 6
71365883	449	1-C 23	71371720	33	1-B 6	71374847	511	1-D 6	71374904	523	1-D 7
71366126	453	1-C 24	71372132	557	1-D 10	71374847	515	1-D 6	71374907	513	1-D 6
71366127	453	1-C 24	71372132	561	1-D 11	71374847	523	1-D 7	71374908	513	1-D 6
71366540	37	1-B 6	71372133	557	1-D 10	71374848	515	1-D 6	71374908	525	1-D 7
71367032	59	1-B 8	71372133	561	1-D 11	71374849	515	1-D 6	71374908	533	1-D 8
71367037	37	1-B 6	71372724	137	1-B 16	71374853	509	1-D 5	71374909	513	1-D 6
71367308	229	1-C 1	71372724	157	1-B 18	71374853	521	1-D 7	71374909	525	1-D 7
71367309	225	1-C 1	71373126	131	1-B 16	71374853	529	1-D 7	71374909	533	1-D 8
71367309	229	1-C 1	71373127	131	1-B 16	71374855	509	1-D 5	71374915	507	1-D 5
71367312	229	1-C 1	71373144	129	1-B 15	71374855	529	1-D 7	71374915	511	1-D 6
71367314	229	1-C 1	71373144	133	1-B 16	71374857	509	1-D 5	71374915	513	1-D 6
71367316	229	1-C 1	71373144	135	1-B 16	71374859	507	1-D 5	71374915	519	1-D 6
71367317	225	1-C 1	71373145	129	1-B 15	71374859	519	1-D 6	71374918	507	1-D 5
71367317	229	1-C 1	71373146	131	1-B 16	71374859	527	1-D 7	71374918	519	1-D 6
71367320	225	1-C 1	71373403	491	1-D 4	71374860	513	1-D 6	71374918	527	1-D 7
71367320	229	1-C 1	71373403	493	1-D 4	71374860	525	1-D 7	71374932	233	1-C 2
71367323	225	1-C 1	71373513	395	1-C 18	71374865	513	1-D 6	71374958	511	1-D 6
71367323	229	1-C 1	71373538	481	1-D 3	71374866	513	1-D 6	71374958	523	1-D 7
71367324	225	1-C 1	71373538	485	1-D 3	71374867	513	1-D 6	71374959	523	1-D 7
71367324	229	1-C 1	71373684	323	1-C 11	71374868	507	1-D 5	71374960	513	1-D 6
71367526	229	1-C 1	71373693	349	1-C 13	71374870	509	1-D 5	71374960	525	1-D 7
71367528	225	1-C 1	71374425	183	1-B 21	71374870	521	1-D 7	71374961	533	1-D 8
71367528	229	1-C 1	71374425	187	1-B 21	71374870	529	1-D 7	71374963	509	1-D 5
71367529	227	1-C 1	71374564	49	1-B 7	71374872	511	1-D 6	71374967	507	1-D 5
71368074	33	1-B 6	71374565	49	1-B 7	71374872	523	1-D 7	71374967	515	1-D 6
71368570	199	1-B 22	71374663	235	1-C 2	71374875	511	1-D 6	71374967	519	1-D 6
71368598	347	1-C 13	71374666	235	1-C 2	71374875	523	1-D 7	71374968	515	1-D 6
71368741	69	1-B 9	71374667	235	1-C 2	71374876	511	1-D 6	71374968	587	1-D 13
71368741	71	1-B 10	71374669	235	1-C 2	71374876	523	1-D 7	71374970	515	1-D 6
71368761	199	1-B 22	71374670	235	1-C 2	71374877	511	1-D 6	71375122	233	1-C 2
71368952	47	1-B 7	71374672	231	1-C 2	71374877	523	1-D 7	71375335	217	1-B 24
71368953	47	1-B 7	71374674	231	1-C 2	71374879	511	1-D 6	71375335	219	1-B 24
71368961	49	1-B 7	71374785	473	1-D 2	71374879	523	1-D 7	71375335	589	1-D 13
71368961	585	1-D 13	71374790	475	1-D 2	71374880	511	1-D 6	71375388	183	1-B 21
71368962	49	1-B 7	71374793	475	1-D 2	71374880	523	1-D 7	71375388	189	1-B 21
71368962	585	1-D 13	71374794	475	1-D 2	71374881	511	1-D 6	71375556	231	1-C 2
71368963	49	1-B 7	71374796	231	1-C 2	71374881	523	1-D 7	71375559	231	1-C 2
71368991	207	1-B 23	71374798	231	1-C 2	71374881	531	1-D 8	71375564	231	1-C 2
71369299	537	1-D 8	71374803	235	1-C 2	71374882	511	1-D 6	71375751	539	1-D 8
71369307	539	1-D 8	71374807	237	1-C 2	71374882	523	1-D 7	71375752	539	1-D 8
71369761	137	1-B 16	71374808	237	1-C 2	71374883	511	1-D 6	71375791	235	1-C 2
71369761	585	1-D 13	71374816	231	1-C 2	71374883	523	1-D 7	71375902	161	1-B 19
71369762	139	1-B 16	71374827	515	1-D 6	71374883	531	1-D 8	71375911	169	1-B 19
71369762	587	1-D 13	71374828	515	1-D 6	71374884	511	1-D 6	71375911	589	1-D 13
71369877	49	1-B 7	71374831	281	1-C 7	71374884	523	1-D 7	71376042	349	1-C 13
71370120	217	1-B 24	71374831	507	1-D 5	71374884	531	1-D 8	71376154	301	1-C 9
71370120	219	1-B 24	71374831	509	1-D 5	71374886	511	1-D 6	71376154	309	1-C 9
71370121	217	1-B 24	71374831	515	1-D 6	71374886	523	1-D 7	71376157	301	1-C 9
71370121	219	1-B 24	71374831	519	1-D 6	71374886	527	1-D 7	71376158	309	1-C 9
71370121	585	1-D 13	71374831	527	1-D 7	71374890	513	1-D 6	71376170	301	1-C 9
71370165	51	1-B 8	71374834	509	1-D 5	71374890	525	1-D 7	71376312	393	1-C 18
71370232	33	1-B 6	71374834	515	1-D 6	71374890	533	1-D 8	71376324	395	1-C 18
71370496	217	1-B 24	71374834	521	1-D 7	71374891	513	1-D 6	71376349	395	1-C 18
71370496	219	1-B 24	71374836	507	1-D 5	71374891	525	1-D 7	71376350B	403	1-C 19

## INDEX

Part No.	Page	Grid	Part No.	Page	Grid	Part No.	Page	Grid	Part No.	Page	Grid
71376446	549	1-D 9	71379129	365	1-C 15	71383785B	181	1-B 21	71387268	99	1-B 12
71376758P	321	1-C 11	71379129	411	1-C 20	71383785B	185	1-B 21	71387271	95	1-B 12
71376825	167	1-B 19	71379130	31	1-B 6	71383914	167	1-B 19	71387272	95	1-B 12
71376825	235	1-C 2	71379132	33	1-B 6	71383914	589	1-D 13	71387273	95	1-B 12
71376825	261	1-C 5	71379132	407	1-C 19	71383932	299	1-C 8	71387278	95	1-B 12
71376825	589	1-D 13	71379134	181	1-B 21	71383932	587	1-D 13	71387279	95	1-B 12
71376888	217	1-B 24	71379134	185	1-B 21	71383934	299	1-C 8	71387280	95	1-B 12
71377310	217	1-B 24	71379249	293	1-C 8	71383934	589	1-D 13	71387281	95	1-B 12
71377310	219	1-B 24	71379254	277	1-C 6	71384272	131	1-B 16	71387292P	75	1-B 10
71377407	543	1-D 9	71379254	409	1-C 19	71384284	565	1-D 11	71387293	113	1-B 14
71377408	543	1-D 9	71379260	301	1-C 9	71384406	461	1-D 1	71387295	97	1-B 12
71377410	545	1-D 9	71379261	301	1-C 9	71384407	461	1-D 1	71387297	97	1-B 12
71377411	545	1-D 9	71379303	483	1-D 3	71384411	461	1-D 1	71387297	583	1-D 13
71377412	545	1-D 9	71379304	69	1-B 9	71384412	461	1-D 1	71387307	287	1-C 7
71377413	545	1-D 9	71379304	71	1-B 10	71384413	461	1-D 1	71387307	303	1-C 9
71377414	545	1-D 9	71379304	483	1-D 3	71384414	461	1-D 1	71387325	363	1-C 15
71377415	545	1-D 9	71379306	467	1-D 1	71384551	131	1-B 16	71387329	261	1-C 5
71377416	545	1-D 9	71379323	159	1-B 18	71384552	131	1-B 16	71387334	267	1-C 5
71377417	545	1-D 9	71379325	467	1-D 1	71384553	135	1-B 16	71387335	267	1-C 5
71377418	545	1-D 9	71379325	469	1-D 1	71384555	135	1-B 16	71387336	267	1-C 5
71377419	541	1-D 9	71379434	33	1-B 6	71384556	135	1-B 16	71387337	267	1-C 5
71377420	541	1-D 9	71379519	247	1-C 3	71384558	135	1-B 16	71387351	293	1-C 8
71377531	541	1-D 9	71379520	247	1-C 3	71384836	195	1-B 22	71387355	301	1-C 9
71377534	545	1-D 9	71379631	221	1-C 1	71384878	573	1-D 12	71387357	301	1-C 9
71377535	545	1-D 9	71379631	223	1-C 1	71384879	573	1-D 12	71387375	321	1-C 11
71377548	543	1-D 9	71379701	109	1-B 13	71384912	367	1-C 15	71387393	275	1-C 6
71377549	545	1-D 9	71379811	315	1-C 10	71384922	361	1-C 15	71387393	279	1-C 6
71377709	541	1-D 9	71379824	375	1-C 16	71385108	167	1-B 19	71387408	157	1-B 18
71377710	543	1-D 9	71379824	379	1-C 16	71385633	183	1-B 21	71387413	157	1-B 18
71377711	545	1-D 9	71379825	373	1-C 16	71385633	187	1-B 21	71387414	159	1-B 18
71377712	545	1-D 9	71379825	377	1-C 16	71385690	363	1-C 15	71387414	567	1-D 11
71377713	545	1-D 9	71380028	213	1-B 24	71385694	367	1-C 15	71387416	157	1-B 18
71377714	545	1-D 9	71380043	213	1-B 24	71385697	367	1-C 15	71387417	157	1-B 18
71377715	545	1-D 9	71380423	181	1-B 21	71385793	33	1-B 6	71387418	163	1-B 19
71377716	545	1-D 9	71380460	205	1-B 23	71385801	367	1-C 15	71387419	173	1-B 20
71377717	547	1-D 9	71380463	213	1-B 24	71385801	577	1-D 12	71387419	581	1-D 13
71377718	547	1-D 9	71380468	55	1-B 8	71385801	583	1-D 13	71387420	97	1-B 12
71377719	547	1-D 9	71380905	213	1-B 24	71385802	363	1-C 15	71387420	163	1-B 19
71377720	547	1-D 9	71380994	363	1-C 15	71385836	285	1-C 7	71387422	163	1-B 19
71377721	547	1-D 9	71381213	333	1-C 12	71385837	283	1-C 7	71387423	163	1-B 19
71377722	545	1-D 9	71381495	61	1-B 9	71385837	577	1-D 12	71387424	163	1-B 19
71377723	545	1-D 9	71381680	217	1-B 24	71385837	583	1-D 13	71387444	321	1-C 11
71377941	503	1-D 5	71381682	217	1-B 24	71385907	145	1-B 17	71387453	253	1-C 4
71377945	463	1-D 1	71381682	219	1-B 24	71385907	159	1-B 18	71387454	251	1-C 4
71378013	335	1-C 12	71382053	205	1-B 23	71385907	541	1-D 9	71387455	253	1-C 4
71378014	383	1-C 17	71382055	205	1-B 23	71385996	59	1-B 8	71387459	253	1-C 4
71378104	147	1-B 17	71382057	205	1-B 23	71386129	241	1-C 3	71387463	253	1-C 4
71378104	151	1-B 18	71382057	209	1-B 23	71386169	265	1-C 5	71387464	253	1-C 4
71378250	293	1-C 8	71382256	297	1-C 8	71386195	293	1-C 8	71387465	253	1-C 4
71378317	233	1-C 2	71382257	297	1-C 8	71386353	505	1-D 5	71387466	253	1-C 4
71378364	105	1-B 13	71382269	295	1-C 8	71386394	329	1-C 11	71387467	251	1-C 4
71378364	107	1-B 13	71382269	587	1-D 13	71386400	321	1-C 11	71387470	275	1-C 6
71378441	59	1-B 8	71382607	235	1-C 2	71386414	485	1-D 3	71387515	283	1-C 7
71378577	273	1-C 6	71382694	39	1-B 6	71386557	467	1-D 1	71387517	245	1-C 3
71378577	585	1-D 13	71382716	337	1-C 12	71386557	473	1-D 2	71387523	245	1-C 3
71378579	273	1-C 6	71382731	37	1-B 6	71386572	473	1-D 2	71387538	355	1-C 14
71378873	195	1-B 22	71382758	297	1-C 8	71386574	517	1-D 6	71387546	319	1-C 10
71378873	221	1-C 1	71382759	297	1-C 8	71386574	519	1-D 6	71387576	251	1-C 4
71378873	369	1-C 15	71382868	337	1-C 12	71386668	195	1-B 22	71387577	251	1-C 4
71378873	589	1-D 13	71382871	337	1-C 12	71386669	195	1-B 22	71387578	251	1-C 4
71379103	211	1-B 24	71382933	377	1-C 16	71386773	411	1-C 20	71387580	251	1-C 4
71379105	201	1-B 23	71382983	205	1-B 23	71386866	547	1-D 9	71387584	251	1-C 4
71379105	577	1-D 12	71382983	209	1-B 23	71386867	547	1-D 9	71387587	253	1-C 4
71379105	583	1-D 13	71382985	205	1-B 23	71386880	51	1-B 8	71387676	331	1-C 12
71379126	33	1-B 6	71383653	119	1-B 14	71387142	111	1-B 14	71387677	331	1-C 12
71379126	365	1-C 15	71383661	121	1-B 15	71387145	113	1-B 14	71387678	329	1-C 11
71379127	31	1-B 6	71383662	121	1-B 15	71387148	111	1-B 14	71387700	265	1-C 5
71379127	33	1-B 6	71383667	119	1-B 14	71387177	105	1-B 13	71387703	319	1-C 10
71379127	411	1-C 20	71383667	123	1-B 15	71387178	105	1-B 13	71387703	321	1-C 11
71379127	421	1-C 21	71383673	123	1-B 15	71387181	105	1-B 13	71387703	329	1-C 11
71379128	31	1-B 6	71383736	293	1-C 8	71387185	75	1-B 10	71387704	319	1-C 10
71379128	33	1-B 6	71383737	293	1-C 8	71387186	75	1-B 10	71387710	319	1-C 10
71379128	425	1-C 21	71383783	181	1-B 21	71387195	77	1-B 10	71387749	33	1-B 6
71379129	31	1-B 6	71383783	185	1-B 21	71387266	77	1-B 10	71387761	407	1-C 19
71379129	33	1-B 6	71383783	189	1-B 21	71387267	99	1-B 12	71387797	127	1-B 15



CHALLENGER 670 COMBINE

19  
INDEX

Part No.	Page	Grid	Part No.	Page	Grid	Part No.	Page	Grid	Part No.	Page	Grid
71387797	141	1-B 17	71388237	181	1-B 21	71389185	333	1-C 12	71389825	157	1-B 18
71387797	153	1-B 18	71388237	185	1-B 21	71389212	253	1-C 4	71389842	347	1-C 13
71387797	449	1-C 23	71388239	211	1-B 24	71389221	195	1-B 22	71389862	327	1-C 11
71387798	313	1-C 10	71388248	183	1-B 21	71389222	195	1-B 22	71389863	327	1-C 11
71387801	301	1-C 9	71388248	189	1-B 21	71389229	549	1-D 9	71389917	37	1-B 6
71387803	263	1-C 5	71388256	287	1-C 7	71389230	549	1-D 9	71389997	315	1-C 10
71387807	263	1-C 5	71388256	303	1-C 9	71389232	549	1-D 9	71390000	319	1-C 10
71387826	265	1-C 5	71388265	329	1-C 11	71389233	549	1-D 9	71390005	257	1-C 4
71387842	293	1-C 8	71388301	255	1-C 4	71389235	549	1-D 9	71390079	51	1-B 8
71387845	287	1-C 7	71388302	255	1-C 4	71389268	553	1-D 10	71390080	53	1-B 8
71387846	293	1-C 8	71388312	255	1-C 4	71389309	147	1-B 17	71390081	53	1-B 8
71387848	287	1-C 7	71388314	255	1-C 4	71389309	151	1-B 18	71390082	53	1-B 8
71387848	303	1-C 9	71388315	255	1-C 4	71389313	147	1-B 17	71390084B	51	1-B 8
71387872	255	1-C 4	71388318	255	1-C 4	71389313	151	1-B 18	71390090	51	1-B 8
71387891	195	1-B 22	71388321	257	1-C 4	71389319	171	1-B 20	71390091	51	1-B 8
71387894	217	1-B 24	71388322	261	1-C 5	71389356	555	1-D 10	71390092	53	1-B 8
71387894	219	1-B 24	71388351	327	1-C 11	71389362	555	1-D 10	71390093	325	1-C 11
71387895	217	1-B 24	71388391	173	1-B 20	71389381	555	1-D 10	71390101	313	1-C 10
71387895	219	1-B 24	71388391	581	1-D 13	71389385	555	1-D 10	71390122	95	1-B 12
71387896	217	1-B 24	71388403	337	1-C 12	71389386	555	1-D 10	71390148	395	1-C 18
71387896	219	1-B 24	71388439	267	1-C 5	71389394	555	1-D 10	71390152	393	1-C 18
71387896	579	1-D 12	71388441	267	1-C 5	71389394	563	1-D 11	71390157	393	1-C 18
71387896	589	1-D 13	71388442	267	1-C 5	71389405	35	1-B 6	71390178	245	1-C 3
71387900	181	1-B 21	71388451	269	1-C 5	71389428	327	1-C 11	71390179	553	1-D 10
71387900	185	1-B 21	71388453	267	1-C 5	71389429	327	1-C 11	71390183	247	1-C 3
71387975	59	1-B 8	71388458	269	1-C 5	71389451	293	1-C 8	71390185	361	1-C 15
71387996	65	1-B 9	71388459	267	1-C 5	71389473	293	1-C 8	71390186	567	1-D 11
71388052	277	1-C 6	71388465	269	1-C 5	71389474	293	1-C 8	71390188	247	1-C 3
71388056	313	1-C 10	71388466	267	1-C 5	71389509	107	1-B 13	71390188	575	1-D 12
71388061	61	1-B 9	71388476	329	1-C 11	71389511	107	1-B 13	71390188	583	1-D 13
71388062	61	1-B 9	71388483	327	1-C 11	71389512	107	1-B 13	71390190	247	1-C 3
71388063	59	1-B 8	71388490	327	1-C 11	71389513	107	1-B 13	71390191	387	1-C 17
71388063	137	1-B 16	71388494	329	1-C 11	71389514	107	1-B 13	71390196	337	1-C 12
71388064	59	1-B 8	71388712	287	1-C 7	71389515	107	1-B 13	71390199	337	1-C 12
71388073	69	1-B 9	71388712	577	1-D 12	71389516	107	1-B 13	71390199	575	1-D 12
71388073	71	1-B 10	71388712	583	1-D 13	71389522	385	1-C 17	71390199	583	1-D 13
71388076	137	1-B 16	71388713	573	1-D 12	71389602	553	1-D 10	71390203	53	1-B 8
71388081	487	1-D 3	71388717	305	1-C 9	71389611B	245	1-C 3	71390204	55	1-B 8
71388085	485	1-D 3	71388736	287	1-C 7	71389619	537	1-D 8	71390208	55	1-B 8
71388086	485	1-D 3	71388736	303	1-C 9	71389638	201	1-B 23	71390209	55	1-B 8
71388089	61	1-B 9	71388739	385	1-C 17	71389638	203	1-B 23	71390209	575	1-D 12
71388093	499	1-D 4	71388748	283	1-C 7	71389638	209	1-B 23	71390209	583	1-D 13
71388098	313	1-C 10	71388751	405	1-C 19	71389641	53	1-B 8	71390210	55	1-B 8
71388099	313	1-C 10	71388752	405	1-C 19	71389647	535	1-D 8	71390210	575	1-D 12
71388100	313	1-C 10	71388826	313	1-C 10	71389710	389	1-C 17	71390210	583	1-D 13
71388129	101	1-B 13	71388829	277	1-C 6	71389729	495	1-D 4	71390223	245	1-C 3
71388131	103	1-B 13	71388833	277	1-C 6	71389731	495	1-D 4	71390241	405	1-C 19
71388133	157	1-B 18	71388843	277	1-C 6	71389732	495	1-D 4	71390242	405	1-C 19
71388133	161	1-B 19	71388844	277	1-C 6	71389733	495	1-D 4	71390248	405	1-C 19
71388136	81	1-B 11	71388852	51	1-B 8	71389737	467	1-D 1	71390252	315	1-C 10
71388142	101	1-B 13	71388852	517	1-D 6	71389740	313	1-C 10	71390259	315	1-C 10
71388149	101	1-B 13	71388856	137	1-B 16	71389741	313	1-C 10	71390260	315	1-C 10
71388152	101	1-B 13	71388873	53	1-B 8	71389742	313	1-C 10	71390263	317	1-C 10
71388154	101	1-B 13	71388873	507	1-D 5	71389743	313	1-C 10	71390265	317	1-C 10
71388157	123	1-B 15	71388880	61	1-B 9	71389743	479	1-D 2	71390266	317	1-C 10
71388167	75	1-B 10	71388882	61	1-B 9	71389746	149	1-B 17	71390267	317	1-C 10
71388188	127	1-B 15	71388899	37	1-B 6	71389746	153	1-B 18	71390268	317	1-C 10
71388202	243	1-C 3	71388912	437	1-C 22	71389746	501	1-D 5	71390272	317	1-C 10
71388206	245	1-C 3	71388938	407	1-C 19	71389747	473	1-D 2	71390279	317	1-C 10
71388207	249	1-C 3	71388940	349	1-C 13	71389754	145	1-B 17	71390280	317	1-C 10
71388209	249	1-C 3	71388942	409	1-C 19	71389754	449	1-C 23	71390281	317	1-C 10
71388212	249	1-C 3	71388944	409	1-C 19	71389765	277	1-C 6	71390282	317	1-C 10
71388213	249	1-C 3	71388967	293	1-C 8	71389766	505	1-D 5	71390283	317	1-C 10
71388216	249	1-C 3	71388968	329	1-C 11	71389769	501	1-D 5	71390284	317	1-C 10
71388216	575	1-D 12	71388972	331	1-C 12	71389775	551	1-D 10	71390292	553	1-D 10
71388216	583	1-D 13	71388973	331	1-C 12	71389784	405	1-C 19	71390314	113	1-B 14
71388217	201	1-B 23	71388974	331	1-C 12	71389785	405	1-C 19	71390323	159	1-B 18
71388217	249	1-C 3	71388975	333	1-C 12	71389811	157	1-B 18	71390325	157	1-B 18
71388217	587	1-D 13	71389053	263	1-C 5	71389812	161	1-B 19	71390325	163	1-B 19
71388226	181	1-B 21	71389055	265	1-C 5	71389813	161	1-B 19	71390357	381	1-C 17
71388226	185	1-B 21	71389057	265	1-C 5	71389814	161	1-B 19	71390360	373	1-C 16
71388230	193	1-B 22	71389084	255	1-C 4	71389815	161	1-B 19	71390364	369	1-C 15
71388232	193	1-B 22	71389158	33	1-B 6	71389818	167	1-B 19	71390384	399	1-C 18
71388233	193	1-B 22	71389158	77	1-B 10	71389818	541	1-D 9	71390407	105	1-B 13
71388234	193	1-B 22	71389184	333	1-C 12	71389818	589	1-D 13	71390413	105	1-B 13

## INDEX

Part No.	Page	Grid	Part No.	Page	Grid	Part No.	Page	Grid	Part No.	Page	Grid
71390414	105	1-B 13	71391045	37	1-B 6	71391462	63	1-B 9	71391964	397	1-C 18
71390417	113	1-B 14	71391083	113	1-B 14	71391463	63	1-B 9	71391966	395	1-C 18
71390450	95	1-B 12	71391083	449	1-C 23	71391466	63	1-B 9	71391967	393	1-C 18
71390451	95	1-B 12	71391086	221	1-C 1	71391489	257	1-C 4	71391968	393	1-C 18
71390452	95	1-B 12	71391087	221	1-C 1	71391501	95	1-B 12	71391969	393	1-C 18
71390453	95	1-B 12	71391112	433	1-C 22	71391515	111	1-B 14	71391970	393	1-C 18
71390468	97	1-B 12	71391113	435	1-C 22	71391516	111	1-B 14	71391971	393	1-C 18
71390472	97	1-B 12	71391114	407	1-C 19	71391518	79	1-B 10	71391972	393	1-C 18
71390502	553	1-D 10	71391131	373	1-C 16	71391519	79	1-B 10	71391974	369	1-C 15
71390517	361	1-C 15	71391131	379	1-C 16	71391526	325	1-C 11	71391975	369	1-C 15
71390575	243	1-C 3	71391133	371	1-C 16	71391529	247	1-C 3	71392194	497	1-D 4
71390654	323	1-C 11	71391135	369	1-C 15	71391540	63	1-B 9	71392195	497	1-D 4
71390672	353	1-C 14	71391140	369	1-C 15	71391541	63	1-B 9	71392196	503	1-D 5
71390672	359	1-C 14	71391141	371	1-C 16	71391567	205	1-B 23	71392197	503	1-D 5
71390673	321	1-C 11	71391143	389	1-C 17	71391572	535	1-D 8	71392198	501	1-D 5
71390755	407	1-C 19	71391146	393	1-C 18	71391576	307	1-C 9	71392199	503	1-D 5
71390756	381	1-C 17	71391147	391	1-C 18	71391577	307	1-C 9	71392601	395	1-C 18
71390759C	409	1-C 19	71391150	395	1-C 18	71391579	307	1-C 9	71392602	395	1-C 18
71390762	407	1-C 19	71391153	127	1-B 15	71391592	309	1-C 9	71392605	393	1-C 18
71390764	395	1-C 18	71391153	585	1-D 13	71391620	433	1-C 22	71392610	393	1-C 18
71390770	409	1-C 19	71391157	103	1-B 13	71391624	439	1-C 22	71392611	391	1-C 18
71390789	413	1-C 20	71391158	81	1-B 11	71391624	443	1-C 23	71392616	391	1-C 18
71390804	177	1-B 20	71391172	81	1-B 11	71391625	405	1-C 19	71392616	397	1-C 18
71390806	177	1-B 20	71391175	127	1-B 15	71391625	585	1-D 13	71392618	395	1-C 18
71390809	177	1-B 20	71391179	437	1-C 22	71391643	277	1-C 6	71392620	391	1-C 18
71390810	177	1-B 20	71391180	437	1-C 22	71391653	503	1-D 5	71392621	397	1-C 18
71390813	177	1-B 20	71391181	437	1-C 22	71391654	277	1-C 6	71392622	397	1-C 18
71390815	177	1-B 20	71391219	243	1-C 3	71391654	391	1-C 18	71392624	397	1-C 18
71390816	177	1-B 20	71391220	243	1-C 3	71391656	499	1-D 4	71392654	393	1-C 18
71390817	177	1-B 20	71391221	243	1-C 3	71391657	503	1-D 5	71392656	391	1-C 18
71390820	177	1-B 20	71391224	243	1-C 3	71391659	241	1-C 3	71392657	391	1-C 18
71390821	177	1-B 20	71391225	243	1-C 3	71391660	277	1-C 6	71392658	397	1-C 18
71390822	177	1-B 20	71391230	497	1-D 4	71391709	171	1-B 20	71392663	395	1-C 18
71390823	177	1-B 20	71391234	69	1-B 9	71391713	75	1-B 10	71392664	395	1-C 18
71390824	177	1-B 20	71391234	71	1-B 10	71391713	159	1-B 18	71392675	369	1-C 15
71390825	177	1-B 20	71391236	447	1-C 23	71391746	81	1-B 11	71392677	333	1-C 12
71390851	337	1-C 12	71391238	497	1-D 4	71391747	81	1-B 11	71392680	329	1-C 11
71390853	337	1-C 12	71391239	503	1-D 5	71391748	83	1-B 11	71392690	265	1-C 5
71390855	541	1-D 9	71391240	501	1-D 5	71391752	273	1-C 6	71392691	333	1-C 12
71390860	375	1-C 16	71391241	501	1-D 5	71391762	253	1-C 4	71392693	335	1-C 12
71390861	53	1-B 8	71391242	501	1-D 5	71391763	251	1-C 4	71392700	345	1-C 13
71390863	505	1-D 5	71391243	501	1-D 5	71391792	205	1-B 23	71392705	63	1-B 9
71390866	505	1-D 5	71391244	501	1-D 5	71391805	333	1-C 12	71392766	505	1-D 5
71390867	505	1-D 5	71391246	487	1-D 3	71391831	411	1-C 20	71392767	505	1-D 5
71390867	549	1-D 9	71391252	487	1-D 3	71391835	411	1-C 20	71392776	33	1-B 6
71390870	51	1-B 8	71391253	105	1-B 13	71391848	393	1-C 18	71392776	325	1-C 11
71390887	547	1-D 9	71391254	105	1-B 13	71391849	391	1-C 18	71392787	549	1-D 9
71390888	547	1-D 9	71391255	105	1-B 13	71391850	389	1-C 17	71392788	549	1-D 9
71390909	439	1-C 22	71391256	105	1-B 13	71391851	77	1-B 10	71392829	421	1-C 21
71390910	433	1-C 22	71391257	277	1-C 6	71391858	143	1-B 17	71392835C	421	1-C 21
71390911	435	1-C 22	71391260	503	1-D 5	71391869	143	1-B 17	71392837	417	1-C 20
71390911	437	1-C 22	71391261	277	1-C 6	71391869	589	1-D 13	71392843	407	1-C 19
71390913	437	1-C 22	71391263	279	1-C 6	71391870	147	1-B 17	71392846	407	1-C 19
71390913	445	1-C 23	71391270	277	1-C 6	71391870	151	1-B 18	71392847	407	1-C 19
71390914	405	1-C 19	71391303	109	1-B 13	71391870	171	1-B 20	71392852	465	1-D 1
71390926	373	1-C 16	71391322	127	1-B 15	71391871	171	1-B 20	71392853	465	1-D 1
71390929	383	1-C 17	71391336	373	1-C 16	71391874	167	1-B 19	71392854	465	1-D 1
71390939	321	1-C 11	71391343	307	1-C 9	71391897	77	1-B 10	71392855	465	1-D 1
71391001	177	1-B 20	71391403	173	1-B 20	71391899	77	1-B 10	71392856	465	1-D 1
71391002	177	1-B 20	71391403	581	1-D 13	71391932	405	1-C 19	71392857	465	1-D 1
71391003	177	1-B 20	71391404	173	1-B 20	71391935	389	1-C 17	71392870	515	1-D 6
71391016	145	1-B 17	71391404	581	1-D 13	71391938	389	1-C 17	71392870	541	1-D 9
71391017	145	1-B 17	71391416	163	1-B 19	71391939	389	1-C 17	71392872	449	1-C 23
71391018	167	1-B 19	71391417	163	1-B 19	71391946	389	1-C 17	71392875	449	1-C 23
71391020	169	1-B 19	71391418	171	1-B 20	71391947	389	1-C 17	71392876	113	1-B 14
71391021	167	1-B 19	71391418	497	1-D 4	71391948	391	1-C 18	71392876	449	1-C 23
71391021	169	1-B 19	71391420	143	1-B 17	71391951	389	1-C 17	71392879	483	1-D 3
71391021	297	1-C 8	71391421	167	1-B 19	71391953	395	1-C 18	71392881	449	1-C 23
71391021	307	1-C 9	71391435	375	1-C 16	71391954	393	1-C 18	71392882	483	1-D 3
71391021	351	1-C 14	71391435	379	1-C 16	71391956	391	1-C 18	71392886	279	1-C 6
71391021	589	1-D 13	71391441	375	1-C 16	71391957	393	1-C 18	71392887	279	1-C 6
71391031	65	1-B 9	71391441	379	1-C 16	71391960C	395	1-C 18	71392888	279	1-C 6
71391036	65	1-B 9	71391453	465	1-D 1	71391961	397	1-C 18	71392889	279	1-C 6
71391037	65	1-B 9	71391453	485	1-D 3	71391962	397	1-C 18	71392890	279	1-C 6
71391039	67	1-B 9	71391461	63	1-B 9	71391963	397	1-C 18	71392891	279	1-C 6

CHALLENGER 670 COMBINE

21  
INDEX

Part No.	Page	Grid	Part No.	Page	Grid	Part No.	Page	Grid	Part No.	Page	Grid
71392892	279	1-C 6	71393475	79	1-B 10	71393878	79	1-B 10	71394303	439	1-C 22
71392894	279	1-C 6	71393476	409	1-C 19	71393879	79	1-B 10	71394303	443	1-C 23
71392895	279	1-C 6	71393492	411	1-C 20	71393881	79	1-B 10	71394306	441	1-C 23
71392896	279	1-C 6	71393493	411	1-C 20	71393883	79	1-B 10	71394318	369	1-C 15
71392897	279	1-C 6	71393493	427	1-C 21	71393885	77	1-B 10	71394321	391	1-C 18
71392898	279	1-C 6	71393493	431	1-C 22	71393886	79	1-B 10	71394321	397	1-C 18
71392899	279	1-C 6	71393494	411	1-C 20	71393887	79	1-B 10	71394322	391	1-C 18
71392900	279	1-C 6	71393506	59	1-B 8	71393888	79	1-B 10	71394323	391	1-C 18
71393101	243	1-C 3	71393512	35	1-B 6	71393893	75	1-B 10	71394325	397	1-C 18
71393101	587	1-D 13	71393524	37	1-B 6	71393893	127	1-B 15	71394352	325	1-C 11
71393107	273	1-C 6	71393526	343	1-C 13	71393893	131	1-B 16	71394352	577	1-D 12
71393118	257	1-C 4	71393529	331	1-C 12	71393893	585	1-D 13	71394352	583	1-D 13
71393122	259	1-C 4	71393532	345	1-C 13	71393901	399	1-C 18	71394353	243	1-C 3
71393220	243	1-C 3	71393533	579	1-D 12	71393907	399	1-C 18	71394354	243	1-C 3
71393236	553	1-D 10	71393534	345	1-C 13	71393908	399	1-C 18	71394356B	325	1-C 11
71393251	397	1-C 18	71393534	579	1-D 12	71393909	399	1-C 18	71394363	247	1-C 3
71393252	395	1-C 18	71393534	585	1-D 13	71393913	399	1-C 18	71394364	247	1-C 3
71393253	395	1-C 18	71393547	343	1-C 13	71393916	375	1-C 16	71394397	245	1-C 3
71393257	395	1-C 18	71393551	127	1-B 15	71393916	379	1-C 16	71394418P	403	1-C 19
71393258	349	1-C 13	71393601	81	1-B 11	71393917	389	1-C 17	71394419	397	1-C 18
71393259	349	1-C 13	71393604	81	1-B 11	71393918	389	1-C 17	71394420	397	1-C 18
71393260	351	1-C 14	71393605	81	1-B 11	71393919	437	1-C 22	71394472	87	1-B 11
71393261	351	1-C 14	71393609	101	1-B 13	71393919	445	1-C 23	71394501	77	1-B 10
71393262	351	1-C 14	71393612	101	1-B 13	71393921	441	1-C 23	71394502	77	1-B 10
71393263	347	1-C 13	71393613	101	1-B 13	71393923	441	1-C 23	71394503	77	1-B 10
71393264	347	1-C 13	71393614	101	1-B 13	71393924	433	1-C 22	71394514	81	1-B 11
71393265	347	1-C 13	71393615	101	1-B 13	71393926	81	1-B 11	71394515	81	1-B 11
71393268	347	1-C 13	71393616	127	1-B 15	71393926	103	1-B 13	71394516	81	1-B 11
71393269	347	1-C 13	71393617	127	1-B 15	71393929	103	1-B 13	71394517	81	1-B 11
71393273	347	1-C 13	71393619	127	1-B 15	71393938	83	1-B 11	71394518	81	1-B 11
71393274	347	1-C 13	71393620	127	1-B 15	71393939	101	1-B 13	71394519	81	1-B 11
71393277	157	1-B 18	71393636	67	1-B 9	71393940	81	1-B 11	71394521	81	1-B 11
71393278	167	1-B 19	71393650	65	1-B 9	71393941	83	1-B 11	71394522	81	1-B 11
71393281	113	1-B 14	71393665	211	1-B 24	71393943	95	1-B 12	71394523	77	1-B 10
71393282	113	1-B 14	71393671	211	1-B 24	71393943	129	1-B 15	71394525	75	1-B 10
71393285	157	1-B 18	71393694	105	1-B 13	71393944	83	1-B 11	71394534	345	1-C 13
71393287	165	1-B 19	71393695B	105	1-B 13	71393947	83	1-B 11	71394535	355	1-C 14
71393301	111	1-B 14	71393703	175	1-B 20	71393948	127	1-B 15	71394535	359	1-C 14
71393307	75	1-B 10	71393704	169	1-B 19	71393949	127	1-B 15	71394540	333	1-C 12
71393323	95	1-B 12	71393713	147	1-B 17	71393950	127	1-B 15	71394544	331	1-C 12
71393324	95	1-B 12	71393713	151	1-B 18	71393977C	417	1-C 20	71394674	183	1-B 21
71393350	161	1-B 19	71393716	167	1-B 19	71393984	413	1-C 20	71394681	391	1-C 18
71393384	307	1-C 9	71393717	167	1-B 19	71393992	413	1-C 20	71394688	397	1-C 18
71393387	307	1-C 9	71393718	149	1-B 17	71393994	413	1-C 20	71394716	157	1-B 18
71393389	307	1-C 9	71393718	153	1-B 18	71393995	413	1-C 20	71394716	241	1-C 3
71393391	307	1-C 9	71393718	167	1-B 19	71394119	333	1-C 12	71394717	161	1-B 19
71393392	307	1-C 9	71393718	541	1-D 9	71394126	279	1-C 6	71394791	79	1-B 10
71393394	309	1-C 9	71393718	589	1-D 13	71394127	279	1-C 6	71394792	79	1-B 10
71393401	347	1-C 13	71393742	169	1-B 19	71394128	279	1-C 6	71394795	111	1-B 14
71393402	347	1-C 13	71393776	181	1-B 21	71394129	279	1-C 6	71394796	109	1-B 13
71393403B	349	1-C 13	71393778	181	1-B 21	71394130	279	1-C 6	71394797	111	1-B 14
71393404	349	1-C 13	71393780	181	1-B 21	71394131	279	1-C 6	71394799	109	1-B 13
71393405	347	1-C 13	71393782	183	1-B 21	71394132	279	1-C 6	71394800	99	1-B 12
71393410	395	1-C 18	71393784	181	1-B 21	71394133	279	1-C 6	71394821	183	1-B 21
71393411	395	1-C 18	71393786	181	1-B 21	71394133	587	1-D 13	71394821	187	1-B 21
71393413	389	1-C 17	71393788	181	1-B 21	71394134	279	1-C 6	71394833	329	1-C 11
71393414	389	1-C 17	71393812	333	1-C 12	71394137	221	1-C 1	71394841	333	1-C 12
71393419	349	1-C 13	71393813	333	1-C 12	71394138	447	1-C 23	71394865C	429	1-C 21
71393424B	399	1-C 18	71393815	333	1-C 12	71394139	483	1-D 3	71394867C	421	1-C 21
71393425P	399	1-C 18	71393818	335	1-C 12	71394140	483	1-D 3	71394874P	415	1-C 20
71393429	343	1-C 13	71393831C	61	1-B 9	71394141	69	1-B 9	71394874P	425	1-C 21
71393439	293	1-C 8	71393842	57	1-B 8	71394141	71	1-B 10	71394877	83	1-B 11
71393440	327	1-C 11	71393843	447	1-C 23	71394146	449	1-C 23	71394878	81	1-B 11
71393440	333	1-C 12	71393847	69	1-B 9	71394150	449	1-C 23	71394879	83	1-B 11
71393455	95	1-B 12	71393847	71	1-B 10	71394151	449	1-C 23	71394880	109	1-B 13
71393463	127	1-B 15	71393854	375	1-C 16	71394161	485	1-D 3	71394884	83	1-B 11
71393467	111	1-B 14	71393854	379	1-C 16	71394168	483	1-D 3	71394885	83	1-B 11
71393468	79	1-B 10	71393867B	403	1-C 19	71394169	239	1-C 2	71394886	117	1-B 14
71393469	79	1-B 10	71393868	403	1-C 19	71394170	239	1-C 2	71394887	117	1-B 14
71393470	79	1-B 10	71393869B	403	1-C 19	71394172	137	1-B 16	71394890	83	1-B 11
71393471	79	1-B 10	71393870	403	1-C 19	71394173	447	1-C 23	71394891	83	1-B 11
71393472	79	1-B 10	71393871B	403	1-C 19	71394175	33	1-B 6	71394892	83	1-B 11
71393473	79	1-B 10	71393873	399	1-C 18	71394175	365	1-C 15	71394893	83	1-B 11
71393474	79	1-B 10	71393875	401	1-C 19	71394222	231	1-C 2	71394894	117	1-B 14
71393474	587	1-D 13	71393876	79	1-B 10	71394223	231	1-C 2	71394896	83	1-B 11

## INDEX

Part No.	Page	Grid	Part No.	Page	Grid	Part No.	Page	Grid	Part No.	Page	Grid
71394897	83	1-B 11	71395728	67	1-B 9	71396140	511	1-D 6	71396217	531	1-D 8
71394898	83	1-B 11	71395749	67	1-B 9	71396140	523	1-D 7	71396218	531	1-D 8
71394899	83	1-B 11	71395750	65	1-B 9	71396141	511	1-D 6	71396219	531	1-D 8
71394900	83	1-B 11	71395752	109	1-B 13	71396141	523	1-D 7	71396220	531	1-D 8
71394920	399	1-C 18	71395753	109	1-B 13	71396142	511	1-D 6	71396221	531	1-D 8
71394933	263	1-C 5	71395754	101	1-B 13	71396142	523	1-D 7	71396222	531	1-D 8
71394965	329	1-C 11	71395760	83	1-B 11	71396143	281	1-C 7	71396223	531	1-D 8
71395048	173	1-B 20	71395761	113	1-B 14	71396144	281	1-C 7	71396224	531	1-D 8
71395048	581	1-D 13	71395762	33	1-B 6	71396146	281	1-C 7	71396225	527	1-D 7
71395151	549	1-D 9	71395763	95	1-B 12	71396147	281	1-C 7	71396226	307	1-C 9
71395152	549	1-D 9	71395763	129	1-B 15	71396148	281	1-C 7	71396251	517	1-D 6
71395153	549	1-D 9	71395764	103	1-B 13	71396149	281	1-C 7	71396252	521	1-D 7
71395154	549	1-D 9	71395767	81	1-B 11	71396150	281	1-C 7	71396253	525	1-D 7
71395155	549	1-D 9	71395769	83	1-B 11	71396151	281	1-C 7	71396254	525	1-D 7
71395157	549	1-D 9	71395770	111	1-B 14	71396152	281	1-C 7	71396255	525	1-D 7
71395158	549	1-D 9	71395771	83	1-B 11	71396153	281	1-C 7	71396257	531	1-D 8
71395159	549	1-D 9	71395773	83	1-B 11	71396154	281	1-C 7	71396258	277	1-C 6
71395160	549	1-D 9	71395776B	55	1-B 8	71396155	281	1-C 7	71396258	281	1-C 7
71395161	549	1-D 9	71395781	565	1-D 11	71396156	281	1-C 7	71396259	137	1-B 16
71395162	549	1-D 9	71395787	565	1-D 11	71396158	281	1-C 7	71396263	69	1-B 9
71395163	549	1-D 9	71395789	561	1-D 11	71396159	281	1-C 7	71396264	481	1-D 3
71395167	565	1-D 11	71395789	567	1-D 11	71396160	281	1-C 7	71396265	481	1-D 3
71395172	561	1-D 11	71395799	213	1-B 24	71396161	281	1-C 7	71396266	481	1-D 3
71395172	567	1-D 11	71395813	53	1-B 8	71396162	281	1-C 7	71396267	479	1-D 2
71395173	561	1-D 11	71395825	535	1-D 8	71396163	281	1-C 7	71396267	481	1-D 3
71395173	567	1-D 11	71395830	173	1-B 20	71396164	281	1-C 7	71396269	69	1-B 9
71395175	55	1-B 8	71395830	581	1-D 13	71396165	281	1-C 7	71396269	71	1-B 10
71395233	309	1-C 9	71395832	143	1-B 17	71396166	281	1-C 7	71396273	105	1-B 13
71395234	309	1-C 9	71395838B	143	1-B 17	71396167	281	1-C 7	71396276	75	1-B 10
71395236	309	1-C 9	71395840	143	1-B 17	71396168	281	1-C 7	71396283	85	1-B 11
71395245	295	1-C 8	71395848	109	1-B 13	71396169	281	1-C 7	71396348	573	1-D 12
71395246	297	1-C 8	71395848	157	1-B 18	71396169	515	1-D 6	71396349	573	1-D 12
71395247	295	1-C 8	71395855	321	1-C 11	71396170	281	1-C 7	71396355	55	1-B 8
71395249	295	1-C 8	71395866	329	1-C 11	71396171	281	1-C 7	71396374	573	1-D 12
71395250	297	1-C 8	71395872	55	1-B 8	71396173	281	1-C 7	71396377	117	1-B 14
71395252	319	1-C 10	71395906	65	1-B 9	71396174	281	1-C 7	71396381	127	1-B 15
71395255	75	1-B 10	71395976B	349	1-C 13	71396175	281	1-C 7	71396382	127	1-B 15
71395263	329	1-C 11	71395983	375	1-C 16	71396176	281	1-C 7	71396390	127	1-B 15
71395266	333	1-C 12	71395983	379	1-C 16	71396177	281	1-C 7	71396391	157	1-B 18
71395322	533	1-D 8	71395984	433	1-C 22	71396178	281	1-C 7	71396393	111	1-B 14
71395325	517	1-D 6	71395989	31	1-B 6	71396179	531	1-D 8	71396394	111	1-B 14
71395332	553	1-D 10	71395991	433	1-C 22	71396180	531	1-D 8	71396395	111	1-B 14
71395334	255	1-C 4	71395992C	397	1-C 18	71396181	531	1-D 8	71396397	117	1-B 14
71395335	255	1-C 4	71395993	435	1-C 22	71396182	531	1-D 8	71396398	117	1-B 14
71395336	255	1-C 4	71395996	395	1-C 18	71396183	531	1-D 8	71396401	415	1-C 20
71395337	257	1-C 4	71395997	395	1-C 18	71396184	531	1-D 8	71396401	425	1-C 21
71395338	257	1-C 4	71395998	349	1-C 13	71396185	531	1-D 8	71396403B	403	1-C 19
71395339	255	1-C 4	71395998	589	1-D 13	71396186	531	1-D 8	71396404B	403	1-C 19
71395346	263	1-C 5	71396110	361	1-C 15	71396187	531	1-D 8	71396414	381	1-C 17
71395351	417	1-C 20	71396124	353	1-C 14	71396188	533	1-D 8	71396452	319	1-C 10
71395351	429	1-C 21	71396126	511	1-D 6	71396189	533	1-D 8	71396457	333	1-C 12
71395353	415	1-C 20	71396127	511	1-D 6	71396191	533	1-D 8	71396462	333	1-C 12
71395353	425	1-C 21	71396127	523	1-D 7	71396192	533	1-D 8	71396467	343	1-C 13
71395354	415	1-C 20	71396128	511	1-D 6	71396193	533	1-D 8	71396469	337	1-C 12
71395354	425	1-C 21	71396128	523	1-D 7	71396194	533	1-D 8	71396470	327	1-C 11
71395358	411	1-C 20	71396129	513	1-D 6	71396195	533	1-D 8	71396472	327	1-C 11
71395372	407	1-C 19	71396129	525	1-D 7	71396197	533	1-D 8	71396481	219	1-B 24
71395385C	421	1-C 21	71396130	513	1-D 6	71396198	529	1-D 7	71396501	85	1-B 11
71395386	403	1-C 19	71396130	525	1-D 7	71396199	529	1-D 7	71396501	91	1-B 12
71395387	403	1-C 19	71396130	533	1-D 8	71396200	529	1-D 7	71396510	85	1-B 11
71395388	403	1-C 19	71396131	513	1-D 6	71396201	529	1-D 7	71396510	91	1-B 12
71395389	403	1-C 19	71396131	525	1-D 7	71396202	529	1-D 7	71396558	549	1-D 9
71395390	403	1-C 19	71396132	513	1-D 6	71396203	529	1-D 7	71396562	53	1-B 8
71395407	257	1-C 4	71396132	525	1-D 7	71396204	529	1-D 7	71396564	51	1-B 8
71395413	273	1-C 6	71396133	513	1-D 6	71396205	529	1-D 7	71396565	55	1-B 8
71395422	253	1-C 4	71396133	525	1-D 7	71396207	533	1-D 8	71396580	563	1-D 11
71395565	53	1-B 8	71396134	509	1-D 5	71396208	533	1-D 8	71396580	569	1-D 11
71395571	321	1-C 11	71396136	509	1-D 5	71396209	527	1-D 7	71396581	569	1-D 11
71395572	321	1-C 11	71396136	521	1-D 7	71396210	527	1-D 7	71396582	569	1-D 11
71395573	321	1-C 11	71396137	513	1-D 6	71396211	527	1-D 7	71396583	569	1-D 11
71395582	329	1-C 11	71396137	515	1-D 6	71396212	527	1-D 7	71396584	569	1-D 11
71395583	329	1-C 11	71396137	525	1-D 7	71396213	533	1-D 8	71396585	569	1-D 11
71395585	553	1-D 10	71396138	513	1-D 6	71396214	533	1-D 8	71396586	569	1-D 11
71395586	553	1-D 10	71396139	521	1-D 7	71396215	531	1-D 8	71396587	569	1-D 11
71395589	329	1-C 11	71396139	529	1-D 7	71396216	531	1-D 8	71396588	569	1-D 11



CHALLENGER 670 COMBINE

23  
INDEX

Part No.	Page	Grid	Part No.	Page	Grid	Part No.	Page	Grid	Part No.	Page	Grid
71396589	569	1-D 11	71396756	67	1-B 9	71397244	379	1-C 16	71397524	99	1-B 12
71396590	569	1-D 11	71396758	67	1-B 9	71397246	375	1-C 16	71397526	89	1-B 11
71396591	569	1-D 11	71396758	479	1-D 2	71397246	379	1-C 16	71397532	89	1-B 11
71396592	569	1-D 11	71396763	39	1-B 6	71397248	377	1-C 16	71397535	89	1-B 11
71396593	569	1-D 11	71396764	39	1-B 6	71397255	87	1-B 11	71397536	89	1-B 11
71396594	569	1-D 11	71396768	69	1-B 9	71397261	111	1-B 14	71397538	89	1-B 11
71396595	569	1-D 11	71396771	39	1-B 6	71397262	111	1-B 14	71397539	115	1-B 14
71396596	569	1-D 11	71396779	57	1-B 8	71397263	111	1-B 14	71397540	115	1-B 14
71396596	585	1-D 13	71396781	57	1-B 8	71397265	89	1-B 11	71397541	115	1-B 14
71396597	569	1-D 11	71396783	37	1-B 6	71397268	89	1-B 11	71397542	115	1-B 14
71396598	569	1-D 11	71396784	37	1-B 6	71397271	89	1-B 11	71397543	115	1-B 14
71396599	569	1-D 11	71396786	49	1-B 7	71397272	89	1-B 11	71397544	115	1-B 14
71396600	569	1-D 11	71396787	47	1-B 7	71397303	433	1-C 22	71397545	115	1-B 14
71396601	565	1-D 11	71396788	47	1-B 7	71397348	311	1-C 10	71397546	115	1-B 14
71396601	569	1-D 11	71396789	41	1-B 7	71397349	311	1-C 10	71397547	115	1-B 14
71396602	569	1-D 11	71396790	37	1-B 6	71397350	311	1-C 10	71397548	115	1-B 14
71396603	569	1-D 11	71396792	69	1-B 9	71397376	315	1-C 10	71397549	115	1-B 14
71396604	569	1-D 11	71396793	69	1-B 9	71397377	315	1-C 10	71397550	115	1-B 14
71396605	569	1-D 11	71396795	69	1-B 9	71397378	583	1-D 13	71397633	67	1-B 9
71396606	569	1-D 11	71396796	137	1-B 16	71397379	583	1-D 13	71397634	67	1-B 9
71396607	569	1-D 11	71396797	137	1-B 16	71397380	589	1-D 13	71397637	65	1-B 9
71396608	569	1-D 11	71396798	141	1-B 17	71397381	317	1-C 10	71397644	69	1-B 9
71396609	569	1-D 11	71396952	153	1-B 18	71397382	317	1-C 10	71397644	71	1-B 10
71396610	569	1-D 11	71396954	99	1-B 12	71397383	317	1-C 10	71397650	139	1-B 16
71396611	569	1-D 11	71396955	143	1-B 17	71397384	317	1-C 10	71397676	177	1-B 20
71396612	569	1-D 11	71396956	145	1-B 17	71397385	317	1-C 10	71397677	177	1-B 20
71396613	569	1-D 11	71396957	35	1-B 6	71397386	317	1-C 10	71397678	177	1-B 20
71396614	569	1-D 11	71396957	149	1-B 17	71397388	317	1-C 10	71397679	177	1-B 20
71396615	569	1-D 11	71396957	153	1-B 18	71397389	317	1-C 10	71397680	177	1-B 20
71396616	569	1-D 11	71396957	155	1-B 18	71397390	315	1-C 10	71397681	177	1-B 20
71396617	457	1-C 24	71396957	583	1-D 13	71397391	315	1-C 10	71397682	177	1-B 20
71396617	565	1-D 11	71396970	161	1-B 19	71397392	315	1-C 10	71397683	177	1-B 20
71396618	455	1-C 24	71396970	589	1-D 13	71397393	315	1-C 10	71397684	177	1-B 20
71396618	457	1-C 24	71396971	161	1-B 19	71397394	315	1-C 10	71397685	177	1-B 20
71396619	457	1-C 24	71396971	587	1-D 13	71397427	83	1-B 11	71397686	177	1-B 20
71396620	455	1-C 24	71396972	161	1-B 19	71397428	53	1-B 8	71397687	177	1-B 20
71396620	457	1-C 24	71396983	47	1-B 7	71397429	109	1-B 13	71397688	177	1-B 20
71396621	455	1-C 24	71396984	37	1-B 6	71397432	129	1-B 15	71397689	177	1-B 20
71396621	457	1-C 24	71396994	47	1-B 7	71397433	129	1-B 15	71397690	177	1-B 20
71396622	457	1-C 24	71396996	483	1-D 3	71397434	129	1-B 15	71397691	177	1-B 20
71396623	455	1-C 24	71396996	489	1-D 3	71397436	129	1-B 15	71397692	177	1-B 20
71396623	457	1-C 24	71397111	399	1-C 18	71397437	129	1-B 15	71397693	177	1-B 20
71396624	455	1-C 24	71397122	399	1-C 18	71397438	129	1-B 15	71397695	177	1-B 20
71396624	457	1-C 24	71397124	399	1-C 18	71397439	129	1-B 15	71397697	177	1-B 20
71396625	563	1-D 11	71397152	361	1-C 15	71397440	129	1-B 15	71397698	177	1-B 20
71396625	571	1-D 12	71397153	361	1-C 15	71397441	129	1-B 15	71397701	177	1-B 20
71396653	349	1-C 13	71397167	315	1-C 10	71397443	129	1-B 15	71397702	177	1-B 20
71396653	587	1-D 13	71397168	329	1-C 11	71397443	585	1-D 13	71397703	177	1-B 20
71396662C	369	1-C 15	71397171	315	1-C 10	71397444	131	1-B 16	71397704	179	1-B 20
71396664C	397	1-C 18	71397172	315	1-C 10	71397445	131	1-B 16	71397705	179	1-B 20
71396677	87	1-B 11	71397174	315	1-C 10	71397446	131	1-B 16	71397706	179	1-B 20
71396682B	85	1-B 11	71397179	563	1-D 11	71397447	131	1-B 16	71397707	179	1-B 20
71396684	85	1-B 11	71397180	563	1-D 11	71397448	131	1-B 16	71397708	179	1-B 20
71396702	35	1-B 6	71397181	563	1-D 11	71397449	131	1-B 16	71397709	179	1-B 20
71396705	35	1-B 6	71397184	565	1-D 11	71397452B	181	1-B 21	71397710	179	1-B 20
71396711	35	1-B 6	71397185	563	1-D 11	71397478	515	1-D 6	71397711	179	1-B 20
71396715	37	1-B 6	71397186	563	1-D 11	71397480	515	1-D 6	71397712	179	1-B 20
71396715	139	1-B 16	71397187	563	1-D 11	71397481	515	1-D 6	71397713	179	1-B 20
71396715	585	1-D 13	71397189	565	1-D 11	71397482	515	1-D 6	71397714	179	1-B 20
71396716	139	1-B 16	71397190	565	1-D 11	71397483	515	1-D 6	71397715	179	1-B 20
71396717	35	1-B 6	71397191	565	1-D 11	71397484	515	1-D 6	71397716	179	1-B 20
71396721	35	1-B 6	71397192	565	1-D 11	71397485	515	1-D 6	71397717	179	1-B 20
71396729	85	1-B 11	71397193	563	1-D 11	71397486	515	1-D 6	71397718	179	1-B 20
71396729	91	1-B 12	71397194	565	1-D 11	71397487	515	1-D 6	71397719	179	1-B 20
71396735	87	1-B 11	71397195	565	1-D 11	71397490	517	1-D 6	71397720	179	1-B 20
71396736	99	1-B 12	71397196	563	1-D 11	71397490	527	1-D 7	71397721	179	1-B 20
71396743	85	1-B 11	71397197	563	1-D 11	71397491	533	1-D 8	71397722	179	1-B 20
71396743	87	1-B 11	71397198	563	1-D 11	71397492	479	1-D 2	71397724	179	1-B 20
71396745	87	1-B 11	71397199	563	1-D 11	71397493	313	1-C 10	71397725	147	1-B 17
71396752	65	1-B 9	71397201	565	1-D 11	71397493	479	1-D 2	71397725	151	1-B 18
71396753	67	1-B 9	71397202	563	1-D 11	71397506	89	1-B 11	71397725	171	1-B 20
71396754	67	1-B 9	71397203	563	1-D 11	71397510	87	1-B 11	71397725	179	1-B 20
71396754	583	1-D 13	71397204	563	1-D 11	71397511	87	1-B 11	71397726	147	1-B 17
71396755	67	1-B 9	71397205	563	1-D 11	71397515	87	1-B 11	71397726	151	1-B 18
71396755	479	1-D 2	71397222	243	1-C 3	71397523	99	1-B 12	71397729	147	1-B 17

## INDEX

Part No.	Page	Grid	Part No.	Page	Grid	Part No.	Page	Grid	Part No.	Page	Grid
71397729	151	1-B 18	71398182	91	1-B 12	71398736	123	1-B 15	71398893C	419	1-C 20
71397731	179	1-B 20	71398188B	91	1-B 12	71398737	123	1-B 15	71398896	419	1-C 20
71397732	179	1-B 20	71398196	91	1-B 12	71398738	123	1-B 15	71398900	415	1-C 20
71397733	179	1-B 20	71398197	91	1-B 12	71398739	123	1-B 15	71398901	429	1-C 21
71397734	179	1-B 20	71398211	573	1-D 12	71398740	123	1-B 15	71398906C	427	1-C 21
71397735	179	1-B 20	71398212	573	1-D 12	71398741	123	1-B 15	71398906C	431	1-C 22
71397736	179	1-B 20	71398223	551	1-D 10	71398742	123	1-B 15	71398908C	431	1-C 22
71397737	179	1-B 20	71398224	551	1-D 10	71398743	123	1-B 15	71398912	429	1-C 21
71397738	179	1-B 20	71398225	551	1-D 10	71398744	123	1-B 15	71398913	429	1-C 21
71397739	179	1-B 20	71398227	447	1-C 23	71398745	123	1-B 15	71398914P	429	1-C 21
71397740	179	1-B 20	71398228	561	1-D 11	71398746	123	1-B 15	71398915C	415	1-C 20
71397741	179	1-B 20	71398228	567	1-D 11	71398749	123	1-B 15	71398916C	415	1-C 20
71397742	179	1-B 20	71398241	573	1-D 12	71398750	123	1-B 15	71398924C	415	1-C 20
71397743	179	1-B 20	71398242	573	1-D 12	71398761	271	1-C 6	71398925	415	1-C 20
71397826	115	1-B 14	71398243	573	1-D 12	71398762	271	1-C 6	71398926C	425	1-C 21
71397827	115	1-B 14	71398244	573	1-D 12	71398764	271	1-C 6	71398927	425	1-C 21
71397828	115	1-B 14	71398245	573	1-D 12	71398768	271	1-C 6	71398932C	425	1-C 21
71397829	115	1-B 14	71398271	273	1-C 6	71398769	271	1-C 6	71398942	427	1-C 21
71397830	115	1-B 14	71398275B	257	1-C 4	71398770	271	1-C 6	71398942	431	1-C 22
71397831	115	1-B 14	71398327	547	1-D 9	71398771	271	1-C 6	71398944	427	1-C 21
71397832	115	1-B 14	71398328	547	1-D 9	71398777	123	1-B 15	71398945	429	1-C 21
71397833	115	1-B 14	71398329	547	1-D 9	71398778	123	1-B 15	71398947C	417	1-C 20
71397834	115	1-B 14	71398330	547	1-D 9	71398779	123	1-B 15	71398948C	61	1-B 9
71397835	115	1-B 14	71398331	51	1-B 8	71398780	123	1-B 15	71398951C	61	1-B 9
71397836	115	1-B 14	71398331	583	1-D 13	71398781	123	1-B 15	71398954C	61	1-B 9
71397837	97	1-B 12	71398332	51	1-B 8	71398782	123	1-B 15	71398955C	61	1-B 9
71397838	95	1-B 12	71398333	51	1-B 8	71398783	123	1-B 15	71398956	61	1-B 9
71397839	95	1-B 12	71398337	505	1-D 5	71398784	123	1-B 15	71398957	61	1-B 9
71397840	95	1-B 12	71398354	541	1-D 9	71398785	123	1-B 15	71398958C	417	1-C 20
71397842	91	1-B 12	71398356	547	1-D 9	71398786	123	1-B 15	71398959C	417	1-C 20
71397880	47	1-B 7	71398357	243	1-C 3	71398787	125	1-B 15	71398961	421	1-C 21
71397881	49	1-B 7	71398358	205	1-B 23	71398788	125	1-B 15	71398961	429	1-C 21
71397882P	47	1-B 7	71398360	205	1-B 23	71398789	125	1-B 15	71398965C	431	1-C 22
71397883	47	1-B 7	71398360	209	1-B 23	71398790	125	1-B 15	71398966C	431	1-C 22
71397884	49	1-B 7	71398361	205	1-B 23	71398791	125	1-B 15	71398967	431	1-C 22
71397885	49	1-B 7	71398362	213	1-B 24	71398792	125	1-B 15	71398974	431	1-C 22
71397886	49	1-B 7	71398364	209	1-B 23	71398793	125	1-B 15	71398980	449	1-C 23
71397887	49	1-B 7	71398365	213	1-B 24	71398794	125	1-B 15	71398981	449	1-C 23
71397895	47	1-B 7	71398379	205	1-B 23	71398795	125	1-B 15	71398983	241	1-C 3
71397898C	57	1-B 8	71398384	203	1-B 23	71398796	125	1-B 15	71398984	241	1-C 3
71397926	131	1-B 16	71398384	577	1-D 12	71398798	125	1-B 15	71398985	241	1-C 3
71397927	131	1-B 16	71398385	247	1-C 3	71398799	125	1-B 15	71398988	241	1-C 3
71397929	131	1-B 16	71398388	199	1-B 22	71398800	125	1-B 15	71398989	241	1-C 3
71397930	133	1-B 16	71398388	575	1-D 12	71398801	125	1-B 15	71398993	241	1-C 3
71397932	131	1-B 16	71398389	199	1-B 22	71398802	125	1-B 15	71398994	241	1-C 3
71397933	131	1-B 16	71398391	209	1-B 23	71398803	125	1-B 15	71398995	241	1-C 3
71397934	131	1-B 16	71398399	379	1-C 16	71398804	125	1-B 15	71399009	335	1-C 12
71397939	135	1-B 16	71398401	295	1-C 8	71398808	81	1-B 11	71399011	335	1-C 12
71397940	161	1-B 19	71398402	295	1-C 8	71398809	81	1-B 11	71399013	335	1-C 12
71397941	161	1-B 19	71398403	295	1-C 8	71398814	103	1-B 13	71399015	329	1-C 11
71397942	161	1-B 19	71398421	309	1-C 9	71398815	101	1-B 13	71399015	335	1-C 12
71397989	295	1-C 8	71398424	309	1-C 9	71398819	131	1-B 16	71399115	557	1-D 10
71397998	329	1-C 11	71398429	91	1-B 12	71398820	131	1-B 16	71399115	561	1-D 11
71398103	149	1-B 17	71398436	91	1-B 12	71398826	149	1-B 17	71399119	449	1-C 23
71398104	149	1-B 17	71398445	91	1-B 12	71398826	153	1-B 18	71399143	463	1-D 1
71398104	153	1-B 18	71398453C	415	1-C 20	71398828	147	1-B 17	71399143	487	1-D 3
71398110	169	1-B 19	71398453C	425	1-C 21	71398828	151	1-B 18	71399144	447	1-C 23
71398126	501	1-D 5	71398477	231	1-C 2	71398842	147	1-B 17	71399149	483	1-D 3
71398131	237	1-C 2	71398501	91	1-B 12	71398850	171	1-B 20	71399150	483	1-D 3
71398134	241	1-C 3	71398505	91	1-B 12	71398851	179	1-B 20	71399177C	423	1-C 21
71398136	241	1-C 3	71398509	93	1-B 12	71398852	179	1-B 20	71399178C	423	1-C 21
71398138	485	1-D 3	71398510	93	1-B 12	71398853	179	1-B 20	71399179	423	1-C 21
71398139	487	1-D 3	71398511	93	1-B 12	71398878C	419	1-C 20	71399185C	429	1-C 21
71398142	485	1-D 3	71398514	93	1-B 12	71398880C	419	1-C 20	71399186C	429	1-C 21
71398152	157	1-B 18	71398518	93	1-B 12	71398881C	415	1-C 20	71399187C	429	1-C 21
71398153	157	1-B 18	71398525	99	1-B 12	71398882	417	1-C 20	71399190	419	1-C 20
71398154	157	1-B 18	71398721	435	1-C 22	71398883C	417	1-C 20	71399191B	421	1-C 21
71398155	157	1-B 18	71398726	119	1-B 14	71398883C	421	1-C 21	71399195C	429	1-C 21
71398165	101	1-B 13	71398727	119	1-B 14	71398884C	421	1-C 21	71399197	425	1-C 21
71398171	75	1-B 10	71398728	121	1-B 15	71398886C	421	1-C 21	71399198	415	1-C 20
71398172	119	1-B 14	71398731	123	1-B 15	71398888C	421	1-C 21	71399198	425	1-C 21
71398173	121	1-B 15	71398732	125	1-B 15	71398889	421	1-C 21	71399199	415	1-C 20
71398174	119	1-B 14	71398733	123	1-B 15	71398890C	421	1-C 21	71399199	425	1-C 21
71398175	119	1-B 14	71398734	123	1-B 15	71398891C	419	1-C 20	71399228	179	1-B 20
71398175	125	1-B 15	71398735	123	1-B 15	71398892C	419	1-C 20	71399270P	401	1-C 19

CHALLENGER 670 COMBINE

25  
INDEX

Part No.	Page	Grid	Part No.	Page	Grid	Part No.	Page	Grid	Part No.	Page	Grid
71399271P	401	1-C 19	71399999	319	1-C 10	71400716	561	1-D 11	71401707	85	1-B 11
71399326	415	1-C 20	71399999	365	1-C 15	71400719	455	1-C 24	71401710B	87	1-B 11
71399326	425	1-C 21	71400002	567	1-D 11	71400719	561	1-D 11	71401715	77	1-B 10
71399329	419	1-C 20	71400006	539	1-D 8	71400736	409	1-C 19	71401718P	99	1-B 12
71399329	429	1-C 21	71400007	89	1-B 11	71400738	409	1-C 19	71401719	99	1-B 12
71399330C	417	1-C 20	71400008	89	1-B 11	71400739	187	1-B 21	71401722	93	1-B 12
71399331	427	1-C 21	71400012	165	1-B 19	71400739	409	1-C 19	71401723	93	1-B 12
71399333	427	1-C 21	71400039	191	1-B 22	71400852	223	1-C 1	71401726	487	1-D 3
71399338	61	1-B 9	71400042	233	1-C 2	71400911C	407	1-C 19	71401727	487	1-D 3
71399341	423	1-C 21	71400045	273	1-C 6	71400913	409	1-C 19	71401728	487	1-D 3
71399341	431	1-C 22	71400046	273	1-C 6	71400914P	407	1-C 19	71401731	275	1-C 6
71399342C	425	1-C 21	71400050	257	1-C 4	71400915	347	1-C 13	71401731	279	1-C 6
71399343	425	1-C 21	71400051	255	1-C 4	71400919	381	1-C 17	71401733	573	1-D 12
71399344P	425	1-C 21	71400052	255	1-C 4	71400922C	369	1-C 15	71401735	573	1-D 12
71399347P	427	1-C 21	71400054	253	1-C 4	71400971	181	1-B 21	71401738	463	1-D 1
71399347P	431	1-C 22	71400060	313	1-C 10	71401204	345	1-C 13	71401739	223	1-C 1
71399348	427	1-C 21	71400061	257	1-C 4	71401208	359	1-C 14	71401753	277	1-C 6
71399348	431	1-C 22	71400062	257	1-C 4	71401212	357	1-C 14	71401755	207	1-B 23
71399426	99	1-B 12	71400064	305	1-C 9	71401220	357	1-C 14	71401756	207	1-B 23
71399437B	85	1-B 11	71400066	289	1-C 7	71401221	357	1-C 14	71401766	573	1-D 12
71399442	85	1-B 11	71400383	437	1-C 22	71401224	357	1-C 14	71401799	57	1-B 8
71399442	91	1-B 12	71400385	381	1-C 17	71401307B	231	1-C 2	71401800	35	1-B 6
71399444	85	1-B 11	71400401	139	1-B 16	71401326	275	1-C 6	71401807	57	1-B 8
71399444	91	1-B 12	71400413	61	1-B 9	71401333	167	1-B 19	71401813	37	1-B 6
71399445	85	1-B 11	71400413	585	1-D 13	71401336	173	1-B 20	71401850B	329	1-C 11
71399445	93	1-B 12	71400429	345	1-C 13	71401342	175	1-B 20	71401912	275	1-C 6
71399446	85	1-B 11	71400430	345	1-C 13	71401355B	49	1-B 7	71402015	89	1-B 11
71399447	89	1-B 11	71400431	343	1-C 13	71401381	347	1-C 13	71402104	181	1-B 21
71399477	325	1-C 11	71400432	343	1-C 13	71401416	243	1-C 3	71402109	173	1-B 20
71399481	325	1-C 11	71400435	343	1-C 13	71401418	273	1-C 6	71402112	175	1-B 20
71399483	205	1-B 23	71400460	423	1-C 21	71401419	243	1-C 3	71403606	31	1-B 6
71399484	205	1-B 23	71400461	423	1-C 21	71401429	329	1-C 11	71403618B	401	1-C 19
71399484	209	1-B 23	71400467	59	1-B 8	71401452	347	1-C 13	71403624B	433	1-C 22
71399485	213	1-B 24	71400501	101	1-B 13	71401453	349	1-C 13	71403669	185	1-B 21
71399486	213	1-B 24	71400502	83	1-B 11	71401461	393	1-C 18	71403676	197	1-B 22
71399487	213	1-B 24	71400504	83	1-B 11	71401462	351	1-C 14	71403677	197	1-B 22
71399505	205	1-B 23	71400505	159	1-B 18	71401463	445	1-C 23	71403678	197	1-B 22
71399505	577	1-D 12	71400508	123	1-B 15	71401468	445	1-C 23	71403679	199	1-B 22
71399508	197	1-B 22	71400509	123	1-B 15	71401470	443	1-C 23	71403680	341	1-C 13
71399509	197	1-B 22	71400510	123	1-B 15	71401526	127	1-B 15	71403681	555	1-D 10
71399511	197	1-B 22	71400511	123	1-B 15	71401526	131	1-B 16	71403681	557	1-D 10
71399519	209	1-B 23	71400512	123	1-B 15	71401530	131	1-B 16	71403682	345	1-C 13
71399519	577	1-D 12	71400523	131	1-B 16	71401533	75	1-B 10	71403684	341	1-C 13
71399520	209	1-B 23	71400523	135	1-B 16	71401534	119	1-B 14	71403685	341	1-C 13
71399521	543	1-D 9	71400549	331	1-C 12	71401544	135	1-B 16	71403685	575	1-D 12
71399530	419	1-C 20	71400551	47	1-B 7	71401545	131	1-B 16	71403690	561	1-D 11
71399531	419	1-C 20	71400552	57	1-B 8	71401546	131	1-B 16	71403691	561	1-D 11
71399532	421	1-C 21	71400553	47	1-B 7	71401548	129	1-B 15	71403710B	385	1-C 17
71399533C	429	1-C 21	71400554	57	1-B 8	71401585	57	1-B 8	71403712	385	1-C 17
71399534C	431	1-C 22	71400555	57	1-B 8	71401596	41	1-B 7	71403880	553	1-D 10
71399535	429	1-C 21	71400556	69	1-B 9	71401596	43	1-B 7	71403895	553	1-D 10
71399637	273	1-C 6	71400556	71	1-B 10	71401596	45	1-B 7	71403918	389	1-C 17
71399641	273	1-C 6	71400559	61	1-B 9	71401599	41	1-B 7	71403919	375	1-C 16
71399654	377	1-C 16	71400560	57	1-B 8	71401599	43	1-B 7	71403919	393	1-C 18
71399656	377	1-C 16	71400561	47	1-B 7	71401599	45	1-B 7	71403922	391	1-C 18
71399658	381	1-C 17	71400562	47	1-B 7	71401600	41	1-B 7	71404300	197	1-B 22
71399661	377	1-C 16	71400604	323	1-C 11	71401600	43	1-B 7	71404303	445	1-C 23
71399662P	377	1-C 16	71400626	89	1-B 11	71401600	45	1-B 7	71404305	443	1-C 23
71399665	379	1-C 16	71400628	87	1-B 11	71401600	577	1-D 12	71404306B	439	1-C 22
71399666	379	1-C 16	71400630	87	1-B 11	71401626	187	1-B 21	71404306B	443	1-C 23
71399669	381	1-C 17	71400631	87	1-B 11	71401627	187	1-B 21	71404326	265	1-C 5
71399674	379	1-C 16	71400635	75	1-B 10	71401628	187	1-B 21	71404357	553	1-D 10
71399675C	377	1-C 16	71400641	87	1-B 11	71401632	187	1-B 21	71404359	553	1-D 10
71399675C	393	1-C 18	71400645	89	1-B 11	71401633	187	1-B 21	71404377	37	1-B 6
71399697	49	1-B 7	71400646	89	1-B 11	71401636	187	1-B 21	71404379	59	1-B 8
71399802	357	1-C 14	71400653	505	1-D 5	71401637	187	1-B 21	71404384	41	1-B 7
71399807	343	1-C 13	71400661	243	1-C 3	71401638	187	1-B 21	71404384	43	1-B 7
71399829	181	1-B 21	71400669	387	1-C 17	71401643	433	1-C 22	71404384	45	1-B 7
71399830	181	1-B 21	71400691	447	1-C 23	71401645	435	1-C 22	71404386	57	1-B 8
71399854	383	1-C 17	71400693	559	1-D 10	71401645	443	1-C 23	71404387	57	1-B 8
71399858	377	1-C 16	71400698	559	1-D 10	71401658	189	1-B 21	71404391	57	1-B 8
71399861	377	1-C 16	71400701	559	1-D 10	71401660	189	1-B 21	71404396	65	1-B 9
71399870	437	1-C 22	71400705	559	1-D 10	71401661	435	1-C 22	71404399	65	1-B 9
71399985	357	1-C 14	71400710	561	1-D 11	71401700	85	1-B 11	71404400	65	1-B 9
71399994	343	1-C 13	71400711	561	1-D 11	71401701	89	1-B 11	71404401	65	1-B 9

## INDEX

Part No.	Page	Grid	Part No.	Page	Grid	Part No.	Page	Grid	Part No.	Page	Grid
71404402	65	1-B 9	71406518	185	1-B 21	71407651	115	1-B 14	71409288	365	1-C 15
71404403	65	1-B 9	71406520	185	1-B 21	71407652	115	1-B 14	71409311	37	1-B 6
71404404	65	1-B 9	71406619	73	1-B 10	71407653	81	1-B 11	71409312	73	1-B 10
71404409	497	1-D 4	71406694	63	1-B 9	71407653	115	1-B 14	71409313	71	1-B 10
71404414	63	1-B 9	71406718	47	1-B 7	71407655	95	1-B 12	71409370	357	1-C 14
71404415	59	1-B 8	71406724	37	1-B 6	71407657	77	1-B 10	71409370	365	1-C 15
71404416	59	1-B 8	71406749	99	1-B 12	71407659	77	1-B 10	71409371	359	1-C 14
71404417	59	1-B 8	71406751	93	1-B 12	71407660	187	1-B 21	71409371	365	1-C 15
71404420	57	1-B 8	71406753B	75	1-B 10	71407700	31	1-B 6	71409374	357	1-C 14
71404421	35	1-B 6	71406761	389	1-C 17	71407700	277	1-C 6	71409374	365	1-C 15
71404430	573	1-D 12	71406769	31	1-B 6	71407928	335	1-C 12	71409379	357	1-C 14
71404432	573	1-D 12	71406770	33	1-B 6	71407956	491	1-D 4	71409379	365	1-C 15
71404436	141	1-B 17	71406772	413	1-C 20	71407956	493	1-D 4	71409380	357	1-C 14
71404450	73	1-B 10	71406788	559	1-D 10	71407956	495	1-D 4	71409380	365	1-C 15
71404450	451	1-C 24	71406795	359	1-C 14	71407957	495	1-D 4	71409382	357	1-C 14
71405934B	399	1-C 18	71406795	579	1-D 12	71407958	495	1-D 4	71409382	365	1-C 15
71405945	407	1-C 19	71406802	185	1-B 21	71407962	223	1-C 1	71409384	357	1-C 14
71405950C	407	1-C 19	71406802	215	1-B 24	71408184	305	1-C 9	71409384	365	1-C 15
71405972	71	1-B 10	71406803	215	1-B 24	71408201	161	1-B 19	71409402	349	1-C 13
71405973	71	1-B 10	71406804	185	1-B 21	71408202	101	1-B 13	71409402	365	1-C 15
71405976	71	1-B 10	71406849	347	1-C 13	71408209	131	1-B 16	71409403	331	1-C 12
71405982	71	1-B 10	71406866	99	1-B 12	71408210	133	1-B 16	71409405	167	1-B 19
71405983	71	1-B 10	71406876	101	1-B 13	71408211	131	1-B 16	71409409	335	1-C 12
71405984	71	1-B 10	71406877S	83	1-B 11	71408211	589	1-D 13	71409415	327	1-C 11
71405985	71	1-B 10	71406878	111	1-B 14	71408215	131	1-B 16	71409419	365	1-C 15
71405988	71	1-B 10	71406891	131	1-B 16	71408217	443	1-C 23	71409451	291	1-C 8
71406011	233	1-C 2	71406894	159	1-B 18	71408218	129	1-B 15	71409451	293	1-C 8
71406050	189	1-B 21	71406895	117	1-B 14	71408221	129	1-B 15	71409452	291	1-C 8
71406070	165	1-B 19	71406922	411	1-C 20	71408222	127	1-B 15	71409452	293	1-C 8
71406074	175	1-B 20	71406934	219	1-B 24	71408222	131	1-B 16	71409453	291	1-C 8
71406084	189	1-B 21	71406951	295	1-C 8	71408223	83	1-B 11	71409453	295	1-C 8
71406280	535	1-D 8	71406952	295	1-C 8	71408224	83	1-B 11	71409461	189	1-B 21
71406296	455	1-C 24	71406953	295	1-C 8	71408225	83	1-B 11	71409576	101	1-B 13
71406297	455	1-C 24	71406954	295	1-C 8	71408385	175	1-B 20	71409579	103	1-B 13
71406298	541	1-D 9	71406957	329	1-C 11	71408386	175	1-B 20	71409581	127	1-B 15
71406300	541	1-D 9	71406970	295	1-C 8	71408387	175	1-B 20	71409581	129	1-B 15
71406301	561	1-D 11	71406971	295	1-C 8	71408392	147	1-B 17	71409582	129	1-B 15
71406302	561	1-D 11	71406972	295	1-C 8	71408393	175	1-B 20	71409583	81	1-B 11
71406309	339	1-C 12	71406973	295	1-C 8	71408394	175	1-B 20	71409584	81	1-B 11
71406327	285	1-C 7	71407048	345	1-C 13	71408395	175	1-B 20	71409594	103	1-B 13
71406327	291	1-C 8	71407048	359	1-C 14	71408396	175	1-B 20	71409600	101	1-B 13
71406328	283	1-C 7	71407160	289	1-C 7	71408397	175	1-B 20	71409750	41	1-B 7
71406328	291	1-C 8	71407293	169	1-B 19	71408401	37	1-B 6	71409750	45	1-B 7
71406330	283	1-C 7	71407293	405	1-C 19	71408403	37	1-B 6	71409807	153	1-B 18
71406330	291	1-C 8	71407293	589	1-D 13	71408404	43	1-B 7	71409808	153	1-B 18
71406332	287	1-C 7	71407298	157	1-B 18	71408407	43	1-B 7	71409810	153	1-B 18
71406332	291	1-C 8	71407327P	389	1-C 17	71408501	347	1-C 13	71409811	153	1-B 18
71406333	291	1-C 8	71407426	155	1-B 18	71408514	347	1-C 13	71409833	295	1-C 8
71406333	299	1-C 8	71407427	155	1-B 18	71408514	365	1-C 15	71409834	297	1-C 8
71406334	291	1-C 8	71407428	155	1-B 18	71408701	535	1-D 8	71409835	295	1-C 8
71406339	287	1-C 7	71407429	155	1-B 18	71408762	299	1-C 8	71409848	311	1-C 10
71406339	291	1-C 8	71407430	155	1-B 18	71408765	289	1-C 7	71409942	553	1-D 10
71406339	577	1-D 12	71407431	155	1-B 18	71408765	291	1-C 8	71409947	553	1-D 10
71406339	583	1-D 13	71407432	155	1-B 18	71408826	399	1-C 18	71409970	251	1-C 4
71406361	283	1-C 7	71407433	155	1-B 18	71408827	401	1-C 19	71409987	251	1-C 4
71406361	291	1-C 8	71407434	155	1-B 18	71408828	401	1-C 19	71409994	257	1-C 4
71406361	577	1-D 12	71407435	155	1-B 18	71409176	239	1-C 2	71409996	251	1-C 4
71406361	583	1-D 13	71407436	155	1-B 18	71409176	241	1-C 3	71410001	41	1-B 7
71406362	283	1-C 7	71407437	155	1-B 18	71409265	343	1-C 13	71410001	45	1-B 7
71406364	287	1-C 7	71407438	155	1-B 18	71409265	365	1-C 15	71410002	41	1-B 7
71406364	303	1-C 9	71407439	155	1-B 18	71409266	345	1-C 13	71410002	43	1-B 7
71406368	287	1-C 7	71407440	155	1-B 18	71409266	365	1-C 15	71410002	45	1-B 7
71406368	303	1-C 9	71407441	155	1-B 18	71409267	345	1-C 13	71410007	41	1-B 7
71406409	407	1-C 19	71407442	155	1-B 18	71409267	365	1-C 15	71410007	45	1-B 7
71406414	409	1-C 19	71407443	155	1-B 18	71409268	343	1-C 13	71410013	39	1-B 6
71406454	331	1-C 12	71407444	155	1-B 18	71409268	365	1-C 15	71410013	577	1-D 12
71406476	163	1-B 19	71407445	155	1-B 18	71409269	343	1-C 13	71410039	41	1-B 7
71406478	163	1-B 19	71407446	155	1-B 18	71409269	365	1-C 15	71410039	45	1-B 7
71406480	161	1-B 19	71407447	155	1-B 18	71409270	345	1-C 13	71410040	39	1-B 6
71406481	161	1-B 19	71407448	155	1-B 18	71409270	365	1-C 15	71410040	41	1-B 7
71406492	157	1-B 18	71407449	155	1-B 18	71409271	343	1-C 13	71410040	577	1-D 12
71406504	185	1-B 21	71407450	155	1-B 18	71409271	365	1-C 15	71410041	41	1-B 7
71406510	185	1-B 21	71407464	487	1-D 3	71409280	251	1-C 4	71410043	41	1-B 7
71406512	189	1-B 21	71407574	309	1-C 9	71409280	365	1-C 15	71410043	45	1-B 7
71406514	185	1-B 21	71407651	113	1-B 14	71409284	365	1-C 15	71410375	409	1-C 19



CHALLENGER 670 COMBINE

Part No.	Page	Grid	Part No.	Page	Grid	Part No.	Page	Grid	Part No.	Page	Grid
71410437	273	1-C 6	72506694	139	1-B 16	7700461	423	1-C 21	7703457	505	1-D 5
71410439	275	1-C 6	72506922	137	1-B 16	7700461	429	1-C 21	7703457	551	1-D 10
71410441	275	1-C 6	72506922	139	1-B 16	7700461	431	1-C 22	7703473	403	1-C 19
71410456	343	1-C 13	72507231	459	1-C 24	7700578	307	1-C 9	7703473	427	1-C 21
71410458	357	1-C 14	72507406	139	1-B 16	7700578	329	1-C 11	7703473	431	1-C 22
71410558	159	1-B 18	72507407	139	1-B 16	7700578	407	1-C 19	7703473	551	1-D 10
71410560	159	1-B 18	72507408	139	1-B 16	7701055	93	1-B 12	7703499	57	1-B 8
71410573	151	1-B 18	72507682	137	1-B 16	7701055	333	1-C 12	7703499	69	1-B 9
71410576	251	1-C 4	72507682	139	1-B 16	7701055	373	1-C 16	7703499	71	1-B 10
71410879	363	1-C 15	72507682	587	1-D 13	7701055	377	1-C 16	7703499	267	1-C 5
71410912	175	1-B 20	72509305	137	1-B 16	7701329	37	1-B 6	7703499	419	1-C 20
71410922	129	1-B 15	72509675	403	1-C 19	7701485	221	1-C 1	7703499	421	1-C 21
71410958	81	1-B 11	72511891	121	1-B 15	7701485	449	1-C 23	7703499	423	1-C 21
71410959	83	1-B 11	72513700	123	1-B 15	7701485	487	1-D 3	7703499	429	1-C 21
71410990	411	1-C 20	72514052	119	1-B 14	7701485	491	1-D 4	7703507	491	1-D 4
71411902	261	1-C 5	72514053	121	1-B 15	7701501	157	1-B 18	7703531	55	1-B 8
71412348	253	1-C 4	72514054	121	1-B 15	7701550	271	1-C 6	7703838	87	1-B 11
71449001	217	1-B 24	72514061	119	1-B 14	7701592	117	1-B 14	7703838	323	1-C 11
71449001	579	1-D 12	72514066	119	1-B 14	7701634	309	1-C 9	7704000	67	1-B 9
71449001	585	1-D 13	72514067	121	1-B 15	7701634	435	1-C 22	7704117	87	1-B 11
71449003	217	1-B 24	72514069	119	1-B 14	7701659	399	1-C 18	7704117	265	1-C 5
71449003	579	1-D 12	72514070	119	1-B 14	7701659	541	1-D 9	7704117	567	1-D 11
71449003	585	1-D 13	72514076	123	1-B 15	7701659	553	1-D 10	7704141	91	1-B 12
71449015	219	1-B 24	72525468	485	1-D 3	7701675	91	1-B 12	7704141	105	1-B 13
71449015	579	1-D 12	72526244	483	1-D 3	7701683	367	1-C 15	7704141	413	1-C 20
71449016	219	1-B 24	72528004	489	1-D 3	7701683	541	1-D 9	7704141	555	1-D 10
71449016	579	1-D 12	72528006	489	1-D 3	7701717	85	1-B 11	7704141	561	1-D 11
71449017	219	1-B 24	72528008	489	1-D 3	7701717	91	1-B 12	7704778	537	1-D 8
71449017	579	1-D 12	72528012	489	1-D 3	7701717	111	1-B 14	7704919	85	1-B 11
71449017	585	1-D 13	72528022	489	1-D 3	7701766	277	1-C 6	7704919	89	1-B 11
71449019	223	1-C 1	72528024	489	1-D 3	7701964	159	1-B 18	7704919	91	1-B 12
71502674	473	1-D 2	72528025	489	1-D 3	7701964	491	1-D 4	77057	377	1-C 16
71530252	257	1-C 4	734590	465	1-D 1	7701964	493	1-D 4	7710551	217	1-B 24
720219	39	1-B 6	74254699	543	1-D 9	7702012	187	1-B 21	7710551	219	1-B 24
720649	405	1-C 19	74254699	585	1-D 13	7702012	189	1-B 21	7710551	321	1-C 11
720656	497	1-D 4	74254700	543	1-D 9	7702145	399	1-C 18	7710551	361	1-C 15
72160919	159	1-B 18	74254700	585	1-D 13	7702194	55	1-B 8	7713860	535	1-D 8
72160919	161	1-B 19	74906743	107	1-B 13	7702202	51	1-B 8	7720063	127	1-B 15
72160919	173	1-B 20	755785	207	1-B 23	7703259	275	1-C 6	772418	485	1-D 3
72160919	175	1-B 20	758342	61	1-B 9	7703416	329	1-C 11	772418	501	1-D 5
72160919	587	1-D 13	762975	181	1-B 21	7703424	85	1-B 11	772426	75	1-B 10
72160993	47	1-B 7	762975	185	1-B 21	7703424	91	1-B 12	772525	143	1-B 17
72161024	127	1-B 15	762975	333	1-C 12	7703432	117	1-B 14	773697	565	1-D 11
72161999	79	1-B 10	762975	349	1-C 13	7703432	183	1-B 21	7744477	535	1-D 8
72272098	125	1-B 15	763136	105	1-B 13	7703457	59	1-B 8	7746233	141	1-B 17
722769	49	1-B 7	763300	549	1-D 9	7703457	61	1-B 9	7746449	37	1-B 6
72500822	159	1-B 18	766410	87	1-B 11	7703457	65	1-B 9	774745	161	1-B 19
72501085	159	1-B 18	76695	309	1-C 9	7703457	75	1-B 10	7751605	539	1-D 8
72501110	171	1-B 20	768036	307	1-C 9	7703457	87	1-B 11	7751605	541	1-D 9
72502789	117	1-B 14	768036	319	1-C 10	7703457	127	1-B 15	776682	289	1-C 7
72503309	171	1-B 20	768226	293	1-C 8	7703457	153	1-B 18	776682	305	1-C 9
72504036	113	1-B 14	768432	361	1-C 15	7703457	167	1-B 19	776682	441	1-C 23
72504740	119	1-B 14	7700107	87	1-B 11	7703457	171	1-B 20	776682	445	1-C 23
72504762	121	1-B 15	7700156	255	1-C 4	7703457	185	1-B 21	7770167	167	1-B 19
72504775	119	1-B 14	7700156	257	1-C 4	7703457	291	1-C 8	7770167	397	1-C 18
72504776	119	1-B 14	7700461	61	1-B 9	7703457	293	1-C 8	7770282	295	1-C 8
72504785	119	1-B 14	7700461	67	1-B 9	7703457	295	1-C 8	7770308	47	1-B 7
72504786	119	1-B 14	7700461	193	1-B 22	7703457	299	1-C 8	7770456	295	1-C 8
72504786	123	1-B 15	7700461	263	1-C 5	7703457	309	1-C 9	7770456	307	1-C 9
72504791	119	1-B 14	7700461	265	1-C 5	7703457	311	1-C 10	7770456	309	1-C 9
72504792	119	1-B 14	7700461	273	1-C 6	7703457	347	1-C 13	7770456	389	1-C 17
72504802	119	1-B 14	7700461	293	1-C 8	7703457	393	1-C 18	7771371	75	1-B 10
72504803	119	1-B 14	7700461	295	1-C 8	7703457	397	1-C 18	7771470	85	1-B 11
72504804	119	1-B 14	7700461	307	1-C 9	7703457	405	1-C 19	7771470	91	1-B 12
72504808	119	1-B 14	7700461	327	1-C 11	7703457	409	1-C 19	7771504	259	1-C 4
72504809	119	1-B 14	7700461	345	1-C 13	7703457	415	1-C 20	7771744	61	1-B 9
72504810	119	1-B 14	7700461	347	1-C 13	7703457	417	1-C 20	7771744	137	1-B 16
72504811	119	1-B 14	7700461	349	1-C 13	7703457	425	1-C 21	7771744	149	1-B 17
72504812	119	1-B 14	7700461	359	1-C 14	7703457	427	1-C 21	7771744	153	1-B 18
72505639	83	1-B 11	7700461	375	1-C 16	7703457	439	1-C 22	7771751	149	1-B 17
72506418	149	1-B 17	7700461	379	1-C 16	7703457	443	1-C 23	7771751	153	1-B 18
72506418	153	1-B 18	7700461	389	1-C 17	7703457	449	1-C 23	7771751	307	1-C 9
72506489	77	1-B 10	7700461	407	1-C 19	7703457	451	1-C 24	7771769	399	1-C 18
72506489	83	1-B 11	7700461	419	1-C 20	7703457	487	1-D 3	7771785	549	1-D 9
72506694	137	1-B 16	7700461	421	1-C 21	7703457	501	1-D 5	7771975	41	1-B 7

## INDEX

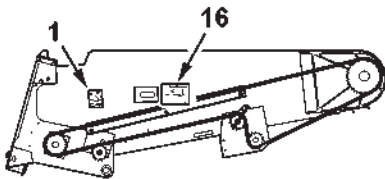
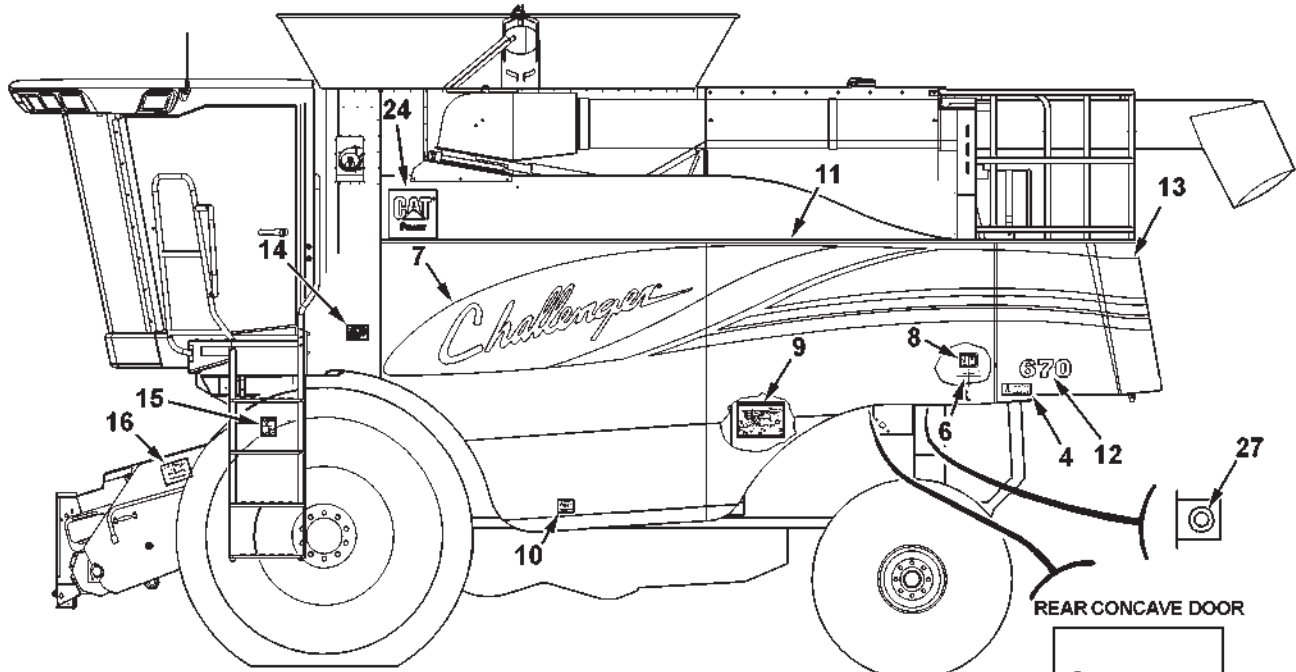
Part No.	Page	Grid	Part No.	Page	Grid	Part No.	Page	Grid	Part No.	Page	Grid
7771975	43	1-B 7	79021669	539	1-D 8	8746018	223	1-C 1			
7771975	45	1-B 7	79021669	543	1-D 9	8746430	69	1-B 9			
7772015	147	1-B 17	79021669	545	1-D 9	9F-4446	39	1-B 6			
7772015	151	1-B 18	79021669	547	1-D 9	9H-8872	483	1-D 3			
7772049	85	1-B 11	79021669	549	1-D 9	940134W1	505	1-D 5			
7772056	117	1-B 14	79021671	381	1-C 17	942253	507	1-D 5			
7772197	41	1-B 7	79021672	63	1-B 9	98-2107	309	1-C 9			
7772197	315	1-C 10	79021676	195	1-B 22	9863040W1	361	1-C 15			
7772312	545	1-D 9	79021676	231	1-C 2						
7772312	547	1-D 9	79021676	235	1-C 2						
7772361	119	1-B 14	79021676	537	1-D 8						
7772577	41	1-B 7	79021676	539	1-D 8						
7772577	43	1-B 7	79021676	543	1-D 9						
7772577	45	1-B 7	79021676	545	1-D 9						
7772601	41	1-B 7	79021676	547	1-D 9						
7772601	43	1-B 7	79021676	549	1-D 9						
7772601	45	1-B 7	791319	321	1-C 11						
7772767	257	1-C 4	8T-4986	47	1-B 7						
7772767	403	1-C 19	8027427	109	1-B 13						
7773856	541	1-D 9	8027427	111	1-B 14						
7773864	257	1-C 4	8027427	149	1-B 17						
7774466	555	1-D 10	8027427	153	1-B 18						
7774466	559	1-D 10	8046955	497	1-D 4						
7774466	561	1-D 11	8046955	501	1-D 5						
7827629	173	1-B 20	8050866	87	1-B 11						
7827629	581	1-D 13	8050866	583	1-D 13						
7827983	99	1-B 12	827758	277	1-C 6						
7845068	53	1-B 8	831268M1	325	1-C 11						
7846777	449	1-C 23	831822M1	369	1-C 15						
7883267	145	1-B 17	831822M1	383	1-C 17						
7883267	161	1-B 19	831822M1	583	1-D 13						
7883267	187	1-B 21	832088M1	275	1-C 6						
7883267	415	1-C 20	832653M1	167	1-B 19						
7883267	425	1-C 21	832982M1	377	1-C 16						
7883275	33	1-B 6	833059M1	583	1-D 13						
7883275	117	1-B 14	834580M1	543	1-D 9						
7883283	117	1-B 14	834580M1	545	1-D 9						
7883283	159	1-B 18	834581M1	543	1-D 9						
7883317	349	1-C 13	834581M1	545	1-D 9						
7883325	89	1-B 11	837853M91	525	1-D 7						
7883325	99	1-B 12	837853M91	533	1-D 8						
7883325	117	1-B 14	840327M91	579	1-D 12						
7883325	163	1-B 19	844173M1	51	1-B 8						
7883325	169	1-B 19	844174M1	51	1-B 8						
7883325	433	1-C 22	846204	485	1-D 3						
7883333	47	1-B 7	846337	451	1-C 24						
7883333	67	1-B 9	846337	541	1-D 9						
7883333	111	1-B 14	846634	239	1-C 2						
7883374	189	1-B 21	846634	491	1-D 4						
7883382	89	1-B 11	846634	493	1-D 4						
7883382	173	1-B 20	846774	207	1-B 23						
7883382	187	1-B 21	850181M1	557	1-D 10						
7883382	189	1-B 21	850181M1	559	1-D 10						
7883382	431	1-C 22	850182M1	555	1-D 10						
7883382	581	1-D 13	850182M1	559	1-D 10						
7883408	67	1-B 9	853288	495	1-D 4						
7883408	93	1-B 12	863415	189	1-B 21						
7883408	399	1-C 18	863415	403	1-C 19						
7883424	91	1-B 12	863415	409	1-C 19						
7883432	35	1-B 6	863415	433	1-C 22						
7884570	541	1-D 9	863415	439	1-C 22						
79014728	375	1-C 16	863415	443	1-C 23						
79014728	379	1-C 16	8701211	55	1-B 8						
79017915	381	1-C 17	8701229	43	1-B 7						
79017915	587	1-D 13	8701708	243	1-C 3						
79018975	147	1-B 17	8701708	273	1-C 6						
79018975	151	1-B 18	8701781	67	1-B 9						
79018975	583	1-D 13	8722910	289	1-C 7						
79019067	383	1-C 17	8722910	305	1-C 9						
79021648	63	1-B 9	873026	485	1-D 3						
79021648	231	1-C 2	873141	361	1-C 15						
79021649	279	1-C 6	873364	87	1-B 11						
79021649	535	1-D 8	873497	91	1-B 12						
79021668	63	1-B 9	873802	53	1-B 8						
79021669	537	1-D 8	8746018	67	1-B 9						

**CHALLENGER 670 COMBINE**

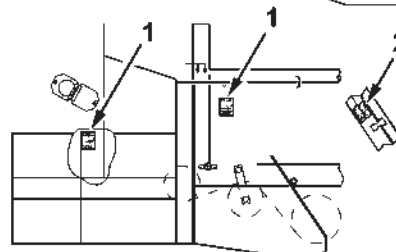
Part No.	Page	Grid	Part No.	Page	Grid	Part No.	Page	Grid	Part No.	Page	Grid
----------	------	------	----------	------	------	----------	------	------	----------	------	------

CHALLENGER 670 COMBINE  
DECALS & LABELS

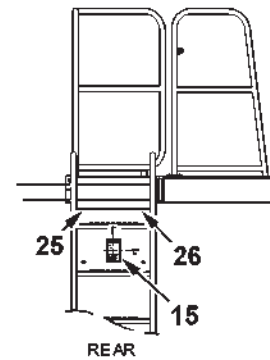
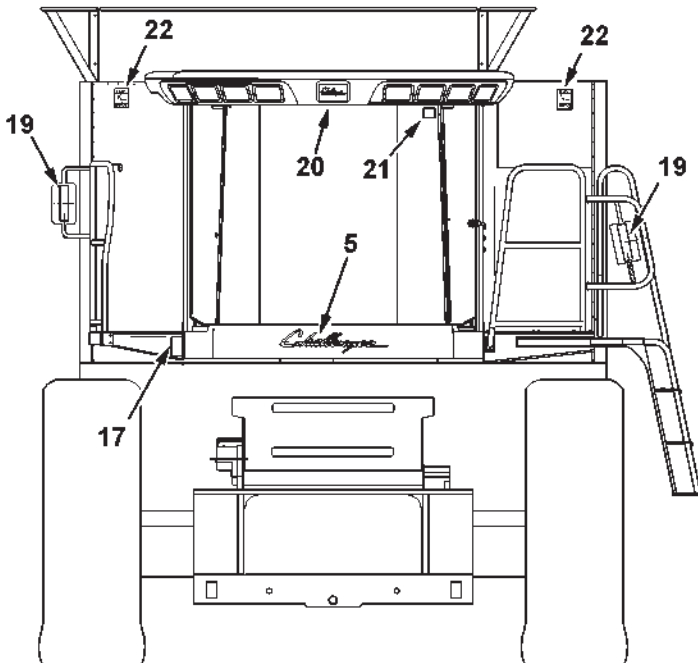
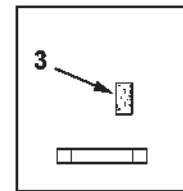
LABELS  
LEFT SIDE & FRONT



HEADER DRIVES-LEFT



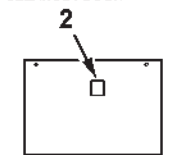
LEFT SHIELDS (BEHIND TIRE)



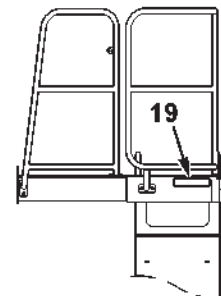
REAR



UNLOADER  
CLEANOUT DOOR



MUD SHIELD-LEFT



STAIRCASE LADDER, FRONT

CHL0021



**CHALLENGER 670 COMBINE  
DECALS & LABELS**

**31**

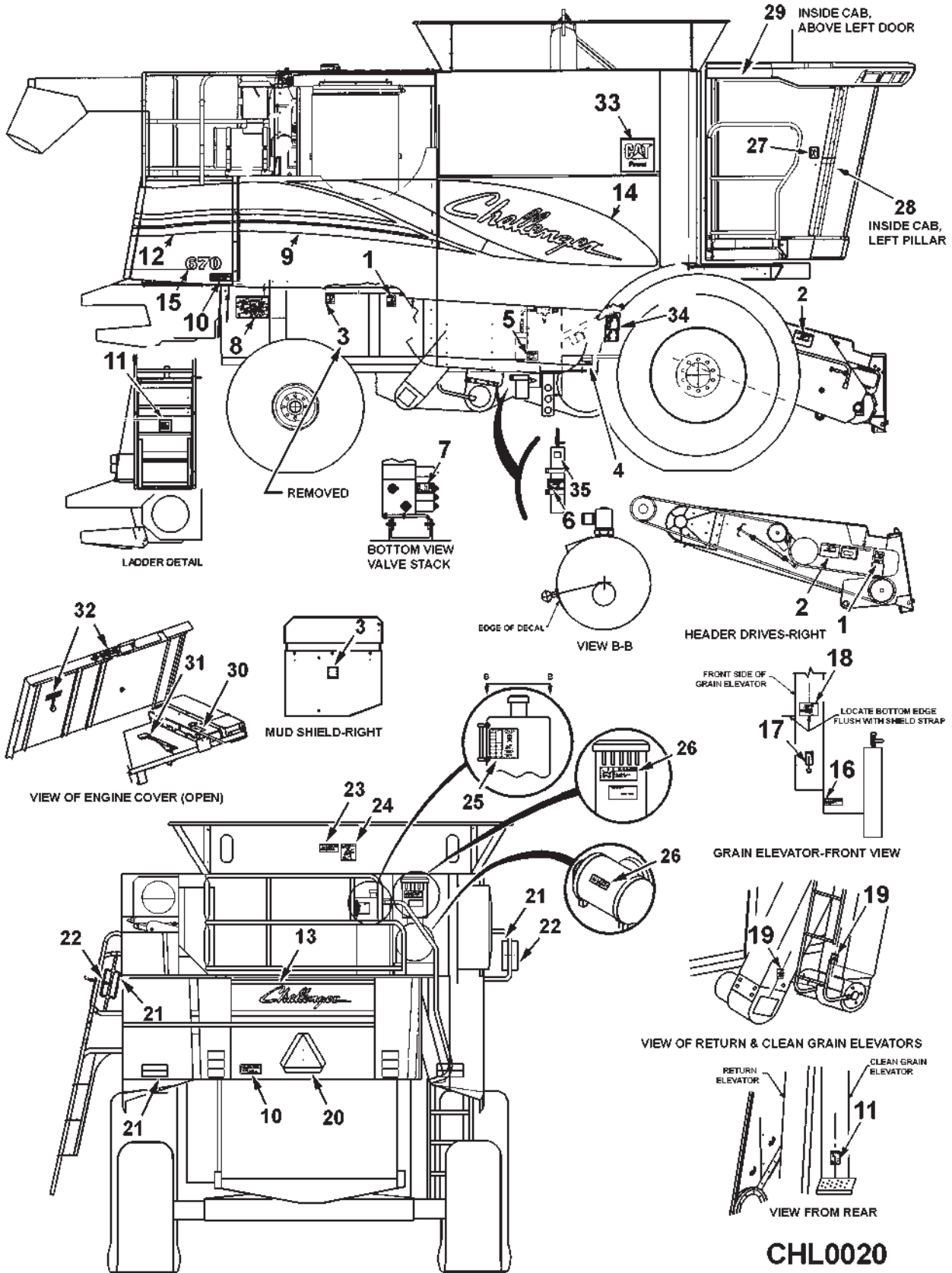
**LABELS  
LEFT SIDE & FRONT**

ITEM	NUMBER	QTY	DESCRIPTION
1	111091W1	3	DECAL, DANGER, MISSING SHIELDS
2	111670W1	2	DECAL, WARNING, BELT OR CHAIN
3	71407700	1	DECAL, CYLINDER GEAR SHIFT
4	71379127	1	DECAL, WARNING, STAND CLEAR
5	700721965	1	DECAL, CHALLENGER FRONT
6	-----	1	PLATE, SERIAL NUMBER
	70924946	2	RIVET, 1/8 X 9/32
7	700721879	1	DECAL, COMBO, LEFT FRONT
8	590769M1	1	DECAL, PATENT
9	71395989	1	DECAL, LUBE GUIDE (PRIOR S/N HN36101)
	71403606	1	DECAL, LUBE GUIDE (EFF. S/N HN36101)
	71406769	1	DECAL, LUBE GUIDE (EFF. S/N HP36101)
10	71379128	1	DECAL, WARNING, SHIELDS IN PLACE
11	700721880	1	DECAL, COMBO, LEFT
12	700722188	1	DECAL, 670
13	700721877	1	DECAL, COMBO, LEFT REAR
14	700721139	1	DECAL, TIRE USAGE
15	700721781	1	DECAL, WARNING, KEEP OFF
16	111095W1	2	DECAL, DANGER, HEADER FALLING
17	71379129	1	DECAL, WARNING, FALLING OFF
19	700717403	2	REFLECTOR, AMBER
20	700721124	1	EMBLEM, CHALLENGER
21	71365412	1	DECAL, US FLAG
22	71379130	2	DECAL, WARNING, GRAIN TANK
23	111741W1	1	DECAL, DANGER, CLEANOUT
24	700721986	1	DECAL, CAT POWER
25	700717402	1	DECAL, REFLECTOR, RED
26	700717404	1	DECAL, REFLECTOR, RED/ORANGE
27	700727993	1	DECAL, BATTERY SWITCH (EFF. S/N HR36101)

CHL0021  
PR: 452

### CHALLENGER 670 COMBINE DECALS & LABELS

#### LABELS RIGHT SIDE & REAR



**CHALLENGER 670 COMBINE  
DECALS & LABELS**

33

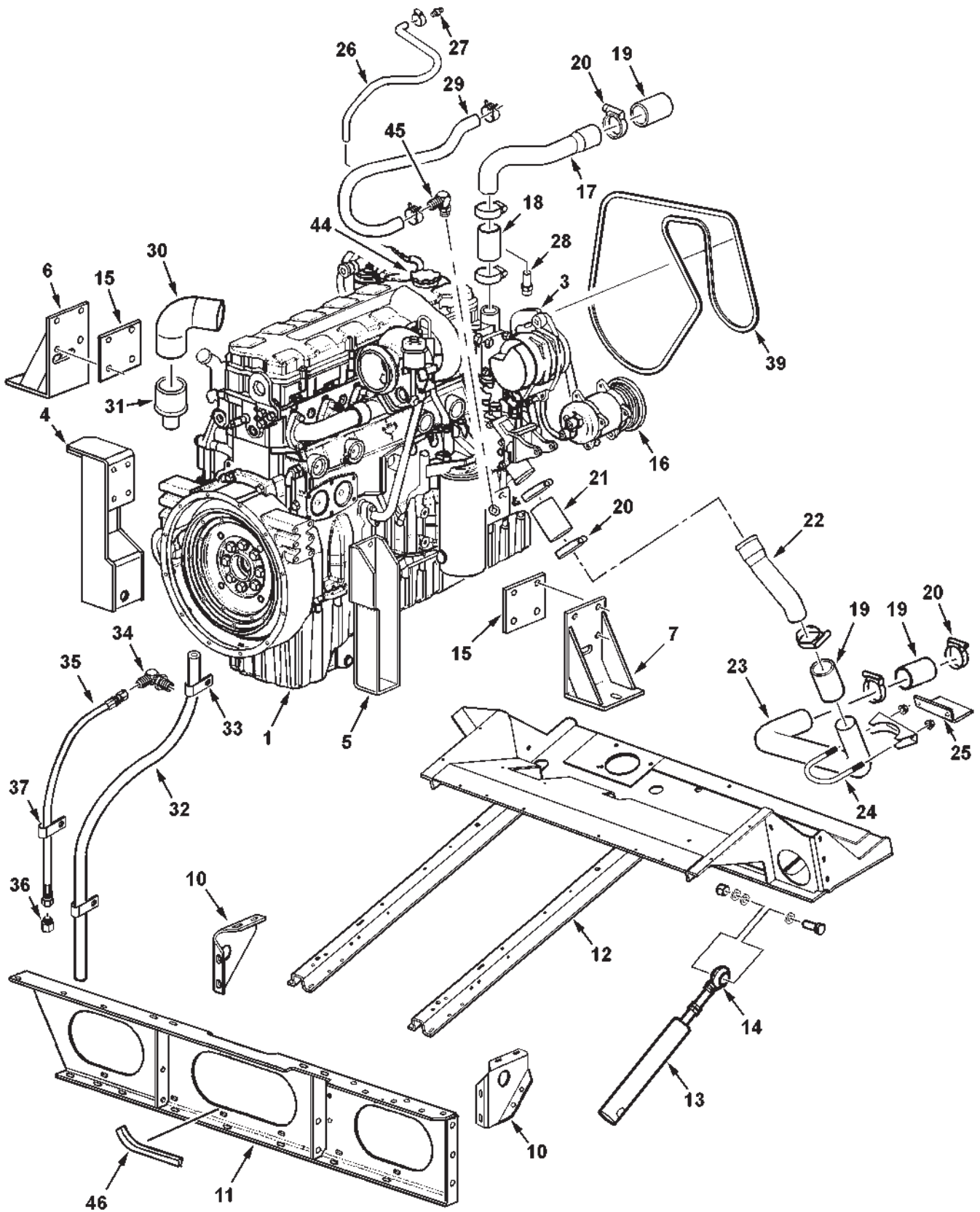
**LABELS  
RIGHT SIDE & REAR**

ITEM	NUMBER	QTY	DESCRIPTION
1	111091W1	2	DECAL, DANGER, SHIELD MISSING
2	111095W1	2	DECAL, DANGER, HEADER FALLING
3	111670W1	1	DECAL, WARNING, BELT OR CHAIN (QTY 2 PRIOR S/N HR36101)
4	700720727	1	DECAL, DANGER, BELT OR CHAIN
5	71379128	1	DECAL, WARNING, SHIELDS IN PLACE
6	71371720	1	DECAL, DANGER, RAM STOP
7	2609080W1	1	DECAL, HEAD LOWER ADJUST
8	700722435	1	DECAL, LUBE GUIDE (PRIOR S/N HP36101)
	71406770		DECAL, LUBE GUIDE (EFF. S/N HP36101)
9	700721874	1	DECAL, COMBO, RIGHT
10	71379127	2	DECAL, WARNING, STAND CLEAR
11	71379129	2	DECAL, WARNING, FALLING OFF
12	700721875	1	DECAL, COMBO, RIGHT REAR
13	700721876	1	DECAL, COMBO, REAR
14	700721873	1	DECAL, COMBO, RIGHT FRONT
15	700722188	1	DECAL, 670
16	71348560	1	DECAL, DANGER, FILL W/NITROGEN
17	71379126	1	DECAL, WARNING, FLUID PRESSURE
18	71394175	1	DECAL, VALVE STACK
19	111743W1	2	DECAL, WARNING, HAND AWAY
20	71379434	1	EMBLEM, SMV
	7883275	2	SCR, HEX WSHR HD MACH, 1/4-20 X 3/4
	70931209	2	LOCK NUT, HEX FLANGE SERR, 1/4-20
	70917377	2	WASHER, 1/4, WIDE
	70916952	2	WING NUT, 1/4-20
21	700717404	4	DECAL, REFLECTOR, RED/ORANGE
22	700717402	4	DECAL, REFLECTOR, RED
23	111736W2	1	DECAL, DANGER, STOP ENGINE
24	71368074	1	DECAL, BIN LOADER
25	700722432	1	DECAL, HYDRAULIC RESERVOIR
26	71387749	1	DECAL, DANGER, STARTING FLUID
27	71389158	1	LABEL, EXIT
28	700725670	1	DECAL, WARNING, INSTRUCTOR SEAT
29	71395762	1	DECAL, DANGER/WARNING
30	700720605	1	DECAL, WARNING, RADIATOR CAP
31	71385793	1	DECAL, AIR CONDITNING (PRIOR S/N HP36101)
32	71379132	2	DECAL, WARNING
33	700721986	1	DECAL, CAT POWER
34	71392776	1	DECAL, V.S. FAN DRIVE
35	71370232	1	DECAL, ACCUMULATOR SHUT-OFF

CHL0020  
PR: 454

### CHALLENGER 670 COMBINE ENGINE

#### ENGINE & MOUNTS



**CHALLENGER 670 COMBINE  
ENGINE**

35

**ENGINE & MOUNTS**

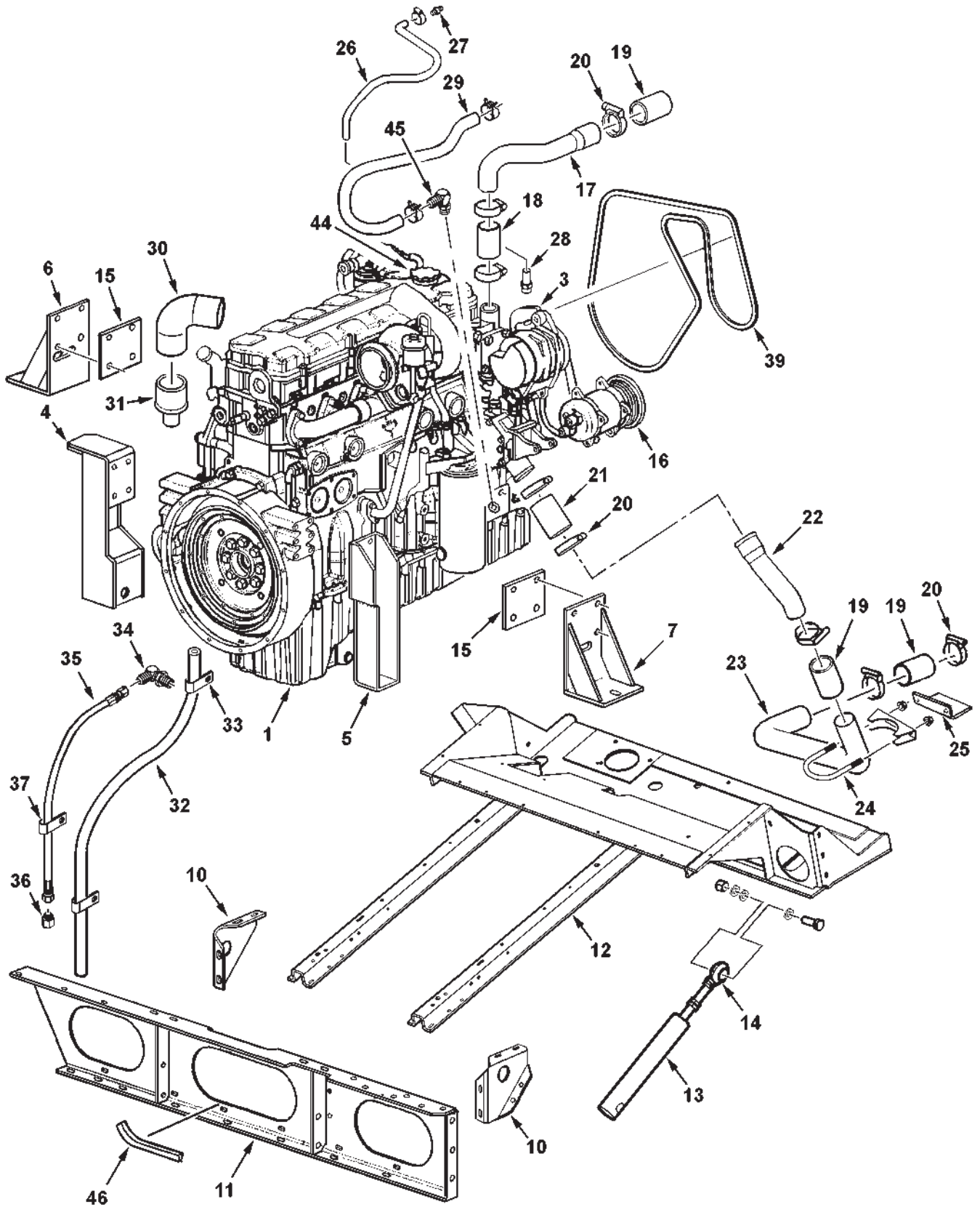
ITEM	NUMBER	QTY	DESCRIPTION
1	71396721	1	ENGINE, CAT C9, 340 HP (TIER 2)(PRIOR S/N HP36---)
	71404421	1	ENGINE, CAT C9, 350 HP (TIER 3)(EFF. S/N HP36---)
3	71396957	1	ALTERNATOR, 150 AMP (LEECE NEVILLE)
	129-5096	1	PULLEY, ALT.
4	7883432	1	SCREW, HEX FLNG, 1/2-13 X 1-3/4 GR8
	71396717	1	BRACKET WLDMT, L FRONT ENG
	70924744	1	CAPSCREW, 5/8-11 X 1-1/2 GR5
	70918432	1	WASHER, 5/8 WIDE
	70950453	4	CAPSCREW, M12-1.75 X 35, CL 8.8
5	Y705624	4	WASHER, 1/2 NARROW
	Y705046	4	LOCKWASHER, 1/2 REG
	71396711	1	BRACKET WLDMT, L REAR ENG
	70924744	1	CAPSCREW, 5/8-11 X 1-1/2 GR5
	70918432	1	WASHER, 5/8 WIDE
6	70950453	4	CAPSCREW, M12-1.75 X 35, CL 8.8
	Y705624	4	WASHER, 1/2 NARROW
	Y705046	4	LOCKWASHER, 1/2 REG
	71396702	1	BRACKET WLDMT, R FRONT ENG
	70924744	1	CAPSCREW, 5/8-11 X 1-1/2 GR5
7	70918432	1	WASHER, 5/8 WIDE
	700708355	4	CAPSCREW, M16-2 X 40, CL 10.9
	70917373	4	LOCKWASHER, 5/8 REG
	705632	4	WASHER, 5/8 NARROW
	71396705	1	BRACKET WLDMT, R REAR ENG
10	70924744	1	CAPSCREW, 5/8-11 X 1-1/2 GR5
	70918432	1	WASHER, 5/8 WIDE
	700708355	4	CAPSCREW, M16-2 X 40, CL 10.9
	70917373	4	LOCKWASHER, 5/8 REG
	705632	4	WASHER, 5/8 NARROW
11	102302M1	2	GUSSET, ENGINE RAIL
	70920415	8	CAPSCREW, 3/8-16 X 1-1/4 GR5
	Y704734	8	NUT, HEX FLNG TOP LK, 3/8-16
	71389405	1	SUB-FRAME WLDMT, ENGINE, LH
12	70920415	16	CAPSCREW, 3/8-16 X 1-1/4 GR5
	70917378	16	WASHER, 3/8 WIDE
	Y704734	16	NUT, HEX FLNG TOP LK, 3/8-16
12	71393512	1	SUB-FRAME WLDMT, TIER 2 ENG. (PRIOR S/N HP36---)
	71401800	1	SUB-FRAME WLDMT, TIER 3 ENG. (EFF. S/N HP36---)
	70920415	5	CAPSCREW, 3/8-16 X 1-1/4 GR5
	70917378	5	WASHER, 3/8 WIDE
	Y704734	12	NUT, HEX FLNG TOP LK, 3/8-16

CONTINUED

CHL0022  
PR: 26

### CHALLENGER 670 COMBINE ENGINE

#### ENGINE & MOUNTS



**CHALLENGER 670 COMBINE  
ENGINE**

37

**ENGINE & MOUNTS**

ITEM	NUMBER	QTY	DESCRIPTION
13	71382731	2	BRACE, TUBE
	70922664	2	CAPSCREW, 5/8-11 X 2 GR5
	70923353	2	NUT, CENTER LOCK, 5/8-11
14	71343344	2	EYE BOLT, 3/4-10UNC
	7701329	2	CAPSCREW, 3/4-10 X 2-1/4 GR5
	705723	4	WASHER, 3/4 NARROW
	70919332	2	LOCKWASHER, 3/4 REG
	70913160	6	NUT, 3/4-10 REG
15	71396790	2	PLATE, SPACER
16	71396715	1	A/C COMPRESSOR W/CLUTCH,W/O PAD (SANDEN) (SEE BREAKDOWN)
	700711132	1	SCREW, HEX FLNG, 3/8-16 X 2 GR8
	700711134	1	SCREW, HEX FLNG, 3/8-16 X 1-3/4 GR8
	69476	1	SET SCREW, HEX SOCK, 3/8-16 X 2-1/2
	704247	2	LOCKNUT, HEX FLNG SERR, 3/8-16
	Y704734	2	NUT, HEX FLNG TOP LK, 3/8-16
17	71396784	1	TUBE, COOLANT, ENG TO RAD (TIER 2) (PRIOR S/N HP36101)
	71404377	1	TUBE,ENG TO RAD(TIER 2)(EFF.S/N HP36101)
	71406724	1	TUBE,ENG TO RAD(TIER 3)(EFF.S/N HP36---
18	6389795	1	HOSE, RADIATOR
19	71367037	3	HOSE, CONNECTOR, RAD
20	71366540	10	CLAMP, CONST. TORQUE, RAD HOSE
21	71396984	1	HOSE, RADIATOR
22	71396783	1	TUBE, COOLANT, ENG TO RAD (TIER 2)
	71408403	1	TUBE, COOLANT, ENG TO RAD (TIER 3) (EFF. S/N HP36---
23	71388899	1	TUBE, COOLANT, ENG TO RAD (TIER 2) (PRIOR S/N HP36101)
	71401813	1	TUBE, COOLANT, ENG TO RAD (TIER 2) (EFF. S/N HP36101)
	71408401	1	TUBE, COOLANT, ENG TO RAD (TIER 3) (EFF. S/N HP36---
24	70937712	1	CLAMP, COOLANT TUBE, 2-1/4 DIA
25	71393524	1	BRACKET, RAD TUBE
26	71391045	1	HOSE, 3/8, COOLANT
	70929402	2	CLAMP, HOSE, .219-.625
	70925442	1	TIE, NYLON, 14.6 LG
27	7746449	1	FITTING, 1/4-18 NPTF X 3/8 STEM
28	700721323	1	FITTING, 3/4-16 ORB X 3/8 STEM
	70921349	1	O-RING, .087 X .644 ID
29	71389917	1	HOSE, 3/4 ID X 42" LG (TIER 2)
	71409311	1	HOSE, 3/4 ID X 55" LG (TIER 3)
	70921911	2	CLAMP, WORM DRIVE, .69- 1.25 DIA

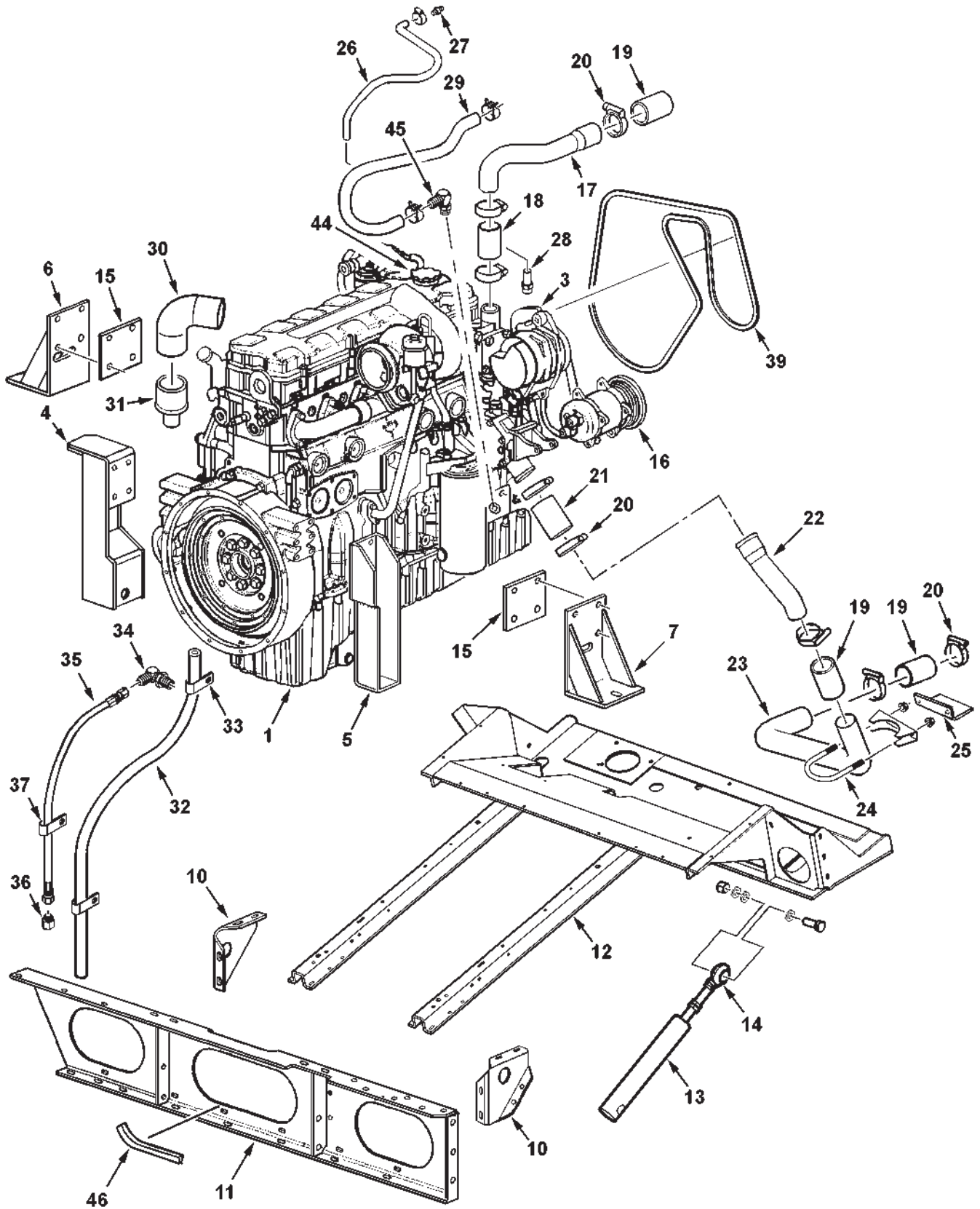
CONTINUED

CHL0022  
PR: 26



CHALLENGER 670 COMBINE  
ENGINE

ENGINE & MOUNTS





**CHALLENGER 670 COMBINE  
ENGINE**

39

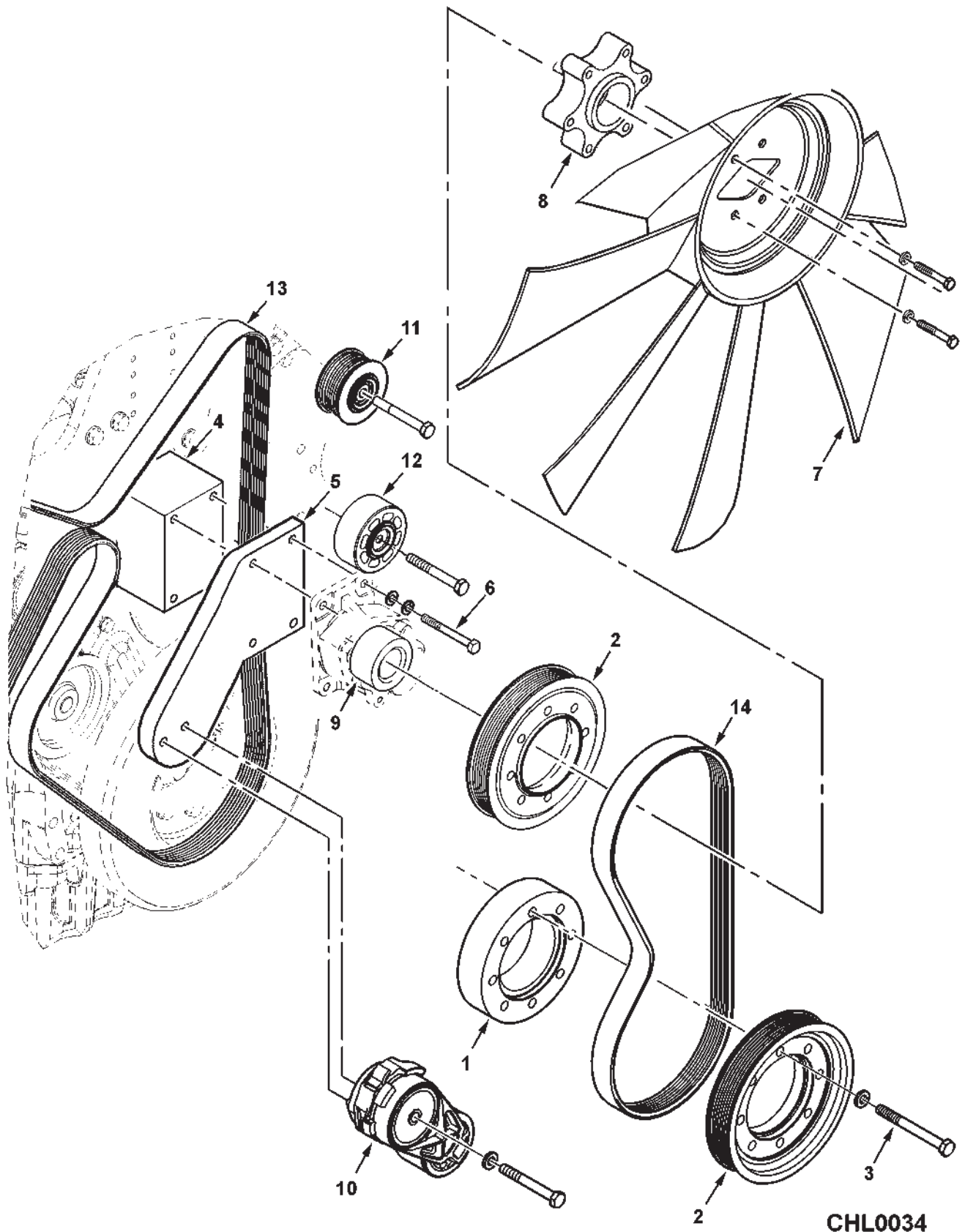
**ENGINE & MOUNTS**

ITEM	NUMBER	QTY	DESCRIPTION
30	71396763	1	HOSE, MOULDED, 90 DEG X 2" ID
	720219	2	CLAMP, HOSE
31	71396771	1	ADAPTER, 2" X 1" DIA
32	71396764	1	HOSE, 1" ID X 120"
	364125X1	1	CLAMP, HOSE
33	70937684	4	CLAMP, J-TYPE, 1-1/4 X .406 HOLE
	70921210	4	CAPSCREW, 3/8-16 X 1 GR5
	705038	4	LOCKWASHER, 3/8 REG
	70916950	4	NUT, 3/8-16 REG
34	70935781	1	ELBOW, 90 DEG, 3/4-16 JIC X ORB
	70921349	1	O-RING, .087 X .644 ID
35	71382694	1	HOSE ASM, OIL DRAIN
36	700712973	1	PLUG, 3/4-16 JIC
37	70937677	4	CLAMP, J-TYPE, 1 X .406 HOLE
39	71410040	1	BELT, ALTR'R AND COMPR'R (TIER 2 ENGINE) (PRIOR S/N HP36176)(AFTER CAMPAIGN KIT INSTALLED)
	71410013	1	BELT, ALTR'R AND COMPR (TIER 3 ENG) (EFF. S/N HP36176 THRU HP36999)
	71410040	1	BELT, ALTR'R AND COMPR (TIER 3 ENG) (EFF. S/N HR36101)
40	1R-0716	1	OIL FILTER ASY
41	202-8687	1	BREATHER ASY. (NOT ILLUSTRATED)
	9F-4446	1	O-RING (BREATHER)
42	4W-4794	1	TEMP. REGULATOR (NOT ILLUSTRATED)
	191-4457	1	GASKET, TEMP REGULATOR
43	1P-0436	1	GASKET, PRIMING PUMP (NOT ILLUSTRATED)
44	136-3608	1	CAP ASY, OIL FILLER
	124-0506	1	SEAL, OIL FILLER CAP
45	70933367	1	ELBOW, 90 DEG, 3/4-16 ORB X 3/4 OD STEM (TIER 3)
46	700718444	1	TRIM, EDGE PROTECTOR

CHL0022  
PR: 26

CHALLENGER 670 COMBINE  
ENGINE

COOLING FAN DRIVE  
(TIER 2 ENG. PRIOR S/N HP36176)



CHL0034

**CHALLENGER 670 COMBINE  
ENGINE**

41

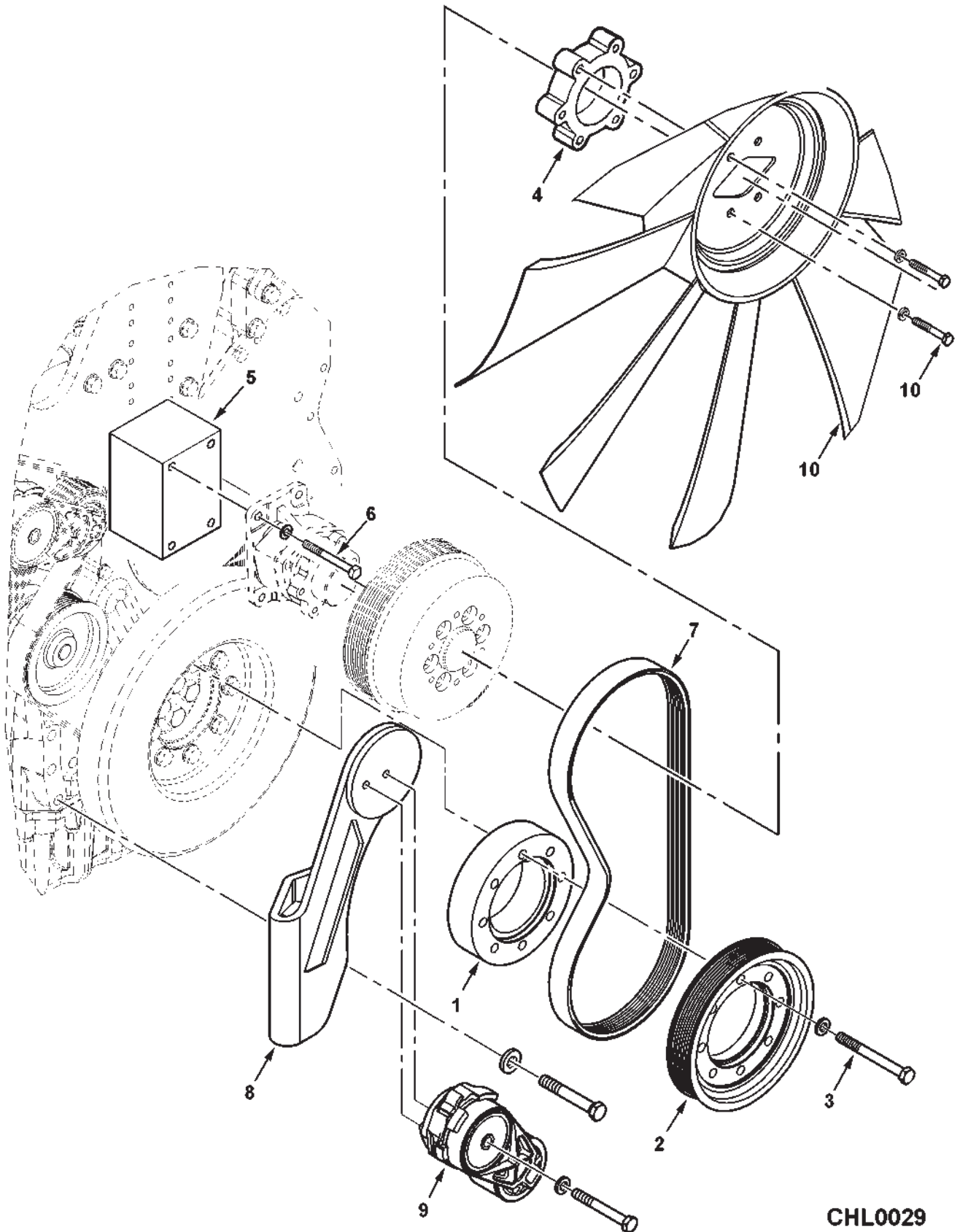
**COOLING FAN DRIVE  
(TIER 2 ENG. PRIOR S/N HP36176)**

ITEM	NUMBER	QTY	DESCRIPTION
1	71401596	1	ADAPTER, CRANK PULLEY
2	71401599	2	PULLEY, FAN DRIVE
3	7771975	8	CAPSCREW, M10-1.5 X 100, CL8.8
	15379	8	WASHER, HARD, .406 X .75 X .125 TH
4	71410001	1	SPACER, FAN MOUNT
5	71409750	1	BRACKET, IDLER
6	7772577	4	CAPSCREW, M8-1.25 X 100, CL 8.8
	1703321	4	WASHER, M8
	1177981	4	LOCKWASHER, M8
7	71396789	1	FAN ASY. (TIER 2)(PRIOR S/N HP36101)
	7772197	6	CAPSCREW, M8-1.25 X 25, CL8.8
	1703321	6	WASHER, 8 MM
	71404384	1	FAN ASY. (TIER 2)(EFF. S/N HP36101)
8	71410043	1	SPACER, FAN
	3009198X1	6	SCREW, HEX FLNG, M8-1.25 X 45 CL10.9
9	71410041	1	BEARING, FAN PULLEY
10	71410002	1	TENSIONER ASY, FAN
	7772601	1	CAPSCREW, M10-1.5 X 80, CL 8.8
	15379	1	WASHER, HARD, .406 X .75 X .125 TH
11	71410007	1	IDLER ASY, GROOVED
	7772601	1	CAPSCREW, M10-1.5 X 80, CL 8.8
12	71410039	1	IDLER ASY, FLAT
	391925X1	1	CAPSCREW, M10-1.5 X 55, CL 8.8
13	71410040	1	BELT, ENGINE ACCESSORY
14	71401600	1	BELT, FAN DRIVE
-	700525396	AR	MOD KIT, FAN DRIVE (INCL. IT 4-6 & 8-14) (ALL COMBINES PRIOR S/N HP36176)

CHL0034  
PR: t06a25m25c0001

CHALLENGER 670 COMBINE  
ENGINE

COOLING FAN DRIVE  
(TIER 3 ENGINE)  
(EFF. S/N HP36176 THRU PROD'N MID-RUN)



**CHALLENGER 670 COMBINE  
ENGINE**

**43**

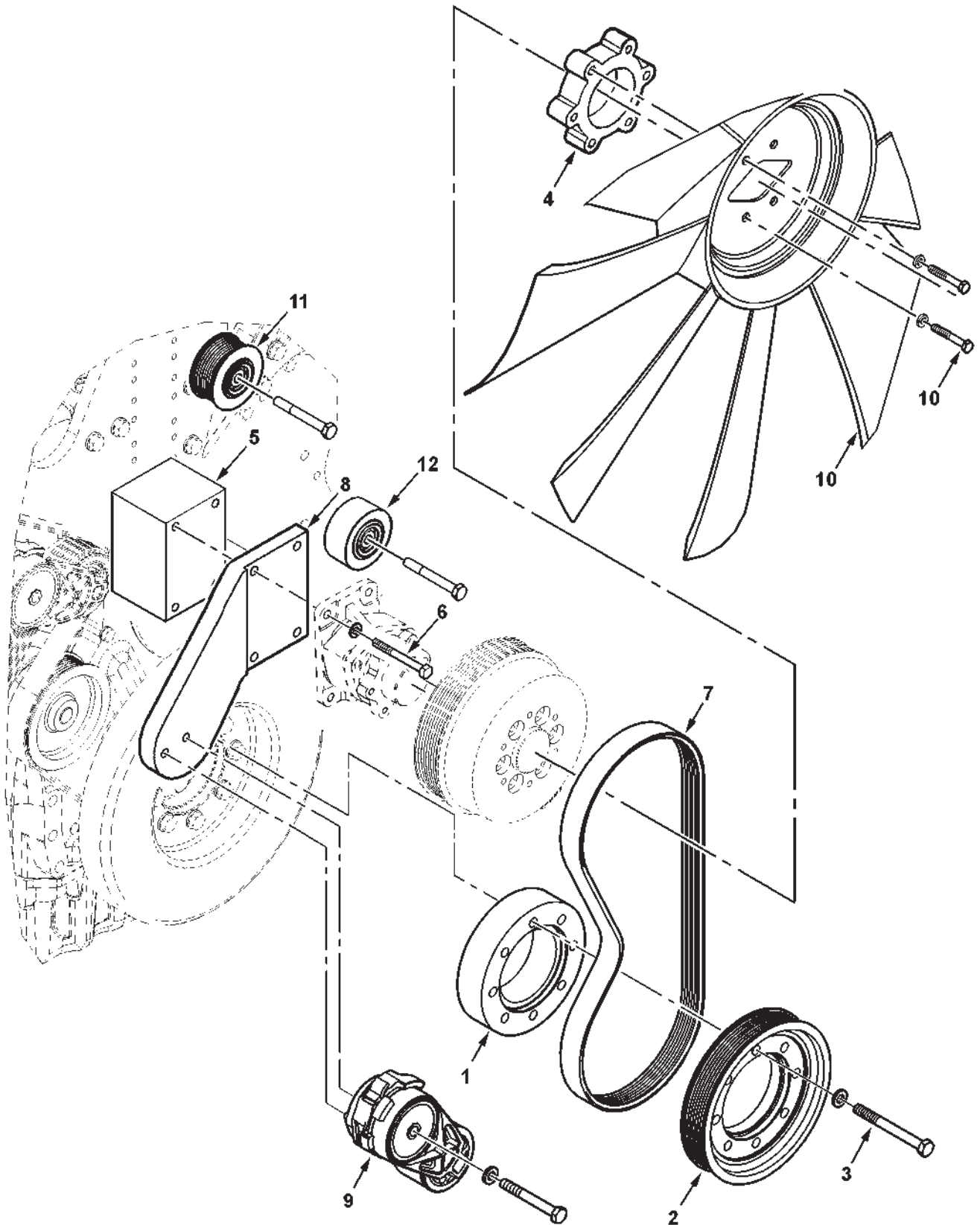
**COOLING FAN DRIVE  
(TIER 3 ENGINE)  
(EFF. S/N HP36176 THRU PROD'N MID-RUN)**

ITEM	NUMBER	QTY	DESCRIPTION
1	71401596	1	ADAPTER, CRANK PULLEY
2	71401599	1	PULLEY, FAN DRIVE
3	7771975	8	CAPSCREW, M10-1.5 X 100, CL8.8
	15379	8	WASHER, HARD, .406 X .75 X .125 TH
4	129-0838	1	SPACER, FAN (SOURCE: CAT)
5	71408404	1	SPACER, FAN MOUNT
6	7772577	4	CAPSCREW, M8-1.25 X 100, CL 8.8
	1703321	4	WASHER, M8
	1177981	4	LOCKWASHER, HELICAL, M8
7	71401600	1	BELT, FAN DRIVE
8	71408407	1	TENSIONER MOUNT WLDMT
	8701229	3	CAPSCREW, M12-1.75 X 80, CL 8.8
	705541	3	WASHER, HARD, 1/2
9	71410002	1	TENSIONER ASY, FAN
	7772601	1	CAPSCREW, M10-1.5 X 80, CL 8.8
	15379	1	WASHER, HARD, .406 X .75 X .125 TH
10	71404384	1	FAN BLADE ASY. (TIER 3 ENGINE)
	3009198X1	6	SCREW, FLANGE HD, M8-1.25 X 45

CHL0029  
PR: t05b16k26a0001

CHALLENGER 670 COMBINE  
ENGINE

COOLING FAN DRIVE  
(TIER 3 ENGINE)  
(EFF. S/N HP36--- PROD'N MID-RUN)



CHL0031



**CHALLENGER 670 COMBINE  
ENGINE**

45

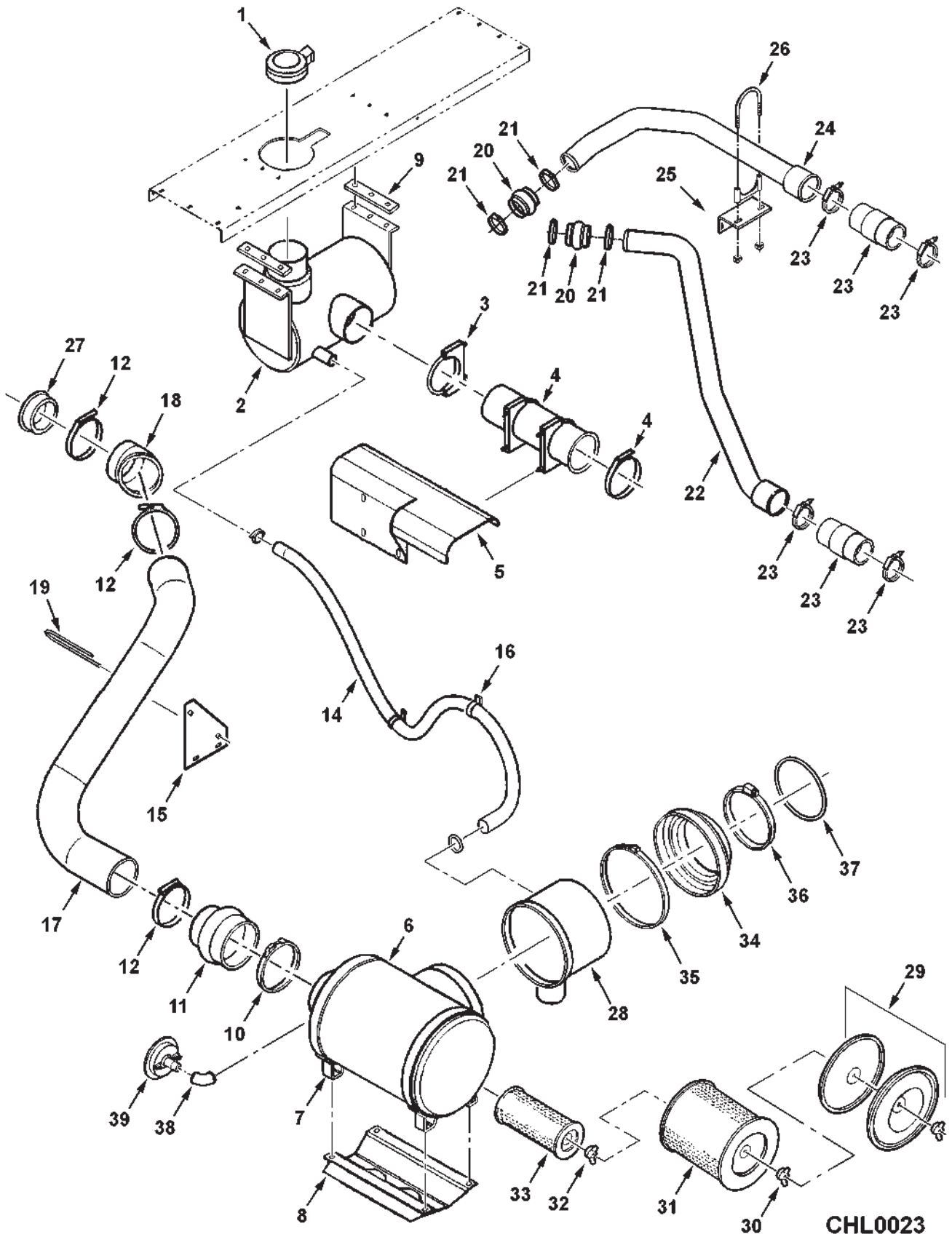
**COOLING FAN DRIVE  
(TIER 3 ENGINE)  
(EFF. S/N HP36--- PROD'N MID-RUN)**

ITEM	NUMBER	QTY	DESCRIPTION
1	71401596	1	ADAPTER, CRANK PULLEY
2	71401599	1	PULLEY, FAN DRIVE
3	7771975	8	CAPSCREW, M10-1.5 X 100, CL8.8
	15379	8	WASHER, HARD, .406 X .75 X .125 TH
4	71410043	1	SPACER, FAN
5	71410001	1	SPACER, FAN MOUNT
6	7772577	4	CAPSCREW, M8-1.25 X 100, CL 8.8
	1703321	4	WASHER, M8
	1177981	4	LOCKWASHER, M8
7	71401600	1	BELT, FAN DRIVE
8	71409750	1	BRACKET, IDLER
9	71410002	1	TENSIONER ASY, FAN
	7772601	1	CAPSCREW, M10-1.5 X 80, CL 8.8
	15379	1	WASHER, HARD, .406 X .75 X .125 TH
10	71404384	1	FAN BLADE ASY. (TIER 3 ENGINE)
	3009198X1	6	SCREW, FLANGE HD, M8-1.25 X 45
11	71410007	1	IDLER ASY, GROOVED, FAN DRIVE
	7772601	1	CAPSCREW, M10-1.5 X 80, CL 8.8
12	71410039	2	IDLER ASY, FLAT, FAN DRIVE (QTY 1 PRIOR S/N HR36101)
	391925X1	1	CAPSCREW, M10-1.5 X 55, CL 8.8

CHL0031  
PR: t05e24o48b0001

CHALLENGER 670 COMBINE  
ENGINE

AIR INTAKE & EXHAUST



CHL0023

**CHALLENGER 670 COMBINE  
ENGINE**

**AIR INTAKE & EXHAUST**

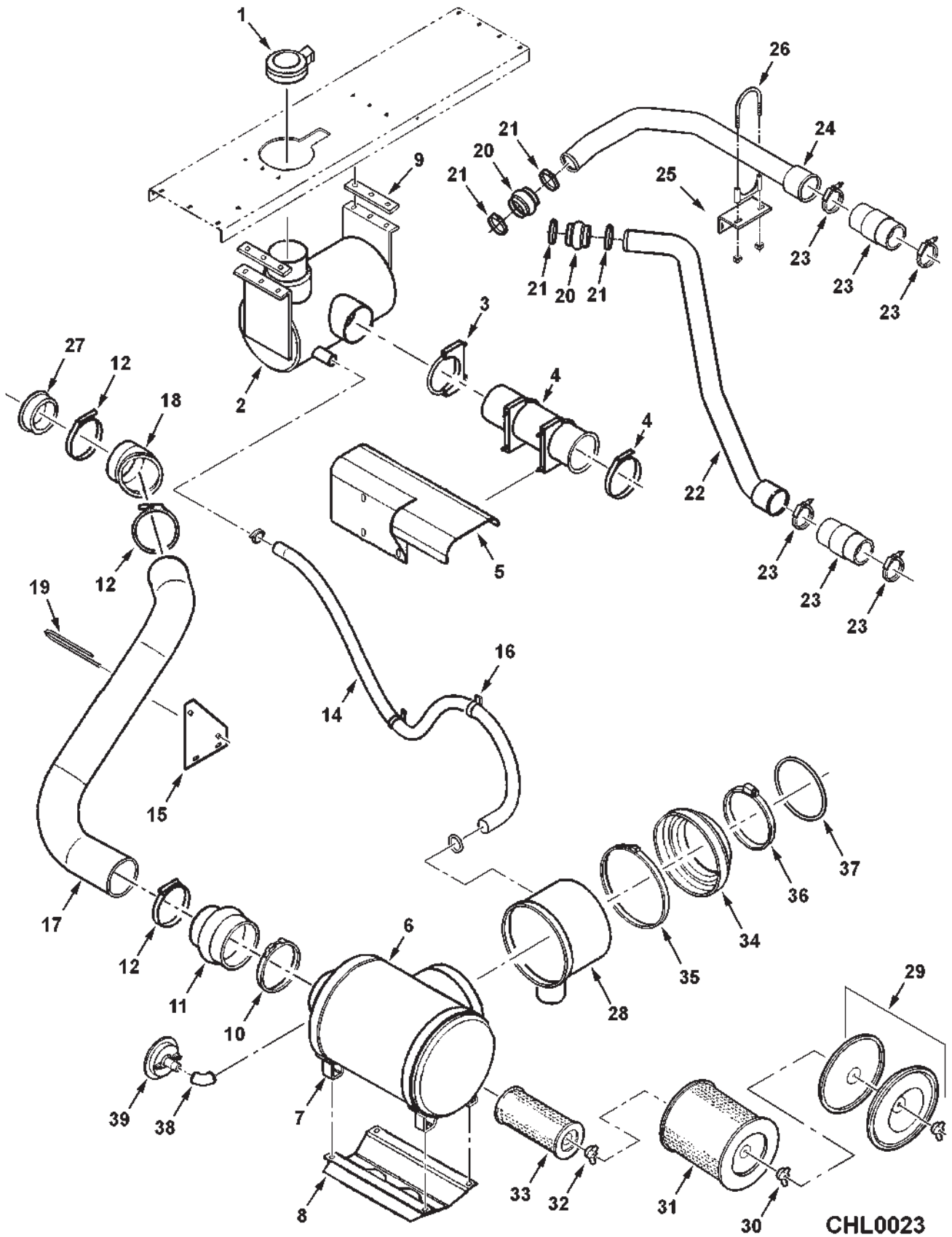
ITEM	NUMBER	QTY	DESCRIPTION
1	71400553	1	CAP ASY, 5.0" EXHAUST
2	71400551	1	MUFFLER
	70917372	6	NUT, 5/16-18 REG
	Y705020	6	LOCKWASHER, 5/16 REG
	700709602	6	WASHER, 5/16 WIDE
	7770308	6	BOLT, RD HD SQ NK, 5/16-18 X 1-1/2
3	71396994	3	CLAMP, 5" MUFFLER
	Y704734	6	NUT, HEX FLANGE TOP LOCK, 3/8-16
	70917378	4	WASHER, 3/8 WIDE
4	71396788	1	TUBE, EXHAUST
	4W-9160	1	CLAMP, EXHAUST, V-BAND (SOURCE: CAT)
5	71406718	1	SHIELD WLDMT, EXHAUST
6	71368953	1	AIR CLEANER (INCL ITEMS 29 - 33)
7	71368952	2	BAND CLAMP, 14" ID
	70921210	4	CAPSCREW, 3/8-16 X 1 GR5
	Y704734	4	NUT, HEX FLANGE TOP LOCK, 3/8-16
8	71397882P	1	CHANNEL, MOUNT, AIR CLNR
	7883333	2	SCREW, HEX WSHR HD, 5/16-18 X 1
	Y704726	2	NUT, HEX FLANGE TOP LOCK, 5/16-18
9	71400562	2	SPACER BAR, MUFFLER
10	700717761	1	CLAMP, T-BOLT
11	2632680W1	1	REDUCER, 6 X 5 DIA
12	72160993	3	CLAMP, HOSE
14	71400561	1	HOSE, ASPIRATOR, 1.5 ID
	70921912	2	CLAMP, HOSE WORM, 1.06 - 2.0
15	71397883	1	PLATE, INTAKE TUBE SUPP'T
	70917372	2	NUT, 5/16-18 REG
	Y705608	2	WASHER, 5/16 NARR
	70917356	2	LOCKWASHER, 5/16 REG
	70921332	2	CAPSCREW, 5/16-18 X 3/4 GR5
16	70936765	2	CLAMP, 1-3/4 X .406 HOLE
17	71397880	1	TUBE, AIR CLEANER TO ENG
18	71397895	1	ELBOW, 45 DEG, 5"
19	2625940W1	1	U-BOLT, 5 DIA, 5/16-18
	Y705608	2	WASHER, 5/16 NARR
	70917356	2	LOCKWASHER, 5/16 REG
	70917372	2	NUT, 5/16-18 REG
20	3L-9656	2	HUMP HOSE, 3" (SOURCE: CAT)
21	144-0367	4	CLAMP, CONSTANT TORQUE (SOURCE: CAT)
22	71396787	1	TUBE, AIR, CAC LOWER
23	8T-4986	2	HUMP HOSE, 4" (CAT)
	71396983	4	CLAMP, T-BOLT, AIR INTAKE

CONTINUED

CHL0023  
PR: 30

CHALLENGER 670 COMBINE  
ENGINE

AIR INTAKE & EXHAUST



CHL0023

CHALLENGER 670 COMBINE  
ENGINE

49

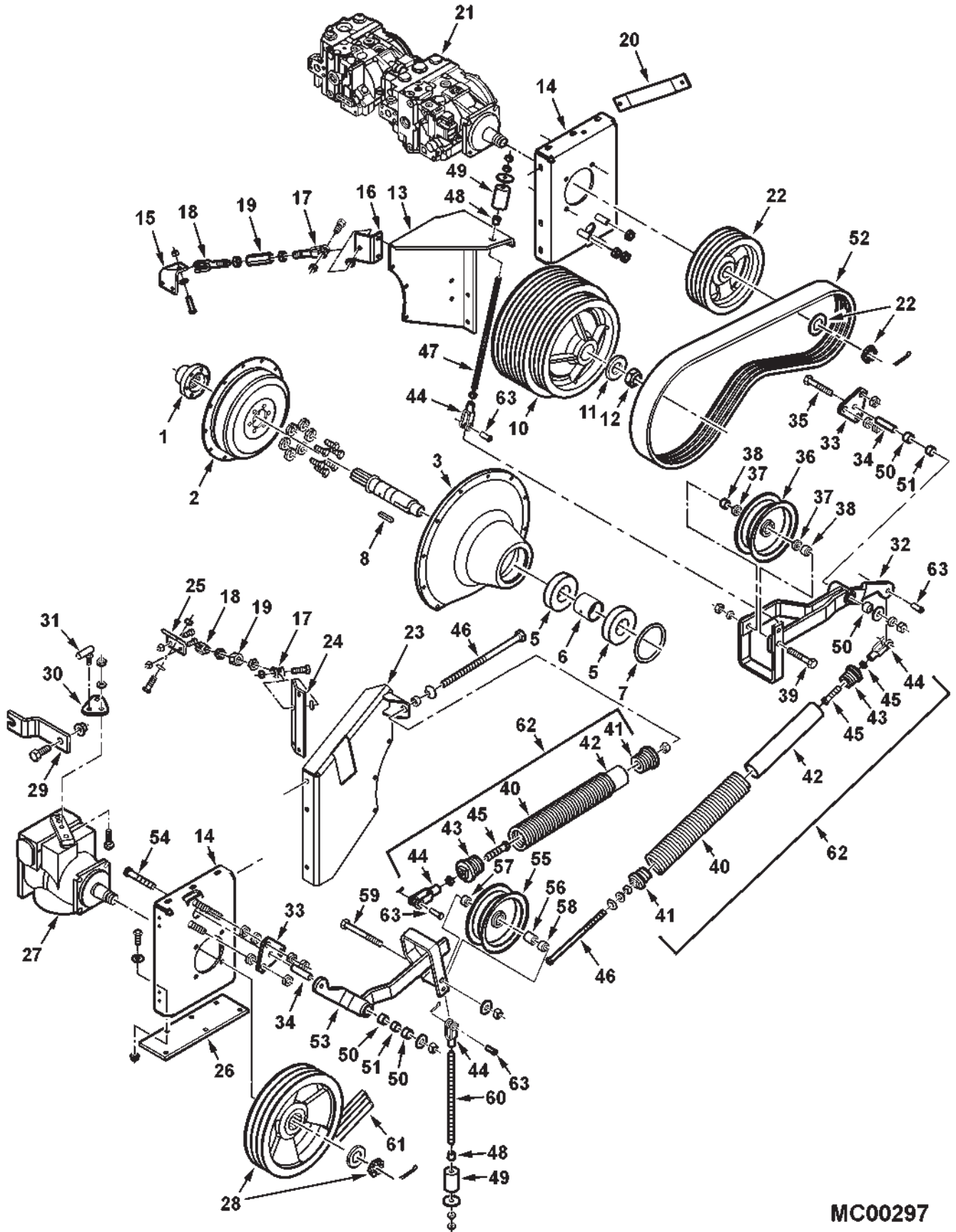
AIR INTAKE & EXHAUST

ITEM	NUMBER	QTY	DESCRIPTION
24	71396786	1	TUBE, AIR, CAC UPPER
25	71401355B	1	ANGLE BRKT, UPPER TUBE SUPPORT
	70921332	2	CAPSCREW, 5/16-18 X 3/4 GR5
	70917356	2	LOCKWASHER, 5/16 REG
	Y705608	2	WASHER, 5/16 NARROW
26	722769	1	CLAMP, 3" TUBE
27	71397881	1	REDUCER, 5" TO 4" DIA
28	71397886	1	PRE CLEANER
29	71368963	1	COVER ASY, (INCL. NUT, CLIP & GASKET)
	71374564	1	WING NUT
	71374565	1	CLIP
	71369877	1	GASKET, COVER
30	70269246	1	NUT ASY
31	71368961	1	ELEMENT, PRIMARY, FILTER
32	70257297	1	NUT ASY, SAFETY
33	71368962	1	ELEMENT, FILTER, SAFETY
34	71397887	1	REDUCER, INLET, 11 TO 8" DIA (PRIOR S/N HP36101)
35	71397884	1	CLAMP, HOSE, WORM (PRIOR S/N HP36101)
36	71397885	1	CLAMP, HOSE, WORM (PRIOR S/N HP36101)
37	71399697	1	SEAL, AIR CLEANER (EFF. S/N HP36101)
38	70915955	1	ELBOW, 90 DEG FEM. 1/8-27 NPTF
39	31-2530050	1	SWITCH, AIR CLEANER VACUUM

CHL0023  
PR: 30

CHALLENGER 670 COMBINE  
ENGINE

MAIN ENGINE DRIVES





**CHALLENGER 670 COMBINE  
ENGINE**

51

**MAIN ENGINE DRIVES**

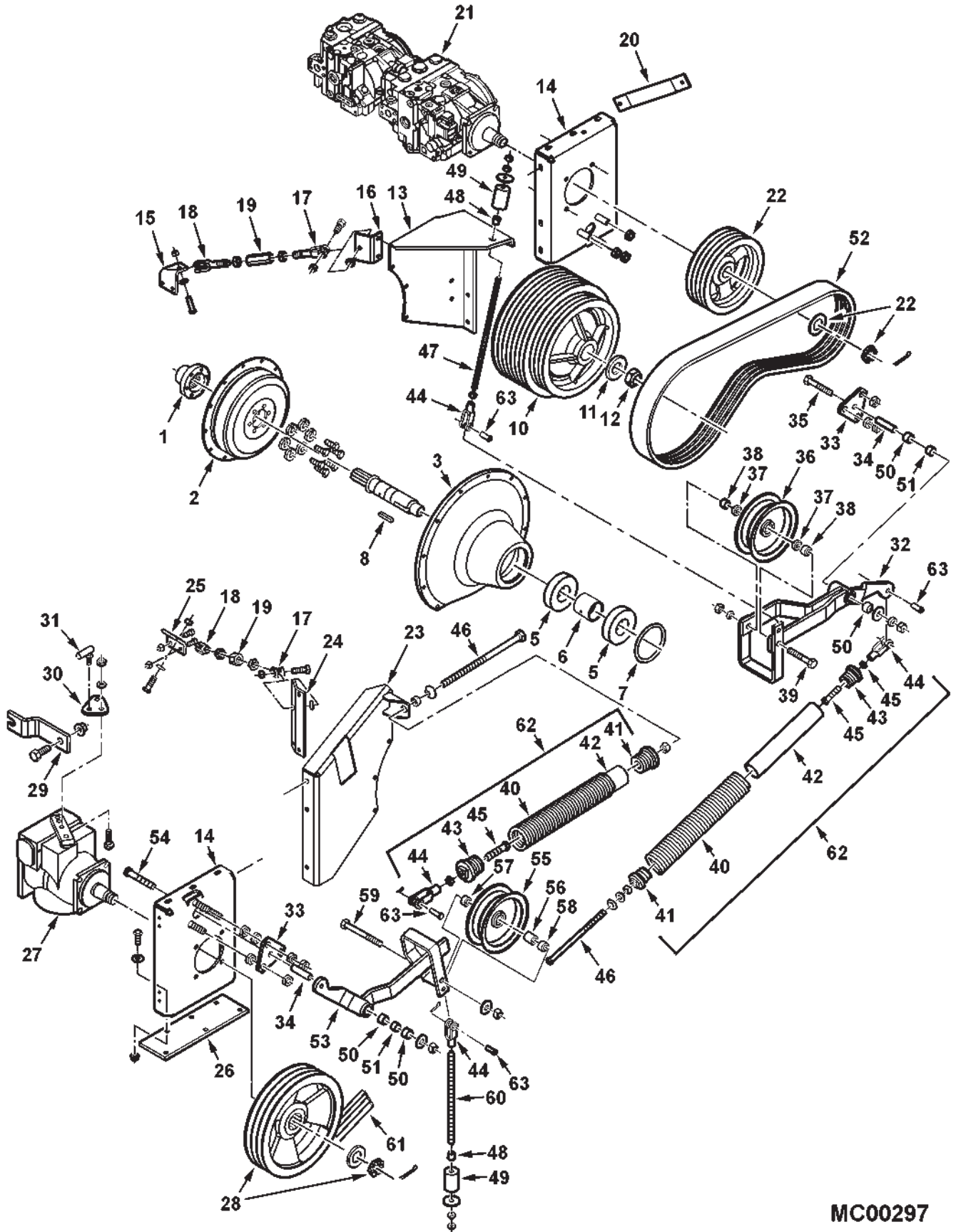
ITEM	NUMBER	QTY	DESCRIPTION
1	71386880	1	HUB, FLEX COUPLING
2	71370165	1	COUPLING, FLEX
	7702202	6	CAPSCREW, 7/16-14 X 1-1/4 GR5
	70918199	6	LOCKWASHER, 7/16, REG
	70922845	8	SCR, FLNG 12-PT HD, 3/8-16 X 3/4 GR8
3	71390090	1	HOUSING, PTO
	70921969	9	CAPSCREW, 3/8-16 X 1-1/2 GR5 (WAS 10 PRIOR S/N HP36---, MID PROD'N RUN)
	70916965	9	LOCKWASHER, 3/8 (WAS QTY 10)
4	71398332	1	SHAFT, PTO
5	71398331	2	BEARING, BALL, SPECIAL
6	71398333	1	SPACER, BEARING
7	700720004	1	RING, RETAINING, INTERNAL
8	71178962	1	KEY, 3/8 SQ. ROUND END
10	71390091	1	SHEAVE, PTO DRIVER
11	70928136	1	WASHER, HARD, 1.56 ID X 3.0 OD
12	70925284	1	NUT, HEX, NYLON LOCK, 1-1/2-12
13	71396564	1	BRACE, PUMP SUPPORT
	70921176	3	CAPSCREW, 1/2-13 X 1-1/4 GR5
	70918431	3	WASHER, FLAT, 1/2, WIDE
	Y704742	3	LOCKNUT, HEX FLANGE, 1/2-13, GR G
14	71390084B	2	SUPPORT WLDMT, PUMP
	701235	6	CAPSCREW, 1/2-13 X 1-1/2 GR5
	70918431	6	WASHER, FLAT, 1/2, WIDE
	Y704742	6	LOCKNUT, HEX FLANGE, 1/2-13, GR G
15	103284M1C	1	BRACE, PUMP SUPPORT
	70921210	2	CAPSCREW, 3/8-16 X 1" GR5
	Y704734	2	LOCKNUT, HEX FLANGE, 3/8-16, GR G
16	71390079	1	ANCHOR, CLEVIS
	70921176	2	CAPSCREW, 1/2-13 X 1-1/4 GR5
	Y704742	2	LOCKNUT, HEX FLANGE, 1/2-13, GR G
17	844174M1	2	CLEVIS, 3/4-10UNC, LH THD
	703983	2	CAPSCREW, 1/2-13 X 1-3/4, GR5
	70918431	4	WASHER, FLAT, 1/2, WIDE
	70926946	2	LOCKNUT, HEX TOP, 1/2-13
18	844173M1	2	CLEVIS, 3/4-10UNC, RH THD
	703983	2	CAPSCREW, 1/2-13 X 1-3/4, GR5
	70918431	4	WASHER, FLAT, 1/2, WIDE
	70926946	2	LOCKNUT, HEX TOP, 1/2-13
19	255301M2	2	TURNBUCKLE, 3/4-10UNC
	70929288	2	NUT, JAM, 3/4-10 LH
	375113X1	2	NUT, JAM, 3/4-10 RH
20	71390870	1	BRACE, ROTOR PUMP
	70920415	1	CAPSCREW, 3/8-16 X 1-1/4, GR5
	Y704734	1	LOCKNUT, HEX FLANGE, 3/8-16, GR G
	70921176	1	CAPSCREW, 1/2-13 X 1-1/4, GR5
	Y704742	1	LOCKNUT, HEX FLANGE, 1/2-13, GR G
21	71388852	1	TANDEM PUMPS
	703983	4	CAPSCREW, 1/2-13 X 1-3/4, GR5
	353773X1	4	WASHER, HVY HARD, .50
	Y704742	4	LOCKNUT, HEX FLANGE, 1/2-13, GR G

CONTINUED

MC00297  
PR: 34

### CHALLENGER 670 COMBINE ENGINE

#### MAIN ENGINE DRIVES



**CHALLENGER 670 COMBINE  
ENGINE**

53

**MAIN ENGINE DRIVES**

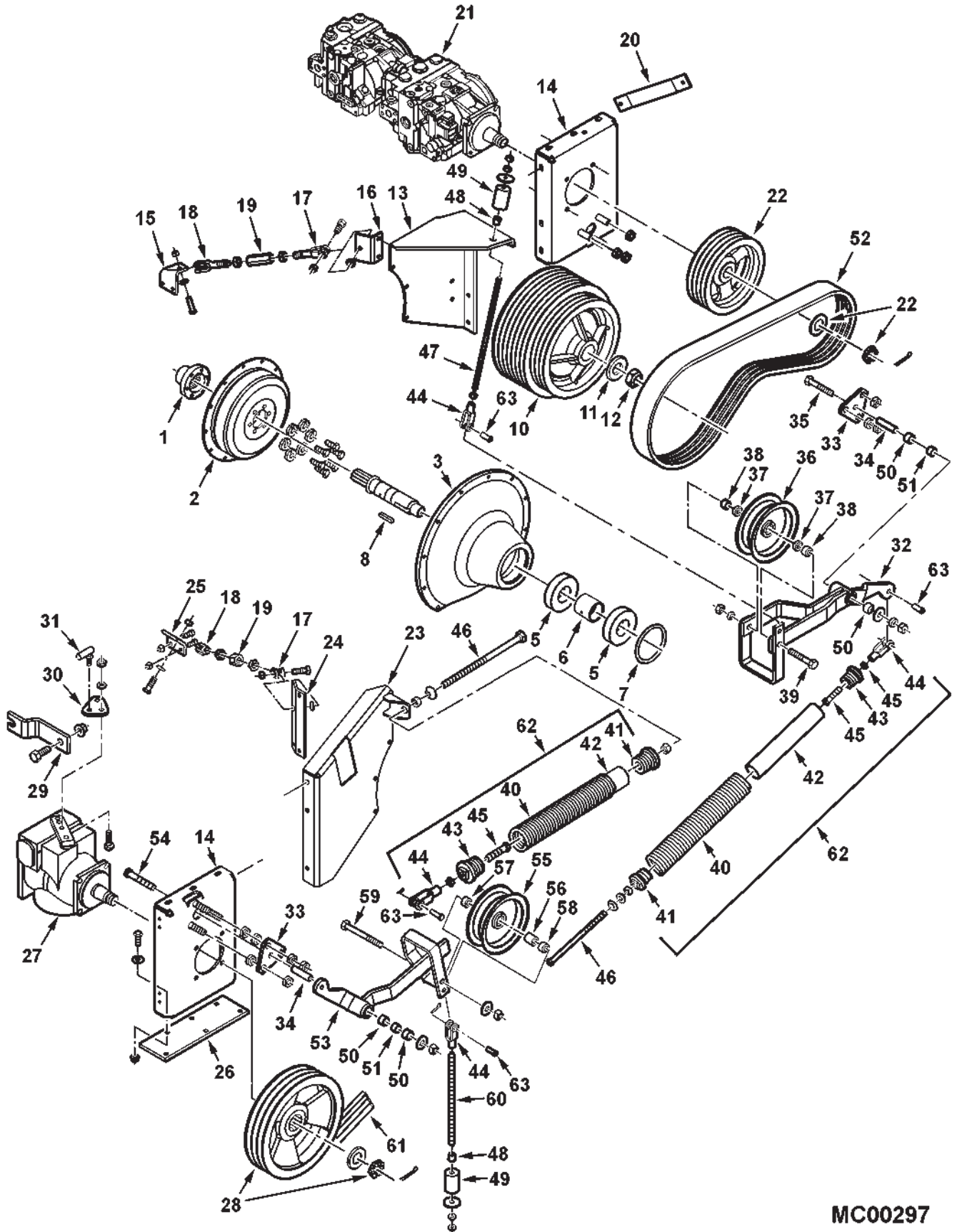
ITEM	NUMBER	QTY	DESCRIPTION
22	71390092	1	SHEAVE, ROTOR PUMP
	70926208	1	WASHER, HARD, 1.31 X 2.25 X .25
	71356529	1	NUT, SLOTTED HEX (SUPPL'D W/ PUMP)
	70925719	1	PIN, COTTER, 1/8 X 2"
23	71396562	1	BRACE WLDMT, PUMP SUPP'T
	703983	2	CAPSCREW, 1/2-13 X 1-3/4 GR5
	70921176	1	CAPSCREW, 1/2-13 X 1-1/4 GR5
	70918431	3	WASHER, FLAT, 1/2, WIDE
24	Y704742	3	LOCKNUT, HEX FLANGE, 1/2-13, GR G
	71390081	1	ANCHOR, CLEVIS
25	71390080	1	ANCHOR, CLEVIS
	70921210	2	CAPSCREW, 3/8-16 X 1" GR5
	Y704734	2	LOCKNUT, HEX FLANGE, 3/8-16, GR G
26	71390082	1	PLATE, PUMP SUPPORT
	70921176	2	CAPSCREW, 1/2-13 X 1-1/4, GR5
	Y704742	2	LOCKNUT, HEX FLANGE, 1/2-13, GR G
27	71388873	1	PUMP, VARIABLE DISPL, PROPEL
	703983	4	CAPSCREW, 1/2-13 X 1-3/4, GR5
	353773X1	4	WASHER, HVY HARD, .50
	Y704742	4	LOCKNUT, HEX FLANGE, 1/2-13, GR G
28	71389641	1	SHEAVE, PROPEL PUMP
	70926208	1	WASHER, HARD, 1.31 X 2.25 X .25
	71356529	1	NUT, SLOTTED HEX (SUPPL'D W/ PUMP)
	70925719	1	PIN, COTTER, 1/8 X 2"
29	71395565	1	BRACKET, CABLE ANCHOR
	70921210	2	CAPSCREW, 3/8-16 X 1" GR5
	Y704734	2	LOCKNUT, HEX FLANGE, 3/8-16, GR G
30	71397428	1	PLATE, ADAPTER
	353505X1	2	CAPSCREW, 1/4-28 X 1" GR5
	705012	2	LOCKWASHER, 1/4 REG
	70914192	2	NUT, 1/4-28UNF
31	7845068	1	BALL JOINT
	Y704445	1	NUT, HEX, #10-32 REG
	70921880	1	WASHER, EXT TOOTH, .25 NOM.
	70914192	1	NUT, 1/4-28UNF
32	71395813	1	ARM ASY, IDLER
33	71346267	2	PLATE, MOUNTING
	70922037	12	NUT, JAM, 3/4-10UNC
34	71390203	2	SLEEVE, IDLER PIVOT
35	70925704	1	CAPSCREW, 5/8-11 X 4-1/2 GR5
	70918432	1	WASHER, 5/8, WIDE
	70917373	1	LOCKWASHER, 5/8
	70932665	1	NUT, 5/8-11UNC, REG
	71390861	1	IDLER, FLAT, 8" DIA
36	71312603	2	SPACER, IDLER
37	6529705	2	SPACER, 1" OD X .492 LG
38	873802	1	CAPSCREW, 5/8-11 X 7" GR5
	70917373	1	LOCKWASHER, 5/8
	70932665	1	NUT, 5/8-11UNC, REG

CONTINUED

MC00297  
PR: 34

CHALLENGER 670 COMBINE  
ENGINE

MAIN ENGINE DRIVES



**CHALLENGER 670 COMBINE  
ENGINE**

55

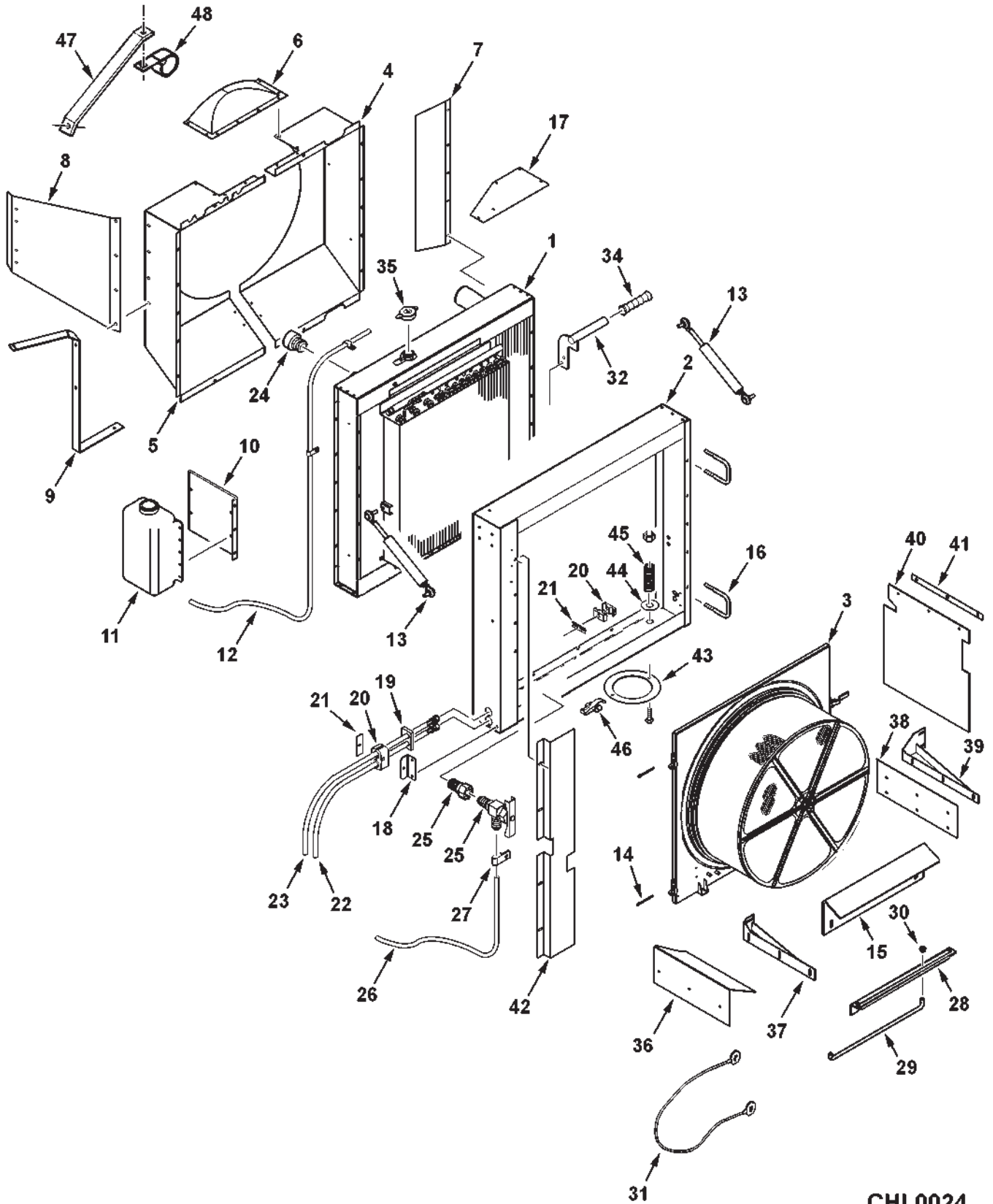
**MAIN ENGINE DRIVES**

ITEM	NUMBER	QTY	DESCRIPTION
40	71349270	2	SPRING, EXTENSION
41	71395776B	2	PLUG, SPRING, 5/8-11UNC
42	71396355	2	HOSE, SPRING DAMPER
43	71349813	2	PLUG, SPRING, .53 HOLE
44	70937465	4	YOKE, 1/2-13UNC
45	7703531	2	CAPSCREW, 1/2-13 X 2-1/2 GR5
	704056	2	NUT, HEX JAM, 1/2-13
46	8701211	2	BOLT, HEX, 5/8-11 X 13" FULL THD, GR5
	71395175	2	PIVOT WASHER, 11/16 HOLE
	70918432	2	WASHER, 5/8, WIDE
	375112X1	2	NUT, HEX JAM, 5/8-11
47	71380468	1	ROD, THREADED, 1/2-13UNC X 15.3 LG
	704056	3	NUT, HEX JAM, 1/2-13
48	71304362	2	BUSHING, NYLON
	70924095	2	NUT, SPEED, FLAT, 3/4 NOM
49	71194263	2	BUSHING, RUBBER
	70923094	2	WASHER, .53 X 2.0 X .18 FLAT
50	71356060	4	BUSHING, IDLER ARM
51	71390208	2	SPACER
52	71390210	1	BELT, ROTOR PUMP DRIVE
53	71390204	1	ARM ASY, IDLER
54	70915988	1	CAPSCREW, 5/8-11 X 4-1/4 GR5
	70918432	1	WASHER, 5/8, WIDE
	70923353	1	NUT, CENTER LOCK, 5/8-11UNC
55	71309768	1	IDLER, FLAT, 8" DIA
56	71312603	1	SPACER, IDLER
57	71312602	1	SPACER, IDLER
58	2451440W1	1	SPACER
59	7702194	1	CAPSCREW, 5/8-11 X 5" GR5
	70917373	1	LOCKWASHER, 5/8 REG
	70932665	1	NUT, 5/8-11UNC, REG
60	71396565	1	ROD, THREADED, 1/2-13UNC X 14.75 LG
	704031	3	NUT, 1/2-13 REG
61	71390209	1	BELT, PROPEL PUMP DRIVE
62	71395872	2	SPRING ASY, PUMP DRIVE (INCL IT'S 40-45)
63	70929593	4	PIN, CLEVIS, 1/2 DIA
	70918452	4	COTTER PIN, 1/8 X 1"

MC00297  
PR: 34

CHALLENGER 670 COMBINE  
ENGINE

COOLING SYSTEM





**CHALLENGER 670 COMBINE  
ENGINE**

57

**COOLING SYSTEM**

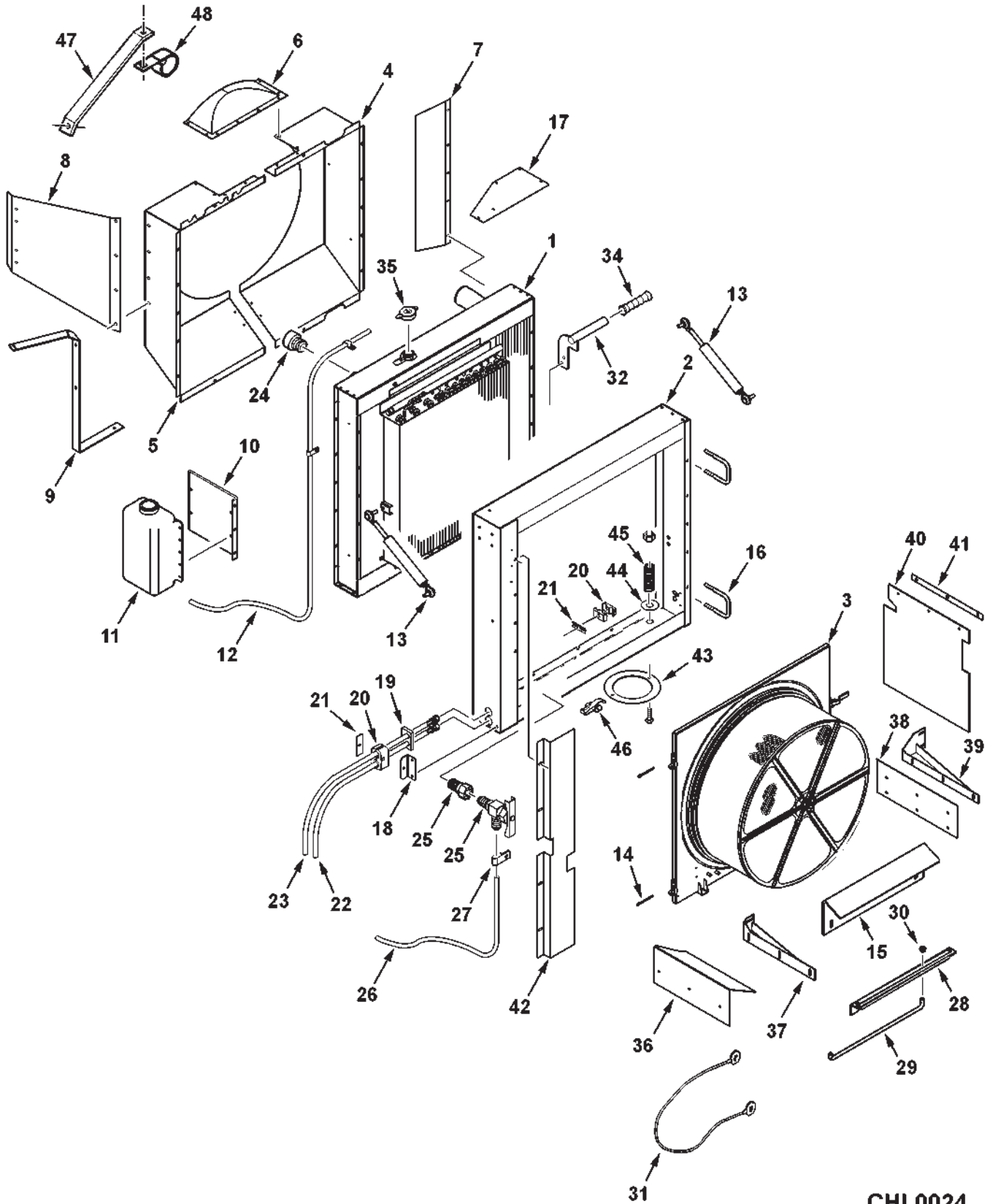
ITEM	NUMBER	QTY	DESCRIPTION
1	-----	1	COOLING PACKAGE ASY.(PRIOR S/N HP36101) (INCL. FOLLOWING 4 COMPONENTS)
	71400552	1	RAD & CHARGE AIR COOLER ASY W/FRAME
	71400554	1	RADIATOR, NKKX, 7 ROW, 6 FPI
	71400555	1	CHARGE AIR COOLER, 4 ROW, 4 FPI
	71393842	1	COMBINATION COOLER, 5 ROW, 5 FPI (A/C, OIL & FUEL COOLER)
	-----	1	COOLING PACKAGE ASY.(EFF. S/N HP36101) (INCL. FOLLOWING 4 COMPONENTS)
	71401799	1	RAD & CHARGE AIR COOLER ASY W/FRAME
	71400554	1	RADIATOR, NKKX, 7 ROW, 6 FPI
	71404420	1	CHARGE AIR COOLER, 4 ROW, 4 FPI
	71393842	1	COMBINATION COOLER, 4 ROW, 5 FPI (A/C, OIL & FUEL COOLER)
	70921210	2	CAPSCREW, 3/8-16 X 1" GR5
	70916965	2	LOCKWASHER, 3/8, REG
	Y705533	2	WASHER, 3/8, HARD PLAIN
2	71397898C	1	SHROUD WLMT, ROTARY SCREEN (PRIOR S/N HP36101)(FILL UNUSED HOLES W/SCREWS)
	71401807	1	SHROUD WLMT, ROTARY SCREEN (EFF. S/N HP36101)(FILL UNUSED HOLES W/SCREWS)
	Y704734	4	NUT, HEX FLANGE TOP LOCK, 3/8-16
	70921974	2	CAPSCREW, 3/8-16 X 1-1/2 GR5 (PRIOR S/N HP36101)
	70921210	9	CAPSCREW, 3/8-16 X 1 GR5
	Y705533	9	WASHER, 3/8, HARD PLAIN
	70916965	9	LOCKWASHER, 3/8, REG
3	-----	1	SCREEN ASY. 40", COMPLETE (SEE COMPONENTS LISTING)
4	71396779	1	SHROUD WLMT,FAN FRONT(PRIOR S/N HP36101)
	71404386	1	SHROUD WLMT, FAN FRONT(EFF. S/N HP36101)
	Y704734	1	NUT, HEX FLANGE TOP LOCK, 3/8-16
	70921210	4	CAPSCREW, 3/8-16 X 1 GR5
	70916965	4	LOCKWASHER, 3/8 REG
	Y705533	4	WASHER, 3/8, HARD PLAIN
	701565	5	SCREW, HEX WSHR HD, 1/4-20 X 3/4
5	71396781	1	SHROUD WLMT, FAN REAR(PRIOR S/N HP36101)
	71404387	1	SHROUD WLMT, FAN REAR (EFF. S/N HP36101)
	Y704734	1	NUT, HEX FLANGE TOP LOCK, 3/8-16
	70921210	4	CAPSCREW, 3/8-16 X 1 GR5
	70916965	4	LOCKWASHER, 3/8 REG
	Y705533	4	WASHER, 3/8, HARD PLAIN
	701565	6	SCREW, HEX WSHR HD, 1/4-20 X 3/4
6	71401585	1	SHROUD WLMT, FAN TOP (PRIOR S/N HP36101)
	71404391	1	SHROUD WLMT, FAN TOP (EFF. S/N HP36101)
	7703499	8	CAPSCREW, 5/16-18 X 3/4 GR5
	70917356	8	LOCKWASHER, 5/16 REG
	Y705525	8	WASHER, 5/16, HARD PLAIN
7	71400560	1	PANEL, DEFLECTOR (PRIOR S/N HP36101)

CONTINUED

CHL0024  
PR: 40

CHALLENGER 670 COMBINE  
ENGINE

COOLING SYSTEM



**CHALLENGER 670 COMBINE  
ENGINE**

59

**COOLING SYSTEM**

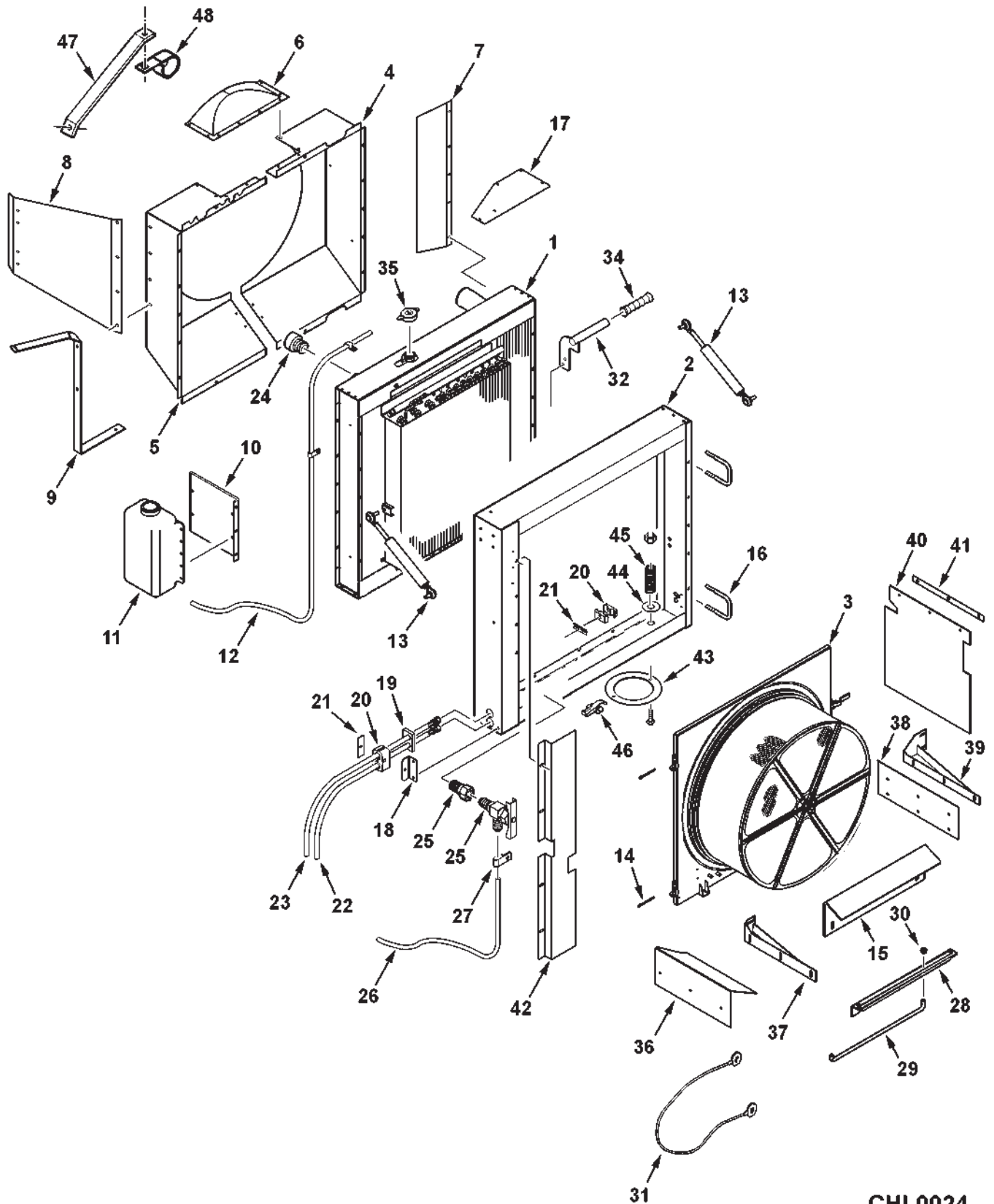
ITEM	NUMBER	QTY	DESCRIPTION
8	71387975	1	DEFLECTOR, AIR (PRIOR S/N HP36101)
	71404379	1	DEFLECTOR, AIR (EFF. S/N HP36101)
	70921332	4	CAPSCREW, 5/16-18 X 3/4 GR5
	Y705525	4	WASHER, 5/16, HARD PLAIN
	70917356	4	LOCKWASHER, 5/16 REG
	70922837	2	CAPSCREW, 1/4-20 X 1-1/2 GR5
	700709601	4	WASHER, 1/4, WIDE
	70916964	2	LOCKWASHER, 1/4
	70916622	2	NUT, 1/4-20, REG
	9	71400467	1
71404415		1	STRAP, AIR DEFLECTOR (EFF. S/N HP36101)
70921332		1	CAPSCREW, 5/16-18 X 3/4 GR5
70917356		1	LOCKWASHER, 5/16 REG
Y705525		1	WASHER, 5/16, HARD PLAIN
7703457		2	CAPSCREW, 1/4-20 X 3/4 GR5
353769X1		2	WASHER, 1/4, HARD PLAIN
1703354		2	NUT, HEX FLANGE TOP LOCK, 1/4-20
10	71385996	1	PLATE, SUPPORT, OVERFLOW TANK (PRIOR S/N HP36101)
	7703457	3	CAPSCREW, 1/4-20 X 3/4 GR5
	705707	3	WASHER, 1/4, NARROW
	705012	3	LOCKWASHER, 1/4 REG
	704007	3	NUT, HEX, 1/4-20
11	71346998	1	TANK, COOLANT OVERFLOW
	7703457	4	CAPSCREW, 1/4-20 X 3/4 GR5
	353769X1	4	WASHER, 1/4, HARD PLAIN
	1703354	4	NUT, HEX FLANGE TOP LOCK, 1/4-20
12	71367032	1	HOSE, COOLANT RECOVERY (PRIOR S/N HP36101)
	71404417	1	HOSE, COOLANT RECOVERY (EFF. S/N HP36101)
	70925617	2	CLAMP, 1/2 X .406 HOLE
	70927097	1	CLAMP, 1/2 X .281 HOLE
13	71336386	2	SPRING, GAS
	71339847	4	STUD, BALL
	70917356	4	LOCKWASHER, 5/16 REG
	70917372	2	NUT, HEX 5/16-18
	70918452	2	PIN, COTTER, 1/8 X 1
14	71378441	1	RAMP, ROTARY SCREEN
	70921210	2	CAPSCREW, 3/8-16 X 1
	70917378	2	WASHER, 3/8 WIDE
	70916965	2	LOCKWASHER, 3/8 REG
	70916950	2	NUT, HEX 3/8-16 REG
15	1651910W1	2	LATCH BOLT
	70916950	8	NUT, HEX 3/8-16 REG
16	71393506	1	COVER, LWR SUB-FRAME (PRIOR S/N HP36101)
	71404416	1	COVER, LOWER SUB-FRAME (EFF. S/N HP36101)
	701565	5	SCR, HX WSHR HD, TAPPING, 1/4-20 X 3/4
17	71388063	1	ANGLE, SUPPORT, HOSE
	70921332	2	CAPSCREW, 5/16-18 X 3/4 GR5
	Y704726	2	NUT, HEX FLANGE TOP LOCK, 5/16-18
18	71388064	1	SEAL, COOLER HOSE
19	101841M1	4	CLAMP PAIR, DOUBLE, 1-1/2 DIA
20	101842M1	4	PLATE, COVER
	70925690	4	CAPSCREW, 5/16-18 X 3-1/2, GR5
	Y704726	2	NUT, HEX FLANGE TOP LOCK, 5/16-18
	70917356	2	LOCKWASHER, 5/16 REG

CONTINUED

CHL0024  
PR: 40

### CHALLENGER 670 COMBINE ENGINE

#### COOLING SYSTEM



**CHALLENGER 670 COMBINE  
ENGINE**

61

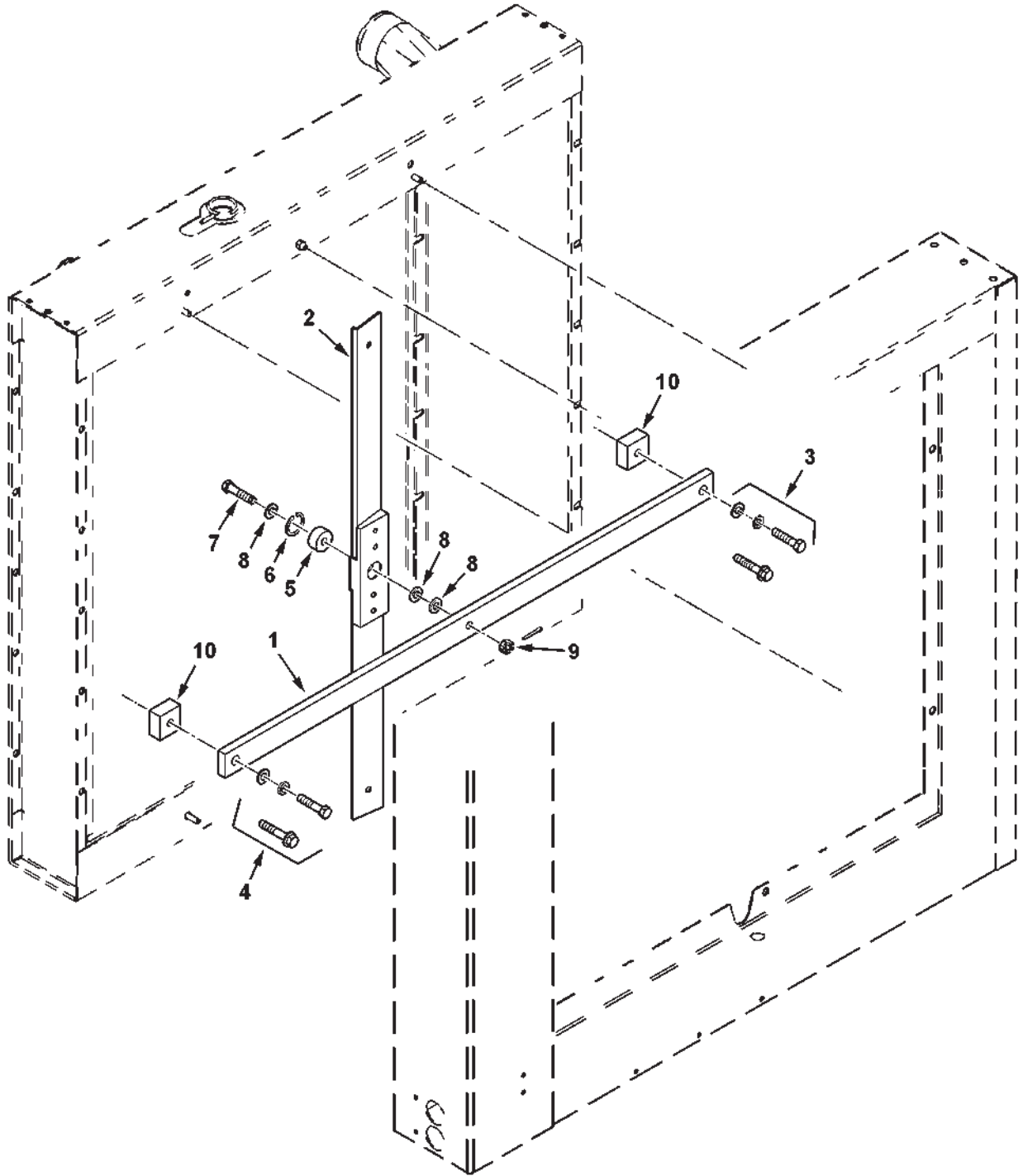
**COOLING SYSTEM**

ITEM	NUMBER	QTY	DESCRIPTION
22	71388061	1	HOSE ASY., COOLER
23	71388062	1	HOSE ASY., COOLER
24	70917970	1	PLUG, RECESSED SOCKET, 1/2-14 NPT
25	70933036	1	VALVE, DRAIN
	70917919	1	ADAPTER, 1/4 MALE X 1/4 FEM. NPTF
26	71388089	1	HOSE ASY, RAD DRAIN
	700704010	AR	SILICONE SEALANT, BLACK, 10.2 OZ.
27	70936778	1	J-CLIP, 3/4 X .406 HOLE
	70918249	1	SCREW, TRUSS HD, 5/16-18 X 3/4
	70917642	1	WASHER, 5/16, WIDE
	70917372	1	NUT, 5/16-18, REG
28	71388880	1	BRACKET, PROP ROD
	7700461	3	BOLT, RD HD SQ NK, 5/16-18 X 3/4
	Y705525	3	WASHER, 5/16, HARD PLAIN
	70917372	3	NUT, 5/16-18 REG
29	71399338	1	ROD, PROP, ROTARY SCREEN
	70918266	2	WASHER, 3/8 NARROW
	70918447	3	COTTER PIN, 3/32 X 3/4
	70918547	1	SPRING PIN, 1/8 X 1/2, PLAIN
30	71388882	1	BUSHING, PROP ROD
31	112942W1	1	TETHER STRAP
	70923341	2	CAPSCREW, 1/4-20 X 3/4
	70918264	2	WASHER, 1/4, NARROW
	1703354	2	NUT, HEX FLANGE TOP LOCK, 1/4-20
32	71393831C	1	HANDLE WLDMT, COOLER
	70917356	2	LOCKWASHER, 5/16 REG
	70917372	2	NUT, HEX, 5/16-18
34	27342	1	HANDLE GRIP
35	71400413	1	CAP, FILLER
36	71398954C	1	CHAFF STRIPPER, ROT SCREEN, REAR
37	71398948C	1	SUPPT WLDMT, STRIPPER, REAR
	7700461	5	BOLT, RD HD SHT SQ NK, 5/16-18 X 3/4
	Y704726	5	NUT, HEX FLANGE TOP LOCK, 5/16-18
38	71398955C	1	CHAFF STRIPPER, ROT SCREEN, FRONT
39	71398951C	1	SUPPT WLDMT, STRIPPER, FRONT
	7700461	5	BOLT, RD HD SHT SQ NK, 5/16-18 X 3/4
	Y704726	5	NUT, HEX FLNG TOP LK, 5/16-18
40	71398956	1	CURTAIN, FRONT
41	71398957	1	STRAP, BACKUP
	7700461	3	BOLT, RD HD SHT SQ NK, 5/16-18 X 3/4
	Y704726	3	NUT, HEX FLANGE TOP LOCK, 5/16-18
42	71400559	1	BAFFLE PANEL, INTAKE (PRIOR S/N HP36101)
43	487777	1	COVER, CLEANOUT ACCESS
	Y705525	1	WASHER, 5/16 HARD PLAIN
	Y704726	1	NUT, HEX FLANGE TOP LOCK, 5/16-18
	7771744	1	CAPSCREW, 5/16-18 X 2-1/4 GR5
44	700709866	1	WASHER, SELF-ADHESIVE
45	758342	1	SPRING
46	70537291	1	FASTENER, SNAP
	700702358	1	SCREW, PAN HEAD, #10-24 X 1"
	70917380	1	WASHER, #10 PLAIN
	705004	1	LOCKWASHER, #10 REG
	Y704072	1	NUT, #10-24 REG
47	71381495	1	BRACE, DEFLECTOR (PRIOR S/N HP36101)
48	70937684	1	J-CLIP, 1-1/4D X .406(PRIOR S/N HP36101)
	7703457	1	CAPSCREW, 1/4-20 X 3/4 GR5
	700709601	1	WASHER, 1/4, WIDE
	1703354	1	NUT, HEX FLANGE TOP LOCK, 1/4-20

CHL0024  
PR: 40

CHALLENGER 670 COMBINE  
ENGINE

RADIATOR SLINGER





**CHALLENGER 670 COMBINE  
ENGINE**

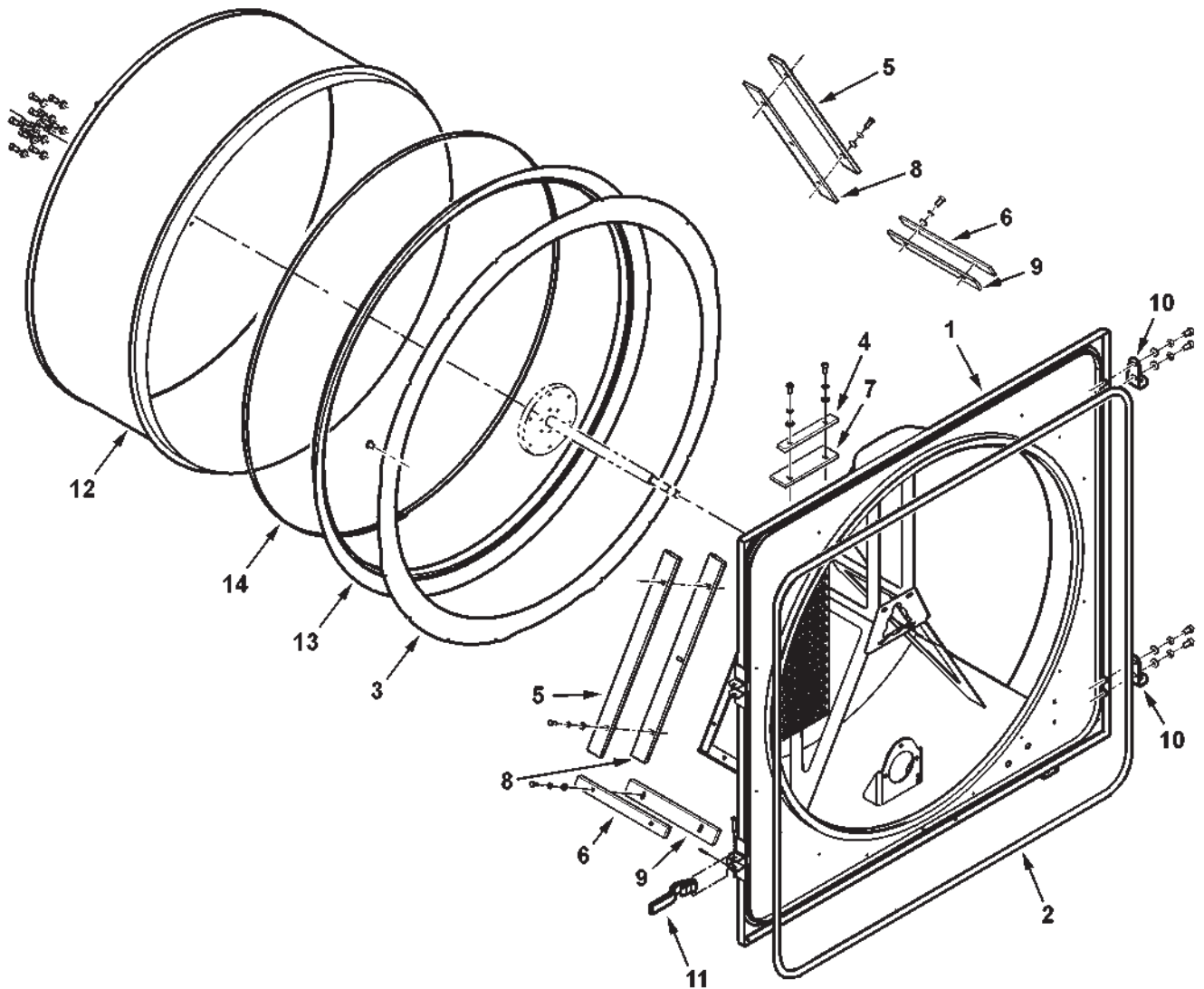
63

**RADIATOR SLINGER**

ITEM	NUMBER	QTY	DESCRIPTION
1	71391541	1	SUPPT CHANNEL,SLINGER(PRIOR S/N HP36101)
	71404414	1	SUPPORT BAR, SLINGER (EFF. S/N HP36101)
2	71391463	1	BLADE ASY, SLINGER
	71391461	2	BLADE, SLINGER
	71391462	1	CARRIER, BRG, SLINGER
	70920787	4	CAPSCREW, 5/16-18 X 1/2 LG, GR5
	79021668	AR	THREAD LOCKER, HIGH STRENGTH
	79021648	AR	PRIMER N
3	70921969	1	CPSCR, 3/8-16 X 1-1/2(PRIOR S/N HP36101)
	70916965	1	LOCKWASHER 3/8
	Y705533	1	WASHER, HARDENED .406 x .844
	700711134	1	CAPSCREW, HEX FLANGE, 3/8-16 X 1-3/4 (EFF. S/N HP36101)
4	70921971	1	CPSCR, 3/8-16 X 1-3/4(PRIOR S/N HP36101)
	70916965	1	LOCKWASHER 3/8
	Y705533	1	WASHER, HARDENED .406 x .844
	700711132	1	CAPSCREW, HEX FLANGE, 3/8-16 X 2 (EFF. S/N HP36101)
5	71391540	1	BEARING, BALL
6	70927692	1	RING, RETAINING
7	71391466	1	CAPSCREW, SPL. 3/8-24 X 1-1/4 (PRIOR S/N HP36101)
	71406694	1	CAPSCREW, SPL. 3/8-24 X 1-3/4 (EFF. S/N HP36101)
8	70918266	3	WASHER, 3/8, NARROW (WAS 2 PRIOR TO S/N HP36101)
9	353924X1	1	NUT, SLOTTED HEX, 3/8-24
	70918452	1	COTTER PIN 1/8 X 1
	79021672	AR	THREAD LOCKER -MED. STRENGTH
	79021648	AR	PRIMER N
10	71392705	2	SPACER BLOCK, 3/4 THICK

MC00386  
PR: 46

ROTARY SCREEN  
DOOR & SCREEN



**CHALLENGER 670 COMBINE  
ENGINE**

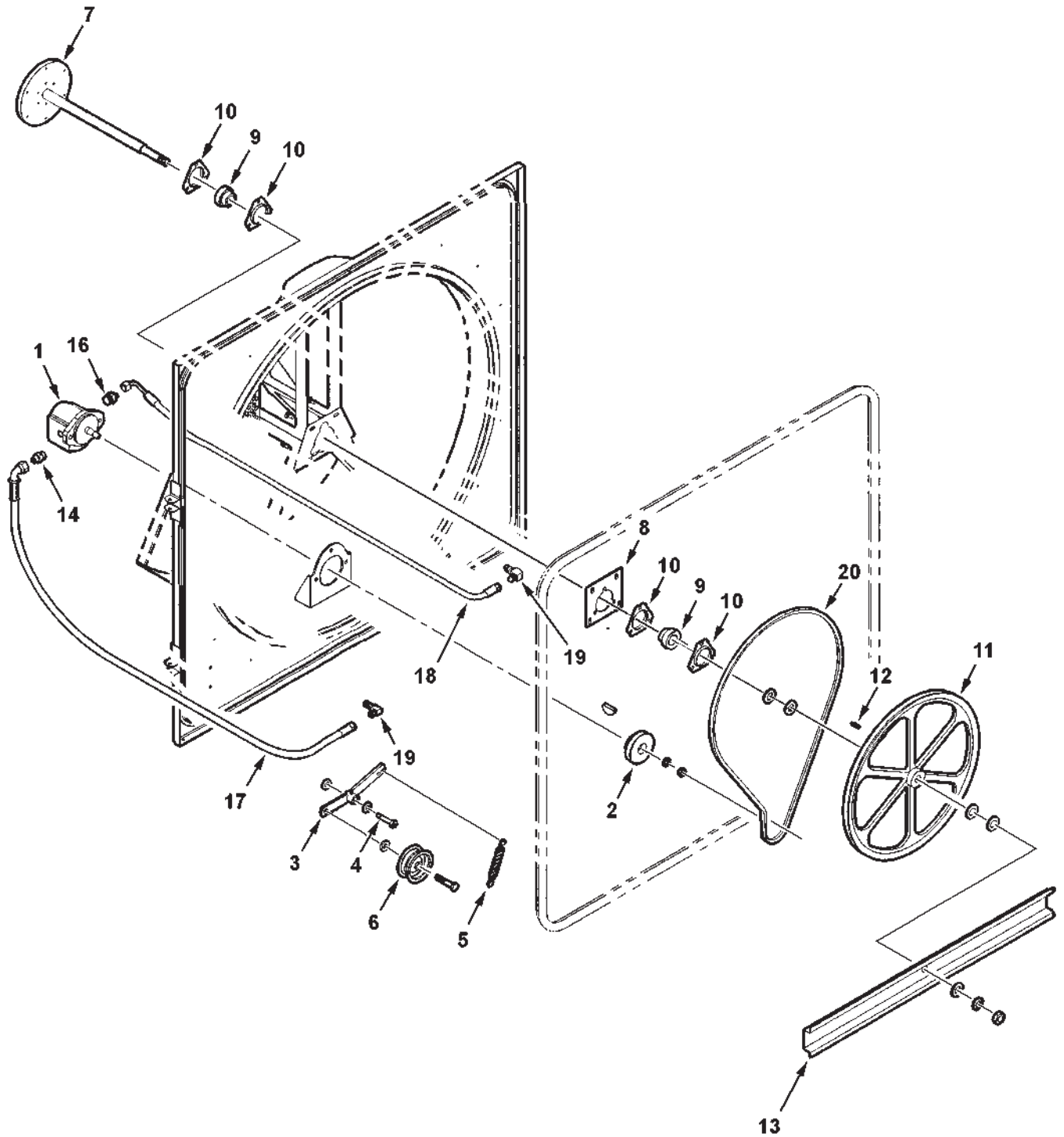
65

**ROTARY SCREEN  
DOOR & SCREEN**

ITEM	NUMBER	QTY	DESCRIPTION
1	71397637	1	PANEL WLDMT, 40" DIA SCREEN (PRIOR S/N HP36101)
	71404396	1	PANEL WLDMT, 40" DIA SCREEN (EFF. S/N HP36101)
2	71387996	1	SEAL, ROTARY SCREEN
3	71395750	1	RING, WEAR
	70924837	16	RIVET, 3/16 X 9/32
4	71391036	1	PLATE, CUTOFF, UPPER (PRIOR S/N HP36101)
	71404403	1	PLATE, CUTOFF, UPPER (EFF. S/N HP36101)
	7703457	12	CAPSCREW, 1/4-20 X 3/4 GR5
	705012	12	LOCKWASHER, 1/4
5	353769X1	2	WASHER, HARD, .281 X .656 X .074 TH
	71391037	2	PLATE, CUTOFF, SIDE (PRIOR S/N HP36101)
6	71404404	2	PLATE, CUTOFF, SIDE (EFF. S/N HP36101)
	71404399	2	PLATE, CUTOFF, LOWER (EFF. S/N HP36101)
7	71404402	1	CURTAIN STRAP, FRONT (EFF. S/N HP36101)
8	71404401	2	CURTAIN STRAP, SIDE (EFF. S/N HP36101)
9	71404400	2	CURTAIN STRAP, LOWER (EFF. S/N HP36101)
10	71395906	2	BRACKET, HINGE
	Y705608	4	WASHER, 5/16 NARROW
	Y705020	4	LOCKWASHER, 5/16
	70921332	4	CAPSCREW, 5/16-18 X 3/4 GR5
11	1799410W1	2	HANDLE, LATCH
	62075	2	COTTER PIN 1/8 X 3/4
	70927523	2	PIN, OVAL HD, DRILLED, 5/16 X 1-1/2
12	71391031	1	ROTARY SCREEN WLDMT
	353769X1	12	WASHER, HARD, .281 X .625 X .074 TH
13	7703457	12	CAPSCREW, 1/4-20 X 3/4 GR5
	71393650	1	SEAL, ROTARY SCREEN
14	71396752	1	CLAMP, BAND

MC00384  
PR: 48

ROTARY SCREEN  
MOTOR & DRIVE



**CHALLENGER 670 COMBINE  
ENGINE**

67

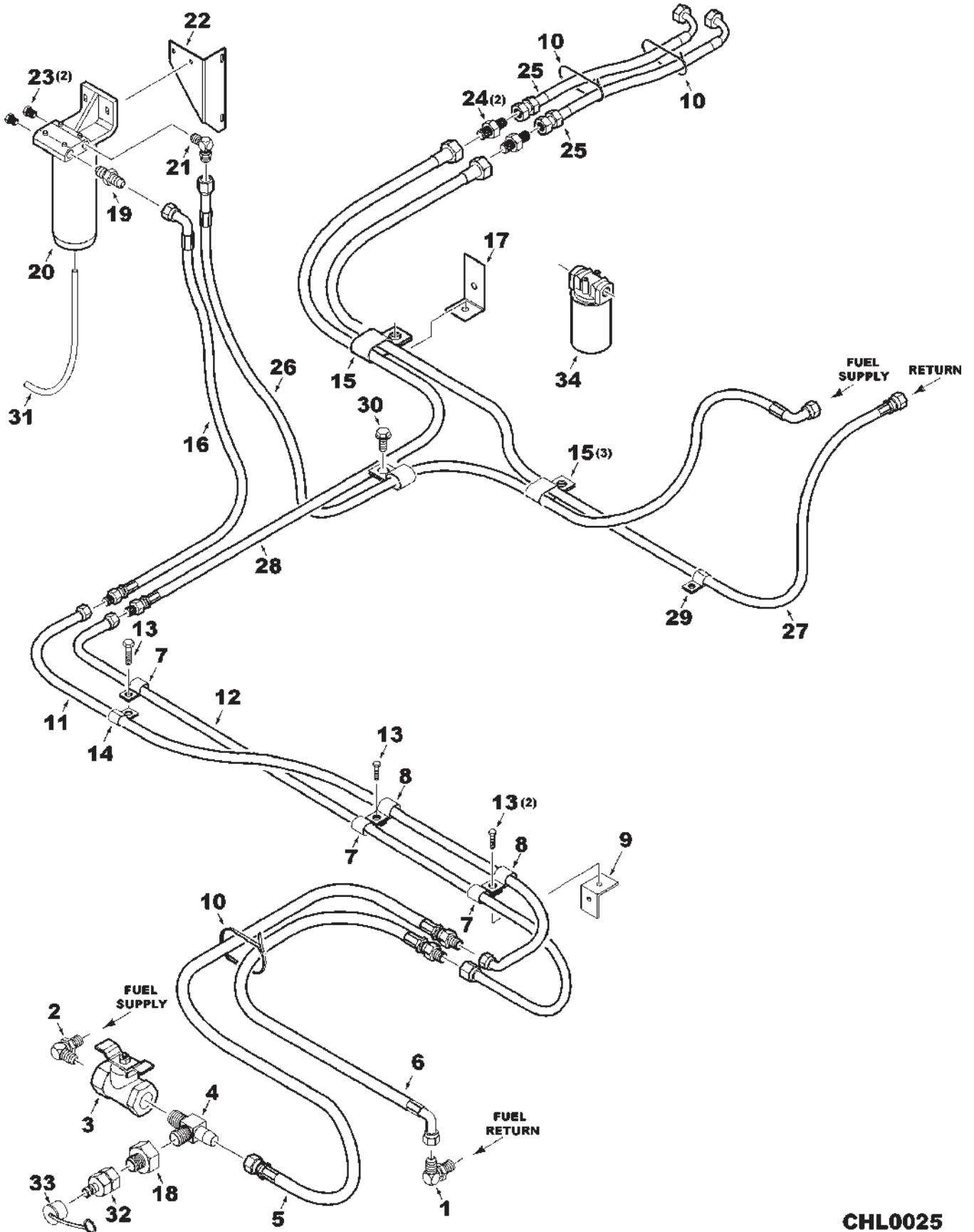
**ROTARY SCREEN  
MOTOR & DRIVE**

ITEM	NUMBER	QTY	DESCRIPTION
1	71396755	1	MOTOR, HYDRAULIC (INCLUDES KEY)
	71396758	AR	SEAL KIT (SOLE SERVICE COMPONENT)
	70910224	1	KEY, WOODRUFF, 5/32 X 5/8 DIA
	7883408	2	SCREW,HEX FLANGE, 3/8-16 X 1-1/4 GR8
	Y705533	2	WASHER, HARD, .406 X .781 X .065
	Y704734	2	NUT, HEX FLNG TOP LK, 3/8-16 GR G
2	71395749	1	SHEAVE, DRIVE
	Y705046	1	LOCKWASHER, 1/2 REG
	7704000	1	JAM NUT, 1/2-20 GR2
3	71396756	1	ARM ASY, IDLER
	3728019M1	2	BUSHING
	70914687	1	LUBE FTG, 1/4-28, STRAIGHT
4	8701781	1	SCREW, SOCKET HD, SHOULDER,1/2 X 3/8-16
	705541	2	WASHER, HARD, .531 X 1.03 X .120
	Y704734	1	NUT, HEX FLNG TOP LK, 3/8-16 GR G
5	700714064	1	SPRING
	70931277	2	LOCKNUT, SERR FLNG, 5/16-18
	7883333	1	SCREW, HEX WSHR HD, 5/16-18 X 1"
6	70529432	1	IDLER, 2-3/4 DIA, FLAT
	705541	2	WASHER, HARD, .531 X 1.03 X .120
	Y704742	1	NUT, HEX FLNG TOP LK, 1/2-13 GR G
	70922645	1	CAPSCREW, 1/2-13 X 2-1/4 GR5
7	71391039	1	SHAFT WLDMT, ROTARY SCREEN
8	71395728	1	PLATE, BEARING
	Y704726	4	NUT, HEX FLNG TOP LK, 5/16-18 GR G
	7700461	4	BOLT, RND HD SQ NK, 5/16-18 X 3/4
9	71308951	2	BEARING, BALL, SPHERICAL
10	71133361	4	FLANGE, BEARING
	Y704726	6	NUT, HEX FLNG TOP LK, 5/16-18 GR G
	70921332	3	CAPSCREW, 5/16-18 X 3/4 GR5
	7700461	3	BOLT, RND HD SQ NK, 5/16-18 X 3/4
11	71396753	1	SHEAVE, DRIVEN
12	61002	1	KEY, 3/16 SQ X 1"
13	71393636	1	BLADE, WINDMILL
	Y705566	7	WASHER, HARD, .812 X 1.5 X .140
	70919332	1	LOCKWASHER, 3/4 REG
	353436X1	1	JAM NUT, 3/4-16 GR2
14	360202X91	1	CONNECTOR, 9/16-18 JIC X 3/4-16 ORB
	70921349	1	O-RING, .087 X .644 ID
16	8746018	1	CONNECTOR, 9/16-18 JIC X 7/8-14 ORB
	70921205	1	O-RING, .097 X .755 ID
17	71397634	1	HOSE ASY, HYDRAULIC
18	71397633	1	HOSE ASY, HYDRAULIC
19	700717539	2	ELBOW, 90 D, BLKHD, 9/16-18 JIC MALE
20	71396754	1	BELT, ROTARY SCREEN DRIVE (69.89")

MC00294  
PR: 50

CHALLENGER 670 COMBINE  
ENGINE

FUEL LINES  
(PRIOR S/N HP36101)





**CHALLENGER 670 COMBINE  
ENGINE**

69

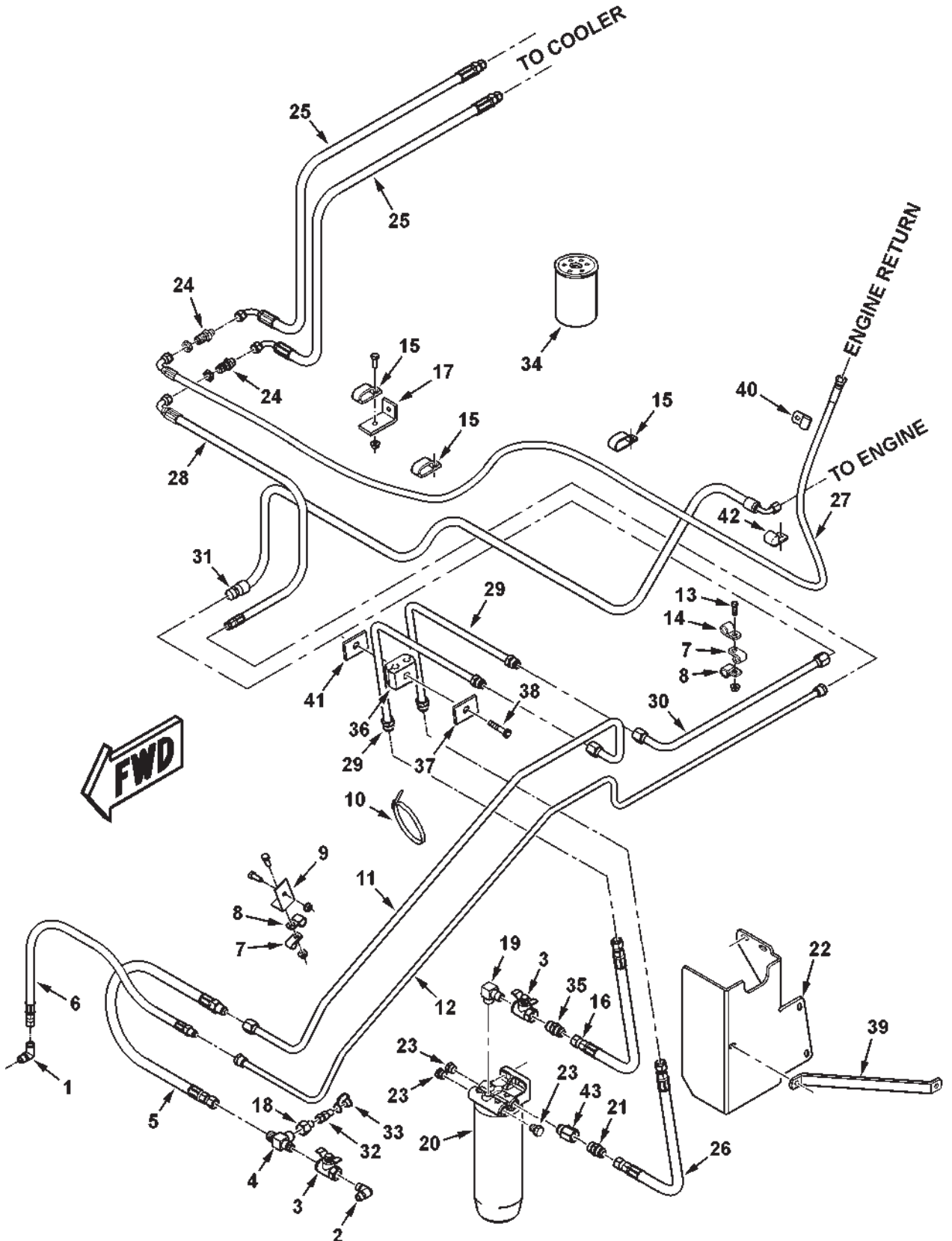
**FUEL LINES  
(PRIOR S/N HP36101)**

ITEM	NUMBER	QTY	DESCRIPTION
1	70919195	1	ELBOW, 90 DEG, 3/4-16 JIC X 1/2 NPTF
2	700701331	1	ELBOW, 90 DEG, 1/2 NPTF X 1/2 NPTF
3	71368741	1	VALVE, BALL, 1/2 NPT
4	71400556	1	TEE, MALE, 7/8-14 X 1/2 NPTF RUN
5	71394141	1	HOSE ASY, FUEL SUPPLY
6	71396269	1	HOSE ASY, FUEL RETURN
7	70925617	3	CLAMP, 1/2 TUBE X .406 HOLE
8	70928656	3	CLAMP, 5/8 TUBE X .406 HOLE
9	112678W1	1	ANGLE, BRACKET
	70921210	2	CAPSCREW, 3/8-16 X 1 GR5
	Y704734	2	NUT, HEX FLNG TOP LK, 3/8-16
10	70937133	3	TIE, NYLON
11	71396263	1	TUBE ASY, FUEL SUPPLY
12	71391234	1	TUBE ASY, FUEL RETURN
13	70921977	2	CAPSCREW, 5/16-18 X 1-1/4 GR5
	Y704726	2	NUT, HEX FLNG TOP LK, 5/16-18
	Y705608	2	WASHER, 5/16 NARROW
14	70926049	1	CLAMP, 3/4 TUBE X .406 HOLE
15	70936473	4	CLAMP, DBL, .875 TUBE X .406 HOLE
	70921210	1	CAPSCREW, 3/8-16 X 1 GR5
	Y704734	1	NUT, HEX FLNG TOP LK, 3/8-16
16	71396792	1	HOSE ASY, FUEL SUPPLY
17	112678W1	1	ANGLE, BRACKET
	Y705608	1	WASHER, 5/16 NARROW
	7703499	1	CAPSCREW, 5/16-18 X 3/4
18	70930224	1	REDUCER, 7/8-14 JIC FEM X 9/16-18 JIC
19	8746430	1	STR CONN, 7/8-14 JIC X 3/4-16 ORB
	70921349	1	O-RING, .087 X .644 ID
20	133-5673	1	ELEMENT, PRIMRY FUEL FLTR/WATER SEPR'TOR
	155-2629	1	BOWL ASY, PRIMARY FUEL FILTER
	141-0284	1	KIT, FUEL FILTER & WATER SEPARATOR
	70920415	2	CAPSCREW, 3/8-16 X 1-1/4 GR5
	Y704734	2	NUT, HX FLNG TOP LK, 3/8-16
	70918266	2	WASHER, 3/8 NARROW
21	70923905	1	ELBOW, 90 DEG, 9/16-18 JIC X 3/4-16 ORB
	70921349	1	O-RING, .087 X .644 ID
22	71396795	1	BRACKET, FUEL FILTER
	Y704734	2	NUT, HX FLNG TOP LK, 3/8-16
	70918266	2	WASHER, 3/8 NARROW
23	70921573	2	PLUG, 3/4-16 ORB
24	70927261	2	UNION BULKHEAD, 3/4-16 JIC
25	71388073	2	HOSE ASY, FUEL COOLER
26	71396793	1	HOSE ASY, FUEL SUPPLY
27	71397644	1	HOSE ASY, FUEL RETURN TO COOLER
28	71393847	1	HOSE ASY, FUEL RETURN TO TANK
29	70926049	1	CLAMP, 3/4 TUBE X .406 HOLE
	70921210	1	CAPSCREW, 3/8-16 X 1 GR5
	Y704734	1	NUT, HX FLNG TOP LK, 3/8-16
31	71396768	1	DRAIN HOSE, WATER SEPARATOR
	70929402	1	CLAMP, HOSE, WORM DR, .22-.63
32	700722408	1	NIPPLE, DIAGNOSTIC, 9/16-18 JIC FEM
33	71379304	1	CAP, DUST
34	1R-0751	1	FUEL FILTER ASY

CHL0025  
PR: 52

CHALLENGER 670 COMBINE  
ENGINE

FUEL LINES  
(EFF. S/N HP36101)



**CHALLENGER 670 COMBINE  
ENGINE**

71

**FUEL LINES  
(EFF. S/N HP36101)**

ITEM	NUMBER	QTY	DESCRIPTION
1	70919195	1	ELBOW, 90 DEG, 3/4-16 JIC X 1/2 NPTF
2	700701331	1	ELBOW, 90 DEG, 1/2 NPTF X 1/2 NPTF
3	71368741	2	VALVE, BALL, 1/2 NPT
4	71400556	1	TEE, MALE, 7/8-14 X 1/2 NPTF RUN
5	71394141	1	HOSE ASY, FUEL SUPPLY
6	71396269	1	HOSE ASY, FUEL RETURN
7	70925617	3	CLAMP, 1/2 TUBE X .406 HOLE
8	70928656	3	CLAMP, 5/8 TUBE X .406 HOLE
9	112678W1	1	ANGLE, BRACKET
	70921210	2	CAPSCREW, 3/8-16 X 1 GR5
	Y704734	2	NUT, HEX FLANGE TOP LOCK, 3/8-16
10	70937133	3	TIE, NYLON
11	71405985	1	TUBE ASY, FUEL SUPPLY
12	71391234	1	TUBE ASY, FUEL RETURN
13	70921977	2	CAPSCREW, 5/16-18 X 1-1/4 GR5
	Y704726	2	NUT, HEX FLANGE TOP LOCK, 5/16-18
	Y705608	2	WASHER, 5/16 NARROW
14	70926049	1	CLAMP, 3/4 TUBE X .406 HOLE
15	70936473	3	CLAMP, DBL, .875 TUBE X .406 HOLE
	70921210	1	CAPSCREW, 3/8-16 X 1 GR5
	Y704734	1	NUT, HEX FLANGE TOP LOCK, 3/8-16
16	71405972	1	HOSE ASY, FUEL SUPPLY
17	112678W1	1	ANGLE, BRACKET
	Y705608	1	WASHER, 5/16 NARROW
	7703499	1	CAPSCREW, 5/16-18 X 3/4
18	70930224	1	REDUCER, 7/8-14 JIC FEM X 9/16-18 JIC
19	71409313	1	ELBOW, 90 DEG, 1/2 NPTF X 3/4-16 ORB
	70921349	1	O-RING, .087 X .644 ID
20	133-5673	1	ELEMENT, PRMRY FUEL FLTR/ WATER SEPRTOR (PRIOR S/N HP36176)
	CH1R-0771	1	FILTER ELEMENT ASY,FUEL(EFF S/N HP36176)
	155-2629	1	BOWL ASY, PRIMARY FUEL FILTER (PRIOR S/N HP36176)
	141-0284	1	KIT, FUEL FILTER & WATER SEPARATOR (PRIOR S/N HP36176)
	212-9580	1	FILTER GRP., ELEMENT & BOWL ASY (EFF. S/N HP36176)
	70920415	2	CAPSCREW, 3/8-16 X 1-1/4 GR5
	Y704734	2	NUT, HEX FLANGE TOP LOCK, 3/8-16
	70918266	2	WASHER, 3/8 NARROW
21	71405988	1	CHECK VALVE, 3/4-16 JIC X ORB
	70921349	1	O-RING, .087 X .644 ID
22	71405976	1	BRACKET, FUEL FILTER
23	357194X1	5	PLUG, 9/16-18 ORB
	70921885	AR	O-RING, .078 X .468 ID
24	70927261	2	UNION BULKHEAD, 3/4-16 JIC
25	71388073	2	HOSE ASY, FUEL COOLER
26	71405973	1	HOSE ASY, FUEL SUPPLY
27	71397644	1	HOSE ASY, FUEL RETURN TO COOLER
28	71393847	1	HOSE ASY, FUEL RETURN TO TANK
29	71405983	2	TUBE ASY, FUEL SUPPLY
30	71405984	1	TUBE ASY, FUEL SUPPLY
31	71405982	1	HOSE ASY, FUEL SUPPLY
32	700722408	1	NIPPLE, DIAGNOSTIC, 9/16-18 JIC FEM
33	71379304	1	CAP, DUST

CONTINUED

CHL0028  
PR: t05b16k26a0002



**CHALLENGER 670 COMBINE  
ENGINE**

**73**

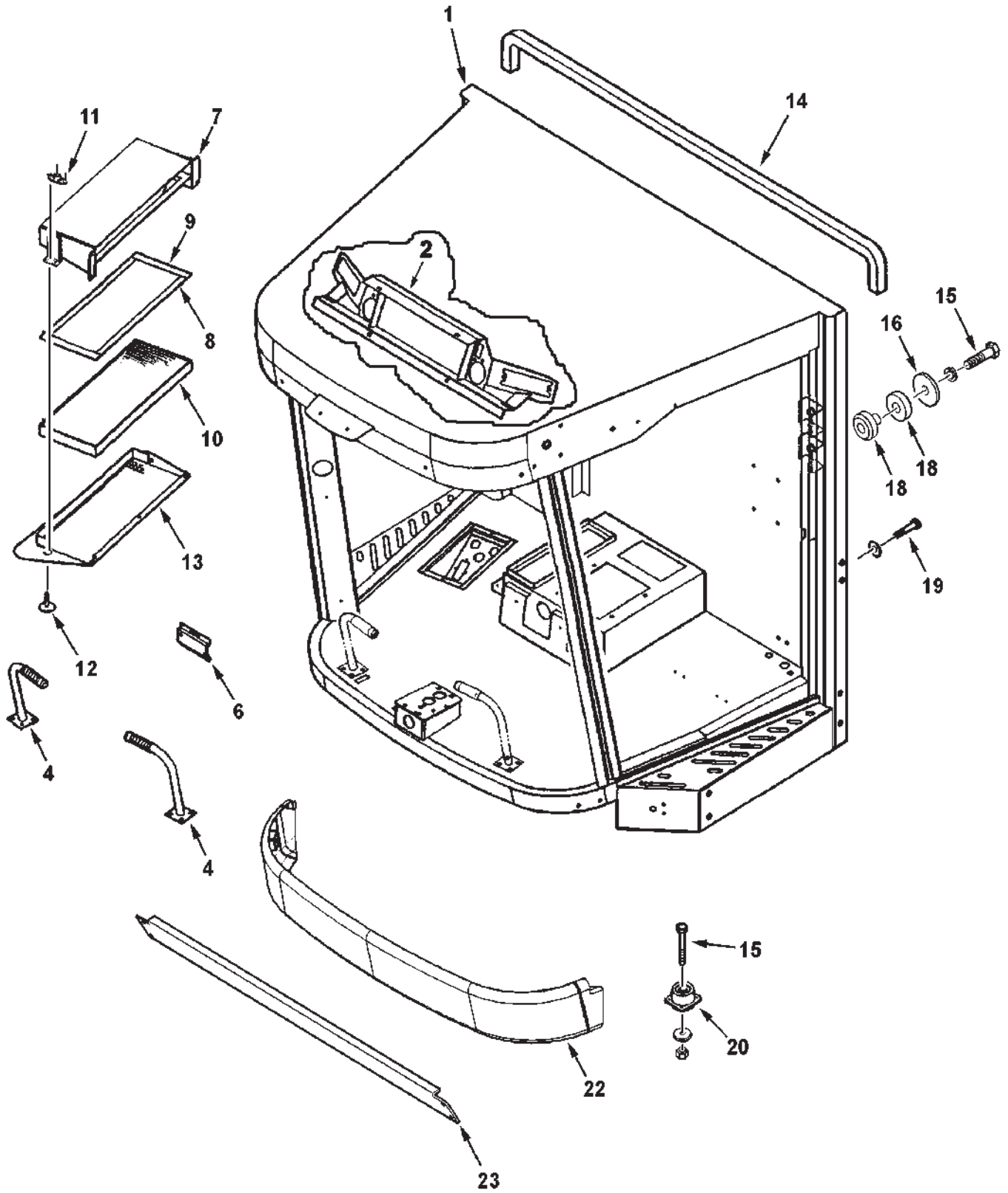
**FUEL LINES  
(EFF. S/N HP36101)**

ITEM	NUMBER	QTY	DESCRIPTION
34	1R-0751	1	FUEL FILTER ASY
35	70919472	1	STR CONN, 7/8-14 JIC X 1/2 NPTF
36	148203M1	1	CLAMP PAIR, DOUBLE, 5/8 DIA
37	101646M1	1	COVER PLATE
38	70921160	1	CAPSCREW, 5/16-18 X 2-1/4 GR5
	Y704726	1	NUT, HEX FLANGE TOP LOCK, 5/16-18
39	71406619	1	BRACE STRAP, FUEL FILTER
	70921210	2	CAPSCREW, 3/8-16 X 1 GR5
	Y704734	2	NUT, HEX FLANGE TOP LOCK, 3/8-16
40	70926049	1	CLAMP, 3/4 TUBE X .406 HOLE
	70921210	1	CAPSCREW, 3/8-16 X 1 GR5
	Y704734	1	NUT, HEX FLANGE TOP LOCK, 3/8-16
41	71404450	1	SPACER PLATE
42	70936473	1	CLAMP, DBL, .875 TUBE X .406 HOLE
43	71409312	1	REDUCER, 3/4-16 ORB FEM X 9/16-18 ORB M
	70921885	1	O-RING, .078 X .468 ID

CHL0028  
PR: t05b16k26a0002

CHALLENGER 670 COMBINE  
CAB

FRAME & MOUNTING





**CHALLENGER 670 COMBINE  
CAB**

75

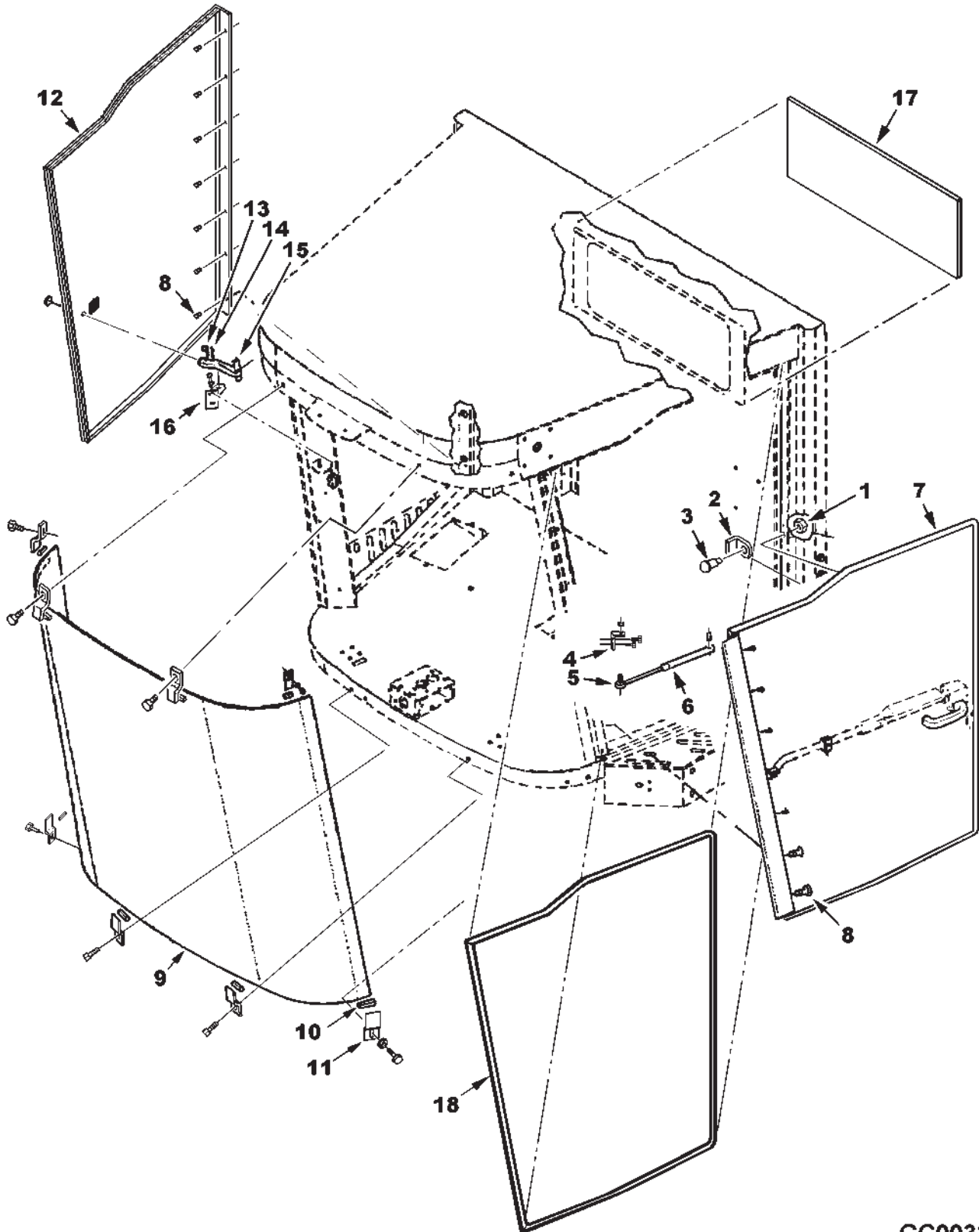
**FRAME & MOUNTING**

ITEM	NUMBER	QTY	DESCRIPTION
1	-----	1	CAB WLDMT (PRIOR S/N HP36101)(SERVICE W/ 71406753B)
	71406753B	1	CAB WLDMT (EFF. S/N HP36101)
	700718515	AR	INSERT, THREADED 5/16-18
	700725634	AR	INSERT, THREADED 3/8-16
	700725632	AR	INSERT, THREADED 3/8-16
	700725633	AR	INSERT, THREADED 1/4-20
	71391713	AR	INSERT, THREADED 8-32
2	71388167	1	SUPPORT WLDMT, E.I.P.
	Y703132	4	CAPSCREW, 5/16-18 X 3/4
	700718515	4	INSERT, THREADED 5/16-18
	700725633	8	INSERT, THREADED 1/4-20
4	71387185	1	FOOTREST, RH
	71387186	1	FOOTREST, LH
	71396276	2	GRIP, FOOTREST
	70920415	8	CAPSCREW, 3/8-16 X 1-1/4
	700725632	8	INSERT, THREADED 3/8-16
6	71394525	1	MOUNT, FUSE BLOCK
	7703457	4	CAPSCREW, 1/4-20 X 3/4
	705707	2	WASHER, 1/4
	700725633	5	INSERT, THREADED 1/4-20
7	71393307	1	SUPPORT WLDMT, FILTER
	Y703132	4	CAPSCREW, 5/16-18 X 3/4
	700718515	4	INSERT, THREADED 5/16-18
8	71362390	2	SEAL, FILTER (LONG)
9	71362391	2	SEAL, FILTER (SHORT)
10	71393893	1	ELEMENT, AIR FILTER
11	700714529	2	RECEPTACLE
	772426	4	SCREW, HEX WSHR HD, #10-24 X 5/8
	705004	4	LOCKWASHER, #10
	Y704072	4	HEX NUT, #10-24
12	700714528	2	LATCH, 90 DEG TURN
13	71400635	1	DOOR WLDMT, FILTER
	706432	3	SCREW, PAN HEAD MACH, 5/16-18 X 1
14	71398171	1	SEAL, CAB
15	70925704	4	CAPSCREW, 5/8-11 X 4-1/2
	70917373	4	LOCKWASHER, 5/8
16	70927122	2	WASHER, .781 X 2.50 X .25
18	71342768	2	ISOLATOR MOUNT, CAB
19	70922664	2	CAPSCREW, 5/8-11 X 2 GR5
	705632	2	WASHER, 5/8 NARROW
20	71401533	2	MOUNT, CAB
	70932665	2	NUT, 5/8-11 REG
	70921210	8	CAPSCREW, 3/8-16 X 1.0
	705038	8	LOCKWASHER, 3/8
	70916950	8	HEX NUT, 3/8-16
22	71387292P	1	VALANCE ASY.
	7771371	4	SCREW, HEX FLNG SERR 5/16-18 X 1-1/4
	6131916	4	BUSHING, 3/4 OD X .55 LG
	700718515	4	INSERT, THREADED, 5/16-18
23	71395255	1	CROSS BRACE, CAB SUPPORT
	68619	4	BOLT, RD HD SQ NK, 1/2-13 X 1-1/4
	Y704742	4	NUT, HEX FLNG, TOP LOCK, 1/2-13
-	700704010	AR	SILICONE SEALANT, BLACK, 10.2 OZ.

MC00280  
PR: 54

CHALLENGER 670 COMBINE  
CAB

WINDOWS AND DOORS



**CHALLENGER 670 COMBINE  
CAB**

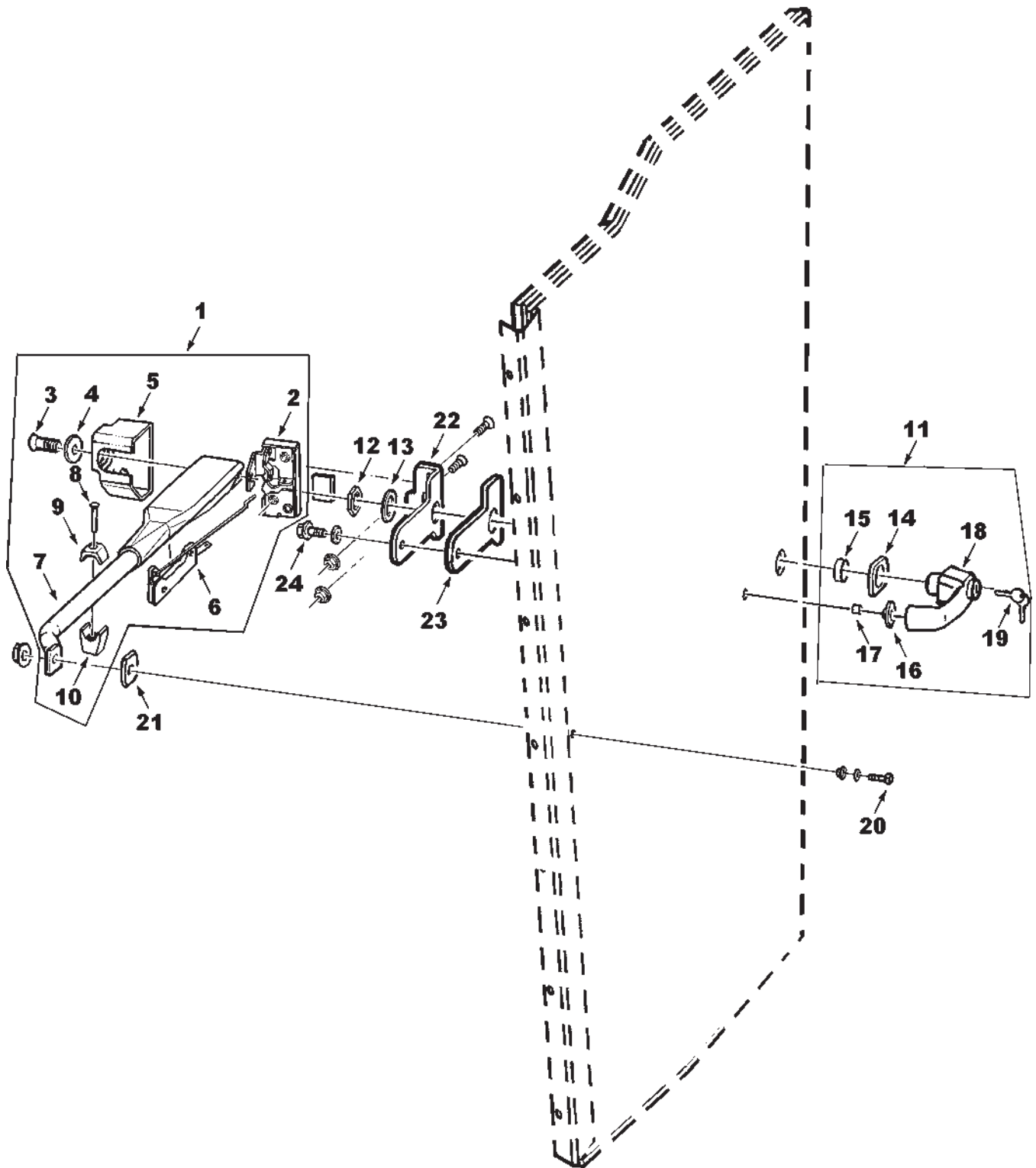
77

**WINDOWS AND DOORS**

ITEM	NUMBER	QTY	DESCRIPTION
1	71394502	1	NUT, STRIKER
2	71394503	1	GUARD, STRIKER
3	71394501	1	STRIKER, BOLT
4	71394523	1	BRACKET, GAS SPRING
	70937660	2	SCREW, PAN HD TAPPING, 1/4-20 X 5/8
5	71339847	1	STUD, BALL
	Y704726	1	NUT, HEX FLANGE TOP LOCK, 5/16-18
6	700715277	1	SPRING, GAS
	700715278	2	RETAINER, CLIP
7	71391897	1	GLASS DOOR ASY. LH (INCL HANDLES)
	71393885	1	GLASS, GASKET & HINGE ASY, LH DOOR
	71391899	1	GASKET, DOOR LH
8	70937660	14	SCREW, PAN HD, TAPTITE, 1/4-20 X 5/8
9	71391851	1	WINDSHIELD
	71370508	AR	PRIMER, GLASS ADHESIVE
	72506489	AR	ADHESIVE, GLASS
10	700715285	8	PAD, RUBBER
11	71387195	8	CLIP, WINDSHIELD
	70921332	8	CAPSCREW, 5/16-18 X 3/4
	70917642	8	WASHER, 5/16
12	71407657	1	GLASS DOOR & HINGE ASY. (INCL. DECAL)
	71391899	1	GASKET, DOOR RH
	71389158	1	DECAL, EMERGENCY EXIT
13	70934892	1	PIN, CLEVIS RETAINER, W/RING
14	70921291	1	PIN, SPRING, 3/16 X 5/8
15	71364349	1	LATCH, WINDOW, W/O PIN
16	71407659	1	BRACKET WLMT, LATCH
	70937660	2	SCREW, PAN HD, TAPTITE, 1/4-20 X 5/8
17	71387266	1	GLASS, REAR WINDOW
18	71401715	1	SEAL, FOAM RUBBER, DOOR FRAME

GC00322  
PR: 56

LH DOOR  
INTERIOR & EXTERIOR HANDLES



**CHALLENGER 670 COMBINE  
CAB**

79

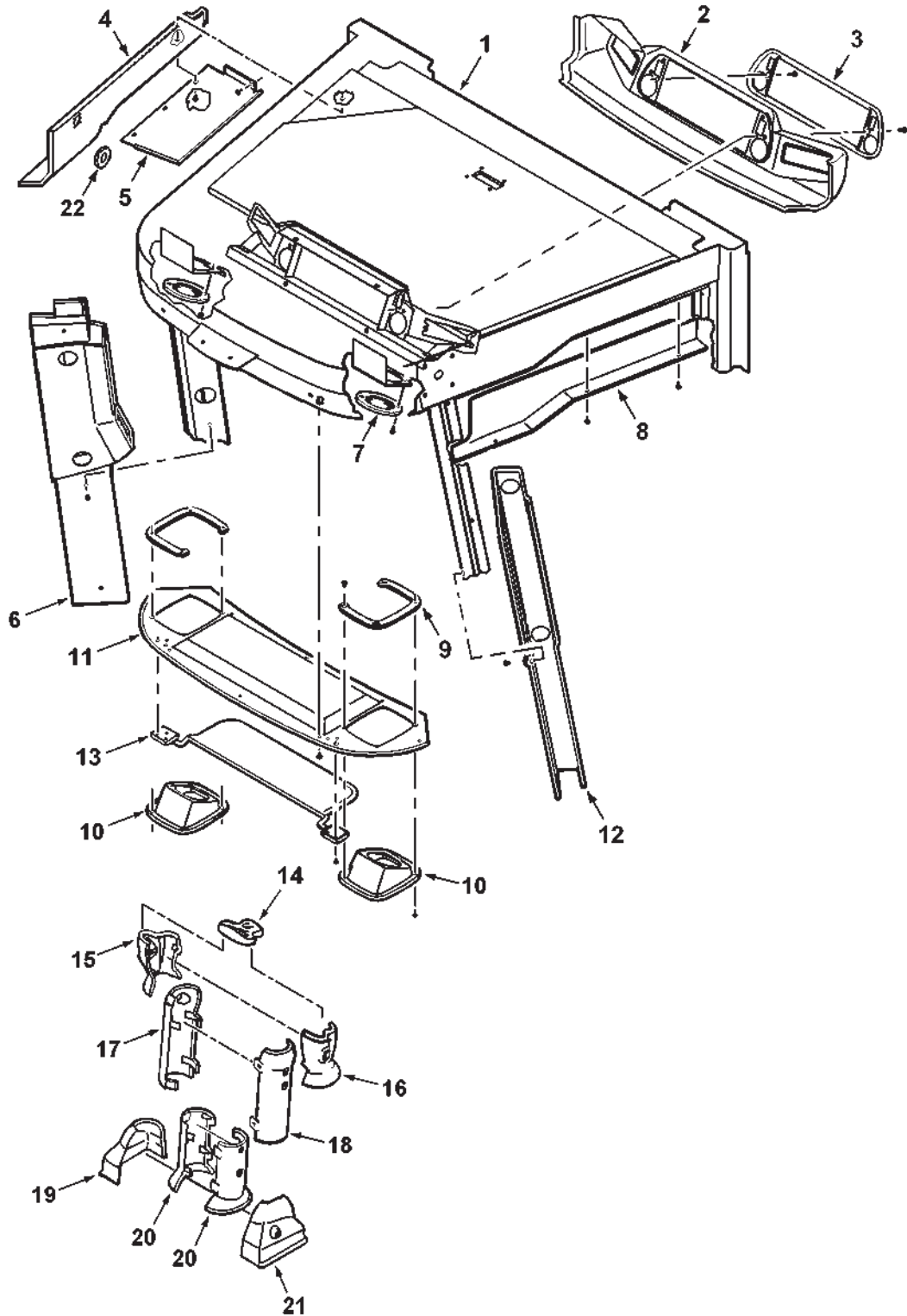
**LH DOOR  
INTERIOR & EXTERIOR HANDLES**

ITEM	NUMBER	QTY	DESCRIPTION
1	71393881	1	DOOR HANDLE ASY, INNER (INCL ITEMS 2-10)
2	71393879	1	LATCH, DOOR, DOUBLE ROTOR
3	71394791	1	SCREW, INNER DOOR HANDLE
4	705012	1	WASHER, LOCK 1/4
5	71393878	1	COVER, INNER HANDLE
6	71394792	1	HANDLE, INNER RELEASE
7	-----	1	TUBE ASY, ARMREST (ORDER ITEM 1)
8	71393888	1	SCREW, HEX SOCKET, FLAT HD, M6 X 40
9	71393887	1	MOUNT, GAS SPRING UPPER
10	71393886	1	MOUNT, GAS SPRING LOWER
11	71393876	1	DOOR HANDLE ASY, EXT (INCL ITEMS 12-19)
12	71393469	1	NUT, EXTERIOR HANDLE
13	71393470	1	WASHER, EXT. HANDLE
14	71393471	1	GASKET, EXT. HANDLE (LARGE)
15	71393473	1	BUSHING
16	71393472	1	GASKET, EXT. HANDLE (SMALL)
17	71393468	1	BUSHING
18	71393475	1	HANDLE, EXTERIOR
19	71393474	AR	KEY, DOOR
20	372536X1	1	SCREW, MACH. HEX WSHR HD, 1/4-20 X 1.0
	705707	2	WASHER, 1/4
	72161999	1	SPACER
	1703354	1	LOCKNUT, HEX FLANGE TOP 1/4-20
21	71393883	1	GASKET
22	71391518	1	BRACKET, DOOR LATCH
	Y772129	2	SCR, HEX SKT FLT HD, 5/16-18 X 1-3/4
	70931277	2	NUT, HEX FLANGE, SERRATED, 5/16-18
23	71391519	1	GASKET
24	339666X1	1	CAPSCREW, M6-1 X 16
	705707	1	WASHER, 1/4

GC00323  
PR: 58

CHALLENGER 670 COMBINE  
CAB

INTERIOR COVERINGS & TRIM  
UPPER AND FRONT





**CHALLENGER 670 COMBINE  
CAB**

81

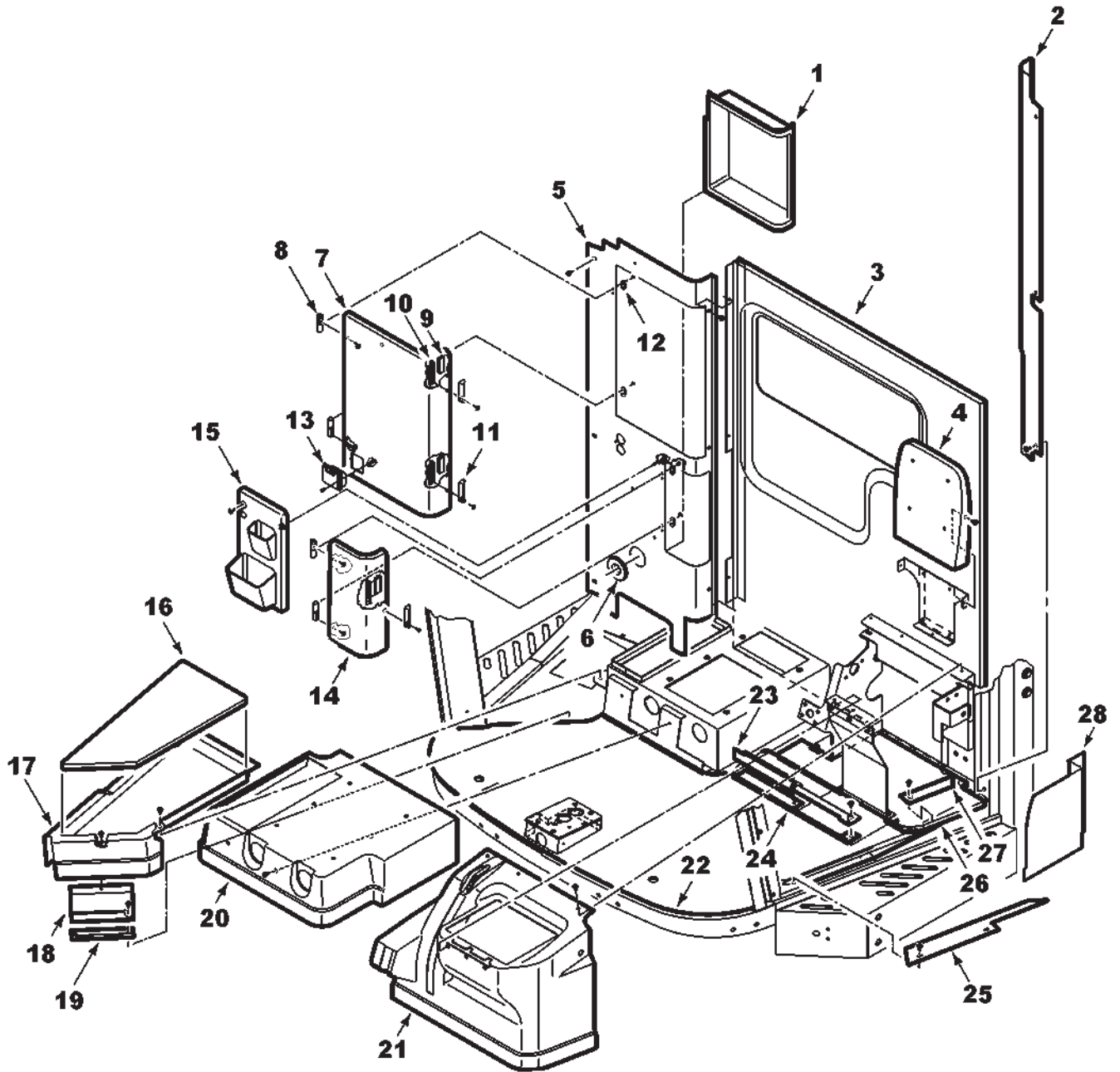
**INTERIOR COVERINGS & TRIM  
UPPER AND FRONT**

ITEM	NUMBER	QTY	DESCRIPTION
1	71391747	1	HEADLINER, REAR
2	71393601	1	SURROUND, ELECT. INSTRUMENT PANEL
3	71388136	1	BEZEL, ELECT. INSTRUMENT PANEL
	70937730	2	SCREW,PAN HD TAPPING, 1/4-20 X 1-1/4
4	71393605	1	TRIM, HEADER, RH (PRIOR S/N HR36101)
	71409583	1	TRIM, HEADER, RH (EFF. S/N HR36101)
	70937660	4	SCREW, PAN HD TAPPING, 1/4-20 X 5/8
	70927401	4	CAPSCREW, 1/4-20 X 1
	705012	4	LOCKWASHER, 1/4
	700709601	4	WASHER, 1/4 WIDE
5	71394878	1	PLATE, ACCESSORY MNT (PRIOR S/N HR36101)
	71410958	1	PLATE, ACCESSORY MOUNT (EFF S/N HR36101)
	70937660	4	SCREW, PAN HD TAPPING, 1/4-20 X 5/8
6	71398809	1	COVER, B-PILLER (RH)
	70937660	6	SCREW, PAN HD TAPPING, 1/4-20 X 5/8
7	71393940	2	GRILLE, SPEAKER
8	71393604	1	TRIM, HEADER (LH)
	70937660	3	SCREW, PAN HD TAPPING, 1/4-20 X 5/8
9	71395767	2	PLATE, SPEAKER HSG. RETAINER
	70937280	8	SCREW, PAN HD TAPPING, #8-32 X 3/4
10	71391158	2	HOUSING, SPEAKER TRIM
	70937280	8	SCREW, PAN HD TAPPING, #8-32 X 3/4
11	71391746	1	HEADLINER, FRONT
12	71398808	1	COVER, B-PILLER (LH)
	70937660	6	SCREW, PAN HD TAPPING, 1/4-20 X 5/8
13	71391172	1	SUNVISOR
	70936592	6	SCREW, PAN HD. TAPPING #10-16 X 3/4
14	71394514	1	COVER, TOP
	70937280	2	SCREW, PAN HD TAPPING, #8-32 X 3/4
15	71394515	1	COVER, UPPER (RH)
	71407653	2	SCREW, PAN HD. MACH., M5 X 16
	71393926	1	WELLNUT, #8-32
16	71394516	1	COVER, UPPER (LH)
	71407653	2	SCREW, PAN HD. MACH., M5 X 16
	71393926	1	WELLNUT, #8-32
17	71394517	1	COVER, LOWER (RH)
	71407653	2	SCREW, PAN HD. MACH., M5 X 16
18	71394518	1	COVER, LOWER (LH)
	71407653	2	SCREW, PAN HD. MACH., M5 X 16
19	71394521	1	COVER, BOTTOM (RH)
	70930611	2	SCREW, PAN HD. MACH. #10-24 X 3/8
20	71394519	2	COVER, MID
	71407653	4	SCREW, PAN HD. MACH., M5 X 16
21	71394522	1	COVER, BOTTOM (LH)
	70930611	2	SCREW, PAN HD. MACH. #10-24 X 3/8
22	71409584	1	GROMMET, 1 ID X 1.87 DIA PANEL HOLE (EFF. S/N HR36101)

GC00457  
PR: 60

CHALLENGER 670 COMBINE  
CAB

INTERIOR COVERINGS & TRIM  
LOWER AND REAR



**CHALLENGER 670 COMBINE  
CAB**

83

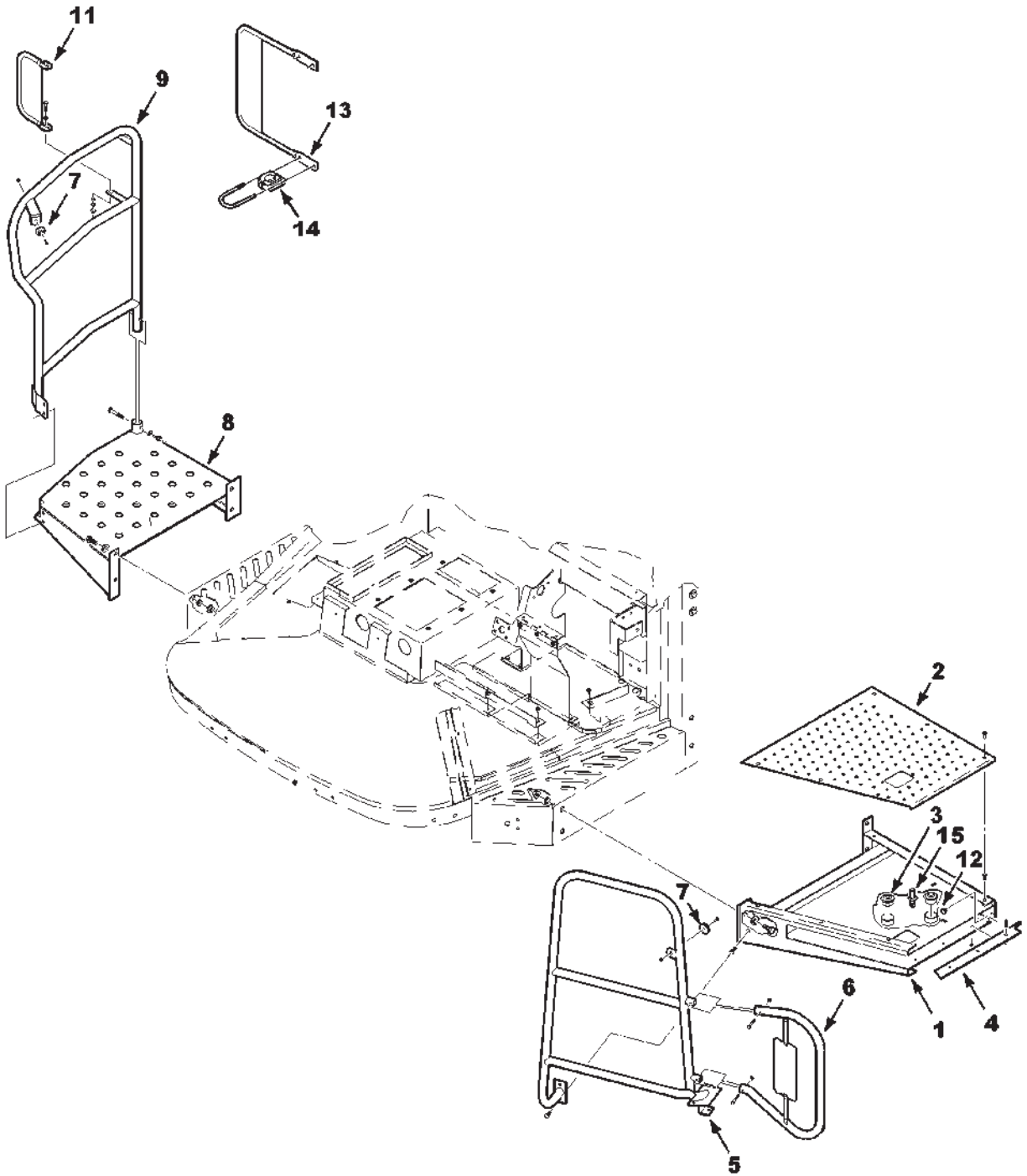
**INTERIOR COVERINGS & TRIM  
LOWER AND REAR**

ITEM	NUMBER	QTY	DESCRIPTION
1	71393941	1	BOX, MANUAL HOLDER
	71395769	AR	PRIMER, PLASTIC
	72506489	AR	ADHESIVE, URETHANE
2	71394877	1	PANEL, TRIM (LH)
	70937660	3	SCREW, SELF TAPPING 1/4-20 X 5/8
3	71391748	1	BACKLINER ASY.
	72506489	AR	ADHESIVE, URETHANE
4	71394893	1	SUPPORT, BACKREST
	70937660	3	SCREW, SELF TAPPING 1/4-20 X 5/8
5	71406877S	1	PANEL, ELECT. CABINET
	70937660	3	SCREW, SELF TAPPING 1/4-20 X 5/8
6	71394884	1	GROMMET
7	71400502	1	DOOR ASY, FUSE PANEL
	71395760	1	DECAL, FUSE LABEL (INSIDE OF DOOR) (PRIOR S/N HN36101)
	700723598	1	DECAL, FUSE LABEL (EFF. S/N HN36101)
8	71393944	4	HINGE ASY.
	70930611	8	SCREW, PAN HD. MACH. #10-24 X 3/8
9	72505639	3	LATCH, MAGNETIC
10	71394879	3	PLATE, LATCH MOUNTING
11	71393947	3	PULL, CABINET DOOR
	70937263	6	SCREW, SELF TAPPING #10-16 X 1/2
12	71394885	4	SHIM
	70930611	8	SCREW, PAN HD. MACH. #10-24 X 3/8
13	71400504	1	ASH TRAY
	700710188	2	SCREW, PAN HD. MACH. #6-32 X 3/4
14	71393938	1	DOOR, MANUAL HOLDER
15	71395771	1	PANEL ASY.
	70937660	1	SCREW, SELF TAPPING, 1/4-20 X 5/8
16	71408224	1	FLOORMAT, (RH)
17	71394892	1	COVER, FLOOR (RH)
	70937660	3	SCREW, SELF TAPPING, 1/4-20 X 5/8
18	71394899	1	SUPPORT
	70937660	2	SCREW, SELF TAPPING, 1/4-20 X 5/8
19	71394900	1	GUIDE
20	71394891	1	SURROUND, OPERATORS SEAT
	70937660	2	SCREW, SELF TAPPING, 1/4-20 X 5/8
21	71394890	1	SURROUND, INSTRUCTORS SEAT
	70937660	3	SCREW, SELF TAPPING, 1/4-20 X 5/8
22	71408223	1	FLOORMAT, MAIN
	71410959	1	PROTECTOR SHEET, FLRMAT(EFF.S/N HR36101)
23	71394898	1	SUPPORT, MAIN
	70937660	2	SCREW, SELF TAPPING, 1/4-20 X 5/8
24	71394897	1	GUIDE, FRONT
25	71395773	1	THRESHOLD
	70937660	2	SCREW, SELF TAPPING, 1/4-20 X 5/8
26	71408225	1	FLOORMAT, INSTRUCTORS SEAT
27	71394896	1	SUPPORT, LEFT
	70937660	2	SCREW, SELF TAPPING, 1/4-20 X 5/8
28	71397427	1	BAFFLE
	372728X1	2	SCREW, SELF-TAPPING, 3/8-16 X 5/8

GC00304  
PR: 62

CHALLENGER 670 COMBINE  
CAB

PLATFORM  
LEFT & RIGHT



GC00307

**CHALLENGER 670 COMBINE  
CAB**

85

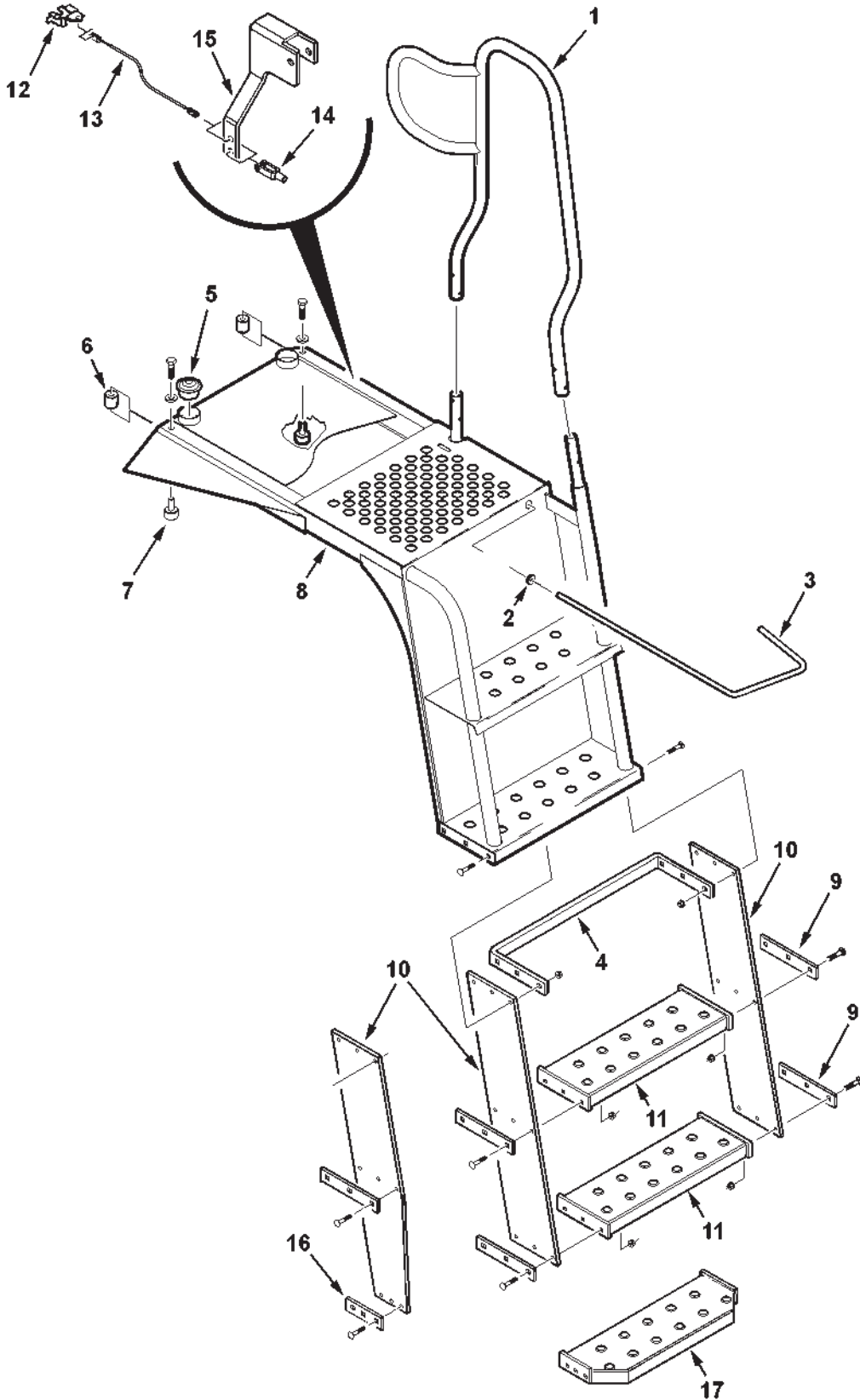
**PLATFORM  
LEFT & RIGHT**

ITEM	NUMBER	QTY	DESCRIPTION
1	71399437B	1	PLATFORM WLDMT, LH
	70924744	4	CAPSCREW, 5/8-11 X 1-1/2
	70917373	4	LOCKWASHER, 5/8
	7704919	2	NUT, HEX FLANGE, 5/8-11 GR8
	70921965	2	CAPSCREW, 3/8-16 X 3/4
2	71396682B	1	PLATE, TOP DECK
	7772049	6	SCREW, HEX FLNG SERR, 5/16-18 X 1
	700725958	6	INSERT, THREADED, 5/16-18
3	71396743	2	BALL, TRANSFER, 30MPC
4	71396684	1	PLATE, WEAR (LOWER FRT.)
	70918222	3	SCR, FLAT CSK HD MACH, 1/4-20 X 3/4
	70931209	3	LOCKNUT, HEX FLNG SERR, 1/4-20
5	71396283	1	HANDRAIL WLDMT, LH
	7703424	3	SCREW, HEX FLNG. SERR., 3/8-16 X 1.0
	700725634	3	INSERT, THREADED, 3/8-16
6	71401700	1	GRABRAIL WLDMT, LH
	70925960	2	SCREW, PAN HD MACH, 5/16-18 X 1-1/2
	70931277	2	LOCKNUT, HEX SERR. FLANGE, 5/16-18
7	700708648	2	BUMPER
	700707203	2	SCREW, HEX WSHR HD MACH #12-24 X 3/4
	373839X1	2	NUT, HEX CENTER LOCK, #12-24
8	71396501	1	PLATFORM, RH
	70924744	4	CAPSCREW, 5/8-11 X 1-1/2
	70917373	4	LOCKWASHER, 5/8
	7704919	2	NUT, HEX FLANGE, 5/8-11 GR8
9	71396510	1	HANDRAIL WLDMT, RH (PRIOR S/N HN36101)
	71399442	1	HANDRAIL WLDMT, RH (EFF. S/N HN36101)
	7771470	2	SCREW, HEX SERR FLNG, 3/8-16 X 1-1/4
	700725634	2	INSERT, THREADED, 3/8-16
	70922130	1	CAPSCREW, 3/8-16 X 2-1/4
	Y705533	1	WASHER, 3/8 HARD
	Y704734	1	NUT, HEX FLNG TOP LOCK, 3/8-16
11	71396729	1	BRKT WLDMT, REFLECTOR(PRIOR S/N HN36101)
	103668W1	2	SPACER, PRESSURE PAD (PRIOR S/N HN36101)
	7701717	2	CAPSCREW, 5/16-18 X 1-1/2
	Y705525	4	WASHER, 5/16
	Y704726	2	NUT, HEX FLNG TOP LK, 5/16-18
12	71399446	1	BUMPER, RUBBER, 5/16-18 X 1 STUD
	70920161	1	NUT, HEX JAM, 5/16-18
13	71399444	1	BRKT WLDMT, REFLECTOR (EFF. S/N HN36101)
14	71399445	2	U-CLAMP ASY, W/NUTS, 1/4-20 (EFF. S/N HN36101)
15	71401707	2	STRIKER, LATCH
	Y705525	2	WASHER, 5/16 HARD
	70931277	2	LOCKNUT, HEX SERR. FLANGE, 5/16-18

GC00307  
PR: 64

CHALLENGER 670 COMBINE  
CAB

PIVOTING LADDER LH





**CHALLENGER 670 COMBINE  
CAB**

87

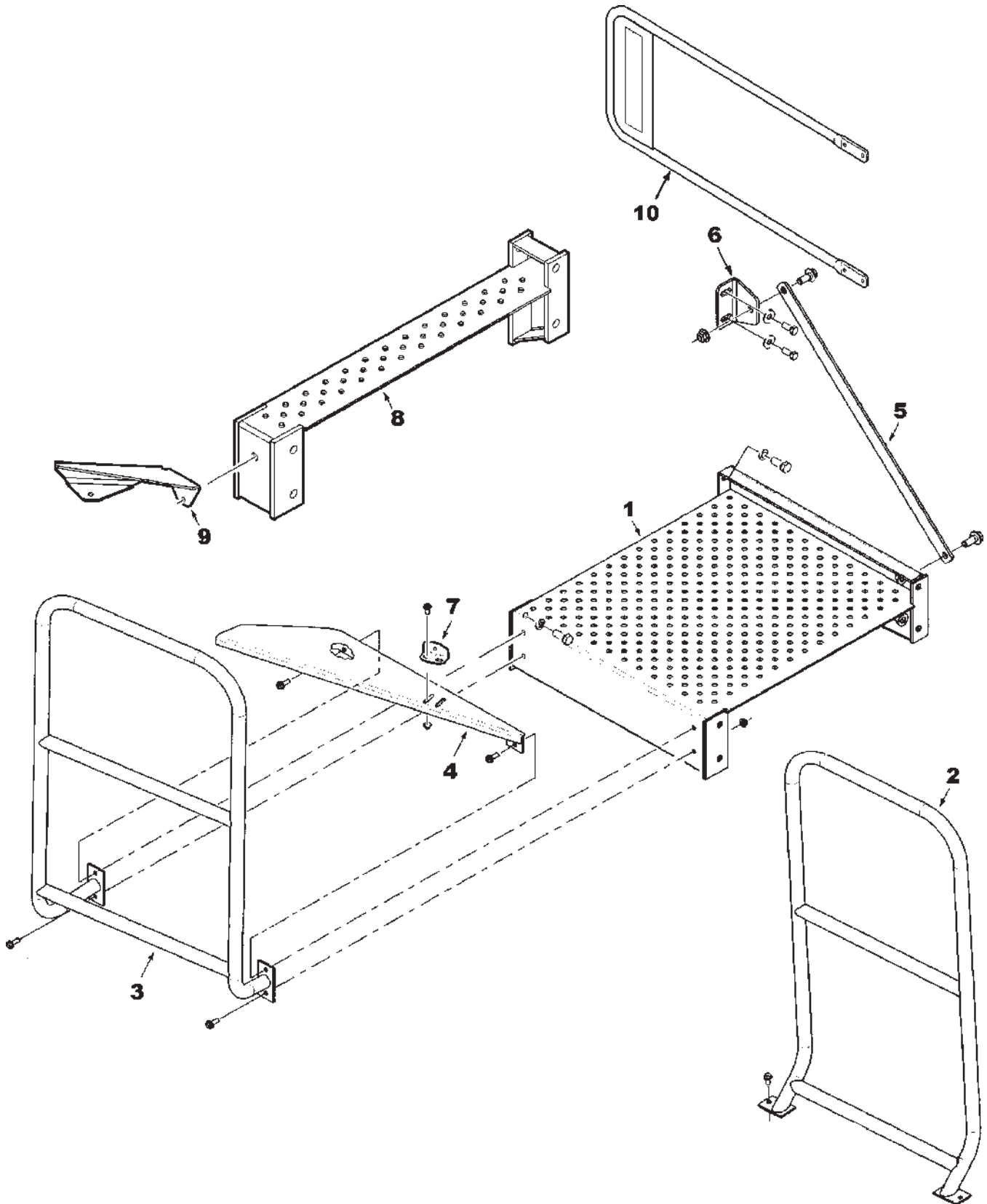
**PIVOTING LADDER LH**

ITEM	NUMBER	QTY	DESCRIPTION
1	71400628	1	TUBE WLDMT, GRAB
	7703838	1	CAPSCREW, 5/16-18 X 1-3/4
	6514772	1	SPACER
	7704117	1	NUT, HEX TOP LOCK, 5/16-18
	70925960	1	SCR,PHILLIPS PAN HD, 5/16-18 X 1-1/2
	Y705525	1	WASHER, 5/16 HARD
	70931277	1	NUT, HEX SERR. FLANGE, 5/16-18
2	70928304	1	GROMMET
3	71396745	1	ROD, OUTER LATCH
4	71397515	1	BRACKET, TREAD SUPPORT
5	71396743	2	BALL, TRANSFER, 30MPC
6	71396677	2	SPACER, THREADED
7	8050866	2	BEARING, CAM FOLLOWER
	873364	2	CAPSCREW, 1/2-20 X 3/4
	52167	2	BUSHING, 1/2 ID X 7/8 OD X 18 GA
8	71401710B	1	LADDER WLDMT, PLATFORM
9	71362525	4	ANCHOR STRAP (QTY 2 S/N HN36101 THRU S/N HP36183, PROD'N MID-RUN)
10	71396735	2	PLATE, FLEXIBLE, PARALLEL SIDES
	71400641	2	PLATE,FLEXIBLE, TAPERED PROFILE (EFF.S/N HN36101 THRU HP36183 PROD'N MID-RUN)
	7700107	18	BOLT, RD HD SQ NK, 5/16-18 X 1-1/4
	70931277	18	LOCKNUT, HEX SERR. FLANGE, 5/16-18
11	71394472	2	TREAD WLDMT, STEP (QTY 1 S/N HN36101 THRU S/N HP36183, PROD'N MID-RUN)
12	71397510	1	LATCH ASY
	700718807	2	SCR,HX SCKT FLAT HD,SPL, 5/16-18 X 1
13	71397511	1	CABLE ASY, LATCH RELEASE
	7703457	3	CAPSCREW, 1/4-20 X 3/4
	1703354	2	NUT, HEX FLNG TOP LOCK, 1/4-20
	705012	1	LOCKWASHER, 1/4
	353769X1	3	WASHER, HARDENED, 1/4
	70920438	2	NUT, HEX JAM, 5/16-24
14	766410	1	CLEVIS
	70927401	1	CAPSCREW, 1/4-20 X 1
	1703354	1	NUT, HEX FLNG TOP LOCK, 1/4-20
15	71397255	1	PEDAL, FLOOR LATCH
	7703838	1	CAPSCREW, 5/16-18 X 1-3/4
	Y704726	1	NUT, HEX FLNG TOP LOCK, 5/16-18
16	71400630	2	ANCHOR STRAP, BOTTOM (EFF. S/N HN36101 THRU S/N HP36183, PROD'N MID-RUN)
17	71400631	1	TREAD WLDMT, BOTTOM (EFF. S/N HN36101 THRU S/N HP36183, PROD'N MID-RUN)

MC00365  
PR: 66

CHALLENGER 670 COMBINE  
CAB

DECK EXTENSION  
145" TREAD AND DUALS



**CHALLENGER 670 COMBINE  
CAB**

89

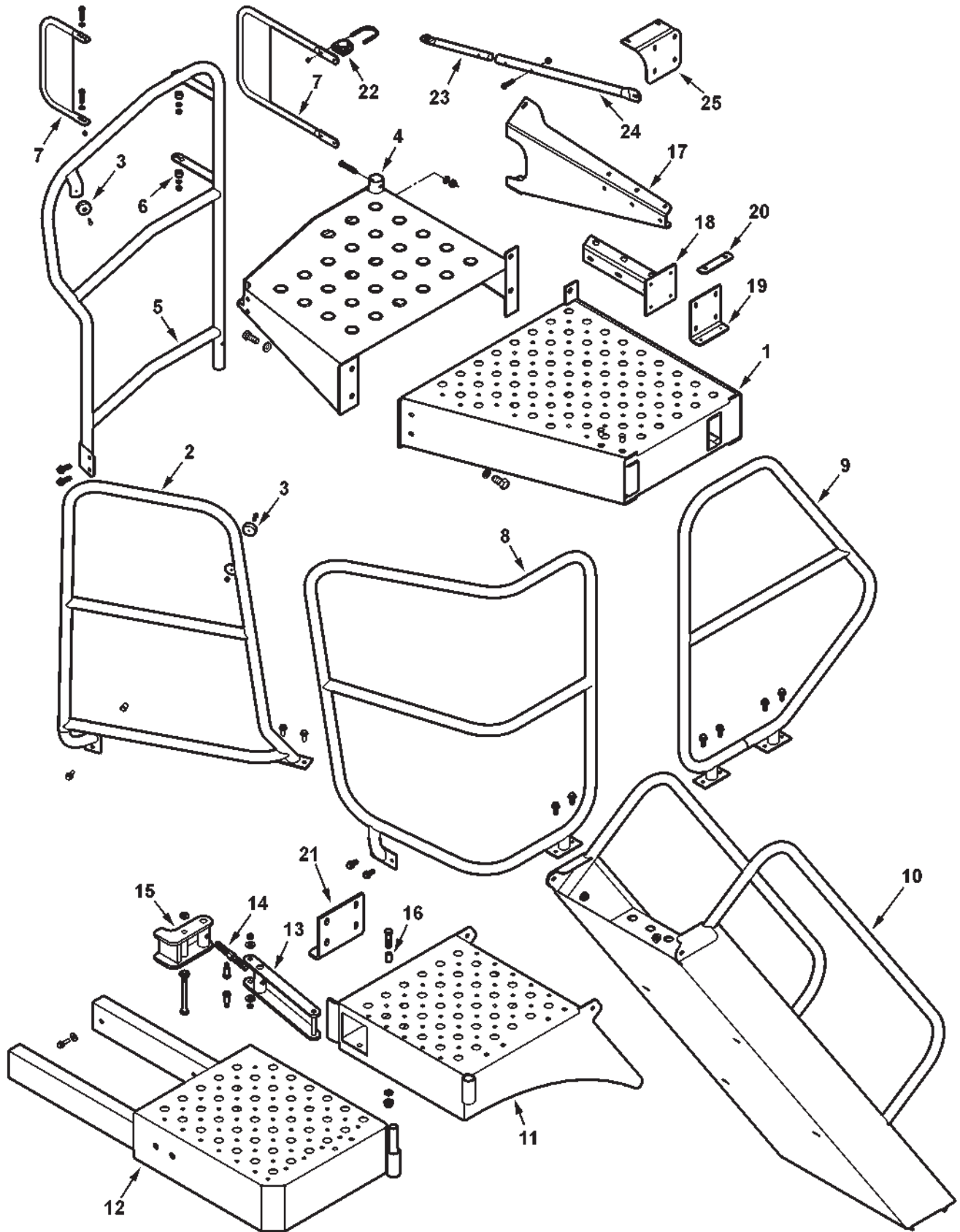
**DECK EXTENSION  
145" TREAD AND DUALS**

ITEM	NUMBER	QTY	DESCRIPTION
1	71397268	1	PLATFORM EXTN WLDMT, 145" TREAD
	71397526	1	PLATFORM EXTN WLDMT, DUALS
	70924744	4	CAPSCREW, 5/8-11 X 1-1/2 GR5
	70917373	4	LOCKWASHER, 5/8 REG
	7704919	4	NUT, HEX FLANGE GR8
2	71400645	1	HANDRAIL WLDMT, SIDE, 145" TREAD
	71400646	1	HANDRAIL WLDMT, SIDE, DUALS
	372729X1	2	SCR, HX WSHR HD TAP'G, 5/16-18 X 3/4
3	71397265	1	HANDRAIL WLDMT, 145" TREAD
	71397532	1	HANDRAIL WLDMT, DUALS
	Y704734	4	NUT, HEX FLNG TOP LK, 3/8-16
	7883382	4	SCREW, HEX WSHR HD MACH 3/8-16 X 1
4	71397272	1	FILLER WLDMT, EXTENSION, 145" TREAD
	71397536	1	FILLER WLDMT, EXTENSION, DUALS
5	71397271	1	STRAP, SUPPORT, 145" TREAD
	71397535	1	STRAP, SUPPORT, DUALS
	700703922	2	NUT, HEX FLNG TOP LK, 5/8-11
	700711262	2	CAPSCREW, HEX FLNG, 5/8-11 X 1-1/2
6	71397506	1	BRACKET, SUPPORT
7	71397538	1	ANGLE, DOOR STOP (DUALS)
	Y704726	2	NUT, HEX FLNG TOP LOCK, 5/16-18
	7883325	2	SCR, HEX WSHR HD MACH, 5/16-18 X 3/4
8	71400626	1	PLATFORM EXT'N WLDMT, 4"
	70923112	4	CAPSCREW, 5/8-11 X 1-3/4 GR5
	70917373	4	LOCKWASHER, 5/8 REG
	7704919	4	NUT, HEX FLANGE GR8
9	71399447	1	PLATE, FILLER, 4" EXT'N
	7883325	2	SCR, HEX WSHR HD MACH, 5/16-18 X 3/4
	Y704726	2	NUT, HEX FLNG TOP LOCK, 5/16-18
10	71401701	1	BRKT EXT WLDMT, RH, W/REFLECTOR DECALS
-	71400007	AR	*KIT, DECK EXTENSION (145" TREAD)
-	71400008	AR	*KIT, DECK EXTENSION (180" TREAD/DUALS)
-	71402015	AR	*KIT, 4" DECK EXTENSION

\*ORDER THRU DEALER CENTRAL

GC00320  
PR: 68

STAIRCASE LADDER & PLATFORM



**CHALLENGER 670 COMBINE  
CAB**

91

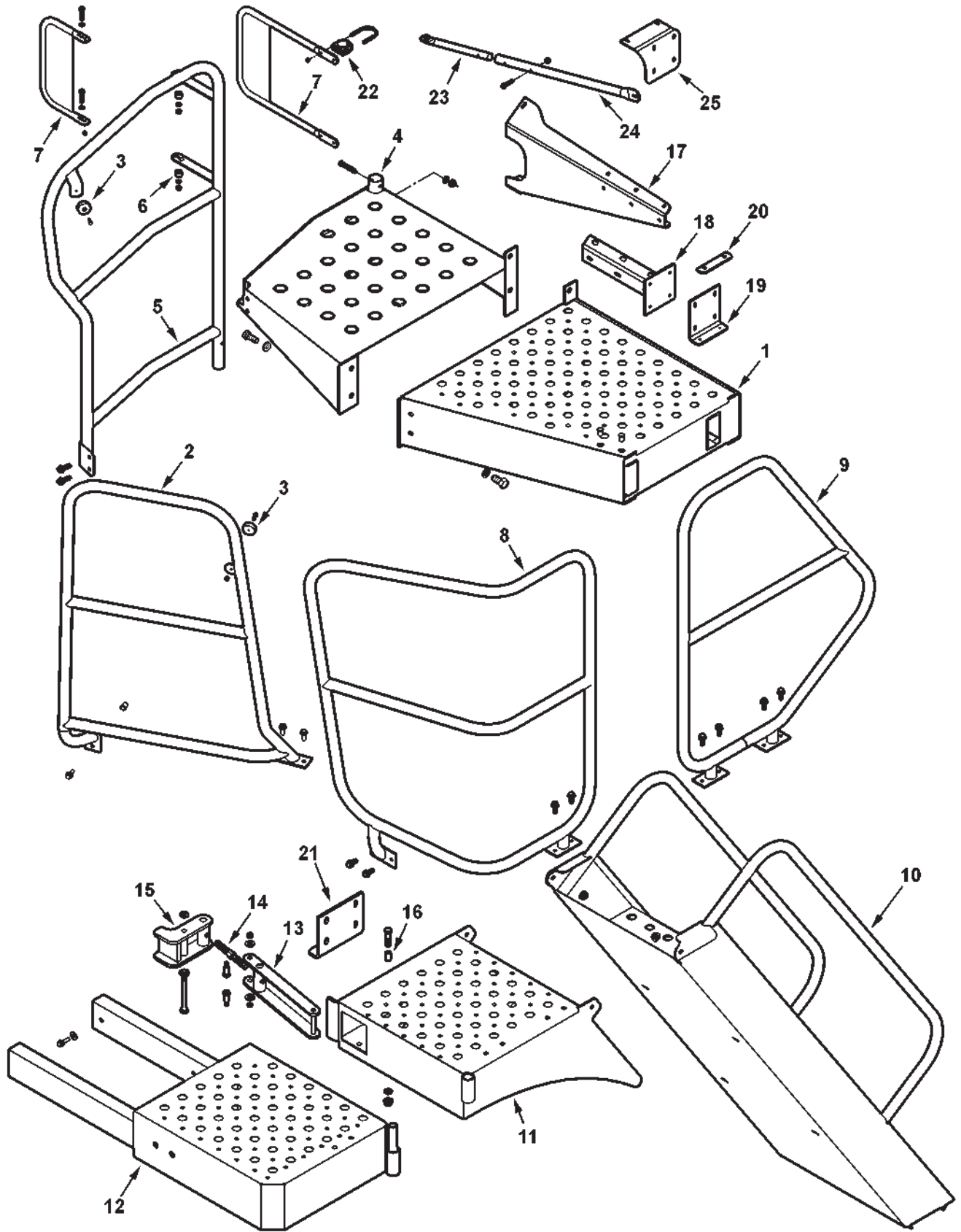
**STAIRCASE LADDER & PLATFORM**

ITEM	NUMBER	QTY	DESCRIPTION
1	71398429	1	PLATFORM, STAIRCASE
	70924744	4	CAPSCREW, 5/8-11 X 1-1/2
	70917373	4	LOCKWASHER, 5/8
	7704919	2	NUT, HEX FLANGE, 5/8-11 GR 8
2	71398436	1	HANDRAIL, LH
	700725634	4	INSERT, THREAD, 3/8-16
	7703424	4	SCREW, HEX SERR FLANGE, 3/8-16 X 1
3	700708648	2	BUMPER
	700707203	2	SCREW, HEX WSHR HD #12-24 X 3/4
	373839X1	2	NUT, HEX CENTER LOCK, #12-24
4	71396501	1	PLATFORM, RH
	70924744	4	CAPSCREW, 5/8-11 X 1-1/2
	70917373	4	LOCKWASHER, 5/8
	7704919	2	NUT, HEX FLANGE, 5/8-11 GR 8
5	71396510	1	HANDRAIL WLMT, RH (PRIOR S/N HP36101)
	71399442	1	HANDRAIL WLMT, RH (EFF. S/N HP36101)
	70922130	1	CAPSCREW, 3/8-16 X 2-1/4
	Y705533	1	WASHER, HARDENED 3/8
	Y704734	1	NUT, HEX FLANGE TOP LOCK, 3/8-16
	7771470	2	SCREW, HEX SERR FLNG, 3/8-16 X 1-1/4
	700725634	2	INSERT, THREAD, 3/8-16
6	103668W1	2	SPACER, PRESSURE PAD (PRIOR S/N HP36101)
	71396729	1	BRACKET WLMT, RFLCTRS(PRIOR S/N HP36101)
7	71399444	1	BRACKET WLMT, RFLCTRS (EFF. S/N HP36101)
	7701717	2	CAPSCREW, 5/16-18 X 1-1/2 (PRIOR S/N HP36101)
	Y705525	4	WASHER, HARDENED 5/16
	Y704726	2	NUT, HEX FLNG TOP LOCK, 5/16-18
8	71398196	1	HANDRAIL, CORNER
	7703424	4	SCREW, HEX FLNG SERR, 3/8-16 X 1
9	71397842	1	HANDRAIL, STAIRCASE LEFT
	7703424	4	SCREW, HEX FLNG SERR, 3/8-16 X 1
	704247	4	NUT, HEX FLNG SERR, 3/8-16
10	71398182	1	STAIRCASE WLDMT
	7883424	2	CAPSCREW, HEX FLNG, 1/2-13 X 1
	Y704742	2	NUT, HEX FLNG TOP LOCK, 1/2-13
11	71398188B	1	LANDING, STAIRCASE
12	71398197	1	EXTENSION, STAIRCASE
	7771470	4	SCREW, HEX FLNG SERR, 3/8-16 X 1
	70917378	4	WASHER, WIDE 3/8
13	71398445	1	HANDLE WLDMT
	700705676	2	SCREW, HEX SKT HD 1/2 X 1 X 3/8-16
	705541	2	WASHER, HARDENED 1/2
	7704141	2	NUT, HEX TOP LOCK, 3/8-16
	71398505	1	STUD, ADJUSTMENT
15	71398501	1	LATCH, HANDLE
	873497	1	CAPSCREW, 1/2-13 X 5-1/2
	705541	2	WASHER, HARDENED 1/2
16	WSP1344	1	SPACER, TUBE
	7701675	1	CAPSCREW, HEX 1/2-13 X 2
	700700057	1	WASHER, 1/2
	704254	1	NUT, HEX FLNG SER LOCK, 3/8-16

CONTINUED

MC00289  
PR: 70

STAIRCASE LADDER & PLATFORM



**CHALLENGER 670 COMBINE  
CAB**

93

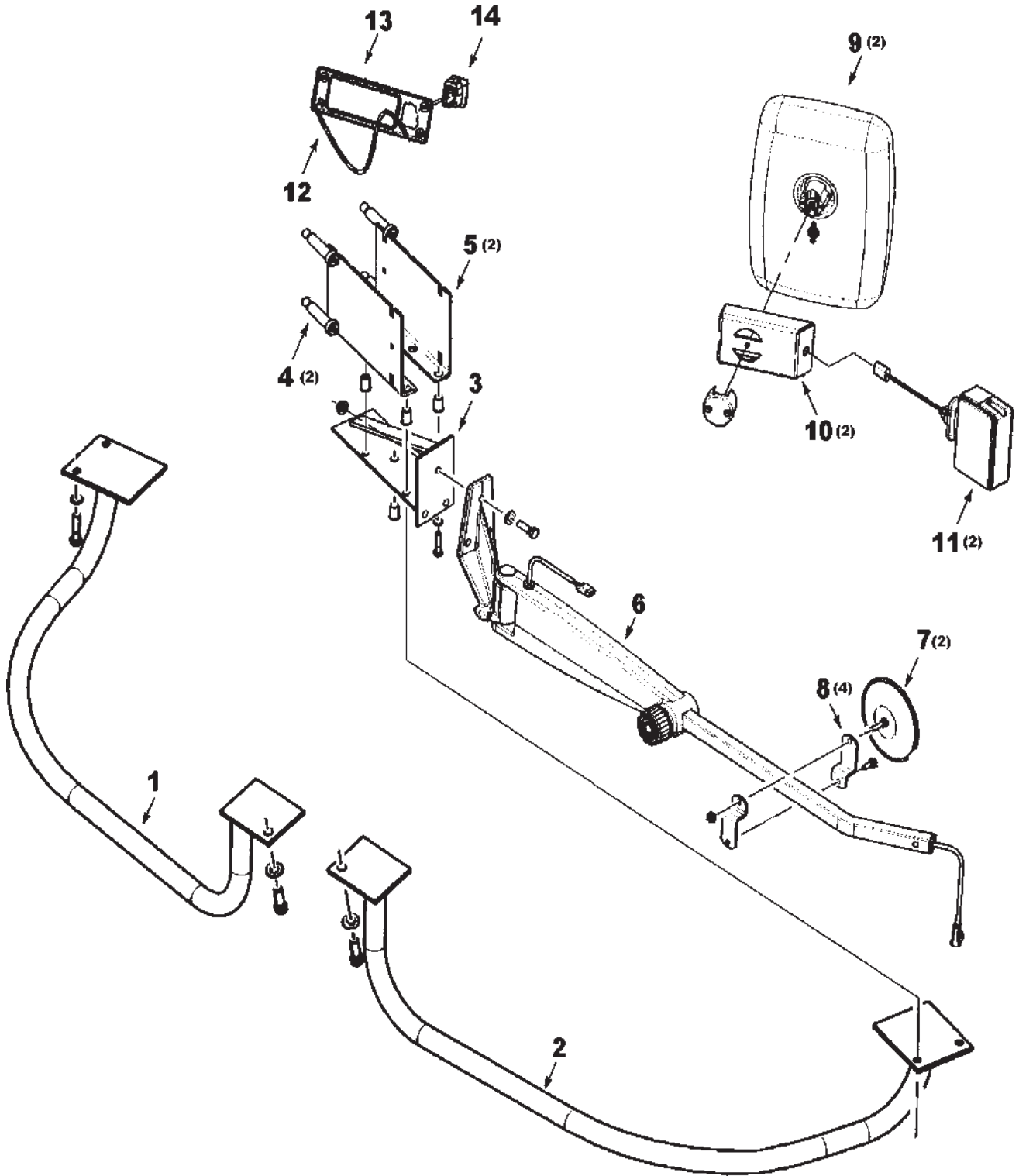
**STAIRCASE LADDER & PLATFORM**

ITEM	NUMBER	QTY	DESCRIPTION
17	71398514	1	SUPPORT WLMT, LADDER (PRIOR S/N HP36101)
	7883408	1	SCREW, HEX FLNG, 3/8-16 X 1-1/4 GR8
	Y704734	1	NUT, HEX FLNG TOP LOCK, 3/8-16
	700710984	1	SCREW, HEX FLNG, 1/2-13 X 1-1/4 GR8
	Y704742	1	NUT, HEX FLNG TOP LOCK, 1/2-13
18	71398511	1	EXTENSION WLMT, SUPPT(PRIOR S/N HP36101)
	700710984	4	SCREW, HEX FLNG, 1/2-13 X 1-1/4 GR8
	Y704742	4	NUT, HEX FLNG TOP LOCK, 1/2-13
19	71398509	1	SUPPORT BRKT, BUMPER
	7883408	4	SCREW, HEX FLNG, 3/8-16 X 1-1/4 GR8
	Y704734	4	NUT, HEX FLANGE TOP LOCK, 3/8-16
20	71398518	1	PLATE, CONTACT
	70918222	2	SCREW, MACH, 1/4-20 X 3/4
	70931209	2	NUT, HEX SERR FLANGE, 1/4-20
21	71398510	1	SUPPORT BRACKET
	70921210	4	CAPSCREW, 3/8-16 X 1"
	Y704734	4	NUT, HEX FLANGE TOP LOCK, 3/8-16
22	71399445	2	U-CLAMP ASY, W/NUTS, 1/4-20 (EFF. S/N HP36101)
23	71401723	1	TUBE, INNER SUPPORT (EFF. S/N HP36101)
	70920415	2	CAPSCREW, 3/8-16 X 1-1/4 GR5
	Y704734	2	NUT, HEX FLANGE TOP LOCK, 3/8-16
24	71401722	1	TUBE, OUTER SUPPORT (EFF. S/N HP36101)
	7701055	1	CAPSCREW, 3/8-16 X 1-3/4 GR5
	Y704734	1	NUT, HEX FLANGE TOP LOCK, 3/8-16
25	71406751	1	BRKT WLDMT, SUPPORT (EFF. S/N HP36101)
	7883408	2	SCREW, HEX FLNG, 3/8-16 X 1-1/4 GR8
	Y704734	2	NUT, HEX FLANGE TOP LOCK, 3/8-16

MC00289  
PR: 70



MIRRORS & EXTREMITY LIGHTS  
MANUAL & ELECTRIC ADJUST



**CHALLENGER 670 COMBINE  
CAB**

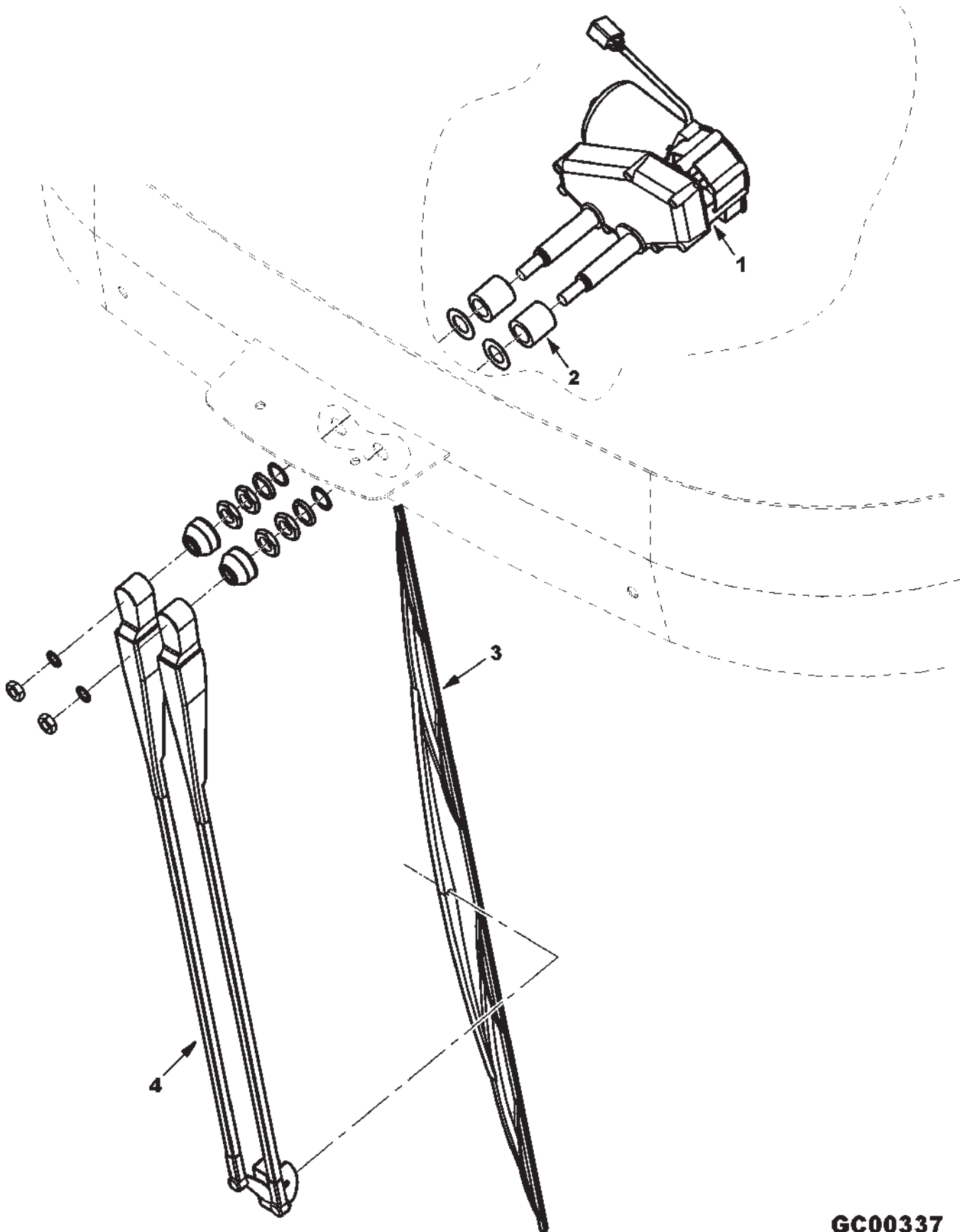
95

**MIRRORS & EXTREMITY LIGHTS  
MANUAL & ELECTRIC ADJUST**

ITEM	NUMBER	QTY	DESCRIPTION
1	71393324	1	GRABRAIL, RIGHT
	70921210	1	CAPSCREW, 3/8-16 X 1.0
	Y705533	1	WASHER, 3/8
	Y704734	1	LOCKNUT, HEX FLNG, 3/8-16
	70921977	2	CAPSCREW, 5/16-18 X 1-1/4
2	Y705020	2	LOCKWASHER, 5/16
	71393323	1	GRABRAIL, LEFT
	70921210	1	CAPSCREW, 3/8-16 X 1.0
	Y705533	1	WASHER, 3/8
	Y704734	1	LOCKNUT, HEX FLNG, 3/8-16
3	70921977	2	CAPSCREW, 5/16-18 X 1-1/4
	Y705020	2	LOCKWASHER, 5/16
	71390453	1	BRACKET, MIRROR ARM (LH)
	71390452	1	BRACKET, MIRROR ARM (RH)
	70921977	4	CAPSCREW, 5/16-18 X 1-1/4
4	Y705020	4	LOCKWASHER, 5/16
	700725958	AR	INSERT, THREADED, 5/16-18
	71390450	2	BRACKET
	704254	4	LOCKNUT, HEX FLNG SERR, 1/2-13
	71390451	2	BRACKET
5	704254	4	LOCKNUT, HEX FLNG SERR, 1/2-13
	71387272	1	ARM, MIRROR (MANUAL) (LH)
	71387279	1	ARM, MIRROR (REMOTE) (LH)
	71387271	1	ARM, MIRROR (MANUAL) (RH)
	71387278	1	ARM, MIRROR (REMOTE) (RH)
6	71397838	1	THUMBWHEEL ASY.
	70920415	6	CAPSCREW, 3/8-16 X 1-1/4
	Y705533	6	WASHER, 3/8
	Y704734	6	LOCKNUT, HEX FLNG, 3/8-16
	71355604	2	MIRROR, GRAIN BIN
7	70931209	2	LOCKNUT, HEX FLNG SERR, 1/4-20
	71407655	4	BRACKET
	70930594	2	SCR, HEX SERR FLNG HD, 1/4-20 X 3/4
	70934479	2	NUT, HEX TOP LOCK, 1/4-20
	71387273	2	MIRROR ASY., (MANUAL)
8	71387280	2	MIRROR ASY., (REMOTE)
	71397839	2	MIRROR, GLASS
	71397840	2	RETAINING KIT, MIRROR
	71393455	2	BRACKET, EXTREMITY LIGHT
	71391501	2	LAMP, EXTREMITY
71390122	1	HARNESS, REMOTE MIRR.(PRIOR S/N HP36101)	
9	71395763	1	BEZEL, HVAC (MANUAL ADJUST MIRRORS) (PRIOR S/N HN36101)
	71393943	1	BEZEL, HVAC (REMOTE ADJUST MIRRORS)
	70937280	4	SCREW, PAN HD. SELF-TAP #8-32 X 3/4
	71387281	1	SWITCH, REMOTE MIRROR

GC00315  
PR: 74

WINDSHIELD WIPER



**CHALLENGER 670 COMBINE  
CAB**

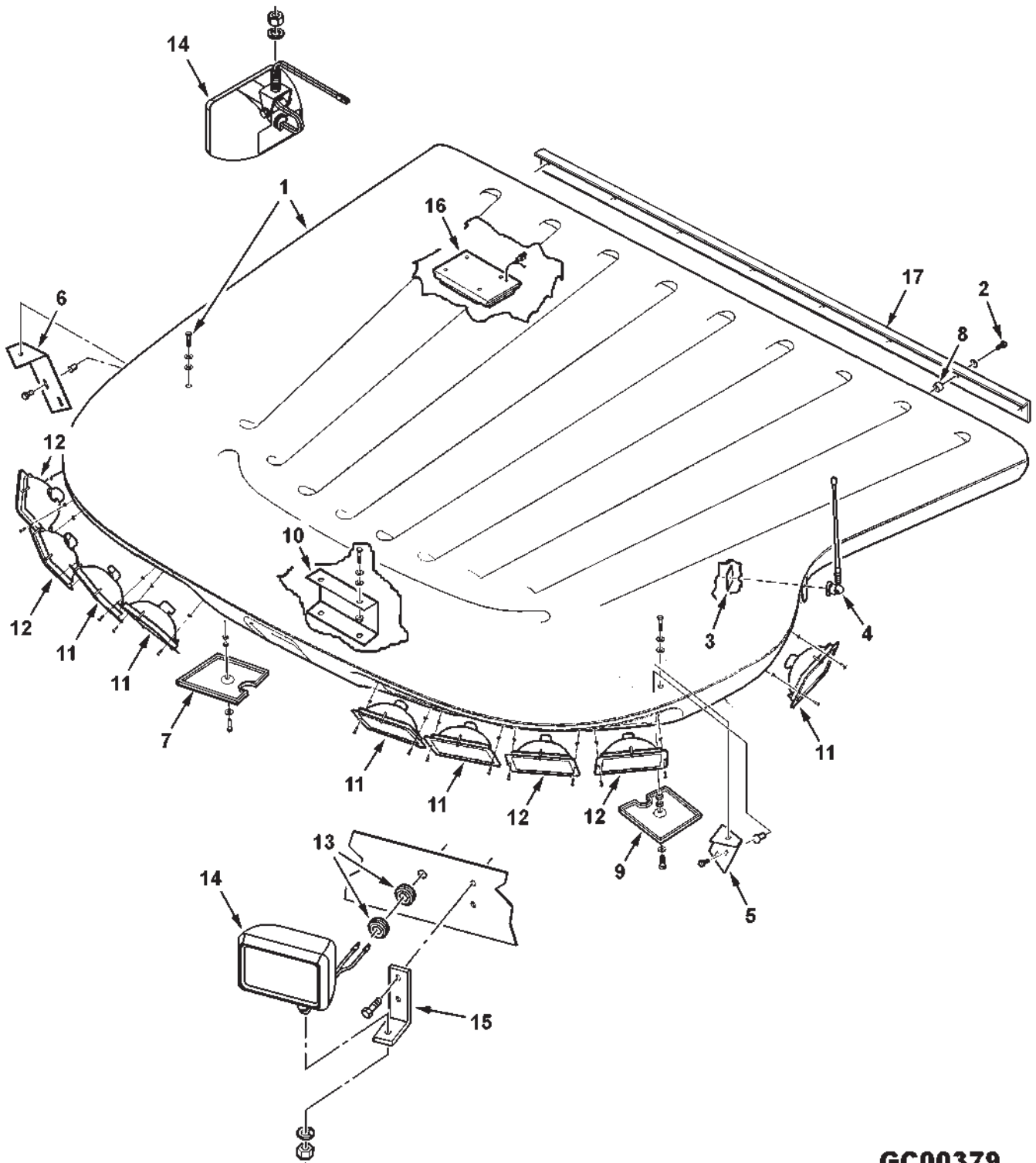
**97**

**WINDSHIELD WIPER**

ITEM	NUMBER	QTY	DESCRIPTION
1	71387295	1	MOTOR, WIPER (INCLUDES MOUNTING HRDWR)
	71397837	1	HRDWR KIT, MOTOR MOUNTING
-	71387420	1	SWITCH, WIPER (NOT ILL.) (REF. ALSO MODULES, UPPER CONSOLE)
2	71390468	2	BUSHING, WIPER
3	71387297	1	BLADE, WIPER
4	71390472	1	ARM, WIPER

GC00337  
PR: 76

ROOF & INTERIOR/EXTERIOR LIGHTS



**CHALLENGER 670 COMBINE  
CAB**

99

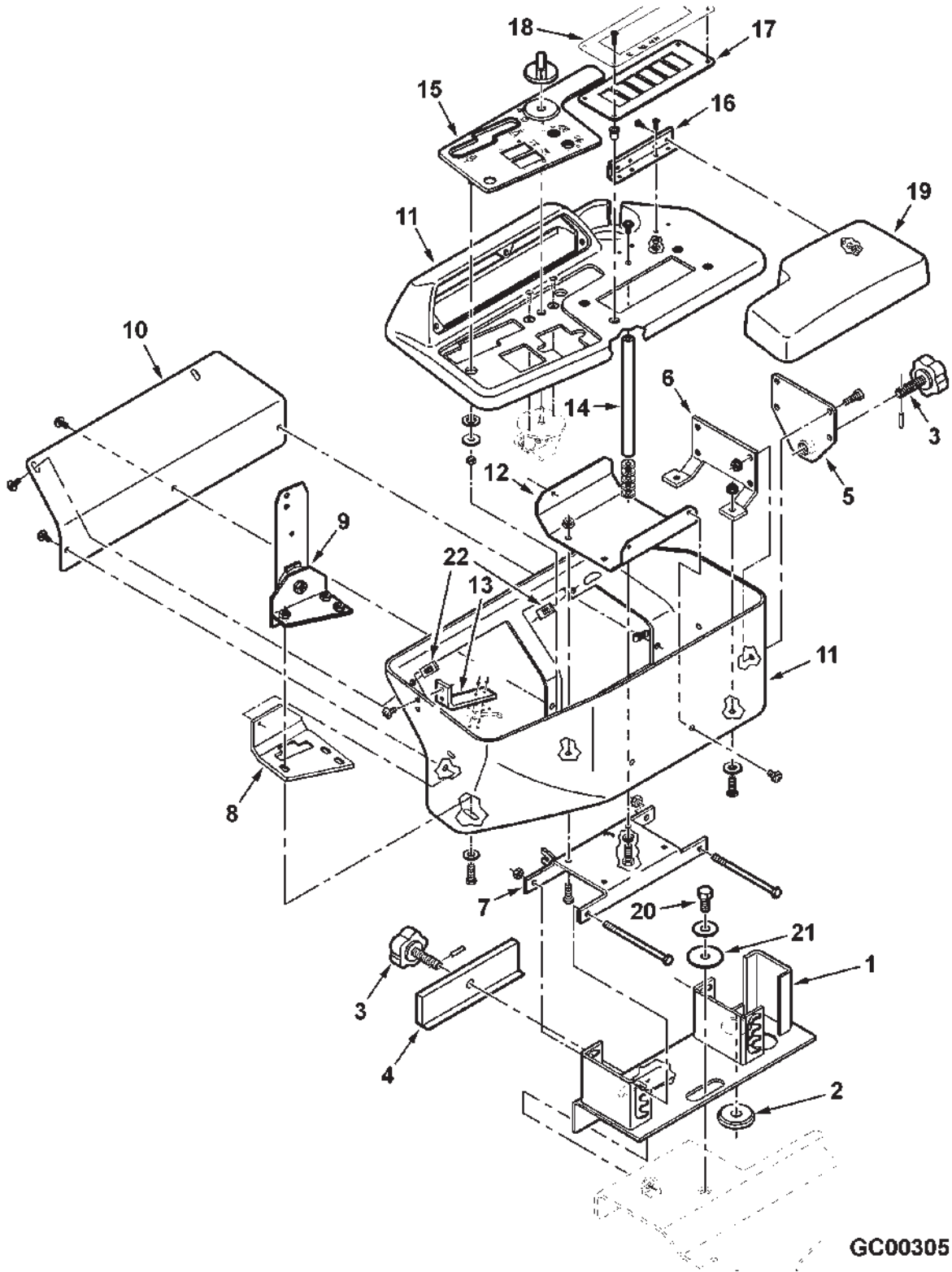
**ROOF & INTERIOR/EXTERIOR LIGHTS**

ITEM	NUMBER	QTY	DESCRIPTION
1	-----	1	ROOF ASY, CAB (PRIOR S/N HP36101) (ITEM 8 & 17 REQUIRED) (SERVICE W/ 71406749)
	71406749	1	ROOF ASY, CAB (EFF. S/N HP36101) (ITEM 8 NOT REQUIRED)
	7883325	4	SCR, HEX WSHR HD MACH, 5/16-18 X 3/4
	700709602	4	WASHER, 5/16 WIDE
	700717621	4	WASHER, RUBBER, .370 X .88 X .090
	Y704726	4	NUT, HEX FLANGE TOP LOCK, 5/16-18
2	70921960	9	CAPSCREW, 1/4-20 X 1 GR5
	700709601	9	WASHER, PLAIN WIDE, 1/4
3	71394800	1	PLATE, ANTENNA GRND.
4	RE210066	1	ANTENNA
5	71396736	1	BRACKET, ROOF SUPPORT, LH
6	71399426	1	BRACKET, ROOF SUPPORT, RH
	Y703132	4	SCR, HEX FLNG SERR., 5/16-18 X 3/4
	700725958	4	INSERT, THREADED, 5/16-18
7	71397523	1	COVER, SUPPORT ACCESS (RH)
	70921977	1	CAPSCREW, 5/16-18 X 1-1/4
	700709602	1	WASHER, WIDE PLAIN, 5/16
	70920161	1	JAM NUT, 5/16-18
	70917372	1	NUT, 5/16-18 REG
8	71401719	9	SPACER, .281 ID X .50 X .20 TH (PRIOR S/N HP36101)
9	71397524	1	COVER, SUPPORT ACCESS (LH)
	70921977	1	CAPSCREW, 5/16-18 X 1-1/4
	700709602	1	WASHER, PLAIN WIDE, 5/16
	70920161	1	JAM NUT, 5/16-18
	70917372	1	HEXNUT, 5/16-18
10	71398525	1	BRACKET, ROOF SUPPORT, FRONT
11	71387267	5	LAMP ASY., TRAP 25 DEG. UP
	700725576	AR	BULB, 12V 60W (GE 9004U)
	70937550	10	SCREW, PAN HD. SELF-TAP #8-18 X 3/4
	700715255	10	NUT, SPEED, #8
12	71387268	4	LAMP ASY., FLOOD 10 DEG. UP
	700725576	AR	BULB, 12V 60W (GE 9004U)
	70937550	8	SCREW, PAN HD. SELF-TAP #8-18 X 3/4
	700715255	8	NUT, SPEED, #8
13	7827983	4	GROMMET, WIRE
14	71406866	3	LIGHT, CAB, EXTERIOR
	Y705046	3	LOCKWASHER, 1/2
	704031	3	NUT, HEX 1/2-13
15	71396954	2	BRACKET
	7883325	4	SCREW, HEX MACH. 5/16-18 X 3/4
	70931277	4	LOCKNUT, HEX SERR FLANGE, 5/16-18
16	71361831	1	LIGHT, INTERIOR
	700701265	4	SCR, PAN HD. SELF-TAP, #8-18 X 1-1/2
	700705185	1	SCREW, PAN HD. MACH. #8-32 X 1/2 (GRND WIRE ATTACHING SCREW)
17	71401718P	1	ANGLE, ROOF RETAINER, REAR

GC00379  
PR: 78

CHALLENGER 670 COMBINE  
CAB

CONSOLE - SEAT





**CHALLENGER 670 COMBINE  
CAB**

101

**CONSOLE - SEAT**

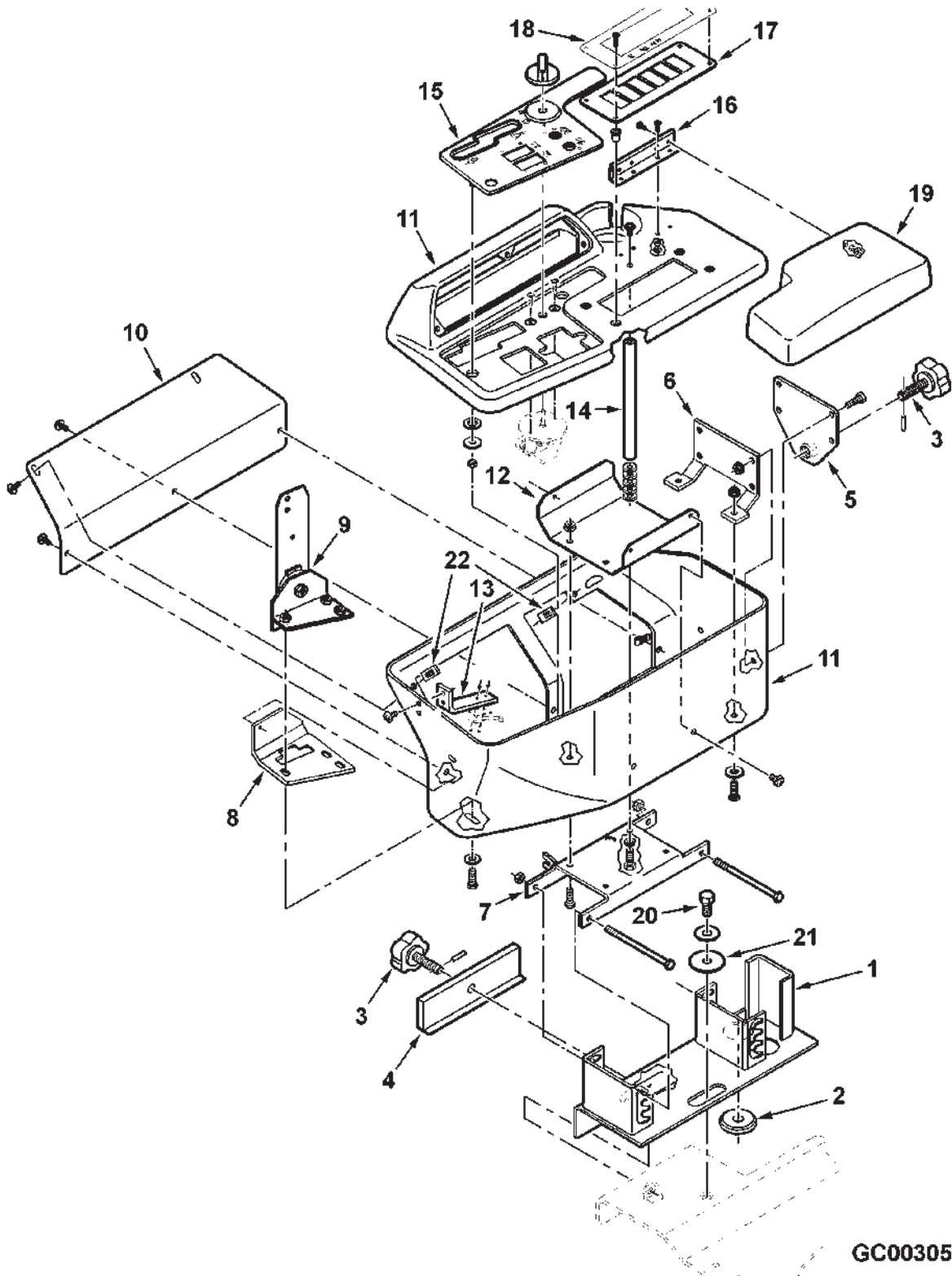
ITEM	NUMBER	QTY	DESCRIPTION
1	71398815	1	PLATE WLMT, ADJUSTER (PRIOR S/N HR36101)
	71409576	1	PLATE WLMT, ADJUSTER (EFF. S/N HR36101)
2	71395754	1	GROMMET
3	71388152	2	KNOB, THREADED, 1/2-13 X 2
	70918111	2	PIN, SPRING, 1/8 X 1
4	71393609	1	BAR, STABILIZER
5	71388149	1	PLATE, KNOB
	70921333	4	CAPSCREW, 5/16-18 X 1.0
	70931277	4	LOCKNUT, HEX SERR. FLANGE, 5/16-18
6	71393613	1	STIFFENER, REAR
	70921333	2	CAPSCREW, 5/16-18 X 1.0
	70917642	2	WASHER, 5/16 WIDE
	70931277	2	LOCKNUT, HEX SERR. FLANGE, 5/16-18
7	71388142	1	BASEPLATE
	70925693	2	CAPSCREW, 5/16-18 X 5.0
	70923362	2	LOCKNUT, 5/16-18
8	71393615	1	STIFFENER
9	71388129	1	PIVOT ASY., HYDRO HANDLE
	71408202	AR	KIT, PIVOT ASY REPAIR (INCL. ALL COMP'TS EXCEPT MTG BRKT & PVT LEVER)
10	70921333	3	CAPSCREW, 5/16-18 X 1.0
	70917642	3	WASHER, 5/16 WIDE
	71388154	1	COVER
11	70937660	5	SCREW, PAN HD,TAPPING, 1/4-20 X 5/8
	71400501	1	CONSOLE HSG (1 PIECE. SHOWN IN 2 PIECES) (PRIOR S/N HR36101)
12	71409600	1	CONSOLE HSG (1 PIECE. SHOWN IN 2 PIECES) (EFF. S/N HR36101)
	71393612	1	STIFFENER, BOTTOM
	70921333	3	CAPSCREW, 5/16-18 X 1.0
	70931277	3	LOCKNUT, HEX FLANGE SERR, 5/16-18
13	70937660	2	SCREW, PAN HD,TAPPING, 1/4-20 X 5/8
	71398165	1	BRACKET, PROXIMITY SWITCH (SERVICE WITH #71406876 FOR MICRO SWITCH)
	71406876	1	BRACKET, MICRO SWITCH (USED W/SWITCH #107041 - SEE ELECT. SECTION)
14	70937660	2	SCREW, PAN HD,TAPPING, 1/4-20 X 5/8
	71393614	1	STIFFENER, VERTICAL
	70921333	1	CAPSCREW, 5/16-18 X 1.0
	Y705525	5	WASHER, 5/16
	Y705020	1	LOCKWASHER, 5/16
15	70937660	1	SCREW, PAN HD,TAPPING, 1/4-20 X 5/8
	71393939	1	BEZEL, CONSOLE
	70923550	4	WASHER, .562 X 1.0 X 12GA
	70919381	4	WASHER, .344 X 1.0
	1703354	4	NUT, HEX FLANGE TOP LOCK, 1/4-20

CONTINUED

GC00305  
PR: 80

CHALLENGER 670 COMBINE  
CAB

CONSOLE - SEAT



CHALLENGER 670 COMBINE  
CAB

103

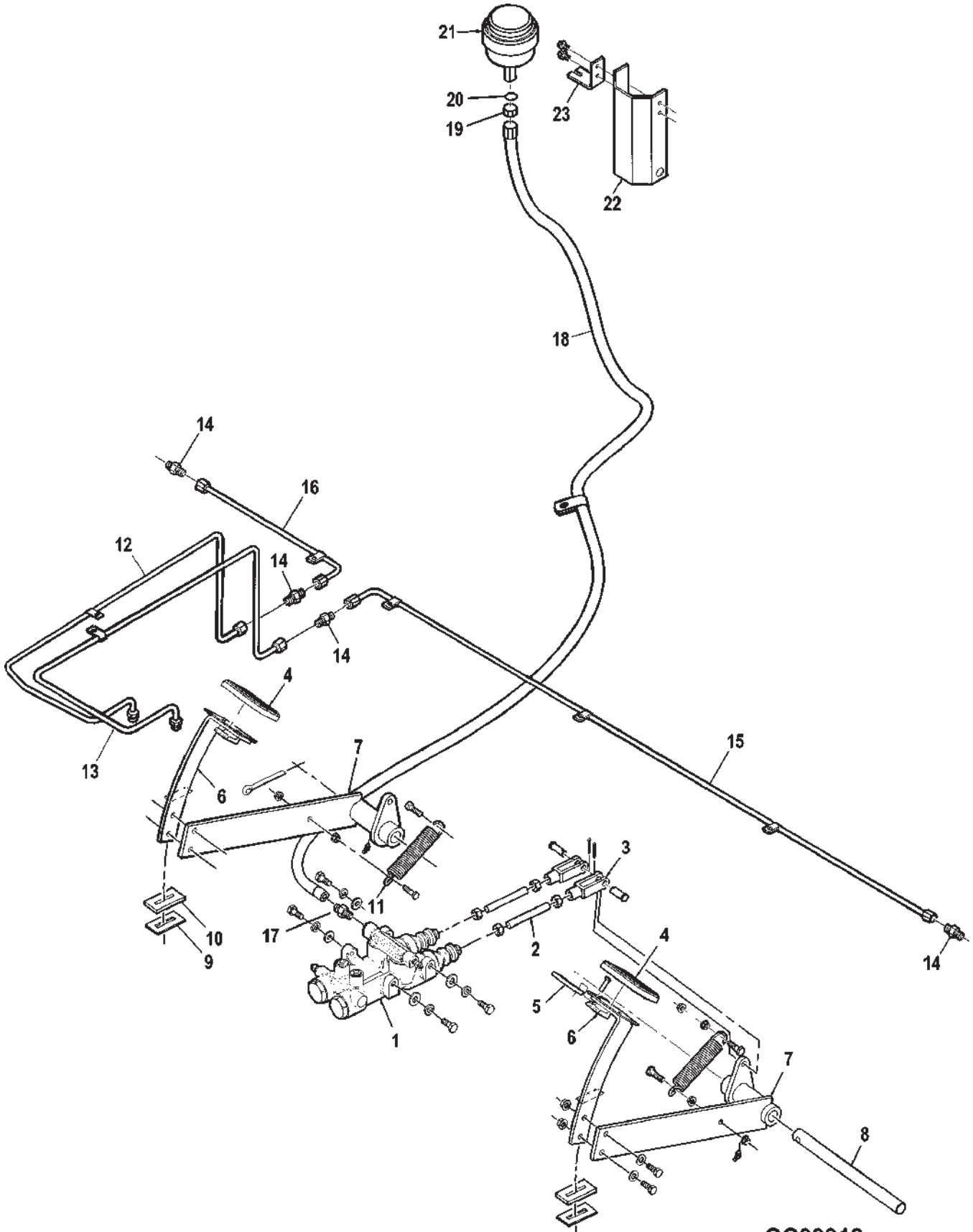
CONSOLE - SEAT

ITEM	NUMBER	QTY	DESCRIPTION
16	71391157	1	HINGE
	116047W1	8	SCREW, PAN HD. MACH. #10-24 X 5/8
	705004	8	LOCKWASHER, #10
	Y704072	8	HEXNUT, #10-24
17	71393929	1	PLATE, SWITCH MTG. (PRIOR S/N HR36101)
	71409579	1	PLATE, SWITCH MTG. (EFF. S/N HR36101)
	70937280	4	SCREW, SELF TAPPING #8-32 X 3/4
	71393926	4	WELLNUT, #8-32
18	71395764	1	DECAL, SWITCHES (PRIOR S/N HR36101)
	71409594	1	DECAL, SWITCHES (EFF. S/N HR36101)
19	71388131	1	ARMREST ASY.
20	70921865	1	CAPSCREW, NYLOK, 1/2-13 X 1
	70918431	1	WASHER, 1/2 WIDE
21	71398814	1	WASHER, POLYETHYLENE, NATURAL
22	700705135	3	SPEEDNUT 1/4-20

GC00305  
PR: 80

CHALLENGER 670 COMBINE  
CAB

CONTROL  
SERVICE BRAKES



GC00318

**CHALLENGER 670 COMBINE  
CAB**

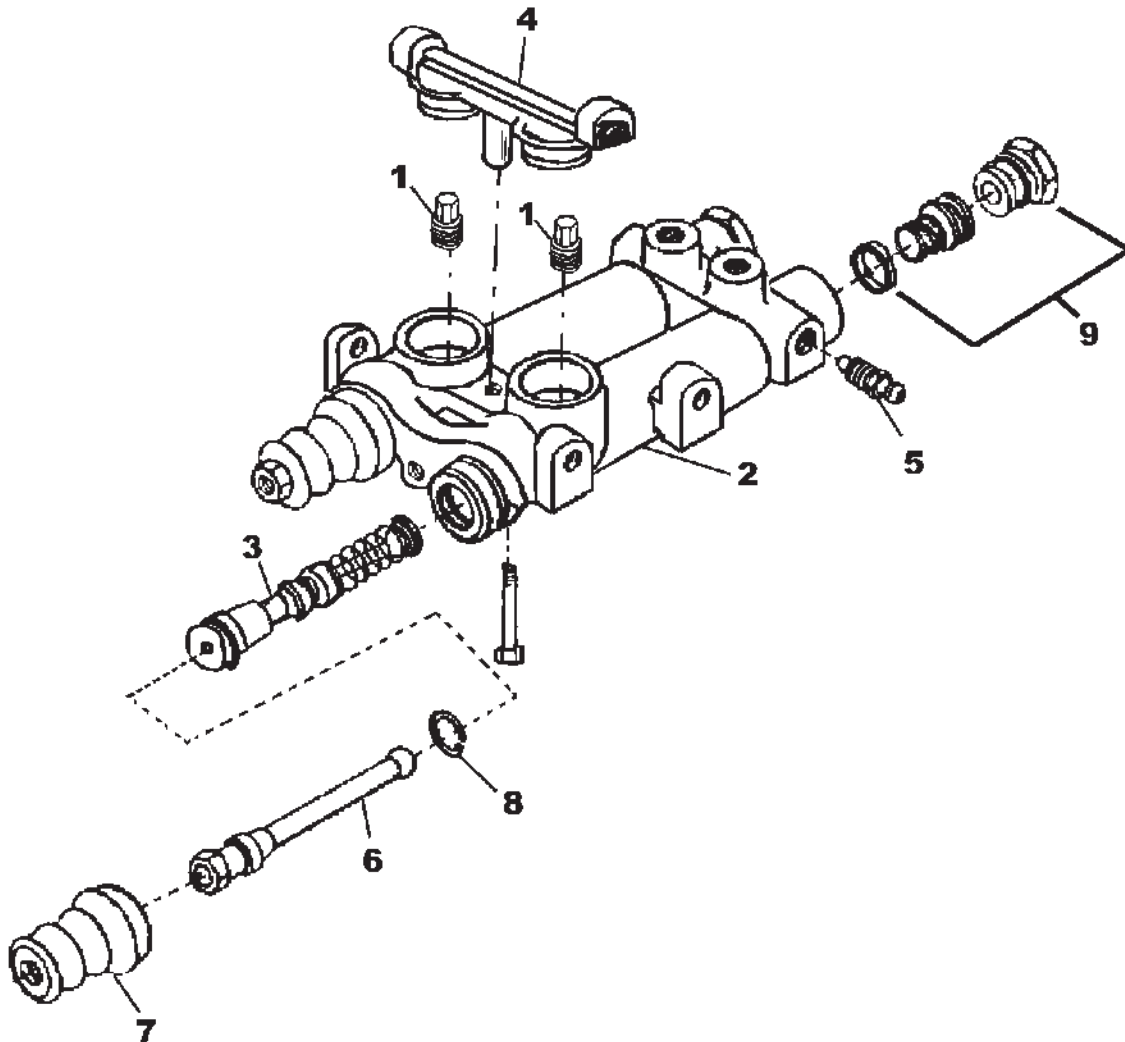
105

**CONTROL  
SERVICE BRAKES**

ITEM	NUMBER	QTY	DESCRIPTION
1	71378364	1	MASTER CYLINDER, BRAKE
	700708349	4	CAPSCREW, M10 X 1.5 X 25
	700702206	4	LOCKWASHER, 7/16
	700702916	4	WASHER, FLAT 3/8
2	71361940	2	ROD, BRAKE
	353426X1	4	HEXNUT, 7/16-20
3	W500053E	2	YOKE
	700706356	2	PIN, CLEVIS, 7/16 X 1-1/4
	70918452	2	PIN, COTTER, 1/8 X 1.0
4	71361947	2	PAD, PEDAL
5	71361941	1	LOCK, LINK (LH ONLY)
	763136	1	PIN, CLEVIS, 1/4 X 1.0
6	71390414	1	PEDAL, BRAKE (LH)
	71390413	1	PEDAL, BRAKE (RH)
	70921210	4	CAPSCREW, 3/8-16 X 1.0
	70918266	4	WASHER, FLAT, 3/8
	704247	4	LOCKNUT, 3/8-16
7	71387178	1	ARM, BRAKE PEDAL (LH)
	71387177	1	ARM, BRAKE PEDAL (RH)
	70925731	2	FITTING, GREASE, 1/4-28 X 45 DEG.
8	71361720	1	SHAFT, BRAKE PEDAL
	70929957	1	PIN, COTTER, 3/8 X 3.0
9	71387181	2	BRACKET
10	71390407	2	SEAL, PEDAL
11	1565240W1	2	SPRING
	70921977	4	CAPSCREW, 5/16 X 1-1/4
	70931277	8	LOCKNUT, HX FLNG SER 5/16-18
12	71391255	1	TUBE, M/CYL. (RH)
	70928654	1	CLAMP
	7704141	1	LOCKNUT, HX FLNG SER 3/8-16
13	71391256	1	TUBE, M/CYL. (LH)
	70928654	1	CLAMP
	7704141	1	LOCKNUT, HX FLNG SER 3/8-16
14	70919214	4	UNION, 1/4 JIC X 1/4 JIC
15	71391254	1	TUBE, CAB, (LH)
	70926919	3	CLAMP
	365775X1	3	SCREW, HEX SELF-TAP, 1/4-20 X 1/2
16	71391253	1	TUBE, CAB, (RH)
	70926919	1	CLAMP
	365775X1	1	SCREW, HEX SELF-TAP, 1/4-20 X 1/2
17	70920821	1	CONNECTOR, 1/4 HOSE X 5/16 INVERTED
18	71396273	1	HOSE ASY.
	70929402	1	CLAMP, HOSE, WORM DRIVE
19	N12998	1	NUT, HEX BULKHD, 9/16-18, SAE J514
20	112734W1	1	O-RING, .070 WIDE X .301 ID
21	112735W91	1	RESERVOIR, BRAKE
22	71393695B	1	COVER, RESERVOIR
23	71393694	1	BRACKET, RESERVOIR
	701953	2	SCR, HEX HD, THD TAPG, 5/16-18 X 3/4

GC00318  
PR: 82

BRAKE MASTER CYLINDER



**CHALLENGER 670 COMBINE  
CAB**

**107**

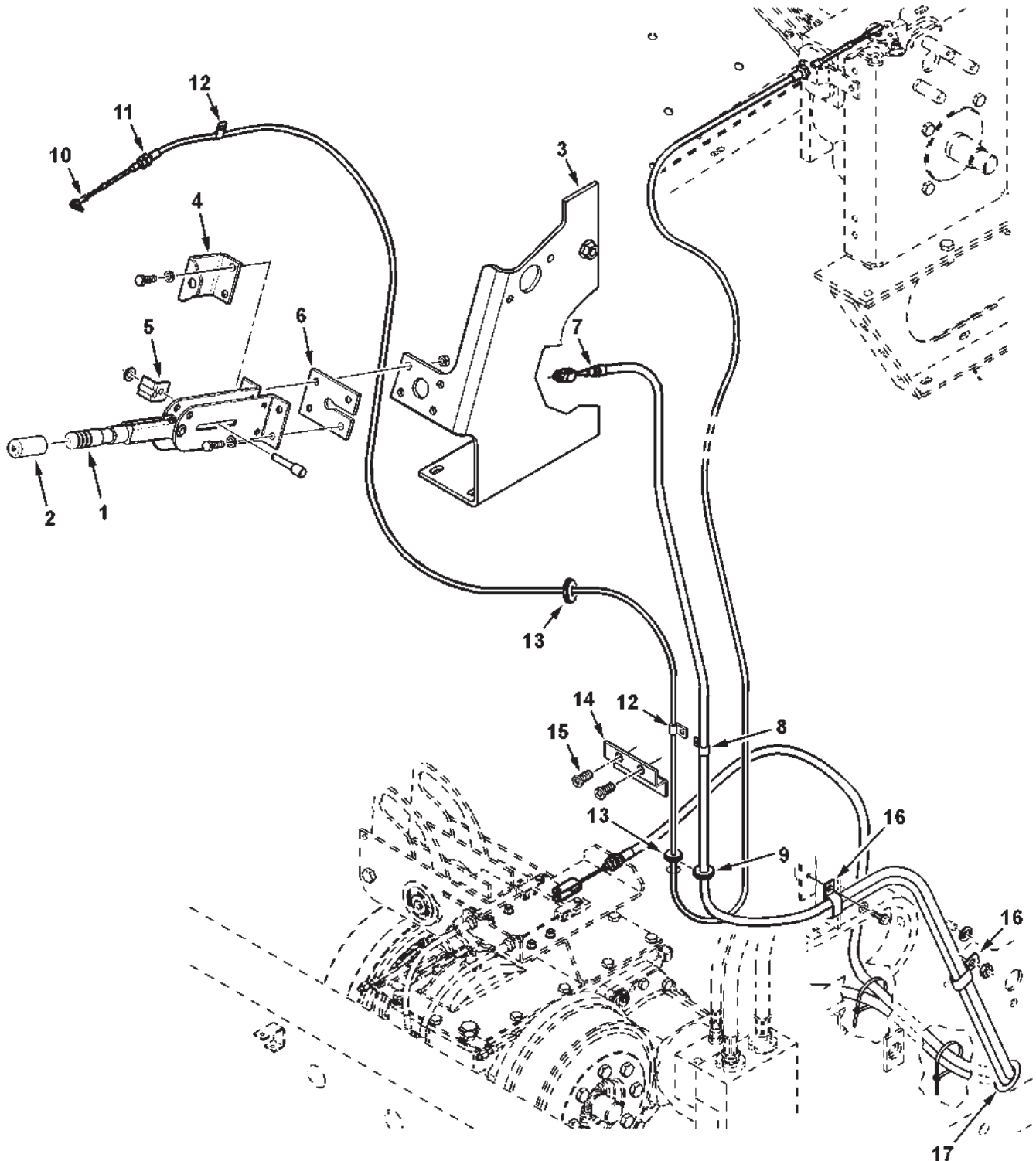
**BRAKE MASTER CYLINDER**

ITEM	NUMBER	QTY	DESCRIPTION
-	71378364	1	MASTER CYLINDER, BRAKE
1	71389509	2	VALVE ASSEMBLY, FAST FILL
2	-----	1	BODY AND TUBE SEAT ASSEMBLY (ORDER BRAKE MASTER CYLINDER)
3	71389511	2	PISTON ASSEMBLY
4	71389512	1	CONNECTOR AND TUBE SEAT ASSEMBLY
5	71389513	2	BLEED SCREW
6	74906743	2	PUSH ROD
7	71389514	2	BOOT
8	71389515	2	RETAINING RING
9	71389516	2	POPPET PACKAGE

MC00218  
PR: 84



CONTROL  
PARK BRAKE & HYDRO PROPEL CABLE



**CHALLENGER 670 COMBINE  
CAB**

109

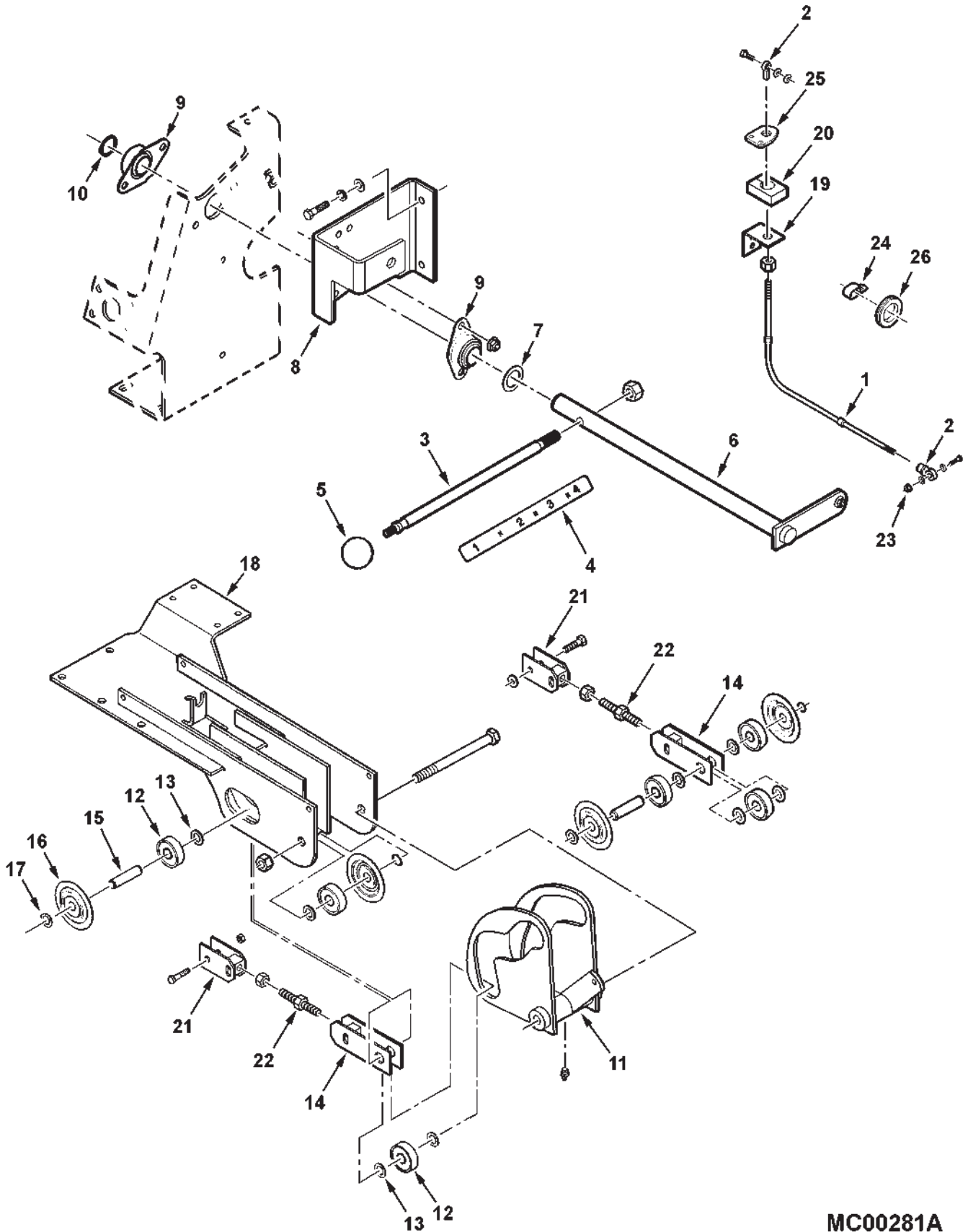
**CONTROL  
PARK BRAKE & HYDRO PROPEL CABLE**

ITEM	NUMBER	QTY	DESCRIPTION
1	1774490W91	1	LEVER ASY., PARKING BRAKE
	70921333	4	CAPSCREW, 5/16-18 X 1.0 GR5
	Y705020	4	LOCKWASHER, 5/16
	70917372	4	NUT, 5/16-18 REG
2	111711W1	1	HANDLE, GRIP
3	71394796	1	SUPPORT BRKT WLDMT
	70921977	4	CAPSCREW, 5/16-18 X 1-1/4
	Y705608	4	WASHER, 5/16 NARR
4	71394799	1	BRACKET, SWITCH
	71395848	1	SWITCH, PARK BRAKE (NOT ILL.)
5	1791851W91	1	BRACKET WLDMT, PARKING BRAKE
6	71379701	1	PLATE, ANCHOR
7	71394880	1	CABLE ASY., PARK BRAKE
8	70928656	1	CLAMP, CABLE, 5/8 X .406 HOLE
	70921965	1	CAPSCREW, 3/8-16 X 3/4
9	71395753	1	GROMMET
10	71351389	1	JOINT, BALL
	705004	1	LOCKWASHER, #10
	Y704445	1	NUT, #10-32
11	71391303	1	CABLE ASY., HYDRO
	700717644	2	NYLON TIE, .30 X 8.1 LG
12	70929720	2	CLAMP, CABLE, 5/16 X .406 HOLE
	70921965	1	CAPSCREW, 3/8-16 X 3/4
	70931277	1	LOCKNUT, HEX SERR FLANGE, 5/16-18
13	71395752	2	GROMMET
14	71397429	1	BRACKET ASY, CABLE SUPPORT (W/INSERTS) (PRIOR S/N HP36101)
	Y703132	2	SCR,HEX SERR FLNG, 5/16-18 X 3/4 GR5
15	700725632	2	INSERT, THREADED, 3/8-16
16	700717627	2	CLAMP, DOUBLE, 11/16 DIA X .406 HOLE
	70931942	1	SPEED NUT, PUSH-ON, 3/8
17	8027427	1	GROMMET, 2.0 ID X 2.5 HOLE

MC00396  
PR: 86

CHALLENGER 670 COMBINE  
CAB

CONTROL  
GEARSHIFT



**CHALLENGER 670 COMBINE  
CAB**

111

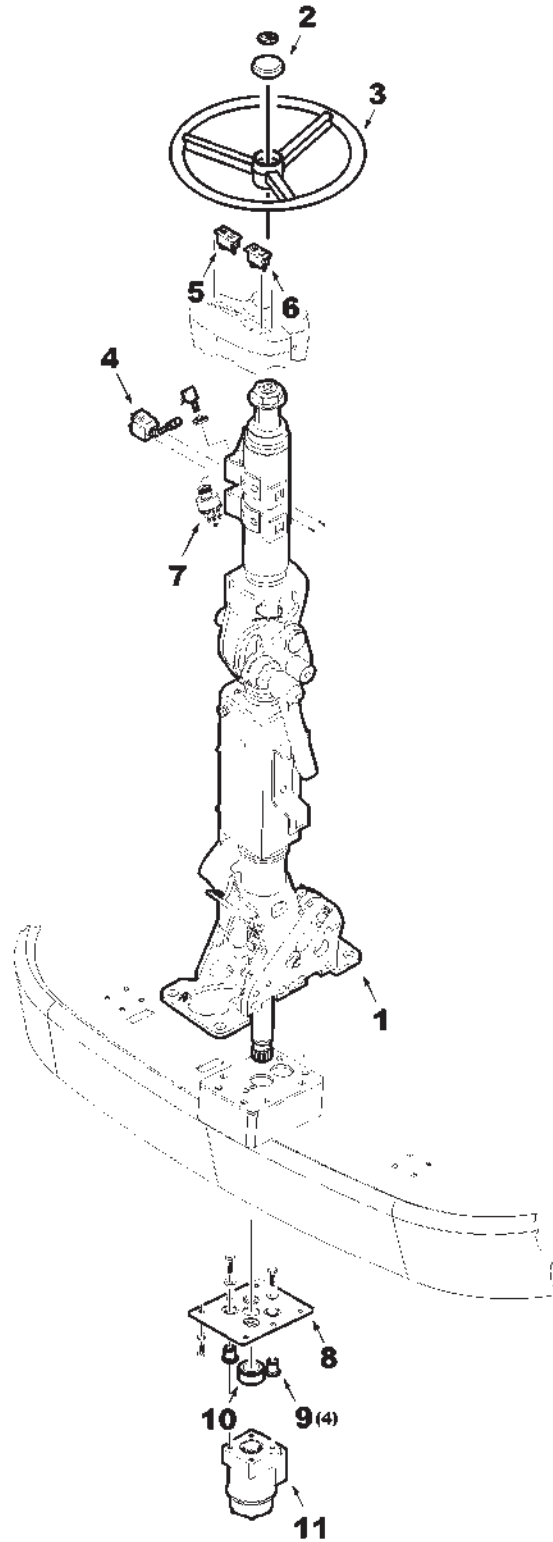
**CONTROL  
GEARSHIFT**

ITEM	NUMBER	QTY	DESCRIPTION
1	71396395	1	CABLE ASY., SHIFTER
	700717644	2	NYLON TIE, .30 X 8.1 LG
2	700710788	2	BEARING, ROD END
	70921977	2	CAPSCREW, 5/16-18 X 1-1/4 GR5
	Y705525	4	WASHER, HARD, .344 X .688 X 16GA
3	71391515	1	LEVER
	Y704742	1	NUT, HEX FLNG TOP LOCK, 1/2-13
4	71395770	1	DECAL, SHIFTER
5	71363845	1	KNOB
6	71391516	1	LEVER WLDMT, SHIFT
7	Y52209	1	WASHER, SPL, 1 X 1-1/2 X 18 GAUGE
8	71394795	1	SUPPORT WLDMT, SHAFT (LH)
	703603	2	CAPSCREW, 3/8-16 X 1-1/2 GR5
	705038	2	LOCKWASHER, 3/8
	70918266	2	WASHER, 3/8, NARROW
9	71394797	2	BEARING, FLANGE 1.0
	70921210	4	CAPSCREW, 3/8-16 X 1.0
	Y704734	4	NUT, HEX FLNG TOP LOCK, 3/8-16
10	70927738	1	RETAINING RING
11	71387142	1	CAM WELD ASM
	70914465	1	LUBE FTG, STRAIGHT, 1/8-27 NPT
	70926137	1	CAPSCREW, 5/8-11 X 7" GR 5
	70923353	1	NUT, CENTER LOCK, 5/8-11
12	711770	6	BEARING, ROLLER
13	52175	8	WASHER, SPL .62 X 1.0 X 18 GA, NON-PLTD
14	71397262	2	YOKE WLDMT, LONG
	7701717	2	CAPSCREW, 5/16-18 X 1-1/2
	70923362	2	NUT, CENTER LOCK, 5/16-18
15	71393301	2	PIN, SHIFTER
16	71393467	4	CAP, BEARING RETAINER
17	70927103	4	RING, RETAINING
18	71387148	1	BASE WELD ASM, SHIFTER
19	71396393	1	BRKT ASY, SHIFT CABLE(PRIOR S/N HP36101)
	7883333	2	SCREW, HX WSHR HD MACH, 5/16-18 X 1
	70917642	2	WASHER, 5/16 WIDE
20	71396394	1	SEAL, SHIFT CABLE (PRIOR S/N HP36101)
21	71397263	2	YOKE WLDMT, SHORT
22	71397261	2	STUD, YOKE
	70917421	2	JAM NUT, 3/8-16
23	Y704726	1	NUT, HEX FLNG TOP LOCK, 5/16-18
24	700717627	2	CLAMP, DOUBLE, 11/16 DIA X .406 HOLE
	70931942	1	SPEED NUT, PUSH-ON, 3/8
25	71406878	1	RETAINER WLMT, CABLE (EFF. S/N HP36101)
	70921210	2	CAPSCREW, 3/8-16 X 1 GR5
26	8027427	1	GROMMET, RUBBER (EFF. S/N HP36101)

MC00281A  
PR: 88

CHALLENGER 670 COMBINE  
CAB

CONTROL  
STEERING COLUMN



CHALLENGER 670 COMBINE  
CAB

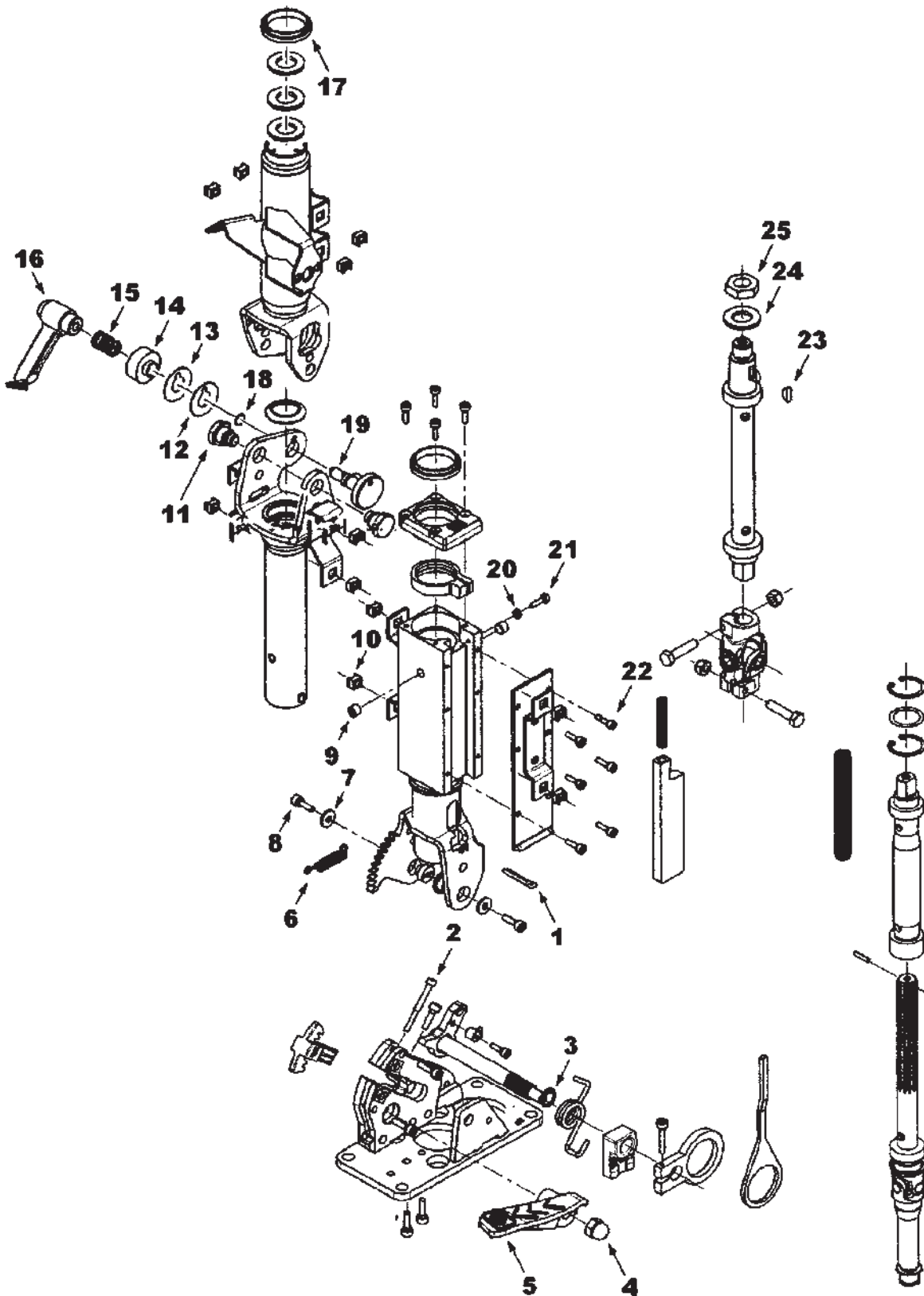
113

CONTROL  
STEERING COLUMN

ITEM	NUMBER	QTY	DESCRIPTION
1	71407651	1	STEERING COLUMN ASY
	703603	4	CAPSCREW, 3/8-16 X 1-1/2
	705038	4	LOCKWASHER, 3/8
2	71387145	1	CAP, STRG. WHEEL, CENTER
	700721123	1	EMBLEM, CHALLENGER
3	71387293	1	WHEEL, STEERING (LEATHER WRAPPED)
4	71390314	1	SWITCH, TURN SIGNAL/HORN
	700720909	2	SCREW, PAN HD MACH, M4 X 0.7 X 10
	70923906	2	WASHER, #8, NARROW
5	71393282	1	MODULE, BLINKER/WAIT TO START
6	71393281	1	MODULE, BLINKER/HIGH BEAM
7	700718010	1	SWITCH, IGNITION
	71395761	1	DECAL, IGNITION SWITCH
	700721405	1	KEY, IGNITION, (QTY 2 W/RING)
	Y704445	4	NUT, #10-32 UNF
	705004	4	LOCKWASHER, #10
8	71390417	1	PLATE W/A, STRG. CONTROL
	70921965	6	CAPSCREW, 3/8-16 X 3/4
	705038	6	LOCKWASHER, 3/8
	70920415	4	CAPSCREW, 3/8-16 X 1-1/4
	70917378	4	WASHER, PLAIN WIDE, 3/8
9	700701287	4	MOUNT, RUBBER
10	72504036	1	SEAL, FOAM RING
11	71392876	1	STEERING CONTROL UNIT (200 CC/REV)
-	71391083	1	SEAL KIT, STRG CONTROL UNIT (NO OTHER SERVICED COMPONENTS)

GC00302  
PR: 90

STEERING COLUMN





**CHALLENGER 670 COMBINE  
CAB**

115

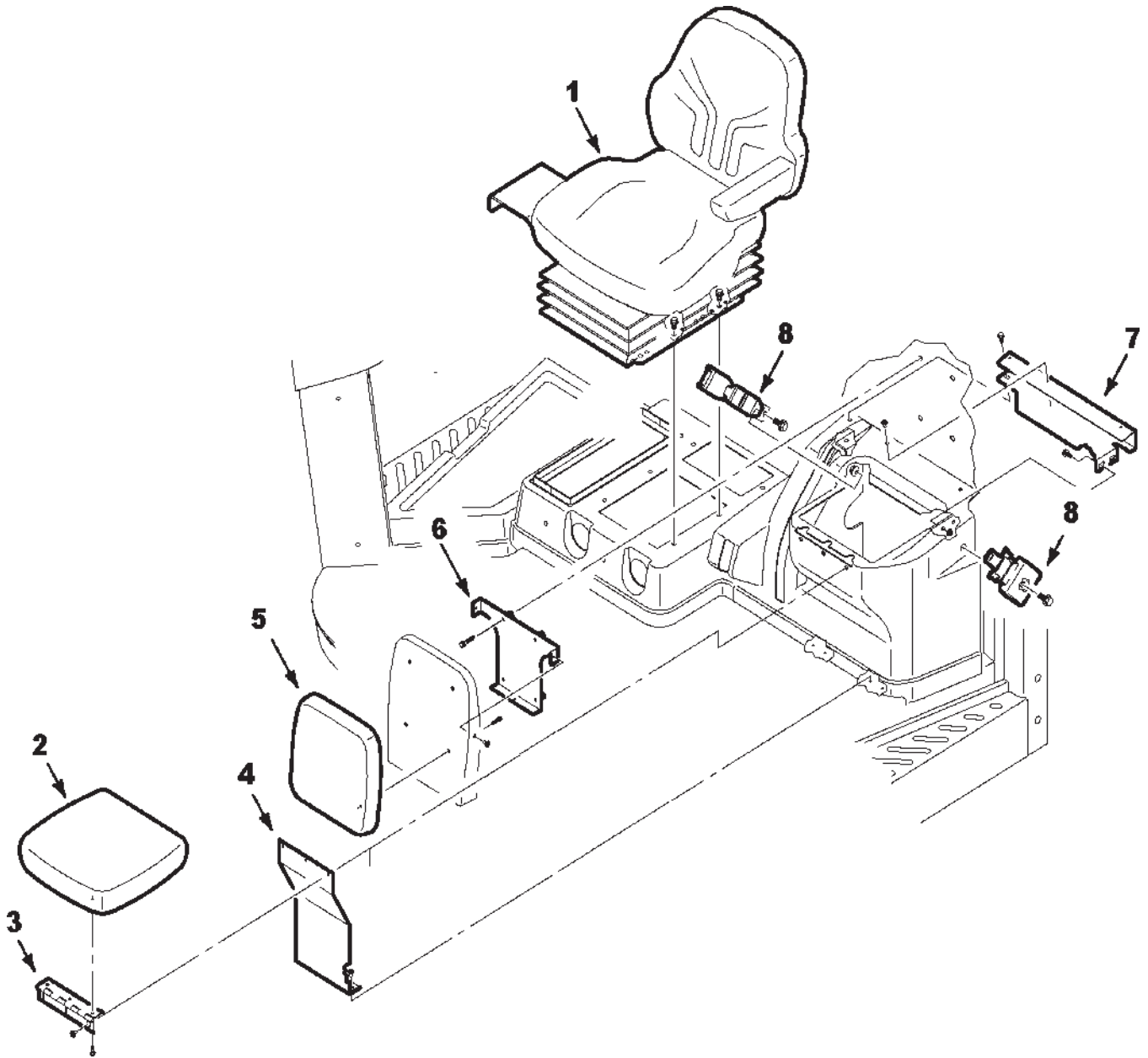
**STEERING COLUMN**

ITEM	NUMBER	QTY	DESCRIPTION
-	71407651	--	STEERING COLUMN ASY
1	62232	1	COTTER PIN, 3/16 X 1-1/4
2	71397834	1	CAPSCR, HEX SOC HD, M5-1 X 50
3	71397830	1	RING, RETAINING, EXT.
4	71397550	1	NUT, HEX CAP, M10-1.5
5	71397543	1	PEDAL
6	71397546	1	SPRING, EXTENSION
7	71397827	2	WASHER, FLAT, M6
8	71397828	2	CAPSCR, HEX SOC HD, M6-1 X 18
9	71397833	2	SETSCREW, M10-1 X 8
10	71397829	12	NUT, CAGE, #10-24 (PRIOR S/N HP36101)
	71407652	12	NUT, CAGE, M5 (EFF. S/N HP36101)
	71407653	12	SCREW, M5 X 16, BLACK
11	71397539	2	SCREW, FULCRUM
12	71397544	1	SPACER, 1 MM TH.
13	71397542	1	SPACER, .5 MM TH.
14	71397541	1	RING
15	71397549	1	SPRING, COMPRESSION
16	71397548	1	HANDLE
17	71397545	2	GROMMET, RUBBER
18	71397835	1	O-RING, .344 ID X .070
19	71397547	1	STOP, TILT
20	71397540	1	NUT, HEX, M5-1.5
21	71397836	1	CAPSCREW, HEX, M5-1 X 18
22	71397826	11	CAPSCREW, HEX SOC HD, M5-1 X 16
23	71397831	1	KEY, WOODRUFF, 5 X 6.5 MM
24	700702979	1	WASHER, FLAT, 19 ID X 34 X 3 MM
25	71397832	1	NUT, HEX, M18-1.5

GC00396  
PR: 92

CHALLENGER 670 COMBINE  
CAB

SEAT  
OPERATOR & INSTRUCTOR



**CHALLENGER 670 COMBINE  
CAB**

**117**

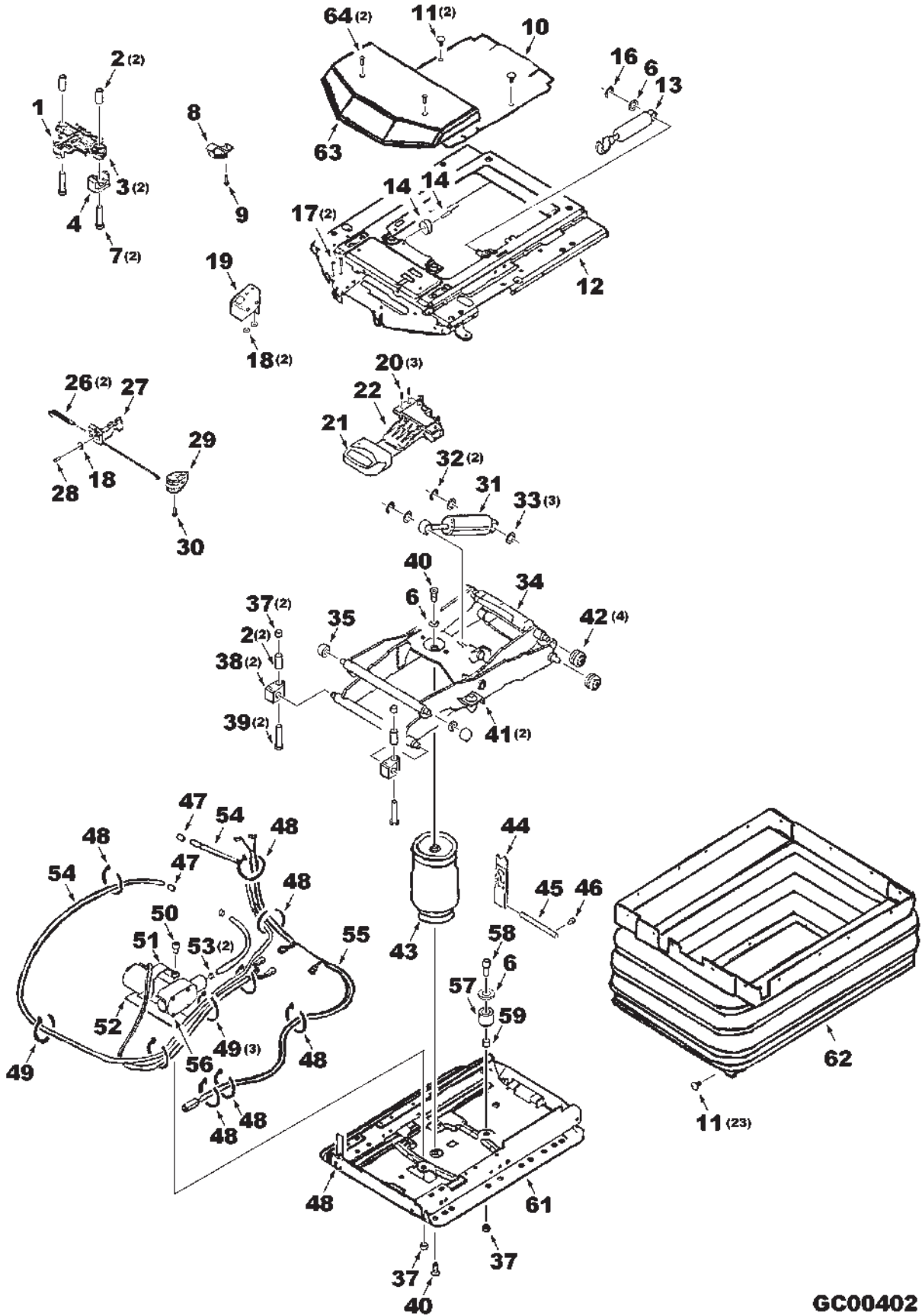
**SEAT  
OPERATOR & INSTRUCTOR**

ITEM	NUMBER	QTY	DESCRIPTION
1	71406895	1	SEAT ASSEMBLY (SEE BREAKDOWN)
	7703432	4	SCREW, HEX FLNG SERR. 3/8-16 X 3/4
2	71396397	1	CUSHION, INSTRUCTORS SEAT
	7883275	3	MACH SCR, HEX WSHR HD. 1/4-20 X 3/4
3	71394887	1	HINGE, INSTR. SEAT
	70937660	3	SCR, PAN HD, THD TAP'G 1/4-20 X 5/8
4	71394886	1	SUPPORT, INSTR. SEAT FRONT
	70937660	2	SCR, PAN HD, THD TAP'G 1/4-20 X 5/8
5	71396398	1	CUSHION, INSTRUCTORS SEAT BACK
	7883283	4	MACH SCR, HEX WSHR HD. 1/4-20 X 1.0
6	71396377	1	BRACKET WLDMT, BACKREST MTG
	7772056	4	SCREW, HEX FLNG SERR.5/16-18 X 1-1/2
7	71394894	1	SUPPORT, INSTR. SEAT REAR
	7883325	3	MACH SCR, HEX WSHR HD. 5/16-18 X 3/4
	70931277	3	LOCKNUT, HEX FLNG SERR. 5/16-18
	70937660	3	SCR, PAN HD, THD TAP'G 1/4-20 X 5/8
8	72502789	1	SEAT BELT ASY. (INCL. BOTH HALVES)
	7701592	2	SCREW, HEX FLNG SERR. 1/2-13 X 1.0

GC00306A  
PR: 94

CHALLENGER 670 COMBINE  
CAB

SEAT  
BASE & SUSPENSION



**CHALLENGER 670 COMBINE  
CAB**

119

**SEAT  
BASE & SUSPENSION**

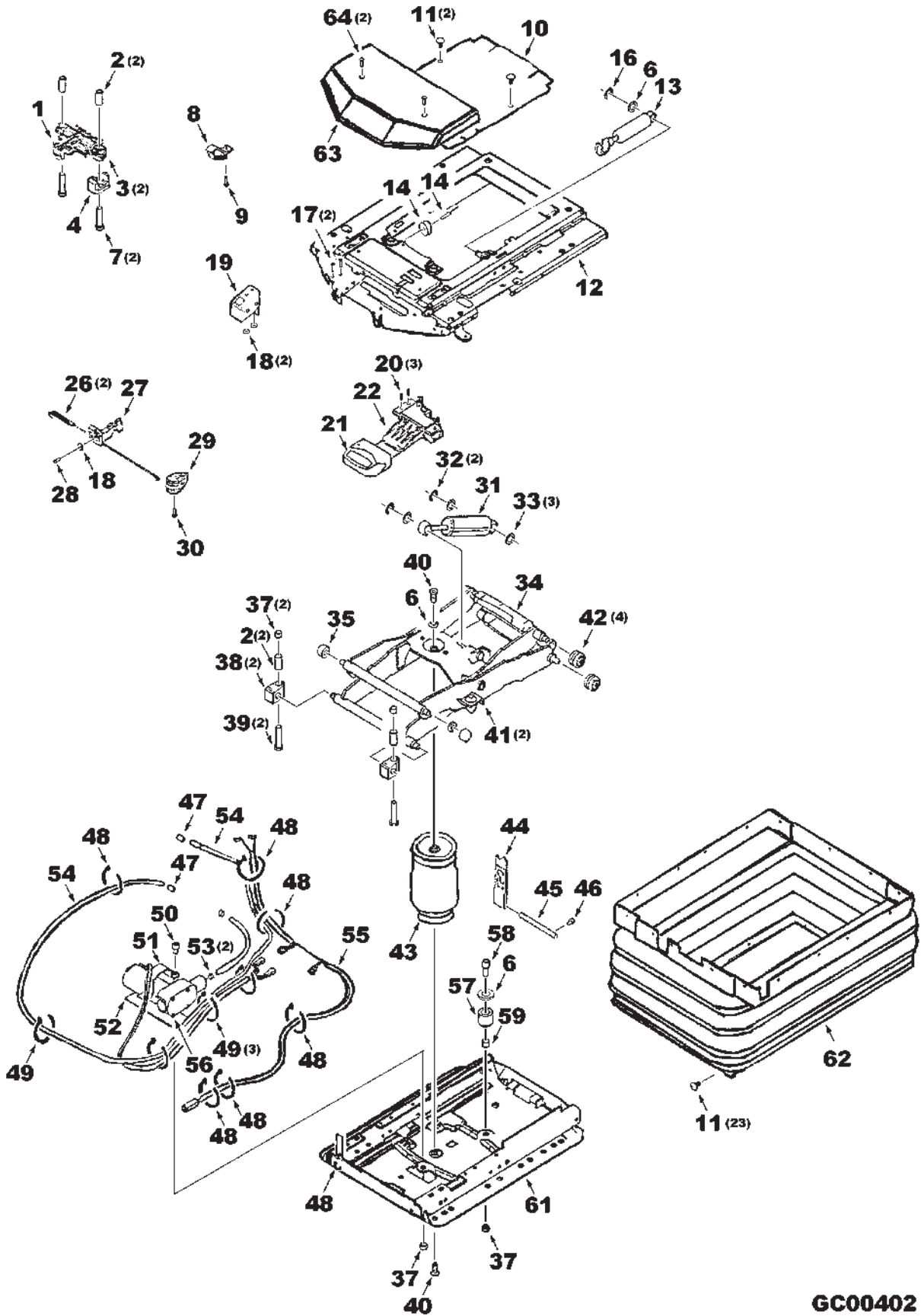
ITEM	NUMBER	QTY	DESCRIPTION
-	71383653	AR	BASE & SUSPENSION ASY., COMPLETE
1	72504803	1	KIT, ISOLATOR, HORIZ, (INCL. ITEMS 2, 3, 4, 7, 9, 11, 14, 35)
2	72504802	4	TUBE
3	72504775	2	BUSHING
4	72504804	1	BUMPER
6	390972X1	3	WASHER, 8.4-HV140
7	7772361	2	SCREW, M8-1.25 X 35
8	72504791	2	KIT, STOP (INCL ITEMS 9, 11)
9	72504792	2	RIVET, 4 X 16.9MM
10	72514069	1	COVER
11	71306949	25	PLUG, RETAINER
12	71398172	1	KIT, SUSPENSION UPPER (INCL ITEMS 9, 11, 14, 18, 19, 26-29, 35, 42)
13	700725845	1	KIT, SHOCK ABSORBER (INCL ITEMS 6,11,16)
14	72504785	1	KIT, BUMPER & RIVET
16	72504740	1	CLIP RING, RETAINING
17	72514052	2	RIVET, 4 X 12MM
18	72504786	3	WASHER, 4.3-HV140
19	71398174	1	KIT, LEVEL CONTROL (INCL. 11, 17, 18)
20	71398175	3	SCREW, M5 X 16
21	700725844	1	HANDLE
22	72514061	1	KIT, OPERATION (INCL ITEMS 11, 20, 21)
26	3903044M1	2	SPRING, TENSION
27	72514070	1	KIT, LEVER, LOCKING (INCL ITEM 11)
28	71398726	1	SCREW, M3.5 X 12
29	71365327	1	HANDLE
30	72514066	1	SCREW, M4 X 14
31	700725843	1	KIT, SHOCK ABSORBER (INCL ITEMS 5, 11, 32, 33)
32	72504812	4	CLIP RING, RETAINING
33	72504776	3	WASHER, 13MM
34	71398727	1	KIT, SWING ARM (INCL ITEMS 2, 6, 9, 11, 35, 37, 38, 40-42, 48-50)
35	71401534	2	ROLLER
37	71383667	4	NUT, M8-SI
38	72504809	2	BEARING
39	72504808	2	SCREW
40	72504811	2	SCREW, M8 X 20 TORX
41	70263605	2	BUMPER
42	72504810	4	ROLLER
43	700724622	1	KIT, AIR SPRING (INCL ITEMS 6, 11, 40, 47, 48, 53)
47	700725840	2	NIPPLE, HOSE
48	70932747	7	TIE, BLACK NYLON, SELF-LOCK .10 X 4.0
49	70925094	4	TIE, BLACK NYLON, SELF-LOCK .15 X 7.3
50	1112299	1	SCREW, M8 X 12

CONTINUED

GC00402  
PR: 96

CHALLENGER 670 COMBINE  
CAB

SEAT  
BASE & SUSPENSION



**CHALLENGER 670 COMBINE  
CAB**

**121**

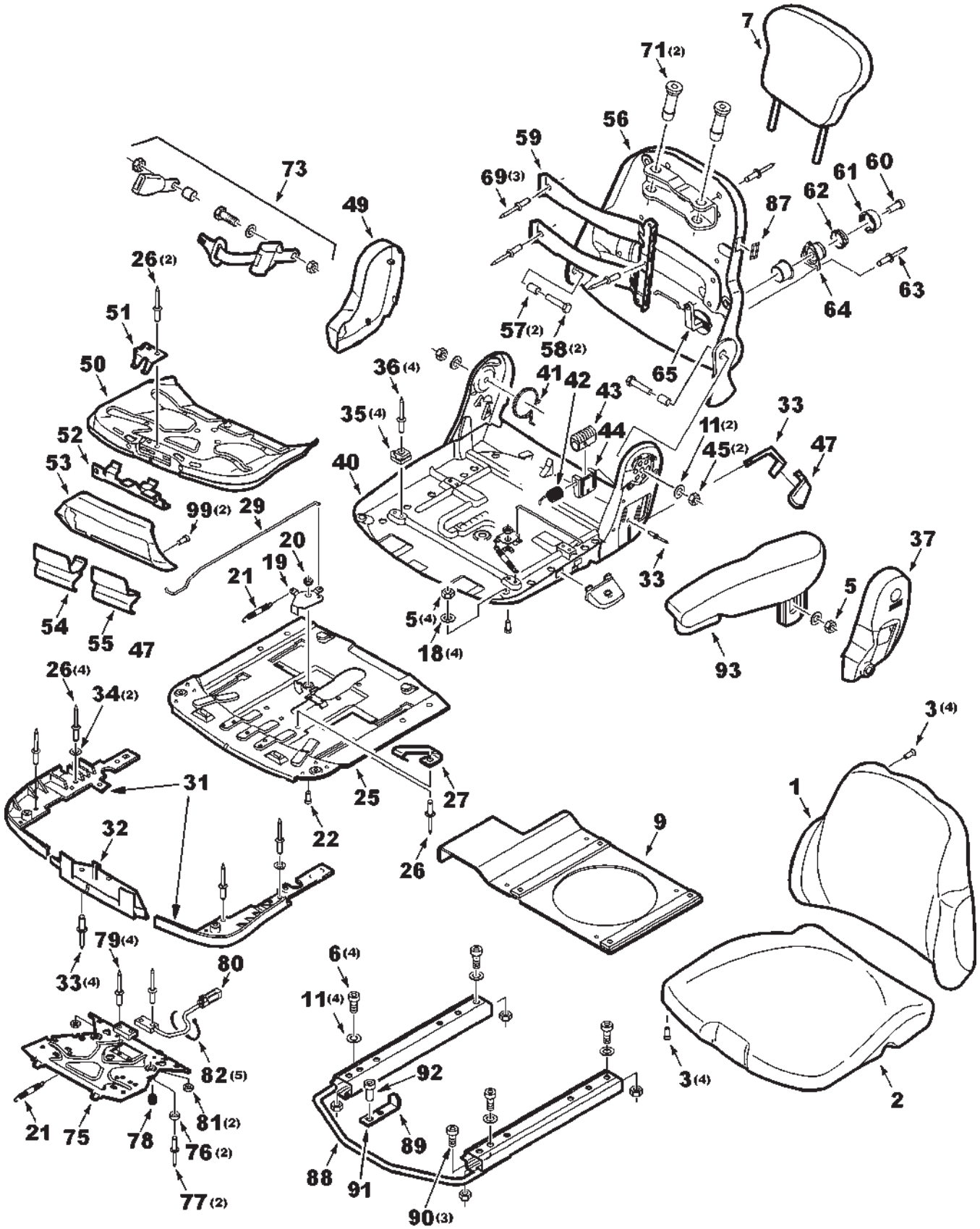
**SEAT  
BASE & SUSPENSION**

ITEM	NUMBER	QTY	DESCRIPTION
51	72511891	1	BRACKET
52	72504762	1	PLATE
53	700725837	2	CLAMP, HOSE
54	700724623	1	KIT, AIR TUBE (REPAIR AIR LINES BETWEEN COMPRESSOR & AIR SPRING)
55	700725836	1	KIT, CABLE, CONNECTING (INCL ITEMS 11, 48, 49)
56	700728301	1	KIT, COMPRESSOR (INCL ITEMS 11,37,48-53)
57	72514067	1	KIT, BUMPER (INCLS ITEMS 6, 11, 37, 58, 59)
58	72514054	1	SCREW, M8 X 20
59	72514053	1	TUBE
61	71398728	1	KIT, SUSPENSION, LOWER (INCL ITEMS 2,11, 37-40, 42, 48-50, 57)
62	71383661	1	KIT, BELLOWS (INCL ITEM 11)
63	71383662	1	KIT, COVER (INCL ITEM 64)
64	2813878M1	2	RIVET, 4.8 X 10.3
-	71398173	1	KIT, WEAR PARTS (INCL. 2, 4, 9, 11, 14, 35, 38, 40-42, 48-50, 53 & 57)

GC00402  
PR: 96



SEAT  
CUSHION AND BACKREST



**CHALLENGER 670 COMBINE  
CAB**

123

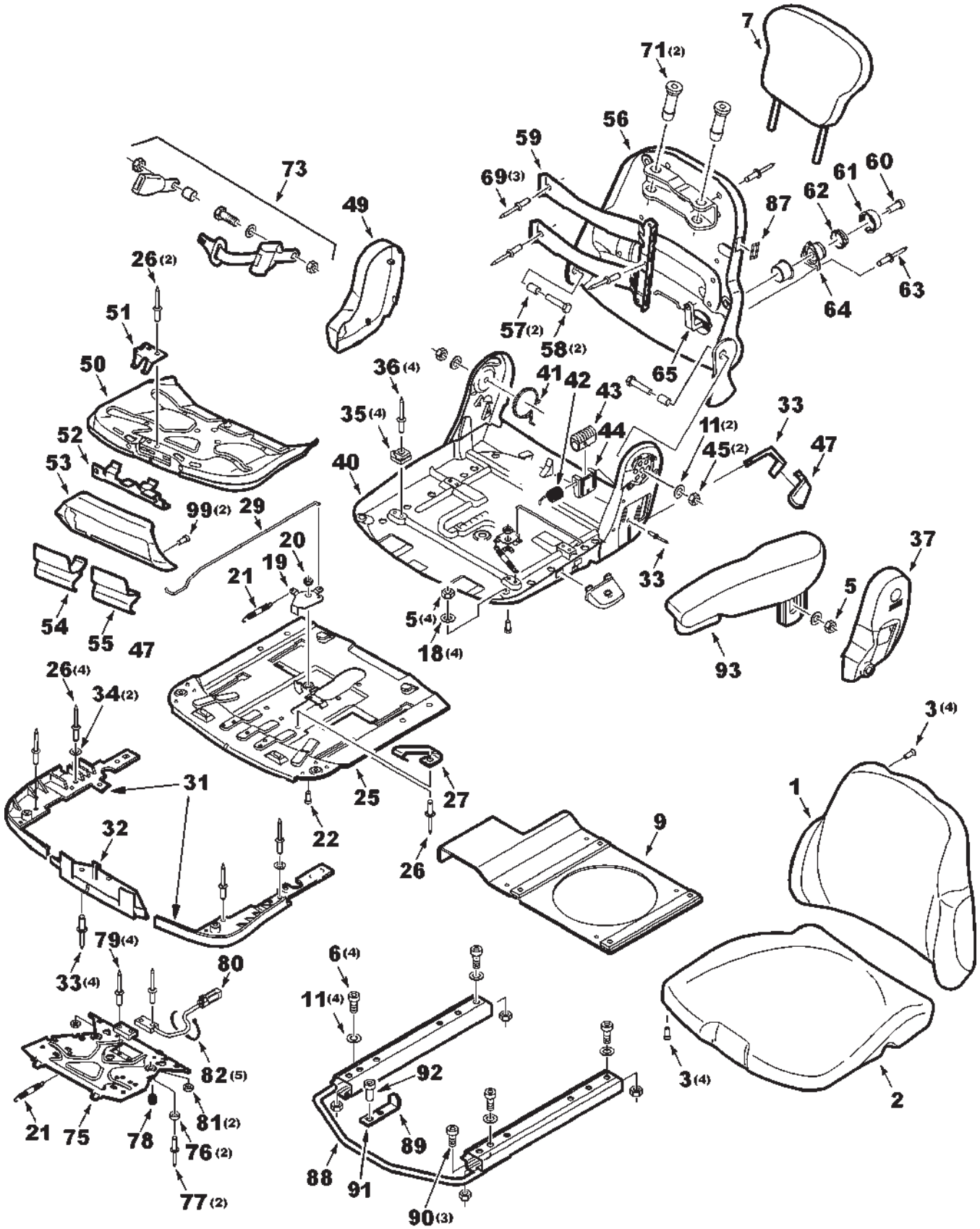
**SEAT  
CUSHION AND BACKREST**

ITEM	NUMBER	QTY	DESCRIPTION
1	71400511	1	KIT, BACKREST CUSHION (INCL ITEM 3)
2	71400512	1	KIT, SEAT CUSHION (INCL ITEM 3)
3	71398731	8	SCREW, M5 X 25
5	72513700	5	NUT, M8
6	71383673	4	SCREW, M8 X 25
7	4272612M92	1	BACKREST EXTENSION, CHALLENGER
9	71388157	1	PLATE WLDMT, CONSOLE SUPPORT
11	391039X1	4	WASHER M8 WIDE, 9.0MM X 24 X 1.82 TH
18	390972X1	4	WASHER M8 STD, 9.0MM X 17 X 1.36 TH
19	71400508	1	KIT, LEVER, DEPTH ADJUST (INCL ITEMS 20, 21, 22)
20	71400509	1	BUSHING
21	700725810	2	SPRING, EXTENSION
22	71400510	1	SCREW, M8 X 12
25	71398733	1	KIT, PLATE FOR SEAT DEPTH
26	72514076	7	RIVET, 4 X 8
27	71398734	1	BRACKET, SPRING
29	71398735	1	ROD, ADJUSTER
31	71398736	1	KIT, SEAT ANGLE COVERS(INCL ITEMS 26,34)
32	71398737	1	KIT, BRACKET (INCL ITEM 33)
33	71398740	5	RIVET, 6 X 12
34	72504786	2	WASHER, 4.3MM
35	71398738	4	GLIDE
36	71398739	4	RIVET, 4 X 16
37	71398741	1	COVER, ARMREST
40	71398742	1	KIT, SEAT PAN (INCL ITEMS 11, 33, 35, 36, 45, 57, 58)
41	71398743	1	SPRING, TORSION
42	71398744	1	SPRING, SPIRAL
43	71398746	1	WORM GEAR
44	71398745	1	KIT, BEARING (INCL ITEMS 33, 43)
45	71383667	2	NUT, M8
46	-----	1	KIT, BACKREST TILT LEVER (INCL ITEMS 33, 47)(NOT AVLBL AT TIME OF PRINT)
47	-----	1	KNOB (NOT AVAILABLE AT TIME OF PRINTING)
49	71398749	1	COVER, ARMREST
50	71398750	1	KIT, SEAT ANGLE ADJUST(INCL ITEMS 3, 51)
51	71398777	1	BRACKET, SPRING
52	71398778	1	LATCH
53	71398779	1	KIT, COVER, FORE & AFT (INCL ITEM 99)
54	71398780	1	KIT, HANDLE, SEAT DEPTH (INCL ITEM 29)
55	71398781	1	HANDLE
56	71398782	1	BACKREST ASY
57	71398783	2	TUBE
58	71398784	2	SCREW, M8 X 40
59	71398786	1	KIT, LUMBAR SUPPORT (INCL ITEMS 60-69)
60	71398785	1	SCREW, M6 X 10

CONTINUED

CHL0026  
PR: t04c23m58a0001

SEAT  
CUSHION AND BACKREST



**CHALLENGER 670 COMBINE  
CAB**

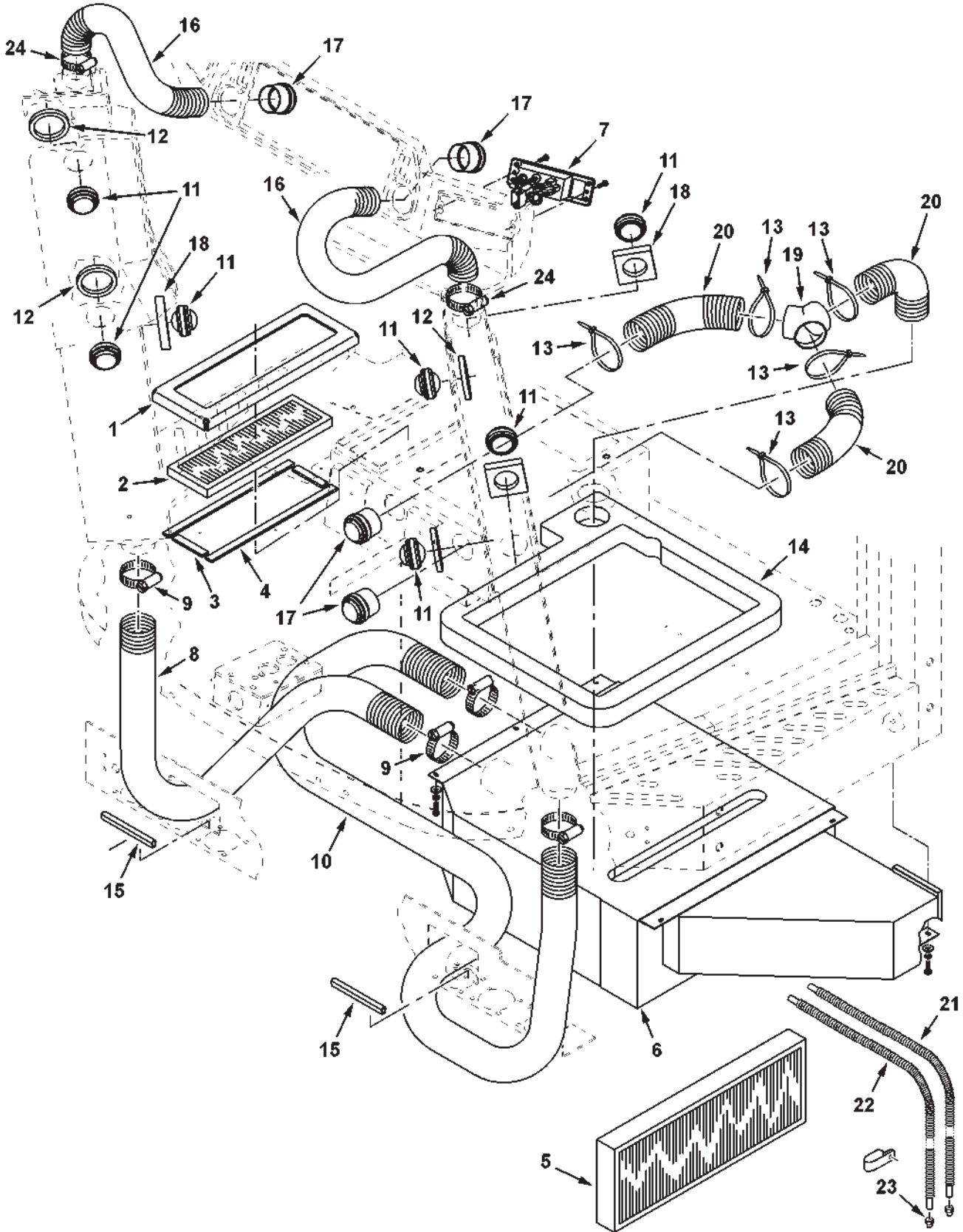
125

**SEAT  
CUSHION AND BACKREST**

ITEM	NUMBER	QTY	DESCRIPTION
61	71398787	1	KIT, HANDLE, LUMBAR ADJ (INCL ITEM 60)
62	71398788	1	WHEEL, TOOTHED
63	71398789	3	RIVET, 3.2 X 8
64	71398790	1	SLING, SPRING BRAKE
65	71398791	1	CARRIER
66	71398792	1	ROD, LINK
67	71398793	1	PLATE, LUMBAR
68	71398794	2	PLATE, LUMBAR
69	71398795	3	RIVET, 4 X 8
71	71398796	2	BUSHING
73	700725833	1	SEAT BELT ASY
75	700725871	1	KIT, OPERATOR PRESENCE SWITCH MTG (INCL ITEMS 21, 76, 77, 78, 80, 81)
76	-----	2	SPACER (NOT SERVICED SEPARATELY)
77	-----	2	RIVET (NOT SERVICED SEPARATELY)
78	71398798	2	SPRING, COMPRESSION
79	71398799	4	RIVET, 3.2 X 14
80	71398800	1	KIT, SWITCH (INCL ITEMS 79, 82)
81	72272098	2	GROMMET
82	70932747	5	TIE, BLACK NYLON, SELF-LOCK .10 X 4.0
87	71398801	1	COVER
88	71398802	1	RAIL ASY, ADJUSTMENT
89	71398732	1	KIT, ADJUSTMENT RAIL MOUNTING (INCLUDES ITEMS 90, 91, 92)
90	1441000X1	3	SCREW, M8 X 16
91	71398803	1	ANGLE
92	391148X1	1	CAPSCREW, HEX SOCKET HD, M8 X 20 CL8.8
93	71398804	1	ARMREST ASY
99	71398175	2	SCREW, M5 X 16

CHL0026  
PR: t04c23m58a0001

HVAC  
PRESSURIZER UNIT & DUCTING



**CHALLENGER 670 COMBINE  
CAB**

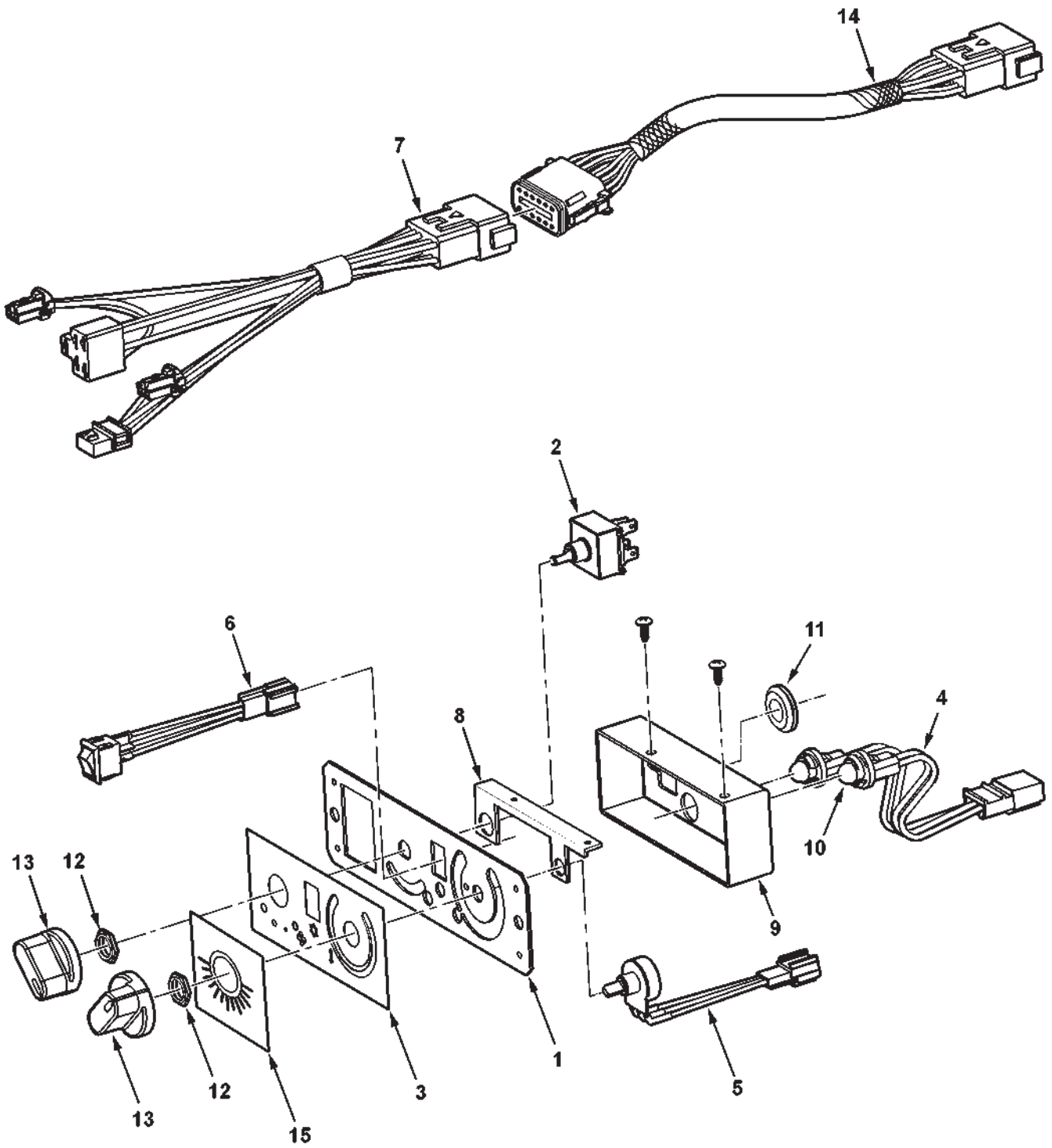
127

**HVAC  
PRESSURIZER UNIT & DUCTING**

ITEM	NUMBER	QTY	DESCRIPTION
1	71393463	1	RETAINER, FILTER
2	71391153	1	AIR FILTER
3	71393620	2	SEAL, AIR FILTER (SHORT)
4	71393619	2	SEAL, AIR FILTER (LONG)
5	71393893	1	AIR FILTER
6	71408222	1	A/C & HEATER ASY.(REQUIRES ITEM 14 & 1408216 ASY INST. PRIOR S/N HP36101)
	70921333	6	CAPSCREW, 5/16-18 X 1.0
	Y705020	6	LOCKWASHER, 5/16
	700709602	6	WASHER, 5/16
7	71409581	1	CONTROL PANEL ASY. (SEE BREAKDOWN)
	7703457	2	CAPSCREW, 1/4-20 X 3/4 GR5
8	71393949	1	HOSE, FLEX AIR
9	70936813	4	CLAMP, HOSE
10	71393948	1	HOSE, FLEX AIR
11	72161024	7	LOUVER ASY., BALL
12	71393617	4	SEAL, DEFROST LOUVER
13	70925442	5	TIE, NYLON
14	71401526	1	SEAL (EFF. S/N HP36101)
	71393551	AR	ADHESIVE SPRAY
15	71387797	2	TRIM, EDGE PROTECTOR (EFF. S/N HP36101)
16	71393950	2	HOSE, FLEX AIR
17	71388188	4	LOUVER ASY., BALL
18	71393616	3	SEAL, A/C LOUVER
19	71391175	1	CONNECTOR, HOSE "Y"
20	71391322	3	HOSE, FLEX AIR
21	71396381	1	HOSE, DRAIN, 88" LONG
22	71396382	1	HOSE, DRAIN, 108" LONG
	700717644	3	TIE, NYLON
	70928148	1	CLAMP, DBL, 3/4 DIA X .406 HOLE
23	71396390	2	RESTRICTOR, DRAIN
24	7720063	2	CLAMP, HOSE

GC00319  
PR: 100

HVAC  
CONTROL PANEL



**CHALLENGER 670 COMBINE  
CAB**

129

**HVAC  
CONTROL PANEL**

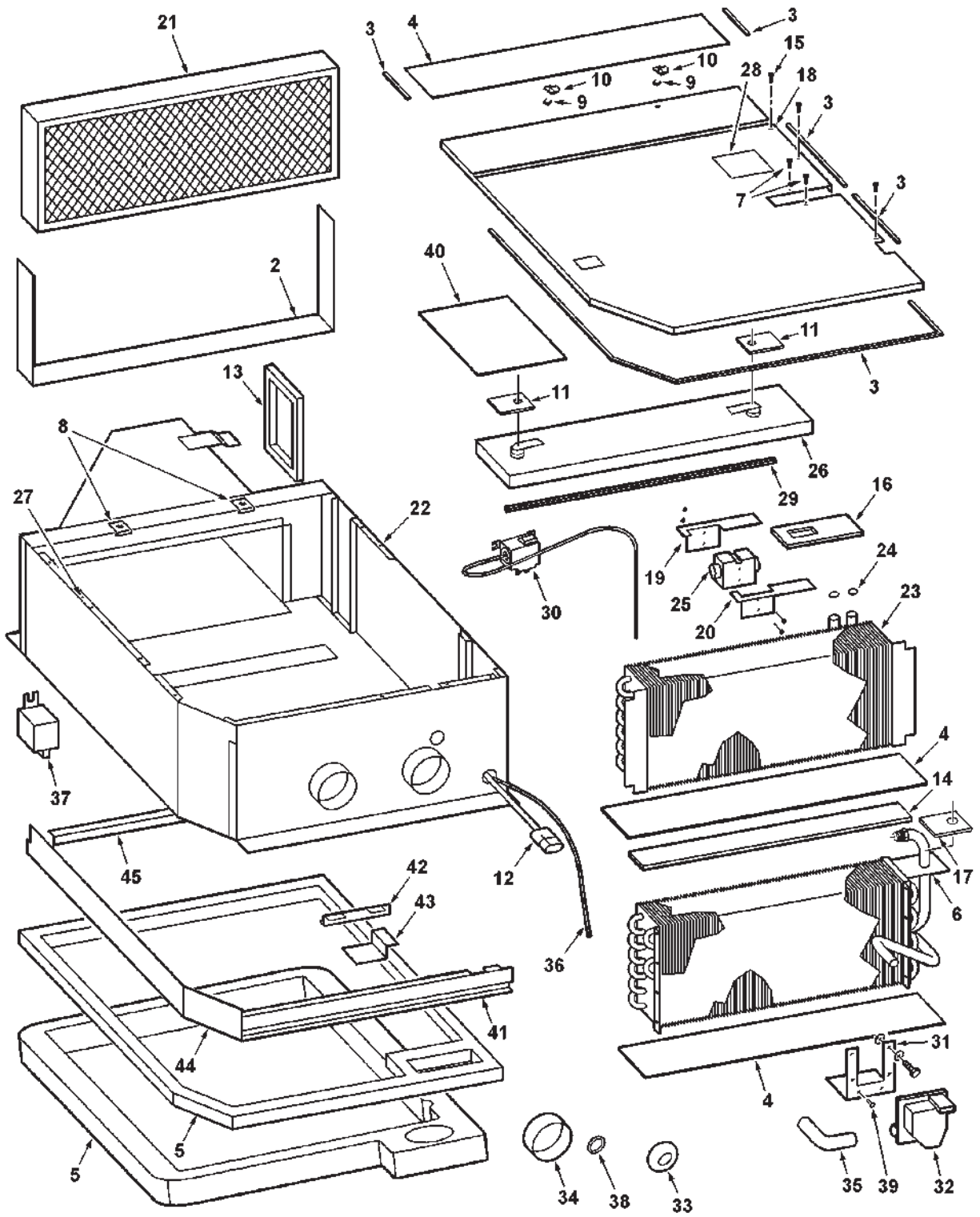
ITEM	NUMBER	QTY	DESCRIPTION
-	71409581	1	CONTROL PANEL ASY. (INCL. ITEMS 1-13)
-	71395763	1	BEZEL, HVAC (MANUAL ADJ. MIRRORS)(PRIOR S/N HP36101)(NOT ILLUS.)(ALSO SEE MIRRORS)
-	71393943	1	BEZEL, HVAC (REMOTE ADJUST MIRRORS) (NOT ILLUSTRATED)(ALSO SEE MIRRORS)
1	71397433	1	CONTROL HOUSING ASY
2	71397432	1	SWITCH, BLOWER
3	71409582	1	DECAL, CONTROL PANEL
4	71397434	1	SOCKET ASY. LAMP
5	71401548	1	POTENTIOMETER, HEATER CONTROL
6	71397438	1	SWITCH, A/C
7	71397439	1	WIRE HARNESS
8	71397440	2	BRACKET, LIGHT BOX
9	71397437	1	LIGHT BOX
	71373144	2	SCREW, #8-18 X 1/2
10	71397443	2	BULB, LIGHT
11	71397441	1	GROMMET, RUBBER
12	71373145	2	NUT
13	71397436	2	KNOB, CONTROL
14	71410922	1	* HARNESS, A/C JUMPER
15	71408221	1	* DECAL, OVERLAY, A/C
-	71408218	AR	* KIT, HVAC CONTROL MODIFICATION (FIELD CAMPAIGN)(APPLIES S/N'S HM, HN, HP)

GC00314  
PR: 102



CHALLENGER 670 COMBINE  
CAB

HVAC  
PRESSURIZER UNIT  
EVANS-TEMPCON



GC00410

**CHALLENGER 670 COMBINE  
CAB**

131

**HVAC  
PRESSURIZER UNIT  
EVANS-TEMPCON**

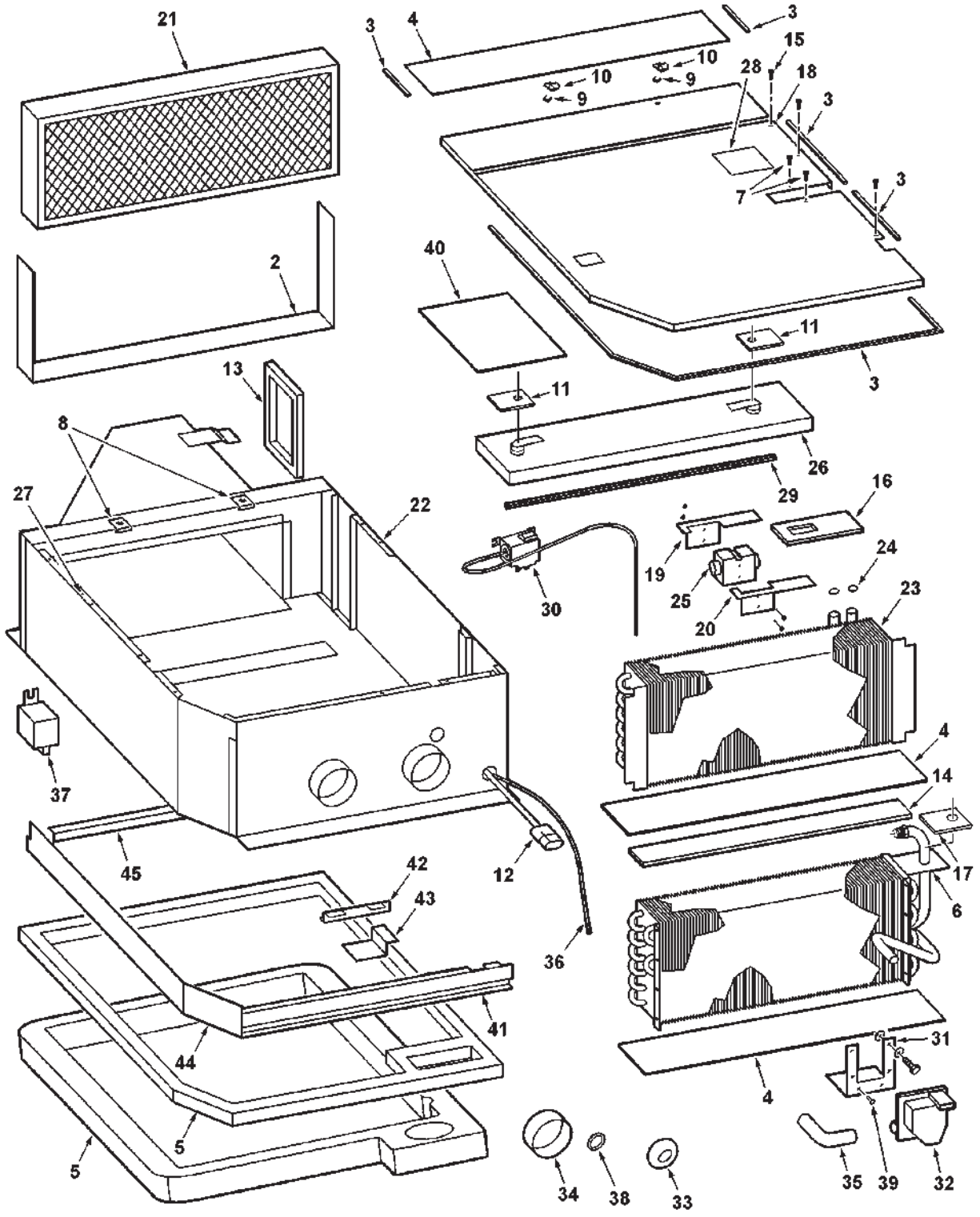
ITEM	NUMBER	QTY	DESCRIPTION
-	71408222	--	A/C & HEATER ASY. (INCL. FOLLOWING)
2	71371331	1	TAPE, FOAM 1/4 X 1-1/2 (3.50 FT)
3	71397934	1	TAPE, FOAM, 1/4 X 1/2
4	71371333	1	TAPE, FOAM 1/8 X 3-7/8 (6.0 FT)
5	71401530	1	TAPE, FOAM 1" X 1-1/8" (8.67 FT)(PRIOR S/N HP36101)
	71401526	1	SEAL (EFF. S/N HP36101) (NOT INCLUDED IN A/C & HEATER ASY)
6	71397445	1	HEATER CORE (PRIOR S/N HN36...)
	71401546	1	HEATER CORE (EFF. S/N HN36...)
7	71400523	2	SCREW, #10, SELF DRILLING
8	71371336	2	RECEPTACLE, CLIP-ON, #5 STUD
9	71384272	2	RETAINER, PUSH ON
10	71371338	2	FASTENER, 1/4 TURN
11	71397444	2	SEAL, DRAIN TUBE
12	71397446	1	HARNESS, WIRING
13	71397447	1	GASKET, FRESH AIR
14	71384552	1	FOAM TAPE, 3/8 X 2 (21.62" LG)
15	71373146	10	SCREW, SELF TAPPING, #10-24
16	71371343	1	SEAL, EXPANSION VALVE
17	71397449	1	SEAL, HEATER TUBES
18	71408215	1	COVER & FILTER DOOR ASY. (INCL. TAPE & POP-RIVETS)
	70924947	5	POP-RIVET, 1/8 X .251-.312
19	71371346	1	BRACKET, EXPANSION VALVE, R.H.
20	71371347	1	BRACKET, EXPANSION VALVE, L.H.
	353509X1	2	BOLT, 1/4-28 X 1-1/2
	70930760	2	NUT, LOCK, 1/4-28
21	71393893	1	FILTER, AIR
22	71406891	1	CASE ASY (INCL. ITEMS 2,4,8,13,27,33, 34 & 38)
23	71371349	1	EVAPORATOR ASY. (INCL. ITEMS 24 & 25) (PRIOR S/N HN36...)
	71373126	1	EVAPORATOR UNIT (PRIOR S/N HN36)
	71401545	1	EVAPORATOR ASY. (INCL. ITEMS 24 & 25) (EFF. S/N HN36...)(SEE * NOTE)
24	70937295	2	O-RING, #8, R134a
25	71373127	1	VALVE, EXPANSION (REQUIRES SEAL IT. 16)
26	71397926	1	PAN ASY., DRAIN
27	70937424	10	NUT, SPEED
28	71397927	1	LABEL, WARNING, R134a
29	71397448	1	FOAM SEAL, 1/4 X 1/2 (DRAIN PAN)
30	71397929	1	THERMOSTAT, COLD CONTROL
31	71397933	1	BRACKET, WATER VALVE
32	71408211	1	VALVE ASY., WATER
	70921959	4	CAPSCREW, 1/4-20 X 5/8
	70926622	4	HEXNUT, 1/4-20
33	71397932	1	GROMMET, WIRE
34	71384551	2	STRIP, CLOSED CELL FOAM, 1/8 X 1 X 9.4"
35	71408209	1	HOSE, FORMED 90DEG (WATER VALVE TO CORE)
	70921911	2	CLAMP, HOSE, WORM DR, .69-1.25 DIA
36	71398819	1	WIRE HARNESS ASY, HI SPEED, W/FUSE
	70937609	AR	MINI FUSE, 25 AMP (NOT ILLUS.)
37	71398820	1	RELAY

CONTINUED

GC00410  
PR: 104

CHALLENGER 670 COMBINE  
CAB

HVAC  
PRESSURIZER UNIT  
EVANS-TEMPCON



GC00410

**CHALLENGER 670 COMBINE  
CAB**

**133**

**HVAC  
PRESSURIZER UNIT  
EVANS-TEMPCON**

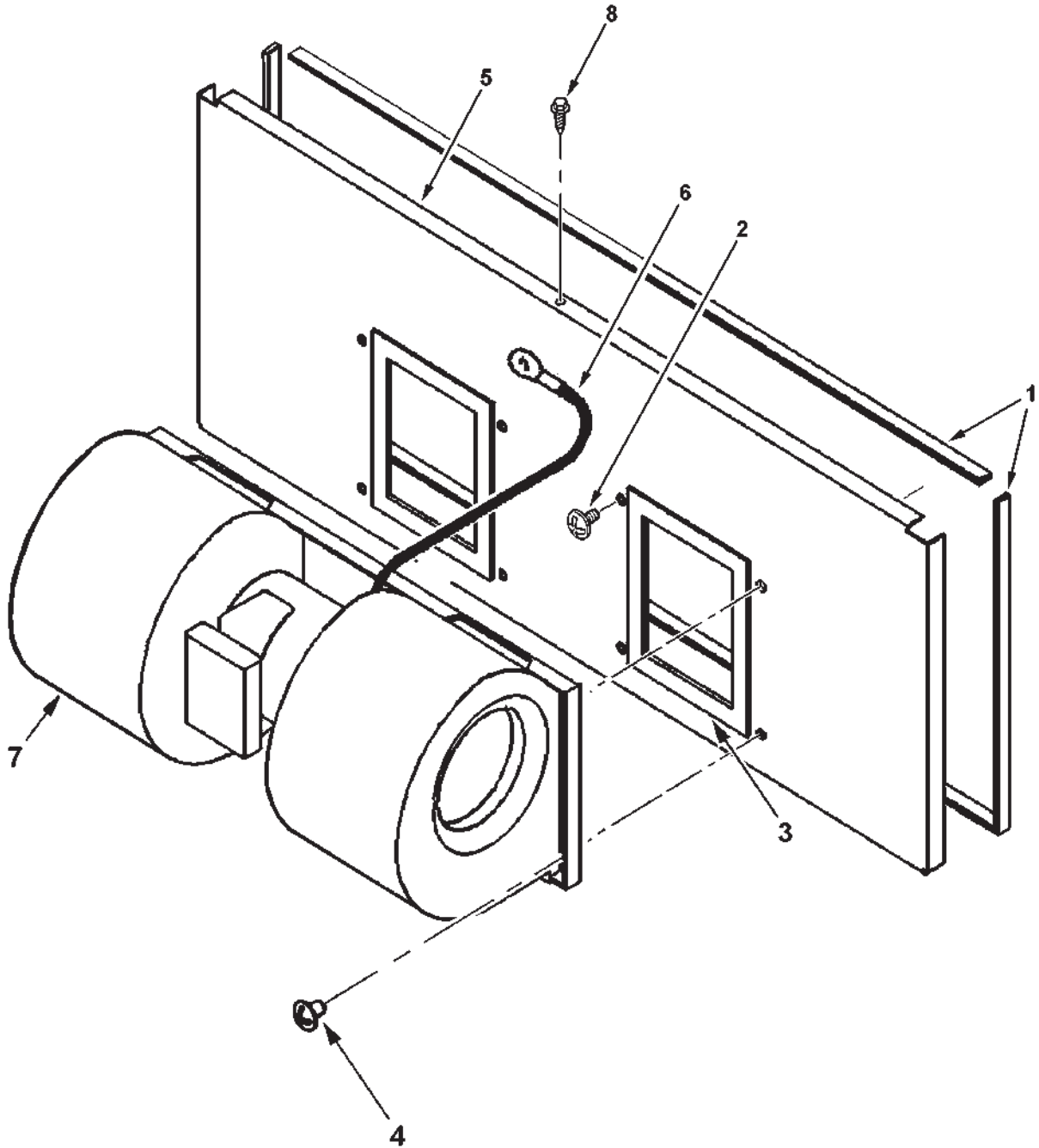
ITEM	NUMBER	QTY	DESCRIPTION
38	71397930	1	SNAP BUSHING
39	71373144	24	SCREW, TAPPING, #8-18 X 1/2
40	71408210	1	LABEL, WIRING DIAGRAM
41	-----	1	SPACER, OUTLET (NOT SERVICED)(PRIOR S/N HP36101)
42	-----	1	SPACER, RECIRCULATOR (NOT SERVICED) (PRIOR S/N HP36101)
43	-----	1	SPACER, RECIRCULATOR END (NOT SERVICED) (PRIOR S/N HP36101)
44	-----	1	SPACER, FRONT (NOT SERVICED)(PRIOR S/N HP36101)
45	-----	1	SPACER, FRESH AIR (NOT SERVICED)(PRIOR S/N HP36101)
-	700707823	AR	SEALANT, SILASTIC (NOT ILLUS.)

\* NOTE: UPGRADE OF A/C COOLING FOR  
MACHINES PRIOR TO S/N HN36, REQUIRES  
71401545 EVAP. ASY, 71401546 HEATER  
CORE, 71401544 BLOWER ASY, & RECHARGE  
TO LATEST REFRIGERATION SPEC.

GC00410  
PR: 104

CHALLENGER 670 COMBINE  
CAB

HVAC  
BLOWER ASY.  
EVANS TEMPCON



**CHALLENGER 670 COMBINE  
CAB**

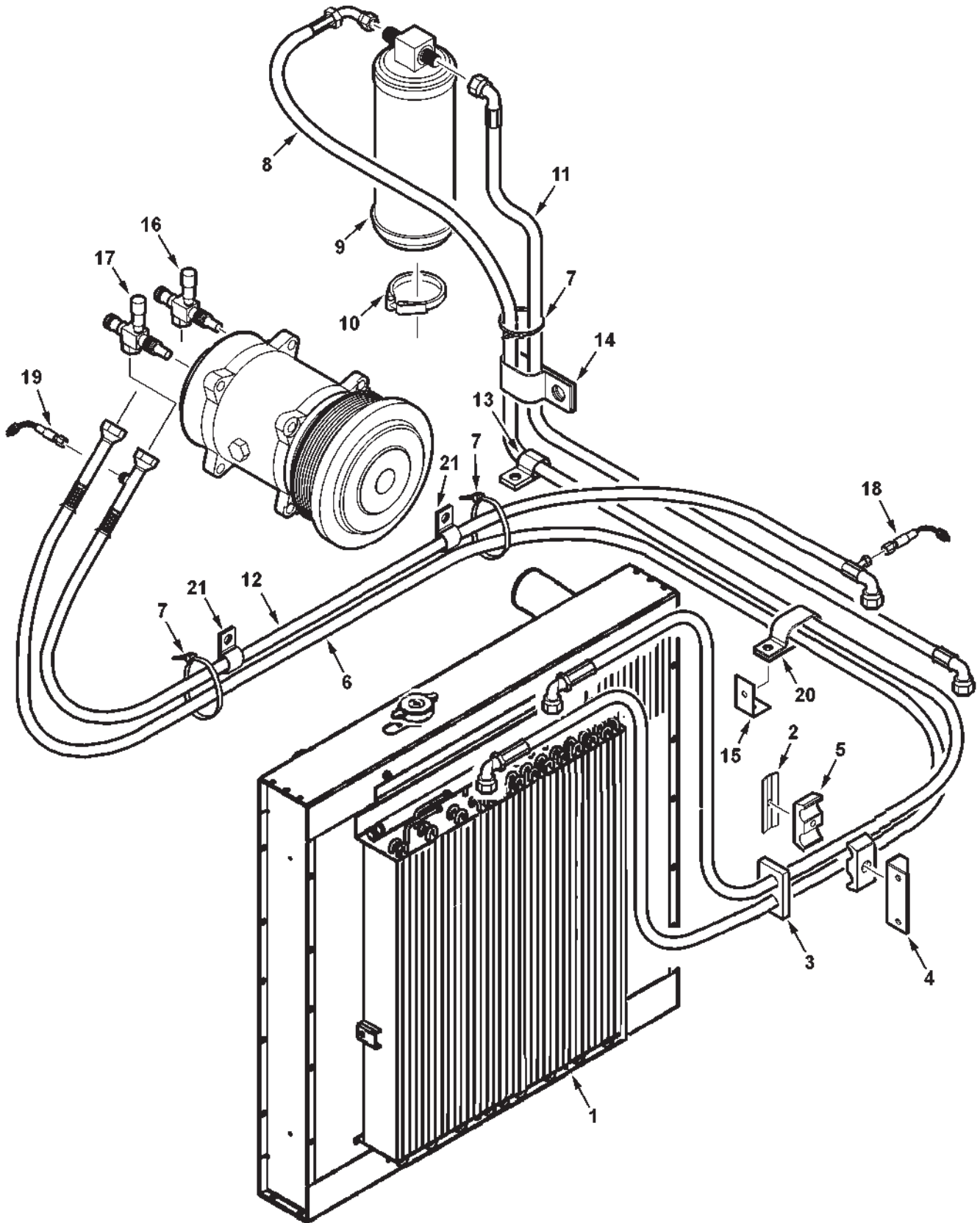
**135**

**HVAC  
BLOWER ASY.  
EVANS TEMPCON**

ITEM	NUMBER	QTY	DESCRIPTION
-	-----	1	BLOWER & PANEL ASY (NOT SERVICED)
1	71371332	1	TAPE, FOAM, 1/4 X 1/2 (4.78 FT)
2	71373144	1	SCREW, #8-18 X 1/2, SELF-TAPPING
3	71384553	1	TAPE, FOAM, 1/8 X 1/4 (2.0 FT)
4	71384558	8	SCREW, #10-24 X 1/2, SELF-TAPPING
5	71397939	1	PANEL ASY., BLOWER
6	71384555	1	WIRE ASY., (GROUND)
7	71384556	1	BLOWER ASY, PLASTIC (PRIOR S/N HN36) (SERVICE W/ 71401544)
	71401544	1	BLOWER ASY, PLASTIC (EFF. S/N HN36) (COMPONENTS NOT SERVICED)(SEE * NOTE IN PRESSURIZER UNIT)
8	71400523	1	SCREW, #10, SELF-DRILLING

GC00267  
PR: 106

AIR CONDITIONER  
LINES



**CHALLENGER 670 COMBINE  
CAB**

137

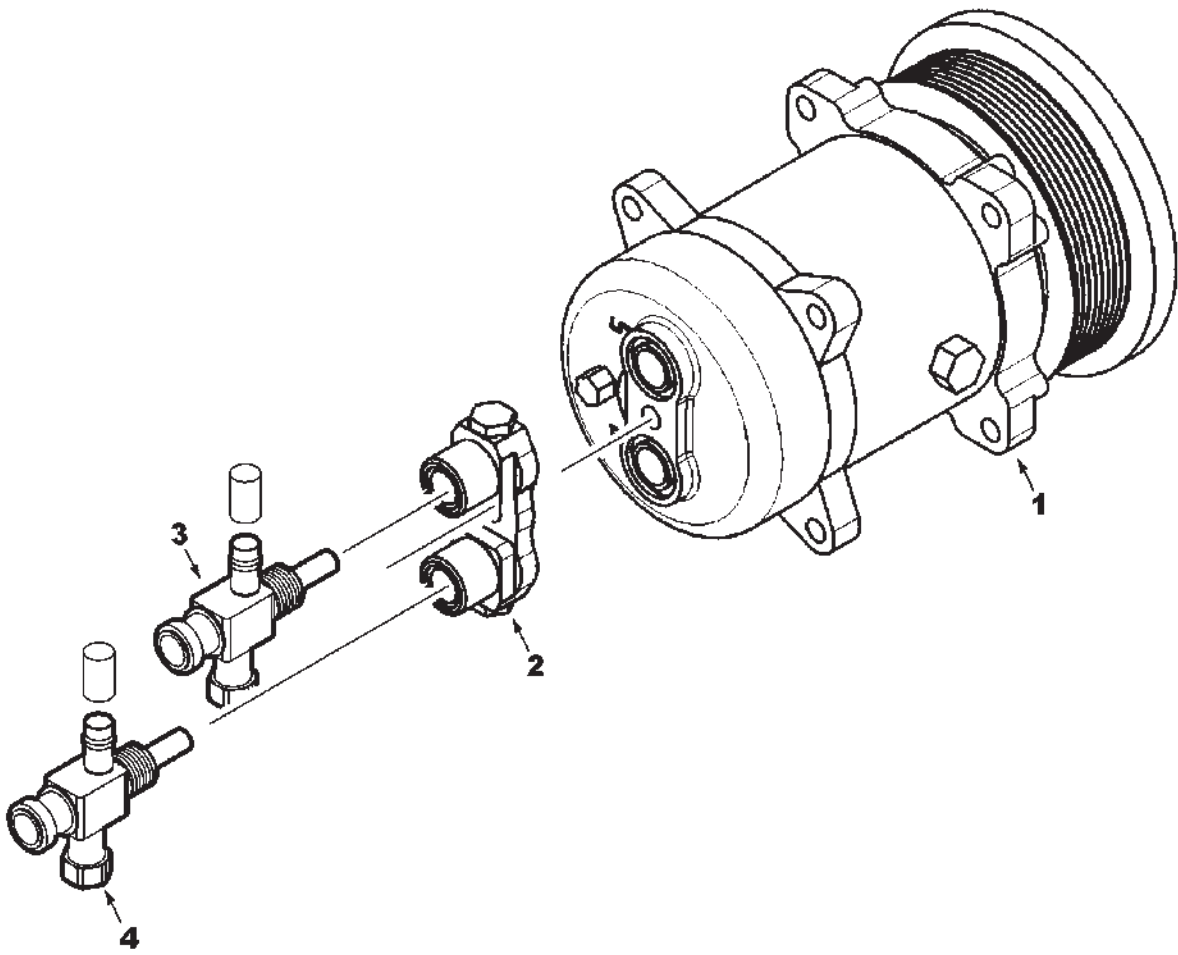
**AIR CONDITIONER  
LINES**

ITEM	NUMBER	QTY	DESCRIPTION
1	-----	1	COMBINATION COOLER (SEE COOLING SYSTEM)
2	101646M1	1	COVER PLATE
	7771744	1	CAPSCREW, 5/16-18 X 2-1/4
	Y704726	1	NUT, HEX FLNG TOP LK, 5/16-18
3	71388076	1	SEAL, A/C HOSES
4	71388063	1	ANGLE, HOSE SUPPORT
	70921332	2	CAPSCREW, 5/16-18 X 3/4
	Y704726	2	NUT, HEX FLNG TOP LK, 5/16-18
5	71388856	1	CLAMP, DOUBLE, 7/8
6	71396797	1	HOSE ASY., COMPRESSOR TO CONDENSER
	70937295	2	O-RING, .070 X .426 ID, 70 DUR, HNBR
7	70925442	13	TIE, CABLE .18 X 14 LG
8	71394172	1	HOSE ASY., CONDENSER TO DRYER
	70937296	2	O-RING, .070 X .301 ID, 70 DUR, HNBR
9	71369761	1	RECEIVER, DRYER (R134A)
10	70921915	1	CLAMP, WORM, 2.81 - 3.75 DIA
11	71396259	1	HOSE ASY., DRYER TO CAB
	70937296	2	O-RING, .070 X .301 ID, 70 DUR, HNBR
12	71396796	1	HOSE ASY., CAB TO COMPRESSOR
	70937297	2	O-RING, .070 X .551 ID, 70 DUR, HNBR
13	70936474	8	CLAMP, DOUBLE, 1" X .406 HOLE
	70931822	2	SCR, HEX WSHR HD,TAPPING, 5/16 X 3/4
	70921977	3	CAPSCREW, 5/16-18 X 1-1/4
	Y704726	3	NUT, HEX FLNG TOP LK, 5/16-18
14	70928148	1	CLAMP, DOUBLE, 3/4 X .406 HOLE
	70931822	1	SCR, HEX WSHR HD,TAPPING, 5/16 X 3/4
15	112678W1	1	ANGLE, BRACKET
	70921332	1	CAPSCREW, 5/16-18 X 3/4
	Y705608	1	WASHER, 5/16, NARROW
16	72506694	1	VALVE ASY, A/C SERVICE, HIGH
17	72506922	1	VALVE ASY, A/C SERVICE, LOW
18	71372724	1	SWITCH, LOW PRESSURE
19	72509305	1	SWITCH, HIGH PRESSURE
20	70936474	2	CLAMP, DOUBLE, 1 X .406 HOLE
21	70937682	2	J-CLIP, 3/4 D X .656 HOLE(PRIOR HR36101)
	70927134	2	J-CLIP, 5/8 D X .406 HOLE (EFF. HR36101)
-	72507682	AR	LUBRICANT, AC COMPRESSOR

CHL0013  
PR: 108



AIR CONDITIONER  
COMPRESSOR (SANDEN)



**CHALLENGER 670 COMBINE  
CAB**

**139**

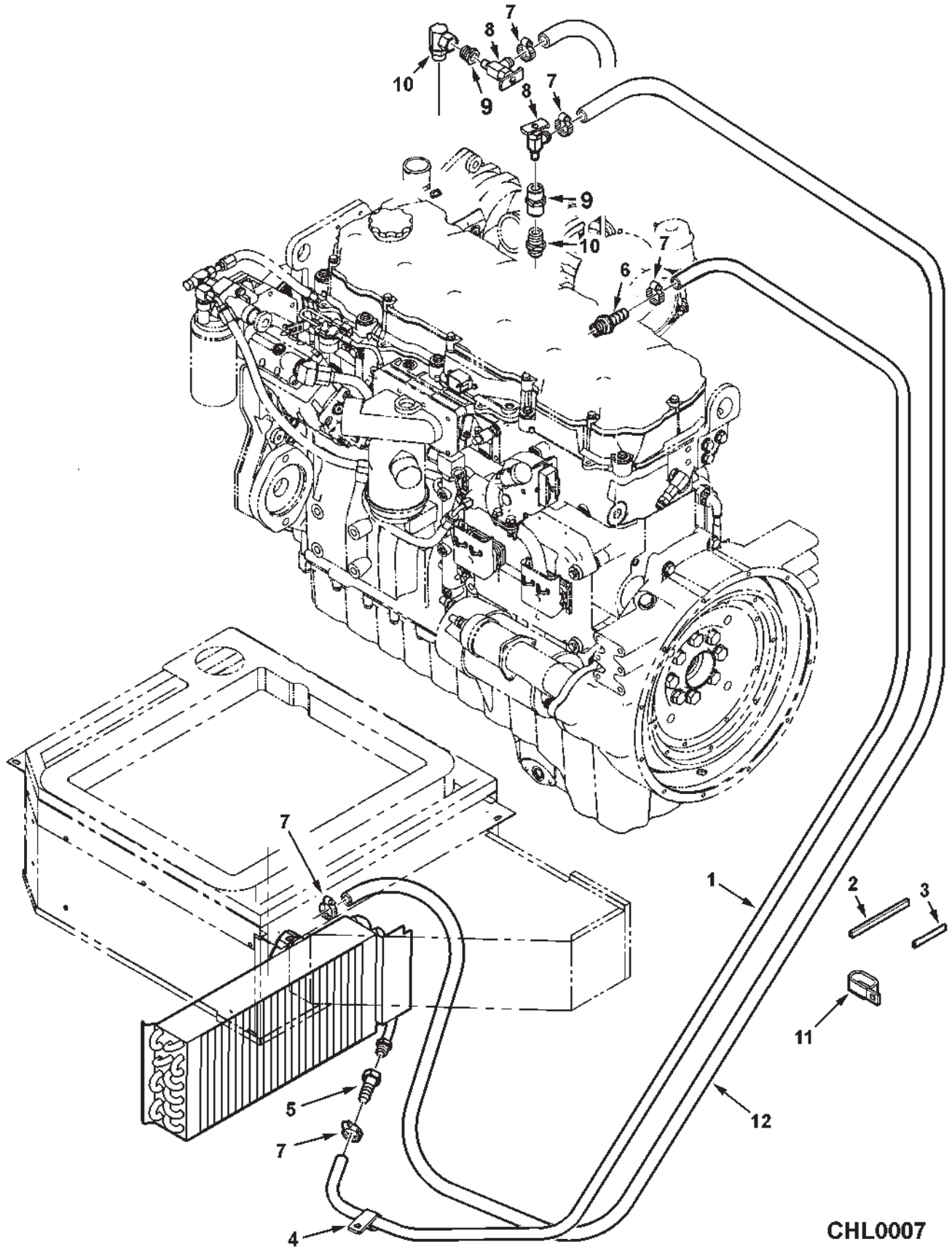
**AIR CONDITIONER  
COMPRESSOR (SANDEN)**

ITEM	NUMBER	QTY	DESCRIPTION
1	71396715	1	A/C COMPRESSOR W/CLUTCH (LESS PAD)
	71400401	1	CLUTCH, ELECTRIC (SANDEN)
	71397650	2	O-RING, PAD TO COMPRESSOR
2	71396716	1	PAD, COMPRESSOR FITTINGS
3	72506694	1	SERVICE VALVE, (HI-SIDE) (DISCHARGE)
	70937297	1	O-RING, .070 X .551 ID, 70 DUR, HNBR
	72507408	1	PLUG, CAP
	72507406	1	CAP, STEM
4	72506922	1	SERVICE VALVE, (LO-SIDE) (SUCTION)
	70937297	1	O-RING, .070 X .551 ID, 70 DUR, HNBR
	72507407	1	PLUG, CAP
	72507406	1	CAP, STEM
-	72507682	AR	LUBRICANT, PAG, AC COMPRESSOR (SP-15 200cc)
-	71369762	AR	REFRIGERANT, R134A

CHL0005  
PR: 110

CHALLENGER 670 COMBINE  
CAB

HEATER LINES



**CHALLENGER 670 COMBINE  
CAB**

141

**HEATER LINES**

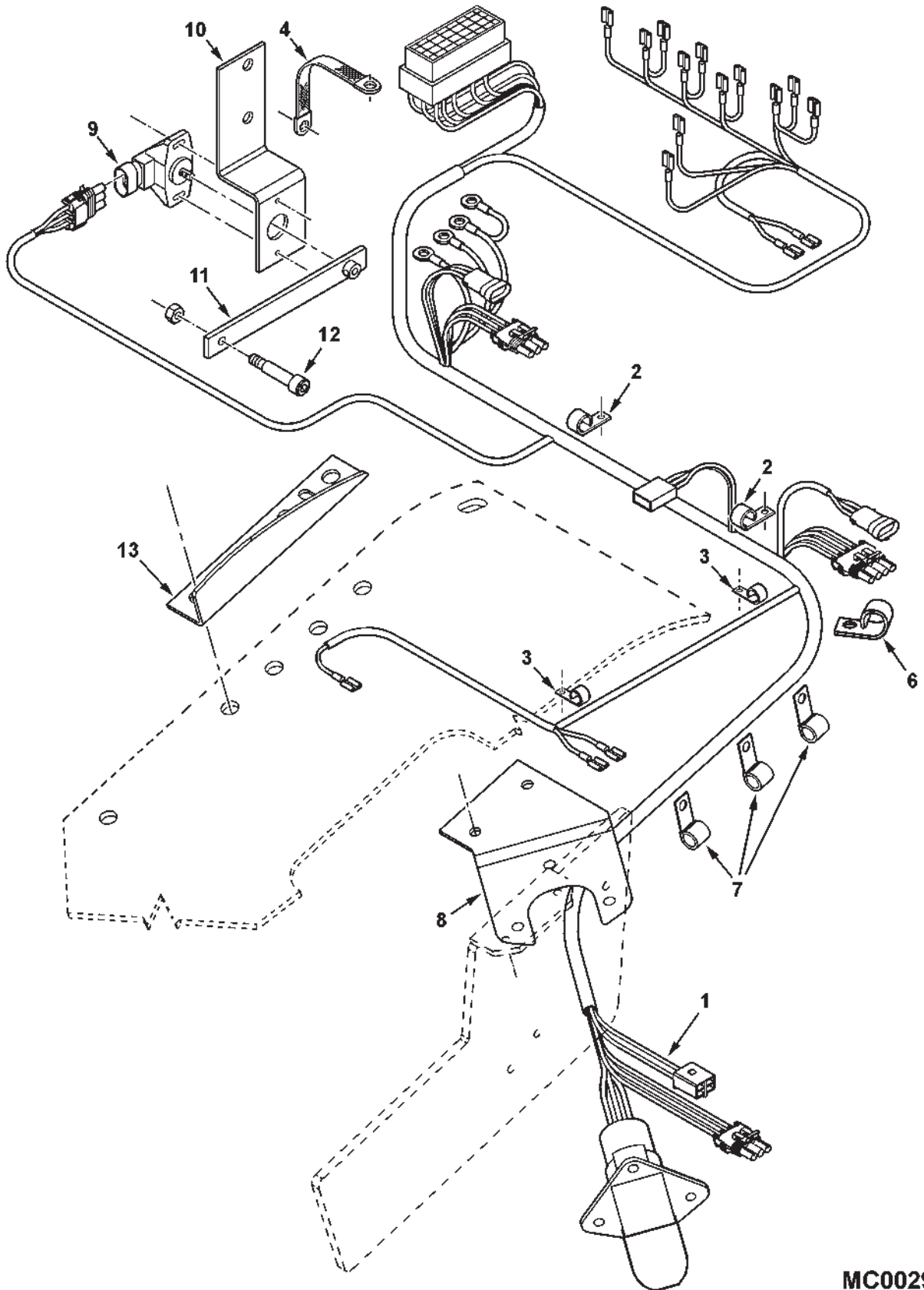
ITEM	NUMBER	QTY	DESCRIPTION
1	71396798	1	HOSE, 5/8 ID, HEATER RETURN, 260" LG
	70925442	AR	TIE, CABLE .189 X 14.19
2	71387797	1	EDGE PROTECTOR
3	71191799	2	EDGE PROTECTOR
4	70925619	1	CLAMP, .69 TUBE X .406 HOLE
5	70920808	1	FITTING, 7/8-14 JIC FEM X 5/8 BARB STEM
6	700721309	1	FITTING, 3/4-16 ORB MALE X 5/8 HOSE STEM
	70921349	1	O-RING, .087 X .644 ID
7	70921911	4	CLAMP, WORM DRIVE, .69- 1.25 DIA
8	30-3076830	1	VALVE, SHUT-OFF, WATER
9	W943003	1	PIPE COUPLER, 3/8 NPTF FEMALE (PRIOR S/N HP36101)
	70936774	1	REDUCER, 3/4 NPTF M X 3/8 NPTF FEM (EFF. S/N HP36101)
10	70931880	1	REDUCER NIPPLE, 3/8 NPTF M X 1/2 NPTF M (PRIOR S/N HP36101)
	7746233	1	ELB 90 D, 1-1/16-12 ORB M X 3/4 NPSM FEM (EFF. S/N HP36101)
	70921206	1	O-RING, .116 X .924 ID
11	70936474	3	CLAMP, DOUBLE, 1.0 DIA X .406 HOLE
	70921977	3	CAPSCREW, 5/16-18 X 1-1/4 GR5
	Y704726	3	NUT, HEX FLANGE TOP LOCK, 5/16-18
12	71404436	1	HOSE, 5/8 ID, HEATER SUPPLY, 260" LG

NOTE: DOUBLE CLAMPS SHOWN WITH A/C LINES

CHL0007  
PR: 112

CHALLENGER 670 COMBINE  
ELECTRICAL

FEEDER ELECTRICAL



**CHALLENGER 670 COMBINE  
ELECTRICAL**

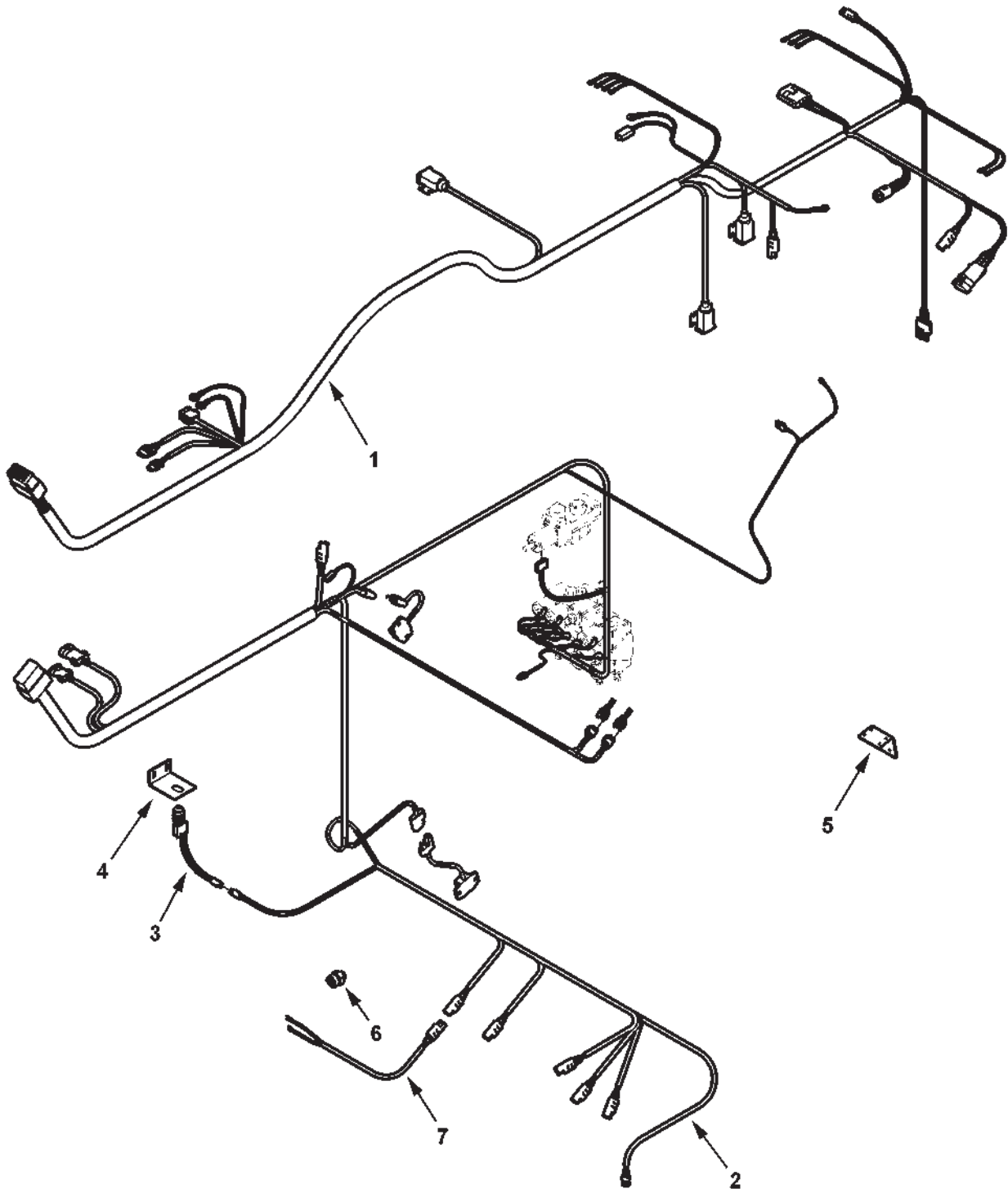
143

**FEEDER ELECTRICAL**

ITEM	NUMBER	QTY	DESCRIPTION
1	71391858	1	HARNESS, FEEDER
	70937133	2	TIE, SELF-LOCK, 14.5 X .300
	70925094	2	TIE, SELF-LOCK, 7.31 X .184
2	70937677	2	J-CLIP, 1.0 X .406 HOLE
	772525	2	SCREW, HEX HD SELF-TAP,5/16-18 X 1/2
3	70937685	2	J-CLIP, 3/8 X .406 HOLE
	772525	2	SCREW, HEX HD SELF-TAP,5/16-18 X 1/2
4	71396955	1	STRAP, GROUND
	372729X1	1	SCREW, HEX WSH HD, 5/16-18 X 3/4
	772525	1	SCREW, HEX HD SELF-TAP,5/16-18 X 1/2
	705160	2	LOCKWASHER, EXT TOOTH, 5/16
6	70937682	1	J-CLIP, 3/4 DIA X .656 HOLE
7	70936778	3	J-CLIP, 3/4 DIA X .406 HOLE
	70916950	4	HEXNUT, 3/8-16
8	71391420	1	BRACKET, HEADER CONNECTOR
	372729X1	2	SCREW, HEX HD SELF-TAP,5/16-18 X 3/4
	70921333	3	CAPSCREW, 5/16-18 X 1.0
	Y705020	3	LOCKWASHER, 5/16
	70917372	3	HEXNUT, 5/16-18
9	71391869	1	SENSOR, ROTARY POSITION
	700711659	2	SCREW, PAN HD MACH, #8-32 X 3/4
	70923906	2	WASHER, #8, NARROW
	70917395	2	LOCKWASHER, #8
	704494	2	HEXNUT, #8-32
10	71395832	1	BRACKET, SENSOR MOUNT
	70920415	2	CAPSCREW, 3/8-16 X 1-1/4
	70916965	2	LOCKWASHER, 3/8
	70916950	2	HEXNUT, 3/8-16
11	71395840	1	ARM, SENSOR
	70923520	1	SETSCREW, #8-32 X 1/4
12	700721586	1	SHOULDER BOLT, 5/16 X 1-1/4 X 1/4-20
	1703354	1	NUT, HEX FLANGE TOP LOCK, 1/4-20
13	71395838B	1	BRACKET, FEEDHOUSE SHARK FIN
	372729X1	4	SCREW, HEX WSH HD, 5/16-18 X 3/4

MC00292  
PR: 114

ELECTRICAL HARNESSES & SWITCHES  
FRONT



**CHALLENGER 670 COMBINE  
ELECTRICAL**

145

**ELECTRICAL HARNESSSES & SWITCHES  
FRONT**

ITEM	NUMBER	QTY	DESCRIPTION	
1	71391016	1	HARNESS, MAIN	
	70937685	3	CLIP, J, 3/8 X .406 HOLE	
	70927134	1	CLIP, J, 5/8 X .406 HOLE	
	70936778	6	CLIP, J, 3/4 X .406 HOLE	
	70937684	1	CLIP, J, 1.250 X .406 HOLE	
	70921333	1	CAPSCREW, 5/16-18 X 1.0	
	700709602	1	WASHER, 5/16	
	70917356	1	LOCKWASHER, 5/16	
	70917372	1	HEXNUT, 5/16-18	
	71389754	1	MOLDING, EDGE	
	70925094	AR	TIE, SELF-LOCKING .184 X 7.31	
	2	71391017	1	HARNESS, FAN/HYD
		70925246	AR	CLIP, J, .500 X .281 HOLE
7883267		AR	SCREW, HX WSHR HD MACH 1/4-20 X 1/2	
70931209		AR	LOCKNUT, 1/4-20	
70937685		AR	CLIP, J, 3/8 X .406 HOLE	
70936778		1	CLIP, J, 3/4 X .406 HOLE	
70929725		2	CLIP, J, 7/16 X .406 HOLE	
70927134		1	CLIP, J, 5/8 X .406 HOLE	
70921965		4	CAPSCREW, 3/8-16 X 3/4	
705038		4	LOCKWASHER, 3/8	
70916950		4	HEXNUT, 3/8-16	
70925094		AR	TIE, SELF-LOCKING .184 X 7.31	
3		293766M1	1	SWITCH, STONE TRAP DOOR
	70925094	1	TIE, SELF-LOCKING .184 X 7.31	
4	112159W1	1	BRACKET, SWITCH	
	70921333	2	CAPSCREW, 5/16-18 X 1.0	
	700709602	2	WASHER, 5/16	
	70917356	2	LOCKWASHER, 5/16	
	70917372	2	HEXNUT, 5/16-18	
5	71396956	1	BRACKET, MAG LIGHT 12V POWER	
	70936592	4	SCREW, PN HD X-REC, #10-16 X 3/4	
	705160	4	LOCKWASHER, 5/16	
6	71342216	1	SWITCH, START	
7	71385907	1	WIRE ASM., SWITCH	

MC00308  
PR: 116





**CHALLENGER 670 COMBINE  
ELECTRICAL**

147

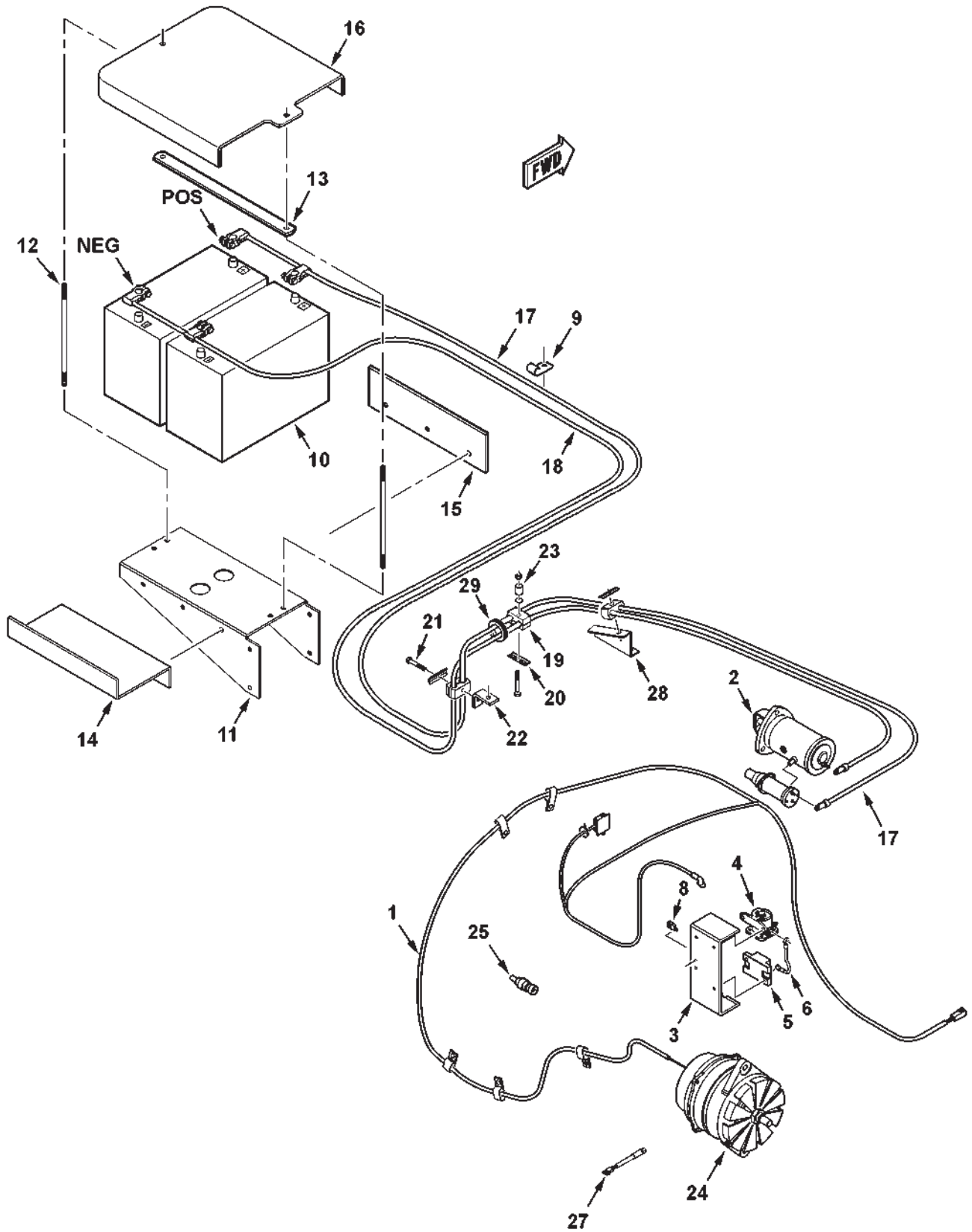
**ENGINE & BATTERY WIRING  
(PRIOR S/N HR36101)**

ITEM	NUMBER	QTY	DESCRIPTION
-	71391870	1	LIGHT, MAGNETIC SRVC (IN CAB BUDDY SEAT)
-	71397725	AR	OUTLET SOCKET, SERVICE LIGHT
1	71398842	1	HARNES, ENGINE
	71408392	1	WIRE ASY, ALT'R, 78.7" (FIELD INSTAL'N UPGRADE. 2003 & 2004 PROD'N ONLY, S/N HM36---)(NOT ILLUS.)
	70935427	2	FUSE, 15 AMP
	70232758	4	COVER, TERMINAL
	70937133	3	TIE, SELF-LOCKING .300 X 14.5
	70925094	7	TIE, SELF-LOCKING .184 X 7.31
	70935468	1	TIE, SELF-LOCKING .300 X 30.0
	70936778	2	J-CLIP, .750 X .406 HOLE
	70937677	3	J-CLIP, 1.0 X .406 HOLE
	7772015	3	CAPSCREW, M10-1.5 X 20 LG
	700708367	3	LOCKWASHER, 10MM
	70930791	1	J-CLIP, .688 X .406 HOLE
2	201-9915	1	STARTER MOTOR (SOURCE: CAT)
3	71398828	1	BRACKET, SOLENOID MTG.
4	530132M1	1	SOLENOID
	70931833	2	SCREW, MTG. 1/4-20 X 1/2
	Y705020	2	LOCKWASHER, 5/16
	70917372	2	HEXNUT, TERMINAL 5/16-18
	705004	2	LOCKWASHER, #10
	Y704445	2	HEXNUT, TERMINAL #10-32
	70232758	2	TERMINAL COVER
5	71389309	1	BREAKER, CIRCUIT, 150A
	70934728	2	SCREW, MTG. 1/4-20 X 3/4
6	71389313	1	WIRE, START RELAY (APPRX. 6-1/4 LG.)
8	71378104	1	RELAY
	70931833	1	SCREW, PAN HD TAPPING, 1/4-20 X 1/2
9	70936778	1	J-CLIP, 3/4 DIA X .406 HOLE
10	79018975	2	BATTERY, GROUP 31
11	71393713	1	BRACKET, BATTERY SUPPORT
	70921210	4	CAPSCREW, 3/8-16 X 1.0
	704247	4	LOCKNUT, HEX SERR FLANGE, 3/8-16
12	108047W1	2	ROD, BATTERY HOLD DOWN
13	108048W1	1	STRAP, TIE BAR
	704247	8	LOCKNUT, HEX SERR FLANGE, 3/8-16
14	71397729	1	ANGLE, BATTERY SUPPORT
	70921210	3	CAPSCREW, 3/8-16 X 1.0
	704247	3	LOCKNUT, HEX SERR FLANGE, 3/8-16
15	71397726	1	PLATE, BATTERY SUPPORT
	70921210	3	CAPSCREW, 3/8-16 X 1.0
	704247	3	LOCKNUT, HEX SERR FLANGE, 3/8-16
16	108076W1	1	COVER, BATTERY
	Y704361	2	WINGNUT, 3/8-16

CONTINUED

CHL0008  
PR: 118

ENGINE & BATTERY WIRING  
(PRIOR S/N HR36101)



**CHALLENGER 670 COMBINE  
ELECTRICAL**

149

**ENGINE & BATTERY WIRING  
(PRIOR S/N HR36101)**

ITEM	NUMBER	QTY	DESCRIPTION
17	71398103	1	CABLE, POSITIVE BATTERY
18	71398104	1	CABLE, NEGATIVE BATTERY
	70925094	2	TIE, SELF-LOCKING .184 X 7.31
	Y702951	1	SCREW, HEX WSHR HD, 3/8-16 X 3/4 (GRND LUG ATTACH)
19	148203M1	3	CLAMP, BATT. CABLE
20	101646M1	3	PLATE, TOP COVER
21	70921719	1	CAPSCREW, 5/16-18 X 2-1/2
	70918431	1	WASHER, 1/2, WIDE
	70917356	1	LOCKWASHER, 5/16
	70917372	1	HEXNUT, 5/16-18
22	71337414	1	BRACKET
23	7771751	1	CAPSCREW, 5/16-18 X 3-1/4
	70917356	1	LOCKWASHER, 5/16
	70917372	1	HEXNUT, 5/16-18
	70918431	1	WASHER, 1/2, WIDE
	6586259	1	SPACER, .75 OD X .391 ID X 1 LG
24	71396957	1	ALTERNATOR, 150A
	129-5096	1	PULLEY, ALTERNATOR
	72506418	3	COVER, TERMINAL
	70232758	1	COVER, TERMINAL
25	71393718	1	SENSOR, TEMPERATURE
	70936326	1	O-RING, .072 X .414 ID, VITON
27	71389746	1	SWITCH, ROTOR PRESSURE
	70921885	1	O-RING, .078 X .468 ID
28	71398826	1	BRACKET, BATT. CABLE
	70921965	2	CAPSCREW, 3/8-16 X 3/4
	704247	2	NUT, HEX FLNG SERR LOCK, 3/8-16
	7771744	1	CAPSCREW, 5/16-18 X 2-1/4
	Y705020	1	LOCKWASHER, 5/16 REG
	70917372	1	NUT, 5/16-18 REG
29	8027427	1	GROMMET

CHL0008  
PR: 118



**CHALLENGER 670 COMBINE  
ELECTRICAL**

151

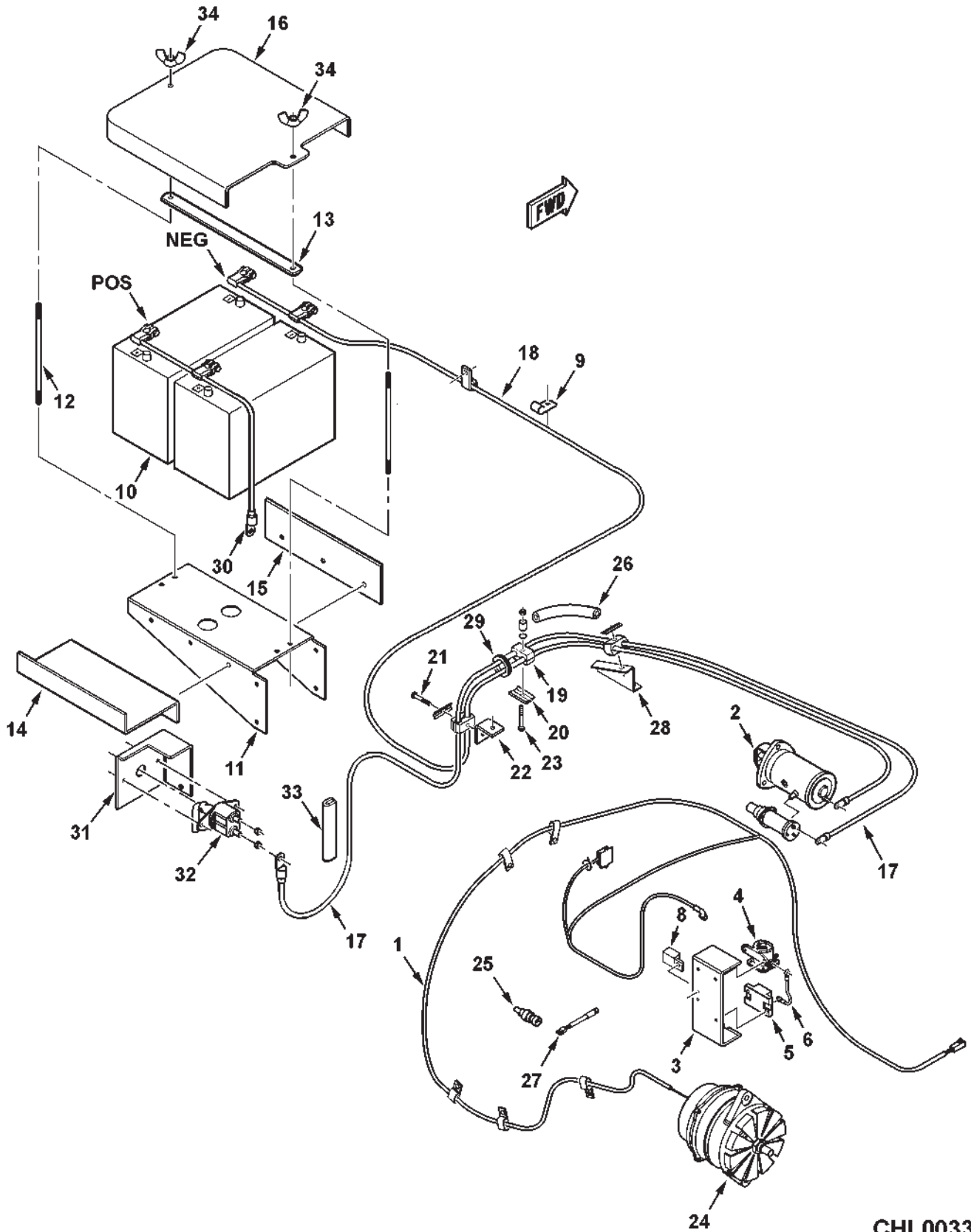
**ENGINE & BATTERY WIRING  
(EFF. S/N HR36101)**

ITEM	NUMBER	QTY	DESCRIPTION
-	71391870	1	LIGHT, MAGNETIC SRVC (IN CAB BUDDY SEAT)
-	71397725	AR	OUTLET SOCKET, SERVICE LIGHT
1	71410573	1	HARNES, ENGINE
	70935427	2	FUSE, 15 AMP
	70232758	4	COVER, TERMINAL
	70937133	3	TIE, SELF-LOCKING .300 X 14.5
	70925094	7	TIE, SELF-LOCKING .184 X 7.31
	70935468	1	TIE, SELF-LOCKING .300 X 30.0
	70936778	2	J-CLIP, .750 X .406 HOLE
	70937677	4	J-CLIP, 1.0 X .406 HOLE
	7772015	3	CAPSCREW, M10-1.5 X 20 LG
	700708367	3	LOCKWASHER, 10MM
	70921332	2	CAPSCREW, 5/16-18 X 3/4
	70920426	1	LOCKWASHER, EXT TOOTH, 5/16
2	201-9915	1	STARTER MOTOR (SOURCE: CAT)
3	71398828	1	BRACKET, SOLENOID MTG.
4	530132M1	1	SOLENOID
	70931833	2	SCREW, MTG. 1/4-20 X 1/2
	Y705020	2	LOCKWASHER, 5/16
	70917372	2	HEXNUT, TERMINAL 5/16-18
	705004	2	LOCKWASHER, #10
	Y704445	2	HEXNUT, TERMINAL #10-32
	70232758	2	TERMINAL COVER
5	71389309	1	BREAKER, CIRCUIT, 150A
	70934728	2	SCREW, MTG. 1/4-20 X 3/4
6	71389313	1	WIRE, START RELAY (APPRX. 6-1/4 LG.)
8	71378104	1	RELAY
	70931833	1	SCREW, PAN HD TAPPING, 1/4-20 X 1/2
9	70936778	1	J-CLIP, 3/4 DIA X .406 HOLE
10	79018975	2	BATTERY, GROUP 31
11	71393713	1	BRACKET, BATTERY SUPPORT
	70921210	4	CAPSCREW, 3/8-16 X 1.0
	704247	4	LOCKNUT, HEX SERR FLANGE, 3/8-16
12	108047W1	2	ROD, BATTERY HOLD DOWN
13	108048W1	1	STRAP, TIE BAR
	704247	8	LOCKNUT, HEX SERR FLANGE, 3/8-16
14	71397729	1	ANGLE, BATTERY SUPPORT
	70921210	3	CAPSCREW, 3/8-16 X 1.0
	704247	3	LOCKNUT, HEX SERR FLANGE, 3/8-16
15	71397726	1	PLATE, BATTERY SUPPORT
	70921210	3	CAPSCREW, 3/8-16 X 1.0
	704247	3	LOCKNUT, HEX SERR FLANGE, 3/8-16
16	108076W1	1	COVER, BATTERY

CONTINUED

CHL0033  
PR: t06a25m25c0002

ENGINE & BATTERY WIRING  
(EFF. S/N HR36101)



**CHALLENGER 670 COMBINE  
ELECTRICAL**

153

**ENGINE & BATTERY WIRING  
(EFF. S/N HR36101)**

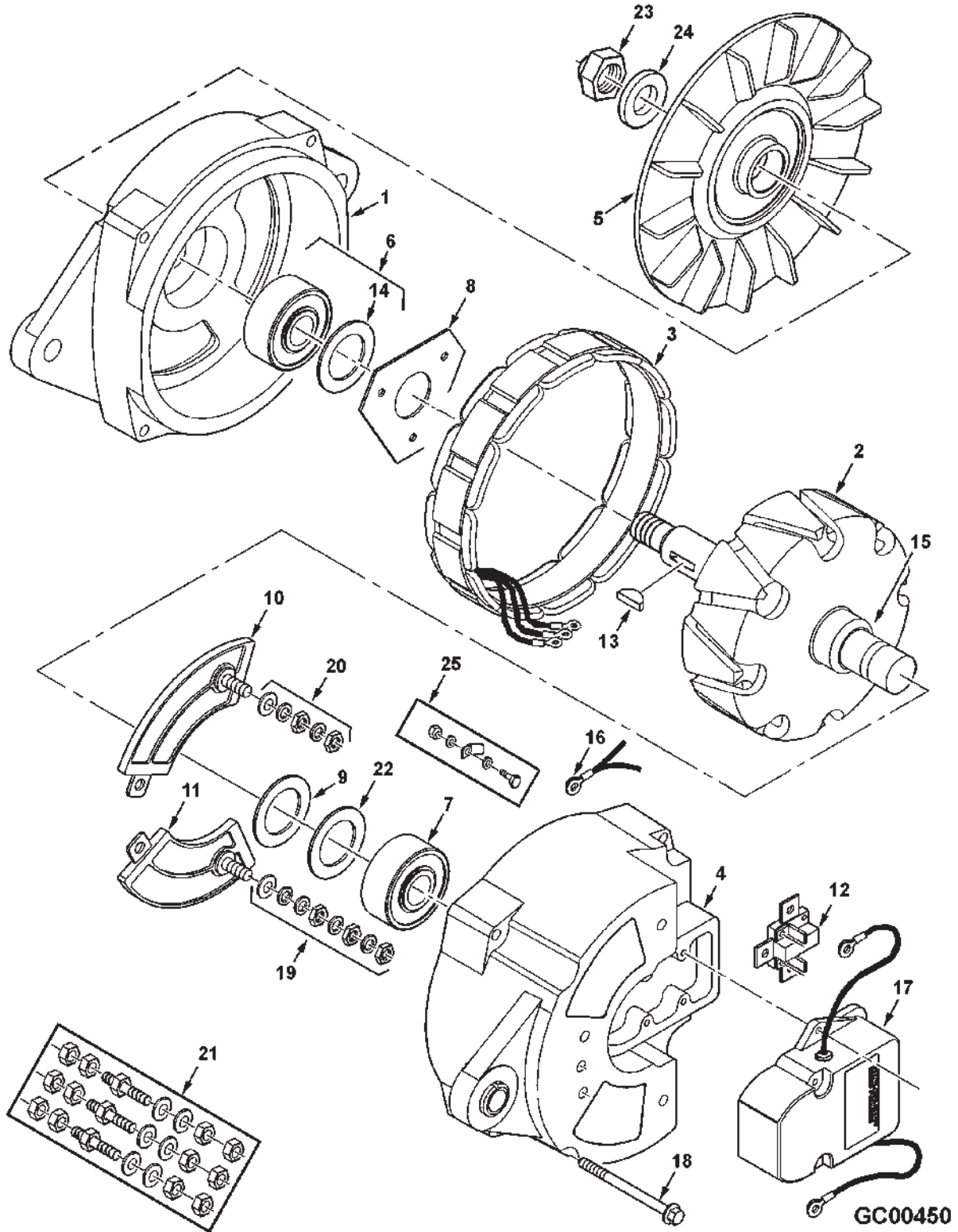
ITEM	NUMBER	QTY	DESCRIPTION
17	71409808	1	CABLE, POSITIVE BATTERY
18	71398104	1	CABLE, NEGATIVE BATTERY
	70925094	2	TIE, SELF-LOCKING .184 X 7.31
	Y702951	1	SCREW, HEX WSHR HD, 3/8-16 X 3/4 (GRND LUG ATTACH)
19	148203M1	3	CLAMP, BATT. CABLE
20	101646M1	3	PLATE, TOP COVER
21	70921719	1	CAPSCREW, 5/16-18 X 2-1/2
	70918431	1	WASHER, 1/2, WIDE
	70917356	1	LOCKWASHER, 5/16
	70917372	1	NUT, 5/16-18 REG
22	71337414	1	BRACKET
23	7771751	1	CAPSCREW, 5/16-18 X 3-1/4
	70917356	1	LOCKWASHER, 5/16
	70917372	1	NUT, 5/16-18 REG
	70918431	1	WASHER, 1/2, WIDE
	6586259	1	SPACER, .75 OD X .391 ID X 1 LG
24	71396957	1	ALTERNATOR, 150A
	129-5096	1	PULLEY, ALTERNATOR
	72506418	3	COVER, TERMINAL
	70232758	1	COVER, TERMINAL
25	71393718	1	SENSOR, TEMPERATURE
	70936326	1	O-RING, .072 X .414 ID, VITON
26	71396952	1	HOSE, PROTECTOR
	70925094	3	TIE, SELF-LOCKING .184 X 7.31
27	71389746	1	SWITCH, ROTOR PRESSURE
	70921885	1	O-RING, .078 X .468 ID
28	71398826	1	BRACKET, BATT. CABLE
	70921965	2	CAPSCREW, 3/8-16 X 3/4
	704247	2	NUT, HEX FLNG SERR LOCK, 3/8-16
	7771744	1	CAPSCREW, 5/16-18 X 2-1/4
	Y705020	1	LOCKWASHER, 5/16 REG
	70917372	1	NUT, 5/16-18 REG
29	8027427	1	GROMMET
30	71409807	1	CABLE, POSITIVE BATTERY
31	71409810	1	BRACKET, BATTERY DISCONNECT
32	71409811	1	SWITCH, BATTERY DISCONNECT
	7703457	2	CAPSCREW, 1/4-20 X 3/4 GR5
	705012	2	LOCKWASHER, 1/4
	70916622	2	NUT, 1/4-20 REG
33	71387797	1	EDGE PROTECTOR, 1/4 X 8"
34	Y704361	2	WINGNUT, 3/8-16

CHL0033  
PR: t06a25m25c0002



CHALLENGER 670 COMBINE  
ELECTRICAL

ALTERNATOR - 150 AMP



CHALLENGER 670 COMBINE  
ELECTRICAL

155

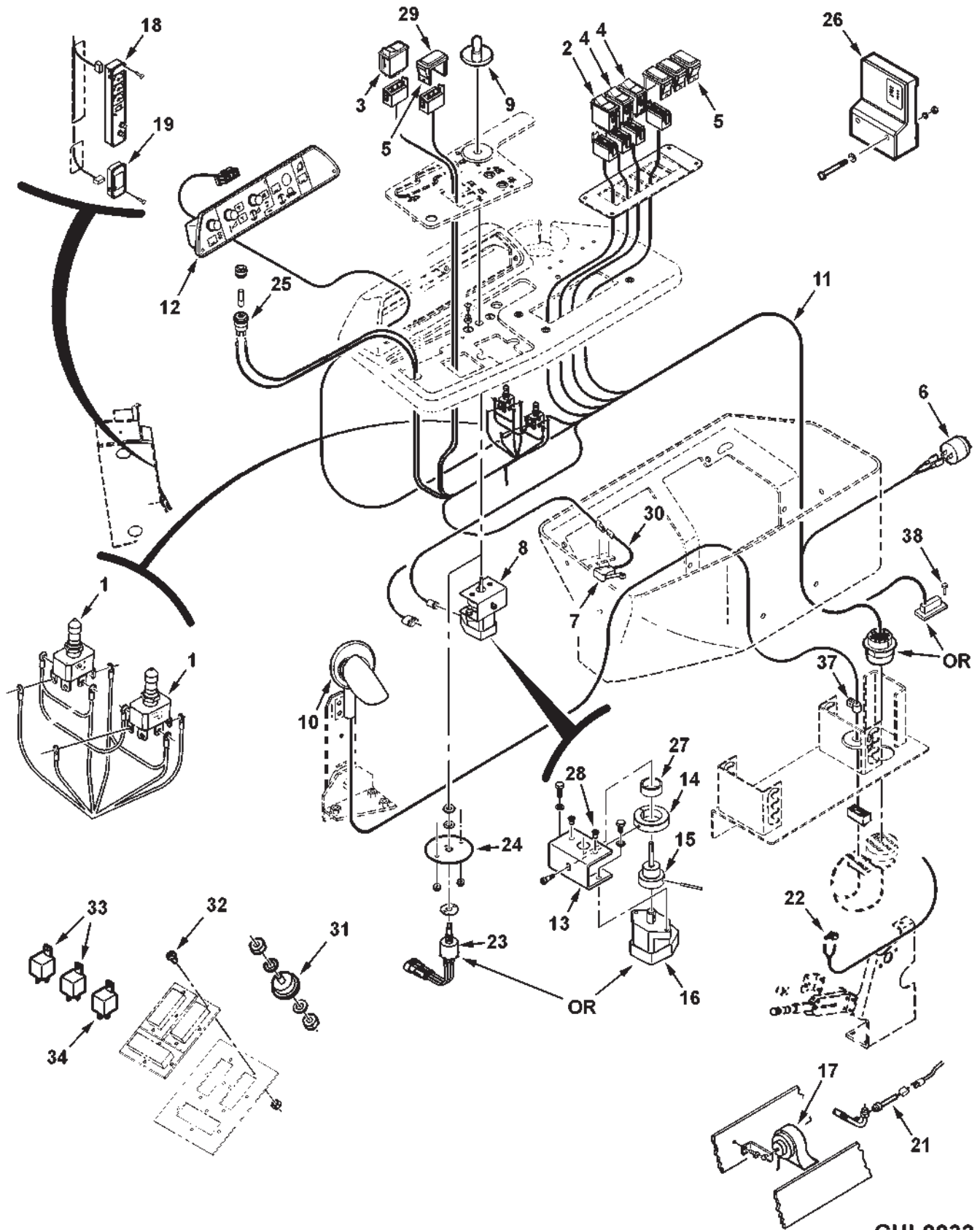
ALTERNATOR - 150 AMP

ITEM	NUMBER	QTY	DESCRIPTION
-	71396957	1	ALTERNATOR, LEECE NEVILLE, 150 AMP
1	71407431	1	FRONT HOUSING
2	71407436	1	ROTOR ASY
3	71407434	1	STATOR ASY
4	71407446	1	REAR HOUSING
5	71407428	1	FAN
6	71407432	1	FRONT BEARING PKG.
7	71407440	1	REAR BEARING
8	71407429	1	FRONT BEARING RETAINER PKG.
9	71407438	1	REAR BEARING RETAINER
10	71407442	1	DIODE RING ASY, NEGATIVE
11	71407441	1	DIODE RING ASY, POSITIVE
12	71407448	1	BRUSH ASY
13	71407435	1	KEY, WOODRUFF
14	71407433	1	SEAL, FRONT BEARING
15	71407437	1	SLIP RING
16	71407445	1	CABLE ASY, RECT.
17	71407450	1	REGULATOR KIT
18	71407430	1	THRU BOLT PKG.
19	71407443	1	TERMINAL STUD PKG, POSITIVE
20	71407444	1	TERMINAL STUD PKG, NEGATIVE
21	71407449	1	TERMINAL STUD PKG, AC
22	71407439	1	SPACER, REAR BEARING
23	71407426	1	LOCK NUT, PULLEY
24	71407427	1	WASHER, 5/8
25	71407447	1	AC FLAG TERMINAL PKG.

GC00450  
PR: t05b16k26a0003

### CHALLENGER 670 COMBINE ELECTRICAL

#### CAB COMPONENTS CONTROLS & SWITCHES



**CHALLENGER 670 COMBINE  
ELECTRICAL**

157

**CAB COMPONENTS  
CONTROLS & SWITCHES**

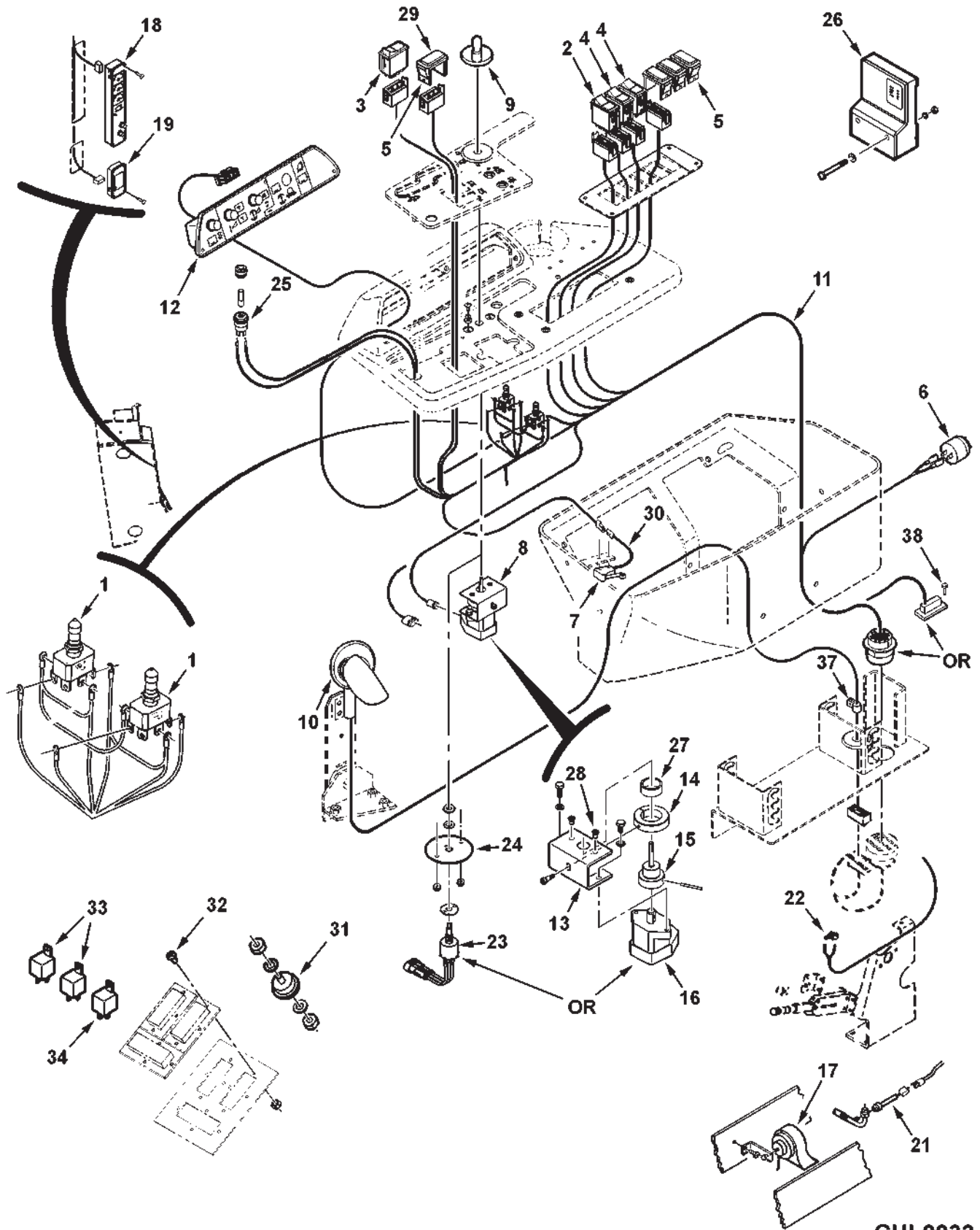
ITEM	NUMBER	QTY	DESCRIPTION
1	700726696	2	SWITCH, LEVER LOCK
2	71387413	1	SWITCH, SPEED, HARE/TORTOISE
3	71387416	1	SWITCH, HEADER REVERSE
4	71387417	2	SWITCH, INCREASE/DECREASE
5	71390325	4	PLUG, SWITCH
6	112236W1	1	BUZZER
7	71389825	X	SWITCH, PROXIMITY, BACK-UP (SERVICE W/ 107041 & 71385907 WIRE ASY.)
	107041	1	SWITCH, MICRO, BACK-UP (SEE "CAB, SEAT CONSOLE" FOR MOUNTING BRACKET)
	700701772	2	SCR, MACH, PAN HD, #6-32 X 1
	705129	2	LOCKWASHER, #6
	704551	2	NUT, #6-32 REG
8	-----	--	THROTTLE ASY. (SERVICED WITH COMPONENT ITEMS 13-16 & 27, 28) (SEE * KIT) (PRIOR S/N HR36101)
	700705185	2	SCREW, PAN HD. MACH. #8-32 X 1/2
	70917395	2	LOCKWASHER, #8
	70923906	2	WASHER, #8, NARROW
9	71396391	1	KNOB, THROTTLE
10	71388133	1	HANDLE ASY., HYDRO (SEE BREAKDOWN)
	70921332	2	CAPSCREW, 5/16-18 X 3/4
11	71387408	1	HARNESS, CONSOLE (PRIOR S/N HR36101)
	71407298	1	HARNESS, CONSOLE (EFF. S/N HR36101)
12	71393285	1	CONTROLLER - CONSOLE
	108664W1	3	KNOB
	71394716	3	SHAFT, KNOB
13	71398153	1	BRACKET, THROTTLE SUPPORT
14	71398152	1	COLLAR, SHAFT
	70937169	1	SCR, SHLDR, SOCK HD. 1/4 DIA X #10-24
15	71398154	1	SHAFT, THROTTLE
	70926526	1	PIN, SPIRAL
16	71398155	1	THROTTLE CONTROL, ELECTRONIC
	70921958	2	CAPSCREW, 1/4-20 X 1/2
	705012	2	LOCKWASHER, 1/4
17	71406492	1	HORN
	7701501	1	SCR, HEX WSHR HD TAPPG, 1/4-14 X 3/4
18	71389811	1	CLUSTER, GAUGE (FUEL, PRESS, TEMP, AND GRAIN LOSS MONITOR)
	70937280	4	SCREW, PAN HD. MACH. #8-32 X 3/4
	108664W1	2	KNOB
	71394716	2	SHAFT, KNOB
19	71393277	1	CONTROL, TACHOMETER
	700720863	4	SCREW, PAN HD. MACH. #8-32 X 2.0
21	71372724	1	SWITCH, LOW PRESSURE
22	71395848	1	SWITCH, PARK BRAKE
23	71306894	1	THROTTLE SWITCH ASY (EFF. S/N HR36101)

CONTINUED

CHL0032  
PR: 122

### CHALLENGER 670 COMBINE ELECTRICAL

#### CAB COMPONENTS CONTROLS & SWITCHES



**CHALLENGER 670 COMBINE  
ELECTRICAL**

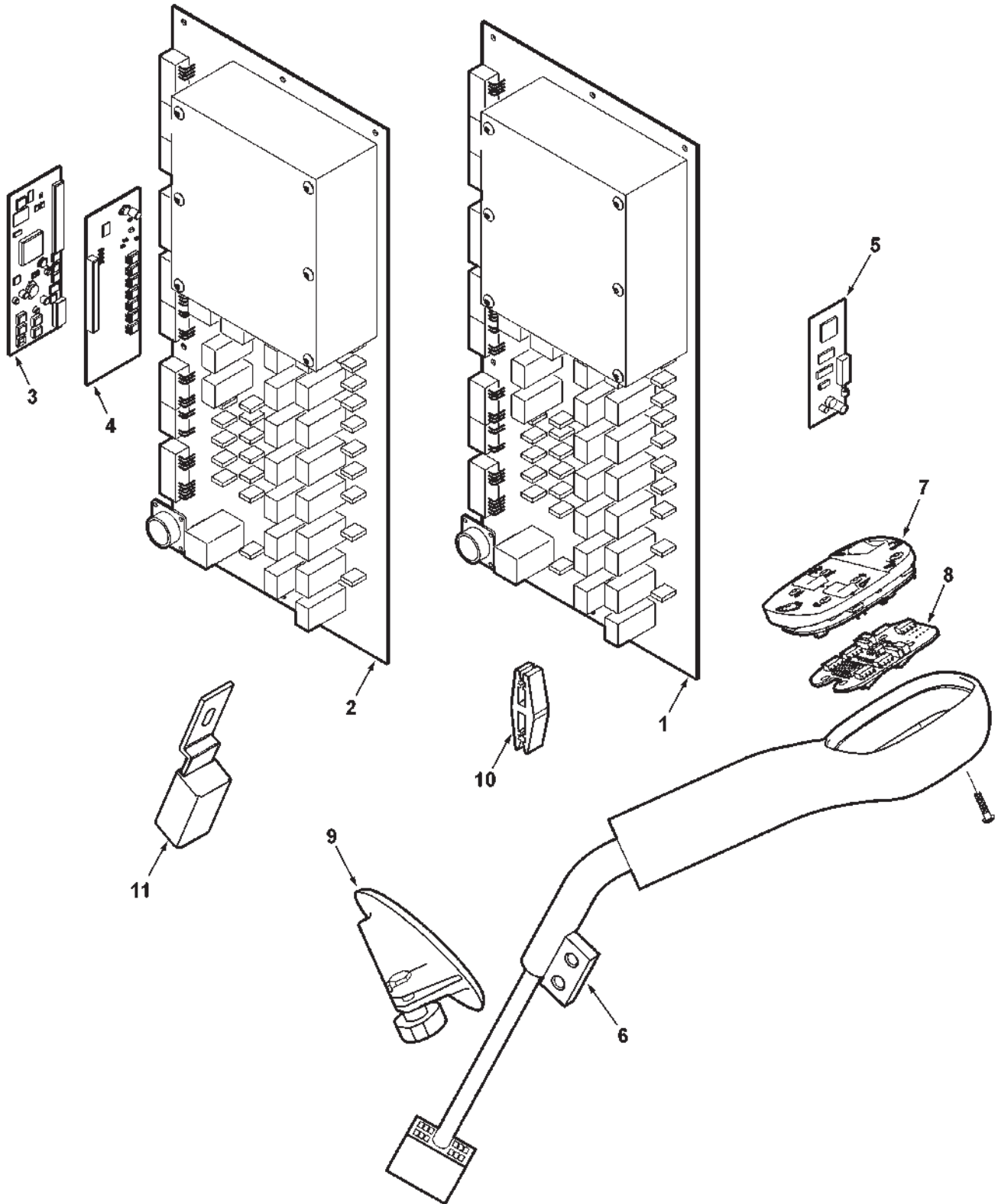
159

**CAB COMPONENTS  
CONTROLS & SWITCHES**

ITEM	NUMBER	QTY	DESCRIPTION
24	71400505	1	PLATE, THROTTLE MTG (EFF. S/N HR36101)
	700710188	2	SCREW, PAN HD MACH. #6-32 X 3/4
	70917395	2	LOCKWASHER, #8
	70923906	4	WASHER, #8, NARROW
	704551	2	NUT, #6-32 REG
	70917459	2	LOCKWASHER, #6
25	112812W1	1	SOCKET ASY, LAMP
	112811W1	1	LAMP, PILOT
	112814W1	1	LENS, AMBER
26	71379323	1	CONTROL, ROTOR SPEED (PRIOR S/N HR36101)
	7701964	2	CAPSCREW, 1/4-20 X 2-1/2 GR2
	705012	2	LOCKWASHER, 1/4 REG
	70917377	2	WASHER, HARD, 1/4
27	72501085	1	SLEEVE, BEARING
28	71391713	2	NUT, GRIP TITE #8-31
29	71387414	1	SWITCH, ON/OFF, RWA
30	71385907	1	WIRE ASY, MICRO SWITCH(PRIOR SN HR36101)
31	72500822	2	TERMINAL, FEED THRU, 3/8-16 UNC
32	700711659	12	SCREW, PAN HD MACH, #8-32 X 3/4
	107320M1	12	LOCKNUT, HEX SERR FLANGE, #8-32
33	71390323	2	RELAY, 70 AMP
34	72160919	1	RELAY, 40 AMP
37	70927097	1	CLAMP, LINE, 1/2 DIA X .281 HOLE (EFF. S/N HR36101)
	7883283	1	SCREW, HEX WSHR HD MACH, 1/4-20 X 1
	70931209	1	LOCKNUT, HEX SERR FLANGE, 1/4-20
38	700711659	2	SCREW, PAN HD MACH, #8-32 X 3/4 (EFF. S/N HR36101)
	107320M1	2	LOCKNUT, HEX SERR FLANGE, #8-32
-	71410560	AR	*KIT,THROTTLE PERFORMANCE (REPLACES IT.8 Y)(INCL FOLLOWNG)(PRIOR S/N HR36101)
	71406894	1	SWITCH ASY, THROTTLE (3 DETENT W/ 2 JAM NUTS, 3/8-32UNEF)
	71400505	1	PLATE, THROTTLE MOUNTING
	71410558	1	WIRE ASY,THROTTLE UPGRADE(NOT ILLUS.
	704494	2	HEX NUT, #8-32 UNC

CHL0032  
PR: 122

CAB COMPONENTS  
FUSE PANEL & HYDRO HANDLE



**CHALLENGER 670 COMBINE  
ELECTRICAL**

161

**CAB COMPONENTS  
FUSE PANEL & HYDRO HANDLE**

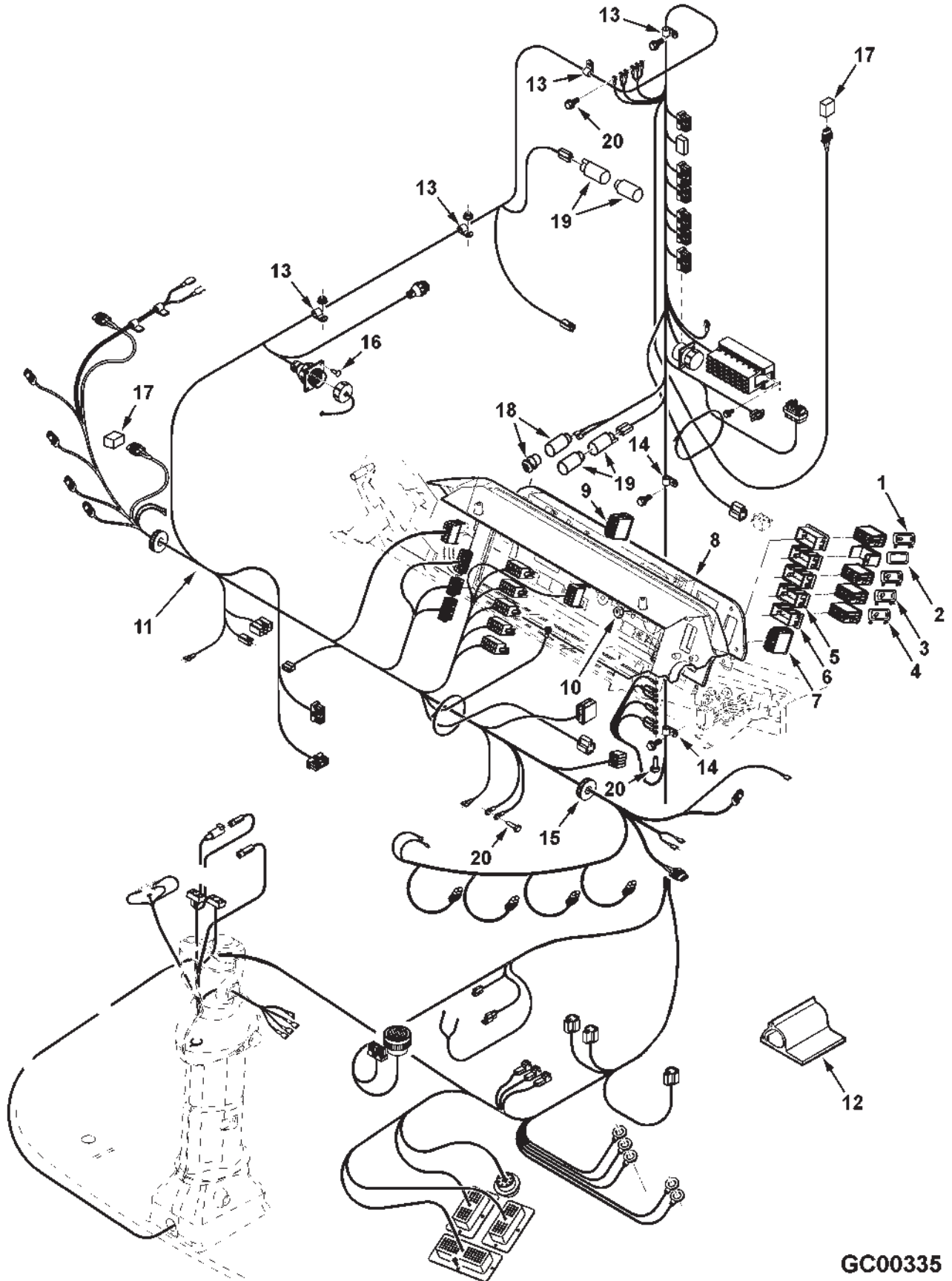
ITEM	NUMBER	QTY	DESCRIPTION
1	71394717	1	PANEL ASY., FUSE (INCL. ITEMS 2-4) (PRIOR S/N HR36101)
	71406480	1	PANEL ASY, FUSE (EFF. S/N HR36101)
	71389815	10	BOLT, ISOLATOR FLEX
	70917395	10	LOCKWASHER, #8
	774745	10	NUT, HEX, #8-32
	7883267	1	SCR, HEX WSHR HD MACH, 1/4-20 X 1/2
2	71389812	1	PANEL, FUSE
	700721620	9	MINI FUSE, 3 AMP
	70937605	8	MINI FUSE, 5 AMP
	70937606	5	MINI FUSE, 10 AMP
	70937607	AR	MINI FUSE, 15 AMP
	70937608	AR	MINI FUSE, 20 AMP
	70937609	AR	MINI FUSE, 25 AMP
	70937610	AR	MINI FUSE, 30 AMP
	71396970	3	PCB RELAY, 40 AMP
	71396971	17	PCB RELAY, 20 AMP
	71396972	1	LID, CARD CAGE
3	71389813	1	CARD, MAIN CONTROL (PRIOR S/N HR36101)
	71406481	1	CARD, MAIN CONTROL (EFF. S/N HR36101)
4	71389814	1	CARD, OUTPUT DRIVER
5	71393350	1	CARD, FIELDSTAR INTERFACE (OPT.)
6	71388133	1	HANDLE ASY, HYDRO (INCLUDES ITEMS 7 - 9)
	-----	1	HANDLE & SUPP'T ASY., HYDRO (ORDER HYDRO HANDLE ASY.)
7	71397940	1	DECK ASY. SWITCHES
	705129	4	LOCKWASHER, #6
	-----	4	SCREW, HEX SOCK BUTTON HD, #6-32 X 5/8 (SERVICE W/ 71408201)
	71408201	4	SCREW, TORX HD, #6-32 X 3/4, BLACK
8	71397941	1	CIRCUIT BOARD ASY., HANDLE
9	71397942	1	PALM/WRIST REST KIT, HANDLE
10	71375902	1	FUSE PULLER
11	72160919	1	RELAY, 40 AMP

GC00332  
PR: 124



CHALLENGER 670 COMBINE  
ELECTRICAL

CAB COMPONENTS  
UPPER CONSOLE



**CHALLENGER 670 COMBINE  
ELECTRICAL**

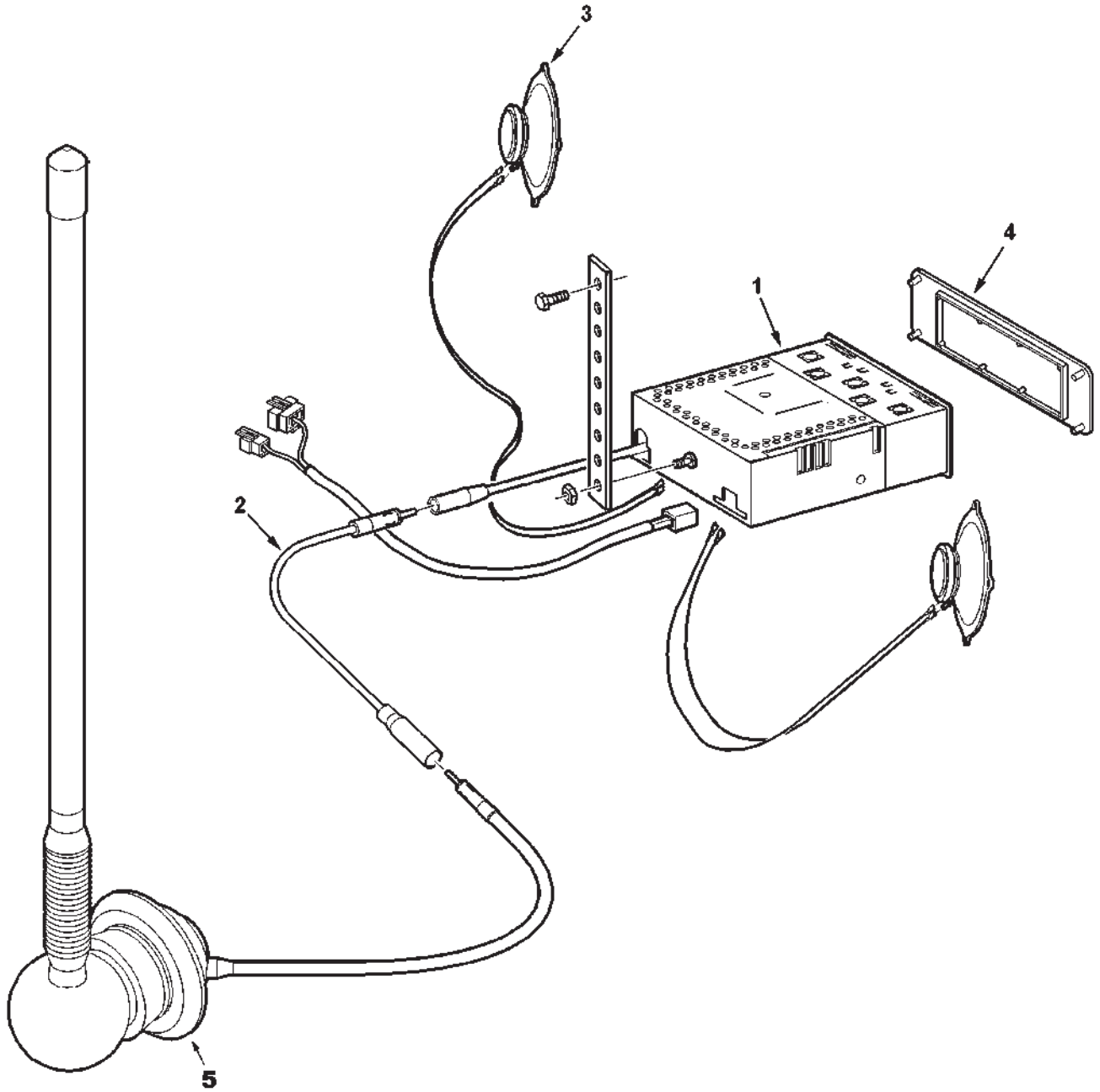
163

**CAB COMPONENTS  
UPPER CONSOLE**

ITEM	NUMBER	QTY	DESCRIPTION
1	71387423	1	SWITCH, EXIT LIGHT
2	71390325	1	PLUG, SWITCH COVER
3	71387424	2	SWITCH, FIELD LIGHTS
4	71387418	1	SWITCH, HEADLIGHT
5	71391417	3	BEZEL, SWITCH CENTER
6	71391416	2	BEZEL, SWITCH END
7	71387422	1	SWITCH, HAZARD
8	71406478	1	PANEL, ELECTRONIC INSTRUMENT (E.I.P.)
	70935072	4	SCREW, PAN HD. SELF-TAP 1/4-20 X 5/8
9	71387420	1	SWITCH, WIPER, FRONT GLASS
10	Y704445	1	NUT, HEX #10-32
11	71406476	1	HARNESS, MAIN CAB
12	70569880	2	CLIP, WIRING, SELF-ADHESIVE PLASTIC
13	70926874	4	CLAMP, HARNESS, 1-1/2 X .406 HOLE
	7883325	1	SCREW,HX WSHR HD MACH, 5/16-18 X 3/4
	70931277	2	LOCKNUT, SERR. FLANGE, 5/16-18
14	70936765	2	CLAMP, HARNESS, 1-3/4 X .406 HOLE
	7883325	2	SCREW,HX WSHR HD MACH, 5/16-18 X 3/4
15	70937658	1	GROMMET, RUBBER
16	70937550	4	SCR,PHILLIPS PAN HD,TAPPING, #8-18 X 3/4 (FIELDSTAR PLUG)
17	3714264M1	2	SENSOR, AIR TEMPERATURE
18	71365477	1	ELEMENT, LIGHTER
	71365476	1	HOUSING, LIGHTER
19	107500M1	2	SOCKET, AUX. POWER
	107499M1	2	PLUG, AUX. POWER SOCKET
20	701953	3	SCR, HEX WSHR HD TAPPING, 5/16-18 X 3/4

GC00335  
PR: 126

CAB COMPONENTS  
RADIO AND ANTENNA



CHALLENGER 670 COMBINE  
ELECTRICAL

165

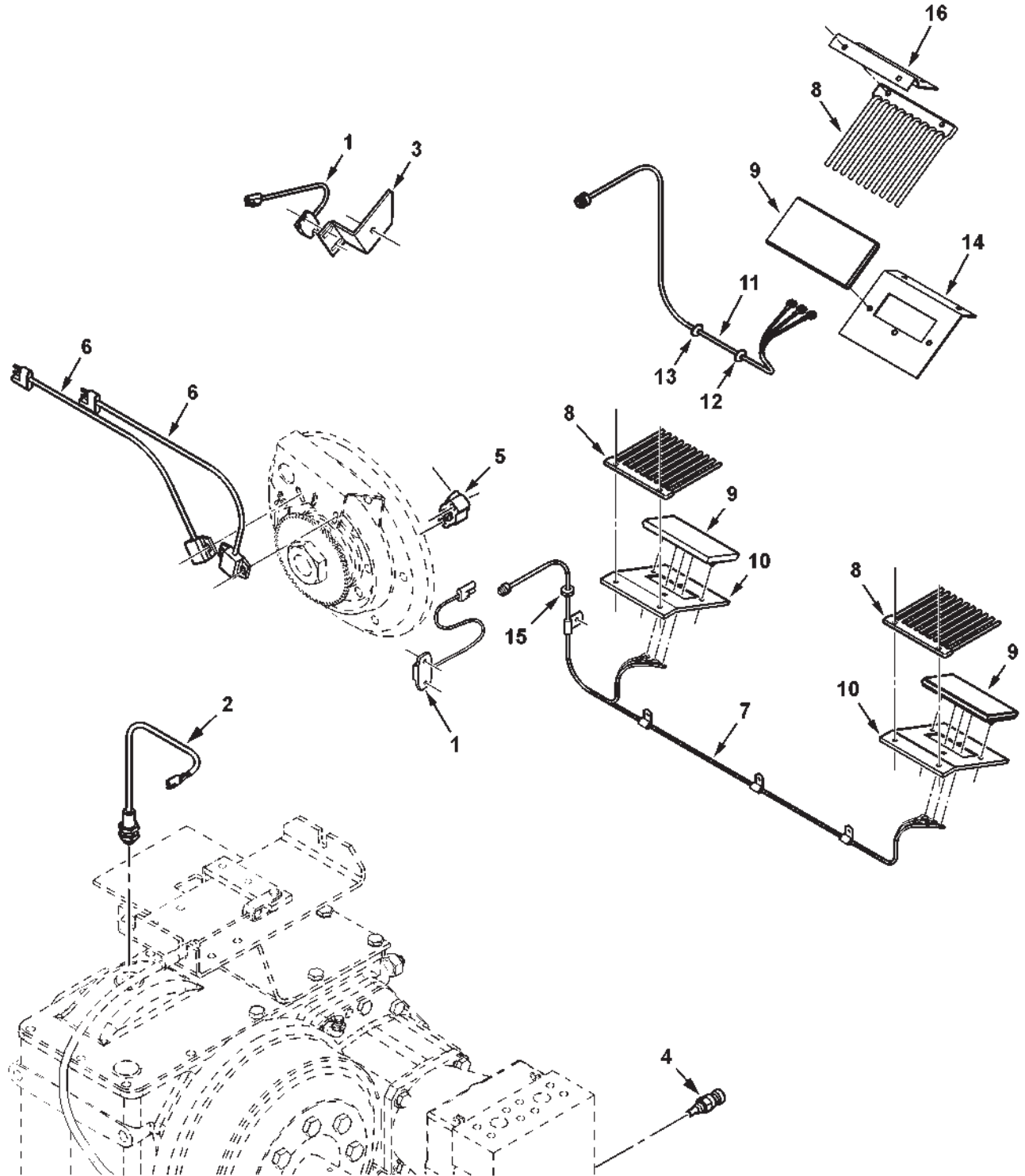
CAB COMPONENTS  
RADIO AND ANTENNA

ITEM	NUMBER	QTY	DESCRIPTION
1	RE701156D6	1	* RADIO, AM/FM, CD, WEATHERBAND
	RE701141D6	1	* RADIO, AM/FM, CASSETTE, WEATHERBAND
	RE701128D6	1	* RADIO, AM/FM, CASSETTE
2	RE530013	1	CABLE, ANTENNA EXTENSION
3	71393287	2	SPEAKER, 5-1/4 POLYCONE
	700701772	8	SCREW, PAN HD. MACH. #6-32 X 1.0
	700703830	8	WASHER, FLAT #6
	705129	8	LOCKWASHER, #6
	704551	8	HEXNUT, #6-32
4	71362813	1	PANEL, BLANK, W/O RADIO
	70932720	4	NUT, SPEED
5	RE210066	1	ANTENNA ASY., W/CABLE
-	71406070	1	** KIT, RADIO, AM/FM, CD, WEATHERBAND
-	71400012	1	** KIT, RADIO, AM/FM,CASSETTE,WEATHRBAND

\* INCL. HARNESS, MTG STRAP & HRDWR  
\*\* FIELD INSTALL. ORDER THRU DLR CENTRAL

GC00338  
PR: 128

MONITORING SYSTEMS  
DIGITAL TACHOMETER



**CHALLENGER 670 COMBINE  
ELECTRICAL**

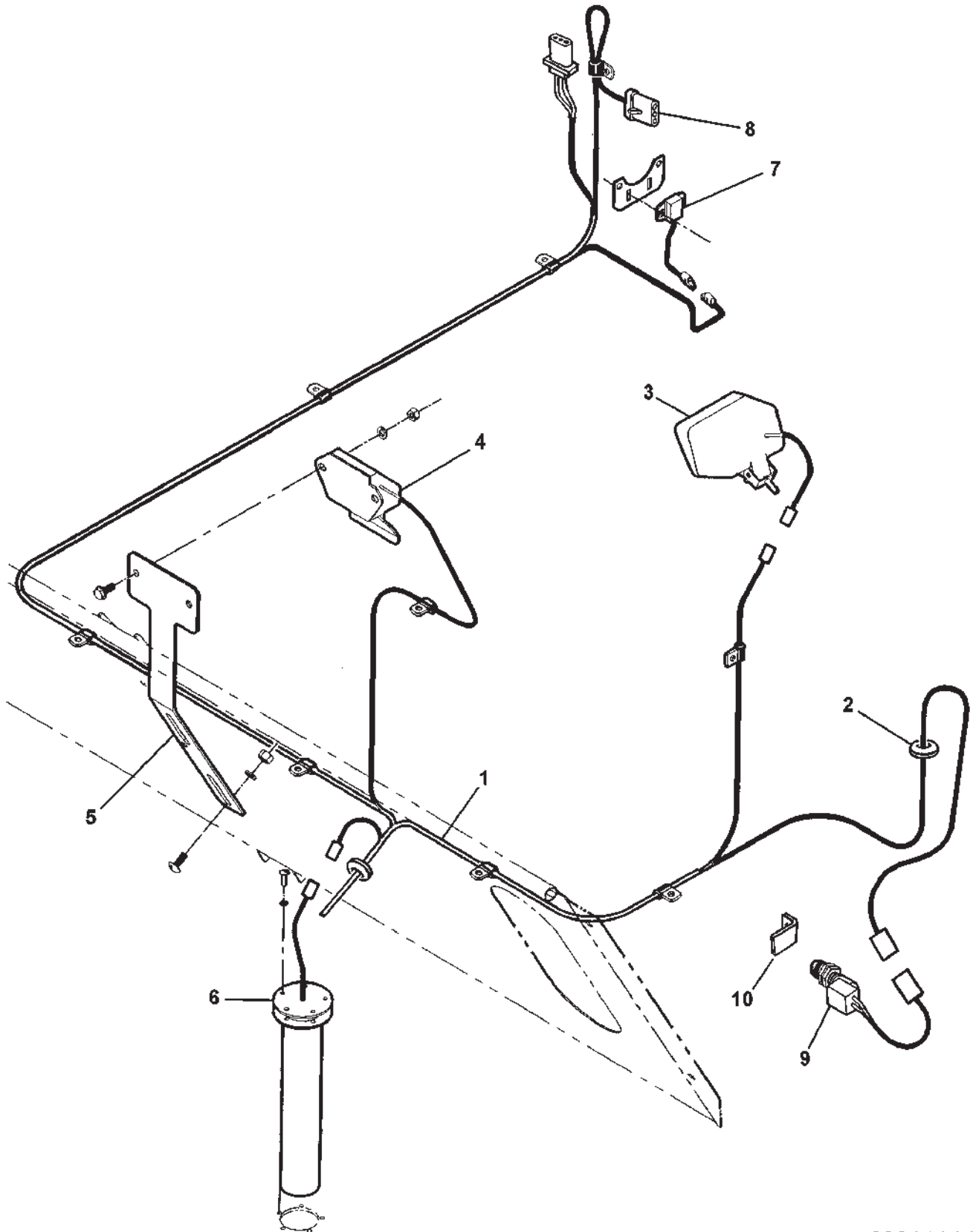
167

**MONITORING SYSTEMS  
DIGITAL TACHOMETER**

ITEM	NUMBER	QTY	DESCRIPTION
1	71391021	4	SENSOR ASY., TWO WIRE
	70931317	8	BOLT, RD HD SHT SQ NK, 1/4-20 X 3/4
	705012	8	LOCKWASHER, 1/4
	70916622	8	NUT, 1/4-20, REG
2	71389818	1	SENSOR, GROUND SPEED
3	71385108	1	BRACKET, BEATER SPEED SENSOR
4	71393718	1	SENSOR, HYDRO TEMP
	70936326	1	O-RING, .072 X .414 ID, VITON
5	71376825	1	SENSOR, CONCAVE POS'N (SEE "PROCESSOR")
	70918151	2	SCREW, TRUSS HD MACH #10-32 X 1-1/4
	70917380	2	WASHER, #10
	705004	2	LOCKWASHER, #10
6	Y704445	2	HEXNUT, #10-32
	71383914	2	SENSOR, ROTOR SPEED
	70931317	4	BOLT, RD HD SHT SQ NK, 1/4-20 X 3/4
7	705012	4	LOCKWASHER, 1/4
	70916622	4	NUT, 1/4-20, REG
7	71391018	1	HARNES, SHOE LOSS (TIED TO SHAKER ARM) (PRIOR S/N HP36101)
	71391421	1	HARNES,SHOE LOSS(THRU GROMMET IN FRAME) (EFF. S/N HP36101)
	70937685	2	J-CLIP, 3/8 X .406 HOLE
	700725918	9	J-CLIP, .312 X .281 HOLE
	70931317	4	BOLT, RD HD SHT SQ NK, 1/4-20 X 3/4
	70916622	4	NUT, 1/4-20, REG
	705012	4	LOCKWASHER, 1/4
	7703457	1	CAPSCREW, 1/4-20 X 3/4 GR5
	70931209	1	NUT, SERR. FLANGE, 1/4-20
	353769X1	1	WASHER, 1/4, HARD
	70930708	1	CLAMP, 5/16 X .344 HOLE (PRIOR S/N HP36101)
8	71393717	4	FINGER DIFFUSER
	7703457	2	CAPSCREW, 1/4-20 X 3/4 GR5
	70916622	2	NUT, 1/4-20 REG
	705012	2	LOCKWASHER, 1/4
9	71393278	4	SENSOR, GRAIN LOSS
	70916622	8	NUT, 1/4-20, REG
	705012	8	LOCKWASHER, 1/4
10	71393716	3	BRKT, GRN LOSS (QTY 4 PRIOR S/N HN36101)
	7770167	6	BOLT, RH HD SQ NK, 1/4-20 X 1.0
	700709601	6	WASHER, FLAT 1/4
	705012	6	LOCKWASHER, 1/4
	70916622	6	NUT, 1/4-20, REG
11	71391874	1	HARNES, GRAIN LOSS, ROTOR
12	700701160	1	GROMMET
13	832653M1	1	GROMMET
14	71401333	1	BRKT,ROTOR LOSS SENSOR (EFF S/N HM36101)
	70916622	2	NUT, 1/4-20, REG
	705012	2	LOCKWASHER, 1/4
15	70937658	2	GROMMET, RUBBER (EFF. S/N HP36101)
16	71409405	1	BRACKET, MOUNTING, FINGER DIFFUSER

MC00310  
PR: 130

HARNESSES & LIGHTING  
GRAIN BIN



**CHALLENGER 670 COMBINE  
ELECTRICAL**

169

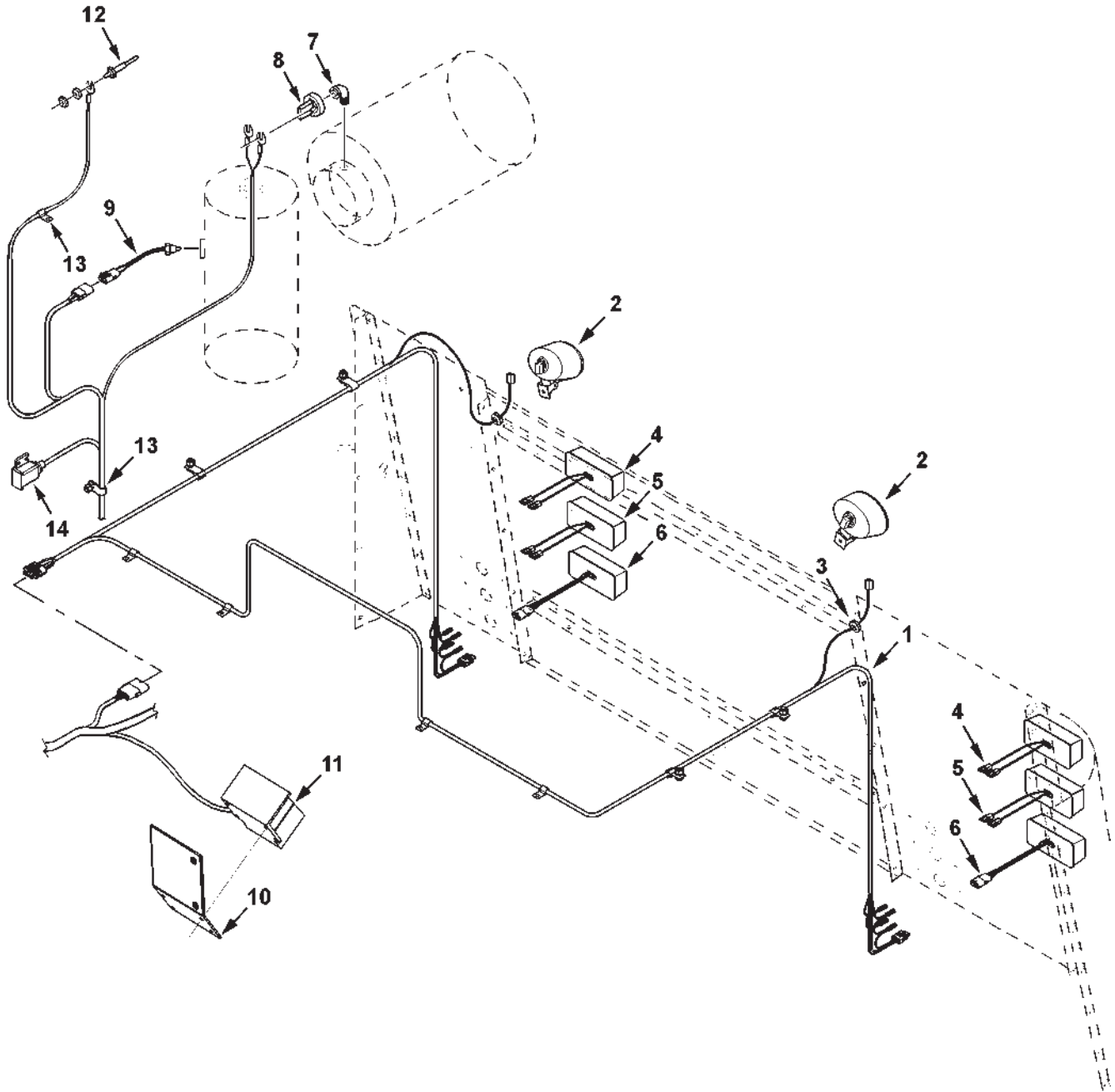
**HARNESSES & LIGHTING  
GRAIN BIN**

ITEM	NUMBER	QTY	DESCRIPTION
1	71391020	1	HARNESS, GRAIN BIN
	70937685	11	J-CLIP, 3/8 X .406 HOLE
	70936314	5	J-CLIP, 1/2 X .406 HOLE
	70921332	AR	CAPSCREW, 5/16-18 X 3/4
	70917356	AR	LOCKWASHER, 5/16
	70917372	AR	HEXNUT, 5/16-18
	70925094	3	TIE, BLACK NYLON, .184 X 7.31
2	700708340	1	GROMMET, RUBBER
3	71393704	1	LIGHT, GRAIN BIN
4	71375911	1	SENSOR, BIN LEVEL
	7883325	2	SCREW, WSHR HD MACH, 5/16-18 X 3/4
	70917356	2	LOCKWASHER, 5/16
	70917372	2	HEXNUT, 5/16-18
5	71393742	1	BRACKET, BIN LEVEL SENSOR
6	71407293	1	SENDER, FUEL LEVEL W/ GASKET
	3729528M1	5	SCREW, PAN HD MACH, #10-24 X 1-1/4
	705004	5	LOCKWASHER, #10 REG
	70917380	5	WASHER, .219 X .50 X .049 TH
	71398110	1	GASKET, SENDER
7	71391021	1	SENSOR, TWO WIRE
	70931317	2	BOLT, RD HD,SHT SQ NK, 1/4-20 X 3/4
	705012	2	LOCKWASHER, 1/4
	704007	2	HEXNUT, 1/4-20
8	71188145	1	BRACKET, SHAFT
9	293766M1	1	SWITCH, MOMENTARY
10	2495780W1	1	BRACKET, UNLOADER INDICATOR
	70921210	1	CAPSCREW, 3/8-16 X 1.0
	70917378	3	WASHER, WIDE, 3/8
	705038	1	LOCKWASHER, 3/8
	70916950	1	HEXNUT, 3/8-16

MC00306  
PR: 132



ELECTRICAL HARNESSES  
REAR



**CHALLENGER 670 COMBINE  
ELECTRICAL**

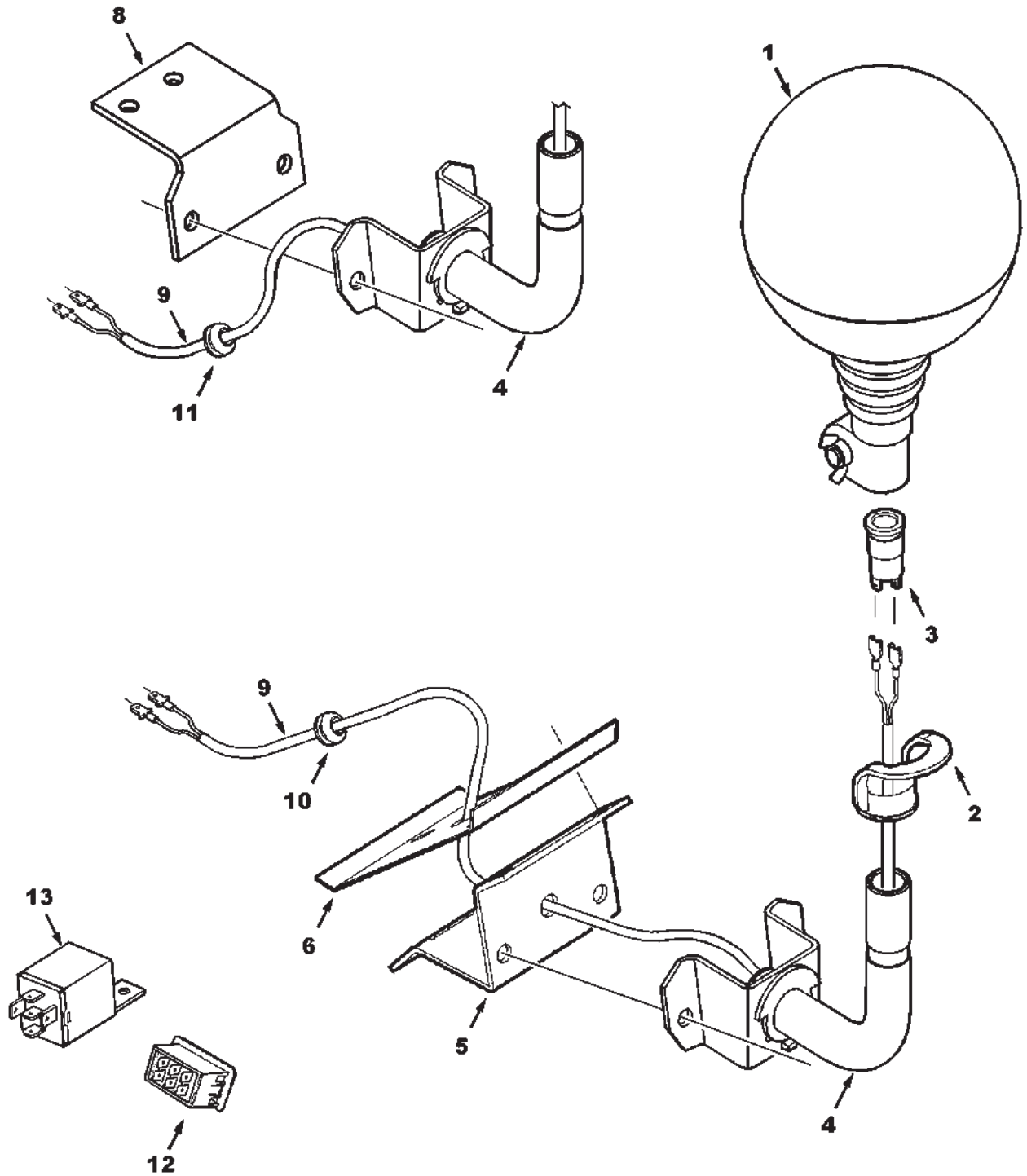
171

**ELECTRICAL HARNESSSES  
REAR**

ITEM	NUMBER	QTY	DESCRIPTION
1	71391709	1	HARNESS, TAIL LIGHT
	70937677	1	J-CLIP, 1.0 X .406 HOLE
	70936314	12	J-CLIP, 1/2 X .406 HOLE
	70921965	4	CAPSCREW, 3/8-16 X 3/4
	705038	4	LOCKWASHER, 3/8
	70916950	4	HEXNUT, 3/8-16
	70925094	AR	TIE, SELF-LOCK .184 X 7.31
2	700726172	2	LIGHT, FLOOD
	700722351	2	BULB, HALOGEN, 12V (GE #862)
3	70937691	2	GROMMET
4	72503309	2	LAMP ASY., WARNING (AMBER)
	1018729M1	1	BULB, 1156
	72501110	1	LENS, REPLACEMENT
	3729545M1	4	SCREW, PAN HD MACH, #10-24 X 2-1/2
	705004	4	LOCKWASHER, #10
	70916621	4	NUT, #10-24, REG
	71391871	2	LAMP ASY., BACKUP (CLEAR)
5	1018729M1	1	BULB, 1156
	3729545M1	4	SCREW, PAN HD MACH, #10-24 X 2-1/2
	705004	4	LOCKWASHER, #10
	70916621	4	NUT, #10-24, REG
6	700726168	2	LAMP ASY., TURN SIGNAL (RED)
	70928348	1	BULB, 1157
	-----	1	LENS, REPLACEMENT (ORDER ASY.)
	700718599	AR	KIT, CONNECTOR REPAIR
	3729545M1	4	SCREW, PAN HD MACH, #10-24 X 2-1/2
	705004	4	LOCKWASHER, #10
	70916621	4	NUT, #10-24, REG
7	70915955	1	ELBOW, 90 DEG FEM. 1/8-27 NPTF
8	31-2530050	1	SWITCH, AIR CLEANER VACUUM
9	71391418	1	SENSOR, HYD LEVEL W/WIRES
10	71398850	1	BRKT, BACK-UP ALARM (EFF. S/N HP36101)
11	71389319	1	ALARM, BACK-UP (EFF. S/N HP36101)
	7703457	4	CAPSCREW, 1/4-20 X 3/4 GR5
	705012	4	LOCKWASHER, 1/4
	704007	4	NUT, 1/4-20, REG
12	71193260	1	SENDER, RADIATOR LEVEL
	705004	1	LOCKWASHER, #10
	Y704445	1	HEXNUT, #10-32
13	70937685	2	J-CLIP, 3/8 DIA X .406 HOLE
	70929722	1	J-CLIP, 3/16 DIA X .281 HOLE
14	71391870	1	SERVICE LIGHT, MAGNETIC
	71397725	AR	OUTLET SOCKET, 12V, SERVICE LIGHT
	70936592	4	SCREW, PAN HD TAPPING, #10-16 X 3/4

MC00363  
PR: 134

BEACON LIGHTS  
FIELD KIT



**CHALLENGER 670 COMBINE  
ELECTRICAL**

**173**

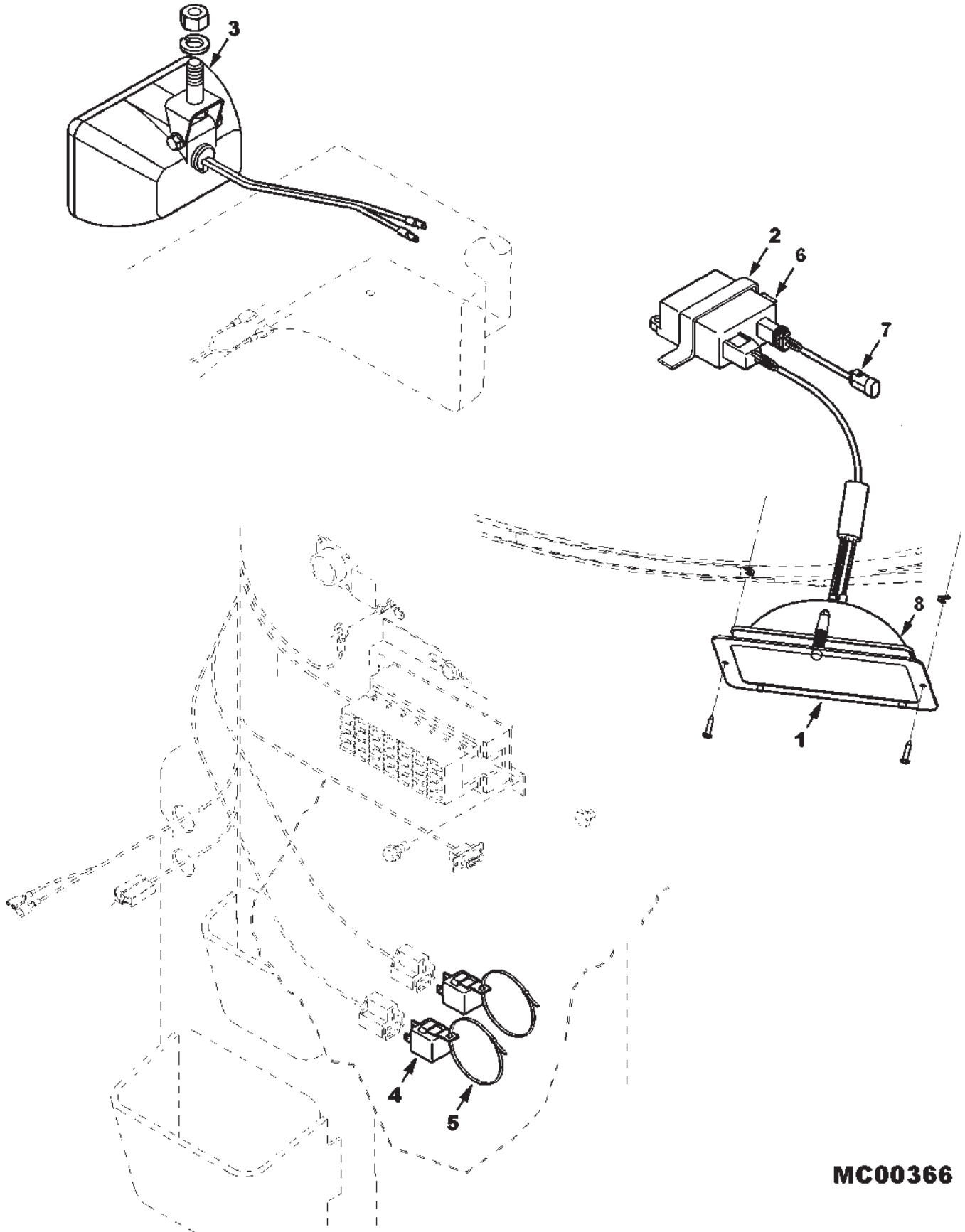
**BEACON LIGHTS  
FIELD KIT**

ITEM	NUMBER	QTY	DESCRIPTION
-	71395048	1	* KIT, BEACON LIGHT (PRIOR S/N HN36101)
-	71402109	1	* KIT, BEACON LIGHT (EFF. S/N HN36101)
1	3715144M92	2	BEACON
2	3617860M1	2	PLUG, BEACON
3	3617859M1	2	CAP, BEACON
4	3778093M91	2	SUPPORT, BEACON
	7883382	4	SCREW, HEX WSHR HD MACH, 3/8-16 X 1
	70931211	4	LOCKNUT, SERRATED FLANGE, 3/8-16
5	71391403	1	BRACKET, BEACON MTG. (FRONT)
	7883382	3	SCREW, HEX WSHR HD MACH, 3/8-16 X 1
	70931211	3	LOCKNUT, SERRATED FLANGE, 3/8-16
6	71391404	1	PLATE, BACKUP (FRT)
8	71388391	1	BRACKET, BEACON MTG. (REAR)
9	71395830	2	HARNESS, BEACON LIGHT (FRT & REAR)
10	70923510	1	GROMMET, RUBBER, .375 ID X 3/4 OD (FRT)
11	7827629	1	GROMMET, RUBBER, .375 ID X 5/8 OD (REAR)
12	71387419	1	SWITCH, BEACON (PRIOR S/N HN36101)
	71401336	1	SWITCH, BEACON (EFF. S/N HN36101)
13	72160919	1	RELAY, 40 AMP (EFF. S/N HN36101)
	70925442	2	TIE, BLACK NYLON, .165 X 14 LG

\* ORDER THRU DEALER CENTRAL

MC00364  
PR: t04c23m58a0003

HIGH INTENSITY LIGHTING  
FIELD KIT



**CHALLENGER 670 COMBINE  
ELECTRICAL**

175

**HIGH INTENSITY LIGHTING  
FIELD KIT**

ITEM	NUMBER	QTY	DESCRIPTION
-	71402112	1	*KIT, H.I.D. LIGHTING(PRIOR S/N HP36101)
-	71406074	1	*KIT, H.I.D. LIGHTING (EFF. S/N HP36101)
1	71401342	2	LAMP ASY, HIGH INTENSITY (INCL IT.6,7,8) (SERVICE W/ 71410912)
	71410912	2	LAMP ASY,HIGH INT'Y (INCL IT.6,7,8,9,10)
	70937550	4	SCREW, PAN HD, TAPPING, #8-18 X 3/4
	700715255	4	NUT, SPEED, #8
2	700719940	2	FASTENER, ADHESIVE BACK
3	71393703	1	LIGHT, CAB (PRIOR S/N HP36101)
4	72160919	2	RELAY, 40 AMP (PRIOR S/N HP36101)
5	70925094	2	TIE, BLACK NYLON (PRIOR S/N HP36101)
6	71408385	1	BALLAST (FOR LAMP 71401342)
	71408393	1	BALLAST (FOR LAMP 71410912)
7	71408386	1	ADAPTER WIRE (FOR LAMP 71401342)
	71408394	1	ADAPTER WIRE (FOR LAMP 71410912)
8	71408387	1	LAMP & STARTER (FOR LAMP 71401342)
	71408397	1	LAMP ASY (FOR LAMP 71410912)
9	71408395	1	WIRE ASY, STARTER (NOT ILLUS.)
10	71408396	1	WIRE ASY, BULB (NOT ILLUS.)

\* ORDER THRU DEALER CENTRAL

MC00366  
PR: t04c23m58a0004

SERVICE CONNECTORS  
HARNES REPAIR

**ILLUSTRATION NOT  
AVAILABLE**

XXXXXXXX

**CHALLENGER 670 COMBINE  
ELECTRICAL**

177

**SERVICE CONNECTORS  
HARNESS REPAIR**

ITEM	NUMBER	QTY	DESCRIPTION
-			LISTED PARTS USED FOR REPAIR OF WIRE HARNESSES
1	71390804	AR	CONNECTOR, 26 WAY, DEUTSCH, DRC26-50S-05
2	71390806	AR	REMOVAL TOOL, DEUTSCH, 0411-240-2005
3	71390809	AR	PROBE, EXTRTN TOOL, SZ 16, 0411-310-1605
4	71390810	AR	CONNECTOR, 36 WAY, DEUTSCH, HD36-24-23SN
5	71390813	AR	CONNECTOR, 3 WAY, DEUTSCH, DT06-3S-P012
6	71390815	AR	WEDGE CONNECTOR, DEUTSCH, W3S-P012
7	71390816	AR	CONNECTOR, 12 WAY, DEUTSCH, DT06-12SA-P012
8	71390817	AR	WEDGE CONNECTOR, DEUTSCH, W12S-P012
9	71390820	AR	PLUG CONNECTOR, 15 WAY, AMP, 1-640523-0
10	71390821	AR	RECEPTACLE CONN, 12 WAY, AMP, 1-640512-0
11	71390822	AR	PLUG CONNECTOR, 12 WAY, AMP, 1-640522-0
12	71390823	AR	RECEPTACLE CONN, 9 WAY, AMP, 1-640511-0
13	71390824	AR	PLUG CONNECTOR, 9 WAY, AMP, 1-640521-0
14	71390825	AR	RECEPTACLE CONN, 6 WAY, AMP, 1-640510-0
15	71391001	AR	PLUG CONNECTOR, 6 WAY, AMP, 1-640520-0
16	71391002	AR	PIN TERMINAL, 10 PCS, AMP, 645545-1
17	71391003	AR	RECEPTACLE TERML, 10 PCS, AMP, 641300-1
18	71397676	AR	RECEPT CONN, 9 WAY, DEUTSCH, HD14-9-96P
19	71397677	AR	PLUG CONNECTOR, 9, DEUTSCH, HD16-9-96S
20	71397678	AR	CONNECTOR, 3 WAY, DEUTSCH, DT04-3P-E004
21	71397679	AR	WEDGE LOCK, 3 TERM'L, DEUTSCH, W3P
22	71397680	AR	CONNECTOR, 7 PIN FEM, COLE HERSEE, 12301
23	71397681	AR	RECEPT CONN, 8 PIN, DEUTSCH, DTM04-08PB
24	71397682	AR	PLUG CONNECTOR, DEUTSCH, HDP26-18-14-SE
25	71397683	AR	PLUG CONNECTOR, 40, DEUTSCH, DRC18-40SB
26	71397684	AR	SUPERSEAL CONNECTOR, AMP, 282087-1
27	71397685	AR	TERMINAL, AMP, 183025-1
28	71397686	AR	SEAL-WIRE, AMP, 281934-2
29	71397687	AR	CONNECTOR, 7 PIN, COLE HERSEE, 12300
30	71397688	AR	CONNECTOR, 6 PIN, PACKARD, 12124107
31	71397689	AR	CONNECTOR, 12 PIN, CARLINGSWITCH, LC1-02
32	71397690	AR	CONNECTOR, 3 PIN, PACKARD, 12162280
33	71397691	AR	CONNECTOR, 5 PIN, PACKARD, 12110539
34	71397692	AR	TERM. METRI-PK, 10 PCS, PACKARD, 12129409
35	71397693	AR	SEAL, METRI-PK, 10 PCS, PACKARD, 12015359
36	71397695	AR	SEAL, METRI-PK, 10 PCS, PACKARD, 1201539
37	71397697	AR	SEC LOCK, PACKARD, 12110540
38	71397698	AR	CONNECTOR, 3 PIN, PACKARD, 12162182
39	71397701	AR	SEAL, 3 WAY, PACKARD, 12065285
40	71397702	AR	TERMINAL, 10 PCS, DEUTSCH, 1062-16-0144
41	71397703	AR	RESISTOR, 3 WAY, DEUTSCH, DT04-3P-P006

CONTINUED

XXXXXXXXX  
PR: t05b16k26a0004



SERVICE CONNECTORS  
HARNES REPAIR

**ILLUSTRATION NOT  
AVAILABLE**

XXXXXXXX

**CHALLENGER 670 COMBINE  
ELECTRICAL**

179

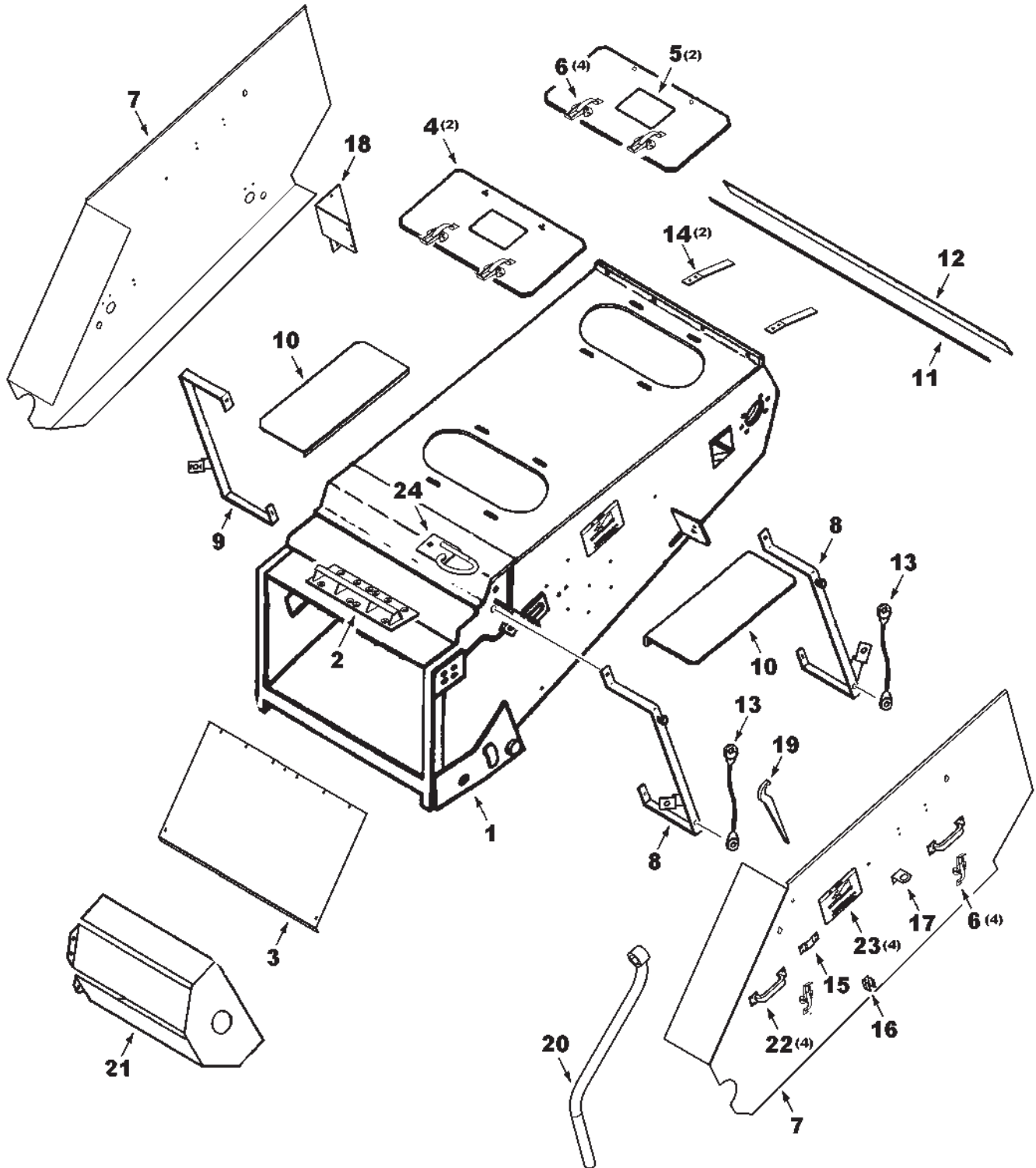
**SERVICE CONNECTORS  
HARNESS REPAIR**

ITEM	NUMBER	QTY	DESCRIPTION
-			LISTED PARTS USED FOR REPAIR OF WIRE HARNESSES
42	71397704	AR	CONNECTOR, 16 PIN, PACKARD, 15326667
43	71397705	AR	TERMINAL, 10 PCS, PACKARD, 15304731
44	71397706	AR	SEAL, 14 GA, PACKARD, 12191222
45	71397707	AR	SEAL, 12 GA, PACKARD, 12191223
46	71397708	AR	PLUG, PACKARD, 15305170
47	71397709	AR	CONNECTOR, 16 PIN, PACKARD, 15326666
48	71397710	AR	TERMINAL-SOCK, 10 PCS, PACKARD, 15304719
49	71397711	AR	CONN, 8 PIN, METRI PAC,PACKARD, 12047931
50	71397712	AR	SEC-LOCK, PACKARD, 12047936
51	71397713	AR	CONNECTOR, METRI PAC, PACKARD, 12129615
52	71397714	AR	CONN.RECEPTCL, 5 PIN, PACKARD, 12034342
53	71397715	AR	CONNECTOR, METRI PAC, PACKARD, 12124819
54	71397716	AR	SEC-LOCK, METRI PACK, PACKARD, 12020807
55	71397717	AR	TERM. METRI-PK,10 PCS, PACKARD, 12077411
56	71397718	AR	SEAL, 10 PCS, PACKARD, 12041351
57	71397719	AR	CONN, 8 PIN, METRI PAC,PACKARD, 12047937
58	71397720	AR	SEC-LOCK, METRI PACK, PACKARD, 12066304
59	71397721	AR	BOOT, COLE HERSEE, 81356
60	71397722	AR	TERMINAL-SOCKET, COLE HERSEE, 31784
61	71397724	AR	SEC-LOCK, METRI PACK, PACKARD, 12052850
62	71397725	AR	ELECT. OUTLET, 12 VOLT, CASCO, 212711
63	71397731	AR	CONNECTOR, FUSE, PACKARD, 12033769
64	71397732	AR	PLUG CONN'R, 70 PIN, DEUTSCH, DRC16-70SA
65	71397733	AR	CONN. RECEPTCL, 4 PIN, DEUTSCH, DT04-4P
66	71397734	AR	SEAL, METRI-PK,10 PCS, PACKARD, 12052924
67	71397735	AR	PLUG CONN'R, 40 PIN, DEUTSCH, DRC18-40SA
68	71397736	AR	PLUG CONN'R, 4 PIN, DEUTSCH, DTM06-4SA
69	71397737	AR	CONN. RECEPTCL, 2 PIN, PACKARD, 08911772
70	71397738	AR	TERM. METRI-PK,10 PCS, PACKARD, 15304730
71	71397739	AR	SEAL-DELPHI, PACKARD, 15366067
72	71397740	AR	CONN, 2 PIN, METRI-PAC,PACKARD, 12162000
73	71397741	AR	TERMINAL-SOCK, 10 PCS, PACKARD, 08911640
74	71397742	AR	HARNESS, 4 PIN, MOLDED, 12" LG
75	71397743	AR	CONNECTOR, 5 PIN, PACKARD, 12065158
76	71398851	AR	SEAL-DELPHI, PACKARD, 12015284
77	71398852	AR	TERMINAL-SOCK, 10 PCS, PACKARD, 12084590
78	71398853	AR	TERM. METRI-PK,10 PCS, PACKARD, 12015870
79	700709919	AR	TERMINAL-PIN, 18-14 AWG, AMP, 66602-2
80	700718792	AR	CONNECTOR, 6 PIN, PACKARD, 12052848
81	71399228	AR	CONTACT PIN, DEUTSCH, 0460-204-12141
82	700721776	AR	CONTACT SOCKET, DEUTSCH, 0462-203-12141

XXXXXXX  
PR: t05b16k26a0004

CHALLENGER 670 COMBINE  
FEEDER

HOUSING & SHIELDS  
(PRIOR S/N HP36101)



**CHALLENGER 670 COMBINE  
FEEDER**

181

**HOUSING & SHIELDS  
(PRIOR S/N HP36101)**

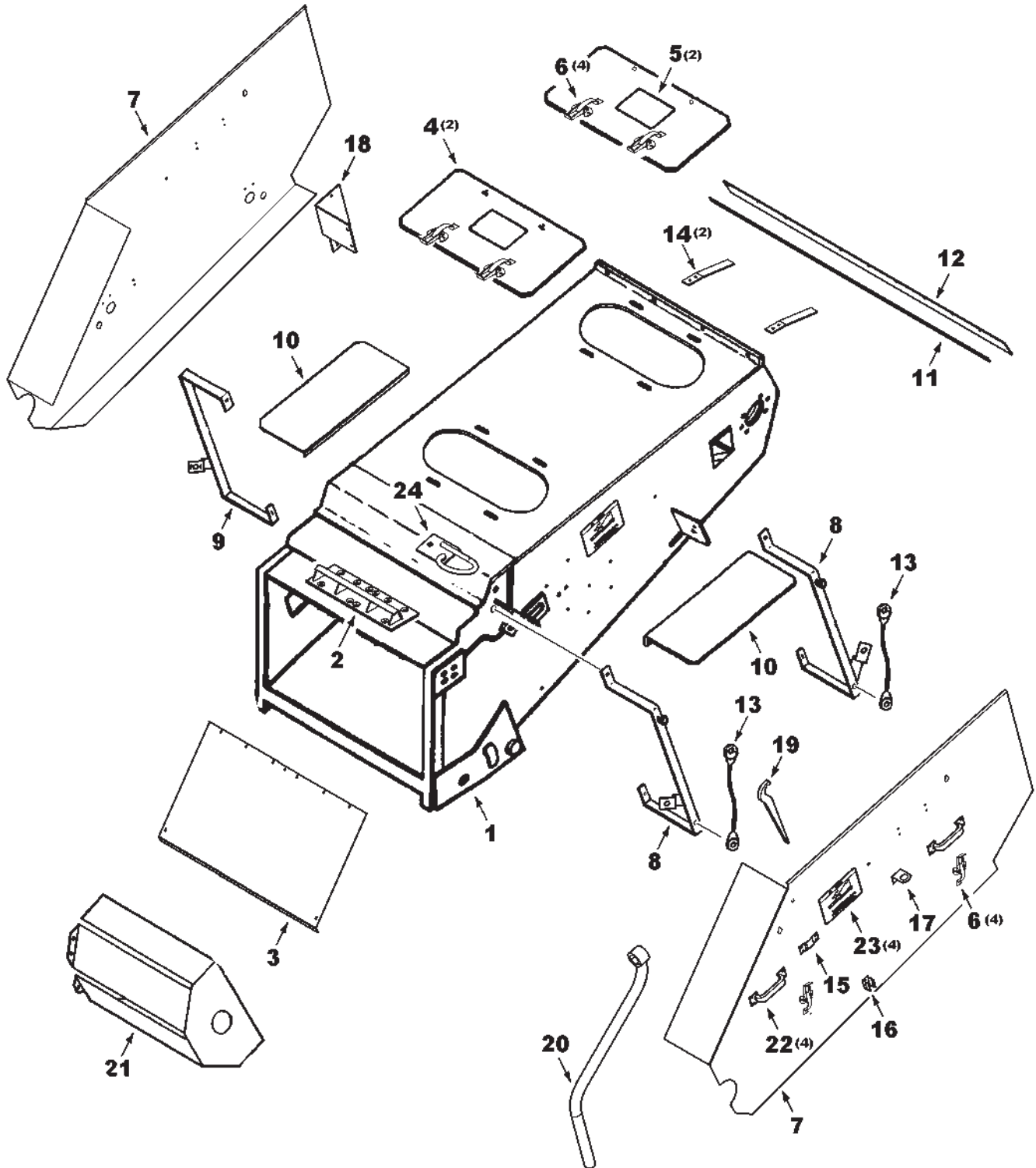
ITEM	NUMBER	QTY	DESCRIPTION
1	71400971	1	HOUSING WLDMT, FEEDER
2	71380423	2	HOOKUP WLDMT, HEADER
	355736X1	14	CAPSCREW, HEX SOCKT, 1/2-13 X 1-1/4
	71383783	4	SHIM, HEADER LEVELING
	71402104	--	KIT, HDR HOOKUP GRP(HIGH MOUNT, NON-LTM) (ORDER FROM DEALER CENTRAL)(INCLUDES
	71399829	1	RISER WLDMT, LH (NOT ILLUS.)
	71399830	1	RISER WLDMT, RH (NOT ILLUS.)
	71383783	4	SHIM, HEADER LEVELING
	70919089	14	CAPSCREW, 1/2-13 X 1-3/4 GR5
	Y705046	14	LOCKWASHER, 1/2 REG
3	71388237	1	COVER, FLOOR
	365775X1	2	SCREW, THD FORM., 1/4-20 X 1/2
	70931317	7	BOLT, RD HD,SHT SQ NK, 1/4-20 X 3/4
	70931209	7	NUT, SERR. FLNG, 1/4-20
4	71383785B	4	DOOR ASY (INCL. CLAMPS & DECAL)
5	71379134	4	DECAL, WARNING
6	762975	8	CLAMP
	700717635	16	RIVET, 3/16 X 13/32
7	71393786	1	SHIELD ASY, LH (INCL IT'S 6,22,23,15-17)
	71393784	1	SHIELD ASY, RH (INCL IT'S 6,22,23)
8	71393776	1	BRACKET WLDMT, FRONT, LH
	70921333	1	CAPSCREW, 5/16-18 X 1.0
	70917356	1	LOCKWASHER, 5/16
	70917372	1	NUT, 5/16-18 REG
	70921965	1	CAPSCREW, 3/8-16 X 3/4 GR5
	705038	1	LOCKWASHER, 3/8 REG
	71393780	1	BRACKET WLDMT, REAR, LH
	70921210	2	CAPSCREW, 3/8-16 X 1"
	705038	2	LOCKWASHER, 3/8
	70916950	2	NUT, 3/8-16 REG
	70918266	1	WASHER, 3/8 NARR.
9	71393778	1	BRACKET ASY., FRONT, RH
	70921333	1	CAPSCREW, 5/16-18 X 1.0
	70917356	1	LOCKWASHER, 5/16
	70917372	1	NUT, 5/16-18 REG
	70921965	1	CAPSCREW, 3/8-16 X 3/4 GR5
	705038	1	LOCKWASHER, 3/8 REG
10	71397452B	1	SHIELD, TOP, LH
	70936778	2	J-CLIP, 3/4 X .406 HOLE
	70923683	3	SCREW,HEX HD, TAPPING, 3/8-16 X 3/4
	71393788	1	SHIELD, TOP, RH
	70923683	3	SCREW,HEX HD, TAPPING, 3/8-16 X 3/4
11	71388226	1	RETAINER, PIVOT SEAL
12	71387900	1	SEAL, UPPER PIVOT
	70923341	9	CAPSCREW, 1/4-20 X 3/4 GR5
	70919310	9	LOCKWASHER, 1/4
	70916622	9	NUT, 1/4-20 REG

CONTINUED

MC00347  
PR: 136

CHALLENGER 670 COMBINE  
FEEDER

HOUSING & SHIELDS  
(PRIOR S/N HP36101)



**CHALLENGER 670 COMBINE  
FEEDER**

183

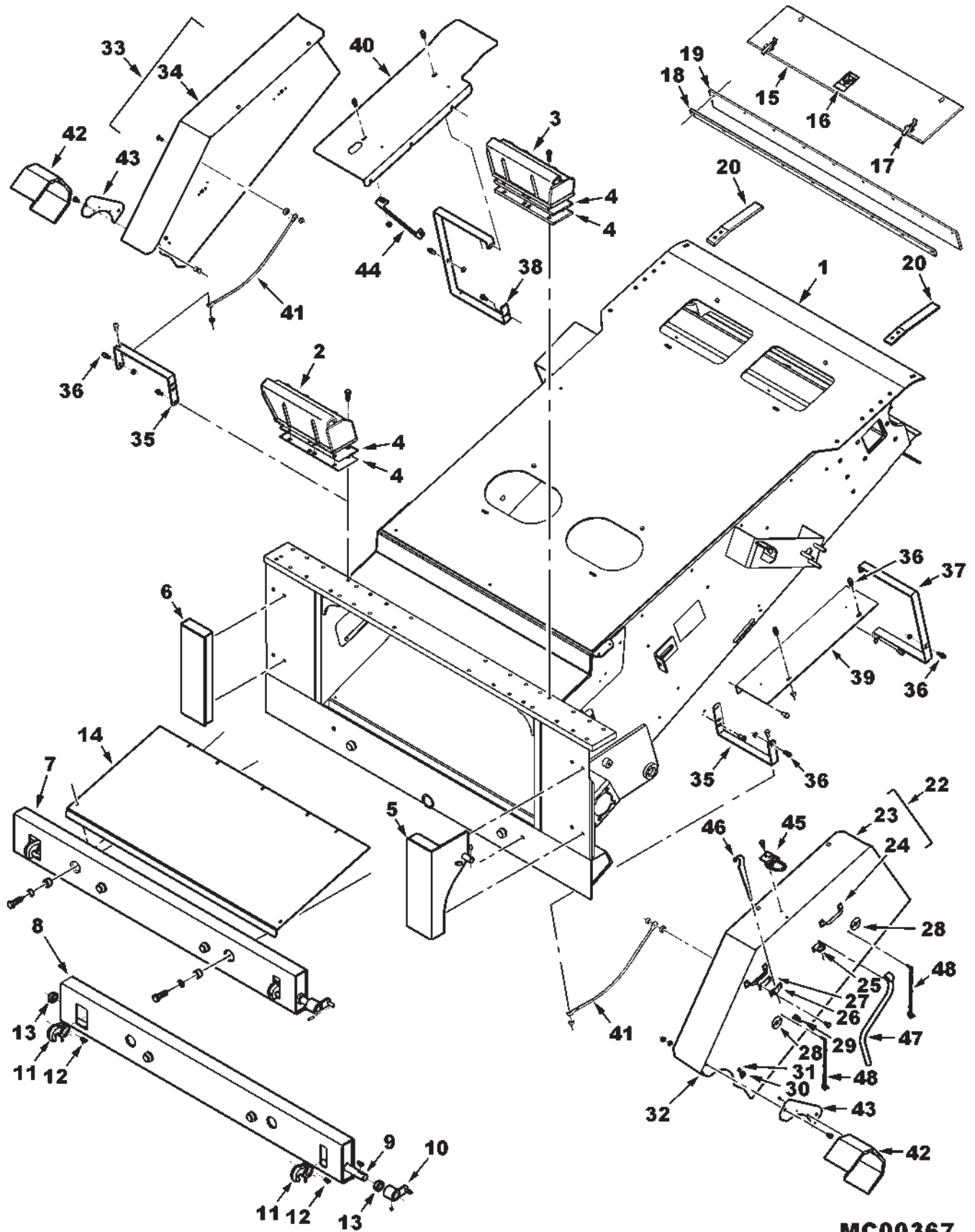
**HOUSING & SHIELDS  
(PRIOR S/N HP36101)**

ITEM	NUMBER	QTY	DESCRIPTION
13	71374425	2	CABLE, SHIELD RETAINER
	70917356	4	WASHER, LOCK, 5/16
	70917372	4	NUT, HEX, 5/16-18
	70918265	4	WASHER, 5/16 NARR
	70927075	4	BOLT, RHSN, 5/16-18 X 1.0
14	116328W1	2	SUPPORT, PIVOT SLIDE
	70927075	4	BOLT, CARRIAGE, 5/16-18 UNC X 1
	70917356	4	LOCKWASHER 5/16
	70917372	4	NUT, HEX 5/16-18
15	71385633	1	BRACKET, WRENCH
	71394821	1	SPACER, BRKT.
	70924837	4	RIVET, .188 X .277 LG
16	71310976	1	CLIP, WRENCH
	70922928	2	SCREW, #6-32 X 1/2
	70917458	2	WASHER, FLAT #6
	70917459	2	LOCKWASHER #6
	704551	2	NUT, #6-32
17	71352828	1	BRACKET, WRENCH
	70925205	1	BOLT, HEX 5/16-18 X 5/8
	70917356	1	LOCKWASHER, 5/16
	70917372	1	NUT, HEX, 5/16-18
18	71393782	1	BRACKET ASY, REAR, RH
	70921333	2	CAPSCREW, 5/16-18 X 1
	70917356	2	WASHER, LOCK, 5/16
	70917372	2	NUT, 5/16-18
19	71394674	1	WRENCH, C'SHAFT
20	71388248	1	HANDLE WLMT., FEEDER LATCH
21	116518W1	1	SHIELD, COUNTERSHAFT, LH
	116519W1	1	SHIELD, COUNTERSHAFT, RH
	70924856	6	SCREW, HEX HD, TAPPING, 5/16-18 X 1/2
22	71304149	4	HANDLE
	70924837	16	RIVET, .188 X .277 LG
23	111095W1	4	DECAL, DANGER
24	71375388	1	RETAINER WLDMT, HOSES
	7703432	2	SCREW, HEX FLNG SERR, 3/8-16 X 3/4
	Y704734	2	NUT, HEX FLNG TOP LK, 3/8-16

MC00347  
PR: 136

CHALLENGER 670 COMBINE  
FEEDER

HOUSING & SHIELDS  
(EFF. S/N HP36101)



MC00367

**CHALLENGER 670 COMBINE  
FEEDER**

185

**HOUSING & SHIELDS  
(EFF. S/N HP36101)**

ITEM	NUMBER	QTY	DESCRIPTION
1	71403669	1	HOUSING WLDMT, FEEDER
2	71406510	1	HOOKUP WLDMT, RH, HEADER
	70919089	7	CAPSCREW, 1/2-13 X 1-3/4
	Y705046	7	LOCKWASHER, 1/2
3	71406504	7	HOOKUP WLDMT, LH, HEADER
	70919089	7	CAPSCREW, 1/2-13 X 1-3/4
	Y705046	7	LOCKWASHER, 1/2
4	71383783	4	SHIM, HEADER LEVELING
5	71406518	1	FRAME WLDMT, LH, VERTICAL
	70923114	2	CAPSCREW, 1/2-13 X 1 GR5
	Y705046	2	LOCKWASHER, 1/2 REG
6	71406514	1	FRAME WLDMT, RH, VERTICAL
	70923114	2	CAPSCREW, 1/2-13 X 1 GR5
	Y705046	2	LOCKWASHER, 1/2
7	71406804	1	FRAME ASY, HDR HOOKUP, LOWER (INCL. ITEMS 8 THRU 13)
	70922664	2	CAPSCREW, 5/8-11 X 2 GR5
	70917373	2	LOCKWASHER, 5/8
	368615X1	2	SPACER, .656 X 1.125 OD X .66 LG
8	71406520	1	FRAME WLDMT, HDR HOOKUP, LOWER
9	71406802	1	SHAFT, HEADER LATCH
10	116343W1	1	CRANK WLDMT, LATCH, LOWER
	70921263	1	SETSCREW, HEX SOCKET, 5/16-18 X 3/8
11	71317841	2	HOOK
	70903835	2	SETSCREW, HEX SOCKET, 1/4-20 X 3/8
12	70905126	3	KEY, WOODRUFF, .25 X 1 DIA, #808
13	375028X1	2	COLLAR, BRG, 1 DIA, W/SETSCREW
14	71388237	1	COVER, FLOOR
	365775X1	2	SCREW, THD FORM., 1/4-20 X 1/2
	70931317	7	BOLT, RD HD,SHT SQ NK, 1/4-20 X 3/4
	70931209	7	NUT, SERR. FLNG, 1/4-20
15	71383785B	4	DOOR ASY (INCL. CLAMPS & DECAL)
16	71379134	4	DECAL, WARNING
17	762975	8	CLAMP
	700717635	16	RIVET, 3/16 X 13/32
18	71388226	1	RETAINER, PIVOT SEAL
19	71387900	1	SEAL, UPPER PIVOT
	7703457	11	CAPSCREW, 1/4-20 X 3/4 GR5
	705012	11	LOCKWASHER, 1/4
	70916622	11	NUT, 1/4-20 REG
20	116328W1	2	SUPPORT, PIVOT SLIDE
	70927075	4	BOLT, CARRIAGE, 5/16-18 UNC X 1
	70917356	4	LOCKWASHER 5/16
	70917372	4	NUT, HEX 5/16-18

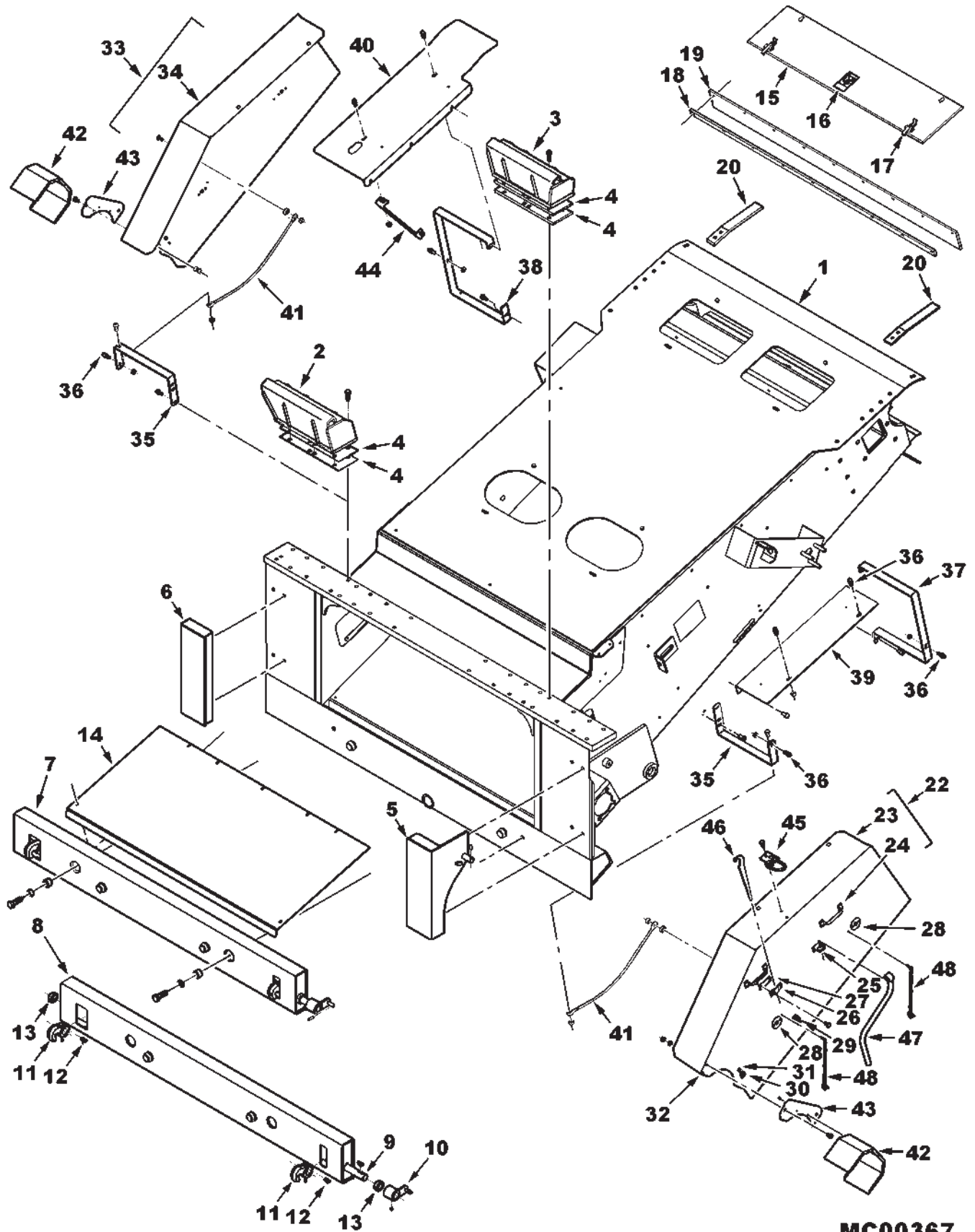
CONTINUED

MC00367  
PR: t05b16k26a0005



CHALLENGER 670 COMBINE  
FEEDER

HOUSING & SHIELDS  
(EFF. S/N HP36101)



MC00367

**CHALLENGER 670 COMBINE  
FEEDER**

187

**HOUSING & SHIELDS  
(EFF. S/N HP36101)**

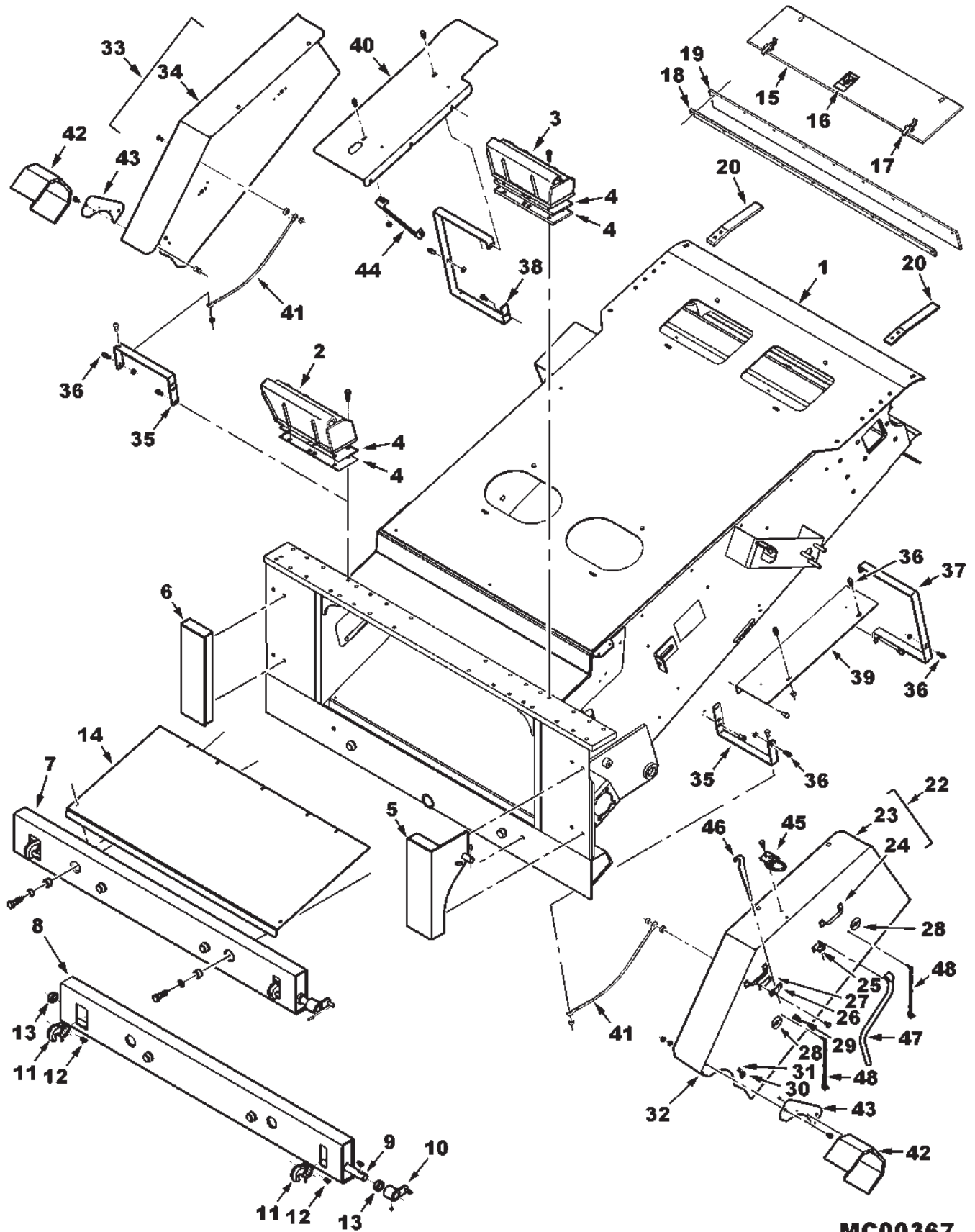
ITEM	NUMBER	QTY	DESCRIPTION
22	71401636	1	SHIELD ASY, FEEDER, LEFT (INCL. ITEMS 23 THRU 32)
23	71401637	1	SHIELD, LEFT
24	71304149	2	HANDLE
	70924837	8	POP RIVET, .188 X .063-.125 GRIP
25	71352828	1	BRACKET, HANDLE MOUNT
	70925205	1	CAPSCREW, 5/16-18 X 5/8
	70917356	1	LOCKWASHER, 5/16
	70917372	1	NUT, 5/16-18 REG
26	71385633	1	BRACKET, WRENCH
27	71394821	1	SPACER, BRKT.
	70924837	4	POP RIVET, .188 X .063-.125 GRIP
28	71400739	2	PLATE, PIN
	70924837	4	POP RIVET, .188 X .063-.125 GRIP
29	71310976	1	CLIP, WRENCH
	70922928	2	SCREW, #6-32 X 1/2
	70917458	2	WASHER, FLAT #6
	70917459	2	LOCKWASHER #6
	704551	2	NUT, #6-32
30	70929287	1	FASTENER, SNAP
	70924837	1	POP RIVET, .188 X .063-.125 GRIP
31	70937660	1	SCREW, PAN HD TAPPING, 1/4-20 X 5/8
	1703354	1	NUT, HEX FLNG TOP LOCK, 1/4-20
32	7883267	1	SCREW, HEX WSHR HD, MACH, 1/4-20 X 1/2
	1703354	1	NUT, HEX FLNG TOP LOCK, 1/4-20
33	71401628	1	SHIELD ASY, FEEDER, RIGHT (INCL. ITEMS 24, 28, 30, 31, 32, 34)
34	71401627	1	SHIELD, RIGHT
35	71407660	2	SUPPORT, SHIELD, FRONT
	7702012	2	SCR, HEX WSHR HD TAPPING, 3/8-16 X 1
36	1656110W2	8	PIN, SHIELD LOCK
	Y704734	8	NUT, HEX FLNG TOP LOCK, 3/8-16
37	71401633	1	SUPPORT, SHIELD, LEFT
	7702012	1	SCR, HEX WSHR HD TAPPING, 3/8-16 X 1
38	71401632	1	SUPPORT, SHIELD, RIGHT
	7702012	1	SCR, HEX WSHR HD TAPPING, 3/8-16 X 1
39	71401638	1	SHIELD, TOP, LEFT
	70936778	2	J-CLIP, 3/4 X .406 HOLE (NOT ILLUS.)
	7702012	3	SCR, HEX WSHR HD TAPPING, 3/8-16 X 1
40	71401626	1	SHIELD, TOP, RIGHT
	70936778	2	J-CLIP, 3/4 X .406 HOLE (NOT ILLUS.)
41	71374425	2	CABLE, TETHER
	70931350	2	BOLT, RND HD SQ NK, 3/8-16 X 1
	705541	2	WASHER, 1/2 HARD
	Y704734	4	NUT, HEX FLNG TOP LOCK, 3/8-16
	7883382	2	SCREW, HEX WSHR HD MACH, 3/8-16 X 1

CONTINUED

MC00367  
PR: t05b16k26a0005

CHALLENGER 670 COMBINE  
FEEDER

HOUSING & SHIELDS  
(EFF. S/N HP36101)



MC00367

**CHALLENGER 670 COMBINE  
FEEDER**

189

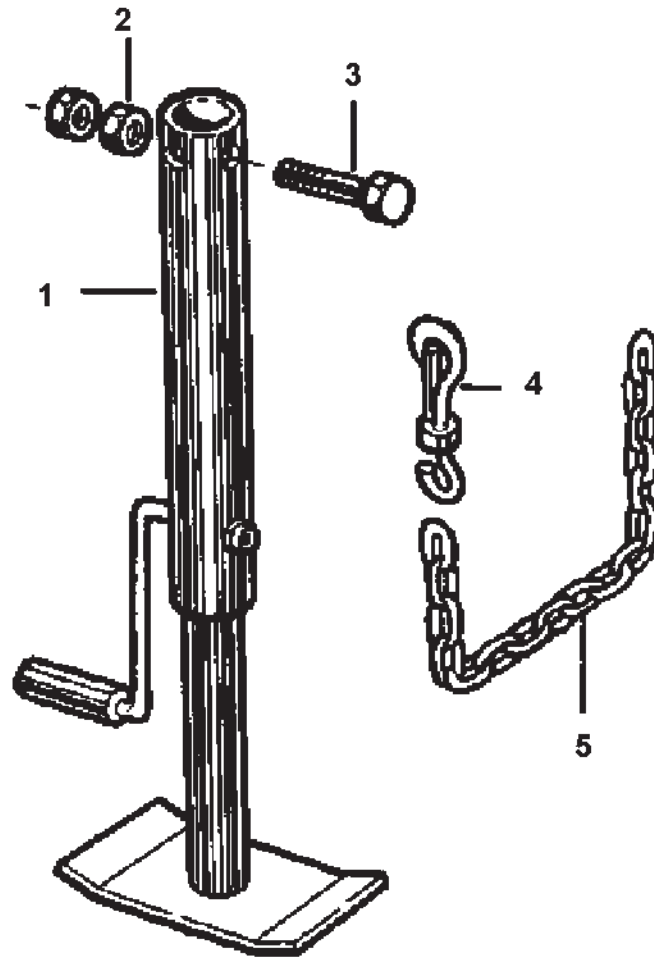
**HOUSING & SHIELDS  
(EFF. S/N HP36101)**

ITEM	NUMBER	QTY	DESCRIPTION
42	71409461	2	SHIELD, DRIVELINE
43	71401660	2	PLATE, COVER
	7883374	2	SCR, HEX WSHR HD MACH, 3/8-16 X 3/4
	Y705533	2	WASHER, 3/8 HARD
	Y704734	2	NUT, HEX FLNG TOP LOCK, 3/8-16
	70924837	6	POP RIVET, .188 X .063-.125 GRIP
44	71401658	1	SUPPORT, TOP SHIELD, RH
	7702012	3	SCR, HEX WSHR HD TAPPING, 3/8-16 X 1
45	71375388	1	RETAINER WLDMT, HOSE
	7883382	2	SCREW, HEX WSHR HD MACH, 3/8-16 X 1
	Y704734	2	NUT, HEX FLNG TOP LOCK, 3/8-16
46	28280440	1	WRENCH, C'SHAFT
47	71388248	1	HANDLE WLDMT, FEEDER LATCH
48	863415	4	KLIK PIN, W/CHAIN
-	71406084	--	KIT, HEADER HOOKUP LUGS, HIGH, NON-LTM INCL IT'S 2 THRU 13, & LATCH COMP'S. (ORDER THRU DEALER CENTRAL)
-	71406050	--	KIT, HEADER HOOKUP LUGS, LOW, NON-LTM (ORDER THRU DEALER CENTRAL)
	71406512	2	HOOKUP LUG WLDMT, SHORT
	71383783	4	SHIM, HEADER LEVELING
	70924204	14	SCR, HEX SOCK CSK HD, 1/2-13 X 1-1/4

MC00367  
PR: t05b16k26a0005

CHALLENGER 670 COMBINE  
FEEDER

JACK



**CHALLENGER 670 COMBINE  
FEEDER**

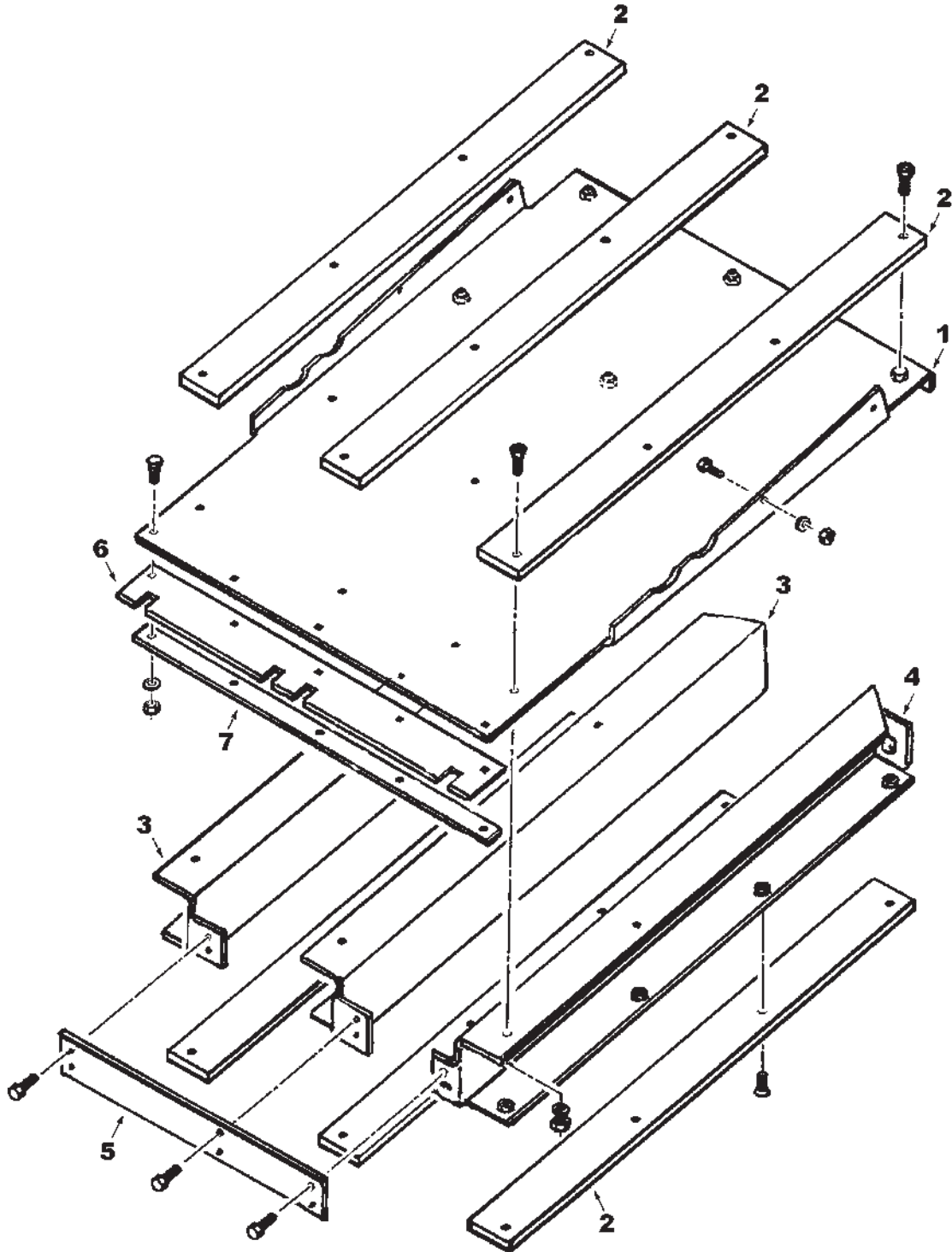
**191  
JACK**

ITEM	NUMBER	QTY	DESCRIPTION
1	1609121W91	1	JACK ASY, FEEDER STAND (ACCESSORY)
2	70913160	2	NUT, 3/4-10 UNC
3	70923126	1	CAPSCREW, 3/4-10 X 5 GR5
4	1611180W1	1	SNAP HOOK, CHAIN
5	1609200W1	1	CHAIN (18 LINKS)
	70921969	1	CAPSCREW, 3/8-16 X 1-1/2
	70917378	2	WASHER, 3/8, WIDE
	70916950	2	NUT, 3/8-16 REG
-	71400039	AR	KIT, FEEDER ELEVATOR JACK (ORDER FROM DEALER CENTRAL)

MC00209  
PR: 140

CHALLENGER 670 COMBINE  
FEEDER

FEED FLOOR



CHALLENGER 670 COMBINE  
FEEDER

193

FEED FLOOR

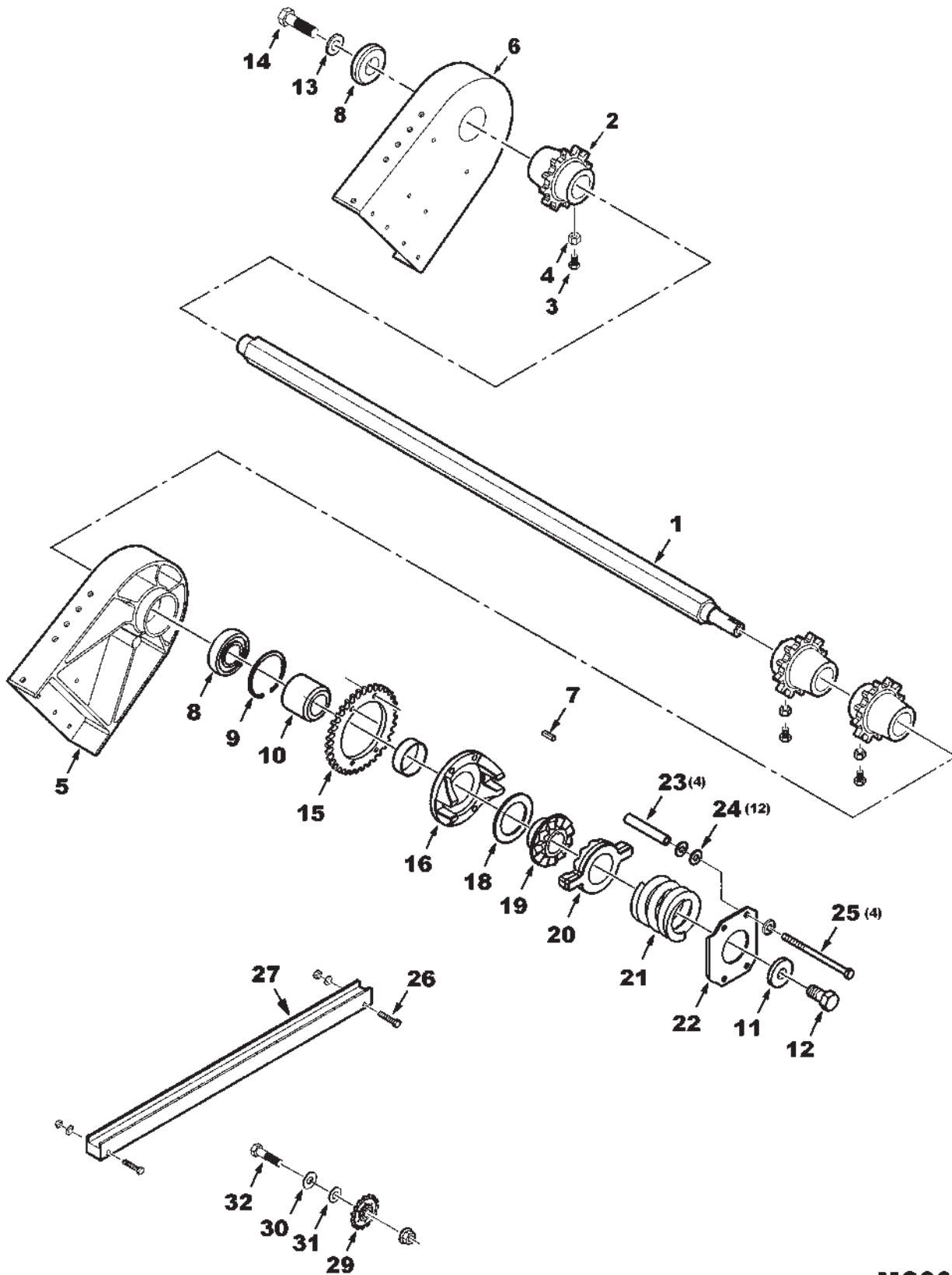
ITEM	NUMBER	QTY	DESCRIPTION
1	71388230	1	FLOOR WLMT. FEEDER
	70920415	1	CAPSCREW, 3/8-16 X 1-1/4
	70921965	7	CAPSCREW, 3/8-16 X 3/4
	70916965	8	WASHER, LOCK, 3/8
	70916950	8	NUT, 3/8-16
2	116354W1	6	STRIP, WEAR
	70935275	30	SCREW, FLAT CTRSK. HD, 5/16-18 X 1
	70927557	6	LOCKNUT, LARGE SERR FLNG, 5/16-18
3	116362W1	2	SUPPORT WLMT, RAIL RH
4	116363W1	1	SUPPORT WLMT, RAIL LH
5	71388232	1	SUPPORT, FRONT
	70921333	6	CAPSCREW, 5/16-18 X 1
	70917356	6	WASHER, LOCK, 5/16
6	71388233	1	SEAL, DRUM
	7700461	7	BOLT, RHSN, 5/16-18 X 3/4
	70917356	7	WASHER, LOCK, 5/16
	70917372	7	NUT, HEX, 5/16-18
7	71388234	1	RETAINER, SEAL

71375170  
PR: 142



CHALLENGER 670 COMBINE  
FEEDER

PIVOT SHAFT  
(PRIOR S/N HP36101)



**CHALLENGER 670 COMBINE  
FEEDER**

195

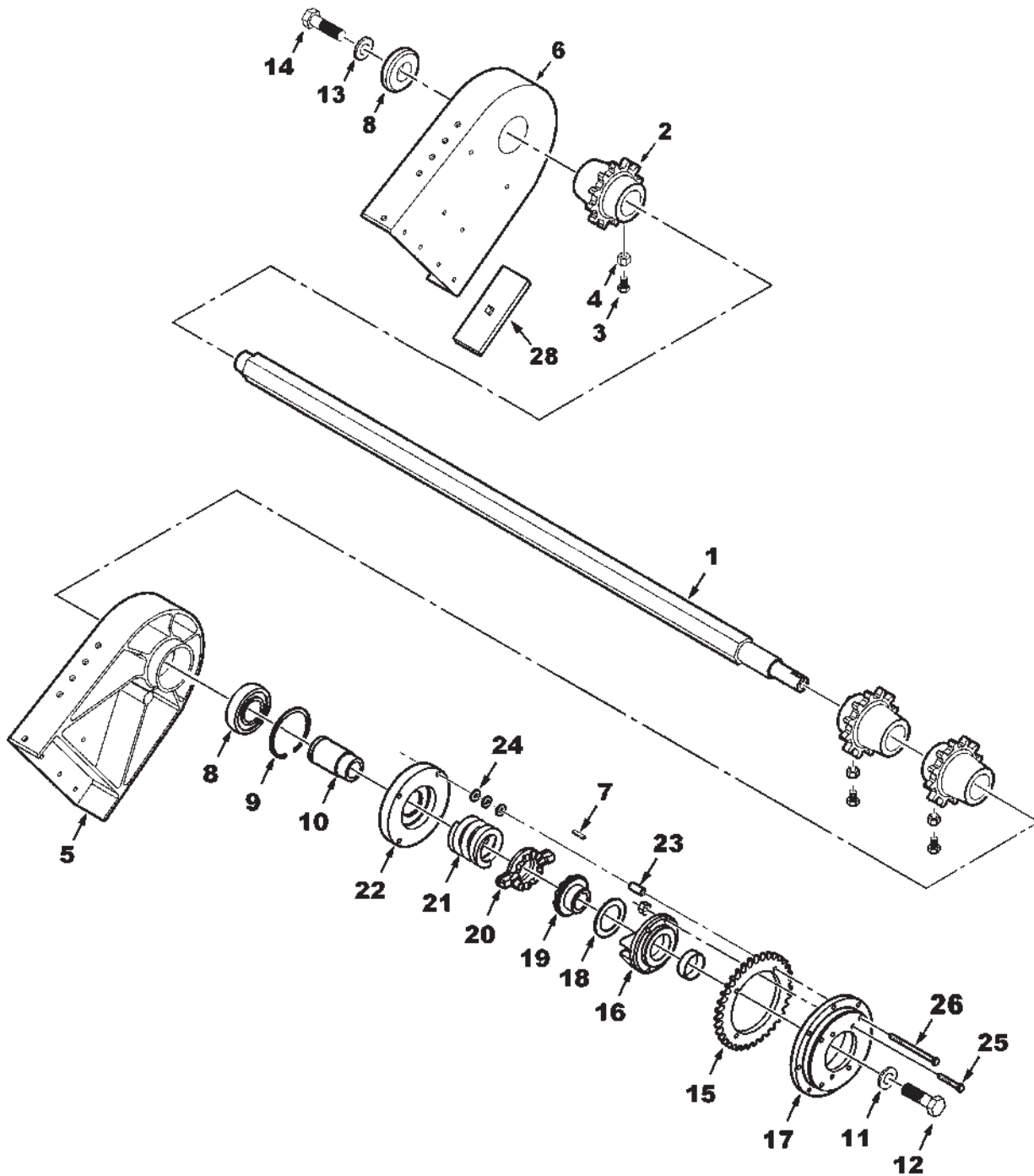
**PIVOT SHAFT  
(PRIOR S/N HP36101)**

ITEM	NUMBER	QTY	DESCRIPTION
1	71387891	1	SHAFT, TOP FEEDER
2	116108W1	3	SPROCKET, PIVOT SHAFT
3	70911255	6	SETSCREW, HEX SOCKET, 1/2-13 X 3/4
4	70913744	6	NUT, HEX JAM, 1/2-13 UNC
5	116106W1	1	CASTING, PIVOT, LH
6	116107W1	1	CASTING, PIVOT, RH
	70926838	2	BOLT, RD HD,SQ NK, 1/2-13 X 1-1/2
	70920328	28	CAPSCREW, 1/2-13 X 1-1/2, GR5
	Y705046	30	LOCKWASHER 1/2 REG
	704031	12	NUT, 1/2-13 REG
7	61770	1	KEY, SQ, 3/8 X 3/8 X 1 1/2
8	71154722	2	BEARING, 1-31/32 X 4-11/32 X 1-1/16
9	700720189	1	RING, RETAINING, INTERNAL
10	101785M1	1	SPACER
11	103834W1	1	WASHER, FLAT, SPL, .781 X 2.0 X .312
12	367451X1	1	BOLT, HEX LOCK, 3/4-10 X 1-1/2
13	2403610W1	1	WASHER, 29/32 X 2-1/2 X 3/8
14	70928397	1	CAPSCREW, 7/8-9 UNC X 1-1/2 GR8
15	101783M1	1	SPROCKET, 35 TEETH
16	1777403W91	1	DRIVE HSG & BUSHING ASY
	1717650W1	1	BUSHING, DRIVE HSG
18	1717640W1	1	THRUST WASHER
19	2563800W1	1	JAW, FIXED, CLUTCH
20	1659630W1	1	JAW, MOVABLE, CLUTCH
21	1659650W1	1	SPRING, CLUTCH
22	1659660W1	1	RETAINER, SPRING
23	2573180W1	4	SPACER, 31/64 X 5/8 X 3-21/32
24	70917378	12	WASHER, FLAT, 3/8 WIDE
25	70922771	4	CAPSCREW, HEX, 3/8-16 X 6" GR5
	Y704734	4	NUT, HEX FLNG TOP LOCK, 3/8-16
26	702928	2	CAPSCREW, 3/8-16 X 2-3/4 GR5
	70917378	2	WASHER, 3/8 WIDE
	Y704734	2	NUT, HEX FLNG TOP LOCK, 3/8-16
27	71384836	1	GUIDE, FEEDER CHAIN, UPPER
29	71378873	1	SPROCKET, IDLER, 15 TEETH
30	368933X1	2	WASHER, FLAT, .656 SQ. X 1.5 X .190 TH
31	70918268	2	WASHER, 5/8 NARROW
32	70926694	1	BOLT, RD HD,SQ NK, 5/8-11 X 2-1/2 GR5
	700703922	1	NUT, HEX FLNG TOP LOCK, 5/8-11
-	79021676	AR	PRIMER T
-	70930235	AR	LOCTITE 609
-	71389221	--	KIT, PERFORMANCE PKG
	71386668	1	STRIPPER, LH, PIVOT SHAFT SPROCKET
	71386669	1	STRIPPER, RH, PIVOT SHAFT SPROCKET
	71389222	1	INSTRUCTION SHEET

MC00346  
PR: 144

CHALLENGER 670 COMBINE  
FEEDER

PIVOT SHAFT  
(EFF. S/N HP36101)



**CHALLENGER 670 COMBINE  
FEEDER**

197

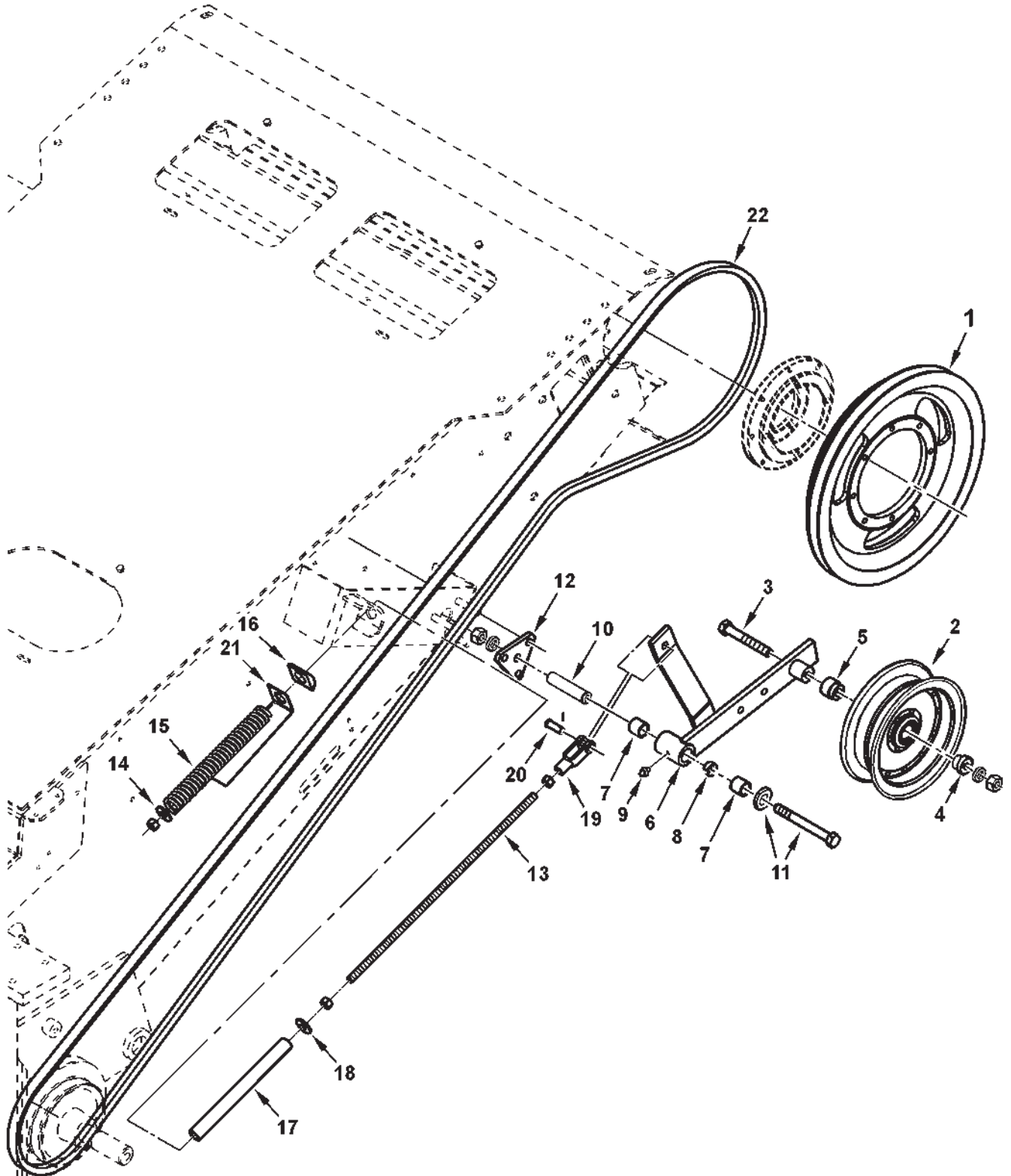
**PIVOT SHAFT  
(EFF. S/N HP36101)**

ITEM	NUMBER	QTY	DESCRIPTION
1	71399509	1	SHAFT, TOP FEEDER
2	116108W1	3	SPROCKET, PIVOT SHAFT
3	70911255	6	SETSCREW, HEX SOCKET, 1/2-13 X 3/4
4	70913744	6	NUT, HEX JAM, 1/2-13 UNC
5	116106W1	1	CASTING, PIVOT, LH
6	116107W1	1	CASTING, PIVOT, RH
	70926838	2	BOLT, RD HD,SQ NK, 1/2-13 X 1-1/2
	70920328	28	CAPSCREW, 1/2-13 X 1-1/2, GR5
	Y705046	30	LOCKWASHER 1/2 REG
	704031	12	NUT, 1/2-13 REG
7	61770	1	KEY, SQ, 3/8 X 3/8 X 1 1/2
8	71154722	2	BEARING, 1-31/32 X 4-11/32 X 1-1/16
9	355997X1	1	RING, RETAINING, INTERNAL
10	71399508	1	PILOT SLEEVE, SPRING
11	103834W1	1	WASHER, FLAT, SPL, .781 X 2.0 X .312
12	367451X1	1	BOLT, HEX LOCK, 3/4-10 X 1-1/2
13	2403610W1	1	WASHER, 29/32 X 2-1/2 X 3/8
14	70928397	1	CAPSCREW, 7/8-9 UNC X 1-1/2 GR8
15	71399511	1	SPROCKET, 35 TEETH
16	1777403W91	1	DRIVE HSG & BUSHING ASY.
	1717650W1	1	BUSHING, DRIVE HSG
17	71403678	1	HUB, FEEDER DRIVE CLUTCH
18	1717640W1	1	THRUST WASHER
19	2563800W1	1	JAW, FIXED, CLUTCH
20	1659630W1	1	JAW, MOVING, CLUTCH
21	1659650W1	1	SPRING, CLUTCH
22	71403677	1	RETAINER, SPRING
23	71403676	4	SPACER, SLIP CLUTCH
24	70917378	12	WASHER, 3/8 WIDE
25	70921969	4	CAPSCREW, 3/8-16 X 1-1/2 GR5
	Y704734	4	NUT, HEX FLNG TOP LOCK, 3/8-16
26	13601	4	CAPSCREW, 3/8-16 X 5-1/4 GR5
	70916965	4	LOCKWASHER 1/2 REG
28	71404300	1	PLATE, GUIDE, STONE TRAP HANDLE
	70926838	1	BOLT, RD HD,SQ NK, 1/2-13 X 1-1/2
	Y705046	1	LOCKWASHER 1/2 REG
	704031	1	NUT, 1/2-13 REG

MC00368  
PR: t05b16k26a0006

CHALLENGER 670 COMBINE  
FEEDER

LH PIVOT DRIVE  
(EFF. S/N HP36101)



**CHALLENGER 670 COMBINE  
FEEDER**

199

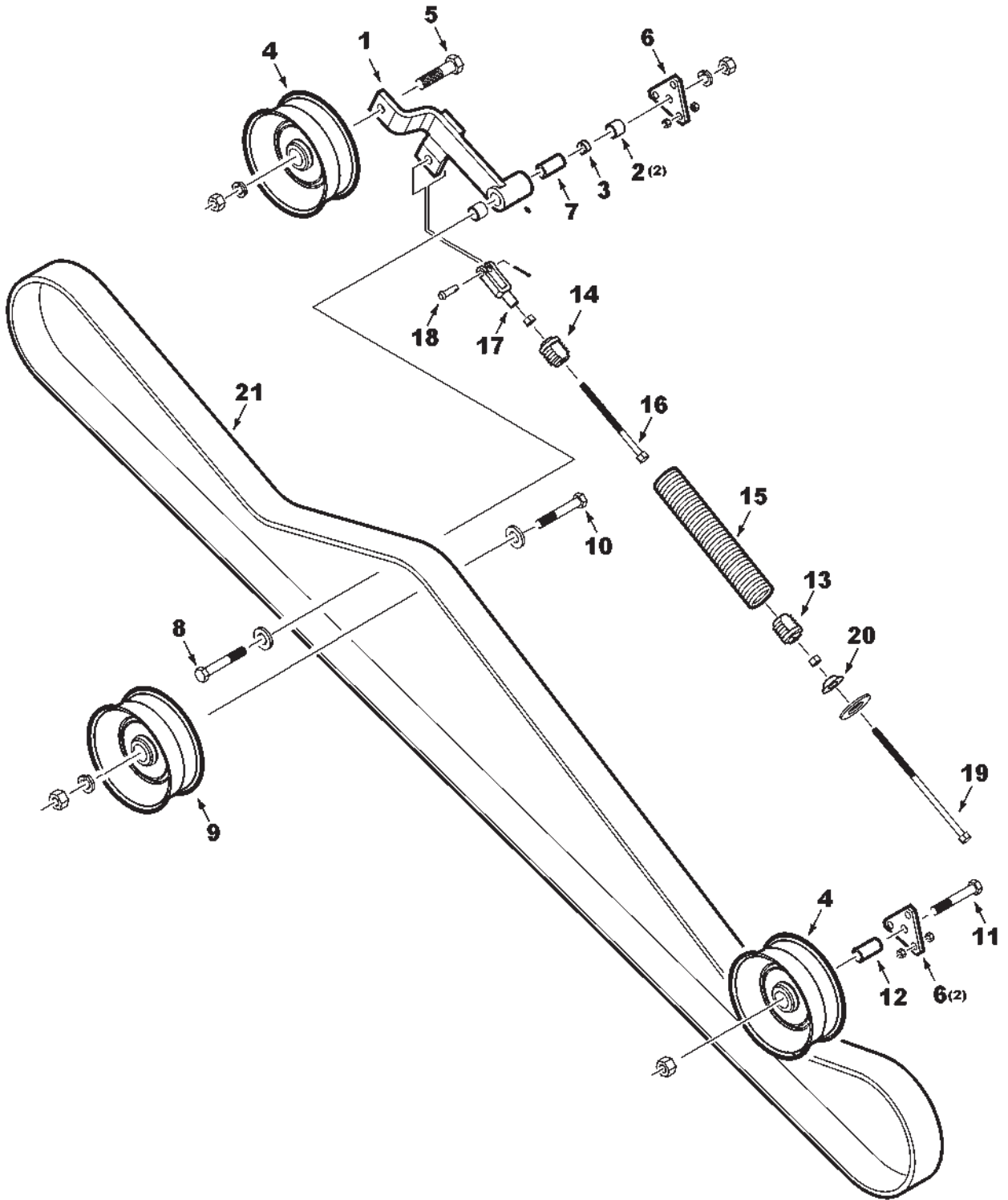
**LH PIVOT DRIVE  
(EFF. S/N HP36101)**

ITEM	NUMBER	QTY	DESCRIPTION
1	71403679	1	SHEAVE, DRIVEN, PIVOT SHAFT
	70920415	8	CAPSCREW, 3/8-16 X 1-1/4, GR5
	705038	8	LOCKWASHER, 3/8 REG
2	71309768	1	IDLER PULLEY
3	70925704	1	CAPSCREW, 5/8-11 X 4-1/2 GR5
	70917373	1	LOCKWASHER, 5/8
	70932665	1	NUT, 5/8-11 REG
4	71312602	1	SPACER, IDLER
5	71353127	1	SPACER, IDLER
6	71398389	1	IDLER ARM ASY (INCL. IT'S 7, 8, 9)
7	71356060	2	BUSHING, IDLER PIVOT
8	71197117	1	SPACER
9	13811X	1	LUBE FTG, STR, 1/4-28 TAPER
10	71356061	1	SLEEVE, HARD, IDLER PIVOT
11	70925703	1	CAPSCREW, 5/8-11 X 4 GR5
	70918432	1	WASHER, 5/8, WIDE
	70917373	1	LOCKWASHER, 5/8
	70932665	1	NUT, 5/8-11 REG
12	71182840	1	PLATE, MOUNTING
	70913744	6	NUT, HEX JAM, 1/2-13
13	71356938	1	ROD, 1/2-13UNC X 21 LG.
	704031	3	NUT, 1/2-13 REG
14	70923094	1	WASHER, .53 X 2.0 X .18 TH.
15	71356067	1	SPRING, IDLER
16	71356058	1	BLOCK, PIVOT
17	71368761	1	SPACER TUBE, SPRING
18	70918431	1	WASHER, 1/2, WIDE
19	70937465	1	YOKE, 1/2-13 THD.
20	70929593	1	PIN, 1/2 X 1.36 LG.
	70918452	1	COTTER PIN, 1/8 X 1
21	71368570	1	STRAP, INDICATOR, IDLER SPRING
22	71398388	1	BELT

MC00369  
PR: t05b16k26a0007

CHALLENGER 670 COMBINE  
FEEDER

RH DRIVE  
(PRIOR S/N HP36101)



**CHALLENGER 670 COMBINE  
FEEDER**

201

**RH DRIVE  
(PRIOR S/N HP36101)**

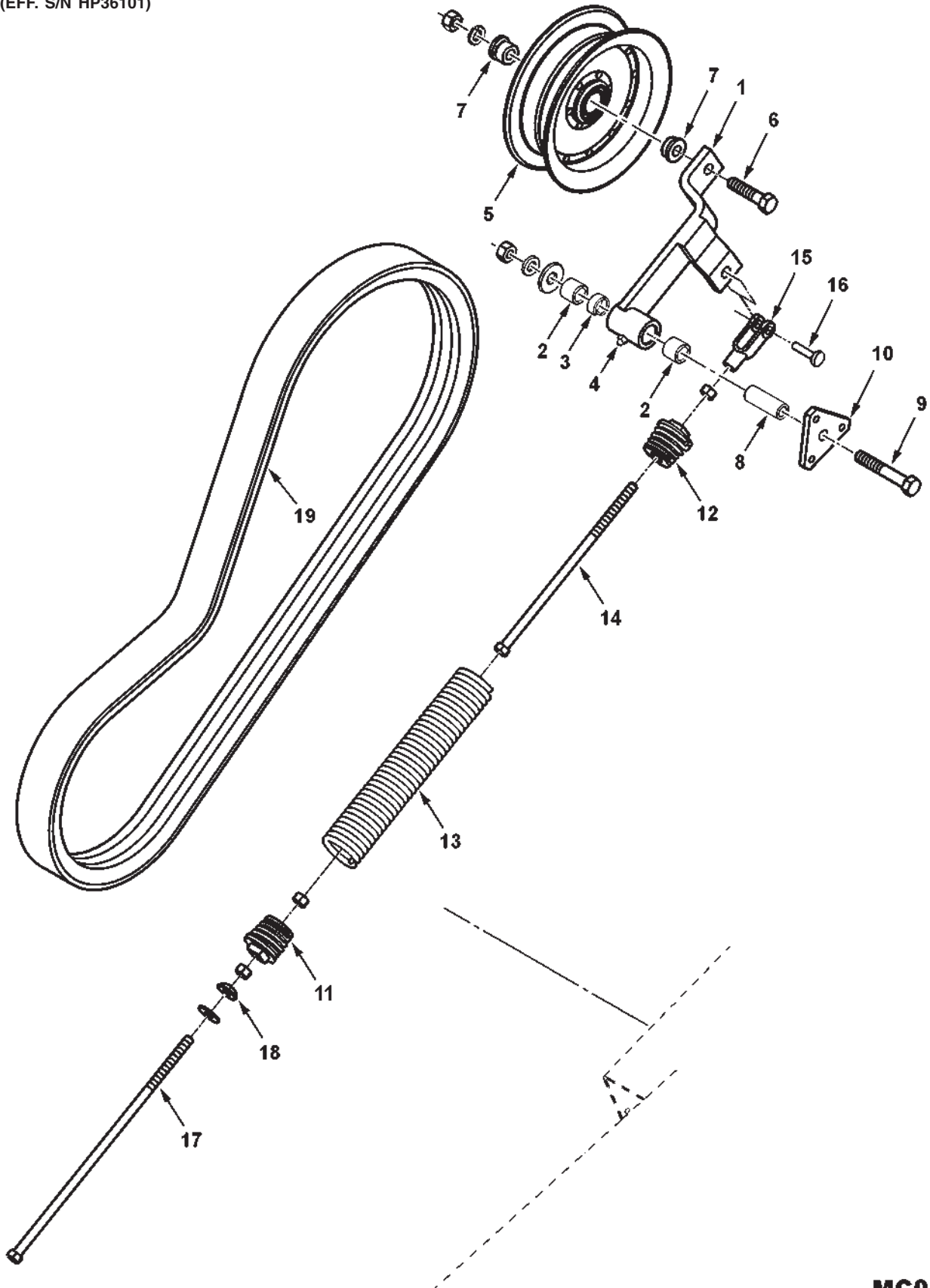
ITEM	NUMBER	QTY	DESCRIPTION
1	71389638	1	IDLER ARM WLDMT, W/BUSHINGS
	13811X	1	LUBE FTG, STR, 1/4-28 TAPER THD
2	71356060	2	BUSHING, PIVOT
3	71197117	1	SPACER, BUSHING
4	71308156	2	IDLER, BELT DR, 8" FLAT
5	70919434	1	CAPSCREW, 5/8-11 X 2-3/4 GR5
	70917373	1	LOCKWASHER, 5/8 REG
	70932665	1	NUT, 5/8-11
6	71182840	2	PLATE, IDLER MNTG (PRIOR S/N HN36101)
	704056	12	JAM NUT, 1/2-13 (PRIOR S/N HN36101)
	71346267	2	PLATE, IDLER MNTG (EFF. S/N HN36101)
	70922037	12	JAM NUT, 3/4-10 (EFF. S/N HN36101)
7	71356061	1	SLEEVE, HARD, IDLER PIVOT
8	70925703	1	CAPSCREW, 5/8-11 X 4 GR5
	70918432	1	WASHER, 5/8 WIDE
	70917373	1	LOCKWASHER, 5/8
	70932665	1	NUT, 5/8-11 REG
9	71388217	1	IDLER, BELT, FLAT, 8" DIA
10	70923111	1	CAPSCREW, 5/8-11 X 3 GR5
	70918432	3	WASHER, 5/8 WIDE (USE AS REQUIRED)
	70917373	1	LOCKWASHER, 5/8
	70932665	1	NUT, 5/8-11 REG
11	70925704	1	CAPSCREW, 5/8-11 X 4-1/2 GR5
	70917373	1	LOCKWASHER, 5/8
	70932665	1	NUT, 5/8-11 REG
12	700149006	1	SPACER
13	71344647	1	PLUG ASY, SPRING
	71344649	1	PLUG, SPRING
	704031	1	NUT, 1/2-13 REG
	70937461	1	WASHER, .531 X .812 X .036
14	71344649	1	PLUG, SPRING
15	71197323	1	SPRING
16	70935299	1	CAPSCREW, FULL THD, 1/2-13 X 12" GR5
17	70937465	1	YOKE
	704031	1	NUT, 1/2-13 REG
18	70929593	1	PIN, CLEVIS, 1/2 X 1.36 LG
	70918452	1	COTTER PIN, 1/8 X 1"
19	70935036	1	CAPSCREW, FULL THD, 1/2-13 X 16" GR5
	704031	1	NUT, 1/2-13 REG
20	70301781	1	WASHER, PIVOT
	70918431	1	WASHER, 1/2, WIDE
21	71379105	1	BELT, FEEDER DRIVE

MC00349  
PR: 146



CHALLENGER 670 COMBINE  
FEEDER

JACKSHAFT DRIVE  
R.H. FEEDERHOUSE  
(EFF. S/N HP36101)



**CHALLENGER 670 COMBINE  
FEEDER**

203

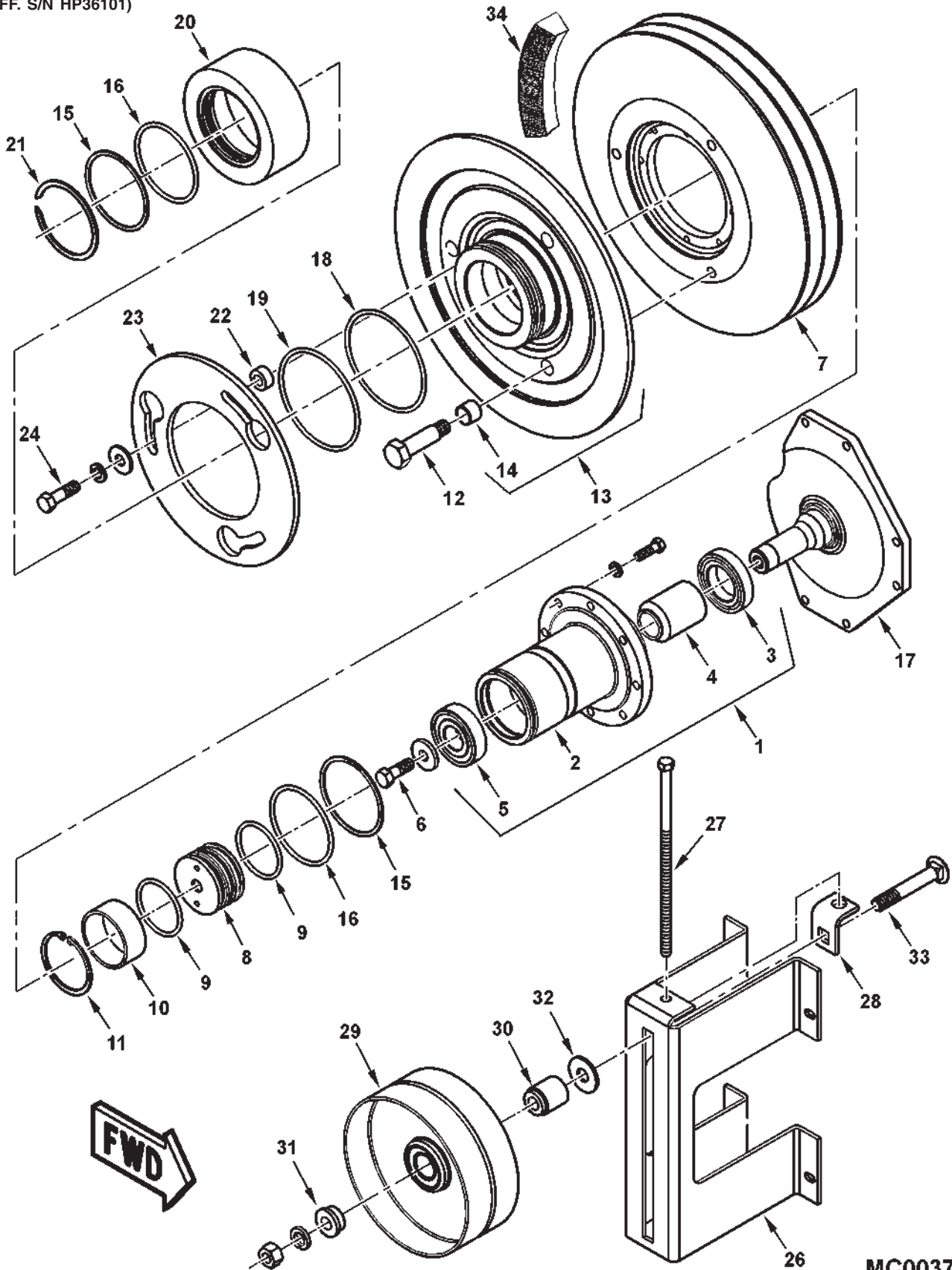
**JACKSHAFT DRIVE  
R.H. FEEDERHOUSE  
(EFF. S/N HP36101)**

ITEM	NUMBER	QTY	DESCRIPTION
1	71389638	1	IDLER ARM ASY, JACKSHAFT DR (INCL. ITEMS 2, 3 & 4)
2	71356060	2	BUSHING, PIVOT
3	71197117	1	SPACER, BUSHING
4	13811X	1	LUBE FITTING, STR, 1/4-28 TAPER
5	71309768	1	IDLER, BELT DRIVE
6	70919434	1	CAPSCREW, 5/8-11 X 2-3/4 GR5
	70917373	1	LOCKWASHER, 5/8
	70932665	1	NUT, 5/8-11 REG
7	71312602	2	SPACER, IDLER
8	71356061	1	SLEEVE, HARD, IDLER PIVOT
9	70925703	1	CAPSCREW, 5/8-11 X 4 GR5
	70918432	1	WASHER, 5/8, WIDE
	70917373	1	LOCKWASHER, 5/8
	70932665	1	NUT, 5/8-11 REG
10	71346267	1	PLATE, MOUNTING
	70922037	6	JAM NUT, 3/4-10
11	71349811	1	PLUG ASY, SPRING
	71349813	1	PLUG, SPRING
	704031	1	NUT, 1/2-13 REG
	70937461	1	WASHER, .531 X .812 X .036
12	71349813	1	PLUG, SPRING
13	71349270	1	SPRING
14	70935299	1	CAPSCREW, 1/2-13 X 12", FULL THD, GR5
15	70937465	1	YOKE, 1/2-13 THD.
	704031	1	NUT, 1/2-13 REG
16	70929593	1	PIN, CLEVIS, 1/2 X 1.36 LG
	70918452	1	COTTER PIN, 1/8 X 1"
17	70935036	1	CAPSCREW, 1/2-13 X 16, FULL THD, GR5
	704031	1	NUT, 1/2-13 REG
18	70301781	1	WASHER, PIVOT
	70918431	1	WASHER, 1/2, WIDE
19	71398384	1	BELT, BEATER TO JACKSHAFT

MC00370  
PR: t05b16k26a0008

CHALLENGER 670 COMBINE  
FEEDER

JACKSHAFT & V.S. IDLER  
V.S. HEADER DRIVE  
(EFF. S/N HP36101)



**CHALLENGER 670 COMBINE  
FEEDER**

205

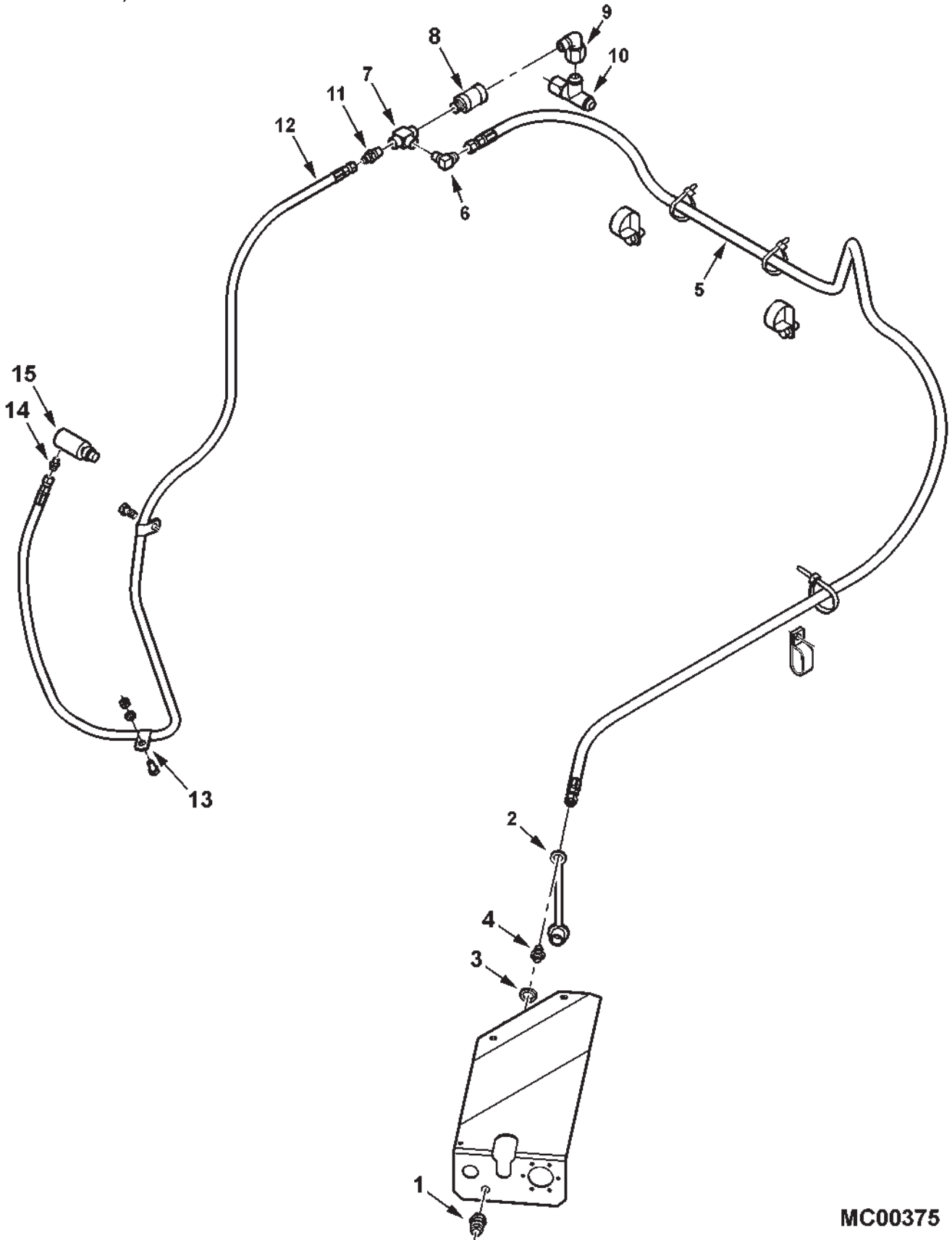
**JACKSHAFT & V.S. IDLER  
V.S. HEADER DRIVE  
(EFF. S/N HP36101)**

ITEM	NUMBER	QTY	DESCRIPTION
1	71399483	1	HUB & BEARING ASY, VS HDR DRIVE (INCL. ITEMS 2, 3, 4, & 5)
2	71398361	1	HUB, VS HEADER DRIVE
3	71382057	1	BEARING, BALL, W/SEALS
4	71399484	1	SPACER, BRG.
5	71382983	1	BEARING, BALL, W/SEALS
6	701235	1	CAPSCREW, 1/2-13 X 1-1/2 GR5
	70917861	1	WASHER, .531 X 1.50 X .180 TH.
7	71398358	1	SHEAVE, DRIVEN, FEEDER JACKSHAFT
	70920415	8	CAPSCREW, 3/8-16 X 1-1/4 GR5
	70916965	8	LOCKWASHER, 3/8
8	71382985	1	ADAPTER, ROTARY UNION
9	70923828	2	O-RING, .210 X 2.475 ID, 75 DURO.
10	71382055	1	SPACER, ADAPTER
11	353062X1	1	RETAINING RING, INTERNAL
12	71391567	3	GUIDE PIN, HEX HD, VS HDR DRIVE
13	71382053	1	SHEAVE ASY, OUTER HALF, VS HDR (INCL. IT. 14)
14	71380460	3	BUSHING, GUIDE
15	70926647	2	RING, BACKUP
16	70923831	2	O-RING, .210 X 3.60 ID, 75 DURO.
17	71398360	1	JACKSHAFT, SHEAVE SUPPORT
	70920415	6	CAPSCREW, 3/8-16 X 1-1/4 GR5
	Y704734	6	NUT, HEX FLNG TOP LOCK, 3/8-16
18	70937348	1	RING, BACKUP
19	70937347	1	O-RING, .210 X 4.725 ID, 75 DURO.
20	71391792	1	CAP, VS HDR DRIVE
21	70937646	1	RETAINING RING, EXTERNAL
22	71312819	3	SPACER
23	71312823	1	DISC, LOCKOUT
24	70919089	3	CAPSCREW, 1/2-13 X 1-3/4 GR5
	Y705624	3	WASHER, 1/2, NARROW
	Y705046	3	LOCKWASHER, 1/2
26	71398379	1	SUPPORT, IDLER, VS HDR DRIVE
	70921210	2	CAPSCREW, 3/8-16 X 1 GR5
	Y704734	4	NUT, HEX FLNG TOP LOCK, 3/8-16
27	70935033	1	CAPSCREW, 7/16-14 X 10.5 GR5
28	71174391	1	BRACKET WLDMT, IDLER ADJUST
29	71309766	1	IDLER, FLAT, W/BRG, 8.0 OD
30	71312603	1	SPACER, IDLER
31	71312602	1	SPACER, IDLER
32	70918432	1	WASHER, 5/8, WIDE
33	70924845	1	BOLT, RND HD SQ NECK, 5/8-11 X 4 GR5
	70917373	1	LOCKWASHER, 5/8
	70932665	1	NUT, 5/8-11 REG
34	71399505	1	BELT, VS HEADER DRIVE

MC00371  
PR: t05b16k26a0009

CHALLENGER 670 COMBINE  
FEEDER

HYDRAULIC LINES  
V.S. HEADER DRIVE  
(EFF. S/N HP36101)



CHALLENGER 670 COMBINE  
FEEDER

207

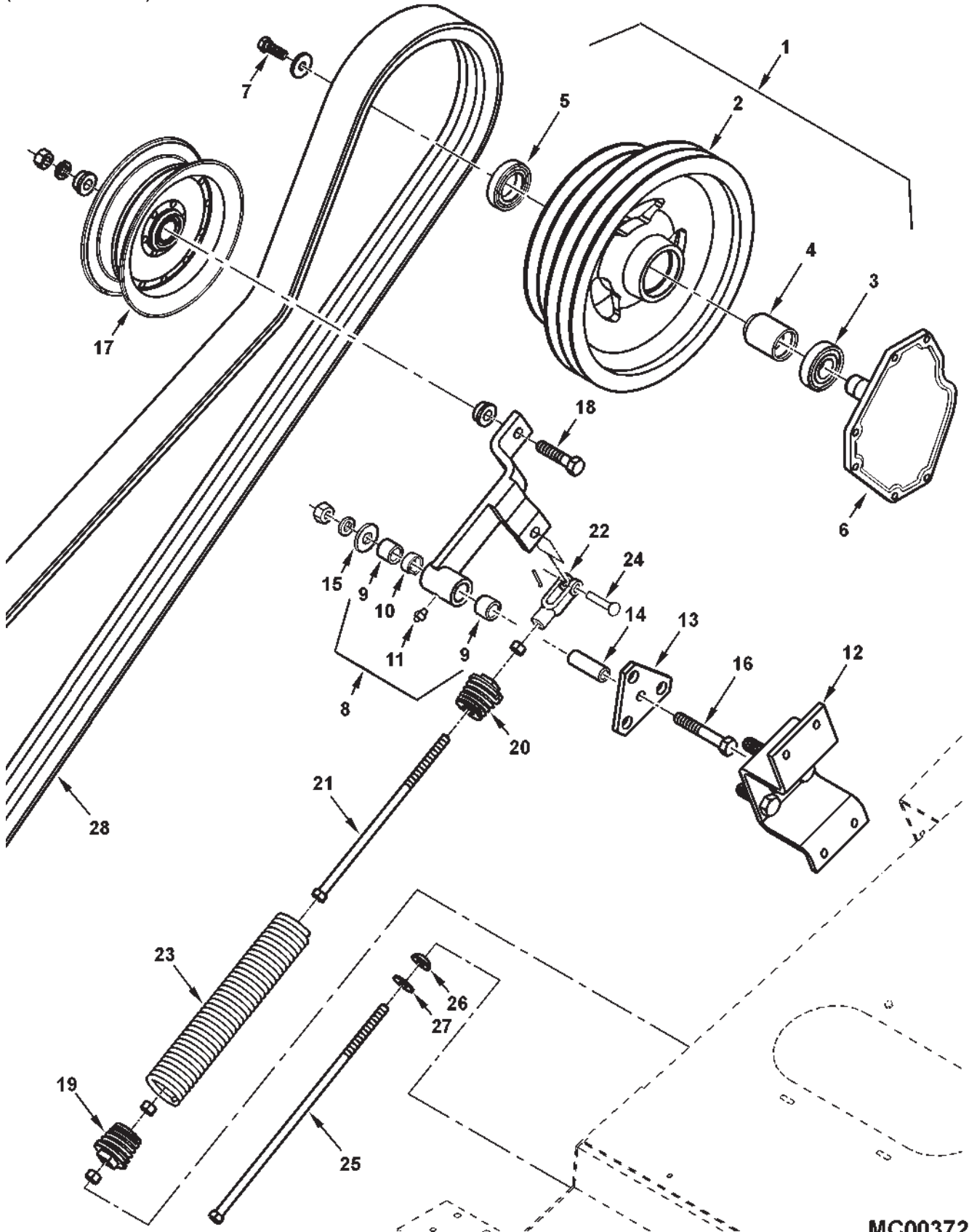
HYDRAULIC LINES  
V.S. HEADER DRIVE  
(EFF. S/N HP36101)

ITEM	NUMBER	QTY	DESCRIPTION
1	71328361	1	QUICK COUPLER HALF, MALE, 1/4 NPTF FEM.
2	71328365	1	DUST CAP, FEM. W/TETHER STRAP
3	Y705624	1	WASHER, 1/2, NARROW
4	70919062	1	CONN, STR. MALE, 9/16-18 JIC X 1/4 NPTF
5	71401755	1	HOSE ASY, 3/8 ID X 9/16-18 JIC FEM. (2)
	70925094	8	TIE, NYLON, .184 X 7.3 LG.
6	70919135	1	ELBOW, 90 D MALE, 9/16-18 JIC X 1/4 NPTF
7	846774	1	TEE, FEM. 1/4 NPTF
8	71368991	1	VALVE, RELIEF, IN-LINE, 500 PSI
9	70935416	1	ELBOW, 90 DEG, 3/8 NPTF M X 3/4-16 FEM.
10	70921298	1	TEE, SWIVEL RUN, 3/4-16 JIC
11	70919140	1	CONN, STR. MALE, 7/16-20 JIC X 1/4 NPTF
12	71401756	1	HOSE ASY, 1/4 ID X 7/16-20 JIC FEM. (2)
	70925617	1	CLAMP, 1/2 ID X .406 HOLE
	Y702951	1	SCR, HEX WSHR HD, 3/8-16 X 3/4
13	755785	2	CLAMP, 9/16 TUBE X .281 HOLE
	70921960	2	CAPSCREW, 1/4-20 X 1 GR5
	705012	2	LOCKWASHER, 1/4
	70916622	2	NUT, 1/4-20, REG
14	70919171	1	CONN, STR. MALE, 7/16-20 JIC X 1/8 NPTF
15	71332011	1	UNION, ROTATING

MC00375  
PR: t05b16k26a0011

CHALLENGER 670 COMBINE  
FEEDER

JACKSHAFT & C'SHAFT DRIVE IDLER  
FIXED SPEED HEADER DRIVE  
(EFF. S/N HP36101)



**CHALLENGER 670 COMBINE  
FEEDER**

209

**JACKSHAFT & C'SHAFT DRIVE IDLER  
FIXED SPEED HEADER DRIVE  
(EFF. S/N HP36101)**

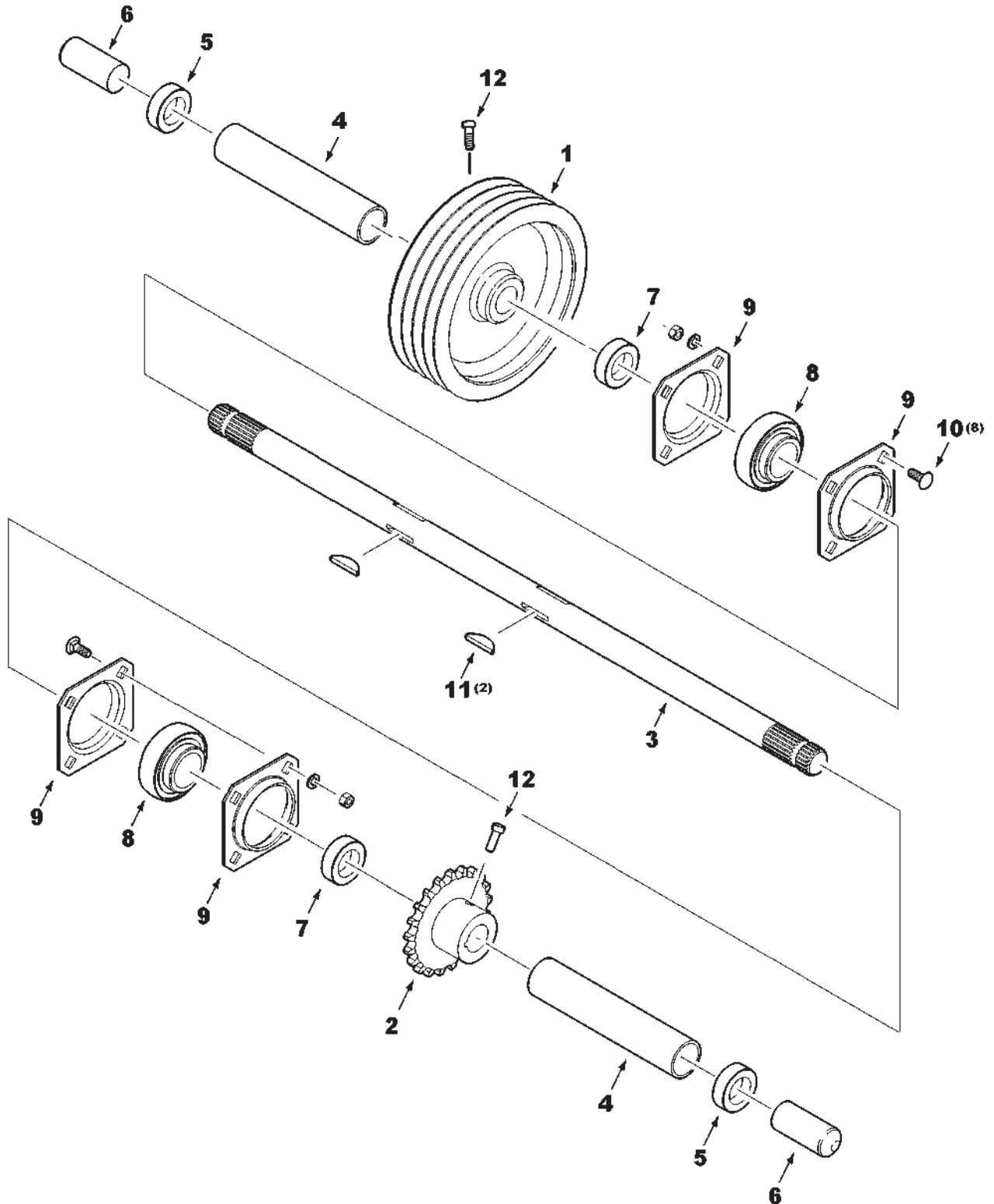
ITEM	NUMBER	QTY	DESCRIPTION
1	71399520	1	SHEAVE ASY, W/BEARINGS (INCL IT. 2, 3, 4 & 5)
2	71398364	1	SHEAVE, DRIVEN, FEEDER JACKSHAFT
3	71382057	1	BEARING, BALL, W/SEALS
4	71399484	1	SPACER, BEARING
5	71382983	1	BEARING, BALL, W/SEALS
6	71398360	1	JACKSHAFT, SHEAVE SUPPORT
	70920415	6	CAPSCREW, 3/8-16 X 1-1/4 GR5
	Y704734	6	NUT, HEX FLANGE TOP LOCK, 3/8-16
7	701235	1	CAPSCREW, 1/2-13 X 1-1/2 GR5
	70917861	1	WASHER, .531 X 1.50 X .180 TH.
8	71389638	1	IDLER ARM ASY, FIXED SPD HDR DRIVE (INCL IT. 9, 10 & 11)
9	71356060	2	BUSHING, PIVOT
10	71197117	1	SPACER, BUSHING
11	13811X	1	LUBE FITTING, STR, 1/4-28 TAPER
12	71398391	1	SUPPORT WLDMT, IDLER, FIXED SPD DRIVE
	70921210	2	CAPSCREW, 3/8-16 X 1 GR5
	Y704734	4	NUT, HEX FLANGE TOP LOCK, 3/8-16
13	71346267	1	PLATE, MOUNTING
	70922037	6	JAM NUT, 3/4-10 UNC
14	71356061	1	SLEEVE, HARD, IDLER PIVOT
15	70918432	1	WASHER, 5/8, WIDE
16	70925703	1	CAPSCREW, 5/8-11 X 4 GR5
	70917373	1	LOCKWASHER, 5/8
	70932665	1	NUT, 5/8-11 REG
17	71308156	1	IDLER, FLAT, FLANGED, 8.0 DIA
18	70919434	1	CAPSCREW, 5/8-11 X 2-3/4 GR5
	70917373	1	LOCKWASHER, 5/8
	70932665	1	NUT, 5/8-11 REG
19	71349811	1	PLUG ASY, SPRING
	71349813	1	PLUG, SPRING
	704031	1	NUT, 1/2-13 REG
	70937461	1	WASHER, .531 X .812 X .036
20	71349813	1	PLUG, SPRING
21	70935035	1	CAPSCREW, 1/2-13 X 8-1/2, FULL THD, GR5
22	70937465	1	YOKE, 1/2-13 UNC
	704031	1	NUT, 1/2-13 REG
23	71349270	1	SPRING
24	70929593	1	PIN, CLEVIS, 1/2 X 1.36 LG
	70918452	1	COTTER PIN, 1/8 X 1"
25	70935299	1	BOLT, HEX, 1/2-13 X 12, FULL THD, GR5
	704031	1	NUT, 1/2-13 REG
26	70301781	1	WASHER, PIVOT, CONVEX, 1/2
27	70918431	1	WASHER, 1/2, WIDE
28	71399519	1	BELT, FIXED SPEED C'SHAFT DRIVE

MC00372  
PR: t05b16k26a0010



CHALLENGER 670 COMBINE  
FEEDER

COUNTERSHAFT  
HEADER DRIVE  
(PRIOR S/N HP36101)



**CHALLENGER 670 COMBINE  
FEEDER**

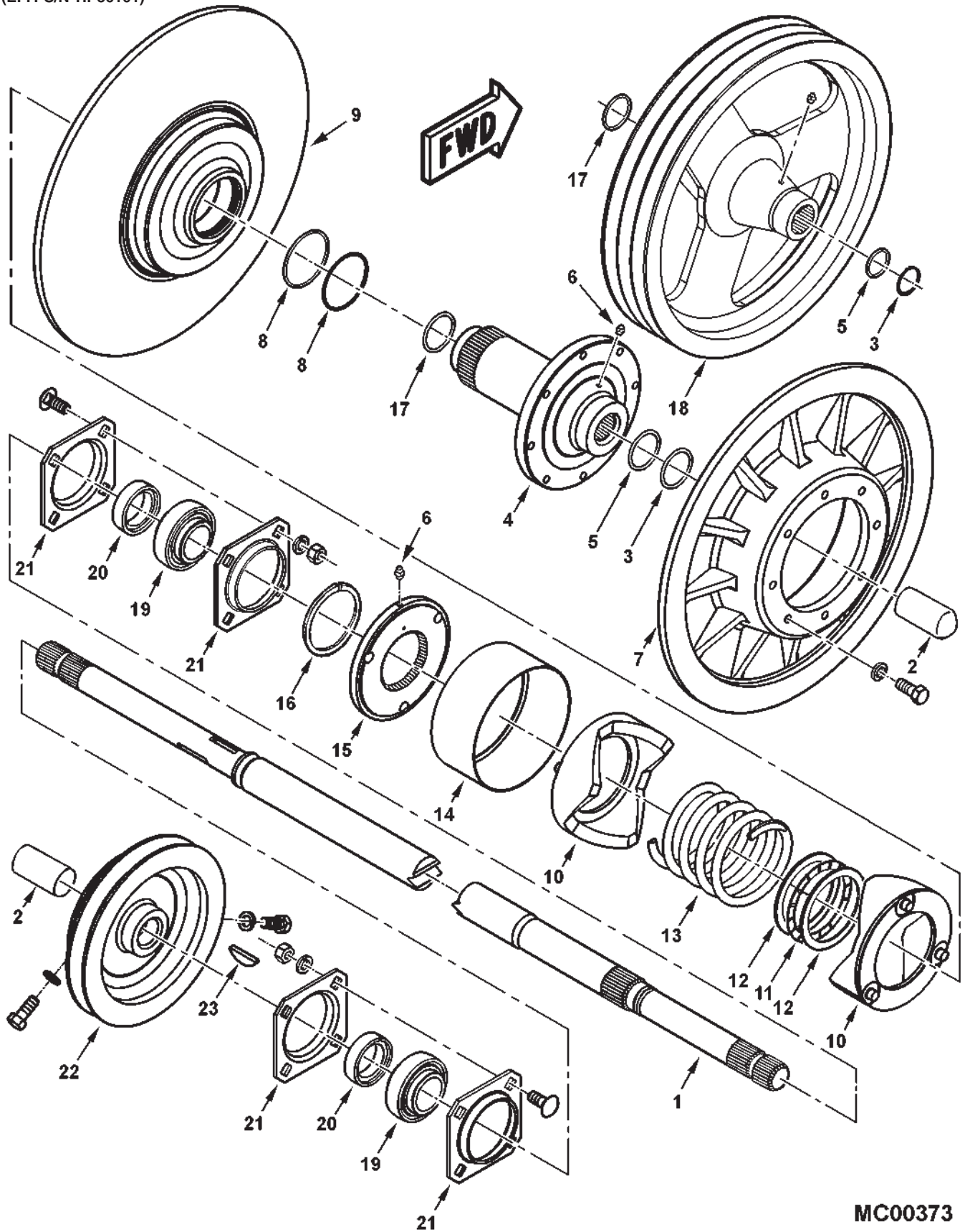
**211**

**COUNTERSHAFT  
HEADER DRIVE  
(PRIOR S/N HP36101)**

ITEM	NUMBER	QTY	DESCRIPTION
1	71393671	1	SHEAVE, RH
2	71379103	1	SPROCKET, LH
3	71393665	1	COUNTERSHAFT
4	71388239	2	COVER, FH COUNTERSHAFT
5	K3999	2	COLLAR (INCL. SETSCREW)
6	71179395	2	COVER, SHAFT
7	70534931	2	COLLAR, 1.75 (INCL. SETSCREW)
8	71335184	2	BEARING ASY. 1.75 (W/O COLLAR)
9	71130258	4	FLANGE, BEARING
10	68619	8	BOLT, RD HD,SHT SQ NK, 1/2-13 X 1-1/4
	Y705046	8	LOCKWASHER, 1/2 REG
	704031	8	NUT, 1/2-13 REG
11	700707139	2	KEY, WOODRUFF, #27, .250 X 2.125
12	70923306	4	SETSCREW, 1/2-13 X 1.0

MC00350  
PR: 148

COUNTERSHAFT  
VARIABLE & FIXED SPEED HEADER DRIVE  
(EFF. S/N HP36101)



**CHALLENGER 670 COMBINE  
FEEDER**

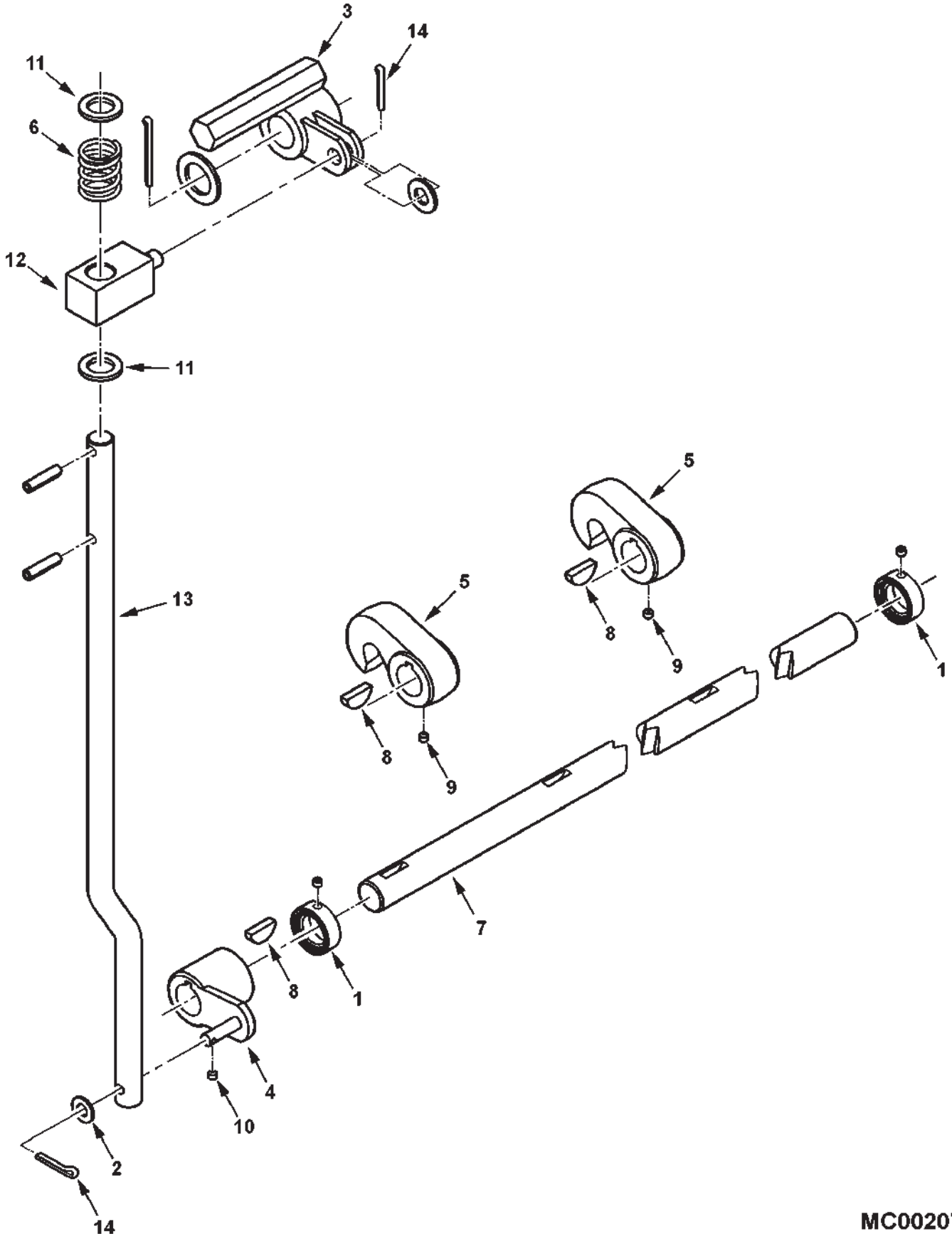
213

**COUNTERSHAFT  
VARIABLE & FIXED SPEED HEADER DRIVE  
(EFF. S/N HP36101)**

ITEM	NUMBER	QTY	DESCRIPTION
1	71399486	1	COUNTERSHAFT, FEEDER
2	71179395	2	COVER, SHAFT
3	70927745	1	RING, EXTERNAL RETAINING
4	71399485	1	HUB, V.S. COUNTERSHAFT
5	70923813	1	O-RING, .139 X 1.359 ID, 75 DUR
6	13811X	2	LUBE FITTING, STR, 1/4-28 TAPER
7	71380043	1	SHEAVE HALF, OUTER, V.S. HEADER
	70920415	8	CAPSCREW, 3/8-16 X 1-1/4 GR5
	70916965	8	LOCKWASHER, 3/8
8	70923584	1	O-RING, .139 X 2.984 ID, 75 DUR
	70926626	1	RING, BACKUP, .050 TH X 3.0 ID
9	71395799	1	SHEAVE HALF, INNER, V.S. HEADER
10	71399487	2	CAM, ACTUATOR, V.S. HEADER
11	71161396	1	BEARING, THRUST
12	71173857	2	RACE, THRUST BEARING
13	71380028	1	SPRING, V.S. HEADER CAM
14	71380905	1	COVER, CAM
15	71380463	1	PLATE, CAM CARRIER
16	70930415	1	RING, EXTERNAL RETAINING
17	70923577	1	O-RING, .139 X 1.734 ID, 75 DUR
18	71398365	1	SHEAVE, DRIVEN, FIXED SPEED HEADER
	13887X	1	LUBE FITTING, STR, 1/4 PTF
19	71335184	2	BEARING, W/O COLLAR, 1.75 DIA
20	70534931	2	COLLAR, BRG.
21	71130258	4	FLANGE, BEARING
	68619	8	BOLT, RND HD SQ NECK, 1/2-13 X 1-1/4
	Y705046	8	LOCKWASHER, 1/2
	704031	8	NUT, 1/2-13 REG
22	71398362	1	SHEAVE, DRIVE, C'SHAFT, LH
	70923306	2	SETSCREW, SQ HD, 1/2-13 X 1
23	700707139	1	KEY, WOODRUFF, #27, .250 X 2.125

MC00373  
PR: t05b16k26a0012

LATCH  
HEADER



CHALLENGER 670 COMBINE  
FEEDER

215

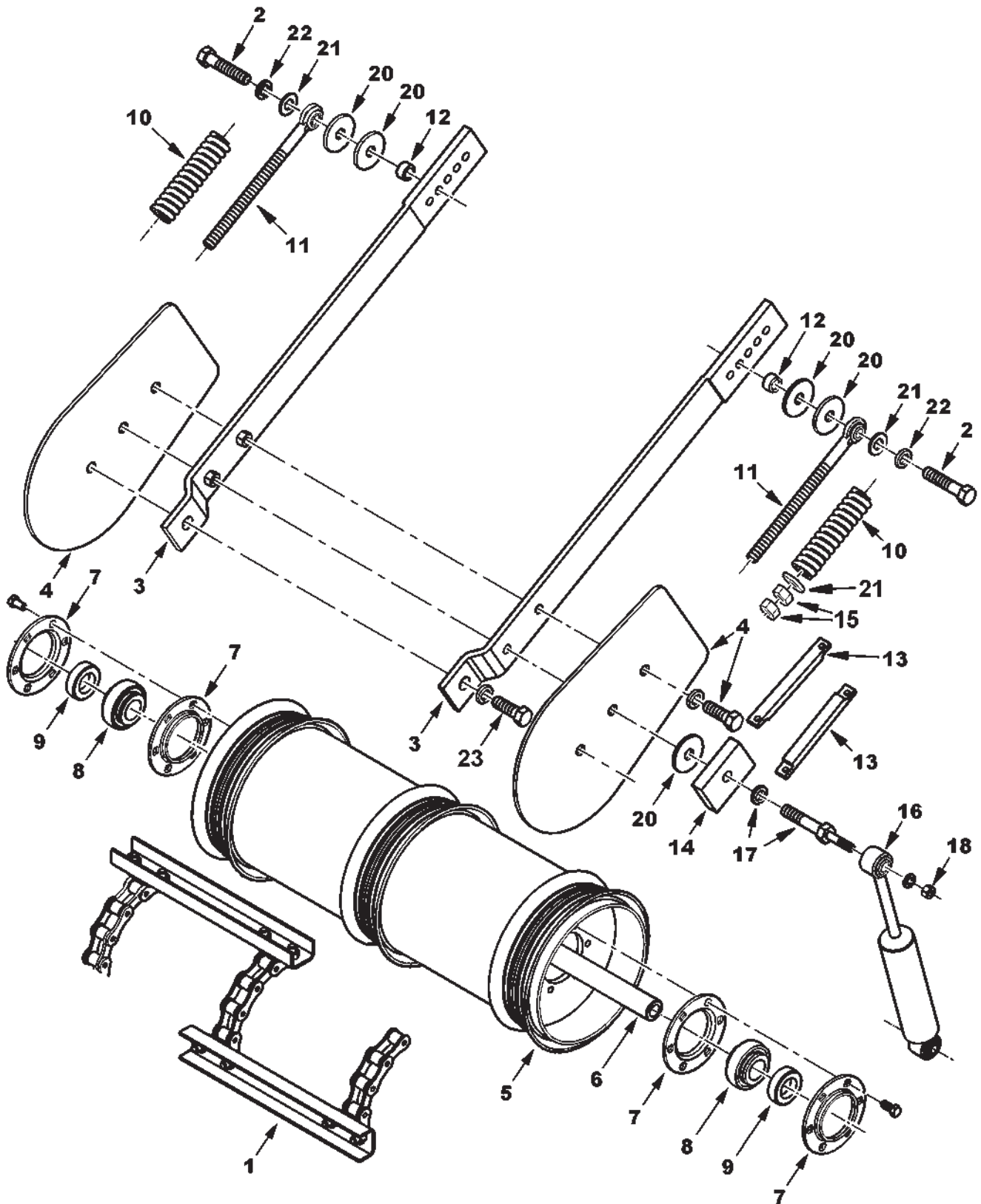
LATCH  
HEADER

ITEM	NUMBER	QTY	DESCRIPTION
1	375028X1	2	COLLAR, LOCK, W/SETSCREW (QTY 1 PRIOR S/N HP 36101)
	70915794	2	SETSCREW, 1/4-20 X 1/4
2	70917378	1	WASHER, 3/8 WIDE (PRIOR S/N HP36101)
	70918266	4	WASHER, 3/8 NARROW (EFF. S/N HP36101)
3	116346W1	1	CRANK ASSEMBLY, LATCH, UPPER
	70919393	1	WASHER, PLAIN, 1.02 X 1.63 X 12 GA
	70918459	1	PIN, COTTER, 3/16 X 1 1/2
4	116343W1	1	CRANK ASSEMBLY, LATCH, LOWER
5	71317841	2	HOOK
6	116312W1	1	SPRING
	70915935	2	PIN, SPRING, 5/16 X 1-1/4
7	116349W1	1	SHAFT, HEADER LATCH (PRIOR S/N HP36101)
	71406802	1	SHAFT, HEADER LATCH (EFF. S/N HP36101)
8	70905126	3	KEY, WOODRUFF, #808, 1/4 X 1 DIA
9	70903835	2	SETSCREW, 1/4-20 X 3/8
10	70921263	1	SETSCREW, 5/16-18 X 3/8
11	70923427	2	WASHER, 25/32 X 1-1/4 X 11 GA
12	116348W1	1	BLOCK, LATCH PIVOT
	Y705624	1	WASHER, 1/2 NARROW
13	116339W1	1	ROD, LATCH (PRIOR S/N HP36101)
	71406803	1	ROD, LATCH (EFF. S/N HP36101)
14	70918452	2	PIN, COTTER, 1/8 X 1

MC00207  
PR: 150

CHALLENGER 670 COMBINE  
FEEDER

CONVEYOR  
(PRIOR S/N HP36101)



**CHALLENGER 670 COMBINE  
FEEDER**

217

**CONVEYOR  
(PRIOR S/N HP36101)**

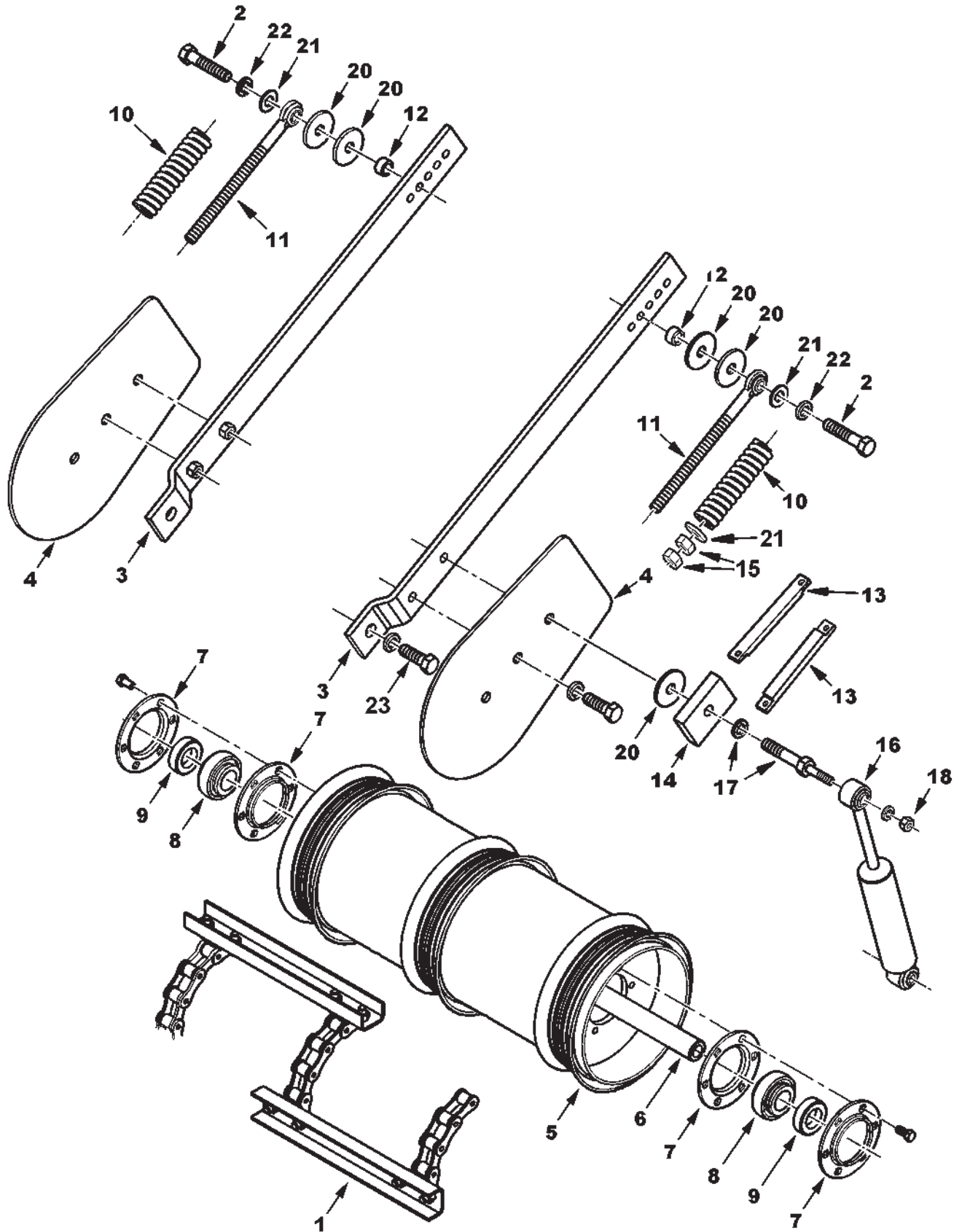
ITEM	NUMBER	QTY	DESCRIPTION	
1	71449003	1	CHAIN ASY, FEEDER CONVEYOR, W/SLATS	
	71149999	1	CHAIN ASY, CONVEYOR, CENTER	
	71449001	2	CHAIN ASY, CONVEYOR, SIDE	
	71149894	AR	LINK, ATTACHING	
	70937300	AR	LINK, ROLLER	
	71149896	AR	LINK, OFFSET, INCL. PIN & LOCKNUT	
	71149895	AR	LINK, COUPLING	
	70920397	AR	NUT, NYLON LOCK, 1/4-20	
	71387896	28	SLAT, FEEDER CHAIN	
	70937603	112	CAPSCREW, LOCKING, 1/2-13 X 3/4 GR8	
	70928512	112	NUT, 1/2-13 REG GR8	
	2	70923111	2	CAPSCREW, 5/8-11 X 3 GR5
	3	71381680	2	ARM ASY, FEEDER DRUM
	4	71381682	2	SHIELD, DUST
70923151		2	CAPSCREW 5/8-11 X 1-1/4 GR5	
5	70917373	2	LOCKWASHER, 5/8 REG	
	71387894	1	DRUM WLMT, 8.625	
6	71377310	3	WEAR RING, 8.625"	
	71387895	1	SHAFT, CONVEYOR DRUM	
7	71370634	4	FLANGE, BEARING, 72MM	
	70925625	12	CAPSCREW, 3/8-16 X 7/8, NYLOK GR8	
	705038	12	LOCKWASHER, 3/8 REG	
8	71309117	2	BEARING, 1-1/4, INCL. COLLAR	
9	7710551	2	COLLAR, BEARING	
10	71375335	2	SPRING	
11	71363526	2	EYEBOLT, 5/8-11 THD.	
12	71370121	2	BUSHING, ARM	
13	71370496	4	STOP, ARM, FEEDER HOUSING.	
	70931317	8	BOLT, RD HD,SHT SQ NK, 1/4-20 X 3/4	
	70916964	8	LOCKWASHER, 1/4	
	70916622	8	NUT, 1/4-20 REG	
	14	71370120	2	STOP, DRUM POSITION
15	70915726	4	NUT, 5/8-11 REG	
16	71315999	2	SHOCK ABSORBER	
	70925696	2	CAPSCREW, 7/16-14 X 2 GR5	
	70918199	2	LOCKWASHER, 7/16	
	70918267	2	WASHER, 7/16 NARROW	
17	71376888	2	STUD, DAMPER ATTACH	
	70917373	2	LOCKWASHER, 5/8 REG	
18	70930757	2	NUT, NYLOCK, 7/16-14	
	70918267	2	WASHER, 7/16 NARROW	
20	70937480	6	WASHER, HARD, 21/32 X 2-1/4 X 8 GA.	
21	70918268	4	WASHER, PLAIN, 5/8 NARROW	
22	70917373	2	LOCKWASHER, 5/8 REG	
23	70937548	2	CAPSCREW, 3/4-10 X 2, GR 8, NYLOK	
	70919332	2	LOCKWASHER, 3/4 REG	
-	70931194	AR	LOCTITE, SEALANT, 271	

MC00351  
PR: 152



CHALLENGER 670 COMBINE  
FEEDER

CONVEYOR  
(EFF. S/N HP36101)



**CHALLENGER 670 COMBINE  
FEEDER**

219

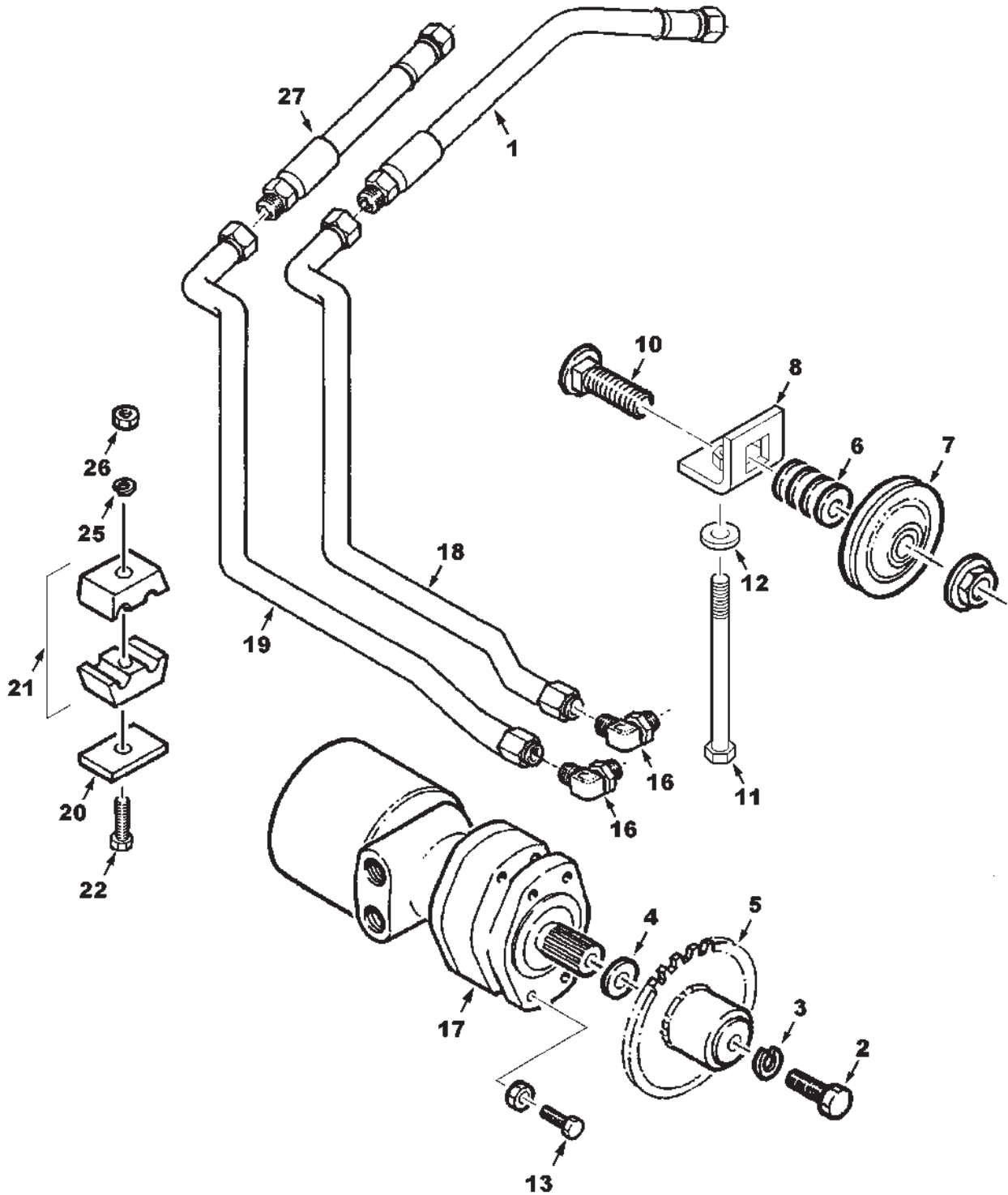
**CONVEYOR  
(EFF. S/N HP36101)**

ITEM	NUMBER	QTY	DESCRIPTION	
1	71449017	1	CHAIN ASY, FEEDER CONVEYOR, W/SLATS	
	71449016	1	CHAIN ASY, CONVEYOR, CENTER	
	71449015	2	CHAIN ASY, CONVEYOR, SIDE	
	71149894	AR	LINK, ATTACHING	
	70937300	AR	LINK, ROLLER	
	71149896	AR	LINK, OFFSET, INCL. PIN & LOCKNUT	
	71149895	AR	LINK, COUPLING	
	70920397	AR	NUT, NYLON LOCK, 1/4-20	
	71387896	28	SLAT, FEEDER CHAIN	
	70937603	112	CAPSCREW, LOCKING, 1/2-13 X 3/4 GR8	
	70928512	112	NUT, 1/2-13 REG GR8	
	2	70923111	2	CAPSCREW, 5/8-11 X 3 GR5
	3	71396481	2	ARM, FRONT FEEDER DRUM
4	71381682	2	SHIELD, DUST	
	70923113	2	CAPSCREW 5/8-11 X 1 GR5	
5	70917373	2	LOCKWASHER, 5/8	
	71387894	1	DRUM WLMT, 8.625	
	71377310	3	WEAR RING, 8.625"	
6	71387895	1	SHAFT, CONVEYOR DRUM	
7	71370634	4	FLANGE, BEARING, 72MM	
	70925625	12	CAPSCREW, 3/8-16 X 7/8, NYLOK GR8	
	705038	12	LOCKWASHER, 3/8 REG	
8	71309117	2	BEARING, 1-1/4, (INCL. COLLAR)	
9	7710551	2	COLLAR, BEARING	
10	71375335	2	SPRING	
11	71363526	2	EYEBOLT, 5/8-11 THD.	
12	71370121	2	SPACER, ARM	
13	71370496	4	STOP, ARM, FEEDER HOUSING.	
	70931317	8	BOLT, RD HD SHT SQ NK, 1/4-20 X 3/4	
	70916964	8	LOCKWASHER, 1/4	
	70916622	8	NUT, 1/4-20 REG	
	14	71370120	2	STOP, DRUM POSITION
15	70915726	4	NUT, 5/8-11 REG	
16	71315999	2	SHOCK ABSORBER	
	70925696	2	CAPSCREW, 7/16-14 X 2 GR5	
	70918199	2	LOCKWASHER, 7/16	
	70918267	2	WASHER, 7/16 NARROW	
17	71406934	2	STUD, DAMPER ATTACH	
18	70930757	2	NUT, NYLOCK, 7/16-14	
	70918267	2	WASHER, 7/16 NARROW	
20	Y705582	6	WASHER, HARD, .688 X 1.28 X .125 TH	
21	70918268	4	WASHER, PLAIN, 5/8 NARROW	
22	70917373	4	LOCKWASHER, 5/8	
23	70937548	2	CAPSCREW, 3/4-10 X 2, GR 8, NYLOK	
	70919332	2	LOCKWASHER, 3/4 REG	
	-	70931194	AR	LOCTITE, SEALANT, 271

MC00374  
PR: t05b16k26a0013

CHALLENGER 670 COMBINE  
FEEDER

HEADER REVERSER  
LINES & FITTINGS  
(PRIOR S/N HP36101)



**CHALLENGER 670 COMBINE  
FEEDER**

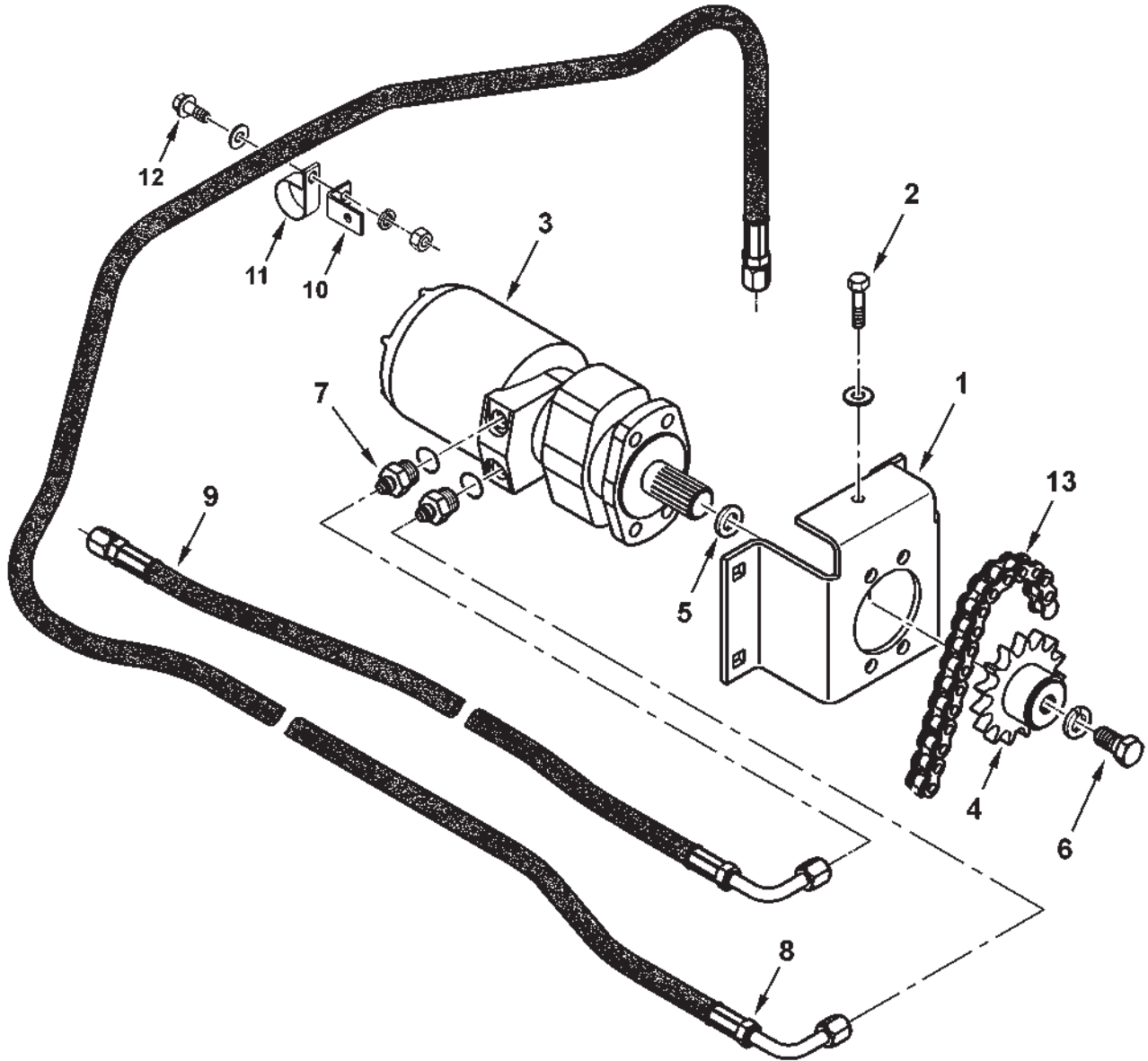
221

**HEADER REVERSER  
LINES & FITTINGS  
(PRIOR S/N HP36101)**

ITEM	NUMBER	QTY	DESCRIPTION
1	112046W1	1	HOSE ASY, REVERSER RETURN, 3/8 X 32"
2	353609X1	1	CAPSCREW, 5/8-18 UNF X 1-1/4 GR5
3	70917373	1	LOCKWASHER, 5/8 REG
4	363282X1	AR	WASHER, SPCL, FLAT, .688 X 1.0 X .048
5	71379631	1	SPROCKET WLDMT, 15T 3/4 P
6	70918268	6	WASHER, 5/8 NARROW
7	71378873	1	SPROCKET, IDLER, 15 TEETH
8	71174391	1	BRACKET WLDMT, IDLER ADJUST
10	70933955	1	BOLT, RD HD,SQ NK, 5/8-11 X 2-3/4
	700703922	1	NUT, HEX FLNG, TOP LOCK, 5/8-11 UNC
11	70935032	1	CAPSCREW, 7/16-14 X 6 GR5
12	70918267	1	WASHER, 7/16 NARROW
13	701235	4	CAPSCREW, 1/2-13UNC X 1-1/2 GR5
	Y704742	4	NUT, HEX FLNG, TOP LOCK, 1/2-13
16	70924786	2	ELBOW, 90 DEG, 7/8-14 ORB X 3/4-16 JIC
	70921205	2	O-RING, .097 X .755 ID
17	104307W91	1	MOTOR AND CLUTCH ASSEMBLY (SEE MOTOR & CLUTCH LISTING)
18	71391087	1	TUBE ASSEMBLY, 1/2
19	71391086	1	TUBE ASSEMBLY, 1/2
20	101646M1	2	COVER PLATE
21	148022M1	2	CLAMP PAIR, DOUBLE, 1/2 X 1/2 DIA
22	7701485	2	CAPSCREW, 1/4-20 X 2" GR5
25	70916964	2	LOCKWASHER, 1/4 REG
26	70916622	1	NUT, 1/4-20 UNC, REG
27	71394137	1	HOSE ASY, REVERSER SUPPLY, 3/8 X 96"
28	71149992	1	CHAIN ASY, FEEDER DRIVE

MC00353  
PR: 154

HEADER REVERSER  
DRIVE & HYDRAULICS  
(EFF. S/N HP36101)



**CHALLENGER 670 COMBINE  
FEEDER**

223

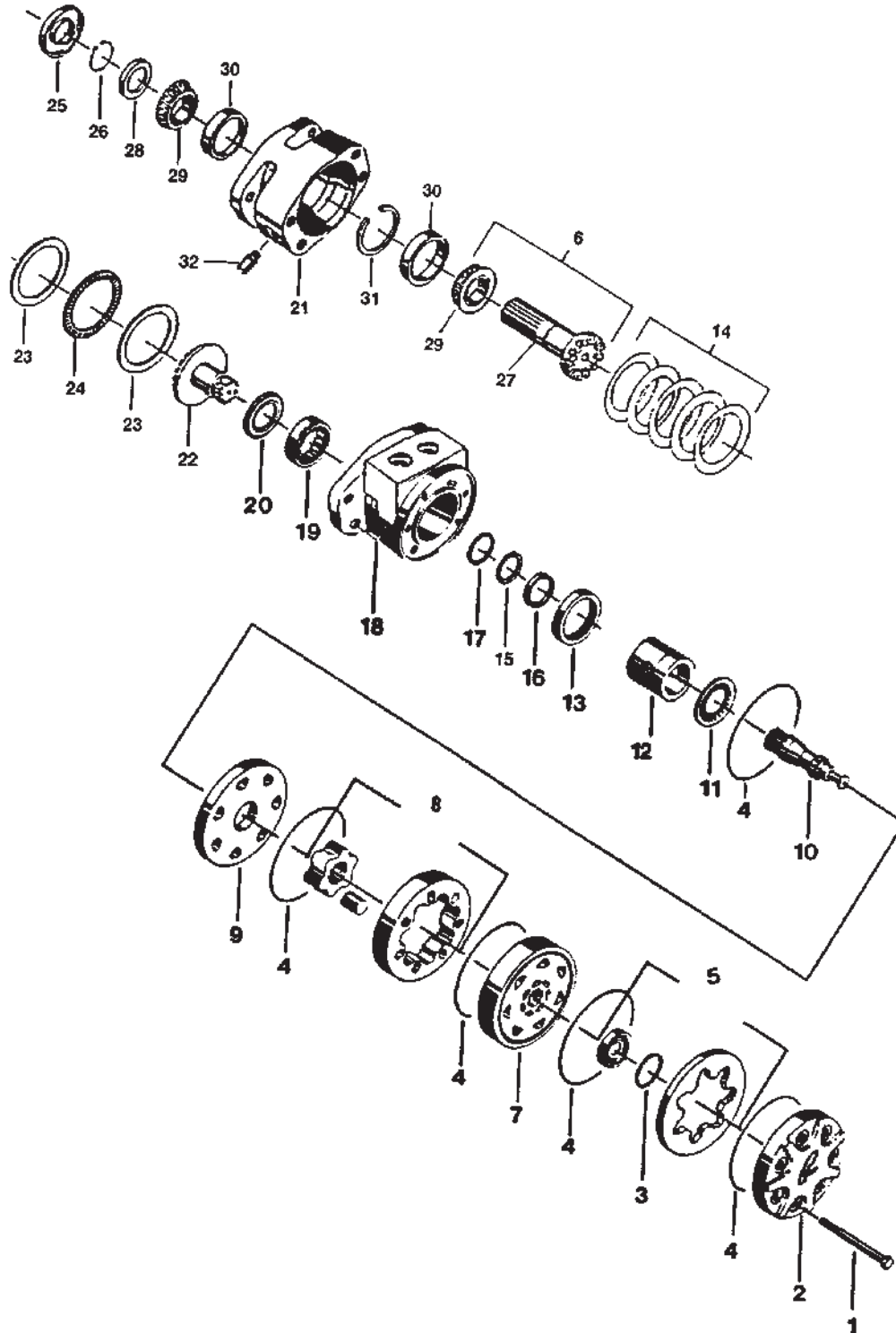
**HEADER REVERSER  
DRIVE & HYDRAULICS  
(EFF. S/N HP36101)**

ITEM	NUMBER	QTY	DESCRIPTION
1	71400852	1	PLATE WLDMT, FEEDER REV'R MOTOR
	68619	1	BOLT, RND HD SQ NK, 1/2-13 X 1-1/4
	Y705046	1	LOCKWASHER, 1/2
	704031	1	NUT, 1/2-13 REG
2	70929116	1	CAPSCREW, 3/8-16 X 2 GR5, FULL THD
	70918266	1	WASHER, 3/8 NARROW
3	71362941	1	MOTOR AND CLUTCH ASY, REVERSER
	701235	4	CAPSCREW, 1/2-13 X 1-1/2 GR5
	Y704742	4	NUT, HEX FLNG TOP LOCK, 1/2-13
4	71379631	1	SPROCKET WLDMT, 15T 3/4 P
5	363282X1	AR	WASHER, SPCL, FLAT, .688 X 1.0 X .048
6	353609X1	1	CAPSCREW, 5/8-18 UNF X 1-1/4 GR5
	70917373	1	LOCKWASHER, 5/8
7	8746018	2	STR CONN. 9/16-18 JIC X 7/8-14 ORB
	70921205	2	O-RING, .097 X .755 ID
8	71401739	1	HOSE ASY, PRESSURE, 115" LG
9	700716510	1	HOSE ASY, RETURN, 59" LG
10	71407962	1	BRACKET, HOSE CLAMP
11	7041015	1	CLAMP, 2-1/4 ID X .531 HOLE
12	70921965	1	CAPSCREW, 3/8-16 X 3/4 GR5
	70918266	1	WASHER, 3/8 NARROW
	70916965	1	LOCKWASHER, 3/8
	70916950	1	NUT, 3/8-16, REG
	70916950	1	NUT, 3/8-16, REG
13	-----	1	CHAIN ASY, REVERSER DRIVE (INCL. FOLLOWING 2 ITEMS)
	71449019	1	CHAIN, #60, 71 PITCHES
	70914584	1	CONNECTOR LINK, #60 CHAIN

MC00376  
PR: t05b16k26a0014

CHALLENGER 670 COMBINE  
FEEDER

REVERSER MOTOR & CLUTCH  
COMPONENTS  
(PRIOR S/N HP36101)



**CHALLENGER 670 COMBINE  
FEEDER**

225

**REVERSER MOTOR & CLUTCH  
COMPONENTS  
(PRIOR S/N HP36101)**

ITEM	NUMBER	QTY	DESCRIPTION
-	104307W91	1	MOTOR AND CLUTCH, HYDRAULIC (TRW MB)
1	104482W1	7	BOLT, SPECIAL
2	71367309	1	COVER, END
3	1042752M1	1	* RING, SEAL - COMMUTATOR
4	104475W1	5	* RING, SEAL
5	104480W91	1	COMMUTATOR ASSEMBLY (MATCHED SET)
7	104479W1	1	MANIFOLD
8	104478W91	1	SET ROTOR (MATCHED SET)
9	104476W1	1	PLATE, WEAR
10	104477W1	1	LINK, DRIVE
11	71367317	1	BEARING, THRUST
12	71367528	1	COUPLING & RETAINING RING ASSEMBLY
13	71367320	2	BEARING, INNER
14	71354859	AR	DISC SPRING
15	104486W1	1	WASHER, BACKUP
16	104485W1	1	* SEAL
17	104484W1	1	* WASHER, BACKUP
18	71367323	1	HOUSING ASSEMBLY
	353724X1	4	BOLT, HEX, 1/2-13 UNC X 1-1/2
19	71367324	1	BEARING, OUTER
20	104483W1	1	* SEAL
21	104473W91	1	CLUTCH HOUSING ASSEMBLY (INCLUDES 2-ITEM 30 & 1-ITEM 31)
22	104468W1	1	DRIVE GEAR, SPLINED
23	103732W1	2	WASHER, THRUST
24	71354855	1	BEARING, THRUST
25	71354861	1	SEAL, DIRT AND WATER
26	71354865	1	RING, RETAINING
27	103767W1	1	SHAFT, DRIVE
28	103736W1	1	WASHER, THRUST
29	103737W1	2	CONE, BEARING
30	105733W1	2	CUP, BEARING
31	103738W1	1	RING, RETAINING
32	355547X1	1	PLUG, PIPE
-	700709503	AR	KIT, SEAL (INCL * ITEMS 3,4,16,17,20)

MC00006  
PR: 156





**CHALLENGER 670 COMBINE  
FEEDER**

**227**

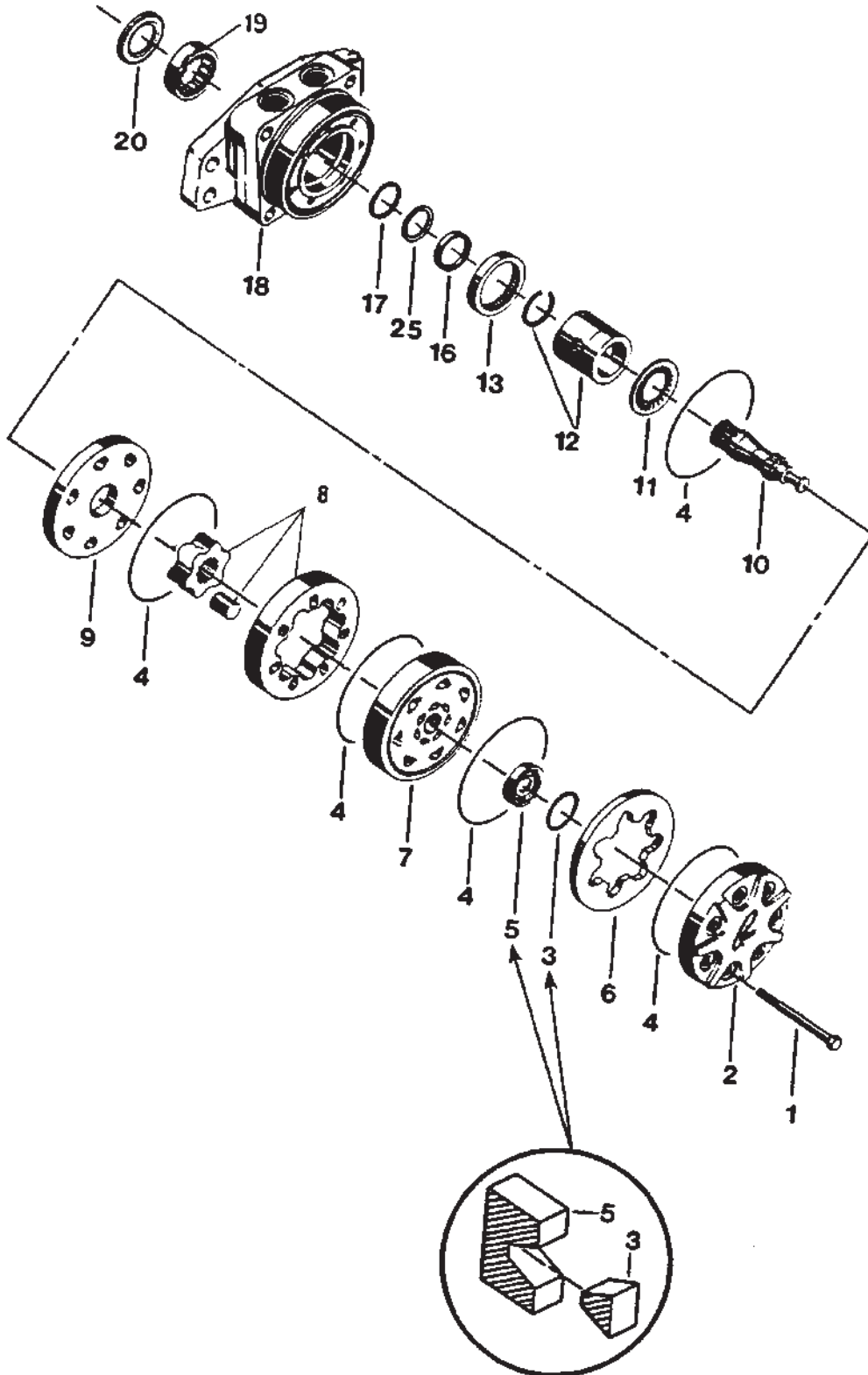
**REVERSER MOTOR  
CLUTCH HOUSING & SHAFT ASSEMBLY  
(EFF. S/N HP36101)**

ITEM	NUMBER	QTY	DESCRIPTION
-	71362941	AR	MOTOR ASY., HDR REVERSER (INCL. CLUTCH)
	70923154	4	CAPSCREW, 1/2-13 X 1-1/2
1	71367529	1	HOUSING ASY. (INCL. ITEMS 2, 5-10)
2	70327997	2	CUP, BEARING
3	71354859	5	DISC SPRING
4	104468W1	1	DRIVE, SPLINE
5	71355001	1	RING, SNAP
6	71354861	1	SEAL, DIRT/WATER
7	71354863	1	SHAFT
8	70327382	2	CONE, BEARING
9	71354864	1	WASHER, THRUST
10	71354865	1	RING, SNAP
11	70901651	1	PLUG, PIPE, 1/8 NPT
12	71354856	2	WASHER, THRUST
13	71354855	1	BEARING, THRUST
14	-----	--	MOTOR TORQUE (SEE FEED REVERSER - TORQUE MOTOR FOR COMPONENTS)

GC00123  
PR: t05b16k26a0015

CHALLENGER 670 COMBINE  
FEEDER

REVERSER MOTOR  
TORQUE MOTOR ASY.  
(EFF. S/N HP36101)



**CHALLENGER 670 COMBINE  
FEEDER**

**229**

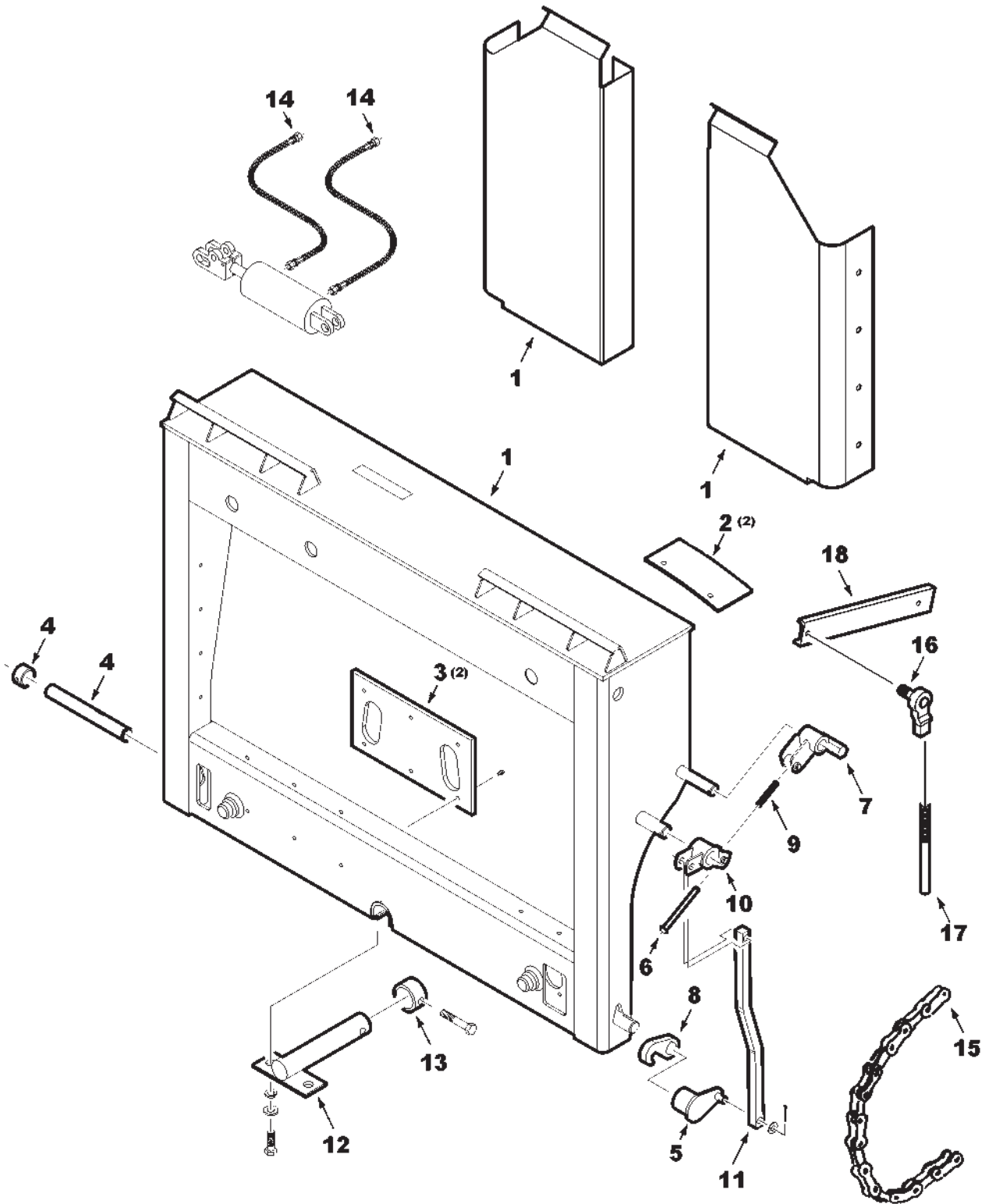
**REVERSER MOTOR  
TORQUE MOTOR ASY.  
(EFF. S/N HP36101)**

ITEM	NUMBER	QTY	DESCRIPTION
-	71362941	AR	MOTOR ASY., HDR REVERSER (INCL. CLUTCH)
1	71367308	7	BOLT, SPECIAL
2	71367309	1	COVER, END
3	-----	1	RING, BONDEN (ORDER SEAL KIT #71367307)
4	-----	5	SEAL RING (ORDER SEAL KIT)
5	71367312	1	COMMUTATOR ASY. (INCL. ITEM 6)
6	-----	1	RING, COMMUTATOR (ORDER COMMUTATOR ASY.)
7	104479W1	1	MANIFOLD
8	71367314	1	ROTOR ASY.
9	104476W1	1	PLATE, WEAR
10	71367316	1	LINK, DRIVE
11	71367317	1	BEARING, THRUST
12	71367528	1	COUPLING ASY. (INCL. RETAINING RING)
13	71367320	1	BEARING
16	-----	1	SEAL, SHAFT (ORDER SEAL KIT)
17	-----	1	RING, BACK-UP (ORDER SEAL KIT)
18	71367323	1	HOUSING ASY.
19	71367324	1	BEARING
20	-----	1	SEAL (ORDER SEAL KIT)
25	71367526	1	WASHER
-	700709503	1	KIT, SEAL (INCL ITEMS 3, 4, 16, 17 & 20)

GC00124  
PR: t05b16k26a0016

CHALLENGER 670 COMBINE  
LATERAL TILT

HOUSING



**CHALLENGER 670 COMBINE  
LATERAL TILT**

**231  
HOUSING**

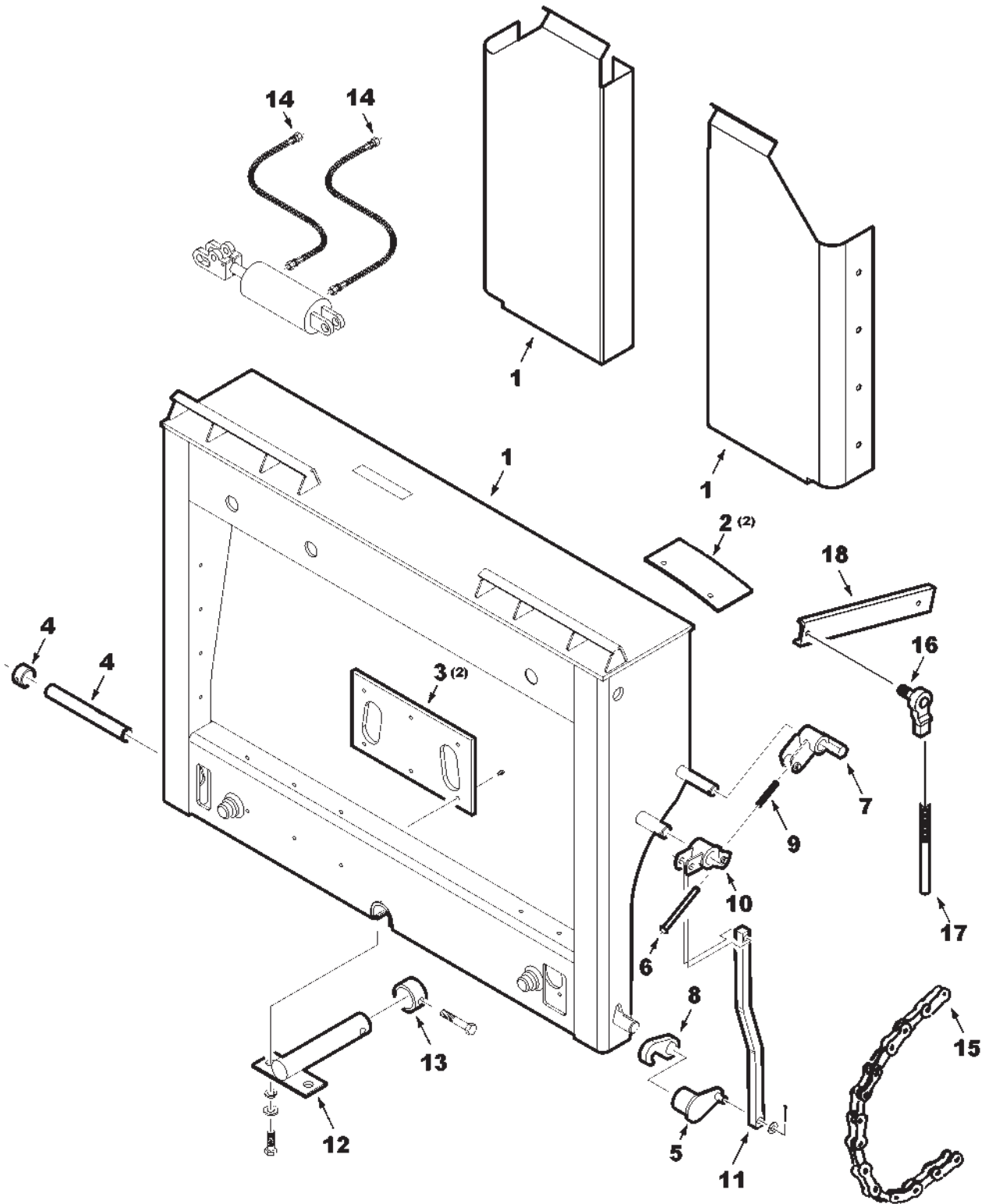
ITEM	NUMBER	QTY	DESCRIPTION
1	71401307B	1	FRAME WLDMT, HDR
	71394222	1	PANEL, FILLER (LH)
	71394223	1	PANEL, FILLER (RH)
2	372729X1	12	SCR,HX WSHR HD,TAPPING,5/16-18 X 3/4
	71374672	2	TRACK, ROLLER
	70927477	4	CAPSCREW 5/16 X 1 THD FORMING
	70917356	4	LOCKWASHER 5/16
3	71374816	2	BEARING, LOWER PLASTIC
	71335690	12	SCREW, TORX,TRUSS HD, 5/16-18 X 7/8
	70931194	AR	LOCTITE #271
	79021676	AR	LOCTITE PRIMER
4	71374796	1	SHAFT, LATCH PIVOT
	375028X1	1	COLLAR, LOCK W/SETSCREW
5	71375564	1	CRANK ASSEMBLY, HOOK
	70905126	1	KEY, WOODRUFF #808, 1/4 X 1" DIA
	70921263	1	SETSCREW, SKT HD, 5/16-18 X 3/8
6	71314842	1	SHAFT ASSEMBLY, SPRING
	70918111	1	PIN, SPRING 1/8 X 1
	70918266	2	WASHER, 3/8 NARR (AR TO ADJUST SPRG)
7	71375556	1	CRANK ASSEMBLY, LATCH
	70918458	1	PIN, COTTER 3/16 X 1-1/4
	70919391	1	WASHER, .906 X 1.5 X #12GA.
8	71317841	2	HOOK
	70905126	2	KEY, WOODRUFF #808, 1/4 X 1" DIA
	70903835	2	SETSCREW, SKT HD, 1/4-20 X 3/8
9	71314833	1	SPRING
	71375559	1	PIVOT ASSEMBLY
	70918458	1	PIN, COTTER 3/16 X 1-1/4
	70918452	1	COTTER PIN, 1/8 X 1
	705681	1	WASHER, 1" NARROW
10	70929593	1	PIN, CLEVIS, 1/2 X 1.36 LG
	71398477	1	ROD, LATCH
	70918452	1	COTTER PIN, 1/8 X 1
	Y705624	1	WASHER SAE 1/2
	71374798	1	PIN WLMT, PIVOT
11	70919387	4	WASHER 41/64 X 1-1/4 X .065
	70922664	2	CAPSCREW 5/8 X 2
	70917373	2	LOCKWASHER 5/8
	13811X	1	LUBE FTG, STR, 1/4-28 TAPER THD
	70931194	AR	LOCTITE, #271
	79021648	AR	LOCQUIC PRIMER
	71374674	1	COLLAR, PIN
12	70923240	1	CAPSCREW 1/2 X 2-3/4
	Y704288	1	NUT, HEX CENTER LOCK, 1/2

CONTINUED

MC00345  
PR: 158

CHALLENGER 670 COMBINE  
LATERAL TILT

HOUSING



**CHALLENGER 670 COMBINE  
LATERAL TILT**

**233**

**HOUSING**

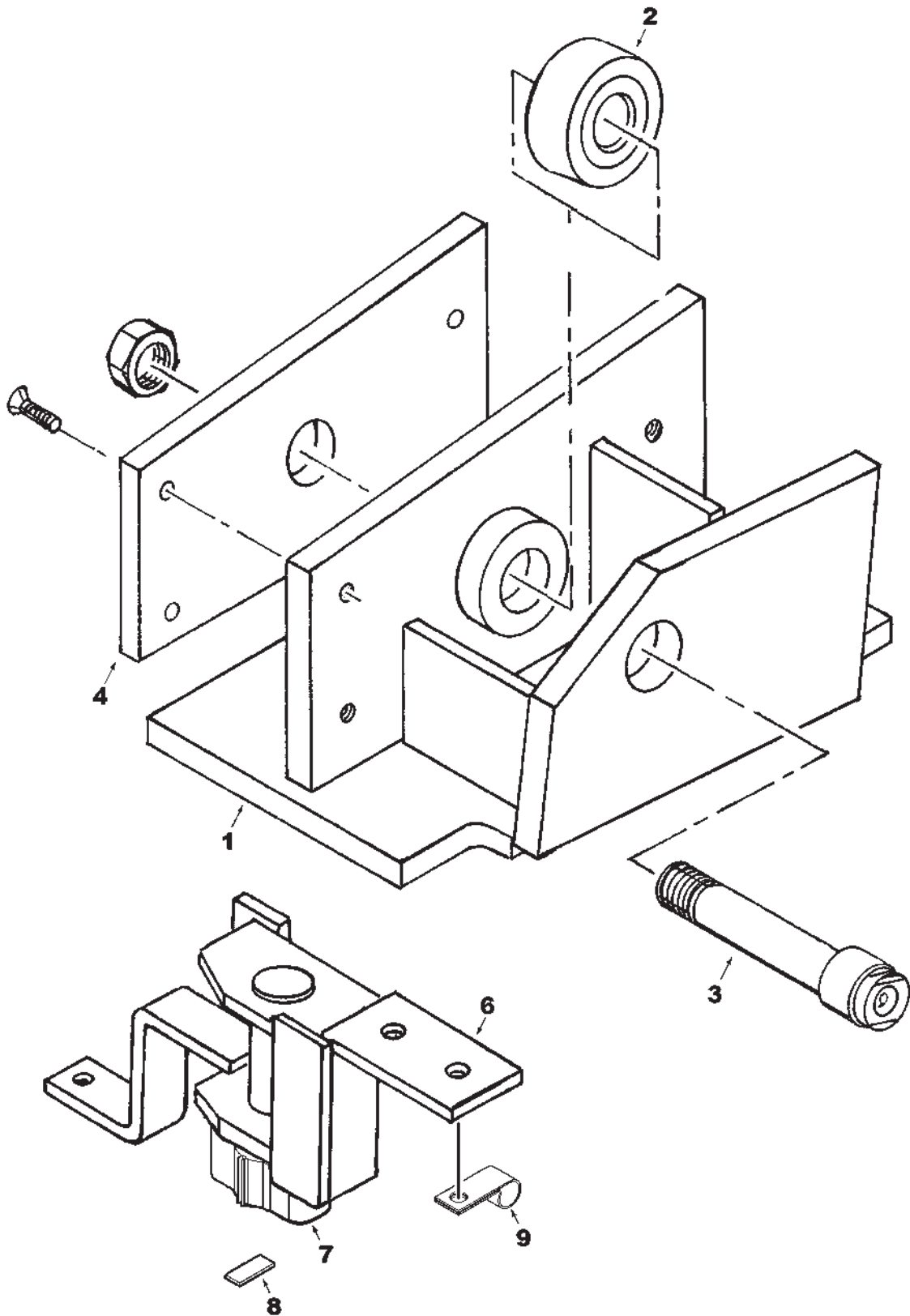
ITEM	NUMBER	QTY	DESCRIPTION
14	71374932	2	HOSE ASSEMBLY 1/4
	70934923	2	STR CONN, 3/4-16 ORB X 7/16-20 JIC
	70932619	2	CLAMP, HOSE DBL. 1/2 X .406 HOLE
	70925442	8	TIE, PLASTIC
15	71149896	9	LINK, OFFSET, A557 (PRIOR S/N HP36101)
16	71314999	2	JOINT, BALL 1/4-28
	70914192	2	NUT, 1/4-28
	70916964	2	LOCKWASHER 1/4
17	71375122	1	ROD, CONNECTING
	70914192	2	NUT, 1/4-28
18	71378317	1	ARM, FEEDER TILT SENSOR
	70927401	1	CAPSCREW, 1/4-20 X 1"
	704007	1	NUT, 1/4-20 REG
	705012	1	LOCKWASHER, 1/4 REG
-	71400042	AR	KIT, LATERAL TILT, FIELD (ORDER THRU DEALER CENTRAL)(PRIOR S/N HP36101)
-	71406011	AR	KIT, LATERAL TILT, FIELD (ORDER THRU DEALER CENTRAL)(EFF. S/N HP36101)

MC00345  
PR: 158



CHALLENGER 670 COMBINE  
LATERAL TILT

ANCHORS & SENSOR



CHALLENGER 670 COMBINE  
LATERAL TILT

235

ANCHORS & SENSOR

ITEM	NUMBER	QTY	DESCRIPTION
1	71374666	1	ANCHOR WLDMT RH
	71374663	1	ANCHOR WLDMT LH
	70919089	10	CAPSCREW 1/5 X 1-3/4
	Y705046	10	LOCKWASHER 1/2
2	71374803	1	BEARING, ROLLER
3	71374667	1	SHAFT, ROLLER
	353436X1	1	NUT, JAM 3/4 UNF
	13811X	1	LUBE FTG, STR, 1/4-28 TAPER THD
4	71374670	1	BEARING, PLASTIC RH
	71374669	1	BEARING, PLASTIC LH
	70935275	6	SCREW, FLAT HD HEX SKT 5/16 X 1
	70931194	AR	LOCTITE #271
	79021676	AR	LOCTITE PRIMER
6	71375791	1	SENSOR ACTUATOR WLDMT
	70924856	2	SCREW, HEX HD, TAPPG, 5/16-18 X 1/2
7	71376825	1	POSITION SENSOR, 5K POT.
	70918151	2	SCREW, TRUSS HD, #10-32 X 1-1/4
8	71382607	1	TAB, DRIVE
9	70927134	1	J-CLIP, 5/8 DIA X .406 HOLE

MC00354  
PR: 160

HYDRAULIC CYLINDER

**ILLUSTRATION NOT  
AVAILABLE**

XXXXXXXXXX

**CHALLENGER 670 COMBINE  
LATERAL TILT**

**237**

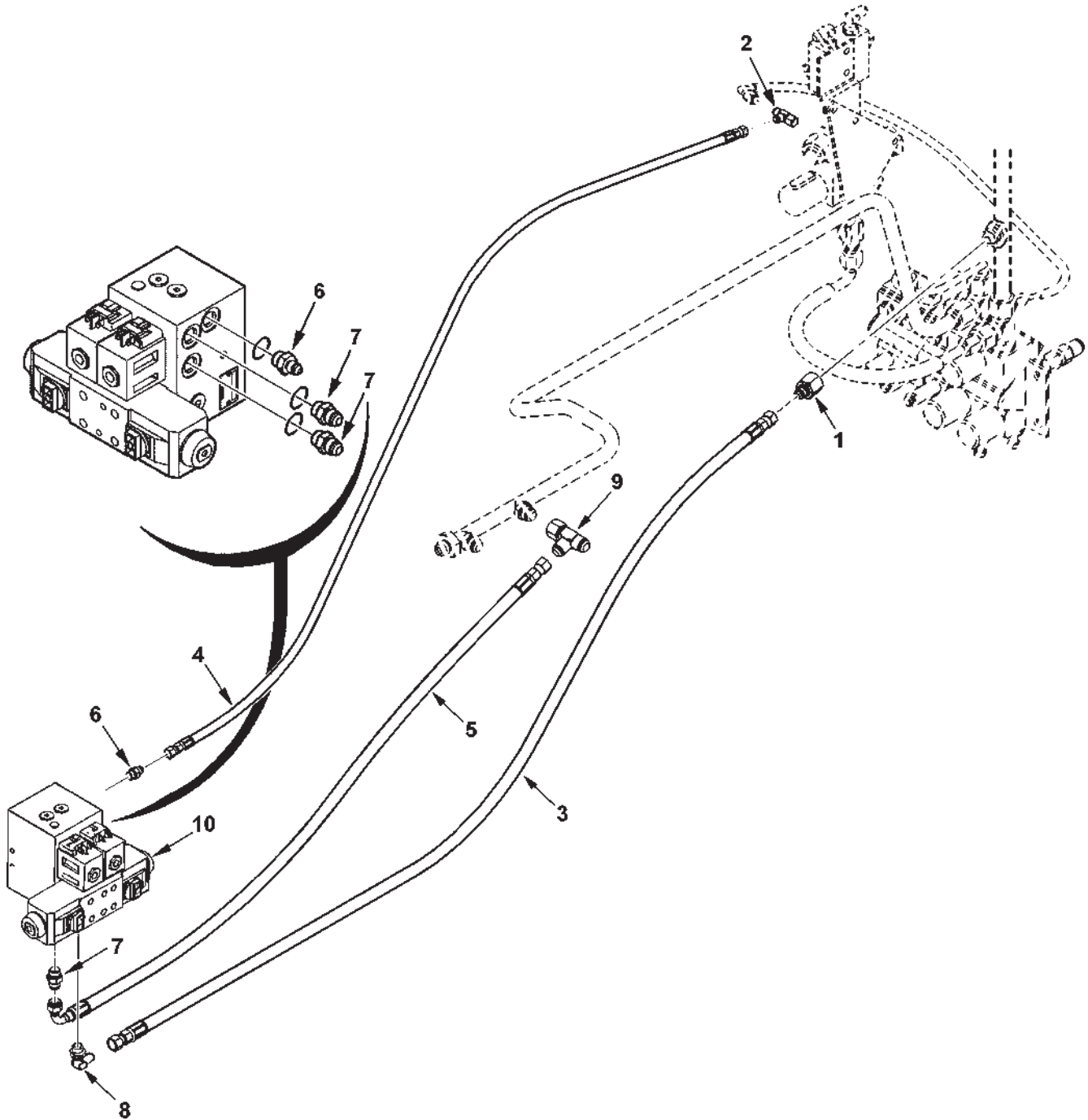
**HYDRAULIC CYLINDER**

ITEM	NUMBER	QTY	DESCRIPTION
-	71398131	1	CYL. ASY, HYDRAULIC (COMPONENTS NOT AVAILABLE AT THIS ISSUE)
1	71374808	2	PIN, CYLINDER CLEVIS
	70922127	1	CAPSCREW, 5/16-18 X 1-3/4 GR5
	70923362	1	NUT, CENTER LOCK, 5/16-18
2	70920117	2	PIN, COTTER, 5/32 X 1-1/2
3	71374807	1	PIN, CYLINDER BASE

XXXXXXXX  
PR: 162

CHALLENGER 670 COMBINE  
LATERAL TILT

HYDRAULICS



CHALLENGER 670 COMBINE  
LATERAL TILT

239

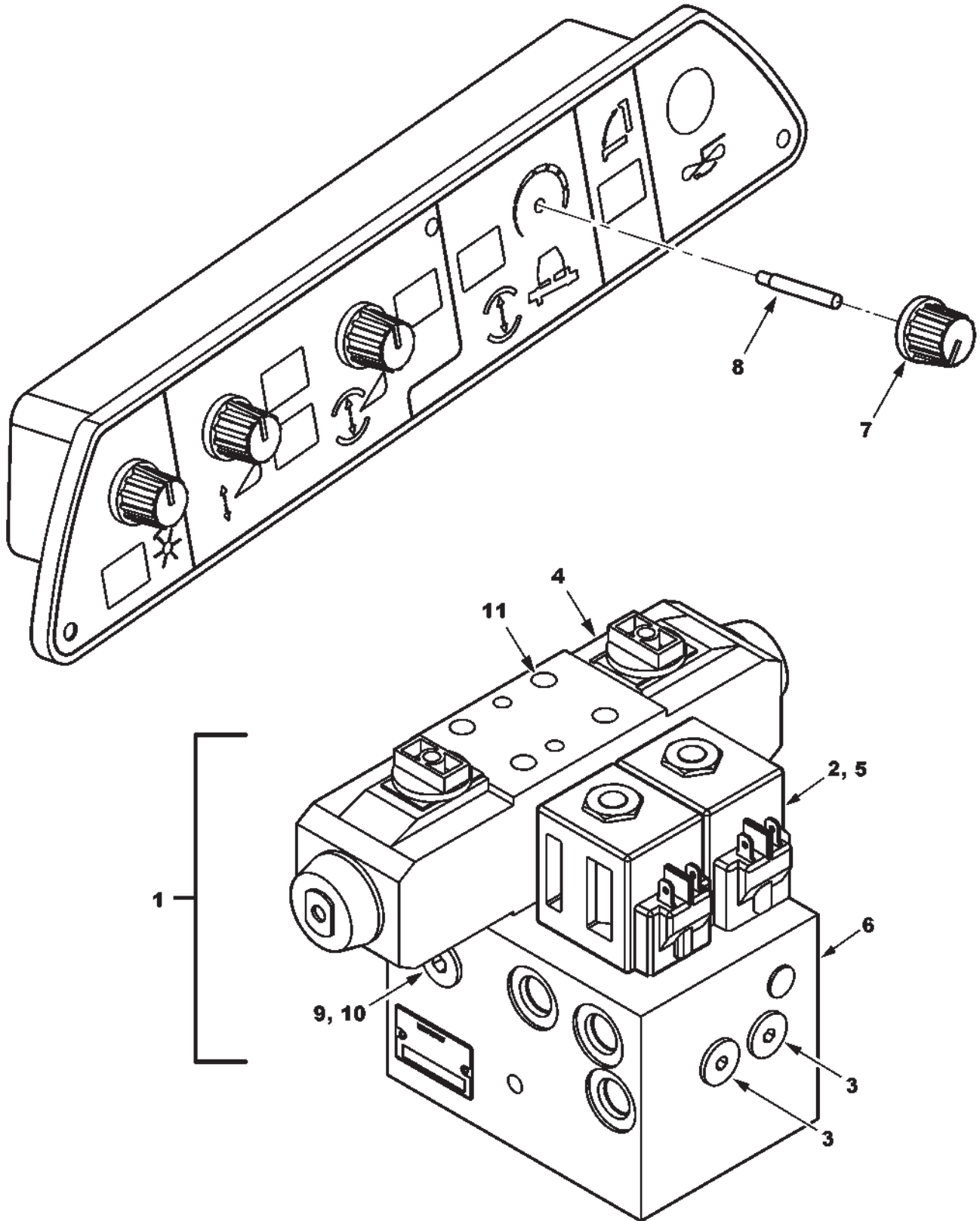
HYDRAULICS

ITEM	NUMBER	QTY	DESCRIPTION
1	70926768	1	REDUCER FTG, 9/16-18 JIC X 3/4-16 JIC
2	700701355	1	TEE, SWIV RUN, 7/16-20 JIC
3	700716462	1	HOSE ASY, 3/8 ID
4	71394169	1	HOSE ASY, 1/4 ID
	70937133	1	TIE, NYLON, .30 X 14.5"
5	71394170	1	HOSE ASY, 3/8 ID
6	70926292	1	CONN, STR, 7/16-20 JIC X 9/16-18 ORB
	70921885	1	O-RING, .078 X .468 ID
7	846634	3	CONN, STR, 9/16-18 JIC X 9/16-18 ORB
	70921885	3	O-RING, .078 X .468 ID
8	70922523	1	ELBOW, 90 DEG, 9/16-18 ADJ ORB X JIC
	70921885	1	O-RING, .078 X .468 ID
9	70921298	1	TEE, SWIV RUN, 3/4-16 JIC
10	71409176	1	VALVE ASY, LATERAL TILT (SEE BREAKDOWN)
	705038	2	LOCKWASHER, 3/8 REG
	70921210	2	CAPSCREW, 3/8-16 X 1" GR5

MC00355  
PR: 164

CHALLENGER 670 COMBINE  
LATERAL TILT

VALVE & CONTROL



**CHALLENGER 670 COMBINE  
LATERAL TILT**

241

**VALVE & CONTROL**

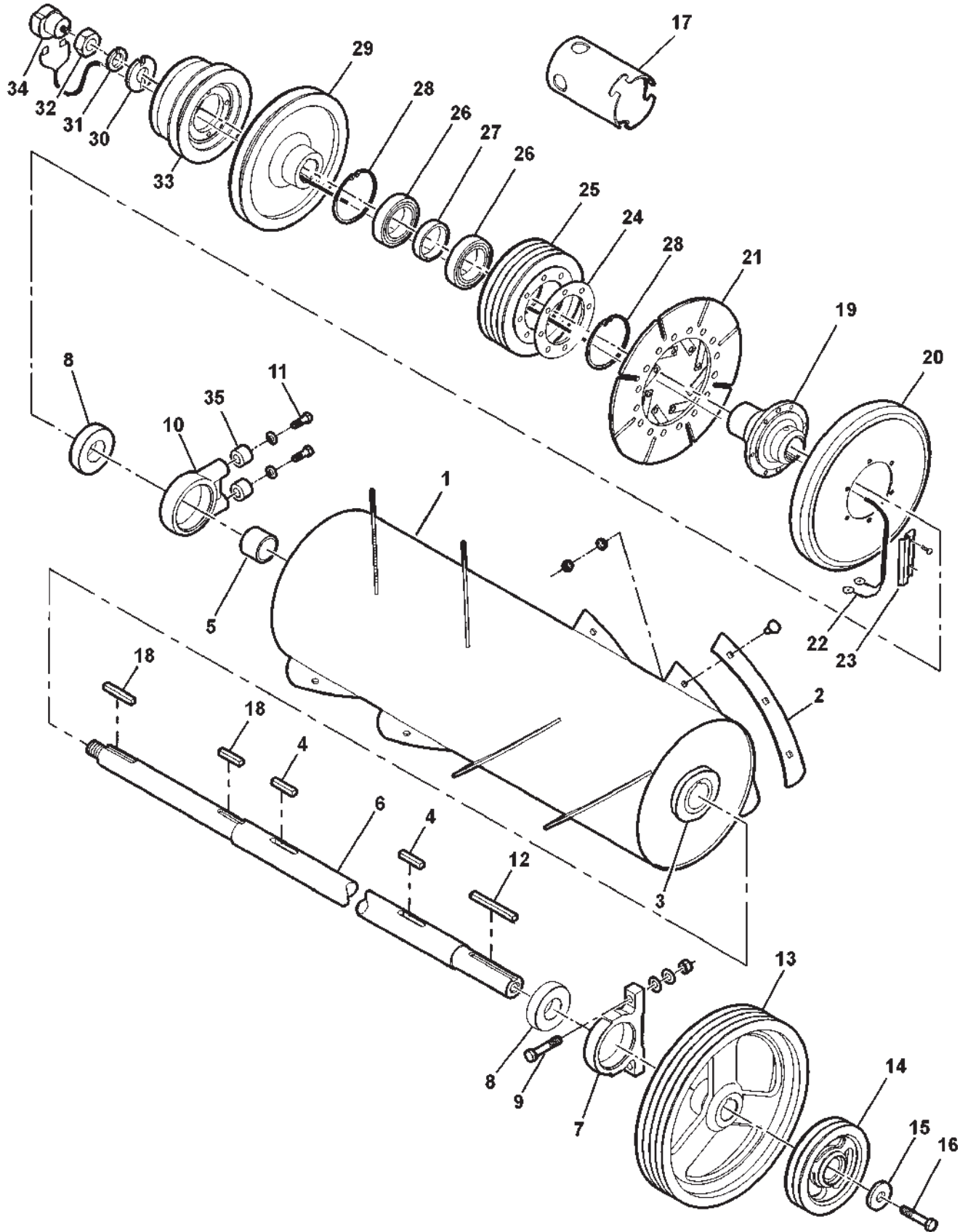
ITEM	NUMBER	QTY	DESCRIPTION
1	71391659	1	VALVE ASY, LATERAL TILT (INCL ITEMS 2-6, 9,10,11)(SERVICED W/ 71409176)
	71409176	1	VALVE ASY, LATERAL TILT (INCL ITEMS 2-6, 9,10,11)(EFF. HP36--- MID-RUN)
2	71398983	2	SOLENOID VALVE ASY
	71398984	2	CARTRIDGE
	71398985	2	COIL
	700706151	2	NUT, COIL
	700715662	AR	KIT, SEAL
3	71398993	2	KIT, SENSE CHECK
4	71398994	1	VALVE ASY, DIRECTIONAL CONTROL
	71398995	2	COIL
	700715393	2	NUT, COIL
	71386129	AR	KIT, SEAL
5	71398988	2	PISTON, PILOT
	71398989	AR	KIT, SEAL
6	-----	1	MANIFOLD (NOT SERVICED)
7	108664W1	1	KNOB, POINTER
8	71394716	1	SHAFT, CONTROL
9	71398134	1	PLUG, HEX SOCKET, SAE ORB
10	71398136	1	ORIFICE PLUG, .053 DIA (USED W/ VALVE ASY, 71391659)
	700713516	1	ORIFICE PLUG, .040 DIA (USED W/VALVE ASY 71409176)(MAY BE USED W/ 71391659)
11	700714189	1	KIT, BOLT

MC00356  
PR: 166



CHALLENGER 670 COMBINE  
PROCESSOR

FRONT BEATER



**CHALLENGER 670 COMBINE  
PROCESSOR**

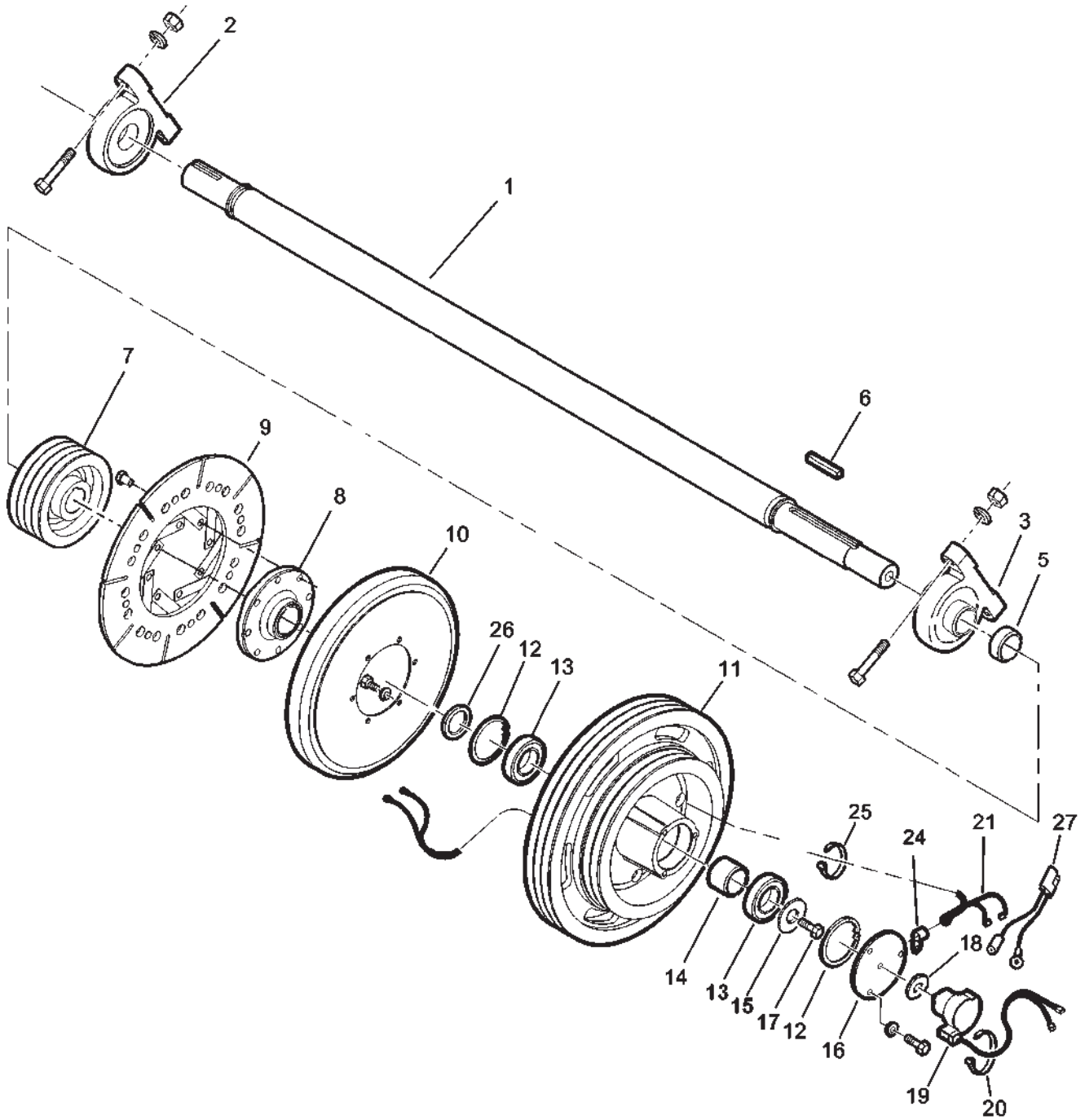
243

**FRONT BEATER**

ITEM	NUMBER	QTY	DESCRIPTION
1	71401416	1	BEATER DRUM ASY (BALANCED)(INCL. ITEM 2)
2	71393101	8	FLIGHT, WEAR
	68619	24	BOLT, RD HD SQ NK, 1/2-13 X 1-1/4
	Y705046	24	LOCKWASHER, 1/2 REG
	704031	24	NUT, 1/2-13 REG
3	101078M1	2	SEAL, BEATER
4	Y61879	2	KEY, SQ, 1/2 X 2-1/2
5	112685W1	1	SPACER, SLEEVE
6	71390575	1	SHAFT, BEATER
7	1706380W1	1	HOUSING, BEARING
8	71154722	2	BEARING
9	70929018	2	CAPSCREW, 5/8-11 X 3-1/4 GR8
	70937005	4	WASHER, HARD, .656 X 1.31 X 9GA
	W915795-4	2	LOCKNUT, HX TOP, 5/8-11
10	2445360W1	1	HOUSING, BEARING (PRIOR S/N HN36101)
	71401419	1	HOUSING, BEARING (EFF. S/N HN36101)
11	8701708	2	CAPSCREW, 1/2-13 X 1-1/4 GR8 (PRIOR S/N HN36101)
	353773X1	2	WASHER, HVY, HARD, 1/2
	70922664	2	CAPSCREW, 5/8-11 X 2 GR5 (EFF. S/N HN36101)
	70917373	2	LOCKWASHER, 5/8
12	2620180W1	1	KEY, HARD, 1/2 SQ. X 5
13	71388202	1	SHEAVE, BEATER DRIVE
14	2620130W1	1	SHEAVE, PITMAN DRIVE
15	104751W1	1	WASHER, .781 X 2.50 X .375
16	70921169	1	CAPSCREW, 3/4-16 X 1-1/2 GR8
17	104500W1	1	TUBE, REVERSER TOOL
18	2588510W1	2	KEY, CLUTCH HUB, 1/2 SQ. X 3.62
19	71391220	1	HUB, MAGNETIC CLUTCH
20	71335195	1	MAGNET ASY, CLUTCH
	705038	6	LOCKWASHER, 3/8 REG
	70921210	6	CAPSCREW, 3/8-16 X 1" GR5
21	71365064	1	ARMATURE ASY
	Y705046	8	LOCKWASHER, 1/2 REG
	70923114	8	CAPSCREW, 1/2-13 X 1" GR5
22	71391219	1	WIRE ASY, CLUTCH
23	71393220	1	DUCT, WIRE
	703082	1	SCREW, HEX HD TAPPING, #8-32 X 3/8
24	71397222	AR	SHIM, ARMATURE, .060 TH
	71400661	AR	SHIM, ARMATURE, .035 TH
25	71391221	1	SHEAVE, FDR DR. 4-GRV(PRIOR S/N HP36101)
	71398357	1	SHEAVE, FDR DR. 2-GRV (EFF. S/N HP36101)
26	71195913	2	BEARING, BALL
27	71391225	1	SPACER, BEARING
28	70933375	2	RING, RETAINING, INT
29	71394353	1	SHEAVE, DR, VARI SPEED FAN
30	71391224	1	WASHER, SPL, 3/8 THK
31	70912299	1	WASHER, 1-1/4 NARROW
32	70923230	1	NUT, JAM, 1-1/4-12 GR2
33	71394354	1	SHEAVE, DRIVE, RETURN ELEV
	705038	4	LOCKWASHER, 3/8 REG
	70921210	4	CAPSCREW, 3/8-16 X 1" GR5
34	71314321	1	BRUSHHOLDER ASY
	70925094	1	TIE, NYLON, .184 X 7.3
35	368615X1	2	SPACER, .66 LG (EFF. S/N HN36101)

MC00286  
PR: 168

MAIN COUNTERSHAFT



**CHALLENGER 670 COMBINE  
PROCESSOR**

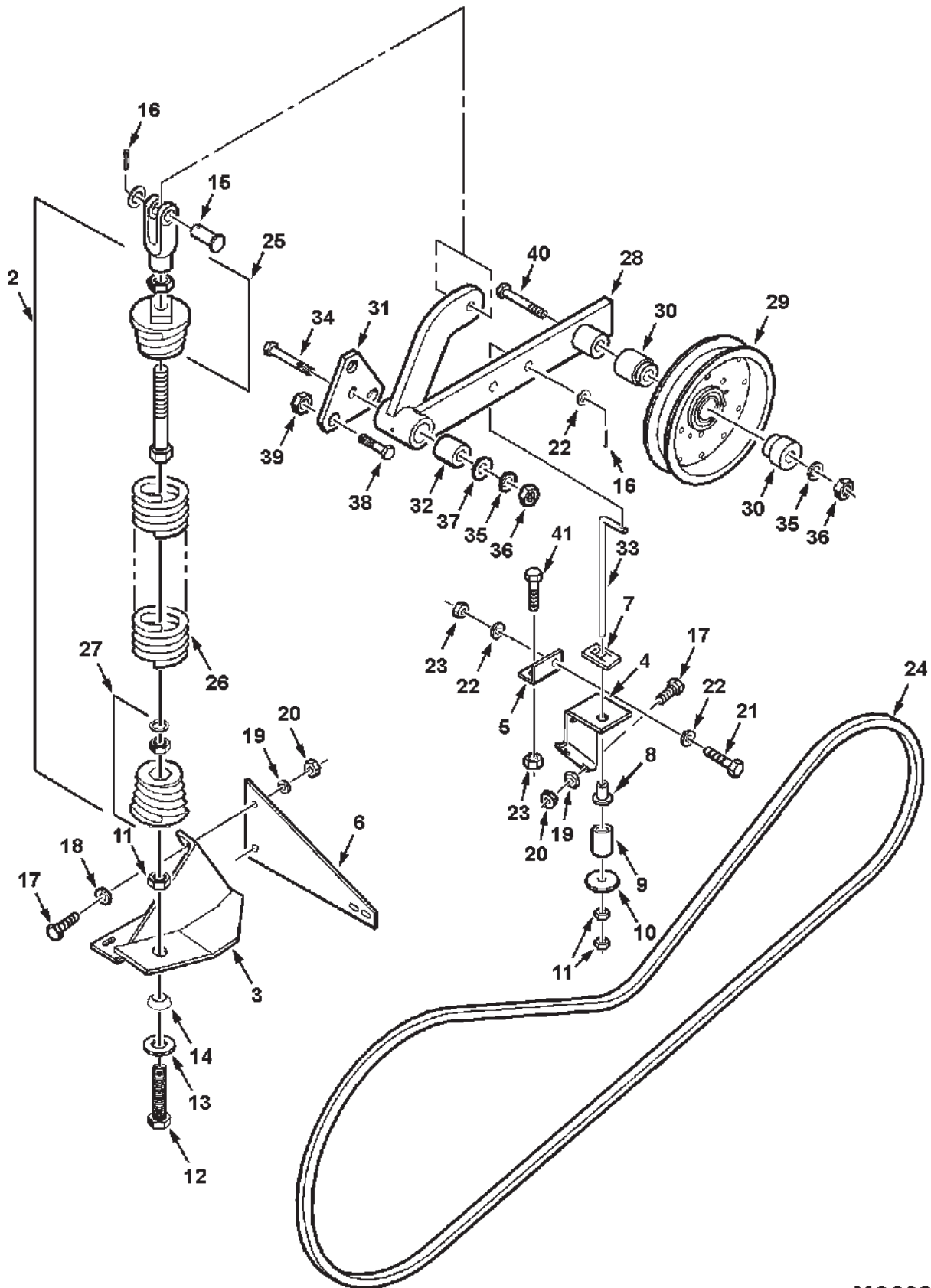
245

**MAIN COUNTERSHAFT**

ITEM	NUMBER	QTY	DESCRIPTION
1	71387517	1	COUNTERSHAFT, MAIN
2	1706393W91	1	BEARING & HOUSING ASY.
	1706380W1	1	HOUSING, BEARING
	71154722	1	BEARING
	70921360	2	CAPSCREW, 5/8-11 X 2-1/4 GR5
	70918268	2	WASHER, 5/8 NARROW
	700703922	2	NUT, HEX FLNG TOP LOCK, 5/8-11 GR G
3	71388206	1	BEARING & HOUSING ASY.
	1706380W1	1	HOUSING, BEARING
	71365065	1	BEARING
	70921360	2	CAPSCREW, 5/8-11 X 2-1/4 GR5
	70918268	2	WASHER, 5/8 NARROW
	700703922	2	NUT, HEX FLG TOP LOCK, 5/8-11 GR G
5	-----	--	SPACER, SHEAVE (660 ONLY)
6	2620180W1	1	KEY, HARD. 1/2 SQ. X 5.0
7	71387523	1	SHEAVE, BEATER DRIVE
8	71390223	1	HUB, CLUTCH ARMATURE
9	71365064	1	ARMATURE ASY.
	70926115	8	CAPSCREW, 1/2-13 X 3/4 GR5
	Y705046	8	LOCKWASHER, 1/2
10	71335195	1	MAGNET ASY.
	70920415	6	CAPSCREW, 3/8-16 X 1-1/4 GR5
	70916965	6	LOCKWASHER, 3/8 REG
11	71389611B	1	SHEAVE, DRIVEN, COUNTERSHAFT
12	350392X1	2	RING, INTERNAL SNAP, 3-47/64 OD X 7/64
13	1138480	2	BEARING
14	2619560W1	1	SPACER, BEARING
15	104751W1	1	WASHER, 25/32 X 2-1/2 X 3/8
16	71390178	1	ADAPTOR, BRUSHHOLDER
	70921210	3	CAPSCREW, 3/8-16 X 1" GR5
	70916965	3	LOCKWASHER, 3/8 REG
17	70921169	1	CAPSCREW, 3/4-16 X 1-1/2 GR8
18	70923858	1	WASHER, FLAT, .531 X 1.25 X 7GA
19	71314321	1	BRUSHHOLDER ASY
20	70925094	1	TIE, NYLON, 7"-8" LG
21	71318052	1	WIRE ASY.
24	70925615	1	CLAMP, TUBE, .188 X .406 HOLE
25	70925442	1	TIE, NYLON, 14"-15" LG
26	104715W1	AR	SHIM (AS REQUIRED)
27	71394397	1	WIRE ASY. (JUMPER)

MC00287  
PR: 170

MAIN COUNTERSHAFT  
DRIVE AND IDLER



**CHALLENGER 670 COMBINE  
PROCESSOR**

247

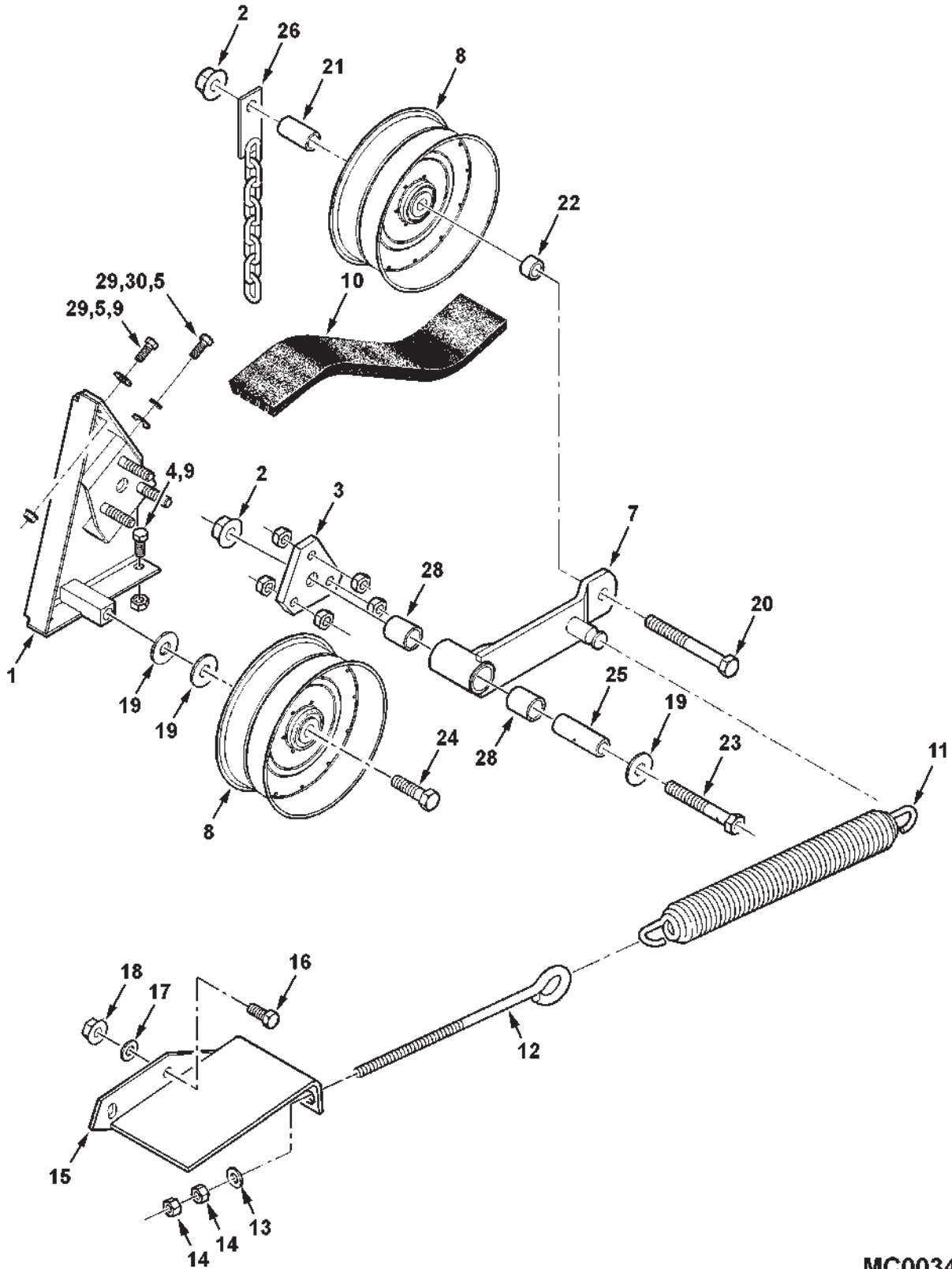
**MAIN COUNTERSHAFT  
DRIVE AND IDLER**

ITEM	NUMBER	QTY	DESCRIPTION
2	71379519	1	SPRING, ASY (INCL ITEMS 25, 26, 27)
3	71390183	1	ANCHOR WLDMT, SPRING
4	71394363	1	ANCHOR WLDMT, SNUBBER
5	71394364	1	ANGLE, SUPPORT
6	71390190	1	SUPPORT, BELT GUIDE
7	71304362	1	BUSHING, NYLON
8	70924095	1	NUT, SPEED
9	71194263	1	BUSHING, RUBBER
10	70923094	1	WASHER, 17/32 X 2 X 7GA
11	704031	3	NUT, 1/2-13 REG
12	70935299	1	CAPSCREW, 1/2-13 X 12" LG
13	70918431	1	WASHER, 1/2 WIDE
14	70301781	1	WASHER, PIVOT
15	70929593	1	PIN, CLEVIS, 1/2 X 1.36
16	70918452	2	PIN, COTTER, 1/8 X 1
17	70920415	6	CAPSCREW, 3/8-16 X 1-1/4 GR5
18	70917378	4	WASHER, 3/8 WIDE
19	70916965	6	LOCKWASHER, 3/8
20	70916950	6	NUT, 3/8-16 REG
21	70921176	1	CAPSCREW, 1/2-13 X 1-1/4 GR5
22	Y705624	3	WASHER, 1/2 NARROW
23	Y704742	2	NUT, HEX FLANGE TOP LOCK, 1/2-13
24	71390188	1	BELT, MAIN C'SHAFT DRIVE
25	71379520	1	YOKE & PLUG ASY.
	70937010	1	CAPSCREW, 1/2-13 X 5 GR5
	71349813	1	PLUG, SPRING
	70913744	1	NUT, JAM 1/2-13
	70937465	1	YOKE, 1/2-13
26	71349270	1	SPRING
27	71349811	1	PLUG & NUT ASY.
28	71391529	1	ARM ASY, IDLER, MAIN C'SHAFT
	71356060	2	BUSHING
	71197117	1	SPACER
29	71309768	1	IDLER, FLAT 8"
30	71312602	2	SPACER, IDLER
31	71346267	1	PLATE, MOUNTING
32	71356061	1	SLEEVE, HARD, IDLER PIVOT
33	71398385	1	ROD, SNUBBER
34	70925703	1	CAPSCREW, 5/8-11 X 4
35	70917373	2	LOCKWASHER, 5/8
36	70915726	2	NUT, 5/8-11 REG
37	70918432	1	WASHER, 5/8 WIDE
38	70935290	3	CAPSCREW, 3/4-10 X 3, FULL THD. GR5
39	70913160	3	NUT, 3/4-10 REG
40	70915988	1	CAPSCREW, 5/8-11 X 4-1/4 GR5
41	701235	1	CAPSCREW, 1/2-13 X 1-1/2 GR5

MC00248  
PR: 172

CHALLENGER 670 COMBINE  
PROCESSOR

FRONT BEATER  
DRIVE AND IDLER



**CHALLENGER 670 COMBINE  
PROCESSOR**

249

**FRONT BEATER  
DRIVE AND IDLER**

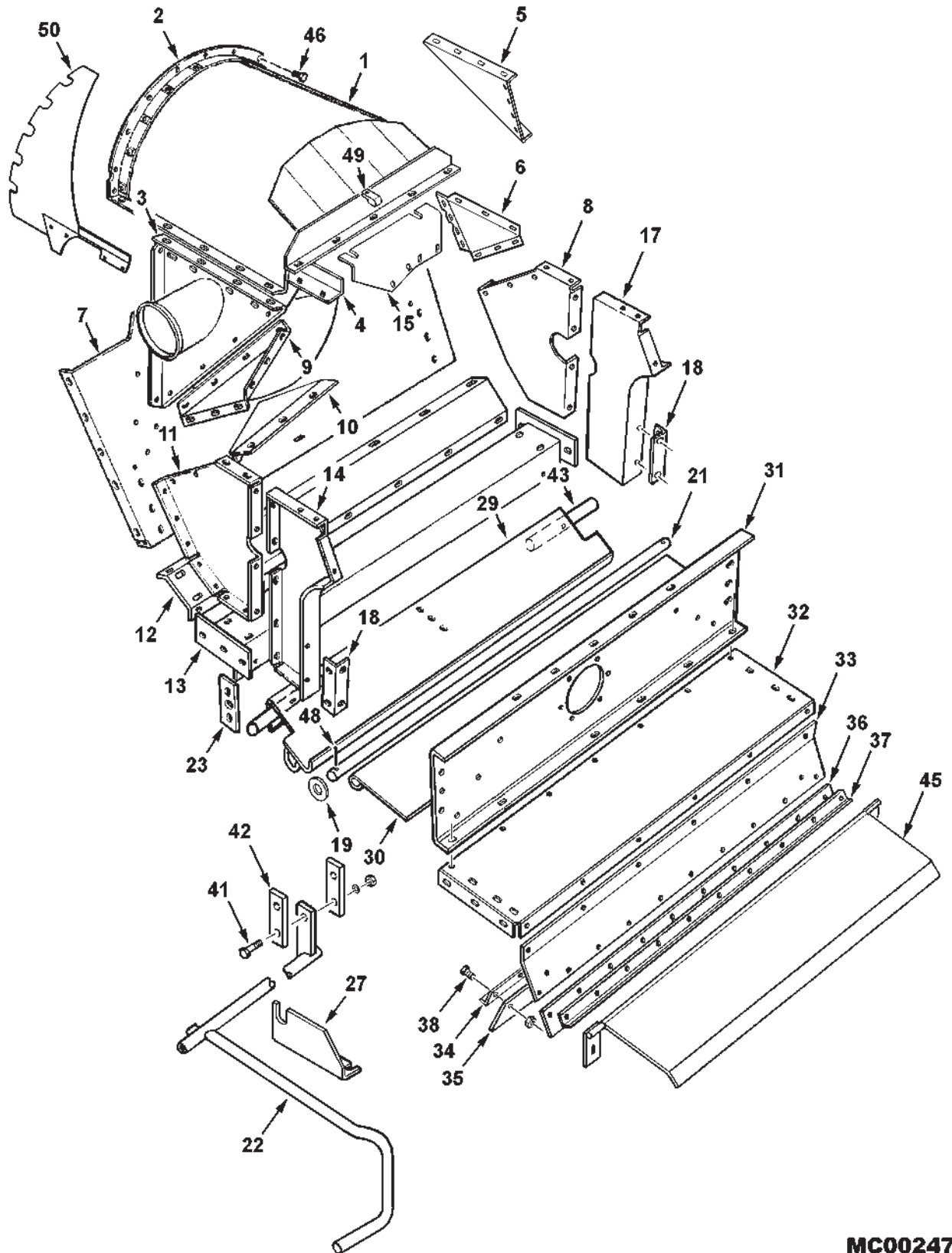
ITEM	NUMBER	QTY	DESCRIPTION
1	71388209	1	BRACKET, IDLER
2	700703922	2	NUT, HEX FLNG TOP LOCK, 5/8-11
3	71182840	1	MOUNTING PLATE
	704056	6	NUT, JAM 1/2-13 GR2
4	70920415	2	CAPSCREW, 3/8-16 X 1-1/4 GR5
5	70917378	3	WASHER, PLAIN, 3/8 WIDE
6	70916950	1	NUT, 3/8-16 REG
7	71388213	1	ARM ASSEMBLY (W/BUSHINGS)
8	71388217	2	IDLER PULLEY, FLAT, 8.0" DIA.
9	Y704734	3	NUT, HEX FLNG TOP LOCK, 3/8-16
10	71388216	1	BELT, KEVLAR (SEE BELTS LISTING)
11	2627000W1	1	SPRING, 45-1/2 COILS, 17-1/4 FREE LENGTH
12	2626120W1	1	ROD, PULL, 12.63" LG
13	70301781	1	WASHER, SPHERICAL
14	704031	2	NUT, 1/2-13 REG
15	71388207	1	BRACKET ASSEMBLY, ANCHOR
16	70921176	2	CAPSCREW, 1/2-13 X 1-1/4 GR5
17	70918431	1	WASHER, PLAIN, 1/2 WIDE
18	Y704742	2	NUT, HEX FLNG TOP LOCK, 1/2-13
19	70918432	3	WASHER, PLAIN, 5/8 WIDE
20	70925706	1	BOLT, HEX, 5/8-11 UNC X 5-1/2
21	71388212	1	SPACER, IDLER
22	71181443	1	SPACER, IDLER
23	2636170W1	1	BOLT, IDLER PIVOT, 5/8-11
24	70921360	1	CAPSCREW, 5/8-11 X 2-1/4 GR5
25	2636210W1	1	SLEEVE, PIVOT
26	105086W91	1	CHAIN ASSEMBLY, IDLER STOP
	70921969	1	CAPSCREW, 3/8-16 X 1-1/2 GR5
	70917378	1	WASHER, 3/8 WIDE
	70917642	4	WASHER, 5/16 WIDE
	Y704734	1	NUT, HEX FLNG TOP LK, 3/8-16
28	1689170W1	2	BUSHING, 1.25 OD X .750 LG
29	70921210	2	CAPSCREW, 3/8-16 X 1 GR5
30	70916965	1	LOCKWASHER, 3/8

MC00348  
PR: 174



CHALLENGER 670 COMBINE  
PROCESSOR

INLET HOUSING AND STONETRAP



**CHALLENGER 670 COMBINE  
PROCESSOR**

251

**INLET HOUSING AND STONE TRAP**

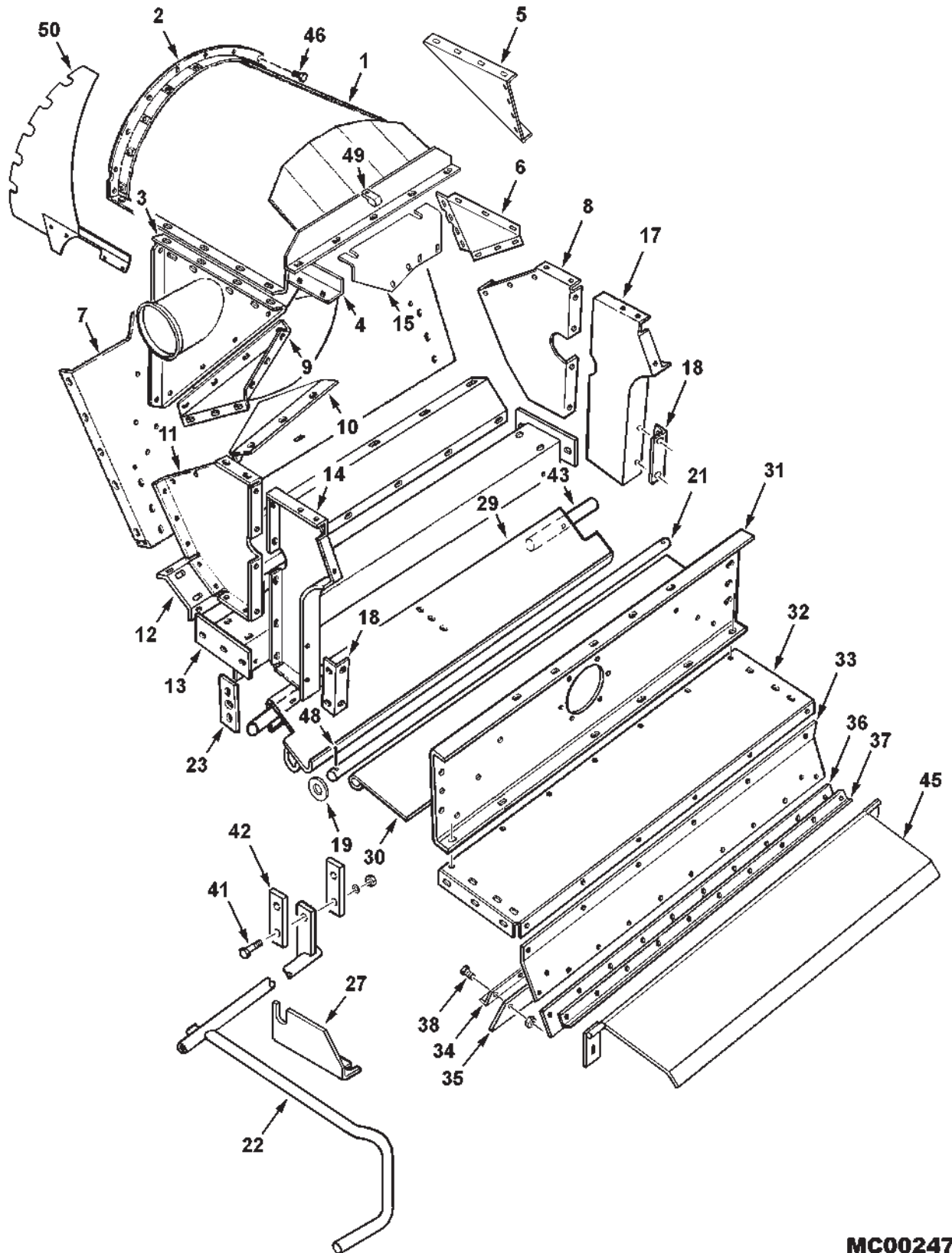
ITEM	NUMBER	QTY	DESCRIPTION
1	71409987	1	TOP COVER WLMT, INLET HOUSING
	700720958	9	SCR,BUTTON HD,RECESS SOCK,3/8-16 X 1
	70921965	12	CAPSCREW, 3/8-16 X 3/4 GR5
	70917378	8	WASHER, 3/8, WIDE
	Y704734	12	NUT, HEX FLANGE TOP LOCK, 3/8-16
2	2612961W91	1	ANGLE WLMT, INLET HOUSING
	70920787	10	CAPSCREW, 5/16-18 X 1/2 GR5
3	71387580	1	PLATE WLMT, RETURN TUBE
4	71410576	1	WEAR PLATE, RETURN INLET
	70931348	4	BOLT, RD HD SHT SQ NK, 3/8-16 X 3/4
	Y704734	4	NUT, HEX FLANGE TOP LOCK, 3/8-16
5	71387578	1	PLATE, LEFT REAR
6	71387576	1	PLATE, LEFT FRONT
7	71409996	1	FEED PLATE WLMT
	70921210	8	CAPSCREW, 3/8-16 X 1
	Y704734	8	NUT, HEX FLANGE TOP LOCK, 3/8-16
	70923325	11	CAPSCREW, 5/16-18 X 7/8 GR5
	Y704726	11	NUT, HEX FLANGE TOP LOCK, 5/16-18
8	2612880W1	1	SHIELD SIDE, INLET HOUSING
9	71387577	1	PLATE, RIGHT
10	71387584	1	PLATE, DEFLECTOR
	70921278	AR	SCREW, TRUSS HD
	70917378	AR	WASHER, FLAT, 3/8
	70916965	AR	LOCKWASHER, 3/8
	70916950	AR	NUT, HEX, 3/8-16
11	2612870W1	1	PANEL, RIGHT
12	71409970	1	PANEL WLMT, FLOOR, GR./CORN/ SOYBEAN
	71409280	1	PANEL WLMT, FLOOR, RICE
	70921965	19	CAPSCREW, 3/8-16 X 3/4 GR5
	70921210	9	CAPSCREW, 3/8-16 X 1 GR5
	70917378	9	WASHER, 3/8 WIDE
	705038	9	LOCKWASHER, 3/8
	Y704734	19	NUT, HEX FLANGE TOP LOCK, 3/8-16
13	71387467	1	CHANNEL WLMT
	70921176	6	CAPSCREW, 1/2-13 X 1-1/4 GR5
	Y704742	6	NUT, HEX FLANGE TOP LOCK, 1/2-13
14	2531671W91	1	PANEL WLMT, RIGHT FRONT
15	-----	1	BRKT, SENSOR(S/S BY 71401326)(SEE ROTOR)
17	2531681W91	1	PANEL WLMT, LEFT FRONT
18	2488980W1	2	SUPPORT, ANGLE
	70921210	7	CAPSCREW, 3/8-16 X 1
	70921969	1	CAPSCREW, 3/8-16 X 1-1/2 GR5
	70917378	8	WASHER, 3/8, WIDE
	Y704734	8	NUT, HEX FLANGE TOP LOCK, 3/8-16
19	70922658	2	WASHER, 1", WIDE
21	71387454	1	SHAFT, FEED PLATE
22	71391763	1	HANDLE WLMT, STONE TRAP
23	2522600W1	2	PLATE, ADJUSTABLE
	70920328	4	CAPSCREW, 1/2-13 X 1-1/2 GR5
	Y704742	4	NUT, HEX FLANGE TOP LOCK, 1/2-13

CONTINUED

MC00247  
PR: 176

CHALLENGER 670 COMBINE  
PROCESSOR

INLET HOUSING AND STONETRAP



**CHALLENGER 670 COMBINE  
PROCESSOR**

253

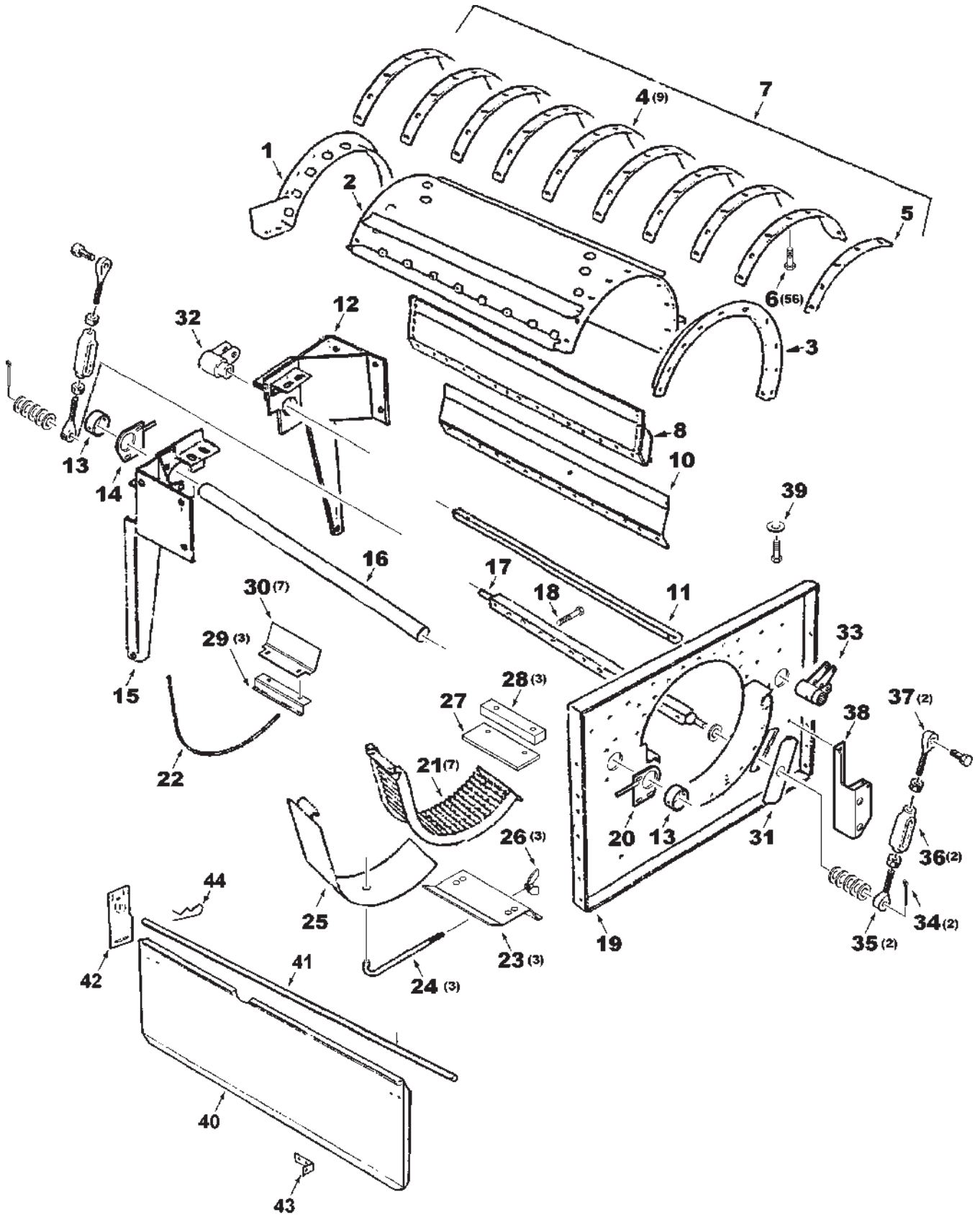
**INLET HOUSING AND STONE TRAP**

ITEM	NUMBER	QTY	DESCRIPTION
27	71391762	1	ANGLE, TRAP PIVOT
	701235	2	CAPSCREW, 1/2-13 X 1-1/2 GR5 (PRIOR S/N HN36101)
	390912X1	2	CAPSCREW, M12-1.75 X 40 CL8.8 (EFF. S/N HN36101)
	Y705624	4	WASHER, 1/2 NARROW (QTY VARIES)
29	71389212	1	PLATE WLMT, STONE TRAP
	70923701	4	CAPSCREW, 3/8-16 X 2 GR5
	353771X1	4	WASHER, HEAVY HARD, 3/8
	Y704734	4	NUT, HEX FLANGE TOP LOCK, 3/8-16
30	71387453	1	PLATE, FEED
31	71387587	1	CHANNEL, FRONT
	70921210	14	CAPSCREW, 3/8-16 X 1 GR5
	70917378	13	WASHER, 3/8, WIDE
	70916965	9	LOCKWASHER, 3/8
	Y704734	5	NUT, HEX FLANGE TOP LOCK, 3/8-16
	700703922	4	NUT, HEX FLANGE TOP LOCK, 5/8-11
32	71387455	1	PANEL ASY.
	70921965	15	CAPSCREW, 3/8-16 X 3/4
	70917378	15	WASHER, 3/8, WIDE
	Y704734	15	NUT, HEX FLANGE TOP LOCK, 3/8-16
33	71387459	1	SHEET WLMT, FRONT INLET HSG
	70916965	9	LOCKWASHER, 3/8
	70921965	9	CAPSCREW, 3/8-16 X 3/4 GR5
34	71387464	1	STRIP, SEAL CLAMPING, INNER
35	71387463	1	SEAL, INNER
36	71387465	1	SEAL, OUTER
37	71387466	1	STRIP, SEAL CLAMPING, OUTER
38	70925160	23	POP-RIVET, .251-.375 GRIP
41	70922645	2	CAPSCREW, 1/2-13 UNC X 2-1/4 GR5
	Y705624	2	WASHER, 1/2 NARROW
	704031	4	NUT, 1/2-13 REG
42	112412W1	2	LINK, LEVER
43	104201W1	2	SHAFT, PIVOT
45	71395422	1	COVER WELDMENT, STONE TRAP
	70921176	2	CAPSCREW, 1/2-13 X 1-1/4 GR5
	Y704742	2	NUT, HEX FLNG TOP LK, 1/2-13
46	70920787	10	CAPSCREW, 5/16-18 UNC X 1/2
48	70918459	2	COTTER PIN, 3/16 X 1-1/2
49	70936314	2	J-CLIP, 1/2 X .406 HOLE
50	71412348	1	PATCH WLMT, RETURN INLET (FIELD INSTALL, IMPROVED WEAR LIFE (PRIOR HR36101)
-	71400054	AR	KIT, STONE TRAP COVER (ORDER THRU DEALER CENTRAL)
-	700704010	AR	SILICONE SEALANT, BLACK, 10.2 OZ.

MC00247  
PR: 176

CHALLENGER 670 COMBINE  
PROCESSOR

CONCAVE & CONTROLS



**CHALLENGER 670 COMBINE  
PROCESSOR**

255

**CONCAVE & CONTROLS**

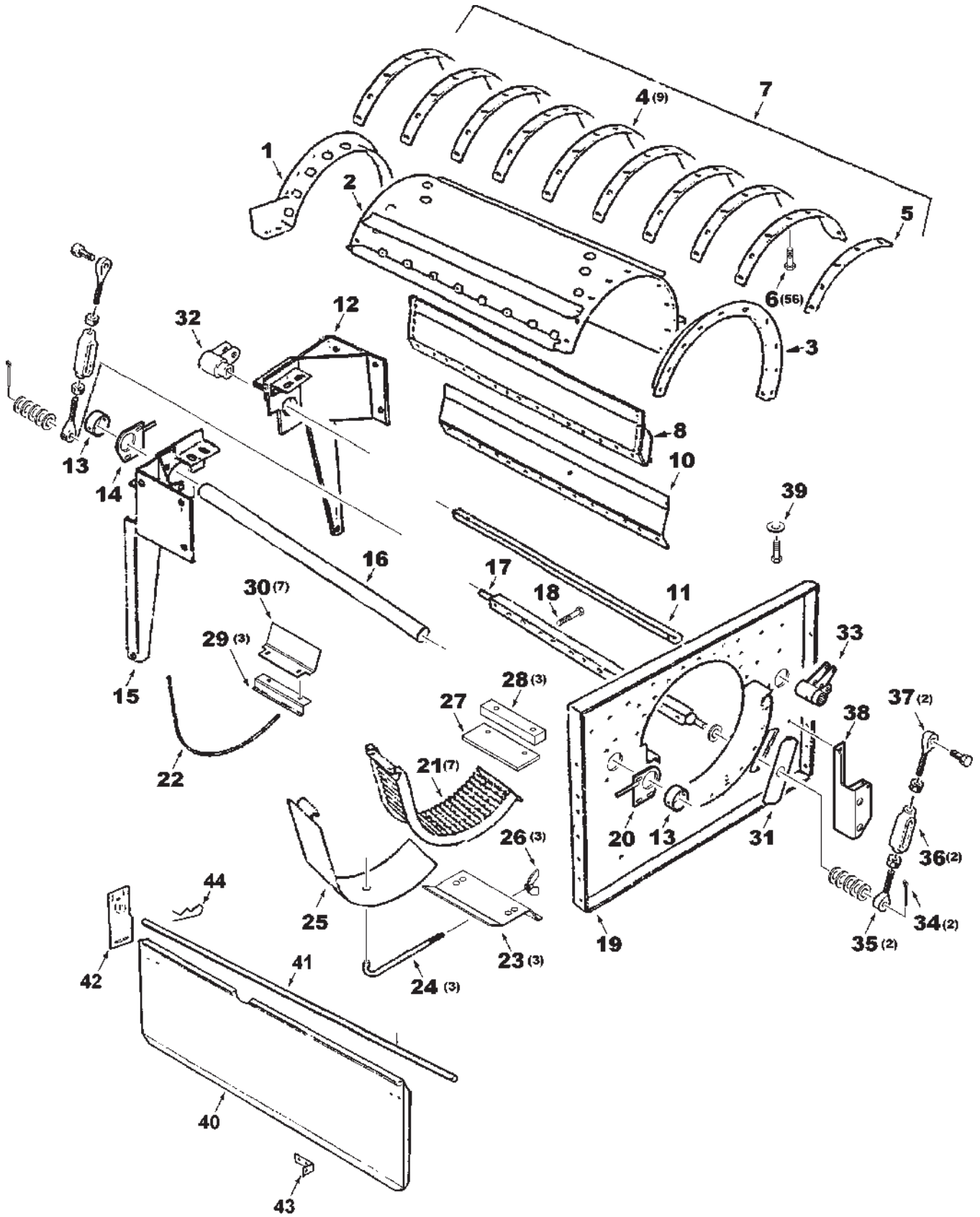
ITEM	NUMBER	QTY	DESCRIPTION
1	71388318	1	ANGLE WLDMT, REAR CONCAVE COVER
	700720958	10	SCR,SKT BTN HD,THD CUT'G, 3/8-16 X 1
2	71388301	1	COVER WLDMT, THRESHER
3	71388315	1	ANGLE WLDMT, FRONT CONCAVE
	700720958	10	SCR,SKT BTN HD,THD CUT'G, 3/8-16 X 1
4	2467220W1	9	VANE, GUIDE, 7 HOLE
5	2467230W1	1	VANE, GUIDE, 5 HOLE
6	700720958	56	SCREW,SKT BTN HD,THD CUT'G, 3/8-16 X 1"
7	71388312	1	COVER ASSEMBLY (INCLUDES ITEMS 1-6)
	703983	5	CAPSCREW, 1/2-13 X 1-3/4 GR5
	Y704742	5	NUT, HEX FLANGE TOP LOCK, 1/2-13
	70923114	1	CAPSCREW, 1/2-13 X 1" GR5
	Y704742	1	NUT, HEX FLANGE TOP LOCK, 1/2-13
	70921966	9	CAPSCREW, 3/8-16 X 7/8 GR5
	Y704734	9	NUT, HEX FLANGE TOP LOCK, 3/8-16
8	102764M91	1	OVERLAP WLDMT, PERFORATED (CORN,SB,RICE)
	71400052	AR	KIT, OVERLAP WLMT, PERFORATED (ORDER THRU DEALER CENTRAL)
10	2636870W2	1	OVERLAP, CONCAVE, SOLID (REPLACES FOLLOWING 3 OVERLAP PTS S/N HR36101)
	71395334	1	OVERLAP, LT FRONT,(GRAIN, AUST, CE)
	71395335	2	OVERLAP, LT MID,(GRAIN, AUST, CE)
	71395336	1	OVERLAP, LT REAR,(GRAIN, AUST, CE)
	70921210	14	CAPSCREW, 3/8-16 X 1 GR5
	353771X1	14	WASHER, HEAVY, HARD, 3/8
	71400051	AR	KIT, OVERLAP, SOLID SEGMENT (GRAIN) (ORDER THRU DEALER CENTRAL)
11	71395339	1	ROD, CONCAVE CONTROL, 1-1/4 SQUARE
12	71388302	1	SUPPORT WLDMT, LH REAR CONCAVE
	70921176	4	CAPSCREW, 1/2-13 X 1-1/4 GR5
	Y704742	4	NUT, HEX FLANGE TOP LOCK, 1/2-13
13	2442960W1	2	HOLDER, PIVOT TUBE
	70921324	2	CAPSCREW, 3/8-16 X 3-3/4 GR5
	Y704734	2	NUT, HEX FLANGE TOP LOCK, 3/8-16
14	71388314	1	PLATE WLDMT, ADJUSTING, RT REAR
	7700156	3	BOLT, RD HD SQ NK, 1/2-13 X 1-1/2
	Y704742	3	NUT, HEX FLANGE TOP LOCK, 1/2-13
	704031	2	NUT, 1/2-13 REG
15	71387872	1	SUPPORT WLDMT, RH REAR CONCAVE
	70921176	4	CAPSCREW, 1/2-13 X 1-1/4 GR5
	Y704742	4	NUT, HEX FLANGE TOP LOCK, 1/2-13
16	2442970W1	1	TUBE, CONCAVE PIVOT
17	71389084	1	HANGER WLDMT, CONCAVE LH
	700709607	11	WASHER, 3/4 WIDE
	70918461	2	COTTER PIN, 1/4 X 1-1/2
18	700702141	14	CAPSCREW, 3/8-16 X 4-1/4 (QTY 8 PRIOR S/N HR36101)
	13601	4	CPSCR, 3/8-16 X 5-1/4(PRIOR HR36101)
	70922760	2	CPSCR, 3/8-16 X 5-1/2(PRIOR HR36101)
	70917378	14	WASHER, WIDE, 3/8
	70916965	14	LOCKWASHER, 3/8
	70916950	14	NUT, 3/8-16 REG

CONTINUED

MC00275  
PR: 180

CHALLENGER 670 COMBINE  
PROCESSOR

CONCAVE & CONTROLS





**CHALLENGER 670 COMBINE  
PROCESSOR**

257

**CONCAVE & CONTROLS**

ITEM	NUMBER	QTY	DESCRIPTION
19	71409994	1	BULKHEAD WLDMT, THRESHER
	70921176	12	CAPSCREW, 1/2-13 X 1-1/4
	Y704742	12	NUT, HEX FLANGE TOP LOCK, 1/2-13
20	71388321	1	PLATE WLDMT, ADJUSTING, RT FRONT
	7700156	3	BOLT, RD HD SQ NK, 1/2-13 X 1-1/2
	Y704742	3	NUT, HEX FLANGE TOP LOCK, 1/2-13
	704031	2	NUT, 1/2-13 REG
21	71390005	7	CONCAVE ASY, 3/16 ROD, 13/32 SPCG(GRAIN)
	71400050	--	*KIT, CONCAVE, GRAIN (INCLS 7, 71390005)
	104904W91	--	CONCAVE ASY, 1/4 ROD (CORN, SOYBN, AUST)
	71400062	--	*KIT, CONCAVE, CORN (INCLS 7, 104904W91)
	71398275B	7	CONCAVE ASY,(HT)1/4 ROD,1-1/4 SPCG(RICE)
	71530252	--	*KIT, CONCAVE, RICE (INCLS 7, 71398275)
	70921324	13	CAPSCREW, 3/8-16 X 3-3/4 GR5
	7772767	1	CAPSCREW, 3/8-16 X 3-1/2 GR5
	70916965	14	LOCKWASHER, 3/8 REG
	70916950	14	NUT, 3/8-16 REG
22	2472450W1	AR	ROD, CONCAVE, 3/16 DIA (GRAIN)
	105495W1	AR	ROD, CONCAVE, 5 MM DIA (CORN)
	71400061	--	*KIT,42 RODS,CORN CONCAVE,5 MM(5/8 SPCG)
	105493W1	AR	ROD, CONCAVE, 1/4 DIA (CORN, SOYBEAN, RICE & AUSTRALIA)
23	71391489	3	PLATE, LH BLANK ANCHOR
24	2544120W1	3	ROD, PULL, 5/16 THRDS
	700709602	3	WASHER, 5/16 WIDE
	70917356	3	LOCKWASHER, 5/16
	70917372	3	NUT, 5/16-18 REG
	Y704726	3	NUT, HEX FLANGE TOP LOCK, 5/16-18
25	2545511W91	3	BLANK ASY, CONCAVE
26	704262	3	NUT, WING, 5/16-18
27	71395338	1	PLATE, STOP, PWR CONCAVE ADJUST (PRIOR S/N HR36101)
28	71395337	3	SHIM, CONCAVE, 1" THICK (PRIOR HR36101)
29	2545471W91	3	HINGE PLATE ASY, CONCAVE BLANK
30	71395407	7	ANGLE, RH OVERLAP
	70920415	14	CAPSCREW, 3/8-16 X 1-1/4 GR5
	70917378	14	WASHER, 3/8 WIDE
	70916965	14	LOCKWASHER, 3/8 REG
	70916950	14	NUT, 3/8-16 REG
31	2466960W2	1	COVER
32	2466861W91	1	LEVER WLDMT, CONCAVE ADJ, REAR
33	71393118	1	LEVER WLDMT, CONCAVE ADJ, FRONT
	7773864	2	CAPSCREW, 1/4-20 X 3" GR5
	704007	4	NUT, 1/4-20 REG

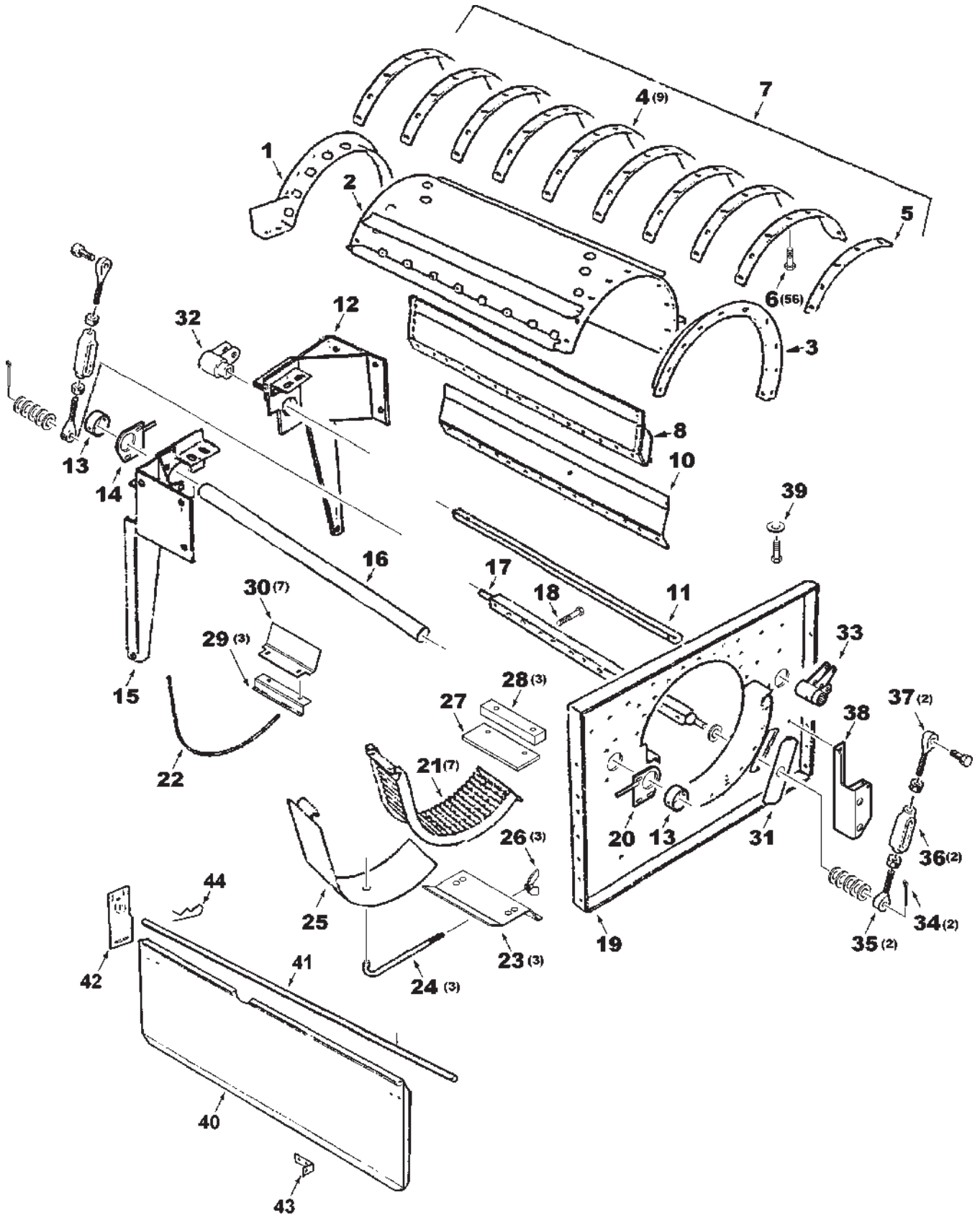
CONTINUED

MC00275  
PR: 180



CHALLENGER 670 COMBINE  
PROCESSOR

CONCAVE & CONTROLS



**CHALLENGER 670 COMBINE  
PROCESSOR**

**259**

**CONCAVE & CONTROLS**

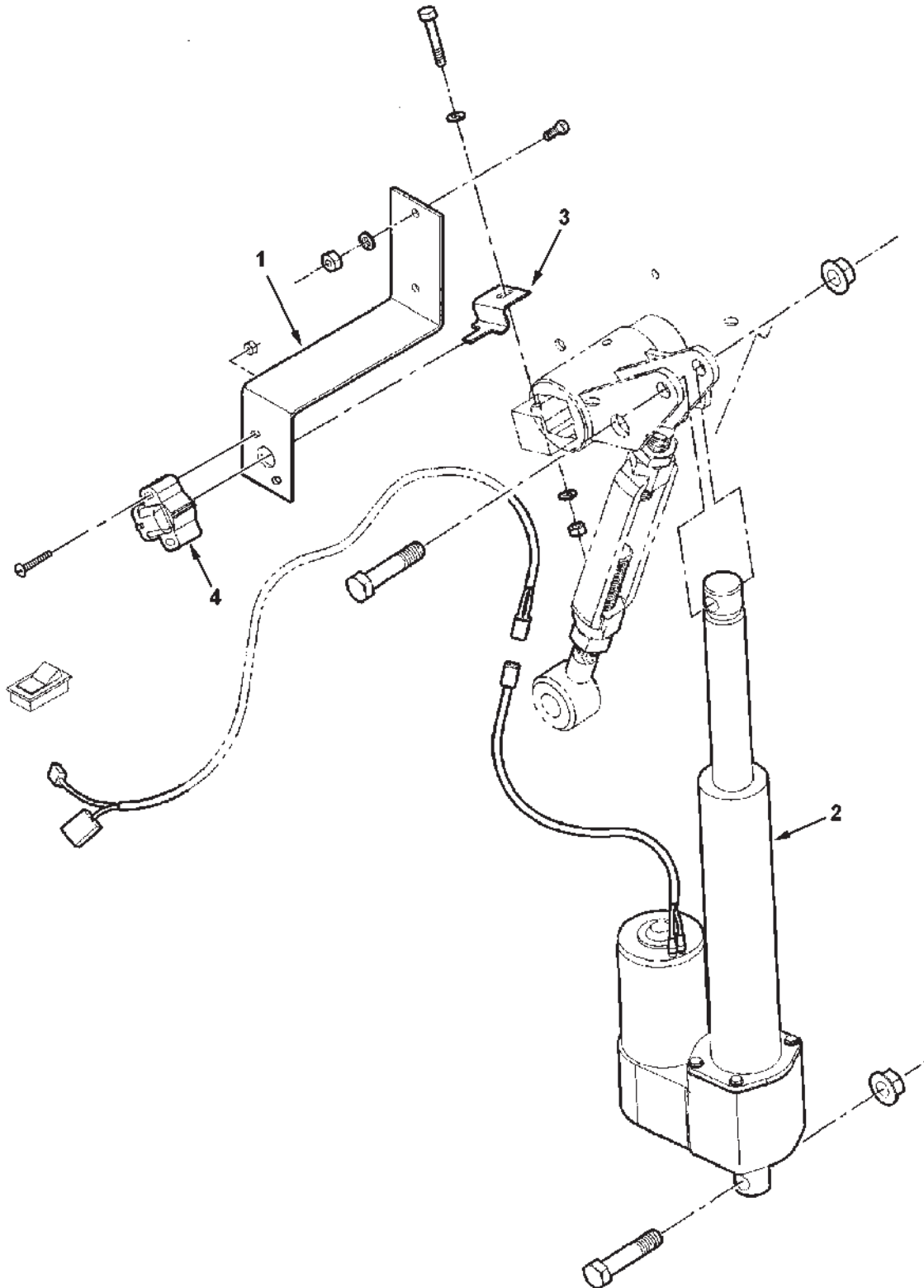
ITEM	NUMBER	QTY	DESCRIPTION
34	70929594	2	PIN, CLEVIS, 3/4 X 1.91
	62190	2	COTTER PIN, 5/32 X 1-1/2
35	103001M91	2	ROD ASY, CONCAVE ADJUST, 3/4-10 RH THD
	70913160	2	NUT, 3/4-10 REG
36	252502M1	2	TURNBUCKLE, 3/4-10
37	103004M91	2	ROD ASY, CONCAVE ADJUST, 3/4-10 LH THD
	254763M1	2	NUT, HEX JAM, 3/4-10 UNC LH THD
38	71393122	1	BASE WLDMT, ACTUATOR
	70923114	3	CAPSCREW, 1/2-13 X 1" GR5
	Y705046	3	LOCKWASHER, 1/2 REG
39	7771504	1	CAPSCREW, 5/8-11 X 3, FULL THD (PRIOR S/N HR36101)
	375112X1	1	JAM NUT, 5/8-11 (PRIOR S/N HR36101)
40	2547540W1	1	PLATE, CONCAVE DEFLECTOR
41	2531340W1	1	ROD, DEFLECTOR HINGE
42	2547531W91	2	MOUNTING PLATE WLDMT, DEFLECTOR
43	2530670W1	2	BRKT, DEFLECTOR ADJUSTING
	70923341	6	CAPSCREW, 1/4-20 X 3/4
	70917377	8	WASHER, 1/4 WIDE
	70916964	4	LOCKWASHER, 1/4 REG
	70916622	6	NUT, 1/4-20 REG
44	70936348	2	PIN, QUICK PULL RTNR, .125 DIA X 2.56 LG

\*(ORDER THRU DEALER CENTRAL)

MC00275  
PR: 180

CHALLENGER 670 COMBINE  
PROCESSOR

POWER CONCAVE CONTROL



**CHALLENGER 670 COMBINE  
PROCESSOR**

**261**

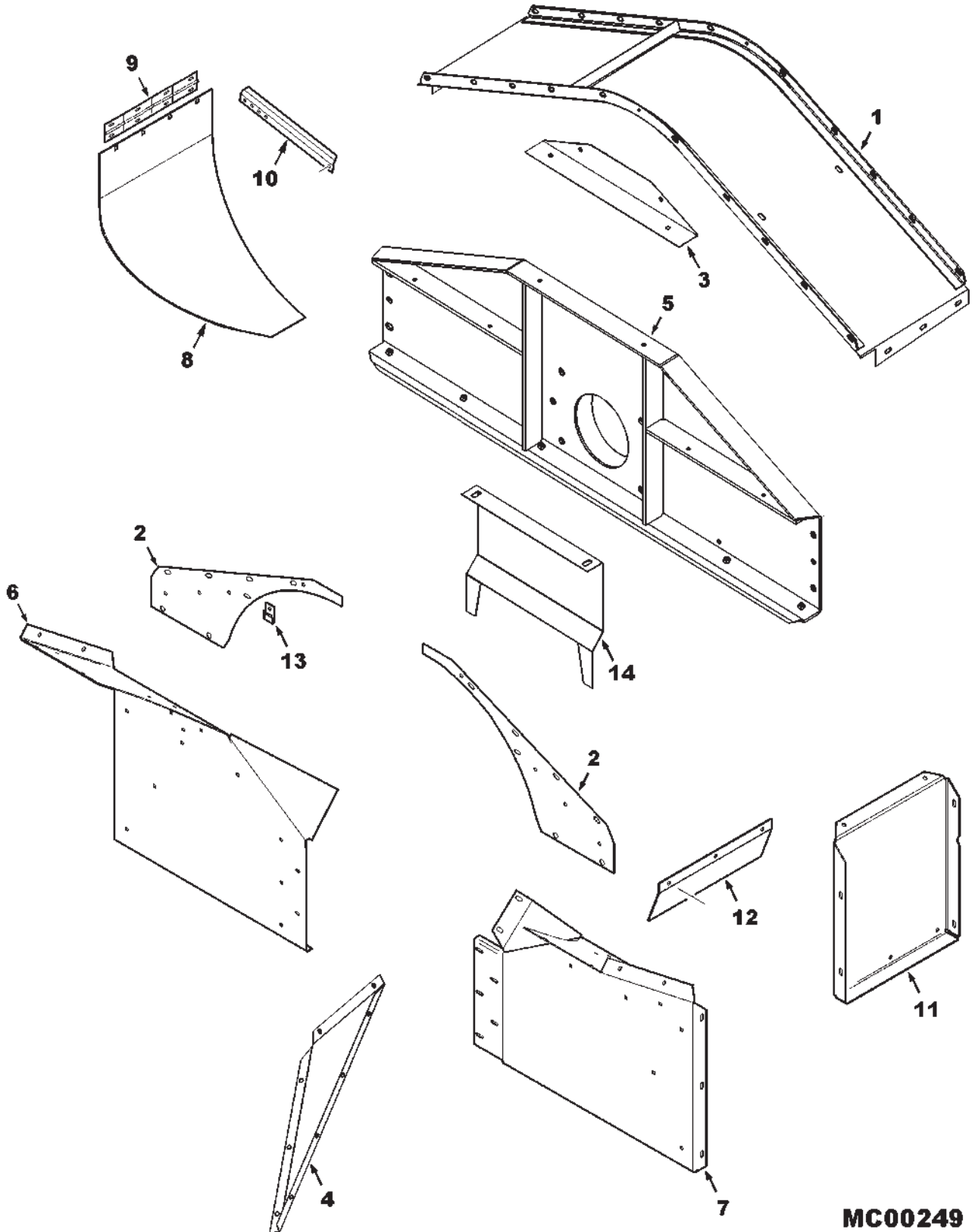
**POWER CONCAVE CONTROL**

ITEM	NUMBER	QTY	DESCRIPTION
1	71388322	1	BRACKET, SENSOR MOUNTING
	70927401	2	CAPSCREW, 1/4-20 X 1" GR5
	705012	2	LOCKWASHER, 1/4 REG
	704007	2	NUT, 1/4-20 REG
2	71411902	1	ACTUATOR, ELECTRIC
	70922645	2	CAPSCREW, 1/2-13 X 2-1/4 GR5
	Y704742	2	NUT, HEX FLNG TOP LOCK, 1/2-13
3	71387329	1	TAB, SENSOR DRIVE
	70921962	1	CAPSCREW, 1/4-20 X 1-3/4 GR5
	705707	1	WASHER, 1/4 NARROW
	705012	1	LOCKWASHER, 1/4 REG
	704007	1	NUT, 1/4-20 REG
4	71376825	1	SENSOR, CONCAVE POSITION
	70918151	2	SCREW, TRUSS HD, #10-32 X 1-1/4
	70917380	2	WASHER, #10 PLAIN
	705004	2	LOCKWASHER, #10 REG
	Y704445	2	NUT, #10-32 REG

MC00291  
PR: 184

CHALLENGER 670 COMBINE  
PROCESSOR

REAR ROTOR HOUSING



**CHALLENGER 670 COMBINE  
PROCESSOR**

263

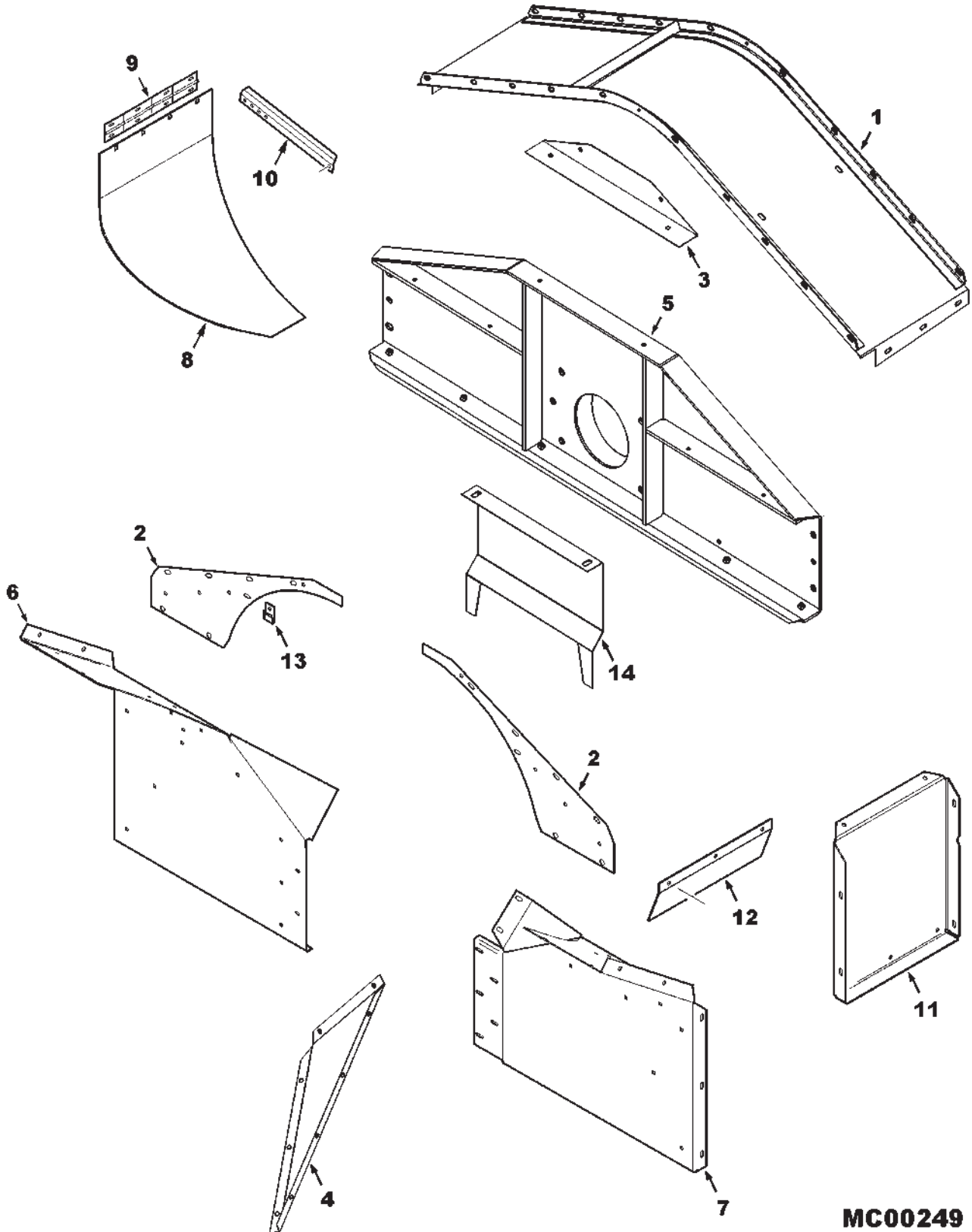
**REAR ROTOR HOUSING**

ITEM	NUMBER	QTY	DESCRIPTION
1	71387803	1	COVER WLDMT, TOP
	70921210	8	CAPSCREW, 3/8-16 X 1 GR5
	70917378	16	WASHER, 3/8
	70916965	8	LOCKWASHER, 3/8
	70916950	8	NUT, 3/8-16
2	71387807	2	BULKHEAD, REAR
	70921332	4	CAPSCREW, 5/16-18 X 3/4 GR5
	70917642	4	WASHER, 5/16
	Y705020	4	LOCKWASHER, 5/16
	70921210	8	CAPSCREW, 3/8-16 X 1 GR5
	70921965	6	CAPSCREW, 3/8-16 X 3/4 GR5
	70917378	22	WASHER, 3/8
	70916965	14	LOCKWASHER, 3/8
	70916950	14	NUT, 3/8-16
	3	71395346	1
70921210		2	CAPSCREW, 3/8-16 X 1 GR5
70921965		2	CAPSCREW, 3/8-16 X 3/4 GR5
70917378		4	WASHER, 3/8
70916965		4	LOCKWASHER, 3/8
70916950		4	NUT, 3/8-16
4	104928W1	1	PLATE, DEFLECTOR
	70931317	2	BOLT, RD HD,SHT SQ NK, 1/4-20 X 3/4
	70937101	2	SPEEDNUT, 1/4-20
	7700461	3	BOLT, RD HD,SHT SQ NK, 5/16-18 X 3/4
	70921332	6	CAPSCREW, 5/16-18 X 3/4 GR5
	70917642	7	WASHER, 5/16
	70917356	9	LOCKWASHER, 5/16
	70917372	9	NUT, HEX, 5/16-18
	71394933	1	PLATE WLDMT, ROTOR
5	700703922	4	NUT, HEX FLNG TOP LOCK, 5/8-11
	71389053	1	BULKHEAD ASY., LEFT
6	7700461	10	BOLT, RD HD SHT SQ NK, 5/16-18 X 3/4
	70917642	10	WASHER, 5/16
	70917372	10	NUT, 5/16-18
	70921965	4	CAPSCREW, 3/8-16 X 3/4 GR5
	70921210	1	CAPSCREW, 3/8-16 X 1 GR5
	70917378	5	WASHER, 3/8
	70916965	5	LOCKWASHER, 3/8
	70916950	5	NUT, 3/8-16

CONTINUED

MC00249  
PR: 186

REAR ROTOR HOUSING



**CHALLENGER 670 COMBINE  
PROCESSOR**

265

**REAR ROTOR HOUSING**

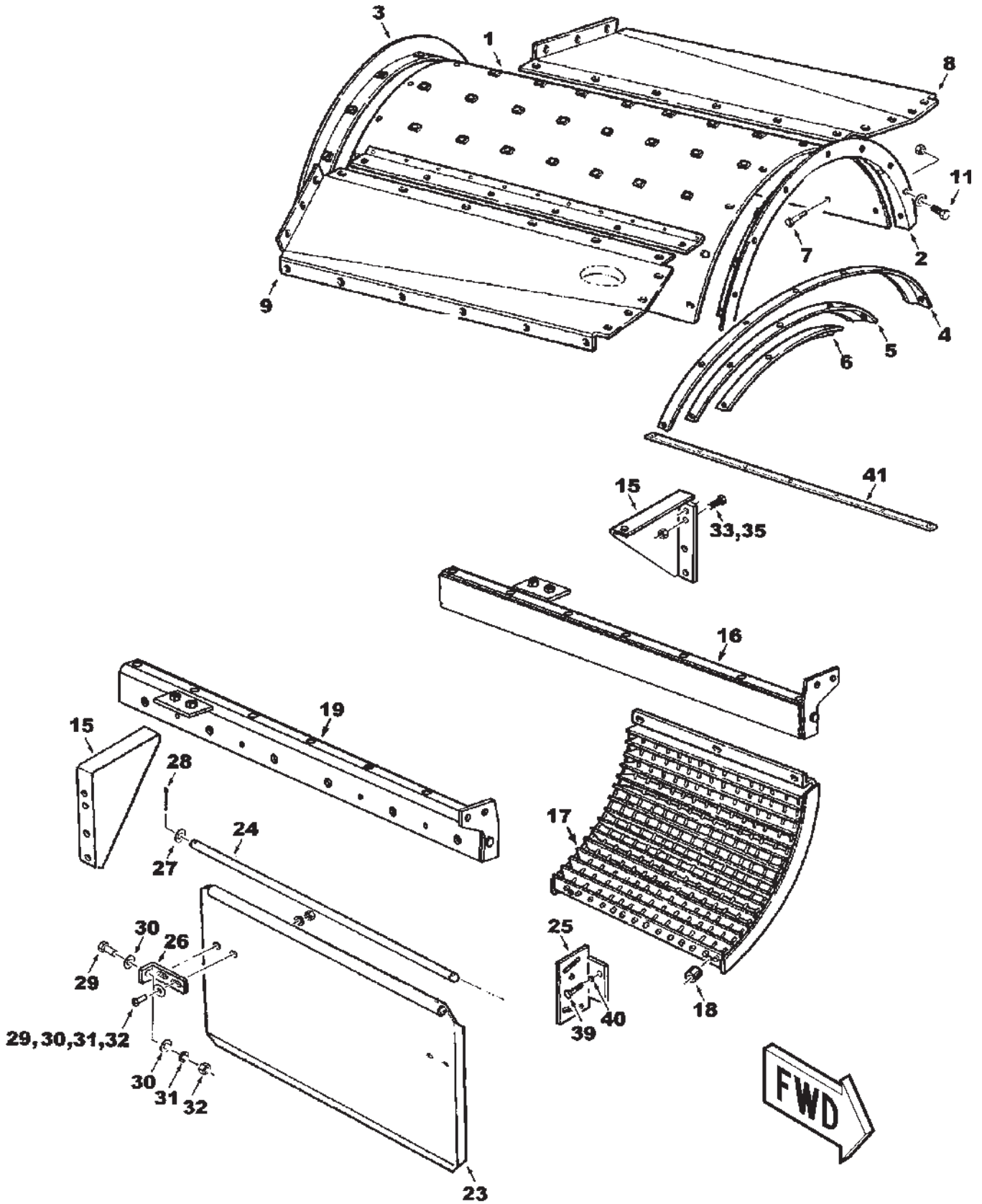
ITEM	NUMBER	QTY	DESCRIPTION
7	71389055	1	BULKHEAD ASY, RIGHT
	7700461	2	BOLT, RD HD SHT SQ NK, 5/16-18 X 3/4
	70917642	2	WASHER, 5/16
	70917372	2	NUT, 5/16-18
	70921965	4	CAPSCREW, 3/8-16 X 3/4 GR5
	70921210	1	CAPSCREW, 3/8-16 X 1 GR5
	70917378	5	WASHER, 3/8
	70916965	5	LOCKWASHER, 3/8
	70916950	5	NUT, 3/8-16
	8	71392690	1
70931348		4	BOLT, RD HD SQ NK, 3/8-16 X 3/4
70916965		4	LOCKWASHER, 3/8
70916950		4	NUT, 3/8-16
9	71386169	1	HINGE, DEFLECTOR
	70931348	4	BOLT, RD HD SQ NK, 3/8-16 X 3/4
	70916965	4	LOCKWASHER, 3/8
	70916950	4	NUT, 3/8-16
10	71389057	1	STRAP, DISCHARGE DEFLECTOR
	70921332	2	CAPSCREW, 5/16-18 X 3/4
	70917356	1	LOCKWASHER, 5/16
	70917372	1	NUT, HEX, 5/16-18
	7704117	1	NUT, HEX FLNG. TOP LOCK, 5/16-18
11	71387826	1	PLATE, UPPER RH
	70921210	5	CAPSCREW, 3/8-16 X 1 GR5
	70917378	6	WASHER, 3/8
	70916965	5	LOCKWASHER, 3/8
	70916950	5	NUT, 3/8-16
12	71387700	1	PLATE, DEFLECTOR
	70921210	3	CAPSCREW, HEX, 3/8-16 X 1
	70916965	3	LOCKWASHER, 3/8
	70916950	3	NUT, 3/8-16
13	70936314	4	J-CLIP, 1/2
14	71404326	1	* DEFLECTOR PANEL, ROTOR GEARBOX
	70917378	2	* WASHER, 3/8 WIDE
-	700525382	AR	* KIT, DEFLECTOR, ROTOR GEARBOX (FIELD CAMPAIGN)(EFF. S/N HM36101 THRU HN36300)

MC00249  
PR: 186



CHALLENGER 670 COMBINE  
PROCESSOR

SEPARATOR GRATES



**CHALLENGER 670 COMBINE  
PROCESSOR**

267

**SEPARATOR GRATES**

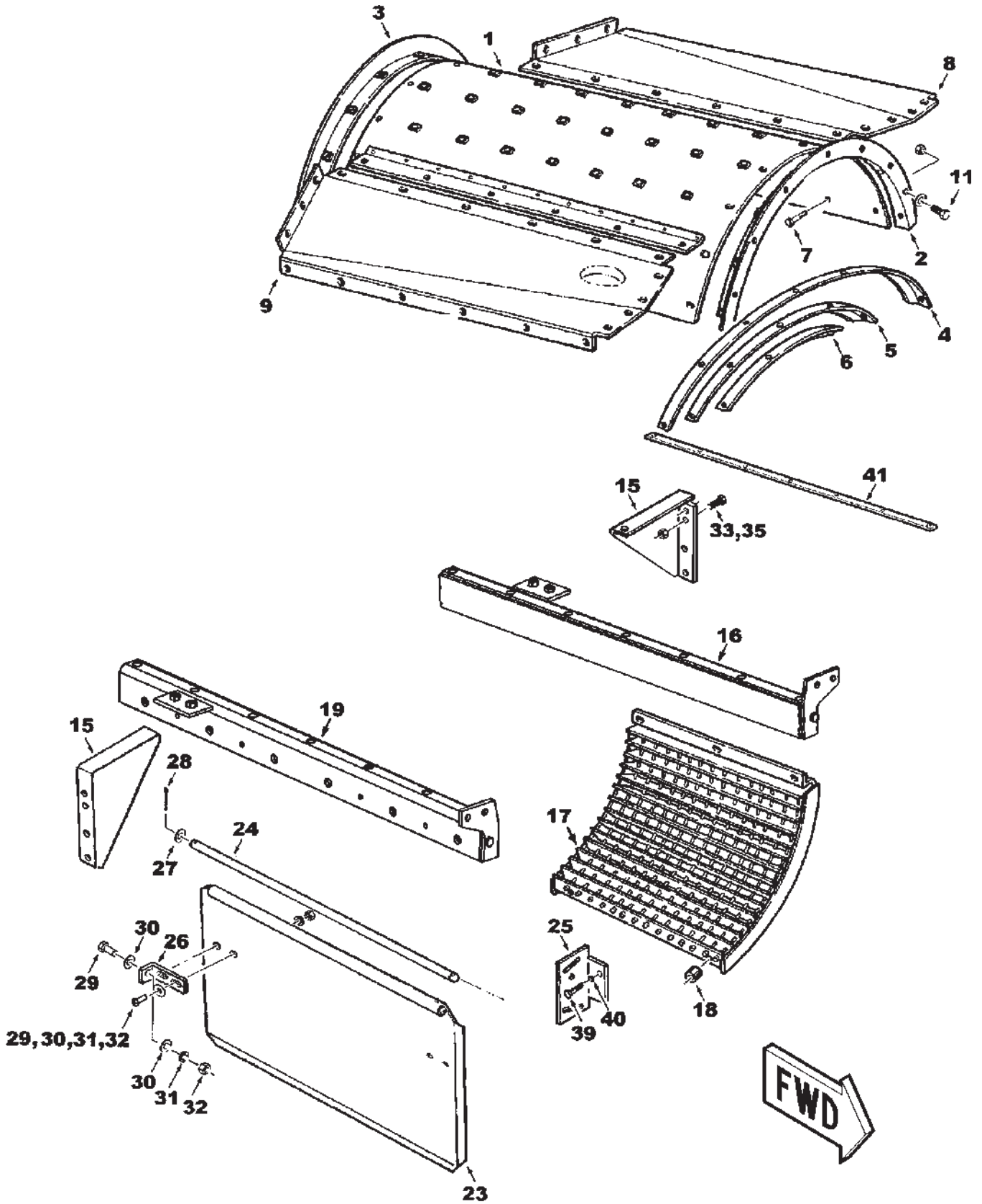
ITEM	NUMBER	QTY	DESCRIPTION
-	71388466	1	GUIDE VANE ASY,SEPARATOR(INCL ITEMS 1-7)
	70919089	14	CAPSCREW, 1/2-13 X 1-3/4 GR5
	Y705046	14	LOCKWASHER, 1/2
1	71388439	1	COVER WLDMT
2	71388441	1	ANGLE WLDMT, FRONT
3	71388442	1	ANGLE WLDMT, REAR
4	2467220W1	5	VANE, GUIDE 7 HOLE
5	2467230W1	1	VANE, GUIDE 5 HOLE
6	2498390W1	1	VANE, GUIDE 3 HOLE
7	71335689	52	SCR, SOCK BUTTON HD,TAPP'G, 3/8-16 X 3/4
	700720958	16	SCR, SOCK BUTTON HD,TAPP'G, 3/8-16 X 1
8	71387334	1	COVER, LEFT REAR
	71387336	1	COVER, LEFT FRONT
	70922586	7	CAPSCREW, 3/8-16 X 5/8
	70921332	4	CAPSCREW, 5/16-18 X 3/4
	70923325	13	CAPSCREW, 5/16-18 X 7/8
	70917378	7	WASHER, 3/8 WIDE
	70917642	15	WASHER, 5/16 WIDE
	70917356	13	LOCKWASHER, 5/16
	70916965	7	LOCKWASHER, 3/8
	353771X1	4	WASHER, HVY HARD, 3/8
	Y704726	4	NUT, HEX FLNG TOP LOCK, 5/16-18
9	71387335	1	COVER, RIGHT REAR
	71387337	1	COVER, RIGHT FRONT
	70923325	32	CAPSCREW, HEX, 5/16-18 X 7/8
	70917642	36	WASHER, 5/16
	70917356	32	LOCKWASHER, 5/16
	70917372	18	NUT, 5/16-18
	7703499	4	CAPSCREW, 5/16-18 X 3/4 GR5
	Y704726	4	NUT, HEX FLNG TOP LOCK, 5/16-18
11	70921210	16	CAPSCREW, 3/8-16 X 1.0
	353771X1	16	WASHER, HEAVY HARDENED FLAT, 3/8
	Y704734	16	LOCKNUT, HEX FLNG 3/8-16
15	71388453	2	BRACKET ASY.
	70921176	8	CAPSCREW, 1/2-13 X 1-1/4 GR5
	Y704742	8	NUT, HEX FLNG TOP LOCK, 1/2-13
16	71388459	1	HANGER ASSEMBLY, LEFT
	70921176	2	CAPSCREW, 1/2-13 X 1-1/4 GR5
	Y704742	2	NUT, HEX FLNG TOP LOCK, 1/2-13

CONTINUED

MC00250  
PR: 190

CHALLENGER 670 COMBINE  
PROCESSOR

SEPARATOR GRATES



**CHALLENGER 670 COMBINE  
PROCESSOR**

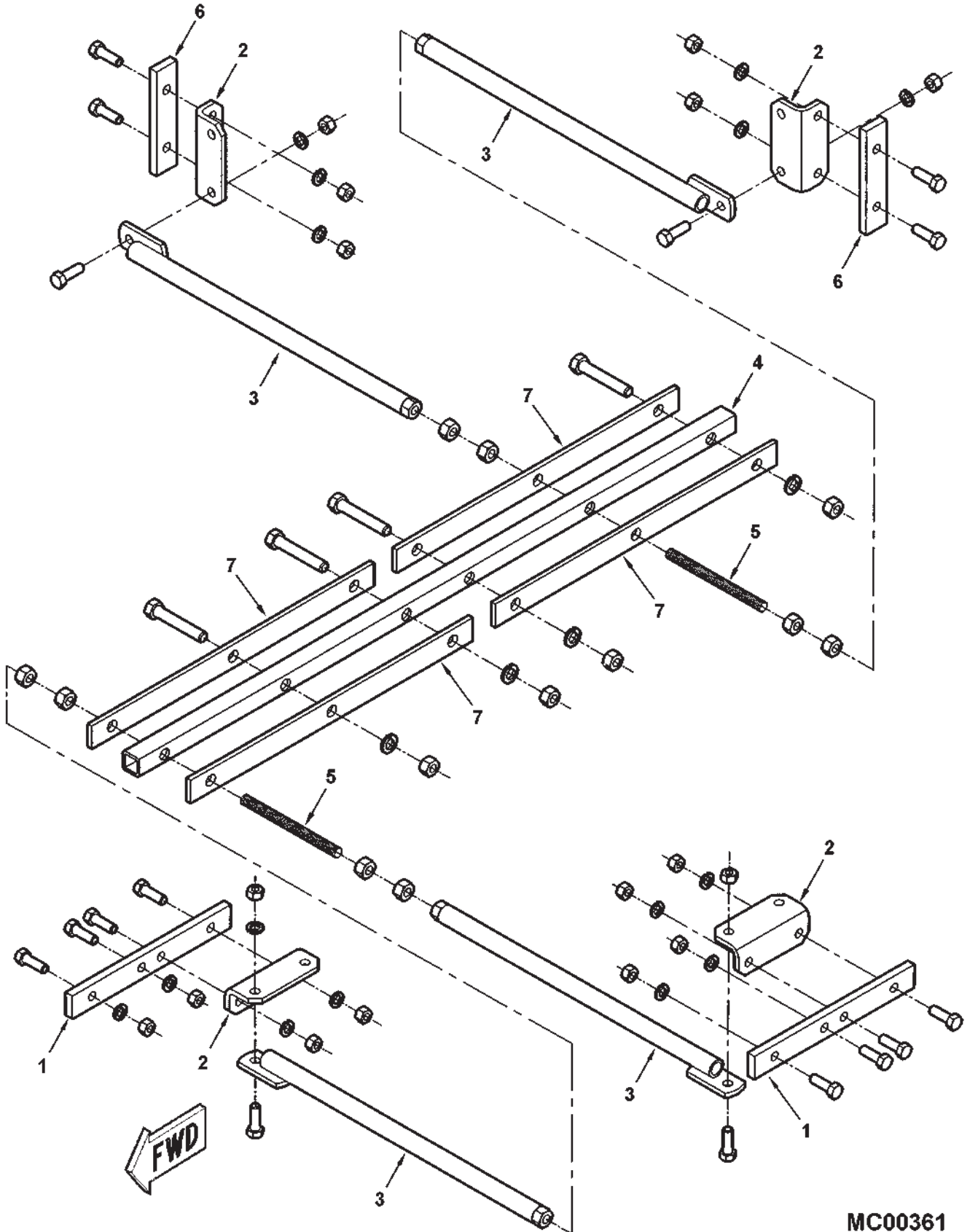
269

**SEPARATOR GRATES**

ITEM	NUMBER	QTY	DESCRIPTION
17	71388451	4	GRATE ASSEMBLY, SEPARATOR
	70920037	8	CAPSCREW, HEX SOCK HD, 1/2-13 X 5/8
	70921176	12	CAPSCREW 1/2-13 X 1-1/4
	Y705046	12	LOCKWASHER 1/2
18	151257M1	6	SPACER, 1-1/4 X 11/16 X 1-3/16
	70919434	6	CAPSCREW, 5/8-11 X 2-3/4 GR5
	700703922	6	NUT, HEX FLNGE TOP LOCK, 5/8-11
19	71388458	1	HANGER ASY., RH
	70921176	2	CAPSCREW, 1/2-13 X 1-1/4
	Y704742	2	NUT, HEX FLNG TOP LOCK, 1/2-13
23	2618670W1	2	SHIELD, DEFLECTOR
24	2618680W1	2	ROD, SEPARATOR DEFLECTOR, HINGE
25	2538810W1	4	BRACKET, SEPARATOR DEFLECTOR HINGE
26	2530670W1	4	BRACKET, ADJUSTING
27	70917378	4	WASHER, WIDE FLAT, 3/8
28	70918452	4	PIN, COTTER, 1/8 X 1.0
29	70923341	12	CAPSCREW, 1/4-20 X 3/4
30	70917377	16	WASHER, WIDE FLAT, 1/4
31	70916964	12	WASHER, LOCK, 1/4
32	70916622	12	NUT, HEX, 1/4-20
33	70921176	8	CAPSCREW, 1/2-13 X 1-1/4
35	Y704742	8	NUT, HEX FLNG TOP LOCK, 1/2-13
39	70921210	4	CAPSCREW, 3/8-16 X 1.0
40	70916965	4	WASHER, LOCK, 3/8
41	71388465	2	FLAT STRAP, COVER REINF

MC00250  
PR: 190

SEPARATOR GRATE SUPPORTS  
RICE



CHALLENGER 670 COMBINE  
PROCESSOR

271

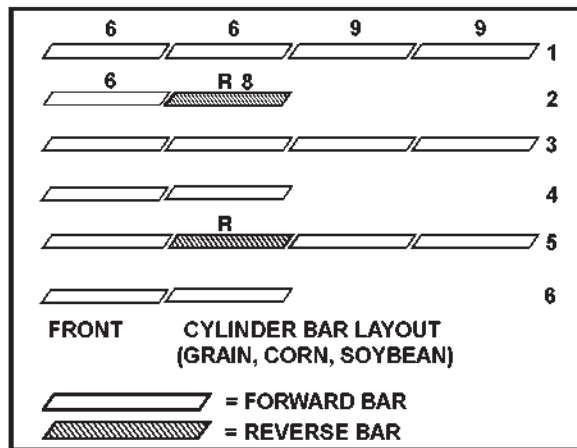
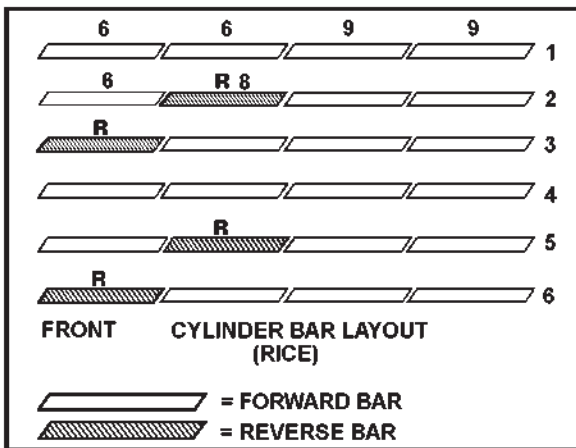
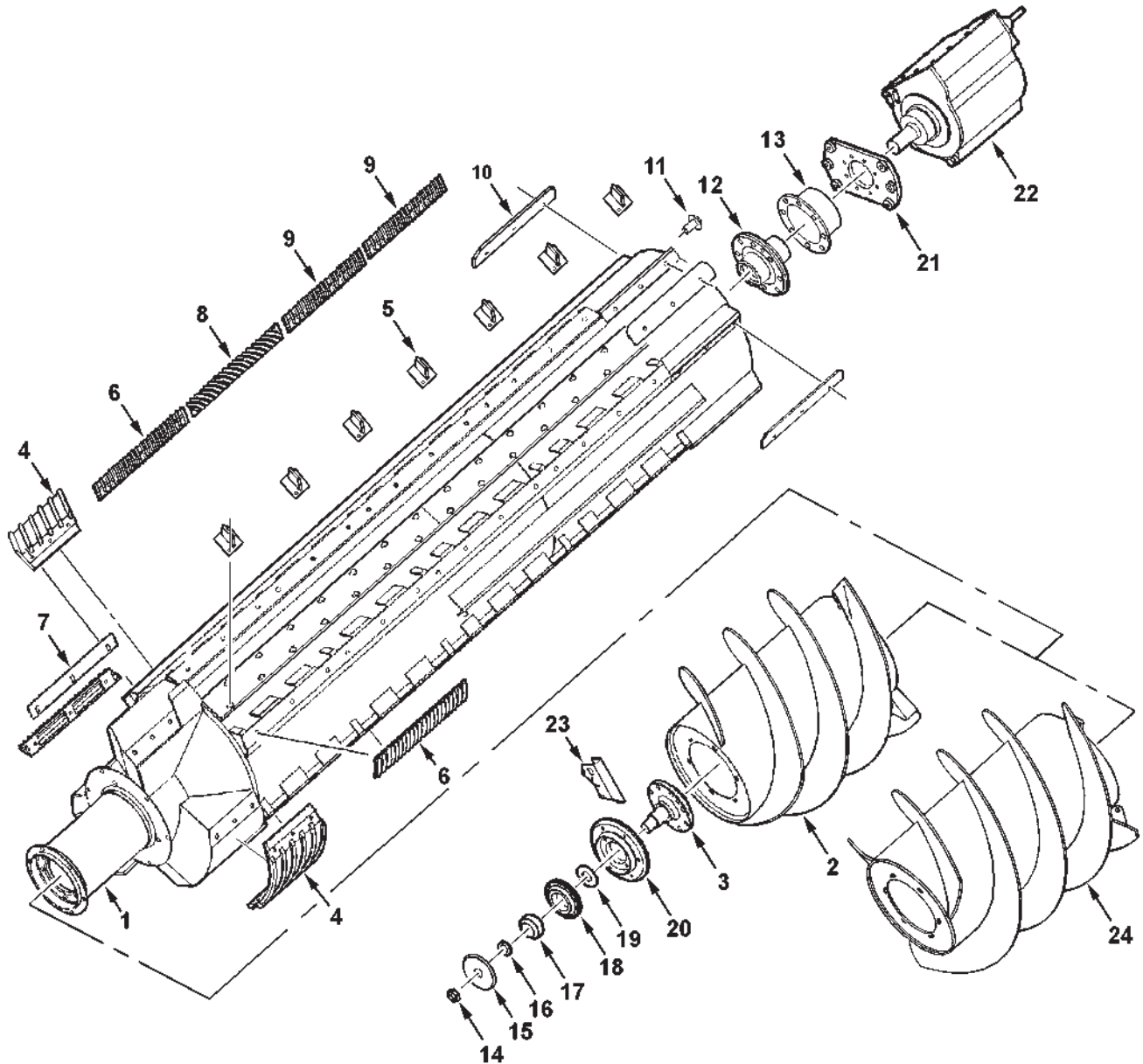
SEPARATOR GRATE SUPPORTS  
RICE

ITEM	NUMBER	QTY	DESCRIPTION
1	71398761	2	BAR, REINFORCEMENT, FRONT
	703983	4	CAPSCREW, 1/2-13 X 1-3/4
	Y705046	4	LOCKWASHER, 1/2
	704031	4	NUT, HEX, 1/2-13
2	71398762	4	ANGLE, INNER SUPPORT
	703983	8	CAPSCREW, 1/2-13 X 1-3/4
	Y705046	8	LOCKWASHER, 1/2
	704031	8	NUT, HEX, 1/2-13
3	71398764	4	PIPE WLMT, SUPPORT
	701235	4	CAPSCREW, 1/2-13 X 1-1/2
	Y705046	4	LOCKWASHER, 1/2
	704031	4	NUT, HEX, 1/2-13
4	71398771	1	TUBE, STRUCTURAL
5	71398770	2	ROD, THREADED, 5/8-11 X 7.0
	70932665	8	NUT, HEX, 5/8-11
6	71398768	2	BAR, REINFORCEMENT, REAR
7	71398769	4	BAR, REINFORCEMENT
	7701550	4	CAPSCREW, 5/8-11 X 3-1/2
	70917373	4	LOCKWASHER, 5/8
	70932665	4	NUT, HEX, 5/8-11

MC00361  
PR: 194

CHALLENGER 670 COMBINE  
PROCESSOR

ROTOR



**CHALLENGER 670 COMBINE  
PROCESSOR**

273

**ROTOR**

ITEM	NUMBER	QTY	DESCRIPTION
-	71410437	1	ROTOR ASY, REPAIR (GRAIN, CORN, SOYBEAN) (COMPLETE W/ FLIGHTING WLMT IT. 24)
-	71398271	1	ROTOR ASY, REPAIR (RICE & AUSTRALIA)
1	-----	X	ROTOR WLDMT, (NOT SERVICED)
2	2469711W91	1	FLIGHTING ASY, INLET (PRIOR S/N HN36101) (SERVICE W/71399637 & 71401418)
	2469760W1	AR	FLIGHTING, WELD-ON (NON-HARDENED) (FOR 2469711W91)
	71399637	1	FLIGHTING ASY, INLET (EFF. S/N HN36101 RU S/N HP36999)(SERVICE W/ 71410439)
	71399641	AR	FLIGHTING, WELD-ON (NON-HARDENED) (FOR 71399637)(SERVICE W/ 71410441)
	71401418	AR	SPACER RING (REPAIRS ONLY)(USED W/ 71399637 & 71410439 ON ROTORS PRIOR S/N HN36101)
	70921210	15	CAPSCREW, 3/8-16 X 1 GR5
	70917378	15	WASHER, 3/8 WIDE
	70916965	15	LOCKWASHER, 3/8
	700704010	AR	SILICONE SEALANT, BLACK, 10.2 OZ.
3	101930M1	1	SHAFT, FRONT
	70921525	8	CAPSCREW, 1/2-13 X 1-3/4 GR8
4	2497273W91	1	ELEMENT, THRESHING (GR,CRN,SBN) SET OF 3
	102835M91	1	ELEMENT, THRESHING (RICE, AUS) SET OF 3
	700706463	18	CAPSCREW, 3/8-16 X 1 GR8
	353771X1	18	WASHER, HEAVY HARD 3/8
5	2554761W91	21	IMPELLER, ASY.
	7700461	42	BOLT, RD HD SHT SQ NK, 5/16-18 X 3/4
	Y704726	42	NUT, HEX FLNG, TOP LOCK, 5/16-18 GRG
	71400045	AR	KIT, 21 IMPELLERS, ROTOR (ORDER THRU DEALER CENTRAL)
6	71371520	10	CYLINDER BAR, .75 CHROME (GRN,CRN,SBN) QTY. 8 (RICE, AUST.)
7	71393107	AR	SHIM .0359
8	71371526	2	CYL BAR, REVERSE, .75 CHROME (GR,CN,SBN) QTY. 4 (RICE, AUST.)
9	71378577	6	CYL BAR, LONG, FWD .75 CHROME(GN,CN,SBN) QTY. 12 (RICE, AUST.)
	71378579	AR	CYL BAR, LONG, REVERSE, .75 CHROME (ALT)
	70926154	24	CAPSCREW, 1/2-13 X 1 GR8
	Y705046	24	LOCKWASHER, 1/2 REG
10	71395413	6	PLATE, SEPARATOR DISCHARGE QTY. 15 (RICE, AUST.)
	8701708	18	CAPSCREW, 1/2-13 X 1-1/4 GR8 QTY. 45 (RICE, AUST.)
	Y705046	18	LOCKWASHER, 1/2 QTY. 45 (RICE, AUST.)
	71400046	AR	KIT, SEPARATOR, 9 PADDLES (ORDER THRU DEALER CENTRAL)
11	373293X1	1	SCREW, TRUSS HEAD, 3/8 UNC X 3/4
12	71391752	1	HUB WLDMT, ROTOR DRIVE
13	102981M91	1	SHIELD ASSEMBLY
	70921525	8	CAPSCREW, 1/2-13 X 1-3/4 GR8
	353773X1	8	WASHER, HEAVY HARD 1/2

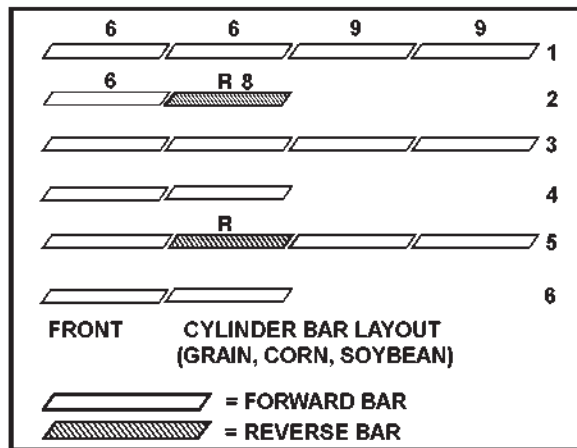
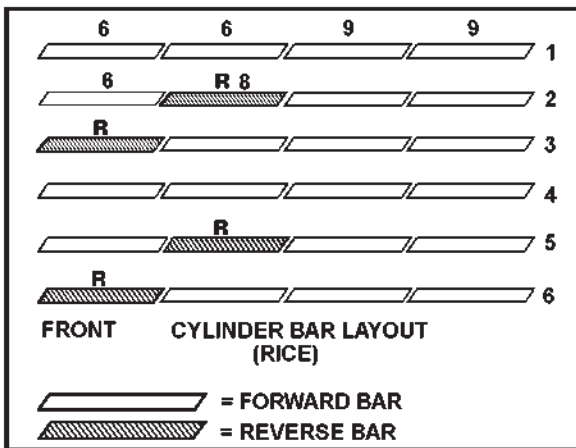
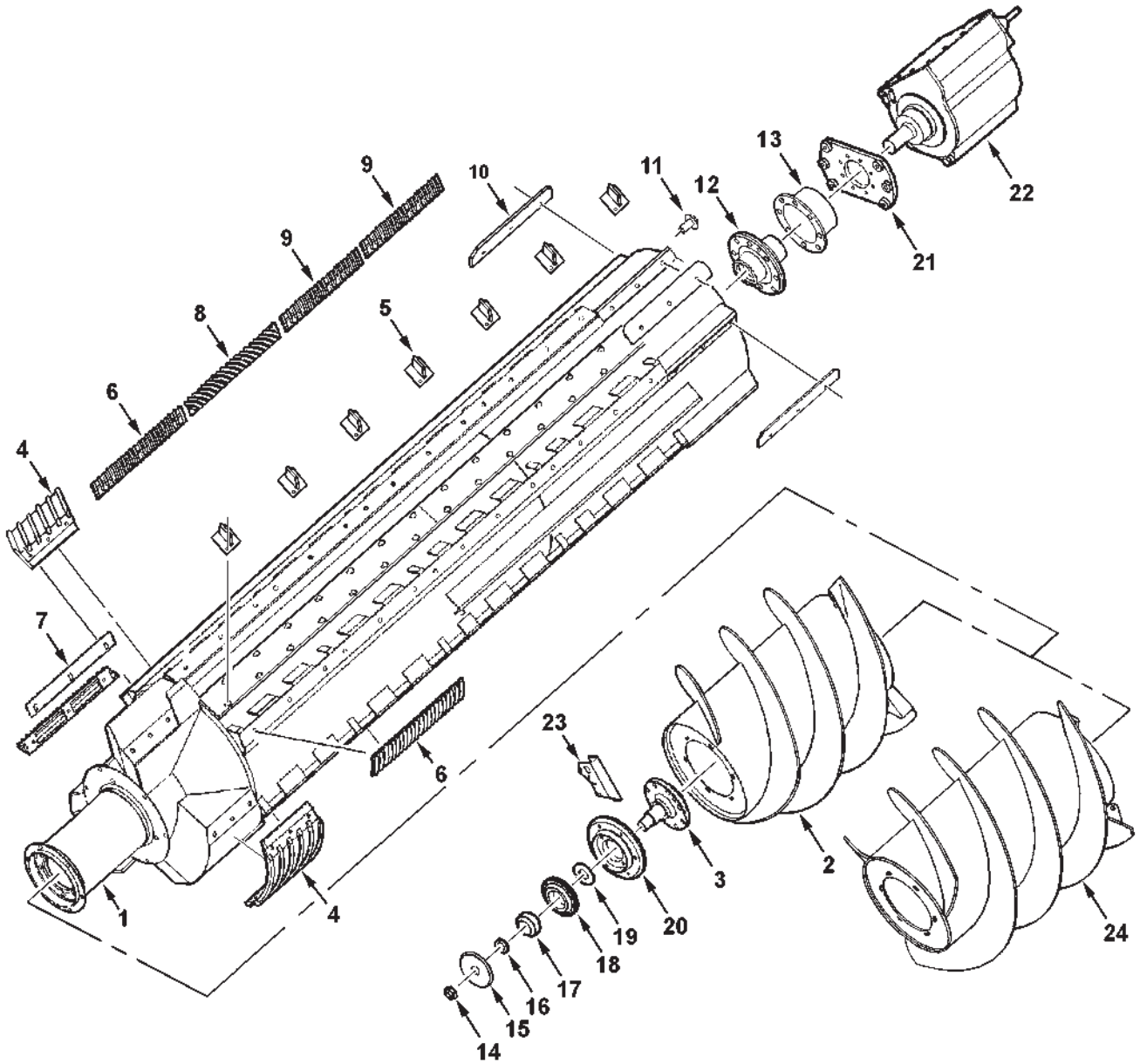
CONTINUED

MC00251  
PR: 196



CHALLENGER 670 COMBINE  
PROCESSOR

ROTOR



**CHALLENGER 670 COMBINE  
PROCESSOR**

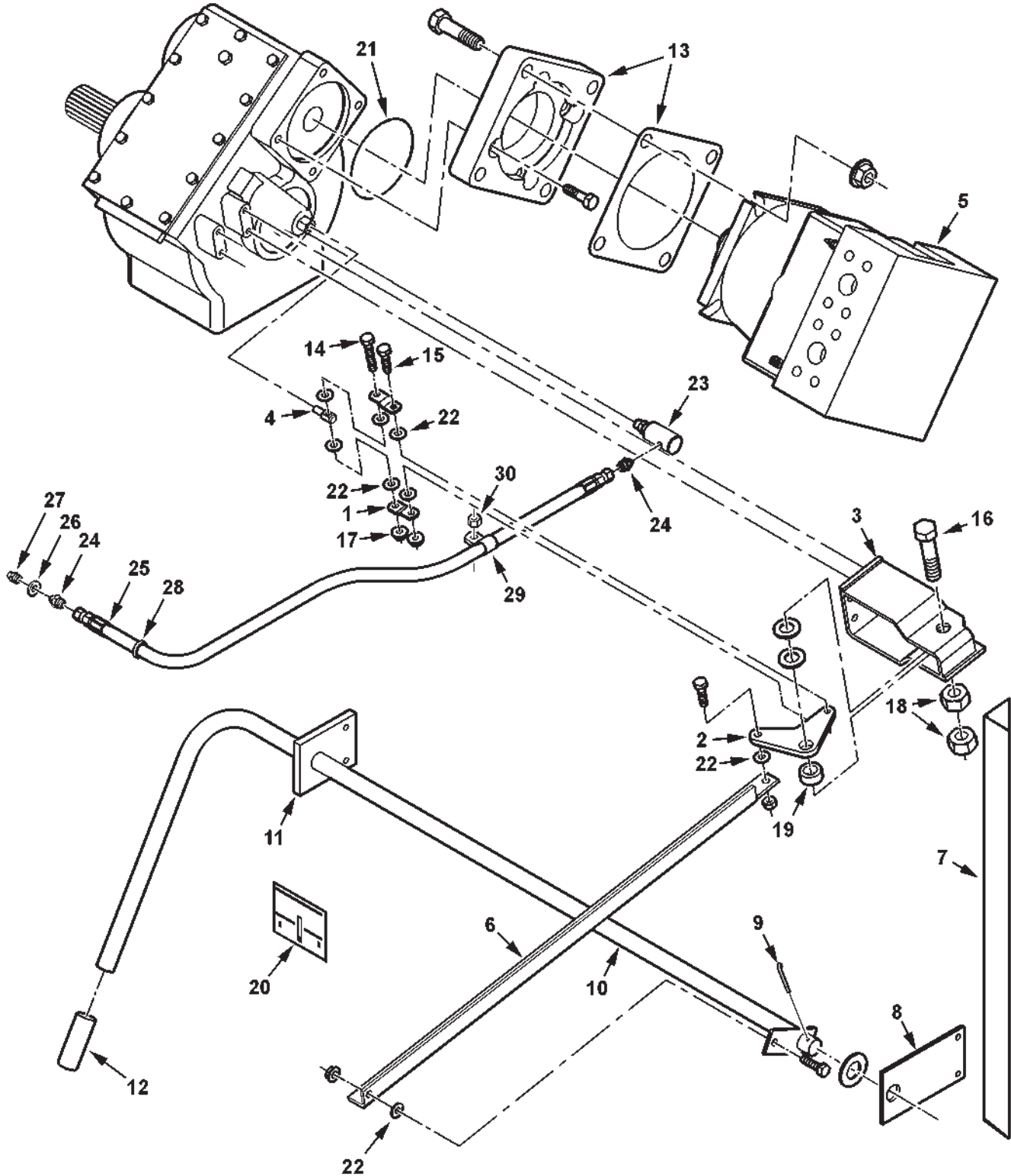
**275  
ROTOR**

ITEM	NUMBER	QTY	DESCRIPTION
14	832088M1	1	NUT, HEX JAM, SPL, 1-1/2-12
15	112752W1	1	WHEEL, ROTOR SPEED
16	2489940W1	1	WASHER, ROTOR FRONT
17	22602X	1	BEARING, WIDE INNER RACE
18	71387470	1	HOUSING, FRONT BEARING, ROTOR
	701235	4	CAPSCREW, 1/2-13 X 1-1/2 GR5
	Y705046	4	LOCKWASHER, 1/2 REG
19	2489920W1	1	SHIELD, BEARING
20	2489330W1	1	MOUNT, BEARING
	70923114	6	CAPSCREW, 1/2-13 X 1 GR5
	Y705046	6	LOCKWASHER, 1/2 REG
21	71401912	1	PLATE, GEARBOX MOUNTING
	70919434	6	CAPSCREW, 5/8-11 X 2-3/4 GR5
	70918432	6	WASHER, 5/8, WIDE
	700703922	6	NUT, HEX FLNG TOP LOCK, 5/8-11
22	71387393	1	GEARBOX, 2-SPEED (PRIOR S/N HP36101)
	71401731	1	GEARBOX, 2-SPEED (EFF. S/N HP36101)
	7703259	8	CAPSCREW, M12-1.75 X 50
	700708343	8	LOCKWASHER, M12
23	71401326	1	BRKT, ROTOR SENSORS (EFF. S/N HN36101)
24	71410439	1	FLIGHT WLMT, INLET (EFF. S/N HR36101)
	71410441	AR	FLIGHTING, WELD-ON (NON-HARDENED) (FOR 71410439 OR 71399637)
	70923470	3	CAPSCREW, 3/8-16 X 1-1/2, GR8
	353771X1	3	WASHER, HARD, 3/8

MC00251  
PR: 196

CHALLENGER 670 COMBINE  
PROCESSOR

ROTOR DRIVE  
GEARBOX SHIFT LINKAGE



**CHALLENGER 670 COMBINE  
PROCESSOR**

277

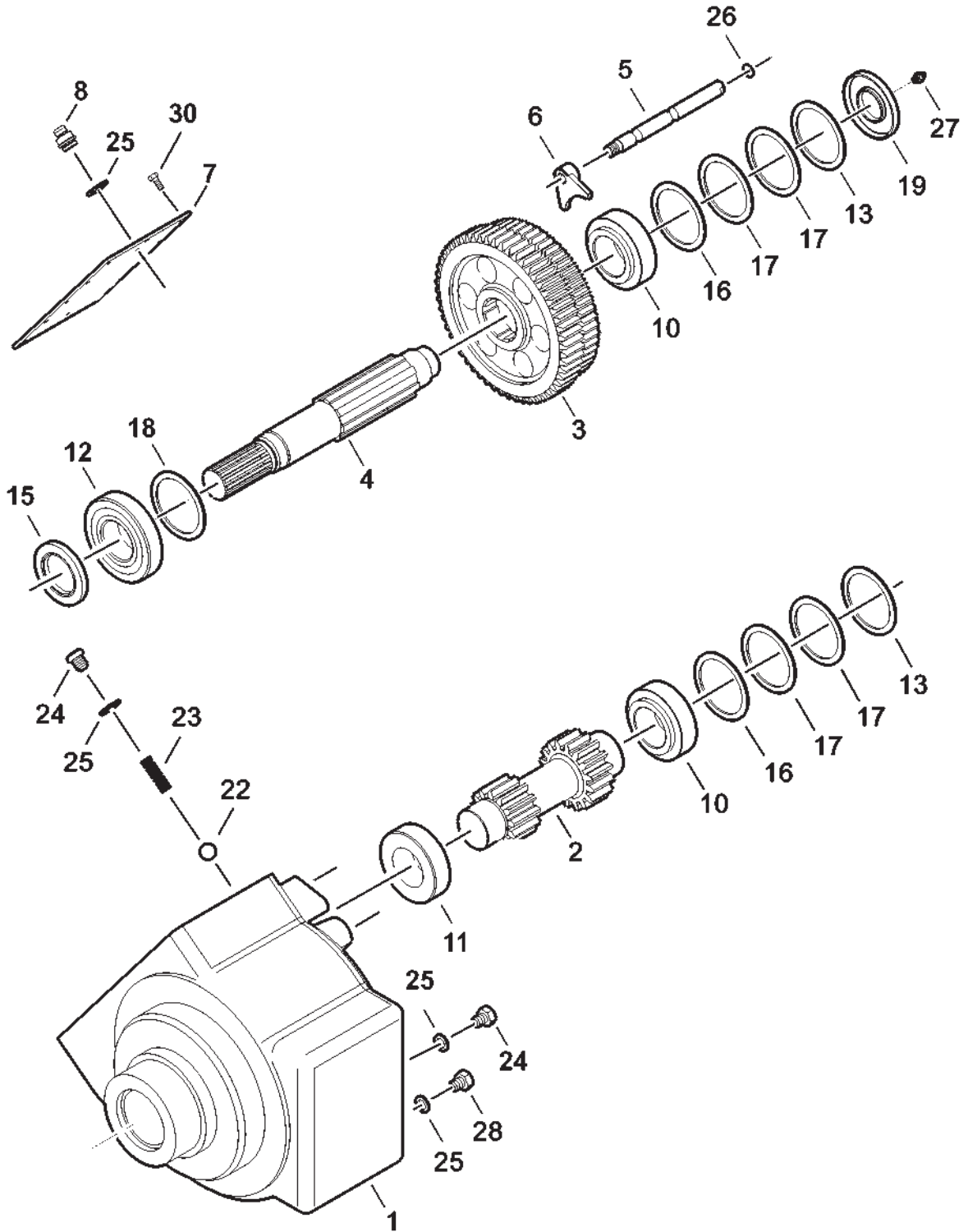
**ROTOR DRIVE  
GEARBOX SHIFT LINKAGE**

ITEM	NUMBER	QTY	DESCRIPTION
1	71391261	2	LINK, SHIFT
2	71391643	1	BELLCRANK
3	71388829	1	PIVOT BRACKET ASY
	700708349	4	CAPSCREW, M10-1.5 X 25 CL8.8
	70917378	4	WASHER, 3/8 WIDE
4	71391660	1	SCREW, METRIC SPECIAL, M12-1.75
5	71396258	1	MOTOR, HYDRO ROTOR (SEE BREAKDOWN)
	7701766	4	CAPSCREW, 3/4-10 X 3-1/4 GR5
	700703923	4	NUT, HEX FLG TOP LOCK, 3/4-10
6	71391257	1	LINK, GEARSHIFT
	70921210	2	CAPSCREW, 3/8-16 X 1.0 GR5
	Y704734	2	NUT, HEX FLNG TOP LOCK, 3/8-16
7	71388843	1	ANGLE, SUPPORT
	70921333	2	CAPSCREW, 5/16-18 X 1.0 GR5
	70917356	2	LOCKWASHER, 5/16 REG
	70917372	2	NUT, 5/16-18 REG
8	71388844	1	PLATE, REAR BEARING
	70921333	2	CAPSCREW, 5/16-18 X 1.0 GR5
	70917356	2	LOCKWASHER, 5/16 REG
	70917372	2	NUT, 5/16-18 REG
9	70922002	1	COTTER PIN, 3/16 X 2 LG
10	71388833	1	CRANK ASSEMBLY
	705681	1	WASHER, FLAT, 1.0 SAE
11	71391270	1	PLATE, FRONT BEARING
	70921977	2	CAPSCREW, 5/16-18 X 1-1/4 GR5
	70917642	2	WASHER, 5/16 WIDE
	70917356	2	LOCKWASHER, 5/16 REG
	70917372	2	NUT, 5/16-18 REG
12	71379254	1	GRIP, HANDLE
13	71388052	1	ADAPTER, ROTOR MOTOR
	71389765	1	GASKET, ROTOR MOTOR
	700708351	4	CAPSCREW, M12-1.75 X 30 CL8.8
14	70922127	1	CAPSCREW, 5/16-18 X 1-3/4 GR5
	70917642	2	WASHER, 5/16 WIDE
15	70921977	1	CAPSCREW, 5/16-18 X 1-1/4 GR5
16	70924763	1	CAPSCREW, 3/4-10 X 3-1/2 GR5
	70918269	2	WASHER, 3/4 NARROW
17	Y704726	2	NUT, HEX FLNG TOP LOCK, 5/16-18
18	70913160	2	NUT, 3/4-10 REG
19	51871M1	1	SPACER
20	71407700	1	DECAL, IMPORTANT, ROTOR HI-LO (REPLACES DECAL 71368812)
21	70925785	1	O-RING, 4.987 X .103 (VITON)
22	71391654	6	WASHER, NYLON FRICTION
23	71332011	1	UNION, ROTATING, 9/16-18 ORB X 1/8 NPTF FEM. (EFF. S/N HP36101)
	70921885	1	O-RING, .078 X .468 ID
24	70919171	2	CONN. STR MALE, 7/16-20 JIC X 1/8 NPTF
25	71401753	1	HOSE ASY, GEARBOX LUBE
26	Y705533	1	WASHER, 3/8, HARD
27	70914767	1	LUBE FITTING, STR, 1/8 NPTF FEM
28	827758	1	GROMMET, RUBBER, 1" ID
29	70925617	3	CLAMP, .50 TUBE X .406 HOLE
30	70916950	2	NUT, 3/8-16 REG

MC00252  
PR: 198

CHALLENGER 670 COMBINE  
PROCESSOR

ROTOR DRIVE  
2-SPEED GEARBOX



**CHALLENGER 670 COMBINE  
PROCESSOR**

279

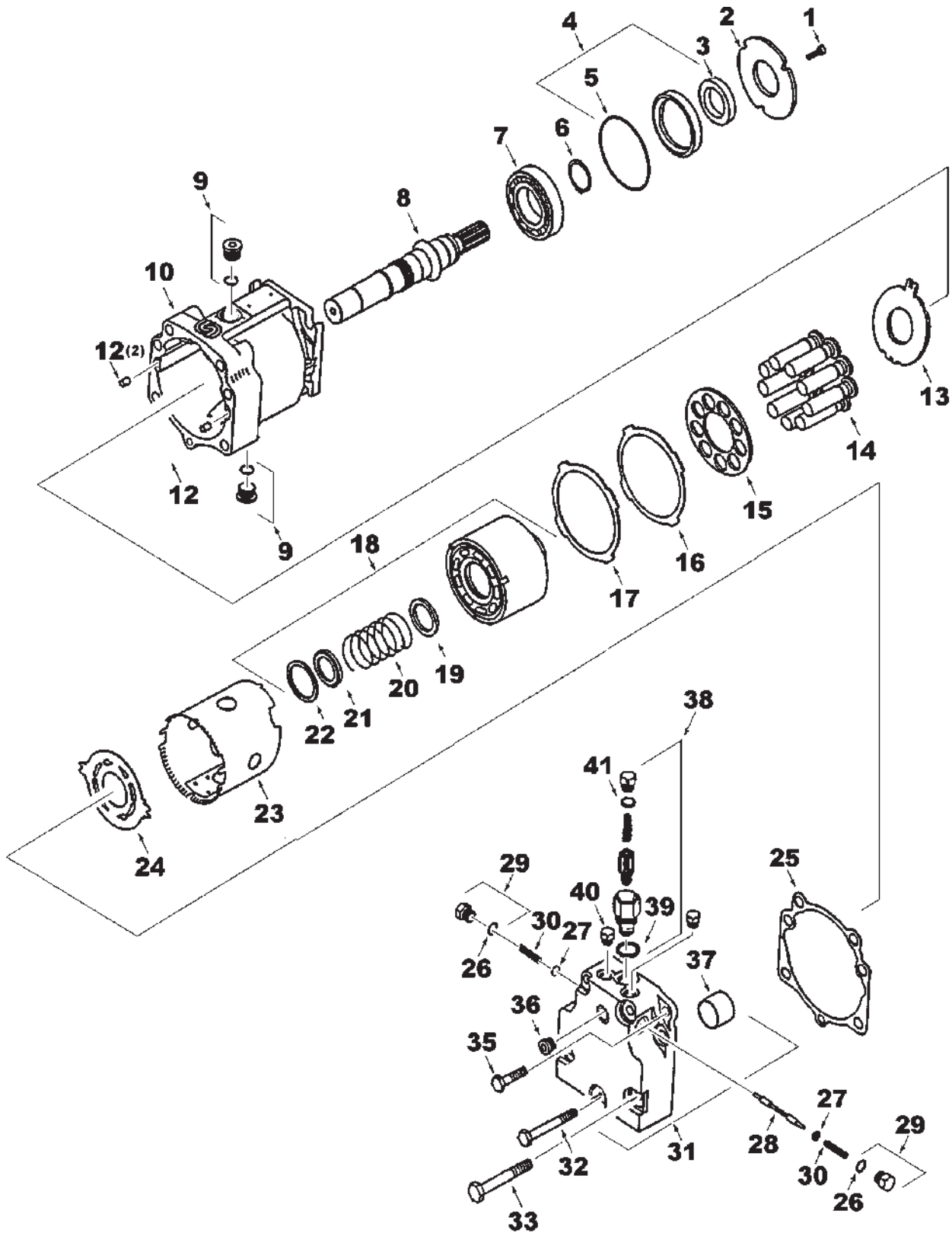
**ROTOR DRIVE  
2-SPEED GEARBOX**

ITEM	NUMBER	QTY	DESCRIPTION
-	71387393	1	GEARBOX, 2-SPEED (PRIOR S/N HP36101)
-	71401731	1	GEARBOX, 2-SPEED (EFF. S/N HP36101)
1	71392886	1	GEAR CASE
2	71392887	1	SHAFT, GEAR (13 & 16 TEETH)
3	71392888	1	GEAR (53 & 56 TEETH)
4	71392889	1	SHAFT
5	71392890	1	RAIL, SHIFT
6	71392891	1	FORK, SHIFT
7	71392892	1	COVER PLATE
	79021649	AR	SEALANT/GASKET (RTV SILICONE-CLEAR)
8	71391263	1	PLUG, BREATHER M16 X 1.5
10	71392894	2	BEARING, TAPER-ROLLER, CUP & CONE
11	71392895	1	BEARING, TAPER-ROLLER, CUP & CONE
12	71392896	1	BEARING, TAPER-ROLLER, CUP & CONE
13	71392897	2	RING, RETAINING, INTERNAL
15	71392898	1	SEAL (A60 X 95 X 10)
16	71392899	2	SHIM (90 X 100 X 2, 0)
17	71392900	4	SHIM (90 X 100 X 0, 1)
18	71394126	1	WASHER, SPACER
19	71394127	1	SEAL (AS45 X 100 X 10)
22	71394128	1	BALL (12mm)
23	71394129	1	SPRING, COMPRESSION
24	71394130	4	PLUG, HEX SOCKET
25	71394131	5	RING/GASKET (COPPER)
26	71394132	1	O-RING, SEALING
27	71394133	1	LUBE FITTING (M8 X 1)(PRIOR S/N HP36101)
28	71394134	1	PLUG, HEX SOCKET (MAGNETIC)
30	700708359	12	CAPSCREW, HEX (M8-1.25 X 20 CL8.8)

71387393  
PR: 200

CHALLENGER 670 COMBINE  
PROCESSOR

MOTOR, HYDROSTATIC ROTOR



**CHALLENGER 670 COMBINE  
PROCESSOR**

281

**MOTOR, HYDROSTATIC ROTOR**

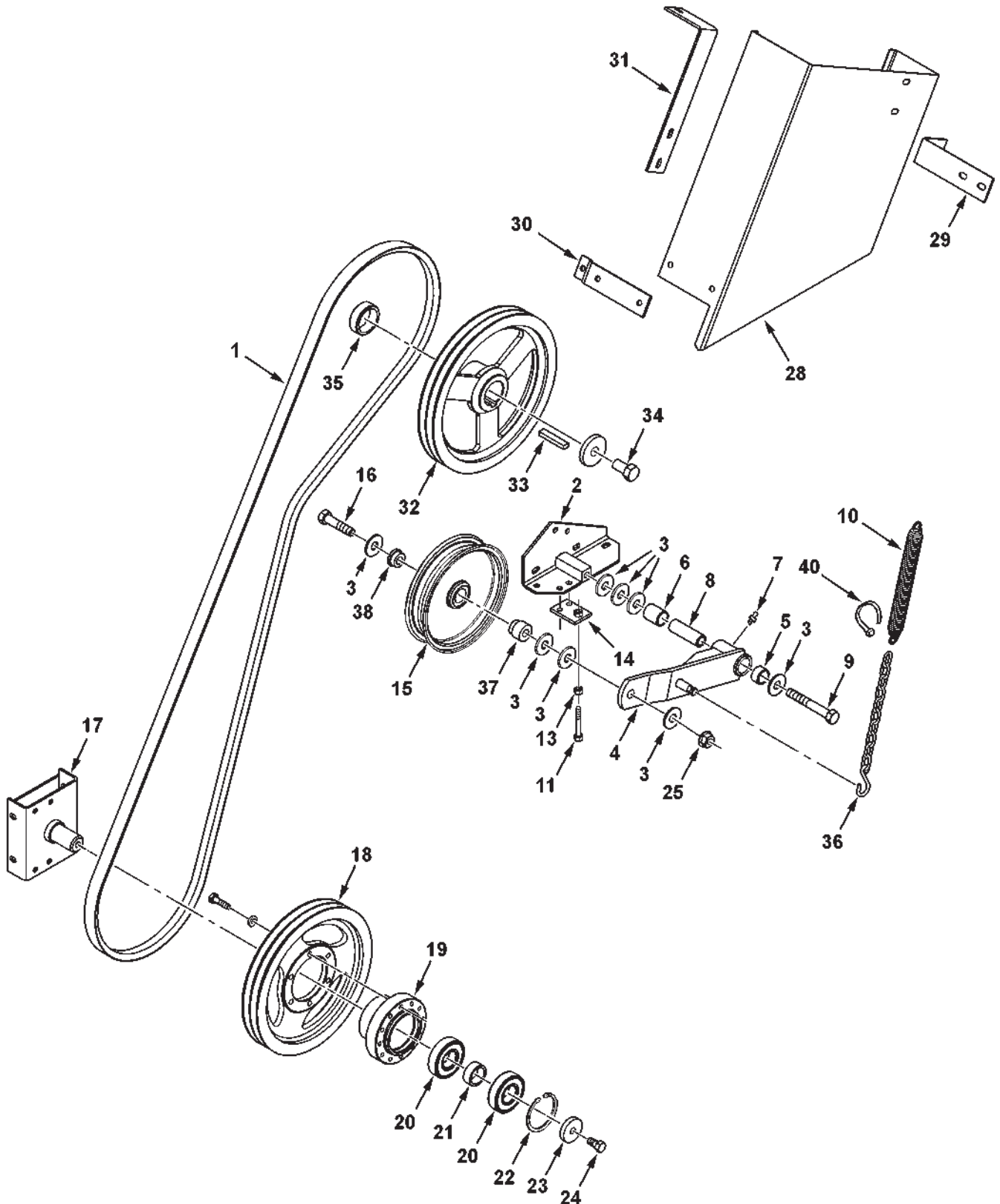
ITEM	NUMBER	QTY	DESCRIPTION
-	71396258	1	MOTOR, FIXED, 130cc
-	71396178	AR	KIT, SEAL OVERHAUL
1	71396177	3	SCREW, SOCKET HEAD, M6 X 20
2	71396176	1	PLATE, RETAINER
3	1077666M1	2	SEAL
4	71396174	1	SEAL CARRIER ASY
5	71396175	1	O-RING
6	71396173	1	RING, RETAINING
7	71396171	1	BEARING, ROLLER
8	71396170	1	SHAFT, 23T SPLINE
9	71396144	2	PLUG
	70921214	2	O-RING, .116 X 1.171 ID, 90 DUR.
10	71396143	1	HOUSING, FIXED
12	700702137	2	PIN
13	71396158	1	PLATE, THRUST
14	71396151	9	PISTON, WELDED
15	71396152	1	RETAINER, SLIPPER
16	71396153	1	GUIDE RETAINER, SLIPPER
17	71396154	1	SHIM, SLIPPER GUIDE RETAINER
18	71396146	1	CYLINDER BLOCK ASY. (INCL ITEMS 19-22)
19	71396147	1	SEAT, SPRING
20	71396148	1	SPRING
21	71396149	1	RETAINER, SPRING
22	71396150	1	RING, RETAINING
23	71396155	1	TUBE, HOLDDOWN
24	71396156	1	VALVE PLATE
25	71396159	2	GASKET, END CAP
26	AG133717	4	O-RING
27	71396166	2	GUIDE, SPRING
28	71396165	1	SPOOL, SHUTTLE
29	71396168	2	PLUG, SPECIAL
30	71396167	2	SPRING
31	71396163	1	END CAP ASY., TWIN PORTS
32	71396162	1	SCREW
33	71396160	4	SCREW
35	71396161	2	SCREW
36	700725864	2	PLUG
	70928488	1	O-RING .078 X .468 ID, 90 DUR, VITON
37	71396164	1	JOURNAL BEARING
38	71396169	1	POPPET ASY., CHARGE RELIEF
39	70928486	1	O-RING .097 X .755 ID, 90 DUR, VITON
40	71374831	2	PLUG
	70928488	1	O-RING .078 X .468 ID, 90 DUR, VITON
41	70928488	1	O-RING .078 X .468 ID, 90 DUR, VITON

MC00254  
PR: 202



CHALLENGER 670 COMBINE  
CHOPPER & SPREADER

JACKSHAFT DRIVE



**CHALLENGER 670 COMBINE  
CHOPPER & SPREADER**

283

**JACKSHAFT DRIVE**

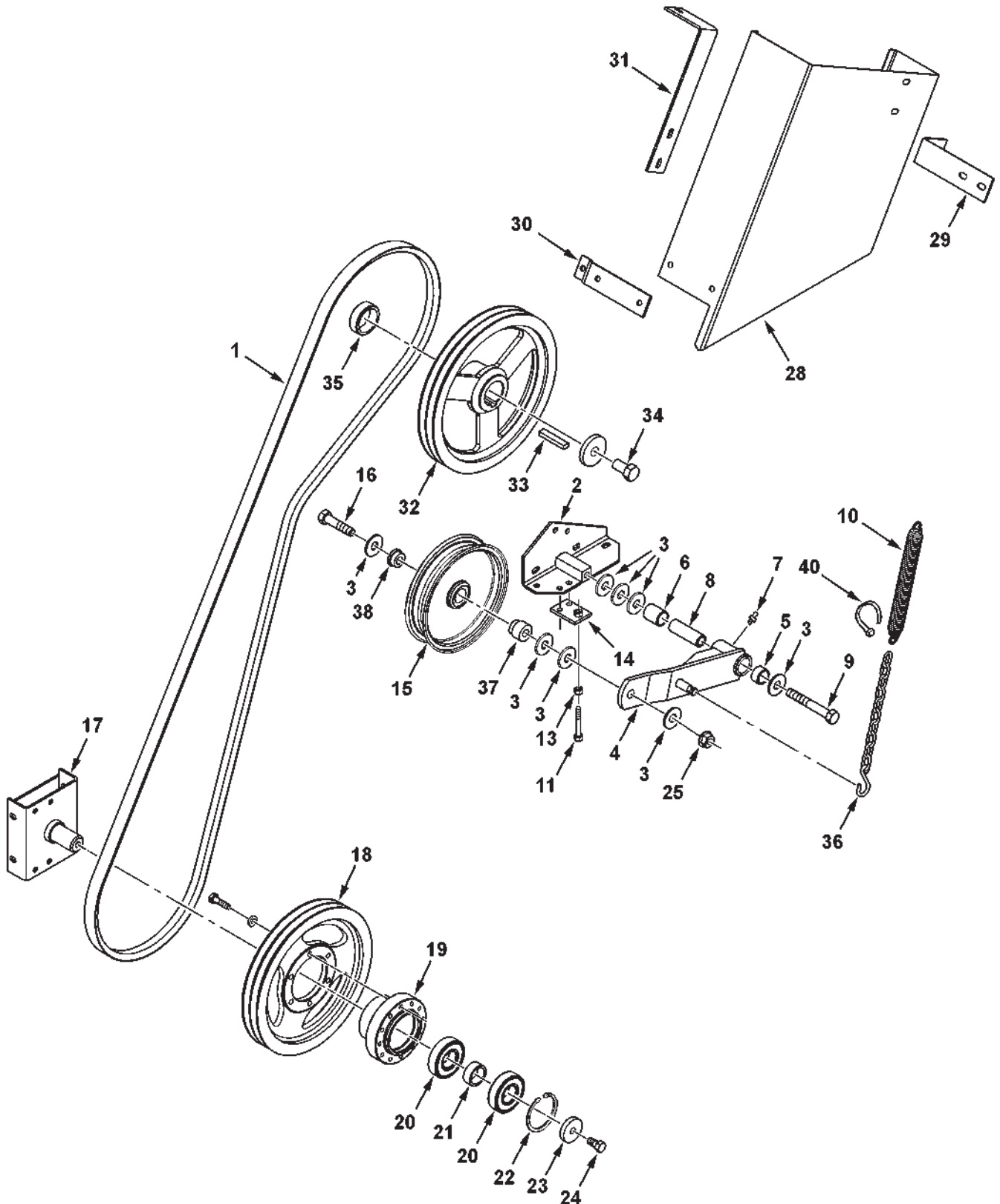
ITEM	NUMBER	QTY	DESCRIPTION
1	227455M1	1	BELT - PRIMARY DR, SPREADER
	71385837	1	BELT-PRIMARY, CHOPPER(PRIOR S/N HR36101)
	71406361	1	BELT-PRIMARY, CHOPPER (EFF. S/N HR36101)
2	101098M91	1	PIVOT STAND WLMT, IDLER
	70920415	4	CAPSCREW, 3/8-16 X 1-1/4
	70917378	4	WASHER, PLAIN, 3/8
	Y704734	5	NUT, HEX FLANGE TOP LOCK, 3/8-16
3	70918432	4	WASHER, WIDE, 5/8 (QTY 6, PRIOR HR36101)
4	71406362	1	ARM ASY, IDLER JACKSHAFT
5	1689170W1	2	BUSHING, 1 X 1.24 X .75 LG (WAS QTY.1)
6	1742670W1	1	BUSHING, 1 X 1.24 X 1.50 LG (PRIOR S/N HP36---, MID-PROD'N RUN)
7	70914465	1	LUBE FITTING, 1/8-27 NPT, SPL EXT SHORT
8	2441490W1	1	SLEEVE, 41/64 X 63/64 X 3-1/16
9	70925704	1	CAPSCREW, 5/8-11 UNC X 4-1/2
10	101276M2	1	SPRING, IDLER TENSIONER
11	70931643	1	CAPSCREW, 3/8-16 X 3
13	70916950	1	NUT, 3/8-16 REG
14	2628221W91	1	STOP PLATE WLMT
	70921210	2	CAPSCREW, 3/8-16 X 1
	70917378	2	WASHER, WIDE, 3/8
	Y704734	2	NUT, HEX FLANGE TOP LOCK, 3/8-16
15	2553560W1	1	IDLER, FLAT, 8-3/4 OD(PRIOR S/N HR36101)
	71309767	1	IDLER, FLAT, 8 DIA (EFF. S/N HR36101)
16	70919434	1	CAPSCREW, 5/8-11 UNC X 2 3/4
17	101100M91	1	SUPPORT ASSEMBLY, JACKSHAFT
	70921965	4	CAPSCREW, 3/8-16 X 3/4
	70917378	4	WASHER, PLAIN, 3/8
	Y704734	4	NUT, HEX FLNG TOP LOCK, 3/8-16
18	2628310W1	1	SHEAVE, SPREADER, DRIVEN, JACKSHAFT
	71388748	1	SHEAVE, CHOPPER, DRIVEN, JACKSHAFT (PRIOR S/N HR36101)
	70923701	6	CAPSCREW, 3/8-16 X 2 (SPREADER)
	70921324	6	CAPSCREW, 3/8-16 X 3-3/4 (CHOPPER)
	70916965	6	LOCKWASHER 3/8
	70916950	6	NUT, 3/8-16
	71406328	1	SHEAVE, CHOPPER, DRIVEN(EFF.S/N HR36101)
	339376X1	6	LOCKWASHER, M10
	3009495X1	6	CAPSCREW, M10-1.5 X 40 CL8.8
19	71387515	1	HUB, JACKSHAFT (PRIOR S/N HR36101)
	71406330	1	HUB, JACKSHAFT (EFF. S/N HR36101)
20	354920X1	2	BEARING, BALL
21	2619180W1	1	SPACER, BEARING
22	70925997	1	RING, INTERNAL SNAP, 3-17/32 X 7/64
23	2485470W1	1	WASHER, 17/32 X 2 X 3/8
24	70923114	1	CAPSCREW, 1/2-13 UNC X 1
25	700703922	1	NUT, HEX FLANGE TOP LOCK, 5/8-11

CONTINUED

MC00044  
PR: 204

CHALLENGER 670 COMBINE  
CHOPPER & SPREADER

JACKSHAFT DRIVE



**CHALLENGER 670 COMBINE  
CHOPPER & SPREADER**

285

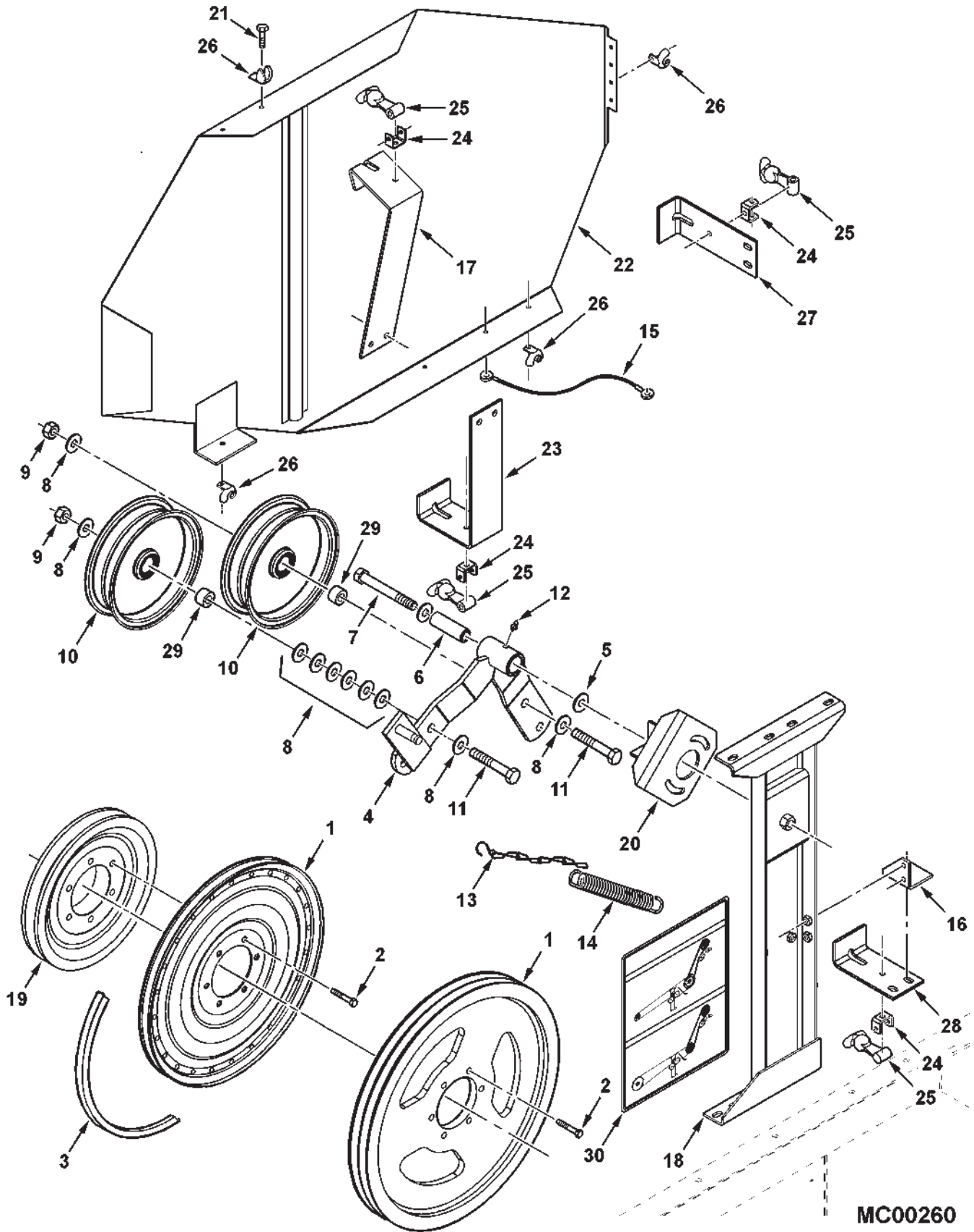
**JACKSHAFT DRIVE**

ITEM	NUMBER	QTY	DESCRIPTION
28	101074M2	1	SHIELD WLMT (PRIOR S/N HR36101)
29	101075M1	1	BRACKET, SHIELD SUPPT(PRIOR S/N HR36101)
	70921210	4	CAPSCREW, 3/8-16 X 1
	70917378	4	WASHER, PLAIN, 3/8
	70916965	4	LOCKWASHER, 3/8
	70916950	4	NUT, HEX, 3/8-16
30	102934M1	1	BRACKET (PRIOR S/N HR36101)
31	2637890W1	1	BRACKET, SHIELD (PRIOR S/N HR36101)
32	2503350W1	1	SHEAVE, SPREADER DRIVER, MAIN CNTRSHFT
	71385836	1	SHEAVE, CHOPPER DRIVER, MAIN CNTRSHFT (PRIOR S/N HR36101)
	71406327	1	SHEAVE, CHOPPER DRIVER (EFF S/N HR36101)
33	Y61879	1	KEY, SQUARE, 1/2 X 2-1/2 LG
34	70921169	1	CAPSCREW, 3/4-16 X 1-1/2 GR8
	104751W1	1	WASHER, .78 ID X 2.5 OD X 3/8
35	2619380W1	1	SPACER, MAIN COUNTERSHAFT
36	2630100W2	1	CHAIN, IDLER TENSIONER
37	71353127	1	SPACER, IDLER (EFF. S/N HR36101)
38	71312602	1	SPACER, IDLER (EFF. S/N HR36101)
40	70925094	AR	TIE, NYLON LOCKING, .184 X 7 LG

MC00044  
PR: 204

### CHALLENGER 670 COMBINE CHOPPER & SPREADER

#### STRAW CHOPPER DRIVE



**CHALLENGER 670 COMBINE  
CHOPPER & SPREADER**

287

**STRAW CHOPPER DRIVE**

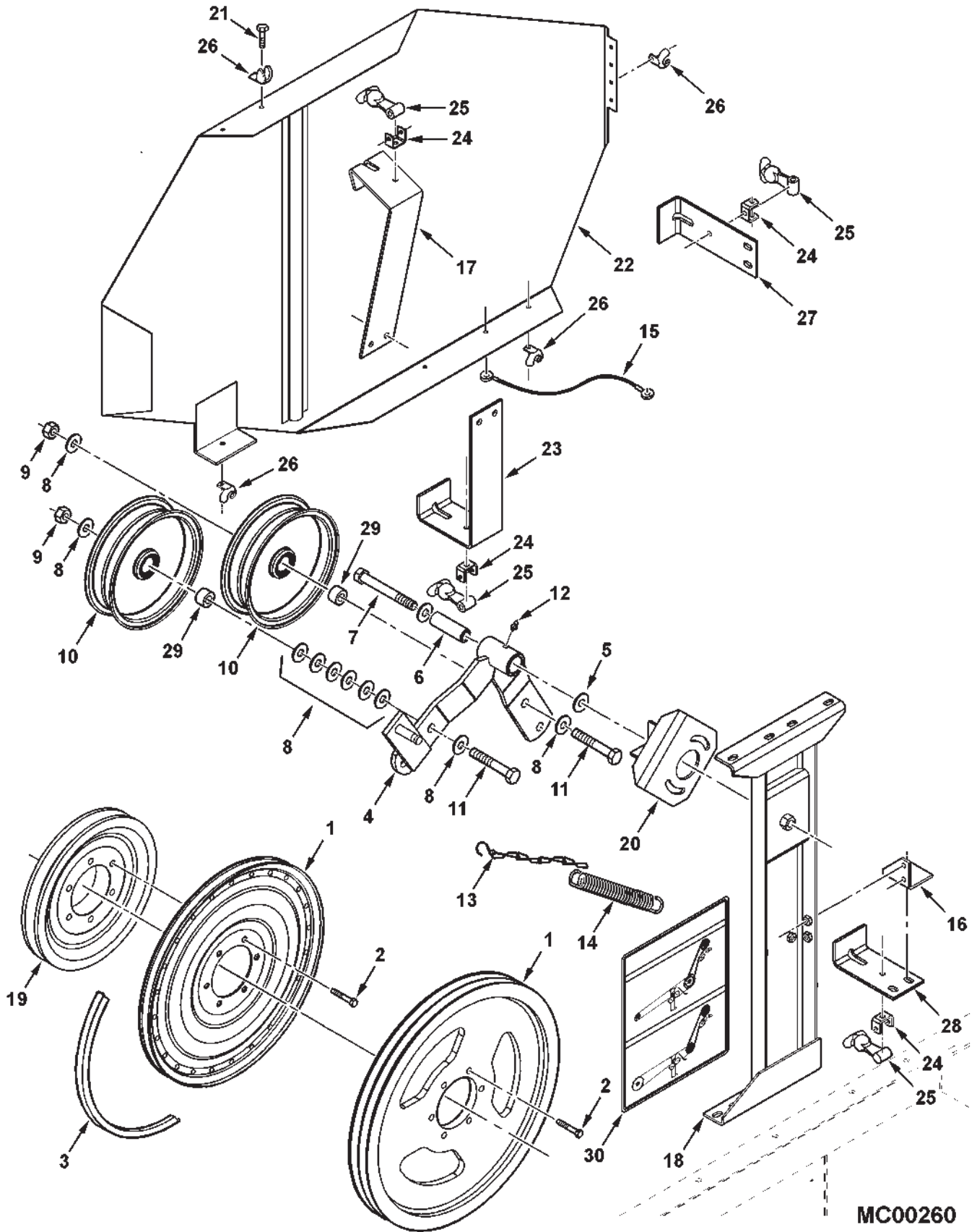
ITEM	NUMBER	QTY	DESCRIPTION
1	2628340W1	1	SHEAVE, 17.5 DIA (HIGH SPEED)(PRIOR S/N HR36101)
	71406332	1	SHEAVE, CHOPPER,17.5 D (EFF.S/N HR36101)
	339376X1	6	LOCKWASHER, M10
	3009495X1	6	CAPSCREW, M10-1.5 X 40 CL8.8
2	70921324	6	CAPSCREW, 3/8-16 X 3-3/4 (PRIOR HR36101)
3	71388712	1	BELT, SECONDARY DRIVE(PRIOR S/N HR36101)
	71406339	1	BELT, SECONDARY DRIVE (EFF. S/N HR36101)
4	71387307	1	ARM ASY, W/ BUSHINGS
	1689170W1	2	BUSHING, 1 ID X 3/4 LG
5	70923104	1	WASHER, .656 X 2.125 X .180
6	2441490W1	1	SLEEVE, 41/64 X 63/64 X 3-1/16
7	70925705	1	CAPSCREW, 5/8-11 X 5 GR5
	70918432	1	WASHER, WIDE, 5/8
8	70918432	17	WASHER, WIDE, 5/8 (PRIOR S/N HR36101)
9	700703922	2	NUT, HEX FLANGE TOP LOCK, 5/8-11
10	31-2455700	2	IDLER, FLAT, 8 3/4 OD
11	70925702	2	CAPSCREW, 5/8-11 X 3-1/2 GR5
12	70914465	1	LUBE FITTING, 1/8-27 PTF SPL. EXTR SHORT
13	2630100W2	1	CHAIN ASY, CHOPPER SPRING
	70925094	1	TIE, NYLON LOCKING, .184 X 7.3
14	101276M2	1	SPRING
15	112942W1	1	TETHER STRAP, 28IN.
16	71387845	1	BRACKET, SHIELD SUPPORT
	70921210	2	CAPSCREW, 3/8-16 X 1
	70916965	2	LOCKWASHER, 3/8
17	71388256	1	BRACKET, SHIELD SUPPORT
	70921210	2	CAPSCREW, 3/8-16 X 1
	Y704734	2	NUT, HEX FLNG TOP LOCK, 3/8-16
18	71387848	1	STAND WLMT, IDLER (PRIOR S/N HR36101) (SERVICE W/ 71406368)
	71406368	1	STAND WLMT, IDLER (EFF. S/N HR36101) (REQUIRES 71406364 STOP WLMT IT. 20)
	70921969	2	CAPSCREW, 3/8-16 X 1-1/2
	70921210	2	CAPSCREW, 3/8-16 X 1
	70917378	1	WASHER, WIDE 3/8
	Y704734	4	NUT, HEX FLANGE TOP LOCK, 3/8-16
19	103316M1	1	PULLEY (PRIOR S/N HR87101)
20	101411M91	1	STOP WLMT, IDLER (PRIOR S/N HR36101)
	70921210	2	CAPSCREW, 3/8-16 X 1
	353771X1	2	WASHER, HEAVY HARD 3/8
	70916965	2	LOCKWASHER, 3/8
	71406364	1	STOP WLMT, IDLER (EFF. S/N HR36101)
	70923114	2	CAPSCREW, 1/2-13 X 1 GR5
	Y705046	2	LOCKWASHER, 1/2
	705541	2	WASHER, HARD, 1/2
21	700705088	4	SCREW, PHILLIPS HD MACH, 10-24 X 3/4
	3725830M1	4	LOCKNUT, HEX SERR FLANGE, 10-24
22	71388736	1	SHIELD ASSEMBLY

CONTINUED

MC00260  
PR: 206

CHALLENGER 670 COMBINE  
CHOPPER & SPREADER

STRAW CHOPPER DRIVE



**CHALLENGER 670 COMBINE  
CHOPPER & SPREADER**

289

**STRAW CHOPPER DRIVE**

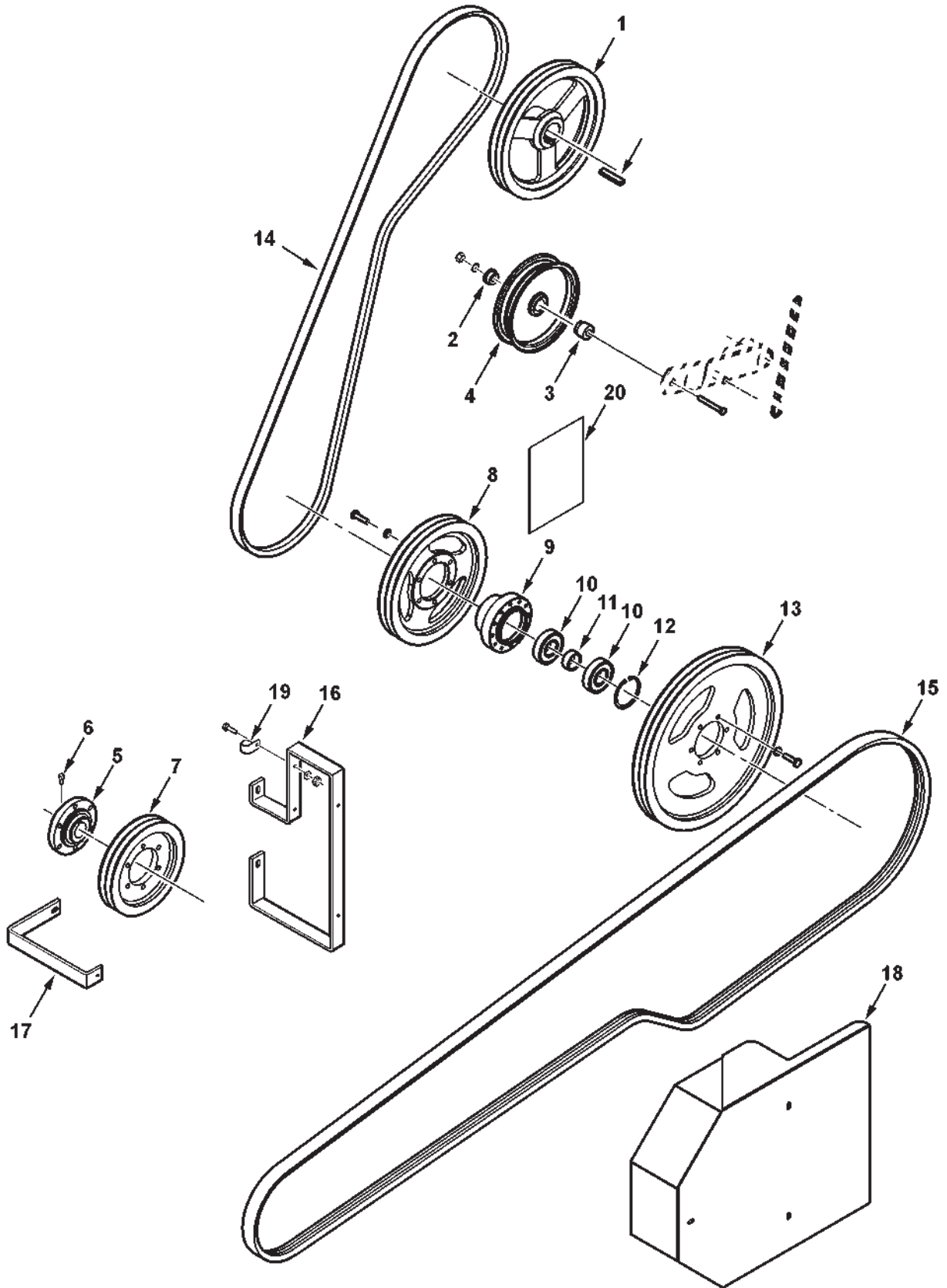
ITEM	NUMBER	QTY	DESCRIPTION
23	101069M1	2	BRACKET
	70921210	2	CAPSCREW, 3/8-16 X 1
	Y704734	2	NUT, HEX FLANGE TOP LOCK, 3/8-16
24	1787520W1	4	BRACKET, LATCH ANCHOR
	70921332	2	CAPSCREW, 5/16-18 X 3/4 GR5
	Y704726	2	NUT, HEX FLANGE TOP LOCK, 5/16-18
25	776682	4	LATCH, RUBBER
	Y703140	4	CAPSCREW, 1/4-20 X 1-3/4
	1703354	4	NUT, HEX FLANGE TOP LOCK, 1/4-20
26	8722910	4	CATCH, SHIELD
27	101065M1	1	BRACKET, SUPPORT
	70921210	2	CAPSCREW, 3/8-16 X 1
	Y704734	2	NUT, HEX FLANGE TOP LOCK, 3/8-16
28	101066M1	1	BRACKET, SUPPORT
	70921210	2	CAPSCREW, 3/8-16 X 1
	Y704734	2	NUT, HEX FLANGE TOP LOCK, 3/8-16
29	2451440W1	2	SPACER, IDLER (EFF. S/N HR36101)
30	71408765	1	DECAL, CHOPPER DRIVE (EFF. S/N HR36101)
-	71400066	1	KIT, STRAW CHOPPER, REDEKOP (FIELD INSTALLED)(PRIOR S/N HR36101)
-	71407160	1	KIT, STRAW CHOPPER, REDEKOP (FIELD INSTALLED)(EFF. S/N HR36101) (ORDER THRU DEALER CENTRAL)

MC00260  
PR: 206



CHALLENGER 670 COMBINE  
CHOPPER & SPREADER

STRAW CHOPPER DRIVE KIT  
HEAVY DUTY



**CHALLENGER 670 COMBINE  
CHOPPER & SPREADER**

291

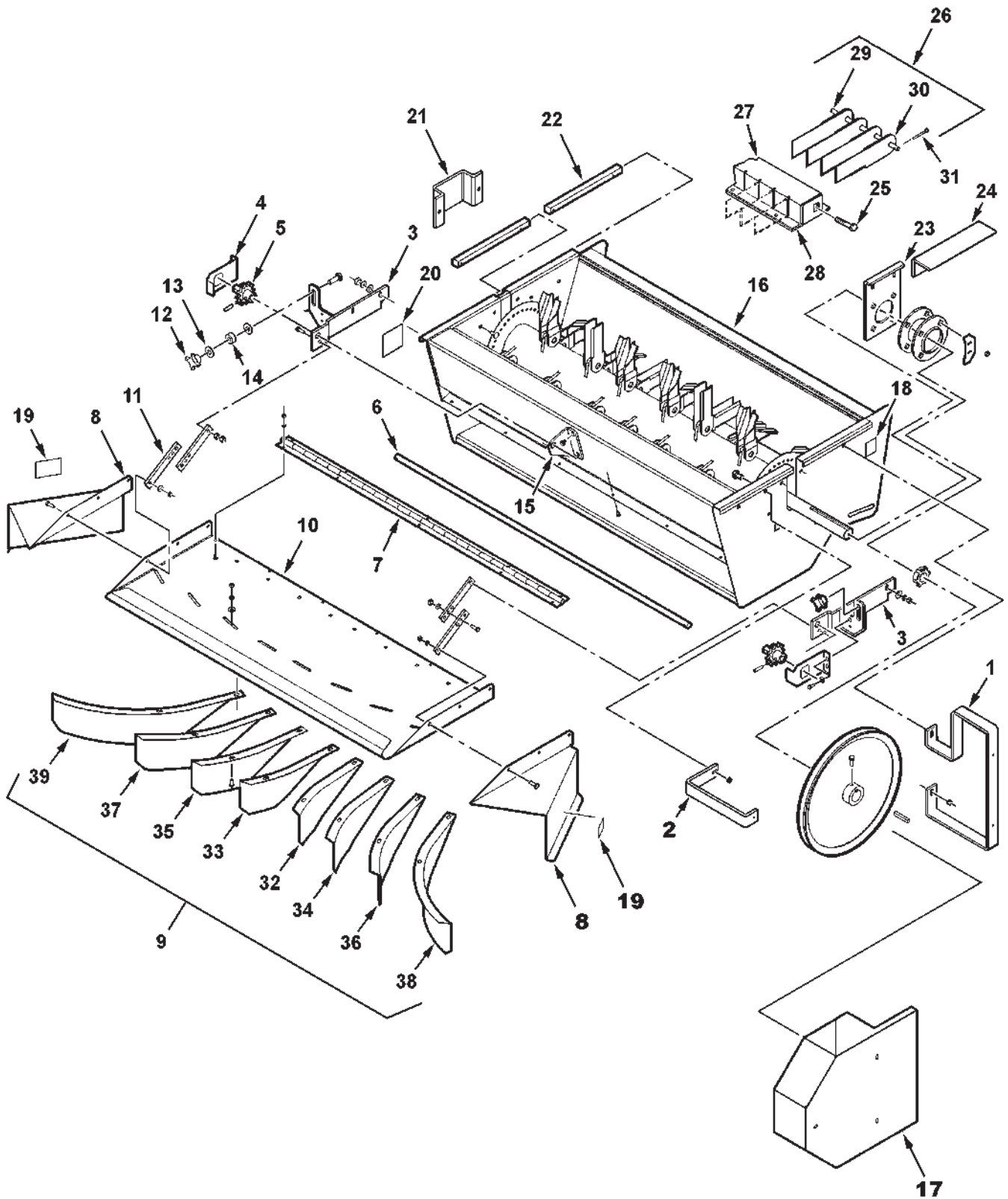
**STRAW CHOPPER DRIVE KIT  
HEAVY DUTY**

ITEM	NUMBER	QTY	DESCRIPTION
-	700953657	AR	KIT, STRAW CHOPPER DRIVE (PRIOR S/N HR36101)
1	71406327	1	DRIVE SHEAVE, CHOPPER
2	71312602	1	SPACER, IDLER, .60 WIDE
3	71353127	1	SPACER, IDLER, 1.20 WIDE
4	71309767	1	IDLER, FLAT, 8 DIA
	70921671	1	CAPSCREW, 5/8-11 X 3-1/4 GR5
5	71406334	1	HUB, CHOPPER DRIVE
6	3009627X1	3	SETSCREW, SQ HD, M10-1.5 X 20
7	71406333	1	SHEAVE, CHOPPER, DRIVEN
	3001429X1	6	CAPSCREW, M10-1.5 X 35 CL8.8
	339376X1	6	LOCKWASHER, M10
8	71406328	1	SHEAVE, DRIVEN, JACKSHAFT
	3009495X1	6	CAPSCREW, M10-1.5 X 40 CL8.8
	339376X1	6	LOCKWASHER, M10
9	71406330	1	HUB, CHOPPER JACKSHAFT
10	354920X1	2	BEARING, BALL
11	2619180W1	1	SPACER, BEARING, JACKSHAFT
12	70925997	1	RING, RETAINING, INTERNAL
13	71406332	1	SHEAVE, DRIVE, JACKSHAFT
	3009495X1	6	CAPSCREW, M10-1.5 X 40 CL8.8
	339376X1	6	LOCKWASHER, M10
14	71406361	1	BELT, PRIMARY CHOPPER DRIVE
15	71406339	1	BELT, SECONDARY CHOPPER DRIVE
16	71409451	1	BRACKET, SHIELD, FRONT
17	71409452	1	BRACKET, SHIELD, REAR
18	71409453	1	SHIELD WLDMT, CHOPPER DR.
	7703457	3	CAPSCREW, 1/4-20 X 3/4 GR5
	70917377	3	WASHER, 1/4, WIDE
	705012	3	LOCKWASHER, 1/4 REG
19	700725918	2	J-CLIP, 5/16 TUBE X .281 HOLE
	7703457	2	CAPSCREW, 1/4-20 X 3/4 GR5
	70917377	2	WASHER, 1/4, WIDE
	705012	2	LOCKWASHER, 1/4 REG
20	71408765	1	DECAL, CHOPPER BELT DRIVE

MC00392  
PR: t05e24o48b0002

CHALLENGER 670 COMBINE  
CHOPPER & SPREADER

STRAW CHOPPER HOUSING  
REDEKOP



**CHALLENGER 670 COMBINE  
CHOPPER & SPREADER**

293

**STRAW CHOPPER HOUSING  
REDEKOP**

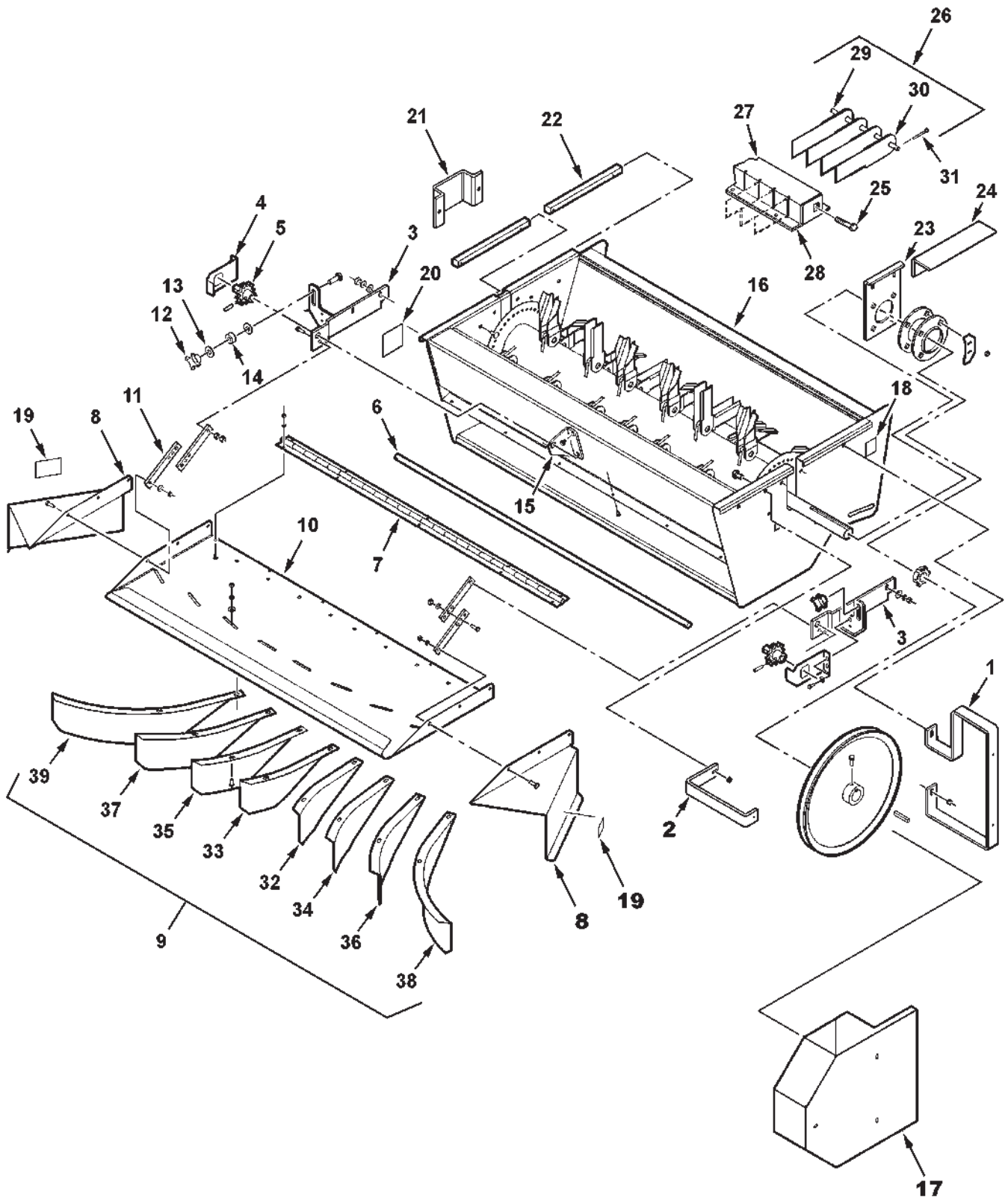
ITEM	NUMBER	QTY	DESCRIPTION
1	116247W91	1	BRACKET, DRIVE SHIELD(PRIOR S/N HR36101)
	71409451	1	BRACKET, DRIVE SHIELD (EFF. S/N HR36101)
	70922786	2	BOLT, RD HD SQ NK, 3/8-16 X 1.0
2	704247	2	LOCKNUT, HEX SERR FLANGE, 3/8-16
	116246W91	1	BRACKET, DRIVE SHIELD(PRIOR S/N HR36101)
	71409452	1	BRACKET, DRIVE SHIELD (EFF. S/N HR36101)
3	7700461	1	BOLT, RD HD SHT SQ NK, 5/16-18 X 1
	70931277	1	LOCKNUT, HEX SERR FLANGE, 5/16-18
	71387842	1	BRACKET WELDMNT, CHOP/WINDROW (RH)
4	71387846	1	BRACKET WELDMNT, CHOP/WINDROW (LH)
	70922786	4	BOLT, RD HD SQ NK, 3/8-16 X 1.0
	70917378	4	WASHER, FLAT 3/8
	705038	4	LOCKWASHER, 3/8
5	70916950	4	HEXNUT, 3/8-16
	71388967	2	SHIELD, SPROCKET
	7703457	4	CAPSCREW, 1/4-20 X 3/4
	700709601	4	WASHER, FLAT 1/4
6	705012	4	LOCKWASHER, 1/4
	704007	4	HEXNUT, 1/4-20
7	71386195	2	SPROCKET
	70922080	2	PIN, SPIROL, 5/16 X 1-3/8
8	71389474	1	SHAFT, CHOPPER/WINDROWER
	71389451	1	HINGE, TAILPLATE
	70921958	14	CAPSCREW, 1/4-20 X 1/2
9	705012	14	LOCKWASHER, 1/4
	704007	14	HEXNUT, 1/4-20
	71383736	1	EXTENSION, TAILPLATE (RH)
	71383737	1	EXTENSION, TAILPLATE (LH)
	70921332	4	CAPSCREW, 5/16-18 X 3/4
	70921333	2	CAPSCREW, 5/16-18 X 1.0
10	Y705020	6	LOCKWASHER, 5/16
	70917372	6	HEXNUT, 5/16-18
	71393439	1	KIT, DEFLECTOR (8 DEFLECTORS) (INCLUDES ITEMS 32-39)
	7700461	16	BOLT, RD HD SHT SQ NK, 5/16-18 X 1.0
11	700709602	8	WASHER, 5/16 WIDE
	Y705020	16	LOCKWASHER, 5/16
	70917372	16	HEXNUT, 5/16-18
12	71389473	1	TAILPLATE
	71378250	4	STRAP, TAILPLATE
	70921333	4	CAPSCREW, 5/16-18 X 1.0
	Y705020	4	LOCKWASHER, 5/16
13	70917372	4	HEXNUT, 5/16-18
	71379249	2	KNOB
14	768226	2	BOLT, RD HD SQ NK, 1/2-13 X 1-3/4
	70918431	4	WASHER, PLAIN WIDE 1/2
15	D49080090	2	WASHER, RUBBER
	71387351	1	BRACKET, CHOP/WINDROW
	70924856	2	SCREW, HX WSH HD TAP'G 5/16-18 X 1/2

CONTINUED

MC00357  
PR: 208

### CHALLENGER 670 COMBINE CHOPPER & SPREADER

#### STRAW CHOPPER HOUSING REDEKOP



**CHALLENGER 670 COMBINE  
CHOPPER & SPREADER**

295

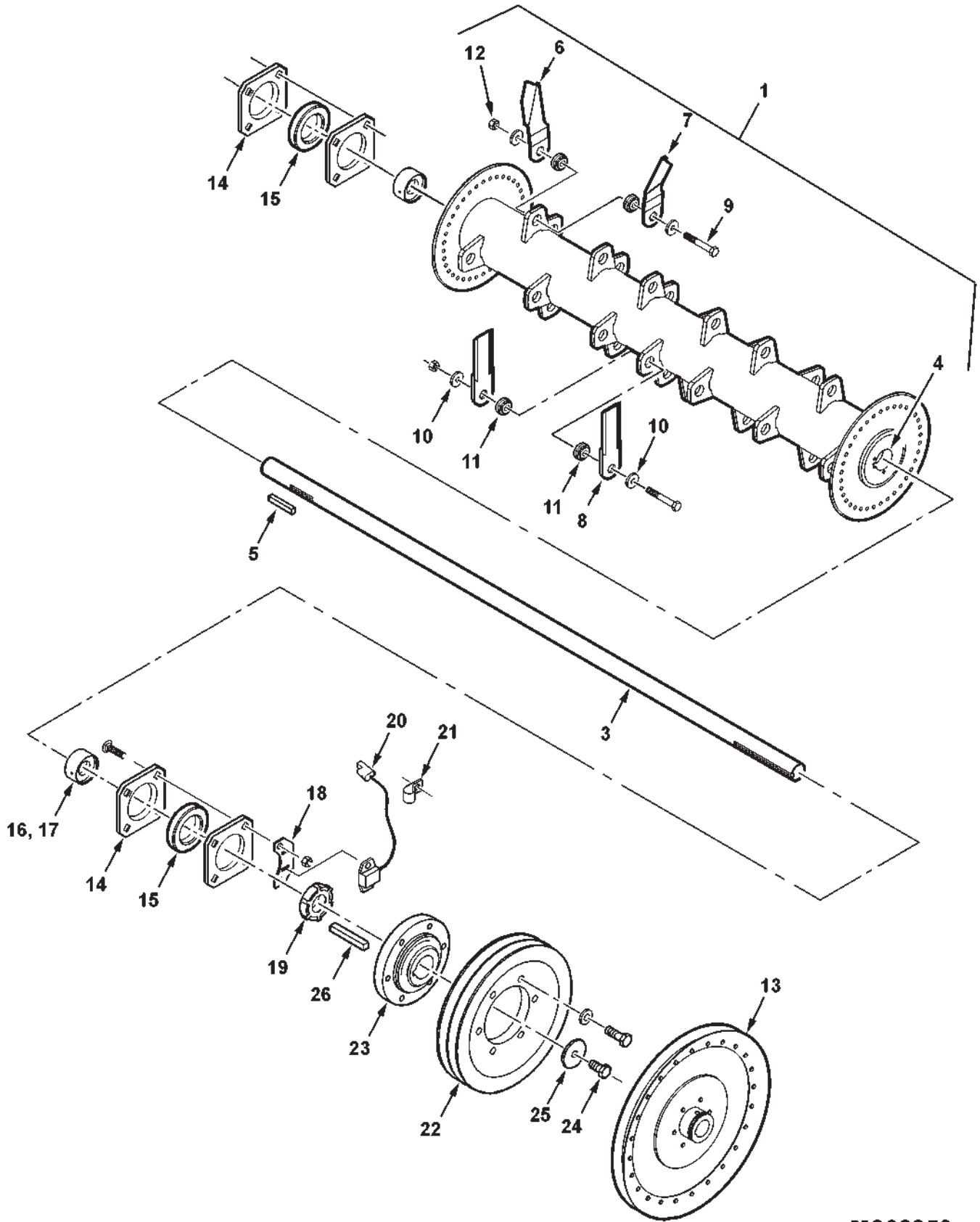
**STRAW CHOPPER HOUSING  
REDEKOP**

ITEM	NUMBER	QTY	DESCRIPTION
16	71395245	1	CHOPPER HSG.& ROTOR ASY(INCL. ITS 21-31) (PRIOR S/N HR36101)
	71409833	1	CHOPPER HSG.& ROTOR ASY(INCL. ITS 21-31) (EFF. S/N HR36101)
	71395247	1	HOUSING WLMT, CHOPPER(PRIOR S/N HR36101)
	71409835	1	HOUSING WLMT, CHOPPER (EFF. S/N HR36101)
17	103342W91	1	SHIELD WLMT (PRIOR S/N HR36101)
	71409453	1	SHIELD WLMT (EFF. S/N HR36101)
	7703457	3	CAPSCREW, 1/4-20 X 3/4
	705012	3	LOCKWASHER, 1/4
	700709601	3	WASHER, 1/4, WIDE
18	111091W1	1	LABEL, DANGER
19	111737W1	2	LABEL, WARNING
20	105177W1	1	LABEL, CHOPPER KNIVES
21	116250W1	1	BRACKET, SHAFT COVER
	7700461	2	BOLT, RD HD SHT SQ NK, 5/16-18 X 3/4
	70931277	2	LOCKNUT, HEX SERR FLANGE, 5/16-18
	PZND1041V	2	OR, BOLT, RD HD SQ NK, M8-1.25 X 20
	3019124X1	2	NUT, HEX FLANGE, M8-1.25
22	116249W1	4	RUNNER, RAIL
	70937280	8	SCREW, PAN HD TAPPING, #8-32 X 3/4
	70937550	8	OR, SCREW, PAN HD TAPPING, #8-18 X 3/4
23	116248W91	2	PLATE, BEARING MOUNT
	7770282	4	BOLT, RD HD SHT SQ NK 5/16-18 X 1/2
	70931277	4	LOCKNUT, HX FLNG SERR, 5/16-18
24	71397989	1	BRACKET, CHOPPER (PRIOR S/N HR36101)
	7770456	2	BOLT, RD HD SHT SQ NK, 3/8-16 X 3/4
	704247	2	LOCKNUT, HEX SERR FLANGE, 3/8-16
	390809X1	2	OR, BOLT, RD HD SQ NK, M10-1.5 X 20
	3019125X1	2	NUT, HEX FLANGE, M10-1.5
25	68619	2	BOLT, RD HD SQ NK, 1/2-13 X 1-1/4 (PRIOR S/N HR36101)
	Y705046	2	LOCKWASHER, 1/2
	Y705624	2	WASHER, 1/2 NARROW
	704031	2	HEXNUT, 1/2-13
	385391X1	2	BOLT, RD HD SQ NK, M12-1.75 X 35 (EFF. S/N HR36101)
	3009695X1	2	NUT, HEX FLANGE, M12-1.75
	391212X1	2	WASHER, M12
26	71395249	1	KNIFE BAR ASY, CHOPPER (INCL. 27-31)
27	71398402	1	SUPPORT WLDMT, STATIONARY KNIFE
28	71398401	1	SUPPORT PLATE ASY, STATIONARY KNIFE BAR
	70930594	16	SCREW, HEX FLNG SERR, 1/4-20 X 3/4
	70931209	16	LOCKNUT, HEX FLNG SERR, 1/4-20
29	71398403	1	ROD, KNIFE BAR
30	71382269	31	KNIFE, STATIONARY
31	70918447	2	COTTER PIN, 3/32 X 3/4
32	71406951	1	DEFLECTOR, RH #1
33	71406952	1	DEFLECTOR, LH #1
34	71406953	1	DEFLECTOR, RH #2
35	71406954	1	DEFLECTOR, LH #2
36	71406970	1	DEFLECTOR, RH #3
37	71406971	1	DEFLECTOR, LH #3
38	71406972	1	DEFLECTOR, RH #4
39	71406973	1	DEFLECTOR, LH #4

MC00357  
PR: 208

CHALLENGER 670 COMBINE  
CHOPPER & SPREADER

STRAW CHOPPER  
ROTOR



**CHALLENGER 670 COMBINE  
CHOPPER & SPREADER**

297

**STRAW CHOPPER  
ROTOR**

ITEM	NUMBER	QTY	DESCRIPTION
1	71395246	1	ROTOR ASY, CHOPPER (INCL. IT 2-12) (PRIOR S/N HR36101)
	71409834	1	ROTOR ASY, CHOPPER (INCL. IT 6-12) (EFF. S/N HR36101)
2	-----	1	ROTOR WLDMT, CHOPPER (ORDER ITEM 1)
3	-----	--	SHAFT, (NOT SERVICED)
4	-----	--	HUB, (NOT SERVICED)
5	-----	--	KEY, (NOT SERVICED)
6	71382758	20	BLADE, PADDLE, LEFT
7	71382759	20	BLADE, PADDLE, RIGHT
8	71395250	20	BLADE, STRAIGHT
9	70932612	30	CAPSCREW, 3/8-16 X 2-1/2 GR8 (PRIOR S/N HR36101)
	3010842X1	30	CAPSCREW, M10-1.5 X 60 CL10.9 (EFF. S/N HR36101)
10	71382256	60	WASHER, HARD, CHOPPER BLADE
11	71382257	60	BUSHING, CHOPPER BLADE
12	70919439	30	NUT, NYLON LOCK, 3/8-16 (PRIOR S/N HR36101)
	3010442X1	30	NUT, HEX LOCK, M10-1.5 (EFF S/N HR36101)
13	116082W1	1	SHEAVE, DRIVEN (PRIOR S/N HR87101)
	2620190W1	1	KEY, SQUARE, 3/8 X 2.35 LG
	70923326	2	SETSCREW, SQ HD, 3/8 X 1
14	70917421	2	JAM NUT, 3/8-16 UNC
	17789	4	FLANGETTE, BEARING, 80MM
	70931809	6	BOLT, RD HD SQ NK, 1/2-13 X 1-1/4 (PRIOR S/N HR36101)
	70931810	2	BOLT, RD HD SQ NK, 1/2-13 X 1-3/4 (PRIOR S/N HR36101)
	Y705046	8	LOCKWASHER, 1/2
	704031	8	HEXNUT, 1/2-13
	385391X1	6	BOLT, RD HD SQ NK, M12-1.75 X 35 (EFF. S/N HR36101)
	3009340X1	2	BOLT, RD HD SQ NK, M12-1.75 X 45
	3009695X1	8	NUT, HEX FLANGE, M12-1.75
	71122510	2	BEARING, W/ COLLAR
16	116953W91	2	ANTI-WRAP WLDMT
17	70906852	2	SETSCREW, HEX SOCKET, 5/16-18 X 3/4
18	71315785	1	BRACKET, SENSOR
	70913744	2	JAM NUT, 1/2-13 UNC
19	71315780	1	COLLAR WLDMT, SENSING
20	71391021	1	SENSOR, 2 WIRE
	70931317	2	BOLT, RD HD SQ NK, 1/4-20 X 3/4
	705012	2	LOCKWASHER, 1/4
	70916622	2	NUT, 1/4-20 REG

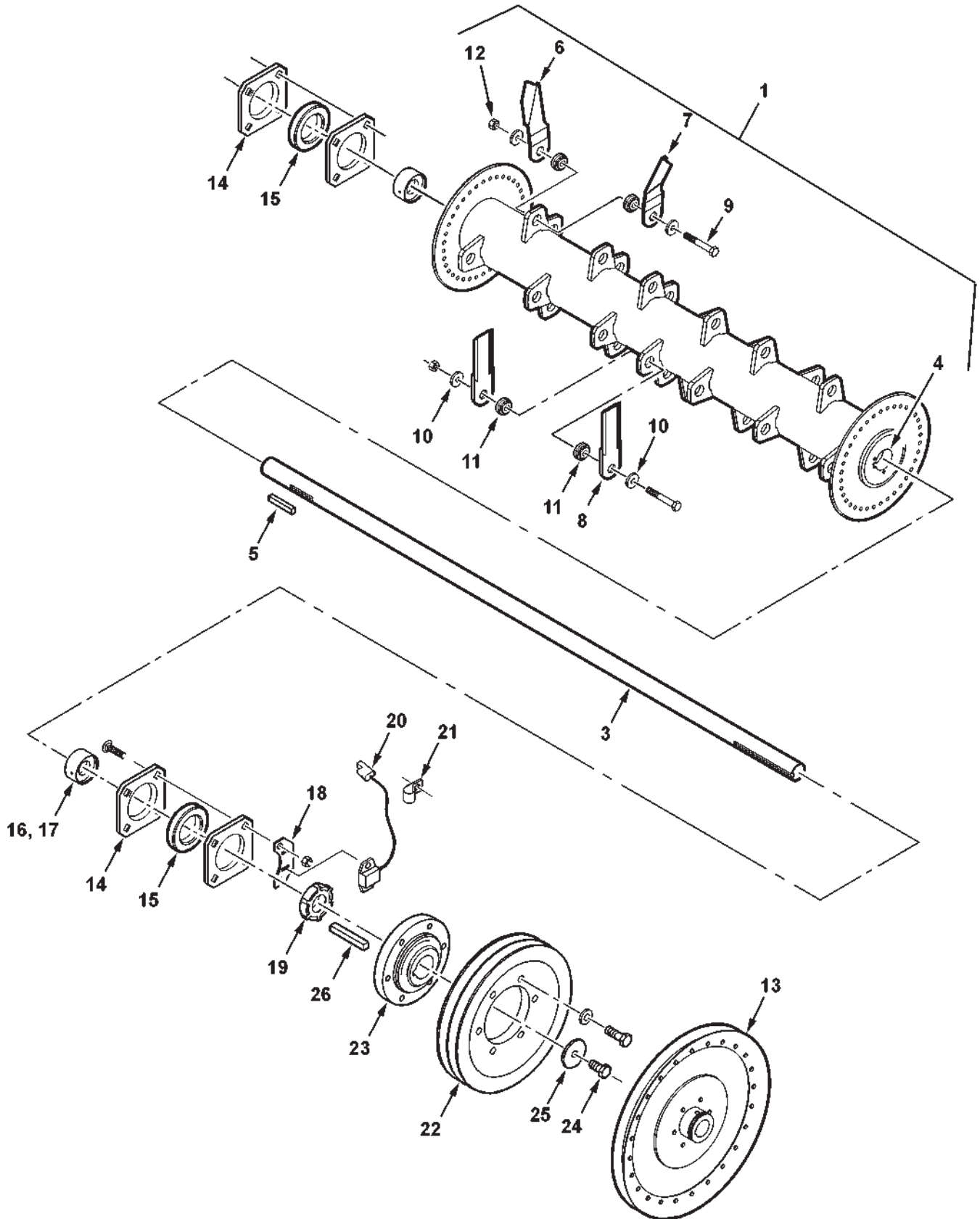
CONTINUED

MC00358  
PR: 212



CHALLENGER 670 COMBINE  
CHOPPER & SPREADER

STRAW CHOPPER  
ROTOR



**CHALLENGER 670 COMBINE  
CHOPPER & SPREADER**

299

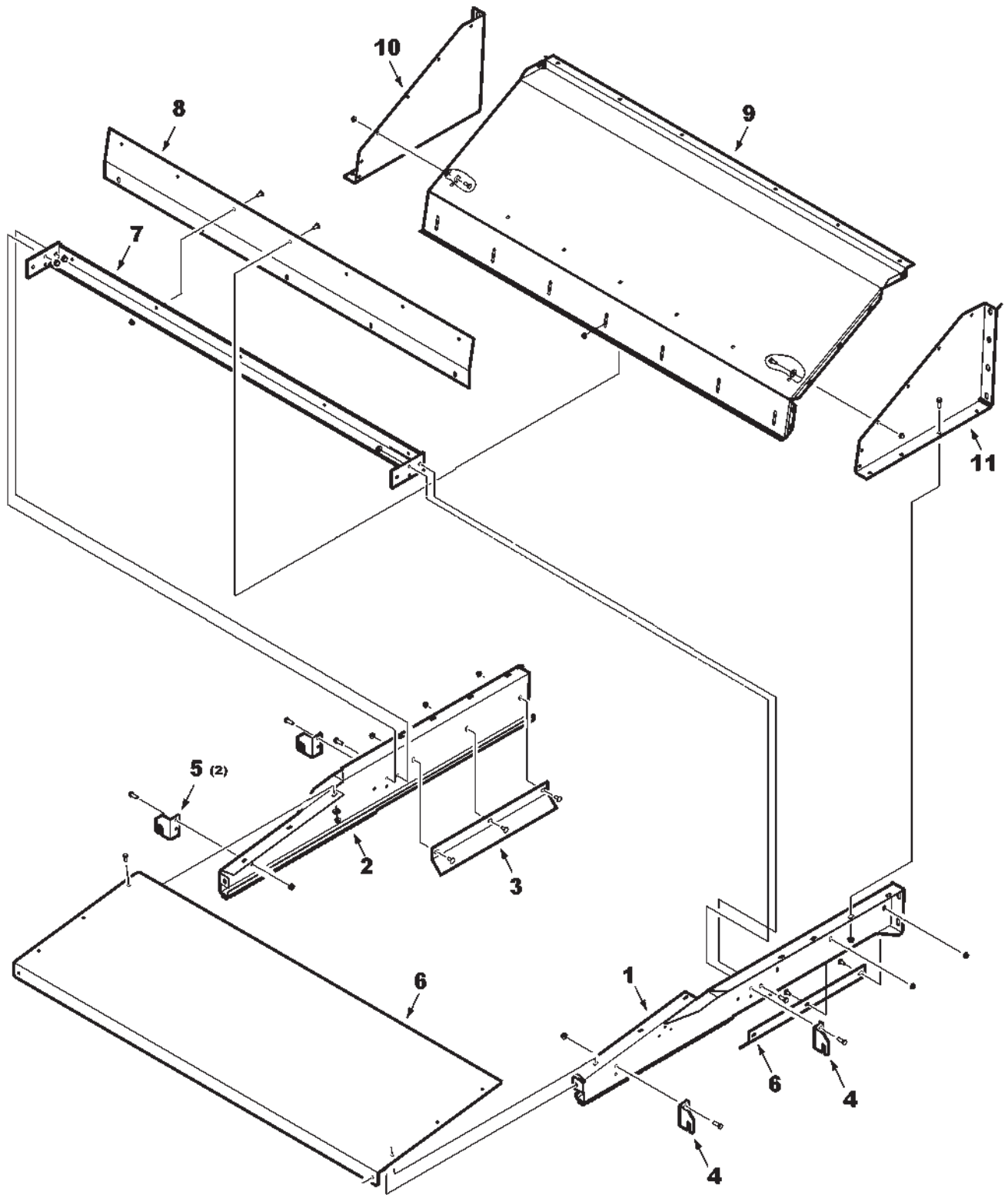
**STRAW CHOPPER  
ROTOR**

ITEM	NUMBER	QTY	DESCRIPTION
21	700725918	2	J-CLIP, OPEN, 5/16 X .281 HOLE
	7703457	2	CAPSCREW, 1/4-20 X 3/4
	705012	2	LOCKWASHER, 1/4
	70917377	2	WASHER, 1/4 WIDE
22	71406333	1	SHEAVE, CHOPPER,9.4 DIA(EFF.S/N HR36101)
	339376X1	6	LOCKWASHER, 10M
	3001429X1	6	CAPSCREW, M10-1.5 X 35 CL8.8
23	71408762	1	HUB, CHOPPER SHEAVE (EFF. S/N HR36101)
	3009627X1	2	SETSCREW, SQ HD, M10-1.5 X 20
24	700708349	1	CAPSCREW, M10-1.5 X 25 CL8.8
25	339768X1	1	WASHER, 11 X 45 X 3.5 THK (METRIC)
26	61234	1	KEY, SQ, 3/8 X 2-3/4 LG
-	71383932	--	KIT, PADDLE BLADE (INCL. 4 PDLs & HDWR) (INCL. ITEMS 6,7,9,10,11,12)
-	71383934	--	KIT, STRAIGHT BLADE(INCL. 4 BLDS & HDWR) (INCL. ITEMS 8-12)

MC00358  
PR: 212

CHALLENGER 670 COMBINE  
CHOPPER & SPREADER

STRAW CHOPPER HOOD & SUPPORTS



**CHALLENGER 670 COMBINE  
CHOPPER & SPREADER**

301

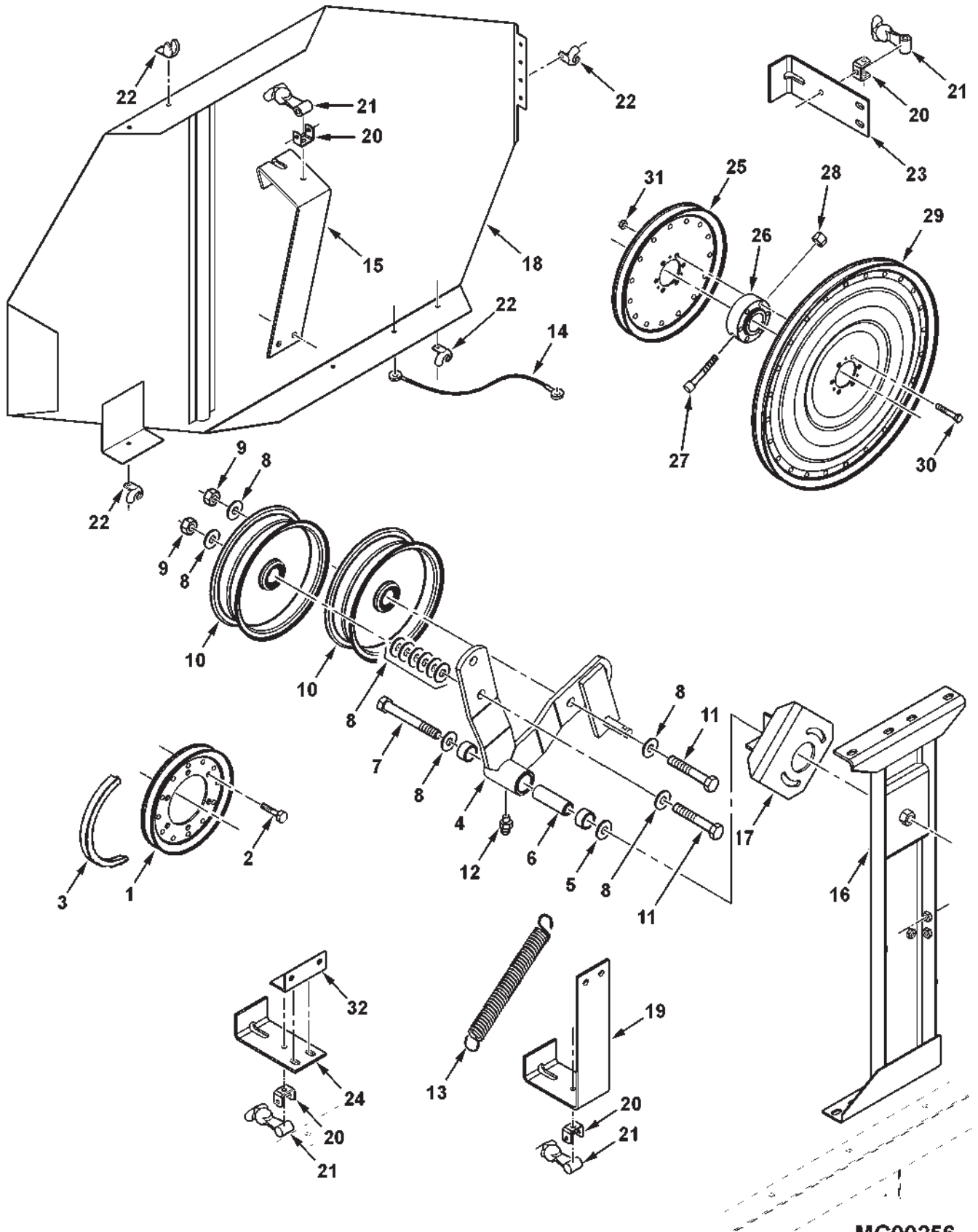
**STRAW CHOPPER HOOD & SUPPORTS**

ITEM	NUMBER	QTY	DESCRIPTION
1	71387357	1	RAIL ASY, SIDE (RH)
2	71387355	1	RAIL ASY, SIDE (LH)
	70923114	4	CAPSCREW, 1/2-13 X 1 GR5
	Y704742	4	NUT, HEX FLNG TOP LOCK, 1/2-13
3	104035W1	2	DEFLECTOR
4	71379261	2	PLATE, STOP (RH)
	70921210	4	CAPSCREW, 3/8-16 X 1
	Y704734	4	NUT, HEX FLNG TOP LOCK, 3/8-16
5	71379260	2	PLATE, STOP (LH)
	70921210	4	CAPSCREW, 3/8-16 X 1
	Y704734	4	NUT, HEX FLNG TOP LOCK, 3/8-16
6	71387801	1	PANEL, REAR
	70921332	8	CAPSCREW, HEX, 5/16-18 X 3/4
	Y704726	8	NUT, HFTLN 5/16-18
7	71376170	1	ANGLE ASSEMBLY
	70921210	8	CAPSCREW, 3/8-16 X 1
	Y704734	8	NUT, HFTLN 3/8-16
8	71376157	1	PANEL, COVER
	70921332	12	CAPSCREW, 5/16-18 X 3/4
	70917642	5	WASHER, 5/16
	Y704726	12	NUT, HFTLN 5/16-18
9	71376154	1	HOOD, TOP
	70921210	6	CAPSCREW, 3/8-16 X 1
	Y704734	6	NUT, HEX FLNG TOP LOCK, 3/8-16 (PRIOR S/N HN36101)
	70916965	6	LOCKWASHER, 3/8 (EFF S/N HN36101)
10	103339W1	1	HOOD, SIDE, (LH)
	70921332	6	CAPSCREW, 5/16-18 X 3/4
	70917642	6	WASHER, 5/16
	Y704726	6	NUT, HEX FLNG TOP LOCK, 5/16-18
	70921210	4	CAPSCREW, 3/8-16 X 1
	Y704734	4	NUT, HEX FLNG TOP LOCK, 3/8-16
	70923114	3	CAPSCREW, 1/2-13 X 1 GR5
	70921176	1	CAPSCREW, 1/2-13 X 1-1/4 GR5
	Y704742	4	NUT, HEX FLNG TOP LOCK, 1/2-13
11	103338W1	1	HOOD, SIDE, (RH)
	70921332	6	CAPSCREW, 5/16-18 X 3/4
	70917642	6	WASHER, 5/16
	Y704726	6	NUT, HEX FLNG TOP LOCK, 5/16-18
	70921210	4	CAPSCREW, 3/8-16 X 1
	Y704734	4	NUT, HEX FLNG TOP LOCK, 3/8-16
	70923114	4	CAPSCREW, 1/2-13 X 1 GR5
	Y704742	4	NUT, HEX FLNG TOP LOCK, 1/2-13

MC00261  
PR: 214

CHALLENGER 670 COMBINE  
CHOPPER & SPREADER

STRAW SPREADER  
DRIVE



**CHALLENGER 670 COMBINE  
CHOPPER & SPREADER**

**303**

**STRAW SPREADER  
DRIVE**

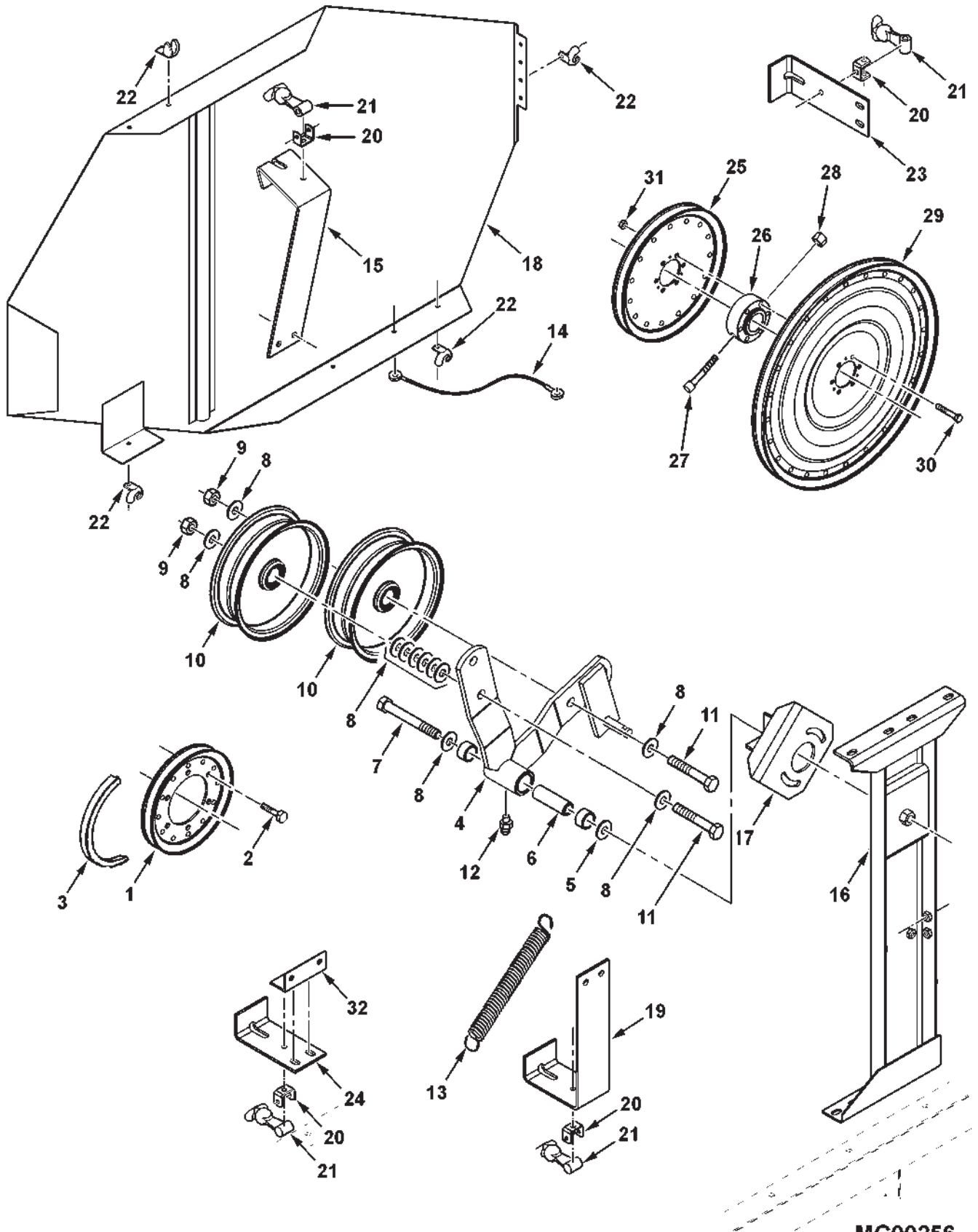
ITEM	NUMBER	QTY	DESCRIPTION
1	2628321W92	1	PULLEY, DRIVE
2	70923701	6	CAPSCREW, 3/8-16 X 2 GR5
	70916965	6	LOCKWASHER, 3/8
	70916950	6	NUT, 3/8-16, REG
3	1680230W1	1	BELT-SECONDARY DRIVE
4	71387307	1	ARM ASY, IDLER, W/ BUSHINGS
	1689170W1	2	BUSHING, 1 ID X 3/4 LG
5	70937480	1	WASHER, HARD, .66 X 2.25 X .165 TH
6	2441490W1	1	SLEEVE, 41/64 X 63/64 X 3-1/16
7	70925705	1	CAPSCREW, 5/8-11 X 5 GR5
8	70918432	17	WASHER, WIDE, 5/8
9	700703922	2	NUT, HEX FLANGE TOP LOCK, 5/8-11
10	31-2455700	2	IDLER, FLAT, 8-3/4 OD
11	70925702	2	CAPSCREW, 5/8-11 X 3-1/2 GR5
12	70914465	1	LUBE FITTING, 1/8-27 PTF, SPL EXTR SHORT
13	1579720W1	1	SPRING
14	112942W1	1	TETHER STRAP
15	71388256	1	BRACKET, SHIELD SUPPORT
16	71387848	1	STAND WLMT, IDLER (PRIOR S/N HR36101) (SERVICE W/ 71406368)
	71406368	1	STAND WLMT, IDLER (EFF. S/N HR36101) (REQUIRES 71406364 STOP WLMT IT. 17)
	70921210	2	CAPSCREW, 3/8-16 X 1 GR5
	70921969	2	CAPSCREW, 3/8-16 X 1-1/2 GR5
	70917378	1	WASHER, 3/8, WIDE
	Y704734	4	NUT, HEX FLANGE TOP LOCK, 3/8-16
17	101411M91	1	STOP WLMT, IDLER (PRIOR S/N HR36101)
	70921210	2	CAPSCREW, 3/8-16 X 1 GR5
	70916965	2	LOCKWASHER, 3/8
	353771X1	2	WASHER, HEAVY HARD, 3/8
	71406364	1	STOP WLMT, IDLER (EFF. S/N HR36101)
	70923114	2	CAPSCREW, 1/2-13 X 1 GR5
	Y705046	2	LOCKWASHER, 1/2
	705541	2	WASHER, HARD, 1/2
18	71388736	1	SHIELD ASSEMBLY
19	101069M1	1	BRACKET
	70921210	2	CAPSCREW, 3/8-16 X 1 GR5
	Y704734	2	NUT, HEX FLANGE TOP LOCK, 3/8-16
20	1787520W1	4	BRACKET, LATCH ANCHOR
	70921332	4	CAPSCREW, 5/16-18 X 3/4 GR5
	Y704726	4	NUT, HEX FLANGE TOP LOCK, 5/16-18

CONTINUED

MC00256  
PR: 216

CHALLENGER 670 COMBINE  
CHOPPER & SPREADER

STRAW SPREADER  
DRIVE



**CHALLENGER 670 COMBINE  
CHOPPER & SPREADER**

**305**

**STRAW SPREADER  
DRIVE**

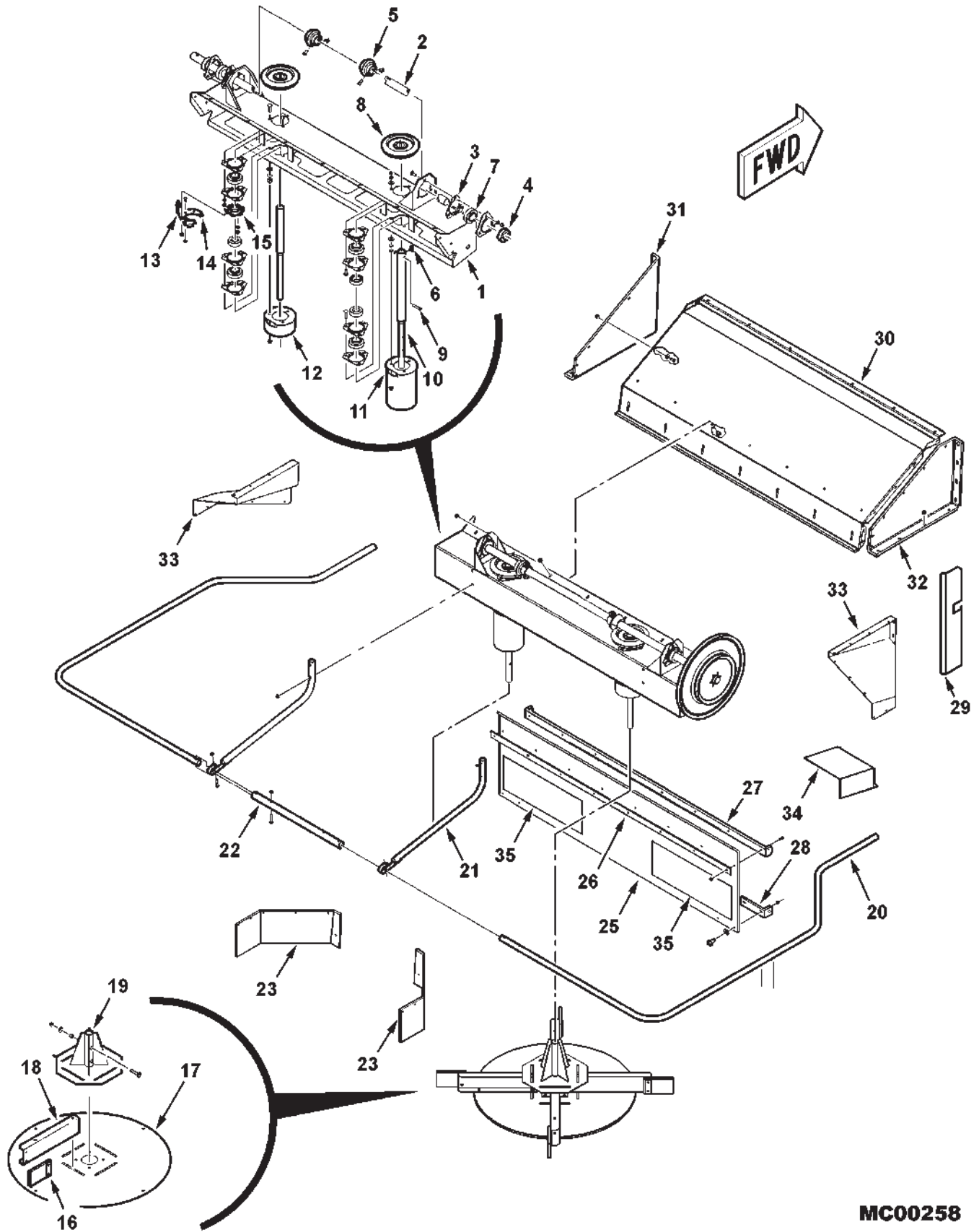
ITEM	NUMBER	QTY	DESCRIPTION
21	776682	4	LATCH, RUBBER
	70921962	4	CAPSCREW, 1/4-20 X 1-3/4 GR5
	1703354	4	NUT, HEX FLANGE TOP LOCK, 1/4-20
22	8722910	4	CATCH, SHIELD
	700705088	4	SCREW, PHILLIPS HD MACH, #10-24UNC X 3/4
	3725830M1	4	LOCKNUT, HEX SERR FLANGE, #10-24UNC
23	101065M1	1	BRACKET, SHIELD SUPPORT
	70921210	2	CAPSCREW, 3/8-16 X 1 GR5
	Y704734	2	NUT, HEX FLANGE TOP LOCK, 3/8-16
24	101066M1	1	BRACKET, SHIELD SUPPORT
	70921210	2	CAPSCREW, 3/8-16 X 1 GR5
	Y704734	2	NUT, HEX FLANGE TOP LOCK, 3/8-16
25	2631400W1	1	SHEAVE, DRIVEN, 10.00 OD
26	2573610W1	1	HUB
27	702670	1	BOLT, HEX SCKT HD, 3/8-16 X 2-3/4
28	10163	1	NUT, HEX CENTER LOCK, 3/8-16
29	2573370W1	1	SHEAVE, 16.88 OD
30	70921978	6	CAPSCREW, 5/16-18 X 2 GR5
31	Y704726	6	NUT, HEX FLANGE TOP LOCK, 5/16-18
32	71388717	1	ANGLE, SHIELD SUPPORT
	70921210	2	CAPSCREW, 3/8-16 X 1 GR5
	70916965	2	LOCKWASHER, 3/8
-	71400064	1	KIT, STRAW SPRDR, COMPLETE (PRIOR S/N HR36101)(ORDER THRU DEALER CENTRAL)
-	71408184	1	KIT, STRAW SPRDR,(CONVERSION OF CHOPPER TO SPREADER)(EFF. S/N HR36101) (ORDER THRU DEALER CENTRAL)

MC00256  
PR: 216



### CHALLENGER 670 COMBINE CHOPPER & SPREADER

#### STRAW SPREADER COMPONENTS



**CHALLENGER 670 COMBINE  
CHOPPER & SPREADER**

307

**STRAW SPREADER  
COMPONENTS**

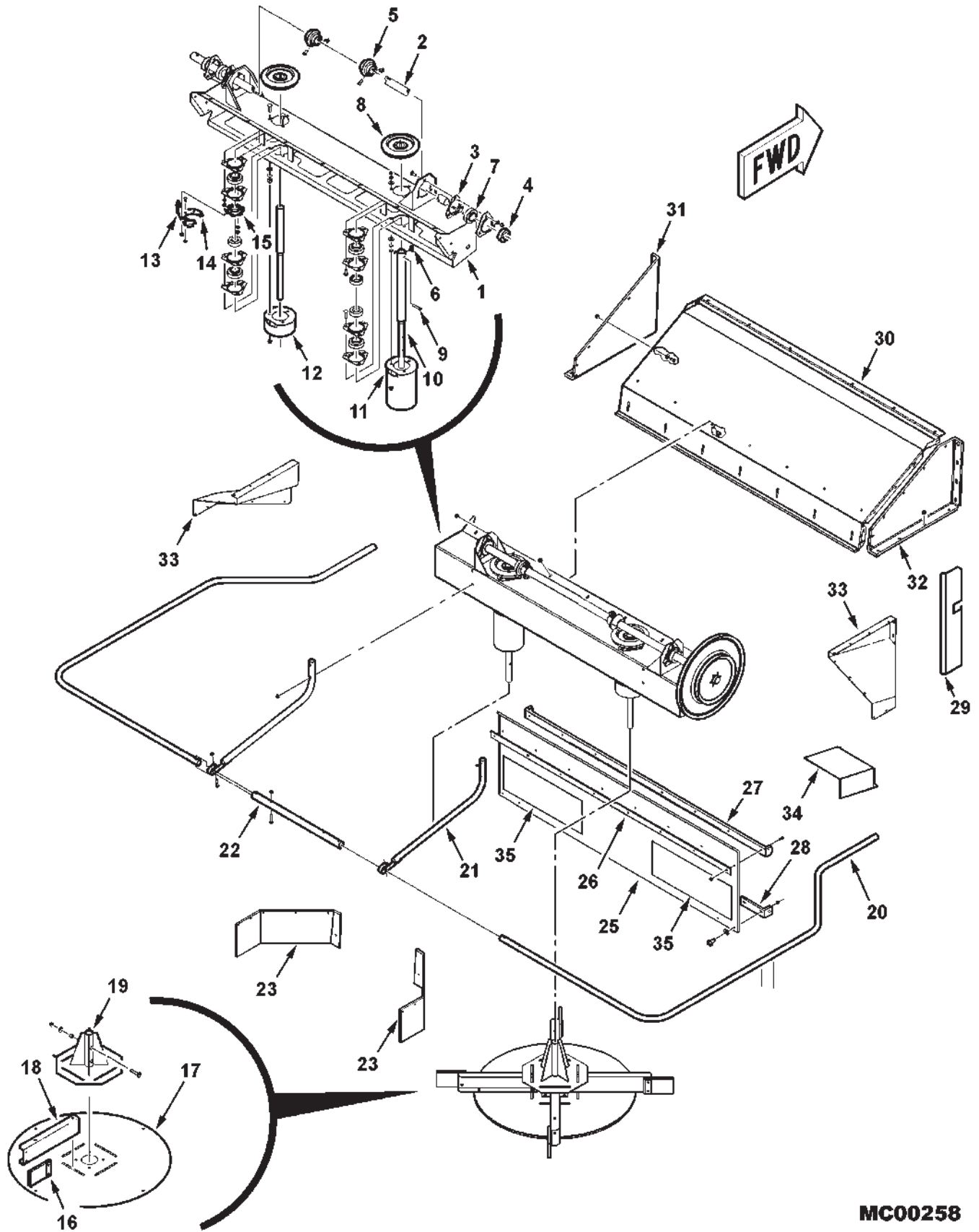
ITEM	NUMBER	QTY	DESCRIPTION
1	71391343	1	HOUSING
	70937294	1	GROMMET, RUBBER .312 X .750 X .156
	7700461	7	BOLT, RD HD SHT SQ NK, 5/16-18 X 3/4
	70921333	6	CAPSCREW, 5/16-18 X 1 GR5
	70917642	6	WASHER, 5/16 WIDE
	Y704726	13	NUT, HEX FLNG TOP LOCK, 5/16-18
2	71393384	1	SHAFT
3	71192243	12	FLANGE
	68759	10	BOLT, RHSSN, 3/8-16 X 1
	768036	8	BOLT, RHSSN, 3/8-16 X 1-1/2
	70916965	18	LOCKWASHER, 3/8
	70918266	9	WASHER, NARROW 3/8
	70916950	18	NUT, 3/8-16, REG
4	K4037	6	BEARING
5	71396226	2	GEAR, PINION 14T
	70920469	4	SETSCREW, SQ HD, 3/8-16 X 3/4
6	70905127	2	KEY, WOODRUFF, 5/16 X 1
7	K3999	5	COLLAR, LOCK
8	71393392	2	GEAR, DRIVEN, 35T
9	7771751	2	CAPSCREW, 5/16-18 X 3
	70923362	2	NUT, HEX CNTR LOCK, 5/16-18
10	71391576	1	SHAFT, SPREADER (LEFT)
	71391577	1	SHAFT, SPREADER (RIGHT)
11	71393389	1	CAN, ANTIWRAP (LEFT)
12	71393387	1	CAN, ANTIWRAP (RIGHT)
13	71391021	1	SENSOR, ASY 2 WIRE
14	71325553	1	BRACKET, MAGNETIC PICKUP
	70931317	2	BOLT, RD HD SHT SQ NK, 1/4-20 X 3/4
	70931209	2	LOCKNUT, HEX FLNG SERR 1/4-20
	70931209	2	LOCKNUT, HEX FLNG SERR 3/8-16
15	71393391	1	COLLAR, SENSING
16	71341450	8	PADDLE
	71341448	8	PLATE, BACKUP
	7700578	16	BOLT, RHSN, 5/16-18 X 1
	70923362	16	NUT, HEX CNTR LOCK, 5/16-18
17	71351200	2	DISK, LOWER
	70921965	8	CAPSCREW, 3/8-16 X 3/4
	70916965	8	LOCKWASHER, 3/8
	70916950	8	NUT, 3/8-16
18	71391579	8	BLADE
	7770456	16	BOLT, RHSSN, 3/8-16 X 3/4
	70917378	8	WASHER, WIDE 3/8
	70916965	8	LOCKWASHER, 3/8
	70916950	8	NUT, 3/8-16

CONTINUED

MC00258  
PR: 220

### CHALLENGER 670 COMBINE CHOPPER & SPREADER

#### STRAW SPREADER COMPONENTS



**CHALLENGER 670 COMBINE  
CHOPPER & SPREADER**

309

**STRAW SPREADER  
COMPONENTS**

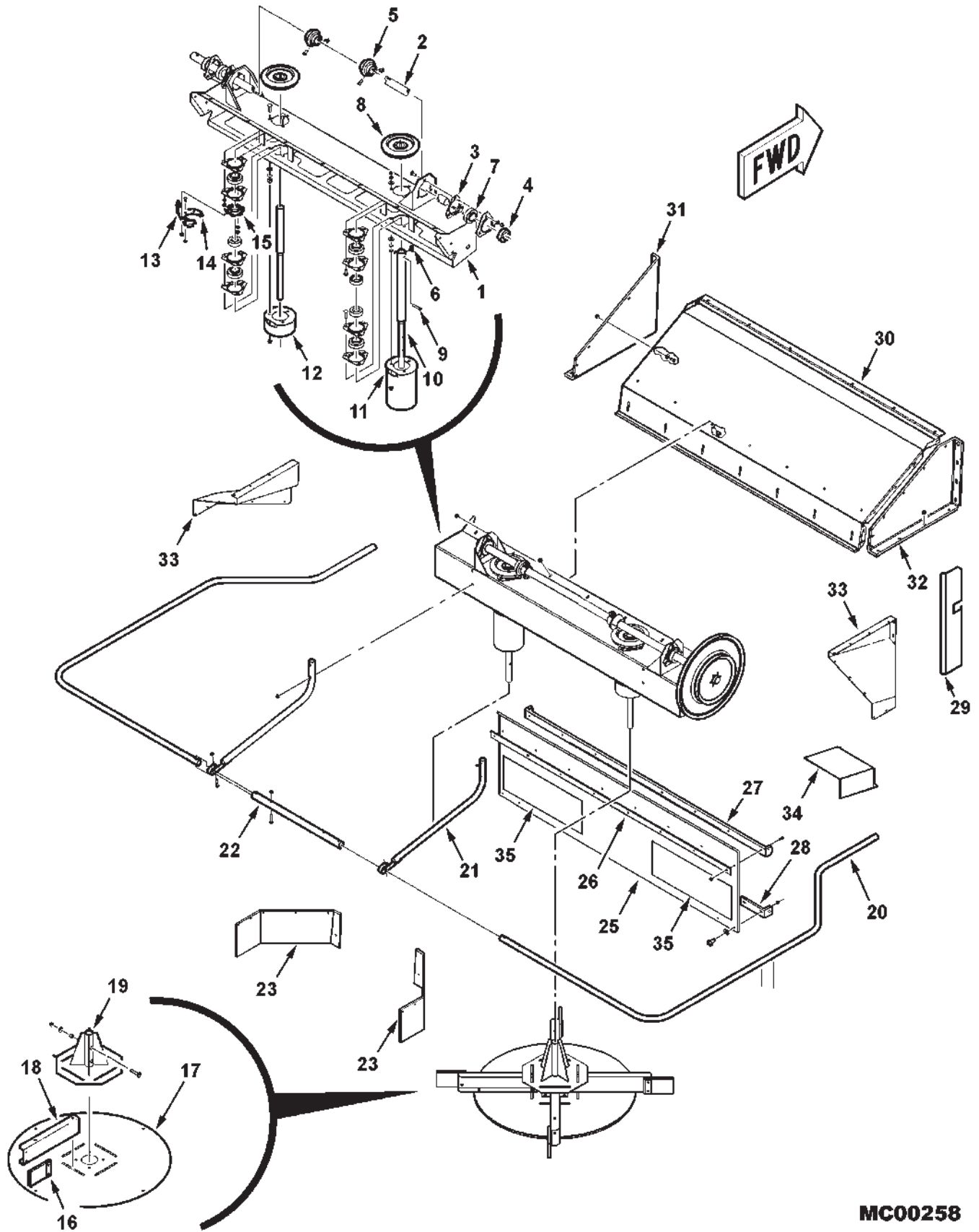
ITEM	NUMBER	QTY	DESCRIPTION
19	71407574	2	HUB
	7770456	8	BOLT, RHSSN, 3/8-16 X 3/4
	70917378	8	WASHER, WIDE 3/8
	70916965	8	LOCKWASHER, 3/8
	70916950	8	NUT, 3/8-16
	7701634	4	CAPSCREW, 3/8-16 X 2
	71345898	4	SPACER, HUB
	70917378	4	WASHER, 3/8
	Y704734	4	NUT, HEX FLNG TOP LOCK, 3/8-16
20	2636890W1	2	PIPE, GUARD
	70922127	4	CAPSCREW, 5/16-18 X 1-3/4
	76695	8	WASHER, LARGE FENDER 5/16
	Y704726	4	NUT, HEX FLANGE TOP LOCK, 5/16-18
21	71391592	2	SUPPORT, GUARD
	70922127	6	CAPSCREW, 5/16-18 X 1-3/4
	Y704726	6	NUT, HEX FLANGE TOP LOCK, 5/16-18
22	71376158	1	TUBE, GUARD CONNECTOR
	70922127	4	CAPSCREW, 5/16-18 X 1-3/4
	Y704726	4	NUT, HEX FLNG TOP LOCK, 5/16-18
23	71398421	2	CURTAIN, SIDE
	70921332	12	CAPSCREW, 5/16-18 X 3/4
	70917642	12	WASHER, 5/16
	Y704726	12	NUT, HEX FLANGE TOP LOCK, 5/16-18
25	71395236	1	CURTAIN, CTR
26	71395233	1	CURTAIN, ANGLE CTR
27	71393394	1	HANGER, CURTAIN CTR
	7703457	8	CAPSCREW, 1/4-20 X 3/4
	1703354	8	NUT, HEX FLANGE TOP LOCK, 1/4-20
	70921333	4	CAPSCREW, 5/16-18 X 1
	Y705608	8	WASHER, NARROW 5/16
	Y704726	4	NUT, HEX FLANGE TOP LOCK, 5/16-18
28	71395234	2	BRACKET, LOWER CURTAIN
	7703457	4	CAPSCREW, 1/4-20 X 3/4
	70917377	4	WASHER, WIDE 1/4
	1703354	4	NUT, HEX FLANGE TOP LOCK, 1/4-20
	98-2107	2	PIN, COTTER .148
29	71398424	1	SHIELD, BELT
30	71376154	1	HOOD, TOP
	70921210	6	CAPSCREW, HEX HD, 3/8-16 X 1
	Y704734	6	NUT, HEX FLANGE TOP LOCK, 3/8-16 (PRIOR S/N HN36101)
	70916965	6	LOCKWASHER, 3/8 (EFF. S/N HN36101)

CONTINUED

MC00258  
PR: 220

### CHALLENGER 670 COMBINE CHOPPER & SPREADER

#### STRAW SPREADER COMPONENTS



**CHALLENGER 670 COMBINE  
CHOPPER & SPREADER**

311

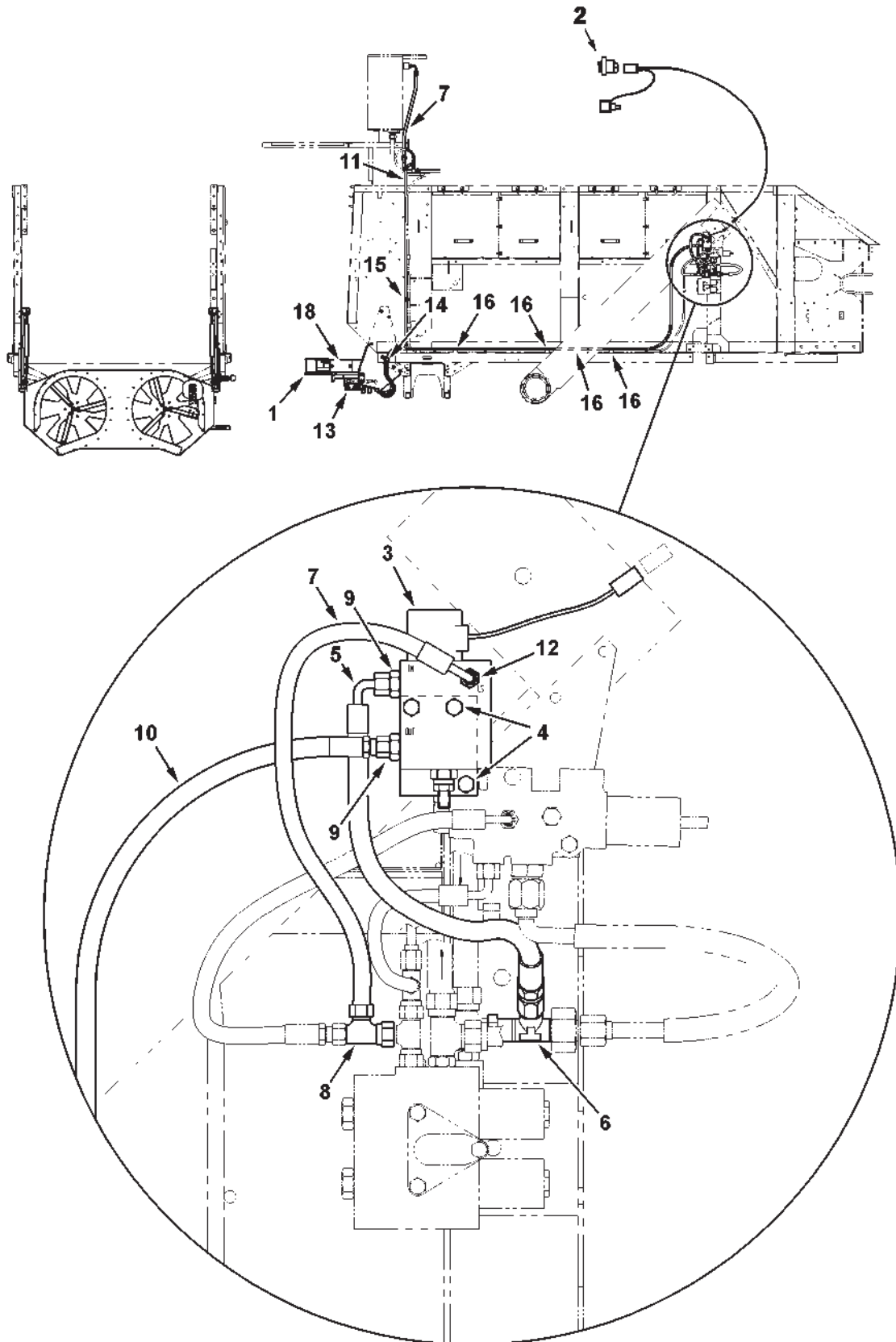
**STRAW SPREADER  
COMPONENTS**

ITEM	NUMBER	QTY	DESCRIPTION
31	103339W1	1	HOOD SIDE, LEFT (REKORD)
	70921210	4	CAPSCREW, HEX, 3/8-16 X 1
	Y704734	4	NUT, HFTLN 3/8-16
	70921332	3	CAPSCREW 5/16-18 X 3/4
	70917642	3	WASHER, 5/16 WIDE
	Y704726	3	NUT, HEX FLNG TOP LOCK, 5/16-18
	70923114	3	CAPSCREW, 1/2-13 X 1 GR5
	70921176	1	CAPSCREW, 1/2-13 X 1-1/4 GR5
	Y704742	4	NUT, HEX FLNG TOP LOCK, 1/2-13
32	103338W1	1	HOOD SIDE, RIGHT (REKORD)
	70921210	4	CAPSCREW, HEX, 3/8-16 X 1
	Y704734	4	NUT, HFTLN 3/8-16
	70921332	3	CAPSCREW, 5/16-18 X 3/4
	70917642	3	WASHER, 5/16 WIDE
	Y704726	3	NUT, HEX FLNG TOP LOCK, 5/16-18
	70923114	4	CAPSCREW, 1/2-13 X 1 GR5
	Y704742	4	NUT, HEX FLNG TOP LOCK, 1/2-13
33	71397350	1	EXTENSION, CURTAIN (RH) (REVISED)
	71397349	1	EXTENSION, CURTAIN (LH) (REVISED)
	70921210	4	CAPSCREW, HEX, 3/8-16 X 1
	70917378	4	WASHER, WIDE PLAIN 3/8
	Y704734	4	NUT, HEX FLNG TOP LOCK, 3/8-16
34	71397348	1	SHIELD, SPREADER DRIVE SHEAVE
	70921210	2	CAPSCREW, HEX, 3/8-16 X 1
	Y704734	2	NUT, HEX FLANGE TOP LOCK, 3/8-16
35	71409848	2	SHEET, WEAR (EFF. S/N HR36101)
	7703457	16	CAPSCREW, 1/4-20 X 3/4
	1703354	16	NUT, HEX FLANGE TOP LOCK, 1/4-20
-	2631700W1	1	LABEL, FAST (NOT ILL)
-	2631690W1	1	LABEL, SLOW (NOT ILL)

MC00258  
PR: 220

**CHALLENGER 670 COMBINE  
CHOPPER & SPREADER**

**CHAFF SPREADER  
HYDRAULIC DRIVE**



**CHALLENGER 670 COMBINE  
CHOPPER & SPREADER**

313

**CHAFF SPREADER  
HYDRAULIC DRIVE**

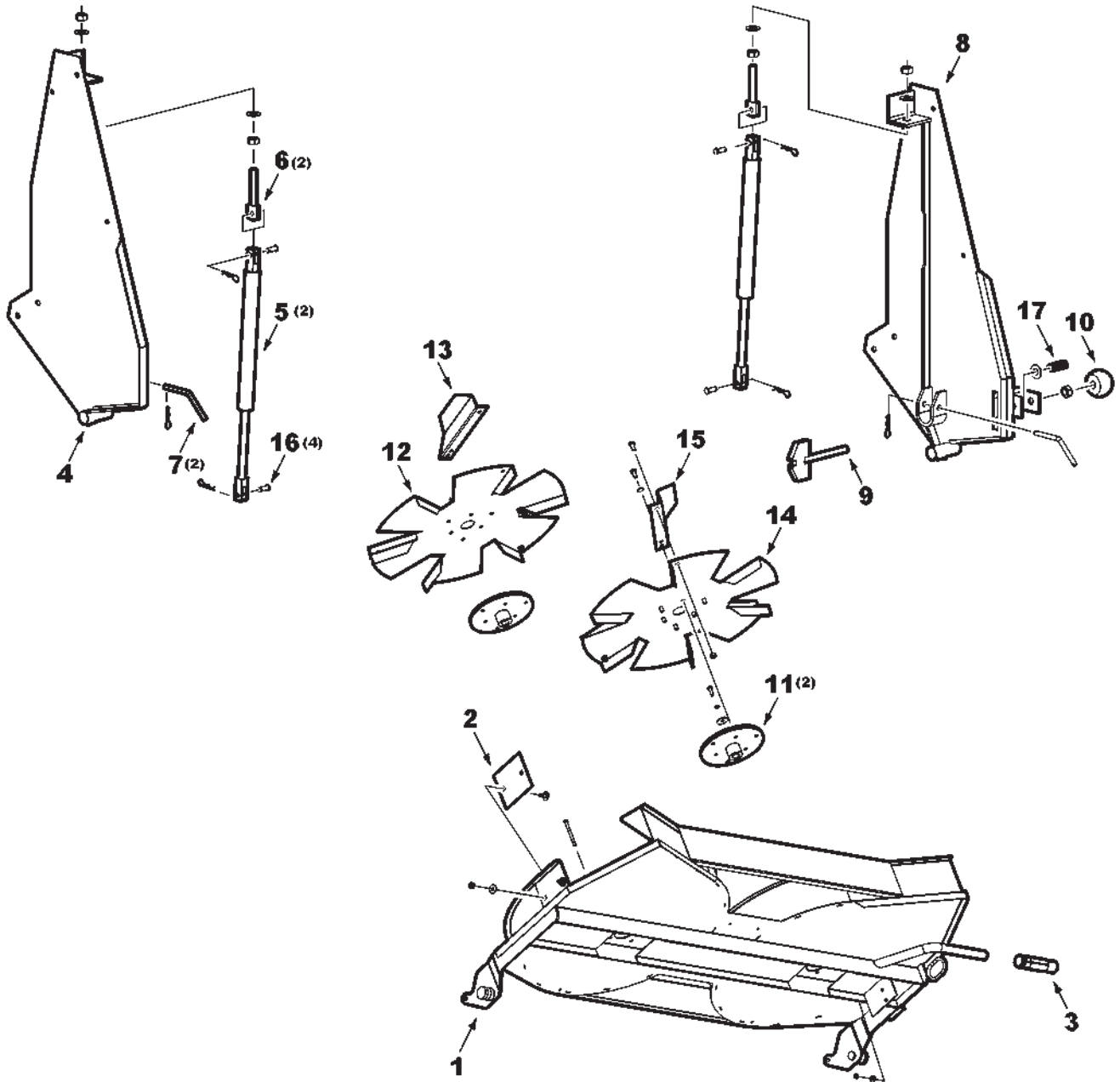
ITEM	NUMBER	QTY	DESCRIPTION
1	-----	1	CHAFF SPREADER ASSEMBLY (REKORD) (SERVICE WITH COMPONENTS)
2	71390101	1	SWITCH
3	71387798	1	VALVE, FLOW CONTROL (INCL. FOLLOWING)
	71389740	1	VALVE ASY., SOLENOID CARTRIDGE
	700726978	AR	SEAL KIT (FOR 71389740)
	71389741	1	COIL, 12V DC, W/DIODE
	71389742	1	VALVE CARTRIDGE, FLOW REGULATOR
	700724693	AR	SEAL KIT (FOR 71389742)
	71389743	1	CHECK VALVE
	700726979	AR	SEAL KIT (FOR 71389743)
	71397493	1	LOCK KIT, VALVE, W/ SCREW
4	71388098	1	PLATE, MOUNTING
	70921978	2	CAPSCREW, HEX 5/16-18 X 2
	70917372	2	NUT, HEX 5/16-18
	70917356	2	LOCKWASHER 5/16
5	71388099	1	HOSE ASSEMBLY, SUPPLY
6	70921298	1	TEE, SWIVEL RUN, 3/4-16 JIC
7	101590M1	1	HOSE ASSEMBLY
8	700701355	1	TEE, SWIVEL RUN
9	70922522	2	CONNECTOR, STR, 9/16-18 JIC X ORB
	70921885	2	O-RING, .078 X .468 ID
10	71388100	1	HOSE ASSEMBLY, PRESSURE
11	71388826	1	HOSE ASSEMBLY, RETURN
12	70923163	1	CONNECTOR, STR, 7/16-20 JIC X ORB
	70921883	1	O-RING, .072 X .351 ID
13	71388056	2	CONNECTOR, STRAIGHT
14	700717627	1	P-CLAMP, DOUBLE
	70921210	1	CAPSCREW, 3/8-16 X 1
	70916950	1	NUT, HEX 3/8-16
	70916965	1	LOCKWASHER, 3/8
15	70928656	1	P-CLAMP, 5/8 DIA X .406 HOLE
	70921210	1	CAPSCREW, 3/8-16 X 1
	70916950	1	NUT, HEX 3/8-16
	70916965	1	LOCKWASHER, 3/8
16	70937133	4	NYLON TIE, .30 X 15 LG
18	111737W1	3	LABEL, WARNING, CHOPPER
-	71400060	--	* CHAFF SPREADER, FIELD INST., COMPLETE *(ORDER THRU DEALER CENTRAL)

MC00263  
PR: 224



CHALLENGER 670 COMBINE  
CHOPPER & SPREADER

CHAFF SPREADER  
REKORD



**CHALLENGER 670 COMBINE  
CHOPPER & SPREADER**

315

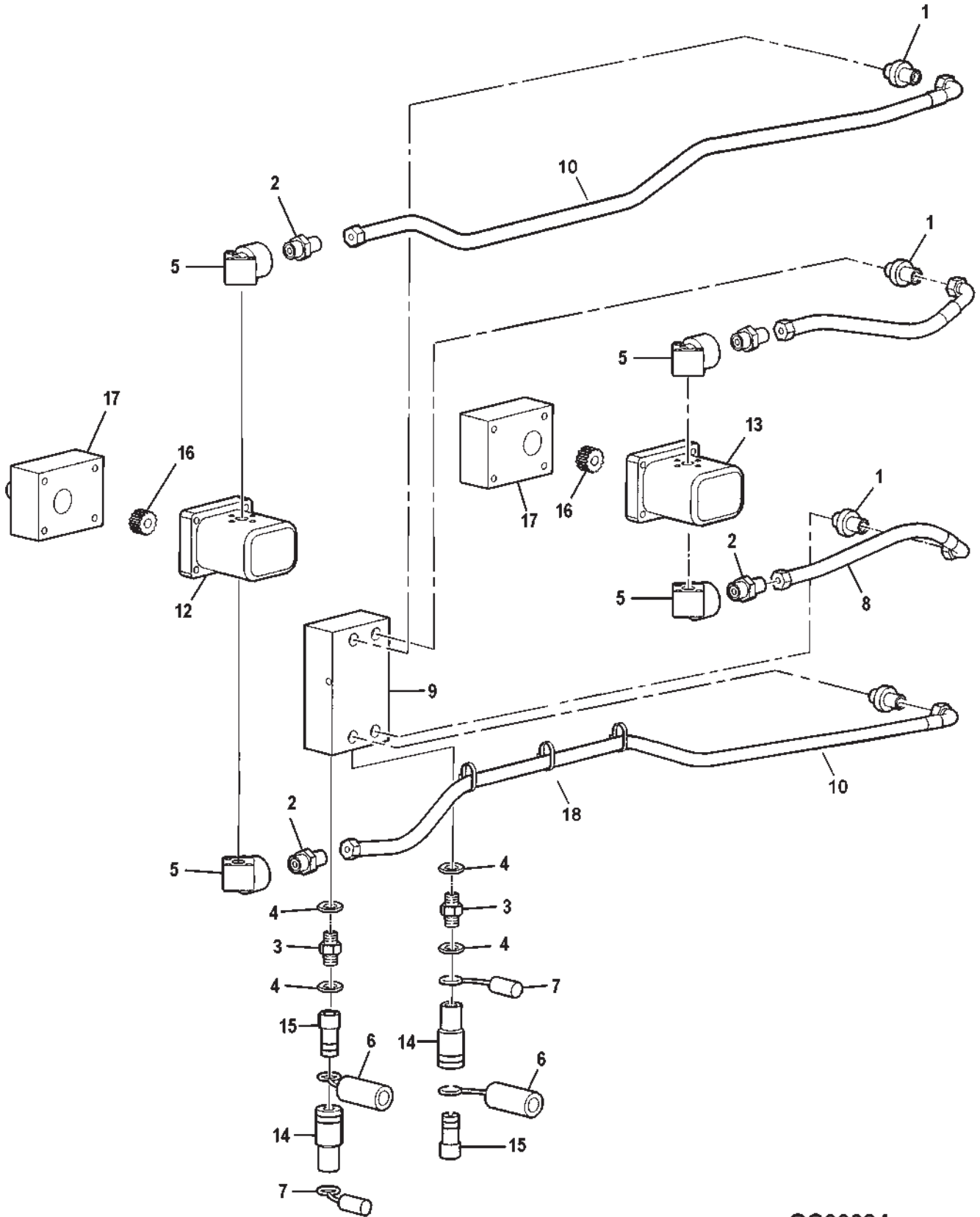
**CHAFF SPREADER  
REKORD**

ITEM	NUMBER	QTY	DESCRIPTION
1	71397174	1	HOUSING, SPREADER
2	71397167	2	WEAR PLATE
	71390252	4	CARRIAGE BOLT M8 X 16
	1440921X1	4	WASHER, PLAIN, M8 X 22
	3019124X1	4	LOCKNUT, M8
3	71389997	1	HANDLE, PLASTIC
4	71397394	1	SUPPORT PLATE WLMT, LH
	7772197	3	CAPSCREW, M8 X 25 LG
	1440921X1	6	WASHER, 8 MM
	3019124X1	3	LOCKNUT, M8
	700708349	2	CAPSCREW, M10 X 25 LG
	339025X1	4	WASHER, 10 MM
	1441932X1	2	LOCKNUT, M10
5	71390260	2	GAS STRUT
6	D49080047	2	YOKE, ADJUSTMENT
	339456X1	4	WASHER
	3009695X1	4	NUT, M12
7	71390259	2	PIN, BENT, SPECIAL
	70933339	2	RETAINER PIN, .094 X 1.62 LG
8	71397393	1	SUPPORT PLATE WLMT, RH
	7772197	3	CAPSCREW, M8 X 25 LG
	1440921X1	6	WASHER, 8 MM
	3019124X1	3	LOCKNUT, M8
	700708349	2	CAPSCREW, M10 X 25 LG
	339025X1	4	WASHER, 10 MM
	1441932X1	2	LOCKNUT, M10
9	71397391	1	LOCK
	391290X1	1	PIN, SPRING, 5 MM X 30 LG
	3009695X1	1	NUT, M12-1.75
	339456X1	1	WASHER, M12
10	71397390	1	KNOB
11	D49070008	2	HUB
	70950002	2	CAPSCREW, M6 X 20
	339375X1	2	LOCKWASHER
	391038X1	2	WASHER
12	71397171	1	DISC, LH
	3009920X1	6	CAPSCREW, M8 X 16
	353446X1	5	LOCKWASHER
	3019124X1	5	NUT, LOCK M8
13	71397376	3	BLADE, SPREADER LH
	3009920X1	3	CAPSCREW, M8 X 16
	3019124X1	3	NUT, LOCK M8
14	71397172	1	DISC, RH
	3009920X1	6	CAPSCREW, M8 X 16
	353446X1	5	LOCKWASHER
	3019124X1	5	NUT, LOCK M8
15	71397377	3	BLADE, SPREADER RH
	3009920X1	3	CAPSCREW, M8 X 16
	3019124X1	3	NUT, LOCK M8
16	70923093	4	PIN, CLEVIS, 5/16 X 15/16 LG
	70923086	4	RETAINER PIN, .072 X 1.09 LG
17	71397392	1	SPRING
-	71379811	2	DECAL, WARNING (NOT ILLUSTRATED)
-	D49100159	2	DECAL, STOP (NOT ILLUSTRATED)

MC00262  
PR: 226

CHALLENGER 670 COMBINE  
CHOPPER & SPREADER

CHAFF SPREADER  
REKORD, HYDRAULICS



**CHALLENGER 670 COMBINE  
CHOPPER & SPREADER**

**317**

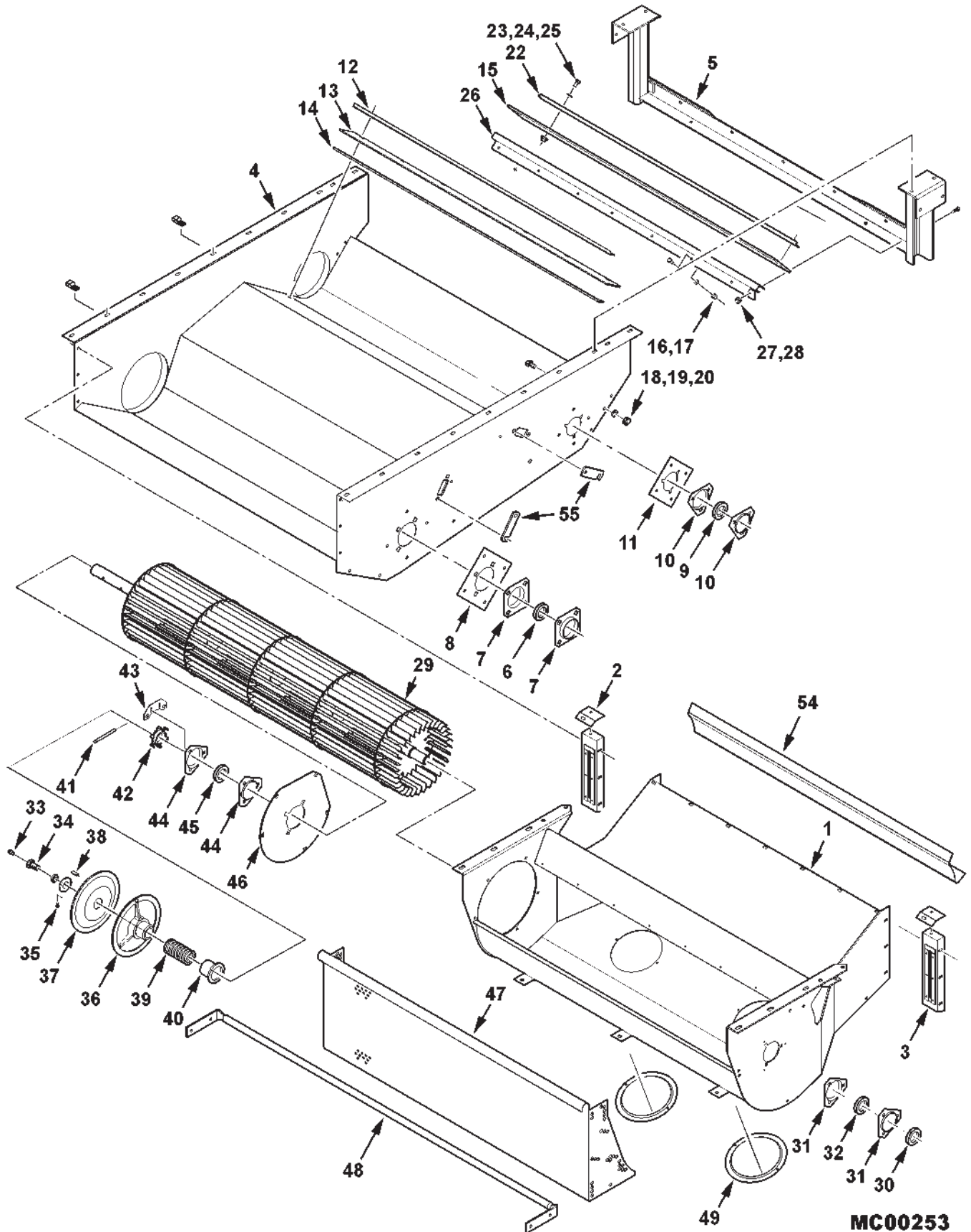
**CHAFF SPREADER  
REKORD, HYDRAULICS**

ITEM	NUMBER	QTY	DESCRIPTION
1	71397381	4	ADAPTER
2	71397382	4	ADAPTER
3	71390265	2	COUPLER, FEM.
4	71390266	4	SEAL RING
5	71390272	4	ELBOW, 90 DEG FLANGE
6	71397383	2	DUST COVER
7	71397384	2	DUST COVER
8	71397385	2	HOSE ASY.
9	71390263	1	VALVE ASY.
	71390282	1	SEAL KIT (NOT SHOWN)
	71390280	1	BLOCK, VALVE (NOT SHOWN)
	71390281	1	DIVIDER, FLOW (NOT SHOWN)
	71390283	1	VALVE, CHECK (NOT SHOWN)
10	71397386	2	HOSE ASY.
12	71397388	1	MOTOR, HYDRAULIC, LH
	71390284	1	SEAL KIT (NOT SHOWN)
13	71397389	1	MOTOR, HYDRAULIC, RH
	71390284	1	SEAL KIT (NOT SHOWN)
14	71390267	2	COUPLING, QUICK DISCONNECT, FEM.
15	71390268	2	COUPLING, QUICK DISCONNECT, MALE
16	71390279	2	HUB, SPLINED
17	D49070025	2	BLOCK, SUPPORT
18	70925094	AR	TIE STRAP

GC00384  
PR: 228

CHALLENGER 670 COMBINE  
SEPARATOR

LOWER AUGER HOUSING AND FANNING MILL



MC00253

**CHALLENGER 670 COMBINE  
SEPARATOR**

319

**LOWER AUGER HOUSING AND FANNING MILL**

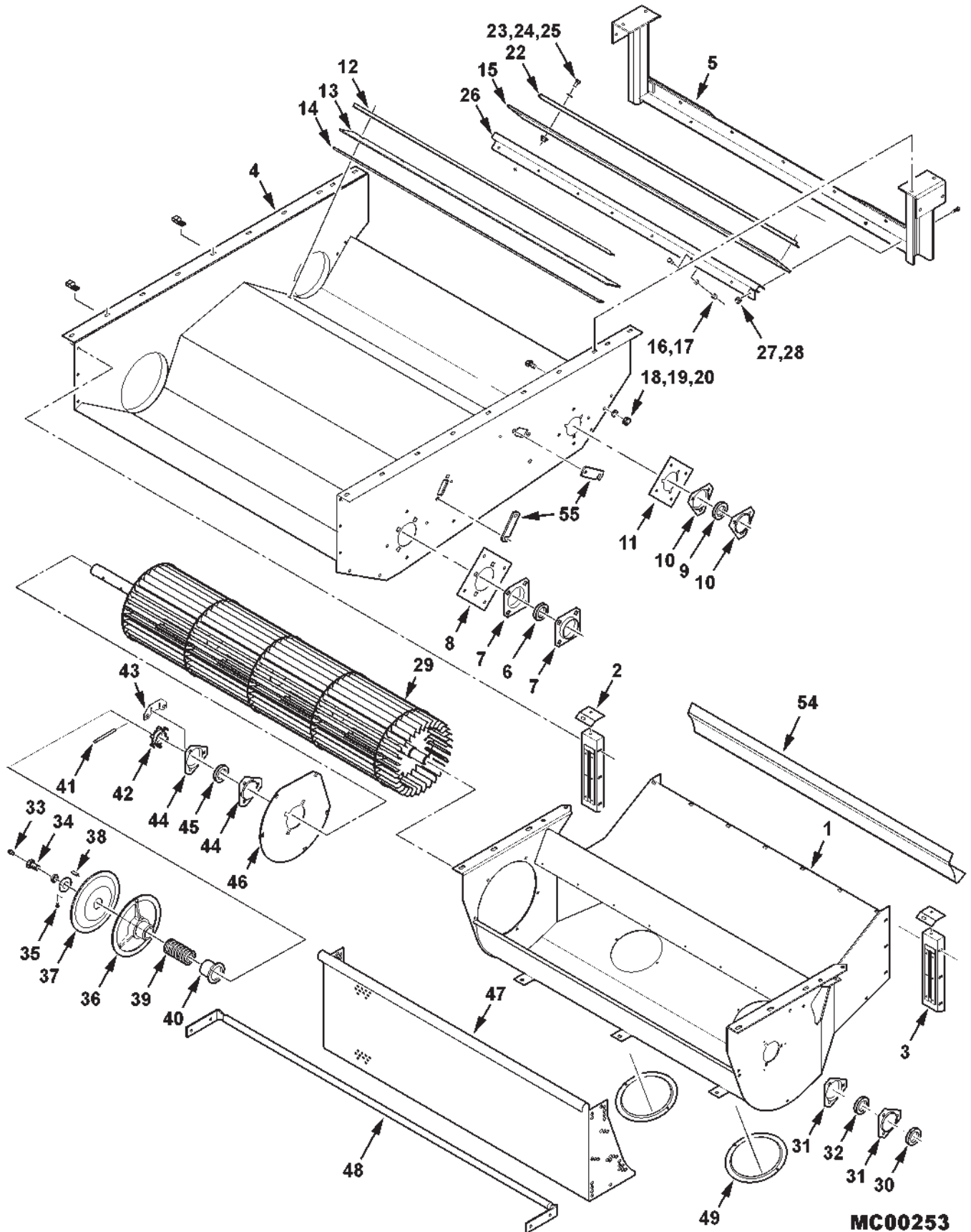
ITEM	NUMBER	QTY	DESCRIPTION
1	71390000	1	HOUSING ASY., FAN (INCL. ITEM 54)
	71186166	3	RETAINER STRIP, CARR BOLT (NOT ILL.)
	70925160	3	POP-RIVET, 3/16 X .251-.375 GRIP
	701235	12	CAPSCREW, 1/2-13 X 1-1/2
	70918431	6	WASHER, FLAT, 1/2
	Y704742	12	NUT, HEX FLNG TOP LOCK, 1/2-13
	70921332	22	CAPSCREW, 5/16-18 X 3/4
	70917642	22	WASHER, FLAT, 5/16
	Y704726	22	NUT, HEX FLNG TOP LOCK, 5/16-18
	2	2446920W1	1
2446930W1		1	PLATE, FILLER (LH)
70921332		2	CAPSCREW, 5/16-18 X 3/4
70917642		2	WASHER, FLAT, 5/16
3	Y704726	2	NUT, HEX FLNG TOP LOCK, 5/16-18
	2446893W91	1	PANEL, FILLER (LH)
	2446903W91	1	PANEL, FILLER (RH)
4	71395252	1	HOUSING WLDMT, AUGER (PRIOR S/N HP36101)
	71399999	1	HOUSING WLDMT, AUGER (EFF. S/N HP36101)
	70927134	2	J-CLIP, 5/8 DIA X .406 HOLE
	70921969	20	CAPSCREW, 3/8-16 X 1-1/2
	Y704734	20	LOCKNUT, HEX FLNG 3/8-16
5	71387546	1	FRAME ASSY.
	70921210	4	CAPSCREW, 3/8-16 X 1.0
	70917378	4	WASHER, FLAT, 3/8
	Y704734	4	LOCKNUT, HEX FLNG, 3/8-16
6	50468	1	BEARING, 1.50"
	17789	2	FLANGE, BEARING
7	68619	4	BOLT, RD HD SQ NECK, 1/2-13 X 1-1/4
	Y705046	4	LOCKWASHER, 1/2
	704031	4	HEXNUT, 1/2-13
	8	2636000W1	1
70921965		4	CAPSCREW, 3/8-16 X 3/4
Y704734		4	LOCKNUT, HEX FLNG, 3/8-16
70590704		1	BEARING, 1.125" W/O COLLAR
10	71127313	2	FLANGE, BEARING
	68759	1	BOLT, RD HD SQ NECK, 3/8-16 X 1
	768036	2	BOLT, RD HD SQ NECK, 3/8-16 X 1-1/2
	70916965	3	LOCKWASHER, 3/8
	70916950	3	HEXNUT, 3/8-16
11	2636010W1	1	PLATE (PRIOR S/N HP36101)(NOT USED EFF. S/N HP36101)
	70921965	4	CAPSCREW, 3/8-16 X 3/4
	Y704734	4	LOCKNUT, HEX FLNG 3/8-16
	71387703	1	ANGLE, SEAL CLAMPING (PRIOR S/N HP36101)
12	71387704	1	SEAL, REAR AUGER HSG.(PRIOR S/N HP36101)
14	71387710	1	RETAINER, SEAL (PRIOR S/N HP36101)
	70921333	7	CAPSCREW, HEX HD, 5/16-18 X 1
	70917642	7	WASHER, 5/16
	Y704726	7	NUT, HEX FLNG TOP LOCK, 5/16-18
	71396452	1	SEAL, REAR AUGER HSG.
15	Y704734	8	LOCKNUT, HEX FLNG 3/8-16
17	70921965	8	CAPSCREW, 3/8-16 X 3/4
	70917378	8	WASHER, 3/8 WIDE

CONTINUED

MC00253  
PR: 230

CHALLENGER 670 COMBINE  
SEPARATOR

LOWER AUGER HOUSING AND FANNING MILL



MC00253

**CHALLENGER 670 COMBINE  
SEPARATOR**

321

**LOWER AUGER HOUSING AND FANNING MILL**

ITEM	NUMBER	QTY	DESCRIPTION
18	70917372	4	NUT, 5/16-18 REG (PRIOR S/N HP36101)
19	70917356	4	LOCKWASHER, 5/16 (PRIOR S/N HP36101)
20	70921332	4	CPSCR, 5/16-18 X 3/4 (PRIOR S/N HP36101)
22	71387703	2	ANGLE, SEAL CLAMPING
23	70921332	8	CAPSCREW, 5/16-18 X 3/4
24	70917642	8	WASHER, 5/16 WIDE
25	Y704726	16	NUT, HEX FLNG TOP LOCK, 5/16-18
26	71395855	1	REINFORCEMENT
27	70921210	6	CAPSCREW, 3/8-16 X 1.0
28	Y704734	6	LOCKNUT, HEX FLNG 3/8-16
29	71387444	1	FAN ASY., SEPARATOR
30	7710551	1	COLLAR, LOCK
31	71192243	2	FLANGE
	68759	3	BOLT, RD HD SH SQ NECK 3/8-16 X 1.0
	70916965	3	LOCKWASHER, 3/8
	70916950	3	HEXNUT, 3/8-16
32	71309117	1	BEARING, W/COLLAR, 1.250
33	70923219	1	FITTING, LUBE, 1/4-28 X 1/2
34	71395571	1	CAPSCREW, SPECIAL, 5/8-11 X 1-1/4
	70917373	1	LOCKWASHER, 5/8
	6555346	1	WASHER, 21/32
35	791319	1	PLUG, HX HD, 1/8-27
36	2442480W2	1	SHEAVE, OUTER
37	71395572	1	SHEAVE, INNER
38	71395573	1	KEY, 5/16 SQ. X 7-1/2
39	2440720W1	1	SPRING
40	71387375	1	BUSHING, FAN DRIVE
41	63834	1	PIN, SPIROL, 1/4 X 2-1/4
42	71315780	1	COLLAR, SENSING
43	71315785	1	BRACKET, SHAFT
	70926838	2	SCREW, RD HD SQ NECK 1/2-13 X 1-1/2
	Y705046	2	LOCKWASHER, 1/2
	704056	4	NUT, HEX JAM, 1/2-13 GR2
44	17789	2	FLANGE, BEARING
	68619	2	SCREW, RD HD SQ NECK 1/2-13 X 1-1/4
	Y705046	2	LOCKWASHER, 1/2
	704031	2	HEXNUT, 1/2-13
45	71122510	1	BEARING, FLANGE W/COLLAR
46	71386400	1	PLATE, COVER
	70917642	6	WASHER, FLAT 5/16 WIDE
	Y705020	6	LOCKWASHER, 5/16
	70917372	6	HEXNUT, 5/16-18
47	71390939	1	SCREEN, LEAF
	70921965	3	CAPSCREW, 3/8-16 X 3/4
	Y705533	3	WASHER, FLAT 3/8 HARD
48	71390673	1	SUPPORT, LEAF SCREEN
	70923114	4	CAPSCREW, 1/2-13 X 1.0
	705541	4	WASHER, FLAT 1/2 HARD
	Y704742	4	NUT, HEX FLNG TOP LOCK, 1/2-13
49	71376758P	2	COVER, INSPECTION
	705012	4	LOCKWASHER, 1/4
	70916622	4	HEXNUT, 1/4-20

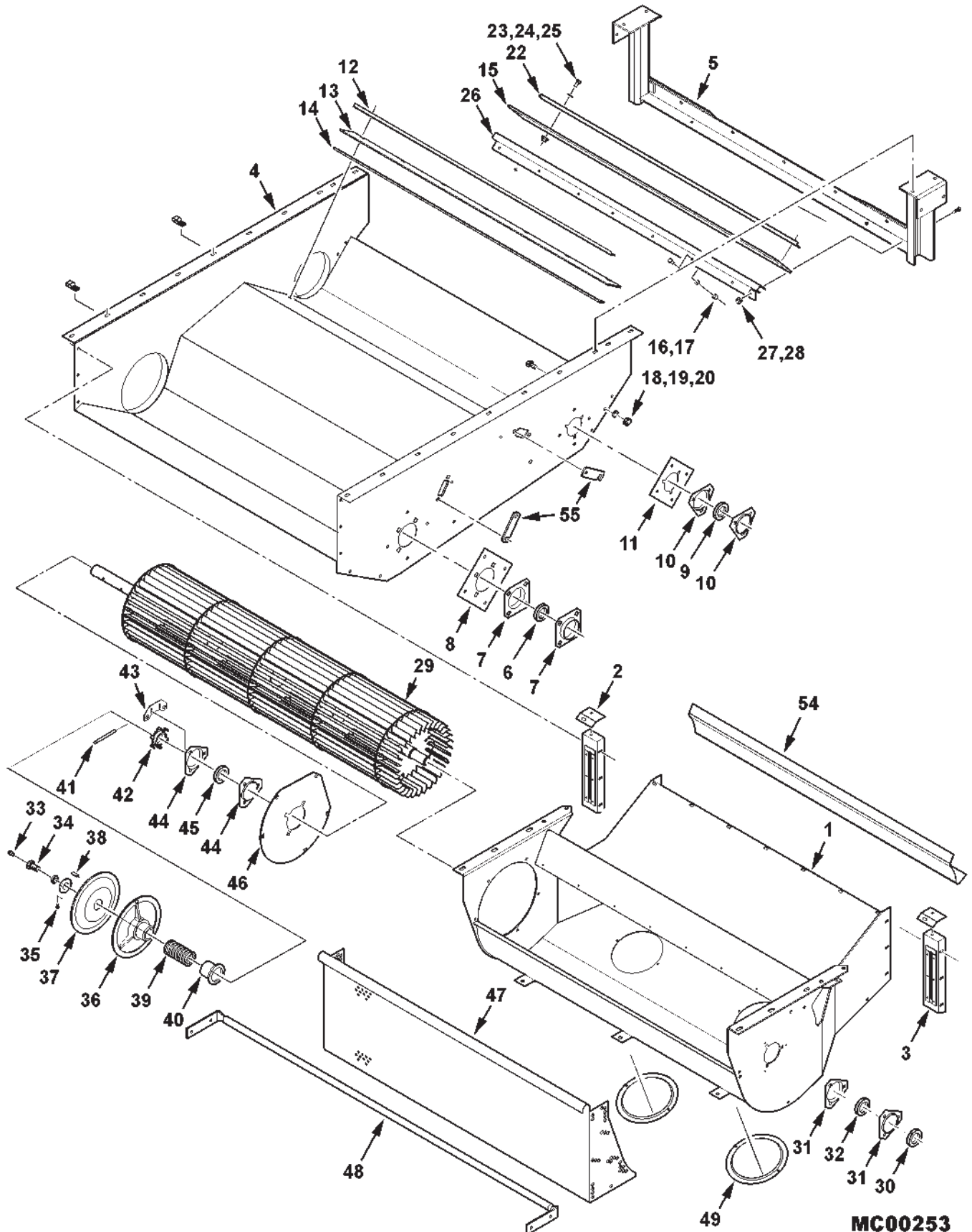
CONTINUED

MC00253  
PR: 230



CHALLENGER 670 COMBINE  
SEPARATOR

LOWER AUGER HOUSING AND FANNING MILL



MC00253

CHALLENGER 670 COMBINE  
SEPARATOR

323

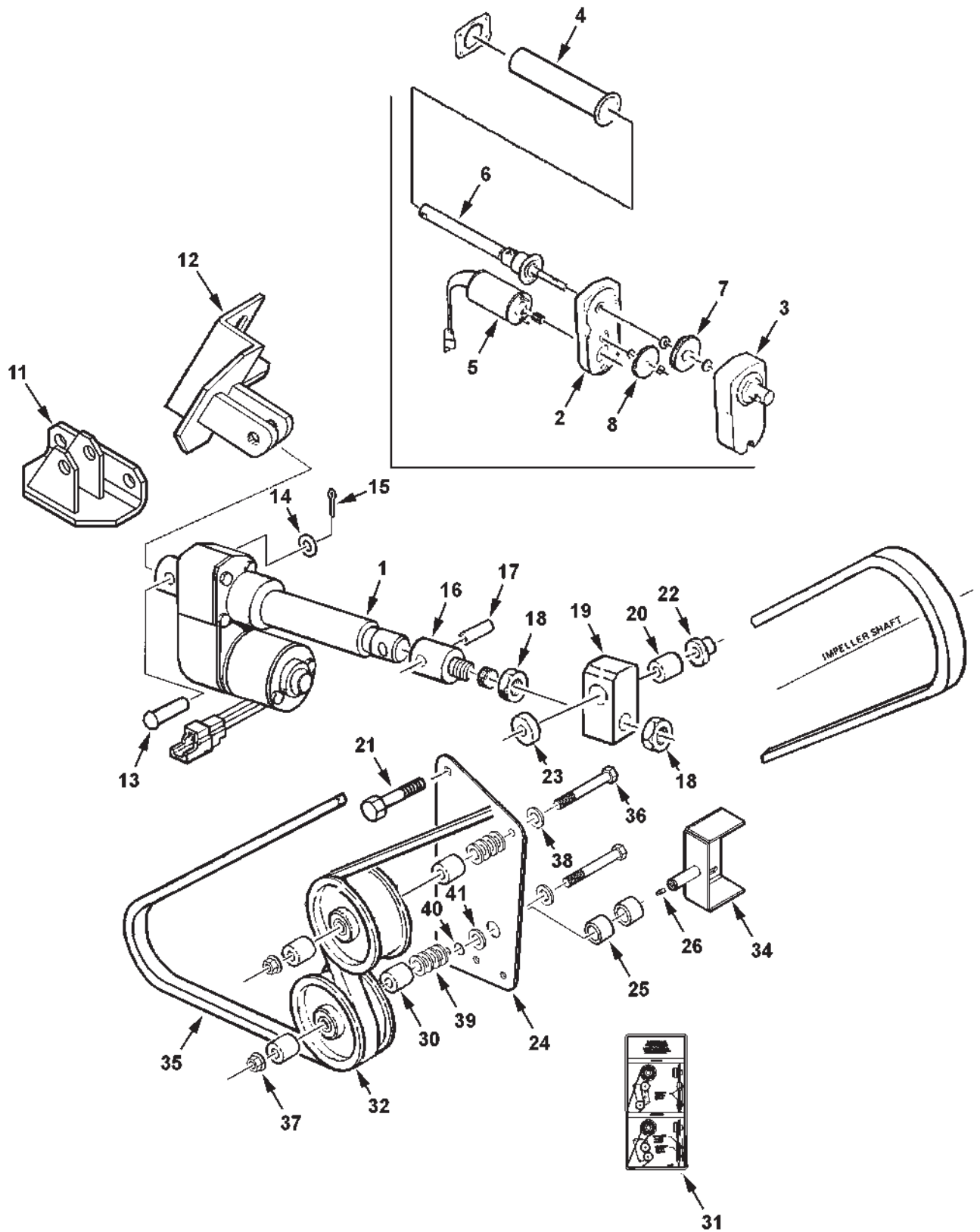
LOWER AUGER HOUSING AND FANNING MILL

ITEM	NUMBER	QTY	DESCRIPTION
50	71390654	1	SHAFT, FAN (NOT ILLUSTR'D)
51	71354636	4	HEAD ASY, FAN (NOT ILLUSTR'D)
	71373684	1	HEAD ASY, FAN LH (NOT ILLUSTR'D)
	7703838	12	CAPSCREW, 5/16-18 X 1-3/4
	Y705608	24	WASHER, 5/16 NARROW
	Y705020	12	LOCKWASHER, 5/16
	70917372	12	NUT, 5/16-18 REG
52	71349312	32	BLADE, FAN
53	71348314	3	RING, BLADE RETAINING (NOT ILLUSTR'D)
54	71400604	1	VORTEX PLATE, TRANSVERSE FAN
	70925160	20	POP-RIVET, 3/16 X .251-.375 GRIP
55	108202W1	2	STRAP (EFF. S/N HP36101)
	70917642	4	WASHER, 5/16, WIDE
	Y705020	4	LOCKWASHER, 5/16
	70917372	4	NUT, 5/16-18 REG

MC00253  
PR: 230

### CHALLENGER 670 COMBINE SEPARATOR

#### VARIABLE SPEED FAN DRIVE



**CHALLENGER 670 COMBINE  
SEPARATOR**

325

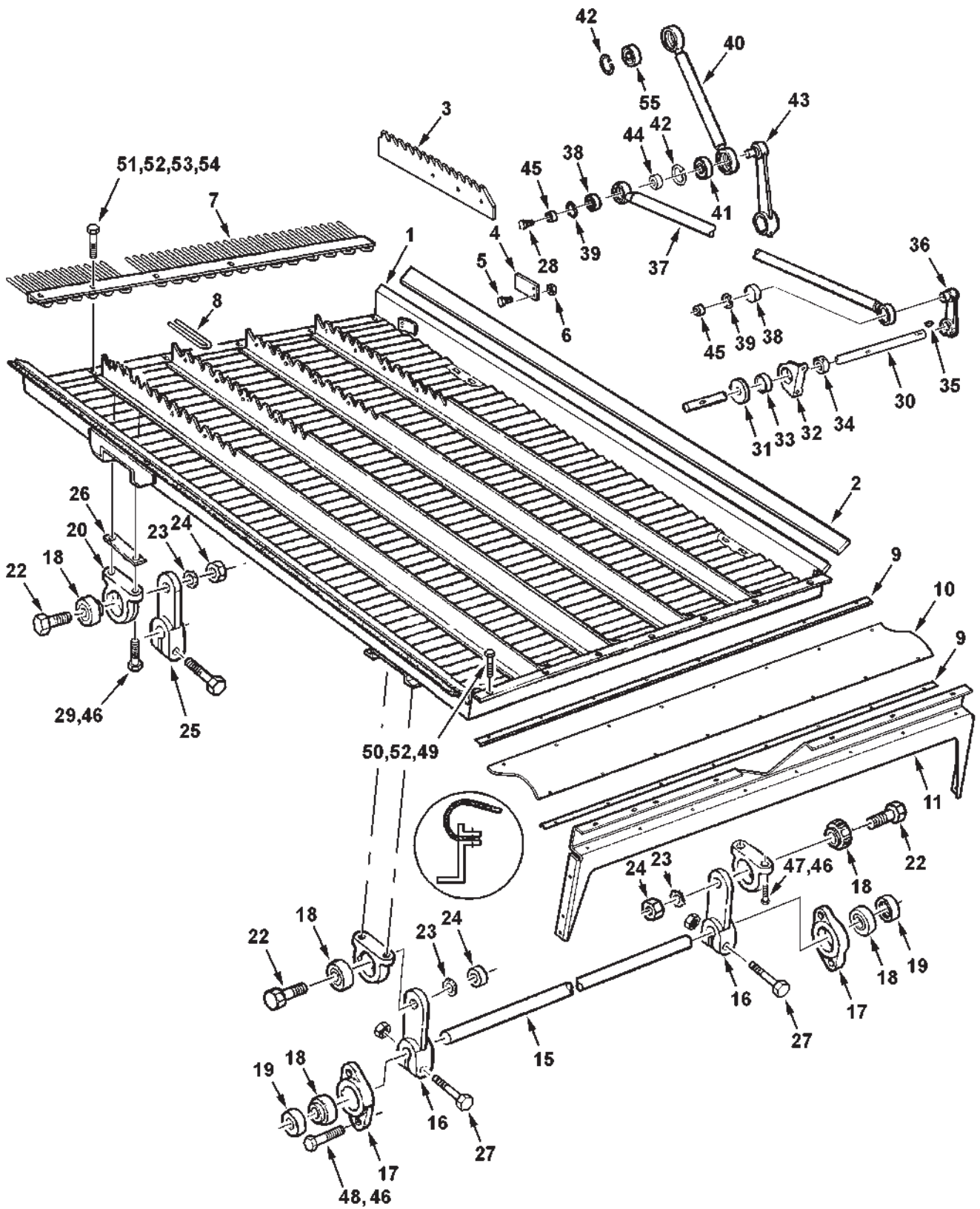
**VARIABLE SPEED FAN DRIVE**

ITEM	NUMBER	QTY	DESCRIPTION
1	293817M91	1	ACTUATOR MOTOR ASY (INCL. ITEMS 2-8)
2	1068614M91	1	HOUSING ASSEMBLY, FRONT
3	700704854	1	HOUSING ASSEMBLY, REAR
4	1068617M1	1	COVER
5	103657W91	1	MOTOR
6	1068620M91	1	SCREW ASSEMBLY
7	700704927	1	CLUTCH ASSEMBLY
8	700711357	1	GEAR ASSEMBLY, INTERMEDIATE
	-----	1	*GASKET, COVER TUBE
	-----	1	*GASKET, HOUSING
	-----	1	*SEAL, MOTOR
	-----	1	*O-RING
	-----	1	*LIP, SEAL
11	71399477	1	BRKT. WLDMT, ANCHOR (EFF. S/N HP36101)
	70921176	2	CAPSCREW, 1/2-13 X 1-1/4 GR5
	Y704742	2	NUT, HEX FLNG TOP LOCK, 1/2-13 UNC
12	2588071W92	1	BRKT. WLDMT, ANCHOR (PRIOR S/N HP36101)
	70921210	2	CAPSCREW, 3/8-16 X 1 GR5
	Y704734	2	NUT, HEX FLNG TOP LOCK, 3/8-16
13	195412M1	1	PIN, CLEVIS, 1/2 X 2
14	Y705624	1	WASHER, NARROW, 1/2
15	70918455	1	PIN, COTTER, 1/8 X 1-1/4
16	71390093	1	ROD ASSEMBLY, CONTROL
17	70922770	1	PIN, SPRING, 1/2 X 1-3/4
18	70913160	2	NUT, 3/4-10 UNC, REG
19	2537720W1	1	BLOCK, PIVOT
20	2446310W1	1	SPACER, 11/16 X 63/64 X 9/16
21	70923111	1	CAPSCREW, 5/8-11 X 3 GR5
22	700703922	1	NUT, HEX FLNG TOP LOCK, 5/8-11 UNC
23	2464250W1	1	SPACER, 21/32 X 1-1/2 X 3/8
24	71394356B	1	PLATE WLDMT W/BUSH'S (PRIOR S/N HP36101)
	71399481	1	PLATE WLDMT W/BUSH'S (EFF. S/N HP36101)
25	831268M1	2	BUSHING, 3/4 X 7/8 X 3/4
26	70914687	1	LUBE FITTING, STR, 1/4-28 UNF
30	365098X1	4	SPACER, IDLER FAN DRIVE
31	71392776	1	DECAL, V-S FAN DRIVE
32	2545270W1	2	PULLEY, IDLER
34	71391526	1	BRACKET ASSEMBLY, PIVOT
	70921210	2	CAPSCREW, 3/8-16 X 1 GR5
	Y704734	2	NUT, HEX FLNG TOP LOCK, 3/8-16
35	71394352	1	BELT (SEE BELT LISTING)
36	70925705	2	CAPSCREW, 5/8-11 X 5 GR5
37	700703922	2	NUT, HEX FLNG TOP LOCK, 5/8-11 UNC
38	70918433	2	WASHER, 3/4, WIDE
39	70918432	8	WASHER, 5/8, WIDE
40	70927732	1	RETAINING RING, EXTERNAL
41	70923427	1	WASHER, .78 ID X 1.25 X .12 TH.
-	700704856	6	KIT, SEAL (INCLUDES * ITEMS)

MC00255  
PR: 234

CHALLENGER 670 COMBINE  
SEPARATOR

SEPARATOR PAN



**CHALLENGER 670 COMBINE  
SEPARATOR**

327

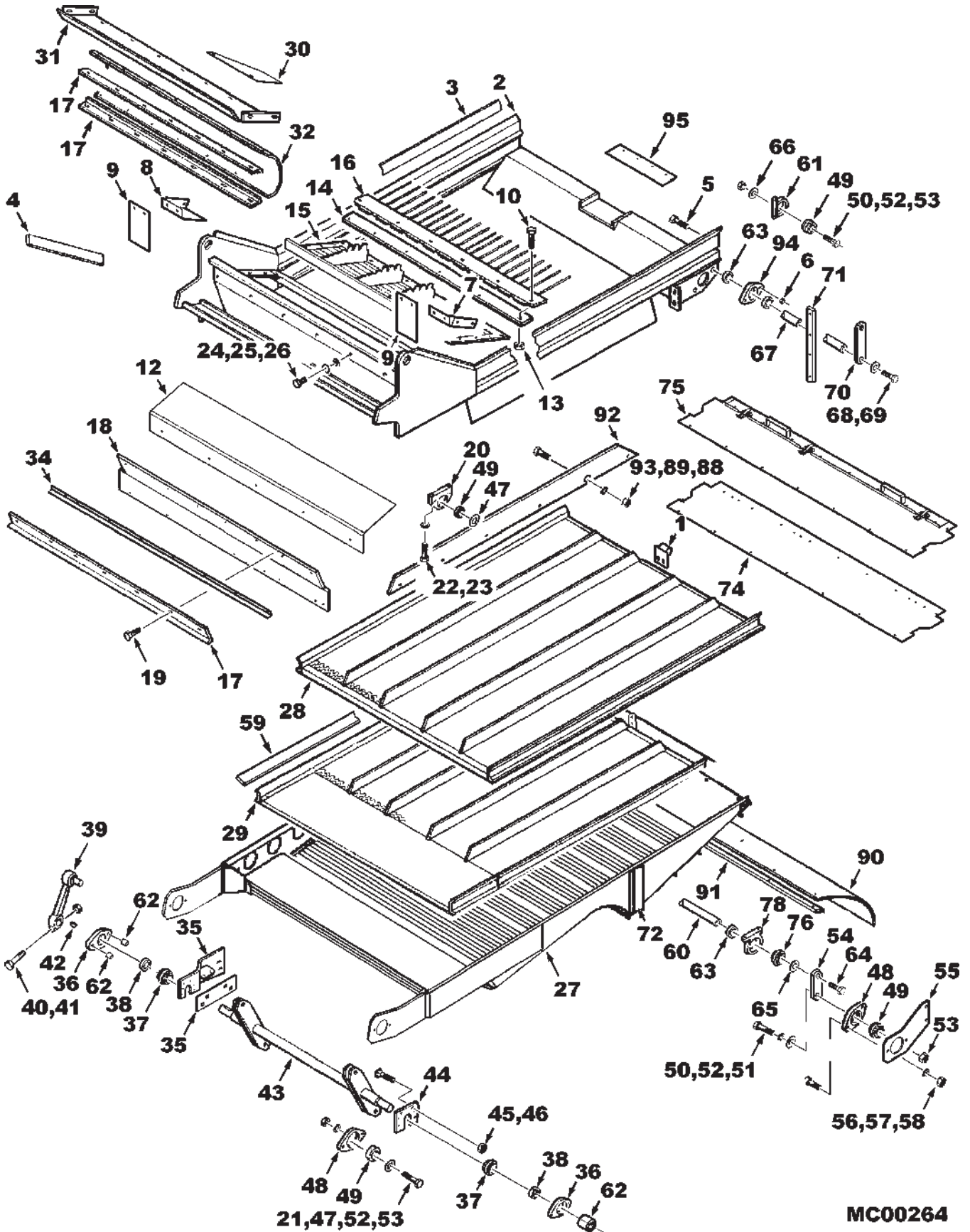
**SEPARATOR PAN**

ITEM	NUMBER	QTY	DESCRIPTION
1	71388483	1	PAN ASSEMBLY, GRAIN
2	1817730W1	2	SEAL, RUBBER, 1-3/4" X 71-1/4" X 1/8"
3	71393440	4	EXTENSION, SEPARATOR PAN (ACCESSORY) (SEE SHOE SHAKER & SIEVES)
4	1157990W1	2	DEFLECTOR, SEPARATOR PAN
5	70921958	16	BOLT, HEX, 1/4-20 UNC X 1/2
6	70916622	16	NUT, HEX, 1/4-20 UNC
7	71388490	1	COMB ASSEMBLY
8	1114720W1	28	ROD, COMB
9	71389862	2	STRIP, CLAMPING
10	71389863	1	SEAL, SEPARATOR PAN, REAR
11	71388351	1	PANEL, SUPPORT
	70921966	6	CAPSCREW, 3/8-16 X 7/8 GR5
	Y704734	6	LOCKNUT, 3/8-16
15	71389428	1	SHAFT, REAR
16	2443420W1	2	ARM, REAR
17	1501060W1	2	HOUSING
18	71308770	6	BEARING, BALL
19	70522328	2	COLLAR, BEARING
20	2551250W1	4	HOUSING
21	Y704742	AR	NUT, HEX FLANGE LOCK, 1/2-13 UNC
22	1564540W1	4	BOLT, HEX SPECIAL, 7/8-9 UNC X 2
23	70929356	4	WASHER, LOCK EXTERNAL TOOTH, 7/8
24	375114X1	4	NUT, HEX JAM, 7/8-9 UNC
25	2443410W1	2	ARM, FRONT
26	1588480W1	2	PLATE
27	70921211	AR	BOLT, HEX, 1/2-13 UNC X 2-1/2
28	70923473	AR	BOLT, HEX 1/2-13 X 1-1/4 GR8
29	70921971	AR	BOLT, HEX, 3/8-16 UNC X 1-3/4
30	71389429	1	SHAFT, FRONT
31	2555310W1	2	SEAL, 1 X 2-1/2 X 1/4
32	1130100W1	2	HOUSING
33	70590709	1	BEARING, BALL, W/COLLAR
34	70533638	2	COLLAR, BEARING
35	29780X	3	KEY, WOODRUFF, 1/4 X 1
36	2615140W2	1	ARM
37	2615101W92	1	PITMAN ASSEMBLY
38	1109055	2	BEARING, BALL
39	22289X	2	RING, INTERNAL RETAINING
40	71396470	1	ARM W/LDMT, PITMAN
41	1139003	1	BEARING, ARM (LOWER)
42	70927708	2	RING, INTERNAL SNAP
43	-----	1	ARM WLMT, SHOE SHAKER (SEE "SHAKER SHOE & SIEVES")
44	2615120W1	1	SPACER
45	60049M1	2	SPACER
46	Y704734	AR	NUT, HEX FLANGE LOCK, 3/8-16 UNC
47	70923220	AR	BOLT, CARRIAGE, 3/8-16 X 1-1/4
48	70920415	AR	BOLT, HEX, 3/8-16 X 1-1/4
49	Y704726	AR	NUT, HEX FLANGE TOP LOCK, 5/16-18 UNC
50	70921332	16	BOLT, HEX, 5/16-18 UNC X 3/4
51	7700461	AR	BOLT, CARRIAGE, 5/16-18 X 3/4
52	70917642	AR	WASHER, WIDE FLAT, 5/16
53	70917356	AR	WASHER, LOCK, 5/16
54	70917372	AR	NUT, HEX, 5/16-18 UNC
55	71396472	1	BEARING, ARM (UPPER)
56	71409415	AR	GAUGE, PITMAN ARM ASSEMBLY (ORDER THRU BATAVIA PARTS)(NOT ILLUSTRATED)

MC00257  
PR: 236

CHALLENGER 670 COMBINE  
SEPARATOR

SHAKER SHOE AND SIEVES





**CHALLENGER 670 COMBINE  
SEPARATOR**

329

**SHAKER SHOE AND SIEVES**

ITEM	NUMBER	QTY	DESCRIPTION
1	71397168	1	BUSHING, TIE ROD
	70922786	2	BOLT, RD HD SQ NECK, 3/8-16 X 1.0
	70918266	2	WASHER, PLAIN FLAT, 3/8
	70916965	2	LOCKWASHER, 3/8
	70916950	2	HEXNUT, 3/8-16
2	71401850B	1	FRAME WLDMT, CHAFFER & SIEVE
	70937253	48	RIVET, 3/16 X 7/16
3	71386394	2	SEAL, RUBBER, 1-19/64 X 71-45/64 X 1/8
	70937253	38	RIVET, 3/16 X 7/16
4	71394833	2	SEAL, RUBBER
	70937253	10	RIVET, 3/16 X 7/16
5	70920415	4	CAPSCREW, 3/8-16 UNC X 1-1/4
6	Y704734	4	NUT, HEX FLG TOP LOCK, 3/8-16
7	71395582	1	DEFLECTOR, LEFT
	70921332	2	CAPSCREW, 5/16-18 X 3/4
	70921333	1	CAPSCREW, 5/16-18 X 1.0
	7700578	2	BOLT, RD HD SQ NECK, 5/16-18 X 1.0
	Y704726	5	NUT,HEX FLG TOP LOCK, 5/16-18
8	71395583	1	DEFLECTOR, RIGHT
	70921332	2	CAPSCREW, 5/16-18 X 3/4
	70921333	1	CAPSCREW, 5/16-18 X 1.0
	7700578	2	BOLT, RD HD SQ NECK, 5/16-18 X 1.0
	Y704726	5	NUT,HEX FLG TOP LOCK, 5/16-18
9	71395589	2	EXTENSION, DEFLECTOR
10	70921333	6	BOLT, HEX, 5/16-18 UNC X 1-1/4
12	71395263	1	DAMPER, SEPARATOR PLATE
13	Y704726	12	NUT, HEX FLG TOP LOCK, 5/16-18
14	71388968	1	STRIP, RUBBER
15	71388265	1	PAN ASSEMBLY, CASCADE
16	71388476	1	COMB ASSEMBLY, CASCADE PAN
17	71387703	3	ANGLE, SEAL CLAMPING
18	71388494	1	SEAL, CHAFFER FRAME TO FAN HOUSING
19	70921332	8	BOLT, HEX, 5/16-18 UNC X 3/4
	70917642	8	WASHER, 5/16 WIDE
20	71401429	2	HOUSING, BEARING (USES 1/2" CAPSCREWS)
21	1564540W1	4	BOLT, HEX SPECIAL, 7/8-9 UNC X 2
22	70912278	4	CAPSCREW, HEX SOCK HD, 1/2-13 X 1-1/2 (EFF S/N HM36101 W/INST OF MOD. KIT)
23	71406957	4	SPACER, .53 ID X 1.0 (EFF. S/N HM36101 W/ INSTALLATION OF MOD. KIT)
24	70921332	5	CAPSCREW, 5/16-18 X 3/4
25	70917356	5	WASHER, LOCK, 5/16
26	70917642	5	WASHER, WIDE FLAT, 5/16
27	71394965	1	PAN ASY, LOWER SEPARATOR
28	71387678	1	CHAFFER, GRAIN UPPER (1-1/8 SPACING)
	71392680	1	CHAFFER, RICE UPPER (1-5/8 SPACING)
	71397998	1	CHAFFER, CORN UPPER (1-5/8 SPACING)
	71399015	1	KIT, AIRFOIL CHAFFER (ORD. DEALER CNTRL)
	71395866	1	CHAFFER, AIRFOIL
	7703416	4	CAPSCREW, 3/8-16 X 1-1/4 GR8
	Y704734	4	NUT, HEX FLANGE TOP LOCK, 3/8-16
	70918266	8	WASHER, 3/8 NARROW

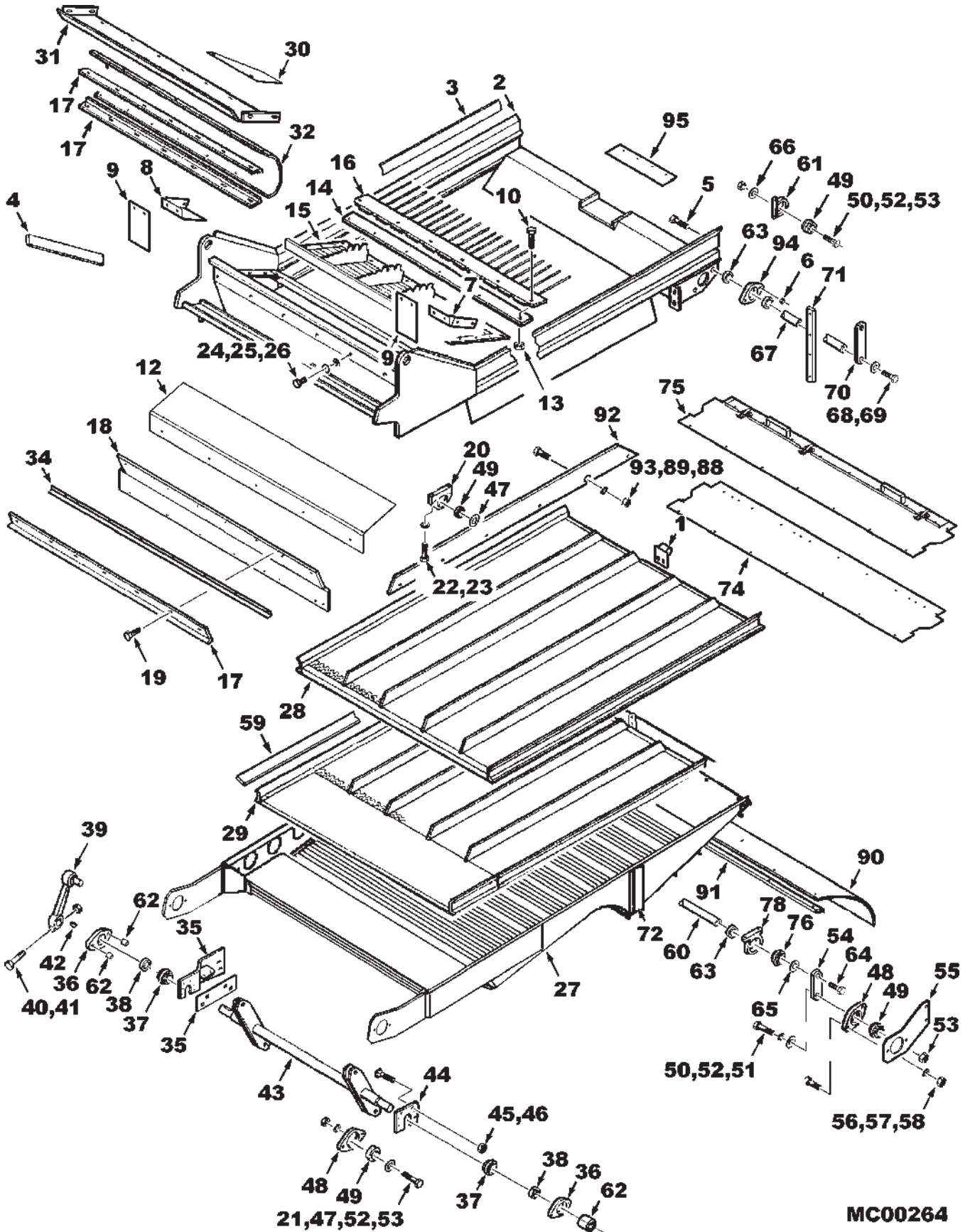
CONTINUED

MC00264  
PR: 238



CHALLENGER 670 COMBINE  
SEPARATOR

SHAKER SHOE AND SIEVES



**CHALLENGER 670 COMBINE  
SEPARATOR**

331

**SHAKER SHOE AND SIEVES**

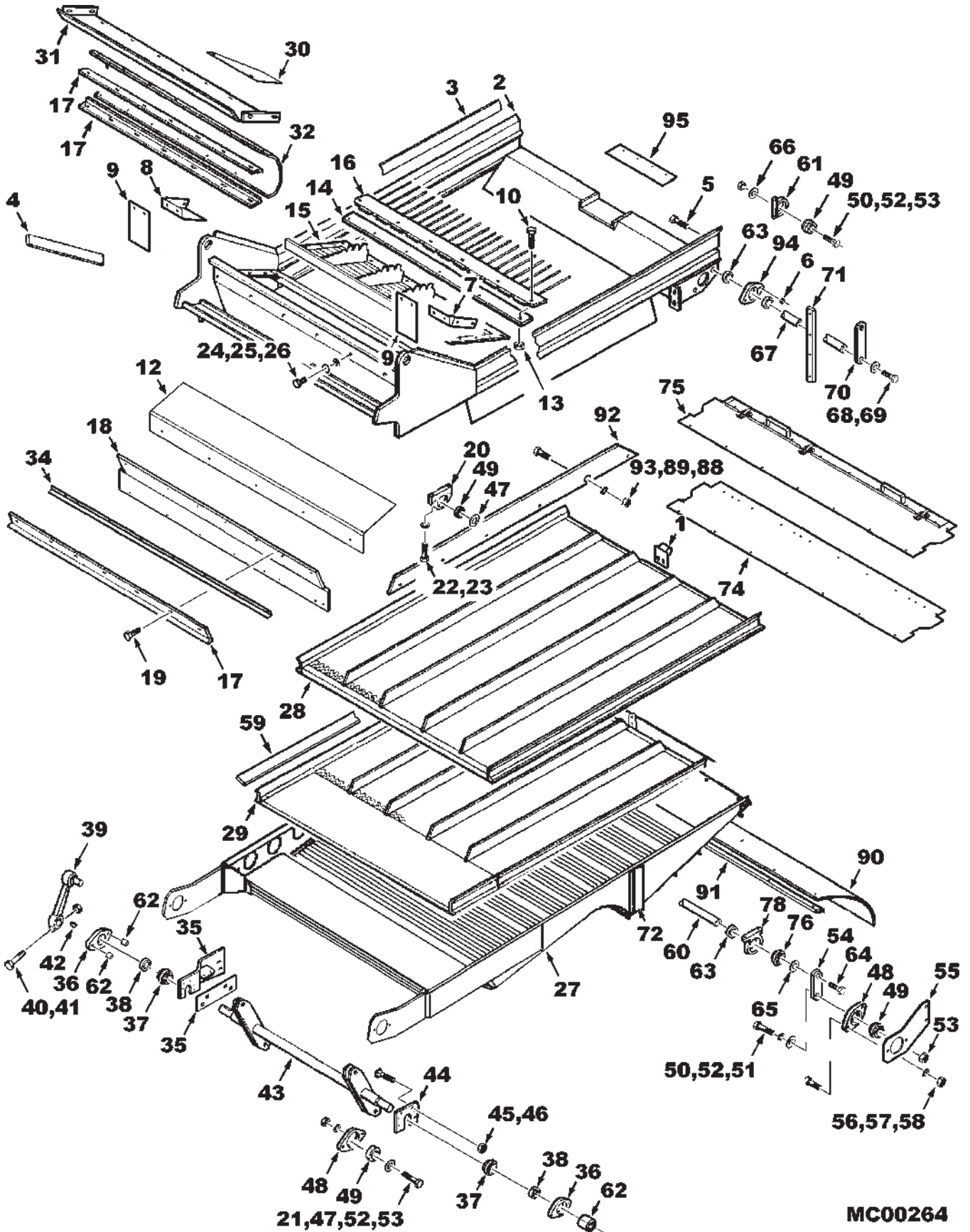
ITEM	NUMBER	QTY	DESCRIPTION
29	71387676	1	SIEVE, GRAIN/RICE, LOWER
	71387677	1	SIEVE, CORN LOWER
	702514	4	CAPSCREW, 3/8-16 X 2-1/4 GR8
	Y704734	4	NUT, HEX FLANGE TOP LOCK, 3/8-16
	70918266	4	WASHER, 3/8 NARROW
30	101126M1	2	SEAL, CORNER (PRIOR S/N HP36101)
	71406454	2	SEAL, CORNER (EFF. S/N HP36101)
	70921332	4	CAPSCREW, 5/16-18 X 3/4
	700709602	4	WASHER, 5/16, WIDE
	Y704726	4	NUT, HEX FLANGE TOP LOCK, 5/16-18
31	71388972	1	SHEET, DEFLECTOR
	70921965	4	CAPSCREW, 3/8-16 X 3/4
	70918266	4	WASHER, 3/8 NARROW
	Y704734	4	NUT, HEX FLANGE TOP LOCK, 3/8-16
32	71388974	1	SEAL, DEFLECTOR TO CASCADE PAN
	70921332	8	CAPSCREW, 5/16-18 X 3/4
	70923325	8	CAPSCREW, 5/16-18 X 7/8
	Y705608	16	WASHER, 5/16, NARROW
	Y704726	16	NUT, HEX FLANGE TOP LOCK, 5/16-18
34	71388973	1	ANGLE, STIFFENER
	70921332	10	CAPSCREW, 5/16-18 X 3/4 GR5
	Y704726	10	NUT, HEX FLG TOP LOCK, 5/16-18
35	71393529	1	SUPPORT ASSEMBLY, GRAIN ELEVATOR
	71400549	1	SPACER PLATE, ELEVATOR SUPPORT
	70926838	4	BOLT, RD HD SQ NECK, 1/2-13 X 1-1/2
	Y704742	4	NUT, HEX FLNG TOP LOCK, 1/2-13
36	2492063W91	2	BEARING & HOUSING ASY, SHAKER SHAFT
	2403570W1	2	HOUSING, BEARING
	70921024	4	CAPSCREW, 1/2-13 X 2.0
	Y704742	4	LOCKNUT, HEX FLANGE, 1/2-13
	70923014	2	LUBE FITTING, 1/8 NPT, 45 DEG
37	22602X	2	BEARING, WIDE INNER RACE W/COLLAR
38	14987	2	COLLAR, BEARING
39	2615181W91	1	ARM WLMT, SHOE SHAKER (SERVICE WITH 71409403 & 5/8 HRDWR)
	71409403	1	ARM WLMT, SHOE SHAKER (EFF. S/N HP36--- MID PROD'N RUN)
	70921210	1	CAPSCREW, 3/8-16 X 1.0 GR5
	6875314	1	WASHER, SPECIAL
40	70926155	1	CPSCR, 1/2-13 X 3 GR8(W/ 2615181W91 ARM)
	700708270	1	CPSCR, 5/8-11 X 3 GR8 (W/ 71409403 ARM)
41	368384X1	1	NUT, 1/2-13 REG (W/ 2615181W91 ARM)
	70923353	1	NUT,HX CNTR LOCK, 5/8-11(W/71409403 ARM)
	52233	1	WASHER, HARD, NRMB, .625 X 1 X .075 TH
42	70924906	1	KEY, WOODRUFF
43	71394544	1	SHAFT ASSEMBLY
44	2446400W1	1	PLATE, BEARING MOUNTING, LEFT
45	70931809	4	BOLT, RD HD SQ NECK, 1/2-13 X 1-1/4
46	Y704742	4	NUT, HEX FLANGE LOCK, 1/2-13 UNC
47	364578X1	4	WASHER, .906 ID X 1.53 OD X .106
48	1501060W1	4	HOUSING, BEARING
49	71308770	12	BEARING, BALL, W/COLLAR
50	1564540W1	4	CAPSCREW, SPECIAL, 7/8-9 UNC X 2
51	70922285	2	WASHER, WIDE FLAT, 7/8
52	70929356	8	WASHER, LOCK EXTERNAL TOOTH, 7/8
53	375114X1	8	NUT, HEX JAM, 7/8-9 UNC

CONTINUED

MC00264  
PR: 238

CHALLENGER 670 COMBINE  
SEPARATOR

SHAKER SHOE AND SIEVES



**CHALLENGER 670 COMBINE  
SEPARATOR**

333

**SHAKER SHOE AND SIEVES**

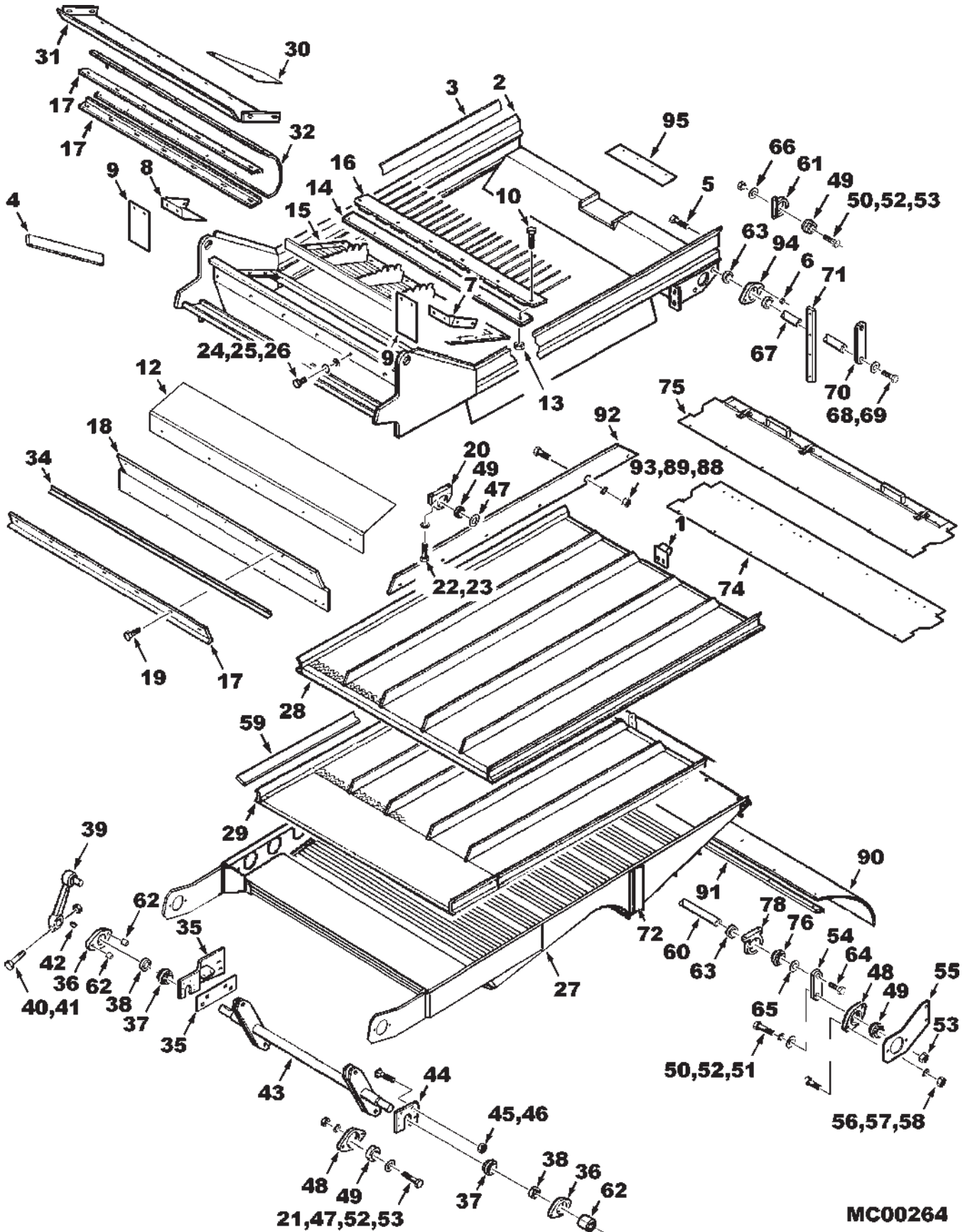
ITEM	NUMBER	QTY	DESCRIPTION
54	2400540W1	2	HANGER, BEARING
55	71394540	2	SUPPORT, REAR SIEVE
56	70920415	4	BOLT, HEX, 3/8-16 UNC X 1-1/4
57	70916965	4	WASHER, LOCK, 3/8
58	70916950	4	NUT, HEX, 3/8-16 UNC
59	71394119	2	SEAL, RUBBER
	70937253	30	RIVET, BLIND
60	71388975	1	ROD, TIE, REAR SHOE, 1.0 DIA
61	2551250W1	2	HOUSING, BEARING (SHALLOW)
	7701055	4	CAPSCREW, 3/8-16 X 1-3/4 GR5
	70917378	4	WASHER, 3/8 WIDE
	Y704734	4	NUT, HEX FLNG TOP LOCK, 3/8-16
62	71381213	4	SPACER
63	375028X1	4	COLLAR, BEARING, 1.0 ID
64	70923151	2	CAPSCREW, 5/8-11 UNC X 1-1/4
65	70918432	2	WASHER, WIDE FLAT, 5/8
66	70923544	2	WASHER, 7/8 NARROW
67	71391805	1	ROD TIE, REAR CHAFFER, 1.0 DIA
68	70918268	8	WASHER, NARROW FLAT, 5/8
69	70924744	2	CAPSCREW, 5/8-11 UNC X 1-1/2
70	71395266	2	BAR, BEARING MOUNTING
71	2629570W1	2	STRAP, REINFORCING
72	71394841	2	SEAL, RUBBER
74	71393812	2	SEAL, SEPARATOR DOOR
	Y764126	10	POP RIVET, 3/16 X 1/4
75	71393813	1	DOOR ASY., SEPARATOR
	71396457	1	ANGLE WLDMT, SEPARATOR DOOR
	71393815	1	STRIP, REINF.
	762975	3	CLAMP, OVER-CENTER
	64642	6	POP RIVET, 3/16 X 3/8
76	71308951	2	BEARING, BALL, W/COLLAR
78	71392691	2	BEARING & HOUSING ASY, (SHALLOW)
	2551250W1	2	HOUSING, BEARING (SHALLOW)
	70920415	4	CAPSCREW, 3/8-16 X 1-1/4 GR5
	70917378	4	WASHER, 3/8 WIDE
	Y704734	4	NUT, HEX FLNG TOP LOCK, 3/8-16
82	762975	3	CLAMP, LATCH
	64642	6	RIVET, 3/16 X 1/2
83	71393440	4	EXTNSN, SEPARATOR PAN (SEE SEPART'R PAN)
84	71396462	4	EXTENSION, CASCADE PAN
85	1157990W1	2	DEFLECTOR
88	70916622	24	NUT, HEX, 1/4-20 UNC (ACCESSORY)
89	70916964	24	WASHER, LOCK, 1/4 (ACCESSORY)
90	71389185	1	SEAL, SHOE
91	71389184	1	STRIP, SIEVE CLAMP
92	71392677	4	EXTENSION, CHAFFER RISER (ACCESSORY)
93	70921959	24	CAPSCREW, 1/4-20 UNC X 5/8 (ACCESSORY)

CONTINUED

MC00264  
PR: 238

CHALLENGER 670 COMBINE  
SEPARATOR

SHAKER SHOE AND SIEVES



**CHALLENGER 670 COMBINE  
SEPARATOR**

335

**SHAKER SHOE AND SIEVES**

ITEM	NUMBER	QTY	DESCRIPTION
94	71392693	2	BEARING & HOUSING ASY.
	1501060W1	2	HOUSING, BEARING
	71308951	2	BEARING, W/COLLAR
	70920415	4	CAPSCREW, 3/8-16 X 1-1/4 GR5
	Y704734	4	NUT, HEX FLNG TOP LOCK, 3/8-16
95	71393818	1	SEAL, REAR CHAFFER FRAME
	70937253	4	RIVET, BLIND
-	71399009	--	*KIT, SIDE HILL CHAFFER RISERS (INCL. ITEMS 83-85,92)
-	71378013	--	*KIT, RISER, AIR FOIL CHAFFER DIVIDER
-	71399011	--	*KIT, CHAFFER/SIEVE GRAIN (INCL ITEMS IN 28,29)
-	71399013	--	*KIT, CHAFFER/SIEVE CORN (INCL ITEMS IN 28,29)
-	71399015	--	*KIT, AIRFOIL CHAFFER (GRAIN & RICE)
-	71409409	--	KIT, SHOE FRAME & SHAKER ARM CAMPAIGN (S/N HM36101 THRU HP36999)(INCL. FOLLOWING)
	71407928	1	CENTER CHANNEL
	700708270	1	CAPSCREW, 5/8-11 X 3 GR8
	11538	1	WASHER, .660 X 1.13 X .120 TH
	70936296	1	NUT, 5/8-11 GR8
-	700525379	--	KIT, CLEANING SHOE, UPGRADE MODIFICAT'NS (S/N HM36101)

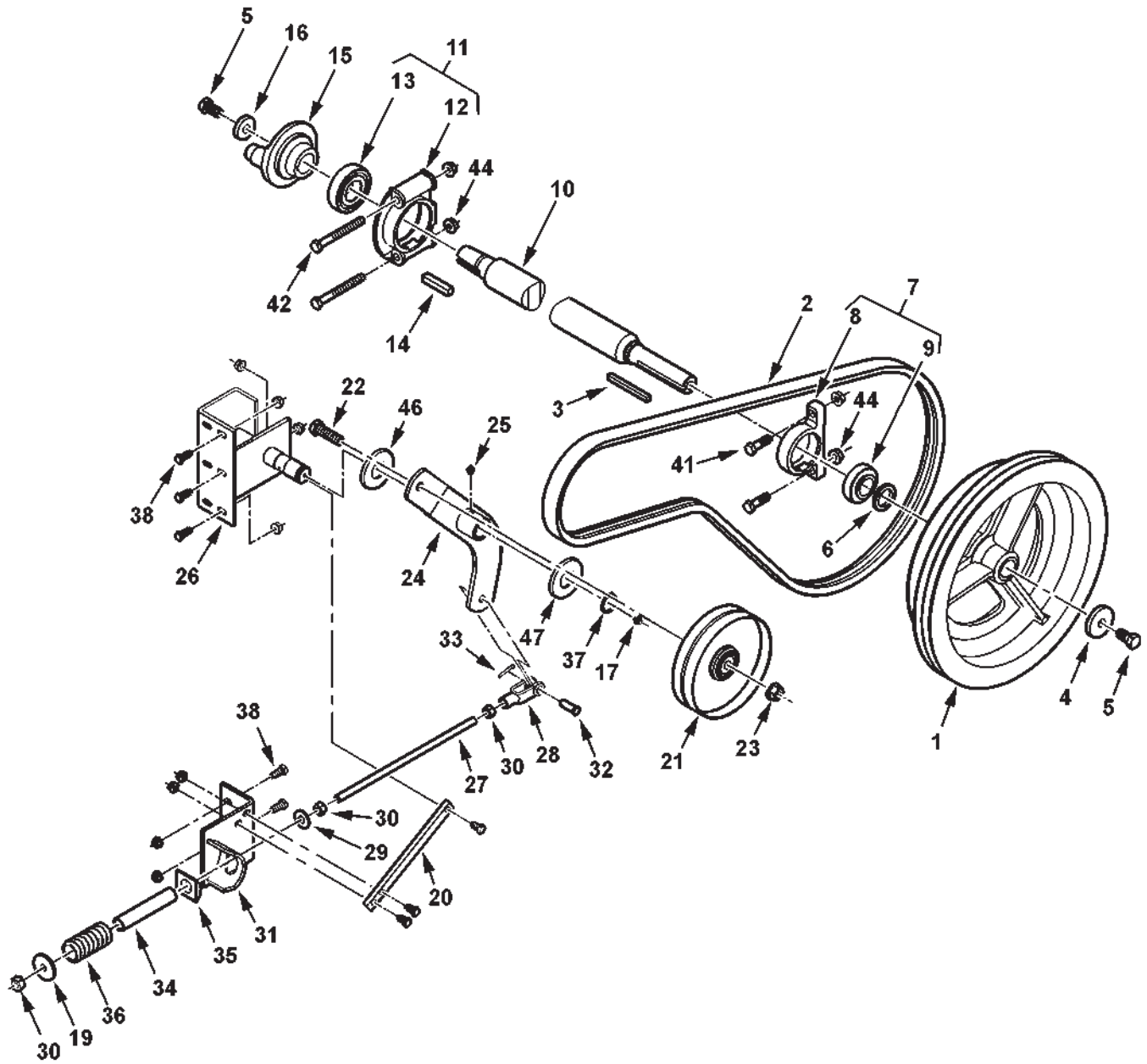
\*ORDER THRU DEALER CENTRAL

MC00264  
PR: 238



CHALLENGER 670 COMBINE  
SEPARATOR

PITMAN DRIVE



**CHALLENGER 670 COMBINE  
SEPARATOR**

337

**PITMAN DRIVE**

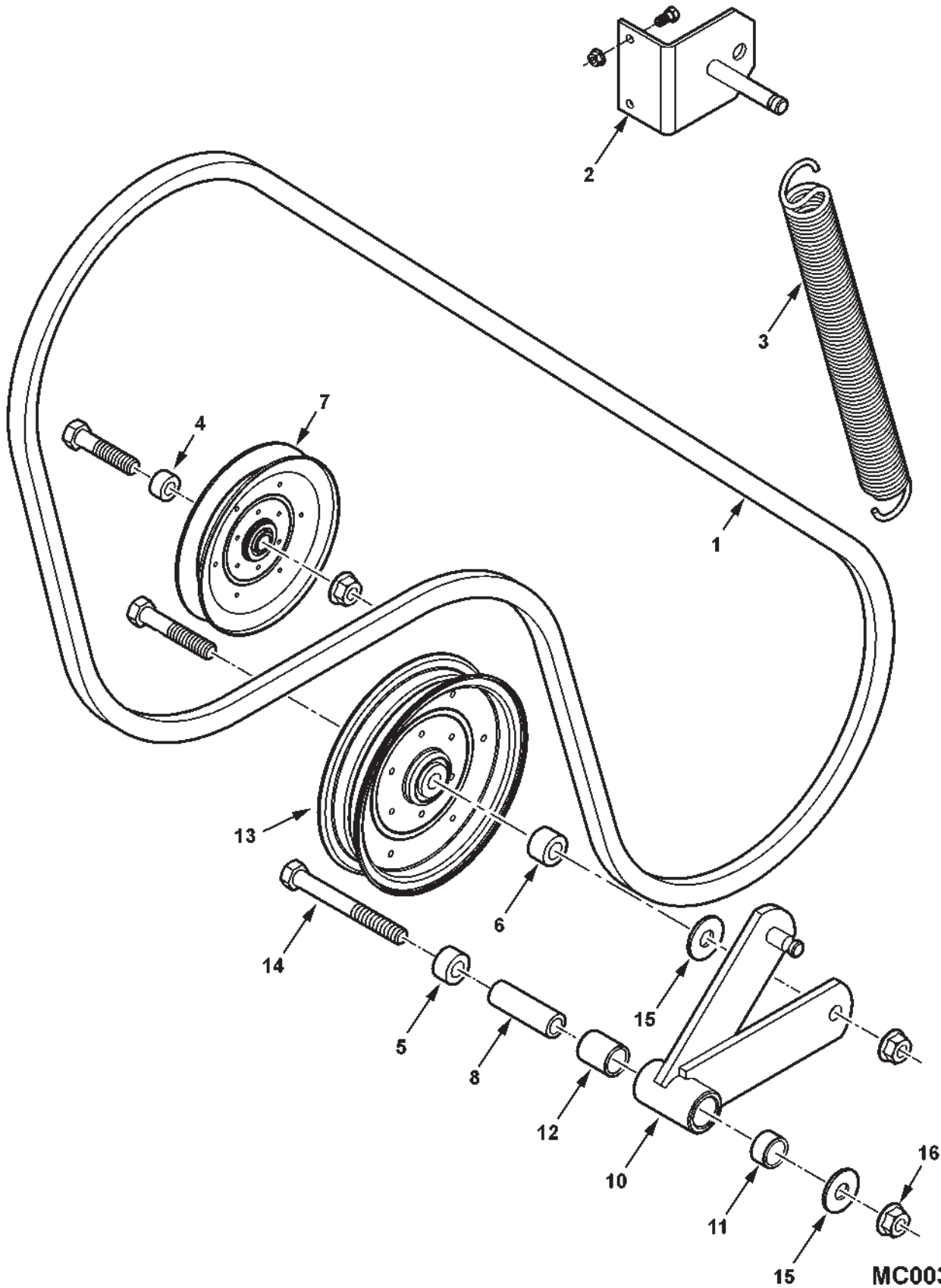
ITEM	NUMBER	QTY	DESCRIPTION
1	2449760W1	1	PULLEY, DRIVE
2	71390199	1	BELT (SEE BELT LISTING)
3	61523	1	KEY, SQ, 3/8 X 4
4	2407570W1	1	WASHER, 21/32 X 2-3/8 X 3/8
5	70923151	2	CAPSCREW, 5/8-11 X 1-1/4 GR5
6	2619570W1	1	SPACER, PITMAN SHEAVE
7	-----	1	BEARING & HSG ASY (ORDER ITEMS 8 & 9)
8	1605510W1	1	HOUSING
9	50021	1	BEARING BALL
10	71388403	1	SHAFT, PITMAN DRIVE
11	-----	1	BEARING & HSG ASY. (ORDER ITEMS 12 & 13)
12	2590650W1	1	HOUSING
13	31-1588410	1	BEARING
14	70918168	1	KEY, 3/8 X 3/8 X 1-3/4
15	71396469	1	HUB, PITMAN DRIVE
16	2476070W1	1	WASHER, 21/32 X 1-3/4 X 3/8
17	13811X	1	LUBE FTG, STR, 1/4-28 TAPER THD
19	70923094	1	WASHER, FLAT, .531 X 2.0 X .180
20	71390853	1	STRAP, REINFORCEMENT
	70921210	3	BOLT, HEX, 3/8-16 UNC X 1.0
	Y704734	3	NUT, HEX FLANGE LOCK, 3/8-16 UNC
21	2614090W1	1	IDLER PULLEY, FLAT
22	70921360	1	CAPSCREW, 5/8-11 X 2-1/4 GR5
23	700703922	1	NUT, HEX FLANGE TOP LOCK, 5/8-11
24	2613771W91	1	IDLER ARM WLDMT, PITMAN
25	70914465	1	LUBE FITTING, 1/8-27 NPTF
26	71390851	1	BRACKET ASY, PIVOT
27	71382871	1	ROD, ALL THD, 1/2-13 X 14" LG
28	70937465	1	YOKE
29	70918431	1	WASHER, 1/2 WIDE
30	704031	3	NUT, 1/2-13 UNC, REG
31	71390196	1	BRACKET, PULLEY ROD ANCHOR
32	70929593	1	PIN, CLEVIS, 1/2 X 1-13/64
33	70918452	1	PIN, COTTER, 1/8 X 1.0
34	71382868	1	SPACER, SPRING
35	71356058	1	BLOCK, PIVOT
36	71382716	1	SPRING
37	70926957	1	RING, RETAINING
38	70921210	5	CAPSCREW, 3/8-16 X 1.0 GR5
40	Y704734	5	NUT, HEX FLANGE TOP LOCK, 3/8-16 UNC
41	70919089	2	CAPSCREW, 1/2-13 X 1-3/4 GR5
42	70925974	2	CAPSCREW, 1/2-13 X 4-1/2 GR8
44	Y704742	4	NUT, HEX FLANGE TOP LOCK, 1/2-13 UNC
46	104207W1	1	WASHER, SHIM, 1-1/4 X 1-3/4 X .030 TH
47	70937716	1	WASHER, 1-5/16 X 2-1/2 X .150 TH

MC00378  
PR: 244



CHALLENGER 670 COMBINE  
SEPARATOR

GRAIN ELEVATOR DRIVE  
(PRIOR S/N HP36101)



MC00379

**CHALLENGER 670 COMBINE  
SEPARATOR**

339

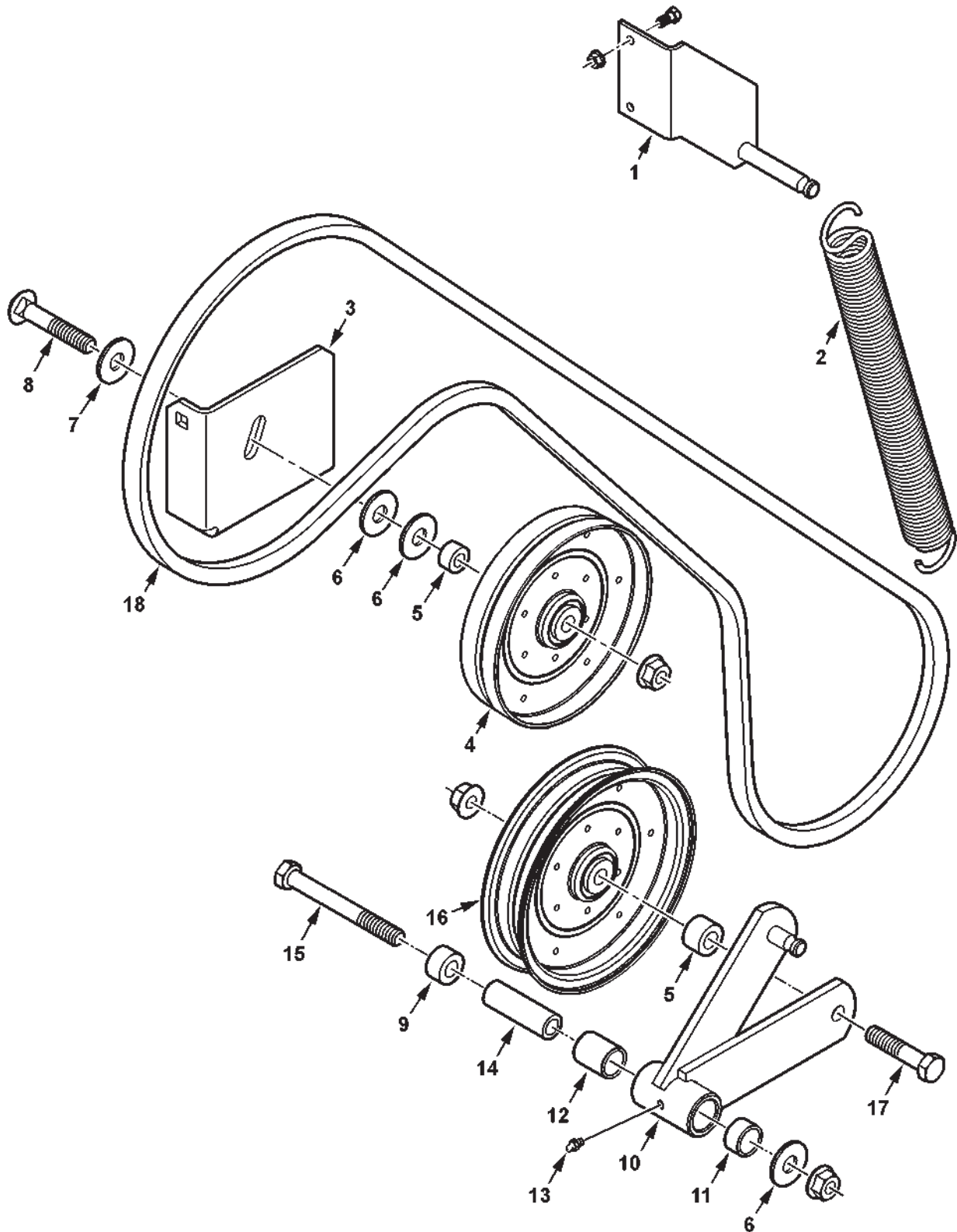
**GRAIN ELEVATOR DRIVE  
(PRIOR S/N HP36101)**

ITEM	NUMBER	QTY	DESCRIPTION
1	227455M1	1	BELT, GRAIN ELEVATOR DRIVE
2	2620871W91	1	ANCHOR WLDMT, SPRING
	70921332	2	CAPSCREW, 5/16-18 X 3/4
	Y704726	2	NUT, HEX FLANGE TOP LOCK, 5/16-18
3	2620920W1	1	SPRING, GRAIN ELEVATOR DRIVE
4	360555X1	1	SPACER, 21/32 X 1-1/4 X 11/16 LG
5	151257M1	1	SPACER, 11/16 X 1-1/4 X 1-3/16 LG
6	2451440W1	1	SPACER, 11/16 X 1-1/4 X 13/16 LG
7	31-2446490	1	IDLER PULLEY, 7-5/16 OD
	70919434	1	CAPSCREW, 5/8-11 X 2-3/4
	70918432	1	WASHER, WIDE FLAT, 5/8
	700703922	1	NUT, HEX FLANGE TOP LOCK, 5/8-11
8	2441490W1	1	SLEEVE, .640 ID X .992 X 3.06 LG
10	2620853W91	1	ARM ASSEMBLY (INCL. ITEMS 11 & 12)
11	1689170W1	1	BUSHING, 1 X 1-1/4 X 3/4
12	1742670W1	1	BUSHING, 1 X 1-1/4 X 1-1/2
13	2553560W1	1	IDLER, FLAT, 8-3/4 OD
	70925702	1	CAPSCREW, 5/8-11 X 3-1/2
	70918432	1	WASHER, WIDE FLAT, 5/8
	700703922	1	NUT, HEX FLANGE TOP LOCK, 5/8-11
14	70925706	1	CAPSCREW, 5/8-11 X 5-1/2 GR5
15	70918432	2	WASHER, WIDE FLAT, 5/8
16	700703922	1	NUT, HEX FLANGE TOP LOCK, 5/8-11
17	70914465	1	LUBE FITTING, 1/8-27 NPTF
-	71406309	AR	DRIVE KIT, CLEAN GRAIN (UPGRADE TO ELEV. DRIVE EFF. S/N HP36101)(INCLUDES STRAP 71407326, QTY 1, FOR STEP) (SERVICE COMP'TS ON FOLLOWING PAGE)

MC00379  
PR: t05b16k26a0017

CHALLENGER 670 COMBINE  
SEPARATOR

GRAIN ELEVATOR DRIVE  
(EFF. S/N HP36101)



**CHALLENGER 670 COMBINE  
SEPARATOR**

341

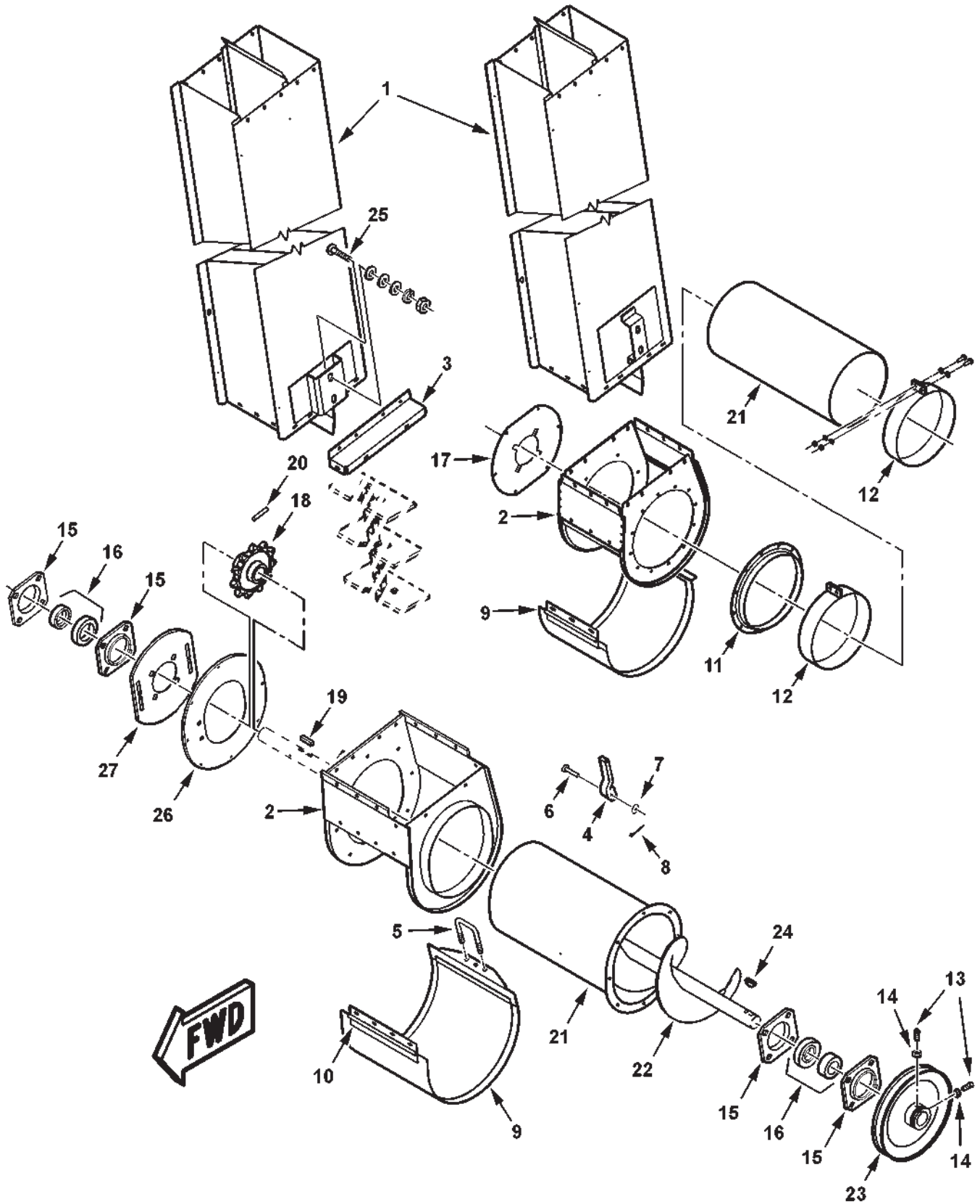
**GRAIN ELEVATOR DRIVE  
(EFF. S/N HP36101)**

ITEM	NUMBER	QTY	DESCRIPTION
1	71403684	1	ANCHOR WLDMT, SPRING
	70921332	2	CAPSCREW, 5/16-18 X 3/4 GR5
	Y704726	2	NUT, HEX FLANGE TOP LOCK, 5/16-18
2	1579720W1	1	SPRING, TENSION
3	71403680	1	SUPPORT BRACKET, IDLER
	68619	2	BOLT, RND HD SQ NECK, 1/2-13 X 1-1/4
	70928367	1	BOLT, RND HD SQ NECK, 1/2-13 X 1
	Y704742	3	NUT, HEX FLANGE TOP LOCK, 1/2-13
4	2614090W1	1	IDLER ASY, FLAT
5	2451440W1	2	SPACER, IDLER
6	70918432	3	WASHER, 5/8, WIDE
7	700709608	1	WASHER, 7/8, WIDE
8	364988X1	1	BOLT, RND HD SQ NECK, 5/8-11 X 3-1/2
	700703922	1	NUT, HEX FLANGE TOP LOCK, 5/8-11
9	151257M1	1	SPACER, .688 X 1.188 LG
10	2620853W91	1	ARM ASSEMBLY (INCL. ITEMS 11 & 12)
11	1689170W1	2	BUSHING, 1 X 1.24 X .75 LG (WAS QTY.1)
12	1742670W1	1	BUSHING, 1 X 1.24 X 1.50 LG (PRIOR S/N HP36---, MID-PROD'N RUN)
13	70914465	1	LUBE FITTING, 1/8-27 NPTF
14	2441490W1	1	SLEEVE, .640 ID X .992 X 3.06 LG
15	70925706	1	CAPSCREW, 5/8-11 X 5-1/2 GR5
	700703922	1	NUT, HEX FLANGE TOP LOCK, 5/8-11
16	2553560W1	1	IDLER, FLAT, 8-3/4 OD
17	70921671	1	CAPSCREW, 5/8-11 X 3-1/4 GR5
	700703922	1	NUT, HEX FLANGE TOP LOCK, 5/8-11
18	71403685	1	BELT, GRAIN ELEVATOR DRIVE

MC00380  
PR: t05b16k26a0018

CHALLENGER 670 COMBINE  
GRAIN BIN & ELEVATOR

GRAIN ELEVATOR  
LOWER



**CHALLENGER 670 COMBINE  
GRAIN BIN & ELEVATOR**

343

**GRAIN ELEVATOR  
LOWER**

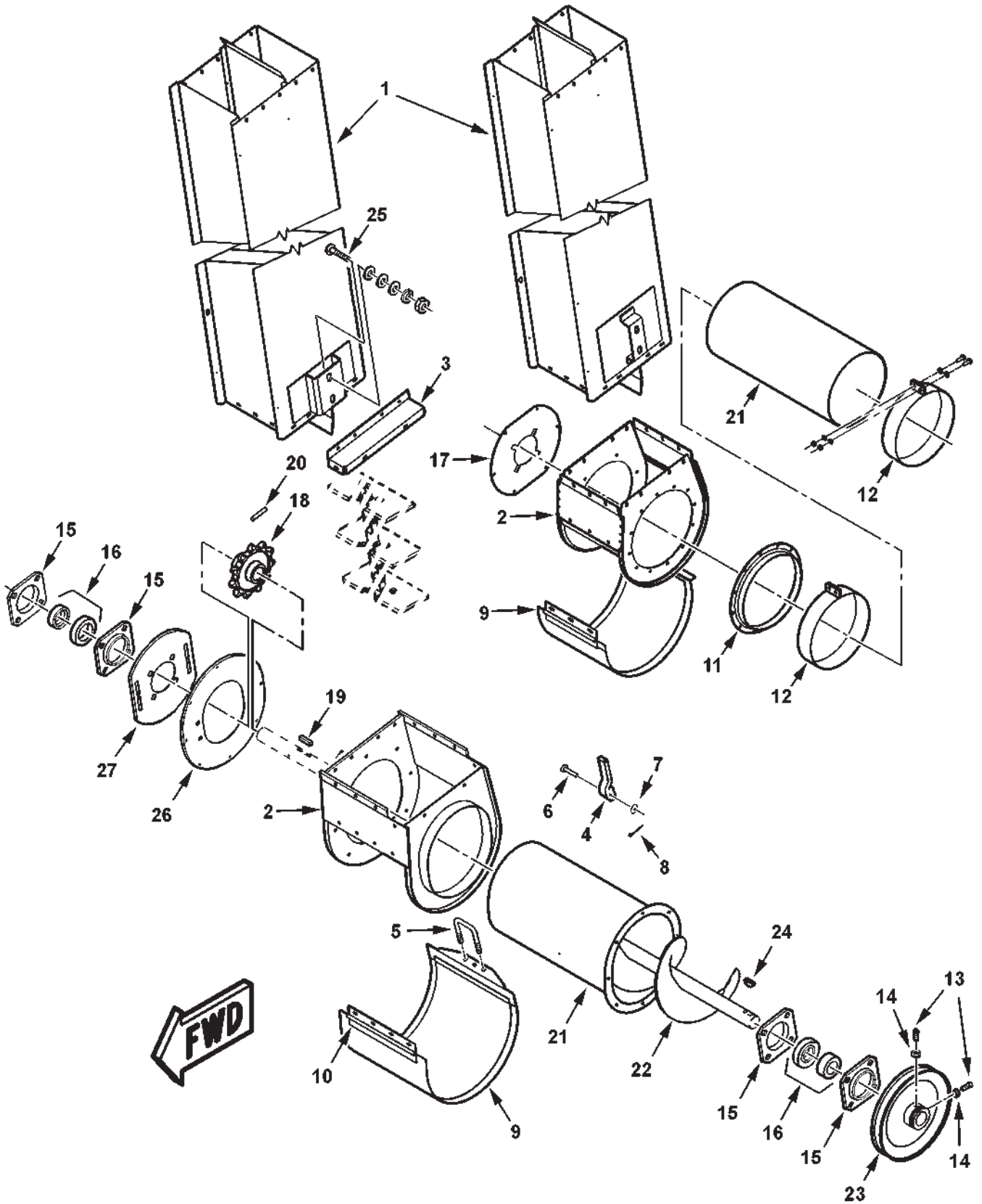
ITEM	NUMBER	QTY	DESCRIPTION
1	71393547	1	BODY & DECALS, ASY (PRIOR S/N HP36101) (DECALS- SEE "LABELS" SECTION)
	71400435	1	BODY WLMT, GR ELEV. (EFF. S/N HP36101)
	71409271	1	BODY WLMT,GR ELEV. RICE(EFF.S/N HP36101)
	70931316	10	BOLT, RD HD SQ NECK 1/4-20 X 5/8
	705012	10	LOCKWASHER, 1/4 (PRIOR S/N HP36101)
	70917377	10	WASHER, 1/4, WIDE(PRIOR S/N HP36101)
	70916622	10	NUT, 1/4-20, REG (PRIOR S/N HP36101)
	70931209	10	LOCKNUT, HEX FLNG SERR, 1/4-20 (EFF. S/N HP36101)
2	71393429	1	BOOT ASY. GR ELEV. (PRIOR S/N HP36101)
	71399994	1	BOOT WLMT, GR ELEV. (EFF. S/N HP36101)
	71409268	1	BOOT WLMT,GR ELEV. RICE(EFF.S/N HP36101)
	70931316	14	BOLT, RD HD SQ NECK, 1/4-20 X 5/8
	705012	14	LOCKWASHER, 1/4
	70917377	14	WASHER, 1/4 WIDE (PRIOR S/N HP36101)
	70916622	14	NUT, 1/4-20, REG
3	71399807	1	FILLER WLMT, GR ELEV. (EFF. S/N HP36101)
	71409269	1	FILLER WLMT, GR ELEV. RICE (S/N HP36101)
	70931316	4	BOLT, RD HD SQ NK, 1/4-20 X 5/8
	70931317	4	BOLT, RD HD SQ NK, 1/4-20 X 3/4
	705012	8	LOCKWASHER, 1/4
	70916622	8	NUT, 1/4-20, REG
4	1799410W1	1	LATCH, DOOR
5	71197376	1	U-BOLT, LATCH (PRIOR S/N HP36101)
	70916622	4	NUT, 1/4-20, REG (PRIOR S/N HP36101)
	2476240W1	1	LATCH BOLT, DOOR (EFF. S/N HP36101)
	70916950	4	NUT, 3/8-16 (EFF. S/N HP36101)
6	70927523	1	PIN, CLEVIS, 5/16 X 1-1/2
7	70918265	1	WASHER, WIDE FLAT, 5/16
8	70918447	1	PIN, COTTER, 3/32 X 3/4
9	71393526	1	DOOR WLMT, LOWER (PRIOR S/N HP36101)
	71396467	--	DOOR WLMT, PERFORATED (ACCESSORY)(PRIOR S/N HP36101)
	71400431	1	DOOR WLMT, LOWER (EFF. S/N HP36101)
	71410456	1	* DOOR WLMT,PERFORATED(EFF. S/N HP36101)
	71409265	1	DOOR WLMT, LOWER, RICE (EFF.S/N HP36101)
	70931317	4	BOLT, RD HD,SHT SQ NK, 1/4-20 X 3/4
	353769X1	4	WASHER, HARDENED, 1/4
	705012	4	LOCKWASHER, 1/4
	70916622	4	NUT, 1/4-20, REG
10	2412670W1	1	HINGE, DOOR (PRIOR S/N HP36101)
	71400432	1	HINGE, DOOR (EFF. S/N HP36101)
11	2554680W1	1	FLANGE, ELEVATOR (PRIOR S/N HP36101)
	70931316	12	BOLT, RD HD SQ NECK, 1/4-20 X 5/8
	70916964	12	LOCKWASHER, 1/4
	70916622	12	NUT, 1/4-20, REG
12	2555401W91	2	CLAMP ASY, TUBE (PRIOR S/N HP36101)
	700705614	4	CAPSCREW, 5/16-18 X 1-1/2 FULL THD
	70917642	4	WASHER, 5/16, WIDE
	70917356	4	LOCKWASHER, 5/16
	70917372	4	NUT, 5/16-18, REG

CONTINUED

MC00267  
PR: 248

CHALLENGER 670 COMBINE  
GRAIN BIN & ELEVATOR

GRAIN ELEVATOR  
LOWER



**CHALLENGER 670 COMBINE  
GRAIN BIN & ELEVATOR**

345

**GRAIN ELEVATOR  
LOWER**

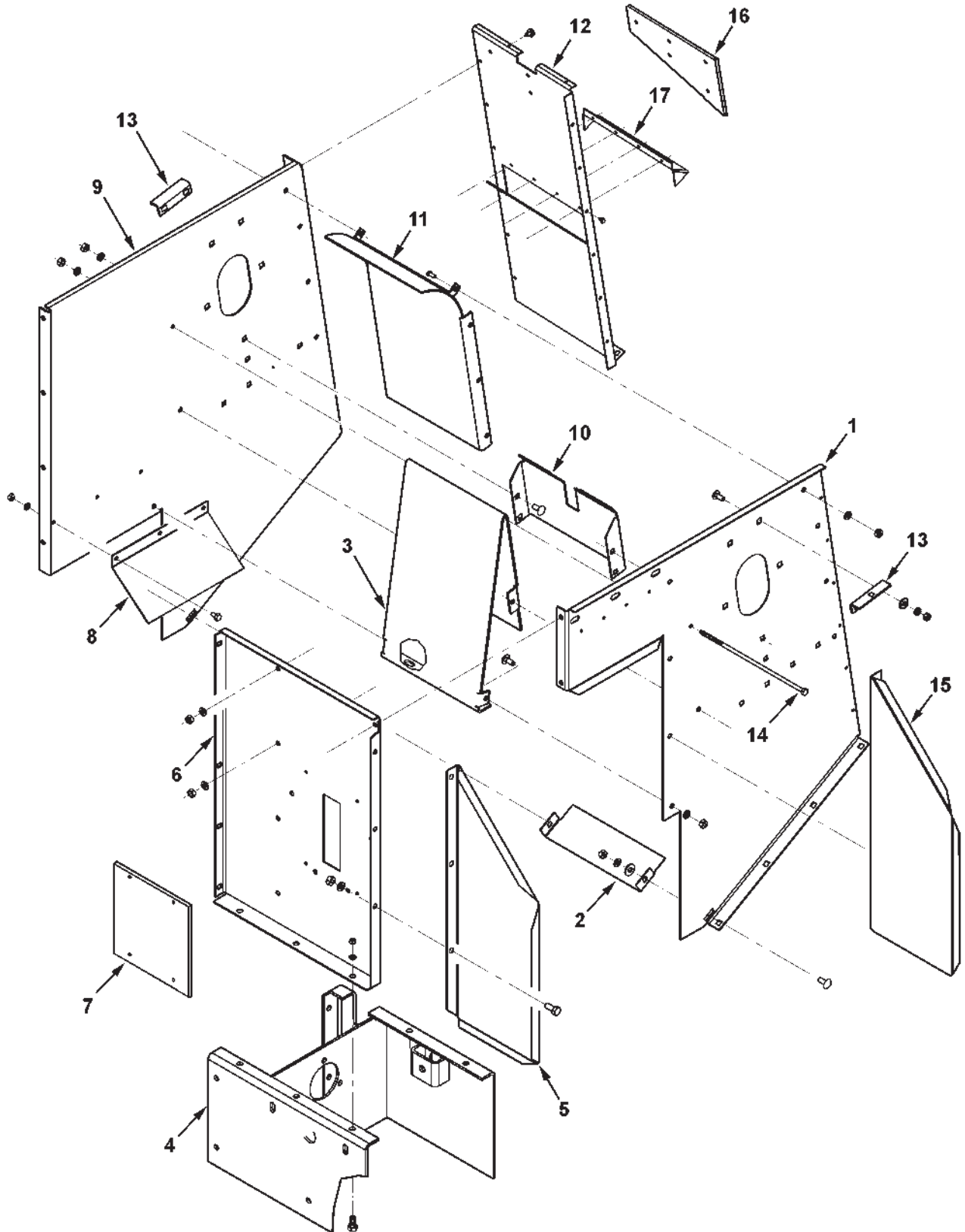
ITEM	NUMBER	QTY	DESCRIPTION
13	70923326	1	SETSCREW,SQ HD, 3/8-16 X 1 (QTY 2, PRIOR S/N HP36101)
	70920469	1	SETSCREW, SQ HD, 3/8-16 X 3/4 (EFF. S/N HP36101)
14	70916950	2	NUT, 3/8-16, REG (PRIOR S/N HP36101)
15	17789	4	FLANGE, BEARING
	70931809	8	BOLT, RND HD SQ NK, 1/2-13 X 1-1/4 (WAS QTY 7, PRIOR S/N HP36101)
	70931810	1	BOLT, RND HD SQ NK, 1/2-13 X 1-3/4 (PRIOR S/N HP36101)
	Y705046	8	LOCKWASHER, 1/2
	704031	8	NUT, 1/2-13, REG
16	50468	2	BEARING, BALL, W/COLLAR
	1720176	2	COLLAR
17	2571520W1	1	PLATE, BEARING MOUNT (PRIOR S/N HP36101)
	70931316	6	BOLT, RD HD SQ NECK, 1/4-20 X 5/8
	70916964	6	LOCKWASHER, 1/4
	70916622	6	NUT, 1/4-20, REG
18	2571510W1	1	SPROCKET, GRAIN ELEVATOR
19	61101	1	SQ. KEY, 1/4 X 1/4 X 1-3/4
20	70926977	1	PIN, COILED SPRING, 3/16 X 2-1/4
21	71393532	1	TUBE, BOTTOM,GR ELEV.(PRIOR S/N HP36101)
	71401204	1	TUBE WLMT,BTM,GR ELEV.(EFF. S/N HP36101)
	71409270	1	TUBE, BTM,GR ELEV. RICE(EFF.S/N HP36101)
	7700461	8	BOLT, RD HD SQ NK, 5/16-18 X 3/4
	70917356	8	LOCKWASHER, 5/16
	70917372	8	NUT, 5/16-18, REG
	70933988	8	SPEED NUT, THREAD GRIP, 5/16
22	71392700	1	AUGER ASY, (PRIOR S/N HP36101)
	71394534	1	AUGER ASY (CHROME)
23	108843W1	1	PULLEY, DRIVEN (PRIOR S/N HP36101)
	71403682	1	PULLEY, DRIVEN (EFF. S/N HP36101)
24	70911201	1	KEY, WOODRUFF, 3/8 X 1-1/4 DIA
25	701235	1	CPSCR, 1/2-13 X 1-1/2 (WAS QTY.2 PRIOR S/N HP36101)
	70921176	1	CPSCR, 1/2-13 X 1-1/4 (EFF. S/N HP36101)
	70931187	1	NUT, HEX SERR FLANGE, 1/2-13
	70936525	1	SPEED NUT, THREAD GRIP, 1/2
	705541	2	WASHER, HARD, 1/2 (WAS QTY.4)
	Y705046	1	LOCKWASHER, 1/2 (WAS QTY.2)
	704031	1	NUT, 1/2-13, REG (WAS QTY.2)
26	71400429	1	PLATE, BOOT COVER (EFF. S/N HP36101)
	71409267	1	PLATE, BOOT COVER, RICE(EFF.S/N HP36101)
	70931317	8	BOLT, RD HD SQ NK, 1/4-20 X 3/4
	705012	8	LOCKWASHER, 1/4
	70916622	8	NUT, 1/4-20, REG
27	71400430	1	PLATE, BRG (EFF. S/N HP36101)
	71409266	1	PLATE, BRG, RICE (EFF. S/N HP36101)
	70922786	4	BOLT, RD HD SQ NK, 3/8-16 X 1 GR5
	Y705533	4	WASHER, HARD, 3/8
	70916965	4	LOCKWASHER, 3/8
	70916950	4	NUT, 3/8-16, REG
-	71393534	1	CHAIN ASY. (NOT ILL)(SEE CHAINS, DRIVE)
-	700704010	AR	SILICONE SEALANT, BLACK, 10.2 OZ
-	71407048	AR	* KIT,PERF. ELEV DOORS(EFF. S/N HP36101) (ORDER FROM BATAVIA PARTS)

MC00267  
PR: 248



CHALLENGER 670 COMBINE  
GRAIN BIN & ELEVATOR

GRAIN ELEVATOR  
HEAD ASSEMBLY



**CHALLENGER 670 COMBINE  
GRAIN BIN & ELEVATOR**

347

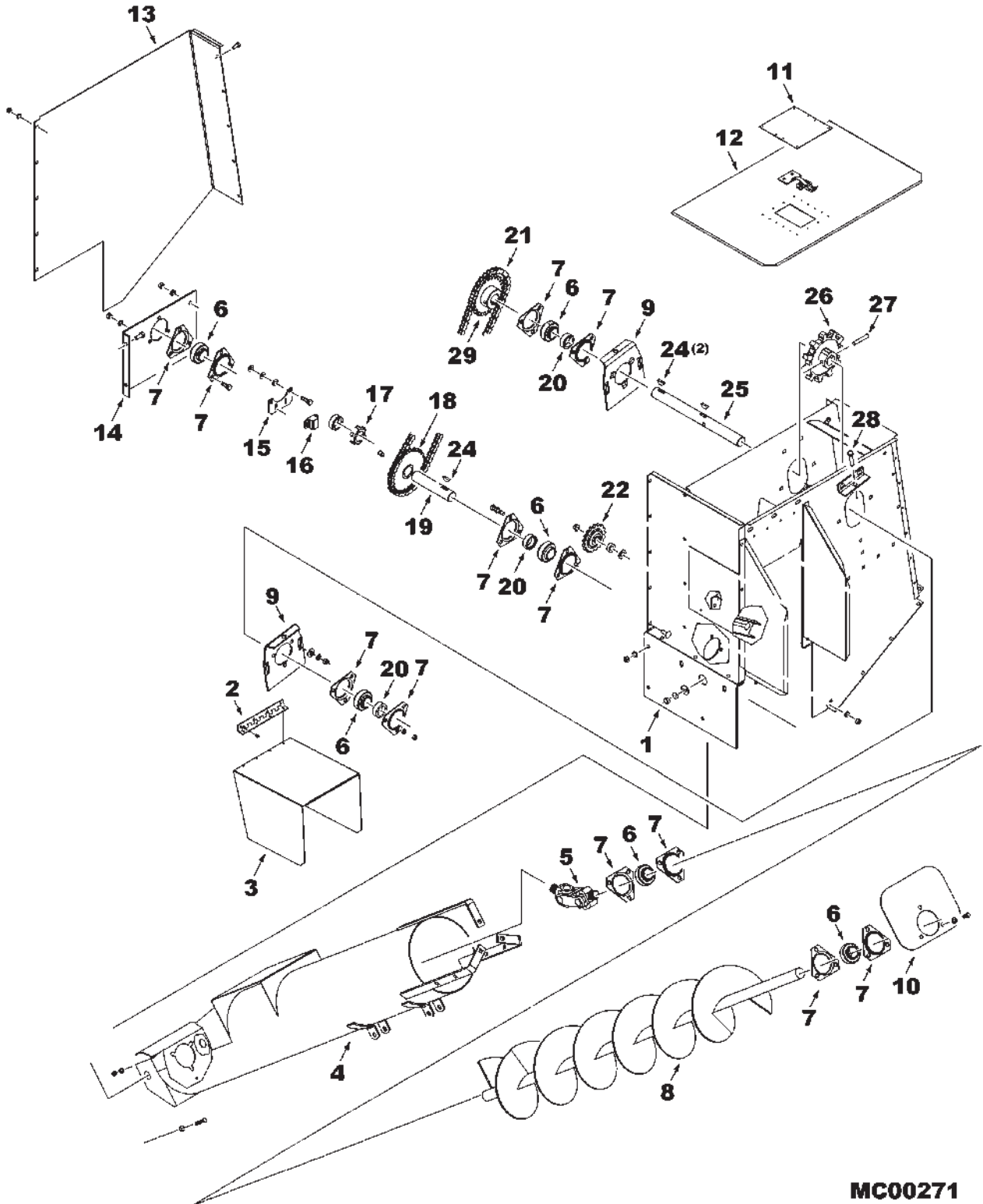
**GRAIN ELEVATOR  
HEAD ASSEMBLY**

ITEM	NUMBER	QTY	DESCRIPTION
1	71393268	1	PANEL, GRAIN HEAD SIDE (LH)
	7700461	6	BOLT, RD HD SQ NECK 5/16-18 X 3/4
	70917642	2	WASHER, FLAT 5/16
	Y705020	6	LOCKWASHER, 5/16
	70917372	6	HEXNUT, 5/16-18
2	71393273	1	SEAL, ELEVATOR
3	71393274	1	DIVIDER, GRAIN HEAD
4	71393269	1	SUPPORT ASY., BIN LOADER DRIVE
	70921965	5	CAPSCREW, 5/16-18 X 3/4
	70916965	5	LOCKWASHER, 3/8
	70916950	5	HEXNUT, 3/8
5	71393264	1	EXTENSION, FRONT
	70921332	6	CAPSCREW, 5/16-18 X 3/4
	Y705020	6	LOCKWASHER, 5/16
	70917372	6	HEXNUT, 5/16-18
6	71393263	1	PANEL, GRAIN HEAD FRONT
	70921333	1	CAPSCREW, 5/16-18 X 1.0
	70921332	5	CAPSCREW, 5/16-18 X 3/4
	Y705020	6	LOCKWASHER, 5/16
	70917372	6	HEXNUT, 5/16-18
7	71389842	1	COVER PLATE, ELEV. HEAD, FRONT (NON-FIELDSTAR)
	70924837	4	RIVET
8	71368598	1	DEFLECTOR, BIN LOADER
	70921958	3	CAPSCREW, 1/4-20 X 1/2
	705012	3	LOCKWASHER, 1/4
	70916622	3	HEXNUT, 1/4-20
9	71393265	1	PANEL, GRAIN HEAD (RH)
10	71393405	1	EXTENSION, CENTERBOARD
	7700461	4	BOLT, RD HD SQ NECK 5/16-18 X 3/4
	Y705020	4	LOCKWASHER, 5/16
11	70917372	4	HEXNUT, 5/16-18
	71400915	1	BACK WLMT, ELEV. HEAD(PRIOR S/N HR36101)
	71408514	1	BACK WLMT, ELEV. HEAD (EFF. S/N HR36101)
12	70921332	8	CAPSCREW, 5/16-18 X 3/4
	Y705020	8	LOCKWASHER, 5/16
	70917372	8	HEXNUT, 5/16-18
	71393401	1	REAR PANEL, BIN LDR (PRIOR S/N HN36101)
13	71401452	1	REAR PANEL, BIN LDR (EFF. S/N HN36101 - HN36999)
	71406849	1	REAR PANEL, BIN LDR (EFF. S/N HP36101)
	70925991	12	SCR,HX WSHR HD,TAPPING, 1/4-14 X 1/2
	71327984	2	BRACKET, DRAW BOLT
14	70922786	4	BOLT, RD HD SQ NECK 3/8-16 X 1.0
	70916965	4	LOCKWASHER, 3/8
	70916950	4	HEXNUT, 3/8
	354273X1	1	SCREW, CAP, 1/4-20 X 10.0
15	705012	1	LOCKWASHER, 1/4
	70916622	1	HEXNUT, 1/4
	71393402	1	EXTENSION, REAR
16	71401381	1	PLATE, FILLER (NON-FIELDSTAR)(EFF. S/N HN36101)
	7703457	5	CAPSCREW, 1/4-20 X 3/4
	70937101	5	NUT, PUSH-ON, 1/4
	700709601	5	WASHER, 1/4 WIDE
	705012	5	LOCKWASHER, 1/4
	704007	5	NUT, 1/4-20
	71408501	1	HOOD, RECIRCULATION (EFF. S/N HP36101)
	700717635	4	POP-RIVET, 3/16 X .126-.250 GRIP

MC00270  
PR: 252

CHALLENGER 670 COMBINE  
GRAIN BIN & ELEVATOR

GRAIN ELEVATOR  
BIN FILL AUGER



**CHALLENGER 670 COMBINE  
GRAIN BIN & ELEVATOR**

349

**GRAIN ELEVATOR  
BIN FILL AUGER**

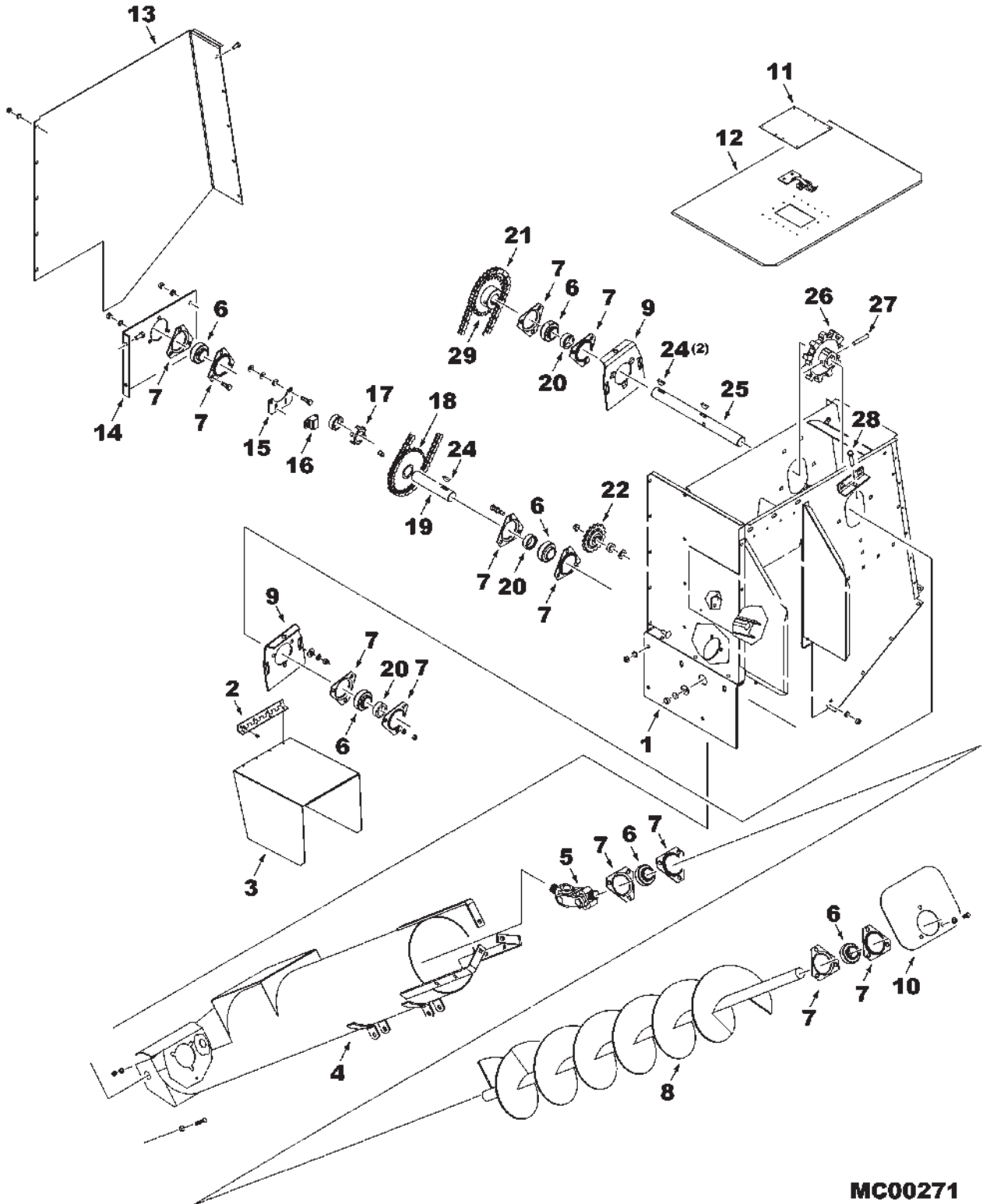
ITEM	NUMBER	QTY	DESCRIPTION
1	-----	1	HEAD ASY, CLEAN GRAIN ELEVATOR (REFERENCE ONLY, SEE BREAKDOWN)
2	71373693	1	HINGE, ELEVATOR BOOT
	70924837	4	RIVET, 3/16 X .277
	700717635	4	RIVET, 3/16 X .402
3	71376042	1	COVER, HINGED
4	71362970	1	TUBE WLDMT, BIN LOADER
	70921176	2	CAPSCREW, 1/2-13 X 1-1/4
	70918431	4	WASHER, 1/2 WIDE
	71188949	2	SPACER
	Y705046	2	LOCKWASHER, 1/2
	704031	2	NUT, 1/2-13 REG
5	71395998	1	U-JOINT ASY., DOUBLE PIVOT
	71124448	2	YOKE
	71396653	2	JOURNAL ASY, U-JOINT
6	71308995	6	BEARING, W/ COLLAR
7	71127313	12	FLANGE
	Y707042	6	BOLT, PLOW 3/8-16 X 1.0
	70922786	7	BOLT, RHSN 3/8-16 X 1.0
	70916965	7	LOCKWASHER, 3/8
	70916950	7	NUT, 3/8-16 REG
8	71388940	1	AUGER, BIN LOADER (CHROME)
9	71393419	2	SUPPORT, BEARING
	70922786	4	BOLT, RHSN 3/8-16 X 1.0
	70917378	4	WASHER, FLAT 3/8
	70916965	4	LOCKWASHER, 3/8
	70916950	4	NUT, 3/8-16 REG
10	71393403B	1	PLATE, DEFLECTOR
	70923220	3	BOLT, RHSN 3/8-16 X 1-1/4
	70916965	3	LOCKWASHER, 3/8
	70917378	3	WASHER, FLAT 3/8
	70916950	3	NUT, 3/8-16 REG
11	71393404	1	PLATE, COVER (NON-FIELDSTAR)(PRIOR S/N HN36101)
	70924799	8	RIVET, 1/8 X .250
12	71395976B	1	TOP COVER ASY,BIN LDR(PRIOR S/N HN36101)
	71401453	1	TOP COVER ASY, BIN LDR (EFF. S/N HN36101 TO HP36999)
	71409402	1	TOP COVER ASY, BIN LDR(EFF. S/N HR36101)
	-----	1	TOP COVER, BIN LDR (ORDER COVER ASY)
	762975	1	CLAMP, OVER-CENTER LATCH
	71344833	1	SEAL, RUBBER
	700717635	4	POP-RIVET, 3/16 X .126-.250 GRIP
	70917380	2	WASHER, .219 ID X .50 OD X 18 GA
13	71393258	1	SHIELD, DRIVE CHAIN, BIN LOADER
	7883317	5	SCREW, HEX WSHR HD, 5/16-18 X 1/2
	7700461	5	BOLT, RND HD SQ NK, 5/16-18 X 3/4
	70917642	5	WASHER, FLAT 5/16
	Y705020	5	LOCKWASHER, 5/16
	70917372	5	NUT, 5/16-18 REG
	70933988	5	NUT, SPEED 5/16
14	71393259	1	SUPPORT, LOADER END
	70921210	4	CAPSCREW, 3/8-16 X 1.0
	70916965	4	LOCKWASHER, 3/8
	70916950	4	NUT, 3/8-16 REG

CONTINUED

MC00271  
PR: 254

CHALLENGER 670 COMBINE  
GRAIN BIN & ELEVATOR

GRAIN ELEVATOR  
BIN FILL AUGER



**CHALLENGER 670 COMBINE  
GRAIN BIN & ELEVATOR**

351

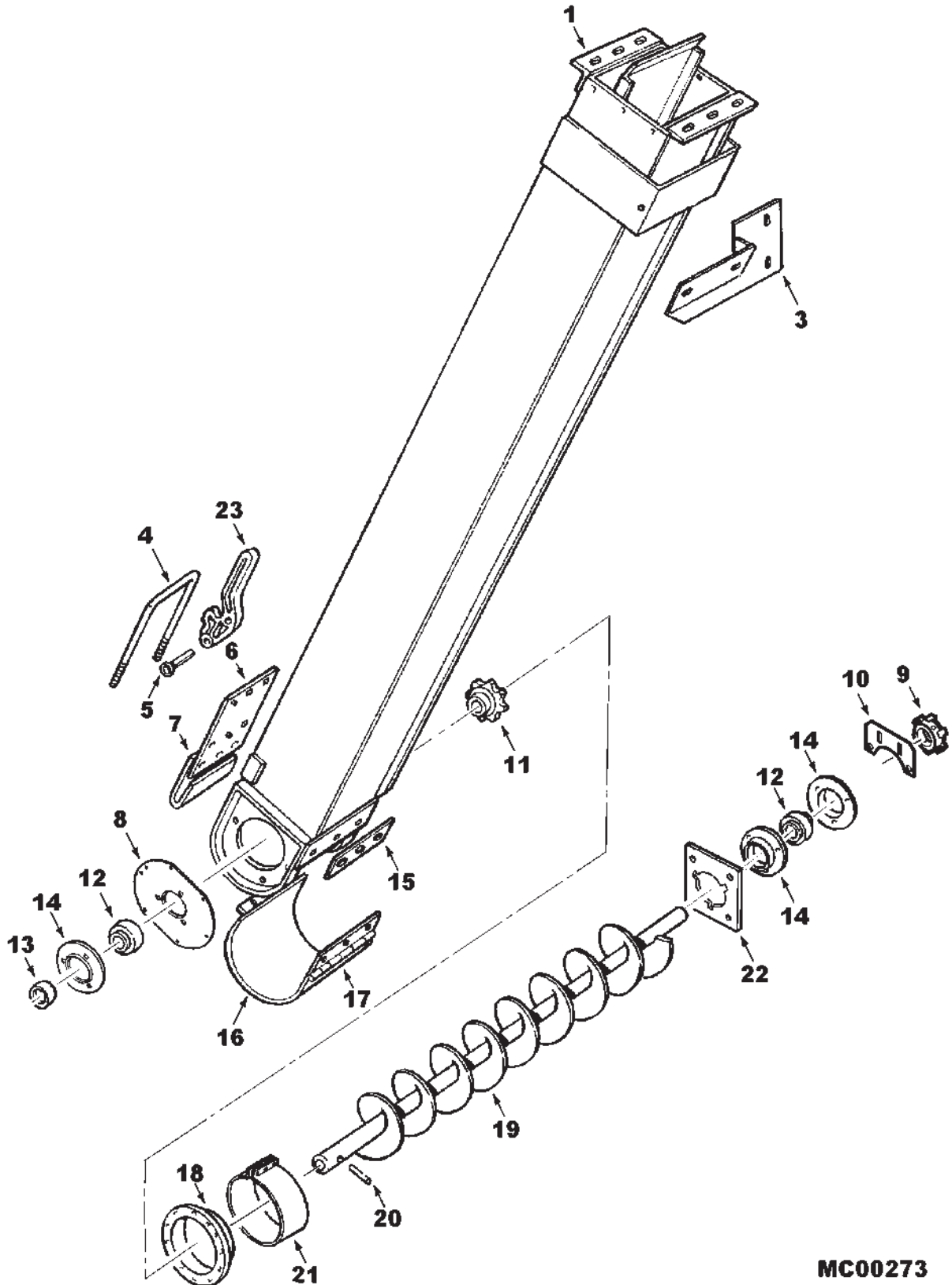
**GRAIN ELEVATOR  
BIN FILL AUGER**

ITEM	NUMBER	QTY	DESCRIPTION
15	71188145	1	BRACKET, SHAFT
	70923220	2	BOLT, RHSN 3/8-16 X 1-1/4
	Y705533	6	WASHER, FLAT 3/8
	70916965	2	LOCKWASHER, 3/8
	70916950	2	NUT, 3/8-16 REG
16	71391021	1	SENSOR
	70931317	2	BOLT, RD HD,SHT SQ NK, 1/4-20 X 3/4
	705012	2	LOCKWASHER, 1/4
	70916622	2	NUT, 1/4-20 REG
17	71194367	1	COLLAR WLDMT, SENSING
18	71393260	1	SPROCKET WLDMT, 28 TEETH (QTY 2, PRIOR S/N HN36101)
	70920469	2	SETSCREW, SQ HD, 3/8-16 X 3/4
19	71393262	1	SHAFT, DRIVE
20	700717212	3	COLLAR, 1-1/4 ID
21	-----	1	CHAIN,BIN LOADER,#50 (SEE"CHAINS,DRIVE")
22	7087398	1	SPROCKET, IDLER
	70929095	1	BOLT, RDHD, SQNK 1/2-13 X 2-1/4
	70924113	1	WASHER, FLAT SQ HOLE
	6522940	1	SPACER
	Y704742	1	LOCKNUT, 1/2-13
24	29780X	3	KEY, WOODRUFF, 1/4 X 1.0
25	71393261	1	SHAFT, UPPER ELEVATOR
26	2412960W1	1	SPROCKET, DRIVE
27	70916767	1	ROLL PIN, 3/8 X 2 LG
28	70937727	2	CAPSCREW, 3/8-16 X 3-1/4
	70916950	2	NUT, 3/8-16 REG
29	71401462	1	SPROCKET, WLDMT, 38 TEETH
	70920469	2	SETSCREW, SQ HD, 3/8-16 X 3/4

MC00271  
PR: 254

CHALLENGER 670 COMBINE  
GRAIN BIN & ELEVATOR

RETURN ELEVATOR  
LOWER  
(PRIOR S/N HP36101)



**CHALLENGER 670 COMBINE  
GRAIN BIN & ELEVATOR**

353

**RETURN ELEVATOR  
LOWER  
(PRIOR S/N HP36101)**

ITEM	NUMBER	QTY	DESCRIPTION
1	71396124	1	BODY ASSEMBLY, RETURN ELEVATOR
	70921210	2	CAPSCREW, 3/8-16 X 1 GR5
	70917378	2	WASHER, 3/8, WIDE
	Y704742	2	NUT, HEX FLANGE TOP LOCK, 3/8-16
3	2620021W91	1	SUPPORT ASSEMBLY, RETURN ELEVATOR
	70921210	2	CAPSCREW, 3/8-16 X 1 GR5
	70923114	2	CAPSCREW, 1/2-13 X 1 GR5
	70917378	2	WASHER, 3/8, WIDE
	Y704734	2	NUT, HEX FLANGE TOP LOCK, 3/8-16
	Y704742	2	NUT, HEX FLANGE TOP LOCK, 1/2-13
4	1651910W1	1	U BOLT, LATCH
	70916950	4	NUT, 3/8-16, REG
5	70927523	1	PIN, CLEVIS, 5/16 X 1-1/2
6	2555180W1	1	PLATE, WEAR
	70931316	8	BOLT, RD HD SQ NECK, 1/4-20 X 5/8
	70916964	8	LOCKWASHER, 1/4
	70916622	8	NUT, 1/4-20, REG
7	2555170W1	1	STRIP, SUPPORT
8	1510740W1	1	PLATE, BEARING
9	71390672	1	WHEEL, SENSOR (W/COLLAR)
10	71188145	1	BRACKET, SHAFT MONITOR
	70916950	2	HEXNUT, 3/8-16
11	W9863030	1	SPROCKET, AUGER, 8 TEETH
12	70590704	2	BEARING, BALL, W/O COLLAR
13	K3518	1	COLLAR, 1.125
14	71127313	3	FLANGE, BEARING
	70931350	3	BOLT, RD HD SQ NECK, 3/8-16 X 1
	70931348	3	BOLT, RD HD SQ NECK, 3/8-16 X 3/4
	70916965	3	LOCKWASHER, 3/8
	70916950	6	NUT, 3/8-16, REG
15	2555190W1	1	STRIP, FILLER
	70931317	3	BOLT, RD HD SQ NECK, 1/4-20 X 3/4
	70917377	3	WASHER, 1/4, WIDE
	70916964	3	LOCKWASHER, 1/4
	70916622	3	NUT, 1/4-20 REG
16	2555211W91	1	DOOR ASSEMBLY, AUGER (PLAIN)
	2555231W91	1	DOOR ASSEMBLY, AUGER (PERF.)(ACCESSORY)
17	2555200W1	1	HINGE, DOOR
18	2555130W1	1	FLANGE
	70931316	12	BOLT, RD HD SQ NECK, 1/4-20 X 5/8
	70916964	12	LOCKWASHER, 1/4
	70916622	12	NUT, 1/4-20, REG

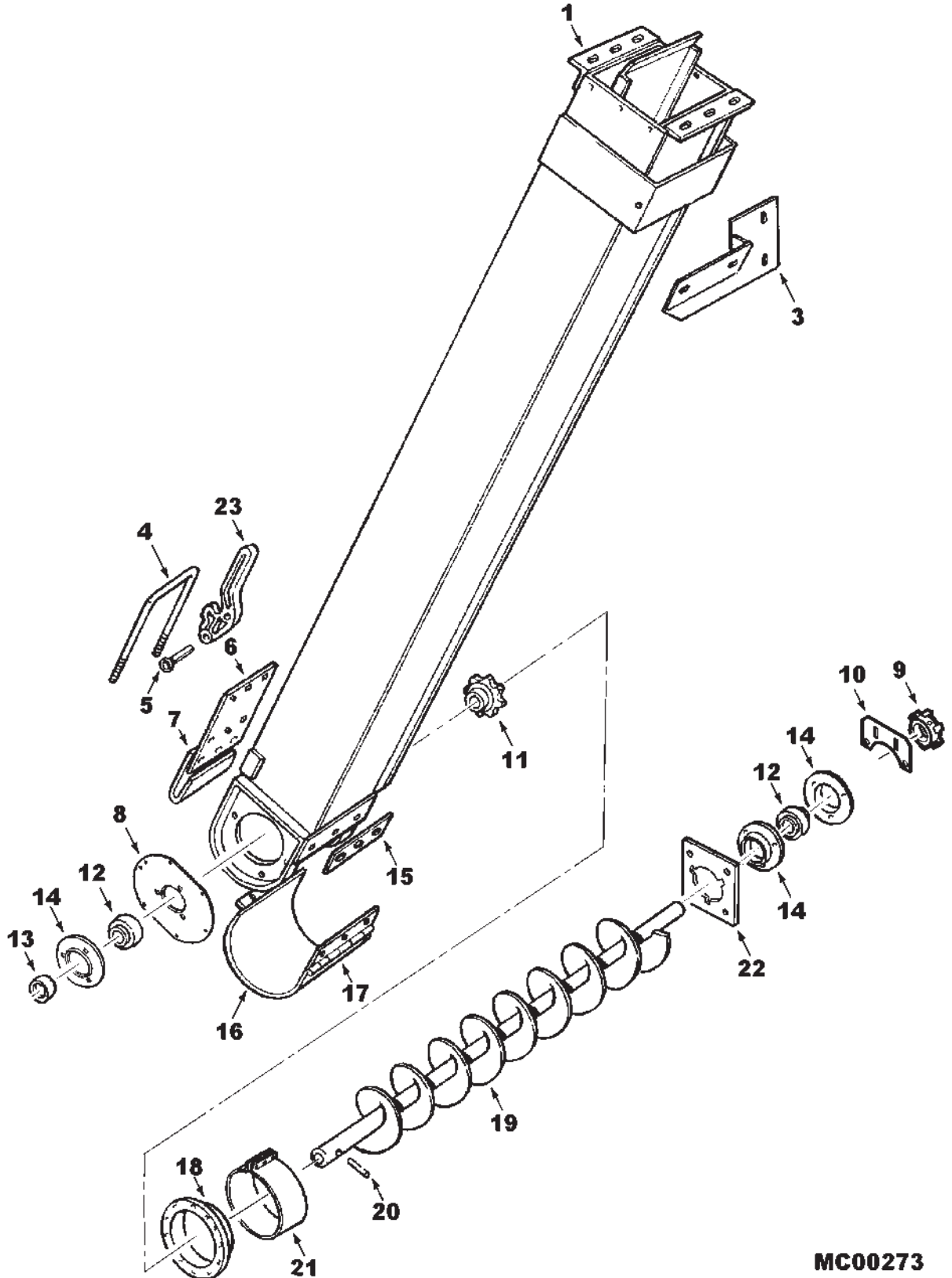
CONTINUED

MC00273  
PR: 258



CHALLENGER 670 COMBINE  
GRAIN BIN & ELEVATOR

RETURN ELEVATOR  
LOWER  
(PRIOR S/N HP36101)



**CHALLENGER 670 COMBINE  
GRAIN BIN & ELEVATOR**

**355**

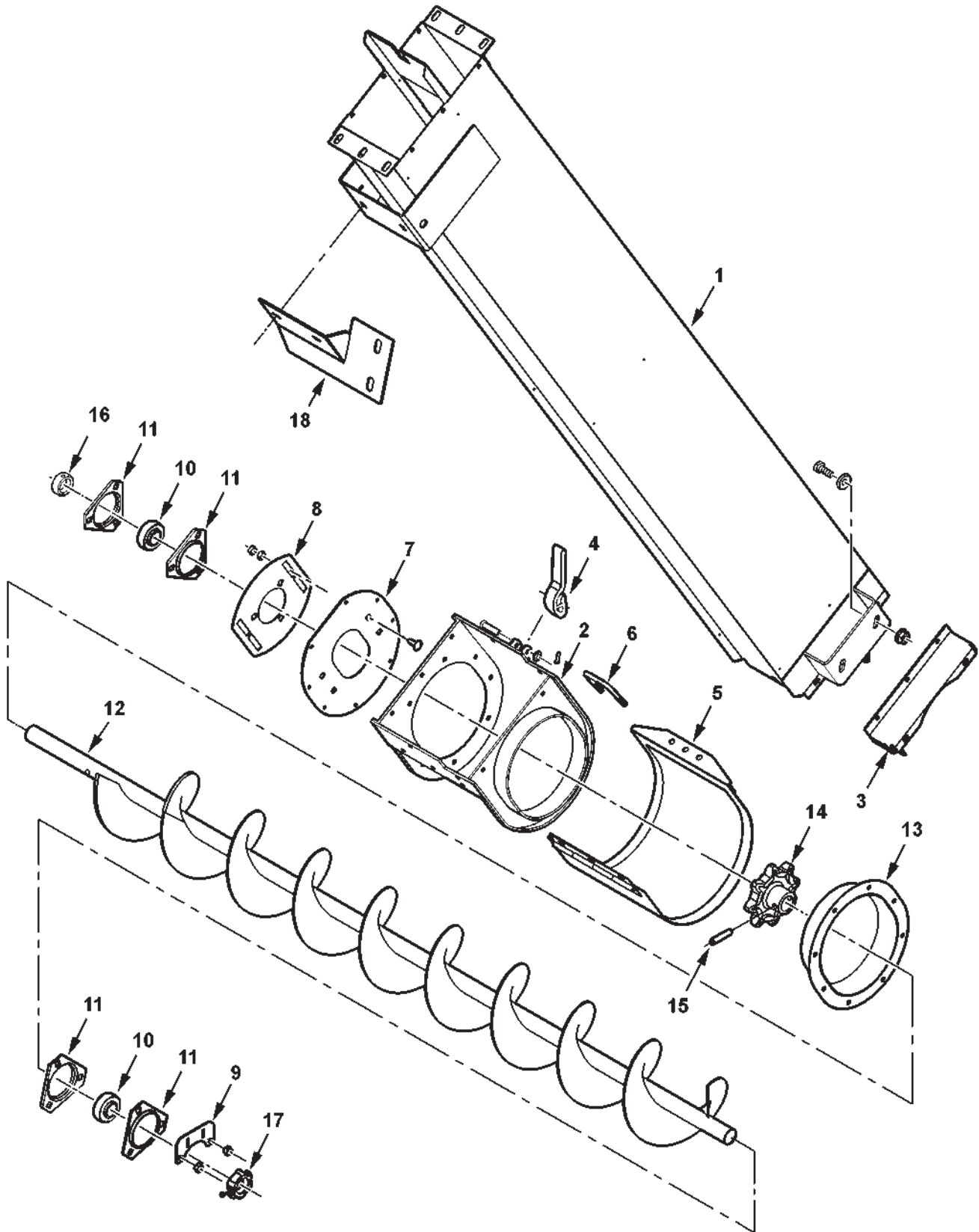
**RETURN ELEVATOR  
LOWER  
(PRIOR S/N HP36101)**

ITEM	NUMBER	QTY	DESCRIPTION
19	71387538	1	AUGER WLDMT, BOTTOM (STD)
	71394535	1	AUGER WLDMT, BOTTOM (CHROME)
20	70915500	1	PIN, ROLL, 3/8 X 1-3/4
21	2591531W91	1	CLAMP ASSEMBLY, RETURN ELEVATOR
	373159X1	3	SCREW, PAN HEAD, 5/16-18 X 1-1/2
	70917642	3	WASHER, 5/16, WIDE
	70917356	3	LOCKWASHER, 5/16
	70917372	3	NUT, 5/16-18, REG
22	2636010W1	1	PLATE, RETURN ELEVATOR
	70921965	4	CAPSCREW, 3/8-16 X 3/4 GR5
	Y704734	4	NUT, HEX FLANGE TOP LOCK, 3/8-16
23	1799410W1	1	LATCH, DOOR
	Y705608	1	WASHER, 5/16, NARROW
	70918447	1	PIN, COTTER, 3/32 X 3/4
24	2615233W92	1	CHAIN ASY.(NOT ILL.)(SEE "CHAINS,DRIVE")

MC00273  
PR: 258

CHALLENGER 670 COMBINE  
GRAIN BIN & ELEVATOR

RETURN ELEVATOR  
LOWER  
(EFF. S/N HP36101)



**CHALLENGER 670 COMBINE  
GRAIN BIN & ELEVATOR**

357

**RETURN ELEVATOR  
LOWER  
(EFF. S/N HP36101)**

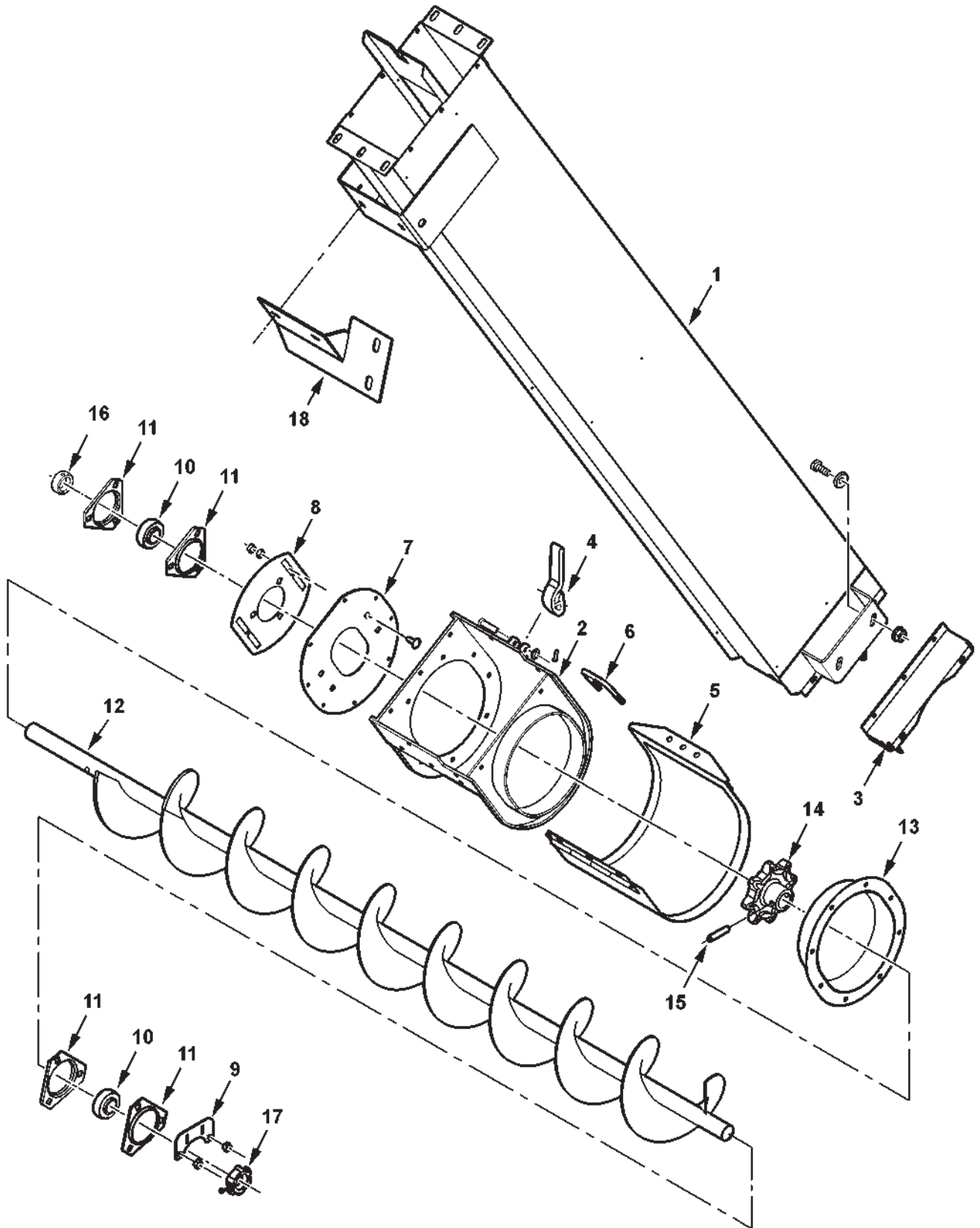
ITEM	NUMBER	QTY	DESCRIPTION
1	71401212	1	BODY WLMT, RETURN ELEV.
	71409374	1	BODY WLMT, RETURN, RICE(EFF.S/N HP36101)
	70921966	2	CAPSCREW, 3/8-16 X 7/8 GR5
	Y705533	2	WASHER, 3/8, HARDENED
2	70928352	2	LOCKNUT, LARGE SERR FLANGE, 3/8-16
	71399985	1	BOOT WLMT, LOWER RETURNS
	71409380	1	BOOT WLMT, LOWER RET, RICE (S/N HP36101)
	70931316	5	BOLT, RD HD SQ NECK, 1/4-20 X 5/8
	70916964	5	LOCKWASHER, 1/4
3	70916622	5	NUT, 1/4-20, REG
	71399802	1	FILLER WLMT, BOOT, RETURN ELEV.
	71409384	1	FILLER WLMT, BOOT, RICE(EFF.S/N HP36101)
	70931316	3	BOLT, RD HD SQ NECK, 1/4-20 X 5/8
	70931317	4	BOLT, RD HD SQ NECK, 1/4-20 X 3/4
4	70916964	7	LOCKWASHER, 1/4
	70916622	7	NUT, 1/4-20, REG
	1799410W1	1	LATCH, DOOR
	70927523	1	PIN, CLEVIS, 5/16 X 1-1/2
	Y705608	1	WASHER, 5/16, NARROW
	70918447	1	PIN, COTTER, 3/32 X 3/4
	71401224	1	DOOR WLMT, BOTTOM, W/HINGE
5	71410458	1	* DOOR WLMT,PERFORATED(EFF. S/N HP36101)
	71409382	1	DOOR WLMT, BTM, RICE (EFF. S/N HP36101)
	2412670W1	1	HINGE, ELEV. DOOR
	70931317	3	BOLT, RD HD SQ NECK, 1/4-20 X 3/4
	353769X1	3	WASHER, 1/4, HARDENED
	70916964	3	LOCKWASHER, 1/4
	70916622	3	NUT, 1/4-20, REG
6	2476240W1	1	LATCH BOLT, DOOR
	70916950	4	NUT, 3/8-16, REG
7	71401220	1	PLATE, COVER, RETURN BOOT
	71409379	1	PLATE, COVER, BOOT,RICE(EFF.S/N HP36101)
	70931317	8	BOLT, RD HD SQ NECK, 1/4-20 X 3/4
	70916964	8	LOCKWASHER, 1/4
	70916622	8	NUT, 1/4-20, REG
8	71401221	1	PLATE, BRG, RETURN BOOT
	71409370	1	PLATE, BRG, BOOT, RICE (EFF.S/N HP36101)
	70931350	4	BOLT, RD HD SQ NECK, 3/8-16 X 1
	Y705533	4	WASHER, 3/8, HARDENED
	70916965	4	LOCKWASHER, 3/8
9	70916950	4	NUT, 3/8-16, REG
	71188145	1	BRACKET, SHAFT MONITOR
10	70916950	2	NUT, 3/8-16, REG
	70590704	2	BEARING, BALL, 1.125, W/O COLLAR

CONTINUED

MC00381  
PR: t05b16k26a0019

CHALLENGER 670 COMBINE  
GRAIN BIN & ELEVATOR

RETURN ELEVATOR  
LOWER  
(EFF. S/N HP36101)



**CHALLENGER 670 COMBINE  
GRAIN BIN & ELEVATOR**

359

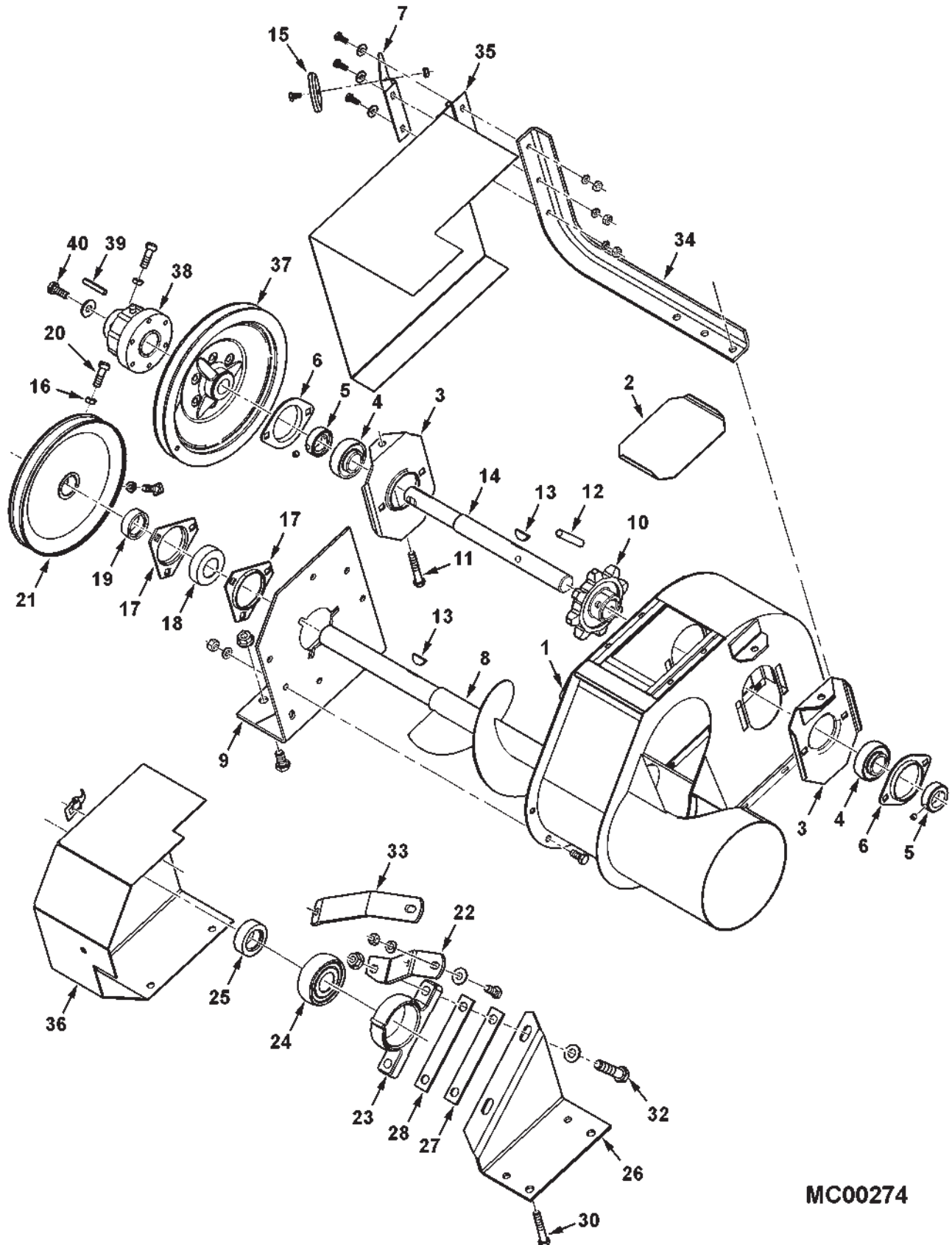
**RETURN ELEVATOR  
LOWER  
(EFF. S/N HP36101)**

ITEM	NUMBER	QTY	DESCRIPTION
11	71127313	4	FLANGETTE, BEARING
	Y707042	3	PLOW BOLT, 3/8-16 X 1 GR5 (RH SIDE)
	70916965	3	LOCKWASHER, 3/8
	70916950	3	NUT, 3/8-16, REG
12	71394535	1	AUGER WLDMT, CHROME, BOTTOM RETURN
13	71401208	1	EXTENSION WLDMT, RH AUGER TROUGH
	71409371	1	EXT'N WLMT, RH TROUGH, RICE(S/N HP36101)
	7700461	8	BOLT, RD HD SQ NECK, 5/16-18 X 3/4
	70917356	8	LOCKWASHER, 5/16
	70917372	8	NUT, 5/16-18, REG
14	W9863030	1	SPROCKET, BOTTOM AUGER
15	70915500	1	ROLL PIN, 3/8 X 1-3/4
16	K3518	1	COLLAR, 1.125
17	71390672	1	COLLAR WLDMT, SENSING
18	2620021W91	1	SUPPORT ASSEMBLY, RETURN ELEVATOR
	70921210	2	CAPSCREW, 3/8-16 X 1 GR5
	70923114	2	CAPSCREW, 1/2-13 X 1 GR5
	Y705533	2	WASHER, HARD, .406 X .81 X .065 TH
	705541	2	WASHER, HARD, .53 X 1.06 X .13 TH
	Y704734	2	NUT, HEX FLANGE TOP LOCK, 3/8-16
	Y704742	2	NUT, HEX FLANGE TOP LOCK, 1/2-13
19	71406795	1	CHAIN ASY.(NOT ILL.)(SEE "CHAINS,DRIVE")
-	700704010	AR	SILICONE SEALANT, BLACK, 10.2 OZ
-	71407048	AR	* KIT,PERF. ELEV DOORS(EFF. S/N HP36101) (ORDER FROM BATAVIA PARTS)

MC00381  
PR: t05b16k26a0019

CHALLENGER 670 COMBINE  
GRAIN BIN & ELEVATOR

RETURN ELEVATOR  
UPPER



**CHALLENGER 670 COMBINE  
GRAIN BIN & ELEVATOR**

361

**RETURN ELEVATOR  
UPPER**

ITEM	NUMBER	QTY	DESCRIPTION
1	71396110	1	HEAD ASY., RETURN
	70931317	6	BOLT, RD HD,SHT SQ NK, 1/4-20 X 3/4
	705012	6	LOCKWASHER, 1/4
	70917377	6	WASHER, 1/4, WIDE
	70916622	6	NUT, 1/4-20, REG
	70921210	6	CAPSCREW, 3/8-16 x 1 GR5
	Y705533	6	WASHER, 3/8, HARDENED
	Y704734	6	NUT, HEX FLANGE TOP LOCK, 3/8-16
2	2441970W1	1	DOOR, INSPECTION
3	1510831W91	2	PLATE ASSEMBLY, SUPPORT
4	70590704	2	BEARING, BALL, W/O COLLAR
5	K3518	2	COLLAR, BEARING
6	Y710293	2	FLANGE, BEARING
	70931350	4	BOLT, RD HD,SHT SQ NK, 3/8-16 X 1
	70916965	4	LOCKWASHER, 3/8
	70916950	4	NUT, 3/8-16, REG
7	71397152	1	BRACKET, MAGNET
8	71390517	1	TOP AUGER ASSEMBLY
9	2553251W91	1	SUPPORT ASSEMBLY, BEARING
	70921966	6	CAPSCREW, 3/8-16 x 7/8 GR5
	70916965	6	LOCKWASHER, 3/8
	70916950	6	NUT, 3/8-16, REG
10	9863040W1	1	SPROCKET, CONVEYOR DRIVE, 8 TEETH
11	873141	2	CAPSCREW, FULL THRD, 3/8-16 X 2-1/2
	70916950	2	NUT, 3/8-16, REG
	Y704734	2	NUT, HEX FLANGE TOP LOCK, 3/8-16
12	70915500	1	PIN, ROLL, 3/8 X 1-3/4
13	29780X	2	KEY, WOODRUFF, 1/4 X 1
14	71390185	1	SHAFT, HEAD, 1 1/2
15	71397153	1	CUP ASY., MAGNETIC
	70921958	1	CAPSCREW, 1/4-20 X 1/2
	70934479	1	NUT, HEX TOP LOCK, 1/4-20
16	70917421	2	JAM NUT, HEX, 3/8-16
17	71127313	2	FLANGETTE, BEARING
	768432	3	BOLT, RD HD SQ NECK, 3/8-16 X 7/8
	70916965	3	LOCKWASHER, 3/8
	70916950	3	NUT, 3/8-16, REG
18	71308984	1	BEARING, BALL W/COLLAR
19	700717212	AR	COLLAR, BEARING
20	70923530	2	SETSCREW, SQ HEAD, 3/8-16 X 1-1/4
21	2553320W1	1	PULLEY, DRIVEN, 9.0 DIA
22	71384922	1	STRAP, BEARING
	70921966	1	CAPSCREW, 3/8-16 X 7/8 GR5
	70917378	1	WASHER, 3/8, WIDE
	70916965	1	LOCKWASHER, 3/8
	70916950	1	NUT, 3/8-16, REG
23	1605510W1	1	HOUSING, BEARING
24	10033	1	BEARING, BALL (W/O COLLAR)
25	7710551	1	COLLAR

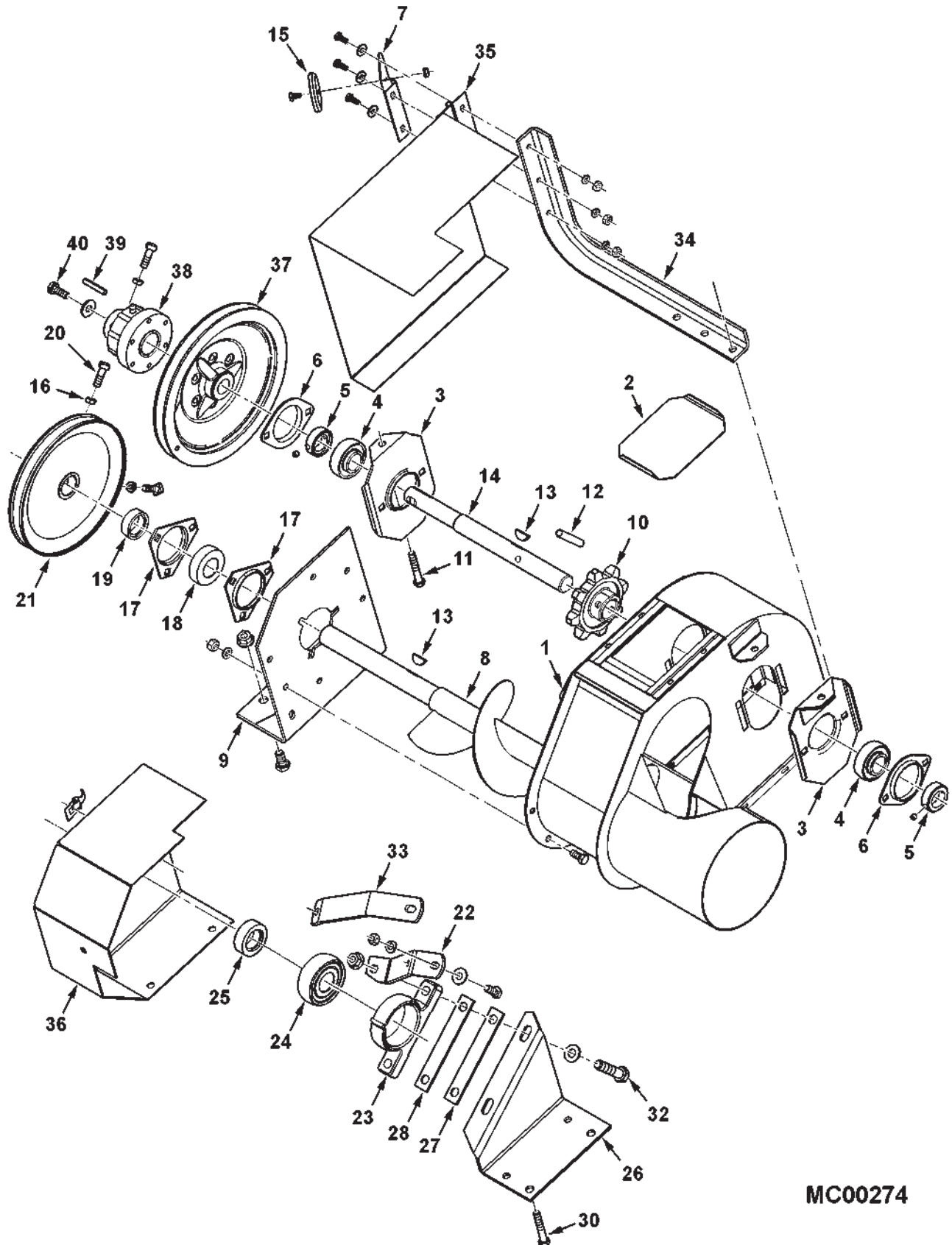
CONTINUED

MC00274  
PR: 262



CHALLENGER 670 COMBINE  
GRAIN BIN & ELEVATOR

RETURN ELEVATOR  
UPPER



**CHALLENGER 670 COMBINE  
GRAIN BIN & ELEVATOR**

363

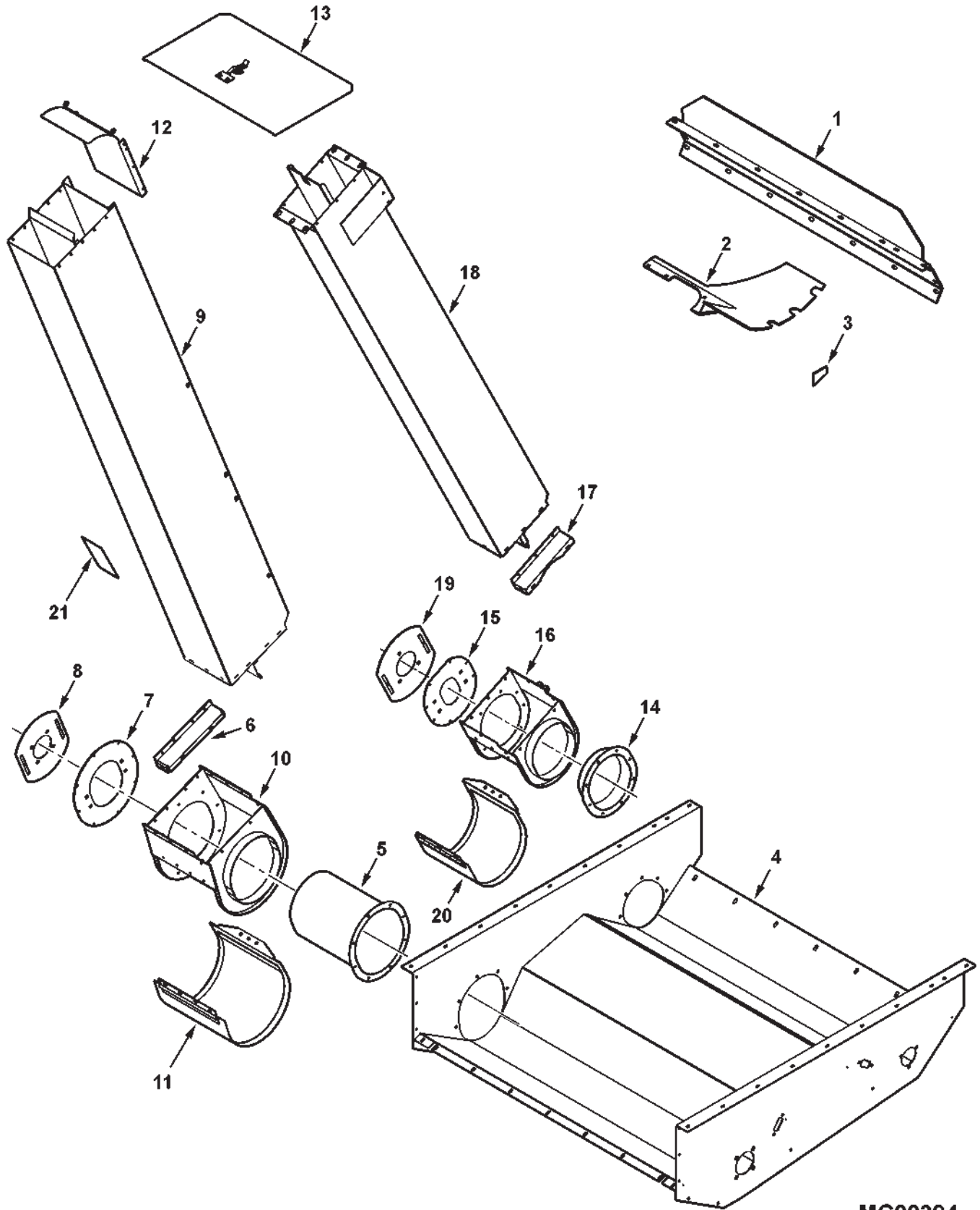
**RETURN ELEVATOR  
UPPER**

ITEM	NUMBER	QTY	DESCRIPTION
26	2553271W92	1	PLATE ASSEMBLY
27	2553300W1	AR	SHIM, .060 TH
28	2553290W1	AR	SHIM, .125 TH
30	70923114	2	CAPSCREW, 1/2-13 X 1 GR5
	Y704742	2	NUT, HEX FLANGE TOP LOCK, 1/2-13
32	70922645	2	CAPSCREW, 1/2-13 X 2-1/4 GR5
	Y705624	2	WASHER, 1/2 NARROW
	Y704742	2	NUT, HEX FLANGE TOP LOCK, 1/2-13
33	71410879	1	BRACE STRAP, TOP (EFF. S/N HR36101)
	70920415	1	CAPSCREW, 3/8-16 X 1-1/4 GR5
	Y705533	1	WASHER, 3/8, HARDENED
	Y704734	1	NUT, HEX FLANGE TOP LOCK, 3/8-16
34	101158M1	1	ANGLE, SHIELD
35	71385690	1	UPPER SHIELD ASY.
	70923341	3	CAPSCREW, 1/4-20 X 3/4
	353769X1	3	WASHER, 1/4, HARDENED
	70916964	3	LOCKWASHER, 1/4
	70916622	3	NUT, 1/4, REG
36	71387325	1	LOWER SHIELD ASY.
	70921210	2	CAPSCREW, 3/8-16 X 1 GR5
	Y704734	2	NUT, HEX FLANGE TOP LOCK, 3/8-16
	70537291	1	SNAP, FASTENER
	700717635	1	RIVET
37	71385802	1	SHEAVE ASY.(INCL. BUSHING & LUBE FTG)
	70921332	6	CAPSCREW, 5/16-18 X 3/4 GR5
	70917356	6	LOCKWASHER, 5/16
	71157144	1	BUSHING
	13811X	1	LUBE FTG, STR, 1/4-28 TAPER THD
38	71380994	1	LIMITER, TORQUE
	70923326	2	SETSCREW, SQ HD, 3/8-16 X 1
	70917421	2	JAM NUT, 3/8-16
39	61085	1	KEY, SQUARE, 1/4 X 1-1/2
40	70921965	1	CAPSCREW, 3/8-16 X 3/4 GR5
	Y705533	1	WASHER, 3/8, HARDENED

MC00274  
PR: 262

CHALLENGER 670 COMBINE  
GRAIN BIN & ELEVATOR

STAINLESS STEEL ELEVATOR PACKAGE  
RICE



**CHALLENGER 670 COMBINE  
GRAIN BIN & ELEVATOR**

**365**

**STAINLESS STEEL ELEVATOR PACKAGE  
RICE**

ITEM	NUMBER	QTY	DESCRIPTION
-	71409419	AR	PACKAGE, STAINLESS STEEL ELEVATOR (INCLUDES FOLLOWING)
1	71409280	1	FLOOR WLMT, INLET
2	71409288	1	PATCH WLMT, RETURN INLET
3	71409284	6	CAP PLATE, CYL. BAR END
4	71399999	1	AUGER HOUSING WLMT (PRIOR S/N HR36101)
5	71409270	1	EXTENSION WLDMT, RH GRAIN AUGER TROUGH
6	71409269	1	FILLER WLDMT, BOOT, GRAIN ELEV.
7	71409267	1	COVER PLATE, GRAIN ELEV. BOOT
8	71409266	1	PLATE, BEARING, GRAIN ELEV. BOOT
9	71409271	1	BODY WLDMT, GRAIN ELEV.
10	71409268	1	BOOT WLDMT, GRAIN ELEV.
11	71409265	1	LOWER DOOR WLMT, GRAIN ELEV.
12	71408514	1	BACK PLATE WLMT, ELEV. HEAD
13	71409402	1	COVER ASY, GRAIN BIN LOADER
14	71409371	1	EXTENSION WLMT, RETURN AUGER TROUGH
15	71409379	1	COVER PLATE, RETURN ELEV. BOOT
16	71409380	1	BOOT WLMT, RETURN ELEV.
17	71409384	1	FILLER WLMT, RETURN ELEV. BOOT
18	71409374	1	BODY WLMT, RETURN ELEV., RICE
19	71409370	1	PLATE, BEARING, RETURN ELEV. BOOT
20	71409382	1	DOOR WLMT, RETURN ELEV.
21	111743W1	2	DECAL, WARNING, ELEVATOR
22	71379129	2	DECAL, WARNING, FALLING OFF (NOT ILLUS.)
23	71379126	1	DECAL, WARNING, HIGH PRESSURE FLUID (NOT ILLUS.)
24	71394175	1	DECAL, VALVE STACK (NOT ILLUS.)

MC00394  
PR: t05e24o48b0003



**CHALLENGER 670 COMBINE  
GRAIN BIN & ELEVATOR**

367

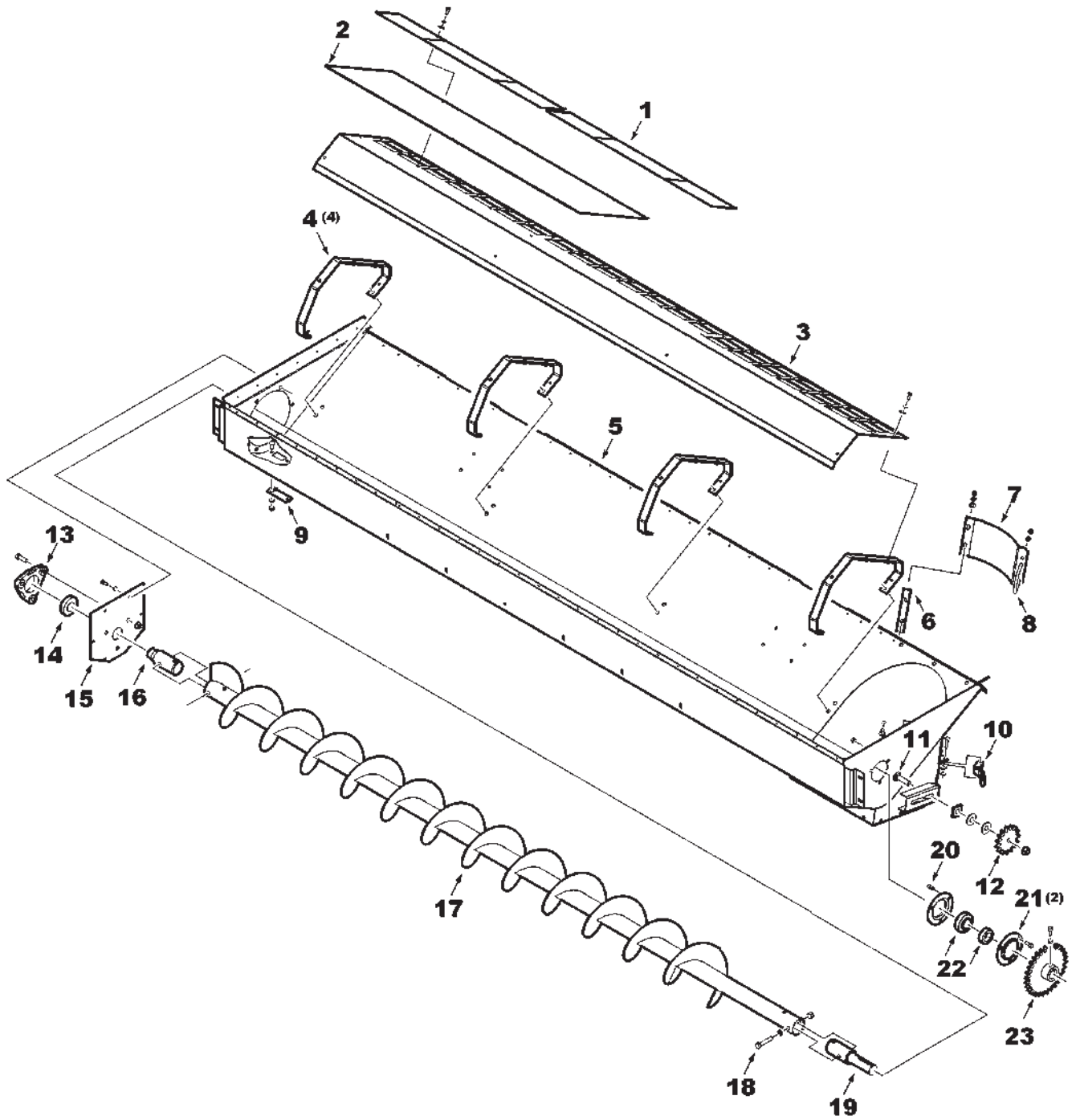
**RETURN ELEVATOR DRIVE**

ITEM	NUMBER	QTY	DESCRIPTION
1	71385801	1	BELT, RETURN ELEVATOR DRIVE
2	2447080W1	1	SHEAVE IDLER
	70925703	1	CAPSCREW, 5/8 X 4.0
	70918432	1	WASHER, 5/8 NOM - 10 GA
	6136964	1	SPACER
	70917373	1	LOCKWASHER, 5/8
	70932665	1	NUT, 5/8-11
3	2447080W1	1	SHEAVE IDLER
	7701683	1	CAPSCREW, 5/8-11 X 3
	6136964	1	SPACER
	70932665	2	NUT, 5/8-11
	70917373	2	LOCKWASHER, 5/8
4	71356061	1	SLEEVE, HARD, IDLER PIVOT
	70925703	1	CAPSCREW, 5/8 X 4.0
	70918432	2	WASHER, 5/8 NOM - 10 GA
	70917373	1	LOCKWASHER, 5/8
	70932665	1	NUT, 5/8-11
8	71385694	1	SUPPORT WELDMENT
	70920415	2	CAPSCREW, 3/8-16 X 1-1/4
	70917378	2	WASHER, 3/8
	70916965	2	LOCKWASHER, 3/8
	70916950	2	NUT, 3/8-16
9	71182840	1	PLATE MOUNTING
	70913744	6	NUT, JAM 1/2-13
13	71385697	1	IDLER, ARM W/BUSHINGS
	71356060	2	BUSHING
	71197117	1	SPACER
	70915019	1	FITTING LUBE 1/4-28 X 90 DEG.
	2634840W1	1	DECAL, GREASE (10HR)(PRIOR HR36101)
14	1579720W1	1	SPRING
15	2636631W91	1	ANCHOR WELDMENT, SPRING
	70920415	2	CAPSCREW, 3/8-16 X 1-1/4
	70917378	2	WASHER, 3/8
	70916965	2	LOCKWASHER, 3/8
	70916950	2	NUT, 3/8-16
16	71384912	1	BRACE
	70921333	2	CAPSCREW, 5/16-18 X 1.0
	700709602	2	WASHER, 5/16
	70917356	2	LOCKWASHER, 5/16
	70917372	2	NUT, 5/16-18

71385700  
PR: 266

CHALLENGER 670 COMBINE  
GRAIN BIN & ELEVATOR

UNLOADING AUGER  
LOWER



**CHALLENGER 670 COMBINE  
GRAIN BIN & ELEVATOR**

369

**UNLOADING AUGER  
LOWER**

ITEM	NUMBER	QTY	DESCRIPTION
1	71391975	2	PLATE, SLIDING COVER
	372729X1	4	SCREW, SELF-TAP 5/16-18 X 3/4
	70917356	4	LOCKWASHER, 5/16
	70917642	4	WASHER, FLAT 5/16
2	71396662C	1	THROTTLE, CROSS AUGER
3	71391974	1	COVER, AUGER
	372729X1	12	SCREW, SELF-TAP 5/16-18 X 3/4
4	70917356	12	LOCKWASHER, 5/16
	71390364	4	BRACKET, COVER
	70927477	12	SCREW, SELF-TAP 5/16-18 X 1.0
5	71400922C	1	TROUGH & BOOT WLDMT
6	2476230W1	1	SPACER
7	2476203W1C	1	DOOR ASY.
	68759	2	SCREW, RHSSN 3/8-16 X 1.0
	70917378	2	WASHER, FLAT 3/8
	70916965	2	LOCKWASHER, 3/8
	70916950	2	HEXNUT, 3/8-16
8	2476240W1	1	LATCH, BOLT
	70916950	4	HEXNUT, 3/8-16
9	108202W1	1	STRAP
	360503X1	2	SCREW, RHSSN 5/16-18 X 1.0
	70917642	2	WASHER, FLAT 5/16
	70917356	2	LOCKWASHER, 5/16
	70917372	2	HEXNUT, 5/16-18
10	1799410W1	1	LATCH
	70927523	1	PIN, OVAL HD, 5/16 X 1-1/2
	70918265	1	WASHER, FLAT 5/16
	70918447	1	PIN, COTTER 3/32 X 3/4
11	70926694	1	BOLT, RD HD SQ NK, 5/8-11 X 2-1/2
	510060W1	1	SPACER
	70918432	2	WASHER, FLAT 5/8
	700703922	1	LOCKNUT, 5/8-11
12	71378873	1	SPROCKET, IDLER 15T
13	1508070W1	1	HOUSING, BEARING
	701235	3	CAPSCREW, 1/2-13 X 1-1/2
	Y704742	3	LOCKNUT, 1/2-13
14	831822M1	1	BEARING
15	71391135	1	PLATE, BEARING
	372729X1	6	SCREW, SELF-TAP 5/16-18 X 3/4
	70917356	6	LOCKWASHER, 5/16
16	71391140	1	SHAFT, STUB (RH)
17	71392675	1	AUGER, CROSS (STD)
	71394318	1	AUGER, CROSS (CHROME)

NOTE:FOR CHAIN SEE DRIVE CHAINS LISTING

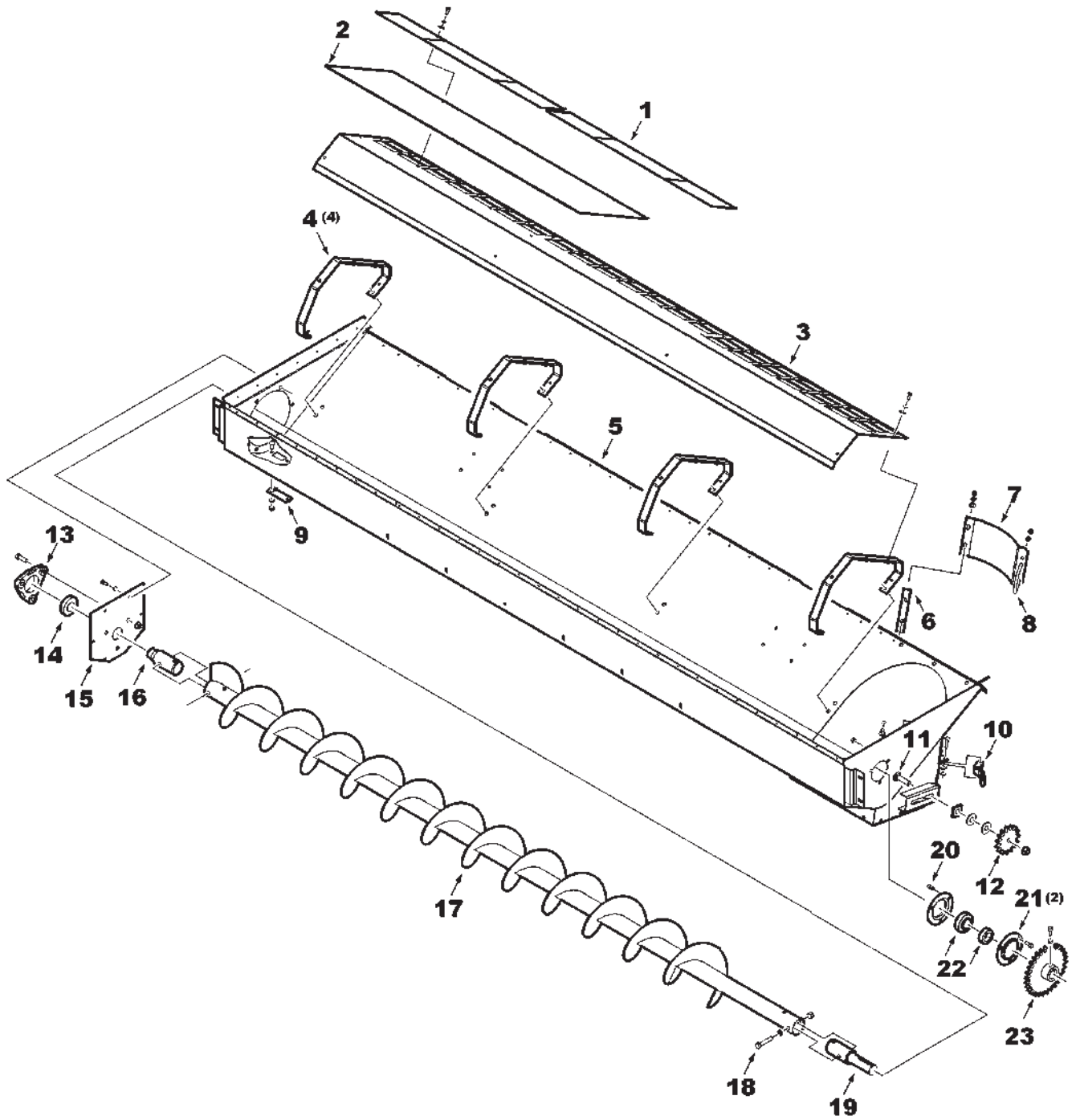
CONTINUED

MC00276  
PR: 268



CHALLENGER 670 COMBINE  
GRAIN BIN & ELEVATOR

UNLOADING AUGER  
LOWER



**CHALLENGER 670 COMBINE**  
**GRAIN BIN & ELEVATOR**

**371**

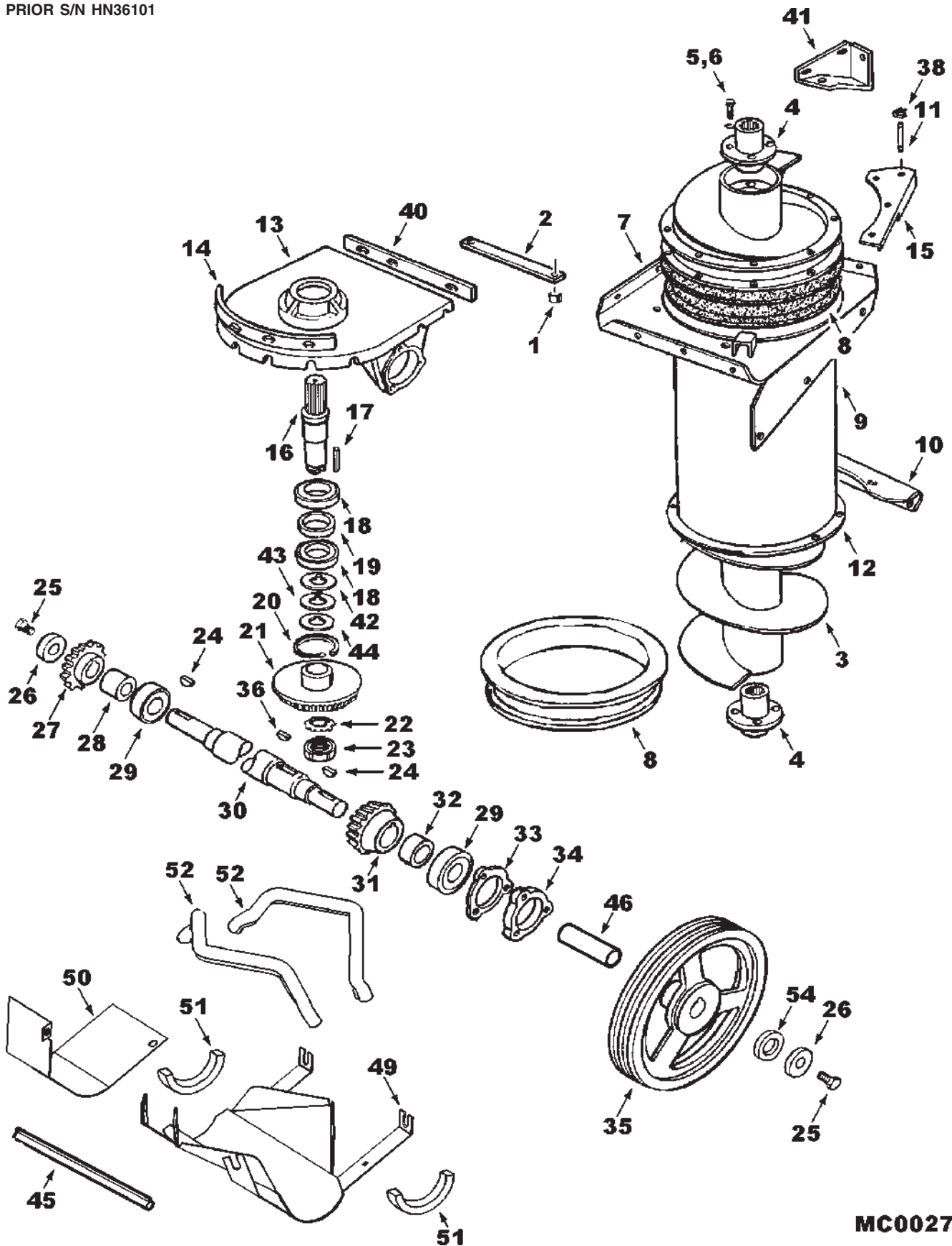
**UNLOADING AUGER**  
**LOWER**

ITEM	NUMBER	QTY	DESCRIPTION
18	70923320	4	CAPSCREW, 1/2-13 X 3.0
	71354345	4	SPACER
	Y704742	4	LOCKNUT, 1/2-13
19	71391141	1	SHAFT, STUB (LH)
20	Y761312	1	KEY, 5/16 X 2-1/2
21	700717509	2	FLANGE, BEARING
	68759	3	SCREW, RHSSN 3/8-16 X 1.0
	70916950	3	HEXNUT, 3/8-16
	70916965	3	LOCKWASHER, 3/8
22	50021	1	BEARING, BALL W/COLLAR
	70527219	1	COLLAR, BRG., 1-3/8 ID X 2-3/16 OD
23	71391133	1	SPROCKET, 42T
	70923326	2	SETSCREW, 3/8-16 X 1.0
	70917421	2	JAMNUT, 3/8-16

MC00276  
PR: 268

CHALLENGER 670 COMBINE  
GRAIN BIN & ELEVATOR

UNLOADING AUGER  
VERTICAL  
PRIOR S/N HN36101



**CHALLENGER 670 COMBINE  
GRAIN BIN & ELEVATOR**

373

**UNLOADING AUGER  
VERTICAL  
PRIOR S/N HN36101**

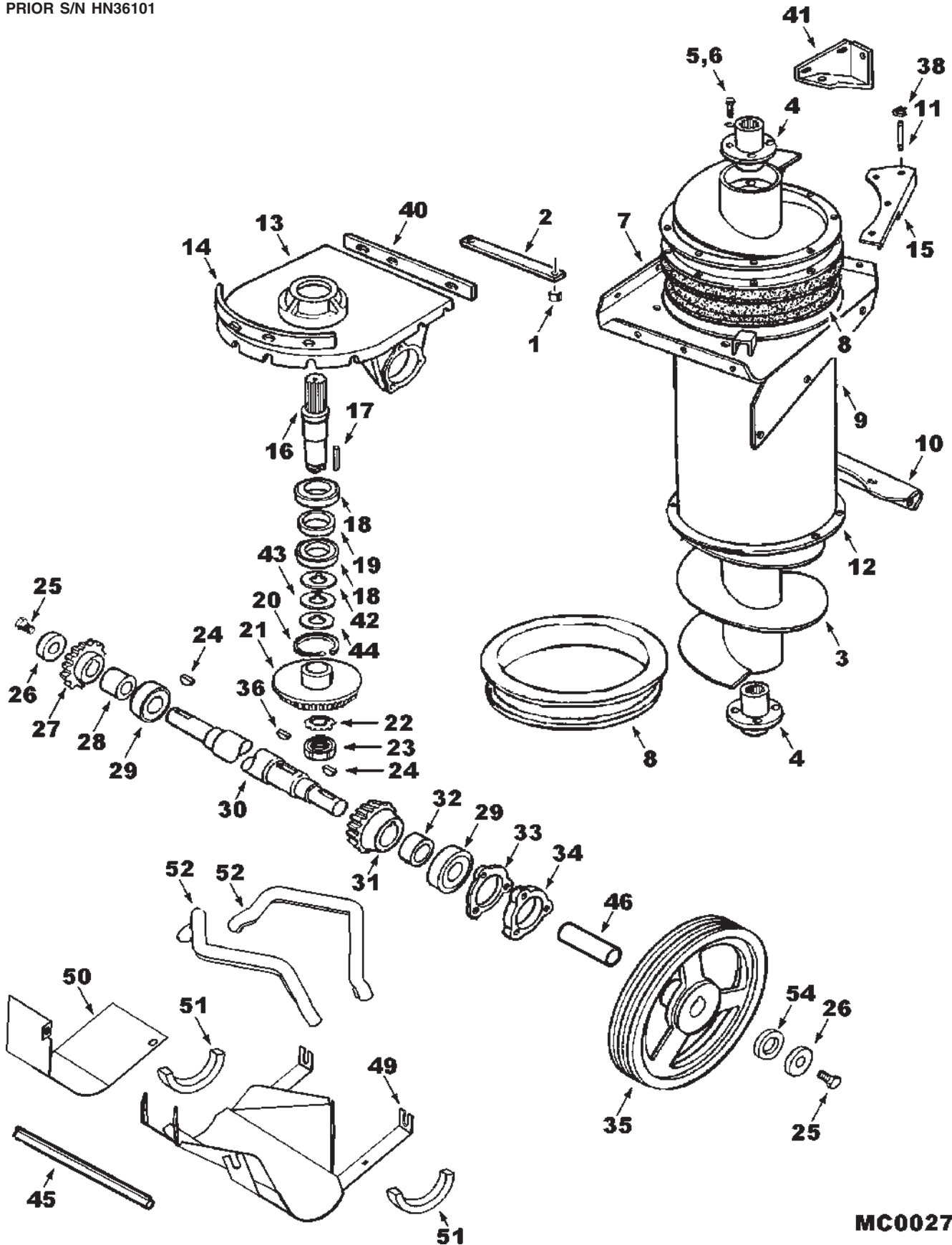
ITEM	NUMBER	QTY	DESCRIPTION
1	1786320W1	4	SPACER, .49 X .68 OD X .59 LG
2	2493000W1	2	STRAP, HOLD DOWN, 1 X 12 X 3/8
	70921971	4	CAPSCREW, 3/8-16 X 1-3/4
	70918431	4	WASHER, 1/2 WIDE
	Y704734	4	NUT, HEX FLNG TOP LOCK, 3/8-16
3	71390926	1	AUGER ASSEMBLY, UNLOADER
	71391336	1	AUGER ASSEMBLY, UNLOADER (CHROME)
4	2526120W1	2	HUB, VERTICAL AUGER
5	70920328	8	CAPSCREW, 1/2-13 X 1-1/2 GR5
6	Y705046	8	LOCKWASHER, 1/2
7	71390360	1	GUIDE ASSEMBLY
	70921333	6	CAPSCREW, 5/16-18 X 1 GR5
	Y704726	6	NUT, HEX FLNG TOP LOCK, 5/16-18
	70921210	6	CAPSCREW, 3/8-16 X 1 GR5
	Y704734	6	NUT, HEX FLNG TOP LOCK, 3/8-16
8	104021W1	2	STRIP, WEAR
9	112977W92C	1	TUBE WLDMT, VERTICAL, UNLOADER
10	2601260W1	1	BRACKET, TUBE SUPPORT
	70923220	3	BOLT, RD HD SQ NK, 3/8-16 X 1-1/4
	70917378	3	WASHER, 3/8 WIDE
	Y704734	3	NUT, HEX FLNG TOP LOCK, 3/8-16
11	108575W1	2	PIN, 5/8 X 2 3/4
12	2438160W1	1	RING, LOWER GUIDE
	70931350	2	BOLT, RD HD SQ NK, 3/8-16 X 1 GR5
	70931942	2	SPEED NUT, 3/8
	Y704734	2	NUT, HEX FLNG TOP LOCK, 3/8-16
13	2486140W1	1	HOUSING, VERTICAL AUGER
14	71379825	AR	SHIM, RADIUS, .060 TH (QTY 2 AVE.)
	7701055	2	CAPSCREW, 3/8-16 X 1-3/4
	70921969	12	CAPSCREW, 3/8-16 X 1-1/2
	70917378	28	WASHER, 3/8 WIDE
	Y704734	14	NUT, HEX FLNG TOP LOCK, 3/8-16
15	112716W92	1	BRACKET ASY, CYLINDER PIVOT
	70921176	4	CAPSCREW, 1/2-13 X 1-1/4
	Y704742	4	NUT, HEX FLNG TOP LOCK, 1/2-13
16	2486150W1	1	SHAFT, OUTPUT
17	70903082	1	KEY, SQUARE, 3/8 X 3/8 X 2
18	352976X1	2	BEARING, BALL
19	2486160W1	1	SPACER, 1.59 X 2.0 X .67 LG
20	70925997	1	RING, INTERNAL SNAP
21	2486170W2	1	GEAR, UNLOADER, 35T
22	70932997	1	LOCKWASHER, EXTERNAL TOOTH, 1-3/8
23	70932996	1	LOCKNUT, BALL BEARING, 1-3/8-18UNEF
24	355485X1	2	KEY, WOODRUFF, 5/16 X 2-1/8
25	70921176	2	CAPSCREW, 1/2-13 X 1-1/4 GR5
26	2485470W1	2	WASHER, 17/32 X 2 X 3/8 TH
27	71391131	1	SPROCKET WLDMT, DRIVE, 15 TEETH

CONTINUED

MC00278  
PR: 270

CHALLENGER 670 COMBINE  
GRAIN BIN & ELEVATOR

UNLOADING AUGER  
VERTICAL  
PRIOR S/N HN36101



**CHALLENGER 670 COMBINE  
GRAIN BIN & ELEVATOR**

375

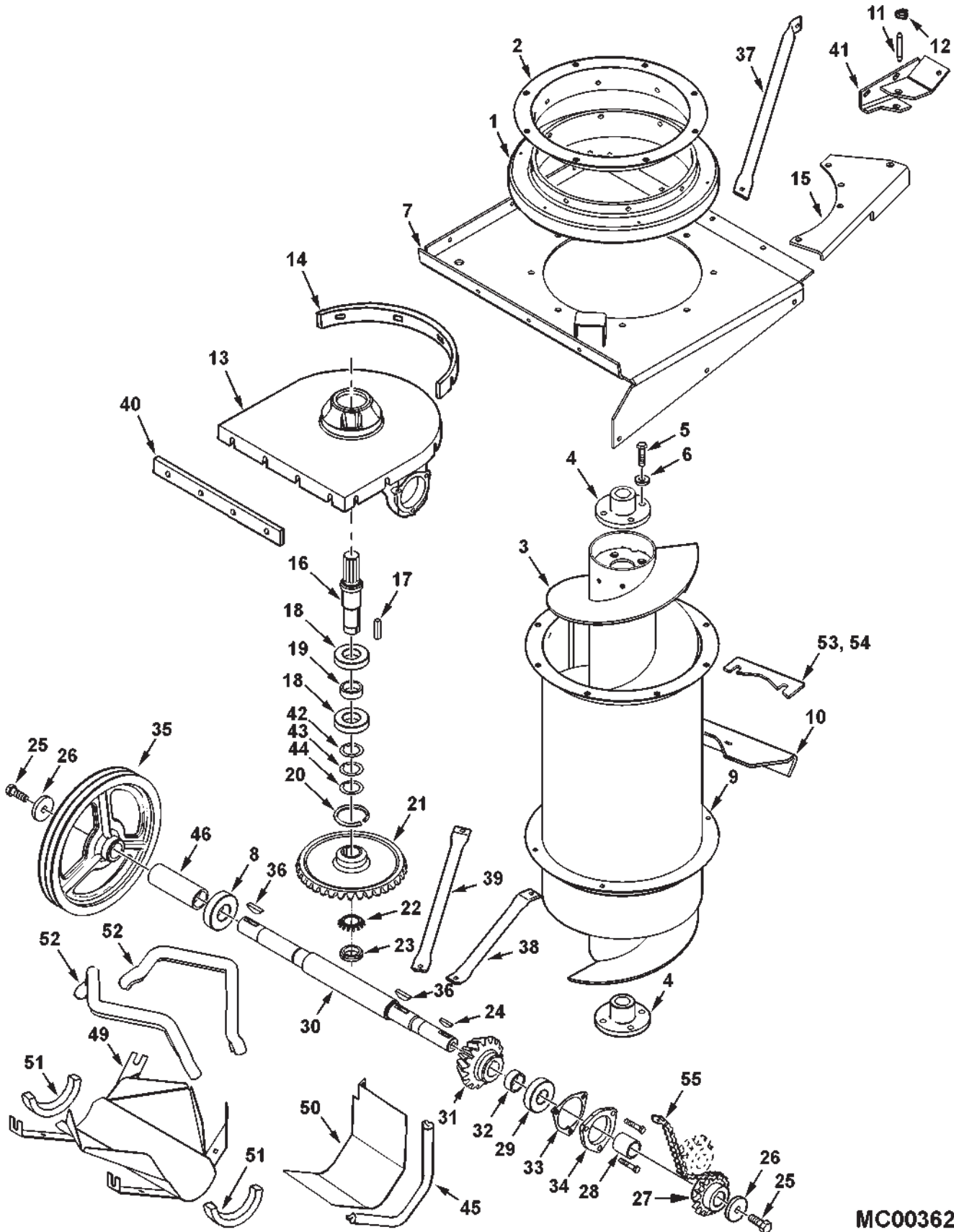
**UNLOADING AUGER  
VERTICAL  
PRIOR S/N HN36101**

ITEM	NUMBER	QTY	DESCRIPTION
28	71397246	1	SPACER, 1.44 ID X 1.75 OD X 1.82 LG
29	354920X1	2	BEARING, BALL
30	2597740W1	1	SHAFT, INPUT - UNLOADER
31	2460840W2	1	GEAR, PINION, 16T
32	2493870W1	1	SPACER, 1.52 ID X 1.88 OD X .763 LG
33	1500050W1	AR	SHIM, RED, PLASTIC, .002
33	1500060W1	AR	SHIM, BLUE, PLASTIC, .005
33	1500070W1	AR	SHIM, BROWN, PLASTIC, .010
34	2452270W1	1	CAP, BEARING
	70923701	1	CAPSCREW, 3/8-16 X 2
	70922130	2	CAPSCREW, 3/8-16 X 2-1/4
	Y704734	3	NUT, HEX FLNG TOP LOCK, 3/8-16
35	71390860	1	PULLEY, VERTICAL AUGER
36	W937119	1	KEY, WOODRUFF, 3/8 X 2 1/8
38	377690X1	4	RING, RETAINING
40	71379824	AR	SHIM, SIDE, UNLDR BOOT, .060 (2 AVE.)
41	112720W91	1	BRACKET WLMT,CYL.(PRIOR MID S/N HN36---)
	71403919	1	BRACKET WLMT, CYL.(EFF. MID S/N HN36---)
	70921210	1	CAPSCREW, 3/8-16 X 1 GR5
	70921969	1	CAPSCREW, 3/8-16 X 1-1/2 GR5 (PRIOR MID S/N HN36---)
	70920415	1	CPSCR, 3/6-16 X 1-1/4 GR5 (EFF. MID S/N HN36---)
	70917378	2	WASHER, 3/8 WIDE
	Y704734	2	NUT, HEX FLANGE TOP LOCK, 3/8-16
	701235	1	CAPSCREW, 1/2-13 X 1-1/2 GR5
	70923114	1	CAPSCREW, 1/2-13 X 1 GR5
	Y704742	2	NUT, HEX FLANGE TOP LOCK, 1/2-13
42	104740W1	AR	SHIM, .005
43	104741W1	AR	SHIM, .010
44	104742W1	AR	SHIM, .020
45	71395983	1	SEAL, CHAIN COVER
46	-----	1	SPACER, SLEEVE (660 ONLY)
49	71391435	1	COVER WLDMT, UNLOADER GEARS
50	71393854	1	COVER, CHAIN
	7700461	3	BOLT, RD HD SQ NK, 5/16-18 X 3/4
	70917372	3	NUT, 5/16-18 REG
	70917356	3	LOCKWASHER, 5/16
	700709602	3	WASHER, 5/16 WIDE
51	71391441	2	FOAM STRIP-ADHESIVE BACK
52	71393916	2	SEAL, GEAR COVER
53	-----	1	CHAIN, UNL DRIVE (SEE "CHAINS, DRIVE")
54	2619570W1	1	SPACER
-	79014728	AR	GREASE
-	70937715	AR	LUBE, DRY FILM, 3M-TFE, SPRAYON

MC00278  
PR: 270

CHALLENGER 670 COMBINE  
GRAIN BIN & ELEVATOR

UNLOADING AUGER  
VERTICAL  
EFFECTIVE S/N HN36101



**CHALLENGER 670 COMBINE  
GRAIN BIN & ELEVATOR**

377

**UNLOADING AUGER  
VERTICAL  
EFFECTIVE S/N HN36101**

ITEM	NUMBER	QTY	DESCRIPTION
1	71399662P	1	SWIVEL ASY, UNLOADER
	-----	1	RACE, SWVL, OUTER (ORDER SWIVEL ASY)
	71382933	1	RACE, SWIVEL, INNER
	70917580	AR	BALL, 1/2" (FULL QTY 112)
	77057	5	LUBE FTG, 90 DEG ELB, 1/4-28 TAPER
	70921176	8	CAPSCREW, 1/2-13 X 1-1/4 GR5
	Y705046	8	LOCKWASHER, 1/2
2	71399661	1	RING, ELBOW ADAPTER
	70934842	9	SCR,HEX SCKT FLAT HD, 3/8-16 X 1-1/4
	70916950	9	NUT, 3/8-16 REG
3	71399858	1	AUGER ASY, UNLOADER, W/HUBS
	71399861	1	AUGER ASY, CHROME, UNLOADER, W/HUBS
4	2526120W1	2	HUB, VERTICAL AUGER
5	70920328	8	CAPSCREW, 1/2-13 X 1-1/2 GR5
6	Y705046	8	LOCKWASHER, 1/2
7	71399656	1	GUIDE WLDMT, UNLOADER, UPPER
	70921333	6	CAPSCREW, 5/16-18 X 1 GR5
	Y704726	6	NUT, HEX FLNG TOP LOCK, 5/16-18
	70921210	6	CAPSCREW, 3/8-16 X 1 GR5
	Y704734	6	NUT, HEX FLNG TOP LOCK, 3/8-16
8	832982M1	1	BEARING, BALL, CYLINDRICAL
9	71399654	1	TUBE WLDMT, VERTICAL, UNLOADER
	70921176	8	CAPSCREW, 1/2-13 X 1-1/4 GR5
	Y705046	8	LOCKWASHER, 1/2
	70931350	2	BOLT, RD HD SHT SQ NK, 3/8-16 X 1
	70931942	2	SPEED NUT, 3/8
	Y704734	2	NUT, HEX FLNG TOP LOCK, 3/8-16
10	71399675C	1	BRACKET, TUBE SUPPORT
	70923220	3	BOLT, RD HD SQ NK, 3/8-16 X 1-1/4
	70917378	3	WASHER, 3/8 WIDE
	Y704734	3	NUT, HEX FLNG TOP LOCK, 3/8-16
11	108575W1	2	PIN, 5/8 X 2-3/4
12	377690X1	4	RETAINING RING, EXTERNAL
13	71397248	1	HOUSING, GEAR, UNLOADER
14	71379825	AR	SHIM, RADIUS, .060 TH (QTY 2 AVE.)
	7701055	2	CAPSCREW, 3/8-16 X 1-3/4 GR5
	70921969	12	CAPSCREW, 3/8-16 X 1-1/2 GR5
	70917378	28	WASHER, 3/8 WIDE
	Y704734	14	NUT, HEX FLNG TOP LOCK, 3/8-16
15	112716W92	1	BRACKET ASY, CYLINDER PIVOT
	70921176	4	CAPSCREW, 1/2-13 X 1-1/4
	Y704742	4	NUT, HEX FLNG TOP LOCK, 1/2-13
16	2486150W1	1	SHAFT, OUTPUT, 8-7/16 LG
17	70903082	1	KEY, GEAR, 3/8 X 3/8 X 2
18	352976X1	2	BEARING, BALL
19	2486160W1	1	SPACER, 1-39/64 X 2 X 21/32
20	70925997	1	RING, INTERNAL SNAP, 3-17/32 X 7/64
21	2486170W2	1	GEAR, UNLOADER, 35T
22	70932997	1	LOCKWASHER, EXTERNAL TOOTH, 1-3/8
23	70932996	1	LOCKNUT, BALL BEARING, 1-3/8-18UNEF

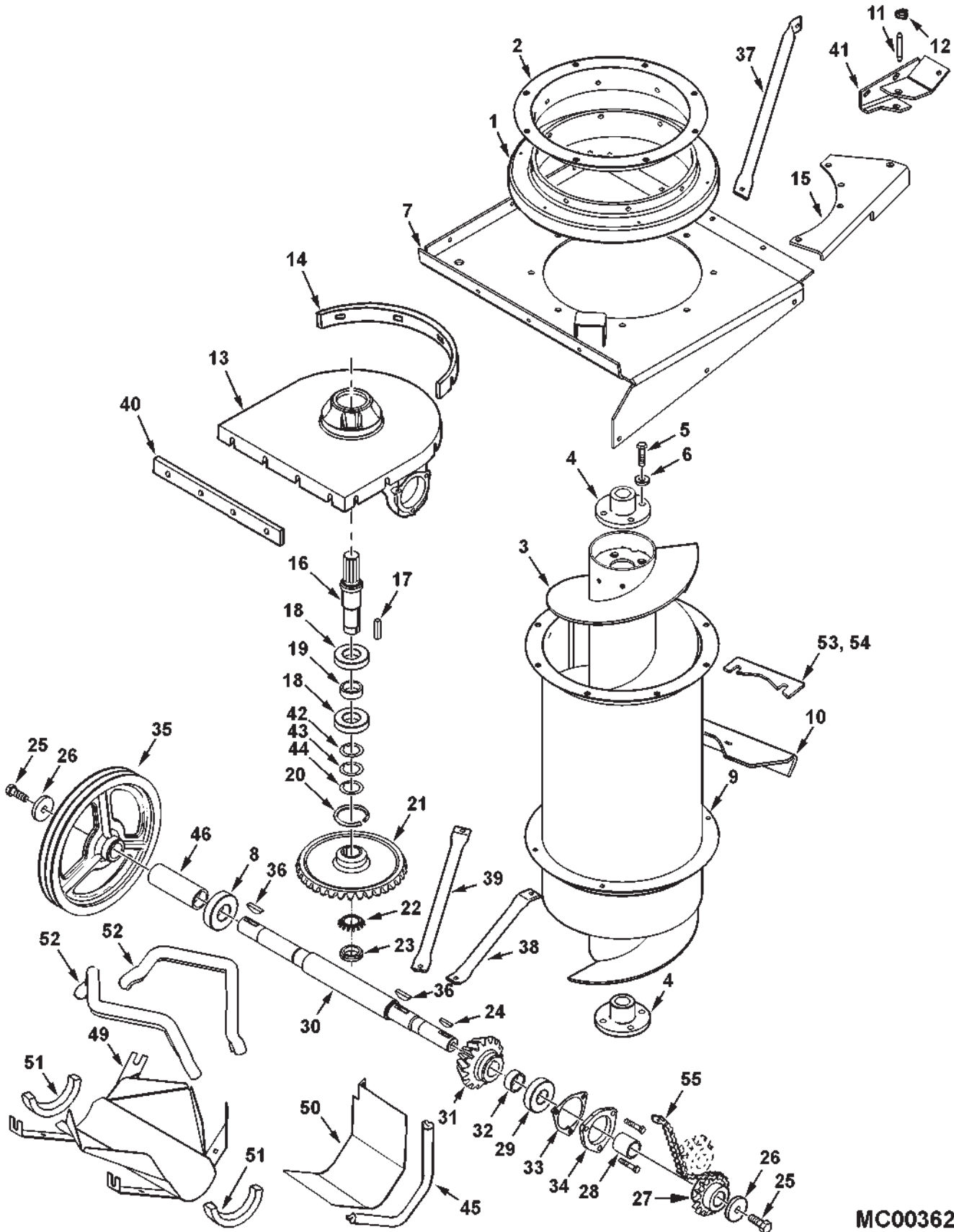
CONTINUED

MC00362  
PR: 290



### CHALLENGER 670 COMBINE GRAIN BIN & ELEVATOR

**UNLOADING AUGER  
VERTICAL  
EFFECTIVE S/N HN36101**



**CHALLENGER 670 COMBINE  
GRAIN BIN & ELEVATOR**

379

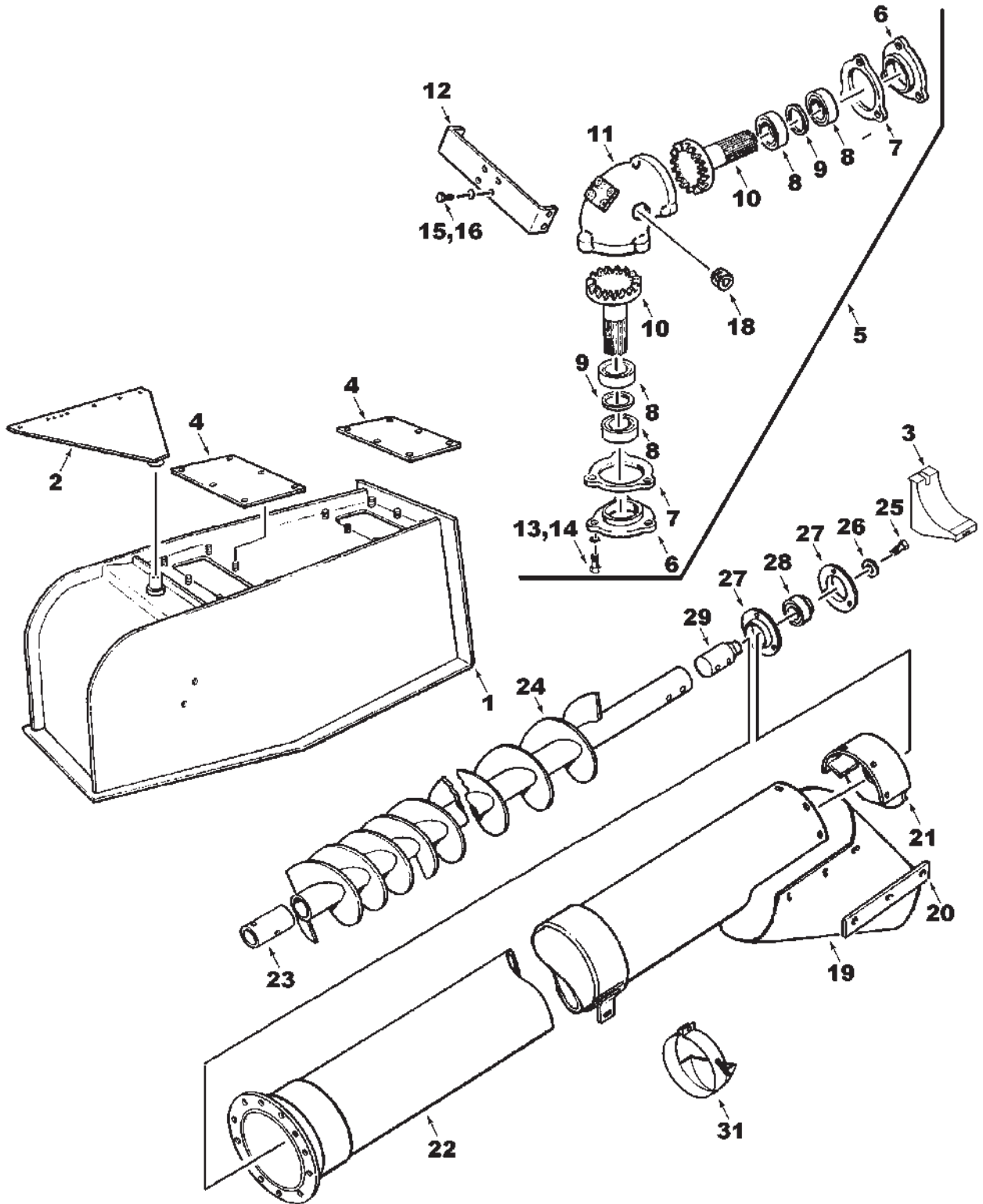
**UNLOADING AUGER  
VERTICAL  
EFFECTIVE S/N HN36101**

ITEM	NUMBER	QTY	DESCRIPTION
24	355485X1	1	KEY, WOODRUFF, 5/16 X 2-1/8
25	70923112	2	CAPSCREW, 5/8-11 X 1-3/4 GR5
26	2407570W1	2	WASHER, .656 X 2.37 OD X .375 TH
27	71391131	1	SPROCKET ASY, DRIVE, 20 TEETH
28	71397246	1	SPACER, 1.44 ID X 1.75 OD X 1.82 LG
29	354920X1	1	BEARING, BALL
30	71398399	1	SHAFT, INPUT
31	2460840W2	1	GEAR, PINION, 16T
32	2493870W1	1	SPACER, 1.52 ID X 1.88 OD X .763 LG
33	1500050W1	AR	SHIM, RED, PLASTIC, .002
33	1500060W1	AR	SHIM, BLUE, PLASTIC, .005
33	1500070W1	AR	SHIM, BROWN, PLASTIC, .010
34	2452270W1	1	CAP, BEARING
	70920415	3	CAPSCREW, 3/8-16 X 1-1/4
35	71397244	1	SHEAVE, DRIVEN, UNLOADER
36	W937119	2	KEY, WOODRUFF, 3/8 X 2 1/8
37	71399674	1	BRACE, SWING CYLINDER
38	71399665	1	BRACE, VERTICAL AUGER TUBE
	70921210	2	CAPSCREW, 3/8-16 X 1 GR5
	Y704734	2	NUT, HEX FLNG TOP LOCK, 3/8-16
39	71399666	1	BRACE, VERTICAL AUGER TUBE
	70921210	2	CAPSCREW, 3/8-16 X 1 GR5
	Y704734	2	NUT, HEX FLNG TOP LOCK, 3/8-16
40	71379824	AR	SHIM, SIDE, UNLDR BOOT, .060 (2 AVE.)
41	112720W91	1	BRACKET WLDMT, CYLINDER ANCHOR
	70921210	2	CAPSCREW, 3/8-16 X 1 GR5
	70921969	1	CAPSCREW, 3/8-16 X 1-1/2 GR5
	70917378	2	WASHER, 3/8 WIDE
	705038	3	LOCKWASHER, 3/8
	70916950	3	NUT, 3/8-16 REG
42	104740W1	AR	SHIM, .005
43	104741W1	AR	SHIM, .010
44	104742W1	AR	SHIM, .020
45	71395983	1	SEAL, CHAIN COVER
46	-----	1	SPACER, SLEEVE (660 ONLY)
49	71391435	1	COVER WLDMT.-UNLOADER GEARS
50	71393854	1	COVER, CHAIN
	7700461	3	BOLT, RD HD SQ NK, 5/16-18 X 3/4
	70917372	3	NUT, 5/16-18 REG
	70917356	3	LOCKWASHER, 5/16 REG
	700709602	3	WASHER, 5/16 WIDE
51	71391441	2	FOAM STRIP-ADHESIVE BACK
52	71393916	2	SEAL, GEAR COVER
53	-----	1	CHAIN, UNL DRIVE (SEE "CHAINS DRIVE")
-	79014728	AR	GREASE

MC00362  
PR: 290

CHALLENGER 670 COMBINE  
GRAIN BIN & ELEVATOR

UNLOADING AUGER  
UPPER



**CHALLENGER 670 COMBINE  
GRAIN BIN & ELEVATOR**

381

**UNLOADING AUGER  
UPPER**

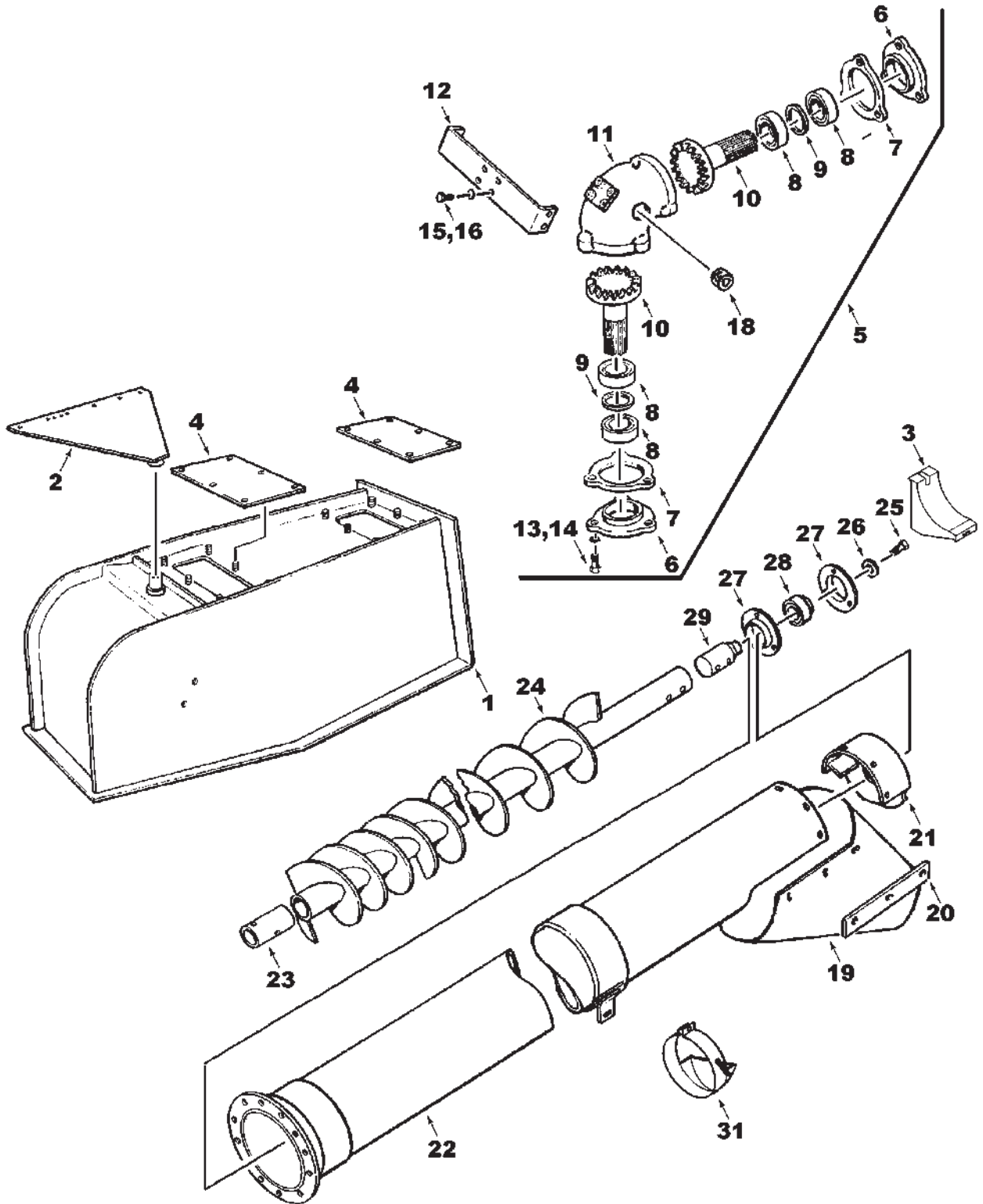
ITEM	NUMBER	QTY	DESCRIPTION
1	2450441W4	1	ELBOW WLDMT, UNLDR (PRIOR S/N HN36101)
	71399658	1	ELBOW WLDMT, UNLDR (EFF. S/N HN36101)
	70921210	4	CAPSCREW, 3/8-16 X 1
	70918830	1	SCREW, HX SKT FLAT HD, 3/8 X 1
	Y704734	5	NUT, HEX FLNG TOP LOCK, 3/8-16
2	71390357	1	PLATE, ASSEMBLY, PIVOT
	70921210	5	CAPSCREW, 3/8-16 X 1
	70916950	5	NUT, HEX, 3/8
3	71390756	1	SADDLE WLDMT, UNLOADER TUBE
4	1736870W1	1	PLATE, COVER (QTY 2, PRIOR S/N HN36101)
	71400919	1	PLATE, COVER (EFF. S/N HN36101)
	Y704734	14	NUT, HEX FLNG TOP LOCK, 3/8-16
5	2414623W1	1	GEARBOX ASSEMBLY
	79017915	AR	GREASE, MOBILE HP, 14 OZ.
	79021671	AR	PIPE SEALANT
6	1737620W1	2	CAP, GEAR BOX
7	1714410W1	AR	SHIM, .005
	1714400W1	AR	SHIM, .010
	1712530W1	AR	SHIM, .020
	8	354920X1	4
9	1714430W1	2	SPACER, BEARING
10	2414640W1	2	GEAR, BEVEL, 18T
11	2414630W2	1	HOUSING, GEAR BOX
	70920328	4	CAPSCREW, 1/2 X 1-1/2
	353773X1	4	WASHER, HEAVY HARD, 1/2
	Y704742	4	NUT, HEX FLNG TOP LOCK, 1/2-13
12	2450500W1	1	SUPPORT, GEAR BOX
13	70923325	6	CAPSCREW, 5/16-18 X 7/8
14	70917356	6	WASHER, LOCK, 5/16
15	70921210	4	CAPSCREW, 3/8-16 X 1
16	70916965	4	WASHER, LOCK, 3/8
18	356044X1	1	PLUG, PIPE HEX SOCKET, 1-11 1/2
19	71400385	1	SPOUT, RUBBER
	70921333	2	CAPSCREW, 5/16-18 X 1
	70917642	4	WASHER, 5/16
	Y704726	2	NUT, HEX FLNG TOP LOCK, 5/16-18
	20	1599410W1	2
21	70921210	6	CAPSCREW, 3/8-16 X 1
	70917378	6	WASHER, 3/8 WIDE
	Y704734	6	NUT, HEX FLNG TOP LOCK, 3/8-16
	1721491W2C	1	CAP ASSEMBLY, END
21	70921965	3	CAPSCREW, 3/8-16 X 3/4
	70917378	2	WASHER, 3/8 WIDE
	Y704734	3	NUT, HEX FLNG TOP LOCK, 3/8-16
22	71396414	1	TUBE WLDMT, HORIZ. (PRIOR S/N HN36101)
	71399669	1	TUBE WLDMT, HORIZ. (EFF. S/N HN36101)
	70921210	12	CAPSCREW, 3/8-16 X 1
	70916965	6	LOCKWASHER, 3/8
	Y704734	6	NUT, HEX FLNG TOP LOCK, 3/8-16

CONTINUED

MC00277  
PR: 274

CHALLENGER 670 COMBINE  
GRAIN BIN & ELEVATOR

UNLOADING AUGER  
UPPER



**CHALLENGER 670 COMBINE  
GRAIN BIN & ELEVATOR**

**383**

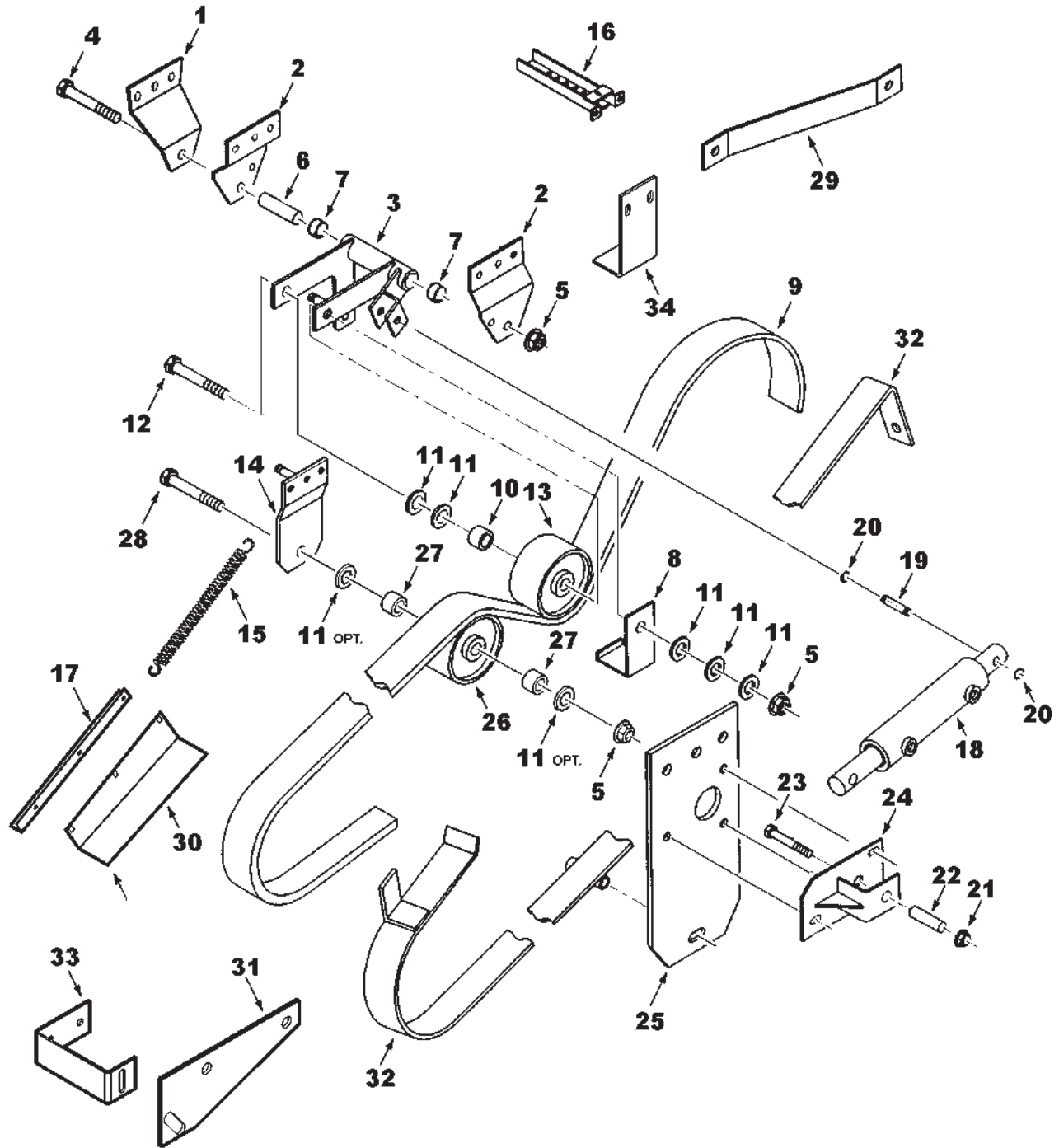
**UNLOADING AUGER  
UPPER**

ITEM	NUMBER	QTY	DESCRIPTION
23	1736510W1	1	COUPLER, DRIVE
	70920990	2	CAPSCREW, 1/2-13 X 3-1/2
	Y705046	2	LOCKWASHER, 1/2
	704031	2	NUT, 1/2-13
24	71390929	1	AUGER ASY, (INCL ITEMS 23 & 29) (PRIOR S/N HN36101)
	71399854	1	AUGER ASY, (INCL ITEMS 23 & 29) (EFF. S/N HN36101)
25	70926126	1	CAPSCREW, 3/4-10 X 1-1/4
	70919332	1	LOCKWASHER, 3/4
26	1716190W1	1	SPACER, 25/32 X 1-5/8 X 1/4 TH
27	700717509	2	FLANGETTE
	70931350	3	BOLT, RHSN, 3/8-16 X 1
	Y704734	3	NUT, HEX FLNG TOP LOCK, 3/8-16
28	831822M1	1	BEARING, BALL
29	1737660W1	1	SHAFT, STUB
	70920990	2	CAPSCREW, 1/2-13 X 3-1/2
	Y705046	2	LOCKWASHER, 1/2
	704031	2	NUT, 1/2-13
31	294148M91	1	SPILL SAVER
	79019067	2	SPRINGS
	70936104	1	CAPSCREW, 5/16-18 X 2-3/4 FULL THD.
	70917642	1	WASHER, FLAT, 5/16
	70923362	1	NUT, HEX CNTR LOCK, 5/16-18
	71378014	1	KIT, SPILL SAVER (ORDER THRU DEALER CENTRAL)
-	700707823	AR	SILICONE

MC00277  
PR: 274

CHALLENGER 670 COMBINE  
GRAIN BIN & ELEVATOR

UNLOADER DRIVE



**CHALLENGER 670 COMBINE  
GRAIN BIN & ELEVATOR**

385

**UNLOADER DRIVE**

ITEM	NUMBER	QTY	DESCRIPTION
1	71388739	1	PLATE
2	108592W1	2	PLATE
	70921210	6	CAPSCREW, 3/8-16 X 1 GR5
	Y704734	6	NUT, HEX FLNG TOP LOCK, 3/8-16
3	108586W91	1	IDLER ARM ASY (PRIOR S/N HP36101) (SERVICE W/ 71403710)
	71403710B	1	IDLER ARM ASY
4	112774W1	1	BOLT, HEX SPECIAL, 5/8-11 X 7
5	700703922	3	NUT, HEX FLNG TOP LOCK, 5/8-11
6	2624230W1	1	SLEEVE, IDLER PIVOT
7	1689170W1	2	BUSHING, STEEL
8	108602W1	1	STRAP, BELT GUIDE (PRIOR S/N HP36101)
	71403712	1	STRAP, BELT GUIDE (EFF. S/N HP36101)
9	101102M1	1	BELT (SEE BELT LISTING)
10	368615X1	1	SPACER
11	70918432	6	WASHER, 5/8 WIDE
12	70923501	1	CAPSCREW, 5/8-11 X 3-3/4 GR5
13	1797450W1	1	IDLER, FLAT, 6.5 DIA (PRIOR S/N HP36101)
	2545270W1	1	IDLER, FLAT, 6.5 DIA (EFF. S/N HP36101)
14	108597W91	1	PLATE ASSEMBLY, INNER IDLER SUPPORT
15	101276M2	1	SPRING
16	2629511W93	1	CHANNEL ASSEMBLY
	70921210	9	CAPSCREW, 3/8-16 X 1 GR5
	Y704734	9	NUT, HEX FLNG TOP LOCK, 3/8-16
	70917378	7	WASHER, 3/8 WIDE
17	-----	1	SUPPORT, UPPER GUIDE (660 ONLY)
18	108275W91	1	HYDRAULIC CYLINDER
	71389522	AR	SEAL KIT
19	108575W1	1	PIN, 5/8 X 2.28
20	377690X1	2	RING, RETAINING
21	Y704742	1	NUT, HEX FLNG TOP LOCK, 1/2-13
22	108601W1	1	SPACER
23	70923240	1	CAPSCREW, 1/2-13 X 2-3/4 GR5
24	108593W91	1	ANCHOR BRACKET
	70921210	3	CAPSCREW, 3/8-16 X 1 GR5
	Y704734	3	NUT, HEX FLNG TOP LOCK, 3/8-16
25	108599W1	1	PLATE, OUTER IDLER SUPPORT
	70921210	3	CAPSCREW, 3/8-16 X 1 GR5
	Y704734	3	NUT, HEX FLNG TOP LOCK, 3/8-16
26	2545270W1	1	IDLER PULLEY
27	365098X1	2	SPACER
28	70926165	1	CAPSCREW, 5/8-11 X 4-1/2 GR5
29	108600W1	1	STRAP
30	2635460W1	1	GUIDE, BELT
	70921965	3	CAPSCREW, 3/8-16 X 3/4
	70916965	3	LOCKWASHER, 3/8
	70916950	3	HEX NUT, 3/8-16
	70917378	3	WASHER, 3/8, WIDE
31	101575M1	1	PLATE
	70921210	1	CAPSCREW, 3/8-16 X 1 GR5
	70917378	1	WASHER, 3/8, WIDE
	70916965	1	LOCKWASHER, 3/8
	70916950	1	HEX NUT, 3/8-16

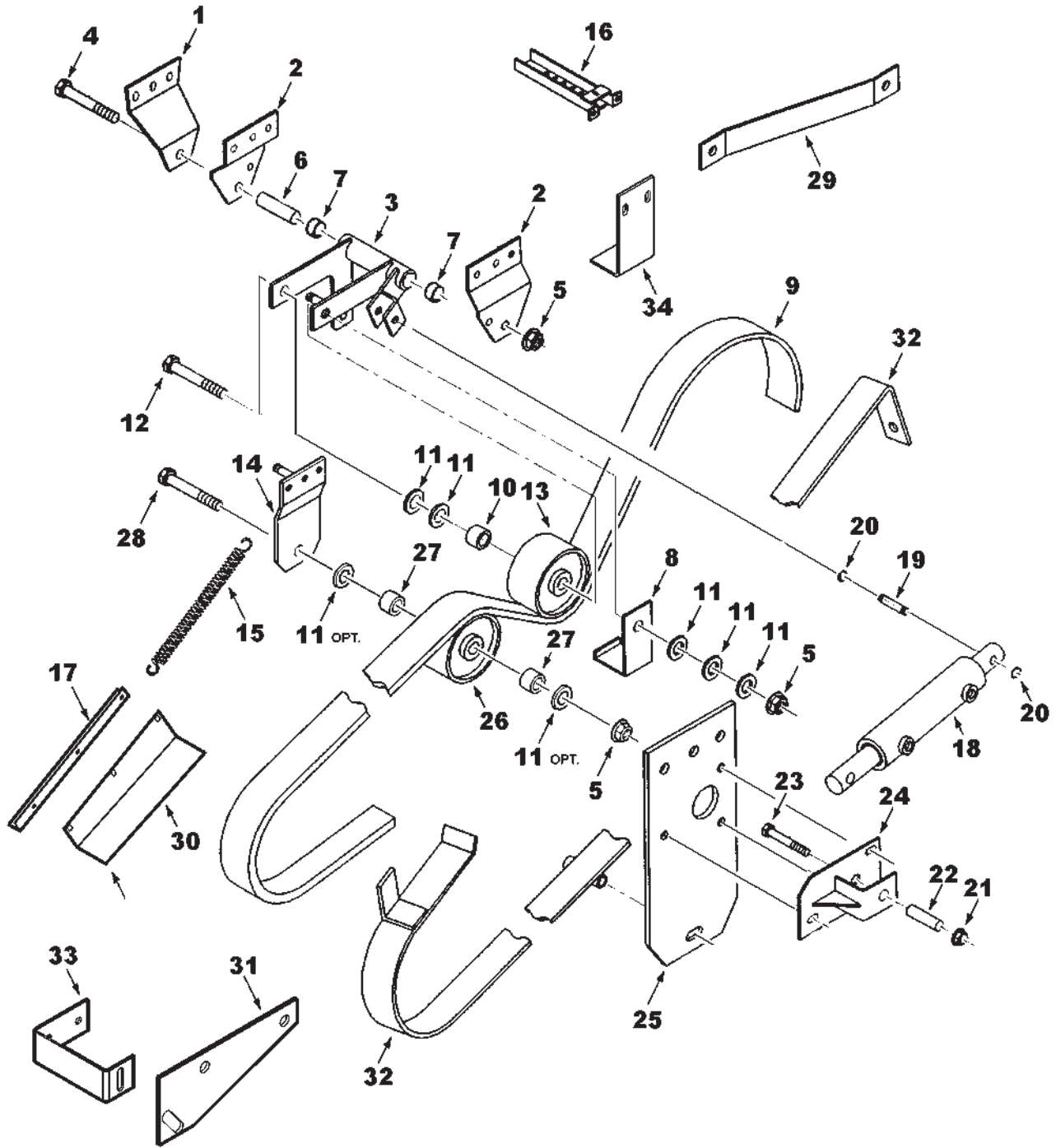
CONTINUED

MC00279  
PR: 278



CHALLENGER 670 COMBINE  
GRAIN BIN & ELEVATOR

UNLOADER DRIVE



**CHALLENGER 670 COMBINE  
GRAIN BIN & ELEVATOR**

**387**

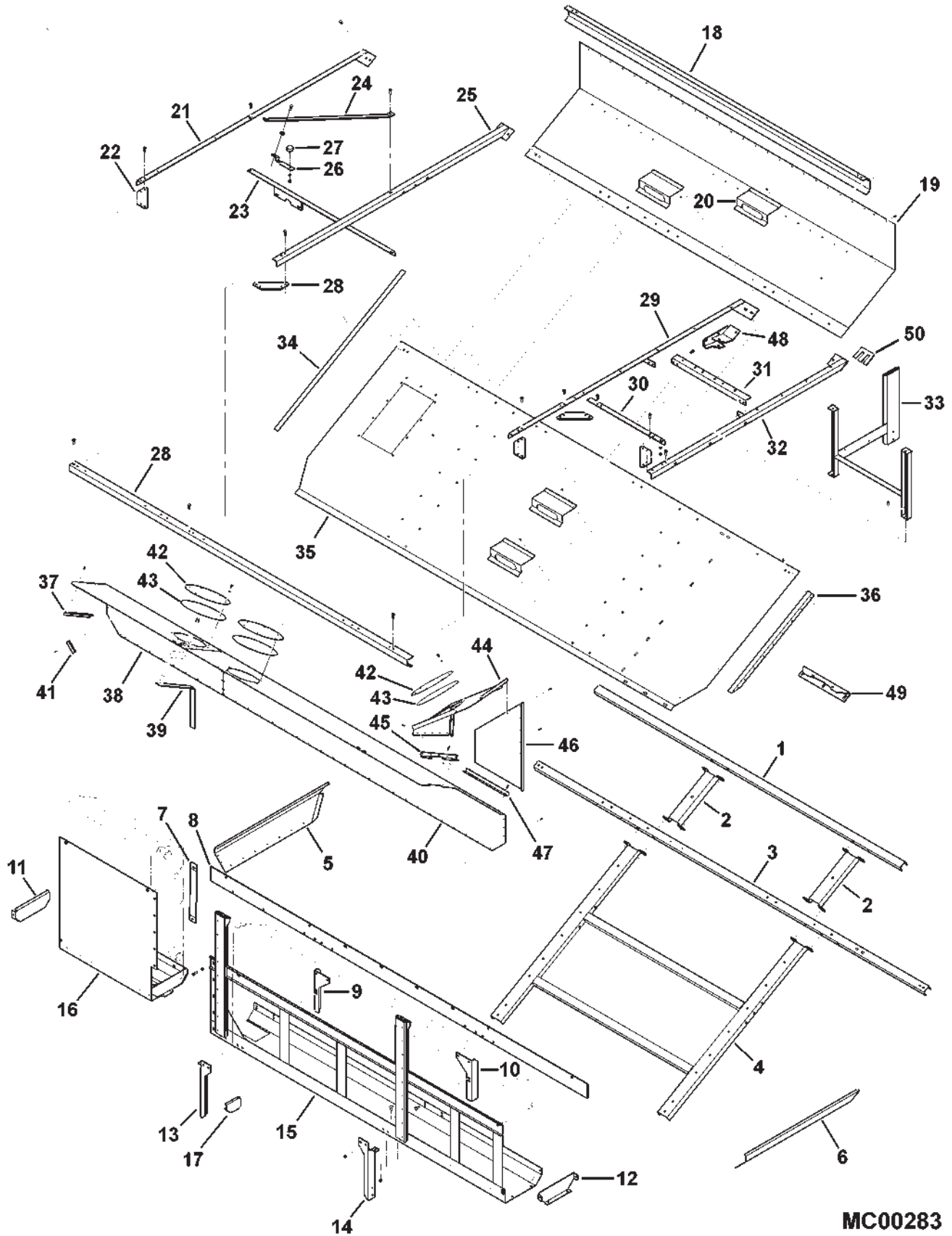
**UNLOADER DRIVE**

ITEM	NUMBER	QTY	DESCRIPTION
32	71390191	1	GUIDE, BELT
	70921332	2	CAPSCREW, 5/16-18 X 3/4
	70917642	2	WASHER, 5/16, WIDE
	Y704726	2	NUT, HEX FLNG TOP LOCK, 5/16-18
	70923504	1	CAPSCREW, 3/8-16 X 4-1/2 GR5
	70917378	AR	WASHER, 3/8 WIDE
	Y704734	1	NUT, HEX FLNG TOP LOCK, 3/8-16
33	-----	1	SUPPORT, LOWER GUIDE (660 ONLY)
34	2635230W1	1	GUIDE BRKT, TOP, BELT(PRIOR S/N HN36101)
	71400669	1	GUIDE PLATE, BELT (EFF. S/N HN36101)
	70921210	2	CAPSCREW, 3/8-16 X 1 GR5
	Y704734	2	NUT, HEX FLNG TOP LOCK, 3/8-16

MC00279  
PR: 278

CHALLENGER 670 COMBINE  
GRAIN BIN & ELEVATOR

GRAIN BIN  
LOWER STRUCTURE



**CHALLENGER 670 COMBINE  
GRAIN BIN & ELEVATOR**

389

**GRAIN BIN  
LOWER STRUCTURE**

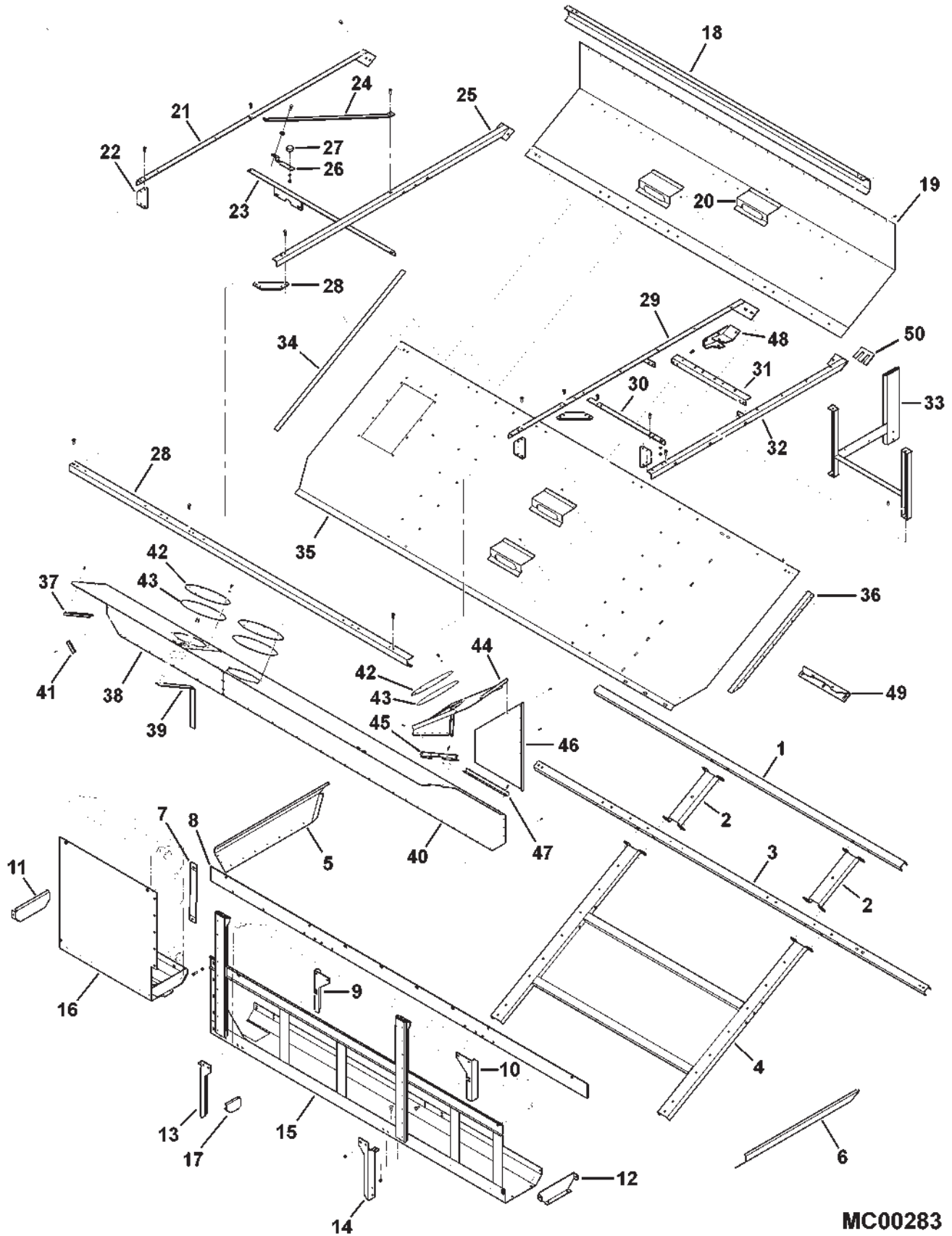
ITEM	NUMBER	QTY	DESCRIPTION
1	71391143	1	CHANNEL, FLOOR UPPER
2	71407327P	2	EXTENSION, UPPER FLOOR CHANNEL
	70921210	8	CAPSCREW, 3/8-16 X 1.0
	70917378	8	WASHER, FLAT 3/8
	705038	8	LOCKWASHER, 3/8
	70916950	8	HEXNUT, 3/8-16
3	71403918	1	CHANNEL, BIN FLOOR
4	71389710	1	CHANNEL WLDMT, FLOOR
	70921210	6	CAPSCREW, 3/8-16 X 1.0
	70917378	6	WASHER, FLAT 3/8
	705038	6	LOCKWASHER, 3/8
	70916950	6	HEXNUT, 3/8-16
5	71391951	1	SHEET, RH, GRAIN BIN
	700717635	7	RIVET, 3/16 X 13/32
6	71391850	1	SHEET, LH, GRAIN BIN
	700717635	7	RIVET, 3/16 X 13/32
7	71393414	2	STRAP, TANK HANGER (RH)
	70922786	4	BOLT, RHSN 3/8-16 X 1.0
	70917378	4	WASHER, FLAT 3/8
	705038	4	LOCKWASHER, 3/8
	70916950	4	HEXNUT, 3/8-16
8	71393413	1	PLATE, SUPPORT
	70922786	10	BOLT, RHSN 3/8-16 X 1.0
	70917378	10	WASHER, FLAT 3/8
	705038	10	LOCKWASHER, 3/8
	70916950	10	HEXNUT, 3/8-16
9	71391939	1	SUPPORT, TANK, RH REAR
	7700461	2	BOLT, RHSN 5/16-18 X 3/4
	Y704726	2	LOCKNUT, HEX FLANGE 5/16-18
10	71391938	1	SUPPORT, TANK, LH REAR
	7700461	2	BOLT, RHSN, 5/16-18 X 3/4
	Y704726	2	LOCKNUT, HEX FLANGE 5/16-18
11	71391946	1	END PLATE, RH FUEL TANK
	Y702951	4	SCREW, SELF-TAP 3/8-16 X 3/4
12	71391947	1	END PLATE, LH FUEL TANK
	Y702951	4	SCREW, SELF-TAP 3/8-16 X 3/4
13	71393918	1	POST, TANK, RH FRONT
	7700461	1	BOLT, RHSN, 5/16-18 X 3/4
	Y704726	1	LOCKNUT, HEX FLANGE 5/16-18
	7770456	2	BOLT, RHSN, 3/8-16 X 3/4
	Y704734	2	LOCKNUT, HEX FLANGE 3/8-16
14	71393917	1	POST, TANK, LH FRONT
	7700461	1	BOLT, RHSN, 5/16-18 X 3/4
	Y704726	1	LOCKNUT, HEX FLANGE 5/16-18
	7770456	2	BOLT, RHSN, 3/8-16 X 3/4
	Y704734	2	LOCKNUT, HEX FLANGE 3/8-16
15	71406761	1	SUPPORT WLDMT, LH FUEL TANK
16	71391935	1	SUPPORT WLDMT, RH FUEL TANK
	70921210	5	CAPSCREW, 3/8-16 X 1.0
	705038	5	LOCKWASHER, 3/8
	70917378	5	WASHER, FLAT 3/8

CONTINUED

MC00283  
PR: 280

CHALLENGER 670 COMBINE  
GRAIN BIN & ELEVATOR

GRAIN BIN  
LOWER STRUCTURE



**CHALLENGER 670 COMBINE  
GRAIN BIN & ELEVATOR**

391

**GRAIN BIN  
LOWER STRUCTURE**

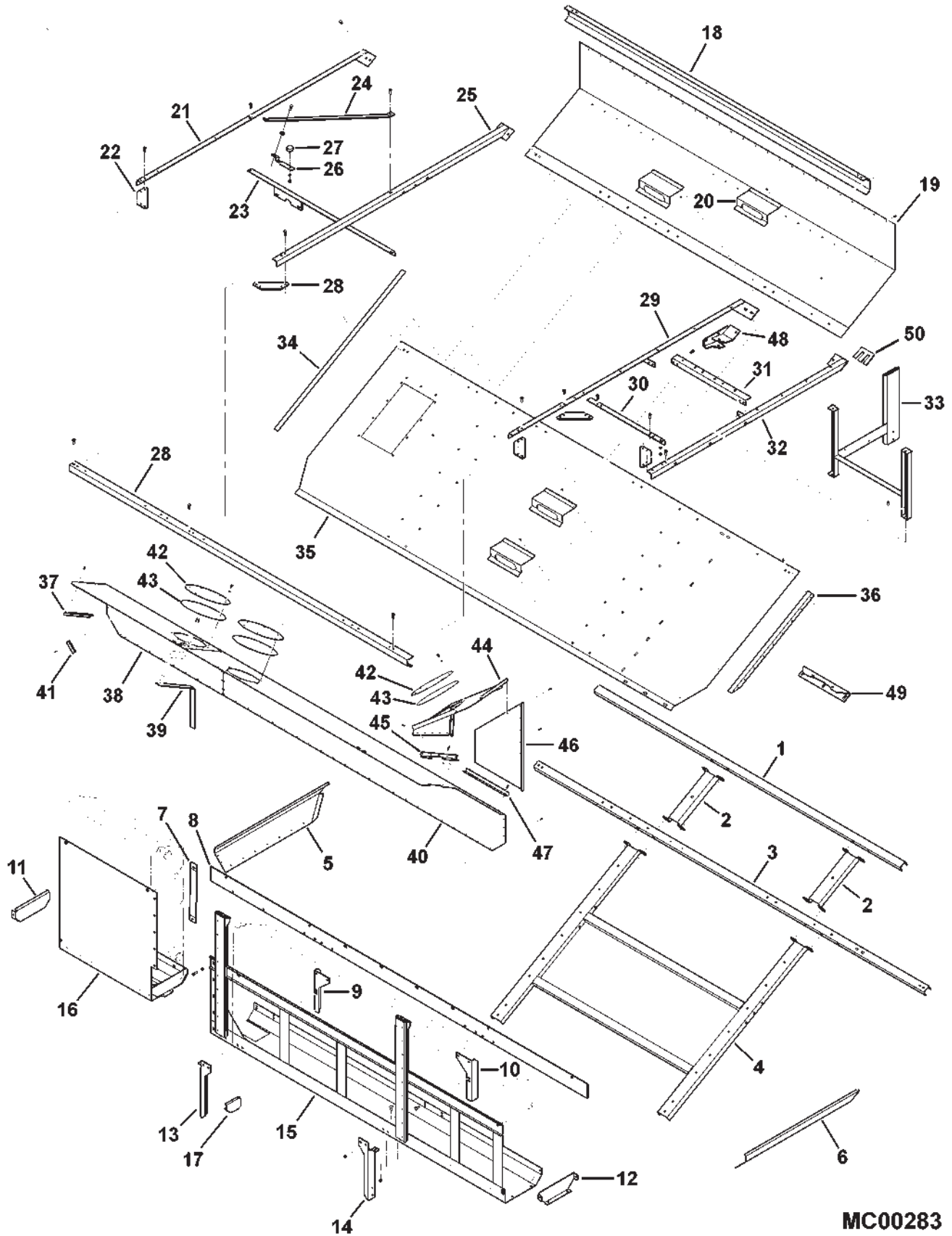
ITEM	NUMBER	QTY	DESCRIPTION
17	71391948	1	END BRKT, LH TANK INSIDE
	Y702951	2	SCREW, SELF-TAP 3/8-16 X 3/4
18	71392620	1	CHANNEL, UPPER FRAME, REAR
	70925160	26	RIVET, 3/16 X .527
19	71391849	1	PANEL, UPPER REAR FLOOR
	700717635	AR	RIVET, 3/16 X .402
	70921210	2	CAPSCREW, 3/8-16 X 1.0
	705038	2	LOCKWASHER, 3/8
	70916950	2	HEXNUT, 3/8-16
	70923114	1	CAPSCREW, 1/2-13 X 1 GR5 (EFF. S/N HP36101)
20	71394681	4	STEP
	70925160	12	RIVET, 3/16 X .527
	700717635	12	RIVET, 3/16 X .402
	71394321	AR	TAPE, ANTI-SKID
21	71392657	1	ANGLE, MID-FRAME
	70921210	AR	CAPSCREW, 3/8-16 X 1.0
	70917378	AR	WASHER, FLAT 3/8
	705038	AR	LOCKWASHER, 3/8
	70916950	AR	HEXNUT, 3/8-16
22	71392616	5	GUSSET, FRAME
23	71391147	1	ANGLE, TOP HEAD SUPPORT
24	71394322	1	STRAP
25	71392656	1	ANGLE, CENTER
	70921210	AR	CAPSCREW, 3/8-16 X 1.0
	70917378	AR	WASHER, FLAT 3/8
	705038	AR	LOCKWASHER, 3/8
	70916950	AR	HEXNUT, 3/8-16
26	71394323	1	STRAP, WINDOW HOOK
	70921965	1	CAPSCREW, 3/8-16 X 3/4
	71391654	1	WASHER, NYLON
	Y704734	1	LOCKNUT, FLANGE 3/8-16
27	70547934	1	STOP, RUBBER
	705038	1	LOCKWASHER, 3/8
	70916950	1	HEXNUT, 3/8-16
28	71391956	1	CHANNEL, MID-FRAME FRONT
	70921210	20	CAPSCREW, 3/8-16 X 1.0
	705038	20	LOCKWASHER, 3/8
	70916950	20	HEXNUT, 3/8-16
29	71403922	1	ANGLE WLDMT, LEFT INNER, MID-FRAME
	70923114	1	CAPSCREW, 1/2-13 X 1 GR5
	Y704742	1	NUT, HEX FLANGE TOP LOCK, 1/2-13
30	71392611	1	ANGLE, FRONT SUPPORT
	70921210	AR	CAPSCREW, 3/8-16 X 1.0
	703603	AR	CAPSCREW, 3/8-16 X 1-1/2
	70917378	AR	WASHER, FLAT 3/8
	705038	AR	LOCKWASHER, 3/8
	70916950	AR	HEXNUT, 3/8-16

CONTINUED

MC00283  
PR: 280

### CHALLENGER 670 COMBINE GRAIN BIN & ELEVATOR

#### GRAIN BIN LOWER STRUCTURE



**CHALLENGER 670 COMBINE  
GRAIN BIN & ELEVATOR**

393

**GRAIN BIN  
LOWER STRUCTURE**

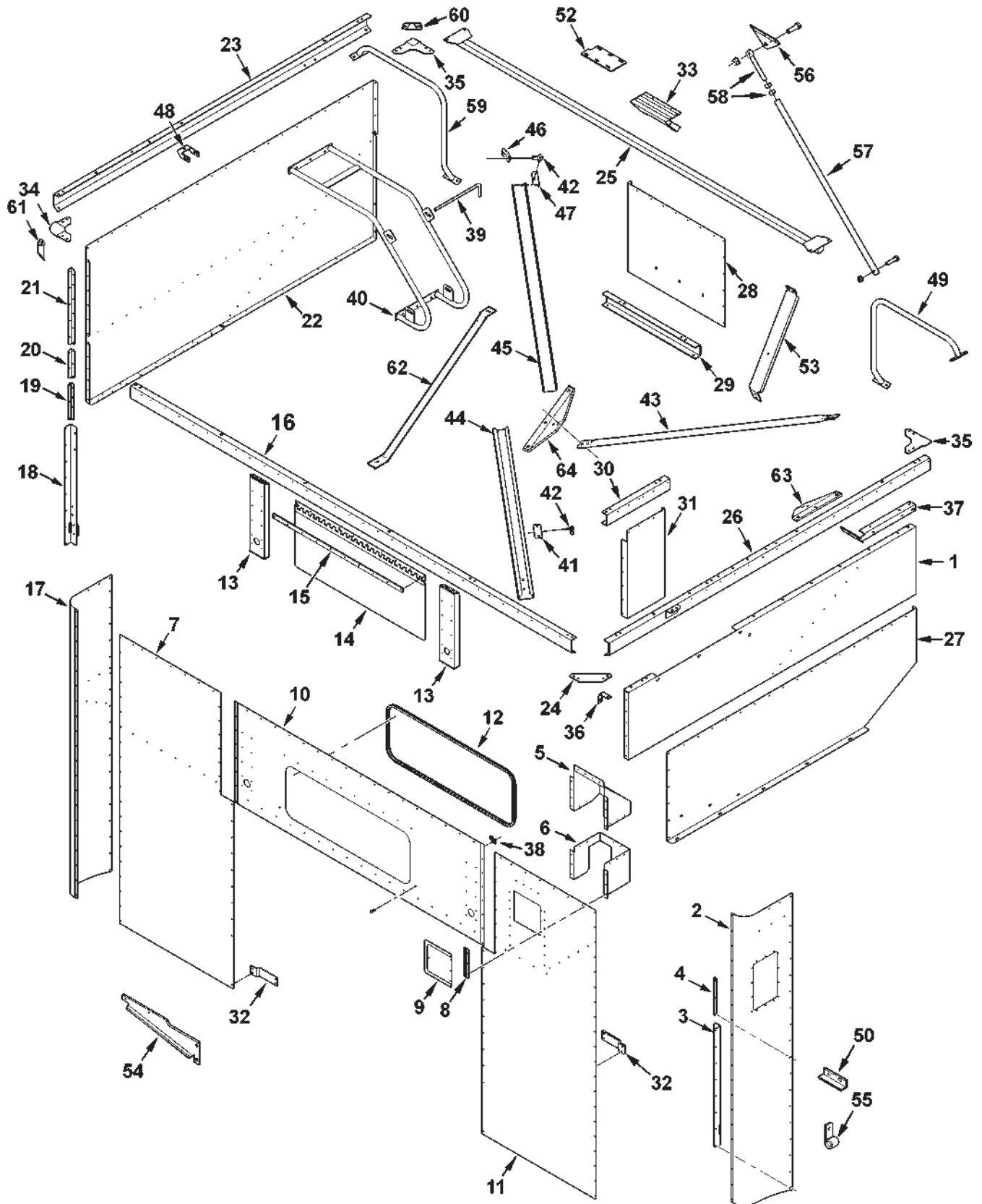
ITEM	NUMBER	QTY	DESCRIPTION
31	71392610	1	ANGLE, REAR SUPPORT
	70921210	4	CAPSCREW, 3/8-16 X 1.0
	705038	4	LOCKWASHER, 3/8
	70916950	4	HEXNUT, 3/8-16
32	71392654	1	ANGLE, MID-FRAME OUTER
33	71391957	1	SUPPORT WLDMT, CORNER (LH)
	70921210	3	CAPSCREW, 3/8-16 X 1.0
	705038	3	LOCKWASHER, 3/8
	70916950	3	HEXNUT, 3/8-16
34	71390157	1	ANGLE, UPPER MOUNTING (RH)
35	71391848	1	PANEL, FLOOR LOWER
36	71390152	1	ANGLE, MID-PANEL MOUNTING (LH)
	70924837	9	RIVET, 3/16 X .277
37	71391954	1	ANGLE, SIDE, GRAIN BIN
	700717635	4	RIVET, 3/16 X .402
38	71391968	1	COVER, F/TANK (RH)
39	71392605	1	SUPPORT STRAP, FUEL TANK COVER
	700717635	AR	RIVET, 3/16 X .402
40	71391967	1	COVER, LH F/TANK
	70925160	28	RIVET, 3/16 X .527
41	71391146	2	ANGLE, SHEET TIE
	700717635	8	RIVET, 3/16 X .402
42	71376312	3	COVER, ACCESS
	7703457	18	CAPSCREW, 1/4-20 X 3/4
	705012	18	LOCKWASHER, 1/4
	70928705	18	NUT, RETAINER 1/4-20 TYPE J
43	71323575	3	SEAL, COVER
44	71391970	1	TOP COVER, FILLER NECK
45	71391972	1	ANGLE, TOP FILLER NECK
46	71391969	1	COVER, SIDE FILLER NECK
	700717635	13	RIVET, 3/16 X .402
47	71391971	1	ANGLE, SIDE FILLER NECK
	700717635	9	RIVET, 3/16 X .402
48	71403919	1	BRACKET WLDMT, UNLOADER CYL
	70921210	1	CAPSCREW, 3/8-16 X 1 GR5
	70920415	1	CAPSCREW, 3/8-16 X 1-1/4 GR5
	70917378	2	WASHER, 3/8, WIDE
	Y704734	2	NUT, HEX FLNG TOP LOCK, 3/8-16
	701235	1	CAPSCREW, 1/2-13 X 1-1/2 GR5
	Y704742	1	NUT, HEX FLNG TOP LOCK, 1/2-13
49	2601260W1	1	BRKT,LOWER TUBE SUPPT(PRIOR S/N HN36101)
	71399675C	1	BRKT,LOWER TUBE SUPPT (EFF. S/N HN36101)
	70923220	3	BOLT, RD HD SQ NK, 3/8-16 X 1-1/4
	70917378	3	WASHER, 3/8 WIDE
	Y704734	3	NUT, HEX FLNG TOP LK, 3/8-16
50	71401461	AR	SHIM (QTY 2 AVE.)

MC00283  
PR: 280



### CHALLENGER 670 COMBINE GRAIN BIN & ELEVATOR

#### GRAIN BIN UPPER STRUCTURE & MOUNTS



**CHALLENGER 670 COMBINE  
GRAIN BIN & ELEVATOR**

395

**GRAIN BIN  
UPPER STRUCTURE & MOUNTS**

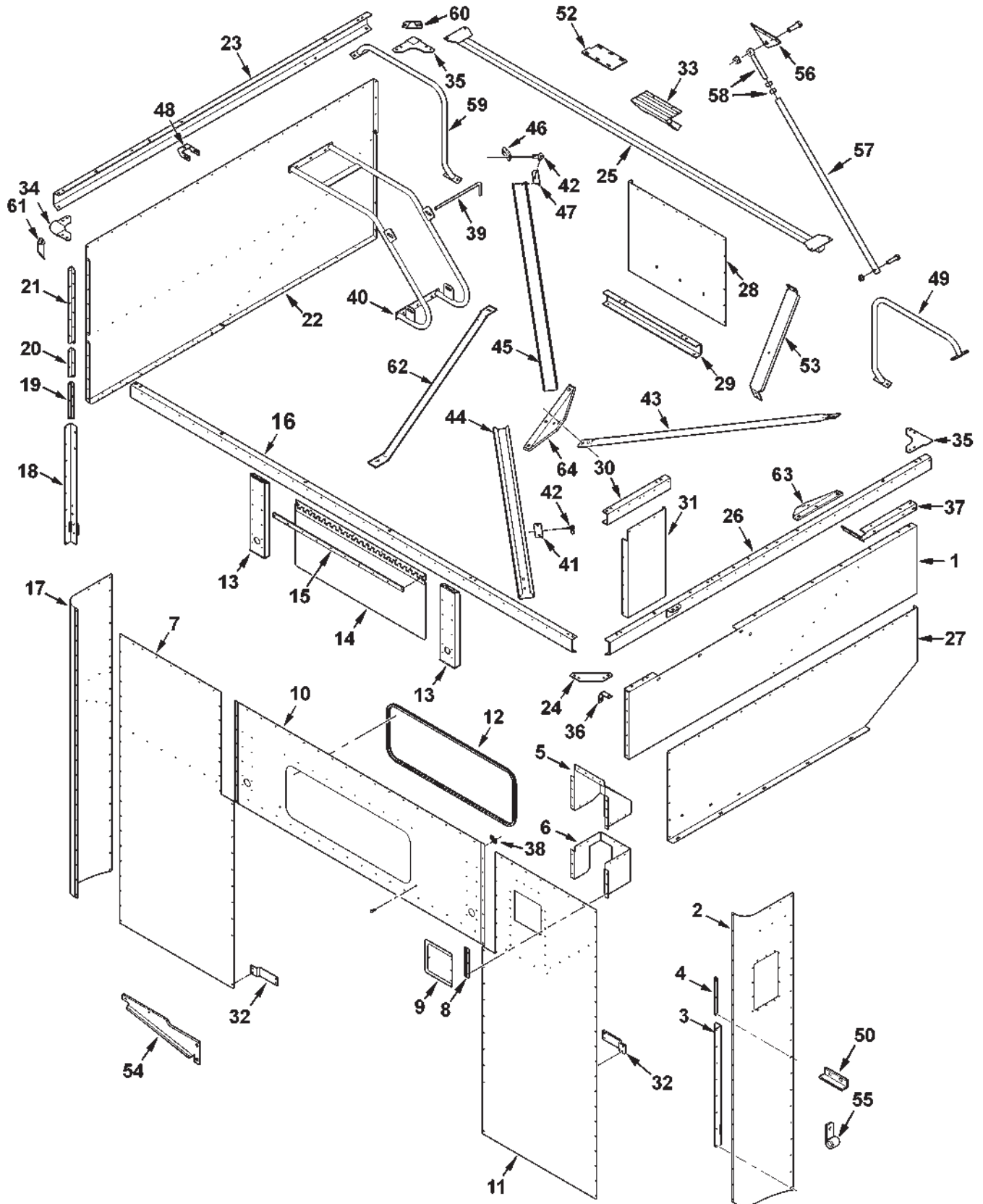
ITEM	NUMBER	QTY	DESCRIPTION
1	71391960C	1	PANEL, MID (LH)
	70924837	AR	RIVET, 3/16 X .277
	70921210	5	CAPSCREW, 3/8-16 X 1.0
	70917378	2	WASHER, 3/8 WIDE
	705038	4	LOCKWASHER, 3/8
	70916950	4	HEXNUT, 3/8-16
2	71392664	1	PANEL, CORNER (LH)
	700717635	AR	RIVET, 3/16 X .402
	70924837	AR	RIVET, 3/16 X .277
	706176	4	SCREW, TRUSS HD MACH, 5/16-18 X 3/4
	70917642	4	WASHER, 5/16 WIDE
	Y705020	4	LOCKWASHER, 5/16 REG
	70917372	4	NUT, 5/16-18 REG
3	71395996	1	ANGLE, FLANGE LOWER (LH)
	70922786	4	BOLT, RHSN 3/8-16 X 1.0
	70917378	4	WASHER, 3/8 WIDE
	705038	4	LOCKWASHER, 3/8
	70916950	4	HEXNUT, 3/8-16
4	71391150	1	ANGLE, FLANGE UPPER (LH)
	700717635	AR	RIVET, 3/16 X .402
5	71376324	1	SHIELD, BIN SAMPLE, UPPER
	700717635	AR	RIVET, 3/16 X .402
6	71391966	1	SHIELD, BIN SAMPLE, LOWER
	700717635	AR	RIVET, 3/16 X .402
7	71392602	1	PANEL, FRONT (RH)
	700717635	AR	RIVET, 3/16 X .402
8	71373513	1	HINGE, DOOR
9	71376349	1	DOOR
	700717635	3	RIVET, 3/16 X .402
	71190960	1	KNOB, DOOR
10	71391953	1	PANEL, GRAIN BIN FRONT
11	71392601	1	PANEL, FRONT (LH)
	700717635	AR	RIVET, 3/16 X .402
	70924837	AR	RIVET, 3/16 X .277
12	71393257	1	SEAL, WINDOW TRIM
13	71390148	2	SUPPORT, FRT BIN VERTICAL
	70921210	8	CAPSCREW, 3/8-16 X 1.0
	705038	8	LOCKWASHER, 3/8
	70916950	8	HEXNUT, 3/8-16
14	71393411	1	GLASS ASY., GRAIN BIN
	70924283	10	RIVET
	71393410	1	PIN, HINGE
15	71390764	1	SPACER, HINGE
16	71392618	1	CHANNEL, UPPER FRAME FRONT
	70921210	29	CAPSCREW, 3/8-16 X 1.0
	705038	29	LOCKWASHER, 3/8
	70916950	29	HEXNUT, 3/8-16
17	71392663	1	PANEL, CORNER (RH)
	700717635	AR	RIVET, 3/16 X .402
18	71395997	1	ANGLE, FLANGE LOWER (RH)
19	71393253	1	ANGLE, FLANGE MID-LOWER (RH)
	700717635	3	RIVET, 3/16 X .402
20	71393252	1	ANGLE, FLANGE MID-UPPER (RH)

CONTINUED

MC00288  
PR: 286

### CHALLENGER 670 COMBINE GRAIN BIN & ELEVATOR

#### GRAIN BIN UPPER STRUCTURE & MOUNTS



**CHALLENGER 670 COMBINE  
GRAIN BIN & ELEVATOR**

397

**GRAIN BIN  
UPPER STRUCTURE & MOUNTS**

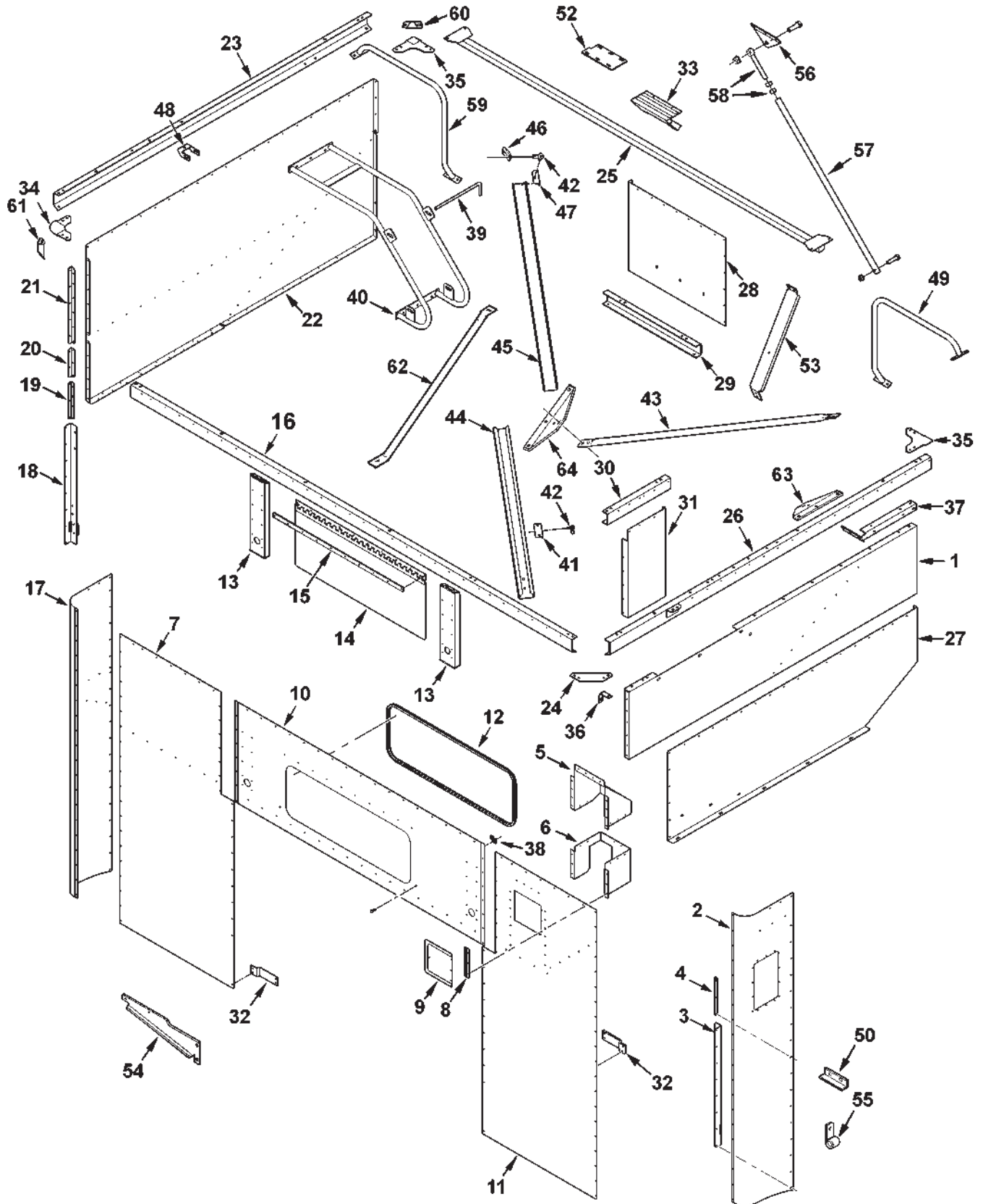
ITEM	NUMBER	QTY	DESCRIPTION
21	71393251	1	ANGLE, FLANGE UPPER (RH)
	700717635	6	RIVET, 3/16 X .402
22	71391964	1	PANEL, UPPER GRAIN BIN (RH)
	700717635	AR	RIVET, 3/16 X .402
	70924837	AR	RIVET, 3/16 X .277
23	71392624	1	CHANNEL, UPPER FRAME OUTER (RH)
24	71392616	4	GUSSET, FRAME
25	71396664C	1	BRACE
26	71392658	1	CHANNEL, UPPER FRAME INNER (LH)
27	71391961	1	PANEL, UPPER REAR (LH)
	700717635	AR	RIVET, 3/16 X .402
	70924837	AR	RIVET, 3/16 X .277
	70921965	5	CAPSCREW, 3/8-16 X 3/4
	70917378	5	WASHER, FLAT 3/8
	705038	5	LOCKWASHER, 3/8
	70916950	5	HEXNUT, 3/8-16
28	71391962	1	PANEL, DIVISION (LH)
	700717635	AR	RIVET, 3/16 X .402
29	71392621	1	CHANNEL, UPPER FRAME SUPPORT
	70921210	2	CAPSCREW, 3/8-16 X 1.0
	705038	2	LOCKWASHER, 3/8
	70916950	2	HEXNUT, 3/8-16
30	71392622	1	CHANNEL, UPPER FRAME OUTER (LH)
31	71391963	1	PANEL, FRONT UPPER (LH)
	700717635	AR	RIVET, 3/16 X .402
	70924837	AR	RIVET, 3/16 X .277
	70921210	1	CAPSCREW, 3/8-16 X 1.0
	705038	1	LOCKWASHER, 3/8
	70916950	1	HEXNUT, 3/8-16
32	71394325	2	SUPPORT, FRONT PANEL (660 ONLY)
	700129058	2	SPACER (670 ONLY)
	7703457	AR	CAPSCREW, 1/4-20 X 3/4
	1703354	AR	NUT, HEX FLANGE TOP LOCK, 1/4-20
33	71394688	1	STEP ASY., GRAIN BIN
	7703457	4	CAPSCREW, 1/4-20 X 3/4
	1703354	4	HEXNUT, 1/4-20
	71394321	AR	TAPE, ANTI-SKID
34	71394420	1	BRACE, CORNER ROUND
35	71394419	2	BRACE, CORNER SQUARE
36	71395992C	1	BRACKET, FUEL TANK VENT
37	2633681W2	1	SUPPORT
	70921332	5	CAPSCREW, 5/16-18 X 3/4
	700709602	2	WASHER, FLAT 5/16
	70917356	5	LOCKWASHER, 5/16
	70917372	5	HEXNUT, 5/16-18
38	108610W1	2	CLIP, GLASS RETAINER
	70931449	2	WASHER, 13/32 ID X 1-1/8 OD 7GA
	70937101	2	SPEEDNUT, THRD GRIP 1/4
	7770167	2	BOLT, RD HD SQ NK 1/4-20 X 1.0
	705707	2	WASHER, FLAT 1/4
	705012	2	LOCKWASHER, 1/4
	70916952	2	NUT, WING 1/4-20

CONTINUED

MC00288  
PR: 286

CHALLENGER 670 COMBINE  
GRAIN BIN & ELEVATOR

GRAIN BIN  
UPPER STRUCTURE & MOUNTS



**CHALLENGER 670 COMBINE  
GRAIN BIN & ELEVATOR**

399

**GRAIN BIN  
UPPER STRUCTURE & MOUNTS**

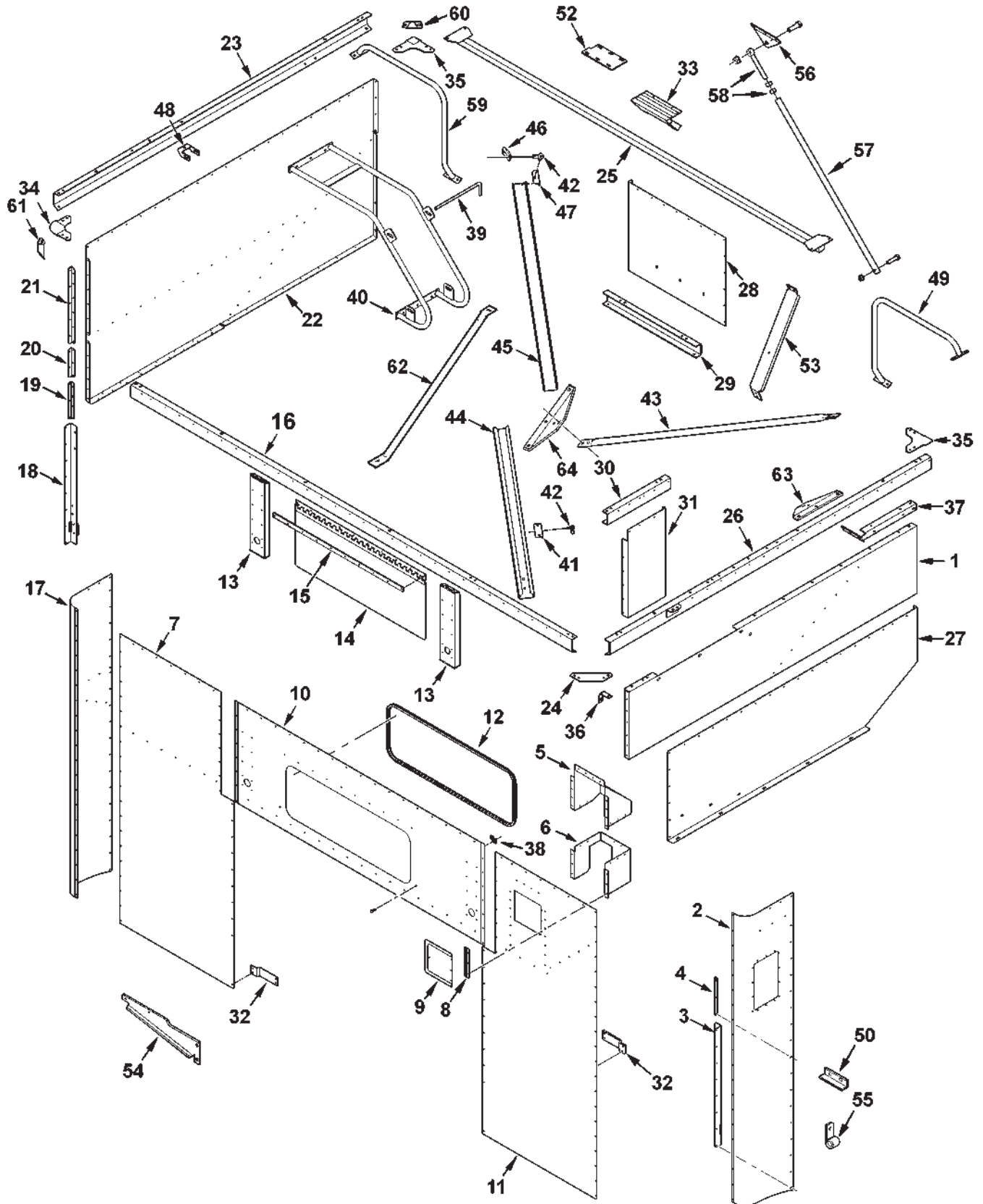
ITEM	NUMBER	QTY	DESCRIPTION
39	71390384	1	ROD, BIN FILL AUGER
	70918431	1	WASHER, FLAT 1/2
	70936348	1	PIN, CLEVIS
40	71393901	1	RETAINER, AUGER
	70921210	6	CAPSCREW, 3/8-16 X 1.0
	70917378	6	WASHER, 3/8 WIDE
	705038	6	LOCKWASHER, 3/8
	70916950	6	NUT, 3/8-16 REG
41	71393907	1	SUPPORT ANGLE, LOWER CHANNEL
42	71326336	2	JOINT, BALL
43	71408826	1	CROSS BRACE (YR 2005 FIELD CAMPAIGN)
	70921210	4	CAPSCREW, 3/8-16 X 1 GR5
	70917378	4	WASHER, 3/8 WIDE
	Y704734	4	NUT, HEX FLANGE TOP LOCK, 3/8-16
44	71393425P	1	TRAY, LOWER SAMPLE
45	71393424B	1	TRAY, UPPER SAMPLE
46	71393908	1	ANCHOR, SAMPLE TRAY
47	71393909	1	SUPPORT ANGLE, UPPER
48	102903M91	12	HINGE ASY.
	7771769	12	CAPSCREW, 1/2-13 X 3/4
49	71393873	1	RAIL WLDMT, LEFT BIN EXT'N SUPPORT
	70921210	4	CAPSCREW, 3/8-16 X 1.0
	705038	4	LOCKWASHER, 3/8
	70916950	4	NUT, 3/8-16 REG
50	71397111	1	ANGLE
51	70937685	1	J-CLIP, 3/8 DIA X .406 MTG HOLE
52	71394920	1	PLATE, ENG. COVER
	7883408	3	SCREW, HX FLANGE, 3/8-16 X 1-1/4 GR8
	704247	3	LOCKNUT, HEX SERR FLANGE, 3/8-16
53	71393913	2	SUPPORT, REAR GRAIN BIN
	70921210	8	CAPSCREW, 3/8-16 X 1.0
	Y704734	8	NUT, HEX FLANGE TOP LOCK, 3/8-16
54	71405934B	1	PLATE, RT TANK SUPPORT
	70921210	4	CAPSCREW, 3/8-16 X 1.0
	Y704734	4	NUT, HEX FLANGE TOP LOCK, 3/8-16
55	70936314	1	J-CLIP, 1/2 DIA X .406 MTG. HOLE
56	71397122	1	ANCHOR
	70921210	3	CAPSCREW, 3/8-16 X 1.0
	Y704734	3	NUT, HEX FLANGE TOP LOCK, 3/8-16
57	71397124	1	BRACE
	7701659	1	CAPSCREW, 5/8-11 X 2-1/2
	70918432	3	WASHER, 5/8, WIDE (QTY. 1 PRIOR S/N HR36101)
	700703922	1	NUT, HEX FLANGE TOP LOCK, 5/8-11
58	71343344	1	EYEBOLT
	7702145	1	CAPSCREW, 3/4-10 X 2-1/2
	70918433	3	WASHER, 3/4, WIDE (EFF. S/N HR36101)
	700703923	1	NUT, HEX FLANGE TOP LOCK, 3/4-10
	70913160	2	NUT, 3/4-10 REG

CONTINUED

MC00288  
PR: 286

### CHALLENGER 670 COMBINE GRAIN BIN & ELEVATOR

#### GRAIN BIN UPPER STRUCTURE & MOUNTS



**CHALLENGER 670 COMBINE  
GRAIN BIN & ELEVATOR**

**401**

**GRAIN BIN  
UPPER STRUCTURE & MOUNTS**

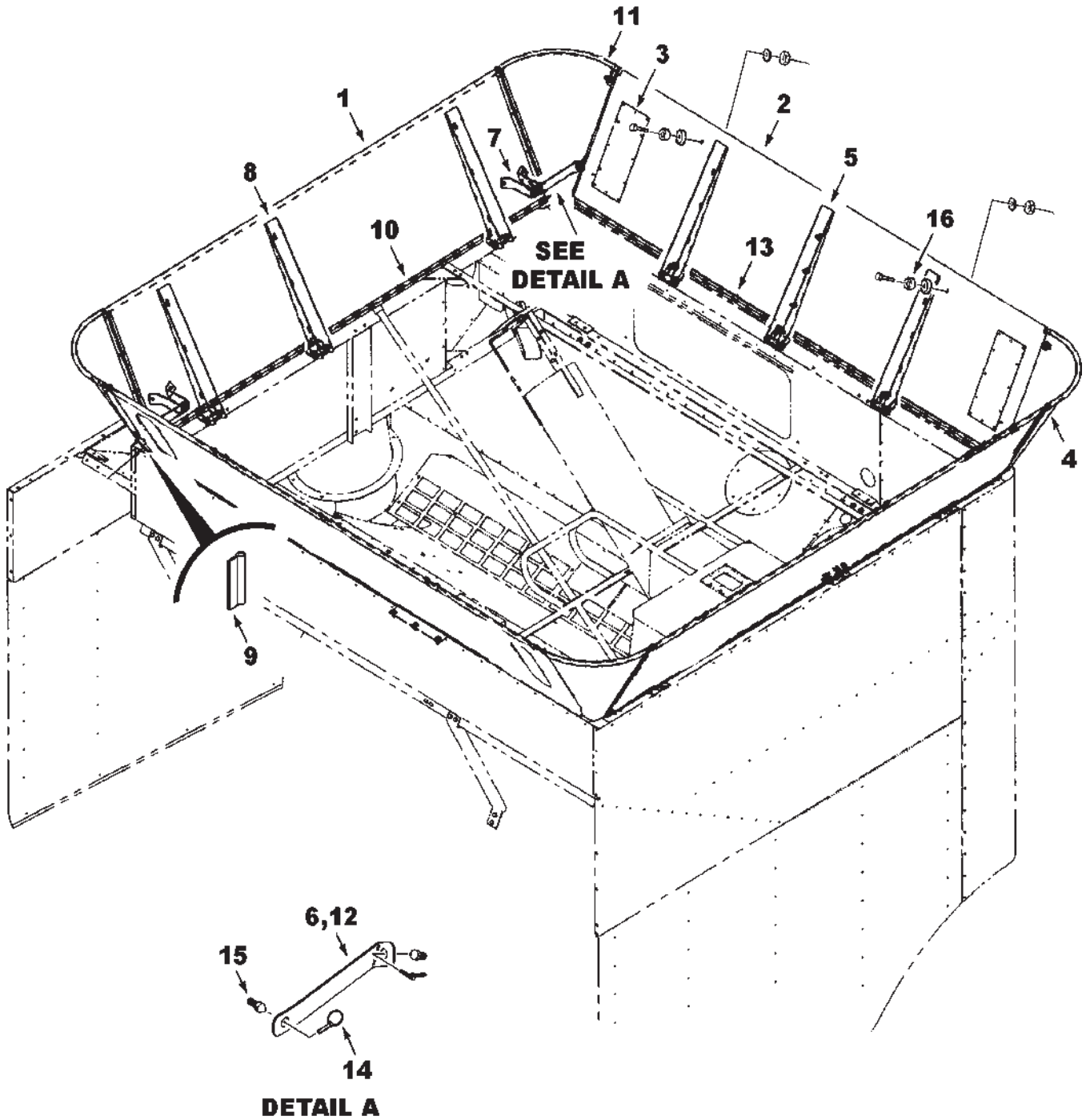
ITEM	NUMBER	QTY	DESCRIPTION
59	71393875	1	RAIL WLDMT, RT BIN EXT'N SUPPORT
	70921210	4	CAPSCREW, 3/8-16 X 1.0
	705038	4	LOCKWASHER, 3/8
	70916950	4	NUT, 3/8-16 REG
60	71399270P	3	GUSSET, CORNER (EFF. S/N HN36101)
61	71399271P	1	GUSSET, CORNER (EFF. S/N HN36101)
	70921210	8	CAPSCREW, 3/8-16 X 1.0
	Y704734	8	NUT, HEX FLANGE TOP LOCK, 3/8-16
	70917378	4	WASHER, 3/8 WIDE
62	71403618B	1	BRACE, UNLOADER (EFF. S/N HN36101)
	70920415	2	CAPSCREW, 3/8-16 X 1-1/4
	705038	2	LOCKWASHER, 3/8
	70916950	2	NUT, 3/8-16 REG
63	71408827	1	BRACKET, X-BRACE, UPPER (YR 2005 FIELD CAMPAIGN)
	70920415	3	CAPSCREW, 3/8-16 X 1-1/4 GR5
	70917378	3	WASHER, 3/8 WIDE
	Y704734	3	NUT, HEX FLANGE TOP LOCK, 3/8-16
64	71408828	1	BRACKET, X-BRACE, LOWER (YR 2005 FIELD CAMPAIGN)
	70928635	3	SCR,HEX WSHR HD TAPPING, 3/8-16 X 1-1/4

MC00288  
PR: 286



CHALLENGER 670 COMBINE  
GRAIN BIN & ELEVATOR

BIN EXTENSIONS



**CHALLENGER 670 COMBINE  
GRAIN BIN & ELEVATOR**

403

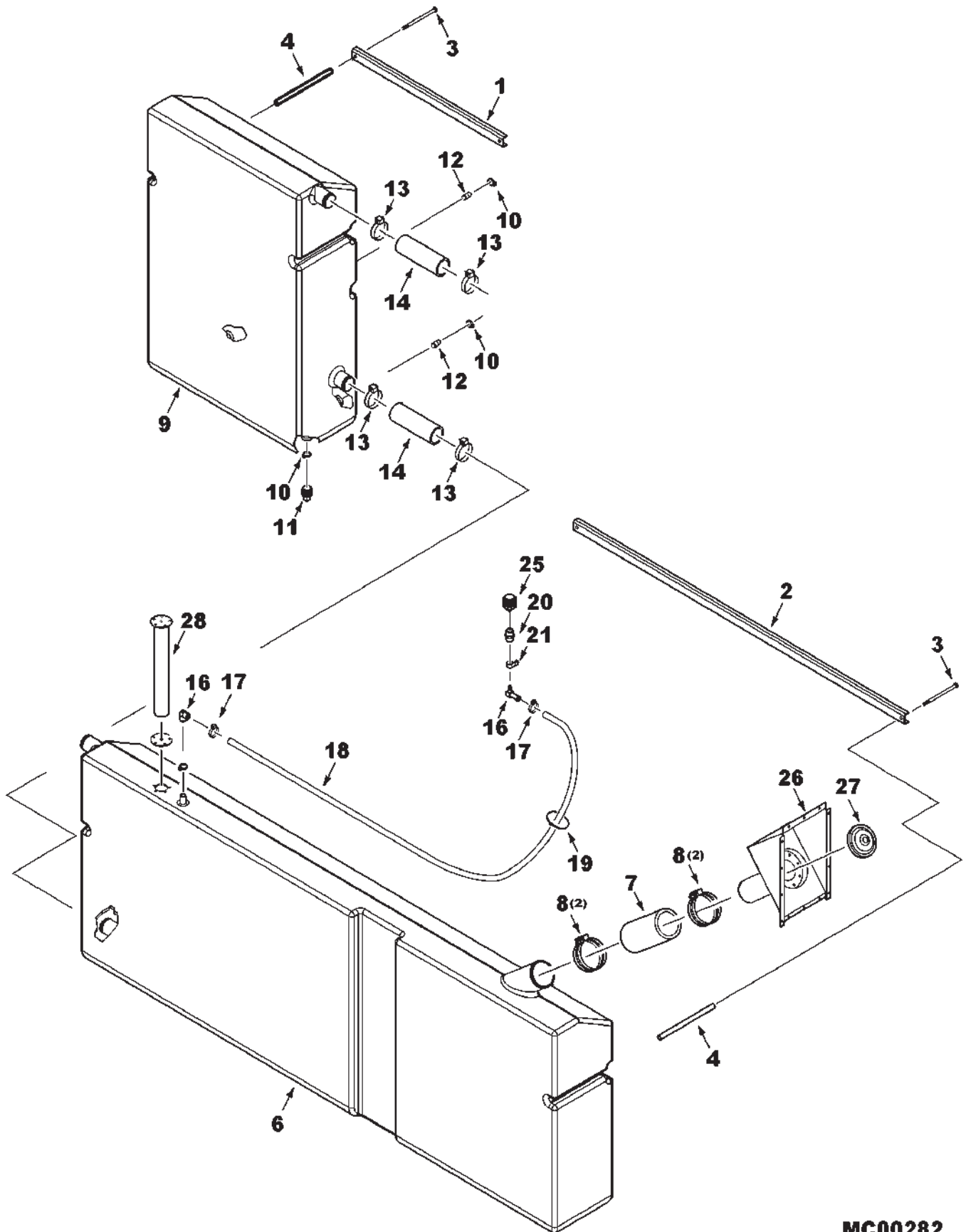
**BIN EXTENSIONS**

ITEM	NUMBER	QTY	DESCRIPTION
1	71396404B	2	PANEL ASY., SIDE (W/HINGES)
	71393870	4	HINGE
	700717635	16	RIVET, 3/16 DIA X .25
2	71396403B	2	PANEL ASY., END (INCL. ITEM 3)
3	71376350B	4	PANEL, WINDOW
	70924837	48	RIVET, 3/16 X 9/32
4	71393867B	2	CORNER WLDMT, RF & LR
	700721915	8	RIVET, 3/16 DIA X .406, BLACK
5	71393868	6	CHANNEL, HINGE, FRONT & REAR
	7772767	6	CAPSCREW, 3/8-16 X 3-1/2
	700129071	6	SPACER, .531 OD X .875 ID
	Y704734	6	LOCKNUT, HEX FLANGE, 3/8-16
	700721916	18	SCR, TRUSS HD, 5/16-18 X 1.0, BLACK
	70917378	18	WASHER, FLAT 3/8 WIDE
	70917356	18	LOCKWASHER, 5/16
	70917372	18	NUT, 5/16-18 REG
6	71395386	2	STRAP, CORNER SUPPORT, RF & LR
7	71393871B	4	BRACKET, HINGE MOUNTING
	700721916	8	SCR, TRUSS HD, 5/16-18 X 1.0, BLACK
	Y705020	8	LOCKWASHER, 5/16 REG
8	70917372	8	NUT, 5/16-18 REG
	71393869B	6	CHANNEL, HINGE, SIDES
	7772767	6	CAPSCREW, 3/8-16 X 3-1/2
	700129071	6	SPACER, .531 OD X .875 ID
	Y704734	6	LOCKNUT, HEX FLANGE, 3/8-16
9	700721916	18	SCR, TRUSS HD, 5/16-18 X 1.0, BLACK
	70917378	18	WASHER, FLAT, 3/8 WIDE
	70917356	18	LOCKWASHER, 5/16
	70917372	18	NUT, 5/16-18 REG
9	71395390	4	SEAL, CORNER
10	71395388	2	SEAL, SIDE
11	71394418P	2	CORNER WLDMT, LF & RR
	700721915	8	RIVET, 3/16 DIA X .406, BLACK
12	71395387	2	STRAP, CORNER SUPPORT, LF & RR
13	71395389	2	SEAL, FRONT & REAR PANEL
14	863415	12	PIN, KLIK
	705632	8	WASHER, FLAT 5/8
15	1656110W2	12	PIN, SHIELD LOCK
	70916950	12	NUT, 3/8-16 REG
	705038	12	LOCKWASHER, 3/8
	70917378	12	WASHER, FLAT, 3/8 WIDE
16	72509675	4	BUMPER, RUBBER
	7703473	4	CAPSCREW, 1/4-20 X 1-1/4
	700134393	4	SPACER, .47 TH
	705012	4	LOCKWASHER, 1/4
	704007	4	NUT, 1/4-20 REG

MC00290  
PR: 292

CHALLENGER 670 COMBINE  
GRAIN BIN & ELEVATOR

FUEL TANKS



**CHALLENGER 670 COMBINE  
GRAIN BIN & ELEVATOR**

405

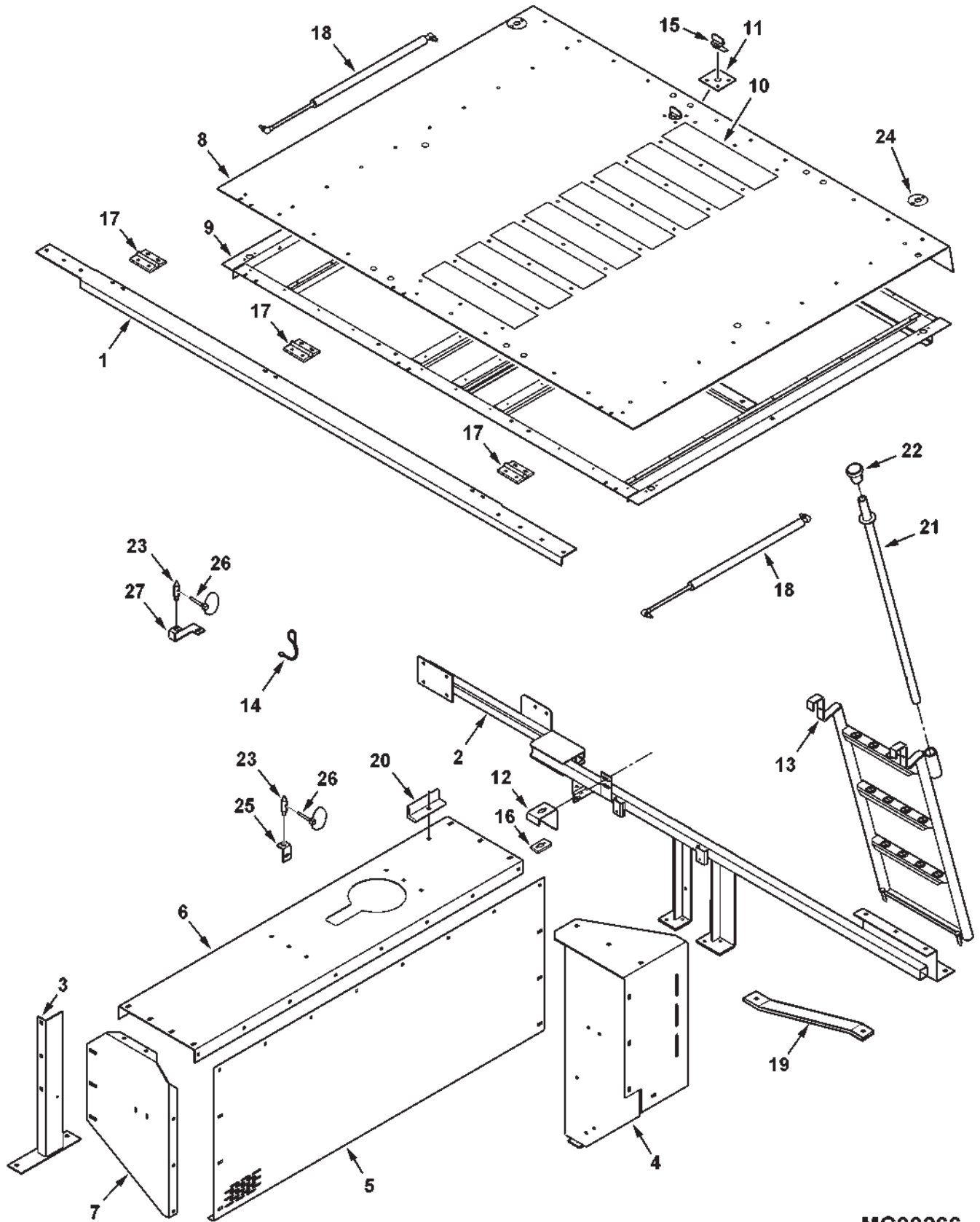
**FUEL TANKS**

ITEM	NUMBER	QTY	DESCRIPTION
1	71389785	1	CHANNEL, TANK RETAINING (RH)
2	71389784	1	CHANNEL, TANK RETAINING (LH)
3	70937179	4	SCREW, CAP, 3/8-16 X 11.0
	705038	4	LOCKWASHER, 3/8
4	71390914	4	SPACER
6	71388751	1	TANK, FUEL (LH)
7	71390241	1	HOSE, FILLER NECK COUPLER
8	3725988M1	4	CLAMP, #60, 3-3/8 TO 4-1/4
9	71388752	1	TANK, FUEL (RH)
10	7020027	3	CLAMP, HOSE, WORM DR, .81-1.50
11	70905262	1	PLUG, SQ HD, 3/4 NPT
12	70901828	2	BUSHING, 3/4 X 1/2 NPT
	700704010	1	SILICONE SEALANT, BLACK, 10.2 OZ.
13	720649	4	CLAMP, HOSE, WORM DR, 2.0-3.0
14	71390242	2	HOSE, COUPLER
16	70931226	2	FITTING, 90DEG. PUSH-ON HOSE
	7020027	1	CLAMP, HOSE, WORM DR, .81-1.50
17	70921910	2	CLAMP, HOSE, WORM DR, .44-.78
18	71390248	1	HOSE, VENT
19	70925442	1	TIE, SELF-LOCK .184 X 14.0
20	70922863	1	COUPLER, 1/4-18 NPTF
21	70936747	1	CLAMP, .750 TUBE X .281
	7703457	1	CAPSCREW, 1/4-20 X 3/4
	705012	1	LOCKWASHER, 1/4
	704007	1	NUT, 1/4-20 REG
25	71186814	1	BREATHER
26	71391932	1	INLET, FUEL
27	71391625	1	CAP, FUEL FILLER
28	71407293	1	SENDER, FUEL LEVEL W/ GASKET (SEE "ELECTRICAL, GRAIN BIN")

MC00282  
PR: 294

CHALLENGER 670 COMBINE  
SHIELDS

ENGINE COVERS



**CHALLENGER 670 COMBINE  
SHIELDS**

407

**ENGINE COVERS**

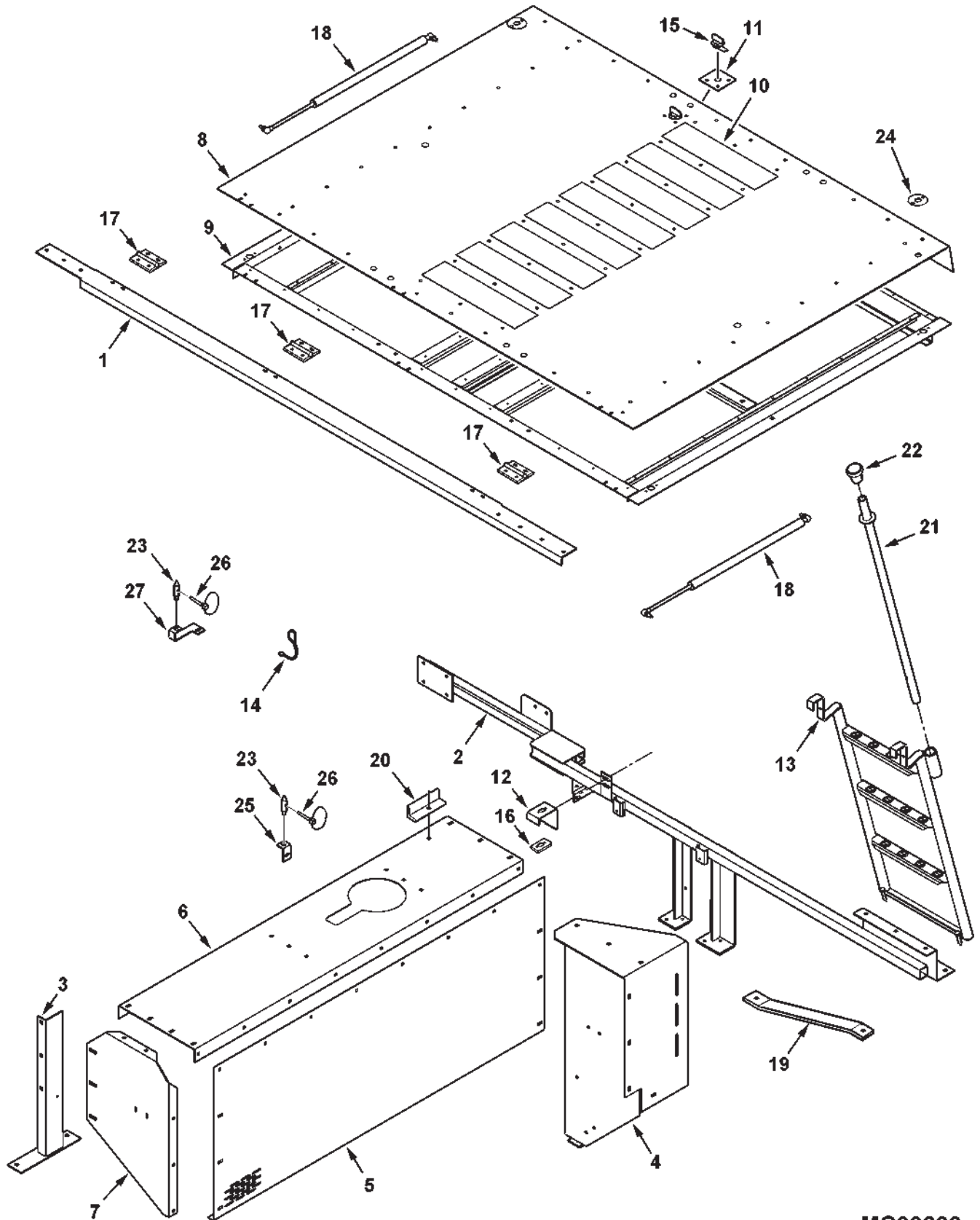
ITEM	NUMBER	QTY	DESCRIPTION
1	71390755	1	CROSS MEMBER, FRONT ENGINE
	7700461	3	BOLT, RHSN 5/16-18 X 3/4
	70917642	3	WASHER, 5/16 WIDE
	70917356	3	LOCKWASHER, 5/16
	70917372	3	NUT, 5/16-18
2	71392843	1	CROSS MMBR WLDMT,REAR(PRIOR S/N HN36101)
	71400914P	1	CROSS MMBR WLDMT,REAR (EFF. S/N HN36101 TO HN36999)
	71406409	1	CROSS MMBR WLDMT,REAR (EFF. S/N HP36101)
	7700461	8	BOLT, RD HD SQ NK, 5/16-18 X 3/4
	70917642	8	WASHER, 5/16 WIDE
	70917356	8	LOCKWASHER, 5/16
	70917372	8	NUT, 5/16-18
	71391114	1	SUPPORT WLDMT., LH FRONT ENGINE
3	70921176	2	CAPSCREW, 1/2-13 X 1-1/4
	Y705046	2	LOCKWASHER 1/2
	704031	2	NUT, 1/2-13
4	71395372	1	SUPPORT WLDMT., LH REAR ENGINE
	70921333	2	CAPSCREW, 5/16-18 X 1
	70917642	2	WASHER, 5/16 WIDE
	70917356	2	LOCKWASHER 5/16
	70917372	2	NUT, 5/16-18
	68759	3	BOLT, RHSN 3/8-16 X 1
	70916965	3	LOCKWASHER 3/8
	70916950	3	NUT, 3/8-16
5	-----	--	NOT USED (SEE SIDE SHIELDS, LEFT SIDE)
6	71390762	1	TOP, LH ENGINE ENCLOSURE
	7700461	7	BOLT, RHSN 5/16-18 X 3/4
	7700578	2	BOLT, RHSN 5/16-18 X 1
	70917642	9	WASHER, 5/16 WIDE
	70917356	9	LOCKWASHER, 5/16
	70917372	9	NUT, 5/16-18
7	71387761	1	FRONT, LH ENGINE ENCLOSURE
	68759	3	BOLT, RHSN 3/8-16 X 1
	70917378	3	WASHER, 3/8 WIDE
	70916965	3	LOCKWASHER, 3/8
	70916950	3	NUT, 3/8-16
8	71392846	1	SHEET ASY, W/DECALS (PRIOR S/N HN36101)
	71400911C	1	SHEET ASY, W/DECALS (EFF. S/N HN36101 TO HN36999)
	71405950C	1	SHEET, ENGINE COVER (EFF. S/N HP36101)
	71379132	2	DECAL, WARNING ENGINE
9	700721197	65	RIVET, 3/16 X .063-.125 GRIP, YELLOW
	71392847	1	FRAME WLMT, ENG COVER(PRIOR S/N HP36101)
	71405945	1	FRAME WLMT, ENG COVER (EFF. S/N HP36101)
	68759	2	BOLT, RD HD SQ NK, 3/8-16 X 1
	70917378	2	WASHER, 3/8, WIDE
	70916965	2	LOCKWASHER, 3/8
	70916950	2	NUT, 3/8-16 REG
	71388938	8	TAPE, ANTI-SKID

CONTINUED

MC00266  
PR: 296

CHALLENGER 670 COMBINE  
SHIELDS

ENGINE COVERS



**CHALLENGER 670 COMBINE  
SHIELDS**

409

**ENGINE COVERS**

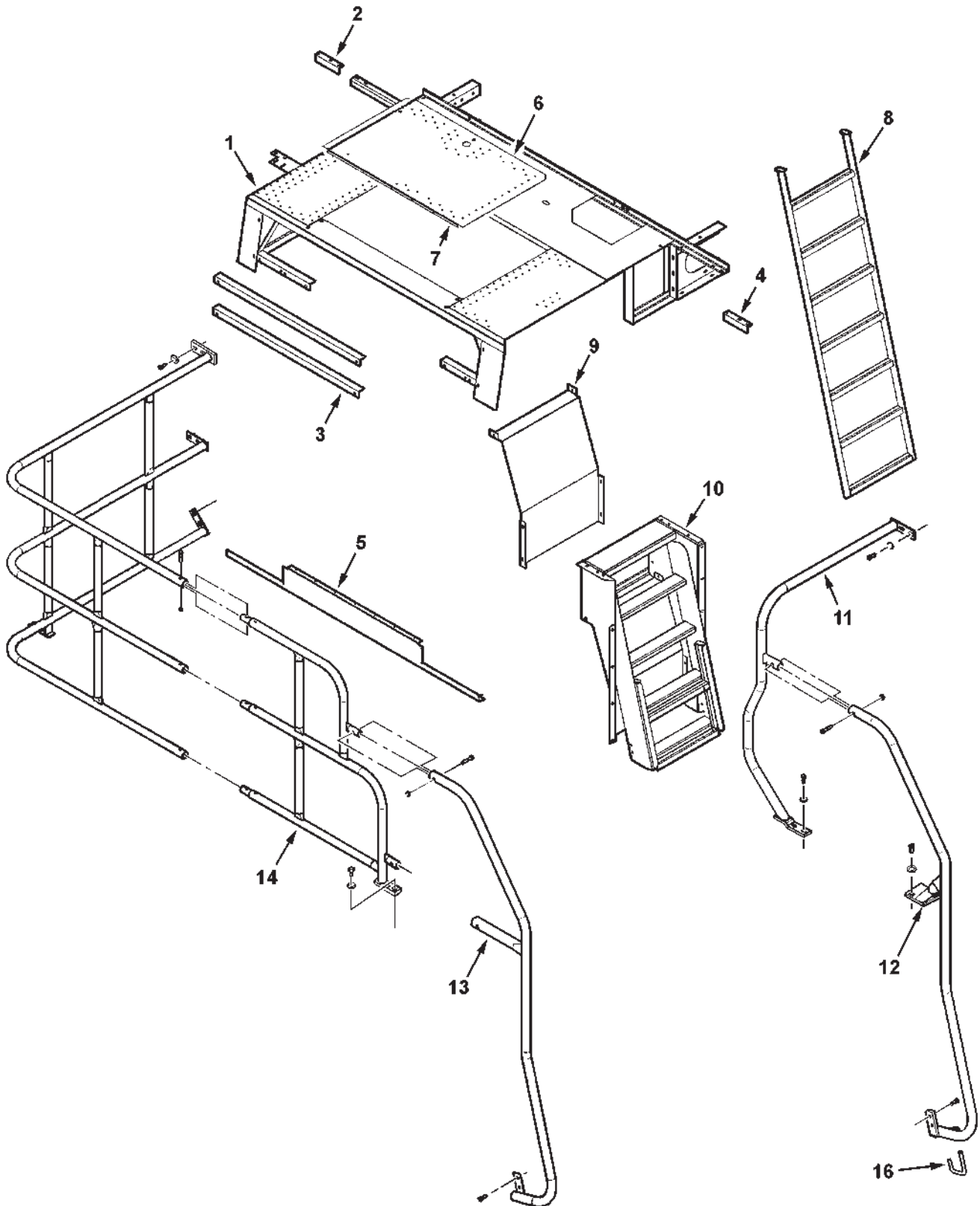
ITEM	NUMBER	QTY	DESCRIPTION
11	71388942	1	REINF PLATE, LATCH
	700721204	4	RIVET, 3/16 X .126-.250 GRIP, YELLOW
12	71388944	1	RECEIVER BRKT WLDMT, ENGINE HOOD
	68759	2	BOLT, RHSN 3/8-16 X 1
	70917378	2	WASHER, 3/8 WIDE
	70916965	2	LOCKWASHER, 3/8
	70916950	2	NUT, 3/8-16
13	71393476	1	LADDER WLMT (PRIOR S/N HN36101)(SERVICE WITH 71400913)
	71400913	1	LADDER WLMT (EFF. S/N HN36101 -HP36999)
	71410375	1	LADDER WLMT (EFF. S/N HR36101)
	70937714	2	PIN,CLEVIS RETAINR, W/RING .25 X 2.5
14	71390770	2	CABLE, LANYARD, 6 LG (PRIOR S/N HN36101)
	70934892	2	PIN,CLEVIS RETAINR, W/RING .19 X 1.3 (PRIOR S/N HN36101)
	70931820	2	SCREW, TAPPING #10-16 X 1/2
15	700714706	1	LATCH, QUARTER TURN
16	700714529	1	RECEIVER, LATCH
	70924837	2	RIVET, 3/16 X 9/32
17	71345822	3	HINGE
	7703457	12	CAPSCREW, 1/4-20 X 3/4
	70917377	12	WASHER, 1/4 WIDE
	705012	12	LOCKWASHER, 1/4
	70916622	12	NUT, 1/4-20
18	71305916	2	GAS SPRING
	71307131	2	STUD/BALL
	71307132	2	CLIP/BALL STUD
	70917356	4	LOCKWASHER, 5/16
	70917372	4	NUT, 5/16-18
19	-----	1	STRAP, BRACE (660 ONLY)
20	71390759C	2	HOLD DOWN ASY (PRIOR S/N HN36101)
	70921210	2	CAPSCREW, 3/8-16 X 1
21	71400736	1	HANDLE WLDMT, ASSIST (EFF. S/N HN36101)
	70937714	1	PIN, CLEVIS RETNR, W/RING, .25 X 2.5
	70916937	1	PIN, SPRING, 1/4 X 1-1/4
22	71379254	1	TIP, CRUTCH (EFF. S/N HN36101)
23	1656110W2	2	PIN, SHIELD LOCK (EFF. S/N HN36101)
	70917378	2	WASHER, 3/8, WIDE
	70916965	2	LOCKWASHER, 3/8
	70916950	2	NUT, 3/8-16 REG
24	71400739	2	PLATE, PIN RECEIVER (EFF. S/N HN36101)
	700717635	4	RIVET, .188 X .126-.250
25	71400738	2	ANGLE, ENGINE COVER (EFF. S/N HN36101)
	70921965	2	CAPSCREW, 3/8-16 X 3/4
	70916950	1	NUT, 3/8-16 REG
26	863415	2	PIN, KLIK 3/16 X 1 W/CHAIN & COTTER (EFF. S/N HN36101)
27	71406414	1	BRKT, ENG COVER HOLD DOWN (EFF. S/N HP36101)

MC00266  
PR: 296



CHALLENGER 670 COMBINE  
SHIELDS

REAR DECK AND LADDER



**CHALLENGER 670 COMBINE  
SHIELDS**

411

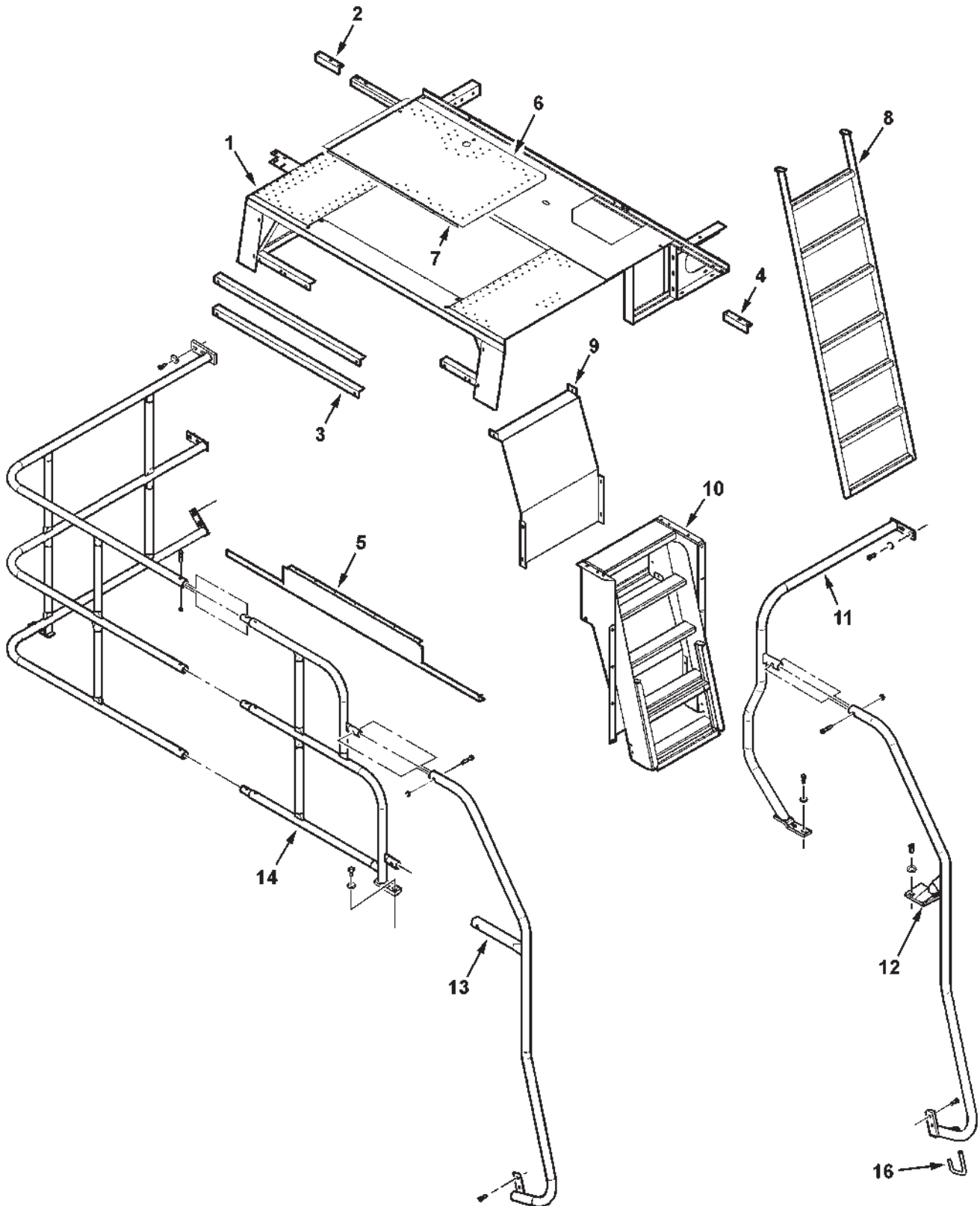
**REAR DECK AND LADDER**

ITEM	NUMBER	QTY	DESCRIPTION
1	71395358	1	DECK & FLOOR WLMT, RR(PRIOR S/N HP36101)
	71406922	1	DECK & FLOOR WLMT, RR (EFF. S/N HP36101 TO HP36999)
	71410990	1	DECK & FLOOR WLMT, RR (EFF. S/N HR36101)
	70921210	5	CAPSCREW, 3/8-16 X 1
	70917378	5	WASHER, 3/8
	70916965	5	LOCKWASHER, 3/8
	70916950	5	NUT, 3/8-16
	701235	6	CAPSCREW, 1/2-13 X 1-1/2
	70918431	12	WASHER, WIDE 1/2
	Y705046	6	LOCKWASHER, 1/2
	704031	6	NUT, 1/2-13
2	-----	--	ANGLE, SHIELD SUP'T(SEE LH SIDE SHIELDS)
3	2635250W1C	2	ANGLE, REAR DECK
	373136X1	2	TRUSS SCREW, 5/16-18 X 1
	70921332	2	CAPSCREW, 5/16-18 X 3/4
	Y705020	4	LOCKWASHER, 5/16
	70917372	4	NUT, HEX 5/16-18
4	-----	--	BRKT, SIDE SHIELD (SEE RH SIDE SHIELDS)
	70921210	6	CAPSCREW, HEX, 5/16-18 X 1
	70917642	6	WASHER, FLAT, 5/16
	Y704726	6	NUT, LOCK, FLANGE, 5/16-1
5	71393494	1	TRIM REAR, REAR DECK
	70918249	2	MACHINE SCREW, CRTH 5/16-18 X 3/4
	Y705020	2	LOCKWASHER, 5/16
	70917372	2	NUT, HEX 5/16-18
6	71393492	1	DOOR, ROTOR DRIVE ACCESS
	70918249	1	SCREW, TRUSS HD, MACH, 5/16-18 X 3/4
7	71393493	1	HINGE, PIANO, 34"
	70937253	14	RIVET, BLIND
8	71386773	1	REAR LADDER WLDMT
9	71391831	1	SHIELD, REAR LADDER
	71379129	1	DECAL, WARNING FALLING
	71379127	1	DECAL, WARNING SPREADER
	70921332	4	CAPSCREW, 5/16-18 X 3/4
	70917642	4	WASHER, WIDE 5/16
	Y705020	4	LOCKWASHER, 5/16
	71391835	1	SUPPORT WLDMT, REAR LADDER
10	70921210	6	CAPSCREW, 3/8-16 X 1
	70916965	6	LOCKWASHER, 3/8
	70916950	6	NUT, HEX 3/8-16
	70921332	6	CAPSCREW, 5/16-18 X 3/4
	Y705020	6	LOCKWASHER, 5/16
	70917372	6	NUT, HEX 5/16-18

CONTINUED

MC00265  
PR: 300

REAR DECK AND LADDER



**CHALLENGER 670 COMBINE  
SHIELDS**

413

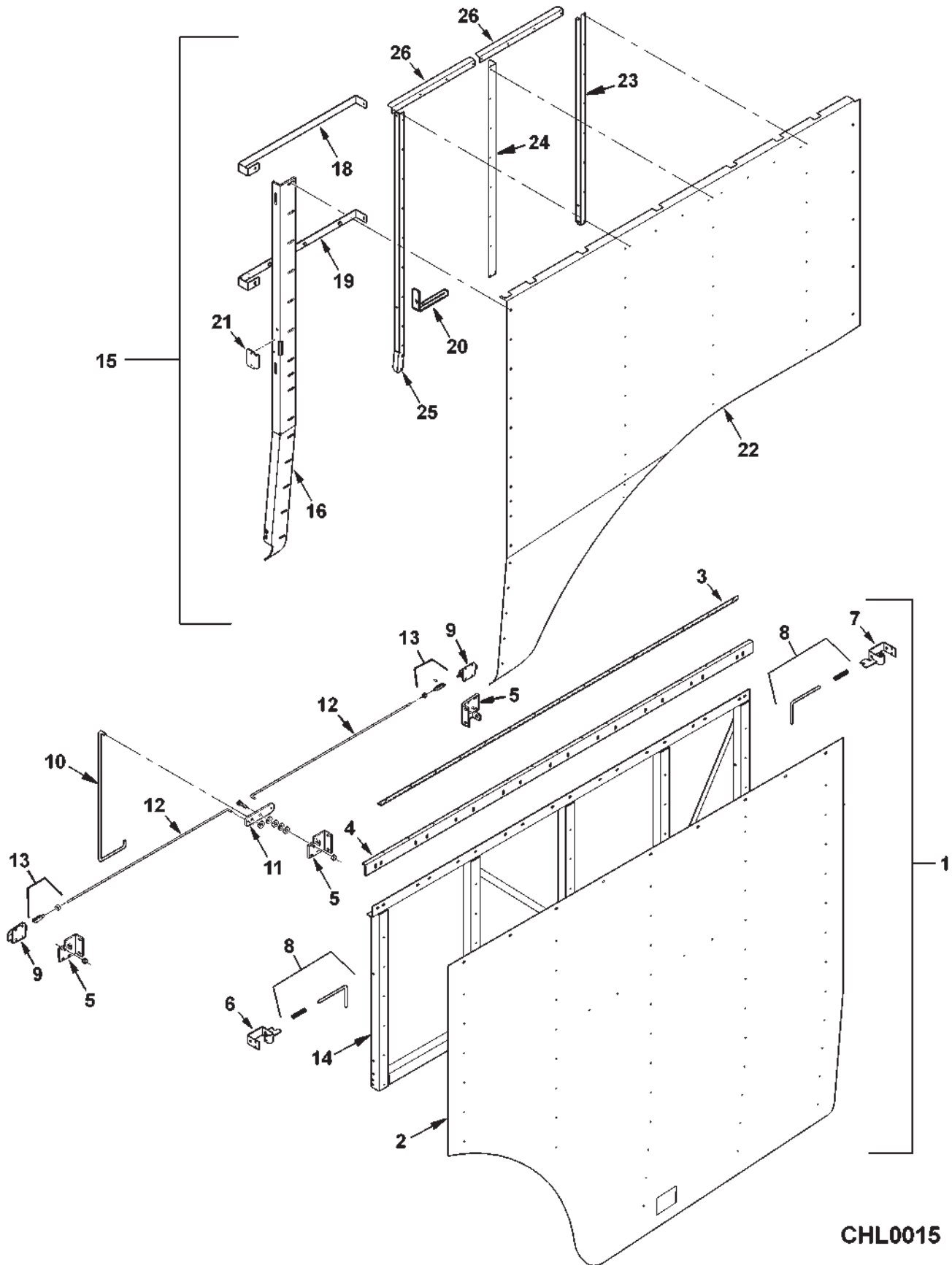
**REAR DECK AND LADDER**

ITEM	NUMBER	QTY	DESCRIPTION
11	71393992	1	RAIL WT, RH REAR DECK(PRIOR S/N HP36101)
	71406772	1	RAIL WT, RH REAR DECK (EFF. S/N HP36101)
	70921210	4	CAPSCREW, 3/8-16 X 1
	70916965	4	LOCKWASHER, 3/8
	70916950	4	NUT, HEX 3/8-16
	70917378	4	WASHER, WIDE 3/8
12	71393995	1	GRAB RAIL, RIGHT
	70921210	4	CAPSCREW, 3/8-16 X 1
	70921971	1	CAPSCREW, 3/8-16 X 1-3/4
	70916965	4	LOCKWASHER, 3/8
	70916950	4	NUT, HEX 3/8-16
	70917378	2	WASHER, WIDE 3/8
	7704141	1	NUT, HTLN 3/8-16
	71393994	1	GRAB RAIL, LEFT
13	70921210	2	CAPSCREW, 3/8-16 X 1
	70921971	2	CAPSCREW, 3/8-16 X 1-3/4
	70916965	2	LOCKWASHER, 3/8
	70916950	2	NUT, HEX 3/8-16
	7704141	2	NUT, HTLN 3/8-16
	71393984	1	HANDRAIL, CENTER REAR DECK
14	70921210	2	CAPSCREW, 3/8-16 X 1
	70917378	2	WASHER, WIDE 3/8
	71390789	1	HANDRAIL, LEFT REAR DECK
15	70921210	8	CAPSCREW, 3/8-16 X 1
	70921971	3	CAPSCREW, 3/8-16 X 1-3/4
	70916965	8	LOCKWASHER, 3/8
	70916950	8	NUT, HEX 3/8-16
	70917378	8	WASHER, WIDE 3/8
	7704141	3	NUT, HTLN 3/8-16
	2632690W1	1	ROD, LADDER SUPPORT
16	70918431	1	WASHER, 1/2
	354068X1	1	COTTER PIN

MC00265  
PR: 300

### CHALLENGER 670 COMBINE SHIELDS

#### SIDE SHIELDS LEFT FRONT AND MIDDLE



**CHALLENGER 670 COMBINE  
SHIELDS**

415

**SIDE SHIELDS  
LEFT FRONT AND MIDDLE**

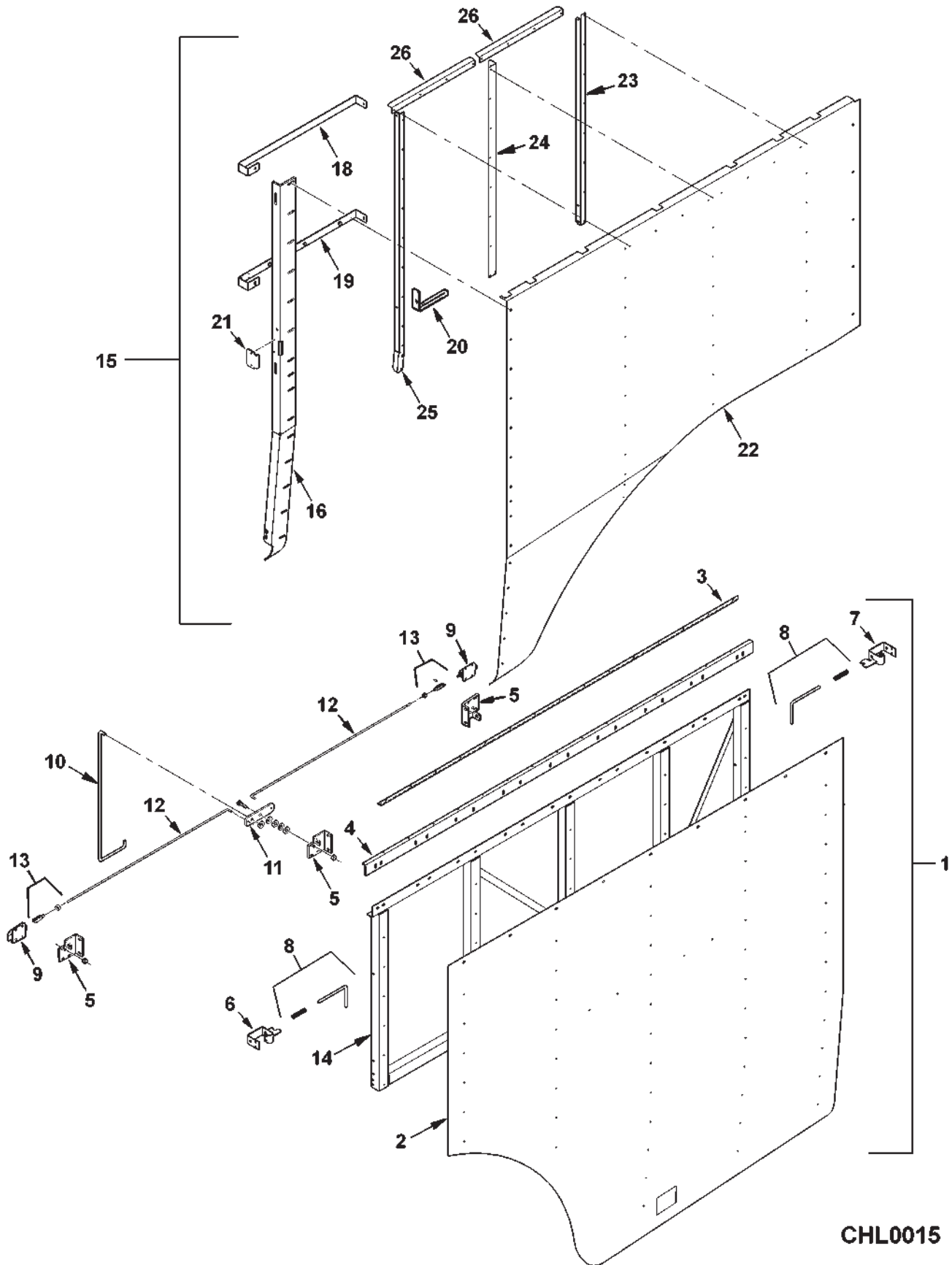
ITEM	NUMBER	QTY	DESCRIPTION
1	71398915C	1	SHIELD ASY, LEFT FRONT(INCL. ITEMS 2-14)
	700721197	15	POP-RIVET, 3/16 X .063-.125, YELLOW
2	71398924C	1	SHIELD PANEL, LEFT FRONT
	700721854	9	SCREW, TRUSS HD, MACH, 5/16-18 X 5/8
	70931277	9	NUT, HEX SERR FLNG, 5/16-18
	700717635	57	POP-RIVET, .188 X .126-.25
	70917380	15	WASHER, 3/16
3	71349763	1	HINGE, LEFT SHIELD
4	71398453C	1	ANGLE, SHIELD HANGER
	700717635	15	POP-RIVET, .188 X .126-.25
5	71394874P	3	MOUNT BRACKET, LATCH
	7883267	9	SCREW,HEX WSHR HD MACH, 1/4-20 X 1/2
	70931209	9	NUT, HEX SERR FLNG, 1/4-20
6	71399199	1	BRACKET WLDMT, LEFT
	7703457	4	CAPSCREW, 1/4-20 X 3/4
	1703354	4	NUT, HEX FLNG TOP LK, 1/4-20
7	71399198	1	BRACKET WLDMT, RIGHT
	7703457	4	CAPSCREW, 1/4-20 X 3/4
	1703354	4	NUT, HEX FLNG TOP LK, 1/4-20
8	71399326	2	PIN, LATCH
	Y58040	2	SPRING, COMPRESSION
	70924764	2	PIN, SPRING, 1/8 X 3/4
9	71395354	2	LATCH ASY, SHIELD
	700705088	8	SCREW, PAN HD MACH, #10-24 X 3/4
	70917380	8	WASHER, #10
	705004	8	LOCKWASHER, #10
	Y704072	8	NUT, #10-24
10	71398925	1	ROD, RELEASE HANDLE, LEFT
	70917378	1	WASHER, 3/8 WIDE
	62026	1	COTTER PIN, 1/16 X 3/4
11	71395353	1	PIVOT, FRONT LATCH
	70920415	1	CAPSCREW, 3/8-16 X 1-1/4
	70917378	6	WASHER, 3/8 WIDE
	Y704635	1	NUT, CENTER LOCK, 3/8-16
12	71396401	2	ROD, LATCH
	70917380	2	WASHER, #10
	62026	2	COTTER PIN, 1/16 X 3/4
13	70929595	2	YOKE, #10-32
	Y704445	2	NUT, #10-32
	70929591	2	CLEVIS PIN, 3/16 X .58 LG
	62026	2	COTTER PIN, 1/16 X 3/4
14	71398916C	1	FRAME WLDMT, LEFT SHIELD
15	71398881C	1	SHIELD ASY, LEFT CNTR (INCL ITEMS 16-26)
16	71398900	1	REINF. ANGLE, DOOR STOP
	700721198	15	SCREW, TRUSS HD, MACH, 5/16-18 X 1
	700709602	15	WASHER, 5/16 WIDE
	Y705020	15	LOCKWASHER, 5/16
	70917372	15	NUT, 5/16-18

CONTINUED

CHL0015  
PR: 304

### CHALLENGER 670 COMBINE SHIELDS

#### SIDE SHIELDS LEFT FRONT AND MIDDLE



**CHALLENGER 670 COMBINE  
SHIELDS**

417

**SIDE SHIELDS  
LEFT FRONT AND MIDDLE**

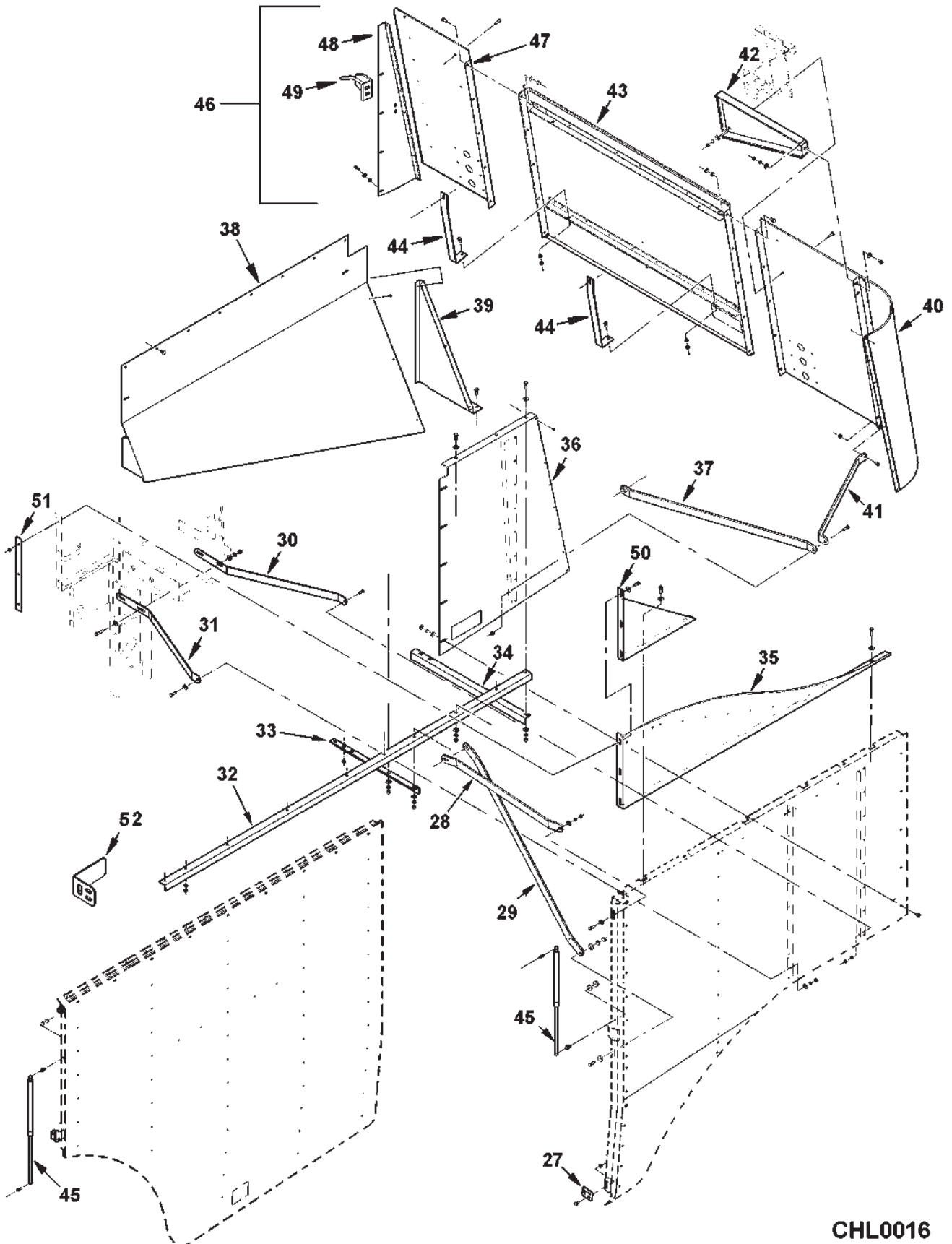
ITEM	NUMBER	QTY	DESCRIPTION
18	71398958C	1	STRAP, UPPER HANGER
	7703457	1	CAPSCREW, 1/4-20 X 3/4
	700709601	1	WASHER, 1/4 WIDE
	705012	1	LOCKWASHER, 1/4
	704007	1	NUT, 1/4-20
19	71398959C	1	STRAP WLDMT, CATCH
20	71393977C	1	BRACKET, J-BOLT HANGER
	70927401	1	CAPSCREW, 1/4-20 X 1
	700709601	2	WASHER, 1/4 WIDE
	705012	1	LOCKWASHER, 1/4
	704007	1	NUT, 1/4-20
21	71395351	1	PLATE, STRIKER, SHIELD LATCH
	700717635	2	POP-RIVET, 3/16 X .126-.250
22	71398882	1	SHIELD PANEL, LEFT CENTER
	70924837	33	POP-RIVET, 3/16 X .063-.125
23	71392837	1	ANGLE, STIFFENER
24	71398883C	1	ANGLE, SHIELD REINF
25	71398947C	1	ANGLE, SHIELD REINF
	70917380	2	WASHER, 3/16
	700717635	2	POP-RIVET, 3/16 X .126-.250
26	71399330C	2	ANGLE, SHEET REINF.

CHL0015  
PR: 304



### CHALLENGER 670 COMBINE SHIELDS

#### SIDE SHIELDS LEFT SIDE



**CHALLENGER 670 COMBINE  
SHIELDS**

419

**SIDE SHIELDS  
LEFT SIDE**

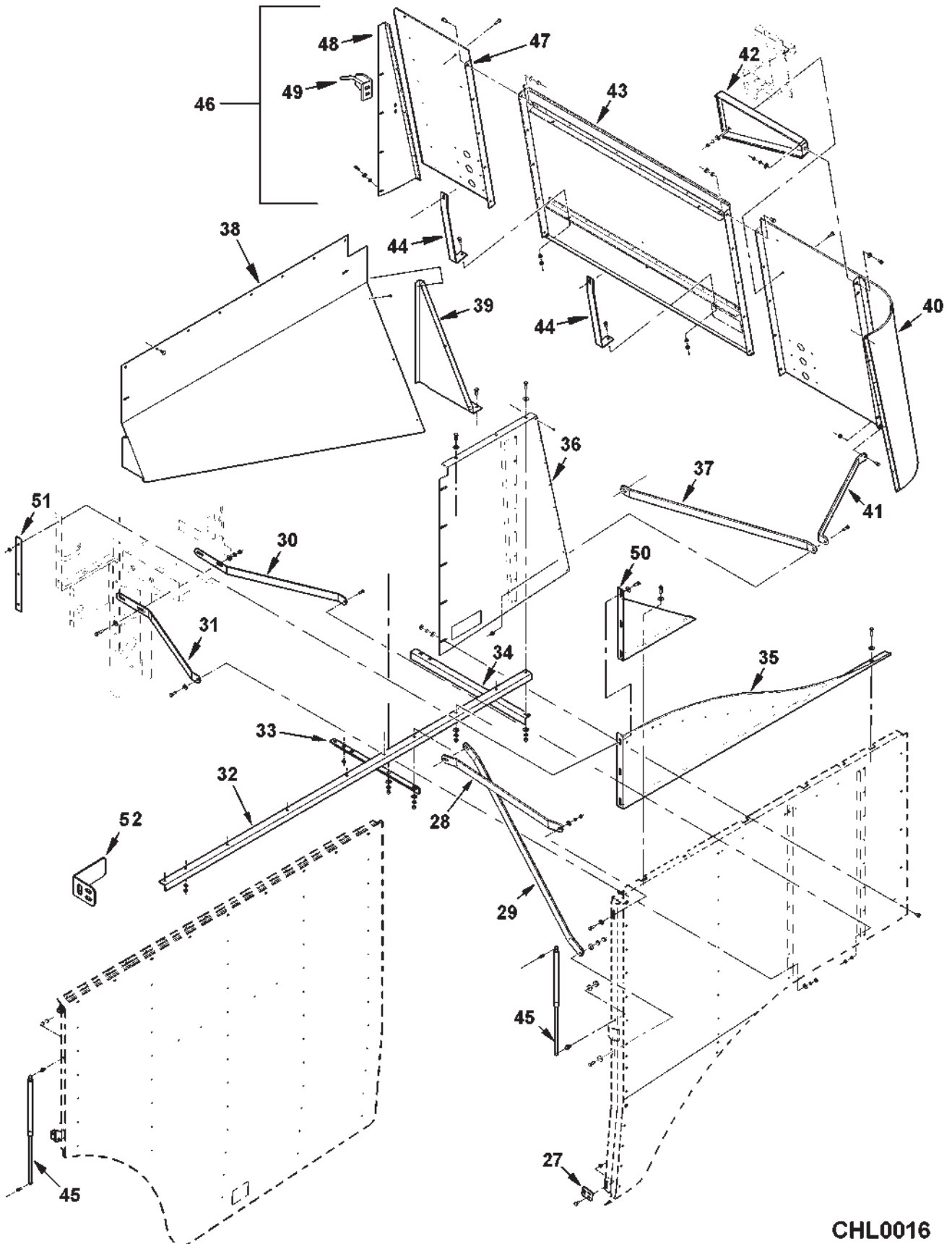
ITEM	NUMBER	QTY	DESCRIPTION
27	71399329	1	PLATE, LATCH
	7700461	2	BOLT, RD HD SHRT SQ NK, 5/16-18 X 3/4
	Y704726	2	NUT, HEX FLNG TOP LK, 5/16-18
28	71399530	1	STRAP, LH DOOR BRACE
	70921333	1	CAPSCREW, 5/16-18 X 1
	700709602	2	WASHER, 5/16 WIDE
	Y705020	1	LOCKWASHER, 5/16
	70917372	1	NUT, 5/16-18
29	71399531	1	STRAP, LH DOOR BRACE
	70921333	1	CAPSCREW, 5/16-18 X 1
	700709602	2	WASHER, 5/16 WIDE
	Y705020	1	LOCKWASHER, 5/16
	70917372	1	NUT, 5/16-18
30	71399190	1	STRAP, LH SHIELD BRACE
	7703499	1	CAPSCREW, 5/16-18 X 3/4
	Y705020	1	LOCKWASHER, 5/16
	70917372	1	NUT, 5/16-18
31	71398896	1	STRAP, LH SHIELD BRACE
	70921333	1	CAPSCREW, 5/16-18 X 1
	700709602	2	WASHER, 5/16 WIDE
	Y705020	1	LOCKWASHER, 5/16
	70917372	1	NUT, 5/16-18
	703603	1	CAPSCREW, 3/8-16 X 1-1/2
	705038	1	LOCKWASHER, 3/8
	70917378	1	WASHER, 3/8 WIDE
70916950	1	NUT, 3/8-16	
32	71398891C	1	ANGLE, SIDE SHIELD SUPPORT
33	71398892C	1	ANGLE, CENTER SHIELD SUPPORT
	70921333	2	CAPSCREW, 5/16-18 X 1
	700709602	2	WASHER, 5/16 WIDE
	Y704726	2	NUT, HEX FLNG TOP LK, 5/16-18
34	71398893C	1	ANGLE, REAR SHIELD SUPPORT
	70921333	2	CAPSCREW, 5/16-18 X 1
	700709602	2	WASHER, 5/16 WIDE
	Y704726	2	NUT, HEX FLNG TOP LK, 5/16-18
35	71398878C	1	SHIELD ASY, TOP LEFT
	71398880C	1	REINF, SHIELD, TOP LEFT
	700721197	9	POP-RIVET, 3/16 X .063-.125, YELLOW
	70921210	3	CAPSCREW, 3/8-16 X 1
	70920415	7	CAPSCREW, 3/8-16 X 1-1/4
	705038	10	LOCKWASHER, 3/8
	70917378	11	WASHER, 3/8 WIDE
	70916950	10	NUT, 3/8-16

CONTINUED

CHL0016  
PR: 308

CHALLENGER 670 COMBINE  
SHIELDS

SIDE SHIELDS  
LEFT SIDE



**CHALLENGER 670 COMBINE  
SHIELDS**

421

**SIDE SHIELDS  
LEFT SIDE**

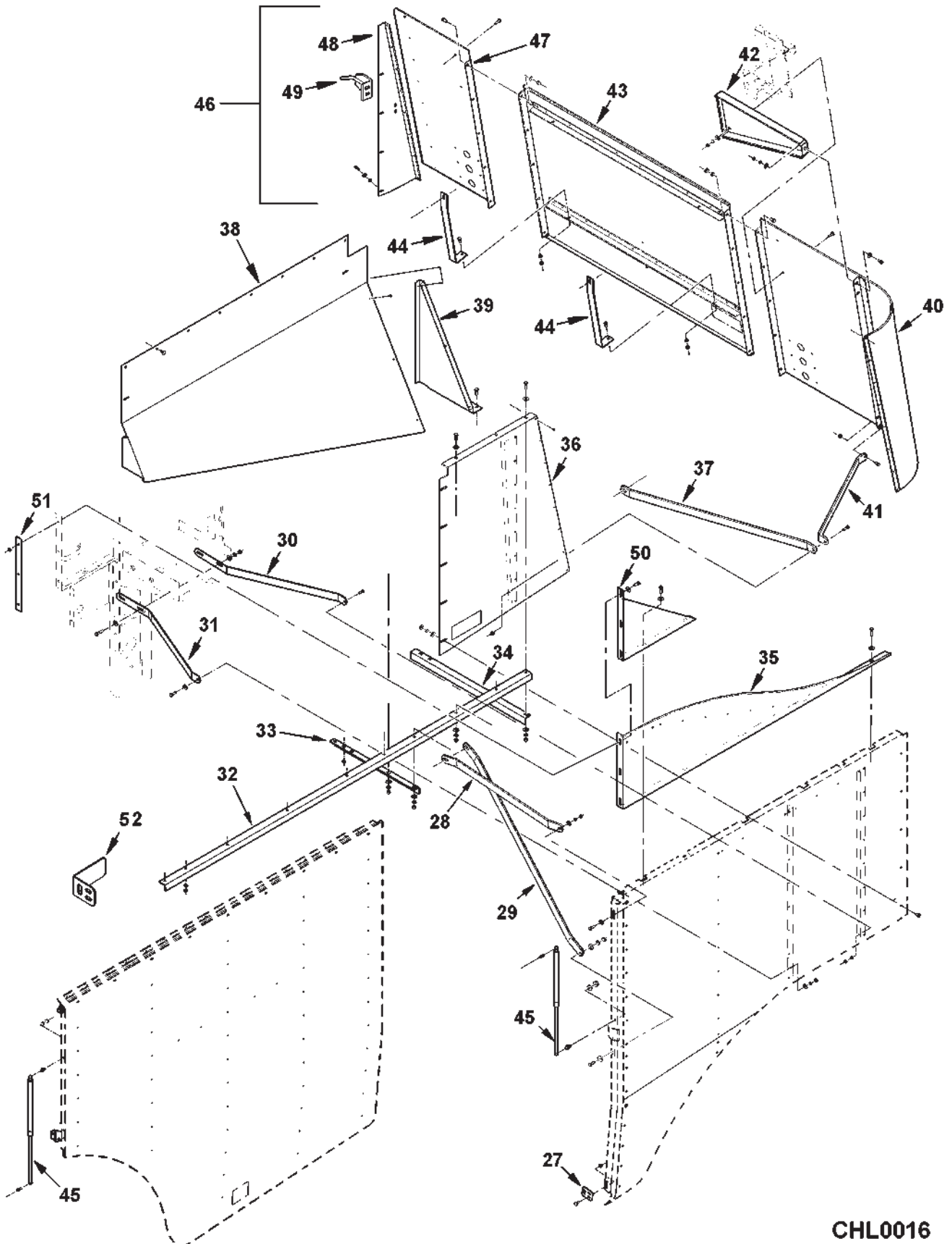
ITEM	NUMBER	QTY	DESCRIPTION
36	71398884C	1	SHIELD ASY, LEFT REAR
	71379127	1	DECAL, WARNING, STRAW SPREADER
	71395385C	1	STIFFENER, SHIELD, LEFT REAR
	700721197	8	POP-RIVET, 3/16 X .063-.125, YELLOW
	70921210	2	CAPSCREW, 3/8-16 X 1
	70920415	1	CAPSCREW, 3/8-16 X 1-1/4
	705038	3	LOCKWASHER, 3/8
	70917378	4	WASHER, 3/8 WIDE
	70916950	3	NUT, 3/8-16
	700721854	4	SCR,TRUSS HD MACH,5/16-18 X 5/8 YLLW
	700721916	1	SCR,TRUSS HD MACH, 5/16-18 X 1 BLACK
	700709602	5	WASHER, 5/16 WIDE
	Y705020	5	LOCKWASHER, 5/16
	70917372	5	NUT, 5/16-18
37	71399532	1	STRAP, REAR SHIELD BRACE
	70921333	1	CAPSCREW, 5/16-18 X 1
	Y704726	1	NUT, HEX FLNG TOP LK, 5/16-18
38	71398889	1	BAFFLE, LEFT ENGINE
	7700461	11	BOLT,RD HD SHRT SQ NK, 5/16-18 X 3/4
	700709602	11	WASHER, 5/16 WIDE
	Y705020	11	LOCKWASHER, 5/16
	70917372	11	NUT, 5/16-18
39	71398890C	1	GUSSET, LEFT ENGINE BAFFLE
	700721197	3	POP-RIVET, 3/16 X .063-.125, YELLOW
	70921965	2	CAPSCREW, 3/8-16 X 3/4
	705038	2	LOCKWASHER, 3/8
	70917378	2	WASHER, 3/8 WIDE
	70916950	2	NUT, 3/8-16
40	71398886C	1	SHIELD ASY, LEFT REAR CORNER
	71398883C	1	REINF, SHIELD, LEFT CENTER
	700721197	16	POP-RIVET, 3/16 X .063-.125, YELLOW
	70921965	5	CAPSCREW, 3/8-16 X 3/4
	705038	2	LOCKWASHER, 3/8
	70916950	2	NUT, 3/8-16
41	71399191B	1	STRAP, REAR SHIELD BRACE
	7703499	1	CAPSCREW, 5/16-18 X 3/4
	Y704726	1	NUT, HEX FLNG TOP LK, 5/16-18
42	71398888C	1	SUPPORT BRKT, LEFT REAR SHIELD
	7703499	1	CAPSCREW, 5/16-18 X 3/4
	700721198	2	SCR,TRUSS HD MACH,5/16-18 X 1 YELLOW
	700709602	4	WASHER, 5/16 WIDE
	Y705020	3	LOCKWASHER, 5/16
	70917372	3	NUT, 5/16-18
43	71392835C	1	SHIELD ASY, REAR
	71379127	1	DECAL, WARNING, STRAW SPREADER
	71392829	2	ANGLE, STIFFENER
	70924837	20	POP-RIVET, 3/16 X .063-.125
44	71394867C	2	STRAP, REAR SHIELD SUPPORT
	70921965	2	CAPSCREW, 3/8-16 X 3/4
	705038	2	LOCKWASHER, 3/8
	70916950	2	NUT, 3/8-16
45	71398961	2	GAS SPRING (PRIOR S/N HN36101)
	700723358	2	GAS SPRING(HIGH FORCE)(EFF. S/N HN36101)
	71339847	4	BALL STUD, 10 MM
	Y705020	4	LOCKWASHER, 5/16
	70917372	4	NUT, 5/16-18

CONTINUED

CHL0016  
PR: 308

### CHALLENGER 670 COMBINE SHIELDS

#### SIDE SHIELDS LEFT SIDE



CHALLENGER 670 COMBINE  
SHIELDS

423

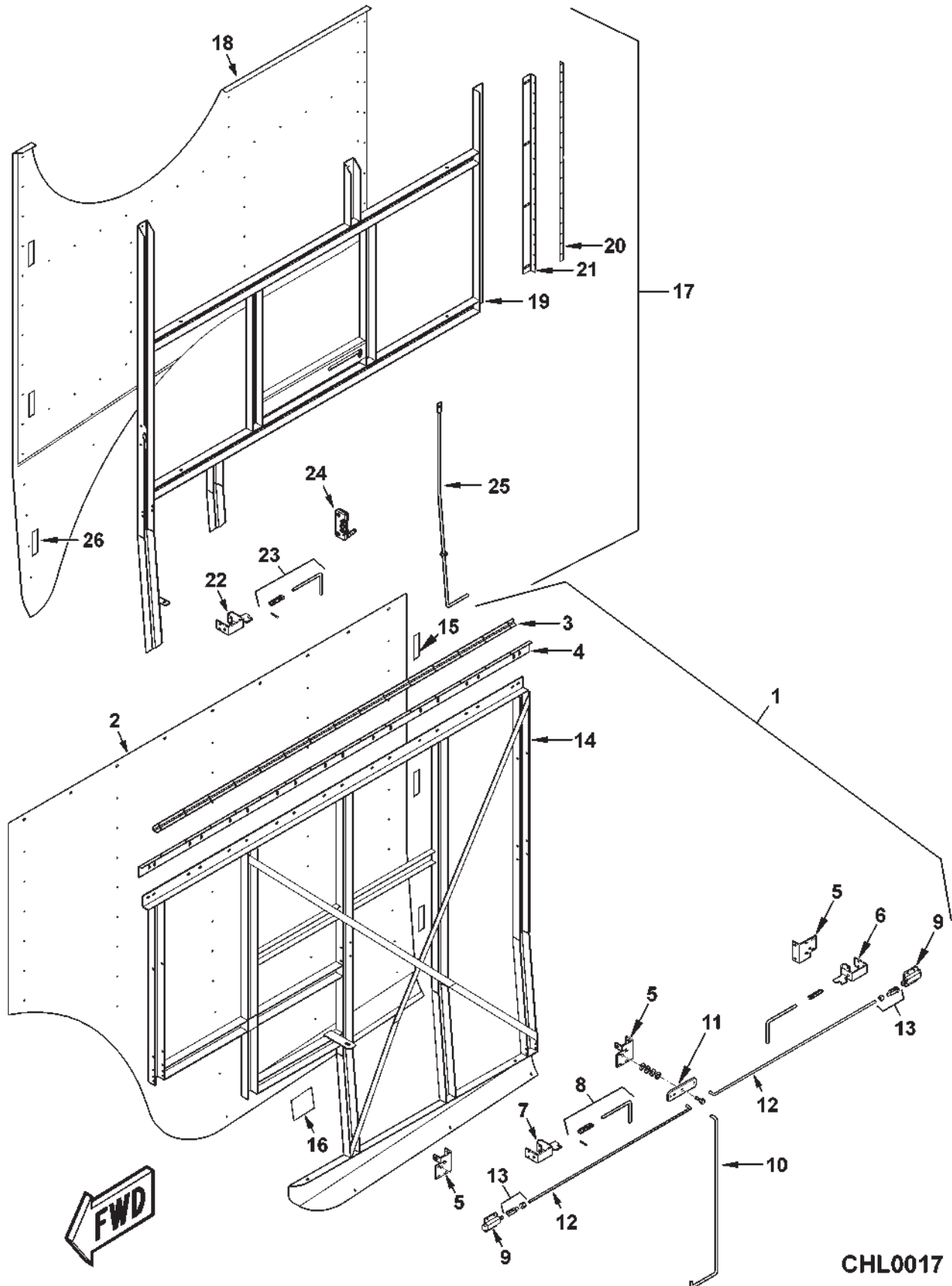
SIDE SHIELDS  
LEFT SIDE

ITEM	NUMBER	QTY	DESCRIPTION
46	-----	1	SHIELD ASY, RH RR (SERV. W/ITEMS 47-49)
	70921965	5	CAPSCREW, 3/8-16 X 3/4
	705038	5	LOCKWASHER, 3/8
	70916950	5	NUT, 3/8-16
	700721198	2	SCR,TRUSS HD MACH,5/16-18 X 1 YELLOW
	700709602	2	WASHER, 5/16 WIDE
	Y705020	6	LOCKWASHER, 5/16
	70917372	2	NUT, 5/16-18
	7703499	1	CAPSCREW, 5/16-18 X 3/4
	Y705525	4	WASHER, HARD, 5/16
47	71399177C	1	SHIELD, RIGHT REAR
48	71399178C	1	SUPPORT BRKT, RIGHT REAR SHIELD
	700717635	8	POP-RIVET, 3/16 X .126-.250
49	71399179	1	BOLT WLDMT
	68759	2	BOLT, RD HD SHRT SQ NK, 3/8-16 X 1
	700711238	2	NUT, HEX FLANGE, 3/8-16
50	71400460	1	GUSSET, SHIELD, LEFT
51	71400461	1	STRAP, REINF.
52	71399341	1	SUPPORT ANGLE, DOOR
	7700461	2	BOLT, RD HD SHRT SQ NK, 5/16-18 X 3/4
	Y704726	2	NUT, HEX FLNG TOP LK, 5/16-18

CHL0016  
PR: 308

CHALLENGER 670 COMBINE  
SHIELDS

SIDE SHIELDS  
RIGHT FRONT AND MIDDLE



CHL0017

**CHALLENGER 670 COMBINE  
SHIELDS**

425

**SIDE SHIELDS  
RIGHT FRONT AND MIDDLE**

ITEM	NUMBER	QTY	DESCRIPTION
1	71398926C	1	SHIELD ASY,RIGHT FRONT(INCL. ITEMS 2-16)
	700721197	15	POP-RIVET, 3/16 X .063-.125, YELLOW
2	71398932C	1	SHIELD, RIGHT FRONT
	700721854	9	SCREW, TRUSS HD, MACH, 5/16-18 X 5/8
	70931277	9	NUT, HEX SERR FLNG, 5/16-18
	700717635	57	POP-RIVET, .188 X .126-.25
	70917380	15	WASHER, 3/16
3	71349763	1	HINGE, LEFT SHIELD
4	71398453C	1	ANGLE, SHIELD HANGER
	700717635	15	POP-RIVET, .188 X .126-.25
5	71394874P	3	MOUNT BRACKET, LATCH
	7883267	9	SCREW,HEX WSHR HD MACH, 1/4-20 X 1/2
	70931209	9	NUT, HEX SERR FLNG, 1/4-20
6	71399199	1	BRACKET WLDMT, LEFT
	7703457	4	CAPSCREW, 1/4-20 X 3/4
	1703354	4	NUT, HEX FLNG TOP LK, 1/4-20
7	71399198	1	BRACKET WLDMT, RIGHT
	7703457	4	CAPSCREW, 1/4-20 X 3/4
	1703354	4	NUT, HEX FLNG TOP LK, 1/4-20
8	71399326	2	PIN, LATCH
	Y58040	2	SPRING, COMPRESSION
	70924764	2	PIN, SPRING, 1/8 X 3/4
9	71395354	2	LATCH ASY, SHIELD
	700705088	8	SCREW, PAN HD MACH, #10-24 X 3/4
	70917380	8	WASHER, #10
	705004	8	LOCKWASHER, #10
	Y704072	8	NUT, #10-24
10	71399197	1	ROD, RELEASE HANDLE, LEFT
	70917378	1	WASHER, 3/8 WIDE
	62026	1	COTTER PIN, 1/16 X 3/4
11	71395353	1	PIVOT, FRONT LATCH
	70920415	1	CAPSCREW, 3/8-16 X 1-1/4
	70917378	6	WASHER, 3/8 WIDE
	Y704635	1	NUT, CENTER LOCK, 3/8-16
12	71396401	2	ROD, LATCH
	70917380	2	WASHER, #10
	62026	2	COTTER PIN, 1/16 X 3/4
13	70929595	2	YOKE, #10-32
	Y704445	2	NUT, #10-32
	70929591	2	CLEVIS PIN, 3/16 X .58 LG
	62026	2	COTTER PIN, 1/16 X 3/4
14	71398927	1	FRAME WLDMT, RIGHT FRONT SHIELD
15	700720676	3	TAPE, SINGLE SIDED
16	71379128	1	DECAL, WARNING
17	71399344P	1	SHIELD ASY, RIGHT CNTR(INCL ITEMS 18-26)
	70921210	4	CAPSCREW, 3/8/16 X 1
	Y705533	4	WASHER, 3/8 HARD
18	71399342C	1	SHIELD, RIGHT MIDDLE
	70917380	5	WASHER, #10 NARROW
	700717635	59	POP RIVET, 3/16 X .126-.250
19	71399343	1	FRAME WLDMT, RIGHT MIDDLE SHIELD

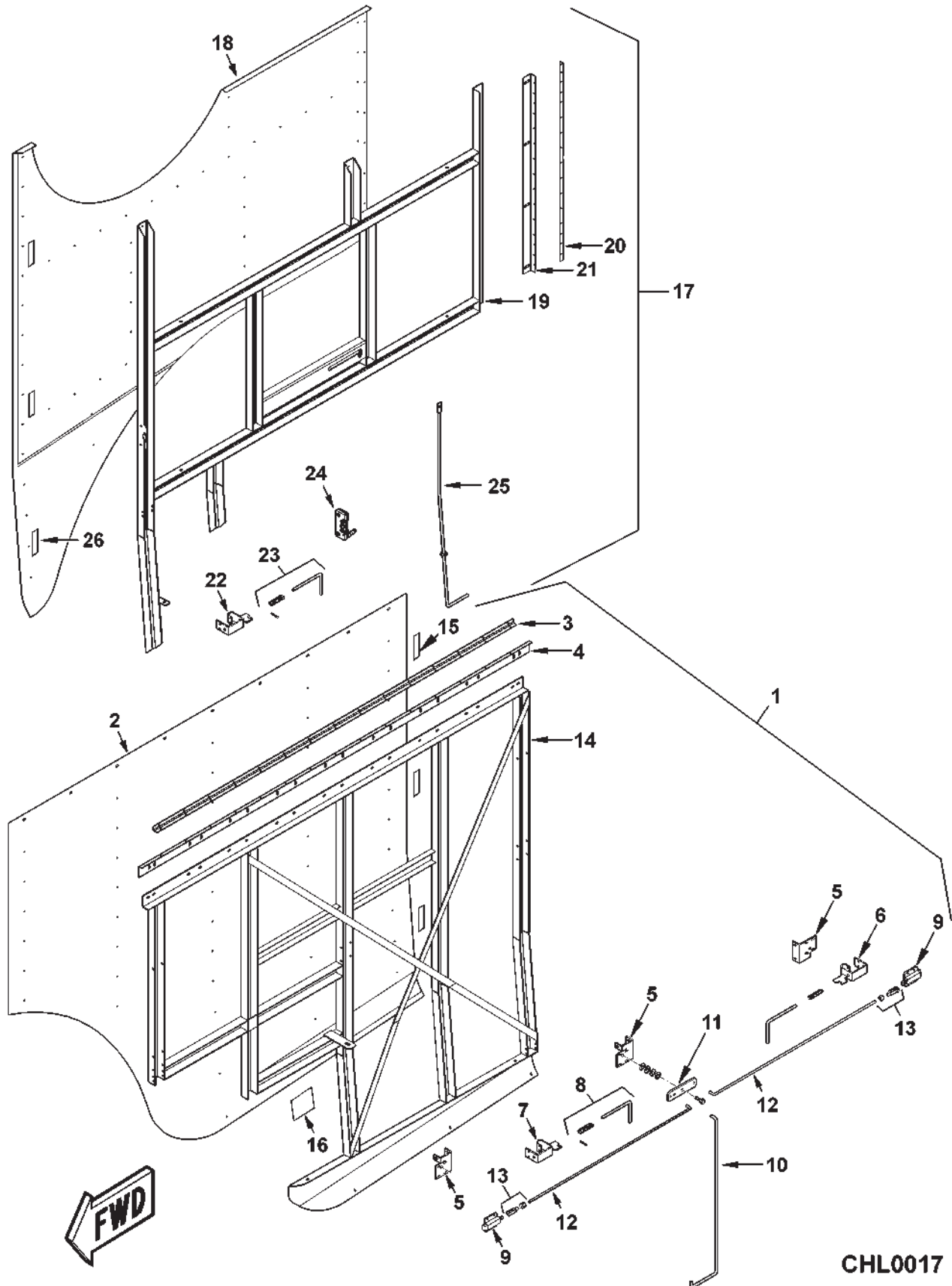
CONTINUED

CHL0017  
PR: 312



### CHALLENGER 670 COMBINE SHIELDS

#### SIDE SHIELDS RIGHT FRONT AND MIDDLE



**CHALLENGER 670 COMBINE  
SHIELDS**

427

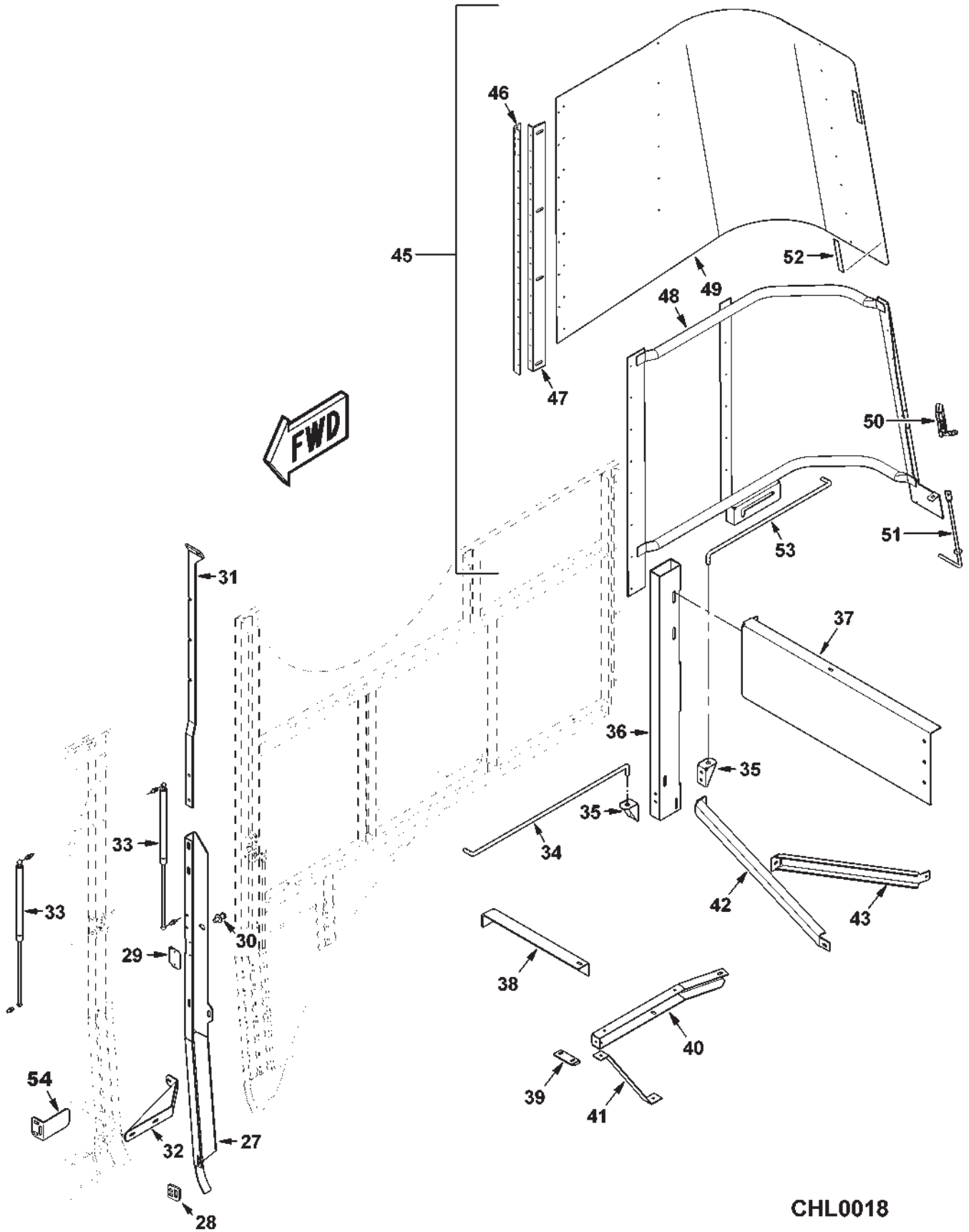
**SIDE SHIELDS  
RIGHT FRONT AND MIDDLE**

ITEM	NUMBER	QTY	DESCRIPTION
20	71393493	1	HINGE, PIANO, 34" (PRIOR S/N HN36101)
	70924837	7	POP RIVET, 3/16 X .063-.125
	71399348	1	HINGE, PIANO, 38" (EFF. S/N HN36101)
	700717635	15	POP RIVET, 3/16 X .126-.250
	71398906C	1	ANGLE, SHIELD, RH (PRIOR S/N HN36101)
21	71399347P	1	ANGLE, SHIELD, RH (EFF. S/N HN36101)
	700717635	15	POP RIVET, 3/16 X .126-.250
22	71399333	1	LATCH WLDMT, MIDDLE SHIELD
	7703457	4	CAPSCREW, 1/4-20 X 3/4
	1703354	4	NUT, HEX FLNG TOP LK, 1/4-20
23	71399331	1	PIN, LATCH
	Y58040	1	SPRING, COMPRESSION
	70924764	1	PIN, SPRING, 1/8 X 3/4
24	71398942	1	LATCH, SIDE SHIELD
	7703473	4	CAPSCREW, 1/4-20 X 1-1/4
	1703354	4	NUT, HEX FLNG TOP LK, 1/4-20
25	71398944	1	HANDLE WLDMT, SHIELD RELEASE
	700711230	1	SCREW, PAN HD MACH, #10-32 X 3/4
	70917380	1	WASHER, #10
	3725885M1	1	NUT, HEX FLNG TOP LK, #10-32
	700703267	1	SPRING, COMPRESSION
26	70917378	1	WASHER, 3/8 WIDE
	700720676	3	TAPE, SINGLE SIDED, BLACK

CHL0017  
PR: 312

### CHALLENGER 670 COMBINE SHIELDS

#### SIDE SHIELDS RIGHT SIDE



CHL0018

**CHALLENGER 670 COMBINE  
SHIELDS**

429

**SIDE SHIELDS  
RIGHT SIDE**

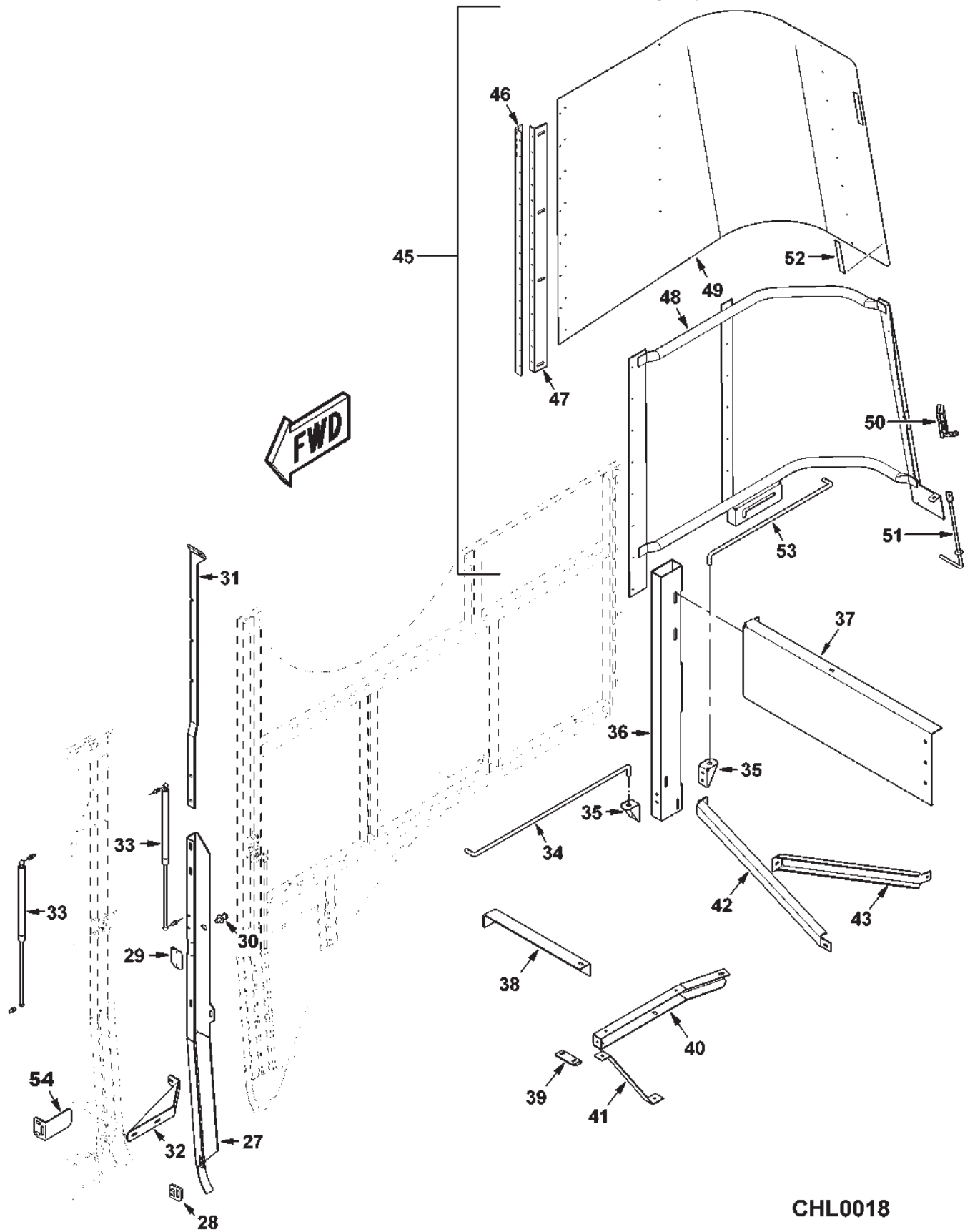
ITEM	NUMBER	QTY	DESCRIPTION
27	71398914P	1	SUPPORT, RIGHT, SHIELD
28	71399329	1	PLATE, LATCH
	7700461	2	BOLT,RD HD SHRT SQ NK, 5/16-18 X 3/4
	Y704726	2	NUT, HEX FLNG TOP LK, 5/16-18
29	71395351	1	PLATE, STRIKER, SHIELD LATCH
	700721204	2	POP RIVET, 3/16 X .126-.250 YELLOW
30	71398945	1	STRIKER BOLT, 7/16-14 UNC
	Y704452	1	NUT, HEX FLNG TOP LK, 7/16-14
31	71394865C	1	STRAP, SHIELD SUPPORT, RIGHT
	70921210	2	CAPSCREW, 3/8-16 X 1
	Y705533	2	WASHER, 3/8 HARD
	Y704734	2	NUT, HEX FLNG TOP LK, 3/16-16
	70921965	4	CAPSCREW, 3/8-16 X 3/4
	70917378	4	WASHER, 3/8 WIDE
	705038	4	LOCKWASHER, 3/8 REG
	70916950	4	NUT, 3/8-16 REG
32	71399195C	1	STRAP WLDMT, RIGHT
	7703499	2	CAPSCREW, 5/16-18 X 3/4
	70921333	1	CAPSCREW, 5/16-18 X 1
	Y705525	3	WASHER, 5/16 HARD
	Y704726	3	NUT, HEX FLNG TOP LK, 5/16-18
33	71398961	2	GAS SPRING (PRIOR S/N HN36101)
	700723358	2	GAS SPRING(HIGH FORCE)(EFF. S/N HN36101)
	71339847	4	BALL STUD, 10 MM
	Y705020	4	LOCKWASHER, 5/16
	70917372	4	NUT, 5/16-18
34	71398912	1	ROD, RIGHT SHIELD
	62075	4	COTTER PIN, 1/8 X 3/4
	700711557	4	WASHER, 1/2 WIDE, HARD
35	71398913	2	SUPPORT BRKT, RIGHT SHIELD
	70921210	4	CAPSCREW, 3/8-16 X 1
	Y705533	4	WASHER, 3/8 HARD
36	71398901	1	SUPPORT WLDMT, RIGHT SHIELDS
37	71399533C	1	SUPPORT BRKT, RIGHT SIDE SHIELD
	70921176	3	CAPSCREW, 1/2-13 X 1-1/4
	Y704742	3	NUT, HEX FLNG TOP LK, 1/2-13
	70921210	4	CAPSCREW, 3/8/16 X 1
	700702916	3	WASHER, 3/8 WIDE, HARD
	Y704734	4	NUT, HEX FLNG TOP LK, 3/8-16
38	71399535	1	BRACE ANGLE, RIGHT
	70921210	1	CAPSCREW, 3/8/16 X 1
	Y704734	1	NUT, HEX FLNG TOP LK, 3/8-16
	7703499	1	CAPSCREW, 5/16-18 X 3/4
	Y704726	1	NUT, HEX FLNG TOP LK, 5/16-18
39	71399187C	1	ANGLE, SHIELD
	70921333	2	CAPSCREW, 5/16-18 X 1
	Y705525	2	WASHER, 5/16 HARD
	Y704726	2	NUT, HEX FLNG TOP LK, 5/16-18
40	71399185C	1	BRACE CHANNEL, RIGHT
	70921210	2	CAPSCREW, 3/8/16 X 1
	Y704734	2	NUT, HEX FLNG TOP LK, 3/8-16
	70917378	1	WASHER, 3/8 WIDE
	70921333	1	CAPSCREW, 5/16-18 X 1
	Y704726	1	NUT, HEX FLNG TOP LK, 5/16-18
41	71399186C	1	STRAP, SHIELDS

CONTINUED

CHL0018  
PR: 316

# CHALLENGER 670 COMBINE SHIELDS

## SIDE SHIELDS RIGHT SIDE



**CHALLENGER 670 COMBINE  
SHIELDS**

431

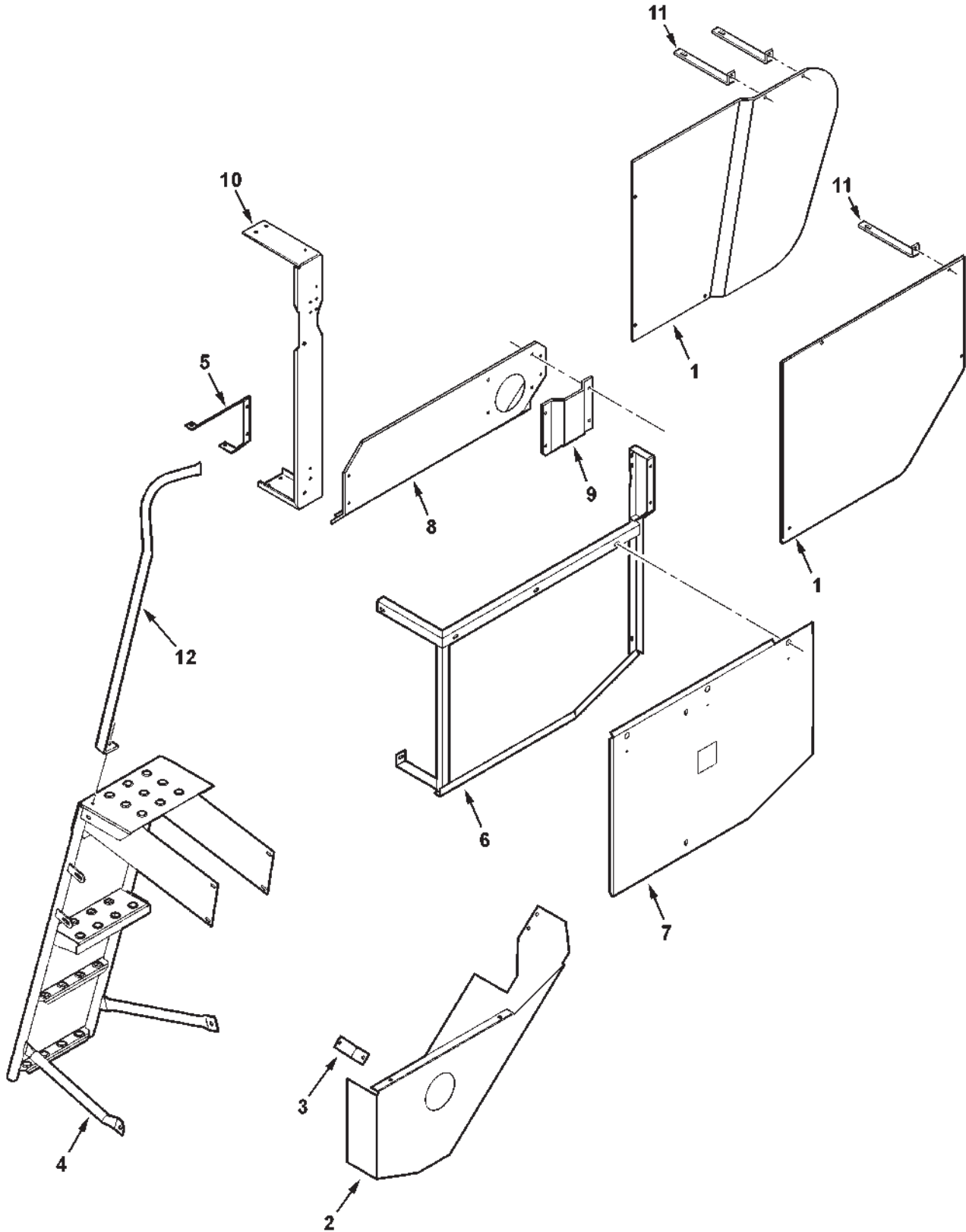
**SIDE SHIELDS  
RIGHT SIDE**

ITEM	NUMBER	QTY	DESCRIPTION
42	71399534C	1	CHANNEL, RIGHT SUPPORT
	70920415	1	CAPSCREW, 3/8-16 X 1-1/4
	Y704734	1	NUT, HEX FLNG TOP LK, 3/8-16
	70921333	1	CAPSCREW, 5/16-18 X 1
	Y705525	1	WASHER, 5/16 HARD
	Y704726	1	NUT, HEX FLNG TOP LK, 5/16-18
43	71398908C	1	CHANNEL, RIGHT SUPPORT
	70921333	2	CAPSCREW, 5/16-18 X 1
	Y705525	2	WASHER, 5/16 HARD
	Y704726	2	NUT, HEX FLNG TOP LK, 5/16-18
45	71398965C	1	CORNER SHIELD ASY, RIGHT REAR (INCL. ITEMS 46-52)
	7883382	4	SCREW, HEX WSHR HD, 3/8-16 X 1
	70917378	4	WASHER, 3/8 WIDE
46	71393493	1	HINGE, PIANO, 34" (PRIOR S/N HN36101)
	70924837	7	POP RIVET, 3/16 X .063-.125
	71399348	1	HINGE, PIANO, 38" (EFF. S/N HN36101)
	700717635	15	POP RIVET, 3/16 X .126-.250
47	71398906C	1	ANGLE,CORNR SHLD, RH (PRIOR S/N HN36101)
	71399347P	1	ANGLE,CORNR SHLD, RH (EFF. S/N HN36101)
	700717635	15	POP RIVET, 3/16 X .126-.250
48	71398967	1	CORNER FRAME WLDMT, RIGHT REAR
49	71398966C	1	CORNER SHIELD, RIGHT REAR
	700717635	21	POP RIVET, 3/16 X .126-.250
50	71398942	1	LATCH, SIDE SHIELD
	7703473	4	CAPSCREW, 1/4-20 X 1-1/4
	1703354	4	NUT, HEX FLNG TOP LK, 1/4-20
51	71398974	1	ROD WLDMT, SHIELD RELEASE
	700703267	1	SPRING, COMPRESSION
	700711230	1	SCREW, PAN HD MACH, #10-32 X 3/4
	70917380	1	WASHER, #10
	3725885M1	1	NUT, HEX FLNG TOP LK, #10-32
52	700720676	2	TAPE, SINGLE SIDED, BLACK
53	700159550	1	ROD, DOOR HOLD
	62075	4	COTTER PIN, 1/8 X 3/4
	700711557	4	WASHER, 1/2 WIDE, HARD
54	71399341	1	SUPPORT ANGLE, DOOR
	7700461	2	BOLT, RD HD SHT SQ NK, 5/16-18 X 3/4
	Y704726	2	NUT, HEX FLNG TOP LK, 5/16-18

CHL0018  
PR: 316

CHALLENGER 670 COMBINE  
SHIELDS

MUD SHIELDS  
RIGHT SIDE



**CHALLENGER 670 COMBINE  
SHIELDS**

433

**MUD SHIELDS  
RIGHT SIDE**

ITEM	NUMBER	QTY	DESCRIPTION
1	71390910	1	SHIELD, RIGHT FRONT (PRIOR S/N HP36101)
	71401643	1	SHIELD, MUD, RIGHT (EFF. S/N HP36101)
	70921210	4	CAPSCREW, 3/8-16 X 1 GR5
	70917378	4	WASHER, 3/8, WIDE
	70916965	4	LOCKWASHER, 3/8
2	70916950	4	NUT, 3/8-16 REG
	71391112	1	SHIELD, RIGHT, LOWER FAN
	70921210	2	CAPSCREW, 3/8-16 X 1 GR5
	70917378	2	WASHER, 3/8, WIDE
	70916965	2	LOCKWASHER, 3/8
3	70916950	2	NUT, 3/8-16 REG
	71395991	1	ANGLE BRACKET, R.H. FAN SHIELD
	70921210	2	CAPSCREW, 3/8-16 X 1 GR5
	70917378	2	WASHER, 3/8, WIDE
4	Y704734	2	NUT, HEX FLANGE TOP LOCK, 3/8-16
	71403624B	1	LADDER WLMT, INSPECTION
	70921210	4	CAPSCREW, 3/8-16 X 1 GR5
	70917378	8	WASHER, 3/8, WIDE
	70916965	4	LOCKWASHER, 3/8
5	70916950	4	NUT, 3/8-16 REG
	71395984	1	BRACKET WLDMT
	70921210	2	CAPSCREW, 3/8-16 X 1 GR5
	70916965	2	LOCKWASHER, 3/8
6	70916950	2	NUT, 3/8-16 REG
	71393924	1	FRAME WLDMT, RIGHT SHIELD
	701235	1	CAPSCREW, 1/2-13 X 1-1/2
	70918431	1	WASHER, 1/2 NOM
	Y705046	1	LOCKWASHER, 1/2
7	704031	1	NUT, 1/2-13
	71391620	1	MUD SHIELD WLDMT, RIGHT REAR
	111670W1	1	DECAL, WARNING
	863415	3	PIN, KLIK
	1656110W2	3	PIN, SHIELD LOCK
	70921333	2	CAPSCREW, 5/16-18 X 1 GR5
	70917642	2	WASHER, 5/16
	Y705020	2	LOCKWASHER, 5/16
	70917372	2	NUT, 5/16-18
	70921210	4	CAPSCREW, 3/8-16 X 1 GR5
	70917378	4	WASHER, 3/8, WIDE
	70916965	4	LOCKWASHER, 3/8
	70916950	4	NUT, 3/8-16 REG
	8	71397303	1
7883325		5	SCR, HEX WSHR HD MACH, 5/16-18 X 3/4

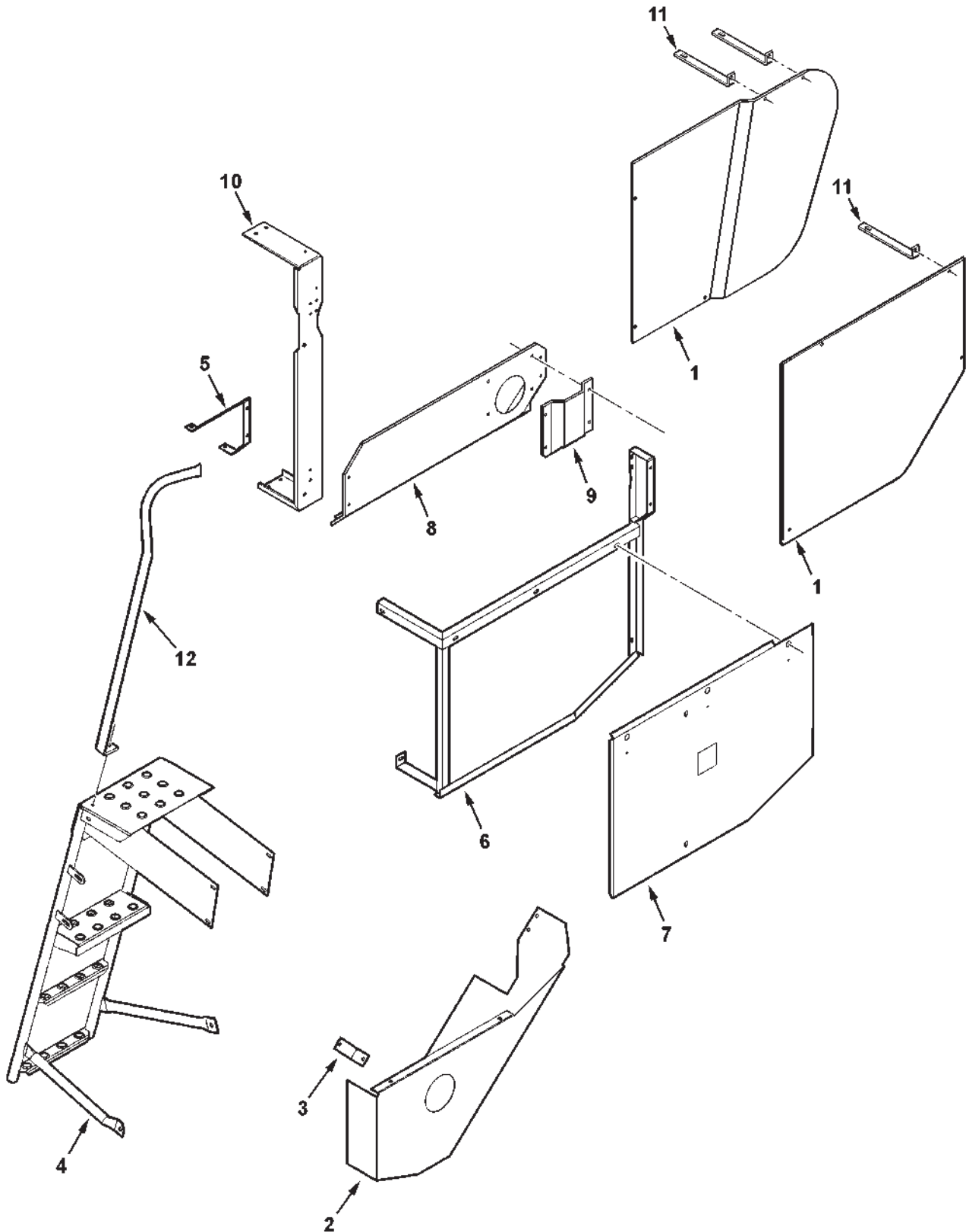
CONTINUED

MC00272  
PR: 320



CHALLENGER 670 COMBINE  
SHIELDS

MUD SHIELDS  
RIGHT SIDE



**CHALLENGER 670 COMBINE  
SHIELDS**

**435**

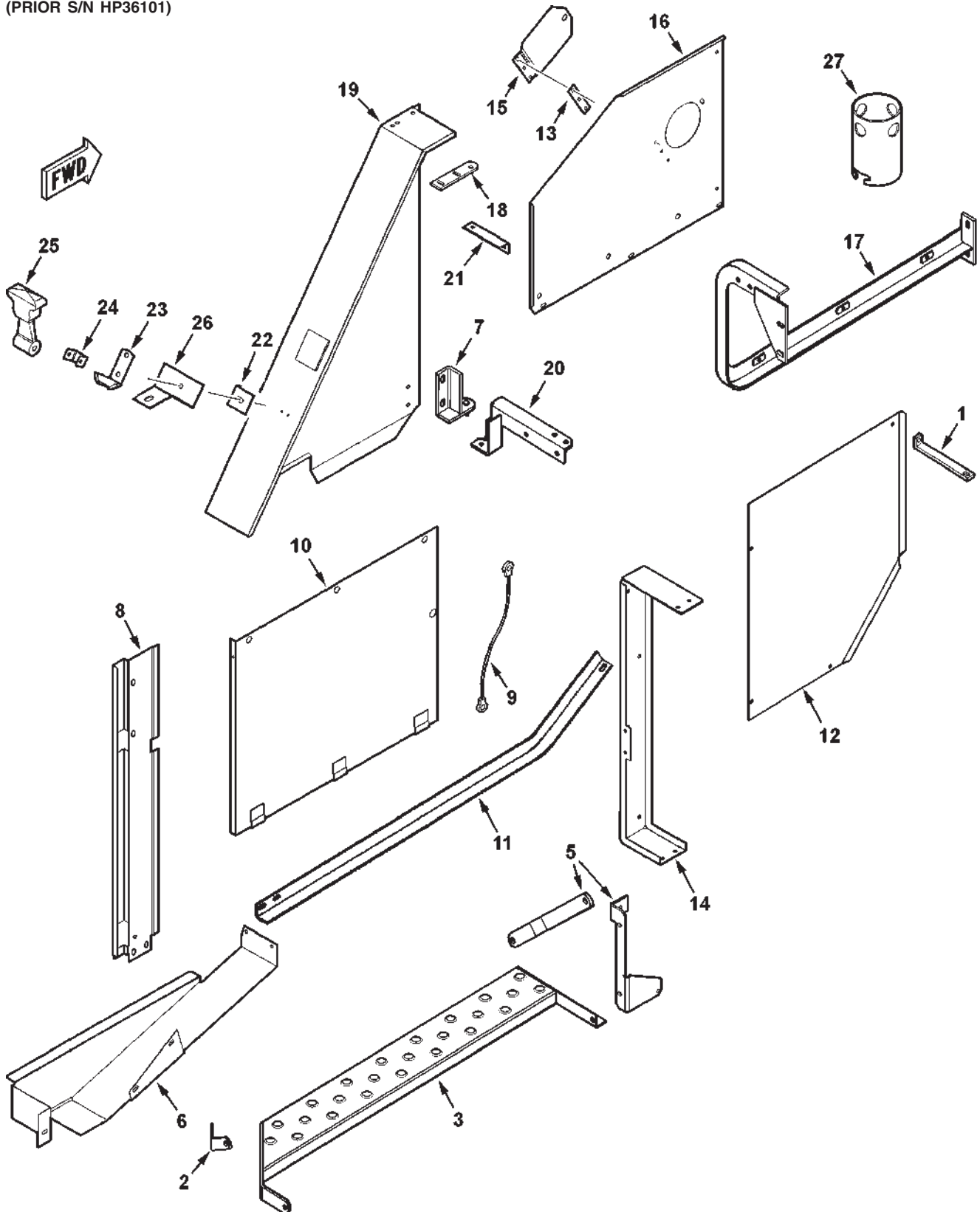
**MUD SHIELDS  
RIGHT SIDE**

ITEM	NUMBER	QTY	DESCRIPTION
9	71395993	1	SHIELD, RH, BEATER SHAFT
	360503X1	4	BOLT, RD HD SQ NECK,- 5/16-18 X 1
	Y705020	4	LOCKWASHER, 5/16
	70917372	4	NUT, 5/16-18
	70933988	4	SPEED NUT, 5/16
10	71391113	1	CHANNEL, RH MUDSHIELD(PRIOR S/N HP36101)
	71401661	1	CHANNEL, RH MUDSHIELD (EFF. S/N HP36101)
	70921210	4	CAPSCREW, 3/8-16 X 1 GR5
	70917378	2	WASHER, 3/8, WIDE
	70916965	4	LOCKWASHER, 3/8
11	70916950	4	NUT, 3/8-16 REG
	71390911	1	STRAP, STANDOFF, FRT (PRIOR S/N HP36101)
	71401645	2	STRAP, STANDOFF, FRT (EFF. S/N HP36101)
	70921210	2	CAPSCREW, 3/8-16 X 1 GR5
	70916965	2	LOCKWASHER, 3/8
12	70916950	2	NUT, 3/8-16 REG
	71398721	1	HANDRAIL (EFF. S/N HN36101)
	7701634	2	CAPSCREW, 3/8-16 X 2 GR5
	70921210	1	CAPSCREW, 3/8-16 X 1 GR5
	Y704734	3	NUT, HEX FLANGE TOP LOCK, 3/8-16

MC00272  
PR: 320

### CHALLENGER 670 COMBINE SHIELDS

**MUD SHIELDS**  
LEFT SIDE  
(PRIOR S/N HP36101)



**CHALLENGER 670 COMBINE  
SHIELDS**

437

**MUD SHIELDS  
LEFT SIDE  
(PRIOR S/N HP36101)**

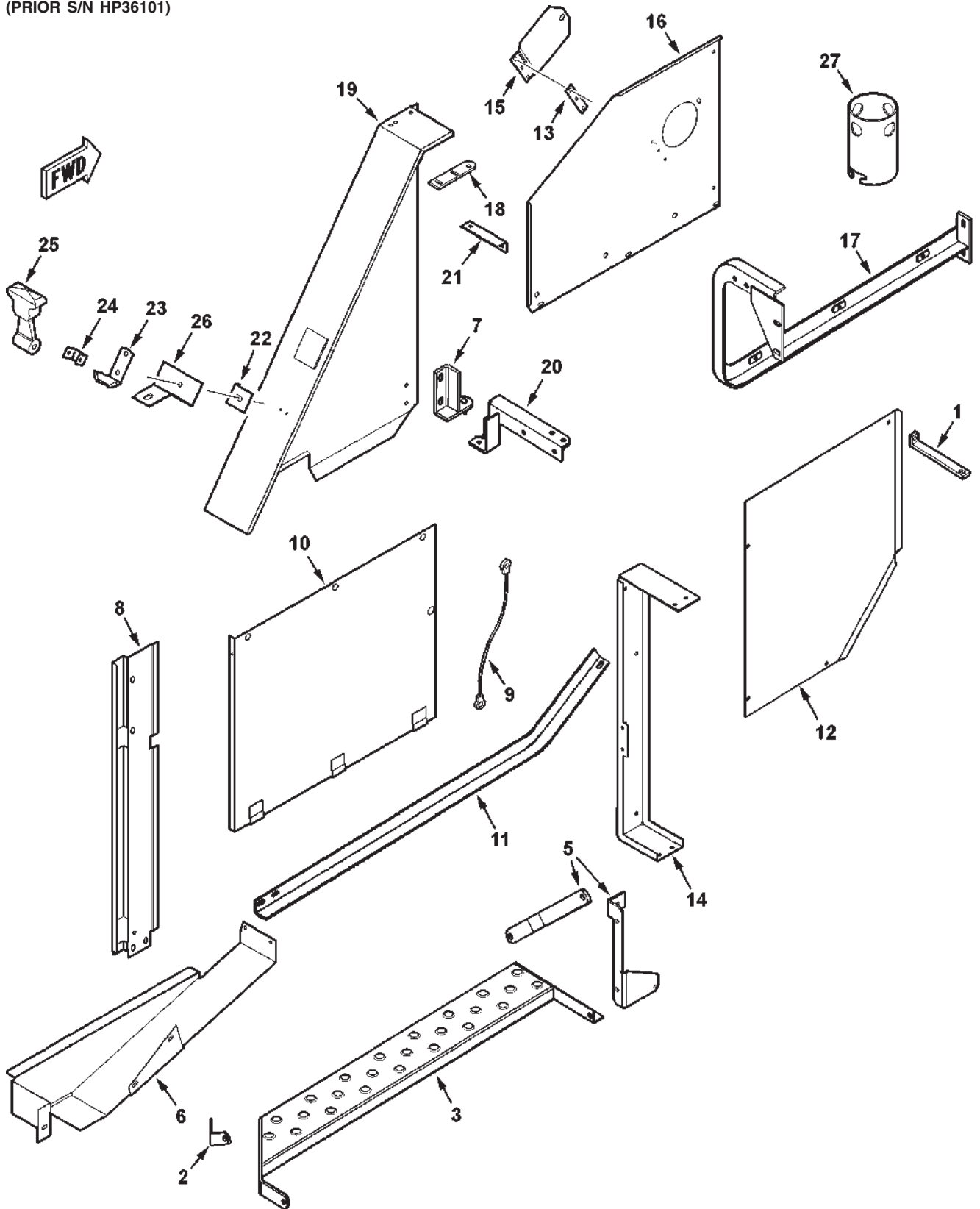
ITEM	NUMBER	QTY	DESCRIPTION	
1	71390911	1	STRAP, STANDOFF, FRONT SHIELD	
	70920415	2	CAPSCREW, 3/8-16 X 1-1/4	
	70916965	2	LOCKWASHER, 3/8	
	70916950	2	NUT, 3/8-16	
2	71393919	1	STRAP, STEP SUPPORT, PROCESSOR	
3	71391180	1	STEP WLDMT, LEFT, PROCESSOR (SERVICE W/ 71399870)	
	71399870	1	STEP WLDMT, LEFT, PROCESSOR (MUST USE 71400383 STRAP, ITEM 5)	
	70921176	3	CAPSCREW, 1/2-13 X 1-1/4	
	Y705046	3	LOCKWASHER, 1/2	
	704031	3	NUT, 1/2-13	
	70921965	2	CAPSCREW, 3/8-16 X 3/4 GR5	
	70917378	2	WASHER, 3/8 NOM	
	70916965	2	LOCKWASHER, 3/8	
	70916950	2	NUT, 3/8-16	
	4	71391181	1	SUPPORT, FRONT, PROCESSOR STEP
	5	71391179	1	STRAP, PROCESSOR STEP (SERVICE W/ 71400383)
		71400383	1	STRAP, PROCESSOR STEP
70921176		4	CAPSCREW, 1/2-13 X 1-1/4	
Y705046		4	LOCKWASHER, 1/2	
6	704031	4	NUT, 1/2-13	
	71390913	1	SHIELD, ELEVATOR DRIVE, LEFT	
	70921210	2	CAPSCREW, 3/8-16 X 1 GR5	
	70917378	2	WASHER, 3/8 NOM	
	70916965	2	LOCKWASHER, 3/8	
7	70916950	2	NUT, 3/8-16	
	101218M91	1	HINGE BRKT WLDMT, LOWER	
	70918452	1	PIN, COTTER, 3/32 X 3/4	
	70921210	2	CAPSCREW, 3/8-16 X 1 GR5	
	70917378	2	WASHER, 3/8 NOM	
	70916965	2	LOCKWASHER, 3/8	
8	70916950	2	NUT, 3/8-16	
	71388912	1	SUPPORT, LEFT SHIELD	
	70921210	2	CAPSCREW, HEX, 3/8-16 X 1	
	70917378	2	WASHER, WIDE FLAT, 3/8	
	70916965	2	LOCKWASHER, 3/8	
	70916950	2	NUT, HEX, 3/8-16 UNC	

CONTINUED

MC00359  
PR: 324

CHALLENGER 670 COMBINE  
SHIELDS

MUD SHIELDS  
LEFT SIDE  
(PRIOR S/N HP36101)



**CHALLENGER 670 COMBINE  
SHIELDS**

439

**MUD SHIELDS  
LEFT SIDE  
(PRIOR S/N HP36101)**

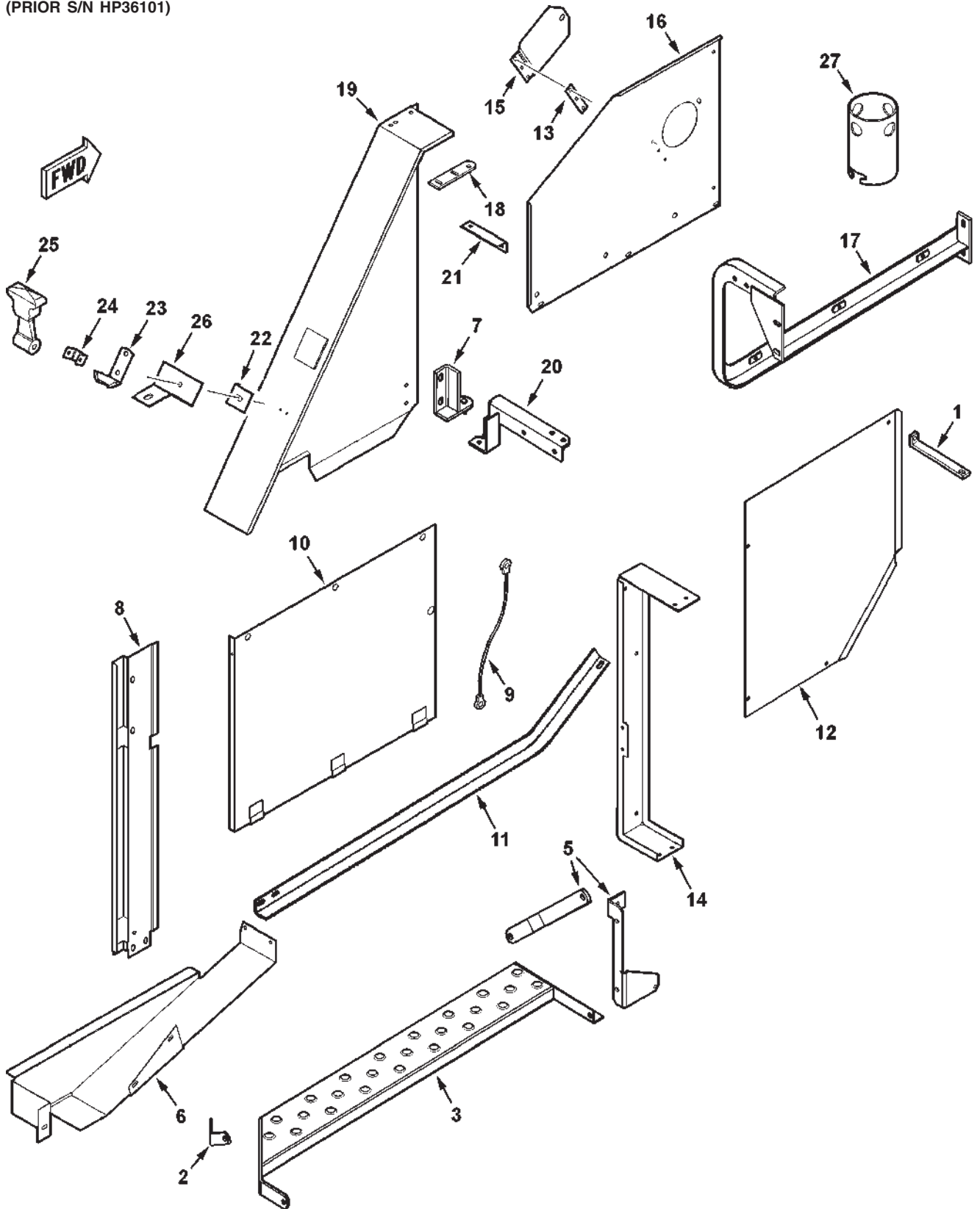
ITEM	NUMBER	QTY	DESCRIPTION
9	112942W1	1	TETHER STRAP, 28IN.
	7703457	1	CAPSCREW, 1/4-20 X 3/4
	70917377	1	WASHER, 1/4 NOM
	1703354	1	FLANGE NUT, 1/4-20
10	71394303	1	SHIELD WLDMT, LEFT
	111670W1	1	DECAL, WARNING
	70921210	4	CAPSCREW, 3/8-16 X 1 GR5
	70917378	4	WASHER, 3/8 NOM
	70916965	4	LOCKWASHER, 3/8
11	70916950	4	NUT, 3/8-16
	102158M1	1	ANGLE, SHIELD SUPPORT
	70921210	1	CAPSCREW, HEX, 3/8-16 X 1
	70917378	1	WASHER, WIDE FLAT, 3/8
	70916965	1	LOCKWASHER, 3/8
12	70916950	1	NUT, HEX, 3/8-16 UNC
	71390909	1	SHIELD, LEFT FRONT
	70921965	1	CAPSCREW, 3/8-16 X 3/4 GR5
	70921210	2	CAPSCREW, HEX, 3/8-16 X 1
	70916965	3	LOCKWASHER, 3/8
13	70916950	2	NUT, HEX, 3/8-16 UNC
	2555190W1	1	SPACER, DOOR
	71404306B	1	CHANNEL, LEFT MUD SHIELD
	70921210	4	CAPSCREW, 3/8-16 X 1 GR5
14	70916965	4	LOCKWASHER, 3/8
	70916950	4	NUT, 3/8-16
	104916W91	1	COVER WLDMT, LEFT SHIELD
	1656110W2	1	PIN, SHIELD LOCK
	863415	1	PIN, KLIK
	70917378	1	WASHER, WIDE FLAT, 3/8
	70916965	1	LOCKWASHER, 3/8
	70916950	1	NUT, HEX, 3/8-16 UNC
	7703457	3	CAPSCREW, 1/4-20 X 3/4
	70917377	3	WASHER, 1/4 NOM
15	705012	3	LOCKWASHER, 1/4
	70916622	3	NUT, 1/4-20
	71391624	1	SHIELD, UPPER LEFT
	863415	3	PIN, KLIK
	1656110W2	3	PIN, SHIELD LOCK
	70921965	3	CAPSCREW, 3/8-16 X 3/4 GR5
	70921210	4	CAPSCREW, 3/8-16 X 1 GR5
	70917378	8	WASHER, 3/8 NOM
	70916965	10	LOCKWASHER, 3/8
	70916950	10	NUT, 3/8-16

CONTINUED

MC00359  
PR: 324

CHALLENGER 670 COMBINE  
SHIELDS

MUD SHIELDS  
LEFT SIDE  
(PRIOR S/N HP36101)



**CHALLENGER 670 COMBINE  
SHIELDS**

441

**MUD SHIELDS  
LEFT SIDE  
(PRIOR S/N HP36101)**

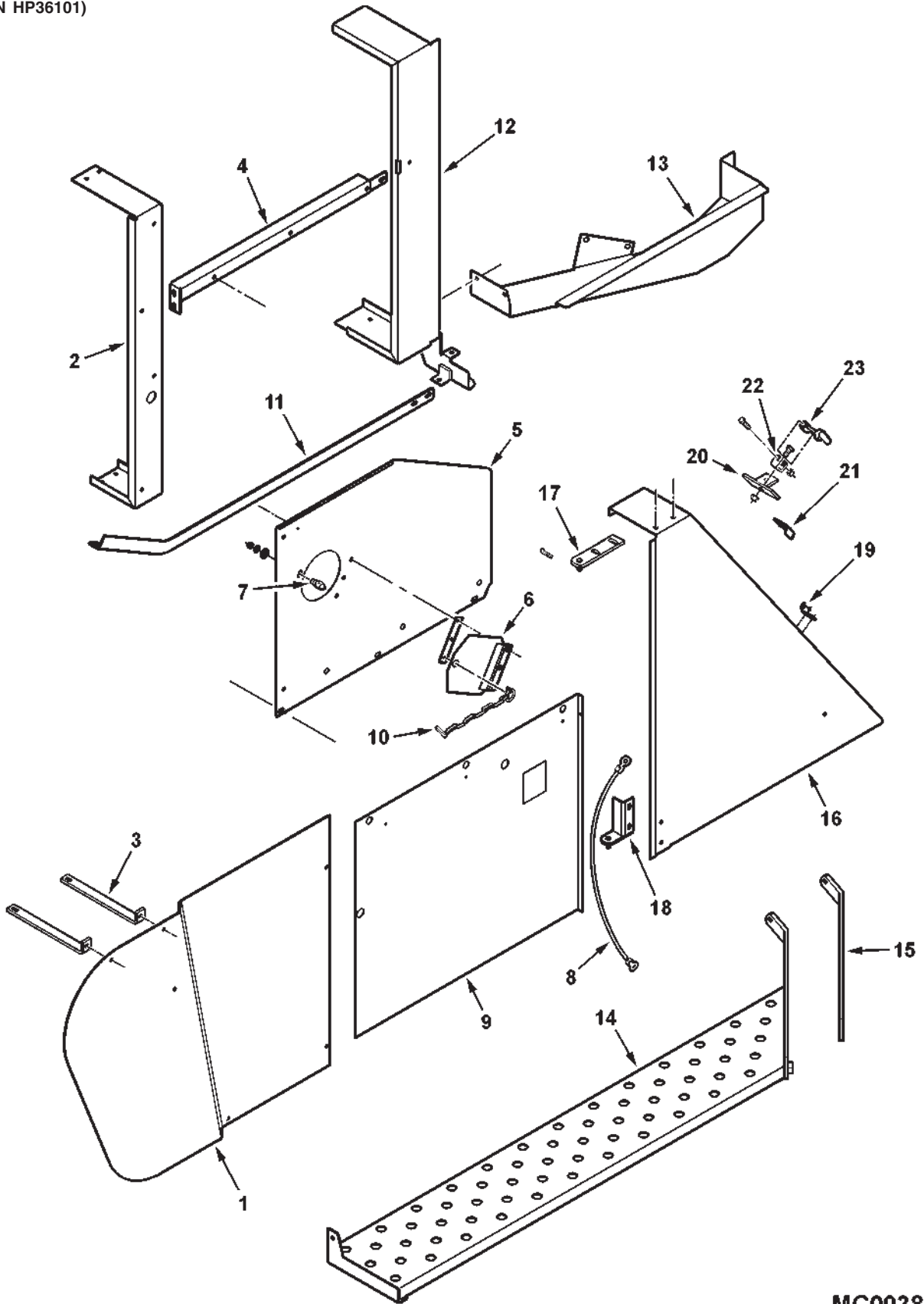
ITEM	NUMBER	QTY	DESCRIPTION
17	71393923	1	ANGLE WLDMT, LEFT MUD SHIELD
	70921210	2	CAPSCREW, 3/8-16 X 1 GR5
	70917378	2	WASHER, 3/8 NOM
	70916965	2	LOCKWASHER, 3/8
	70916950	2	NUT, 3/8-16
18	101221M92	1	HINGE WLDMT, UPPER
	70918452	1	COTTER PIN
19	71394306	1	GUARD WLDMT, DRIVE
	70921210	2	CAPSCREW, 3/8-16 X 1 GR5
	70917378	2	WASHER, 3/8 NOM
	70916965	2	LOCKWASHER, 3/8
	70916950	2	NUT, 3/8-16
20	71393921	1	SUPPORT WLDMT, LH SHIELD
21	102237M1	1	ANGLE, LH SHIELD
	70921210	2	CAPSCREW, HEX, 3/8-16 X 1
	70917378	2	WASHER, WIDE FLAT, 3/8
	70916965	2	LOCKWASHER, 3/8
	70916950	2	NUT, HEX, 3/8-16 UNC
22	101232M1	1	STOP BRACKET, GUARD
23	7025075	1	BRACKET, CATCH
	70916079	2	SCREW, RND HD MACH, #10-24 X 3/8
	705004	2	LOCKWASHER, #10
	70916621	2	NUT, #10-24 UNC
24	1787520W1	1	ANCHOR BRACKET, RUBBER LATCH
	70921332	1	CAPSCREW, 5/16-18 X 3/4
	Y705020	1	LOCKWASHER, 5/16
	70917372	1	NUT, 5/16-18 REG
25	776682	1	HOOK, RUBBER
	70921962	1	CAPSCREW, 1/4-20 X 1-3/4
	1703354	1	NUT, HEX FLANGE TOP LOCK, 1/4-20
26	101231M1	1	BRACKET, LATCH
	70920415	1	CAPSCREW, 3/8-16 X 1-1/4 GR5
	70919378	1	WASHER, 3/8, WIDE
	Y704734	1	NUT, 3/8-16 REG
27	104500W1	1	TUBE, BEATER UNPLUG

MC00359  
PR: 324



CHALLENGER 670 COMBINE  
SHIELDS

MUD SHIELDS  
LEFT SIDE  
(EFF. S/N HP36101)



**CHALLENGER 670 COMBINE  
SHIELDS**

443

**MUD SHIELDS  
LEFT SIDE  
(EFF. S/N HP36101)**

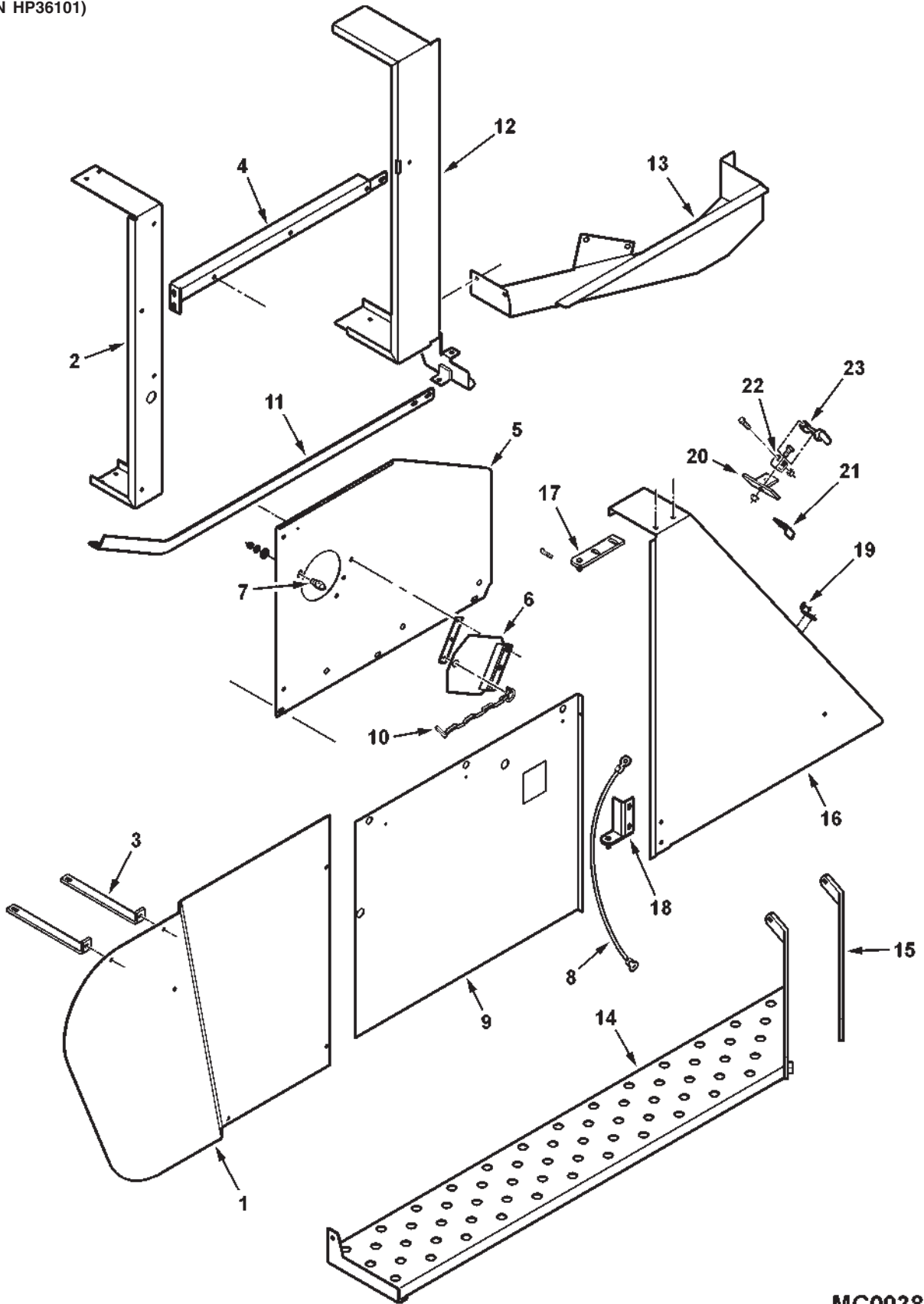
ITEM	NUMBER	QTY	DESCRIPTION
1	71408217	1	MUD SHIELD, LEFT FRONT
	70921210	2	CAPSCREW, 3/8-16 X 1 GR5
	70921332	2	CAPSCREW, 5/16-18 X 3/4 GR5
	70917642	2	WASHER, 5/16, WIDE
	70917378	2	WASHER, 3/8, WIDE
	Y704726	2	NUT, HEX FLANGE TOP LOCK, 5/16-18
2	Y704734	2	NUT, HEX FLANGE TOP LOCK, 3/8-16
	71404306B	1	CHANNEL, LEFT MUD SHIELD
3	70921210	4	CAPSCREW, 3/8-16 X 1 GR5
	Y704734	4	NUT, HEX FLANGE TOP LOCK, 3/8-16
	71401645	2	STRAP, STANDOFF, MUD SHIELD
	70921210	2	CAPSCREW, 3/8-16 X 1 GR5
4	70917378	2	WASHER, 3/8, WIDE
	Y704734	2	NUT, HEX FLANGE TOP LOCK, 3/8-16
	71401470	1	ANGLE WLDMT, LEFT MUD SHIELD
	70921210	2	CAPSCREW, 3/8-16 X 1 GR5
	70921965	1	CAPSCREW, 3/8-16 X 3/4 GR5
5	70917378	1	WASHER, 3/8, WIDE
	Y704734	3	NUT, HEX FLANGE TOP LOCK, 3/8-16
	71391624	1	SHIELD, UPPER LEFT
	70921210	2	CAPSCREW, 3/8-16 X 1 GR5
	70921965	3	CAPSCREW, 3/8-16 X 3/4 GR5
	705038	3	LOCKWASHER, 3/8
6	70917378	3	WASHER, 3/8, WIDE
	Y704734	2	NUT, HEX FLANGE TOP LOCK, 3/8-16
	104916W91	1	COVER WLDMT, LEFT SHIELD
	2555190W1	1	SPACER, DOOR
7	7703457	3	CAPSCREW, 1/4-20 X 3/4
	70917377	3	WASHER, 1/4, WIDE
	1703354	3	NUT, HEX FLANGE TOP LOCK, 1/4-20
	1656110W2	4	PIN, SHIELD LOCK
8	70917378	4	WASHER, 3/8, WIDE
	705038	4	LOCKWASHER, 3/8
	70916950	4	NUT, 3/8-16 REG
	112942W1	1	TETHER STRAP, 28IN.
	7703457	1	CAPSCREW, 1/4-20 X 3/4 GR5
9	70917377	1	WASHER, 1/4, WIDE
	1703354	1	NUT, HEX FLANGE TOP LOCK, 1/4-20
	71394303	1	SHEET WLMT, LEFT, W/ DECAL
10	863415	4	PIN-KLIK, W/ CHAIN
11	71404305	1	ANGLE, BOTTOM SUPPORT, LH
	70921210	1	CAPSCREW, 3/8-16 X 1 GR5
	70921965	1	CAPSCREW, 3/8-16 X 3/4 GR5
	70917378	1	WASHER, 3/8, WIDE
	Y704734	2	NUT, HEX FLANGE TOP LOCK, 3/8-16

CONTINUED

MC00382  
PR: t05b16k26a0020

### CHALLENGER 670 COMBINE SHIELDS

**MUD SHIELDS**  
LEFT SIDE  
(EFF. S/N HP36101)



**CHALLENGER 670 COMBINE  
SHIELDS**

445

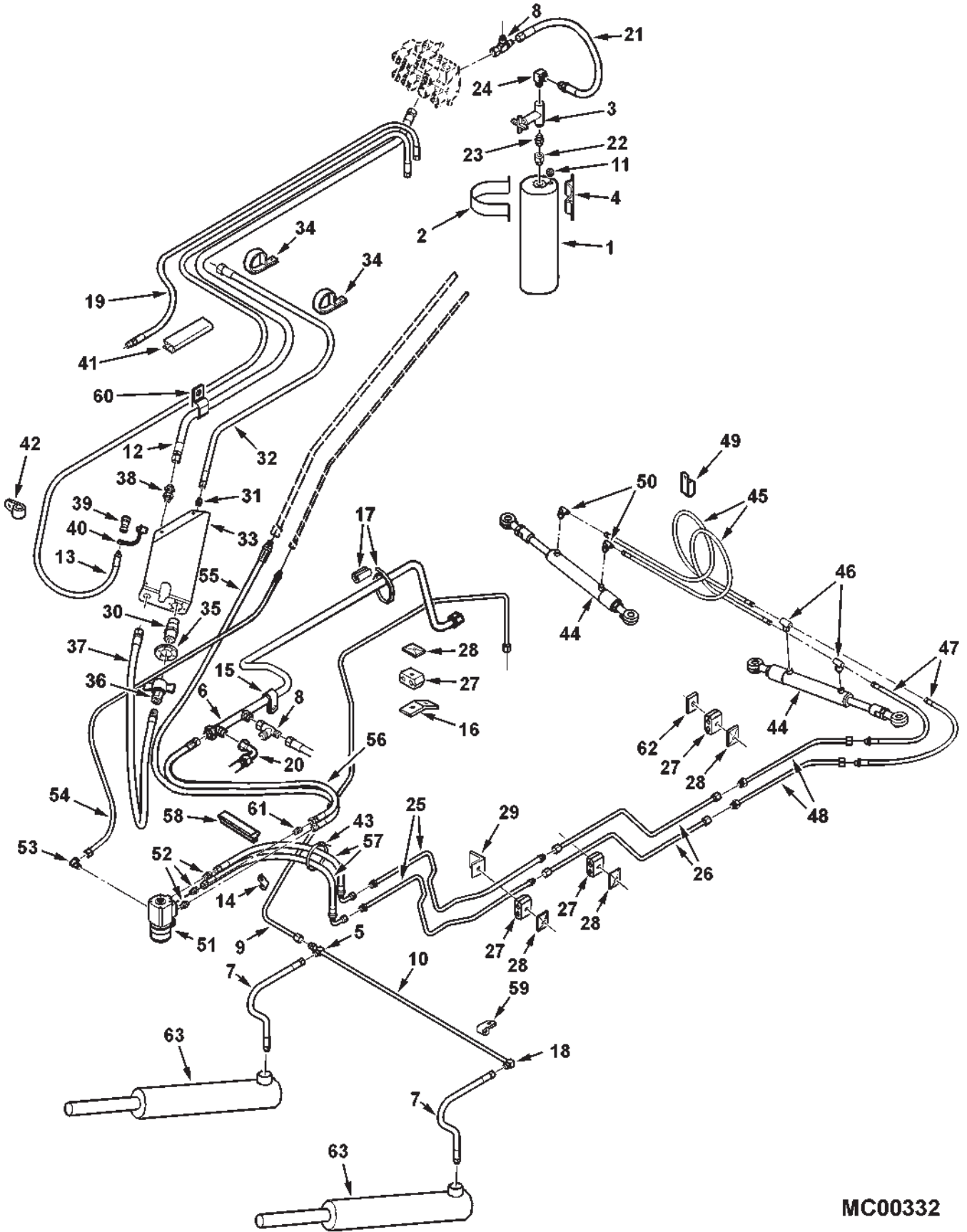
**MUD SHIELDS  
LEFT SIDE  
(EFF. S/N HP36101)**

ITEM	NUMBER	QTY	DESCRIPTION
12	71401468	1	CHANNEL WLDMT, LEFT
	70921210	2	CAPSCREW, 3/8-16 X 1 GR5
	70921965	1	CAPSCREW, 3/8-16 X 3/4 GR5
	70917378	2	WASHER, 3/8, WIDE
13	Y704734	3	NUT, HEX FLANGE TOP LOCK, 3/8-16
	71390913	1	SHIELD, ELEVATOR DRIVE, LEFT
	70921210	2	CAPSCREW, 3/8-16 X 1 GR5
	70921965	3	CAPSCREW, 3/8-16 X 3/4 GR5
	70917378	3	WASHER, 3/8, WIDE
14	Y704734	5	NUT, HEX FLANGE TOP LOCK, 3/8-16
	71401463	1	STEP WLDMT, LEFT, PROCESSOR
	70921965	3	CAPSCREW, 3/8-16 X 3/4 GR5
	Y704734	3	NUT, HEX FLANGE TOP LOCK, 3/8-16
	70921176	1	CAPSCREW, 1/2-13 X 1-1/4 GR5
15	Y704742	1	NUT, HEX FLANGE TOP LOCK, 1/2-13
	71393919	1	STRAP, STEP SUPPORT, PROCESSOR
	70921176	2	CAPSCREW, 1/2-13 X 1-1/4 GR5
16	Y704742	2	NUT, HEX FLANGE TOP LOCK, 1/2-13
	71404303	1	GUARD, DRIVES, W/ DECAL
	101221M92	1	HINGE WLDMT, UPPER GUARD
	101218M91	1	HINGE WLDMT, LOWER GUARD
17	70921210	4	CAPSCREW, 3/8-16 X 1 GR5
	70917378	4	WASHER, 3/8, WIDE
	Y704734	4	NUT, HEX FLANGE TOP LOCK, 3/8-16
	7025075	1	BRACKET, CATCH
18	70916080	2	SCREW, RND HD MACH, #10-24 X 1/2
	70917365	2	LOCKWASHER, #10
	70916621	2	NUT, HEX, #10-24 UNC
	101231M1	1	BRACKET, LATCH
19	70920415	1	CAPSCREW, 3/8-16 X 1-1/4 GR5
	70917378	1	WASHER, 3/8, WIDE
	Y704734	1	NUT, HEX FLANGE TOP LOCK, 3/8-16
20	101232M1	1	STOP BRACKET, GUARD
21	1787520W1	1	ANCHOR BRACKET, RUBBER LATCH
	70921332	1	CAPSCREW, 5/16-18 X 3/4 GR5
22	Y704726	1	NUT, HEX FLANGE TOP LOCK, 5/16-18
	776682	1	HOOK, RUBBER
	70921962	1	CAPSCREW, 1/4-20 X 1-3/4
23	1703354	1	NUT, HEX FLANGE TOP LOCK, 1/4-20

MC00382  
PR: t05b16k26a0020

CHALLENGER 670 COMBINE  
HYDRAULICS

STEERING & HEADER FUNCTIONS



**CHALLENGER 670 COMBINE  
HYDRAULICS**

447

**STEERING & HEADER FUNCTIONS**

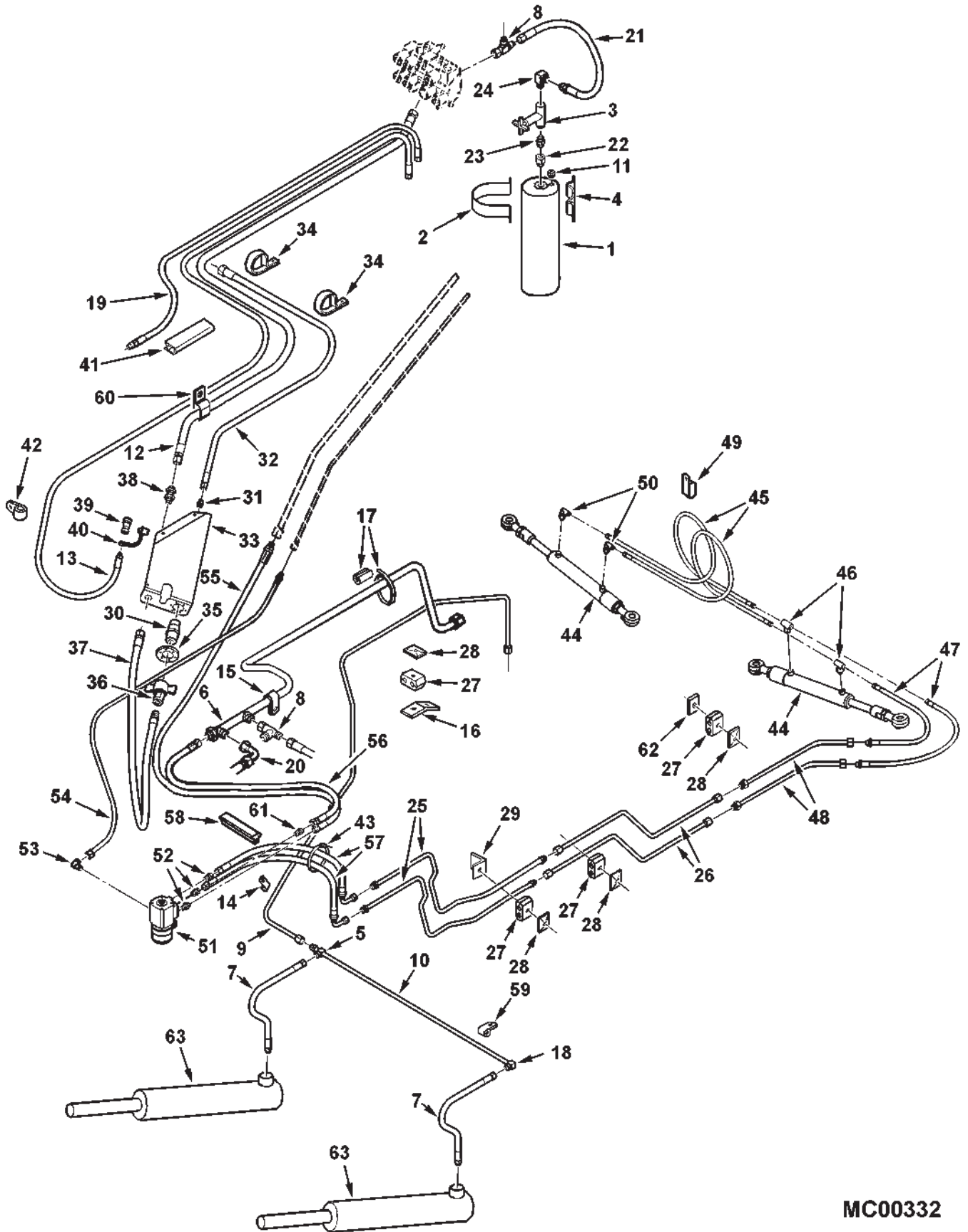
ITEM	NUMBER	QTY	DESCRIPTION
1	700712632	1	ACCUMULATOR
2	101705M1	2	BRACKET, ACCUMULATOR
	70921977	4	CAPSCREW, 5/16-18 X 1-1/4
	700709602	4	WASHER, PLAIN WIDE, 5/16
	Y705046	4	LOCKWASHER, 5/16
	70917372	4	NUT, HEX 5/16-18
3	71334329	1	VALVE ASY, BALL
4	101698M1	2	PAD, ACCUMULATOR
5	70921472	1	TEE-UNION, MALE, 3/4-16
6	71399144	1	TUBE ASY, VALVE RETURN
7	101589M91	2	HOSE ASY., HEADER & ACCUMULATOR
	70921349	2	O-RING, .087 X .644 ID
8	70921298	2	TEE, SWIVEL RUN, 3/4-16 JIC
9	71391236	1	TUBE ASY., HEADER LIFT (PRIOR MID. S/N HN36---)(SERVICE W/71400691)
	71400691	1	TUBE ASY,HDR LIFT (EFF. MID S/N HN36---)
10	71394138	1	TUBE ASY., HEADER LIFT FRT.
11	357194X1	1	PLUG, HEX HD, 9/16-18 ORB
	70921885	1	O-RING, .078 X .468 ID
12	71394173	1	HOSE ASY., REEL DRIVE, 1/2 ID
13	116482W1	1	HOSE ASY., REEL LIFT, 3/8 ID
14	70925617	1	CLAMP, .500 TUBE X .406 HOLE
	70921333	1	CAPSCREW, 5/16-18 X 1
	700709602	1	WASHER, PLAIN WIDE, 5/16
	Y705046	1	LOCKWASHER, 5/16
	70917372	1	NUT, HEX 5/16-18
15	70926049	1	CLAMP, .750 TUBE X .406 HOLE
	70921333	1	CAPSCREW, 5/16-18 X 1
	700709602	1	WASHER, PLAIN WIDE, 5/16
16	112972W1	1	STRAP, TUBE SUPPORT
	70921332	1	CAPSCREW, 5/16-18 X 3/4
	Y705046	1	LOCKWASHER, 5/16
	70917372	1	NUT, HEX 5/16-18
17	103600W1	1	SLEEVE, SPLIT
	70937133	1	TIE, SELF LOCKING, .300 X 14.5
18	70921364	1	ELBOW, 90 DEG, 3/4-16 JIC X 3/4-16 JIC
19	-----	1	HOSE ASY, SUPPLY (SEE "HEADER REVERSER")
20	-----	1	HOSE ASY, RETURN (SEE "HEADER REVERSER")
21	71393843	1	HOSE ASY, ACCUMULATOR
22	700705119	1	REDUCER, 1-1/16-12 ORB X 3/4-16 ORB FEM
	70921206	1	O-RING, .116 X .924 ID
23	70933454	1	CONNECTOR, STR. 3/4-16 ORB X 1/2 NPTF
	70921349	1	O-RING, .087 X .644 ID
24	70919195	1	ELBOW, 90 DEG, 3/4-16 JIC X 1/2 NPTF
25	71398227	2	TUBE ASY, STEERING FRT.
26	101596M92	2	TUBE ASY, STEERING, 1/2
27	148022M1	9	CLAMP PAIR, DOUBLE, 1/2 X 1/2 DIA

CONTINUED

MC00332  
PR: 330

CHALLENGER 670 COMBINE  
HYDRAULICS

STEERING & HEADER FUNCTIONS



**CHALLENGER 670 COMBINE  
HYDRAULICS**

449

**STEERING & HEADER FUNCTIONS**

ITEM	NUMBER	QTY	DESCRIPTION
28	101646M1	9	COVER PLATE
	7701485	7	CAPSCREW, 1/4-20 X 2
	70921159	2	CAPSCREW, 1/4-20 X 2-1/4
	705012	9	LOCKWASHER, 1/4
	704007	9	NUT, HEX 1/4-20
29	101832M1	2	BRACKET, ANGLE
	70921210	2	CAPSCREW, 3/8-16 X 1
	705038	2	LOCKWASHER, 3/8
	70916950	2	NUT, HEX 3/8
30	71365883	1	COUPLING, HYDRAULIC
31	70919128	1	CONNECTION, 3/4-16 JIC X 1/2 NPTF
32	71392881	1	HOSE ASY., REEL RETURN
33	71399119	1	BRACKET, HYD. HOSE DISCONNECT
	70921210	2	CAPSCREW, 3/8-16 X 1
	705038	2	LOCKWASHER, 3/8
	70916950	2	NUT, HEX 3/8-16
34	70936467	2	CLAMP, 1-5/8 TUBE X .406 HOLE (PRIOR S/N HP36101)
	7041015	2	CLAMP, 2-1/4 X .531 HOLE(EFF S/N HP36101)
35	71365880	1	FLANGE, HYD. COUPLER
	70925160	6	RIVET
36	71358564	1	COUPLER, HYDRAULIC
37	71362149	1	HOSE ASY, REEL SPEED
38	7846777	1	BULKHEAD UNION, 7/8-14 JIC
39	71328362	1	COUPLING, HALF
40	71328365	1	DUSTCAP, FEMALE
41	71389754	1	MOULDING, EDGE (PRIOR S/N HP36101)
42	70926850	1	CLAMP, .625 TUBE X .281 HOLE
	7703457	1	CAPSCREW, 1/4-20 X 3/4
	705012	1	LOCKWASHER, 1/4
	704007	1	NUT, HEX 1/4-20
43	70937133	3	TIE, SELF LOCKING, .300 X 14.5
44	71365245	2	CYLINDER ASY, STEERING (STD AXLE)
45	71394146	2	HOSE, HYDRAULIC (STD AXLE)
	70925442	2	CABLE TIE
46	70923894	2	TEE, 9/16-18 ORB BRANCH X 9/16-18 JIC
	70921885	2	O-RING, .078 X .468 ID
47	71394151	2	HOSE ASY., 3/8 X 26" LG (STD AXLE)
48	71394150	2	TUBE ASY, STEERING REAR (STD AXLE)
49	70928148	1	CLAMP, 3/4 TUBE X .406 HOLE (STD AXLE)
	372729X1	1	SCR,HEX WSHR HD,TAPPG, 5/16-18 X 3/4
50	70922523	2	ELBOW, 90 DEG, 9/16-18 JIC X 9/16-18 ORB
	70921885	2	O-RING, .078 X .468 ID
51	71392876	1	STEERING CONTROL UNIT (NOTE: INDIVIDUAL COMPONENTS NOT SERVICED EXCEPT FOR SEAL KIT.)
-	71391083	AR	SEAL KIT, STEERING CONTROL UNIT
52	360202X91	3	CONNECTOR, 9/16-18 JIC X 3/4-16 ORB
	70921349	AR	O-RING, .087 X .644 ID
53	70922571	1	ELBOW, 90 DEG, 7/16-20 JIC X 7/16-20 ORB
	70921883	AR	O-RING, .072 X .351 ID
54	71392872	1	HOSE ASY., LOAD SENSE TO SCU
	70937133	3	TIE, SELF LOCKING, .300 X 14.5
55	71398981	1	HOSE ASY., PRESSURE TO SCU
56	71398980	1	HOSE ASY., RETURN, SCU TO TANK
57	71392875	2	HOSE ASY., SCU FRONT
58	71387797	2	EDGE PROTECTOR

CONTINUED

MC00332  
PR: 330





**CHALLENGER 670 COMBINE  
HYDRAULICS**

**451**

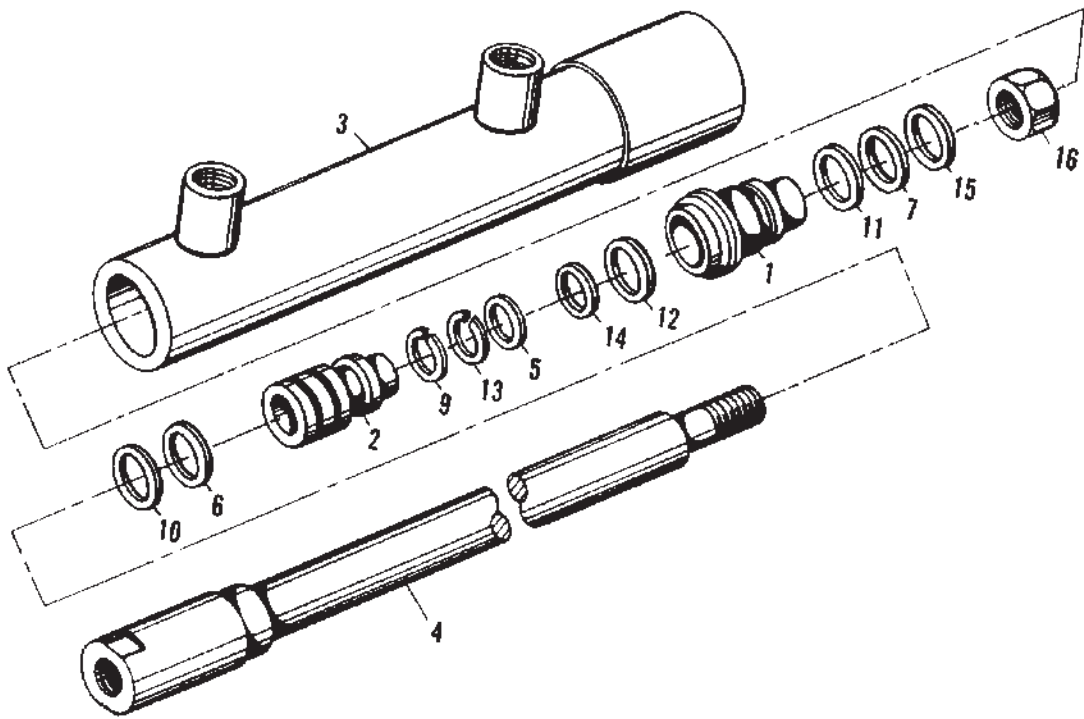
**STEERING & HEADER FUNCTIONS**

ITEM	NUMBER	QTY	DESCRIPTION
59	70925617	4	CLAMP, .500 TUBE X .406 HOLE
	7703457	4	CAPSCREW, 1/4-20 X 3/4
	700709601	4	WASHER, WIDE PLATED, 1/4
	705012	4	LOCKWASHER, 1/4
	704007	4	NUT, HEX 1/4-20
60	70936473	2	CLAMP, DOUBLE, 7/8 DIA X .406 HOLE (PRIOR S/N HP36101)
	7041015	3	CLAMP, 2-1/4 X .531 HOLE(EFF S/N HP36101)
	70921210	1	CAPSCREW, 3/8-16 X 1
	705038	1	LOCKWASHER, 3/8
	70916950	1	NUT, HEX 3/8-16
61	846337	1	CONNECTOR, MALE, 3/4-16 JIC X ORB
62	71404450	2	SPACER (EFF. S/N HP36101)
63	-----	2	CYLINDER, HEADER LIFT (SEE BREAKDOWN)

MC00332  
PR: 330

CHALLENGER 670 COMBINE  
HYDRAULICS

STEERING CYLINDER  
STD. ADJUSTABLE AXLE  
(PRIOR S/N HP 36101)



**CHALLENGER 670 COMBINE  
HYDRAULICS**

**453**

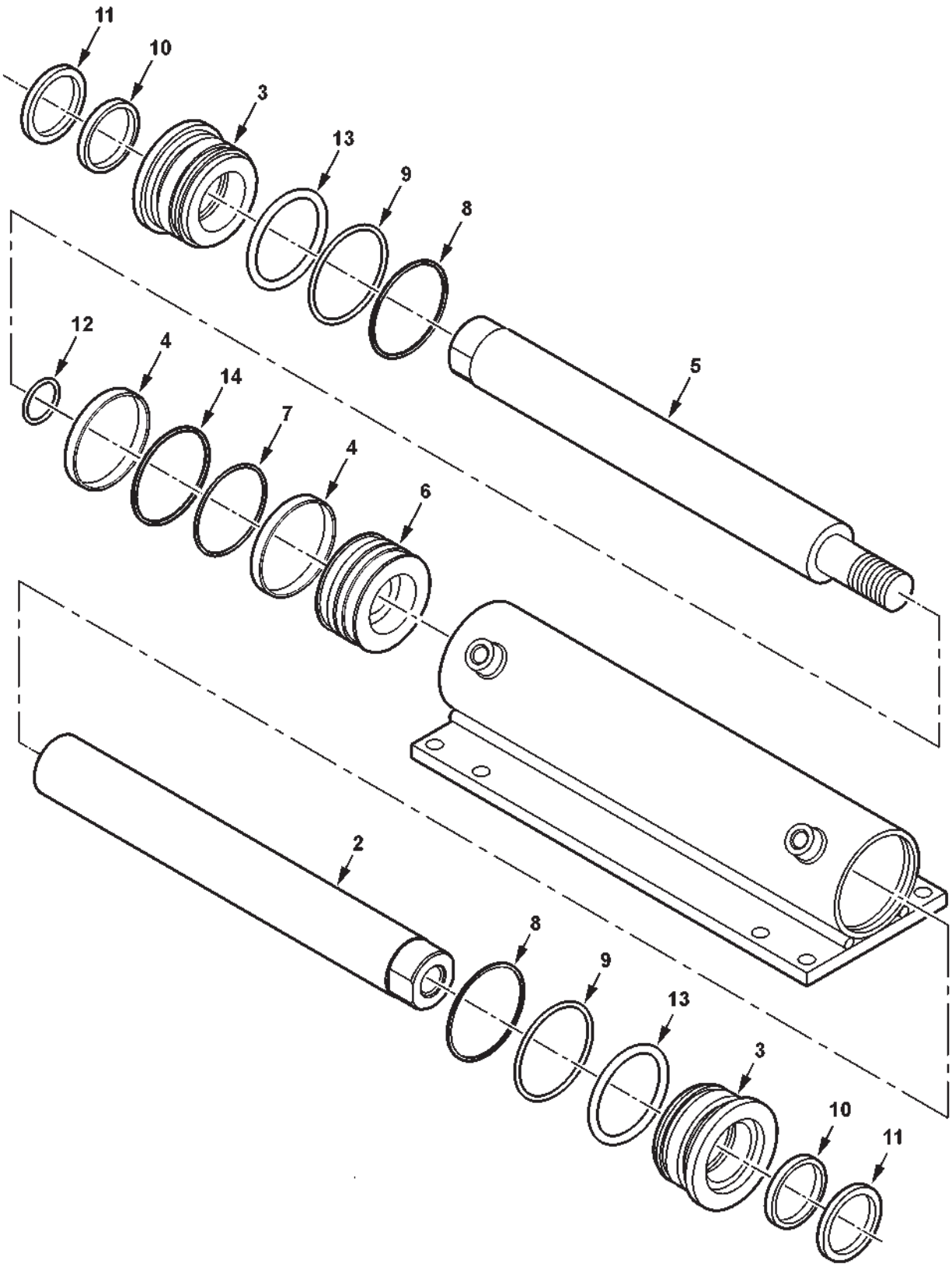
**STEERING CYLINDER  
STD. ADJUSTABLE AXLE  
(PRIOR S/N HP 36101)**

ITEM	NUMBER	QTY	DESCRIPTION
-	71365245	AR	CYLINDER ASY., POWER STEERING (COMPLETE)
1	71366126	1	PISTON
2	71365102	1	BEARING
3	-----	1	BARREL ASY. (NOT SERVICED, ORDER COMPLETE ASY.)
4	71366127	1	ROD ASY., PISTON
5	-----	1	* WASHER, BACK UP
6	-----	1	* SEAL
7	-----	1	* RING, SLIPPER
9	-----	1	* RING, RETAINING
10	-----	1	* SEAL, WIPER
11	-----	1	* O-RING
12	-----	1	* O-RING
13	-----	1	* RING, LOCK
14	-----	1	* O-RING
15	-----	1	* RING, WEAR
16	10171	1	NUT
-	71365114	AR	KIT, SEAL (INCLS. * ITEMS)

\* SERVICED ONLY IN SEAL KIT

71365245  
PR: 334

**STEERING CYLINDER**  
STD. ADJUSTABLE AXLE  
(EFF. S/N HP36101)



**CHALLENGER 670 COMBINE  
HYDRAULICS**

**455**

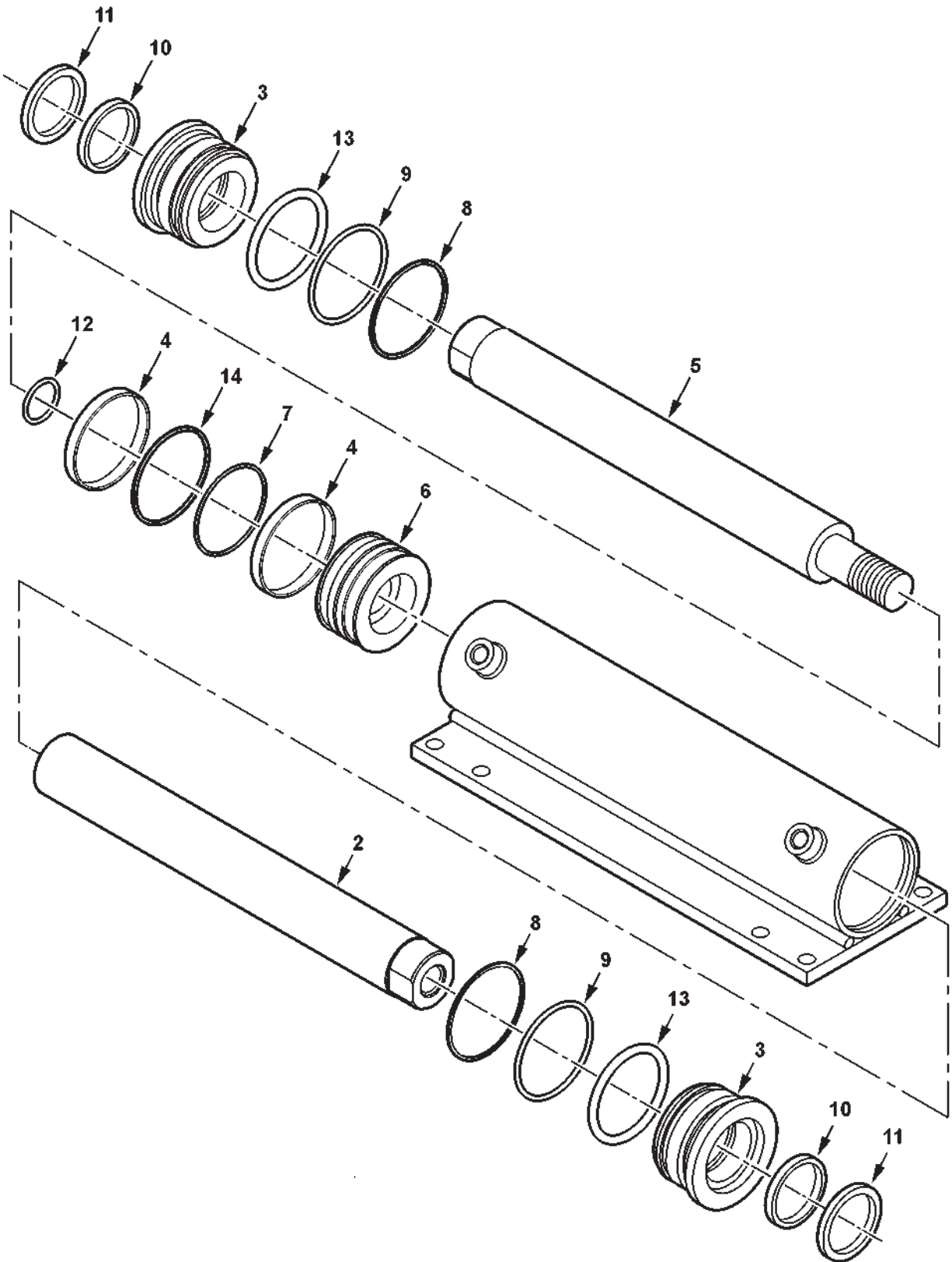
**STEERING CYLINDER  
STD. ADJUSTABLE AXLE  
(EFF. S/N HP36101)**

ITEM	NUMBER	QTY	DESCRIPTION
-	71400719	AR	CYLINDER ASY, STEERING (COMPLETE)
1	71396618	1	HOUSING, CYL.
2	71406296	1	ROD, CYL. INT'L THD
3	71396620	2	HEAD
4	71396621	2	RING, WEAR
5	71406297	1	ROD, CYL. EXT'L THD
6	71396623	1	PISTON
7	-----	1	* O-RING
8	-----	2	* O-RING
9	-----	2	* RING, BACKUP
10	-----	2	* U-CUP SEAL
11	-----	2	* WIPER SEAL
12	-----	1	* O-RING
13	-----	2	* RETAINING WIRE
14	-----	1	* SEAL, PISTON
-	71396624	AR	SEAL KIT (INCL. * ITEMS)

\* SERVICED ONLY IN SEAL KIT

MC00360  
PR: t05b16k26a0021

STEERING CYLINDER  
RWA AXLE



**CHALLENGER 670 COMBINE  
HYDRAULICS**

**457**

**STEERING CYLINDER  
RWA AXLE**

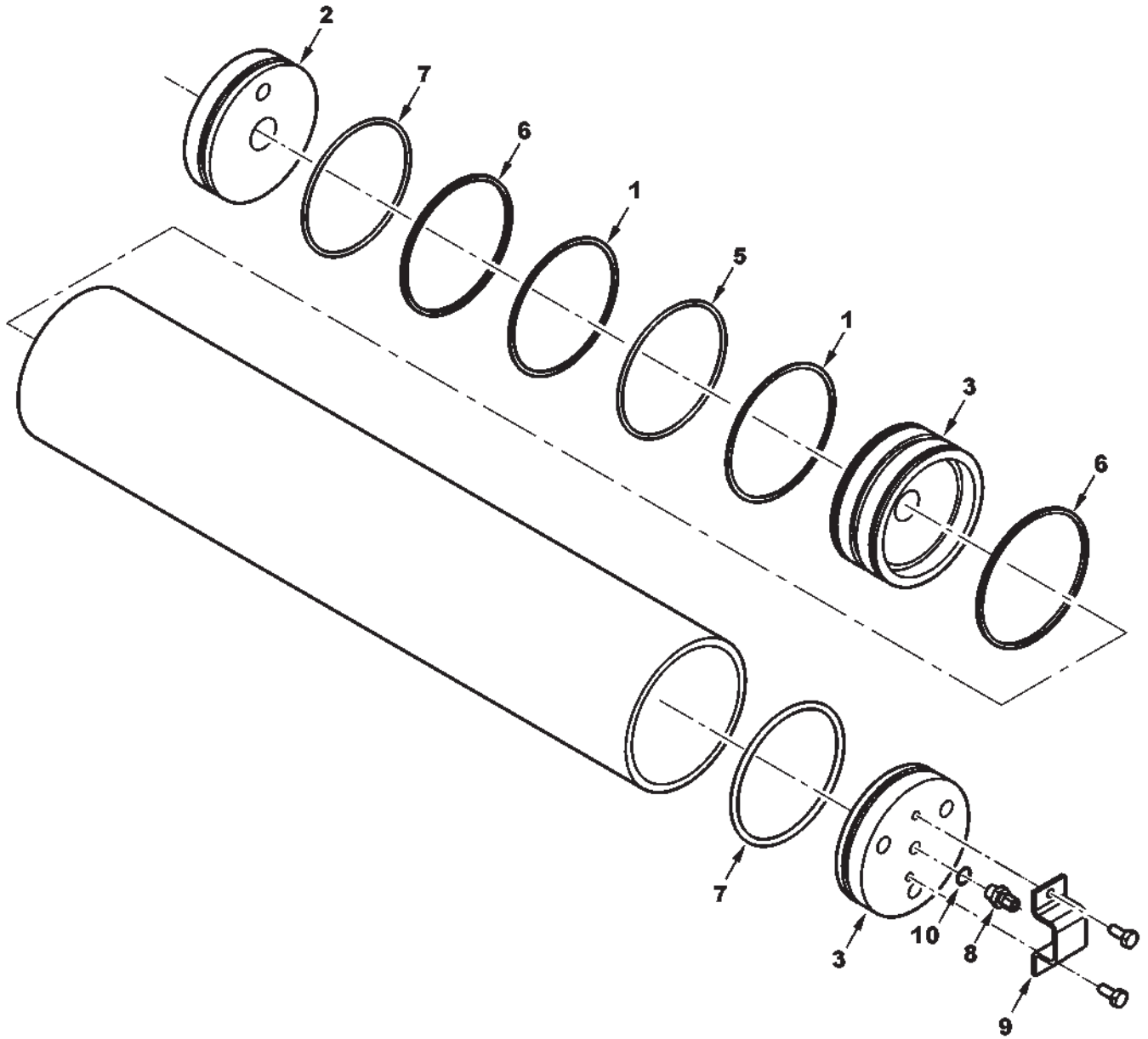
ITEM	NUMBER	QTY	DESCRIPTION
-	71396617	AR	CYLINDER ASY, RWA STEERING (COMPLETE)
1	71396618	1	HOUSING, CYL.
2	71396619	1	ROD, CYL. INT'L THD
3	71396620	2	HEAD
4	71396621	2	RING, WEAR
5	71396622	1	ROD, CYL. EXT'L THD
6	71396623	1	PISTON
7	-----	1	* O-RING
8	-----	2	* O-RING
9	-----	2	* RING, BACKUP
10	-----	2	* U-CUP SEAL
11	-----	2	* WIPER SEAL
12	-----	1	* O-RING
13	-----	2	* RETAINING WIRE
14	-----	1	* SEAL, PISTON
-	71396624	AR	SEAL KIT (INCL. * ITEMS)

\* SERVICED ONLY IN SEAL KIT

MC00360  
PR: 336



ACCUMULATOR  
PARKER



**CHALLENGER 670 COMBINE  
HYDRAULICS**

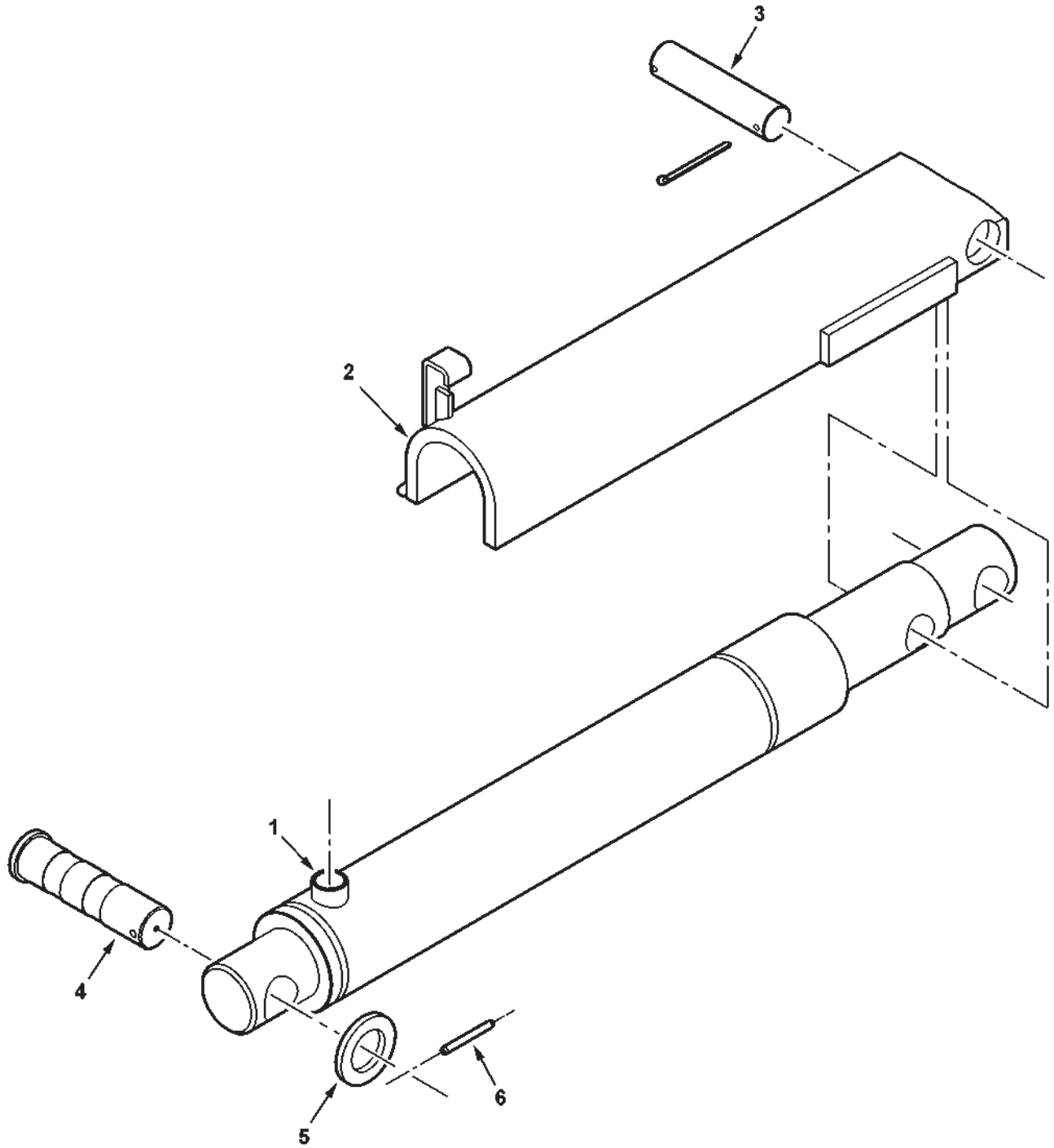
**459**

**ACCUMULATOR  
PARKER**

ITEM	NUMBER	QTY	DESCRIPTION
-	700712632	AR	ACCUMULATOR ASY. (INCL. DECALS & ITEMS 1-10)
1	-----	2	RING, TEFLON (BACKUP)
2	700712651	1	CAP, HYDRAULIC
3	700712652	1	CAP, GAS
4	700710957	1	PISTON
5	-----	1	V, O-RING
6	-----	2	RING, TEFLON, PISTON
7	-----	2	SEAL, BODY END
8	72507231	1	VALVE, GAS
	700710959	1	CORE, GAS VALVE
9	700710960	1	PROTECTOR, VALVE
10	-----	1	O-RING, VALVE
-	700710961	AR	KIT, SEAL (INCL. ITEMS 1, 5-8 & 10)

71370918  
PR: t04g15m07a0002

HEADER LIFT CYLINDERS



CHALLENGER 670 COMBINE  
HYDRAULICS

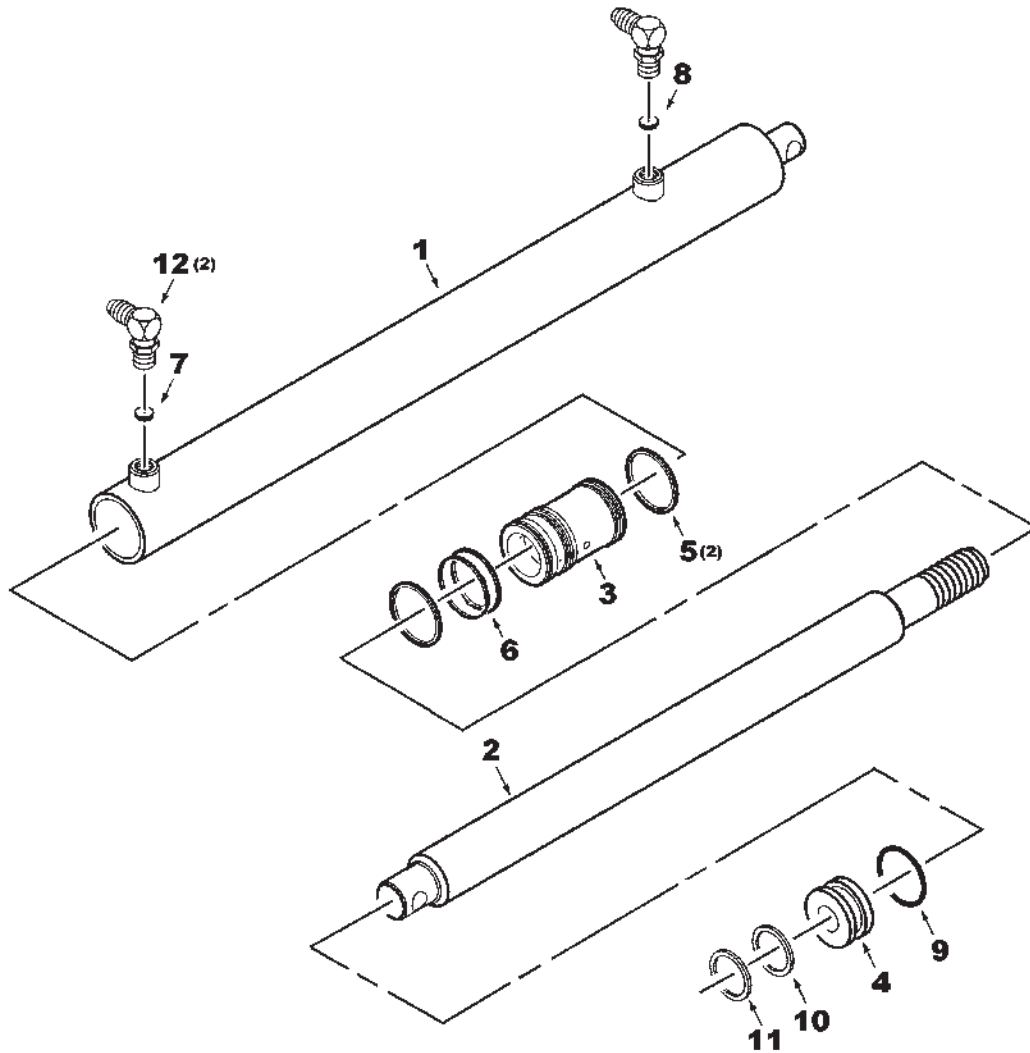
461

HEADER LIFT CYLINDERS

ITEM	NUMBER	QTY	DESCRIPTION
1	116626W1	2	HYDRAULIC CYLINDER, 3"
	71384407	1	PISTON ROD
	71384406	1	BARREL ASSEMBLY
	71384414	1	SEAL KIT
	116627W1	2	HYDRAULIC CYLINDER, 2-3/4"
	71384412	1	PISTON ROD
	71384411	1	BARREL ASSEMBLY
	71384413	1	SEAL KIT
2	116757W1	1	STOP WLDMT, 2-3/4 DIA CYL.
	116759W1	1	STOP WLDMT, 3 DIA CYL.
3	71364024	1	PIN, SAFETY STOP
	70919431	2	COTTER PIN, 3/16 X 2-1/2
4	71364016	4	PIN, HYD. CYLINDER
5	70933818	4	WASHER, 1.53 ID X 2.5 X .25
6	70926243	4	PIN, SPIROL, .25 X 2.25
	70910815	AR	WIRE, 16 GA. (CUT TO LENGTH)

MC00105  
PR: 338

UNLOADER SWING CYLINDER



CHALLENGER 670 COMBINE  
HYDRAULICS

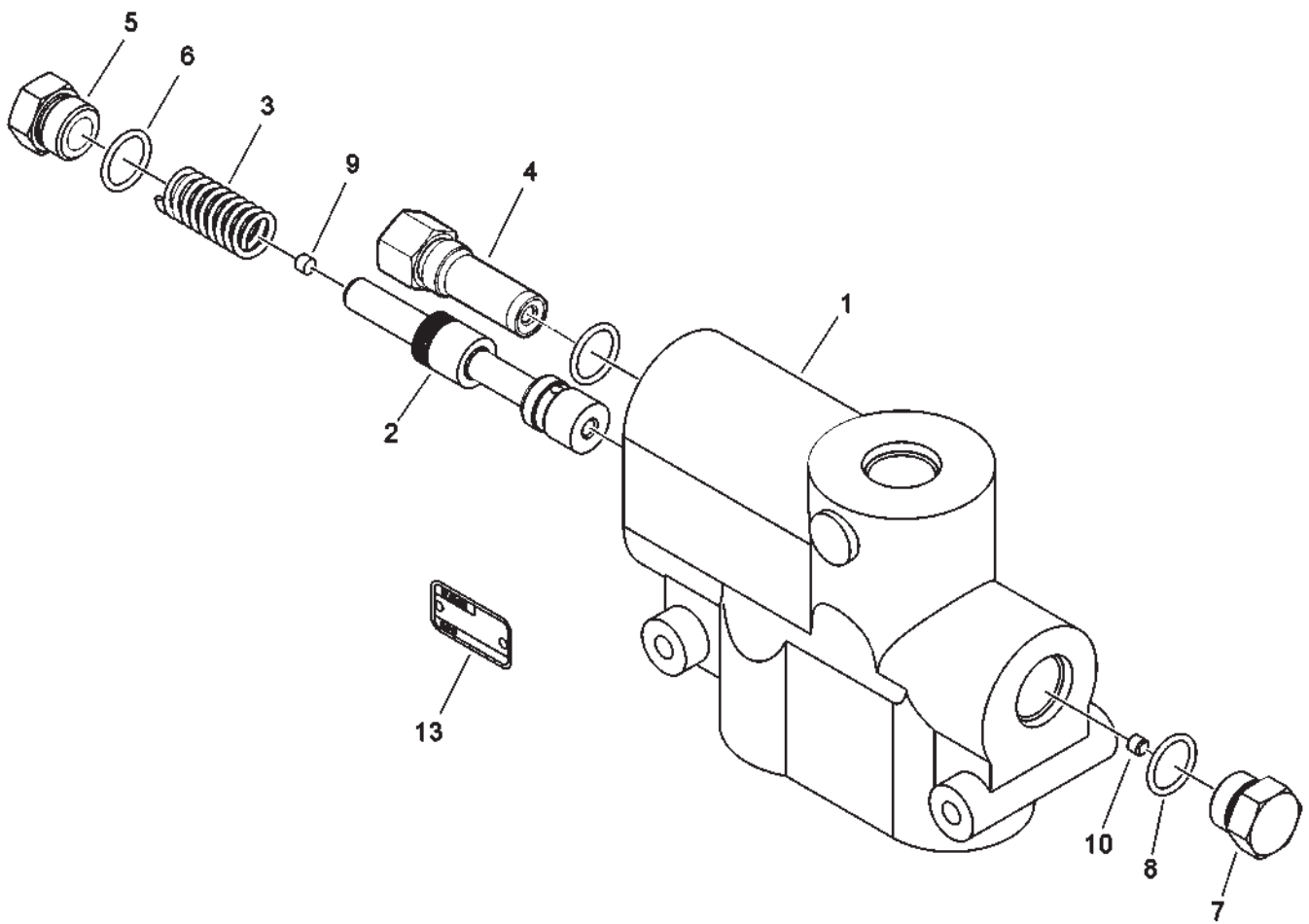
463

UNLOADER SWING CYLINDER

ITEM	NUMBER	QTY	DESCRIPTION
-	112785W92	1	CYLINDER ASY, UNLDR SWING (PRIOR S/N HN36101)
-	71399143	1	CYLINDER ASY, UNLDR SWING (EFF. S/N HN36101)
-	71377945	1	SEAL PKG. (INCL. ITEMS 5,6,9,10,11)
1	116147W91	1	BARREL ASSEMBLY
2	116146W1	1	PISTON ROD
3	116145W1	1	PISTON
4	116143W1	1	HEAD PLATE
5	-----	2	RING, PISTON CAST
6	-----	1	SEAL RING W/ EXPANDER RING, PISTON
7	116149W1	1	ORIFICE PL, THREADED, .0469 DIA. (PRIOR S/N HN36101)
	71401738	1	ORIFICE PL, THREADED, .040 DIA. (EFF. S/N HN36101)
8	116148W1	1	ORIFICE PL, THREADED, .0595 DIA. (PRIOR S/N HN36101)
	71401738	1	ORIFICE PL, THREADED, .040 DIA. (EFF. S/N HN36101)
9	70924114	1	O-RING, .139 X 1.734 ID
10	-----	1	ROD SEAL
11	-----	1	WIPER SEAL
12	70925011	2	ELBOW, 9/16-18 ORB X 7/16-20, 37 DEG FLR
	70921885	2	O-RING, .078 X .468 ID

MC00106A  
PR: 340

PRIORITY VALVE



**CHALLENGER 670 COMBINE  
HYDRAULICS**

**465**

**PRIORITY VALVE**

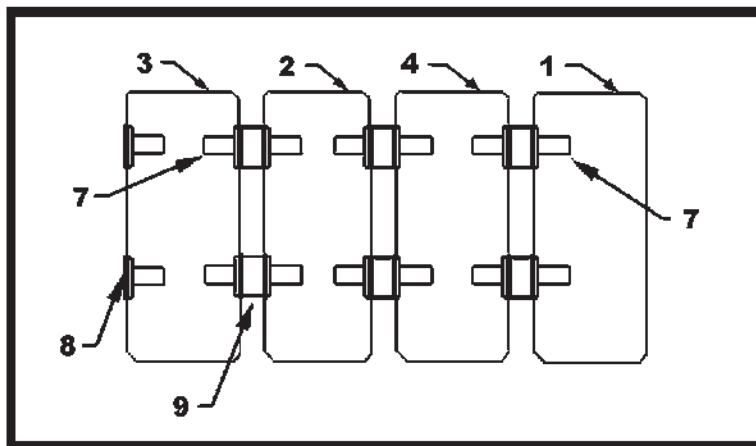
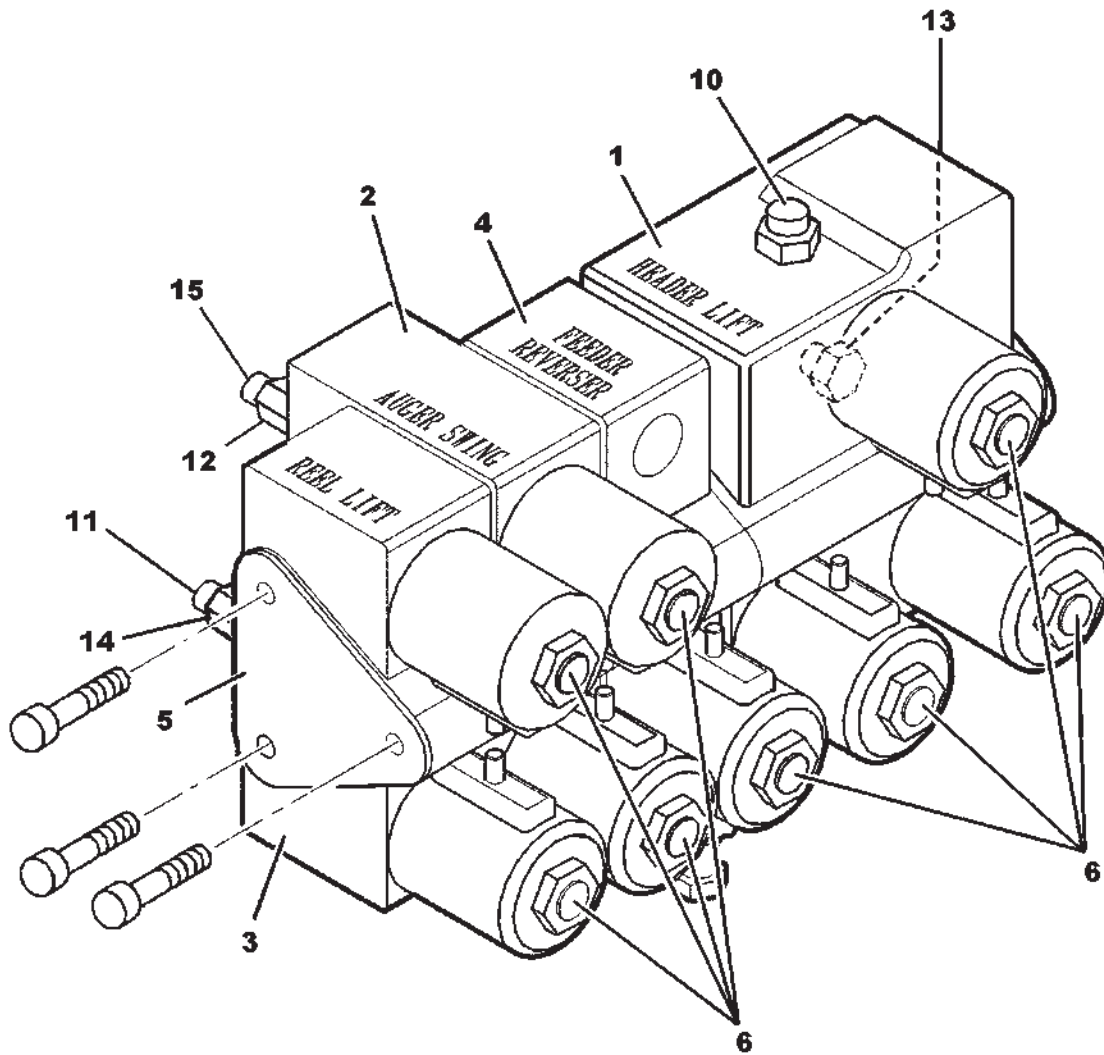
ITEM	NUMBER	QTY	DESCRIPTION
-	71391453	1	PRIORITY VALVE ASY
1	-----	1	BODY (NOT SERVICED)
2	71392852	1	SPOOL
3	71392853	1	SPRING (150 PSI)
4	734590	1	VALVE, RELIEF
5	71392854	1	PLUG, ORIFICE
6	70913719	1	O-RING
7	71392855	1	PLUG
8	70913719	1	O-RING
9	71392856	1	SCREW, ORIFICE
10	71392857	1	SCREW, ORIFICE
13	-----	1	NAME PLATE (NOT SERVICED)

71391453  
PR: 342



CHALLENGER 670 COMBINE  
HYDRAULICS

CONTROL VALVE STACK



TUBE & PLUG ASSEMBLY

**CHALLENGER 670 COMBINE  
HYDRAULICS**

467

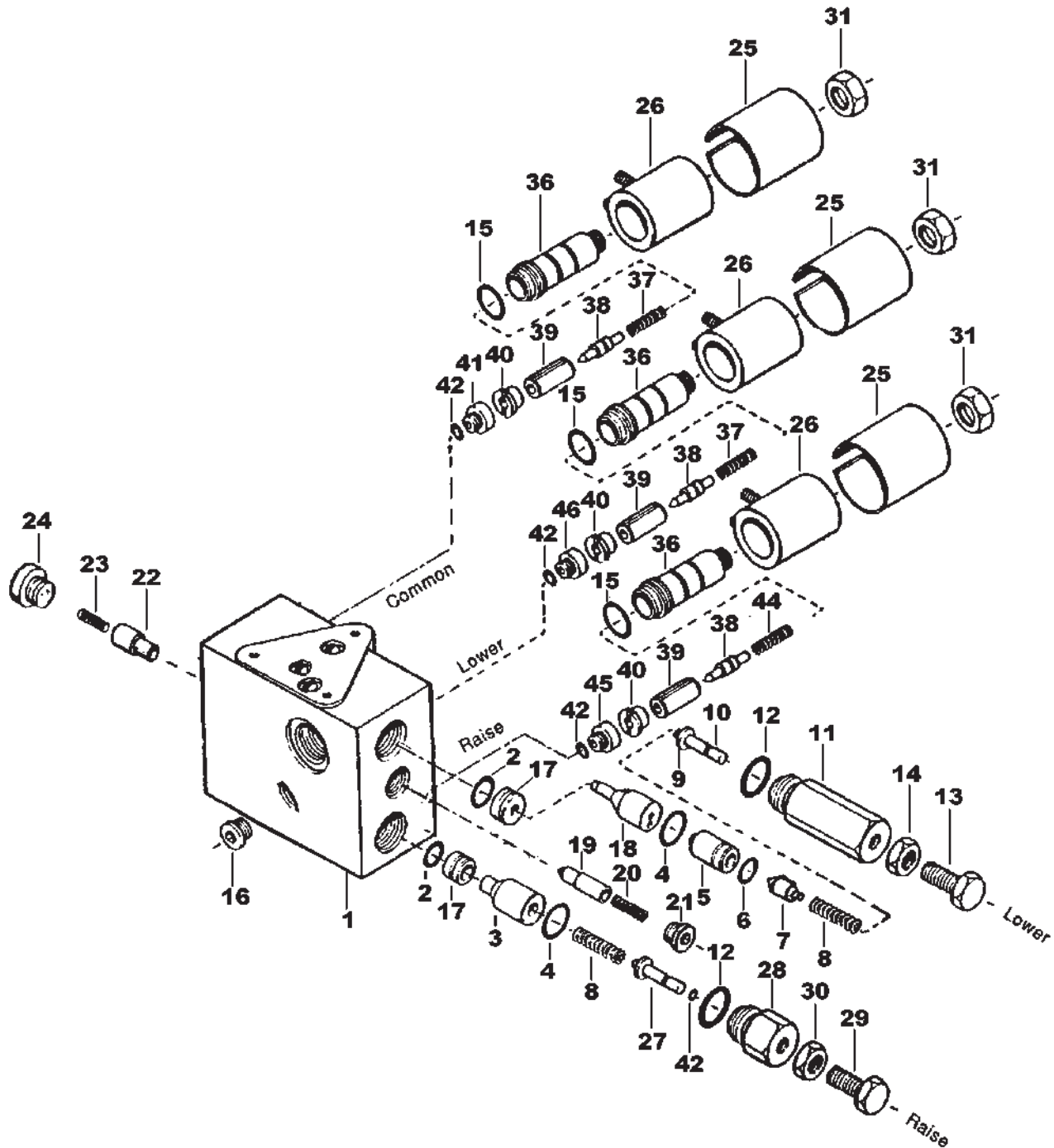
**CONTROL VALVE STACK**

ITEM	NUMBER	QTY	DESCRIPTION
-	71389737	1	VALVE STACK ASSEMBLY
1	71379325	1	VALVE ASSEMBLY, HEADER CLOSED CTR.
2	116465W91	1	VALVE ASSEMBLY, UNLOADER SWING
3	103766W92	1	VALVE ASSEMBLY, REEL LIFT
4	71386557	1	VALVE ASY, FEEDER REVERSER
	70935781	1	ELBOW, 90 DEG, 3/4-16 JIC X ORB, M
	70921349	1	O-RING, .087 X .644 ID
5	103764W1	1	END PLATE
	71379306	3	BOLT, HEX 1/4-20 X 5-13/16 LG
	70921880	3	WASHER, LOCK EXT. TOOTH 1/4
6	71188504	AR	COIL, 6VDC W/DIODE
	71188503	AR	COVER, COIL
	70915314	AR	NUT, STAMPED 1/2-20
7	1052370M91	6	THRU TUBE ASSEMBLY
	70924048	2	O-RING, .070 X .364 ID
8	103759W91	2	PLUG TUBE ASSEMBLY
	70924048	2	O-RING, .070 X .364 ID
9	104145W91	1	PLUG TUBE ASSEMBLY
	70927903	2	O-RING, .070 X .176 ID
10	70923163	1	STR. CONNECTOR, 7/16-20 JIC X ORB, MALE
	70921883	1	O-RING, .072 X .351 ID
11	70922523	1	ELBOW, 90 DEG, 9/16-18 JIC X ORB, MALE
	70921885	1	O-RING, .078 X .468 ID
12	70930777	2	REDUCER, 3/4-16 ORB X 9/16-18 ORB, FEM
	70921349	2	O-RING, .087 X .644 ID
13	70923717	2	CONNECTOR, STR, 3/4-16 JIC X 7/8-14 ORB
	70921205	2	O-RING, .097 X .755 ID
14	103778W91	1	EXPANDER, 7/16-20 ORB X 9/16-18 ORB, FEM
	70921883	1	O-RING, .072 X .351 ID
15	70925011	2	ELBOW, 90 DEG, 7/16-20 JIC X 9/16-18 ORB
	70921885	2	O-RING, .078 X .468 ID

MC00210A  
PR: 344

CHALLENGER 670 COMBINE  
HYDRAULICS

HEADER LIFT VALVE



**CHALLENGER 670 COMBINE  
HYDRAULICS**

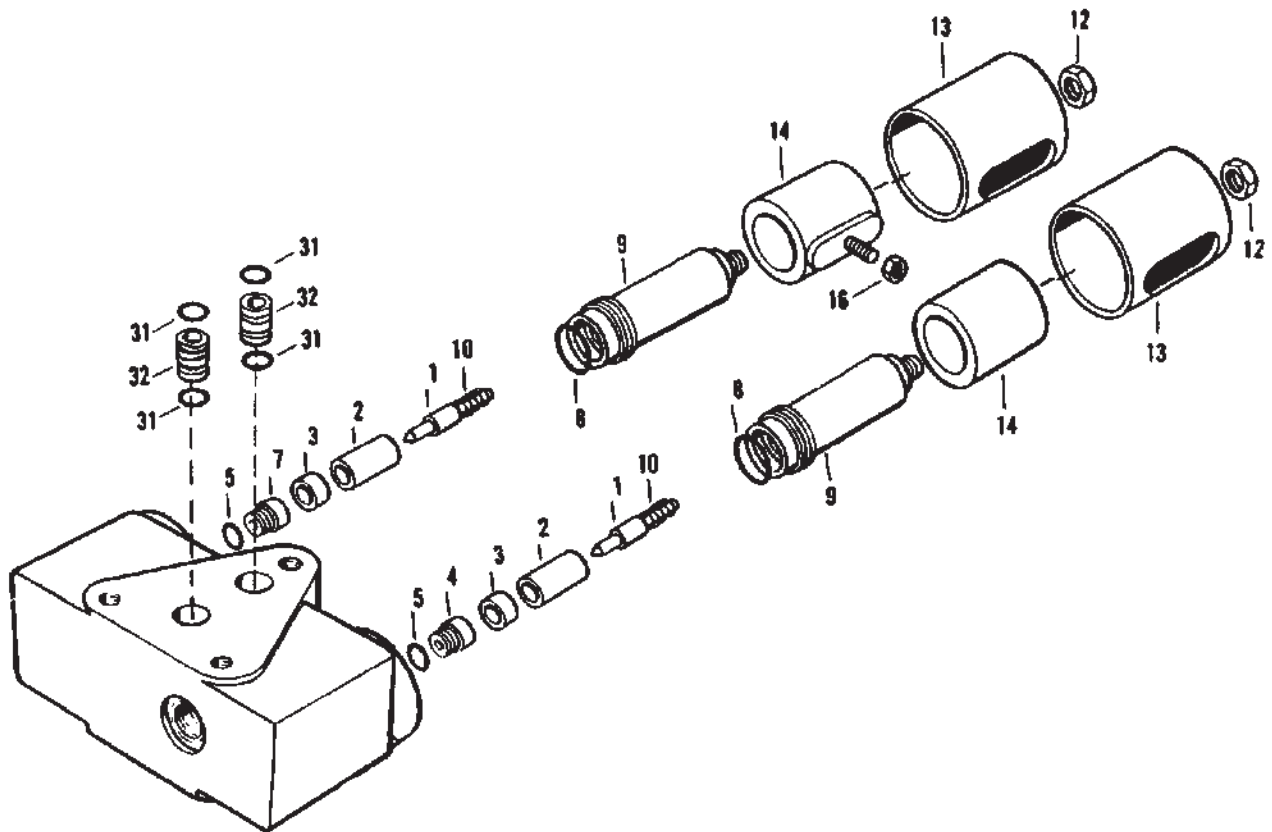
469

**HEADER LIFT VALVE**

ITEM	NUMBER	QTY	DESCRIPTION
-	71379325	1	VALVE ASSEMBLY, HEADER LIFT
1	-----	1	BODY (ORDER VALVE ASY, HEADER LIFT)
	1052370M91	2	TUBE/SPACER ASY.
	70924048	4	O-RING, .070 X .364 ID
	104145W91	1	PLUG
	70927903	2	O-RING, .070 X .176 ID
2	70926542	2	O-RING, .070 X .551 ID
3	103745W1	1	POPPET, RAISE
4	70923945	2	O-RING, .070 X .739 ID
5	103746W1	1	RETAINER, DASHPOT
6	70923846	1	O-RING, .070 X .489 ID
7	103797W1	1	POPPET, DASHPOT
8	1052337M1	2	SPRING
9	111089W1	1	STOP, ADJUSTABLE
10	70923943	1	O-RING, .070 X .114 ID
11	1052351M1	1	PLUG, ADJUSTING
12	70921205	2	O-RING, 90 DUR, .097 X .755 ID
13	353538X1	1	BOLT, HEX, 3/8-24 X 1
14	70916602	1	NUT, HEX, 3/8-24
15	70935902	3	O-RING (VITON) .070 X .801 ID
16	70935830	1	PLUG, INT. HEX, 9/16-18 ORB
	70921885	1	O-RING, .078 X .468 ID
17	1052349M1	2	ORIFICE, FLOW
18	103747W1	1	POPPET, LOWER
19	103753W1	1	POPPET
20	1052394M1	1	SPRING, PLUG
21	70928605	1	PLUG, HEX SOCKET, 7/16-20 ORB
	70921883	1	O-RING, .072 X .351 ID
22	104128W1	1	POPPET
23	103789W1	1	SPRING
24	104130W91	1	PLUG ASSEMBLY
	70921881	1	O-RING, .064 X .239 ID
25	71188503	3	COVER, COIL
26	71188504	3	COIL
27	103796W1	1	ADJUSTABLE VALVE STOP
28	103754W1	1	CAP, END
29	70921333	1	BOLT, HEX, 5/16-18 UNC X 1
30	70917372	1	NUT, HEX 5/16-18 UNC
31	70915314	3	NUT, STAMPED, 1/2-20
36	104139W91	3	SLEEVE ASSEMBLY
37	71174718	2	SPRING, PLUG
38	71176951	3	POPPET
39	71365101	3	ARMATURE
40	71176964	3	POLE PIECE
41	1052341M1	1	ORIFICE, .104
42	70926356	4	O-RING, .070 X .239 ID
43	71176962	3	WASHER
44	1073032M1	1	SPRING, PLUG (RAISE ONLY)
45	71184415	1	ORIFICE, .055 (RAISE ONLY)
46	71184418	1	ORIFICE, .040 (LOWER ONLY)

MC00233  
PR: 346

REEL LIFT VALVE



CHALLENGER 670 COMBINE  
HYDRAULICS

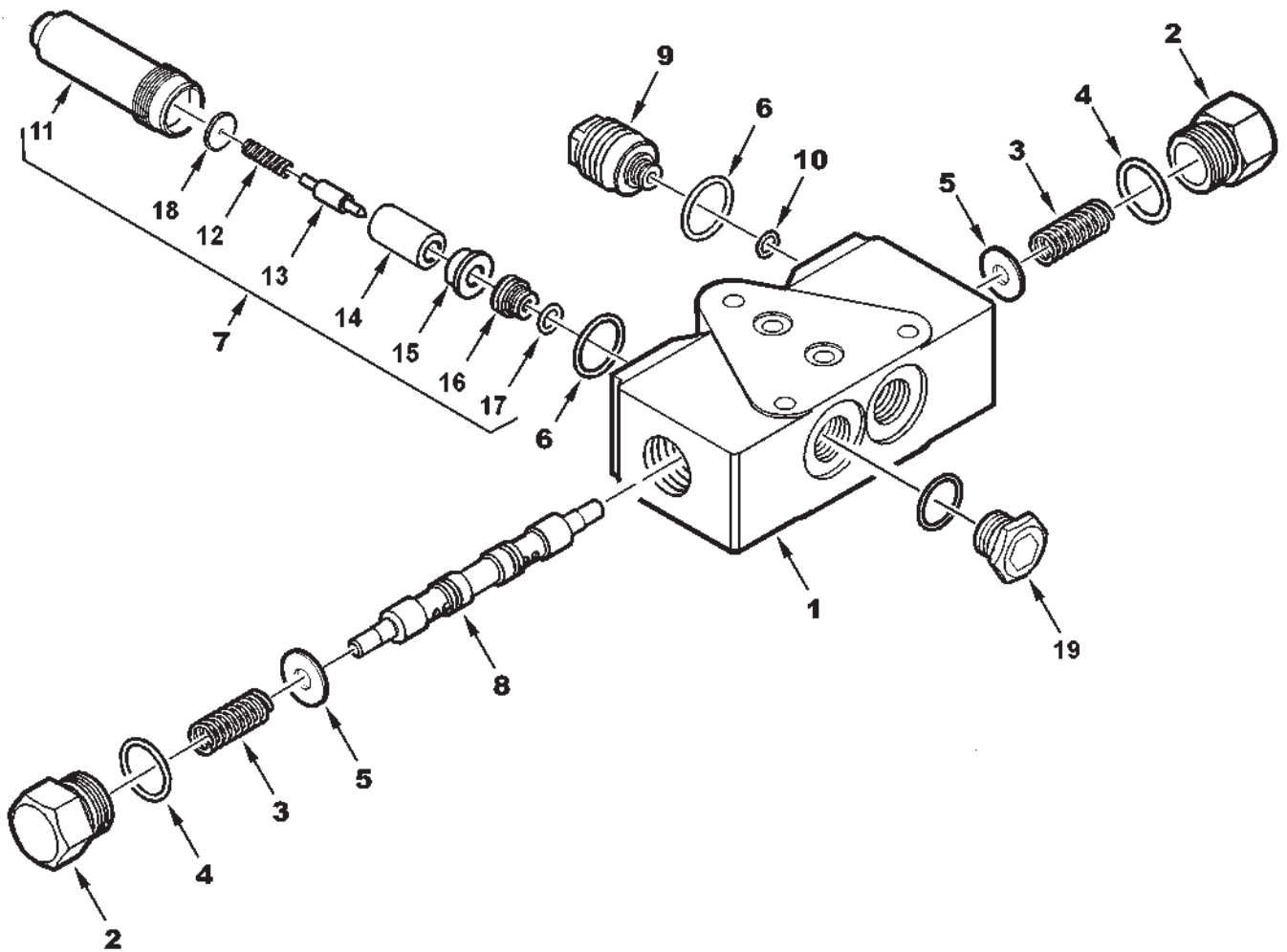
471

REEL LIFT VALVE

ITEM	NUMBER	QTY	DESCRIPTION
-	103766W92	2	REEL LIFT VALVE ASSEMBLY
1	71176951	2	POPPET
2	71176963	2	ARMATURE
3	71176964	2	POLE PIECE
4	71184418	1	ORIFICE, .040, RAISE
5	70926356	2	O-RING, .070 X .239 ID
7	1052384M1	1	ORIFICE, .048, LOWER
8	70930897	2	O-RING, .070 X .801 ID
9	1052359M91	2	SLEEVE ASSEMBLY
10	1073032M1	2	SPRING
12	353438X1	2	PALNUT
13	71188503	2	COVER, COIL
14	71188504	2	COIL
16	1500268M1	2	NUT, HEX BRASS, #10-32 UNF
31	70924048	4	O-RING, .070 X .364 ID
32	1052370M91	2	THRU-TUBE ASSEMBLY (INCL. 2 OF ITEM 31)

MC00112  
PR: 348

FEEDER REVERSER VALVE



**CHALLENGER 670 COMBINE  
HYDRAULICS**

473

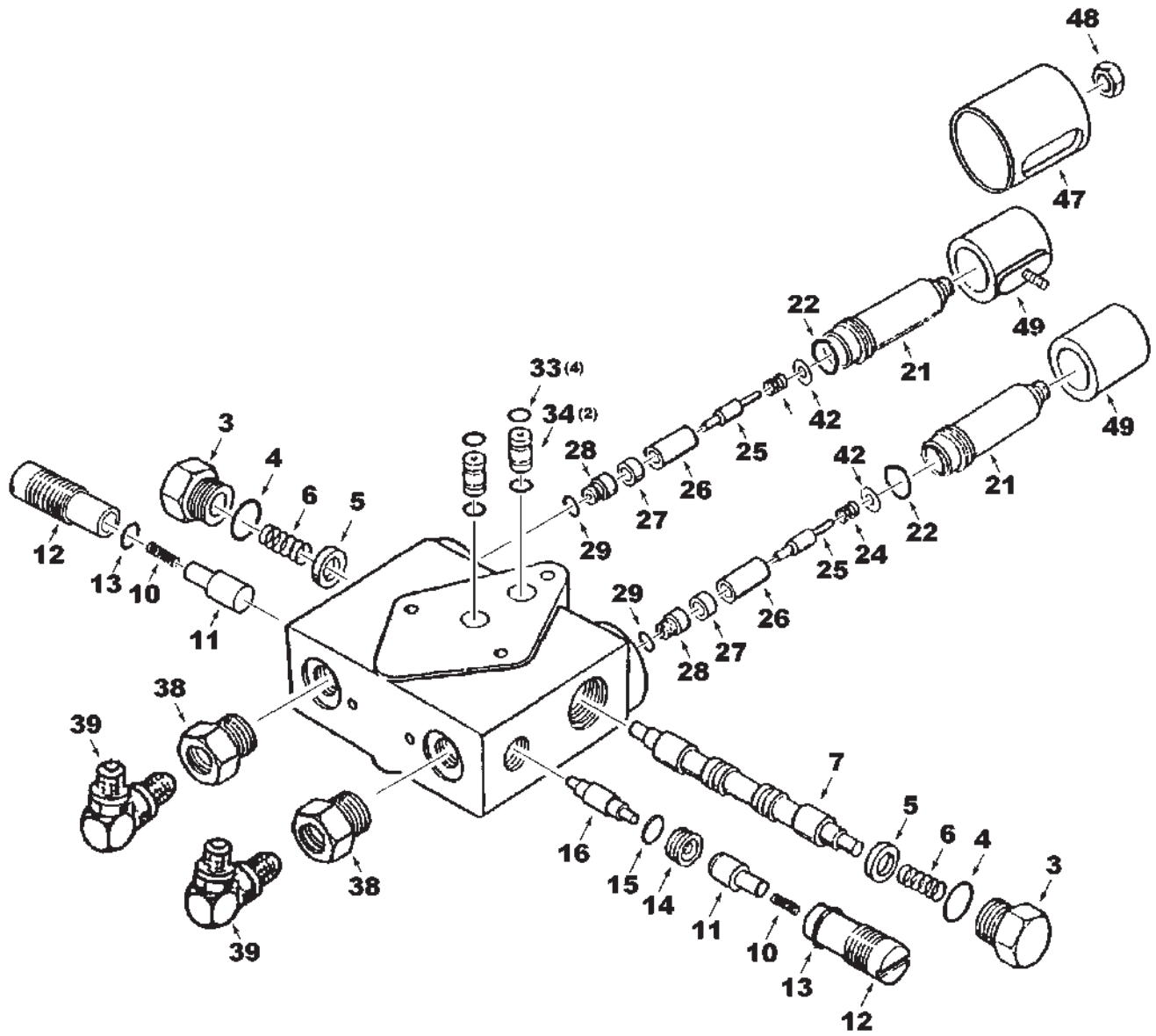
**FEEDER REVERSER VALVE**

ITEM	NUMBER	QTY	DESCRIPTION
-	71389747	--	VALVE ASY. FEEDER REVERSER, W/COIL (INCL. FOLLOWING 4 ITEMS)
-	71188504	1	COIL, 6V, W/DIODE
-	71188503	1	COVER, COIL
-	70915314	1	NUT, STAMPED, 1/2-20
-	71386557	1	VALVE ASY. FEEDER REVERSER, W/O COIL (INCL. ITEMS 1-10)
1	-----	--	BODY, VALVE (ORDER COMPLETE ASSEMBLY)
2	71184401	2	END CAP, HEX
3	71184409	2	SPRING
4	70921205	2	O-RING, .097 X .755 ID
5	71300327	2	RETAINER, SPRING
6	70935902	2	* O-RING, VITON, .070 X .801 ID
7	71374785	1	PILOT ASY, NORMALLY CLOSED (INCL. ITEMS 11-18)
8	71502674	1	SPOOL
9	71386572	1	PLUG, STACK
10	70926356	1	O-RING, .070 X .239 ID
11	104139W91	1	SLEEVE ASY, THREADED
12	71174718	1	SPRING
13	71361243	1	* POPPET, NORM. CLOSED
14	71365101	1	ARMATURE
15	71176964	1	POLE PIECE
16	71184418	1	* ORIFICE, .040 DIA
17	70926356	1	* O-RING, .070 X .239 ID
18	71176962	1	WASHER
19	70927999	1	PLUG, HEX SOCKET HD, 3/4-16 ORB
	70921349	1	O-RING, .087 X .644 ID
-	71361312	AR	POPPET KIT, PILOT ASY (INCL ITEMS W/ *)

71386557  
PR: 350



UNLOADER SWING VALVE



**CHALLENGER 670 COMBINE  
HYDRAULICS**

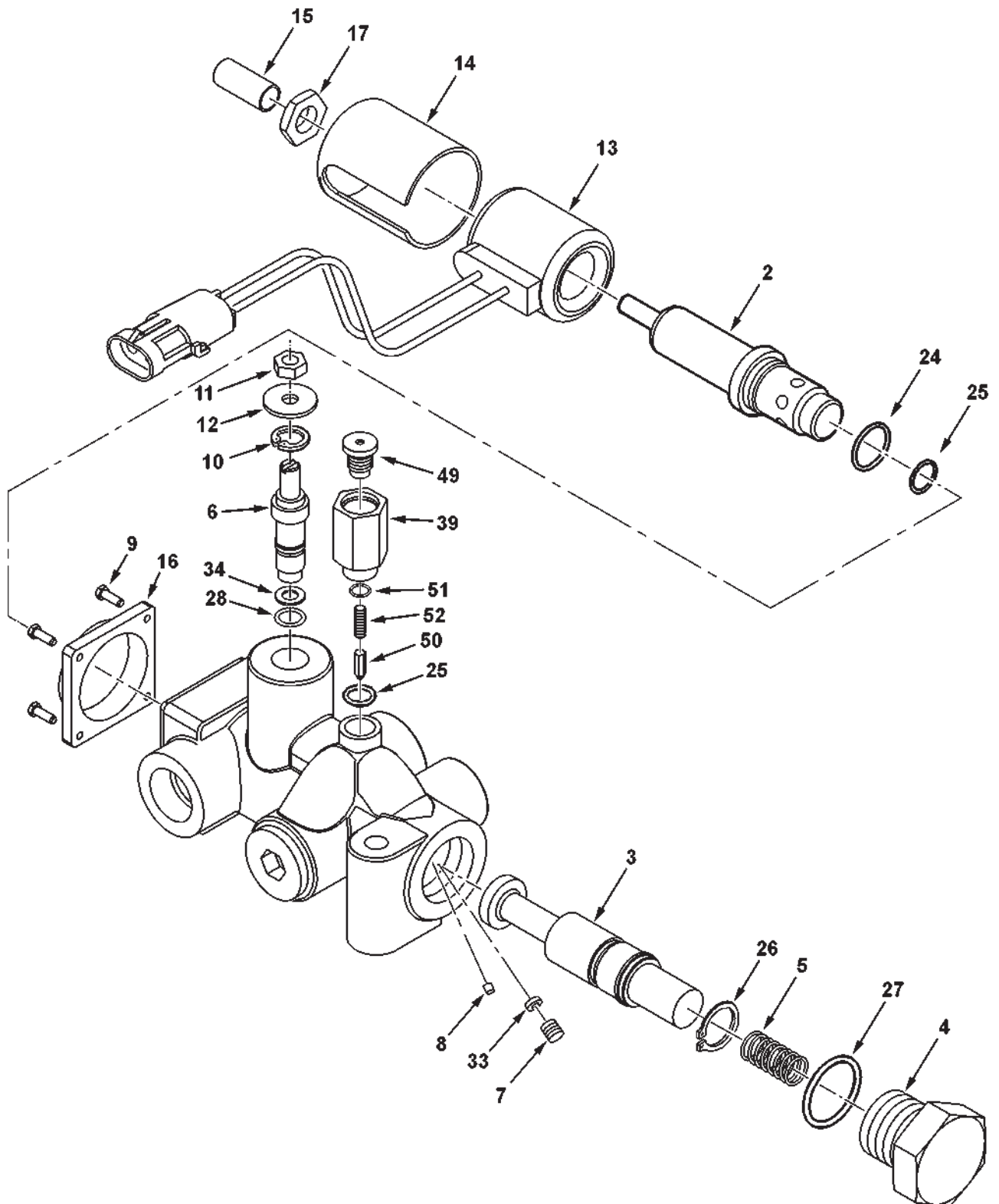
475

**UNLOADER SWING VALVE**

ITEM	NUMBER	QTY	DESCRIPTION
-	116465W91	1	VALVE, MODULE ASSEMBLY
2	-----	1	BODY, VALVE (ORDER VALVE, MODULE ASY.)
3	105068W1	2	PLUG, VALVE CAP
4	70921205	2	O-RING, .097 X .755 ID
5	1052390M1	2	RETAINER, SPRING
6	71374794	2	SPRING, SPOOL
7	105076W1	1	SPOOL, VALVE
10	71374790	2	SPRING
11	105085W1	2	POPPET
12	105084W1	2	END CAP, RETAINER
13	70927974	2	O-RING, .103 X .612 ID
14	1055944M1	2	SEAT
15	70923841	2	O-RING, .070 X .489 ID
16	71374793	1	SPOOL, SHUTTLE
21	105077W1	2	SLEEVE ASSEMBLY
22	70935902	2	O-RING, .070 X .801 ID, VITON
24	1052358M1	2	SPRING, POPPET
25	1052393M1	2	POPPET
26	105078W1	2	ARMATURE
27	71176964	2	POLE PIECE
28	71184418	2	ORIFICE, .040
29	70926356	2	O-RING, .070 X .239 ID
33	70924048	6	O-RING, .070 X .364 ID
34	1052370M91	2	THRU-TUBE ASSEMBLY (INCL. 2 OF ITEM 33)
38	70930777	2	REDUCER, 3/4-16 ORB M X 9/16-18 ORB FEM
	70921349	2	O-RING, .087 X .644 ID
39	70925011	2	ELBOW, 90 DEG, 9/16-18 ORB X 7/16-20 JIC
	70921885	2	O-RING, .078 X .468 ID
42	1052408M1	2	WASHER, BRASS
47	71188503	2	COVER, COIL
48	70915314	2	PALNUT, 1/2-20
49	71188504	2	COIL
50	364076X1	1	BOLT, HEX, 1/4-20 UNC X 3-1/2 LG (NOT ILLUSTRATED)

MC00114  
PR: 352

REEL DRIVE VALVE



CHALLENGER 670 COMBINE  
HYDRAULICS

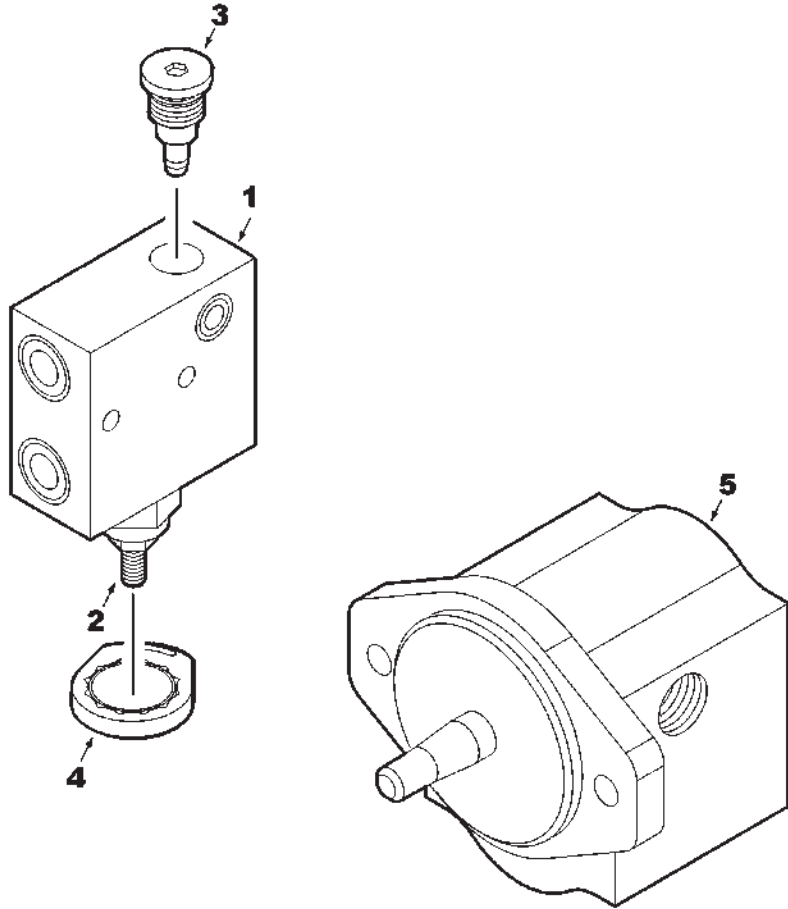
477

REEL DRIVE VALVE

ITEM	NUMBER	QTY	DESCRIPTION
-	104135W91	1	VALVE ASSEMBLY, REEL DRIVE
1	-----	1	BODY (ORDER VALVE ASY, REEL DRIVE) (NOT ILLUSTRATED)
2	71361368	1	BODY/BUSHING ASSEMBLY
3	104502W1	1	SPOOL
4	104503W1	1	CAP, SPRING
5	71361357	1	SPRING
6	104505W1	1	PINTEL, MANUAL OVERRIDE
7	71361361	1	ORIFICE ASSEMBLY.025
8	71302422	1	ORIFICE .031
9	71361355	4	BOLT, HEX SOCKET #10-32 UNF X 1/2
10	104512W1	1	RING, RETAINING
11	353919X1	1	NUT, HEX JAM 1/4-28 UNF
12	70917377	1	WASHER, WIDE FLAT 1/4
13	71361358	1	COIL, CONNECTOR ASSEMBLY
14	71188503	1	COVER
15	71362539	1	CAP, PROTECTOR
16	71361359	1	PLATE, MOUNTING
17	353438X1	1	PALNUT
18	70924622	1	PLUG, HEX SOCKET HD, 7/8-14 ORB
	70921205	1	O-RING, .097 X .755 ID
24	70921205	1	O-RING, .097 X .755 ID
25	70921885	2	O-RING, .078 X .468 ID
26	71361367	1	RING, RETAINING
27	70921206	1	O-RING, .116 X .924 ID
28	70923558	1	O-RING, .070 X .239, 75 DURO
33	104510W1	1	SCREEN
34	71361364	1	RING, BACK-UP
39	104508W1	1	CAP, LOAD SENSE END
49	104509W1	1	CAP, END
50	104128W1	1	POPPET
51	70921881	1	O-RING, .064 X .239 ID
52	103789W1	1	SPRING

MC00111A  
PR: 354

ROTARY SCREEN VALVE & MOTOR



**CHALLENGER 670 COMBINE  
HYDRAULICS**

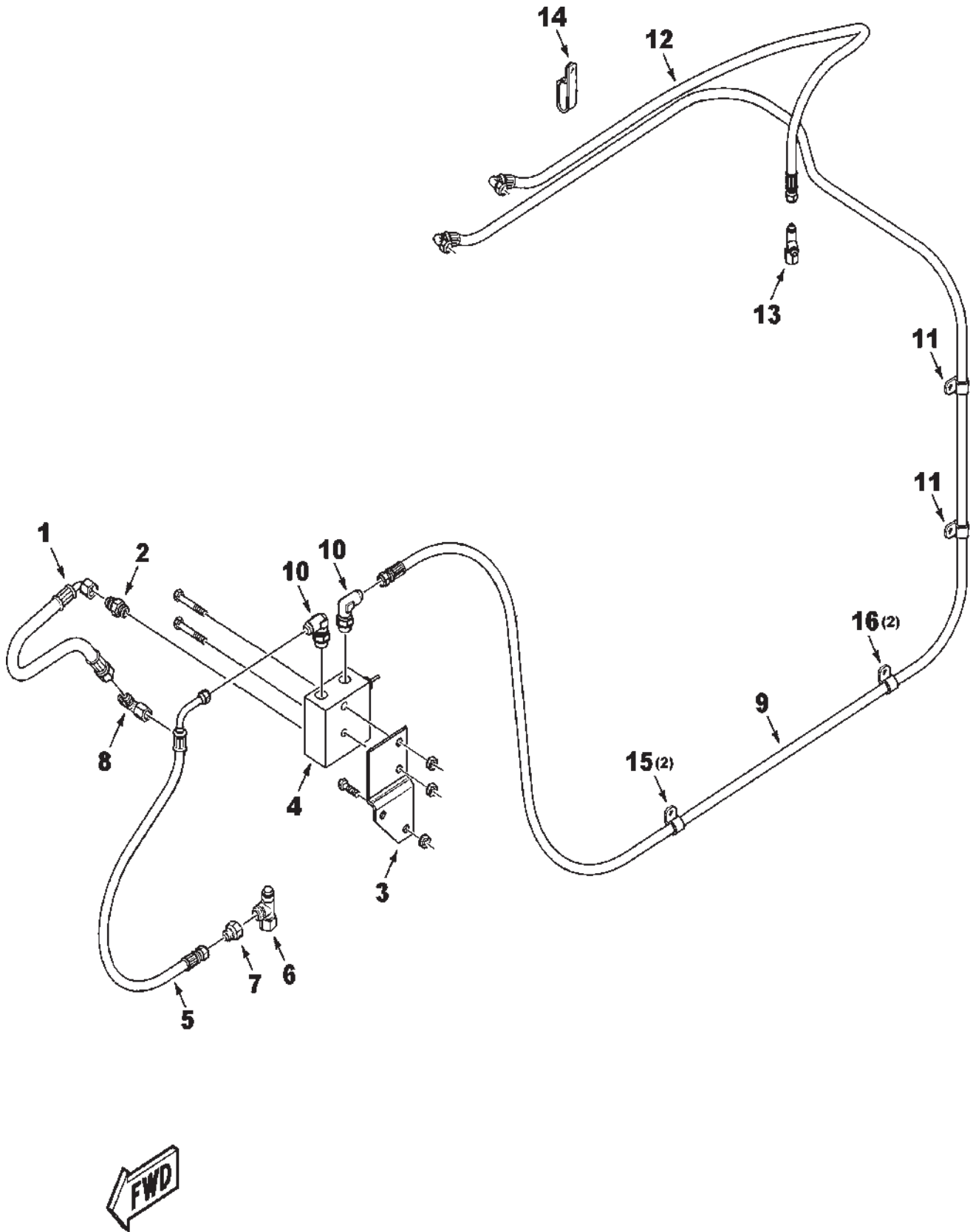
**479**

**ROTARY SCREEN VALVE & MOTOR**

ITEM	NUMBER	QTY	DESCRIPTION
1	71396267	1	VALVE, ROTARY SCREEN (INCL ITEMS 2,3,4)
2	71397492	1	CARTRIDGE ASY., FLOW REGULATOR
-	700724693	AR	SEAL KIT, FOR ITEM 2
3	71389743	1	CARTRIDGE ASY., CHECK VALVE
-	700726979	AR	SEAL KIT, FOR ITEM 3
4	71397493	1	LOCK KIT, W/ SCREW
5	71396755	1	HYDRAULIC MOTOR (NOTE: INDIVIDUAL COMPONENTS ARE NOT SERVICED EXCEPT FOR SEAL KIT.)
-	71396758	1	SEAL KIT, HYDRAULIC MOTOR

MC00337  
PR: 356

ROTARY SCREEN MOTOR LINES



**CHALLENGER 670 COMBINE  
HYDRAULICS**

481

**ROTARY SCREEN MOTOR LINES**

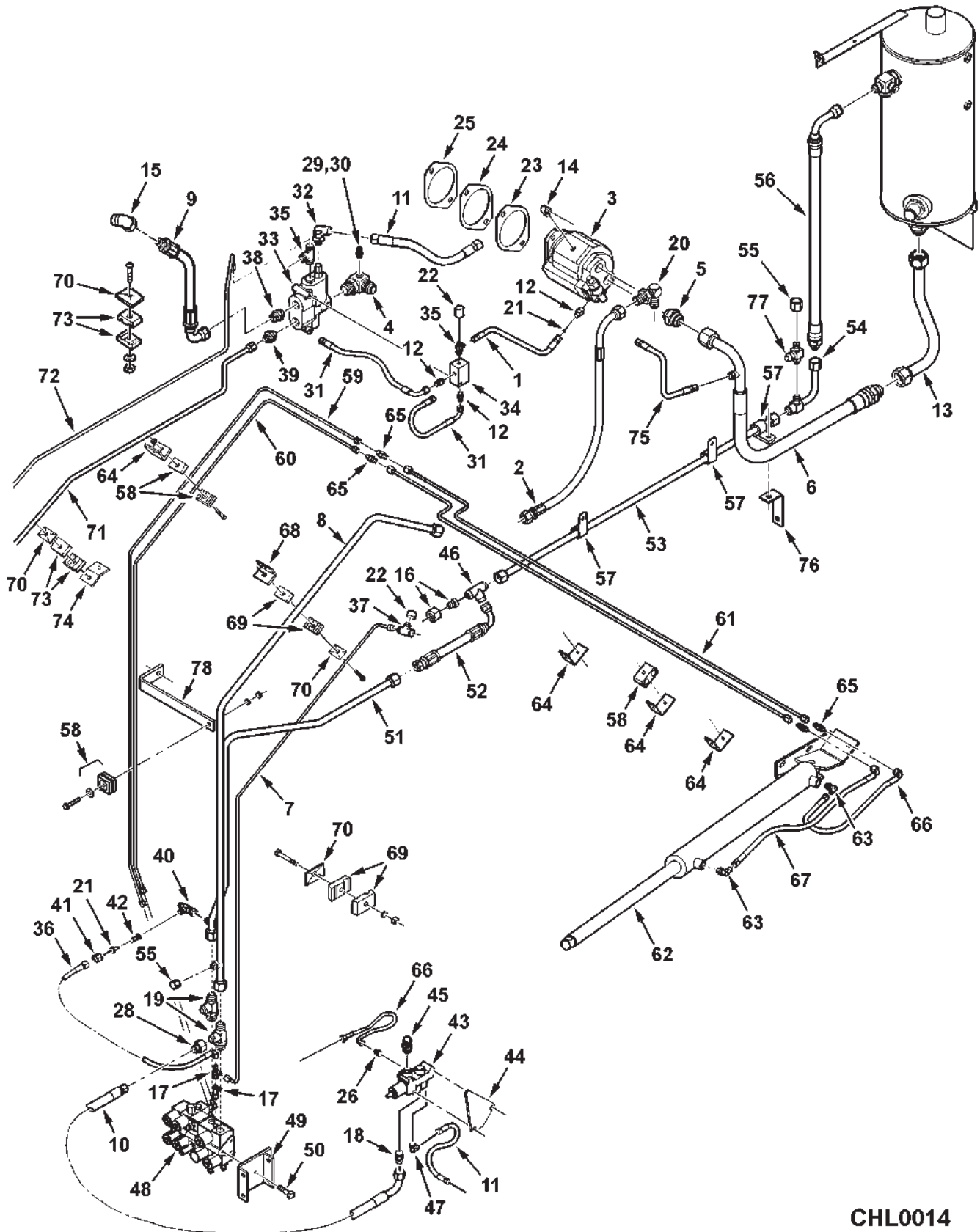
ITEM	NUMBER	QTY	DESCRIPTION
1	71373538	1	HOSE ASY., LOAD SENSE
2	700701356	1	STR CONNECTOR, 7/16-20, JIC X ORB
	70921883	1	O-RING, .072 X .351 ID
3	71396264	1	BRACKET, ROTARY SCREEN VALVE
	70921333	2	CAPSCREW, 5/16-18 X 1
	70917356	2	LOCKWASHER, 5/16
	70917372	2	NUT, HEX 5/16-18
4	71396267	1	VALVE, ROTARY SCREEN
	70921978	2	CAPSCREW, 5/16-18 X 2 GR5
	70917356	2	LOCKWASHER, 5/16
	70917372	2	NUT, HEX 5/16-18
5	700719105	1	HOSE ASY., ROTARY SCREEN SUPPLY
6	70925468	1	TEE, SWIVEL RUN, 7/8-14 JIC
7	70930224	1	REDUCER FTG., 7/8-14 JIC X 9/16-18 JIC
8	700701355	1	TEE, SWIVEL RUN, 7/16-20 JIC
9	71396265	1	HOSE ASY., PRESS. TO ROTARY SCR BLKHD
10	70922523	2	ELBOW, 90 DEG 9/16-18, JIC X ORB
	70921884	2	O-RING, .078 X .468 ID
11	70925619	2	CLAMP, .69 DIA X .406 HOLE
	Y702951	2	CAPSCREW, 3/8-16 X 3/4 LG
	705038	2	LOCKWASHER, 3/8
	70916950	2	NUT, HEX 3/8-16
12	71396266	1	HOSE ASY., ROTARY SCREEN BLKHD TO TANK
	70937133	2	TIE, SELF LOCKING, .300 X 14.5
13	70921298	1	TEE, SWIVEL RUN, 3/4-16 JIC
14	70928148	1	CLAMP, DOUBLE .750 TUBE X .406 HOLE
	Y702951	1	CAPSCREW, 3/8-16 X 3/4 LG
	705038	1	LOCKWASHER, 3/8
	70916950	1	NUT, HEX 3/8-16
15	70927134	2	J-CLIP, .62 X .406 HOLE
16	70937682	2	J-CLIP, .75 X .656 HOLE

MC00335  
PR: 358



CHALLENGER 670 COMBINE  
HYDRAULICS

HYDRAULIC PUMP & LINES



CHL0014

**CHALLENGER 670 COMBINE  
HYDRAULICS**

483

**HYDRAULIC PUMP & LINES**

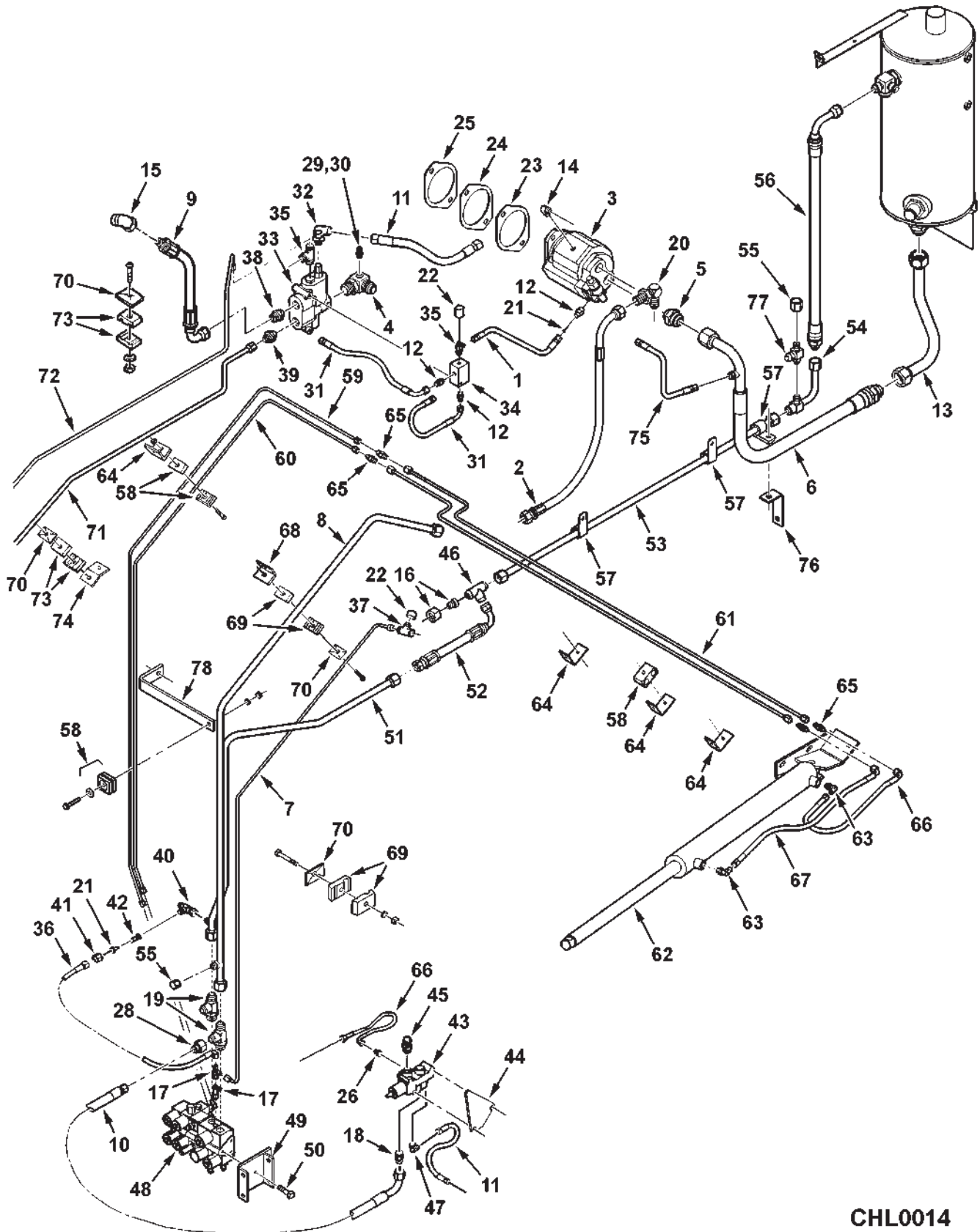
ITEM	NUMBER	QTY	DESCRIPTION
1	71392879	1	HOSE ASY, PUMP LS, 1/4
2	71392882	1	HOSE ASY, PUMP PRESSURE
3	71396996	1	PUMP, HYDRAULIC PISTON
	393761X1	2	CAPSCREW, M12-1.75 X 95
	1705037	2	WASHER, M12 PLAIN
	3009695X1	2	NUT, M12-1.75 REG
4	72526244	1	ELBOW, 90 DEG SPL, 1-5/16-12 JIC X ORB
	70921214	1	O-RING, .116 X 1.17 ID
5	70923343	1	STR CONN, 1-5/8-12 JIC X 1-5/8-12 ORB
	70921235	1	O-RING, .118 X 1.475 ID
6	71394139	1	HOSE ASY, PUMP SUCTION
7	112041W1	1	TUBE ASY, VALVE, LS (PRIOR MID. S/N HN36)(SERVICE W/71399150)
	71399150	1	TUBE ASY, VALVE, LS (EFF. MID S/N HN36...)
8	71394168	1	TUBE ASY, PRESS TO VALVE (PRIOR MID. S/N HN36)(SERVICE W/71399149)
	71399149	1	TUBE ASY, VALVE (EFF. MID. S/N HN36)
9	101588M1	1	HOSE ASY, PRIORITY VALVE OUT, 5/8
10	112050W1	1	HOSE ASY, PRESS TO REEL DRIVE VALVE
11	101650M1	2	HOSE ASY, PRIORITY VALVE RETURN
12	700701356	3	STR CONN, 7/16-20 JIC X 7/16-20 ORB
	70921883	1	O-RING, .072 X .35 ID
13	71394140	1	TUBE ASY, PUMP SUCTION
14	70922523	1	ELBOW, 90 DEG, 9/16-18 JIC X 9/16-18 ORB
	70921885	1	O-RING, .078 X .468 ID
15	70919624	1	ELBOW, 90 DEG, 1-1/16-12, MALE X SWIV FEM (PRIOR MID. S/N HN36)(USED W/TUBE ASY. 71394168)
16	70925852	1	REDUCER, 1-1/16-12 JIC X 9/16-18 MALE
	70919197	1	TUBE NUT, 1-1/16-12
17	700701355	2	TEE, SWIVEL RUN, 7/16-20 JIC
18	70921326	1	STR CONN, 7/8-14 JIC X ORB
	70921205	1	O-RING, .097 X .755 ID
19	70922181	2	TEE, ADJ ORB RUN, 1-1/16-12 JIC X ORB
	70921206	2	O-RING, .116 X .924 ID
20	70922632	1	ELBOW, 90 DEG, 1-1/16-12 JIC X 1-5/16 ORB (PRIOR S/N HR36101)
	70935768	1	STR CONN, 1-1/16-12 X 1-5/16-12 ORB (EFF. S/N HR36101)
	70921214	1	O-RING, .116 X 1.17 ID
21	286501M1	2	CONE FILTER, 1/4
22	700715848	2	CAP, 7/16-20 JIC
23	9H-8872	1	GASKET (CAT: SUPPLIED)
24	7C-1289	1	ADAPTOR (CAT: SUPPLIED)
25	135-9819	1	SEAL
26	70926292	1	STR CONN, 7/16-20 JIC X 9/16-18 ORB
	70921885	1	O-RING, .078 X .468 ID
28	700701744	1	REDUCER, 1-1/16-12 JIC X 3/4-16 MALE
29	71379303	1	COUPLER, DIAGNOSTIC
30	71379304	1	DUST CAP, HYD COUPLER
31	116640W1	2	HOSE ASY, SHUTTLE VALVE
32	70930510	1	ELBOW, 90 DEG, 9/16-18 JIC X 7/16-20 ORB
	70921883	1	O-RING, .072 X .35 ID

CONTINUED

CHL0014  
PR: 360

CHALLENGER 670 COMBINE  
HYDRAULICS

HYDRAULIC PUMP & LINES



**CHALLENGER 670 COMBINE  
HYDRAULICS**

485

**HYDRAULIC PUMP & LINES**

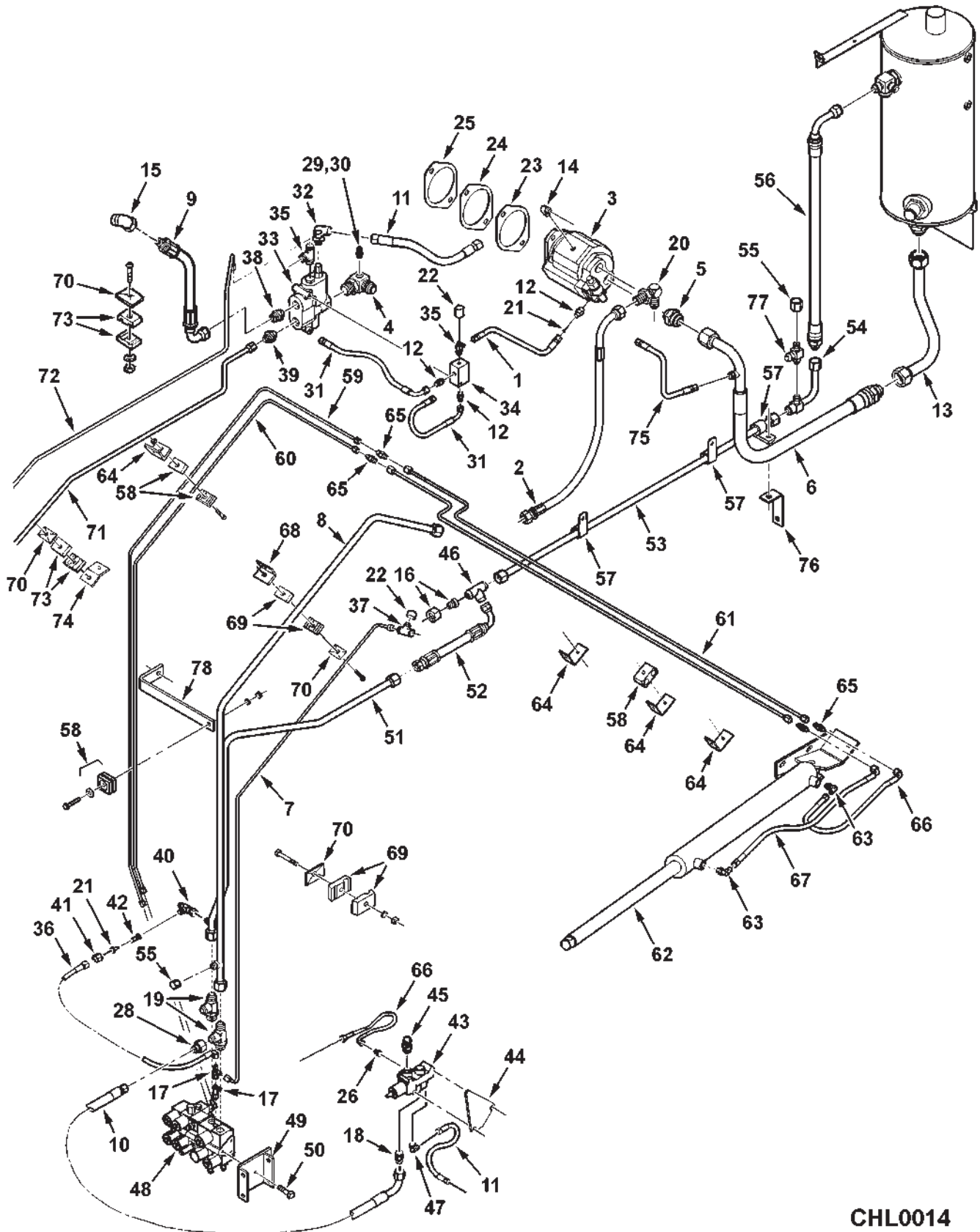
ITEM	NUMBER	QTY	DESCRIPTION
33	71391453	1	VALVE, PRIORITY FLOW DIVIDER
	772418	1	CAPSCREW, 5/16-18 X 3-1/2 GR5
	873026	1	CAPSCREW, 5/16-18 X 4-1/2 GR5
	70917372	1	NUT, 5/16-18 REG
	70917356	1	LOCKWASHER, 5/16 REG
34	72525468	1	VALVE, SHUTTLE
35	70924783	2	TEE, ADJ ORB RUN, 7/16-20 JIC X ORB
	70921883	1	O-RING, .072 X .35 ID
36	71373538	1	HOSE ASY, LS DRAIN, 1/4
37	700701350	1	TEE, UNION, 7/16-20 JIC
38	70935768	1	STR CONN, 1-1/16-12 JIC X 1-5/16-12 ORB
	70921214	1	O-RING, .116 X 1.17 ID
39	700701753	1	STR CONN, 3/4-16 JIC X 1-1/16-12 ORB
	70921206	1	O-RING, .116 X .924 ID
40	70921297	1	TEE, SWIVEL RUN, 9/16-18 JIC
41	846204	1	TUBE NUT, 9/16-18
42	116644W1	1	FITTING, ORIFICE, 7/16-20 JIC
43	104135W91	1	VALVE, REEL DRIVE
	70921719	2	CAPSCREW, 5/16-18 X 2-1/2 GR5
	70917372	2	NUT, 5/16-18 REG
	70917356	2	LOCKWASHER, 5/16 REG
44	71386414	1	PLATE, VALVE MTG
	70921332	2	CAPSCREW, 5/16-18 X 3/4 GR5
	70917372	2	NUT, 5/16-18 REG
	70917356	2	LOCKWASHER, 5/16 REG
45	70921327	1	ELBOW, 90 DEG, 7/8-14 JIC X ORB
	70921205	1	O-RING, .097 X .755 ID
46	700701814	1	TEE, UNION, 1-1/16-12 JIC
47	70922523	1	ELBOW, 90 DEG, 9/16-18 JIC X 9/16-18 ORB
	70921885	1	O-RING, .078 X .468 ID
48	-----	1	VALVE STACK ASY (SEE BREAKDOWN)
49	108910W91	1	BRACKET WLDMT, VALVE
	70921176	4	CAPSCREW, 1/2-13 X 1-1/4 GR5
	Y705046	4	LOCKWASHER, 1/2 REG
	704031	4	NUT, 1/2-13 REG
50	70927340	3	CAPSCREW, 1/4-20 X 3/4 GR8
	353769X1	3	WASHER, HARD, 1/4
51	112174W1	1	TUBE ASY, RETURN (PRIOR S/N HR36101)
	700727622	1	TUBE ASY, RETURN (EFF. S/N HR36101)
52	71394161	1	HOSE ASY, RETURN (PRIOR S/N HR36101)
	700727621	1	HOSE ASY, RETURN (EFF. S/N HR36101)
53	2629720W1	1	TUBE ASY,RTRN TO TANK(PRIOR S/N HP36101)
	71398138	1	TUBE ASY,RTRN TO TANK (EFF. S/N HP36101)
54	71388085	1	TUBE ASY,RTRN TO TANK(PRIOR S/N HP36101)
	71398142	1	TUBE ASY,RTRN TO TANK (EFF. S/N HP36101)
55	70923737	2	CAP, 3/4-16 JIC
56	71388086	1	HOSE ASY, RETURN TO TANK, 3/4
57	70926049	3	CLAMP, 3/4 DIA X .406 HOLE
	Y702951	2	SCR,HX WSHR HD,TAPPING, 3/8-16 X 3/4
	70921977	1	CAPSCREW, 5/16-18 X 1-1/4 GR5
	Y705608	1	WASHER, 5/16 NARROW
	Y704726	1	NUT, HEX FLANGE TOP LOCK, 5/16-18

CONTINUED

CHL0014  
PR: 360

### CHALLENGER 670 COMBINE HYDRAULICS

#### HYDRAULIC PUMP & LINES



CHL0014

**CHALLENGER 670 COMBINE  
HYDRAULICS**

487

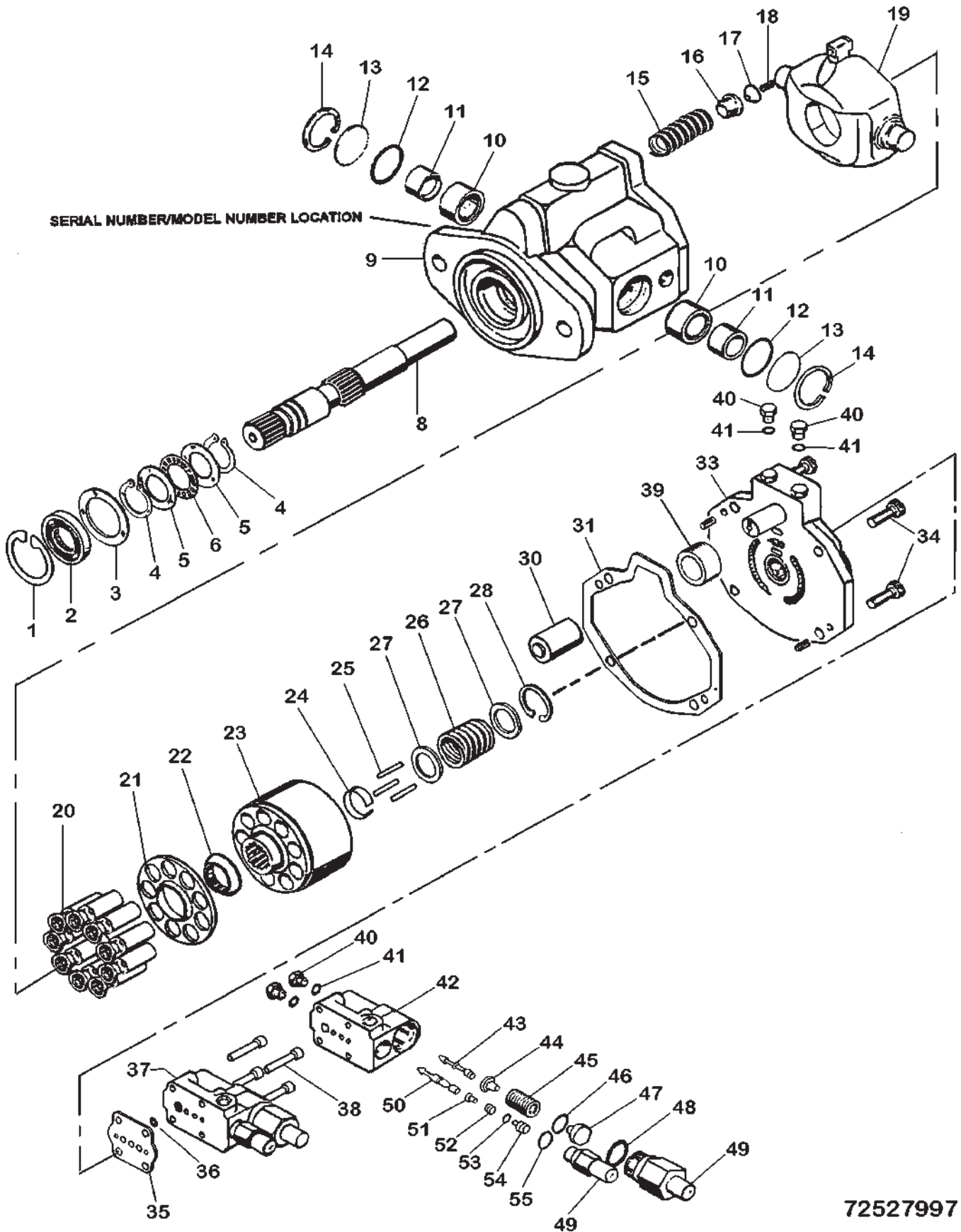
**HYDRAULIC PUMP & LINES**

ITEM	NUMBER	QTY	DESCRIPTION
58	148039M1	5	CLAMP PAIR, DOUBLE, 1/4 X 1/4 DIA
	70922837	5	CAPSCREW, 1/4-20 X 1-1/2
	700709601	6	WASHER, WIDE, 1/4
	704007	5	NUT, 1/4-20 REG
	705012	5	LOCKWASHER, 1/4 REG
59	112043W1	1	TUBE ASY, UNLDR SWING, VALVE LOWER, 1/4 (PRIOR MID. S/N HN36...)(SERVICE W/71401728)
	71401728	1	TUBE ASY, UNLDR SWING, VALVE LOWER, 1/4 (EFF. MID. S/N HN36...)
60	112044W1	1	TUBE ASY, UNLDR SWING, VALVE UPPER, 1/4 (PRIOR MID. S/N HN36...)(SERVICE W/71401727)
	71401727	1	TUBE ASY, UNLDR SWING, VALVE UPPER, 1/4 (EFF. MID. S/N HN36...)
61	71401726	2	TUBE ASY, UNLDR SWING
62	112785W92	1	HYD CYLINDER, UNLDR SWING (SEE BREAKDWN) (PRIOR S/N HN36101)
	71399143	1	HYD CYLINDER, UNLDR SWING (SEE BREAKDWN) (EFF. S/N HN36101)
63	700701834	2	ELBOW,90 DEG, 7/16-20 JIC X 9/16-18 ORB
	70921885	2	O-RING, .078 X .468 ID
64	101618M1	4	ANGLE BRACKET
	7703457	4	CAPSCREW, 1/4-20 X 3/4 GR5
	705012	4	LOCKWASHER, 1/4 REG
	704007	4	NUT, 1/4-20 REG
65	70919214	4	UNION CONN, 7/16-20 JIC
66	101590M1	1	HOSE ASY, 1/4
67	101598M1	1	HOSE ASY, 1/4
68	101643M91	1	ANGLE BRACKET
	70921332	1	CAPSCREW, 5/16-18 X 3/4 GR5
	70917372	1	NUT, 5/16-18 REG
	70917356	1	LOCKWASHER, 5/16 REG
69	101752M1	2	CLAMP PAIR, DOUBLE, 3/4 X 1/4 DIA
	70921159	1	CAPSCREW, 1/4-20 X 2-1/4 GR5
	7701485	1	CAPSCREW, 1/4-20 X 2 GR5
	705012	2	LOCKWASHER, 1/4 REG
	704007	1	NUT, 1/4-20 REG
70	101646M1	4	COVER PLATE
71	71391246	1	TUBE ASY, STEERING SUPPLY, 1/2
72	71391252	1	TUBE ASY, STRG LS, 1/4
73	101751M1	2	CLAMP PAIR, DOUBLE, 1/2 X 1/4 DIA
	7701485	2	CAPSCREW, 1/4-20 X 2 GR5
	705012	2	LOCKWASHER, 1/4 REG
	704007	2	NUT, 1/4-20 REG
74	112972W1	1	STRAP, TUBE SUPPORT
	70921332	1	CAPSCREW, 5/16-18 X 3/4 GR5
	70917372	1	NUT, 5/16-18 REG
	70917356	1	LOCKWASHER, 5/16 REG
75	71388081	1	HOSE ASY, DRAIN
76	71398139	1	ANGLE BRKT, TUBE SUPP'T(EFF S/N HP36101)
77	70921298	1	TEE, SWIVEL RUN, 3/4-16 JIC
78	71407464	1	STRAP, TUBE SUPPORT (EFF. S/N HR36101)

CHL0014  
PR: 360

CHALLENGER 670 COMBINE  
HYDRAULICS

HYDRAULIC PUMP





**CHALLENGER 670 COMBINE  
HYDRAULICS**

489

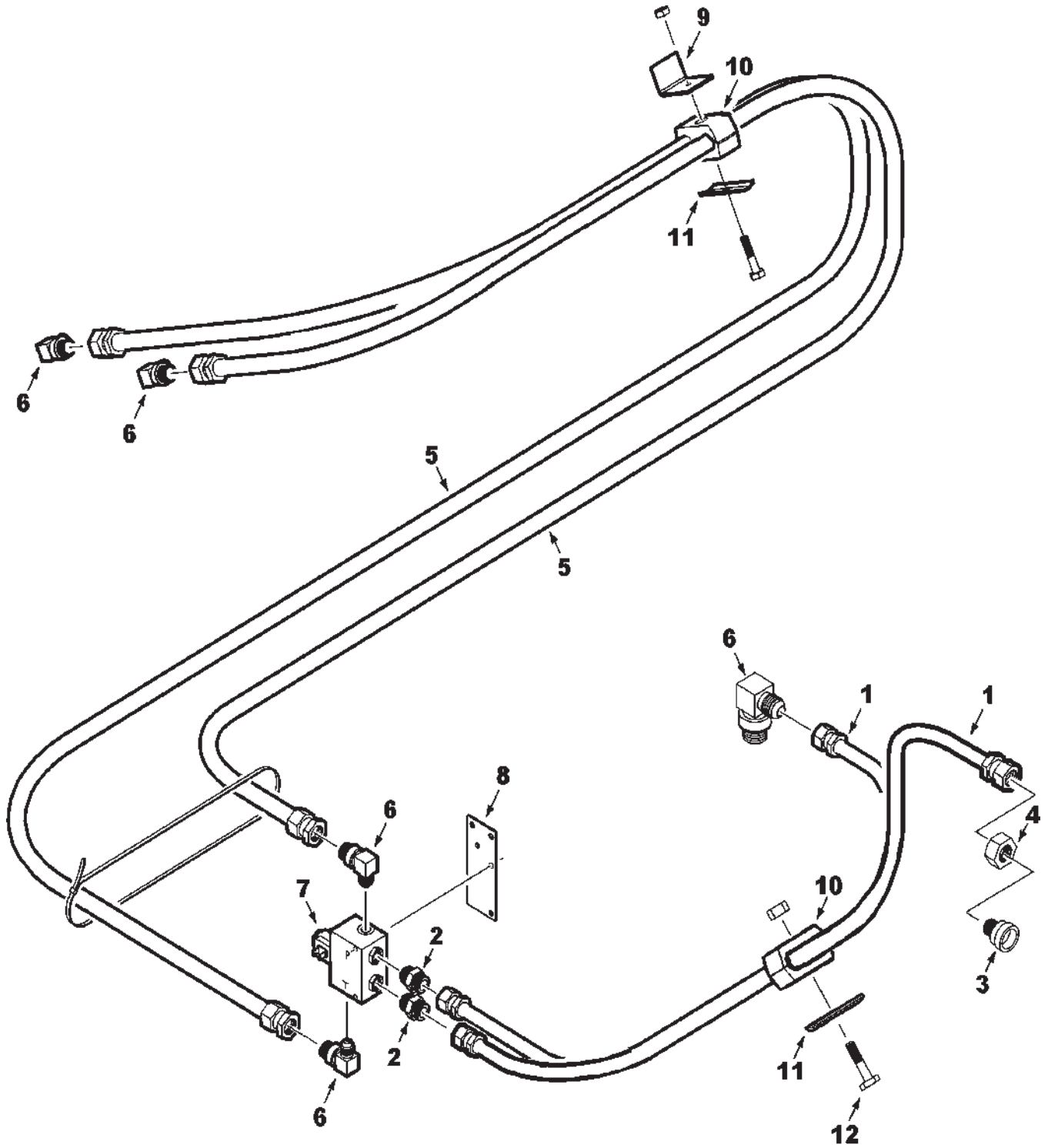
**HYDRAULIC PUMP**

ITEM	NUMBER	QTY	DESCRIPTION
-	71396996	1	PUMP ASSEMBLY
1	70927700	1	RING, RETAINING
2	70269723	1	SEAL, SHAFT
3	70269722	1	WASHER
4	72528008	2	RING, RETAINING
5	70933255	2	RACE, THRUST BEARING
6	70930441	1	BEARING, THRUST
7	72528004	1	COMPENSATOR
8	104456W1	1	SHAFT, DRIVE
9	72528022	1	HOUSING
10	71012174	2	BEARING, THRUST
11	700719785	2	RACE, INNER
12	70924791	2	O-RING, .103 X 1.424 ID, 75 DUR.
13	700719782	2	COVER, TRUNNION
14	7035983	2	RING, RETAINING
15	700719780	1	SPRING
16	700719784	1	COLLAR, SPRING
17	700719783	1	BUTTON, PIVOT
18	72528006	1	PIN, ROLL
19	72528024	1	CAMPLATE
20	-----	1	*KIT, PISTON (INCL. 9 PISTONS)
21	-----	1	*SPIDER
22	-----	1	*PIVOT, SPIDER
-	-----	--	*(SERVICE WITH #700706490 KIT ASY.)
23	700706490	1	KIT ASY., ROTATING
24	70267150	1	KEEPER, PIN
25	70267148	3	PIN, LOADING
26	70267155	1	SPRING
27	70261383	2	WASHER
28	355602X1	1	RING, RETAINING
30	72528025	1	PISTON
31	70267132	1	GASKET
33	700721382	1	BACKPLATE ASY
34	70920415	4	CAPSCREW, 3/8-16 X 1-1/4
35	70270210	1	GASKET
36	72528012	1	O-RING
37	700721383	1	COMPENSATOR ASY.
38	103714W1	4	CAPSCREW
39	-----	1	SPACER (NOT USED)
40	70935836	1	PLUG
41	70921882	1	O-RING, .064 X .301 ID, 90 DUR.
42	-----	1	BODY (NOT SERVICED)
43	-----	1	SPOOL, PRESSURE (NOT SERVICED)
44	70272357	1	CAP, SPRING PIVOT
45	70267167	1	SPRING
46	70935118	1	O-RING, VITON, .103 X .549 ID, 75 DUR.
47	70272358	1	FOLLOWER, FLOW SPRING
48	70935847	1	O-RING, VITON, .103 X .862 ID, 75 DUR.
49	-----	1	ADJUSTMENT CAP, PRESSURE (NOT SERVICED)
50	70272355	1	SPOOL, FLOW
51	70272361	1	PIVOT, SPRING
52	70272365	1	SPRING
53	70936498	1	O-RING, VITON, .070 X .208 ID, 90 DUR.
54	70272360	1	FOLLOWER, FLOW SPRING
55	70928488	1	O-RING, VITON, .078 X .468 ID, 90 DUR.

72527997  
PR: 366



UNLOADER ENGAGE LINES  
(PRIOR S/N HP36101)



**CHALLENGER 670 COMBINE  
HYDRAULICS**

491

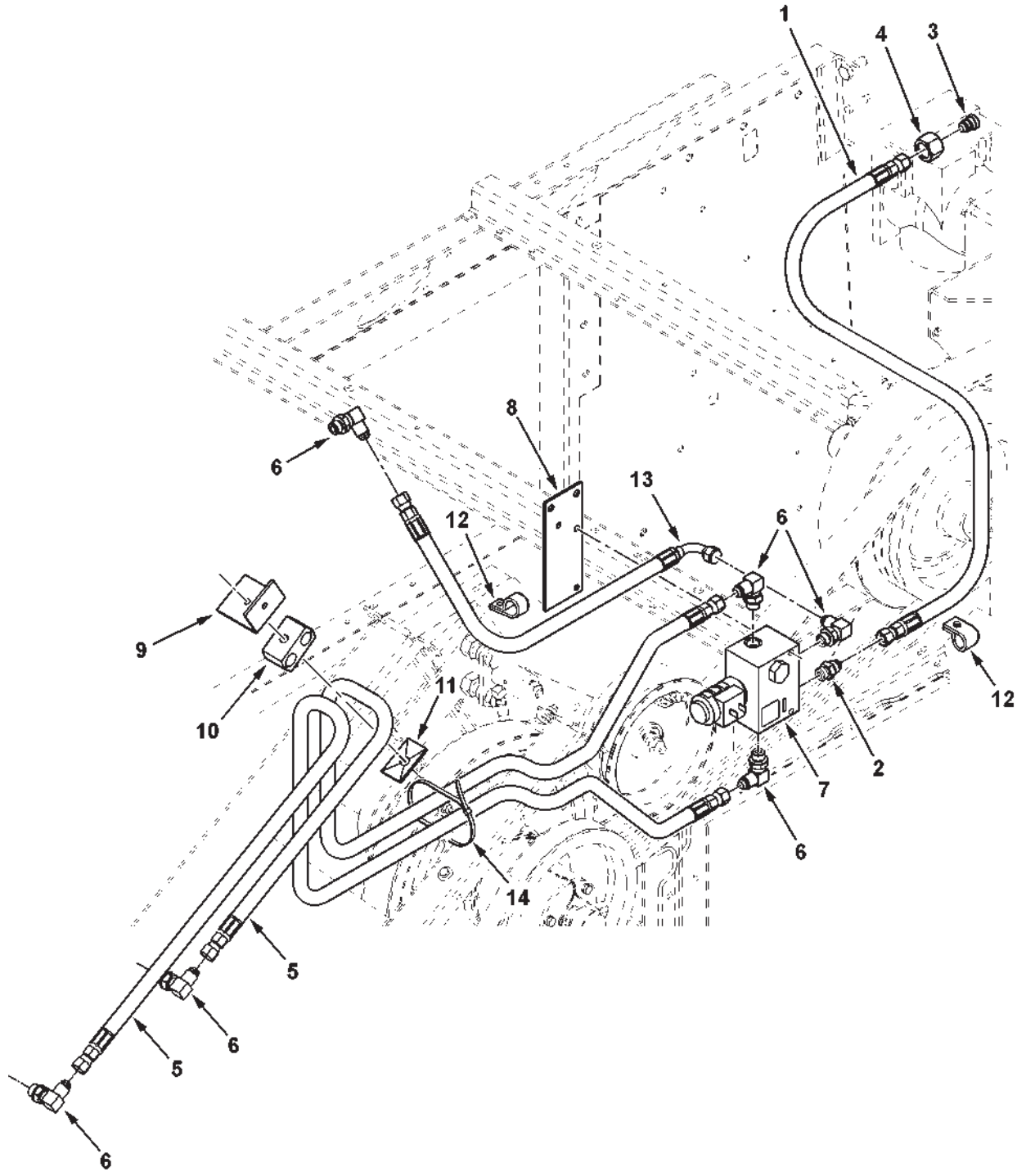
**UNLOADER ENGAGE LINES  
(PRIOR S/N HP36101)**

ITEM	NUMBER	QTY	DESCRIPTION
1	112027W1	2	HOSE ASY, 3/8 X 45"
2	846634	2	CONNECTOR, STRAIGHT, 9/16-18 JIC X ORB
	70921885	AR	O-RING, .078 X .468 ID
3	70925852	1	REDUCER FTG., 1-1/16-12 X 9/16-18 JIC
4	70919197	1	TUBE NUT, 1-1/16-12
5	71373403	2	HOSE ASY, 3/8 X 90"
	70937133	1	NYLON TIE, .30 X 14.5 LG
6	70922523	5	ELBOW, 90 DEG, 9/16-18, JIC X ORB
	70921885	AR	O-RING, .078 X .468 ID
7	108531W91	1	VALVE ASY. (SERVICE WITH 71407956)
	71407956	1	VALVE ASY.
	7701964	2	CAPSCREW, 1/4-20 X 2-1/2
	705012	2	LOCKWASHER, 1/4
	704007	2	NUT, 1/4 REG
8	108925W1	1	PLATE, VALVE MOUNT
	70921332	2	CAPSCREW, 5/16-18 X 3/4
	Y704726	2	LOCKNUT, HEX FLNG. TOP LOCK 5/16-18
9	101832M1	1	ANGLE BRACKET
	70921965	1	CAPSCREW, 3/8-16 X 3/4 GR5
	705038	1	LOCKWASHER, 3/8
	70916950	1	NUT, 3/8-16 REG
10	148203M1	2	CLAMP, DOUBLE, 5/8 X 5/8
11	101646M1	2	COVER PLATE
	7701485	1	CAPSCREW, 1/4-20 X 2 GR5
	705012	1	LOCKWASHER, 1/4
	704007	1	NUT, 1/4 REG
12	7703507	1	CAPSCREW, 5/16-18 X 2 GR5
	70917356	1	LOCKWASHER, 5/16
	70917372	1	NUT, 5/16 REG

MC00342  
PR: 368

CHALLENGER 670 COMBINE  
HYDRAULICS

UNLOADER ENGAGE LINES  
(EFF. S/N HP36101)



**CHALLENGER 670 COMBINE  
HYDRAULICS**

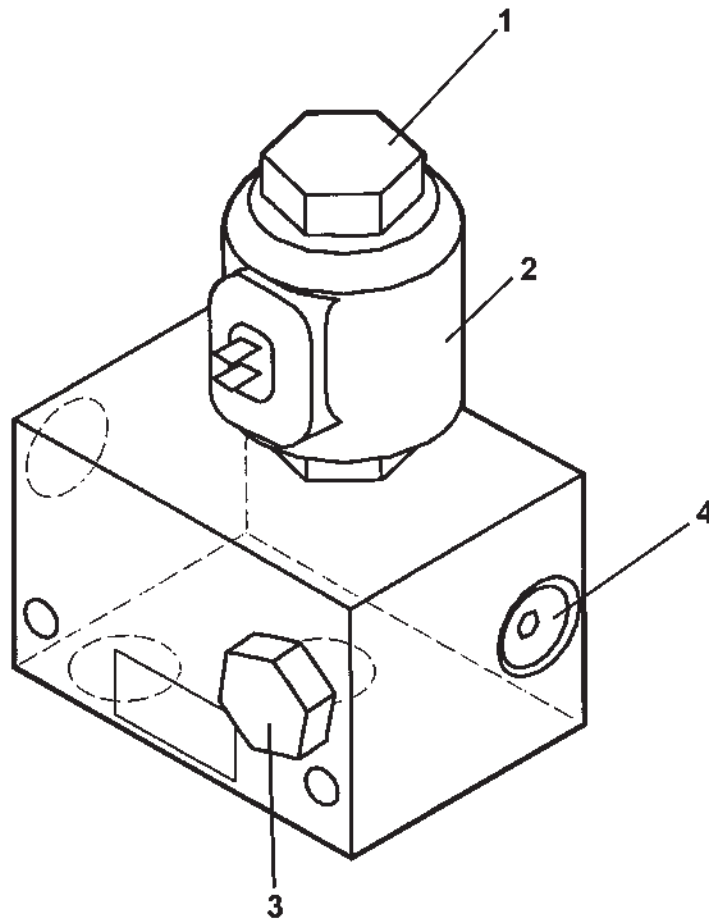
493

**UNLOADER ENGAGE LINES  
(EFF. S/N HP36101)**

ITEM	NUMBER	QTY	DESCRIPTION
1	112027W1	1	HOSE ASY., 3/8 X 45"
2	846634	1	CONNECTOR, STRAIGHT, 9/16-18, JIC X ORB
	70921885	1	O-RING, .078 X .468 ID
3	70925852	1	REDUCER FTG., 1-1/16-12 X 9/16-18 JIC
4	70919197	1	TUBE NUT, 1-1/16-12
5	71373403	2	HOSE ASY., 3/8 X 90"
6	70922523	6	ELBOW, 90 DEG, 9/16-18, JIC X ORB
	70921885	6	O-RING, .078 X .468 ID
7	108531W91	1	VALVE ASY. (SERVICE WITH 71407956)
	71407956	1	VALVE ASY.
	7701964	2	CAPSCREW, 1/4-20 X 2-1/2
	705012	2	LOCKWASHER, 1/4
	70916622	2	NUT, 1/4, REG
8	108925W1	1	PLATE, VALVE MOUNT
	70921332	2	CAPSCREW, 5/16-18 X 3/4
	Y704726	2	NUT, HEX FLANGE TOP LOCK, 5/16-18
9	101832M1	1	ANGLE BRACKET
	70921965	1	CAPSCREW, 3/8-16 X 3/4 GR5
	70916965	1	LOCKWASHER, 3/8
	70916950	1	NUT, 3/8-16, REG
10	148203M1	1	CLAMP PAIR, DOUBLE, 5/8 X 5/8 DIA
11	101646M1	1	COVER PLATE
	70921963	1	CAPSCREW, 1/4-20 X 2 GR5
	705012	1	LOCKWASHER, 1/4
	70916622	1	NUT, 1/4, REG
12	70925097	2	CLAMP, LINE, 9/16 X .406 HOLE
	70921210	2	CAPSCREW, 3/8-16 X 1 GR5
	70916965	2	LOCKWASHER, 3/8
	70916950	2	NUT, 3/8-16, REG
13	700707391	1	HOSE ASY., 3/8 ID X 32.3"
14	70937133	2	TIE STRAP, NYLON, .30 X 14.5 LG

MC00387  
PR: t05b16k26a0022

UNLOADER ENGAGE VALVE



**CHALLENGER 670 COMBINE  
HYDRAULICS**

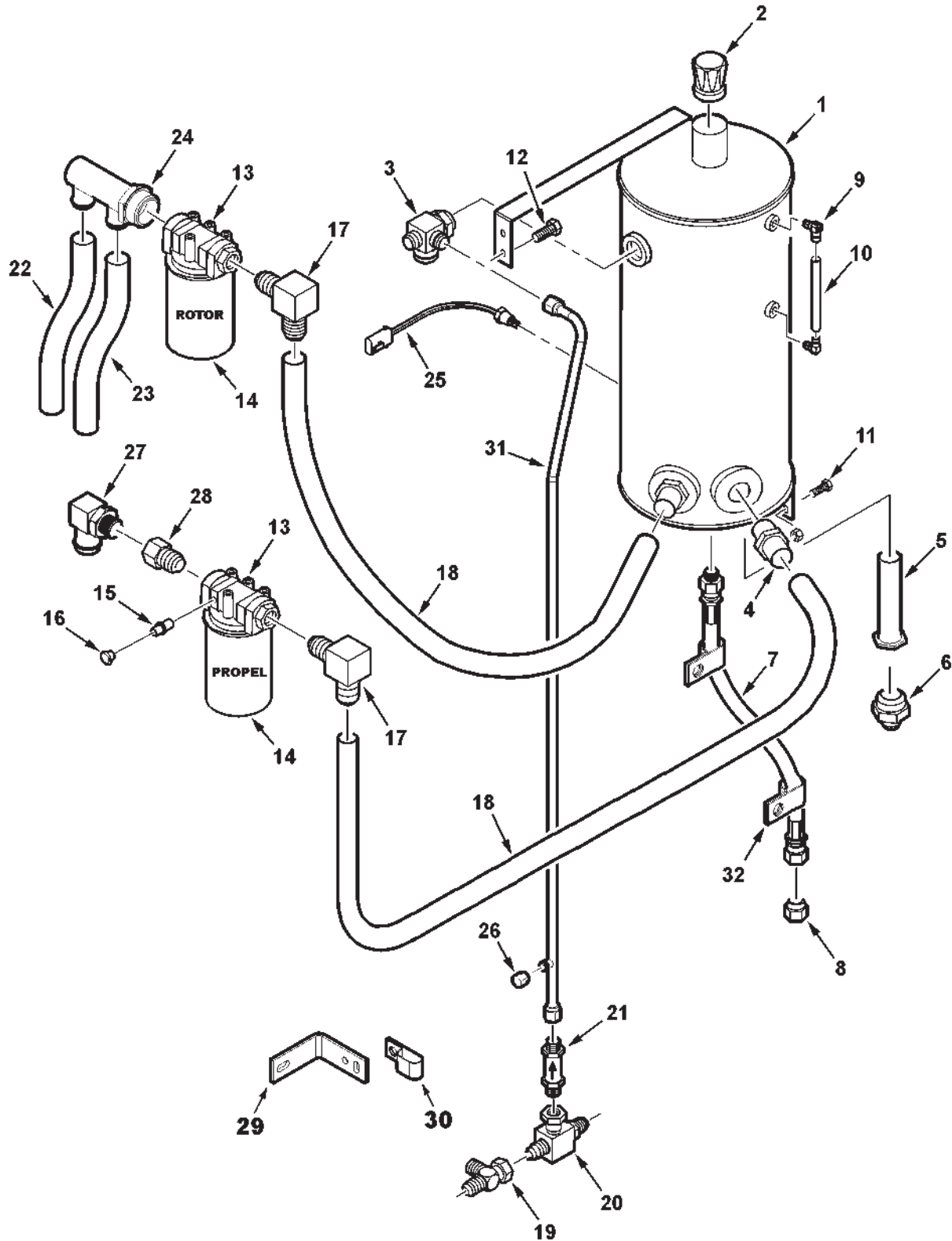
**495**

**UNLOADER ENGAGE VALVE**

ITEM	NUMBER	QTY	DESCRIPTION
-	108531W91	1	VALVE, MODULE ASSEMBLY
1	71389729	1	CARTRIDGE, SOLENOID
2	853288	1	COIL
3	71389731	1	VALVE, CHECK
4	71389732	1	PLUG, ORIFICE, .052
-	71389733	1	KIT, SEAL REPAIR
-	71407956	1	VALVE ASSEMBLY
1	700720621	1	CARTRIDGE, VALVE
2	71407957	1	COIL, 12V DC
3	700720917	1	VALVE, CHECK
4	71407958	1	PLUG, ORIFICE, .052

MC00061  
PR: 370

RESERVOIR & FILTER



**CHALLENGER 670 COMBINE  
HYDRAULICS**

497

**RESERVOIR & FILTER**

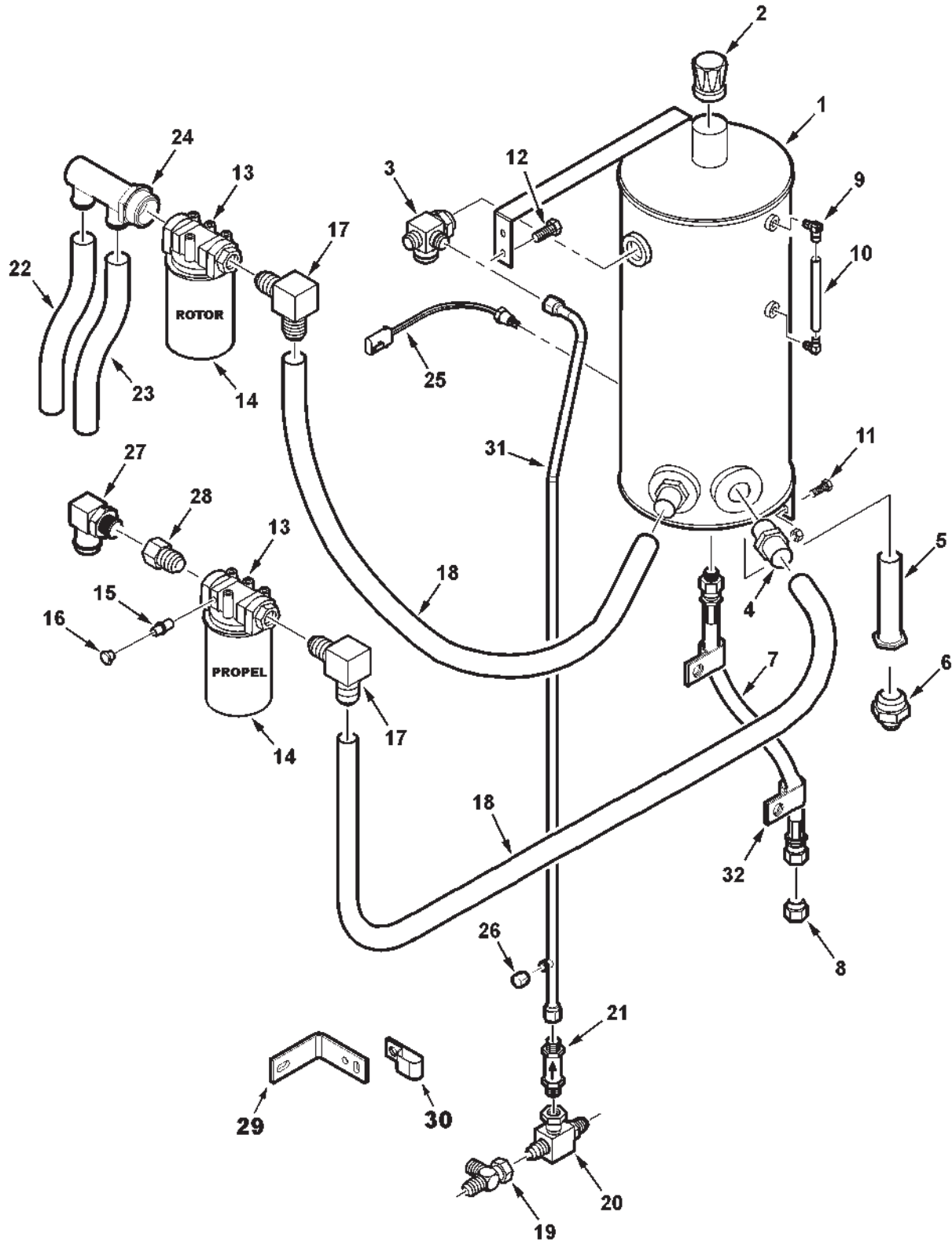
ITEM	NUMBER	QTY	DESCRIPTION
1	71391230	1	RESERVOIR WLDMT, HYD (PRIOR S/N HP36101)
	71404409	1	RESERVOIR WLDMT, HYD (EFF. S/N HP36101)
2	112887W1	1	CAP, BREATHER
3	2629073W91	1	FITTING, MANIFOLD RETURN
	70921235	1	O-RING, .118 X 1.475 ID
4	70929257	2	CONNECTOR, 1-7/8-12 ORB X 1-1/2 DIA STEM
	70921887	2	O-RING, .118 X 1.720 ID
5	112858W91	1	STRAINER ASY.
	70921888	1	O-RING, .118 X 2.337 ID
6	112890W91	1	STR CONN, 1-7/8-12 ORB X 1-5/8-12 JIC
	70921887	1	O-RING, .118 X 1.720 ID
7	108541W1	1	HOSE ASY., OIL DRAIN
8	700712973	1	PLUG, 1/2 JIC
9	133828M91	2	ELBOW, 90 DEG. 3/8 NPTF X 1/2 TUBE
10	133827M1	1	TUBE, NYLON 1/2"
11	70921210	2	CAPSCREW, 3/8-16 X 1.0 GR5
	Y704734	2	NUT, HEX FLANGE TOP LOCK, 3/8-16
12	70921332	2	CPSCRW, 5/16-18 X 3/4(PRIOR S/N HP36101)
	70917356	2	LOCKWASHER, 5/16
	70917642	2	WASHER, 5/16, WIDE
13	104308W1	2	HEAD, FILTER
	70921332	3	CAPSCREW, 5/16-18 X 3/4
	70921333	1	CAPSCREW, 5/16-18 X 1
	700709602	1	WASHER, 5/16, WIDE
	70917356	4	LOCKWASHER, 5/16
14	104309W91	2	ELEMENT, FILTER
15	70919171	2	CONNECTOR, 1/8-27 NPTF X 7/16-20 JIC
16	700715848	2	CAP, 7/16-20 JIC
17	70930879	2	ELBOW,90 DEG, 1-7/8-12 ORB X 1-1/2 STEM
	70921887	2	O-RING, .118 X 1.720 ID
18	71392194	2	HOSE, SUCTION, 1.50 ID
	720656	4	CLAMP, HOSE 1.31-2.25
19	70921691	1	TEE, 1-1/16-12 SWIVEL RUN
20	2629080W1	1	FITTING, SPECIAL BYPASS
21	71391238	1	VALVE, CHECK
22	112016W1	1	HOSE, ROTOR SUCTION (41" LG.)
	70921912	2	CLAMP, HOSE, 1.06-2.0 RANGE
	70925442	1	TIE, SELF-LOCKING .184 X 14.19
23	71392195	1	HOSE, SUCTION, 1.25 ID (29" LG.)
	70921912	2	CLAMP, HOSE, 1.06-2.0 RANGE
24	104156W91	1	FITTING, MANIFOLD, 1-7/8-12 X 1-1/4 STEM
	70921887	1	O-RING, .118 X 1.720 ID
25	71391418	1	SENSOR, OIL LEVEL
26	70923737	1	CAP, 3/4-16 JIC
27	8046955	1	ELBOW,90 DEG, 1-5/8-12 ORB X 1-1/4 STEM
	70921235	1	O-RING, .118 X 1.475 ID
28	70930368	1	REDUCER, 1-7/8-12 ORB X 1-5/8-12 ORB FEM
	70921887	1	O-RING, .118 X 1.720 ID

CONTINUED

MC00331  
PR: 372



RESERVOIR & FILTER



CHALLENGER 670 COMBINE  
HYDRAULICS

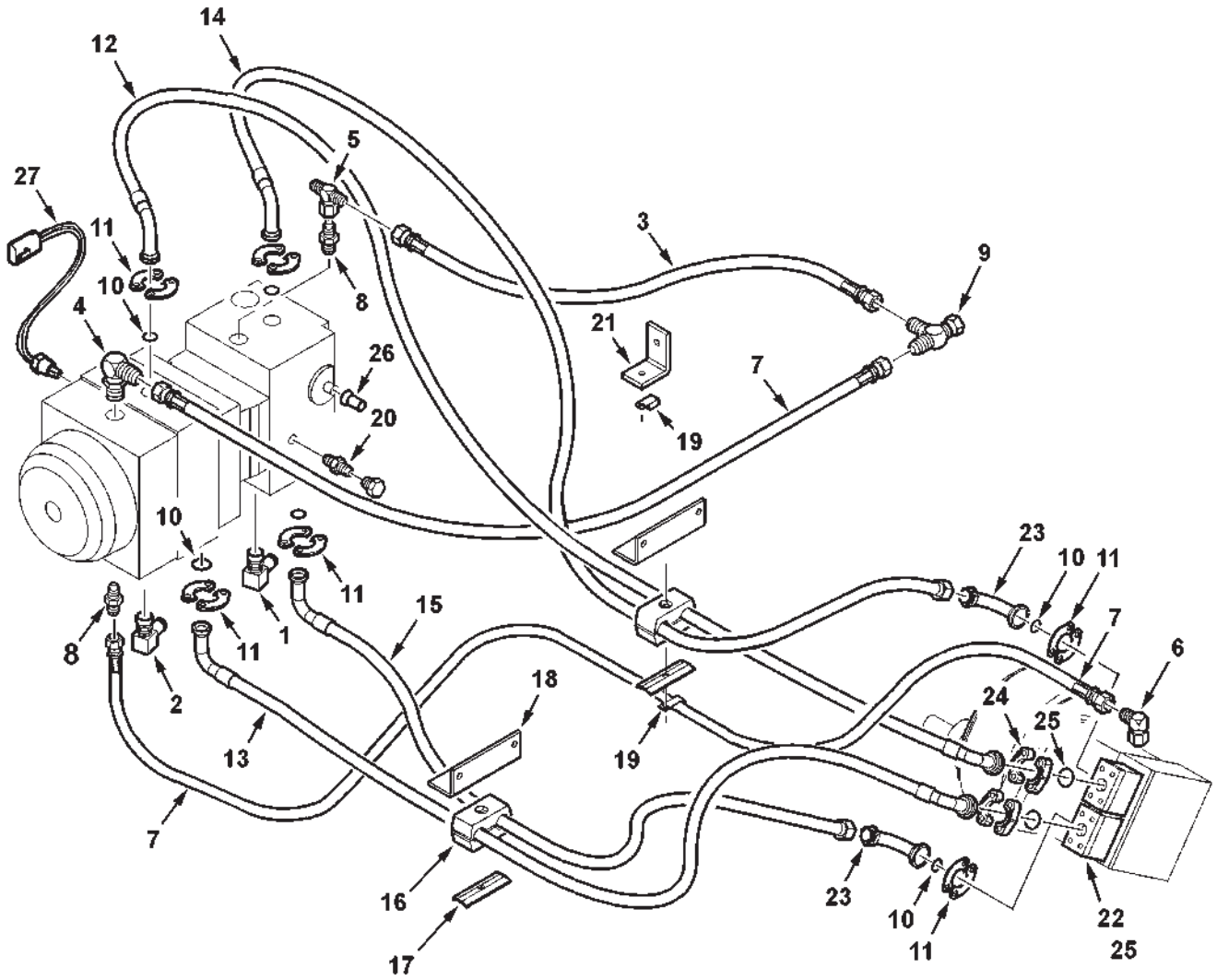
499

RESERVOIR & FILTER

ITEM	NUMBER	QTY	DESCRIPTION
29	71388093	1	STRAP, SUPPORT
	70921210	1	CAPSCREW, 3/8-16 X 1
	705038	1	LOCKWASHER, 3/8
	70917378	2	WASHER, 3/8
	70916950	1	NUT, 3/8-16 REG
30	WR519751	1	CLAMP, 1.38 TUBE X .406 HOLE
	70921332	1	CAPSCREW, 5/16-18 X 3/4
	Y705020	1	LOCKWASHER, 5/16
	700709602	1	WASHER, FLAT 5/16
	70917372	1	NUT, 5/16-18 REG
31	71391656	1	TUBE ASY, RETURN
32	70926049	2	CLAMP, TUBE, 3/4 X .406 HOLE
	70921210	2	CAPSCREW, 3/8-16 X 1
	705038	2	LOCKWASHER, 3/8 REG
	70917372	2	NUT, 5/16-18 REG

MC00331  
PR: 372

ROTOR PUMP AND MOTOR LINES



**CHALLENGER 670 COMBINE  
HYDRAULICS**

501

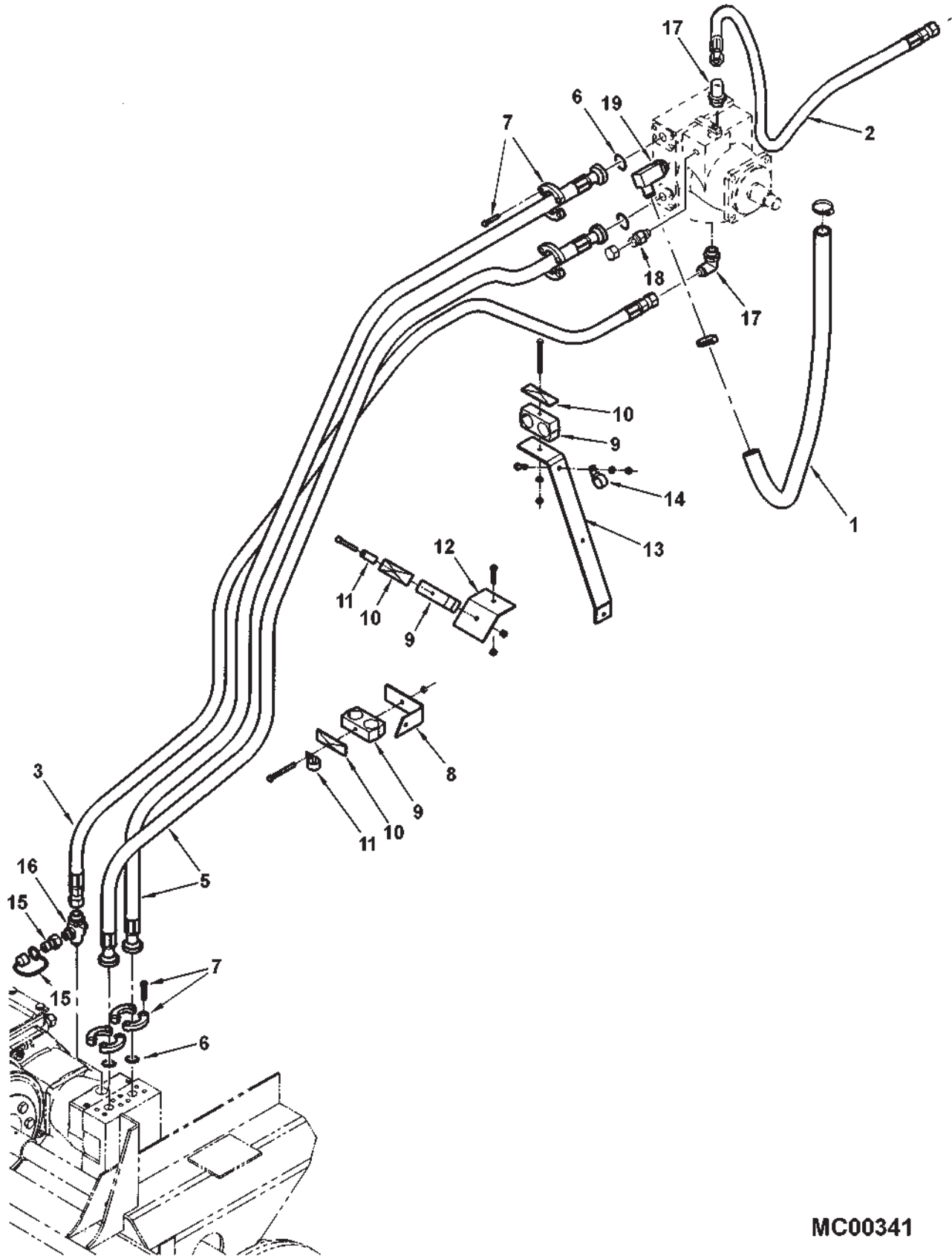
**ROTOR PUMP AND MOTOR LINES**

ITEM	NUMBER	QTY	DESCRIPTION
1	70931240	1	ELBOW, 1-1/4 HOSE STEM X 1-5/16-12 ORB
	70921214	1	O-RING, .116 X 1.171 ID
2	8046955	1	ELBOW, 1-1/4 HOSE STEM X 1-5/8-12 ORB
	70921235	1	O-RING, .118 X 1.475 ID
3	112020W1	1	HOSE ASY., ROTOR PUMP TO COOLER
4	70921203	1	ELBOW, 90 DEG, 1-1/16-12 ORB X JIC MALE
	70921206	1	O-RING, .116 X .924 ID
5	70925834	1	TEE, SWIVEL NUT BRANCH, 1-1/16-12 JIC
6	70922632	1	ELBOW,90D, 1-1/16-12 JIC X 1-5/16-12 ORB
	70921214	1	O-RING, .116 X 1.171 ID
7	71392198	2	HOSE ASY., ROTOR CASE DRAIN
8	70921217	2	CONNECTOR, STR, 1-1/16-12 JIC X ORB
	70921206	2	O-RING, .116 X .924 ID
9	70921691	1	TEE, SWIVEL NUT RUN, 1-1/16-12 JIC
10	70926533	6	O-RING, .139 X 1.296 ID, 90 DUR.
11	700701354	12	CLAMP HALF, SPLIT FLANGE, 1"
	70923027	24	CAPSCREW, 7/16-14 X 1-3/4
12	71391240	1	HOSE ASY., PUMP FRONT (TOP)
13	71391241	1	HOSE ASY., PUMP FRONT (BTM)
14	71391242	1	HOSE ASY., PUMP REAR (TOP)
15	71391243	1	HOSE ASY., PUMP REAR (BTM)
16	101841M1	2	CLAMP PAIR, DOUBLE, 1-1/2 DIA
17	101842M1	2	COVER PLATE
	772418	2	CAPSCREW, 5/16-18 X 3.50
	Y705020	2	LOCKWASHER, 5/16
	700709602	2	WASHER, 5/16 WIDE
	70917372	2	NUT, 5/16 REG
18	2630960W1	2	SUPPORT, ANGLE
	70921210	4	CAPSCREW, 3/8-16 X 1.0
	705038	4	LOCKWASHER, 3/8
	70916950	4	NUT, 3/8-16 REG
19	293888M1	2	J-CLIP, 1.0 X .344 HOLE
20	70926292	2	CONNECTOR,STR, 7/16-20 JIC X 9/16-18 ORB
	70921885	2	O-RING, .078 X .468 ID
	700715848	2	CAP, 7/16-20 JIC
21	101618M1	1	BRACKET, ANGLE
	7703457	2	CAPSCREW, 1/4-20 X 3/4
	705012	2	LOCKWASHER, 1/4
	700709601	2	WASHER, 1/4 WIDE
	704007	2	NUT, 1/4-20 REG
22	71389769	2	BLOCK, TEE
23	112022W1	2	ELBOW, 90 DEG, 1" O-RING FLNG X ORFS
	70931640	2	O-RING, .070 X .926 ID
24	71391244	4	CLAMP HALF, SPLIT FLANGE, 1-1/4"
	702217	8	CAPSCREW, 1/2-13 X 4.0
25	70924192	4	O-RING, .139 X 1.484 ID
26	71398126	1	COVER, TAMPER PROOF
27	71389746	1	SWITCH, ROTOR PRESSURE
	70921885	1	O-RING, .078 X .468 ID

MC00338  
PR: 376

CHALLENGER 670 COMBINE  
HYDRAULICS

PROPEL PUMP AND MOTOR LINES



**CHALLENGER 670 COMBINE  
HYDRAULICS**

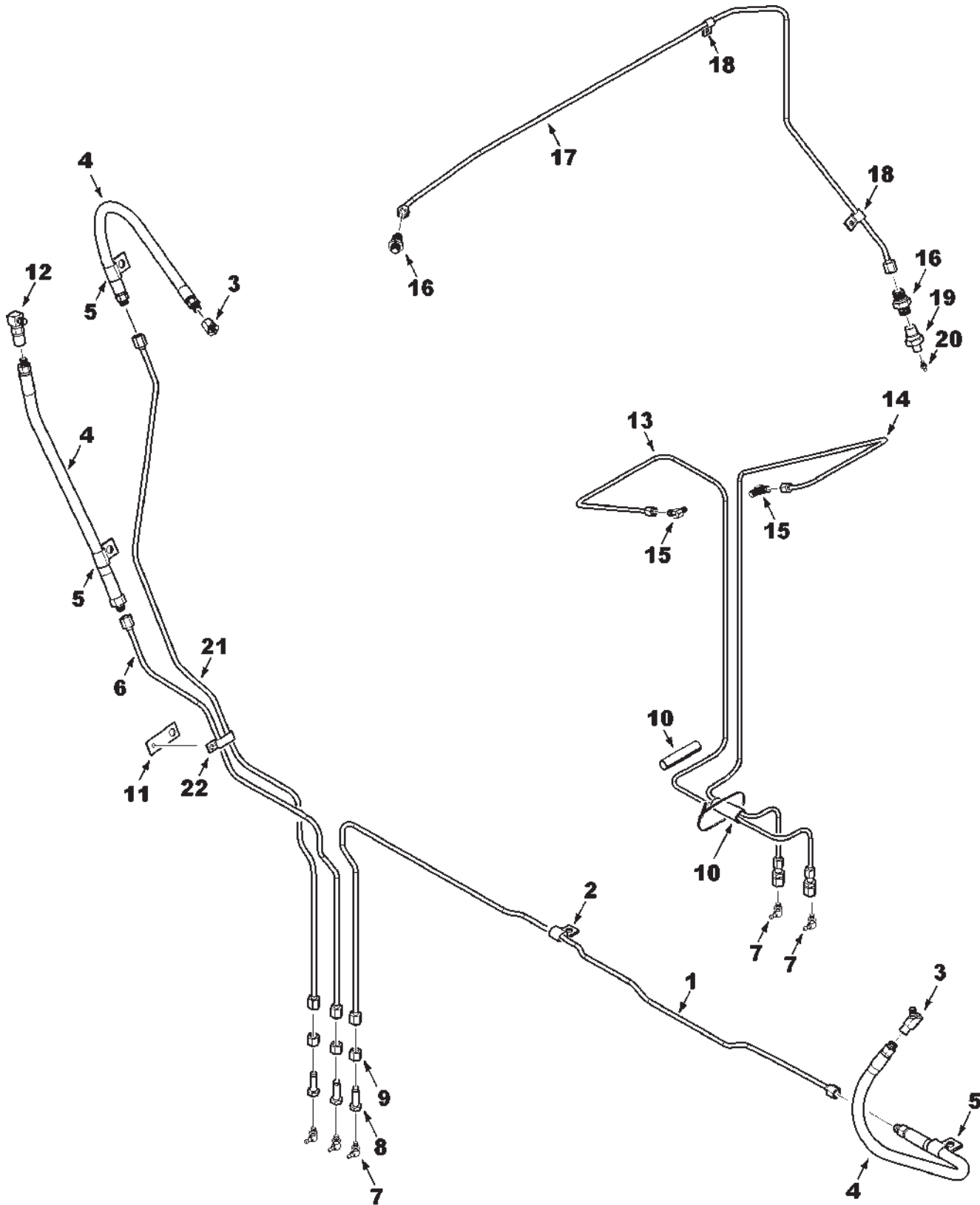
503

**PROPEL PUMP AND MOTOR LINES**

ITEM	NUMBER	QTY	DESCRIPTION
1	71392196	1	HOSE, SUCTION 1-1/4
	70921912	2	CLAMP, HOSE 1.06 - 2.0 RANGE
2	71392199	1	HOSE ASY., PUMP CASE
3	71392197	1	HOSE ASY., MOTOR CASE
5	71391239	2	HOSE ASY., PUMP
6	70926533	4	O-RING, .139 X 1.296 ID, 90 DUR.
7	700701354	8	CLAMP HALF, SPLIT FLANGE, 1"
	70923027	16	CAPSCREW, 7/16-14 X 1-3/4
8	101844M1	1	BRACKET
9	101841M1	3	CLAMP PAIR, DOUBLE, 1-1/2 DIA
10	101842M1	3	COVER PLATE
	70925690	3	CAPSCREW 5/16 X 3-1/2
	70917356	3	LOCKWASHER 5/16
	70917372	3	NUT, HEX 5/16-18
11	293888M1	2	J-CLIP
12	101843M1	1	BRACKET
	70921333	1	CAPSCREW, 5/16-18 X 1
	70917356	1	LOCKWASHER, 5/16
	70917372	1	HEXNUT, 5/16-18
13	71391260	1	STRAP, HOSE SUPPORT
14	70929748	1	CLAMP, 1.25 TUBE X .406 HOLE
	70921210	1	CAPSCREW, 3/8-16 X 1.0
	705038	1	LOCKWASHER, 3/8
	70916950	1	HEXNUT, 3/8-16
15	71377941	1	COUPLER, MALE
	3304008M1	1	CAP, DUST
16	71391657	1	FITTING, CROSS, CASE DRAIN
	70921205	1	O-RING, .097 X .755 ID
	70921206	1	O-RING, .116 X .924 ID
17	70921203	2	ELBOW, 90DEG, 1-1/16 JIC X 1-1/16-12 ORB
	70921206	2	O-RING, .116 X .924 ID
18	70926292	1	CONNECTOR,STR, 7/16-20 JIC X 9/16-18 ORB
	70921885	1	O-RING, .078 X .468 ID
	700715848	1	CAP, 7/16-20 JIC
19	71391653	1	ELB,90 DEG,SPL. 1-5/8-12 ORB X 1-1/4 STM
	70921235	1	O-RING, .118 X 1.475 ID

MC00341  
PR: 378

GREASE LINES



**CHALLENGER 670 COMBINE  
HYDRAULICS**

505

**GREASE LINES**

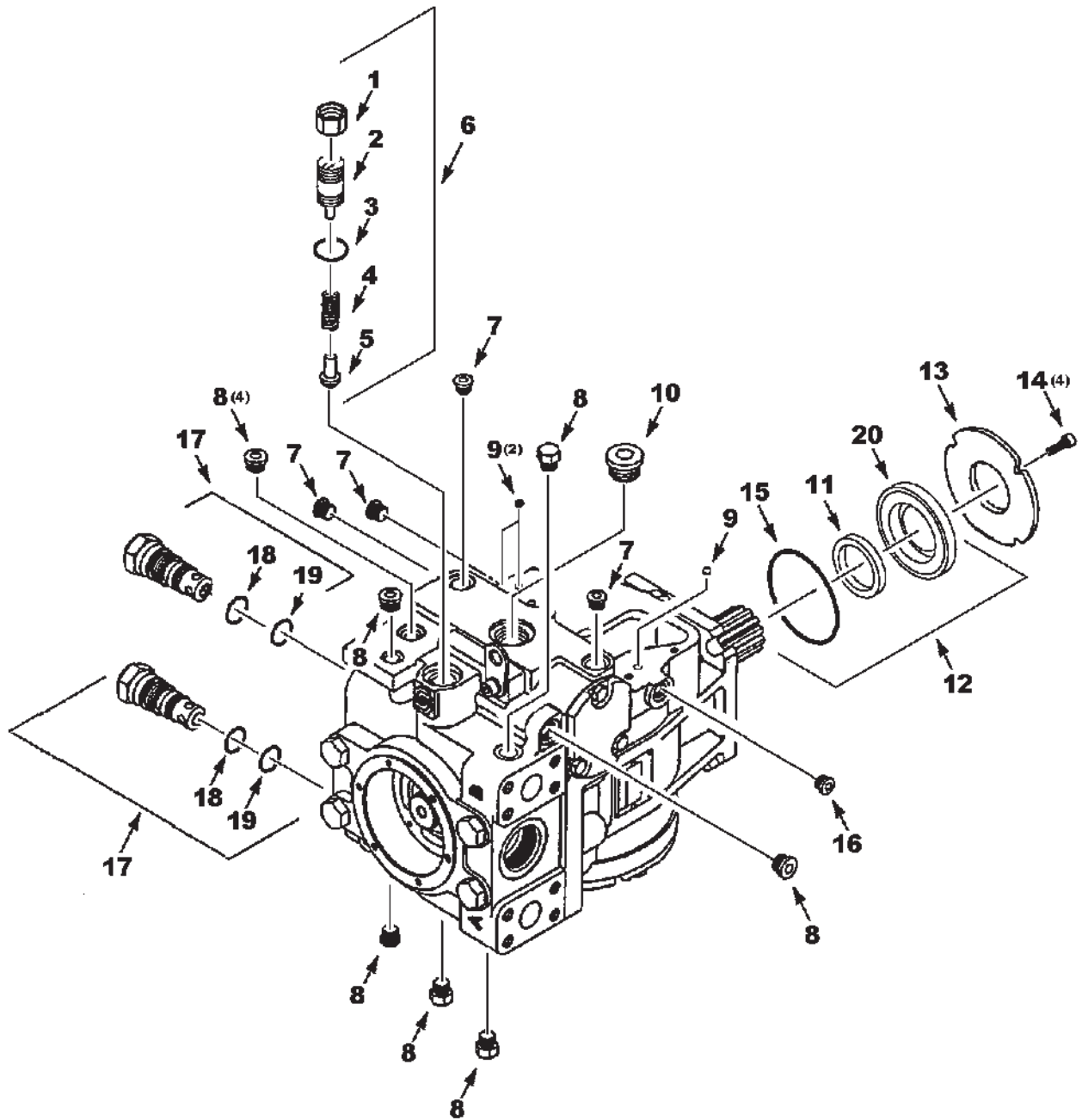
ITEM	NUMBER	QTY	DESCRIPTION
1	71390866	1	TUBE ASY, ROTOR DRIVE IDLER
2	70928654	1	CLAMP, 1/4 TUBE X .406 HOLE
3	70920655	2	ELBOW, 45 DEG, 1/8 NPTF M X 1/8 NPTF FEM
4	71390863	3	HOSE ASY, LUBE
5	70928656	3	CLAMP, 5/8 TUBE X .406 HOLE
	70921965	2	CAPSCREW, 3/8-16 X 3/4
	Y704734	2	NUT, HEX FLNG TOP LOCK, 3/8-16
6	71392766	1	TUBE ASY, C'SHAFT DRIVE IDLER
7	70915276	5	LUBE FITTING, 90 DEG, 1/8 NPTF
8	940134W1	5	BLKHD CONN, 7/16-20 JIC M X 1/8 NPT FEM
9	356612X1	5	NUT, LARGE HEX, 7/16-20
10	2556880W1	2	BOOT, TUBE PROTECTOR
	70925442	2	TIE, SELF LOCKING .184 X 14.19
11	71390867	1	SUPPORT, TUBE CLAMP
12	70923690	1	ELBOW, 90 DEG. 1/8-27 NPTF MALE X FEM.
13	71386353	1	TUBE ASY, BEATER IDLER
14	71398337	1	TUBE ASY, UNLOADER IDLER
15	70919173	2	ELBOW, 90 DEG, 1/8-27 NPTF X 7/16-20 JIC
16	70919171	2	STR CONN, 1/8-27 NPTF X 7/16-20 JIC
17	71389766	1	TUBE ASY, FRONT ROTOR(PRIOR S/N HP36101)
	71400653	1	TUBE ASY, FRONT ROTOR (EFF. S/N HP36101)
18	70926919	3	CLAMP, 1/4 TUBE X .281 HOLE (PRIOR S/N HP36101)
	7703457	3	CAPSCREW, 1/4-20 X 3/4
	704007	3	NUT, 1/4-20
	705012	3	LOCKWASHER, 1/4
	70928654	1	CLAMP, 1/4 TUBE X .406 HOLE (EFF. S/N HP36101)
	70921210	1	CAPSCREW, 3/8-16 X 1 GR5
	70917378	2	WASHER, 3/8 WIDE
	705038	1	LOCKWASHER, 3/8
	70916950	1	NUT, 3/8-16 REG
19	70922862	1	COUPLING, FEM, 1/8-27 NPTF
20	70914465	1	LUBE FITTING, 1/8-27 NPT, SPL XTRA SHORT
21	71392767	1	TUBE ASY, GROUND DRIVE IDLER
22	70930999	1	CLAMP, DOUBLE, 1/4 TUBE X .281 HOLE
	7703457	1	CAPSCREW, 1/4-20 X 3/4
	704007	1	NUT, 1/4-20 REG
	705012	1	LOCKWASHER, 1/4

MC00340  
PR: 380



CHALLENGER 670 COMBINE  
TRANSMISSION & AXLES

PROPEL PUMP  
COMPONENTS, 1 OF 4



CHALLENGER 670 COMBINE  
TRANSMISSION & AXLES

507

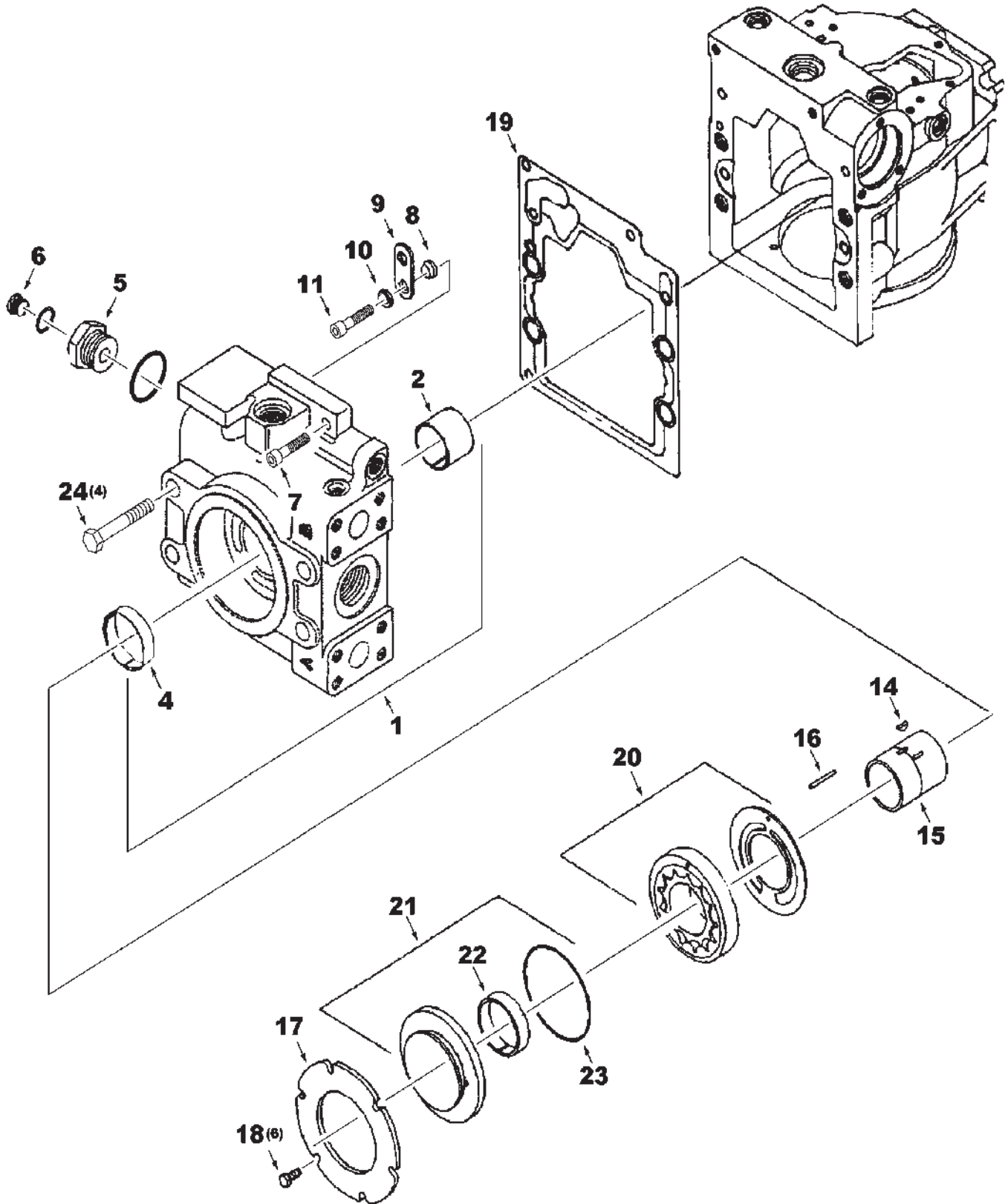
PROPEL PUMP  
COMPONENTS, 1 OF 4

ITEM	NUMBER	QTY	DESCRIPTION
-	71388873	1	PROPEL PUMP (100CC DISPL.)
1	1077651M1	1	NUT
2	1077631M91	1	PLUG, CHARGE RELIEF VALVE
3	70928486	1	*O-RING
4	71374859	1	SPRING
5	71374836	1	POPPET, CHARGE RELIEF
6	71374918	1	KIT, CHARGE RELIEF VALVE
7	700725864	4	PLUG
8	71374831	7	PLUG
9	71355339	3	SCREEN, CONTROL FILTER
10	1077605M1	1	PLUG
11	1077666M1	1	*LIP SEAL
12	71374967	1	SHAFT SEAL ASY
13	1081733M1	1	PLATE, RETAINING
14	71374840	4	SCREW, SOCKET HD, M6
15	942253	1	*O-RING
16	700702119	1	PLUG
17	71374868	2	KIT, MULTI-FUNCTION VALVE
18	70923808	2	*O-RING, .070 X .864 ID
19	70930897	2	*O-RING, .070 X .801 ID
20	-----	1	CARRIER, SEAL (ORDER SEAL ASY. ITEM 12)
-	71374915	AR	PACKAGE, OVERHAUL SEAL (INCL. * ITEMS)

MC00311  
PR: 382

CHALLENGER 670 COMBINE  
TRANSMISSION & AXLES

PROPEL PUMP  
COMPONENTS, 2 OF 4



**CHALLENGER 670 COMBINE  
TRANSMISSION & AXLES**

**509**

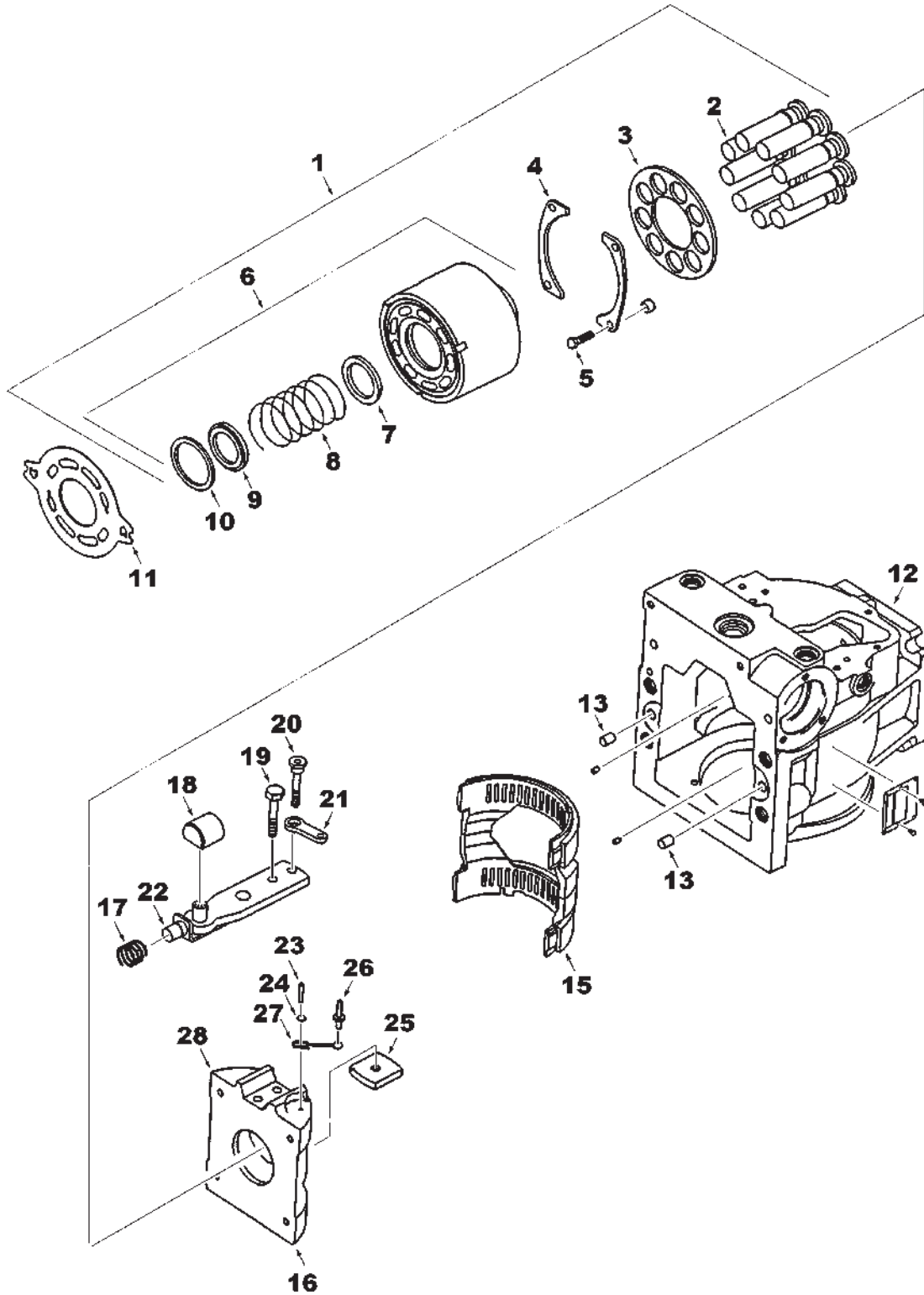
**PROPEL PUMP  
COMPONENTS, 2 OF 4**

ITEM	NUMBER	QTY	DESCRIPTION
1	71374963	1	END CAP ASSEMBLY, TWIN PORTS
2	71374834	1	JOURNAL BEARING
4	71374894	1	BUSHING
5	1081706M1	1	REDUCER
	70921214	1	O-RING
6	71374831	1	PLUG
	70921885	1	O-RING
7	71374900	1	SCREW
8	71374895	1	LIFTING BRACKET SPACER
9	71374896	1	LIFTING BRACKET
10	71374897	1	WASHER
11	71374900	1	SCREW
12	71374870	2	CHECK VALVE
13	1077684M1	2	PLUG
14	1077656M1	1	KEY
15	71396136	1	CHARGE PUMP SHAFT
16	1077654M1	1	PIN
17	71374853	1	RETAINING PLATE
18	1077658M1	6	SCREW
19	71374898	1	END CAP GASKET
20	71396134	1	CHARGE PUMP SET
21	71374855	1	CHARGE PUMP COVER ASSEMBLY
22	71374894	1	BUSHING
23	1077661M1	1	O-RING
24	71374857	4	SCREW

MC00313  
PR: 384

CHALLENGER 670 COMBINE  
TRANSMISSION & AXLES

PROPEL PUMP  
COMPONENTS, 3 OF 4



**CHALLENGER 670 COMBINE  
TRANSMISSION & AXLES**

511

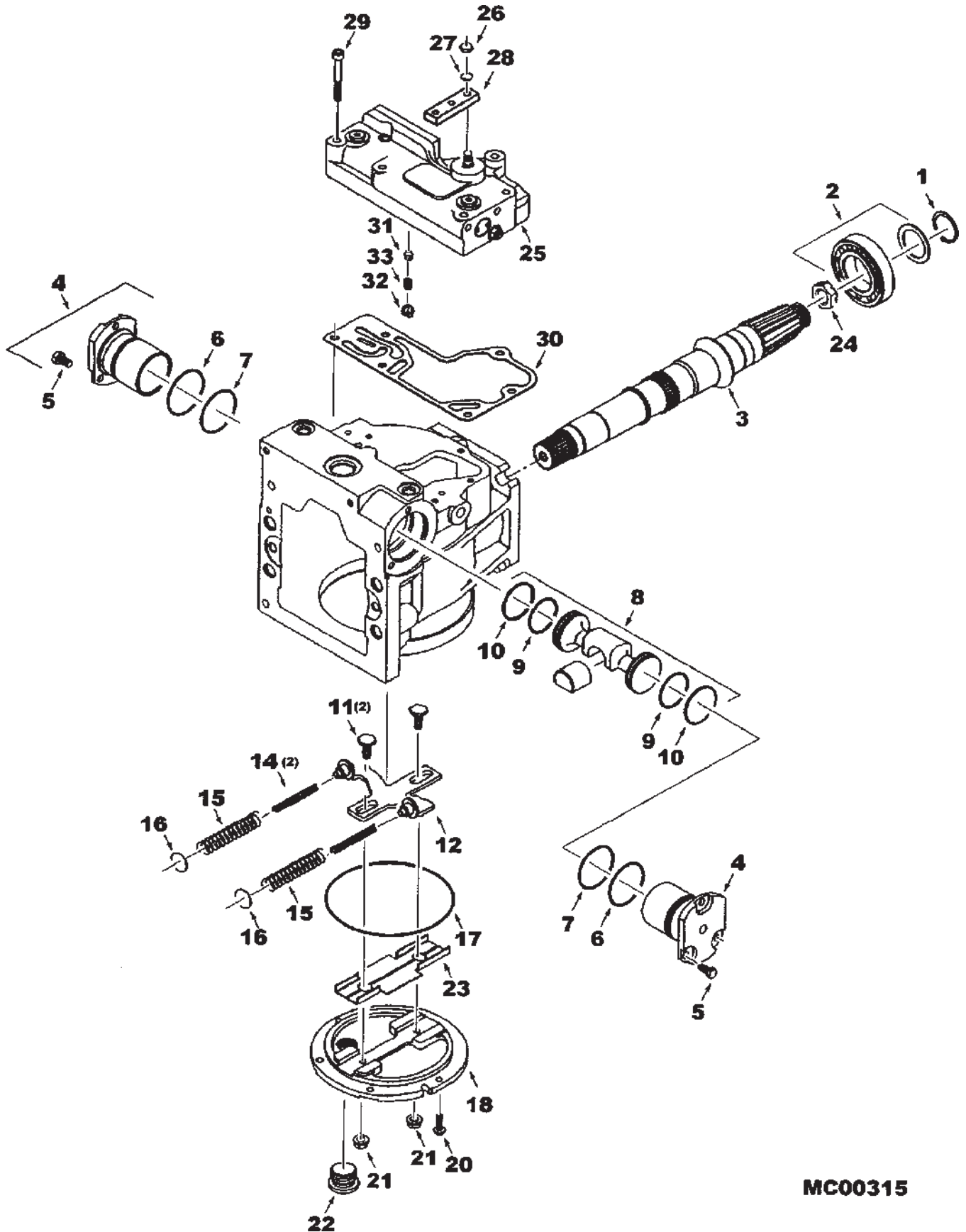
**PROPEL PUMP  
COMPONENTS, 3 OF 4**

ITEM	NUMBER	QTY	DESCRIPTION
1	71396140	1	KIT, CYLINDER BLOCK
2	71374846	9	PISTON ASY., WELDED
3	71374847	1	GUIDE, SLIPPER
4	71374904	2	BEARING, SLIPPER GUIDE
5	71396142	4	*SCREW
	71396141	4	SPACER
6	71374842	1	CYLINDER BLOCK ASY.
7	71374843	1	SEAT, SPRING
8	71374844	1	SPRING
9	71374845	1	RETAINER, SPRING
10	1077611M1	1	RING, RETAINING
11	71396126	1	PLATE, VALVE
12	71374958	1	HOUSING, VARIABLE
13	700702137	2	PIN
15	71374872	1	BEARING
16	71374876	1	VARIABLE, SWASHPLATE ASY. (INCL. ITEMS 19-25)
17	71374886	1	SPRING
18	1077635M2	1	BLOCK, SLIDER
19	71374880	1	SCREW
20	71374882	1	SCREW
21	71396127	1	LINK, FEEDBACK
22	71374877	1	SERVO ARM ASY.
23	71374884	1	PIN, SPIRAL
24	71374883	1	WASHER
25	71374881	1	GUIDE, SWASHPLATE
26	71396128	1	PIN
27	71374875	1	LINK, CAGE LOCATOR
28	71374879	1	SWASHPLATE, VARIABLE
-	71374915	AR	PACKAGE, OVERHAUL SEAL (INCL. * ITEMS)

MC00314  
PR: 386

CHALLENGER 670 COMBINE  
TRANSMISSION & AXLES

PROPEL PUMP  
COMPONENTS, 4 OF 4



**CHALLENGER 670 COMBINE  
TRANSMISSION & AXLES**

513

**PROPEL PUMP  
COMPONENTS, 4 OF 4**

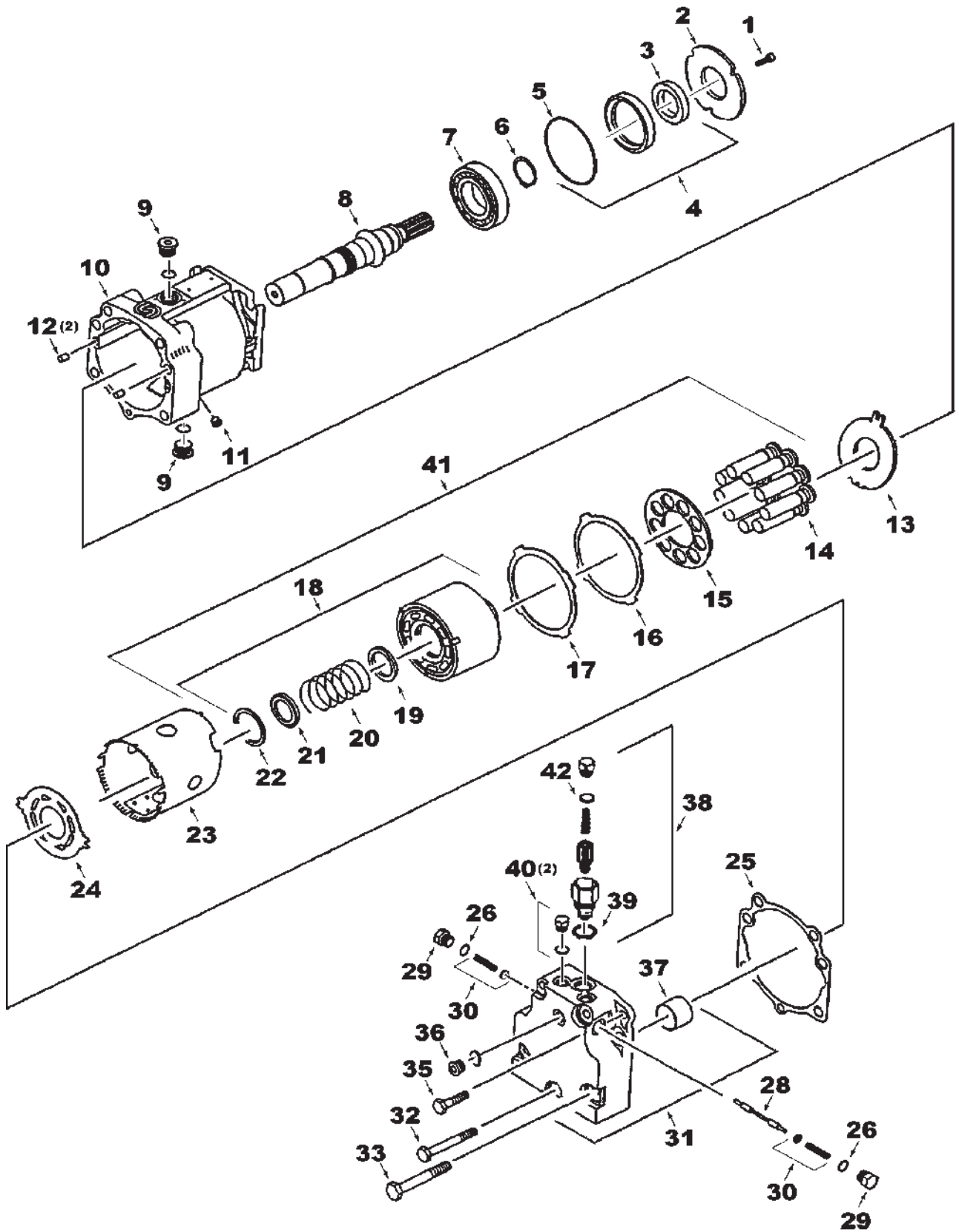
ITEM	NUMBER	QTY	DESCRIPTION
1	1077664M1	1	RING, RETAINING
2	71396137	1	BEARING, ROLLER
3	71374860	1	SHAFT, TAPERED SPLINE
4	71374901	2	SERVO CYLINDER KIT (INCL. ITEMS 5-7)
5	1077638M1	6	SCREW
6	70931589	2	*O-RING
7	1077637M1	2	*O-RING
8	71396133	1	SERVO PISTON KIT
9	70923865	2	*O-RING
10	71358545	2	*RING, PISTON
11	71396131	2	POST, GUIDE
12	71396129	1	LEVELER ASY.
14	71374892	2	SPRING
15	71374891	2	SPRING, COMPRESSION, HELICAL
16	71396130	2	SHIM
17	1077628M1	1	O-RING
18	71374960	1	COVER, SIDE (ALSO NEED TO ORDER 1 EA ITEM 23, 2 EA ITEM 11)
20	71374890	6	SCREW
21	1077627M1	2	*NUT
22	1077605M1	1	PLUG
23	71396132	1	SIDECOVER INSERT ASY
24	71356529	1	NUT, SLOTTED
	1081731M1	1	PIN, COTTER
25	71396138	1	KIT, CONTROL VALVE (INCL. ITEMS 26-30)
26	71374867	1	NUT
27	71374866	1	WASHER, TOOTHLOCK
28	71374865	1	HANDLE, CONTROL
29	1077673M1	6	SCREW
30	1081699M1	1	*GASKET, CONTROL
31	71374907	1	KIT, ORIFICE, CONTROL (INCL ITEMS 32,33)
32	71374909	1	RETAINER, SPRING
33	71374908	1	SPRING
-	71374915	AR	PACKAGE, OVERHAUL SEAL (INCL. * ITEMS)

MC00315  
PR: 388



CHALLENGER 670 COMBINE  
TRANSMISSION & AXLES

MOTOR, HYDRO PROPEL  
COMPONENTS



**CHALLENGER 670 COMBINE  
TRANSMISSION & AXLES**

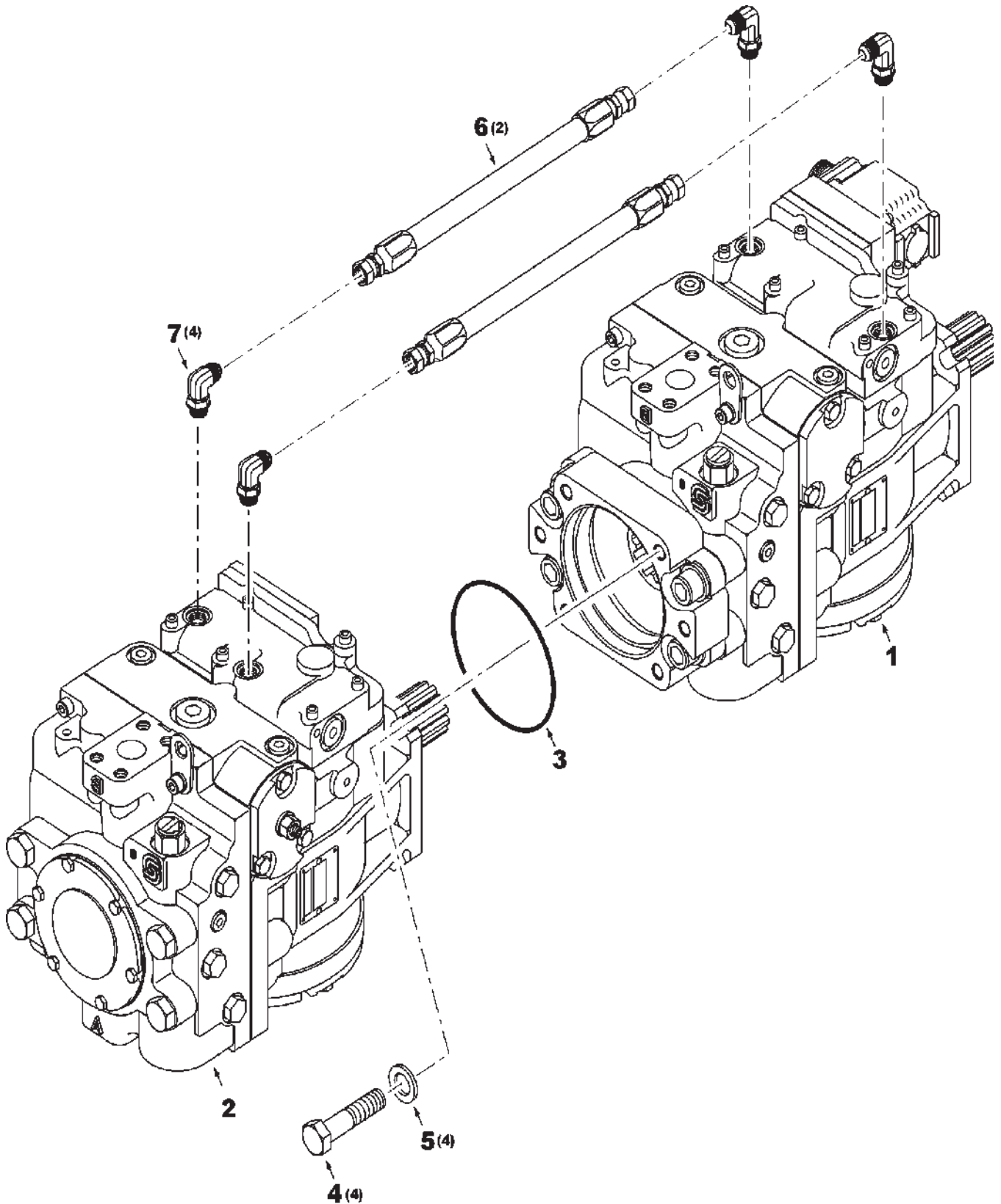
515

**MOTOR, HYDRO PROPEL  
COMPONENTS**

ITEM	NUMBER	QTY	DESCRIPTION
-	71392870	1	MOTOR, FIXED DISPL, 100cc
-	71374968	AR	OVERHAUL SEAL KIT (INCL ITEMS 3,5,25,39)
1	71374840	4	SCREW, SOCKET HEAD, M6 X 20
2	71397487	1	PLATE, RETAINER
3	1077666M1	1	SEAL
4	71374967	1	CARRIER & SEAL ASY.(INCL. ITEMS 3 & 5)
5	942253	1	O-RING
6	1077664M1	1	RING
7	71396137	1	BEARING, ROLLER
8	71397486	1	SHAFT, 23T
9	1077605M1	2	PLUG
	70935175	2	O-RING, .116 X .924 ID, VITON
10	71397478	1	HOUSING, FIXED
11	700725864	1	PLUG
	70928488	1	O-RING, .078 X .468 ID, VITON
12	71355340	2	PIN
13	71374970	1	PLATE, THRUST
14	71374846	9	PISTON, WELDED
15	71374847	1	RETAINER, SLIPPER
16	71374848	1	RETAINER, SLIPPER GUIDE
17	71374849	1	RETAINER, SLIPPER GUIDE SHIM
18	71374842	1	CYLINDER BLOCK ASY. (INCL ITEMS 19-22)
19	71374843	1	SEAT, SPRING
20	71374844	1	SPRING
21	71374845	1	RETAINER, SPRING
22	1077611M1	1	RING, RETAINING
23	71374827	1	TUBE, HOLDDOWN
24	71374828	1	PLATE, VALVE
25	71397481	1	GASKET, END CAP
26	70928488	2	O-RING, .078 X .468 ID, VITON
28	1077960M1	1	SPOOL, SHUTTLE
29	71397485	2	PLUG, SPECIAL
30	71397484	2	SPRING GUIDE ASY
31	71397480	1	END CAP ASY., TWIN PORTS
32	71397483	1	SCREW
33	1077695M1	4	SCREW
35	1077696M1	2	SCREW
36	700725864	1	PLUG
	71397482	1	O-RING
37	71374834	1	BEARING, JOURNAL
38	71396169	1	CARTRIDGE ASY, CHARGE RELIEF
39	70928486	1	O-RING
40	71374831	2	PLUG
	71397482	1	O-RING
41	71374841	1	KIT, CYLINDER BLOCK, W/PISTONS (INCL. ITEMS 14-18)
42	70928488	1	O-RING, .078 X .468 ID, VITON

GC00377  
PR: 390

ROTOR PUMPS  
TANDEM PUMP



**CHALLENGER 670 COMBINE  
TRANSMISSION & AXLES**

517

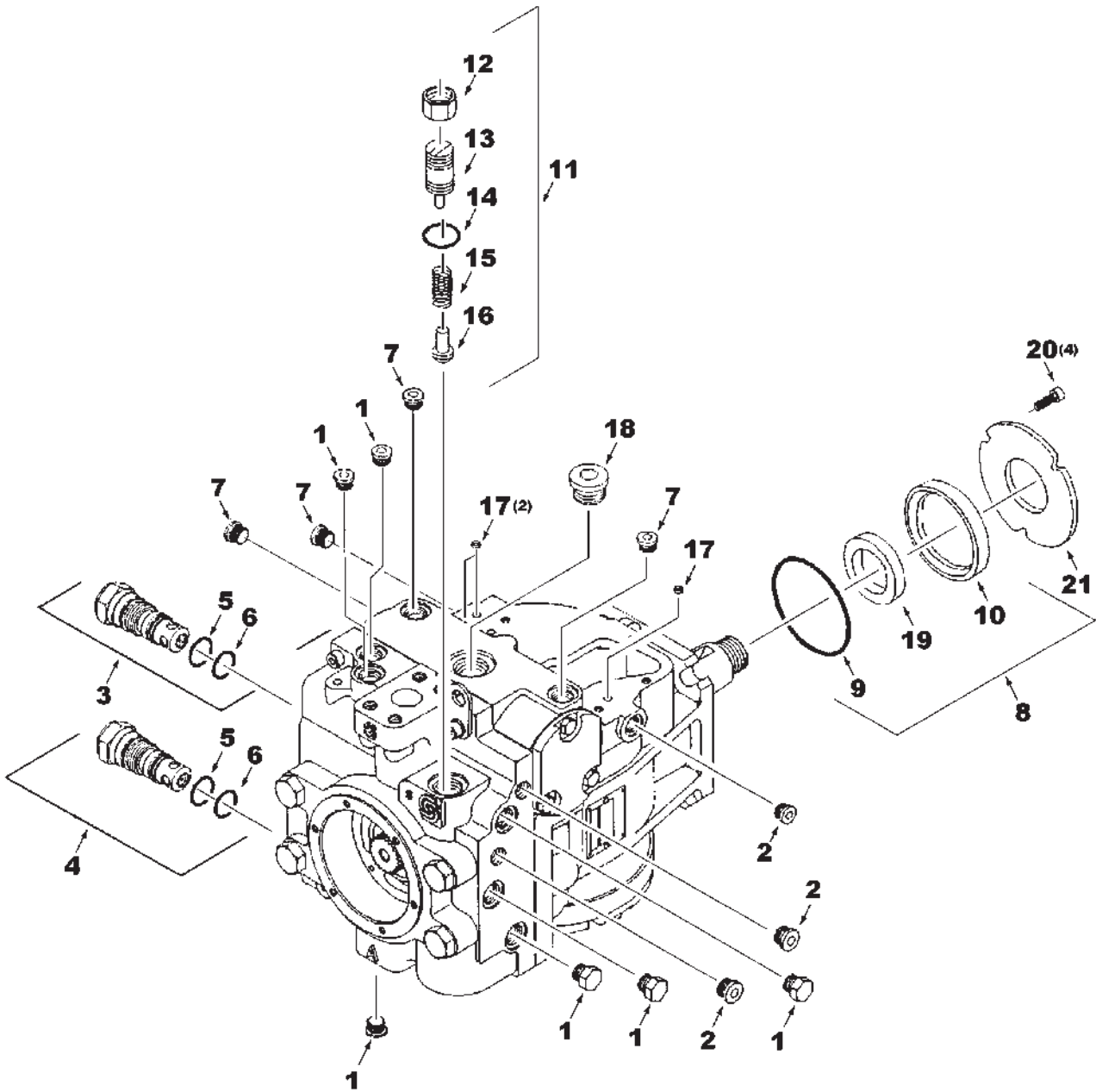
**ROTOR PUMPS  
TANDEM PUMP**

ITEM	NUMBER	QTY	DESCRIPTION
-	71388852	1	PUMP ASY., TANDEM
1	71386574	1	PUMP, FRONT ROTOR (100cc DISPL.)
2	71397490	1	PUMP, REAR ROTOR (55cc DISPL.)
3	1081727M1	1	O-RING
4	116281W1	4	SCREW
5	116282W1	4	WASHER
6	71396251	2	HOSE, PUMP
7	71395325	4	ELBOW

MC00318  
PR: 392

CHALLENGER 670 COMBINE  
TRANSMISSION & AXLES

ROTOR PUMP  
FRONT, 1 OF 4



CHALLENGER 670 COMBINE  
TRANSMISSION & AXLES

519

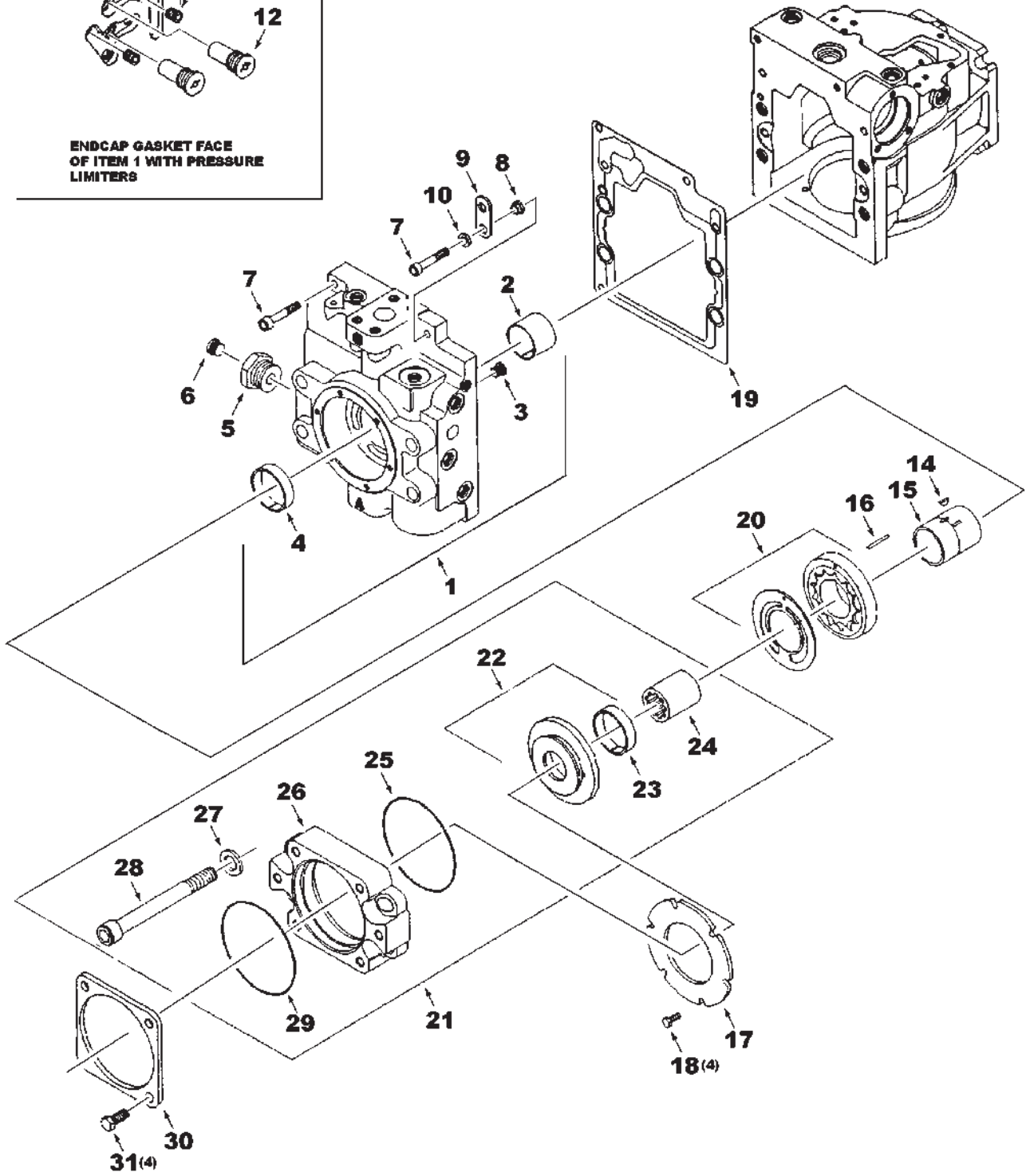
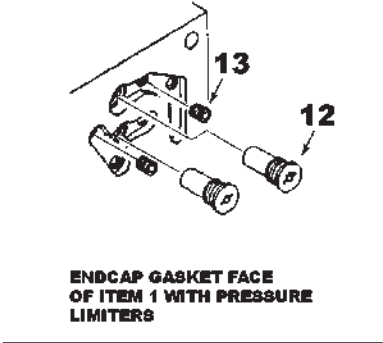
ROTOR PUMP  
FRONT, 1 OF 4

ITEM	NUMBER	QTY	DESCRIPTION
-	71386574	--	PUMP, ROTOR (100CC DISPL.)
1	71374831	6	PLUG
2	70928605	3	PLUG
3	1081707M91	1	KIT, MULTI-FUNCTION VALVE
4	1081707M91	1	KIT, MULTI-FUNCTION VALVE
5	70923808	2	O-RING
6	70930897	2	O-RING
7	1077604M1	4	PLUG
8	71374967	1	SHAFT SEAL ASSEMBLY
9	942253	1	O-RING
10	-----	1	CARRIER, SEAL (ORDER SEAL ASY, IT.8)
11	71374918	1	KIT, CHARGE RELIEF VALVE (INCL IT.12-16)
12	1077651M1	1	NUT
13	1077631M91	1	CHARGE RELIEF VALVE PLUG
14	70928486	1	O-RING
15	71374859	1	SPRING
16	71374836	1	CHARGE RELIEF POPPET
17	71355339	3	CONTROL FILTER SCREEN
18	1077605M1	1	PLUG
19	1077666M1	1	LIP SEAL
20	71374840	4	SCREW, SOCKET HD, M6
21	1081733M1	1	PLATE, RETAINING
-	71374915	--	KIT, OVERHAUL, GASKET & SEAL

MC00057  
PR: 394

ROTOR PUMP  
FRONT, 2 OF 4

**NOTE:**  
ITEM 1 DOES NOT INCLUDE  
ITEMS 8,9,10,3,7 OR 11



CHALLENGER 670 COMBINE  
TRANSMISSION & AXLES

521

ROTOR PUMP  
FRONT, 2 OF 4

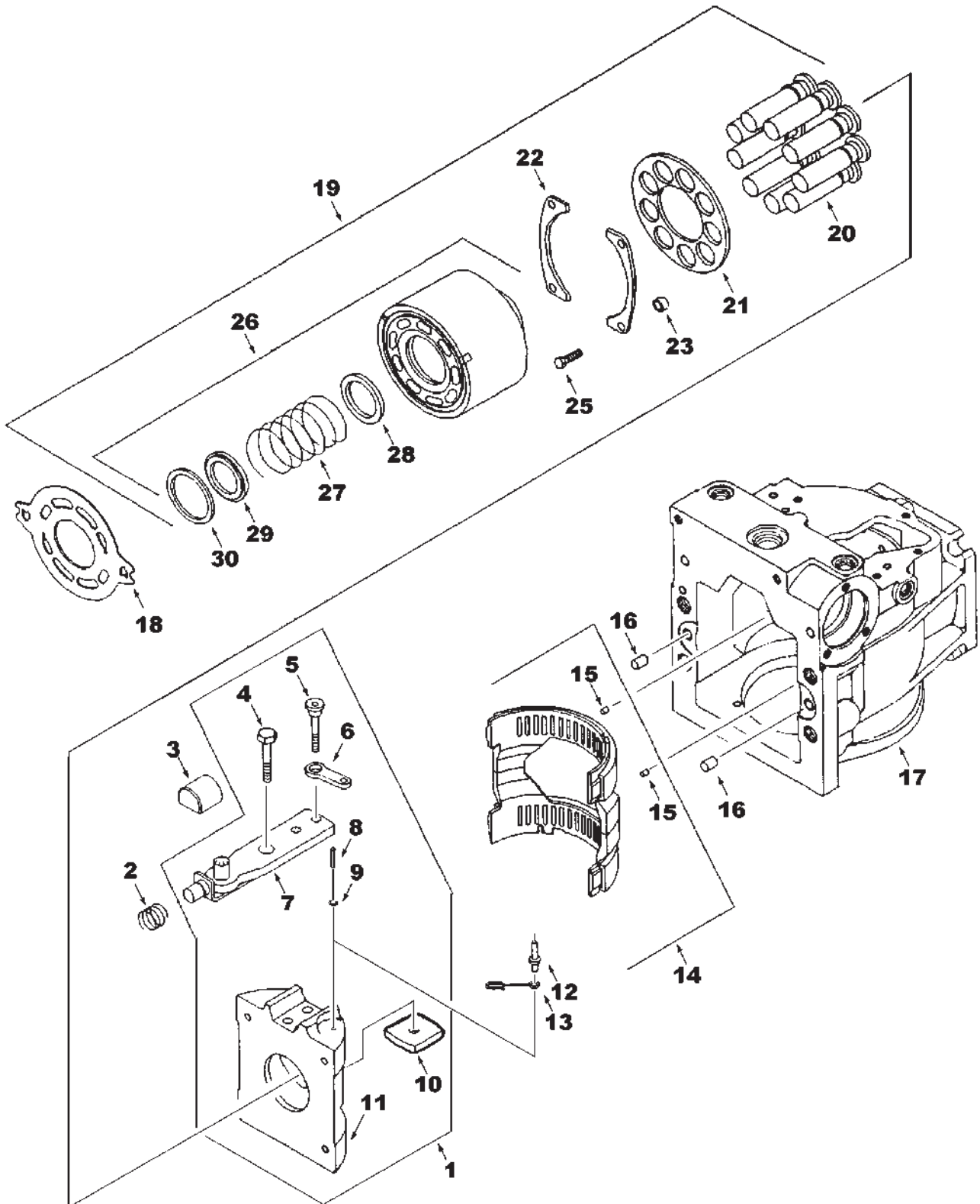
ITEM	NUMBER	QTY	DESCRIPTION
1	1077639M92	1	END CAP ASY, SIDE PORTS (INCL. ITEMS 2,4,5,6)
2	71374834	1	JOURNAL BEARING
3	70928605	1	PLUG ASY
4	71374894	1	BUSHING
5	1081706M1	1	PLUG ASY
	71396139	1	O-RING
6	1077604M1	1	PLUG ASY
	70928488	1	O-RING
	71374900	2	SCREW
8	71374895	1	LIFTING BRACKET SPACER
9	71374896	1	LIFTING BRACKET
10	71374897	1	WASHER
12	71374870	2	CHECK VALVE
13	1077684M1	2	PLUG, PIPE
14	1077656M1	1	KEY
15	71396136	1	SHAFT, CHARGE PUMP
16	1077654M1	1	PIN
17	71374853	1	RETAINING PLATE
18	1077658M1	6	SCREW
19	71374898	1	END CAP GASKET
20	1081720M91	1	CHARGE PUMP SET
21	1081721M1	1	AUX. MOUNTING FLANGE, 'C' 14T
22	1081723M1	1	CHARGE PUMP COVER ASSEMBLY, LH
23	71374894	1	BUSHING
24	71396252	1	COUPLING
25	70926762	1	O-RING
26	1081724M1	1	FLANGE ADAPTOR
27	1081725M1	4	WASHER
28	1081726	4	SOCKET HEAD SCREW
29	1081727M1	1	O-RING
30	1081728M1	1	FLANGE COVER
31	1081729M1	4	SCREW

MC00058  
PR: 396



CHALLENGER 670 COMBINE  
TRANSMISSION & AXLES

ROTOR PUMP  
FRONT, 3 OF 4



CHALLENGER 670 COMBINE  
TRANSMISSION & AXLES

523

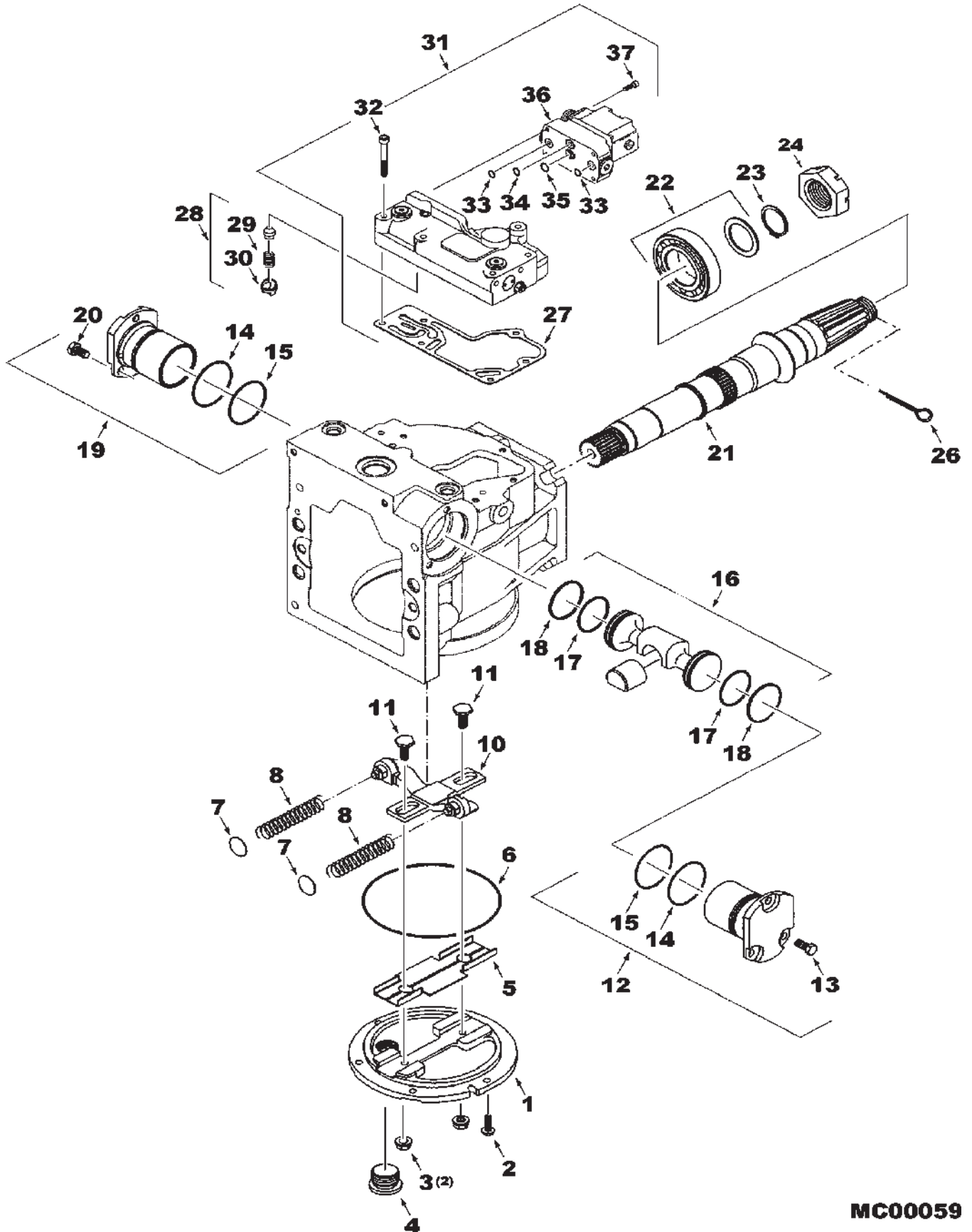
ROTOR PUMP  
FRONT, 3 OF 4

ITEM	NUMBER	QTY	DESCRIPTION
1	71374876	1	VARIABLE SWASHPLATE ASY (INCL. ITEMS 4 - 11 INCLUSIVE)
2	71374886	1	SPRING
3	1077635M2	1	SLIDER BLOCK
4	71374880	1	SCREW
5	71374882	1	SCREW
6	71396127	1	FEEDBACK LINK
7	71374877	1	SERVO ARM ASY
8	71374884	1	SPIRAL PIN
9	71374883	1	WASHER
10	71374881	1	SWASHPLATE GUIDE
11	71374879	1	VARIABLE SWASHPLATE
12	71396128	1	PIN
13	71374875	1	CAGE LOCATOR LINK
14	71374872	1	BEARING ASY
15	1077602M1	2	PIN
16	71355340	2	PIN
17	71374958	1	VARIABLE HOUSING
18	71374959	1	VALVE PLATE, 0.5 DEG.
19	71396140	1	CYLINDER BLOCK KIT
20	71374846	9	WELDED PISTON ASY
21	71374847	1	SLIPPER GUIDE
22	71374904	2	SLIPPER GUIDE BEARING
23	71396141	4	SPACER
25	71396142	4	SCREW
26	71374842	1	CYLINDER BLOCK ASY
27	71374844	1	SPRING
28	71374843	1	SPRING SEAT
29	71374845	1	SPRING RETAINER
30	1077611M1	1	RETAINING RING

MC00055  
PR: 398

CHALLENGER 670 COMBINE  
TRANSMISSION & AXLES

ROTOR PUMP  
FRONT, 4 OF 4



CHALLENGER 670 COMBINE  
TRANSMISSION & AXLES

525

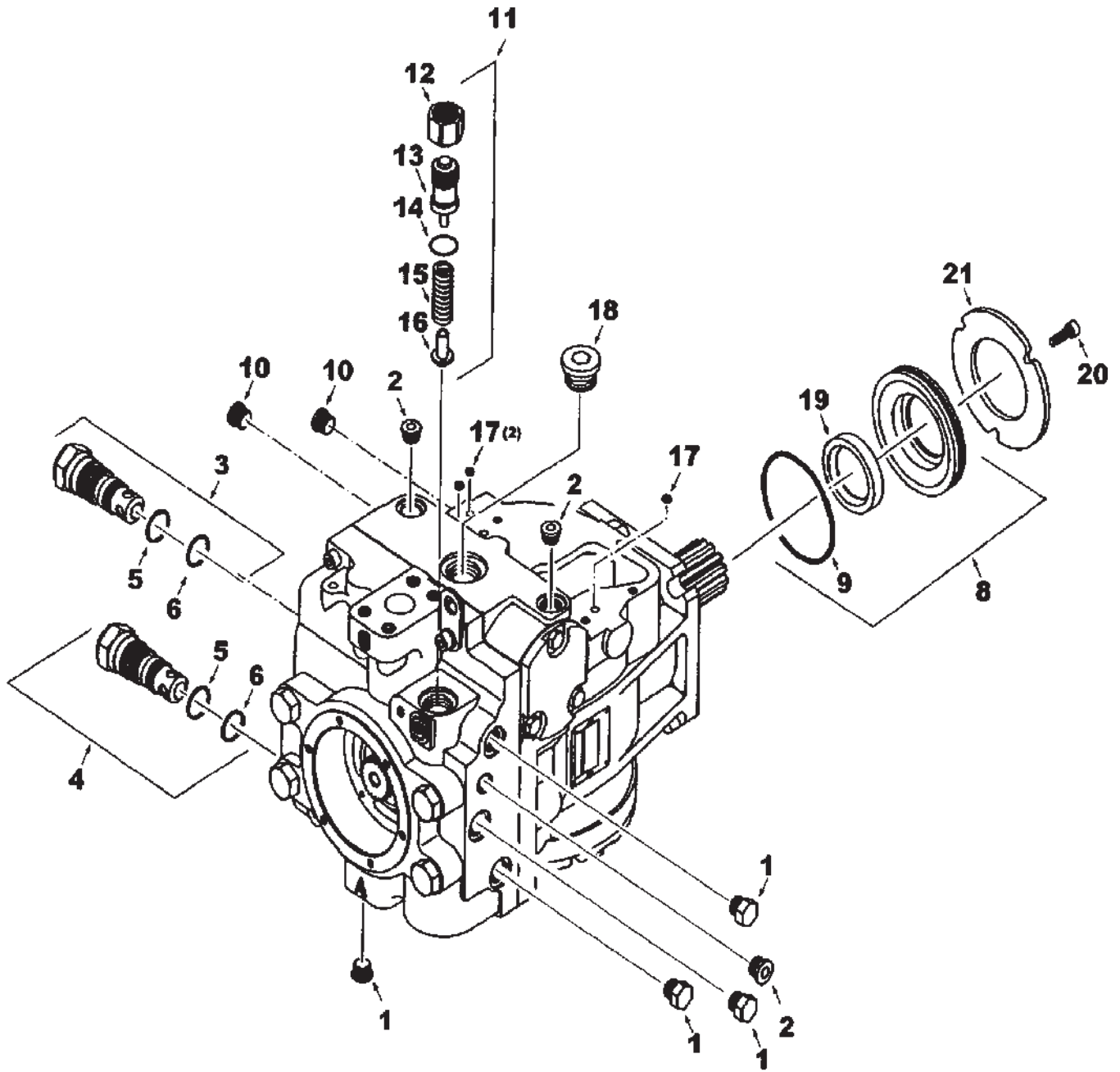
ROTOR PUMP  
FRONT, 4 OF 4

ITEM	NUMBER	QTY	DESCRIPTION
1	71374960	1	SIDE COVER
2	71374890	6	SCREW
3	1077627M1	2	NUT
4	1077605M1	1	PLUG
5	71396132	1	INSERT ASY, SIDE COVER
6	1077628M1	1	O-RING
7	71396130	2	SHIM
8	71374891	2	HELICAL COMPRESSION SPRING
10	71396129	1	LEVELER ASSEMBLY
11	71396131	2	GUIDE POST
12	71374901	1	SERVO CYLINDER KIT
13	1077638M1	3	SCREW
14	70931589	2	O-RING
15	1077637M1	2	O-RING
16	71396133	1	SERVO PISTON KIT
17	70923865	2	O-RING
18	71358545	2	PISTON RING
19	71374901	1	SERVO CYLINDER KIT
20	1077638M1	3	SCREW
21	71374860	1	SHAFT, TAPERED SPLINE
22	71396137	1	ROLLER BEARING
23	1077664M1	1	RETAINING RING
24	71356529	1	SLOTTED HEX NUT
26	1081731M1	1	COTTER PIN
27	1081699M1	1	GASKET, CONTROL
28	837853M91	1	CONTROL ORIFICE KIT .026
29	71374908	1	SPRING
30	71374909	1	SPRING RETAINER
31	1081734M91	1	EDC
32	1077673M1	6	SCREW
33	1077675M1	2	O-RING
34	71396254	1	O-RING
35	71396255	1	O-RING
36	71396253	1	PCP (INCL. ITEMS 33,34,35)
37	1077678M1	4	SCREW

MC00059  
PR: 400

CHALLENGER 670 COMBINE  
TRANSMISSION & AXLES

ROTOR PUMP  
REAR, 1 OF 4



**CHALLENGER 670 COMBINE  
TRANSMISSION & AXLES**

**527**

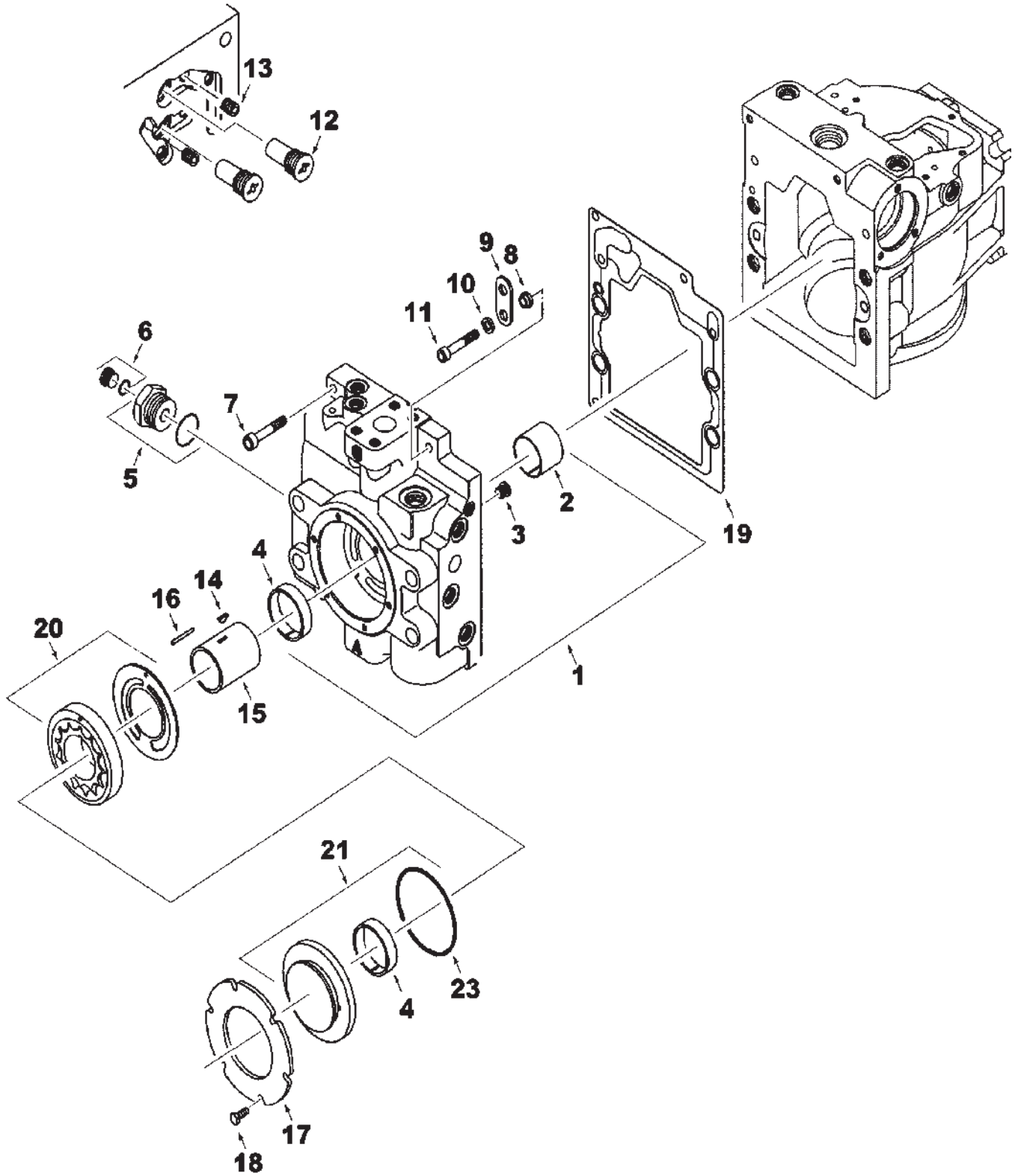
**ROTOR PUMP  
REAR, 1 OF 4**

ITEM	NUMBER	QTY	DESCRIPTION
-	71397490	--	PUMP, ROTOR (55CC DISPL.)
-	71396225	--	KIT, OVERHAUL, GASKET & SEAL
1	71374831	4	PLUG
2	70928605	3	PLUG
3	1081707M91	1	MULTI-FUNCTION VALVE KIT
4	1081707M91	1	MULTI-FUNCTION VALVE KIT
5	70923808	2	O-RING
6	70930897	2	O-RING
8	71396209	1	SHAFT SEAL ASSEMBLY
9	71396211	1	O-RING
10	1077604M1	2	PLUG
11	71374918	1	CHARGE RELIEF VALVE KIT
12	1077651M1	1	NUT
13	1077631M91	1	CHARGE RELIEF VALVE PLUG
14	70928486	1	O-RING
15	71374859	1	SPRING
16	71374886	1	POPPET, CHARGE RELIEF
17	71355339	3	FILTER SCREEN, CONTROL
18	1077605M1	1	PLUG
19	71396210	1	LIP SEAL
20	71374840	3	METRIC SCREW
21	71396212	1	RETAINING PLATE

MC00327  
PR: 402

CHALLENGER 670 COMBINE  
TRANSMISSION & AXLES

ROTOR PUMP  
REAR, 2 OF 4



**CHALLENGER 670 COMBINE  
TRANSMISSION & AXLES**

**529**

**ROTOR PUMP  
REAR, 2 OF 4**

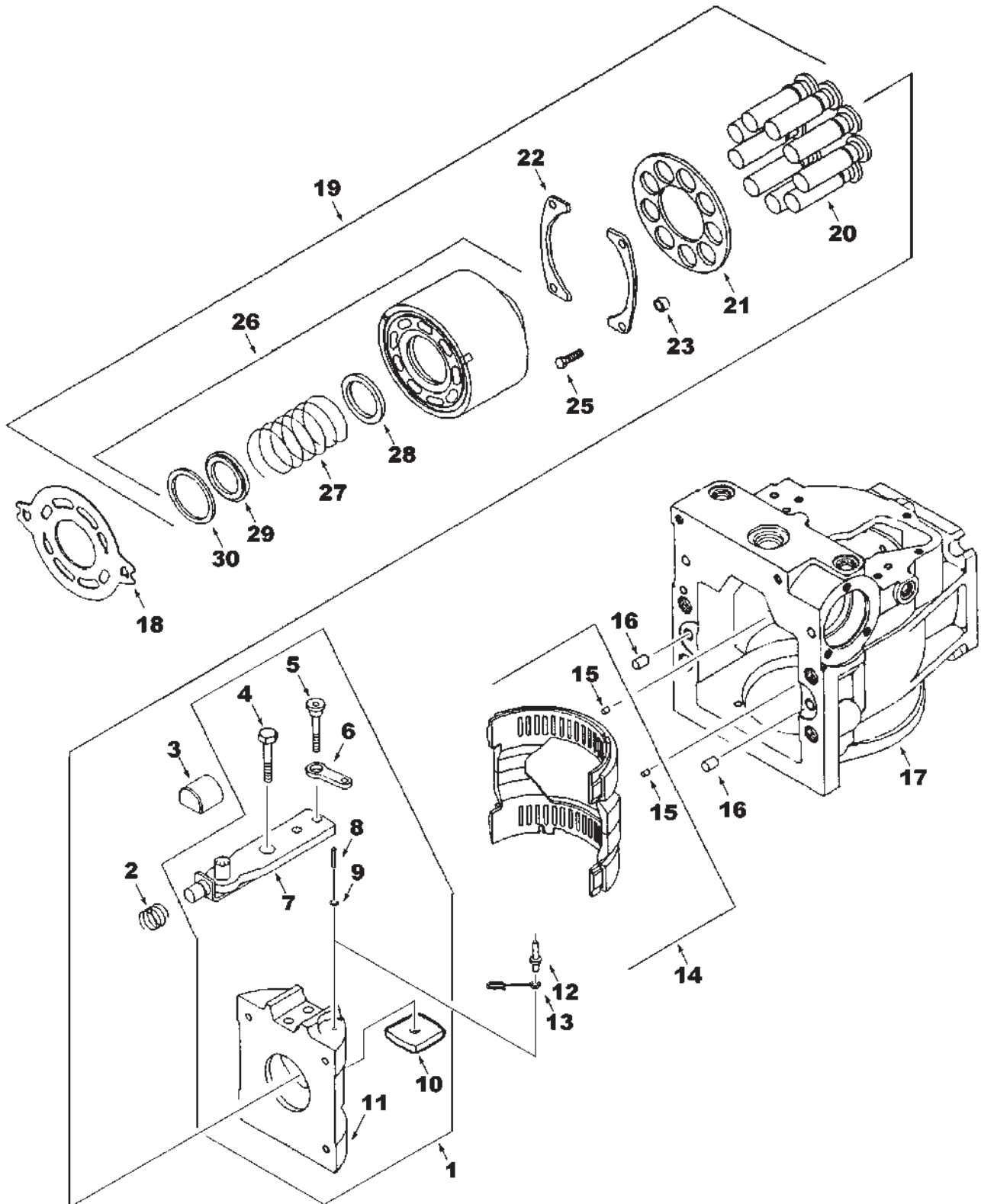
ITEM	NUMBER	QTY	DESCRIPTION
1	71396198	1	END CAP ASSEMBLY, SIDE PORTS (INCL. ITEMS 2 & 4)
2	71396199	1	JOURNAL BEARING
3	70928605	1	PLUG
4	71374894	2	BUSHING
5	1081706M1	1	REDUCER
	71396139	1	O-RING
6	1077604M1	1	PLUG
	70921885	1	O-RING
7	71396201	1	SCREW
8	71374895	1	LIFTING BRACKET SPACER
9	71374896	1	LIFTING BRACKET
10	71374897	1	WASHER
11	71374900	1	SCREW
12	71374870	2	CHECK VALVE
13	1077684M1	2	PLUG
14	71396205	1	KEY
15	71396204	1	CHARGE PUMP SHAFT
16	71396203	1	PIN
17	71374853	1	RETAINING PLATE
18	1077658M1	6	SCREW
19	71396200	1	END CAP GASKET
20	71396202	1	CHARGE PUMP SET
21	71374855	1	CHARGE PUMP COVER ASSEMBLY
23	1077661M1	1	O-RING

MC00328  
PR: 404



CHALLENGER 670 COMBINE  
TRANSMISSION & AXLES

ROTOR PUMP  
REAR, 3 OF 4



CHALLENGER 670 COMBINE  
TRANSMISSION & AXLES

531

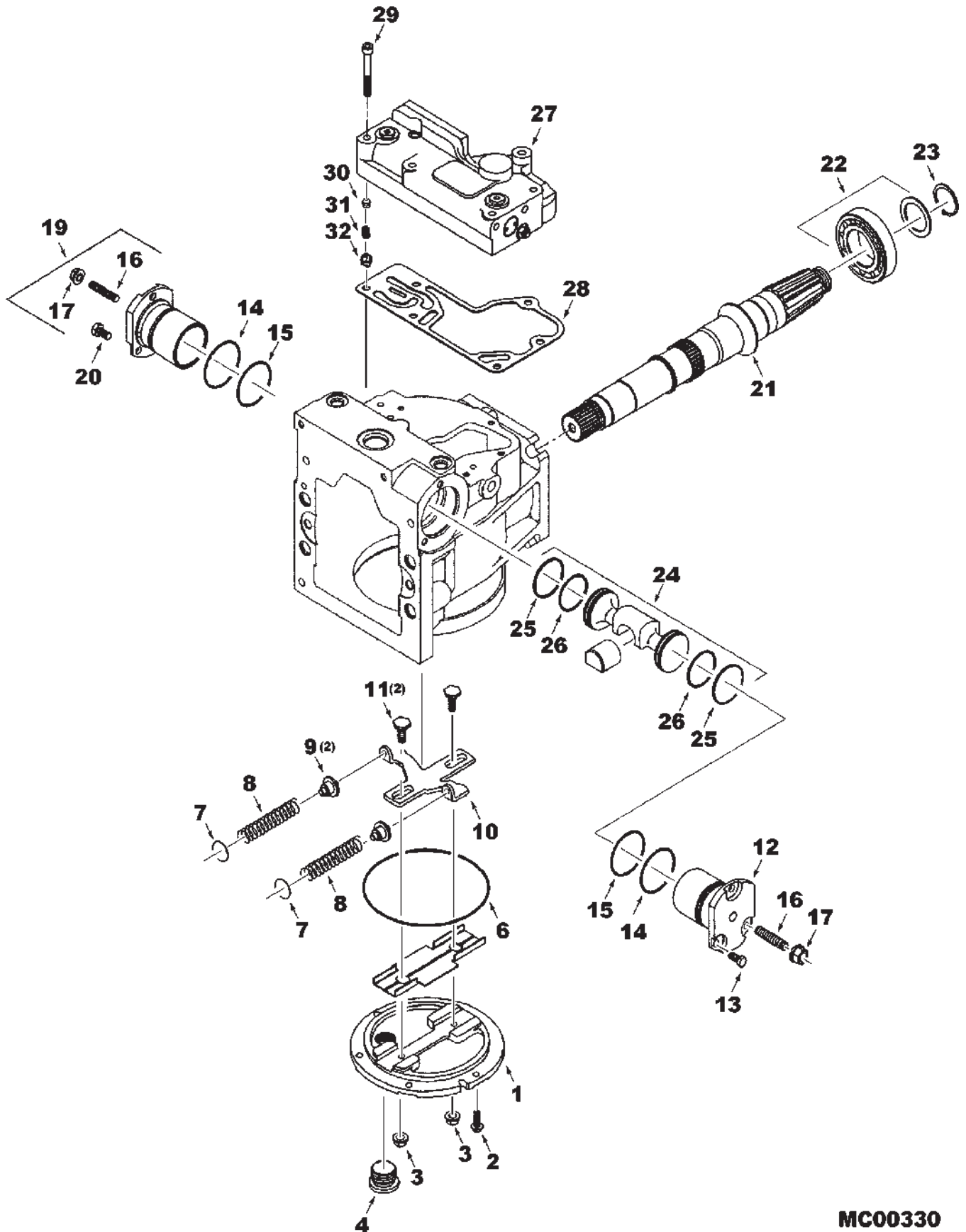
ROTOR PUMP  
REAR, 3 OF 4

ITEM	NUMBER	QTY	DESCRIPTION
1	71396182	1	VARIABLE SWASHPLATE ASSEMBLY (INCL. ITEMS 4-11)
2	71396187	1	SPRING
3	1081684M1	1	SLIDER BLOCK
4	1081670M1	1	SCREW
5	1081671M1	1	SCREW
6	71396185	1	FEEDBACK LINK
7	71396183	1	SERVO ARM ASSEMBLY
8	71374884	1	SPIRAL PIN
9	71374883	1	WASHER
10	71374881	1	SWASHPLATE GUIDE
11	71396184	1	VARIABLE SWASHPLATE
12	71396186	1	PIN
13	1081673M1	1	CAGE LOCATOR LINK
14	71396180	1	BEARING ASY
16	700702137	2	PIN
17	71396179	1	VARIABLE HOUSING
18	71396181	1	VALVE PLATE
19	71396257	1	ROTATING GROUP KIT
20	71396220	9	WELDED PISTON
21	71396221	1	SLIPPER GUIDE
22	71396222	2	SLIPPER GUIDE BEARING
23	71396223	4	SPACER
25	71396224	4	SCREW
26	71396215	1	CYLINDER BLOCK ASSEMBLY
27	71396216	1	SPRING
28	71396217	1	SPRING SEAT
29	71396218	1	SPRING RETAINER
30	71396219	1	RETAINING RING

MC00055  
PR: 406

CHALLENGER 670 COMBINE  
TRANSMISSION & AXLES

ROTOR PUMP  
REAR, 4 OF 4



CHALLENGER 670 COMBINE  
TRANSMISSION & AXLES

533

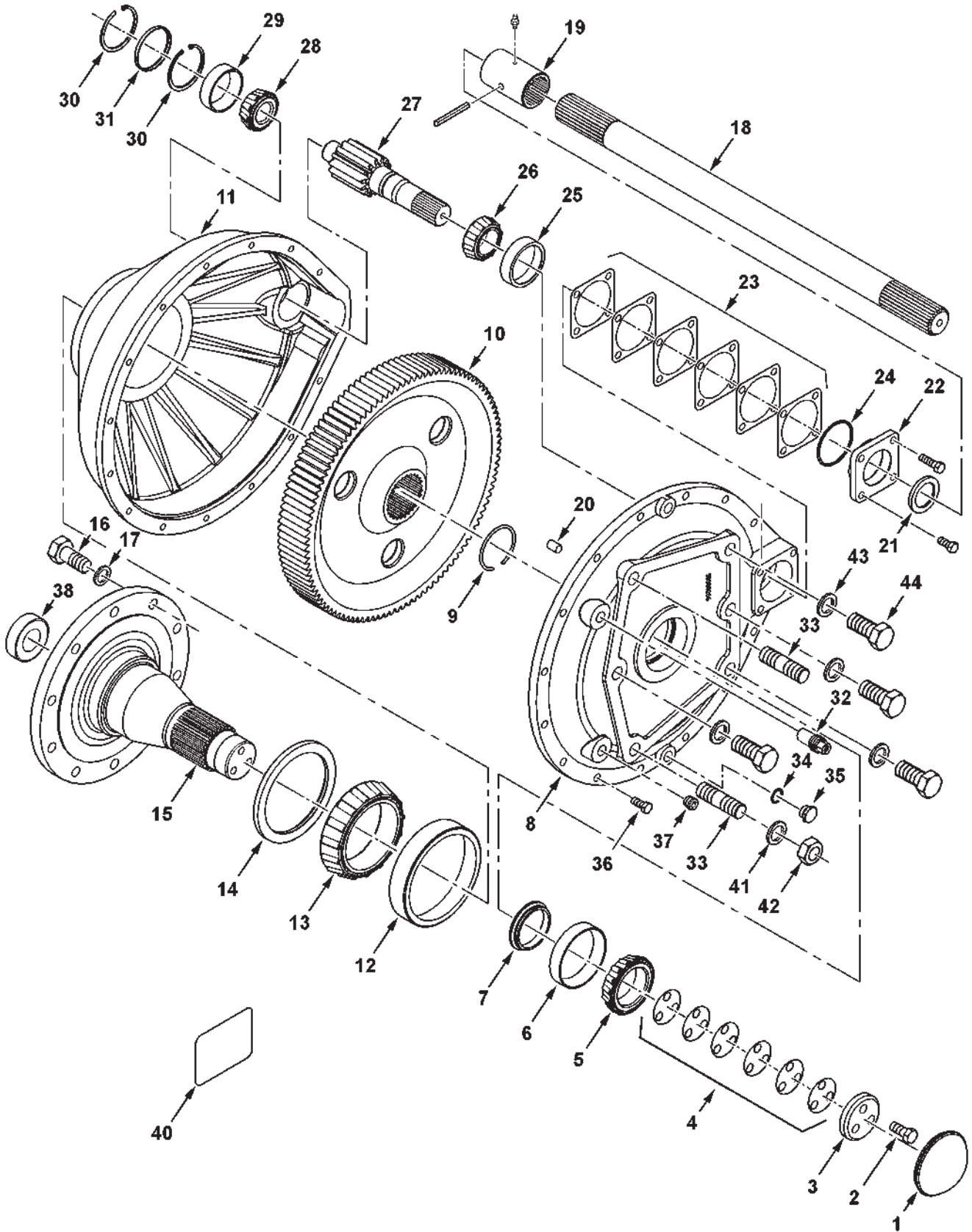
ROTOR PUMP  
REAR, 4 OF 4

ITEM	NUMBER	QTY	DESCRIPTION
1	71396188	1	SIDE COVER
2	71374890	6	SCREW
3	1077627M1	4	NUT
4	1077605M1	1	PLUG
5	71396192	1	INSERT ASY, SIDE COVER
6	70926762	1	O-RING
7	71396130	2	SHIM
8	71396191	2	HELICAL COMPRESSION SPRING
10	71396189	1	LEVELER ASSEMBLY
11	71374961	2	GUIDE POST
12	71397491	2	SERVO CYLINDER KIT
13	1077638M1	6	SCREW
14	71396193	2	O-RING
15	71396194	2	O-RING
16	1081711M1	2	SET SCREW
21	71396207	1	SHAFT, 14 TOOTH SPLINE
22	71396208	1	ROLLER BEARING
23	71355384	1	RETAINING RING
24	71396195	1	SERVO PISTON KIT
25	71396197	2	PISTON RING
26	71395322	2	O-RING
27	71396213	1	HDC KIT (INCL. ITEMS 28,29)
28	71396214	1	CONTROL GASKET
29	1077673M1	6	SCREW
30	837853M91	1	KIT, CONTROL ORIFICE .026
31	71374908	1	SPRING
32	71374909	1	SPRING RETAINER

MC00330  
PR: 408

CHALLENGER 670 COMBINE  
TRANSMISSION & AXLES

FINAL DRIVE  
S39



**CHALLENGER 670 COMBINE  
TRANSMISSION & AXLES**

535

**FINAL DRIVE  
S39**

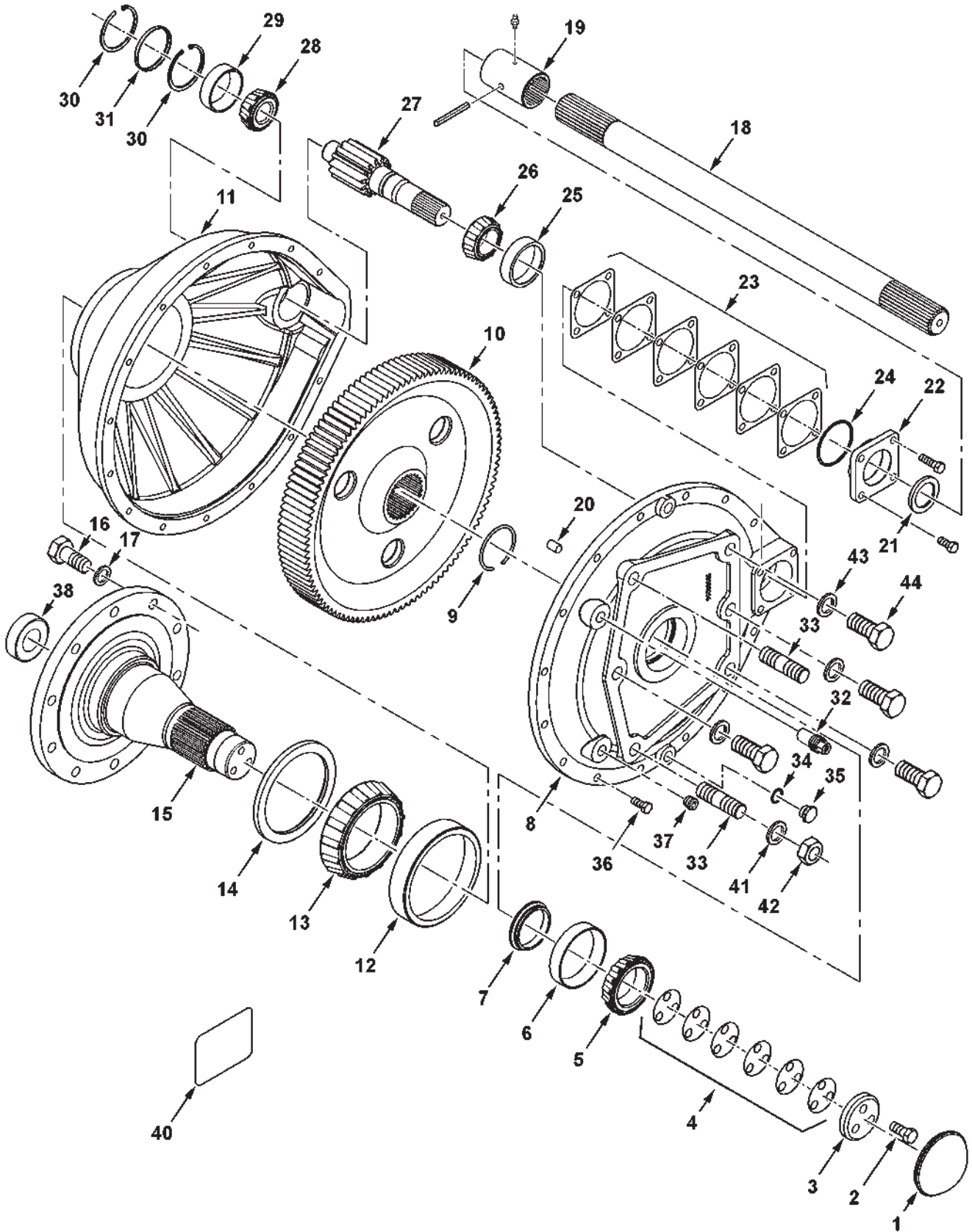
ITEM	NUMBER	QTY	DESCRIPTION
-	71408701	2	FINAL DRIVE ASY. S39 (INCL. 1 PINT OIL)
1	71304261	2	CAP, BEARING
2	70950388	6	CAPSCREW, M16-2.0 X 40; C10.9, PHOS.
3	71391572	2	WASHER - AXLE (HARDENED)
4	71304262	2	SHIM, .005
	71304263	2	SHIM, .007
	71304264	2	SHIM, .010
5	70930884	2	CONE, BEARING
6	70930883	2	CUP, BEARING
7	71304266	2	SPACER, AXLE
8	-----	2	HOUSING, INNER (PRIOR S/N HR36101) (ORDER HOUSING ASY ITEM 11)
	79021649	AR	SILMATE, RTV, (13 OZ. TUBE)
9	71304267	2	RING, SNAP, ROUND
10	71389647	2	GEAR, FINAL DRIVE
11	-----	2	HOUSING, OUTER (PRIOR S/N HR36101)
	71406280	2	HOUSING ASY, S39H (EFF. S/N HR36101) (INCL. ITEMS 8, 20, 36)
12	7713860	2	CUP, BEARING
13	71314481	2	CONE, BEARING
14	7744477	2	SEAL, OIL
15	71327595	2	AXLE
16	70925806	20	CAPSCREW 7/8-9 NC X 3 GR8
17	705665	20	WASHER, HARD .94 ID X 1.75 OD
18	71309514	1	SHAFT, DRIVE, LH
	71309515	1	SHAFT, DRIVE, RH
19	71310379	4	COUPLING (2 REQD W/AXLE RISERS)
	71395825	2	COUPLING, OUTER, (W/AXLE RISERS)
	13811X	4	LUBE FTG, STR, 1/4-28 TAPER THD
	Y763318	4	PIN, SPIROL (2 REQD W/AXLE RISERS)
	70925459	2	PIN, SPIROL ( W/AXLE RISERS)
	70923219	4	ZERK, GREASE
	-----	4	WIRE, LOCK (CAN USE 70910815; CUT TO LENGTH)

CONTINUED

GC00371  
PR: 410

### CHALLENGER 670 COMBINE TRANSMISSION & AXLES

#### FINAL DRIVE S39



GC00371

**CHALLENGER 670 COMBINE  
TRANSMISSION & AXLES**

537

**FINAL DRIVE  
S39**

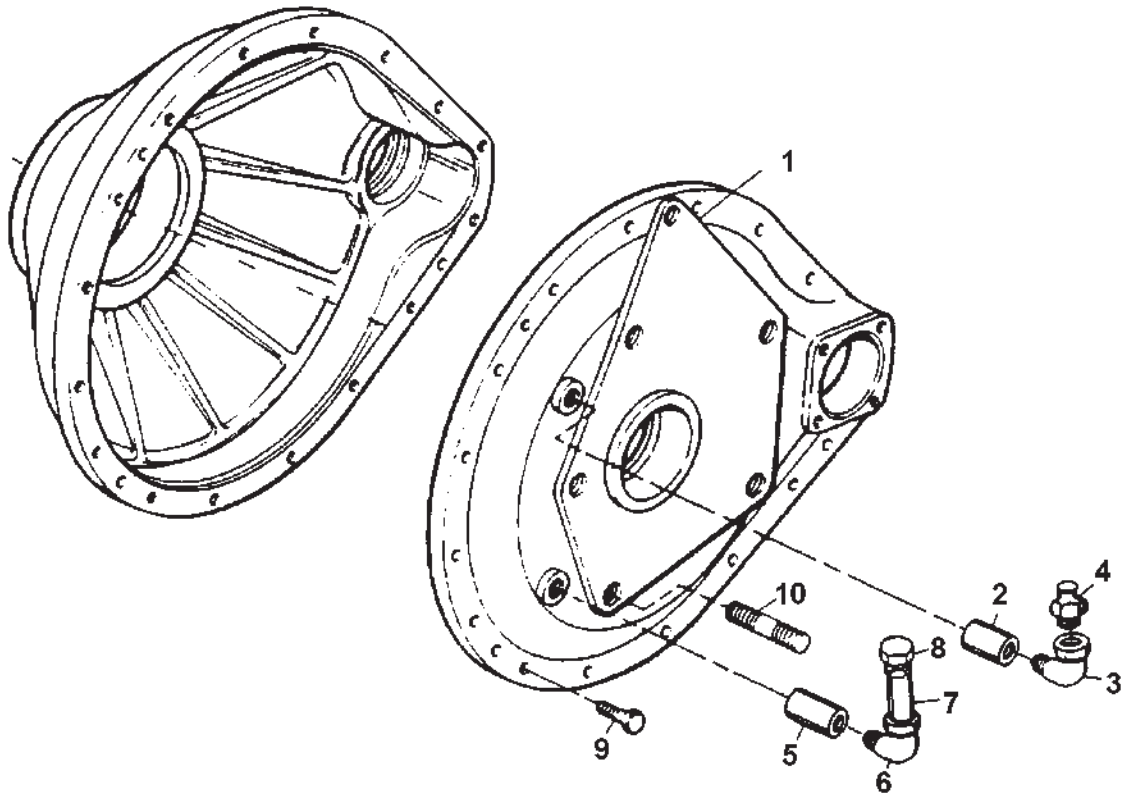
ITEM	NUMBER	QTY	DESCRIPTION
20	70926551	6	PIN, DOWEL, 1/2 X 1
21	700717365	2	SEAL, OIL
22	71304292	2	RETAINER, BEARING
	70950377	4	CAPSCREW M12-1.75 X 30 LG C10.9
	70950417	4	CAPSCREW M12-1.75 X 80 LG C10.9
23	71166170	4	SHIM, .005
	71166171	4	SHIM, .007
	71166172	4	SHIM, .010
24	70923816	2	O-RING, .139 X 3.23 ID
25	71162782	2	CUP, BEARING
26	71162781	2	CONE, BEARING
27	71389619	2	PINION, FINAL DRIVE, 14T
28	70210011	2	CONE, BEARING
29	70210012	2	CUP, BEARING
30	Y52894	4	RING, RETAINING, INT.
31	71304271	2	PLUG, HOLE
32	71340437	2	VENT ASY, W/ FILTER
33	71311456	4	STUD, 1-1/8-7
34	71183757	4	GASKET, PLUG
35	71369299	4	PLUG, MAGNETIC DRAIN
36	5000017X1	28	CAPSCREW, M14-2.0 X 40, C10.9, BLK PHOS.
37	3008469	2	PLUG, PIPE, 3/4 NPTF
38	71370926	20	SPACER, WHEEL BOLT .91 ID X 2.0 X 1.0
40	71348455	2	DECAL - TORQUE, 600 FT.LB.
41	71339238	4	WASHER, SPECIAL
42	7704778	4	NUT, 1-1/8-7 REG. GR5
43	70933817	8	CAPSCREW, 1-1/8-7 X 2-1/2 GR 8
44	71339238	8	WASHER, SPECIAL
-	79021676	AR	LOCTITE, PRIMER N (6 OZ)
-	79021669	AR	LOCTITE, THREADLOCKER (10 ML)

GC00371  
PR: 410



CHALLENGER 670 COMBINE  
TRANSMISSION & AXLES

FINAL DRIVE  
4" AXLE RISERS



**CHALLENGER 670 COMBINE  
TRANSMISSION & AXLES**

**539**

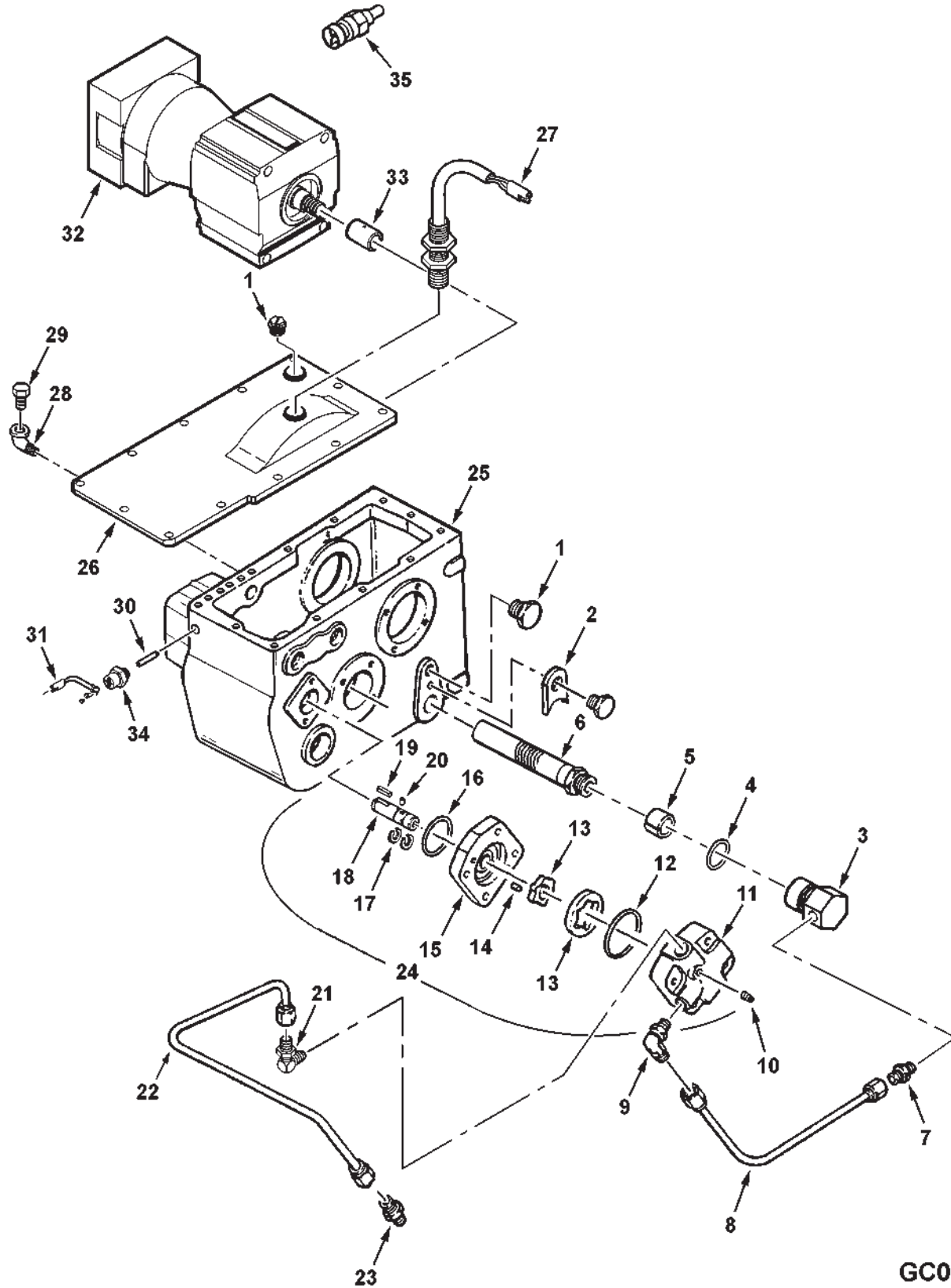
**FINAL DRIVE  
4" AXLE RISERS**

ITEM	NUMBER	QTY	DESCRIPTION
1	71375751	1	RISER,FINAL DRIVE, LH
	71375752	1	RISER,FINAL DRIVE, RH
	71369307	2	BREATHER PLUG
2	70912094	2	BUSHING, PIPE 3/4 X 1/8
3	70923690	2	ELBOW, 90 D, STREET 1/8
4	7751605	2	VENT, BREATHER
5	70901840	2	BUSHING, PIPE 3/4 X 1/4
6	70921419	2	ELBOW, 90 D, STREET 1/4
7	70901480	2	NIPPLE, PIPE 1/4 X 2" LG
8	71312323	2	CAP, 1/4 NPT
9	70933817	12	CAPSCREW, 1-1/8-7 X 2-1/2 GR8
10	71311456	4	STUD,1.125-7
-	79021676	AR	LOCTITE, PRIMER N (6 OZ)
-	79021669	AR	LOCTITE, THREADLOCKER (10 ML)
-	71400006	--	KIT, 4" AXLE RISER (ORDER THRU DEALER CENTRAL)

GC00160  
PR: 414

CHALLENGER 670 COMBINE  
TRANSMISSION & AXLES

TRANSMISSION, GEAR  
PRESSURE LUBE & HYDRO MOTOR



**CHALLENGER 670 COMBINE  
TRANSMISSION & AXLES**

541

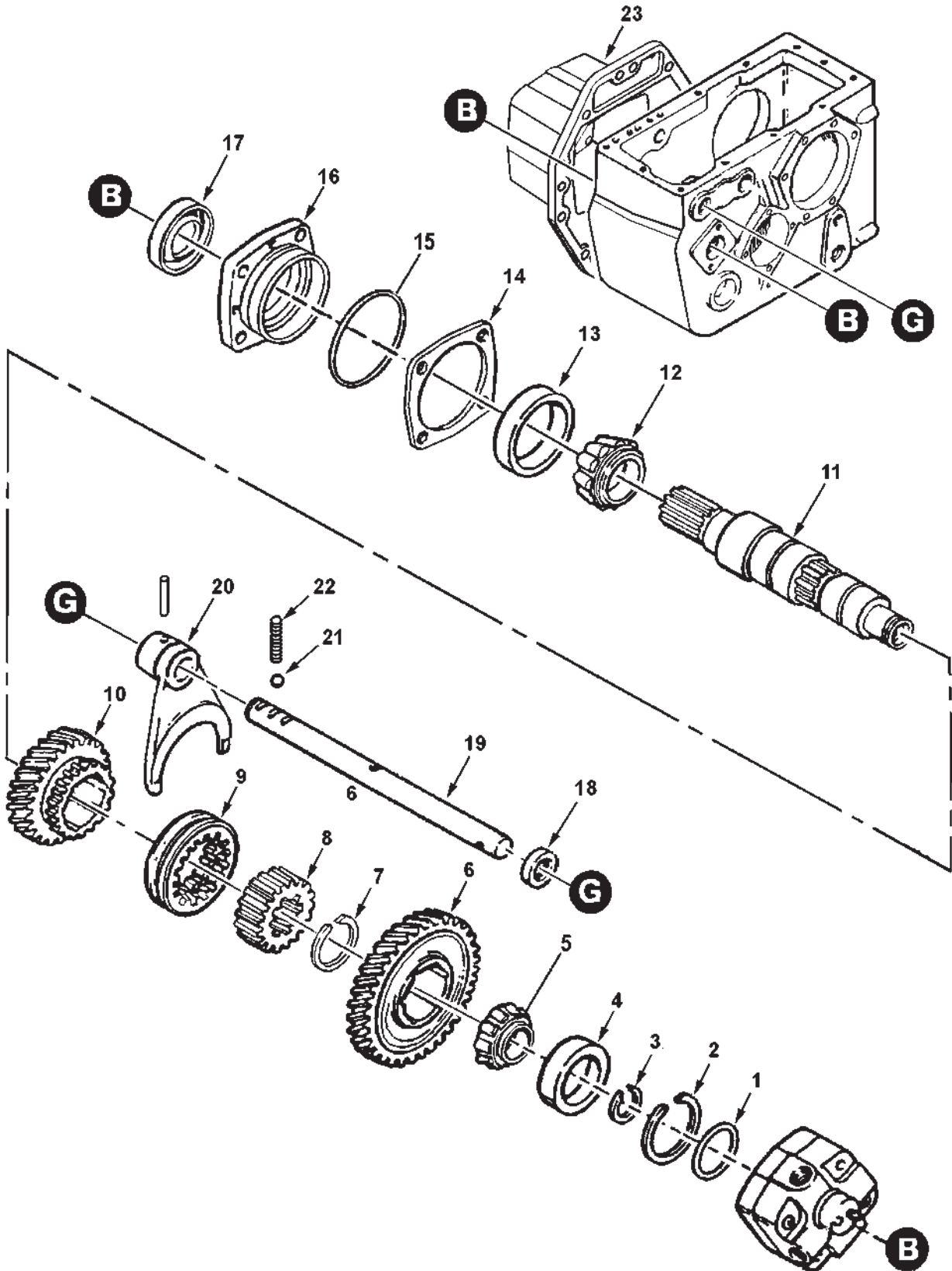
**TRANSMISSION, GEAR  
PRESSURE LUBE & HYDRO MOTOR**

ITEM	NUMBER	QTY	DESCRIPTION
-	71377420	--	TRANS. ASY (W/O BRAKES. W/BUILT-IN MOTOR ADAPTER)(SERVICE W/ 71406300)
-	71398354	--	TRANS. ASY (W/O BRAKES)(EFF S/N HM36101 MID-YEAR)(SERVICE W/ 71406300)
-	71406300	--	TRANS. ASY (W/O BRAKES)(EFF S/N HP36101)
	7701659	2	CAPSCREW, 5/8-11 X 2-1/2 GR5
	7701683	2	CAPSCREW, 5/8-11 X 3 GR5
	70924272	4	WASHER, .656 X 1 X 12 GA.
1	70225441	2	PLUG, OIL LEVEL
	70226012	2	GASKET
2	71183535	1	RETAINER, FILTER
	7884570	1	CAPSCREW, M12-1.75 X 20
	700708343	1	LOCKWASHER, M12
3	71183746	1	MANIFOLD, LUBE SCREEN
4	70925919	1	O-RING, VITON, .139 X 1.484 ID, 75 DUR.
5	71183828	1	MAGNET, PARTICAL
6	71183747	1	SCREEN ASY.
7	846337	1	CONNECTOR, STR, 3/4-16 JIC X ORB
	70921349	1	O-RING, .087 X .644 ID
8	71183750	1	TUBE ASY., FILTER TO PUMP
9	70935781	1	ELBOW, 90 DEG, 3/4-16 JIC X ORB
	70921349	1	O-RING, .087 X .644 ID
10	70901651	1	PLUG, PIPE
11	71184147	1	HOUSING, PUMP
12	70924186	1	O-RING, 75 DURO, .070 X 2.61 ID, UDN -38
13	71335782	1	GEROTOR, INNER & OUTER
14	Y730804	2	PIN, DOWEL, 1/4 X 1/2
15	71184148	1	COVER, REAR
16	70930911	1	O-RING, 75 DURO .103 X 2.30 ID, UDN -141
17	1026105M1	2	RING, RETAINING
18	71335783	1	SHAFT ASY. DRIVE
19	71184145	1	KEY
20	71335784	1	PIN
21	70922523	1	ELBOW, 90 DEG, 9/16-18 ORB X JIC
	70921885	1	O-RING, .078 X .468 ID
22	71377419	1	TUBE ASY., PUMP TO SHAFT
23	70919062	1	CONNECTOR, 9/16-18 JIC X 1/4 NPT
24	71406298	1	PUMP ASY.
	700721684	2	CAPSCREW, SPL HD, M10-1.50 X 45
25	71377709	1	HOUSING, TRANS.
26	71377531	1	COVER, TRANS.
	70950052	12	CAPSCREW, FULL THD, M12-1.75 X 30
27	71389818	1	SENSOR, GND SPEED
28	70923690	1	ELBOW, STREET 1/8 NPT
29	7751605	1	VENT, BREATHER
30	71342217	1	PIN, SWITCH
31	71385907	1	WIRE, START SWITCH
32	71392870	1	MOTOR, FIXED
	701235	4	CAPSCREW, 1/2-13 X 1-1/2 GR5
	70923858	4	WASHER, .53 X 1.25 X .180
33	71390855	1	COUPLER, MOTOR TO INPUT
	7773856	1	CAPSCREW, 1/4-20 X 2-3/4 GR5
	31752	1	LOCKNUT, 1/4-20
34	71342216	1	SWITCH, START
35	71393718	1	SENSOR, HYDRO MOTOR TEMPERATURE
	70936326	1	O-RING, .072 X .414 ID, VITON

GC00372  
PR: 416

CHALLENGER 670 COMBINE  
TRANSMISSION & AXLES

TRANSMISSION, GEAR  
INPUT SHAFT & GEARS



**CHALLENGER 670 COMBINE  
TRANSMISSION & AXLES**

543

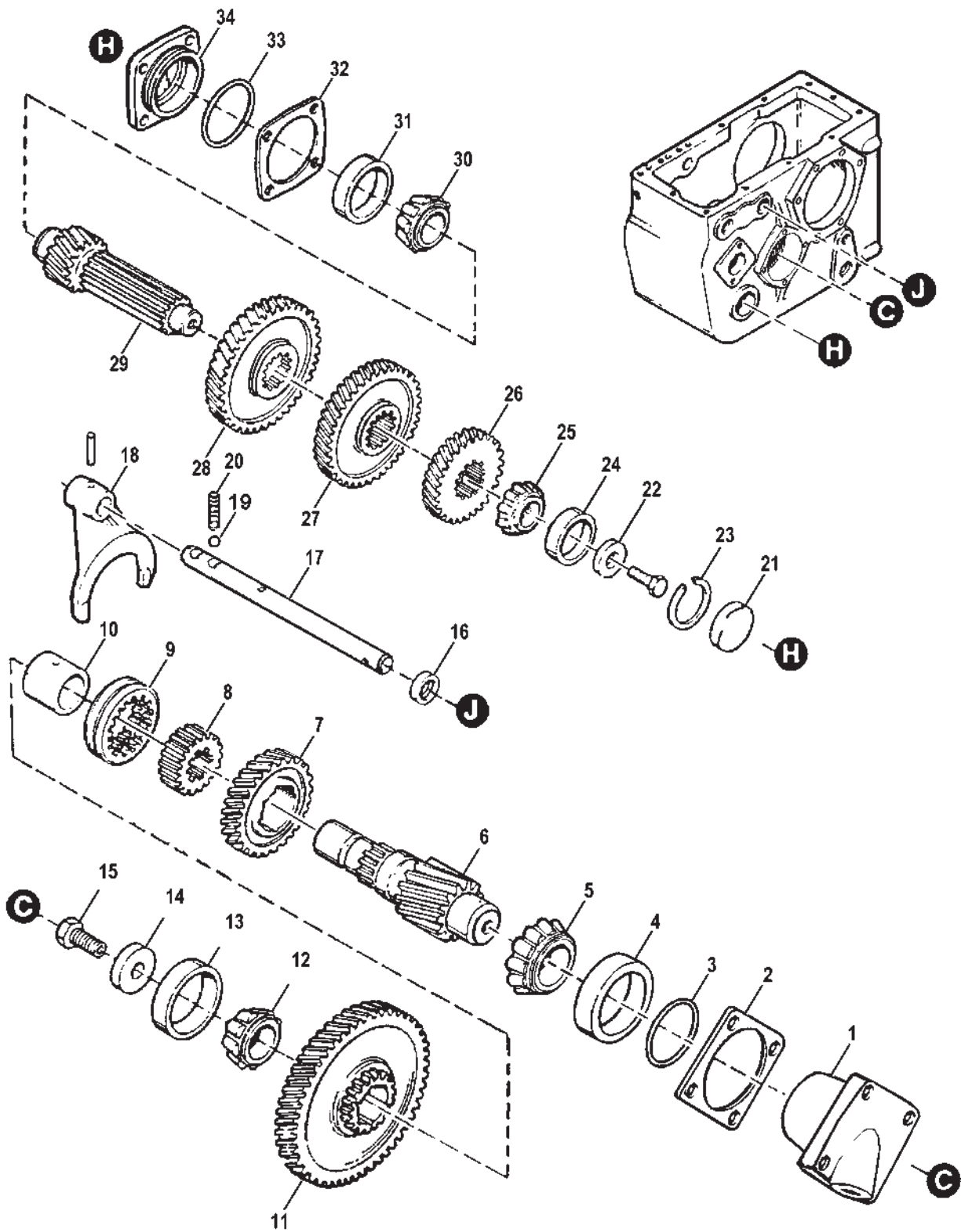
**TRANSMISSION, GEAR  
INPUT SHAFT & GEARS**

ITEM	NUMBER	QTY	DESCRIPTION
1	70930911	1	O-RING, 75 DURO .103 X 2.30, UDN -141
2	71184144	1	SNAP RING
3	71184133	AR	SNAP RING, .071 THICK
	71302467	AR	SNAP RING, .072 THICK
	71302468	AR	SNAP RING, .073 THICK
	71184134	AR	SNAP RING, .074 THICK
	71302469	AR	SNAP RING, .075 THICK
	71302470	AR	SNAP RING, .076 THICK
	71184135	AR	SNAP RING, .077 THICK
	71302471	AR	SNAP RING, .078 THICK
4	834581M1	1	CUP, BEARING
5	834580M1	1	CONE, BEARING
6	71377408	1	GEAR, DRIVE, 39 T
7	71183839	1	RING, RETAINING
8	71160040	1	COLLAR
9	71195328	1	COUPLING
10	71377407	1	GEAR, DRIVE, 27 T
11	71399521	1	SHAFT, INPUT
12	74254700	1	CONE, BEARING
13	74254699	1	CUP, BEARING
14	71186745	AR	SHIM, .002 THICK
	71186746	AR	SHIM, .003 THICK
	71175961	AR	SHIM, .005 THICK
	71175962	AR	SHIM, .007 THICK
	71175963	AR	SHIM, .010 THICK
15	70923816	1	O-RING, 75 DURO .139 X 3.234, UDN -236
16	71190292	1	CARRIER, BEARING
	700708349	4	CAPSCREW, M10-1.5 X 25 C8.8
17	71162565	1	SEAL, OIL
18	71160303	1	SEAL, OIL
19	71377548	1	RAIL, SHIFT, 1,2,3 & 4
20	71300509	1	FORK, 1,2,3 & 4
	70923404	1	PIN, COILED SPRING, 5/16 X 1-1/2
21	70917579	1	BALL .4375 DIA
22	71160067	1	SPRING, DETENT
23	71377710	1	HOUSING, MOTOR ADAPTER
	70926551	3	PIN, DOWEL, 1/2 X 1
	70950052	10	CAPSCREW, M12-1.75 X 30 C8.8
-	79021676	AR	LOCTITE, PRIMER N (6 OZ)
-	79021669	AR	LOCTITE, THREADLOCKER (10 ML)

GC00373  
PR: 418

CHALLENGER 670 COMBINE  
TRANSMISSION & AXLES

TRANSMISSION, GEAR  
INTERMEDIATE & MAIN SHAFT



**CHALLENGER 670 COMBINE  
TRANSMISSION & AXLES**

545

**TRANSMISSION, GEAR  
INTERMEDIATE & MAIN SHAFT**

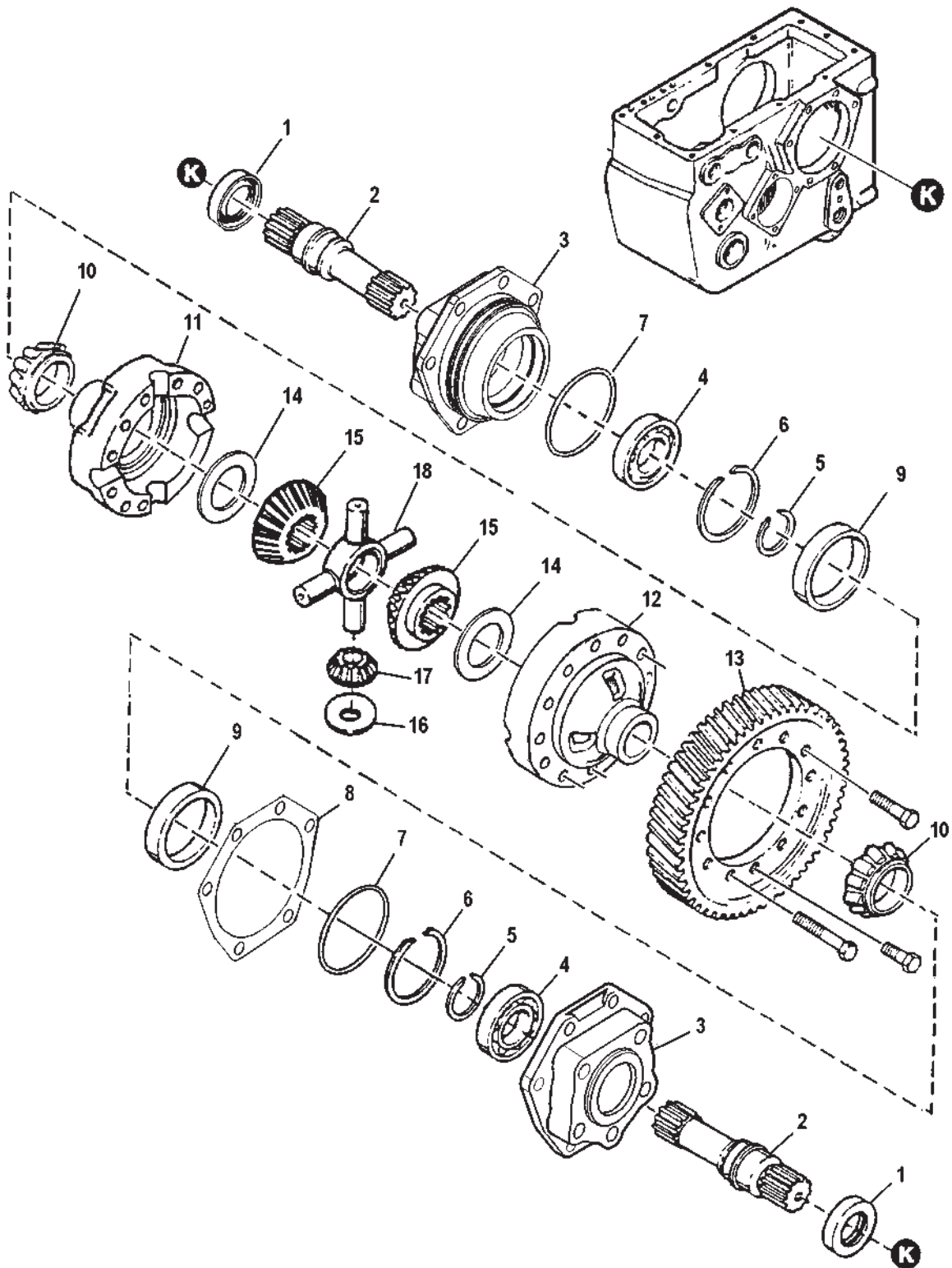
ITEM	NUMBER	QTY	DESCRIPTION
1	71377415	1	CARRIER, BEARING, MAIN SHAFT
	70950052	4	CAPSCREW, M12-1.75 X 30 C8.8
2	71377712	AR	SHIM, MAIN SHAFT .002
	71377713	AR	SHIM, MAIN SHAFT .003
	71377714	AR	SHIM, MAIN SHAFT .005
	71377715	AR	SHIM, MAIN SHAFT .007
	71377716	AR	SHIM, MAIN SHAFT .010
3	70923818	1	O-RING, 75 DURO .139 X 3.98, UDN -242
4	71377722	1	CUP, BEARING
5	71377723	1	CONE, BEARING
6	71377418	1	SHAFT, MAIN
7	71377416	1	GEAR, DRIVEN 40T
8	71160040	1	COLLAR
9	71195328	1	COUPLING
10	71377711	1	BUSHING, GEAR
11	71377417	1	GEAR, DRIVEN 62T
12	71377535	1	CONE, BEARING
13	71377534	1	CUP, BEARING
14	71177386	1	WASHER, MAINSHAFT
15	7772312	1	CAPSCREW, M16-2.0 X 40 C8.8
16	71160303	1	SEAL, OIL
17	71377549	1	RAIL, SHIFT, HI, LO RANGE
18	71300507	1	FORK, HI, LO RANGE
	70923404	1	PIN, COILED SPRING, 5/16 X 1-1/2
19	70917579	1	BALL .4375 DIA
20	71160067	1	SPRING, DETENT
21	71317628	1	PLUG
22	71177385	1	WASHER
	70950052	1	CAPSCREW, M12-1.75 X 30 C8.8
23	71184144	1	RING, SNAP
24	834581M1	1	CUP, BEARING
25	834580M1	1	CONE, BEARING
26	71377411	1	GEAR, DRIVEN 32T
27	71377412	1	GEAR, DRIVE 42T
28	71377413	1	GEAR, DRIVEN 45T
29	71377414	1	COUNTERSHAFT W/ GEAR 20T
30	70228509	1	CONE, BEARING
31	712208	1	CUP, BEARING
32	71186745	AR	SHIM, .002 THICK
	71186746	AR	SHIM, .003 THICK
	71175961	AR	SHIM, .005 THICK
	71175962	AR	SHIM, .007 THICK
	71175963	AR	SHIM, .010 THICK
33	70923816	1	O-RING, 75 DURO .139 X 3.234, UDN -236
34	71377410	1	CARRIER, BEARING
	700708349	4	CAPSCREW, M10-1.50 X 25 C8.8
-	79021676	AR	LOCTITE, PRIMER N (6 OZ)
-	79021669	AR	LOCTITE, THREADLOCKER (10 ML)

GC00374  
PR: 420



### CHALLENGER 670 COMBINE TRANSMISSION & AXLES

#### TRANSMISSION, GEAR DIFFERENTIAL



**CHALLENGER 670 COMBINE  
TRANSMISSION & AXLES**

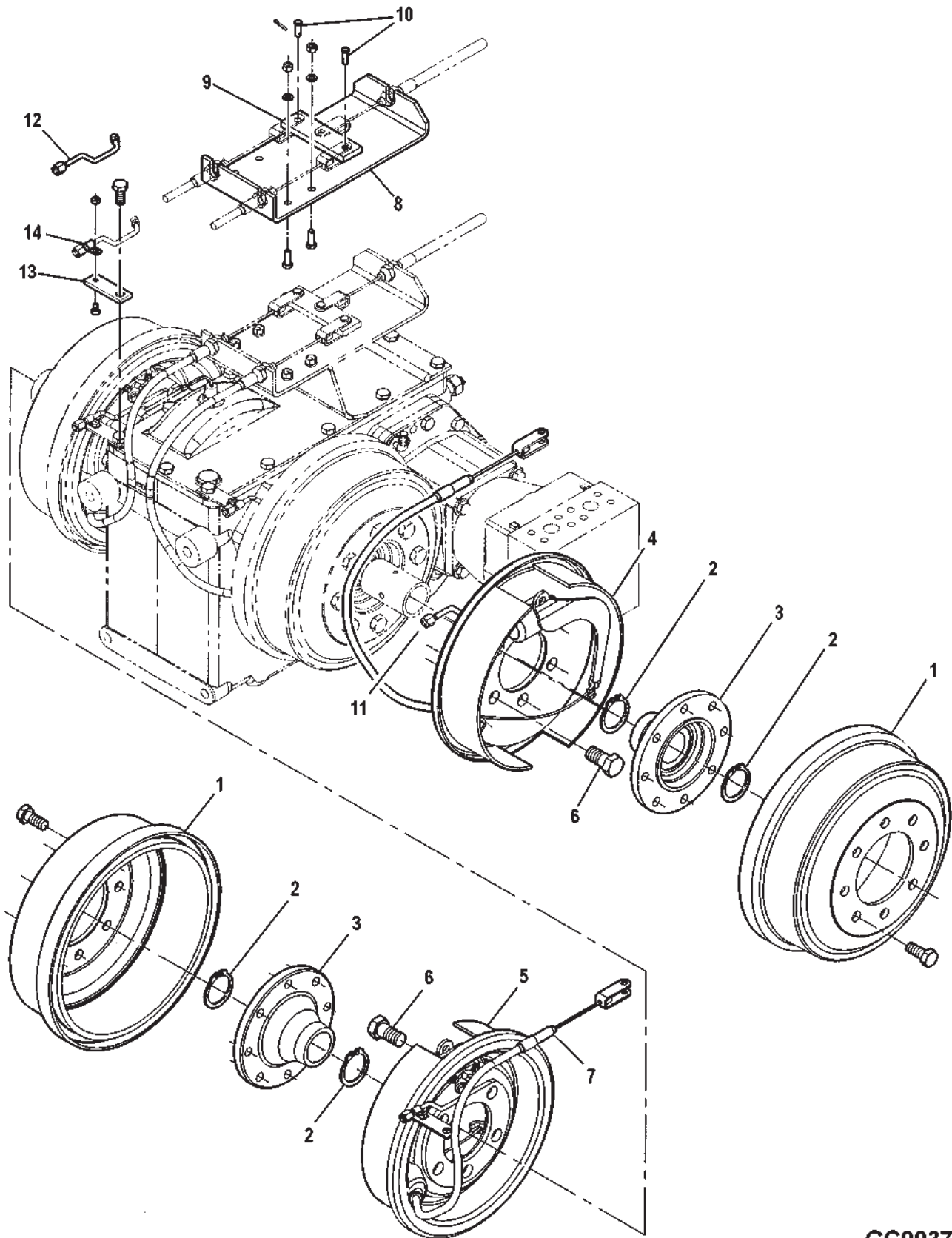
547

**TRANSMISSION, GEAR  
DIFFERENTIAL**

ITEM	NUMBER	QTY	DESCRIPTION
1	71359538	2	SEAL, OIL
2	71390887	2	SHAFT, DIFF OUTPUT
3	71390888	2	CARRIER, BEARING
	7772312	12	CAPSCREW, M16-2 X 40 C8.8
4	1109070	2	BEARING, BALL
5	71160055	2	RING, RETAINING
6	70927321	2	RING, RETAINING
7	70923594	2	O-RING, 75 DURO .139 X 5.98, UDN -258
8	71377717	AR	SHIM, DIFF .002
	71377718	AR	SHIM, DIFF .003
	71377719	AR	SHIM, DIFF .005
	71377720	AR	SHIM, DIFF .007
	71377721	AR	SHIM, DIFF .010
9	70930426	2	CUP, BEARING
10	70930424	2	CONE, BEARING
11	71386867	1	HOUSING, DIFF, PLAIN HALF (1/2" CPSCRWS) (SERVICED W/71398356 HOUSG ASY, BOTH HALVES)(MUST USE 71398330 RING GEAR)
	71398328	1	HOUSING, DIFF, PLAIN HALF (M14 CPSCRWS) (SERVICED W/71398356 HSG ASY, BOTH HLVS)
12	71386866	1	HOUSING, DIFF, GEAR HALF (1/2" CPSCRWS) (SERVICED W/71398356 HOUSG ASY, BOTH HALVES)(MUST USE 71398330 RING GEAR)
	71398329	1	HOUSING, DIFF, GEAR HALF (M14 CPSCRWS) (SERVICED W/71398356 HSG ASY, BOTH HLVS)
13	71347780	1	GEAR, RING, 70T (PRIOR S/N HM36101, MID-YEAR)
	70927469	4	CAPSCREW, 1/2-13 X 2-1/4 GR8
	70923154	4	CAPSCREW, 1/2-13 X 1-1/2 GR8
	70926157	8	CAPSCREW, 1/2-13 X 3-3/4 GR8
	70928178	16	WASHER, HARD, .531 X 1.0 X .109
	71398330	1	GEAR, RING, 70T (EFF S/N HM36101, MID-YEAR)
	70950490	12	CAPSCREW, M14-2.0 X 100, CL10.9
	70950382	4	CAPSCREW, M14-2.0 X 35, CL10.9
	70926192	16	WASHER, HARD, .562 ID X 1.25 X .120
	79021676	AR	LOCTITE, PRIMER N (6 OZ)
	79021669	AR	LOCTITE, THREAD LOCKER (10 ML)
14	71160085	2	WASHER, THRUST, SIDE GEAR
15	71344598	2	GEAR, SIDE
16	71347782	4	WASHER, THRUST, PINION
17	71344597	4	PINION
18	71347777	1	SPIDER, DIFFERENTIAL
-	71398327	--	DIFFERENTIAL ASY. (INCL. ITEMS 10-18)
-	71398356	--	HOUSING ASY. (NOT ILL.)(INCL. ITEM 11, 71398328 & ITEM 12, 71398329)

GC00375  
PR: 422

DRUM BRAKES  
SERVICE & PARKING



**CHALLENGER 670 COMBINE  
TRANSMISSION & AXLES**

549

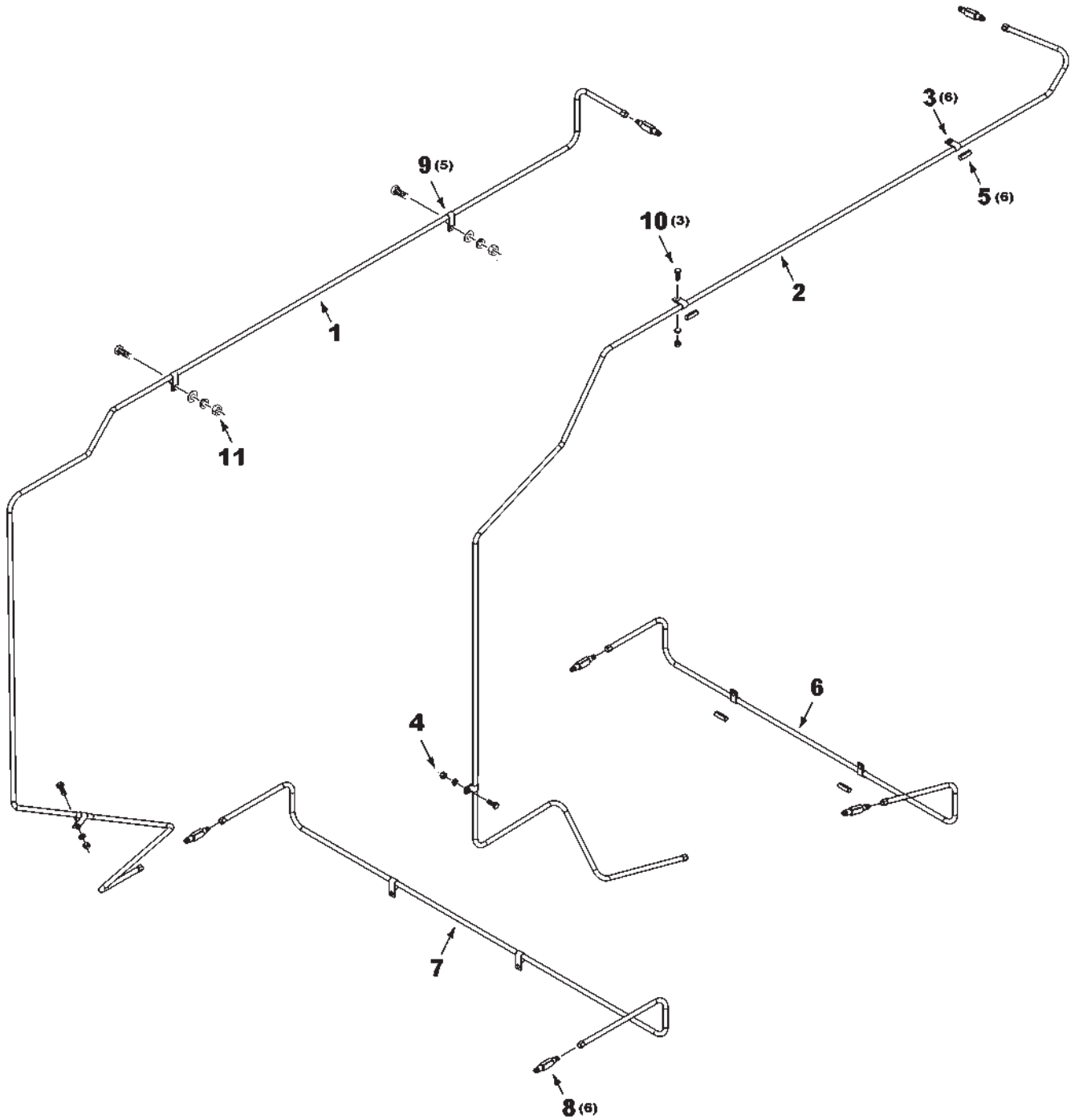
**DRUM BRAKES  
SERVICE & PARKING**

ITEM	NUMBER	QTY	DESCRIPTION
1	71392787	2	DRUM, BRAKE
	7771785	16	CAPSCREW, 5/8-11 X 1 GR5
2	70937676	4	RING, RETAINING, INTERNAL
3	71392788	2	HUB, BRAKE DRUM
4	71389232	1	BRAKE ASY. LH
5	71389233	1	BRAKE ASY. RH
	71395151	1	WHEEL CYL. KIT LH
	71395160	1	WHEEL CYL. KIT RH
	71395157	4	BOLT, WHEEL CYL. MOUNTING
	71395158	2	BRAKE SHOE KIT (1 PER SIDE)
	71395159	2	BACKING PLATE WELD ASY
	71395163	4	LINK, CONNECTING, WHEEL CYL.
	71395152	2	SPRING KIT
	71395153	1	ADJUSTER KIT, LH
	71395161	1	ADJUSTER KIT, RH
	71395154	1	PARK BRAKE KIT, LH
	71395162	1	PARK BRAKE KIT, RH
	71395155	2	WASHER, SPRING
	71376446	2	NUT
6	70950394	10	CAPSCREW, M20-2.5 X 45, C10.9
	79021676	AR	LOCTITE, PRIMER N (6 OZ)
	79021669	AR	LOCTITE, THREAD LOCKER (10 ML)
7	71389230	2	CABLE ASY, PARK BRAKE
8	71389229	1	BRACKET, PARK BRAKE CABLES
	70921210	4	CAPSCREW, 3/8/16 X 1 GR5
	705038	4	LOCKWASHER, 3/8
	70916950	4	NUT, REG 3/8-16
	71389235	1	BAR, EQUALIZER
9	763300	3	PIN, CLEVIS 5/16 X 1 LG
	70918452	2	PIN, COTTER 1/8 X 1
11	71396558	1	TUBE ASY, BRAKE, LH
12	71389230	1	TUBE ASY, BRAKE, RH
13	71390867	2	STRAP, TUBE SUPPORT
	70950453	2	CAPSCREW, M12 X 1.75 X 35
	Y705624	8	WASHER, NARROW 1/2
14	70926919	2	CLAMP, 1/4 X .281 HOLE
	70921958	2	CAPSCREW, 1/4-20 X 1/2 LG GR5
	70916622	2	NUT, REG, 1/4-20

GC00376  
PR: 424

CHALLENGER 670 COMBINE  
TRANSMISSION & AXLES

DRUM BRAKES  
LINES & FITTINGS



**CHALLENGER 670 COMBINE  
TRANSMISSION & AXLES**

551

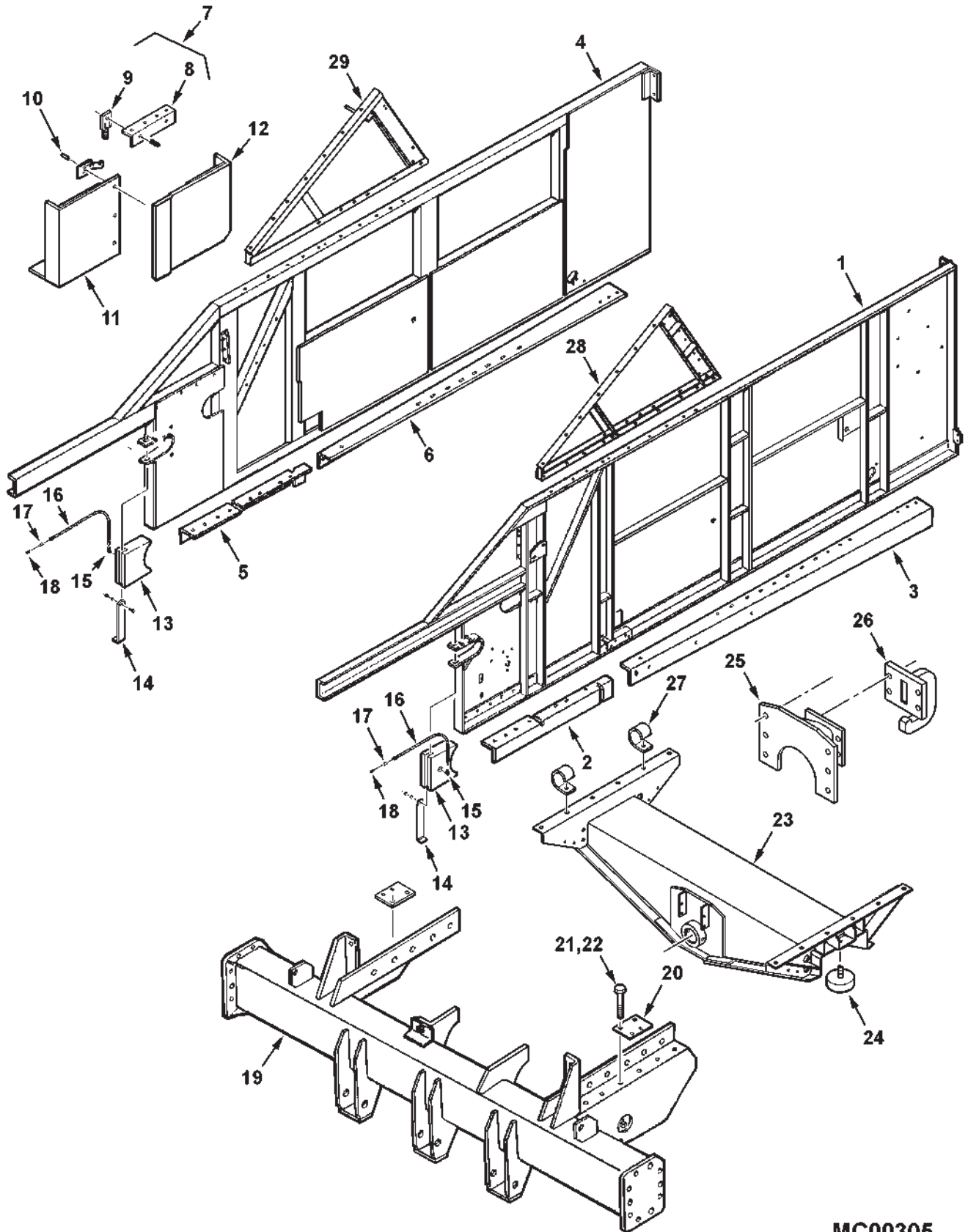
**DRUM BRAKES  
LINES & FITTINGS**

ITEM	NUMBER	QTY	DESCRIPTION
1	71398223	1	TUBE ASY, UPPER LEFT BRAKE
2	71398224	1	TUBE ASY, UPPER RIGHT BRAKE
3	70925617	6	CLAMP, 1/2 X .406 HOLE
4	70921210	2	CAPSCREW, 3/8-16 X 1 GR5
	705038	2	LOCKWASHER, 3/8
	70916950	2	NUT, 3/8-16 REG
5	2556880W1	6	RUBBER SLEEVE, 1/4 ID
6	71398225	1	TUBE ASY, LOWER RIGHT BRAKE
7	71389775	1	TUBE ASY, LOWER LEFT BRAKE
8	70919214	6	CONN, UNION, 1/4 JIC
9	70926919	5	CLAMP, 1/4 X .281 HOLE
10	7703457	3	CAPSCREW, 1/4-20 X 3/4 GR5
	705012	3	LOCKWASHER, 1/4
	700709601	3	WASHER, 1/4 WIDE
	704007	3	NUT, 1/4 REG
11	7703473	1	CAPSCREW, 1/4-20 X 1-1/4 GR5
	705012	1	LOCKWASHER, 1/4
	700709601	1	WASHER, 1/4 WIDE
	704007	1	NUT, 1/4 REG

MC00344  
PR: 426

CHALLENGER 670 COMBINE  
TRANSMISSION & AXLES

MAIN FRAME AND AXLE SUPPORTS



**CHALLENGER 670 COMBINE  
TRANSMISSION & AXLES**

553

**MAIN FRAME AND AXLE SUPPORTS**

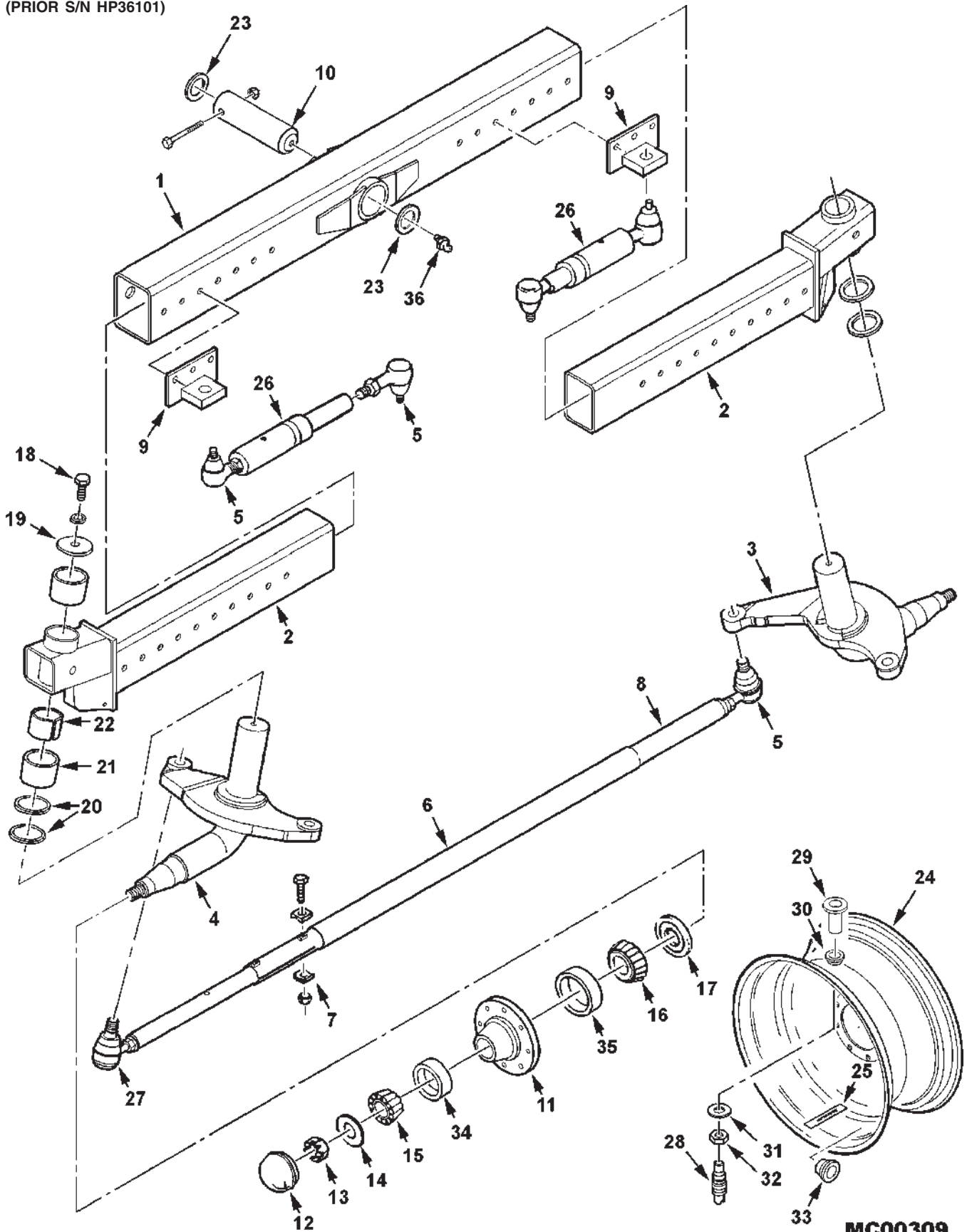
ITEM	NUMBER	QTY	DESCRIPTION
1	71390292	1	FRAME & SHEET WLMT,LH(PRIOR S/N HP36101)
	71403880	1	FRAME & SHEET WLMT,LH (EFF. S/N HP36101)
2	71409947	1	SUPPORT WLDMT, LH FRONT FRAME
3	71395585	1	ANGLE, LH FRAME SUPPORT
4	71390502	1	FRAME & SHEET WLMT, RH
5	71409942	1	SUPPORT WLDMT, RH FRONT FRAME
6	71395586	1	ANGLE, RH FRAME SUPPORT
7	2580593W91	8	ANGLE ASY., ACCESS DOOR (INCL. ITEMS 8-10)
8	2580580W1	8	ANGLE, DOOR FRAME
9	70537291	16	FASTENER
10	70924837	16	RIVET
11	2631433W91	4	DOOR ASY, SIDE FRAME, W/FASTENERS(IT. 9)
	2616141W91	4	DOOR WLDMT, SIDE FRAME
12	2616131W91	4	DOOR WLDMT, SIDE FRAME
13	71395332	2	BLOCK, PIVOT FEEDER LOCK
14	2513840W1	2	PIN, PIVOT LOCK BRACKET
	70921210	2	CAPSCREW, 3/8-16 X 1 GR5
	705038	2	LOCKWASHER, 3/8
	70916950	2	NUT, REG, 3/8-16 G2
15	70923690	2	ELBOW, STREET, 1/8
16	71365312	2	HOSE, GREASE
	70925097	2	CLAMP, .562 TUBE X .406 HOLE
17	70901763	2	COUPLING
18	70922887	2	FITTING, GREASE, 1/8
19	71389268	1	FRONT AXLE ASSEMBLY
	70923111	2	CAPSCREW, 5/8-11 X 3
	7701659	2	CAPSCREW, 5/8-11 X 2-1/2
	70924272	4	WASHER, 21/32 X 1 X 12GA.
20	102038M1	2	PLATE
	700706419	4	CAPSCREW, 3/4-10 X 2 GR8
	700703923	4	NUT, HEX FLANGE TOP LOCK, 3/4-10
21	70926127	16	CAPSCREW, 3/4-10 X 1-3/4 GR5
22	700703923	16	NUT, HEX FLNG TOP LOCK, 3/4-10
23	71389602	1	SUPPORT WLMT, RR AXLE(PRIOR S/N HP36101)
	71403895	1	SUPPORT WLMT, RR AXLE (EFF. S/N HP36101)
	70923112	12	CAPSCREW, 5/8-11 X 1-3/4 GR5
	700703922	12	NUT, HEX FLNG TOP LOCK, 5/8-11
	70937682	1	J-CLIP
24	71355063	2	STOP, STEERING AXLE
	Y705046	2	WASHER, LOCK, 1/2
	704031	2	NUT, 1/2-13
25	71404357	1	HITCH WLDMT (EFF. S/N HP36101)
	70921360	6	CAPSCREW, 5/8-11 X 2-1/4 GR5
26	71404359	1	HOOK WLDMT (EFF. S/N HP36101)
	70921360	4	CAPSCREW, 5/8-11 X 2-1/4 GR5
	700703922	4	NUT, HEX FLNG. TOP LOCK, 5/8-11
27	70937682	2	J-CLIP, 3/4 DIA X .656 HOLE
28	71390179	1	FRAME WLMT, LH BIN SUPPORT
	70920415	6	CAPSCREW, 3/8-16 X 1-1/4 GR5
	70921965	6	CAPSCREW, 3/8-16 X 3/4 GR5
	70917378	11	WASHER, WIDE, 3/8
	Y704734	12	NUT, HEX FLANGE TOP LOCK, 3/8-16
29	71393236	1	FRAME WLMT, RH BIN SUPPORT
	70920415	10	CAPSCREW, 3/8-16 X 1-1/4 GR5
	70921965	6	CAPSCREW, 3/8-16 X 3/4 GR5
	70917378	15	WASHER, WIDE, 3/8
	Y704734	16	NUT, HEX FLANGE TOP LOCK, 3/8-16

MC00305  
PR: 428



CHALLENGER 670 COMBINE  
TRANSMISSION & AXLES

REAR AXLE & WHEELS  
ADJUSTABLE TREAD  
(PRIOR S/N HP36101)



**CHALLENGER 670 COMBINE  
TRANSMISSION & AXLES**

555

**REAR AXLE & WHEELS  
ADJUSTABLE TREAD  
(PRIOR S/N HP36101)**

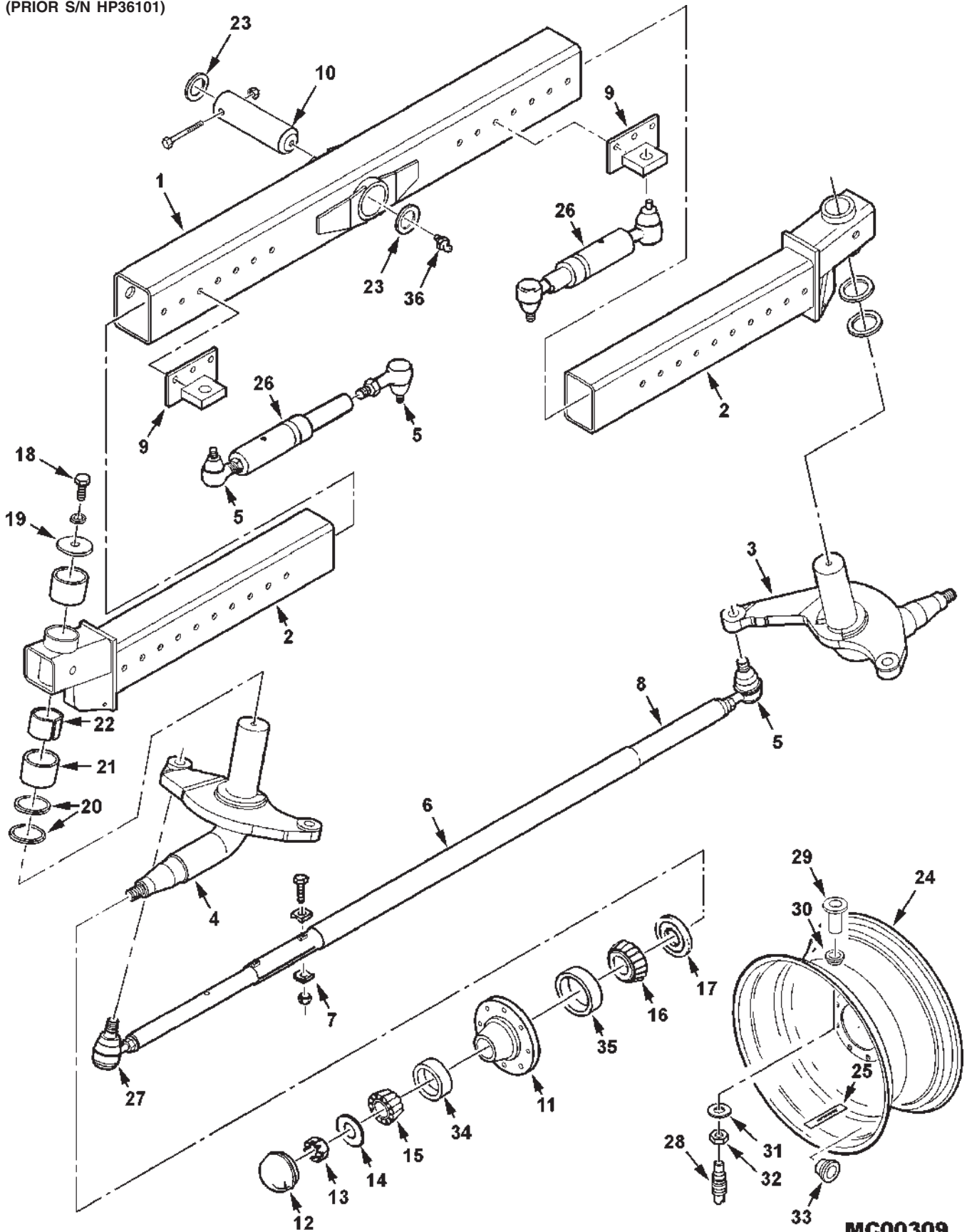
ITEM	NUMBER	QTY	DESCRIPTION
1	71389394	1	AXLE ASY, CENTER SECTION, W/BUSHINGS (PRIOR S/N HP36101)
	2441250W1	2	BUSHING
2	71389381	2	EXTENSION ASY., ADJUSTABLE AXLE (INCL. ITEMS 21 & 22)
	13811X	2	LUBE FTG, STR, 1/4-28 TAPER THD
	70922890	4	CAPSCREW, 3/4-10 X 7 GR5
	71359841	4	SPACER, BOLT
	7774466	4	NUT, HEX FLNG SERR LOCK, 3/4-10
3	71389386	1	SPINDLE ASY., RH
4	71389385	1	SPINDLE ASY., LH
5	71307626	5	SOCKET ASY, RH, W/RH THREADS (INCL. SLOTTED NUT, BOOT & LUBE FTG)
	71403681	5	BOOT, RUBBER
	70925731	2	LUBE FTG, 45 DEG, 1/4-28 TAPER THD
	13811X	3	LUBE FTG, STR, 1/4-28 TAPER THD
	70921295	5	NUT, SLOTTED HEX, 7/8-14UNF
	70925719	5	PIN, COTTER, 1/8 X 2
	70923356	5	NUT, JAM, 1-1/8-12UNF
6	71389356	1	TIE ROD ASY., ADJUSTABLE
7	6661624	4	WASHER, CLAMP
	70929019	2	CAPSCREW, 3/8-16 X 3
	7704141	2	LOCKNUT, 3/8-16
8	71359772	1	ROD, ADJUSTABLE
9	71389362	2	ANCHOR ASY.
	70936419	6	CAP, 3/4-10 X 7-1/2 GR5
	71359841	6	SPACER, BOLT
	7774466	6	NUT, HEX FLNG SERR LOCK, 3/4-10
10	2625050W1	1	PIN, REAR AXLE PIVOT
	70920272	1	CAPSCREW, 1/2-13 X 5 GR5
	704858	1	NUT, HEX TOP LOCK, 1/2-13
11	71338308	2	HUB ASY. (INCL. ITEMS 34 & 35)
	70927529	16	CAPSCREW, 5/8-18 X 1-3/4 GR5
	70937005	16	WASHER, HARD, .66 X 1.31 X .095
12	26674	2	CAP, HUB
13	704692	2	NUT, SLOTTED, 1-14 GR2
	70922002	2	PIN, COTTER, 3/16 X 2
14	70936306	2	WASHER, HARD, 1.062 X 2.25 X .25
15	850182M1	2	CONE, BEARING, OUTER
16	71334989	2	CONE, BEARING, INNER
17	71334988	2	SEAL

CONTINUED

MC00309  
PR: 430

### CHALLENGER 670 COMBINE TRANSMISSION & AXLES

#### REAR AXLE & WHEELS ADJUSTABLE TREAD (PRIOR S/N HP36101)



**CHALLENGER 670 COMBINE  
TRANSMISSION & AXLES**

557

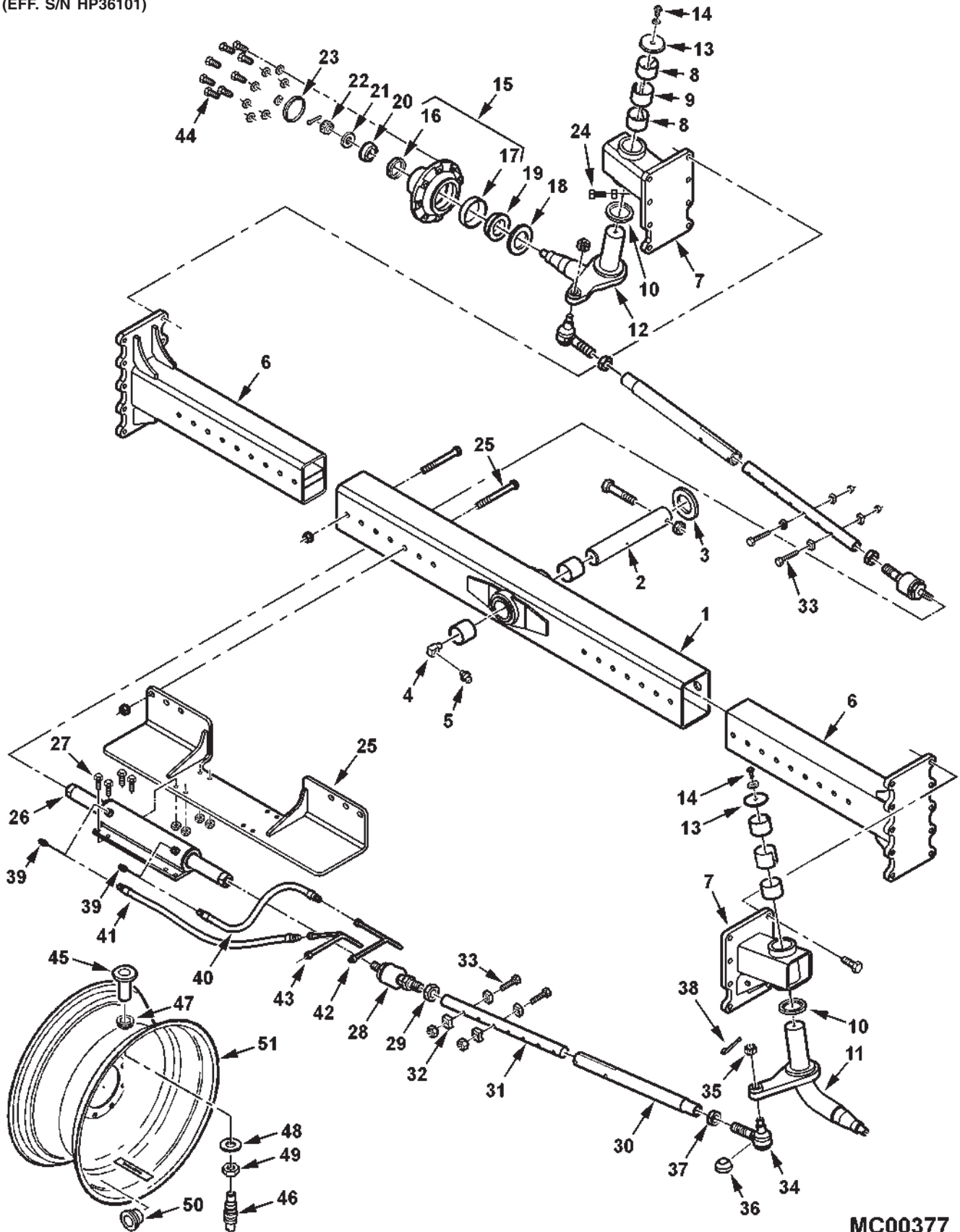
**REAR AXLE & WHEELS  
ADJUSTABLE TREAD  
(PRIOR S/N HP36101)**

ITEM	NUMBER	QTY	DESCRIPTION
18	70923114	2	CAPSCREW, 1/2-13 X 1 GR5
	Y705046	2	WASHER, LOCK, 1/2
19	71338789	2	WASHER
20	71334986	4	WASHER, THRUST
21	71354306	4	BUSHING
22	71338799	2	SPACER
23	2441340W1	2	WASHER, TRUST
24	71372132	2	WHEEL RIM, 14.9 X 24 TIRE
	71372133	2	WHEEL RIM, 16.9 X 24 TIRE
	71399115	2	WHEEL RIM, 16.9 X 26 TIRE
25	71338651	2	DECAL, 150 FT LB TORQUE
26	71365245	2	CYLINDER ASY., STEERING
27	71359545	1	SOCKET ASY, W/LH THREADS (INCL. SLOTTED NUT, BOOT & LUBE FTG)
	71403681	1	BOOT, RUBBER
	13811X	1	LUBE FTG, STR, 1/4-28 TAPER THD
	70921295	1	NUT, SLOTTED HEX, 7/8-14UNF
	70925719	1	PIN, COTTER, 1/8 X 2
	70937534	1	NUT, JAM, 1-1/8-12UNF LH
28	71170388	2	VALVE HOUSING & CORE ASY, W/ CAP
29	7027469	2	VALVE ASY, CLAMP-IN (COMPLETE)(INCL ITEMS 28, 30, 31, 32)(TUBELESS TIRE)
30	71170390	2	GROMMET, TUBELESS TIRE
31	71175919	2	WASHER, TUBELESS TIRE
32	71175918	2	NUT, TUBELESS TIRE
33	539651M1	2	PLUG, RIM HOLE, TUBELESS TIRE
34	850181M1	1	CUP, BEARING, OUTER
35	195160M1	1	CUP, BEARING, INNER
36	13887X	1	LUBE FITTING, STR, 1/4-18 PTF

MC00309  
PR: 430

CHALLENGER 670 COMBINE  
TRANSMISSION & AXLES

REAR AXLE & WHEELS  
ADJUSTABLE TREAD  
(EFF. S/N HP36101)



**CHALLENGER 670 COMBINE  
TRANSMISSION & AXLES**

559

**REAR AXLE & WHEELS  
ADJUSTABLE TREAD  
(EFF. S/N HP36101)**

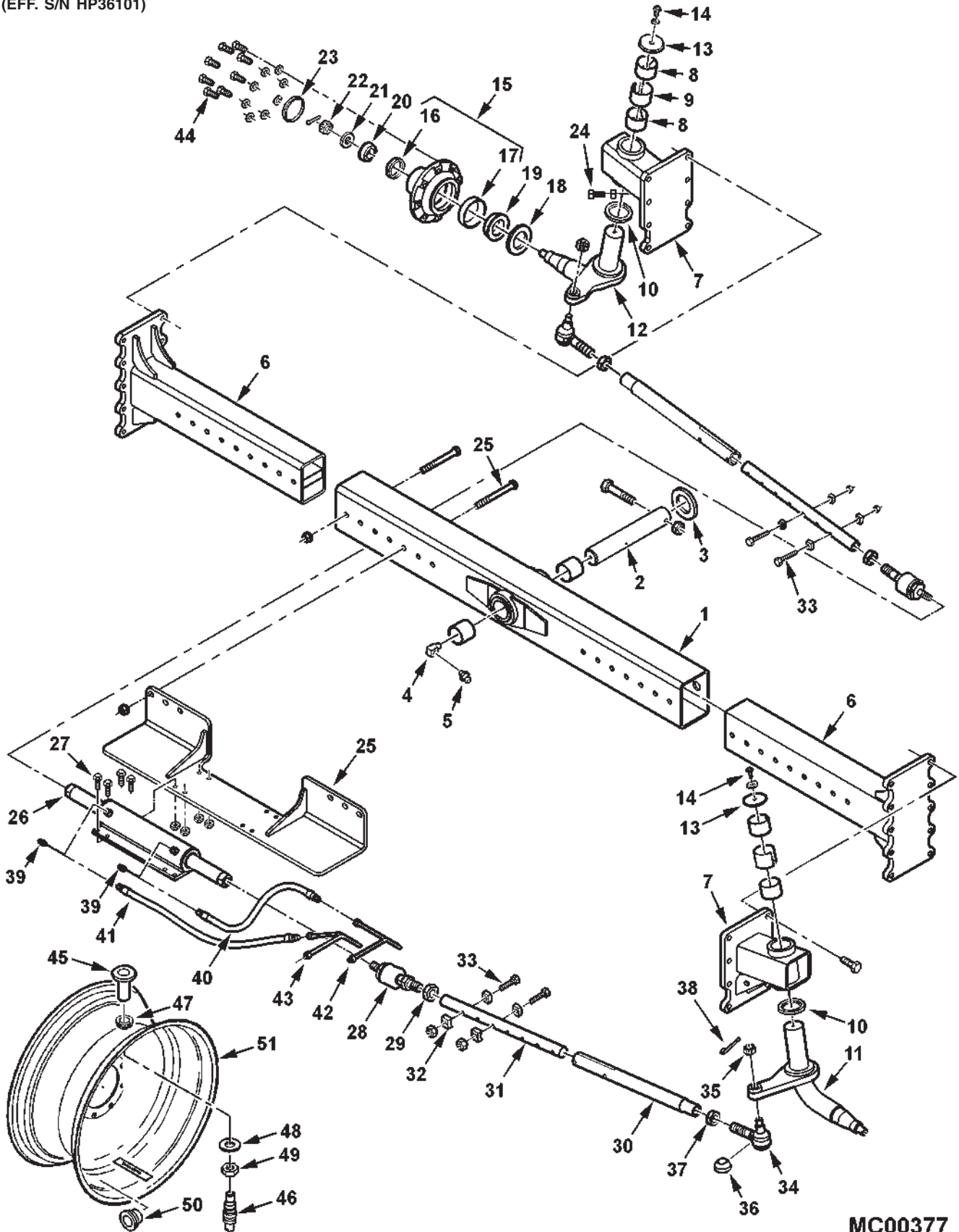
ITEM	NUMBER	QTY	DESCRIPTION
1	71406788	1	AXLE ASY, CENTER SECTION, W/BUSHINGS
	2441250W1	2	BUSHING, PIVOT
2	2625050W1	1	PIN, REAR AXLE PIVOT
	70920272	1	CAPSCREW, 1/2-13 X 5 GR5
	704858	1	NUT, HEX TOP LOCK, 1/2-13
3	2441340W1	2	WASHER, THRUST
4	70925863	1	ELBOW,90 DEG, 1/4 NPTF X 1/4-18 NPTF FEM
5	13887X	1	LUBE FITTING, STR, 1/4-18 PTF
6	71400705	2	EXTENSION WLDMT, ADJUSTABLE AXLE
	70922890	8	CAPSCREW, 3/4-10 X 7 GR5
	71359841	8	SPACER, HARD
	7774466	8	NUT, HEX FLNG SERR LOCK, 3/4-10
7	71400701	2	HOUSING WLDMT, SPINDLE, W/BUSHINGS
	13811X	2	LUBE FTG, STR, 1/4-28 TAPER THD
	70925872	16	CAPSCREW, 3/4-10 X 2-1/4 GR5
8	71354306	4	BUSHING, SPINDLE
9	71338799	2	SPACER, BUSHING
10	71334986	4	WASHER, THRUST
11	71400698	1	SPINDLE WLDMT, LEFT
12	71400693	1	SPINDLE WLDMT, RIGHT
13	71338789	2	WASHER, .531 ID X 3.4 X .229 TH.
14	70923114	2	CAPSCREW, 1/2-13 X 1 GR5
	Y705046	2	LOCKWASHER, 1/2
15	71338308	2	HUB ASY. (INCL. ITEMS 16 & 17)
16	850181M1	1	CUP, BEARING, OUTER
17	195160M1	1	CUP, BEARING, INNER
18	71334988	2	SEAL, HUB
19	71334989	2	CONE, BEARING, INNER
20	850182M1	2	CONE, BEARING, OUTER
21	70936306	2	WASHER, HARD, 1.062 X 2.25 X .25 TH
22	704692	2	NUT, SLOTTED, 1-14 UNF GR2
	70922002	2	PIN, COTTER, 3/16 X 2
23	26674	2	CAP, HUB
24	70926127	2	CAPSCREW, 3/4-10 X 1-3/4 GR5
	70913160	2	NUT, 3/4-10 REG

CONTINUED

MC00377  
PR: t05b16k26a0023

CHALLENGER 670 COMBINE  
TRANSMISSION & AXLES

REAR AXLE & WHEELS  
ADJUSTABLE TREAD  
(EFF. S/N HP36101)



**CHALLENGER 670 COMBINE  
TRANSMISSION & AXLES**

561

**REAR AXLE & WHEELS  
ADJUSTABLE TREAD  
(EFF. S/N HP36101)**

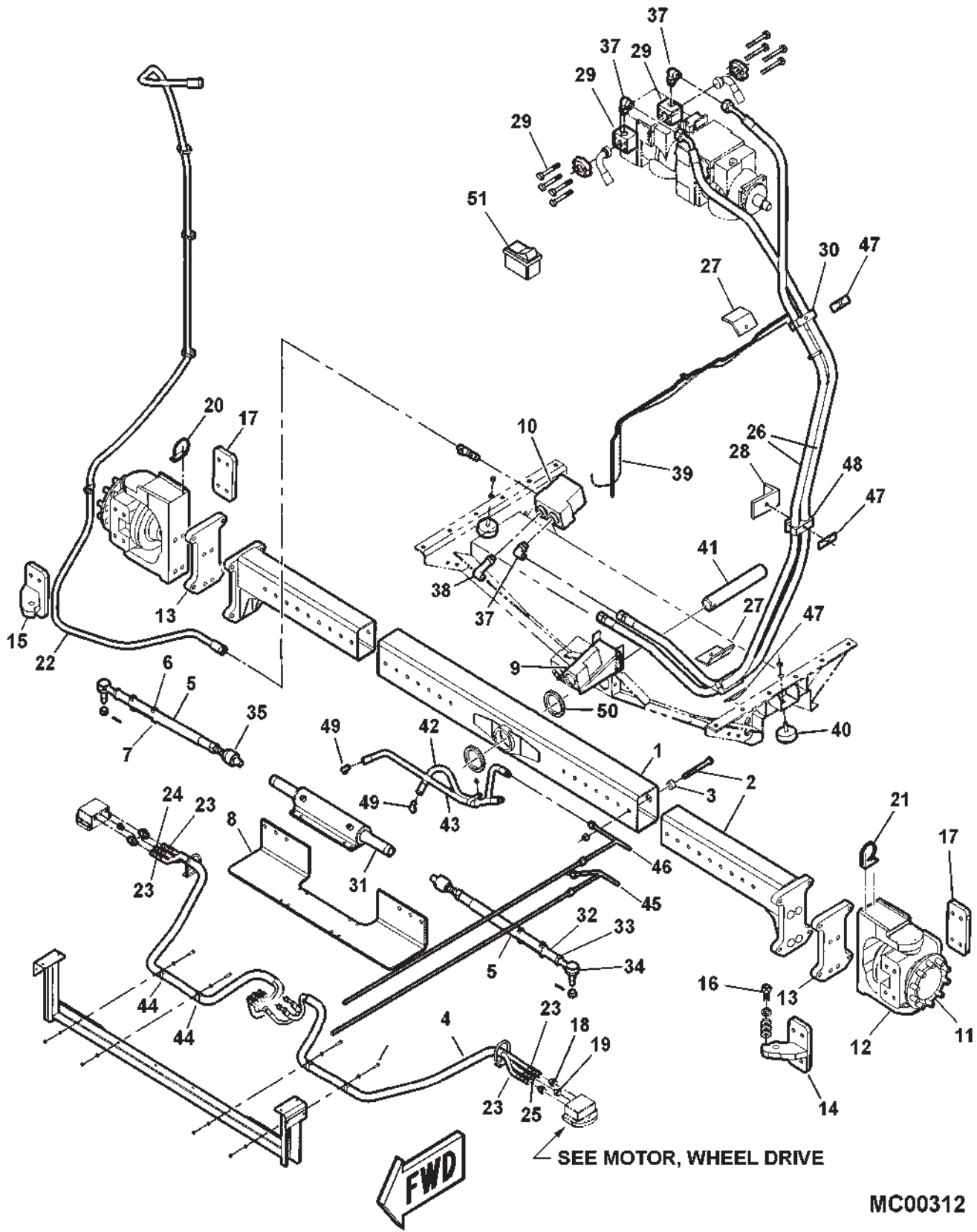
ITEM	NUMBER	QTY	DESCRIPTION
25	71400716	1	SUPPORT WLDMT, CYLINDER
	70936419	6	CAPSCREW, 3/4-10 X 7-1/2 GR5
	7774466	6	NUT, HEX FLNG SERR LOCK, 3/4-10
26	71400719	1	CYLINDER, STEERING (SEE BREAKDOWN)
27	70919089	8	CAPSCREW, 1/2-13 X 1-3/4 GR5
	Y704742	8	NUT, HEX FLANGE TOP LOCK, 1/2-13
28	71403691	2	BALL JOINT, IN-LINE (INCLUDES BOOT)
	71406302	AR	BOOT KIT, BALL JOINT
29	70923230	2	NUT, HEX JAM, 1-1/4-12 UNF
30	71400711	2	TUBE WLDMT, ADJUSTABLE TIE ROD
31	71400710	2	ROD, ADJUSTABLE TIE
32	6661624	8	WASHER, CLAMP, .390 HOLE
33	70922918	4	CAPSCREW, 3/8-16 X 3-1/4 GR5
	7704141	4	NUT, HEX TOP LOCK, 3/8-16
34	71403690	2	SOCKET ASY, LH THREAD (INCL. IT 35 & 36)
35	70921295	2	NUT, SLOTTED HEX, 7/8-14 UNF
36	71406301	2	SEAL, DIRT
37	70930889	2	NUT, HEX JAM, 1-1/4-12 UNF, LH THD.
38	70925721	2	COTTER PIN, 5/32 X 2
39	70922523	2	ELBOW, 90 DEG, 9/16-18 JIC X ORB MALE
	70921885	2	O-RING, .078 X .468 ID
40	71395172	1	HOSE ASY, STRG CYL.
41	71395173	1	HOSE ASY, STRG CYL.
42	71398228	1	TUBE ASY, STEERING, UPPER
43	71395789	1	TUBE ASY, STEERING, LOWER
44	353613X1	16	CAPSCREW, 5/8-18 X 1-3/4 GR5
	70937005	16	WASHER, HARD, .656 X 1.31 X .095 TH
45	7027469	2	VALVE ASY, CLAMP-IN (TUBELESS)(COMPLETE) (INCL. ITEMS 46, 47, 48, 49)
46	71170388	2	VALVE HOUSING & CORE ASY, W/ CAP
47	71170390	2	GROMMET, TUBELESS TIRE
48	71175919	2	WASHER, TUBELESS TIRE
49	71175918	2	NUT, TUBELESS TIRE
50	539651M1	2	PLUG, RIM HOLE, TUBELESS TIRE
51	71372132	2	WHEEL RIM, 14.9 X 24 TIRE
	71372133	2	WHEEL RIM, 16.9 X 24 TIRE
	71399115	2	WHEEL RIM, 16.9 X 26 TIRE

MC00377  
PR: t05b16k26a0023



### CHALLENGER 670 COMBINE TRANSMISSION & AXLES

#### REAR AXLE & WHEELS REAR WHEEL ASSIST



**CHALLENGER 670 COMBINE  
TRANSMISSION & AXLES**

563

**REAR AXLE & WHEELS  
REAR WHEEL ASSIST**

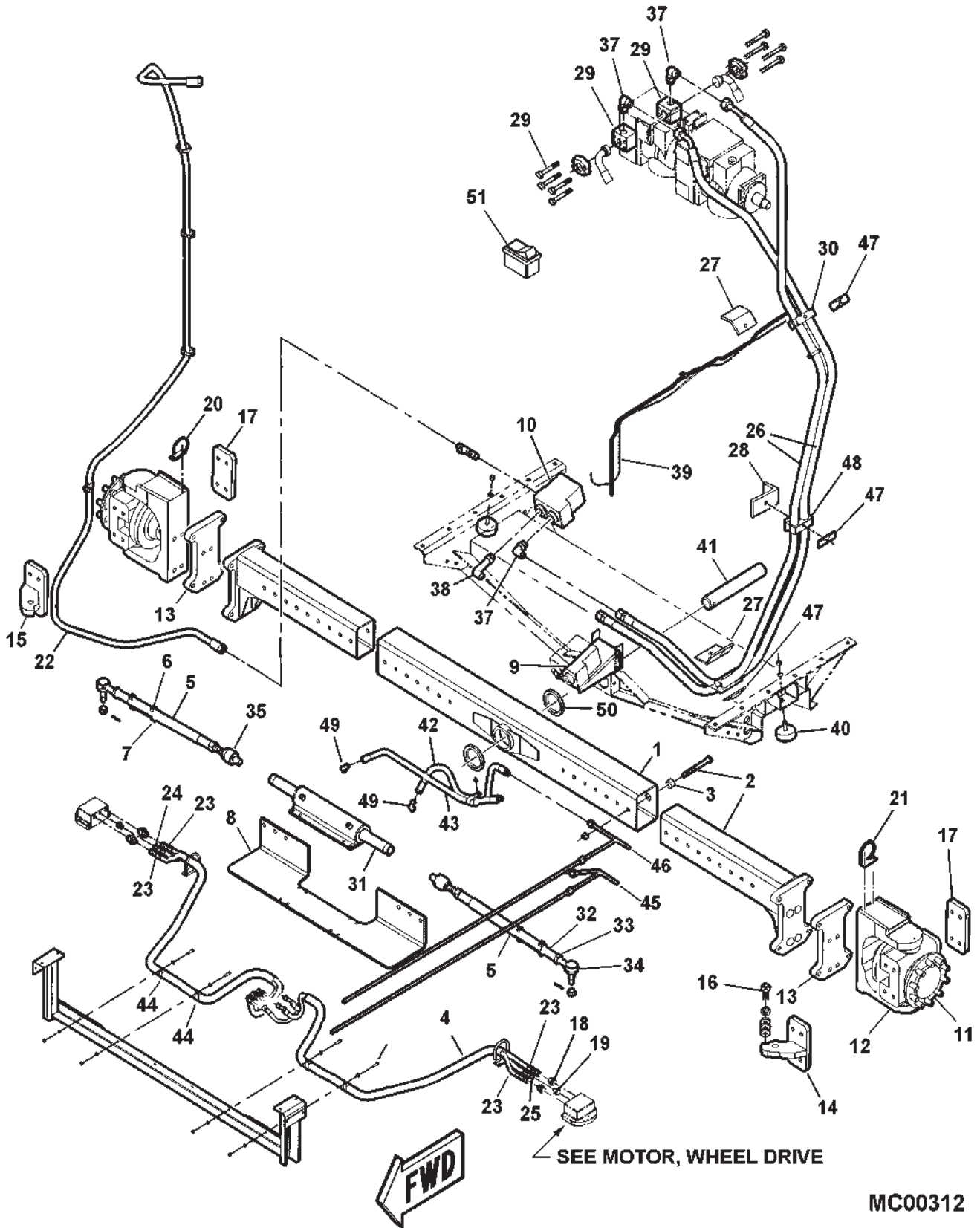
ITEM	NUMBER	QTY	DESCRIPTION
1	71389394	1	CENTER BEAM ASY, W/ BUSHING
	2441250W1	2	BUSHING
2	71397196	2	EXTENSION ASY.
	100801	8	CAPSCREW, 3/4-10 X 7 GR 8
	70927879	6	CAPSCREW, 3/4-10 X 7-1/2 GR 8
	71397179	14	NUT, HEX FLNG SERR LOCK, 3/4-10
3	112253W1	8	SPACER SLEEVE, HARDENED
4	71397181	2	SLEEVE, CORDURA-PROTECTIVE
5	71397199	2	TIE ROD WLDMT, OUTER
	70924746	4	CAPSCREW, 1/2-13 X 3-1/2 GR8
	71397205	4	NUT, LOCK, 1/2-13
6	71359864	4	CLAMP HALF, TIE ROD
7	71359865	4	SPACER, TIE ROD BOLT, 7/8 OD X .53 ID
8	71397198	1	MOUNT WLDMT, CYLINDER
9	71397204	1	BRACKET, VALVE
	70921210	4	CAPSCREW, 3/8-16 X 1 GR5
	Y704734	4	NUT, HEX FLNG. TOP LOCK 3/8-16
10	71396625	1	VALVE ASY.
	70923470	2	CAPSCREW, 3/8-16 X 1-1/2 GR8
	705038	2	LOCKWASHER, 3/8 REG
11	71396580	2	MOTOR, WHEEL DRIVE, 1250CC (SEE WHEEL MOTOR UNIT FOR BREAKDOWN)
12	71397193	2	C-FRAME
	70950420	16	CAPSCREW, M20-2.5 X 80
	70934704	16	WASHER, 3/4 HARD
	71397186	8	DOWEL PIN
13	71397197	2	ENDPLATE
14	71397202	1	EAR WLDMT, TIE ROD (LH)
	71397187	4	CAPSCREW, M20-2.5 X 40, CL 10.9
	70934704	4	WASHER, 3/4 HARD
	71397186	2	DOWEL PIN
15	71397203	1	EAR WLDMT, TIE ROD (RH)
	71397187	4	CAPSCREW, M20-2.5 X 40, CL 10.9
	70934704	4	WASHER, 3/4 HARD
	71397186	2	DOWEL PIN
16	70923881	2	CAPSCREW, 5/8-11 X 2 GR8
	71397180	12	WASHER, HEAVY FLAT, 5/8
	364377X1	2	NUT, JAM 5/8-11 GR5
17	71397185	2	PLATE, MOUNT
	71397187	8	CAPSCREW, M20-2.5 X 40, CL 10.9
	70934704	8	WASHER, 3/4 HARD

CONTINUED

MC00312  
PR: 434

### CHALLENGER 670 COMBINE TRANSMISSION & AXLES

#### REAR AXLE & WHEELS REAR WHEEL ASSIST



**CHALLENGER 670 COMBINE  
TRANSMISSION & AXLES**

565

**REAR AXLE & WHEELS  
REAR WHEEL ASSIST**

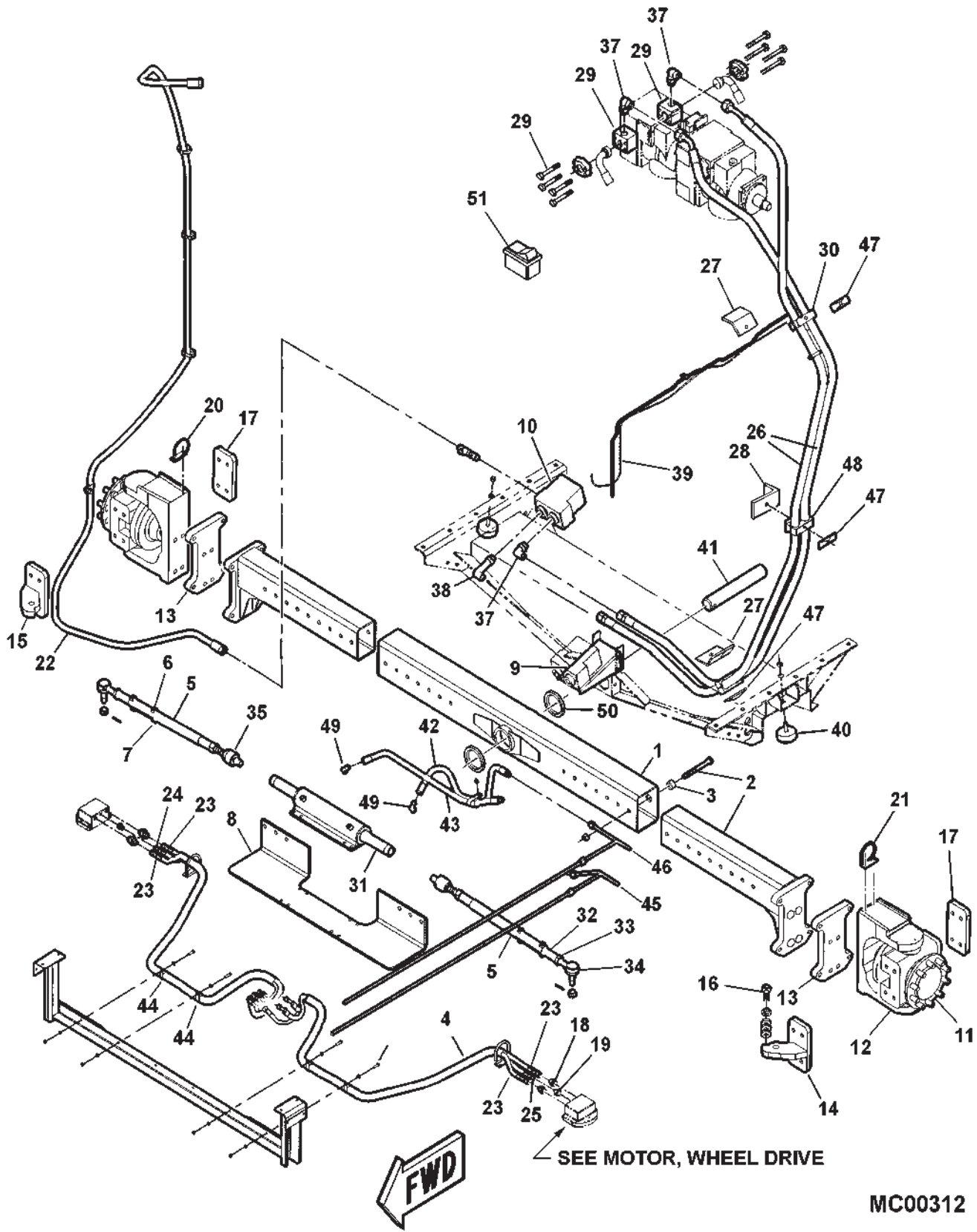
ITEM	NUMBER	QTY	DESCRIPTION
18	70924296	4	ADAPTER, 1-1/16-12 ORB X 3/4-16 JIC
	70921206	1	O-RING, .116 X .924 ID
19	360202X91	2	ADAPTER, 3/4-16 ORB X 9/16-18 JIC
	70921349	1	O-RING, .087 X .644 ID
20	71397190	1	GUIDE, HOSE (RH)
21	71397191	1	GUIDE, HOSE (LH)
	71396601	4	CAPSCREW, SOCKET HD, M10-1.5 X 25
22	71395787	1	HOSE ASY., RWA TO RESERVIOR, 180" LONG
	70925442	5	TIE, SELF LOCKING
	70925621	1	CLAMP, 1.0 TUBE X .406 HOLE
	70921210	1	CAPSCREW, 3/8-16 X 1 GR5
	705038	1	LOCKWASHER, 3/8
	70916950	1	NUT, REG 3/8-16
23	1077183M91	4	HOSE ASY. (HI-PRESSURE) (O.L. 69")
24	112283W1	1	HOSE ASY., DRAIN (O.L. 71") (RH)
25	71397189	1	HOSE ASY., DRAIN (O.L. 67") (LH)
26	71395781	2	HOSE ASY, PUMP PRESSURE (O.L. 140")
27	101843M1	2	BRACKET, STEERING HOSE
	70921210	2	CAPSCREW, 3/8-16 X 1 GR5
	705038	2	LOCKWASHER, 3/8
	70916950	2	NUT, REG 3/8-16
28	71384284	1	BRACKET, CLAMP
	70921210	1	CAPSCREW, 3/8-16 X 1 GR5
	705038	1	LOCKWASHER, 3/8
	70916950	1	NUT, REG 3/8-16
29	71395167	2	ADAPTOR, MANIFOLD BLOCK
	70926533	2	O-RING .139 X 1.296 ID, VITON
	773697	8	CAPSCREW, 7/16-14 X 4
30	102028M1	2	CLAMP, DOUBLE, 1-1/4 DIA
31	71396617	1	CYLINDER ASY, STEERING (SEE BREAKDOWN)
	70921898	8	CAPSCREW, 1/2-13 X 2 GR8
	Y705624	8	WASHER, 1/2 NARROW
	Y704742	8	NUT, HEX FLNG TOP LOCK, 1/2-13
32	71397201	2	TUBE, INNER TIE ROD
33	71397184	2	NUT, JAM 1-1/4-12 LH
34	71397195	2	END, TIE ROD LH
	-----	2	NUT, SLOTTED HEX
	70925719	2	PIN, COTTER, 1/8 X 2
35	71397192	2	SOCKET, INLINE
36	71397194	2	NUT, JAM M30-1.5
37	71355395	3	ELBOW, 90 DEG. -12 ORB X -12 ORFS
	70923843	3	O-RING, .070 X .739 ID
	70921206	3	O-RING, .116 X .924 ID

CONTINUED

MC00312  
PR: 434

### CHALLENGER 670 COMBINE TRANSMISSION & AXLES

#### REAR AXLE & WHEELS REAR WHEEL ASSIST



**CHALLENGER 670 COMBINE  
TRANSMISSION & AXLES**

567

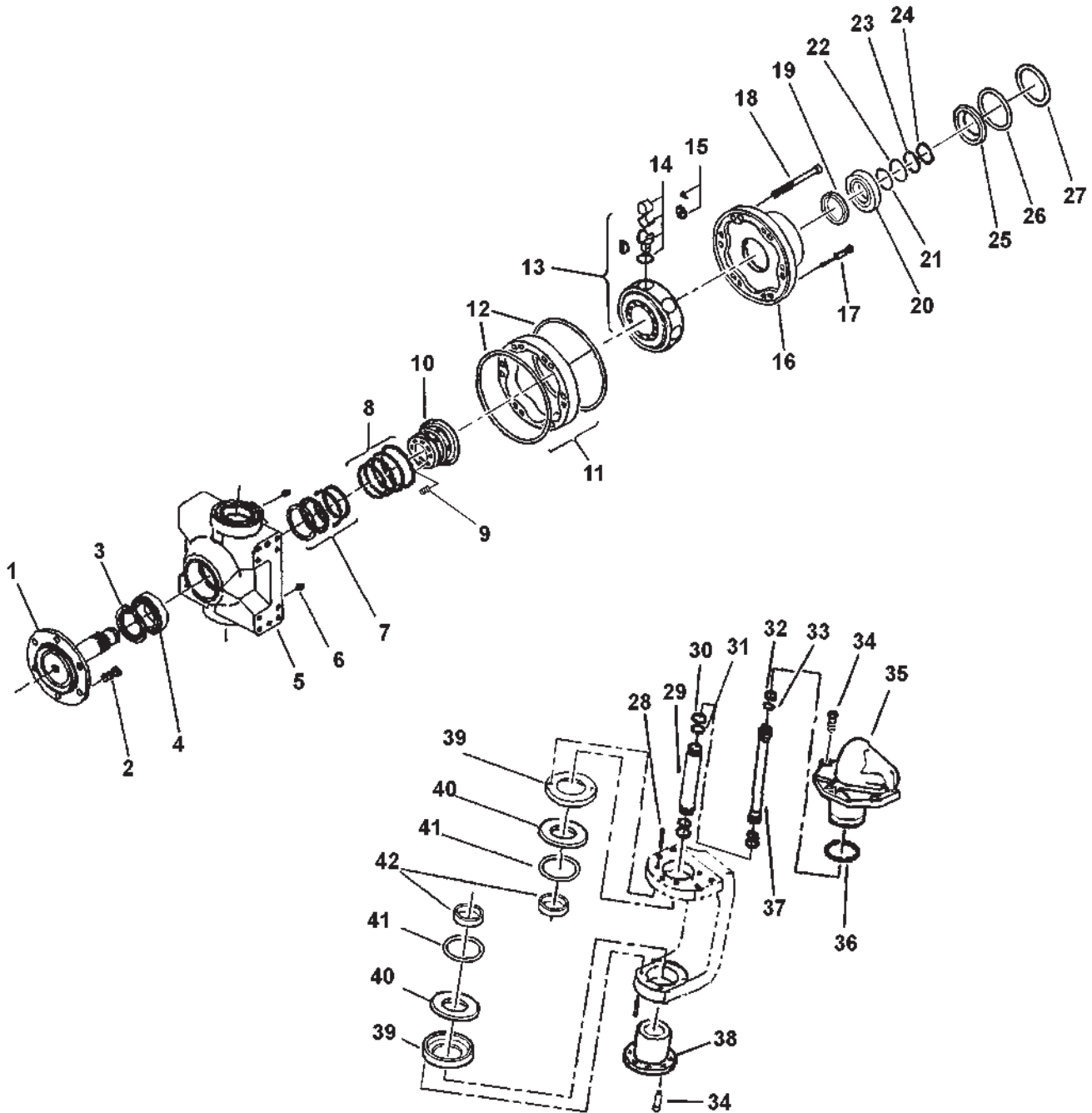
**REAR AXLE & WHEELS  
REAR WHEEL ASSIST**

ITEM	NUMBER	QTY	DESCRIPTION
38	71359897	1	ELBOW, 90 DEG., LONG
	70923843	1	O-RING, .070 X .739 ID
	70921206	1	O-RING, .116 X .924 ID
39	102367M1	1	WIRE ASY, 147" LONG
	70925442	6	TIE, SELF LOCKING
40	71355063	2	STOP, PIVOT
	Y705046	2	WASHER, LOCK, 1/2
	704031	2	NUT, 1/2-13
41	2625050W1	1	PIN, REAR AXLE PIVOT
	70920272	1	CAPSCREW, 1/2-13 X 5 GR5
	704858	1	NUT, HEX TOP LOCK, 1/2-13
42	71395173	1	HOSE ASY., STEERING CYL. 41.5" (LH)
43	71395172	1	HOSE ASY., STEERING CYL. 29.4" (RH)
44	70929785	4	CLAMP, 2.00 TUBE X .531 HOLE
	70921210	2	CAPSCREW, 3/8-16 X 1 GR5
	70920415	2	CAPSCREW, 3/8-16 X 1-1/4 GR5
	705038	4	LOCKWASHER, 3/8
	70916950	4	NUT, REG 3/8-16
45	71395789	1	TUBE ASY., STEERING (RH)
46	71398228	1	TUBE ASY., STEERING (LH)
	70929872	1	CLAMP, .875 TUBE X .406 HOLE
	70921210	1	CAPSCREW, 3/8-16 X 1 GR5
	705038	1	LOCKWASHER, 3/8
	70916950	1	NUT, REG 3/8-16
47	101842M1	3	COVER PLATE, DOUBLE HYD HOSE
	70926106	3	CAPSCREW, 5/16-18 X 3-1/4
	7704117	3	NUT, HEX TOP LOCK, 5/16-18
48	101841M1	1	CLAMP PAIR, DOUBLE, 1-1/2 DIA
49	70922523	2	ELBOW, 90 DEG, 9/16-18 JIC X 9/16-18 ORB
	70921885	AR	O-RING, .078 X .468 ID
50	2441340W1	2	WASHER, THRUST
51	71387414	1	SWITCH, RWA, ON/OFF
52	71390186	2	WHEEL, 26 X DW16, 10 BOLT (FOR 18.4 X 26 TIRE)
	71359851	20	LUG NUT, M20
53	71184188	2	DECAL, NUT TORQUE, (400 FT.LB.)
54	539651M1	2	PLUG ASY, RIM HOLE (FOR TUBELESS TIRE)
55	7027469	2	VALVE ASY, CLAMP-IN (COMPLETE)(INCL. ITEMS 56, 57, 58)
56	71170388	2	VALVE HSG & CORE ASY W/ CAP (TUBELESS)
57	71175919	2	WASHER, ADAPTER HSG. (TUBELESS TIRE)
58	71175918	2	NUT, ADAPTER HSG. (TUBELESS TIRE)
-	71400002	AR	* KIT, RWA AXLE ASY. (FIELD INSTALLED) * ORDER THRU DEALER CENTRAL

MC00312  
PR: 434

CHALLENGER 670 COMBINE  
TRANSMISSION & AXLES

REAR WHEEL ASSIST  
WHEEL MOTOR UNIT



**CHALLENGER 670 COMBINE  
TRANSMISSION & AXLES**

569

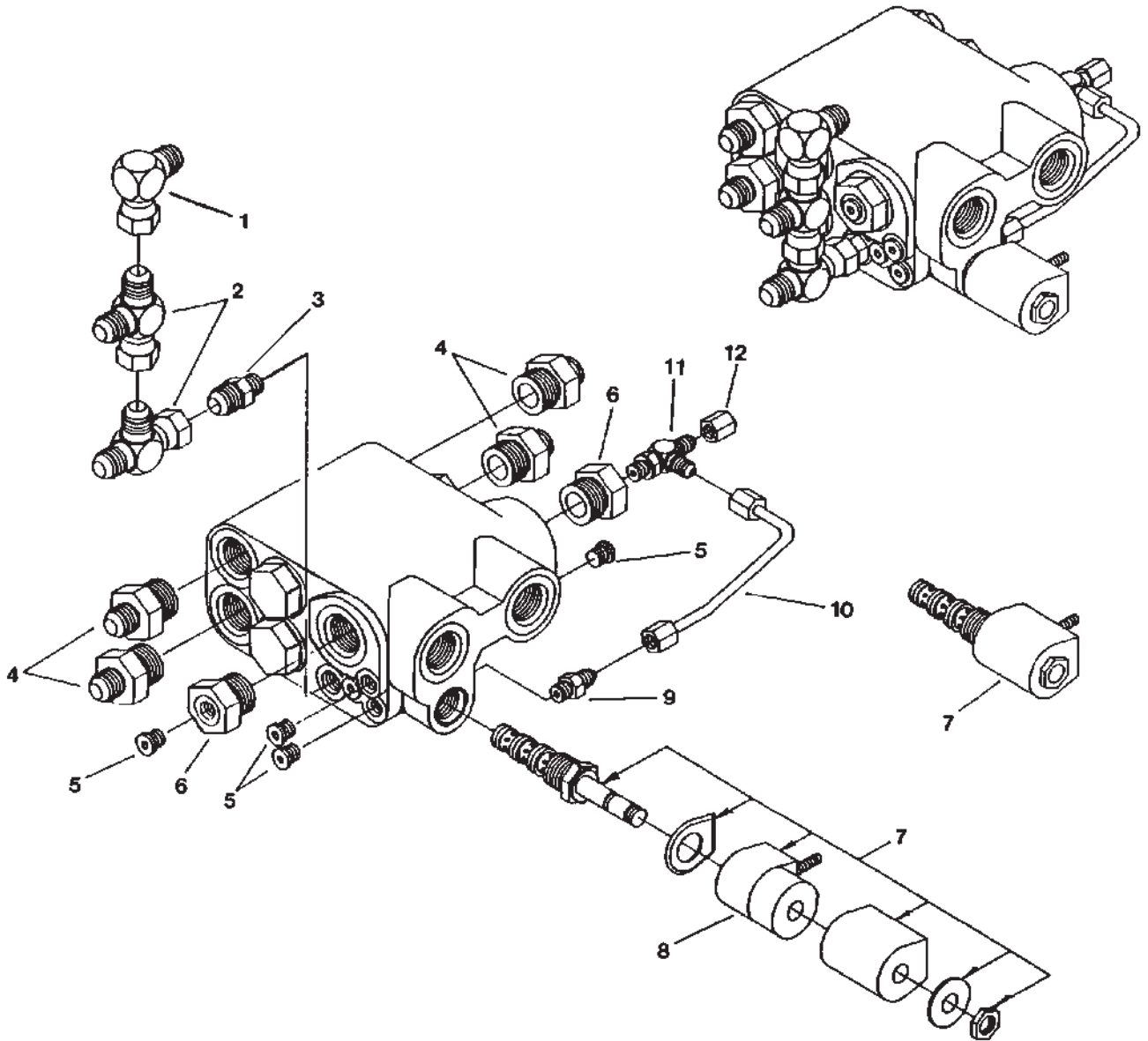
**REAR WHEEL ASSIST  
WHEEL MOTOR UNIT**

ITEM	NUMBER	QTY	DESCRIPTION
-	71396580	AR	MOTOR, RWA, 1250 CC
1	71396597	1	SHAFT, WHEEL HUB
2	71359912	10	STUD, M20
3	71396590	1	DEFLECTOR, GREASE SEAL
4	71359946	1	BEARING, OUTER
5	71396584	1	SUPPORT, BEARING
6	71396596	2	FITTING, GREASE
7	71396585	1	SEAL, SHAFT, INNER
8	1081158M91	1	SEAL KIT, DISTRIBUTOR
9	1081159M1	8	SPRING
10	71359922	1	DISTRIBUTOR, VALVE BLOCK
11	1081151M1	1	CAM RING, (INCL. ITEM 12)
12	71359927	2	O-RING
13	112202W91	1	CYLINDER BLOCK ASY.
14	71396614	10	PISTON KIT
15	112204W91	1	PISTON RETAINER KIT (SERVICES 10 PISTONS)
16	71396598	2	SAFETY PIN
17	71396593	1	HOUSING BACK
18	71396595	14	CAPSCREW, SOCKET HEAD, M12 X 75
19	71396592	1	SPACER
20	71396586	1	BEARING, INNER
21	71396587	1	SHIM PACK
22	71396591	1	SPACER, BEARING
23	71396588	2	RETAINING RING, SPLIT
24	71396589	1	SNAP RING
25	71396581	1	COVER PLATE
26	71396583	1	O-RING
27	71396582	1	SNAP RING
28	71396605	8	CAPSCREW, SOCKET HEAD, M6 X 35
29	71396606	1	PIPE, OUTER
30	71396611	2	RING, BACK-UP, OUTER PIPE
31	71396610	2	O-RING, OUTER PIPE
32	71396613	2	RING, BACK-UP, INNER PIPE
33	71396612	2	O-RING, INNER PIPE
34	71396601	9	CAPSCREW, SOCKET HEAD, M10 X 25
35	71396599	1	PIN, TOP
36	71396608	1	SEAL, TOP PIN
37	71396607	1	PIPE, INNER
38	71396600	1	PIN, BOTTOM
39	71396604	2	SEAL, COVER, PROTECTOR
40	71396603	2	WASHER, TRUST
41	71396609	2	SEAL
42	71396602	2	BUSHING
-	71396594	1	SHIM (NOT ILLUSTRATED)
-	71396615	AR	SEAL KIT (INCL. ITEMS 3, 7, 8, 12 21, 26)
-	71396616	AR	BEARING KIT, KIN PIN (INCL. ITEMS 36, 40, 41, 42)

MC00316  
PR: 440



REAR WHEEL ASSIST  
SELECTOR VALVE & FLOW DIVIDER



**CHALLENGER 670 COMBINE  
TRANSMISSION & AXLES**

571

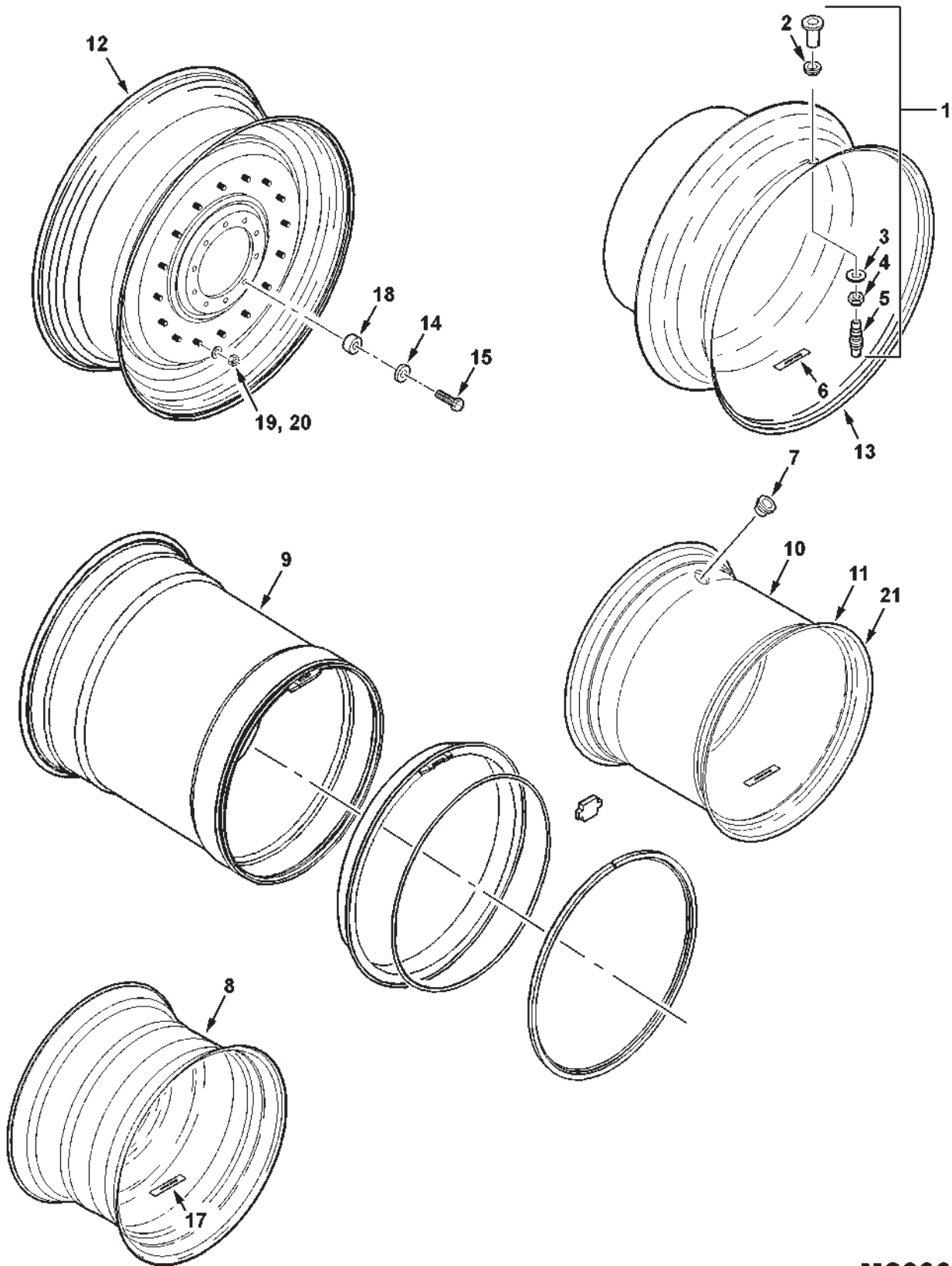
**REAR WHEEL ASSIST  
SELECTOR VALVE & FLOW DIVIDER**

ITEM	NUMBER	QTY	DESCRIPTION
-	71396625	1	VALVE ASSEMBLY
1	70921279	1	ELBOW, SWIVEL, 3/4-16 37 DEG. FLARE
2	70921298	2	TEE, SWIVEL RUN, 3/4-16 37 DEG. FLARE
3	70924403	1	CONN, STR. 9/16-18 ORB X 3/4-16 JIC
	70921885	1	O-RING, .078 X .468 ID
4	70924296	4	CONN. STR. 1-1/16-12 ORB X 3/4-16 JIC
	70921206	4	O-RING, .116 X .924 ID
5	70928605	4	PLUG, HEX SOCKET, 7/16-20 ORB-M
	70921883	4	O-RING, .072 X .351 ID
6	1077239M91	2	REDUCER, ORB, 1-1/16-12 M X 7/16-20 FEM.
	70921206	2	O-RING, .116 X .924 ID
7	71359890	1	SOLENOID CARTRIDGE VALVE
8	71359891	1	SOLENOID COIL
9	70923163	1	CONN. STR. 7/16-20 JIC X ORB MALE
	70921883	1	O-RING, .072 X .351 ID
10	71359889	1	TUBE ASY, PILOT PRESSURE
11	70924783	1	TEE, ADJ. RUN, 7/16-20 JIC X ORB
	70921883	1	O-RING, .072 X .351 ID
12	70921467	1	CAP, HEX, 7/16-20 JIC FEM.
	1077240M91	1	PLUG, HEX SOCKET, 7/16-20 ORB
	1077238M91	AR	PLUG, MODIFIED, 3/4-16 ORB
	70922874	AR	PLUG, HEX SOCKET, 5/16-24 ORB
-	112235W91	--	KIT, SEAL, ET-II ORB O-RINGS

MC00074  
PR: 442

CHALLENGER 670 COMBINE  
TRANSMISSION & AXLES

WHEELS  
DRIVE



**CHALLENGER 670 COMBINE  
TRANSMISSION & AXLES**

573

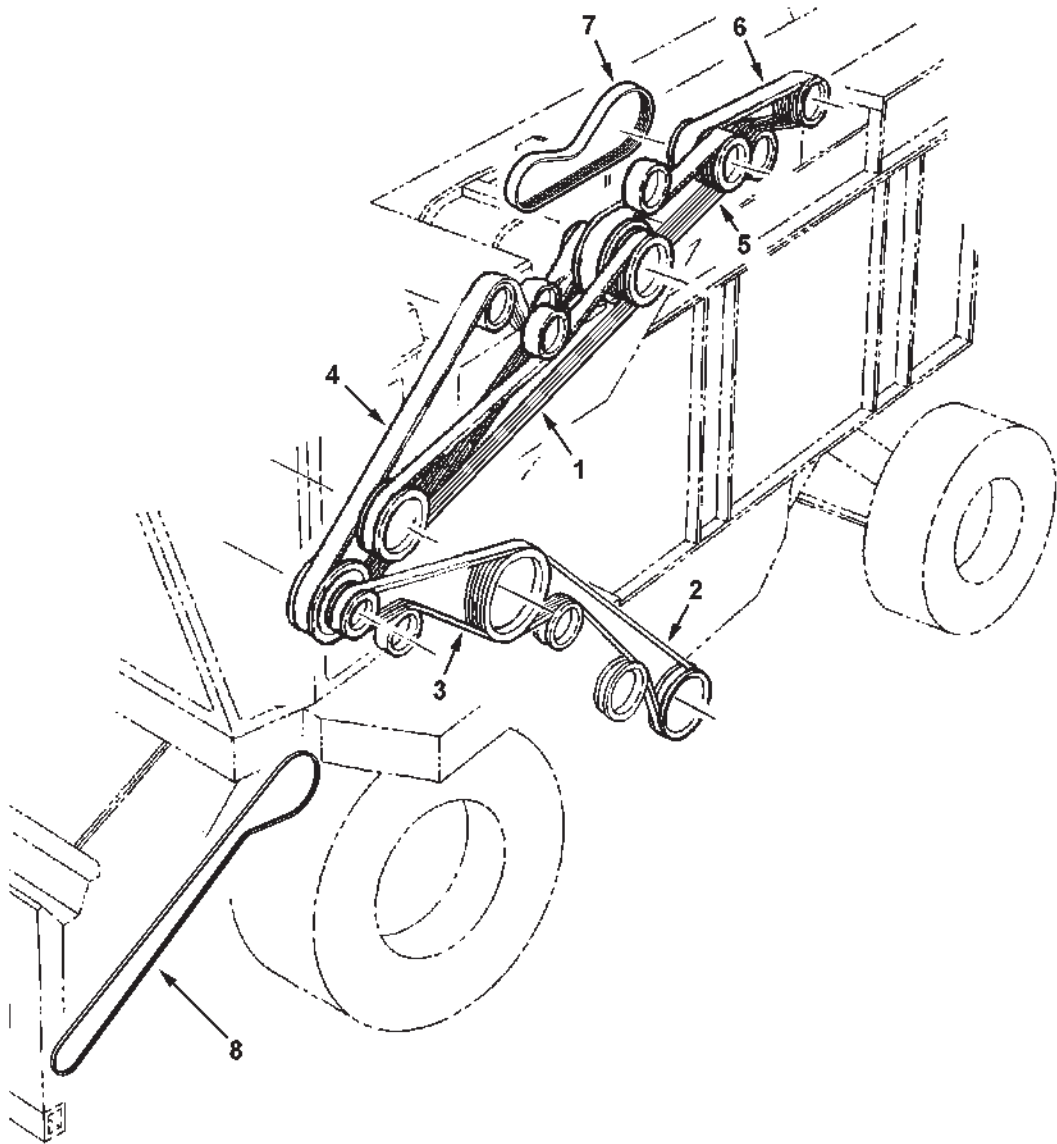
**WHEELS  
DRIVE**

ITEM	NUMBER	QTY	DESCRIPTION
1	7027469	2	VALVE ASY, CLAMP-IN (COMPLETE)(INCL ITEMS 2, 3, 4, 5)(TUBELESS TIRE)
	71169204	AR	PLUG ASY (USED IN PLACE OF ITEM 5)
2	71170390	2	GROMMET, RIM
3	71175919	2	WASHER, ADAPTER HSG
4	71175918	2	NUT, ADAPTER HSG
5	71170388	2	VALVE HOUSING & CORE ASY, W/ CAP
6	71184188	2	DECAL, TORQUE (400 FT. LBS.)
7	539651M1	1	PLUG, RIM HOLE (FOR TUBELESS TIRE)
8	71328912	2	WHEEL - FOR 16.9 X 34 TIRE
9	71396374	2	WHEEL ASY, 32 X 36DWW -FOR 73X44X32 TIRE & 1050/50R-32 TIRE. (INCL. FOLLOWING, LESS VALVE ASY)
	71398241	2	WHEEL, LESS COMPONENTS
	71398242	2	RING, DRIVER, 32"
	71398243	2	LOCKRING, 32"
	71398244	2	O-RING, 32"
	71398245	2	DRIVER KEY
	71401733	2	VALVE STEM ASY, CLAMP-IN
10	71361406	2	WHEEL - FOR 30.5L X 32 TIRE
11	71361406	2	WHEEL - FOR 800/65R-32 TIRE (120" TREAD)
	71401766	2	WHEEL - FOR 800/65R-32 TIRE (123" TREAD)
	71401735	2	WHEEL - FOR 900/60R-32 TIRE
12	71384878	2	WHEEL, INNER DUAL - FOR 18.4R-42 TIRE (INCLS STUD, PRESS-IN, 16 PER WHEEL)
	71398211	2	WHEEL, INNER DUAL - FOR 20.8R-38 TIRE (INCLS STUD, PRESS-IN, 16 PER WHEEL)
	71396348	2	WHEEL, INNER DUAL - FOR 20.8R-42 TIRE (INCLS STUD, PRESS-IN, 16 PER WHEEL)
	71388713	32	STUD, WHEEL (PRESS-IN) 3/4-16 UNF
13	71384879	2	WHEEL, OUTER DUAL - FOR 18.4R-42 TIRE
	71398212	2	WHEEL, OUTER DUAL - FOR 20.8R-38 TIRE
	71396349	2	WHEEL, OUTER DUAL - FOR 20.8R-42 TIRE
14	705665	20	WASHER, HARD, 7/8 WIDE
15	70925806	20	CAPSCREW, 7/8-9 X 3" GR8
17	71348455	2	DECAL, TORQUE, INNER WHEEL (600FT.-LBS)
18	71370926	20	SPACER, WHEEL BOLT (INNER WHEEL)
19	70936298	32	NUT, HVY HEX, 3/4-16UNF GR8
20	Y705566	32	WASHER, HARD, .812 X 1.50 X 9 GA
21	71370934	4	WHEEL, DUAL - FOR 24.5-32 TIRES
	71404432	2	SPACER SPOOL, 19.5" WIDE (NOT ILLUSTR'D)
	700724394	20	CAPSCREW, 7/8-9 X 3-3/4 GR8
	700724395	20	CAPSCREW, M22 X 2.25 X 65 MM CL 10.9
	71404430	1	PLATE, SPACER, 1" (DECK EXT'N)(NOT ILLUSTR'D)

MC00317  
PR: 444

CHALLENGER 670 COMBINE  
DRIVES

BELTS  
LEFT



**CHALLENGER 670 COMBINE  
DRIVES**

**575**

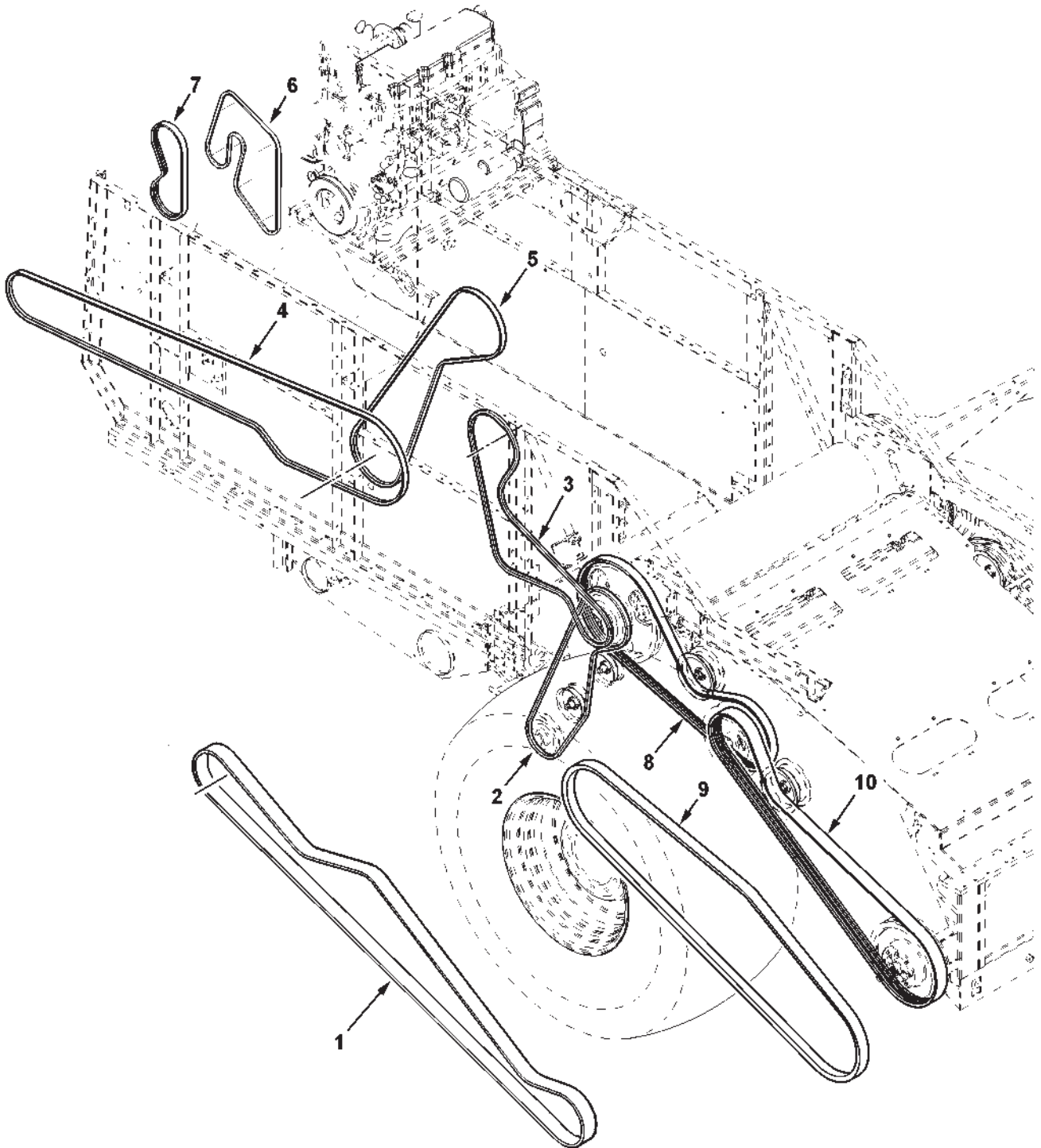
**BELTS  
LEFT**

ITEM	NUMBER	QTY	DESCRIPTION
1	101102M1	1	BELT, UNLOADER, 149.3"
2	227455M1	1	BELT, GRAIN ELEV, 130"(PRIOR S/N HP36101)
	71403685	1	BELT, GRAIN ELEV, 129.5"(EFF. S/N HP36101)
3	71390199	1	BELT, SHAKER SHOE PITMAN, 100.8"
4	71388216	1	BELT, BEATER, 175.3"
5	71390188	1	BELT, MAIN COUNTERSHAFT, 143.0"
6	71390210	1	BELT, ROTOR PUMP DRIVE, 90.2"
7	71390209	1	BELT, PROPEL PUMP DRIVE, 92.1"
8	71398388	1	BELT, HDR C'SHAFT TO PIVOT SHAFT, 195.5" (EFF. S/N HP36101)(NOT ILLUSTRATED)

MC00390  
PR: 446

CHALLENGER 670 COMBINE  
DRIVES

BELTS  
RIGHT



**CHALLENGER 670 COMBINE  
DRIVES**

577

**BELTS  
RIGHT**

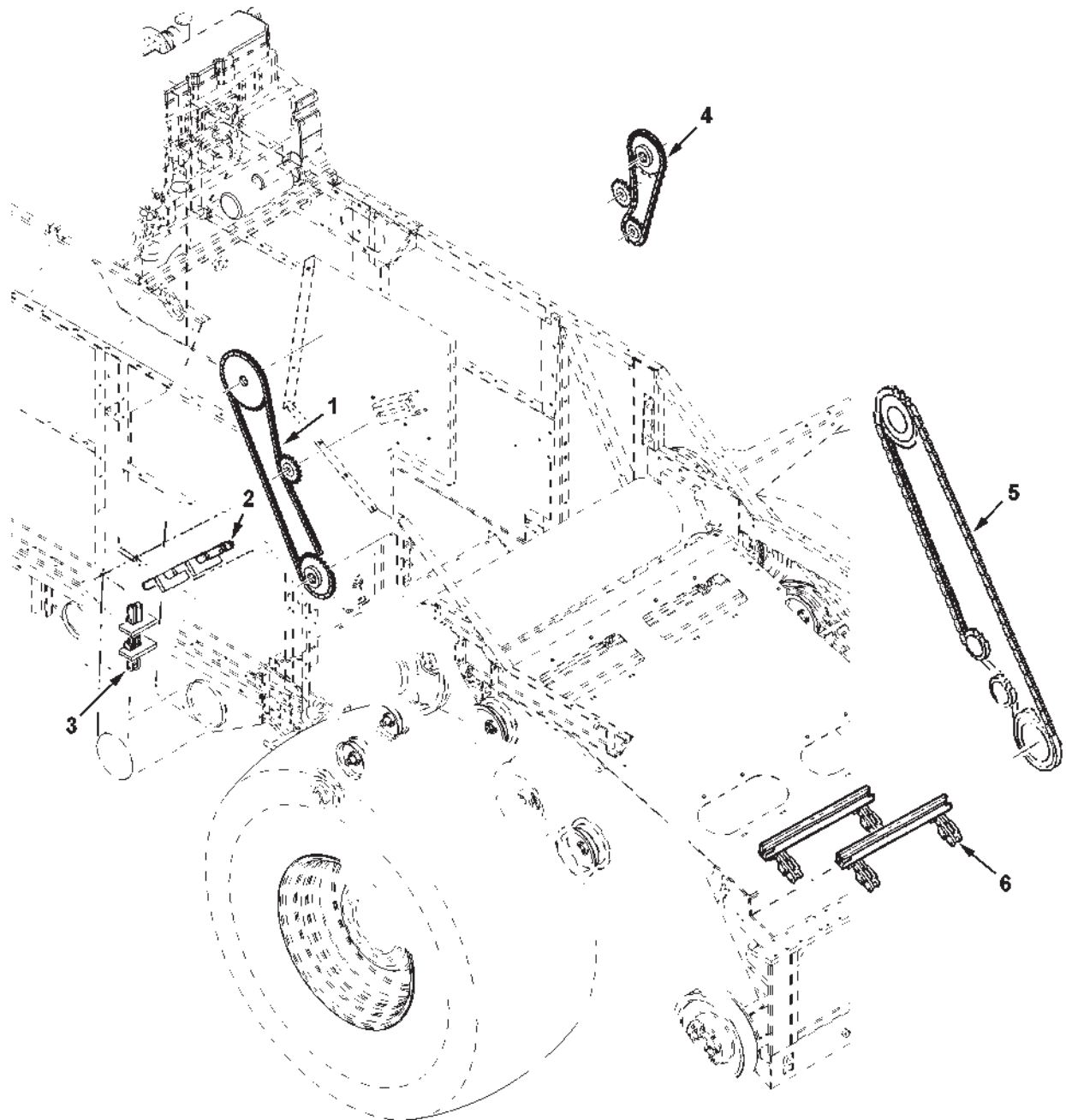
ITEM	NUMBER	QTY	DESCRIPTION
1	71379105	1	BELT, BEATER TO HDR C'SHAFT, 4-V, 217.0" (PRIOR S/N HP36101)
2	71394352	1	BELT, V/S FAN, 115"
3	71385801	1	BELT, RETURN ELEVATOR, 109.6"
4	71388712	1	BELT, CHOPPER SECONDARY, 213.75" (PRIOR S/N HR36101)
	71406339	1	BELT, CHOPPER SECONDARY, 214.2" (EFF. S/N HR36101)
	1680230W1	1	BELT, SPREADER, 233.2"
5	227455M1	1	BELT, SPREADER JACKSHAFT, 130"
	71385837	1	BELT, CHOPPER PRIMARY, 123.75" (PRIOR S/N HR36101)
	71406361	1	BELT, CHOPPER PRIMARY, 136.5" (EFF. S/N HR36101)
6	71410040	1	BELT, ALTR'R & COMPR'R (TIER 2 ENG.) (AFTER CAMPAIGN KIT INSTALLED)
	71410013	1	BELT, ALTR'R & COMPR'R (TIER 3 ENG.) (EFF. S/N HP36176)
7	71401600	1	BELT, FAN, MULTI-V, 46"
8	71398384	1	BELT, BEATER TO FEEDR HOUSE JKSHAFT, 136" (EFF. S/N HP36101)
9	71399505	1	BELT, V.S. TO HEADER C'SHAFT, HM, 157.5" (EFF. S/N HP36101)
10	71399519	1	BELT, JKSHAFT TO HDR C'SHAFT, 3-V, 160.5" (EFF. S/N HP36101)

CHL0030  
PR: 448



CHALLENGER 670 COMBINE  
DRIVES

CHAINS  
DRIVE



**CHALLENGER 670 COMBINE  
DRIVES**

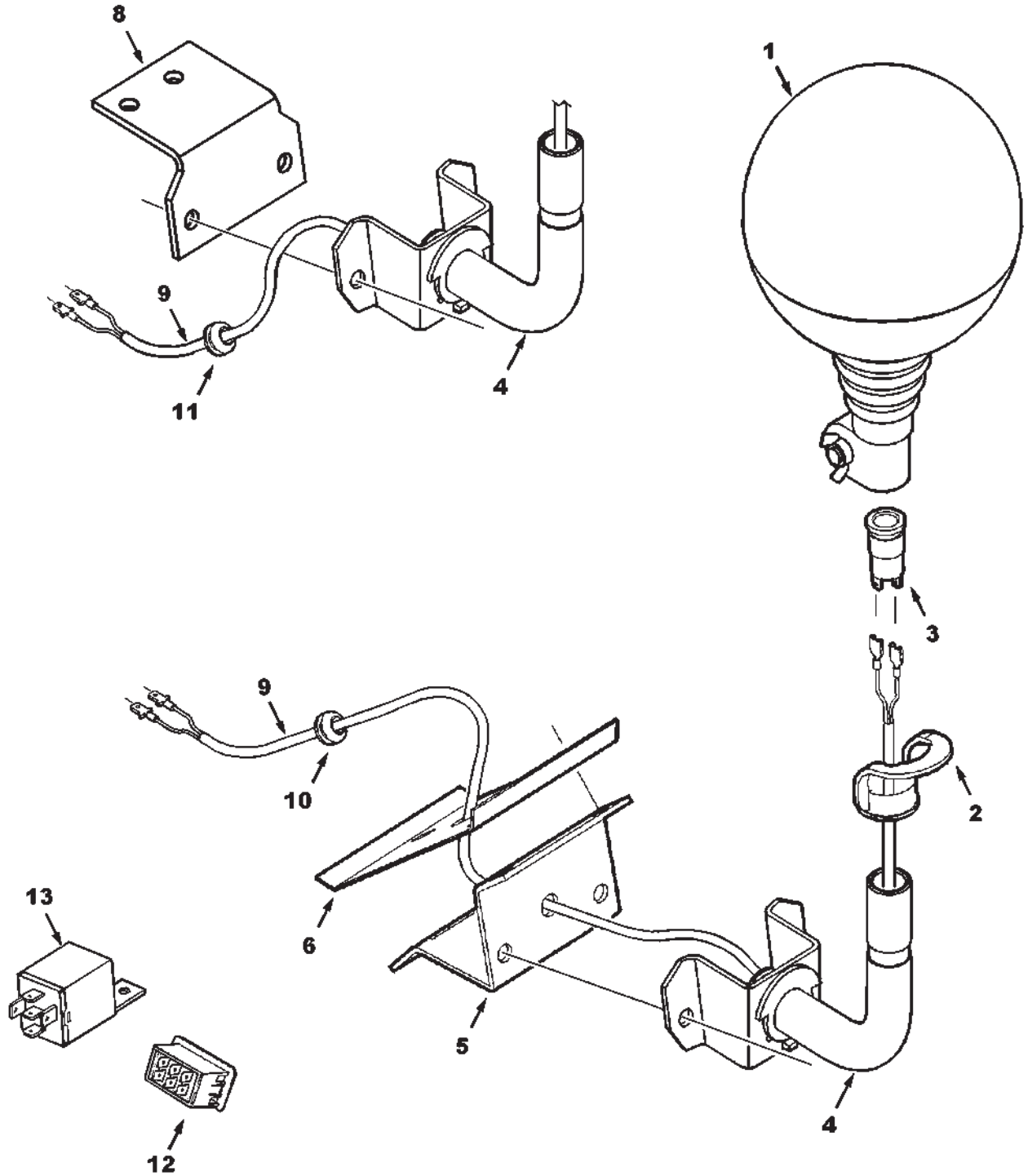
579

**CHAINS  
DRIVE**

ITEM	NUMBER	QTY	DESCRIPTION
1	Y851774	1	CHAIN ASY, BIN FILL, #50, 101 PITCHES, (PLUS 1 CONNECTR)(PRIOR S/N HN36101)
	-----	1	CHAIN #50, 109 PITCHES (USE 107 LINKS OF BULK CHAIN, PLUS 1 CONNECTOR #50 & 1 OFFSET LINK #50 (EFF. S/N HN36101)
	840327M91	1	CHAIN #50, 5/8 PITCH, BULK (10 FT)
	70913682	1	LINK, CONNECTOR, #50
	70913680	1	LINK, OFFSET, #50
2	2615233W92	1	CHAIN ASY, RETURN ELEV. (119 LINKS) (PRIOR S/N HP36101)
	71406795	1	CHAIN ASY, RETURN ELEV. (118 LINKS) (EFF. S/N HP36101)
	70927035	AR	LINK, OFFSET
	70927034	AR	LINK, ROLLER
	329951M91	AR	LINK, CONNECTOR
	2605880W91	29	LINK, ATTACHING, PAIR
	W1511670	29	CUP, FLIGHT
	70921333	58	CAPSCREW, 5/16-18 X 1
	70923362	58	NUT, CENTER LOCK, 5/16-18
	70917642	58	WASHER, 5/16, WIDE
	2635690W1	58	SPACER
3	71393534	1	CHAIN ASY., GRAIN ELEVATOR
	71393533	1	CHAIN ASY, LESS SCRAPERS
	71149388	AR	LINK, ATTACHING
	70927034	AR	LINK, ROLLER
	70927035	AR	LINK, OFFSET
	71364946	37	SCRAPER, CHAIN, GR ELEV
	70927401	74	CAPSCREW, 1/4-20 X 1.0
	700709601	74	WASHER, FLAT 1/4
	Y704395	74	LOCKNUT, 1/4-20
4	-----	1	CHAIN, UNLOADER DR, #60, 70 PITCHES (USE 69 LINKS OF BULK CHAIN AND 1 CONNECTOR)
	70921050	AR	CHAIN, #60, 3/4 PITCH, BULK (10 FT)
	70914584	AR	LINK, CONNECTOR, #60
5	71149992	1	CHAIN ASY., FEEDER DRIVE, #60 (PRIOR S/N HP36101)
	70914584	AR	LINK, CONNECTOR, #60
6	71449003	1	CHAIN ASY, FEEDER CONVEYOR, W/SLATS (PRIOR S/N HP36101)
	71149999	1	CHAIN ASY, CENTER (PRIOR S/N HP36101)
	71449001	2	CHAIN ASY, SIDE (PRIOR S/N HP36101)
	71449017	1	CHAIN ASY, FEEDER CONVEYOR, W/SLATS (EFF. S/N HP36101)
	71449016	1	CHAIN ASY, CENTER (EFF. S/N HP36101)
	71449015	2	CHAIN ASY., SIDE (EFF. S/N HP36101)
	71149894	AR	LINK, ATTACHING
	70937300	AR	LINK, ROLLER
	71149896	AR	LINK, OFFSET, INCL. PIN & LOCKNUT
	71149895	AR	LINK, COUPLING
	70920397	AR	NUT, NYLON LOCK, 1/4-20
	71387896	28	SLAT, FEEDER CHAIN
	70937603	112	CAPSCREW, LOCKING, 1/2-13 X 3/4 GR8
	70928512	112	NUT, 1/2-13 REG GR8

MC00322  
PR: 450

BEACON LIGHT



**CHALLENGER 670 COMBINE  
ACCESSORIES**

**581**

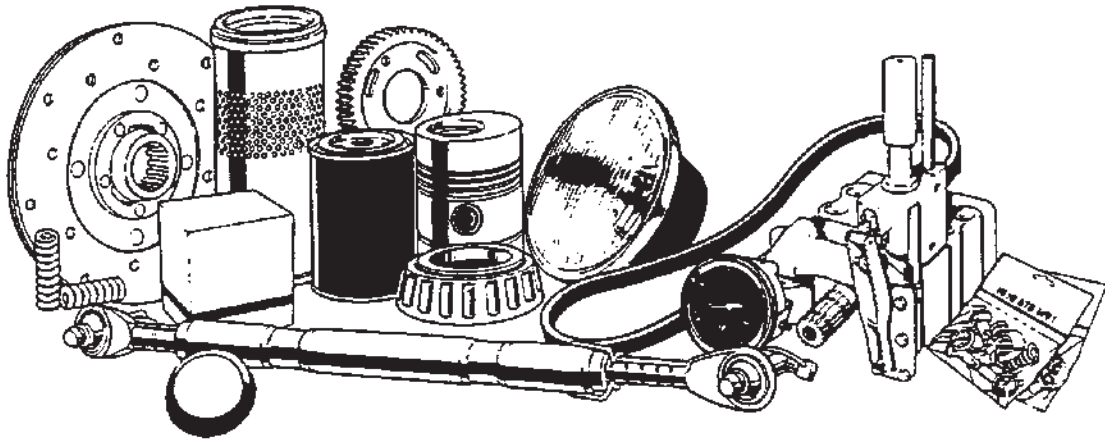
**BEACON LIGHT**

ITEM	NUMBER	QTY	DESCRIPTION
-	71395048	1	KIT, BEACON LIGHT
1	3715144M92	2	BEACON
2	3617860M1	2	PLUG, BEACON
3	3617859M1	2	CAP, BEACON
4	3778093M91	2	SUPPORT, BEACON
	7883382	4	SCREW, HEX WSHR HD, 3/8-16 X 1
	70931211	4	LOCKNUT, SERRATED FLANGE, 3/8-16
5	71391403	1	BRACKET, BEACON MTG. (FRONT)
	7883382	3	SCREW, HEX WSHR HD, 3/8-16 X 1
	70931211	3	LOCKNUT, SERRATED FLANGE, 3/8-16
6	71391404	1	PLATE, BACKUP (FRT)
8	71388391	1	BRACKET, BEACON MTG. (REAR)
9	71395830	2	HARNESS, BEACON LIGHT (FRT & REAR)
10	70923510	1	GROMMET, RUBBER, .375 ID X 3/4 OD (FRT)
11	7827629	1	GROMMET, RUBBER, .375 ID X 5/8 OD (REAR)
12	71387419	1	SWITCH, BEACON LIGHT

MC00364  
PR: 476

RECOMMENDED DEALER STOCK

# RECOMMENDED DEALER STOCK



**CHALLENGER 670 COMBINE  
RECOMMENDED DEALER STOCK**

**583**

**RECOMMENDED DEALER STOCK**

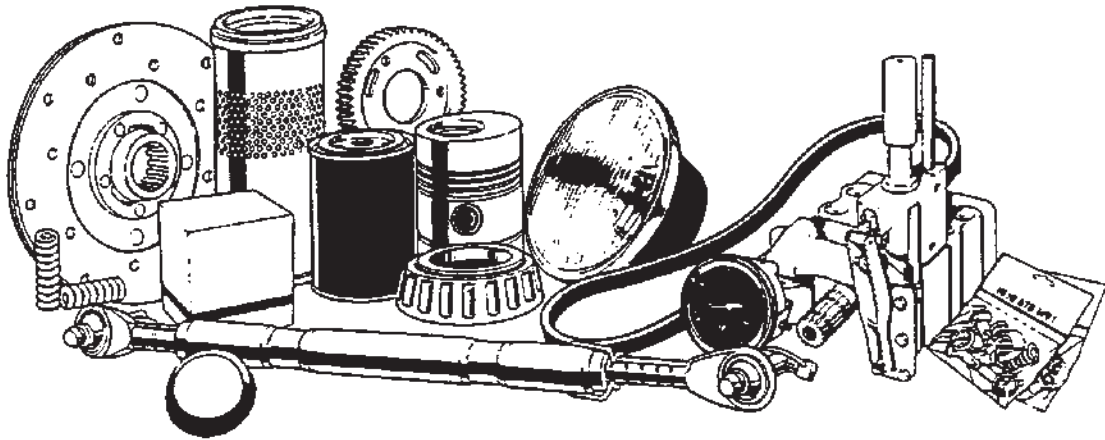
ITEM	NUMBER	QTY	DESCRIPTION
-	71315999	2	ABSORBER, SHOCK
-	71396957	1	ALTERNATOR, 150 AMP (LEECE NEVILLE)
-	RE210066	1	ANTENNA
-	79018975	4	BATTERY, GROUP 31
-	22602X	2	BEARING
-	71306656	2	BEARING
-	71306660	2	BEARING
-	833059M1	2	BEARING
-	50021	2	BEARING
-	50468	2	BEARING
-	711770	4	BEARING
-	31-1588410	2	BEARING
-	354920X1	2	BEARING
-	831822M1	2	BEARING
-	K4037	2	BEARING
-	71335184	2	BEARING ASY. 1.75
-	71308770	2	BEARING KIT
-	71308951	4	BEARING KIT
-	70590709	2	BEARING, BALL, W/COLLAR
-	71398331	2	BEARING, BALL
-	1109055	2	BEARING, BALL
-	1138480	2	BEARING, BALL
-	1139003	1	BEARING, BALL
-	71154722	2	BEARING, BALL
-	71195913	2	BEARING, BALL
-	10033	2	BEARING, BALL, W/O COLLAR
-	70590704	1	BEARING, BALL, W/O COLLAR
-	8050866	1	BEARING, CAM FOLLOWER
-	71122510	2	BEARING, FLANGE
-	71309117	2	BEARING, FLANGE
-	71308984	6	BEARING, W/ COLLAR
-	71390210	1	BELT, REAR HYDRO PUMPS
-	71390209	1	BELT, HYDRO PROPEL
-	71388216	1	BELT, BEATER DRIVE
-	71385837	1	BELT, CHOPPER PRIMARY, 123.75"
-	71406361	1	BELT, CHOPPER PRIMARY, 136.5"
-	71379105	1	BELT, FEEDER DRIVE
-	71390188	1	BELT, MAIN C'SHAFT
-	71390199	1	BELT, PITMAN DRIVE
-	71385801	1	BELT, RETURN ELEV.
-	71396754	1	BELT, ROTARY SCREEN (69.89")
-	227-1364	1	BELT, ALTR'R AND COMPR'R (SOURCE: CAT)
-	71388712	1	BELT, CHOPPER SECONDARY, 213.75"
-	71406339	1	BELT, CHOPPER SECONDARY, 214.2"
-	1680230W1	1	BELT, SPREADER, (233.2")
-	227455M1	2	BELT, SPREADER/GRAIN ELE.
-	101102M1	2	BELT, UNLOADER
-	71394352	1	BELT, VARIABLE FAN
-	71397378	3	BLADE, CHAFF SPRDR LH
-	71397379	3	BLADE, CHAFF SPRDR RH
-	71387297	1	BLADE, WIPER
-	71313115	2	BREATHER, ASY.

CONTINUED

RDL  
PR: 456

RECOMMENDED DEALER STOCK

# RECOMMENDED DEALER STOCK



**CHALLENGER 670 COMBINE  
RECOMMENDED DEALER STOCK**

585

**RECOMMENDED DEALER STOCK**

ITEM	NUMBER	QTY	DESCRIPTION
-	1018729M1	10	BULB (1156)
-	70928348	10	BULB (1157)
-	71397443	3	BULB, (EVANS/TEMPCON)
-	700725576	2	BULB, 12V, 60W, 9005U
-	700722351	2	BULB, HALOGEN, 12V (GE #862)
-	700708648	2	BUMPER, RUBBER
-	1689170W1	2	BUSHING
-	1742670W1	2	BUSHING
-	52175	2	BUSHING
-	71356060	3	BUSHING
-	71370121	2	BUSHING, ARM
-	71157144	4	BUSHING, BRONZE
-	112887W1	2	CAP, BREATHER, HYD RESERVOIR
-	71391625	1	CAP, FUEL FILL
-	71400413	1	CAP, RADIATOR
-	71449003	1	CHAIN ASY, FEED CONVEYOR, W/SLATS
-	71449017	1	CHAIN ASY, FEED CONVEYOR, W/SLATS
-	71149999	1	CHAIN ASY, CENTER
-	71449001	2	CHAIN ASY, SIDE
-	Y851774	1	CHAIN ASY, BIN LOADER
-	71149992	1	CHAIN ASY, FEEDER DRIVE
-	71393534	1	CHAIN ASY, GRAIN ELEVATOR W/SCRAPERS
-	2615233W92	1	CHAIN ASY, RETURN ELEVATOR W/SCRAPERS
-	70921050	1	CHAIN ASY, UNLDR DRIVE, BULK 10'
-	71188504	1	COIL, 6VDC W/DIODE, VALVE
-	375028X1	2	COLLAR
-	70533638	2	COLLAR, BEARING
-	700717212	2	COLLAR, LOCK
-	71396715	1	COMPRESSOR ASY, A/C, W/CLUTCH
-	286501M1	1	CONE FILTER, 1/4
-	70228509	2	CONE, BEARING
-	74254700	2	CONE, BEARING
-	360202X91	1	CONNECTOR
-	74254699	2	CUP, BEARING
-	712208	2	CUP, OUTER BEARING
-	W1511670	10	CUP, FLIGHT, RETURN ELEV
-	71378577	1	CYL BAR, LONG, .75 CHROME
-	71371526	2	CYL BAR, REVERSE, .75 CHROME
-	71371520	8	CYLINDER BAR, .75 CHROME
-	71369761	1	DRYER, RECEIVER
-	71368961	8	ELEMENT, AIR CLEANER
-	71368962	4	FILTER ELEMENT, AIR, SAFETY
-	104309W91	2	ELEMENT, FILTER, HYD OIL
-	133-5673	3	ELEMENT, PRMRY FUEL FLTR/WATER SEPR'TOR (PRIOR S/N HP36176)
-	141-0284	1	KIT, FUEL FILTER & WATER SEPARATOR (PRIOR S/N HP36176)
-	CH1R-0771	3	FILTER ELEMENT ASY,FUEL(EFF S/N HP36176)
-	2497273W91	1	ELEMENT, THRESHING (SET OF 3)
-	71391153	2	FILTER, CAB AIR
-	71393893	5	FILTER, AIR, HVAC
-	1R-0751	1	FILTER ASY, FUEL, CAT
-	1R-0716	1	FILTER ASY, OIL, CAT
-	71396596	2	FITTING, GREASE

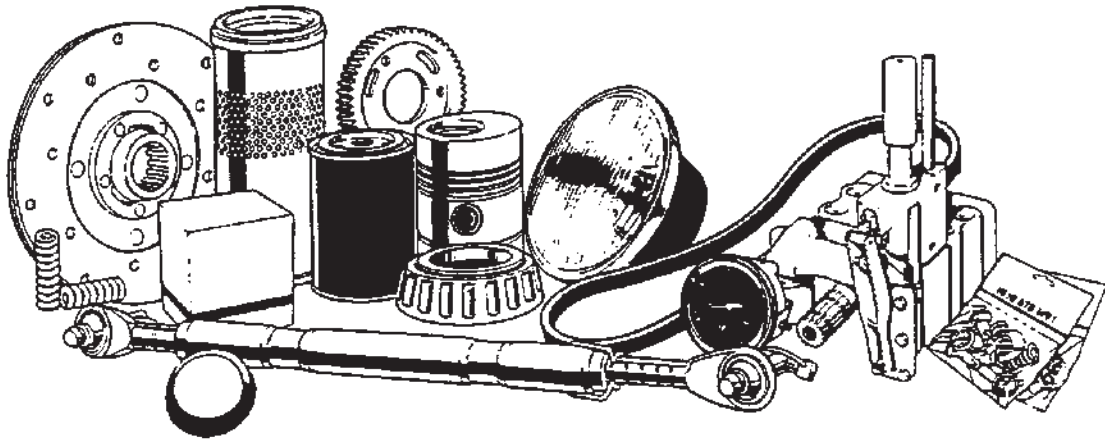
CONTINUED

RDL  
PR: 456



RECOMMENDED DEALER STOCK

# RECOMMENDED DEALER STOCK



**CHALLENGER 670 COMBINE  
RECOMMENDED DEALER STOCK**

587

**RECOMMENDED DEALER STOCK**

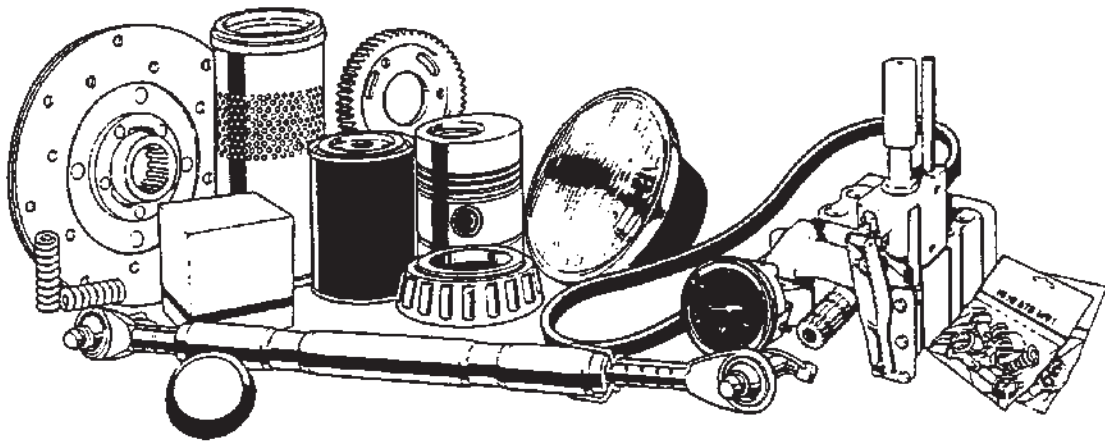
ITEM	NUMBER	QTY	DESCRIPTION
-	13811X	10	LUBE FTG, STR, 1/4-28 TAPER THD
-	71394133	2	FITTING, LUBE (M8 X 1)
-	71127313	4	FLANGE, BEARING
-	71130258	1	FLANGE, BEARING
-	71133361	4	FLANGE, BEARING
-	71192243	2	FLANGE, BEARING
-	71370634	2	FLANGETTE/72MM
-	71393101	8	FLIGHT, WEAR, FRONT BEATER
-	70937606	5	FUSE, 10 AMP
-	70935427	5	FUSE, 15 AMP
-	70937607	5	FUSE, 15 AMP
-	70937608	5	FUSE, 20 AMP
-	70937609	5	FUSE, 25AMP
-	70937610	5	FUSE, 30 AMP
-	70937605	5	FUSE, 5 AMP
-	700721620	5	FUSE, BLADE,3 A
-	70226012	5	GASKET, DRAIN PLUG
-	79017915	6	GREASE, MOLY 14 OZ
-	71314321	2	HOLDER, BRUSH
-	2545270W1	2	IDLER, BELT, 6.5" DIA, FLAT
-	2553560W1	1	IDLER, BELT, 8.0" DIA, FLAT
-	31-2455700	2	IDLER, BELT, 8.0" DIA, FLAT
-	71308156	2	IDLER, BELT, 8.0" DIA, FLAT
-	71388217	1	IDLER, BELT, 8.0" DIA, FLAT
-	71309768	1	IDLER, FLAT 8"
-	31-2446490	1	IDLER, V-BELT, 7-5/16 OD
-	2554761W91	12	IMPELLER WLDMT
-	71396653	2	JOURNAL ASY, U-JOINT
-	29780X	4	KEY
-	71393474	2	KEY, DOOR
-	700721405	2	KEY, IGNITION (QTY 2 W/RING)
-	71374968	1	KIT, OVERHAUL SEAL
-	71382269	2	KNIFE, STATIONARY
-	700714706	1	LATCH, 90 DEGREE
-	70927034	4	LINK, CHAIN ROLLER
-	70937300	4	LINK, CHAIN ROLLER
-	71149894	4	LINK, CHAIN/ATTACTHING
-	70927036	6	LINK, CHAIN/COUPLING
-	71149895	6	LINK, CHAIN/COUPLING
-	70927035	6	LINK, CHAIN/OFFSET
-	71149896	4	LINK, CHAIN/OFFSET
-	K3999	4	LINK, COLLAR
-	70913682	4	LINK, CONN-CLIP
-	70914584	6	LINK, CONN-CLIP
-	70915276	4	LUBE FTG, 90 DEG, 1/8 NPT
-	70914465	2	LUBE FTG, STR, 1/8-27 SPL EXTRA SHORT
-	72507682	1	LUBRICANT, A/C
-	70925284	1	NUT, NYLON LOCK, 1-1/2-12 UNF
-	71383932	1	PADDLE BLADE KIT, CHOPPER
-	71341450	8	PADDLE, SPREADER
-	70934892	2	PIN, CLEVIS RETAINER, W/RING
-	71306949	5	PLUG
-	71369762	1	REFRIGERANT
-	72160919	1	RELAY, DIFFERENTIAL
-	71396971	4	RELAY, PCB 20 AMP

CONTINUED

RDL  
PR: 456

RECOMMENDED DEALER STOCK

# RECOMMENDED DEALER STOCK



**CHALLENGER 670 COMBINE  
RECOMMENDED DEALER STOCK**

589

**RECOMMENDED DEALER STOCK**

ITEM	NUMBER	QTY	DESCRIPTION
-	71396970	4	RELAY, PCB 40 AMP
-	105495W1	1	ROD
-	1114720W1	1	ROD
-	71364946	10	SCRAPER, CHAIN, GR. ELEV
-	71391021	1	SENSOR
-	71375911	1	SENSOR, BIN LEVEL
-	71407293	1	SENDER, FUEL LEVEL W/GSKT
-	71389818	1	SENSOR, GND SPEED
-	71393718	1	SENSOR, HYDRO TEMP
-	71376825	2	SENSOR, POSITION
-	71383914	1	SENSOR, ROTOR SPEED
-	71391869	1	SENSOR, ROTARY POSITION
-	71356061	1	SLEEVE, HARD, IDLER PIVOT
-	71387896	20	SLAT, FEEDER CHAIN
-	101276M2	1	SPRING
-	2440720W1	1	SPRING
-	2620920W1	1	SPRING
-	2627000W1	1	SPRING
-	71375335	1	SPRING, FEED
-	71305916	1	SPRING, GAS
-	71197323	1	SPRING, HEADER DRIVE
-	7087398	1	SPROCKET, 17T-5
-	71378873	2	SPROCKET, IDLER
-	71370496	2	STOP, ARM
-	71383934	1	STRAIGHT BLADE KIT, CHOPPER
-	71325523	1	SWITCH, IGNITION
-	70925094	25	TIE, CABLE 7-5
-	70937133	25	TIE, CABLE, 14-1
-	71395998	1	U-JOINT ASY, DOUBLE PIVOT
-	71408211	1	VALVE ASY., WATER
-	30-3076830	1	VALVE, WATER SHUT-OFF
-	2498390W1	2	VANE, GUIDE, 3 HOLE
-	2467230W1	6	VANE, GUIDE, 5 HOLE
-	2467220W1	12	VANE, GUIDE, 7 HOLE
-	71397380	2	WEAR PLATE, CHAFF SPRDR
-	70937465	1	YOKE, END-ROD

RDL  
PR: 456

# Contents

.....	DECALS & LABELS	
4		
LABELS .....		4
.....	DECALS & LABELS	
6		
LABELS .....		6
.....	ENGINE	
8		
ENGINE & MOUNTS .....		8
.....	ENGINE	
10		
ENGINE & MOUNTS .....		10
.....	ENGINE	
12		
ENGINE & MOUNTS .....		12
.....	ENGINE	
14		
COOLING FAN DRIVE .....		14
.....	ENGINE	
16		
COOLING FAN DRIVE .....		16
.....	ENGINE	
18		
COOLING FAN DRIVE .....		18
.....	ENGINE	
20		
AIR INTAKE & EXHAUST .....		20
.....	ENGINE	
22		
AIR INTAKE & EXHAUST .....		22
.....	ENGINE	
24		
MAIN ENGINE DRIVES .....		24
.....	ENGINE	
26		
MAIN ENGINE DRIVES .....		26
.....	ENGINE	
28		
MAIN ENGINE DRIVES .....		28
.....	ENGINE	
30		
COOLING SYSTEM .....		30
.....	ENGINE	
32		
COOLING SYSTEM .....		32
.....	ENGINE	
34		
COOLING SYSTEM .....		34
.....	ENGINE	
36		
RADIATOR SLINGER .....		36
.....	ENGINE	
38		
ROTARY SCREEN .....		38
.....	ENGINE	
40		
ROTARY SCREEN .....		40
.....	ENGINE	
42		
FUEL LINES .....		42
.....	ENGINE	
44		
FUEL LINES .....		44
.....	ENGINE	
46		
FUEL LINES .....		46
.....	CAB	

48	FRAME & MOUNTING .....	48
	.....	CAB
50	WINDOWS AND DOORS .....	50
	.....	CAB
52	LH DOOR .....	52
	.....	CAB
54	INTERIOR COVERINGS & TRIM .....	54
	.....	CAB
56	INTERIOR COVERINGS & TRIM .....	56
	.....	CAB
58	PLATFORM .....	58
	.....	CAB
60	PIVOTING LADDER LH .....	60
	.....	CAB
62	DECK EXTENSION .....	62
	.....	CAB
64	STAIRCASE LADDER & PLATFORM .....	64
	.....	CAB
66	STAIRCASE LADDER & PLATFORM .....	66
	.....	CAB
68	MIRRORS & EXTREMITY LIGHTS .....	68
	.....	CAB
70	WINDSHIELD WIPER .....	70
	.....	CAB
72	ROOF & INTERIOR/EXTERIOR LIGHTS .....	72
	.....	CAB
74	CONSOLE - SEAT .....	74
	.....	CAB
76	CONSOLE - SEAT .....	76
	.....	CAB
78	CONTROL .....	78
	.....	CAB
80	BRAKE MASTER CYLINDER .....	80
	.....	CAB
82	CONTROL .....	82
	.....	CAB
84	CONTROL .....	84
	.....	CAB
86	CONTROL .....	86
	.....	CAB
88	STEERING COLUMN .....	88
	.....	CAB
90	SEAT .....	90
	.....	CAB
92	SEAT .....	92
	.....	CAB
94	SEAT .....	94
	.....	CAB

96	SEAT .....	96
	.....	CAB
98	SEAT .....	98
	.....	CAB
100	HVAC .....	100
	.....	CAB
102	HVAC .....	102
	.....	CAB
104	HVAC .....	104
	.....	CAB
106	HVAC .....	106
	.....	CAB
108	HVAC .....	108
	.....	CAB
110	AIR CONDITIONER .....	110
	.....	CAB
112	AIR CONDITIONER .....	112
	.....	CAB
114	HEATER LINES .....	114
	.....	ELECTRICAL
116	FEEDER ELECTRICAL .....	116
	.....	ELECTRICAL
118	ELECTRICAL HARNESSSES & SWITCHES .....	118
	.....	ELECTRICAL
120	ENGINE & BATTERY WIRING .....	120
	.....	ELECTRICAL
122	ENGINE & BATTERY WIRING .....	122
	.....	ELECTRICAL
124	ENGINE & BATTERY WIRING .....	124
	.....	ELECTRICAL
126	ENGINE & BATTERY WIRING .....	126
	.....	ELECTRICAL
128	ALTERNATOR - 150 AMP .....	128
	.....	ELECTRICAL
130	CAB COMPONENTS .....	130
	.....	ELECTRICAL
132	CAB COMPONENTS .....	132
	.....	ELECTRICAL
134	CAB COMPONENTS .....	134
	.....	ELECTRICAL
136	CAB COMPONENTS .....	136
	.....	ELECTRICAL
138	CAB COMPONENTS .....	138
	.....	ELECTRICAL
140	MONITORING SYSTEMS .....	140
	.....	ELECTRICAL
142	HARNESSSES & LIGHTING .....	142
	.....	ELECTRICAL

144	<b>ELECTRICAL HARNESSSES</b> .....	144
	.....	ELECTRICAL
146	<b>BEACON LIGHTS</b> .....	146
	.....	ELECTRICAL
148	<b>HIGH INTENSITY LIGHTING</b> .....	148
	.....	ELECTRICAL
150	<b>SERVICE CONNECTORS</b> .....	150
	.....	ELECTRICAL
152	<b>SERVICE CONNECTORS</b> .....	152
	.....	FEEDER
154	<b>HOUSING &amp; SHIELDS</b> .....	154
	.....	FEEDER
156	<b>HOUSING &amp; SHIELDS</b> .....	156
	.....	FEEDER
158	<b>HOUSING &amp; SHIELDS</b> .....	158
	.....	FEEDER
160	<b>HOUSING &amp; SHIELDS</b> .....	160
	.....	FEEDER
162	<b>HOUSING &amp; SHIELDS</b> .....	162
	.....	FEEDER
164	<b>JACK</b> .....	164
	.....	FEEDER
166	<b>FEED FLOOR</b> .....	166
	.....	FEEDER
168	<b>PIVOT SHAFT</b> .....	168
	.....	FEEDER
170	<b>PIVOT SHAFT</b> .....	170
	.....	FEEDER
172	<b>LH PIVOT DRIVE</b> .....	172
	.....	FEEDER
174	<b>RH DRIVE</b> .....	174
	.....	FEEDER
176	<b>JACKSHAFT DRIVE</b> .....	176
	.....	FEEDER
178	<b>JACKSHAFT &amp; V.S. IDLER</b> .....	178
	.....	FEEDER
180	<b>HYDRAULIC LINES</b> .....	180
	.....	FEEDER
182	<b>JACKSHAFT &amp; C'SHAFT DRIVE IDLER</b> .....	182
	.....	FEEDER
184	<b>COUNTERSHAFT</b> .....	184
	.....	FEEDER
186	<b>COUNTERSHAFT</b> .....	186
	.....	FEEDER
188	<b>LATCH</b> .....	188
	.....	FEEDER
190	<b>CONVEYOR</b> .....	190
	.....	FEEDER



192	CONVEYOR .....	192
	..... FEEDER	
194	HEADER REVERSER .....	194
	..... FEEDER	
196	HEADER REVERSER .....	196
	..... FEEDER	
198	REVERSER MOTOR & CLUTCH .....	198
	..... FEEDER	
200	REVERSER MOTOR .....	200
	..... FEEDER	
202	REVERSER MOTOR .....	202
	..... LATERAL TILT	
204	HOUSING .....	204
	..... LATERAL TILT	
206	HOUSING .....	206
	..... LATERAL TILT	
208	ANCHORS & SENSOR .....	208
	..... LATERAL TILT	
210	HYDRAULIC CYLINDER .....	210
	..... LATERAL TILT	
212	HYDRAULICS .....	212
	..... LATERAL TILT	
214	VALVE & CONTROL .....	214
	..... PROCESSOR	
216	FRONT BEATER .....	216
	..... PROCESSOR	
218	MAIN COUNTERSHAFT .....	218
	..... PROCESSOR	
220	MAIN COUNTERSHAFT .....	220
	..... PROCESSOR	
222	FRONT BEATER .....	222
	..... PROCESSOR	
224	INLET HOUSING AND STONETRAP .....	224
	..... PROCESSOR	
226	INLET HOUSING AND STONETRAP .....	226
	..... PROCESSOR	
228	CONCAVE & CONTROLS .....	228
	..... PROCESSOR	
230	CONCAVE & CONTROLS .....	230
	..... PROCESSOR	
232	CONCAVE & CONTROLS .....	232
	..... PROCESSOR	
234	POWER CONCAVE CONTROL .....	234
	..... PROCESSOR	
236	REAR ROTOR HOUSING .....	236
	..... PROCESSOR	
238	REAR ROTOR HOUSING .....	238
	..... PROCESSOR	

240	SEPARATOR GRATES .....	240
	..... PROCESSOR	
242	SEPARATOR GRATES .....	242
	..... PROCESSOR	
244	SEPARATOR GRATE SUPPORTS .....	244
	..... PROCESSOR	
246	ROTOR .....	246
	..... PROCESSOR	
248	ROTOR .....	248
	..... PROCESSOR	
250	ROTOR DRIVE .....	250
	..... PROCESSOR	
252	ROTOR DRIVE .....	252
	..... PROCESSOR	
254	MOTOR, HYDROSTATIC ROTOR .....	254
	..... CHOPPER & SPREADER	
256	JACKSHAFT DRIVE .....	256
	..... CHOPPER & SPREADER	
258	JACKSHAFT DRIVE .....	258
	..... CHOPPER & SPREADER	
260	STRAW CHOPPER DRIVE .....	260
	..... CHOPPER & SPREADER	
262	STRAW CHOPPER DRIVE .....	262
	..... CHOPPER & SPREADER	
264	STRAW CHOPPER DRIVE KIT .....	264
	..... CHOPPER & SPREADER	
266	STRAW CHOPPER HOUSING .....	266
	..... CHOPPER & SPREADER	
268	STRAW CHOPPER HOUSING .....	268
	..... CHOPPER & SPREADER	
270	STRAW CHOPPER .....	270
	..... CHOPPER & SPREADER	
272	STRAW CHOPPER .....	272
	..... CHOPPER & SPREADER	
274	STRAW CHOPPER HOOD & SUPPORTS .....	274
	..... CHOPPER & SPREADER	
276	STRAW SPREADER .....	276
	..... CHOPPER & SPREADER	
278	STRAW SPREADER .....	278
	..... CHOPPER & SPREADER	
280	STRAW SPREADER .....	280
	..... CHOPPER & SPREADER	
282	STRAW SPREADER .....	282
	..... CHOPPER & SPREADER	
284	STRAW SPREADER .....	284
	..... CHOPPER & SPREADER	
286	CHAFF SPREADER .....	286
	..... CHOPPER & SPREADER	

288	CHAFF SPREADER .....	288
	..... CHOPPER & SPREADER	
290	CHAFF SPREADER .....	290
	..... SEPARATOR	
292	LOWER AUGER HOUSING AND FANNING MILL .....	292
	..... SEPARATOR	
294	LOWER AUGER HOUSING AND FANNING MILL .....	294
	..... SEPARATOR	
296	LOWER AUGER HOUSING AND FANNING MILL .....	296
	..... SEPARATOR	
298	VARIABLE SPEED FAN DRIVE .....	298
	..... SEPARATOR	
300	SEPARATOR PAN .....	300
	..... SEPARATOR	
302	SHAKER SHOE AND SIEVES .....	302
	..... SEPARATOR	
304	SHAKER SHOE AND SIEVES .....	304
	..... SEPARATOR	
306	SHAKER SHOE AND SIEVES .....	306
	..... SEPARATOR	
308	SHAKER SHOE AND SIEVES .....	308
	..... SEPARATOR	
310	PITMAN DRIVE .....	310
	..... SEPARATOR	
312	GRAIN ELEVATOR DRIVE .....	312
	..... SEPARATOR	
314	GRAIN ELEVATOR DRIVE .....	314
	..... GRAIN BIN & ELEVATOR	
316	GRAIN ELEVATOR .....	316
	..... GRAIN BIN & ELEVATOR	
318	GRAIN ELEVATOR .....	318
	..... GRAIN BIN & ELEVATOR	
320	GRAIN ELEVATOR .....	320
	..... GRAIN BIN & ELEVATOR	
322	GRAIN ELEVATOR .....	322
	..... GRAIN BIN & ELEVATOR	
324	GRAIN ELEVATOR .....	324
	..... GRAIN BIN & ELEVATOR	
326	RETURN ELEVATOR .....	326
	..... GRAIN BIN & ELEVATOR	
328	RETURN ELEVATOR .....	328
	..... GRAIN BIN & ELEVATOR	
330	RETURN ELEVATOR .....	330
	..... GRAIN BIN & ELEVATOR	
332	RETURN ELEVATOR .....	332
	..... GRAIN BIN & ELEVATOR	
334	RETURN ELEVATOR .....	334
	..... GRAIN BIN & ELEVATOR	

336	RETURN ELEVATOR .....	336
	..... GRAIN BIN & ELEVATOR	
338	STAINLESS STEEL ELEVATOR PACKAGE .....	338
	..... GRAIN BIN & ELEVATOR	
340	RETURN ELEVATOR DRIVE .....	340
	..... GRAIN BIN & ELEVATOR	
342	UNLOADING AUGER .....	342
	..... GRAIN BIN & ELEVATOR	
344	UNLOADING AUGER .....	344
	..... GRAIN BIN & ELEVATOR	
346	UNLOADING AUGER .....	346
	..... GRAIN BIN & ELEVATOR	
348	UNLOADING AUGER .....	348
	..... GRAIN BIN & ELEVATOR	
350	UNLOADING AUGER .....	350
	..... GRAIN BIN & ELEVATOR	
352	UNLOADING AUGER .....	352
	..... GRAIN BIN & ELEVATOR	
354	UNLOADING AUGER .....	354
	..... GRAIN BIN & ELEVATOR	
356	UNLOADING AUGER .....	356
	..... GRAIN BIN & ELEVATOR	
358	UNLOADER DRIVE .....	358
	..... GRAIN BIN & ELEVATOR	
360	UNLOADER DRIVE .....	360
	..... GRAIN BIN & ELEVATOR	
362	GRAIN BIN .....	362
	..... GRAIN BIN & ELEVATOR	
364	GRAIN BIN .....	364
	..... GRAIN BIN & ELEVATOR	
366	GRAIN BIN .....	366
	..... GRAIN BIN & ELEVATOR	
368	GRAIN BIN .....	368
	..... GRAIN BIN & ELEVATOR	
370	GRAIN BIN .....	370
	..... GRAIN BIN & ELEVATOR	
372	GRAIN BIN .....	372
	..... GRAIN BIN & ELEVATOR	
374	GRAIN BIN .....	374
	..... GRAIN BIN & ELEVATOR	
376	BIN EXTENSIONS .....	376
	..... GRAIN BIN & ELEVATOR	
378	FUEL TANKS .....	378
	..... SHIELDS	
380	ENGINE COVERS .....	380
	..... SHIELDS	
382	ENGINE COVERS .....	382
	..... SHIELDS	

384	REAR DECK AND LADDER .....	384
	..... SHIELDS	
386	REAR DECK AND LADDER .....	386
	..... SHIELDS	
388	SIDE SHIELDS .....	388
	..... SHIELDS	
390	SIDE SHIELDS .....	390
	..... SHIELDS	
392	SIDE SHIELDS .....	392
	..... SHIELDS	
394	SIDE SHIELDS .....	394
	..... SHIELDS	
396	SIDE SHIELDS .....	396
	..... SHIELDS	
398	SIDE SHIELDS .....	398
	..... SHIELDS	
400	SIDE SHIELDS .....	400
	..... SHIELDS	
402	SIDE SHIELDS .....	402
	..... SHIELDS	
404	SIDE SHIELDS .....	404
	..... SHIELDS	
406	MUD SHIELDS .....	406
	..... SHIELDS	
408	MUD SHIELDS .....	408
	..... SHIELDS	
410	MUD SHIELDS .....	410
	..... SHIELDS	
412	MUD SHIELDS .....	412
	..... SHIELDS	
414	MUD SHIELDS .....	414
	..... SHIELDS	
416	MUD SHIELDS .....	416
	..... SHIELDS	
418	MUD SHIELDS .....	418
	..... HYDRAULICS	
420	STEERING & HEADER FUNCTIONS .....	420
	..... HYDRAULICS	
422	STEERING & HEADER FUNCTIONS .....	422
	..... HYDRAULICS	
424	STEERING & HEADER FUNCTIONS .....	424
	..... HYDRAULICS	
426	STEERING CYLINDER .....	426
	..... HYDRAULICS	
428	STEERING CYLINDER .....	428
	..... HYDRAULICS	
430	STEERING CYLINDER .....	430
	..... HYDRAULICS	

432	ACCUMULATOR .....	432
	.....	HYDRAULICS
434	HEADER LIFT CYLINDERS .....	434
	.....	HYDRAULICS
436	UNLOADER SWING CYLINDER .....	436
	.....	HYDRAULICS
438	PRIORITY VALVE .....	438
	.....	HYDRAULICS
440	CONTROL VALVE STACK .....	440
	.....	HYDRAULICS
442	HEADER LIFT VALVE .....	442
	.....	HYDRAULICS
444	REEL LIFT VALVE .....	444
	.....	HYDRAULICS
446	FEEDER REVERSER VALVE .....	446
	.....	HYDRAULICS
448	UNLOADER SWING VALVE .....	448
	.....	HYDRAULICS
450	REEL DRIVE VALVE .....	450
	.....	HYDRAULICS
452	ROTARY SCREEN VALVE & MOTOR .....	452
	.....	HYDRAULICS
454	ROTARY SCREEN MOTOR LINES .....	454
	.....	HYDRAULICS
456	HYDRAULIC PUMP & LINES .....	456
	.....	HYDRAULICS
458	HYDRAULIC PUMP & LINES .....	458
	.....	HYDRAULICS
460	HYDRAULIC PUMP & LINES .....	460
	.....	HYDRAULICS
462	HYDRAULIC PUMP .....	462
	.....	HYDRAULICS
464	UNLOADER ENGAGE LINES .....	464
	.....	HYDRAULICS
466	UNLOADER ENGAGE LINES .....	466
	.....	HYDRAULICS
468	UNLOADER ENGAGE VALVE .....	468
	.....	HYDRAULICS
470	RESERVOIR & FILTER .....	470
	.....	HYDRAULICS
472	RESERVOIR & FILTER .....	472
	.....	HYDRAULICS
474	ROTOR PUMP AND MOTOR LINES .....	474
	.....	HYDRAULICS
476	PROPEL PUMP AND MOTOR LINES .....	476
	.....	HYDRAULICS
478	GREASE LINES .....	478
	.....	TRANSMISSION & AXLES

480	PROPEL PUMP .....	480
	..... TRANSMISSION & AXLES	
482	PROPEL PUMP .....	482
	..... TRANSMISSION & AXLES	
484	PROPEL PUMP .....	484
	..... TRANSMISSION & AXLES	
486	PROPEL PUMP .....	486
	..... TRANSMISSION & AXLES	
488	MOTOR, HYDRO PROPEL .....	488
	..... TRANSMISSION & AXLES	
490	ROTOR PUMPS .....	490
	..... TRANSMISSION & AXLES	
492	ROTOR PUMP .....	492
	..... TRANSMISSION & AXLES	
494	ROTOR PUMP .....	494
	..... TRANSMISSION & AXLES	
496	ROTOR PUMP .....	496
	..... TRANSMISSION & AXLES	
498	ROTOR PUMP .....	498
	..... TRANSMISSION & AXLES	
500	ROTOR PUMP .....	500
	..... TRANSMISSION & AXLES	
502	ROTOR PUMP .....	502
	..... TRANSMISSION & AXLES	
504	ROTOR PUMP .....	504
	..... TRANSMISSION & AXLES	
506	ROTOR PUMP .....	506
	..... TRANSMISSION & AXLES	
508	FINAL DRIVE .....	508
	..... TRANSMISSION & AXLES	
510	FINAL DRIVE .....	510
	..... TRANSMISSION & AXLES	
512	FINAL DRIVE .....	512
	..... TRANSMISSION & AXLES	
514	TRANSMISSION, GEAR .....	514
	..... TRANSMISSION & AXLES	
516	TRANSMISSION, GEAR .....	516
	..... TRANSMISSION & AXLES	
518	TRANSMISSION, GEAR .....	518
	..... TRANSMISSION & AXLES	
520	TRANSMISSION, GEAR .....	520
	..... TRANSMISSION & AXLES	
522	DRUM BRAKES .....	522
	..... TRANSMISSION & AXLES	
524	DRUM BRAKES .....	524
	..... TRANSMISSION & AXLES	
526	MAIN FRAME AND AXLE SUPPORTS .....	526
	..... TRANSMISSION & AXLES	

528	REAR AXLE & WHEELS .....	528
	..... TRANSMISSION & AXLES	
530	REAR AXLE & WHEELS .....	530
	..... TRANSMISSION & AXLES	
532	REAR AXLE & WHEELS .....	532
	..... TRANSMISSION & AXLES	
534	REAR AXLE & WHEELS .....	534
	..... TRANSMISSION & AXLES	
536	REAR AXLE & WHEELS .....	536
	..... TRANSMISSION & AXLES	
538	REAR AXLE & WHEELS .....	538
	..... TRANSMISSION & AXLES	
540	REAR AXLE & WHEELS .....	540
	..... TRANSMISSION & AXLES	
542	REAR WHEEL ASSIST .....	542
	..... TRANSMISSION & AXLES	
544	REAR WHEEL ASSIST .....	544
	..... TRANSMISSION & AXLES	
546	WHEELS .....	546
	..... DRIVES	
548	BELTS .....	548
	..... DRIVES	
550	BELTS .....	550
	..... DRIVES	
552	CHAINS .....	552
	..... ACCESSORIES	
554	BEACON LIGHT .....	554
	..... RECOMMENDED DEALER STOCK	
556	RECOMMENDED DEALER STOCK .....	556
	..... RECOMMENDED DEALER STOCK	
558	RECOMMENDED DEALER STOCK .....	558
	..... RECOMMENDED DEALER STOCK	
560	RECOMMENDED DEALER STOCK .....	560
	..... RECOMMENDED DEALER STOCK	
562	RECOMMENDED DEALER STOCK .....	562