

u SUBJECT TO CHANGE FOR PRODUCT IMPROVEMENT u

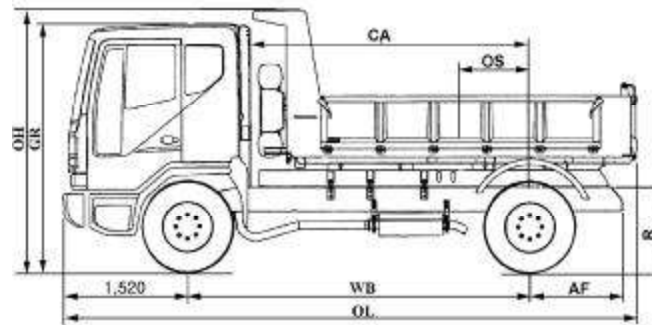
DAEWOO HEAVY DUTY TRUCK
SPECIFICATIONS MANUAL

MODEL NAME : 4×2 DUMP
MODEL CODE : E3D4F



JUNE, 2007

DAEWOO INTERNATIONAL CORPORATION



o DIAGRAM

o DIMENSIONS (mm)	Overall	Length	OL	6,795
		Width	OW	2,490
		Height	OH	3,020
	Tread	Front	FT	2,050
		Rear	RT	1,855
	Wheelbase		WB	4,030
	Rear axle to frame		AF	1,080
	Ground to roof		GR	2,900
	Frame-ground above bogie		R	1,070
	Usable cab to axle		CA	3,295
	Deck offset		OS	825
	Deck inside	Length		4,000
		Width		2,200
		Height		610
		Volume (m ³)		5.4
	Min. ground clearance			262
	o WEIGHTS (kg)	Chassis weight	Front	
		Rear		1,560
		Total		5,510
Curb weight				7,840
Payload				8,000
Axle load		Front		6,500
		Rear		11,500
Permissible payload				11,010
Permissible G.V.W			16,000	
o PERFORMANCE	Max. speed	(km/h)		98
	Max. gradeability (%)			30.2
	Min. turning radius	(m)		7.1
	Dumping angle	(°)		52
	Dumping time	(sec)		18

* Permissible payload includes : Deck assembly

o ENGINE	Manufacturer	DHI
	Model	D1146TI
	Emission certificate	EURO I equivalent
	Type	Turbo charged with intercooler, diesel engine
	Maximum power	215ps (158kw)/ 2,300rpm
	Maximum torque	82kg.m (804N.m)/ 1,200rpm
	No. of cylinder	In line 6- cylinder
	Bore × Stroke	111 × 139(mm)
	Displacement	8,071cc
	Controller type	Mechanical
	Air cleaner	Dry paper elements
o CLUTCH	Type	Hydraulic control with air assisted Dry single plate with coil spring
	Plate diameter	Outside diameter : 430mm(17 ")
o TRANSMISSION	Manufacturer	KPC
	Model	K805P
	Speed	5 Forward / 1 Reverse
	Gear ratio	5.455/3.130/1.728/1.000/0.745/ 5.606(R)
o FRONT AXLE	Type	Reverse elliot "I" beam
	Axle capacity	6,500kg
o REAR AXLE	Manufacturer	KPC
	Model	R165H
	Type	Banjo single reduction
	Final drive ratio	6.166
	Axle capacity	11,500kg
o TIRE & WHEEL (STANDARD)	Tire	11.00-20-16PR
	Disc wheel	7.5V × 20
	No. of wheel studs	8

o FRAME	Type	Ladder type, single channel with reinforcement
	Size (H×W×T)	286×90×(7 + 6) (mm) Frame width behind cab : 850mm Equipped front & rear
o STEERING	Towing hook	
	Handle position	Left-hand drive
	Type	Recirculating ball with integral power assisted by oil
	Steering column	Tilt & Telescopic
o FRONT SUSPENSION	Steering wheel	2-spoke wheel with horn button
	Type	Semi-elliptical leaf spring
o REAR SUSPENSION	Size (L×W)	1,500mm×90mm
	Type	Semi-elliptical leaf spring
o BRAKE	Size (L×W)	1,420mm×100mm
	Service brake	Full air brake with dual circuit
	Drum diameter	410mm
	Lining Front	414mm×155mm
	Rear	414mm×203mm
	Material	Asbestos
	Parking brake	Spring actuator at rear wheels
Auxiliary brake	Exhaust brake	
o FUEL TANK	Volume	200 ℓ
	Material	Made of pressing steel
	Cap	Equipped key lock
o ELECTRICAL SYSTEM	Battery	12V - 150Ah x 2
	Alternator	24V - 45A
	Starter	24V – 5.4kw
o EXHAUST SYSTEM	Type	Mounted longitudinal
o DUMPING MECHANISM	Type	Marrel
	Dumping capacity	12 ton
o DECK	Thickness	Floor 4.5mm
		Side 3.2mm

o CAB	Type	All –welded cab of tilt type Hydraulic Tilt. Tilt angle 50°
	Number of crew	2
	Cab suspension	Coil spring & shock absorber
o INSTRUMENTATION	Gauges & meters	Speedometer
		Water temperature gauge
		Air pressure gauge, fuel gauge
		Engine oil pressure gauge
		Engine tachometer gauge
o SEAT & BED	Driver seat	Height adjustable, rigid seat Sliding & reclining, Equipped with head rest
	Passenger seat	Rigid type, full-folding & reclining
	Bed	Equipped one bed
	Covering	Vinyl
o WIPER	Type	Two blade, 3-speed wiper with electrical washer
o HEATING		Heater & Defroster
o GLASS & MIRROR	Windshield	Laminated safety glass
	Door glass	Tempered safety glass
	Outside mirror	Convex mirror
o LAMP	Front	Head & fog lamp, turn signal lamp Position lamp
	Rear	Position, stop, turn signal lamp
		Reverse lamp
		License plate lamp
o TOOLS	Tools	Hydraulic Jack, Wrench monkey Wrench & Handle-Wheel nut Driver, Spare tire handle, etc
	Spare tire	One equipped with mounting bracket

OPTIONAL EQUIPMENTS

o Safety

- Protector – side
- Protector – rear

o Function

- Tire 11.00-20 -16PR
- Region – tropical

o Convenience & Deluxe

- Radio cassette, 1way
- Cab tilting system-electrical

u SUBJECT TO CHANGE FOR PRODUCT IMPROVEMENT u

DAEWOO HEAVY DUTY TRUCK
SPECIFICATIONS MANUAL

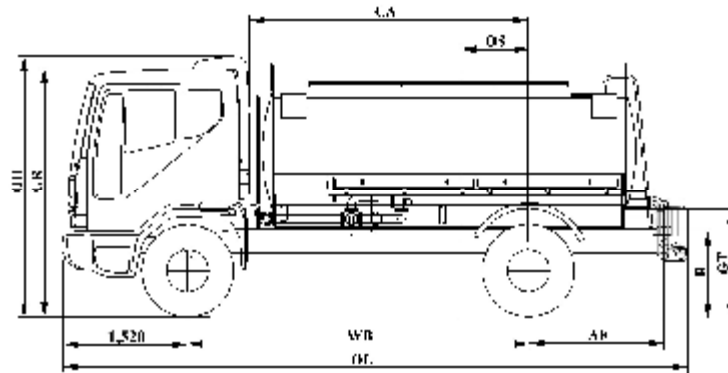
MODEL NAME : 4x2 T/LORRY-SPRAY(8 kl)
MODEL CODE : F3C5F



JUNE, 2007

DAEWOO INTERNATIONAL CORPORATION

o DIAGRAM



o DIMENSIONS (mm)

Overall	Length	OL	7,410
	Width	OW	2,490
	Height	OH	3,070
Tread	Front	FT	2,050
	Rear	RT	1,855
Wheelbase		WB	4,030
Rear axle to frame		AF	1,590
Ground to roof		GR	2,905
Frame-ground above bogie		R	1,070
Usable cab to axle		CA	3,305
Tank offset		OS	900
Ground to tank floor		GD	1,300
Min. ground clearance			260
Tank inside	Length		4,340
	Width		2,030
	Height		1,300
	Volume(m ³)		8.66
	Loading Volume(m ³)		8

o WEIGHTS (kg)

Chassis weight	Front	3,840
	Rear	1,890
	Total	5,730
Curb weight		7,830
Payload		8,500
Axle load	Front	6,500
	Rear	11,500
Permissible G.V.W		18,000

o PERFORMANCE

Max. speed	(km/h)	104
Max. gradeability	(%)	23.5
Min. turning radius	(m)	7.1

o ENGINE	Manufacturer	DHI
	Model	DE12
	Emission certificate	EURO I
	Type	Natural aspiration, diesel engine
	Max. power	225ps (165kw)/ 2,200rpm
	Max. torque	81.5kg.m (799N.m)/ 1,400rpm
	No. of cylinder	In line 6 cylinder
	Bore×Stroke	123×155(mm)
	Displacement	11,051cc
	Controller type	Mechanical
	Air cleaner	Dry paper elements
o CLUTCH	Type	Hydraulic control with air assisted Dry single plate with coil spring
	Plate diameter	Outside diameter : 430mm(17 ")
o TRANSMISSION	Manufacturer	KPC
	Model	K805P
	Speed	5 Forward / 1 Reverse
	Gear ratio	5.455/3.130/1.728/1.000/ 0.745 / 5.606(R)
o FRONT AXLE	Type	Reverse elliot "I" beam
	Axle capacity	6,500kg
o REAR AXLE	Manufacturer	KPC
	Model	R165H
	Type	Banjo single reduction
	Final drive ratio	5.571
	Axle capacity	11,500kg
o TIRE & WHEEL (STANDARD)	Tire	11.00-20-16PR
	Disc wheel	7.5V×20
	No. of wheel studs	8

o FRAME	Type	Ladder type, single channel
	Size (H×W×T)	286×90×7 mm
	Towing hook	Frame width behind cab : 850mm Equipped front & rear
o STEERING	Handle position	Left-hand drive
	Type	Recirculating ball with integral power assisted by oil
	Steering column	Tilt & Telescopic
	Steering wheel	2-spoke wheel with horn button
o FRONT SUSPENSION	Type	Semi-elliptical leaf spring
	Size (L×W)	1,500mm×90mm
o REAR SUSPENSION	Type	Semi-elliptical leaf spring
	Size (L×W)	1,420mm×100mm
o BRAKE	Service brake	Full air brake with dual circuit
	Drum diameter	410mm
	Lining Front	414mm×155mm
	Rear	414mm×203mm
	Material	Asbestos
	Parking brake	Spring actuator at rear wheels
	Auxiliary brake	Exhaust brake
	Air dryer	One equipped
o FUEL TANK	Volume	200 ℓ
	Material	Made of pressing steel
	Cap	Equipped key lock
o ELECTRICAL SYSTEM	Battery	12V - 150Ah×2
	Alternator	24V - 45A
	Starter	24V - 5.4kw
o EXHAUST SYSTEM	Type	Mounted longitudinal

o CAB	Type	All –welded cab of tilt type Hydraulic Tilt. Tilt angle 50°
	Number of crew	2
	Cab suspension	Coil spring & shock absorber
o INSTRUMENTATION	Gauges & meters	Speedometer, Water temperature gauge Air pressure gauge, fuel gauge Engine oil pressure gauge Engine tachometer gauge
	Driver seat	Height adjustable, rigid seat Sliding & reclining, Equipped with head rest
o SEAT & BED	Passenger seat	Rigid type, full folding & reclining
	Bed	Equipped one bed
	Covering	Vinyl
o WIPER	Type	Two blade, 3-speed wiper with electrical washer
o HEATING		Heater & Defroster
o GLASS & MIRROR	Windshield	Laminated safety glass
	Door glass	Tempered safety glass
	Outside mirror	Convex mirror
o LAMP	Front	Head & fog lamp, turn signal lamp Position lamp
	Rear	Position, stop, turn signal lamp Reverse lamp License plate lamp
	Tools	Hyd. Jack, Wrench monkey Wrench & Handle-Wheel nut Driver, Spare tire handle, etc
o TOOLS	Spare tire	One equipped with mounting bracket

ADDITIONAL EQUIPMENT

o GEAR PUMP	Spec	3 Inch
	Material	Stainless steel
	Bore size	80mm (suction & discharge)
	Suction pressure	380 mmHg
	Discharge pressure	2.3 kg/cm ² (normal) 3.0 kg/cm ² (maximum)
	Capacity	600 ℓ /min
	RPM	600 ~ 700 min
	Quantity	1 EA
	o VALVES	2-way valve
4-way valve		3 inch, 1EA, Stainless steel Suction, Discharge, Free, Stop
Strainer		3 inch, 1EA, Stainless steel
By-pass valve		2½, 1EA, Stainless steel
Bottom valve		3 inch, 1EA, Stainless steel Located under each compartment
o P.T.O		Type
	P.T.O Switch	Located in the cab
o DRIVE SHAFT		Connected T/M P.T.O to pump
o TANK EQUIPMENT	Loading type	Top loading (manhole)
	Material (Base)	Steel + epoxy coating
	Baffle plate	4EA, Located inside of the tank Preventing loaded fluid From baffling
	Manhole	3EA, Located on the tank Live : 1EA, Blind : 2EA
	Hose locker	2EA, Located both side of the tank
	Top fence	Located in the upper part of tank
o OTHERS	Air relief valve	Located on the manhole cover at the each compartment
	Water supply bar	Located at the rear part of tank

OPTIONAL EQUIPMENTS

- o Safety
 - Protector – side
- o Function

- Power take off – T/M
- Tire 11.00-20 -16PR
- Region – tropical
- o Convenience & Deluxe
 - Radio cassette, 1way
 - Cab tilting system-electrical

u SUBJECT TO CHANGE FOR PRODUCT IMPROVEMENT u

DAEWOO HEAVY DUTY TRUCK
SPECIFICATIONS MANUAL

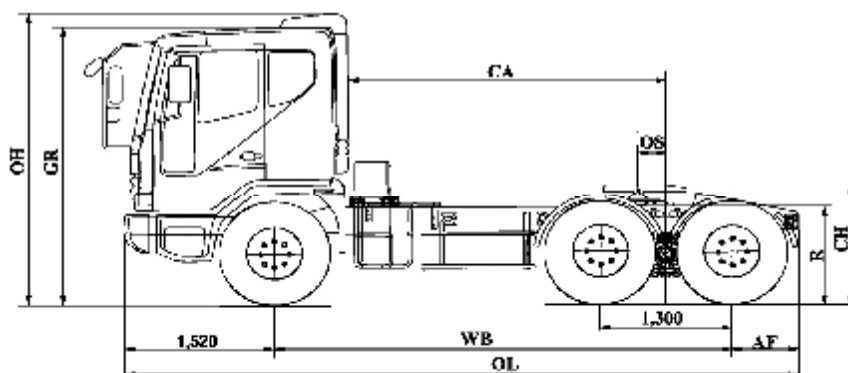
MODEL NAME : 6X4 TRACTOR
MODEL CODE : V3T6F



JUNE, 2007

DAEWOO INTERNATIONAL CORPORATION

o DIAGRAM



o DIMENSIONS (mm)	Overall	Length	OL	6,840
		Width	OW	2,490
		Height	OH	2,925
	Tread	Front	FT	2,050
		Rear	RT	1,855
		Wheelbase	WB	4,480
		Rear axle to frame	AF	840
		Ground to roof	GR	2,905
		Frame-ground above bogie	R	1,065
		Usable cab to axle	CA	3,105
		Coupler offset	OS	270
		Coupler height	CH	1,343
		Min. ground clearance		270
		Swing radius	Forward	2,430
		Rearward	2,040	

o WEIGHTS (kg)	Chassis weight	Front	4,480
		Rear	4,020
		Total	8,500
	Curb weight		8,700
	Axle load	Front	6,500
		Rear	23,000
	Fifth wheel weight		16,500
	Permissible G.V.W		29,500
Permissible G.C.W		55,000	

o PERFORMANCE	Max. speed	(km/h)	95
	Max. gradeability (by GVW)	(%)	22.2(45.3)
	Min. turning radius	(m)	6.8

o ENGINE	Manufacturer	DHI
	Model	DE12Ti
	Emission certificate	EURO I
	Type	Turbo intercooler, diesel engine
	Maximum power	340ps (250kw)/ 2,100rpm
	Maximum torque	135kg.m (1323N.m)/ 1,260rpm
	No. of cylinder	In-line 6- cylinder
	Bore×Stroke	123×155(mm)
	Displacement	11,051cc
	Controller type	Mechanical
	Air cleaner	Dry paper elements
o CLUTCH	Type	Hydraulic control with air assisted Dry single plate with coil spring
	Plate diameter	Outside diameter : 430mm(17 ")
o TRANSMISSION	Manufacturer	TONGIL
	Model	T14S10
	Speed	10 Forward / 2 Reverse
	Gear ratio	9.555/7.428/4.664/3.625/ 2.730/2.122/1.638/1.289/1.000/ 0.777/ 7.980(R)/6.204(R)
o FRONT AXLE	Type	Reverse elliot "I" beam
	Axle capacity	6,500kg
o REAR AXLE	Manufacturer	TONGIL
	Model	T14HT
	Type	Banjo single reduction
	Final drive ratio	5.571
	Axle capacity	23,000kg
o TIRE & WHEEL (STANDARD)	Tire	11.00-20-16PR
	Disc wheel	7.5V×20
	No. of wheel studs	8

o FRAME	Type	Ladder type, single channel
	Size (H×W×T)	286×90×7 (mm) Frame width behind cab : 850mm
	Towing hook	Equipped front
o STEERING	Handle position	Left-hand drive
	Type	Recirculating ball with integral power assisted by oil
	Steering column	Tilt & Telescopic
	Steering wheel	2-spoke wheel with horn button
o FRONT SUSPENSION	Type	Semi-elliptical leaf spring
	Size (L×W)	1,500mm×90mm
o REAR SUSPENSION	Type	Semi-elliptical leaf spring
	Size (L×W)	1,300mm×90mm
o BRAKE	Service brake	Full air brake dual circuit
	Drum diameter	410mm
	Lining Front	414mm×155mm
	Rear	414mm×203mm
	Material	Non-asbestos
	Parking brake	Spring actuator at rear wheels
	Auxiliary brake	Exhaust brake
	Air dryer	One equipped
o FUEL TANK	Volume	400 ℓ
	Material	Made of pressing steel
	Cap	Equipped key lock
o ELECTRICAL SYSTEM	Battery	12V - 150Ah×2
	Alternator	24V - 45A
	Starter	24V – 5.4kw
o EXHAUST SYSTEM	Type	Mounted longitudinal
o COUPLER (STANDARD)	Manufacturer	JOST
	Type / King Pin Size	Universal / 2inch
	Load capacity	25,000kg

JL

RJ

o CAB	Type	All –welded cab of tilt type Hydraulic Tilt. Tilt angle 50 °
-------	------	---

- o Safety

- Protector – side
- Protector – rear

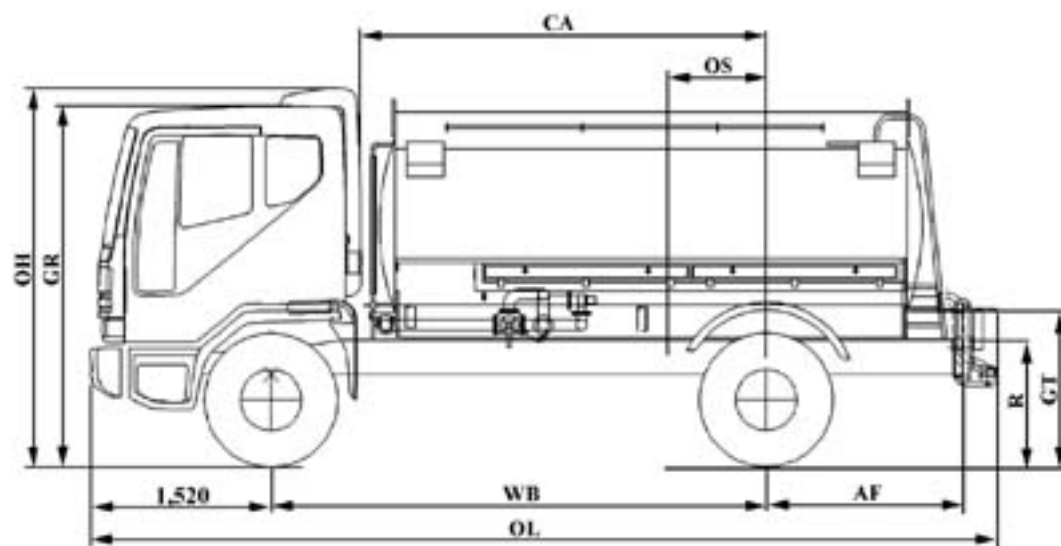
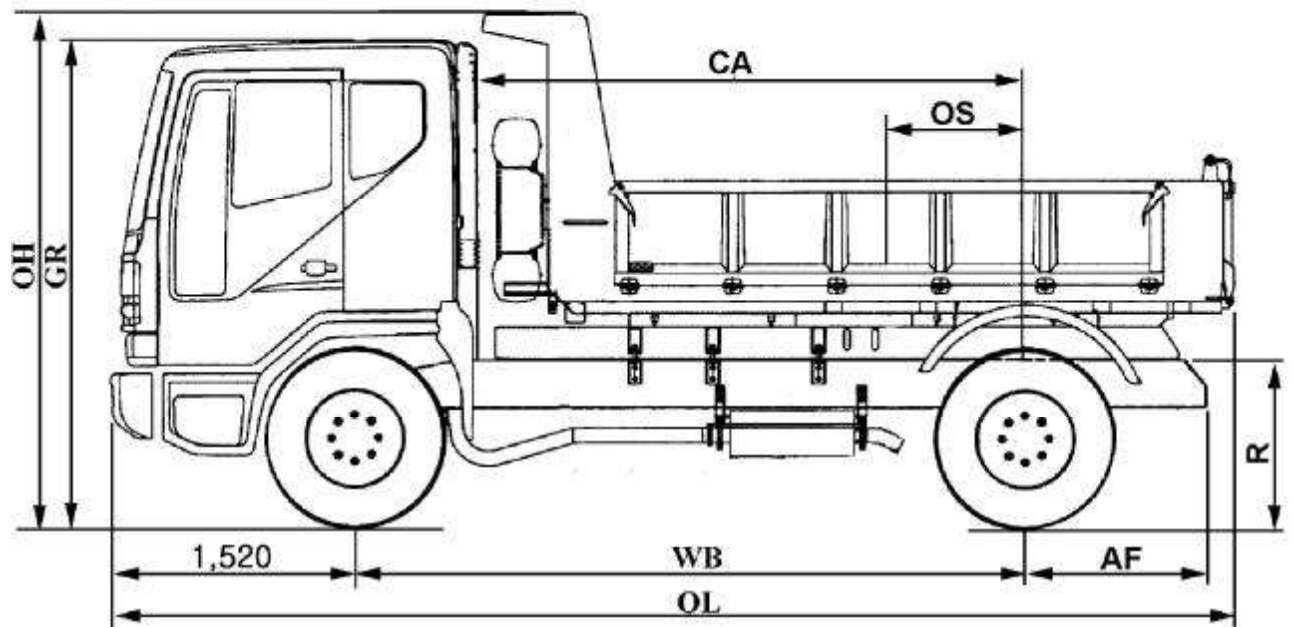
- o Function

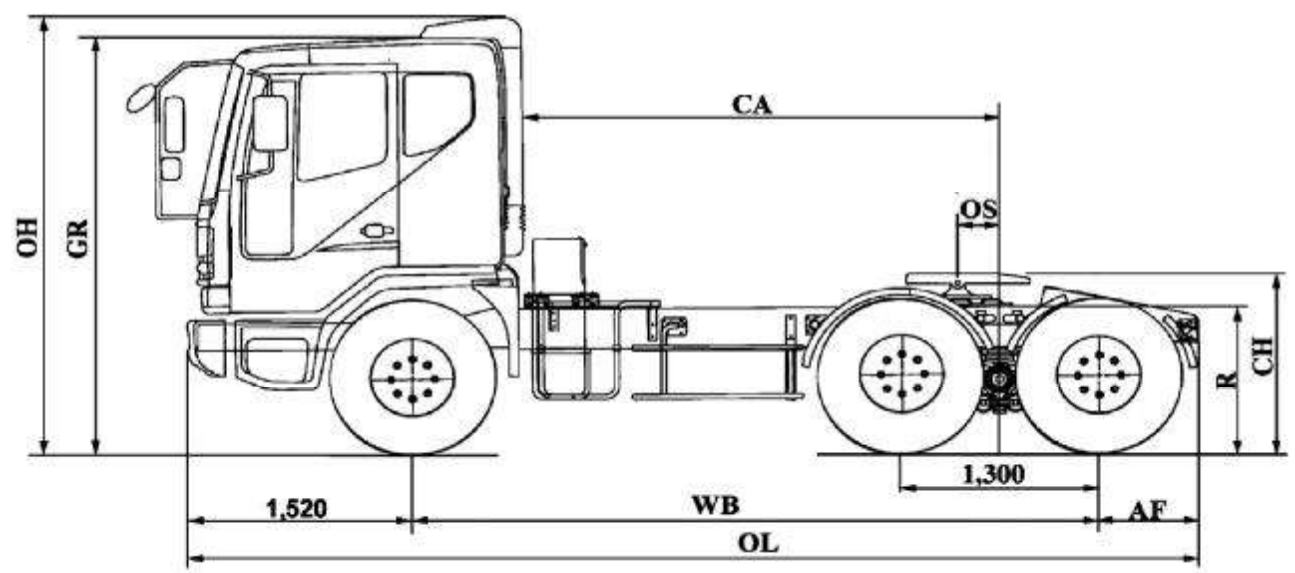
- Power shift-T/M
- Wheel type – 10stud
- Region – tropical

- o Convenience & Deluxe

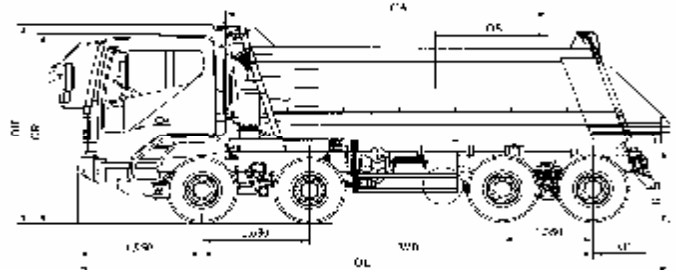
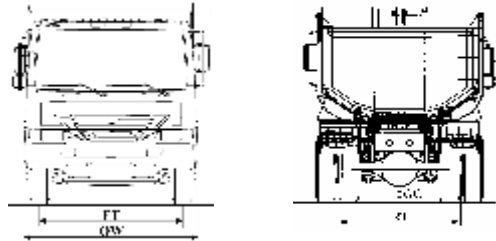
- Radio cassette, 1way
- Cab tilting system-electrical

-





N7DVF – 8X4 24TON DUMP-W/DV15TIS



Engine

Model	D.H.I DV15TIS (Euro 2)
Type	Turbo intercooler, diesel engine
Max. Power	420ps (308kw)/ 2,100rpm
Max. Torque	170kg.m (1666N.m)/ 1,200rpm
No. of cylinder	Vee 8 cylinder
Bore x Stroke	128×142(mm)
Displacement	14,618cc
Controller type	Mechanical
Air cleaner	Dry paper elements

Transmission Brakes

Model	ZF16S151	Service : Full Air Brake,
Type	Manual F16/R2	Dual circuit
1st	13.86/11.59	Drum diameter : 410(F),420(R)
2nd	9.520/7.960	Lining Front : 410mm × 200mm
3rd	6.560/5.480	Rear : 420mm × 180mm
4th	4.580/3.830	Material : Non-Asbestos
5th	3.020/2.530	
6th	2.080/1.740	Parking : Spring actuator at rear
7th	1.430/1.200	wheels
8th	1.000/0.840	Auxiliary : Exhaust brake

Axles

Front	Reverse elliot "I" beam, Capacity : 18,000 kg
Rear	Banjo single reduction Final drive ratio : 4.248, Capacity : 25,000 kg

Fuel Tank Wheels & Tires

Mounted on right-hand	Front : 385/65R22.5-18,
Side of the frame	11.75×22.5
Capacity – 400 liter	Rear : 12R22.5-16, 8.25×22.5
Material : Pressed Steel	

Steering

Driving position	Left-hand drive only
Type	Recirculating ball with integral Power assisted by oil
Steering column	Tilt & telescopic
Steering wheel	2-spoke wheel with horn button

Clutch

Type	Hydraulic control with air assisted
Plate diameter	Dry single plate with diaphragm Out side diameter : 430mm

Suspension

Front suspension	Type : Tapered leaf spring Sizw(LxW) : 1,500 x 90(mm)
Rear suspension	Type : Tapered leaf spring Sizw(LxW) : 1,350 x 100(mm)

Electrical System

Batteries	12 volt-150Ahx2
Alternator	24 volt / 60 amp
Starter	24 volt / 6.6kW

Dumping Deck

Mechanism type	Telescopic, dumping angle 50°
Thickness	Floor 6mm, Side 4mm
Dumping capacity	37ton

Dimensions (mm)

OL	Overall length	8,960
OW	Overall width	2,490
OH	Overall height	3,075
FR	Tread – front	2,055
RT	Tread – rear	1,820
WB	Wheelbase	5,890
AF	Rear axle to frame	782
GR	Ground to roof	3,170
R	Frame-ground above bogie	1,230
CA	Usable cab to axle	4,915
OS	Deck offset	1,720
GC	Min. ground clearance	285
	Deck Length	5,145
	Height	2,305
	Width	1,480

Weights (kg)

Chassis weight	Front	6,840
	Rear	4,160
	Total	11,000
Curb weight		13,670
Nominal Payload		24,000
Axle load	Front	18,000
	Rear	23,000
Permissible payload		30,000
Permissible G.V.W		41,000

Calculated Performance

Max. speed(km/h)	116
Max. gradeability(%)	45.0
Min. turning radius (m)	11

Frame

Type	Ladder type, Double Channel
Size (HxWxt)	320x90x(8+4.5)
Width at frame rear	850

* Dimension & Weight are approximate;
* Permissible weight includes upper body weight

TRACTOR SERIES



SPECIFICATIONS

DRIVING TYPE		4 × 2					6 × 4		
MODEL CODE		M2S6F*	M2T6F	M2SEF*	M2TEF	M2SVF*	V3T6F	V3T8F*	V3TVF*
Engine	Model	DE12TI	DE12TI	DE12TIS	DE12TIS	DV15TIS	DE12TI	DV15T	DV15TIS
	Power/Torque (ps/kg.m)	340 / 135	340 / 135	340 / 145	340 / 145	420 / 170	340 / 135	370 / 145	420 / 170
	Emission level	EURO	EURO	EURO	EURO	EURO	EURO	EURO	EURO
Performance	Max Speed (km/h)	95 (*94)	95	109 (*94)	109	*87	95	109 (*99)	110 (*87)
	Gradeability (%)	31.6 (*20.4)	31.6	29.4 (*22.1)	29.4	*26.9	31.6	29.4 (*21.6)	32.4 (*26)
	Min. Turning Radius (m)	6.5	6.1	6.5	6.1	6.5	6.8	6.8	6.8
Transmission	Model (Type)	T14S10 (F10/R2)	T14S10 (F10/R2)	T14S10 (F10/R2)	T14S10 (F10/R2)	ZF16S151 (F16/R2)	T14S10 (F10/R2)	T14S10 (F10/R2)	ZF16S151 (F16/R2)
Dimensions	Length x Width x Height Wheel Base (mm)	6,190X2,495X2,905 3,700	6,010X2,490X2,910 3,460	6,190X2,490X2,910 3,700	6,010X2,490X2,910 3,460	6,225X2,490X2,910 3,700	6,835X2,495X2,900 4,480	6,840X2,490X2,910 4,480	6,840X2,490X2,910 4,480
Weights	Curb Weight	7,010 (*7,114)	7,010	6,770 (*6,975)	6,770	*7,411	8,600	8,750 (*9,335)	9,070 (*9,093)
	Permissible G.C.W (kg)	40,000 (*60,000)	40,000	40,000 (*60,000)	40,000	*60,000	55,000	55,000 (*85,000)	55,000 (*85,000)
Driving Position		LHD	LHD & RHD	LHD & RHD	LHD	LHD	LHD & RHD	LHD	LHD & RHD
Tire		11.00-20-16PR	11.00-20-16PR	11.00-20-16PR	11.00-20-16PR	11.00-20-16PR	11.00-20-16PR	11.00-20-16PR	11.00-20-16PR
Fuel Tank Capacity ()		400	400	400	400	400	400	400	400

OPTION ITEMS

Safety & Function	ABS/ASR, Gradual parking brake, Auto Load Sensing Valve, Air horn, Speed limiter, Buzzer back alarm, Side & Rear protector, Auto greaser, Electrical tachograph, Auto slack adjuster, Noise package, Region Tropical
Convenience & Deluxe	Driver seat with air suspension & arm rest, Cab with air suspension & hydraulic latch, Digital alarm clock, Decal side graphic, Heating bed, Window 1 touch power operated, Electric lock door, Electrical cab tilting system, Wood grain, Air conditioner, Radio cassette, Floor trim - carpet with carpet heel mat, Rubber heel mat

- All vehicles are equipped Full Air Brake system
- Asterisk(*) means applicable to Hub-Reduction
- Above specifications are based on export condition and subject to change without prior notice.
- Dimension & Weight are approximate;
- Permissible weight includes upper body weight

DUMP SERIES



SPECIFICATIONS

DRIVING TYPE		4 x 2		6 x 4			Dump Chassis		8 x 4
		MODEL CODE	F3D4F	F3D6F	K4D6F	K4D8F	K4DEF	K6D6F	K6D8F*
Engine	Model	D1146TI	DE12TI	DE12TI	DV15T	DE12TIS	DE12TI	DV15T	DV15TIS
	Power/Torque (ps/kg.m)	215 / 82	340 / 135	340 / 135	370 / 145	340 / 145	340 / 135	370 / 145	420 / 170
	Emission level	EURO	EURO	EURO	EURO	EURO	EURO	EURO	EURO
Performance	Max Speed (km/h)	98	99	90	103	96	90/94	97	116
	Gradeability (%)	29.1	65.6	36.1	40.6	45.5	36.1/40.1	39.4	45
	Min. Turning Radius (m)	7.1	7.1	7.5	7.5	7.5	7.5/8.5	8.5	11
Transmission	Model (Type)	K805P (F5/R1)	T10S6 (F6/R1)	T10S6 (F6/R1)	K1406Q (F6/R1)	T15S6 (F6/R1)	T10S6 (F6/R1)	T14S10 (F10/R2)	ZF16S151 (F16/R2)
Dimensions	Length x Width x Height	6,800x2,490x3,020	6,800x2,490x3,020	7,700x2,490x3,145	7,705x2,490x3,145	7,705x2,495x3,060	8,470x2,490x2,930	8,470x2,490x2,930	8,960x2,490x3,075
	Wheel Base (mm)	4,030	4,030	4,580	4,580	4,580	5,650	5,650	5,890
	Deck Volume(m ³)	5.4	5.4	10	10	10	-	-	16
Weights	Curb Weight	7,970	8,530	11,020	11,370	11,170	8,210	13,910	13,670
	Permissible G.C.W (kg)	18,000	18,000	29,500	29,500	29,500	33,600	38,000	41,000
Driving Position		LHD	LHD	LHD&RHD	LHD	LHD&RHD	LHD	LHD	LHD
Tire		11.00-20-16PR	11.00-20-16PR	11.00-20-16PR	11.00-20-16PR	11.00-20-16PR	11.00-20-16PR / 12.00R-20-16PR	12.00R24-18PR	385/65R22.518PR 12R22.5-16PR
Fuel Tank Capacity ()		200	200	400	400	400	400	400	400

OPTION ITEMS

Safety & Function

ABS/ASR, Gradual parking brake, Auto Load Sensing Valve, Air horn, Speed limiter, Buzzer back alarm, Side & Rear protector, Auto greaser, Electrical tachograph, Auto slack adjuster, Noise package, Region Tropical

Convenience & Deluxe

Driver seat with air suspension & arm rest, Cab with air suspension & hydraulic latch, Digital alarm clock, Decal side graphic, Heating bed, Window 1 touch power operated, Electric lock door, Electrical cab tilting system, Wood grain, Air conditioner, Radio cassette, Floor trim - carpet with carpet heel mat, Rubber heel mat

- All vehicles are equipped Full Air Brake system
- Asterisk(*) means applicable to Hub-Reduction
- Above specifications are based on export condition and subject to change without prior notice.
- Dimension & Weight are approximate;
- Permissible weight includes upper body weight

MIXER SERIES



SPECIFICATIONS

DRIVING TYPE		6 x 4				8 x 4
MODEL CODE		K4M6F	K4M7F	K4MVF	K4MVF	M9AVF
Engine	Model	DE12T1	DV15T	DV15TIS	DV15TIS	DV15TIS
	Power/Torque (ps/kg.m)	340 / 135	340 / 132	390 / 160	390 / 160	420 / 170
	Emission level	EURO	EURO	EURO	EURO	EURO
Performance	Max Speed (km/h)	95	95	95	95	111
	Gradeability (%)	49.4	39.8	40	39.8	50.4
	Min. Turning Radius (m)	7.5	7.5	7.5	7.5	10.7
	Mixing capacity (m ³)	7	7	7	8	9
Transmission	Model (Type)	T14S10 (F10/R2)	K1406Q (F6/R1)	T16S6 (F6/R1)	T16S6 (F6/R1)	ZF16S151 (F16/R2)
Dimensions	Length x Width x Height	8,335X2,495X3,770	8,275X2,495X3,720	8,275X2,495X3,720	8,790X2,495X3,870	10,203X2,495X2,925
	Wheel Base (mm)	4,580	4,580	4,580	4,580	6,450
Weights	Curb Weight	12,200	11,370	11,340	11,340	10,000
	Permissible G.C.W (kg)	29,500	29,500	29,500	32,500	38,000
Driving Position		LHD	LHD	LHD & RHD	LHD & RHD	LHD
Tire		11.00-20-16PR	11.00-20-16PR	11.00-20-16PR	11.00-20-16PR	11.00-20-16PR
Fuel Tank Capacity ()		300	300	300	300	400

OPTION ITEMS

Safety & Function	ABS/ASR, Gradual parking brake, Auto Load Sensing Valve, Air horn, Speed limiter, Buzzer back alarm, Side & Rear protector, Auto greaser, Electrical tachograph, Auto slack adjuster, Noise package, Region Tropical
Convenience & Deluxe	Driver seat with air suspension & arm rest, Cab with air suspension & hydraulic latch, Digital alarm clock, Decal side graphic, Heating bed, Window 1 touch power operated, Electric lock door, Electrical cab tilting system, Wood grain, Air conditioner, Radio cassette, Floor trim - carpet with carpet heel mat, Rubber heel mat

- All vehicles are equipped Full Air Brake system
- Asterisk(*) means applicable to Hub-Reduction
- Dimension & Weight are approximate;

- Permissible weight includes upper body weight
- **8x4 Mixer (CBU & Cab Chassis for Mixing Capacity (9m³ or 10m³) are under development.**
- **Model K4M6F is equipped with Auxiliary engine**
- Above specifications are based on export condition and subject to change without prior notice.

CARGO SERIES



SPECIFICATIONS

DRIVING TYPE		4 × 2		6 × 4			6 × 2	8 × 4	10 × 4
MODEL CODE		F4C4F	F4CEF	K7C6F	K8C6F	K7CEF	K9BEF	M9CVF	P9CVF
Engine	Model	D1146TI	DE12TIS	DE12TI	DE12TI	DE12TIS	DE12TIS	DV15TIS	DV15TIS
	Power/Torque (ps/kg.m)	215/82	320 / 135	340 / 135	340 / 135	340 / 145	340 / 145	420 / 170	420 / 170
	Emission level	EURO	EURO	EURO	EURO	EURO	EURO	EURO	EURO
Performance	Max Speed (km/h)	109	99	99	99	99	99	110	110
	Gradeability (%)	26	65.6	36.7	36.7	36.9	46.6	64	50.2
	Min. Turning Radius (m)	8	8.5	9.1	10.2	9.1	11.4	11.8	11.9
Transmission	Model (Type)	K805P (F5/R1)	T10S6 (F6/R1)	T10S6 (F6/R1)	T10S6 (F6/R1)	T15S6 (F6/R1)	T15S6 (F6/R1)	ZF16S151 (F16/R2)	ZF16S151 (F16/R2)
Dimensions	Length x Width x Height	8,155X2,490X2,915	8,170X2,490X3,080	9,995X2,490X3,080	10,740X2,490X3,080	9,995X2,490X3,080	11,725X2,490X3,080	12,585X2,490X3,080	12,585X2,490X3,080
	Wheel Base (mm)	4,650	4,650	5,800	6,250	5,800	7,000	7,900	7,900
Weights	Curb Weight	7,170	7,170	9,570	9,970	9,570	10,170	12,870	13,670
	Permissible G.C.W (kg)	18,000	18,000	29,500	29,500	29,500	25,500	36,000	45,000
Driving Position		LHD	LHD & RHD	LHD & RHD	LHD & RHD	LHD & RHD	LHD	LHD	LHD
Tire		11.00-20-16PR	11.00-20-16PR	11.00-20-16PR	11.00-20-16PR	11.00-20-16PR	11.00-20-16PR	11.00-20-16PR	11.00-20-16PR
Fuel Tank Capacity ()		200	200	400	400	400	400	400	400

OPTION ITEMS

Safety & Function

ABS/ASR, Gradual parking brake, Auto Load Sensing Valve, Air horn, Speed limiter, Buzzer back alarm, Side & Rear protector, Auto greaser, Electrical tachograph, Auto slack adjuster, Noise package, Region Tropical

Convenience & Deluxe

Driver seat with air suspension & arm rest, Cab with air suspension & hydraulic latch, Digital alarm clock, Decal side graphic, Heating bed, Window 1 touch power operated, Electric lock door, Electrical cab tilting system, Wood grain, Air conditioner, Radio cassette, Floor trim - carpet with carpet heel mat, Rubber heel mat

- All vehicles are equipped Full Air Brake system
- Asterisk(*) means applicable to Hub-Reduction
- Above specifications are based on export condition and subject to change without prior notice.
- Dimension & Weight are approximate;
- Permissible weight includes upper body weight

Introduction

Tata Daewoo engine delivers peak power efficiency and maximum durability through an advanced electronic control system that includes a self-diagnostic function. Impressive technological advances can also be found on the tipper mechanism which features new safety controls. If you're looking for the top performing dump truck to satisfy your requirements, look no further than Tata Daewoo. Combined with the sophisticated telescoping tipping mechanism, the new Novus of Tata Daewoo dump trucks will help your business profits grow. Your Tata Daewoo dealer will be glad to discuss your particular requirements.

Various Model Selection

- 4x2 : F3D4F, F3D6F
- 6x4 : K4D6F, K4DEF, K4D8F, K6D6F, K6D8F* * Asterisk means applicable to Hub - Reduction
- 8x4 : N7DVF

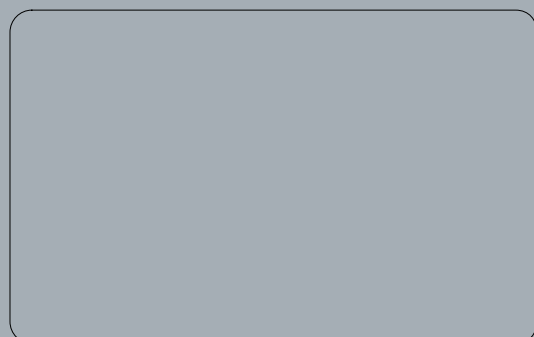
Engine Applications

- Euro : D1146TI (215ps), DE12TI (340ps), DV15T (370ps)
- Euro : DE12TIS (340ps), DV15TIS(420ps)

Offering Cab Chassis

Heavy-duty chassis offers extra payload capacity to ensure the profitability of your business.

Dump Series



HEAVY DUTY TRUCKS



Introduction

Peak cargo hauling efficiency is assured by the DV15TIS engine which produces a peak horsepower output of 420ps and a maximum torque of 170kg-m while meeting environmental regulations. Maximum power output is realized by a state-of-the-art high pressure fuel injection system that squeezes maximum power out of each fuel drop. Combined with its abundant cargo hauling capacity, Tata Daewoo cargo truck presents a highly efficient solution to the problem of transporting large cargo loads. Allow Tata Daewoo to be your best choice in cargo transportation.

Various Model Selection

- 4x2 : F3C4F, F4C4F, F4CEF, F6C4F, F8A4F, M4P6F, F4C5F
- 6x4 : K7C6F, K7CEF, K8C6F, K8CMF, K9A6F, V8PVF
- 6x2 : K9BEF
- 8x4 (Rear 2 - axles) : M9AVF, M9CVF
- 10x4 (Rear 3 - axles) : P9CVF

Engine Applications

- Euro : D1146TI (215ps), DE12TI (340ps)
- Euro : DE12TIS (340ps), DV15TIS (420ps)
- Euro : Cummins - ISMe350 (350ps)

Offering Cab Chassis

Heavy-duty chassis offers extra payload capacity to ensure the profitability of your business.

Cargo Series



Tractor Series

Introduction

Tata Daewoo's new Novus tractor has all the characteristics of a winner: outstanding driving and handling characteristics, superb comfort and convenience that begins with a roomy interior, a powerful and rugged power train, impressive hauling capability including hill climbing performance. Moreover, it is built to handle around-the-clock high speed operation that will enhance your bottom line. Tata Daewoo's new Novus 4x2 tractor is excellent choice for the rapid transport of light cargo. It is available in both regular model and car-carrier models. Equipped with a powerful dependable engine, this tractor leads the way in performance and features.

Various Model Selection

- 4x2 : M2T6F, M2TEF, M2S6F*, M2SEF*, M2SVF*
- 6x4 : V3T6F, V3T8F*, V3TEF, V3TVF*
- * Asterisk means applicable to Hub - Reduction

Engine Applications

- Euro : DE12TI (340ps), DV15T (370ps)
- Euro : DE12TIS (340ps), DV15TIS (420ps)

Fifth Wheel

- Rollingless Type : JOST (20,000 kg / 2 inch, 36,000 kg / 3.5 inch)
- Universal Type : Dong - A (25,000 kg / 2 inch), JOST (36,000 kg / 3.5 inch)



Coupler (Rollingless)



Step plate & Tool box



Stylized design. Luxurious space. Sedan like comfort.

Attractive Interior



The NOVUS cabin is certified to meet European safety regulations.

Safety & Maintenance



Hydraulic cab lock device (optional) Auxiliary fuse box



Lockable front panel Facilitates repairs and maintenance without tilting cab



Extra - large tool box Stores assorted tools including oil pressure jack (optional)



Electric - powered cab tilt device (optional)

Tank Lorry

Introduction

Tata Daewoo's new Novus tank lorry offers excellent mobility plus outstanding anti-corrosion and safety features thanks to a solidly designed tank. If your bottom line depends on the efficiency of your truck then you can rely on Tata Daewoo's new generation tank lorry to deliver the highest standards of performance. Advanced safety features provide total peace of mind under all operating conditions. Equipped with a powerful but economical engine and featuring a highly durable tank and chassis, you enjoy peak operating efficiency and a maximum return on your investment.

Various Model Selection

4x2, 6x4, 8x4 (Rear 2-axes), 10x4 (Rear 3-axes)



Twin-chamber design facilitates loading and delivery from either right or side.



Single valve provides total control



Emergency control valve can be controlled from above and flow stopped in case of emergency



Concrete Mixer Truck

Introduction

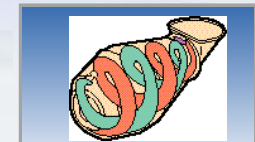
For extra fast unloading of remix, the drum on Tata Daewoo's new 6x4 mixer truck features a 3.0 rotation mixer blade and 7m³ capacity. Auxiliary equipment includes a high performance decelerator and a large-capacity water tank for quick clean ups and faster turnaround times. If remix is your business, Tata Daewoo's 6x4 mixer is a partner you can count on.

Various Model Selection

- 6x4 : K4M6F, K4M7F, K4MVF (7m³, 8m³)

Engine Applications

- Euro : DV15T (340ps)
- Euro : DV15TIS (390ps)



Double spiral type mixing blade



High performance reduction gear



Anti - corrosion 350 Water tank made of Polyethylene.



Unparalleled power . Maximum fuel efficiency. Environment friendly.

Engine & Driveline

215~225ps



D1146TI(215ps) Turbo intercooler
DE12(225ps)

Certification	Application
Euro Equivalent D1146TI	4x2 Cargo, 4x2 Dump
Euro DE12	

320~340ps



DE12TI(340ps) Turbo intercooler
DE12TIS(320ps, 340ps)
Turbo intercooler

Certification	Application
Euro DE12TI	6x4 Cargo, 6x4 Dump,
Euro DE12TIS	8x4 Cargo(Rear 3 - axes), 4x2 Tractor, 6x4 Tractor

370~420ps

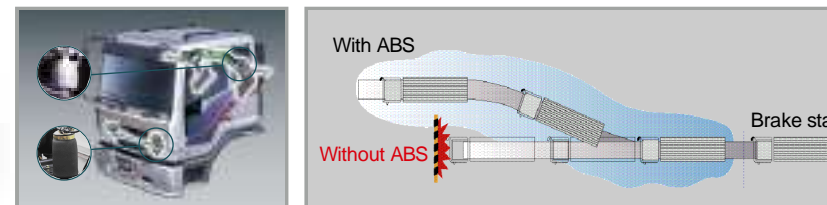


DV15T(370ps) Turbo charger
DV15TIS(390ps, 420ps)
Turbo intercooler

Certification	Application
Euro DV15T	4x2 Tractor, 6x4 Dump,
Euro DV15TIS	8x4 Cargo, 10x4 Cargo, 6x4 Mixer, 6x4 Tractor

High Durability . Excellent Stability . Drive comfort

Chassis & Suspension



Cab air suspension (optional) ABS / ASR (optional)



Auto slack adjuster (optional) Outside rear view mirror with defroster



Air tank

Air dryer

Two back - up lamp (optional)
Side & rear protector (optional)
Rear Reflector (optional)



Arm Roll Truck

Introduction

At Tata Daewoo, we understand that every business has its own special needs. That's why we make a range of specialized needs. That's why we make a range of specialized trucks to meet the different needs. The new Arm Roll truck is just one example of the numerous specialized models we offer. Combining excellent dynamic performance and impressive convenience features, the new Arm Roll truck is highly capable and efficient performer. This hard working truck will start enhancing your bottom line in less time than you think. When you think about maximum efficiency and top capacity, Tata Daewoo will be your best choice.

Various Model Selection

- 4x2 : F3C4F (Water T/L, Fuel T/L), F4C4F (Vacuum T/L), F4CEF (Water T/L, Fuel T/L), M4P6F (Cargo Crane)
- 6x4 : K7C6F (Water T/L, Fuel T/L), K8C6F (Cargo Crane), K7CEF (Water T/L, Fuel T/L), K8CGF(ArmRoll, Refuse Compactor)
- 8x4 : M9CVF (Cargo Crane)

Engine Applications

- Euro : D1146TI (215ps), DE12TI (340ps)
- Euro : DE12TIS (340ps), DV15TIS (420ps)
- CNG : GE12TI (340ps)



Dual hydraulic cylinder is indispensable for convenient cargo loading and unloading



Extra thick-gauge roller facilitates smooth sliding of the arm roll box and is highly durable



DAEWOO INTERNATIONAL CORPORATION

МОСКОВСКОЕ ПРЕДСТАВИТЕЛЬСТВО

ОТДЕЛ ПРОМЫШЛЕННОГО ОБОРУДОВАНИЯ И СПЕЦТЕХНИКИ

- Ø Грузовики DAEWOO, тягачи, экскаваторы, спецтехника DAEWOO
- Ø Башенные краны Hankook Tower Crane
- Ø Оборудование для цементных заводов и заводы «под ключ»
- Ø Линии производства сэндвич панелей с наполнением из пенопласта или минеральной ваты
- Ø Прессы для металлургических производств и штамповки деталей для автомобильной промышленности
- Ø Линии горячего и холодного цинкования
- Ø Сварочные агрегаты (автоматическая бесшовная сварка)

Контактная информация:

Андрей Гольцев

Daewoo International Corporation. Московское представительство.
123610 Россия, Москва, Краснопресненская набережная 12,
Международная-2, подъезд 6, офис 1217

Телефон: +7.495.258.1811
Факс: +7.495.258.1812
Мобильный: +7.926.148.8342
E-mail: andrey@daewoo.ru
www.daewoo.com

