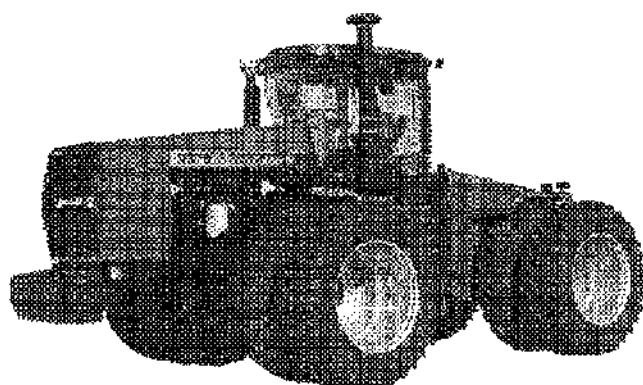
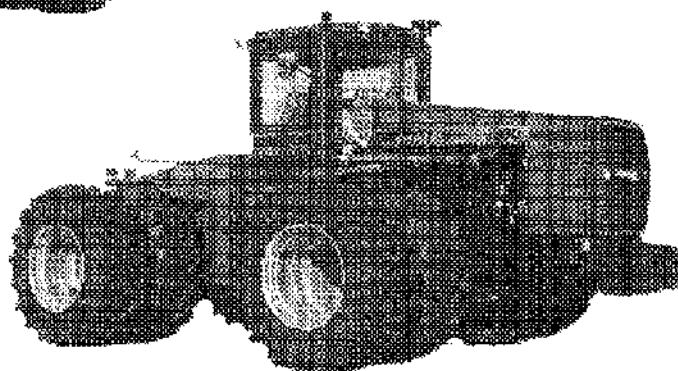


# 9370, 9380, and 9390 Tractor Parts Catalog

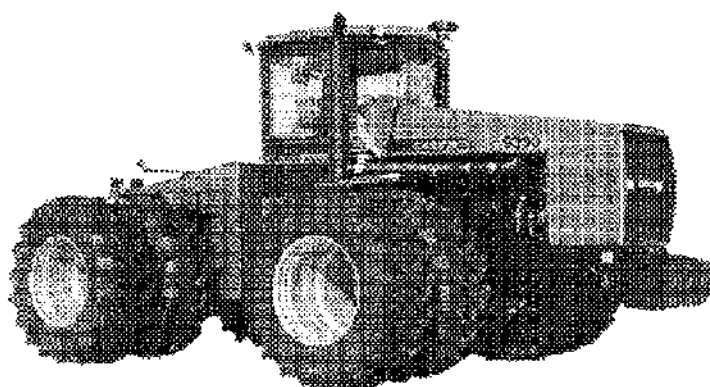
Bur 7-1252



F00016



F00017



MK96J063

The 9370 and 9380 units first became available June, 1995.  
The 9390 unit first became available January, 1997.

9380 CASE IH 4WD TRACTOR (6/95-8/00)

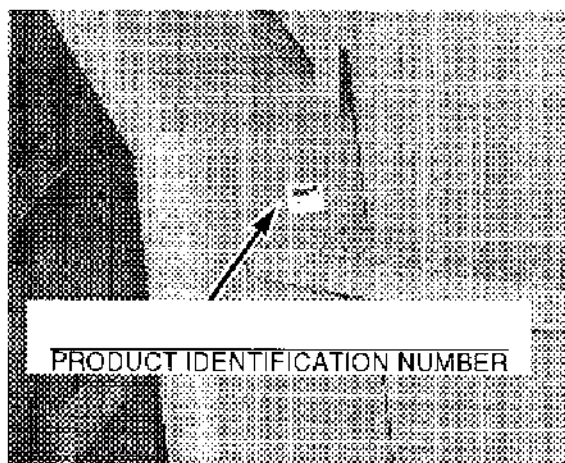
1-01 9370, 9380 AND 9390 TRACTOR

сылка	Номер детали	Кол-во	Описание

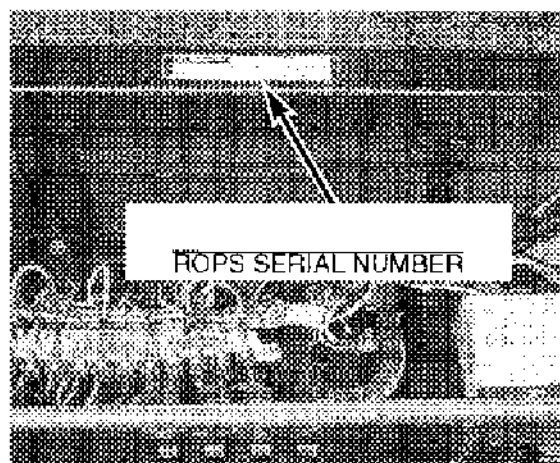
### 9370, 9380, and 9390 Tractor

## LOCATION OF SERIAL AND PRODUCT IDENTIFICATION NUMBERS

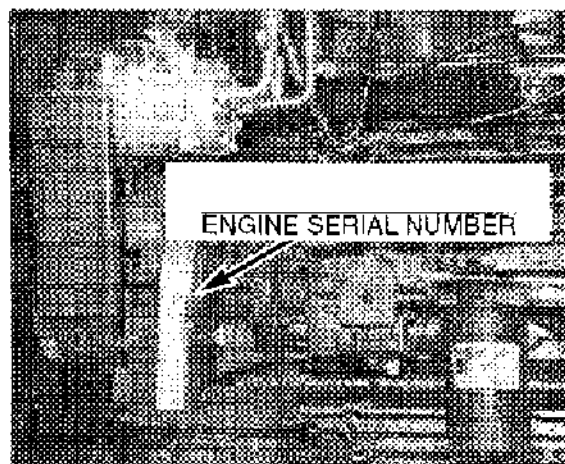
Please use the horizontal lines provided to record these important serial numbers and product identification number.



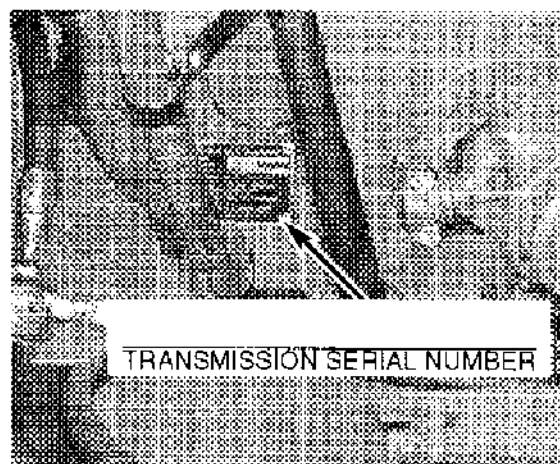
MK96N081



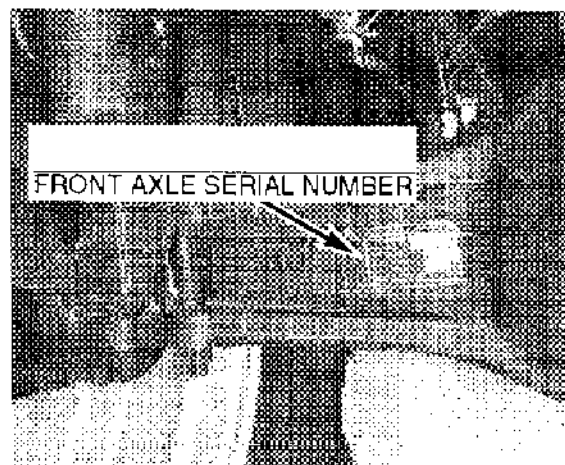
F00198



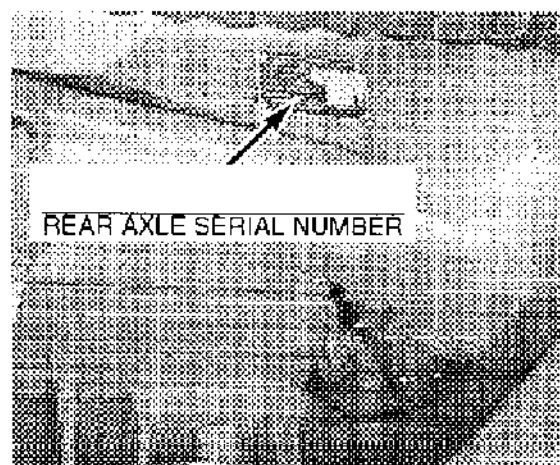
F00288



F00268



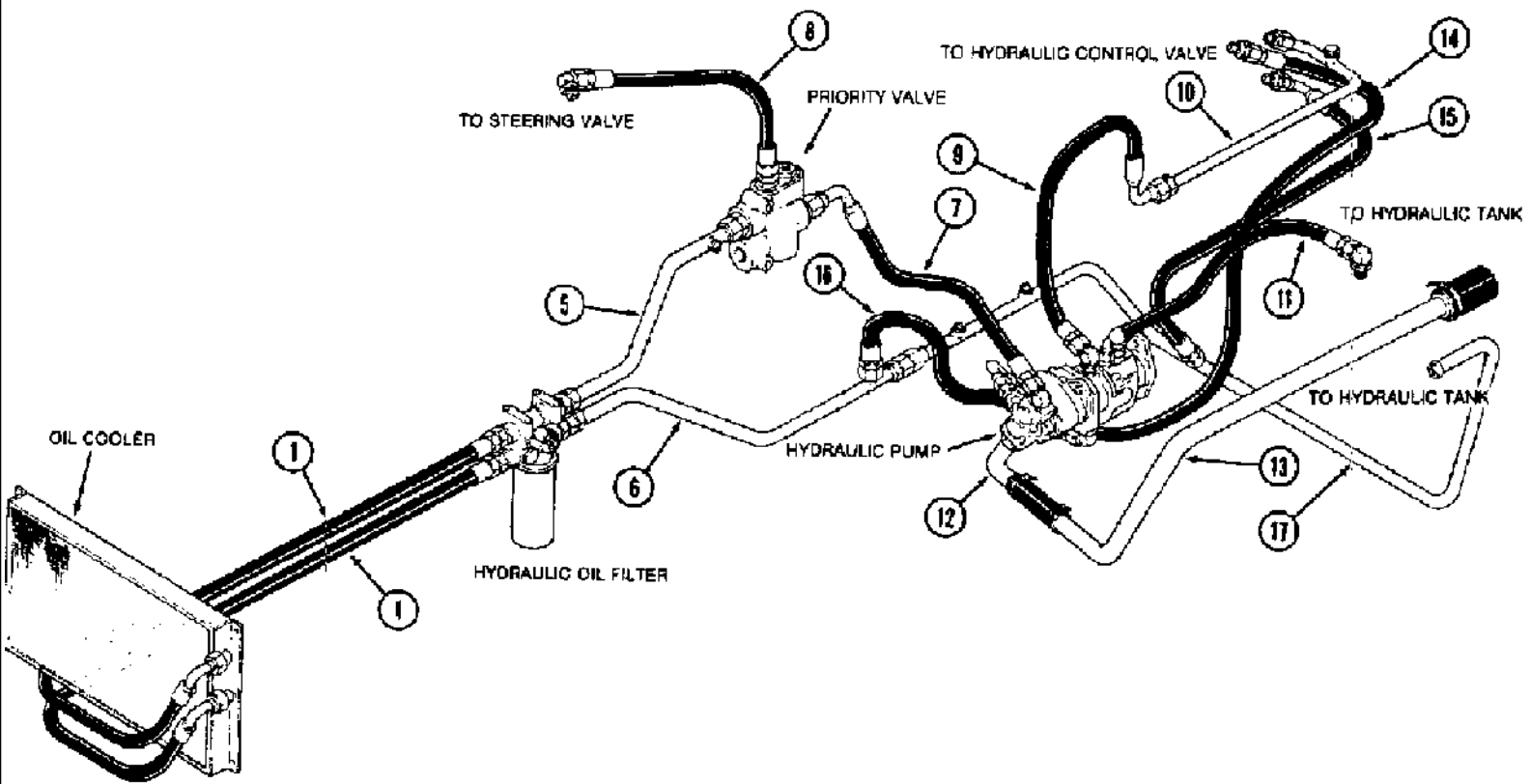
F00249



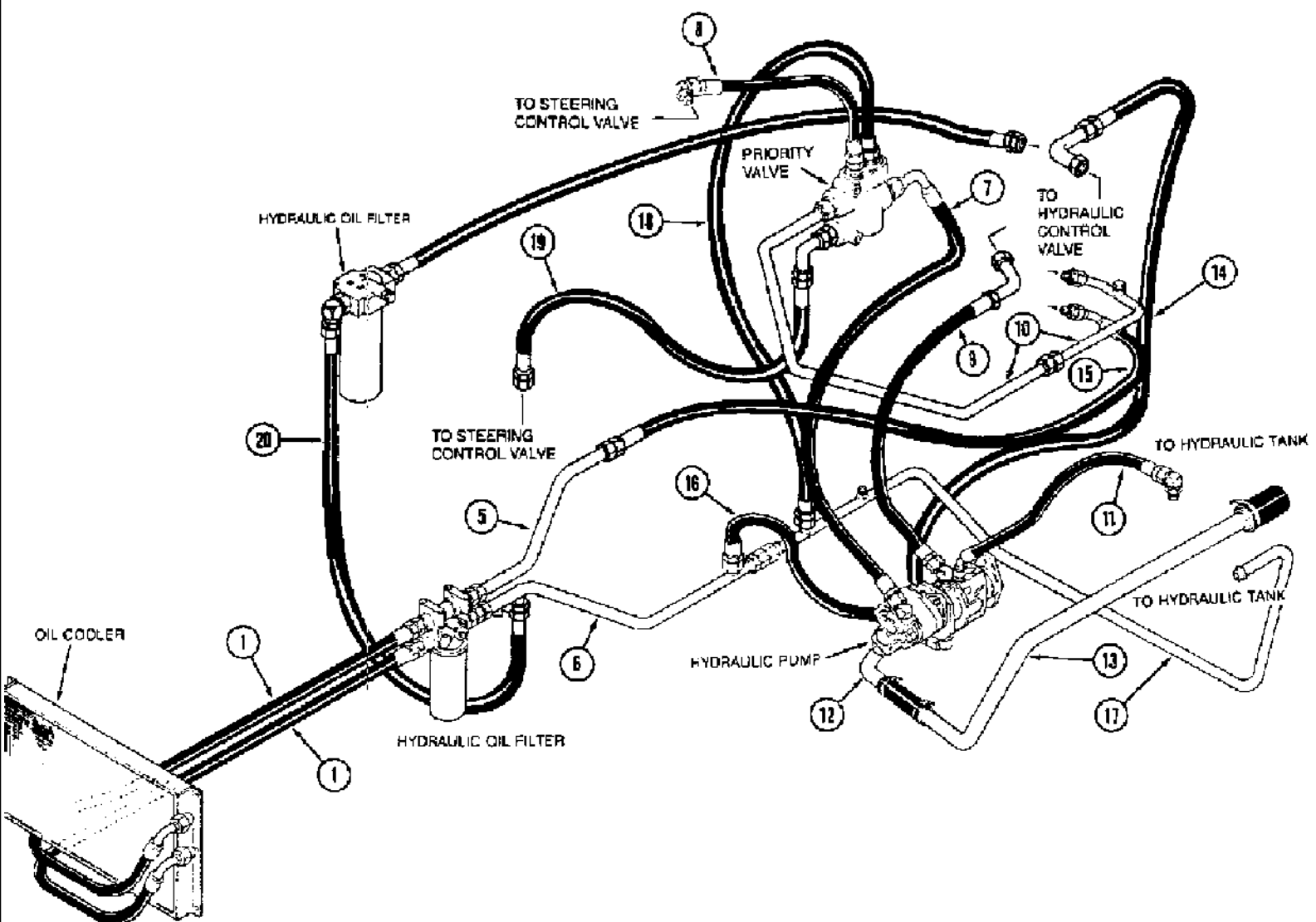
F00251

1-02 LOCATION OF SERIAL AND PRODUCT IDENTIFICATION NUMBERS

сылка	Номер детали	Кол-во	Описание



сылка	Номер детали	Кол-во	Описание
1			Oil Cooler to Filter Hose, 8-13
5			Hydraulic Pump Supply Tube, 8-13
6			Priority Valve to Filter Tube, 8-13
7			Gear Pump Outlet Hose, 8-5
8			Steering Sensing Hose, 8-5
9			Hydraulic Control Valve Supply Hose, 8-3
10			Hydraulic Control Valve Supply Tube, 8-3
11			Hydraulic Return Hose, 8-3
12			Gear Pump Inlet Elbow Tube, 8-5
13			Gear Pump Inlet Tube, 8-5
14			Hydraulic Pump Pressure Sensing Hose, 8-3
15			Hydraulic Control Valve Drain Hose, 8-3
16			Hydraulic Pump Supply Hose, 8-3
17			Hydraulic Return Tube, 8-3



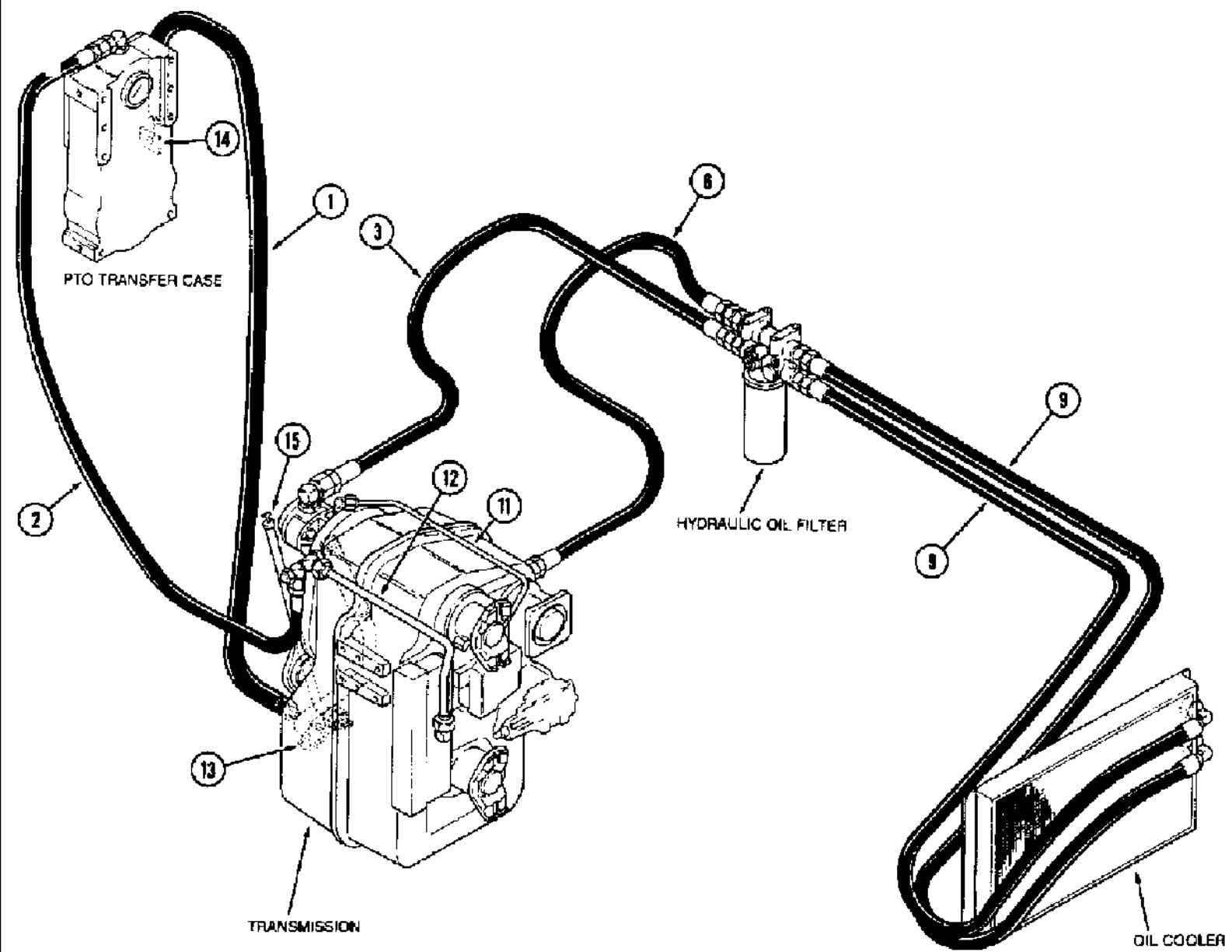
14889101010

## 1-12 PICTORIAL INDEX, HIGH OUTPUT MAIN HYDRAULICS

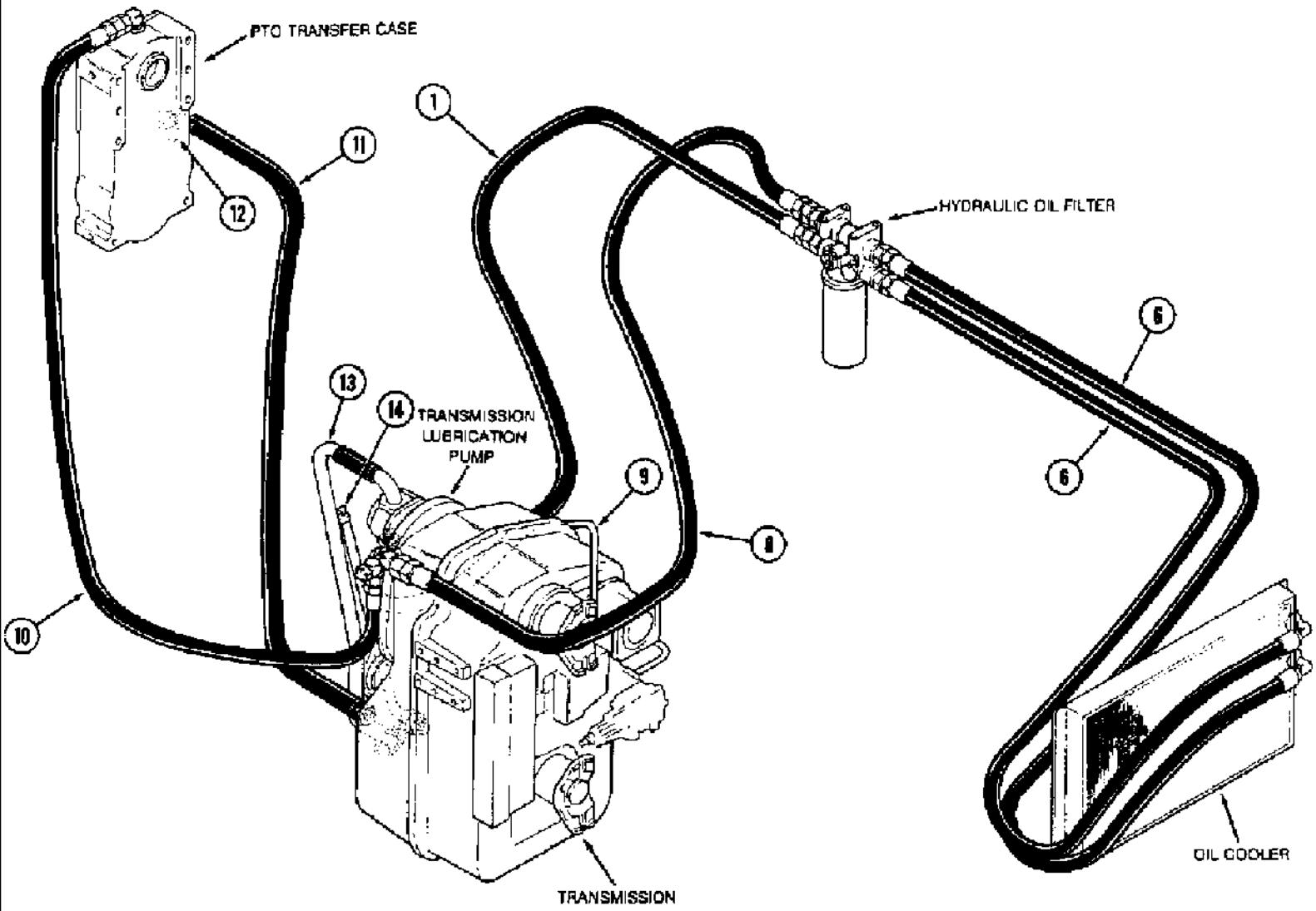
сылка	Номер детали	Кол-во	Описание
1			Oil Cooler to Filter Hose, 8-15
5			Hydraulic Pump Supply Tube, 8-15
6			Charge Pressure Tube, 8-15
7			Gear Pump Outlet Hose, 8-9
8			Steering Sensing Hose, 8-9
9			Hydraulic Control Valve Supply Hose, 8-7
10			Hydraulic Control Valve Supply Tube, 8-7
11			Hydraulic Return Hose, 8-7
12			Gear Pump Inlet Elbow Tube, 8-9
13			Gear Pump Inlet Tube, 8-9
14			Hydraulic Pump Pressure Sensing Hose, 8-7
15			Hydraulic Control Valve Drain Hose, 8-7
16			Hydraulic Pump Supply Hose, 8-7
17			Hydraulic Return Tube, 8-7
18			Priority Valve Hose to Return Hose, 8-9
19			Steering Control Supply, 8-9
20			Filter Hose to Charge Tube, 8-15

The High Output hydraulic system is standard on 9390 models and optional on 9370 and 9380 models with P.I.N. JEE0071001 and after

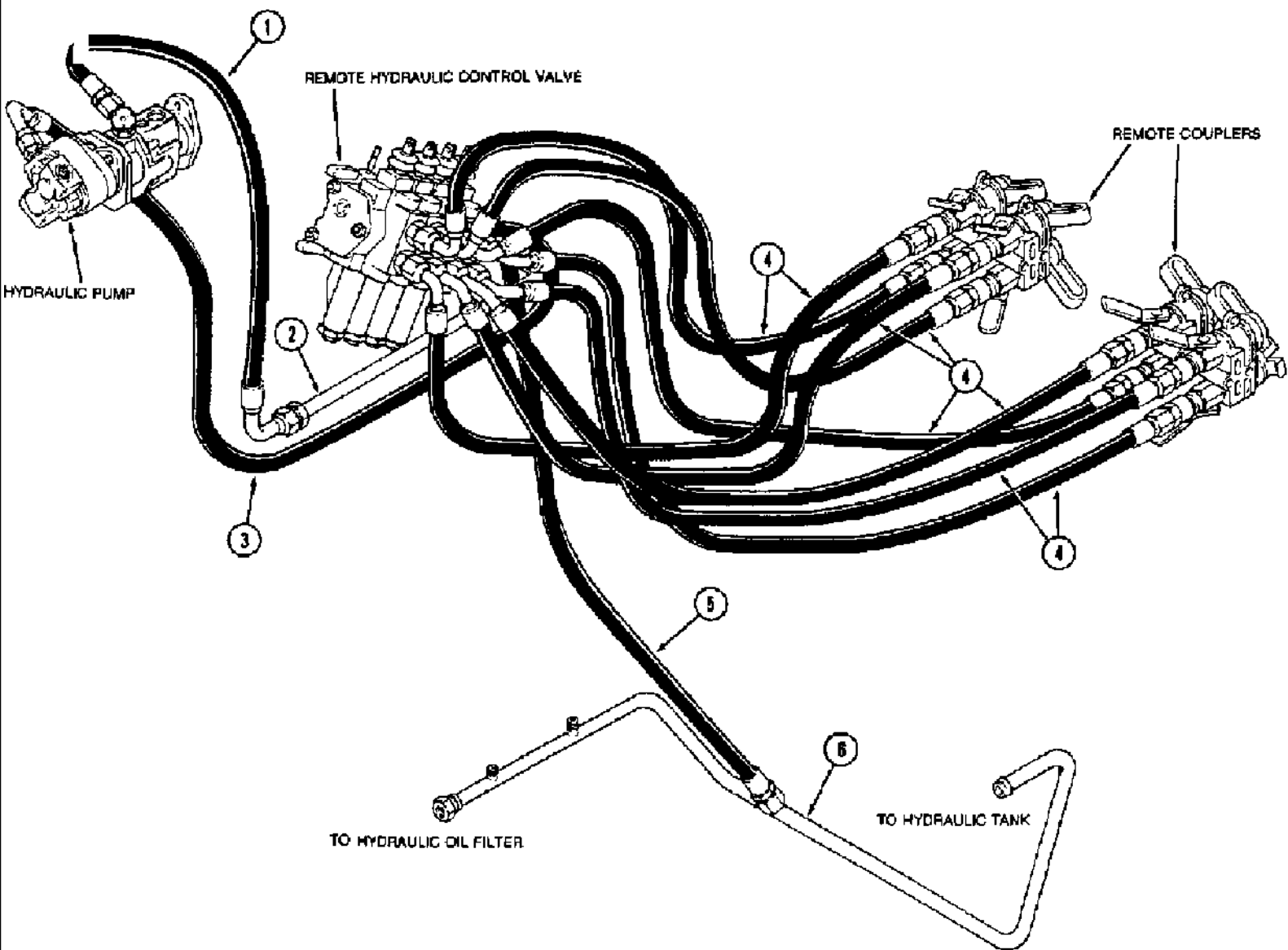




сылка	Номер детали	Кол-во	Описание
1			PTO Transfer Case Return Hose, 6-123
2			PTO Transfer Case Lubrication Hose, 6-123
3			Transmission Lubrication Supply Hose, 6-115
6			Transmission Lubrication Supply Hose, 6-115
9			Oil Cooler Supply Hose, 6-115
11			Transmission Lubrication Tube, 6-123
12			Transmission Lubrication Tube, 6-123
13			Transmission Lubrication Supply Tube, 6-115
14			PTO Transfer Case Adapter Tube, 6-123
15			Transmission Fill Tube, 6-115



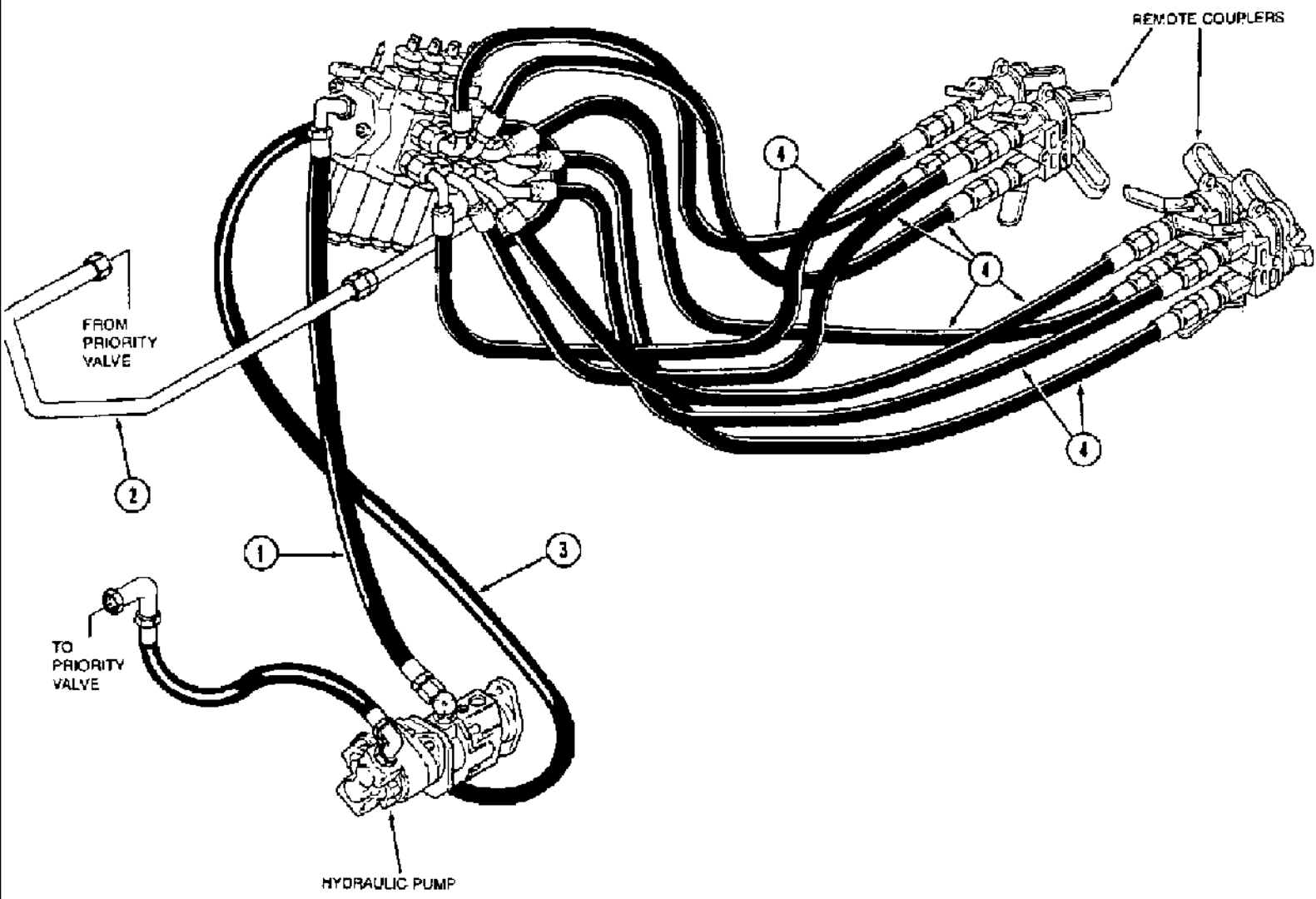
сылка	Номер детали	Кол-во	Описание
1			Transmission Lubrication Supply Hose, 6-119
6			Oil Cooler to Filter Hose, 6-119
8			Transmission Lubrication Supply Hose, 6-119
9			Transmission Lubrication Tube, 6-125
10			PTO Transfer Case Lubrication Hose, 6-125
11			PTO Transfer Case Return Hose, 6-125
12			PTO Transfer Case Adapter Tube, 6-125
13			Transmission Lubrication Pump Tube, 6-119
14			Transmission Fill Tube, 6-119



9380 CASE IH 4WD TRACTOR (6/95-8/00)

1-18 PICTORIAL INDEX, REMOTE HYDRAULICS, 9370 AND 9380 ONLY

сылка	Номер детали	Кол-во	Описание
1			Remote Hydraulic Control Valve Supply Hose, 8-3
2			Remote Hydraulic Control Valve Supply Tube, 8-3
3			Hydraulic Pump Pressure Sensing Hose, 8-3
4			Remote Coupler Pressure Hose, 8-17
5			Remote Hydraulic Control Valve Drain Hose, 8-3
6			Hydraulic Tank Return Tube, 8-3

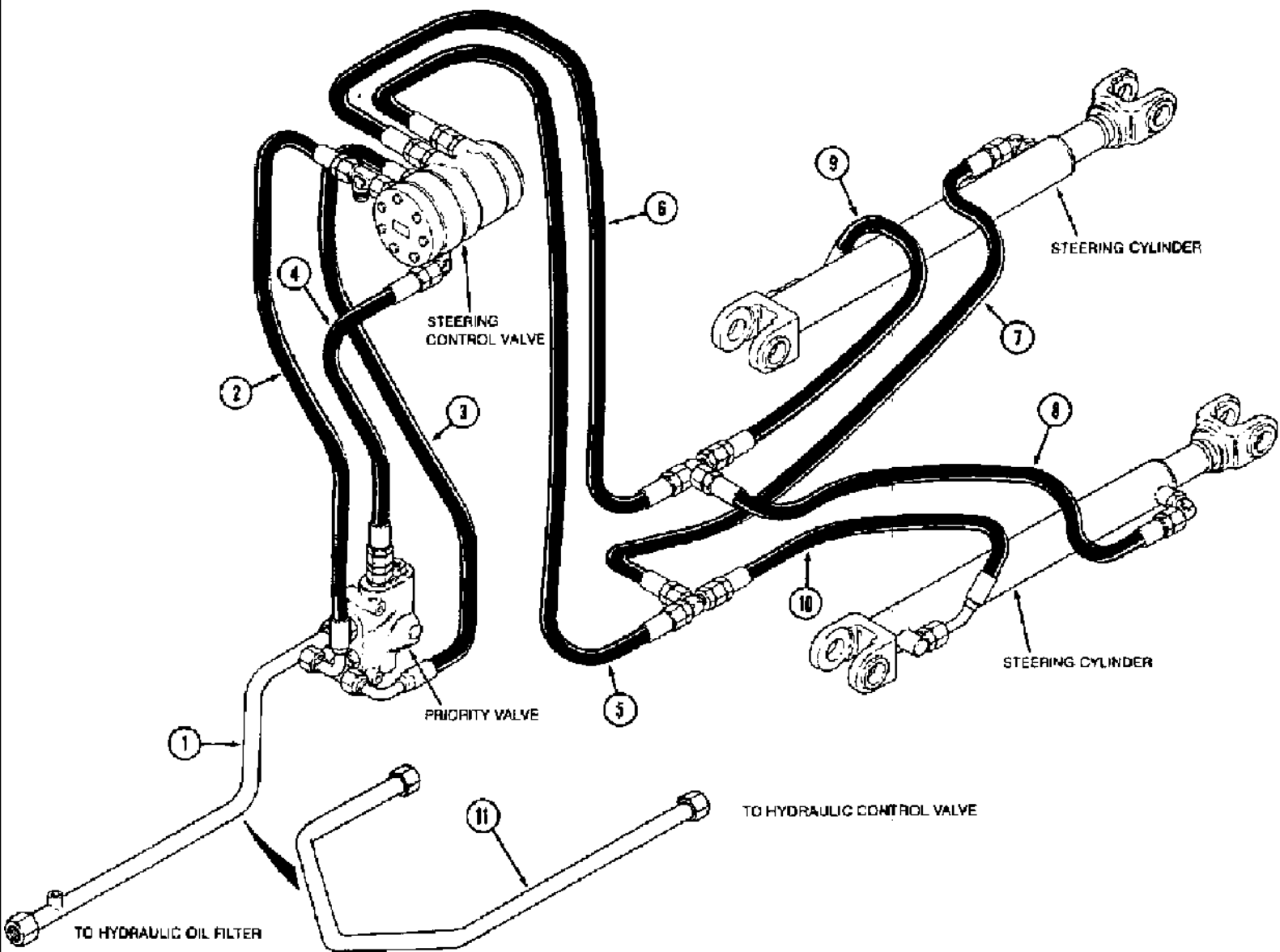


ASSET 7/00/01

сылка	Номер детали	Кол-во	Описание
1			Remote Hydraulic Control Valve Supply Hose, 8-7
2			Remote Hydraulic Control Valve Supply Tube, 8-7
3			Hydraulic Pump Pressure Sensing Hose, 8-7
4			Remote Coupler Pressure Hose, 8-17

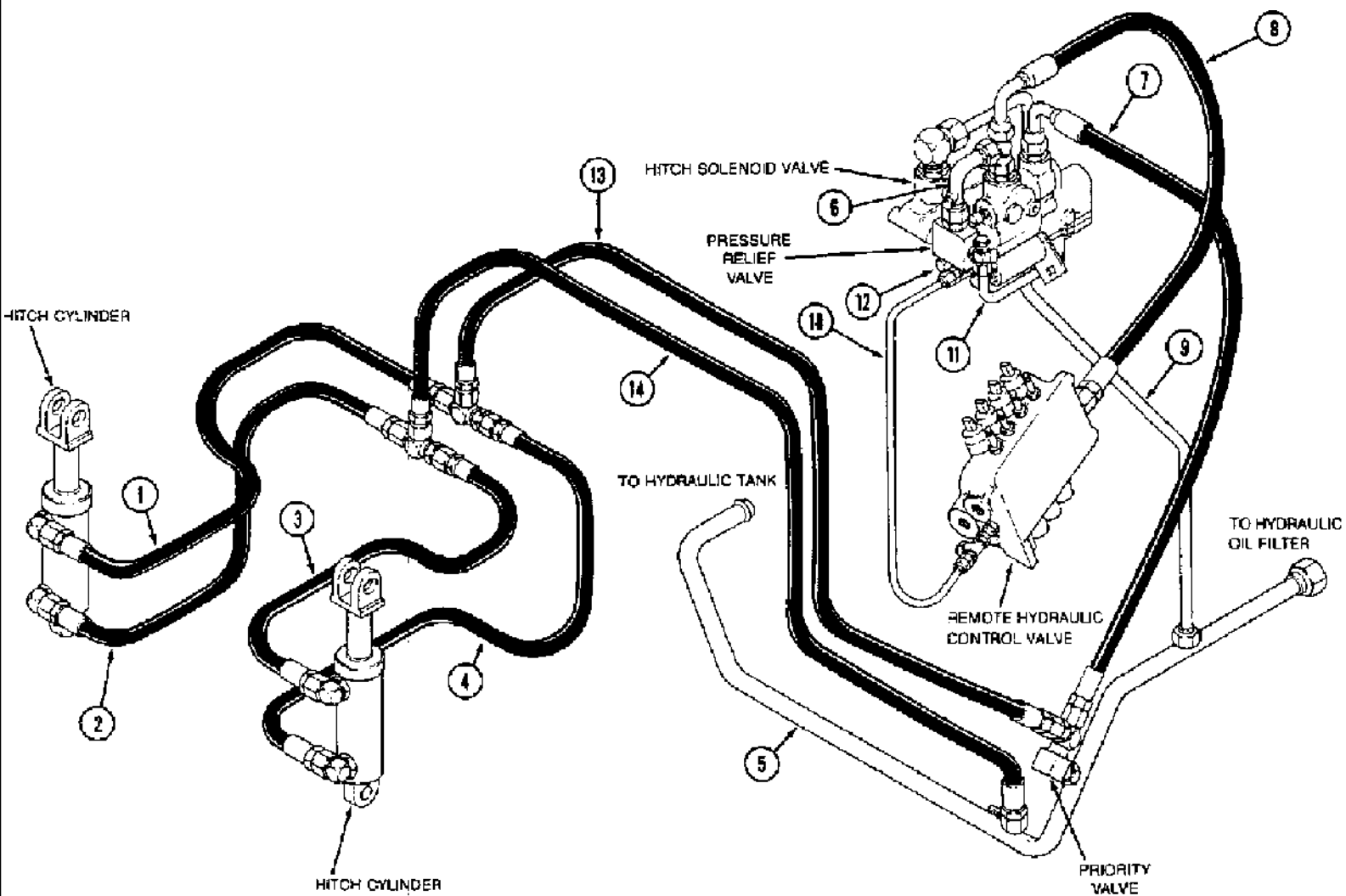
The High Output hydraulic system is standard on 9390 models and optional on 9370 and 9380 models with P.I.N. JEE0071001 and after



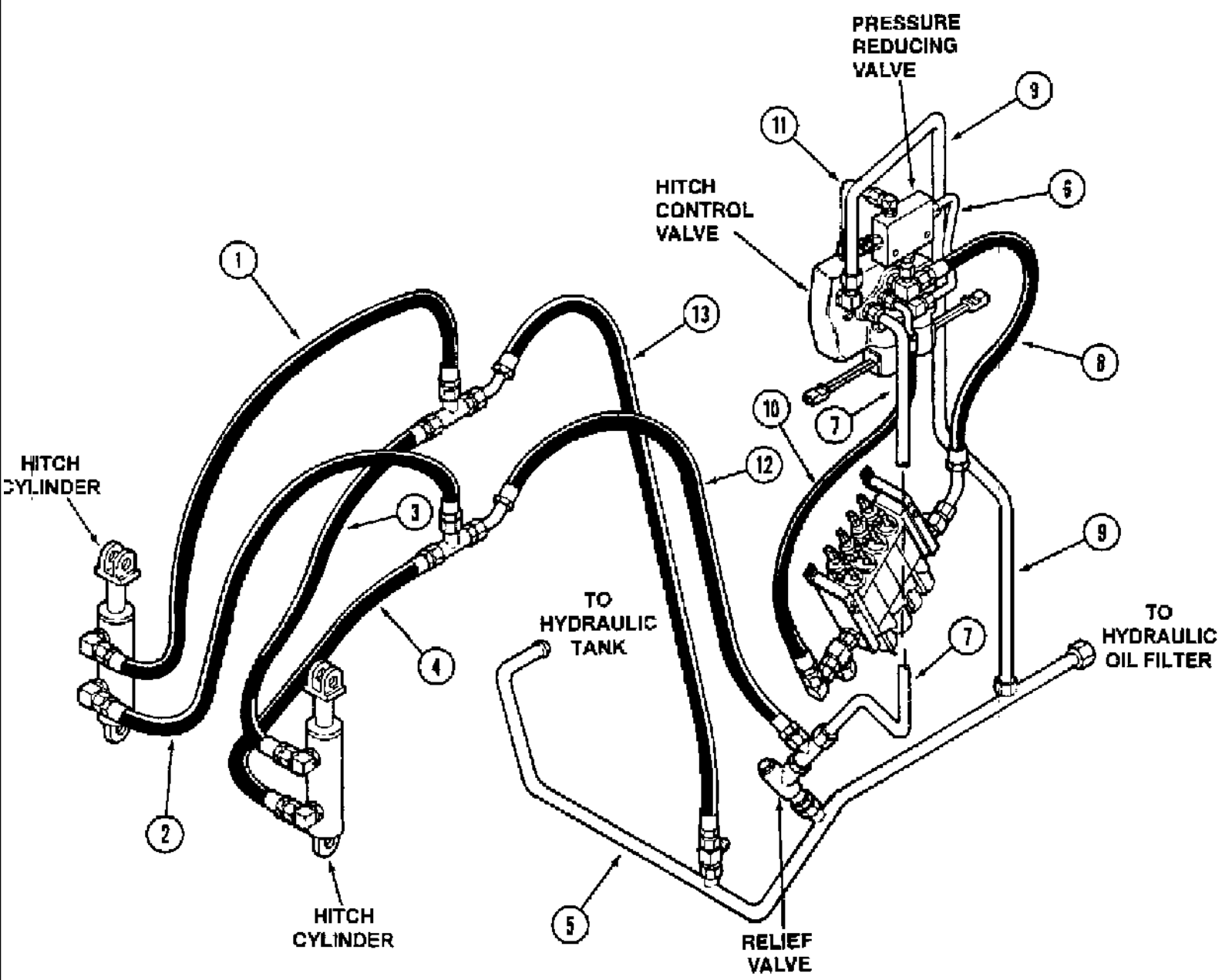


## 1-22 PICTORIAL INDEX, STEERING HYDRAULICS

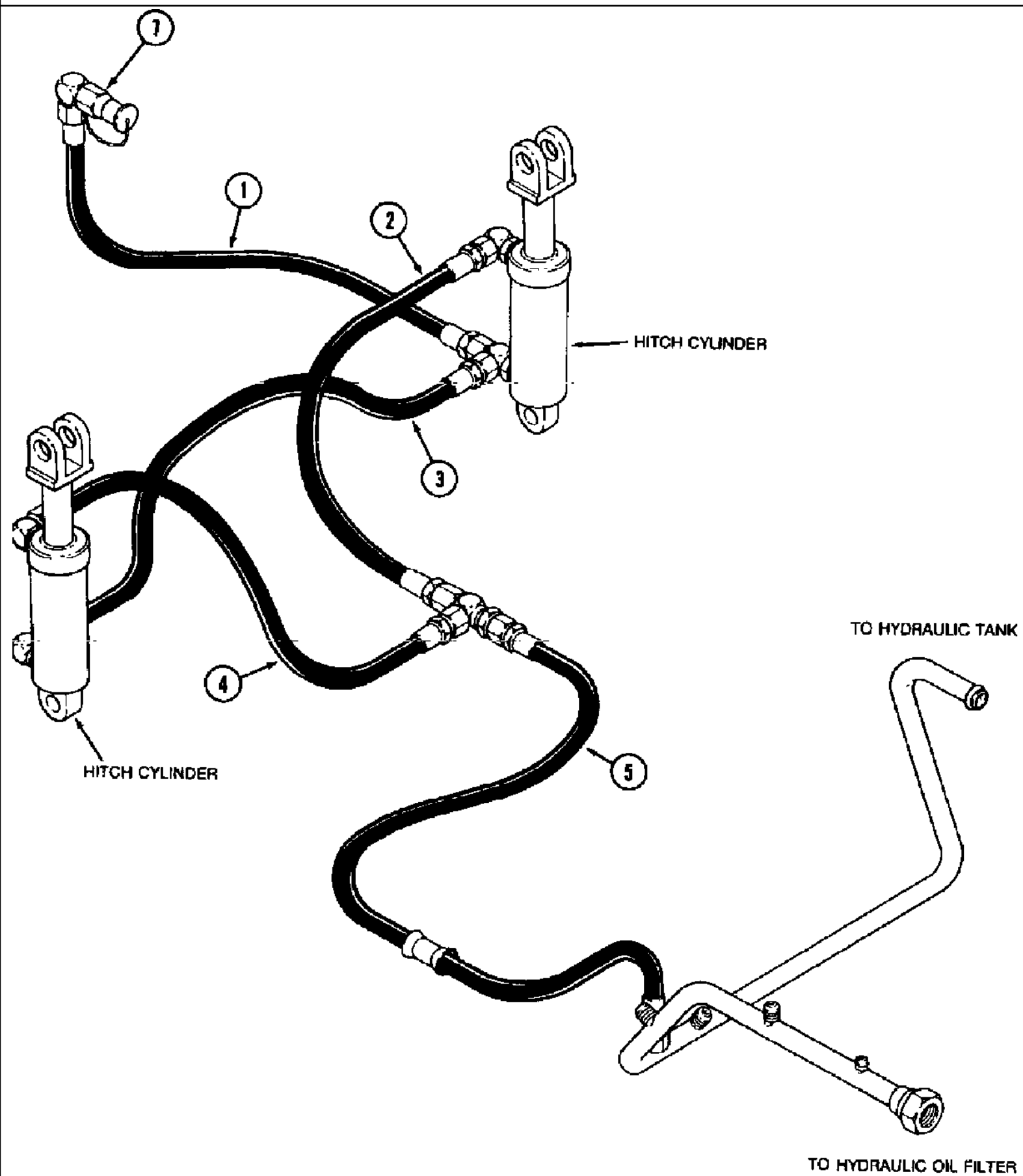
сылка	Номер детали	Кол-во	Описание
1			Priority Valve Tube to Oil Filter, 8-5
2			Steering Control Valve Drain Hose, 5-11, 5-13
3			Steering Control Valve Supply Hose, 5-11, 5-13
4			Steering Pressure Sensing Hose, 5-11, 5-13
5			Right-Hand Turn Steering Hose, 5-11, 5-13
6			Left-Hand Turn Steering Hose, 5-11, 5-13
7			Right-Hand Turn Steering Hose, 5-11, 5-13
8			Left-Hand Turn Steering Hose, 5-11, 5-13
9			Left-Hand Cylinder Pressure Hose, 5-11, 5-13
10			Right-Hand Cylinder Pressure Hose, 5-11, 5-13
11			Hydraulic Control Valve Supply Tube, used on the 9390 only, 5-13



сылка	Номер детали	Кол-во	Описание
1			Left-Hand Hitch Cylinder Drain Hose, 8-87
2			Left-Hand Hitch Cylinder Supply Hose, 8-87
3			Right-Hand Hitch Cylinder Drain Hose, 8-87
4			Right-Hand Hitch Cylinder Supply Hose, 8-87
5			Hydraulic Drain Tube To Hydraulic Tank, 8-3
6			Pressure Reducing Valve Tube, 8-83
7			Hitch Cylinder Supply Hose, 8-83
8			Hitch Solenoid Valve Supply Hose, 8-83
9			Hitch Solenoid Valve Drain Tube, 8-83
10			Hitch Hydraulic Pressure Sensing Hose, 8-83
11			Pressure Reducing Valve Drain Tube, 8-83
12			Pressure Reducing Valve Drain Hose, 8-83
13			Hitch Cylinder Supply Hose, 8-87
14			Hitch Cylinder Drain Hose, 8-87

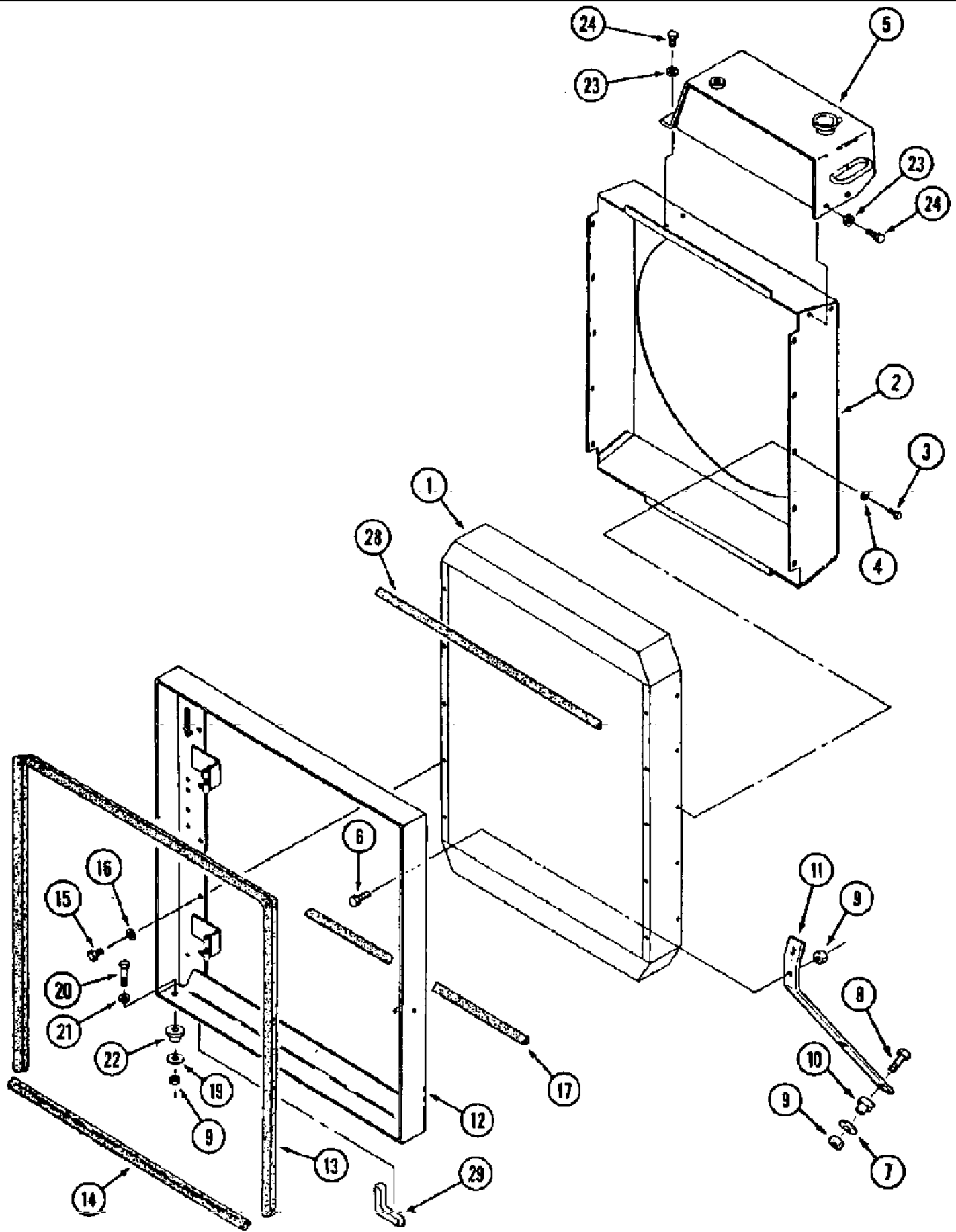


сылка	Номер детали	Кол-во	Описание
1			Left-Hand Hitch Cylinder Drain Hose, 8-87
2			Left-Hand Hitch Cylinder Supply Hose, 8-87
3			Right-Hand Hitch Cylinder Drain Hose, 8-87
4			Right-Hand Hitch Cylinder Supply Hose, 8-87
5			Hydraulic Drain Tube To Hydraulic Tank, 8-3
6			Pressure Reducing Valve Tube, 8-85
7			Hitch Cylinder Supply Hose, 8-85
8			Hitch Solenoid Valve Supply Hose, 8-85
9			Hitch Solenoid Valve Drain Tube, 8-85
10			Hitch Hydraulic Pressure Sensing Hose, 8-85
11			Pressure Reducing Valve Drain Tube, 8-85
12			Hitch Cylinder Supply Hose, 8-87
13			Hitch Cylinder Drain Hose, 8-87



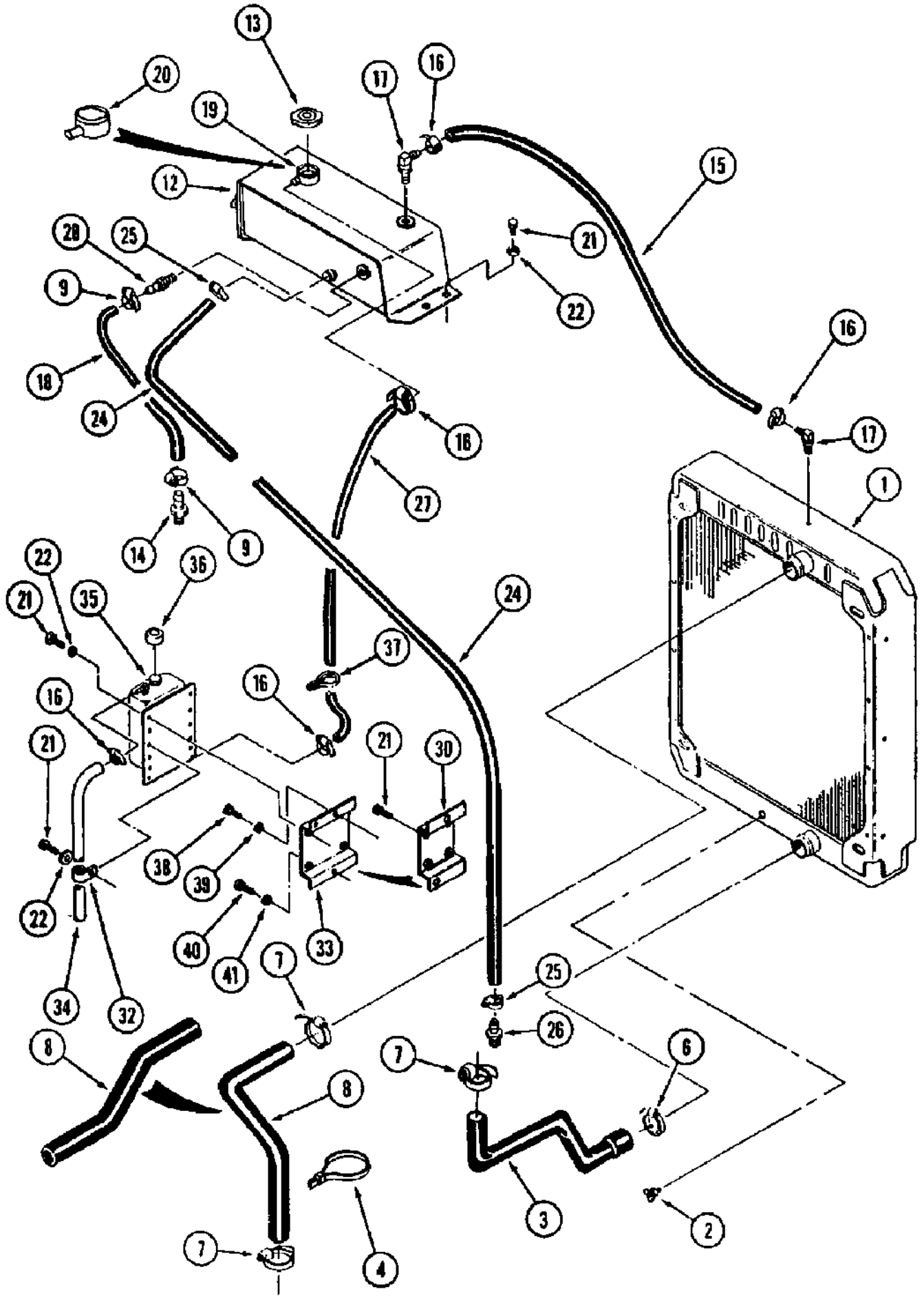
сылка	Номер детали	Кол-во	Описание
1			Hitch Cylinder Supply Hose, 8-89
2			Left Hitch Cylinder Drain Hose, 8-89
3			Left and Right Cylinder Supply Hose, 8-89
4			Right Hitch Cylinder Drain Hose, 8-89
5			Hitch Cylinder Drain Hose, 8-89
7			Remote Coupler Cartridge, 8-89





## 2-02 RADIATOR MOUNTING AND SHROUD, 9370 AND 9380 ONLY

сылка	Номер детали	Кол-во	Описание
1	90-8369T1	1	RADIATOR - engine cooling, 9370 tractor, replaces 90-7675T1 radiator
1	90-8263T1	1	RADIATOR - engine cooling, 9380 tractor, replaces 90-7674T1 radiator
2	90-7680T1	1	SHROUD - fan, prior to P.I.N. JEE003660
2	90-8363T2	1	SHROUD - fan, P.I.N. JEE003660 and after
3	426-410	10	BOLT - hex, 1/4 NC x 5/8 inch, grade 8
4	495-21031	10	WASHER - flat, 5/16 x 3/4 x 1/16 inch
5	90-7701T1	1	TANK - fill, radiator, See Figure 2-04 for service parts
6	426-824	2	BOLT - hex, 1/2 NC x 1-1/2 inch, grade 8
7	19-961	2	WASHER - flat
8	426-836	2	BOLT - hex, 1/2 NC x 2-1/4 inch, grade 8
9	231-1448	6	NUT - hex, self-locking, 1/2 inch NC
10	L13142	2	MOUNT - isolator, rubber
11	90-7598T1	2	SUPPORT - radiator
12	90-7683T1	1	PLATE - mounting, radiator
13	70-2987T1	1	SEAL - formed rubber, adhesive-backed, 3302 mm (130 inch) long, cut from F43117X bulk seal, see below
14	90-6832T1	1	SEAL - formed rubber, 1124 mm (44-1/4 inch) long, cut from L107724 bulk seal, see below
15	426-610	10	BOLT - hex, 3/8 NC x 5/8 inch, grade 8
16	495-11041	10	WASHER - flat, 13/32 x 13/16 x 1/16 inch
17	70-5265T1	1	SEAL - foam, 711 mm (28 inch) long, cut from 70-5259T1X bulk seal, see below
19	495-21050	2	WASHER - flat, 1/2 x 1-1/4 x 5/64 inch
20	426-848	2	BOLT - hex, 1/2 NC x 3 inch, grade 8
21	19-961	2	WASHER - flat, 1/2 x 1-3/4 x 1/8 inch
22	47-4208	2	MOUNT - insulator, rubber
23	495-11034	8	WASHER - flat, 11/32 x 11/16 x 1/16 inch
24	426-512	8	BOLT - hex, 5/16 NC x 3/4 inch, grade 8
28	70-5265T1	1	SEAL - foam, 711 mm (28 inch) long, cut from 70-5259T1X bulk seal, see below
29	70-5848T1	1	TRIM - edge, 140 mm (5-1/2 inch) long, cut from F64277X bulk trim, see below
	70-5259T1X		UAR SEAL - foam, bulk, 3048 mm (120 inch) long
	F43117X		UAR SEAL - formed rubber, adhesive-backed, bulk, 15 (9/16) x 31 (1-3/16) x 30480 mm (1200 inch) long
	L107724		UAR SEAL - formed rubber, 1232 mm (48-1/2 inch) long
	F64277X		UAR TRIM - edge, bulk, 14478 mm (570 inch) long

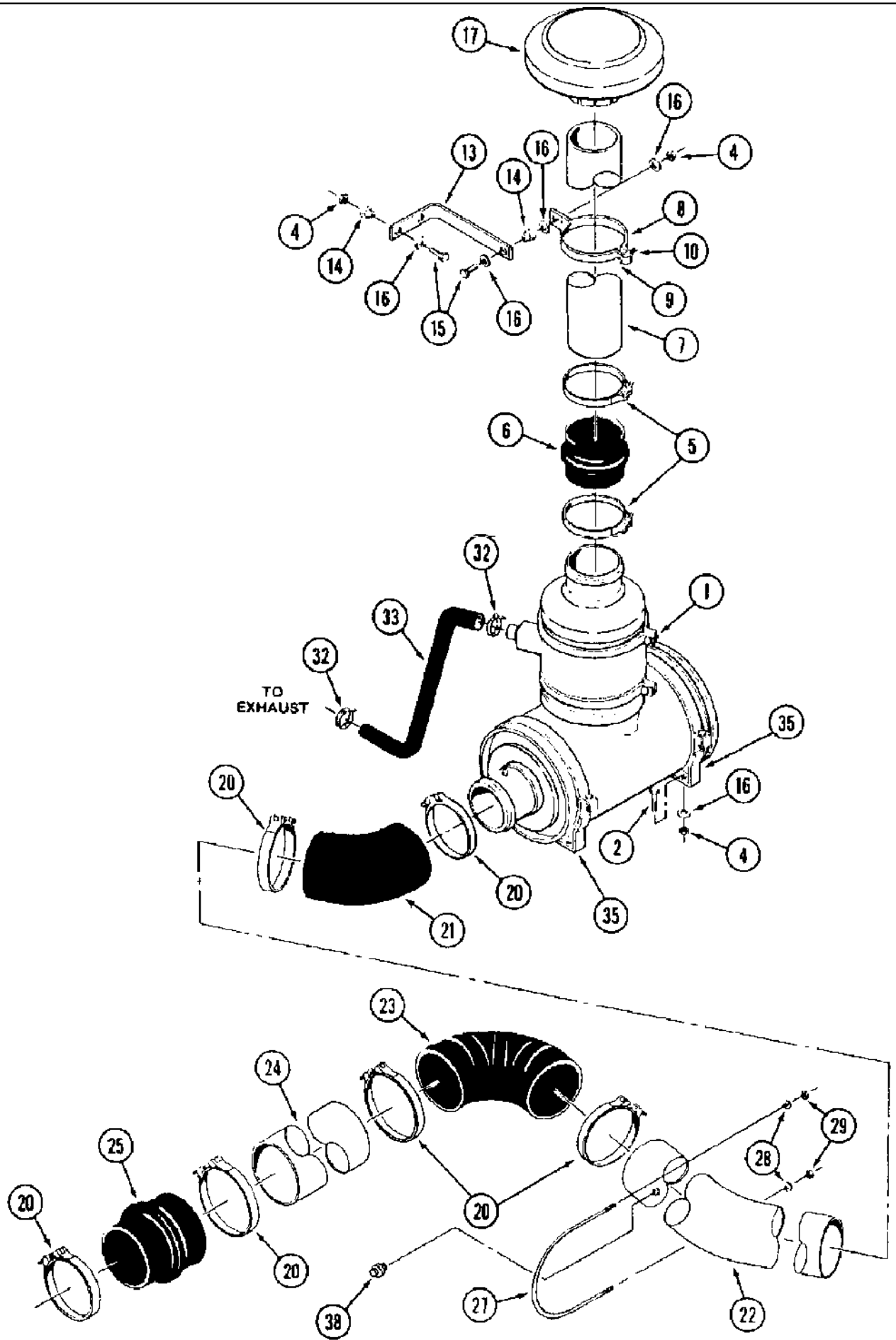


## 9380 CASE IH 4WD TRACTOR (6/95-8/00)

## 2-04 RADIATOR AND ATTACHING PARTS, 9370 AND 9380 ONLY

сылка	Номер детали	Кол-во	Описание
1	90-8369T1	1	RADIATOR - engine cooling, 9370 tractor, replaces 90-7675T1 radiator
1	90-8263T1	1	RADIATOR - engine cooling, 9380 tractor, replaces 90-7674T1 radiator
2	217-92	1	VALVE - drain, 1/4 inch PT, replaces H434809 valve
3	90-7693T2	1	HOSE - radiator, lower
4	19-135	2	STRAP - tie, nylon
6	70-5522T1	1	CLAMP - adj, 2-13/16 - 3-3/4 inch dia
7	70-5521T1	3	CLAMP - adj, 2 - 3 inch dia
8	90-6822T2	1	HOSE - radiator, upper, prior to P.I.N JEE0036501
8	90-8051T1	1	HOSE - radiator, upper, P.I.N. JEE0036501 and after
9	214-1404	6	CLAMP - adj, 1/4 - 5/8 inch dia
12	90-7701T1	1	TANK - fill, radiator
13	90-7731T1	1	CAP - radiator
14	217-120	1	ADAPTER - straight, 1/4 barb end x 1/8 inch PT
15	31-3063	1	HOSE - 406 mm (16 inch) long, cut from A21561X bulk hose, see below
16	214-1404	6	CLAMP - adj, 1/4 - 5/8 inch dia, replaces 214-1404 clamp
17	217-292	2	ELBOW - 90 degree, 1/4 barb end x 1/8 inch PT
18	31-2742	1	HOSE - 533 mm (21 inch) long, cut from A21561X bulk hose, see below
19	90-6818T1	1	NECK - filler, prior to P.I.N JEE0036501
20	90-8326T1	1	NECK - filler, P.I.N. JEE0036501 and after
21	426-512	8	BOLT - hex, 5/16 NC x 3/4 inch, grade 8
22	495-11034	8	WASHER - flat, 11/32 x 11/16 x 1/16 inch
24	31-1503	1	HOSE - 711 mm (28 inch) long, cut from 31-1502 bulk hose, see below
25	214-1420	2	CLAMP - adj, 13/16 - 1-3/4 inch dia
26	217-156	1	ADAPTER - straight, 1 inch stem end x PT
27	31-2835	1	HOSE - 1499 mm (59 inch) long, cut from 31-2855 bulk hose, prior to P.I.N. JEE0036501, see below
27	A172261	1	HOSE - 1800 mm (70-7/8 inch) long, cut from L126767 bulk hose, P.I.N. JEE0036501 and after, see below
28	217-119	1	ADAPTER - straight, 1/4 barb end x 1/4 inch PT
30	90-8351T1	1	BRACKET - mounting
32	515-23127	1	CLAMP - P-type, 1/2 inch ID, hose, overflow
33	90-7763T1	1	BRACKET - tank mounting
34	31-3065	1	HOSE - 203 mm (8 inch) long, cut from 87769CX bulk hose, coolant recovery overflow
35	90-7717T1	1	BOTTLE - coolant recovery
36	1547924C1	1	CAP - recovery bottle
37	22-824	1	STRAP - tie, 7 inch
38	414-916	1	BOLT - hex, 9/16 NF x 1 inch
39	495-21056	1	WASHER - flat, 9/16 x 1-3/8 x 7/64 inch
40	414-68	1	BOLT - hex, 3/8 NF x 1/2 inch
41	495-11041	1	WASHER - flat, 13/32 x 13/16 x 1/16 inch
	31-1502		UAR HOSE - bulk, 25 (1) ID x 3048 mm (120 inch) long
	A21561X		UAR HOSE - bulk, 6 (1/4) x 13 (1/2) x 7620 mm (300 inch) long
	L126767		UAR HOSE - bulk, 8 (5/16) ID x 2336 mm (92 inch) long
	87769CX		UAR HOSE - rubber, bulk roll, 7 (9/32) ID x 27432 mm (1080 inch) long

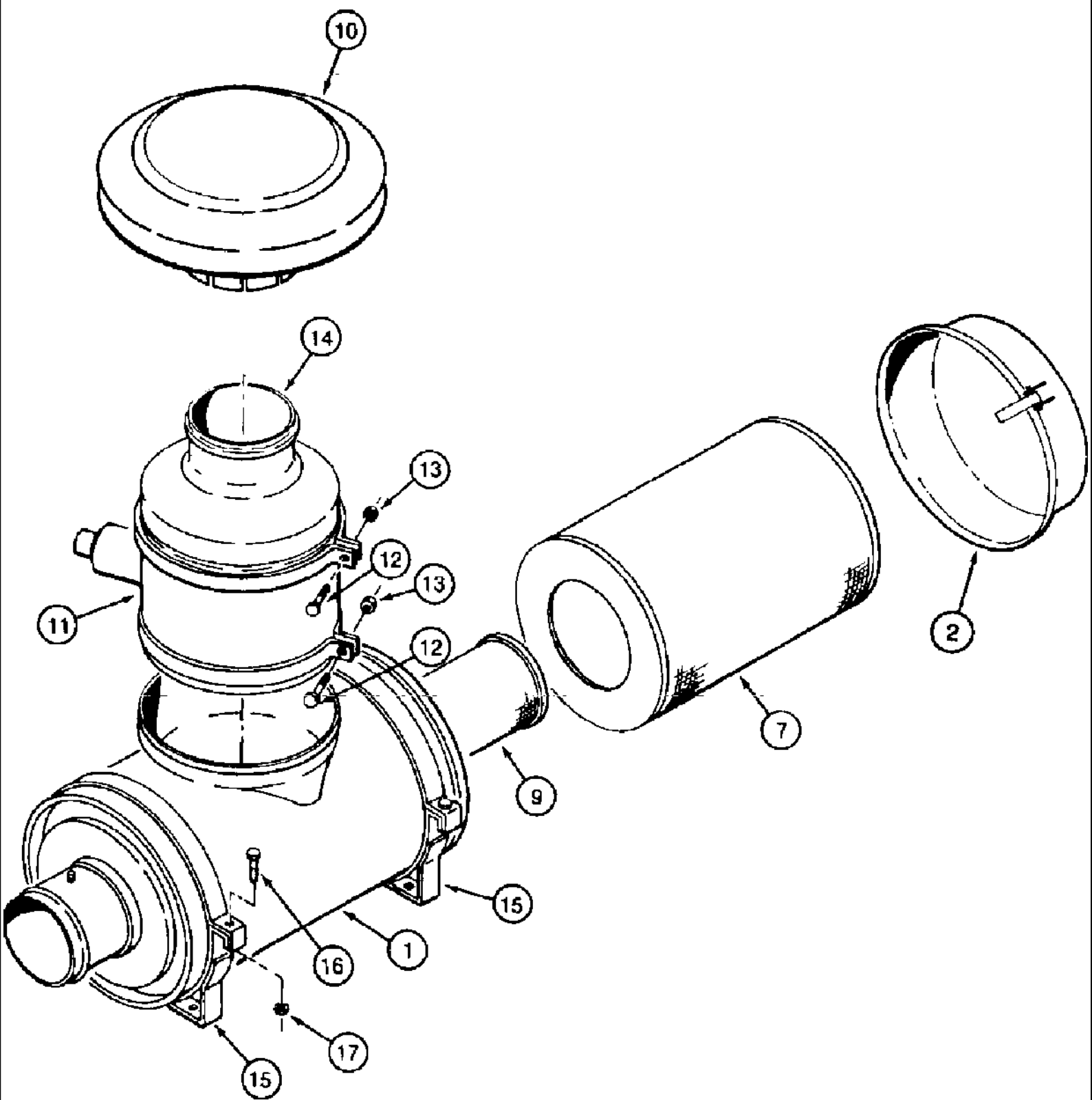
2-10 AIR INDUCTION SYSTEM



## 2-10 AIR INDUCTION SYSTEM

сылка	Номер детали	Кол-во	Описание
1	90-7779T91	1	CLEANER ASSEMBLY - air, engine, Includes: precleaner and mounting parts, prior to P.I.N. JEE0036501, parts list Figure 2-12
1	90-8298T91	1	CLEANER ASSEMBLY - air, engine, Includes: precleaner and mounting parts, P.I.N. JEE0036501 and after, parts list Figure 2-12
2	426-616	4	BOLT, Hex, 3/8"-16 x 1", G8, Full Thd
4	231-4136	7	NUT - hex, self-locking, 3/8 inch NC
5	214-32120	2	CLAMP - adj, 6-3/4 - 7-5/8 inch dia
6	9-73	1	HOSE - coupling, 7 inch ID
7	90-3869T1	1	TUBE - air inlet
8	60-2764T1	1	CLAMP - support
9	413-520	1	BOLT - hex, 5/16 NC x 1-1/4 inch
10	425-105	1	NUT - hex, 5/16 inch NC
13	90-6870T1	1	BRACKET - support, air inlet tube
14	D52276	3	INSULATOR - rubber, brace
15	426-628	3	BOLT - hex, 3/8 NC x 1-3/4 inch, grade 8
16	495-21044	9	WASHER - flat, 7/16 x 1 x 5/64 inch
17	9-120	1	CAP - air inlet
20	214-32104	6	CLAMP - adj, 5-3/4 - 6-5/8 inch dia
21	90-6892T1	1	ELBOW - 70 degree
22	90-8052T1	1	TUBE - air intake, prior to P.I.N. JEE0036501
22	90-8123T1	1	TUBE - air intake, P.I.N JEE0036501 and after
23	9-22	1	ELBOW - 90 degree
24	90-6895T1	1	TUBE - air intake, 387 mm (15-1/4 inch) long
25	9-76	1	HOSE - coupling
27	44-13T1	1	U-BOLT - tube
28	495-11034	2	WASHER - flat, 11/32 x 11/16 x 1/16 inch
29	231-1445	2	NUT - hex, self-locking, 5/16 inch NC
32	214-1436	2	CLAMP, HOSE, #36, 1.81/2.75 Type F Worm, Adj
33	90-3979T1	1	HOSE - aspirator, air cleaner to exhaust
35	90-3871T1	2	CLAMP - band, air cleaner mounting
38	1983233C1	1	SWITCH - restriction, air cleaner

2-12 AIR CLEANER ASSEMBLY

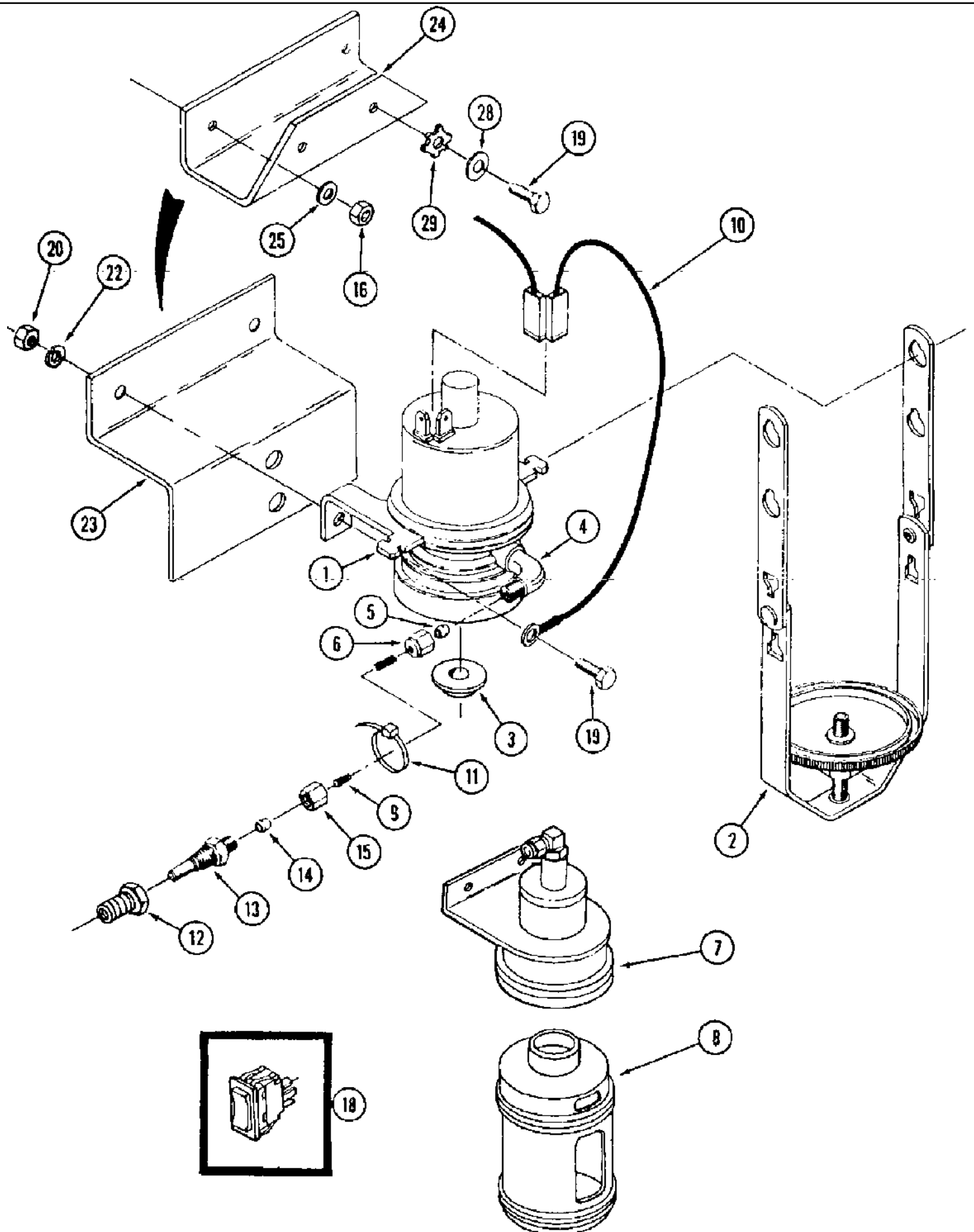


## 2-12 AIR CLEANER ASSEMBLY

сылка	Номер детали	Кол-во	Описание
	90-7779T91	1	CLEANER ASSEMBLY - air, engine, Includes: precleaner and mounting parts, prior to P.I.N. JEE0036501, Includes: Ref. 1 - 17
	90-8298T91	1	CLEANER ASSEMBLY - air, engine, Includes: precleaner and mounting parts, P.I.N. JEE0036501 and after, Includes: Ref. 1 - 17
	90-8022T91	1	CLEANER ASSEMBLY - air, engine, without precleaner and mounting parts, replaced by 90-8299T91 cleaner, Includes: Ref. 1 - 9
	90-8299T91	1	CLEANER ASSEMBLY - air, engine, without precleaner and mounting parts, replaces 90-8022T91 cleaner, Includes: Ref. 1 - 9
1	NSS	1	BODY - air cleaner
2	90-8302T1	1	COVER - end, replaces 134610A1 cover, Ref: 2, 7 & 10 do not replace numbers shown - the alternate numbers shown will be for the 90-7779t91 cleaner assy only. The numbers listed next to 2, 7 & 10 are for the other three cleaner assy's . NAPO TECH NOTE.
7	90-8300T1	1	ELEMENT - primary, replaces 132151A1 element, Ref: 2, 7 & 10 do not replace numbers shown - the alternate numbers shown will be for the 90-7779t91 cleaner assy only. The numbers listed next to 2, 7 & 10 are for the other three cleaner assy's . NAPO TECH NOTE.
9	90-8301T1	1	ELEMENT - secondary, replaces 132149A1 element
10	9-120	1	CAP - air inlet, Ref: 2, 7 & 10 do not replace numbers shown - the alternate numbers shown will be for the 90-7779t91 cleaner assy only. The numbers listed next to 2, 7 & 10 are for the other three cleaner assy's . NAPO TECH NOTE.
11	90-4207T1	1	PRECLEANER ASSEMBLY - engine, Includes: Ref. 12 & 13
12	413-632	2	BOLT - hex, 3/8 NC x 2 inch
13	425-106	2	NUT, 3/8"-16, G5
14	90-4208T1	1	ADAPTER - intake reducer
15	90-3871T1	2	CLAMP - band, air cleaner mounting
16	413-528	1	BOLT - hex, 5/16 NC x 1-3/4 inch
17	27254R1	1	NUT - hex, 5/16 inch NC, grade 8



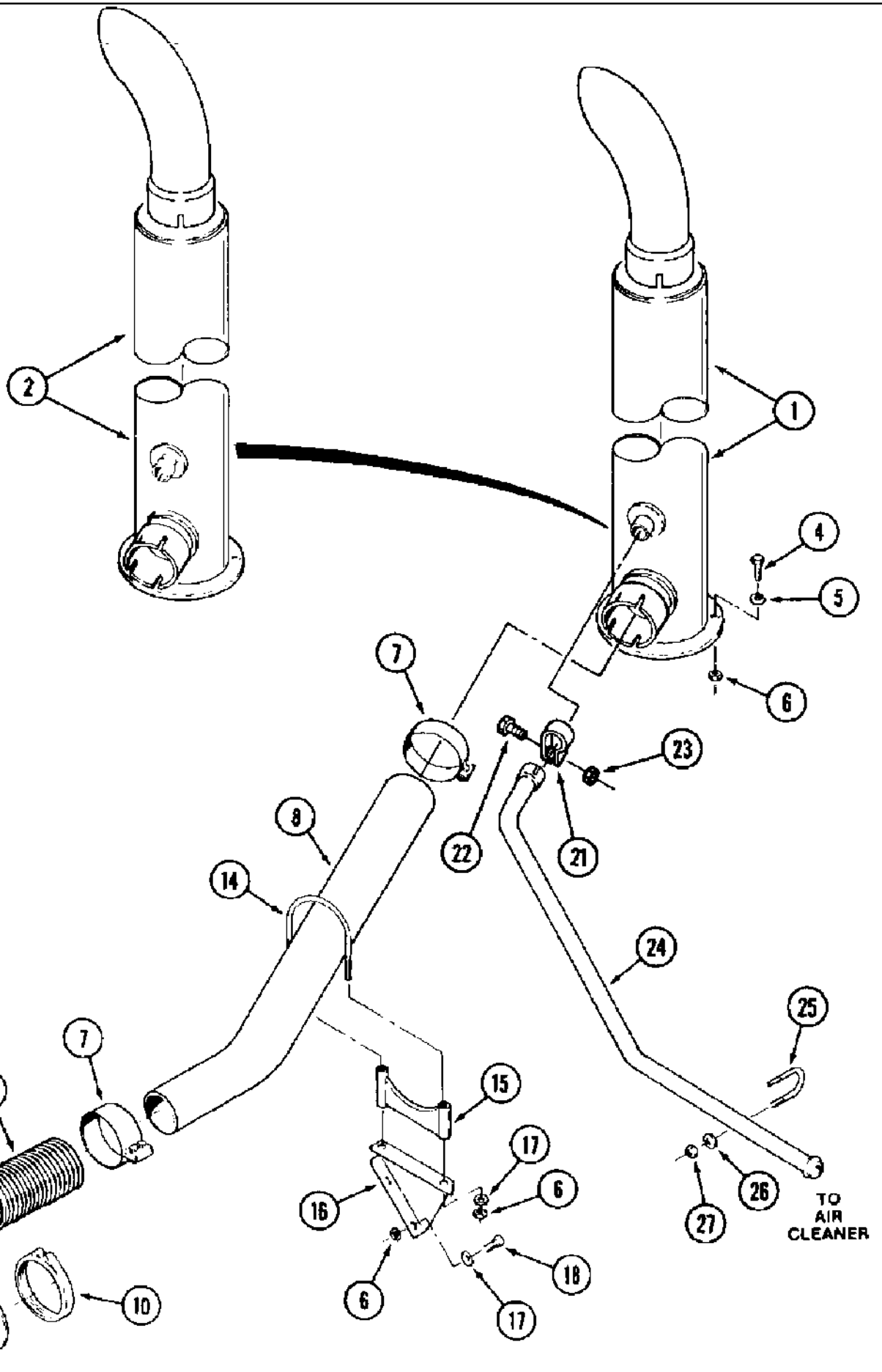
2-14 ETHER STARTING SYSTEM



## 2-14 ETHER STARTING SYSTEM

сылка	Номер детали	Кол-во	Описание
1	A143381	1	SOLENOID ASSEMBLY - ether injection, no longer available, order 18552A2 solenoid assembly below, Includes: Ref. 2 - 6
2	D77648	1	HANGER - ether can, order 18552A2 hanger
3	395686R1	1	GASKET - injector solenoid, 15/64 inch diameter
4	222-615	1	ELBOW - 90 degree, compression, 1/8 tube OD x 1/8 inch PT, Includes: Ref. 5 & 6
5	222-650	1	SLEEVE - tapered, 1/8 inch tube OD
6	222-660	1	NUT - hex, 1/8 tube OD x 5/16-24 inch
	185552A2	1	SOLENOID ASSEMBLY - ether injection, Includes: Ref. 7 & 8
7	NSS	1	SOLENOID - ether injection
8	190752A1	1	HOUSING - ether injection solenoid
9	31-1347	1	TUBE - 610 mm (24 inch) long, cut from 29-53T2 bulk tube, see below, ether solenoid to injector
10	60-7166T2	1	HARNESS - engine, replaces 60-7166T1 harness
11	19-135	1	STRAP - tie, nylon
12	221-84	1	REDUCER - pipe, 1/4 male x 1/8 inch female, P.I.N. JEE0036501 and after
13	90-7034T1	1	INJECTOR ASSEMBLY - nozzle, Includes: Ref. 14 & 15
14	222-650	1	SLEEVE - tapered, 1/8 inch tube OD
15	222-660	1	NUT - hex, 1/8 tube OD x 5/16-24 inch
16	425-105	2	NUT - hex, 5/16 inch NC
18	1964751C1	1	SWITCH - rocker, ether start
19	426-512	2	BOLT - hex, 5/16 NC x 3/4 inch, grade 8
20	425-105	2	NUT - hex, 5/16 inch NC
22	492-11031	2	WASHER, LOCK, 5/16"
23	90-7645T1	1	BRACKET - mounting, solenoid, if used, prior to P.I.N. JEE0036501, replaces 90-7336T1 bracket, Includes: Ref. 25 - 29
24	90-8367T1	1	BRACKET - mounting, ether, P.I.N. JEE0036501 and after, replaces 90-8352T1 bracket, Includes: Ref. 25 - 29
25	495-11041	2	WASHER - flat, 13/32 x 13/16 x 1/16 inch
28	495-11034	2	WASHER - flat, 11/32 x 11/16 x 1/16 inch
29	493-41033	1	WASHER - external tooth lock, 5/16 inch
	29-53T2		UAR TUBE - bulk, 3 (1/8) OD x 3048 mm (120 inch) long

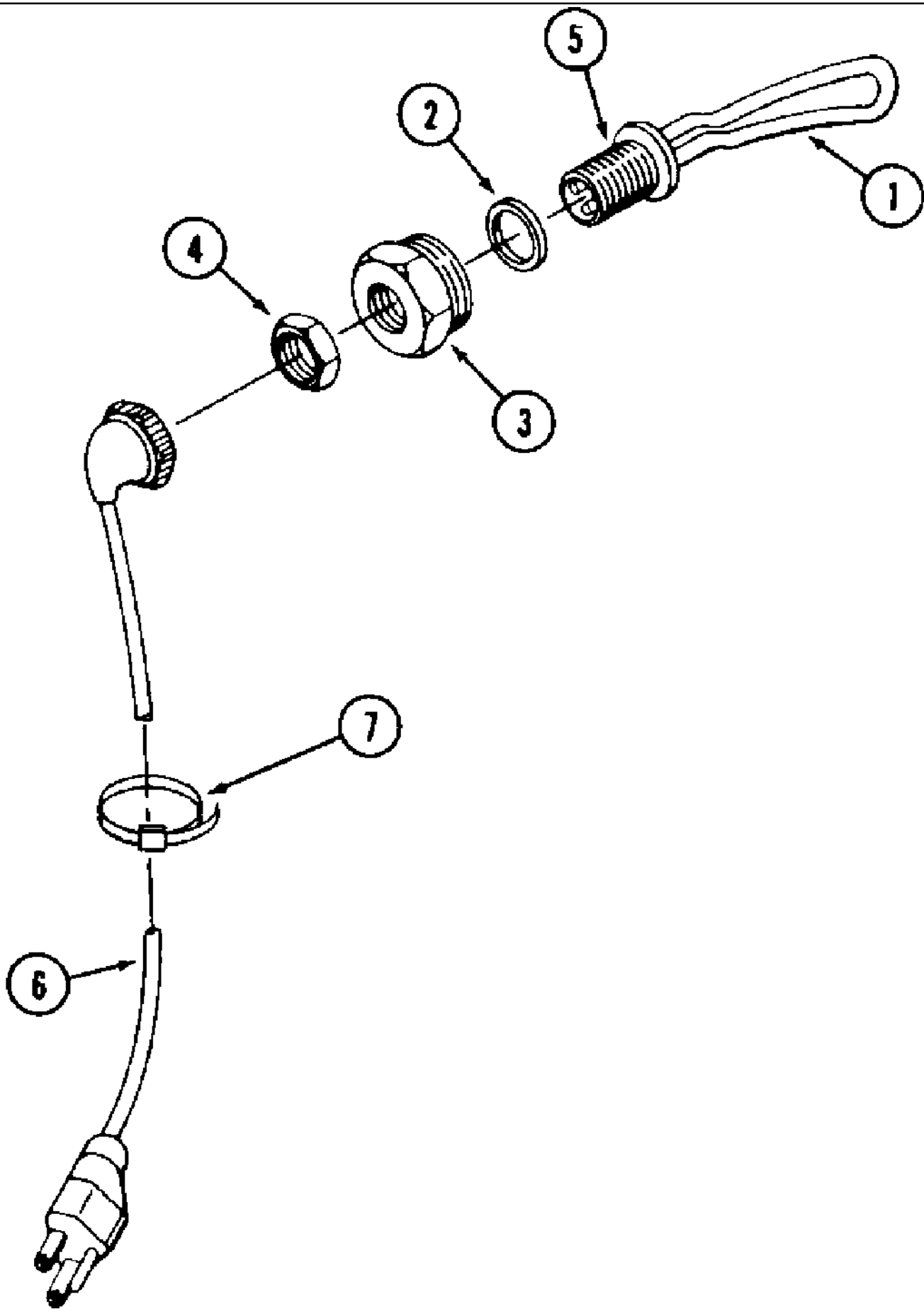
2-16 EXHAUST SYSTEM



## 2-16 EXHAUST SYSTEM

сылка	Номер детали	Кол-во	Описание
1	90-7608T2	1	MUFFLER - exhaust, engine, prior to P.I.N. JEE0036501
2	90-8295T1	1	MUFFLER - exhaust, engine, P.I.N. JEE0036501 and after
4	426-616	3	BOLT, Hex, 3/8"-16 x 1", G8, Full Thd
5	492-11038	3	WASHER, LOCK, 3/8"
6	232-4136	7	NUT, LOCK, 3/8"-16, GC
7	90-8320T1	3	CLAMP - exhaust
8	90-7692T1	1	TUBE - exhaust, prior to P.I.N. JEE0036501
8	90-8124T1	1	TUBE - exhaust, P.I.N. JEE0036501 and after
9	90-5776T1	1	TUBE - elbow, exhaust
10	31-1316	1	CLAMP - exhaust
14	32-322T1	1	U-BOLT - 3/8 inch NC
15	32-323T1	1	SADDLE - clamp, U-bolt
16	90-7100T1	1	BRACKET - clamp mounting
17	495-11041	4	WASHER - flat, 13/32 x 13/16 x 1/16 inch
18	426-612	2	BOLT - hex, 3/8 NC x 3/4 inch, grade 8
21	90-7815T1	1	CLAMP - adjustable
22	426-620	1	BOLT - hex, 3/8 NC x 1-1/4 inch, grade 8
23	231-1446	1	NUT, LOCK, 3/8"-16, GB
24	90-7725T1	1	TUBE - aspirator
25	19-1049	1	U-BOLT - 5/16 inch NC
26	495-11034	2	WASHER - flat, 11/32 x 11/16 x 1/16 inch
27	231-1445	2	NUT - hex, self-locking, 5/16 inch NC
28	45-177	1	TUBE - flex, exhaust

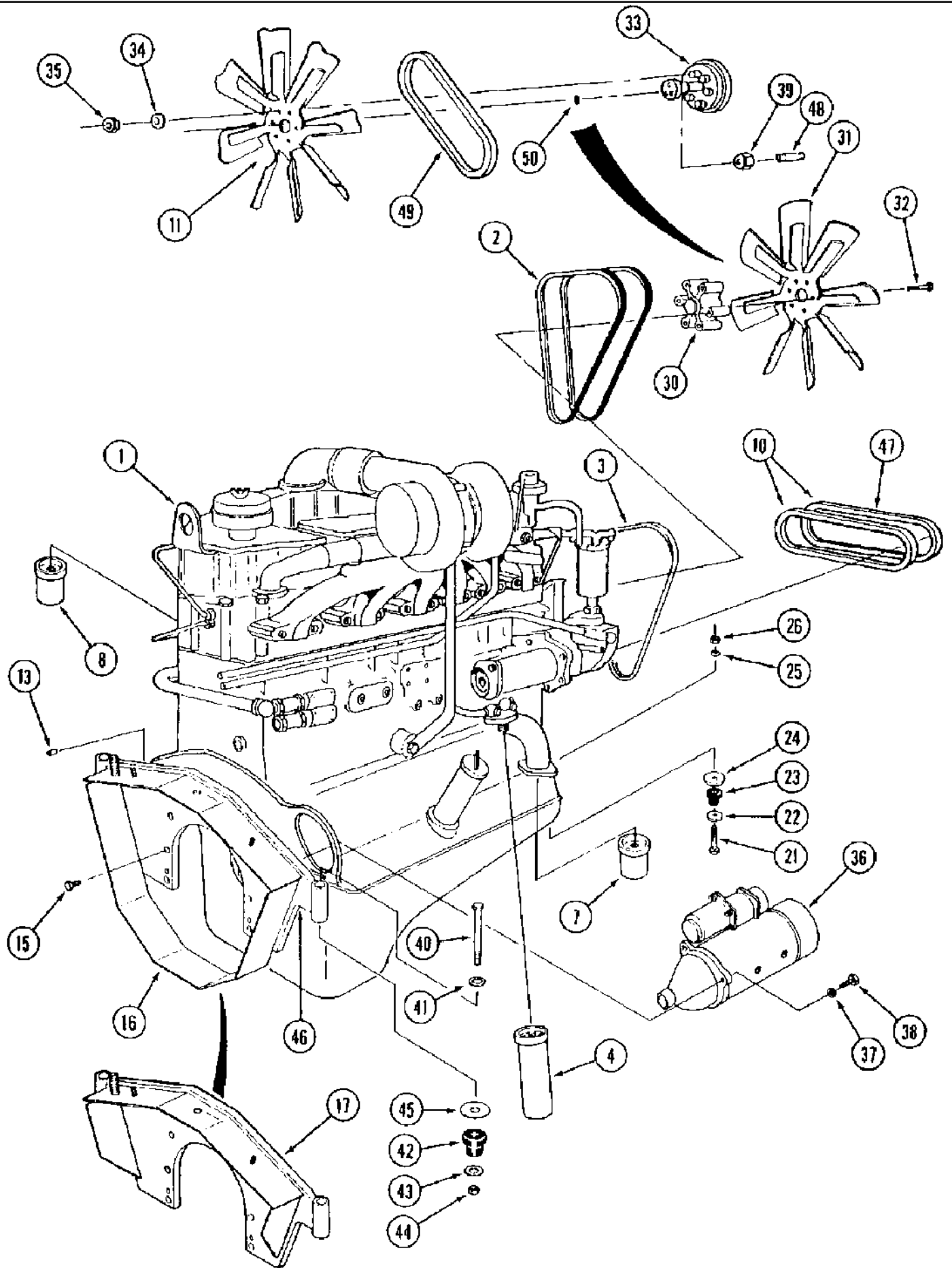
2-18 BLOCK HEATER



## 2-18 BLOCK HEATER

сылка	Номер детали	Кол-во	Описание
	90-3490T91	1	HEATER ASSEMBLY - coolant, prior to P.I.N. JEE0036501, Includes: Ref. 1 - 7
	90-8345T91	1	HEATER ASSEMBLY - coolant, P.I.N. JEE0036501 and after, Includes: Ref. 1 - 7
1	NSS	1	ELEMENT - heater
2	NSS	1	GASKET - element
3	NSS	1	CONNECTOR - reducer
4	NSS	1	NUT - hex
5	NSS	1	BUSHING - element
6	90-3491T1	1	CABLE - heater
7	19-135	1	STRAP - tie, nylon, if used

2-20 ENGINE MOUNTS AND ATTACHING PARTS



## 9380 CASE IH 4WD TRACTOR (6/95-8/00)

## 2-20 ENGINE MOUNTS AND ATTACHING PARTS

сылка	Номер детали	Кол-во	Описание
1	NSS	1	ENGINE ASSEMBLY - NTA-855-A BC111, 360 horsepower, 9370, prior to P.I.N. JEE0036501, see your Cummins engine dealer for service parts, Includes: Ref. 2 - 9
1	NSS	1	ENGINE ASSEMBLY - NTA-855-A BC111, 360 horsepower, 9370, P.I.N. JEE0036501 and after, see your Cummins engine dealer for service parts, Includes: Ref. 2 - 9
1	NSS	1	ENGINE ASSEMBLY - NTA-855-A BC111, 400 horsepower, 9380, prior to P.I.N. JEE0036501, see your Cummins engine dealer for service parts, Includes: Ref. 2 - 9
1	NSS	1	ENGINE ASSEMBLY - NTA-855-A BC111, 400 horsepower, 9380, P.I.N. JEE0036501 and after, see your Cummins engine dealer for service parts, Includes: Ref. 2 - 9
1	NSS	1	ENGINE ASSEMBLY - N14-A425, 425 horsepower, 9390, see your Cummins engine dealer for service parts, Includes: Ref. 2 - 9
2	90-8264T1	1	BELT - V-type, set of two
3	90-2383T1	1	BELT - V-type, ribbed, water pump, 90-2383t1 water pump belt is a 6 rib belt and has an effective length of 43.6". cam djo 5/30/01
4	90-7101T1	1	FILTER - engine oil
7	A77544	1	FILTER - water conditioning, precharge, service
8	90-3941T1	1	FILTER - fuel
9	A77424	1	CAP - oil fill tube, not shown
10	90-1375T1	1	BELT - alternator, set of two, used on the 9370 and 9380
11	236987A1	1	FAN - engine, used on 9390
13	NSS	2	PIN - dowel, 9/16 x 1-1/8 inch, serviced through Cummins
15	428-1024	9	BOLT - hex, 5/8 NF x 1-1/2 inch, grade 8
16	90-7553T1	1	HOUSING - flywheel, replaced by 229656A3 mount, Ref. 17
17	229656A3	1	MOUNT - engine, replaces 90-7553T1 housing, Ref. 16
21	426-1064	2	BOLT - hex, 5/8 NC x 4 inch, grade 8
22	19-408	2	WASHER - flat, 5/8 x 2-1/2 x 3/16 inch
23	24-231	2	INSULATOR - engine mount, rubber, front
24	51-128	2	WASHER - flat, 5/8 x 3-1/2 x 3/16 inch
25	496-81022	2	WASHER - flat, 21/32 x 1-1/4 x 1/4 inch, hardened
26	232-41110	2	NUT, LOCK, 5/8"-11, GC
30	90-3569T1	1	SPACER - fan
31	90-4238T1	1	FAN - engine, prior to P.I.N. JEE0036501, used on 9370 and 9380
31	90-8164T1	1	FAN - engine, P.I.N. JEE0036501 and after, used on 9370 and 9380
32	326-856	6	BOLT, Hex, 1/2"-13 x 3 1/2", G8
33	90-8378T1	1	CLUTCH - fan, used on 9390, Only the 9380 QT and the 9390 have the viscus fan and require this clutch. The 9380 Wheeled version does not require it.
34	496-21034	6	WASHER, 11/32" x 11/16" x 0.89", HDN, Used with 90-8378T1 clutch, Ref. 33
35	825-1408	6	Nut, M8, Cl 8, Used with 90-8378T1 clutch, Ref. 33
36	107717A1	1	STARTER ASSEMBLY - Delco Remy, 12 volt, parts list Figures 4-38 and 4-40
37	19-912	3	WASHER - flat, 21/32 ID x 1-3/16 OD x 3/16 inch thick
38	80-11032	3	BOLT - 12 point flange, 5/8 NC x 2 inch, grade 8, Three screws are required to install the starter (the parts book is incorrect). The parts book calls out P/N 80-11032, but production used P/N 480-11032 since late 1993. Either screw is acceptable, but P/N 480-11032 is preferred.
39	425-108	6	NUT - hex, 1/2 inch NC, used with 90-8378T1 clutch, Ref. 33
40	426-12120	2	BOLT - hex, 3/4 NC x 7-1/2 inch, grade 8
41	496-11081	2	WASHER - flat, 13/16 x 1-1/2 x 9/64 inch, hardened

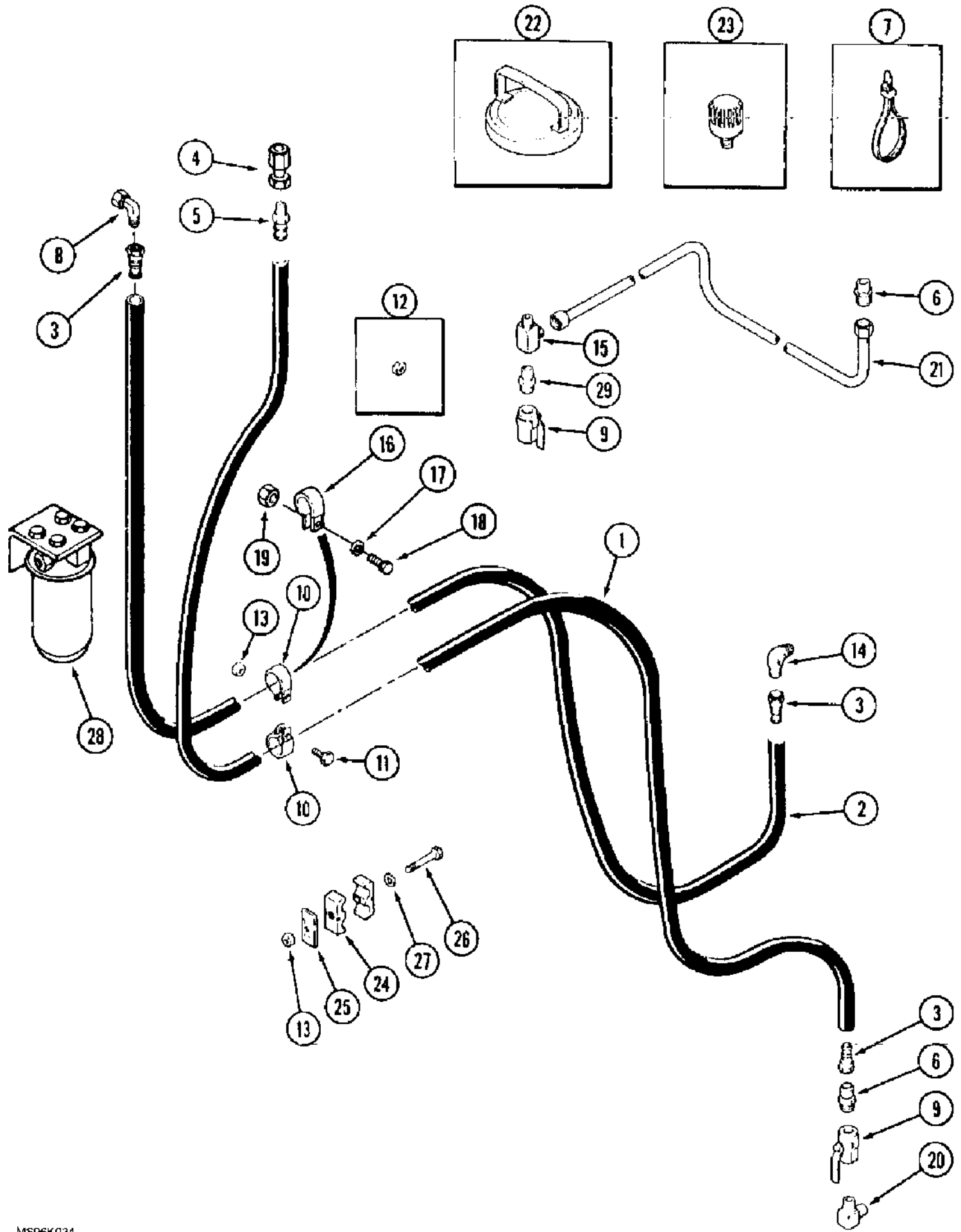


9380 CASE IH 4WD TRACTOR (6/95-8/00)

2-20 ENGINE MOUNTS AND ATTACHING PARTS

сылка	Номер детали	Кол-во	Описание
42	47-4172	2	INSULATOR - mount, rubber, rear
43	495-21081	2	WASHER - flat, 13/16 x 2 x 9/64 inch
44	19-85	2	NUT - hex, self-locking, 3/4 inch NC
45	19-6150	2	WASHER - flat, special
46	229656A3	1	MOUNT - engine
47	90-8383T1	1	BELT - alternator, used on the 9390
48	90-8396T1	6	STUD - fan
49	90-8400T1	1	BELT - fan, used on the 9390
50	238-5041	1	O-RING, -041, 70 Duro, 2.989" ID x .070" Thk, Seal clutch

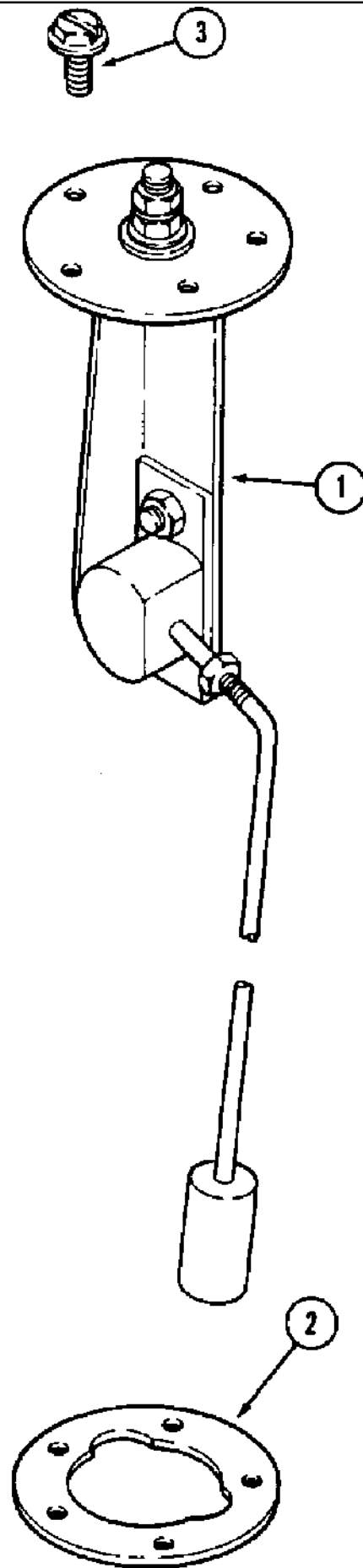
3-02 FUEL LINE SYSTEM



## 3-02 FUEL LINE SYSTEM

сылка	Номер детали	Кол-во	Описание
1	31-2967	1	HOSE - 4369 mm (172 inch) long, cut from 50-3418X1 bulk hose, see below
2	31-2951	1	HOSE - 4648 mm (183 inch) long, cut from 50-3418X1 bulk hose, see below
3	31-2976	3	ADAPTER - straight, 7/8-14 female swivel x 31/64 inch barb
4	218-1561	1	ADAPTER - straight, 3/4-16 swivel x 1/2 inch female PT
5	31-2966	1	ADAPTER - straight, special
6	218-445	2	ADAPTER - straight, 7/8-14 flare x 1/2 inch PT
7	22-824	1	STRAP - tie, 7 inch
8	218-5232	1	ELBOW - 90 degree, 7/8-14 inch flare x swivel
9	31-1267	2	VALVE - shutoff
10	515-23238	5	CLAMP - P-type, 15/16 inch ID
11	426-516	1	BOLT - hex, 5/16 NC x 1 inch, grade 8
12	425-106	1	NUT, 3/8"-16, G5
13	425-105	3	NUT - hex, 5/16 inch NC
14	218-485	1	ELBOW - 90 degree, 7/8-14 flare x 1/2 inch PT
15	31-1000	1	TEE - 1/2 female PT x 1/2 male PT x 7/8 NF inch flare
16	515-25254	1	CLAMP, 1", Insul, 1/2" Bolt, P-type, Used on the 9370 and 9380
17	495-11053	1	WASHER, 1/2", SAE (17/32" x 1-1/16" x 3/32")
18	426-812	1	BOLT - hex, 1/2 NC x 3/4 inch, grade 8
19	231-1445	2	NUT - hex, self-locking, 5/16 inch NC
20	217-1226	1	ELBOW - 90 degree, 1/2-14 inch NPT
21	90-7508T1	1	TUBE - fuel, tank
22	A162191	1	CAP - fuel
23	90-7732T1	1	BREATHER - fuel tank
24	50-2534T1	6	CLAMP - split, one-half, replaces 50-2551T1 clamp
25	50-2533T1	2	PLATE - clamp support
26	426-540	1	BOLT - hex, 5/16 NC x 2-1/2 inch, grade 8
27	495-21038	2	WASHER - flat, 3/8 x 7/8 x 3/32 inch
28	90-3941T1	1	FILTER - fuel
29	217-196	1	NIPPLE - straight, 1/2 PT x 1-13/16 inch
	50-3418X1		UAR HOSE - bulk, 16 (5/8) ID x 9144 mm (360 inch) long

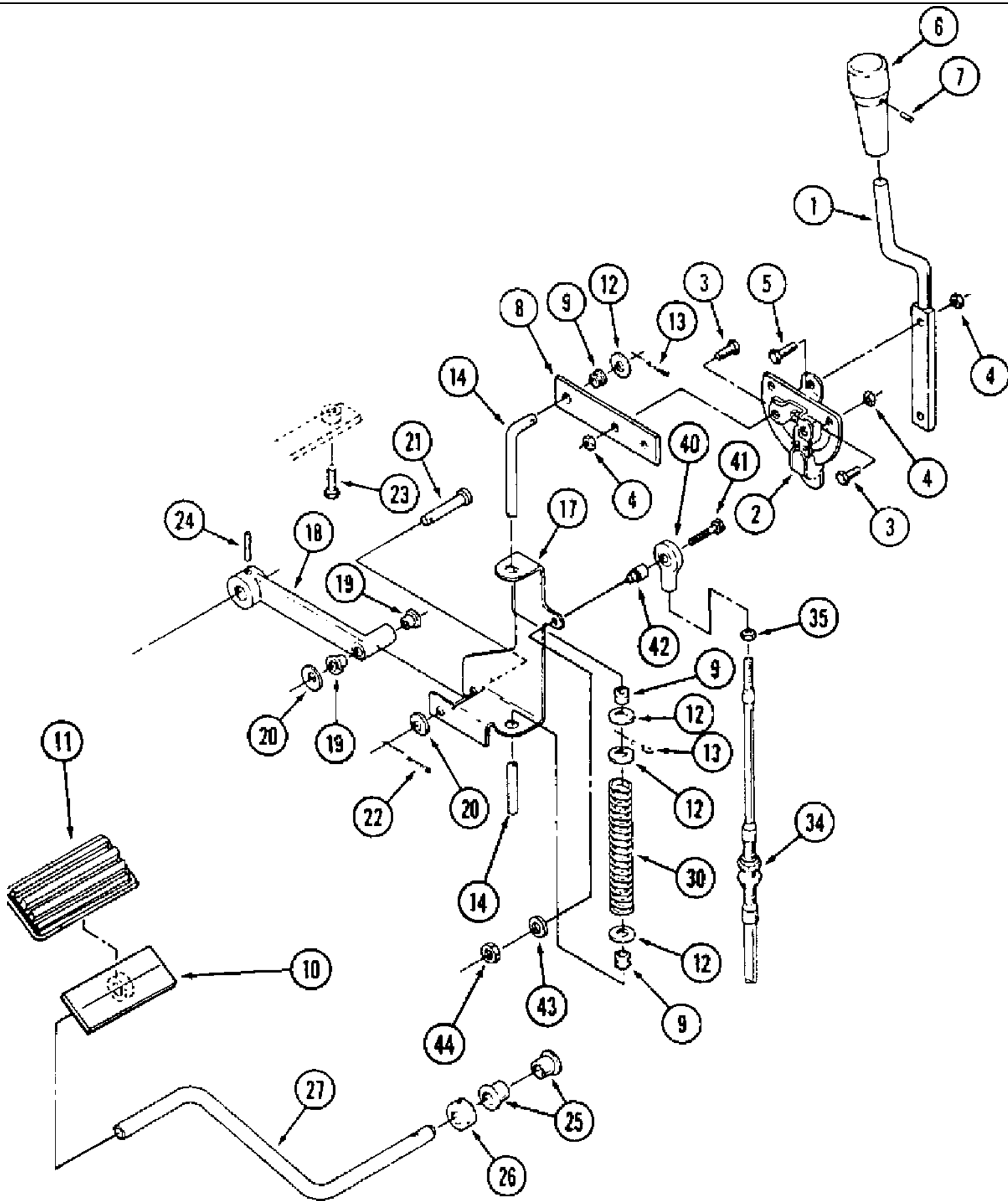
3-04 FUEL SENSOR ASSEMBLY



9380 CASE IH 4WD TRACTOR (6/95-8/00)

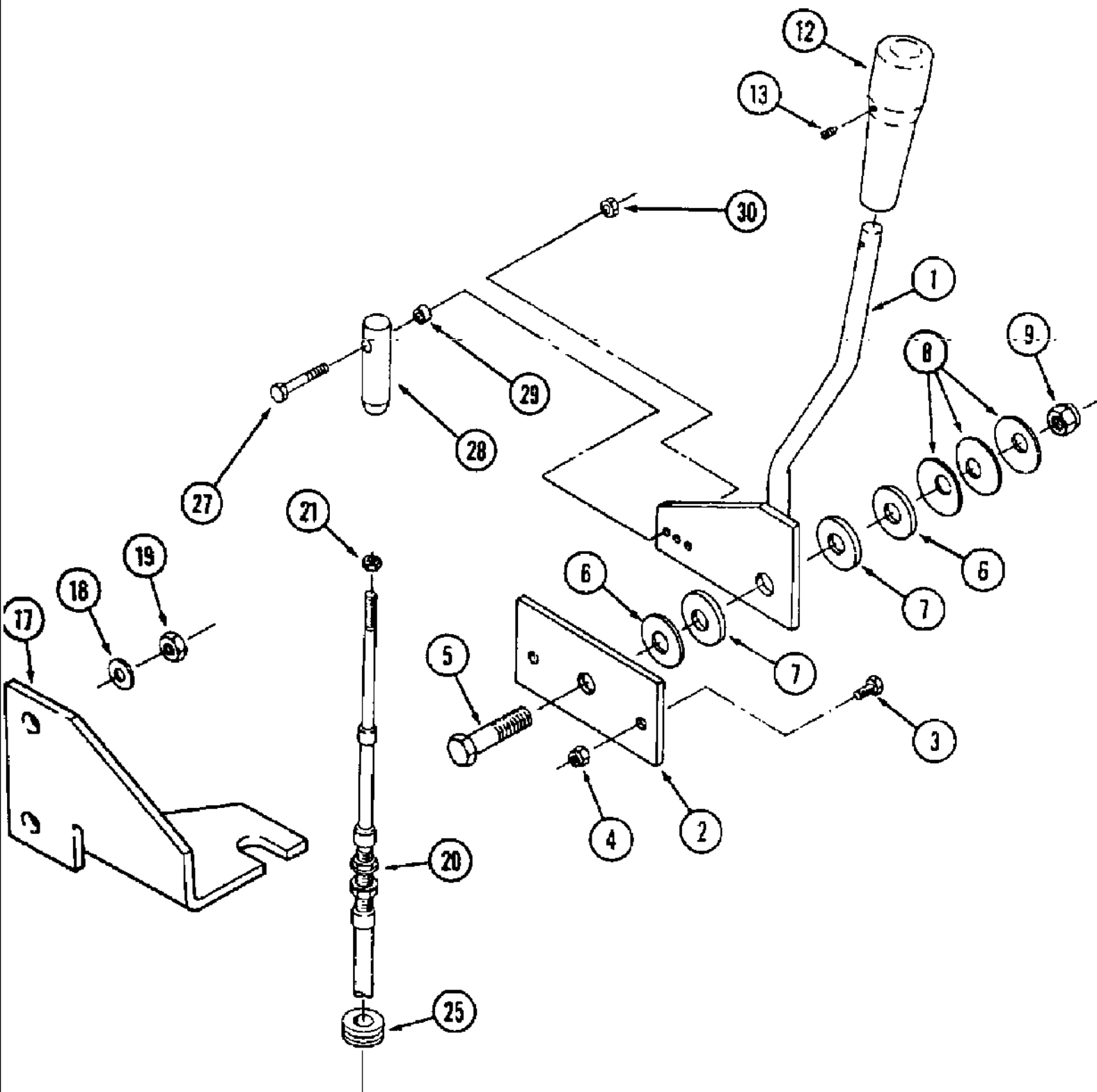
3-04 FUEL SENSOR ASSEMBLY

сылка	Номер детали	Кол-во	Описание
1	60-6831T91	1	SENSOR - fuel
2	104812C3	1	GASKET - fuel level sender
3	463-3108	5	SCREW - machine, hex washer head, No. 10 NC x 1/2 inch



## 3-06 THROTTLE AND DECELERATOR CONTROLS, CAB MODELS ONLY

сылка	Номер детали	Кол-во	Описание
1	60-4686T2	1	LEVER - throttle control
2	60-3783T1	1	BELLCRANK - throttle control
3	426-412	4	BOLT - hex, 1/4 NC x 3/4 inch, grade 8
4	111626C1	6	NUT - hex, self-locking, special, 1/4 inch NC
5	426-416	2	BOLT - hex, 1/4 NC x 1 inch, grade 8
6	60-2050T3	1	KNOB - control lever
7	19-5798	1	SCREW - set, No. 8 NC
8	60-3696T1	1	LEVER - bellcrank
9	19-6113	3	BUSHING - nylon, split, flanged
10	60-7066T1	1	PEDAL - decelerator
11	1999381C1	1	PAD - pedal, replaces 1958503C1 pad
12	495-21044	4	WASHER - flat, 7/16 x 1 x 5/64 inch
13	432-816	2	1/8" x 1"
14	60-6278T1	1	ROD - actuating
17	60-6277T2	1	BRACKET - retaining
18	60-6276T1	1	LEVER - decelerator
19	60-1948T1	2	BUSHING - flange
20	19-5995	2	WASHER - spring, 5/16 inch
21	19-5664	1	PIN - clevis, 5/16 x 2 inch
22	32-612	1	PIN, SPLIT (COTTER), 3/32" x 3/4"
23	426-820	1	BOLT - hex, 1/2 NC x 1-1/4 inch, grade 8
24	38-11216	1	PIN, 3/16" x 1", Slotted
25	24-206	2	BUSHING - flange
26	19-490	1	COLLAR - locking
27	60-4926T1	1	ROD - pedal, decelerator
30	60-3702T1	1	SPRING - compression
34	60-6425T1	1	CABLE - throttle, Includes: Ref. 35
35	225-14210	1	NUT, #10-32
40	H433283	1	JOINT - ball
41	163-55	1	SCREW - machine, hex head, No. 10 NC x 1-1/4 inch
42	90-7749T1	1	SPACER - joint
43	495-31025	1	WASHER - flat, 1/4 x 9/16 x 3/64 inch
44	86625057	1	NUT, LOCK, #10-24, GB

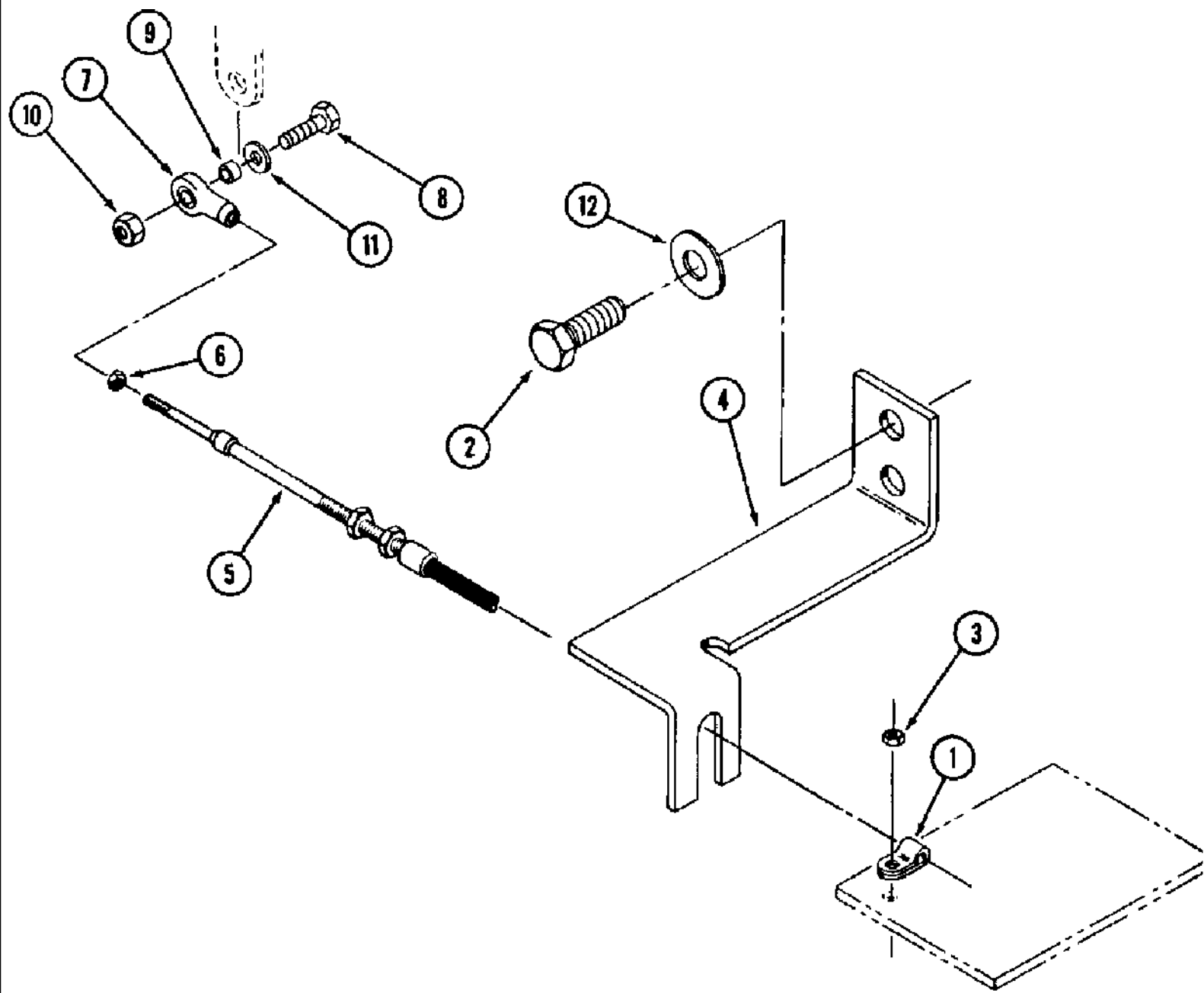




## 3-08 THROTTLE CONTROLS, ROPS MODELS ONLY

сылка	Номер детали	Кол-во	Описание
1	60-5850T1	1	LEVER - throttle control
2	60-5851T1	1	PLATE - mounting, throttle control
3	426-412	2	BOLT - hex, 1/4 NC x 3/4 inch, grade 8
4	111626C1	2	NUT - hex, self-locking, special, 1/4 inch NC
5	426-828	1	BOLT - hex, 1/2 NC x 1-3/4 inch, grade 8
6	495-21056	2	WASHER - flat, 9/16 x 1-3/8 x 7/64 inch
7	54-294	2	WASHER - flat, 1/2 x 1-3/8 x 1/8 inch
8	19-5648	3	SPRING - Belleville, 1/2 inch
9	231-1448	1	NUT - hex, self-locking, 1/2 inch NC
12	60-2050T3	1	KNOB - control lever
13	19-5798	1	SCREW - set, No. 8 NC
17	60-6532T1	1	BRACKET - retaining, cable
18	495-11034	2	WASHER - flat, 11/32 x 11/16 x 1/16 inch
19	425-105	2	NUT - hex, 5/16 inch NC
20	60-6424T1	1	CABLE - throttle, Includes: Ref. 21
21	225-14210	1	NUT, #10-32
25	22-609	1	GROMMET - cable
27	163-55	1	SCREW - machine, hex head, No. 10 NC x 1-1/4 inch
28	H433283	1	JOINT - ball
29	90-7749T1	1	SPACER - throttle
30	86625057	1	NUT, LOCK, #10-24, GB

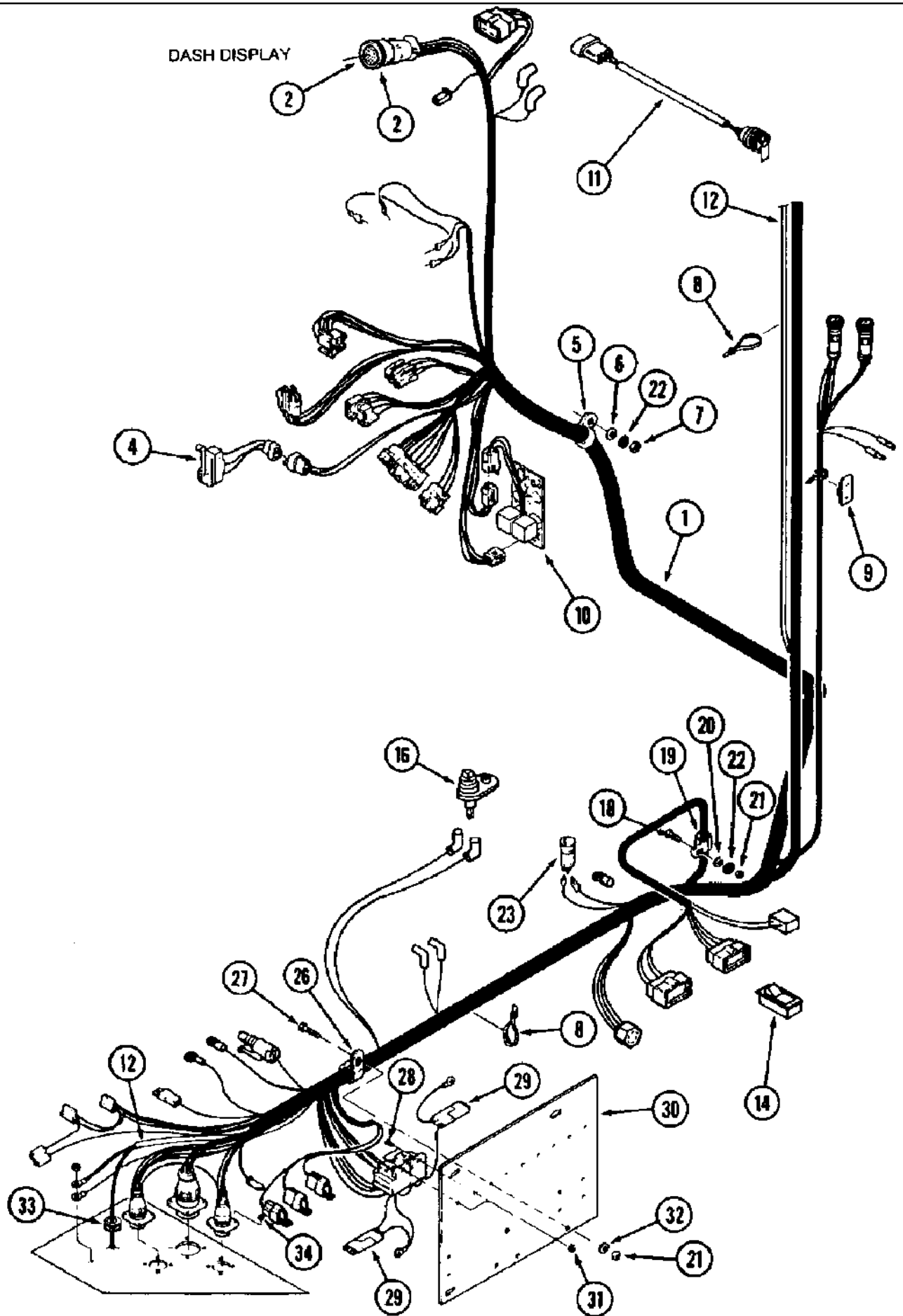
3-10 ENGINE THROTTLE CONTROLS



MS95K040

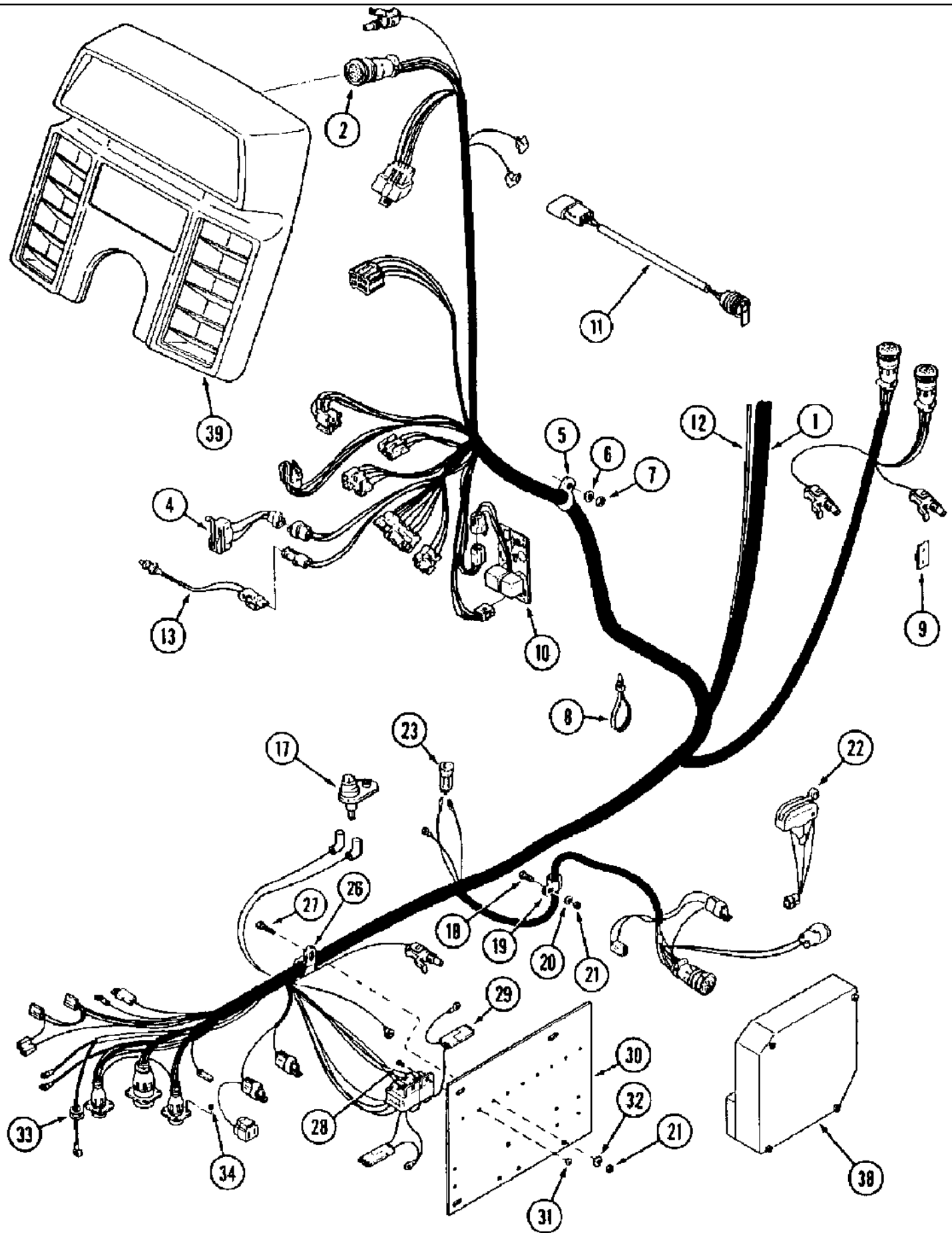
## 3-10 ENGINE THROTTLE CONTROLS

сылка	Номер детали	Кол-во	Описание
1	515-2395	1	CLAMP, 3/8", Insul, 3/8" Bolt
2	414-916	2	BOLT - hex, 9/16 NF x 1 inch
3	425-106	1	NUT, 3/8"-16, G5
4	90-7643T1	1	BRACKET - throttle cable
5	60-6425T1	1	CABLE - throttle
6	225-14210	1	NUT, #10-32
7	H433283	1	JOINT - ball
8	163-55	1	SCREW - machine, hex head, No. 10 NC x 1-1/4 inch
9	90-7749T1	1	SPACER - joint
10	86625057	1	NUT, LOCK, #10-24, GB
11	495-31025	1	WASHER - flat, 1/4 x 9/16 x 3/64 inch
12	496-21066	2	WASHER - flat, 21/32 x 1-5/16 x 5/32 inch, hardened



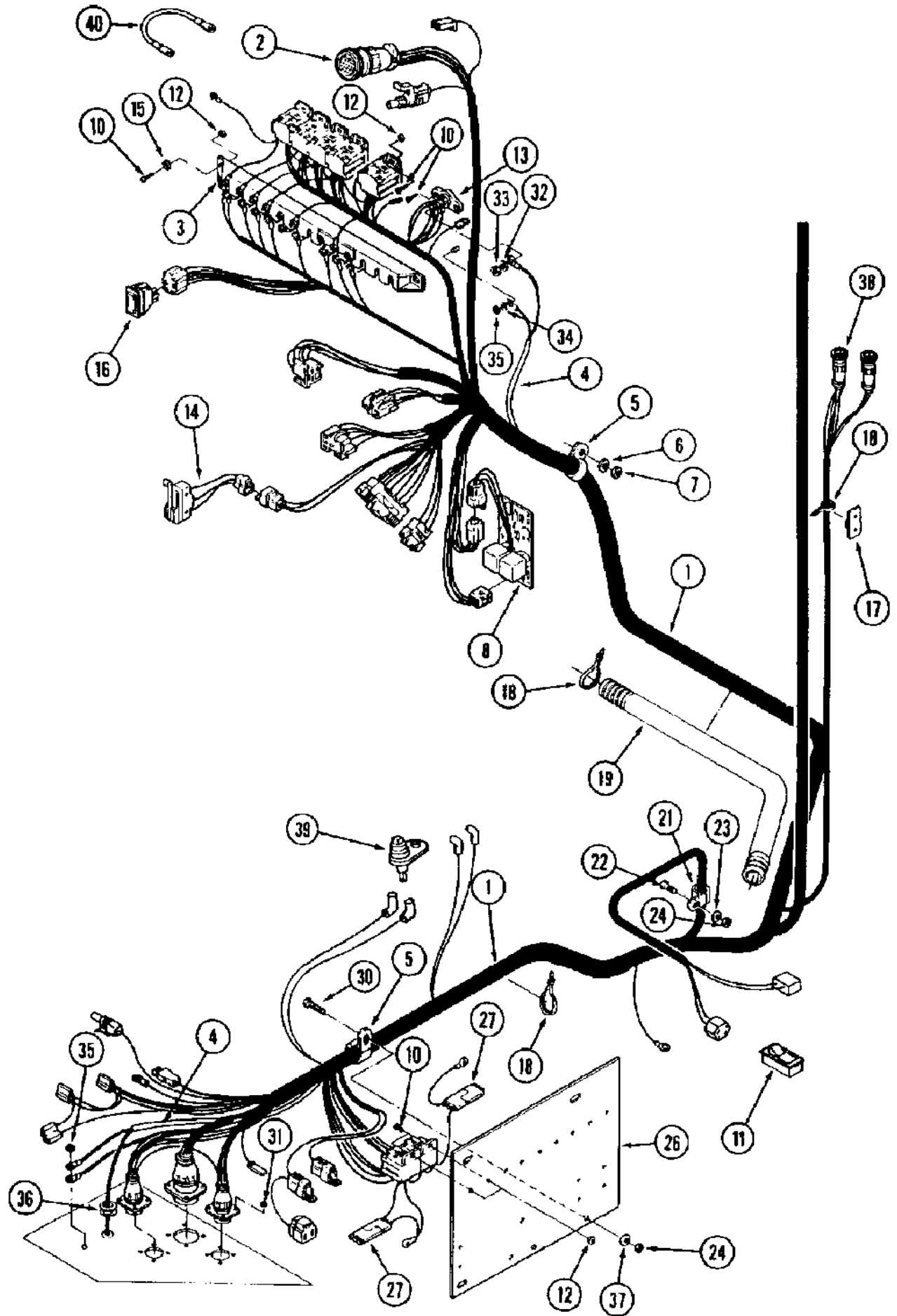
## 4-02 LOWER CAB HARNESS, SYNCHROSHIFT TRACTOR

сылка	Номер детали	Кол-во	Описание
1	60-7060T3	1	HARNESS - cab main, Includes: Ref. 2
2	60-6128T2	1	RING - coupling, socket
4	20-2340T91	1	SWITCH ASSEMBLY - micro, See Figure 6-112 for service parts
5	515-23270	1	CLAMP - P-type, 1-1/16 inch ID
6	495-11041	2	WASHER - flat, 13/32 x 13/16 x 1/16 inch
7	425-104	2	NUT - hex, 1/4 inch NC
8	22-824		UAR STRAP - tie, 7 inch
9	22-823	1	MOUNT - adhesive back, strap
10	REF	1	FLASHER ASSEMBLY - time base, parts list Figure 4-74
11	60-7089T2	1	HARNESS - auxiliary power
12	60-6807T1	1	HARNESS - overhead power, for complete overhead wiring system, See Figure 4-10
14	245012C1	1	SWITCH - rocker, 2-speed
16	1534229C1	1	SWITCH - parking brake
18	426-412	1	BOLT - hex, 1/4 NC x 3/4 inch, grade 8
19	515-23238	1	CLAMP - P-type, 15/16 inch ID
20	495-11028	1	WASHER - flat, 9/32 x 5/8 x 1/16 inch
21	232-4114	2	NUT, LOCK, 1/4"-20, GC
22	492-11025	5	WASHER, LOCK, 1/4"
23	1964773C1	1	LIGHTER - cigar, 12 volt, replaces 245576C1 lighter
26	515-23381	1	CLAMP, 1 1/2", Insul, 3/8" Bolt, P-type
27	413-416	1	BOLT - hex, 1/4 NC x 1 inch
28	459-1108	2	SCREW - machine, pan head slotted, No. 10 NF x 1/2 inch
29	22-738	4	DIODE - electrical
30	60-5052T3	1	PLATE - relay mounting
31	193-1000	2	NUT - hex, with external tooth lock washer, No. 10 NF
32	495-21031	1	WASHER - flat, 5/16 x 3/4 x 1/16 inch
33	60-6853T1	1	BUSHING - protective
34	225-14106	4	Nut, #6-32



## 4-04 LOWER CAB HARNESS, POWER SHIFT TRACTOR

сылка	Номер детали	Кол-во	Описание
1	60-7059T3	1	HARNESS - cab main, Includes: Ref. 2
2	60-6128T2	2	RING - coupling, socket
4	20-2340T91	1	SWITCH ASSEMBLY - micro, See Figure 6-112 for service parts
5	515-23270	1	CLAMP - P-type, 1-1/16 inch ID
6	495-11041	2	WASHER - flat, 13/32 x 13/16 x 1/16 inch
7	231-1446	2	NUT, LOCK, 3/8"-16, GB
8	22-824		UAR STRAP - tie, 7 inch
9	22-823	1	MOUNT - adhesive back, strap
10	REF	1	FLASHER ASSEMBLY - time base, parts list Figure 4-74
11	60-7089T2	1	HARNESS - auxiliary power
12	60-6516T1	1	HARNESS - overhead, cab, for complete overhead wiring system, See Figure 4-10
13	60-6027T1	1	SENSOR - proximity, clutch
17	1534229C1	1	SWITCH - parking brake
18	426-412	1	BOLT - hex, 1/4 NC x 3/4 inch, grade 8
19	515-23238	1	CLAMP - P-type, 15/16 inch ID, harness
20	495-11028	1	WASHER - flat, 9/32 x 5/8 x 1/16 inch
21	232-4114	2	NUT, LOCK, 1/4"-20, GC
22	60-6059T91	1	SWITCH - mode lever
23	1964773C1	1	LIGHTER - cigar, 12 volt, replaces 245576C1 lighter
26	515-23381	1	CLAMP, 1 1/2", Insul, 3/8" Bolt, P-type, Harness
27	413-416	1	BOLT - hex, 1/4 NC x 1 inch
28	459-5108	2	SCREW - machine, pan head slotted, No. 10 NF x 1/2 inch
29	22-738	2	DIODE - electrical
30	60-5052T3	1	PLATE - relay mounting
31	193-1000	2	NUT - hex, with external tooth lock washer, No. 10 NF
32	495-21031	1	WASHER - flat, 5/16 x 3/4 x 1/16 inch
33	60-6853T1	1	BUSHING - rubber
34	225-14106	4	Nut, #6-32
38	60-7160T1	1	CONTROLLER - transmission, transmission, prior to P.I.N. JEE0071001 and after
38	60-7287T1	1	CONTROLLER - transmission, P.I.N. JEE0071001 and after
39	REF	1	INSTRUMENT PANEL - See Figure 4-31 for the electronic module, See Figure 9-52 or 9-54 for the instrument panel cover (cover for cab models shown)

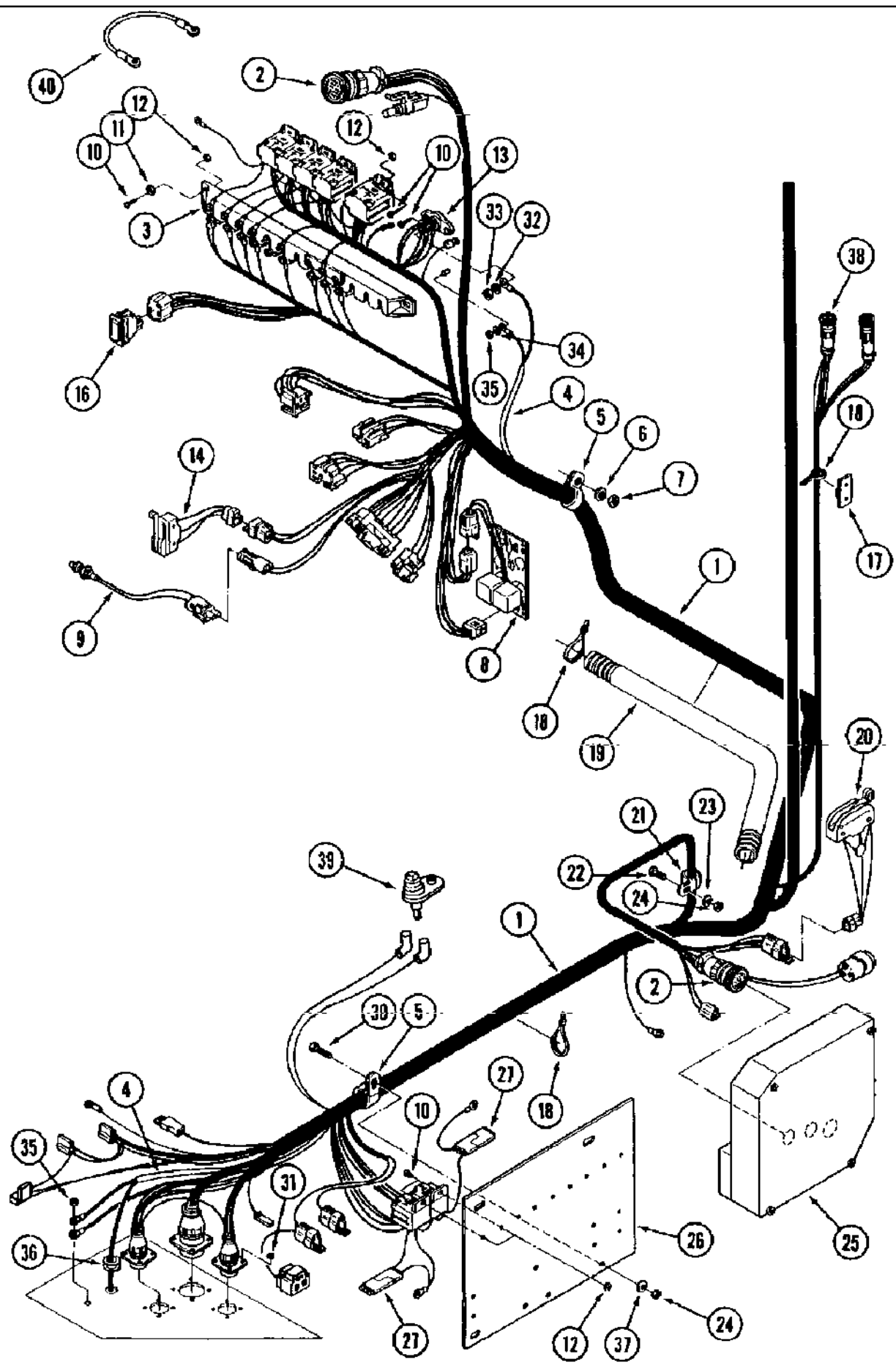




## 9380 CASE IH 4WD TRACTOR (6/95-8/00)

## 4-06 LOWER ROPS HARNESS, SYNCHROSHIFT TRACTOR

сылка	Номер детали	Кол-во	Описание
1	60-7062T1	1	HARNESS - ROPS main, Includes: Ref. 2
2	60-6128T2	1	RING - coupling, socket
3	22-674	1	BRACKET - mounting, circuit breaker
4	60-6803T1	1	HARNESS - overhead power, ROPS
5	515-23381	1	CLAMP, 1 1/2", Insul, 3/8" Bolt, P-type
6	495-11041	1	WASHER - flat, 13/32 x 13/16 x 1/16 inch
7	232-4136	1	NUT, LOCK, 3/8"-16, GC
8	REF	1	FLASHER ASSEMBLY - time base, parts list Figure 4-74
10	459-5108	8	SCREW - machine, pan head slotted, No. 10 NF x 1/2 inch
11	245012C1	1	SWITCH - rocker, 2 speed
12	193-1000	8	NUT - hex, with external tooth lock washer, No. 10 NF
13	20-1451T1	1	BLOCK - junction
14	20-2340T91	1	SWITCH ASSEMBLY - micro, See Figure 6-112 for service parts
15	495-31022	2	WASHER, #10
16	1964752C1	1	SWITCH - rocker, illumination
17	22-823	1	MOUNT - adhesive back, strap
18	22-824		UAR STRAP - tie, 7 inch
19	50-2962T1	1	CONDUIT - 2362 mm (93 inch) long, cut from S119717X bulk conduit, see below
21	515-23381	1	CLAMP, 1 1/2", Insul, 3/8" Bolt, P-type
22	426-412	1	BOLT - hex, 1/4 NC x 3/4 inch, grade 8
23	495-11028	1	WASHER - flat, 9/32 x 5/8 x 1/16 inch
24	232-4114	2	NUT, LOCK, 1/4"-20, GC
26	60-5052T3	1	PLATE - relay mounting
27	22-738	2	DIODE - electrical
30	413-416	1	BOLT - hex, 1/4 NC x 1 inch
31	230-14106	12	NUT - hex, self-locking, No. 6 NC
32	19-5577	1	WASHER - lock, 3/8 inch
33	115772	1	NUT - hex, special, 3/8 inch NC
34	492-11025	1	WASHER, LOCK, 1/4"
35	425-104	1	NUT - hex, 1/4 inch NC
36	60-6853T1	1	BUSHING - rubber
37	495-21031	1	WASHER - flat, 5/16 x 3/4 x 1/16 inch
38	60-6127T2	1	RING - lock
39	1534229C1	1	SWITCH - parking brake
40	60-6804T2	1	CABLE - ground, ROPS, if used
	S119717X		UAR CONDUIT - bulk, 25 (1) ID x 4877 mm (192 inch) long

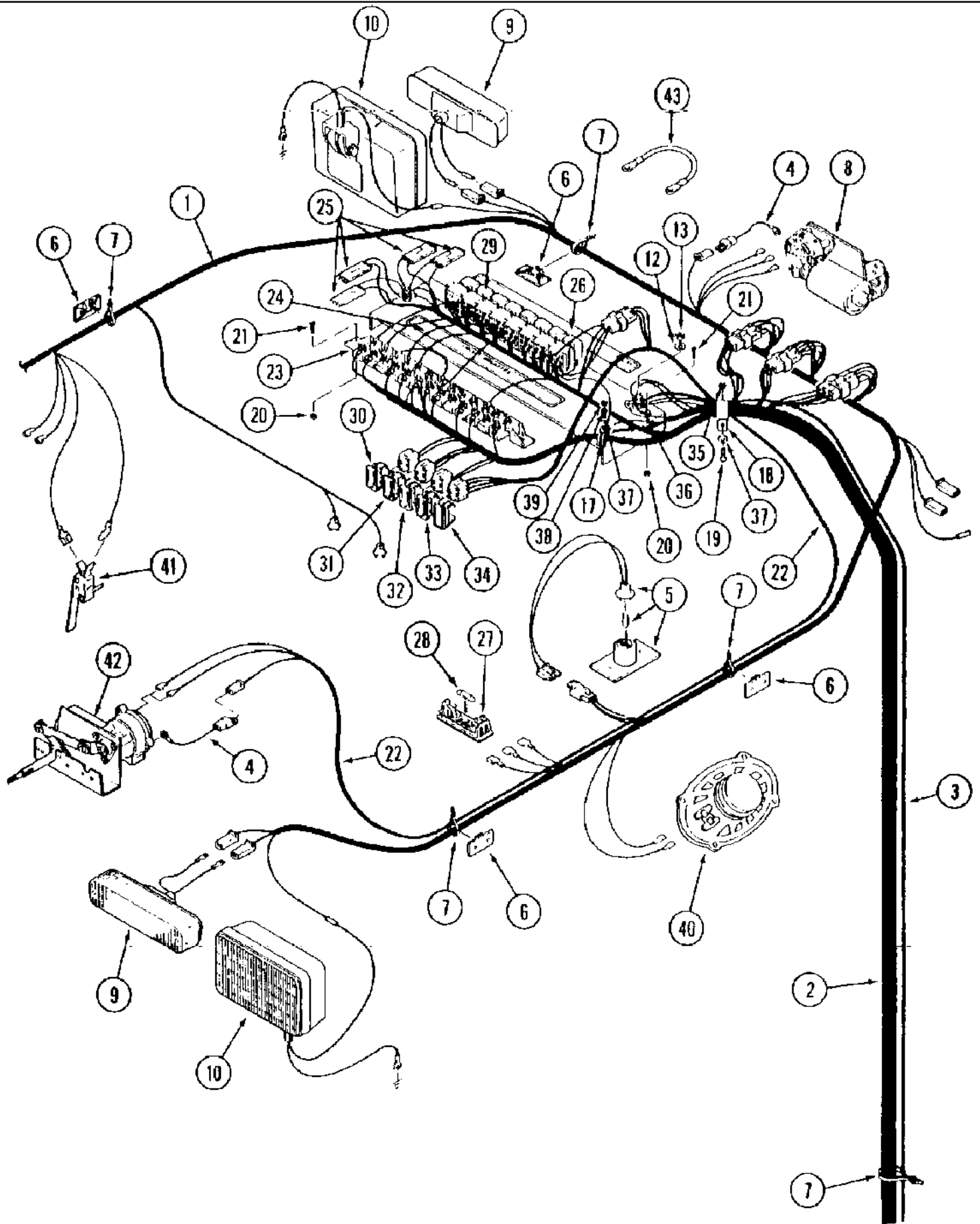


## 9380 CASE IH 4WD TRACTOR (6/95-8/00)

## 4-08 LOWER ROPS HARNESS, POWER SHIFT TRACTOR

сылка	Номер детали	Кол-во	Описание
1	60-7061T2	1	HARNESS - ROPS main, Includes: Ref. 2
2	60-6128T2	2	RING - coupling, socket
3	22-674	1	BRACKET - mounting, circuit breaker
4	60-6803T1	1	HARNESS - overhead power, ROPS
5	515-23381	2	CLAMP, 1 1/2", Insul, 3/8" Bolt, P-type, Harness
6	495-11041	1	WASHER - flat, 13/32 x 13/16 x 1/16 inch
7	232-4136	1	NUT, LOCK, 3/8"-16, GC
8	REF	1	FLASHER ASSEMBLY - time base, parts list Figure 4-74
9	60-6027T1	1	SENSOR - proximity, clutch
10	459-5108	8	SCREW - machine, pan head slotted, No. 10 NF x 1/2 inch
11	495-31022	2	WASHER, #10
12	193-1000	8	NUT - hex, with external tooth lock washer, No. 10 NF
13	20-1451T1	1	BLOCK - junction
14	20-2340T91	1	SWITCH ASSEMBLY - micro, clutch, See Figure 6-112 for service parts
16	1964752C1	1	SWITCH - rocker, illumination
17	22-823	1	MOUNT - adhesive back, strap
18	22-824		UAR STRAP - tie, 7 inch
19	50-2962T1	1	CONDUIT - 2362 mm (93 inch) long, cut from S119717X bulk conduit, see below
20	60-6059T91	1	SWITCH - neutral
21	515-23238	1	CLAMP - P-type, 15/16 inch ID, harness
22	426-412	1	BOLT - hex, 1/4 NC x 3/4 inch, grade 8
23	495-11028	1	WASHER - flat, 9/32 x 5/8 x 1/16 inch
24	232-4114	2	NUT, LOCK, 1/4"-20, GC
25	60-7287T1	1	CONTROLLER - transmission, P.I.N. JEE0071001 and after
26	60-5052T3	1	PLATE - relay mounting
27	22-738	2	DIODE - electrical
30	413-416	1	BOLT - hex, 1/4 NC x 1 inch
31	230-14106	12	NUT - hex, self-locking, No. 6 NC
32	19-5577	1	WASHER - lock, 3/8 inch
33	115772	1	NUT - hex, special, 3/8 inch NC
34	492-11025	1	WASHER, LOCK, 1/4"
35	425-104	1	NUT - hex, 1/4 inch NC
36	60-6853T1	1	BUSHING - rubber
37	495-21031	1	WASHER - flat, 5/16 x 3/4 x 1/16 inch
38	60-6127T2	1	RING - lock
39	1534229C1	1	SWITCH - parking brake
40	60-6804T2	1	CABLE - ground, ROPS, if used
	S119717X		UAR CONDUIT - bulk, 25 (1) ID x 4877 mm (192 inch) long

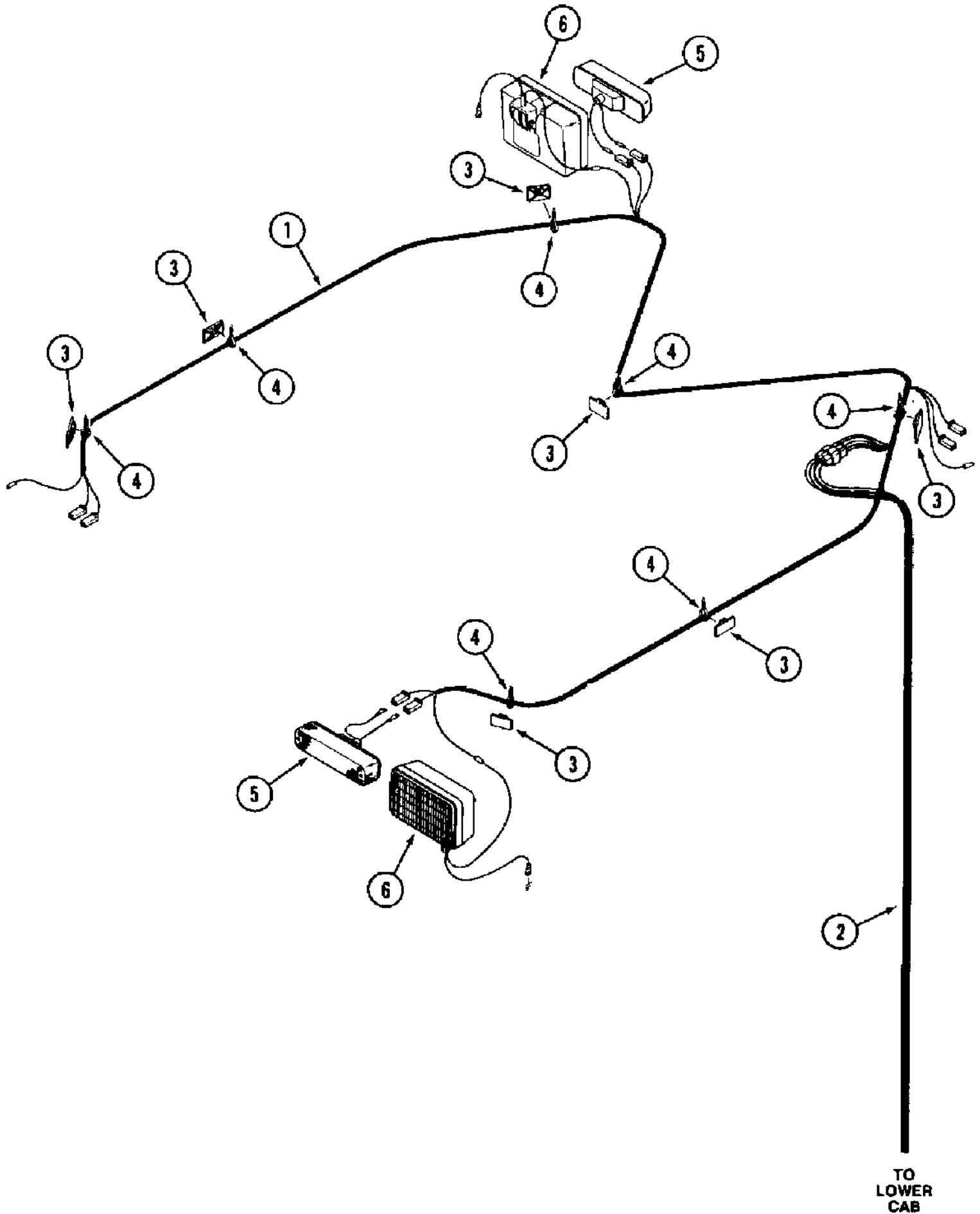
4-10 OVERHEAD CAB HARNESS



## 4-10 OVERHEAD CAB HARNESS

сылка	Номер детали	Кол-во	Описание
1	60-6516T1	1	HARNESS - overhead, cab
2	REF	1	HARNESS - main, cab, See Figures 4-02 and 4-04 for correct harness
3	60-6807T1	1	HARNESS - overhead power, cab
4	60-7091T1	2	CABLE - ground, wiper
5	83882C91	1	LAMP ASSEMBLY - console illumination
6	22-823	6	MOUNT - adhesive back, strap
7	22-824		UAR STRAP - tie, 7 inch
8	REF	1	DRIVE ASSEMBLY - wiper, front, See Figure 4-66 for service parts
9	22-665T1	1	LAMP ASSEMBLY - warning, parts list Figure 4-48
10	ZAA7189850	1	LAMP ASSEMBLY - flood, replaces 20-1730T92 lamp, parts list Figure 4-48
12	19-5577	1	WASHER - lock, 3/8 inch
13	115772	1	NUT - hex, special, 3/8 inch NC
17	515-23190	1	CLAMP - P-type, 3/4 inch ID
18	515-23317	1	CLAMP, 1 1/4", Insul, 3/8" Bolt, P-type
19	413-416	1	BOLT - hex, 1/4 NC x 1 inch
20	193-1000	4	NUT - hex, with external tooth lock washer, No. 10 NF
21	459-5108	4	SCREW - machine, pan head slotted, No. 10 NF x 1/2 inch
22	60-6523T1	1	HARNESS - rear wiper
23	REF	1	BREAKER ASSEMBLY - circuit, parts list Figure 4-14
24	60-6297T1	1	DECAL - circuit breaker
25	22-738	4	DIODE - electrical
26	60-7064T1	1	DECAL - overhead relay
27	1983391C1	1	LAMP - dome, Includes: Ref. 28
28	E35556	1	BULB - lamp 12V, 10w
29	1983394C2	7	RELAY - mini, 12 volt
30	1964752C1	1	SWITCH - rocker, master lamp
31	245012C1	1	SWITCH - rocker, dash lamp
32	1964751C1	1	SWITCH - rocker, ether start
33	1987431C1	1	SWITCH - rocker, rear wiper
34	245334C1	1	PLUG - panel switch cover, replaces 60-3210T1 plug
35	232-4114	1	NUT, LOCK, 1/4"-20, GC
36	20-1451T1	1	BLOCK - junction
37	495-21031	3	WASHER - flat, 5/16 x 3/4 x 1/16 inch
38	492-11025	2	WASHER, LOCK, 1/4"
39	231-1444	3	NUT, LOCK, 1/4"-20, GB
40	60-5748T1	2	SPEAKER - radio
41	60-6515T1	1	SWITCH - lamp, door, See Figure 9-68 for mounting hardware
42	REF	1	DRIVE ASSEMBLY - wiper, rear, See Figure 4-68 for service parts
43	60-6804T2	1	CABLE - ground, ROPS, overhead door, if used

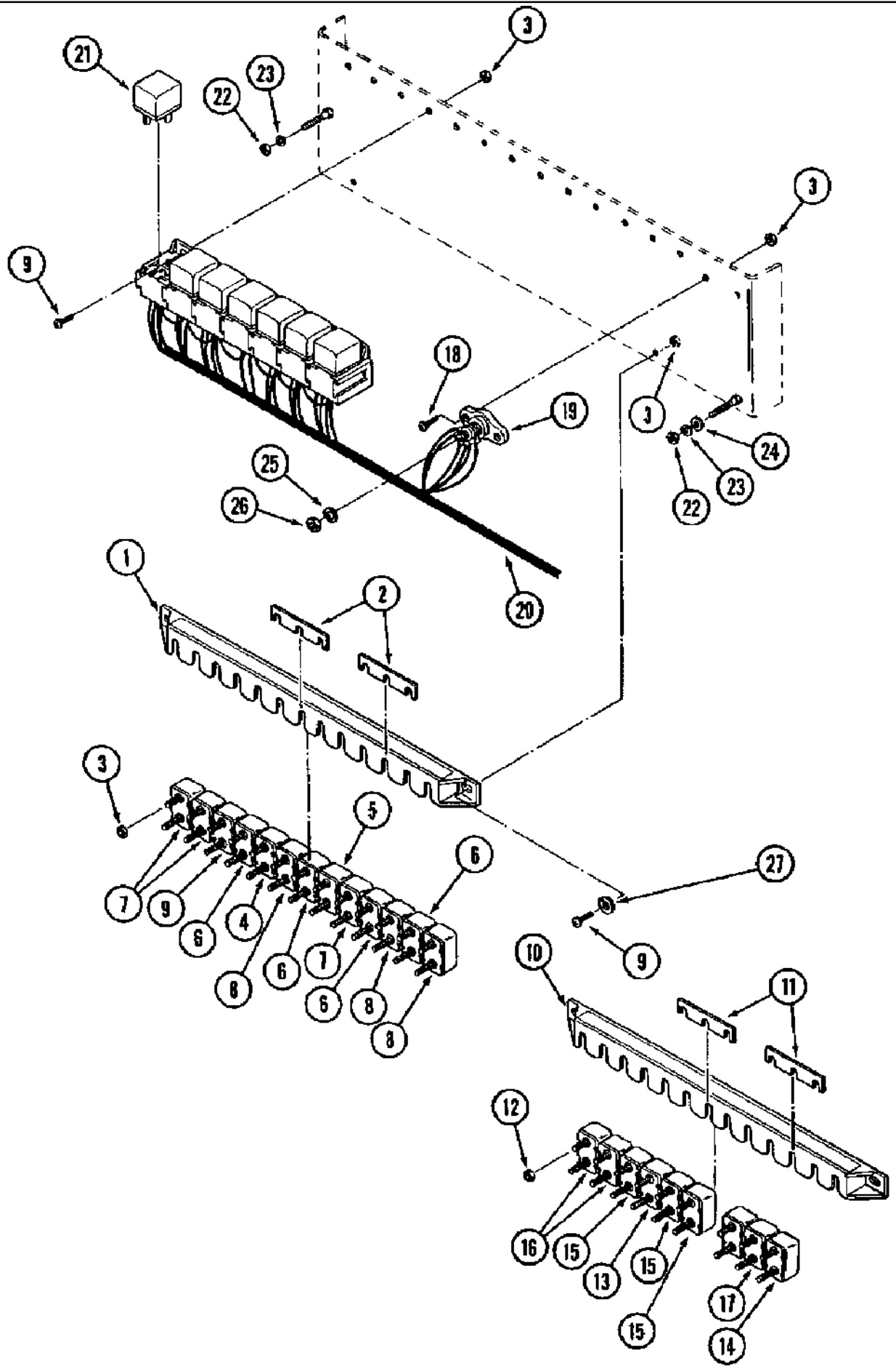
4-12 OVERHEAD ROPS HARNESS



## 4-12 OVERHEAD ROPS HARNESS

сылка	Номер детали	Кол-во	Описание
1	20-2483T1	1	HARNESS - overhead
2	REF	1	HARNESS - main ROPS, See Figures 4-06 and 4-08 for correct harness
3	22-823	7	MOUNT - adhesive back, strap
4	22-824		UAR STRAP - tie, 7 inch
5	22-665T1	4	LAMP ASSEMBLY - warning, parts list Figure 4-48
6	ZAA7189850	4	LAMP ASSEMBLY - flood, replaces 20-1730T92 lamp, parts list Figure 4-48

4-14 OVERHEAD CIRCUIT BREAKERS AND SOLENOIDS

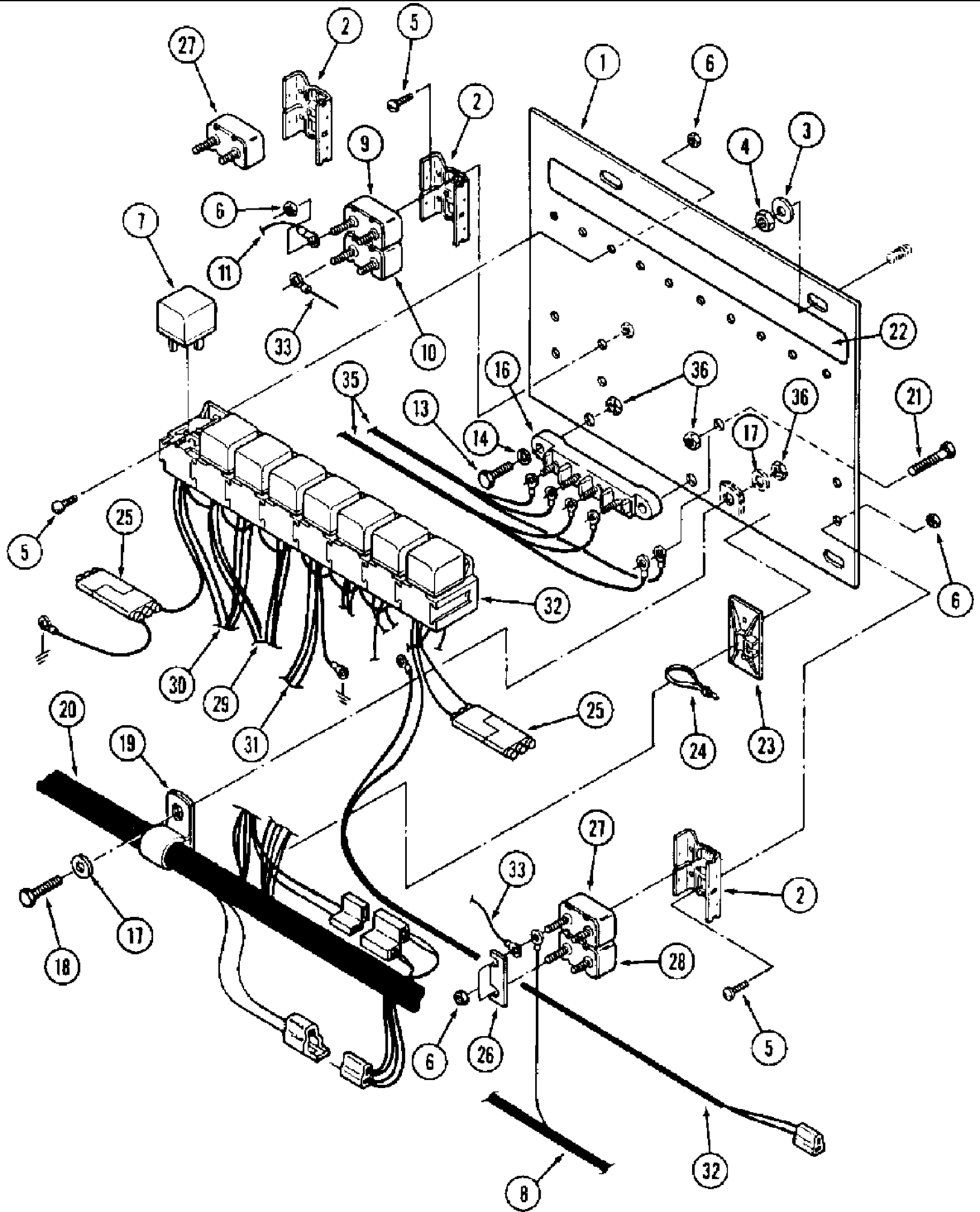




## 4-14 OVERHEAD CIRCUIT BREAKERS AND SOLENOIDS

сылка	Номер детали	Кол-во	Описание
	60-7057T92	2	BREAKER ASSEMBLY - circuit, no longer available, order component parts separately, Includes: Ref. 1 - 9
1	22-674	1	BRACKET - mounting, circuit breaker
2	22-676	2	CONNECTOR - circuit breaker
3	193-1000		UAR NUT - hex, with external tooth lock washer, No. 10 NF
4	22-809	1	BREAKER - circuit, 5 ampere
5	22-670	1	BREAKER - circuit, 10 ampere
6	22-671	4	BREAKER - circuit, 15 ampere
7	245765C1	3	BREAKER - circuit, 30 ampere
8	22-672	3	BREAKER - circuit, 20 ampere
9	A45686	1	BREAKER - circuit, 40 ampere
	60-7063T91	1	BREAKER ASSEMBLY - circuit, Includes: Ref. 10 - 17
10	22-674	1	BRACKET - mounting, circuit breaker
11	22-676	2	CONNECTOR - circuit breaker
12	193-1000	9	NUT - hex, with external tooth lock washer, No. 10 NF
13	22-809	1	BREAKER - circuit, 5 ampere
14	22-670	1	BREAKER - circuit, 10 ampere
15	22-671	4	BREAKER - circuit, 15 ampere
16	245765C1	2	BREAKER - circuit, 30 ampere, replaces 22-673 breaker
17	22-672	1	BREAKER - circuit, 20 ampere
18	459-5108		UAR SCREW - machine, pan head slotted, No. 10 NF x 1/2 inch
19	20-1451T1	1	BLOCK - junction
20	REF	1	HARNESS - main cab, See Figures 4-02 and 4-04 for correct harness
20	REF	1	HARNESS - main ROPS, See Figures 4-06 and 4-08 for correct harness
21	1983394C2	8	RELAY - mini, 12 volt
22	425-104	3	NUT - hex, 1/4 inch NC
23	492-11025	2	WASHER, LOCK, 1/4"
24	495-21031	2	WASHER - flat, 5/16 x 3/4 x 1/16 inch
25	19-5577	1	WASHER - lock, 3/8 inch
26	115772	1	NUT - hex, special, 3/8 inch NC
27	495-31022	2	WASHER, #10

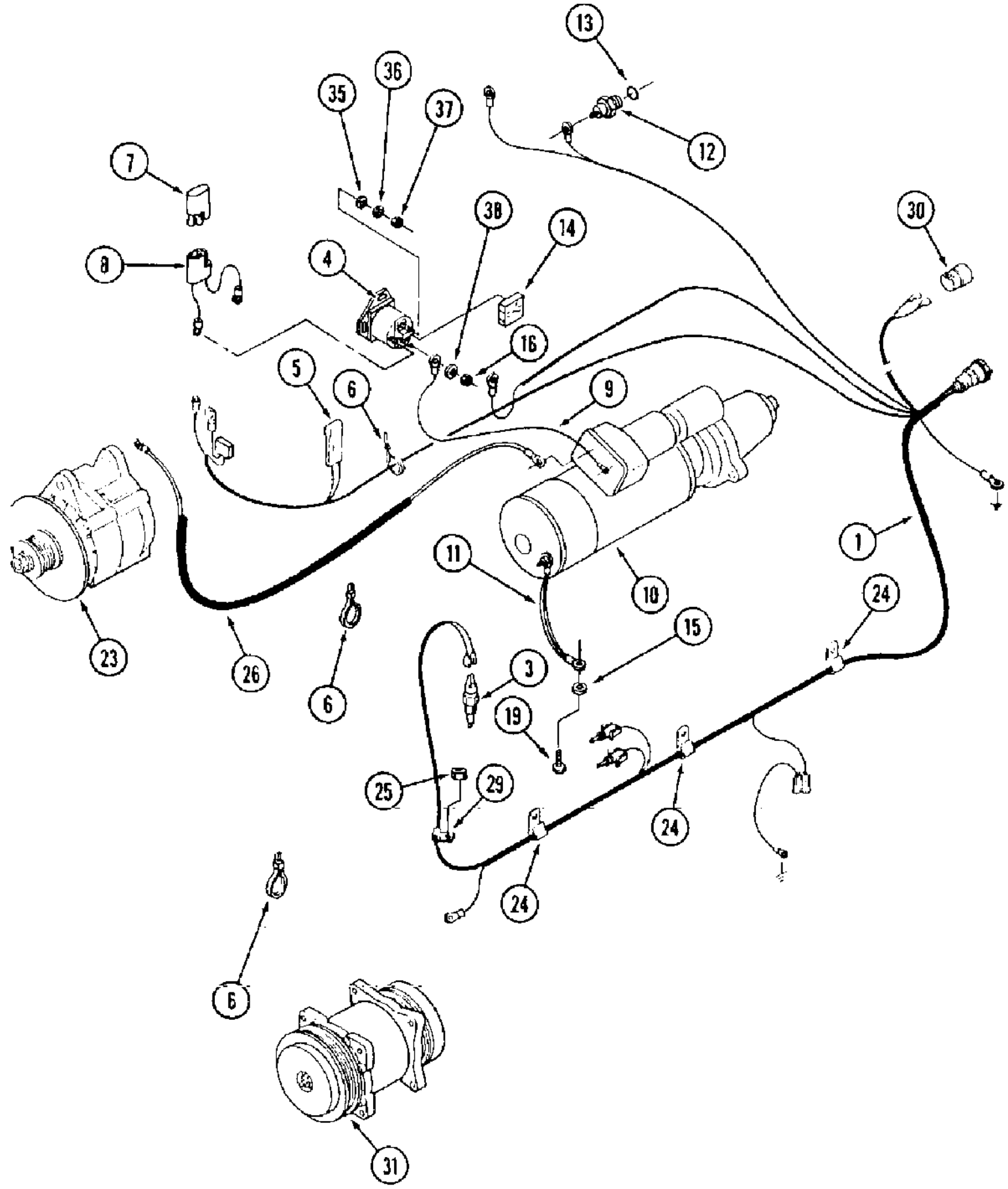
4-16 SYSTEMS CIRCUIT BREAKERS AND SOLENOIDS



## 4-16 SYSTEMS CIRCUIT BREAKERS AND SOLENOIDS

сылка	Номер детали	Кол-во	Описание
1	60-5052T3	1	PLATE - relay mounting
2	20-1171T1	3	BRACKET - mounting, circuit breaker
3	495-21038	3	WASHER - flat, 3/8 x 7/8 x 3/32 inch
4	231-1445	3	NUT - hex, self-locking, 5/16 inch NC
5	459-5108		UAR SCREW - machine, pan head slotted, No. 10 NF x 1/2 inch
6	193-1000		UAR NUT - hex, with external tooth lock washer, No. 10 NF
7	1983394C2		UAR RELAY - mini, 12 volt
8	REF	1	HARNESS - overhead power, See Figure 4-10 for correct harness
9	22-809	1	BREAKER - circuit, 5 ampere
10	245765C1	1	BREAKER - circuit, 30 ampere
11	60-7037T1	1	CABLE - three point hitch
13	426-412	2	BOLT - hex, 1/4 NC x 3/4 inch, grade 8
14	492-11025	2	WASHER, LOCK, 1/4"
16	20-1514T1	1	BLOCK - junction
17	495-21031	2	WASHER - flat, 5/16 x 3/4 x 1/16 inch
18	426-416	1	BOLT - hex, 1/4 NC x 1 inch, grade 8
19	515-23381	1	CLAMP, 1 1/2", Insul, 3/8" Bolt, P-type
20	REF	1	HARNESS - main, cab, See Figure 4-02 and 4-04 for correct harness
20	REF	1	HARNESS - main, ROPS, See Figure 4-06 and 4-08 for correct harness
21	19-5773	1	SCREW - machine, Keps head, 1/4 NC x 1-1/4 inch
22	60-7158T1	1	DECAL - relay
23	22-823	1	MOUNT - adhesive back, strap
24	22-824		UAR STRAP - tie, 7 inch
25	22-738		UAR DIODE - electrical
26	22-677	1	CONNECTOR - circuit breaker
27	22-670	2	BREAKER - circuit, 10 ampere
28	22-671	1	BREAKER - circuit, 15 ampere
29	60-6339T1	1	HARNESS - relay, rear differential lock
30	60-6340T1	1	HARNESS - relay, front differential lock
31	60-7017T2	1	HARNESS - electronic depth control, prior to P.I.N. JEE0069665, use with Ref. 14, 50-3321T91 valve on Figure 4-78
31	60-7274T1	1	HARNESS - electronic depth control, P.I.N. JEE0069665 and after, use with Ref. 14, 246245A1 valve on Figure 4-80
32	60-6162T1	1	HARNESS - air seat
33	60-6303T1	1	WIRE - circuit breaker
35	20-2484T1	2	HARNESS - differential, front and rear
36	231-1444	4	NUT, LOCK, 1/4"-20, GB

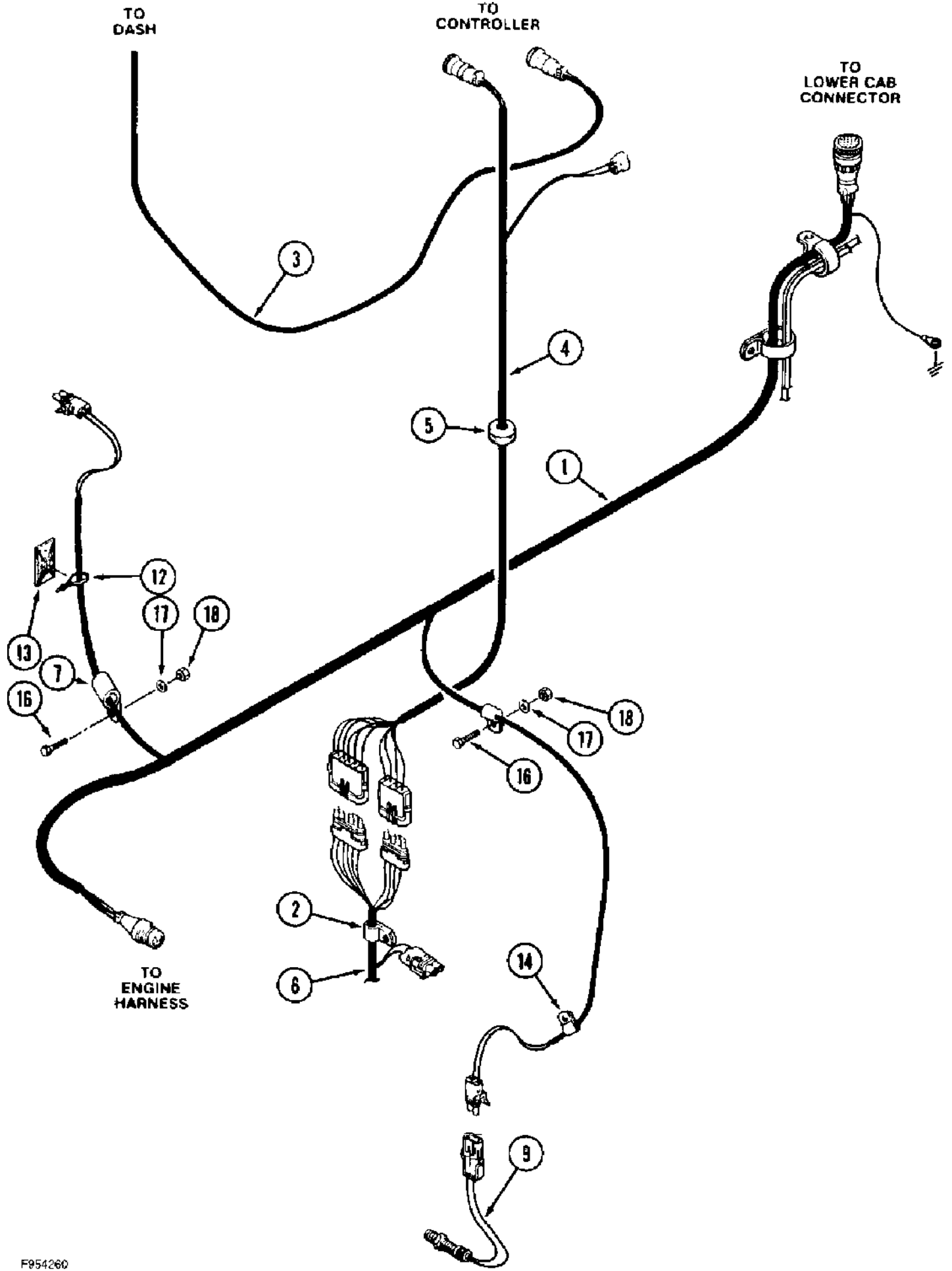
4-18 ENGINE HARNESS



## 4-18 ENGINE HARNESS

сылка	Номер детали	Кол-во	Описание
1	60-7166T2	1	HARNESS - engine
2	492-11010	1	Washer, Lock, #10, Not Shown, Part of solenoid switch kit, with barrier and cover P/N 178149A1
3	20-1676T2	1	SWITCH - temperature, sender, coolant
4	183038A1	1	SWITCH - solenoid with cover, starter, Part of solenoid switch kit, with barrier and cover P/N 178149A1
5	60-6251T1	1	DIODE - electrical
6	22-824	5	STRAP - tie, 7 inch
7	22-738	1	DIODE - electrical
8	60-7238T1	1	HARNESS - diode
9	60-7237T1	1	WIRE - jumper, starter to switch, replaces 20-2463T2 wire
10	140855A2	1	KIT - starter, 12 volt, Delco Remy, parts list Figure 4-40
11	60-6862T1	1	CABLE - ground, engine to starter
12	60-6935T1	1	SWITCH - temperature, transmission filter, See Figure 8-034 for correct assembly and component parts, Includes: Ref. 13
13	237-6008	1	O-Ring, 8-1, 90 Duro, .644" ID x .087" Thk
14	178148A1	1	COVER - solenoid switch, order 178149A1 kit, below, Part of solenoid switch kit, with barrier and cover P/N 178149A1
15	495-11041	1	WASHER - flat, 13/32 x 13/16 x 1/16 inch
16	425-105	2	NUT - hex, 5/16 inch NC, Part of solenoid switch kit, with barrier and cover P/N 178149A1
17	L18337	2	STRAP - tie, 15 inch, not shown, Part of solenoid switch kit, with barrier and cover P/N 178149A1
19	426-612	1	BOLT - hex, 3/8 NC x 3/4 inch, grade 8
23	1987560C1	1	ALTERNATOR ASSEMBLY - engine, 125 amp, parts list Figure 4-46
24	358986R1	3	CLAMP - P-type
25	231-1445	1	NUT - hex, self-locking, 5/16 inch NC
26	60-6860T1	1	CABLE - alternator
28	225-14210	1	NUT, #10-32, Not shown, Part of solenoid switch kit, with barrier and cover P/N 178149A1
29	515-2395	1	CLAMP, 3/8", Insul, 3/8" Bolt
30	1983233C1	1	SWITCH - restriction, air cleaner
31	1999755C2	1	COMPRESSOR ASSEMBLY - air conditioning, parts list Figure 9-106
35	495-11028	2	WASHER - flat, 9/32 x 5/8 x 1/16 inch
36	492-11025	2	WASHER, LOCK, 1/4"
37	425-104	2	NUT - hex, 1/4 inch NC
38	492-11031	2	WASHER, LOCK, 5/16", Part of solenoid switch kit, with barrier and cover P/N 178149A1
	178149A1	1	KIT - solenoid switch, with barrier and cover, Includes: Ref. 2, 4, 14, 16, 17, 28 and 38.

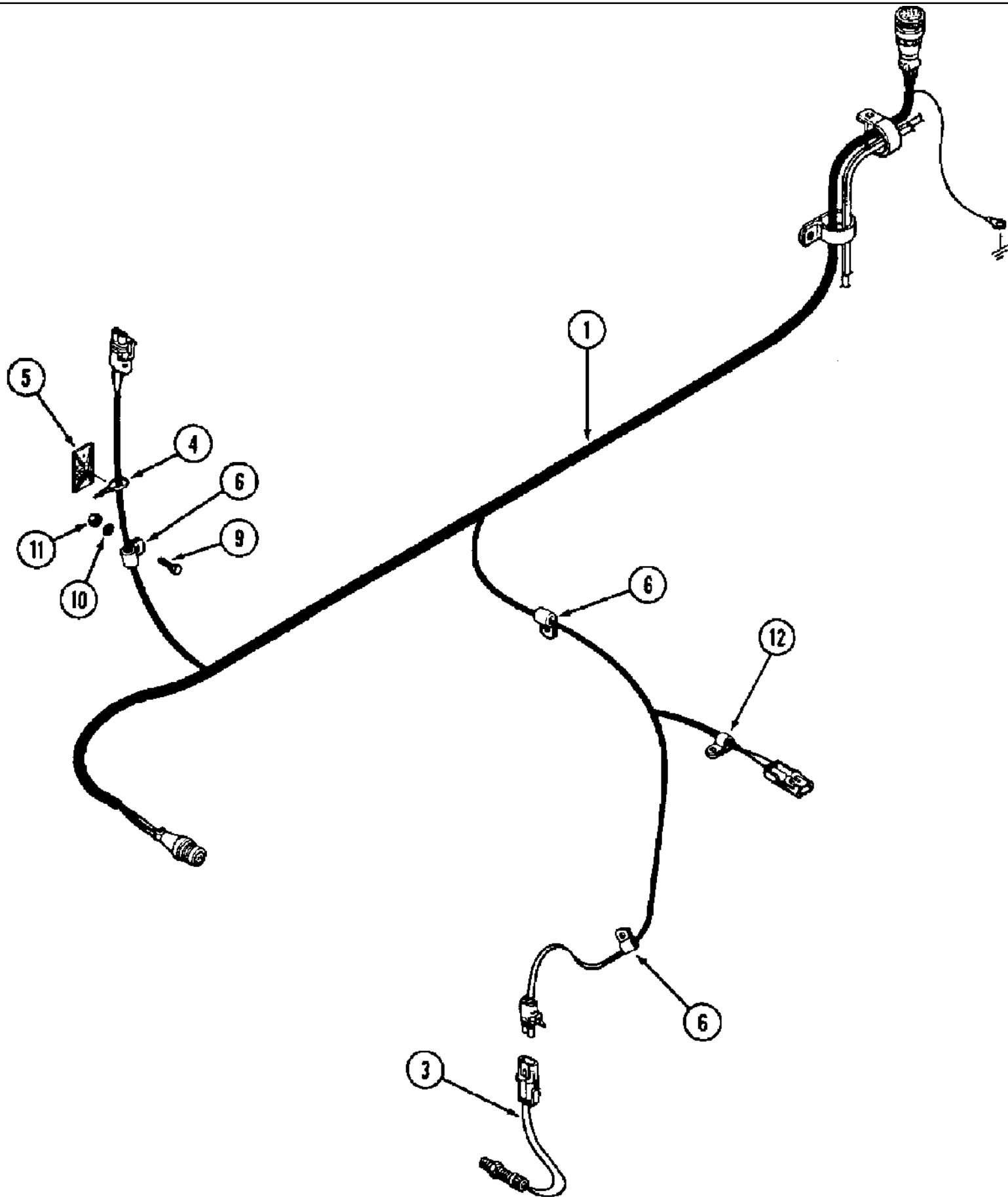
4-20 TRANSMISSION HARNESS, POWER SHIFT TRANSMISSION



9380 CASE IH 4WD TRACTOR (6/95-8/00)

4-20 TRANSMISSION HARNESS, POWER SHIFT TRANSMISSION

сылка	Номер детали	Кол-во	Описание
1	60-7171T1	1	HARNESS - transmission, includes clamps
2	515-23127	1	CLAMP - P-type, 1/2 inch ID
3	60-6089T1	1	HARNESS - dash display
4	60-6288T1	1	HARNESS - transmission solenoid
5	1-1051	1	GROMMET - protective
6	60-6800T1	1	HARNESS - transmission solenoid
7	515-2395	2	CLAMP, 3/8", Insul, 3/8" Bolt
9	60-7204T1	1	SENSOR - magnetic, MPH, replaces 60-6085T1 sensor
12	22-824		UAR STRAP - tie, 7 inch
13	22-823	1	MOUNT - adhesive back, strap
14	515-2363	1	CLAMP - P-type, 1/4 inch ID
16	426-512	3	BOLT - hex, 5/16 NC x 3/4 inch, grade 8
17	492-11031	3	WASHER, LOCK, 5/16"
18	425-105	3	NUT - hex, 5/16 inch NC



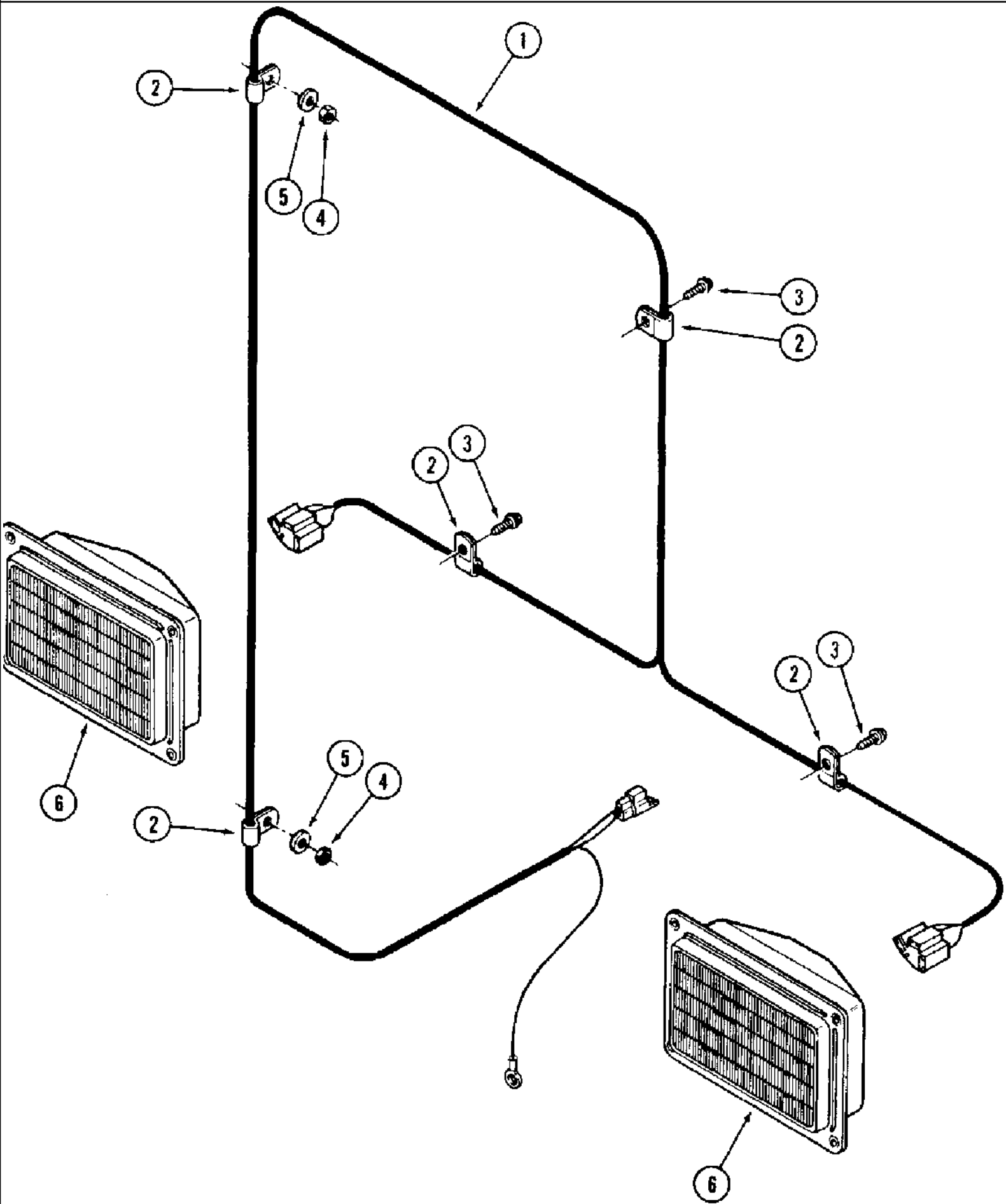


9380 CASE IH 4WD TRACTOR (6/95-8/00)

4-22 TRANSMISSION HARNESS, SYNCHROSHIFT TRANSMISSION

сылка	Номер детали	Кол-во	Описание
1	60-7074T1	1	HARNESS - transmission
3	60-7204T1	1	SENSOR - magnetic, MPH, replaces 60-6085T1 sensor
4	22-824	1	STRAP - tie, 7 inch
5	22-823	1	MOUNT - adhesive back, strap
6	515-2395	4	CLAMP, 3/8", Insul, 3/8" Bolt
9	426-512	1	BOLT - hex, 5/16 NC x 3/4 inch, grade 8
10	492-11031	1	WASHER, LOCK, 5/16"
11	425-105	1	NUT - hex, 5/16 inch NC
12	515-2563	1	CLAMP - P-type, 1/4 inch ID

4-24 FRONT HEADLAMP HARNESS

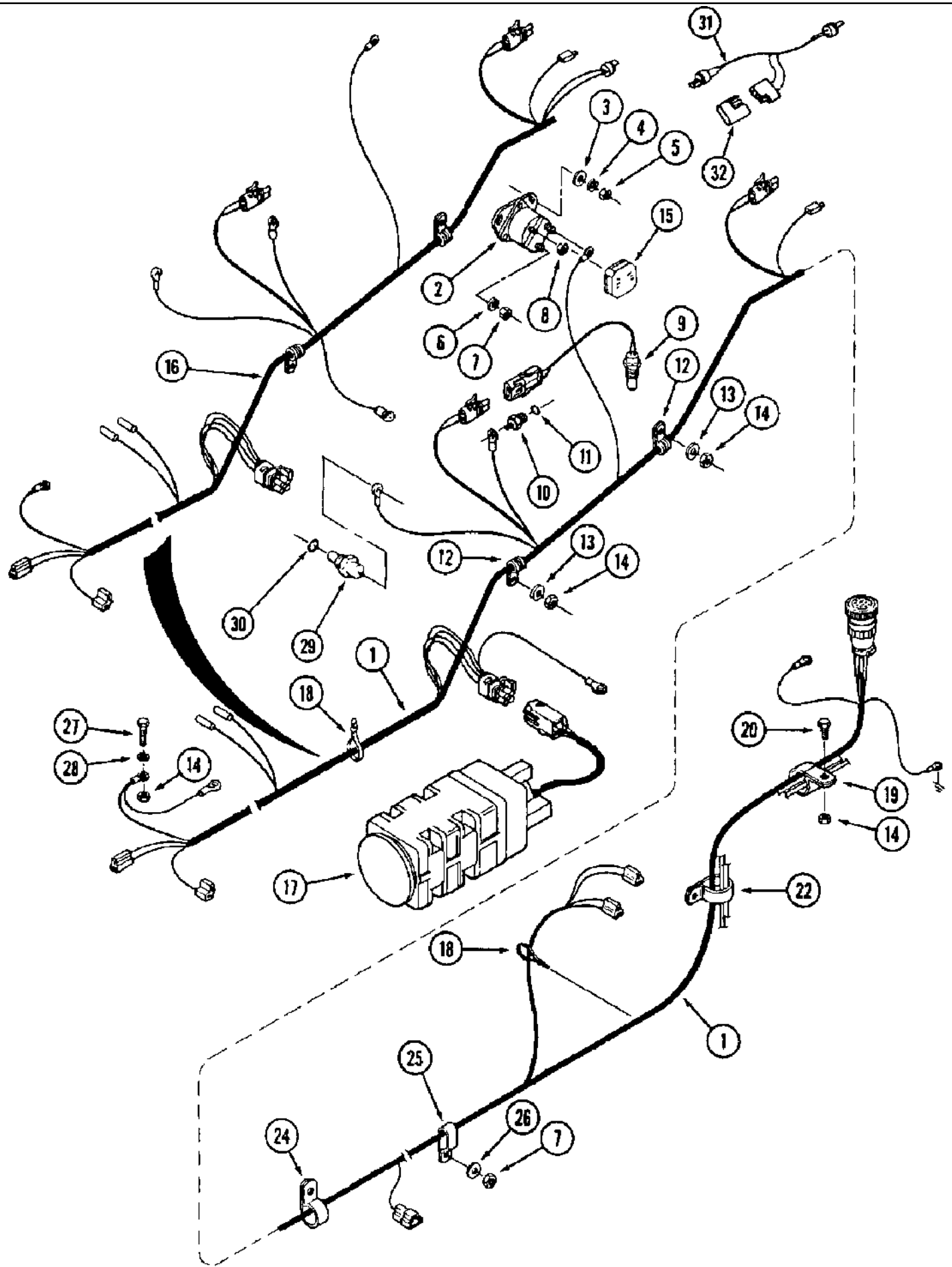


9380 CASE IH 4WD TRACTOR (6/95-8/00)

4-24 FRONT HEADLAMP HARNESS

сылка	Номер детали	Кол-во	Описание
1	60-6783T2	1	HARNES - headlamp, front
2	515-2395	5	CLAMP, 3/8", Insul, 3/8" Bolt, Tube
3	281-14712	3	SCREW - self-tapping, hex washer head, 1/4 NC x 3/4 inch
4	425-106	3	NUT, 3/8"-16, G5
5	495-11041	3	WASHER - flat, 13/32 x 13/16 x 1/16 inch
6	60-6731T1	2	LAMP - sealed beam, See Figure 4-49 for mounting hardware, replaces 60-6730T92 lamp

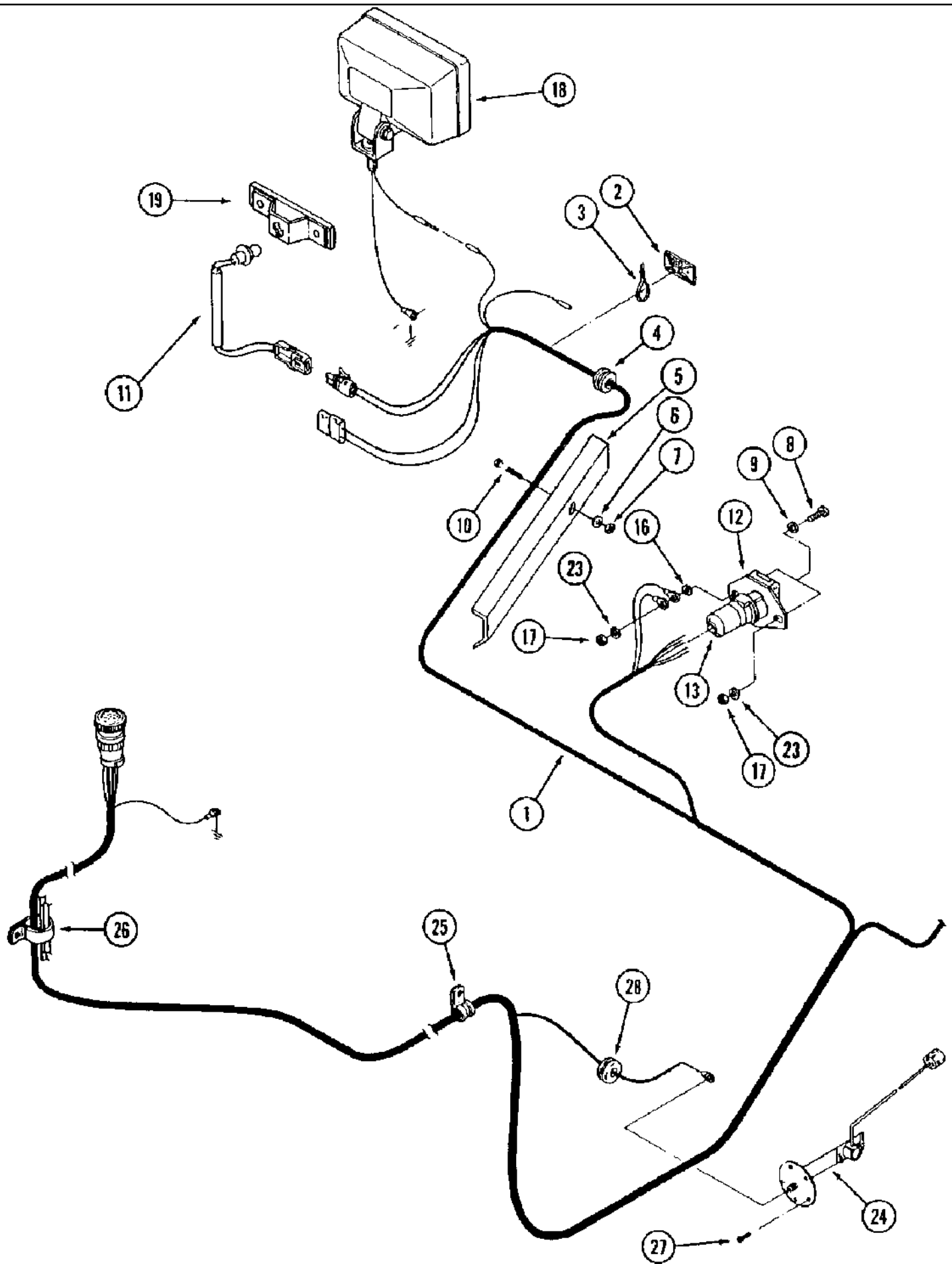
4-26 FRONT FRAME HARNESS



## 4-26 FRONT FRAME HARNESS

сылка	Номер детали	Кол-во	Описание
1	60-7077T2	1	HARNESS - front frame, replaced by Ref. 16, 60-7077T4 harness, when ordering also supply Ref. 31 and 32
2	183038A1	1	SWITCH - solenoid with cover
3	495-11028	2	WASHER - flat, 9/32 x 5/8 x 1/16 inch
4	492-11025	2	WASHER, LOCK, 1/4"
5	425-104	2	NUT - hex, 1/4 inch NC
6	492-11031	2	WASHER, LOCK, 5/16"
7	425-105	3	NUT - hex, 5/16 inch NC
8	193-1000	1	NUT - hex, with external tooth lock washer, No. 10 NF
9	1964538C1	1	SWITCH - temperature, hydraulic, low
10	REF	1	SWITCH - restriction, hydraulic filter, See Figure 8-35 for correct assembly and component parts, Includes: Ref. 11
12	515-23127	2	CLAMP - P-type, 1/2 inch ID
13	495-11041	2	WASHER - flat, 13/32 x 13/16 x 1/16 inch
14	425-106	2	NUT, 3/8"-16, G5
15	178148A1	1	COVER - solenoid switch
16	60-7077T4	1	HARNESS - front frame, replaces Ref. 1, 60-7077T2 harness, when ordering also supply (1) Ref. 32
17	228760A1	1	SENSOR - speed, ground, replaces 1983294C1 sensor
18	22-824		UAR STRAP - tie, 7 inch
19	515-23508	1	CLAMP - P-type, 2 inch ID
20	413-612	1	BOLT - hex, 3/8 NC x 3/4 inch
22	515-23381	1	CLAMP, 1 1/2", Insul, 3/8" Bolt, P-type
24	515-23317	1	CLAMP, 1 1/4", Insul, 3/8" Bolt, P-type
25	31-1070	1	CLAMP - extended P-type
26	495-11034	1	WASHER - flat, 11/32 x 11/16 x 1/16 inch
27	413-620	1	BOLT - hex, 3/8 NC x 1-1/4 inch
28	493-41039	1	WASHER, LOCK, Ext Tooth, 3/8"
29	60-6935T1	1	SWITCH - temperature, high, hydraulic filter, Includes: Ref. 30
30	237-6008	1	O-Ring, 8-1, 90 Duro, .644" ID x .087" Thk
31	60-7239T1	1	HARNESS - diode, axle lube solenoid
32	22-738	2	DIODE - electrical
11	237-6006	1	O-Ring, 6-1, 90 Duro, .468" ID x .078" Thk

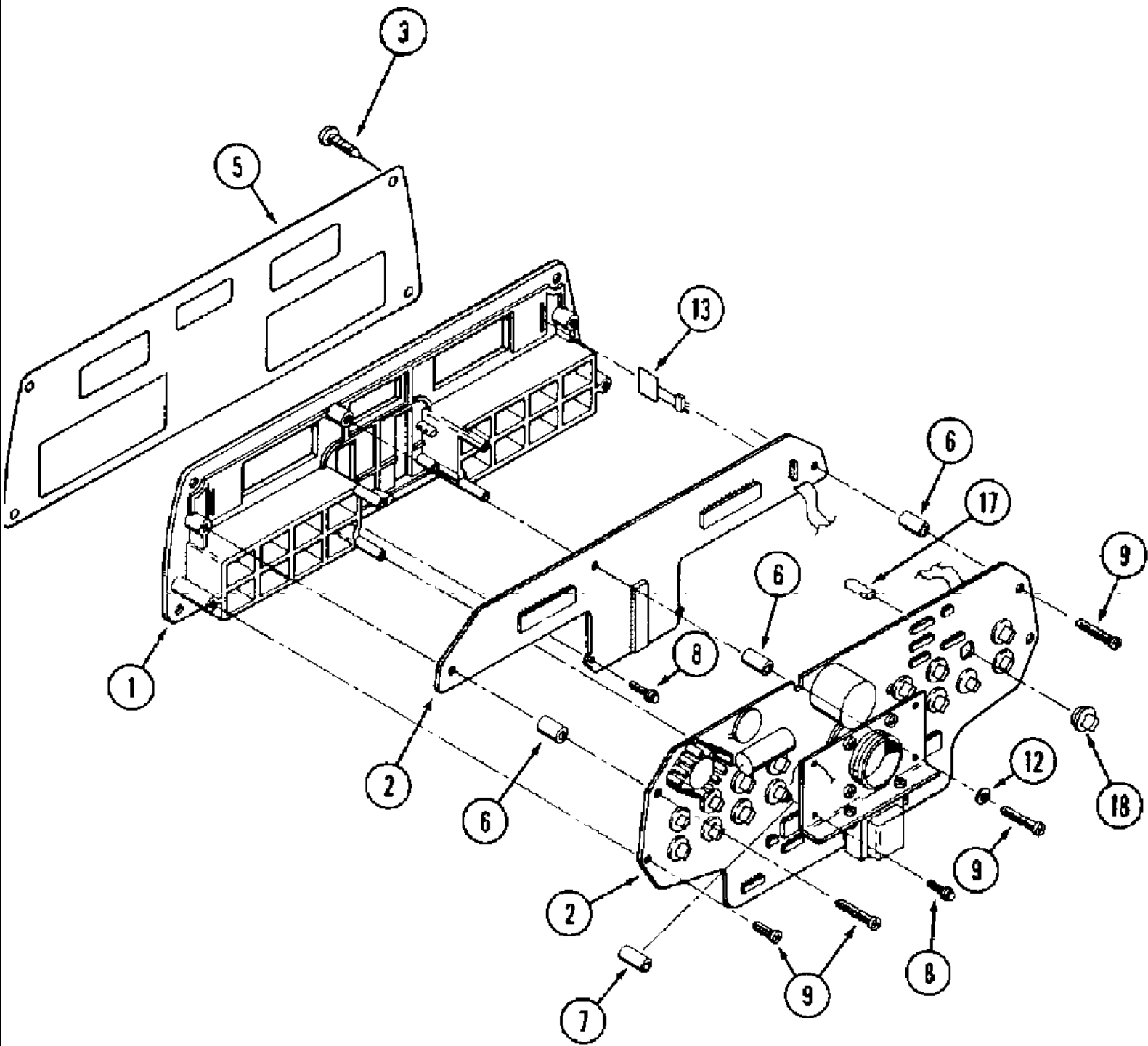
4-28 REAR FRAME HARNESS



## 4-28 REAR FRAME HARNESS

сылка	Номер детали	Кол-во	Описание
1	60-7080T3	1	HARNESS - rear frame
2	22-823	2	MOUNT - adhesive back, strap
3	22-824		UAR STRAP - tie, 7 inch
4	31-2242	2	GROMMET - protective
5	70-6771T1	2	GUARD - wire, prior to P.I.N. JEE0071001
5	70-6890T2	2	GUARD - wire, P.I.N. JEE0071001 and after
6	495-11028	4	WASHER - flat, 9/32 x 5/8 x 1/16 inch
7	425-104	4	NUT - hex, 1/4 inch NC
8	426-516	2	BOLT - hex, 5/16 NC x 1 inch, grade 8
9	495-11034	5	WASHER - flat, 11/32 x 11/16 x 1/16 inch
10	426-428	4	BOLT - hex, 1/4 NC x 1-3/4 inch, grade 8
11	A186201	2	HARNESS - includes socket, tail lamp
12	121645C1	1	SOCKET - covered, 7 pin
13	481849C1	1	BOOT - wiring harness, replaces A169283 boot
16	493-41033	2	WASHER - external tooth lock, 5/16 inch
17	425-105	4	NUT - hex, 5/16 inch NC
18	ZAA7189850	2	LAMP ASSEMBLY - field, See Figure 4-48 for mounting hardware, replaces 20-1730T92 lamp
19	A186202	2	LAMP ASSEMBLY - tail, parts list Figure 4-50
23	493-41033	1	WASHER - external tooth lock, 5/16 inch
24	60-6831T91	1	SENSOR - fuel
25	515-23190	1	CLAMP - P-type, 3/4 inch ID
26	515-23381	1	CLAMP, 1 1/2", Insul, 3/8" Bolt, P-type
27	463-3108	5	SCREW - machine, hex washer head, No. 10 NC x 1/2 inch
28	22-766	1	GROMMET - protective

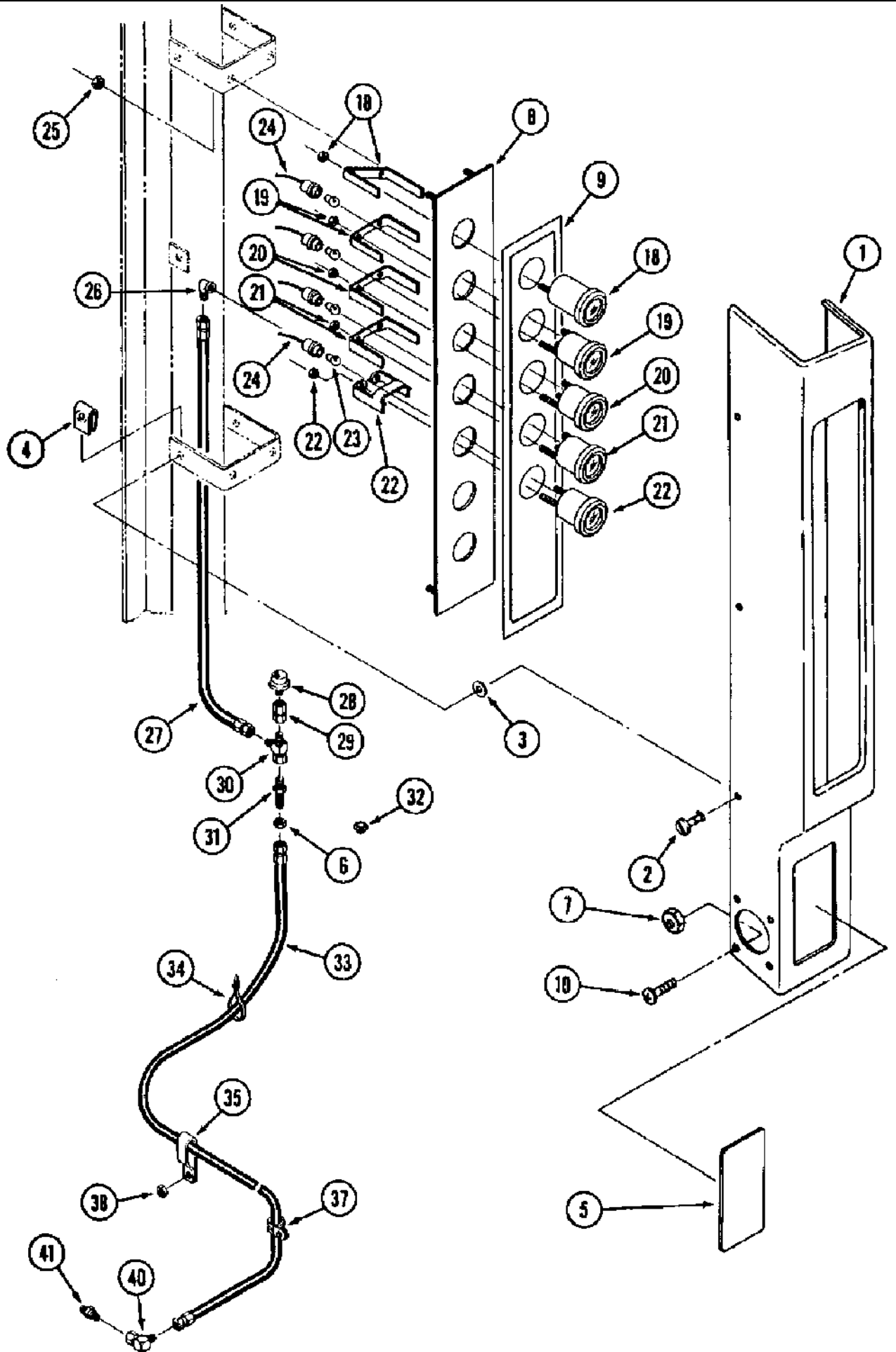
4-30 INSTRUMENT CLUSTER



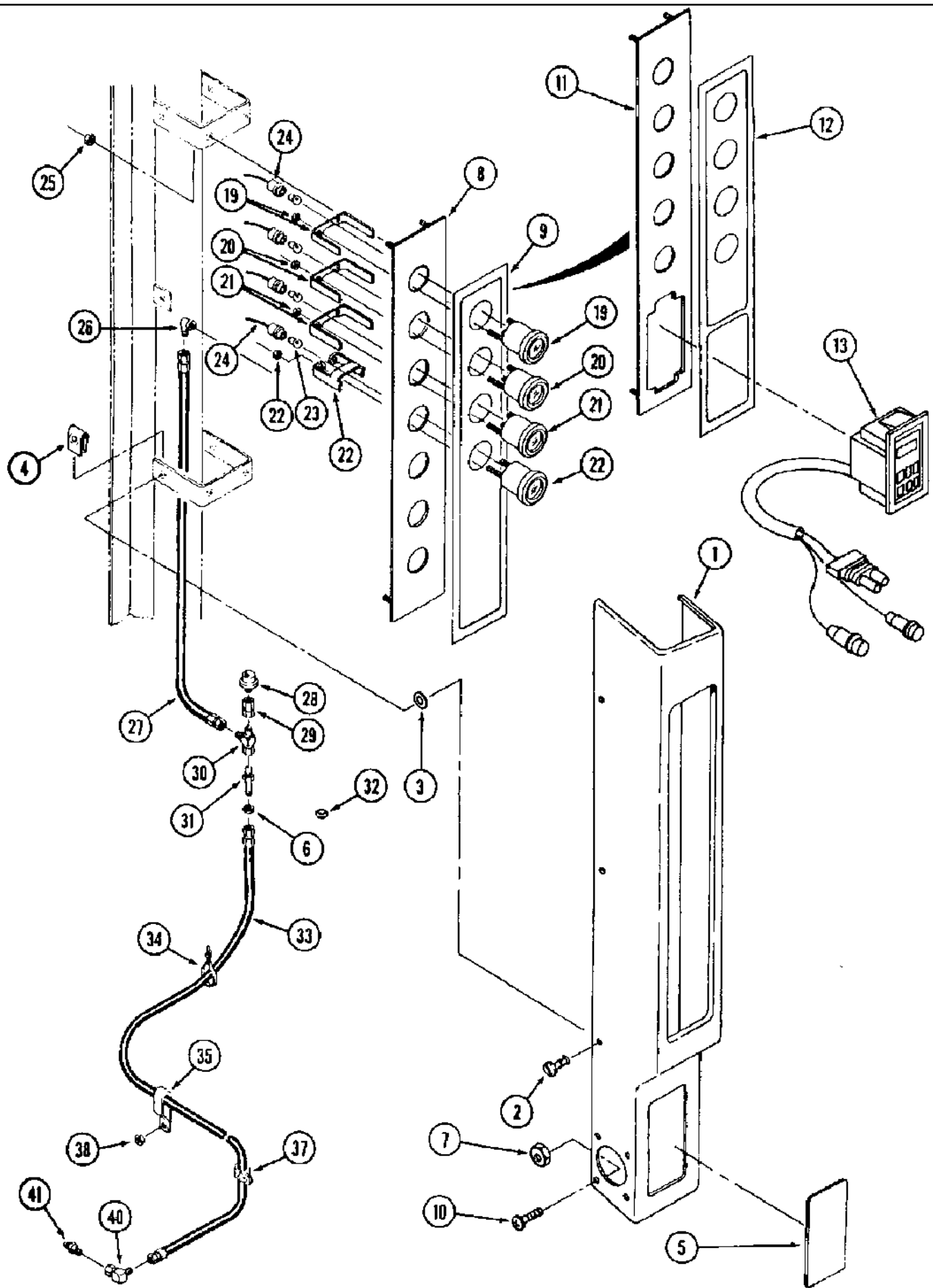


## 4-30 INSTRUMENT CLUSTER

сылка	Номер детали	Кол-во	Описание
	60-7162T91	1	CLUSTER ASSEMBLY - instrument, Power Shift, prior to P.I.N. JEE0071001, Includes: Ref. 1 - 18
	60-7284T92	1	CLUSTER ASSEMBLY - instrument, Power Shift, P.I.N. JEE0071001 and after, Includes: Ref. 1 - 18
	60-7161T91	1	CLUSTER ASSEMBLY - electronic, SynchroShift, prior to P.I.N. JEE0071001, Includes: Ref. 1 - 18
	60-7283T91	1	CLUSTER ASSEMBLY - electronic, SynchroShift, P.I.N. JEE0071001 and after, Includes: Ref. 1 - 18
1	NSS	1	COVER - circuit board, plastic
2	NSS	1	CIRCUIT BOARD - printed, dash
3	280-13410	4	SCREW - self-tapping, hex washer head, No. 8-18 x 5/8 inch
4	60-6344T2	1	DECAL - instrument cluster, Power Shift, prior to P.I.N. JEE0071001, not shown
4	60-6926T1	1	DECAL - instrument cluster, SynchroShift, prior to P.I.N. JEE0071001, not shown
5	60-7285T1	1	DECAL - instrument cluster, Power Shift, P.I.N. JEE0071001 and after, See Figure 9-114 for decal
5	60-7286T1	1	DECAL - instrument cluster, SynchroShift, P.I.N. JEE0071001 and after, See Figure 9-114 for decal
6	NSS	3	SPACER - circuit board
7	NSS	4	SPACER - circuit board
8	NSS	6	SCREW - flange head tap, No. 3 x 3/8 inch
9	NSS	5	SCREW - pan head tap, No. 8 x 1-1/8 inch
12	NSS	1	WASHER - flat, No. 8
13	25-9000262	2	SWITCH - instrument cluster
17	W10478	16	BULB - lamp, No. 194
18	20-1178T1	16	SOCKET - bulb



сылка	Номер детали	Кол-во	Описание
1	60-7056T2	1	COVER - panel, cab, gauge
1	60-6166T1	1	COVER - panel, ROPS, gauge, not shown
2	19-6136	6	STUD - quarter turn, five used on ROPS
3	19-5668	6	WASHER - flat, 1/4 x 3/4 x 3/16 inch, five used on ROPS
4	A36042	6	RETAINER - quarter turn, five used on ROPS
5	REF	1	DECAL - MPH, see page 9-119 for decal
6	425-117	1	NUT - hex, 7/16 inch NF
7	230-14106	4	NUT - hex, self-locking, No. 6 NC
8	60-5756T1	1	PANEL - gauge
9	60-5939T2	1	DECAL - gauge panel, see page 9-117 for decal
10	140-101	4	SCREW, Cross Pan Hd, #6-32 x 1/2"
18	20-2018T2	1	GAUGE - hourmeter
19	20-2466T1	1	GAUGE - voltmeter
20	20-2464T1	1	GAUGE - fuel level
21	20-2465T1	1	GAUGE - water temperature, engine
22	60-6145T2	1	GAUGE - oil pressure, engine
23	23731R1	5	BULB - lamp, No.1893
24	60-6292T4	1	HARNESS - instrument panel lamp
25	9411893	4	NUT - hex, self-locking, No. 10 NF
26	31-2740	1	ELBOW - 90 degree, 1/8 PT x 7/16 inch thread
27	31-2784	1	HOSE - 1067 mm (42 inch) long, gauges
28	60-6330T1	1	SWITCH - pressure
29	218-1557	1	ADAPTER - straight, 7/16-20 swivel x 1/8 inch female PT
30	218-5478	1	TEE - 7/16-20 inch flare branch x flare x swivel
31	218-671	1	ADAPTER - straight, 7/16-20 inch flare x bulkhead flare
32	64-146	1	PLUG - hole, access
33	31-3024	1	HOSE - 2743 mm (108 inch) long, engine oil pressure
34	22-824	1	STRAP - tie, 7 inch
35	31-1070	1	CLAMP - extended P-type
37	515-23190	2	CLAMP - P-type, 3/4 inch ID, one used on cab
38	425-106	1	NUT, 3/8"-16, G5
40	218-5228	1	ELBOW - 90 degree, 7/16-20 inch flare x swivel
41	218-441	1	ADAPTER - straight, 7/16-20 flare x 1/8 inch PT



MS97M025

Machines built prior to P.I.N. JEE0072111 need to order (1) 35-2011T91 kit in order to install area meter. All machines built P.I.N. JEE0072111 and after are area meter ready and can order (1) 35-2010T91 for service. As an additional option to the area meter, the implement status switch kit 35-2012T91 may be used to relay information on the positioning of the implement.

## 9380 CASE IH 4WD TRACTOR (6/95-8/00)

## 4-34 GAUGE PANEL, P.I.N. JEE0071001 AND AFTER

сылка	Номер детали	Кол-во	Описание
1	60-7056T2	1	COVER - panel, cab, gauge
1	60-6166T1	1	COVER - panel, ROPS, gauge, not shown
2	19-6136	6	STUD - quarter turn, five used on ROPS
3	19-5668	6	WASHER - flat, 1/4 x 3/4 x 3/16 inch, five used on ROPS
4	A36042	6	RETAINER - quarter turn, five used on ROPS
5	REF	1	DECAL - MPH, See Figure 9-120 for decal
6	425-117	1	NUT - hex, 7/16 inch NF
7	230-14106	4	NUT - hex, self-locking, No. 6 NC
8	60-5756T1	1	PANEL - gauge, if used
9	60-5939T3	1	DECAL - gauge panel, if used, See Figure 9-116 for decal
10	140-101	4	SCREW, Cross Pan Hd, #6-32 x 1/2"
11	60-7295T1	1	PANEL - gauge, if used
12	60-7297T1	1	DECAL - gauge panel, if used
13	60-7298T1	1	METER - area, if equipped
19	20-2466T2	1	GAUGE - voltmeter
20	20-2464T2	1	GAUGE - fuel level
21	20-2465T2	1	GAUGE - water temperature, engine
22	60-6145T2	1	GAUGE - oil pressure, engine
23	23731R1	5	BULB - lamp, No.1893
24	60-6292T4	1	HARNESS - instrument panel lamp
25	9411893	4	NUT - hex, self-locking, No. 10 NF
26	31-2740	1	ELBOW - 90 degree, 1/8 PT x 7/16 inch thread
27	31-2784	1	HOSE - 1067 mm (42 inch) long, gauges
28	60-6330T1	1	SWITCH - pressure
29	218-1557	1	ADAPTER - straight, 7/16-20 swivel x 1/8 inch female PT
30	218-5478	1	TEE - 7/16-20 inch flare branch x flare x swivel
31	218-671	1	ADAPTER - straight, 7/16-20 inch flare x bulkhead flare
32	64-146	1	PLUG - hole, access
33	31-3024	1	HOSE - 2743 mm (108 inch) long, engine oil pressure
34	22-824	1	STRAP - tie, 7 inch
35	31-1070	1	CLAMP - extended P-type
37	515-23190	2	CLAMP - P-type, 3/4 inch ID, one used on cab
38	425-106	1	NUT, 3/8"-16, G5
40	218-5228	1	ELBOW - 90 degree, 7/16-20 inch flare x swivel
41	218-441	1	ADAPTER - straight, 7/16-20 flare x 1/8 inch PT
	35-2010T91	1	KIT - area meter installation, P.I.N. JEE0072111 and after, includes (1) 60-7298T1 meter, item 13 and (2) 22-824 tie wraps, not shown, Machines built prior to P.I.N. JEE0072111 need to order (1) 35-2011T91 kit in order to install area meter. All machines built P.I.N. JEE0072111 and after are area meter ready and can order (1) 35-2010T91 for service. As an additional option to the area meter, the implement status switch kit 35-2012T91 may be used to relay information on the positioning of the implement.

Machines built prior to P.I.N. JEE0072111 need to order (1) 35-2011T91 kit in order to install area meter. All machines built P.I.N. JEE0072111 and after are area meter ready and can order (1) 35-2010T91 for service. As an additional option to the area meter, the implement status switch kit 35-2012T91 may be used to relay information on the positioning of the implement.

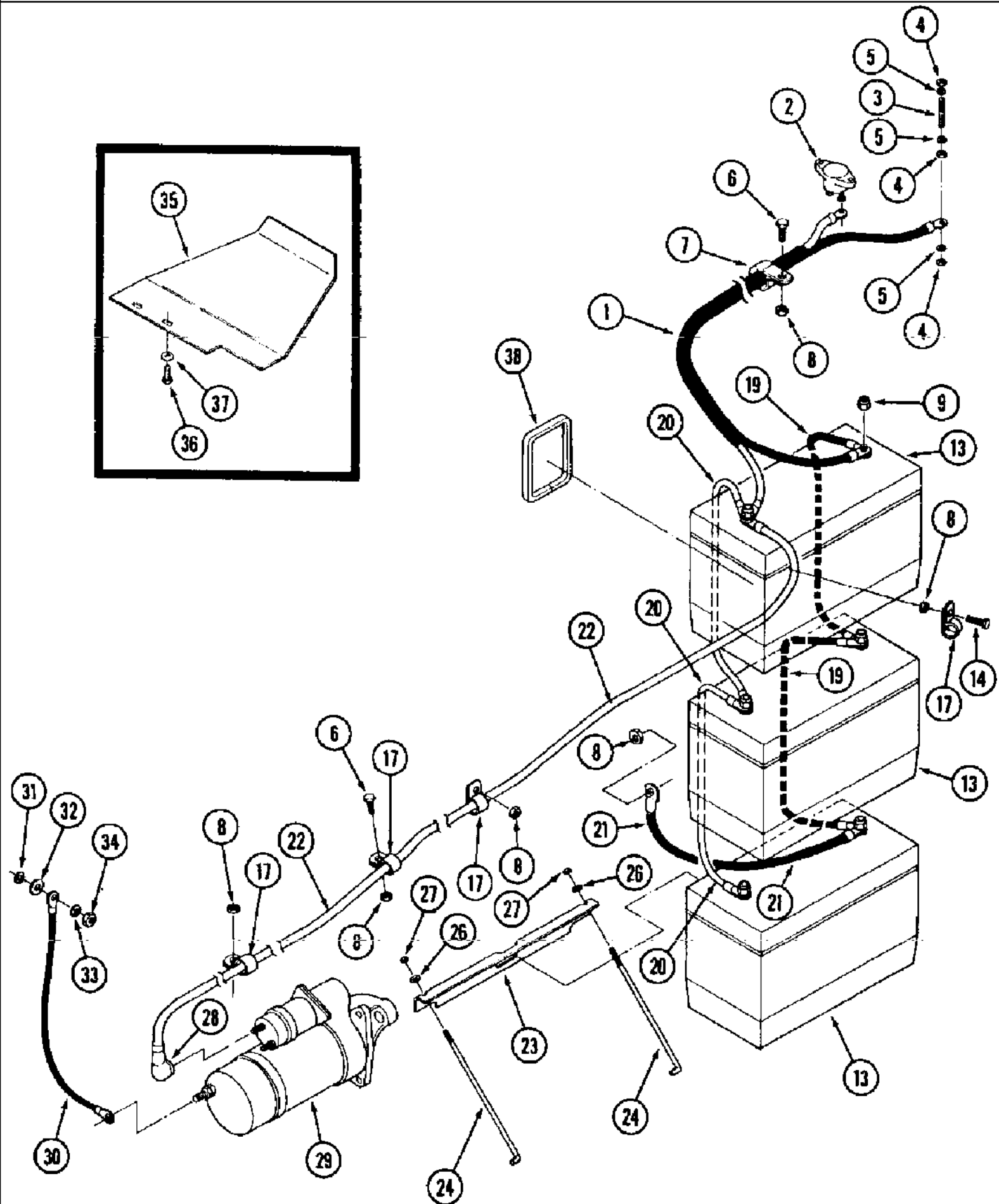
9380 CASE IH 4WD TRACTOR (6/95-8/00)

4-34 GAUGE PANEL, P.I.N. JEE0071001 AND AFTER

сылка	Номер детали	Кол-во	Описание
35-2011T91	1	KIT - area meter installation, prior to P.I.N. JEE0072111, Machines built prior to P.I.N. JEE0072111 need to order (1) 35-2011T91 kit in order to install area meter. All machines built P.I.N. JEE0072111 and after are area meter ready and can order (1) 35-2010T91 for service. As an additional option to the area meter, the implement status switch kit 35-2012T91 may be used to relay information on the positioning of the implement.	
35-2012T91	1	KIT - implement status switch, not shown, includes (1) 221545A1 switch and (2) 221546A1 harness, may be used with area meter, Machines built prior to P.I.N. JEE0072111 need to order (1) 35-2011T91 kit in order to install area meter. All machines built P.I.N. JEE0072111 and after are area meter ready and can order (1) 35-2010T91 for service. As an additional option to the area meter, the implement status switch kit 35-2012T91 may be used to relay information on the positioning of the implement.	

Machines built prior to P.I.N. JEE0072111 need to order (1) 35-2011T91 kit in order to install area meter. All machines built P.I.N. JEE0072111 and after are area meter ready and can order (1) 35-2010T91 for service. As an additional option to the area meter, the implement status switch kit 35-2012T91 may be used to relay information on the positioning of the implement.

4-36 BATTERIES AND CABLES



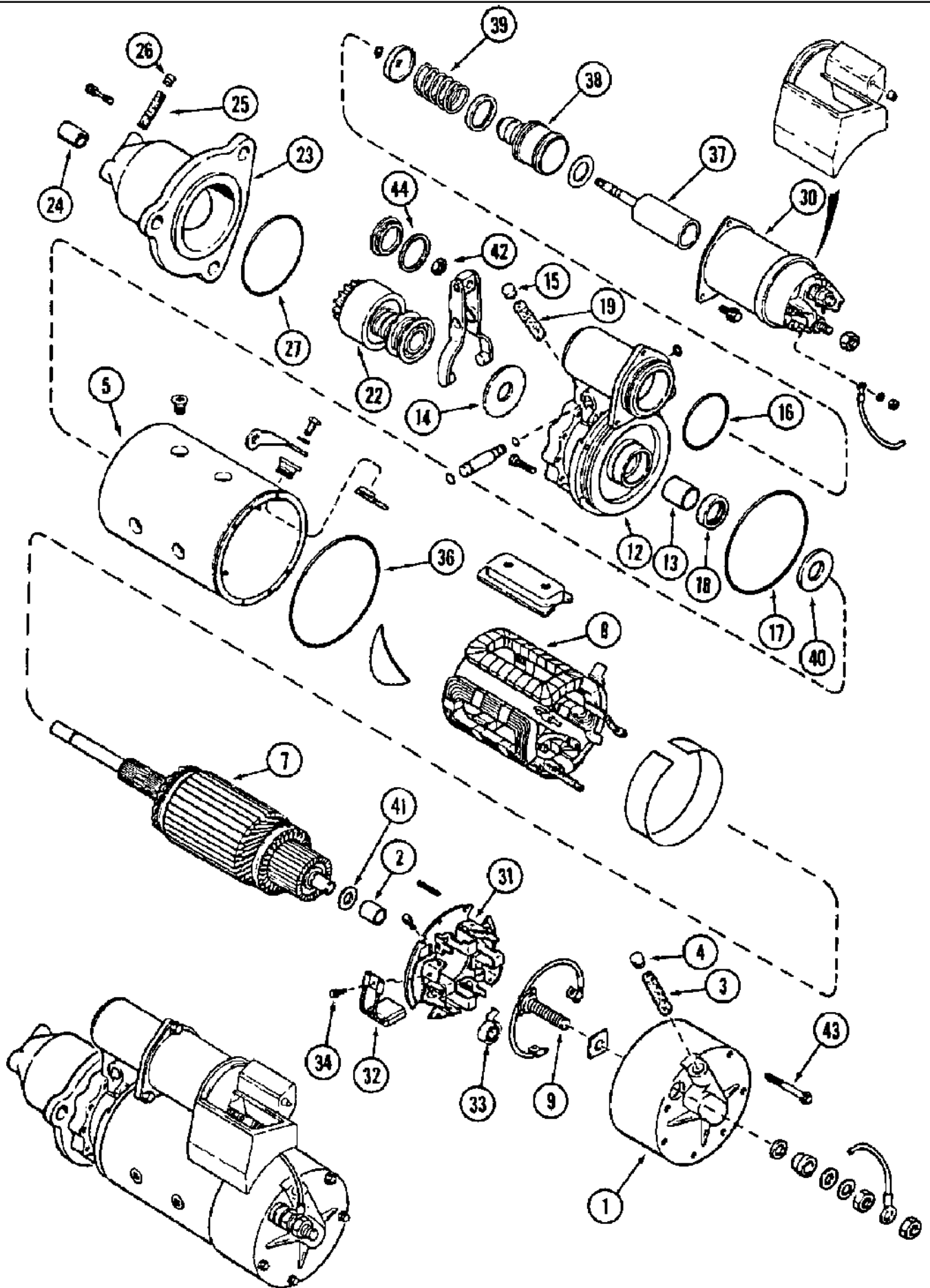
## 9380 CASE IH 4WD TRACTOR (6/95-8/00)

## 4-36 BATTERIES AND CABLES

сылка	Номер детали	Кол-во	Описание
1	20-2458T1	1	HARNESS - cab power
2	20-2041T2	1	BREAKER - circuit
3	60-1880T1	1	STUD - ground
4	425-104	4	NUT - hex, 1/4 inch NC
5	492-11025	4	WASHER, LOCK, 1/4"
6	426-612	4	BOLT - hex, 3/8 NC x 3/4 inch, grade 8
7	515-23508	1	CLAMP - P-type, 2 inch ID, retaining
8	232-4136	5	NUT, LOCK, 3/8"-16, GC
9	231-1446	10	NUT, LOCK, 3/8"-16, GB
13	BMF31FS	3	BATTERY - tractor, 12 volt
14	413-624	1	BOLT - hex, 3/8 NC x 1-1/2 inch
17	515-23238	4	CLAMP - P-type, 15/16 inch ID, retaining
19	20-2459T1	2	CABLE - battery, negative
20	20-2094T2	2	CABLE - battery, positive
21	60-6790T1	1	CABLE - battery, ground to frame
22	20-2457T1	1	CABLE - battery, to starter
23	70-5548T1	3	BRACKET - angle
24	198185A1	6	BOLT - J-type, battery hold down, replaces 1-1946 and 377837R1 rods
26	495-11034	6	WASHER - flat, 11/32 x 11/16 x 1/16 inch
27	231-1445	9	NUT - hex, self-locking, 5/16 inch NC
28	20-2424T1	1	BOOT - cable end
29	107717A1	1	STARTER ASSEMBLY - Delco Remy, 12 volt, engine, parts list Figures 4-38 and 4-40, no longer available, order 140855A2 starter kit
30	60-6785T1	1	CABLE - starter, ground, starter to frame
31	493-41065	1	WASHER - external tooth lock, 5/8 inch
32	495-11053	1	WASHER, 1/2", SAE (17/32" x 1-1/16" x 3/32")
33	80679	1	Washer, Lock, 1/2"
34	425-108	1	NUT - hex, 1/2 inch NC
35	60-6867T1	1	COVER - cab power supply
36	426-412	2	BOLT - hex, 1/4 NC x 3/4 inch, grade 8
37	495-11028	2	WASHER - flat, 9/32 x 5/8 x 1/16 inch
38	50-2033T1		UAR GROMMET - hose protection, 381 mm (15 inch) long, cut from 31-1785 bulk grommet, see below
	31-1785		UAR GROMMET - edge, bulk, 3048 mm (120 inch) long

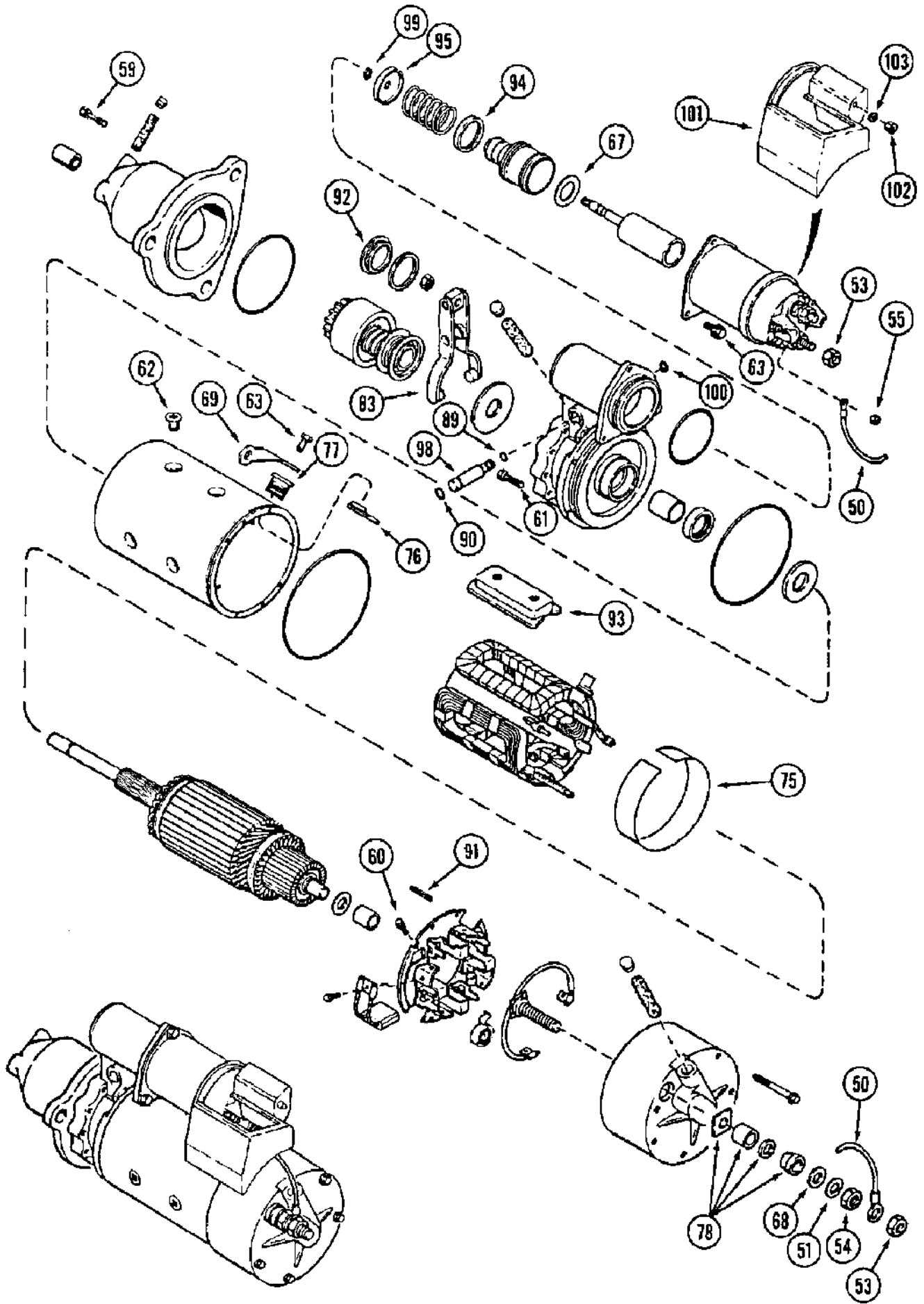


4-38 STARTER ASSEMBLY



## 4-38 STARTER ASSEMBLY

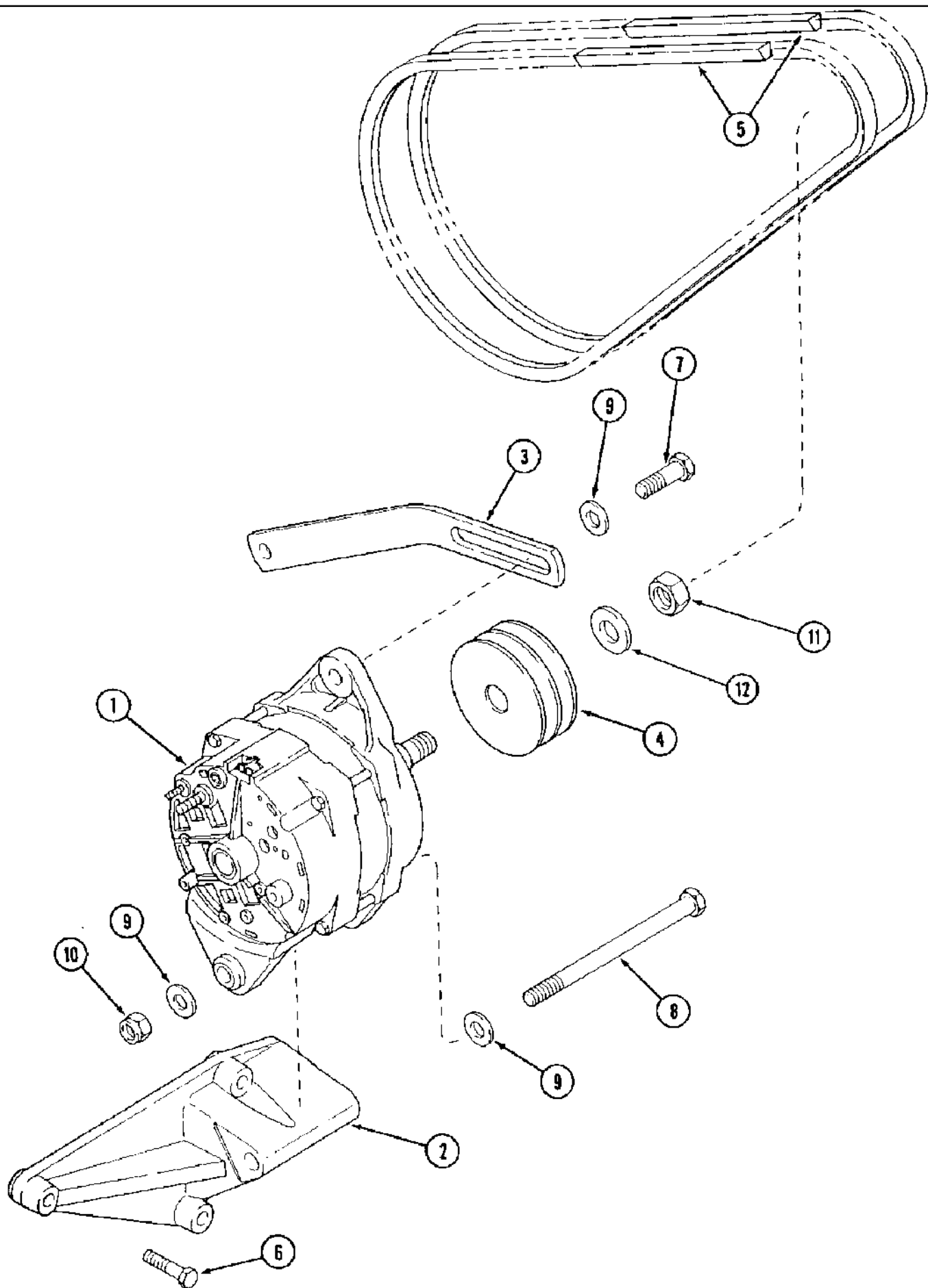
сылка	Номер детали	Кол-во	Описание
	140855A2	1	KIT - starter, 12 volt, Includes: Ref. 1 - 44 and 50 - 103 on Figure 4-40
	107717A1	1	STARTER ASSEMBLY - Delco Remy, 12 volt, no longer available, order 140855A2 starter kit, Includes: Ref. 1 - 44 and 50 - 100 on Figure 4-40
1	A187561	1	COVER ASSEMBLY - commutator end, Includes: Ref. 2 - 4
2	NSS	1	BUSHING - armature, cummutator end, This part is included in brush kit A187514.
3	A49769	1	WICK - oil, This part is included in brush kit A187514.
4	A49573	1	PLUG - oil wick, This part is included in brush kit A187514.
5	NSS	1	HOUSING - order 140855A2 starter kit
7	81772C1	1	ARMATURE - starter, replaces 142943A1 armature
8	81771C1	1	COIL - field, replaces 142944A1 coil
9	A49764	1	WIRE - terminal, commutator end
12	A49772	1	HOUSING - shift lever, Includes: Ref. 13 - 19
13	A49765	1	BUSHING - armature, lever housing, This part is included in brush kit A187514.
14	NSS	1	WASHER - shift lever housing, brake, This part is included in brush kit A187514.
15	A49573	1	PLUG - oil wick, This part is included in brush kit A187514.
16	238-5228	1	O-RING, -228, 70 Duro, 2.234" ID x .139" Thk, Switch, This part is included in brush kit A187514 and brush kit A187515.
17	238-5243	1	O-RING - 4-1/4 ID x 1/8 inch wide, lever housing, This part is included in brush kit A187514.
18	R21582	1	SEAL - oil, lever housing, This part is included in brush kit A187514.
19	A49567	1	WICK - oil, armature bushing, This part is included in brush kit A187514.
22	20-1343T1	1	CLUTCH - drive
23	A49773	1	HOUSING - drive end, Includes: Ref. 24 - 27
24	A47257	1	BUSHING - armature, drive housing, This part is included in brush kit A187514.
25	A47888	1	WICK - oil, This part is included in brush kit A187514.
26	A47889	1	PLUG - oil wick, This part is included in brush kit A187514.
27	A43854	1	O-RING - housing, drive housing, This part is included in brush kit A187514 and brush kit A187515.
30	141338A1	1	KIT - solenoid, magnetic, with shield
31	81769C1	1	PLATE - brush, replaces 142949A1 plate, Includes: Ref. 32 - 36
	142961A1	1	KIT - brush, starter, Includes: Ref. 32 - 36
32	81770C1	4	BRUSH - starter, replaces 142948A1 brush, This part is included in brush kit 142961A1.
33	A49575	4	SPRING - brush, This part is included in brush kit 142961A1.
34	A47894	4	SCREW - brush retainer, This part is included in brush kit 142961A1.
36	238-5158	1	O-RING, -158, 70 Duro, 4.737" ID x .103" Thk, Commutator end, This part is included in brush kit 142961A1 and brush kit A187514.
37	A49757	1	PLUNGER - solenoid
38	A49589	1	BOOT - plunger
39	A41242	1	SPRING - plunger return
40	A40892	1	WASHER - thrust, flat, 13/16 x 1-3/4 x 3/16 inch, This part is included in brush kit A187514.
41	195-2056	1	WASHER - flat, 9/16 x 1 x 1/16 inch, thrust, This part is included in brush kit A187514.
42	131-489	1	NUT - hex, self-locking, This part is included in brush kit A187514 and brush kit A187515.
43	142952A1	6	BOLT - commutator frame, hex Keps, This part is included in brush kit 142961A1 and brush kit A187514.
44	A41924	1	GASKET - inspection plug, This part is included in brush kit A187514 and brush kit A187515.



## 9380 CASE IH 4WD TRACTOR (6/95-8/00)

## 4-40 STARTER ASSEMBLY (CONT'D)

сылка	Номер детали	Кол-во	Описание
	140855A2	1	KIT - starter, 12 volt, Includes: Ref. 50 - 103 and 1 - 44 on Figure 9-38
	107717A1	1	STARTER ASSEMBLY - Delco Remy, 12 volt, no longer available, order 140855A2 starter kit, Includes: Ref. 50 - 100 and 1 - 44 on Figure 9-38
50	A47895	1	WIRE - field coil terminal to solenoid
51	80679	1	Washer, Lock, 1/2"
53	A47890	2	NUT - flange type, special, 1/2 inch NC
54	425-148	1	NUT - hex, jam, 1/2 inch NC
55	1546549C1	2	NUT - hex flange, special, No. 10 - 32 NF
59	1546551C1	6	SCREW - special, drive housing
60	A47894	2	SCREW - brush retainer
61	A187741	5	SCREW - housing retaining
62	142955A1	8	SCREW - machine, flat Phillips, 3/8 NF x 21/32 inch
63	10497770	4	BOLT - torx head, special, 1/4 NC x 35/64 inch
67	A41922	1	WASHER - plunger seat
68	95-81101	1	WASHER - flat, 33/64 x 7/8 x 1/16 inch
69	A49779	1	CONNECTOR - field terminal to solenoid
75	A49767	1	INSULATOR - field coil terminal
76	A49501	1	INSULATOR - inner, field terminal
77	A49500	1	INSULATOR - outer, field terminal
78	A49768	1	KIT - insulator, terminal
83	A49775	1	LEVER - shift, This part is included in shift lever kit A187515.
89	A47259	1	O-RING - shaft, shift lever rod, This part is included in shift lever kit A187515.
90	238-5012	1	O-RING, -012, 70 Duro, .364" ID x .070" Thk, Shift lever rod, This part is included in shift lever kit A187515.
91	A49753	1	PIN - roll, spring
92	R21587	1	PLUG - inspection, lever housing
93	R15115	4	SHOE - pole, starter
94	A43380	1	SEAT - plunger spring
95	A43419	1	SEAT - spring
98	A42199	1	SHAFT - shift lever, This part is included in shift lever kit A187515.
99	100-1137	1	Ring, Snap, #37, Ext, plunger
100	100-1137	1	Ring, Snap, #37, Ext, This part is included in shift lever kit A187515.
101	L128826	1	GUARD - starter terminal
102	1546549C1	2	NUT - hex flange, special, No. 10 - 32 NF
103	492-11010	1	Washer, Lock, #10

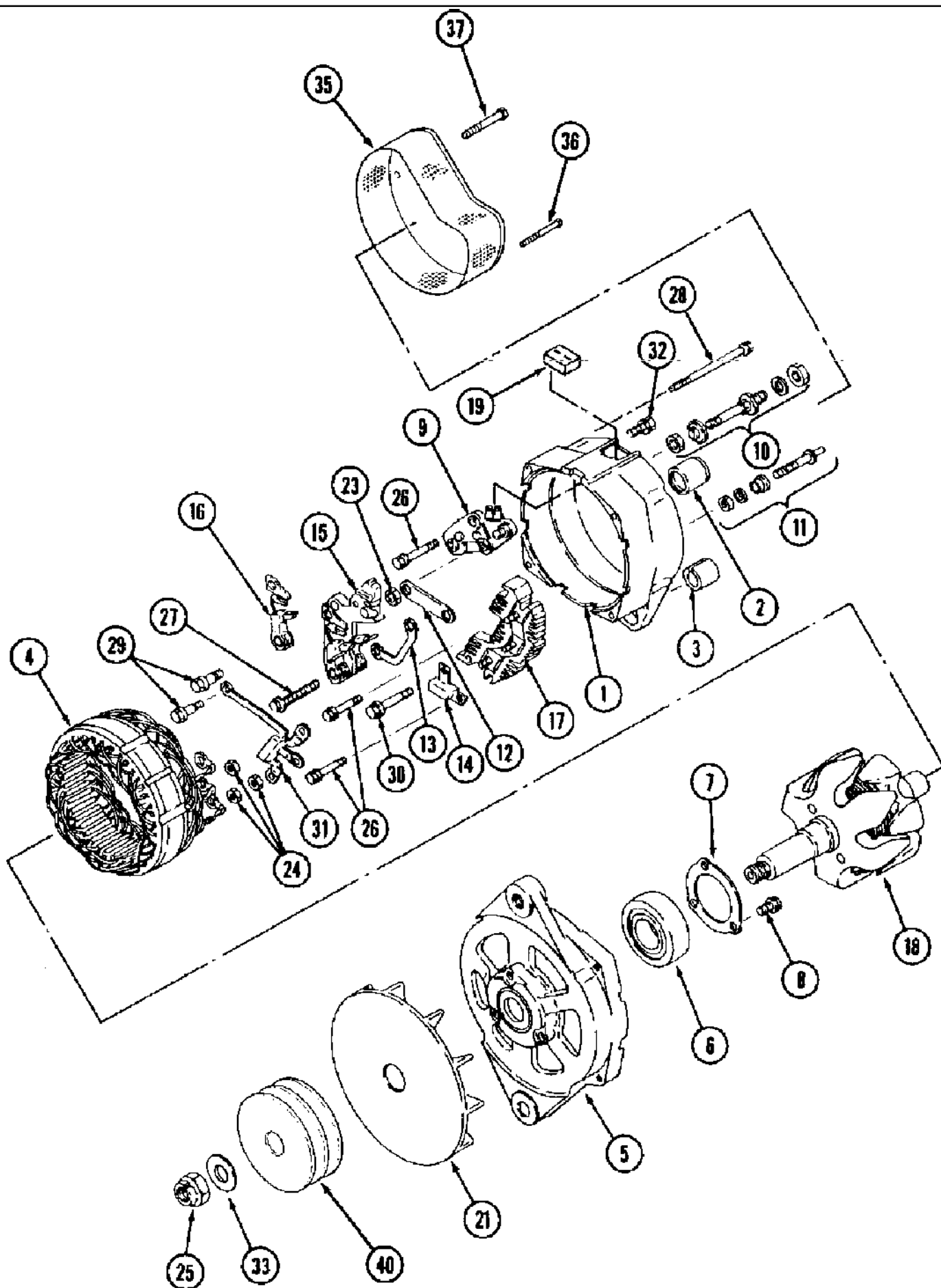


## 9380 CASE IH 4WD TRACTOR (6/95-8/00)

## 4-42 ALTERNATOR MOUNTING, 9370 AND 9380 ONLY

сылка	Номер детали	Кол-во	Описание
1	1987560C1	1	ALTERNATOR ASSEMBLY - engine, 125 amp, engine, parts list Figure 4-46
2	90-7610T1	1	MOUNT - alternator
3	90-7612T2	1	BRACKET - alternator mount
4	90-7613T1	1	PULLEY - alternator
5	90-1375T1	1	BELT - alternator, set of two
6	426-624	3	BOLT - hex, 3/8 NC x 1-1/2 inch, grade 8
7	426-824	1	BOLT - hex, 1/2 NC x 1-1/2 inch, grade 8, Ref: 7 Per ECN f990689 Bolt changed to longer bolt p/n 426-816 on large frames. NAPO TECH NOTE.
8	426-8104	1	BOLT - hex, 1/2 NC x 6-1/2 inch, grade 8
9	496-11053	3	WASHER, 17/32" x 1 1/16" x .095", HDN
10	231-1448	1	NUT - hex, self-locking, 1/2 inch NC
11	A49635	1	NUT - shaft
12	A40792	1	WASHER - flat, 5/8 x 1-1/4 x 3/32 inch

## 4-46 ALTERNATOR ASSEMBLY



MS95K043

Kit to change from Delco to Bosch is P/N 356875A1. Contains new alt. jumper cable because of differences between connection types on the two alternators and a new adapter because the Bosch has a larger B+ stud than the Delco. It also contains misc. hardware. The Bosch alt. is not part of the kit. Its part number is 125849A1. To service Bosch alternator, refer to parts breakdown in STX parts book. Use same part number alternator.

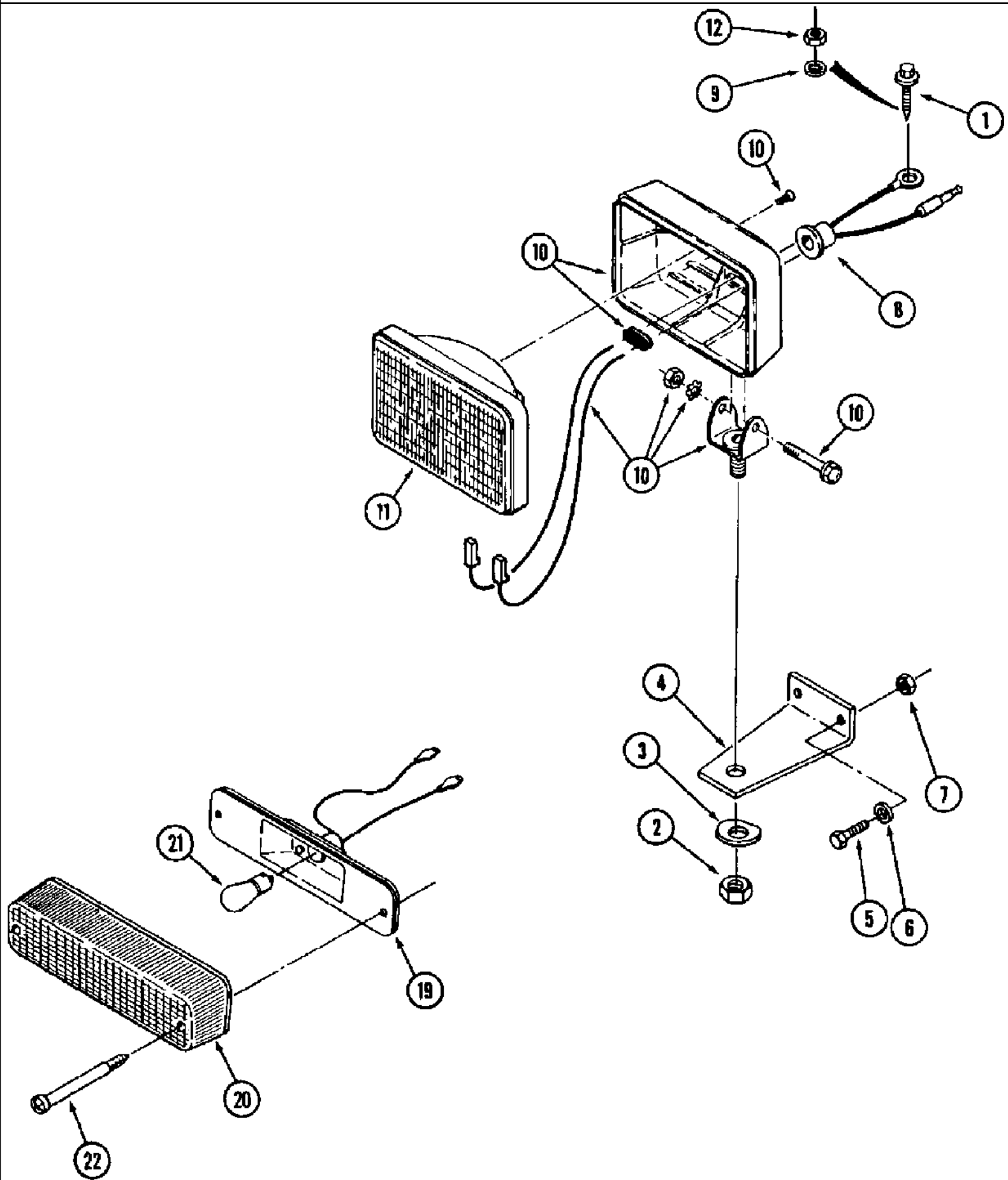
## 9380 CASE IH 4WD TRACTOR (6/95-8/00)

## 4-46 ALTERNATOR ASSEMBLY

сылка	Номер детали	Кол-во	Описание
	1987560C1	1	ALTERNATOR ASSEMBLY - engine, 125 amp, Includes: Ref. 1 - 37
1	10467269	1	HOUSING - collector ring end, Includes: Ref. 2, 3
2	1987459C1	1	BEARING - roller
3	A49631	1	BUSHING - mounting hinge
4	1987457C1	1	STATOR - alternator
5	1987470C1	1	HOUSING - drive end, Includes: Ref. 6 - 8
6	1987471C1	1	BEARING - ball, drive end
7	1987472C1	1	PLATE - retaining, bearing
8	A48277	3	SCREW - retaining plate, bearing
9	1987454C1	1	REGULATOR - alternator
10	1987466C1	1	KIT - terminal, battery
11	1987467C1	1	KIT - terminal, relay
12	1987476C1	1	CONNECTOR - regulator to relay lamp
13	1987456C1	1	CONNECTOR - regulator mounting screw to stud
14	1987468C1	1	CAPACITOR - alternator
15	1987463C1	1	HOLDER ASSEMBLY - brush, Includes: Ref. 16
16	1987464C1	2	BRUSH - holder
17	1987461C1	1	RECTIFIER - alternator
18	1987455C1	1	ROTOR - alternator
19	A45537	1	BOOT - voltage adjustment stud
21	1987474C1	1	FAN - alternator
23	A45368	1	NUT - terminal
24	225-14108	3	NUT - hex, No. 8 NC
25	A49635	1	NUT - shaft, drive end
26	1987462C1	3	BOLT - hex washer, rectifier bridge retaining
27	A48257	1	SCREW - brush holder
28	1987473C1	4	BOLT - retaining, alternator
29	A45223	2	SCREW - brush holder, insulated, regulator
30	1987469C1	1	SCREW - retaining, capacitor
31	1987460C1	1	DIODE - trio
32	1987475C1	1	SCREW - hex washer, ground
33	A40792	1	WASHER - flat, 5/8 x 1-1/4 x 3/32 inch, shaft
35	1987552C1	1	SCREEN - debris, alternator
36	281-14428	1	SCREW - self-tapping, hex washer head, No. 8 NC x 1-3/4 inch
37	281-14728	1	SCREW - self-tapping, hex washer head, 1/4 NC x 1-3/4 inch
40	90-7613T1	1	PULLEY - alternator, used on the 9370 and 9380 only
40	REF	1	PULLEY - poly-v alternator, used on the 9390, not shown, Supplied with Cummins engine. See your Cummins engine dealer for service.

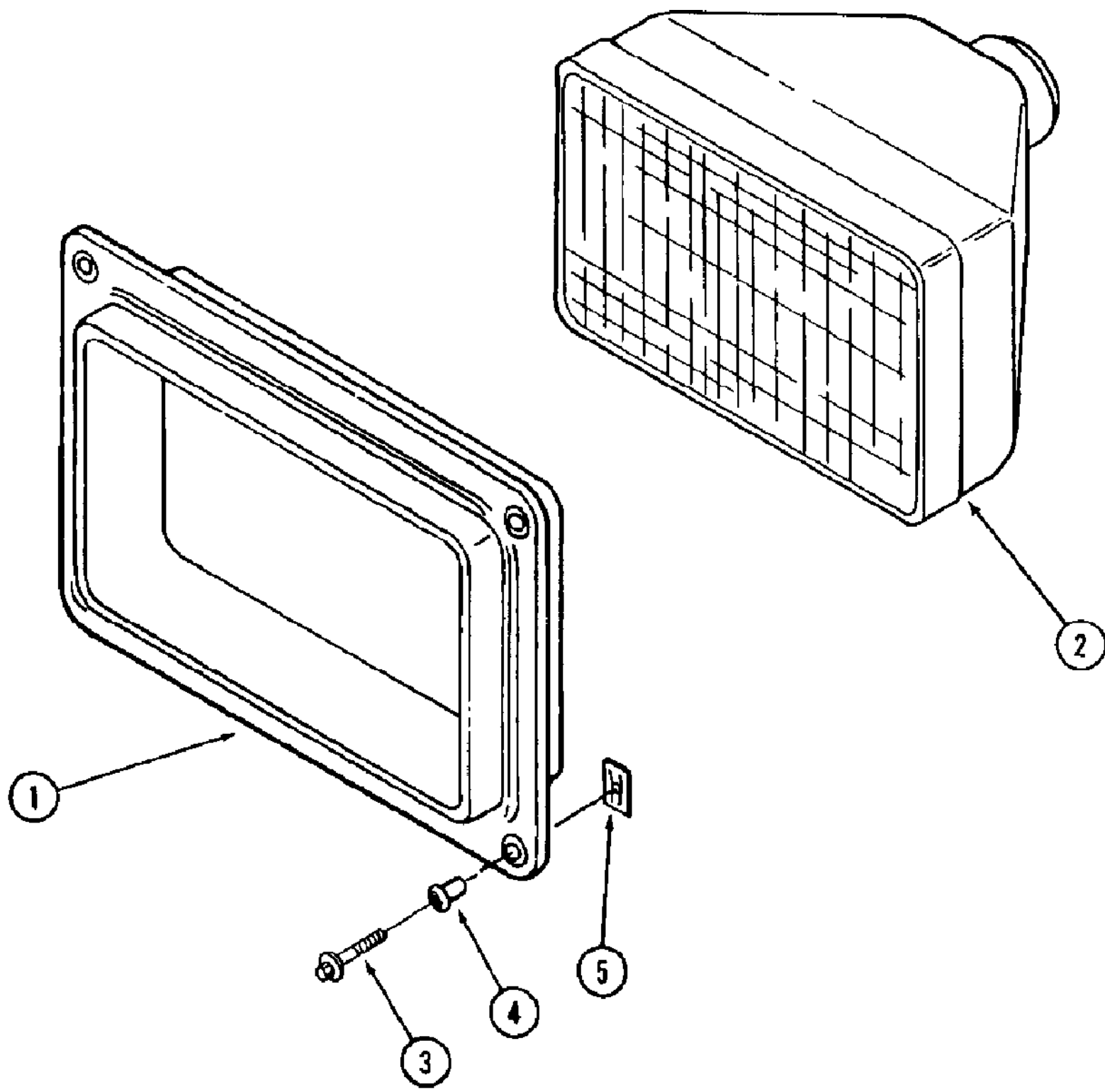
Kit to change from Delco to Bosch is P/N 356875A1. Contains new alt. jumper cable because of differences between connection types on the two alternators and a new adapter because the Bosch has a larger B+ stud than the Delco. It also contains misc. hardware. The Bosch alt. is not part of the kit. Its part number is 125849A1. To service Bosch alternator, refer to parts breakdown in STX parts book. Use same part number alternator.





## 4-48 LAMPS

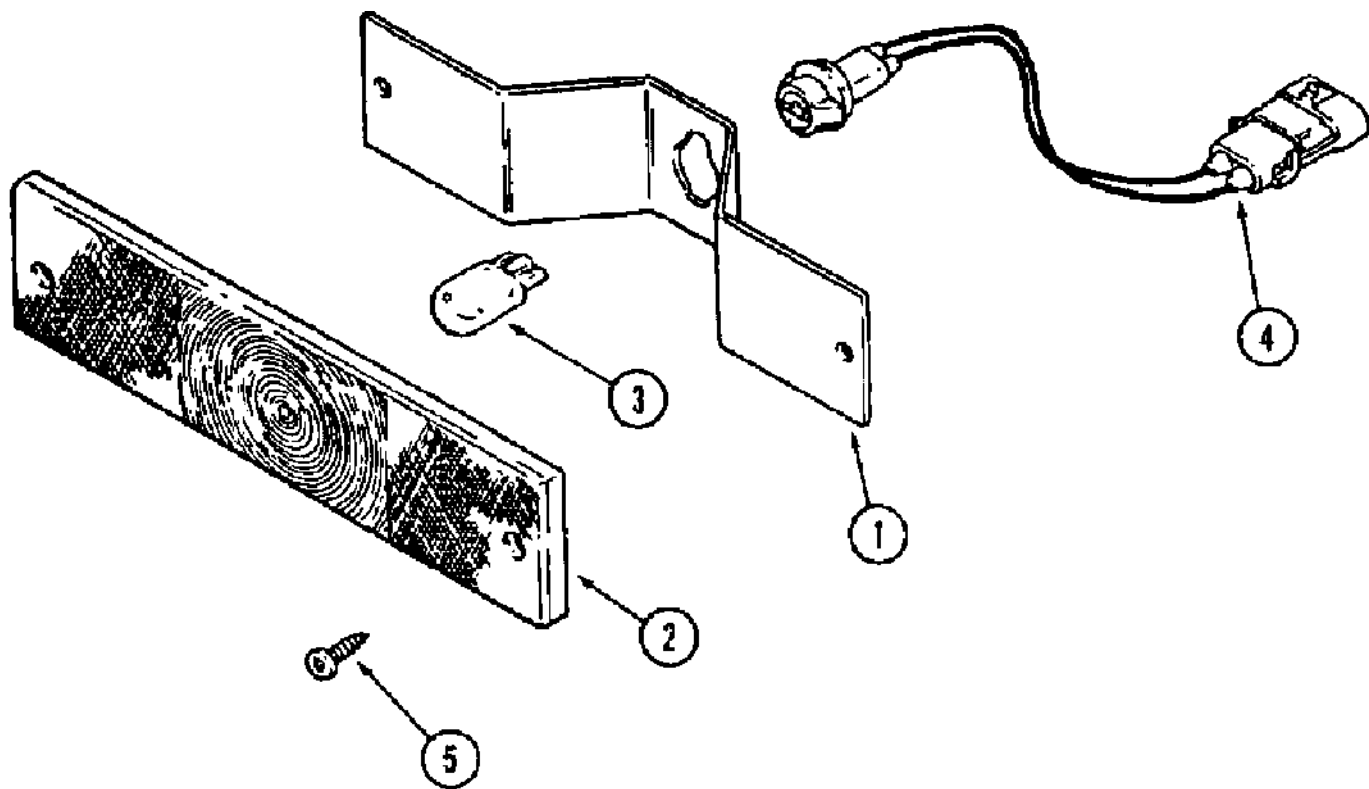
сылка	Номер детали	Кол-во	Описание
1	281-6456	2	SCREW - self-tapping, hex washer head, No. 10 NF x 3/4 inch, front cab grounding
2	231-1448	4	NUT - hex, self-locking, 1/2 inch NC
3	D37049	4	WASHER - lock, 1/2 inch
4	60-4336T1	2	BRACKET - mounting, cab to flood lamp, rear cab mount
5	413-416	4	BOLT - hex, 1/4 NC x 1 inch
6	495-11028	4	WASHER - flat, 9/32 x 5/8 x 1/16 inch
7	231-1444	4	NUT, LOCK, 1/4"-20, GB
8	87251C1	4	BUSHING - includes wires
9	493-21026	4	WASHER - internal tooth lock, 1/4 inch, rear fender grounding
	ZAA7189850	8	LAMP ASSEMBLY - flood, replaces 20-1730T92 lamp, Includes: Ref. 10, 11
10	NSS	1	HOUSING - flood lamp ASSEMBLY - REPLACES 20-1730T92
11	20-1822T1	1	LENS - sealed beam LAMP ASSEMBLY - FLOOD, REPLACES 20-1730T92
12	425-104	2	NUT - hex, 1/4 inch NC, rear fender grounding LAMP ASSEMBLY - FLOOD, REPLACES 20-1730T92
	22-665T1	4	LAMP ASSEMBLY - warning, Includes: Ref. 19 - 21 FLOOD, REPLACES 20-1730T92
19	NSS	1	HOUSING - warning lamp LAMP ASSEMBLY - FLOOD, REPLACES 20-1730T92
20	A187626	1	LENS - warning lamp ASSEMBLY - FLOOD, REPLACES 20-1730T92
21	A41264	1	BULB, #1156, 12V, Lamp, Assembly - Flood, Replaces 20-1730T92
22	19-1104	8	SCREW - machine, pan head cross, No. 8 NC x 1-3/4 inch LAMP ASSEMBLY - FLOOD, REPLACES 20-1730T92



9380 CASE IH 4WD TRACTOR (6/95-8/00)

4-50 LAMPS, GRILLE LAMP ASSEMBLY

сылка	Номер детали	Кол-во	Описание
	60-6730T91	2	LAMP - head, with rubber seal, Includes: Ref. 1, 2
1	NSS	1	FRAME - head lamp
2	60-6731T1	1	LAMP - sealed beam, replaces 60-6730T92 lamp
3	280-16516	8	SCREW - self-tapping, hex washer head, No. 10 - 16 x 1 inch
4	60-6843T1	8	BUSHING - brass
5	60-7095T1	8	NUT - clip

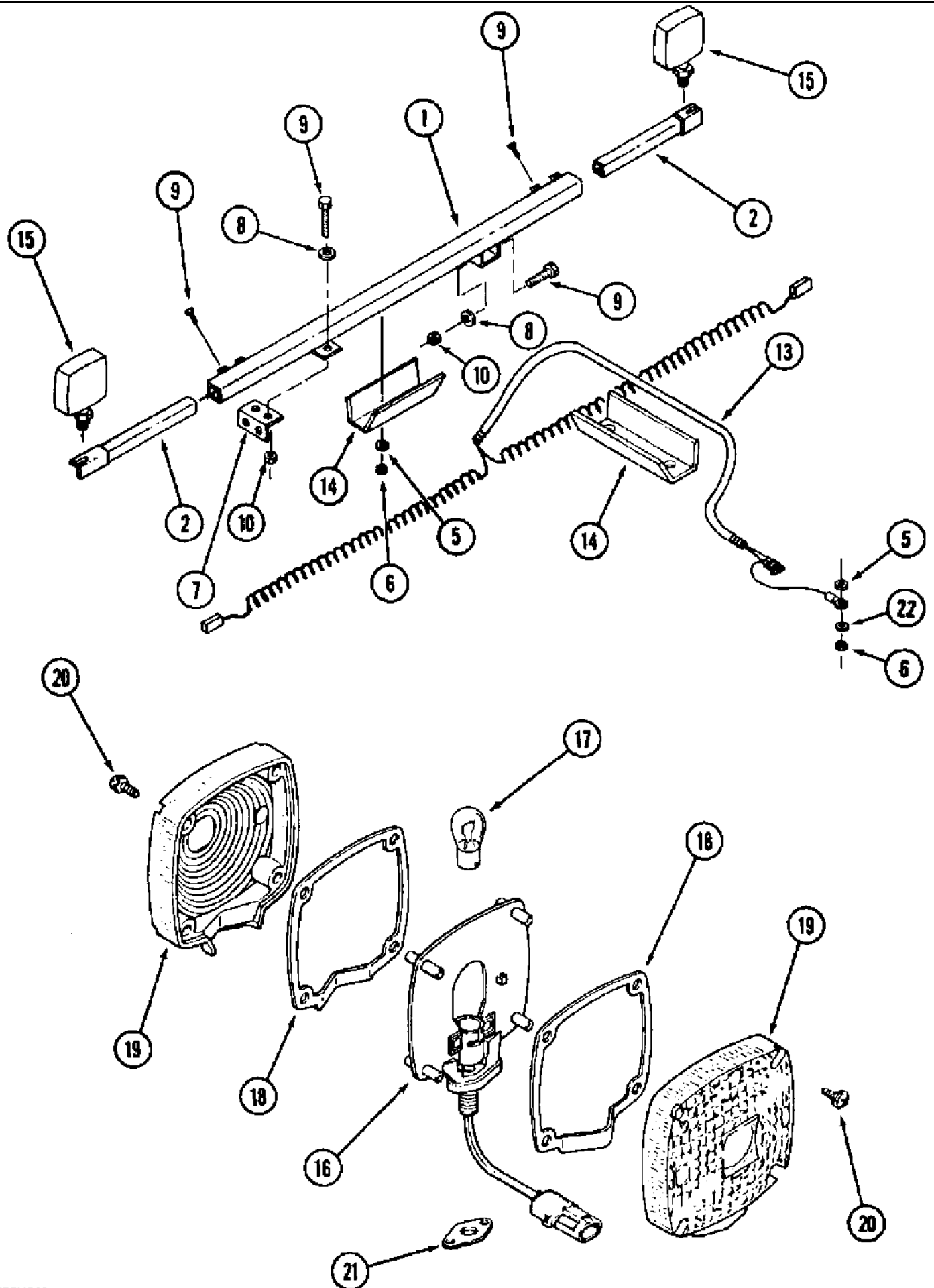


9380 CASE IH 4WD TRACTOR (6/95-8/00)

4-50(1) LAMPS, TAIL LAMP ASSEMBLY

сылка	Номер детали	Кол-во	Описание
	A186202	2	LAMP ASSEMBLY - tail, Includes: Ref. 1 - 5
1	NSS	1	HOUSING - tail lamp
2	NSS	1	LENS - tail lamp
3	D71346	1	BULB - lamp, No. 168
4	A186201	1	HARNESS - includes socket
5	260-14416	4	SCREW - self-tapping, pan Phillips, No. 8-18 x 1 inch

4-52 SIDE MARKER LAMPS

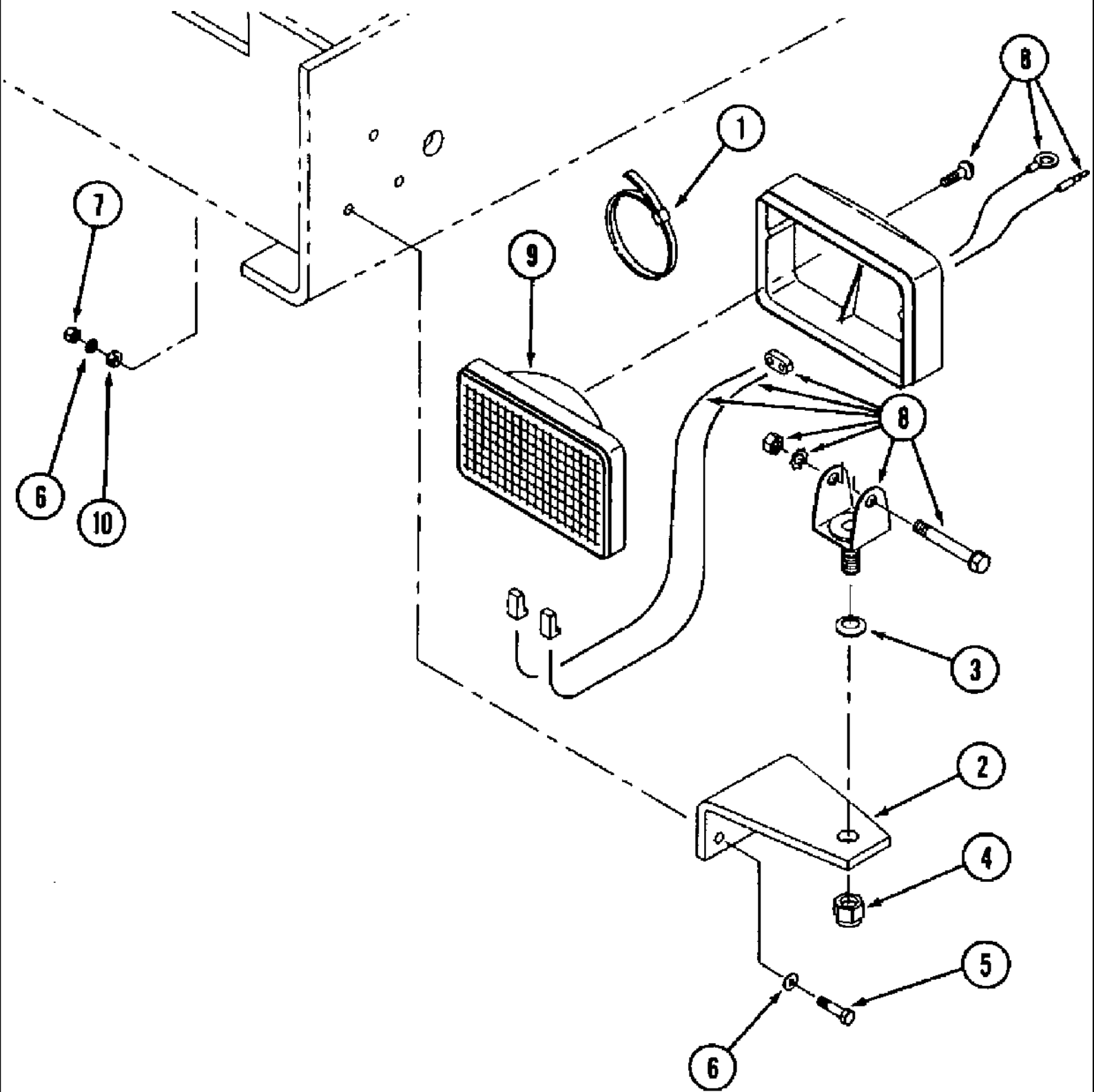


## 4-52 SIDE MARKER LAMPS

сылка	Номер детали	Кол-во	Описание
	35-1962T91	1	KIT - lamps, side marker, no longer available, order component parts separately, Includes: Ref. 1 - 22
1	70-6817T1	1	TUBE - side marker, replaces 70-6723T1 tube
2	70-6767T1	2	TUBE - extension, side marker
5	495-11028	5	WASHER - flat, 9/32 x 5/8 x 1/16 inch
6	231-1444	5	NUT, LOCK, 1/4"-20, GB
7	70-6818T1	1	ANGLE - support
8	495-11041	8	WASHER - flat, 13/32 x 13/16 x 1/16 inch
9	426-620	8	BOLT - hex, 3/8 NC x 1-1/4 inch, grade 8
10	425-106	4	NUT, 3/8"-16, G5
13	60-7038T1	1	HARNESS - side marker
14	70-6771T1	2	GUARD - wire
15	91913C91	2	LAMP ASSEMBLY - side marker, Includes: Ref. 16 - 20
16	NSS	1	BODY - lamp
17	A41264	1	BULB, #1156, 12V, Lamp
18	A43731	2	GASKET - sealing, lens
	A44202	1	KIT - lens, Includes: Ref. 19 & 20
19	NSS	1	LENS - lamp, amber
20	187-1083	4	SCREW - self-tapping, round head Phillips, No. 8 NC x 5/8 inch
21	F63435	2	GASKET - lamp mounting
22	493-21026	1	WASHER - internal tooth lock, 1/4 inch



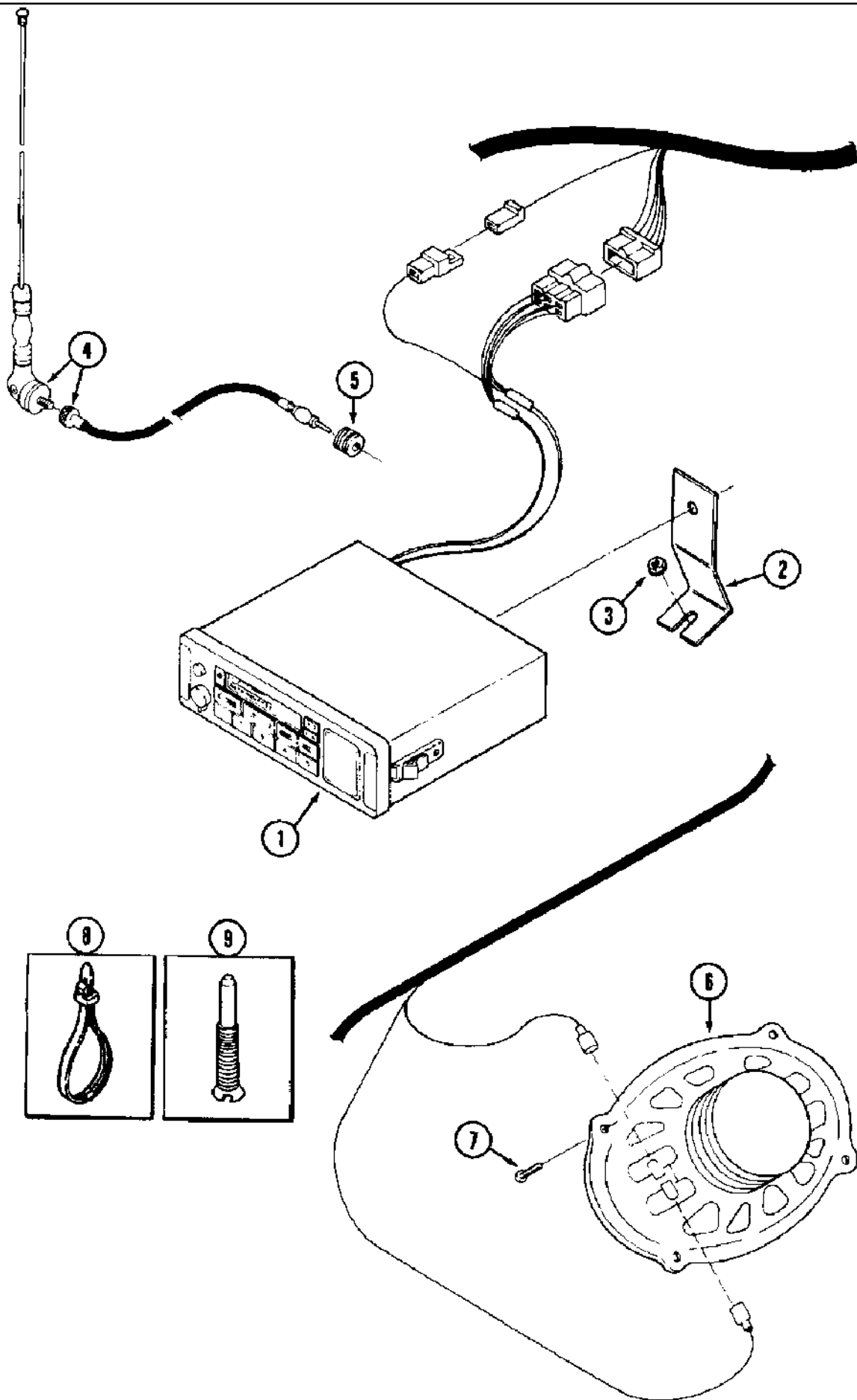
4-54 FRONT FRAME WORK LAMPS



## 4-54 FRONT FRAME WORK LAMPS

сылка	Номер детали	Кол-во	Описание
	35-1961T91	1	KIT - front frame work lamps, no longer available, order component parts separately, Includes: Ref. 1 - 10
1	22-824	2	STRAP - tie, 7 inch
2	60-4336T1	2	BRACKET - mounting, cab to flood lamp
3	D37049	2	WASHER - lock, 1/2 inch
4	425-108	2	NUT - hex, 1/2 inch NC
5	426-424	4	BOLT - hex, 1/4 NC x 1-1/2 inch, grade 8
6	495-21031	8	WASHER - flat, 5/16 x 3/4 x 1/16 inch
7	425-104	4	NUT - hex, 1/4 inch NC
	ZAA7189850	2	LAMP ASSEMBLY - work, replaces 20-1730T92 lamp, Includes: Ref. 8 & 9
8	NSS	1	HOUSING - lamp
9	20-1822T1	1	LENS - sealed beam
10	493-11026	2	WASHER - internal-external tooth lock, 1/4 inch

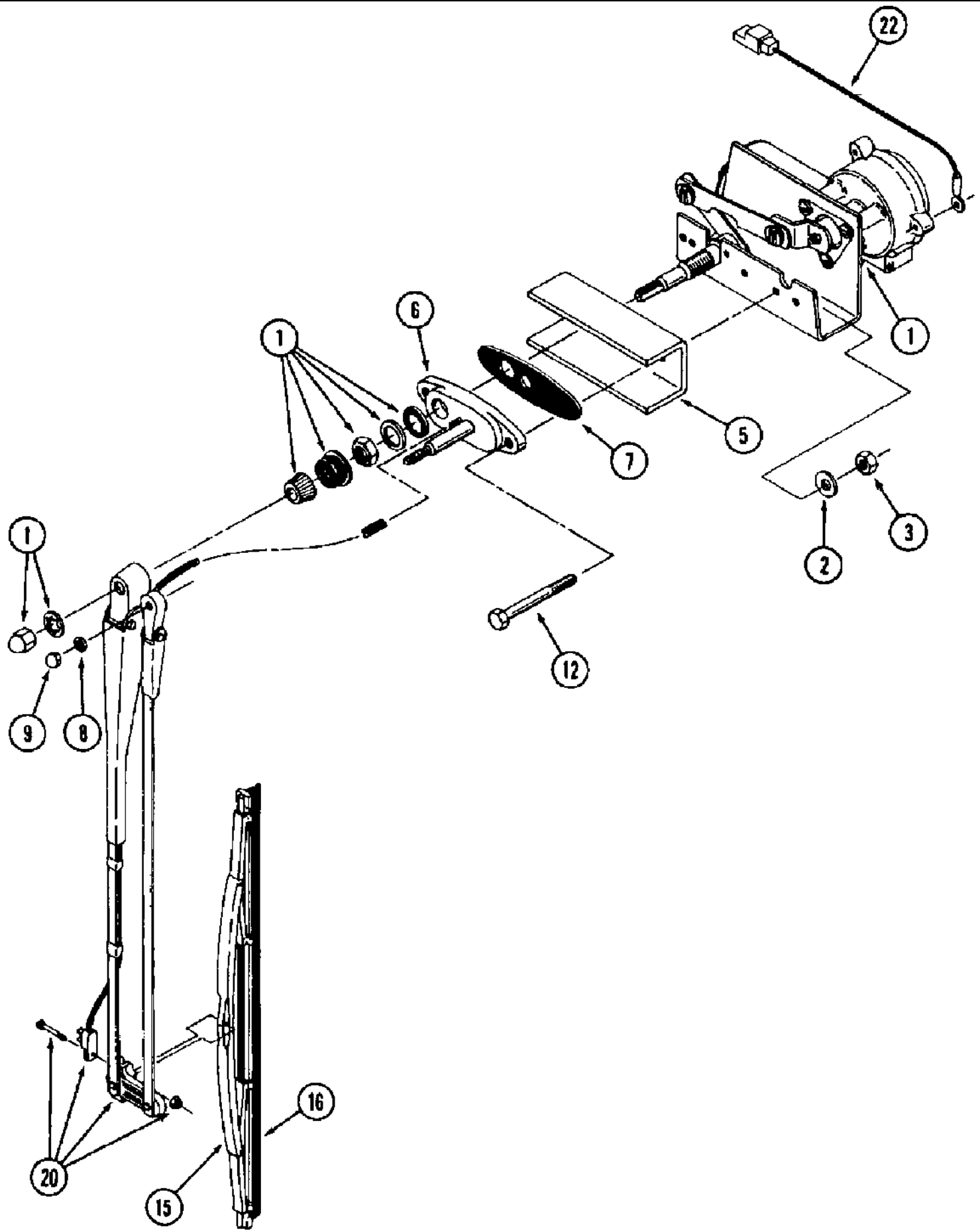
4-56 RADIO AND SPEAKERS



## 9380 CASE IH 4WD TRACTOR (6/95-8/00)

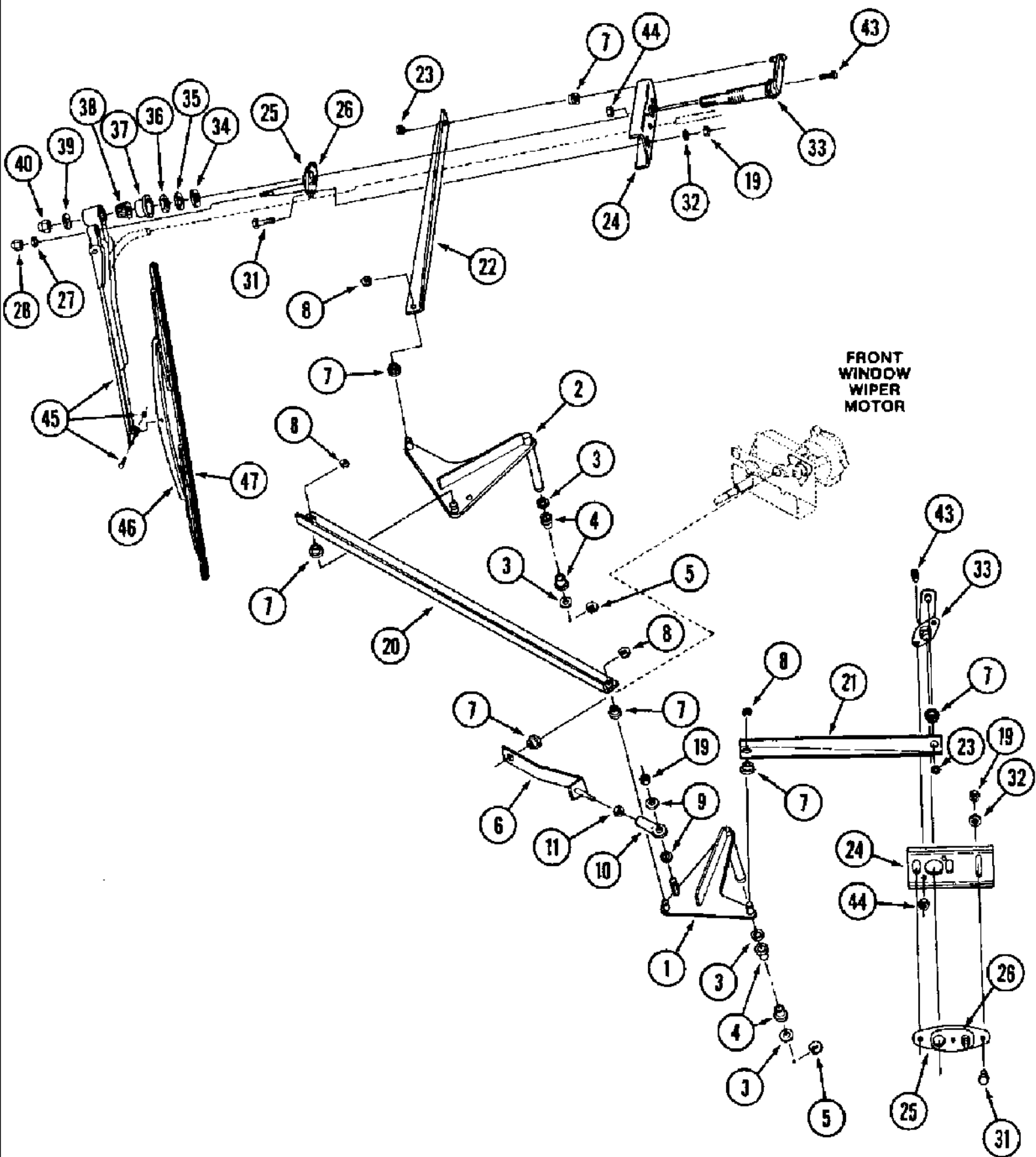
## 4-56 RADIO AND SPEAKERS

сылка	Номер детали	Кол-во	Описание
1	141950A2	1	RADIO - AM-FM stereo
1	141951A2	1	RADIO - AM-FM stereo, with cassette tape player
2	60-7157T1	1	BRACKET - mounting
3	193-1000	1	NUT - hex, with external tooth lock washer, No. 10 NF
4	97080C1	1	ANTENNA ASSEMBLY - radio, includes base, mast, cable, and hardware, replaces 60-6490T1 antenna
5	22-766	1	GROMMET - antenna
6	60-5748T1	2	SPEAKER - radio
7	440-11010	8	SCREW - machine, pan Phillips, No. 10 NC x 5/8 inch
8	22-824	2	STRAP - tie, 7 inch
9	1987530C1	1	SCREW - flat head, special



## 4-58 FRONT WINDOW WIPER

сылка	Номер детали	Кол-во	Описание
1	REF	1	DRIVE ASSEMBLY - wiper, parts list Figure 4-66
2	495-11028	2	WASHER - flat, 9/32 x 5/8 x 1/16 inch
3	111626C1	2	NUT - hex, self-locking, special, 1/4 inch NC
5	60-6528T1	1	BRACKET - wiper mounting spacer
	60-1436T91	1	KIT - pivot, wiper blade, Includes: Ref. 6 - 9
6	NSS	1	PIVOT - body and shaft
7	NSS	1	GASKET - pivot
8	2-4191T1	1	WASHER - flat
9	2-4192T1	1	NUT - hex cap
12	414-440	2	BOLT - hex, 1/4 NF x 2-1/2 inch
	60-1145T91	1	BLADE ASSEMBLY - wiper, Includes: Ref. 15 & 16
15	NSS	1	FRAME - wiper blade
16	2-4194T1	1	BLADE - wiper, rubber, 18 inch
20	60-1144T1	1	ARM - wiper, 17 inch
22	60-7091T1	1	CABLE - ground, motor



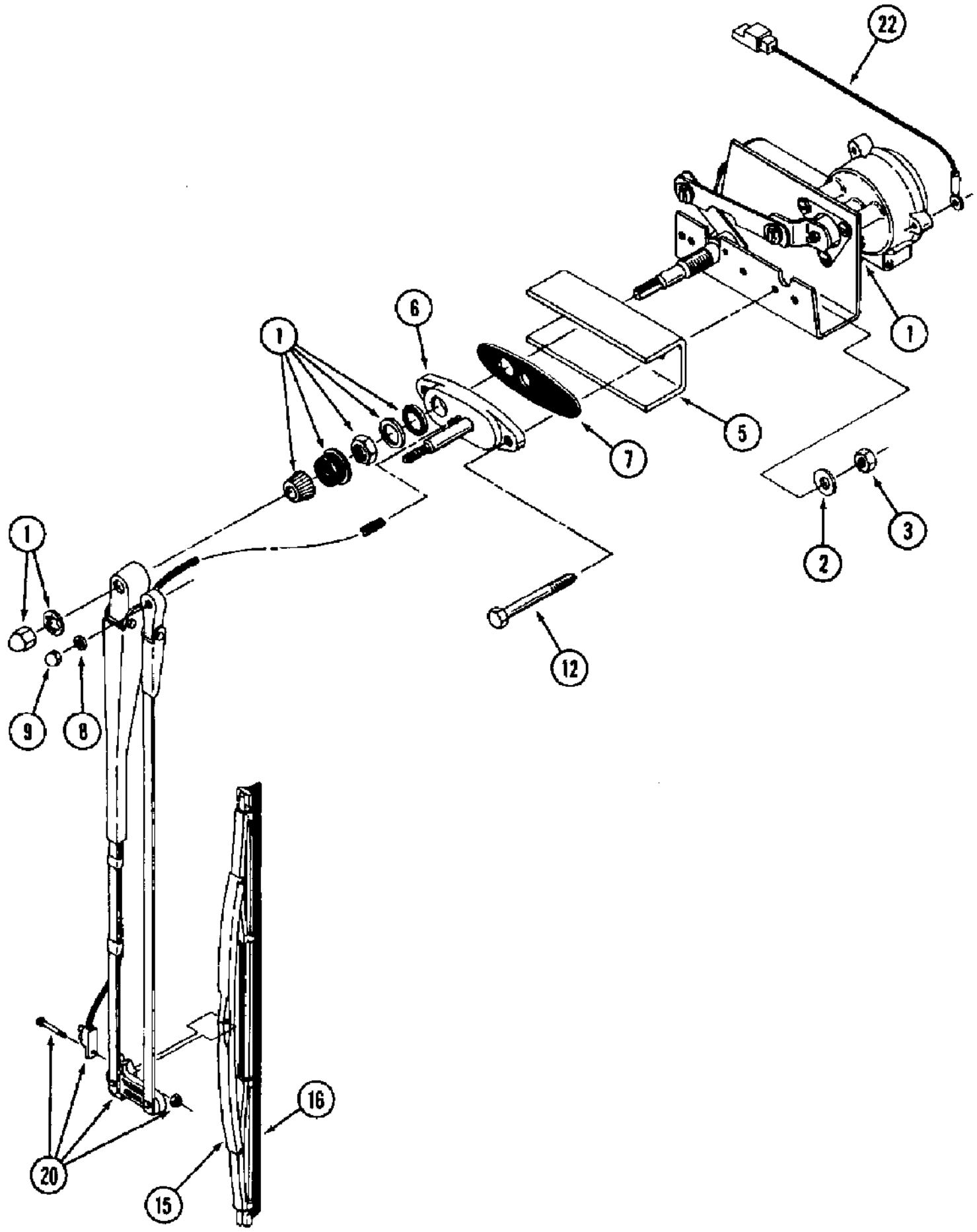
## 9380 CASE IH 4WD TRACTOR (6/95-8/00)

## 4-60 SIDE WINDOW WIPERS, IF EQUIPPED

сылка	Номер детали	Кол-во	Описание
	35-1926T91	1	KIT - wiper, side and rear window with washer, order from Machinery Price List, Includes: Ref. 1 - 47, Wiper kit also includes the parts shown on Figures 4-62 and 4-64.
1	60-5903T1	1	BRACKET - pivot, left-hand
2	60-5904T1	1	BRACKET - pivot, right-hand
3	19-5370	4	WASHER - wave, 7/16 x 5/8 x 3/64 inch
4	19-6263	4	BEARING - flanged
5	19-5866	2	RING - snap, main pivots
6	60-6630T1	1	ARM - link, actuating
7	19-6262	7	BEARING - snap in
8	19-5992	4	RING - snap
9	60-5994T1	2	SPACER - ball joint
10	A146456	1	JOINT - ball, 1/4 inch NF, actuating
11	425-114	1	NUT, 1/4"-28, G5
19	111626C1	5	NUT - hex, self-locking, special, 1/4 inch NC
20	60-5899T1	1	ANGLE - actuating, front
21	60-5900T1	1	ANGLE - actuating, left-hand
22	60-5901T1	1	ANGLE - actuating, right-hand
23	D71414	2	RETAINER - spring clip
24	60-6529T2	2	SPACER - shaft, pivot
	60-1436T91	2	KIT - pivot, wiper blade, Includes: Ref. 25 - 28
25	NSS	2	PIVOT - body and shaft, wiper blade
26	2-4190T1	2	GASKET - pivot
27	2-4191T1	2	WASHER - flat
28	2-4192T1	2	NUT - hex cap
31	426-424	4	BOLT - hex, 1/4 NC x 1-1/2 inch, grade 8
32	495-11028	4	WASHER - flat, 9/32 x 5/8 x 1/16 inch
	F96719	2	DRIVE ASSEMBLY - shaft and pivot arm, Includes: Ref. 33 - 40
33	NSS	2	SHAFT - wiper pivot
34	D71417	2	WASHER - special, flat
35	495-81032	2	WASHER - flat, 23/32 x 1-1/4 x 3/64 inch
36	D71419	2	NUT - special, hex jam
37	D71420	2	CAP - shaft
38	1267556C1	2	NUT - knurled drive
39	1-9422	2	WASHER - lock
40	D71422	2	NUT - hex, dome
43	463-41012	4	SCREW - machine, hex slotted washer head, No. 10 NC x 3/4 inch
44	86632551	4	NUT, LOCK, #10-24, GB
45	60-1144T1	2	ARM - wiper, 17 inch
	60-1145T91	2	BLADE ASSEMBLY - wiper, Includes: Ref. 46, 47
46	NSS	1	FRAME - wiper
47	2-4194T1	1	BLADE - wiper, rubber, 18 inch

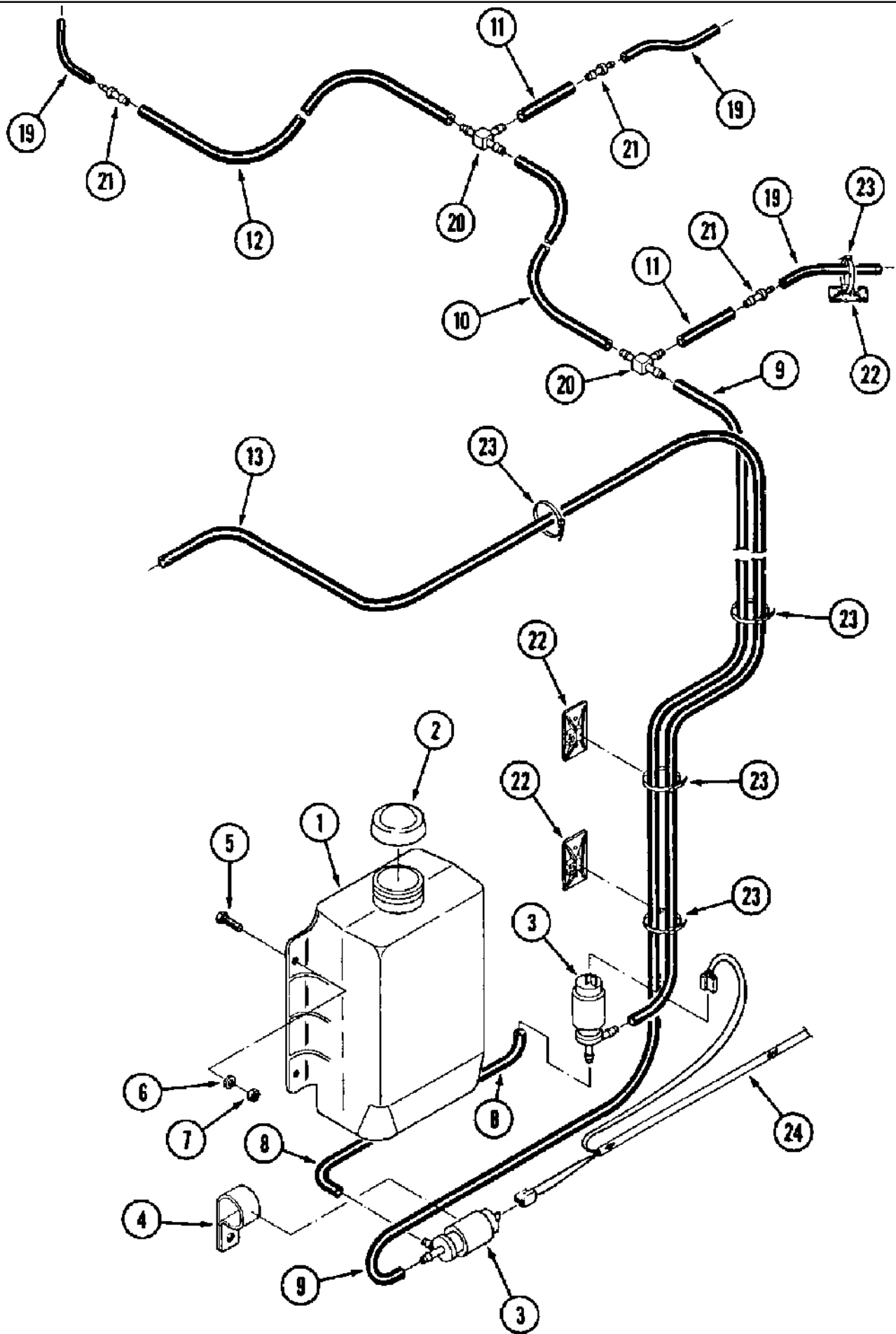


4-62 REAR WINDOW WIPER



## 4-62 REAR WINDOW WIPER

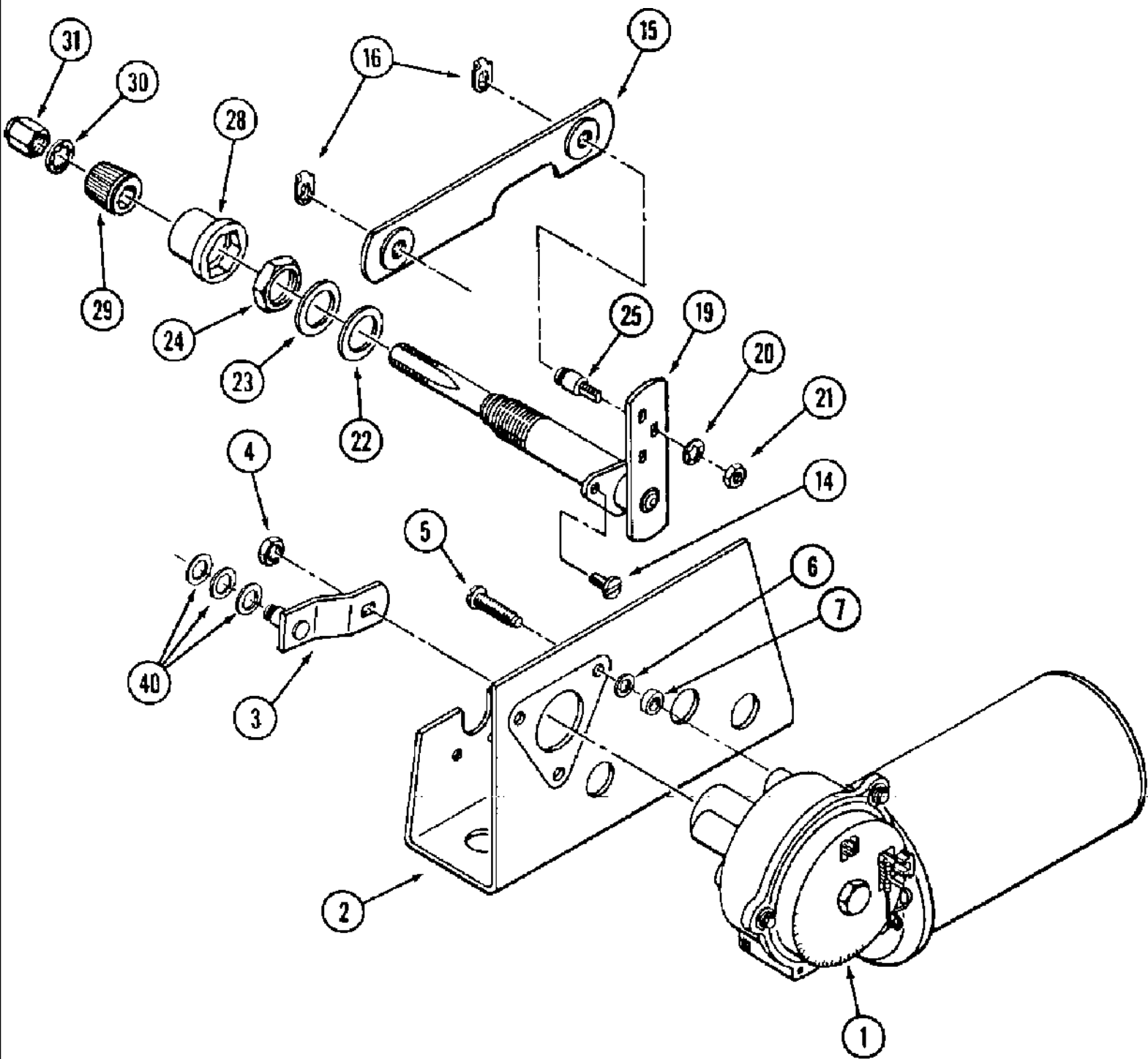
сылка	Номер детали	Кол-во	Описание
	35-1926T91	1	KIT - wiper, side and rear window with washer, order from Machinery Price List, Includes: Ref. 1 - 22, Wiper kit also includes the parts shown on Figures 4-60 and 4-64.
1	REF	1	DRIVE ASSEMBLY - wiper, parts list Figure 4-68
2	495-11028	2	WASHER - flat, 9/32 x 5/8 x 1/16 inch
3	111626C1	2	NUT - hex, self-locking, special, 1/4 inch NC
5	60-6529T2	1	SPACER - shaft, pivot
	60-1436T91	1	KIT - pivot, wiper blade, Includes: Ref. 6 - 9
6	NSS	1	PIVOT - body and shaft
7	NSS	1	GASKET - pivot
8	2-4191T1	1	WASHER - flat
9	2-4192T1	1	NUT - hex cap
12	414-424	2	BOLT - hex, 1/4 NF x 1-1/2 inch
	60-1145T91	1	BLADE ASSEMBLY - wiper, Includes: Ref. 15, 16
15	NSS	1	FRAME - wiper blade
16	2-4194T1	1	BLADE - wiper, rubber, 18 inch
20	60-1144T1	1	ARM - wiper, 17 inch
22	60-7091T1	1	CABLE - ground, motor



## 9380 CASE IH 4WD TRACTOR (6/95-8/00)

## 4-64 WINDOW WASHERS, IF EQUIPPED

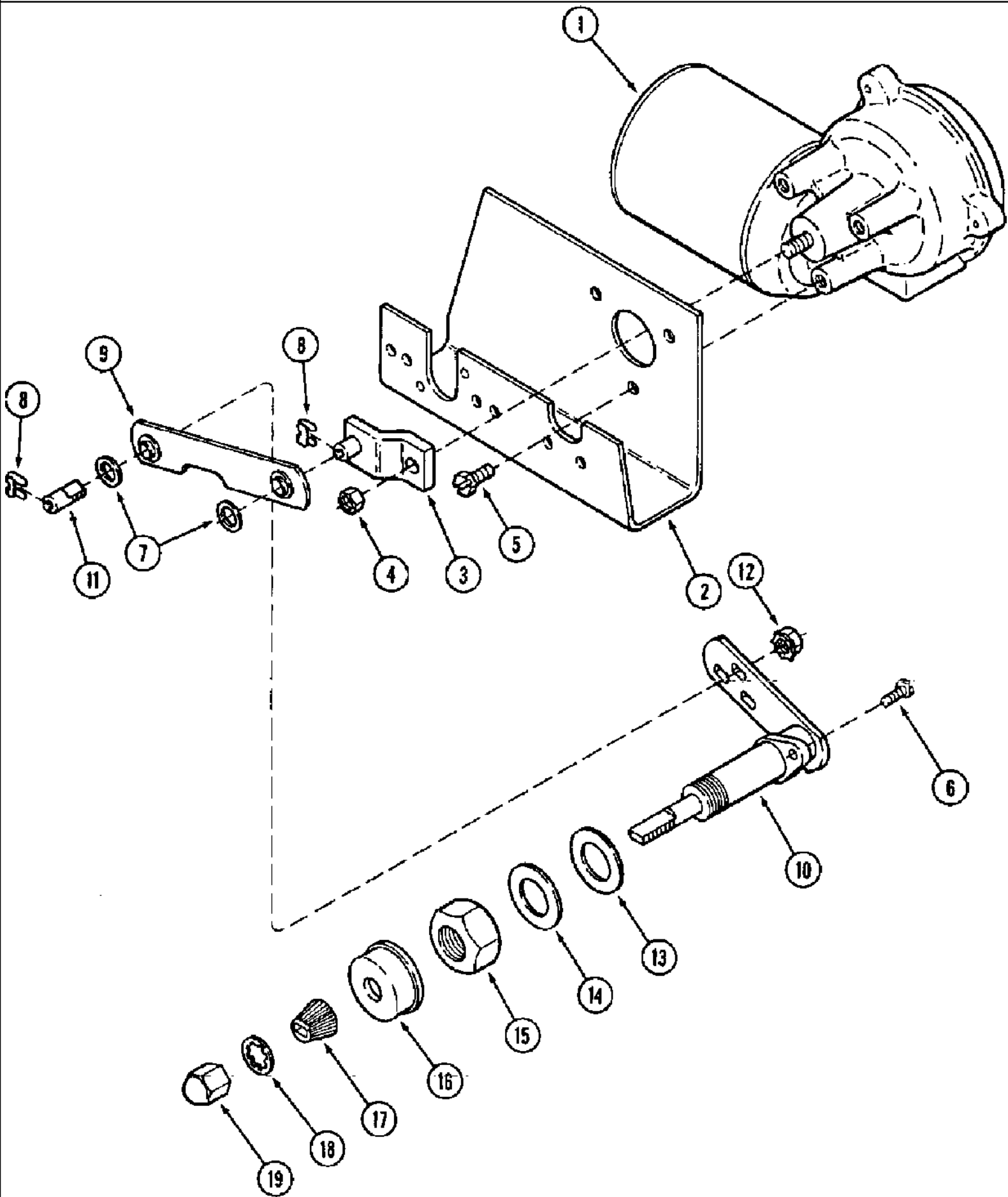
сылка	Номер детали	Кол-во	Описание
	35-1926T91	1	KIT - wiper, side and rear window with washer, order from Machinery Price List, Includes: Ref. 1 - 23, Wiper kit also includes the parts shown on Figures 4-60 and 4-62.
1	60-6524T1	1	TANK ASSEMBLY - washer fluid, Includes: Ref. 2
2	60-4241T1	1	CAP - tank
3	60-3183T1	2	PUMP - washer fluid
4	31-2361	1	CLAMP - P-type, pump
5	434-512	4	BOLT - carriage, 5/16 NC x 3/4 inch
6	495-11034	5	WASHER - flat, 11/32 x 11/16 x 1/16 inch
7	425-105	5	NUT - hex, 5/16 inch NC
8	NSS	2	HOSE - washer, 254 mm (10 inch) long, cut from 4-1056 bulk hose, see below
9	NSS	1	HOSE - washer, 3302 mm (130 inch) long, cut from 4-1056 bulk hose, see below
10	NSS	1	HOSE - washer, 610 mm (24 inch) long, cut from 4-1056 bulk hose, see below
11	NSS	1	HOSE - washer, 51 mm (2 inch) long, cut from 4-1056 bulk hose, see below
12	NSS	1	HOSE - washer, 305 mm (12 inch) long, cut from 4-1056 bulk hose, see below
13	NSS	3	HOSE - washer, 4470 mm (176 inch) long, cut from 4-1056 bulk hose, see below
19	NSS	4	HOSE - washer, 254 mm (10 inch) long, cut from 31-2607 bulk hose, see below
20	31-2363	2	TEE - nylon, 3/16 inch
21	31-2364	3	CONNECTOR - nylon, 3/16 x 7/64 inch
22	22-823	3	MOUNT - adhesive back, strap
23	22-824		UAR STRAP - tie, 7 inch
24	60-7077T3	1	HARNESS - front frame
	4-1056		UAR HOSE - bulk, 5 (3/16) ID x 6096 mm (240 inch) long
	31-2607		UAR HOSE - bulk, 3048 mm (120 inch) long



## 4-66 WIPER DRIVE ASSEMBLY, FRONT WINDOWS

сылка	Номер детали	Кол-во	Описание
	60-6577T91	1	DRIVE ASSEMBLY - wiper, no longer available, order component parts separately, Includes: Ref. 1 - 4
1	60-6586T1	1	MOTOR - wiper drive, replaced by 129068A3 kit
1	NSS	1	MOTOR - wiper drive
2	60-6633T1	1	BRACKET - mounting, drive motor
3	60-6626T1	1	LEVER - drive
4	143267A1	1	NUT - special, retaining, replaces 60-6632T1 nut
5	60-6631T1	3	BOLT - special, hex slotted with lockwasher
6	60-5913T1	1	SPACER - motor
7	19-6265T1	1	SPACER - motor
14	2-6870T1	1	SCREW - machine, pan head, special
15	D71427	1	LINK - connecting
16	D71414	2	RETAINER - spring clip
19	2-6869T91	1	DRIVE ASSEMBLY - shaft and pivot arm, Includes: Ref. 20 - 31
20	493-41026	1	WASHER - external tooth lock, 1/4 inch
21	425-114	1	NUT, 1/4"-28, G5
22	N6749	1	WASHER - felt
23	N6750	1	WASHER - flat
24	60-3497T1	1	NUT - hex, jam
25	NSS	1	PIN - shaft, pivot
28	D71420	1	CAP - shaft, rubber
29	1267556C1	1	NUT - knurled drive
30	493-21039	1	WASHER - internal tooth lock, 3/8 inch
31	60-6635T1	1	NUT - special
40	A22431	3	WASHER - special, quantity of 1 if equipped with side wiper
	129068A3	1	KIT - wiper motor, includes all Ref. : Ref. 1, 3 & 4 and (1) 129067A1 arm, not shown, replaces 60-6586T1 motor, Ref. 1

4-68 WIPER DRIVE ASSEMBLY, REAR WINDOW

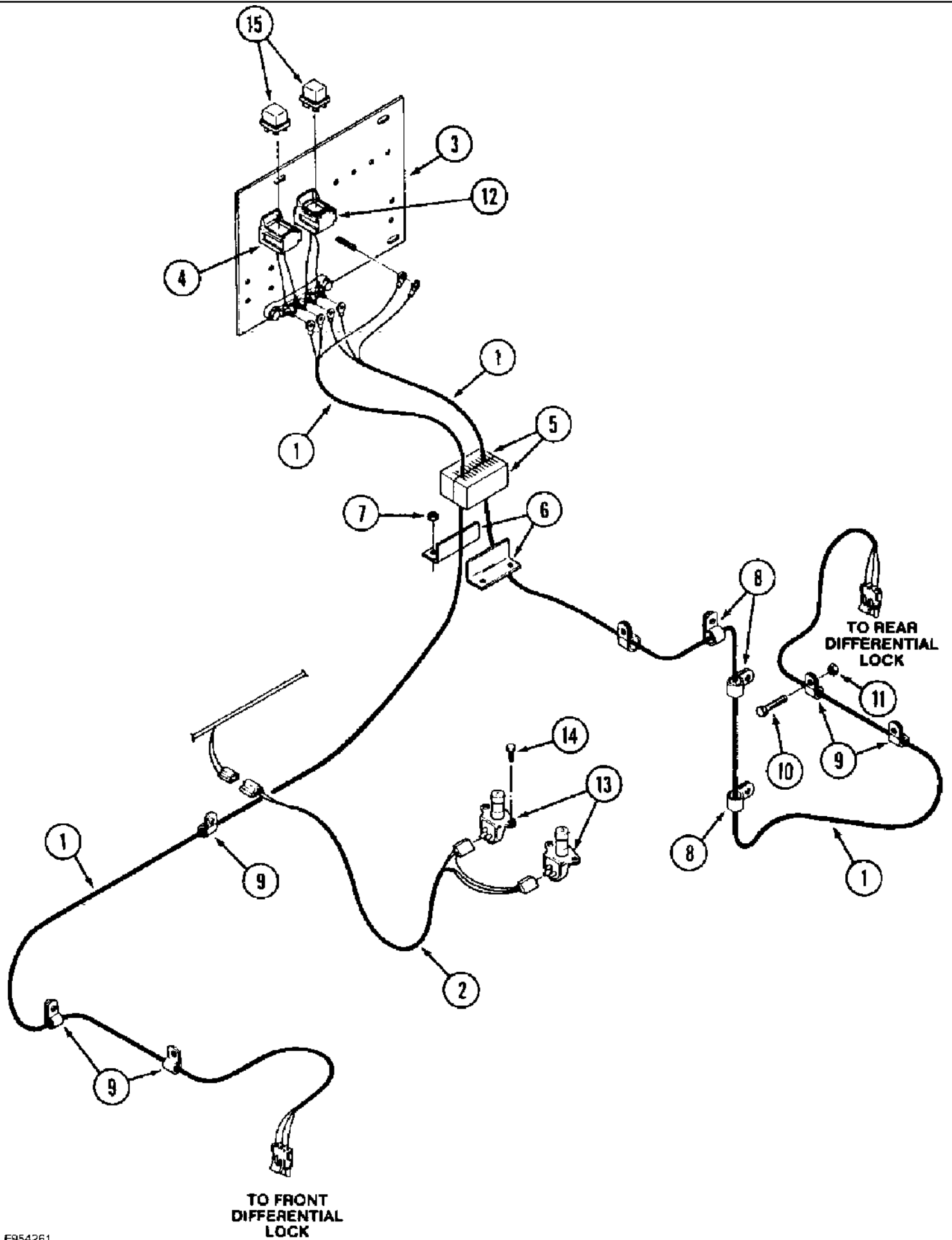


## 4-68 WIPER DRIVE ASSEMBLY, REAR WINDOW

сылка	Номер детали	Кол-во	Описание
	60-6578T91	1	DRIVE ASSEMBLY - wiper motor, no longer available, order component parts separately, Includes: Ref. 1 - 19
1	60-6586T1	1	MOTOR - wiper drive, replaced by 129068A3 kit
1	NSS	1	MOTOR - wiper drive, Part of wiper motor kit adapter P/N 129068A3.
2	D72850	1	BRACKET - mounting, replaces 60-6633T1 bracket
3	60-6626T1	1	LEVER - drive, Part of wiper motor kit adapter P/N 129068A3.
4	143267A1	1	NUT - special, replaces 60-6632T1 nut, Part of wiper motor kit adapter P/N 129068A3.
5	60-6631T1	3	BOLT - special, hex slotted with lockwasher
6	459-1108	2	SCREW - machine, pan head slotted, No. 10 NF x 1/2 inch
7	A22431	1	WASHER - special
8	D71414	2	RETAINER - spring clip
9	D71427	1	LINK - connecting
10	60-6581T91	1	SHAFT ASSEMBLY - wiper drive pivot, Includes: Ref. 11 - 19
11	NSS	1	PIN - link
12	NSS	1	NUT - lock
13	N6749	1	WASHER - felt
14	N6750	1	WASHER - flat
15	60-3497T1	1	NUT - hex, jam
16	D71420	1	CAP - shaft, rubber
17	1267556C1	1	NUT - knurled drive
18	493-21039	1	WASHER - internal tooth lock, 3/8 inch
19	60-6635T1	1	NUT - special
	129068A3	1	KIT - wiper motor, adapter, includes: Ref. 1, 3 & 4 and (1) 129067A1 arm, not shown, replaces 60-6586T1



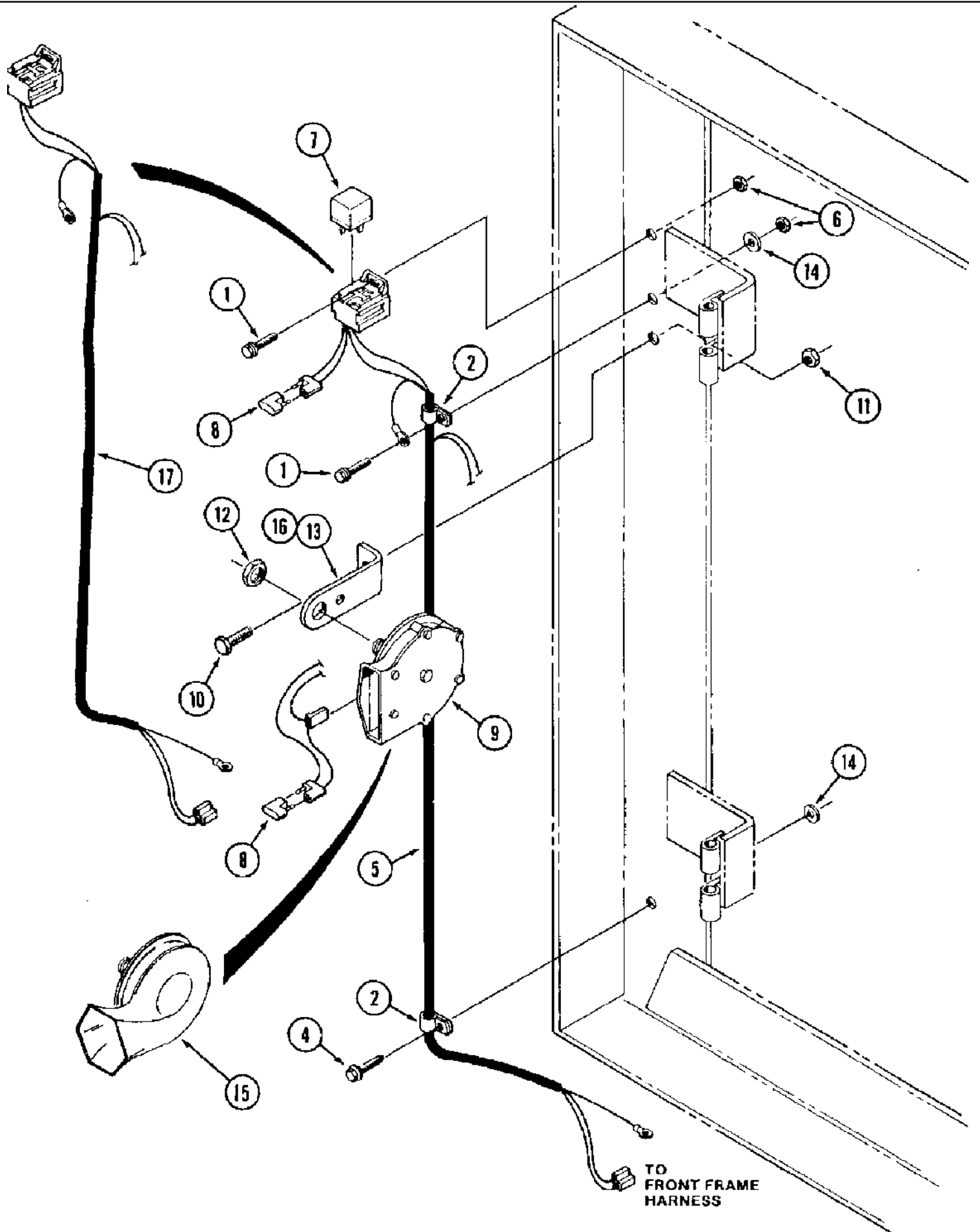
4-70 CONTROL TRACTION DIFFERENTIAL HARNESSSES



## 4-70 CONTROL TRACTION DIFFERENTIAL HARNESSSES

сылка	Номер детали	Кол-во	Описание
1	20-2484T1	2	HARNESS - differential, front and rear
2	60-6341T1	1	HARNESS - switch, differential lock
3	60-5052T3	1	PLATE - relay mounting
4	60-6340T1	1	HARNESS - relay, front differential lock, See Figure 4-17 for mounting hardware
5	60-6066T1	2	SEAL - foam
6	60-6065T1	2	ANGLE - retaining, foam
7	231-1445	4	NUT - hex, self-locking, 5/16 inch NC
8	515-23238	3	CLAMP - P-type, 15/16 inch ID, harness
9	A62209	5	CLAMP - P-type
10	426-624	1	BOLT - hex, 3/8 NC x 1-1/2 inch, grade 8
11	425-106	1	NUT, 3/8"-16, G5
12	60-6339T1	1	HARNESS - relay, rear differential lock, See Figure 4-17 for mounting hardware
13	20-1988T1	2	SWITCH - on/off, differential
14	426-48	4	BOLT - hex, 1/4 NC x 1/2 inch, grade 8
15	1983394C2	2	RELAY - mini, 12 volt

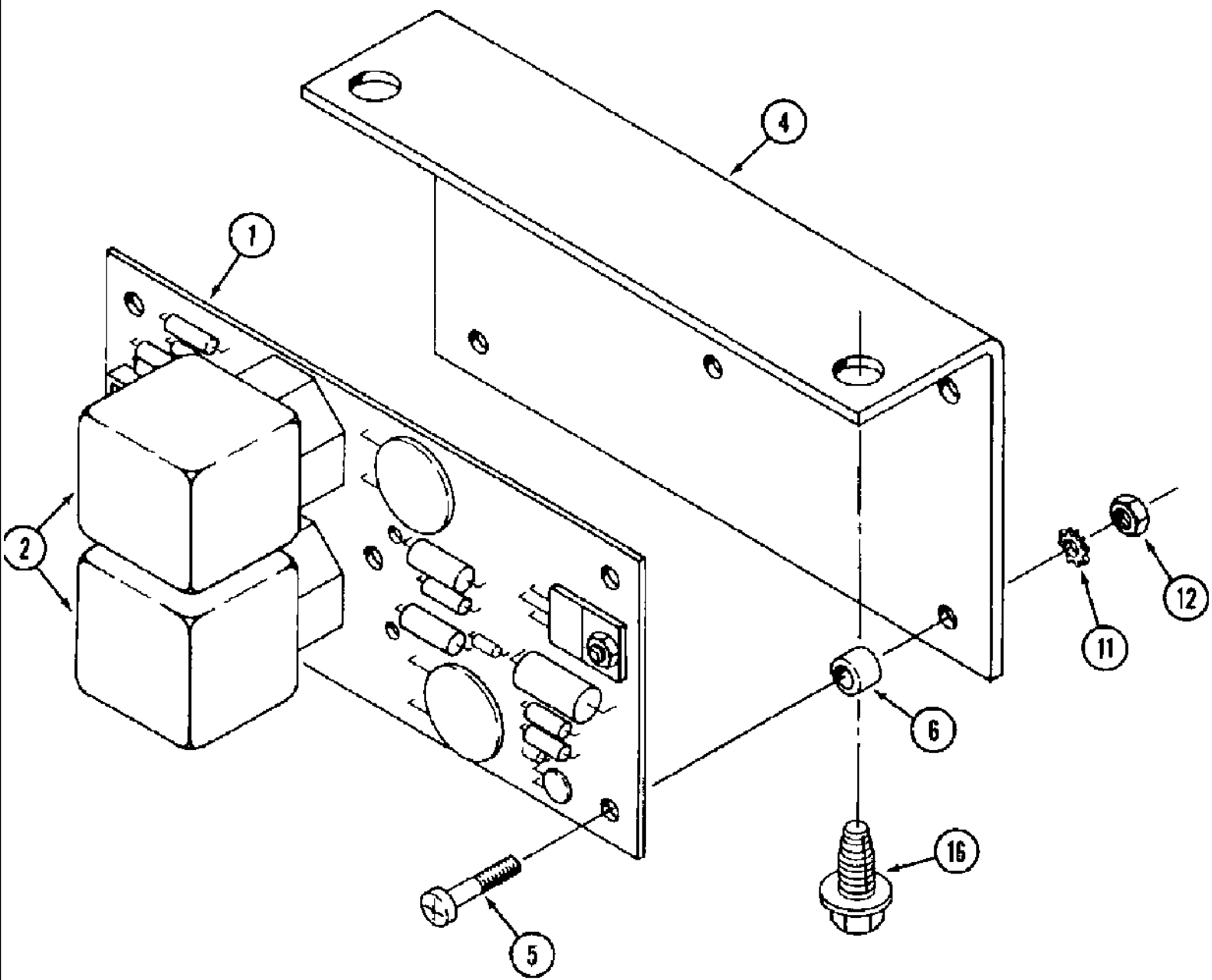
4-72 HORN AND MOUNTING



## 4-72 HORN AND MOUNTING

сылка	Номер детали	Кол-во	Описание
1	463-41012	2	SCREW - machine, hex slotted washer head, No. 10 NC x 3/4 inch
2	515-2395	2	CLAMP, 3/8", Insul, 3/8" Bolt
4	282-44712	1	SCREW - self-drilling tapping, hex washer head, 1/4 NC x 3/4 inch
5	60-6290T1	1	HARNESS - horn, replaced by 60-7241T1 harness, Ref. 17
6	193-1004	2	NUT - hex, with external tooth lock washer, No. 10 NC
7	1983394C2	1	RELAY - mini, 12 volt
8	22-738	2	DIODE - electrical
9	R45962	1	HORN - "F" Note, 12 volt, electrical, replaced by 60-7242T1 horn, Ref. 15
10	426-512	1	BOLT - hex, 5/16 NC x 3/4 inch, grade 8
11	231-1445	1	NUT - hex, self-locking, 5/16 inch NC
12	L30866	1	NUT - hex, special
13	L73799	1	BRACKET - mounting, horn, used with R45962 horn, Ref. 9
14	495-11028	2	WASHER - flat, 9/32 x 5/8 x 1/16 inch
15	60-7242T1	1	HORN - 12 volt, replaces R45962 horn, Ref. 9, Includes: Ref. 16
16	NSS	1	BRACKET - mounting, horn
17	60-7241T1	1	HARNESS - horn, replaces 60-6290T1 harness, Ref. 5

4-74 TIME BASE FLASHER ASSEMBLY

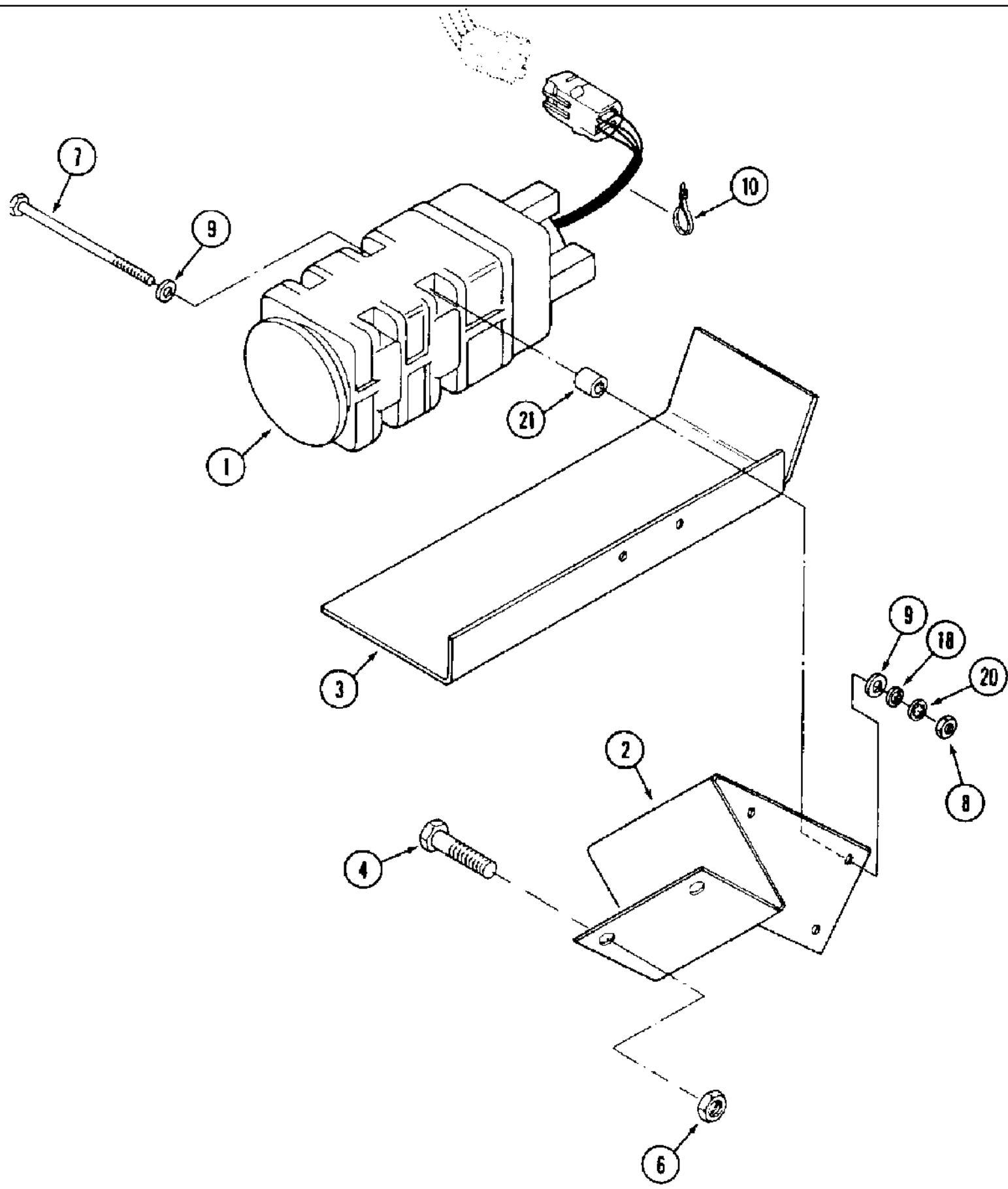


9380 CASE IH 4WD TRACTOR (6/95-8/00)

4-74 TIME BASE FLASHER ASSEMBLY

сылка	Номер детали	Кол-во	Описание
1	20-2123T3	1	BOARD ASSEMBLY - circuit, Includes: Ref. 2
2	1983394C2	2	RELAY - mini, 12 volt
4	25-1000155	1	BRACKET - mounting, circuit board
5	440-10610	5	SCREW - machine, pan Phillips, No. 6 NC x 5/8 inch
6	25-1000174	5	SPACER - circuit board
11	493-41014	5	Washer, Ext, #6
12	225-14106	5	Nut, #6-32
16	276-1478	2	SCREW - self-tapping, hex head, 1/4 NC x 1/2 inch

4-76 GROUND SPEED SENSOR

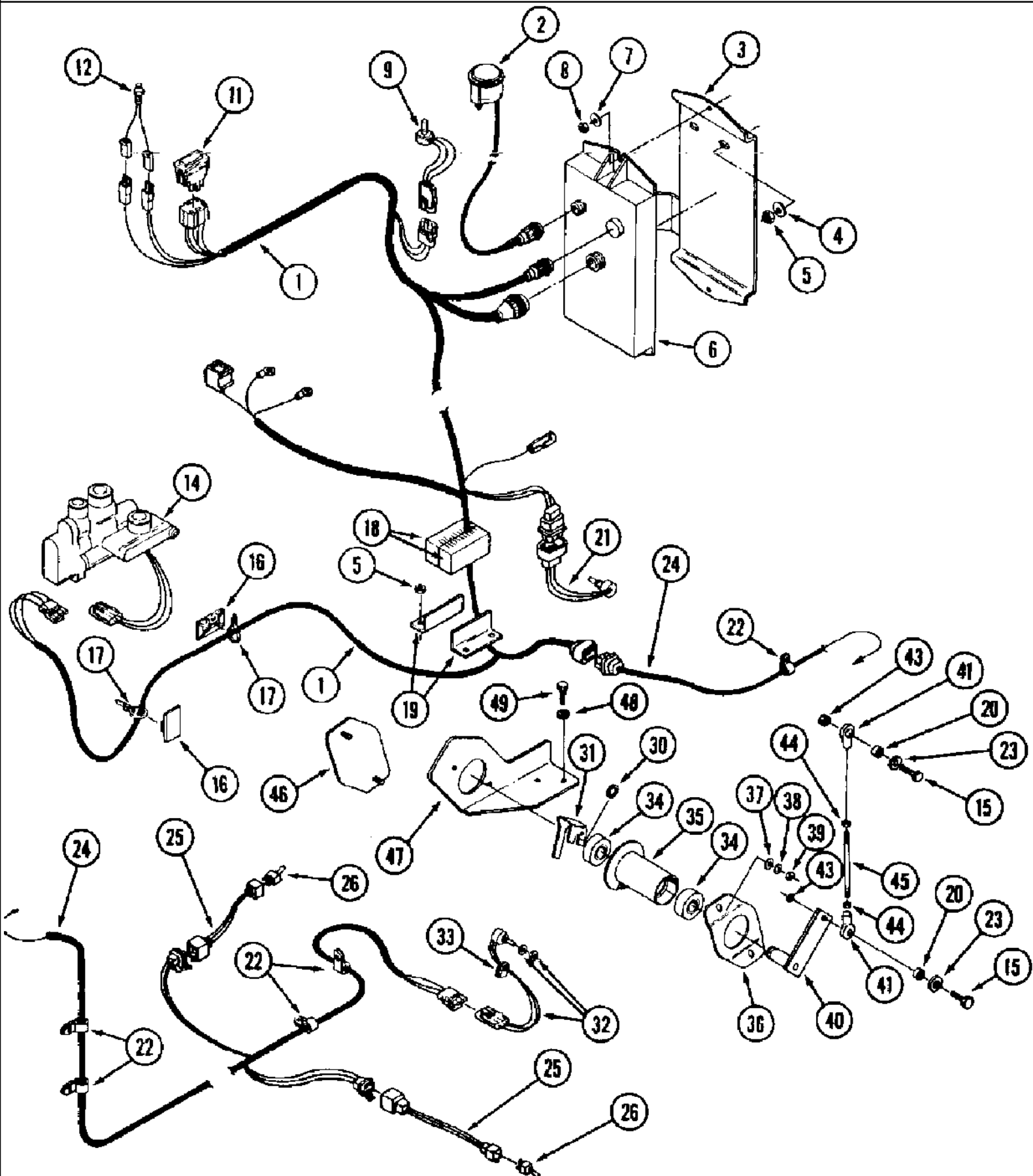


## 9380 CASE IH 4WD TRACTOR (6/95-8/00)

## 4-76 GROUND SPEED SENSOR

сылка	Номер детали	Кол-во	Описание
1	228760A1	1	SENSOR - speed, ground, replaces 1983294C1 sensor
2	60-6130T1	1	BRACKET - mounting, sensor
3	60-6131T1	1	GUARD - sensor
4	426-828	2	BOLT - hex, 1/2 NC x 1-3/4 inch, grade 8
6	231-4118	2	NUT - hex, self-locking, 1/2 inch NC
7	426-472	4	BOLT - hex, 1/4 NC x 4-1/2 inch, grade 8
8	425-104	4	NUT - hex, 1/4 inch NC
9	495-11028	8	WASHER - flat, 9/32 x 5/8 x 1/16 inch
10	22-824	1	STRAP - tie, 7 inch
18	492-11025	4	WASHER, LOCK, 1/4"
20	493-21026	1	WASHER - internal tooth lock, 1/4 inch
21	50-2955T1	4	SPACER - standoff, mounting

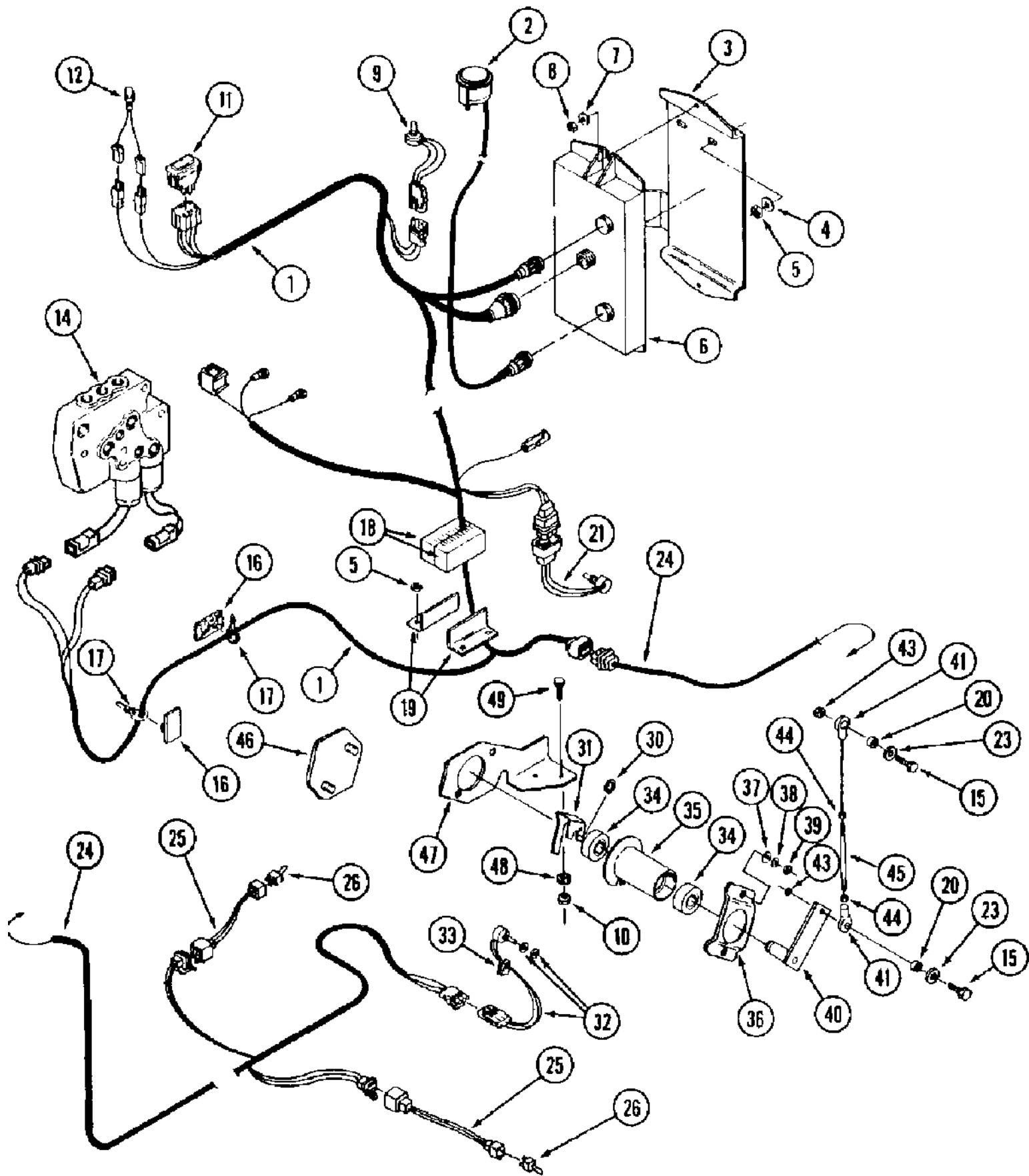




## 9380 CASE IH 4WD TRACTOR (6/95-8/00)

## 4-78 THREE POINT HITCH HARNESSSES, PRIOR TO P.I.N. JEE0069665

сылка	Номер детали	Кол-во	Описание
1	60-7017T2	1	HARNESS - electronic depth control
2	60-7222T1	1	GAUGE - display, seven segment, replaces 60-7015T1 gauge
3	60-6120T1	1	PLATE - mounting, controller
4	495-11034	3	WASHER - flat, 11/32 x 11/16 x 1/16 inch
5	231-1445	7	NUT - hex, self-locking, 5/16 inch NC
6	232836A3	1	CONTROLLER - three point hitch, electronic, replaces 60-7014T1 controller
7	495-11028	2	WASHER - flat, 9/32 x 5/8 x 1/16 inch
8	425-104	2	NUT - hex, 1/4 inch NC
9	A186061	1	POTENTIOMETER - electrical
11	60-7018T1	1	SWITCH - rocker
12	1964672C1	1	LIGHT - indicator, amber, 14 volt
14	50-3321T91	1	VALVE ASSEMBLY - control, hitch, three point, parts list Figure 8-94
15	163-55	2	SCREW - machine, hex head, No. 10 NC x 1-1/4 inch
16	22-823	2	MOUNT - adhesive back, strap
17	22-824		UAR STRAP - tie, 7 inch
18	60-6066T1	2	SEAL - foam
19	60-6065T1	2	ANGLE - retaining, foam
20	90-7749T1	2	SPACER - joint
21	122756A3	1	POTENTIOMETER - single, 1K
22	515-23238	5	CLAMP - P-type, 15/16 inch ID, harness
23	495-31022	2	WASHER, #10
24	60-7016T2	1	HARNESS - three point hitch
25	60-7167T1	2	HARNESS - switch, three point hitch
26	60-7039T1	2	SWITCH - toggle, three point hitch
	60-7012T91	1	HOUSING ASSEMBLY - potentiometer, prior to P.I.N. JEE0069308, See Figure 4-80 for P.I.N. JEE0069308 and after, Includes: Ref. 30 - 47
30	19-5860	1	Ring, Snap, #75, Ext
31	60-6186T1	1	MOUNT - potentiometer
32	122756A3	1	POTENTIOMETER - single, 1K, raise and lower
33	31-2475	1	GROMMET - wire
34	60-6177T1	2	BEARING - ball
35	60-6167T3	1	HOUSING - potentiometer
36	60-6169T2	1	RETAINER - housing
37	495-11028	2	WASHER - flat, 9/32 x 5/8 x 1/16 inch
38	493-21026	2	WASHER - internal tooth lock, 1/4 inch
39	425-104	2	NUT - hex, 1/4 inch NC
40	60-7159T2	1	LEVER - actuating
41	H433283	2	JOINT - ball, linkage
43	86625057	2	NUT, LOCK, #10-24, GB
44	225-14210	2	NUT, #10-32
45	60-6175T1	1	ROD - actuating
46	60-6185T1	1	PLATE - mounting, housing
47	60-6653T1	1	MOUNT - potentiometer assembly
48	495-11041	2	WASHER - flat, 13/32 x 13/16 x 1/16 inch
49	426-616	2	BOLT, Hex, 3/8"-16 x 1", G8, Full Thd



## 9380 CASE IH 4WD TRACTOR (6/95-8/00)

## 4-80 THREE POINT HITCH HARNESSSES, P.I.N. JEE0069665 AND AFTER

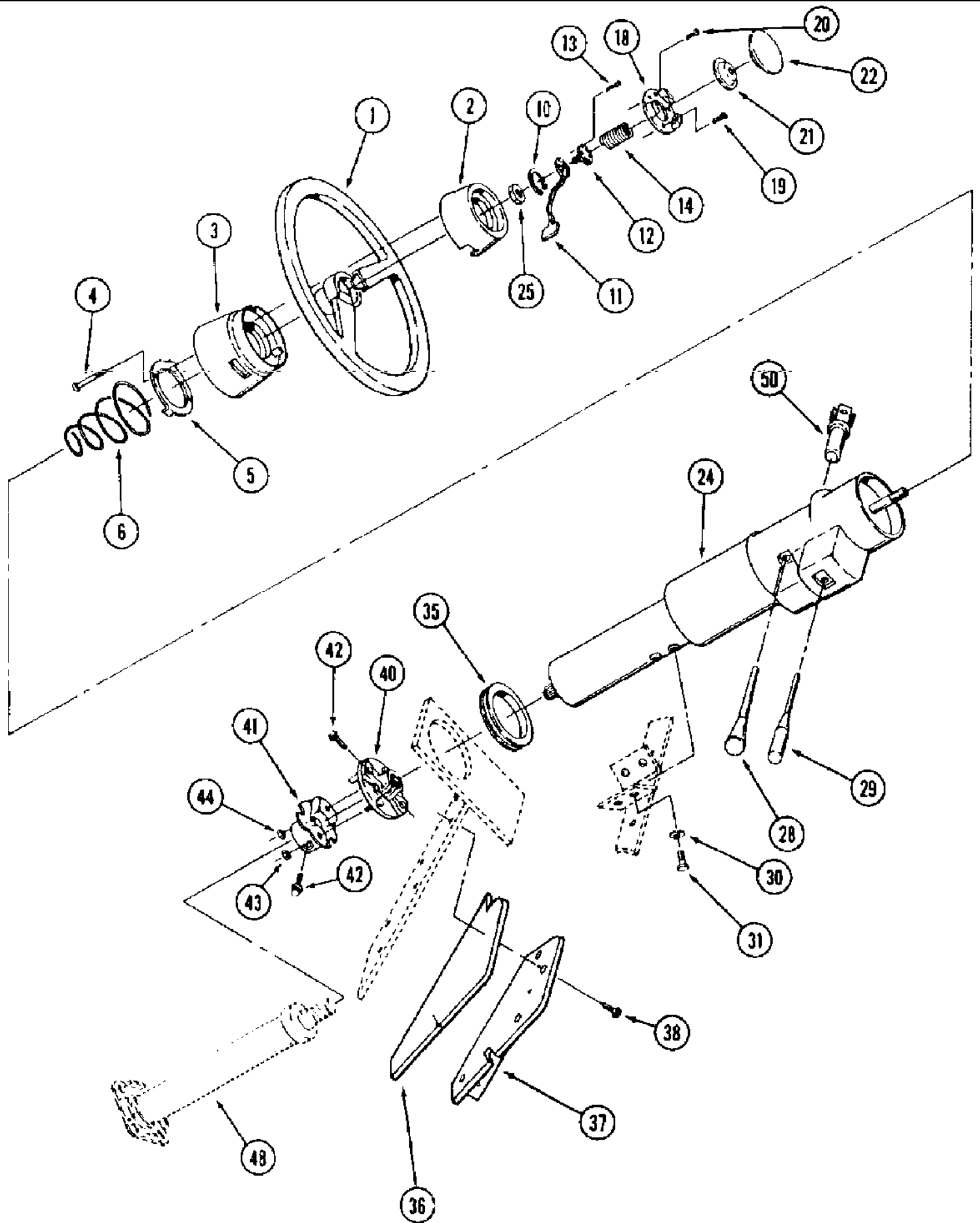
сылка	Номер детали	Кол-во	Описание
1	60-7274T1	1	HARNESS - electronic depth control
2	60-7222T1	1	GAUGE - display, seven segment
3	60-6120T1	1	PLATE - mounting, controller
4	495-11034	3	WASHER - flat, 11/32 x 11/16 x 1/16 inch
5	231-1445	7	NUT - hex, self-locking, 5/16 inch NC
6	60-7281T2	1	CONTROLLER - three point hitch, electronic
7	495-11028	2	WASHER - flat, 9/32 x 5/8 x 1/16 inch
8	425-104	2	NUT - hex, 1/4 inch NC
9	A186061	1	POTENTIOMETER - electrical
10	425-106	2	NUT, 3/8"-16, G5, P.I.N JEE0069308 and after
11	60-7018T1	1	SWITCH - rocker
12	1964672C1	1	LIGHT - indicator, amber, 14 volt
14	246245A1	1	VALVE ASSEMBLY - control, three point hitch, parts list Figure 8-96
15	163-55	2	SCREW - machine, hex head, No. 10 NC x 1-1/4 inch
16	22-823	2	MOUNT - adhesive back, strap
17	22-824		UAR STRAP - tie, 7 inch
18	60-6066T1	2	SEAL - foam
19	60-6065T1	2	ANGLE - retaining, foam
20	90-7749T1	2	SPACER - joint
21	122756A3	1	POTENTIOMETER - single, 1K
23	495-31022	2	WASHER, #10
	60-7019T1	1	SWITCH ASSEMBLY - toggle, Includes: Ref. 24 & 25
24	60-7016T2	1	HARNESS - three point hitch
25	60-7167T1	2	HARNESS - switch, three point hitch
26	60-7039T1	2	SWITCH - toggle, three point hitch
	60-7280T91	1	HOUSING ASSEMBLY - potentiometer, P.I.N. JEE0069308 and after, See Figure 4-78 for prior to P.I.N. JEE0069308, Includes: Ref. 30 - 47
30	19-5860	1	Ring, Snap, #75, Ext
31	60-6186T1	1	MOUNT - potentiometer
32	122756A3	1	POTENTIOMETER - single, 1K, raise and lower
33	31-2475	1	GROMMET - wire
34	60-6177T1	2	BEARING - ball
35	60-6167T3	1	HOUSING - potentiometer
36	60-6169T2	1	RETAINER - housing
37	495-11028	2	WASHER - flat, 9/32 x 5/8 x 1/16 inch
38	493-21026	2	WASHER - internal tooth lock, 1/4 inch
39	425-106	2	NUT, 3/8"-16, G5
40	60-7159T2	1	LEVER - actuating
41	H433283	2	JOINT - ball, linkage
43	86625057	2	NUT, LOCK, #10-24, GB
44	225-14210	2	NUT, #10-32
45	60-6175T1	1	ROD - actuating
46	60-6185T1	1	PLATE - mounting, housing
47	60-7277T1	1	MOUNT - potentiometer assembly
48	495-11041	2	WASHER - flat, 13/32 x 13/16 x 1/16 inch

9380 CASE IH 4WD TRACTOR (6/95-8/00)

4-80 THREE POINT HITCH HARNESSSES, P.I.N. JEE0069665 AND AFTER

сылка	Номер детали	Кол-во	Описание
49	426-624	2	BOLT - hex, 3/8 NC x 1-1/2 inch, grade 8

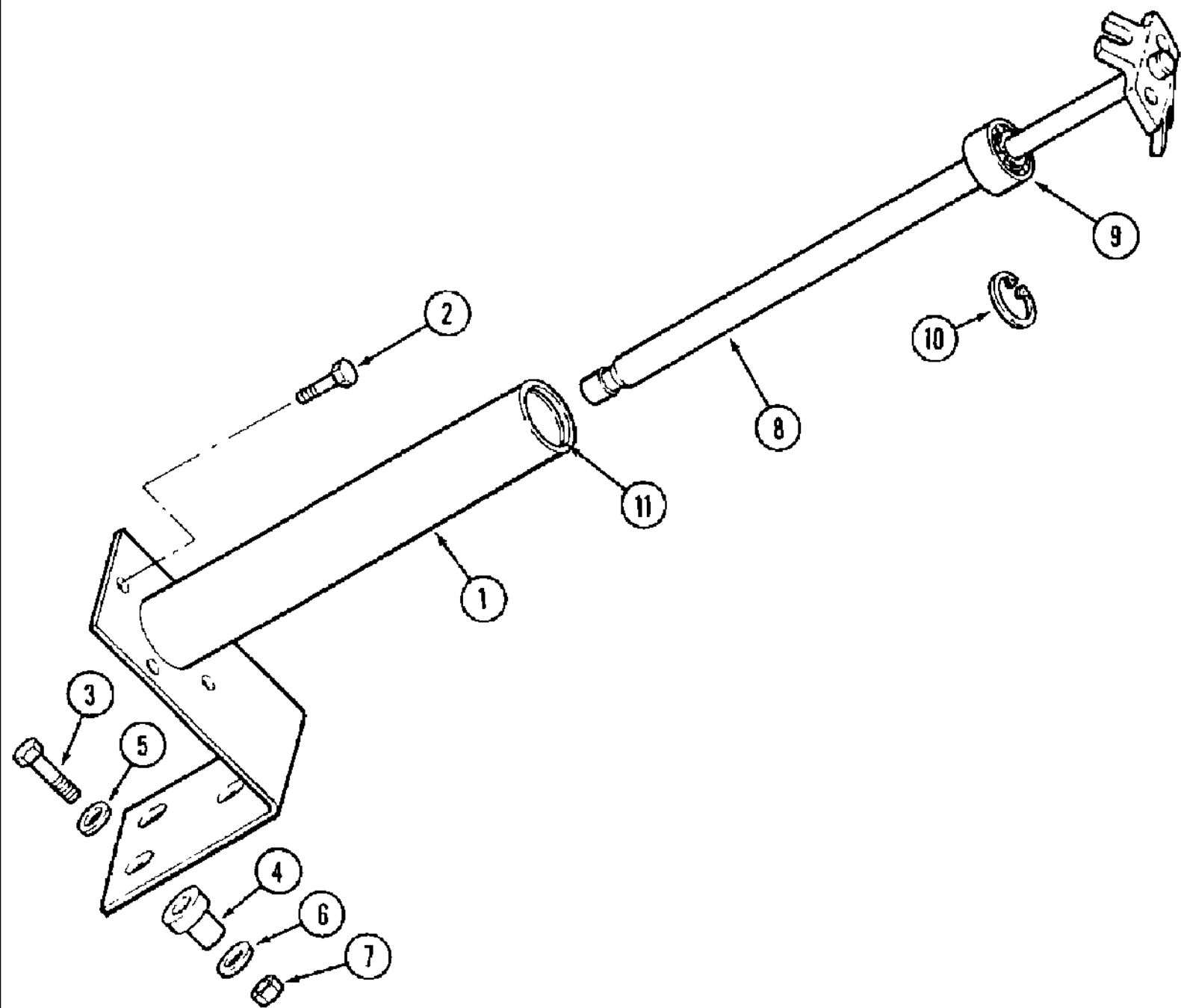
5-02 STEERING WHEEL AND COLUMN



## 5-02 STEERING WHEEL AND COLUMN

сылка	Номер детали	Кол-во	Описание
	2-3755T92	1	WHEEL ASSEMBLY - steering, Includes: Ref. 1 - 6
1	60-1827T2	1	WHEEL - steering, no longer available, order 2-3755T92 wheel assembly
2	60-1828T1	1	COVER - hub, upper
3	60-1829T1	1	COVER - hub, lower
4	19-5791	2	SCREW - machine, self-tapping, pan head, No. 6 NS x 1-1/4 inch
5	60-1830T1	1	RETAINER - spring
6	60-1831T1	1	SPRING - compression, telescoping
10	18-1570	1	RING - snap, locking
11	60-1951T1	1	LEVER - release, telescoping
12	18-1565	1	SCREW - release, telescoping
13	60-6469T1	2	SCREW - machine, flat head, No. 10 NF x 1/4 inch
14	60-1820T1	1	SPRING - horn button
15	19-135	1	STRAP - tie, nylon, not shown
18	60-1819T1	1	PLATE - base
19	260-14510	3	SCREW - self-tapping, pan Phillips, No. 10-16 x 5/8 inch
20	260-14436	1	SCREW - self-tapping, pan Phillips, No. 8-18 x 2-1/4 inch
21	A13092	1	CUP - contact
22	60-1822T1	1	BUTTON - horn
24	1-7630	1	COLUMN ASSEMBLY - steering, tilt and telescoping, parts list Figures 5-06 and 5-08
25	425-159	1	NUT - hex, jam, 9/16 inch NF
28	18-1567T1	1	LEVER - tilt actuating
29	1-4188T1	1	LEVER - turn signal, wiper, washer and hi-low beam
30	446363	4	WASHER - flat, 3/8 x 7/8 x 1/16 inch
31	614-8016	4	BOLT - hex, full threads, 8 - 1.25 x 16 mm
35	32-327	1	GROMMET - column
36	60-7109T1	1	SEAL - foam, steering column access
37	60-7110T1	1	PLATE - cover, access
38	281-14712	6	SCREW - self-tapping, hex washer head, 1/4 NC x 3/4 inch
40	60-4436T1	1	FLANGE - coupling, column
41	60-4437T1	1	FLANGE - coupling, steering shaft
42	7807271	2	BOLT - 12 point, special
43	451399	1	NUT - hex, 5/16 inch NF
44	9420821	1	NUT - hex, 3/8 inch NF
48	REF	1	SHAFT ASSEMBLY - steering lower, See Figure 5-04 for correct assembly and component parts
50	22-752T1	1	LOCK ASSEMBLY - ignition, Includes: Ref. 51
51	A77313	1	KEY - set of two, not shown

5-04 STEERING COLUMN LOWER SHAFT



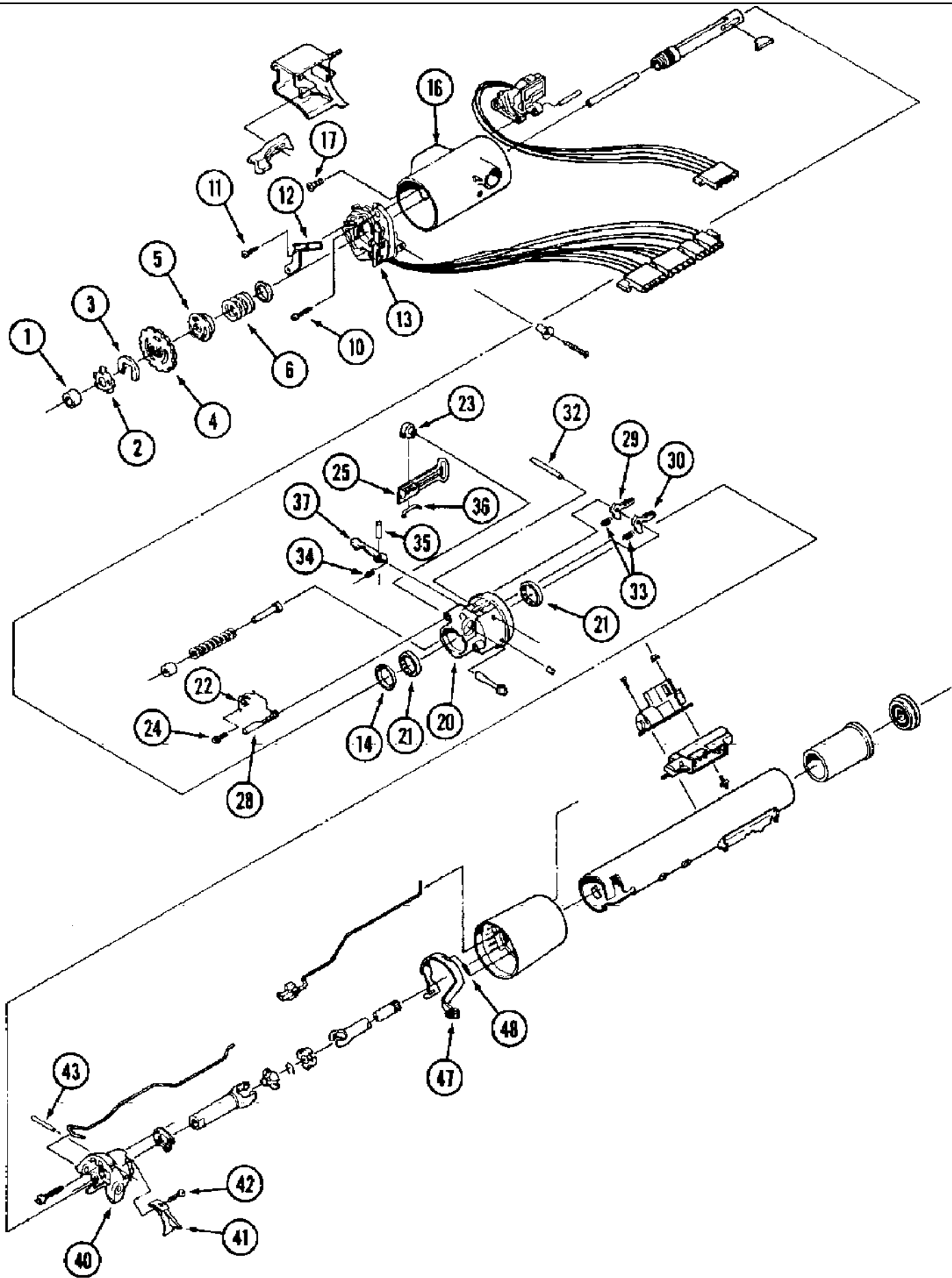


## 9380 CASE IH 4WD TRACTOR (6/95-8/00)

## 5-04 STEERING COLUMN LOWER SHAFT

сылка	Номер детали	Кол-во	Описание
1	60-6665T1	1	COLUMN - steering shaft, lower
2	426-612	4	BOLT - hex, 3/8 NC x 3/4 inch, grade 8, used with 50-3553T92 valve, prior to P.I.N. JEE0071531, parts list Figure 5-14
2	627-10020	4	BOLT - hex, full threads, 10 - 1.5 x 20 mm, class 10.9, used with 50-3653T91 valve, P.I.N. JEE0071531 and after, parts list Figure 5-14
3	426-628	3	BOLT - hex, 3/8 NC x 1-3/4 inch, grade 8
4	D52276	3	INSULATOR - rubber
5	495-21044	6	WASHER - flat, 7/16 x 1 x 5/64 inch
6	496-41041	3	WASHER - flat, 13/32 x 1-1/8 x 9/64 inch, hardened
7	232-4136	3	NUT, LOCK, 3/8"-16, GC
8	60-6664T1	1	SHAFT ASSEMBLY - lower steering, Includes: Ref. 9 & 10
9	60-6177T1	1	BEARING - ball
10	19-5860	1	Ring, Snap, #75, Ext
11	100-21185	1	Ring, Snap, 1.852", Int, #185

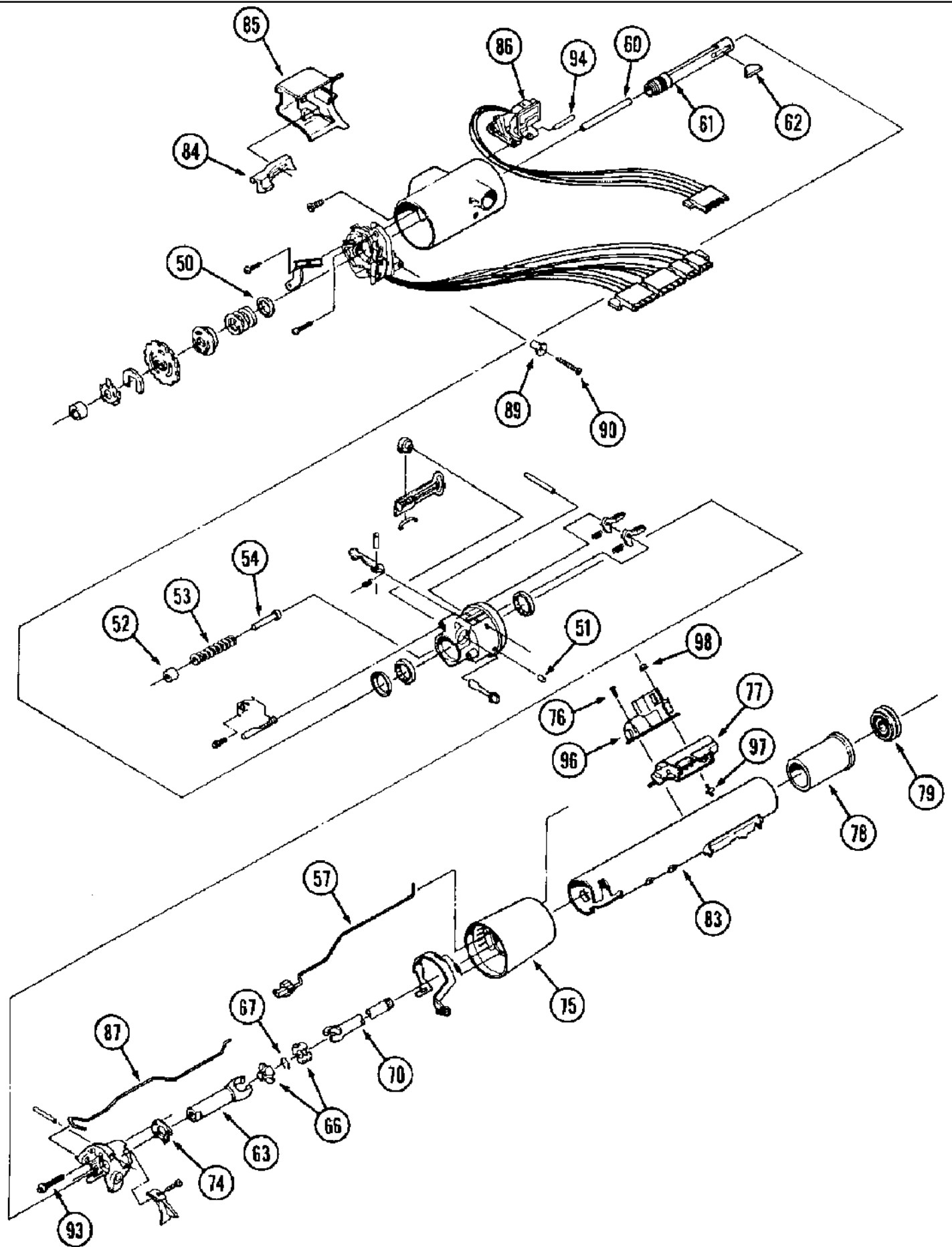
5-06 STEERING COLUMN ASSEMBLY



## 5-06 STEERING COLUMN ASSEMBLY

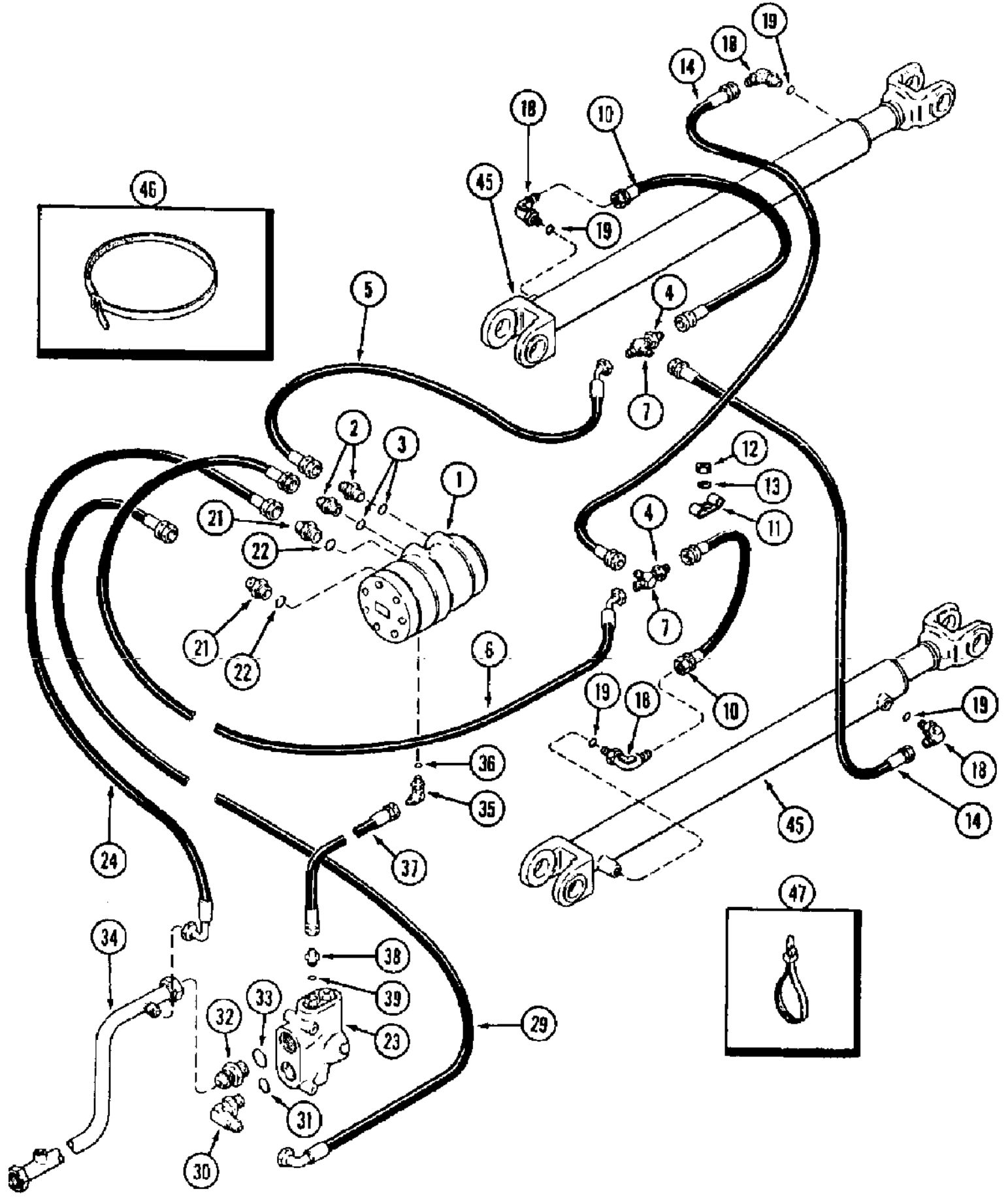
сылка	Номер детали	Кол-во	Описание
	1-7630	1	COLUMN ASSEMBLY - steering, tilt and telescoping, Includes: Ref. 1 - 48 and 50 - 98 on Figure 5-08
1	1-1320	1	BUMPER - shaft, retracted steering
2	1-1329	1	RETAINER - carrier snap ring
3	1-1331	1	RETAINER - shaft lock
4	1-1325	1	LOCK - steering shaft
5	1-1215	1	CARRIER - lock
6	1-4507	1	SPRING - bearing, upper
10	1-1333	3	SCREW - machine, binding head
11	1-6924	1	SCREW - machine, flanged crown head
12	1-4466	1	ARM - signal switch
13	1-4497	1	SWITCH - turn signal
14	1-1336	1	SEAT - bearing, inner race
16	1-4473	1	COVER - lock housing, replaces 2-1454 cover
17	1-6926	3	SCREW - machine, oval head
	1-4474	1	HOUSING ASSEMBLY - lock, Includes: Ref. 20 - 37
20	NSS	1	HOUSING - lock
	33-1174T1	1	KIT - switch actuator, Includes: Ref. 21 - 25
21	NSS	2	BEARING - lock housing
22	NSS	1	SPRING - lock bolt
23	NSS	1	SECTOR - actuator, switch
24	NSS	1	SCREW - flange head machine
25	NSS	1	RACK - switch actuator
28	19-5460	1	BOLT - lock
29	1-1227	1	SHOE - lock, steering wheel
30	1-1226	1	SHOE - lock, steering wheel
32	1-1220	1	PIN - dowel
33	1-1301	2	SPRING - shoe
34	1-1230	1	SPRING - release lever
35	1-1221	1	PIN - release lever
36	1-1229	1	SPRING - preload, rack
37	1-4476	1	LEVER - shoe release
	1-4493	1	SUPPORT ASSEMBLY - housing, Includes: Ref. 40 - 43
40	NSS	1	SUPPORT - housing
41	1-4494	1	PLATE - retaining, shroud
42	19-5459	2	SCREW - machine, oval head
43	NSS	1	PIN - dowel
47	1-4501	1	LEVER - release, key
48	1-4506	1	SPRING - release lever

5-08 STEERING COLUMN ASSEMBLY (CONT'D)



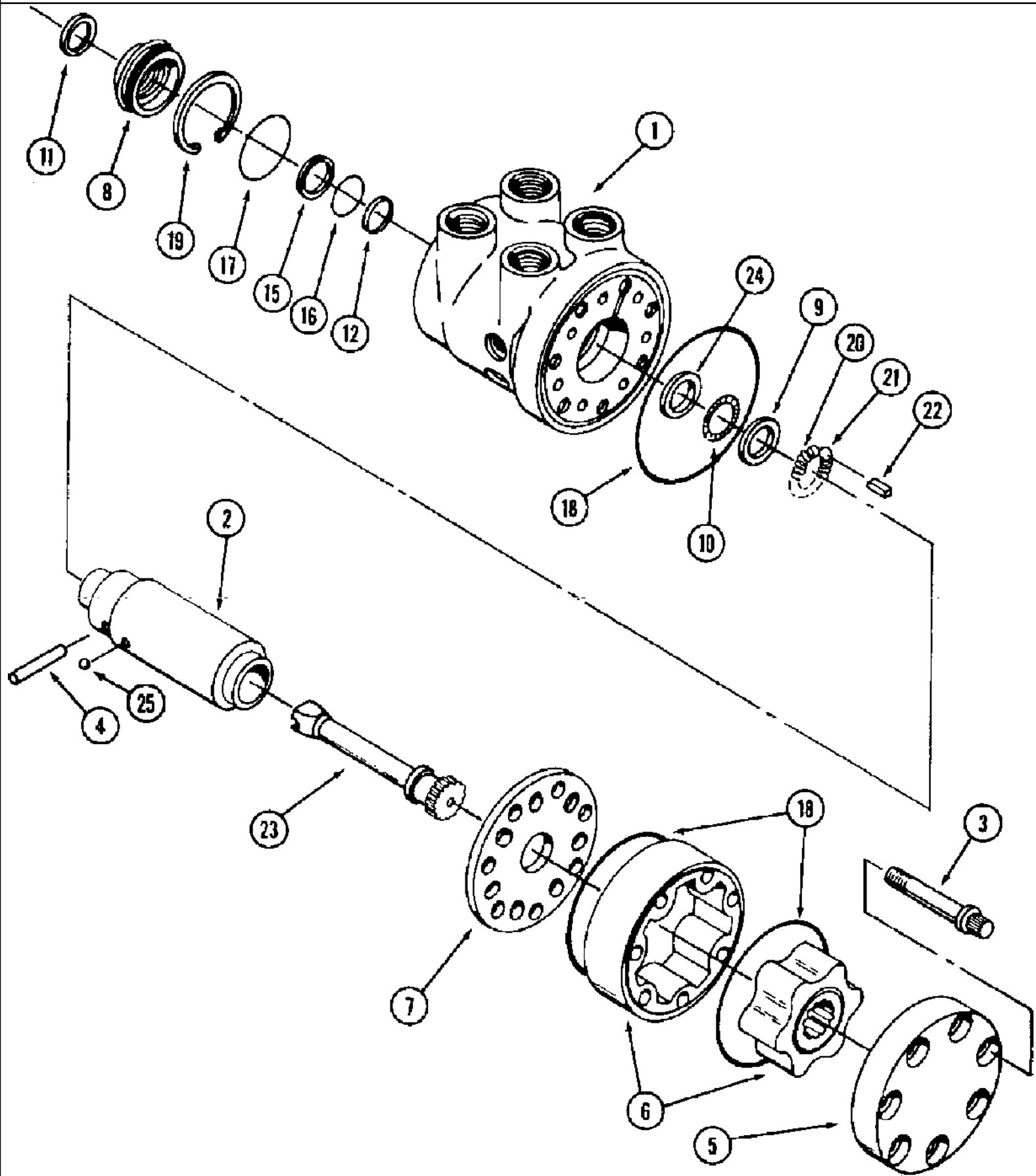
## 5-08 STEERING COLUMN ASSEMBLY (CONT'D)

сылка	Номер детали	Кол-во	Описание
	1-7630	1	COLUMN ASSEMBLY - steering, tilt and telescoping, Includes: Ref. 50 - 98 and 1 - 48 on Figure 5-06
	35-1923T91	1	KIT - service, pin and spring, column tilt, Includes: Ref. 50 - 54
50	NSS	1	BEARING - inner race
51	NSS	2	PIN - pivot
52	NSS	1	RETAINER - spring
53	1-4508	1	SPRING - wheel tilt
54	NSS	1	GUIDE - spring
57	1-4465	1	ACTUATOR - switch
60	1-4488	1	ROD - locking, telescoping
61	2-1467	1	SHAFT - steering, upper
62	1-1312	1	WEDGE - locking
63	1-4487	1	YOKE - race and steering shaft
	33-1175T1	1	KIT - sphere, centering, Includes: Ref. 66 & 67
66	NSS	2	SPHERE - centering
67	NSS	1	SPRING - preload, joint
70	1-4486	1	SHAFT - yoke and steering
74	1-1326	1	PLATE - lock
75	1-4504	1	SHROUD - housing, steering column
76	1-1335	1	SCREW - machine, flanged
77	1-4496	1	SWITCH - ignition
78	1-4468	1	ADAPTER - bearing, lower
79	1-4467	1	BEARING - lower
83	2-1461	1	JACKET - housing
84	1-4498	1	ACTUATOR - rod, dimmer switch
85	1-4469	1	COVER - end cap, column housing
86	2-1452	1	SWITCH - wiper/washer
87	2-1462	1	ROD - dimmer switch
89	1-4500	1	KNOB - hazard warning
90	19-5456	1	SCREW - machine, oval head
93	1-1334	4	SCREW - mounting, support
94	2-1455	1	PIN - pivot, switch activating
96	1-7739	1	SWITCH - dimmer
97	2-1481	1	STUD - mounting, dimmer switch
98	225-14110	1	NUT, #10-24



сылка	Номер детали	Кол-во	Описание
1	50-3553T92	1	VALVE ASSEMBLY - control, steering, prior to P.I.N. JEE0071531, parts list Figure 5-14
1	50-3653T91	1	VALVE ASSEMBLY - steering control, P.I.N. JEE0071531 and after, parts list Figure 5-14
2	218-5063	3	ADAPTER - straight, 7/8-14 flare x 1-1/16-12 inch O-ring boss, Includes: Ref. 3
3	237-6012	1	O-RING, 12-1, 90 Duro, .924 ID x .116" Thk
4	218-1255	2	NUT, LOCK, Blkhd, 3/4"-16
5	31-2958	1	HOSE - 2337 mm (92 inch) long, to left cylinder tee
6	31-2959	1	HOSE - 2743 mm (108 inch) long, to cylinder right tee
7	218-1236	2	TEE - 3/4-16 inch flare branch x flare x bulkhead flare
10	32-150	2	HOSE - 673 mm (26-1/2 inch) long, to tee
11	242563A1	1	CLAMP - hose
12	425-108	1	NUT - hex, 1/2 inch NC
13	80679	1	Washer, Lock, 1/2"
14	31-2961	2	HOSE - 1600 mm (63 inch) long, to tee, replaces 31-2960 hose
18	218-5106	4	ELBOW - 90 degree, 3/4-16 inch flare x adj O-ring boss, Includes: Ref. 19
19	237-6008	1	O-Ring, 8-1, 90 Duro, .644" ID x .087" Thk
21	218-5064	2	ADAPTER - straight, 1-1/16-12 inch flare x O-ring boss, Includes: Ref. 22
22	237-6014	1	O-RING, 14-1, 90 Duro, 1.048" ID x .116" Thk
23	50-3155T91	1	VALVE ASSEMBLY - priority, parts list Figure 8-38
24	31-3026	1	HOSE - 864 mm (34 inch) long, to filter tube
29	31-1041	1	HOSE - 838 mm (33 inch) long, to priority valve
30	218-5108	1	ELBOW - 90 degree, 1-1/16-12 inch flare x adj O-ring boss, Includes: Ref. 31
31	237-6012	1	O-RING, 12-1, 90 Duro, .924 ID x .116" Thk
32	218-5039	1	ADAPTER - straight, 1-5/8-12 flare x 1-1/16-12 inch O-ring boss, Includes: Ref. 33
33	237-6020	1	O-RING, 20-1, 90 Duro, 1.475" ID x .118" Thk
34	50-3504T2	1	TUBE - priority valve to filter
35	218-5103	1	ELBOW - 90 degree, 7/16-20 inch flare x adj O-ring boss, Includes: Ref. 36
36	237-6004	1	O-RING, 4-1, 90 Duro, .351" ID x .072" Thk
37	31-2814	1	HOSE - 711 mm (28 inch) long, control valve
38	218-5053	1	ADAPTER - straight, 7/16-20 flare x O-ring boss, Includes: Ref. 39
39	237-6004	1	O-RING, 4-1, 90 Duro, .351" ID x .072" Thk
45	50-3368T93	2	CYLINDER ASSEMBLY - steering, parts list Figure 5-16
46	50-2037T1	1	STRAP - tie, hose retainer
47	19-135	4	STRAP - tie, nylon

5-14 STEERING CONTROL VALVE

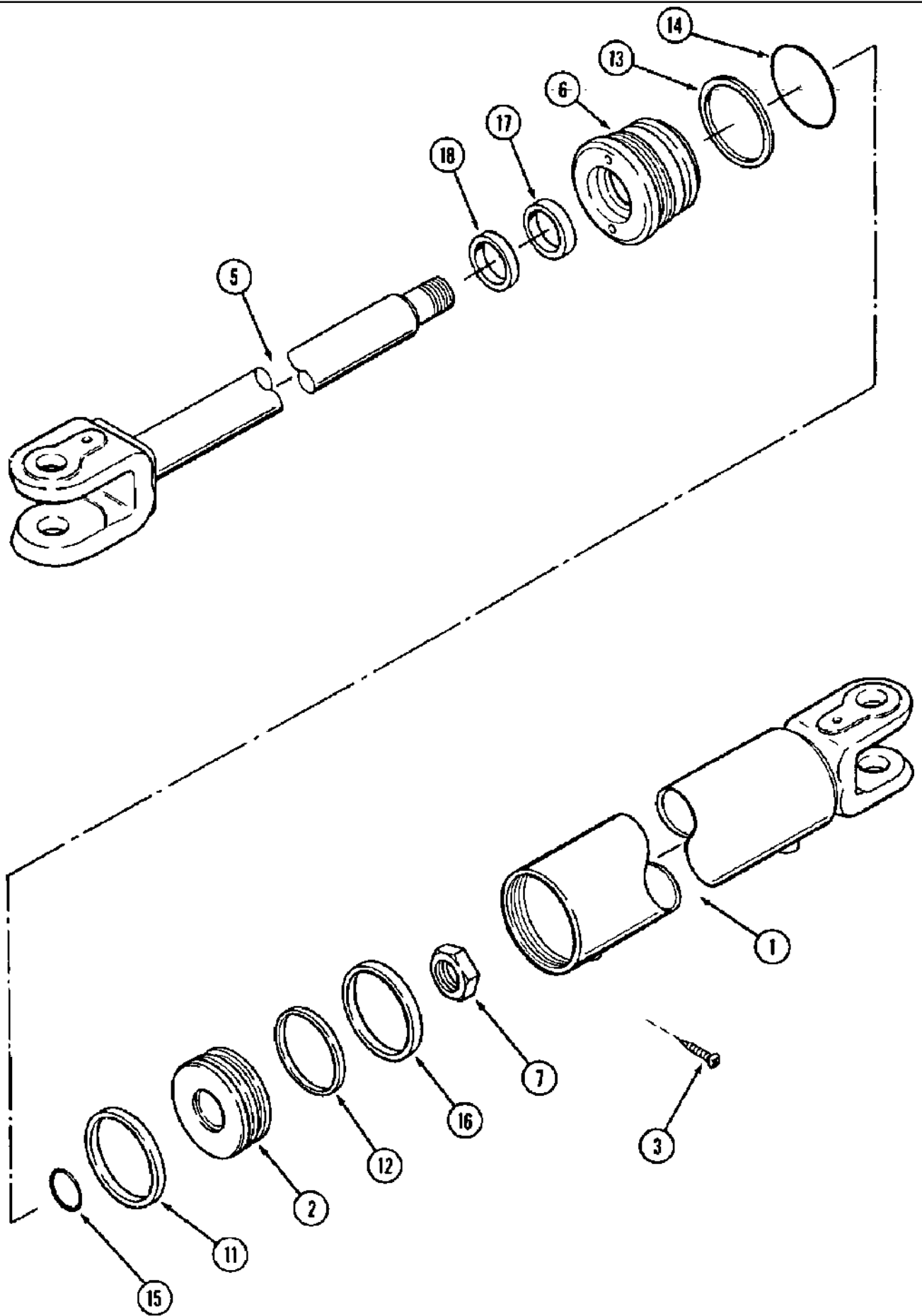




## 5-14 STEERING CONTROL VALVE

сылка	Номер детали	Кол-во	Описание
	50-3553T92	1	VALVE ASSEMBLY - control, standard mount, prior to P.I.N. JEE0071531, Includes: Ref. 1 - 25
	50-3653T91	1	VALVE ASSEMBLY - steering control, metric mount, P.I.N. JEE0071531 and after, Includes: Ref. 1 - 25
1	NSS	1	HOUSING - control valve
2	NSS	1	SLEEVE - control
3	S302004	7	BOLT - 12 point, special
4	S301999	1	PIN - sleeve
5	S302003	1	CAP - end, steering valve
6	50-2990T91	1	GEROTOR - set, matched, replaces S302002 gerotor
7	50-2707T1	1	PLATE - spacer, replaces S302001 plate
8	50-3604T1	1	RETAINER - spool, front
9	D82804	1	RACE - thrust, bearing
10	G13609	1	BEARING - needle
	50-3588T1	1	KIT - seal, control valve, no longer available, order component parts separately, Includes: Ref. 11 - 18
11	18-137	1	SEAL - input, input
12	N13313	1	SEAL - teflon
15	50-2703T1	1	RING - backup
16	238-5121	1	O-RING, -121, 70 Duro, 1.049" ID x .103" Thk
17	50-2705T1	1	O-RING - retainer
18	50-2708T1	3	O-RING - cover and plate
19	D77388	1	Ring, Snap, 2.375", Int, #237
	50-3587T1	1	KIT - centering spring, Includes: Ref. 20 - 22
20	NSS	1	SPRING - centering
21	NSS	2	BALL - centering spring
22	NSS	1	KEY - centering spring
23	50-2706T1	1	SHAFT - drive
24	D82804	1	RACE - thrust, bearing
25	W11648	4	BALL - valve

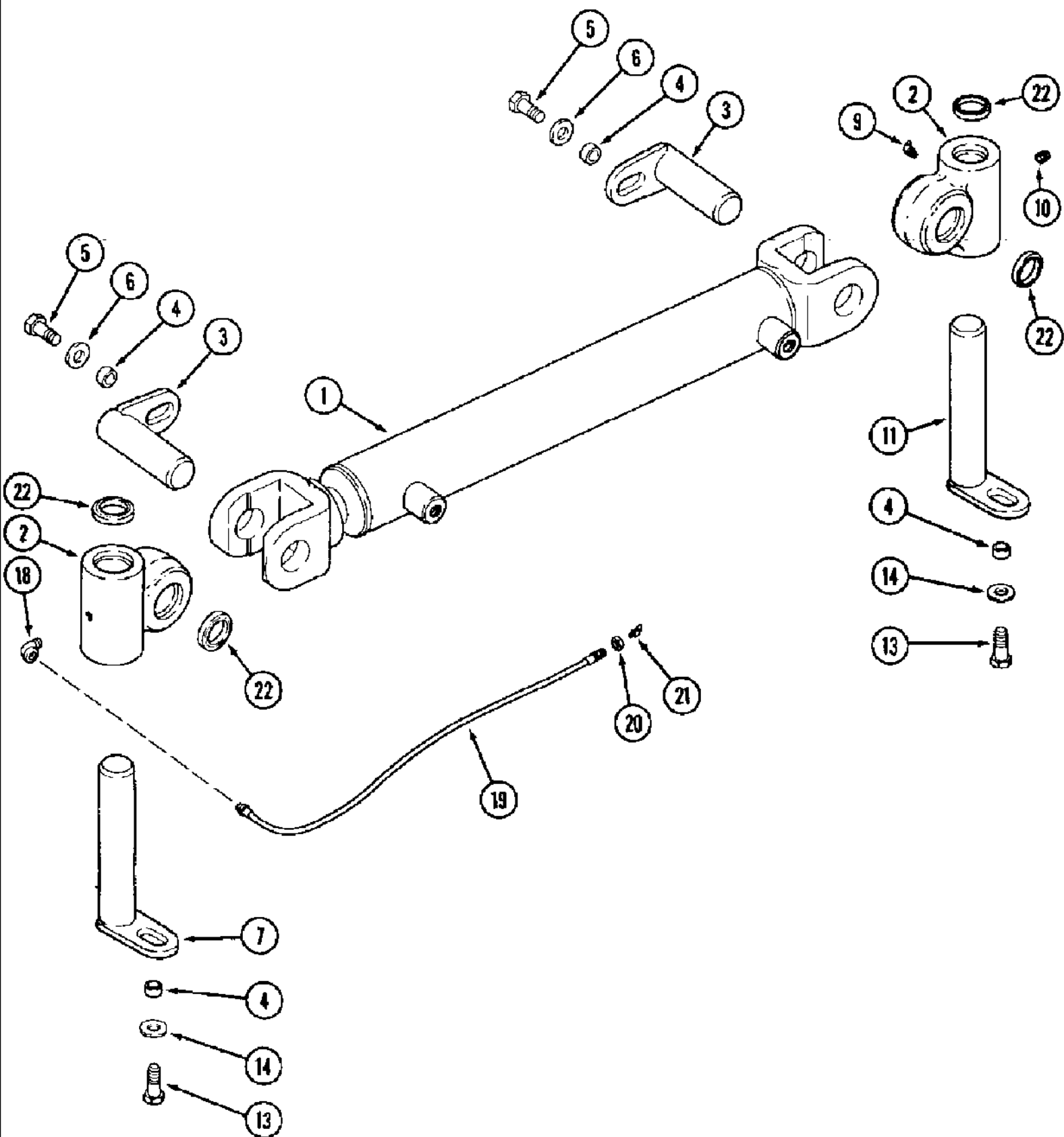
5-16 STEERING CYLINDER



## 5-16 STEERING CYLINDER

сылка	Номер детали	Кол-во	Описание
	50-3368T93	1	CYLINDER ASSEMBLY - steering, Includes: Ref. 1 - 18
1	50-3366T2	1	TUBE - cylinder
2	50-3367T1	1	PISTON - cylinder rod
3	276-2446	3	SCREW - self-tapping, hex head, No. 8 NC x 3/8 inch
5	50-3363T1	1	ROD - piston, cylinder
6	50-3361T2	1	GUIDE - piston rod
7	19-5582	1	NUT - hex, self-locking, 1-1/4 inch NF
	50-3440T1	1	KIT - seal, no longer available, order components separately, Includes: Ref. 11 - 18
11	G102287	1	SEAL - piston
12	S109444	1	RING - backup, piston
13	G32122	1	RING - backup
14	238-5234	1	O-RING, -234, 70 Duro, 2.984" ID x .139" Thk
15	238-5218	1	O-RING, -218, 70 Duro, 1.234" ID x .139" Thk
16	S109445	1	RING - wear, piston
17	G107923	1	SEAL - U-cup, piston rod
18	D95144	1	WIPER - piston rod

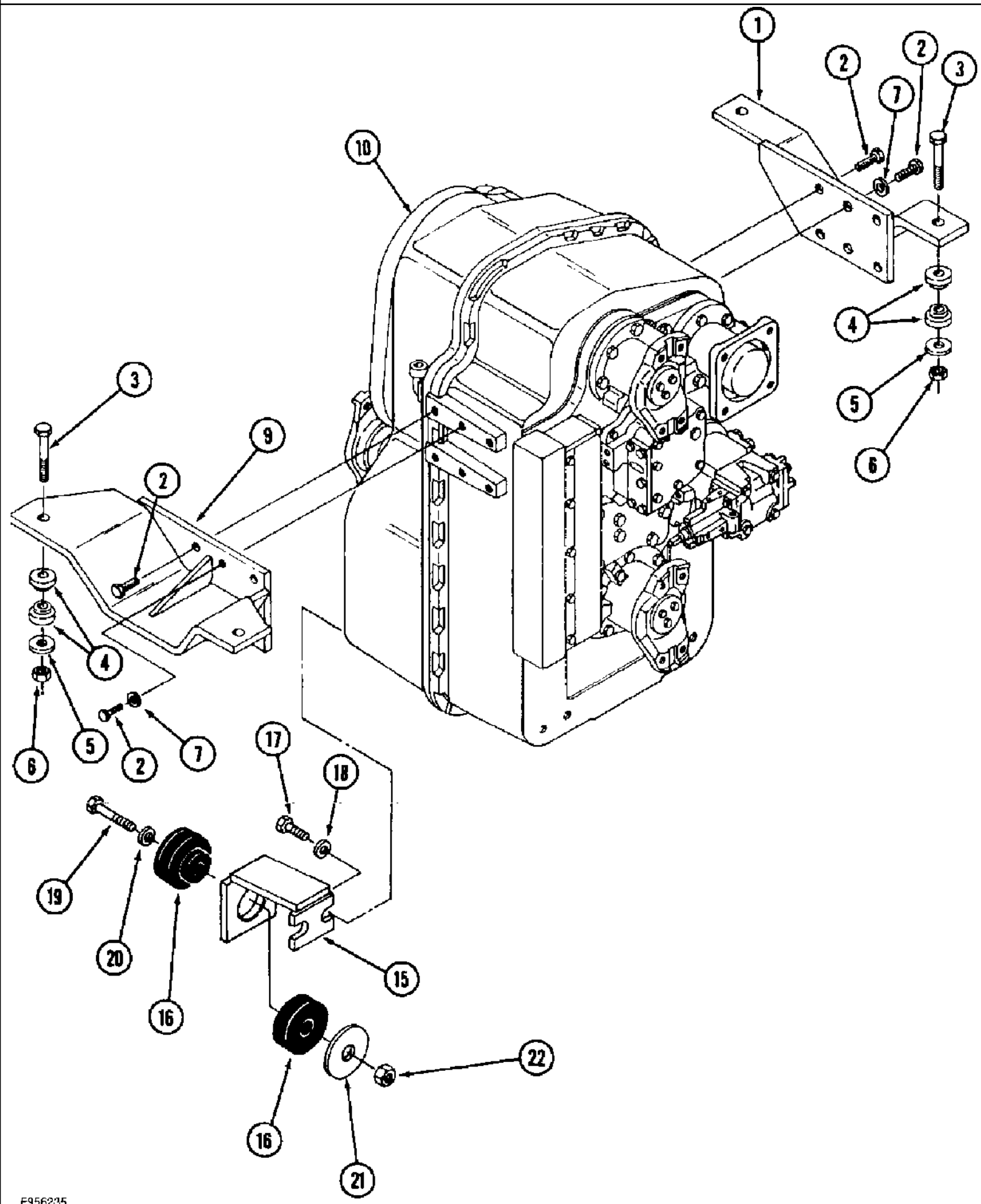
5-18 STEERING CYLINDER MOUNTING



## 5-18 STEERING CYLINDER MOUNTING

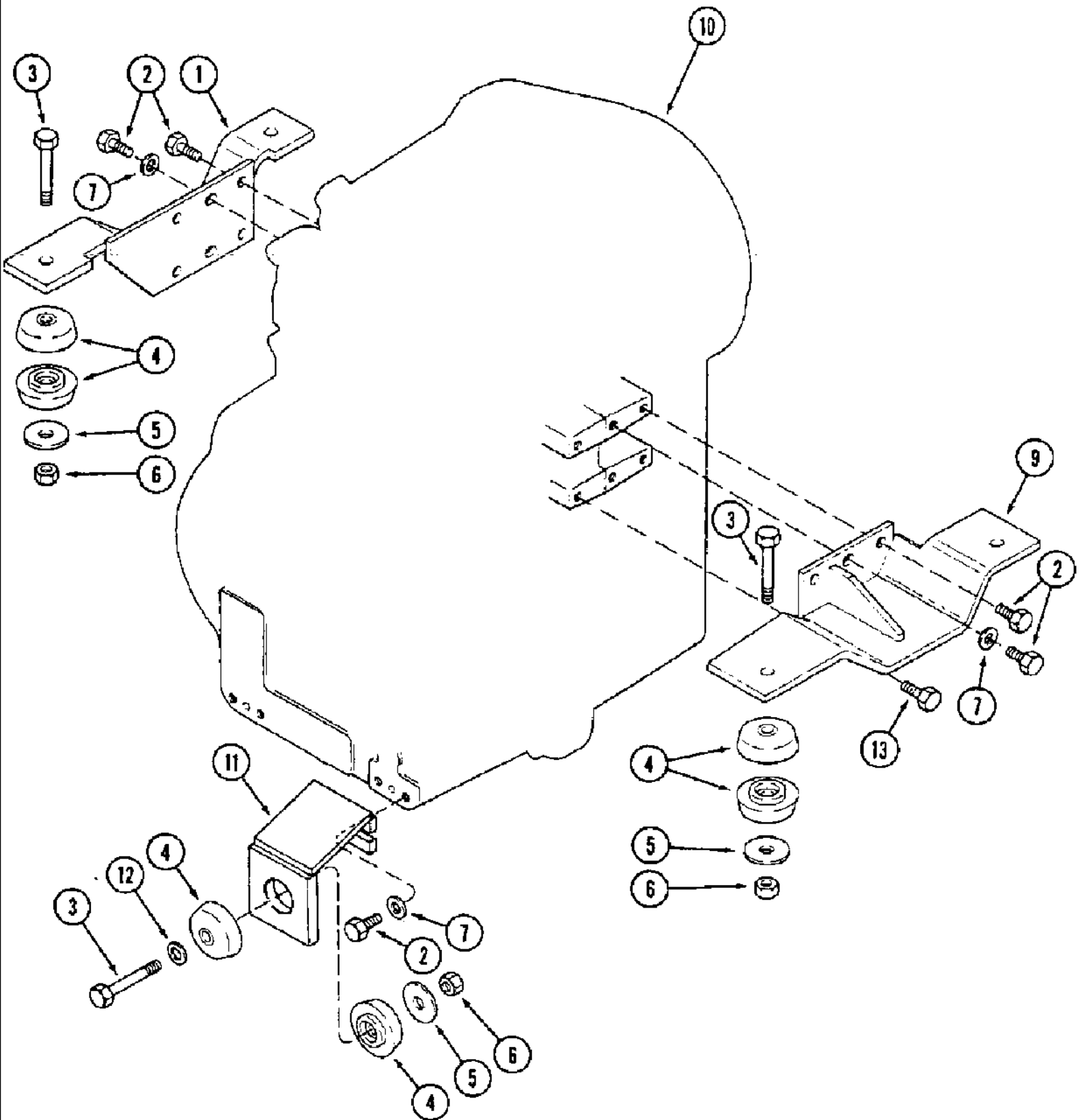
сылка	Номер детали	Кол-во	Описание
1	50-3368T93	2	CYLINDER ASSEMBLY - steering, parts list Figure 5-16
2	50-3360T3	4	KNUCKLE - pivot, When replacing Ref. 2, 50-3360T3 knuckle, also order four D95143 wipers, Ref. 22, per knuckle.
3	70-6013T2	4	PIN - pivot, knuckle
4	70-5967T1	8	SPACER - pin
5	426-1024	4	BOLT - hex, 5/8 NC x 1-1/2 inch, grade 8
6	496-21066	4	WASHER - flat, 21/32 x 1-5/16 x 5/32 inch, hardened
7	70-6076T2	2	PIN - pivot, cylinder, rear
9	219-36	2	FITTING - grease, 45 degree, 1/8 PT x 7/8 inch
10	217-430	4	PLUG - hex socket headless, 1/8 inch PT
11	70-6085T2	2	PIN - pivot
13	426-1024	4	BOLT - hex, 5/8 NC x 1-1/2 inch, grade 8
14	496-21066	4	WASHER - flat, 21/32 x 1-5/16 x 5/32 inch, hardened
18	217-1014	2	ELBOW - street, 90 degree, 1/8 inch PT x female PT
19	1339090C1	2	HOSE - grease, 838 mm (33 inch) long
20	F53473	2	NUT - special, hose
21	86636814	2	FITTING - grease, straight, 1/4-28 special threads x 1/2 inch
22	D95143	16	WIPER - dust, When replacing Ref. 2, 50-3360T3 knuckle, also order four D95143 wipers, Ref. 22, per knuckle.

6-002 TRANSMISSION MOUNTING, POWER SHIFT TRACTOR



## 6-002 TRANSMISSION MOUNTING, POWER SHIFT TRACTOR

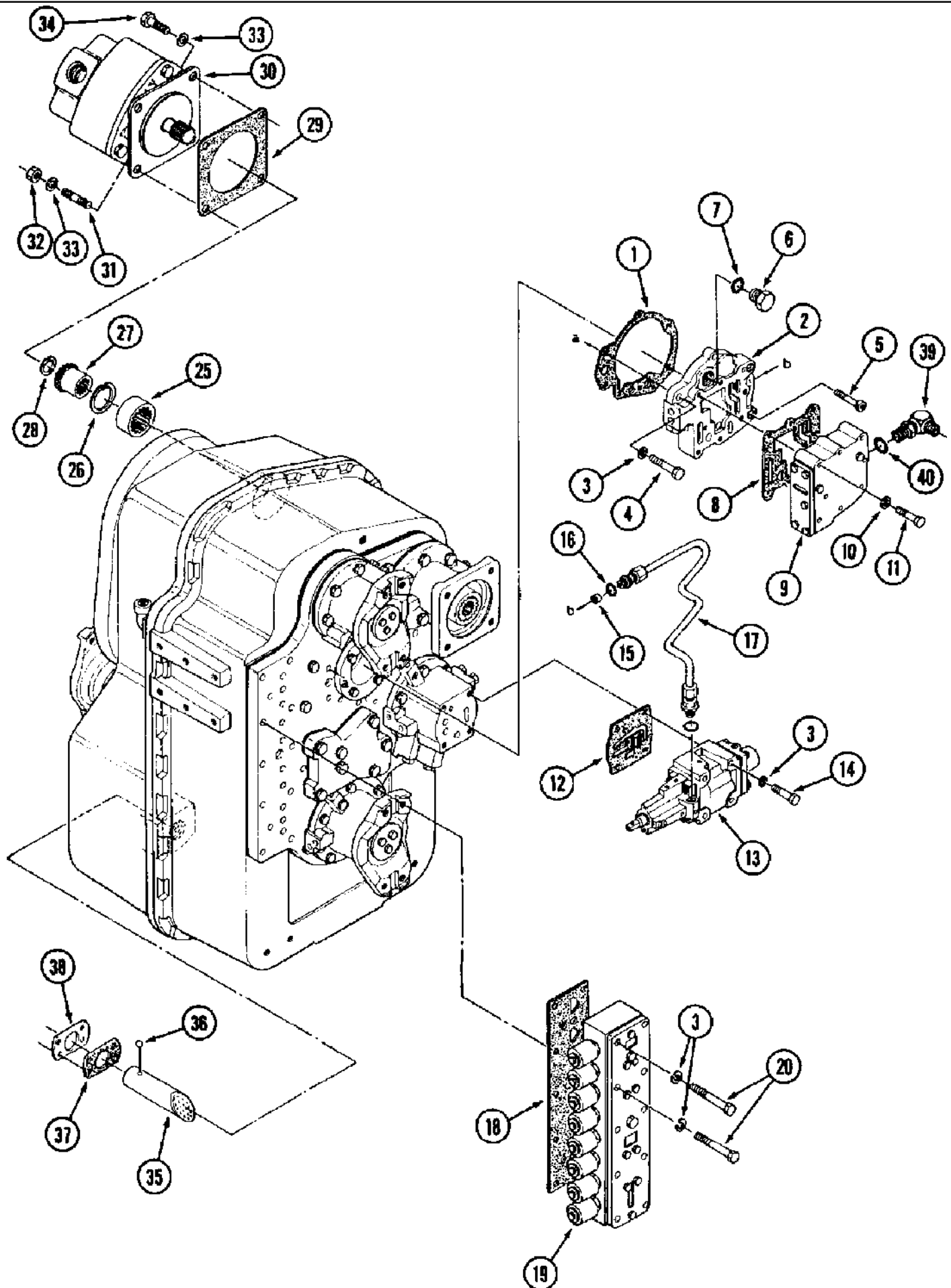
сылка	Номер детали	Кол-во	Описание
1	70-5981T2	1	MOUNT - transmission, left-hand
2	426-1024	16	BOLT - hex, 5/8 NC x 1-1/2 inch, grade 8
3	426-1272	6	BOLT - hex, 3/4 NC x 4-1/2 inch, grade 8
4	47-4171	12	MOUNT - isolator, rubber
5	19-5518	6	WASHER - flat, 25/32 x 4 x 3/16 inch
6	231-14412	6	NUT - hex, self-locking, 3/4 inch NC
7	496-21066	4	WASHER - flat, 21/32 x 1-5/16 x 5/32 inch, hardened
9	70-5983T4	1	MOUNT - transmission, right-hand
	313686A1R	1	TRANSMISSION ASSEMBLY - remanufactured, North America only, component parts shown for the new assembly do not apply to the remanufactured assembly
	313710A1C	1	RETURN NUMBER - transmission core, use this part number to return transmission for credit when using a remanufactured assembly, use this part number to return a 9370, 9380 or 9390 transmission core for credit when using a remanufactured assembly
10	90-8454T91	1	TRANSMISSION ASSEMBLY - Powershift, replaces 90-7016T91 transmission, parts list Figures 6-006 - 6-032
15	90-7489T3	2	MOUNT - transmission, lower
16	47-4171	4	MOUNT - isolator, rubber
17	426-1024	4	BOLT - hex, 5/8 NC x 1-1/2 inch, grade 8
18	496-21066	4	WASHER - flat, 21/32 x 1-5/16 x 5/32 inch, hardened
19	426-1272	2	BOLT - hex, 3/4 NC x 4-1/2 inch, grade 8
20	495-11081	2	WASHER, 3/4", SAE
21	19-5518	2	WASHER - flat, 25/32 x 4 x 3/16 inch
22	19-85	2	NUT - hex, self-locking, 3/4 inch NC





## 6-004 TRANSMISSION MOUNTING, SYNCHROSHIFT TRACTOR

сылка	Номер детали	Кол-во	Описание
1	70-5981T2	1	MOUNT - transmission, left-hand
2	426-1024	14	BOLT - hex, 5/8 NC x 1-1/2 inch, grade 8
3	426-1272	6	BOLT - hex, 3/4 NC x 4-1/2 inch, grade 8
4	47-4171	12	MOUNT - isolator, rubber
5	19-5518	6	WASHER - flat, 25/32 x 4 x 3/16 inch
6	19-85	6	NUT - hex, self-locking, 3/4 inch NC
7	496-21066	7	WASHER - flat, 21/32 x 1-5/16 x 5/32 inch, hardened
9	70-5983T4	1	MOUNT - transmission, right-hand
10	REF	1	TRANSMISSION ASSEMBLY - Synchroshift, parts list Figures 6-034 - 6-064 or 6-066 - 6-100
11	90-7489T3	2	MOUNT - transmission, lower
12	495-11081	2	WASHER, 3/4", SAE
13	426-1028	2	BOLT - hex, 5/8 NC x 1-3/4 inch, grade 8



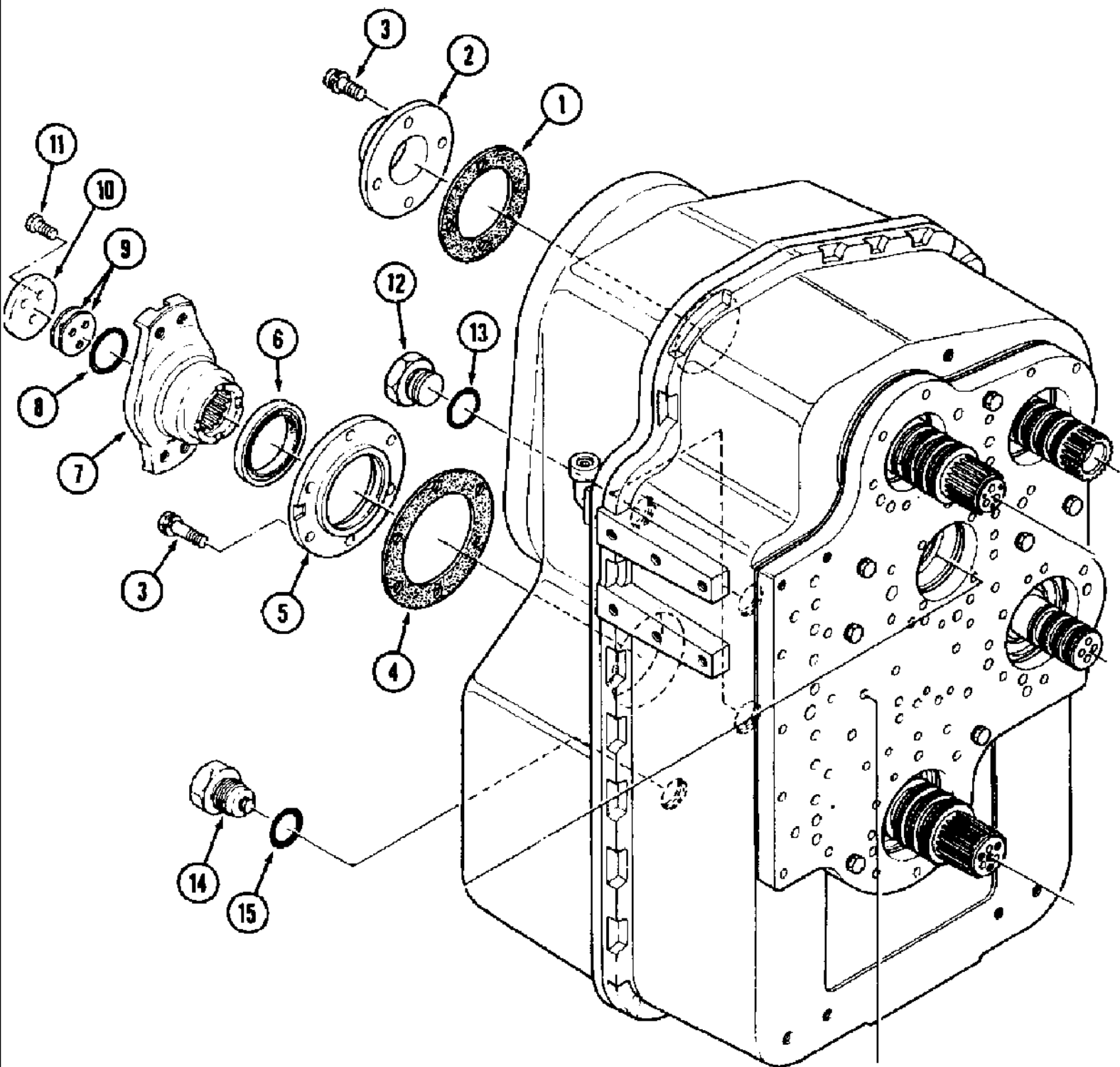
## 6-006 POWER SHIFT TRANSMISSION ASSEMBLY, VALVES AND PUMP MOUNTING

сылка	Номер детали	Кол-во	Описание
	90-8454T91	1	TRANSMISSION ASSEMBLY - Powershift, replaces 90-7016T91 transmission, parts list Figures 6-006 - 6-032, Includes: Ref. 1 - 40
	313686A1R		
1	S1160S01F	1	GASKET - ditch plate, For adapter used on models with PTO, See Figure 6-134, Ref. 5., Part of short gasket kit P/N 90-8402T91.
2	S1170S00F	1	PLATE - ditch
3	892-11010	17	WASHER - lock, 10 mm
4	814-10070	3	BOLT - hex, 10 - 1.5 x 70 mm
5	S1050S00F	3	BOLT - socket head
6	S1210S00F	1	PLUG - hex, O-ring boss, Includes: Ref. 7
7	S1200S00F	1	O-RING - plug, Part of transmission rebuild gasket kit P/N 33-1559T2.
8	S1150S02F	1	GASKET - regulator valve, Part of short gasket kit P/N 90-8402T91., For adapter used on models with PTO, See Figure 6-134, Ref. 5.
9	S7000S01F	1	VALVE ASSEMBLY - regulator, parts list Figure 6-028
10	892-11008	8	WASHER, LOCK, M8
11	814-8065	8	BOLT - hex, 8 - 1.25 x 65 mm
12	S1140S01F	1	GASKET - clutch control, Part of short gasket kit P/N 90-8402T91., For adapter used on models with PTO, See Figure 6-134, Ref. 5.
13	90-8201T91	1	VALVE ASSEMBLY - clutch control, parts list Figure 6-026
14	SM8124085	4	BOLT - hex, 10 - 1.25 x 85 mm
15	S1020S00F	1	SCREEN - filter
17	33-1558T1	1	TUBE - clutch
18	S1220S01F	1	GASKET - range selector valve, Part of short gasket kit P/N 90-8402T91., For adapter used on models with PTO, See Figure 6-134, Ref. 5.
19	33-1525T91	1	VALVE ASSEMBLY - range selector, parts list Figure 6-032
20	SM8124003	10	BOLT - hex, 10 - 1.25 x 115 mm
25	33-1452T1	1	COUPLING - pump
26	33-1445T1	1	RING - snap
27	33-1516T1	1	ADAPTER - pump drive, models without PTO only, For adapter used on models with PTO, See Figure 6-134, Ref. 5.
28	33-1446T1	1	RING - snap
29	33-1469T2	1	GASKET - pump, Part of short gasket kit P/N 90-8402T91., For adapter used on models with PTO, See Figure 6-134, Ref. 5.
30	33-1524T91	1	PUMP ASSEMBLY - transmission lubrication, parts list Figure 6-030
31	SM8267430	2	STUD - mounting, 14 - 1.5 x 30 mm
32	SM8911244	2	NUT - hex, 14 mm - 1.5
33	892-11014	2	WASHER - lock, 14 mm
34	SM8124440	2	BOLT - hex, 14 - 1.5 x 40 mm
35	S1520S00F	1	TUBE - suction
36	S14701960	1	BALL - steel, tube retaining
37	S1620S01F	1	GASKET - suction tube, Part of short gasket kit P/N 90-8402T91., For adapter used on models with PTO, See Figure 6-134, Ref. 5.
38	S1700S00F	1	PLATE - suction tube retainer
39	218-5110	1	ELBOW - 90 degree, 1-5/16-12 inch flare x adj O-ring boss, Includes: Ref. 40
40	237-6016	1	O-RING - 1-11/64 ID x 7/64 inch wide

9380 CASE IH 4WD TRACTOR (6/95-8/00)

6-006 POWER SHIFT TRANSMISSION ASSEMBLY, VALVES AND PUMP MOUNTING

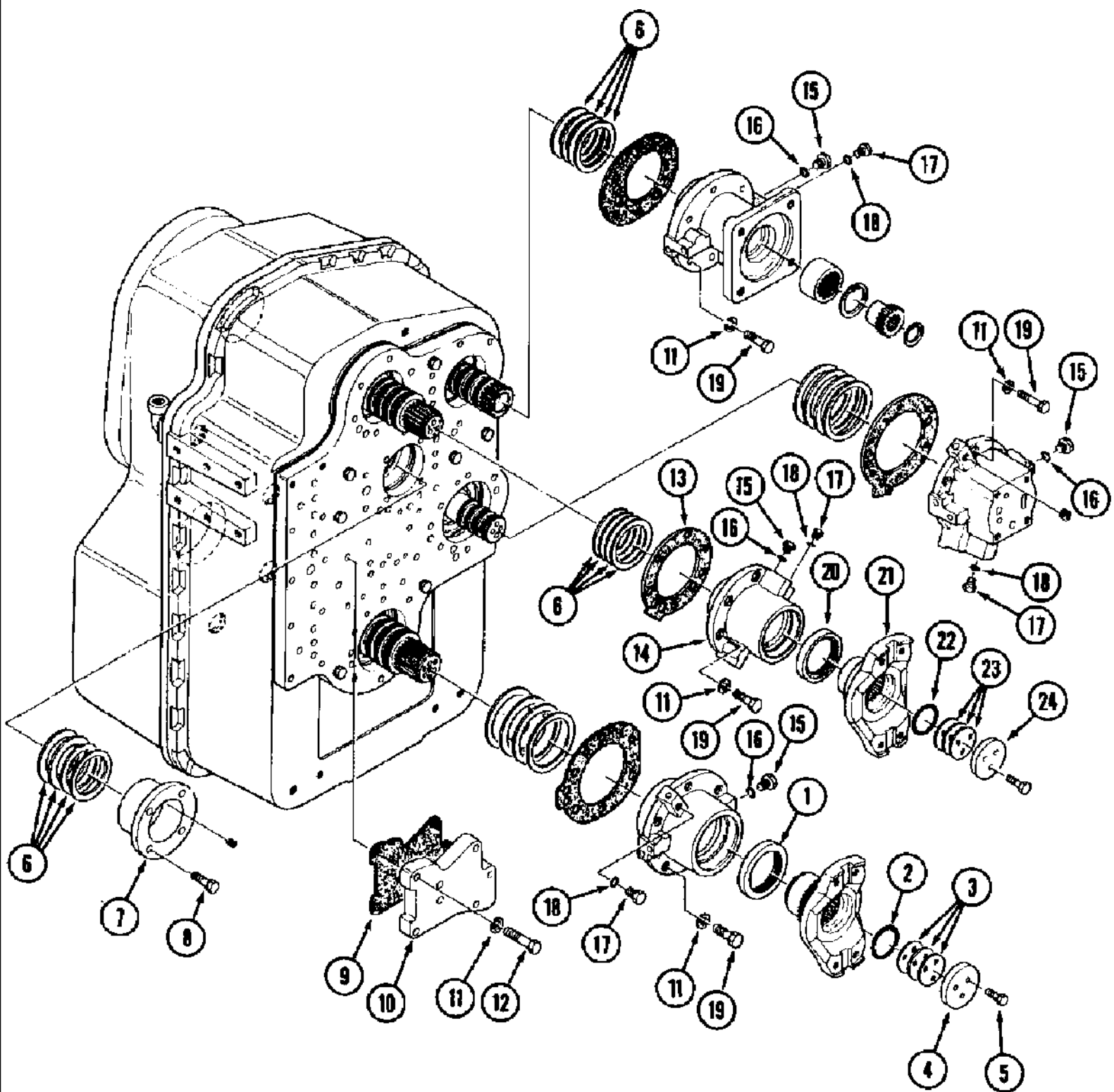
сылка	Номер детали	Кол-во	Описание
	33-1559T2	1	KIT gasket, transmission rebuild, Includes: Ref. 7 on this Figure and parts on Figures 6-006 through 6-028
	90-8402T91	1	KIT gasket, short, Includes: Ref. 1, 8, 12, 18, 29 and 37 on this Figure and parts on Figures 6-006 through 6-012
16	237-6006	2	O-Ring, 6-1, 90 Duro, .468" ID x .078" Thk



## 6-008 POWER SHIFT TRANSMISSION ASSEMBLY, REAR COVERS AND YOKE

сылка	Номер детали	Кол-во	Описание
	90-8454T91	1	TRANSMISSION ASSEMBLY - Powershift, replaces 90-7016T91 transmission, parts list Figures 6-006 - 6-032, Includes: Ref. 1 - 15
1	33-1470T2	1	GASKET - PTO shaft cover, Part of short gasket kit P/N 90-8402T91.
2	33-1442T1	1	COVER - PTO shaft, without PTO
3	SM8124230	10	BOLT - hex, 12 - 1.25 x 30 mm
4	33-1417T2	1	GASKET - bearing retainer, Part of short gasket kit P/N 90-8402T91.
5	33-1418T1	1	RETAINER - bearing
6	33-1428T1	1	SEAL - output shaft, Part of transmission rebuild gasket kit P/N 33-1559T2.
7	33-1420T1	1	YOKE - output, rear
8	33-1422T1	1	O-RING - yoke sealing, Part of transmission rebuild gasket kit P/N 33-1559T2.
9	33-1450T1		UAR SHIM - 0.10 mm thick
9	33-1451T1		UAR SHIM - 0.30 mm thick
10	33-1432T1	1	PLATE - retainer, yoke
11	514-832	3	BOLT - hex, 12 - 1.25 x 35 mm
12	S1010S00F	3	PLUG - O-ring boss, Includes: Ref. 13
13	S1080S00F	1	O-RING - plug
14	S1090S00F	1	PLUG - magnetic, Includes: Ref. 15
15	S1080S00F	1	O-RING - plug
	33-1559T2	1	KIT - gasket, transmission rebuild, Includes: Ref. 6 and 8 in this Figure and parts on Figures 6-006 - 6-028
	90-8402T91	1	KIT - gasket, short, Includes: Ref. 1 and 4 in this Figure and parts on Figures 6-006 - 6-012

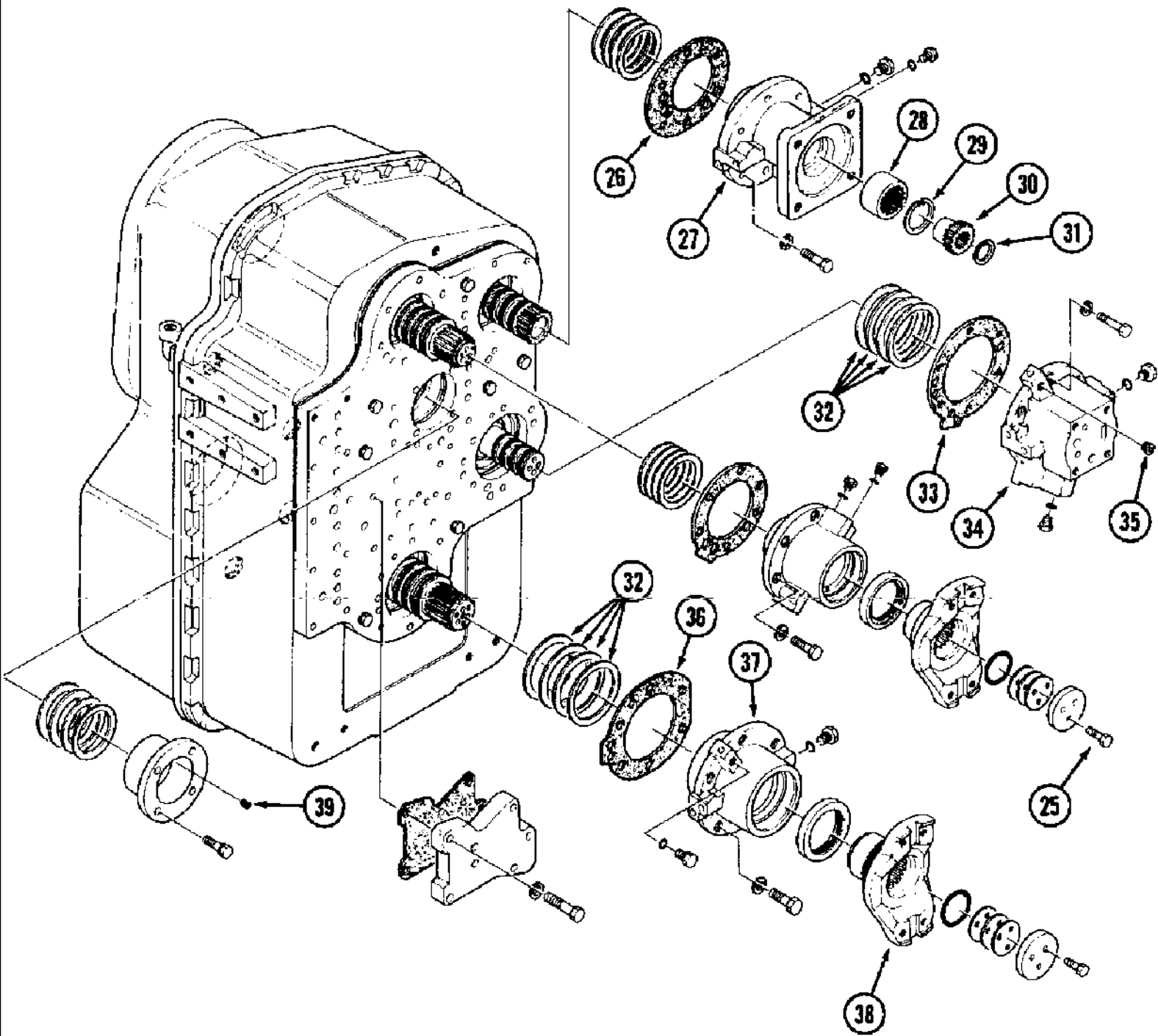
6-010 POWER SHIFT TRANSMISSION ASSEMBLY, FRONT COVERS AND YOKES



## 6-010 POWER SHIFT TRANSMISSION ASSEMBLY, FRONT COVERS AND YOKES

сылка	Номер детали	Кол-во	Описание
	90-8454T91	1	TRANSMISSION ASSEMBLY - Powershift, replaces 90-7016T91 transmission, parts list Figures 6-006 - 6-032, Includes: Ref. 1 - 24 and 25 - 39 on Figure 6-012
1	33-1428T1	1	SEAL - output shaft, Part of transmission rebuild gasket kit P/N 33-1559T2.
2	33-1422T1	1	O-RING - yoke sealing, Part of transmission rebuild gasket kit P/N 33-1559T2.
3	33-1450T1		UAR SHIM - 0.10 mm thick
3	33-1451T1		UAR SHIM - 0.30 mm thick
4	33-1432T1	1	PLATE - retainer, yoke
5	SM8134235	3	BOLT - hex, 12 mm - 1.25 x 35 mm
6	33-1456T1		UAR SHIM - bearing, 0.1 mm thick
6	33-1457T1		UAR SHIM - bearing, 0.3 mm thick
6	33-1458T1		UAR SHIM - bearing, 0.5 mm thick
6	33-1459T1		UAR SHIM - bearing, 0.7 mm thick
6	33-1474T1		UAR SHIM - bearing, 0.15 mm thick
7	33-1437T1	1	RETAINER - bearing
8	SM8124050	4	BOLT - hex, 10 - 1.25 x 50 mm
9	S1610S01F	1	GASKET - oil supply plate, Part of short gasket kit P/N 90-8402T91.
10	S1600S00F	1	PLATE - oil supply
11	892-11010	31	WASHER - lock, 10 mm
12	814-10070	7	BOLT - hex, 10 - 1.5 x 70 mm
13	33-1440T2	1	GASKET - oil supply cover, Part of short gasket kit P/N 90-8402T91.
14	33-1441T1	1	COVER - oil supply
15	S1390S00F	8	PLUG - O-ring boss, Includes: Ref. 16
16	S1320S00F	8	O-RING - plug, Part of transmission rebuild gasket kit P/N 33-1559T2.
17	S1030S00F	5	PLUG - hex, O-ring boss, Includes: Ref. 18
18	S1040S00F	5	O-RING - plug, Part of transmission rebuild gasket kit P/N 33-1559T2.
19	SM8124060	24	BOLT - hex, 10 - 1.25 x 60 mm
20	33-1412T1	1	SEAL - input yoke, Part of transmission rebuild gasket kit P/N 33-1559T2.
21	33-1410T1	1	YOKE - input
22	33-1414T1	1	O-RING - yoke sealing, Part of transmission rebuild gasket kit P/N 33-1559T2.
23	33-1464T1		UAR SHIM - 0.10 mm (0.004 inch) thick
23	33-1465T1		UAR SHIM - 0.30 mm (0.012 inch) thick
23	33-1466T1		UAR SHIM - 0.70 mm (0.028 inch) thick
24	33-1413T1	1	PLATE - yoke retainer
	33-1559T2	1	KIT - gasket, transmission rebuild, Includes: Ref. 1, 2, 16, 18, 20 and 22 and parts on Figures 6-006 - 6-028
	90-8402T91	1	KIT - gasket, short, Includes: Ref. 9 and 13 and parts on Figures 6-006 - 6-012

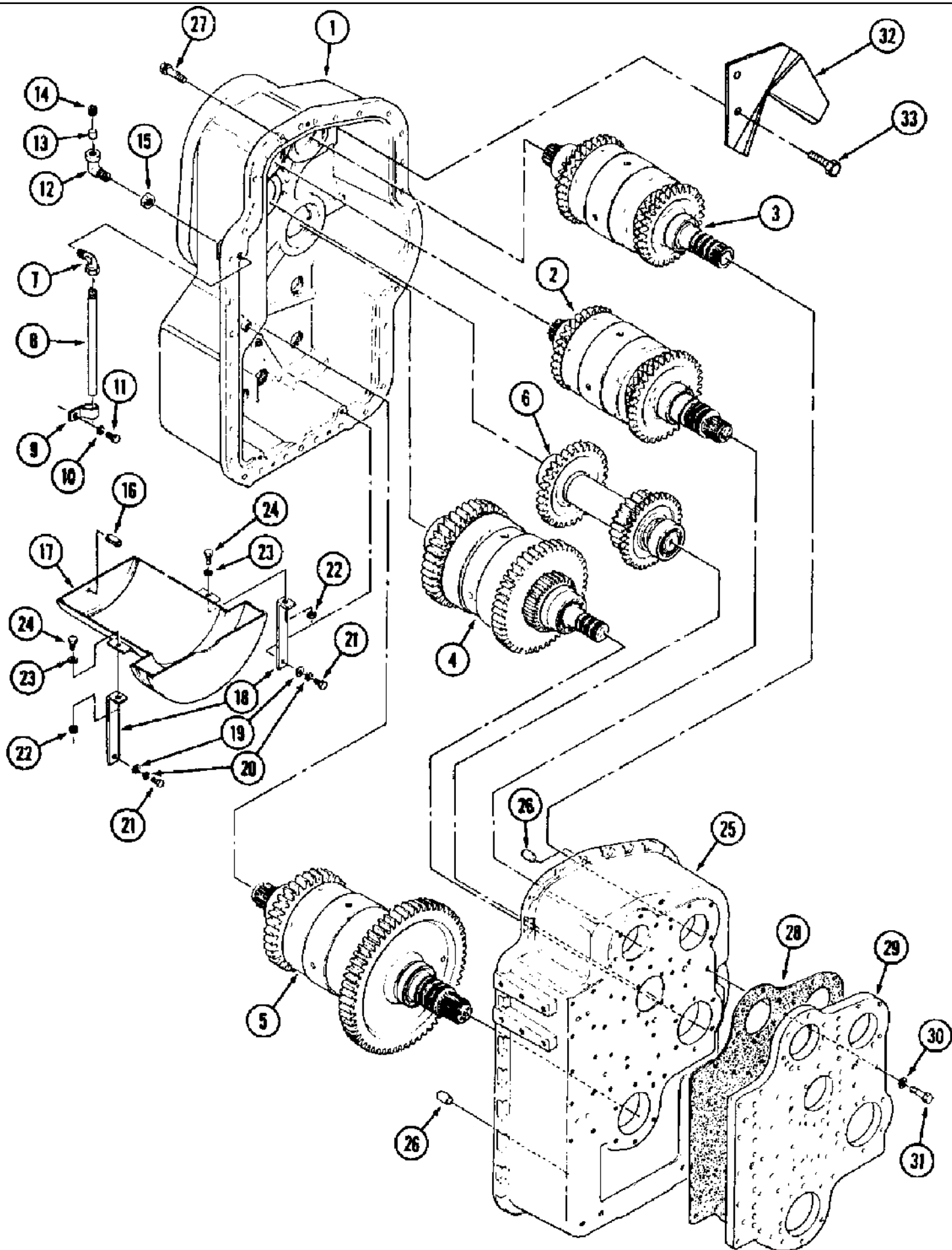




## 6-012 POWER SHIFT TRANSMISSION ASSEMBLY, FRONT COVERS AND YOKES (CONT'D)

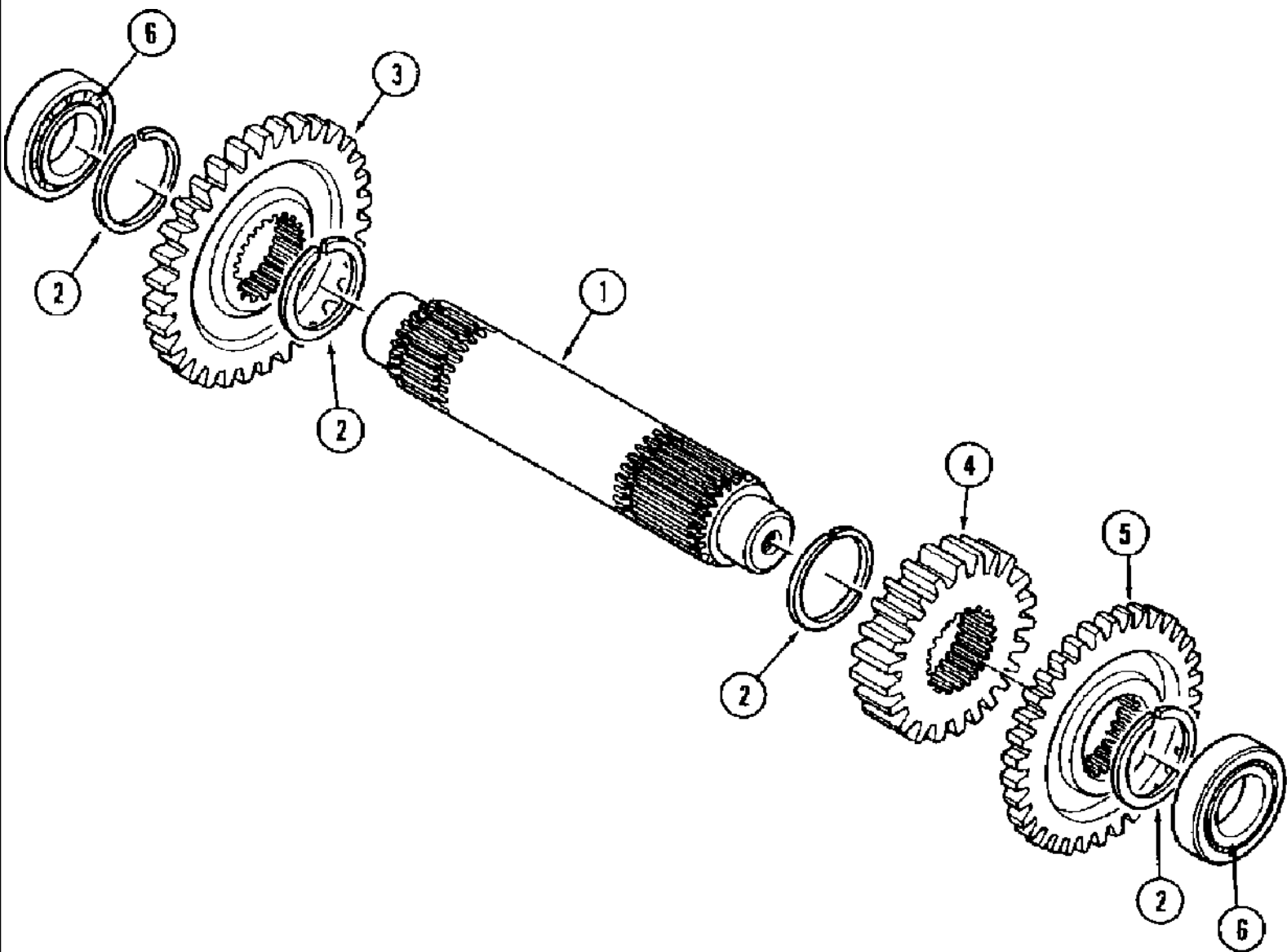
сылка	Номер детали	Кол-во	Описание
	90-8454T91	1	TRANSMISSION ASSEMBLY - Powershift, replaces 90-7016T91 transmission, parts list Figures 6-006 - 6-032, Includes: Ref. 25 - 39 and 1 - 24 on Figure 6-010
25	SM8174035	3	BOLT - hex, special, 10 - 1.25 x 35 mm, class 10.9
26	33-1468T2	1	GASKET - pump support, Part of short gasket kit P/N 90-8402T91.
27	33-1514T1	1	SUPPORT - oil pump
28	33-1444T1	1	COUPLING - pump adapter
29	33-1445T1	1	RING - snap
30	33-1515T1	1	ADAPTER - pump drive
31	33-1517T1	1	RING - snap
32	33-1460T1		UAR SHIM - bearing, 0.1 mm thick
32	33-1461T1		UAR SHIM - bearing, 0.3 mm thick
32	33-1462T1		UAR SHIM - bearing, 0.5 mm thick
32	33-1463T1		UAR SHIM - bearing, 0.7 mm thick
32	33-1475T1		UAR SHIM - bearing, 0.15 mm thick
33	33-1433T2	1	GASKET - clutch collector, Part of short gasket kit P/N 90-8402T91.
34	33-1438T1	1	COLLECTOR - clutch
35	STX99700F	1	PLUG - oil
36	33-1426T2	1	GASKET - bearing retainer, Part of short gasket kit P/N 90-8402T91.
37	33-1427T1	1	RETAINER - bearing
38	33-1429T1	1	YOKE - output, front
39	33-1439T1	2	PLUG - orifice
	33-1559T2	1	KIT - gasket, transmission rebuild, Includes: parts on Figures 6-006 - 6-028
	90-8402T91	1	KIT - gasket, short, Includes: Ref. 26, 33 and 36 and parts on Figures 6-006 - 6-012

6-014 POWER SHIFT TRANSMISSION ASSEMBLY, HOUSINGS AND CLUTCHES



## 6-014 POWER SHIFT TRANSMISSION ASSEMBLY, HOUSINGS AND CLUTCHES

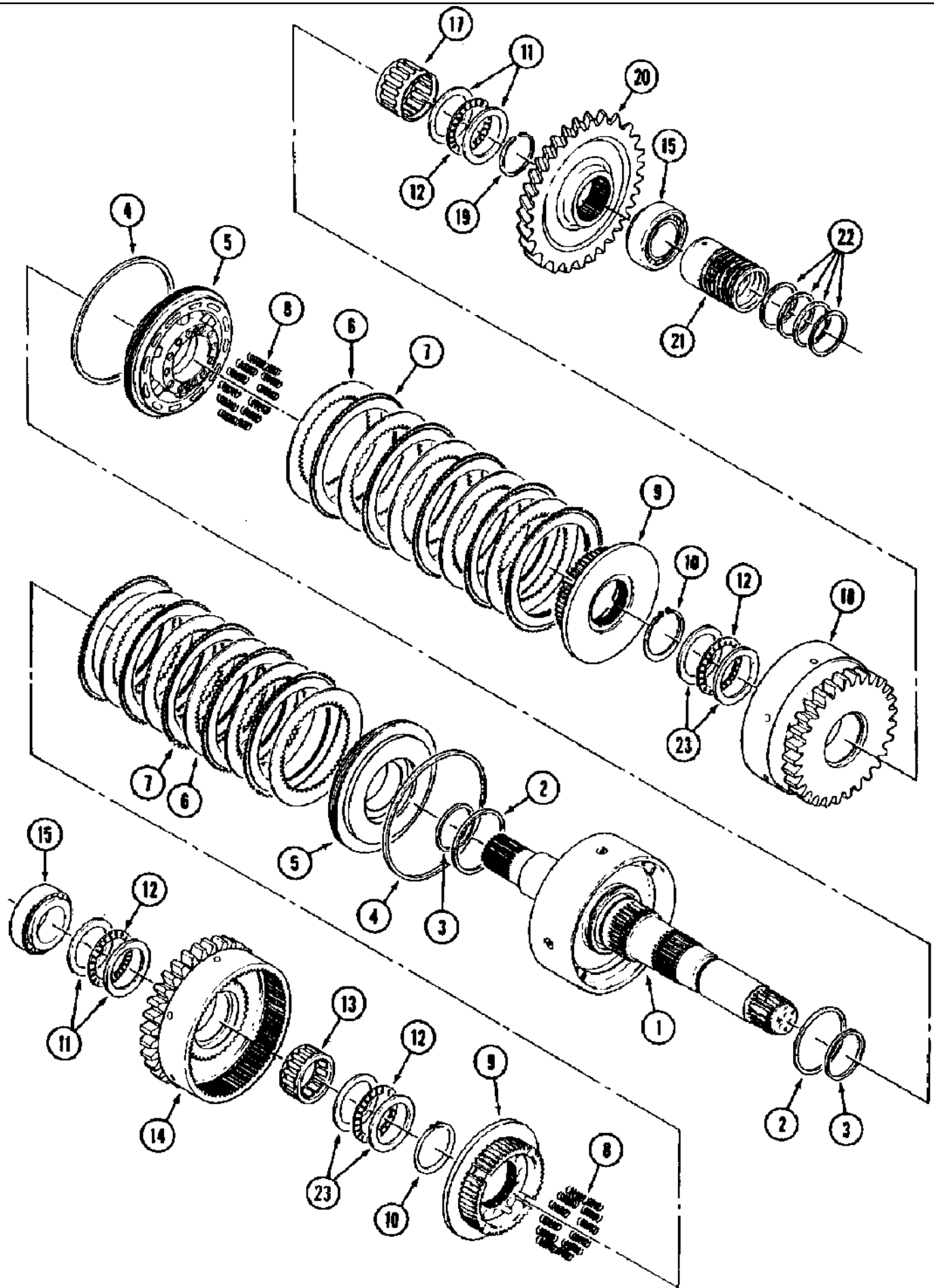
сылка	Номер детали	Кол-во	Описание
	90-8454T91	1	TRANSMISSION ASSEMBLY - Powershift, replaces 90-7016T91 transmission, parts list Figures 6-006 - 6-032, Includes: Ref. 1 - 33
1	33-1560T1	1	HOUSING - transmission, rear
2	S2000S02F	1	PACK ASSEMBLY - clutch, input, replaces S2000S01A pack, parts list Figure 6-018
3	S3000S02F	1	PACK ASSEMBLY - clutch, second, replaces S3000S01F pack, parts list Figure 6-020
4	S5000S00F	1	PACK ASSEMBLY - clutch, 9 inch, parts list Figure 6-024
5	S4000S02F	1	PACK ASSEMBLY - clutch, 8 inch, parts list Figure 6-022
6	REF	1	SHAFT - compound, parts list Figure 6-016
7	33-1472T1	1	ELBOW - breather tube
8	33-1471T1	1	TUBE - breather
9	33-1473T1	1	CLAMP - breather tube
10	892-11012	1	WASHER, LOCK, M12
11	SM8124225	1	BOLT - hex, 12 mm - 1.25 x 25 mm
12	33-1455T1	1	ELBOW - 90 degree, breather filter
13	33-1454T1	1	FILTER - breather
14	SAS99900F	1	PLUG - retension, filter element
15	SM8911246	1	NUT - hex, 16 mm - 1.5
16	33-1423T1	1	PIN - roll
17	33-1425T1	1	BAFFLE - oil
18	33-1424T1	2	STRAP - oil baffle
19	895-11012	2	WASHER - flat, 13.5 x 24 x 2.5 mm
20	892-11012	2	WASHER, LOCK, M12
21	SM8124225	2	BOLT - hex, 12 mm - 1.25 x 25 mm
22	825-11410	2	NUT - hex, 10 mm - 1.25
24	SM8124020	2	BOLT - hex, 10 - 1.25 x 20 mm
25	S1400S01F	1	HOUSING - transmission, front
26	33-1467T1	2	PIN - dowel
27	SM8121240	30	BOLT - hex, 12 - 1.75 x 40 mm
28	S1590S01F	1	GASKET - oil supply plate, Part of transmission rebuild gasket kit P/N 33-1559T2.
29	S1580S00F	1	PLATE - oil supply
30	892-11010	7	WASHER - lock, 10 mm
31	514-738	7	BOLT - hex, 10 - 1.25 x 45 mm, replaces SM8124045 bolt
32	90-8403T1	1	GUTTER - oil, upper, rear, input gear mesh
33	614-6012	2	BOLT, Hex, M6 x 12, 8.8
	33-1559T2	1	KIT - gasket, transmission rebuild, Includes: Ref. 28 and parts on Figures 6-006 - 6-028
23	895-11010	2	WASHER - flat, 11 x 20 x 2 mm



9380 CASE IH 4WD TRACTOR (6/95-8/00)

6-016 POWER SHIFT TRANSMISSION ASSEMBLY, COMPOUND SHAFT

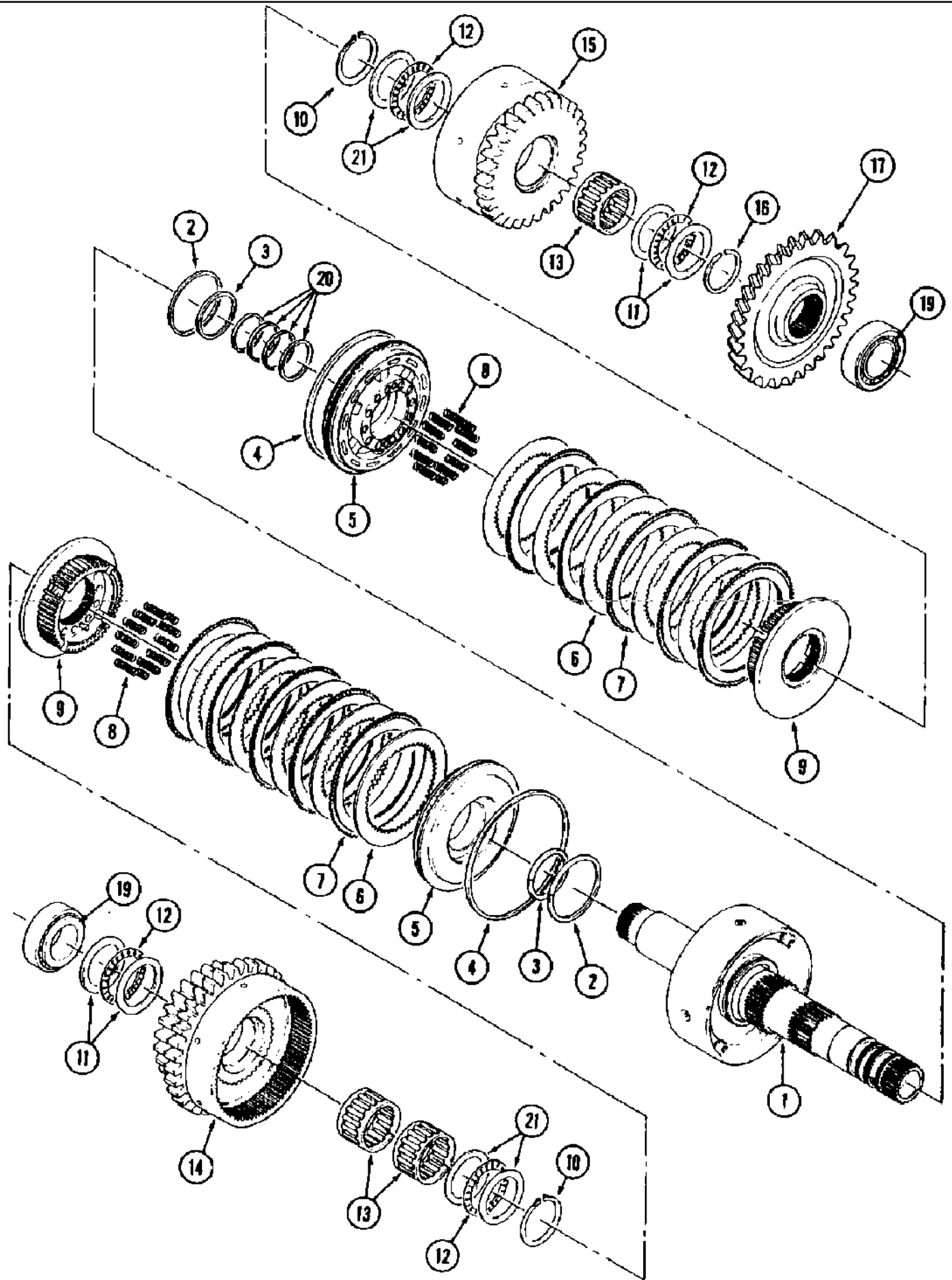
сылка	Номер детали	Кол-во	Описание
	90-8454T91	1	TRANSMISSION ASSEMBLY - Powershift, replaces 90-7016T91 transmission, parts list Figures 6-006 - 6-032, Includes: Ref. 1 - 6
1	33-1436T1	1	SHAFT - compound
2	33-1416T1	4	RING - retaining
3	33-1415T3	1	GEAR - compound shaft
4	33-1434T1	1	GEAR - drive, 22 teeth
5	33-1435T1	1	GEAR - driven, 29 teeth
6	90-8459T1	2	CONE - tapered roller bearing, replaces 529207R91 cone and 529208R1 cup



## 6-018 POWER SHIFT TRANSMISSION ASSEMBLY, 7 INCH INPUT CLUTCH PACK ASSEMBLY

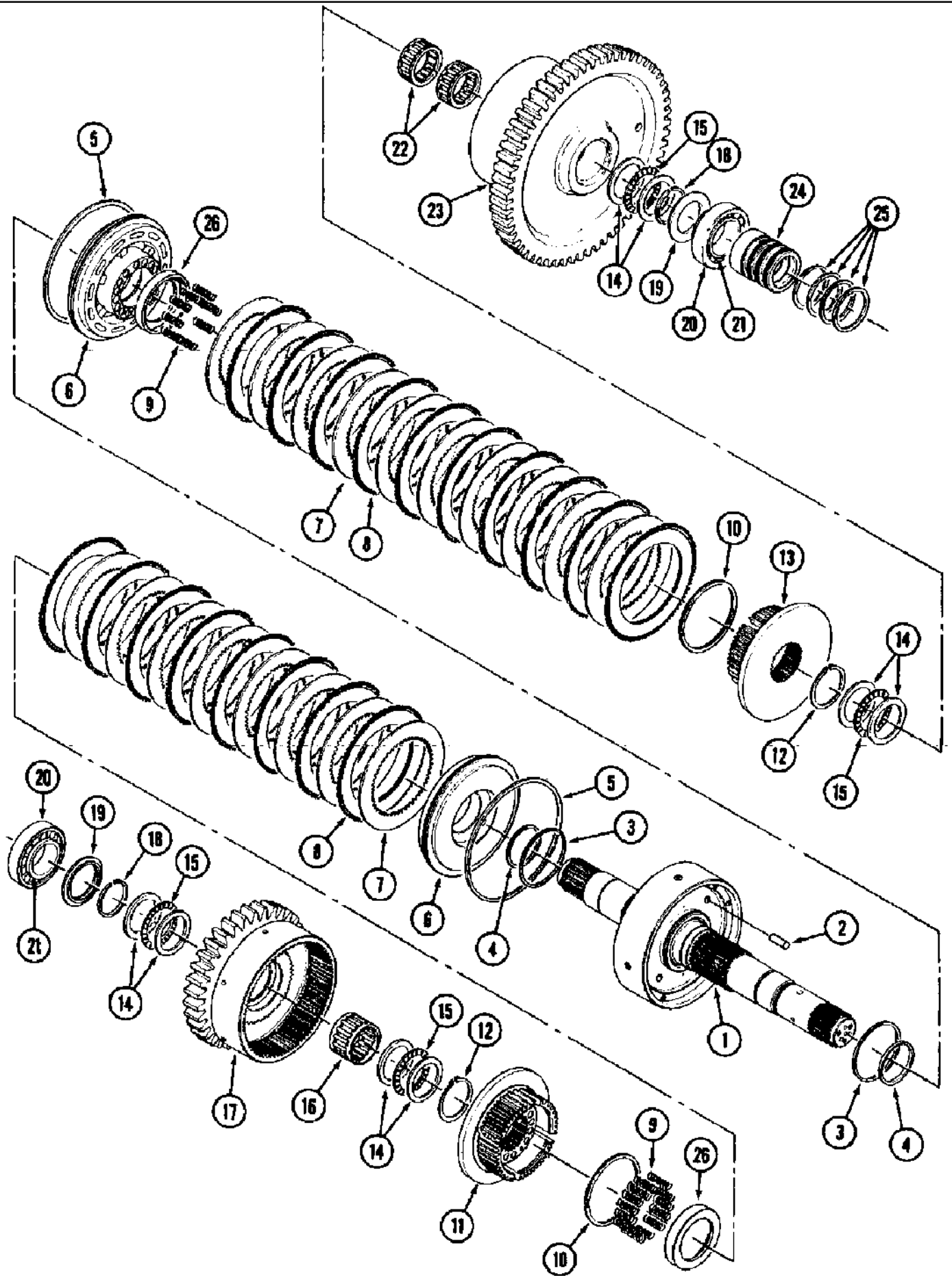
сылка	Номер детали	Кол-во	Описание
	90-8454T91	1	TRANSMISSION ASSEMBLY - Powershift, replaces 90-7016T91 transmission, parts list Figures 6-006 - 6-032, Includes: Ref. 1 - 23
	S2000S02F	1	PACK ASSEMBLY - clutch, input, replaces S2000S01A pack, Includes: Ref. 1 - 23
1	S2900S01F	1	SHAFT - drum, also order (4) Ref. 23 S2220S00F washers
2	S2620S00F	2	RING - piston, Part of transmission rebuild gasket kit P/N 33-1559T2.
3	S2610S00F	2	RING - piston
4	S2630S00F	2	RING - sealing, Part of transmission rebuild gasket kit P/N 33-1559T2.
5	33-1521T1	2	PISTON - clutch
6	S2080S00F		UAR PLATE - steel, 2.4 mm thick, Steel plates, Ref. 6; a total of 10 pieces must be used.
6	S2090S00F		UAR PLATE - steel, 2.1 mm thick, Steel plates, Ref. 6; a total of 10 pieces must be used.
7	33-1518T2	10	PLATE - friction
8	S2640S00F	24	SPRING - return, piston
9	S2850S00F	2	HUB - clutch
10	S2100S00F	2	RING - snap
11	H144527	4	WASHER - thrust, bearing, 3.2 mm, replaces S2200S00F washer
12	572182R1	4	BEARING - needle, thrust, replaces S2230S00F bearing
13	S2030S00F	1	BEARING - roller
14	S2040S01F	1	GEAR - drive, 32 teeth, replaces S2040S00F gear
15	90-8459T1	2	CONE - tapered roller bearing, replaces 529208R1 gear and 529207R91 cone
17	80909C1	1	BEARING - needle, caged
18	S2280S00F	1	GEAR - drive, 29 teeth
19	S2240S00F	1	RING - retaining
20	S2270S02F	1	GEAR - input, replaces S2270S01F gear
21	S2410S00F	1	CARRIER - piston ring
22	S2250S00F	4	RING - sealing, Part of transmission rebuild gasket kit P/N 33-1559T2.
23	S2220S00F	4	WASHER - thrust, bearing, 2.4 mm
	33-1559T2	1	KIT - gasket, transmission rebuild, Includes: Ref. 2, 4 & 22 and additional parts on Figures 6-006 - 6-02





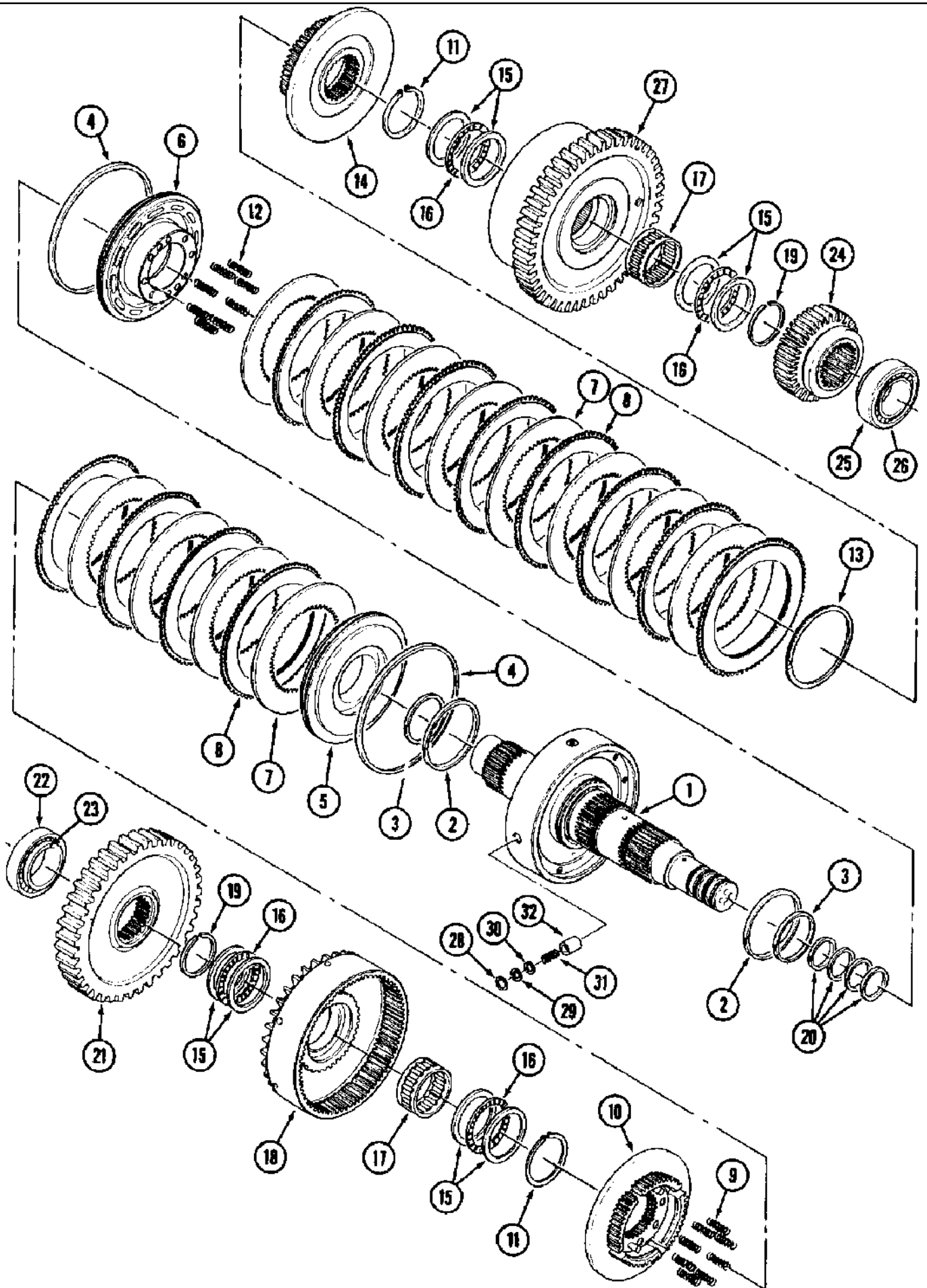
## 6-020 POWER SHIFT TRANSMISSION ASSEMBLY, 7 INCH SECOND CLUTCH PACK ASSEMBLY

сылка	Номер детали	Кол-во	Описание
	90-8454T91	1	TRANSMISSION ASSEMBLY - Powershift, replaces 90-7016T91 transmission, parts list Figures 6-006 - 6-032, Includes: Ref. 1 - 21
	S3000S02F	1	PACK ASSEMBLY - clutch, second, replaces S3000S01F pack, Includes: Ref. 1 - 21
1	S3900S01F	1	SHAFT - drum, also order (4) Ref. 21 S2220S00F washers
2	S2620S00F	2	RING - piston, Part of transmission rebuild gasket kit P/N 33-1559T2.
3	S2610S00F	2	RING - piston, Part of transmission rebuild gasket kit P/N 33-1559T2.
4	S2630S00F	2	RING - sealing, Part of transmission rebuild gasket kit P/N 33-1559T2.
5	33-1521T1	2	PISTON - clutch
6	S2080S00F		UAR PLATE - steel, 2.4 mm thick, Steel plates, Ref. 6; a total set of 10 pieces must be used.
6	S2090S00F		UAR PLATE - steel, 2.1 mm thick, Steel plates, Ref. 6; a total set of 10 pieces must be used.
7	33-1518T2	10	PLATE - friction
8	S2640S00F	24	SPRING - return, piston
9	S2850S00F	2	HUB - clutch
10	S2100S00F	2	RING - snap
11	H144527	8	WASHER - thrust, bearing, 3.2 mm, replaces S2200S00F washer
12	572182R1	4	BEARING - needle, thrust, replaces S2230S00F bearing
13	80909C1	3	BEARING - needle, caged
14	S3040S01F	1	GEAR - counter, replaces S3040S00F gear
15	S2280S00F	1	GEAR - drive, 29 teeth
16	S2240S00F	1	RING - retaining
17	S3030S01F	1	GEAR - input, 36 teeth
19	90-8459T1	2	CONE - tapered roller bearing, replaces 529208R1 cup and 529207R91 cone
20	S3070S00F	4	RING - sealing, Part of transmission rebuild gasket kit P/N 33-1559T2.
21	S2220S00F	4	WASHER - thrust, bearing, 2.4 mm
	33-1559T2	1	KIT - gasket, transmission rebuild, Includes: Ref. 2, 3, 4 and 20 and parts on Figures 6-006 - 6-028



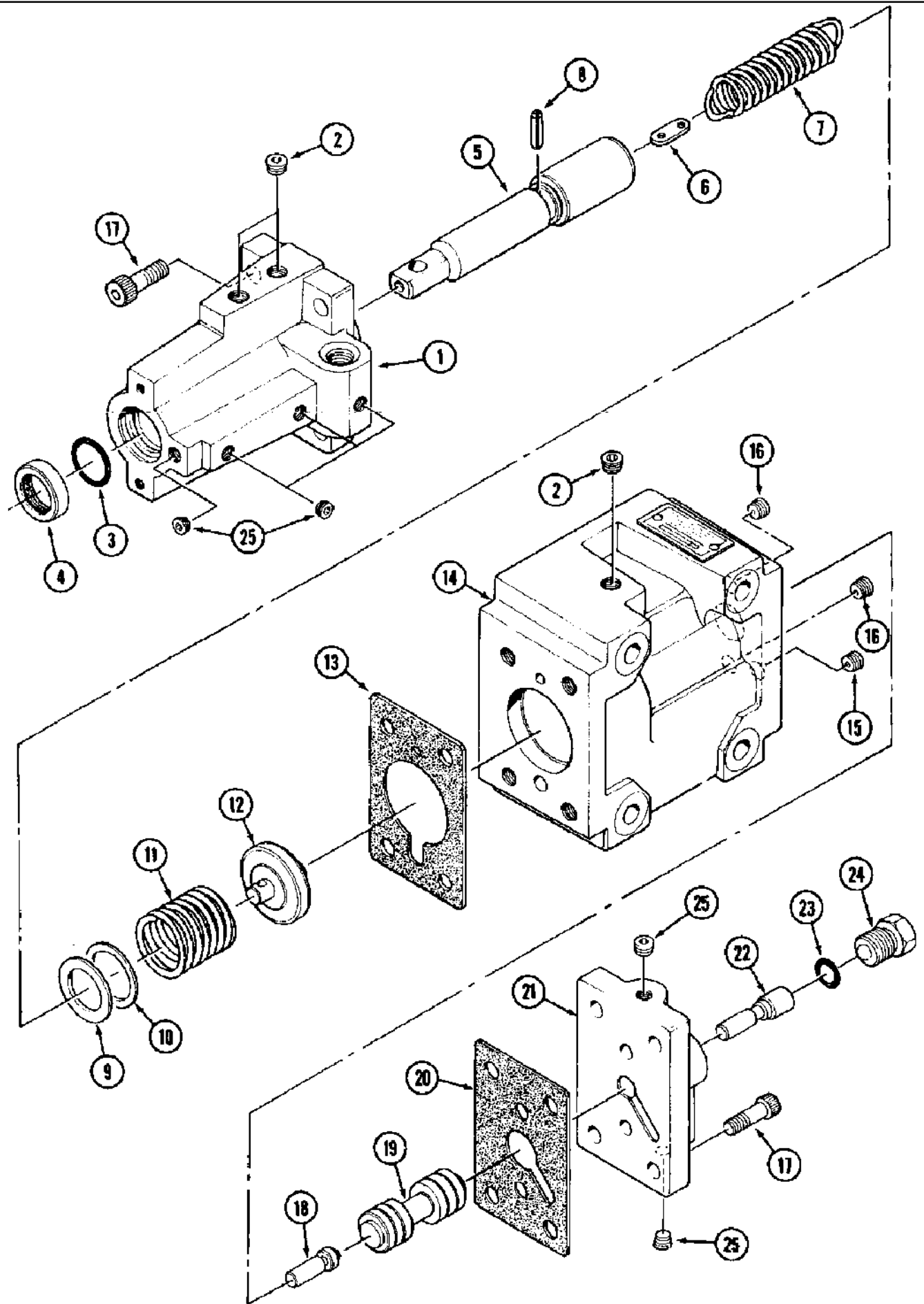
## 6-022 POWER SHIFT TRANSMISSION ASSEMBLY, 8 INCH CLUTCH PACK ASSEMBLY

сылка	Номер детали	Кол-во	Описание
	90-8454T91	1	TRANSMISSION ASSEMBLY - Powershift, replaces 90-7016T91 transmission parts list Figures 6-006 - 6-032, Includes: Ref. 1 - 26
	S4000S02F	1	PACK ASSEMBLY - clutch, 8 inch, Includes: Ref. 1 - 26
1	S4900S02F	1	SHAFT ASSEMBLY - drum, Includes: Ref. 2
2	S4680S02F	4	PIN - guide, 11 mm diameter
3	S4420S00F	2	RING - piston, Part of transmission rebuild gasket kit P/N 33-1559T2.
4	S4410S00F	2	RING - piston, Part of transmission rebuild gasket kit P/N 33-1559T2.
5	S4430S00F	2	RING - sealing, Part of transmission rebuild gasket kit P/N 33-1559T2.
6	S4180S02F	2	PISTON - clutch
7	S4070S00F		UAR PLATE - steel, 2.4 mm thick, Steel plates, Ref. 7; a total of 18 pieces must be used.
7	S4110S00F		UAR PLATE - steel, 2.1 mm thick, Steel plates, Ref. 7; a total of 18 pieces must be used.
8	33-1519T2	18	PLATE - faced
9	S4440S00F	22	SPRING - return, piston
10	S4390S00F	2	RING - retaining
11	S4100S01G	1	HUB - clutch
12	S2100S00F	2	RING - snap
13	S4380S01G	1	HUB - clutch
14	H144527	8	WASHER - thrust, bearing, 3.2 mm, replaces S2200S00F washer
15	572182R1	4	BEARING - needle, thrust, replaces S2230S00F bearing
16	S2210S00F	1	BEARING - roller
17	S4210S00F	1	GEAR - output, 38 teeth
18	S2240S00F	2	RING - retaining
19	S4040S00F	2	SPACER - bearing
20	54404R1	2	CUP - tapered roller bearing
21	ST2016A	2	BEARING - tapered roller
22	S2030S00F	2	BEARING - roller
23	S4170S00F	1	GEAR - output, 59 teeth
24	S4160S00F	1	CARRIER - piston ring
25	S4150S00F	4	RING - sealing, Part of transmission rebuild gasket kit P/N 33-1559T2.
26	S4530S02F	2	PLATE - retaining, spring
	33-1559T2	1	KIT - gasket, transmission rebuild, Includes: Ref. 3, 4, 5 and 25 and parts on Figures 6-006 - 6-028



## 6-024 POWER SHIFT TRANSMISSION ASSEMBLY, 9 INCH CLUTCH PACK ASSEMBLY

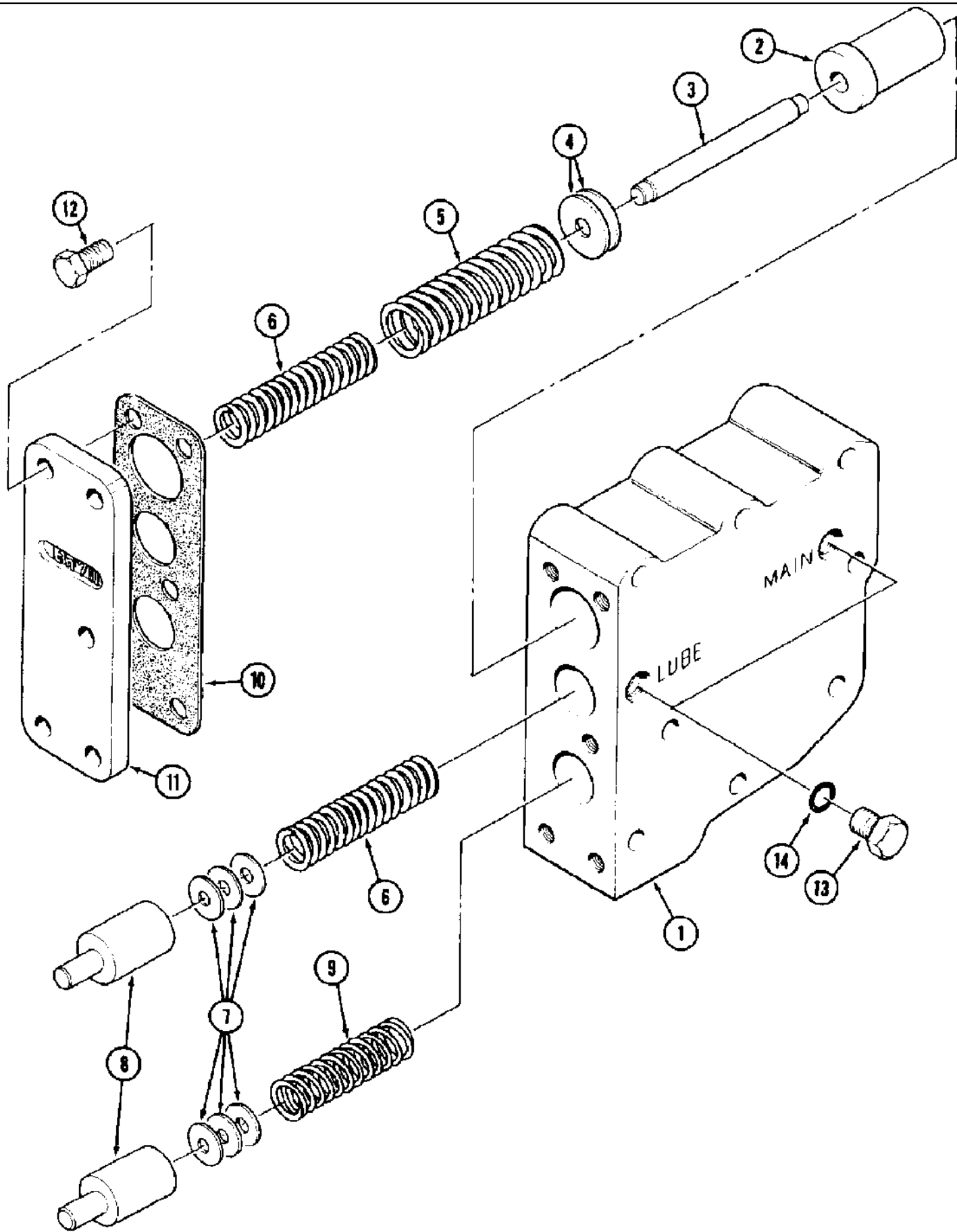
сылка	Номер детали	Кол-во	Описание
	90-8454T91	1	TRANSMISSION ASSEMBLY - Powershift, replaces 90-7016T91 transmission, parts list Figures 6-006 - 6-032, Includes: Ref. 1 - 32
	S5000S00F	1	PACK ASSEMBLY - clutch, 9 inch, Includes: Ref. 1 - 32
1	S5900S00F	1	SHAFT - drum
2	S5520S00F	2	RING - piston, Part of transmission rebuild gasket kit P/N 33-1559T2.
3	S5510S00F	2	RING - piston, Part of transmission rebuild gasket kit P/N 33-1559T2.
4	S4430S00F	2	RING - sealing, Part of transmission rebuild gasket kit P/N 33-1559T2.
5	33-1523T1	1	PISTON - clutch
6	33-1522T1	1	PISTON - clutch
7	S5120S00F		UAR PLATE - steel, 2.6 mm thick, Steel plates, Ref. 7; a total set of 12 pieces must be used.
7	S5130S00F		UAR PLATE - steel, 2.4 mm thick, Steel plates, Ref. 7; a total set of 12 pieces must be used.
8	33-1520T2	12	PLATE - faced
9	S5550S00F	8	SPRING - return, piston
10	S5850S01G	1	HUB - clutch
11	S5100S00F	2	RING - snap
12	S5540S00F	8	SPRING - return, piston
13	S5490S00F	1	RING - retaining
14	S5840S01G	1	HUB - clutch
15	S5230S00F	8	WASHER - thrust
16	A75158	4	BEARING - thrust, replaces S5050S00F bearing
17	S5070S00F	2	BEARING - needle
18	S5080S01F	1	GEAR - clutch, 37 teeth
19	S5040S00F	2	RING - retaining
20	S3070S00F	4	RING - sealing, Part of transmission rebuild gasket kit P/N 33-1559T2.
21	S5060S01F	1	GEAR - input, 43 teeth
22	54404R1	1	CUP - tapered roller bearing
23	ST2016A	1	BEARING - tapered roller
24	S5270S00F	1	GEAR - drive, 21 teeth
25	90-6579T1	1	CUP - tapered roller bearing
26	ST2018A	1	CONE - tapered roller bearing
27	S5280S01F	1	GEAR - clutch, 46 teeth
28	SM9222160	2	RING - snap
29	S3220S00F		UAR SHIM - drain valve, 0.7 mm thick
30	S3230S00F		UAR SHIM - drain valve, 0.2 mm thick
31	S3210S00F	2	SPRING - valve
32	S3200S00F	2	VALVE - drain
	33-1559T2	1	KIT - gasket, transmission rebuild, Includes: Ref. 2, 3, 4 and 20 and parts on Figures 6-006 - 6-028



## 6-026 POWER SHIFT TRANSMISSION ASSEMBLY, CLUTCH CONTROL VALVE ASSEMBLY

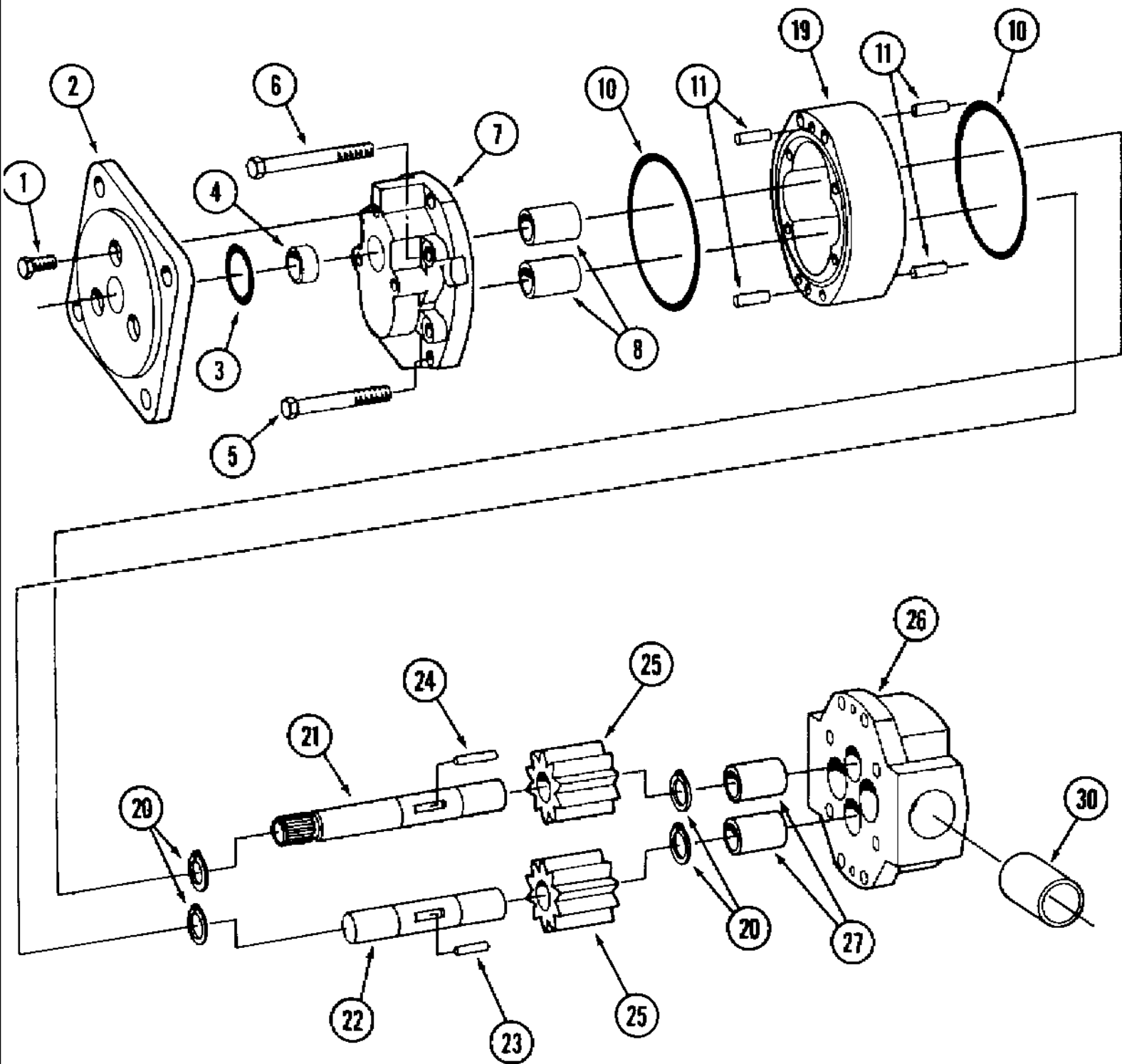
сылка	Номер детали	Кол-во	Описание
	90-8454T91	1	TRANSMISSION ASSEMBLY - Powershift, replaces 90-7016T91 transmission, parts list Figures 6-006 - 6-032, Includes: Ref. 1 - 25
	90-8201T91	1	VALVE ASSEMBLY - clutch control, Includes: Ref. 1 - 25
1	S6090S00F	1	COVER - control stem
2	STX99700F	3	PLUG - stem cover port
3	S6120S00F	1	O-RING - control stem, Part of transmission rebuild gasket kit P/N 33-1559T2.
4	S6110S00F	1	SEAL - control stem, Part of transmission rebuild gasket kit P/N 33-1559T2.
5	S6100S00F	1	STEM - control
6	S6080S00F	1	LINK - connecting
7	90-8199T1	1	SPRING - tension
8	S6130S00F	1	PIN - roll
9	S6200S00F	1	SPACER - 31 x 1.2 mm thick
10	S6140S00F	1	UJAR SHIM - 30 x 1.0 mm thick
11	S6150S00F	1	SPRING - compression
12	S6060S00F	1	SEAT - spring
13	S6070S00F	1	GASKET - control stem cover, Part of transmission rebuild gasket kit P/N 33-1559T2.
14	S6050S00F	1	BODY - modulator
15	S6240S00F	1	PLUG - orifice
16	S6230S00F	2	PLUG - orifice
17	S6260S00F	8	BOLT - socket head, special
18	S6160S00F	1	POPPET - spool
19	S6040S00F	1	SPOOL - modulator
20	S6030S00F	1	GASKET - valve cover, Part of transmission rebuild gasket kit P/N 33-1559T2.
21	S6020S00F	1	COVER - valve
22	S6010S00F	1	SPOOL - reducing
23	S6180S00F	1	O-RING - plug, Part of transmission rebuild gasket kit P/N 33-1559T2.
24	S6170S00F	1	PLUG - hex, valve cover
25	S6220S00F	6	PLUG - valve cover
	33-1559T2	1	KIT - gasket, transmission rebuild, Includes: Ref. 3, 4, 13, 20 and 23 and parts on Figures 6-006 - 6-026





## 6-028 POWER SHIFT TRANSMISSION ASSEMBLY, REGULATOR VALVE ASSEMBLY

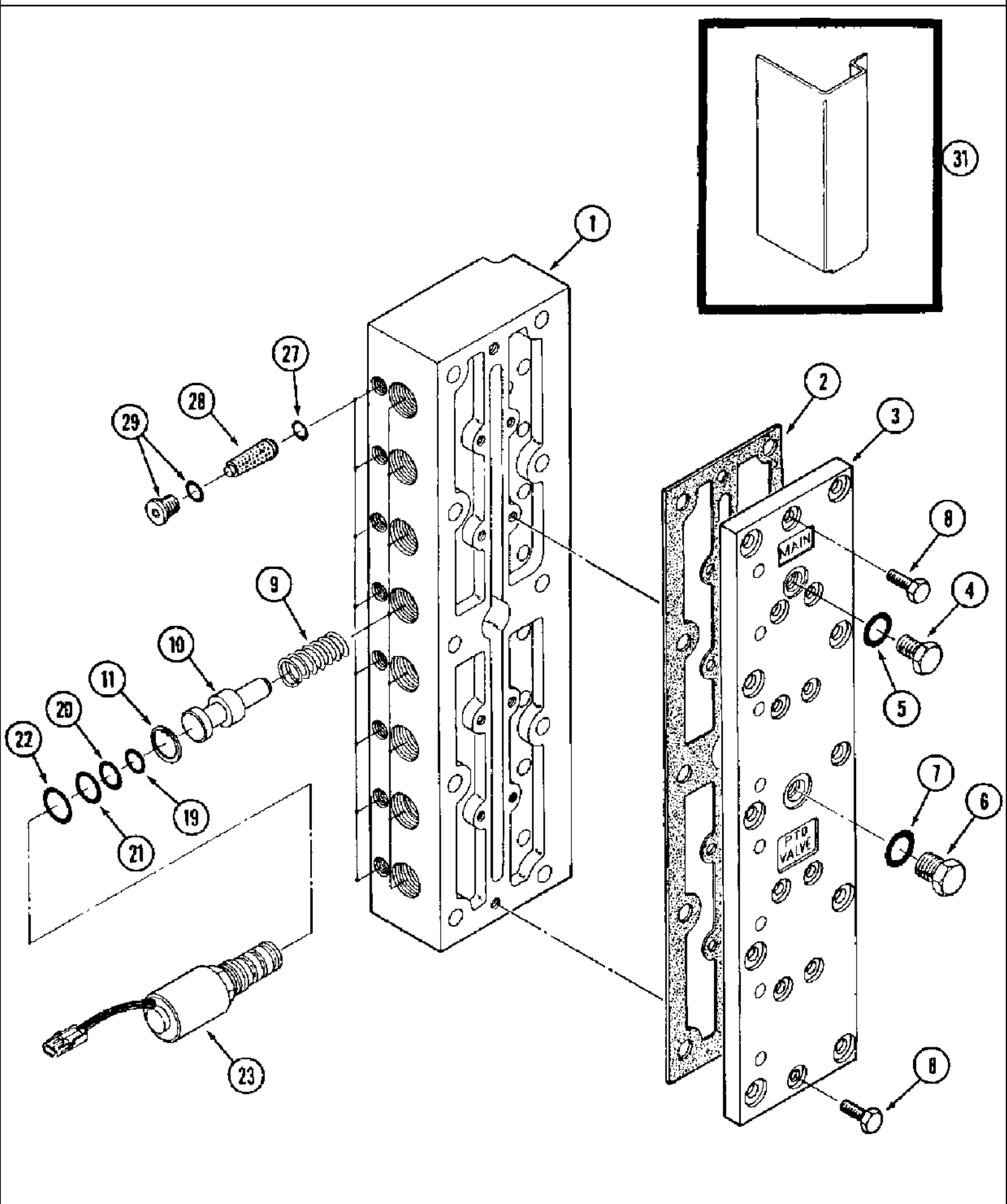
сылка	Номер детали	Кол-во	Описание
	90-8454T91	1	TRANSMISSION ASSEMBLY - Powershift, replaces 90-7016T91 transmission, parts list Figures 6-006 - 6-032, Includes: Ref. 1 - 14
	S7000S01F	1	VALVE ASSEMBLY - regulator, Includes: Ref. 1 - 14
1	NSS	1	BODY - regulator valve
2	S7030S01F	1	VALVE - regulator
3	S7020S00F	1	ROD - pressure
4	S7010S00F		UAR SHIM - .039 inch thick
5	S7120S00F	1	SPRING - compression
6	S7050S00F	2	SPRING - compression
7	S7080S00F		UAR SHIM - .031 inch thick
8	S7060S00F	2	VALVE - lube
9	S7070S00F	1	SPRING - compression
10	S7090S00F	1	GASKET - valve cover, Part of transmission rebuild gasket kit P/N 33-1559T2.
11	S7110S00F	1	COVER - valve body
12	SM8120820	5	BOLT - hex, 8 - 1.25 x 20 mm
13	S1030S00F	2	PLUG - hex, O-ring boss, Includes: Ref. 14
14	S1040S00F	2	O-RING - plug
	33-1559T2	1	KIT - gasket, transmission rebuild, Includes: Ref. 10 and parts on Figures 6-006 - 6-028



## 6-030 POWER SHIFT TRANSMISSION ASSEMBLY, LUBRICATION PUMP ASSEMBLY

сылка	Номер детали	Кол-во	Описание
	90-8454T91	1	TRANSMISSION ASSEMBLY - Powershift, replaces 90-7016T91 transmission, parts list Figures 6-006 - 6-032, Includes: Ref. 1 - 30
	33-1524T91	1	PUMP ASSEMBLY - transmission lubrication, Includes: Ref. 1 - 30
1	33-1540T1	3	BOLT - hex, pump adapter
2	33-1541T1	1	ADAPTER - pump mounting
3	33-1542T1	1	O-RING - seal, Part of lubrication pump O-ring kit P/N 90-8261T91.
4	33-1543T1	1	RING - locating
5	33-1544T1	4	BOLT - hex, housing
6	33-1545T1	4	BOLT - hex, housing
7	33-1546T1	1	HOUSING - front, Includes: Ref. 8
8	NSS	2	BUSHING - housing
10	33-1547T1	2	O-RING - pump housing, Part of lubrication pump O-ring kit P/N 90-8261T91.
11	33-1548T1	4	PIN - dowel
19	33-1549T1	1	HOUSING - center
20	33-1550T1	4	RING - snap
21	33-1551T1	1	SHAFT - drive
22	33-1552T1	1	SHAFT - idler
23	33-1553T1	1	KEY - dowel, idler shaft
24	33-1554T1	1	KEY - dowel, drive shaft
25	33-1555T1	2	GEAR - pump
26	33-1556T1	1	HOUSING - rear, Includes: Ref. 27
27	NSS	2	BUSHING - housing
30	33-1557T1	1	TUBE - inlet
	90-8261T91	1	KIT - O-ring, lubrication pump, Includes: Ref. 3 and 10

6-032 POWER SHIFT TRANSMISSION ASSEMBLY, RANGE SELECTOR VALVE ASSEMBLY



F896116A

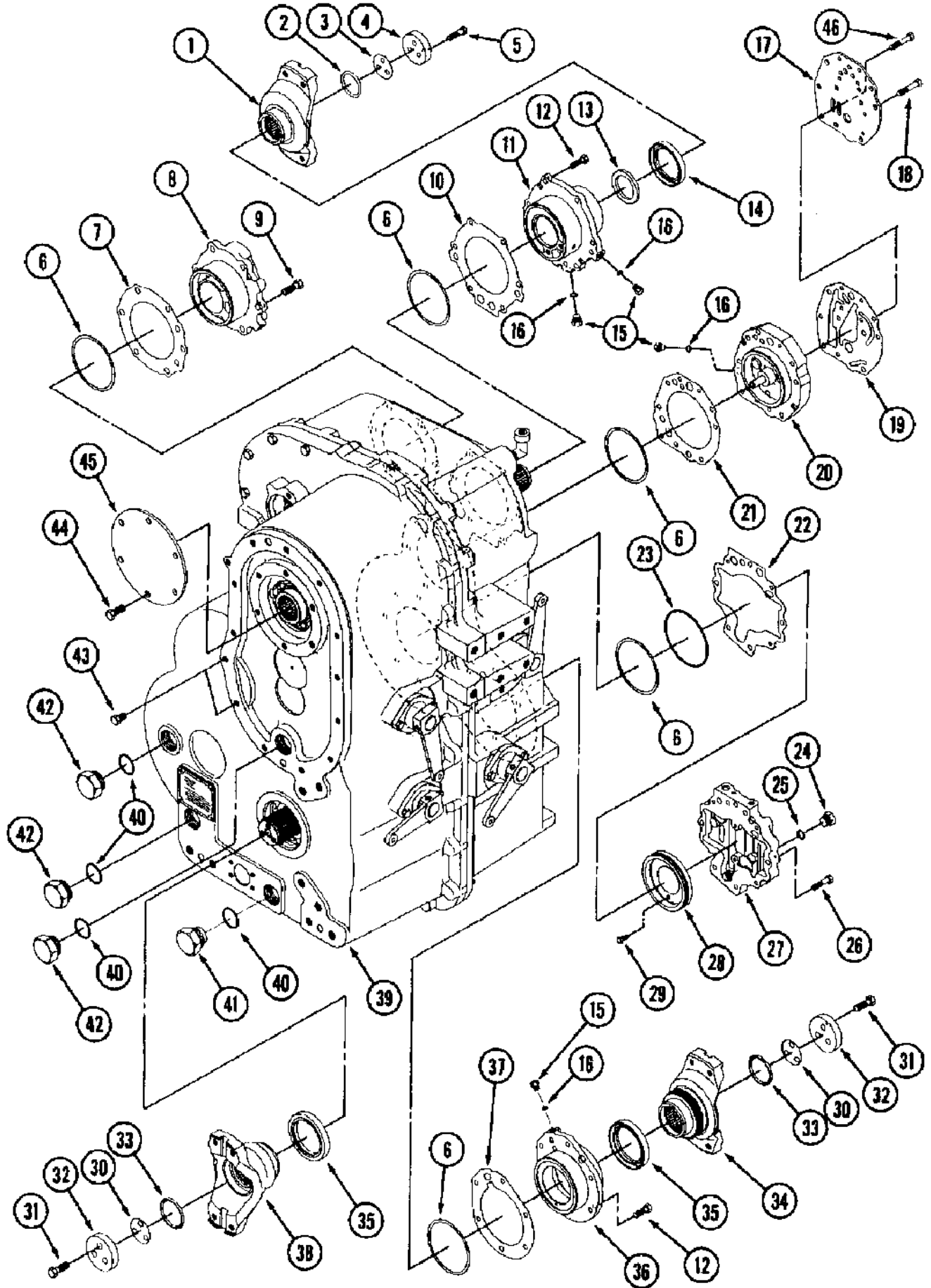
REF. KIT 33-1536T1 -- If the dealer receives a small, wide o-ring for item #21 they can order a 238-6017 that will replace it. Parts should be checking with the supplier to correct this issue. MU. TSG 33-1536t1 consists of per print: Ref 19 - s9310s00f lower ring Ref 20 - s9320s00f middle ring Ref 21 - s9390s00f upper ring Ref 22 - s9350s00f bonnet ring 3/31/01 BW CAM

## 6-032 POWER SHIFT TRANSMISSION ASSEMBLY, RANGE SELECTOR VALVE ASSEMBLY

сылка	Номер детали	Кол-во	Описание
	90-8454T91	1	TRANSMISSION ASSEMBLY - Powershift, replaces 90-7016T91 transmission, parts list Figures 6-006 - 6-032, Includes: Ref. 1 - 31
	33-1525T91	1	VALVE ASSEMBLY - range selector, Includes: Ref. 1 - 29
1	33-1529T1	1	BODY - valve, range selector
2	33-1530T1	1	GASKET - valve cover
3	33-1531T1	1	COVER - body
4	S1030S00F	1	PLUG - hex, O-ring boss, Includes: Ref. 5
5	S1040S00F	1	O-RING - plug
6	S1390S00F	1	PLUG - O-ring boss, Includes: Ref. 7
7	S1320S00F	1	O-RING - plug
8	426-512	10	BOLT - hex, 5/16 NC x 3/4 inch, grade 8
9	33-1532T1	8	SPRING - spool
10	33-1533T1	8	SPOOL - valve selector
11	33-1534T1	8	RING - snap
	33-1535T1	8	VALVE ASSEMBLY - solenoid, Includes: Ref. 19 - 23
	33-1536T1	8	KIT - O-ring, solenoid valve, Includes: Ref. 19 - 22
19	NSS	8	O-RING - solenoid
20	NSS	8	O-RING - solenoid
21	NSS	8	O-RING - solenoid
22	NSS	8	O-RING - solenoid
23	NSS	8	VALVE - solenoid
27	33-1537T1	8	O-RING - seal, filter
28	33-1538T1	8	FILTER - conical
29	33-1539T1	8	PLUG - filter
31	50-3322T2	1	COVER - protective, transmission solenoids

REF. KIT 33-1536T1 -- If the dealer receives a small, wide o-ring for item #21 they can order a 238-6017 that will replace it. Parts should be checking with the supplier to correct this issue. MU. TSG 33-1536t1 consists of per print: Ref 19 - s9310s00f lower ring Ref 20 - s9320s00f middle ring Ref 21 - s9390s00f upper ring Ref 22 - s9350s00f bonnet ring 3/31/01 BW CAM

6-034 12 SPEED SYNCHROSHIFT TRANSMISSION ASSEMBLY, PUMP MOUNTING, COVERS AND YOKES



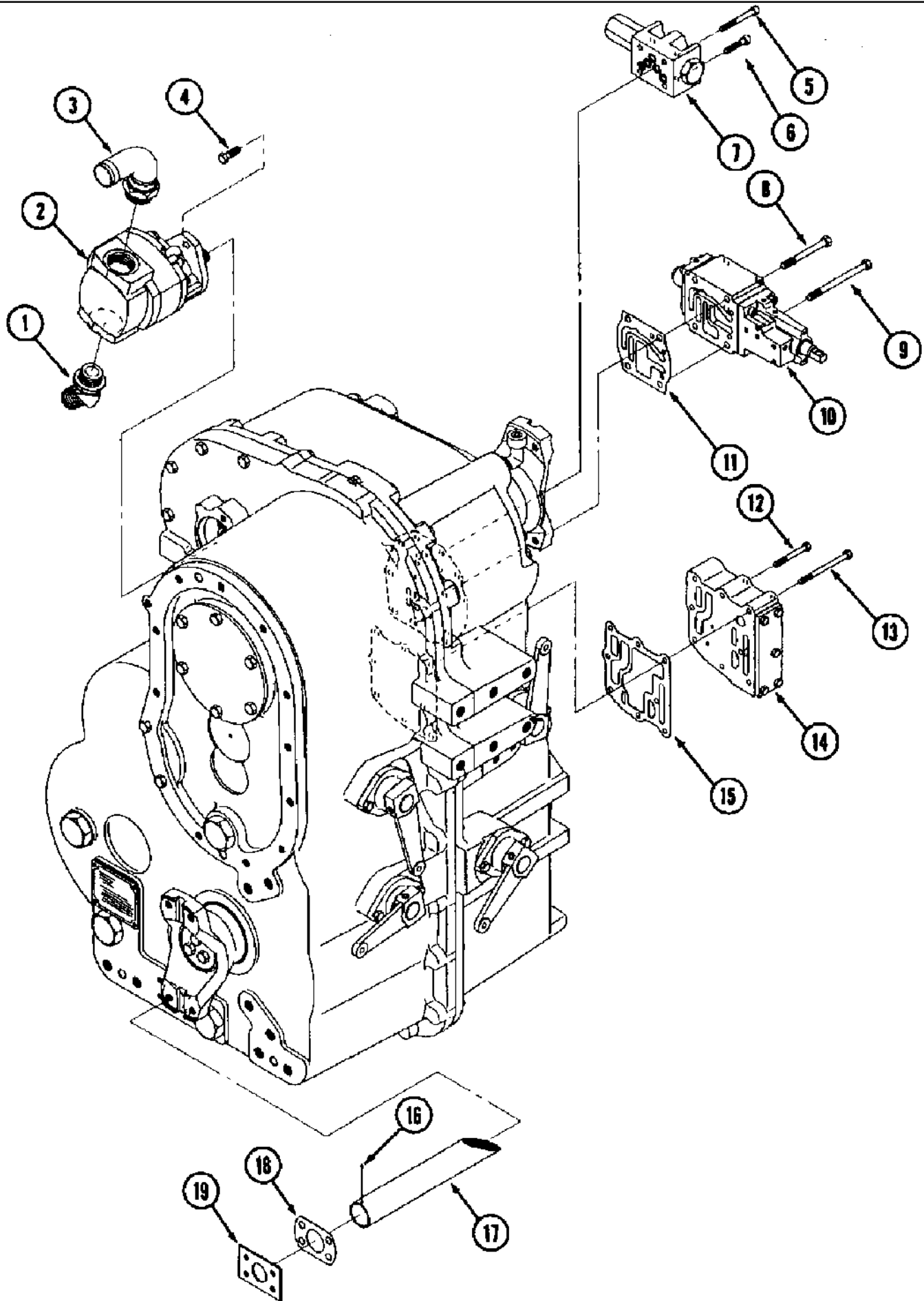
сылка	Номер детали	Кол-во	Описание
	90-7775T91	1	TRANSMISSION ASSEMBLY - mechanical shift, parts list pages 6-034 - 6-064, Includes: Ref. 1 - 34
1	33-1410T1	1	YOKE - input
2	33-1414T1	1	O-RING - yoke sealing, Part of transmission gasket kit P/N 90-8401T91.
3	33-1464T1		UAR SHIM - 0.10 mm (0.004 inch) thick
3	33-1465T1		UAR SHIM - 0.30 mm (0.012 inch) thick
3	33-1466T1		UAR SHIM - 0.70 mm (0.028 inch) thick
4	33-1413T1	1	PLATE - yoke retainer
5	514-730	3	BOLT - hex, 10 - 1.25 x 35 mm
6	33-1631T1		UAR SHIM - 0.10 mm (0.004 inch) thick
6	33-1632T1		UAR SHIM - 0.15 mm (0.006 inch) thick
6	33-1633T1		UAR SHIM - 0.30 mm (0.012 inch) thick
6	33-1634T1		UAR SHIM - 0.51 mm (0.020 inch) thick
6	33-1635T1		UAR SHIM - 0.71 mm (0.028 inch) thick
7	90-7991T1	1	GASKET - bearing retainer, Part of transmission gasket kit P/N 90-8401T91.
8	90-7992T1	1	RETAINER - bearing, pump drive shaft
9	514-832	6	BOLT - hex, 12 - 1.25 x 35 mm
10	90-7993T1	1	GASKET - bearing retainer, input shaft, Part of transmission gasket kit P/N 90-8401T91.
11	90-7994T1	1	RETAINER - bearing, input shaft
12	514-721	12	BOLT - hex, 10 - 1.25 x 30 mm
13	33-1636T1	1	WASHER - retractor, seal
14	33-1412T1	1	SEAL - input yoke, Part of transmission gasket kit P/N 90-8401T91.
15	S1030S00F	4	PLUG - hex, O-ring boss, Includes: Ref. 16
16	S1040S00F	4	O-RING - plug, Part of transmission gasket kit P/N 90-8401T91.
17	90-7995T1	1	PLATE - retainer cover
18	514-720	5	BOLT - hex, 10 - 1.25 x 50 mm
19	90-7996T1	1	GASKET - cover plate, Part of transmission gasket kit P/N 90-8401T91.
20	90-7997T1	1	RETAINER - bearing, third shaft
21	90-7998T1	1	GASKET - bearing retainer, third shaft, Part of transmission gasket kit P/N 90-8401T91.
22	90-7999T1	1	GASKET - ditch plate, Part of transmission gasket kit P/N 90-8401T91.
23	33-1620T1	1	O-RING - retainer, Part of transmission gasket kit P/N 90-8401T91.
24	S1210S00F	1	PLUG - hex, O-ring boss
25	S1200S00F	1	O-RING - plug, Part of transmission gasket kit P/N 90-8401T91.
26	514-718	5	BOLT - hex, 10 - 1.25 x 40 mm
27	90-8000T1	1	PLATE - ditch
28	90-8001T1	1	RETAINER - bearing, fourth shaft
29	614-8016	2	BOLT - hex, full threads, 8 - 1.25 x 16 mm
30	33-1450T1		UAR SHIM - 0.10 mm thick
30	33-1451T1		UAR SHIM - 0.30 mm thick
31	514-832	6	BOLT - hex, 12 - 1.25 x 35 mm
32	33-1432T1	2	PLATE - retainer
33	33-1422T1	2	O-RING - yoke sealing, Part of transmission gasket kit P/N 90-8401T91.
34	33-1429T1	1	YOKE - output
35	33-1428T1	2	SEAL - output shaft, Part of transmission gasket kit P/N 90-8401T91.
36	90-8002T1	1	RETAINER - bearing, fifth shaft
37	90-8003T1	1	GASKET - bearing retainer, fifth shaft, Part of transmission gasket kit P/N 90-8401T91.



## 6-034 12 SPEED SYNCHROSHIFT TRANSMISSION ASSEMBLY, PUMP MOUNTING, COVERS AND YOKES

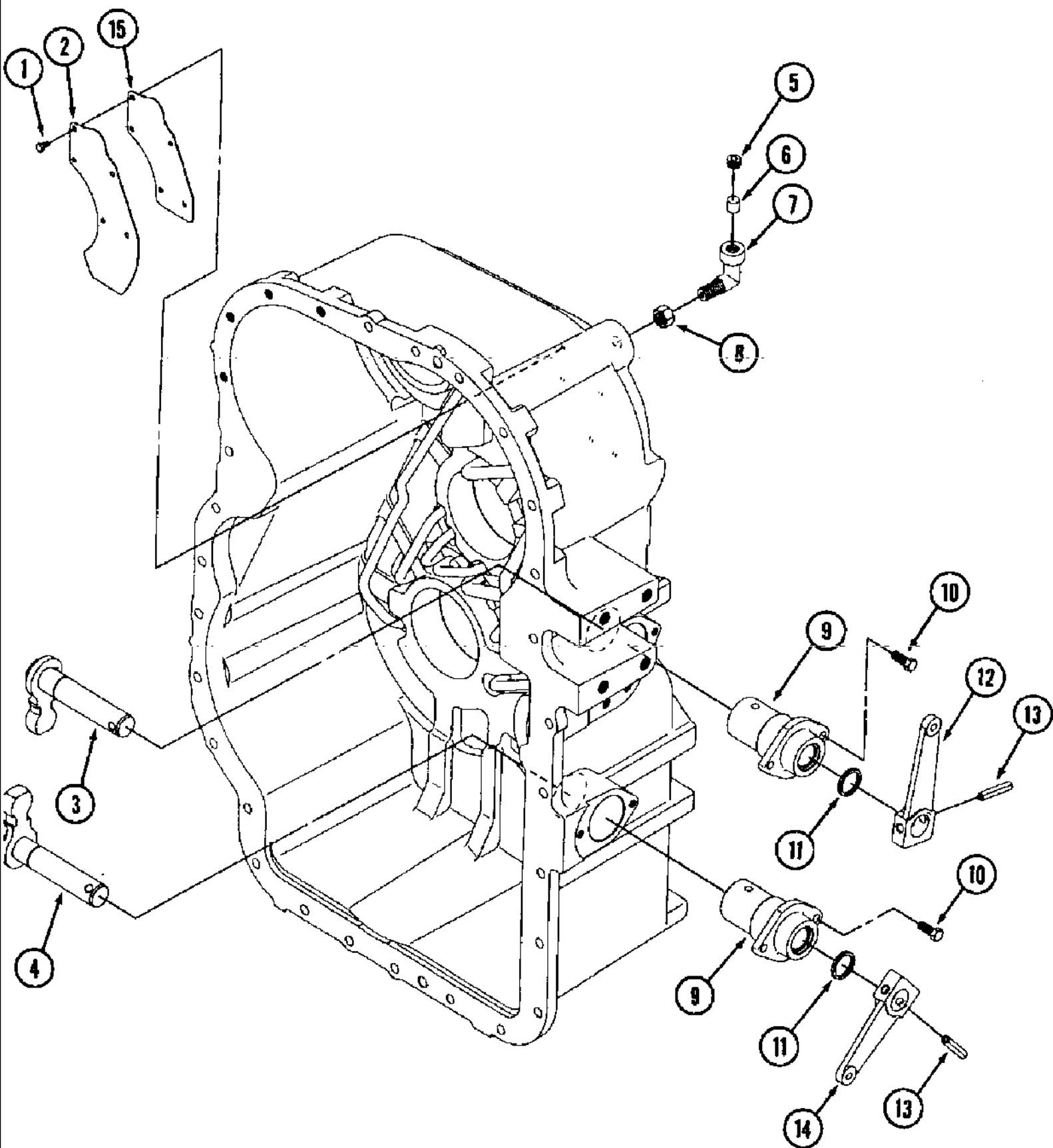
сылка	Номер детали	Кол-во	Описание
38	90-8004T1	1	YOKE - output, rear, 8C
39	90-7987T1	1	HOUSING - rear, transmission
40	S1080S00F	4	O-RING - plug, Part of transmission gasket kit P/N 90-8401T91.
41	S1090S00F	1	PLUG - magnetic
42	S1010S00F	3	PLUG - O-ring boss
43	514-841	2	BOLT - hex, 12 - 1.25 x 20 mm
44	514-834	6	BOLT - hex, 12 - 1.25 x 30 mm
45	33-1619T2	1	COVER - end, used on models without PTO
46	514-738	1	BOLT - hex, 10 - 1.25 x 45 mm
	90-7927T92	1	KIT - gasket, transmission, Includes: parts on Figures 6-034 - 6-064, prior to P.I.N. JEE0071001
	90-8401T91	1	KIT - gasket, transmission, Includes: Ref. 2, 7, 10, 14, 16, 19, 21, 22, 23, 25, 33, 35, 37 and 40, and parts on Figures 6-034 - 6-064, P.I.N. JEE0071001 and after

6-038 12 SPEED SYNCHROSHIFT TRANSMISSION ASSEMBLY, VALVE AND LUBRICATION MOUNTING



## 6-038 12 SPEED SYNCHROSHIFT TRANSMISSION ASSEMBLY, VALVE AND LUBRICATION MOUNTING

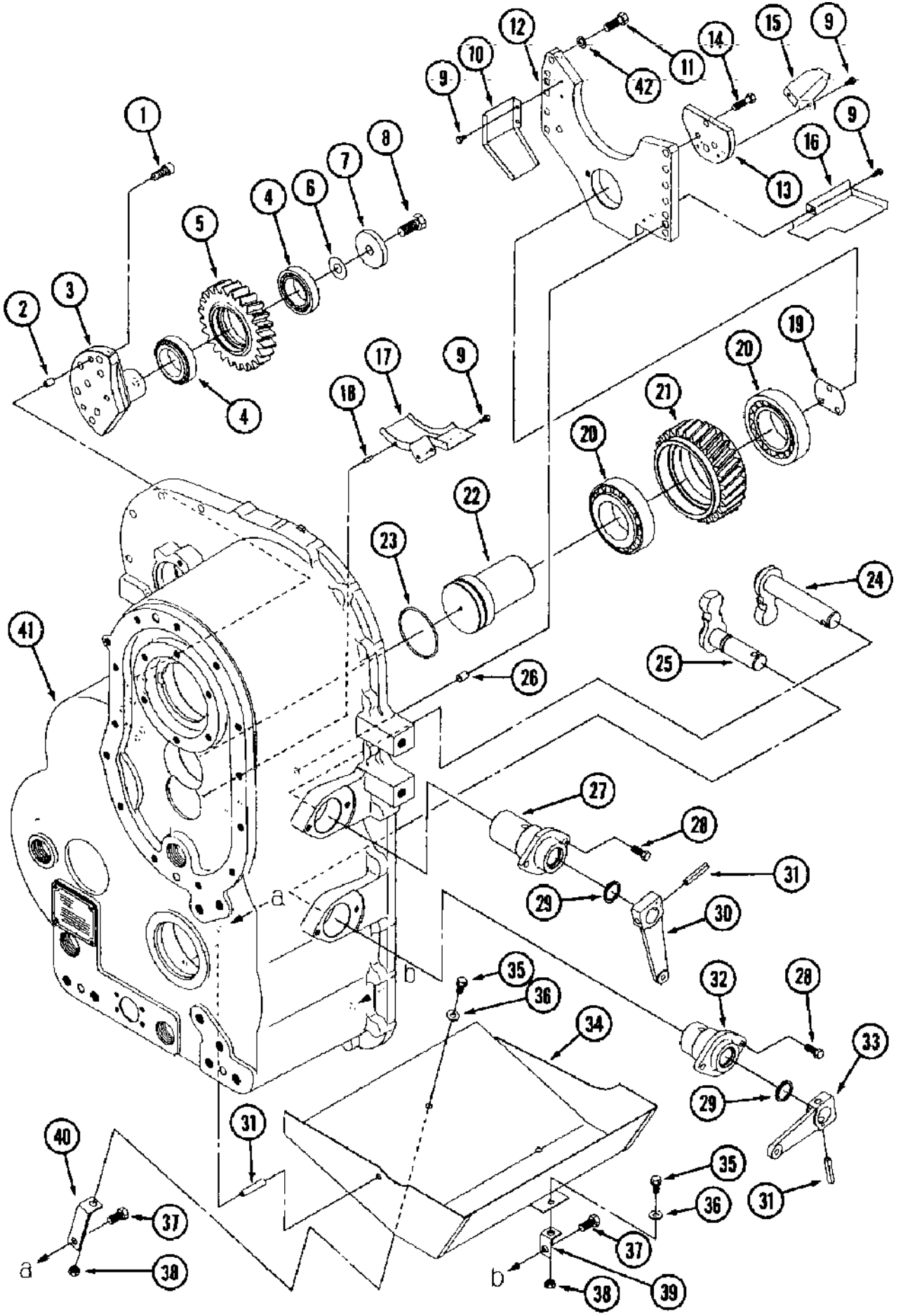
сылка	Номер детали	Кол-во	Описание
	90-7775T91	1	TRANSMISSION ASSEMBLY - mechanical shift, parts list Figures 6-034 - 6-064, Includes: Ref. 1 - 19
1	218-5140	1	ELBOW - 45 degree, 1-5/16-12 inch flare x adj O-ring boss
2	33-1874T91	1	PUMP - lubrication, component parts not serviced separately, Part of lubrication pump O-ring kit P/N 90-8261T91.
3	31-1394	1	ELBOW - hose stem, special
4	514-721	2	BOLT - hex, 10 - 1.25 x 30 mm
5	90-8007T1	2	BOLT - socket head, special
6	90-8008T1	2	BOLT - socket head, special
7	90-8009T91	1	VALVE ASSEMBLY - lock out, parts list Figure 6-064
8	514-729	2	BOLT - hex, 10 - 1.25 x 90 mm, class 8.8
9	514-739	2	BOLT - hex, 10 - 1.25 x 120 mm, class 8.8
10	90-8200T91	1	VALVE ASSEMBLY - control, parts list Figure 6-062
11	90-8012T1	1	GASKET - control valve, Part of transmission gasket kit P/N 90-8401T91.
12	614-8065	5	BOLT - hex, full threads, 8 - 1.25 x 65 mm
13	614-8100	3	BOLT - hex, full threads, 8 - 1.25 x 100 mm
14	S7000S01F	1	VALVE ASSEMBLY - regulator, parts list Figure 6-060
15	S1150S02F	1	GASKET - regulator valve, Part of transmission gasket kit P/N 90-8401T91.
16	S14701960	1	BALL - steel
17	33-1561T1	1	TUBE - suction
18	S1620S01F	1	GASKET - suction tube, Part of transmission gasket kit P/N 90-8401T91.
19	S1700S00F	1	PLATE - suction tube retainer
	90-7927T92	1	KIT - gasket, transmission, Includes: parts on Figures 6-034 - 6-064, prior to P.I.N. JEE0071001
	90-8401T91	1	KIT - gasket, transmission, Includes: Ref. 11, 15 and 18, and parts on Figures 6-034 - 6-064, P.I.N. JEE0071001 and after
	90-8261T91	1	KIT - O-ring, lubrication pump, Includes: Ref. 2 and gasket not used with this pump



F946185

## 6-040 12 SPEED SYNCHROSHIFT TRANSMISSION ASSEMBLY, FRONT HOUSING, SHIFT LEVERS AND BREATHER

сылка	Номер детали	Кол-во	Описание
	90-7775T91	1	TRANSMISSION ASSEMBLY - mechanical shift, parts list Figures 6-034 - 6-064, Includes: Ref. 1 - 15
1	614-6012	2	BOLT, Hex, M6 x 12, 8.8
2	90-7982T1	1	BAFFLE - breather
3	90-7983T1	1	LEVER - shift, second and third speed, inner
4	90-7984T1	1	LEVER - shift, C and D range, inner
5	33-1761T1	1	PLUG - taper
6	33-1454T1	1	FILTER - breather
7	33-1455T1	1	ELBOW - 90 degree, breather filter
8	SM8911246	1	NUT - hex, 16 mm - 1.5
9	90-7985T1	2	HOLDER - lever
10	514-712	4	BOLT - hex, 10 - 1.25 x 25 mm
11	33-1727T1	2	SEAL - holder, Part of transmission gasket kit P/N 90-8401T91.
12	90-7975T1	1	LEVER - shift, speed, outer
13	SM831050	2	PIN - spring
14	90-7977T1	1	LEVER - shift, range, outer
15	90-8006T1	1	GASKET - breather, Part of transmission gasket kit P/N 90-8401T91.
	90-7927T92	1	KIT - gasket, transmission, Includes: parts on Figures 6-034 - 6-064, prior to P.I.N. JEE0071001
	90-8401T91	1	KIT - gasket, transmission, Includes: Ref. 11 and 15, and parts on Figures 6-034 - 6-064, P.I.N. JEE0071001 and after



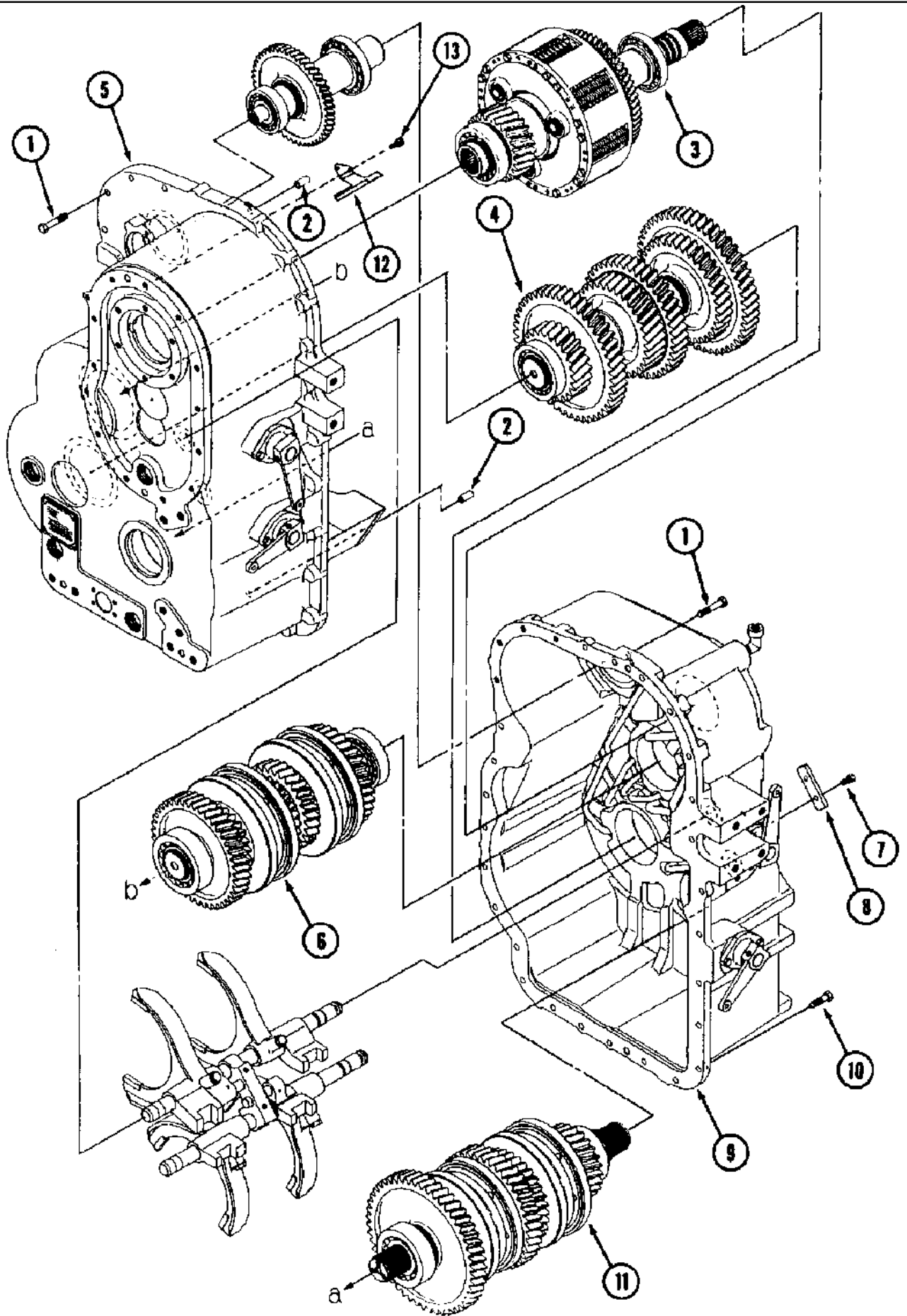
сылка	Номер детали	Кол-во	Описание
	90-7775T91	1	TRANSMISSION ASSEMBLY - mechanical shift, parts list Figures 6-034 - 6-064, Includes: Ref. 1 - 42
1	33-1767T1	7	BOLT - socket head, special
2	33-1807T1	2	PIN - dowel
3	90-8157T1	1	SHAFT - idler, reverse
4	90-7953T1	2	BEARING - tapered roller
5	90-7954T1	1	GEAR - idler, reverse
6	S9950S00F		UAR SHIM - 0.1 mm thick
6	S9960S00F		UAR SHIM - 0.3 mm thick
6	S9970S00F		UAR SHIM - 0.51 mm thick
6	S9980S00F		UAR SHIM - 0.71 mm thick
7	33-1693T1	1	PLATE - retainer
8	514-1021	1	Bolt, Hex, M16 x 1.5 x 35, 10.9, Full Thd
9	614-6012	7	BOLT, Hex, M6 x 12, 8.8
10	90-7955T1	1	GUTTER - input
11	514-832	12	BOLT - hex, 12 - 1.25 x 35 mm
12	90-7957T1	1	PLATE - support
13	90-7958T1	1	COVER - idler shaft
14	514-730	3	BOLT - hex, 10 - 1.25 x 35 mm
15	90-7959T1	1	GUTTER - bearing
16	90-7960T1	1	GUTTER - gear, second speed
17	90-7961T1	1	GUTTER - gear, first speed
18	90-7962T1	1	PIN - roll
19	90-7963T1		UAR SHIM - 0.1 mm thick
19	90-7964T1		UAR SHIM - 0.15 mm thick
19	90-7965T1		UAR SHIM - 0.3 mm thick
19	90-7966T1		UAR SHIM - 0.7 mm thick
20	90-7920T1	2	BEARING - tapered roller
21	90-7968T1	1	GEAR - idler
22	90-7969T1	1	SHAFT - idler
23	90-7970T1	1	O-RING - shaft, Part of transmission gasket kit P/N 90-8401T91.
24	90-7971T1	1	LEVER - shift, first-reverse speed, inner
25	90-7972T1	1	LEVER - shift, A-B range, inner
26	90-7973T1	2	PIN - dowel
27	90-7974T1	1	HOLDER - lever, first-reverse speed
28	514-712	4	BOLT - hex, 10 - 1.25 x 25 mm
29	33-1727T1	2	SEAL - holder, Part of transmission gasket kit P/N 90-8401T91.
30	90-7975T1	1	LEVER - shift, speed, outer
31	SM831050	3	PIN - spring
32	90-7976T1	1	HOLDER - lever, A-B range
33	90-7977T1	1	LEVER - shift, range, outer
34	90-7978T1	1	PAN - oil
35	514-703	2	BOLT - hex, 10 - 1.25 x 20 mm
37	514-842	2	BOLT - hex, 12 - 1.25 x 25 mm
38	825-11410	2	NUT - hex, 10 mm - 1.25
39	90-7979T1	1	BRACKET - oil pan, left-hand

9380 CASE IH 4WD TRACTOR (6/95-8/00)

6-042 12 SPEED SYNCHROSHIFT TRANSMISSION ASSEMBLY, REAR HOUSING, SHIFT LEVERS AND BAFFLES

сылка	Номер детали	Кол-во	Описание
40	90-7980T1	1	BRACKET - oil pan, right-hand
41	90-7987T1	1	HOUSING - rear, transmission
42	90-7948T1	12	WASHER - wave
	90-7927T92	1	KIT - gasket, transmission, Includes: parts on Figures 6-034 - 6-064, prior to P.I.N. JEE0071001
	90-8401T91	1	KIT - gasket, transmission, Includes: Ref. 23 and 29, and parts on Figures 6-034 - 6-064, P.I.N. JEE0071001 and after
36	895-11010	2	WASHER - flat, 11 x 20 x 2 mm



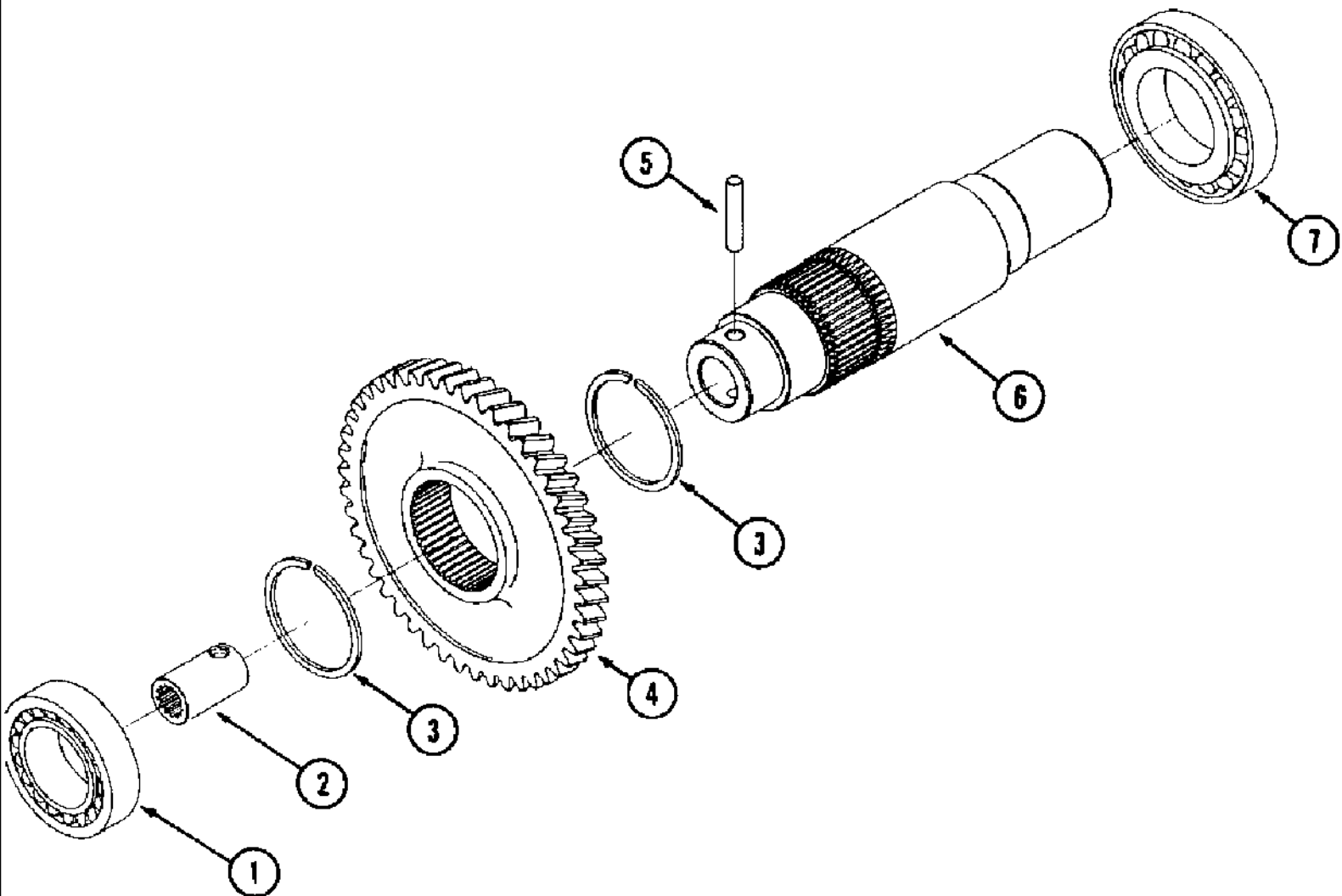


F956249

For shifter fork assembly see Figure 6-050.

сылка	Номер детали	Кол-во	Описание
	90-7775T91	1	TRANSMISSION ASSEMBLY - mechanical shift, parts list Figures 6-034 - 6-064, Includes: Ref. 1 - 13
1	514-843	13	BOLT - hex, 12 - 1.25 x 60 mm
2	33-1467T1	2	PIN - dowel
3	90-7943T91	1	SHAFT ASSEMBLY - input, 12 speed, parts list Figure 6-058
4	90-7986T91	1	SHAFT ASSEMBLY - fourth, parts list Figure 6-056
5	90-7987T1	1	HOUSING - rear, transmission
6	90-7988T91	1	SHAFT ASSEMBLY - third, parts list Figure 6-052
7	514-703	2	BOLT - hex, 10 - 1.25 x 20 mm
8	33-1746T1	1	PLATE - lock
9	90-7989T1	1	HOUSING - front, transmission
10	514-830	16	BOLT - hex, 12 - 1.25 x 40 mm
11	90-7990T91	1	SHAFT ASSEMBLY - fifth, parts list Figure 6-054
12	33-1812T1	1	LIP - oil, reverse gear
13	614-6012	2	BOLT, Hex, M6 x 12, 8.8

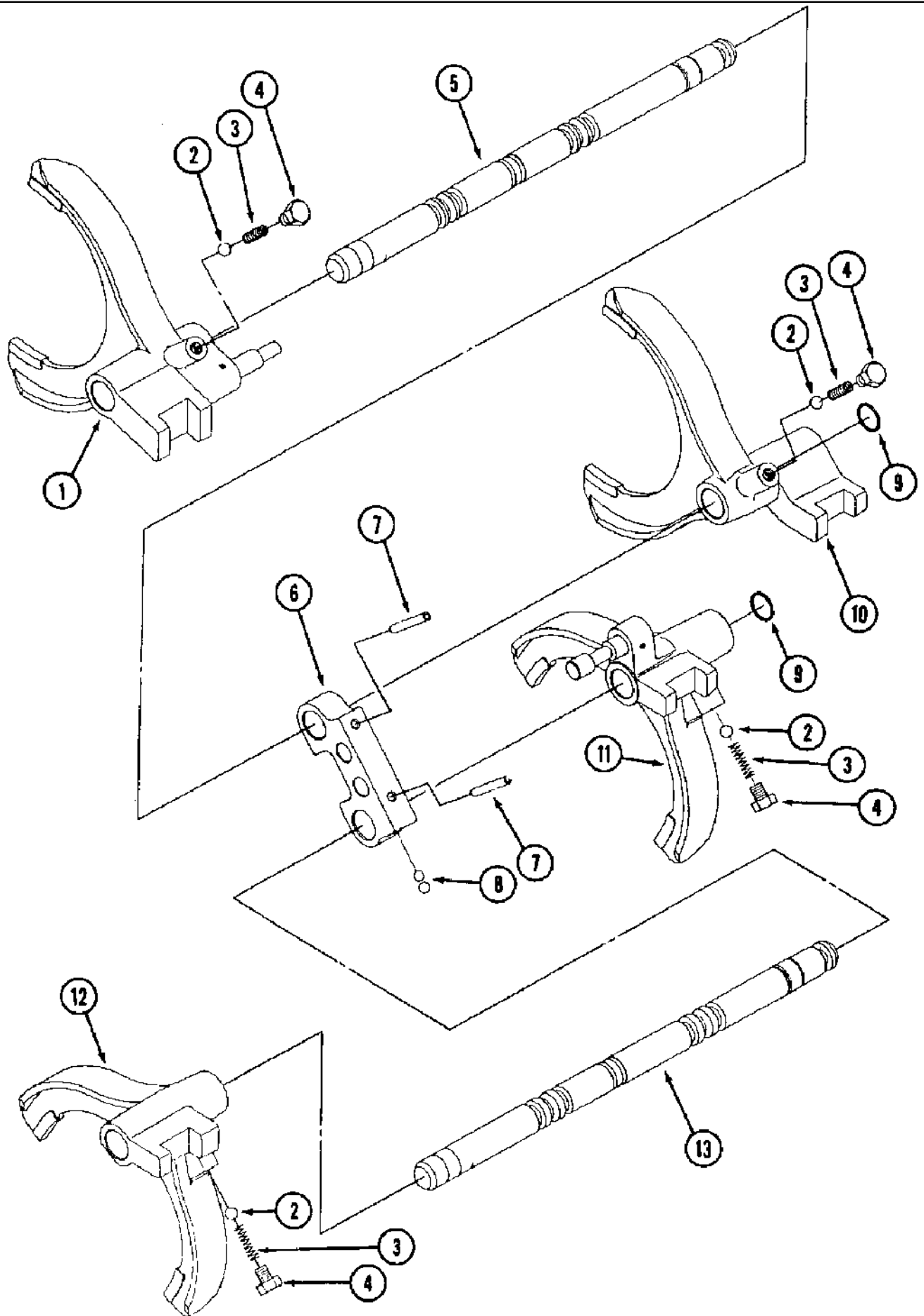
For shifter fork assembly see Figure 6-050.



9380 CASE IH 4WD TRACTOR (6/95-8/00)

6-048 12 SPEED SYNCHROSHIFT TRANSMISSION ASSEMBLY, PUMP DRIVE

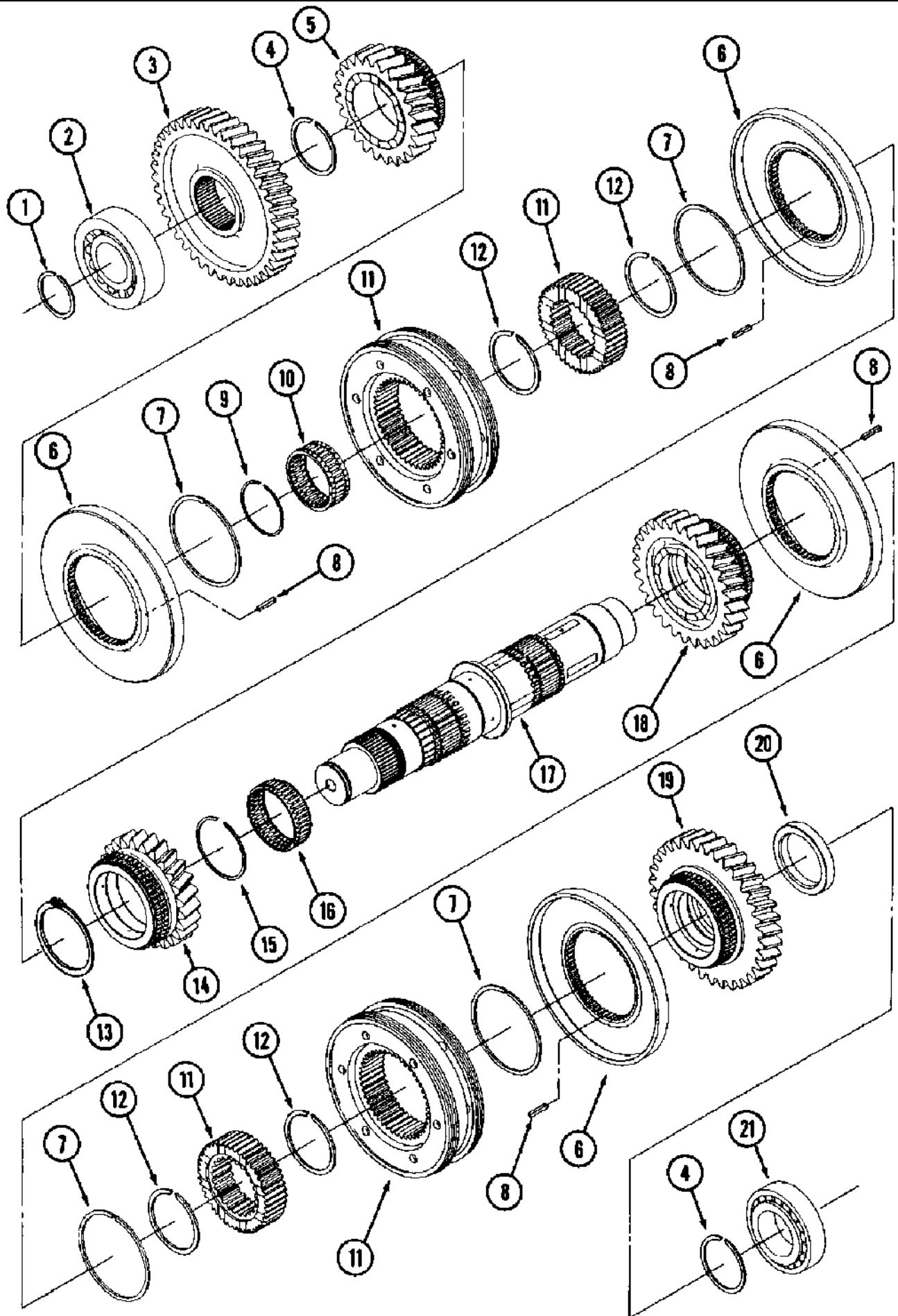
сылка	Номер детали	Кол-во	Описание
	90-7775T91	1	TRANSMISSION ASSEMBLY - mechanical shift, parts list Figures 6-034 - 6-064, Includes: Ref. 1 - 7
1	529208R1	1	CUP - tapered roller bearing
1	529207R91	1	CONE - tapered roller bearing
2	90-7939T1	1	COUPLING - sleeve, pump
3	33-1416T1	2	RING - retaining
4	90-7940T1	1	GEAR - driven, pump drive shaft
5	90-7941T1	1	PIN - dowel
6	90-7942T1	1	SHAFT - pump drive
7	90-7937T1	1	CONE - tapered roller bearing



## 6-050 12 SPEED SYNCHROSHIFT TRANSMISSION ASSEMBLY, SHIFTER FORK ASSEMBLY

сылка	Номер детали	Кол-во	Описание
	90-7775T91	1	TRANSMISSION ASSEMBLY - mechanical shift, parts list pages 6-034 - 6-064, Includes: Ref. 1 - 13
1	90-7944T1	1	FORK - shift, first-reverse
2	33-1757T1	4	BALL - steel, fork detent
3	33-1786T1	4	SPRING - detent ball
4	33-1759T1	4	PLUG - detent spring
5	90-7945T1	1	ROD - shift, speed
6	90-7946T1	1	PLATE - interlock
7	90-7947T1	2	PIN - spring
8	33-1756T1	2	BALL - steel
9	33-1745T1	2	O-RING - seal, fork, Part of transmission gasket kit P/N 90-8401T91.
10	90-7949T1	1	FORK - shift, second-third speeds
11	90-7950T1	1	FORK - shift, C-D ranges
12	90-7951T1	1	FORK - shift, A-B ranges
13	90-7952T1	1	ROD - shift, range
	90-7927T92	1	KIT - gasket, transmission, and parts on Figures 6-034 - 6-064, prior to P.I.N. JEE0071001
	90-8401T91	1	KIT - gasket, transmission, Includes: Ref. 9, and parts on Figures 6-034 - 6-064, P.I.N. JEE0071001 and after

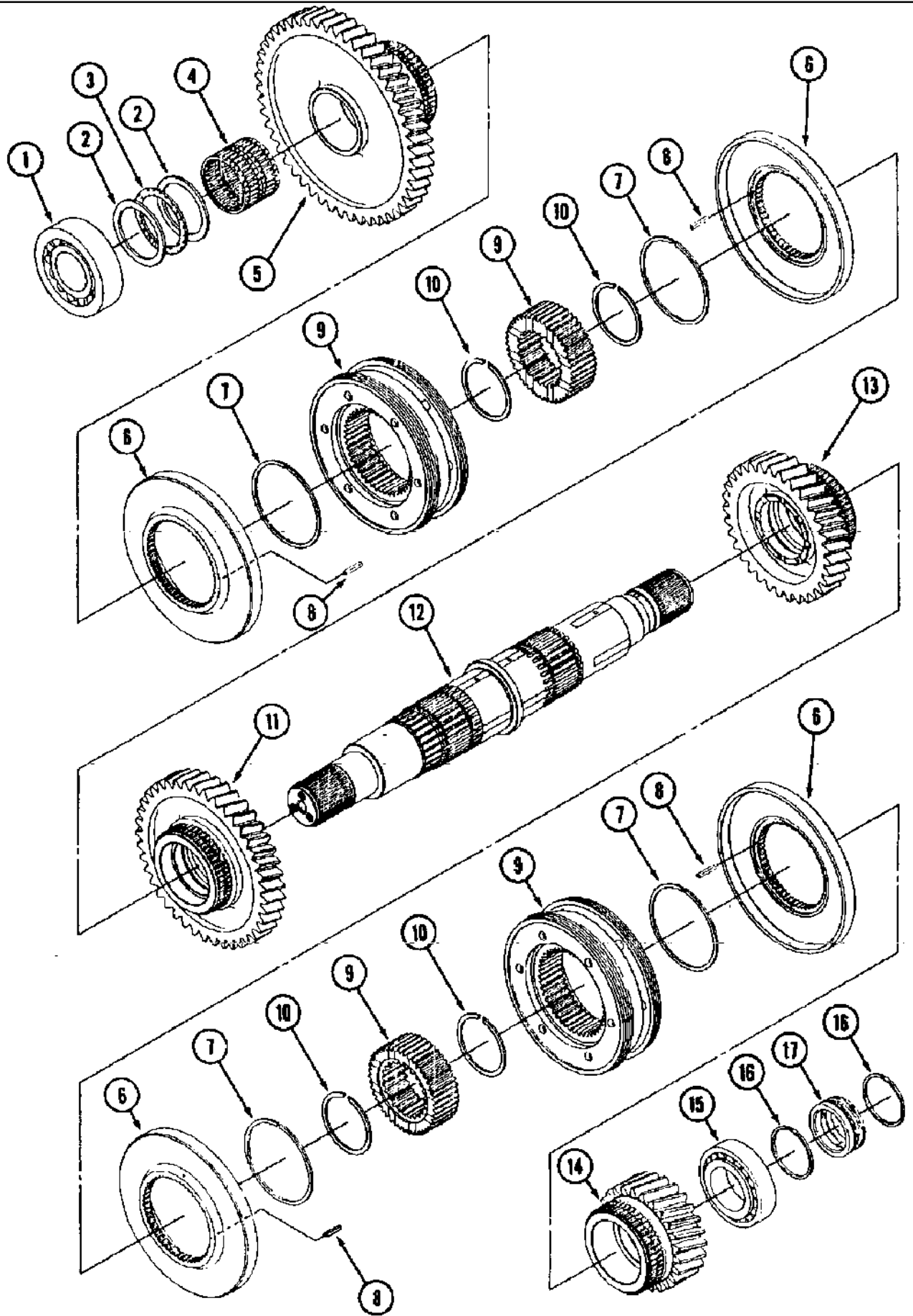
6-052 12 SPEED SYNCHROSHIFT TRANSMISSION ASSEMBLY, THIRD SHAFT ASSEMBLY



## 6-052 12 SPEED SYNCHROSHIFT TRANSMISSION ASSEMBLY, THIRD SHAFT ASSEMBLY

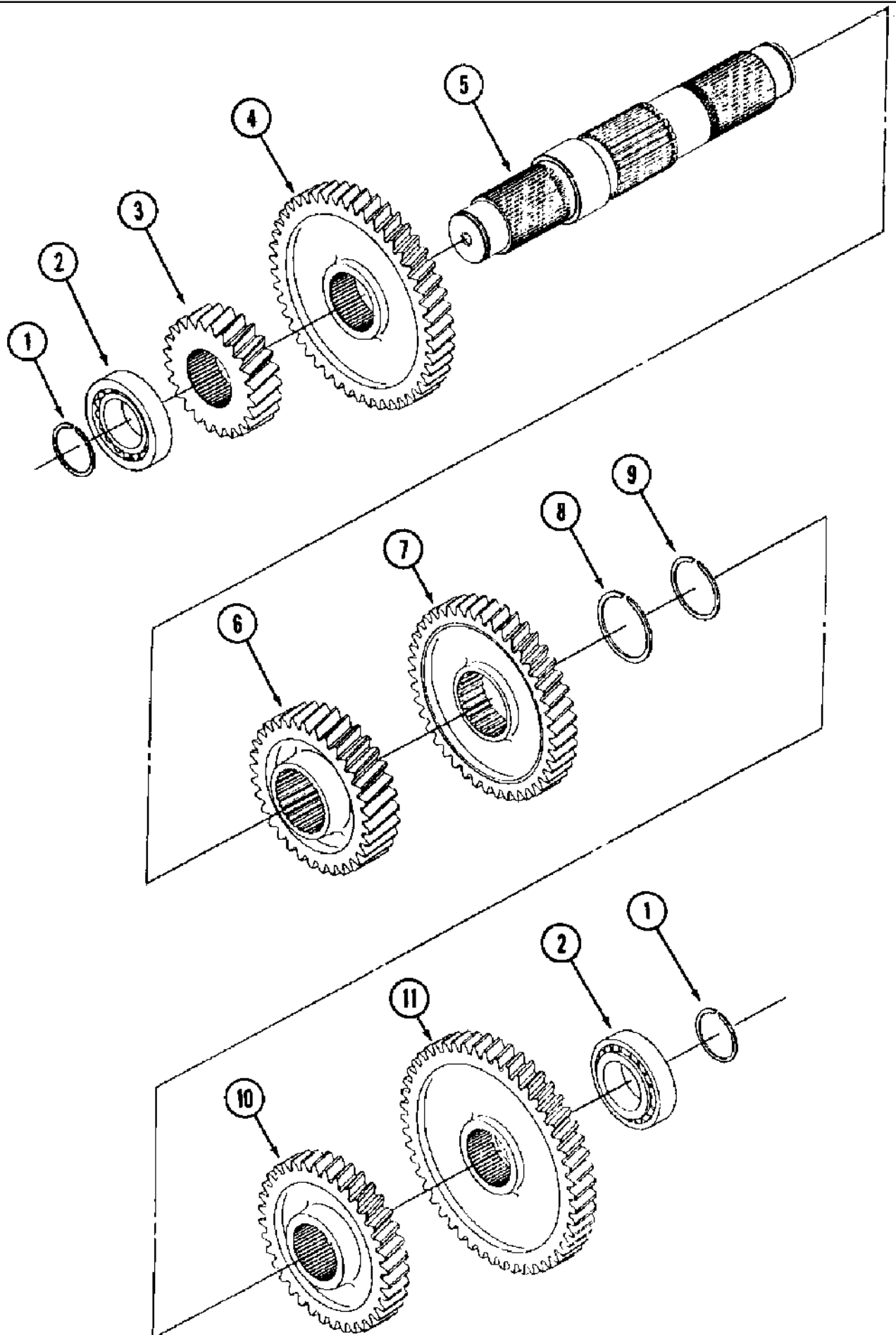
сылка	Номер детали	Кол-во	Описание
	90-7775T91	1	TRANSMISSION ASSEMBLY - mechanical shift, parts list Figures 6-034 - 6-064, Includes: Ref. 1 - 21
	90-7988T91	1	SHAFT ASSEMBLY - third, Includes: Ref. 1 - 21
1	90-7887T1		UAR RING - retaining, 2.5 mm, Part of third shaft retaining ring kit P/N 90-8037T91.
1	90-7888T1		UAR RING - retaining, 2.6 mm, Part of third shaft retaining ring kit P/N 90-8037T91.
1	90-7889T1		UAR RING - retaining, 2.7 mm, Part of third shaft retaining ring kit P/N 90-8037T91.
1	90-7890T1		UAR RING - retaining, 2.8 mm, Part of third shaft retaining ring kit P/N 90-8037T91.
1	90-7891T1		UAR RING - retaining, 2.9 mm, Part of third shaft retaining ring kit P/N 90-8037T91.
1	90-7892T1		UAR RING - retaining, 3.0 mm, Part of third shaft retaining ring kit P/N 90-8037T91.
2	33-1708T1	1	BEARING - tapered roller
3	90-7893T1	1	GEAR - driven, third shaft
4	S5040S00F	2	RING - retaining
5	90-7894T1	1	GEAR - drive, first speed
6	90-7895T1	4	DISK - synchro, speed
7	90-7904T1	4	RING - retaining
8	SM832508	16	PIN - spring
9	90-7896T1	1	RING - retaining
10	S5070S00F	1	BEARING - needle
11	33-1830T1	2	SYNCHRONIZER - speed
12	S5090S00F	4	RING - retaining
13	90-8013T1	1	RING - retaining
14	90-7897T1	1	GEAR - drive, reverse speed
15	90-8014T1	1	RING - retaining
16	90-8015T1	1	BEARING - needle
17	90-7898T1	1	SHAFT - speed
18	90-7899T1	1	GEAR - drive, second speed
19	90-7900T1	1	GEAR - drive, third speed
20	90-7901T1	1	SPACER - third speed gear
21	33-1676T1	1	BEARING - tapered roller
	90-8037T91	1	KIT - retaining ring, third shaft, Includes: one each of Ref. 1





## 6-054 12 SPEED SYNCHROSHIFT TRANSMISSION ASSEMBLY, FIFTH SHAFT ASSEMBLY

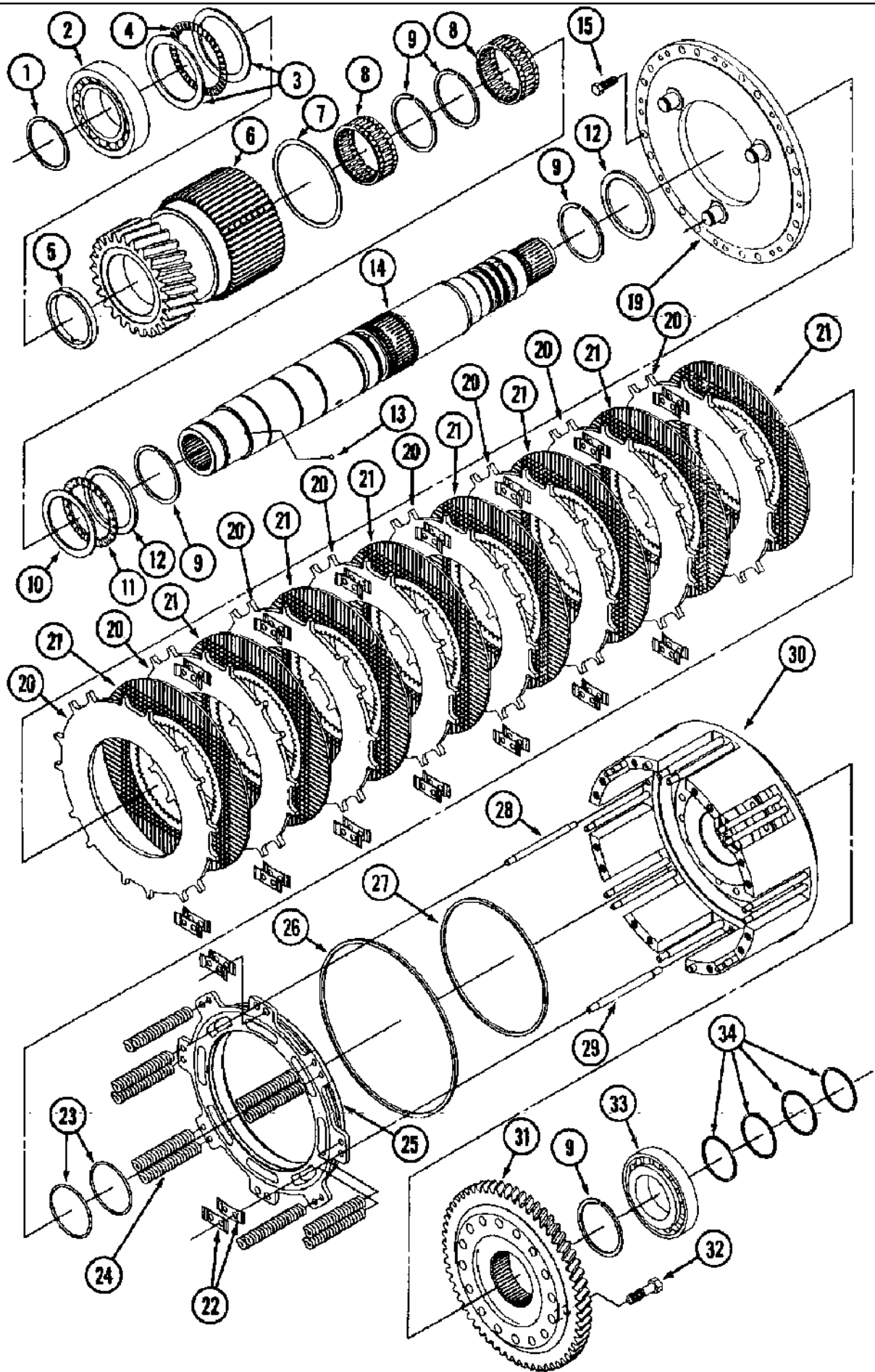
сылка	Номер детали	Кол-во	Описание
	90-7775T91	1	TRANSMISSION ASSEMBLY - mechanical shift, parts list Figures 6-034 - 6-064, Includes: Ref. 1 - 17
	90-7990T91	1	SHAFT ASSEMBLY - fifth, Includes: Ref. 1 - 17
1	33-1708T1	1	BEARING - tapered roller
2	S5230S00F	2	WASHER - thrust
3	A75158	1	BEARING - thrust, replaces S5050S00F bearing
4	S5070S00F	2	BEARING - needle
5	90-7902T1	1	GEAR - driven, A range
6	90-7903T1	4	DISK - synchro, range
7	90-7904T1	4	RING - retaining
8	SM832508	16	PIN - spring
9	33-1831T1	2	SYNCHRONIZER - range
10	S5090S00F	4	RING - retaining
11	90-7905T1	1	GEAR - driven, B range
12	90-7906T1	1	SHAFT - output
13	90-7907T1	1	GEAR - driven, C range
14	90-7908T1	1	GEAR - driven, D range
15	33-1676T1	1	BEARING - tapered roller, shaft
16	S4150S00F	2	RING - sealing, Part of transmission gasket kit P/N 90-8401T91.
17	33-1695T1	1	PISTON - carrier, ring
	90-7927T92	1	KIT - gasket, transmission, and parts on Figures 6-034 - 6-064, prior to P.I.N. JEE0071001
	90-8401T91	1	KIT - gasket, transmission, Includes: Ref. 16 and parts on Figures 6-034 - 6-064, P.I.N. JEE0071001 and after



## 6-056 12 SPEED SYNCHROSHIFT TRANSMISSION ASSEMBLY, FOURTH SHAFT ASSEMBLY

сылка	Номер детали	Кол-во	Описание
	90-7775T91	1	TRANSMISSION ASSEMBLY - mechanical shift, parts list Figures 6-034 - 6-064, Includes: Ref. 1 - 11
	90-7986T91	1	SHAFT ASSEMBLY - fourth, Includes: Ref. 1 - 11
1	33-1823T1		UAR RING - retaining, external, 2.5 mm, Part of fourth shaft retaining ring kit P/N 90-8038T91.
1	33-1824T1		UAR RING - retaining, external, 2.6 mm, Part of fourth shaft retaining ring kit P/N 90-8038T91.
1	33-1825T1		UAR RING - retaining, external, 2.7 mm, Part of fourth shaft retaining ring kit P/N 90-8038T91.
1	33-1826T1		UAR RING - retaining, external, 2.8 mm, Part of fourth shaft retaining ring kit P/N 90-8038T91.
1	33-1827T1		UAR RING - retaining, external, 2.9 mm, Part of fourth shaft retaining ring kit P/N 90-8038T91.
1	33-1828T1		UAR RING - retaining, external, 3.0 mm, Part of fourth shaft retaining ring kit P/N 90-8038T91.
2	33-1676T1	2	BEARING - tapered roller, shaft
3	90-7909T1	1	GEAR - drive, A range
4	90-7910T1	1	GEAR - driven, first speed
5	90-7911T1	1	SHAFT - center, fourth
6	90-7912T1	1	GEAR - drive, B range
7	90-7913T1	1	GEAR - driven, second speed
8	S5090S00F	1	RING - retaining
9	S5040S00F	1	RING - retaining
10	90-7914T1	1	GEAR - driven, third speed
11	90-7915T1	1	GEAR - driven, D range
	90-8038T91	1	KIT - retaining ring, fourth shaft, Includes: one each of Ref. 1

6-058 12 SPEED SYNCHROSHIFT TRANSMISSION ASSEMBLY, INPUT SHAFT



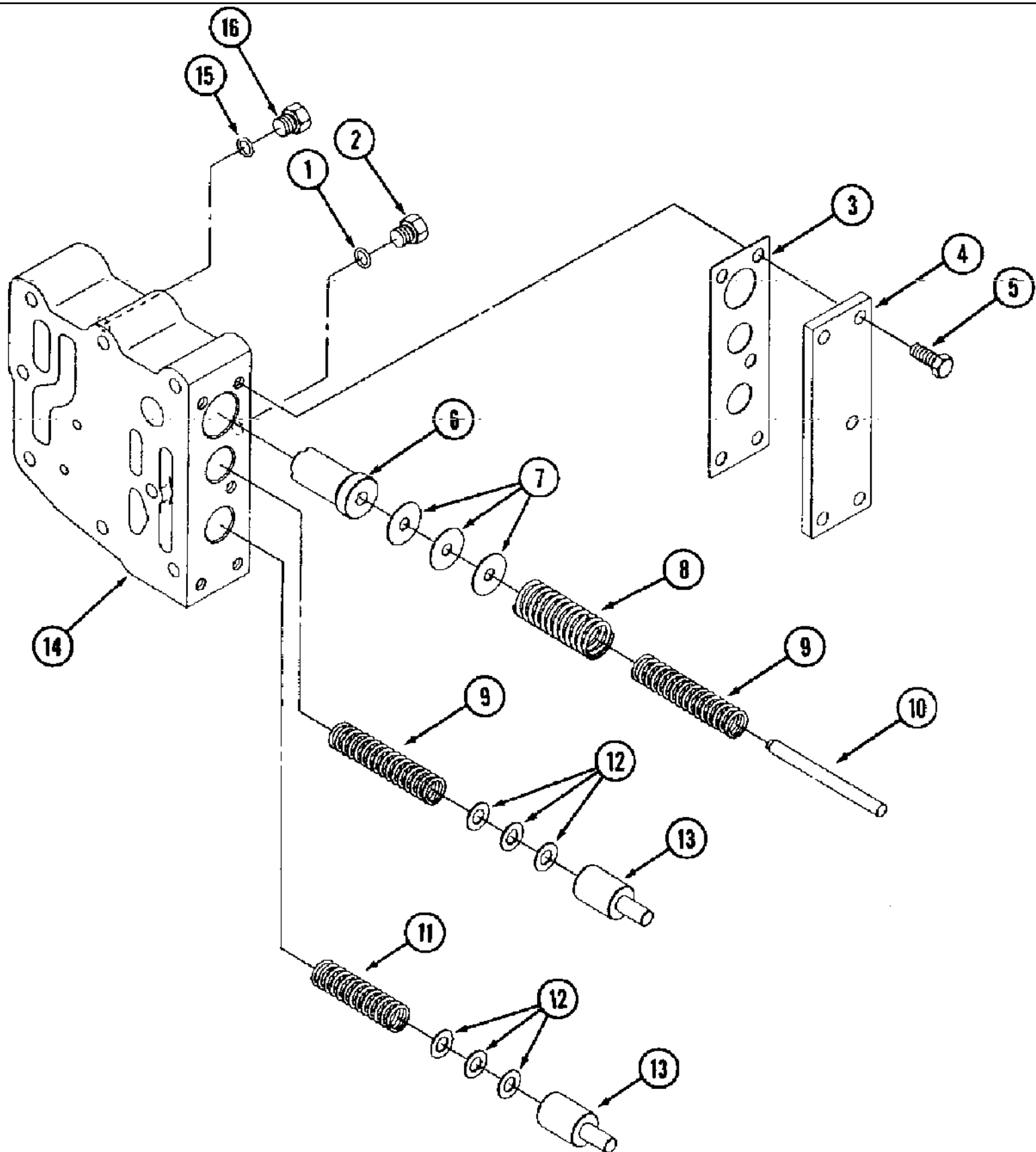
## 6-058 12 SPEED SYNCHROSHIFT TRANSMISSION ASSEMBLY, INPUT SHAFT

сылка	Номер детали	Кол-во	Описание
	90-7775T91	1	TRANSMISSION ASSEMBLY - mechanical shift, parts list Figures 6-034 - 6-064, Includes: Ref. 1 - 34
	90-7943T91	1	SHAFT ASSEMBLY - input, 12 speed, Includes: Ref. 1 - 34
1	90-7916T1		UAR RING - retaining, 2.5 mm, Part of input shaft retaining ring kit P/N 90-8036T91
1	90-7917T1		UAR RING - retaining, 2.6 mm, Part of input shaft retaining ring kit P/N 90-8036T91
1	90-7918T1		UAR RING - retaining, 2.7 mm, Part of input shaft retaining ring kit P/N 90-8036T91
1	90-7919T1		UAR RING - retaining, 2.8 mm, Part of input shaft retaining ring kit P/N 90-8036T91
2	90-7920T1	1	BEARING - tapered roller
3	90-7921T1	2	WASHER - thrust
4	90-7922T1	1	BEARING - thrust
5	90-7923T1	1	COLLAR - bearing
6	90-7924T1	1	GEAR - drive, input
7	33-1829T1	1	RING - retaining
8	S5070S00F	2	BEARING - needle
9	S5040S00F	5	RING - retaining
10	S5230S00F	1	WASHER - thrust
11	A75158	1	BEARING - thrust, replaces S5050S00F bearing
12	90-7925T1	2	WASHER - thrust
13	S14701960	1	BALL - steel
14	90-7926T1	1	SHAFT - input
15	514-721	14	BOLT - hex, 10 - 1.25 x 30 mm
19	90-7930T1	1	COVER - clutch
20	33-1783T3		UAR PLATE - steel, 6.8 mm (0.268 inch), Steel plates, Ref. 20; a total of 8 pieces must be used.
20	33-1784T3		UAR PLATE - steel, 7.2 mm (0.283 inch), Steel plates, Ref. 20; a total of 8 pieces must be used.
21	33-1663T1	8	PLATE - clutch, friction
22	33-1785T1	32	PLATE - separating, clutch
23	90-7931T1	2	O-RING - shaft, Part of transmission gasket kit P/N 90-8401T91.
24	90-7932T1	12	SPRING - return
25	90-7933T1	1	PISTON - clutch, prior to P.I.N. JEE0071001
25	90-8389T1	1	PISTON - clutch, P.I.N. JEE0071001 and after
26	33-1662T1	1	RING - seal, large, prior to P.I.N. JEE0071001, Part of transmission gasket kit P/N 90-7927T92
26	90-8385T1	1	RING - seal, P.I.N. JEE0071001 and after, Part of transmission gasket kit P/N 90-8401T91.
27	S2630S00F	1	RING - sealing, prior to P.I.N. JEE0071001, Part of transmission gasket kit P/N 90-7927T92
27	90-8386T1	1	RING - seal, P.I.N. JEE0071001 and after, Part of transmission gasket kit P/N 90-8401T91.
28	90-7934T1	12	PIN - guide, use with 90-7932T1 return spring, Ref. 24
29	33-1659T1	4	PIN - guide, use with 33-1785T1 separating plate, Ref. 22
30	90-7935T1	1	DRUM - clutch, prior to P.I.N. JEE0071001
30	90-8388T1	1	DRUM - clutch, P.I.N. JEE0071001 and after
31	90-7936T1	1	GEAR - drive, pump
32	514-831	16	BOLT - hex, 12 - 1.25 x 45 mm
33	90-7937T1	1	CONE - tapered roller bearing
34	90-7938T1	4	RING - seal
	90-7927T92	1	KIT - gasket, transmission, Includes: Ref. 26 and 27 and parts on Figures 6-034 - 6-064, prior to P.I.N. JEE0071001
	90-8401T91	1	KIT - gasket, transmission, Includes: Ref. 23, 26 and 27, and parts on Figures 6-034 - 6-064, P.I.N. JEE0071001 and after

9380 CASE IH 4WD TRACTOR (6/95-8/00)

6-058 12 SPEED SYNCHROSHIFT TRANSMISSION ASSEMBLY, INPUT SHAFT

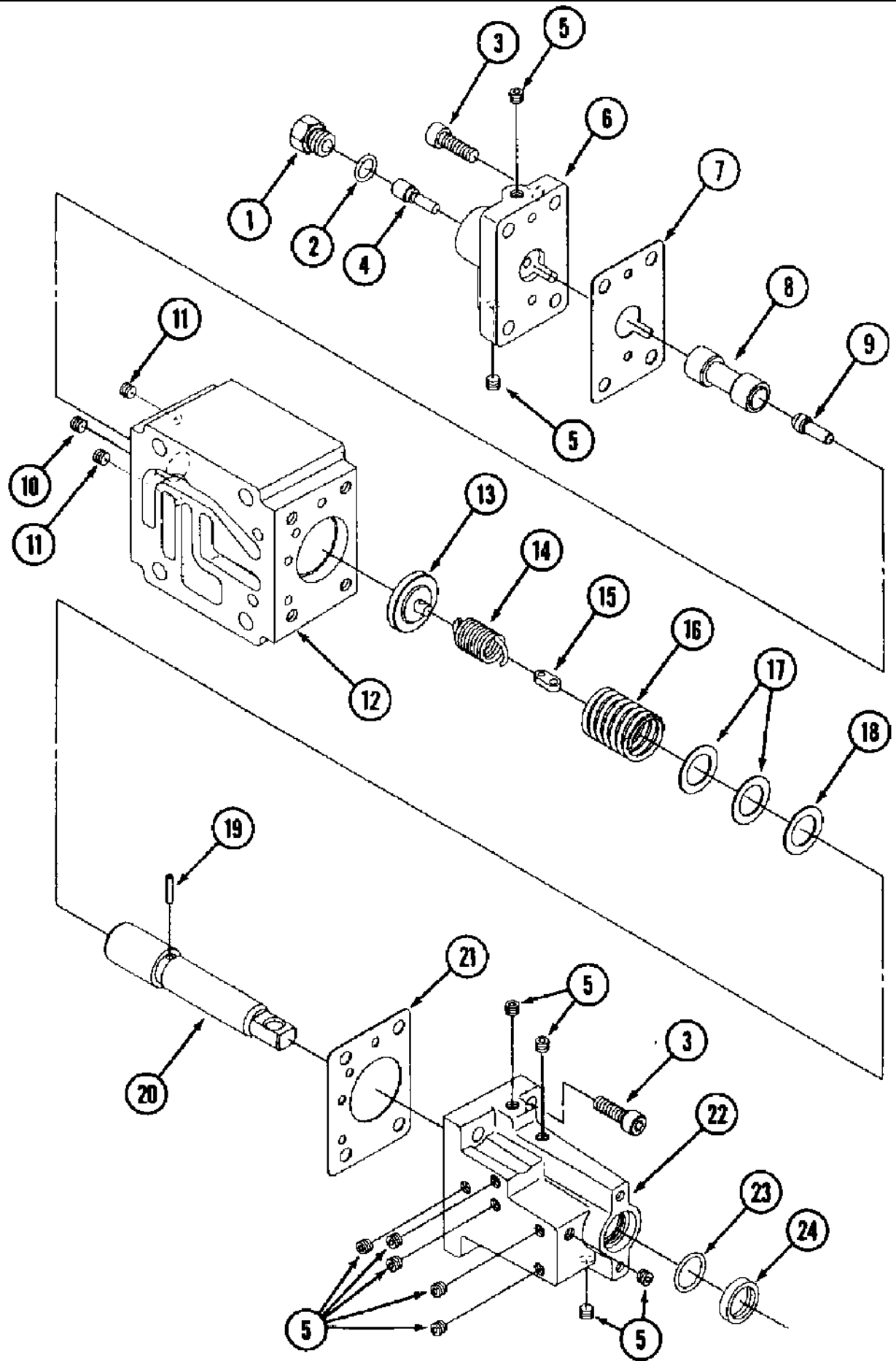
сылка	Номер детали	Кол-во	Описание
90-8036T91	1	1	KIT - retaining ring, input shaft, Includes: one each of Ref. 1





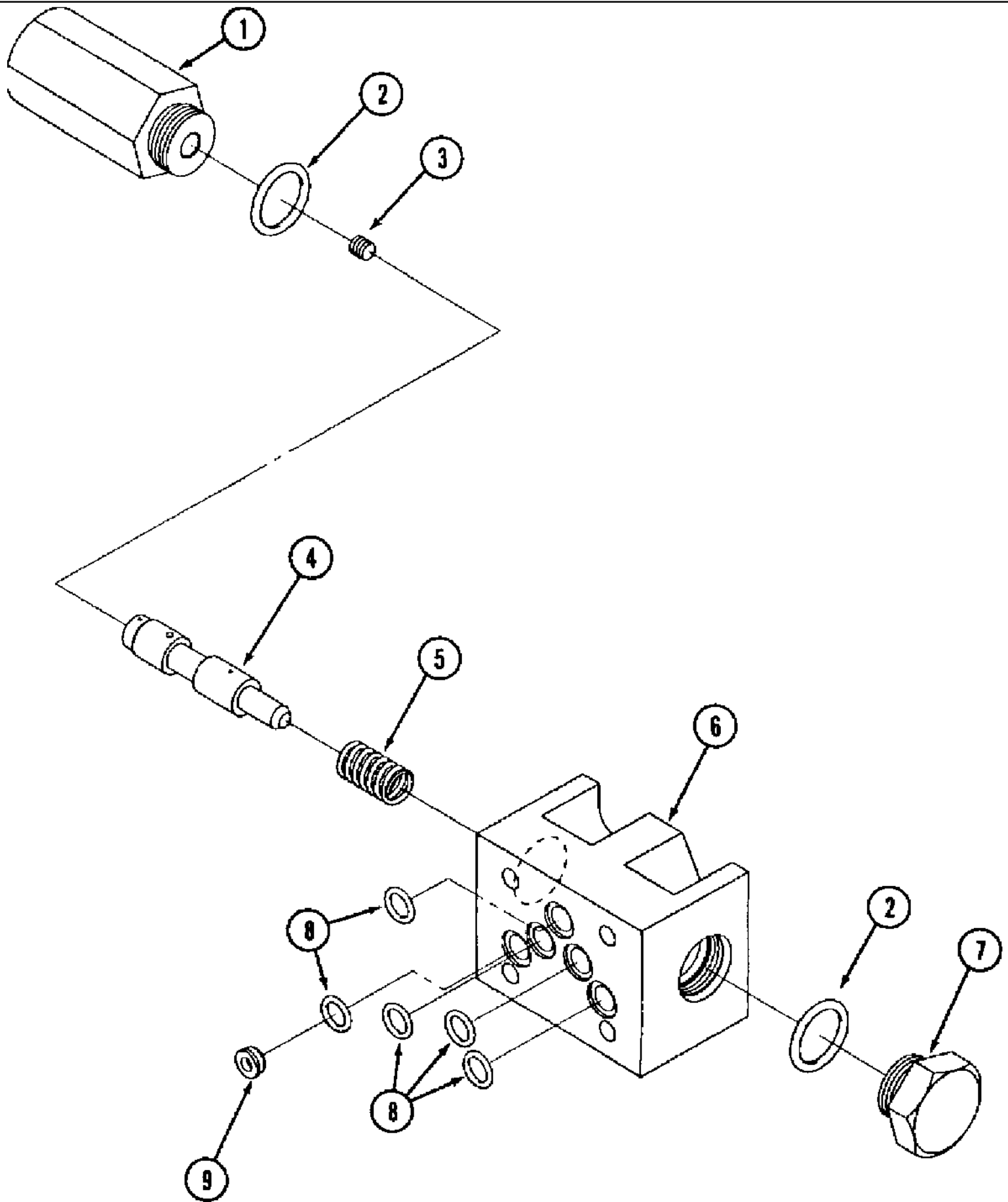
## 6-060 12 SPEED SYNCHROSHIFT TRANSMISSION ASSEMBLY, REGULATOR VALVE

сылка	Номер детали	Кол-во	Описание
	90-7775T91	1	TRANSMISSION ASSEMBLY - mechanical shift, parts list Figures 6-034 - 6-064, Includes: Ref. 1 - 16
	S7000S01F	1	VALVE ASSEMBLY - regulator, Includes: Ref. 1 - 16
1	S1040S00F	1	O-RING - plug, Part of transmission gasket kit P/N 90-8401T91.
2	S1030S00F	1	PLUG - hex, O-ring boss
3	S7090S00F	1	GASKET - valve cover, Part of transmission gasket kit P/N 90-8401T91.
4	S7110S00F	1	COVER - valve body
5	614-8020	5	BOLT - hex, full threads, 8 - 1.25 x 20 mm
6	S7030S01F	1	VALVE - regulator
7	S7010S00F		UAR SHIM - .039 inch thick
8	S7120S00F	1	SPRING - compression
9	S7050S00F	2	SPRING - compression
10	S7020S00F	1	ROD - pressure
11	S7070S00F	1	SPRING - compression
12	S7080S00F		UAR SHIM - .031 inch thick
13	S7060S00F	2	VALVE - lube
14	S7000S01F	1	VALVE ASSEMBLY - regulator, replaces S7040S00F body
15	S1320S00F	1	O-RING - plug, Part of transmission gasket kit P/N 90-8401T91.
16	S1390S00F	1	PLUG - O-ring boss
	90-7927T92	1	KIT - gasket, transmission, Includes: parts on Figures 6-034 - 6-064, prior to P.I.N. JEE0071001
	90-8401T91	1	KIT - gasket, transmission, Includes: Ref. 1, 3 and 15, and parts on Figures 6-034 - 6-064, P.I.N. JEE0071001 and after



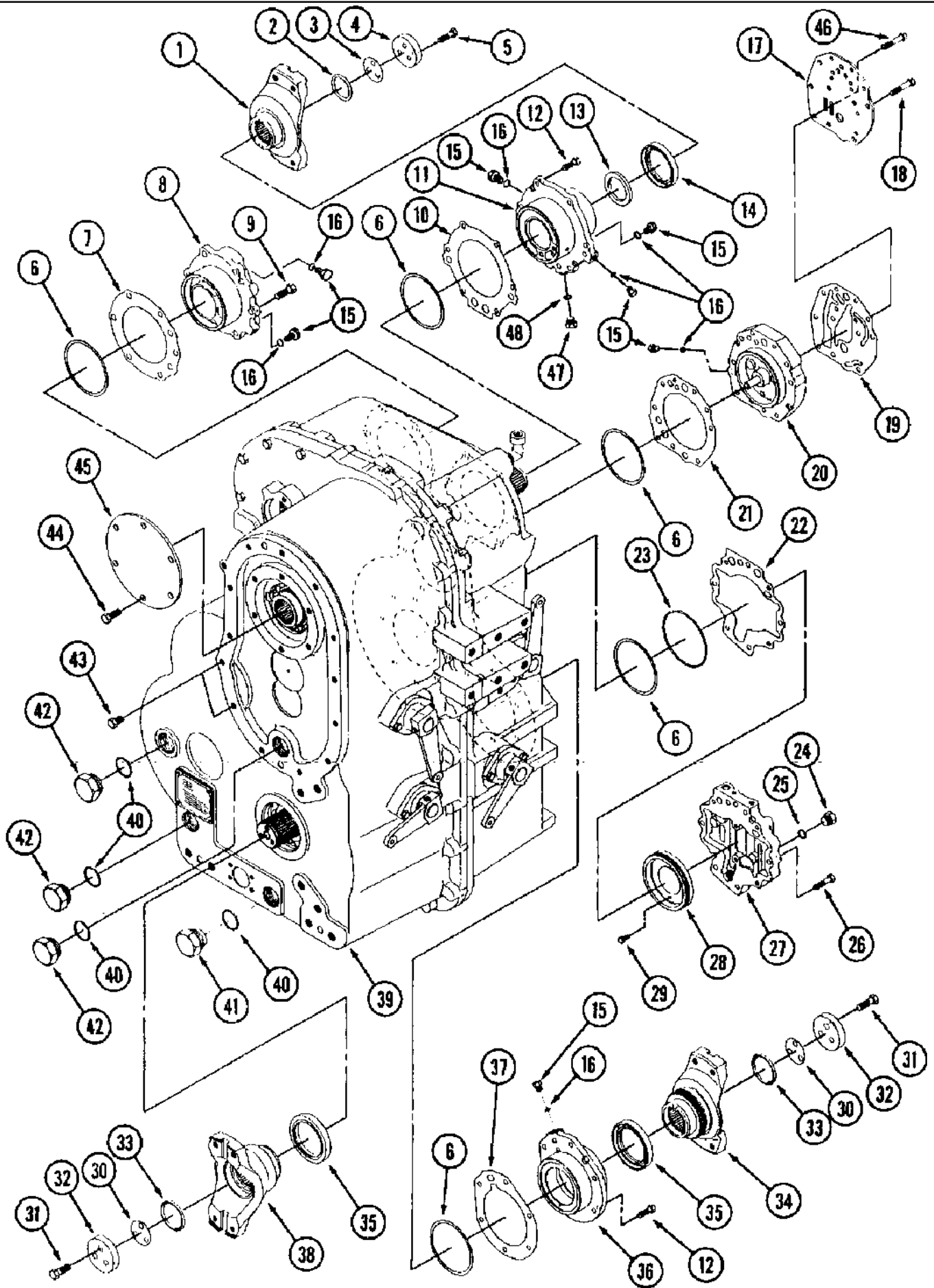
## 6-062 12 SPEED SYNCHROSHIFT TRANSMISSION ASSEMBLY, CONTROL VALVE

сылка	Номер детали	Кол-во	Описание
	90-7775T91	1	TRANSMISSION ASSEMBLY - mechanical shift, parts list Figures 6-034 - 6-064, Includes: Ref. 1 - 24
	90-8200T91	1	VALVE ASSEMBLY - control, Includes: Ref. 1 - 24
1	S6170S00F	1	PLUG - hex, valve
2	S6180S00F	1	O-RING - plug, Part of transmission gasket kit P/N 90-8401T91.
3	S6260S00F	8	BOLT - socket head, special
4	S6010S00F	1	SPOOL - reducing
5	S6220S00F	11	PLUG - valve
6	S6020S00F	1	COVER - valve
7	S6030S00F	1	GASKET - valve cover, Part of transmission gasket kit P/N 90-8401T91.
8	S6040S00F	1	SPOOL - modulator
9	S6160S00F	1	POPPET - spool, valve
10	S6240S00F	1	PLUG - orifice
11	S6230S00F	2	PLUG - orifice
12	90-8016T1	1	BODY - control valve
13	S6060S00F	1	SEAT - spring
14	90-8199T1	1	SPRING - tension
15	S6080S00F	1	LINK - connecting
16	S6150S00F	1	SPRING - compression
17	S6140S00F		UAR SHIM - 30 x 1.0 mm thick
18	S6200S00F	1	SPACER - 31 x 1.2 mm thick
19	S6130S00F	1	PIN - roll
20	S6100S00F	1	STEM - control
21	90-8017T1	1	GASKET - cover, Part of transmission gasket kit P/N 90-8401T91.
22	90-8018T1	1	COVER - control stem
23	S6120S00F	1	O-RING - control stem, Part of transmission gasket kit P/N 90-8401T91.
24	S6110S00F	1	SEAL - control stem, Part of transmission gasket kit P/N 90-8401T91.
	90-7927T92	1	KIT - gasket, transmission, Includes: parts on Figures 6-034 - 6-064, prior to P.I.N. JEE0071001
	90-8401T91	1	KIT - gasket, transmission, Includes: Ref. 2, 7, 21, 23 and 24, and parts on Figures 6-034 - 6-064, P.I.N. JEE0071001 and after



## 6-064 12 SPEED SYNCHROSHIFT TRANSMISSION ASSEMBLY, LOCK OUT VALVE

сылка	Номер детали	Кол-во	Описание
	90-7775T91	1	TRANSMISSION ASSEMBLY - mechanical shift, parts list Figures 6-034 - 6-064, Includes: Ref. 1 - 9
	90-8009T91	1	VALVE ASSEMBLY - lock out, Includes: Ref. 1 - 9
1	90-8151T1	1	PLUG - hex cap
2	90-8152T1	2	O-RING - plug, Part of transmission gasket kit P/N 90-8401T91.
3	90-8021T1	1	PLUG - orifice, lock out valve
4	90-8153T1	1	SPOOL - lock out valve
5	90-8154T1	1	SPRING - return
6	90-8019T1	1	BODY - lock out valve
7	90-8155T1	1	PLUG - port
8	90-8020T1	5	O-RING - seal, Part of transmission gasket kit P/N 90-8401T91.
9	90-8156T1	1	PLUG - orifice
	90-7927T92	1	KIT - gasket, transmission, and parts on Figures 6-034 - 6-064, prior to P.I.N. JEE0071001
	90-8401T91	1	KIT - gasket, transmission, Includes: Ref. 2 and 8, and parts on Figures 6-034 - 6-064, P.I.N. JEE0071001 and after

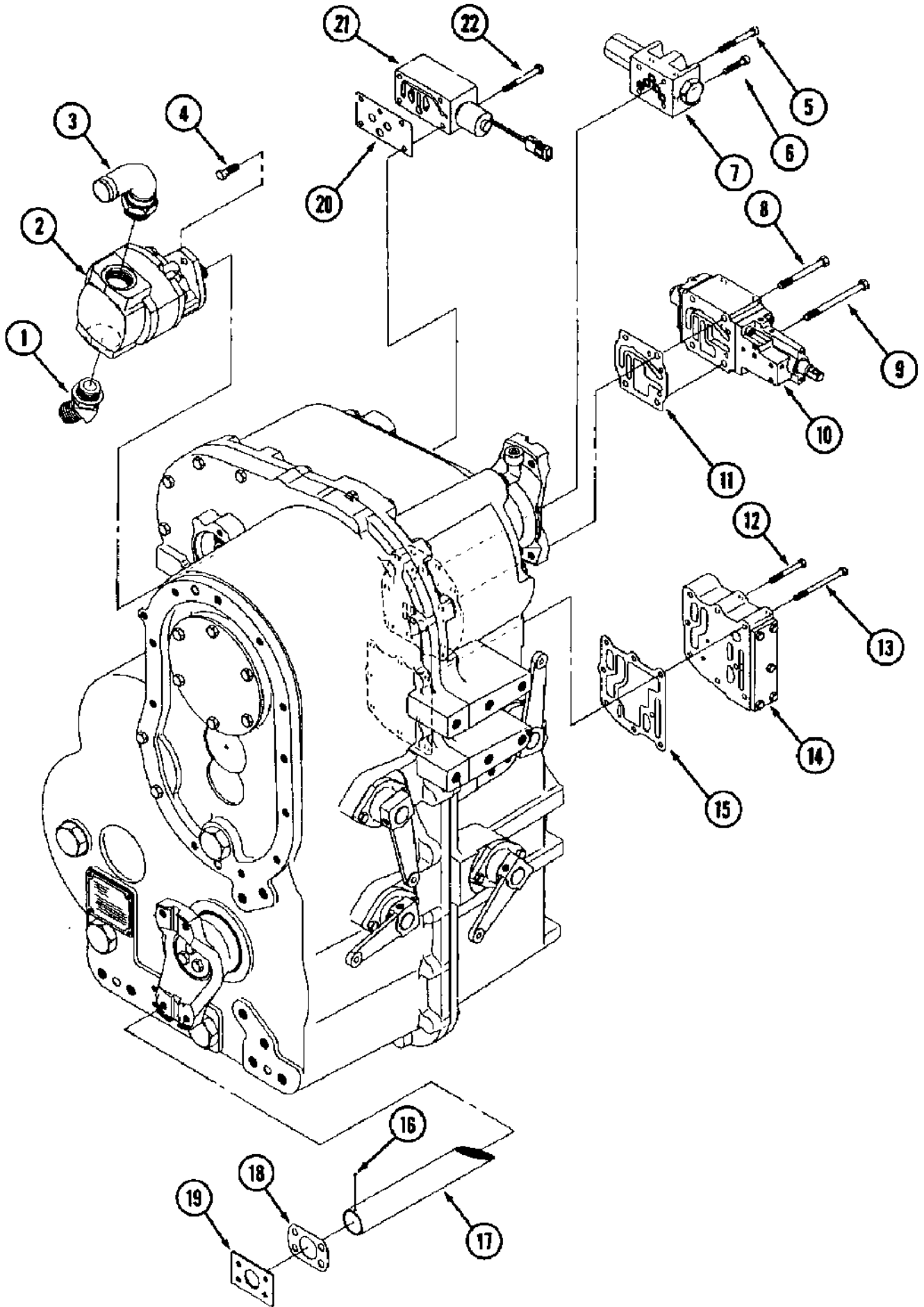


сылка	Номер детали	Кол-во	Описание
	90-7812T91	1	TRANSMISSION ASSEMBLY - mechanical shift, 24-speed, parts list Figures 6-066 - 6-100, Includes: Ref. 1 - 48
1	33-1410T1	1	YOKE - input
2	33-1414T1	1	O-RING - yoke sealing, Part of transmission gasket kit P/N 90-8401T91.
3	90-8253T1		UAR SHIM - 0.10 mm (0.004 inch) thick
3	90-8254T1		UAR SHIM - 0.30 mm (0.012 inch) thick
3	90-8255T1		UAR SHIM - 0.70 mm (0.028 mm) thick
4	90-8256T1	1	PLATE - yoke retainer
5	514-929	3	BOLT - hex, 14 - 1.5 x 35 mm, class 10.9
6	33-1631T1		UAR SHIM - 0.10 mm (0.004 inch) thick
6	33-1632T1		UAR SHIM - 0.15 mm (0.006 inch) thick
6	33-1633T1		UAR SHIM - 0.30 mm (0.012 inch) thick
6	33-1634T1		UAR SHIM - 0.51 mm (0.020 inch) thick
6	33-1635T1		UAR SHIM - 0.71 mm (0.028 inch) thick
7	90-7991T1	1	GASKET - bearing retainer, Part of transmission gasket kit P/N 90-8401T91.
8	90-8257T1	1	RETAINER - bearing
9	514-832	6	BOLT - hex, 12 - 1.25 x 35 mm
10	90-7993T1	1	GASKET - bearing retainer, input shaft, Part of transmission gasket kit P/N 90-8401T91.
11	90-8258T1	1	RETAINER - bearing
12	514-721	12	BOLT - hex, 10 - 1.25 x 30 mm
13	33-1636T1	1	WASHER - retractor, seal
14	33-1412T1	1	SEAL - input yoke, Part of transmission gasket kit P/N 90-8401T91.
15	S1030S00F	7	PLUG - hex, O-ring boss
16	S1040S00F	9	O-RING - plug, Part of transmission gasket kit P/N 90-8401T91.
17	90-7995T1	1	PLATE - retainer cover
18	514-720	5	BOLT - hex, 10 - 1.25 x 50 mm
19	90-7996T1	1	GASKET - cover plate, Part of transmission gasket kit P/N 90-8401T91.
20	90-7997T1	1	RETAINER - bearing, third shaft
21	90-7998T1	1	GASKET - bearing retainer, third shaft, Part of transmission gasket kit P/N 90-8401T91.
22	90-7999T1	1	GASKET - ditch plate, Part of transmission gasket kit P/N 90-8401T91.
23	33-1620T1	1	O-RING - retainer, Part of transmission gasket kit P/N 90-8401T91.
24	S1210S00F	1	PLUG - hex, O-ring boss
25	S1200S00F	1	O-RING - plug, Part of transmission gasket kit P/N 90-8401T91.
26	514-718	5	BOLT - hex, 10 - 1.25 x 40 mm
27	90-8000T1	1	PLATE - ditch
28	90-8001T1	1	RETAINER - bearing, fourth shaft
29	614-8016	2	BOLT - hex, full threads, 8 - 1.25 x 16 mm
30	33-1450T1		UAR SHIM - 0.10 mm thick
30	33-1451T1		UAR SHIM - 0.30 mm thick
31	514-832	6	BOLT - hex, 12 - 1.25 x 35 mm
32	33-1432T1	2	PLATE - retainer
33	33-1422T1	2	O-RING - yoke sealing, Part of transmission gasket kit P/N 90-8401T91.
34	33-1429T1	1	YOKE - output
35	33-1428T1	2	SEAL - output shaft, Part of transmission gasket kit P/N 90-8401T91.
36	90-8002T1	1	RETAINER - bearing, fifth shaft

сылка	Номер детали	Кол-во	Описание
37	90-8003T1	1	GASKET - bearing retainer, fifth shaft, Part of transmission gasket kit P/N 90-8401T91.
38	90-8004T1	1	YOKE - output, rear, 8C
39	90-7987T1	1	HOUSING - rear, transmission
40	S1080S00F	4	O-RING - plug, Part of transmission gasket kit P/N 90-8401T91.
41	S1090S00F	1	PLUG - magnetic
42	S1010S00F	3	PLUG - O-ring boss
43	514-841	2	BOLT - hex, 12 - 1.25 x 20 mm
44	514-834	6	BOLT - hex, 12 - 1.25 x 30 mm
45	33-1619T2	1	COVER - end, used on models without PTO
46	514-738	1	BOLT - hex, 10 - 1.25 x 45 mm
47	S1390S00F	1	PLUG - O-ring boss
48	S1320S00F	1	O-RING - plug, Part of transmission gasket kit P/N 90-7927T92
	90-7927T92	1	KIT - gasket, transmission, Includes: Ref. 48 and parts on Figures 6-066 - 6-100, prior to P.I.N. JEE0071001
	90-8401T91	1	KIT - gasket, transmission, Includes: Ref. 2, 7, 10, 14, 16, 19, 21, 22, 23, 25, 33, 35, 37 and 40, and parts on Figures 6-066 - 6-100, P.I.N. JEE0071001 and after

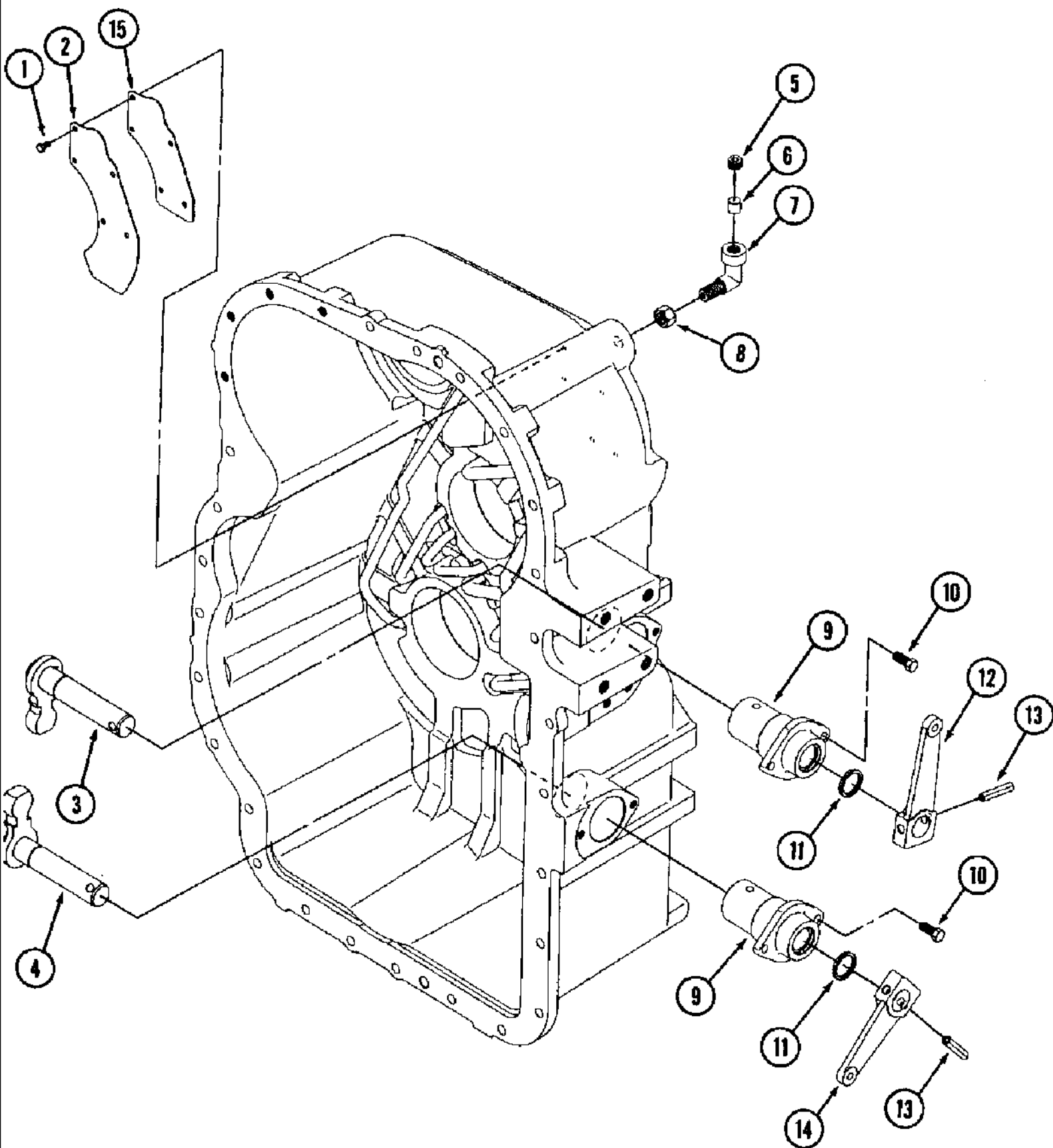


6-070 24 SPEED SYNCHROSHIFT TRANSMISSION ASSEMBLY, VALVE AND LUBRICATION MOUNTING

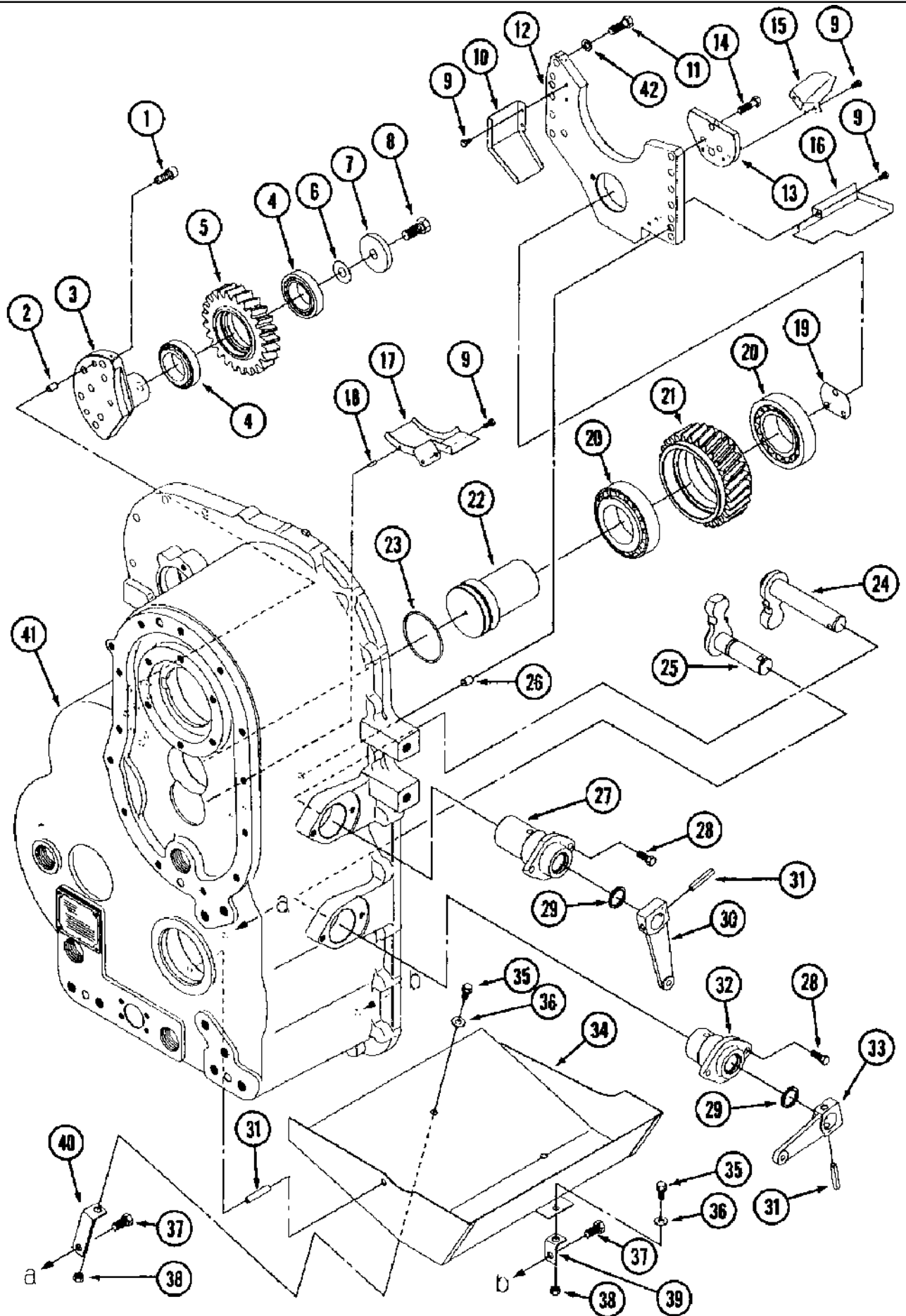


## 6-070 24 SPEED SYNCHROSHIFT TRANSMISSION ASSEMBLY, VALVE AND LUBRICATION MOUNTING

сылка	Номер детали	Кол-во	Описание
	90-7812T91	1	TRANSMISSION ASSEMBLY - mechanical shift, 24-speed, parts list Figures 6-066 - 6-100, Includes: Ref. 1 - 15
1	218-5140	1	ELBOW - 45 degree, 1-5/16-12 inch flare x adj O-ring boss
2	33-1874T91	1	PUMP - lubrication, component parts not serviced separately, According to Branko, there is not a gasket available that goes between Ref. 2 P/N 33-1874T91, and the housing. There was one from the factory, but dealer must use gasket eliminator to replace this., Part of lubrication pump O-ring kit P/N 90-8261T91.
3	31-1394	1	ELBOW - hose stem, special
4	514-721	2	BOLT - hex, 10 - 1.25 x 30 mm
5	90-8007T1	2	BOLT - socket head, special
6	90-8008T1	2	BOLT - socket head, special
7	90-8009T91	1	VALVE ASSEMBLY - lock out, parts list Figure 6-100
8	514-729	2	BOLT - hex, 10 - 1.25 x 90 mm, class 8.8
9	514-739	2	BOLT - hex, 10 - 1.25 x 120 mm, class 8.8
10	90-8200T91	1	VALVE ASSEMBLY - control, parts list Figure 6-098
11	90-8012T1	1	GASKET - control valve, Part of transmission gasket kit P/N 90-8401T91.
12	614-8065	5	BOLT - hex, full threads, 8 - 1.25 x 65 mm
13	614-8100	3	BOLT - hex, full threads, 8 - 1.25 x 100 mm
14	S7000S01F	1	VALVE ASSEMBLY - regulator, parts list Figure 6-096
15	S1150S02F	1	GASKET - regulator valve, Part of transmission gasket kit P/N 90-8401T91.
	90-7927T92	1	KIT - gasket, transmission, Includes: parts on Figures 6-066 - 6-100, prior to P.I.N. JEE0071001
	90-8401T91	1	KIT - gasket, transmission, Includes: Ref. 11 and 15 and parts on Figures 6-066 - 6-100, P.I.N. JEE0071001 and after
	90-8261T91	1	KIT - O-ring, lubrication pump, Includes: Ref. 2 and gasket not used with this pump
16	S14701960	1	steel ball
17	33-156T1	1	suction tube
18	S1620S01F	1	suction tube gasket
19	S1700S00F	1	suction tube retainer plate
20	90-8259T1	1	valve control gasket
21	90-8260T1	1	valve assembly (p. list page 6-101)
22	814-8075	1	bolt, hex, 8 - 1.25 x 75 mm



сылка	Номер детали	Кол-во	Описание
	90-7812T91	1	TRANSMISSION ASSEMBLY - mechanical shift, 24-speed, parts list Figures 6-066 - 6-100, Includes: Ref. 1 - 15
1	614-6012	2	BOLT, Hex, M6 x 12, 8.8
2	90-7982T1	1	BAFFLE - breather
3	90-7983T1	1	LEVER - shift, second and third speed, inner
4	90-7984T1	1	LEVER - shift, C and D range, inner
5	33-1761T1	1	PLUG - taper
6	33-1454T1	1	FILTER - breather
7	33-1455T1	1	ELBOW - 90 degree, breather filter
8	SM8911246	1	NUT - hex, 16 mm - 1.5
9	90-7985T1	2	HOLDER - lever
10	514-712	4	BOLT - hex, 10 - 1.25 x 25 mm
11	33-1727T1	2	SEAL - holder, Part of transmission gasket kit P/N 90-8401T91.
12	90-7975T1	1	LEVER - shift, speed, outer
13	SM831050	2	PIN - spring
14	90-7977T1	1	LEVER - shift, range, outer
15	90-8006T1	1	GASKET - breather, Part of transmission gasket kit P/N 90-8401T91.
	90-7927T92	1	KIT - gasket, transmission, Includes: parts on Figures 6-066 - 6-100, prior to P.I.N. JEE0071001
	90-8401T91	1	KIT - gasket, transmission, Includes: Ref. 11 and 15, and parts on Figures 6-066 - 6-100, P.I.N. JEE0071001 and after

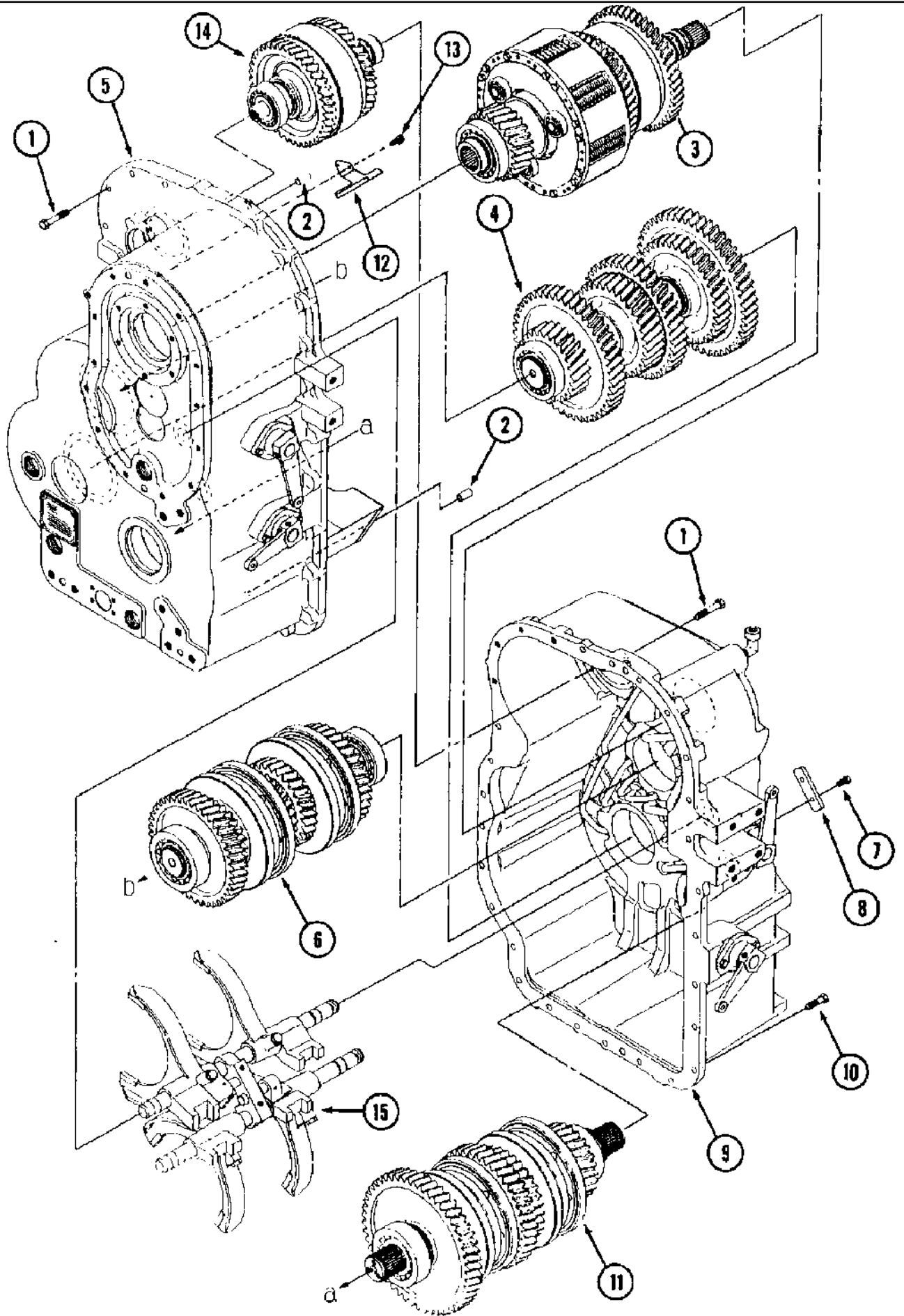


сылка	Номер детали	Кол-во	Описание
	90-7812T91	1	TRANSMISSION ASSEMBLY - mechanical shift, 24-speed, parts list Figures 6-066 - 6-100, Includes: Ref. 1 - 42
1	33-1767T1	7	BOLT - socket head, special
2	33-1807T1	2	PIN - dowel
3	90-8157T1	1	SHAFT - idler, reverse
4	90-7953T1	2	BEARING - tapered roller
5	90-7954T1	1	GEAR - idler, reverse
6	S9950S00F		UAR SHIM - 0.1 mm thick
6	S9960S00F		UAR SHIM - 0.3 mm thick
6	S9970S00F		UAR SHIM - 0.51 mm thick
6	S9980S00F		UAR SHIM - 0.71 mm thick
7	33-1693T1	1	PLATE - retainer
8	514-1021	1	Bolt, Hex, M16 x 1.5 x 35, 10.9, Full Thd
9	614-6012	7	BOLT, Hex, M6 x 12, 8.8
10	90-7955T1	1	GUTTER - input
11	514-832	12	BOLT - hex, 12 - 1.25 x 35 mm
12	90-7957T1	1	PLATE - support
13	90-7958T1	1	COVER - idler shaft
14	514-730	3	BOLT - hex, 10 - 1.25 x 35 mm
15	90-7959T1	1	GUTTER - bearing
16	90-7960T1	1	GUTTER - gear, second speed
17	90-7961T1	1	GUTTER - gear, first speed
18	90-7962T1	1	PIN - roll
19	90-7963T1		UAR SHIM - 0.1 mm thick
19	90-7964T1		UAR SHIM - 0.15 mm thick
19	90-7965T1		UAR SHIM - 0.3 mm thick
19	90-7966T1		UAR SHIM - 0.7 mm thick
20	90-7920T1	2	BEARING - tapered roller
21	90-7968T1	1	GEAR - idler
22	90-7969T1	1	SHAFT - idler
23	90-7970T1	1	O-RING - shaft, Part of transmission gasket kit P/N 90-8401T91.
24	90-7971T1	1	LEVER - shift, first-reverse speed, inner
25	90-7972T1	1	LEVER - shift, A-B range, inner
26	90-7973T1	2	PIN - dowel
27	90-7974T1	1	HOLDER - lever, first-reverse speed
28	514-712	4	BOLT - hex, 10 - 1.25 x 25 mm
29	33-1727T1	2	SEAL - holder, Part of transmission gasket kit P/N 90-8401T91.
30	90-7975T1	1	LEVER - shift, speed, outer
31	SM831050	3	PIN - spring
32	90-7976T1	1	HOLDER - lever, A-B range
33	90-7977T1	1	LEVER - shift, range, outer
34	90-7978T1	1	PAN - oil
35	514-703	2	BOLT - hex, 10 - 1.25 x 20 mm
37	514-842	2	BOLT - hex, 12 - 1.25 x 25 mm
38	825-11410	2	NUT - hex, 10 mm - 1.25

9380 CASE IH 4WD TRACTOR (6/95-8/00)

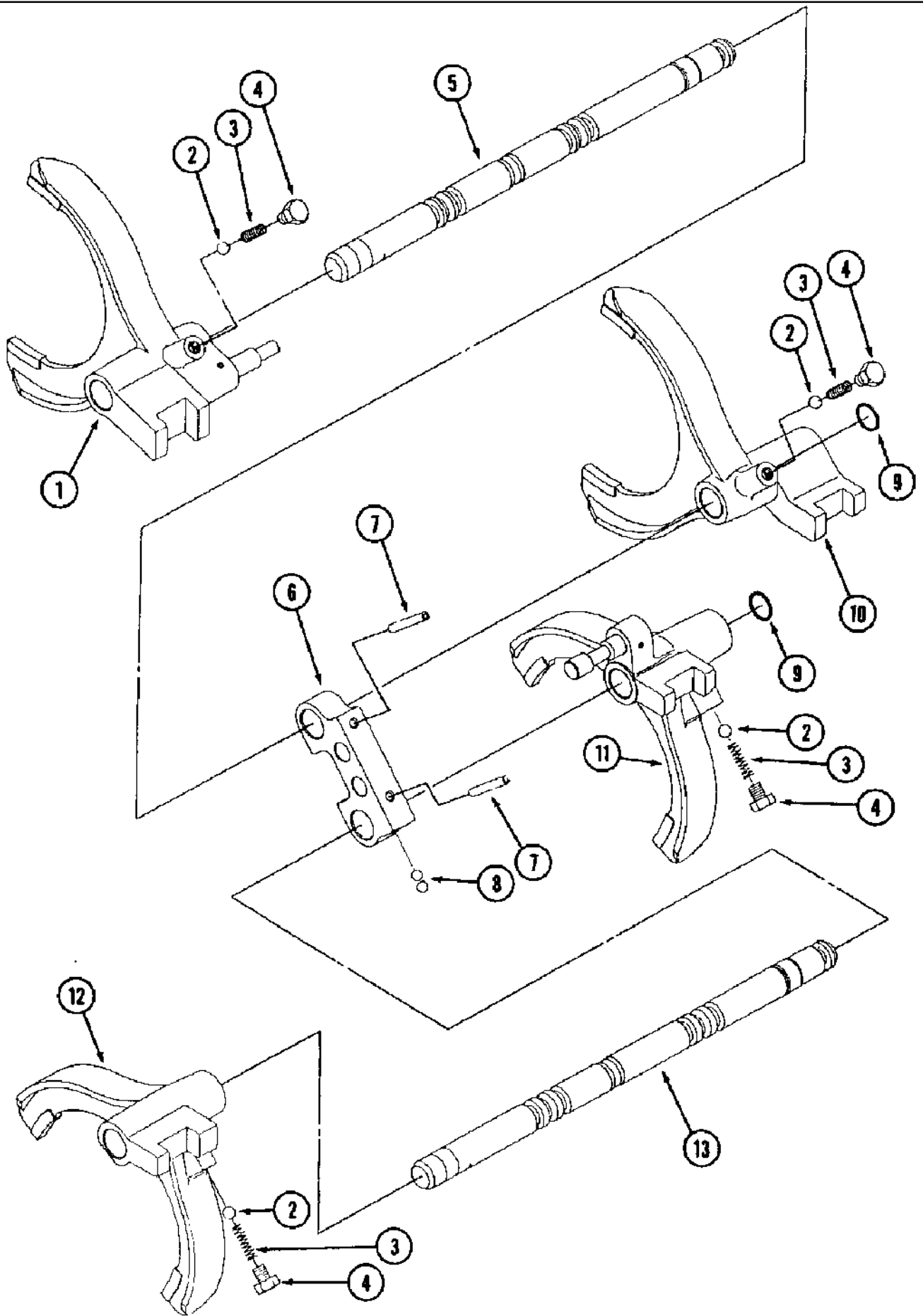
6-074 24 SPEED SYNCHROSHIFT TRANSMISSION ASSEMBLY, REAR HOUSING, SHIFT LEVERS & BAFFLES

сылка	Номер детали	Кол-во	Описание
39	90-7979T1	1	BRACKET - oil pan, left-hand
40	90-7980T1	1	BRACKET - oil pan, right-hand
41	90-7987T1	1	HOUSING - rear, transmission
42	90-7948T1	12	WASHER - wave
	90-7927T92	1	KIT - gasket, transmission, Includes: parts on Figures 6-066 - 6-100, prior to P.I.N. JEE0071001
	90-8401T91	1	KIT - gasket, transmission, Includes: Ref. 23 and 29, and parts on Figures 6-066 - 6-100, P.I.N. JEE0071001 and after
36	895-11010	2	WASHER - flat, 11 x 20 x 2 mm



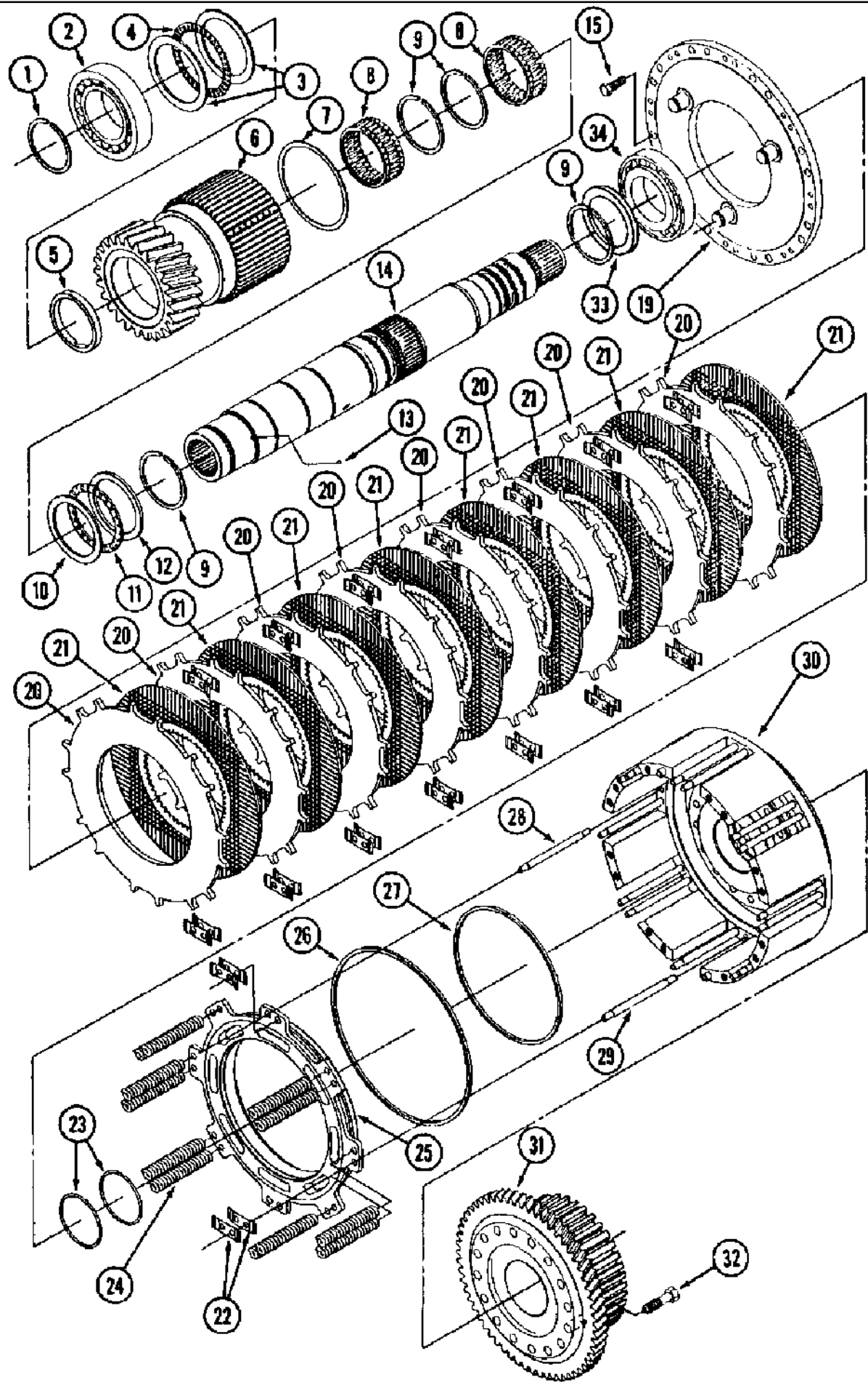


сылка	Номер детали	Кол-во	Описание
	90-7812T91	1	TRANSMISSION ASSEMBLY - mechanical shift, 24-speed, parts list Figures 6-066 - 6-100, Includes: Ref. 1 - 15
1	514-843	13	BOLT - hex, 12 - 1.25 x 60 mm
2	33-1467T1	2	PIN - dowel
3	90-8252T91	1	SHAFT ASSEMBLY - input, parts list Figures 6-082 and 6-086
4	90-7986T91	1	SHAFT ASSEMBLY - fourth, parts list Figure 6-092
5	90-7987T1	1	HOUSING - rear, transmission
6	90-7988T91	1	SHAFT ASSEMBLY - third, parts list Figure 6-090
7	514-703	2	BOLT - hex, 10 - 1.25 x 20 mm
8	33-1746T1	1	PLATE - lock
9	90-8422T1	1	HOUSING - front, transmission
10	514-830	16	BOLT - hex, 12 - 1.25 x 40 mm
11	90-7990T91	1	SHAFT ASSEMBLY - fifth, parts list Figure 6-094
12	33-1812T1	1	LIP - oil, reverse gear
13	614-6012	2	BOLT, Hex, M6 x 12, 8.8
14	90-8251T91	1	SHAFT ASSEMBLY - pump drive, parts list Figure 6-088
15	90-7944T1	1	FORK - shift, first-reverse, See Figure 6-080 for additional parts
15	90-7949T1	1	FORK - shift, second-third speeds, See Figure 6-080 for additional parts
15	90-7950T1	1	FORK - shift, C-D ranges, See Figure 6-080 for additional parts
15	90-7951T1	1	FORK - shift, A-B ranges, See Figure 6-080 for additional parts



## 6-080 24 SPEED SYNCHROSHIFT TRANSMISSION ASSEMBLY, SHIFTER FORK ASSEMBLY

сылка	Номер детали	Кол-во	Описание
	90-7812T91	1	TRANSMISSION ASSEMBLY - mechanical shift, 24-speed, parts list Figures 6-066 - 6-100, Includes: Ref. 1 - 13
1	90-7944T1	1	FORK - shift, first-reverse
2	33-1757T1	4	BALL - steel, fork detent
3	33-1786T1	4	SPRING - detent ball
4	33-1759T1	4	PLUG - detent spring
5	90-7945T1	1	ROD - shift, speed
6	90-7946T1	1	PLATE - interlock
7	90-7947T1	2	PIN - spring
8	33-1756T1	2	BALL - steel
9	33-1745T1	2	O-RING - seal, fork, Part of transmission gasket kit P/N 90-8401T91.
10	90-7949T1	1	FORK - shift, second-third speeds
11	90-7950T1	1	FORK - shift, C-D ranges
12	90-7951T1	1	FORK - shift, A-B ranges
13	90-7952T1	1	ROD - shift, range
	90-7927T92	1	KIT - gasket, transmission, Includes: parts on Figures 6-066 - 6-100
	90-8401T91	1	KIT - gasket, transmission, Includes: Ref. 9, and parts on Figures 6-066 - 6-100

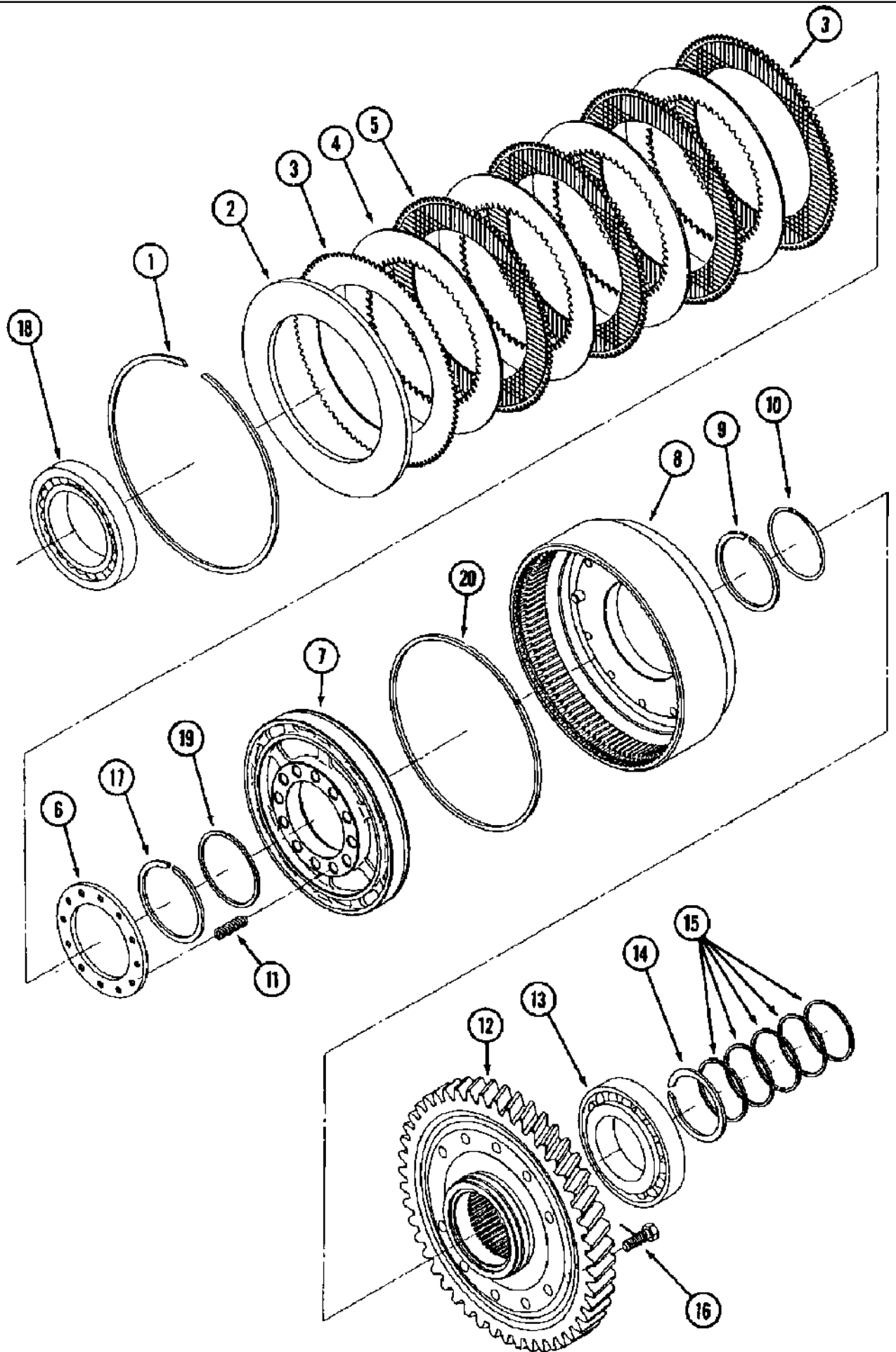


## 6-082 24 SPEED SYNCHROSHIFT TRANSMISSION ASSEMBLY, INPUT SHAFT

сылка	Номер детали	Кол-во	Описание
	90-7812T91	1	TRANSMISSION ASSEMBLY - mechanical shift, 24-speed, parts list Figures 6-066 - 6-100, Includes: Ref. 1 - 34
	90-8252T91	1	SHAFT ASSEMBLY - input, Includes: Ref. 1 - 34
1	90-7916T1		UAR RING - retaining, 2.5 mm, Part of input shaft retaining ring kit P/N 90-8036T91
1	90-7917T1		UAR RING - retaining, 2.6 mm, Part of input shaft retaining ring kit P/N 90-8036T91
1	90-7918T1		UAR RING - retaining, 2.7 mm, Part of input shaft retaining ring kit P/N 90-8036T91
1	90-7919T1		UAR RING - retaining, 2.8 mm, Part of input shaft retaining ring kit P/N 90-8036T91
2	90-7920T1	1	BEARING - tapered roller
3	90-7921T1	2	WASHER - thrust
4	90-7922T1	1	BEARING - thrust
5	90-7923T1	1	COLLAR - bearing
6	90-8203T1	1	GEAR - drive, input
7	33-1829T1	1	RING - retaining
8	90-8204T1	2	BEARING - needle
9	S5040S00F	5	RING - retaining
10	S5230S00F	1	WASHER - thrust
11	A75158	1	BEARING - thrust, replaces S5050S00F bearing
12	90-7925T1	2	WASHER - thrust
13	S14701960	1	BALL - steel
14	90-8205T1	1	SHAFT - input
15	514-721	14	BOLT - hex, 10 - 1.25 x 30 mm
19	90-7930T1	1	COVER - clutch
20	33-1783T3		UAR PLATE - steel, 6.8 mm (0.268 inch), Steel plates, Ref. 20; a total of 8 pieces must be used.
20	33-1784T3		UAR PLATE - steel, 7.2 mm (0.283 inch), Steel plates, Ref. 20; a total of 8 pieces must be used.
21	33-1663T1	8	PLATE - clutch, friction
22	33-1785T1	32	PLATE - separating, clutch
23	S4410S00F	2	RING - piston, shaft, Part of transmission gasket kit P/N 90-8401T91.
24	90-7932T1	12	SPRING - return
25	90-7933T1	1	PISTON - clutch, prior to P.I.N. JEE0071001
25	90-8389T1	1	PISTON - clutch, P.I.N. JEE0071001 and after
26	33-1662T1	1	RING - seal, large, prior to P.I.N. JEE0071001, Part of transmission gasket kit P/N 90-7927T92
26	90-8385T1	1	RING - seal, P.I.N. JEE0071001 and after, Part of transmission gasket kit P/N 90-8401T91.
27	S2630S00F	1	RING - sealing, prior to P.I.N. JEE0071001, Part of transmission gasket kit P/N 90-7927T92
27	90-8386T1	1	RING - seal, P.I.N. JEE0071001 and after, Part of transmission gasket kit P/N 90-8401T91.
28	90-7934T1	12	PIN - guide, use with 90-7932T1 return spring, Ref. 24
29	33-1659T1	4	PIN - guide, use with 33-1785T1 separating plate, Ref. 22
30	90-8231T1	1	DRUM - clutch, prior to P.I.N. JEE0071001
30	90-8387T1	1	DRUM - clutch, P.I.N. JEE0071001 and after
31	90-8232T1	1	GEAR - driven, pump
32	514-718	16	BOLT - hex, 10 - 1.25 x 40 mm
33	90-8206T1		UAR WASHER - thrust, 5.05 mm
33	90-8207T1		UAR WASHER - thrust, 5.10 mm
33	90-8208T1		UAR WASHER - thrust, 5.15 mm
33	90-8209T1		UAR WASHER - thrust, 5.20 mm
33	90-8210T1		UAR WASHER - thrust, 5.25 mm

## 6-082 24 SPEED SYNCHROSHIFT TRANSMISSION ASSEMBLY, INPUT SHAFT

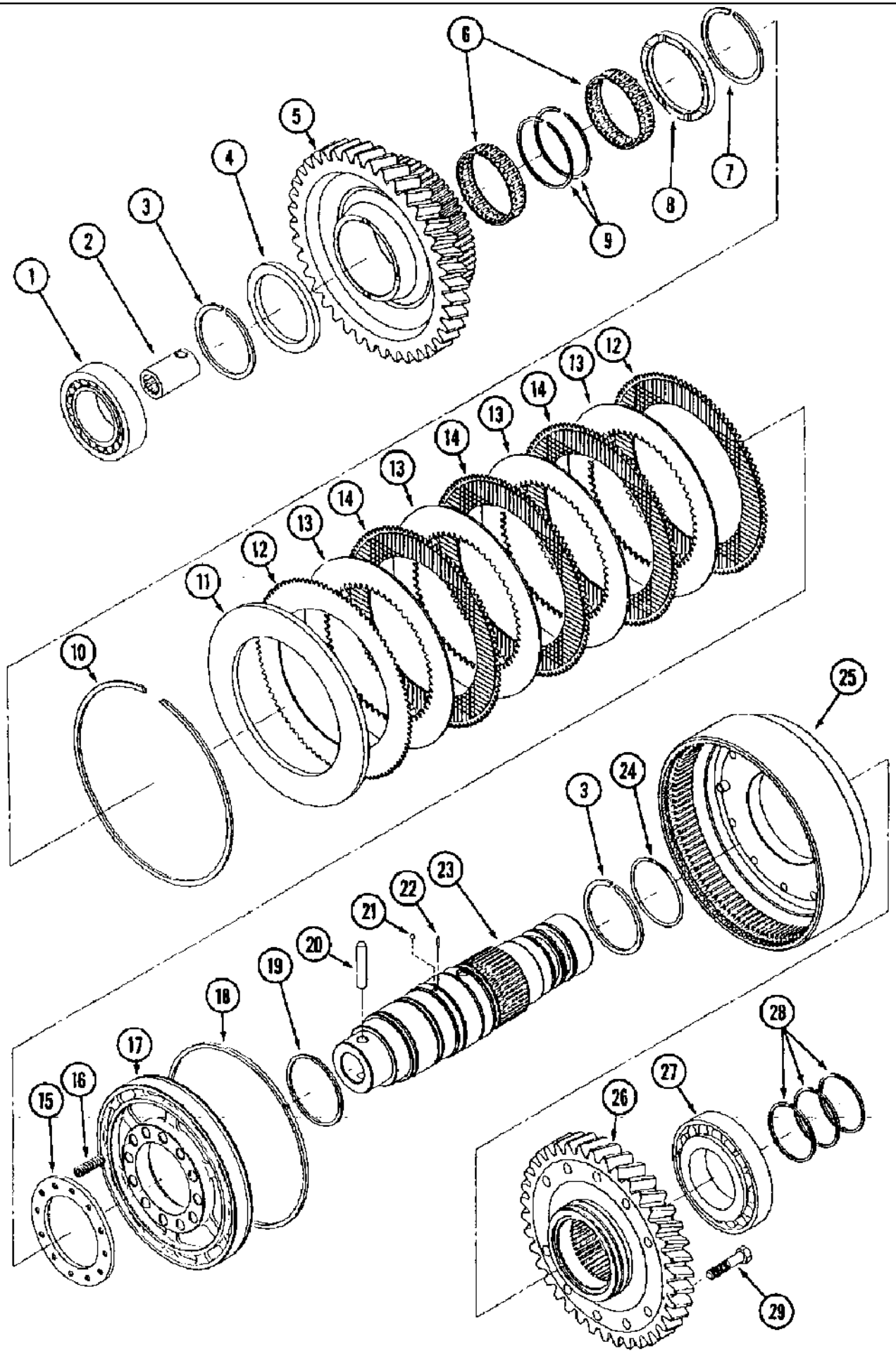
сылка	Номер детали	Кол-во	Описание
33	90-8211T1		UAR WASHER - thrust, 5.30 mm
33	90-8212T1		UAR WASHER - thrust, 5.35 mm
33	90-8213T1		UAR WASHER - thrust, 5.40 mm
33	90-8214T1		UAR WASHER - thrust, 5.45 mm
33	90-8215T1		UAR WASHER - thrust, 5.50 mm
33	90-8216T1		UAR WASHER - thrust, 5.55 mm
33	90-8217T1		UAR WASHER - thrust, 5.60 mm
33	90-8218T1		UAR WASHER - thrust, 5.65 mm
33	90-8219T1		UAR WASHER - thrust, 5.70 mm
33	90-8220T1		UAR WASHER - thrust, 5.75 mm
33	90-8221T1		UAR WASHER - thrust, 5.80 mm
33	90-8222T1		UAR WASHER - thrust, 5.85 mm
33	90-8223T1		UAR WASHER - thrust, 5.90 mm
33	90-8224T1		UAR WASHER - thrust, 5.95 mm
33	90-8225T1		UAR WASHER - thrust, 6.00 mm
33	90-8226T1		UAR WASHER - thrust, 6.05 mm
33	90-8227T1		UAR WASHER - thrust, 6.10 mm
33	90-8228T1		UAR WASHER - thrust, 6.15 mm
33	90-8229T1		UAR WASHER - thrust, 6.20 mm
34	90-8230T1	1	BEARING - tapered roller
	90-7927T92	1	KIT - gasket, transmission, Includes: Ref. 26 and 27 and parts on Figures 6-066 - 6-100, prior to P.I.N. JEE0071001
	90-8401T91	1	KIT - gasket, transmission, Includes: Ref. 23, 26, and 27 and parts on Figures 6-066 - 6-100, P.I.N. JEE0071001 and after
	90-8036T91	1	KIT - retaining ring, input shaft, Includes: one each of Ref. 1 above



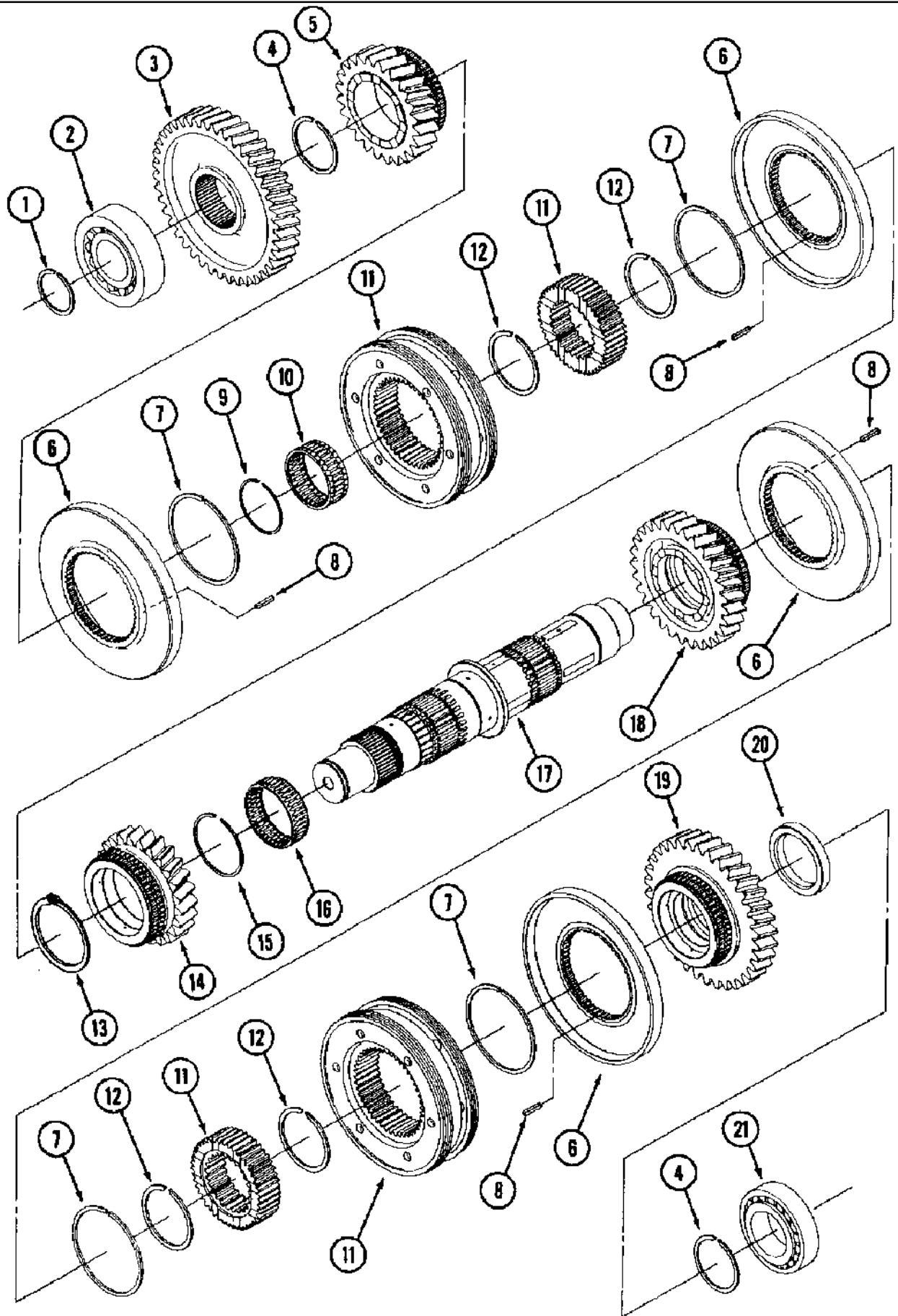
## 6-086 24 SPEED SYNCHROSHIFT TRANSMISSION ASSEMBLY, INPUT SHAFT

сылка	Номер детали	Кол-во	Описание
	90-7812T91	1	TRANSMISSION ASSEMBLY - mechanical shift, 24-speed, parts list Figures 6-066 - 6-100, Includes: Ref. 1 - 20
	90-8252T91	1	SHAFT ASSEMBLY - input, Includes: Ref. 1 - 20
1	90-8233T1	1	RING - snap
2	90-8234T1	1	PLATE - end, clutch
3	90-8235T1	2	PLATE - faced, clutch
4	S4070S00F		UAR PLATE - steel, 2.4 mm thick, Steel plates, Ref. 4; a total of 4 pieces must be used.
4	S4110S00F		UAR PLATE - steel, 2.1 mm thick, Steel plates, Ref. 4; a total of 4 pieces must be used.
5	33-1519T2	3	PLATE - faced
6	90-8236T1	1	PLATE - spring
7	90-8237T1	1	PISTON - clutch
8	90-8238T1	1	DRUM - clutch
9	33-1416T1	1	RING - retaining
10	90-8239T1	1	O-RING - special, Part of transmission gasket kit P/N 90-8401T91.
11	S2640S00F	12	SPRING - return
12	90-8240T1	1	GEAR - drive, input
13	90-7937T1	1	CONE - tapered roller bearing
14	33-1823T1		UAR RING - retaining, external, 2.5 mm, Part of fourth shaft retaining ring kit P/N 90-8038T91.
14	33-1824T1		UAR RING - retaining, external, 2.6 mm, Part of fourth shaft retaining ring kit P/N 90-8038T91.
14	33-1825T1		UAR RING - retaining, external, 2.7 mm, Part of fourth shaft retaining ring kit P/N 90-8038T91.
14	33-1826T1		UAR RING - retaining, external, 2.8 mm, Part of fourth shaft retaining ring kit P/N 90-8038T91.
14	33-1827T1		UAR RING - retaining, external, 2.9 mm, Part of fourth shaft retaining ring kit P/N 90-8038T91.
14	33-1828T1		UAR RING - retaining, external, 3.0 mm, Part of fourth shaft retaining ring kit P/N 90-8038T91.
15	90-7938T1	5	RING - seal, Part of transmission gasket kit P/N 90-8401T91.
16	514-721	10	BOLT - hex, 10 - 1.25 x 30 mm
17	S5040S00F	1	RING - retaining
18	90-8230T1	1	BEARING - tapered roller
19	S4410S00F	1	RING - piston, Part of transmission gasket kit P/N 90-8401T91.
20	S2630S00F	1	RING - sealing, Part of transmission gasket kit P/N 90-8401T91.
	90-7927T92	1	KIT - gasket, transmission, Includes: parts on Figures 6-066 - 6-100, prior to P.I.N. JEE0071001
	90-8401T91	1	KIT - gasket, transmission, Includes: Ref. 10, 15, 19 & 20 and parts listed on Figures 6-066 - 6-100, P.I.N. JEE0071001 and after
	90-8038T91	1	KIT - retaining ring, fourth shaft, Includes: Ref. 14



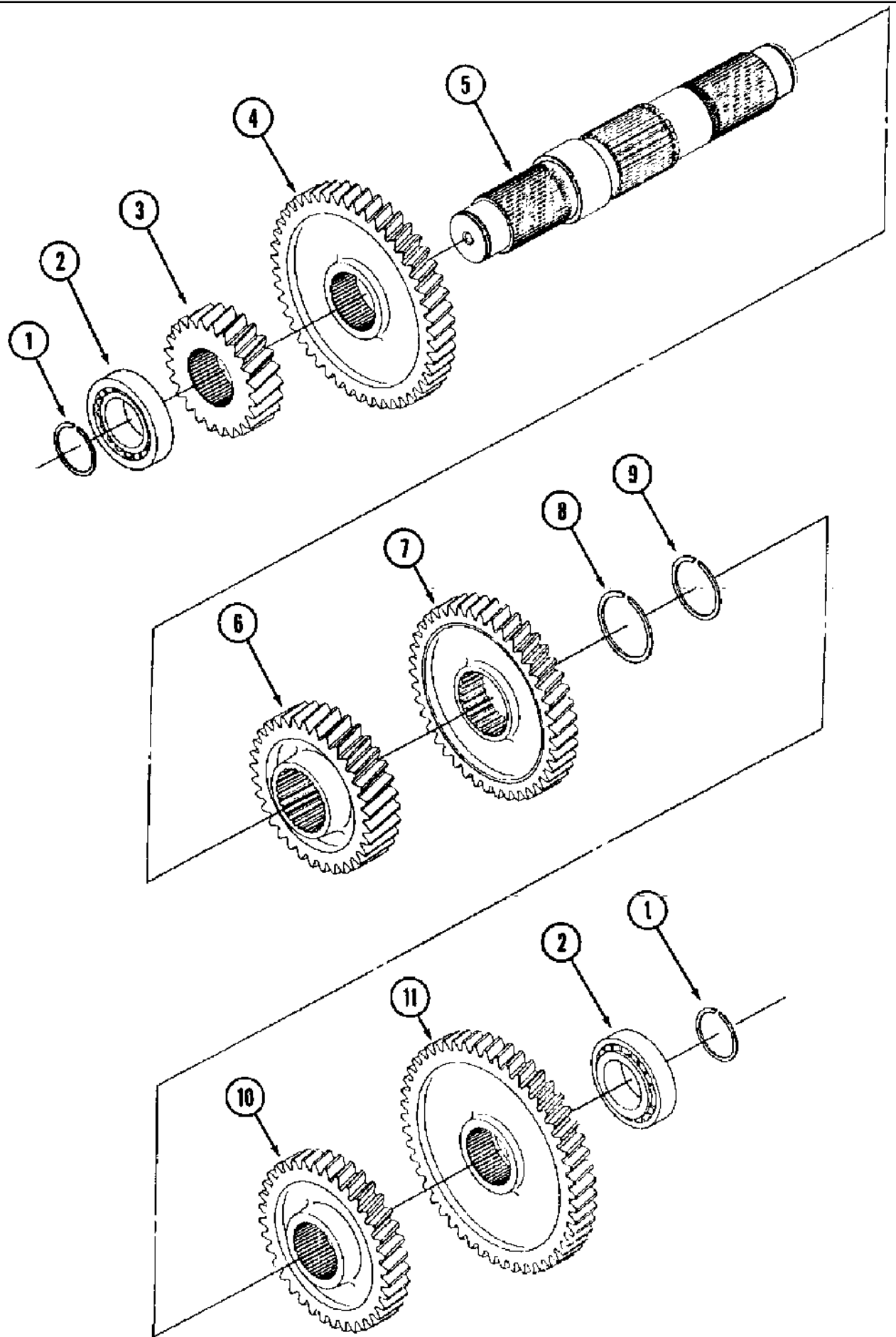


сылка	Номер детали	Кол-во	Описание
	90-7812T91	1	TRANSMISSION ASSEMBLY - mechanical shift, 24-speed, parts list Figures 6-066 - 6-100, Includes: Ref. 1 - 29
	90-8251T91	1	SHAFT ASSEMBLY - pump drive, Includes: Ref. 1 - 29
1	529208R1	1	CUP - tapered roller bearing
1	529207R91	1	CONE - tapered roller bearing
2	90-7939T1	1	COUPLING - sleeve, pump
3	33-1416T1	2	RING - retaining
4	90-8241T1	1	WASHER - thrust
5	90-8242T1	1	GEAR - drive, high
6	90-8243T1	2	BEARING - needle
7	S5040S00F	1	RING - retaining
8	90-8244T1	1	WASHER - thrust
9	90-8245T1	2	RING - snap
10	90-8233T1	1	RING - snap
11	90-8234T1	1	PLATE - end, clutch
12	90-8235T1	2	PLATE - faced, clutch
13	S4070S00F		UAR PLATE - steel, 2.4 mm thick, Steel plates, Ref. 13; a total of 4 pieces must be used.
13	S4110S00F		UAR PLATE - steel, 2.1 mm thick, Steel plates, Ref. 13; a total of 4 pieces must be used.
14	33-1519T2	3	PLATE - faced
15	90-8236T1	1	PLATE - spring
16	S2640S00F	12	SPRING - return
17	90-8237T1	1	PISTON - clutch
18	S2630S00F	3	RING - sealing, Part of transmission gasket kit P/N 90-8401T91.
19	S4410S00F	1	RING - piston, Part of transmission gasket kit P/N 90-8401T91.
20	90-7941T1	1	PIN - dowel
21	90-8246T1	1	BALL - steel
22	90-8247T1	1	NEEDLE - shaft
23	90-8248T1	1	SHAFT - pump
24	90-8239T1	1	O-RING - special, replaces 90-8249T1 O-ring, Part of transmission gasket kit P/N 90-8401T91.
25	90-8238T1	1	DRUM - clutch
26	90-8250T1	1	GEAR - input
27	90-7937T1	1	CONE - tapered roller bearing
28	90-7938T1	3	RING - seal, Part of transmission gasket kit P/N 90-8401T91.
29	514-738	10	BOLT - hex, 10 - 1.25 x 45 mm
	90-7927T92	1	KIT - gasket, transmission, Includes: parts on Figures 6-066 - 6-100, prior to P.I.N. JEE0071001
	90-8401T91	1	KIT - gasket, transmission, Includes: Ref. 18, 19, 24 and 28 and on Figures 6-066 - 6-100, P.I.N. JEE0071001 and after



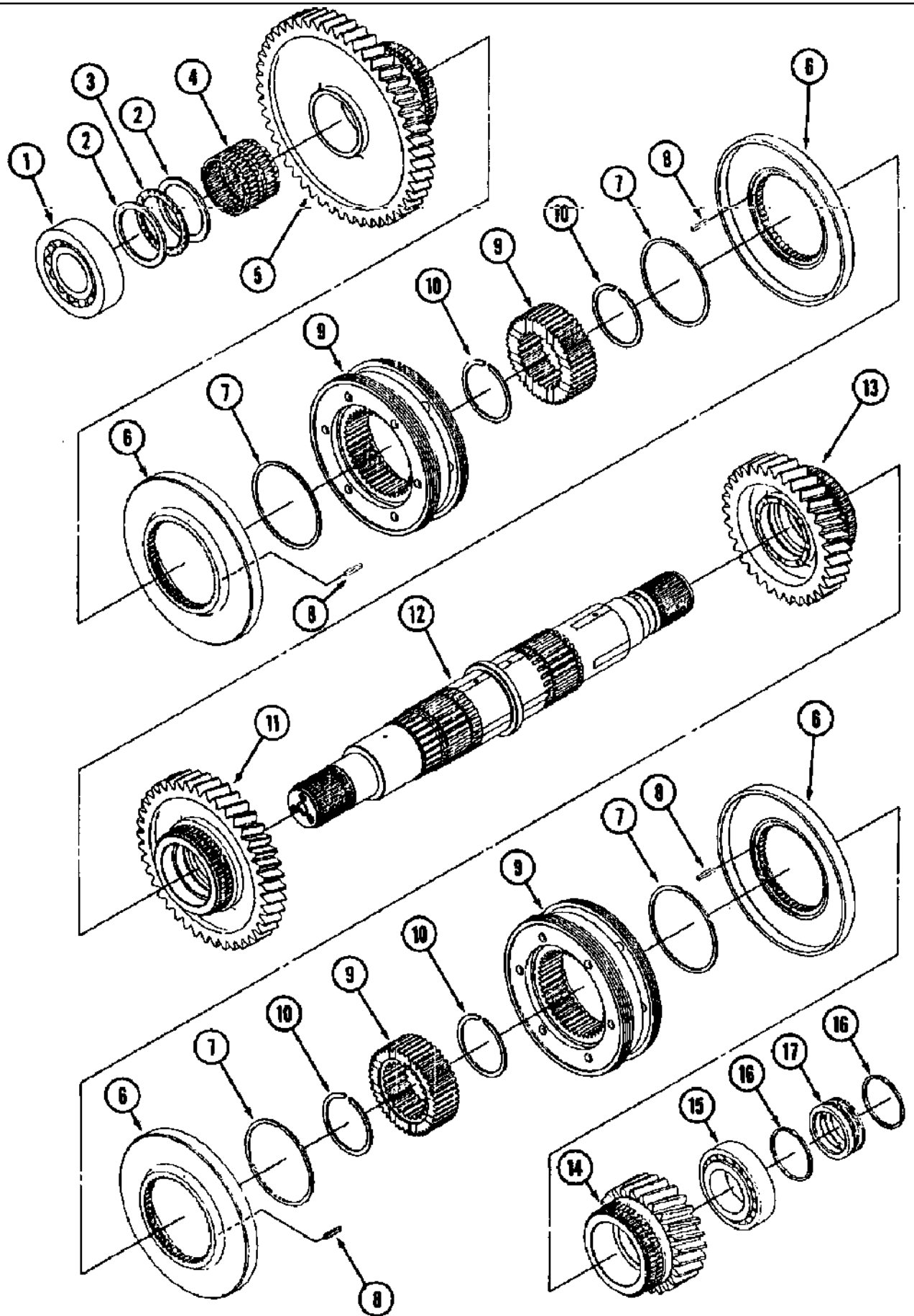
## 6-090 24 SPEED SYNCHROSHIFT TRANSMISSION ASSEMBLY, THIRD SHAFT ASSEMBLY

сылка	Номер детали	Кол-во	Описание
	90-7812T91	1	TRANSMISSION ASSEMBLY - mechanical shift, 24-speed, parts list Figures 6-066 - 6-100, Includes: Ref. 1 - 21
	90-7988T91	1	SHAFT ASSEMBLY - third, Includes: Ref. 1 - 21
1	90-7887T1		UAR RING - retaining, 2.5 mm, Part of third shaft retaining ring kit P/N 90-8037T91.
1	90-7888T1		UAR RING - retaining, 2.6 mm, Part of third shaft retaining ring kit P/N 90-8037T91.
1	90-7889T1		UAR RING - retaining, 2.7 mm, Part of third shaft retaining ring kit P/N 90-8037T91.
1	90-7890T1		UAR RING - retaining, 2.8 mm, Part of third shaft retaining ring kit P/N 90-8037T91.
1	90-7891T1		UAR RING - retaining, 2.9 mm, Part of third shaft retaining ring kit P/N 90-8037T91.
1	90-7892T1		UAR RING - retaining, 3.0 mm, Part of third shaft retaining ring kit P/N 90-8037T91.
2	33-1708T1	1	BEARING - tapered roller
3	90-7893T1	1	GEAR - driven, third shaft
4	S5040S00F	2	RING - retaining
5	90-7894T1	1	GEAR - drive, first speed
6	90-7895T1	4	DISK - synchro, speed
7	90-7904T1	4	RING - retaining
8	SM832508	16	PIN - spring
9	90-7896T1	1	RING - retaining
10	S5070S00F	1	BEARING - needle
11	33-1830T1	2	SYNCHRONIZER - speed
12	S5090S00F	4	RING - retaining
13	90-8013T1	1	RING - retaining
14	90-7897T1	1	GEAR - drive, reverse speed
15	90-8014T1	1	RING - retaining
16	90-8015T1	1	BEARING - needle
17	90-7898T1	1	SHAFT - speed
18	90-7899T1	1	GEAR - drive, second speed
19	90-7900T1	1	GEAR - drive, third speed
20	90-7901T1	1	SPACER - third speed gear
21	33-1676T1	1	BEARING - tapered roller
	90-8037T91	1	KIT - retaining ring, third shaft, Includes: one each of Ref. 1 above



## 6-092 24 SPEED SYNCHROSHIFT TRANSMISSION ASSEMBLY, FOURTH SHAFT ASSEMBLY

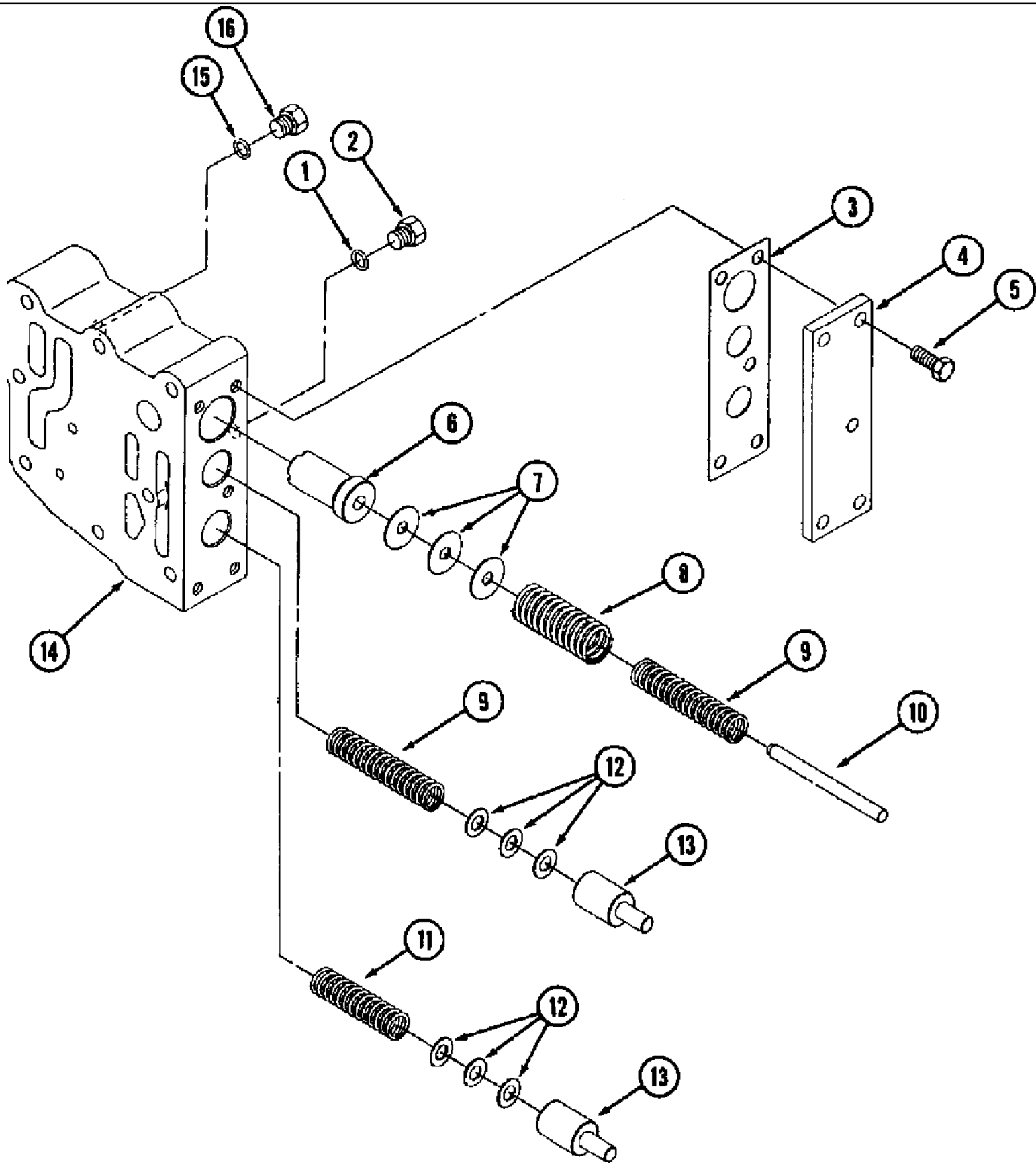
сылка	Номер детали	Кол-во	Описание
	90-7812T91	1	TRANSMISSION ASSEMBLY - mechanical shift, 24-speed, parts list Figures 6-066 - 6-100, Includes: Ref. 1 - 11
	90-7986T91	1	SHAFT ASSEMBLY - fourth, Includes: Ref. 1 - 11
1	33-1823T1		UAR RING - retaining, external, 2.5 mm, Part of fourth shaft retaining ring kit P/N 90-8038T91.
1	33-1824T1		UAR RING - retaining, external, 2.6 mm, Part of fourth shaft retaining ring kit P/N 90-8038T91.
1	33-1825T1		UAR RING - retaining, external, 2.7 mm, Part of fourth shaft retaining ring kit P/N 90-8038T91.
1	33-1826T1		UAR RING - retaining, external, 2.8 mm, Part of fourth shaft retaining ring kit P/N 90-8038T91.
1	33-1827T1		UAR RING - retaining, external, 2.9 mm, Part of fourth shaft retaining ring kit P/N 90-8038T91.
1	33-1828T1		UAR RING - retaining, external, 3.0 mm, Part of fourth shaft retaining ring kit P/N 90-8038T91.
2	33-1676T1	2	BEARING - tapered roller, shaft
3	90-7909T1	1	GEAR - drive, A range
4	90-7910T1	1	GEAR - driven, first speed
5	90-7911T1	1	SHAFT - center, fourth
6	90-7912T1	1	GEAR - drive, B range
7	90-7913T1	1	GEAR - driven, second speed
8	S5090S00F	1	RING - retaining
9	S5040S00F	1	RING - retaining
10	90-7914T1	1	GEAR - driven, third speed
11	90-7915T1	1	GEAR - driven, D range
	90-8038T91	1	KIT - retaining ring, fourth shaft, Includes: one each of Ref. 1



## 6-094 24 SPEED SYNCHROSHIFT TRANSMISSION ASSEMBLY, FIFTH SHAFT ASSEMBLY

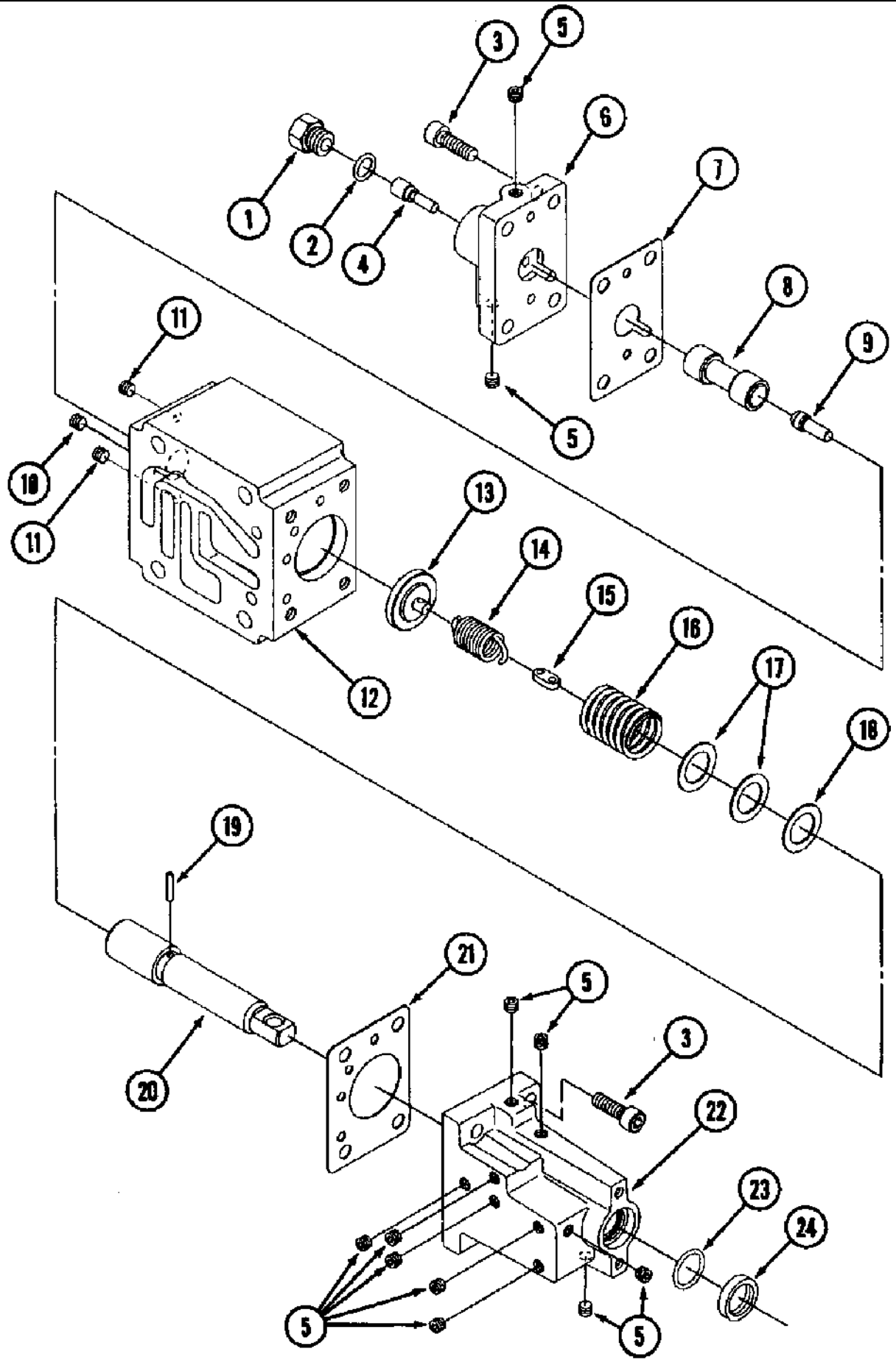
сылка	Номер детали	Кол-во	Описание
	90-7812T91	1	TRANSMISSION ASSEMBLY - mechanical shift, 24-speed, parts list Figures 6-066 - 6-100, Includes: Ref. 1 - 17
	90-7990T91	1	SHAFT ASSEMBLY - fifth, Includes: Ref. 1 - 17
1	33-1708T1	1	BEARING - tapered roller
2	S5230S00F	2	WASHER - thrust
3	A75158	1	BEARING - thrust, replaces S5050S00F bearing
4	S5070S00F	2	BEARING - needle
5	90-7902T1	1	GEAR - driven, A range
6	90-7903T1	4	DISK - synchro, range
7	90-7904T1	4	RING - retaining
8	SM832508	16	PIN - spring
9	33-1831T1	2	SYNCHRONIZER - range
10	S5090S00F	4	RING - retaining
11	90-7905T1	1	GEAR - driven, B range
12	90-7906T1	1	SHAFT - output
13	90-7907T1	1	GEAR - driven, C range
14	90-7908T1	1	GEAR - driven, D range
15	33-1676T1	1	BEARING - tapered roller
16	S4150S00F	2	RING - sealing, Part of transmission gasket kit P/N 90-8401T91.
17	33-1695T1	1	PISTON - carrier, ring
	90-7927T92	1	KIT - gasket, transmission, Includes: parts on Figures 6-066 - 6-100, prior to P.I.N. JEE0071001
	90-8401T91	1	KIT - gasket, transmission, Includes: Ref. 16 and parts on Figures 6-066 - 6-100, P.I.N. JEE0071001 and after





## 6-096 24 SPEED SYNCHROSHIFT TRANSMISSION ASSEMBLY, REGULATOR VALVE

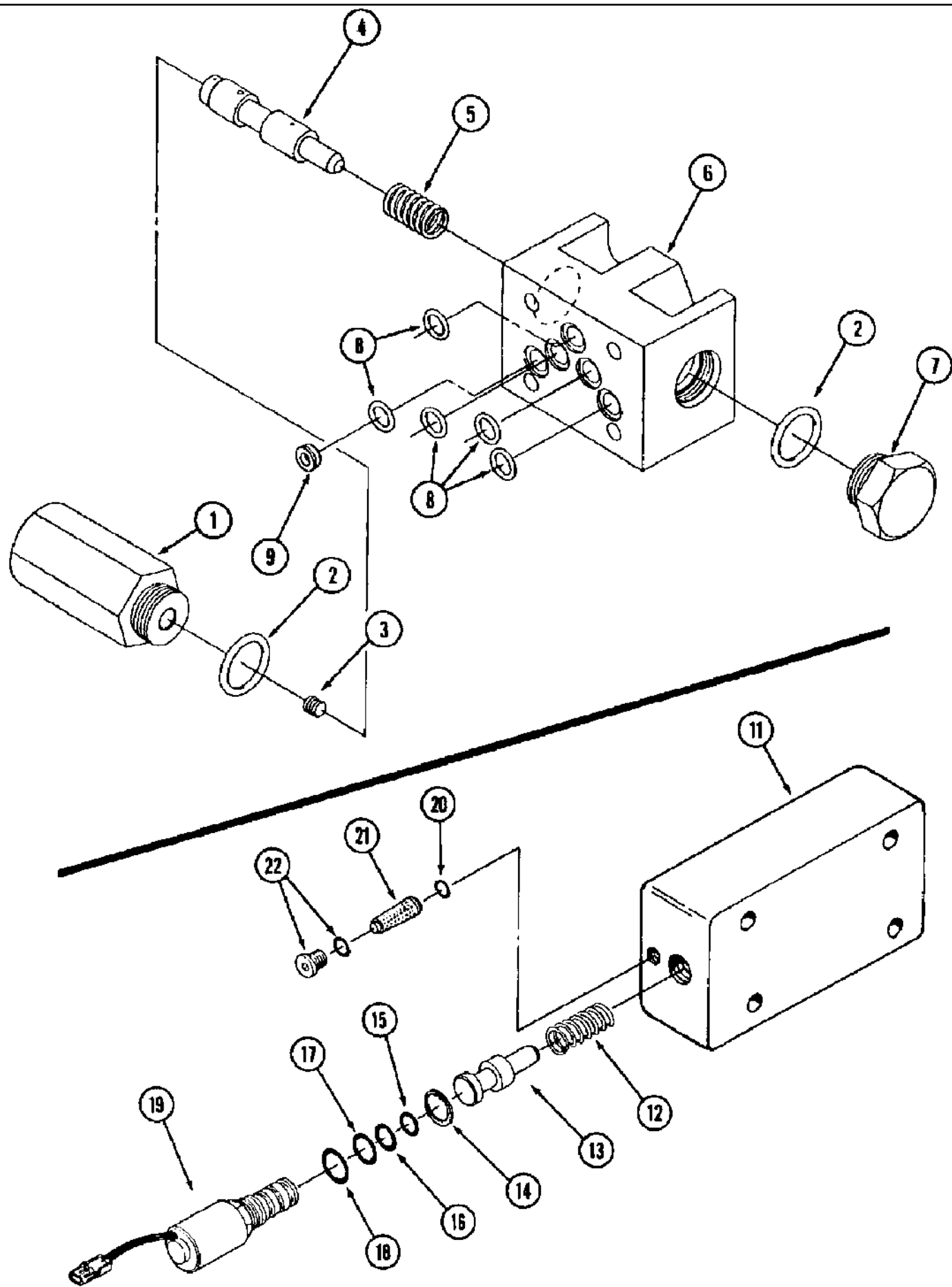
сылка	Номер детали	Кол-во	Описание
	90-7812T91	1	TRANSMISSION ASSEMBLY - mechanical shift, 24-speed, parts list Figures 6-066 - 6-100, Includes: Ref. 1 - 16
	S7000S01F	1	VALVE ASSEMBLY - regulator, Includes: Ref. 1 - 16
1	S1040S00F	9	O-RING - plug, Part of transmission gasket kit P/N 90-8401T91.
2	S1030S00F	1	PLUG - hex, O-ring boss
3	S7090S00F	1	GASKET - valve cover, Part of transmission gasket kit P/N 90-8401T91.
4	S7110S00F	1	COVER - valve body
5	614-8020	5	BOLT - hex, full threads, 8 - 1.25 x 20 mm
6	S7030S01F	1	VALVE - regulator
7	S7010S00F		UAR SHIM - .039 inch thick
8	S7120S00F	1	SPRING - compression
9	S7050S00F	2	SPRING - compression
10	S7020S00F	1	ROD - pressure
11	S7070S00F	1	SPRING - compression
12	S7080S00F		UAR SHIM - .031 inch thick
13	S7060S00F	2	VALVE - lube
14	NSS	1	HOUSING - body, regulator, replaces S7040S00F body
15	S1320S00F	1	O-RING - plug, Part of transmission gasket kit P/N 90-8401T91.
16	S1390S00F	1	PLUG - O-ring boss
	90-7927T92	1	KIT - gasket, transmission, Includes: parts on Figures 6-066 - 6-100, prior to P.I.N. JEE0071001
	90-8401T91	1	KIT - gasket, transmission, Includes: Ref. 1, 3, and 15, and parts on Figures 6-066 - 6-100, P.I.N. JEE0071001 and after



## 6-098 24 SPEED SYNCHROSHIFT TRANSMISSION ASSEMBLY, CONTROL VALVE

сылка	Номер детали	Кол-во	Описание
	90-7812T91	1	TRANSMISSION ASSEMBLY - mechanical shift, 24-speed, parts list Figures 6-066 - 6-100, Includes: Ref. 1 - 24
	90-8200T91	1	VALVE ASSEMBLY - control, Includes: Ref. 1 - 24
1	S6170S00F	1	PLUG - hex, valve
2	S6180S00F	1	O-RING - plug, Part of transmission gasket kit P/N 90-8401T91.
3	S6260S00F	8	BOLT - socket head, special
4	S6010S00F	1	SPOOL - reducing
5	S6220S00F	11	PLUG - valve
6	S6020S00F	1	COVER - valve
7	S6030S00F	1	GASKET - valve cover, Part of transmission gasket kit P/N 90-8401T91.
8	S6040S00F	1	SPOOL - modulator
9	S6160S00F	1	POPPET - spool, valve
10	S6240S00F	1	PLUG - orifice
11	S6230S00F	2	PLUG - orifice
12	90-8016T1	1	BODY - control valve
13	S6060S00F	1	SEAT - spring
14	90-8199T1	1	SPRING - tension
15	S6080S00F	1	LINK - connecting
16	S6150S00F	1	SPRING - compression
17	S6140S00F		UAR SHIM - 30 x 1.0 mm thick
18	S6200S00F	1	SPACER - 31 x 1.2 mm thick
19	S6130S00F	1	PIN - roll
20	S6100S00F	1	STEM - control
21	90-8017T1	1	GASKET - cover, Part of transmission gasket kit P/N 90-8401T91.
22	90-8018T1	1	COVER - control stem
23	S6120S00F	1	O-RING - control stem, Part of transmission gasket kit P/N 90-8401T91.
24	S6110S00F	1	SEAL - control stem, Part of transmission gasket kit P/N 90-8401T91.
	90-7927T92	1	KIT - gasket, transmission, Includes: parts on Figures 6-066 - 6-100, prior to P.I.N. JEE0071001
	90-8401T91	1	KIT - gasket, transmission, Includes: Ref. 2, 7, 21, 23 and 24, and parts on Figures 6-066 - 6-100, P.I.N. JEE0071001 and after

6-100 24 SPEED SYNCHROSHIFT TRANSMISSION ASSEMBLY



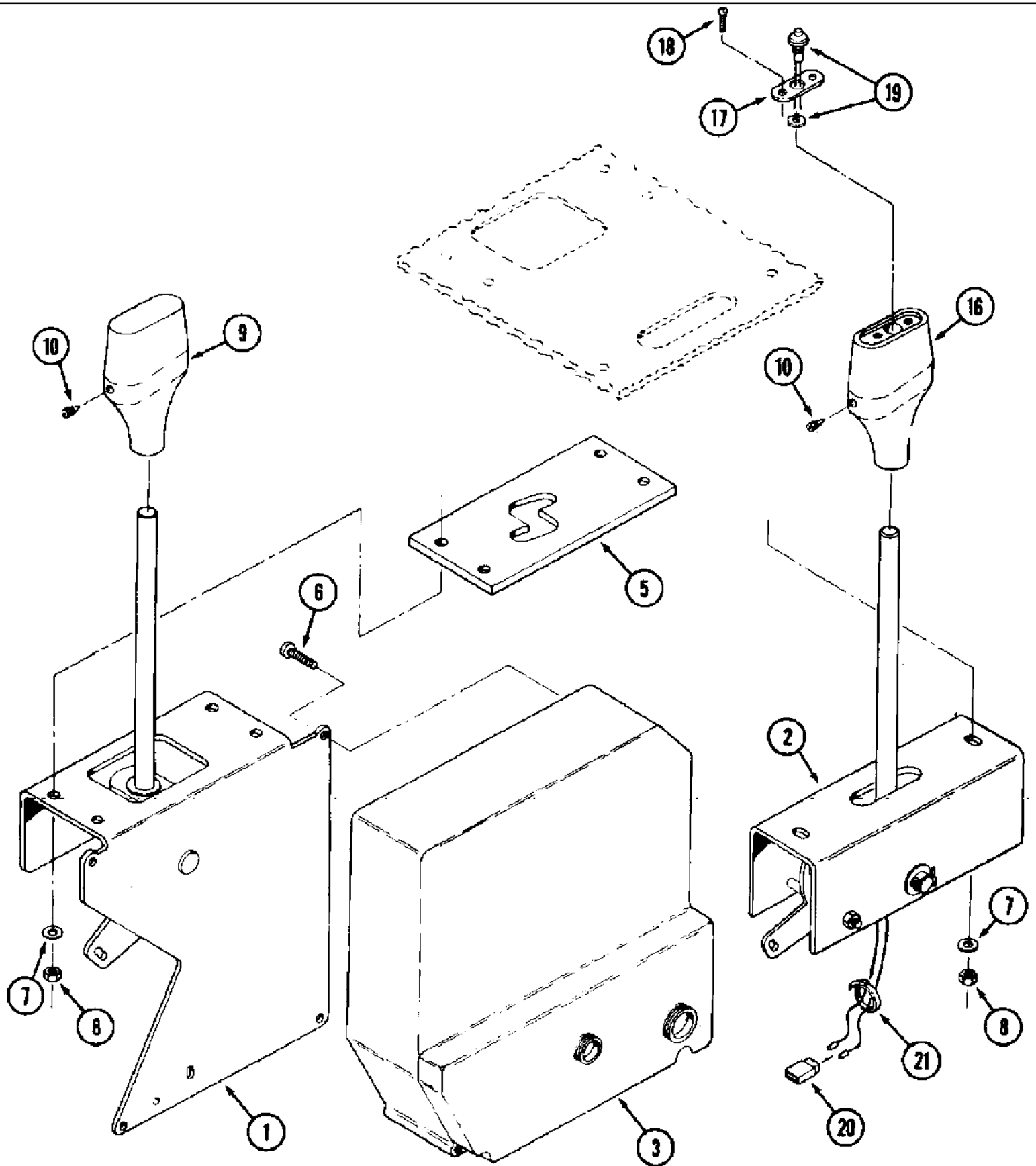
F956268

REF. KIT 33-1536T1 -- If the dealer receives a small, wide o-ring for item #21 they can order a 238-6017 that will replace it. Parts should be checking with the supplier to correct this issue. MU. TSG 33-1536t1 consists of per print: Ref 15 - s9310s00f lower ring Ref 16 - s9320s00f middle ring Ref 17 - s9390s00f upper ring Ref 18 - s9350s00f bonnet ring 3/31/01 BW CAM

## 6-100 24 SPEED SYNCHROSHIFT TRANSMISSION ASSEMBLY

сылка	Номер детали	Кол-во	Описание
	90-7812T91	1	TRANSMISSION ASSEMBLY - mechanical shift, 24-speed, parts list Figures 6-066 - 6-100, Includes: Ref. 1 - 9
	90-8009T91	1	VALVE ASSEMBLY - lock out, Includes: Ref. 1 - 9
1	90-8151T1	1	PLUG - hex cap
2	90-8152T1	2	O-RING - plug
3	90-8021T1	1	PLUG - orifice, lock out valve
4	90-8153T1	1	SPOOL - lock out valve
5	90-8154T1	1	SPRING - return
6	90-8019T1	1	BODY - lock out valve
7	90-8155T1	1	PLUG - port
8	90-8020T1	5	O-RING - seal
9	90-8156T1	1	PLUG - orifice
	90-7812T91	1	TRANSMISSION ASSEMBLY - mechanical shift, 24-speed, parts list Figures 6-066 - 6-100, hi-lo control valve, Includes: Ref. 11 - 22
	90-8260T1	1	VALVE ASSEMBLY - control, hi-lo, Includes: Ref. 11 - 22
11	NSS	1	BODY - valve, hi-lo control
12	NSS	1	SPRING - spool, hi-lo control valve
13	NSS	1	SPOOL - valve selector, hi-lo control
14	33-1534T1	1	RING - snap, hi-lo control valve
	33-1535T1	1	VALVE ASSEMBLY - solenoid, hi-lo control, Includes: Ref. 15 - 19
	33-1536T1	1	KIT - O-ring, solenoid valve, hi-lo control, Includes: Ref. 15 - 18
15	NSS	1	O-RING - solenoid, hi-lo control valve
16	NSS	1	O-RING - solenoid, hi-lo control valve
17	NSS	1	O-RING - solenoid, hi-lo control valve
18	NSS	1	O-RING - solenoid, hi-lo control valve
19	NSS	1	VALVE - solenoid, hi-lo control valve
20	33-1537T1	1	O-RING - seal, filter, hi-lo control valve
21	33-1538T1	1	FILTER - conical, hi-lo control valve
22	33-1539T1	1	PLUG - filter, hi-lo control valve
	90-7927T92	1	KIT - gasket, transmission, Includes: parts on Figures 6-066 - 6-100, prior to P.I.N. JEE0071001, hi-lo control valve
	90-8401T91	1	KIT - gasket, transmission, Includes: Ref. 2 and 8 and parts on Figures 6-066 - 6-100, P.I.N. JEE0071001 and after

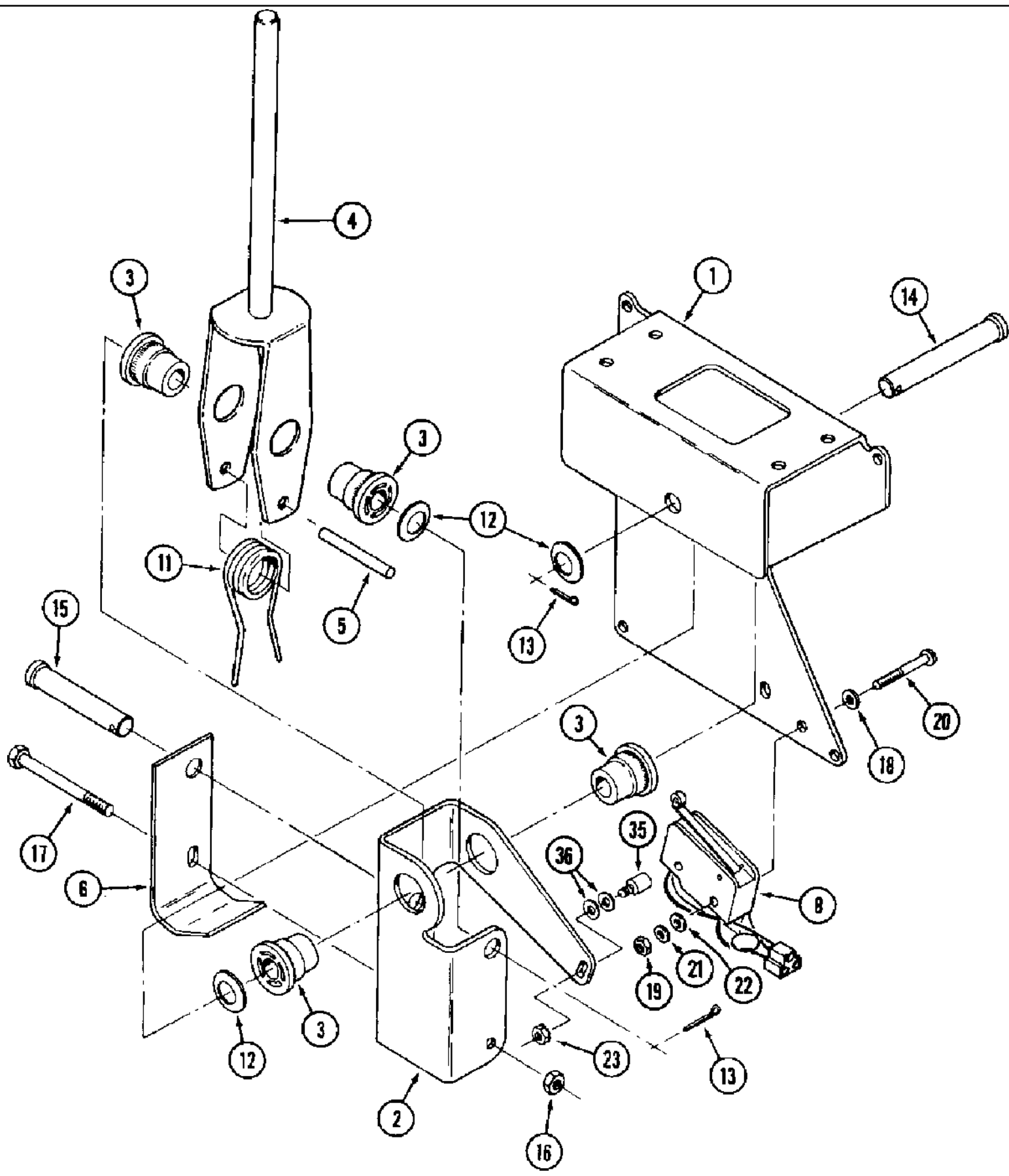
REF. KIT 33-1536T1 -- If the dealer receives a small, wide o-ring for item #21 they can order a 238-6017 that will replace it. Parts should be checking with the supplier to correct this issue. MU. TSG 33-1536t1 consists of per print: Ref 15 - s9310s00f lower ring Ref 16 - s9320s00f middle ring Ref 17 - s9390s00f upper ring Ref 18 - s9350s00f bonnet ring 3/31/01 BW CAM



## 6-102 TRANSMISSION SHIFT CONTROLS, POWER SHIFT TRACTOR

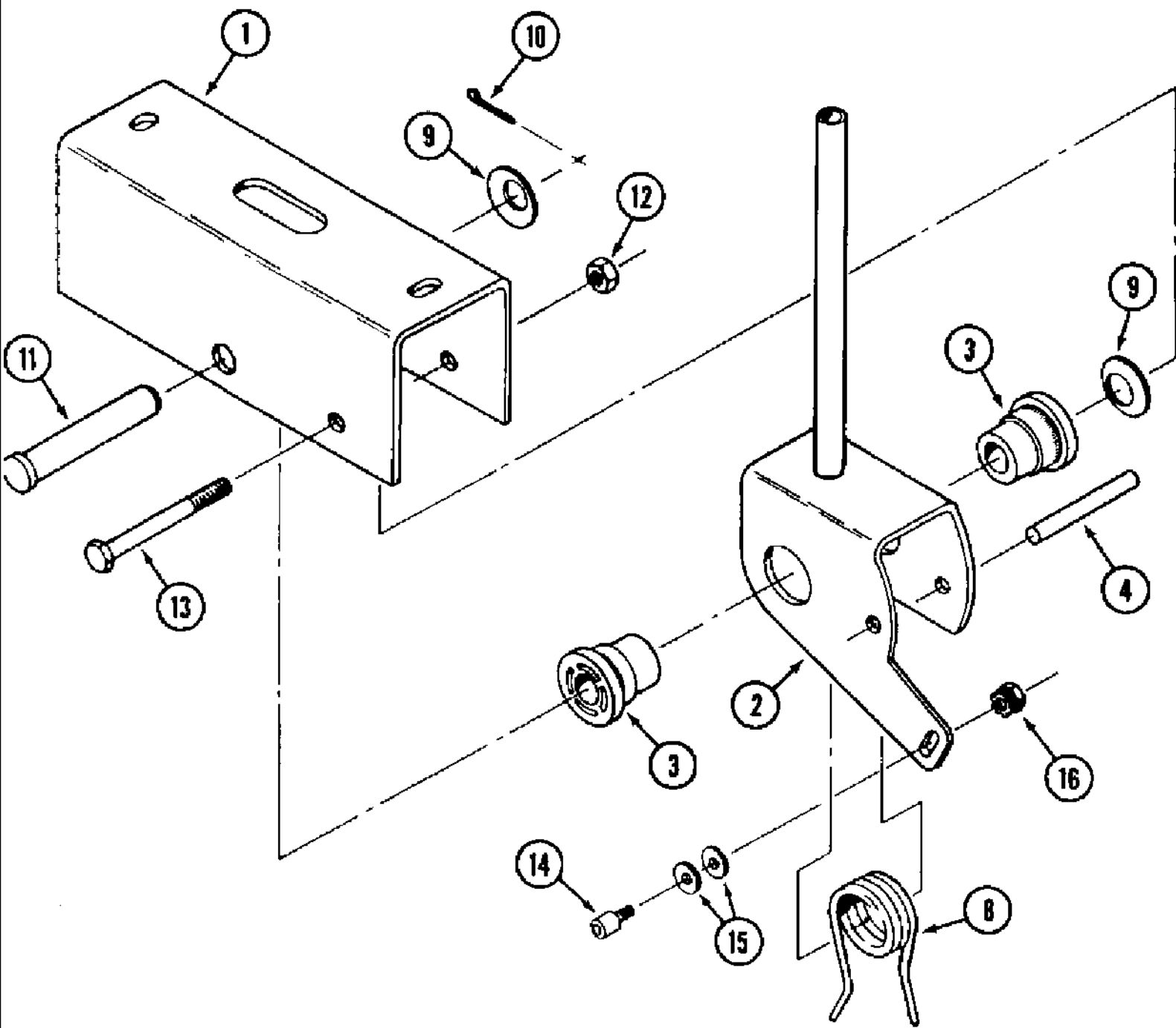
сылка	Номер детали	Кол-во	Описание
1	60-6060T91	1	CONTROL ASSEMBLY - mode, forward or reverse, parts list Figure 6-104
2	60-6483T92	1	CONTROL ASSEMBLY - pulser, upshift or downshift, parts list Figure 6-106
3	60-7160T1	1	CONTROLLER - transmission, transmission, electronic, prior to P.I.N. JEE0071001
3	60-7287T1	1	CONTROLLER - transmission, electronic, P.I.N. JEE0071001 and after
5	60-6140T1	1	PLATE - wear, mode control
6	19-1018	4	SCREW - pan head, self-tapping, special, No. 10 NS x 3/4 inch
7	495-11028	6	WASHER - flat, 9/32 x 5/8 x 1/16 inch
8	19-6082	6	NUT - lock, 1/4 inch NC
9	60-6036T1	1	KNOB - shift handle
10	19-5798	2	SCREW - set, No. 8 NC
16	60-6488T2	1	KNOB - shift handle
17	60-6480T1	1	PLATE - retaining, switch
18	260-1338	2	SCREW - self-tapping, pan Phillips, No. 6-20 x 1/2 inch
19	60-6482T2	1	SWITCH - includes washer, skip-shift
20	60-6479T1	1	CONNECTOR - electrical
21	22-824	2	STRAP - tie, 7 inch, nylon



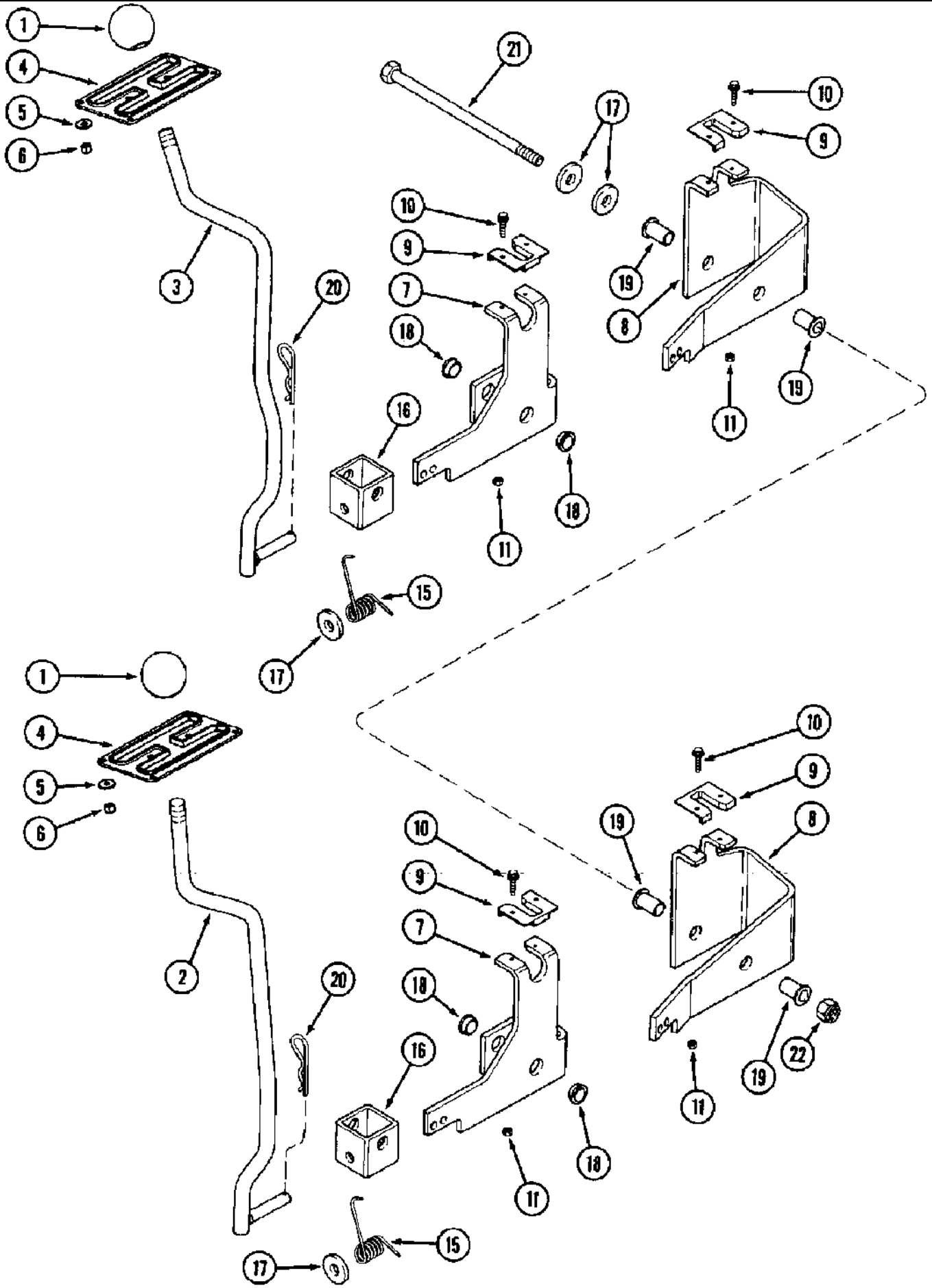


## 6-104 TRANSMISSION SHIFT CONTROLS, MODE CONTROL ASSEMBLY, POWER SHIFT TRACTOR

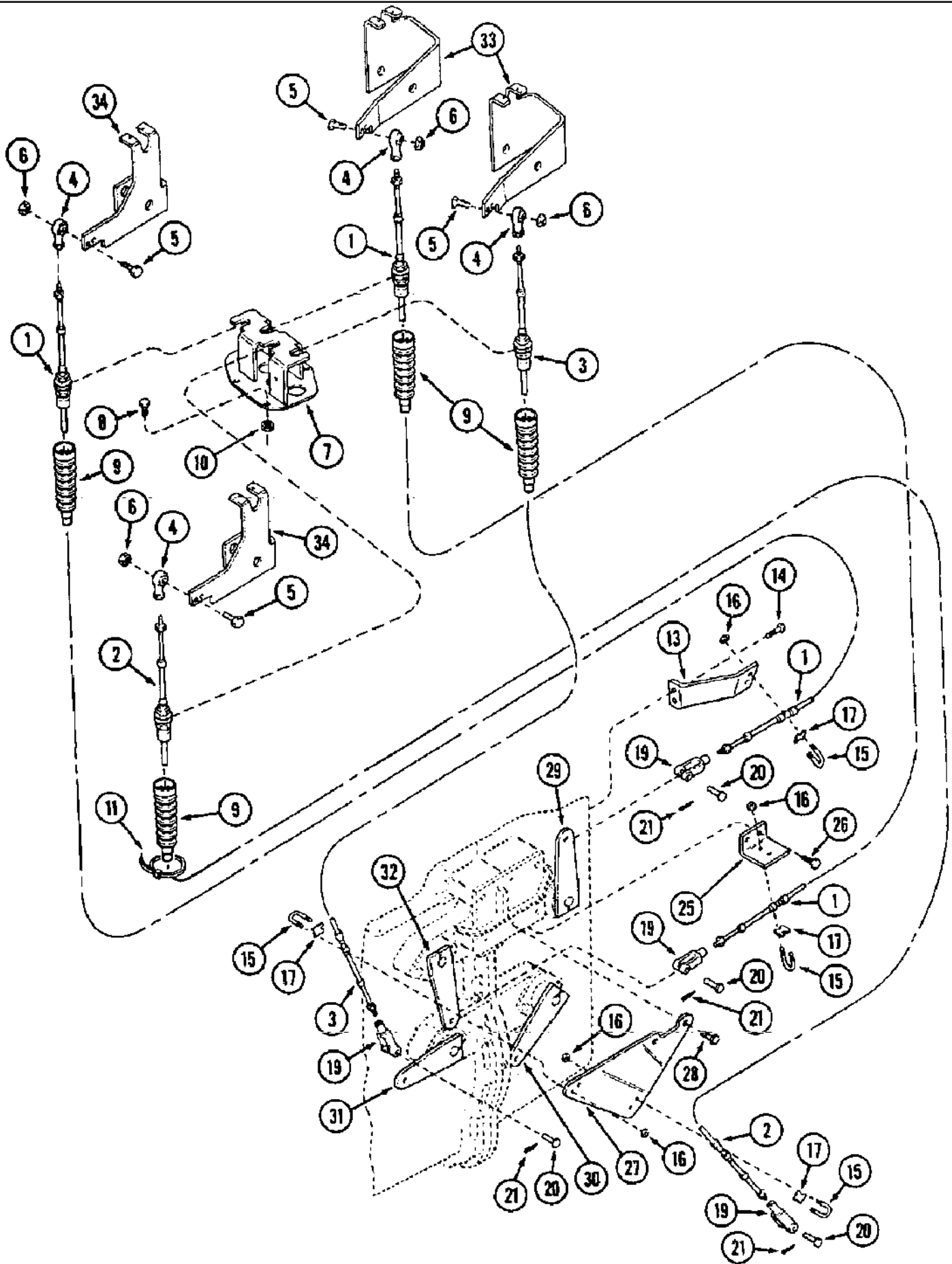
сылка	Номер детали	Кол-во	Описание
	60-6060T91	1	CONTROL ASSEMBLY - mode, forward or reverse, Includes: Ref. 1 - 22
1	60-6057T2	1	HOUSING - upper, control assembly
2	60-5887T1	1	TRUNNION - shift control
3	60-6141T1	4	BUSHING - flanged, nylon
4	60-6756T1	1	YOKE - pivot, shift control
5	60-5892T1	1	PIN - spring tension
6	60-6056T1	1	STRIKER - switch actuating
8	60-6059T91	1	SWITCH - neutral
11	60-6197T1	1	SPRING - return
12	19-6034	3	WASHER - spring, 1/2 x 1 x 1/64 inch
13	432-816	2	1/8" x 1"
14	19-6158	1	PIN - clevis, 1/2 x 2-3/4 inch
15	H382416	1	PIN - clevis, 1/2 x 2-1/4 inch
16	111626C1	1	NUT - hex, self-locking, special, 1/4 inch NC
17	413-440	1	BOLT - hex, 1/4 NC x 2-1/2 inch
18	493-11014	2	WASHER - internal-external tooth lock, 1/8 inch
19	225-14106	2	Nut, #6-32
20	470-10620	2	SCREW - machine, pan head slotted, No. 6 NC x 1-1/4 inch
21	492-11006	2	Washer, Lock, #6
22	495-31016	2	WASHER - flat, 5/32 x 3/8 x 3/64 inch
23	193-1002	1	NUT - hex, with external tooth lock washer, No. 8 NC
35	20-1316T1	1	ACTUATOR - mode
36	495-21019	2	WASHER, #8



сылка	Номер детали	Кол-во	Описание
	60-6483T92	1	CONTROL ASSEMBLY - pulser, upshift or downshift, Includes: Ref. 1 - 13
1	60-6485T1	1	BRACKET - pulser control
2	60-6484T2	1	LEVER - control, pulser
3	60-6141T1	2	BUSHING - flanged, nylon
4	60-5892T1	1	PIN - spring tension
8	60-6197T1	1	SPRING - return
9	19-6034	2	WASHER - spring, 1/2 x 1 x 1/64 inch
10	432-816	1	1/8" x 1"
11	H382416	1	PIN - clevis, 1/2 x 2-1/4 inch
12	111626C1	1	NUT - hex, self-locking, special, 1/4 inch NC
13	413-440	1	BOLT - hex, 1/4 NC x 2-1/2 inch
14	20-1316T1	1	ACTUATOR - magnet
15	495-21019	2	WASHER, #8
16	193-1002	1	NUT - hex, with external tooth lock washer, No. 8 NC



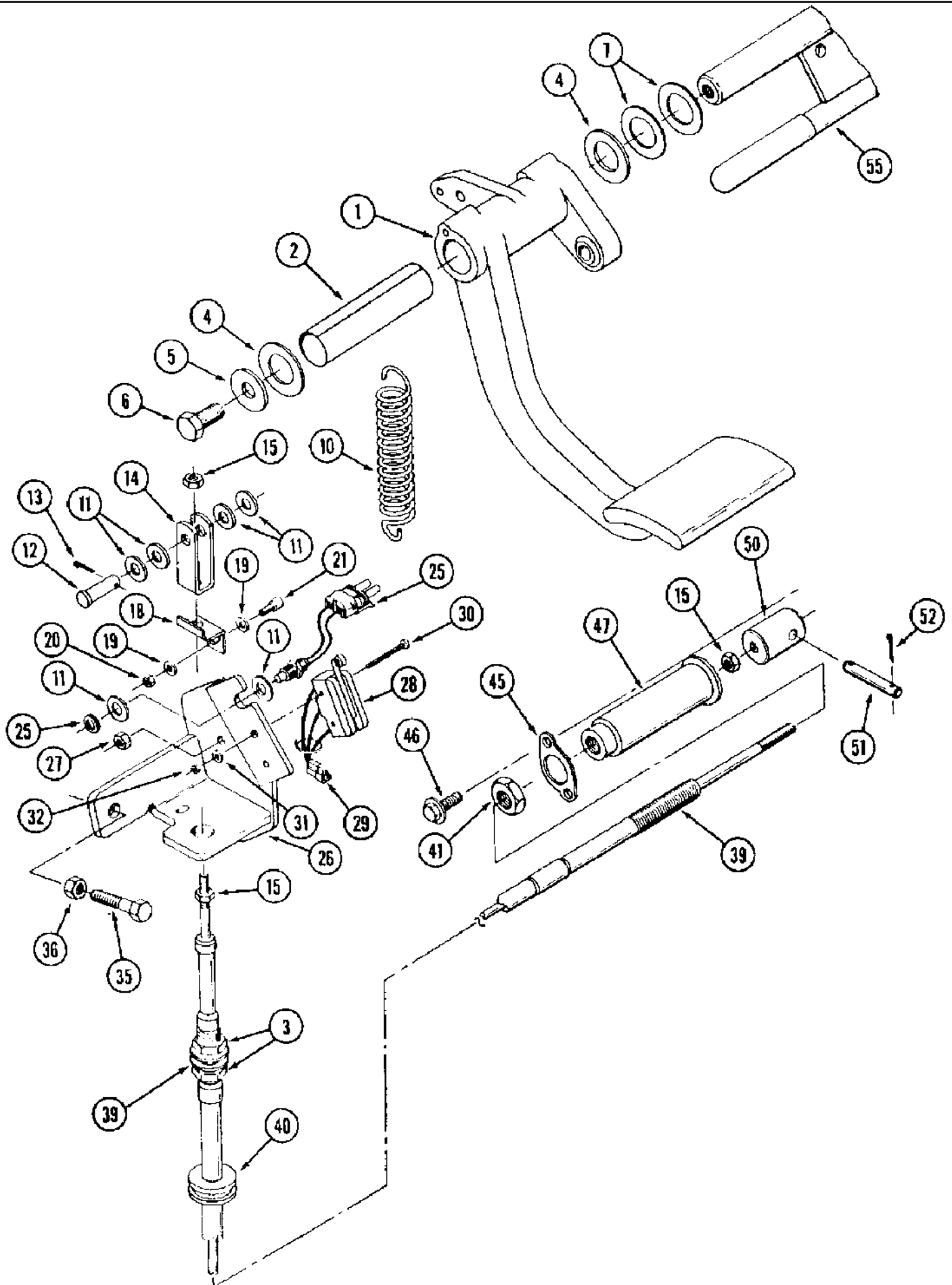
сылка	Номер детали	Кол-во	Описание
1	60-6623T1	2	KNOB - control lever
2	60-6645T1	1	LEVER - range shift
3	60-6644T1	1	LEVER - gear shift
4	60-6655T1	2	PLATE - control lever pattern
5	495-31022	12	WASHER, #10
6	86632551	12	NUT, LOCK, #10-24, GB
7	60-6614T2	2	BRACKET - lever, inner
8	60-6615T2	2	BRACKET - lever, outer
9	60-6617T1	4	PLATE - support, lever
10	363-30812	8	SCREW - machine, hex washer head, No. 8 NC x 3/4 inch
11	131-29	8	NUT - hex, self-locking, No. 8 NC
15	60-6622T1	2	SPRING - lever
16	60-4293T1	2	TRUNNION - lever
17	495-11053	4	WASHER, 1/2", SAE (17/32" x 1-1/16" x 3/32")
18	90-4368T1	4	BUSHING - pivot
19	90-4367T1	4	BUSHING - pivot, long
20	19-5400	2	PIN - hair, 1/8 inch
21	426-8136	1	BOLT - hex, 1/2 NC x 8-1/2 inch, grade 8
22	425-108	1	NUT - hex, 1/2 inch NC



## 6-110 TRANSMISSION SHIFT CONTROLS, SHIFT LEVER CABLES, SYNCHROSHIFT TRACTOR

сылка	Номер детали	Кол-во	Описание
1	60-6564T2	2	CABLE - shift lever, gears, R-1-2-3
2	60-6641T1	1	CABLE - shift lever, C-D range
3	60-6640T1	1	CABLE - shift lever, A-B range
4	19-6233	4	JOINT - ball
5	426-620	4	BOLT - hex, 3/8 NC x 1-1/4 inch, grade 8
6	231-1446	12	NUT, LOCK, 3/8"-16, GB
7	60-6668T3	1	MOUNT - cable
8	426-516	4	BOLT - hex, 5/16 NC x 1 inch, grade 8
9	60-4279T2	4	BOOT - rubber
10	425-105	4	NUT - hex, 5/16 inch NC
11	22-824	4	STRAP - tie, 7 inch
13	90-7768T1	1	BRACKET - cable support
14	426-816	2	BOLT - hex, 1/2 NC x 1 inch, grade 8
15	90-7452T1	4	U-BOLT - retainer, cable
16	232-4136	8	NUT, LOCK, 3/8"-16, GC
17	90-7453T1	4	SADDLE - clamp
19	213-126	4	CLEVIS - adjustable, 3/8 inch NF
20	427-6106	4	PIN, CLEVIS, 3/8" x 1 1/16", Hardened
21	19-5400	4	PIN - hair, 1/8 inch
25	90-7769T1	1	BRACKET - mounting, cable
26	426-816	2	BOLT - hex, 1/2 NC x 1 inch, grade 8
27	90-7770T1	1	PLATE - mounting, cable
28	413-1028	2	BOLT - hex, 5/8 NC x 1-3/4 inch
29	90-7975T1	1	LEVER - shift, speed, outer
30	90-7977T1	1	LEVER - shift, range, outer
31	90-7977T1	1	LEVER - shift, range, outer
32	90-7975T1	1	LEVER - shift, speed, outer
33	60-6615T2	2	BRACKET - lever, outer
34	60-6614T2	2	BRACKET - lever, inner

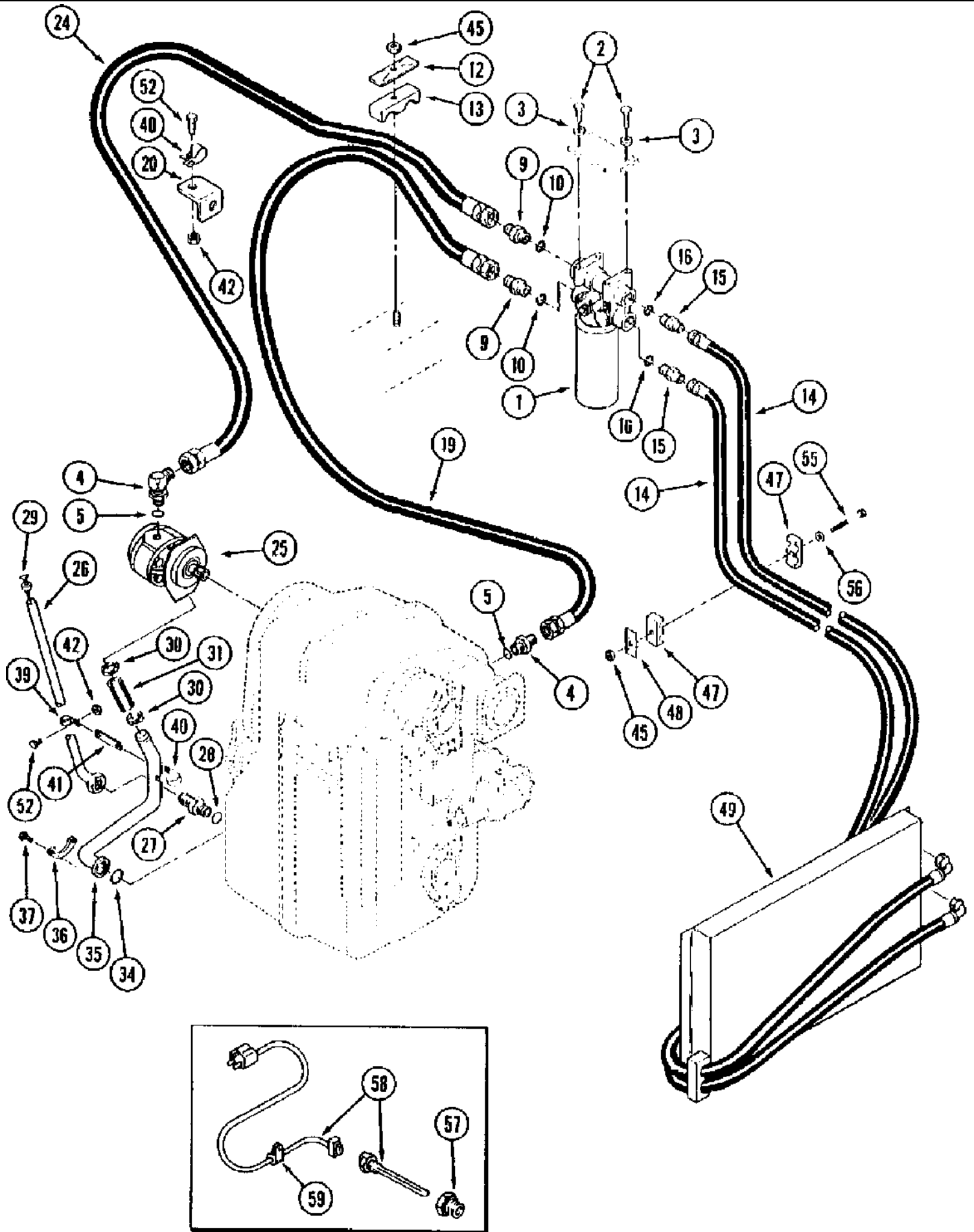




## 9380 CASE IH 4WD TRACTOR (6/95-8/00)

## 6-112 TRANSMISSION CLUTCH CONTROL

сылка	Номер детали	Кол-во	Описание
1	60-6835T1	1	PEDAL - clutch
2	60-6836T1	1	BUSHING - pivot
3	425-1512	2	NUT - hex, jam, 3/4 inch NF
4	19-5635	2	WASHER - flat, 1 x 1-3/4 x 3/32 inch
5	495-21056	1	WASHER - flat, 9/16 x 1-3/8 x 7/64 inch
6	426-816	1	BOLT - hex, 1/2 NC x 1 inch, grade 8
7	95-81125	UAR	WASHER - flat, 1-1/16 x 1-3/4 x 1/16 inch
10	2-5000T1	1	SPRING - pedal return
11	495-11041	6	WASHER - flat, 13/32 x 13/16 x 1/16 inch
12	19-5922	1	PIN - clevis, 3/8 x 1-1/4 inch
13	32-612	1	PIN, SPLIT (COTTER), 3/32" x 3/4"
14	60-4384T1	1	CLEVIS - cable end
15	425-155	3	NUT - hex, jam, 5/16 inch NF
18	60-5048T2	1	BRACKET - actuator mounting, Used on tractors equipped with Power Shift transmissions only.
19	495-21019	2	WASHER, #8 , Used on tractors equipped with Power Shift transmissions only.
20	131-29	1	NUT - hex, self-locking, No. 8 NC, Used on tractors equipped with Power Shift transmissions only.
21	20-1316T1	1	ACTUATOR - mode, magnetic, Used on tractors equipped with Power Shift transmissions only.
25	60-6027T1	1	SENSOR - proximity, Used on tractors equipped with Power Shift transmissions only.
26	60-6025T1	1	BRACKET - control mounting
27	425-104	3	NUT - hex, 1/4 inch NC
	20-2340T91	1	SWITCH ASSEMBLY - micro, no longer available, order component parts separately, Includes: Ref. 28 & 29
28	20-2333T1	1	SWITCH - micro
29	60-2666T1	1	WIRE - switch
30	470-10620	2	SCREW - machine, pan head slotted, No. 6 NC x 1-1/4 inch
31	495-31016	2	WASHER - flat, 5/32 x 3/8 x 3/64 inch
32	225-14106	2	Nut, #6-32
35	426-628	1	BOLT - hex, 3/8 NC x 1-3/4 inch, grade 8
36	425-106	1	NUT, 3/8"-16, G5
39	60-4957T1	1	CABLE - clutch actuating, 75 inch long
40	248-2376	1	GROMMET - rubber, 1-1/4 inch groove diameter, cable guard
41	425-1512	1	NUT - hex, jam, 3/4 inch NF
45	90-8048T1	1	RETAINER - cable guard
46	458-412	2	BOLT - hex flange, 1/4 NC x 3/4 inch
47	90-8047T1	1	GUARD - cable
50	60-6241T1	1	COLLAR - cable
51	19-6041	1	PIN - headless
52	32-212	2	PIN, SPLIT (COTTER), 1/32" x 3/4"
55	60-5074T1	1	MOUNT - pedal, brake and clutch, See Figures 7-02 or 7-04 for mounting hardware



## 6-114 TRANSMISSION LUBRICATION, TRANSMISSION TO COOLER, POWER SHIFT TRACTOR

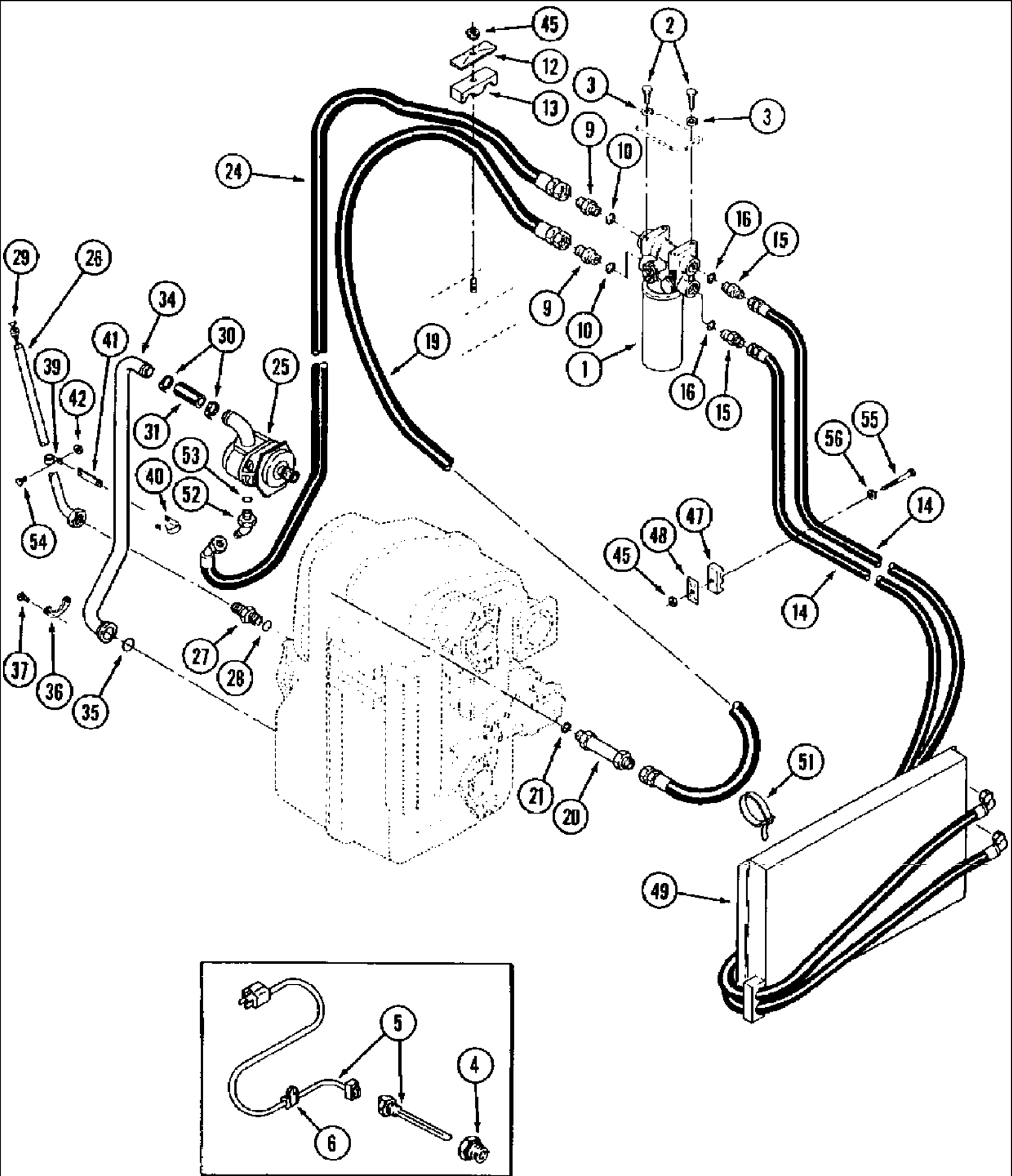
сылка	Номер детали	Кол-во	Описание
1	50-3494T91	1	FILTER ASSEMBLY - oil, transmission, parts list Figure 8-034
2	426-616	2	BOLT, Hex, 3/8"-16 x 1", G8, Full Thd
3	495-11041	2	WASHER - flat, 13/32 x 13/16 x 1/16 inch
4	218-5110	1	ELBOW - 90 degree, 1-5/16-12 inch flare x adj O-ring boss, with three point hitch
4	218-5069	1	ADAPTER - straight, 1-5/16-12 inch flare x O-ring boss, without three point hitch, Includes: Ref. 5
9	218-5069	3	ADAPTER - straight, 1-5/16-12 inch flare x O-ring boss, Includes: Ref. 10
12	50-2668T1	1	PLATE - clamp support
13	50-2965T1	1	CLAMP - double, hoses
14	31-1486	2	HOSE - filter to cooler
15	218-5064	2	ADAPTER - straight, 1-1/16-12 inch flare x O-ring boss, Includes: Ref. 16
16	237-6014	2	O-RING, 14-1, 90 Duro, 1.048" ID x .116" Thk
19	31-2938	1	HOSE - filter to transmission
20	90-6894T1	1	BRACKET - clamp mounting, tube support
24	31-3014	1	HOSE - 2058 mm (82 inch) long, filter to pump
25	33-1524T91	1	PUMP ASSEMBLY - transmission lubrication, parts list Figure 6-030
26	90-7490T1	1	TUBE - dipstick
27	218-5072	1	ADAPTER - straight, 1-5/8-12 inch flare x O-ring boss, Includes: Ref. 28
28	237-6020	1	O-RING, 20-1, 90 Duro, 1.475" ID x .118" Thk
29	90-6546T1	1	DIPSTICK - oil check
30	31-1283	2	CLAMP - adjustable, 1-1/4 x 2-5/8 inch
31	1-4571	1	HOSE - 114 mm (4-1/2 inch) long, cut from 1-4482 bulk hose, see below, pump to transmission
34	238-6222	1	O-RING, -222, 90 Duro, 1.484" ID x .139" Thk
35	90-7064T1	1	TUBE - pump to transmission, without PTO
35	90-7063T1	1	TUBE - pump to transmission, with PTO
36	31-1910	2	FLANGE - split, clamp halves
37	426-624	4	BOLT - hex, 3/8 NC x 1-1/2 inch, grade 8
39	515-23317	1	CLAMP, 1 1/4", Insul, 3/8" Bolt, P-type
40	515-23381	2	CLAMP, 1 1/2", Insul, 3/8" Bolt, P-type
41	90-6588T1	1	BRACKET - support
42	425-106	2	NUT, 3/8"-16, G5
45	425-105	2	NUT - hex, 5/16 inch NC
47	50-2534T1	2	CLAMP - split, one-half
48	50-2533T1	1	PLATE - clamp support
49	90-6708T1	1	COOLER - oil, hydraulic, used on 9370 and 9380, See Figure 8-040 for cooler mounting
49	90-8163T1	1	COOLER - oil, hydraulic, used on 9390, See Figure 8-040 for cooler mounting
	1-4482		UAR HOSE - bulk, 3048 mm (120 inch) long, sold by the foot
52	426-612	2	BOLT - hex, 3/8 NC x 3/4 inch, grade 8
55	426-540	1	BOLT - hex, 5/16 NC x 2-1/2 inch, grade 8
56	495-21038	1	WASHER - flat, 3/8 x 7/8 x 3/32 inch
57	50-3675T1	1	ADAPTER - drain plug, special, Part of heater maintainer kit P/N 35-2016T91.
58	A164503	1	HEATER - transmission, with cordset, Part of heater maintainer kit P/N 35-2016T91.
59	515-2363	2	CLAMP - P-type, 1/4 inch ID, Part of heater maintainer kit P/N 35-2016T91.
60	22-824	7	STRAP - tie, 7 inch, not shown, Part of heater maintainer kit P/N 35-2016T91.
	35-2016T91	1	KIT - heater maintainer, Includes: Ref. 57 - 60
5	238-6021	1	O-Ring, -021, 90 Duro, .926" ID x .070" Thk

9380 CASE IH 4WD TRACTOR (6/95-8/00)

6-114 TRANSMISSION LUBRICATION, TRANSMISSION TO COOLER, POWER SHIFT TRACTOR

сылка	Номер детали	Кол-во	Описание
-------	--------------	--------	----------

10	238-6021	1	O-Ring, -021, 90 Duro, .926" ID x .070" Thk
----	----------	---	---



## 6-118 TRANSMISSION LUBRICATION, TRANSMISSION TO COOLER, SYNCHROSHIFT TRACTOR

сылка	Номер детали	Кол-во	Описание
1	50-3494T91	1	FILTER ASSEMBLY - oil, transmission, parts list Figure 8-034
2	426-616	2	BOLT, Hex, 3/8"-16 x 1", G8, Full Thd
3	495-11041	2	WASHER - flat, 13/32 x 13/16 x 1/16 inch
4	50-3675T1	1	ADAPTER - drain plug, special, Part of heater maintainer kit P/N 35-2016T91.
5	A164503	1	HEATER - transmission, with cordset, Part of heater maintainer kit P/N 35-2016T91.
6	515-2363	2	CLAMP - P-type, 1/4 inch ID, Part of heater maintainer kit P/N 35-2016T91.
7	22-824	7	STRAP - tie, 7 inch, not shown, Part of heater maintainer kit P/N 35-2016T91.
9	218-5069	2	ADAPTER - straight, 1-5/16-12 inch flare x O-ring boss, Includes: Ref. 10
12	50-2668T1	1	PLATE - clamp support
13	50-2965T1	1	CLAMP - double
14	31-1486	2	HOSE - cooler to filter
15	218-5064	2	ADAPTER - straight, 1-1/16-12 inch flare x O-ring boss, Includes: Ref. 16
16	237-6014	2	O-RING, 14-1, 90 Duro, 1.048" ID x .116" Thk
19	31-2911	1	HOSE - 1321 mm (52 inch) long, transmission to filter
20	218-5110	1	ELBOW - 90 degree, 1-5/16-12 inch flare x adj O-ring boss, Includes: Ref. 21
21	237-6016	1	O-RING - 1-11/64 ID x 7/64 inch wide
24	31-3015	1	HOSE - filter to pump
25	33-1874T91	1	PUMP - lubrication, component parts not serviced separately, Part of lubrication pump O-ring kit P/N 90-8261T91.
26	90-7490T1	1	TUBE - dipstick
27	218-5072	1	ADAPTER - straight, 1-5/8-12 inch flare x O-ring boss, Includes: Ref. 28
28	237-6020	1	O-RING, 20-1, 90 Duro, 1.475" ID x .118" Thk
29	90-7826T1	1	DIPSTICK - oil check
30	31-1283	2	CLAMP - adjustable, 1-1/4 x 2-5/8 inch
31	1-4571	1	HOSE - 114 mm (4-1/2 inch) long, cut from 1-4482 bulk hose, see below
34	90-7825T1	1	TUBE - pump to transmission
35	238-6222	1	O-RING, -222, 90 Duro, 1.484" ID x .139" Thk
36	31-1910	2	FLANGE - split, clamp halves
37	426-624	4	BOLT - hex, 3/8 NC x 1-1/2 inch, grade 8
39	515-23317	1	CLAMP, 1 1/4", Insul, 3/8" Bolt, P-type
40	515-23381	1	CLAMP, 1 1/2", Insul, 3/8" Bolt, P-type
41	90-6588T1	1	BRACKET - support
42	425-106	2	NUT, 3/8"-16, G5
45	425-105	2	NUT - hex, 5/16 inch NC
	1-4482		UAR HOSE - bulk, 3048 mm (120 inch) long, sold by the foot
	90-8261T91	1	KIT - O-ring, lubrication pump, Includes: Ref. 25 and gasket not used with this pump
	35-2016T91	1	KIT - heater maintainer, Includes: Ref. 4 - 7
47	50-2534T1	1	CLAMP - split, one-half
48	50-2533T1	1	PLATE - clamp support
49	90-6708T1	1	COOLER - oil, hydraulic, used on 9370 and 9380, See Figure 8-040 for cooler mounting
49	90-8163T1	1	COOLER - oil, hydraulic, used on 9390, See Figure 8-040 for cooler mounting
51	50-2037T1	1	STRAP - tie
52	218-5140	1	ELBOW - 45 degree, 1-5/16-12 inch flare x adj O-ring boss, Includes: Ref. 53
54	426-612	2	BOLT - hex, 3/8 NC x 3/4 inch, grade 8
55	426-540	1	BOLT - hex, 5/16 NC x 2-1/2 inch, grade 8

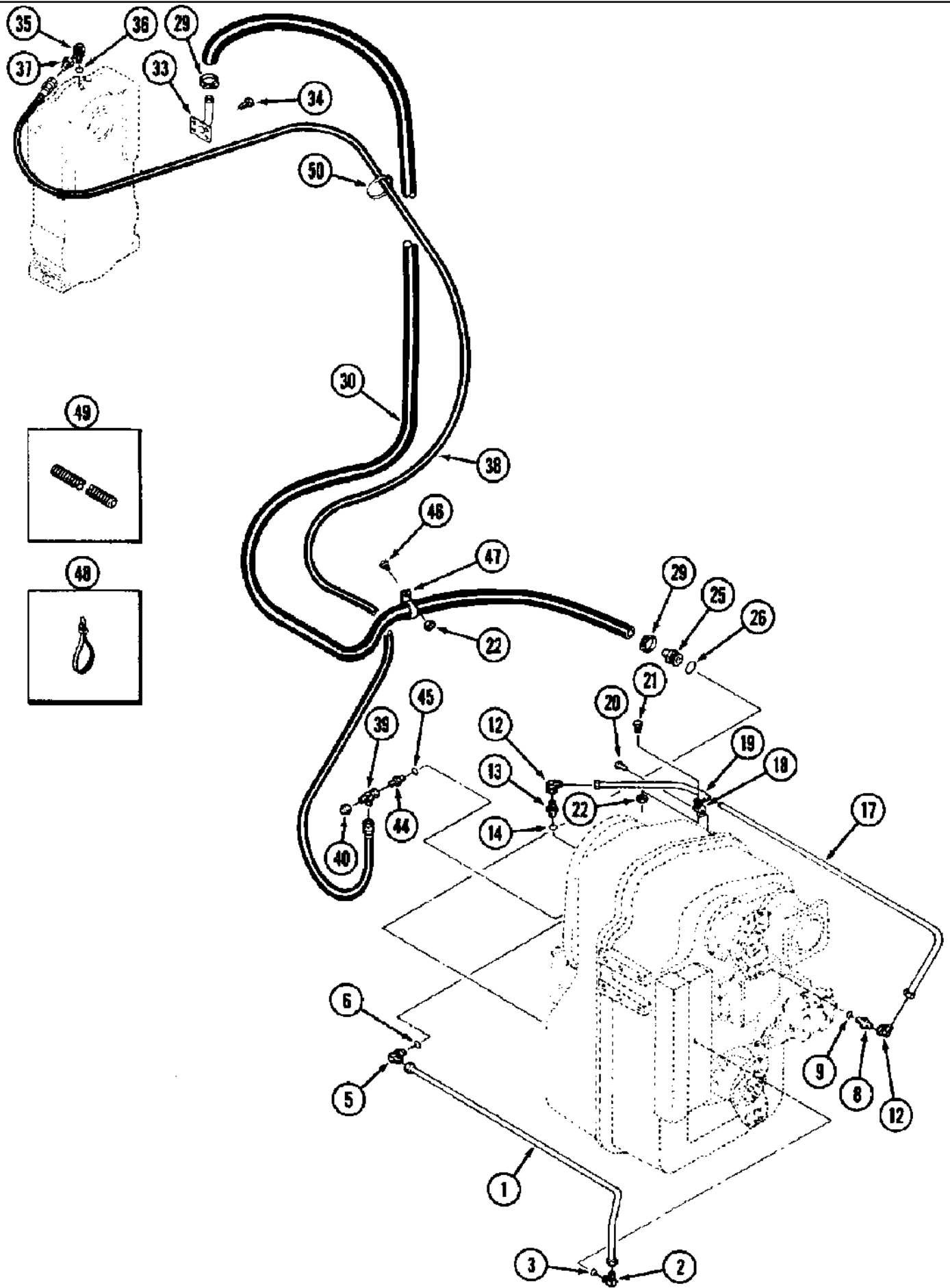
9380 CASE IH 4WD TRACTOR (6/95-8/00)

6-118 TRANSMISSION LUBRICATION, TRANSMISSION TO COOLER, SYNCHROSHIFT TRACTOR

сылка	Номер детали	Кол-во	Описание
-------	--------------	--------	----------

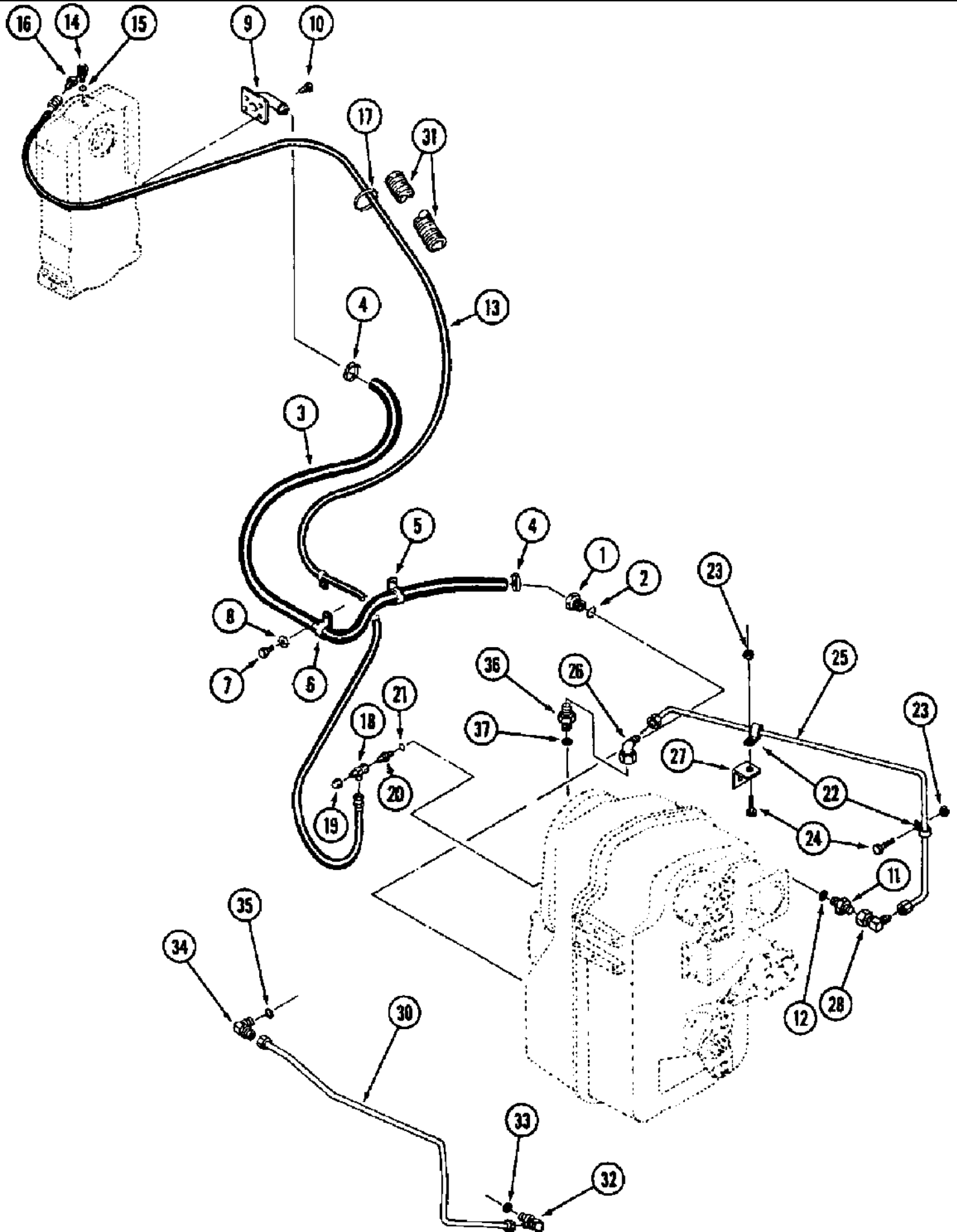
56	495-21038	1	WASHER - flat, 3/8 x 7/8 x 3/32 inch
10	238-6021	1	O-Ring, -021, 90 Duro, .926" ID x .070" Thk
53	238-6021	1	O-Ring, -021, 90 Duro, .926" ID x .070" Thk



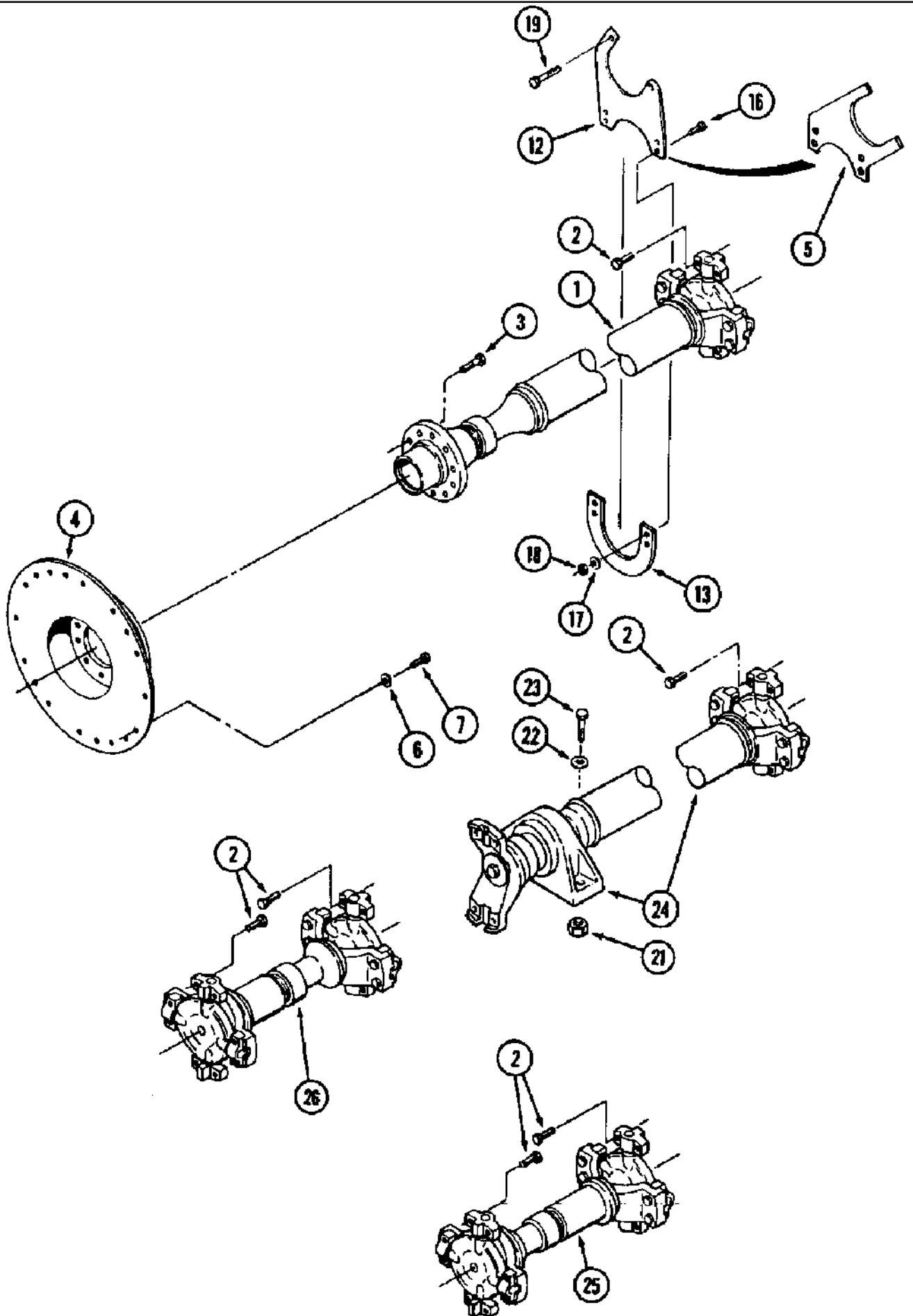


сылка	Номер детали	Кол-во	Описание
1	90-6691T1	1	TUBE - lubrication, range selector valve to PTO control valve
2	218-5280	1	ELBOW - 90 degree, 3/4-16 flare x 9/16-18 inch adj O-ring boss, Includes: Ref. 3
5	218-5121	1	ELBOW - 90 degree, 3/4-16 flare x 7/8-14 inch adj O-ring boss, Includes: Ref. 6
6	237-6010	1	O-RING, 10-1, 90 Duro, .755" ID x .097" Thk
8	218-5059	1	ADAPTER - straight, 3/4-16 inch flare x O-ring boss, Includes: Ref. 9
9	237-6008	1	O-Ring, 8-1, 90 Duro, .644" ID x .087" Thk
12	218-5230	2	ELBOW - 90 degree, 3/4-16 inch flare x swivel
13	218-5060	1	ADAPTER - straight, 3/4-16 flare x 7/8-14 inch O-ring boss, Includes: Ref. 14
14	237-6010	1	O-RING, 10-1, 90 Duro, .755" ID x .097" Thk
17	90-6889T1	1	TUBE - lubrication, regulator valve to PTO control valve
18	90-6894T1	1	BRACKET - clamp mounting, tube support
19	515-23127	1	CLAMP - P-type, 1/2 inch ID, tube
20	SM8121240	1	BOLT - hex, 12 - 1.75 x 40 mm
21	426-612	4	BOLT - hex, 3/8 NC x 3/4 inch, grade 8
22	425-106	4	NUT, 3/8"-16, G5
25	217-173	1	FITTING, 1" Hose x 1 5/8"-12 ORB, Beaded, Includes Ref. 26
26	237-6020	1	O-RING, 20-1, 90 Duro, 1.475" ID x .118" Thk
29	214-1420	2	CLAMP - adj, 13/16 - 1-3/4 inch dia, hose retaining
30	31-3188	1	HOSE - 2946 mm (116 inch) long, cut from S118383X bulk hose, suction, transmission, see below, replaces 31-2963 hose
33	90-7256T1	1	FLANGE - hose adapter, 1 inch hose end
34	426-712	4	BOLT - hex, 7/16 NC x 5/8 inch, grade 8
35	218-5106	1	ELBOW - 90 degree, 3/4-16 inch flare x adj O-ring boss, Includes: Ref. 36
36	237-6008	1	O-Ring, 8-1, 90 Duro, .644" ID x .087" Thk
37	31-2537	1	CONNECTOR - orificed
38	31-2908	1	HOSE - lube, PTO valve to PTO housing
39	218-845	1	TEE - 3/4-16 inch flare branch x flare x swivel
40	218-755	1	CAP, 37e, 3/4"-16
44	218-5351	1	ADAPTER - straight, 3/4-16 flare x 9/16-18 inch O-ring boss, Includes: Ref. 45
46	426-516	1	BOLT - hex, 5/16 NC x 1 inch, grade 8
47	31-2361	1	CLAMP - P-type
48	50-2037T1	1	STRAP - tie
49	50-3220T1	1	CONDUIT - hose, flex, 1829 mm (72 inch) long, cut from S119717X bulk conduit, see below
50	22-824	3	STRAP - tie, 7 inch, not shown
	S118383X		UAR HOSE - bulk, 25 (1) x 38 (1-1/2) x 4877 mm (192 inch) long
	S119717X		UAR CONDUIT - bulk, 25 (1) ID x 4877 mm (192 inch) long
3	237-6006	1	O-Ring, 6-1, 90 Duro, .468" ID x .078" Thk
45	237-6006	1	O-Ring, 6-1, 90 Duro, .468" ID x .078" Thk

6-124 TRANSMISSION LUBRICATION, TRANSMISSION TO PTO TRANSFER CASE, SYNCHROSHIFT TRACTOR

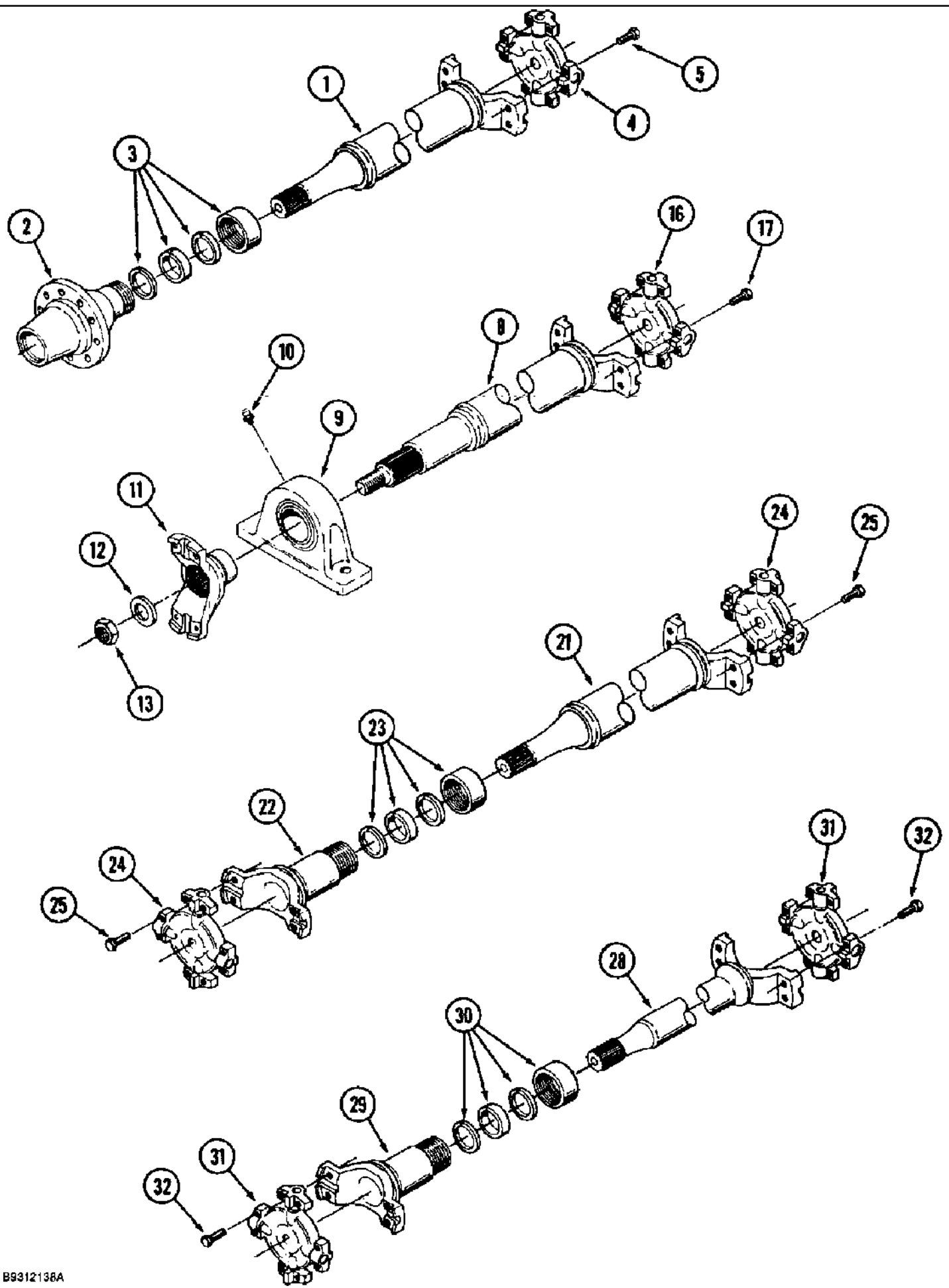


сылка	Номер детали	Кол-во	Описание
1	217-173	1	FITTING, 1" Hose x 1 5/8"-12 ORB, Beaded, Includes Ref. 2
2	237-6020	1	O-RING, 20-1, 90 Duro, 1.475" ID x .118" Thk
3	31-3188	1	HOSE - 2946 mm (116 inch) long, cut from S118383X bulk hose, suction, transmission, see below, replaces 31-2963 hose
4	214-1420	2	CLAMP - adj, 13/16 - 1-3/4 inch dia
5	50-2037T1	1	STRAP - tie
6	31-2361	1	CLAMP - P-type
7	426-516	1	BOLT - hex, 5/16 NC x 1 inch, grade 8
8	495-11034	1	WASHER - flat, 11/32 x 11/16 x 1/16 inch
9	90-7256T1	1	FLANGE - hose adapter, 1 inch hose end
10	426-712	4	BOLT - hex, 7/16 NC x 5/8 inch, grade 8
11	218-5059	1	ADAPTER - straight, 3/4-16 inch flare x O-ring boss, Includes: Ref. 12
12	237-6008	1	O-Ring, 8-1, 90 Duro, .644" ID x .087" Thk
13	31-2908	1	HOSE - lube, PTO valve to PTO housing
14	218-5106	1	ELBOW - 90 degree, 3/4-16 inch flare x adj O-ring boss, Includes: Ref. 15
15	237-6008	1	O-Ring, 8-1, 90 Duro, .644" ID x .087" Thk
16	31-2537	1	CONNECTOR - orificed
17	22-824	3	STRAP - tie, 7 inch
18	218-845	1	TEE - 3/4-16 inch flare branch x flare x swivel
19	218-755	1	CAP, 37e, 3/4"-16
20	218-5351	1	ADAPTER - straight, 3/4-16 flare x 9/16-18 inch O-ring boss, Includes: Ref. 21
22	515-23127	1	CLAMP - P-type, 1/2 inch ID
23	425-106	2	NUT, 3/8"-16, G5
24	426-616	2	BOLT, Hex, 3/8"-16 x 1", G8, Full Thd
25	50-3543T2	1	TUBE - lubrication, regulator sub plate to PTO housing
26	218-5173	1	ELBOW - 45 degree, 3/4-16 inch flare x swivel
27	90-6894T1	1	BRACKET - clamp mounting, tube support
28	218-5230	2	ELBOW - 90 degree, 3/4-16 inch flare x swivel
30	50-3544T2	1	TUBE - main pressure, regulator valve to PTO control valve
31	50-3220T1	1	CONDUIT - hose, flex, 1829 mm (72 inch) long, cut from S119717X bulk conduit, see below
32	218-5280	1	ELBOW - 90 degree, 3/4-16 flare x 9/16-18 inch adj O-ring boss, Includes: Ref. 33
33	237-6008	1	O-Ring, 8-1, 90 Duro, .644" ID x .087" Thk
34	218-5121	1	ELBOW - 90 degree, 3/4-16 flare x 7/8-14 inch adj O-ring boss, Includes: Ref. 35
35	237-6008	1	O-Ring, 8-1, 90 Duro, .644" ID x .087" Thk
36	218-5060	1	ADAPTER - straight, 3/4-16 flare x 7/8-14 inch O-ring boss, Includes: Ref. 37
37	237-6008	1	O-Ring, 8-1, 90 Duro, .644" ID x .087" Thk
	S118383X		UAR HOSE - bulk, 25 (1) x 38 (1-1/2) x 4877 mm (192 inch) long
	S119717X		UAR CONDUIT - bulk, 25 (1) ID x 4877 mm (192 inch) long
21	237-6006	1	O-Ring, 6-1, 90 Duro, .468" ID x .078" Thk



## 6-126 DRIVE SHAFTS AND MOUNTING

сылка	Номер детали	Кол-во	Описание
1	90-7510T91	1	SHAFT ASSEMBLY - drive, engine to transmission (8C), Power Shift, parts list Figure 6-128
1	90-7690T91	1	SHAFT ASSEMBLY - drive, engine to transmission, SynchroShift, parts list Figure 6-130
2	428-832	24	BOLT - hex, 1/2 NF x 2 inch, grade 8
3	426-1024	10	BOLT - hex, 5/8 NC x 1-1/2 inch, grade 8
4	90-7558T1	1	DAMPER - vibration
5	90-7523T1	1	SHIELD - upper, drive shaft, SynchroShift
6	70-6412T1	12	WASHER - special
7	426-716	12	BOLT - hex, 7/16 NC x 1 inch, grade 8
12	90-7521T1	1	SHIELD - upper, drive shaft, Power Shift
13	90-6743T1	1	SHIELD - lower, drive shaft
16	426-516	4	BOLT - hex, 5/16 NC x 1 inch, grade 8
17	495-11034	4	WASHER - flat, 11/32 x 11/16 x 1/16 inch
18	231-1445	4	NUT - hex, self-locking, 5/16 inch NC
19	426-828	2	BOLT - hex, 1/2 NC x 1-3/4 inch, grade 8
21	425-1012	2	NUT - hex, 3/4 inch NC
22	496-31081	2	WASHER - flat, 13/16 x 1-1/2 x 7/32 inch, hardened
23	426-12144	2	BOLT - hex, 3/4 NC x 9 inch, grade 8
24	90-7628T91	1	SHAFT ASSEMBLY - drive, intermediate shaft to rear axle (8C), parts list Figures 6-128 and 6-130
25	90-1902T93	1	SHAFT ASSEMBLY - drive, front axle to transmission, parts list Figure 6-128, Power Shift
25	90-7691T91	1	SHAFT ASSEMBLY - drive, front axle to transmission, parts list Figure 6-130, Synchroshift
26	90-7376T91	1	SHAFT ASSEMBLY - drive, intermdiate transmission to hanger bearing, parts list Figures 6-128 and 6-130

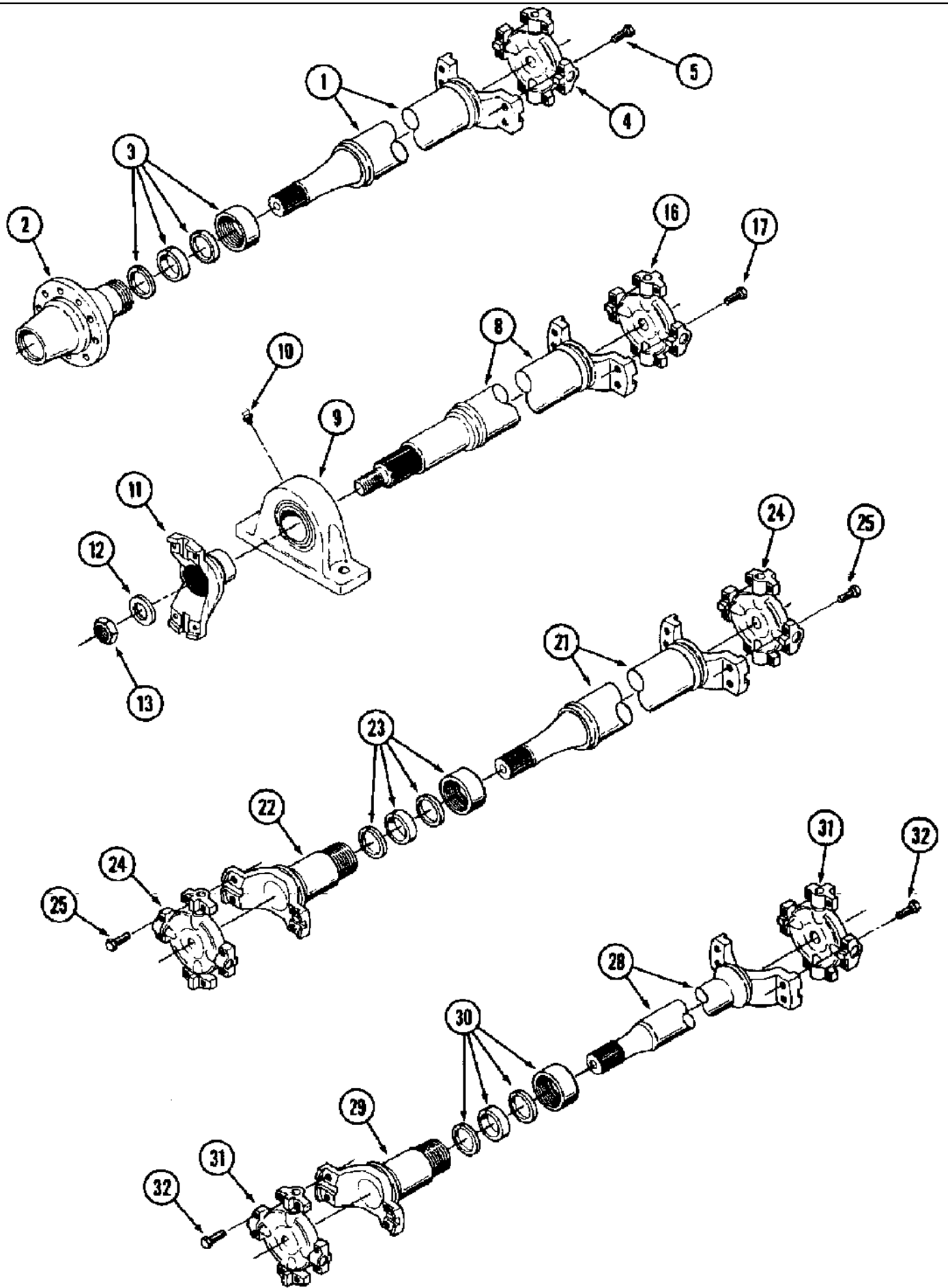


## 6-128 DRIVE SHAFT ASSEMBLIES, POWER SHIFT TRACTOR

сылка	Номер детали	Кол-во	Описание
	90-7510T91	1	SHAFT ASSEMBLY - drive, engine to transmission (8C), Includes: Ref. 1 - 5
1	NSS	1	SHAFT - slip yoke
2	NSS	1	SHAFT - flanged
3	2-3842T1	1	SEAL - shaft retainer
4	1-9994T3	1	SPIDER - shaft, 8C
5	428-832	8	BOLT - hex, 1/2 NF x 2 inch, grade 8
	90-7628T91	1	SHAFT ASSEMBLY - drive, intermediate shaft to rear axle (8C), Includes: Ref. 8 - 17, P/N 90-7628T91 does not include bearing block and grease fitting, Ref. 9 and 10. Order these parts separately.
8	NSS	1	SHAFT - tube
9	90-7378T1	1	BEARING - block, shaft, P/N 90-7628T91 does not include bearing block and grease fitting, Ref. 9 and 10. Order these parts separately.
10	219-1	1	FITTING - grease, straight, 1/8 PT x 21/32 inch, P/N 90-7628T91 does not include bearing block and grease fitting, Ref. 9 and 10. Order these parts separately.
11	90-7379T1	1	YOKE - shaft
12	396-11131	1	WASHER - flat, 1-5/16 x 2-1/2 x 9/64 inch, hardened
13	131-487	1	NUT - heavy hex, self-locking, 1-1/4 - 18 inch
16	1-9994T3	1	SPIDER - shaft, 8C
17	428-832	8	BOLT - hex, 1/2 NF x 2 inch, grade 8
	90-7376T91	1	SHAFT ASSEMBLY - drive, intermediate transmission to hanger bearing, Includes: Ref. 21 - 25
21	NSS	1	SHAFT - slip yoke
22	NSS	1	SHAFT - tube, includes a replaceable 219-1 grease fitting
23	2-3842T1	1	SEAL - shaft retainer
24	1-9994T3	2	SPIDER - shaft, 8C
25	428-832	8	BOLT - hex, 1/2 NF x 2 inch, grade 8
	90-1902T93	1	SHAFT ASSEMBLY - drive, front axle to transmission, Includes: Ref. 28 - 32
28	NSS	1	SHAFT - slip yoke
29	NSS	1	SHAFT - tube, includes a replaceable 219-1 grease fitting
30	2-3842T1	1	SEAL - shaft retainer
31	1-9994T3	2	SPIDER - shaft, 8C
32	428-832	8	BOLT - hex, 1/2 NF x 2 inch, grade 8



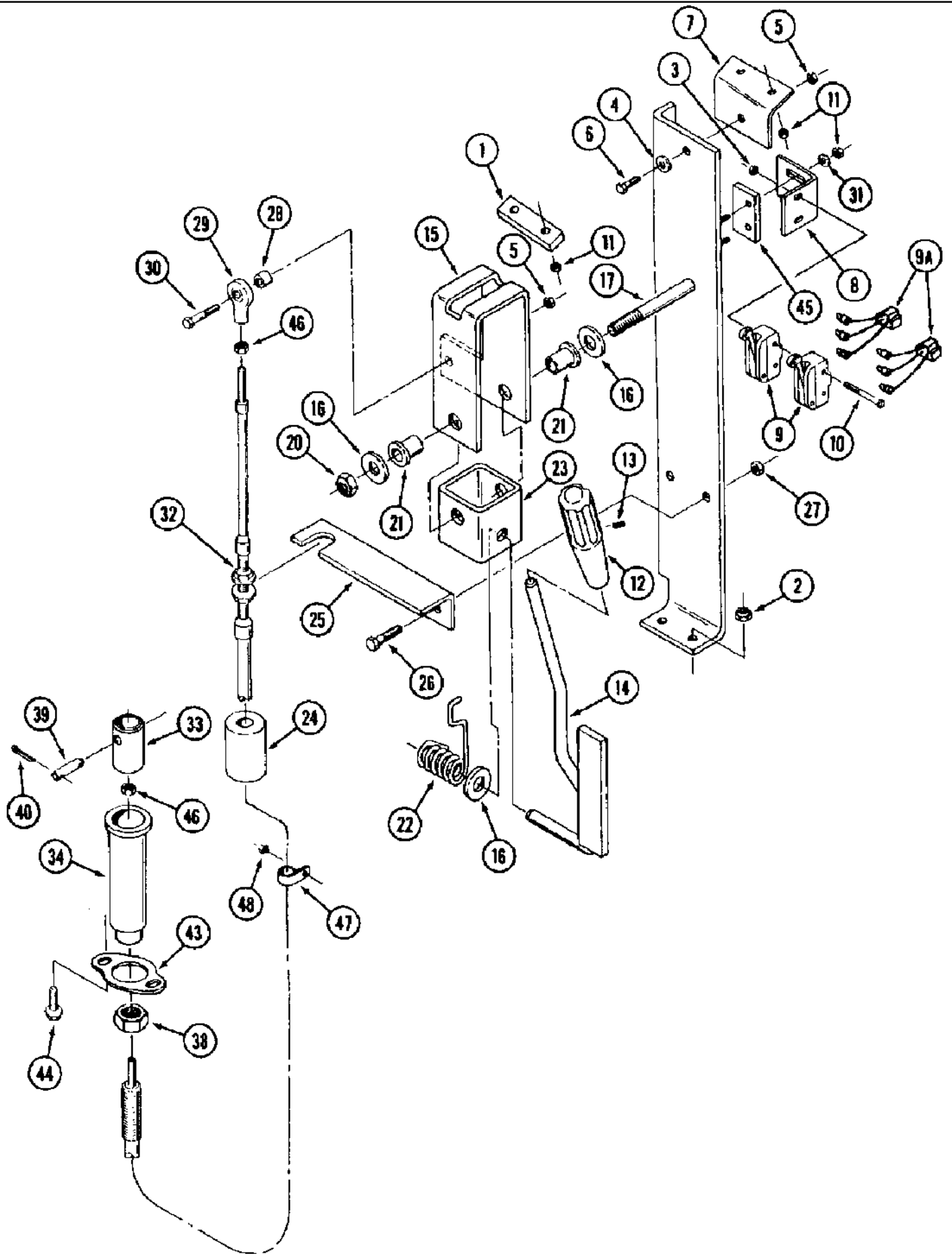
6-130 DRIVE SHAFT ASSEMBLIES, SYNCHROSHIFT TRACTOR



## 6-130 DRIVE SHAFT ASSEMBLIES, SYNCHROSHIFT TRACTOR

сылка	Номер детали	Кол-во	Описание
	90-7690T91	1	SHAFT ASSEMBLY - drive, engine to transmission, Includes: Ref. 1 - 5
1	NSS	1	SHAFT - slip yoke
2	NSS	1	SHAFT - flanged
3	2-3842T1	1	SEAL - shaft retainer
4	1-9994T3	1	SPIDER - shaft, 8C
5	428-832	8	BOLT - hex, 1/2 NF x 2 inch, grade 8
	90-7628T91	1	SHAFT ASSEMBLY - drive, intermediate shaft to rear axle (8C), Includes: Ref. 8 - 17, P/N 90-7628T91 does not include bearing block and grease fitting, Ref. 9 and 10. Order these parts separately.
8	NSS	1	SHAFT - tube
9	90-7378T1	1	BEARING - block, shaft, P/N 90-7628T91 does not include bearing block and grease fitting, Ref. 9 and 10. Order these parts separately.
10	219-1	1	FITTING - grease, straight, 1/8 PT x 21/32 inch, P/N 90-7628T91 does not include bearing block and grease fitting, Ref. 9 and 10. Order these parts separately.
11	90-7379T1	1	YOKE - shaft
12	396-11131	1	WASHER - flat, 1-5/16 x 2-1/2 x 9/64 inch, hardened
13	131-487	1	NUT - heavy hex, self-locking, 1-1/4 - 18 inch
16	1-9994T3	1	SPIDER - shaft, 8C
17	428-832	8	BOLT - hex, 1/2 NF x 2 inch, grade 8
	90-7376T91	1	SHAFT ASSEMBLY - drive, intermdiate transmission to hanger bearing, Includes: Ref. 21 - 25
21	NSS	1	SHAFT - lip yoke
22	NSS	1	SHAFT - tube, includes a replaceable 219-1 grease fitting, not shown
23	2-3842T1	1	SEAL - shaft retainer
24	1-9994T3	2	SPIDER - shaft, 8C
25	428-832	8	BOLT - hex, 1/2 NF x 2 inch, grade 8
	90-7691T91	1	SHAFT ASSEMBLY - drive, front axle to transmission, Includes: Ref. 28 - 32
28	NSS	1	SHAFT - slip yoke
29	NSS	1	SHAFT - tube, includes a replaceable 219-1 grease fitting, not shown
30	2-3842T1	1	SEAL - shaft retainer
31	1-9994T3	2	SPIDER - shaft, 8C
32	428-832	8	BOLT - hex, 1/2 NF x 2 inch, grade 8

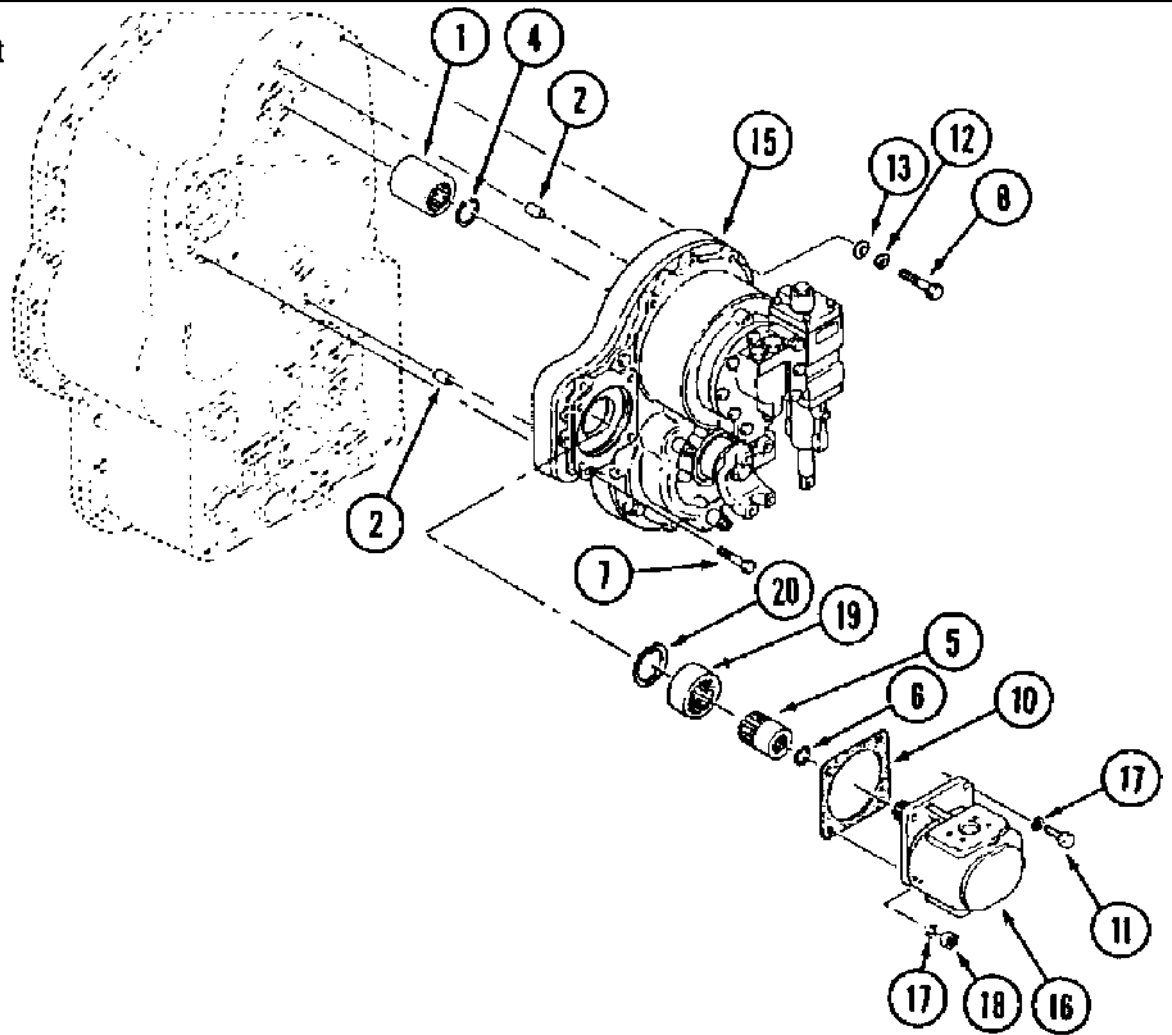
6-132 PTO CONTROLS



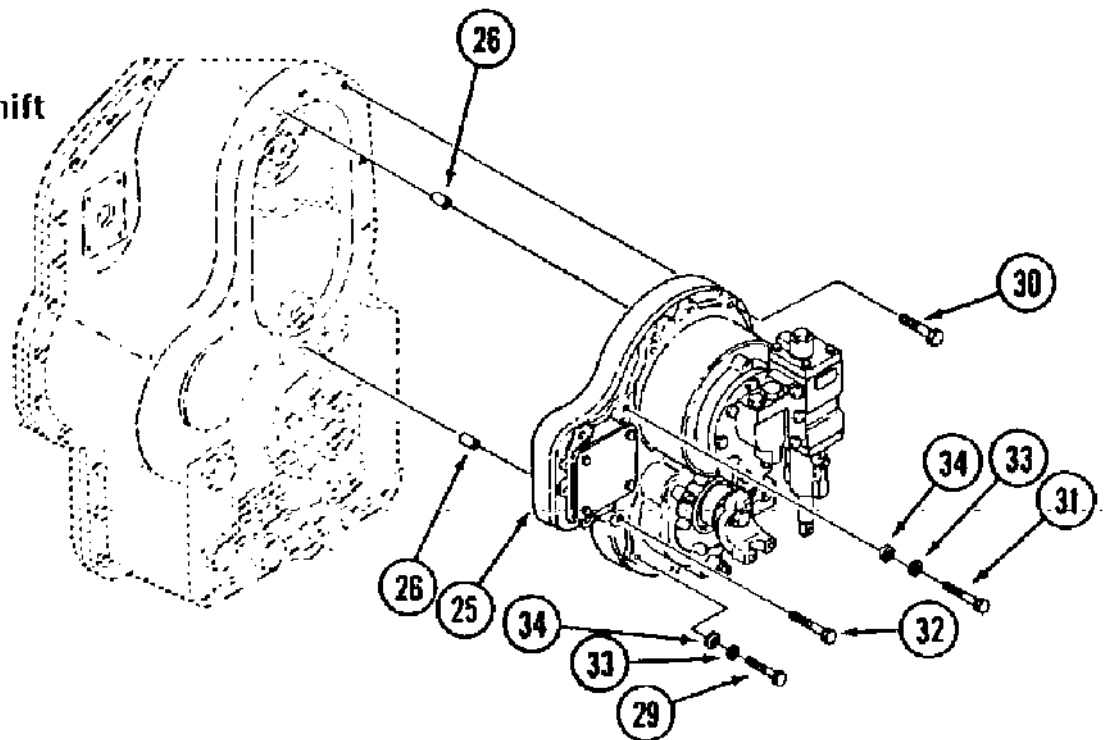
## 6-132 PTO CONTROLS

сылка	Номер детали	Кол-во	Описание
1	60-4269T1	1	STRIP - wear, lever
2	231-1445	2	NUT - hex, self-locking, 5/16 inch NC
3	225-14104	2	NUT, #4-40
4	231-1444	1	NUT, LOCK, 1/4"-20, GB
5	111626C1	2	NUT - hex, self-locking, special, 1/4 inch NC
6	426-412	1	BOLT - hex, 1/4 NC x 3/4 inch, grade 8
7	60-4270T1	1	BRACKET - support, console to mounting bracket
8	60-5608T1	1	BRACKET - micro switch mounting
	20-2340T91	2	SWITCH ASSEMBLY - micro, neutral safety and PTO tachometer, no longer available, order component parts separately, Includes: Ref. 9 and 9A
9	20-2333T1	1	SWITCH - micro
9A	60-2666T1	1	WIRE - switch
10	470-10428	2	SCREW - machine, pan head slotted, No. 4 NC x 1-3/4 inch
11	86632551	6	NUT, LOCK, #10-24, GB
12	60-4272T1	1	KNOB - lever, PTO actuating
13	19-5798	1	SCREW - set, No. 8 NC
14	60-4265T2	1	LEVER - actuating, PTO
15	60-4296T2	1	BRACKET - cable actuating
16	496-21053	3	WASHER - flat, 17/32 x 1-1/16 x 1/8 inch, hardened
17	60-5858T1	1	BRACKET - mounting, PTO controls
20	231-1448	1	NUT - hex, self-locking, 1/2 inch NC
21	90-4367T1	2	BUSHING - pivot
22	60-4294T1	1	SPRING - tension
23	60-4293T1	1	TRUNNION - lever
24	60-6066T1	1	SEAL - foam, cab floor to cable
25	60-5020T1	1	BRACKET - cable mounting
26	426-512	2	BOLT - hex, 5/16 NC x 3/4 inch, grade 8
27	19-5777	2	NUT - hex, special
28	60-5021T1	1	SPACER - rod end
29	A146456	1	JOINT - ball, 1/4 inch NF, cable, PTO
30	426-424	1	BOLT - hex, 1/4 NC x 1-1/2 inch, grade 8
31	495-31022	2	WASHER, #10
32	60-5726T1	1	CABLE - actuating, PTO
33	60-6240T1	1	YOKE - cable
34	90-8047T1	1	GUARD - cable
38	425-1512	1	NUT - hex, jam, 3/4 inch NF
39	19-6041	1	PIN - headless
40	32-212	2	PIN, SPLIT (COTTER), 1/32" x 3/4"
43	90-8048T1	1	RETAINER - cable guard
44	458-412	2	BOLT - hex flange, 1/4 NC x 3/4 inch
45	60-5609T1	1	SPACER - switch mounting
46	425-114	2	NUT, 1/4"-28, G5
47	515-23127	1	CLAMP - P-type, 1/2 inch ID, tube
48	425-105	1	NUT - hex, 5/16 inch NC

**PowerShift**



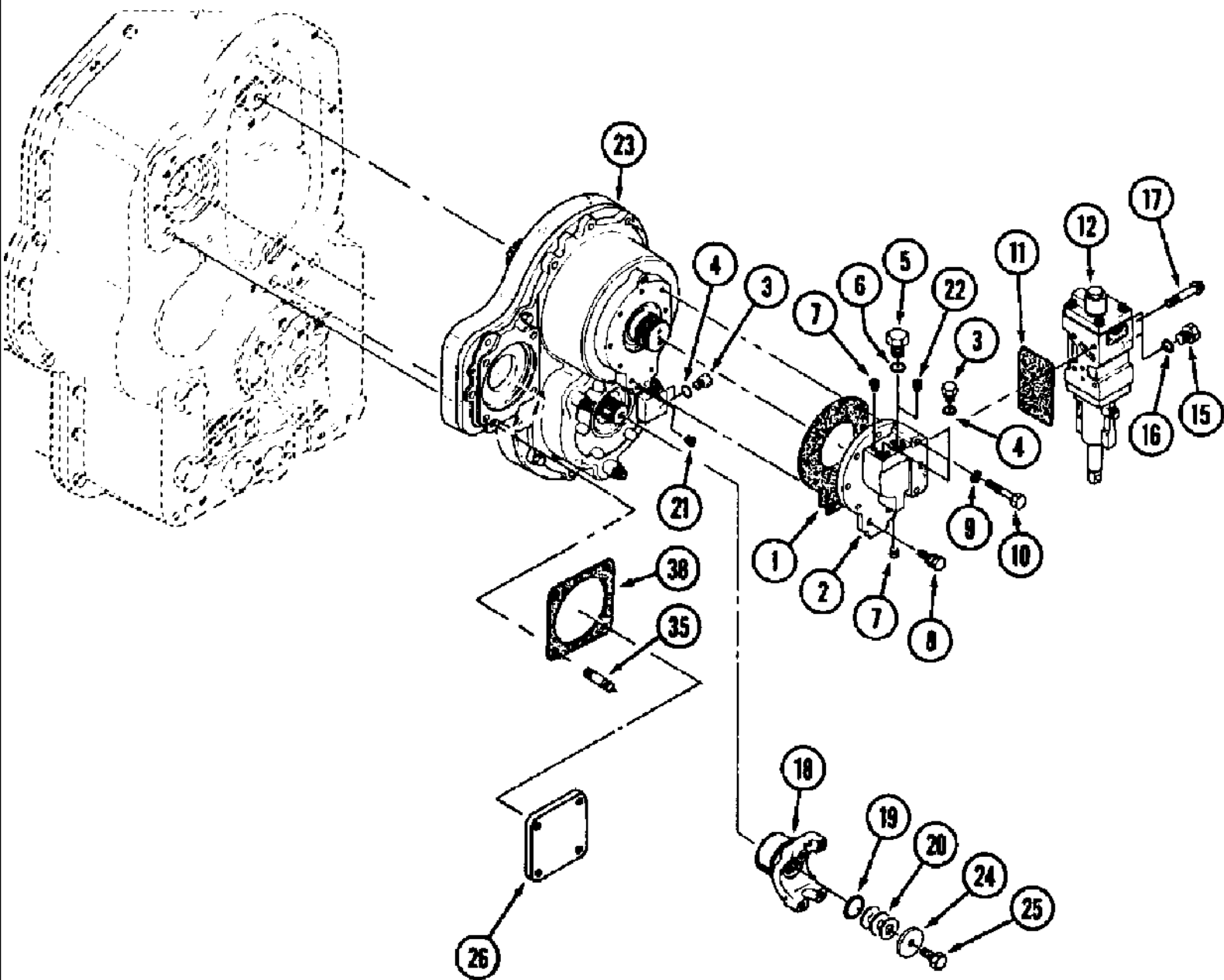
**SynchroShift**



## 6-134 PTO CLUTCH MOUNTING

сылка	Номер детали	Кол-во	Описание
1	90-7517T1	1	SLEEVE - drive coupling
2	33-1467T1	2	PIN - dowel
4	SM922247	1	RING - snap
5	33-1528T1	1	ADAPTER - pump drive, used only when equipped with PTO, See Figure 6-006 for adapter used on models without PTO
6	33-1446T1	1	RING - snap
7	SM8124280	4	BOLT - hex, 12 - 1.25 x 95 mm
8	SM8124290	8	BOLT - hex, 12 - 1.25 x 90 mm
8	SM8124295	2	BOLT - hex, 12 - 1.25 x 95 mm
8	SM8124285	1	BOLT - hex, 12 - 1.25 x 85 mm
10	50-1388T2	1	GASKET - pump
11	SM8124460	2	BOLT - hex, 8 - 1.50 x 60 mm
12	SM8915342	3	WASHER - lock, 12 mm
13	895-11012	3	WASHER - flat, 13.5 x 24 x 2.5 mm
15	90-7045T93	1	CLUTCH ASSEMBLY - PTO, parts list Figures 6-132 - 6-138
16	33-1524T91	1	PUMP ASSEMBLY - transmission lubrication, parts list Figure 6-030
17	892-11014	4	WASHER - lock, 14 mm
18	SM8911244	2	NUT - hex, 14 mm - 1.5
19	33-1452T1	1	COUPLING - pump
20	33-1445T1	1	RING - snap
25	90-7045T93	1	CLUTCH ASSEMBLY - PTO, parts list Figures 6-136 - 6-142, synchroshift tractors
26	33-1467T1	2	PIN - dowel, synchroshift tractors
29	SM8124295	2	BOLT - hex, 12 - 1.25 x 95 mm, synchroshift tractors
30	SM8124290	10	BOLT - hex, 12 - 1.25 x 90 mm, synchroshift tractors
31	SM8124285	1	BOLT - hex, 12 - 1.25 x 85 mm, synchroshift tractors
32	SM8124280	1	BOLT - hex, 12 - 1.25 x 95 mm, synchroshift tractors
33	SM8915342	5	WASHER - lock, 12 mm, synchroshift tractors
34	895-11012	5	WASHER - flat, 13.5 x 24 x 2.5 mm, synchroshift tractors

6-136 PTO CLUTCH ASSEMBLY

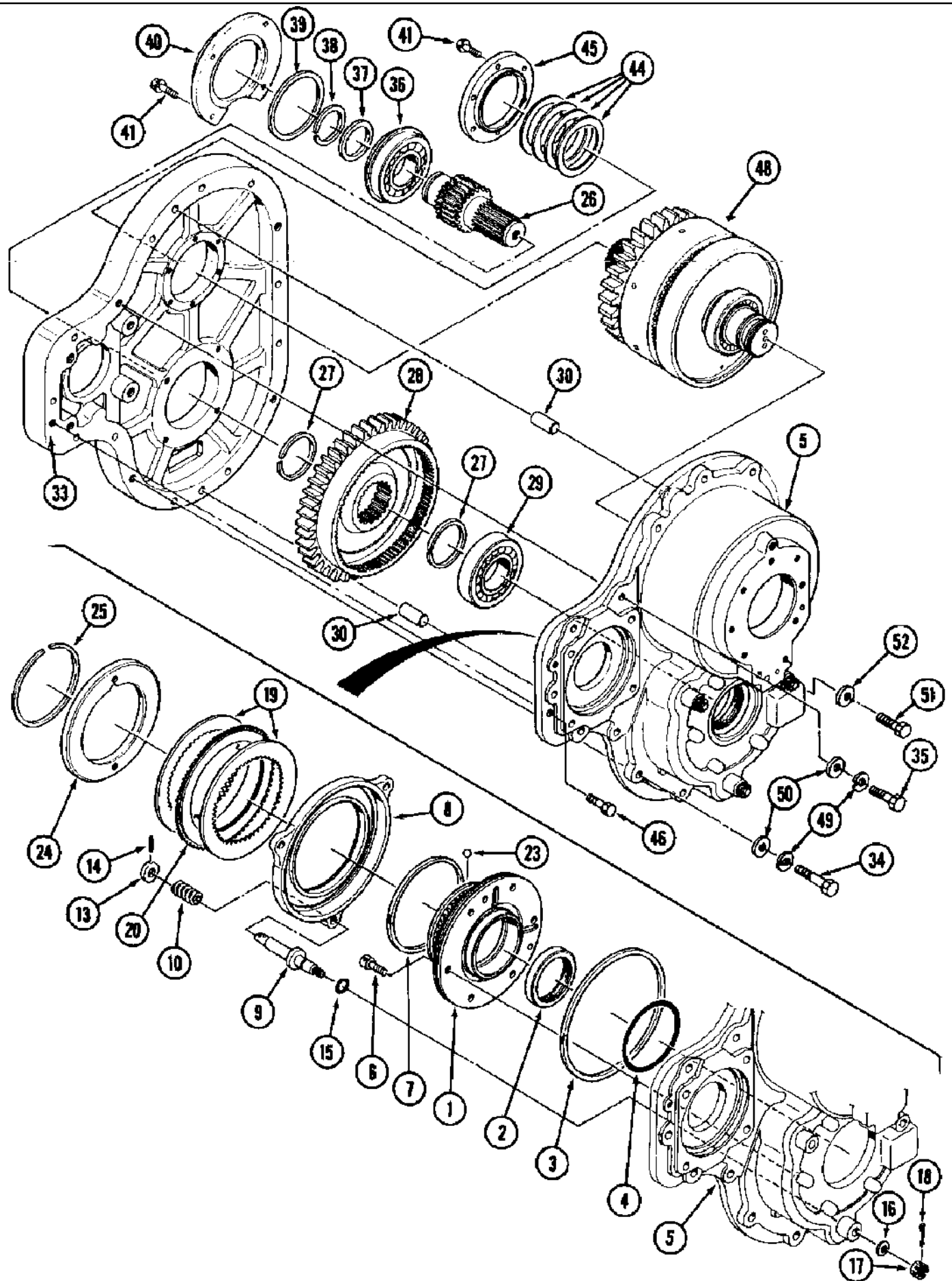


## 6-136 PTO CLUTCH ASSEMBLY

сылка	Номер детали	Кол-во	Описание
	90-7045T93	1	CLUTCH ASSEMBLY - PTO, clutch, Includes: Ref. 1 - 38 and parts listed on Figures 6-136 - 6-142
1	S8540S01F	1	GASKET - servo housing, Part of PTO clutch overhaul kit P/N S9870S01F.
2	S8530S00F	1	HOUSING - PTO servo
3	S1030S00F	3	PLUG - hex, O-ring boss, Includes: Ref. 4
4	S1040S00F	3	O-RING - plug, Part of PTO clutch overhaul kit P/N S9870S01F.
5	S8550S00F	1	PLUG - O-ring boss, Includes: Ref. 6
6	S8560S00F	1	O-RING - plug
7	STX99700F	2	PLUG - orifice
8	SM8124030	6	BOLT - hex, 10 mm - 1.25 x 30 mm
9	892-11010	3	WASHER - lock, 10 mm
10	SM8124080	3	BOLT - hex, 10 mm - 1.25 x 80 mm
11	S9510S01F	1	GASKET - control valve, replaces S9510S00F gasket
12	S9500S00F	1	VALVE ASSEMBLY - PTO control, parts list Figure 6-142
15	S1390S00F	2	PLUG - O-ring boss, Includes: Ref. 16
16	S1320S00F	2	O-RING - plug
17	SM8120880	4	BOLT - hex, 8 mm - 1.25 x 80 mm
18	90-7005T1	1	YOKE - PTO output, Includes: Ref. 19
19	S8950S00F	1	O-RING - yoke seal
20	S9950S00F		UAR SHIM - 0.1 mm thick, yoke
20	S9960S00F		UAR SHIM - 0.3 mm thick, yoke
20	S9970S00F		UAR SHIM - 0.51 mm thick, yoke
20	S9980S00F		UAR SHIM - 0.71 mm thick, yoke
21	S8930S00F	1	PLUG - orifice
22	S8920S00F	1	PLUG - orifice
23	REF	1	HOUSING - PTO clutch, parts list Figure 6-138
24	S8860S00F	1	WASHER - flat
25	514-1021	1	Bolt, Hex, M16 x 1.5 x 35, 10.9, Full Thd, Replaces SM8134635 bolt
26	90-7519T1	1	COVER - lubrication pump
35	SM8267455	2	STUD - 14 - 1.5 x 55 mm
38	50-1388T2	1	GASKET - pump
	S9870S01F	1	KIT - overhaul, PTO clutch, Includes: Ref. 1, 4, 6, 11, 19 and 38, and parts on Figures 6-136 - 6-142



6-138 PTO CLUTCH ASSEMBLY



## 9380 CASE IH 4WD TRACTOR (6/95-8/00)

## 6-138 PTO CLUTCH ASSEMBLY

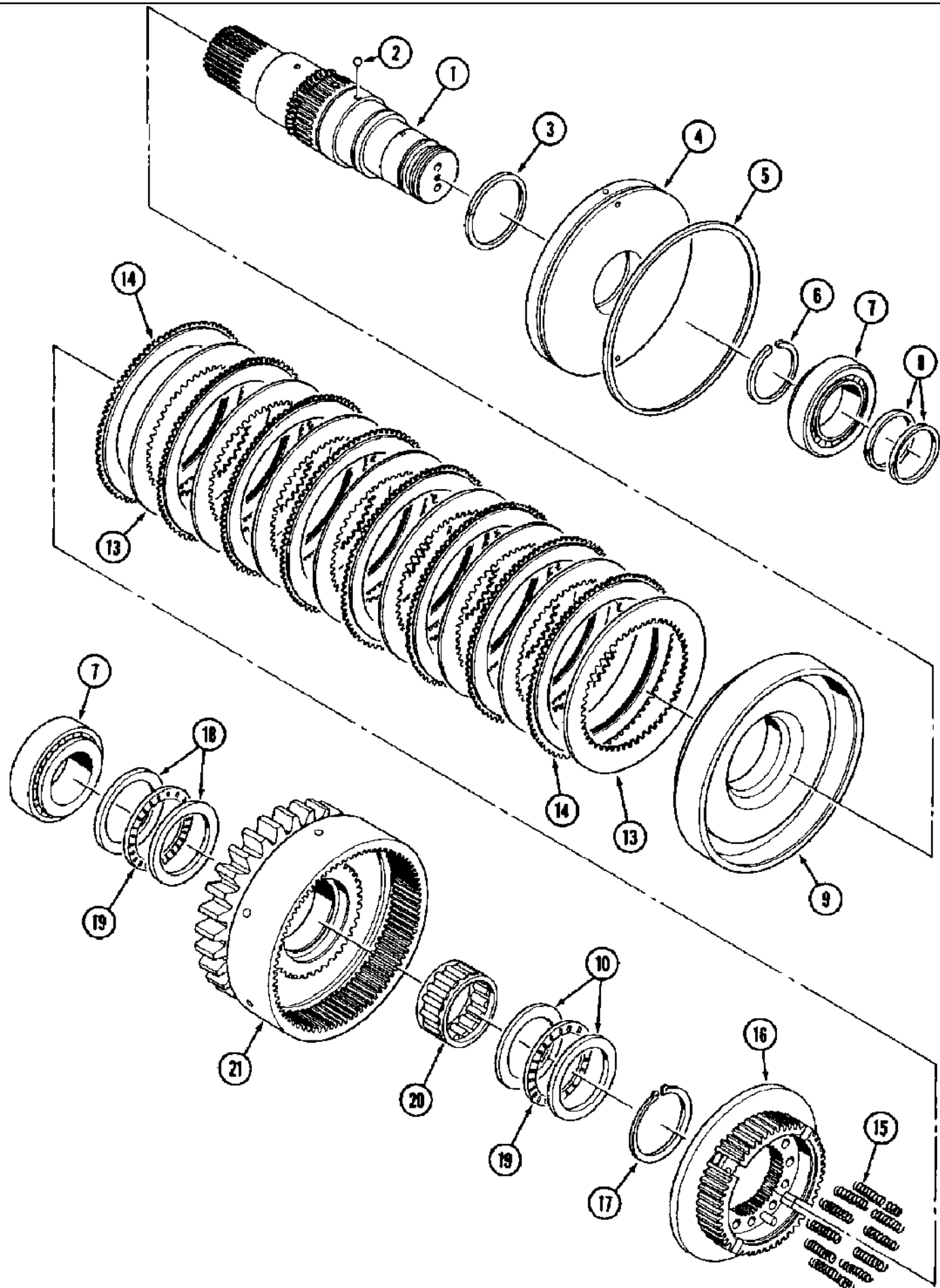
сылка	Номер детали	Кол-во	Описание
	90-7045T93	1	CLUTCH ASSEMBLY - PTO, clutch, Includes: Ref. 1 - 52 and parts listed on Figures 6-136 - 6-142
1	S8740S00F	1	HUB - clutch brake
2	S8820S00F	1	SEAL - oil
3	S2630S00F	1	RING - sealing
4	S8850S00F	1	O-RING - hub seal
5	S8520S02F	1	HOUSING - PTO
6	S8840S00F	6	BOLT - socket head, special
7	S8960S00F	1	RING - sealing
8	S8750S00F	1	PISTON - brake
9	S8890S00F	3	PIN - guide
10	S8910S00F	3	SPRING - compression
13	S9900S00F	3	WASHER - spring retaining
14	S9890S00F	3	PIN - roll
15	S8900S00F	3	O-RING - seal
17	SM8911040	3	NUT - slotted, 10 mm - 1.5
18	SM9212221	3	PIN - cotter
19	S2080S00F	2	PLATE - steel, 2.4 mm thick
20	33-1518T2	1	PLATE - friction
23	SM3272036	1	BALL - steel
24	S8760S00F	1	PLATE - reaction
25	S8770S00F	1	RING - retaining
26	S8790S00F	1	SHAFT - output
27	S2240S00F	2	RING - retaining
28	S8780S00F	1	GEAR - driven
29	ST293	1	BEARING - ball
30	33-1467T1	2	PIN - dowel
33	S8510S03F	1	COVER - PTO
34	SM8124280	3	BOLT - hex, 12 - 1.25 x 95 mm
35	SM8124285	1	BOLT - hex, 12 - 1.25 x 85 mm
36	S8810S00F	1	BEARING - ball
37	S8970S00F	1	WASHER - bearing spacer
38	S8980S00F	1	RING - retaining
39	S9990S00F	1	SHIM - bearing retainer
40	S8990S00F	1	RETAINER - bearing
41	SM8120830	10	BOLT - hex, 8 - 1.25 x 30 mm
44	S9910S00F		UAR SHIM - 0.1 mm thick, clutch pack
44	S9920S00F		UAR SHIM - 0.3 mm thick, clutch pack
44	S9930S00F		UAR SHIM - 0.5 mm thick, clutch pack
44	S9940S00F		UAR SHIM - 0.7 mm thick, clutch pack
45	S8570S00F	1	RETAINER - shaft
46	SM8124230	1	BOLT - hex, 12 - 1.25 x 30 mm
48	S8590S00A	1	PACK ASSEMBLY - clutch, PTO, replaced by S8590S01A pack, parts list Figure 6-140
48	S8590S01A	1	PACK ASSEMBLY - clutch, PTO, replaces S8590S00A pack, parts list Figure 6-140
49	SM8915342	5	WASHER - lock, 12 mm
50	895-11012	5	WASHER - flat, 13.5 x 24 x 2.5 mm

## 9380 CASE IH 4WD TRACTOR (6/95-8/00)

## 6-138 PTO CLUTCH ASSEMBLY

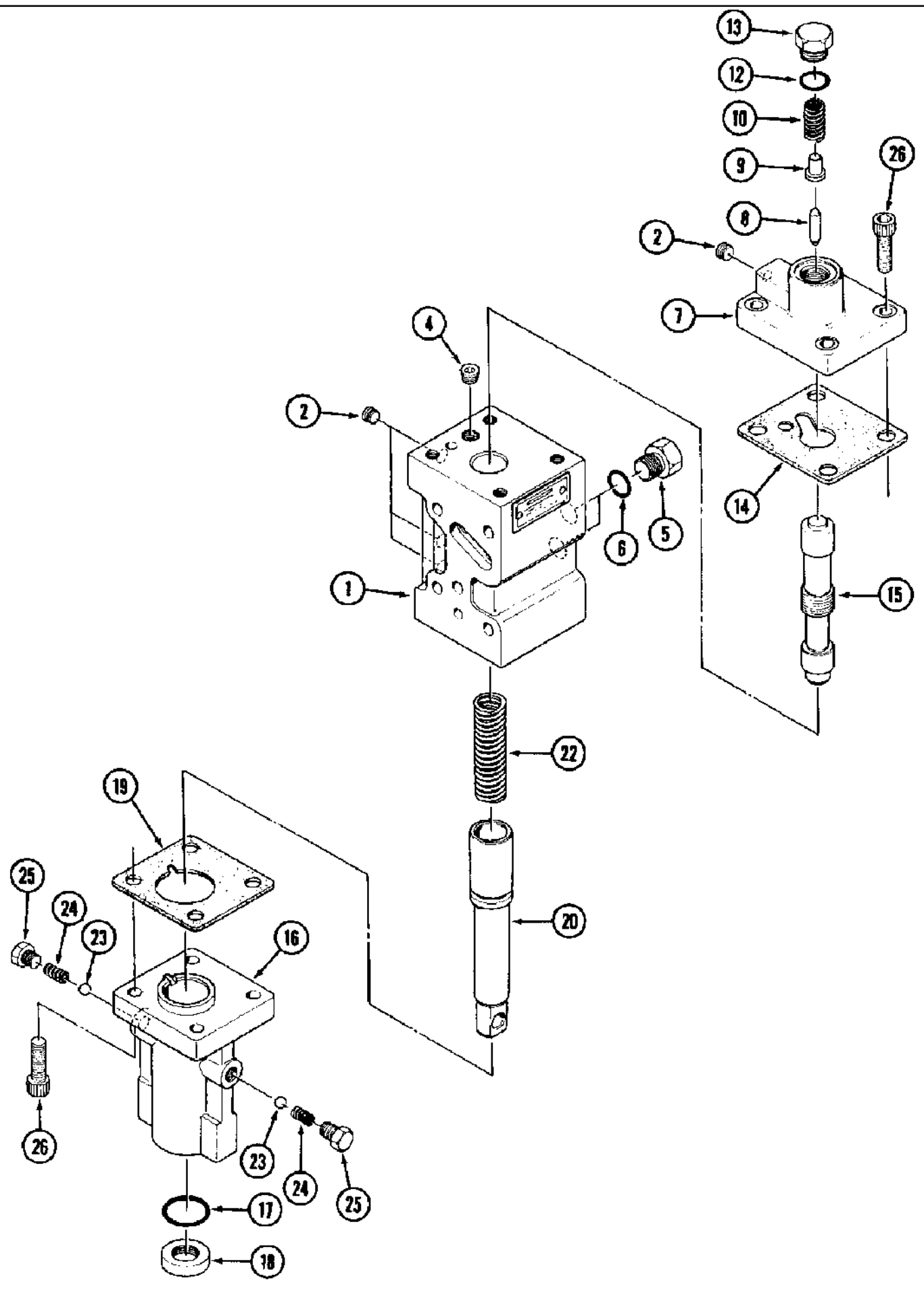
сылка	Номер детали	Кол-во	Описание
51	SM8124290	10	BOLT - hex, 12 - 1.25 x 90 mm
52	895-11012	10	WASHER - flat, 13.5 x 24 x 2.5 mm
	S9870S01F	1	KIT - overhaul, PTO clutch, Includes: Ref. 2, 3, 4, 7 and 15, and parts on Figures 6-136 - 6-142
16	895-11010	3	WASHER - flat, 11 x 20 x 2 mm

6-140 PTO CLUTCH ASSEMBLY, CLUTCH PACK ASSEMBLY



## 6-140 PTO CLUTCH ASSEMBLY, CLUTCH PACK ASSEMBLY

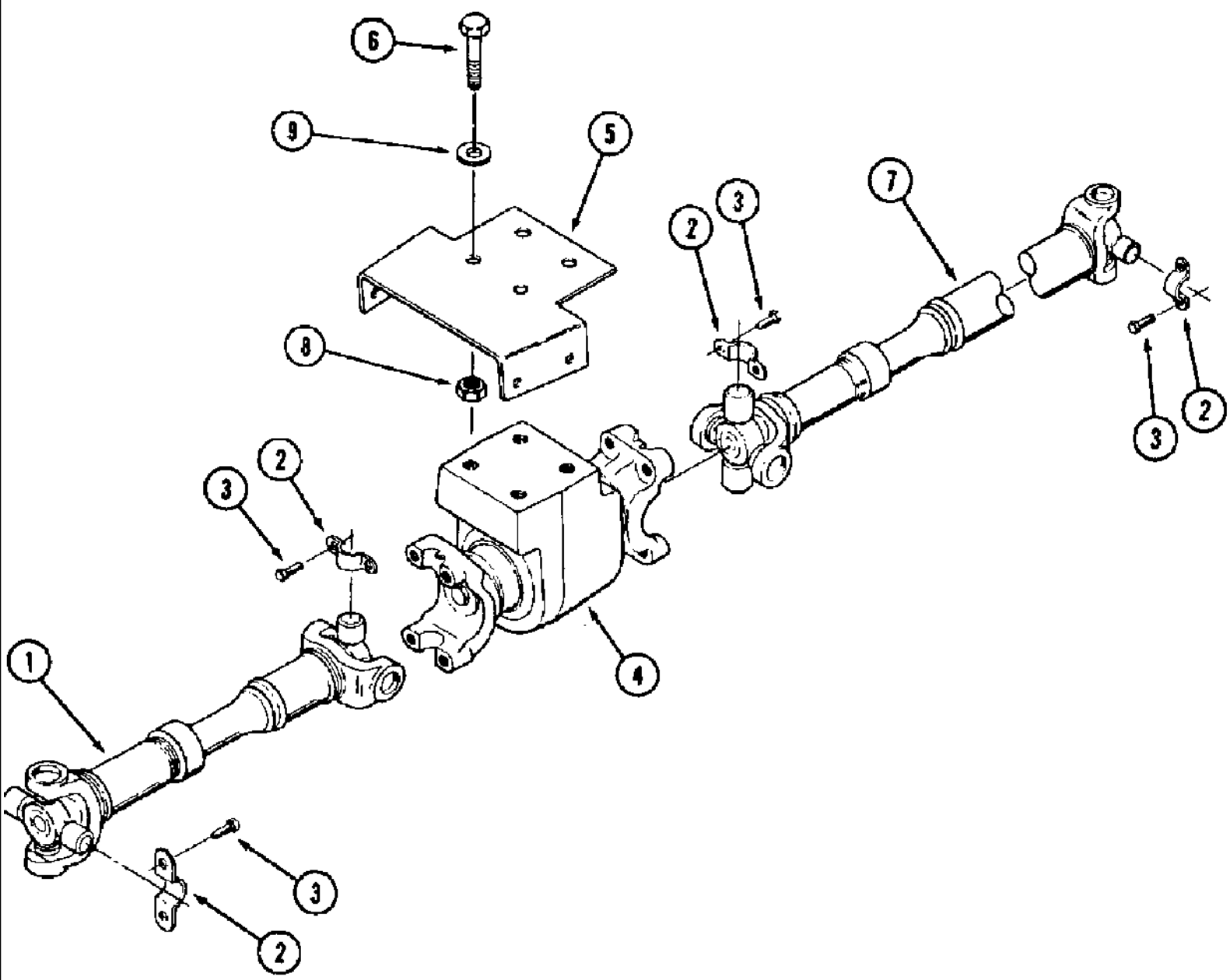
сылка	Номер детали	Кол-во	Описание
	90-7045T93	1	CLUTCH ASSEMBLY - PTO, Includes: Ref. 1 - 21 and parts listed on Figures 6-136 - 6-142
	S8590S00A	1	PACK ASSEMBLY - clutch, PTO, replaced by S8590S01A pack, Includes: Ref. 1 - 21
	S8590S01A	1	PACK ASSEMBLY - clutch, PTO, replaces S8590S00A pack, Includes: Ref. 1 - 21
1	S8610S01A	1	SHAFT - input, PTO, replaces S8610S00A shaft
2	SM3272036	1	BALL - steel
3	S2610S00F	1	RING - piston
4	S9190S00F	1	PLATE - reaction
5	S2630S00F	1	RING - sealing
6	S2240S00F	1	RING - retaining
7	S8730S00F	2	BEARING - roller
8	S3070S00F	2	RING - sealing, Part of PTO clutch overhaul kit P/N S9870S01F.
9	33-1526T1	1	PISTON - clutch
10	S2220S00F	2	WASHER - thrust, 2.4 mm
13	S2090S00F	8	PLATE - steel, 2.1 mm thick
14	33-1518T2	8	PLATE - friction
15	S8690S00F	12	SPRING - compression
16	S9850S00A	1	HUB - clutch
17	S2100S00F	1	RING - snap
18	H144527	2	WASHER - thrust, bearing, 3.2 mm, replaces S2200S00F washer
19	572182R1	2	BEARING - needle, thrust, replaces S2230S00F bearing
20	S2030S00F	1	BEARING - roller
21	S8700S00A	1	GEAR - drive
	S9870S01F	1	KIT - overhaul, PTO clutch, Includes: Ref. 3, 5 and 8, and parts on Figures 6-136 - 6-142



## 6-142 PTO CLUTCH ASSEMBLY, CONTROL VALVE ASSEMBLY (CONT'D)

сылка	Номер детали	Кол-во	Описание
	90-7045T93	1	CLUTCH ASSEMBLY - PTO, Includes: Ref. 1 - 26 and parts listed on Figures 6-136 - 6-142
	S9500S00F	1	VALVE ASSEMBLY - PTO control, Includes: Ref. 1 - 26
1	S9580S00F	1	BODY - modulator
2	S9720S00F	4	PLUG - pipe
4	S9730S00F	1	PLUG - orifice
5	S1390S00F	2	PLUG - O-ring boss
6	S1320S00F	2	O-RING - plug
7	S9610S00F	1	COVER - valve
8	S9620S00F	1	SPOOL - reducing, valve
9	S9640S00F	1	PIN - centering
10	S9650S00F	1	SPRING - compression
12	S9660S00F	1	O-RING - plug
13	S9670S00F	1	PLUG - O-ring boss
14	S9600S00F	1	GASKET - cover, Part of PTO clutch overhaul kit P/N S9870S01F.
15	S9590S00F	1	SPOOL - modulator
16	S9550S00F	1	COVER - control stem
17	S9540S00F	1	O-RING - seal
18	S9530S00F	1	SEAL - control stem
19	S9570S00F	1	GASKET - stem cover, Part of PTO clutch overhaul kit P/N S9870S01F.
20	S9520S00F	1	STEM - control
22	S9560S00F	1	SPRING - compression
23	S9690S00F	2	BALL - steel
24	S9700S00F	2	SPRING - compression
25	S9710S00F	2	PLUG - hex
26	S9680S00F	8	BOLT - hex
	S9870S01F	1	KIT - overhaul, PTO clutch, Includes: Ref. 14 and 19, and parts on Figures 6-136 - 6-142

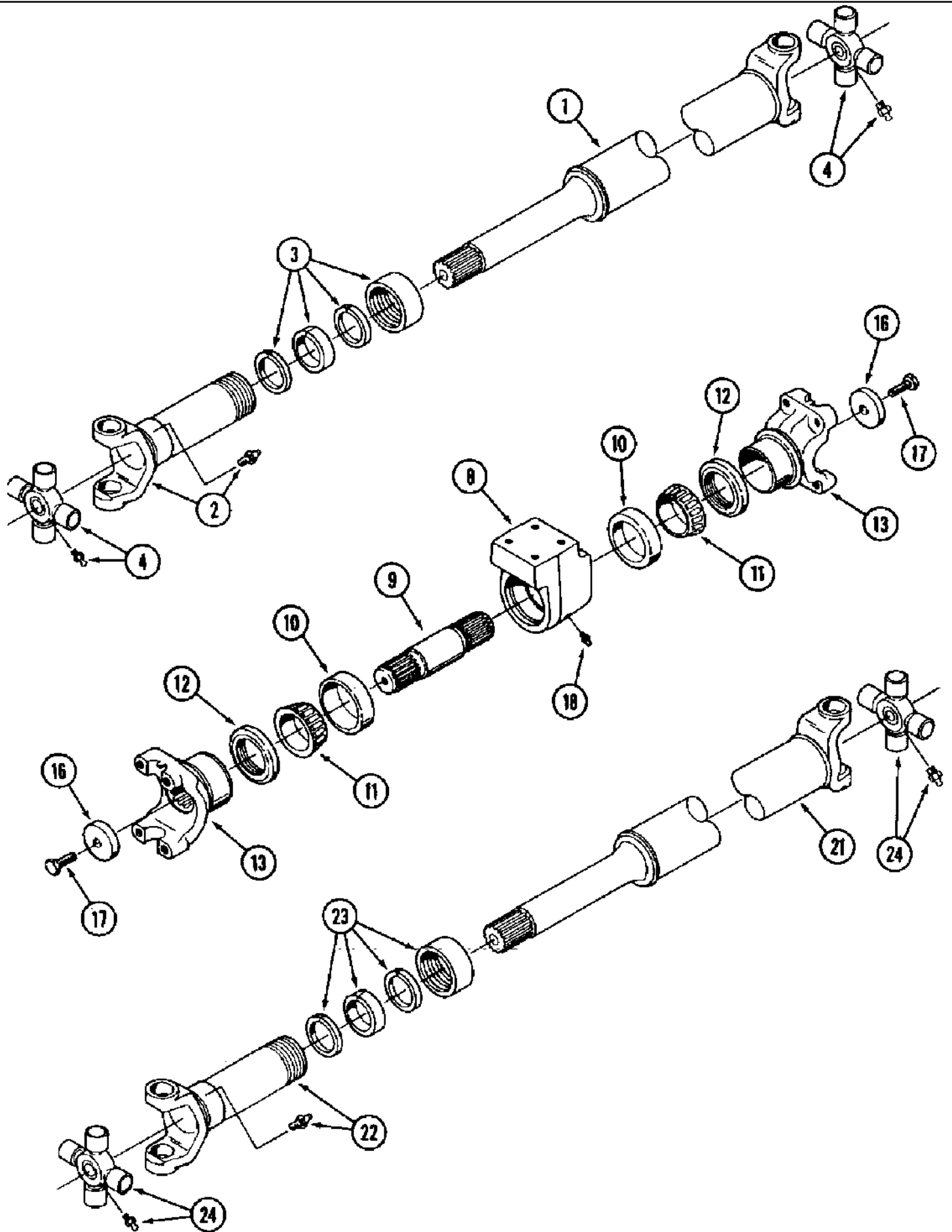
6-144 PTO DRIVE SHAFT MOUNTING





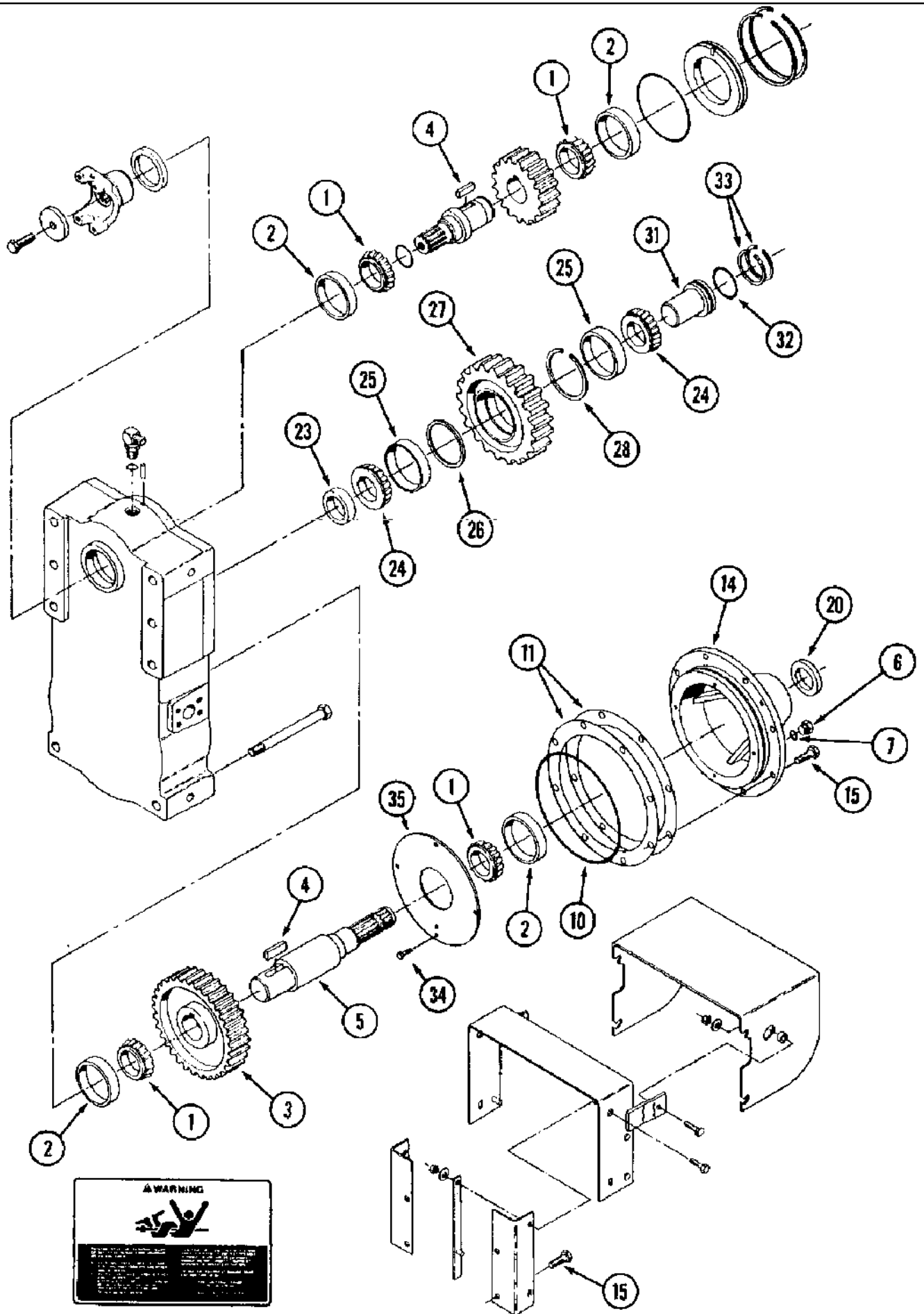
## 6-144 PTO DRIVE SHAFT MOUNTING

сылка	Номер детали	Кол-во	Описание
1	90-7008T91	1	SHAFT ASSEMBLY - drive, PTO, parts list Figure 6-146
2	L116943	8	RETAINER - drive shaft
3	L116940	16	BOLT - 12-point, 3/8 NF x 3/4 inch, grade 8
4	90-7037T91	1	HANGER ASSEMBLY - drive shaft bearing, parts list Figure 6-146
5	50-3429T1	1	BRACKET - mounting, bearing
6	426-1048	4	BOLT - hex, 5/8 NC x 3 inch, grade 8
7	90-7383T91	1	SHAFT ASSEMBLY - drive, PTO rear, parts list Figure 6-146
8	425-1010	4	NUT, 5/8"-11, G5, Bracket mounting without PTO
9	496-21066	4	WASHER - flat, 21/32 x 1-5/16 x 5/32 inch, hardened



## 6-146 PTO DRIVE SHAFT ASSEMBLIES

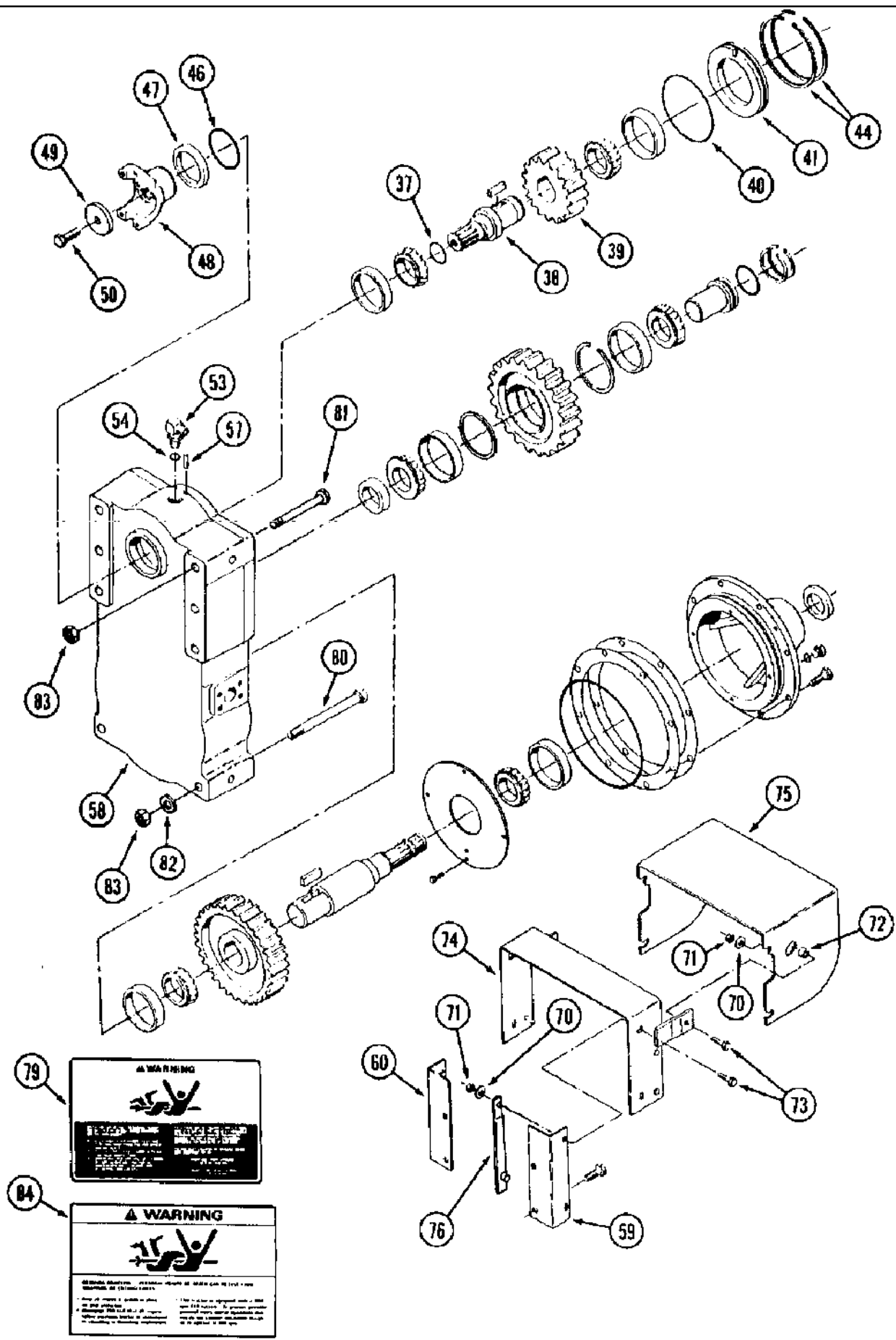
сылка	Номер детали	Кол-во	Описание
	90-7008T91	1	SHAFT ASSEMBLY - drive, PTO, Includes: Ref. 1 - 5
1	NSS	1	SHAFT - slip yoke
2	NSS	1	SHAFT - flanged, includes a replaceable 219-1 grease fitting
3	33-1001T1	1	SEAL - shaft retainer
4	S300313	2	SPIDER - shaft
5	S92378	4	RING - snap, not shown, only 2 required in this application
	90-7037T91	1	HANGER ASSEMBLY - drive shaft bearing, Includes: Ref. 8 - 18
8	90-6446T1	1	HOUSING - hanger bearing
9	90-1930T1	1	SHAFT - drive, center
10	22396V	2	CUP - tapered roller bearing
11	25695HO	2	CONE - tapered roller bearing
12	90-1934T2	2	SEAL - grease
13	90-7006T1	2	YOKE - shaft
16	19-5864	2	WASHER - flat, 5/8 x 2-3/4 x 1/2 inch
17	426-1024	2	BOLT - hex, 5/8 NC x 1-1/2 inch, grade 8
18	219-1	1	FITTING - grease, straight, 1/8 PT x 21/32 inch
	90-7383T91	1	SHAFT ASSEMBLY - drive, PTO rear, Includes: Ref. 21 - 25
21	NSS	1	SHAFT - slip yoke
22	NSS	1	SHAFT - flanged, includes a replaceable 219-1 grease fitting
23	33-1001T1	1	SEAL - shaft retainer
24	S300313	2	SPIDER - shaft
25	S92378	4	RING - snap, not shown, only 2 required in this application



## 9380 CASE IH 4WD TRACTOR (6/95-8/00)

## 6-148 PTO TRANSFER CASE ASSEMBLY

сылка	Номер детали	Кол-во	Описание
	90-7039T92	1	CASE ASSEMBLY - transfer, PTO, Includes: Ref. 1 - 35 and 37 - 60 on Figure 6-150
1	L33289	4	CONE - tapered roller bearing, 2-1/4 inch ID
2	90-1996T1	4	CUP - tapered roller bearing, replaces 105497H cup
3	90-4402T1	1	GEAR - output, 54 teeth
4	90-1173T1	2	KEY - shaft
5	90-4401T1	1	SHAFT - output
6	214389	1	PLUG, Hex Hd, 3/4"-16 ORB, Includes Ref. 7
7	237-6008	1	O-Ring, 8-1, 90 Duro, .644" ID x .087" Thk
10	1-2270	1	O-RING - end cap, 9-1/4 x 9-1/2 inch
11	90-4410T1		UAR SHIM - end cap, 0.005 inch thick
11	90-4411T1		UAR SHIM - end cap, 0.007 inch thick
11	90-4412T1		UAR SHIM - end cap, 0.02 inch thick
14	90-4420T2	1	CAP - end, PTO output
15	426-824	8	BOLT - hex, 1/2 NC x 1-1/2 inch, grade 8
20	90-1995T1	1	SEAL - oil
23	90-4425T2	1	BUSHING - spacer, center shaft
24	90-3580T1	2	CONE - tapered roller bearing
25	90-3581T1	2	CUP - tapered roller bearing
26	90-3577T1	1	SPACER - gear, center shaft
27	90-4403T1	1	GEAR - center, 49 teeth
28	19-6058	1	RING - snap
31	90-4418T1	1	PIN - center shaft
32	90-4424T1	1	O-RING - seal, 2-3/8 x 2-5/8 inch
33	90-5750T1		UAR RING - snap, 0.065 inch thick, When using snap ring Ref. 33, quantity 2 is required. Use the thickness needed.
33	90-5749T1		UAR RING - snap, 0.069 inch thick, When using snap ring Ref. 33, quantity 2 is required. Use the thickness needed.
33	90-5748T1		UAR RING - snap, 0.073 inch thick, When using snap ring Ref. 33, quantity 2 is required. Use the thickness needed.
33	90-5747T1		UAR RING - snap, 0.077 inch thick, When using snap ring Ref. 33, quantity 2 is required. Use the thickness needed.
33	90-5746T1		UAR RING - snap, 0.081 inch thick, When using snap ring Ref. 33, quantity 2 is required. Use the thickness needed.
33	90-5745T1		UAR RING - snap, 0.085 inch thick, When using snap ring Ref. 33, quantity 2 is required. Use the thickness needed.
33	90-5744T1		UAR RING - snap, 0.089 inch thick, When using snap ring Ref. 33, quantity 2 is required. Use the thickness needed.
33	90-5743T1		UAR RING - snap, 0.093 inch thick, When using snap ring Ref. 33, quantity 2 is required. Use the thickness needed.
34	426-58	4	BOLT - hex, 5/16 NC x 1/2 inch, grade 8
35	90-4409T2	1	BAFFLE - oil

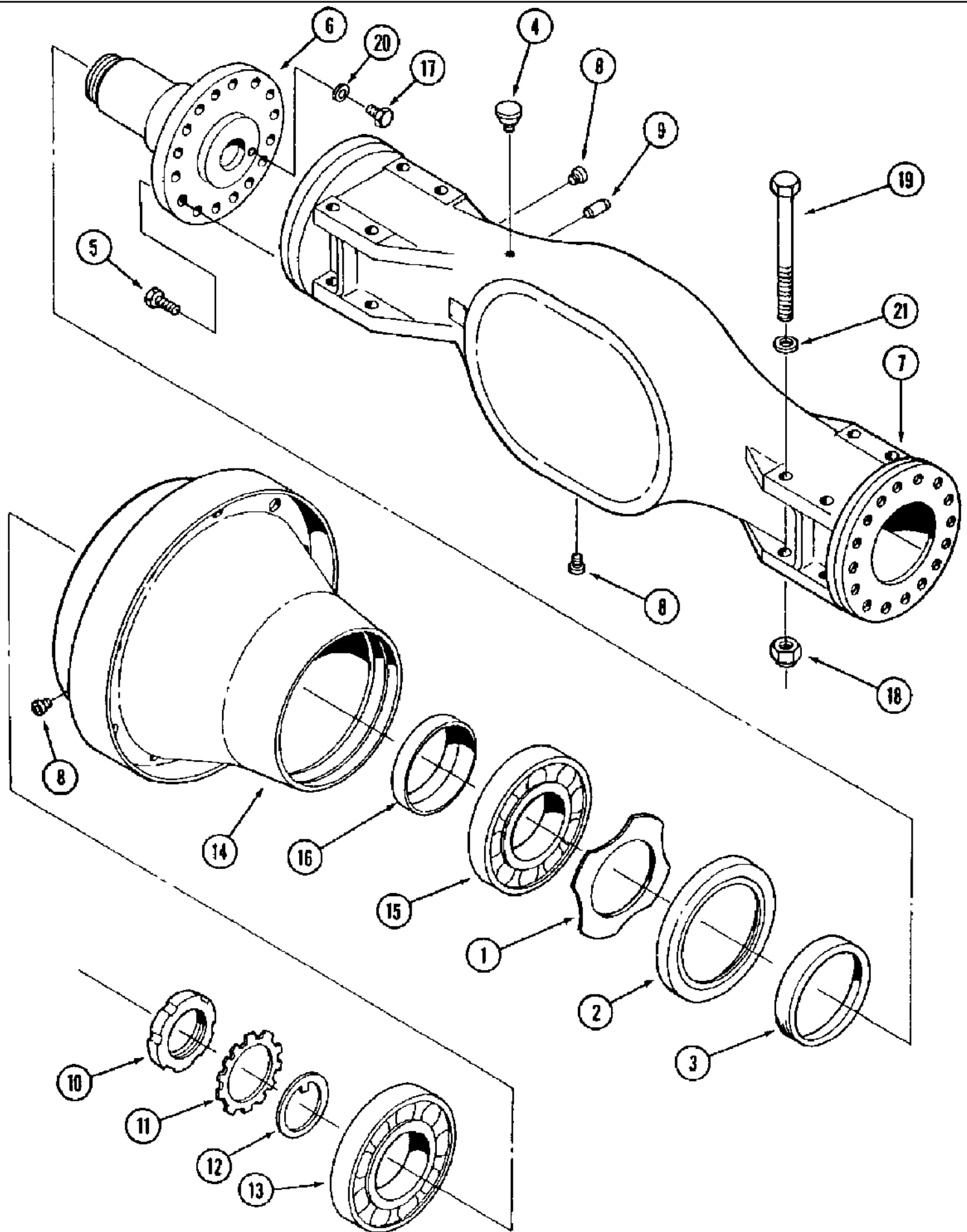


## 9380 CASE IH 4WD TRACTOR (6/95-8/00)

## 6-150 PTO TRANSFER CASE ASSEMBLY (CONT'D)

сылка	Номер детали	Кол-во	Описание
	90-7039T92	1	CASE ASSEMBLY - transfer, PTO, Includes: Ref. 37 - 60 and 1 - 35 on Figure 6-148
37	238-5132	1	O-RING - 1-3/4 ID x 3/32 inch wide, yoke
38	90-1991T1	1	SHAFT - input
39	90-4404T1	1	GEAR - input, 32 teeth
40	90-4423T1	1	O-RING - cap
41	90-4422T1	1	CAP - end, input shaft
44	90-5755T1		UAR RING - snap, 0.105 inch thick, When using snap ring Ref. 44, quantity 2 is required. Use the thickness needed.
44	90-5754T1		UAR RING - snap, 0.110 inch thick, When using snap ring Ref. 44, quantity 2 is required. Use the thickness needed.
44	90-5753T1		UAR RING - snap, 0.115 inch thick, When using snap ring Ref. 44, quantity 2 is required. Use the thickness needed.
44	90-5752T1		UAR RING - snap, 0.120 inch thick, When using snap ring Ref. 44, quantity 2 is required. Use the thickness needed.
44	90-5751T1		UAR RING - snap, 0.125 inch thick, When using snap ring Ref. 44, quantity 2 is required. Use the thickness needed.
46	238-5132	1	O-RING - 1-3/4 ID x 3/32 inch wide
47	90-1994T1	1	SEAL - oil
48	90-7007T1	1	YOKE - input, PTO
49	19-5776	1	WASHER - flat
50	426-1024	1	BOLT - hex, 5/8 NC x 1-1/2 inch, grade 8
53	218-5106	1	ELBOW - 90 degree, 3/4-16 inch flare x adj O-ring boss, Includes: Ref. 54
54	237-6008	1	O-Ring, 8-1, 90 Duro, .644" ID x .087" Thk
57	37-1420	1	PIN - dowel, 1/4 x 1-1/4 inch, hardened, replaces 37-1420 pin
58	90-4417T3	1	HOUSING - transfer case, PTO
59	90-5870T1	1	MOUNT - shield, left-hand
60	90-5869T1	1	MOUNT - shield, right-hand
70	495-11041	4	WASHER - flat, 13/32 x 13/16 x 1/16 inch
71	231-1446	4	NUT, LOCK, 3/8"-16, GB
72	19-6013	4	SPACER - pivot
73	426-620	4	BOLT - hex, 3/8 NC x 1-1/4 inch, grade 8
74	90-5868T1	1	BRACKET - mounting, shield
75	90-3484T1	1	SHIELD - PTO
76	90-5866T1	2	RETAINER - bracket
79	2-7125T1	1	DECAL - Warning, rotating driveline, replaced by 2-7125T2 Decal, Ref. 84
80	426-12112	2	BOLT - hex, 3/4 NC x 7 inch, grade 8, with three point hitch
81	426-12144	6	BOLT - hex, 3/4 NC x 9 inch, grade 8, with three point hitch
81	413-12128	6	BOLT - hex, 3/4 NC x 8 inch, without three point hitch
82	496-11081		UAR WASHER - flat, 13/16 x 1-1/2 x 9/64 inch, hardened
83	425-1012	6	NUT - hex, 3/4 inch NC
84	2-7125T2	1	DECAL - Warning, rotating driveline, replaces 2-7125T1 decal, Ref. 79

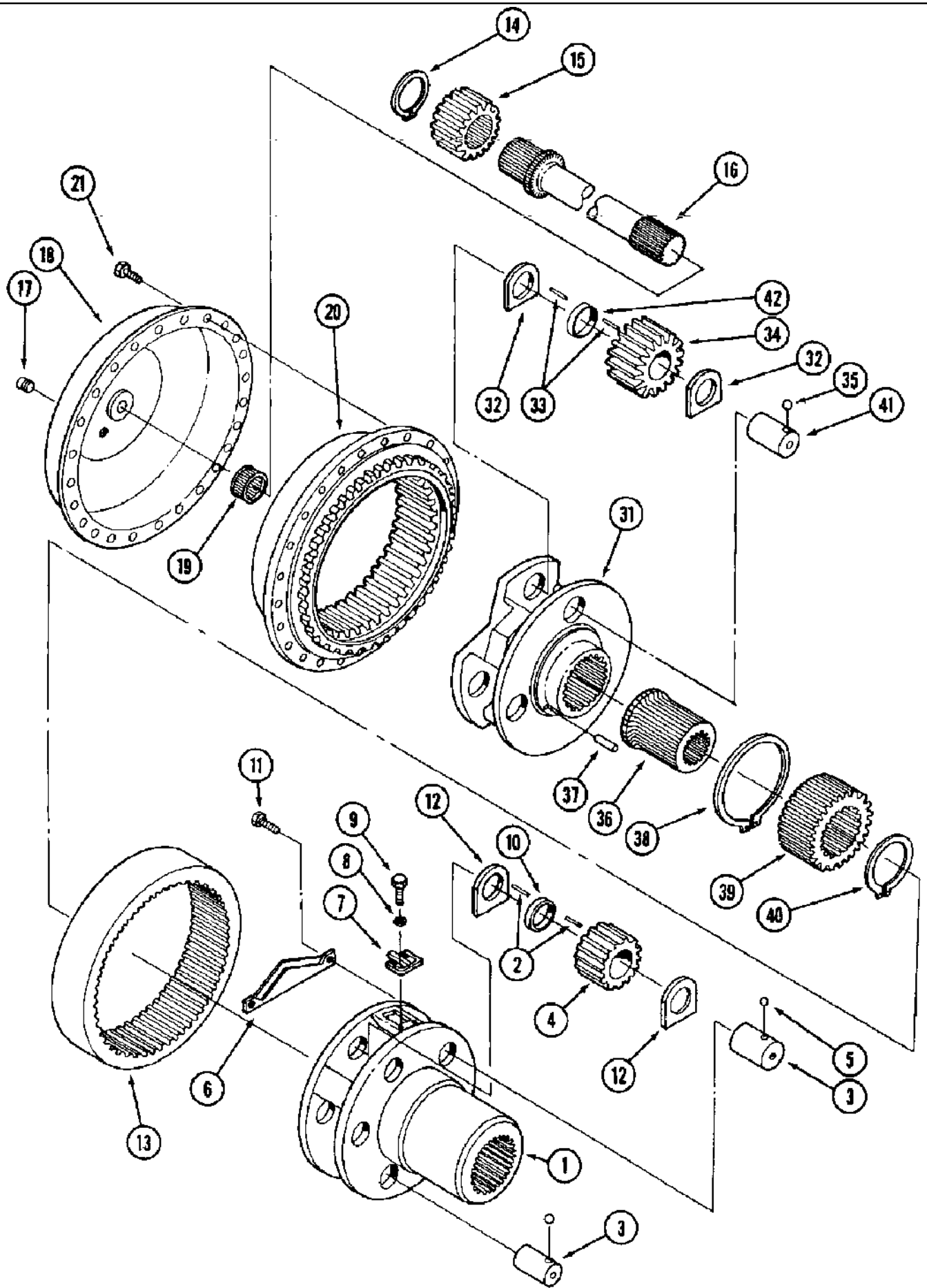
6-152 AXLE ASSEMBLY, HOUSING AND WHEEL HUB





## 6-152 AXLE ASSEMBLY, HOUSING AND WHEEL HUB

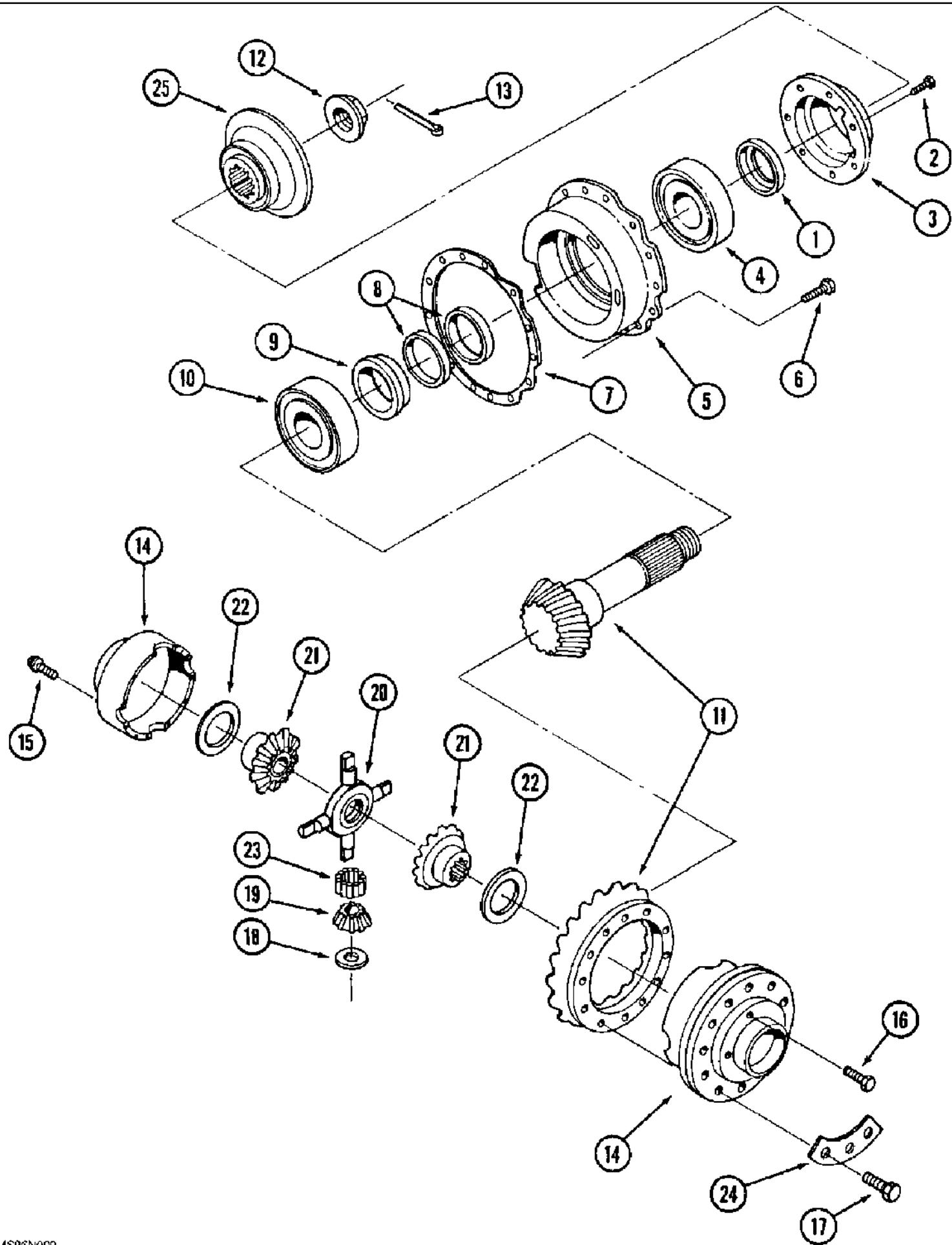
сылка	Номер детали	Кол-во	Описание
	90-7803T91	1	AXLE ASSEMBLY - front, without limited slip differential, 694.72, parts list Figures 6-152 - 6-158, Includes: Ref. 1 - 16
	90-7802T91	1	AXLE ASSEMBLY - rear, without limited slip differential, 694.62, parts list Figures 6-152 - 6-158, Includes: Ref. 1 - 16
	90-7804T91	1	AXLE ASSEMBLY - front, with limited slip differential, 694.70, parts list Figures 6-152, 6-154 and 6-160 - 6-164, Includes: Ref. 1 - 16
	90-7805T91	1	AXLE ASSEMBLY - rear, with limited slip differential, 694.60, parts list Figures 6-152, 6-154 and 6-160 - 6-164, Includes: Ref. 1 - 16
1	90-8099T1	2	PLATE - seal stripper
2	90-5988T1	2	SEAL - hub, includes wear sleeve
3	90-8088T1	2	RING - seal wear
4	1-6693	1	BREATHER - valve
5	90-8089T1	32	BOLT - hex, special
6	90-8090T1	2	SPINDLE - axle, front
6	90-8390T1		SPINDLE - axle, rear
7	90-8091T1	1	HOUSING - axle
8	90-4484T1	4	PLUG - magnetic, 24 mm - 1.5
9	90-8092T1	2	PIN - dowel, 10 x 24 mm
10	90-8093T1	2	NUT - slotted, adjusting
11	90-8094T1	2	WASHER - lock, adjusting nut
12	90-8095T1	2	RING - spacer
13	90-8096T1	2	BEARING - tapered roller
14	90-8097T1	2	HUB - wheel
15	90-8098T1	2	BEARING - tapered roller
16	NSS	2	SLEEVE - spacer
17	90-8391T1	1	PLUG - hex
18	429-1016	16	NUT - hex, 1 inch NC, grade 8
19	90-7493T1	8	BOLT - hex, 1 NC x 10 inch
20	90-8392T1	1	SEAL - oil
21	19-5739	1	WASHER - flat, special



## 6-154 AXLE ASSEMBLY, WHEEL HUB PLANETARY

сылка	Номер детали	Кол-во	Описание
	90-7803T91	1	AXLE ASSEMBLY - front, without limited slip differential, 694.72, parts list Figures 6-152 - 6-158, Includes: Ref. 1 - 42
	90-7802T91	1	AXLE ASSEMBLY - rear, without limited slip differential, 694.62, parts list Figures 6-152 - 6-158, Includes: Ref. 1 - 42
	90-7804T91	1	AXLE ASSEMBLY - front, with limited slip differential, 694.70, parts list Figures 6-152, 6-154 and 6-160 - 6-164, Includes: Ref. 1 - 42
	90-7805T91	1	AXLE ASSEMBLY - rear, with limited slip differential, 694.60, parts list Figures 6-152, 6-154 and 6-160 - 6-164, Includes: Ref. 1 - 42
	90-8118T91	2	PLANETARY ASSEMBLY - inner, Includes: Ref. 1 - 12
1	90-8119T1	1	CARRIER - inner planetary
2	90-7832T1	220	NEEDLE - bearing, 44 per gear
3	90-8065T1	6	SHAFT - planetary pinion, with lube hole
3	90-8121T1	2	SHAFT - planetary pinion, without lube hole
4	90-8122T1	5	GEAR - pinion, inner planetary
5	16-1607	5	BALL - steel
6	90-8116T1	1	PLATE - baffle
7	90-8117T1	1	PLATE - oil
8	896-12006	2	WASHER - flat, 6.6 x 12.5 x 2 mm
9	627-6012	2	BOLT - hex, full threads, 6 - 1.0 x 12 mm, class 10.9
10	90-7837T1	5	RING - bearing seat
11	16-1626	3	BOLT - hex, 8 x 15 mm, grade 10.9
12	90-8110T1	10	PLATE - thrust
13	90-8115T1	2	GEAR - ring
14	90-8100T1	1	RING - snap
15	90-8101T1	1	GEAR - sun
16	90-8102T1	1	SHAFT - axle, 1151 mm long
16	90-8103T1	1	SHAFT - axle, 1199 mm long
17	90-4484T1	1	PLUG - magnetic, 24 mm - 1.5
18	90-8104T1	1	COVER - axle end
19	90-8105T1	1	PIN - support, axle shaft
20	90-8106T1	1	GEAR - double ring
21	90-7371T1	31	BOLT - flange, 14 mm - 1.5 x 45 mm, grade 10.9
	90-8107T91	1	PLANETARY ASSEMBLY - outer, Includes: Ref. 31 - 42
31	90-8108T1	1	CARRIER - outer planetary
32	90-8110T1	6	PLATE - thrust
33	90-7832T1	132	NEEDLE - bearing, 44 per gear
34	90-8111T1	3	GEAR - pinion, outer
35	16-1607	3	BALL - steel
36	90-8113T1	1	GEAR - sleeve
37	90-8109T1	1	DOWEL - pin
38	90-4528T1	1	RING - snap
39	90-8114T1	1	GEAR - sun
40	16-1623	1	RING - snap
41	90-8065T1	3	SHAFT - planetary pinion, with lube hole
42	90-7837T1	3	RING - bearing seat

6-156 AXLE ASSEMBLY, DIFFERENTIAL AND CARRIER WITHOUT LIMITED SLIP

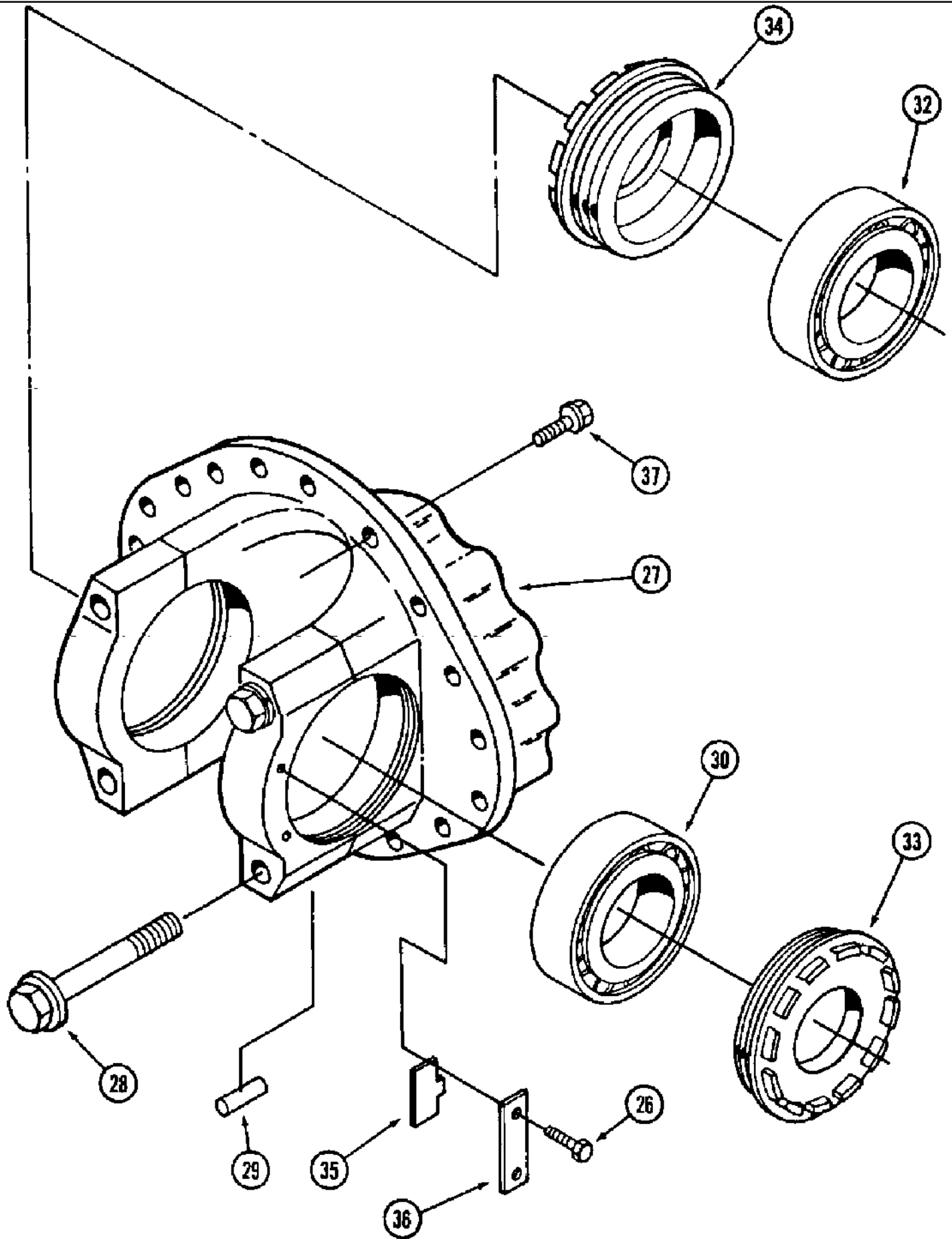


## 6-156 AXLE ASSEMBLY, DIFFERENTIAL AND CARRIER WITHOUT LIMITED SLIP

сылка	Номер детали	Кол-во	Описание
	90-7803T91	1	AXLE ASSEMBLY - front, without limited slip differential, 694.72 axle, parts list Figures 6-152 - 6-158, Includes: Ref. 1 - 24 and 25 - 37 on Figure 6-158
	90-7802T91	1	AXLE ASSEMBLY - rear, without limited slip differential, 694.62 axle, parts list Figures 6-152 - 6-158, Includes: Ref. 1 - 24 and 25 - 37 on Figure 6-158
	90-8129T91	1	CARRIER ASSEMBLY - differential, front, use with 694.72 axle, Includes: Ref. 1 - 24 and 25 - 36 on Figure 6-158
	90-8128T91	1	CARRIER ASSEMBLY - differential, rear, use with 694.62 axle, Includes: Ref. 1 - 24 and 25 - 36 on Figure 6-158
1	90-2509T2	1	SEAL - oil
2	614-8030	6	HH, CL 8.8, M8 x 1.25 x 30
3	90-4517T1	1	COVER - seal retainer
4	16-1582	1	BEARING - tapered roller
5	90-4515T1	1	HOUSING - bearing
6	16-1621T1	12	BOLT - hex flange, 14 - 1.5 x 45 mm, grade 10.9
7	16-1569		UAR SHIM - housing, 0.2 mm thick
7	16-1570		UAR SHIM - housing, 0.25 mm thick
7	16-1568		UAR SHIM - housing, 0.3 mm thick
7	16-1567		UAR SHIM - housing, 0.5 mm thick
7	16-1566		UAR SHIM - housing, 1.0 mm thick
8	90-4504T1		UAR SPACER - bearing, 4.00 mm thick
8	90-4505T1		UAR SPACER - bearing, 4.04 mm thick
8	90-4506T1		UAR SPACER - bearing, 4.08 mm thick
8	90-4507T1		UAR SPACER - bearing, 4.12 mm thick
8	90-4508T1		UAR SPACER - bearing, 4.16 mm thick
8	90-4509T1		UAR SPACER - bearing, 4.20 mm thick
8	90-4510T1		UAR SPACER - bearing, 4.40 mm thick
8	90-4511T1		UAR SPACER - bearing, 4.60 mm thick
8	90-4512T1		UAR SPACER - bearing, 4.80 mm thick
8	90-4513T1		UAR SPACER - bearing, 5.00 mm thick
8	90-4514T1		UAR SPACER - bearing, 5.20 mm thick
9	90-4503T1	1	SLEEVE - bearing spacer
10	16-1565	1	BEARING - tapered roller
11	90-8080T91	1	GEAR - set, ring and pinion, rear axle, replaces 90-8080T1 gear, Includes: Ref. 12 & 13, P/N 90-8080T1, 90-8080T91 and 90-8081T1 gear assemblies also include (12) 90-8134T1 bolts, (6) 16-1546 plates, (1) 16-1589 nut and (1) 432-1640 pin.
11	90-8081T91	1	GEAR - set, ring and pinion, front axle, replaces 90-8081T1 gear, Includes: Ref. 12 & 13, P/N 90-8080T1, 90-8080T91 and 90-8081T1 gear assemblies also include (12) 90-8134T1 bolts, (6) 16-1546 plates, (1) 16-1589 nut and (1) 432-1640 pin.
12	16-1589	1	NUT - hex slotted, special, P/N 90-8080T1, 90-8080T91 and 90-8081T1 gear assemblies also include (12) 90-8134T1 bolts, (6) 16-1546 plates, (1) 16-1589 nut and (1) 432-1640 pin.
13	432-1640	1	Pin, Split (Cotter), 1/4" x 2 1/2", P/N 90-8080T1, 90-8080T91 and 90-8081T1 gear assemblies also include (12) 90-8134T1 bolts, (6) 16-1546 plates, (1) 16-1589 nut and (1) 432-1640 pin.
	90-8370T92	1	DIFFERENTIAL ASSEMBLY - axle, replaces 90-8131T91 differential, Includes: Ref. 14 - 24
14	90-8437T91	1	HOUSING ASSEMBLY - differential, includes both halves, replaces 90-8132T91 housing, Includes: Ref. 15

## 6-156 AXLE ASSEMBLY, DIFFERENTIAL AND CARRIER WITHOUT LIMITED SLIP

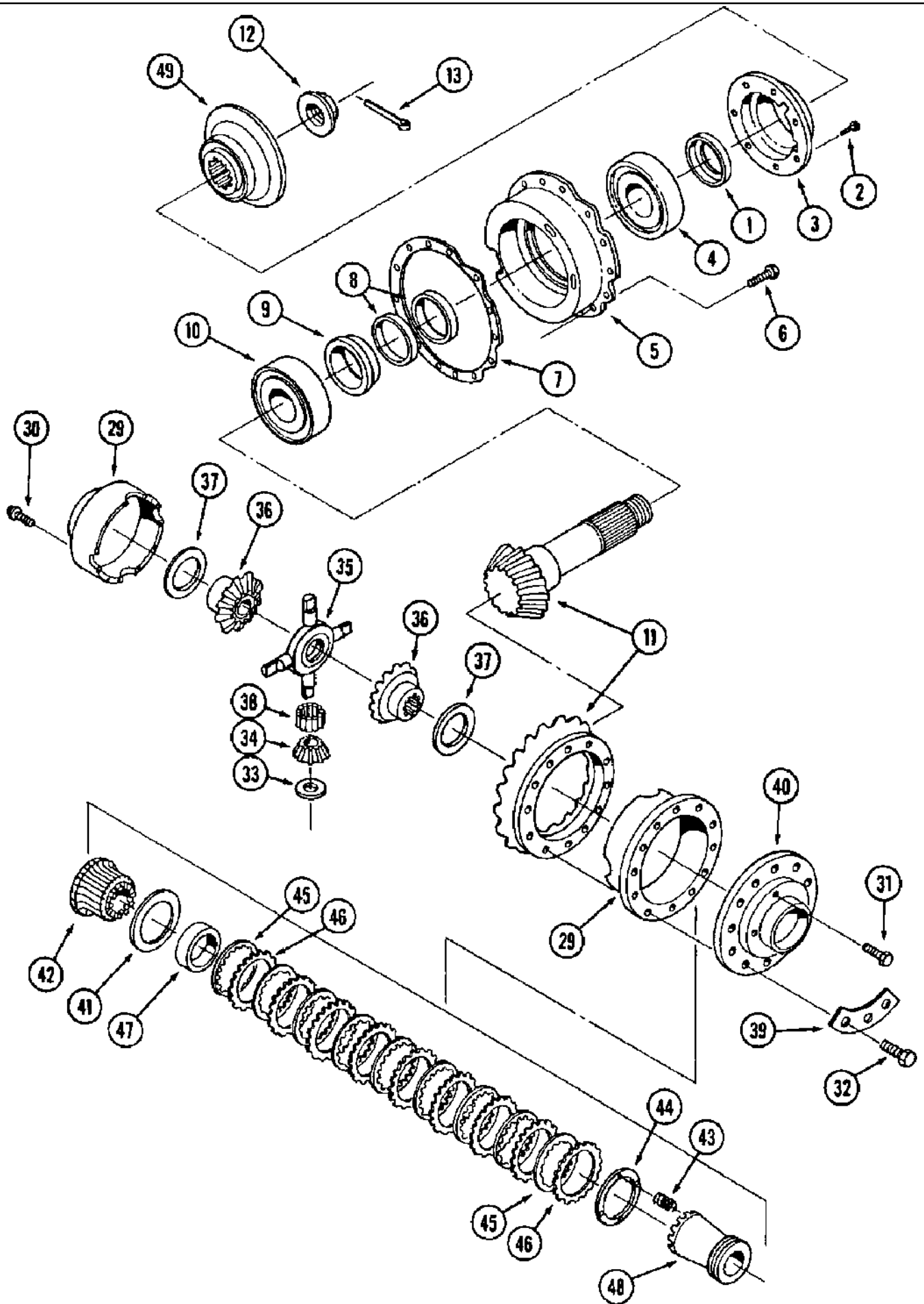
сылка	Номер детали	Кол-во	Описание
15	90-8077T1	12	BOLT - hex flange, special
16	90-8087T1	2	BOLT - hex socket, special
17	90-8134T1	12	BOLT - hex, special, P/N 90-8080T1, 90-8080T91 and 90-8081T1 gear assemblies also include (12) 90-8134T1 bolts, (6) 16-1546 plates, (1) 16-1589 nut and (1) 432-1640 pin.
18	90-8435T1	4	WASHER - thrust, 1.5 mm, pinion gear
19	90-7856T1	4	GEAR - pinion
20	90-8078T1	1	SPIDER - gear
21	90-8079T1	2	GEAR - pinion, axle drive
22	90-8439T1	2	WASHER - pinion gear
23	90-7870T1	116	NEEDLE - bearing, 29 per gear
24	16-1546	6	PLATE - bolt retaining, P/N 90-8080T1, 90-8080T91 and 90-8081T1 gear assemblies also include (12) 90-8134T1 bolts, (6) 16-1546 plates, (1) 16-1589 nut and (1) 432-1640 pin.
	90-7857T1		.8 mm thick



## 6-158 AXLE ASSEMBLY, DIFFERENTIAL AND CARRIER WITHOUT LIMITED SLIP (CONT'D)

сылка	Номер детали	Кол-во	Описание
	90-7803T91	1	AXLE ASSEMBLY - front, without limited slip differential, 694.72 axle, parts list Figures 6-152 - 6-158, Includes: Ref. 25 - 37 and 1 - 24 on Figure 6-156
	90-7802T91	1	AXLE ASSEMBLY - rear, without limited slip differential, 694.62 axle, parts list Figures 6-152 - 6-158, Includes: Ref. 25 - 37 and 1 - 24 on Figure 6-156
	90-8129T91	1	CARRIER ASSEMBLY - differential, front, use with 694.72 axle, Includes: Ref. 25 - 36 and 1 - 24 on Figure 6-156
	90-8128T91	1	CARRIER ASSEMBLY - differential, rear, use with 694.62 axle, Includes: Ref. 25 - 36 and 1 - 24 on Figure 6-156
25	90-7824T1	1	YOKE - flanged, 8C, use with front axle, shown on Figure 6-156
25	90-7822T1	1	YOKE - 8C, use with rear axle, not shown
26	16-1626	4	BOLT - hex, 8 x 15 mm, grade 10.9
27	90-8130T91	1	CARRIER ASSEMBLY - housing, front or rear, Includes: Ref. 28 & 29
28	90-7138T1	2	BOLT - hex flange, special
29	90-8162T1	2	PIN - dowel
30	90-8277T1	1	BEARING - tapered roller
32	A48105	1	BEARING - tapered roller
33	90-8068T1	2	NUT - bearing retainer
34	90-7230T1	1	NUT - bearing retainer
35	16-1525		UAR PLATE - locking tab, bearing nut, tab 15 degrees from horizontal
35	16-1526		UAR PLATE - locking tab, bearing nut, tab 0 degrees from horizontal
35	16-1527		UAR PLATE - locking tab, bearing nut, tab 7.5 degrees from horizontal
36	16-1524	2	PLATE - locking
37	90-7371T1	20	BOLT - flange, 14 mm - 1.5 x 45 mm, grade 10.9





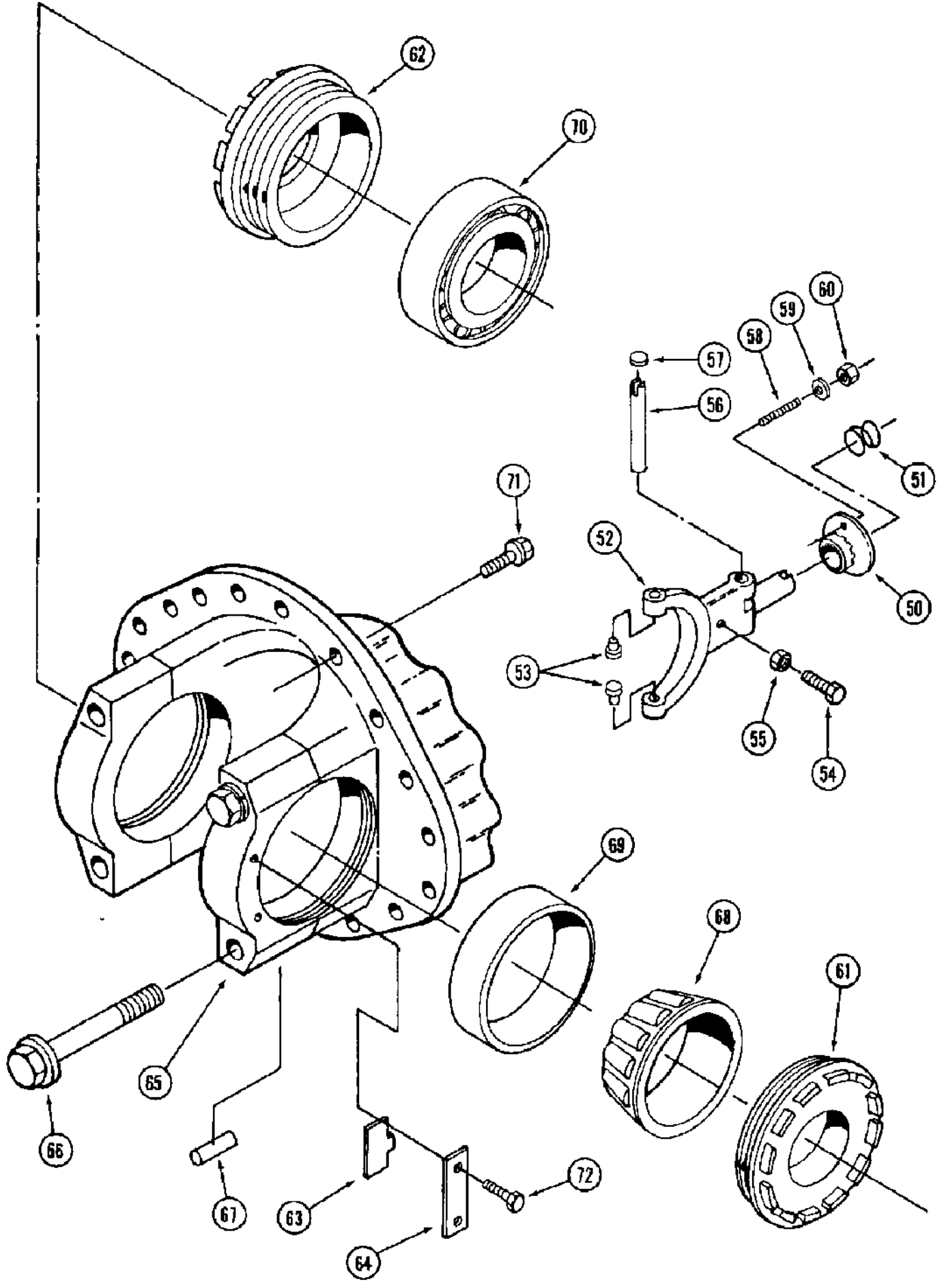
## 6-160 AXLE ASSEMBLY, DIFFERENTIAL AND CARRIER WITH LIMITED SLIP

сылка	Номер детали	Кол-во	Описание
	90-7804T91	1	AXLE ASSEMBLY - front, with limited slip differential, 694.70 axle, parts list Figures 6-152, 6-154 and 6-160 - 6-164, Includes: Ref. 1 - 48 and 50 - 72 on Figure 6-164
	90-7805T91	1	AXLE ASSEMBLY - rear, with limited slip differential, 694.60 axle, parts list pages 6-152, 6-154 and 6-160 - 6-164, Includes: Ref. 1 - 48 and 50 - 72 on Figure 6-164
	90-8063T91	1	CARRIER ASSEMBLY - differential, front, use with 694.70 axle, Includes: Ref. 1 - 48 and 50 - 72 on Figure 6-164
	90-8062T91	1	CARRIER ASSEMBLY - differential, rear, use with 694.60 axle, Includes: Ref. 1 - 48 and 50 - 72 on Figure 6-164
1	90-2509T2		SEAL - oil
2	614-8030	1	HH, CL 8.8, M8 x 1.25 x 30
3	90-4517T1	6	COVER - seal retainer
4	16-1582	1	BEARING - tapered roller
5	90-4515T1	1	HOUSING - bearing
6	16-1621T1	1	BOLT - hex flange, 14 - 1.5 x 45 mm, grade 10.9
7	16-1569		UAR SHIM - housing, 0.2 mm thick
7	16-1570		UAR SHIM - housing, 0.25 mm thick
7	16-1568		UAR SHIM - housing, 0.3 mm thick
7	16-1567		UAR SHIM - housing, 0.5 mm thick
7	16-1566		UAR SHIM - housing, 1.0 mm thick
8	90-4504T1		UAR SPACER - bearing, 4.00 mm thick
8	90-4505T1		UAR SPACER - bearing, 4.04 mm thick
8	90-4506T1		UAR SPACER - bearing, 4.08 mm thick
8	90-4507T1		UAR SPACER - bearing, 4.12 mm thick
8	90-4508T1		UAR SPACER - bearing, 4.16 mm thick
8	90-4509T1		UAR SPACER - bearing, 4.20 mm thick
8	90-4510T1		UAR SPACER - bearing, 4.40 mm thick
8	90-4511T1		UAR SPACER - bearing, 4.60 mm thick
8	90-4512T1		UAR SPACER - bearing, 4.80 mm thick
8	90-4513T1		UAR SPACER - bearing, 5.00 mm thick
8	90-4514T1		UAR SPACER - bearing, 5.20 mm thick
9	90-4503T1	1	SLEEVE - bearing spacer
10	16-1565	1	BEARING - tapered roller
11	90-8080T91	1	GEAR - set, ring and pinion, rear axle, replaces 90-8080T1 gear
11	90-8081T91	1	GEAR - set, ring and pinion, front axle, replaces 90-8081T1 gear
12	16-1589	1	NUT - hex slotted, special
13	432-1640	1	Pin, Split (Cotter), 1/4" x 2 1/2"
	90-8438T91	1	DIFFERENTIAL ASSEMBLY - axle, front or rear, replaces 90-8074T91 differential, Includes: Ref. 29 - 46
29	90-8436T91	1	HOUSING ASSEMBLY - differential, replaces 90-8075T91 housing, Includes: Ref. 30
30	90-8077T1	12	BOLT - hex flange, special
31	90-8087T1	2	BOLT - hex socket, special
32	90-8082T1	12	BOLT - hex flange, special
33	90-8435T1	4	WASHER - thrust, 1.5 mm, pinion gear
34	90-7856T1	4	GEAR - pinion
35	90-8078T1	1	SPIDER - gear

9380 CASE IH 4WD TRACTOR (6/95-8/00)

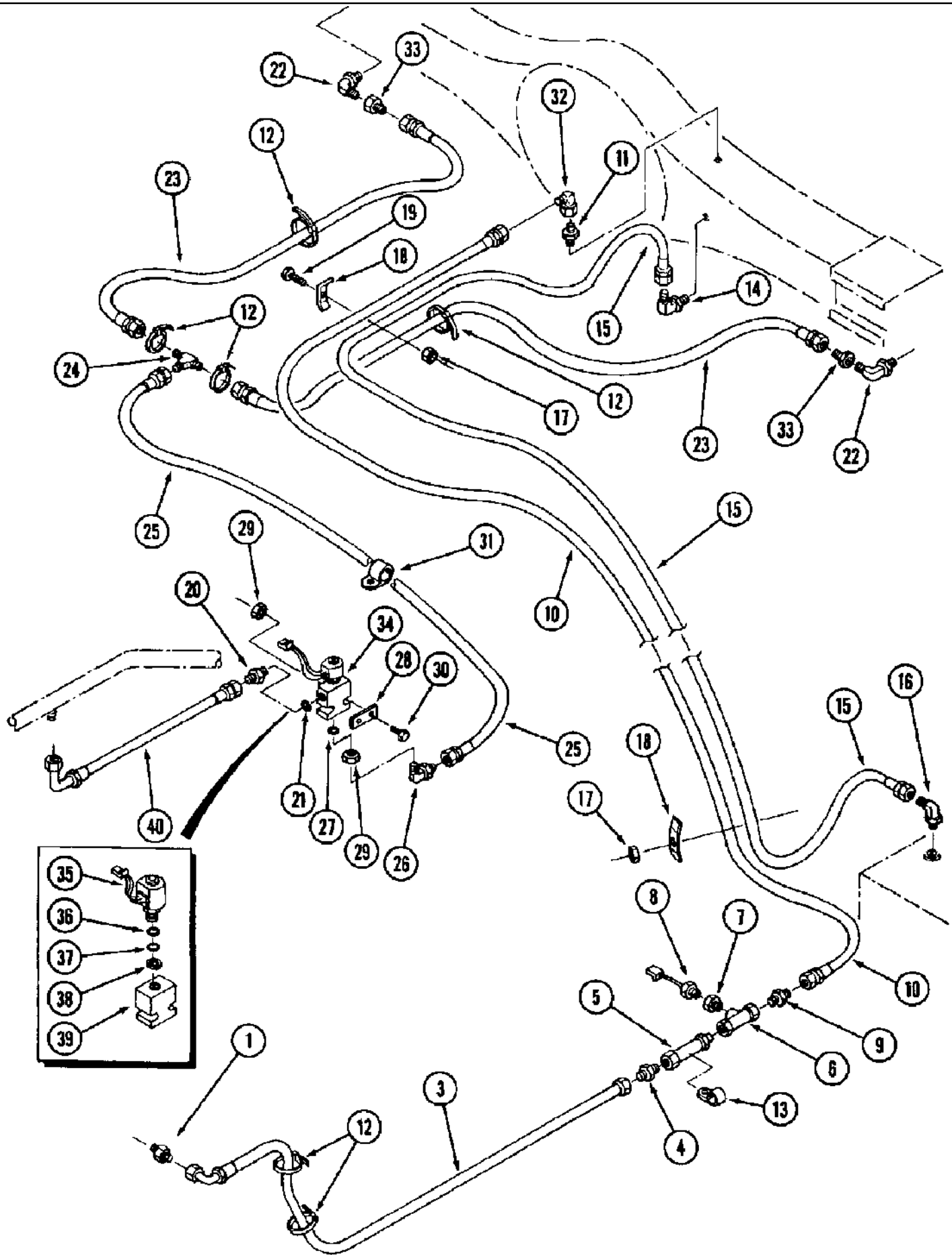
6-160 AXLE ASSEMBLY, DIFFERENTIAL AND CARRIER WITH LIMITED SLIP

сылка	Номер детали	Кол-во	Описание
36	90-8079T1	2	GEAR - pinion, axle drive
37	90-8439T1	2	WASHER - pinion gear, thrust
38	90-7870T1	116	NEEDLE - bearing, 29 per gear
39	16-1546	6	PLATE - bolt retaining
40	90-8076T1	1	HOUSING - half, flanged
41	90-8086T1	1	WASHER - thrust
42	90-8084T1	1	HUB - splined
43	33-1230T1	1	SPRING - compression
44	90-8085T1	1	WASHER - thrust
45	33-1493T1	8	DISK - inner
46	33-1494T1	9	DISK - outer
47	33-1278T1	1	BUSHING - clutch alignment
48	90-8083T1	1	SLEEVE - clutch
49	90-7824T1	1	YOKE - flanged, 8C, use with front axle
49	90-7822T1	1	YOKE - 8C, use with rear axle, not shown



## 6-164 AXLE ASSEMBLY, DIFFERENTIAL AND CARRIER WITH LIMITED SLIP (CONT'D)

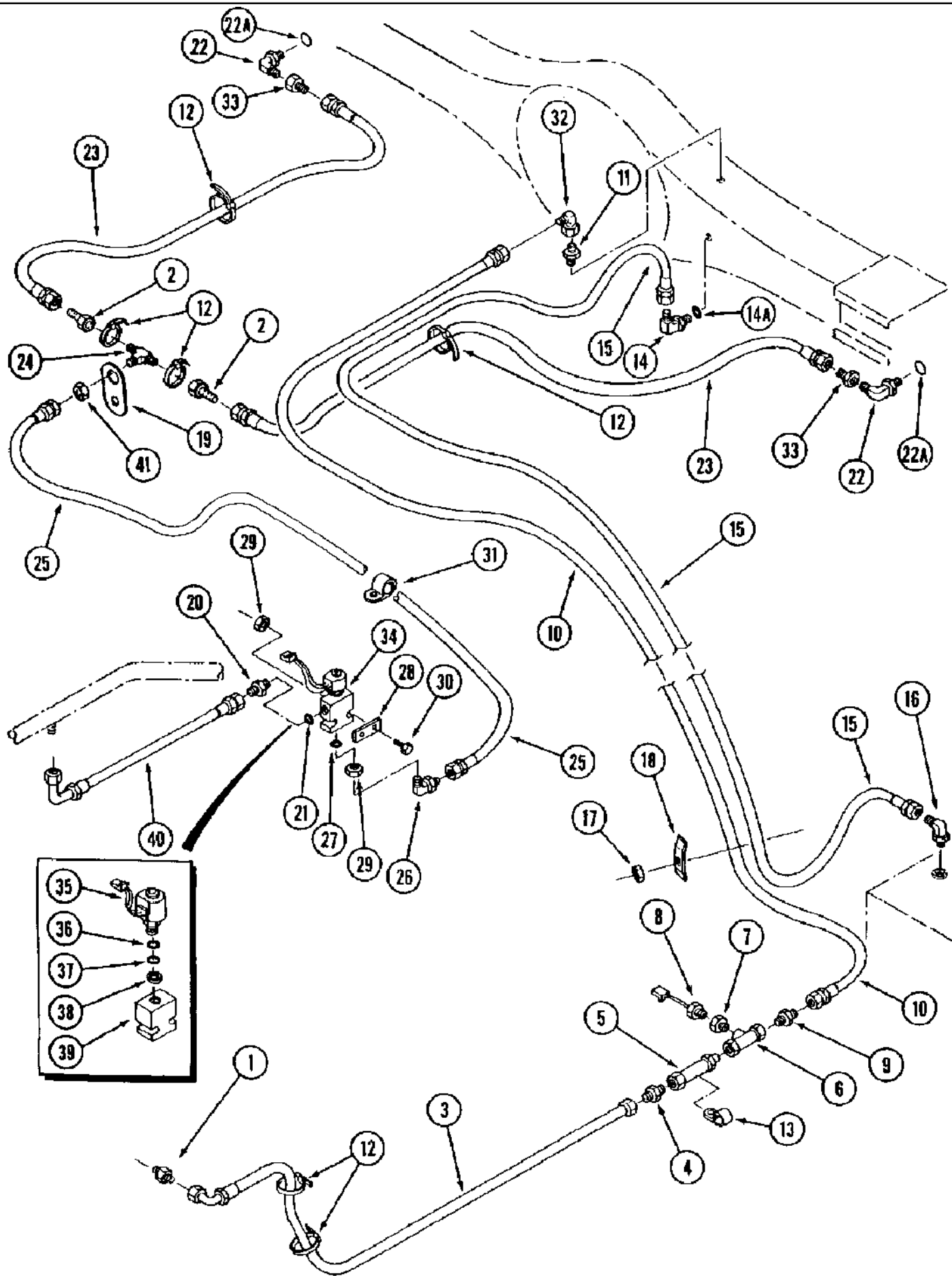
сылка	Номер детали	Кол-во	Описание
	90-7804T91	1	AXLE ASSEMBLY - front, with limited slip differential, 694.70 axle, parts list Figures 6-152, 6-154 and 6-160 - 6-164, Includes: Ref. 50 - 72 and 1 - 49 on Figure 6-160
	90-7805T91	1	AXLE ASSEMBLY - rear, with limited slip differential, 694.60 axle, parts list Figures 6-152, 6-154 and 6-160 - 6-164, Includes: Ref. 50 - 72 and 1 - 49 on Figure 6-160
	90-8063T91	1	CARRIER ASSEMBLY - differential, front, use with 694.70 axle, Includes: Ref. 50 - 72 and 1 - 48 on Figure 6-160
	90-8062T91	1	CARRIER ASSEMBLY - differential, rear, use with 694.60 axle, Includes: Ref. 50 - 72 and 1 - 48 on Figure 6-160
	33-1291T1	1	SEAL - shift fork, Includes: Ref. 50 & 51
50	NSS	1	SEAL - shift fork
51	NSS	1	SPRING - shift fork
52	90-8069T1	1	FORK - shift, traction control
53	33-1290T1	2	PIN - thrust
54	90-8070T1	1	BOLT - hex, special
55	90-8071T1	1	NUT - hex, special
56	90-8072T1	1	SHAFT - shift fork
57	90-8073T1	2	PLUG - cap
58	90-7151T1	2	STUD - shift fork
59	33-1294T1	2	WASHER - flat, special
60	90-7152T1	2	NUT - hex, lock, special
61	90-8068T1	2	NUT - bearing retainer
62	90-7230T1	1	NUT - bearing retainer
63	16-1525		UAR PLATE - locking tab, bearing nut, tab 15 degrees from horizontal
63	16-1526		UAR PLATE - locking tab, bearing nut, tab 0 degrees from horizontal
63	16-1527		UAR PLATE - locking tab, bearing nut, tab 7.5 degrees from horizontal
64	16-1524	2	PLATE - locking
65	90-8064T91	1	HOUSING ASSEMBLY - differential, Includes: Ref. 66 & 67
66	90-7138T1	2	BOLT - hex flange, special
67	90-8162T1	2	PIN - dowel
68	L35045	1	BEARING - tapered roller
69	L30842	1	CUP - tapered roller bearing
70	A48105	1	BEARING - tapered roller
71	90-7371T1	20	BOLT - flange, 14 mm - 1.5 x 45 mm, grade 10.9
72	16-1626	4	BOLT - hex, 8 x 15 mm, grade 10.9



## 9380 CASE IH 4WD TRACTOR (6/95-8/00)

6-166 AXLE COOLING, PRIOR TO P.I.N. JEE0069665

сылка	Номер детали	Кол-во	Описание
1	218-441	1	ADAPTER - straight, 7/16-20 flare x 1/8 inch PT
3	18-1537	1	HOSE - 1143 mm (45 inch) long
4	218-1022	1	ADAPTER - straight, 7/16-20 flare x 1/4 inch PT
5	116195A1	1	VALVE - check
6	31-3069	1	ADAPTER - axle cooling
7	217-1034	1	REDUCER, 1/4"-18 Male NPTF x 1/8"-27 Female NPTF
8	1964960C1	1	SWITCH - axle cooling
9	31-2685	1	ADAPTER - orifice
10	31-3068	1	HOSE - axle cooling
11	218-453	1	ADAPTER - straight, 9/16-18 flare x 1/8 inch PT
12	19-135	6	STRAP - tie, nylon
13	515-23238	1	CLAMP - P-type, 15/16 inch ID
14	218-5107	1	ELBOW - 90 degree, 7/8-14 inch flare x adj O-ring boss, Includes: Ref. 14A
14A	237-6010	1	O-RING, 10-1, 90 Duro, .755" ID x .097" Thk, Not shown
15	31-3067	1	HOSE - axle cooling
16	218-485	1	ELBOW - 90 degree, 7/8-14 flare x 1/2 inch PT
17	231-1445	2	NUT - hex, self-locking, 5/16 inch NC
18	R15257	2	CLAMP - hose
19	426-532	1	BOLT - hex, 5/16 NC x 2 inch, grade 8
20	218-5058	1	ADAPTER - straight, 9/16-18 flare x 3/4-16 inch O-ring boss, Includes: Ref. 21
21	237-6008	1	O-Ring, 8-1, 90 Duro, .644" ID x .087" Thk
22	218-5283	2	ELBOW - 90 degree, 7/16-20 flare x 9/16-18 inch adj O-ring boss, Includes: Ref. 22A
23	31-3072	2	HOSE - 1168 mm (46 inch) long, replaces 31-2477 hose
24	218-1575	1	TEE - 3/4-16 flare branch x 9/16-18 inch flare x flare
25	31-2908	1	HOSE - lube
26	218-5106	1	ELBOW - 90 degree, 3/4-16 inch flare x adj O-ring boss, Includes: Ref. 27
27	237-6008	2	O-Ring, 8-1, 90 Duro, .644" ID x .087" Thk
28	50-3580T1	1	BRACKET - valve
29	231-1444	2	NUT, LOCK, 1/4"-20, GB
30	426-432	2	BOLT - hex, 1/4 NC x 2 inch, grade 8
31	515-23190	1	CLAMP - P-type, 3/4 inch ID
32	218-980	1	ELBOW - 90 degree, 9/16-18 inch flare x swivel
33	31-3070	2	ADAPTER - orifice
34	1260819C91	1	VALVE - control, Includes: Ref. 35 - 39
35	149944C91	1	VALVE ASSEMBLY - solenoid, Includes: kit
	149942C1	1	KIT - seal replacement, Includes: Ref. 36 - 38
36	NSS	1	O-RING - seal
37	NSS	1	O-RING - seal
38	NSS	1	WASHER - seal
39	NSS	1	VALVE - body
40	31-3058	1	HOSE - 508 mm (20 inch) long, replaces 31-2067 hose
22A	237-6006	1	O-Ring, 6-1, 90 Duro, .468" ID x .078" Thk, Not shown

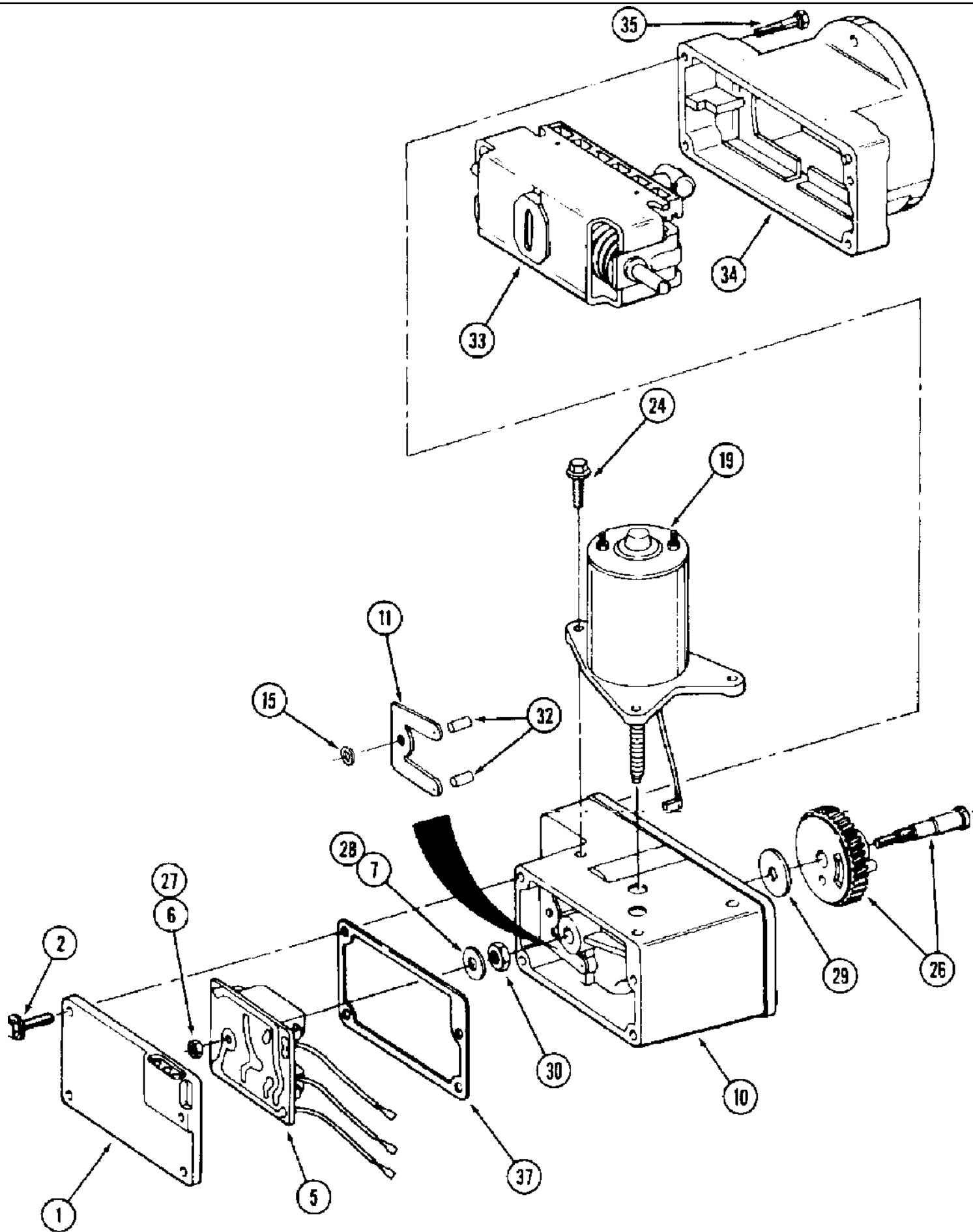




## 9380 CASE IH 4WD TRACTOR (6/95-8/00)

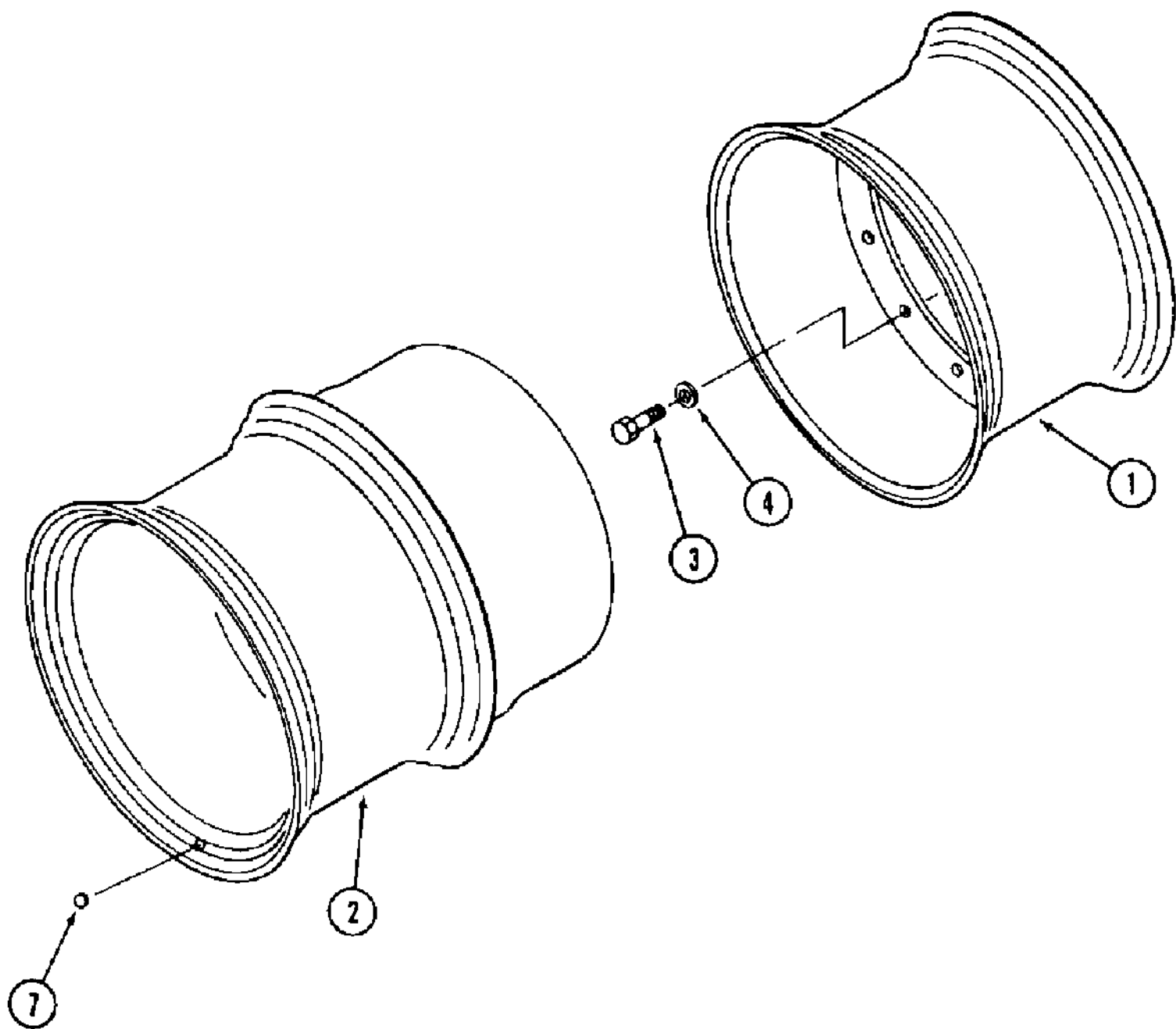
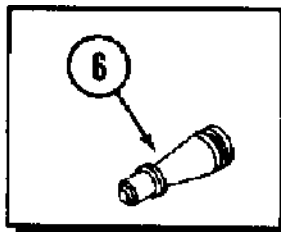
## 6-168 AXLE COOLING, P.I.N. JEE0069665 AND AFTER

сылка	Номер детали	Кол-во	Описание
1	218-441	1	ADAPTER - straight, 7/16-20 flare x 1/8 inch PT
2	218-786	2	ADAPTER - reducing, 3/4-16 female str thread x 9/16-18 inch flare
3	18-1537	1	HOSE - 1143 mm (45 inch) long
4	218-1022	1	ADAPTER - straight, 7/16-20 flare x 1/4 inch PT
5	116195A1	1	VALVE - check
6	31-3069	1	ADAPTER - axle cooling
7	217-1034	1	REDUCER, 1/4"-18 Male NPTF x 1/8"-27 Female NPTF
8	1964960C1	1	SWITCH - axle cooling
9	31-2685	1	ADAPTER - orifice
10	31-3186	1	HOSE - axle cooling
11	218-453	1	ADAPTER - straight, 9/16-18 flare x 1/8 inch PT
12	19-135	6	STRAP - tie, nylon
13	515-23238	1	CLAMP - P-type, 15/16 inch ID
14	218-5107	1	ELBOW - 90 degree, 7/8-14 inch flare x adj O-ring boss, Includes: Ref. 14A
14A	237-6010	1	O-RING, 10-1, 90 Duro, .755" ID x .097" Thk
15	31-3187	1	HOSE - axle cooling
16	218-485	1	ELBOW - 90 degree, 7/8-14 flare x 1/2 inch PT
17	231-1445	1	NUT - hex, self-locking, 5/16 inch NC
18	R15257	1	CLAMP - hose
19	189274A1	1	BRACKET - tube mounting, replaces 50-3642T1 bracket
20	218-5058	1	ADAPTER - straight, 9/16-18 flare x 3/4-16 inch O-ring boss, Includes: Ref. 21
21	237-6008	1	O-Ring, 8-1, 90 Duro, .644" ID x .087" Thk
22	218-5105	2	ELBOW - 90 degree, 9/16-18 inch flare x adj O-ring boss, Includes: Ref. 22A
23	31-3185	2	HOSE - 1168 mm (46 inch) long
24	218-805	1	TEE - 3/4-16 inch bulkhead flare branch x flare x flare
25	31-3184	1	HOSE - lube
26	218-5106	1	ELBOW - 90 degree, 3/4-16 inch flare x adj O-ring boss, Includes: Ref. 27
27	237-6008	2	O-Ring, 8-1, 90 Duro, .644" ID x .087" Thk
28	50-3580T1	1	BRACKET - valve
29	231-1444	2	NUT, LOCK, 1/4"-20, GB
30	426-432	2	BOLT - hex, 1/4 NC x 2 inch, grade 8
31	515-23190	1	CLAMP - P-type, 3/4 inch ID
32	218-980	1	ELBOW - 90 degree, 9/16-18 inch flare x swivel
33	31-3191	2	ADAPTER - orifice
34	1260819C91	1	VALVE - control, Includes: Ref. 35 - 39
35	149944C91	1	VALVE ASSEMBLY - solenoid, Includes: kit
	149942C1	1	KIT - seal replacement, Includes: Ref. 36 - 38
36	NSS	1	O-RING - seal
37	NSS	1	O-RING - seal
38	NSS	1	WASHER - seal
39	NSS	1	VALVE - body
40	31-3058	1	HOSE - 508 mm (20 inch) long, replaces 31-2067 hose
41	218-1255	1	NUT, LOCK, Blkh, 3/4"-16
22A	237-6006	1	O-Ring, 6-1, 90 Duro, .468" ID x .078" Thk



## 6-170 ELECTRIC SHIFT ASSEMBLY, LIMITED SLIP AXLE

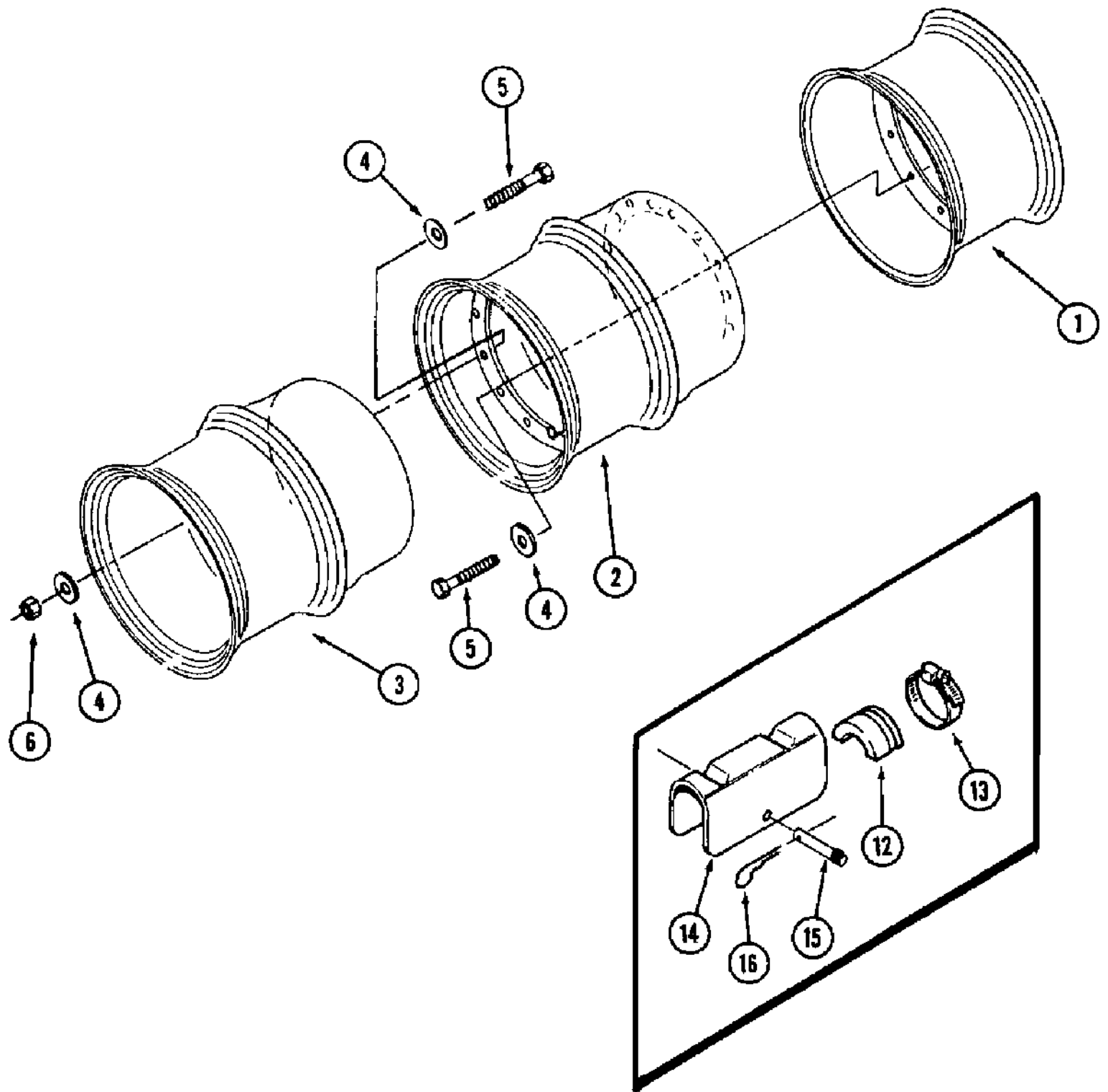
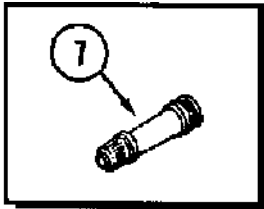
сылка	Номер детали	Кол-во	Описание
	90-4391T91	1	SHIFT ASSEMBLY - electric, axle, Includes: Ref. 1 - 37
	90-7580T1	1	KIT - circuit board and cover, Includes: Ref. 1 - 7
1	NSS	1	COVER - circuit board
2	90-4552T1	4	BOLT - flanged
	90-4550T1	1	BOARD ASSEMBLY - circuit, Includes: Ref. 5 - 7
5	NSS	1	BOARD - circuit
6	NSS	1	NUT - hex
7	NSS	1	WASHER - lat
	90-4543T91	1	HOUSING ASSEMBLY - motor, Includes: Ref. 10 - 15
10	NSS	1	HOUSING - motor
11	NSS	1	SPRING - switch
15	NSS	1	RETAINER - push on
19	90-4546T91	1	MOTOR - electric shift
24	90-4553T1	3	BOLT - hex flange
	90-4547T91	1	GEAR ASSEMBLY - with shaft, Includes: Ref. 26 - 32
26	NSS	1	GEAR - with shaft
27	NSS	1	NUT - hex
28	NSS	1	WASHER - flat
29	NSS	1	WASHER - flat, wear
30	NSS	1	NUT - hex
32	NSS	2	PIN - cam
33	90-4548T1	1	BLOCK - slide and shaft
34	90-4549T1	1	HOUSING - slide block and shaft
35	90-4554T1	4	BOLT - hex shoulder
37	90-6754T1	1	GASKET - cover



## 9380 CASE IH 4WD TRACTOR (6/95-8/00)

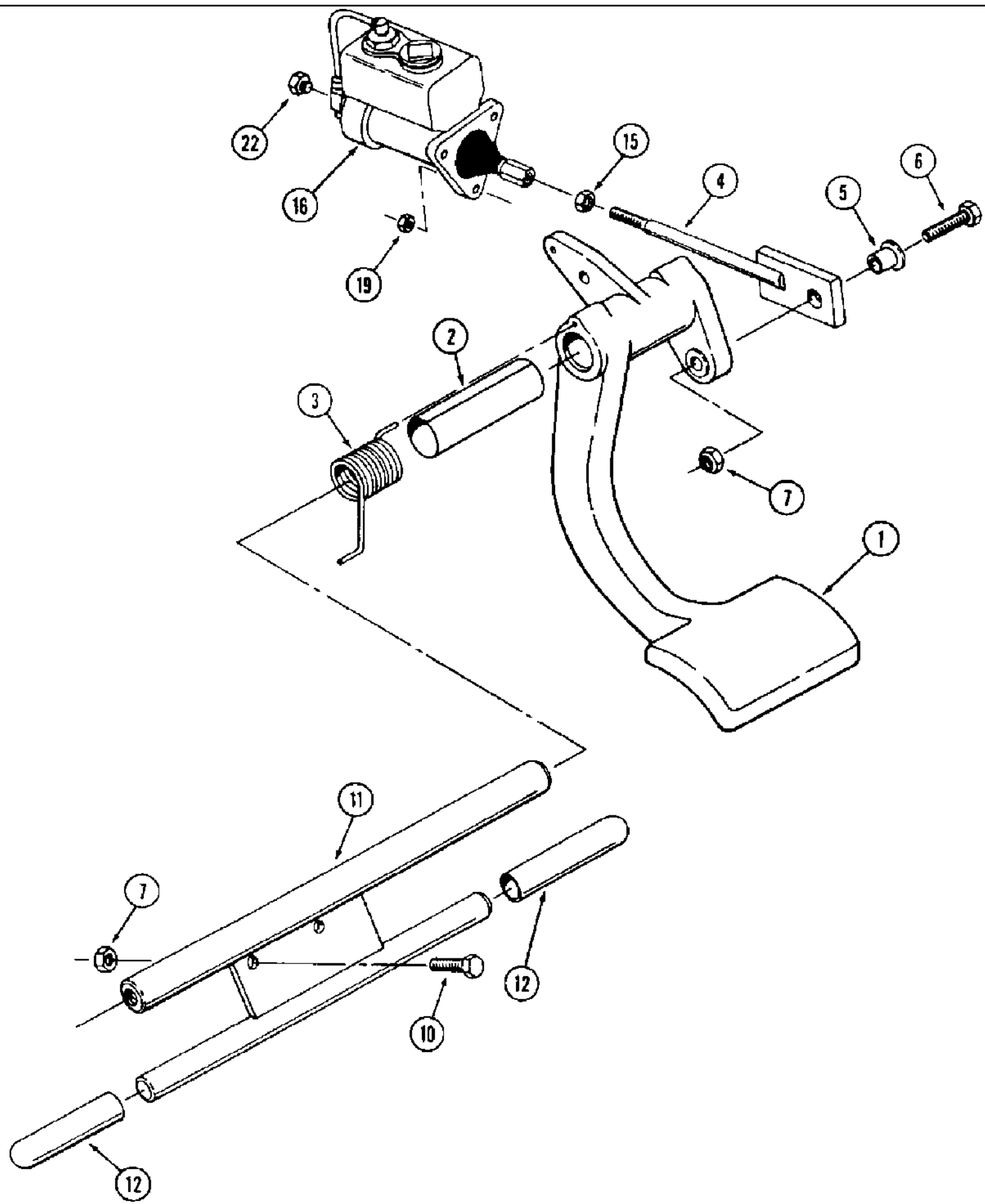
## 6-174 WHEELS, FLANGE MOUNTED DUALS

сылка	Номер детали	Кол-во	Описание
1	30-1526T2	4	WHEEL - inner or dual, 20.8 x 38, 18 inch width
1	30-1535T2	4	WHEEL - inner or dual, 20.8 x 42, 18 inch width
1	30-1516T2	4	WHEEL - inner or dual, 23.1 x 34, 20 inch width
1	30-1501T2	4	WHEEL - inner or dual, 24.5 x 32, 21 inch width, A quantity of one of Ref. 7, 30-1631T1 plug, is required for each 24.5 x 32, 30.5 x 32, 620/70 R42 and 710/70 R38 wheel.
1	30-1505T2	4	WHEEL - inner or dual, 24.5 x 32, 24 inch width, A quantity of one of Ref. 7, 30-1631T1 plug, is required for each 24.5 x 32, 30.5 x 32, 620/70 R42 and 710/70 R38 wheel.
1	30-1510T2	4	WHEEL - inner or dual, 30.5 x 32, 27 inch width, A quantity of one of Ref. 7, 30-1631T1 plug, is required for each 24.5 x 32, 30.5 x 32, 620/70 R42 and 710/70 R38 wheel.
1	30-1541T2	4	WHEEL - inner or dual, 30.5 x 32, 30 inch width, A quantity of one of Ref. 7, 30-1631T1 plug, is required for each 24.5 x 32, 30.5 x 32, 620/70 R42 and 710/70 R38 wheel.
1	30-1624T2	4	WHEEL - inner or dual, 710/70 R38, 23 inch width, A quantity of one of Ref. 7, 30-1631T1 plug, is required for each 24.5 x 32, 30.5 x 32, 620/70 R42 and 710/70 R38 wheel.
1	30-1648T1	4	WHEEL - inner, 620/70 R42, 20 inch width, 20 inch width, A quantity of one of Ref. 7, 30-1631T1 plug, is required for each 24.5 x 32, 30.5 x 32, 620/70 R42 and 710/70 R38 wheel.
1	313553A1	4	WHEEL - inner, 900/50 R42, 28 inch width
2	30-1529T2	4	WHEEL - outer, 20.8 x 38, 18 inch width
2	30-1538T4	4	WHEEL - outer, 20.8 x 42, 18 inch width
2	30-1519T2	4	WHEEL - outer, 23.1 x 34, 20 inch width
2	30-1504T2	4	WHEEL - outer, 24.5 x 32, 21 inch width, A quantity of one of Ref. 7, 30-1631T1 plug, is required for each 24.5 x 32, 30.5 x 32, 620/70 R42 and 710/70 R38 wheel.
2	30-1508T3	4	WHEEL - outer, 24.5 x 32, 24 inch width, A quantity of one of Ref. 7, 30-1631T1 plug, is required for each 24.5 x 32, 30.5 x 32, 620/70 R42 and 710/70 R38 wheel.
2	30-1511T2	4	WHEEL - outer, 30.5 x 32, 27 inch width, A quantity of one of Ref. 7, 30-1631T1 plug, is required for each 24.5 x 32, 30.5 x 32, 620/70 R42 and 710/70 R38 wheel.
2	30-1542T2	4	WHEEL - outer, 30.5 x 32, 30 inch width, A quantity of one of Ref. 7, 30-1631T1 plug, is required for each 24.5 x 32, 30.5 x 32, 620/70 R42 and 710/70 R38 wheel.
2	30-1625T3	4	WHEEL - outer, 710/70 R38, 23 inch width, prior to P.I.N. JEE0072708, A quantity of one of Ref. 7, 30-1631T1 plug, is required for each 24.5 x 32, 30.5 x 32, 620/70 R42 and 710/70 R38 wheel.
2	313555A1	4	WHEEL - outer, 710/70 R38, 28 inch width, P.I.N. JEE0072708 and after
2	30-1649T1	4	WHEEL - outer, 620/70 R42, 20 inch width, A quantity of one of Ref. 7, 30-1631T1 plug, is required for each 24.5 x 32, 30.5 x 32, 620/70 R42 and 710/70 R38 wheel.
2	313554A1	4	WHEEL - outer, 900/50R42, 28 inch width
3	70-6402T1	80	BOLT - hex, 7/8 NC x 2-1/2 inch, grade 8
4	70-5535T1	80	WASHER - flat, hardened
6	A20058	8	VALVE - stem
7	30-1631T1	8	PLUG - wheel hole, A quantity of one of Ref. 7, 30-1631T1 plug, is required for each 24.5 x 32, 30.5 x 32, 620/70 R42 and 710/70 R38 wheel.



## 6-176 WHEELS

сылка	Номер детали	Кол-во	Описание
1	30-1526T2	4	WHEEL - inner or dual, 20.8 x 38, 18 inch width
1	30-1535T2	4	WHEEL - inner or dual, 20.8 x 42, 18 inch width
2	30-1531T3	4	WHEEL - middle, 20.8 x 38 inch
2	30-1539T1	4	WHEEL - middle, 20.8 x 42 inch
3	30-1529T2	4	WHEEL - outer, 20.8 x 38, 18 inch width
3	30-1538T4	4	WHEEL - outer, 20.8 x 42, 18 inch width
4	70-5535T1	144	WASHER - flat, hardened, mounting
5	70-6402T1	112	BOLT - hex, 7/8 NC x 2-1/2 inch, grade 8
6	425-1014	32	NUT, 7/8"-9, G5
7	A20058	12	VALVE - stem
12	50-3448T1	4	STOP - articulation, use with Ref. 14, 70-6256T1 lock, Used only with 20.8 x 38 or 20.8 x 42 triples.
12	35-1891T91	4	STOP - articulation, use with Ref. 14, 70-6244T1 lock, Used only with 20.8 x 38 or 20.8 x 42 triples.
13	214-1464	2	CLAMP - adj, 3-9/16 - 4-1/2 inch dia, articulation stop, Used only with 20.8 x 38 or 20.8 x 42 triples.
14	70-6256T1	2	LOCK - articulation, 8 1/4 inches long, if used, stop, Used only with 20.8 x 38 or 20.8 x 42 triples.
14	70-6244T1	2	LOCK - articulation, 10 inch long, if used, stop, Used only with 20.8 x 38 or 20.8 x 42 triples.
15	427-8325	2	PIN - clevis, 1/2 x 3-1/5 inch, hardened, articulation stop, Used only with 20.8 x 38 or 20.8 x 42 triples.
16	19-5400	2	PIN - hair, 1/8 inch, articulation stop, Used only with 20.8 x 38 or 20.8 x 42 triples.



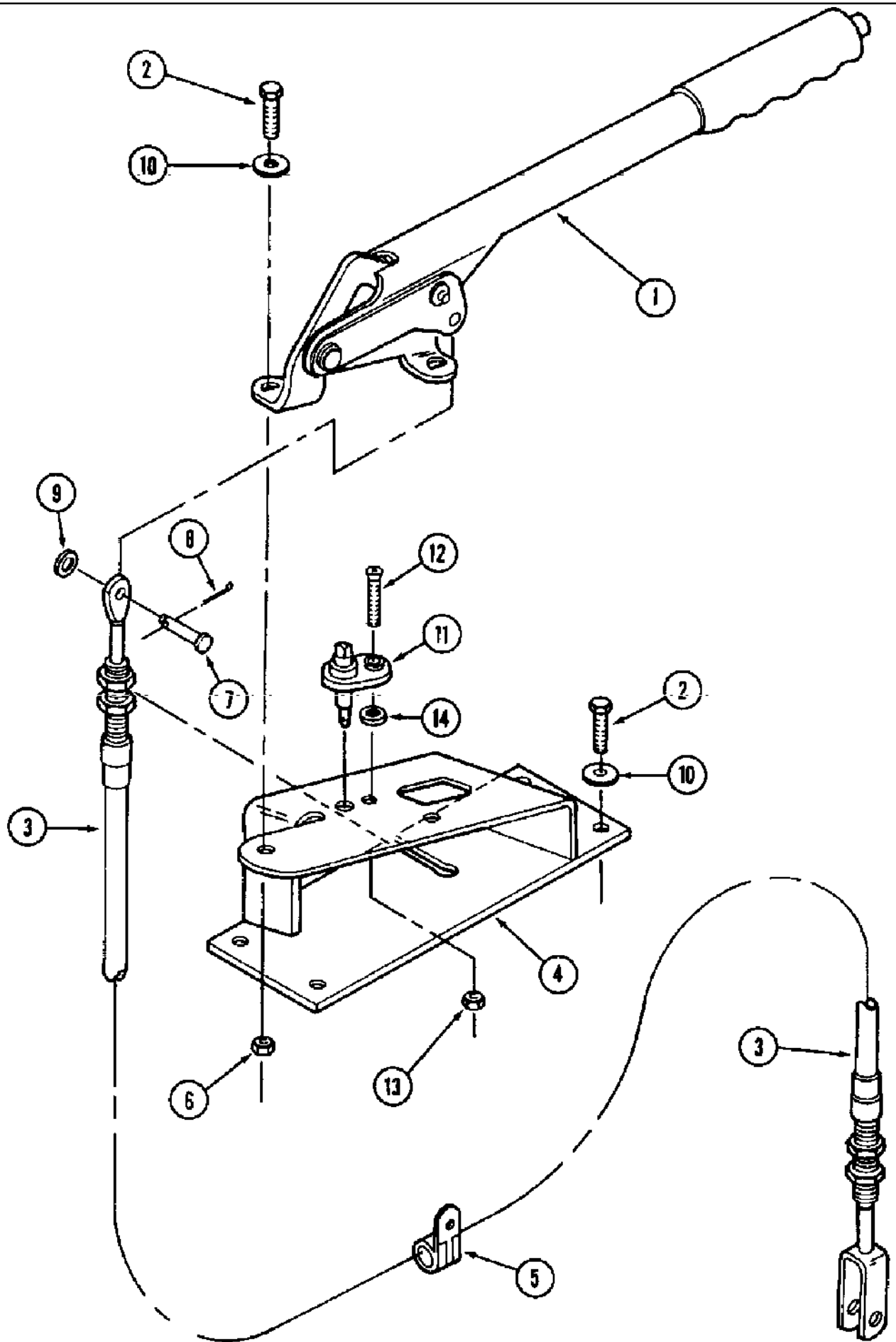


## 9380 CASE IH 4WD TRACTOR (6/95-8/00)

## 7-04 BRAKE CONTROLS, 9380 AND 9390 ONLY

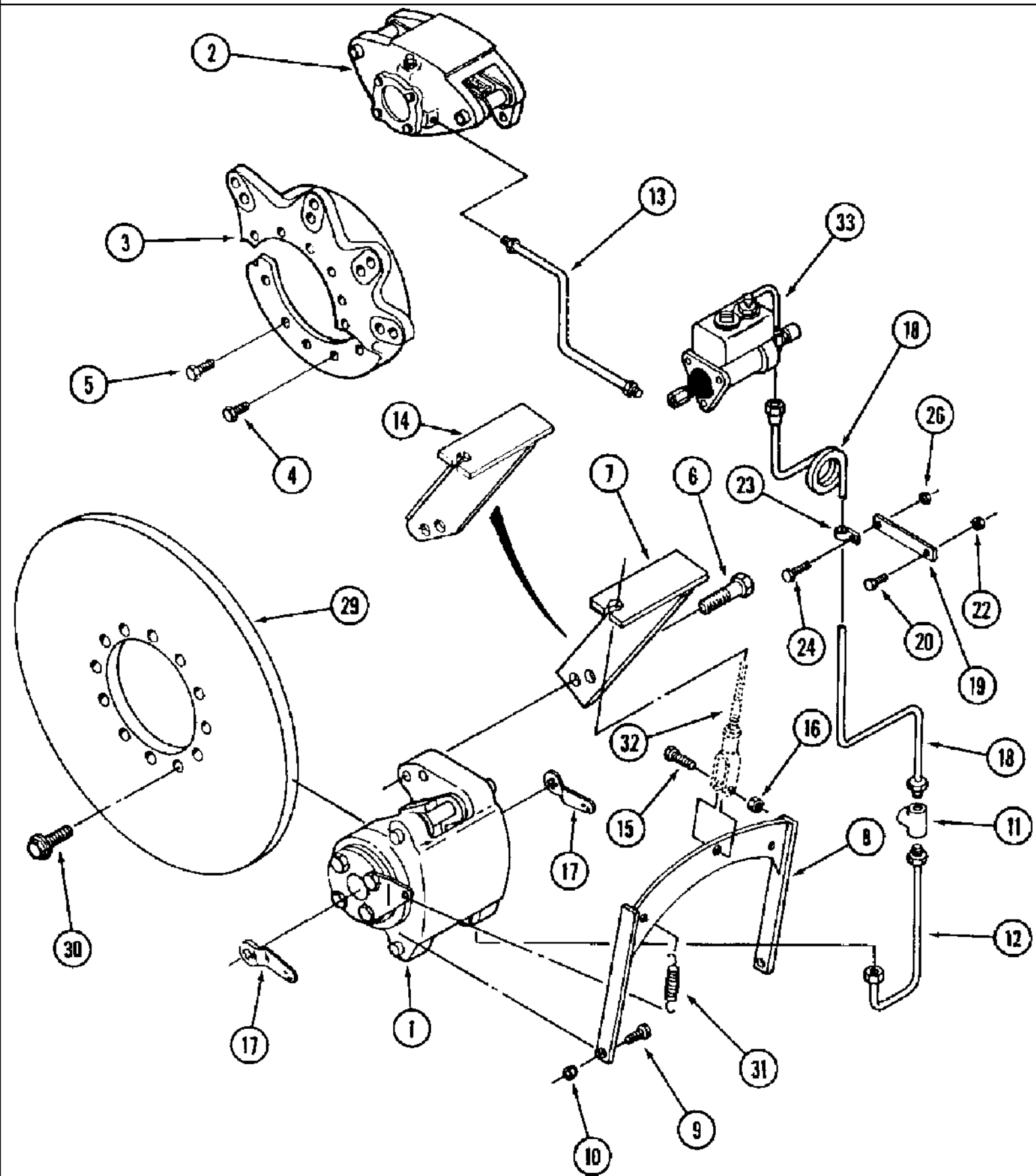
сылка	Номер детали	Кол-во	Описание
1	60-6835T1	1	PEDAL - brake
2	60-6836T1	1	BUSHING - pivot
3	11-19	1	SPRING - torsion, pedal return
4	60-4306T1	1	ROD - push, master cylinder
5	60-4337T1	1	BUSHING - flanged
6	326-832	1	BOLT, Hex, 1/2"-13 x 2", G8
7	425-108	3	NUT - hex, 1/2 inch NC
10	426-820	2	BOLT - hex, 1/2 NC x 1-1/4 inch, grade 8
11	60-5074T1	1	MOUNT - pedal, brake and clutch
12	1-3520	2	BUMPER - pedal stop, brake and clutch
15	425-1510	1	NUT - hex, jam, 5/8 inch NF
16	60-2821T91	1	CYLINDER ASSEMBLY - brake master, parts list Figure 7-18
19	231-1446	3	NUT, LOCK, 3/8"-16, GB
22	217-430	1	PLUG - hex socket headless, 1/8 inch PT

7-06 PARKING BRAKE CONTROLS



## 7-06 PARKING BRAKE CONTROLS

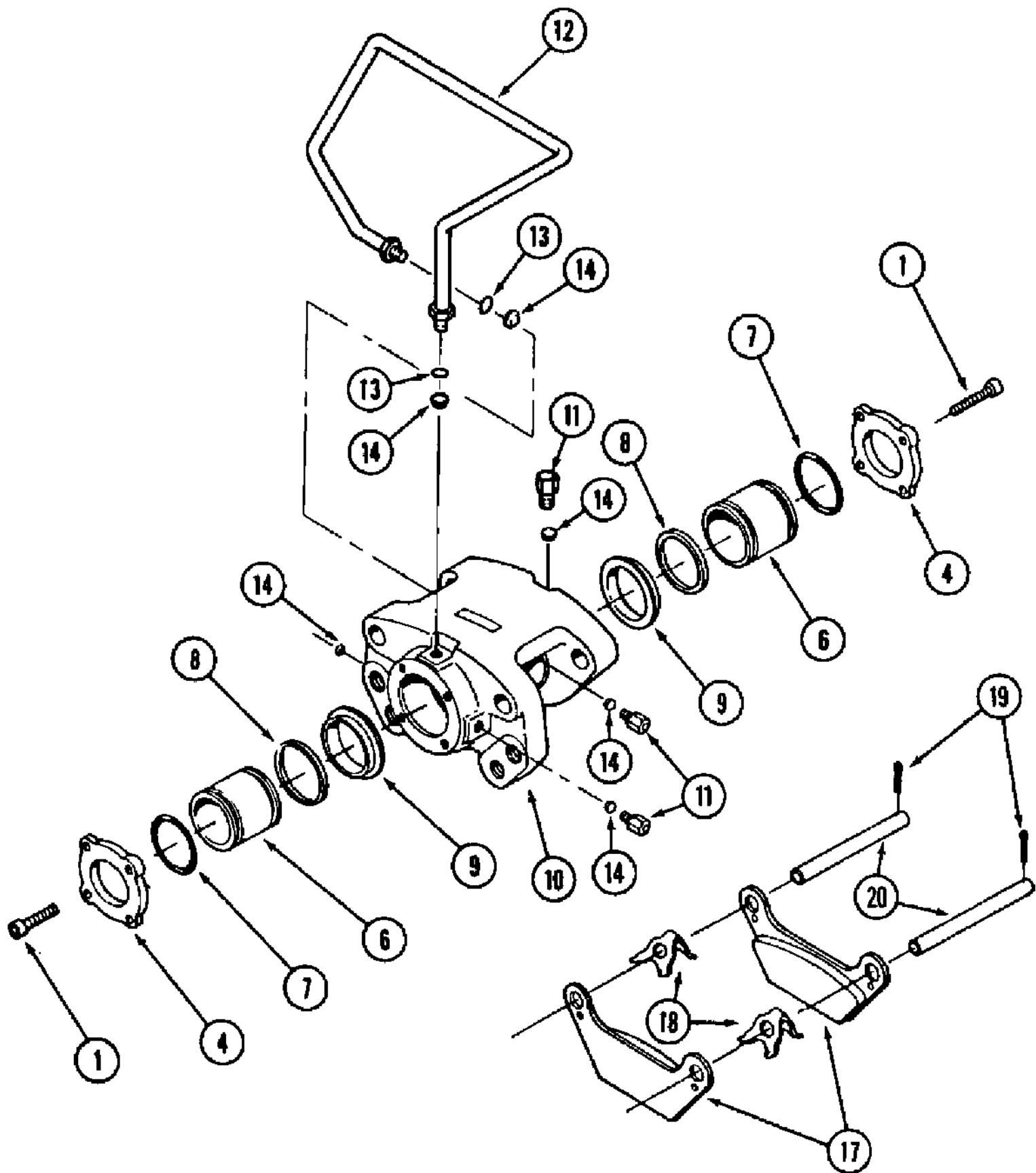
сылка	Номер детали	Кол-во	Описание
1	60-7209T1	1	LEVER - parking brake
2	426-516	6	BOLT - hex, 5/16 NC x 1 inch, grade 8
3	60-7004T1	1	CABLE - actuating, parking brake
4	60-7006T1	1	MOUNT - parking brake lever and cable
5	515-23190	1	CLAMP - P-type, 3/4 inch ID
6	425-105	2	NUT - hex, 5/16 inch NC
7	427-6106	1	PIN, CLEVIS, 3/8" x 1 1/16", Hardened
8	432-612	1	PIN , SPLIT (COTTER), 3/32" x 3/4"
9	495-11041	1	WASHER - flat, 13/32 x 13/16 x 1/16 inch
10	495-11034	6	WASHER - flat, 11/32 x 11/16 x 1/16 inch
11	1534229C1	1	SWITCH - parking brake
12	473-10810	1	SCREW - machine, flat head slotted, No. 8 NC x 5/8 inch
13	225-14108	1	NUT - hex, No. 8 NC
14	495-21019	1	WASHER, #8



## 9380 CASE IH 4WD TRACTOR (6/95-8/00)

## 7-10 BRAKE SYSTEM, 9380 AND 9390 ONLY

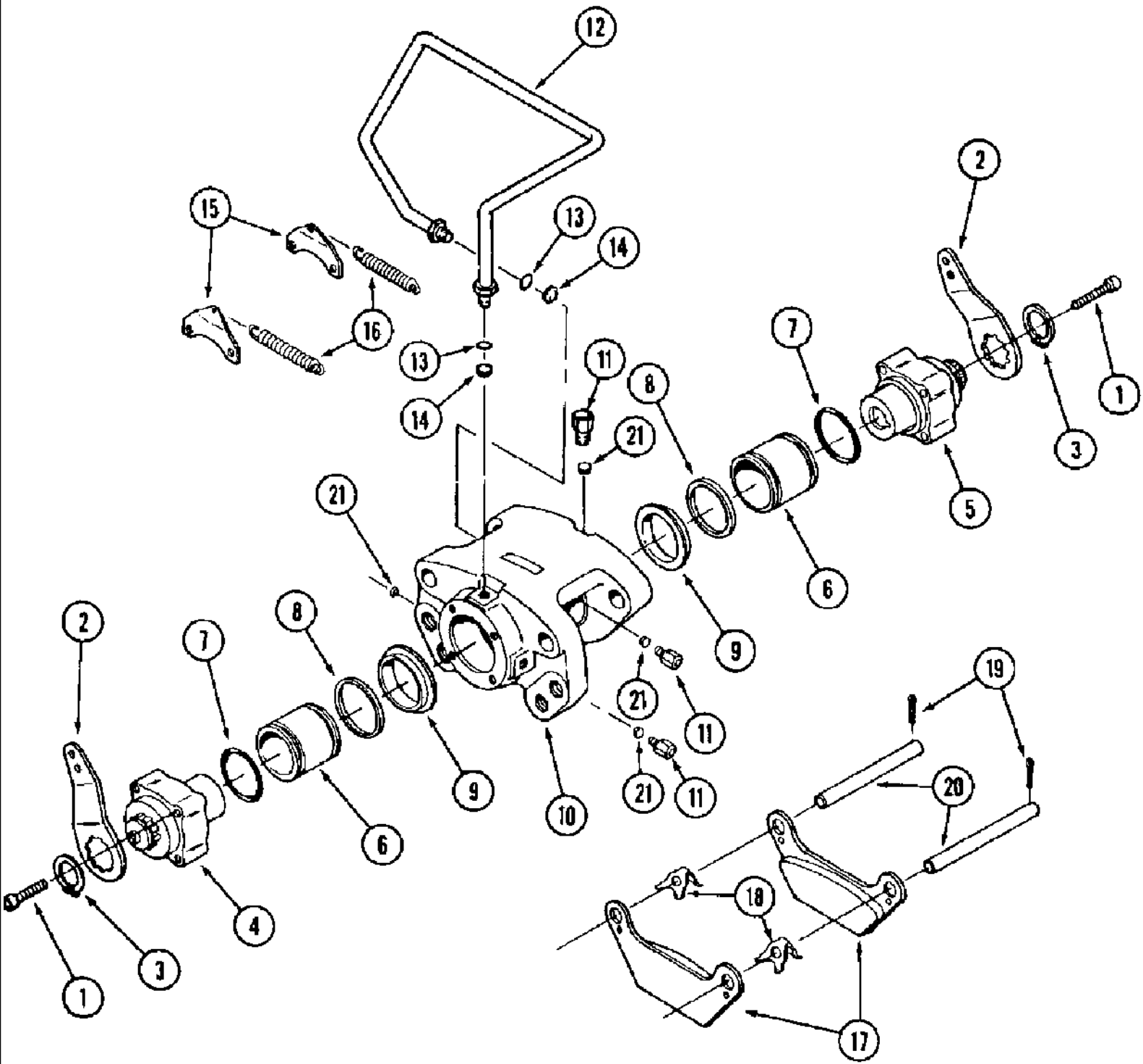
сылка	Номер детали	Кол-во	Описание
1	90-8368T92	1	CALIPER ASSEMBLY - brake, with parking brake, parts list Figure 7-14, replaces 90-7650T91 caliper, When replacing caliper assembly 90-7650T91 on machines built prior to P.I.N. JEE0037590 with 90-8368T92 caliper, remove parking brake lever 90-8362T1 and replace with shorter levers from original caliper 90-7650T91 or order 90-7656T2 kit, which includes (1) parking brake lever and (1) 800-44035 snap ring.
2	90-7871T91	1	CALIPER ASSEMBLY - brake, without parking brake, parts list Figure 7-12
3	90-6843T2	1	MOUNT - caliper
4	40-1185	6	BOLT - 12 point flange, 14 - 1.5 x 120 mm, class 12.9
5	40-1186	5	BOLT - 12 point flange, 14 - 1.5 x 60 mm, class 12.9
6	426-1036	2	BOLT - hex, 5/8 NC x 2-1/4 inch, grade 8
7	90-6347T2	1	BRACKET - retaining, parking brake cable, prior to P.I.N. JEE0037590
8	90-8381T1	1	BRACKET - actuating, park brake, replaces 90-4030T1 bracket
9	426-516	2	BOLT - hex, 5/16 NC x 1 inch, grade 8
10	231-1445	2	NUT - hex, self-locking, 5/16 inch NC
11	222-1150	1	TEE - 7/16-24 inch inverted flare
12	90-7863T1	1	TUBE - brake line, branch to cylinder with parking brake
13	90-7864T1	1	TUBE - brake line, branch to cylinder without parking brake
14	90-8309T1	1	BRACKET - retaining, parking brake cable, P.I.N. JEE0037590 and after
15	426-620	1	BOLT - hex, 3/8 NC x 1-1/4 inch, grade 8
16	231-1446	1	NUT, LOCK, 3/8"-16, GB
17	90-8362T1	1	LEVER - parking brake
18	90-7862T1	1	TUBE - brake line, master cylinder
19	90-6886T1	1	STRAP - clamp support
20	426-512	1	BOLT - hex, 5/16 NC x 3/4 inch, grade 8
22	425-105	1	NUT - hex, 5/16 inch NC
23	515-2363	2	CLAMP - P-type, 1/4 inch ID
24	426-612	2	BOLT - hex, 3/8 NC x 3/4 inch, grade 8
26	425-106	2	NUT, 3/8"-16, G5
29	90-1367T2	1	DISC - brake
30	428-1028	12	BOLT - hex, 5/8 NF x 1-3/4 inch, grade 8
31	90-2902T1	2	SPRING - return, parking brake
32	60-7004T1	1	CABLE - actuating, parking brake
33	60-2821T91	1	CYLINDER ASSEMBLY - brake master, parts list Figure 7-18



## 7-12 BRAKE CALIPER ASSEMBLY, WITHOUT PARKING BRAKE, 9380 AND 9390 ONLY

сылка	Номер детали	Кол-во	Описание
	90-7871T91	1	CALIPER ASSEMBLY - brake
1	426-616	8	BOLT, Hex, 3/8"-16 x 1", G8, Full Thd
4	A46972	2	CAP - end
	90-7651T2	2	KIT - piston, Includes: one each of Ref. 6 - 9 and solid fiber insulator disc not illustrated & NSS, See print of kit for illustration. cam djo 2/29/00
6	NSS	1	PISTON - brake
	90-7652T2	1	KIT - seal, Includes: Ref. not used in this caliper, 7 - 9
7	NSS	2	O-RING - seal
8	A46968	2	SEAL - piston
9	A46969	2	BOOT - dust
10	NSS	1	HOUSING - brake
11	A46962	3	SCREW - bleeder
	90-7632T2	1	KIT - tube, brake, Includes: Ref. 12 - 14
12	90-7631T1	1	TUBE - brake
13	90-7316T1	2	O-RING - seal
14	A46961	2	SEAT - bleeder screw insert
	90-7506T2	1	KIT - pad and holder assembly, Includes: Ref. 17 - 19
17	NSS	2	PAD - brake
18	90-7507T1	2	SPRING - release, brake pad
19	432-1020	4	5/32" x 1 1/4"
20	A46971	2	PIN - brake pad mounting

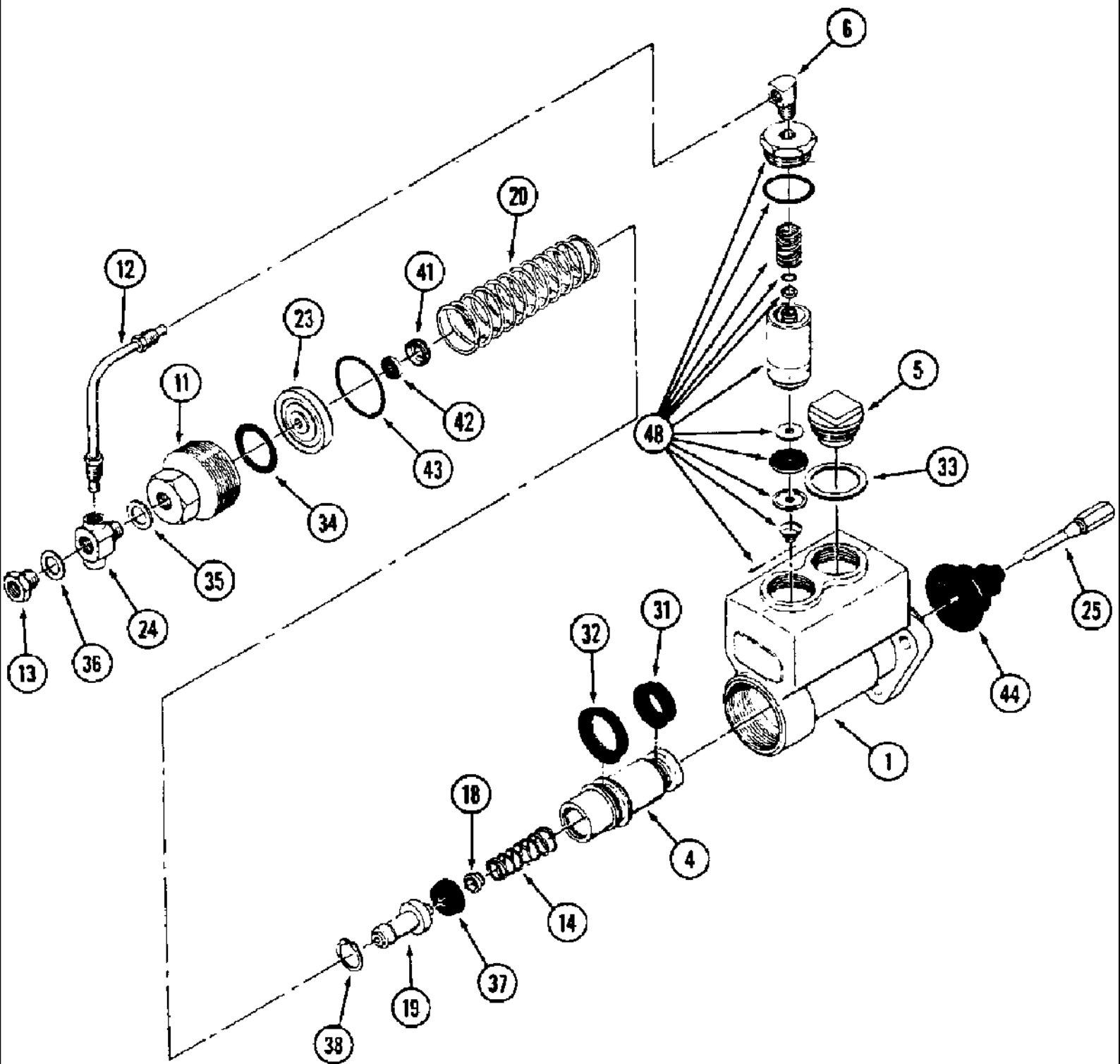
7-14 BRAKE CALIPER ASSEMBLY, WITH PARKING BRAKE





## 7-14 BRAKE CALIPER ASSEMBLY, WITH PARKING BRAKE

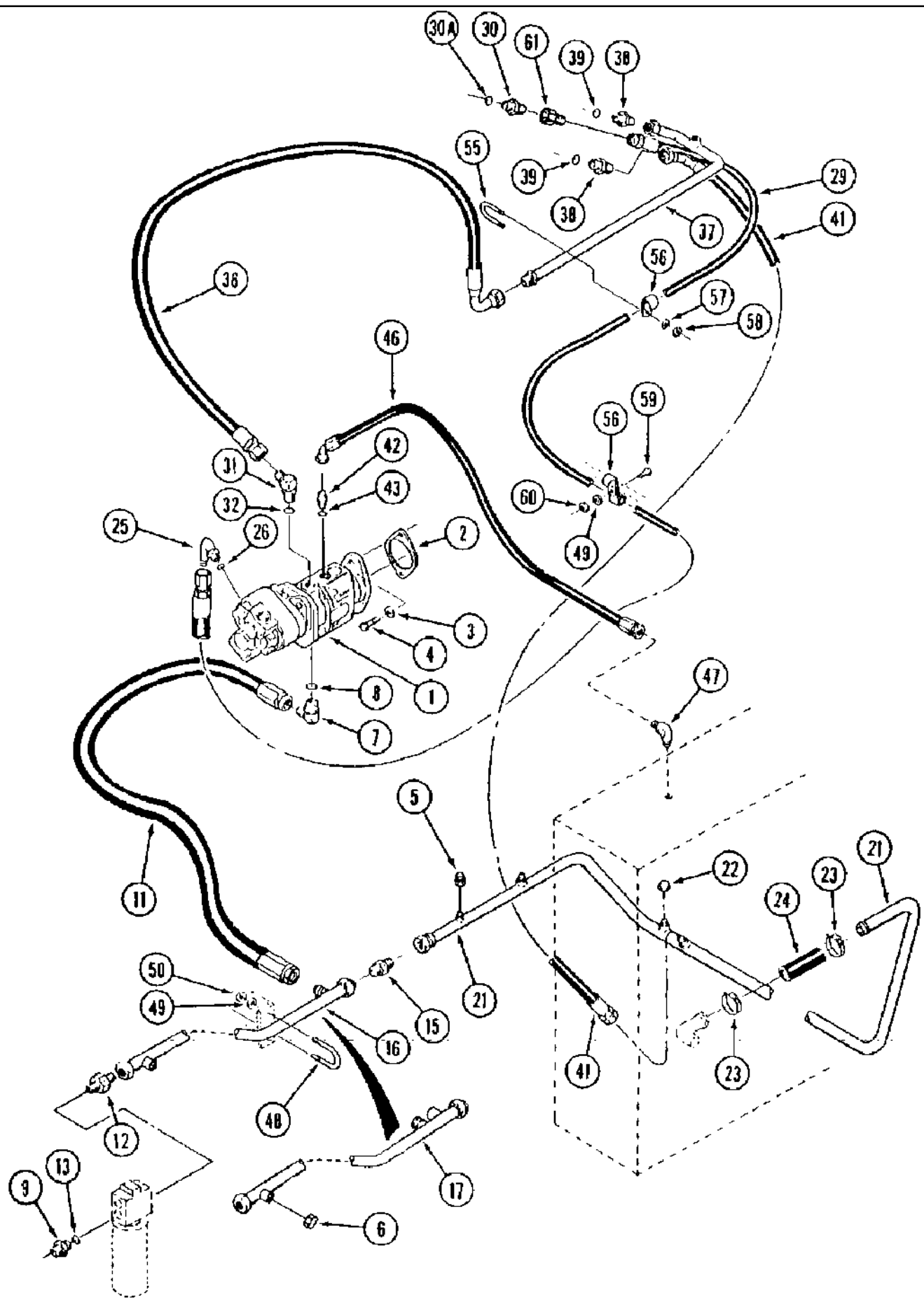
сылка	Номер детали	Кол-во	Описание
	90-8368T92	1	CALIPER ASSEMBLY - brake, with parking brake, replaces 90-7650T91 caliper, When replacing caliper assembly 90-7650T91 on machines built prior to P.I.N. JEE0037590 with 90-8368T92 caliper, remove parking brake lever 90-8362T1 and replace with shorter levers from original caliper 90-7650T91 or order 90-7656T2 kit, which includes (1) parking brake lever and (1) 800-44035 snap ring.
1	61-33832	8	BOLT - hex socket, 3/8 NC x 2-1/4 inch
2	90-8362T1	1	LEVER - parking brake
3	800-44035	1	RING - external retaining, No. 35
4	90-7655T2	1	ACTUATOR - parking brake, right-hand
5	90-7654T2	1	ACTUATOR - parking brake, left-hand
	90-7651T2	2	KIT - piston, Includes: one each of Ref. 6 - 9, Includes solid fiber insulator disc, not illustrated and NSS. See print of kit for illustration.
6	NSS	1	PISTON - brake
	90-7652T2	1	KIT - seal, Includes: Ref. not used in this caliper, 7 - 9
7	NSS	2	O-RING - seal
8	A46968	2	SEAL - piston
9	A46969	2	BOOT - dust
10	NSS	1	HOUSING - brake
11	A46962	3	SCREW - bleeder
	90-7632T2	1	KIT - tube, brake, Includes: Ref. 12 - 14
12	90-7631T1	1	TUBE - brake
13	90-7316T1	2	O-RING - seal
14	A46961	2	SEAT - bleeder screw insert
	90-7653T2	1	KIT - return spring, Includes: Ref. 15 & 16
15	NSS	2	BRACKET - return
16	90-2902T1	2	SPRING - return
	90-7506T2	1	KIT - pad and holder assembly, Includes: Ref. 17 - 19
17	NSS	2	PAD - brake
18	90-7507T1	2	SPRING - release, brake pad
19	432-1020	4	5/32" x 1 1/4"
20	A46971	2	PIN - brake pad mounting
21	A46961	4	SEAT - bleeder screw insert



## 9380 CASE IH 4WD TRACTOR (6/95-8/00)

## 7-18 MASTER CYLINDER ASSEMBLY, 9380 AND 9390, DUAL STAGE

сылка	Номер детали	Кол-во	Описание
	60-2821T91	1	CYLINDER ASSEMBLY - brake master, Includes: Ref. 1 - 48
1	NSS	1	HOUSING - cylinder, brake
4	NSS	1	PISTON - brake
5	2-1210T1	1	CAP - filler, brake
6	2-6647T1	1	ELBOW - 90 degree
11	2-6648T91	1	CAP - end, brake cylinder
12	S114809	1	TUBE - brake fluid
13	2-6650T1	1	CONNECTOR - straight
14	NSS	1	SPRING - return
18	NSS	1	RETAINER - spring
19	NSS	1	PISTON - brake
20	NSS	1	SPRING - return
23	NSS	1	RETAINER - spring
24	2-6651T1	1	CONNECTOR - four way, brake line
25	2-6652T1	1	ROD - push, brake actuating
	2-6646T1	1	KIT - repair, cylinder, Includes: Ref. 31 - 48
31	NSS	1	CUP - seal, small
32	NSS	1	CUP - seal, large
33	S114797	1	GASKET - filler plug, replaces 2-1206 gasket
34	NSS	1	SEAL - retainer
35	NSS	1	GASKET - connector, inner
36	NSS	1	GASKET - connector, outer
37	NSS	1	CUP - seal
38	NSS	1	RING - snap
41	NSS	1	RETAINER - seat
42	NSS	1	SEAT - piston
43	NSS	1	O-RING - seal, end cap
44	NSS	1	BOOT - dust
48	2-7082T1	1	VALVE - relief



MS98M06B

For Shuttle Plug for high output hydraulics p/n 50-3628T1 - ref: hyd. remote valve second section in this parts book. NAPO TECH NOTE

сылка	Номер детали	Кол-во	Описание
1	50-3548T93	1	PUMP ASSEMBLY - tandem, parts list Figure 8-022
2	18-1176T1	1	GASKET - pump
3	496-11053	2	WASHER, 17/32" x 1 1/16" x .095", HDN
4	426-820	2	BOLT, Hex, 1/2"-13 x 1 1/4", G8, Full Thd
5	218-756	2	CAP, 37e, 7/8"-14, Used on models without three point hitch
6	218-758	1	CAP - hex, 1-5/16-12 inch
7	218-5086	1	ADAPTER - straight, 1-5/16-12 flare x 1-5/8 inch O-ring, Includes: Ref. 8
8	237-6020	1	O-RING, 20-1, 90 Duro, 1.475" ID x .118" Thk
9	218-5064	9	ADAPTER - straight, 1-1/16-12 inch flare x O-ring boss
11	31-3002	1	HOSE - 889 mm (35 inch) long, to return tube
12	218-5039	2	ADAPTER - straight, 1-5/8-12 flare x 1-1/16-12 inch O-ring boss, Includes: Ref. 13
13	237-6016	1	O-RING, 16-1, 90 Duro, 1.171" ID x .116" Thk
15	50-2565T1	1	VALVE - check
16	50-3581T1	1	TUBE - filter to check valve, replaced by 50-3581T2 tube, Ref. 17
17	50-3581T2	1	TUBE - filter to check valve, replaces 50-3581T1 tube, Ref. 16
21	50-3416T2	1	TUBE - check valve to hydraulic tank
22	218-335	1	CAP - hex, 1-1/16-12 inch
23	31-1283	2	CLAMP - adjustable, 1-1/4 x 2-5/8 inch
24	1-4571	1	HOSE - 114 mm (4-1/2 inch) long, cut from 1-4482 bulk hose, see below
25	50-3561T1	1	ELBOW - 90 degree, 9/16-18 flare x 7/16-20 inch O-ring boss, Includes: Ref. 26
26	237-6004	1	O-RING, 4-1, 90 Duro, .351" ID x .072" Thk
29	31-3052	1	HOSE - 1524 mm (60 inch) long, to control valve, There is another adaptor that is found between ref #29 31-3052 and the valve it is part number 31-2685 4-19-00 cw
30	218-5057	1	ADAPTER - straight, 9/16-18 inch flare x O-ring boss, pilot port, remote valve inlet, replaces 218-5135 adapter, Includes: Ref. 30A
30A	237-6006	1	O-Ring, 6-1, 90 Duro, .468" ID x .078" Thk
31	218-5140	1	ELBOW - 45 degree, 1-5/16-12 inch flare x adj O-ring boss, Includes: Ref. 32
32	237-6016	1	O-RING, 16-1, 90 Duro, 1.171" ID x .116" Thk
36	31-3053	1	HOSE - pump to tube
37	50-3554T1	1	TUBE - supply, hose to control valve
38	218-5050	2	ADAPTER - straight, 1-5/16-12 flare x 1-1/16-12 inch O-ring boss, Includes: Ref. 39
39	237-6012	2	O-RING, 12-1, 90 Duro, .924 ID x .116" Thk
41	31-2671	1	HOSE - 610 mm (24 inch) long
42	218-5360	1	ADAPTER - straight, 7/8-14 flare x 9/16-18 inch O-ring boss, if used, Includes: Ref. 43
42	218-5062	1	ADAPTER - straight, 7/8-14 inch flare x O-ring boss, if used, Includes: Ref. 43
43	237-6006	1	O-Ring, 6-1, 90 Duro, .468" ID x .078" Thk
46	31-3028	1	HOSE - to hydraulic tank
47	218-485	1	ELBOW - 90 degree, 7/8-14 flare x 1/2 inch PT
48	19-154	2	U-BOLT - tube
49	495-21038	5	WASHER - flat, 3/8 x 7/8 x 3/32 inch
50	231-1445	4	NUT - hex, self-locking, 5/16 inch NC
55	19-6258	1	U-BOLT - 1/4-20 inch, tube
56	515-23222	3	CLAMP - P-type, 7/8 inch ID
57	495-21031	2	WASHER - flat, 5/16 x 3/4 x 1/16 inch
58	232-4114	2	NUT, LOCK, 1/4"-20, GC

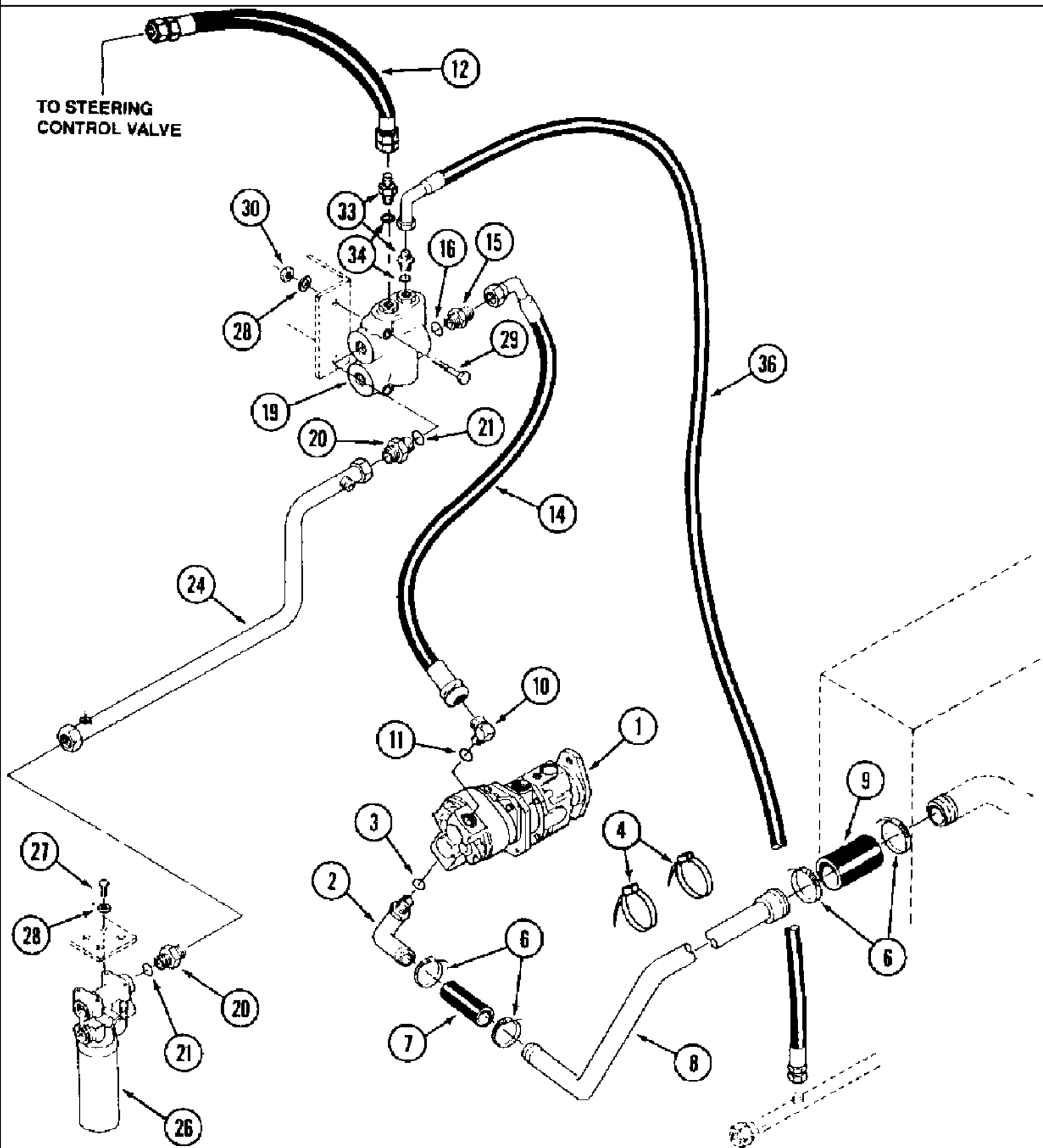
For Shuttle Plug for high output hydraulics p/n 50-3628T1 - ref: hyd. remote valve second section in this parts book. NAPO TECH NOTE

9380 CASE IH 4WD TRACTOR (6/95-8/00)

8-002 STANDARD HYDRAULIC SYSTEM, PUMP CIRCUIT TO CONTROL VALVE, 9370 AND 9380 ONLY

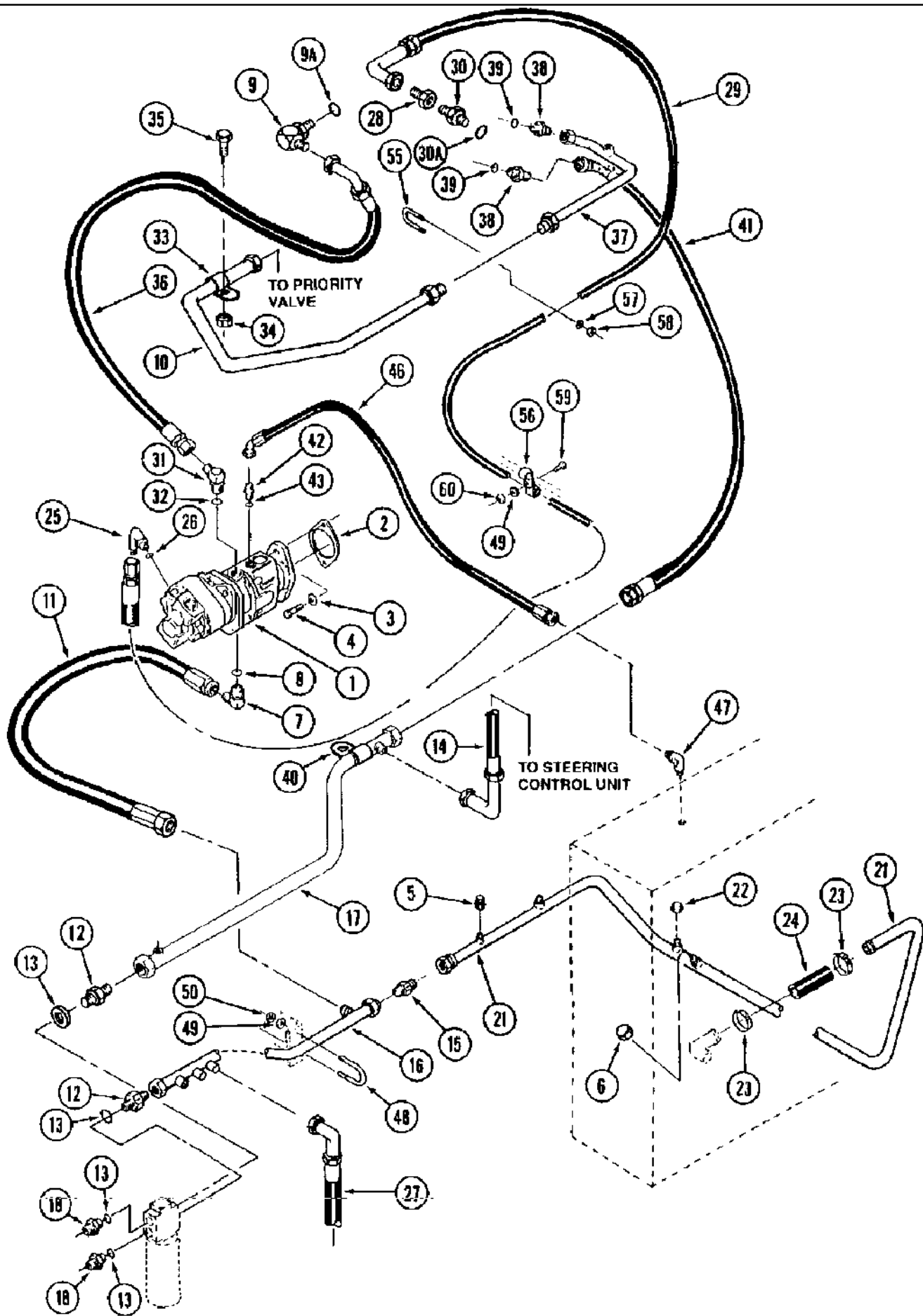
сылка	Номер детали	Кол-во	Описание
59	413-616	1	BOLT, Hex, 3/8"-16 x 1", G5, Full Thd
60	232-4136	1	NUT, LOCK, 3/8"-16, GC
61	31-2685	1	ADAPTER - orifice
	1-4482		UAR HOSE - bulk, 3048 mm (120 inch) long, sold by the foot

For Shuttle Plug for high output hydraulics p/n 50-3628T1 - ref: hyd. remote valve second section in this parts book. NAPO TECH NOTE



сылка	Номер детали	Кол-во	Описание
1	50-3548T93	1	PUMP ASSEMBLY - tandem, parts list Figure 8-022
2	31-1394	1	ELBOW - hose stem, special, Includes: Ref. 3
3	237-6020	1	O-RING, 20-1, 90 Duro, 1.475" ID x .118" Thk
4	19-135	2	STRAP - tie, nylon
6	31-1283	4	CLAMP - adjustable, 1-1/4 x 2-5/8 inch
7	1-5651	1	HOSE - 203 mm (8 inch) long, cut from 1-4482 bulk hose, see below
8	50-3415T2	1	TUBE - supply, pump to tank
9	31-2427	1	HOSE - 102 mm (4 inch) long, cut from 1-4568 bulk hose, see below
10	218-5124	1	ELBOW - 90 degree, 1-5/16-12 flare x 1-1/16-12 inch adj O-ring boss, Includes: Ref. 11
11	237-6012	1	O-RING, 12-1, 90 Duro, .924 ID x .116" Thk
12	31-2814	1	HOSE - 711 mm (28 inch) long, steering sensing
14	32-187	1	HOSE - 762 mm (30 inch) long, to priority valve
15	218-5069	1	ADAPTER - straight, 1-5/16-12 inch flare x O-ring boss, Includes: Ref. 16
16	237-6016	1	O-RING, 16-1, 90 Duro, 1.171" ID x .116" Thk
19	50-3155T91	1	VALVE ASSEMBLY - priority, parts list Figure 8-038
20	218-5039	2	ADAPTER - straight, 1-5/8-12 flare x 1-1/16-12 inch O-ring boss, Includes: Ref. 21
21	237-6016	2	O-RING, 16-1, 90 Duro, 1.171" ID x .116" Thk
24	50-3504T2	1	TUBE - priority valve to filter
26	50-3632T91	1	FILTER ASSEMBLY - hydraulic oil, parts list Figure 8-034, replaces 50-3493T91 filter
27	413-616	2	BOLT, Hex, 3/8"-16 x 1", G5, Full Thd
28	495-21038	4	WASHER - flat, 3/8 x 7/8 x 3/32 inch
29	413-556	2	BOLT, Hex, 5/16"-18 x 3 1/2", G5
30	231-1446	2	NUT, LOCK, 3/8"-16, GB
33	218-5053	1	ADAPTER - straight, 7/16-20 flare x O-ring boss, Includes: Ref. 34
34	237-6004	1	O-RING, 4-1, 90 Duro, .351" ID x .072" Thk
36	31-3027	1	HOSE - 965 mm (38 inch) long, to return tube
	1-4482		UAR HOSE - bulk, 3048 mm (120 inch) long, sold by the foot
	1-4568		UAR HOSE - bulk, 51 (2) ID x 3048 mm (120 inch) long





MS98J008

The High Output hydraulic system is standard on the 9390 models and optional on the 9370 and 9380 models with P.I.N JEE0071001 and after.

## 8-006 HIGH OUTPUT HYDRAULIC SYSTEM, PUMP CIRCUIT TO CONTROL VALVE

сылка	Номер детали	Кол-во	Описание
1	50-3619T91	1	PUMP ASSEMBLY - tandem, no longer available, order component parts separately, parts list Figure 8-022
2	18-1176T1	1	GASKET - pump
3	496-11053	2	WASHER, 17/32" x 1 1/16" x .095", HDN
4	426-820	2	BOLT, Hex, 1/2"-13 x 1 1/4", G8, Full Thd
5	218-756	2	CAP, 37e, 7/8"-14, Used on models without three point hitch
6	218-758	1	CAP - hex, 1-5/16-12 inch
7	218-5086	1	ADAPTER - straight, 1-5/16-12 flare x 1-5/8 inch O-ring, Includes: Ref. 8
8	237-6020	1	O-RING, 20-1, 90 Duro, 1.475" ID x .118" Thk
9	218-5124	1	ELBOW - 90 degree, 1-5/16-12 flare x 1-1/16-12 inch adj O-ring boss, Includes: Ref. 9A
9A	237-6020	1	O-RING, 20-1, 90 Duro, 1.475" ID x .118" Thk
10	50-3612T1	1	TUBE - hydraulic valve to priority valve
11	31-3002	1	HOSE - 889 mm (35 inch) long, to return tube
12	218-5039	2	ADAPTER - straight, 1-5/8-12 flare x 1-1/16-12 inch O-ring boss, Includes: Ref. 13
13	237-6016	1	O-RING, 16-1, 90 Duro, 1.171" ID x .116" Thk
14	31-3026	1	HOSE - 864 mm (34 inch) long
15	50-2565T1	1	VALVE - check
16	50-3581T2	1	TUBE - filter to check valve
17	50-3504T2	1	TUBE - priority valve to filter
18	218-5064	2	ADAPTER - straight, 1-1/16-12 inch flare x O-ring boss
21	50-3416T2	1	TUBE - check valve to hydraulic tank
22	218-335	1	CAP - hex, 1-1/16-12 inch
23	31-1283	2	CLAMP - adjustable, 1-1/4 x 2-5/8 inch
24	1-4571	1	HOSE - 114 mm (4-1/2 inch) long, cut from 1-4482 bulk hose, see below
25	50-3561T1	1	ELBOW - 90 degree, 9/16-18 flare x 7/16-20 inch O-ring boss, Includes: Ref. 26
26	237-6004	1	O-RING, 4-1, 90 Duro, .351" ID x .072" Thk
27	32-187	1	HOSE - 762 mm (30 inch) long
28	31-2685	1	ADAPTER - orifice
29	31-3052	1	HOSE - 1524 mm (60 inch) long, to control valve
30	218-5057	1	ADAPTER - straight, 9/16-18 inch flare x O-ring boss, pilot port, Includes: Ref. 30A
30A	237-6006	1	O-Ring, 6-1, 90 Duro, .468" ID x .078" Thk
31	218-5140	1	ELBOW - 45 degree, 1-5/16-12 inch flare x adj O-ring boss, Includes: Ref. 32
32	237-6016	1	O-RING, 16-1, 90 Duro, 1.171" ID x .116" Thk
33	515-23254	1	CLAMP - P-type, 1 inch ID
34	231-1446	4	NUT, LOCK, 3/8"-16, GB
35	426-616	6	BOLT, Hex, 3/8"-16 x 1", G8, Full Thd
36	31-3054	1	HOSE - 1372 mm (54 inch) long, pump to tube
37	50-3611T1	1	TUBE - supply, tube to control valve
38	218-5069	2	ADAPTER - straight, 1-5/16-12 inch flare x O-ring boss, Includes: Ref. 39
39	237-6016	2	O-RING, 16-1, 90 Duro, 1.171" ID x .116" Thk
40	515-23317	1	CLAMP, 1 1/4", Insul, 3/8" Bolt, P-type
	1-4482		UAR HOSE - bulk, 3048 mm (120 inch) long, sold by the foot
41	31-3196	1	HOSE - hydraulic control valve to filter, replaces 31-3173 hose
42	218-5062	1	ADAPTER - straight, 7/8-14 inch flare x O-ring boss, Includes: Ref. 43
43	237-6006	1	O-Ring, 6-1, 90 Duro, .468" ID x .078" Thk

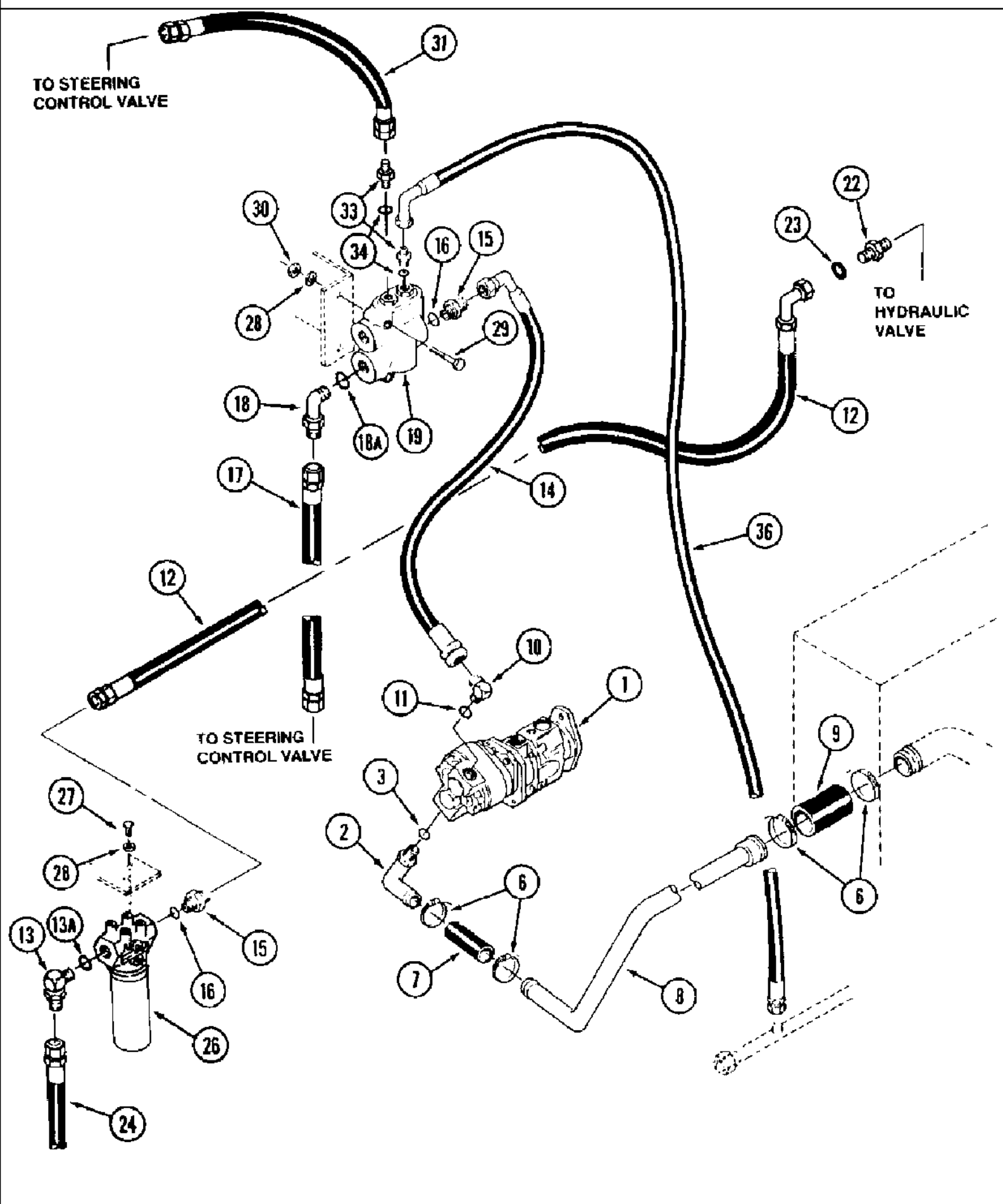
The High Output hydraulic system is standard on the 9390 models and optional on the 9370 and 9380 models with P.I.N JEE0071001 and after.

9380 CASE IH 4WD TRACTOR (6/95-8/00)

8-006 HIGH OUTPUT HYDRAULIC SYSTEM, PUMP CIRCUIT TO CONTROL VALVE

сылка	Номер детали	Кол-во	Описание
46	31-3028	1	HOSE - to hydraulic tank
47	218-485	1	ELBOW - 90 degree, 7/8-14 flare x 1/2 inch PT
48	19-154	2	U-BOLT - tube
49	495-21038	5	WASHER - flat, 3/8 x 7/8 x 3/32 inch
50	231-1445	4	NUT - hex, self-locking, 5/16 inch NC
55	19-6258	1	U-BOLT - 1/4-20 inch, tube
56	515-23222	3	CLAMP - P-type, 7/8 inch ID
57	495-21031	2	WASHER - flat, 5/16 x 3/4 x 1/16 inch
58	232-4114	2	NUT, LOCK, 1/4"-20, GC
59	413-616	1	BOLT, Hex, 3/8"-16 x 1", G5, Full Thd
60	232-4136	1	NUT, LOCK, 3/8"-16, GC

The High Output hydraulic system is standard on the 9390 models and optional on the 9370 and 9380 models with P.I.N JEE0071001 and after.



MS97K088

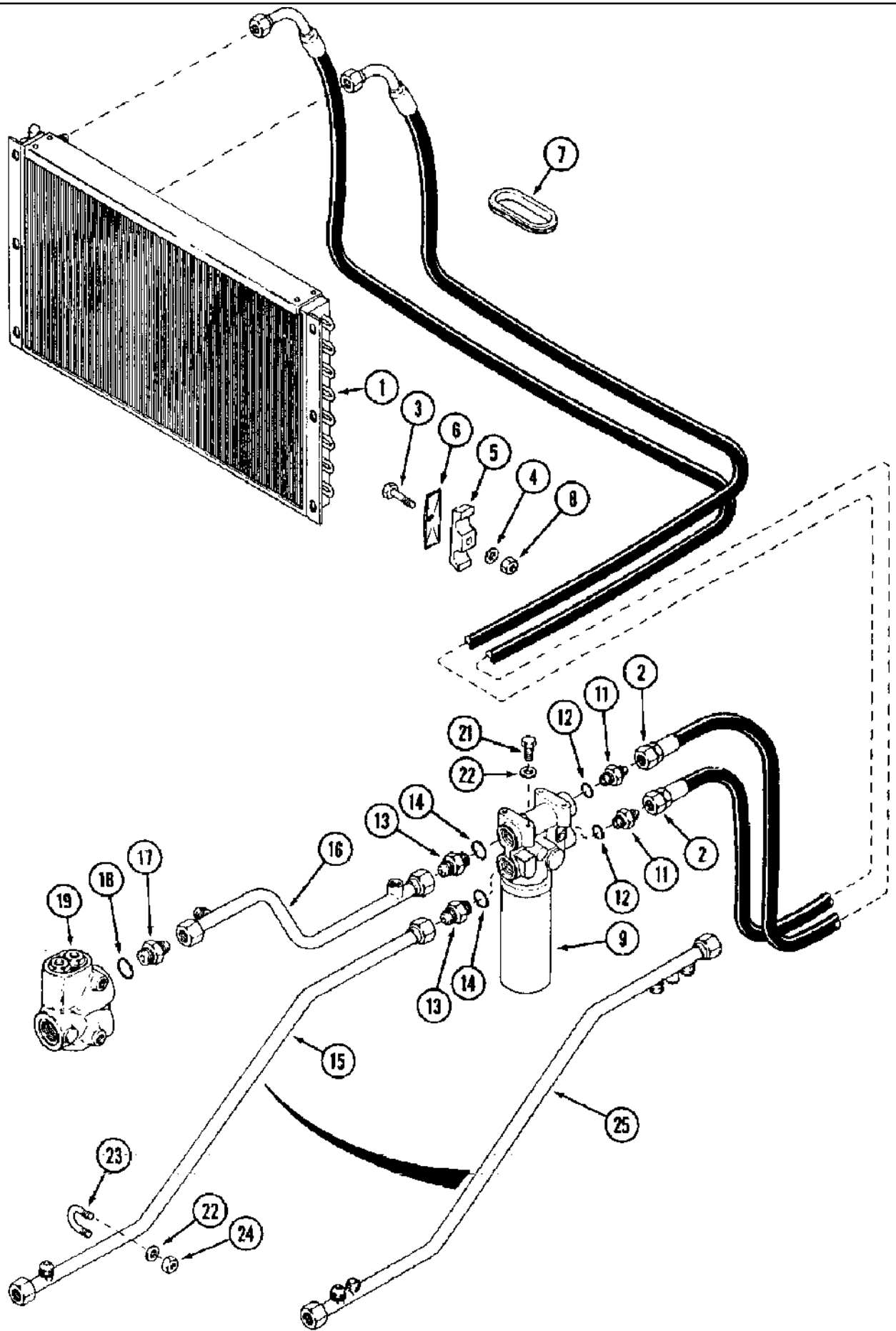
The High Output hydraulic system is standard on 9390 models and optional on 9370 and 9380 models with P.I.N. JEE0071001 and after.

## 9380 CASE IH 4WD TRACTOR (6/95-8/00)

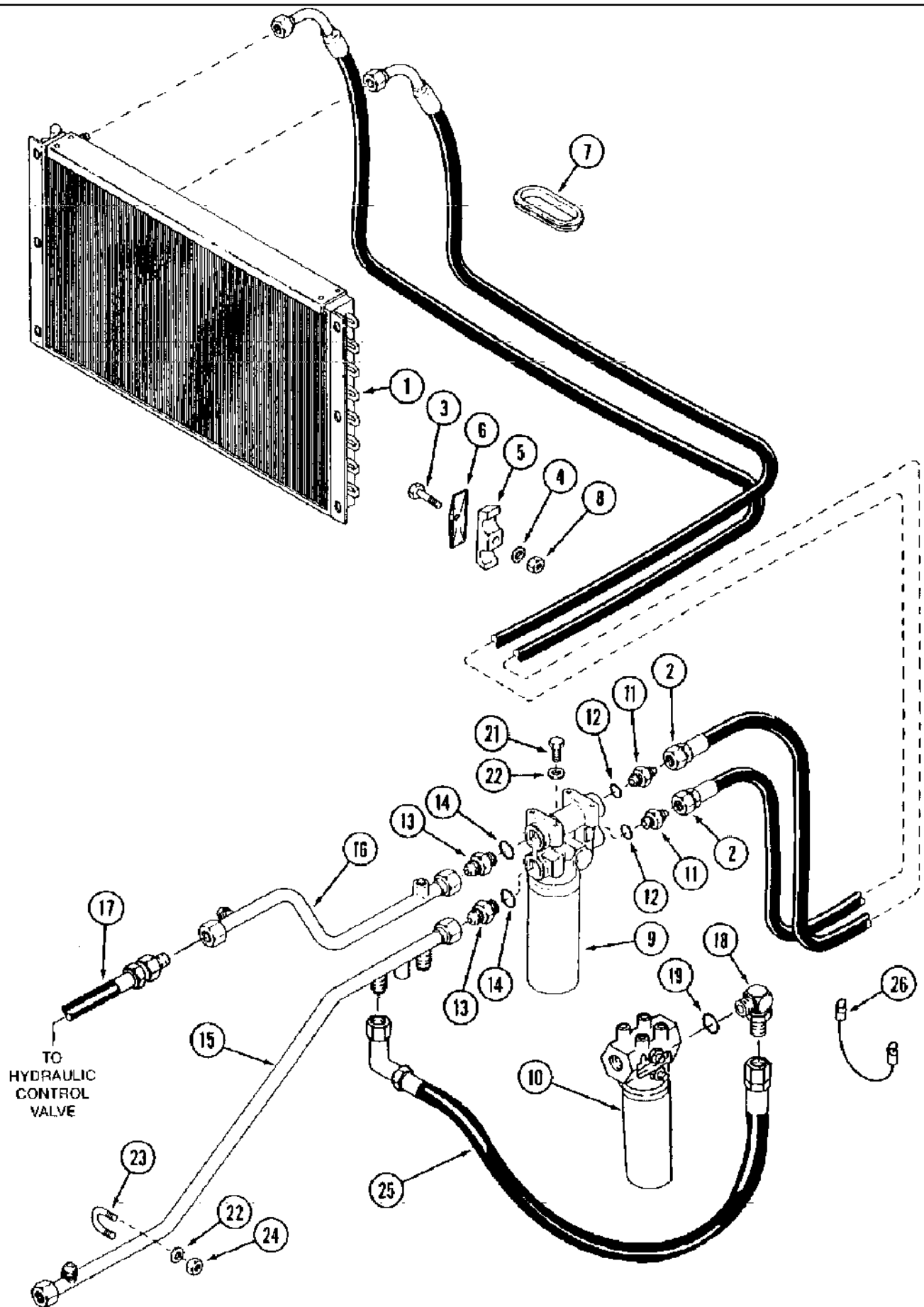
## 8-010 HIGH OUTPUT HYDRAULIC SYSTEM, PUMP CIRCUIT TO PRIORITY VALVE

сылка	Номер детали	Кол-во	Описание
1	50-3619T91	1	PUMP ASSEMBLY - tandem, no longer available, order component parts separately, parts list Figure 8-022
2	31-1394	1	ELBOW - hose stem, special, Includes: Ref. 3
3	237-6020	1	O-RING, 20-1, 90 Duro, 1.475" ID x .118" Thk
6	31-1283	4	CLAMP - adjustable, 1-1/4 x 2-5/8 inch
7	1-5651	1	HOSE - 203 mm (8 inch) long, cut from 1-4482 bulk hose, see below
8	50-3415T2	1	TUBE - supply, pump to tank
9	31-2427	1	HOSE - 102 mm (4 inch) long, cut from 1-4568 bulk hose, see below
10	218-5124	1	ELBOW - 90 degree, 1-5/16-12 flare x 1-1/16-12 inch adj O-ring boss, Includes: Ref. 11
11	237-6012	1	O-RING, 12-1, 90 Duro, .924 ID x .116" Thk
12	31-3174	1	HOSE - 1752 mm (75 inch) long
13	218-5110	1	ELBOW - 90 degree, 1-5/16-12 inch flare x adj O-ring boss, Includes: Ref. 13A
13A	237-6016	1	O-RING, 16-1, 90 Duro, 1.171" ID x .116" Thk
14	32-187	1	HOSE - 762 mm (30 inch) long, to priority valve
15	218-5069	1	ADAPTER - straight, 1-5/16-12 inch flare x O-ring boss, Includes: Ref. 16
16	237-6016	1	O-RING, 16-1, 90 Duro, 1.171" ID x .116" Thk
17	31-1041	1	HOSE - 838 mm (33 inch) long
18	218-5108	1	ELBOW - 90 degree, 1-1/16-12 inch flare x adj O-ring boss, Includes: Ref. 18A
18A	237-6012	1	O-RING, 12-1, 90 Duro, .924 ID x .116" Thk
19	50-3155T91	1	VALVE ASSEMBLY - priority, parts list Figure 8-038
22	218-5050	1	ADAPTER - straight, 1-5/16-12 flare x 1-1/16-12 inch O-ring boss, Includes: Ref. 23
23	237-6012	1	O-RING, 12-1, 90 Duro, .924 ID x .116" Thk
24	32-187	1	HOSE - 762 mm (30 inch) long, replaces 31-2989 hose
26	D131293	1	FILTER ASSEMBLY - hydraulic oil, parts list Figure 8-036
27	413-616	2	BOLT, Hex, 3/8"-16 x 1", G5, Full Thd
28	495-21038	4	WASHER - flat, 3/8 x 7/8 x 3/32 inch
29	413-556	2	BOLT, Hex, 5/16"-18 x 3 1/2", G5
30	231-1446	2	NUT, LOCK, 3/8"-16, GB
31	31-2814	1	HOSE - 711 mm (28 inch) long, steering sensing
33	218-5053	1	ADAPTER - straight, 7/16-20 flare x O-ring boss, Includes: Ref. 34
34	237-6004	1	O-RING, 4-1, 90 Duro, .351" ID x .072" Thk
36	31-3027	1	HOSE - 965 mm (38 inch) long, to return tube
	1-4482		UAR HOSE - bulk, 3048 mm (120 inch) long, sold by the foot
	1-4568		UAR HOSE - bulk, 51 (2) ID x 3048 mm (120 inch) long

The High Output hydraulic system is standard on 9390 models and optional on 9370 and 9380 models with P.I.N. JEE0071001 and after.



сылка	Номер детали	Кол-во	Описание
1	90-6708T1	1	COOLER - oil, hydraulic, See Figure 8-040 for mounting
2	31-2896	2	HOSE - 2870 mm (113 inch) long, to filter
3	426-540	1	BOLT - hex, 5/16 NC x 2-1/2 inch, grade 8
4	495-21038	1	WASHER - flat, 3/8 x 7/8 x 3/32 inch
5	50-2534T1	1	CLAMP - split, one-half
6	50-2533T1	1	PLATE - clamp support
7	NSS	1	TRIM - protection, cut from 31-1785 bulk trim, see below
8	425-105	1	NUT - hex, 5/16 inch NC
9	50-3632T91	1	FILTER ASSEMBLY - hydraulic oil, parts list Figure 8-034, replaces 50-3493T91 filter
11	218-5064	2	ADAPTER - straight, 1-1/16-12 inch flare x O-ring boss, Includes: Ref. 12
12	237-6012	1	O-RING, 12-1, 90 Duro, .924 ID x .116" Thk
13	218-5039	2	ADAPTER - straight, 1-5/8-12 flare x 1-1/16-12 inch O-ring boss, Includes: Ref. 14
14	237-6016	1	O-RING - 1-11/64 ID x 7/64 inch wide
15	50-3581T1	1	TUBE - filter to check valve, replaced by 50-3581T2 tube, Ref. 25
16	50-3504T2	1	TUBE - priority valve to filter
17	218-5039	1	ADAPTER - straight, 1-5/8-12 flare x 1-1/16-12 inch O-ring boss, Includes: Ref. 18
18	237-6016	1	O-RING - 1-11/64 ID x 7/64 inch wide
19	50-3155T91	1	VALVE ASSEMBLY - priority, parts list Figure 8-038
21	426-616	2	BOLT, Hex, 3/8"-16 x 1", G8, Full Thd
22	495-21038	4	WASHER - flat, 3/8 x 7/8 x 3/32 inch
23	19-153	1	U-BOLT - 5/16 inch NC
24	231-1445	2	NUT - hex, self-locking, 5/16 inch NC
25	50-3581T2	1	TUBE - filter to check valve, replaces 50-3581T1 tube, Ref. 15
	31-1785		UAR GROMMET - edge, bulk, 3048 mm (120 inch) long



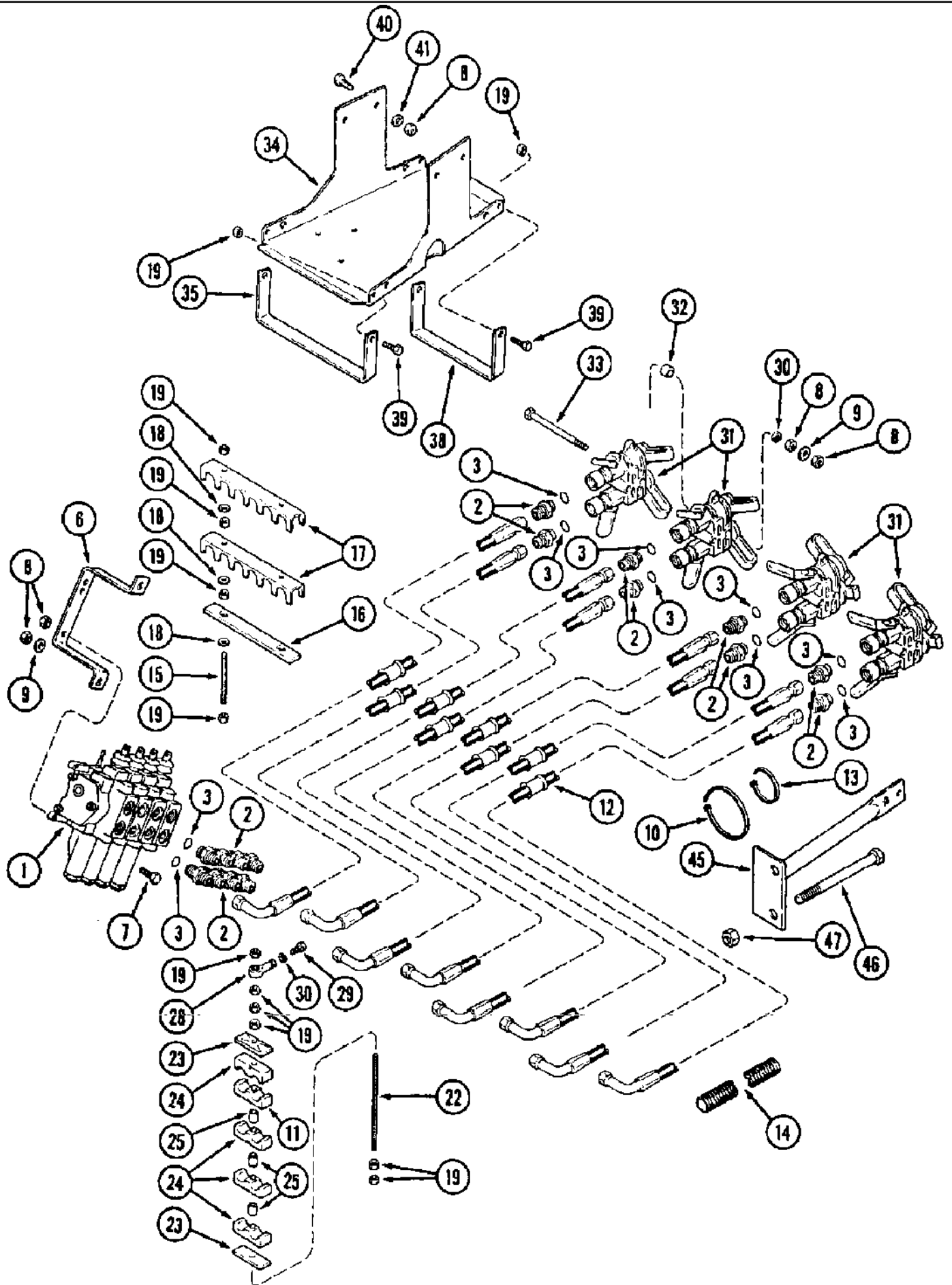
MS98J009

The High Output hydraulic system is standard on 9390 models and optional on 9370 and 9380 models with P.I.N. JEE0071001 and after



## 8-014 HIGH OUTPUT HYDRAULIC SYSTEM, OIL COOLER AND FILTER CIRCUIT

сылка	Номер детали	Кол-во	Описание
1	90-8163T1	1	COOLER - oil, hydraulic, See Figure 8-040 for mounting
2	31-2896	2	HOSE - 2870 mm (113 inch) long, to filter
3	426-540	1	BOLT - hex, 5/16 NC x 2-1/2 inch, grade 8
4	495-21038	1	WASHER - flat, 3/8 x 7/8 x 3/32 inch
5	50-2534T1	1	CLAMP - split, one-half
6	50-2533T1	1	PLATE - clamp support
7	NSS	1	TRIM - protection, cut from 31-1785 bulk trim, see below
8	425-105	1	NUT - hex, 5/16 inch NC
9	50-3632T91	1	FILTER ASSEMBLY - hydraulic oil, parts list Figure 8-034, replaces 50-3493T91 filter
10	D131293	1	FILTER ASSEMBLY - hydraulic oil, parts list Figure 8-036
11	218-5064	2	ADAPTER - straight, 1-1/16-12 inch flare x O-ring boss, Includes: Ref. 12
12	237-6012	1	O-RING, 12-1, 90 Duro, .924 ID x .116" Thk
13	218-5039	2	ADAPTER - straight, 1-5/8-12 flare x 1-1/16-12 inch O-ring boss, Includes: Ref. 14
14	237-6016	1	O-RING - 1-11/64 ID x 7/64 inch wide
15	50-3581T2	1	TUBE - filter to check valve
16	50-3504T2	1	TUBE - priority valve to filter
17	31-3196	1	HOSE - hydraulic control valve to filter, replaces 31-3173 hose
18	218-5110	1	ELBOW - 90 degree, 1-5/16-12 inch flare x adj O-ring boss, Includes: Ref. 19
19	237-6016	1	O-RING - 1-11/64 ID x 7/64 inch wide
21	426-616	2	BOLT, Hex, 3/8"-16 x 1", G8, Full Thd
22	495-21038	4	WASHER - flat, 3/8 x 7/8 x 3/32 inch
23	19-153	1	U-BOLT - 5/16 inch NC
24	231-1445	2	NUT - hex, self-locking, 5/16 inch NC
25	32-187	1	HOSE - 762 mm (30 inch) long, replaces 31-2989 hose
26	60-7251T1	1	WIRE - filter restriction
	31-1785		UAR GROMMET - edge, bulk, 3048 mm (120 inch) long



## 9380 CASE IH 4WD TRACTOR (6/95-8/00)

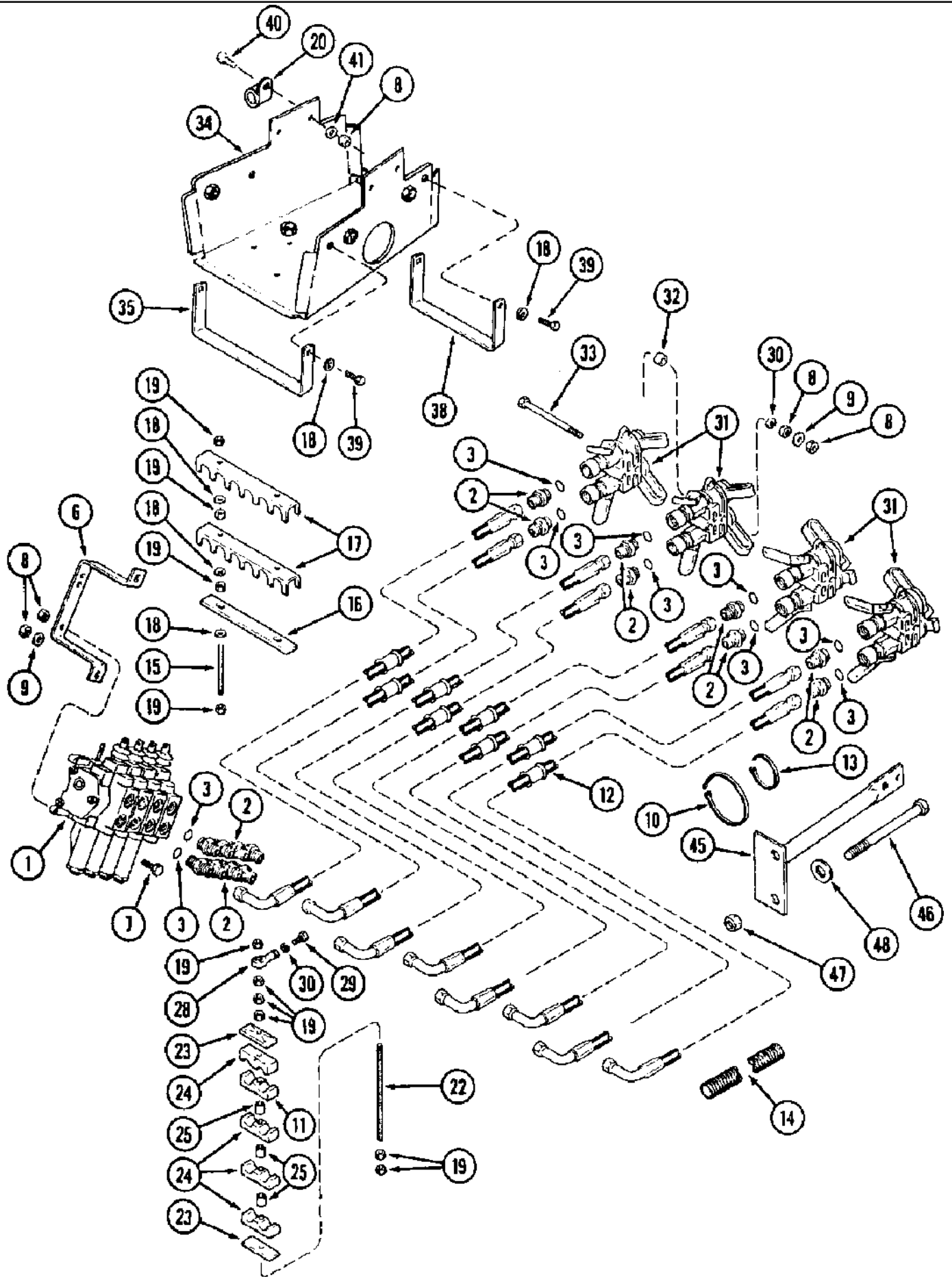
## 8-016 HYDRAULIC COUPLER CIRCUIT, PRIOR TO P.I.N. JEE0069665

сылка	Номер детали	Кол-во	Описание
1	REF	1	VALVE ASSEMBLY - control, without load locks, parts list Figure 8-45, used on the 9370 and 9380
1	REF	1	VALVE ASSEMBLY - control, with load locks, used on the 9370 and 9380, parts list Figure 8-47
1	REF	1	VALVE ASSEMBLY - hydraulic, remote, four spool, used on the 9390, parts list Figure 8-048
2	218-5062	16	ADAPTER - straight, 7/8-14 inch flare x O-ring boss, Includes: Ref. 3
3	237-6010	1	O-RING, 10-1, 90 Duro, .755" ID x .097" Thk
6	50-3042T1	2	BRACKET - valve mounting
7	426-624	3	BOLT - hex, 3/8 NC x 1-1/2 inch, grade 8
8	425-106	18	NUT, 3/8"-16, G5
9	495-21044	8	WASHER - flat, 7/16 x 1 x 5/64 inch
10	50-2037T1	3	STRAP - tie
11	50-2551T1	1	CLAMP - hose, split, includes both halves
12	31-3051	8	HOSE - to couplers
13	22-824		UAR STRAP - tie, 7 inch
14	50-3220T1	8	CONDUIT - hose, flex, 1829 mm (72 inch) long, cut from S119717X bulk conduit, see below
15	50-3343T1	2	STUD - clamp
16	50-3430T1	1	BAR - clamping
17	50-3422T2	2	BRACKET - hose
18	495-11034	10	WASHER - flat, 11/32 x 11/16 x 1/16 inch
19	425-105	12	NUT - hex, 5/16 inch NC
22	50-2713T1	1	STUD - clamp, 5/16 NC x 8-1/2 inch
23	50-2533T1	2	PLATE - clamp support
24	50-2534T1	4	CLAMP - split, one-half
25	19-6249	3	SPACER - clamp
28	19-6233	1	JOINT - ball
29	428-616	1	BOLT - hex, 3/8 NF x 1 inch, grade 8
30	492-11038	5	WASHER, LOCK, 3/8"
31	REF	4	COUPLER ASSEMBLY - remote, parts list Figure 8-67
32	70-2806T1	5	SPACER - coupler
33	426-648	4	BOLT - hex, 3/8 NC x 3 inch, grade 8, single coupler
33	426-688	3	BOLT - hex, 3/8 NC x 5-1/2 inch, grade 8, double coupler
34	50-3428T2	1	BRACKET - mounting, remote hose
35	50-3425T2	1	BRACKET - mounting, remote hose
38	50-3426T1	1	BRACKET - mounting, hose
39	426-516	4	BOLT - hex, 5/16 NC x 1 inch, grade 8
40	426-616	4	BOLT, Hex, 3/8"-16 x 1", G8, Full Thd
41	495-11041	4	WASHER - flat, 13/32 x 13/16 x 1/16 inch
45	50-3318T1	1	MOUNT - coupler, left-hand, with PTO
45	50-3319T1	1	MOUNT - coupler, right-hand, with PTO, not shown
45	50-3585T1	2	MOUNT - coupler, left-hand, without PTO, not shown
45	50-3586T1	2	MOUNT - coupler, right-hand, without PTO, not shown
46	426-1244	4	BOLT - hex, 3/4 NC x 2-3/4 inch, grade 8, with three point hitch
46	413-12128	4	BOLT - hex, 3/4 NC x 8 inch, without three point hitch
46	413-1232	4	BOLT - hex, 3/4 NC x 2 inch, without PTO
47	425-1012	4	NUT - hex, 3/4 inch NC
	35-1823T91	1	KIT - manual three point hitch, without PTO, order from Machinery Price List

9380 CASE IH 4WD TRACTOR (6/95-8/00)

8-016 HYDRAULIC COUPLER CIRCUIT, PRIOR TO P.I.N. JEE0069665

сылка	Номер детали	Кол-во	Описание
	S119717X	25 (1)	UAR CONDUIT - bulk, 25 (1) ID x 4877 mm (192 inch) long



## 9380 CASE IH 4WD TRACTOR (6/95-8/00)

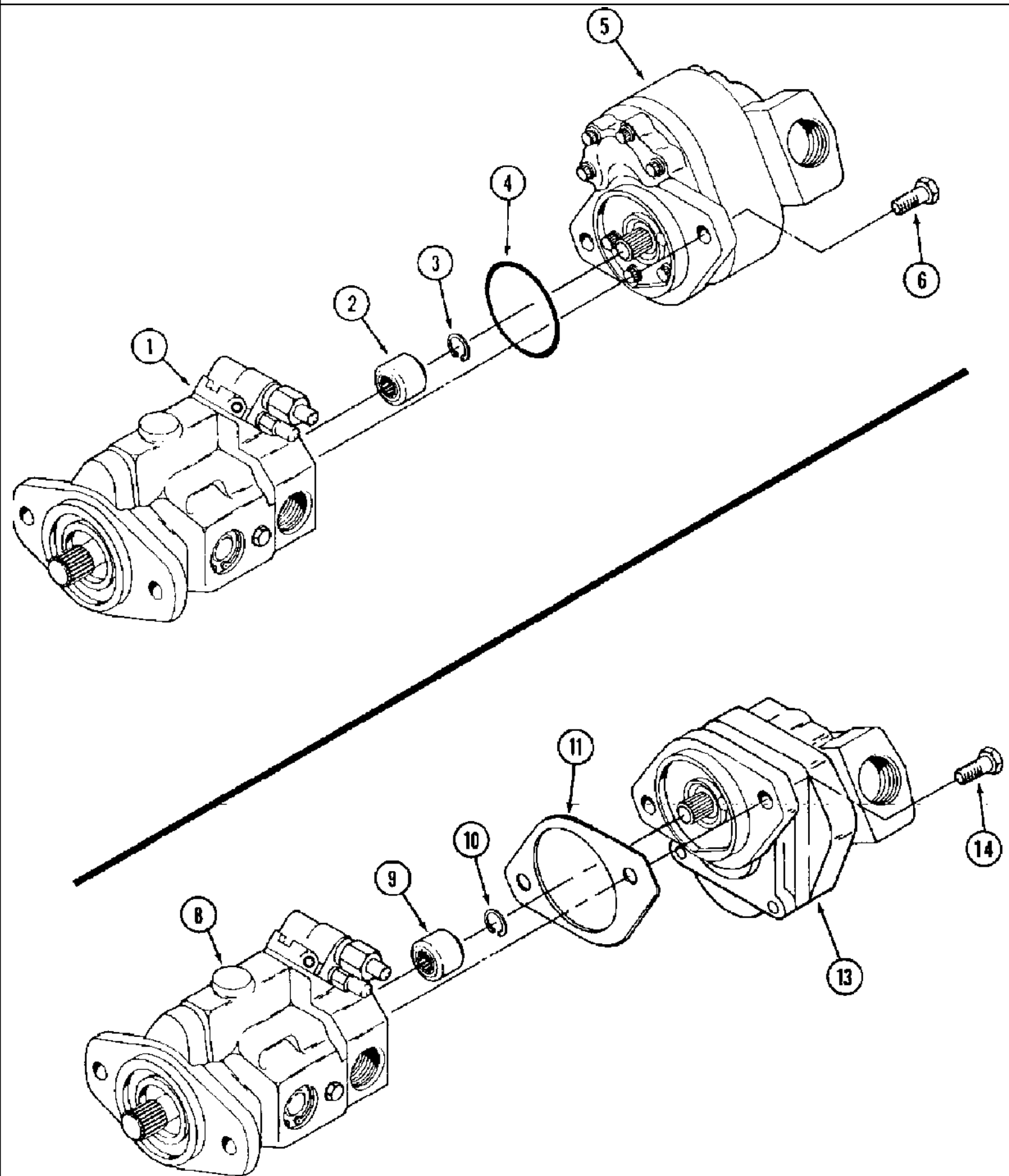
## 8-018 HYDRAULIC COUPLER CIRCUIT, P.I.N. JEE0069665 AND AFTER

сылка	Номер детали	Кол-во	Описание
1	REF	1	VALVE ASSEMBLY - control, without load locks, parts list Figure 8-45, used on the 9370 and 9380
1	REF	1	VALVE ASSEMBLY - control, with load locks, used on the 9370 and 9380, parts list Figure 8-47
1	REF	1	VALVE ASSEMBLY - hydraulic, remote, four spool, high output, parts list Figure 8-048, The high output hydraulic remote valve, Ref. 1, is standard on 9390 models and optional on 9370 and 9380 models with P.I.N. JEE0071001 and after.
2	218-5062	8	ADAPTER - straight, 7/8-14 inch flare x O-ring boss, Includes: Ref. 3
3	237-6010	8	O-RING, 10-1, 90 Duro, .755" ID x .097" Thk
6	50-3042T1	2	BRACKET - valve mounting
7	426-624	3	BOLT - hex, 3/8 NC x 1-1/2 inch, grade 8
8	425-106	18	NUT, 3/8"-16, G5
9	495-21044	8	WASHER - flat, 7/16 x 1 x 5/64 inch
10	50-2037T1	3	STRAP - tie
11	50-2551T1	1	CLAMP - hose, split, includes both halves
12	31-3051	8	HOSE - to couplers
13	22-824		UAR STRAP - tie, 7 inch
14	50-3220T1	8	CONDUIT - hose, flex, 1829 mm (72 inch) long, cut from S119717X bulk conduit, see below
15	50-3343T1	2	STUD - clamp
16	258810A1	1	BAR - clamping
17	258807A1	2	BRACKET - hose
18	495-11034	10	WASHER - flat, 11/32 x 11/16 x 1/16 inch
19	425-105	12	NUT - hex, 5/16 inch NC
20	515-23254	1	CLAMP - P-type, 1 inch ID
22	50-2713T1	1	STUD - clamp, 5/16 NC x 8-1/2 inch
23	50-2533T1	2	PLATE - clamp support
24	50-2534T1	4	CLAMP - split, one-half
25	19-6249	3	SPACER - clamp
28	19-6233	1	JOINT - ball
29	428-616	1	BOLT - hex, 3/8 NF x 1 inch, grade 8
30	492-11038	5	WASHER, LOCK, 3/8"
	35-1823T91	1	KIT - manual three point hitch, without PTO, order from Machinery Price List
	S119717X		UAR CONDUIT - bulk, 25 (1) ID x 4877 mm (192 inch) long
31	REF	4	COUPLER ASSEMBLY - remote, parts list Figure 8-67
32	70-2806T1	4	SPACER - coupler
33	426-648	4	BOLT - hex, 3/8 NC x 3 inch, grade 8, single coupler
33	426-688	4	BOLT - hex, 3/8 NC x 5-1/2 inch, grade 8, double coupler
34	258463A1	1	BRACKET - mounting, remote hose
35	258809A1	1	BRACKET - mounting, remote hose
38	258808A1	1	BRACKET - mounting, hose
39	426-516	4	BOLT - hex, 5/16 NC x 1 inch, grade 8
40	426-616	5	BOLT, Hex, 3/8"-16 x 1", G8, Full Thd
41	495-11041	4	WASHER - flat, 13/32 x 13/16 x 1/16 inch
45	50-3318T1	1	MOUNT - coupler, left-hand, with PTO
45	50-3319T1	1	MOUNT - coupler, right-hand, with PTO, not shown
45	50-3585T1	1	MOUNT - coupler, left-hand, without PTO, not shown
45	50-3586T1	1	MOUNT - coupler, right-hand, without PTO, not shown

9380 CASE IH 4WD TRACTOR (6/95-8/00)

8-018 HYDRAULIC COUPLER CIRCUIT, P.I.N. JEE0069665 AND AFTER

сылка	Номер детали	Кол-во	Описание
46	426-1244	4	BOLT - hex, 3/4 NC x 2-3/4 inch, grade 8, with three point hitch
46	413-12128	4	BOLT - hex, 3/4 NC x 8 inch, without three point hitch
46	413-1232	4	BOLT - hex, 3/4 NC x 2 inch, without PTO
47	425-1012	4	NUT - hex, 3/4 inch NC
48	496-11081	1	WASHER - flat, 13/16 x 1-1/2 x 9/64 inch, hardened



MS96KD49

Ref. 8 - 14: The high output hydraulic pump assembly is standard on 9390 models and optional on 9370 and 9380 models with P.I.N. JEE0071001 and after.

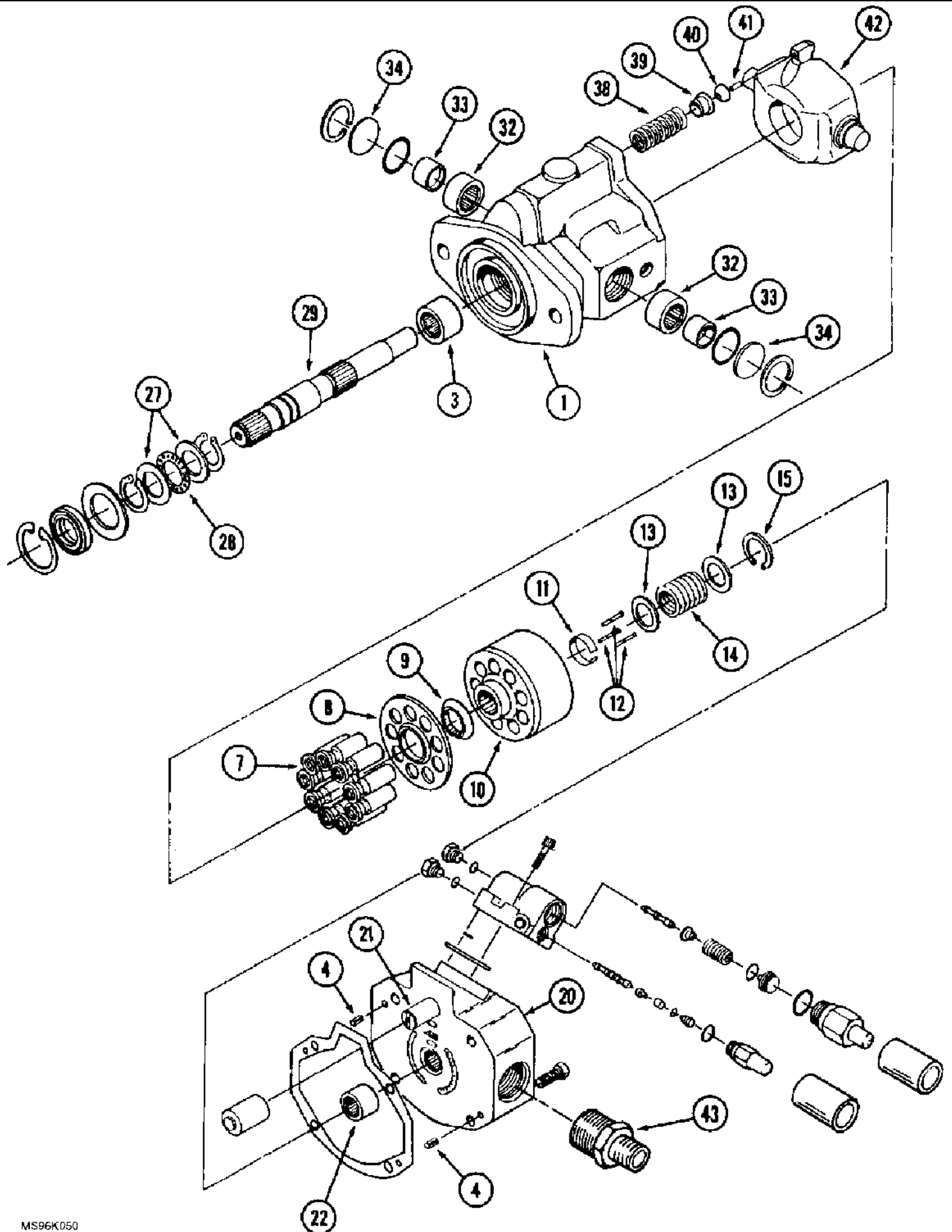


## 9380 CASE IH 4WD TRACTOR (6/95-8/00)

## 8-022 HYDRAULIC PUMP ASSEMBLY, 9370 AND 9380 ONLY

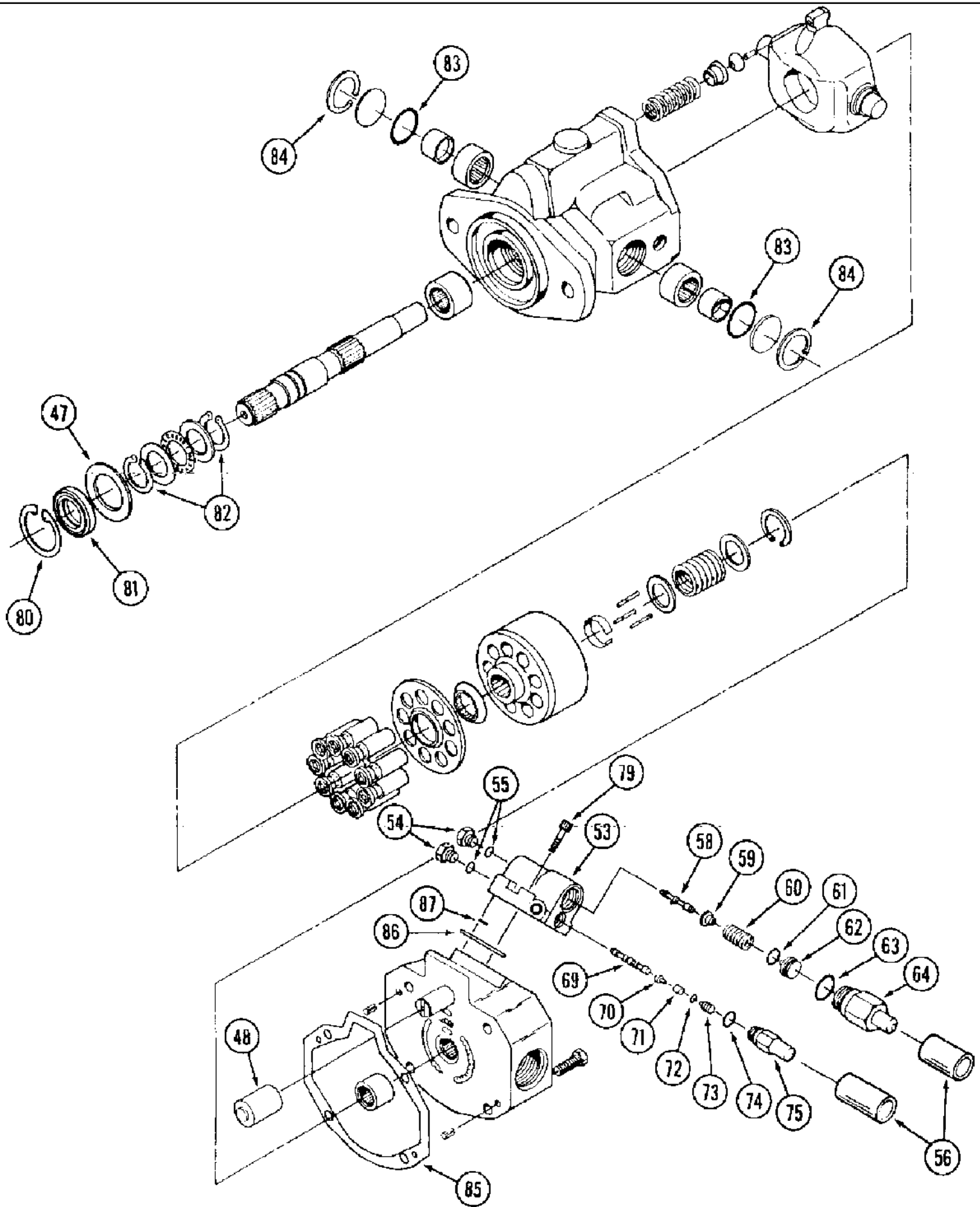
сылка	Номер детали	Кол-во	Описание
	50-3548T93	1	PUMP ASSEMBLY - tandem, piston and gear, 9370 & 9380 Only, Includes: Ref. 1 - 6
1	50-3547T92	1	PUMP ASSEMBLY - piston, parts list Figures 8-024 and 8-026
2	50-2663T1	1	COUPLING - drive, pump
3	D66349	1	RING - retaining
4	D41420	1	O-RING - seal
5	50-3589T91	1	PUMP ASSEMBLY - gear, prior to P.I.N. JEE0035788, parts list Figure 8-028 (Replaces 50-2662T91), Hyd. Pump 50-3589T91 can be used on units not having high flow systems - if the unit has high flow hey must order 50-3589T91 which is a heavy duty pump for high flow. Per Fargo Service NAPO TECH.
5	50-3589T91	1	PUMP ASSEMBLY - gear, P.I.N. JEE0035788 and after, parts list Figure 8-028 (Replaces 50-2662T92), Hyd. Pump 50-3589T91 can be used on units not having high flow systems - if the unit has high flow hey must order 50-3589T91 which is a heavy duty pump for high flow. Per Fargo Service NAPO TECH.
6	413-824	2	BOLT - hex, 1/2 NC x 1-1/2 inch
	50-3619T91	1	PUMP ASSEMBLY - tandem, piston and gear, High Output, Includes: Ref. 8 - 14, no longer available, order component parts separately, hydraulic
8	50-3547T92	1	PUMP ASSEMBLY - piston, parts list Figures 8-024 and 8-026, high output hydraulic
9	50-2663T1	1	COUPLING - drive, pump, high output hydraulic assembly
10	D66349	1	RING - retaining, high output hydraulic pump assembly
11	18-1176T1	1	GASKET - pump, high output hydraulic assembly
13	50-3589T91	1	PUMP ASSEMBLY - gear, parts list Figure 8-030, high output hydraulic, Hyd. Pump 50-3589T91 can be used on units not having high flow systems - if the unit has high flow hey must order 50-3589T91 which is a heavy duty pump for high flow. Per Fargo Service NAPO TECH.
14	413-824	2	BOLT - hex, 1/2 NC x 1-1/2 inch, 1-1/2 inch, high output hydraulic pump assembly

Ref. 8 - 14: The high output hydraulic pump assembly is standard on 9390 models and optional on 9370 and 9380 models with P.I.N. JEE0071001 and after.



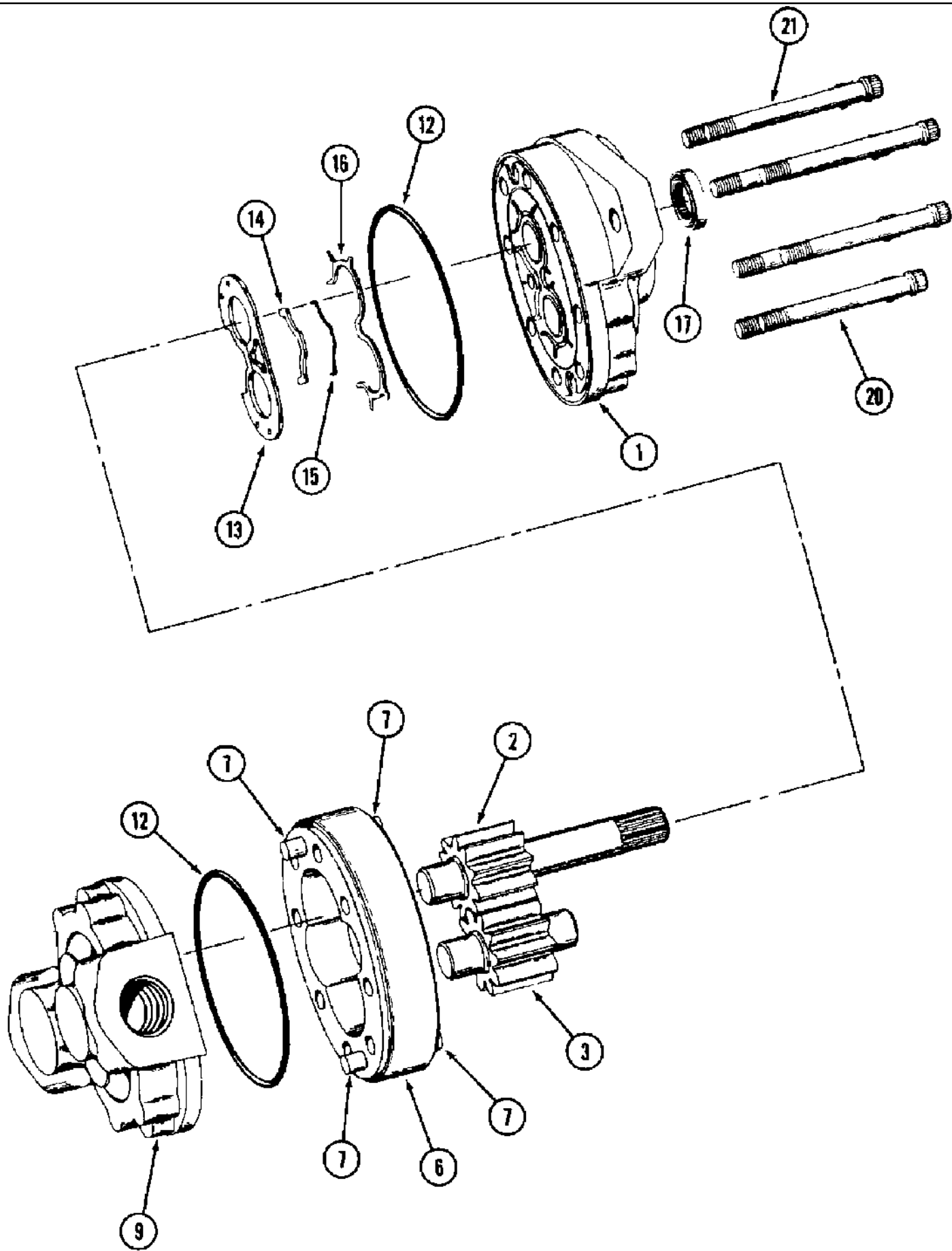
## 8-024 HYDRAULIC PISTON PUMP ASSEMBLY

сылка	Номер детали	Кол-во	Описание
	50-3547T92	1	PUMP ASSEMBLY - piston, hydraulic, Includes: Ref. 1 - 43 and 47 - 87 on Figure 8-026, 392985a1 is the housing sub assembly of 50-3547T92. bj 22mar00.
	50-2791T92	1	HOUSING ASSEMBLY - pump, Includes: Ref. 1 - 4
1	NSS	1	HOUSING - pump
3	F60368	1	BEARING - needle
4	38-11608	2	Pin, 1/4" x 1/2", Slotted, replaces 138-127 pin
	50-2801T1	1	KIT - rotating, piston, Includes: Ref. 7 - 15
7	NSS	9	PISTON - pump
8	NSS	1	PLATE - shoe
9	NSS	1	WASHER - spherical
10	NSS	1	BLOCK - cylinder, piston
11	NSS	1	RETAINER - hydraulic piston
12	NSS	3	PIN - block
13	NSS	2	WASHER - spring
14	NSS	1	SPRING - block
15	NSS	1	RING - retaining
	50-2804T91	1	PLATE ASSEMBLY - back, Includes: Ref. 20 & 21
20	NSS	1	PLATE - back
21	NSS	1	GUIDE - pin
22	G10642	1	BEARING - needle
27	50-2788T1	2	WASHER - thrust, bearing
28	T36441	1	BEARING - thrust
29	50-3275T1	1	SHAFT - drive, pump
32	A14858	2	BEARING - needle
33	D66352	2	RACE - bearing
34	D66359	2	COVER - trunnion
38	50-2798T1	1	SPRING - cam plate
39	50-2799T1	1	COLLAR - spring
40	50-1793T1	1	BUTTON - pivot
41	38-11208	1	Pin, 3/16" x 1/2", Slotted
42	1266919C1	1	CAM - piston
43	218-5062	2	ADAPTER - straight, 7/8-14 inch flare x O-ring boss



## 8-026 HYDRAULIC PISTON PUMP ASSEMBLY

сылка	Номер детали	Кол-во	Описание
	50-3547T92	1	PUMP ASSEMBLY - piston, continued, Includes: Ref. 47- 87 and 1 - 43 on Figure 8-024
47	D66330	1	WASHER - flat, special, 1-19/32 x 2 x 5/64 inch
48	50-2802T1	1	PISTON - control, cam plate
	50-3608T91	1	COMPENSATOR ASSEMBLY - pump, Includes: Ref. 53 - 75
53	NSS	1	BODY - compensator
54	218-5152	2	PLUG, Hex Hd, 3/8"-24 ORB, Replaces 50-2812T91 plug, Includes Ref. 55
55	1971623C1	2	O-RING - 19/64 ID x 1/16 inch wide
56	50-3601T1	2	COVER - adjusting screw
58	NSS	1	SPOOL - pressure
59	50-2814T1	1	CAP - spring pivot
60	A45144	1	SPRING - spool
61	238-7113	1	O-RING, -113, CI 7, .549" ID x .103" Thk
62	50-2817T1	1	FOLLOWER - pressure spring
63	238-5118	1	O-RING, -118, 70 Duro, .862" ID x .103" Thk
64	50-2819T1	1	CAP - pressure adjuster
69	NSS	1	SPOOL - flow
70	50-2820T1	1	PIVOT - spring
71	50-2821T1	1	SPRING - spool
72	50-2822T1	1	O-RING - seal
73	50-2823T1	1	FOLLOWER - flow spring
75	50-2824T1	1	CAP - flow adjuster
79	61-32520	4	BOLT - hex socket, 1/4 NC x 1-1/4 inch
80	103-21200	1	Ring, Snap, 2", Int, #200
81	D73667	1	SEAL - shaft, drive
82	103-11112	2	Ring, Snap, #112, Ext
83	238-5127	2	O-RING, -127, 70 Duro, 1.424" ID x .103" Thk
84	100-21162	2	Ring, Snap, 1.625", Int, #162
85	N7804	1	GASKET - housing, Part of seal kit P/N 50-2825T91.
86	1266917C1	1	GASKET - compensator, Part of seal kit P/N 50-2825T91.
87	50-2809T1	1	O-RING - compensator, Part of seal kit P/N 50-2825T91.
	50-2825T91	1	KIT - seal, includes: Ref. 55, 61, 72, 74 & 80 - 87
74	237-6006	1	O-Ring, 6-1, 90 Duro, .468" ID x .078" Thk



F888007

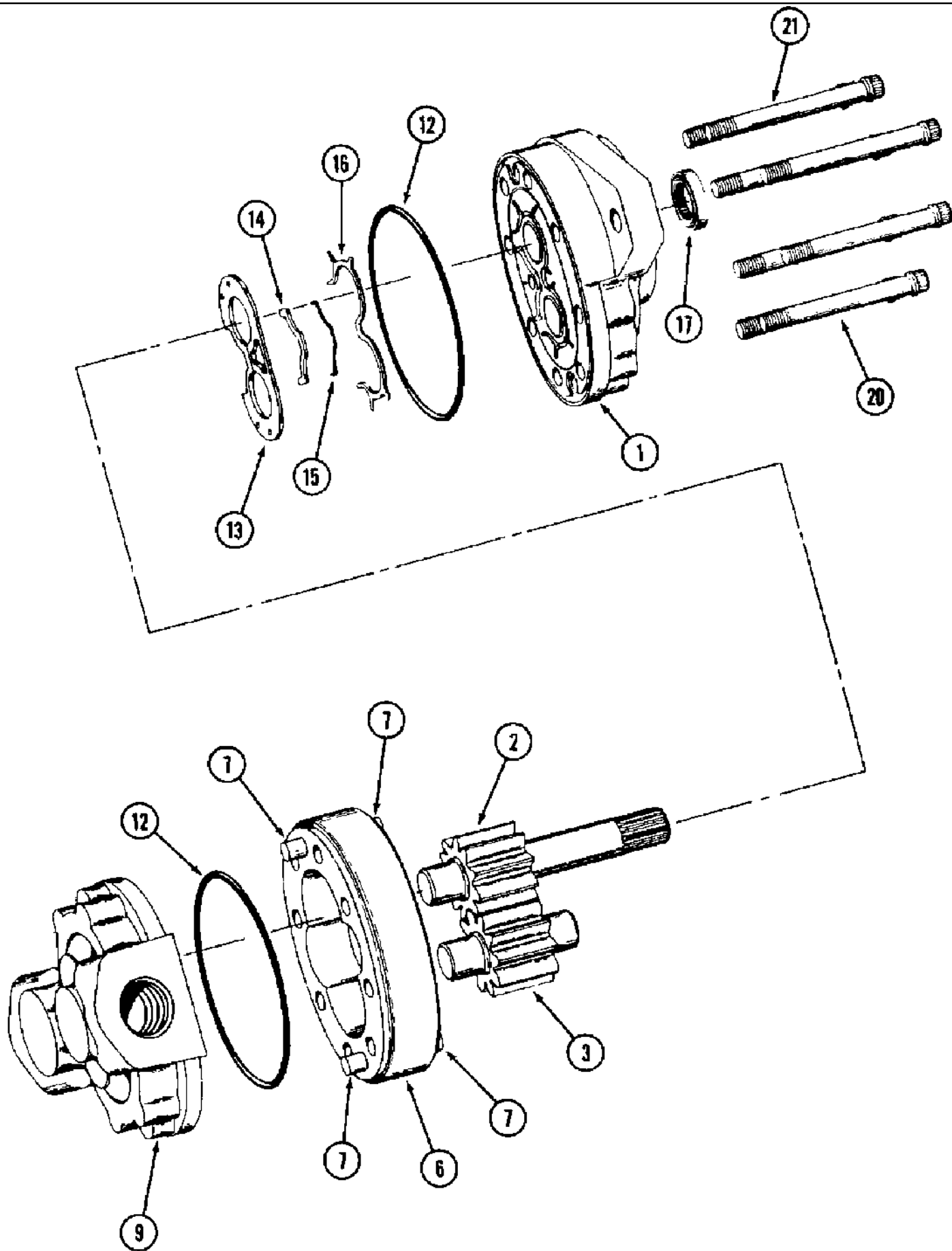
Hyd. Pump 50-3589T91 and 50-2662T92 pump can both be used on units not having high flow systems - if the unit has high flow they must order 50-3589T91 which is a heavy duty pump for high flow. Per Fargo Service NAPO TECH. NOTE Hydraulic Pumps 50-2662T91 and 50-2662T92 now sub to 50-3589T91. CDC TSG 10/28/99. part # 50-2662t91 - Per Marcia Tech: It states 50-3589T91 has a different port location than 50-2662T92 therefore 50-3589T91 cannot be used in lieu of 50-2662T92. Therefore 50-2662T92 was reinstated for use on standard flow tractors Those 9370 80 90 & QT Units and 9350 with High Flow Feature should

9380 CASE IH 4WD TRACTOR (6/95-8/00)

8-028 HYDRAULIC GEAR PUMP ASSEMBLY, PRIOR TO P.I.N. JEEOO35788, 9370 AND 9380 ONLY

сылка	Номер детали	Кол-во	Описание
	50-2662T91	1	PUMP ASSEMBLY - gear, hydraulic, Includes: Ref. 1 - 21
1	S301060	1	COVER - shaft end, front
2	50-2830T1	1	GEAR - drive
3	50-2829T1	1	GEAR - idler
	50-2827T91	1	BODY ASSEMBLY - pump, Includes: Ref. 6 & 7
6	NSS	1	BODY - pump
7	A17924	4	PIN - dowel
9	50-2826T1	1	COVER - rear, with bearings
	50-2834T1	1	KIT - seal, Includes: Ref. 12 - 17
12	NSS	2	O-RING - seal, body
13	NSS	1	PLATE - wear
14	NSS	1	SEAL - bearing
15	NSS	1	O-RING - molded
16	NSS	1	GASKET - backup
17	A25139	1	SEAL - input
20	166-59	4	BOLT - 12 point flange, 3/8 NC x 3-3/4 inch, grade 8
21	19-1626	4	BOLT - 12 point flange, 3/8 NC x 4 inch, grade 8

Hyd. Pump 50-3589T91 and 50-2662T92 pump can both be used on units not having high flow systems - if the unit has high flow they must order 50-3589T91 which is a heavy duty pump for high flow. Per Fargo Service NAPO TECH. NOTEHydraulic Pumps 50-2662T91 and 50-2662T92 now sub to 50-3589T91. CDC TSG 10/28/99. part # 50-2662t91 - Per Marcia Tech:It states 50-3589T91 has a different port location than 50-2662T92 therefore 50-3589T91 cannot be used in lieu of 50-2662T92. Therefore 50-2662T92 was reinstated for use on standard flow tractors Those 9370 80 90 & QT Units and 9350 with High Flow Feature should



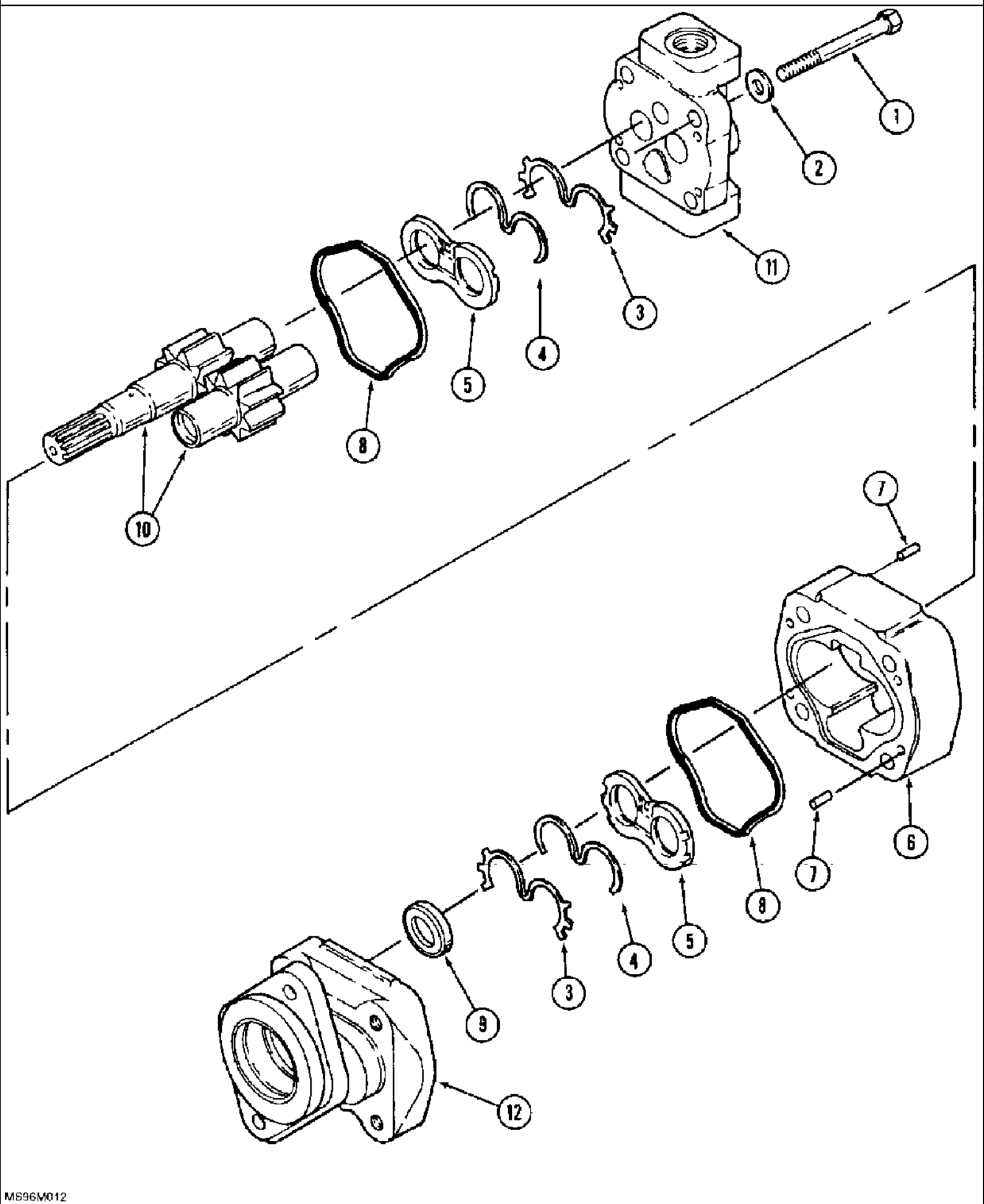
F888007

Hyd. Pump 50-3589T91 and 50-2662T92 pump can both be used on units not having high flow systems - if the unit has high flow they must order 50-3589T91 which is a heavy duty pump for high flow. Per Fargo Service NAPO TECH. NOTE Hydraulic Pumps 50-2662T91 and 50-2662T92 now sub to 50-3589T91. CDC TSG 10/28/99. part # 50-2662t91 - Per Marcia Tech: It states 50-3589T91 has a different port location than 50-2662T92 therefore 50-3589T91 cannot be used in lieu of 50-2662T92. Therefore 50-2662T92 was reinstated for use on standard flow tractors Those 9370 80 90 & QT Units and 9350 with High Flow Feature should



сылка	Номер детали	Кол-во	Описание
	50-3589T91	1	PUMP ASSEMBLY - gear, hydraulic (Replaces 50-2662T92), Includes: Ref. 1 - 21
1	S301060	1	COVER - shaft end, front
2	NSS	1	GEAR - drive
3	NSS	1	GEAR - idler
	NSS	1	BODY ASSEMBLY - pump, Includes: Ref. 6 & 7
6	NSS	1	BODY - pump
7	NSS	4	PIN - dowel
9	50-2826T1	1	COVER - rear, with bearings
	50-2834T1	1	KIT - seal, Includes: Ref. 12 - 17
12	NSS	2	O-RING - seal, body
13	NSS	1	PLATE - wear
14	NSS	1	SEAL - bearing
15	NSS	1	O-RING - molded
16	NSS	1	GASKET - backup
17	A25139	1	SEAL - input
20	166-59	4	BOLT - 12 point flange, 3/8 NC x 3-3/4 inch, grade 8
21	19-1626	4	BOLT - 12 point flange, 3/8 NC x 4 inch, grade 8

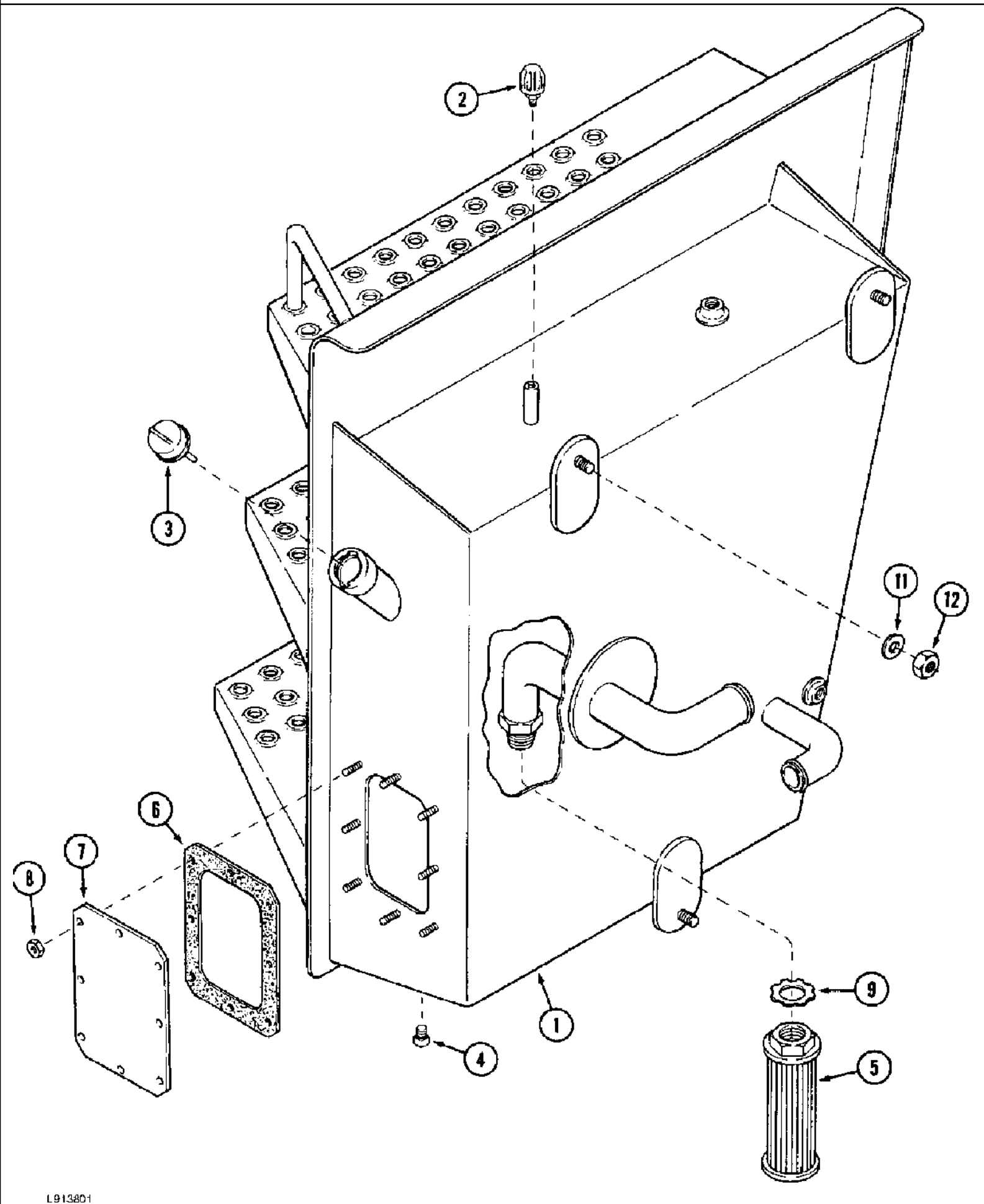
Hyd. Pump 50-3589T91 and 50-2662T92 pump can both be used on units not having high flow systems - if the unit has high flow they must order 50-3589T91 which is a heavy duty pump for high flow. Per Fargo Service NAPO TECH. NOTEHydraulic Pumps 50-2662T91 and 50-2662T92 now sub to 50-3589T91. CDC TSG 10/28/99. part # 50-2662t91 - Per Marcia Tech:It states 50-3589T91 has a different port location than 50-2662T92 therefore 50-3589T91 cannot be used in lieu of 50-2662T92. Therefore 50-2662T92 was reinstated for use on standard flow tractors Those 9370 80 90 & QT Units and 9350 with High Flow Feature should



9380 CASE IH 4WD TRACTOR (6/95-8/00)

8-030 HYDRAULIC GEAR PUMP ASSEMBLY

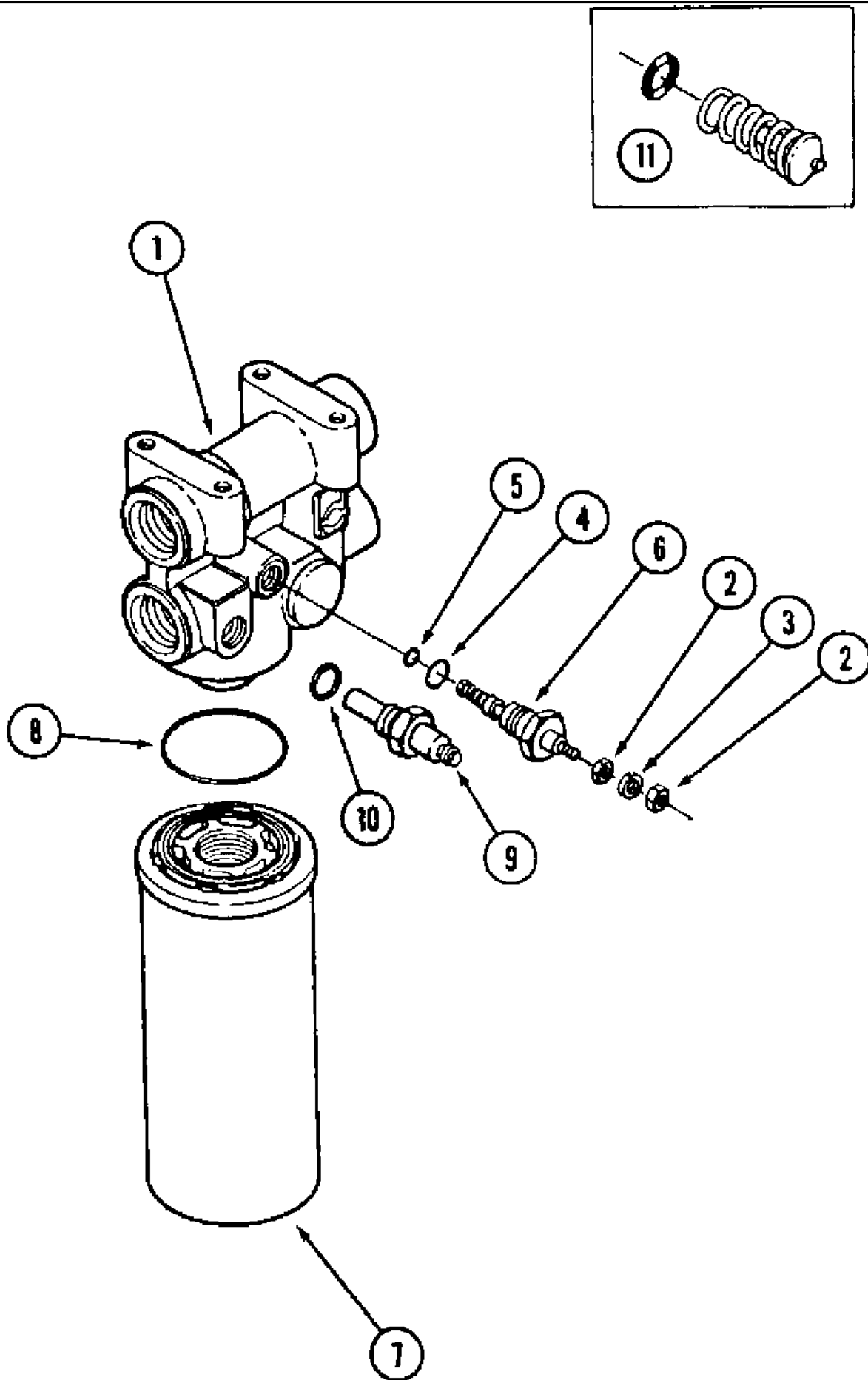
сылка	Номер детали	Кол-во	Описание
	50-3589T91	1	PUMP ASSEMBLY - gear, hydraulic, High Output, Includes: Ref. 1 - 12, Hydraulic pump 50-3589T91 can be used on units not having high flow systems. If the unit has high flow, you must order 50-3589T91, which is a heavy duty pump for high flow., P/N 50-3589T91 high output assembly is standard on 9390 models and optional on 9370 and 9380 models with P.I.N. JEE0071001 and after.
1	13-1080	4	BOLT - hex, 5/8 NC x 5 inch
2	19-488	4	WASHER - flat
3	144173A1	2	SEAL - channel
4	178051A1	2	SEAL - backup, channel
5	N13582	2	PLATE - thrust
6	1340774C1	1	HOUSING - gear
7	W16323	4	PIN - dowel
8	L32100	2	SEAL - gear housing
9	L32418	1	SEAL - shaft
10	NSS	1	SHAFT - gear, set of two
11	NSS	1	HOUSING - rear, port end
12	NSS	1	HOUSING - front, flanged



9380 CASE IH 4WD TRACTOR (6/95-8/00)

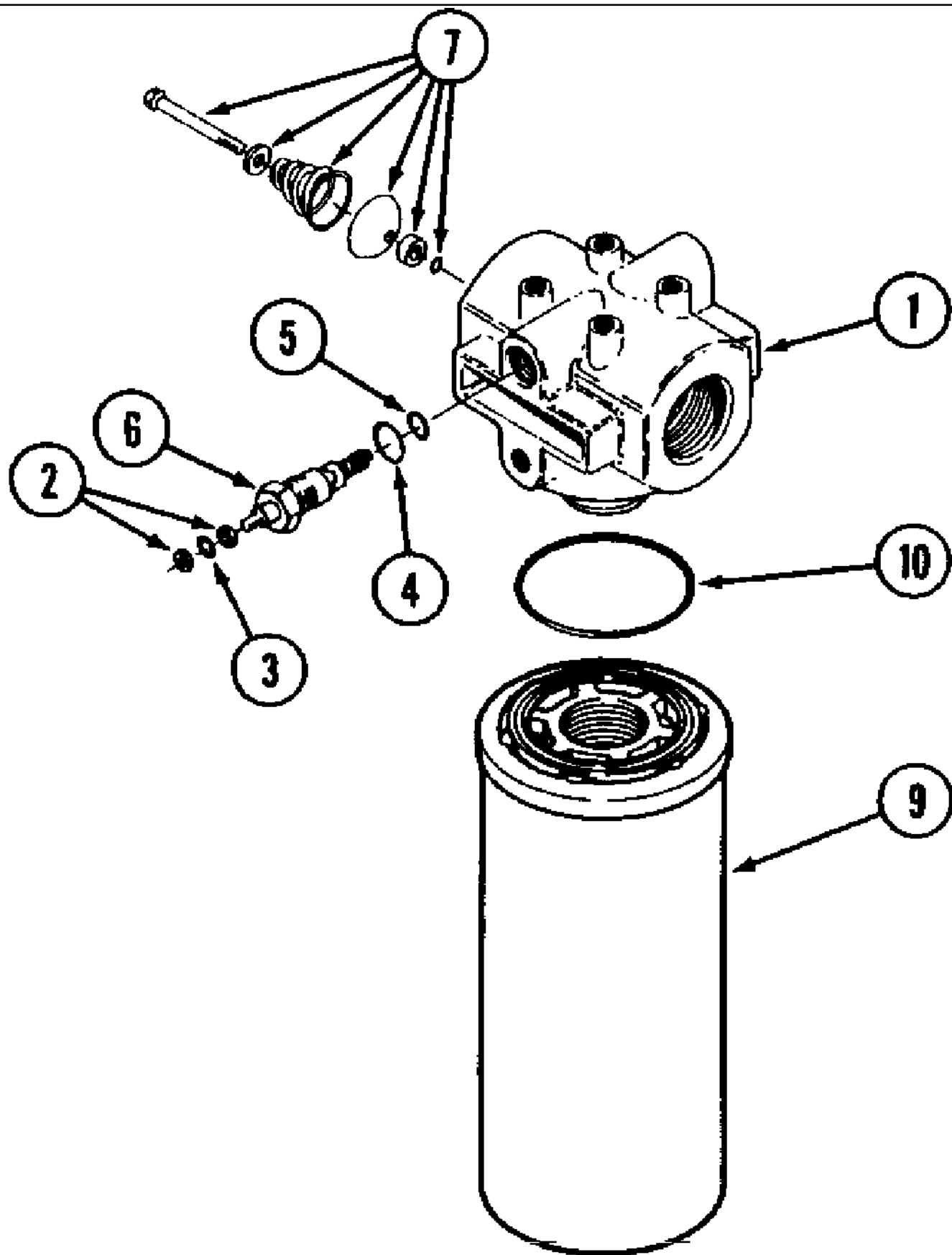
8-032 HYDRAULIC TANK

сылка	Номер детали	Кол-во	Описание
1	50-3526T2	1	TANK - hydraulic
2	1971726C1	1	BREATHER - hydraulic tank
3	50-3522T1	1	DIPSTICK - oil fill, check
4	217-439	1	PLUG - hex socket headless, 1/2 inch PT
5	196955A1	1	FILTER - suction, screen, replaces 50-2029T1 filter
6	2-1914	1	GASKET - cover
7	1-4058	1	COVER - plate, hydraulic tank
8	231-1446	8	NUT, LOCK, 3/8"-16, GB
9	19-953	1	NUT - slotted lock, 2 inch PT
11	495-21056	3	WASHER - flat, 9/16 x 1-3/8 x 7/64 inch
12	425-108	3	NUT - hex, 1/2 inch NC



## 8-034 TRANSMISSION AND HYDRAULIC OIL FILTER ASSEMBLY

сылка	Номер детали	Кол-во	Описание
	50-3632T91	1	FILTER ASSEMBLY - hydraulic oil, replaces 50-3493T91 filter, Includes: Ref. 1 - 8
	50-3494T91	1	FILTER ASSEMBLY - oil, transmission, Includes: Ref. 1 - 8
1	NSS	1	HEAD - oil filter, Includes: indicator assembly
	N6755	1	INDICATOR ASSEMBLY - restriction, electric, Includes: Ref. 2 - 6
2	129-667	2	NUT, #10-32, LH
3	493-21020	1	WASHER - internal tooth lock, 3/16 inch
5	238-5011	1	O-RING, -011, 70 Duro, .301" ID x .070" Thk
6	NSS	1	SWITCH - restriction, electric
	254353A1	1	ELEMENT ASSEMBLY - filter, replaces N9025 element, Includes: Ref. 7 & 8
7	NSS	1	ELEMENT - filter
8	N9026	1	O-RING - filter sealing
9	60-6935T1	1	SWITCH - temperature, Includes: Ref. 10
10	237-6008	1	O-Ring, 8-1, 90 Duro, .644" ID x .087" Thk
11	50-3590T91	1	KIT - check valve, outline
4	237-6006	1	O-Ring, 6-1, 90 Duro, .468" ID x .078" Thk



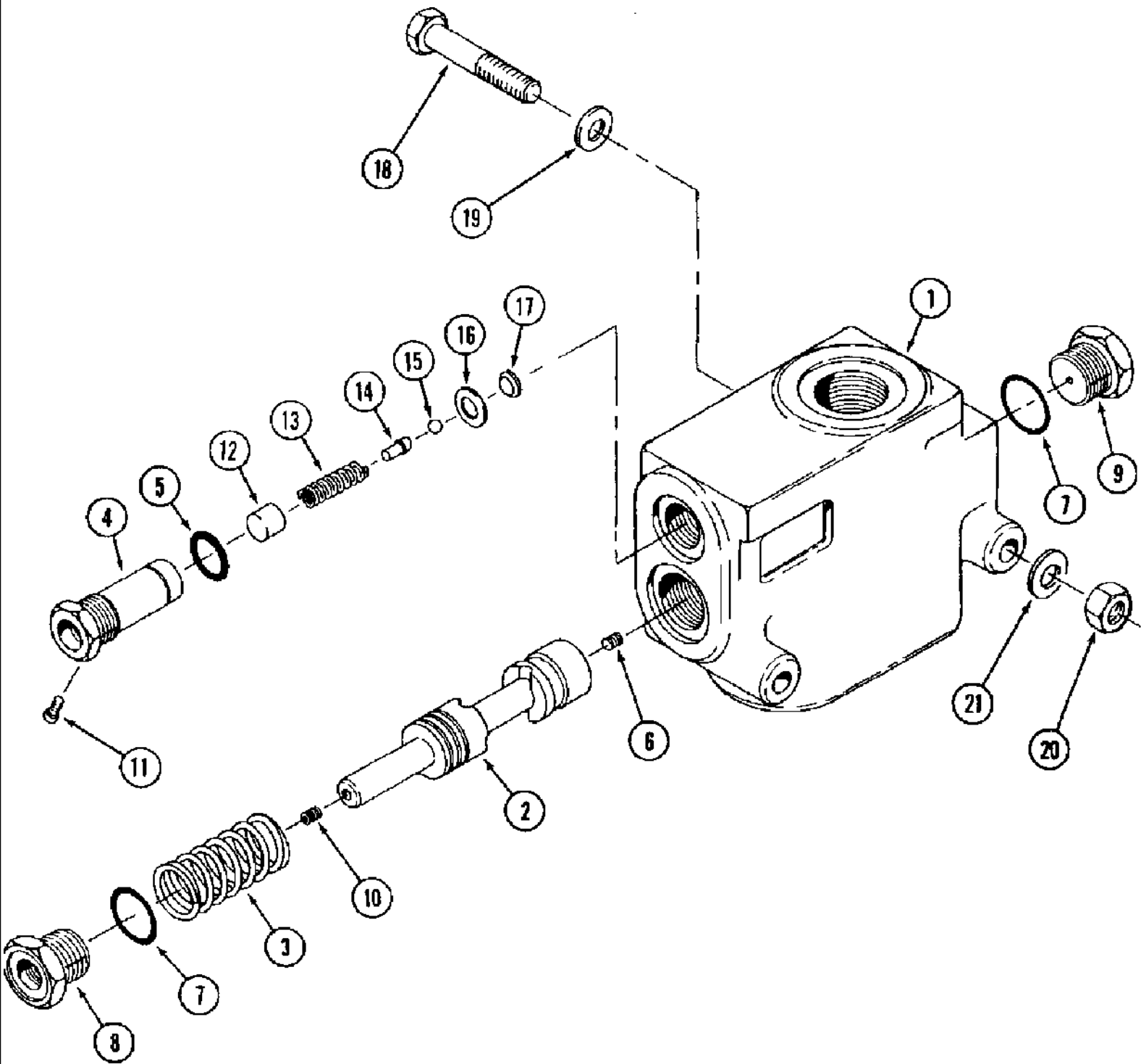


9380 CASE IH 4WD TRACTOR (6/95-8/00)

8-036 HIGH OUTPUT HYDRAULIC OIL FILTER ASSEMBLY

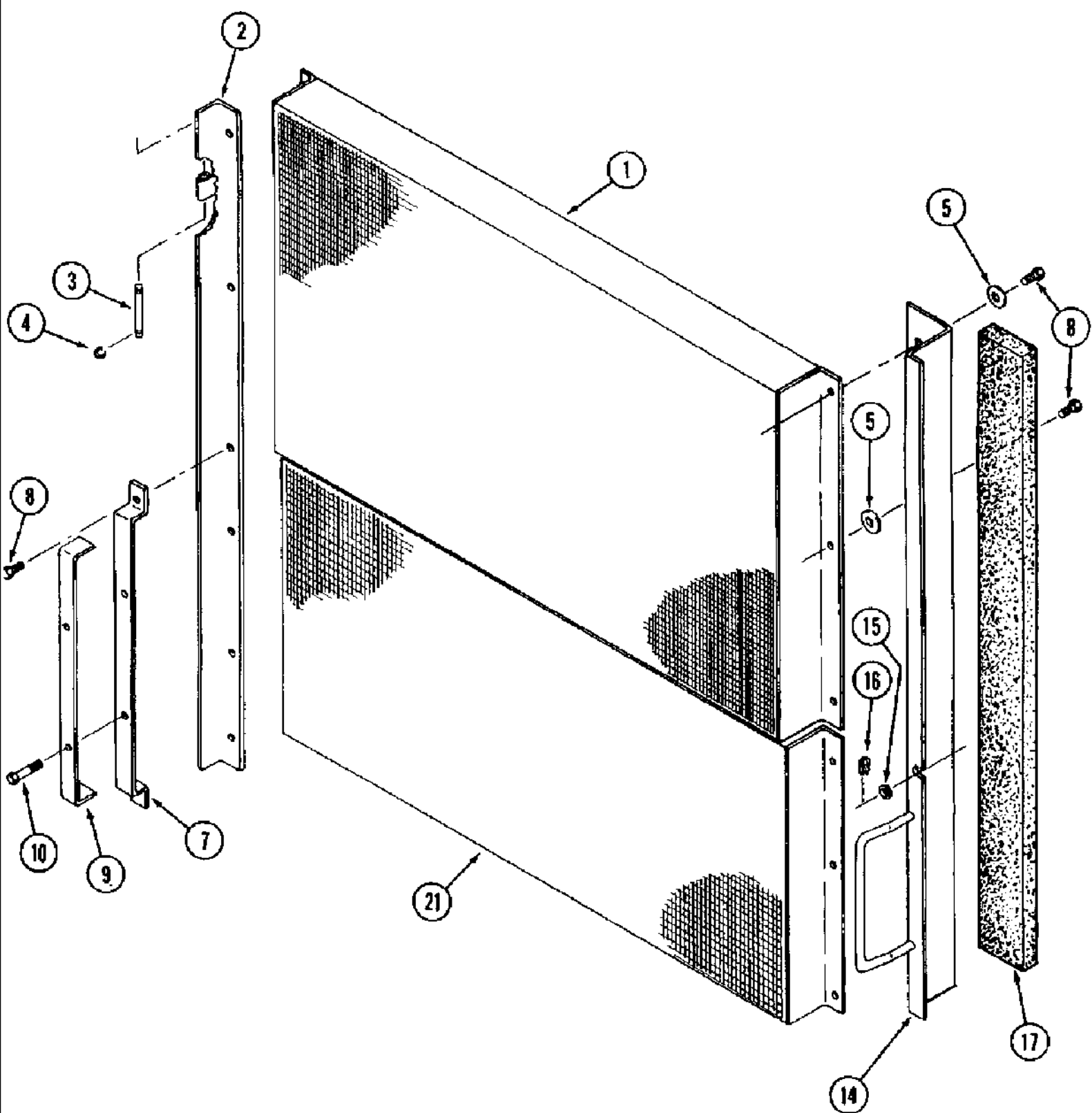
сылка	Номер детали	Кол-во	Описание
	D131293	1	FILTER ASSEMBLY - hydraulic oil, Includes: Ref. 1 - 10, P/N D131293 high output hydraulic filter is standard on 9390 models and optional on 9370 and 9380 models with P.I.N. JEE0071001 and after.
1	NSS	1	HEAD ASSEMBLY - filter, Includes: Ref. 2 - 7
	N6755	1	INDICATOR ASSEMBLY - restriction, electric, Includes: Ref. 2 - 6
2	129-667	2	NUT, #10-32, LH
3	493-21020	1	WASHER - internal tooth lock, 3/16 inch
5	238-5011	1	O-RING, -011, 70 Duro, .301" ID x .070" Thk
6	NSS	1	INDICATOR - restriction
7	NSS	1	VALVE - bypass
	N9025	1	ELEMENT ASSEMBLY - filter, Includes: Ref. 9 & 10
9	NSS	1	ELEMENT - filter
10	238-5230	1	O-RING, -230, 70 Duro, 2.484" ID x .139" Thk
4	237-6006	1	O-Ring, 6-1, 90 Duro, .468" ID x .078" Thk

8-038 PRIORITY VALVE ASSEMBLY



## 8-038 PRIORITY VALVE ASSEMBLY

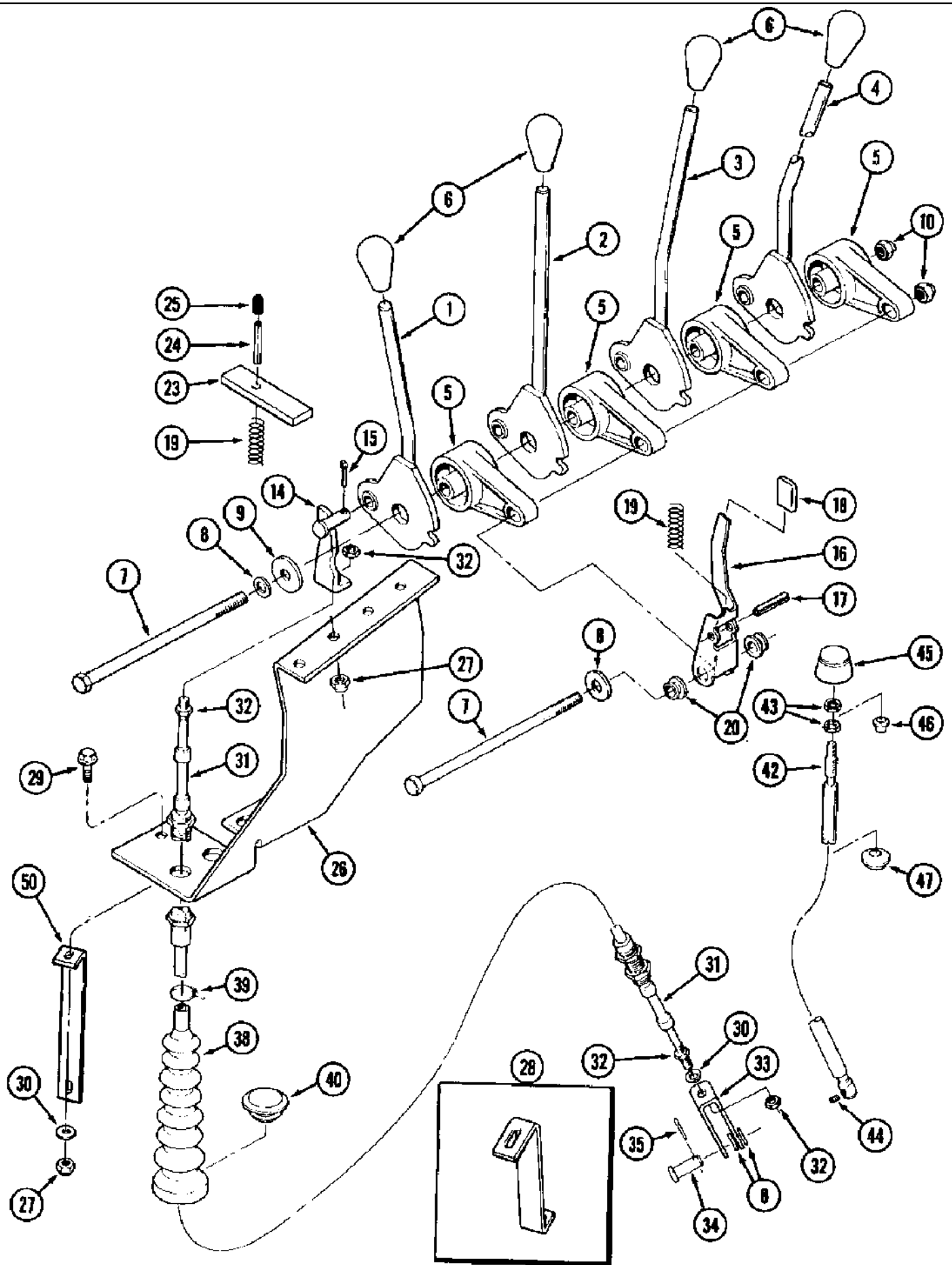
сылка	Номер детали	Кол-во	Описание
	50-3155T91	1	VALVE ASSEMBLY - priority, Includes: Ref. 1 - 17
1	NSS	1	HOUSING - priority valve
2	NSS	1	SPOOL - priority valve
3	D82777	1	SPRING - centering
4	50-3035T91	1	VALVE ASSEMBLY - relief, Includes: Ref. 5
5	50-1872T1	1	O-RING - relief cartridge
6	NSS	1	PLUG - orifice
7	237-6010	2	O-RING, 10-1, 90 Duro, .755" ID x .097" Thk
8	NSS	1	PLUG - end
9	NSS	1	PLUG - orificed
10	NSS	1	PLUG - spool
11	NSS	1	SCREEN - adjusting
12	NSS	1	GUIDE - spring
13	NSS	1	SPRING - tension
14	NSS	1	POPPET - ball
15	NSS	1	BALL - valve
16	NSS	1	RING - seal
17	NSS	1	SCREEN - valve
18	426-556	2	BOLT - hex, 5/16 NC x 3-1/2 inch, grade 8
19	495-21038	2	WASHER - flat, 3/8 x 7/8 x 3/32 inch
20	231-1445	2	NUT - hex, self-locking, 5/16 inch NC
21	495-11034	2	WASHER - flat, 11/32 x 11/16 x 1/16 inch



## 9380 CASE IH 4WD TRACTOR (6/95-8/00)

## 8-040 HYDRAULIC OIL COOLER MOUNTING

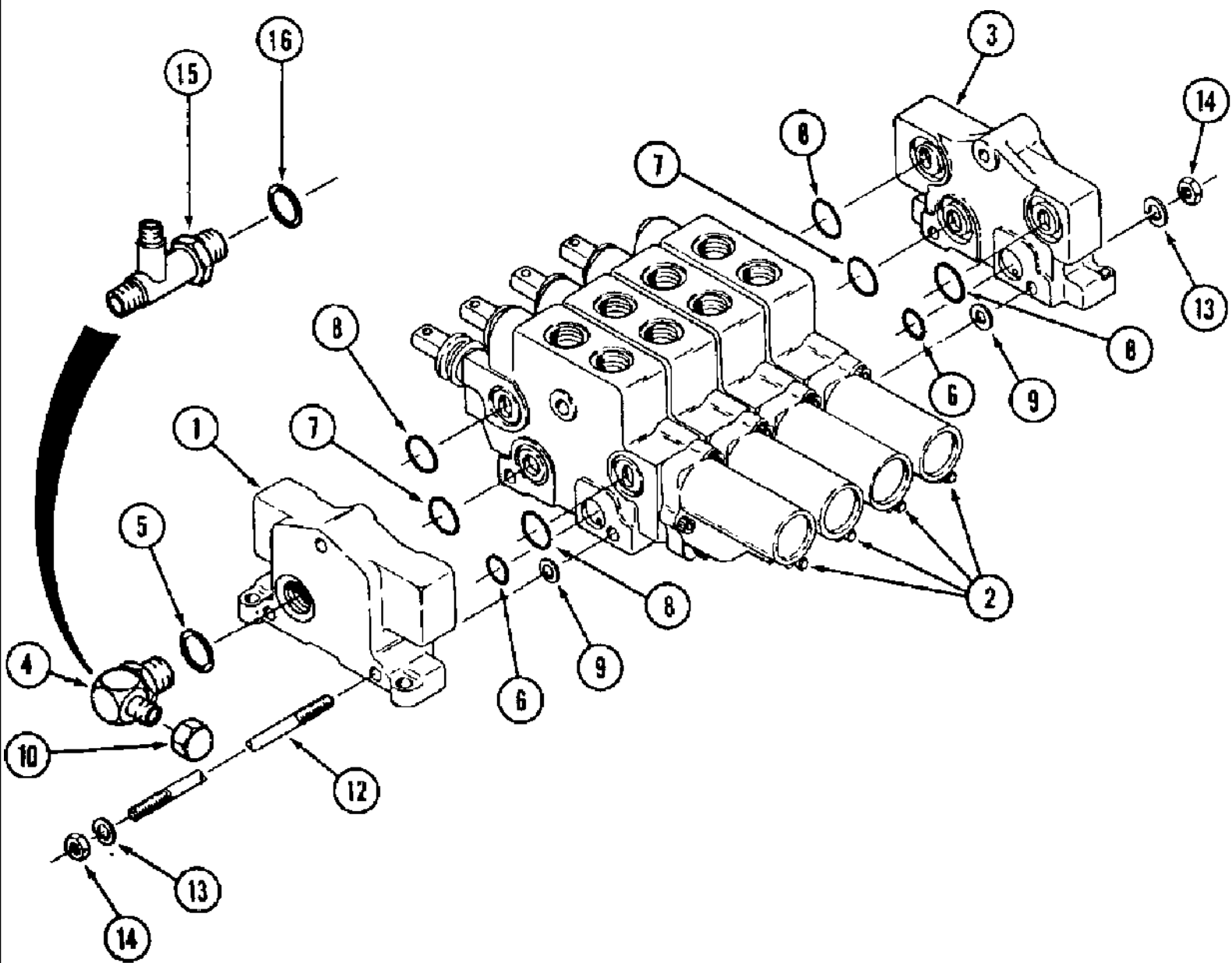
сылка	Номер детали	Кол-во	Описание
1	90-6708T1	1	COOLER - oil, hydraulic, used on 9370 and 9380
1	90-8163T1	1	COOLER - oil, hydraulic, used on 9380 and 9390
2	90-6847T1	1	BRACE - cooler mounting, with hinge, used on the 9370 and 9380
2	246513A1	1	BRACE - cooler mounting, with hinge, used on the 9390
3	70-1996T3	2	PIN - hinge
4	70-2600T2	4	RING - retaining
5	495-21038	2	WASHER - flat, 3/8 x 7/8 x 3/32 inch
7	90-6846T1	1	BRACKET - mounting
8	426-58	12	BOLT - hex, 5/16 NC x 1/2 inch, grade 8
9	90-6845T1	1	CLAMP - hose
10	426-528	2	BOLT - hex, 5/16 NC x 1-3/4 inch, grade 8
14	90-6965T1	1	BRACE - cooler mounting, with handle, used on the 9370 and 9380
14	246515A1	1	BRACE - cooler mounting, with handle, used on the 9390
15	495-21044	1	WASHER - flat, 7/16 x 1 x 5/64 inch
16	19-5400	1	PIN - hair, 1/8 inch
17	60-6505T1	1	SEAL - foam, 746 mm (29-3/8 inch) long, cut from 60-4595T1 bulk seal, See below
21	60-6711T1	1	CONDENSER - air conditioning
	60-4595T1		UAR SEAL - foam, bulk, 2743 mm (108 inch) long



## 9380 CASE IH 4WD TRACTOR (6/95-8/00)

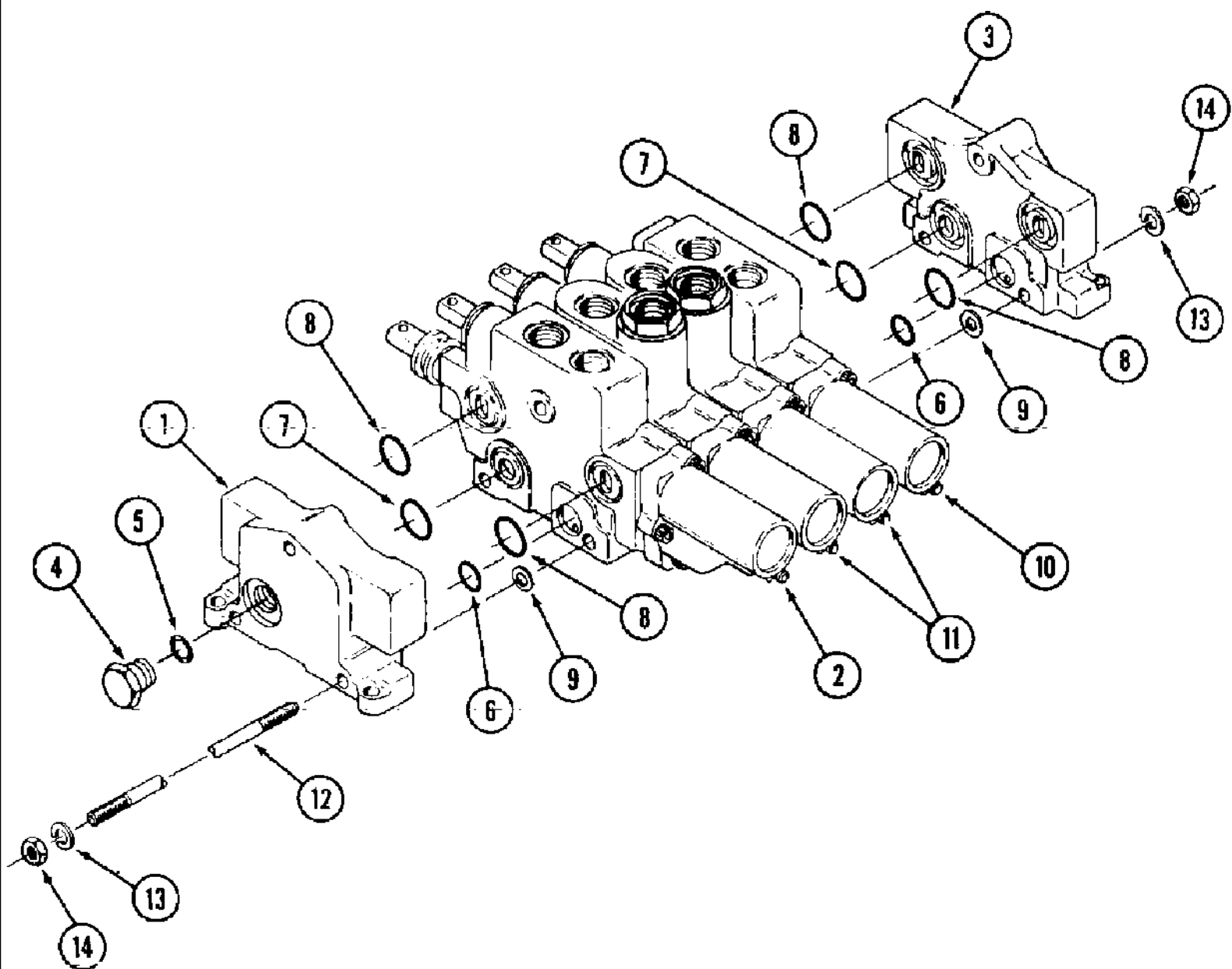
## 8-042 REMOTE HYDRAULIC CONTROL

сылка	Номер детали	Кол-во	Описание
1	60-6073T1	1	LEVER - control, first remote
2	60-6074T1	1	LEVER - control, second remote
3	60-6075T1	1	LEVER - control, third remote
4	60-6076T1	1	LEVER - control, fourth remote
5	60-6067T1	4	BUSHING - lever pivot
6	60-4346T1	4	KNOB - lever, control
7	426-696	2	BOLT - hex, 3/8 NC x 6 inch, grade 8
8	495-11041	10	WASHER - flat, 13/32 x 13/16 x 1/16 inch
9	19-6154	1	WASHER - flat, nylon, 3/8 x 1-1/4 x 1/16 inch
10	231-1446	2	NUT, LOCK, 3/8"-16, GB
14	60-5875T1	4	LINK - cable actuating
15	432-816	4	1/8" x 1"
16	60-6081T1	4	LOCKOUT - lever
17	38-11618	4	Pin, 1/4" x 1 1/8", Slotted
18	60-6068T1	4	CAP - lockout lever, control
19	K14651	8	SPRING - lockout, lever
20	19-6113	8	BUSHING - nylon, split, flanged
23	60-3933T1	4	BRACKET - lockout, lever
24	20092R1	4	PIN - roll, 3/16 x 1-5/16 inch
25	60-3937T1	4	CAP - lockout, lever
26	60-5871T1	1	PLATE - mounting, cable
27	111626C1	6	NUT - hex, self-locking, special, 1/4 inch NC
28	60-5872T1	1	SUPPORT - mounting plate
29	19-5852	1	BOLT - hex flange, 1/4 NC x 3/4 inch
30	495-11028	6	WASHER - flat, 9/32 x 5/8 x 1/16 inch
31	60-5870T1	4	CABLE - valve actuating
32	425-114	16	NUT, 1/4"-28, G5
33	60-4384T1	4	CLEVIS - yoke
34	427-6106	4	PIN, CLEVIS, 3/8" x 1 1/16", Hardened
35	432-612	4	PIN, SPLIT (COTTER), 3/32" x 3/4"
38	60-4279T2	4	BOOT - rubber
39	22-824	4	STRAP - tie, 7 inch
40	22-619	1	GROMMET - closure
42	60-5820T1	1	SHAFT ASSEMBLY - flex, flow control, Includes: Ref. 43 & 44
43	125-11006	2	NUT, 3/8"-32, G2
44	483-1084	1	SCREW - set, hex socket headless, No. 8 NC x 1/4 inch, cup point
45	60-4339T1	1	KNOB - flow control
46	60-4258T1	3	PLUG - hole, flow control access
47	64-146	3	PLUG - hole, access, flow control
50	60-6669T1	1	STRAP - support, mounting plate

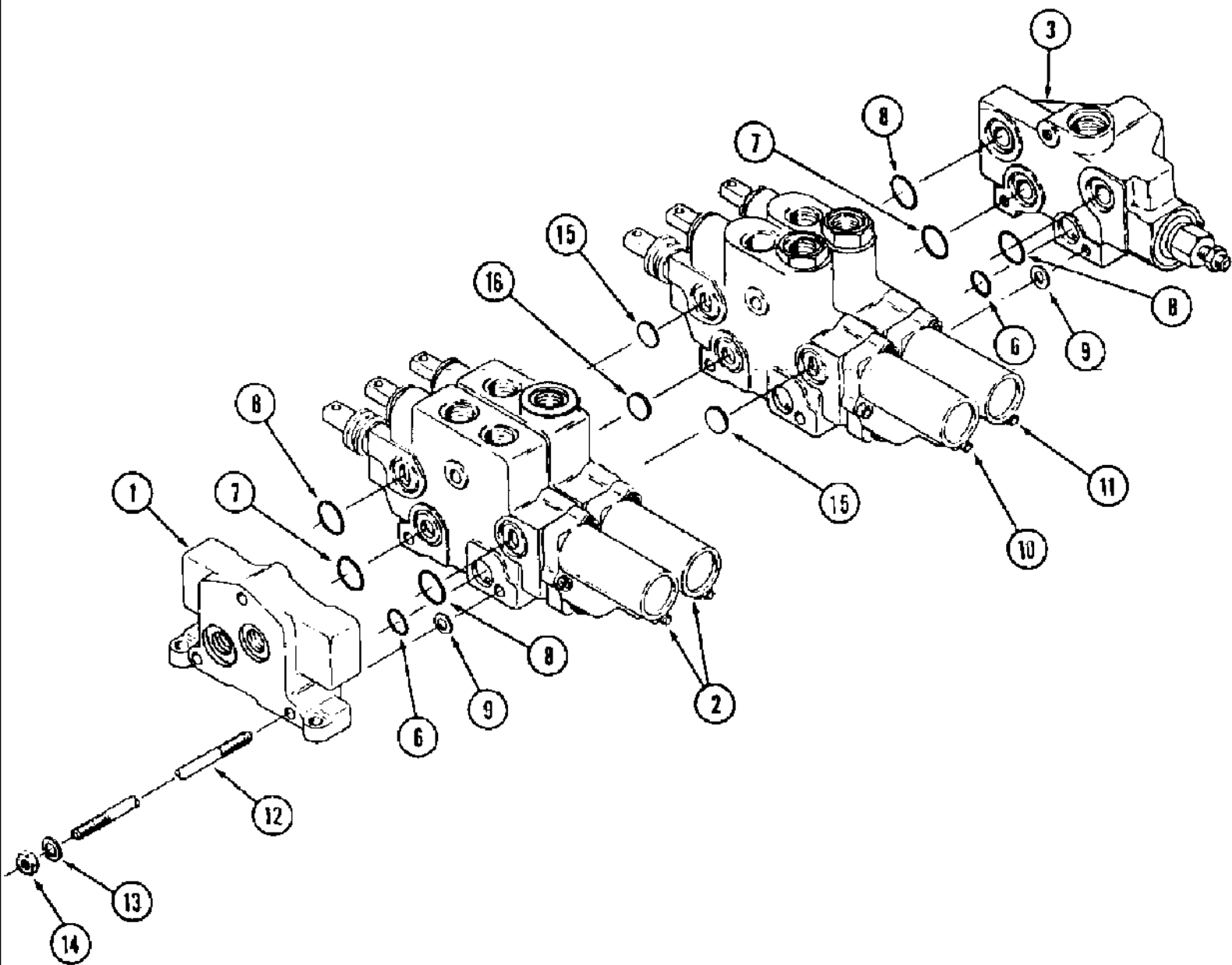




сылка	Номер детали	Кол-во	Описание
	50-3550T91	1	VALVE ASSEMBLY - remote, three spool, Includes: Ref. 1 - 14
	50-3552T91	1	VALVE ASSEMBLY - remote, four spool, Includes: Ref. 1 - 14
1	A52403	1	COVER - end
2	50-2302T91		UAR SECTION ASSEMBLY - valve, float, parts list Figure 8-050 and 8-052
3	50-3603T1	1	COVER - inlet, replaces A47169 cover
4	218-5124	1	ELBOW - 90 degree, 1-5/16-12 flare x 1-1/16-12 inch adj O-ring boss, used without three point hitch, replaces 218-5158 plug, Includes: Ref. 5
5	237-6020	1	O-RING, 20-1, 90 Duro, 1.475" ID x .118" Thk
	2-3792T1		UAR KIT - seal, valve section, Includes: Ref. 6 - 9
6	238-6211	1	O-RING, -211, 90 Duro, .796" ID x .139" Thk
7	238-6214	2	O-RING, -119, 70 Duro, .924" ID x .103" Thk
8	238-5119	1	O-RING, -214, 90 Duro, .984" ID x .139" Thk
9	D77566	3	SHIM - sections
10	218-758	1	CAP - hex, 1-5/16-12 inch, used without High Output hydraulic option
12	A147507	3	STUD - 3/8 NC x 9-7/8 inch, three spool remote
12	A147508	3	STUD - 3/8 NC x 11-3/4 inch, four spool remote
13	492-11038	6	WASHER, LOCK, 3/8"
14	425-106	6	NUT, 3/8"-16, G5
15	218-5247	1	TEE - 1-5/16-12 fl branch x 7/8-14 fl x 1-1/16-12 adj O-ring, used with three point hitch, Includes: Ref. 16
16	237-6016	1	O-RING - 1-11/64 ID x 7/64 inch wide

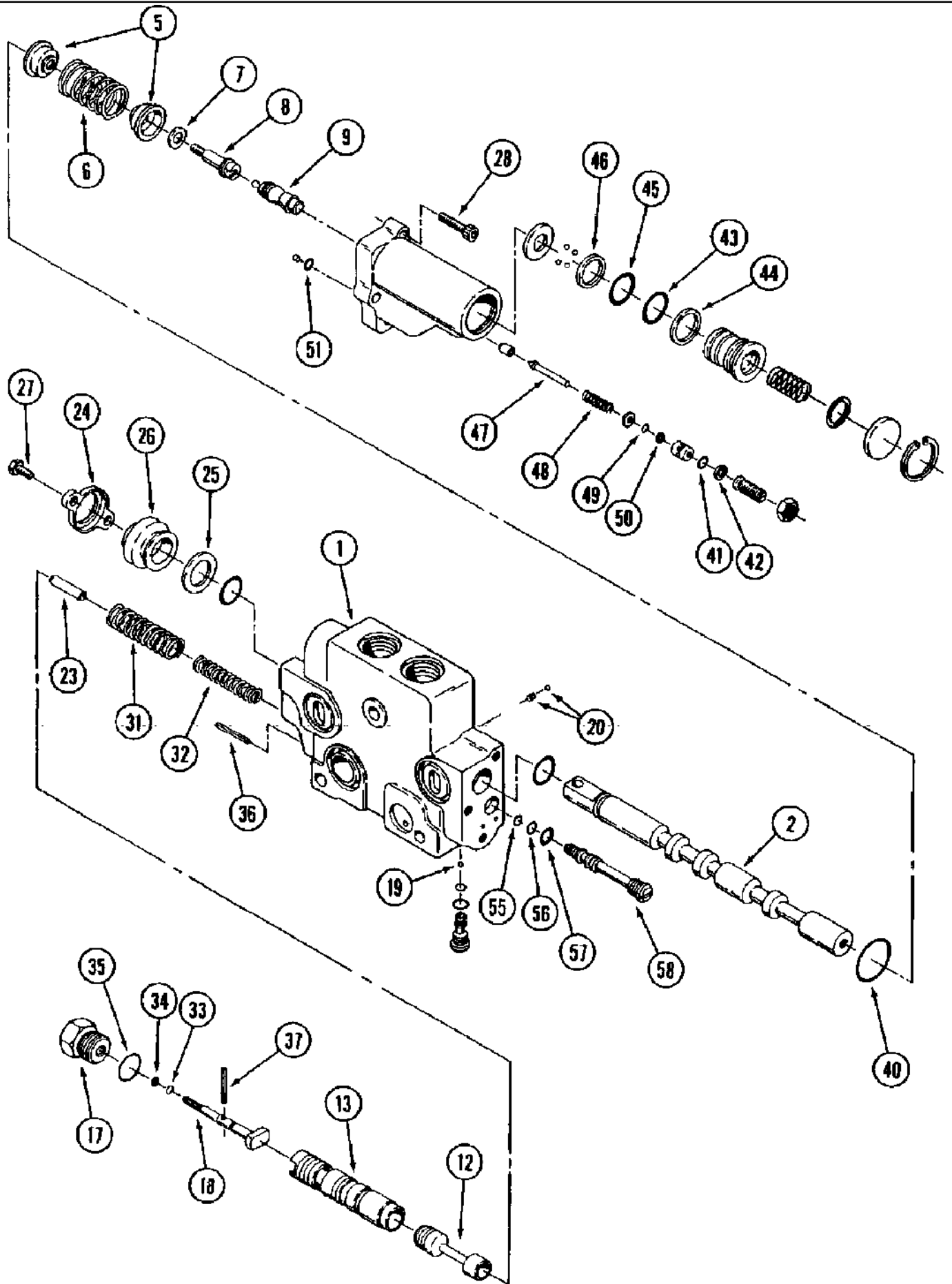


сылка	Номер детали	Кол-во	Описание
	50-3572T91	1	VALVE ASSEMBLY - remote, four spool, Includes: Ref. 1 - 14, Production equipped on some Australian models only. No longer available. Order component parts separately.
1	A52403	1	COVER - end
2	50-2302T91	2	SECTION ASSEMBLY - valve, float, parts list Figures 8-050 and 8-052
3	50-3603T1	1	COVER - inlet, replaces A47169 cover
4	218-5158	1	PLUG - hex, 1-1/16-12 inch O-ring boss, used without three point hitch, Includes: Ref. 5
5	237-6012	1	O-RING, 12-1, 90 Duro, .924 ID x .116" Thk
	2-3792T1		UAR KIT - seal, valve section, Includes: Ref. 6 - 9
6	238-6211	1	O-RING, -211, 90 Duro, .796" ID x .139" Thk
7	238-5119	1	O-RING, -119, 70 Duro, .924" ID x .103" Thk
8	238-6214	2	O-RING, -214, 90 Duro, .984" ID x .139" Thk
9	D77566	3	SHIM - sections
10	50-3562T91	1	SECTION ASSEMBLY - priority, parts list Figures 8-054 and 8-056
11	50-3563T91	2	SECTION ASSEMBLY - "B" port load lock and float, parts list Figures 8-058 and 8-060
12	A147508	3	STUD - 3/8 NC x 11-3/4 inch, four spool remote
13	492-11038	6	WASHER, LOCK, 3/8"
14	425-106	6	NUT, 3/8"-16, G5



## 8-048 HYDRAULIC REMOTE VALVE ASSEMBLY, WITH LOAD LOCKS

сылка	Номер детали	Кол-во	Описание
	50-3609T91	1	VALVE ASSEMBLY - remote, four spool, High Output, Includes: Ref. 1 - 14, Part of the high output hydraulic system, which is standard on 9390 models and optional on 9370 and 9380 models with P.I.N. JEE0071001 and after.
1	50-3624T1	1	COVER - end
2	50-2302T91	2	SECTION ASSEMBLY - valve, float, parts list Figures 8-050 and 8-052
3	50-3623T91	1	COVER ASSEMBLY - inlet, parts list Figure 8-068
	2-3792T1		UAR KIT - seal, valve section, Includes: Ref. 6 - 9
6	238-6211	1	O-RING, -211, 90 Duro, .796" ID x .139" Thk
7	238-5119	1	O-RING, -119, 70 Duro, .924" ID x .103" Thk
8	238-6214	2	O-RING, -214, 90 Duro, .984" ID x .139" Thk
9	D77566	3	SHIM - sections
10	50-3625T91	1	SECTION ASSEMBLY - "B" port, load locks and float, parts list Figures 8-062 and 8-064
11	50-3563T91	2	SECTION ASSEMBLY - "B" port, load locks and float, parts list Figures 8-058 and 8-060
12	50-3630T1	3	STUD - 3/8 NC x 11-3/4 inch, four spool remote
13	492-11038	3	WASHER, LOCK, 3/8"
14	425-106	3	NUT, 3/8"-16, G5
15	50-3626T1	2	SPACER - plug, Part of the high output hydraulic system, which is standard on 9390 models and optional on 9370 and 9380 models with P.I.N. JEE0071001 and after.
16	50-3627T1	1	SPACER - plug, Part of the high output hydraulic system, which is standard on 9390 models and optional on 9370 and 9380 models with P.I.N. JEE0071001 and after.



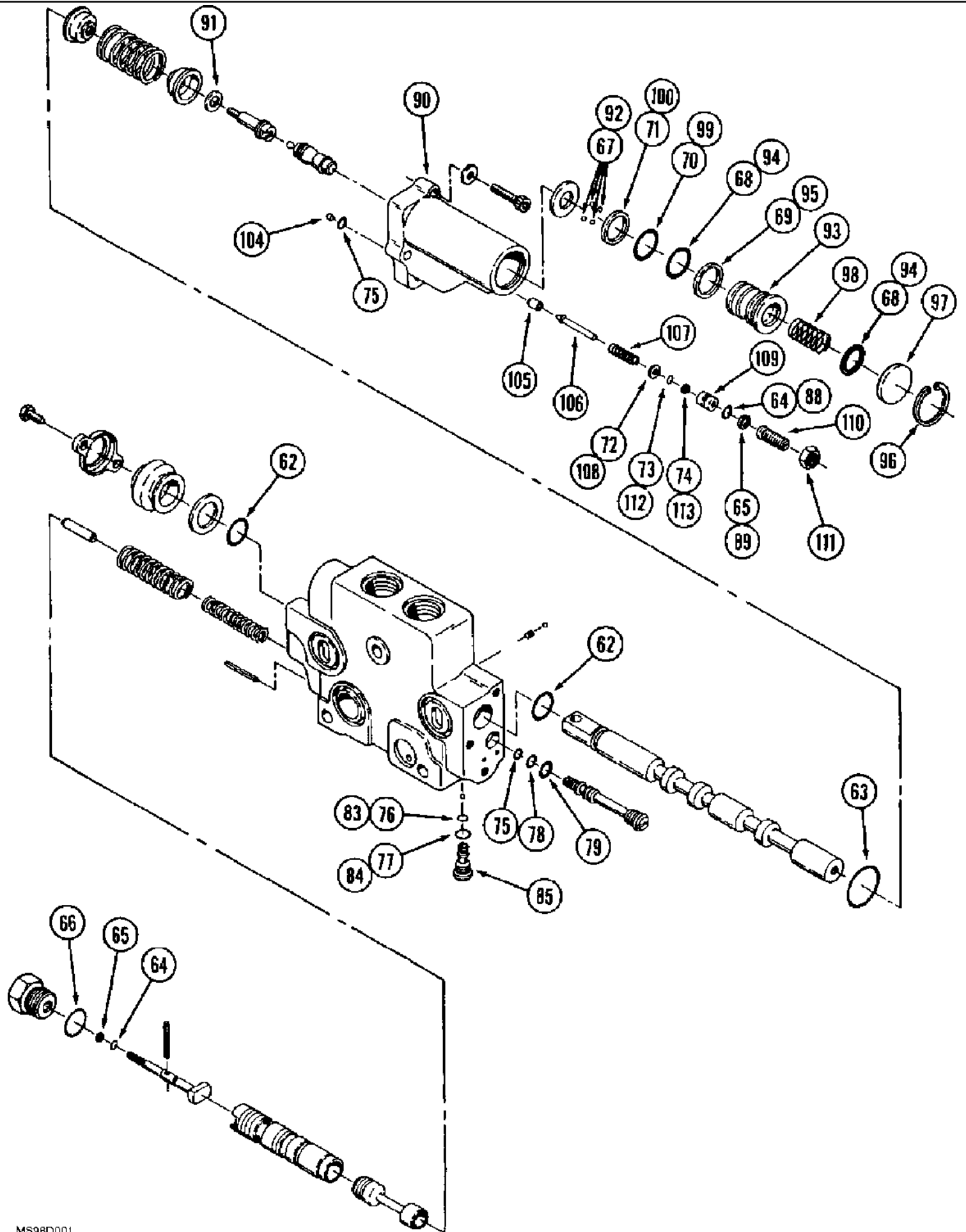
сылка	Номер детали	Кол-во	Описание
	50-2302T91	1	SECTION ASSEMBLY - valve, float, Includes: Ref. 1 - 58 and 62 - 113 on Figure 8-052
1	NSS	1	BODY - valve
2	NSS	1	SPOOL - valve
5	A47197	2	RETAINER - spring
6	A47177	1	SPRING - centering, spool
7	A47199	1	SPACER - detent
8	A47193	1	COUPLER - detent pivot
9	A52409	1	SHAFT - detent
12	A48957	1	SPOOL - flow control
13	A48956	1	TUBE - flow control
17	A48925	1	PLUG - flow control
18	A48929	1	SHAFT - adjusting
19	211-1006	1	BALL - chrome alloy steel, 3/16 inch, grade 24
20	A47105	1	PLUG - expansion
23	A48937	1	PIN - guide, spring
24	A47196	1	RETAINER - dust guard
25	A47205	1	FILTER - spool
26	A47188	1	COVER - dust
27	413-410	2	BOLT, Hex, 1/4"-20 x 5/8", G5, Full Thd
28	61-32516	3	BOLT, Hex Soc Hd, 1/4"-20 x 1"
	50-2386T1	1	KIT - seal, flow control, no longer available, order component parts separately, Includes: Ref. 31 - 37
31	A48959	1	SPRING - outer, flow control
32	A48960	1	SPRING - inner, flow control
33	238-5008	1	O-RING, -008, 70 Duro, .176" ID x .070" Thk, Shaft
34	D71056	1	RING - backup
35	237-6010	1	O-RING, 10-1, 90 Duro, .755" ID x .097" Thk, Plug
36	138-1816	1	Pin, 1/8" x 1, Slotted, Stainless, control stop
37	19711R1	1	Pin, 1/8" x 1 1/4", Coiled, control stop
	A48942	1	KIT - seal, detent, Includes: Ref. 40 - 51
40	238-5026	1	O-RING, -026, 70 Duro, 1.239" ID x .070" Thk, Detent housing
41	238-5008	1	O-RING, -008, 70 Duro, .176" ID x .070" Thk, Relief
42	D71056	1	RING - backup
43	238-5022	1	O-RING, -022, 70 Duro, .989" ID x .070" Thk, Kickout piston
44	A52208	1	RING - backup
45	238-5021	1	O-RING, -021, 70 Duro, .926" ID x .070" Thk, Kickout piston
46	L35295	1	RING - backup
47	A48958	1	POPPET - detent
48	A48961	1	SPRING - valve, poppet
49	238-5006	1	O-RING, -006, 70 Duro, .114" ID x .070" Thk, Seal, Poppet
50	A52378	1	RING - backup
51	238-6010	2	O-RING, -010, 90 Duro, .239" ID x .070" Thk, Housing
	A47209	1	SHUTTLE ASSEMBLY - primary, Includes: 55 - 58
	50-1655T1	1	KIT - seal, primary shuttle, no longer available, order component parts separately, Includes: Ref. 55 - 58
55	238-6009	1	O-RING, -009, 90 Duro, .208" ID x .070" Thk
56	238-6010	1	O-RING, -010, 90 Duro, .239" ID x .070" Thk

9380 CASE IH 4WD TRACTOR (6/95-8/00)

8-050 HYDRAULIC REMOTE VALVE SECTION, FIRST, SECOND, THIRD OR FOURTH SECTIONS WITH FLOAT ONLY

сылка	Номер детали	Кол-во	Описание
57	237-6004	1	O-RING, 4-1, 90 Duro, .351" ID x .072" Thk
58	A47209	1	SHUTTLE ASSEMBLY - primary, replaces A47776 shuttle





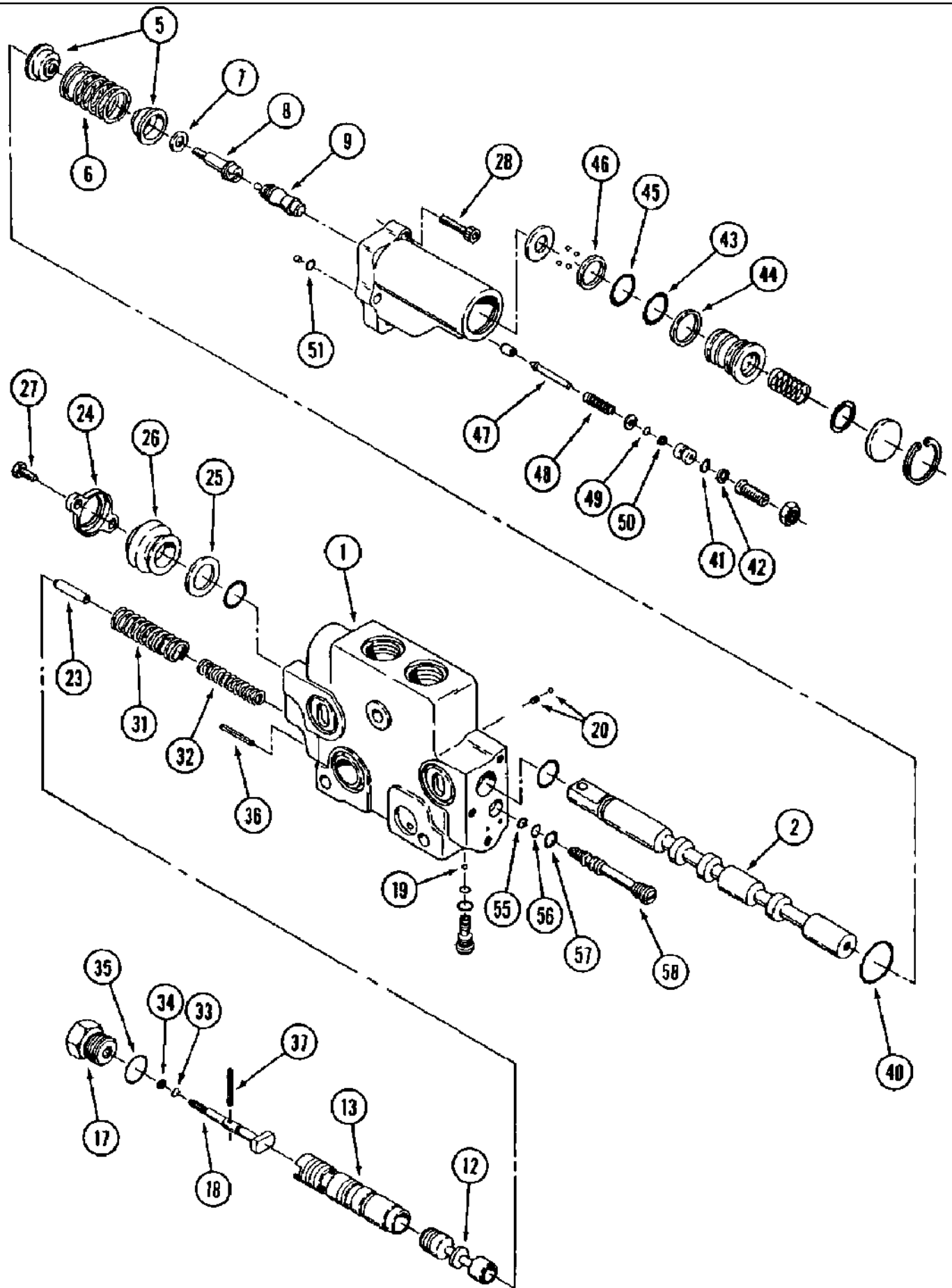
сылка	Номер детали	Кол-во	Описание
	50-2302T91	1	SECTION ASSEMBLY - valve, float, Includes: Ref. 62 - 113 and 1 - 58 on Figure 8-050
	50-2388T1	1	KIT - seal, detent, primary and secondary, Includes: Ref. 62 - 79
62	238-5116	2	O-RING, -116, 70 Duro, .737" ID x .103" Thk, Spool
63	238-5026	1	O-RING, -026, 70 Duro, 1.239" ID x .070" Thk, Detent housing
64	238-5008	2	O-RING, -008, 70 Duro, .176" ID x .070" Thk
65	D71056	2	RING - backup
66	237-6010	1	O-RING, 10-1, 90 Duro, .755" ID x .097" Thk, Plug
67	211-1007	8	BALL - chrome alloy steel, 7/32 inch, grade 24
68	238-5022	1	O-RING, -022, 70 Duro, .989" ID x .070" Thk, Kickout piston
69	A52208	1	RING - backup
70	238-5021	1	O-RING, -021, 70 Duro, .926" ID x .070" Thk, Kickout piston
71	L35295	1	RING - backup
72	A48935	1	WASHER - poppet valve, spring
73	238-5006	1	O-RING, -006, 70 Duro, .114" ID x .070" Thk, Poppet
74	A52378	1	RING - backup
75	238-6009	3	O-RING, -009, 90 Duro, .208" ID x .070" Thk
76	238-6008	1	O-RING, -008, 90 Duro, .176" ID x .070" Thk, Shuttle, secondary
77	237-6003	1	O-Ring, 3-1, .301" ID x .064" Thk, Shuttle, secondary
78	238-6010	1	O-RING, -010, 90 Duro, .239" ID x .070" Thk, Shuttle, primary
79	237-6004	1	O-RING, 4-1, 90 Duro, .351" ID x .072" Thk, Shuttle, primary
	A47210	1	SHUTTLE ASSEMBLY - secondary, no longer available, order component parts separately, Includes: Ref. 83 - 85
	R30185	1	KIT - seal, Includes: Ref. 83 & 84
83	238-6008	1	O-RING, -008, 90 Duro, .176" ID x .070" Thk, Shuttle, secondary
84	237-6003	1	O-Ring, 3-1, .301" ID x .064" Thk, Shuttle, secondary
85	A47204	1	BODY - shuttle, secondary
	338703A1	1	KIT - housing, detent, replaces A48940 kit, Includes: Ref. 88 - 113
88	238-5008	1	O-RING, -008, 70 Duro, .176" ID x .070" Thk, Poppet
89	D71056	1	RING - backup
90	NSS	1	HOUSING - detent
91	A48931	1	WASHER - guide, Ref #91 balloon is pointing to incorrect part. Should be pointing to washer with no ref #, just to left of detent balls. On previous page, number assigned ref #7, is correct. Per Fargo Engineering Engineering NAPO TECH NOTE
92	211-1007	8	BALL - chrome alloy steel, 7/32 inch, grade 24
93	A48932	1	PISTON - kickout
94	238-5022	2	O-RING, -022, 70 Duro, .989" ID x .070" Thk, Piston
95	A52208	1	RING - backup
96	100-21118	1	Ring, Snap, 1.188", Int, #118
97	NSS	1	RETAINER - piston
98	A48934	1	SPRING - detent
99	238-5021	1	O-RING, -021, 70 Duro, .926" ID x .070" Thk, Piston
100	L35295	1	RING - backup
104	NSS	1	PLUG - orifice
105	NSS	1	SEAT - pilot float
106	NSS	1	POPPET - relief

9380 CASE IH 4WD TRACTOR (6/95-8/00)

8-052 HYDRAULIC REMOTE VALVE SECTION, FIRST, SECOND, THIRD OR FOURTH SECTIONS, WITH FLOAT ONLY (CONT'D)

сылка	Номер детали	Кол-во	Описание
107	NSS	1	SPRING - valve poppet
108	A48935	1	WASHER - poppet valve, spring
109	A48936	1	PISTON - regulator
110	A52437	1	SCREW - adjusting
111	425-156	1	NUT, Jam, 3/8"-24, G5
112	238-5006	1	O-RING, -006, 70 Duro, .114" ID x .070" Thk, Poppet
113	A52378	1	RING - backup

8-054 HYDRAULIC REMOTE VALVE SECTION, FIRST SECTION WITH PRIORITY AND FLOAT



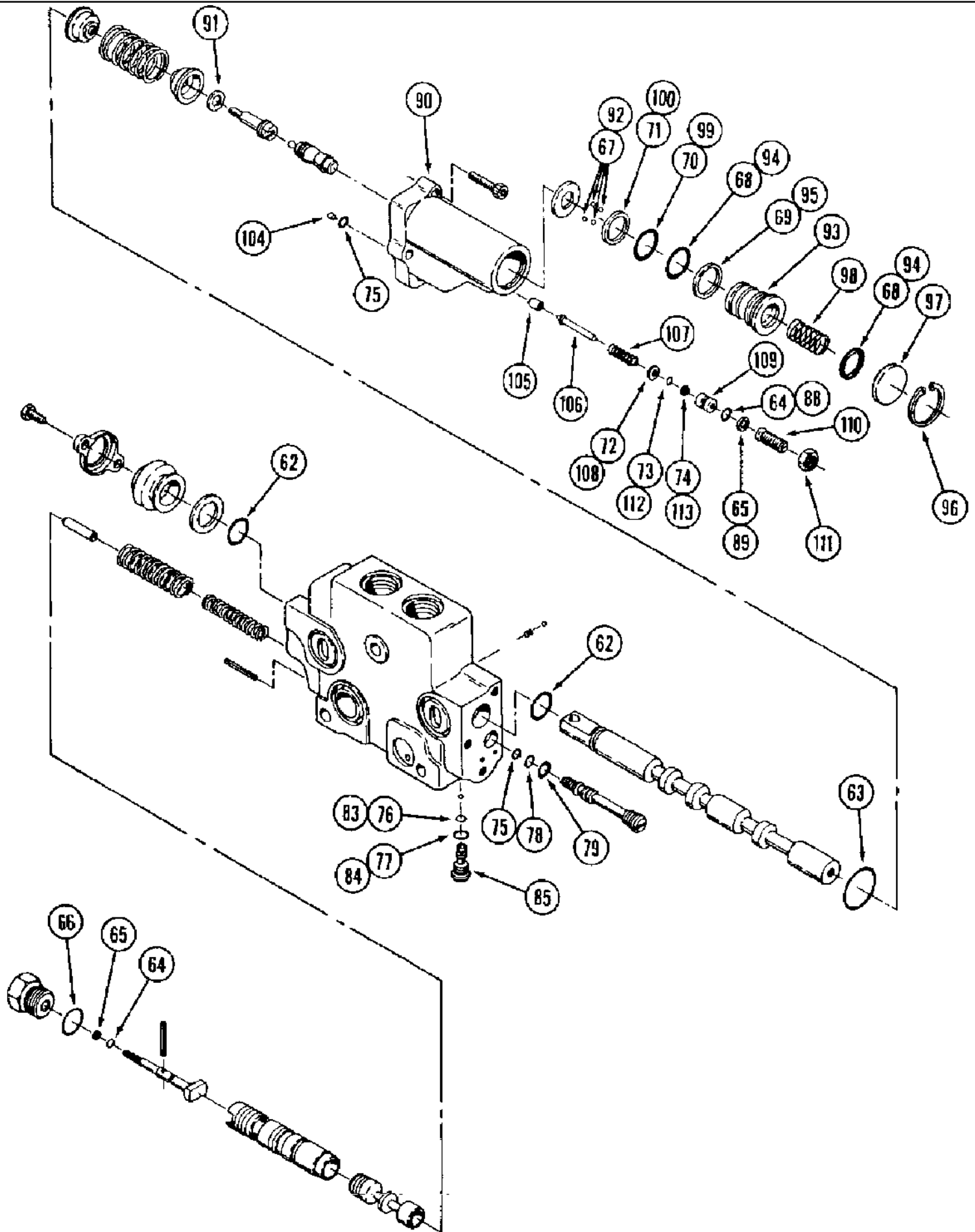
## 8-054 HYDRAULIC REMOTE VALVE SECTION, FIRST SECTION WITH PRIORITY AND FLOAT

сылка	Номер детали	Кол-во	Описание
	50-3562T91	1	SECTION ASSEMBLY - valve, priority and float, Includes: Ref. 1 - 58 and 62 - 113 on Figure 8-056
1	NSS	1	BODY - valve
2	NSS	1	SPOOL - valve
5	A47197	2	RETAINER - spring
6	A47177	1	SPRING - centering, spool
7	A47199	1	SPACER - detent
8	A47193	1	COUPLER - detent pivot
9	A52409	1	SHAFT - detent
12	A52411	1	SPOOL - flow control
13	A52412	1	TUBE - flow control
17	A48925	1	PLUG - flow control
18	A48929	1	SHAFT - adjusting
19	211-1006	1	BALL - chrome alloy steel, 3/16 inch, grade 24
20	A47105	1	PLUG - expansion
23	A52410	1	PIN - spring guide
24	A47196	1	RETAINER - dust guard
25	A47205	1	FILTER - spool
26	A47188	1	COVER - dust
27	86019274	2	SCREW - retainer
28	61-32516	3	BOLT, Hex Soc Hd, 1/4"-20 x 1"
	50-2386T1	1	KIT - seal, flow control, no longer available, order component parts separately, Includes: Ref. 31 - 37
31	A48959	1	SPRING - outer, flow control
32	A48960	1	SPRING - inner, flow control
33	238-5008	1	O-RING, -008, 70 Duro, .176" ID x .070" Thk, Shaft
34	D71056	1	RING - backup
35	237-6010	1	O-RING, 10-1, 90 Duro, .755" ID x .097" Thk, Plug
36	138-1816	1	Pin, 1/8" x 1, Slotted, Stainless, control stop
37	19711R1	1	Pin, 1/8" x 1 1/4", Coiled, control stop
	A48942	1	KIT - seal, detent, Includes: Ref. 40 - 51
40	238-5026	1	O-RING, -026, 70 Duro, 1.239" ID x .070" Thk, Detent housing
41	238-5008	1	O-RING, -008, 70 Duro, .176" ID x .070" Thk, Relief
42	D71056	1	RING - backup
43	238-5022	1	O-RING, -022, 70 Duro, .989" ID x .070" Thk, Kickout piston
44	A52208	1	RING - backup
45	238-5021	1	O-RING, -021, 70 Duro, .926" ID x .070" Thk, Kickout piston
46	L35295	1	RING - backup
47	A48958	1	POPPET - relief
48	A48961	1	SPRING - valve, poppet
49	238-5006	1	O-RING, -006, 70 Duro, .114" ID x .070" Thk, Poppet
50	A52378	1	RING - backup
51	238-6010	2	O-RING, -010, 90 Duro, .239" ID x .070" Thk, Housing
	A47209	1	SHUTTLE ASSEMBLY - primary, Includes: Ref. 55 - 58
	50-1655T1	1	KIT - seal, primary shuttle, Includes: Ref. 55 - 57
55	238-6009	1	O-RING, -009, 90 Duro, .208" ID x .070" Thk
56	238-6010	1	O-RING, -010, 90 Duro, .239" ID x .070" Thk

9380 CASE IH 4WD TRACTOR (6/95-8/00)

8-054 HYDRAULIC REMOTE VALVE SECTION, FIRST SECTION WITH PRIORITY AND FLOAT

сылка	Номер детали	Кол-во	Описание
57	237-6004	1	O-RING, 4-1, 90 Duro, .351" ID x .072" Thk
58	A47209	1	SHUTTLE ASSEMBLY - primary, replaces A47776 shuttle



## 8-056 HYDRAULIC REMOTE VALVE SECTION, FIRST SECTION WITH PRIORITY AND FLOAT (CONT'D)

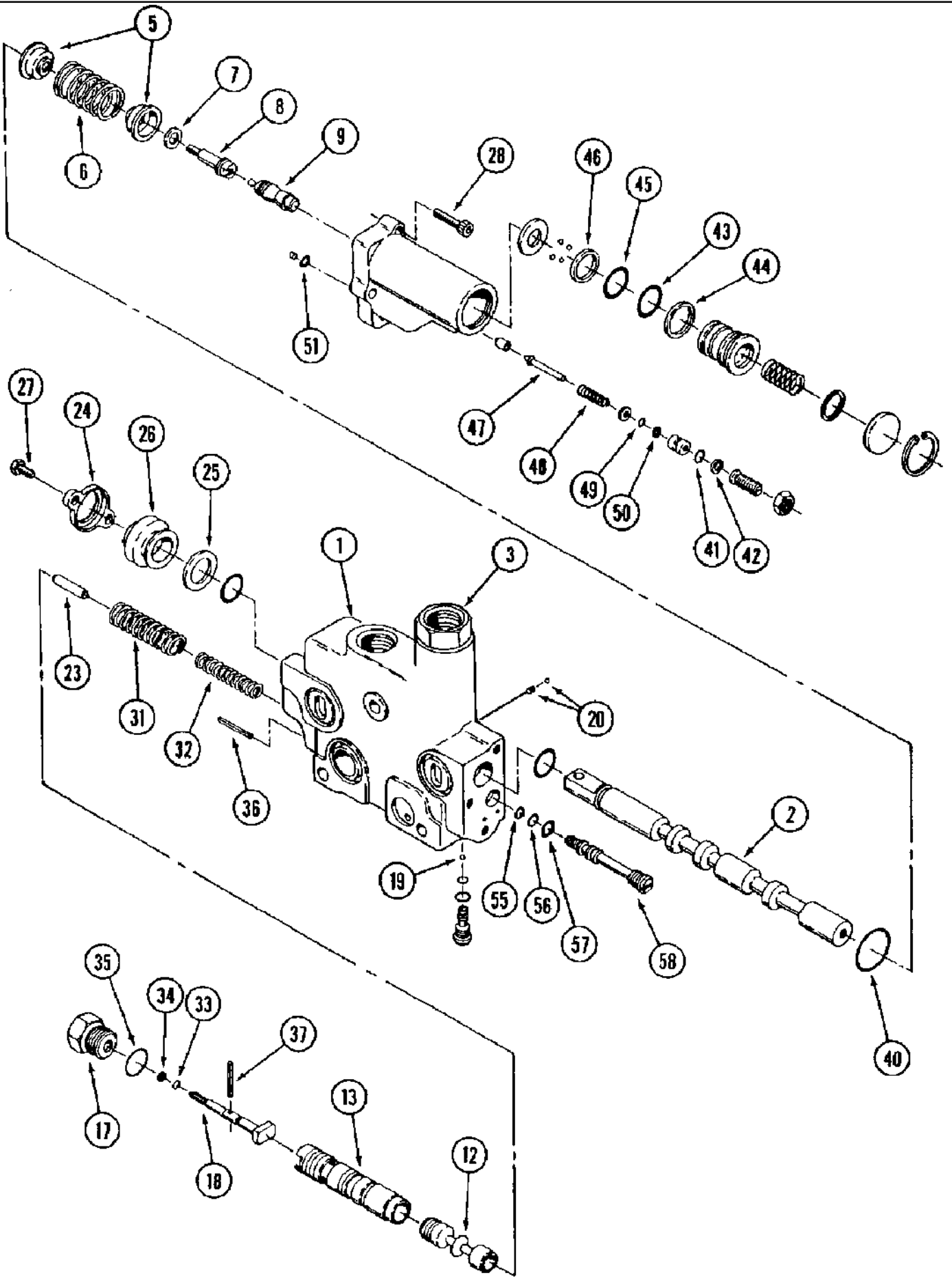
сылка	Номер детали	Кол-во	Описание
	50-3562T91	1	SECTION ASSEMBLY - valve, priority and float, Includes: Ref. 62 - 113 and 1 - 58 on Figure 8-054
	50-2388T1	1	KIT - seal, detent, primary and secondary, Includes: Ref. 62 - 79
62	238-5116	2	O-RING, -116, 70 Duro, .737" ID x .103" Thk, Spool
63	238-5026	1	O-RING, -026, 70 Duro, 1.239" ID x .070" Thk, Detent housing
64	238-5008	2	O-RING, -008, 70 Duro, .176" ID x .070" Thk
65	D71056	2	RING - backup
66	237-6010	1	O-RING, 10-1, 90 Duro, .755" ID x .097" Thk, Plug
67	211-1007	8	BALL - chrome alloy steel, 7/32 inch, grade 24
68	238-5022	1	O-RING, -022, 70 Duro, .989" ID x .070" Thk, Kickout piston
69	A52208	1	RING - backup
70	238-5021	1	O-RING, -021, 70 Duro, .926" ID x .070" Thk, Kickout piston
71	L35295	1	RING - backup
72	A48935	1	WASHER - poppet valve, spring
73	238-5006	1	O-RING, -006, 70 Duro, .114" ID x .070" Thk, Poppet
74	A52378	1	RING - backup
75	238-6009	3	O-RING, -009, 90 Duro, .208" ID x .070" Thk
76	238-6008	1	O-RING, -008, 90 Duro, .176" ID x .070" Thk, Shuttle, secondary
77	237-6003	1	O-Ring, 3-1, .301" ID x .064" Thk, Shuttle, secondary
78	238-6010	1	O-RING, -010, 90 Duro, .239" ID x .070" Thk, Shuttle, primary
79	237-6004	1	O-RING, 4-1, 90 Duro, .351" ID x .072" Thk, Shuttle, primary
	A47210	1	SHUTTLE ASSEMBLY - secondary, no longer available, order component parts separately, Includes: Ref. 83 - 85
	R30185	1	KIT - seal, Includes: Ref. 83 & 84
83	238-6008	1	O-RING, -008, 90 Duro, .176" ID x .070" Thk, Shuttle, secondary
84	237-6003	1	O-Ring, 3-1, .301" ID x .064" Thk, Shuttle, secondary
85	A47204	1	BODY - shuttle, secondary
	338703A1	1	KIT - housing, detent, replaces A48940 kit, Includes: Ref. 88 - 113
88	238-5008	1	O-RING, -008, 70 Duro, .176" ID x .070" Thk, Poppet
89	D71056	1	RING - backup
90	NSS	1	HOUSING - detent
91	A48931	1	WASHER - guide
92	211-1007	8	BALL - chrome alloy steel, 7/32 inch, grade 24
93	A48932	1	PISTON - kickout
94	238-5022	2	O-RING, -022, 70 Duro, .989" ID x .070" Thk, Piston
95	L35295	1	RING - backup
96	100-21118	1	Ring, Snap, 1.188", Int, #118
97	NSS	1	RETAINER - piston
98	A48934	1	SPRING - detent
99	238-5021	1	O-RING, -021, 70 Duro, .926" ID x .070" Thk, Piston
100	L35295	1	RING - backup
104	NSS	1	PLUG - orifice
105	NSS	1	SEAT - pilot float
106	NSS	1	POPPET - relief
107	NSS	1	SPRING - valve poppet
108	A48935	1	WASHER - poppet valve, spring



9380 CASE IH 4WD TRACTOR (6/95-8/00)

8-056 HYDRAULIC REMOTE VALVE SECTION, FIRST SECTION WITH PRIORITY AND FLOAT (CONT'D)

сылка	Номер детали	Кол-во	Описание
109	A48936	1	PISTON - regulator
110	A52437	1	SCREW - adjusting
111	425-156	1	NUT, Jam, 3/8"-24, G5
112	238-5006	1	O-RING, -006, 70 Duro, .114" ID x .070" Thk, Poppet
113	A52378	1	RING - backup



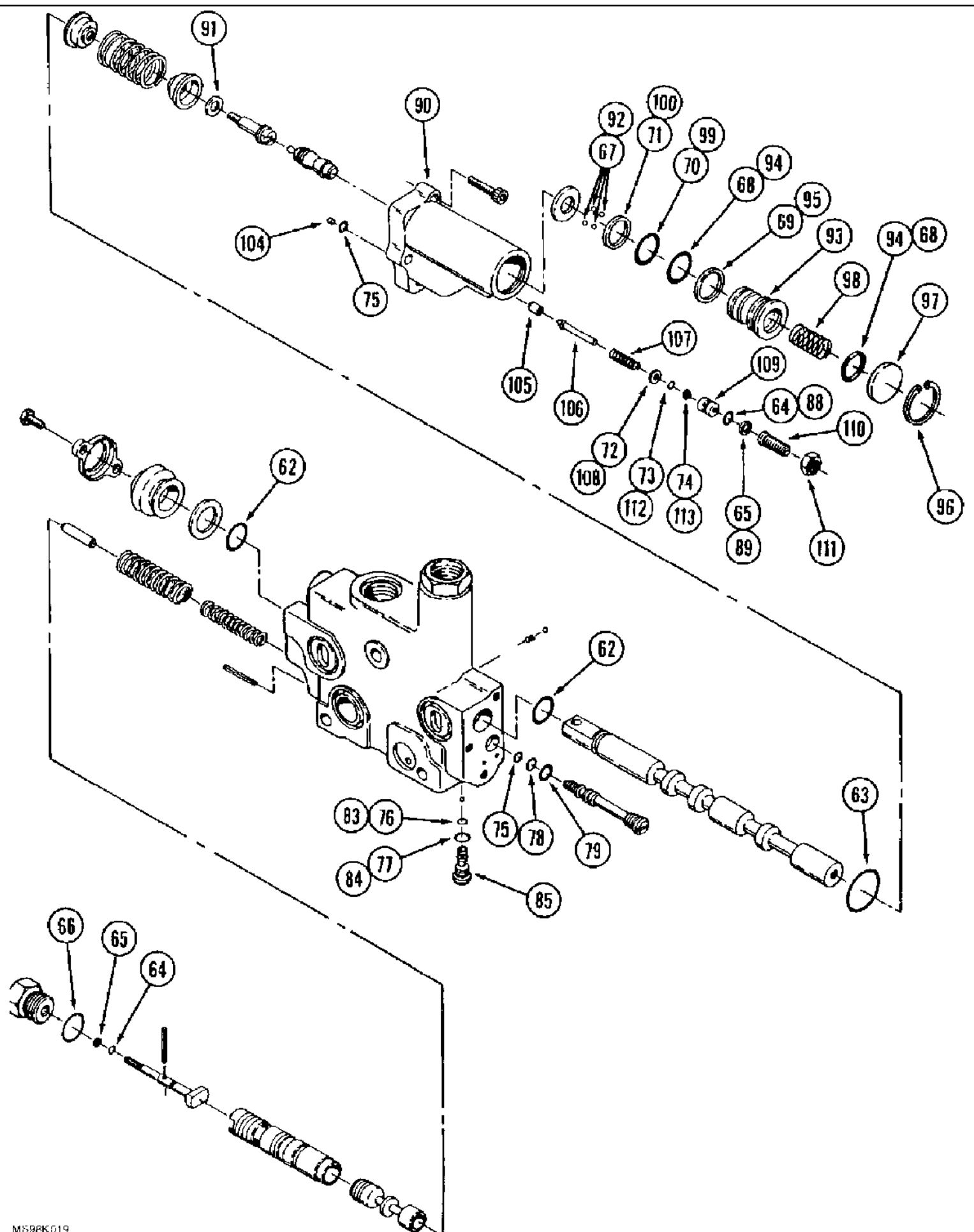
## 8-058 HYDRAULIC REMOTE VALVE SECTION, SECOND AND THIRD SECTIONS WITH "B" PORT LOAD LOCK AND FLOAT

сылка	Номер детали	Кол-во	Описание
	50-3563T91	1	SECTION ASSEMBLY - valve, "B" port load lock and float, Includes: Ref. 1 - 58 and 62 - 113 on Figure 8-060
1	NSS	1	BODY - valve
2	NSS	1	SPOOL - valve
3	50-3564T1	1	POPPET - lockout, Includes: Ref. 4
4	238-6124	1	O-RING, -124, 90 Duro, 1.237" ID x .103" Thk, Not shown
5	A47197	2	RETAINER - spring
6	A47177	1	SPRING - centering, spool
7	A47199	1	SPACER - detent
8	A47193	1	COUPLER - detent pivot
9	A52409	1	SHAFT - detent
12	A52411	1	SPOOL - flow control
13	A52412	1	TUBE - flow control
17	A48925	1	PLUG - flow control
18	A48929	1	SHAFT - adjusting
19	211-1006	1	BALL - chrome alloy steel, 3/16 inch, grade 24
20	A47105	1	PLUG - expansion
23	A52410	1	PIN - spring guide
24	A47196	1	RETAINER - dust guard
25	A47205	1	FILTER - spool
26	A47188	1	COVER - dust
27	86019274	2	SCREW - retainer
28	61-32516	3	BOLT - hex socket, 1/4 NC x 1 inch
	50-2386T1	1	KIT - seal, flow control, no longer available, order component parts separately, Includes: Ref. 31 - 37
31	A48959	1	SPRING - outer, flow control
32	A48960	1	SPRING - inner, flow control
33	238-5008	1	O-RING, -008, 70 Duro, .176" ID x .070" Thk, Shaft
34	D71056	1	RING - backup
35	237-6010	1	O-RING, 10-1, 90 Duro, .755" ID x .097" Thk, Plug
36	138-1816	1	Pin, 1/8" x 1, Slotted, Stainless, control stop
37	19711R1	1	Pin, 1/8" x 1 1/4", Coiled, control stop
	A48942	1	KIT - seal, detent, Includes: Ref. 40 - 51
40	238-5026	1	O-RING, -026, 70 Duro, 1.239" ID x .070" Thk, Detent housing
41	238-5008	1	O-RING, -008, 70 Duro, .176" ID x .070" Thk, Relief
42	D71056	1	RING - backup
43	238-5022	1	O-RING, -022, 70 Duro, .989" ID x .070" Thk, Kickout piston
44	A52208	1	RING - backup
45	238-5021	1	O-RING, -021, 70 Duro, .926" ID x .070" Thk, Kickout piston
46	L35295	1	RING - backup
47	NSS	1	POPPET - relief
48	NSS	1	SPRING - valve poppet
49	238-5006	1	O-RING, -006, 70 Duro, .114" ID x .070" Thk, Poppet
50	A52378	1	RING - backup
51	238-6010	2	O-RING, -010, 90 Duro, .239" ID x .070" Thk, Housing
	A47209	1	SHUTTLE ASSEMBLY - primary, Includes: Ref. 55 - 58

9380 CASE IH 4WD TRACTOR (6/95-8/00)

8-058 HYDRAULIC REMOTE VALVE SECTION, SECOND AND THIRD SECTIONS WITH "B" PORT LOAD LOCK AND FLOAT

сылка	Номер детали	Кол-во	Описание
	50-1655T1	1	KIT - seal, primary shuttle, no longer available, order component parts separately, Includes: Ref. 55 - 5
55	238-6009	1	O-RING, -009, 90 Duro, .208" ID x .070" Thk
56	238-6010	1	O-RING, -010, 90 Duro, .239" ID x .070" Thk
57	237-6004	1	O-RING, 4-1, 90 Duro, .351" ID x .072" Thk
58	NSS	1	SHUTTLE - primary, order A47209 shuttle

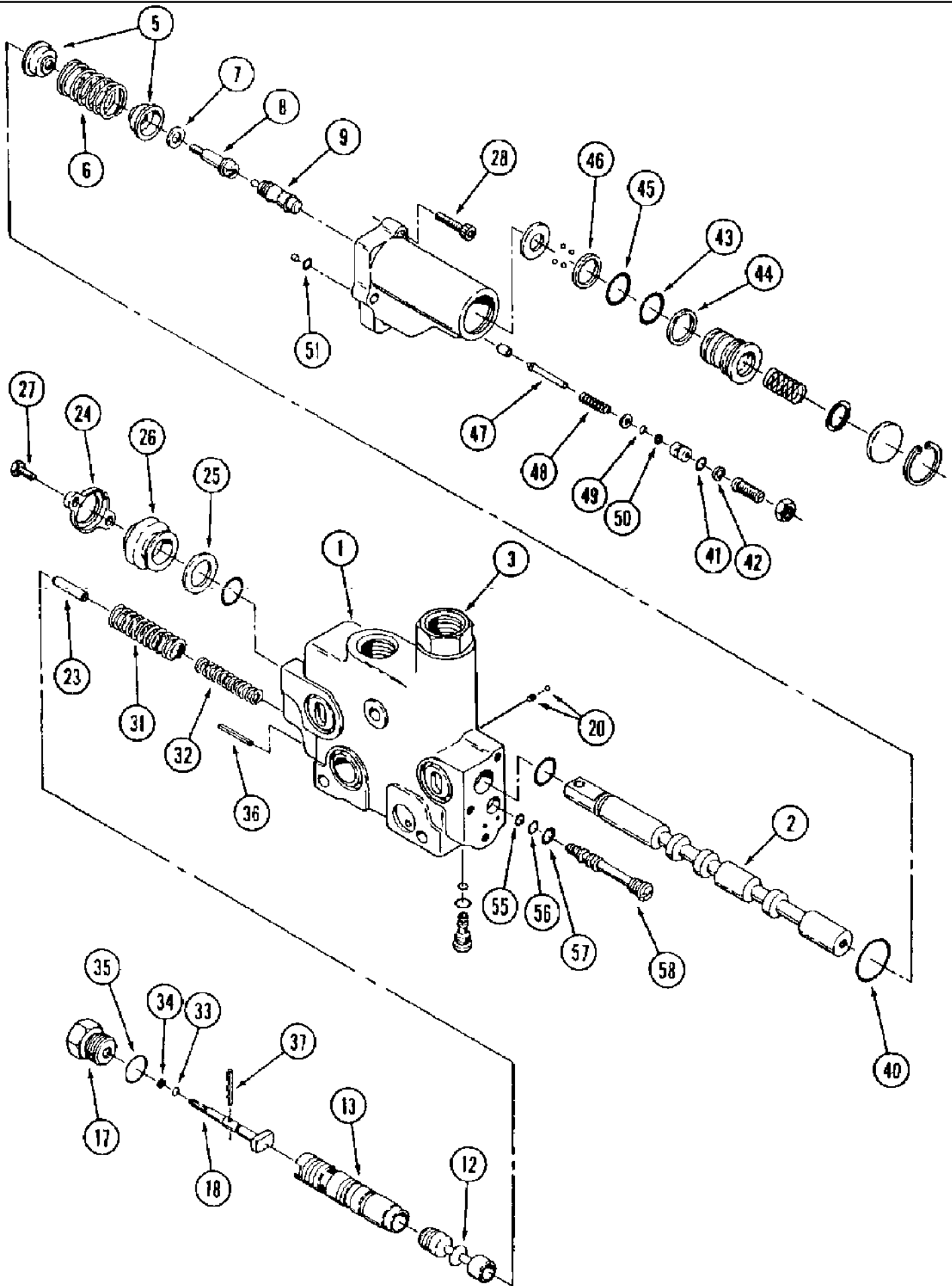


сылка	Номер детали	Кол-во	Описание
	50-3563T91	1	SECTION ASSEMBLY - "B" port load lock and float
	50-2388T1	1	KIT - seal, detent, primary and secondary, Includes: Ref. 62 - 79
62	238-5116	2	O-RING, -116, 70 Duro, .737" ID x .103" Thk, Spool
63	238-5026	1	O-RING, -026, 70 Duro, 1.239" ID x .070" Thk, Detent housing
64	238-5008	2	O-RING, -008, 70 Duro, .176" ID x .070" Thk
65	D71056	2	RING - backup
66	237-6010	1	O-RING, 10-1, 90 Duro, .755" ID x .097" Thk, Plug
67	211-1007	8	BALL - chrome alloy steel, 7/32 inch, grade 24
68	238-5022	1	O-RING, -022, 70 Duro, .989" ID x .070" Thk, Kickout piston
69	A52208	1	RING - backup
70	238-5021	1	O-RING, -021, 70 Duro, .926" ID x .070" Thk, Kickout piston
71	L35295	1	RING - backup
72	A48935	1	WASHER - poppet valve, spring
73	238-5006	1	O-RING, -006, 70 Duro, .114" ID x .070" Thk, Poppet
74	A52378	1	RING - backup
75	238-6009	3	O-RING, -009, 90 Duro, .208" ID x .070" Thk
76	238-6008	1	O-RING, -008, 90 Duro, .176" ID x .070" Thk, Shuttle, secondary
77	237-6003	1	O-Ring, 3-1, .301" ID x .064" Thk, Shuttle, secondary
78	238-6010	1	O-RING, -010, 90 Duro, .239" ID x .070" Thk, Shuttle, primary
79	237-6004	1	O-RING, 4-1, 90 Duro, .351" ID x .072" Thk, Shuttle, primary
	A47210	1	SHUTTLE ASSEMBLY - secondary, no longer available, order component parts separately, Includes: Ref. 83 - 85
	R30185	1	KIT - seal, Includes: Ref. 83 & 84
83	238-6008	1	O-RING, -008, 90 Duro, .176" ID x .070" Thk, Shuttle, secondary
84	237-6003	1	O-Ring, 3-1, .301" ID x .064" Thk, Shuttle, secondary
85	A47204	1	BODY - shuttle, secondary
	338703A1	1	KIT - housing, detent, replaces A48940 kit, Includes: Ref. 88 - 113
88	238-5008	1	O-RING, -008, 70 Duro, .176" ID x .070" Thk, Poppet
89	D71056	1	RING - backup
90	NSS	1	HOUSING - detent, order A52435 housing
91	A48931	1	WASHER - guide, Ref #91 Pointing to incorrect part. Should be pointing to washer with no ref #, just to left of detent balls. On previous page, #91 is assigned ref #7, which is correct. jms 1/20/00
92	211-1007	8	BALL - chrome alloy steel, 7/32 inch, grade 24
93	A48932	1	PISTON - kickout
94	238-5022	2	O-RING, -022, 70 Duro, .989" ID x .070" Thk, Piston
95	A52208	1	RING - backup
96	100-21118	1	Ring, Snap, 1.188", Int, #118 (Replaces A30975)
97	NSS	1	RETAINER - piston
98	A48934	1	SPRING - detent
99	238-5021	1	O-RING, -021, 70 Duro, .926" ID x .070" Thk, Piston
100	L35295	1	RING - backup
104	NSS	1	PLUG - orifice
105	NSS	1	SEAT - pilot float
106	NSS	1	POPPET - relief
107	NSS	1	SPRING - valve poppet

9380 CASE IH 4WD TRACTOR (6/95-8/00)

8-060 HYDRAULIC REMOTE VALVE SECTION, SECOND AND THIRD SECTIONS WITH "B" PORT LOAD LOCK AND FLOAT (CONT

сылка	Номер детали	Кол-во	Описание
108	A48935	1	WASHER - poppet valve, spring
109	A48936	1	PISTON - regulator
110	A52437	1	SCREW - adjusting
111	425-156	1	NUT - hex, jam, 3/8 inch NF
112	238-5006	1	O-RING, -006, 70 Duro, .114" ID x .070" Thk, Poppet
113	A52378	1	RING - backup





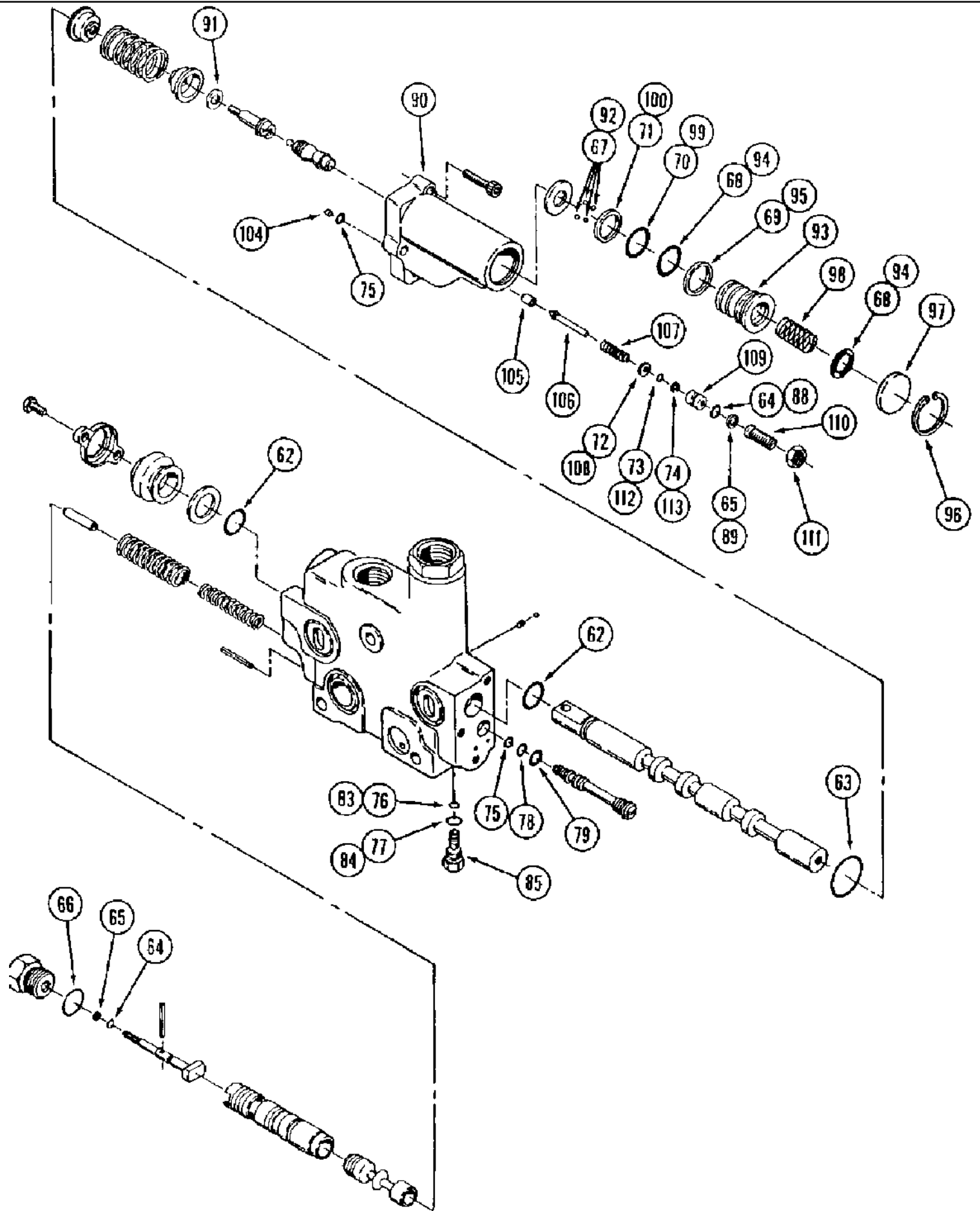
## 8-062 HYDRAULIC REMOTE VALVE SECTION, SECOND SECTION WITH "B" PORT LOAD LOCK FLOAT

сылка	Номер детали	Кол-во	Описание
	50-3625T91	1	SECTION ASSEMBLY - "B" port, load locks and float, High Output, Includes: Ref. 1 - 58 and 62 - 113 on Figure 8-064
1	NSS	1	BODY - valve
2	NSS	1	SPOOL - valve
3	50-3564T1	1	POPPET - lockout, Includes: o-ring
	238-6124	1	O-RING, -124, 90 Duro, 1.237" ID x .103" Thk
5	A47197	2	RETAINER - spring
6	A47177	1	SPRING - centering, spool
7	A47199	1	SPACER - detent
8	A47193	1	COUPLER - detent pivot
9	A52409	1	SHAFT - detent
12	A52411	1	SPOOL - flow control
13	A52412	1	TUBE - flow control
17	A48925	1	PLUG - flow control
18	A48929	1	SHAFT - adjusting
20	A47105	1	PLUG - expansion
23	A52410	1	PIN - spring guide
24	A47196	1	RETAINER - dust guard
25	A47205	1	FILTER - spool
26	A47188	1	COVER - dust
27	86019274	2	SCREW - retainer
28	61-32516	3	BOLT - hex socket, 1/4 NC x 1 inch
	50-2386T1	1	KIT - seal, flow control, no longer available, order component parts separately, Includes: Ref. 31 - 37
31	A48959	1	SPRING - outer, flow control
32	A48960	1	SPRING - inner, flow control
33	238-5008	1	O-RING, -008, 70 Duro, .176" ID x .070" Thk, Shaft
34	D71056	1	RING - backup
35	237-6010	1	O-RING, 10-1, 90 Duro, .755" ID x .097" Thk, Plug
36	138-1816	1	Pin, 1/8" x 1, Slotted, Stainless, control stop
37	19711R1	1	Pin, 1/8" x 1 1/4", Coiled, control stop
	A48942	1	KIT - seal, detent, Includes: Ref. 40 - 51
40	238-5026	1	O-RING, -026, 70 Duro, 1.239" ID x .070" Thk, Detent housing
41	238-5008	1	O-RING, -008, 70 Duro, .176" ID x .070" Thk, Relief
42	D71056	1	RING - backup
43	238-5022	1	O-RING, -022, 70 Duro, .989" ID x .070" Thk, Kickout piston
44	A52208	1	RING - backup
45	238-5021	1	O-RING, -021, 70 Duro, .926" ID x .070" Thk, Kickout piston
46	L35295	1	RING - backup
47	NSS	1	POPPET - relief
48	NSS	1	SPRING - valve poppet
49	238-5006	1	O-RING, -006, 70 Duro, .114" ID x .070" Thk, Poppet
50	A52378	1	RING - backup
51	238-6010	2	O-RING, -010, 90 Duro, .239" ID x .070" Thk, Housing
	A47209	1	SHUTTLE ASSEMBLY - primary, Includes: Ref. 55 - 58
	50-1655T1	1	KIT - seal, primary shuttle, no longer available, order component parts separately, Includes: Ref. 55 - 58

9380 CASE IH 4WD TRACTOR (6/95-8/00)

8-062 HYDRAULIC REMOTE VALVE SECTION, SECOND SECTION WITH "B" PORT LOAD LOCK FLOAT

сылка	Номер детали	Кол-во	Описание
55	238-6009	1	O-RING, -009, 90 Duro, .208" ID x .070" Thk
56	238-6010	1	O-RING, -010, 90 Duro, .239" ID x .070" Thk
58	NSS	1	SHUTTLE - primary, order A47209 shuttle
57	237-6004	1	O-RING, 4-1, 90 Duro, .351" ID x .072" Thk



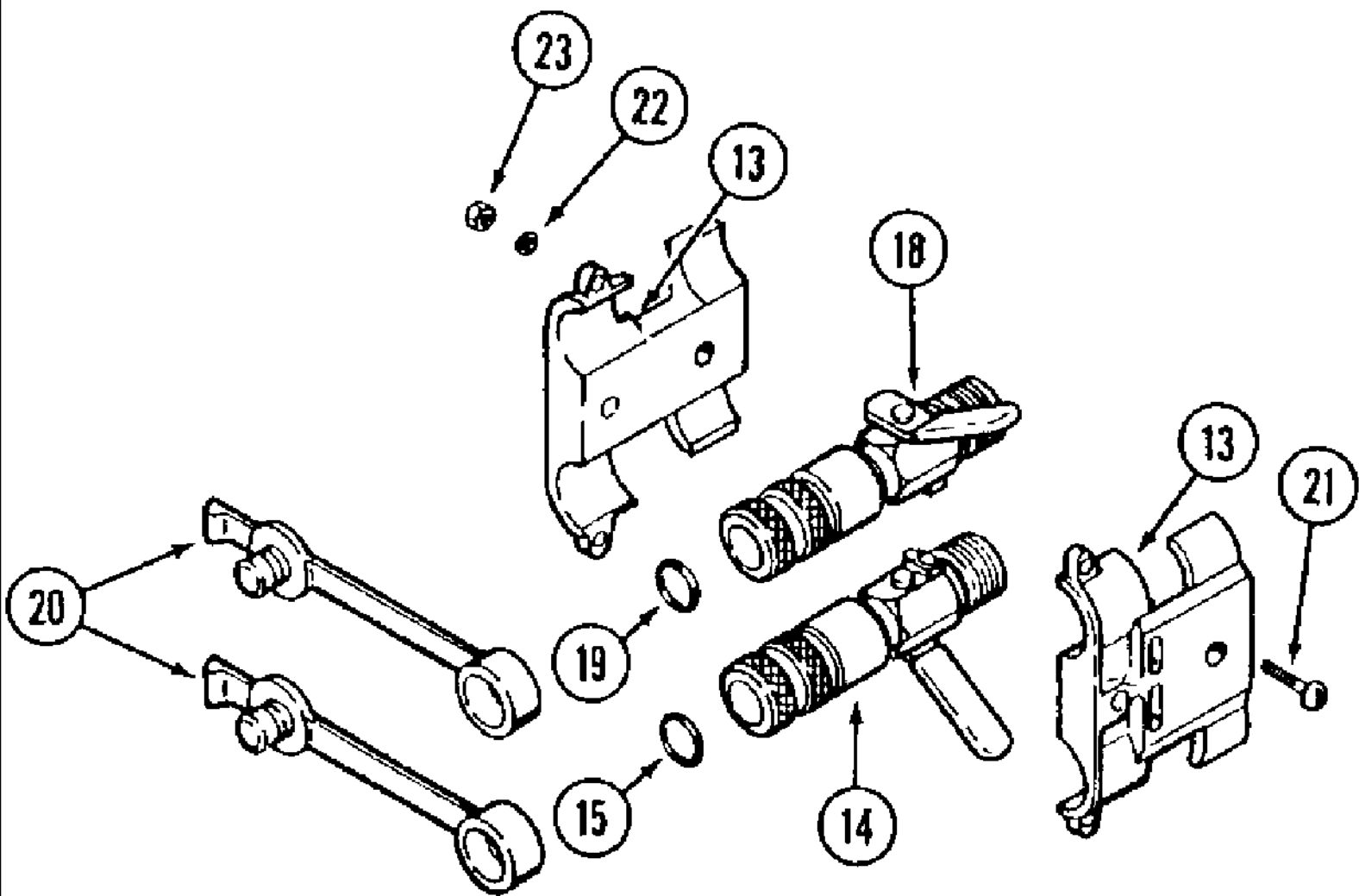
## 8-064 HYDRAULIC REMOTE VALVE SECTION, SECOND SECTION WITH "B" PORT LOAD LOCK FLOAT (CONT'D)

сылка	Номер детали	Кол-во	Описание
	50-3625T91	1	SECTION ASSEMBLY - "B" port, load locks and float, High Output, Includes: Ref. 62 - 113 and 1 - 58 on Figure 8-062
	50-2388T1	1	KIT - seal, detent, primary and secondary, Includes: Ref. 62 - 79
62	238-5116	2	O-RING, -116, 70 Duro, .737" ID x .103" Thk, Spool
63	238-5026	1	O-RING, -026, 70 Duro, 1.239" ID x .070" Thk, Detent housing
64	238-5008	2	O-RING, -008, 70 Duro, .176" ID x .070" Thk
65	D71056	2	RING - backup
66	237-6010	1	O-RING, 10-1, 90 Duro, .755" ID x .097" Thk, Plug
67	211-1007	8	BALL - chrome alloy steel, 7/32 inch, grade 24
68	238-5022	1	O-RING, -022, 70 Duro, .989" ID x .070" Thk, Kickout piston
69	A52208	1	RING - backup
70	238-5021	1	O-RING, -021, 70 Duro, .926" ID x .070" Thk, Kickout piston
71	L35295	1	RING - backup
72	A48935	1	WASHER - poppet valve, spring
73	238-5006	1	O-RING, -006, 70 Duro, .114" ID x .070" Thk, Poppet
74	A52378	1	RING - backup
75	238-6009	3	O-RING, -009, 90 Duro, .208" ID x .070" Thk
76	238-6008	1	O-RING, -008, 90 Duro, .176" ID x .070" Thk, Shuttle, secondary
77	237-6003	1	O-Ring, 3-1, .301" ID x .064" Thk, Shuttle, secondary
78	238-6010	1	O-RING, -010, 90 Duro, .239" ID x .070" Thk, Shuttle, primary
79	237-6004	1	O-RING, 4-1, 90 Duro, .351" ID x .072" Thk, Shuttle, primary
	50-3628T1	1	SHUTTLE ASSEMBLY - secondary, Includes: Ref. 83 - 85
	R30185	1	KIT - seal, Includes: Ref. 83 & 84
83	238-6008	1	O-RING, -008, 90 Duro, .176" ID x .070" Thk, Shuttle, secondary
84	237-6003	1	O-Ring, 3-1, .301" ID x .064" Thk, Shuttle, secondary
85	NSS	1	BODY - shuttle, secondary
	338703A1	1	KIT - housing, detent, replaces A48940 kit, Includes: Ref. 88 - 113
88	238-5008	1	O-RING, -008, 70 Duro, .176" ID x .070" Thk, Poppet
89	D71056	1	RING - backup
90	NSS	1	HOUSING - detent
91	A48931	1	WASHER - guide
92	211-1007	8	BALL - chrome alloy steel, 7/32 inch, grade 24
93	A48932	1	PISTON - kickout
94	238-5022	2	O-RING, -022, 70 Duro, .989" ID x .070" Thk, Piston
95	A52208	1	RING - backup
96	100-21118	1	Ring, Snap, 1.188", Int, #118 (Replaces A30975)
97	NSS	1	RETAINER - piston
98	A48934	1	SPRING - detent
99	238-5021	1	O-RING, -021, 70 Duro, .926" ID x .070" Thk, Piston
100	L35295	1	RING - backup
104	NSS	1	PLUG - orifice
105	NSS	1	SEAT - pilot float
106	NSS	1	POPPET - relief
107	NSS	1	SPRING - valve poppet
108	A48935	1	WASHER - poppet valve, spring

9380 CASE IH 4WD TRACTOR (6/95-8/00)

8-064 HYDRAULIC REMOTE VALVE SECTION, SECOND SECTION WITH "B" PORT LOAD LOCK FLOAT (CONT'D)

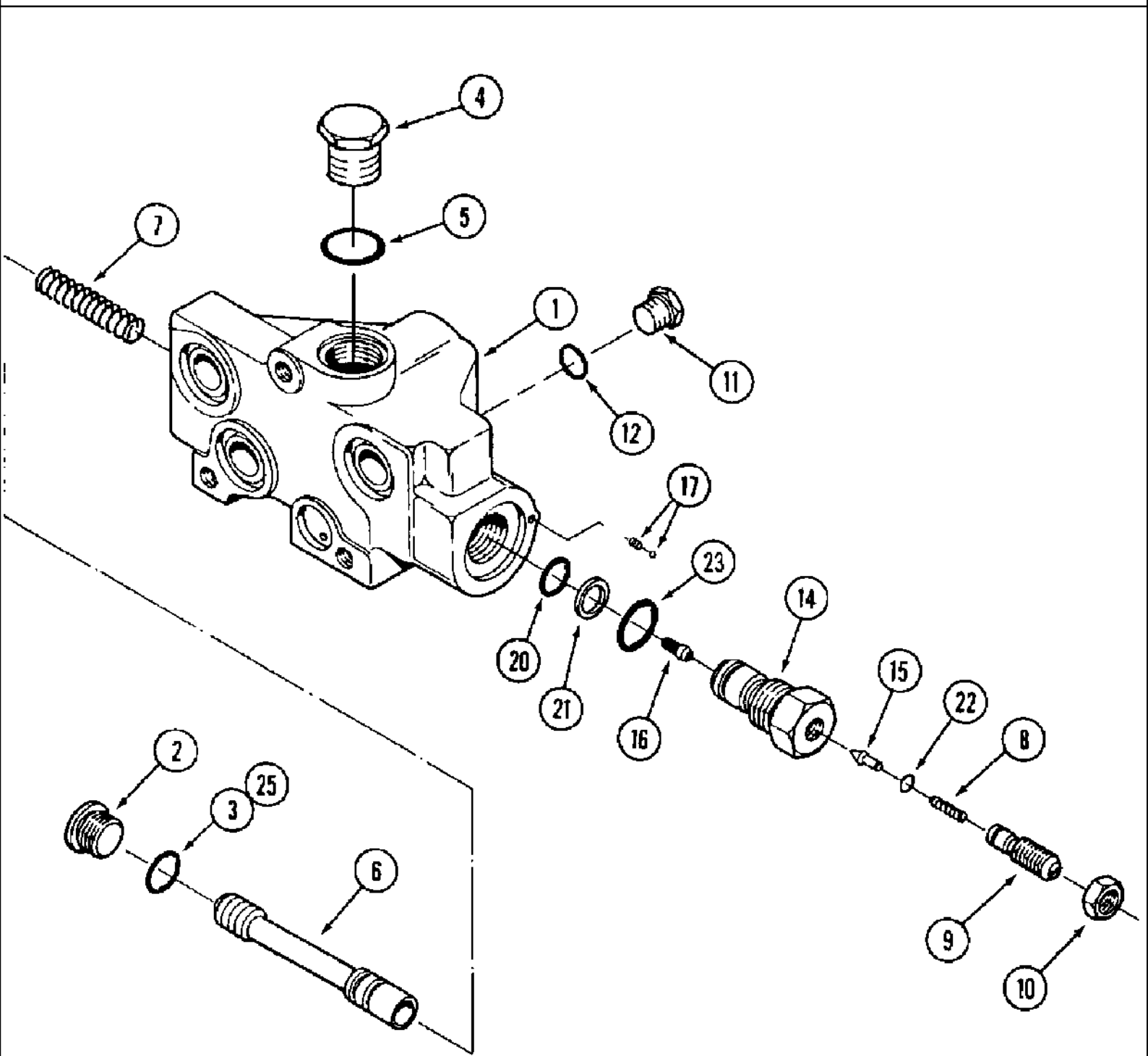
сылка	Номер детали	Кол-во	Описание
109	A48936	1	PISTON - regulator
110	A52437	1	SCREW - adjusting
111	425-156	1	NUT - hex, jam, 3/8 inch NF
112	238-5006	1	O-RING, -006, 70 Duro, .114" ID x .070" Thk, Poppet
113	A52378	1	RING - backup



MS98N006

## 8-066 REMOTE QUICK DISCONNECT COUPLER ASSEMBLY

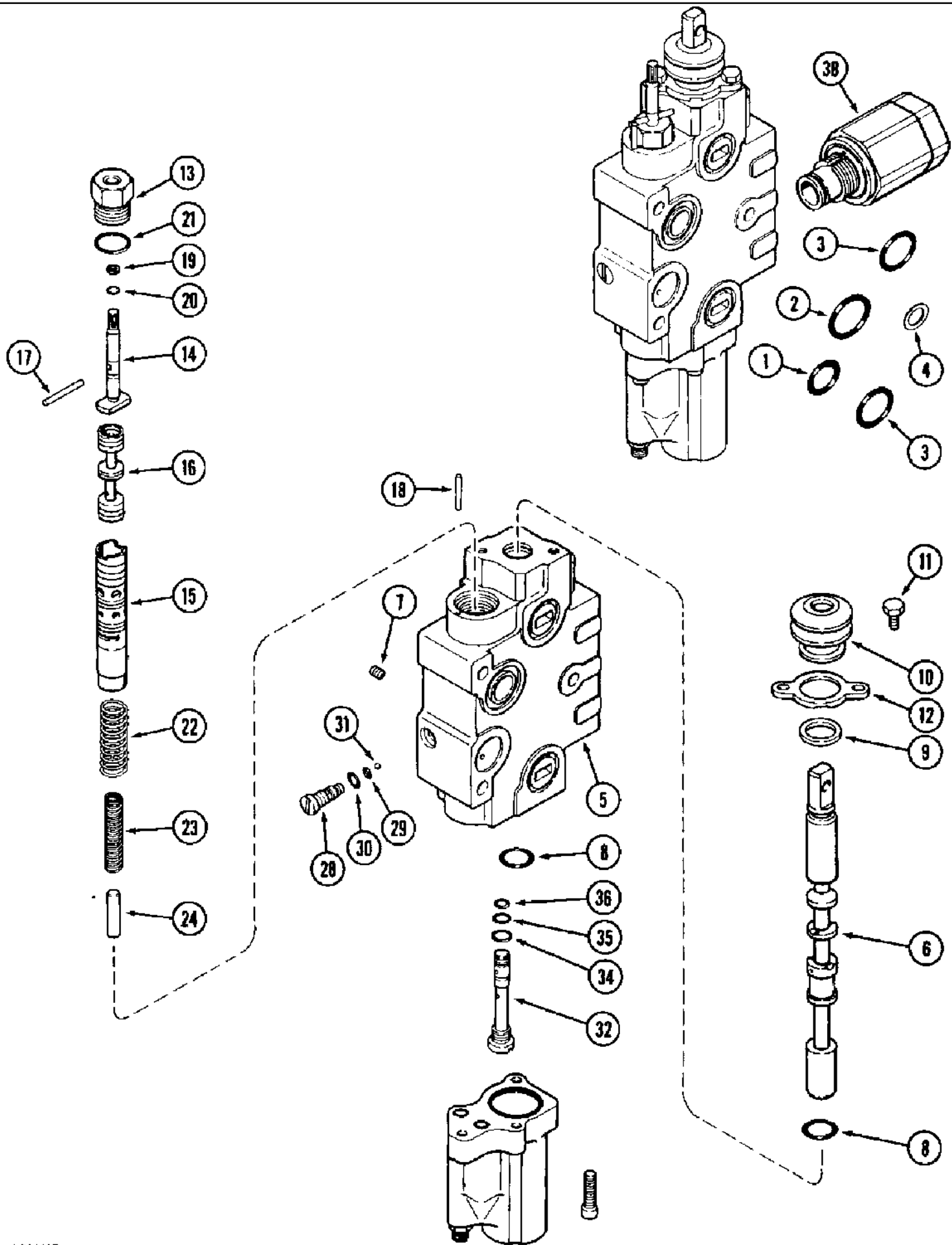
сылка	Номер детали	Кол-во	Описание
	50-3349T93	3	COUPLER ASSEMBLY - quick disconnect, Includes: Ref. 13 - 23
13	90-7634T1	2	CLAMP - coupler, bottom
14	50-1459T91	1	COUPLER ASSEMBLY - quick, Includes: Ref. 15
15	238-6211	1	O-RING, -211, 90 Duro, .796" ID x .139" Thk
18	50-1460T91	1	COUPLER ASSEMBLY - quick, Includes: Ref. 19
19	238-6211	1	O-RING, -211, 90 Duro, .796" ID x .139" Thk
20	50-2267T1	2	CAP - dust, cartridge
21	440-11012	2	SCREW - machine, pan Phillips, No. 10 NC x 3/4 inch
22	493-41020	2	WASHER, LOCK, Ext Tooth, #10
23	225-14110	2	NUT, #10-24





## 8-068 HYDRAULIC REMOTE VALVE INLET BODY, WITH PRIORITY VALVE

сылка	Номер детали	Кол-во	Описание
	50-3623T91	1	COVER ASSEMBLY - inlet, High Output, Includes: Ref. 1 - 25
1	NSS	1	BODY - inlet
2	86625138	1	PLUG, Hex Soc, 7/8"-14 ORB, Includes Ref. 3
3	237-6010	1	O-RING, 10-1, 90 Duro, .755" ID x .097" Thk
4	9841223	1	PLUG, Hex Soc, 1 1/16"-12 ORB, Incl. Ref. 5
5	237-6012	1	O-RING, 12-1, 90 Duro, .924 ID x .116" Thk
6	NSS	1	SPOOL - compensator
7	50-3629T1	1	SPRING - spool
8	50-2578T1	1	SPRING - poppet
9	50-2579T1	1	SCREW - set, pressure adjustment
10	425-108	1	NUT - hex, 1/2 inch NC
11	9625178	1	PLUG - hex socket, 9/16-18 inch O-ring boss, Includes: Ref. 12
14	50-2500T1	1	HOUSING - relief valve
15	50-1751T1	1	POPPET - pilot
16	50-2581T1	1	FILTER - screen
17	A47105	1	PLUG - expansion
	50-2582T1	1	KIT - seal, inlet, Includes: Ref. 20 - 25, Also includes the following parts: (1) 104916 ball, (1) 238-6008 O-ring and (1) 237-6003 O-ring, not shown and not required for this application.
20	NSS	1	O-RING - seal, relief valve
21	NSS	1	RING - backup
22	NSS	1	O-RING - seal, poppet
23	NSS	1	O-RING - seal, valve housing
25	237-6010	1	O-RING, 10-1, 90 Duro, .755" ID x .097" Thk
12	237-6006	1	O-Ring, 6-1, 90 Duro, .468" ID x .078" Thk



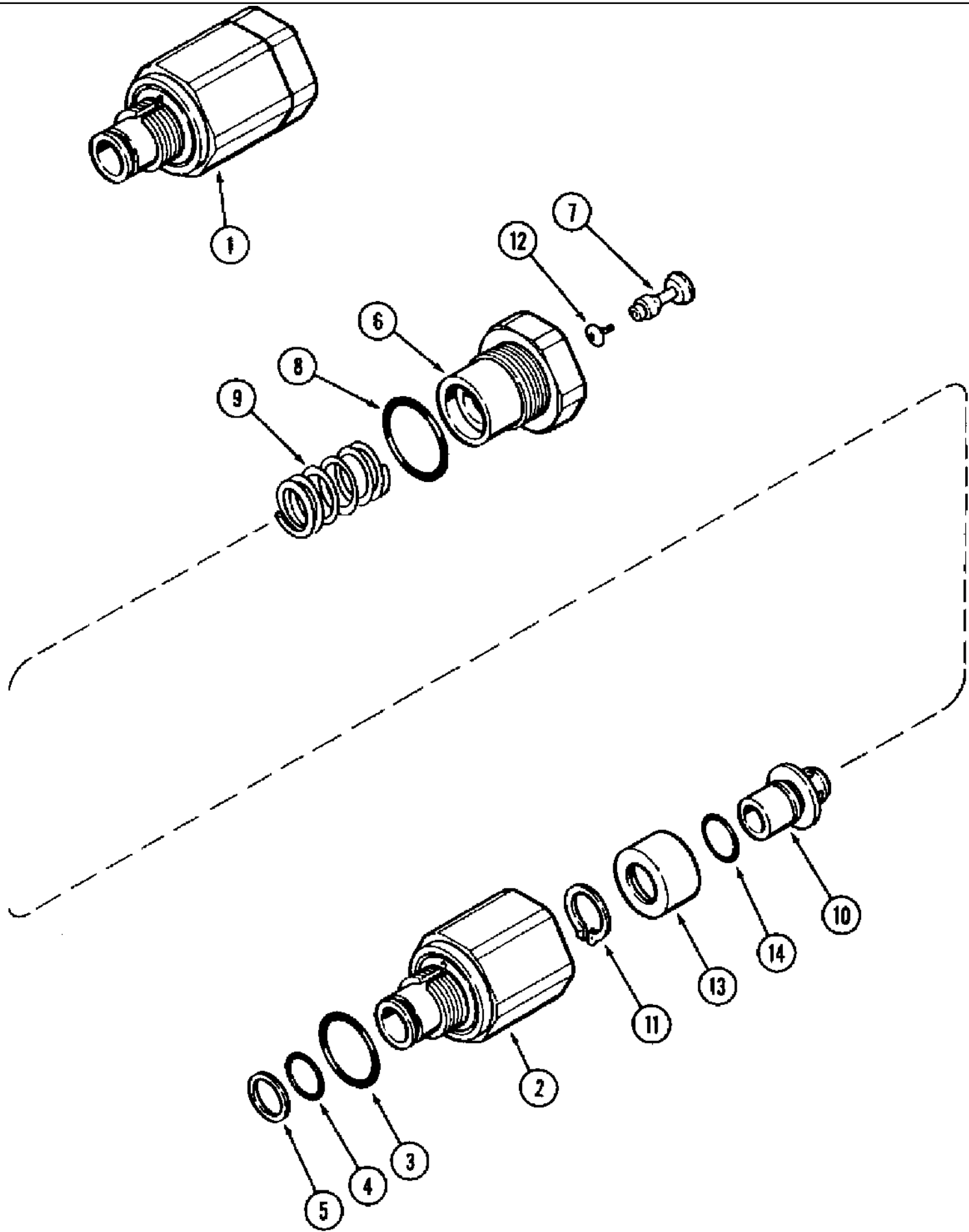
## 8-070 PRIORITY REMOTE HYDRAULIC VALVE KIT, WITH LOAD CHECK

сылка	Номер детали	Кол-во	Описание
	35-1753T91		UAR KIT - valve, priority remote, no longer available, order component parts separately, Includes: Ref. 1 - 38 and 42 - 77 on Figure 8-072
	2-3792T1	1	KIT - seal, valve section, Includes: Ref. 1 - 4
1	238-6211	1	O-RING, -211, 90 Duro, .796" ID x .139" Thk
2	238-5119	1	O-RING, -119, 70 Duro, .924" ID x .103" Thk
3	238-6214	2	O-RING, -214, 90 Duro, .984" ID x .139" Thk
4	D77566	3	SHIM - sections, control valve
	1986840C1	1	VALVE ASSEMBLY - remote control, with load check, replaces A52404 valve assembly, Includes: Ref. 5 - 38
5	NSS	1	BODY - valve
6	NSS	1	SPOOL - valve
7	A47105	1	PLUG - expansion
8	238-5116	2	O-RING, -116, 70 Duro, .737" ID x .103" Thk
9	A47205	1	FILTER - spool
10	A47188	1	COVER - dust
11	86019274	2	SCREW - retainer
12	A47196	1	RETAINER - dust guard
13	A48925	1	PLUG - flow control
14	A48929	1	SHAFT - adjusting
15	A52412	1	TUBE - flow control
16	A52411	1	SPOOL - flow control
17	19711R1	1	Pin, 1/8" x 1 1/4", Coiled
18	138-1816	1	Pin, 1/8" x 1, Slotted, Stainless
19	D71056	1	RING - backup
20	238-5008	1	O-RING, -008, 70 Duro, .176" ID x .070" Thk
21	237-6010	1	O-RING, 10-1, 90 Duro, .755" ID x .097" Thk
22	A48959	1	SPRING - outer, flow control
23	A48960	1	SPRING - inner, flow control
24	A52410	1	PIN - spring guide
28	A47204	1	BODY - shuttle
29	238-6008	1	O-RING, -008, 90 Duro, .176" ID x .070" Thk
30	237-6003	1	O-Ring, 3-1, .301" ID x .064" Thk
31	211-1006	1	BALL - chrome alloy steel, 3/16 inch, grade 24
32	A47209	1	SHUTTLE ASSEMBLY - primary, Includes: Ref. 34 - 36
34	237-6004	1	O-RING, 4-1, 90 Duro, .351" ID x .072" Thk
35	238-6010	1	O-RING, -010, 90 Duro, .239" ID x .070" Thk
36	238-6009	1	O-RING, -009, 90 Duro, .208" ID x .070" Thk
37	A52421	1	PLUG - expansion, not shown
38	A52422	1	CHECK ASSEMBLY - load, remote valve, parts list Figure 8-074

**NOT ILLUSTRATED**

## 8-072 PRIORITY REMOTE HYDRAULIC VALVE KIT, WITH LOAD CHECK (CONT'D)

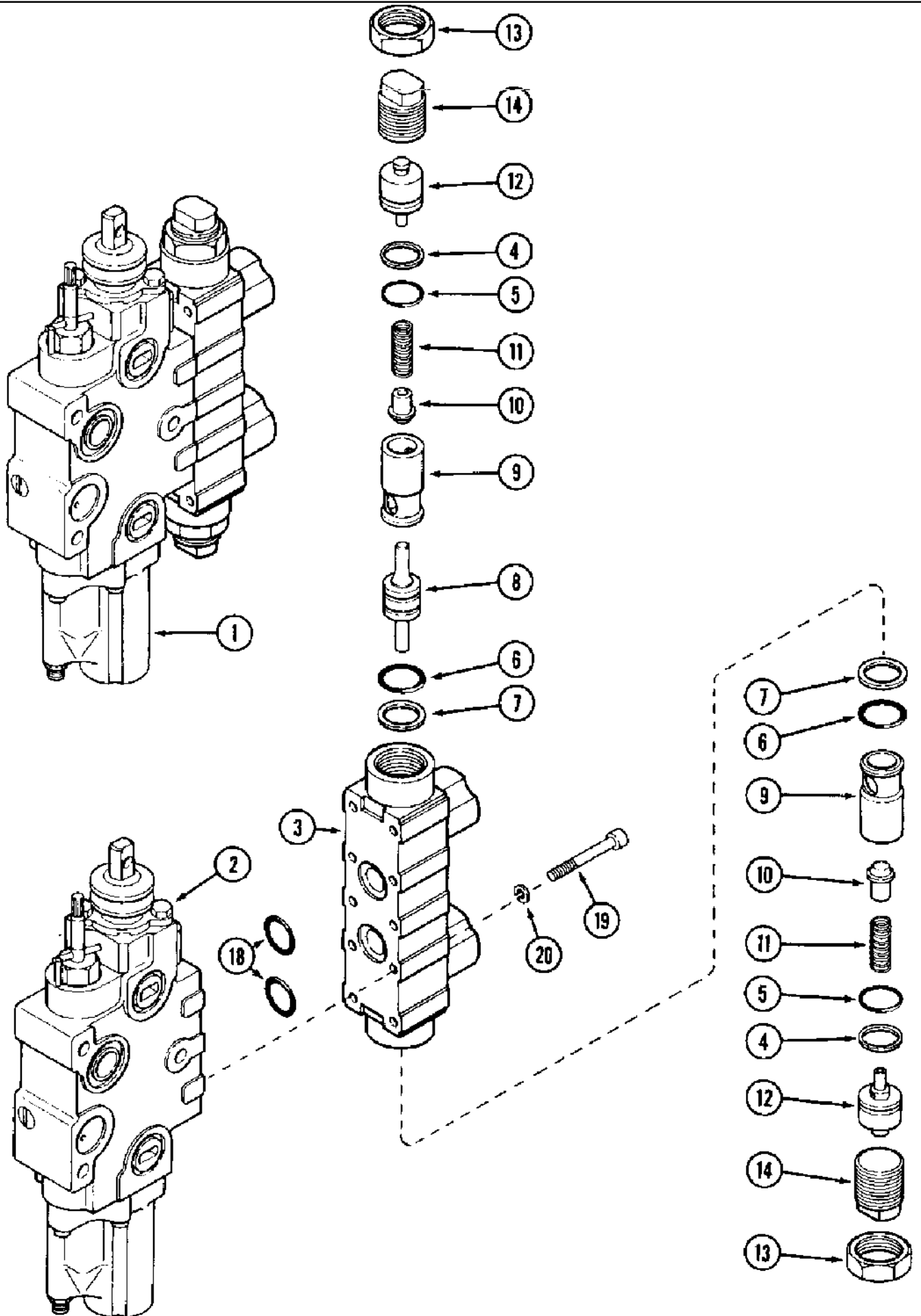
сылка	Номер детали	Кол-во	Описание
	35-1753T91	1	KIT - valve, priority remote, no longer available, order component parts separately, Includes: Ref. 42 - 77 and 1 - 38 on Figure 8-070
	1986840C1	1	VALVE ASSEMBLY - remote control, with load check, replaces A52404 valve assembly, Includes: Ref. 42 - 77
42	A47197	2	RETAINER - spring
43	A47177	1	SPRING - centering
44	A47199	1	SPACER - detent
45	A47193	1	COUPLER - detent pivot
46	61-32516	3	BOLT - hex socket, 1/4 NC x 1 inch
	A52435	1	HOUSING ASSEMBLY - detent, Includes: Ref. 48 - 77
48	NSS	1	HOUSING - detent
49	A52409	1	SHAFT - detent
50	A52437	1	SCREW - adjusting
51	425-156	1	NUT - hex, jam, 3/8 inch NF
54	A48936	1	PISTON - regulator
55	A48935	1	WASHER - poppet valve
56	A47658	1	PLUG - orifice
57	A48932	1	PISTON - kickout
58	100-21118	1	Ring, Snap, 1.188", Int, #118
59	A48933	1	RETAINER - piston
60	A48934	1	SPRING - detent
61	211-1007	8	BALL - chrome alloy steel, 7/32 inch, grade 24
62	A48931	1	WASHER - guide
63	A47201	1	SEAT - pilot float
	A48942	1	KIT - seal, detent, Includes: Ref. 66 - 77
66	238-5026	1	O-RING, -026, 70 Duro, 1.239" ID x .070" Thk
67	238-6010	2	O-RING, -010, 90 Duro, .239" ID x .070" Thk
68	NSS	1	POPPET - detent
69	238-5006	1	O-RING, -006, 70 Duro, .114" ID x .070" Thk
70	A52378	1	RING - backup
71	238-5008	1	O-RING, -008, 70 Duro, .176" ID x .070" Thk
72	D71056	1	RING - backup
73	L35295	1	RING - backup
74	238-5021	1	O-RING, -021, 70 Duro, .926" ID x .070" Thk
75	238-5022	1	O-RING, -022, 70 Duro, .989" ID x .070" Thk
76	A52208	1	RING - backup
77	NSS	1	SPRING - relief



9380 CASE IH 4WD TRACTOR (6/95-8/00)

8-074 PRIORITY REMOTE HYDRAULIC VALVE KIT, WITH LOAD CHECK

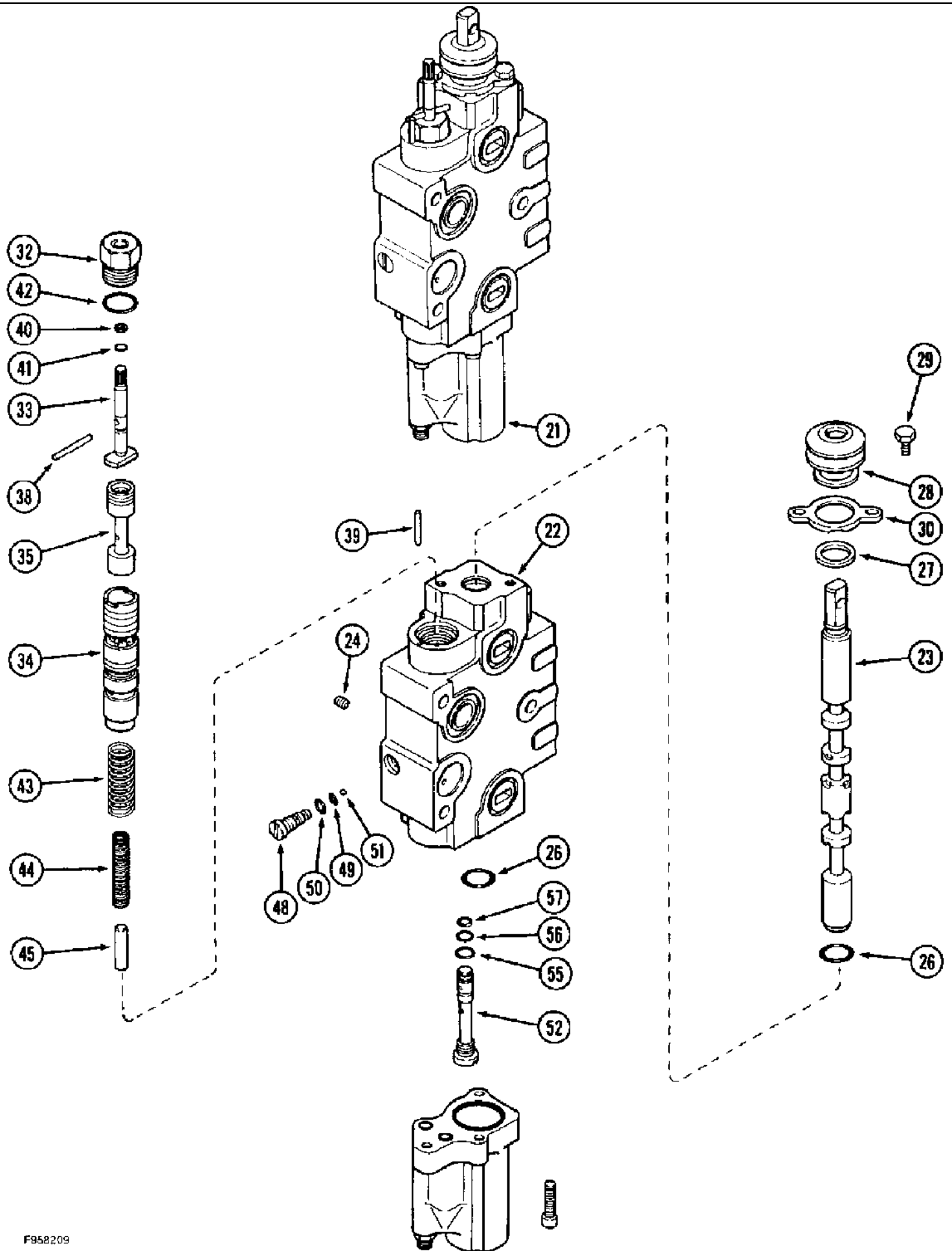
сылка	Номер детали	Кол-во	Описание
	35-1753T91	1	KIT - valve, priority remote, no longer available, order component parts separately, Includes: Ref. 1 - 14
	1986840C1	1	
1	A52422	1	VALVE ASSEMBLY - remote control, with load check, replaces A52404 valve assembly, Includes: Ref. 1 - 14
2	NSS	1	CHECK ASSEMBLY - load, remote valve, Includes: Ref. 2 - 14
3	A52427	1	HOUSING - load check
4	238-5018	1	O-RING - housing
5	A52424	1	O-RING, -018, 70 Duro, .739" ID x .070" Thk
6	NSS	1	RING - backup, sleeve
7	NSS	1	PLUG - load check
8	238-6124	1	POPPET - load check
9	NSS	1	O-RING, -124, 90 Duro, 1.237" ID x .103" Thk
10	NSS	1	SPRING - load check
11	NSS	1	PISTON - load check
12	NSS	1	RING - retaining
13	NSS	1	SCREW - button head
14	238-5018	1	SPACER - load check
			O-RING, -018, 70 Duro, .739" ID x .070" Thk





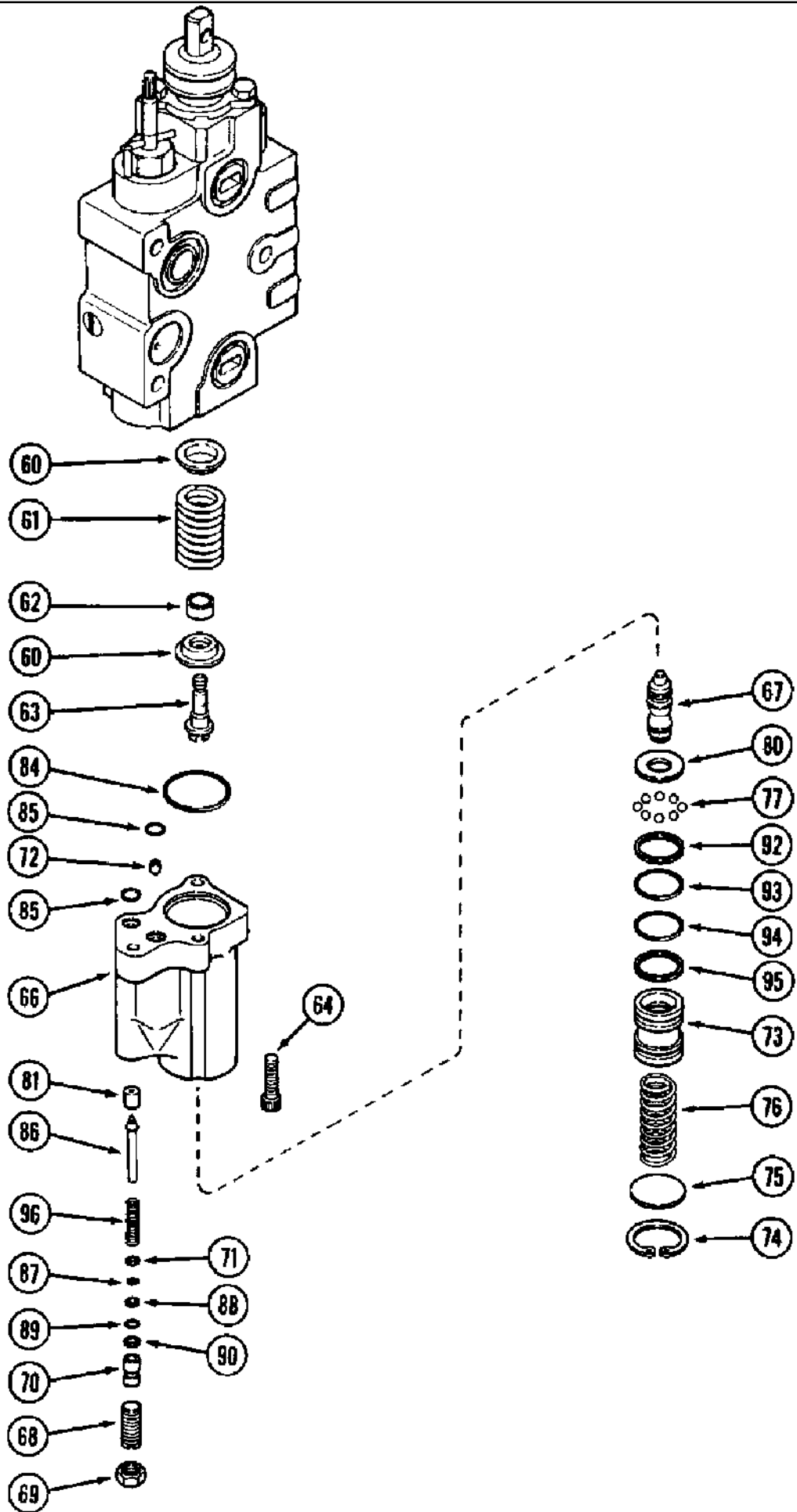
## 8-076 LOAD CHECK REMOTE CONTROL VALVE ASSEMBLY, IF EQUIPPED

сылка	Номер детали	Кол-во	Описание
1	A169456		UAR VALVE ASSEMBLY - remote control, no longer available, order component parts separately, Includes: Ref. 2 - 20, 21 - 57 on Figure 8-078 and 60 - 96 on Figure 8-080
2	A48945	1	BODY ASSEMBLY - valve, parts list Figure 8-078
	A48946	1	CHECK ASSEMBLY - load, valve, Includes: Ref. 3 - 14
3	NSS	1	BODY - load check
4	N7509	2	RING - backup
5	238-5019	2	O-RING, -019, 70 Duro, .801" ID x .070" Thk
7	R31052	2	RING - backup
8	A46915	1	SPOOL - load check
9	A46916	2	SEAT - load check
10	A46917	2	POPPET - load check
11	A46918	2	SPRING - poppet
12	A46919	2	RETAINER - spring
13	A46920	2	NUT - hex, self-locking, 1-1/16 inch
14	A46921	2	PLUG - setting, load check
18	238-6117	2	O-RING, -117, 90 Duro, .799" ID x .103" Thk
19	61-32532	6	BOLT - hex socket, 1/4 NC x 2 inch
20	92-61025	6	WASHER - Hi-Collar lock, 1/4 inch
6	238-6021	2	O-Ring, -021, 90 Duro, .926" ID x .070" Thk



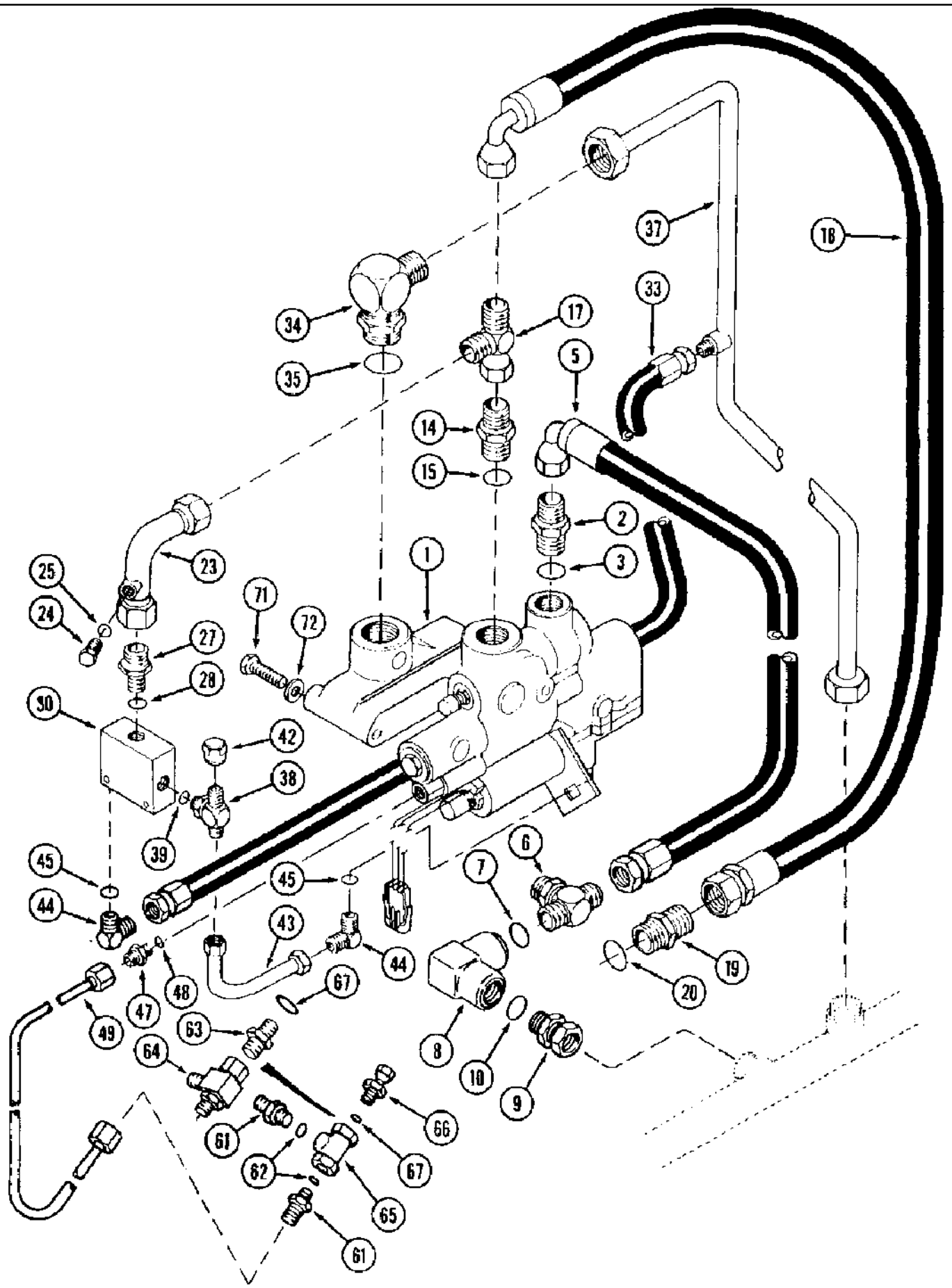
## 8-078 LOAD CHECK REMOTE CONTROL VALVE ASSEMBLY, IF EQUIPPED (CONT'D)

сылка	Номер детали	Кол-во	Описание
	A169456		UAR VALVE ASSEMBLY - remote control, no longer available, order component parts separately, Includes: Ref. 21 - 57, 2 - 20 on Figure 8-76 and 60 - 96 on Figure 8-080
21	A48945	1	BODY ASSEMBLY - valve, Includes: Ref. 22 - 57 and 60 - 96 on Figure 8-080
22	NSS	1	BODY - valve
23	NSS	1	SPOOL - valve
24	A47105	1	PLUG - expansion
26	238-5116	2	O-RING, -116, 70 Duro, .737" ID x .103" Thk
27	A47205	1	FILTER - spool
28	A47188	1	COVER - dust
29	86019274	2	SCREW - retainer
30	A47196	1	RETAINER - dust guard
32	A48925	1	PLUG - flow control
33	A48929	1	SHAFT - adjusting
34	A48956	1	TUBE - flow control
35	A48957	1	SPOOL - flow control
38	19711R1	1	Pin, 1/8" x 1 1/4", Coiled
39	138-1816	1	Pin, 1/8" x 1, Slotted, Stainless
40	D71056	1	RING - backup
41	238-5008	1	O-RING, -008, 70 Duro, .176" ID x .070" Thk
42	237-6010	1	O-RING, 10-1, 90 Duro, .755" ID x .097" Thk
43	A48959	1	SPRING - outer, flow control
44	A48960	1	SPRING - inner, flow control
45	A48937	1	PIN - guide, spring
48	A47204	1	BODY - shuttle
49	238-6008	1	O-RING, -008, 90 Duro, .176" ID x .070" Thk
50	237-6003	1	O-Ring, 3-1, .301" ID x .064" Thk
51	211-1006	1	BALL - chrome alloy steel, 3/16 inch, grade 24
52	A47209	1	SHUTTLE ASSEMBLY - primary, Includes: Ref. 55 - 57
55	237-6004	1	O-RING, 4-1, 90 Duro, .351" ID x .072" Thk
56	238-6010	1	O-RING, -010, 90 Duro, .239" ID x .070" Thk
57	238-6009	1	O-RING, -009, 90 Duro, .208" ID x .070" Thk

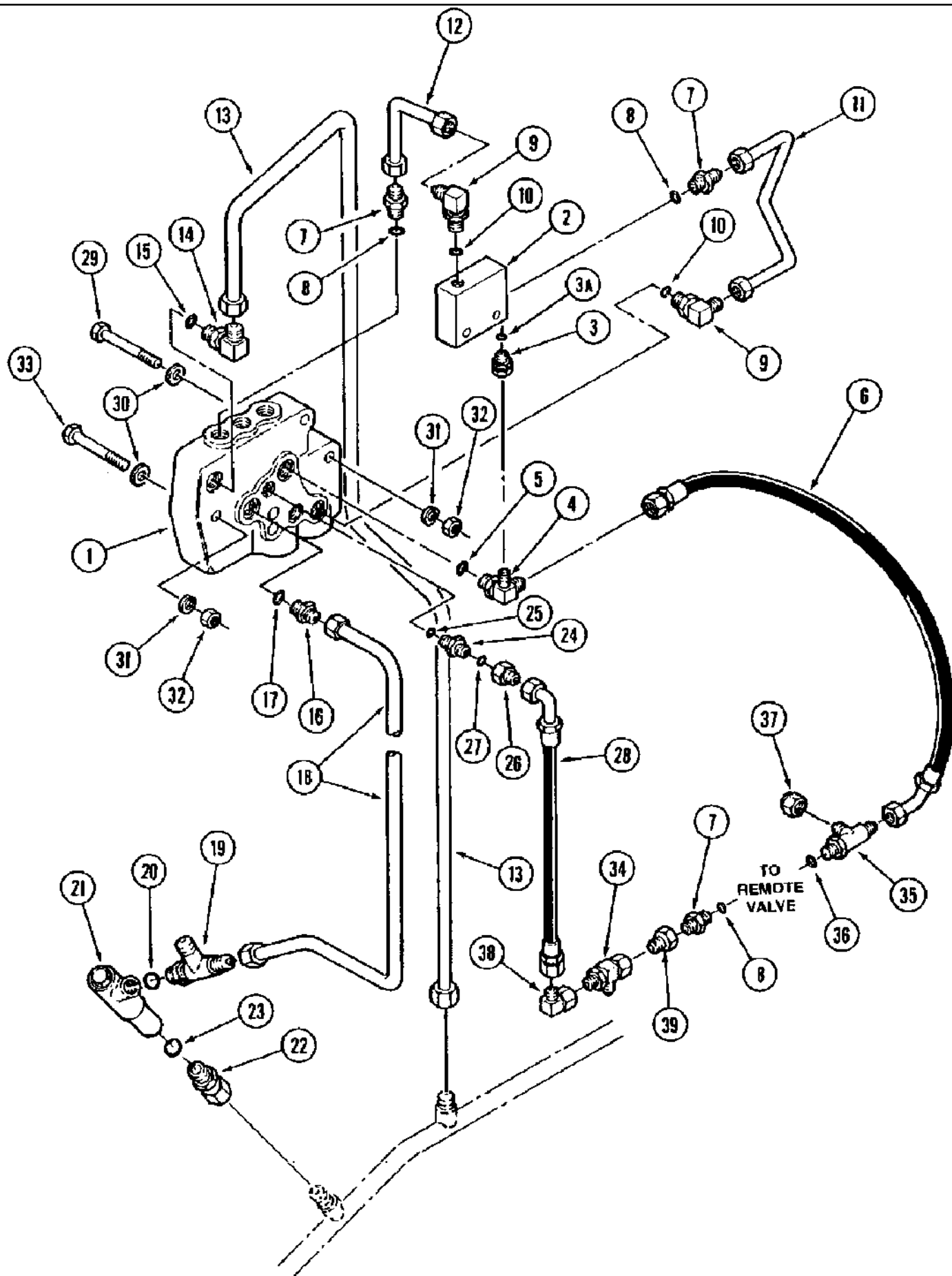


## 8-080 LOAD CHECK REMOTE CONTROL VALVE ASSEMBLY, IF EQUIPPED (CONT'D)

сылка	Номер детали	Кол-во	Описание
	A169456		UAR VALVE ASSEMBLY - remote control, no longer available, order component parts separately, Includes: Ref. 60 - 96, 2 - 20 on Figure 8-076 and 21 - 57 on Figure 8-078
	A48945	1	BODY ASSEMBLY - valve, Includes: Ref. 60 - 96 and 22 - 57 on Figure 8-78
60	A47197	2	RETAINER - spring
61	A47177	1	SPRING - centering
62	A48930	1	SPACER - detent
63	A46923	1	COUPLER - detent
64	61-32516	3	BOLT - hex socket, 1/4 NC x 1 inch
	A48940	1	KIT - housing, detent, Includes: Ref. 66 - 96
66	NSS	1	HOUSING ASSEMBLY - detent, Includes: Ref. 67 - 96
67	A52409	1	SHAFT - detent
68	A47173	1	SCREW - adjusting
69	425-156	1	NUT - hex, jam, 3/8 inch NF
70	A48936	1	PISTON - regulator
71	A48935	1	WASHER - poppet valve
72	A47658	1	PLUG - orifice
73	A48932	1	PISTON - kickout
74	100-21118	1	Ring, Snap, 1.188", Int, #118
75	A48933	1	RETAINER - piston
76	A48934	1	SPRING - detent
77	211-1007	8	BALL - chrome alloy steel, 7/32 inch, grade 24
80	A48931	1	WASHER - guide
81	A47201	1	SEAT - pilot float
	A48942	1	KIT - seal, detent, Includes: Ref. 84 - 96
84	238-5026	1	O-RING, -026, 70 Duro, 1.239" ID x .070" Thk
85	238-6010	2	O-RING, -010, 90 Duro, .239" ID x .070" Thk
86	NSS	1	POPPET - detent
87	238-5006	1	O-RING, -006, 70 Duro, .114" ID x .070" Thk
88	A52378	1	RING - backup
89	238-5008	1	O-RING, -008, 70 Duro, .176" ID x .070" Thk
90	D71056	1	RING - backup
92	L35295	1	RING - backup
93	238-5021	1	O-RING, -021, 70 Duro, .926" ID x .070" Thk
94	238-5022	1	O-RING, -022, 70 Duro, .989" ID x .070" Thk
95	A52208	1	RING - backup
96	NSS	1	SPRING - relief

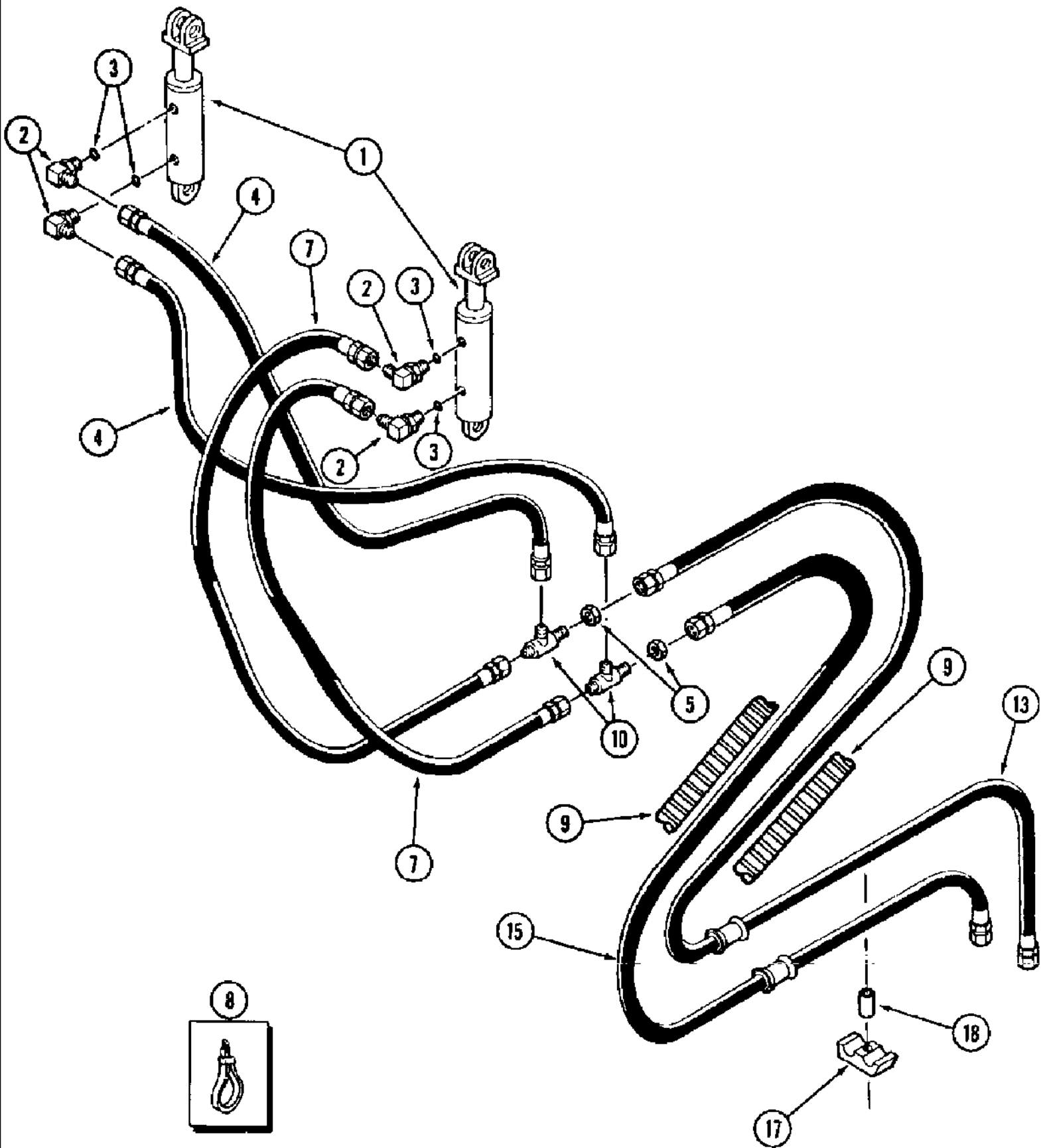


сылка	Номер детали	Кол-во	Описание
1	50-3321T91	1	VALVE ASSEMBLY - control, parts list Figure 8-094
2	218-5062	1	ADAPTER - straight, 7/8-14 inch flare x O-ring boss, Includes: Ref. 3
3	237-6010	1	O-RING, 10-1, 90 Duro, .755" ID x .097" Thk
5	31-2965	1	HOSE - hitch valve to cylinder lift line
48	237-6005	1	O-RING, 5-1, 90 Duro, .414" ID x .072" Thk
6	218-5241	1	TEE - 7/8-14 inch flare branch x flare x adj O-ring boss, Includes: Ref. 7
7	237-6010	1	O-RING, 10-1, 90 Duro, .755" ID x .097" Thk
8	50-2291T91	1	VALVE ASSEMBLY - relief, parts list Figure 8-098
9	31-2964	1	ADAPTER - straight, 7/8-14 inch thread, Includes: Ref. 10
10	237-6010	1	O-RING, 10-1, 90 Duro, .755" ID x .097" Thk
14	218-5063	1	ADAPTER - straight, 7/8-14 flare x 1-1/16-12 inch O-ring boss, Includes: Ref. 15
15	237-6012	1	O-RING, 12-1, 90 Duro, .924 ID x .116" Thk
17	218-5220	1	TEE - swivel, 7/8-14 inch flare branch x flare x swivel
18	31-2847	1	HOSE - hitch control valve to hydraulic control valve
19	218-5064	1	ADAPTER - straight, 1-1/16-12 inch flare x O-ring boss, Includes: Ref. 20
20	237-6012	1	O-RING, 12-1, 90 Duro, .924 ID x .116" Thk
23	50-3186T1	1	TUBE - hitch control valve to pressure reducing valve
24	76349	1	PLUG - hex, 9/16-18 inch O-ring boss, Includes: Ref. 25
27	218-5062	1	ADAPTER - straight, 7/8-14 inch flare x O-ring boss, replaces 218-5360 adapter, Includes: Ref. 28
30	50-3293T91	1	VALVE ASSEMBLY - pressure reducing, parts list Figure 8-098
33	31-1668	1	HOSE - 356 mm (14 inch) long, pressure reducing valve to drain tube
34	218-5118	1	ELBOW - 90 degree, 1-1/16-12 flare x 1-5/16-12 inch adj O-ring boss, Includes: Ref. 35
35	237-6012	1	O-RING, 12-1, 90 Duro, .924 ID x .116" Thk
37	50-3195T1	1	TUBE - hitch control valve to drain tube
38	218-5182	1	TEE - 9/16-18 inch adj O-ring branch x flare x flare, Includes: Ref. 39
42	218-754	1	CAP - hex, 9/16-18 inch
43	50-3111T1	1	TUBE - pressure reducing valve to hitch control valve
44	218-5105	2	ELBOW - 90 degree, 9/16-18 inch flare x adj O-ring boss, Includes: Ref. 45
47	218-5318	1	ADAPTER - straight, 9/16-18 flare x 1/2-20 inch O-ring boss, Includes: Ref. 48
49	50-3204T2	1	TUBE - hitch control valve to shuttle valve
61	218-5352	2	ADAPTER - straight, 9/16-18 flare x 7/16-20 inch O-ring boss, Includes: Ref. 62
63	218-5057	1	ADAPTER - straight, 9/16-18 inch flare x O-ring boss, used with 50-3593T1 valve, Ref. 64
64	50-3593T1	1	VALVE - shuttle, if used
65	31-1778	1	VALVE - shuttle, if used
66	218-5268	1	ADAPTER - straight, 7/16-20 O-ring boss x 1/4 inch female swivel, Includes: Ref. 67
71	426-624	2	BOLT - hex, 3/8 NC x 1-1/2 inch, grade 8
72	495-11041	2	WASHER - flat, 13/32 x 13/16 x 1/16 inch
62	237-6004	1	O-RING, 4-1, 90 Duro, .351" ID x .072" Thk
67	237-6004	1	O-RING, 4-1, 90 Duro, .351" ID x .072" Thk
25	237-6006	1	O-Ring, 6-1, 90 Duro, .468" ID x .078" Thk
28	237-6006	1	O-Ring, 6-1, 90 Duro, .468" ID x .078" Thk
39	237-6006	1	O-Ring, 6-1, 90 Duro, .468" ID x .078" Thk
45	237-6006	1	O-Ring, 6-1, 90 Duro, .468" ID x .078" Thk

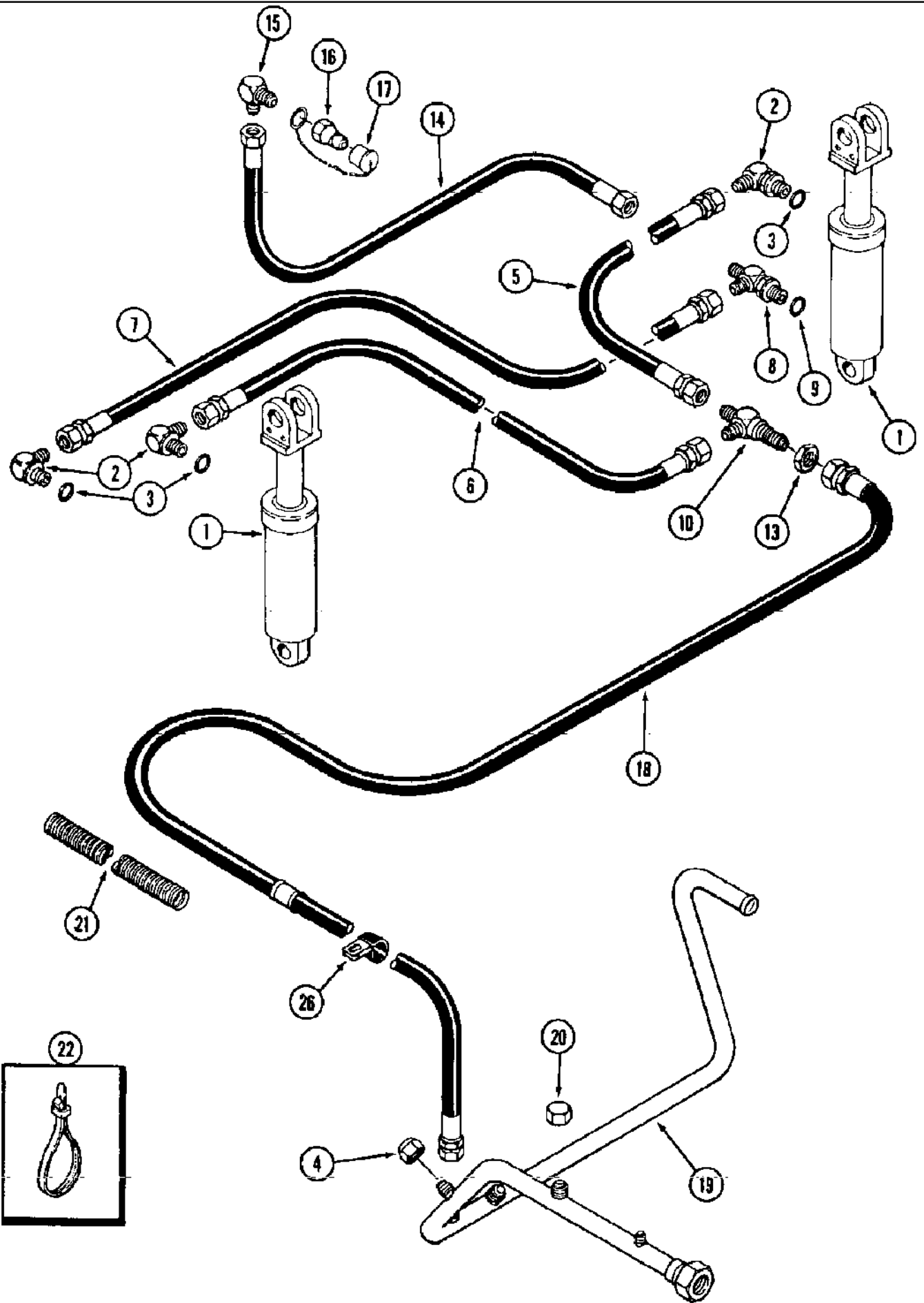




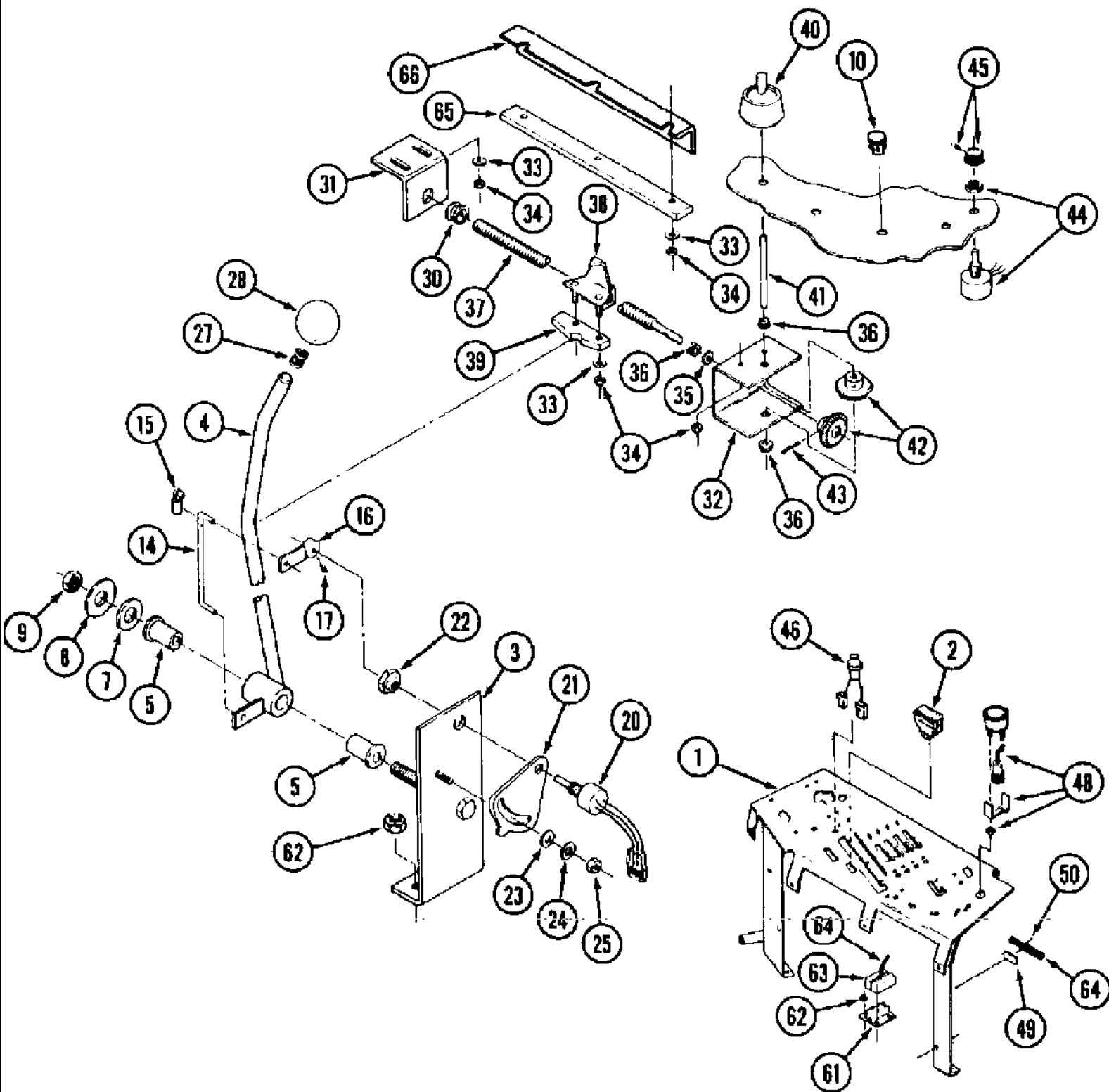
сылка	Номер детали	Кол-во	Описание
1	246245A1	1	VALVE ASSEMBLY - control, parts list Figure 8-096
2	50-3293T91	1	VALVE ASSEMBLY - pressure reducing, parts list Figure 8-098
3	31-3087	1	ADAPTER - straight, Includes: Ref. 3A
4	50-3621T1	1	ELBOW - 90 degree, 7/8-14 flare x 1-1/16-12 inch O-ring boss, Includes: Ref. 5
5	237-6012	1	O-RING, 12-1, 90 Duro, .924 ID x .116" Thk
6	31-3216	1	HOSE - pressure supply
7	218-5057	2	ADAPTER - straight, 9/16-18 inch flare x O-ring boss, Includes: Ref. 8
9	218-5105	2	ELBOW - 90 degree, 9/16-18 inch flare x adj O-ring boss, Includes: Ref. 10
11	50-3639T1	1	TUBE - pilot pressure, pressure valve to control valve
12	50-3638T1	1	TUBE - pressure reducing
13	50-3637T1	1	TUBE - return, control valve to return tube
14	218-5108	1	ELBOW - 90 degree, 1-1/16-12 inch flare x adj O-ring boss, Includes: Ref. 15
15	237-6012	1	O-RING, 12-1, 90 Duro, .924 ID x .116" Thk
16	218-5062	1	ADAPTER - straight, 7/8-14 inch flare x O-ring boss, Includes: Ref. 17
17	237-6010	1	O-RING, 10-1, 90 Duro, .755" ID x .097" Thk
18	50-3641T1	1	TUBE - pressure, control valve to return tube
19	218-5241	1	TEE - 7/8-14 inch flare branch x flare x adj O-ring boss, Includes: Ref. 20
20	237-6010	1	O-RING, 10-1, 90 Duro, .755" ID x .097" Thk
21	50-2291T91	1	VALVE ASSEMBLY - relief, parts list Figure 8-098
22	31-2964	1	ADAPTER - straight, 7/8-14 inch thread, Includes: Ref. 23
23	237-6010	1	O-RING, 10-1, 90 Duro, .755" ID x .097" Thk
24	201-101	1	ADAPTER - straight, 11/16-16 face seal x 9/16-18 inch O-ring boss, Includes: Ref. 25
25	238-6012	1	O-RING, -012, 90 Duro, .364" ID x .070" Thk
26	50-3649T1	1	VALVE - check
27	238-6012	1	O-RING, -012, 90 Duro, .364" ID x .070" Thk
28	31-3215	1	HOSE - pressure sensing
29	426-664	1	BOLT - hex, 3/8 NC x 4 inch, grade 8
30	495-11041	2	WASHER - flat, 13/32 x 13/16 x 1/16 inch
31	492-11038	2	WASHER, LOCK, 3/8"
32	425-106	2	NUT, 3/8"-16, G5
33	426-656	1	BOLT - hex, 3/8 NC x 3-1/2 inch, grade 8
34	50-3593T1	1	VALVE - shuttle
35	218-5247	1	TEE - 1-5/16-12 fl branch x 7/8-14 fl x 1-1/16-12 adj O-ring, Includes: Ref. 36
36	237-6016	1	O-RING - 1-11/64 ID x 7/64 inch wide
37	218-758	1	CAP - hex, 1-5/16-12 inch, used without High Output hydraulic system
38	218-980	1	ELBOW - 90 degree, 9/16-18 inch flare x swivel
39	31-2685	1	ADAPTER - orifice
3A	237-6006	1	O-Ring, 6-1, 90 Duro, .468" ID x .078" Thk
8	237-6006	3	O-Ring, 6-1, 90 Duro, .468" ID x .078" Thk
10	237-6006	2	O-Ring, 6-1, 90 Duro, .468" ID x .078" Thk



сылка	Номер детали	Кол-во	Описание
1	50-3410T91	2	CYLINDER ASSEMBLY - three point hitch, parts list Figure 8-092
2	218-5106	4	ELBOW - 90 degree, 3/4-16 inch flare x adj O-ring boss, Includes: Ref. 3
3	237-6008	1	O-Ring, 8-1, 90 Duro, .644" ID x .087" Thk
4	31-2954	2	HOSE - tee to cylinder
5	218-1255	2	NUT, LOCK, Blkhd, 3/4"-16
7	31-1440	2	HOSE - tee to cylinder
8	22-824	6	STRAP - tie, 7 inch
9	50-3087T1	2	CONDUIT - hose protective, 1499 mm (59 inch) long, cut from S119717X bulk conduit, see below
10	218-1236	2	TEE - 3/4-16 inch flare branch x flare x bulkhead flare
13	31-2956	1	HOSE - hitch valve tee to cylinder tee, prior to P.I.N. JEE0069665
13	31-3190	1	HOSE - cylinder tee to return tube, P.I.N. JEE0069665 and after
15	31-2997	1	HOSE - cylinder tee to return tube, prior to P.I.N. JEE0069665
15	31-3189	1	HOSE - relief valve to cylinder tee, P.I.N. JEE0069665 and after
17	50-2534T1	1	CLAMP - split, one-half
18	19-6249	1	SPACER - clamp
	S119717X		UAR CONDUIT - bulk, 25 (1) ID x 4877 mm (192 inch) long



сылка	Номер детали	Кол-во	Описание
1	50-3410T91	1	CYLINDER ASSEMBLY - three point hitch, parts list Figure 8-092
2	218-5106	3	ELBOW - 90 degree, 3/4-16 inch flare x adj O-ring boss, Includes: Ref. 3
3	237-6008	1	O-Ring, 8-1, 90 Duro, .644" ID x .087" Thk
4	218-755	1	CAP, 37e, 3/4"-16
5	31-1440	1	HOSE - to cylinder, upper left
6	31-2954	1	HOSE - to cylinder, upper right
7	A166318	1	HOSE - 1651 mm (65 inch) long, to cylinder tee, lower right
8	218-5242	1	TEE - 3/4-16 inch flare branch x flare x adj O-ring boss, Includes: Ref. 9
9	237-6008	1	O-Ring, 8-1, 90 Duro, .644" ID x .087" Thk
10	218-1236	1	TEE - 3/4-16 inch flare branch x flare x bulkhead flare
13	218-1255	1	NUT, LOCK, Blkhd, 3/4"-16
14	18-543	1	HOSE - to hydraulic coupler
15	218-485	1	ELBOW - 90 degree, 7/8-14 flare x 1/2 inch PT
16	1-7141	1	CARTRIDGE - coupler, remote
17	1-7142	1	CAP - dust, coupler, rubber
18	31-2997	1	HOSE - to return tube, prior to P.I.N. JEE0069665
18	31-3190	1	HOSE - to return tube, P.I.N. JEE0069665 and after
19	50-3416T2	1	TUBE - check valve to hydraulic tank
20	218-335	1	CAP - hex, 1-1/16-12 inch
21	50-3087T1	1	CONDUIT - hose protective, 1499 mm (59 inch) long, cut from S119717X bulk conduit, see below
22	22-824	3	STRAP - tie, 7 inch
26	515-23238	1	CLAMP - P-type, 15/16 inch ID
	S119717X		UAR CONDUIT - bulk, 25 (1) ID x 4877 mm (192 inch) long



## 9380 CASE IH 4WD TRACTOR (6/95-8/00)

## 8-090 THREE POINT HITCH CONTROLS, ELECTRONIC CONTROLLED

сылка	Номер детали	Кол-во	Описание
1	REF	1	PANEL - control console, see parts list Figures 9-056 - 9-062 for correct assembly and component parts
2	60-7018T1	1	SWITCH - rocker, hitch actuating
3	60-6152T1	1	BRACKET - mounting, lever
4	60-6794T1	1	LEVER - control rod
5	90-4367T1	2	BUSHING - pivot
7	495-21056	1	WASHER - flat, 9/16 x 1-3/8 x 7/64 inch
8	19-5648	1	SPRING - Belleville, 1/2 inch
9	425-108	1	NUT - hex, 1/2 inch NC
10	60-4258T1	3	PLUG - hole, flow control access
14	60-2802T1	1	ROD - linkage, potentiometer actuating
15	60-2404T1	2	RETAINER - actuating rod
16	60-6172T2	1	ARM - actuating, potentiometer, Includes: Ref. 17
17	178-801	1	SCREW - set, hex socket headless, No. 10 NC x 1/4 inch, cup point
20	122756A3	1	POTENTIOMETER - single, 1K, raise and lower
21	60-7116T1	1	BRACKET - adjusting, potentiometer
22	60-6155T1	1	NUT - potentiometer mounting
23	495-11028	1	WASHER - flat, 9/32 x 5/8 x 1/16 inch
24	493-21026	1	WASHER - internal tooth lock, 1/4 inch
25	425-104	1	NUT - hex, 1/4 inch NC
27	D38662	1	RING - retainer, knob
28	60-4273T1	1	KNOB - lever
30	19-6113	1	BUSHING - nylon, split, flanged
31	60-6796T1	1	BRACKET - mounting, rod
32	60-4757T1	1	BRACKET - mounting, gear and rod
33	495-31022	8	WASHER, #10
34	86632551	9	NUT, LOCK, #10-24, GB
35	19-5924	1	WASHER - spring, 1/4 inch
36	19-6129	3	BUSHING - split flange, 11/32 ID x 7/16 inch OD
37	60-6797T1	1	ROD - threaded, depth actuating
38	60-3950T1	1	INDICATOR - depth
39	60-3953T1	1	TAB - lever retainer
40	60-3957T1	1	KNOB - depth actuating
41	60-3949T1	1	ROD - gear actuating
42	60-4275T1	1	GEAR - matched set, depth actuating
43	432-616	2	3/32" x 1"
44	A186061	1	POTENTIOMETER - electrical, lower rate
45	A186263	1	KNOB - lower rate
46	1964672C1	1	LIGHT - indicator, amber, 14 volt
48	60-7015T1	1	GAUGE - display, seven segment, replaced by 60-7222T1 gauge
48	60-7222T1	1	GAUGE - display, seven segment, replaces 60-7015T1 gauge
49	22-823		UAR MOUNT - adhesive back, strap
50	22-824		UAR STRAP - tie, 7 inch
61	60-6065T1	2	ANGLE - retaining, foam
62	231-1445	6	NUT - hex, self-locking, 5/16 inch NC
63	60-6066T1	2	SEAL - foam

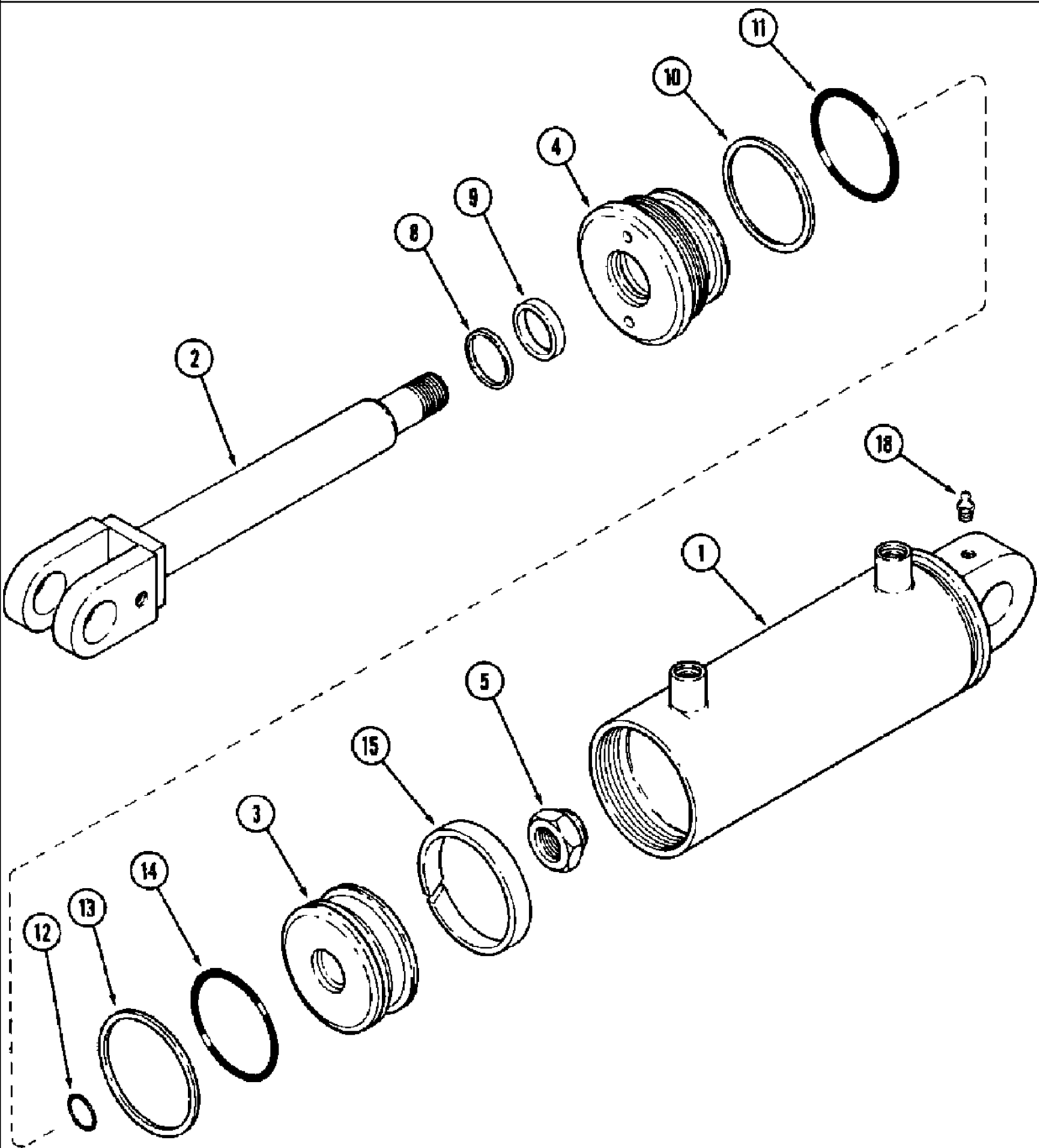
9380 CASE IH 4WD TRACTOR (6/95-8/00)

8-090 THREE POINT HITCH CONTROLS, ELECTRONIC CONTROLLED

сылка	Номер детали	Кол-во	Описание
64	60-7017T2	1	HARNESS - electronic depth control
65	60-3954T1	1	STRIP - wear, lever
66	60-4276T1	1	BRACKET - stiffener, console

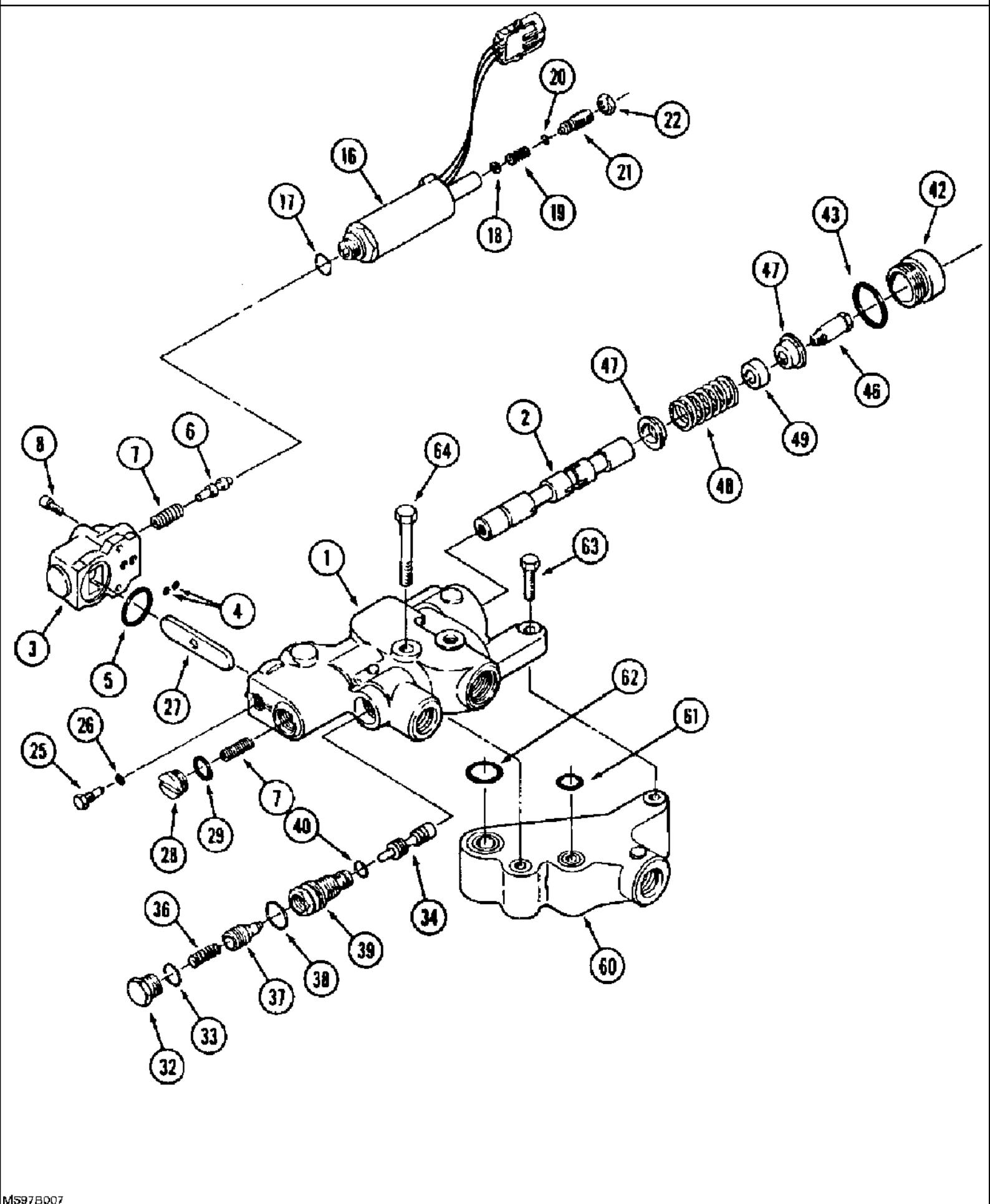


8-092 HITCH CYLINDER ASSEMBLY



## 8-092 HITCH CYLINDER ASSEMBLY

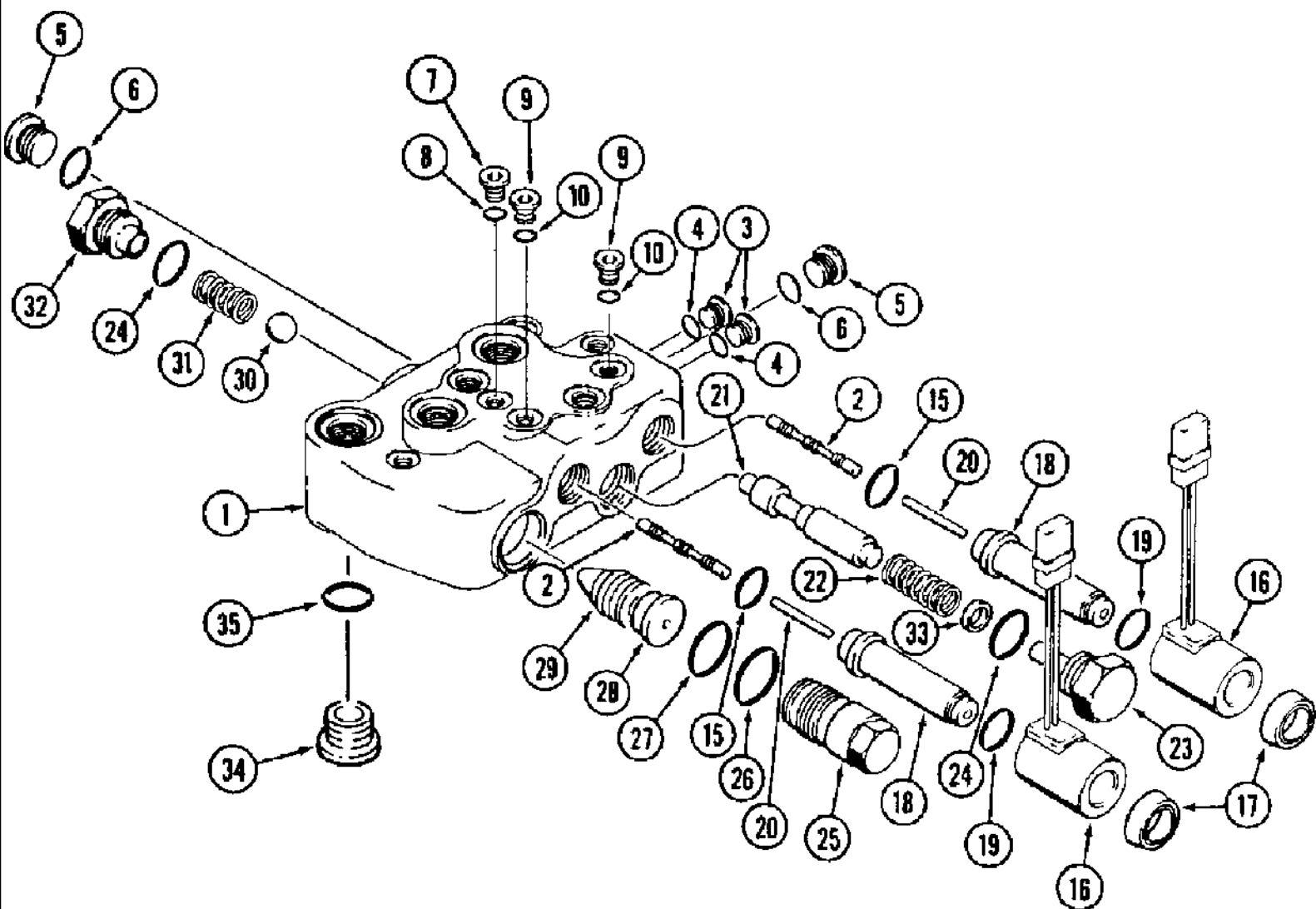
сылка	Номер детали	Кол-во	Описание
	50-3410T91	2	CYLINDER ASSEMBLY - hitch, Includes: Ref. 1 - 18
1	50-3411T1	1	TUBE - cylinder
2	50-3408T1	1	ROD - piston
3	1-9815T1	1	PISTON - cylinder
4	50-1057T1	1	GUIDE - rod
5	19-5582	1	NUT - hex, self-locking, 1-1/4 inch NF
	50-3441T1	1	KIT - seal, cylinder repair, no longer available, order component parts separately, Includes: Ref. 9 - 15
8	D95146	1	WIPER - piston rod
9	50-3600T1	1	SEAL - U-cup, piston rod, replaces G109228 seal
10	1-9853T1	1	WASHER - backup, O-ring
11	238-5350	1	O-RING - 4-5/8 ID x 3/16 inch wide
12	238-5218	1	O-RING, -218, 70 Duro, 1.234" ID x .139" Thk
13	1-9855T1	1	RING - piston
14	1-9856T1	1	O-RING - piston
15	1-9854T1	1	RING - wear, piston
18	219-1	1	FITTING - grease, straight, 1/8 PT x 21/32 inch



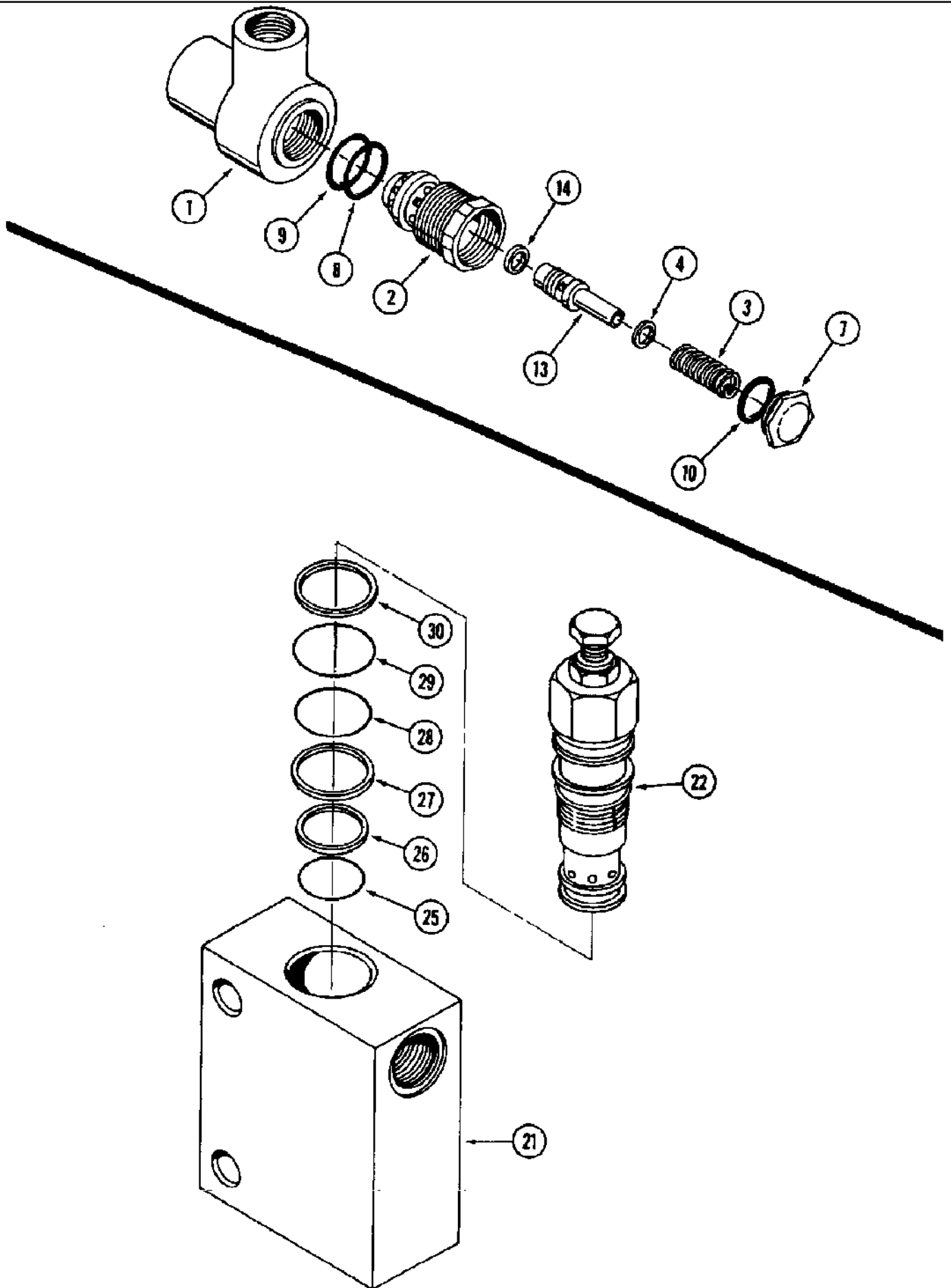
## 9380 CASE IH 4WD TRACTOR (6/95-8/00)

## 8-094 HITCH VALVE ASSEMBLY, PRIOR TO P.I.N. JEE0069665, 9370 AND 9380 ONLY

сылка	Номер детали	Кол-во	Описание
	50-3321T91	1	VALVE ASSEMBLY - control, three point hitch, Includes: Ref. 1 - 49
	NSS	1	VALVE ASSEMBLY - hitch, Includes: Ref. 1 - 49
1	NSS	1	BODY - valve
2	NSS	1	SPOOL - valve
	1986877C1	1	KIT - servo, solenoid, Includes: Ref. 3 - 6
3	NSS	1	BODY - servo, solenoid
4	NSS	2	O-RING - 1/8 ID x 1/16 inch
5	NSS	2	O-RING - 1-3/16 ID x 1/16 inch
6	1971601C1	1	SPOOL - control
7	1971620C1	2	SPRING - pivot lever
8	1971618C1	2	SCREW - machine
	1346208C1	1	SOLENOID ASSEMBLY - hitch control valve, Includes: Ref. 16 - 22
16	NSS	1	CORE - solenoid
17	NSS	1	O-RING - 5/8 ID x 13/16 inch
18	NSS	1	WASHER - flat
19	NSS	1	SPRING - solenoid
20	A47983	1	O-RING - 1/4 ID x 1/8 inch wide
21	NSS	1	PLUG - adjustment
22	NSS	1	NUT - hex lock
25	1971603C1	1	PLUG ASSEMBLY - pivot, Includes: Ref. 26
26	1971604C1	1	O-RING - 15/64 ID x 1/16 inch wide
27	1971609C1	1	LEVER - pivot
28	1971614C1	1	PLUG ASSEMBLY - slotted, Includes: Ref. 29
29	238-6115	1	O-RING, -115, 90 Duro, .674" ID x .103" Thk
	1346209C1	1	KIT - lockout, Includes: Ref. 32 - 40
32	NSS	1	PLUG ASSEMBLY - hex
33	A47983	1	O-RING - 1/4 ID x 1/8 inch wide
34	NSS	1	SPOOL - lockout
36	NSS	1	SPRING - lockout poppet
37	NSS	1	POPPET - lockout
38	NSS	1	O-RING - lockout housing
39	NSS	1	HOUSING - lockout
40	238-6113	1	O-RING, -113, 90 Duro, .549" ID x .103" Thk
42	1971616C1	1	CAP ASSEMBLY - end, Includes: Ref. 43
43	238-5125	1	O-RING - 1-5/16 ID x 3/32 inch wide
46	1971615C2	1	SCREW - spool
47	1971599C1	2	WASHER - special
48	1971621C1	1	SPRING - valve spool
49	1971619C1	1	SPACER - valve spool
60	50-3153T1	1	BLOCK - port
61	90-6019T1	1	O-RING - 27/64 ID x 7/64 inch wide
62	238-6218	1	O-RING, -218, 90 Duro, 1.234" ID x .139" Thk
63	326-628	1	BOLT - hex, 3/8 NC x 1-3/4 inch, grade 8
64	326-656	1	BOLT, Hex, 3/8"-16 x 3 1/2", G8



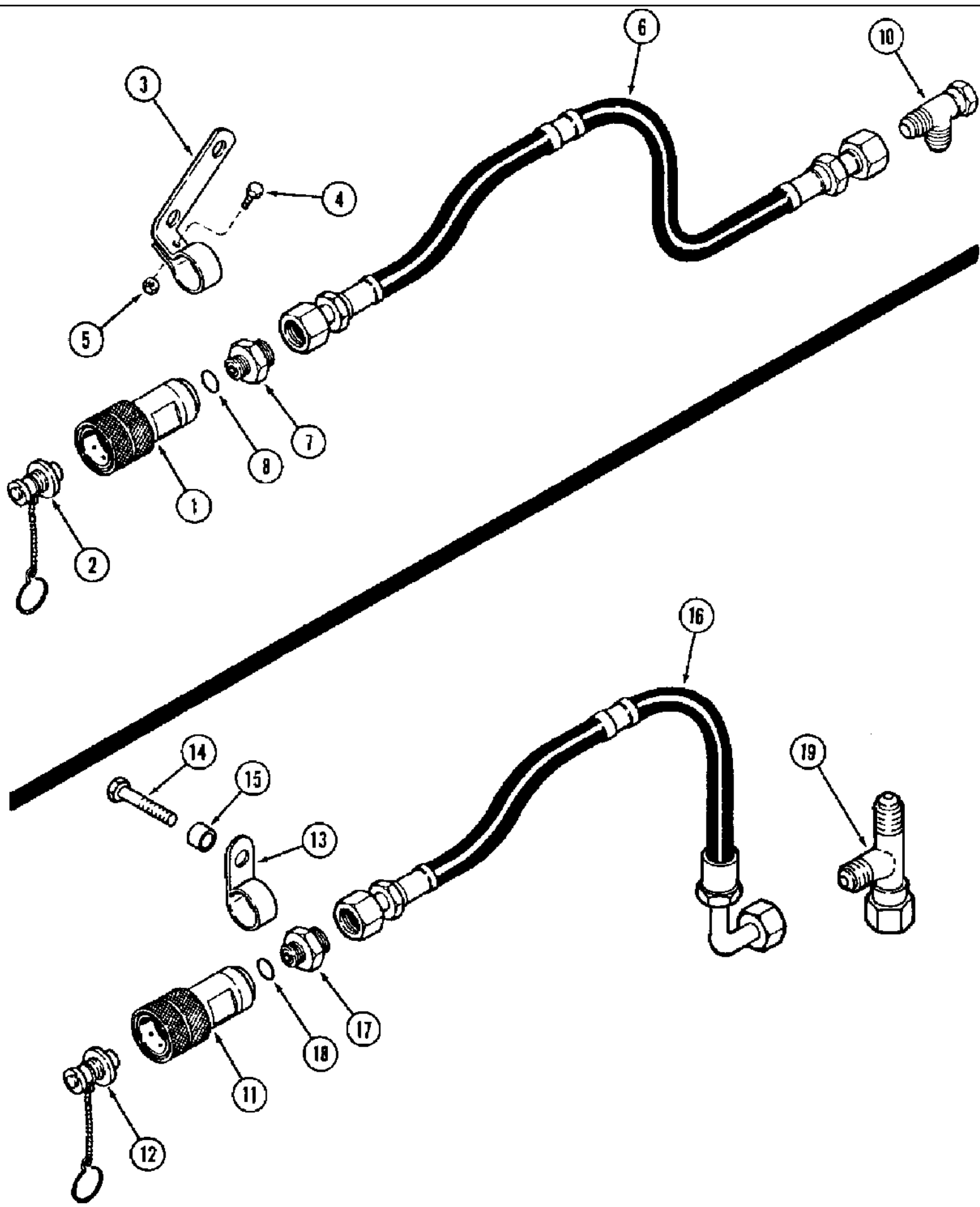
сылка	Номер детали	Кол-во	Описание
	246245A1	1	VALVE ASSEMBLY - control, hitch, Includes: Ref. 1 - 35
1	NSS	1	BODY - valve
2	188104A1	2	SPOOL - pilot
3	86529630	2	PLUG, Hex Soc, 3/8"-24 ORB, Includes Ref. 4
4	237-6003	2	O-Ring, 3-1, .301" ID x .064" Thk
5	71100209	2	PLUG, Hex Soc, 3/4"-16 ORB, Includes Ref. 6
6	237-6008	2	O-Ring, 8-1, 90 Duro, .644" ID x .087" Thk, Part of seal repair kit P/N 243253A1.
7	9625178	1	PLUG - hex socket, 9/16-18 inch O-ring boss, Includes: Ref. 8
8	237-6006	1	O-Ring, 6-1, 90 Duro, .468" ID x .078" Thk
9	278548	2	PLUG, Hex Soc, 7/16"-20 ORB, Incl. Ref. 10
10	237-6004	2	O-RING, 4-1, 90 Duro, .351" ID x .072" Thk
15	238-5114	2	O-RING, -114, 70 Duro, .612" ID x .103" Thk, Part of seal repair kit P/N 243253A1.
16	243254A1	2	KIT - solenoid, without diode, 12 volt, DC
17	188106A1	2	NUT - special, solenoid coil
18	188117A1	2	CORE - solenoid
19	238-5017	2	O-RING, -017, 70 Duro, .676" ID x .070" Thk, Part of seal repair kit P/N 243253A1.
20	188116A1	2	PIN - solenoid actuating
21	NSS	1	SPOOL - meter in, main flow
22	NSS	1	SPRING - meter in, main flow
23	188110A1	1	PLUG - spool
24	237-6010	2	O-RING, 10-1, 90 Duro, .755" ID x .097" Thk, Part of seal repair kit P/N 243253A1.
	243256A1	1	KIT - meter out, Includes: Ref. 25 - 29
25	NSS	1	PLUG - meter out poppet
26	238-5023	1	O-RING, -023, 70 Duro, 1.051" ID x .070" Thk, Part of seal repair kit P/N 243253A1.
27	238-5022	1	O-RING, -022, 70 Duro, .989" ID x .070" Thk, Part of seal repair kit P/N 243253A1.
28	NSS	1	STEM - sevro, meter out
29	NSS	1	POPPET - meter out
30	511-10200	1	BALL - 20 mm, grade 28, chrome alloy steel, replaces 211-1011 ball
31	188114A1	1	SPRING - load check
32	188107A1	1	PLUG - check valve
33	NSS		UAR SHIM - spring
34	218-5214	1	PLUG - hex socket, 1-5/16-12 inch O-ring boss, Includes: Ref. 35
35	237-6016	1	O-RING - 1-11/64 ID x 7/64 inch wide
	243253A1	1	KIT - seal repair, includes: Ref. 4, 6, 8, 10, 15, 19, 24, 26 and 27, Part of seal repair kit P/N 243253A1.



## 8-098 THREE POINT HITCH RELIEF VALVE

сылка	Номер детали	Кол-во	Описание
	50-2291T91	1	VALVE ASSEMBLY - relief, Includes: Ref. 1 - 14
1	NSS	1	HOUSING - valve
2	18-1703	1	CARTRIDGE - relief
3	1-4458	1	SPRING - poppet relief
4	D39712		UAR SHIM - 0.254 mm (.01 inch) thick
7	D39716	1	CAP - circuit relief valve, replaces 18-923 cap
	18-1418	1	KIT - seal, valve, Includes: Ref. 8 - 10
8	NSS	1	O-RING - seal
9	NSS	1	O-RING - seal
10	NSS	1	O-RING - seal
	18-1417	1	KIT - poppet, relief, Includes: Ref. 13 & 14
13	NSS	1	POPPET - relief
14	NSS	1	RING - piston
	50-3293T91	1	VALVE ASSEMBLY - pressure reducing, Includes: Ref. 21 - 30, three point
21	NSS	1	BODY - valve, three point hitch pressure reducing
22	50-2715T91	1	CARTRIDGE - pressure reducing, three point hitch valve
	50-2717T1	1	KIT - seal, cartridge, Includes: Ref. 25 - 30, three point hitch pressure reducing valve
25	NSS	1	O-RING - seal, three point hitch pressure reducing valve
26	NSS	1	WASHER - backup, three point hitch pressure reducing valve
27	NSS	1	WASHER - backup, three point hitch pressure reducing valve
28	NSS	1	O-RING - seal, three point hitch pressure reducing valve
29	NSS	1	O-RING - seal, three point hitch pressure reducing valve
30	NSS	1	WASHER - backup, three point hitch pressure reducing valve



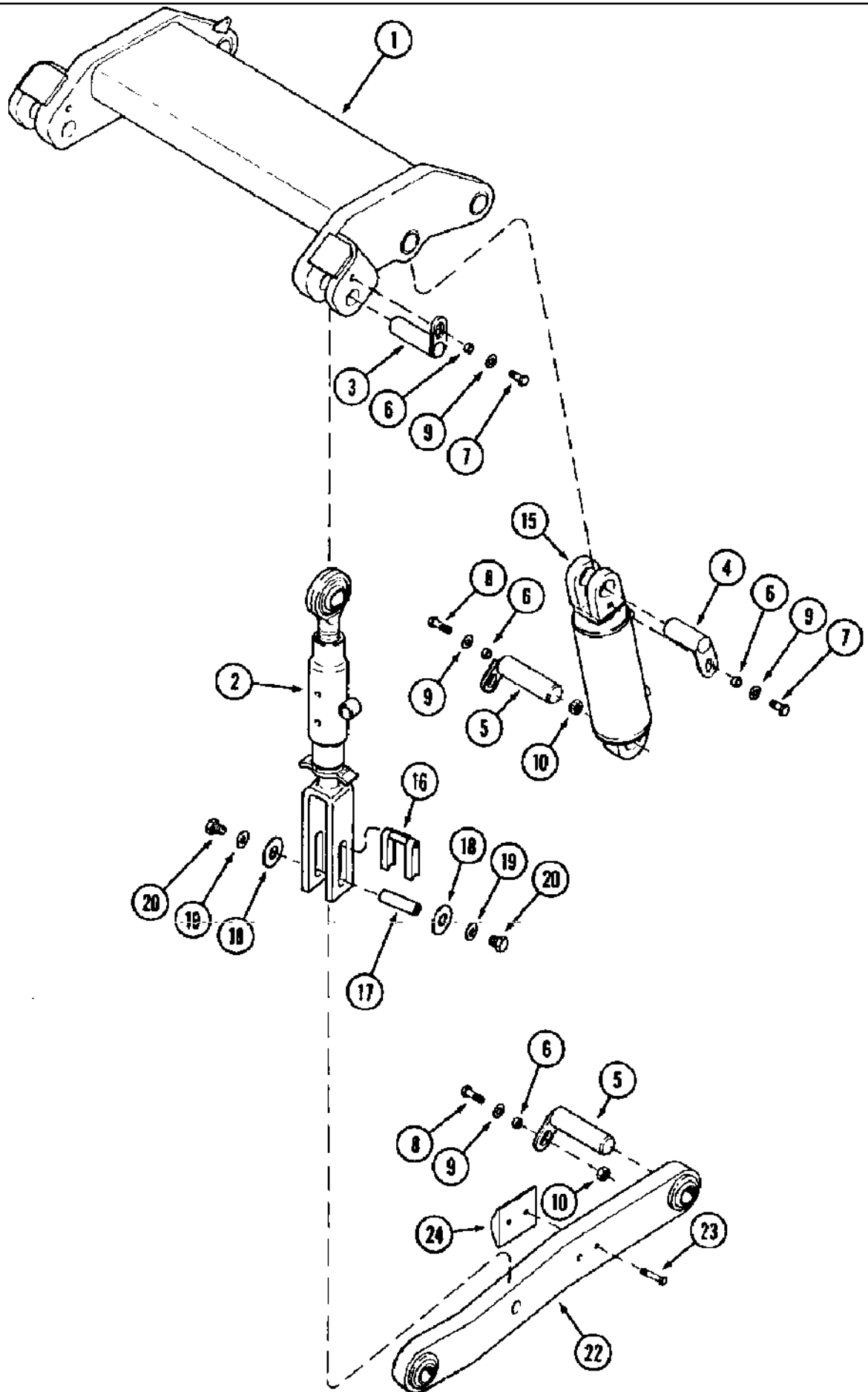


MSB7H050

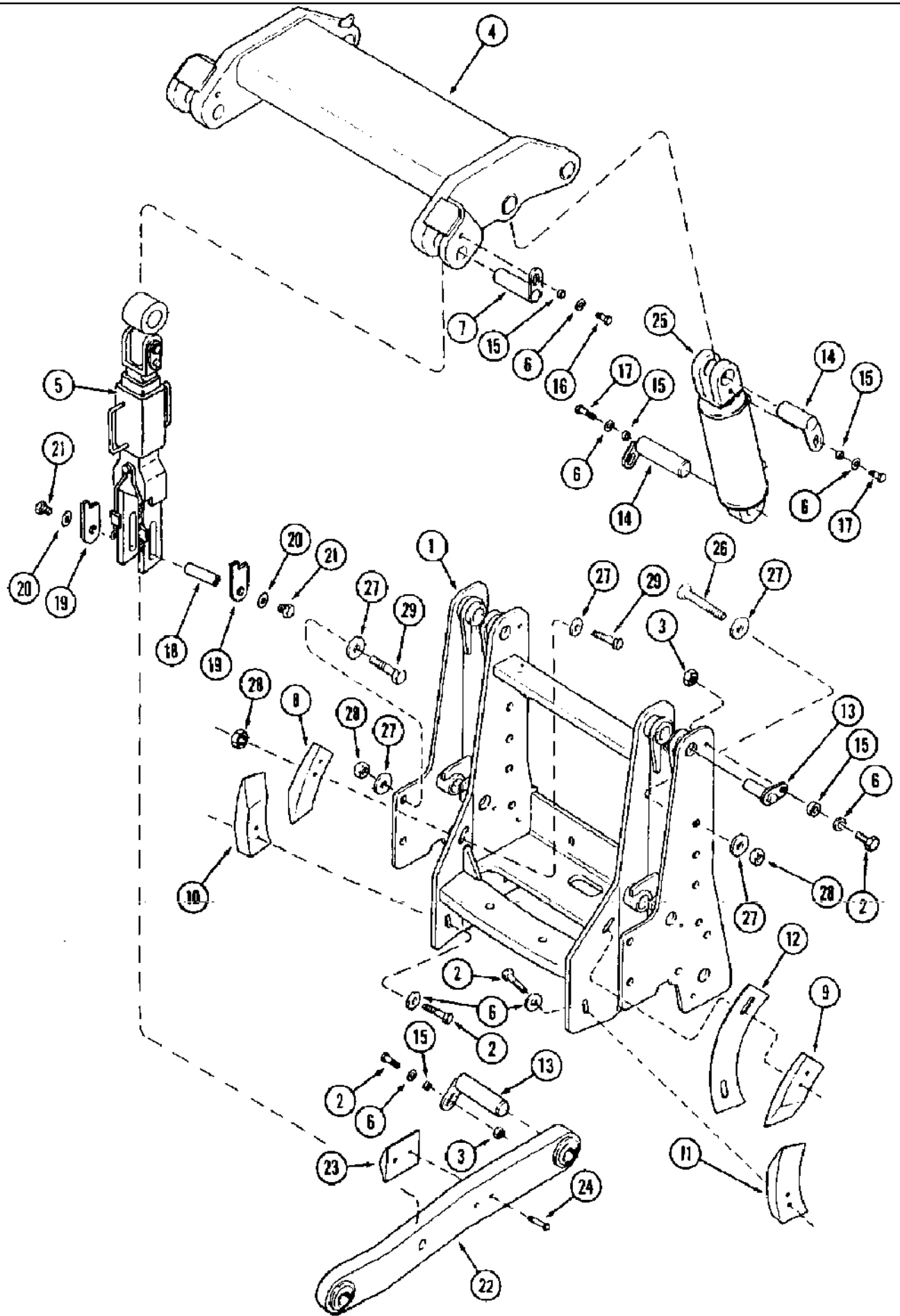
Ref: 16 & Ref: 10 on large frame high output hyd. systems - the motor lube return hose routing was changed to the remote valve in lieu of the return tube this will allow the hyd. pump to receive the required flow amount the new hose is p/n 382744a1 and the tee fitting 218-5220 is replaced by 218-5490 37 deg. flare swivel tee. See Service Bulletin NTR SB 021 00 Per ECN F990961 NAPO TECH NOTE Ref: S/B # ntr sb 021 00

сылка	Номер детали	Кол-во	Описание
1	1272400C1	1	COUPLER - self sealing, female
2	1954133C1	1	PLUG - coupling, dust
3	1289294C1	1	BRACKET - mounting, coupler
4	614-8020	1	BOLT - hex, full threads, 8 - 1.25 x 20 mm
5	825-1408	1	Nut, M8, Cl 8
6	31-2256	1	HOSE - oil return
7	218-5062	1	ADAPTER - straight, 7/8-14 inch flare x O-ring boss, Includes: Ref. 8
8	237-6010	1	O-RING, 10-1, 90 Duro, .755" ID x .097" Thk
10	218-5220	1	TEE - swivel, 7/8-14 inch flare branch x flare x swivel
11	1272400C1	1	COUPLER - self sealing, female, hydraulic motor oil return kit, P.I.N. JEE0071001 and after
12	1954133C1	1	PLUG - coupling, dust, hydraulic motor oil return kit, P.I.N. JEE0071001 and after
13	31-2361	1	CLAMP - P-type, hydraulic motor oil return kit, P.I.N. JEE0071001 and after
14	426-688	1	BOLT - hex, 3/8 NC x 5-1/2 inch, grade 8, hydraulic motor oil return kit, P.I.N. JEE0071001 and after
15	70-2806T1	1	SPACER - coupler, hydraulic motor oil return kit, P.I.N. JEE0071001 and after
16	31-3214	1	HOSE - oil return, hydraulic motor kit, P.I.N. JEE0071001 and after
17	218-5062	1	ADAPTER - straight, 7/8-14 inch flare x O-ring boss, Includes: Ref. 18, hydraulic motor oil return kit, P.I.N. JEE0071001 and after
18	237-6010	1	O-RING, 10-1, 90 Duro, .755" ID x .097" Thk, Hydraulic motor oil return kit, P.I.N. JEE0071001 and after
19	218-5220	1	TEE - swivel, 7/8-14 inch flare branch x flare x swivel, hydraulic motor oil return kit, P.I.N. JEE0071001 and after

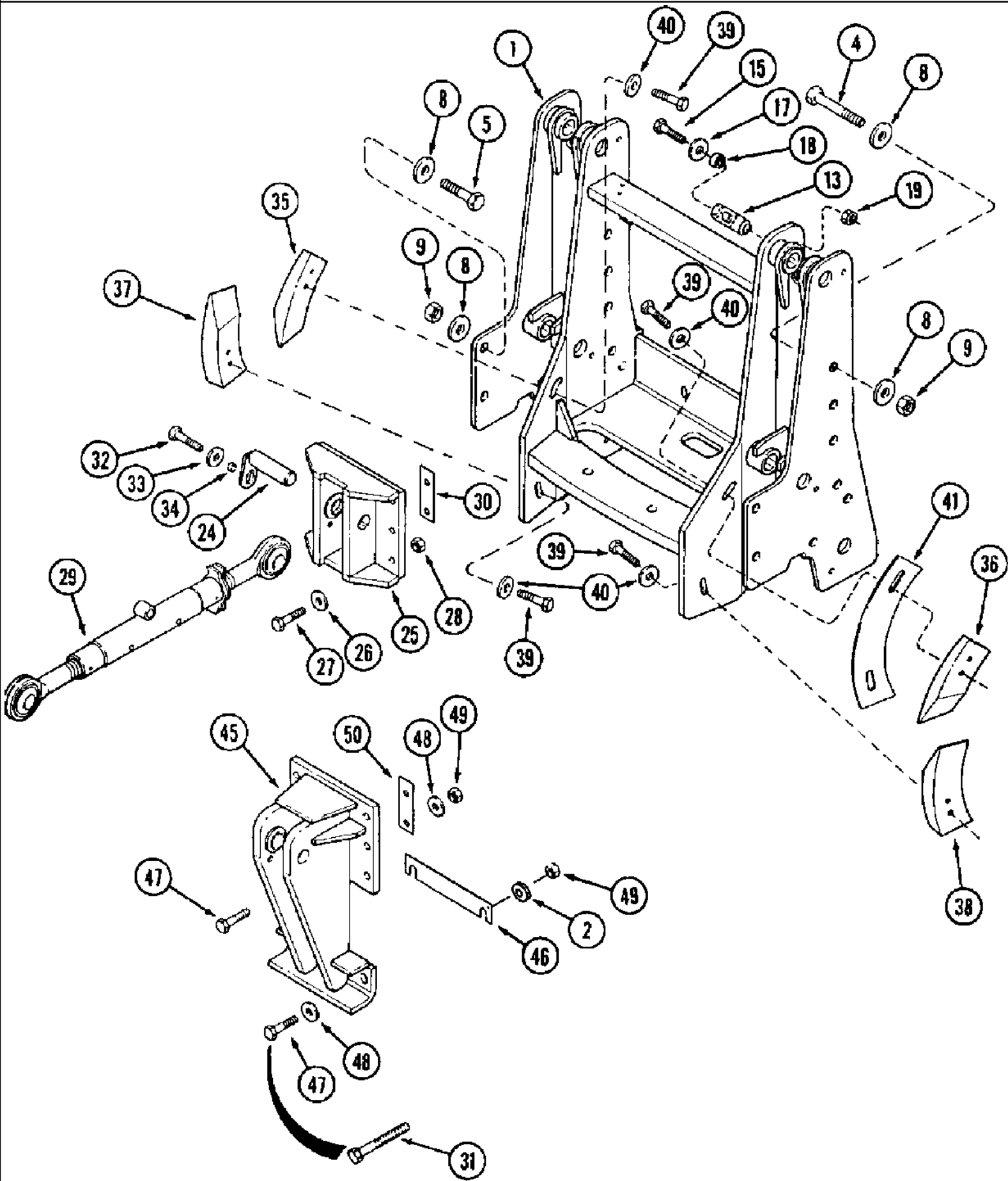
Ref: 16 & Ref: 10 on large frame high output hyd. systems - the motor lube return hose routing was changed to the remote valve in lieu of the return tube this will allow the hyd. pump to receive the required flow amount the new hose is p/n 382744a1 and the tee fitting 218-5220 is replaced by 218-5490 37 deg. flare swivel tee. See Service Bulletin NTR SB 021 00 Per ECN F990961 NAPO TECH  
NOTE Ref: S/B # ntr sb 021 00



сылка	Номер детали	Кол-во	Описание
1	70-6009T91	1	ROCKERSHAFT ASSEMBLY - hitch, parts list Figure 9-010
2	70-6468T91	2	LINK ASSEMBLY - lift, parts list Figure 9-012
3	70-6147T2	2	PIN - lift link, upper
4	70-5973T2	2	PIN - cylinder, upper
5	70-5972T2	4	PIN - cylinder lower and draft arm
6	70-5967T1	8	SPACER - pin
7	426-1020	4	BOLT - hex, 5/8 NC x 1-1/4 inch, grade 8
8	426-1032	4	BOLT - hex, 5/8 NC x 2 inch, grade 8
9	496-21066	8	WASHER - flat, 21/32 x 1-5/16 x 5/32 inch, hardened
10	425-1010	4	NUT, 5/8"-11, G5
15	50-3410T91	2	CYLINDER ASSEMBLY - lift, parts list Figure 8-93
16	70-6458T91	2	BLOCK ASSEMBLY - clevis locking, three piece, parts list Figure 9-010
17	70-2059T1	2	PIN - lower
18	495-21138	4	WASHER - flat, 1-3/8 x 3 x 5/32 inch
19	495-21069	4	WASHER - flat, 11/16 x 1-3/4 x 9/64 inch
20	413-1012	4	BOLT - hex, 5/8 NC x 3/4 inch
22	70-6467T1	2	ARM - draft, lower link, lift
23	426-840	4	BOLT - hex, 1/2 NC x 2-1/2 inch, grade 8
24	279613A1	2	BLOCK - wear, replaces 70-6016T1 plate

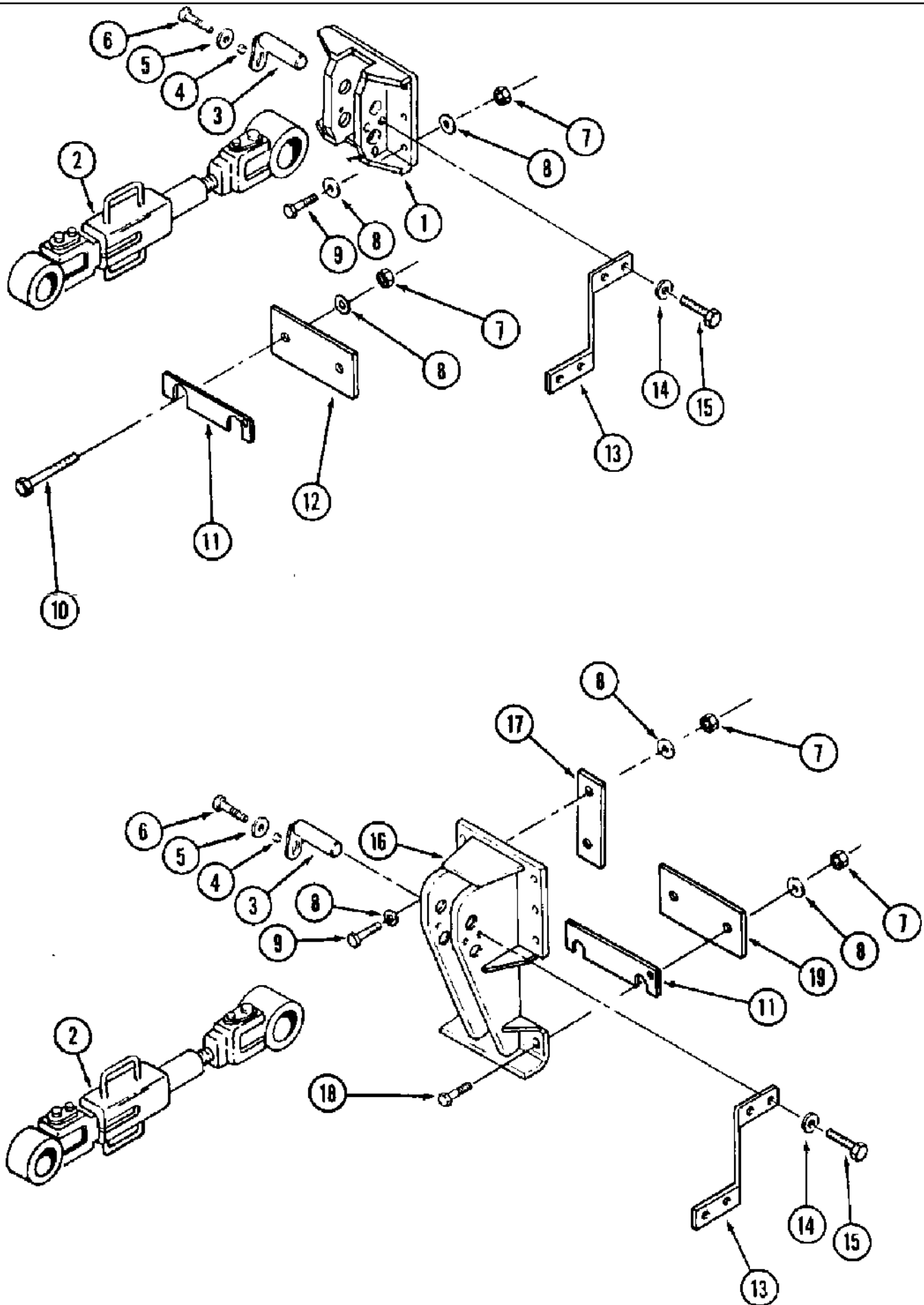


сылка	Номер детали	Кол-во	Описание
1	252653A1	1	MOUNT - rear frame, three point hitch
2	627-16050	14	Bolt, Hex, M16 x 50, 10.9
3	829-1416	6	NUT - hex, 16 mm - 2.0, class 10
4	REF	1	ROCKERSHAFT ASSEMBLY - hitch, parts list Figure 9-010
5	253909A1	2	LINK ASSEMBLY - lift, parts list Figure 9-014
6	896-11016	18	WASHER, M17.5 x 30 x 4, HT
7	70-6076T2	2	PIN - lift link, upper
8	279608A1	1	BLOCK - no sway, left-hand upper
9	279611A1	1	BLOCK - no sway, right-hand upper
10	279607A1	1	BLOCK - no sway, left-hand lower
11	279610A1	1	BLOCK - no sway, right-hand lower
12	70-6387T1	2	PLATE - sway block
13	70-5972T2	6	PIN - rockershaft
14	70-5973T2	2	PIN - cylinder, upper
15	70-5967T1	10	SPACER - pin
16	627-16035	2	Bolt, Hex, M16 x 35, 10.9, full threads
17	426-1020	2	BOLT - hex, 5/8 NC x 1-1/4 inch, grade 8
18	253900A1	2	PIN - lower, draft arm
19	253901A1	4	PLATE - lockout
20	495-21069	4	WASHER - flat, 11/16 x 1-3/4 x 9/64 inch
21	627-16030	4	Bolt, Hex, M16 x 30, 10.9, Full Thd
22	278604A1	2	ARM - draft, lower link
23	279613A1	2	BLOCK - wear
24	827-12065	4	BOLT - hex, 12 - 1.75 x 65 mm, class 10.9
25	50-3410T91	2	CYLINDER ASSEMBLY - lift, parts list Figure 8-93
26	827-24250	10	BOLT - hex, 24 - 3.0 x 250 mm, class 10.9
27	896-11024	32	WASHER - flat, 26 x 44 x 5 mm, hardened
28	829-1424	16	NUT - hex, 24 mm - 3.0, class 10.9
29	627-24070	6	BOLT - hex, full threads, 24 - 3.0 x 70 mm, class 10.9



сылка	Номер детали	Кол-во	Описание
1	70-5991T2	1	MOUNT - rear frame, three point hitch
2	496-31081	2	WASHER - flat, 13/16 x 1-1/2 x 7/32 inch, hardened, with PTO
4	90-7493T1	10	BOLT - hex, 1 NC x 10 inch
5	426-1640	6	BOLT - hex, 1 NC x 2-1/2 inch, grade 8
8	496-21106	32	WASHER - flat, 1-1/16 x 2 x 13/64 inch, hardened
9	429-1016	16	NUT - hex, 1 inch NC, grade 8
13	70-5972T2	2	PIN - rockershaft
15	426-1032	2	BOLT - hex, 5/8 NC x 2 inch, grade 8
17	495-11066	2	WASHER - flat, 21/32 x 1-5/16 x 3/32 inch
18	70-5967T1	2	SPACER - pin
19	425-1010	2	NUT, 5/8"-11, G5
24	70-6147T2	1	PIN - upper
25	70-6022T1	1	MOUNT - upper link, with PTO
27	426-12144	6	BOLT - hex, 3/4 NC x 9 inch, grade 8
26	496-11081	6	WASHER - flat, 13/16 x 1-1/2 x 9/64 inch, hardened
28	425-1012	6	NUT - hex, 3/4 inch NC
29	70-6473T91	1	LINK ASSEMBLY - upper, parts list Figure 9-012
30	70-6406T1	2	PLATE - shim
31	426-12120	2	BOLT - hex, 3/4 NC x 7-1/2 inch, grade 8, with PTO, REF: 31 R/B L130035 SPACER QTY 2 AND 426-12128 CAPSCREW QTY 2 896-11020 WASHER QTY 2 ECN F990082 NAPO TECH NOTE
32	426-1024	1	BOLT - hex, 5/8 NC x 1-1/2 inch, grade 8
33	496-21066	1	WASHER - flat, 21/32 x 1-5/16 x 5/32 inch, hardened
34	70-5967T1	1	SPACER - pin
35	70-6096T1	1	BLOCK - no sway, left-hand upper
36	70-6018T1	1	BLOCK - no sway, right-hand upper
37	70-6098T1	1	BLOCK - no sway, left-hand lower
38	70-6020T1	1	BLOCK - no sway, right-hand lower
39	426-1032	8	BOLT - hex, 5/8 NC x 2 inch, grade 8
40	495-11066	8	WASHER - flat, 21/32 x 1-5/16 x 3/32 inch
41	70-6387T1	2	PLATE - sway block
45	70-6025T3	1	MOUNT - upper link, without PTO
46	70-6405T1	2	SHIM - mounting
47	426-1248	8	BOLT - hex, 3/4 NC x 3 inch, grade 8, without PTO
48	496-11081	10	WASHER - flat, 13/16 x 1-1/2 x 9/64 inch, hardened
49	425-1012	8	NUT - hex, 3/4 inch NC
50	70-6406T1	2	PLATE - shim

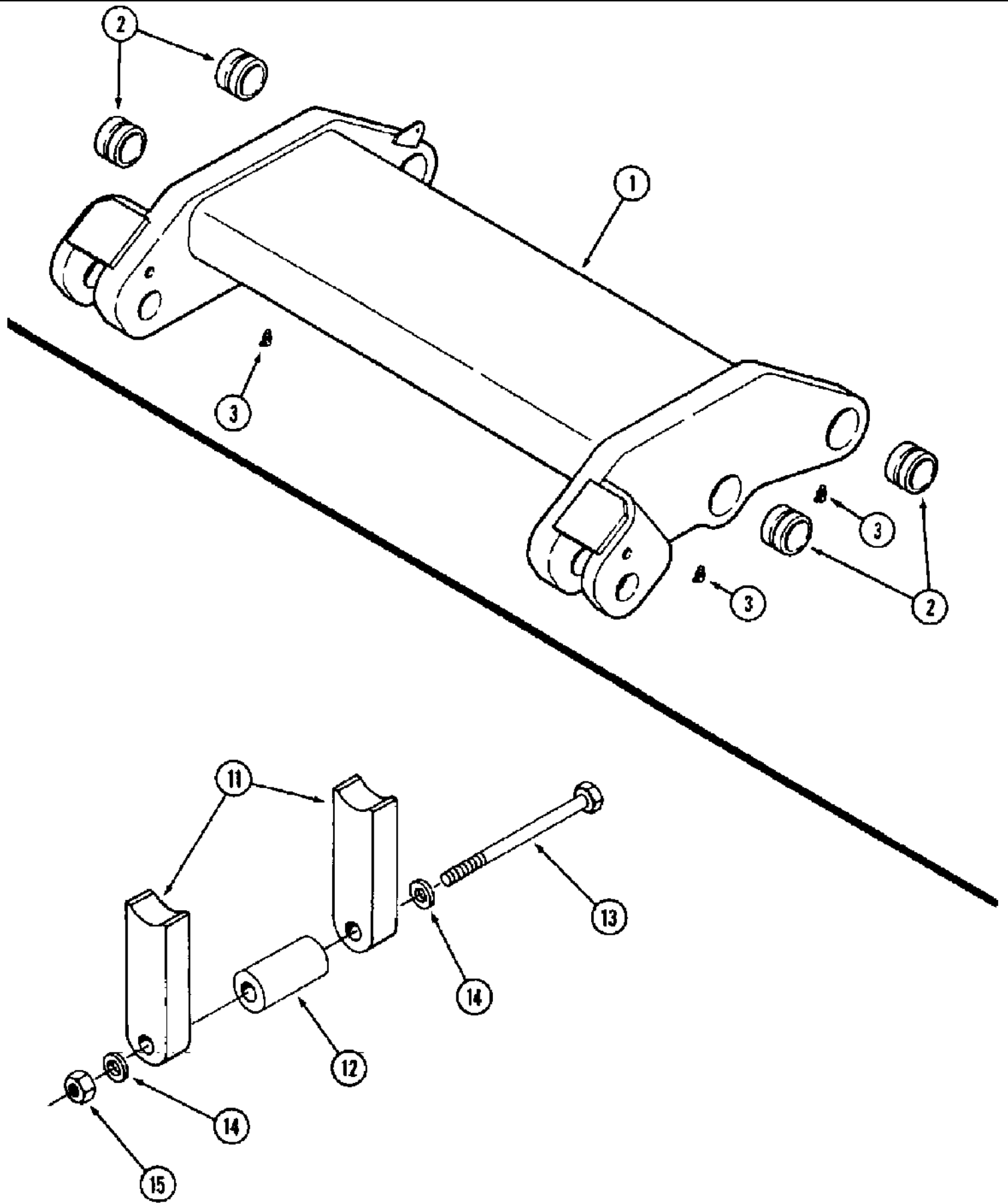




9380 CASE IH 4WD TRACTOR (6/95-8/00)

9-008 THREE POINT HITCH LINKAGE, P.I.N. JEE0069308 AND AFTER

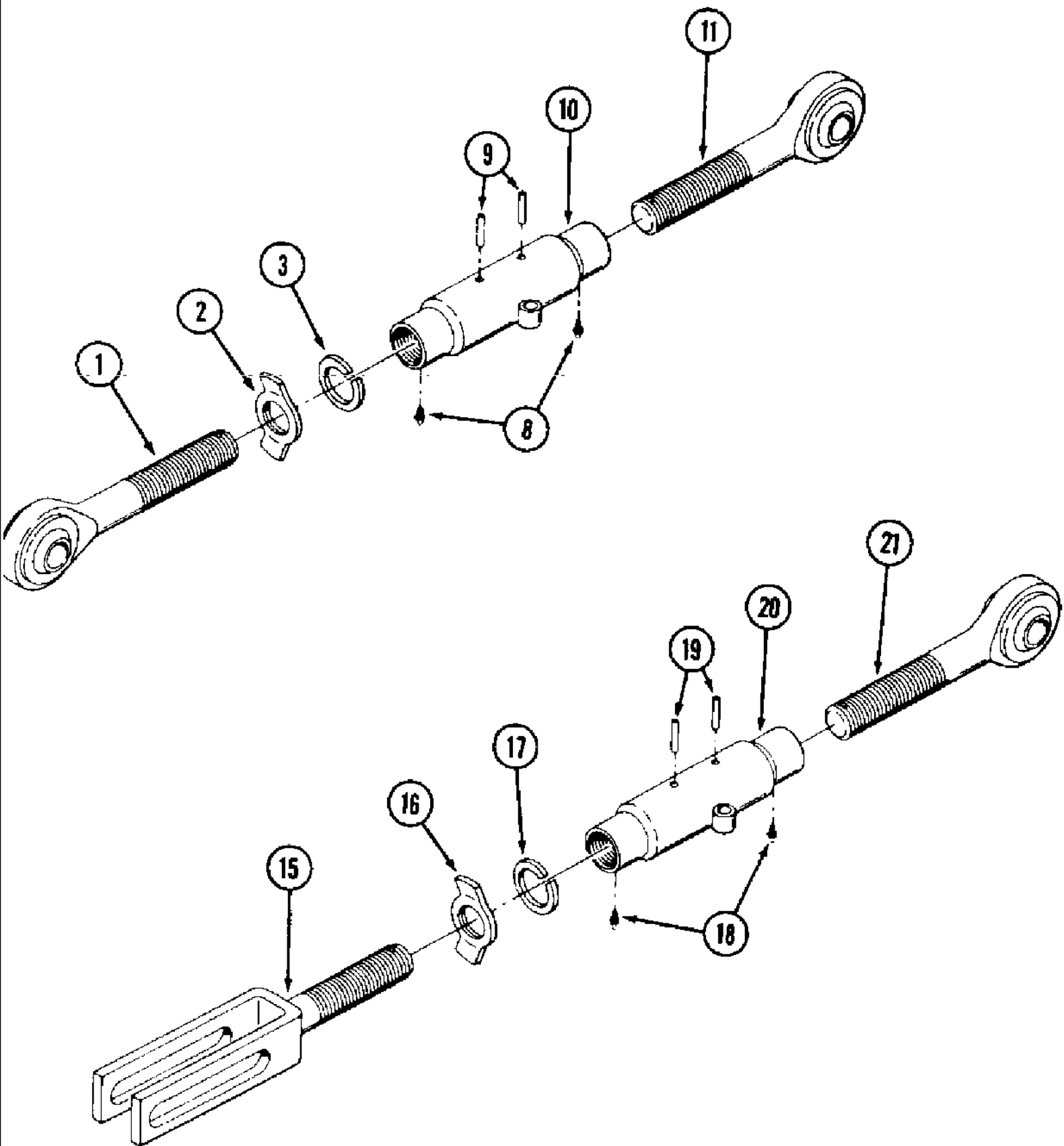
сылка	Номер детали	Кол-во	Описание
1	253673A1	1	MOUNT - upper link, with PTO
2	253908A1	1	LINK ASSEMBLY - upper, parts list Figure 9-014
3	70-6232T2	1	PIN - link retaining, upper link
4	70-5967T1	1	SPACER - pin
5	896-11016	1	WASHER, M17.5 x 30 x 4, HT
6	627-16035	1	Bolt, Hex, M16 x 35, 10.9, full threads
7	829-1420	8	Nut, M20, CI 10
8	896-11020	14	WASHER - flat, 22 x 37 x 4 mm, hardened
9	827-20220	6	BOLT - hex, 20 - 2.5 x 220 mm, class 10.9
10	827-20190	2	BOLT - hex, 20 - 2.5 x 190 mm, class 10.9, REF: 10 R/B QTY 2 OF L130035 SPACER AND QTY 2 OF 827-20210 BOLT M20 X 210 10.9 ZND ECN F990082 NAPO TECH NOTE
11	70-6405T1	2	SHIM - mounting
12	70-6905T1	1	PLATE - mounting, with PTO
13	50-3636T1	2	BRACKET - coupler
15	627-10035	4	BOLT - hex, full threads, 10 - 1.5 x 35 mm, class 10.9
16	253672A1	1	MOUNT - upper link, without PTO
17	70-6406T1	2	PLATE - mounting, without PTO
18	827-20080	8	BOLT - hex, 20 - 2.5 x 80 mm, class 10.9
19	70-6904T1	1	PLATE - mounting, without PTO
14	895-11010	4	WASHER - flat, 11 x 20 x 2 mm



9380 CASE IH 4WD TRACTOR (6/95-8/00)

9-010 THREE POINT HITCH ROCKERSHAFTS, PRIOR TO P.I.N. JEE0069308, 9370 AND 9380 ONLY

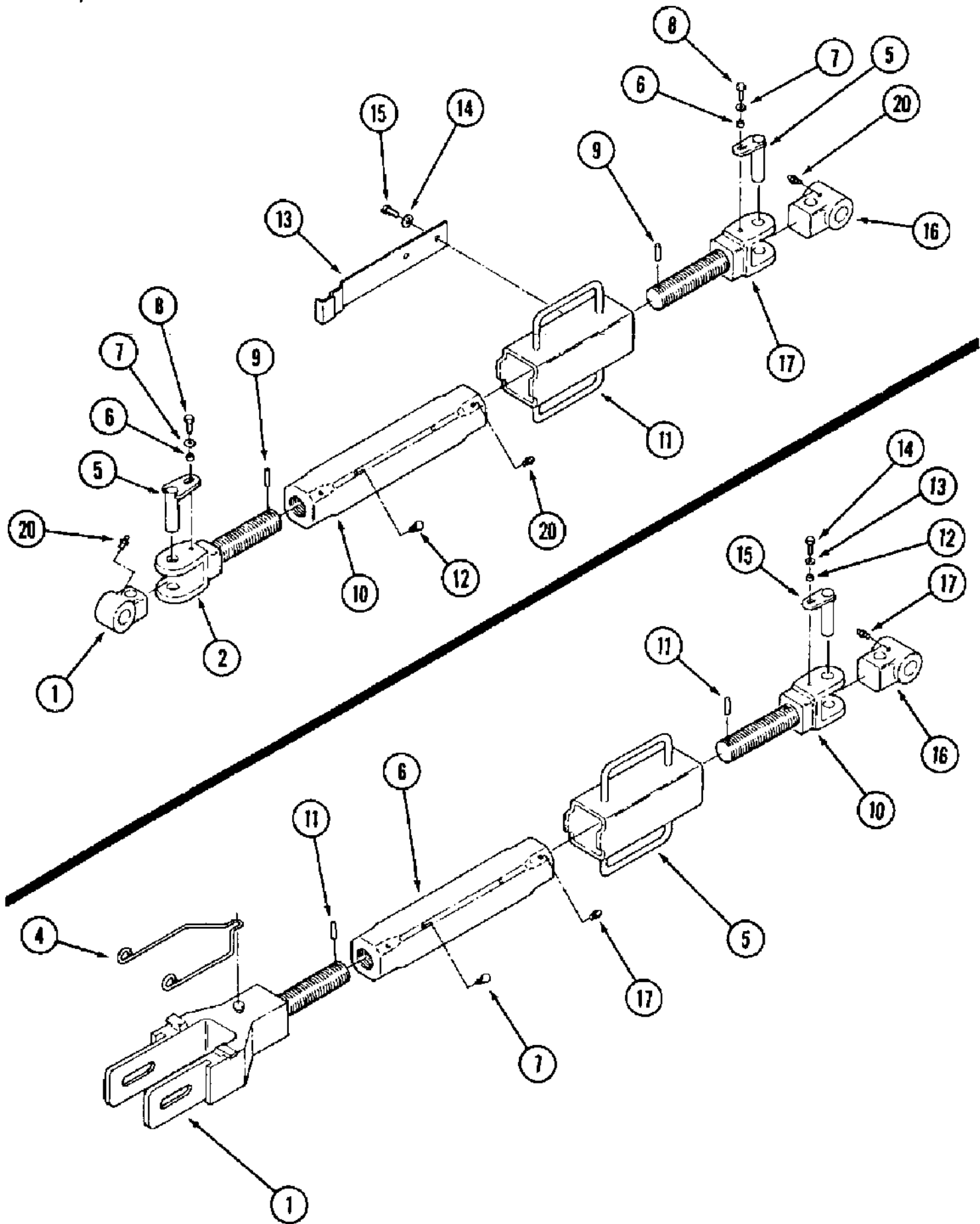
сылка	Номер детали	Кол-во	Описание
	70-6009T91	1	ROCKERSHAFT ASSEMBLY - hitch, 9370 & 9380 Only, Includes: Ref. 1 - 3, no longer available, order component parts separately
1	70-6010T1	1	ROCKERSHAFT - hitch
2	70-5966T2	4	BUSHING - pivot, rockershaft
3	219-55	4	FITTING - grease, 90 degree, 1/8 PT x 27/32 inch
	252909A1	1	ROCKERSHAFT ASSEMBLY - hitch, Includes: Ref. 1 - 3, three point, P.I.N. JEE0069308 and after
1	252908A1	1	ROCKERSHAFT - hitch, three point, P.I.N. JEE0069308 and after
2	70-5966T2	4	BUSHING - pivot, rockershaft, three point hitch, P.I.N. JEE0069308 and after
3	219-55	4	FITTING - grease, 90 degree, 1/8 PT x 27/32 inch, three point hitch rockershaft, P.I.N. JEE0069308 and after
	70-6458T91	2	BLOCK ASSEMBLY - clevis locking, three piece, Includes: Ref. 11 - 15, point hitch rockershaft, P.I.N. JEE0069308 and after
11	NSS	2	CLEVIS - locking block, three point hitch rockershaft, P.I.N. JEE0069308 and after
12	70-6459T1	1	SPACER - clevis, three point hitch rockershaft, P.I.N. JEE0069308 and after
13	426-672	1	BOLT - hex, 3/8 NC x 4-1/2 inch, grade 8, three point hitch rockershaft, P.I.N. JEE0069308 and after
14	496-41041	2	WASHER - flat, 13/32 x 1-1/8 x 9/64 inch, hardened, three point hitch rockershaft, P.I.N. JEE0069308 and after
15	231-1446	1	NUT, LOCK, 3/8"-16, GB , 3-point hitch rockershaft, P.I.N. JEE0069308 and after



9380 CASE IH 4WD TRACTOR (6/95-8/00)

9-012 THREE POINT HITCH LIFT LINKS, PRIOR TO P.I.N. JEE0069308, 9370 AND 9380 ONLY

сылка	Номер детали	Кол-во	Описание
	70-6473T91	1	LINK ASSEMBLY - upper, Includes: Ref. 1 - 11
1	70-6474T1	1	ROD - ball, right-hand thread
2	70-6470T1	1	NUT - wing, locking
3	19-6098	1	WASHER - lock, 2 inch
8	219-1	2	FITTING - grease, straight, 1/8 PT x 21/32 inch
9	38-11632	2	Pin, 1/4" x 2", Slotted
10	70-6475T1	1	TUBE - link, upper
11	70-6472T1	1	ROD - ball end, left-hand thread
	70-6468T91	2	LINK ASSEMBLY - lift, Includes: Ref. 15 - 21
15	389294A1	1	CLEVIS - lift link, right-hand thread (NSS)
16	70-6470T1	1	NUT - wing, locking
17	19-6098	1	WASHER - lock, 2 inch
18	219-1	2	FITTING - grease, straight, 1/8 PT x 21/32 inch
19	38-11632	2	Pin, 1/4" x 2", Slotted
20	70-6471T1	1	TUBE - link, lift
21	70-6472T1	1	ROD - ball end, left-hand thread

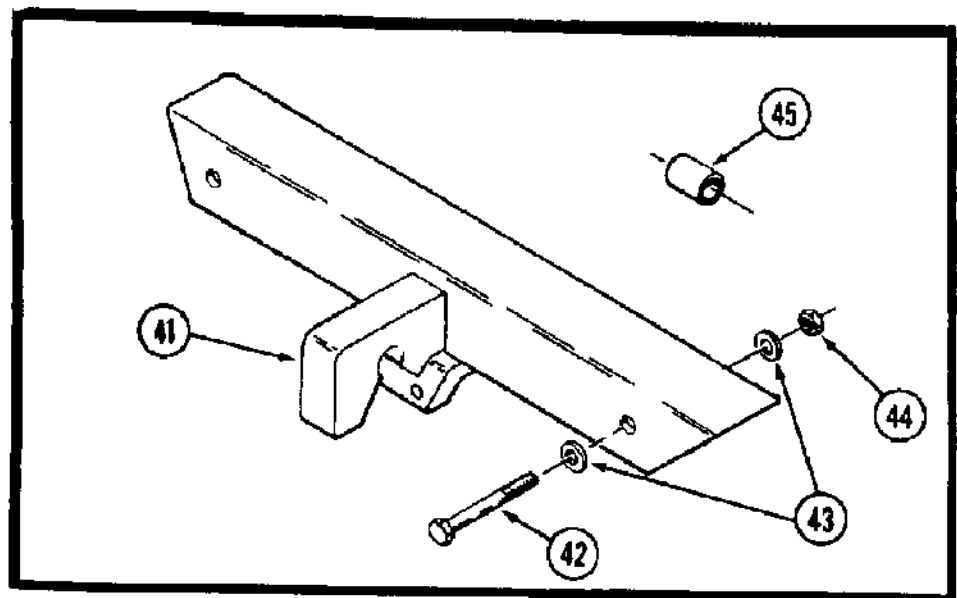
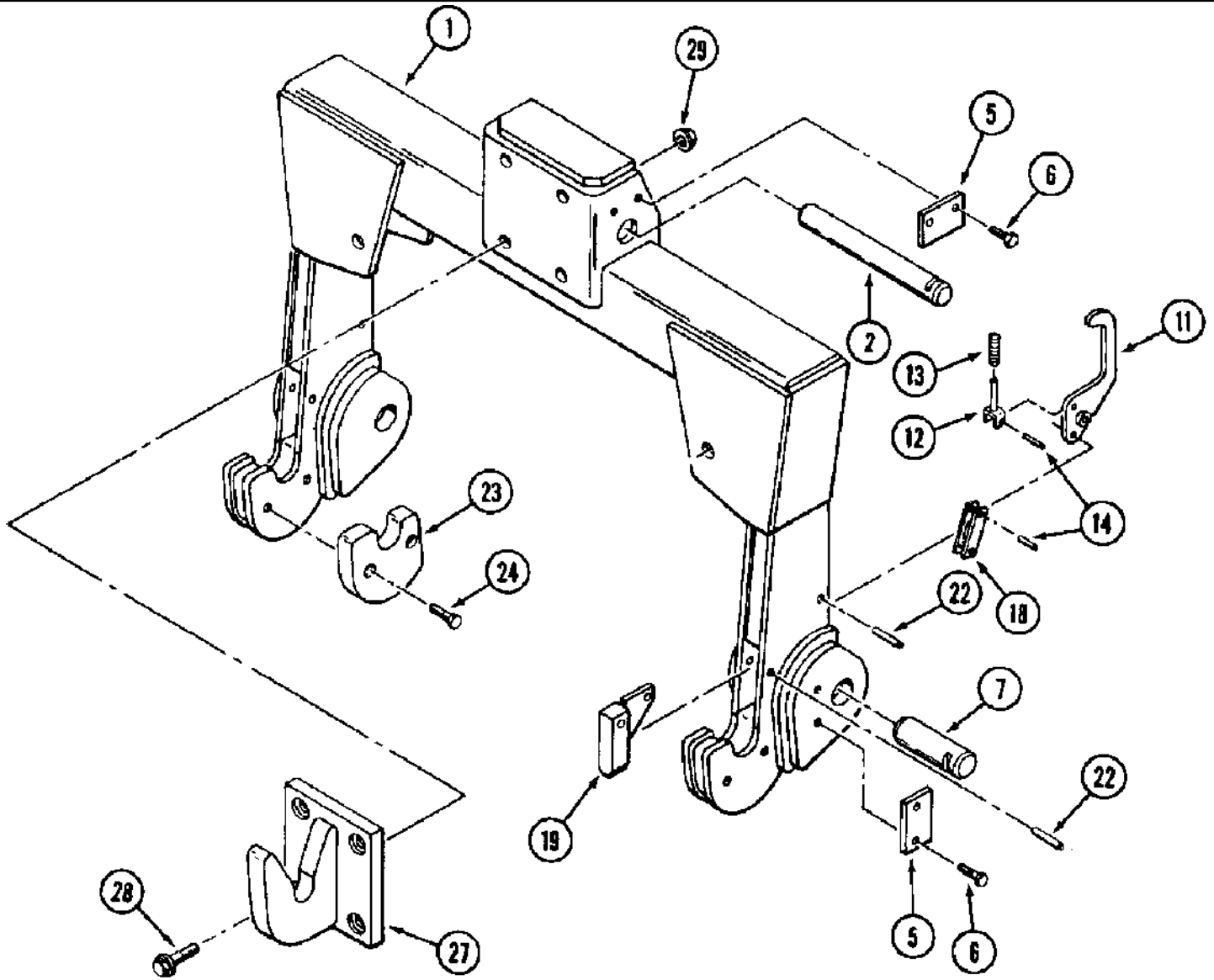


## 9380 CASE IH 4WD TRACTOR (6/95-8/00)

## 9-014 THREE POINT HITCH LIFT LINKS, P.I.N. JEE0069308 AND AFTER

сылка	Номер детали	Кол-во	Описание
	253908A1	1	LINK ASSEMBLY - upper, Includes: Ref. 1 - 20
1	258946A1	1	KNUCKLE - link, left-hand side
2	279050A1	1	LINK ASSEMBLY - U-joint, left-hand side
5	70-6013T2	2	PIN - pivot, knuckle
6	70-5967T1	2	SPACER - pin
7	896-11016	2	WASHER, M17.5 x 30 x 4, HT
8	627-16035	2	Bolt, Hex, M16 x 35, 10.9, full threads
9	838-3655	2	PIN - roll, 6 x 55 mm
10	258550A1	1	TURNBUCKLE - linkage
11	283052A1	1	LOCK - upper link
12	295004A1	4	PLUG - turnbuckle
13	282523A1	1	LOCK - anti-rotation
15	627-8012	2	BOLT - hex, full threads, 8 - 1.25 x 12 mm, class 10.9
16	253894A1	1	KNUCKLE - link, right-hand thread
17	279051A1	1	LINK ASSEMBLY - U-joint, right-hand thread
20	219-8	6	FITTING - grease, straight, 1/4-28 taper x 17/32 inch
	253909A2	2	LINK ASSEMBLY - lift, Includes: Ref. 1 - 17
1	279052A1	1	LINK ASSEMBLY - clevis
4	259472A1	1	SPRING - lock
5	258552A1	1	LOCK - anti-rotation
6	258550A1	1	TURNBUCKLE - linkage
7	295004A1	4	PLUG - turnbuckle
10	279051A1	1	LINK ASSEMBLY - U-joint, right-hand
11	838-3655	2	PIN - roll, 6 x 55 mm
12	70-5967T1	1	SPACER - pin
13	896-11016	1	WASHER, M17.5 x 30 x 4, HT
14	627-16035	1	Bolt, Hex, M16 x 35, 10.9, full threads
15	70-6013T2	1	PIN - pivot, knuckle
16	253894A1	1	KNUCKLE - link, lift
17	219-8	4	FITTING - grease, straight, 1/4-28 taper x 17/32 inch
14	895-11008	2	WASHER - flat, 9 x 17 x 1.6 mm

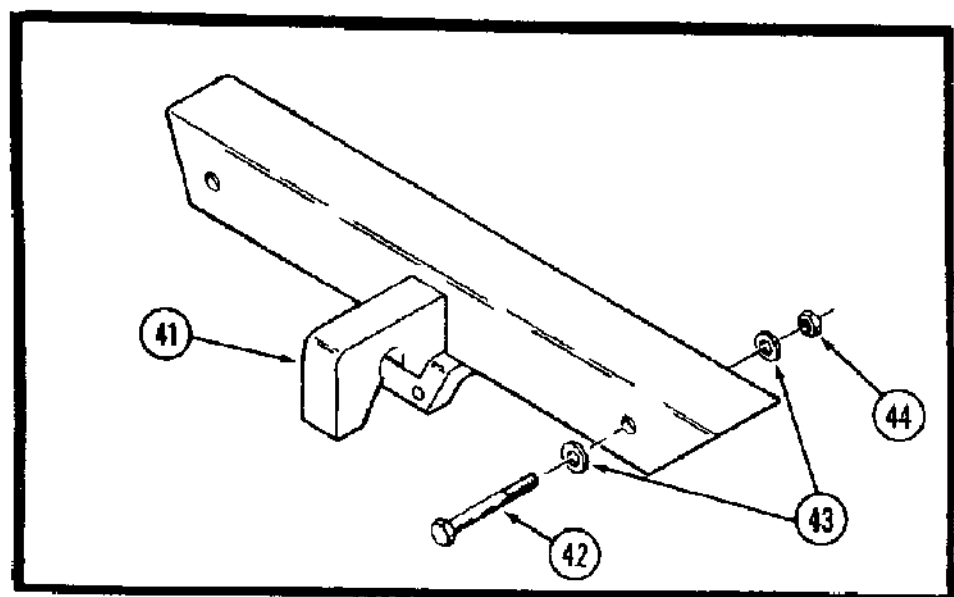
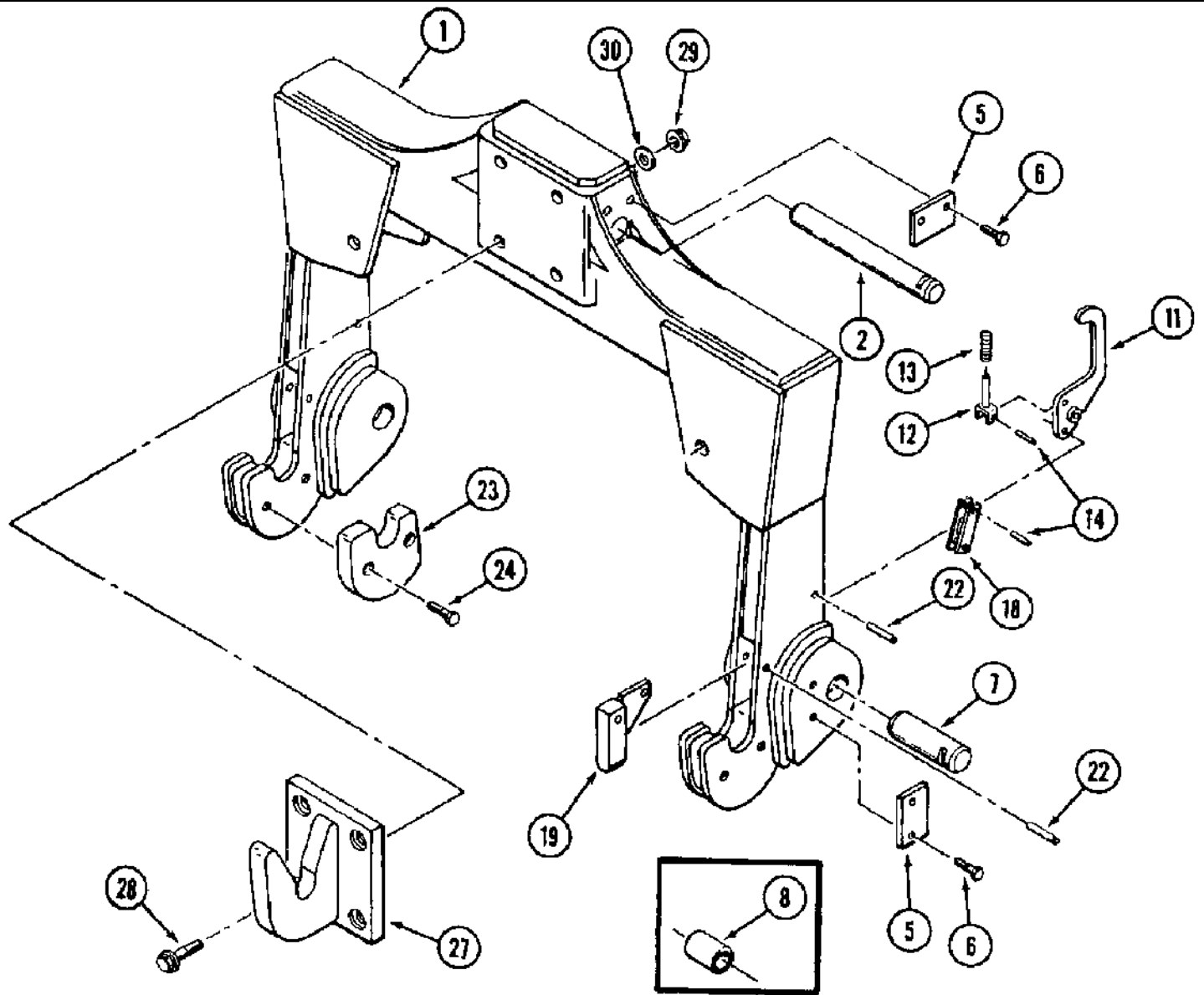




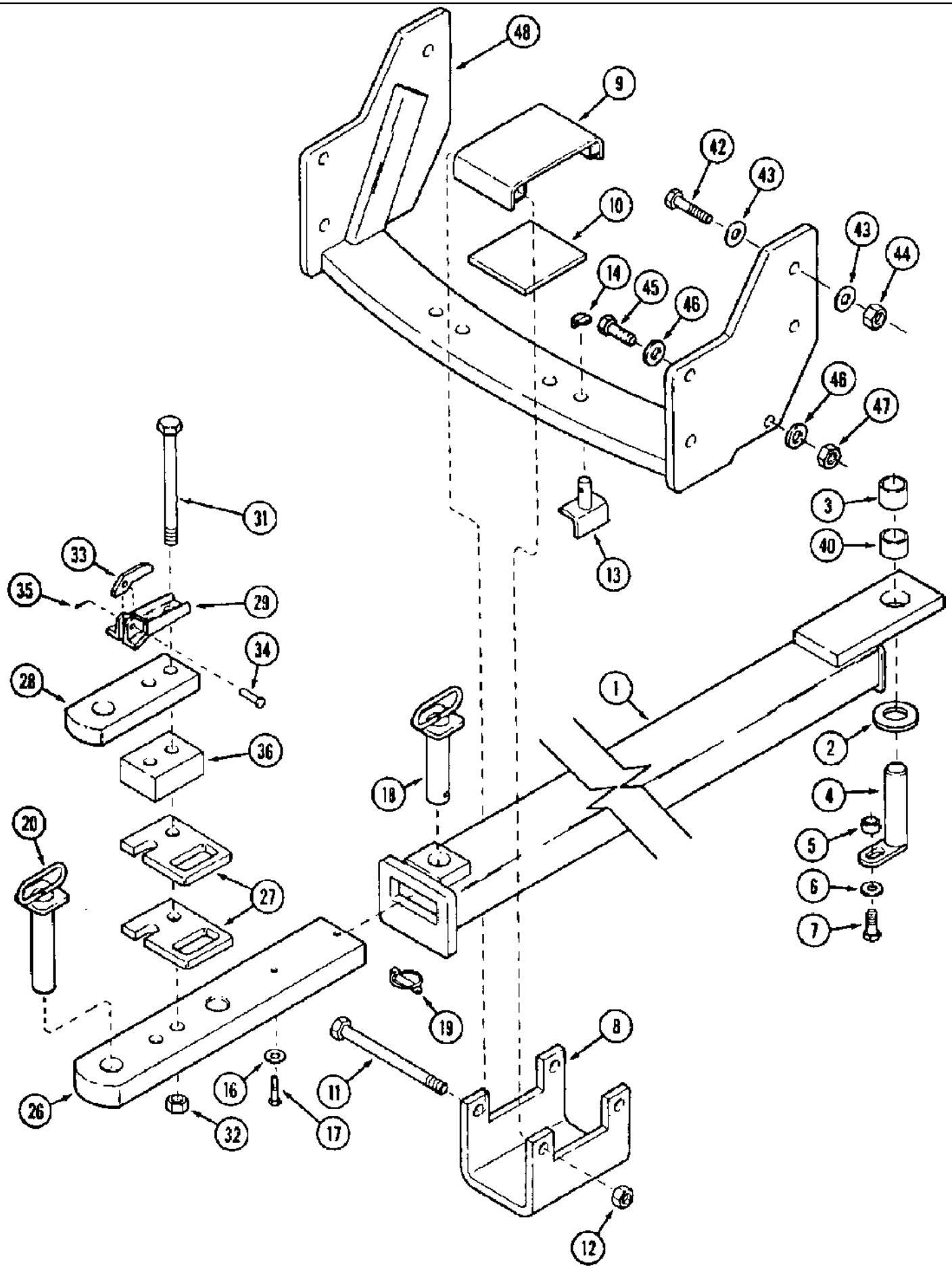
9380 CASE IH 4WD TRACTOR (6/95-8/00)

9-016 QUICK HITCH COUPLER, CATEGORY IV-NARROW, PRIOR TO P.I.N. JEE0069308, 9370 AND 9380 ONLY

сылка	Номер детали	Кол-во	Описание
	35-1470T91	1	KIT - quick hitch coupler, order from Machinery Price List, Includes: Ref. 1 - 29
1	281462A1	1	HITCH - quick attachment, replaces 70-1919T2 hitch
2	70-1895T1	1	PIN - hitch, upper
5	70-3082T2	3	BLOCK - pin retaining
6	426-816	6	BOLT - hex, 1/2 NC x 1 inch, grade 8
7	70-1894T1	2	PIN - hitch, lower
11	70-1880T1	2	HANDLE - hitch release
12	70-1884T1	2	LINK - spring return
13	2-4345T1	2	SPRING - return, handle
14	9416325	6	Pin, 5/16" x 1 1/8", Slotted
18	70-1887T1	2	LINKAGE - connecting, handle to catch
19	70-1890T2	2	CATCH - hitch release
22	38-33240	4	Pin, 1/2" x 2 1/2", Coiled
23	70-1920T1	1	CAP - spacer, right-hand
23	70-1921T1	1	CAP - spacer, left-hand
24	413-824	4	BOLT - hex, 1/2 NC x 1-1/2 inch
27	70-1869T1	1	HOOK - quick attachment
28	19-5787	4	BOLT - flange, 3/4 NC x 2-1/2 inch, grade 8
29	131-935	4	NUT - hex flange, 3/4 inch NC
	35-1376T91	1	KIT - conversion, no longer available, order component parts separately, Includes: Ref. 41 - 45, category III, 9370 and 9380 only
41	70-1913T1	1	HOOK - quick attachment, category III conversion kit, 9370 and 9380 only
42	326-16120	2	BOLT - hex, 1 NC x 7-1/2 inch, grade 8, category III conversion kit, 9370 and 9380 only
43	19-5739	4	WASHER - flat, special, category III conversion kit, 9370 and 9380 only
44	425-1016	2	NUT - hex, 1 inch NC, category III conversion kit, 9370 and 9380 only
45	2-5306T1	2	SPACER - conversion, category III kit, 9370 and 9380 only



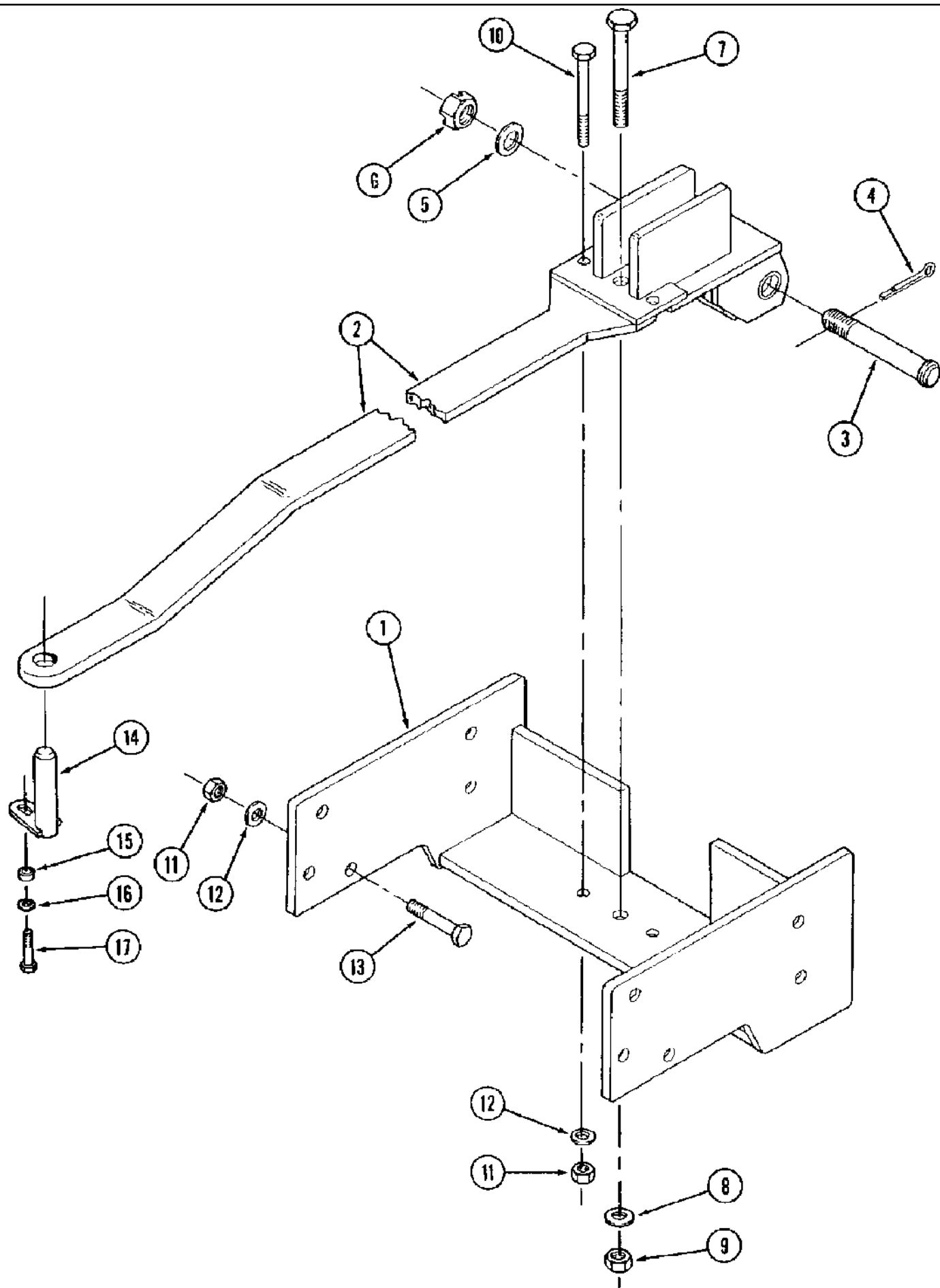
сылка	Номер детали	Кол-во	Описание
	186104A1	1	KIT - quick hitch coupler, order from Machinery Price List, Includes: Ref. 1 - 30
1	281462A1	1	HITCH - quick attachment
2	70-1895T1	1	PIN - hitch, upper
5	70-3082T2	3	BLOCK - pin retaining
6	426-816	6	BOLT - hex, 1/2 NC x 1 inch, grade 8
7	70-1894T1	2	PIN - hitch, lower
8	2-5306T1	2	SPACER - conversion
11	70-1880T1	2	HANDLE - hitch release
12	70-1884T1	2	LINK - spring return
13	2-4345T1	2	SPRING - return, handle
14	38-32018	6	Pin, 5/16" x 1 1/8", Coiled
18	70-1887T1	2	LINKAGE - connecting, handle to catch
19	70-1890T2	2	CATCH - hitch release
22	38-33240	4	Pin, 1/2" x 2 1/2", Coiled
23	70-1920T1	1	CAP - spacer, right-hand
23	70-1921T1	1	CAP - spacer, left-hand
24	426-824	4	BOLT - hex, 1/2 NC x 1-1/2 inch, grade 8
27	70-1869T1	1	HOOK - quick attachment
28	460-1240	4	BOLT - hex flange, 3/4 NC x 2-1/2 inch, grade 8
29	232-41112	4	NUT, LOCK, 3/4"-10, GC
30	495-11081	4	WASHER, 3/4", SAE
			KIT - conversion, category III, Includes: Ref. 41 - 44
41	70-1913T1	1	HOOK - quick attachment, category III conversion kit
42	426-16120	2	BOLT - hex, 1 NC x 7-1/2 inch, grade 8, category III conversion kit
43	326-16120	4	BOLT - hex, 1 NC x 7-1/2 inch, grade 8, category III conversion kit
44	425-1016	2	NUT - hex, 1 inch NC, category III conversion kit



## 9380 CASE IH 4WD TRACTOR (6/95-8/00)

## 9-020 DRAWBAR, EXTENDABLE, IF USED

сылка	Номер детали	Кол-во	Описание
1	70-6267T1	1	TUBE - receiver, drawbar, prior to P.I.N. JEE0071001
1	70-6898T1	1	TUBE - receiver, drawbar, P.I.N. JEE0071001 and after
2	1-4088	1	WASHER - flat, 1-3/4 x 2-3/4 x 1/4 inch
3	70-5915T2	1	SPACER - connecting link, P/N 70-5915T2 spacer, replaced in later units Oct. 16, 1998, release F98791, release P/N 339922A1 on the Reynolds drawbar option update.
4	70-6076T2	1	PIN - drawbar
5	70-5967T1	1	SPACER - pin
6	496-21066	1	WASHER - flat, 21/32 x 1-5/16 x 5/32 inch, hardened
7	426-1024	1	BOLT - hex, 5/8 NC x 1-1/2 inch, grade 8
8	70-4516T1	1	YOKE - cradle, drawbar
9	70-4555T1	1	COVER - retaining, slide
10	70-4513T2	1	SLIDER - plastic, drawbar
11	90-7494T1	2	BOLT - hex, special, 1 NC x 9-1/4 inch
12	425-1016	2	NUT - hex, 1 inch NC
13	70-1937T2	2	PIN - retaining
14	517758R91	2	PIN - klik, locking
16	495-21069	5	WASHER - flat, 11/16 x 1-3/4 x 9/64 inch
17	426-1020	2	BOLT - hex, 5/8 NC x 1-1/4 inch, grade 8
18	70-1731T1	1	PIN - drawbar retaining
19	19-1041	1	PIN - klik, locking
20	70-1735T1	1	PIN - drawbar pull
26	70-6913T1	1	DRAWBAR - extendable, hardened, P/N 70-6913T1 is a heat-treated drawbar. See NTR SB 017 98 for more information.
27	70-6263T2	2	PLATE - spacer block
28	70-6265T1	1	PLATE - hammerstrap
29	70-6249T1	1	LATCH - mount
31	90-7494T1	2	BOLT - hex, special, 1 NC x 9-1/4 inch
32	425-1016	2	NUT - hex, 1 inch NC
33	1965315C2	1	LEVER - hammerstrap
34	527-204	1	PIN - clevis, 10 x 43 mm
35	432-816	1	1/8" x 1"
36	70-6264T2	2	BLOCK - spacer, 1-1/2 inch thick
40	70-4620T2	1	BUSHING - drawbar
41	70-6099T3	1	HANGER - drawbar, prior to P.I.N. JEE0071001, not shown, If ordering 70-6099T3 hanger, prior to P.I.N. JEE0069308, Ref. 41, the following will need to be supplied: (1) 223274A1 hanger, P.I.N. JEE0069308 and after, Ref. 48 and (1) 70-6906T1 yoke, not shown.
42	426-1648	10	BOLT - hex, 1 NC x 3 inch, grade 8
43	19-5739	20	WASHER - flat, special
44	425-1016	10	NUT - hex, 1 inch NC
45	426-1640	4	BOLT - hex, 1 NC x 2-1/2 inch, grade 8, use with 223274A1 hanger, Ref. 48
46	496-21106	20	WASHER - flat, 1-1/16 x 2 x 13/64 inch, hardened, use with 223274A1 hanger, Ref. 48
47	429-1016	10	NUT - hex, 1 inch NC, grade 8, use with 223274A1 hanger, Ref. 48
48	223274A1	1	HANGER - drawbar, P.I.N. JEE0071001 and after, If ordering 70-6099T3 hanger, prior to P.I.N. JEE0069308, Ref. 41, the following will need to be supplied: (1) 223274A1 hanger, P.I.N. JEE0069308 and after, Ref. 48 and (1) 70-6906T1 yoke, not shown.



MS9&K005

QUADTRAC uses different reynolds drawbar see QT book. REYNOLDS DRAWBAR CHANGE FROM 334662A1 TO 334661A2 adds the tow cable to the drawbar option for quadtrac tractors. 369831A1 qty 1 cable, tow - 369830A1 pear link qty of 1 - 369837a1 anchro shackle qty of 1 - 369838a1 shackle qty of 1 369829a1 tow cable support qty of 1 - 370182A1 tow cable bracket qty of 1 and 370407A1 tow cable light bracket. per ECN F990582 NAPO TECH NOTE

9380 CASE IH 4WD TRACTOR (6/95-8/00)

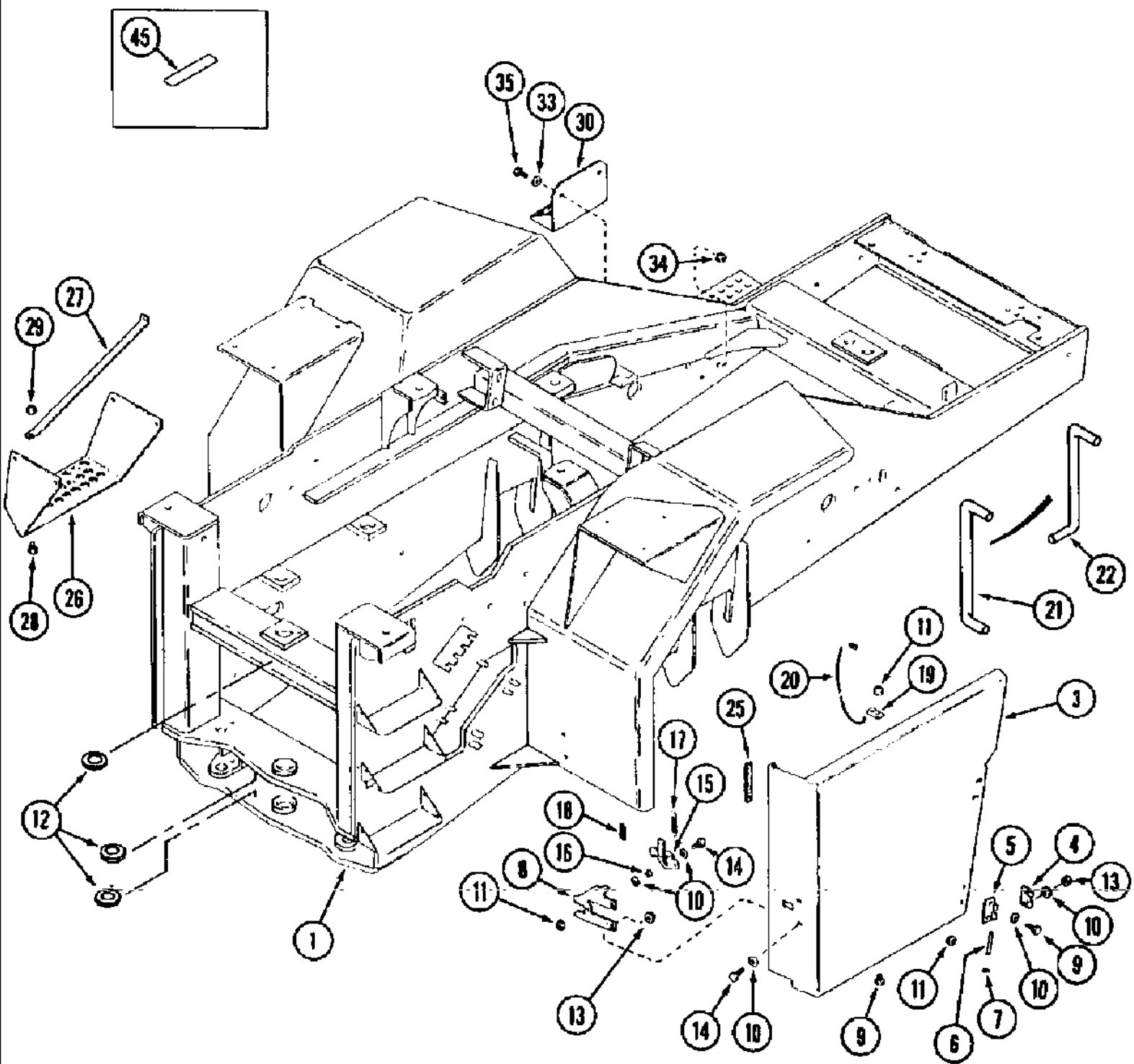
9-022 DRAWBAR, REYNOLDS, IF USED

сылка	Номер детали	Кол-во	Описание
	334662A1	1	DRAWBAR ASSEMBLY - Reynolds, Includes: Ref. 1 - 17, Purchase this part along with its component parts direct from Reynolds, McAllen, Texas.
1	336135A1	1	HANGER - drawbar
2	336136A1	1	DRAWBAR - Reynolds
	336133A1	1	PIN ASSEMBLY - drawbar, Includes: Ref. 3 - 6
3	NSS	1	PIN - drawbar
4	NSS	1	PIN - cotter
5	NSS	1	WASHER - flat, 5/8 inch
6	NSS	1	NUT - hex slotted, 1-1/2-6 inch
7	326-24144	1	BOLT - hex
8	495-11162	1	WASHER - flat, 1-5/8 x 3 x 5/32 inch
9	329-1024	1	NUT, 1 1/2"-6, G8
10	413-16112	2	BOLT - hex, 1 NC x 7 inch, Per ECN F98936 correct bolt is 426-16112 it is a HEX HD 1.00 x 7.00 Grade 8 rather than the Grade 5 listed in parts list in catalog. NAPO TECH NOTE
11	429-1016	12	NUT - hex, 1 inch NC, grade 8
12	496-21106	22	WASHER - flat, 1-1/16 x 2 x 13/64 inch, hardened
13	426-1648	10	BOLT - hex, 1 NC x 3 inch, grade 8
14	70-6013T2	1	PIN - pivot, knuckle
15	70-5967T1	1	SPACER - pin
16	496-21066	1	WASHER - flat, 21/32 x 1-5/16 x 5/32 inch, hardened
17	426-1024	1	BOLT - hex, 5/8 NC x 1-1/2 inch, grade 8

QUADTRAC uses different reynolds drawbar see QT book. REYNOLDS DRAWBAR CHANGE FROM 334662A1 TO 334661A2 adds the tow cable to the drawbar option for quadtrac tractors. 369831A1 qty 1 cable, tow - 369830A1 pear link qty of 1 - 369837a1 anchro shackle qty of 1 - 369838a1 shackle qty of 1 369829a1 tow cable support qty of 1 - 370182A1 tow cable bracket qty of 1 and 370407A1 tow cable light bracket. per ECN F990582 NAPO TECH NOTE

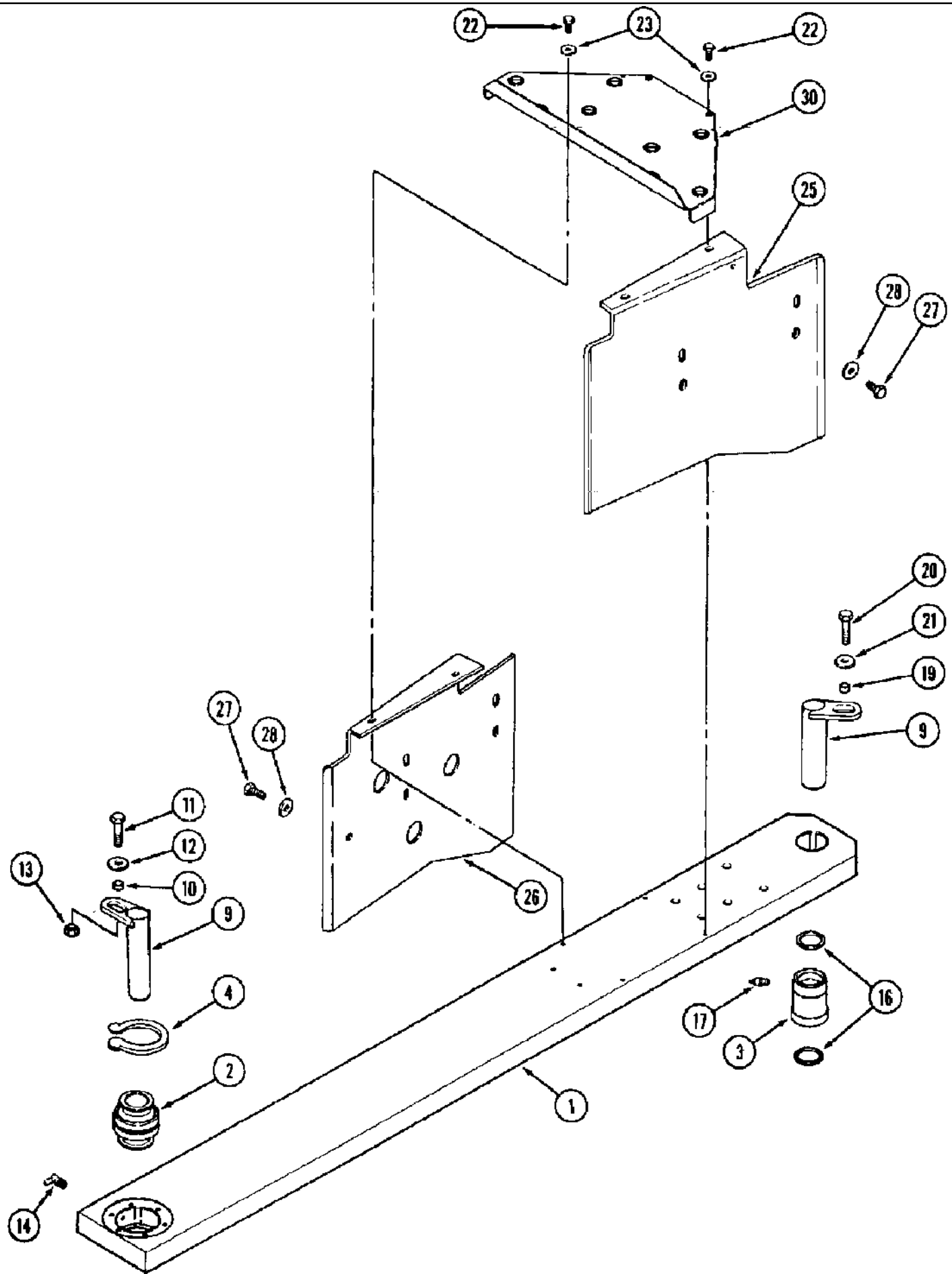


9-024 FRONT FRAME



## 9-024 FRONT FRAME

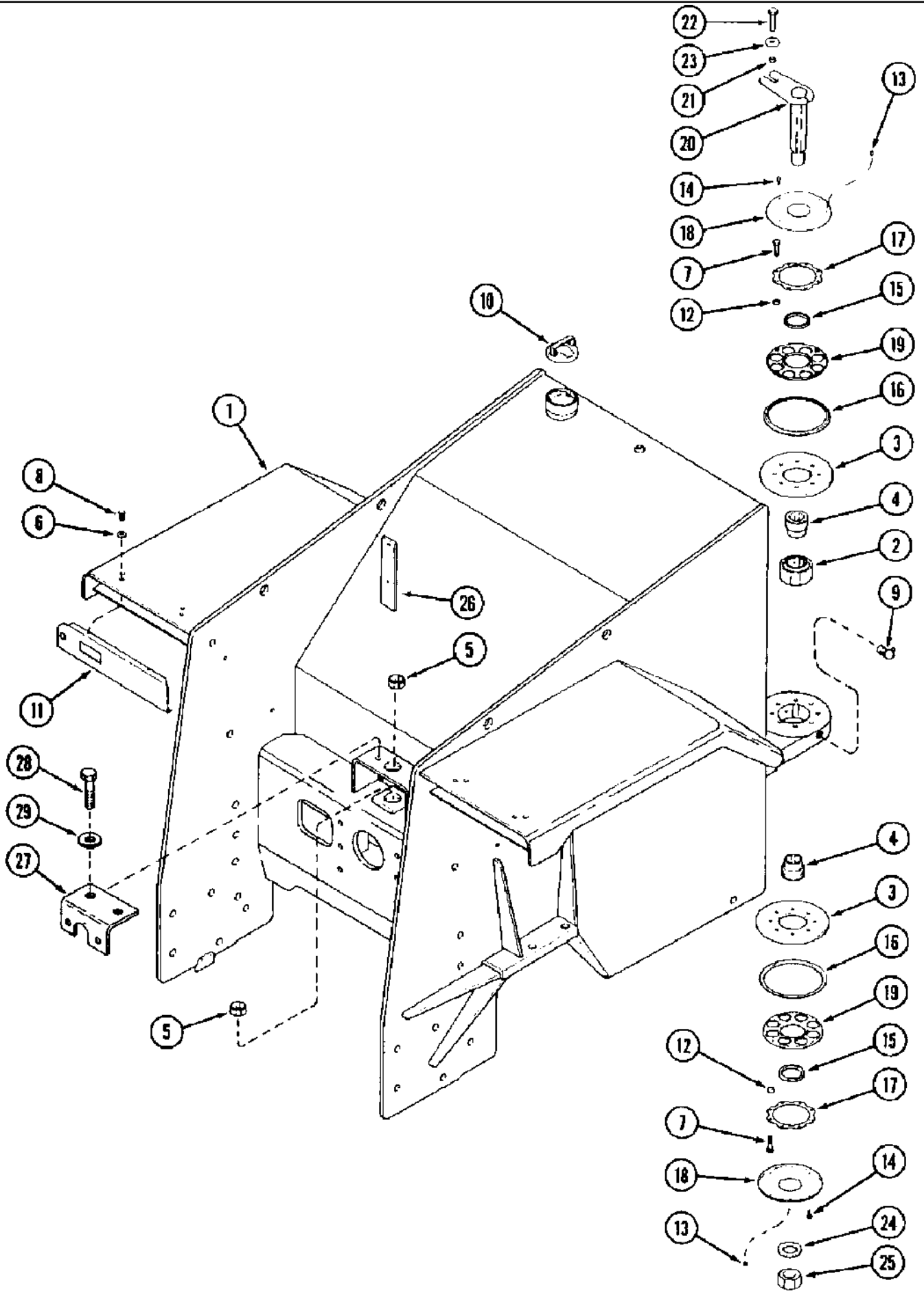
сылка	Номер детали	Кол-во	Описание
1	305091A1	1	FRAME - front, replaces 70-6641T1 frame
3	70-6209T2	1	DOOR - component cover
4	70-6210T2	2	HINGE - door, mounting
5	70-6200T1	2	HINGE - door
6	70-1996T3	2	PIN - hinge
7	70-2600T2	4	RING - retaining
8	70-6207T2	1	BRACKET - mounting
9	426-612	4	BOLT - hex, 3/8 NC x 3/4 inch, grade 8
10	495-21044	12	WASHER - flat, 7/16 x 1 x 5/64 inch
11	232-4136	16	NUT, LOCK, 3/8"-16, GC
12	19-5709	3	WASHER - special, Ref #12 - used to take up spagce in the bushing. MU. TSG. 10/28/99
13	231-1446	12	NUT, LOCK, 3/8"-16, GB
14	426-616	8	BOLT, Hex, 3/8"-16 x 1", G8, Full Thd
15	70-6206T1	1	LATCH - access door
16	496-81023	1	WASHER - flat, 13/32 x 3/4 x 7/32 inch, hardened, latch
17	90-7524T1	1	SPRING - latch
18	90-6966T1	1	HANDLE - door latch
19	70-1996T3	1	PIN - retaining
20	9415236	1	PIN - 1/8 x 3/4 inch, spring
21	70-6213T1	1	ROD - retainer, replaced by 70-6336T1 rod, Ref. 22
22	70-6336T1	1	ROD - retainer, replaces 70-6213T1 rod, Ref. 21
25	60-6607T2	1	SEAL - foam, 711 mm (28 inch) long, cut from 60-4596T1 bulk seal, see below
26	70-5107T1	1	STEP - rear, bottom
27	70-5109T1	1	STRAP - stabilizer, step
28	426-616	8	BOLT, Hex, 3/8"-16 x 1", G8, Full Thd
29	231-1446	12	NUT, LOCK, 3/8"-16, GB
30	70-2142T3	1	STEP - lower front
33	495-21056	2	WASHER - flat, 9/16 x 1-3/8 x 7/64 inch
34	425-108	2	NUT - hex, 1/2 inch NC
35	426-824	2	BOLT - hex, 1/2 NC x 1-1/2 inch, grade 8
45	1-6835	4	STRIP - anti-skid, 406 mm (16 inch) long, cut from 26-211 bulk strip, see below
	60-4596T1		UAR SEAL - foam, bulk, 3048 mm (120 inch) long
	26-211		UAR STRIP - non-skid, bulk, 51 (2) x 3048 mm (120 inch) long



## 9380 CASE IH 4WD TRACTOR (6/95-8/00)

## 9-026 CENTER LINK

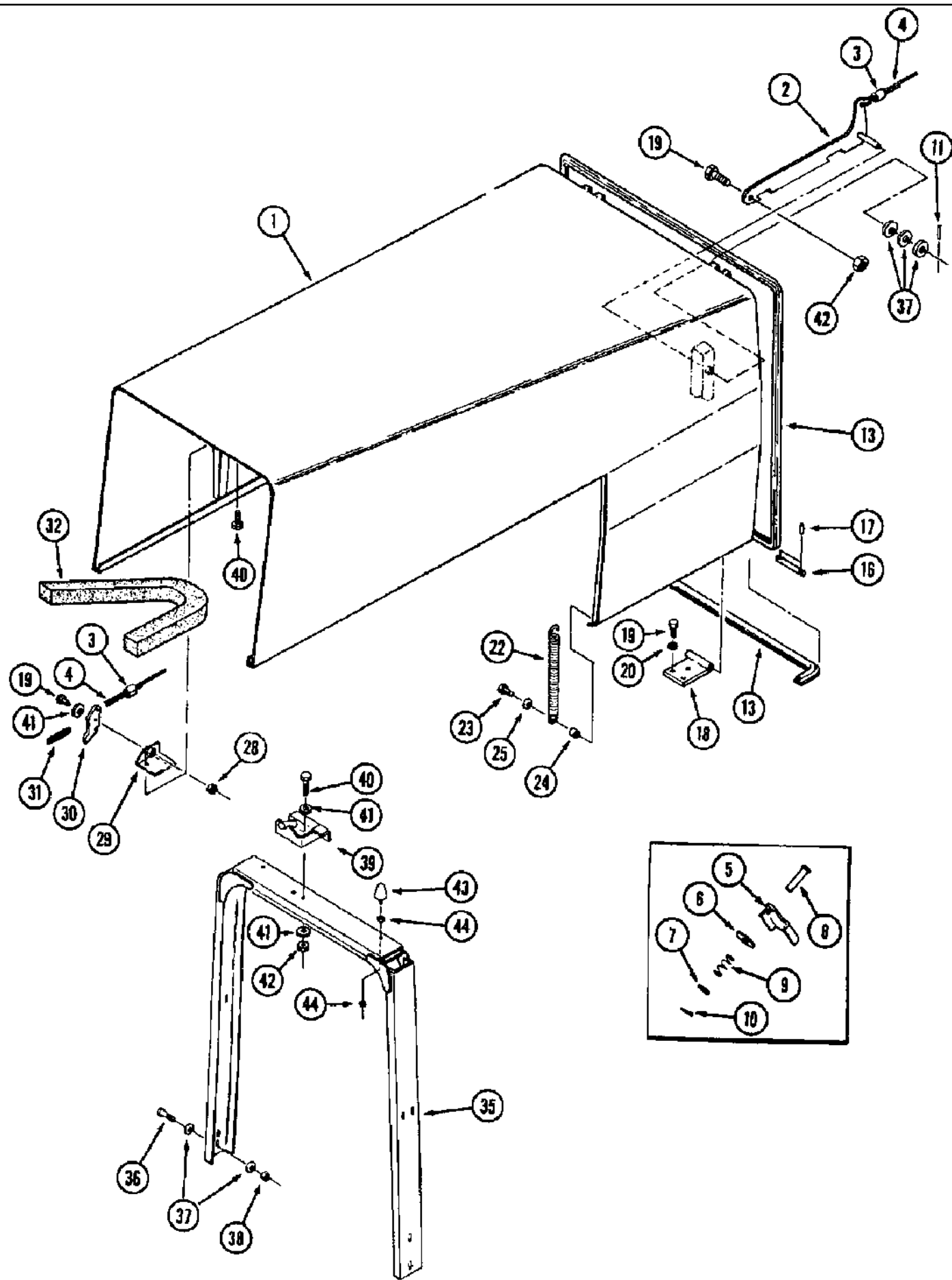
сылка	Номер детали	Кол-во	Описание
1	70-6480T1	1	LINK - center, articulation and oscillation
2	70-5468T1	1	BEARING - spherical
3	70-6217T1	1	BUSHING - pivot, link
4	101-21354	1	RING - internal retaining, No. 354
9	70-6076T2	2	PIN - pivot
10	70-5967T1	1	SPACER - pin
11	426-1024	1	BOLT - hex, 5/8 NC x 1-1/2 inch, grade 8
12	496-21066	1	WASHER - flat, 21/32 x 1-5/16 x 5/32 inch, hardened
13	425-1010	1	NUT, 5/8"-11, G5
14	219-55	1	FITTING - grease, 90 degree, 1/8 PT x 27/32 inch
16	D95143	2	WIPER - piston rod
17	219-1	17	FITTING - grease, straight, 1/8 PT x 21/32 inch
19	70-5967T1	1	SPACER - pin
20	426-1024	1	BOLT - hex, 5/8 NC x 1-1/2 inch, grade 8
21	496-21066	1	WASHER - flat, 21/32 x 1-5/16 x 5/32 inch, hardened
22	426-612	4	BOLT - hex, 3/8 NC x 3/4 inch, grade 8
23	495-11041	4	WASHER - flat, 13/32 x 13/16 x 1/16 inch
25	70-6477T2	1	COVER - driveshaft, right-hand
26	70-6478T2	1	COVER - driveshaft, left-hand
27	426-812	4	BOLT - hex, 1/2 NC x 3/4 inch, grade 8
28	495-11053	4	WASHER, 1/2", SAE (17/32" x 1-1/16" x 3/32")
30	70-6216T2	1	STEP - maintenance



## 9380 CASE IH 4WD TRACTOR (6/95-8/00)

## 9-028 REAR FRAME

сылка	Номер детали	Кол-во	Описание
1	70-6650T1	1	FRAME - rear
2	R37021	1	BEARING - pivot, spherical, prior to P.I.N. JEE0071001
2	70-6110T1	1	BEARING - pivot, spherical, P.I.N. JEE0071001 and after
3	70-6063T1	2	RETAINER - bearing, Ref #3 and #4 - If there is a gap between items number 3 and 4 a washer 19-5709 can be installed. MU. TSG. 10/28/99
4	70-5836T2	2	SLEEVE - bearing
5	70-4621T2	2	BUSHING - frame, rear
6	495-21031	4	WASHER - flat, 5/16 x 3/4 x 1/16 inch
7	426-620	16	BOLT - hex, 3/8 NC x 1-1/4 inch, grade 8
8	426-48	4	BOLT - hex, 1/4 NC x 1/2 inch, grade 8
9	219-36	1	FITTING - grease, 45 degree, 1/8 PT x 7/8 inch, prior to P.I.N. JEE0071001
9	219-55	1	FITTING - grease, 90 degree, 1/8 PT x 27/32 inch, P.I.N. JEE0071001 and after
10	A162191	1	CAP - fuel, prior to P.I.N. JEE0071001
10	2-3679T1	1	CAP - fuel, P.I.N. JEE0071001 and after
11	70-6709T1	1	BRACKET - lamp mounting, left-hand
11	70-6707T1	1	BRACKET - lamp mounting, right-hand, not shown
12	70-6199T1	16	SPACER - cover
13	217-430	2	PLUG - hex socket headless, 1/8 inch PT
14	163-47	8	SCREW - machine, hex head, No. 10 NC x 1/2 inch
15	D95148	2	WIPER - seal
16	70-6378T3	2	SEAL - outer
17	70-6198T1	2	RETAINER - gasket
18	70-6189T1	2	COVER - bearing
19	70-6190T1	2	HOUSING - bearing
20	70-6180T3	1	PIN - pivot, frame
21	70-5967T1	1	SPACER - pin
22	426-1024	1	BOLT - hex, 5/8 NC x 1-1/2 inch, grade 8
23	495-11066	1	WASHER - flat, 21/32 x 1-5/16 x 3/32 inch
24	1-4088	1	WASHER - flat, 1-3/4 x 2-3/4 x 1/4 inch
25	70-6221T1	1	NUT - special locking
26	70-5891T2	1	PLATE - SMV
27	70-6774T1	1	BRACKET - mounting, electrical plug
28	426-516	2	BOLT - hex, 5/16 NC x 1 inch, grade 8
29	495-11034	4	WASHER - flat, 11/32 x 11/16 x 1/16 inch



F9594 16

Hood latch kit 35-1983T91 can be used to convert hood latch mechanisms from 9270 and 9280 tractors P.I.N. JEE0033501 and after and the 9370 and 9380 tractors prior to P.I.N. JEE0037932 to the most current style.

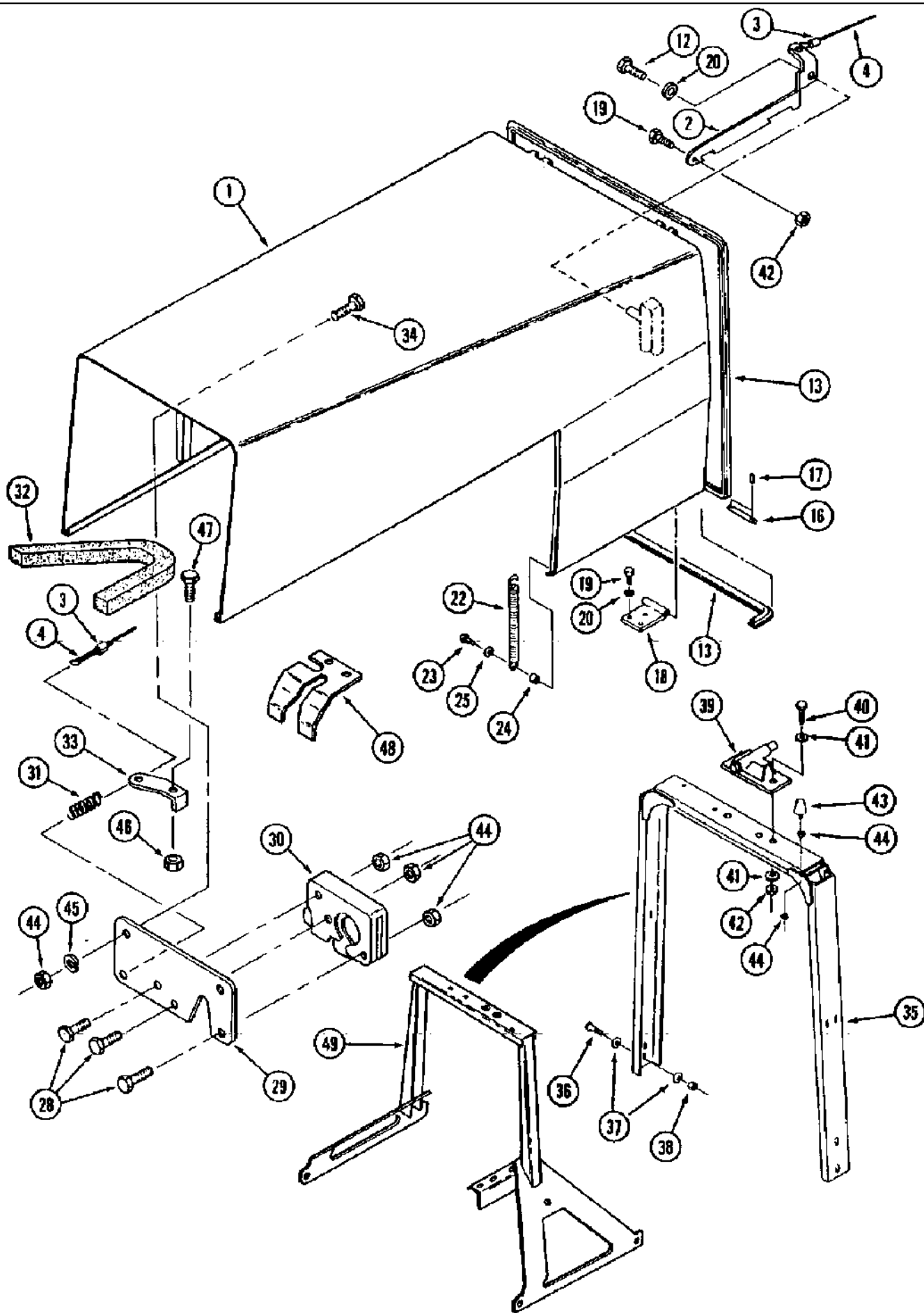
## 9380 CASE IH 4WD TRACTOR (6/95-8/00)

## 9-030 HOOD AND SUPPORT, PRIOR TO P.I.N. JEE0037932, 9370 AND 9380 ONLY

сылка	Номер детали	Кол-во	Описание
1	70-6601T1	1	HOOD - engine
2	70-6730T1	1	LATCH - open hood retaining
3	70-5269T1	2	FERRULE - wire rope
4	70-6732T1	1	ROPE - wire, 4521 mm (178 inch) long, cut from 70-5252T1 bulk rope, see below
5	70-6308T1	1	LATCH - hood
6	19-6154	1	WASHER - flat, nylon, 3/8 x 1-1/4 x 1/16 inch
7	495-11041	1	WASHER - flat, 13/32 x 13/16 x 1/16 inch
8	427-6156	1	PIN - clevis, 3/8 x 1-9/16 inch, hardened
9	60-6422T1	1	SPRING - compression
10	32-612	1	PIN, SPLIT (COTTER), 3/32" x 3/4"
11	38-11216	1	PIN, 3/16" x 1", Slotted
13	70-5263T1	5	SEAL - foam, 1092 mm (43 inch) long, cut from 70-5259T1X bulk seal, see below
16	70-4262T2	2	PIN - hood hinge
17	9415236	4	PIN - 1/8 x 3/4 inch
18	70-4263T1	2	HINGE - hood
19	426-620	8	BOLT - hex, 3/8 NC x 1-1/4 inch, grade 8
20	496-41041	6	WASHER - flat, 13/32 x 1-1/8 x 9/64 inch, hardened
22	19-6261	2	SPRING - assist, hood opening
23	426-836	2	BOLT - hex, 1/2 NC x 2-1/4 inch, grade 8
24	2-8012T1	2	SPACER - spring retainer
25	19-961	2	WASHER - flat
28	425-106	1	NUT, 3/8"-16, G5
29	70-6753T1	1	MOUNT - latch
30	70-6178T1	1	LATCH - release
31	A163012	1	SPRING - latch return
32	60-6705T1	1	SEAL - foam, rear hood
35	70-6501T2	1	SUPPORT - hood
36	426-820	4	BOLT - hex, 1/2 NC x 1-1/4 inch, grade 8
37	495-21056	11	WASHER - flat, 9/16 x 1-3/8 x 7/64 inch
38	231-4118	4	NUT - hex, self-locking, 1/2 inch NC
39	70-6755T1	1	BRACKET - hood retaining latch
40	426-616	4	BOLT, Hex, 3/8"-16 x 1", G8, Full Thd
41	495-21044	5	WASHER - flat, 7/16 x 1 x 5/64 inch
42	231-1446	3	NUT, LOCK, 3/8"-16, GB
43	N7673	2	BUMPER - rubber
44	425-105	4	NUT - hex, 5/16 inch NC
	35-1983T91	1	KIT - hood latch, Includes: Ref. 3, 28, 30, 33, 34, 39, 45, 46, 47, 48 and 49 on Figure 9-032, parts (3) 426-524 bolt, (5) 425-105 nut and (2) 19-6113 bushing, not shown, Hood latch kit 35-1983T91 can be used to convert hood latch mechanisms from 9270 and 9280 tractors P.I.N. JEE0033501 and after and the 9370 and 9380 tractors prior to P.I.N. JEE0037932 to the most current style.
	70-5252T1		UAR ROPE - wire, bulk, 7620 mm (300 inch) long
	70-5259T1X		UAR SEAL - foam, bulk, 3048 mm (120 inch) long

Hood latch kit 35-1983T91 can be used to convert hood latch mechanisms from 9270 and 9280 tractors P.I.N. JEE0033501 and after and the 9370 and 9380 tractors prior to P.I.N. JEE0037932 to the most current style.



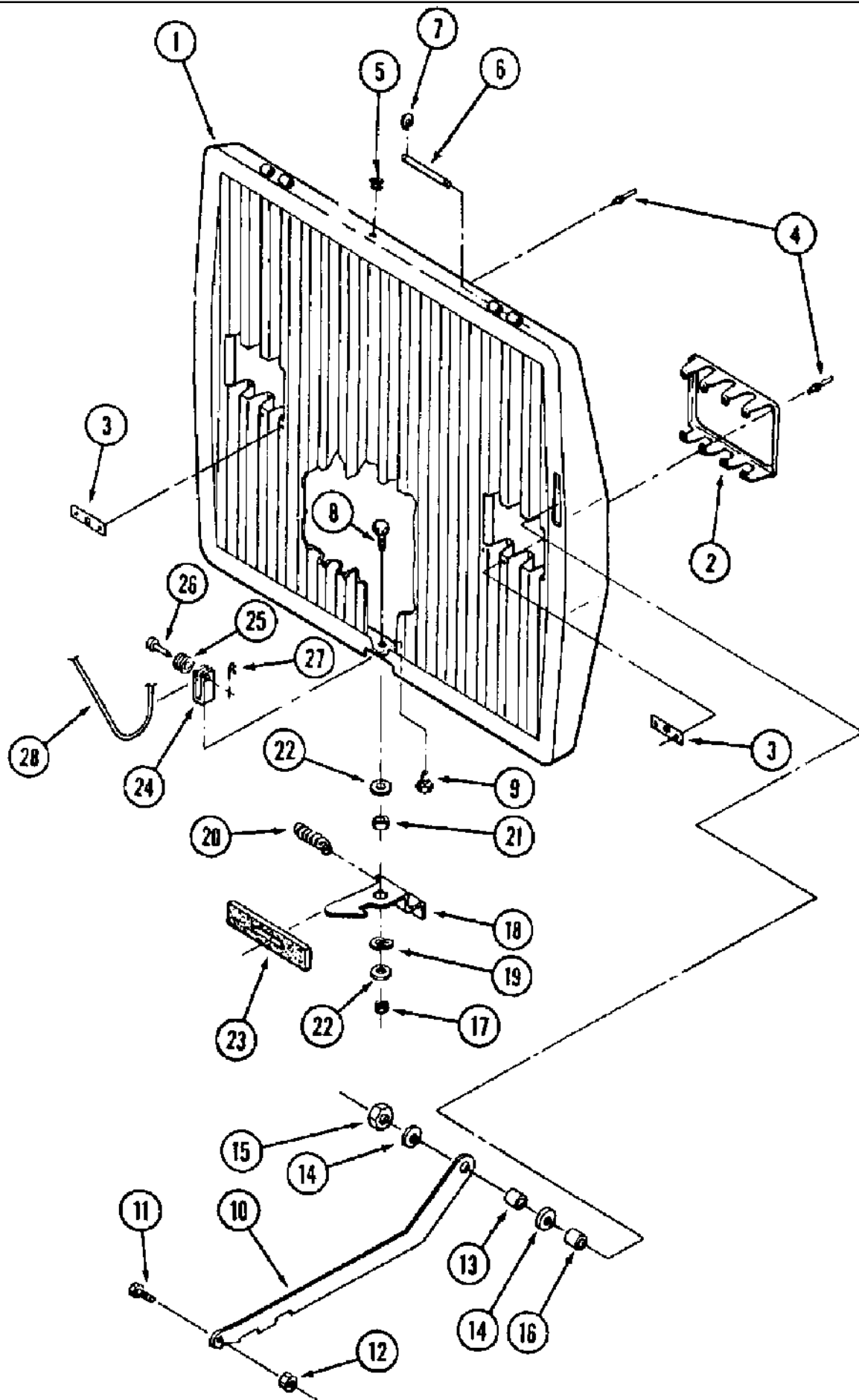


MS98MD17

Hood latch kit 35-1983T91 can be used to convert hood latch mechanisms from 9270 and 9280 tractors P.I.N. JEE0033501 and after and the 9370 and 9380 tractors prior to P.I.N. JEE0037932 to the most current style.

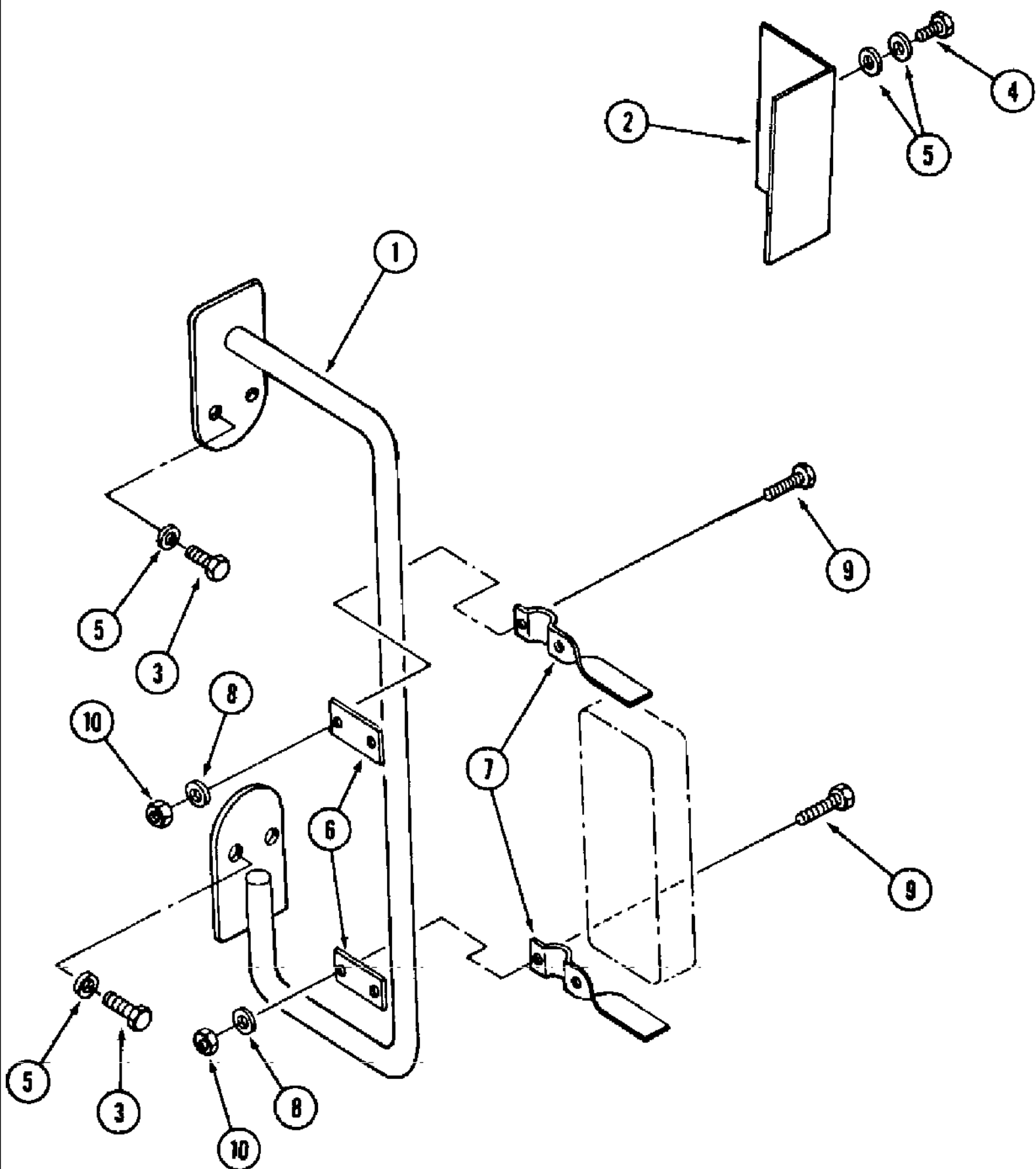
сылка	Номер детали	Кол-во	Описание
1	324564A1	1	HOOD - engine, also order (1) 313066A1 plate Ref. 29 and (1) 324785A1 pin Ref. 39, replaces 70-6820T1 hood
2	70-6840T1	1	LATCH - open hood retaining
3	70-5275T1	3	CLAMP - includes U-bolt and nut, Part of hood latch kit P/N 35-1983T91.
4	70-6732T1	1	ROPE - wire, 4521 mm (178 inch) long, cut from 70-5252T1 bulk rope, see below
12	426-610	1	BOLT - hex, 3/8 NC x 5/8 inch, grade 8
13	70-5263T1	5	SEAL - foam, 1092 mm (43 inch) long, cut from 70-5259T1X bulk seal, see below
16	70-4262T2	2	PIN - hood hinge
17	9415236	4	PIN - 1/8 x 3/4 inch
18	70-4263T1	2	HINGE - hood
19	426-620	7	BOLT - hex, 3/8 NC x 1-1/4 inch, grade 8
20	496-41041	9	WASHER - flat, 13/32 x 1-1/8 x 9/64 inch, hardened
22	19-6261	2	SPRING - assist, hood opening
23	426-836	2	BOLT - hex, 1/2 NC x 2-1/4 inch, grade 8
24	2-8012T1	2	SPACER - spring retainer
25	19-961	2	WASHER - flat
28	426-524	3	BOLT - hex, 5/16 NC x 1-1/2 inch, grade 8, Part of hood latch kit P/N 35-1983T91.
29	313066A1	1	MOUNT - latch, replaces 70-6822T1 mount, also order (1) 324785A1 striker Ref. 39
30	60-5001T1	1	LATCH - door, Part of hood latch kit P/N 35-1983T91.
31	A163012	1	SPRING - latch return
32	60-6705T1	1	SEAL - foam, rear hood
33	70-6841T1	1	ARM - latch articulation, Part of hood latch kit P/N 35-1983T91.
34	426-512	2	BOLT - hex, 5/16 NC x 3/4 inch, grade 8, Part of hood latch kit P/N 35-1983T91.
35	70-6501T2	1	SUPPORT - hood, prior to P.I.N. JEE0071837
36	426-824	4	BOLT - hex, 1/2 NC x 1-1/2 inch, grade 8
37	495-21056	10	WASHER - flat, 9/16 x 1-3/8 x 7/64 inch
38	231-4118	5	NUT - hex, self-locking, 1/2 inch NC
39	324785A1	1	STRIKER - hood retaining latch, also order (1) 313066A1 mount Ref. 29, replaces 70-6823T1 striker, Part of hood latch kit P/N 35-1983T91.
40	426-616	3	BOLT, Hex, 3/8"-16 x 1", G8, Full Thd
41	495-21044	5	WASHER - flat, 7/16 x 1 x 5/64 inch
42	231-1446	3	NUT, LOCK, 3/8"-16, GB
43	N7673	2	BUMPER - rubber
44	425-105	9	NUT - hex, 5/16 inch NC
45	492-11038	2	WASHER, LOCK, 3/8", Part of hood latch kit P/N 35-1983T91.
46	231-1444	1	NUT, LOCK, 1/4"-20, GB, Part of hood latch kit P/N 35-1983T91.
47	426-412	1	BOLT - hex, 1/4 NC x 3/4 inch, grade 8, Part of hood latch kit P/N 35-1983T91.
48	70-6829T1	1	PLATE - guide, Part of hood latch kit P/N 35-1983T91.
49	70-6923T1	1	SUPPORT - hood, P.I.N. JEE0071837 and after, Part of hood latch kit P/N 35-1983T91.
	70-5252T1		UAR ROPE - wire, bulk, 7620 mm (300 inch) long
	70-5259T1X		UAR SEAL - foam, bulk, 3048 mm (120 inch) long
	35-1983T91	1	KIT - hood latch, includes: Ref. 3, 28, 30, 33, 34, 39, 45, 46, 47, 48 and 49 and parts (3) 426-524 bolt, (5) 425-105 nut and (2) 19-6113 bushing, not shown, Hood latch kit 35-1983T91 can be used to convert hood latch mechanisms from 9270 and 9280 tractors P.I.N. JEE0033501 and after and the 9370 and 9380 tractors prior to P.I.N. JEE0037932 to the most current style.

Hood latch kit 35-1983T91 can be used to convert hood latch mechanisms from 9270 and 9280 tractors P.I.N. JEE0033501 and after and the 9370 and 9380 tractors prior to P.I.N. JEE0037932 to the most current style.



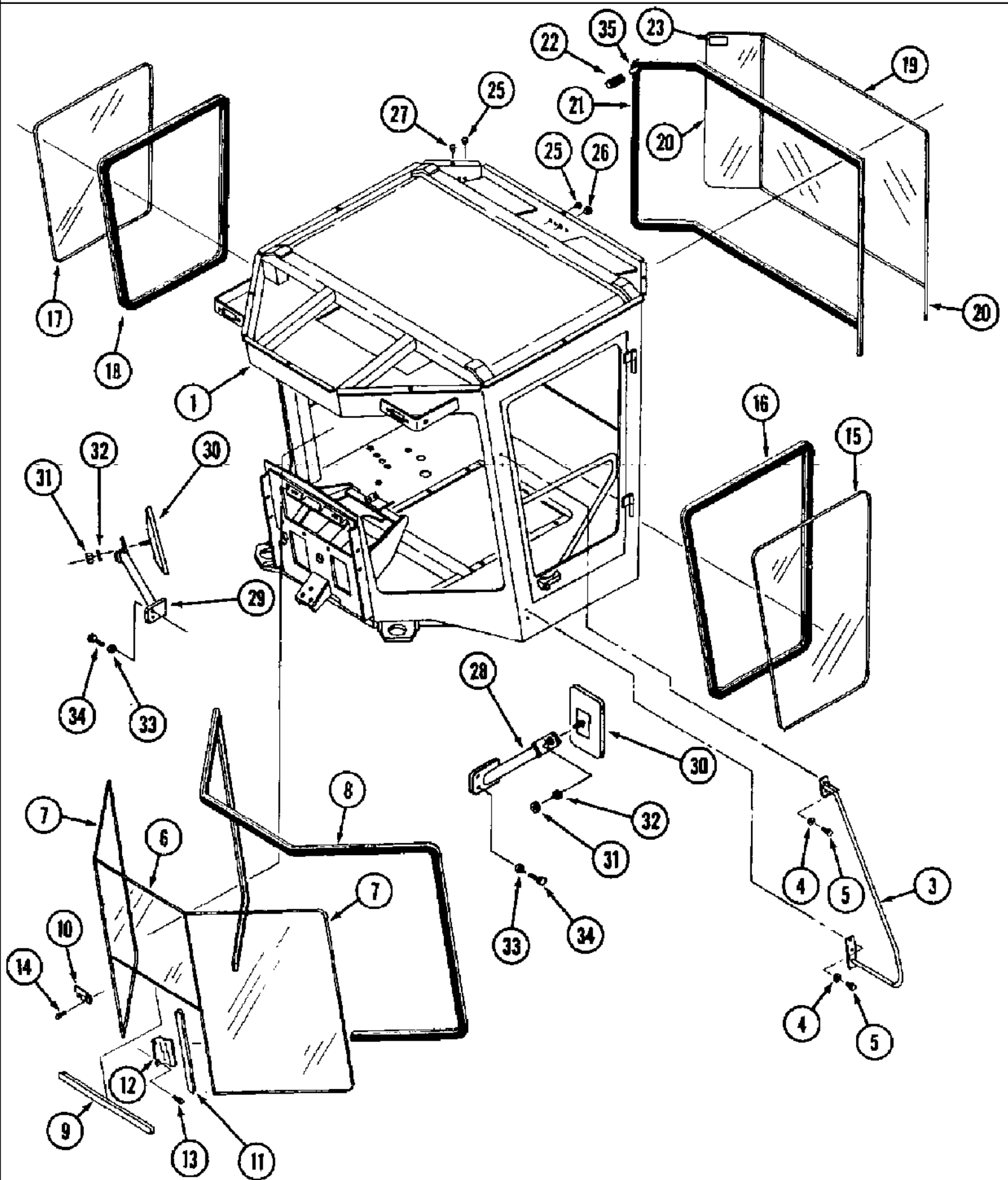
## 9-034 GRILLE

сылка	Номер детали	Кол-во	Описание
	70-6714T92	1	GRILLE ASSEMBLY - hood front, replaces 70-6590T91 grille, Includes: Ref. 1 - 4
1	NSS	1	GRILLE - front
2	70-6727T1	2	BRACKET - lamp mounting
3	70-2507T2	3	PLATE - bracket mounting
4	151-515	18	RIVET - break mandrel, 5/32 x 7/16 inch
5	19-6113	1	BUSHING - nylon, split, flanged
6	70-1996T3	2	PIN - hinge
7	70-2600T2	4	RING - retaining
8	426-616	1	BOLT, Hex, 3/8"-16 x 1", G8, Full Thd
9	426-412	1	BOLT - hex, 1/4 NC x 3/4 inch, grade 8
10	70-6600T1	1	LATCH - grille
11	426-612	1	BOLT - hex, 3/8 NC x 3/4 inch, grade 8
12	425-106	1	NUT, 3/8"-16, G5
13	70-5814T1	1	BUSHING - grille latch
14	495-21056	2	WASHER - flat, 9/16 x 1-3/8 x 7/64 inch
15	231-4118	1	NUT - hex, self-locking, 1/2 inch NC
16	70-2806T1	1	SPACER - grille latch
17	425-146	1	NUT - hex, jam, 3/8 inch NC
18	70-5273T1	1	LATCH - grille opening
19	19-6266T1	1	WASHER - lock, wave
20	90-7524T1	1	SPRING - latch
21	496-81023	1	WASHER - flat, 13/32 x 3/4 x 7/32 inch, hardened, latch, replaces 70-5177T1 spacer
22	496-41041	2	WASHER - flat, 13/32 x 1-1/8 x 9/64 inch, hardened
23	70-5258T2	1	SEAL - foam, adhesive-backed
24	70-5812T1	1	CLEVIS - pulley
25	70-5808T1	1	PULLEY - wire rope
26	427-4077	1	PIN, CLEVIS, 1/4" x .770", Hardened
27	432-412	1	1/16" x 3/4"
28	70-6732T1	1	ROPE - wire, 4521 mm (178 inch) long, cut from 70-5252T1 bulk rope, see below
	70-5252T1		UAR ROPE - wire, bulk, 7620 mm (300 inch) long



## 9-036 MONITOR MOUNT

сылка	Номер детали	Кол-во	Описание
	35-1924T91	1	KIT - monitor mounting, no longer available, order components separately, Includes: Ref. 1 - 10
1	60-7048T1	1	MOUNT - monitor
2	60-6820T1	1	BRACKET - mounting, phone
3	426-616	4	BOLT, Hex, 3/8"-16 x 1", G8, Full Thd
4	426-68	2	BOLT - hex, 3/8 NC x 1/2 inch, grade 8
5	495-21044	4	WASHER - flat, 7/16 x 1 x 5/64 inch
6	103226A1	2	CLAMP - mounting bracket
7	103213A1	2	BRACKET - mounting
9	614-8025	4	BOLT - hex, full threads, 8 - 1.25 x 25 mm
10	829-1408	4	NUT, M8, CI 10
8	895-11008	4	WASHER - flat, 9 x 17 x 1.6 mm



MS96N003

Decal on door window is 349378a1 decal, states "over 30 years 4 wh drive" Re It no. 12 for 2 hole support between #12 and cab post, order P/N 60-5777t1. Complete cab P/N 358360A1 Napo Tech note

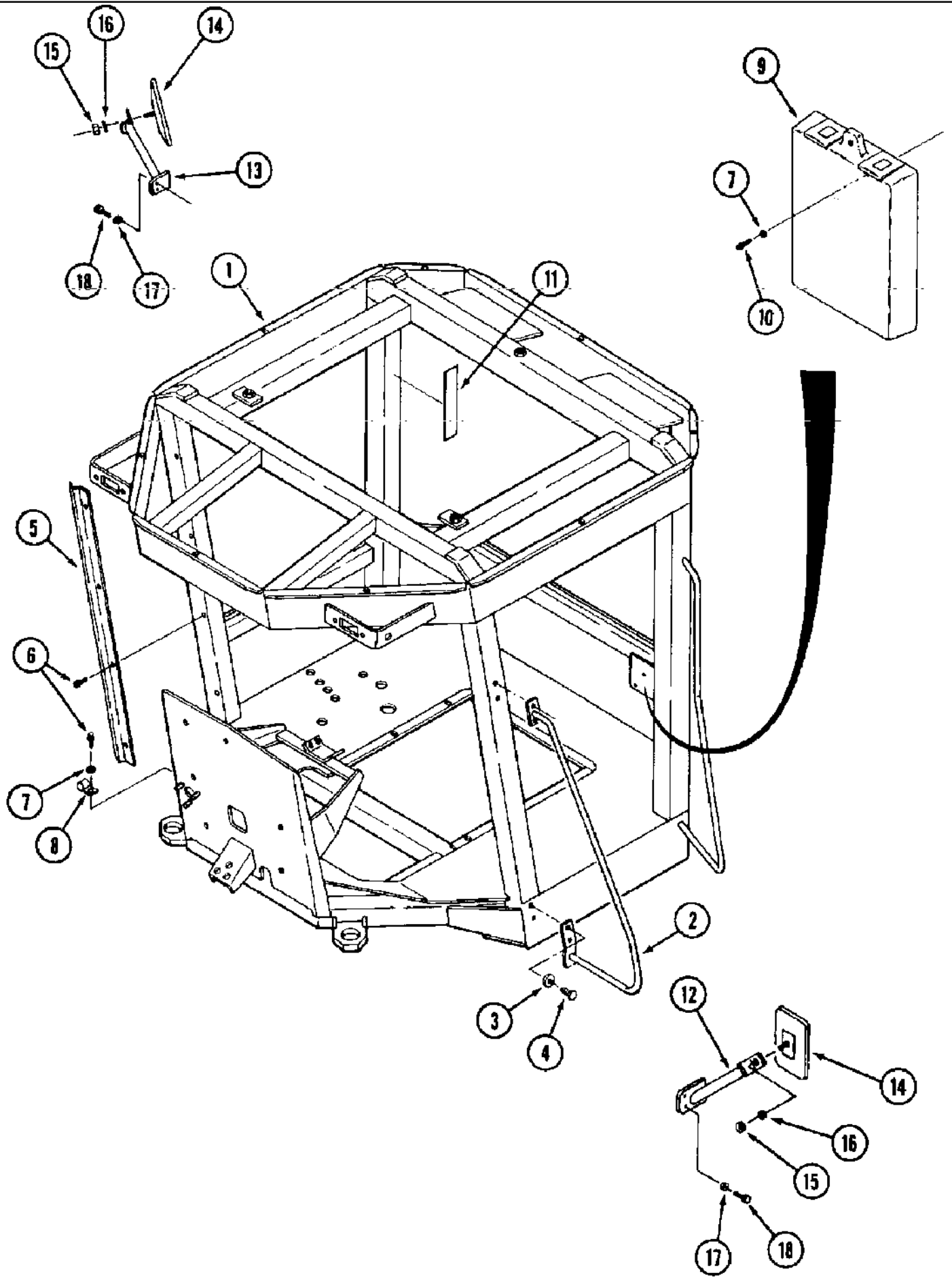
## 9-038 CAB AND WINDOWS

сылка	Номер детали	Кол-во	Описание
	REF	1	CAB ASSEMBLY - tractor, order from Machinery Price List
1	60-7086T2	1	FRAME - cab
3	60-5778T1	1	HANDLE - grab, side
4	495-21044	4	WASHER - flat, 7/16 x 1 x 5/64 inch
5	426-610	4	BOLT - hex, 3/8 NC x 5/8 inch, grade 8
6	60-4315T1	1	WINDSHIELD - front, center
7	60-6866T1	2	WINDSHIELD - front, sides
8	60-6875T1	1	SEAL - moulding, 5415 mm (213-3/16 inch) long, cut from 60-6870T1 bulk seal, see below
9	60-3039T1	1	SEAL - 625 mm (24-5/8 inch) long, cut from 2-6789T1 bulk seal, see below
10	60-2774T1	2	CLIP - retainer
11	60-3040T1	2	SEAL - 584 mm (23 inch) long, cut from 2-6789T1 bulk seal, see below, front side windshield
12	60-4146T1	2	BRACKET - retainer
13	282-44712	4	SCREW - self-drilling tapping, hex washer head, 1/4 NC x 3/4 inch
14	60-6688T1	4	SCREW - hex washer head, self-tapping, special
15	60-6865T1	1	WINDOW - door
16	60-6876T1	1	SEAL - moulding, 3575 mm (140-3/4 inch) long, cut from 60-6870T1 bulk seal, see below
17	60-6863T1	1	WINDOW - side
18	60-6874T1	1	SEAL - moulding, 3303 mm (130-1/16 inch) long, cut from 60-6870T1 bulk seal, see below
19	60-3859T1	1	WINDOW - back, center
20	60-6864T1	2	WINDOW - back, sides
21	60-6877T1	1	SEAL - moulding, 5054 mm (199 inch) long, cut from 60-6871T1 bulk seal, rear windows, see below
22	20-1814T1	1	SLEEVE - heat shrink, 19 mm (3/4 inch) long, cut from 20-1830T1 bulk sleeve, see below
23	2-6879T1	1	DECAL - emergency exit
25	60-4582T1	13	PLUG - hole, nylon, 5/16 inch diameter
26	31-2175	4	PLUG - hole, 3/4 inch diameter
27	60-4401T1	2	PLUG - hole, 5/8 inch diameter
28	60-7040T1	1	MOUNT - mirror, left-hand
29	60-7068T1	1	MOUNT - mirror, right-hand
30	1283403C1	2	MIRROR - rear view
32	892-11010	2	WASHER - lock, 10 mm
33	495-11041	4	WASHER - flat, 13/32 x 13/16 x 1/16 inch
34	426-612	4	BOLT - hex, 3/8 NC x 3/4 inch, grade 8
35	60-6895T1	1	SEAL - 5055 mm (199 inch) long, order from 60-6872T1 bulk seal
	2-6789T1		UAR TRIM - edge, bulk, 3048 mm (120 inch) long, sold by the foot
	20-1830T1		UAR SLEEVE - heat shrink, 6 (1/4) ID x 30480 mm (1200 inch) long
	60-6870T1		UAR SEAL - bulk, 6096 mm (240 inch) long
	60-6871T1		UAR SEAL - bulk, 6096 mm (240 inch) long
	60-6872T1		UAR SEAL - bulk, 6096 mm (240 inch) long
31	829-1410	2	NUT, M10, CI 10

Decal on door window is 349378a1 decal, states "over 30 years 4 wh drive" [REDACTED] Re It no. 12 for 2 hole support between #12 and cab post, order P/N 60-5777t1. [REDACTED] Complete cab P/N 358360A1 Napo Tech note



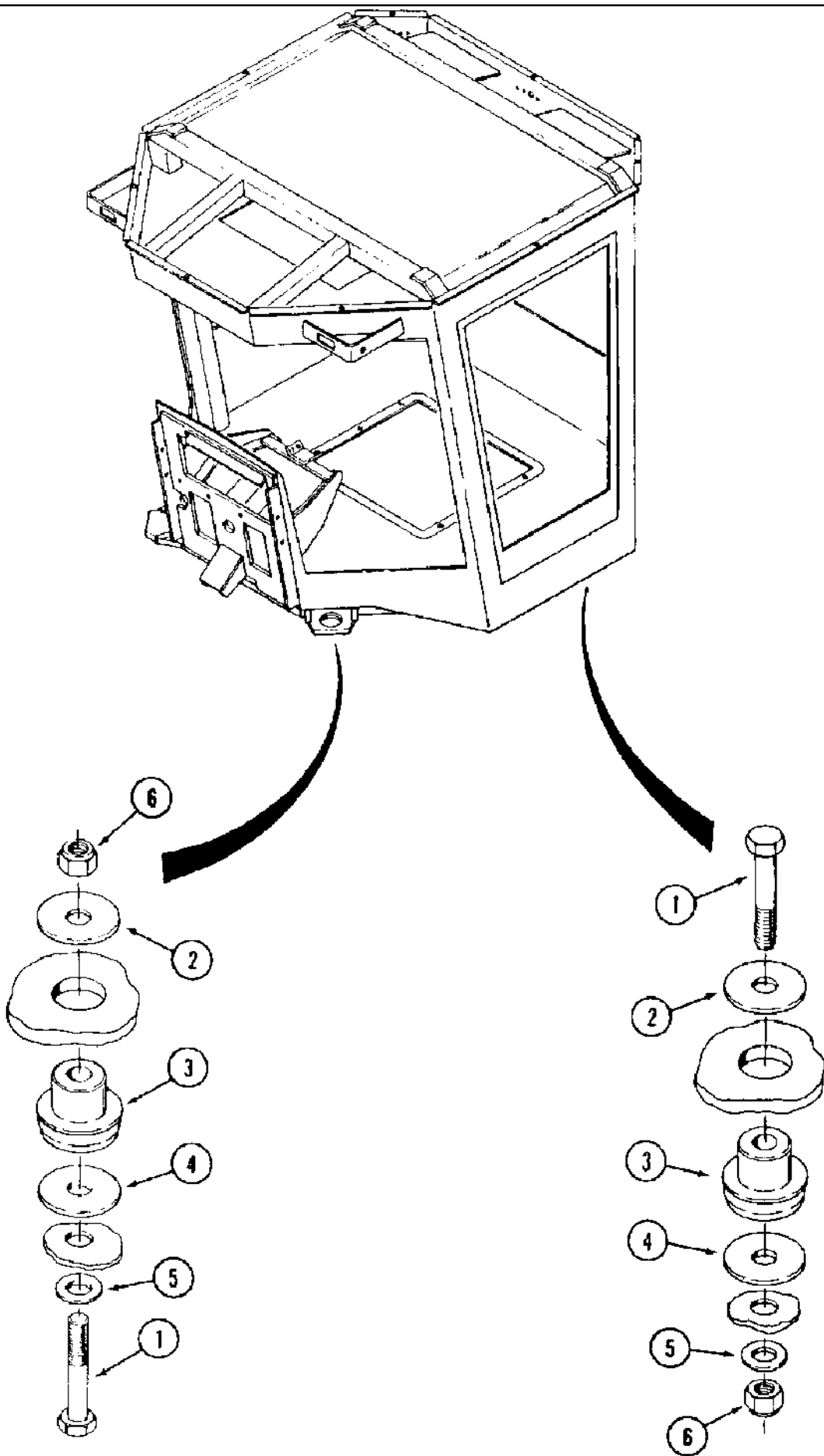
9-040 ROPS FRAME



## 9380 CASE IH 4WD TRACTOR (6/95-8/00)

## 9-040 ROPS FRAME

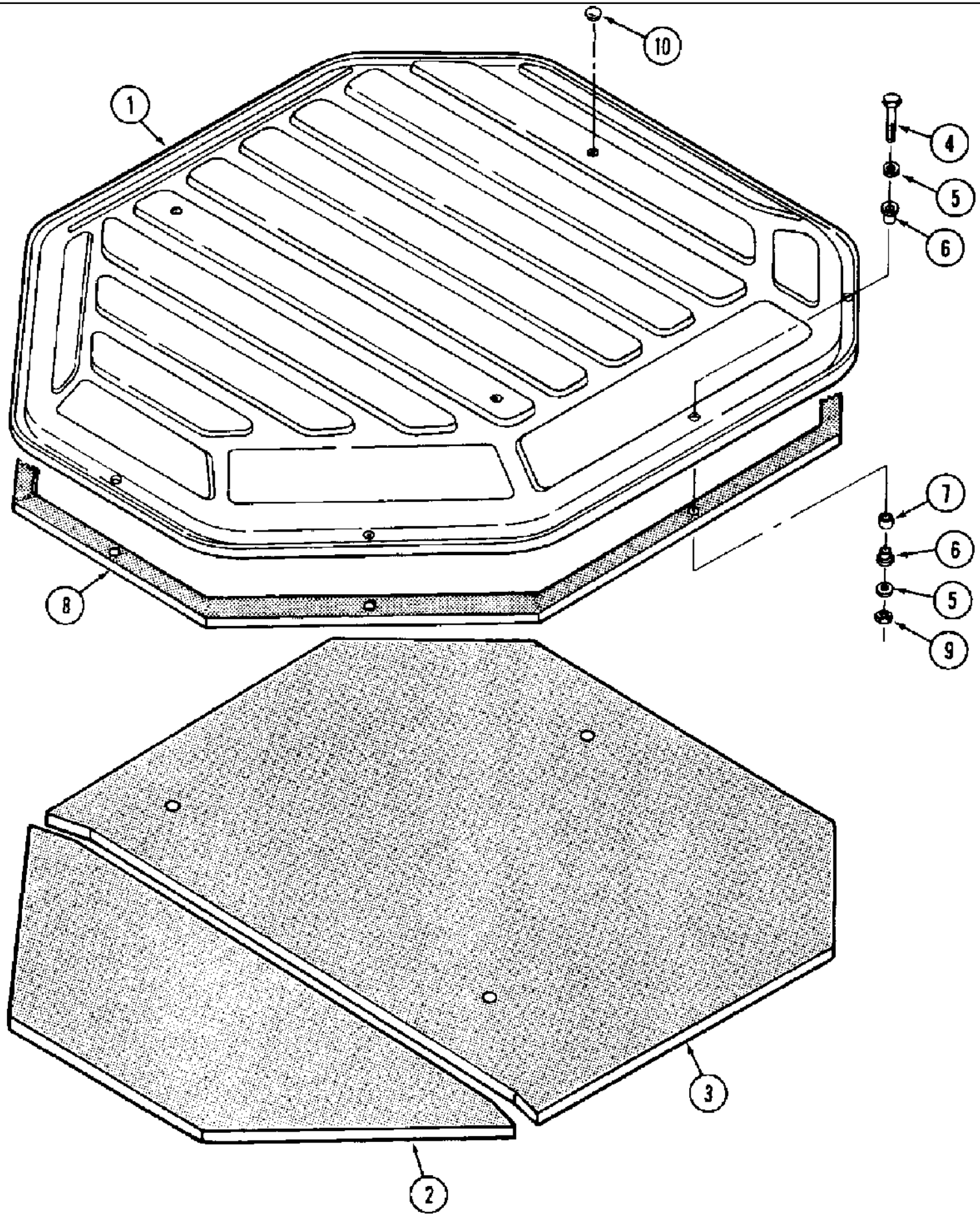
сылка	Номер детали	Кол-во	Описание
1	60-7087T1	1	FRAME - ROPS, protective
2	60-5778T1	1	HANDLE - grab, side
3	495-21044	4	WASHER - flat, 7/16 x 1 x 5/64 inch
4	426-610	4	BOLT - hex, 3/8 NC x 5/8 inch, grade 8
5	60-5855T1	1	GUARD - wire, ROPS post
6	281-1358	6	SCREW - self-tapping, hex washer head, No. 10 NC x 1/2 inch
7	495-31022	6	WASHER, #10
8	515-23381	2	CLAMP, 1 1/2", Insul, 3/8" Bolt, P-type
9	R46464	1	BOX - operators manual
10	463-41012	1	SCREW - machine, hex slotted washer head, No. 10 NC x 3/4 inch
11	60-6468T2	1	DECAL - Warning, avoid injury or death
12	60-7040T1	1	MOUNT - mirror, left-hand
13	60-7068T1	1	MOUNT - mirror, right-hand
14	1283403C1	2	MIRROR - rear view
16	892-11010	2	WASHER - lock, 10 mm
17	495-11034	4	WASHER - flat, 11/32 x 11/16 x 1/16 inch
18	426-612	4	BOLT - hex, 3/8 NC x 3/4 inch, grade 8
15	829-1410	2	NUT, M10, CI 10



9380 CASE IH 4WD TRACTOR (6/95-8/00)

9-042 MOUNTS, CAB AND ROPS

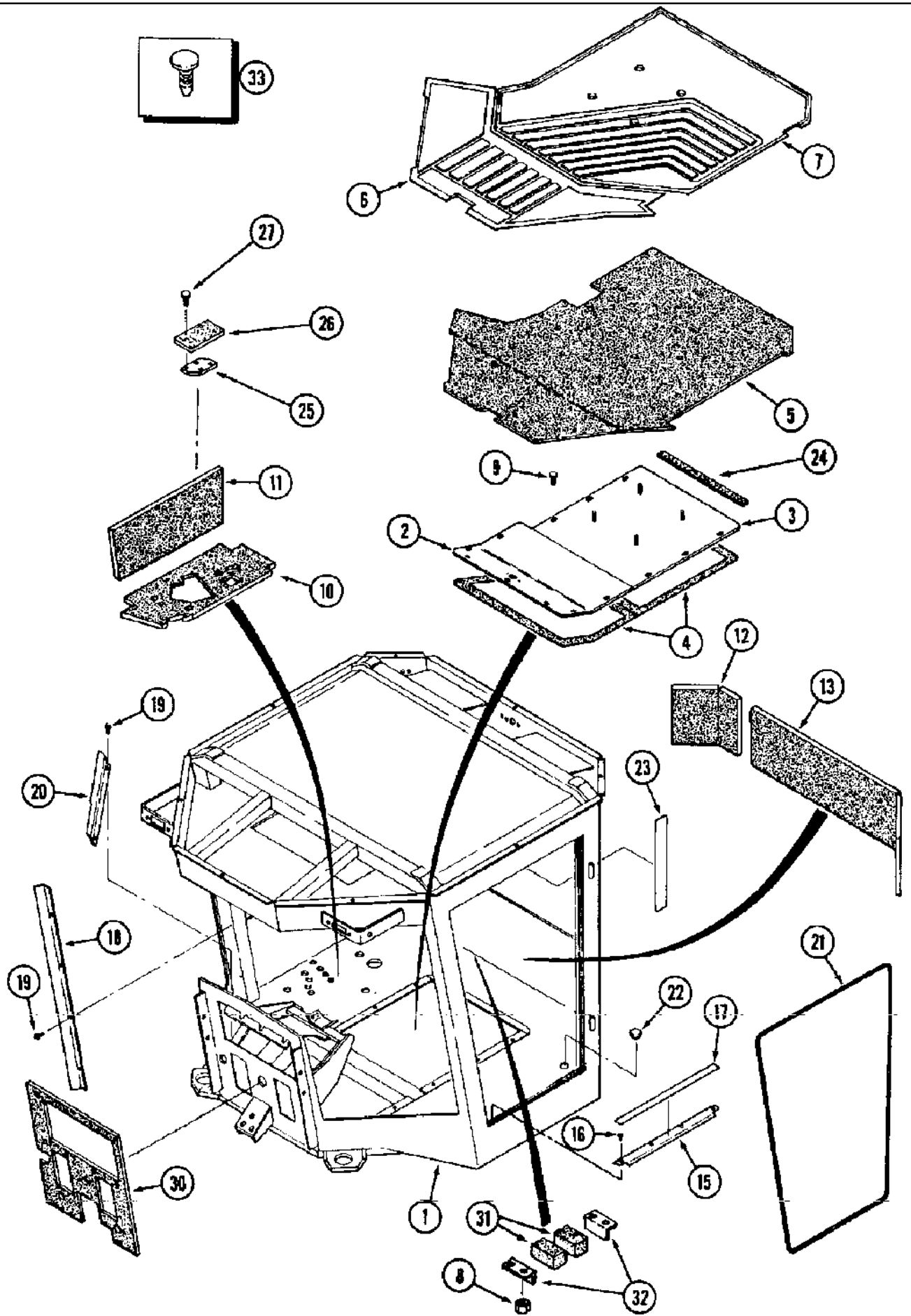
сылка	Номер детали	Кол-во	Описание
1	413-1672	4	BOLT - hex, 1 NC x 4-1/2 inch
2	60-5033T1	4	WASHER - special, 1-1/16 x 3-1/4 x 1/4 inch thick
3	60-4379T1	4	MOUNT - rubber isolator
4	60-4378T1	4	SPACER - 1-1/16 x 3-5/8 x 1/4 inch thick
5	19-5739	4	WASHER - flat, special
6	231-14416	4	NUT - hex, self-locking, 1 inch NC



9380 CASE IH 4WD TRACTOR (6/95-8/00)

9-044 ROOF CAP, CAB AND ROPS

сылка	Номер детали	Кол-во	Описание
1	60-5970T1	1	CAP - roof top
2	60-4657T1	1	INSULATION - roof, cab only
3	60-4450T2	1	INSULATION - roof, cab only
4	426-424	8	BOLT - hex, 1/4 NC x 1-1/2 inch, grade 8
5	9421394	16	WASHER - flat, 1/4 x 1 x 1/16 inch
6	60-1826T1	16	BUSHING - roof snubber
7	60-4584T1	8	SPACER - bushing
8	60-4583T1	1	SEAL - foam, 5791 mm (228 inch) long, cut from 60-4595T1 bulk seal, see below
9	231-1444	8	NUT, LOCK, 1/4"-20, GB
10	31-2595	3	PLUG - lift holes
	60-4595T1		UAR SEAL - foam, bulk, 2743 mm (108 inch) long

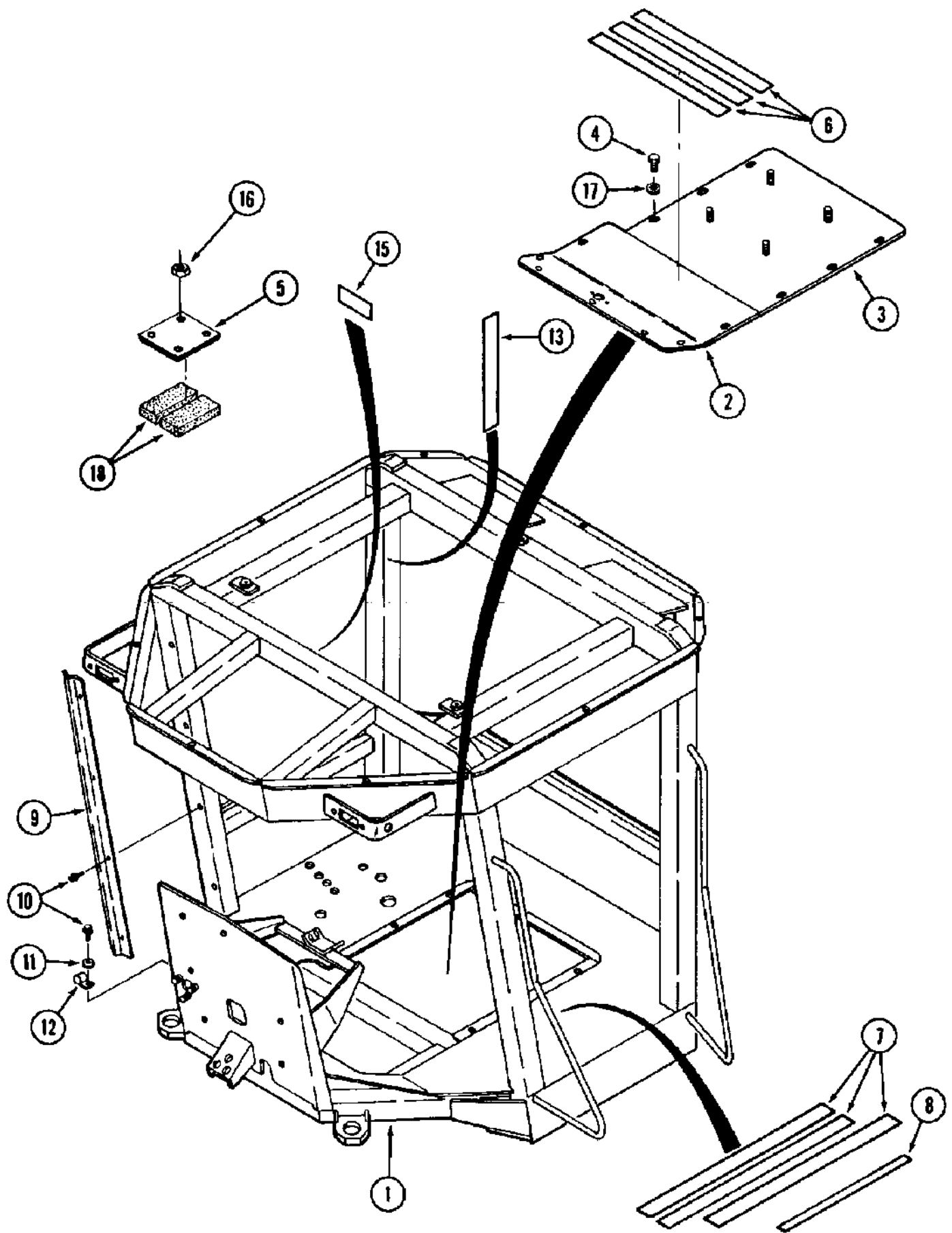


## 9380 CASE IH 4WD TRACTOR (6/95-8/00)

## 9-046 CAB FLOORMATS

сылка	Номер детали	Кол-во	Описание
1	REF	1	FRAME - cab, See Figure 9-37
2	60-6342T2	1	PLATE - floor access, front
3	60-6307T1	1	PLATE - floor access, rear
4	NSS	1	SEAL - floor access plates, cut from 60-4596T1 bulk seal, see below
5	60-6308T5	1	PAD - noise, floor
6	60-6343T2	1	FLOORMAT - front
7	60-6309T3	1	FLOORMAT - rear
8	231-1445	4	NUT - hex, self-locking, 5/16 inch NC
9	281-14812	13	SCREW - self-tapping, hex washer head, 5/16 NC x 3/4 inch
10	60-6565T1	1	PAD - console insulation, floor
11	60-4503T1	1	PAD - console insulation, side
12	60-4504T1	1	PAD - console insulation, rear
13	60-5935T1	1	COVER - cab rear
15	60-5011T3	1	COVER - cab entrance
16	443-1108	4	SCREW - machine, flat Phillips, No. 10 NC x 1/2 inch
17	60-4599T1	2	STRIP - non skid, 25 (1) x 635 mm (25 inch) long, cut from 60-4598T1 bulk strip, see below
18	60-4383T1	1	GUARD - wire, cab post
19	60-6688T1	6	SCREW - hex washer head, self-tapping, special
20	60-4403T1	1	GUARD - wire, floor
21	60-6010T1	1	SEAL - 4191 mm (165 inch) long, cut from 60-4402T1X bulk seal, see below
22	22-619	2	GROMMET - closure
23	60-6468T2	1	DECAL - Warning, avoid injury or death, cab post
24	60-4597T1	8	SEAL - foam, 711 mm (28 inch) long, cut from 60-4596T1 bulk seal, see below
25	60-6672T2	1	PLATE - cover, Power Shift tractor
26	60-6566T1	1	PAD - console insulation, floor, Power Shift tractor
27	426-512	4	BOLT - hex, 5/16 NC x 3/4 inch, grade 8
30	60-6704T1	1	INSULATION - cab firewall
31	60-7021T1	2	FOAM - sealing
32	60-7022T1	2	ANGLE - foam
33	353-405	1	PLUG - button, 9/16 inch
33	22-619	1	GROMMET - dome
	60-4596T1		UAR SEAL - foam, bulk, 3048 mm (120 inch) long
	60-4402T1X		UAR SEAL - bulk, 6096 mm (240 inch) long
	60-4598T1		UAR STRIP - non-skid, bulk, 15240 mm (600 inch) long





## 9-048 ROPS FLOOR PLATES

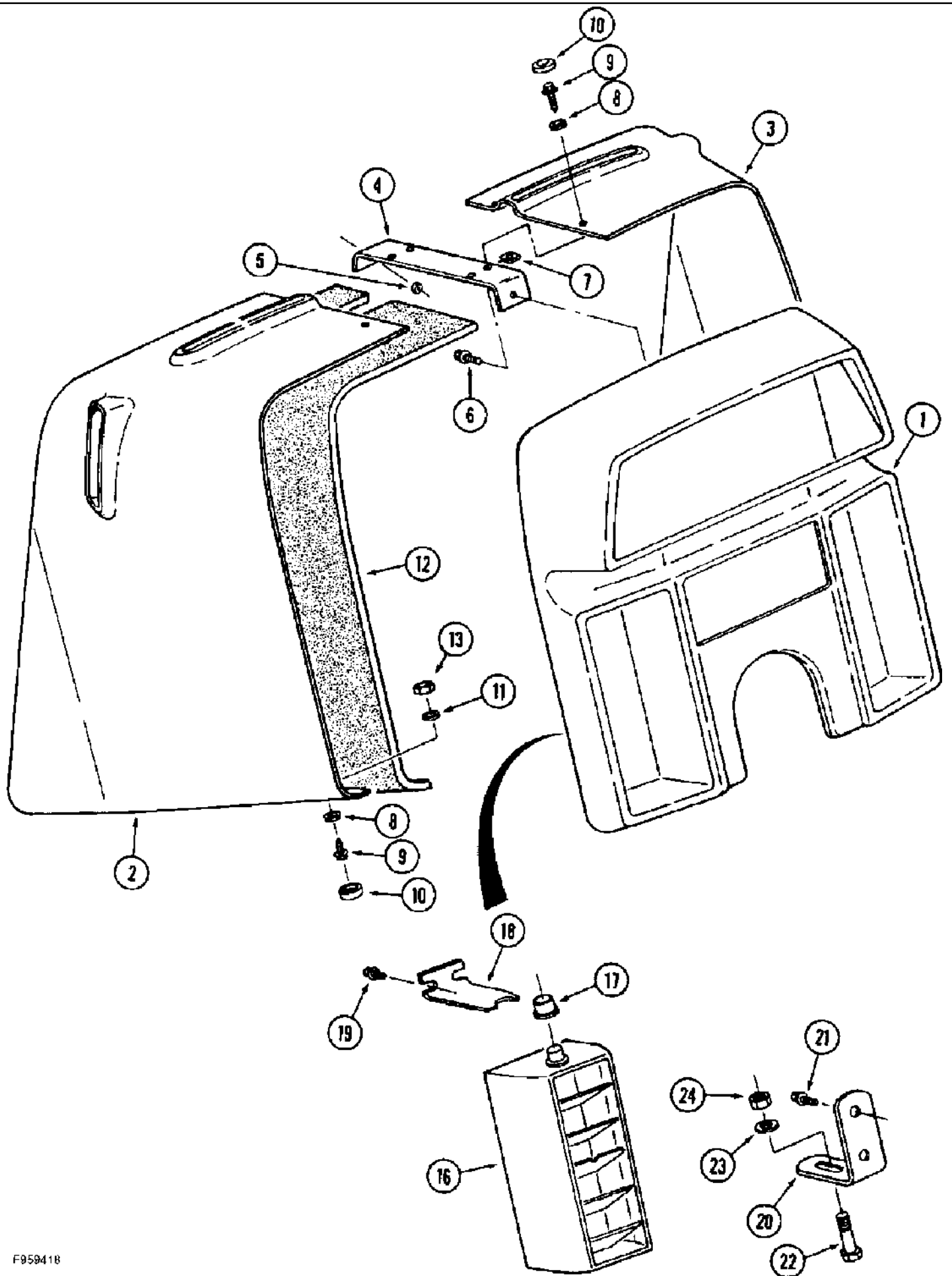
сылка	Номер детали	Кол-во	Описание
1	REF	1	FRAME - protective ROPS, parts list Figure 9-040
2	60-6342T2	1	PLATE - floor access, front
3	60-6307T1	1	PLATE - floor access, rear
4	281-14812	13	SCREW - self-tapping, hex washer head, 5/16 NC x 3/4 inch
5	60-4653T1	1	PLATE - three point hitch
6	NSS	1	STRIP - non skid, 50 (2) x 635 mm (25 inch) long, cut from 26-211 bulk strip, see below
7	NSS	1	STRIP - non skid, 50 (2) x 965 mm (38 inch) long, cut from 26-211 bulk strip, see below
8	NSS	1	STRIP - non skid, 25 (1) x 635 mm (25 inch) long, cut from 60-4598T1 bulk strip, see below
9	60-5855T1	1	GUARD - wire, ROPS post
10	281-1358	6	SCREW - self-tapping, hex washer head, No. 10 NC x 1/2 inch
11	495-31022	2	WASHER, #10
12	515-23381	2	CLAMP, 1 1/2", Insul, 3/8" Bolt, P-type, Wire harness
13	60-6468T2	1	DECAL - Warning, avoid injury or death, cab post
15	60-5866T1	1	DECAL - Caution, when operating this vehicle use hearing protection
16	231-1445	4	NUT - hex, self-locking, 5/16 inch NC
17	495-11034	13	WASHER - flat, 11/32 x 11/16 x 1/16 inch
18	60-4650T1	2	SEAL - foam, 102 mm (4 inch) long, cut from 60-4596T1 bulk seal, see below
	26-211		UAR STRIP - non-skid, bulk, 51 (2) x 3048 mm (120 inch) long
	60-4598T1		UAR STRIP - non-skid, bulk, 15240 mm (600 inch) long
	60-4596T1		UAR SEAL - foam, bulk, 3048 mm (120 inch) long



## 9380 CASE IH 4WD TRACTOR (6/95-8/00)

## 9-050 CAB DOOR AND LATCH

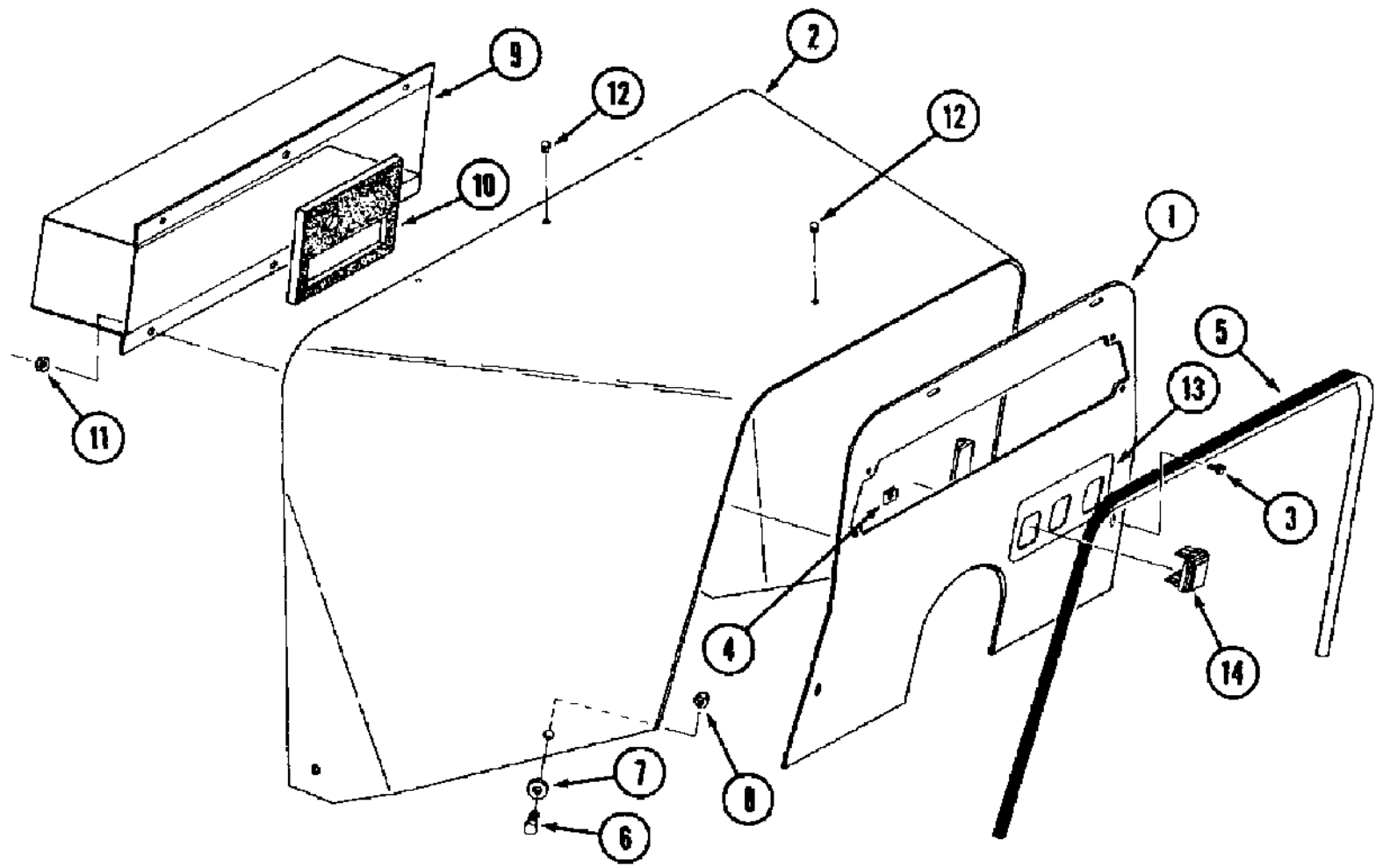
сылка	Номер детали	Кол-во	Описание
1	60-7082T1	1	DOOR - cab, service, Includes: Ref. 18, 19, 36, 37, 39, 40, 53, 54, 56, and 58 - 61
2	1280263C1	1	CYLINDER - door
3	3234063R1	2	STUD - ball
4	832-10410	1	NUT, LOCK, M10 x 1.5, CI 8
5	3233348R1	2	CLIP - retaining
8	60-6269T1	1	COVER - latch housing
9	60-6265T1	1	HOUSING - latch
10	60-6260T1	1	BUSHING - pivot, handle
11	60-6263T1	1	LEVER - latch actuating
12	60-6267T1	1	GRIP - lever
13	60-6261T1	1	WASHER - flat, plastic
14	19-5777	4	NUT - hex, special
17	1970023C1	1	SPRING - latch
18	427-4077	2	PIN, CLEVIS, 1/4" x .770", Hardened
19	432-48	2	1/16" x 1/2"
20	60-5001T1	1	LATCH - door
21	443-13120	3	SCREW - machine, flat Phillips, 5/16 NC x 1-1/4 inch
22	495-21038	2	WASHER - flat, 3/8 x 7/8 x 3/32 inch
23	426-512	2	BOLT - hex, 5/16 NC x 3/4 inch, grade 8
27	60-4193T1	1	STRIKER - door, includes washer
28	495-21044	1	WASHER - flat, 7/16 x 1 x 5/64 inch
29	231-4117	1	NUT - hex, self-locking, 7/16 inch NC
30	495-31022	3	WASHER, #10
31	1-8674	3	WASHER - trim
32	60-6688T1	3	SCREW - hex washer head, self-tapping, special
33	60-5920T1	3	CAP - trim, gray
36	213-124	2	CLEVIS - adjustable, 1/4 inch NF
37	425-114	2	NUT, 1/4"-28, G5
39	60-7047T1	1	ROD - actuating, latch
40	60-7083T1	1	HANDLE - door
53	131-837	2	NUT, Tinn, U, 1/4"-20
54	60-7186T1	1	COVER - door, lower, replaces 60-7081T1 cover
56	426-416	1	BOLT - hex, 1/4 NC x 1 inch, grade 8
57	F64046	4	WASHER - thrust, plastic
58	60-7046T1	1	ANGLE - latch actuating
59	140-114	3	SCREW, Cross Pan Hd, 1/4"-20 NC x 1"
60	425-104	3	NUT - hex, 1/4 inch NC
61	614-6016	3	Bolt, Hex, M6 x 16, 8.8
62	60-6256T1	1	STUD - anchor



## 9380 CASE IH 4WD TRACTOR (6/95-8/00)

## 9-052 INSTRUMENT PANEL, CAB

сылка	Номер детали	Кол-во	Описание
1	60-5966T1	1	COVER - instrument panel
2	60-5963T1	1	PANEL - dash, left-hand
3	60-5964T1	1	PANEL - dash, right-hand
4	60-4122T1	1	STRAP - support, dash panel
5	425-104	1	NUT - hex, 1/4 inch NC
6	19-6016	1	BOLT - hex flange, 1/4 NC x 1/2 inch
7	19-6119	4	NUT - clip, U-type, No. 10 NC
8	1-8674	8	WASHER - trim
9	163-46	8	SCREW - machine, hex head, No. 10 NC x 1 inch
10	60-5920T1	8	CAP - trim, gray
11	495-11028	4	WASHER - flat, 9/32 x 5/8 x 1/16 inch
12	60-4782T1	2	PAD - insulation, dash
13	225-14110	4	NUT, #10-24
16	60-2008T1	2	LOUVER - air deflecting
17	60-1948T1	4	BUSHING - flange, louver
18	60-4019T2	4	CLIP - retaining, louver
19	280-13410	8	SCREW - self-tapping, hex washer head, No. 8-18 x 5/8 inch
20	60-4020T1	1	MOUNT - dash, lower
21	19-6016	4	BOLT - hex flange, 1/4 NC x 1/2 inch
22	426-824	4	BOLT - hex, 1/2 NC x 1-1/2 inch, grade 8
23	495-21056	2	WASHER - flat, 9/16 x 1-3/8 x 7/64 inch
24	425-108	2	NUT - hex, 1/2 inch NC

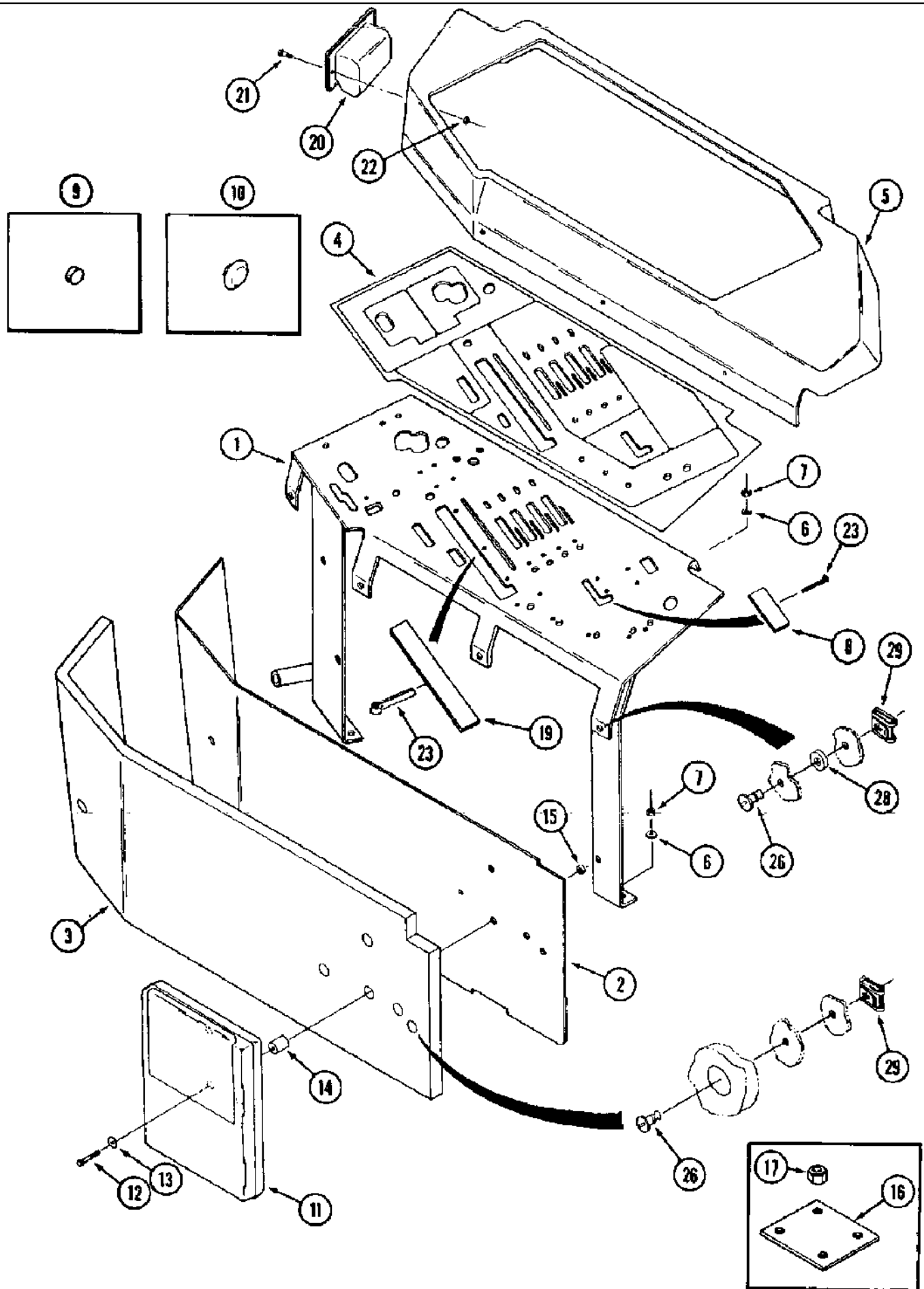


9380 CASE IH 4WD TRACTOR (6/95-8/00)

9-054 INSTRUMENT PANEL, ROPS

сылка	Номер детали	Кол-во	Описание
1	60-5832T1	1	PLATE - dash mounting
2	60-5834T1	1	COVER - dash wraparound
3	340-11012	6	SCREW - machine, pan Phillips, No. 10 NC x 3/4 inch
4	19-6119	6	NUT - clip, U-type, No. 10 NC
5	60-5859T1	1	TRIM - edge, 1194 mm (47 inch) long, cut from F64277X bulk trim, see below
6	413-516	4	BOLT - hex, 5/16 NC x 1 inch
7	495-11034	4	WASHER - flat, 11/32 x 11/16 x 1/16 inch
8	231-1445	4	NUT - hex, self-locking, 5/16 inch NC
9	60-5836T1	1	COVER - rear instrument panel
10	60-5828T1	1	SEAL - foam
11	111626C1	6	NUT - hex, self-locking, special, 1/4 inch NC
12	353-401	2	PLUG - button, 5/16 inch, replaces 60-4582T1 plug
13	60-5980T1	1	DECAL - master lamps, ROPS
14	245334C1	2	PLUG - panel switch cover, replaces 60-3210T1 plug
	F64277X		UAR TRIM - edge, bulk, 14478 mm (570 inch) long

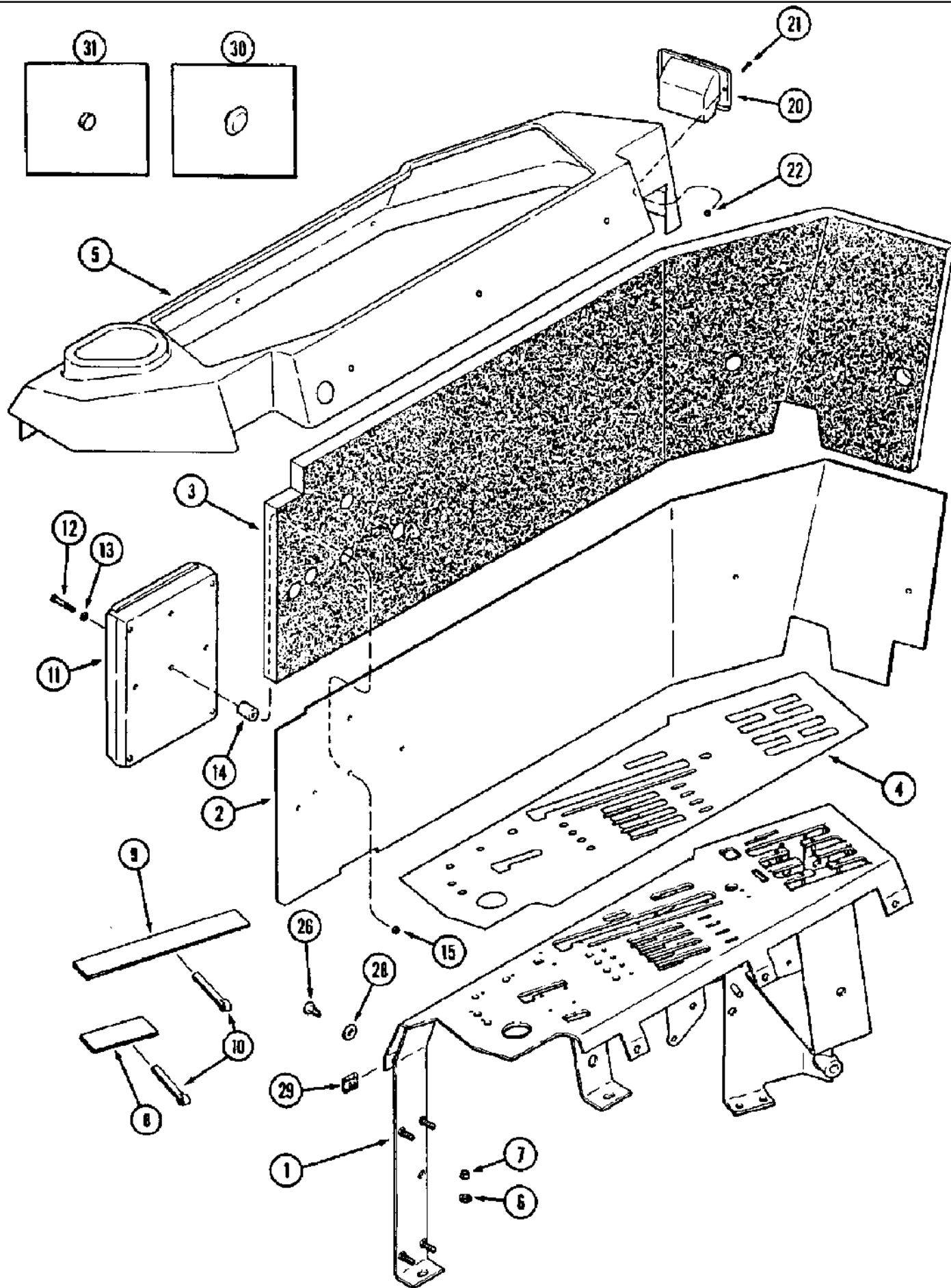




## 9380 CASE IH 4WD TRACTOR (6/95-8/00)

## 9-056 CAB CONTROL CONSOLE, POWER SHIFT TRACTOR

сылка	Номер детали	Кол-во	Описание
1	60-6979T2	1	PANEL - control
2	60-6106T1	1	PANEL - console wraparound
3	60-6063T1	1	COVER - console panel
4	60-6416T1	1	DECAL - control console
5	60-6436T1	1	COVER - console
6	495-11034	5	WASHER - flat, 11/32 x 11/16 x 1/16 inch
7	231-1445	5	NUT - hex, self-locking, 5/16 inch NC
8	60-7055T1	1	PLUG - slot
9	64-146	1	PLUG - hole, access
10	60-4258T1	1	PLUG - hole, flow control access
11	97079C3	1	BOX - operators manual
12	426-424	3	BOLT - hex, 1/4 NC x 1-1/2 inch, grade 8, used without deluxe storage compartment
12	426-416	3	BOLT - hex, 1/4 NC x 1 inch, grade 8, used with deluxe storage compartment
13	495-11028	6	WASHER - flat, 9/32 x 5/8 x 1/16 inch
14	60-6062T1	3	SPACER - manual box, used without deluxe storage compartment
14	2-3010T1	3	SPACER - manual box, used with deluxe storage compartment
15	425-104	3	NUT - hex, 1/4 inch NC
16	60-4652T1	1	COVER - plate, without three point hitch
17	231-1445	4	NUT - hex, self-locking, 5/16 inch NC
19	60-7054T1	1	PLUG - slot
20	2-6138T91	1	ASHTRAY - smokers
21	473-10810	2	SCREW - machine, flat head slotted, No. 8 NC x 5/8 inch
22	131-29	2	NUT - hex, self-locking, No. 8 NC
23	432-820	5	1/8" x 1-1/4"
26	19-6136	11	STUD - quarter turn
28	19-5668	11	WASHER - flat, 1/4 x 3/4 x 3/16 inch
29	A36042	11	RETAINER - quarter turn



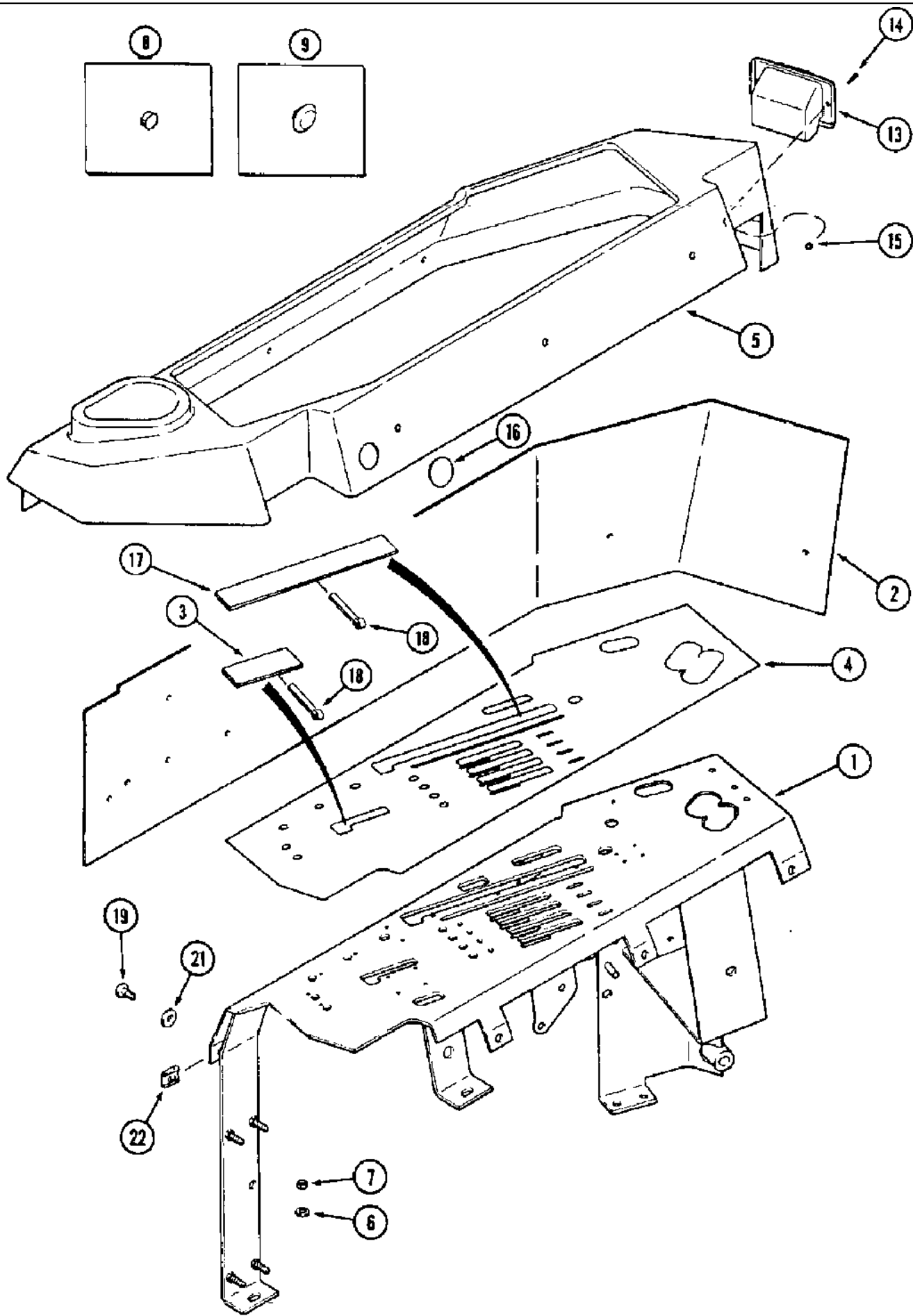
M995K054

the plastic guide pad by the "H" pattern on #4 can be found on page #6-108, the part number is 60-665511

## 9-058 CAB CONTROL CONSOLE, SYNCHROSHIFT TRACTORS

сылка	Номер детали	Кол-во	Описание
1	60-6982T2	1	PANEL - control console
2	60-6106T1	1	PANEL - console wraparound
3	60-6063T1	1	COVER - console panel
4	60-7065T1	1	DECAL - control console
5	60-6436T1	1	COVER - console, The hole to the left of this pt is the cup holder. There is not a separate pt # for just a cup holder.
6	495-11034	5	WASHER - flat, 11/32 x 11/16 x 1/16 inch
7	231-1445	5	NUT - hex, self-locking, 5/16 inch NC
8	60-7055T1	1	PLUG - slot
9	60-7054T1	1	PLUG - slot
10	432-820	5	1/8" x 1-1/4"
11	97079C3	1	BOX - operators manual
12	426-424	3	BOLT - hex, 1/4 NC x 1-1/2 inch, grade 8, used without deluxe storage compartment
12	426-416	3	BOLT - hex, 1/4 NC x 1 inch, grade 8, used with deluxe storage compartment
13	495-11028	6	WASHER - flat, 9/32 x 5/8 x 1/16 inch
14	60-6062T1	3	SPACER - manual box, used without deluxe storage compartment
14	2-3010T1	3	SPACER - manual box, used with deluxe storage compartment
15	425-104	3	NUT - hex, 1/4 inch NC
20	2-6138T91	1	ASHTRAY - smokers
21	473-10810	2	SCREW - machine, flat head slotted, No. 8 NC x 5/8 inch
22	131-29	2	NUT - hex, self-locking, No. 8 NC
26	19-6136	11	STUD - quarter turn
28	19-5668	11	WASHER - flat, 1/4 x 3/4 x 3/16 inch
29	A36042	11	RETAINER - quarter turn
30	60-4258T1	4	PLUG - hole, flow control access
31	64-146	1	PLUG - hole, access

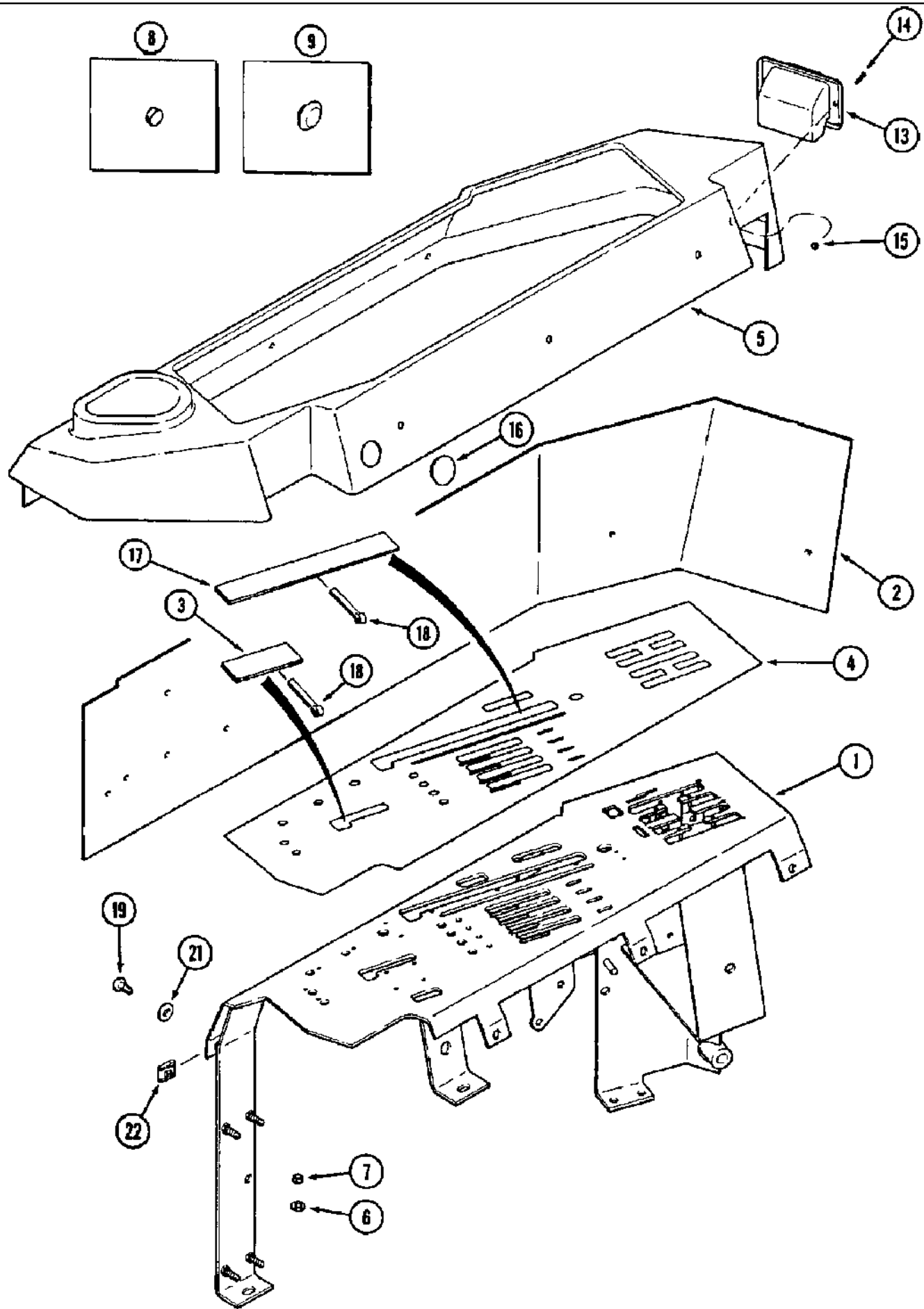
the plastic guide pad by the "H" pattern on #4 can be found on page #6-108 , the part number is 60-6655t1



9380 CASE IH 4WD TRACTOR (6/95-8/00)

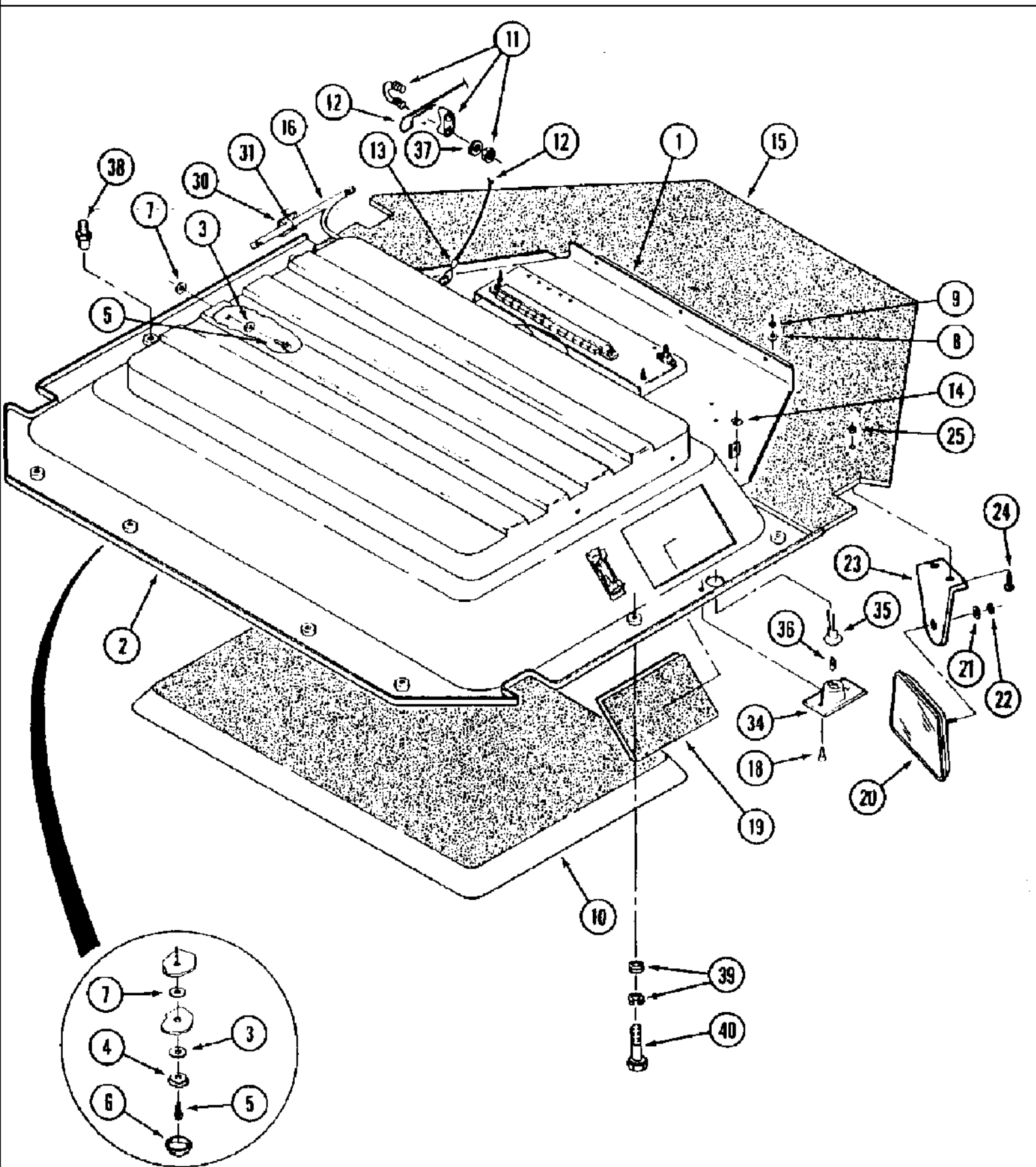
9-060 ROPS CONTROL CONSOLE, POWER SHIFT TRACTOR

сылка	Номер детали	Кол-во	Описание
1	60-6979T2	1	PANEL - control
2	60-6386T1	1	PANEL - console, wraparound
3	60-7055T1	1	PLUG - slot
4	60-6416T1	1	DECAL - control console
5	60-6436T1	1	COVER - console
6	495-11034	5	WASHER - flat, 11/32 x 11/16 x 1/16 inch
7	231-1445	5	NUT - hex, self-locking, 5/16 inch NC
8	64-146	1	PLUG - hole, access
9	60-4258T1	1	PLUG - hole, flow control access
13	2-6138T91	1	ASHTRAY - smokers
14	473-10810	2	SCREW - machine, flat head slotted, No. 8 NC x 5/8 inch
15	131-29	2	NUT - hex, self-locking, No. 8 NC
16	22-619	1	GROMMET - plug
17	60-7054T1	1	PLUG - slot
18	432-820	5	1/8" x 1-1/4"
19	19-6136	11	STUD - quarter turn
21	19-5668	7	WASHER - flat, 1/4 x 3/4 x 3/16 inch
22	A36042	11	RETAINER - quarter turn



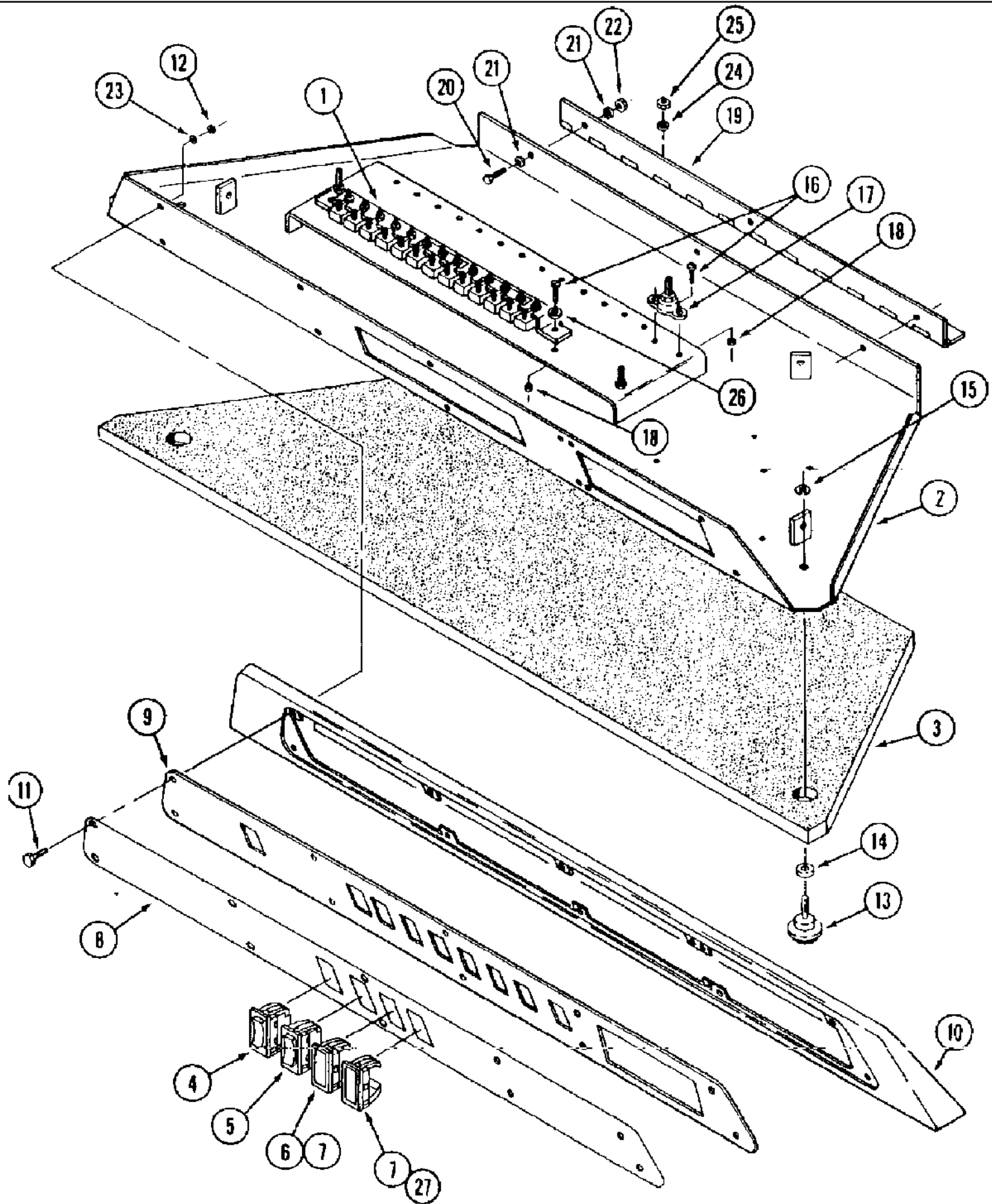
сылка	Номер детали	Кол-во	Описание
1	60-6982T2	1	PANEL - control console
2	60-6386T1	1	PANEL - console, wraparound
3	60-7055T1	1	PLUG - slot
4	60-7065T1	1	DECAL - control console
5	60-6436T1	1	COVER - console
6	495-11034	5	WASHER - flat, 11/32 x 11/16 x 1/16 inch
7	231-1445	5	NUT - hex, self-locking, 5/16 inch NC
8	64-146	1	PLUG - hole, access
9	60-4258T1	1	PLUG - hole, flow control access
13	2-6138T91	1	ASHTRAY - smokers
14	473-10810	2	SCREW - machine, flat head slotted, No. 8 NC x 5/8 inch
15	131-29	2	NUT - hex, self-locking, No. 8 NC
16	22-619	1	GROMMET - plug hole
17	60-7054T1	1	PLUG - slot
18	432-820	5	1/8" x 1-1/4"
19	19-6136	11	STUD - quarter turn
21	19-5668	7	WASHER - flat, 1/4 x 3/4 x 3/16 inch
22	A36042	11	RETAINER - quarter turn





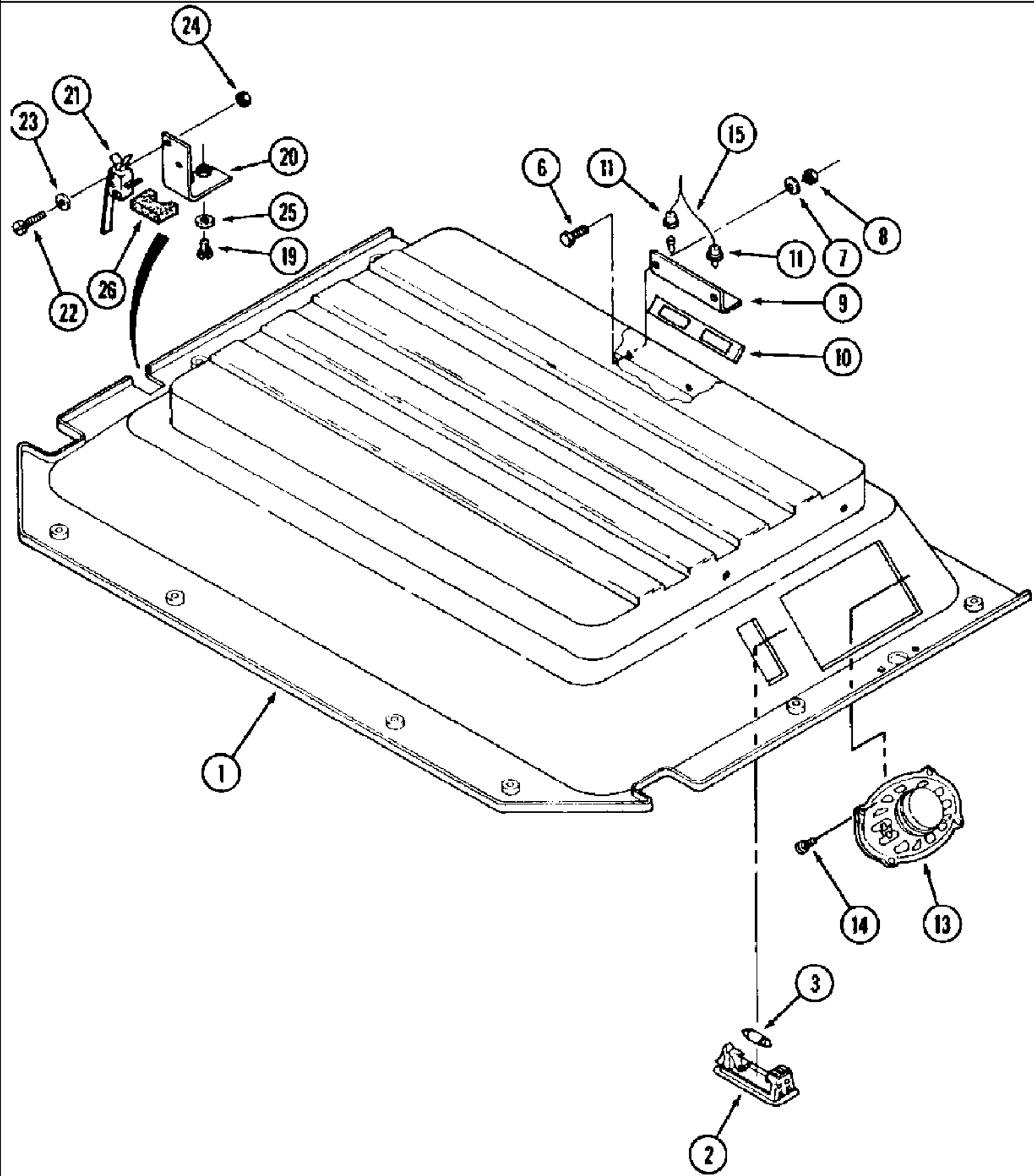
## 9-064 CAB OVERHEAD CONSOLE

сылка	Номер детали	Кол-во	Описание
1	REF	1	DOOR - overhead, See Figure 9-066 for correct assembly and component parts
2	60-6254T3	1	HEADLINER - cab
3	495-31022	8	WASHER, #10
4	1-8674	6	WASHER - trim
5	60-6688T1	6	SCREW - hex washer head, self-tapping, special
6	60-5920T1	6	CAP - trim, gray
7	19-5668	6	WASHER - flat, 1/4 x 3/4 x 3/16 inch
8	495-11034	3	WASHER - flat, 11/32 x 11/16 x 1/16 inch
9	425-105	3	NUT - hex, 5/16 inch NC
10	60-6351T1	1	PAD - insulation
11	70-5275T1	2	CLAMP - includes U-bolt and nut
12	60-4137T1	2	ROPE - plastic coated wire, 394 mm (15-1/2 inch) long, cut from 70-5252T1 bulk rope, see below
13	70-5269T1	4	FERRULE - wire rope
14	131-837	2	NUT, Tinn, U, 1/4"-20
15	60-5924T1	1	PAD - insulation, gray
16	60-6516T1	1	HARNESS - overhead, cab
18	24379R1	2	SCREW - self-tapping, pan Phillips, No. 8-18 x 1/2 inch
19	60-5922T1	2	PAD - speaker cover, gray
20	A177462	1	MIRROR - rear view, includes mounting hardware, Includes: Ref. 21 & 22
21	493-41026	1	WASHER - external tooth lock, 1/4 inch
22	19-5565	1	NUT - hex, self-locking, 1/4 inch NF
23	64-86T3	1	BRACKET - rear view mirror
24	463-41012	2	SCREW - machine, hex slotted washer head, No. 10 NC x 3/4 inch
25	86632551	2	NUT, LOCK, #10-24, GB
30	22-823		UAR MOUNT - adhesive back, strap
31	22-824		UAR STRAP - tie, 7 inch
34	83882C91	1	LAMP ASSEMBLY - console illumination, Includes: Ref. 35 & 36
35	107329C1	1	SOCKET AND CABLE - bulb
36	D71346	1	BULB - lamp, No. 168
37	492-11010	2	Washer, Lock, #10
38	60-6256T1	1	STUD - anchor
39	80679	2	Washer, Lock, 1/2"
40	426-816	1	BOLT - hex, 1/2 NC x 1 inch, grade 8
	70-5252T1		UAR ROPE - wire, bulk, 7620 mm (300 inch) long



## 9-066 CAB OVERHEAD DOOR

сылка	Номер детали	Кол-во	Описание
1	REF	1	BREAKER ASSEMBLY - circuit, parts list Figure 4-14
2	60-5758T1	1	DOOR - overhead, console
3	60-5923T1	1	PAD - insulation, door, gray
4	1964752C1	1	SWITCH - rocker, master light
5	245012C1	1	SWITCH - rocker, dash lights
6	1964751C1	1	SWITCH - rocker, ether start, if equipped
7	245334C1	2	PLUG - panel switch cover, replaces 60-3210T1 plug
8	60-7153T1	1	DECAL - overhead controls
9	60-6459T1	1	PANEL - rocker switch
10	60-5928T1	1	COVER - console door, gray
11	363-30812	8	SCREW - machine, hex washer head, No. 8 NC x 3/4 inch
12	131-29	8	NUT - hex, self-locking, No. 8 NC
13	60-4033T1	2	KNOB ASSEMBLY - console release, no longer available, order component parts, Includes: Ref. 13A & 13B
13A	60-4135T1	1	STUD - release knob, not shown
13B	60-4136T1	1	KNOB - console release, not shown
14	19-6126	2	SPACER - knob
15	661406R1	2	WASHER - locking, replaces 267689R1 ring
16	459-5108	4	SCREW - machine, pan head slotted, No. 10 NF x 1/2 inch
17	20-1451T1	1	BLOCK - junction
18	193-1000	4	NUT - hex, with external tooth lock washer, No. 10 NF
19	60-4034T1	1	HINGE - console door
20	426-48	3	BOLT - hex, 1/4 NC x 1/2 inch, grade 8
21	495-11028	3	WASHER - flat, 9/32 x 5/8 x 1/16 inch
22	231-1444	3	NUT, LOCK, 1/4"-20, GB
23	495-21019	8	WASHER, #8
24	495-11034	3	WASHER - flat, 11/32 x 11/16 x 1/16 inch
25	425-105	3	NUT - hex, 5/16 inch NC
26	495-31022	2	WASHER, #10
27	1987431C1	1	SWITCH - rocker, if equipped



## 9380 CASE IH 4WD TRACTOR (6/95-8/00)

## 9-068 CAB HEADLINER

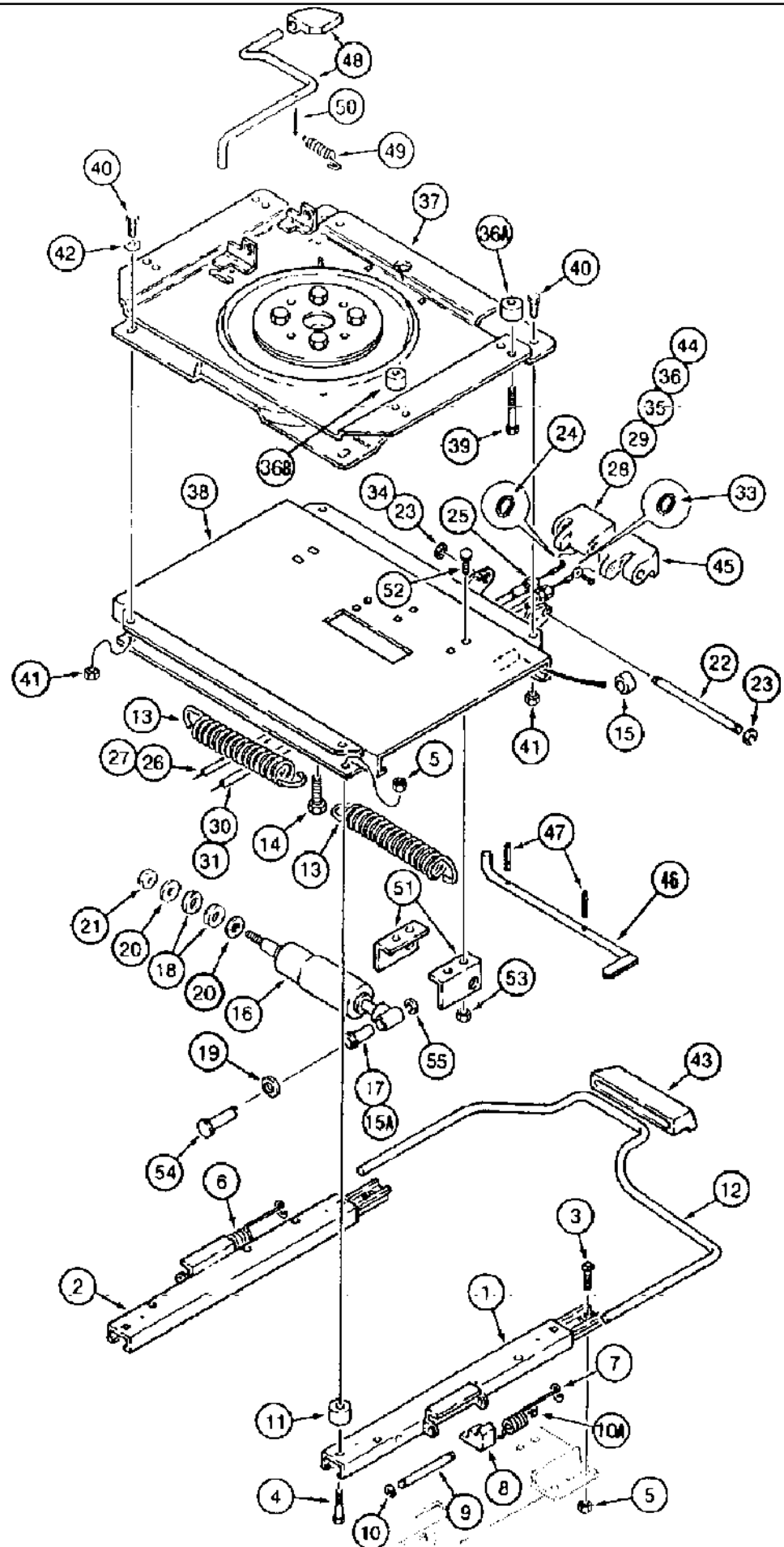
сылка	Номер детали	Кол-во	Описание
1	60-6254T4	1	HEADLINER - cab
2	1983391C1	1	LAMP - dome, Includes: Ref. 3
3	E35556	1	BULB - lamp 12V, 10w
6	163-45	2	SCREW - machine, hex head, No. 10 NC x 1/2 inch
7	495-31022	2	WASHER, #10
8	225-14110	2	NUT, #10-24
9	60-6299T1	1	PLATE - mounting, lamp
10	60-4029T1	1	PLATE - diffuse, lamp
11	B50213	2	BULB - lamp, No. 53
13	60-5748T1	2	SPEAKER - radio
14	440-11010	8	SCREW - machine, pan Phillips, No. 10 NC x 5/8 inch
15	60-6516T1	1	HARNESS - overhead, cab
19	340-1108	2	SCREW - machine, pan Phillips, No. 10 NC x 1/2 inch
20	60-6518T1	1	BRACKET - mounting, switch
21	60-6515T1	1	SWITCH - lamp, door
22	19-1035	2	SCREW - machine, round head, No. 4 NC x 1 inch
23	495-31016	2	WASHER - flat, 5/32 x 3/8 x 3/64 inch
24	225-14104	2	NUT, #4-40
25	495-31022	2	WASHER, #10
26	60-6579T1	1	SEAL - switch



## 9-070 DELUXE AIR SUSPENSION SEAT, CUSHIONS, ARM RESTS AND SEAT BELT

сылка	Номер детали	Кол-во	Описание
	144845A2	1	SEAT ASSEMBLY - deluxe suspension, replaced by 144845A3 seat, parts list Figures 9-070 - 9-080, Includes: Ref. 1 - 33
	144845A3	1	SEAT ASSEMBLY - deluxe suspension, replaces 144845A2 seat, parts list Figures 9-070 - 9-080, Includes: Ref. 1 - 33
1	134181A2	1	KIT - seat top, without armrest, Includes: Ref. 4 & 5
2	132886A1	1	KIT - backrest, cloth, complete with lumbar knob, without armrest, Includes: Ref. 4 & 5
3	132888A2	1	KIT - seat cushion, with structure, Includes: Ref. 4 & 5
	132884A1	1	KIT - backrest pad only, cloth, Includes: Ref. 4 & 5
4	NSS	1	PAD - backrest
5	NSS	25	RING - fastener, not shown
	223395A1	1	KIT - seat cushion pad, Includes: Ref. 6 & 7
6	NSS	1	PAD - seat cushion
7	NSS	25	RING - fastener, not shown
	1974713C2	1	KIT - backrest cover and retainers, Includes: Ref. 8 & 9
8	NSS	1	COVER - backrest plate
9	NSS	10	CLIP - retaining, plastic
10	NSS	2	CLIP - cable retaining, Per Sears Mfg, ref 10 is actually 2 different size clips, and come with 132867a1 harness. We do not have separate part#'s for the clips. Per print of the harness, clips are Packard part#'s 12084887 and 12010365, may be able to obtain locally. 1/17/02 BW CAM
11	143199A1	1	ARMREST - right-hand, black, Includes: one drive pin
12	132882A1	1	ARMREST - left-hand, black
12A	143214A1	1	ARMREST - left-hand
13	132883A1	1	KIT - left-hand armrest adjustment
14	413-528	1	BOLT - hex, 5/16 NC x 1-3/4 inch
15	495-11034	1	WASHER - flat, 11/32 x 11/16 x 1/16 inch
16	413-544	2	BOLT - hex, 5/16 NC x 2-3/4 inch
17	1343875C1	2	SPACER - 25/64 ID x 1/2 inch
	1999691C1	1	KIT - seat knob, Includes: Ref. 18 - 22
18	NSS	1	KNOB - lumbar
19	38-31016	2	Pin, 5/32" x 1", Coiled
20	NSS	1	KNOB - back tilt cover
21	NSS	1	HANDLE - recliner
22	NSS	1	SCREW - special
	1344158C1	1	BELT - seat, Includes: Ref. 25 - 33
25	1343982C1	1	BELT - seat
26	NSS	1	BRACKET - seat belt, left-hand
27	328-724	1	BOLT, Hex, 7/16"-20 x 1 1/2", G8
28	328-732	1	BOLT, Hex, 7/16"-20 x 2", G8
29	413-544	2	BOLT - hex, 5/16 NC x 2-3/4 inch
30	NSS	1	SPACER - 3/8 x 3/8 inch
31	395-11053	2	WASHER - flat, 17/32 x 1-1/16 x 3/32 inch
32	232-4117	2	NUT, LOCK, 7/16"-14, GC
33	132868A1	1	KIT - height adjustment, Includes: (3) cover plates, (1) rocker switch, and (4) screws
34	141566A1	1	PLATE - reinforcement
35	176091A1	1	KIT - retaining, hog ring, package of 48 rings for cushions



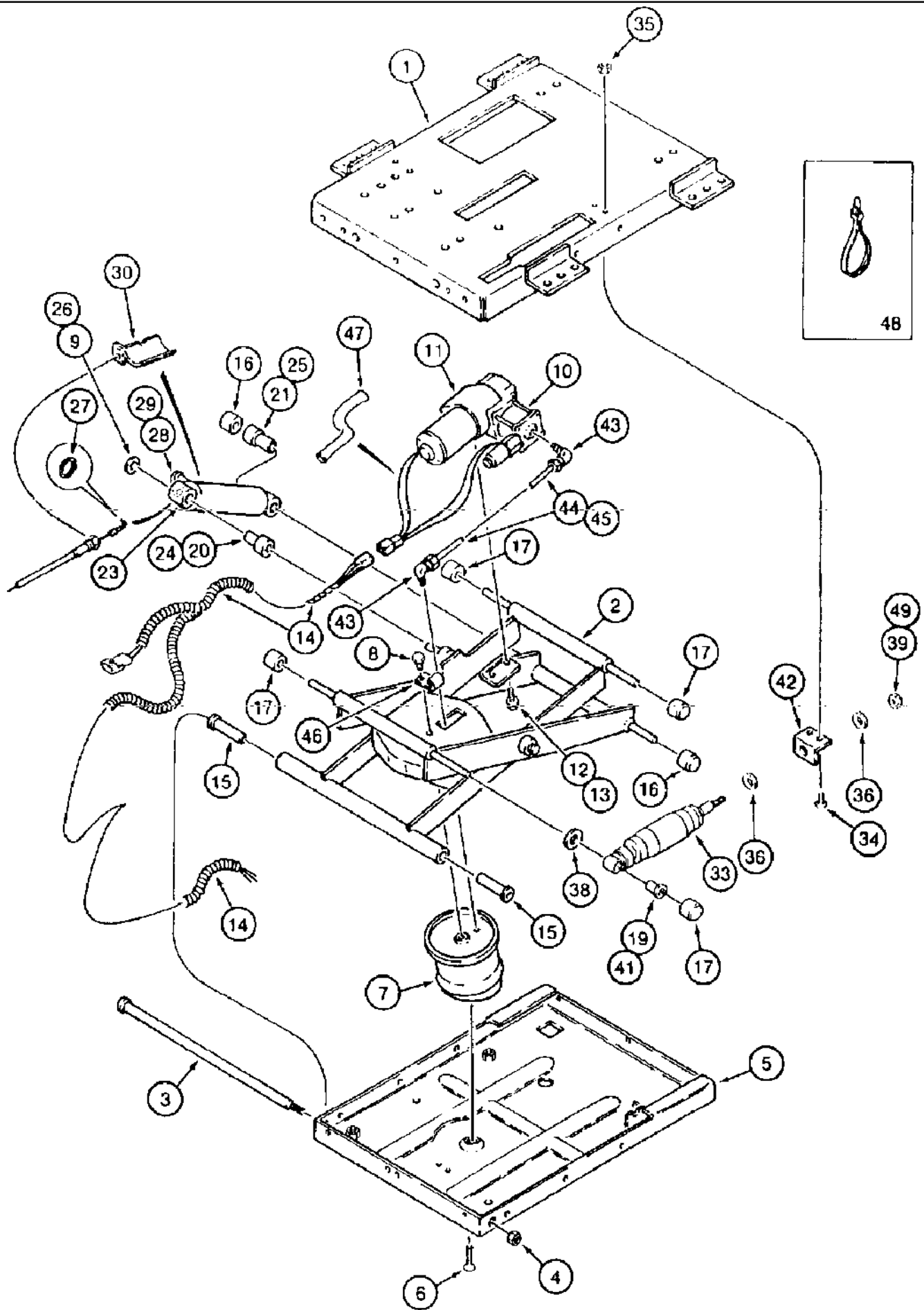


## 9-072 DELUXE AIR SUSPENSION SEAT, SWIVEL PLATE AND SLIDES

сылка	Номер детали	Кол-во	Описание
	144845A2	1	SEAT ASSEMBLY - deluxe suspension, replaced by 144845A3 seat, parts list Figures 9-070 - 9-080, Includes: Ref. 1 - 55
	144845A3	1	SEAT ASSEMBLY - deluxe suspension, replaces 144845A2 seat, parts list Figures 9-070 - 9-080, Includes: Ref. 1 - 55
	132875A1	1	KIT - seat slide, Includes: Ref. 1 - 10A
1	NSS	1	SLIDE - locking, right-hand
2	NSS	1	SLIDE - locking, left-hand
3	117-109	4	BOLT - square head, 5/16 NC x 3/4 inch
4	413-520	4	BOLT - hex, 5/16 NC x 1-1/4 inch
5	230-4215	8	NUT - hex, self-locking, 5/16 inch NC
6	135513A1	1	SPRING - torsion, left-hand
7	135514A1	1	SPRING - torsion, right-hand
8	NSS	2	BLOCK - spring
9	NSS	2	PIN - torsion
10	100-3325	2	Ring, Retaining, #25, .207" Dia, E-Type (Replaces 103-1131), Part of retainer kit P/N 175088A1.
10A	131-413	2	NUT - push-on type, 1/4 x 17/32 inch, Part of retainer kit P/N 175088A1.
	132861A3	1	KIT - suspension, additional parts list pages 9-074 - 9-080, Includes: Ref. 11 - 29
11	134144A1	8	SPACER - plate
12	134146A1	1	LEVER - slide control
	1987290C1	1	KIT - spring, lateral isolator, Includes: (2) springs and (1) bolt, Includes: Ref. 13 & 14
13	NSS	2	SPRING - lateral
14	413-816	1	BOLT - hex, 1/2 NC x 1 inch
	135512A2	1	KIT - roller bearing, Includes: Ref. 15 & 15A
15	NSS	4	ROLLER - bearing
15A	NSS	1	BUSHING - shock
	1987219C2	1	KIT - lateral isolator shock, Includes: shock absorber, (1) bearing, (2) bushings, (1) nut, (2) washers, (1) spacer and (1) retaining ring, Includes: Ref. 16 - 21
16	NSS	1	ABSORBER - shock
17	NSS	1	BUSHING - shock
18	NSS	2	BUSHING - rubber
19	NSS	2	SPACER - shock
20	495-11041	2	WASHER - flat, 13/32 x 13/16 x 1/16 inch, one required
21	230-4715	2	NUT - hex, self-locking, 5/16 inch NF, one required
	132869A1	1	KIT - ride firmness control, Includes: Ref. 22 - 29
22	NSS	1	PIN - control pivot, Part of retainer kit P/N 175088A1.
23	100-3331	2	Ring, Retaining, #X31, .243" Dia, E-Type, Part of retainer kit P/N 175088A1.
24	NSS	1	RING - retaining
25	NSS	2	NUT - hex, self-locking, 1/4 inch NC
26	NSS	1	CABLE - shock adjust
27	L18337	3	STRAP - tie, 15 inch, nylon
28	NSS	1	SPRING - compression
29	NSS	1	BEARING - ball
	132861A3	1	KIT - suspension, additional parts list Figures 9-074 - 9-080, Includes: Ref. 30 - 45
	132870A1	1	KIT - isolator lock cable, Includes: Ref. 30 - 36B
30	NSS	1	CABLE - solator lock

## 9-072 DELUXE AIR SUSPENSION SEAT, SWIVEL PLATE AND SLIDES

сылка	Номер детали	Кол-во	Описание
31	L18337	3	STRAP - tie, 15 inch, nylon
32	NSS	1	RIVET - retainer, not shown
33	NSS	1	RING - retaining, Part of retainer kit P/N 175088A1.
34	NSS	2	RING - retaining, Part of retainer kit P/N 175088A1.
35	NSS	1	RING - compression, Part of retainer kit P/N 175088A1.
36	NSS	1	BEARING - ball, Part of retainer kit P/N 175088A1.
36A	187006A1	2	SPACER - cupped, 5/8 inch
36B	700711545	2	SPACER - cupped, 3/8 inch
37	134148A1	1	PLATE - swivel
38	132878A2	1	PLATE - lateral isolator, Includes: Ref. 13 - 21 on Figure 9-062 and Ref. 50 - 55 below
39	413-532	4	BOLT - hex, 5/16 NC x 2 inch
40	413-510	4	BOLT - hex, 5/16 NC x 5/8 inch
41	231-4115	4	NUT - hex, self-locking, 5/16 inch NC
42	495-11034	2	WASHER - flat, 11/32 x 11/16 x 1/16 inch
	134143A1	1	KIT - control knob, Includes: Ref. 43 - 45
43	NSS	1	KNOB - fore/aft slide
44	NSS	1	KNOB - fore/aft isolator
45	NSS	1	KNOB - damping adjustment
46	135510A1	1	ROD - isolator, Includes: knob
47	38-31012	2	Pin, 5/32" x 3/4", Coiled
48	135511A1	1	ROD - swivel, Includes: knob
49	A47375	1	SPRING - detent
50	NSS	1	PIN - cotter
51	NSS	2	BRACKET - angle
52	433-512	4	BOLT - carriage, 5/16 NC x 3/4 inch
53	231-4115	4	NUT - hex, self-locking, 5/16 inch NC
54	1344025C1	1	PIN - clevis
55	100-3350	1	Ring, Retaining, #50, .392" Dia, E-Type (Replaces A27804)
	175088A1	1	KIT - retainer, Includes: Refs. 10, 10A, 22, 23 and 33-36



## 9380 CASE IH 4WD TRACTOR (6/95-8/00)

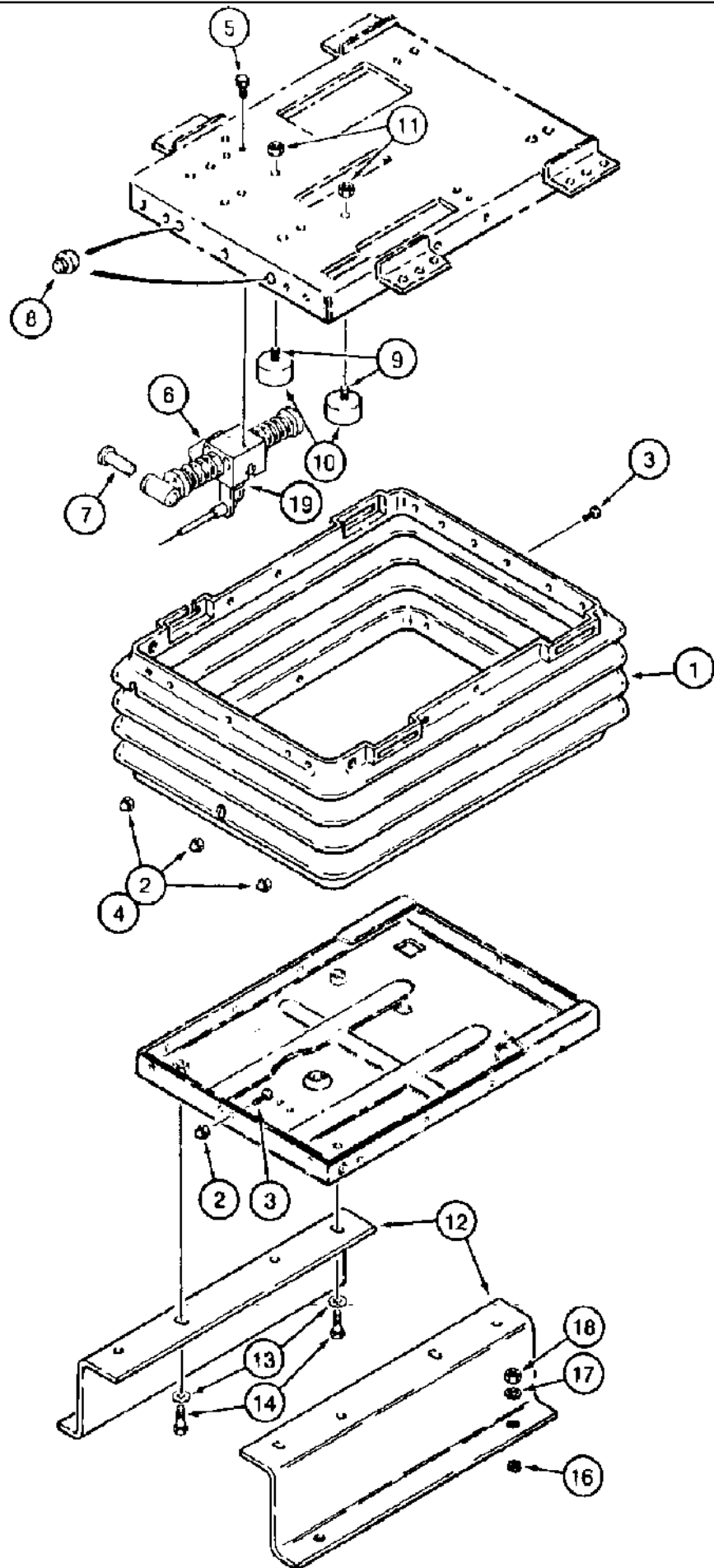
## 9-076 DELUXE AIR SUSPENSION SEAT, SUSPENSION

сылка	Номер детали	Кол-во	Описание
	144845A2	1	SEAT ASSEMBLY - deluxe suspension, replaced by 144845A3 seat, parts list Figures 9-070 - 9-080, Includes: Ref. 1 - 49
	144845A3	1	SEAT ASSEMBLY - deluxe suspension, replaces 144845A2 seat, parts list Figures 9-070 - 9-080, Includes: Ref. 1 - 49
	132861A3	1	KIT - suspension, additional parts list Figures 9-074 - 9-080, Includes: Ref. 1 - 49
1	1990642C1	1	HOUSING - upper, suspension
2	132862A1	1	ARM - suspension
3	A49529	1	SHAFT - bushing tube
4	230-4216	1	NUT - hex, self-locking, 3/8 inch NC
5	1981834C1	1	HOUSING - lower
6	443-13812	1	SCREW - machine, flat Phillips, 3/8 NC x 3/4 inch
	197793A1	1	KIT - air spring, Includes: air spring, J-clip and (3) tie straps
7	NSS	1	SPRING - air
7	NSS	1	CLAMP - J-type
8	413-68	1	BOLT - hex, 3/8 NC x 1/2 inch
9	131-425	1	NUT - push-on type, 1/2 inch
	132864A1	1	KIT - compressor/valve, Includes: Ref. 10 - 12 and compressor, valve, mount, air line tubing, (2) screws, (2) sleeves and (2) nuts
10	NSS	1	COMPRESSOR - air
11	NSS	1	BRACKET - compressor mounting
12	NSS	2	SCREW - special
13	495-11041	2	WASHER - flat, 13/32 x 13/16 x 1/16 inch
14	132867A1	1	HARNESS - wire
	180594A3	1	KIT - rollers and bearings, Includes: (2) bushings, (6) rollers, (1) push nut, (5) bearings and (2) spacers
15	NSS	2	BUSHING - shaft
16	NSS	2	ROLLER - suspension
17	NSS	4	ROLLER - bearing
18	NSS	1	BEARING - isolator latch tube, not shown, See Ref. 7 on Figure 9-070 for bearing
19	NSS	1	BEARING - fore/aft shock
20	NSS	1	BEARING - suspension shock, upper
21	NSS	1	BEARING - suspension shock, lower
	132866A1	1	KIT - shock absorber, Includes: shock, (2) bearings, fastener, actuator arm, roll pin, bracket and retaining ring, suspension
23	NSS	1	ABSORBER - shock
24	NSS	1	BEARING - suspension shock, upper
25	NSS	1	BEARING - suspension shock, lower
26	131-425	1	NUT - push-on type, 1/2 inch
27	NSS	1	RING - retaining
28	138-317	1	PIN, 1/8" x 5/8", Slotted
29	NSS	1	ARM - actuator
30	144514A1	1	BRACKET - cable control
	227546A1	1	KIT - shock, fore/aft, replaces 1990646C3 kit, Includes: Ref. 31 - 41
31	NSS	1	SHOCK - bearing, not shown
32	NSS	2	BUSHING - suspension, not shown
33	NSS	1	SHOCK - absorber

9380 CASE IH 4WD TRACTOR (6/95-8/00)

9-076 DELUXE AIR SUSPENSION SEAT, SUSPENSION

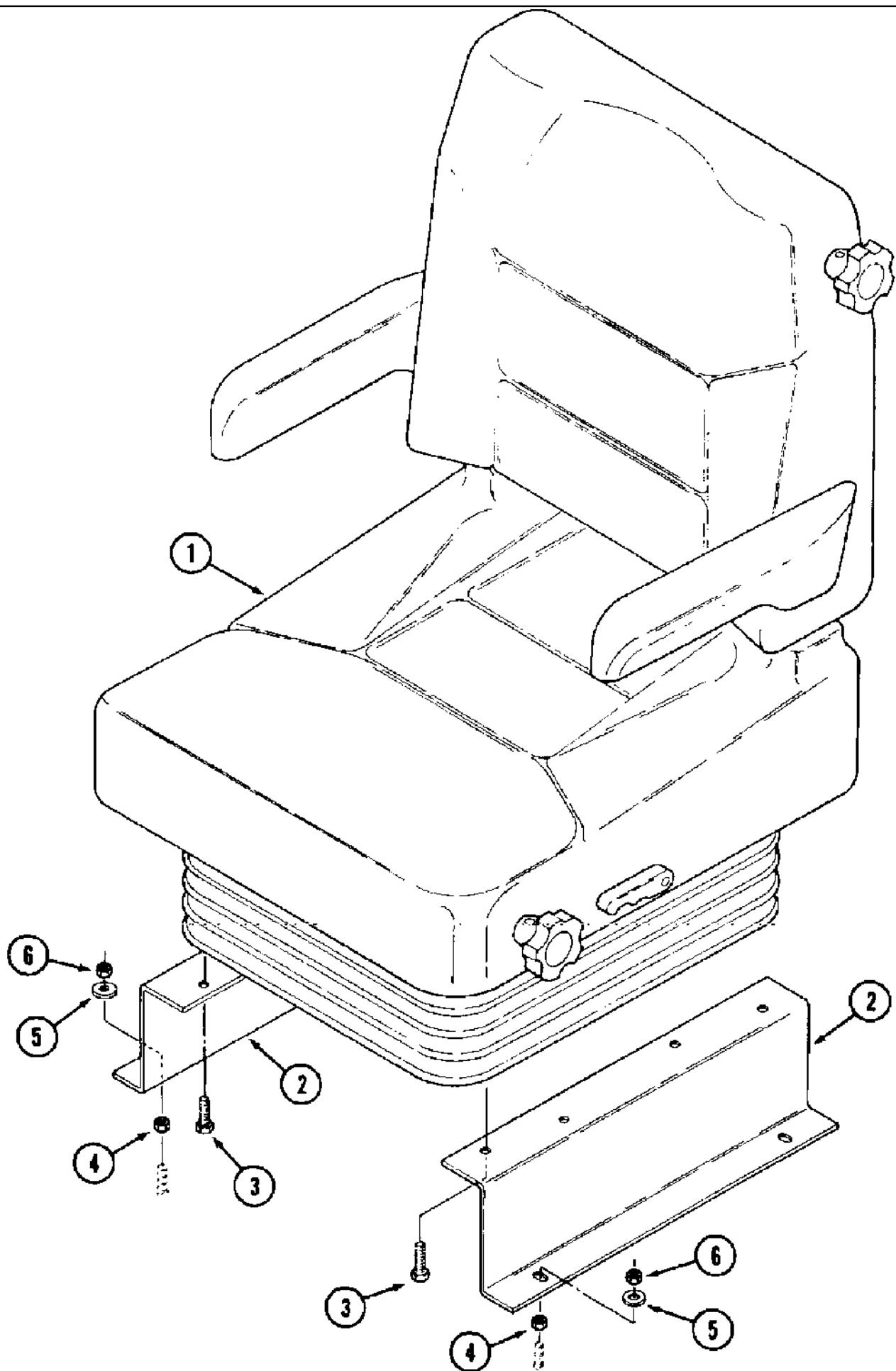
сылка	Номер детали	Кол-во	Описание
34	434-48	2	Bolt, Carriage, Short NK, 1/4"-20 x 1/2", G5, Full Thd
35	231-1444	2	NUT, LOCK, 1/4"-20, GB
36	495-11041	1	WASHER - flat, 13/32 x 13/16 x 1/16 inch
38	NSS	1	SPACER - shock
39	230-4715	1	NUT - hex, self-locking, 5/16 inch NF
40	NSS	2	BEARING - shock, not shown
41	NSS	1	BUSHING - fore/aft shock
42	1981845C1	1	ANGLE - mounting, shock
	132871A1	1	KIT - fitting, Includes: Ref. 43 - 46
43	NSS	2	ELBOW - 90 degree, compression
44	NSS	1	TUBE - nylon
45	L18337	2	STRAP - tie, 15 inch, nylon
46	NSS	1	CLAMP - J-type
47	179026A1	1	SLEEVE - guard, 10 (3/8) ID x 615 mm (24-1/4 inch) long
48	L18337	3	STRAP - tie, 15 inch, nylon
49	230-4715	1	NUT - hex, self-locking, 5/16 inch NF



## 9-080 DELUXE AIR SUSPENSION SEAT, BOOT AND MOUNTS

сылка	Номер детали	Кол-во	Описание
	144845A2	1	SEAT ASSEMBLY - deluxe suspension, replaced by 144845A3 seat, parts list Figure 9-070 - 9-080, Includes: Ref. 1 - 14
	144845A3	1	SEAT ASSEMBLY - deluxe suspension, replaces 144845A2 seat, parts list Figures 9-070 -, Includes: Ref. 1 - 14 9-080
	132861A3	1	KIT - suspension, additional parts list Figures 9-074 - 9-080, Includes: Ref. 1 - 11
	133421A1	1	KIT - boot, fore/aft
1	NSS	1	BOOT - suspension
	132872A1	1	KIT - boot pin, package of 23 retainers and 3 dome nuts, Includes: Ref. 2 - 4
2	NSS	3	NUT - dome
3	NSS	23	CLIP - retaining, plastic
4	NSS	3	CLIP - dart
5	276-24812	2	SCREW - self-tapping, hex head, 5/16 NC x 3/4 inch
6	132863A1	1	LATCH - isolator, fore/aft
7	NSS	1	BEARING - isolator latch tube, included in 180594A3 roller and bearing kit on Figure 9-076
8	133422A1	2	BUMPER - down stop
9	NSS	2	SCREW - special, Part of bumper kit P/N 180593A1.
10	NSS	2	BUMPER - rubber, upper housing, Part of bumper kit P/N 180593A1.
11	231-1444	2	NUT, LOCK, 1/4"-20, GB, Part of bumper kit P/N 180593A1.
12	222771A1	2	BRACKET - mounting, seat
13	495-11034	4	WASHER - flat, 11/32 x 11/16 x 1/16 inch
14	614-8020	4	BOLT - hex, full threads, 8 - 1.25 x 20 mm
16	F15988	4	SPACER - seat mounting
17	892-11008	4	WASHER, LOCK, M8
18	829-1408	4	NUT, M8, CI 10
	190156A1	1	KIT - block, Includes: Ref. 19
19	NSS	2	BLOCK - isolator
19	NSS	2	SPRING - isolator
19	NSS	2	SCREW - isolator
	180593A1	1	KIT - bumper, Includes: Ref. 9 - 11

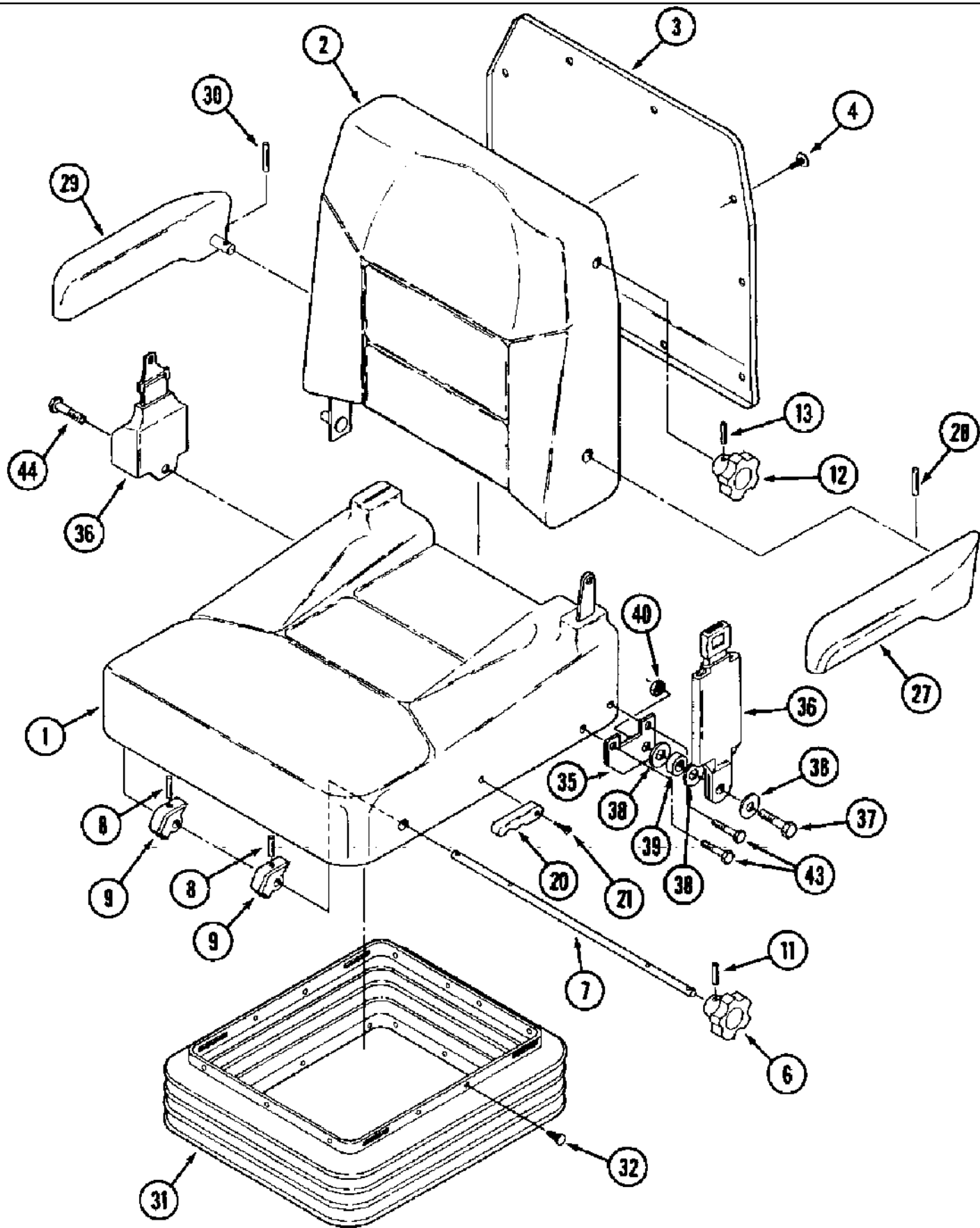




9380 CASE IH 4WD TRACTOR (6/95-8/00)

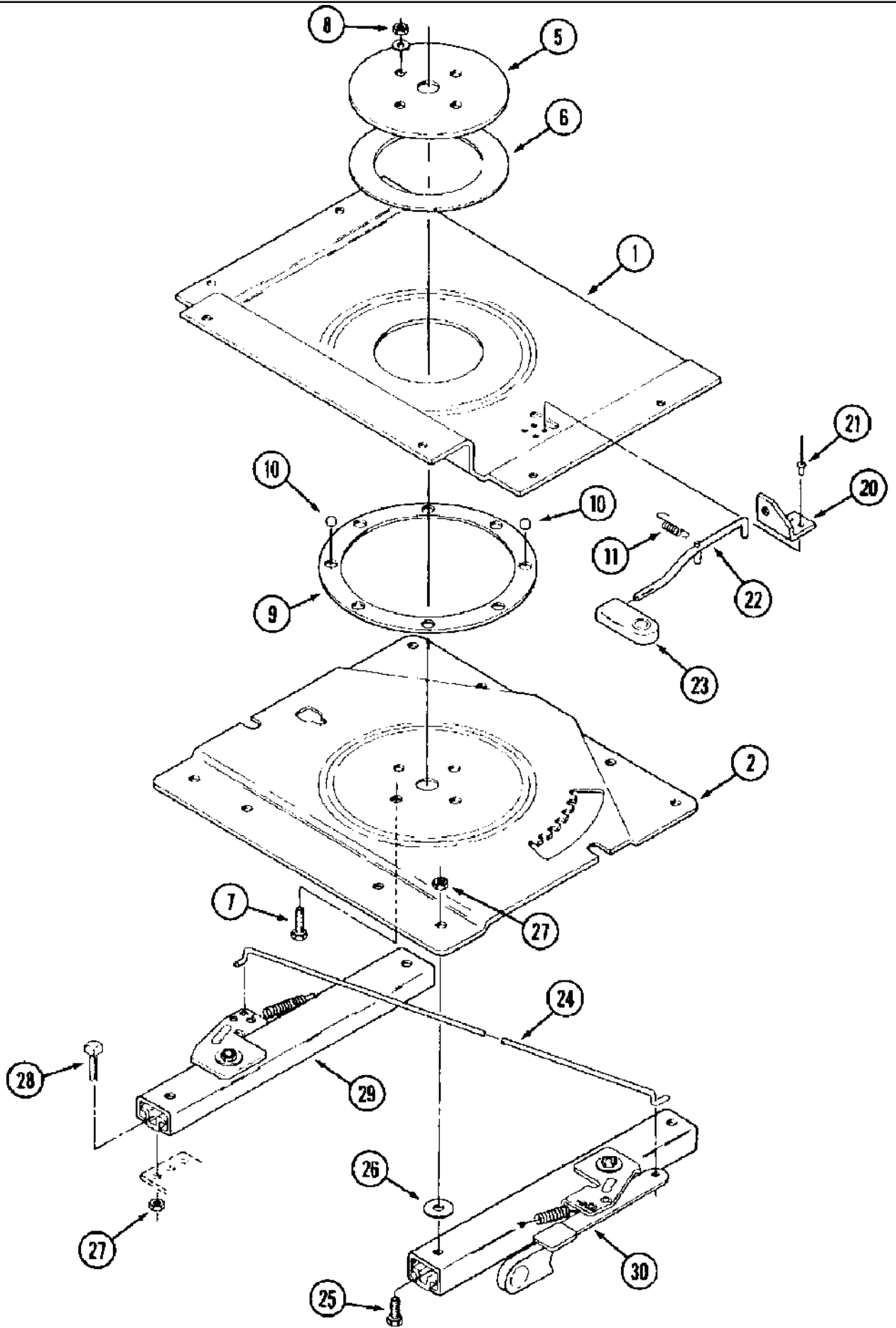
9-082 VINYL SEAT MOUNTING, MECHANICAL SUSPENSION

сылка	Номер детали	Кол-во	Описание
1	1987174C2	1	SEAT ASSEMBLY - mechanical, with vinyl upholstery, parts list Figures 9-084 - 9-088
2	1977735C1	2	BRACKET - mounting, seat
3	614-8020	4	BOLT - hex, full threads, 8 - 1.25 x 20 mm
4	425-108	4	NUT - hex, 1/2 inch NC
5	495-21038	4	WASHER - flat, 3/8 x 7/8 x 3/32 inch
6	231-1445	4	NUT - hex, self-locking, 5/16 inch NC



## 9-084 VINYL SEAT ASSEMBLY, MECHANICAL SUSPENSION

сылка	Номер детали	Кол-во	Описание
	1987174C2	1	SEAT ASSEMBLY - mechanical, with vinyl upholstery, parts list Figures 9-084 - 9-088, Includes: Ref. 1 - 44
	1981830C4	1	KIT - seat, upper, Includes: Ref. 1 - 21
	1981832C2	1	KIT - cushion, seat, Includes: Ref. 1
1	NSS	1	PAD - seat
1	NSS	22	RING - hog
	1981831C2	1	KIT - cushion, backrest, Includes: Ref. 2
2	NSS	1	PAD - backrest
2	NSS	22	RING - hog
3	1981820C2	1	KIT - backrest cover and retainers, Includes: Ref. 4
4	1999693C1	1	CLIP - christmas tree, package of 14
6	1999691C1	1	KIT - seat knob
	1343826C2	1	SHAFT ASSEMBLY - tilt, Includes: Ref. 7 - 9
7	NSS	1	SHAFT - seat tilt
8	38-11016	2	Pin, 5/32" x 1", Slotted
9	1343828C1	2	CAM - seat tilt, no longer available, order 1343826C2 shaft assembly
11	38-11016	1	Pin, 5/32" x 1", Slotted
12	1999691C1	1	KIT - seat knob, replaces 1981828C1 knob
13	138-303	1	Pin, 3/16" x 1 1/8", Slotted
20	1974711C1	1	KNOB - backrest tilt
21	30299R1	1	SCREW - machine, 6 x 12 mm
27	1981818C1	1	KIT - armrest, left-hand, Includes: Ref. 28
28	NSS	1	PIN - drive
29	143199A1	1	ARMREST - right-hand, black, Includes: Ref. 30
30	NSS	1	PIN - drive
31	1990647C2	1	KIT - boot, suspension, Includes: Ref. 32
32	132872A1	24	KIT - boot pin, package of 23 retainers and 3 dome nuts
35	1975957C1	1	BRACKET - seat belt
36	1343982C1	1	BELT - seat
37	326-728	1	BOLT, Hex, 7/16"-14 x 1 3/4", G8
38	395-11053	3	WASHER - flat, 17/32 x 1-1/16 x 3/32 inch
39	S5375	1	SPACER - pipe, 3/8 x 3/8 inch
40	232-4117	1	NUT, LOCK, 7/16"-14, GC
43	113-70	2	BOLT, Hex, 1/4"-20 x 2", G5
44	328-724	1	BOLT, Hex, 7/16"-20 x 1 1/2", G8



## 9-086 VINYL SEAT ASSEMBLY, MECHANICAL SUSPENSION

сылка	Номер детали	Кол-во	Описание
	1987174C2	1	SEAT ASSEMBLY - mechanical, with vinyl upholstery, parts list Figures 9-084 - 9-088, Includes: Ref. 1 - 30
	1344003C3	1	SWIVEL ASSEMBLY - seat, Includes: Ref. 1 - 23
1	1343857C1	1	PLATE - swivel, upper
2	1343858C1	1	PLATE - swivel, lower
5	1343859C1	1	RETAINER - swivel
6	1343860C1	1	PLATE - swivel bearing
7	413-620	4	BOLT - hex, 3/8 NC x 1-1/4 inch
8	230-4216	4	NUT - hex, self-locking, 3/8 inch NC
9	A49555	1	RETAINER - ball
10	211-1016	8	BALL - chrome alloy steel, 1/2 inch, grade 24
11	N8680	1	SPRING - latch rod
20	1343861C1	1	BRACKET - swivel rod
21	49-36	2	RIVET - truss head, 3/16 x 3/8 inch
22	1343862C2	1	ROD - swivel
23	1999692C1	1	KIT - knob, replaces 1343863C1 knob
	1344248C1	1	KIT - double locking slide, Includes: Ref. 24 - 30
24	1981825C1	1	WIRE - slide
25	426-512	4	BOLT - hex, 5/16 NC x 3/4 inch, grade 8
26	495-11034	4	WASHER - flat, 11/32 x 11/16 x 1/16 inch
27	230-4115	8	NUT - hex, self-locking, 5/16 inch NC
28	417-512	4	BOLT - square head, 5/16 NC x 3/4 inch, grade 2
29	1981823C1	1	SLIDE - seat, right-hand
30	1981822C1	1	SLIDE - seat, left-hand, with handle



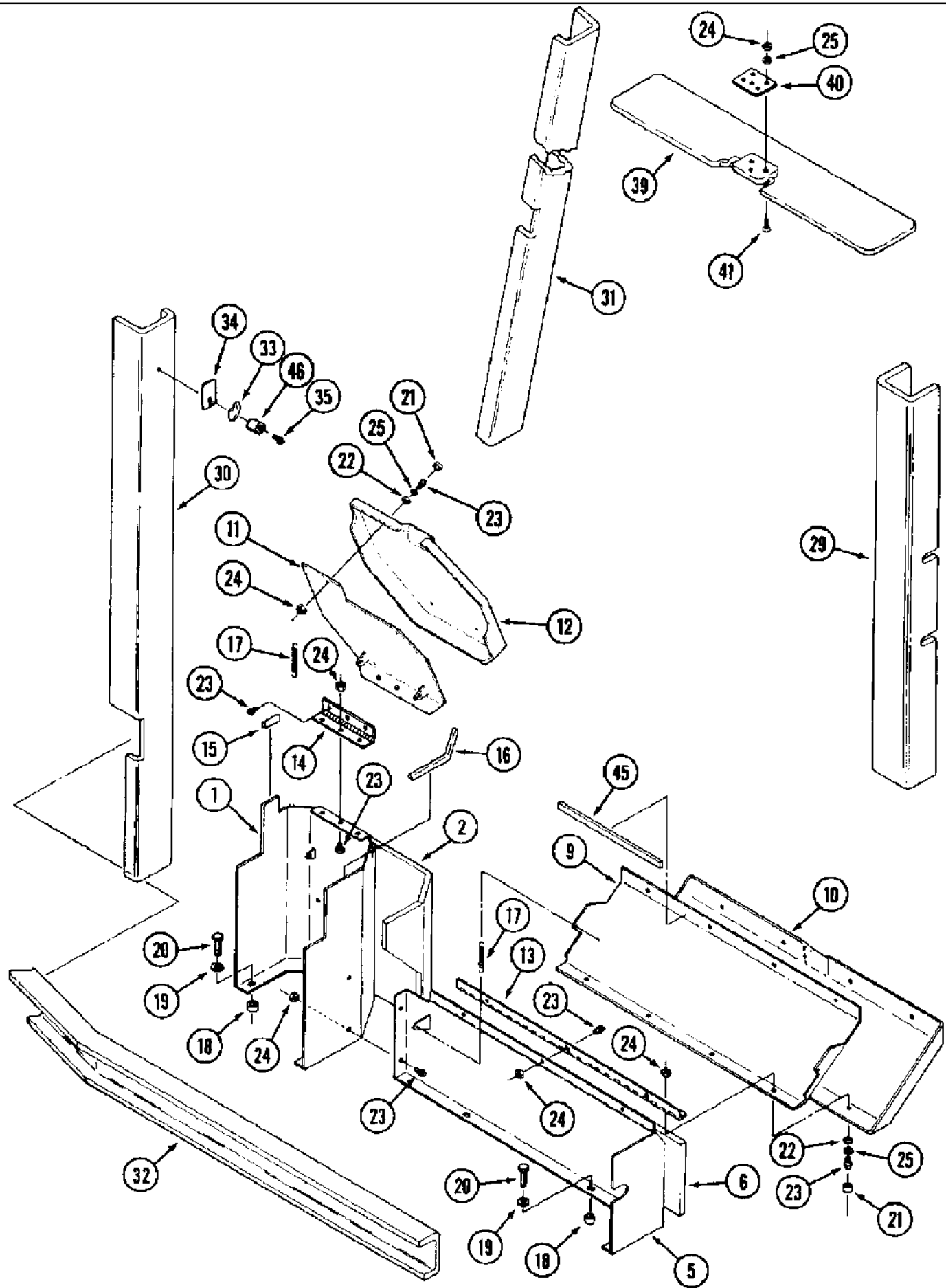
сылка	Номер детали	Кол-во	Описание
	1987174C2	1	SEAT ASSEMBLY - mechanical, with vinyl upholstery, parts list Figures 9-084 - 9-088, Includes: Ref. 1 - 61
	1981819C2	1	KIT - suspension, mechanical seat, Includes: Ref. 1 - 61, Suspension kit also includes bellows and clips.
1	1981787C1	1	HOUSING - lower
2	1344249C1	6	KIT - roller tube and bearing
3	1981789C1	1	ARM - suspension
4	128115A1	1	SHAFT - spring
5	123968A2	2	KIT - weight adjustment spring, replaces 1981791C1 bushing
6	1981792C1	1	ARM - mounting
7	A45519	5	WASHER - flat, plastic, special, 33/64 x 1-1/8 x 1/16 inch, order A45110 spacer and A45116 spacer
8	A47760	4	TUBE - bearing
9	180609A1	2	KIT - bumper, replaces 1981793C1 bumper
10	440-11010	2	SCREW - machine, pan Phillips, No. 10 NC x 5/8 inch
11	230-42409	2	NUT - hex, self-locking, No. 10 NC
19	1981794C1	2	SPRING - external
20	1344250C2	1	KIT - shock absorber
21	123967A1	1	KIT - cam follower
22	A49529	2	SHAFT - bushing tube
23	1981821C1	1	HOUSING - upper
24	1981798C1	1	CAM - low profile
25	1981799C1	1	BEARING - cam follower
26	123966A1	1	KIT - height adjustment
27	119001A1	1	ARM ASSEMBLY - cam
28	138-110	1	PIN, LOCK, 7/32" x 3/4", Slotted
29	138-172	2	PIN, 3/8" x 1 1/4", Slotted
30	1987116C2	2	KIT - weight adjuster, replaces 1981802C1 race
31	F13537	1	BEARING - thrust
	123969A1	1	KIT - knob and shaft assembly, Includes: Ref. 34 & 35
34	NSS	1	KNOB - weight adjustment
35	NSS	1	SHAFT - weight adjusting
36	1987116C2	1	KIT - weight adjuster
37	38-11016	1	Pin, 5/32" x 1", Slotted
38	38-11010	1	Pin, 5/32" x 5/8", Slotted
39	38-21010	1	Pin, 5/32" x 5/8", Coiled
40	1974732C1	1	WASHER - flat, 25/64 x 1-1/8 x 1/8 inch
41	A45501	2	BEARING - shock absorber
42	A49623	2	RING - retaining
43	131-425	2	NUT - push-on type, 1/2 inch
44	230-4216	2	NUT - hex, self-locking, 3/8 inch NC
46	138-155	1	PIN, 5/16" x 1 1/4", Slotted
47	1981807C1	1	GUIDE - weight adjustment
	1999901C2	1	KIT - weight adjusting guide, Includes: Ref. 48 & 49
48	NSS	1	TAPE - adjustment, weight
49	NSS	1	SPRING - suspension, weight



9380 CASE IH 4WD TRACTOR (6/95-8/00)

9-088 VINYL SEAT ASSEMBLY, MECHANICAL SUSPENSION

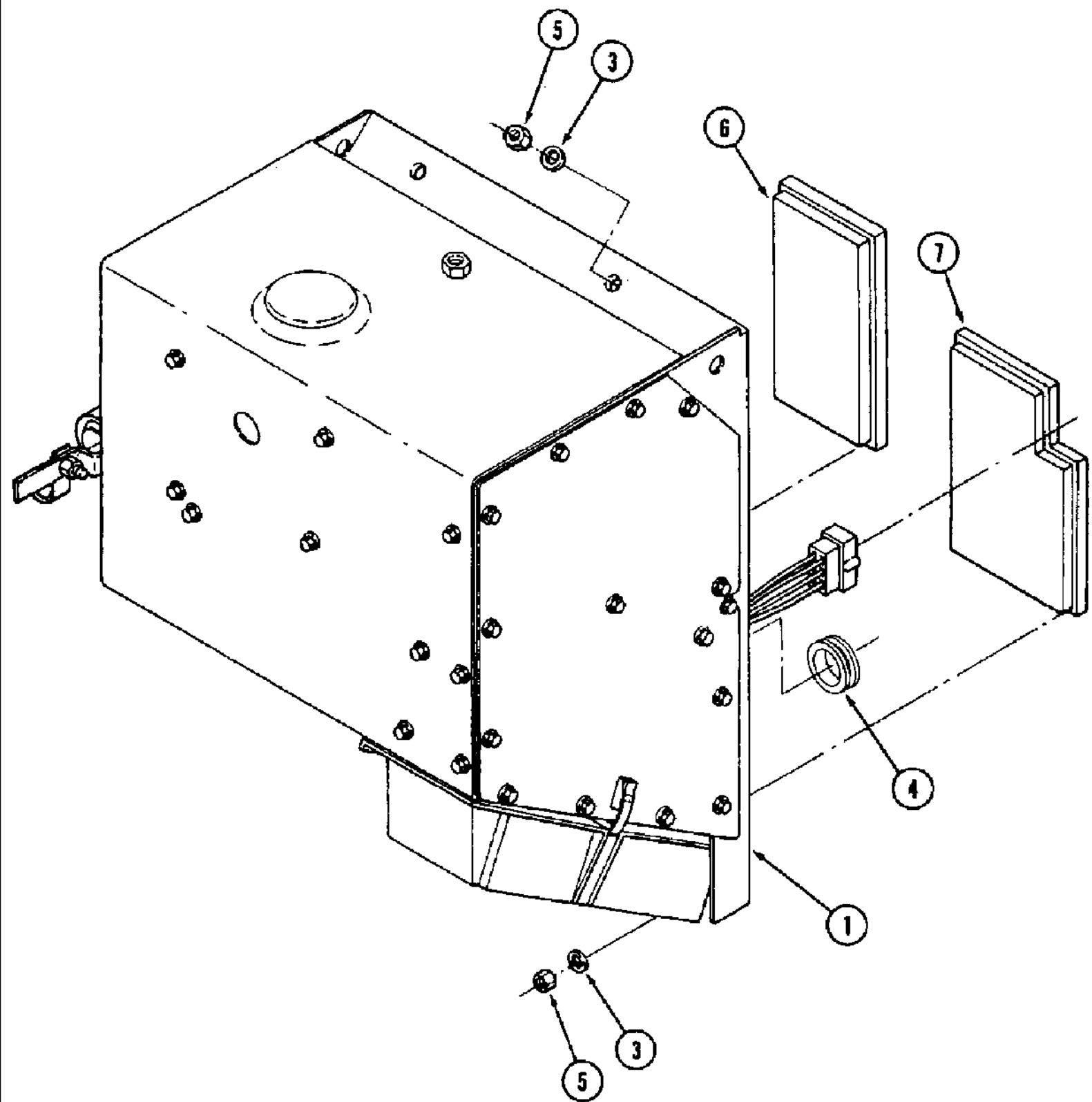
сылка	Номер детали	Кол-во	Описание
50	151-537	1	RIVET - break mandrel, 1/8 x 21/32 inch
59	230-4115	1	NUT - hex, self-locking, 5/16 inch NC
60	438-11214	1	Pin, 3/16" x 7/8", Slotted
61	495-11034	2	WASHER - flat, 11/32 x 11/16 x 1/16 inch



## 9380 CASE IH 4WD TRACTOR (6/95-8/00)

## 9-090 CAB STORAGE COMPARTMENTS, COVERS AND SUN VISOR, IF EQUIPPED

сылка	Номер детали	Кол-во	Описание
	35-1803T92	1	KIT - cab, deluxe, order from Machinery Price List, Includes: Ref. 1 - 46
1	60-6366T91	1	CONTAINER ASSEMBLY - storage compartment, Includes: Ref. 2
2	NSS	1	COVER - storage compartment
5	60-6362T91	1	CONTAINER ASSEMBLY - storage compartment, Includes: Ref. 6
6	NSS	1	COVER - storage compartment
9	60-6370T1	1	COVER - door, storage compartment
10	60-6369T1	1	COVER - door
11	60-6372T2	1	DOOR - storage compartment
12	60-6371T2	1	COVER - door
13	60-6360T1	1	HINGE - door
14	60-6361T1	1	HINGE - door
15	60-6358T1	1	TRIM - edge, 63 mm (2-1/2 inch) long, cut from F64277X bulk trim, see below
16	60-6359T1	1	TRIM - edge, 194 mm (7-5/8 inch) long, cut from F64277X bulk trim, see below
17	60-6374T2	4	SPRING - cover
18	425-108	6	NUT - hex, 1/2 inch NC, mounting, seat
19	495-11028	6	WASHER - flat, 9/32 x 5/8 x 1/16 inch
20	426-424	6	BOLT - hex, 1/4 NC x 1-1/2 inch, grade 8
21	60-5920T1	12	CAP - trim, gray
22	1-8674	12	WASHER - trim
23	463-3108	23	SCREW - machine, hex washer head, No. 10 NC x 1/2 inch
24	193-1004	23	NUT - hex, with external tooth lock washer, No. 10 NC
25	495-31022	20	WASHER, #10
29	60-6354T2	1	COVER - cab post, right-hand rear
30	60-6352T2	1	COVER - cab post, left-hand rear
31	60-6353T1	1	COVER - cab post, left-hand front
32	60-6355T1	1	COVER - cab frame, rear
33	3234176R1	1	HOOK - coat
34	60-6520T1	1	PLATE - coat hook
35	280-16516	1	SCREW - self-tapping, hex washer head, No. 10 - 16 x 1 inch
39	1971228C1	1	VISOR - sun
40	60-6521T1	1	PLATE - mounting, sun visor
41	343-11016	3	SCREW - machine, flat Phillips, No. 10 NC x 1 inch
45	60-6531T1	2	SEAL - foam, 292 mm (11-1/2 inch) long, cut from 60-4596T1 bulk seal, see below
46	2-3010T1	1	SPACER - manual box, hook, replaces 60-6576T1 spacer
	F64277X		UAR TRIM - edge, bulk, 14478 mm (570 inch) long
	60-4596T1		UAR SEAL - foam, bulk, 3048 mm (120 inch) long

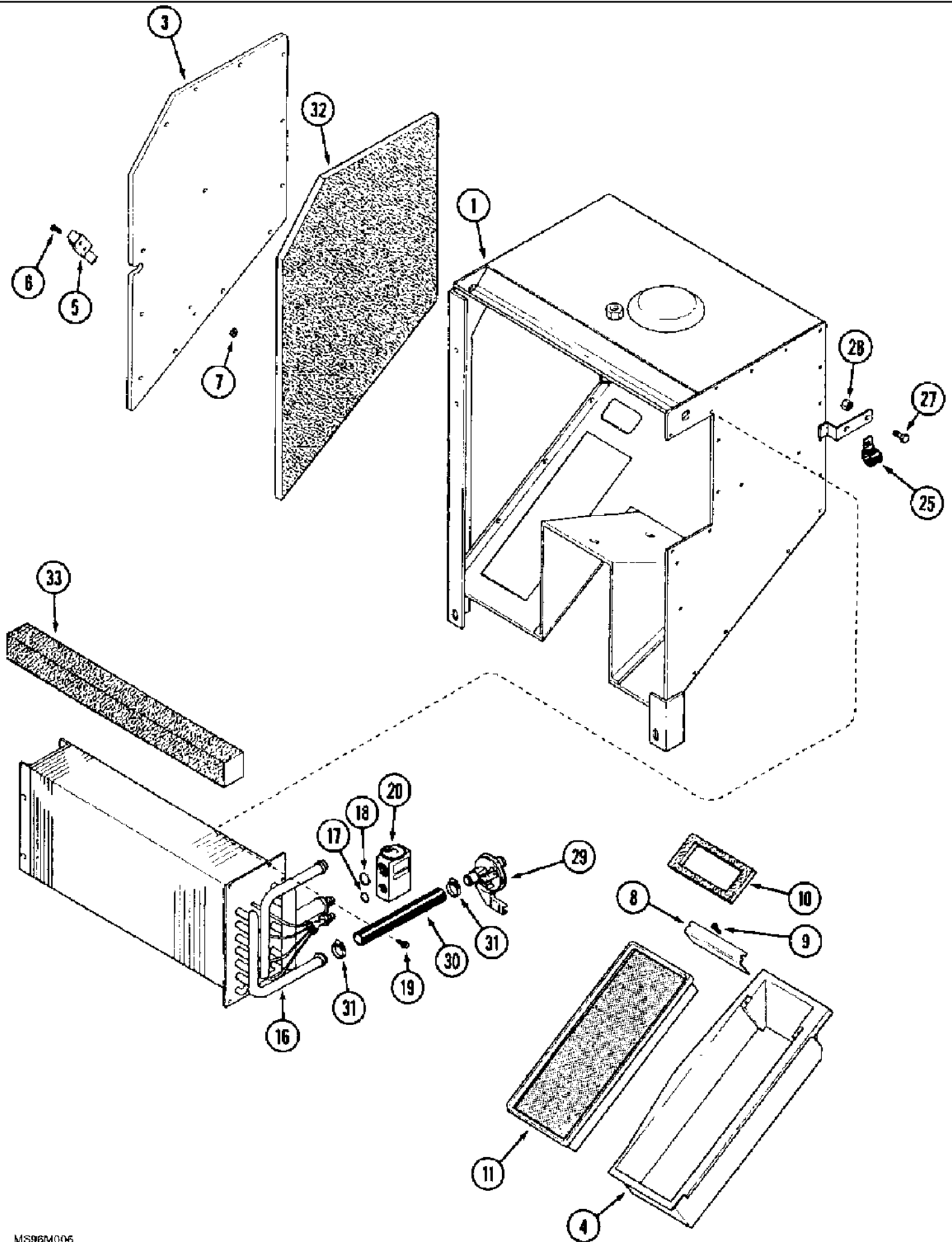


9380 CASE IH 4WD TRACTOR (6/95-8/00)

9-092 CAB AIR CONDITIONER AND HEATER MODULE

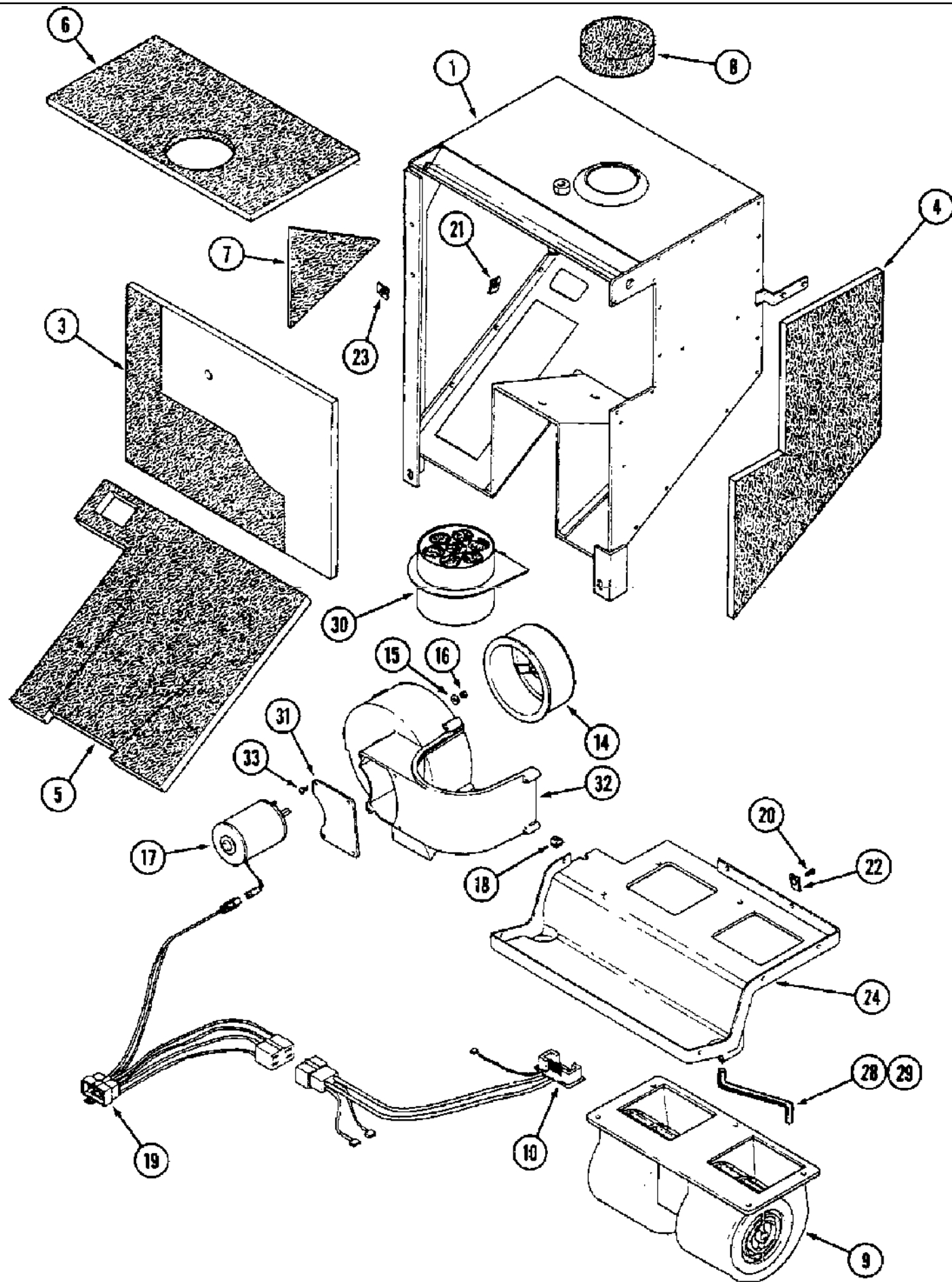
сылка	Номер детали	Кол-во	Описание
1	60-6973T91	1	MODULE ASSEMBLY - air conditioning and heating, parts list Figures 9-094 and 9-096
3	495-21044	4	WASHER - flat, 7/16 x 1 x 5/64 inch
4	1-1051	1	GROMMET - harness protection
5	425-106	4	NUT, 3/8"-16, G5
6	60-3846T2	1	FILTER - air recirculation
7	60-6706T1	1	FILTER - air recirculation, cab

9-094 AIR CONDITIONER AND HEATER MODULE ASSEMBLY, EXTERNAL COMPONENTS



## 9-094 AIR CONDITIONER AND HEATER MODULE ASSEMBLY, EXTERNAL COMPONENTS

сылка	Номер детали	Кол-во	Описание
	60-6973T91	1	MODULE ASSEMBLY - air conditioning and heating, Includes: Ref. 1 - 33 and parts on Figure 9-096
1	60-6692T3	1	HOUSING - module
3	60-6685T1	1	COVER - module
4	60-6674T1	1	HOUSING - filter
5	60-6318T91	1	LATCH - module
6	19-5422	2	SCREW - machine, truss head, No. 8 NC x 3/4 inch
7	193-1002	2	NUT - hex, with external tooth lock washer, No. 8 NC
8	60-6675T1	1	BRACKET - filter box
9	260-1338	2	SCREW - self-tapping, pan Phillips, No. 6-20 x 1/2 inch
10	60-6703T1	1	GASKET - filter box
11	60-4452T2	1	FILTER - air
16	60-6677T1	1	CORE - heater and evaporator
17	128484A1	1	O-RING - 7/16 ID x 1/16 inch wide
18	128485A1	1	O-RING - 9/16 ID x 1/16 inch wide
19	60-6688T1	6	SCREW - hex washer head, self-tapping, special
20	1990756C2	1	VALVE - expansion
25	515-23238	1	CLAMP - P-type, 15/16 inch ID
27	426-612	1	BOLT - hex, 3/8 NC x 3/4 inch, grade 8
28	425-106	1	NUT, 3/8"-16, G5
29	1331087C1	1	VALVE - control
30	NSS	1	HOSE - heater, 127mm (5 inch) long, cut from 97252CX bulk hose, see below
31	214-1408	2	CLAMP - adj, 1/2 - 29/32 inch dia
32	60-6698T1	1	PAD - foam, module cover
33	60-6817T1	1	PAD - core sealing, 1-3/4 x 1-3/4 x 18-3/4 inch long
	97252CX		UAR HOSE - bulk, 16 (5/8) x 25 (1) x 15240 mm (600 inch) long





## 9-096 AIR CONDITIONER AND HEATER MODULE ASSEMBLY, INTERNAL COMPONENTS

сылка	Номер детали	Кол-во	Описание
	60-6973T91	1	MODULE ASSEMBLY - air conditioning and heating, Includes: Ref. 1 - 33 and parts on page 9-95
1	60-6692T3	1	HOUSING - module
3	60-6696T2	1	PAD - insulating foam, front
4	60-6697T1	1	PAD - insulating foam, right-hand
5	60-6699T2	1	PAD - insulating foam, lower
6	60-6701T1	1	PAD - insulating foam, upper
7	60-6702T2	2	PAD - insulating foam, filler
8	60-6328T1	1	FILTER - foam, air inlet
9	1977564C2	1	BLOWER - cab, component parts not serviced separately
10	1343938C2	1	RESISTOR - blower, cab air
14	60-6852T2	1	FAN - blower, pressurizer, includes motor shaft retaining clip
15	495-31022	2	WASHER, #10
16	9411893	2	NUT - hex, self-locking, No. 10 NF
17	60-6851T1	1	MOTOR - fan, blower, with 5/16 inch diameter shaft
18	31-2475	1	GROMMET - harness protection
19	60-6707T1	1	HARNESS - blower motor
20	280-13512	25	SCREW - self-tapping, hex washer head, No. 10-16 x 3/4 inch
21	60-6708T1	11	NUT - U-type, special
22	1975905C1	5	NUT - special, U-speed, No. 10-16
23	19-6157	10	NUT - U-type, No. 10
24	60-6673T1	1	PAN - condensation drip
28	NSS	1	HOSE - drip, 203 mm (8 inch) long, cut from 87769CX bulk hose, see below
29	NSS	1	HOSE - drip, 305 mm (12 inch) long, cut from 87769CX bulk hose, see below
30	60-6694T2	1	PRECLEANER - air inlet
31	60-6695T1	1	PLATE - support, blower motor
32	60-6693T1	1	HOUSING - blower fan
33	19-1018	13	SCREW - pan head, self-tapping, special, No. 10 NS x 3/4 inch
	87769CX		UAR HOSE - rubber, bulk roll, 7 (9/32) ID x 27432 mm (1080 inch) long



## 9380 CASE IH 4WD TRACTOR (6/95-8/00)

## 9-098 CAB AIR CONDITIONER AND HEATER, CONTROLS AND AIR PLENUM

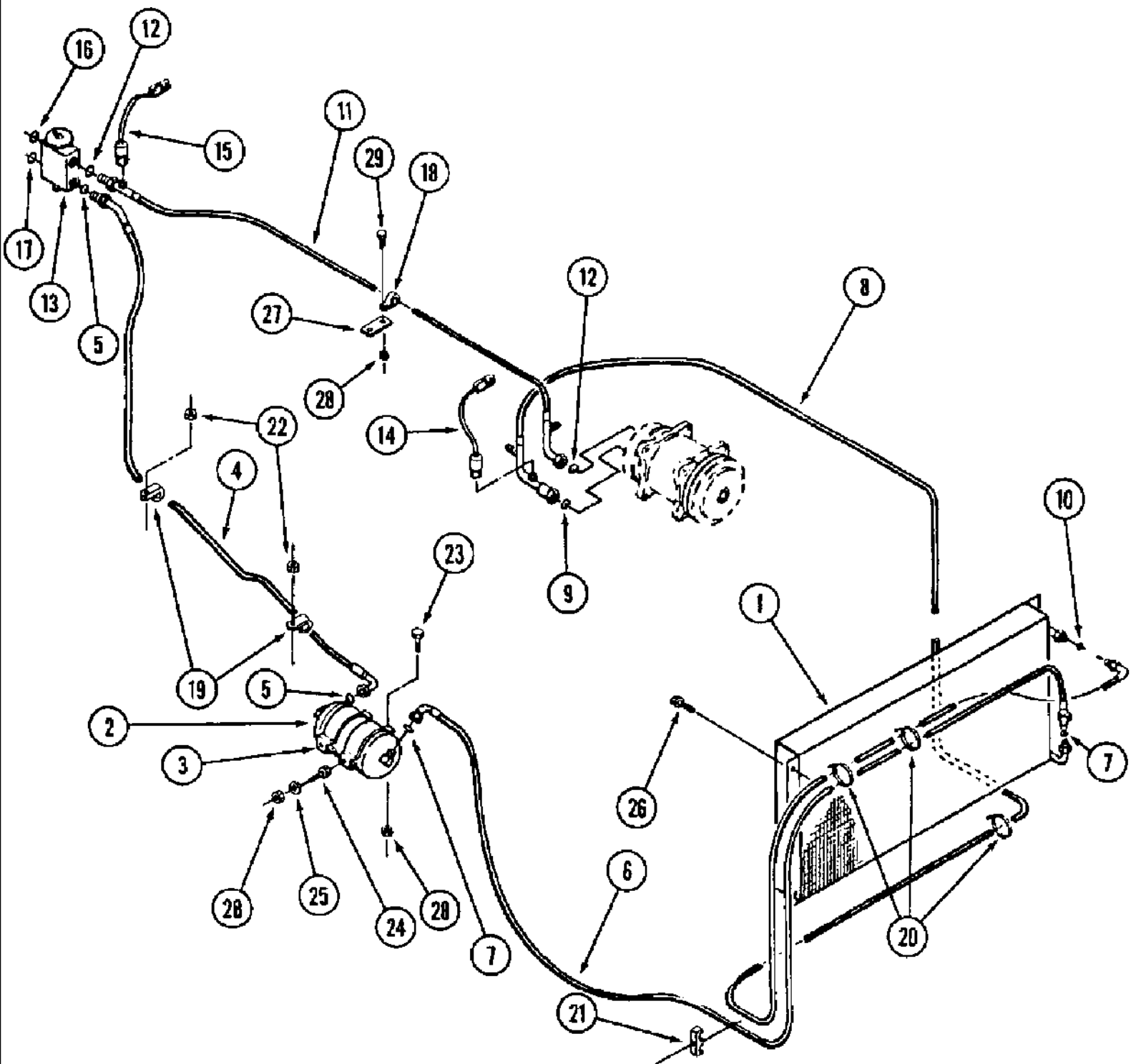
сылка	Номер детали	Кол-во	Описание
1	60-4917T2	1	PLENUM - air conditioner and heater
2	60-4698T1	1	DOOR - heat/defrost director
3	19-6129	2	BUSHING - split flange, 11/32 ID x 7/16 inch OD, snap in, door pivot
4	60-4680T1	1	ROD - pivot, plenum door
5	19-5758	2	NUT - push on type
6	19-157	5	RIVET - pop, 1/8 x 3/8 inch
7	495-31016	5	WASHER - flat, 5/32 x 3/8 x 3/64 inch
8	60-4976T1	1	BRACKET - clamp mounting
9	515-2663	1	CLAMP - P-type, 1/4 inch ID, cable retaining
10	463-41012	2	SCREW - machine, hex slotted washer head, No. 10 NC x 3/4 inch
11	280-13512	8	SCREW - self-tapping, hex washer head, No. 10-16 x 3/4 inch
12	495-31022	16	WASHER, #10
13	86632551	10	NUT, LOCK, #10-24, GB
14	60-4681T1	1	SEAL - adhesive-backed, 432 mm (17 inch) long, cut from 2-7261T1 bulk seal, see below, plenum door
15	1975905C1	8	NUT - special, U-speed, No. 10-16
18	19-6046	2	WASHER - flat, 5/16 x 5/8 x 1/8 inch
19	60-6715T1	2	LEVER - cable actuating
20	19-5995	2	WASHER - spring, 5/16 inch
21	231-2445	2	NUT - hex, self-locking, 5/16 inch NF
22	60-6713T2	1	PANEL - climate control
23	60-6716T1	1	DECAL - climate control panel
24	280-13410	4	SCREW - self-tapping, hex washer head, No. 8-18 x 5/8 inch
26	92101C1	1	SWITCH - thermostat
27	92100C2	1	SWITCH - blower motor
29	495-11028	3	WASHER - flat, 9/32 x 5/8 x 1/16 inch
30	425-104	3	NUT - hex, 1/4 inch NC
32	60-4543T1	1	CABLE - heater/defroster/air conditioning
33	60-6718T1	1	CABLE - actuating, water valve
34	425-115	2	NUT - hex, 5/16 inch NF
35	19-6229	1	STUD - lever
36	60-6717T1	2	KNOB - control, lever
37	60-3958T1	2	KNOB - control, lower rate
38	1954626C1	1	CLIP - retaining, heater cable
	2-7261T1		UAR SEAL - bulk, adhesive-backed, 3048 mm (120 inch) long



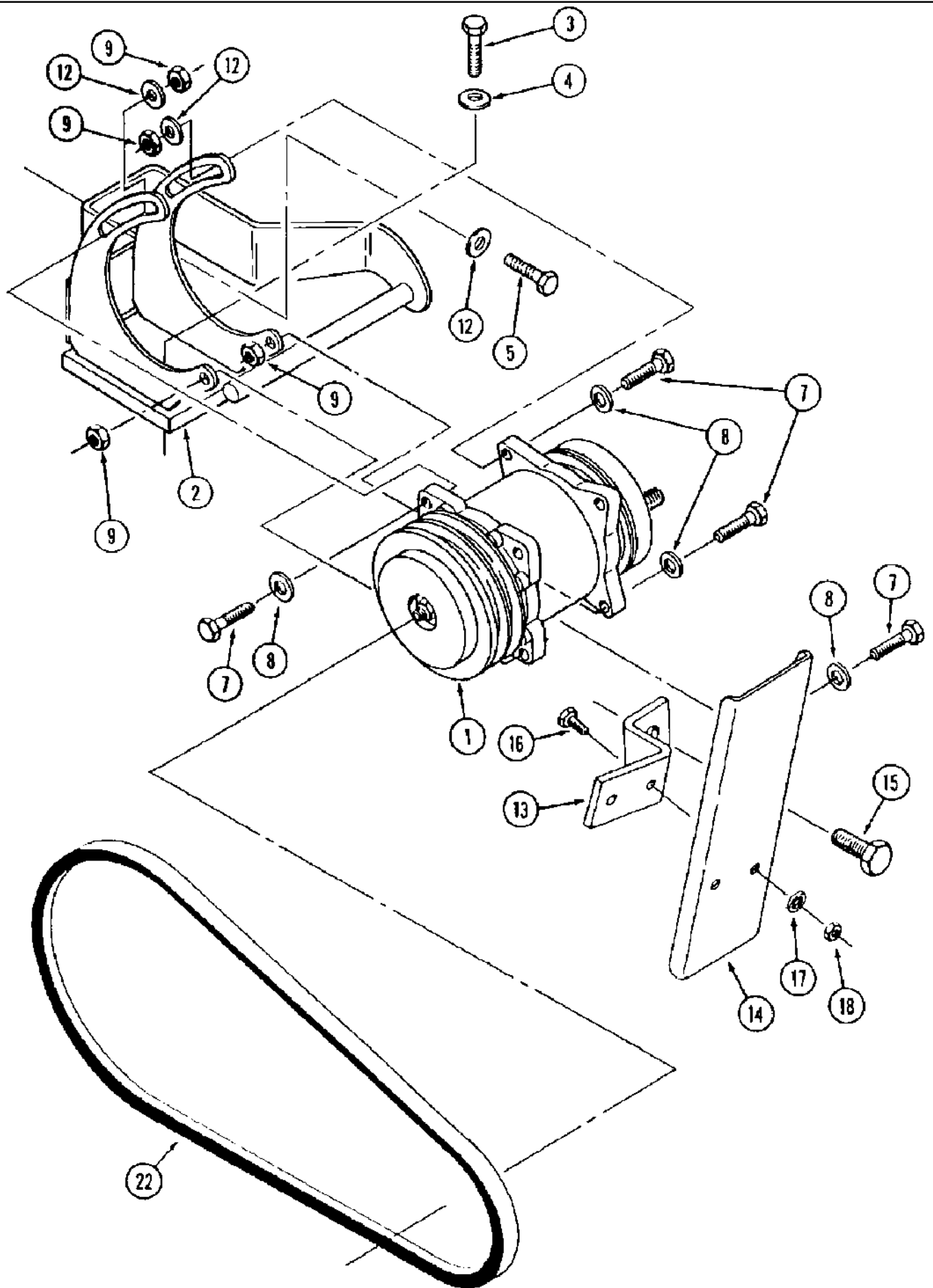
## 9380 CASE IH 4WD TRACTOR (6/95-8/00)

## 9-100 CAB HEATER PLUMBING

сылка	Номер детали	Кол-во	Описание
1	301803R1	1	VALVE - shutoff, water
2	221-89	1	REDUCER - pipe, 1/2 male x 3/8 inch female
3	32-333	1	HOSE - 787 mm (31 inch) long, cut from 97252CX bulk hose, see below
4	214-1408	4	CLAMP - adj, 1/2 - 29/32 inch dia, hose
5	31-2937	1	HOSE - 2438 mm (96 inch) long, cut from 32-50 bulk hose, see below
6	495-11034	1	WASHER - flat, 11/32 x 11/16 x 1/16 inch
7	515-23381	1	CLAMP, 1 1/2", Insul, 3/8" Bolt, P-type
8	217-134	1	ELBOW - 90 degree, 5/8 stem end x 1/2 inch PT
9	515-25238	1	CLAMP - P-type, 15/16 inch ID
10	426-816	2	BOLT - hex, 1/2 NC x 1 inch, grade 8
11	1-2191	1	CLAMP - P-type
13	90-6830T1	1	TUBE - heater
14	426-512	3	BOLT - hex, 5/16 NC x 3/4 inch, grade 8
15	231-1445	3	NUT - hex, self-locking, 5/16 inch NC
16	31-2283	1	HOSE - 2591 mm (102 inch) long, cut from 32-50 bulk hose, prior to P.I.N. JEE0036501, see below, used on 9370 and 9380
16A	31-2983	1	HOSE - 2235 mm (88 inch) long, cut from 32-50 bulk hose, P.I.N. JEE0036501 and after, see below
17	214-1420	2	CLAMP - adj, 13/16 - 1-3/4 inch dia
18	19-135	1	STRAP - tie, nylon
19	221-89	1	REDUCER - pipe, 1/2 male x 3/8 inch female, P.I.N. JEE0036501 and after
20	221-338	1	COUPLING - pipe, 1/2 inch, P.I.N. JEE0036501 and after
21	217-1072	1	NIPPLE - hex, 1/2 PT x 1-7/8 inch, P.I.N. JEE0036501 and after
22	90-8315T1	1	TUBE - precleaner, used on 9390
	97252CX		UAR HOSE - bulk, 16 (5/8) x 25 (1) x 15240 mm (600 inch) long
	32-50		UAR HOSE - bulk, 16 (5/8) ID x 3048 mm (120 inch) long



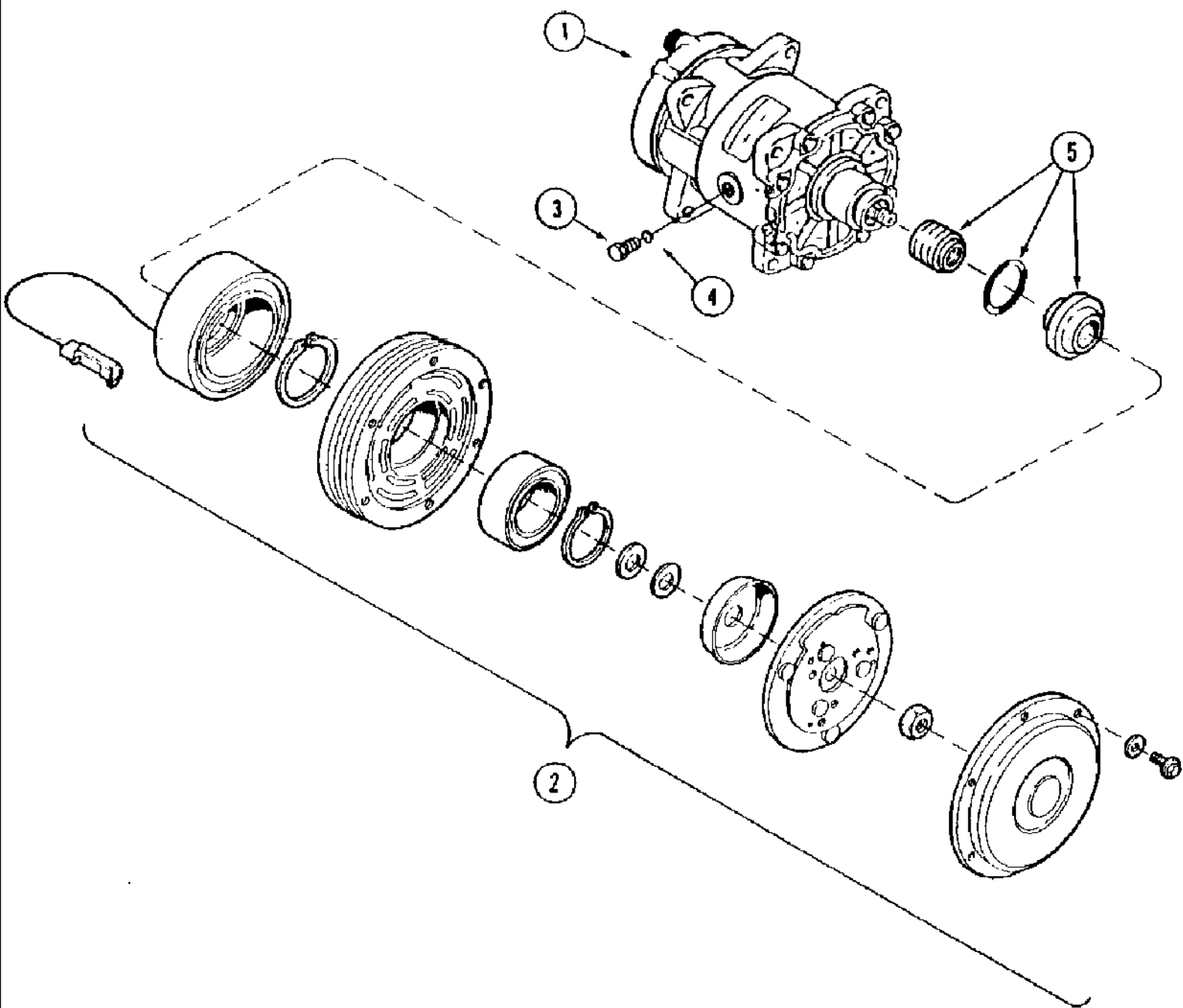
сылка	Номер детали	Кол-во	Описание
1	60-6711T1	1	CONDENSER - air conditioning
2	1990758C2	1	RECEIVER-DRIER - air conditioning
3	70-6589T1	2	BRACKET - mounting
4	60-6953T1	1	HOSE - 2006 mm (78 inch) long, receiver-drier to expansion valve, Includes: Ref. 5
5	128483A1	2	O-RING - 5/16 ID x 1/16 inch wide
6	60-6952T1	1	HOSE - 2794 mm (110 inch) long, condenser to receiver-drier, Includes: Ref. 7
7	128483A1	2	O-RING - 5/16 ID x 1/16 inch wide
8	60-6951T1	1	HOSE - 3683 mm (145 inch) long, discharge, compressor to condenser, Includes: Ref. 9 & 10
9	128485A1	1	O-RING - 9/16 ID x 1/16 inch wide
10	128484A1	1	O-RING - 7/16 ID x 1/16 inch wide
11	60-6954T1	1	HOSE - 2007 mm (79 inch) long, Includes: Ref. 12
12	128485A1	2	O-RING - 9/16 ID x 1/16 inch wide
13	1990756C2	1	VALVE - expansion
14	232948A1	1	SWITCH - high pressure, 400 psi, replaces 1999925C1 switch
15	122579A1	1	SWITCH - low pressure
16	128485A1	1	O-RING - 9/16 ID x 1/16 inch wide
17	128484A1	1	O-RING - 7/16 ID x 1/16 inch wide
18	515-23270	1	CLAMP - P-type, 1-1/16 inch ID
19	515-23190	1	CLAMP - P-type, 3/4 inch ID
20	22-824	3	STRAP - tie, 7 inch
21	50-2551T1	1	CLAMP - hose, split, includes both halves
22	425-106	6	NUT, 3/8"-16, G5
23	426-524	3	BOLT - hex, 5/16 NC x 1-1/2 inch, grade 8
24	426-516	3	BOLT - hex, 5/16 NC x 1 inch, grade 8
25	396-41034	10	WASHER - flat, 11/32 x 1 x 3/32 inch, hardened
26	426-58	6	BOLT - hex, 5/16 NC x 1/2 inch, grade 8
27	60-5816T1	1	BRACKET - mounting, clamp
28	231-1445	5	NUT - hex, self-locking, 5/16 inch NC
29	426-512	1	BOLT - hex, 5/16 NC x 3/4 inch, grade 8





## 9-104 CAB AIR CONDITIONING, COMPRESSOR MOUNTING AND DRIVE

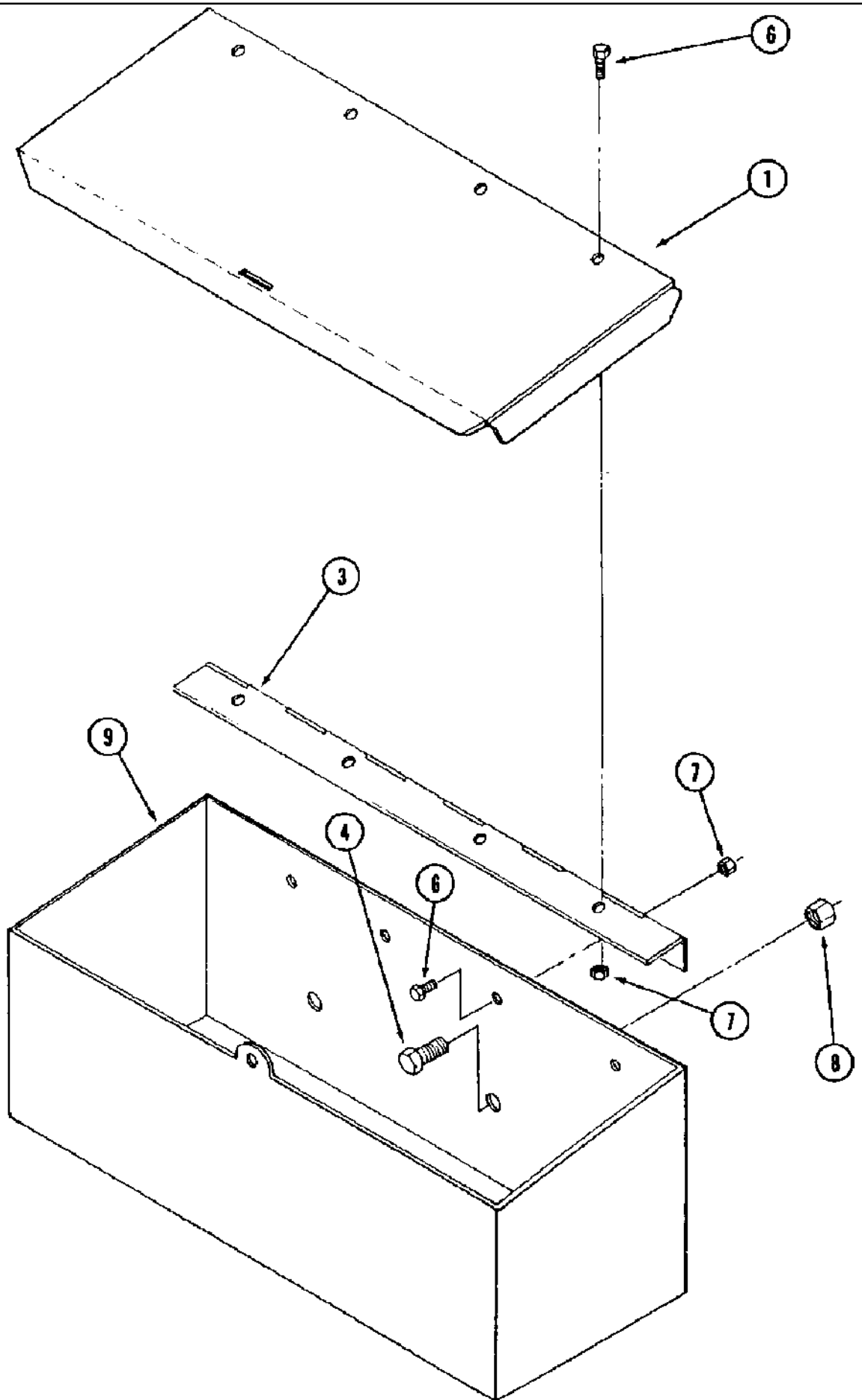
сылка	Номер детали	Кол-во	Описание
1	1999755C2	1	COMPRESSOR ASSEMBLY - air conditioning, parts list Figure 9-106
2	90-8440T1	1	MOUNT - compressor, replaces 90-7735T1 mount
3	426-820	2	BOLT - hex, 1/2 NC x 1-1/4 inch, grade 8
4	496-11053	2	WASHER, 17/32" x 1 1/16" x .095", HDN
5	426-612	2	BOLT - hex, 3/8 NC x 3/4 inch, grade 8
7	614-10035	4	BOLT - hex, full threads, 10 - 1.5 x 35 mm
8	496-21041	4	WASHER - flat, 13/32 x 13/16 x 3/32 inch, hardened
9	825-1410	4	Nut, M10, CI 8
12	496-41041	3	WASHER - flat, 13/32 x 1-1/8 x 9/64 inch, hardened
13	90-6871T2	1	BRACKET - mounting, shield
14	90-6872T1	1	SHIELD - compressor
15	413-1016	1	BOLT - hex, 5/8 NC x 1 inch
16	426-512	2	BOLT - hex, 5/16 NC x 3/4 inch, grade 8
17	495-21038	2	WASHER - flat, 3/8 x 7/8 x 3/32 inch
18	231-1445	2	NUT - hex, self-locking, 5/16 inch NC
22	90-7190T1	1	BELT - V, compressor



9380 CASE IH 4WD TRACTOR (6/95-8/00)

9-106 CAB AIR CONDITIONING, COMPRESSOR ASSEMBLY

сылка	Номер детали	Кол-во	Описание
1	1999755C2	1	COMPRESSOR ASSEMBLY - air conditioning, Includes: Ref. 2 - 4
2	135324A1	1	CLUTCH ASSEMBLY - compressor
3	A49667	1	PLUG - hex
4	128483A1	1	O-RING - 5/16 ID x 1/16 inch wide
5	60-3091T1	1	KIT - seal, compressor, replaced by A49665 kit
5	A49665	1	KIT - seal, compressor, replaces 60-3091T1 kit

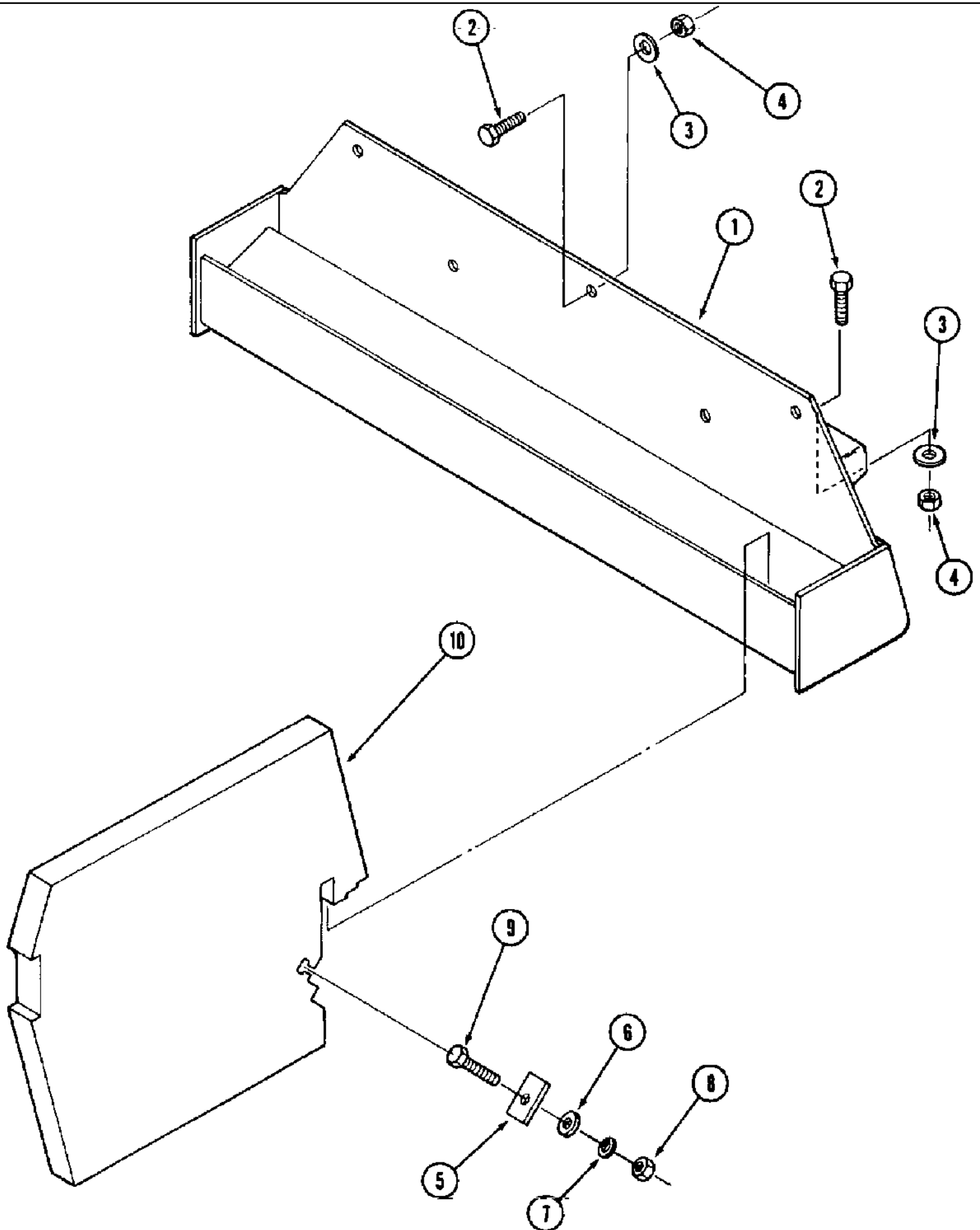


9380 CASE IH 4WD TRACTOR (6/95-8/00)

9-108 STORAGE BOX

сылка	Номер детали	Кол-во	Описание
	35-1978T91	1	KIT - storage box, no longer available, order component parts separately, Includes: Ref. 1 - 9
1	70-6747T1	1	PANEL - top
2	70-6745T1	1	BRACKET - mounting, not shown, not used in this application
3	70-6748T1	1	HINGE - tool box
4	426-828	2	BOLT - hex, 1/2 NC x 1-3/4 inch, grade 8
5	426-820	2	BOLT - hex, 1/2 NC x 1-1/4 inch, grade 8, not shown, not used in this application
6	426-48	7	BOLT - hex, 1/4 NC x 1/2 inch, grade 8
7	425-104	7	NUT - hex, 1/4 inch NC
8	425-108	2	NUT - hex, 1/2 inch NC
9	70-6752T1	1	BOX - storage

9-110 FRONT WEIGHTS

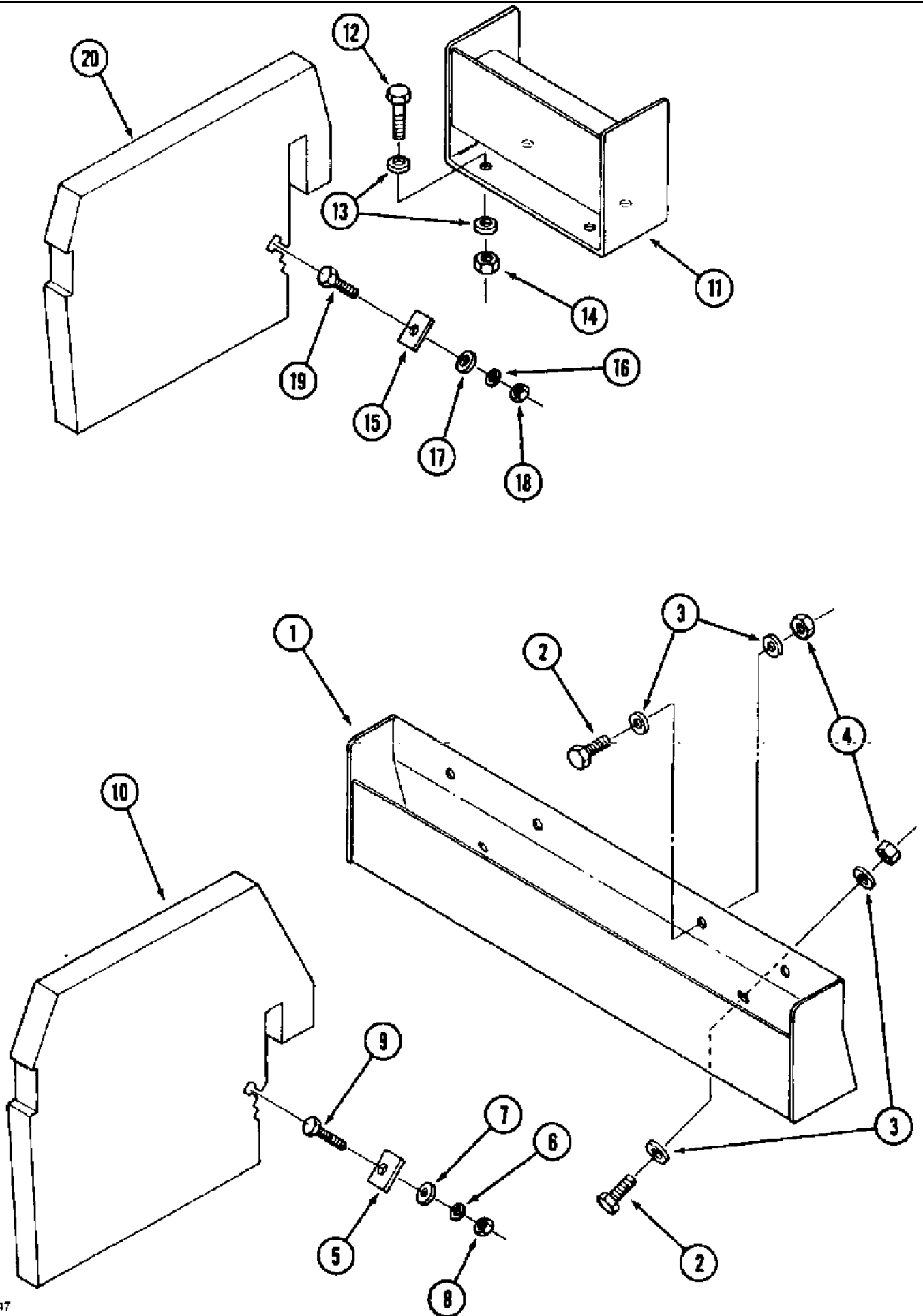


## 9380 CASE IH 4WD TRACTOR (6/95-8/00)

## 9-110 FRONT WEIGHTS

сылка	Номер детали	Кол-во	Описание
	35-1969T91	1	KIT - front weights, no longer available, order component parts separately, Includes: Ref. 1 - 10
1	70-6657T2	1	BRACKET - front weights
2	426-1232	9	BOLT - hex, 3/4 NC x 2 inch, grade 8
3	496-81000	18	WASHER - flat, 25/32 x 1-3/8 x 1/8 inch, hardened
4	425-1012	9	NUT - hex, 3/4 inch NC
5	1978431C1	16	CLAMP - weights
6	495-11053	16	WASHER, 1/2", SAE (17/32" x 1-1/16" x 3/32")
7	80679	16	Washer, Lock, 1/2"
8	425-108	16	NUT - hex, 1/2 inch NC
9	A169139	16	BOLT - square head, special, 1/2 NC x 3-1/4 inch
10	1347524C1	30	WEIGHT - front, order 1348233C1 or A67894 weight from Machinery Price List, 45.36 kgs, (100 pound)

9-112 REAR WEIGHTS

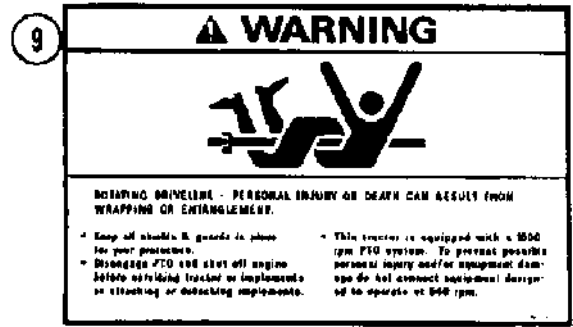
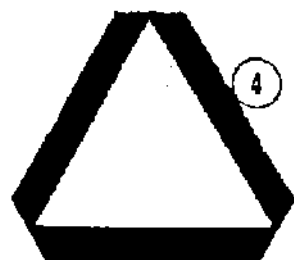
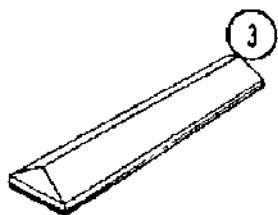
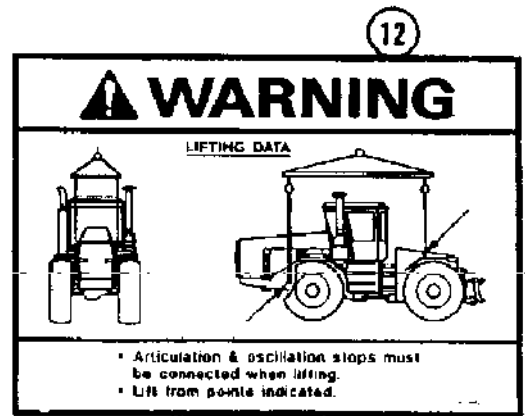
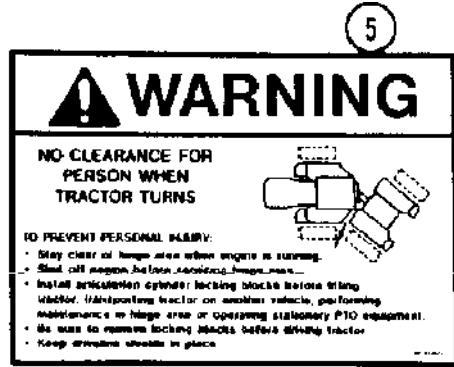
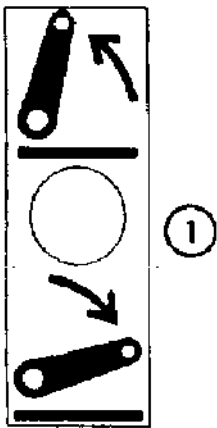




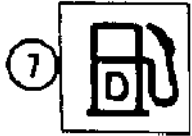
## 9380 CASE IH 4WD TRACTOR (6/95-8/00)

## 9-112 REAR WEIGHTS

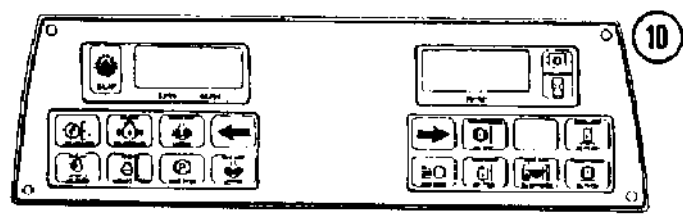
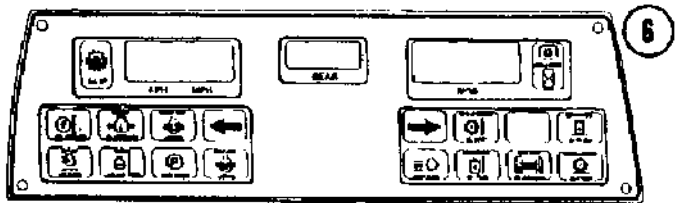
сылка	Номер детали	Кол-во	Описание
	35-1970T91	1	KIT - rear weights, lower, no longer available, order component parts separately, Includes: Ref. 1 - 10
1	70-6674T1	1	BRACKET - rear weights, lower
2	426-1232	6	BOLT - hex, 3/4 NC x 2 inch, grade 8
3	496-81000	16	WASHER - flat, 25/32 x 1-3/8 x 1/8 inch, hardened
4	425-1012	6	NUT - hex, 3/4 inch NC
5	1978431C1	13	CLAMP - weights
6	80679	13	Washer, Lock, 1/2"
7	495-11053	13	WASHER, 1/2", SAE (17/32" x 1-1/16" x 3/32")
8	425-108	13	NUT - hex, 1/2 inch NC
9	A169139	13	BOLT - square head, special, 1/2 NC x 3-1/4 inch
10	1347524C1	24	WEIGHT - front, order 1348233C1 or A67894 weight from Machinery Price List, 45.36 kgs, (100 pound)
	35-1971T91	1	KIT - rear weights, upper, no longer available, order component parts separately, Includes: Ref. 11 - 20
11	70-6686T1	2	BRACKET - rear weights, upper
12	426-1232	8	BOLT - hex, 3/4 NC x 2 inch, grade 8
13	496-81000	16	WASHER - flat, 25/32 x 1-3/8 x 1/8 inch, hardened
14	425-1012	86	NUT - hex, 3/4 inch NC
15	1978431C1	10	CLAMP - weights
16	80679	10	Washer, Lock, 1/2"
17	495-11053	10	WASHER, 1/2", SAE (17/32" x 1-1/16" x 3/32")
18	425-108	10	NUT - hex, 1/2 inch NC
19	A169139	10	BOLT - square head, special, 1/2 NC x 3-1/4 inch
20	1347524C1	18	WEIGHT - front, order 1348233C1 or A67894 weight from Machinery Price List, 45.36 kgs, (100 pound)



Adjustment of fuel pump beyond factory specs will void warranty on machine.



21

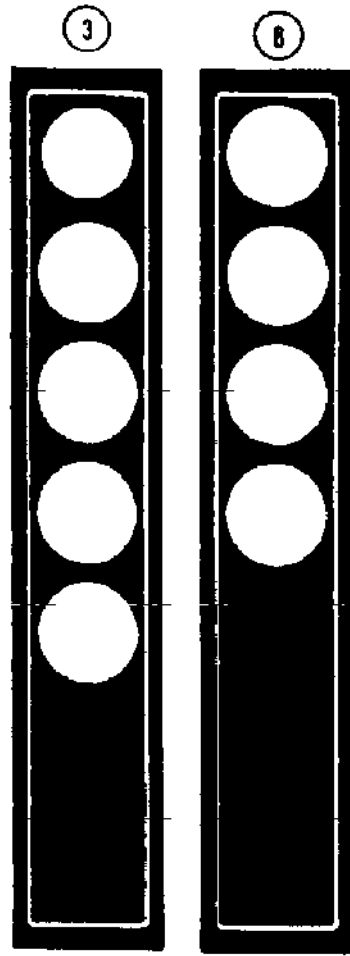
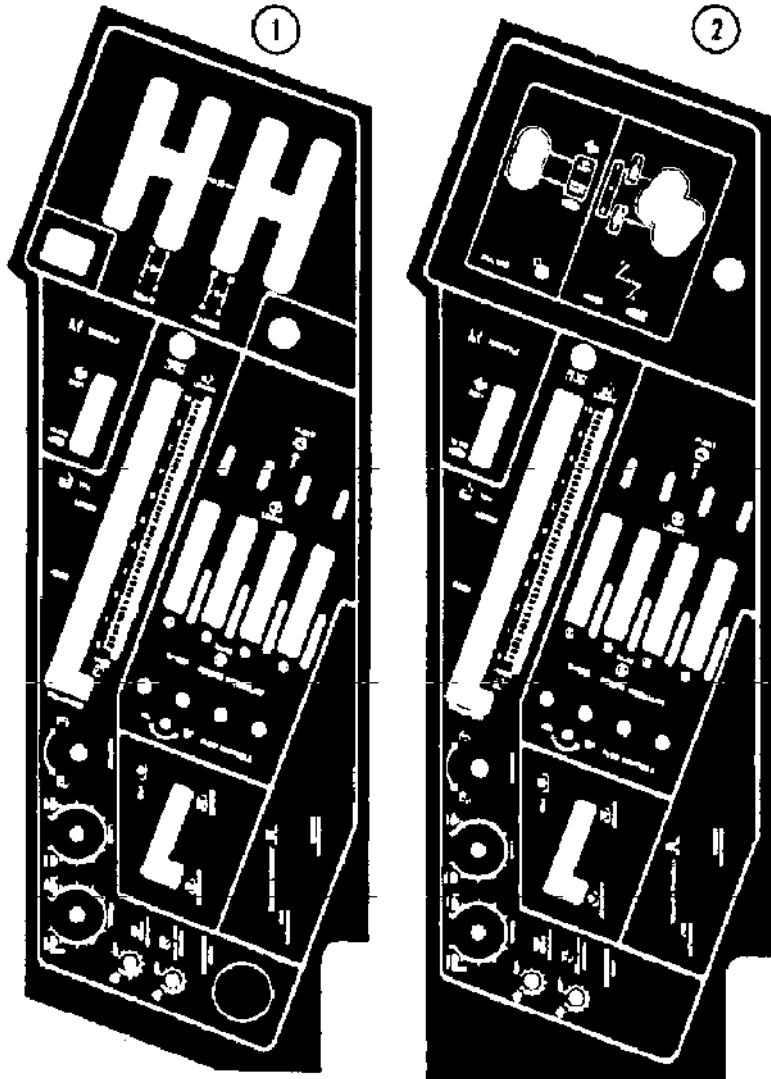


## 9380 CASE IH 4WD TRACTOR (6/95-8/00)

## 9-114 DECALS

сылка	Номер детали	Кол-во	Описание
1	60-7036T1	2	DECAL - three point hitch switch
3	1968108C2	1	TRIM - hood sight
4	321-4311	1	DECAL - SMV emblem, used on plastic surfaces only
4	407263R1	1	DECAL - SMV emblem, used on painted surfaces only
4	202013C2	1	EMBLEM - slow moving vehicle, replaces 26-1 decal and is replaced by 311860A1 emblem
4	311860A1	1	EMBLEM - slow moving vehicle, replaces 202013C2 emblem
5	2-6876T3	1	DECAL - Warning, no clearance for person when tractor turns
6	60-7285T1	1	DECAL - instrument cluster, Power Shift
7	139879A1	1	DECAL - diesel fuel
8	2-6874T2	1	DECAL - center hinge locking bar
9	2-7125T2	1	DECAL - Warning, rotating driveline
10	60-7286T1	1	DECAL - instrument cluster, SynchroShift
12	2-6935T2	1	DECAL - Warning, lifting data, NEW TEMPORARY DECAL THAT COMBINES LIFTING INSTR. DECAL AND "OSCILLATION & ARTICULATION LOCK REMOVAL TAG. NEW ONE TO BE PLACED ON OUTSIDE OF CAB DOOR GLASS AND CAN BE REMOVED AFTER SHIPPING. USED ONLY IN EXPORT UNITS. PER F98841
13	426-412	2	BOLT - hex, 1/4 NC x 3/4 inch, grade 8, not shown
14	425-104	2	NUT - hex, 1/4 inch NC, not shown
15	495-11028	2	WASHER - flat, 9/32 x 5/8 x 1/16 inch, not shown
21	A189007	1	DECAL - warranty, fuel pump

Decal on door window is 349378a1 decal, states "over 30 years 4 wh drive"



**7**

**WARNING**  
**AVOID INJURY**  
**OR DEATH!**

**BEFORE REPAIRING THIS TRACTOR:**

1. Shut off the engine and disconnect the battery.
2. Do not touch the battery terminals.
3. Do not touch the battery terminals while the engine is running.
4. Do not touch the battery terminals while the engine is running.
5. Do not touch the battery terminals while the engine is running.
6. Do not touch the battery terminals while the engine is running.
7. Do not touch the battery terminals while the engine is running.
8. Do not touch the battery terminals while the engine is running.
9. Do not touch the battery terminals while the engine is running.
10. Do not touch the battery terminals while the engine is running.
11. Do not touch the battery terminals while the engine is running.
12. Do not touch the battery terminals while the engine is running.
13. Do not touch the battery terminals while the engine is running.
14. Do not touch the battery terminals while the engine is running.
15. Do not touch the battery terminals while the engine is running.

**CAUTION:**

1. Do not touch the battery terminals while the engine is running.
2. Do not touch the battery terminals while the engine is running.
3. Do not touch the battery terminals while the engine is running.
4. Do not touch the battery terminals while the engine is running.
5. Do not touch the battery terminals while the engine is running.
6. Do not touch the battery terminals while the engine is running.
7. Do not touch the battery terminals while the engine is running.
8. Do not touch the battery terminals while the engine is running.
9. Do not touch the battery terminals while the engine is running.
10. Do not touch the battery terminals while the engine is running.
11. Do not touch the battery terminals while the engine is running.
12. Do not touch the battery terminals while the engine is running.
13. Do not touch the battery terminals while the engine is running.
14. Do not touch the battery terminals while the engine is running.
15. Do not touch the battery terminals while the engine is running.

**WARNING:**

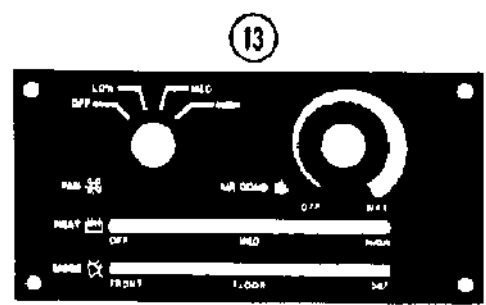
1. Do not touch the battery terminals while the engine is running.
2. Do not touch the battery terminals while the engine is running.
3. Do not touch the battery terminals while the engine is running.
4. Do not touch the battery terminals while the engine is running.
5. Do not touch the battery terminals while the engine is running.
6. Do not touch the battery terminals while the engine is running.
7. Do not touch the battery terminals while the engine is running.
8. Do not touch the battery terminals while the engine is running.
9. Do not touch the battery terminals while the engine is running.
10. Do not touch the battery terminals while the engine is running.
11. Do not touch the battery terminals while the engine is running.
12. Do not touch the battery terminals while the engine is running.
13. Do not touch the battery terminals while the engine is running.
14. Do not touch the battery terminals while the engine is running.
15. Do not touch the battery terminals while the engine is running.

**9**

**EMERGENCY EXIT**  
 Remove zipper by pulling tab & push window out

**6**

**CAUTION**  
 WHEN OPERATING THIS VEHICLE USE HEARING PROTECTION.



**10**

**CIRCUIT BREAKERS**

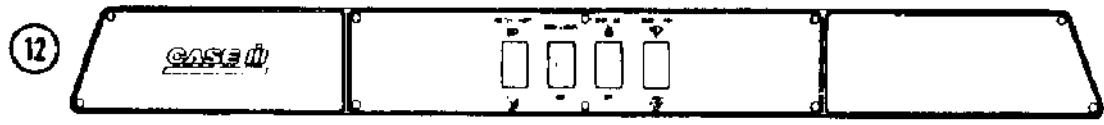
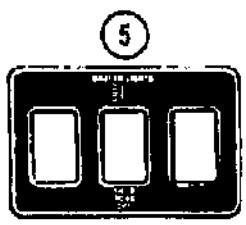
CAB FIELD LAMPS	REAR FIELD LAMPS	HEAD LAMPS	TAIL LAMPS	DOMING & CURVE LIGHTS	IGNITION & STOP LIGHT	WIPER & WASH	IGNITION & STOP LIGHT	IGNITION & STOP LIGHT	FLASHER
-----------------	------------------	------------	------------	-----------------------	-----------------------	--------------	-----------------------	-----------------------	---------

**11**

RELAY 10	RELAY 9	RELAY 8	RELAY 7	RELAY 6	RELAY 5	RELAY 4	RELAY 3	RELAY 2	RELAY 1
REAR FIELD LAMP	REAR FIELD LAMP	REAR FIELD LAMP	REAR FIELD LAMP	REAR FIELD LAMP	REAR FIELD LAMP	REAR FIELD LAMP	REAR FIELD LAMP	REAR FIELD LAMP	REAR FIELD LAMP

**4**

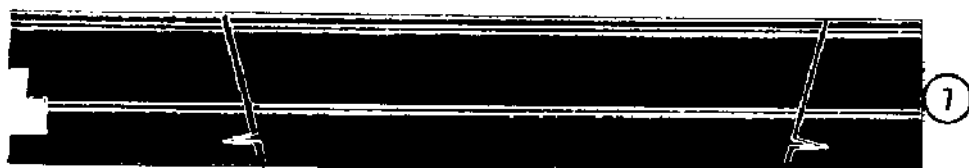
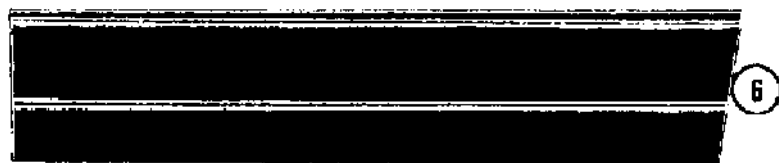
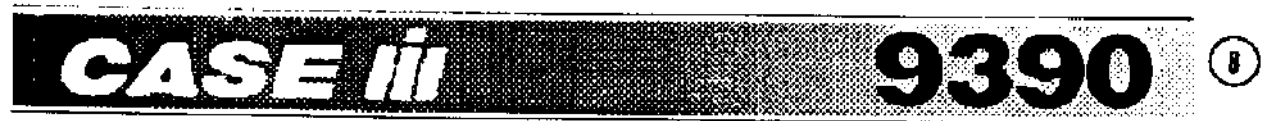
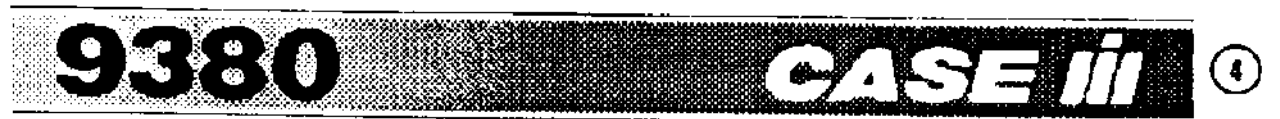
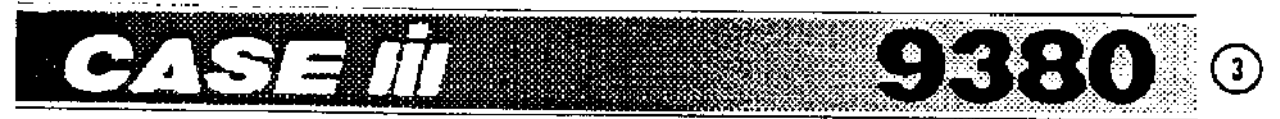
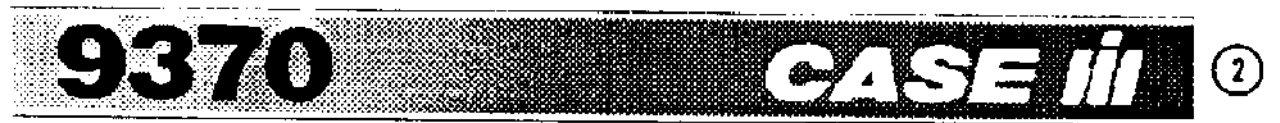
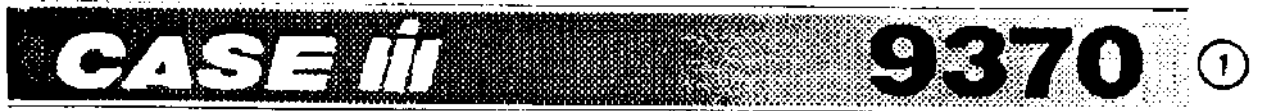
RELAY 12	RELAY 11	RELAY 10	RELAY 9	RELAY 8	RELAY 7	RELAY 6	RELAY 5	RELAY 4	RELAY 3	RELAY 2	RELAY 1
FRONT FIELD LAMP	FRONT FIELD LAMP	FRONT FIELD LAMP	FRONT FIELD LAMP	FRONT FIELD LAMP	FRONT FIELD LAMP	FRONT FIELD LAMP	FRONT FIELD LAMP	FRONT FIELD LAMP	FRONT FIELD LAMP	FRONT FIELD LAMP	FRONT FIELD LAMP



## 9380 CASE IH 4WD TRACTOR (6/95-8/00)

## 9-116 DECALS

сылка	Номер детали	Кол-во	Описание
1	60-6416T1	1	DECAL - control console, Power Shift tractor
2	60-7065T1	1	DECAL - control console, SynchroShift tractor
3	60-5939T2	1	DECAL - gauge panel, prior to P.I.N. JEE0071001
4	60-7064T1	1	DECAL - overhead relay
5	60-5980T1	1	DECAL - master lamps, ROPS
6	60-5866T1	1	DECAL - Caution, when operating this vehicle use hearing protection
7	60-6468T2	1	DECAL - Warning, avoid injury or death
8	60-5939T3	1	DECAL - gauge panel, P.I.N. JEE0071001 and after
9	2-6879T1	1	DECAL - emergency exit
10	60-6297T1	1	DECAL - circuit breaker
11	60-7158T1	1	DECAL - relay
12	60-7153T1	1	DECAL - overhead controls
13	60-6716T1	1	DECAL - climate control panel



## 9380 CASE IH 4WD TRACTOR (6/95-8/00)

## 9-118 DECALS

сылка	Номер детали	Кол-во	Описание
1	60-7143T1	1	DECAL - 9370 Case International, left-hand
2	60-7144T1	1	DECAL - 9370 Case International, right-hand
3	60-7145T1	1	DECAL - 9380 Case International, left-hand
4	60-7146T1	1	DECAL - 9380 Case International, right-hand
5	60-7147T1	1	DECAL - cab, left-hand side
6	60-7149T1	1	DECAL - cab, right-hand side
7	60-7148T1	1	DECAL - cab, rear
8	60-7224T1	1	DECAL - 9390 Case International, left-hand
9	60-7223T1	1	DECAL - 9390 Case International, right-hand

MPH		Gears	RANGE
LO	HI		
2.3	2.5	1	A
3.1	3.3	2	A
3.8	4.1	1	B
4.2	4.8	3	A
5.2	5.8	2	B
6.1	6.8	1	C
7.1	7.8	3	B
8.2	8.8	2	C
9.5	10.3	1	D
11.2	12.1	3	C
12.9	13.9	2	D
17.7	19.0	3	D
3.3	3.5	R	A
5.8	5.9	R	B
8.7	9.3	R	C

1

MPH	Gears	RANGE
2.3	1	A
3.1	2	A
3.8	1	B
4.2	3	A
5.2	2	B
6.1	1	C
7.1	3	B
8.2	2	C
9.5	1	D
11.2	3	C
12.9	2	D
17.7	3	D
3.3	R	A
5.8	R	B
8.7	R	C

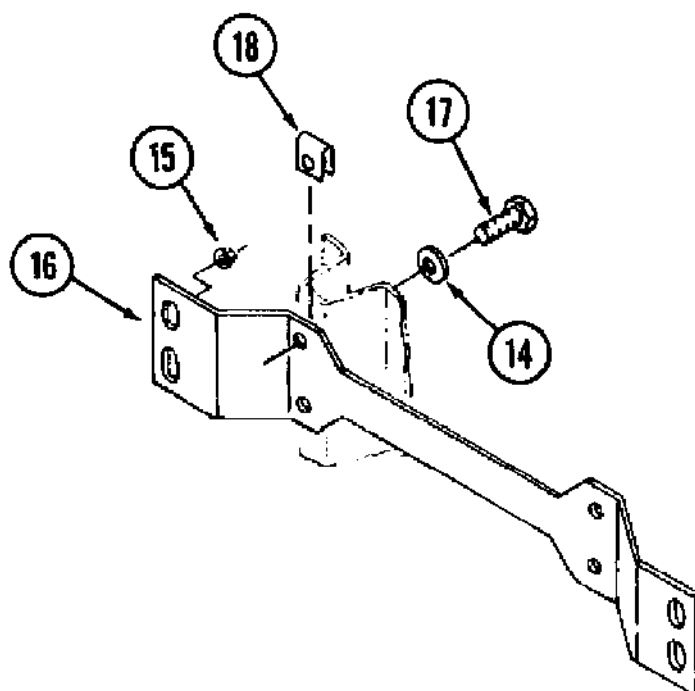
2

GEAR	MPH
1	2.3
2	3.1
3	3.8
4	4.2
5	4.8
6	5.2
7	5.8
8	6.1
9	6.8
10	7.1
11	7.8
12	8.2
R1	8.7
R2	9.5
R3	11.2

3

**STEIGER** 13

**STEIGER** 7





## 9380 CASE IH 4WD TRACTOR (6/95-8/00)

## 9-120 DECALS

сылка	Номер детали	Кол-во	Описание
1	60-6723T1	1	DECAL - MPH, 24 speed SynchroShift
2	60-6567T2	1	DECAL - MPH, 12 speed SynchroShift
3	60-6568T1	1	DECAL - gear/mile per hour, Power Shift
7	60-7097T1	1	DECAL - Steiger, if used
13	2-4585T2	1	EMBLEM - Steiger, grille
14	495-11028	4	WASHER - flat, 9/32 x 5/8 x 1/16 inch
15	9420182	4	NUT - special
16	70-6772T1	1	BRACKET - emblem
17	281-18712	4	SCREW - self-tapping, hex washer head, 1/4 NC x 3/4 inch
18	131-610	2	NUT - U-type, 1/4 inch NC

